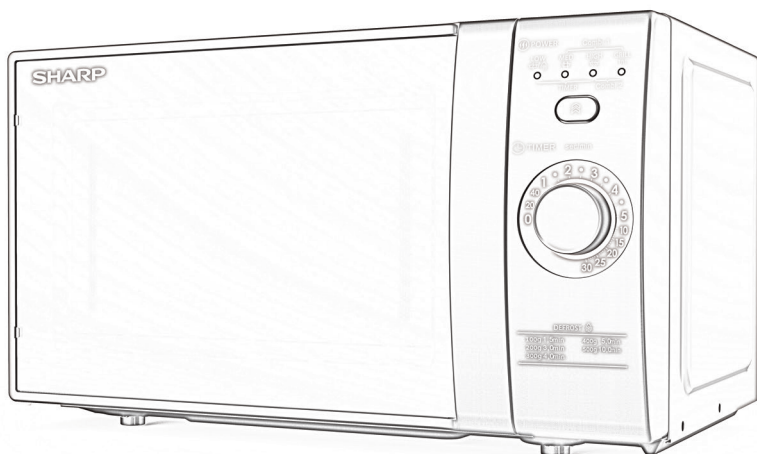


# SHARP



## User manual

YC-GS02E, YC-GG02E

Microwave oven

EN

DE

ES

PT

FR

PL

NL

IT

\*Product images are for illustration purpose only. Actual product may vary.





**Attention:**

Your product is marked with this symbol. It means that used electrical and electronic products should not be mixed with general household waste. There is a separate collection system for these products.

## A. Information on Disposal for Users (private households)

### 1. In the European Union

Attention: If you want to dispose of this equipment, please do not use the ordinary dustbin!

Used electrical and electronic equipment must be treated separately and in accordance with legislation that requires proper treatment, recovery and recycling of used electrical and electronic equipment.

Following the implementation by member states, private households within the EU states may return their used electrical and electronic equipment to designated collection facilities free of charge\*.

In some countries\* your local retailer may also take back your old product free of charge if you purchase a similar new one.

\*) Please contact your local authority for further details.

If your used electrical or electronic equipment has batteries or accumulators, please dispose of these separately beforehand according to local requirements. By disposing of this product correctly you will help ensure that the waste undergoes the necessary treatment, recovery and recycling and thus prevent potential negative effects on the environment and human health which could otherwise arise due to inappropriate waste handling.

### 2. In other Countries outside the EU

If you wish to discard this product, please contact your local authorities and ask for the correct method of disposal.

For Switzerland: Used electrical or electronic equipment can be returned free of charge to the dealer, even if you don't purchase a new product.

Further collection facilities are listed on the homepage of [www.swico.ch](http://www.swico.ch) or [www.sens.ch](http://www.sens.ch).

## B. Information on Disposal for Business Users

### 1. In the European Union

If the product is used for business purposes and you want to discard it:

Please contact your SHARP dealer who will inform you about the take-back of the product. You might be charged for the costs arising from take-back and recycling. Small products (and small amounts) might be taken back by your local collection facilities.

For Spain: Please contact the established collection system or your local authority for take-back of your used products.

### 2. In other Countries outside the EU

If you wish to discard of this product, please contact your local authorities and ask for the correct method of disposal.



# SPECIFICATIONS

| Model name:                            |           | YC-G502E                      | YC-GG02E                      |
|--|-----------|-------------------------------|-------------------------------|
| AC Line Voltage                        |           | 230-240 V, 50 Hz single phase | 230-240 V, 50 Hz single phase |
| Distribution line fuse/circuit breaker |           | 10 A                          | 10 A                          |
| AC Power required:                     | Microwave | 1200 W                        | 1200 W                        |
| Output power:                          | Microwave | 700 W (IEC 60705)             | 700 W (IEC 60705)             |
|  | Grill     |                               | 1000 W                        |
|  | Off Mode  | less than < 0,5W              | less than < 0,5W              |
| Microwave Frequency                    |           | 2450 MHz* (Group 2/Class B)   | 2450 MHz* (Group 2/Class B)   |
| Outside Dimensions (W) x (H) x (D) mm  |           | 452 x 262 x 345               | 452 x 262 x 345               |
| Cavity Dimensions (W) x (H) x (D)** mm |           | 315 x 198 x 297               | 315 x 198 x 297               |
| Oven Capacity                          |           | 20 litres**                   | 20 litres**                   |
| Turntable                              |           | ø 245 mm                      | ø 245 mm                      |
| Grill rack                             |           |                               | ø 190 mm                      |
| Weight                                 |           | approx. 11,3 kg               | approx. 12,5 kg               |
| Oven lamp                              |           | 20 W                          | 20 W                          |

\* - This Product fulfils the requirement of the European standard EN55011.

In conformity with this standard, this product is classified as group 2 class B equipment.

Group 2 means that the equipment intentionally generates radio-frequency energy in the form of electromagnetic radiation for the heat treatment of food.

Class B equipment means that the equipment is suitable to be used in domestic establishments.

\*\* - Internal capacity is calculated by measuring maximum width, depth and height. Actual capacity for holding food will be less than this.

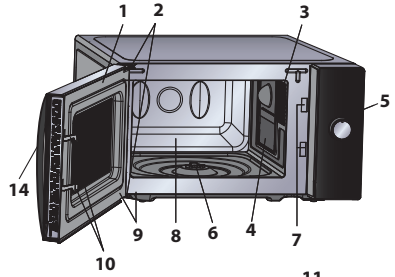
AS PART OF A POLICY OF CONTINUOUS IMPROVEMENT, WE RESERVE THE RIGHT TO ALTER DESIGN AND SPECIFICATIONS WITHOUT NOTICE.

# OVEN AND ACCESSORIES



## OVEN

1. Door
2. Door hinges
3. Oven lamp
4. Waveguide cover (DO NOT REMOVE)
5. Control panel
6. Coupling
7. Door latches
8. Oven cavity
9. Door seals and sealing surfaces
10. Door safety latches
11. Ventilation openings
12. Outer cabinet
13. Power supply cord
14. Door opening



## ACCESSORIES:

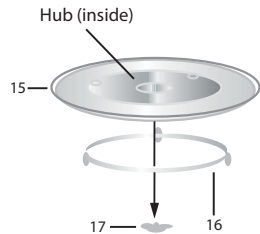
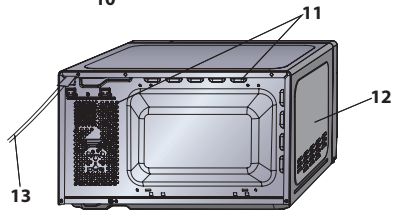
Check to make sure the following accessories are provided:

15. Turntable (glass)
16. Turntable support
17. Coupling
18. Rack (*only for YC-GG02E*)

- Place the turntable support in the centre of the oven floor so that it can freely rotate around the coupling. Then place the turntable on to the turntable support so that it locates firmly into the coupling.
- To avoid turntable damage, ensure dishes and containers are lifted clear of the turntable rim when removing them from the oven.
- The rack is designed for use with grill ovens only. Do not use the rack when using the microwave function.
- For use of the rack, refer to the GRILLING SECTIONS.


**Never touch the grill when it is hot.**

**NOTE:** When you order accessories, please mention two items: part name and model name.



## NOTES:

- The waveguide cover is fragile. Care should be taken when cleaning inside the oven to ensure that it is not damaged.
- After cooking fatty foods without a cover, always clean the cavity and especially the grill heating element thoroughly, these must be dry and free from grease. Built-up grease may overheat and begin to smoke or catch fire.
- Always operate the oven with the turntable and turntable support fitted correctly. This promotes thorough, even cooking. A badly fitted turntable may rattle, may not rotate properly and could cause damage to the oven.
- All food and containers of food are always placed on the turntable for cooking.
- The turntable rotates clockwise or anti-clockwise. The rotary direction may change each time you start the oven. This does not affect cooking performance.

**⚠ WARNING:**  This symbol means that the surfaces are liable to get hot during use. The door, outer cabinet, oven cavity, accessories and dishes will become very hot during operation. To prevent burns, always use thick oven gloves.



# CONTROL PANEL

## 1. FUNCTION

Press to select microwave power level, timer function or combination mode.

LOW / - 280W

MED - 560W

HIGH - 700W

GRILL - 100% Grill

GRILL (Combi 1) - 70% Grill, 30% Micro

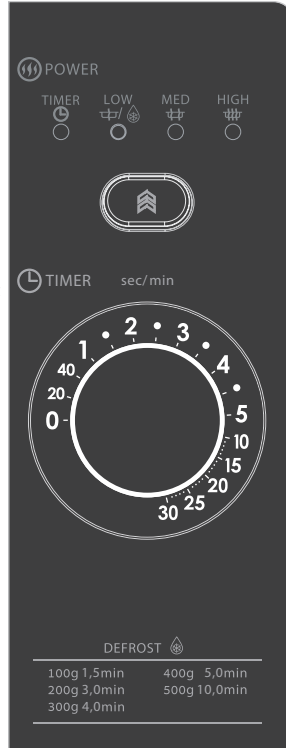
GRILL (Combi 2) - 44% Grill, 56% Micro

TIMER - kitchen timer

## 2. TIMER knob

Turn TIMER knob to set cooking time. The longest time is 30 minutes. Then the oven starts cooking automatically.

NOTE: To increase the cooking/defrosting time, turn the timer knob to the right. To decrease the cooking/defrosting time, turn the timer knob to the left.



YC-GS02E



YC-GG02E

## IMPORTANT SAFETY INSTRUCTIONS



### **IMPORTANT SAFETY INSTRUCTIONS: READ CAREFULLY AND KEEP FOR FUTURE REFERENCE**

**To avoid the danger of fire.**

**The microwave oven should not be left unattended during operation. Power levels that are too high, or cooking times that are too long, may overheat foods resulting in a fire.**

This oven is designed to be used on a countertop only. It is not designed to be built into a kitchen unit.

Do not place the oven in a cabinet.

The electrical outlet must be readily accessible so that the unit can be unplugged easily in an emergency.

The AC power supply must be 230-240 V, 50 Hz, with a minimum 10 A distribution line fuse, or a minimum 10 A distribution circuit breaker.

A separate circuit serving only this appliance should be provided.

Do not place the oven in areas where heat is generated. For example, close to a conventional oven.

Do not install the oven in an area of high humidity or where moisture may collect.

Do not store or use the oven outdoors.

**If smoke is observed, switch off or unplug the oven and keep the door closed in order to stifle any flames. Use only microwave-safe containers and utensils. Utensils should be checked to ensure that they are**



## IMPORTANT SAFETY INSTRUCTIONS

**suitable for use in microwave ovens.**

**When heating food in plastic or paper containers, keep an eye on the oven due to the possibility of ignition.**

**Clean the waveguide cover, the oven cavity, the turntable and turntable support after use.**

**These must be dry and free from grease. Built up grease may overheat and begin to smoke or catch fire.**

Do not place flammable materials near the oven or ventilation openings.

Do not block the ventilation openings.

Remove all metallic seals, wire twists, etc., from food and food packages. Arcing on metallic surfaces may cause a fire.

Do not use the microwave oven to heat oil for deep frying. The temperature cannot be controlled and the oil may catch fire.

To make popcorn, use only special microwave popcorn makers.

Do not store food or any other items inside the oven.

Check the settings after you start the oven to ensure the oven is operating as desired.

To avoid overheating and fire, special care must be taken when cooking or reheating foods with a high sugar or fat content, for example, Sausage rolls, Pies or Christmas pudding.

See the corresponding hints in the operation manual.



## IMPORTANT SAFETY INSTRUCTIONS



### To avoid the possibility of injury.

#### **WARNING:**

Do not operate the oven if it is damaged or malfunctioning. Check the following before use:

- a) Make sure the door closes properly and ensure it is not misaligned or warped.
- b) Check to make sure the hinges and safety door latches are not broken or loose.
- c) Ensure that the door seals and sealing surfaces have not been damaged.
- d) Make sure inside the oven cavity or on the door are no dents.
- e) Ensure that the power supply cord and plug are not damaged.

If the door or door seals are damaged, the oven must not be operated until it has been repaired by a competent person.

#### **Never adjust, repair or modify the oven yourself.**

**It is hazardous for anyone other than a competent person to carry out any service or repair operation which involves the removal of a cover which gives protection against exposure to microwave energy.**

Do not operate the oven with the door open or alter the door safety latches in any way. Do not operate the oven if there is an object between the door seals and sealing surfaces.



## IMPORTANT SAFETY INSTRUCTIONS

**Do not allow grease or dirt to build up on the door seals and adjacent parts. Clean the oven at regular intervals and remove any food deposits.**

**Follow the instructions for “Care and Cleaning”. Failure to maintain the oven in a clean condition could lead to a deterioration of the surface that could adversely affect the life of the appliance and possibly result in a hazardous situation.**

Individuals with PACEMAKERS should check with their doctor or the manufacturer of the pacemaker for precautions regarding microwave ovens.

**To avoid the possibility of electric shock.**

Under no circumstances should you remove the outer cabinet.

Never spill or insert any objects into the door lock openings or ventilation openings. In the event of a spill, turn off and unplug the oven immediately, and call an authorised SHARP service agent.

Do not immerse the power supply cord or plug in water or any other liquid.

Do not let the power supply cord hang over the edge of a table or work surface.

Keep the power supply cord away from heated surfaces, including the rear of the oven.

Keep the appliance and its cord out of reach of children less than 8 years.

## IMPORTANT SAFETY INSTRUCTIONS



Do not attempt to replace the oven lamp yourself or allow anyone who is not an electrician authorised by SHARP to do so. If the oven lamp fails, please consult your dealer or an authorised SHARP service agent.

If the power supply cord of this appliance is damaged, it must be replaced with a special cord.

The exchange must be made by an authorised SHARP service agent.

**To avoid the possibility of explosion and sudden boiling:**

**WARNING: Liquids and other foods must not be heated in sealed containers since they are liable to explode.**

**Microwave heating of beverages can result in delayed eruptive boiling, therefore care must be taken when handling the container.**

Never use sealed containers. Remove seals and lids before use. Sealed containers can explode due to a build up of pressure even after the oven has been turned off.

Take care when microwaving liquids. Use a wide mouthed container to allow bubbles to escape.

**Never heat liquids in narrow necked containers such as baby bottles, as this may result in the contents erupting from the container when heated and cause burns.**



## IMPORTANT SAFETY INSTRUCTIONS

To prevent sudden eruption of boiling liquid and possible scalding:

1. Do not use excessive amount of time.
2. Stir liquid prior to heating/reheating.
3. It is advisable to insert a glass rod or similar utensil (not metal) into the liquid whilst reheating.
4. Let liquid stand for at least 20 seconds in the oven at the end of cooking time to prevent delayed eruptive boiling.

**Do not cook eggs in their shells, and whole hard boiled eggs should not be heated in microwave ovens since they may explode even after microwave cooking has ended. To cook or reheat eggs which have not been scrambled or mixed, pierce the yolks and the whites, or the eggs may explode. Shell and slice hard boiled eggs before reheating them in the microwave oven.**

Pierce the skin of such foods as potatoes, sausages and fruit before cooking, or they may explode.

**To avoid the possibility of burns.**

**WARNING: The contents of feeding bottles and baby food jars must be stirred or shaken and the temperature checked before consumption, in order to avoid burns.**

**Use pot holders or oven gloves when removing food from the oven to prevent burns.**

## IMPORTANT SAFETY INSTRUCTIONS



Always open containers, popcorn makers, oven cooking bags, etc., away from the face and hands to avoid steam burns and eruption of boiling.

To avoid burns, always test food temperature and stir before serving and pay special attention to the temperature of food and drink given to babies, children or the elderly. Accessible parts may become hot during use. Young children should be kept away.

Temperature of the container is not a true indication of the temperature of the food or drink; always check the food temperature.

Always stand back from the oven door when opening it to avoid burns from escaping steam and heat.

Slice stuffed baked foods after heating to release steam and avoid burns.

Keep children away from the door to prevent them burning themselves.

### **To avoid misuse by children.**

**WARNING: Only allow children aged from 8 years and above to use the oven without supervision when adequate instructions have been given so that the child is able to use the oven in a safe way and understands the hazards of improper use. When the appliance is operated in the GRILL, MIX GRILL and AUTO MENU operation, children should only use the oven under adult supervision due to the temperature generated.**



## IMPORTANT SAFETY INSTRUCTIONS

**This appliance is not intended for use by persons (including children) with reduced physical, sensory or mental capabilities, or lack of experience and knowledge, unless they have been given supervision or instruction concerning use of the appliance by a person responsible for their safety. Children should be supervised to ensure that they do not play with the appliance.**

Do not lean or swing on the oven door. Do not play with the oven or use it as a toy.

Children should be taught all important safety instructions: use of pot holders, careful removal of food coverings - paying special attention to packaging (e.g. self-heating materials) designed to make food crisp, as they may be extra hot.

### **Other warnings**

Never modify the oven in any way.

Do not move the oven while it is in operation.

This appliance is intended to be used in household and similar applications such as:

- staff kitchen areas in shops, offices and other working environments;
- farm houses;
- by clients in hotels, motels and other residential environments;
- bed and breakfast type environments.

## IMPORTANT SAFETY INSTRUCTIONS



This oven is for home food preparation only and may only be used for cooking food and beverages. Drying of food or clothing and heating of warming pads, slippers, sponges, damp cloth and similar may lead to risk of injury, ignition or fire. It is not suitable for commercial or laboratory use.

### **To promote trouble-free use of your oven and avoid damage.**

Never operate the oven when it is empty. When using a browning dish or self-heating material, always place a heat-resistant insulator such as a porcelain plate under it to prevent damage to the turntable and turntable support due to heat stress. The preheating time specified in the dishes instructions must not be exceeded.

Do not use metal utensils, which reflect microwaves and may cause electrical arcing. Do not put cans in the oven. Use only the turntable and the turntable support designed for this oven. Do not operate the oven without the turntable.

To prevent the turntable from breaking:

- a) Before cleaning the turntable with water, leave the turntable to cool.
- b) Do not put hot foods or hot utensils on a cold turntable.
- c) Do not put cold foods or cold utensils on a hot turntable.

Do not place anything on the outer cabinet during operation.



## IMPORTANT SAFETY INSTRUCTIONS

### **NOTE:**

Do not use plastic containers for microwaving if the oven is still hot from using the GRILL and MIX GRILL operation because they may melt.

Plastic containers must not be used during above modes unless the container manufacturer says they are suitable. If you are unsure how to connect your oven, please consult an authorised, qualified electrician.

Neither the manufacturer nor the dealer can accept any liability for damage to the oven or personal injury resulting from failure to observe the correct electrical connection procedure.

Water vapour or drops may occasionally form on the oven walls or around the door seals and sealing surfaces. This is a normal occurrence and is not an indication of microwave leakage or a malfunction.



This symbol means that the surfaces are liable to get hot during use.







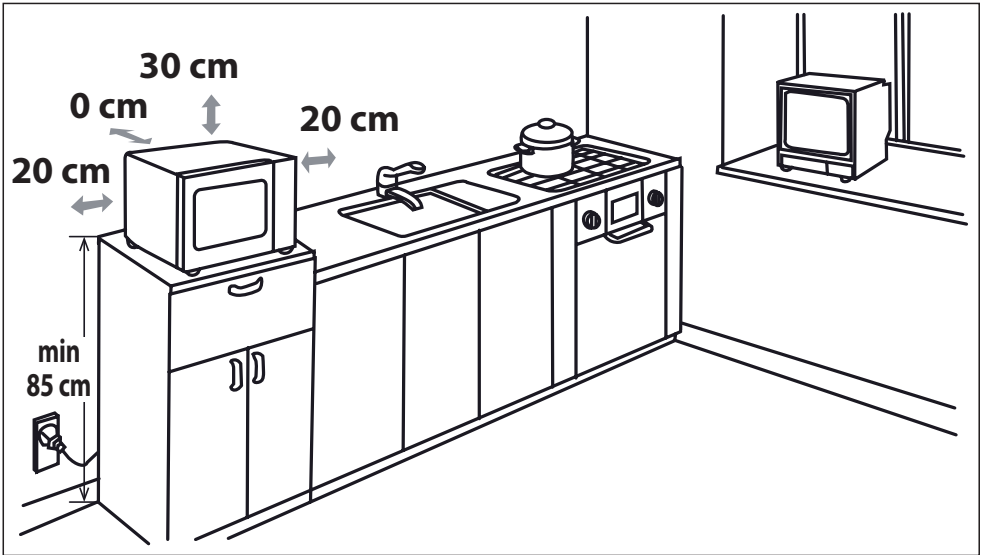
## INSTALLATION

Remove all packing materials from the inside of the oven cavity and remove any protective film found on the microwave oven cabinet surface.

1. Check the oven carefully for any signs of damage.
2. Place the oven on a secure, level surface, strong enough to take the oven weight, plus the heaviest item likely to be cooked in the oven. Do not place the oven in a cabinet.
3. Select a level surface that provide enough open space for the intake and/or outlet vents. See picture on the first page.

The rear surface of appliance can be placed against a wall.

- The minimum installation height is 85 cm.
- A minimum space of 20 cm is required between the sides of the microwave oven and any adjacent walls or objects.
- Leave a minimum space of 30 cm above the oven.
- Do not remove the feet from the bottom of the oven.
- Blocking the intake and/or outlet openings can damage the oven.
- Place the oven as far away from radios and TV as possible. Operation of microwave oven may cause interference to your radio or TV reception.



- Securely connect the plug of the oven to a standard earthed (grounded) household electrical outlet.

**WARNING:** Do not place the oven where heat, moisture or high humidity are generated, (for example, near or above a conventional oven) or near combustible materials (for example, curtains).

Do not block or obstruct air vent openings.

Do not place objects on top of the oven.

Do not touch the exterior of the microwave oven during or shortly after operation as it will be hot.



## MICROWAVE POWER LEVELS

- When the oven first plugged in, the oven can't be operated. After opening and closing the oven door once, the function indicator "LOW/☞/⊕" and timer indicator "0" will come on, then the oven will return to standby mode.
- In standby mode or after cooking end, if there is no operation within 3 minutes, the oven will enter standby lock mode.
- During cooking, you can cancel the cooking program by opening the oven door or turning TIMER knob to "0".
- After cooking end, the function indicator selected and timer indicator "0" will come on, and system will sound.
- When using the oven for more than 2 minutes, the cooling fan will remain on at the end of the cooking cycle. The fan will operate for about 3 minutes after cooking.



## MICROWAVE COOKING

1. Prepare and place food in a suitable container (refer to "SUITABLE OVENWARE"), position food/container directly onto the middle of the turntable. Close the door.
2. In standby mode, press FUNCTION button repeatedly until the function indicator "HIGH/⚡" or "MED/⚡" appears.
3. Turn the **TIMER** knob to the desired cooking/defrosting time and the oven will start automatically.
4. When cooking/defrosting is complete, the **TIMER** returns to "0" zero and the signal will sound. The oven lamp will turn off automatically and the turntable stops rotating. Open the oven door, remove the food/container carefully. Leave food to stand as required.

### COOKING HINTS:

When the oven starts, the oven lamp will light and the turntable will rotate clockwise or anticlockwise.

If you wish to stop cooking before the cooking time has elapsed, turn the **TIMER** knob back to "0" (off), or open the oven door. The oven door may be opened at any time during cooking. To continue cooking, close the door. If you wish to change the cooking time during cooking, simply turn the **TIMER** knob to the desired new setting.

When cooking/defrosting for less than 3 minutes, turn the **TIMER** knob past the 10 minute mark, and then back to the desired setting. The timer will then run more accurately.

To change the power level during cooking, turn the **MICROWAVE POWER CONTROL** knob to the desired setting.


### WARNING:

Ensure the **TIMER** is returned to "0" zero position at the end of cooking, or the oven will start automatically when the oven door is closed.



## DEFROSTING GUIDE

This guide is designed to make defrosting specific foods easier.

| DEFROST  |              |
|---|--------------|
| 100g 1,5min   | 400g 5,0min  |
| 200g 3,0min   | 500g 10,0min |
| 300g 4,0min   |              |

It can be used for defrosting: Chicken portions, chops, fish (whole or fillets), minced meat and sausages.

**Example:** To defrost 0.4 kg of chicken portions:

1. Place chicken portions in a flat dish, and place on the turntable into the oven.
2. In standby mode, press FUNCTION button repeatedly until the function indicator "LOW/☞/⊕" comes on
3. Turn the **TIMER** to 5,0 min setting. The oven will start immediately. Turn the chicken portions over 1-2 times during defrosting.
4. After defrosting, cover the food in foil and leave to stand until thoroughly defrosted.

**Note:** The defrosting time is based on standard conditions. Please check the defrosting result and, if necessary, adjust the defrosting times accordingly.



## GRILL COOKING/MIX GRILL COOKING

### 1. GRILL ONLY COOKING

The grill at the top of the oven cavity has one power setting only. The grill is assisted by the turntable which rotates simultaneously to ensure even browning. Use the rack for grilling small items of food such as bacon, gammon and teacakes. Food can be placed either directly onto the rack, or into a flan dish/heat-resistant plate on the rack.

- In standby mode, press FUNCTION button repeatedly until the function indicator "GRILL/☀" comes on.
- Turn TIMER knob to set cooking time. The longest time is 30 minutes. Then the oven starts cooking automatically.

### 2. MIX GRILL COOKING

**MIX GRILL** combines microwave power with the grill. MIX means to cook by Microwave power and Grill power alternately. The combination of microwave power with the grill reduces cooking time and provides a crisp, brown finish.

In standby mode, press FUNCTION button repeatedly to select combination 1 (The function indicator "GRILL/☀" and "MED/☁" come on) or combination 2 (The function indicator "GRILL/☀" and "HIGH/☄" come on).

| Function/Power | Output               | Application                                 |
|----------------|----------------------|---|
| Grill          | 100% grill           | Baked bread, Sliced food                    |
| Combi.1        | 70% grill 30% micro. | Chicken pieces, Chicken breasts, Pork chops |
| Combi.2        | 56% grill 44% micro. | Whole chicken                               |

### NOTES for GRILL and MIX GRILL COOKING:

- It is not necessary to preheat the grill.
- When browning foods in a deep container, place on the turntable.
- The use of browning dishes is not recommended.
- You may detect smoke or a burning smell when using the grill for the first time. This is normal and not a sign that the oven is faulty. To avoid this problem, when first using the oven, heat the oven without food for 20 minutes on grill.

**IMPORTANT:** During operation, to allow smoke or smells to disperse open a window or switch the kitchen ventilation on.

**NOTE:** When using the grill function, the grill will turn on and off at regular intervals to prevent overheating.



**WARNING: The door, outer cabinet, oven cavity and accessories will become very hot during operation. To prevent burns, always use thick oven gloves.**

## KITCHEN TIMER



1. In standby mode, press FUNCTION button repeatedly until the function indicator "TIMER" appears for the YC-GS02E and "LOW/☁/☀" and "HIGH/☄" appears for the YC-GG02E.
2. Turn TIMER knob to set desired time. The longest time is 30 minutes. Then the oven starts countdown timer automatically.

### NOTE:

- When the timer mode is switched to microwave and defrost mode, the timer time is cleared (independent of the door is open or closed).
- When the microwave, defrost, grill and combination mode is switched to timer mode, the time is cleared.



## SUITABLE OVENWARE

To cook/defrost food in a microwave oven, the microwave energy must be able to pass through the container to penetrate the food. Therefore it is important to choose suitable cookware.

Round/oval dishes are preferable to square/oblong ones, as the food in the corners tends to overcook. A variety of cookware can be used as listed below.

| Cookware                                     | Microwave Safe | Grill | Comments   |
|--|----------------|-------|--|
| Aluminium foil<br>Foil Containers            | ✓ / ✗          | ✓     | Small pieces of aluminium foil can be used to shield food from overheating. Keep foil at least 2cm from the oven walls, as arcing may occur.<br>Foil containers are not recommended unless specified by the manufacturer, e.g. Microfoil <sup>®</sup> , follow instructions carefully. |
| Browning dishes                              | ✓ / ✗          | ✗     | Always follow the manufacturers instructions.<br>Do not exceed heating times given. Be very careful as these dishes become very hot.   |
| China and ceramics                           | ✓ / ✗          | ✗     | Porcelain, pottery, glazed earthenware and bone china are usually suitable, except for those with metallic decoration.   |
| Glassware e.g. Pyrex <sup>®</sup>            | ✓              | ✓     | Care should be taken if using fine glassware as it can break or crack if heated suddenly.  |
| Metal  | ✗              | ✓     | It is not recommended to use metal cookware as it will arc, which can lead to fire.  |
| Plastic/Polystyrene e.g fast food containers | ✓              | ✗     | Care must be taken as some containers warp, melt or discolour at high temperatures.  |
| Cling film                                   | ✓              | ✗     | It should not touch the food and must be pierced to let the steam escape.  |
| Freezer/Roasting bags                        | ✓              | ✗     | Must be pierced to let steam escape. Ensure bags are suitable for microwave use.   |
| Paper - Plates, cups and kitchen paper       | ✓              | ✗     | Do not use plastic or metal ties, as they may melt or catch fire due to the metal 'arcing'.  |
| Straw and wooden Containers                  | ✓              | ✗     | Only use for warming or to absorb moisture.<br>Care must be taken as overheating may cause fire.   |
| Recycled paper and newspaper                 | ✗              | ✗     | Always attend the oven when using these materials as overheating may cause fire.<br>May contain extracts of metal which will cause 'arcing' and may lead to fire.  |



**WARNING: When heating food in plastic or paper containers, monitor the oven due to the possibility of ignition.**



**CAUTION: DO NOT USE COMMERCIAL OVEN CLEANERS, STEAM CLEANERS, ABRASIVE, HARSH CLEANERS, ANY THAT CONTAIN SODIUM HYDROXIDE OR SCOURING PADS ON ANY PART OF YOUR MICROWAVE OVEN.**

**Before cleaning, make sure the oven cavity, door, oven cabinet and accessories are completely cool. CLEAN THE OVEN AT REGULAR INTERVALS AND REMOVE ANY FOOD DEPOSITS - Keep the oven clean, or the oven could lead to a deterioration of the surface. This could adversely affect the life of the appliance and possibly result in a hazardous situation.**

**NOTE:** When cooking, condensation can build up inside the oven cavity, cavity face and door. The amount of condensation will depend upon the temperature of the oven surfaces and the moisture content of the food being microwaved. Ensure that when you have finished cooking that any moisture which collects on these surfaces are wiped away with a soft, moisture absorbent cloth.

#### **Oven exterior**

The outside of your oven can be cleaned easily with mild soap and water. Make sure the soap is wiped off with a moist cloth, and dry the exterior with a soft towel.

#### **Control panel**

Open the door before cleaning to de-activate the control panel. Care should be taken in cleaning the control panel. Using a cloth dampened with water only, gently wipe the panel until it becomes clean.

Avoid using excessive amounts of water. Do not use any sort of chemical or abrasive cleaner.

#### **Oven Interior**

**1.** For cleaning, wipe any splatters or spills with a soft damp cloth or sponge after each use while the oven is still warm. For heavier spills, use a mild soap and wipe several times with a damp cloth until all residues are removed. Built-up splashes may overheat and begin to smoke or catch fire, and cause arcing. Do not remove the waveguide cover.

**2.** Make sure that mild soap or water does not penetrate the small vents in the walls which may cause damage to the oven.

**3.** Do not use spray type cleaners on the oven interior.

**4.** Heat up your oven regularly by using the grill and heat the oven without food for 20 minutes on grill. Remaining food or fat splashed can cause smoke or bad smell. Keep the waveguide cover clean at all times.

The waveguide cover is constructed from a fragile material and should be cleaned with care (follow the cleaning instructions above).

**NOTE:** Excessive soaking may cause disintegration of the waveguide cover.

The waveguide cover is a consumable part and without regular cleaning, will need to be replaced.

#### **Accessories**

The accessories like turntable, turntable support and rack should be washed in a mild washing up liquid solution and dried. They are dishwasher safe.

#### **Door**

To remove all trace of dirt, regularly clean both sides of the door, the door seals and adjacent parts with a soft, damp cloth. Do not use abrasive cleaner.

**NOTE:** A steam cleaner should not be used.

#### **Cleaning tip - For easier cleaning of your oven:**

Place half a lemon in a bowl, add 300ml (1/2 pint) water and heat on 100% for 10 - 12 minutes.

Wipe the oven clean using a soft, dry cloth.







**Achtung:**

Ihr Produkt trägt dieses Symbol. Es besagt, dass Elektro- und Elektronikgeräte nicht mit dem Haushaltsmüll entsorgt, sondern einem getrennten Rücknahmesystem zugeführt werden sollten.

## A. Entsorgungsinformationen für Benutzer aus Privathaushalten

### 1. In der Europäischen Union

Achtung: Werfen Sie dieses Gerät zur Entsorgung bitte nicht in den normalen Hausmüll!

Gemäß einer neuen EU-Richtlinie, die die ordnungsgemäße Rücknahme, Behandlung und Verwertung von gebrauchten Elektro- und Elektronikgeräten vorschreibt, müssen elektrische und elektronische Altgeräte getrennt entsorgt werden.

Nach der Einführung der Richtlinie in den EU-Mitgliedstaaten können Privathaushalte ihre gebrauchten Elektro- und Elektronikgeräte nun kostenlos an ausgewiesenen Rücknahmestellen abgeben\*.

In einigen Ländern\* können Sie Altgeräte u.U. auch kostenlos bei Ihrem Fachhändler abgeben, wenn Sie ein vergleichbares neues Gerät kaufen.

\*) Weitere Einzelheiten erhalten Sie von Ihrer Gemeindeverwaltung.

Wenn Ihre gebrauchten Elektro- und Elektronikgeräte Batterien oder Akkus enthalten, sollten diese vorher entnommen und gemäß örtlich geltenden Regelungen getrennt entsorgt werden.

Durch die ordnungsgemäße Entsorgung tragen Sie dazu bei, dass Altgeräte angemessen gesammelt, behandelt und verwendet werden. Dies verhindert mögliche schädliche Auswirkungen auf Umwelt und Gesundheit durch eine unsachgemäße Entsorgung.

### 2. In anderen Ländern außerhalb der EU

Bitte erkundigen Sie sich bei Ihrer Gemeindeverwaltung nach dem ordnungsgemäßen Verfahren zur Entsorgung dieses Geräts.

Für die Schweiz: Gebrauchte Elektro- und Elektronikgeräte können kostenlos beim Händler abgegeben werden, auch wenn Sie kein neues Produkt kaufen. Weitere Rücknahmesysteme finden Sie auf der Homepage von [www.swico.ch](http://www.swico.ch) oder [www.sens.ch](http://www.sens.ch).

## B. Entsorgungsinformationen für gewerbliche Nutzer

### 1. In der Europäischen Union

Wenn Sie dieses Produkt für gewerbliche Zwecke genutzt haben und nun entsorgen möchten:

Bitte wenden Sie sich an Ihren SHARP Fachhändler, der Sie über die Rücknahme des Produkts informieren kann. Möglicherweise müssen Sie die Kosten für die Rücknahme und Verwertung tragen. Kleine Produkte (und kleine Mengen) können möglicherweise bei Ihrer örtlichen Rücknahmestelle abgegeben werden.

Für Spanien: Bitte wenden Sie sich an das vorhandene Rücknahmesystem oder Ihre Gemeindeverwaltung, wenn Sie Fragen zur Rücknahme Ihrer Altgeräte haben.

### 2. In anderen Ländern außerhalb der EU

Bitte erkundigen Sie sich bei Ihrer Gemeindeverwaltung nach dem ordnungsgemäßen Verfahren zur Entsorgung dieses Geräts.



## TECHNISCHE DATEN

| Modellname                              | YC-GS02E                      | YC-GG02E                      |
|---|-------------------------------|-------------------------------|
| Stromversorgung                         | 230-240 V, 50 Hz einphasig    | 230-240 V, 50 Hz einphasig    |
| Sicherung/Sicherungsautomat             | 10 A                          | 10 A                          |
| Leistungsaufnahme: Mikrowelle           | 1200 W                        | 1200 W                        |
| Leistungsabgabe: Mikrowelle             | 700 W (IEC 60705)             | 700 W (IEC 60705)             |
|   | Grill                         | 1000 W                        |
|   | OFF-Modus                     | weniger als < 0,5W            |
| Mikrowellenfrequenz                     | 2450 MHz* (Gruppe 2/Klasse B) | 2450 MHz* (Gruppe 2/Klasse B) |
| Außenabmessungen (B) x (H) x (T) mm     | 452 x 262 x 345               | 452 x 262 x 345               |
| Garraumabmessungen (B) x (H) x (T)** mm | 315 x 198 x 297               | 315 x 198 x 297               |
| Garrauminhalt                           | 20 Liter**                    | 20 Liter**                    |
| Drehteller                              | ø 245 mm                      | ø 245 mm                      |
| Grill rost                              |                               | ø 190 mm                      |
| Gewicht                                 | ca. 11,3 kg                   | ca. 12,5 kg                   |
| Garraumlampe                            | 20 W                          | 20 W                          |

\* - Dieses Produkt erfüllt die Anforderungen der europäischen Norm EN55011.

Das Produkt wird standardkonform als Gerät der Gruppe 2, Klasse B eingestuft.

Gruppe 2 bedeutet, dass das Gerät zweckbestimmt hochfrequente Energie in Form elektromagnetischer Strahlen zur Wärmebehandlung von Lebensmitteln erzeugt.

Klasse B bedeutet, dass das Gerät für den Einsatz im häuslichen Bereich geeignet ist.

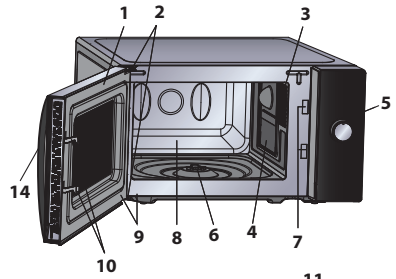
\*\* - Die interne Kapazität wird durch die Messung der maximale Breite, Tiefe und Höhe berechnet. Die tatsächliche Kapazität zur Aufnahme von Lebensmitteln ist weniger.

TECHNISCHEN DATEN KÖNNEN JEDERZEIT OHNE ANGABE VON GRÜNDEN GEÄNDERT WERDEN, UM DEM TECHNISCHEN FORTSCHRITT GERECHT ZU WERDEN.

## GERÄT UND ZUBEHÖR

**GERÄT**

1. Gerätetür
2. Türscharniere
3. Garraumlampe
4. Spritzschutz für den Hohlleiter (NICHT ENTFERNEN)
5. Bedienfeld
6. Antriebswelle
7. Türschlossöffnungen
8. Garraum
9. Türdichtungen und Dichtungsflächen
10. Türsicherungsverriegelungen
11. Lüftungsöffnungen
12. Außenseite
13. Netzkabel
14. Türöffner

**ZUBEHÖR:**

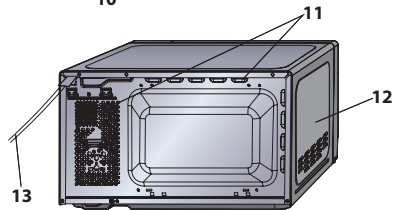
Überprüfen Sie, ob das folgende Zubehör enthalten ist:

15. Drehteller (glas)
16. Drehteller-Träger
17. Antriebswelle
18. Rost (*nur für YC-GG02E*)

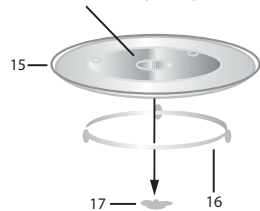
- Platzieren Sie die Drehteller-Träger zentral auf dem Boden des Gerätes, sodass diese frei um die Antriebswelle rotieren kann. Setzen Sie danach den Drehteller auf die Drehteller-Träger, sodass er fest mit der Antriebswelle verbunden ist.
- Um Schäden am Drehteller zu vermeiden, ist darauf zu achten, dass Geschirr und Behälter bei der Entnahme nicht den Rand des Drehtellers berühren.
- Der Grillrost ist nur für die Verwendung mit der Grillfunktion vorgesehen. Benutzen Sie den Rost nicht, wenn Sie nur die Mikrowellenfunktion verwenden.
- Anweisungen zur Verwendung des Rosts finden Sie in den entsprechenden Abschnitten.

**Niemals den Grill berühren, wenn dieser heiß ist.**

**HINWEIS:** Bei der Bestellung von Zubehör teilen Sie bitte folgende Angabe mit: Name des Zubehörteils und Bezeichnung des Modells.



Drehkreuzeinlass (innen)

**HINWEISE:**

- Der Spritzschutz für den Hohlleiter ist zerbrechlich. Beim Reinigen des Garraums sollte darauf geachtet werden, dass er nicht beschädigt wird.
- Reinigen Sie den Garraum nach dem Garen von Lebensmitteln mit hohem Fettanteil und ohne Abdeckhaube immer sehr gründlich, besonders das Grill-Heizelement. Dieses muss trocken und frei von Fettrückständen sein. Akkumuliertes Fett kann sehr heiß werden und zu Rauch- oder Feuerentwicklung führen.
- Betreiben Sie das Gerät stets mit richtig eingesetztem Drehteller und Drehteller-Träger. Dies sorgt für ein gleichmäßiges Gargergebnis. Ein schlecht sitzender Drehteller rattert unter Umständen, dreht sich nicht richtig und könnte das Gerät beschädigen.
- Alle Nahrungsmittel und Nahrungsbehälter müssen beim Garen immer auf dem Drehteller gestellt werden.
- Der Drehteller rotiert im oder gegen den Uhrzeigersinn. Die Drehrichtung ändert sich möglicherweise jedes Mal, wenn Sie das Gerät starten. Dies hat keinen Einfluss auf die Garleistung.

**⚠️ WARNUNG: ⚠️** Dieses Symbol bedeutet, dass die Oberflächen während des Betriebs heiß werden können. Die Tür, das Gehäuse, der Garraum, das Zubehör und das Geschirr werden beim Betrieb sehr heiß. Verwenden Sie zur Vermeidung von Verbrennungen Ofenhandschuhe.



# BEDIENFELD

## 1. FUNKTION

Drücken, um die Mikrowellenleistungsstufe, die Timerfunktion oder den Kombinationsmodus einzustellen.

NIEDRIG / - 280 W

MITTEL - 560 W

HOCH - 700 W

GRILL - 100% Grill

GRILL (Kombi 1) - 70 % Grill, 30% Mikro

GRILL (Kombi 2) - 44% Grill, 56% Mikro

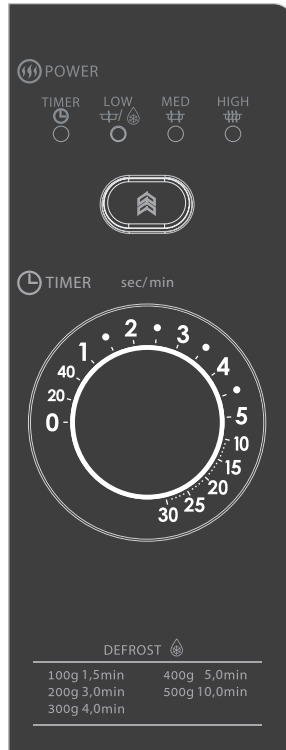
Timer - Küchen-Timer

## 2. Timer-Knopf

Drehen Sie den Timer-Knopf, um die Garzeit einzustellen. Die längste Zeit beträgt 30 Minuten.

Dann beginnt der Herd automatisch zu garen.

HINWEIS: Um die Gar-/Auftauzeit zu erhöhen, drehen Sie den Timer-Knopf nach rechts. Um die Gar-/Auftauzeit zu verringern, drehen Sie den Timer-Knopf nach links.



YC-GS02E



YC-GG02E



## **WICHTIGE SICHERHEITSHINWEISE: BITTE SORGFÄLTIG DURCHLESEN UND ZUR REFERENZ AUFBEWAHREN**

### **Zur Vermeidung von Feuer:**

**Mikrowellengeräte sollten während des Betriebs nicht unbeaufsichtigt gelassen werden. Zu hohe Leistungsstufen oder zu lange Garzeiten können das Gargut überhitzen und Feuer verursachen.**

Dieses Gerät ist nur für den Einsatz auf einer Arbeitsfläche vorgesehen. Es ist nicht für den Einbau in einem Küchenschrank konzipiert.

Gerät nicht in einen Schrank stellen.

Die Steckdose muss ständig zugänglich sein, so dass der Netzstecker im Notfall einfach abgezogen werden kann.

Die Netzspannung muss 230-240 V Wechselstrom, 50 Hz betragen und sollte mit einer Sicherung von mindestens 10 A oder einem Sicherungsautomaten von mindestens 10 A ausgestattet sein.

Ein getrennter, nur dem Betrieb dieses Geräts dienender Stromkreis sollte vorgesehen werden.

Stellen Sie das Gerät nicht an einem Ort auf, an dem Hitze generiert wird, z.B. neben einen konventionellen Herd. Das Gerät nicht an Orten aufstellen, an denen hohe Luftfeuchtigkeit vorhanden ist oder sich Kondenswasser bilden kann.

Das Gerät nicht im Freien lagern oder aufstellen.

**Wird Rauch festgestellt, ist das Gerät sofort auszu-**



## WICHTIGE SICHERHEITSHINWEISE

**schalten oder der Netzstecker abzuziehen und die Tür geschlossen zu halten, damit eventuelle Flammen erstickt werden.**

**Nur Mikrowellengeeignetes Geschirr verwenden. Geschirr sollte überprüft werden, ob es für Mikrowellengeräte geeignet ist.**

**Beim Erhitzen von Lebensmitteln in Plastik- oder Papierbehältern müssen Sie das Gerät überwachen, da diese sich entzünden könnten.**

**Den Spritzschutz für den Hohlleiter, den Garraum, den Drehteller und den Drehteller-Träger nach Verwendung reinigen. Diese Bauteile sollten trocken und fettfrei sein. Zurückbleibende Fettspritzer können überhitzen, zu rauchen beginnen oder sich entzünden.**

Keine brennbaren Materialien in der Nähe des Gerätes oder den Lüftungsöffnungen lagern.

Niemals die Lüftungsöffnungen blockieren.

Alle Metallverschlüsse, Drähte usw. von Lebensmitteln und Verpackungen entfernen. Funkenbildung auf Metalloberflächen kann zu Feuer führen.

Das Mikrowellengerät nicht zum Frittieren von Lebensmitteln in Öl oder Fett verwenden. Temperaturen können nicht kontrolliert werden und das Fett kann sich entzünden.

Zum Herstellen von Popcorn sollte nur für Mikrowellengeräte vorgesehenes Popcorn-Geschirr verwendet werden.

## WICHTIGE SICHERHEITSHINWEISE



Keine Lebensmittel oder andere Gegenstände im Gerät lagern.

Die Einstellungen nach dem Starten des Gerätes überprüfen, um sicherzustellen, dass das Gerät wie gewünscht arbeitet.

Zur Vermeidung von Überhitzung und Feuer sollte besonders vorsichtig vorgegangen werden, wenn Lebensmittel mit einem besonders hohen Zucker- oder Fettgehalt gegart oder aufgewärmt werden, wie z.B. Würstchen, Kuchen oder weihnachtliche Süßspeisen.

Beachten Sie die entsprechenden Hinweise in dieser Bedienungsanleitung.

### **Zur Vermeidung von Verletzungen:**

#### **WARNUNG:**

Das Gerät nicht betreiben, wenn es beschädigt ist oder Fehlfunktionen aufweist. Überprüfen Sie vor dem Betrieb die folgenden Punkte:

- a) Die Tür muss einwandfrei schließen und darf nicht schlecht ausgerichtet oder verzogen sein.
- b) Die Scharniere und Türsicherheitsverriegelungen dürfen nicht gebrochen oder lose sein.
- c) Die Türdichtungen und Dichtungsoberflächen dürfen nicht beschädigt sein.
- d) Im Garraum und an der Tür dürfen keine Dellen oder andere Beschädigungen vorhanden sein.
- e) Das Netzkabel und der Netzstecker dürfen nicht beschädigt sein.



## WICHTIGE SICHERHEITSHINWEISE

Falls die Tür bzw. die Türdichtungen beschädigt sind, darf das Gerät nicht weiter betrieben werden, bevor es durch eine kompetente Person repariert wurde.

**WARNUNG: Nehmen Sie unter keinen Umständen Reparaturen oder Änderungen an Ihrem Mikrowellengerät selbst vor. Reparaturen, insbesondere solche, bei denen die Abdeckung des Geräts entfernt werden muss, dürfen ausschließlich von entsprechend qualifizierten Technikern vorgenommen werden.**

Das Gerät nicht mit geöffneter Türe betreiben oder verändern Sie die Türsicherheitsverriegelung in keiner Weise. Gerät nicht betreiben, wenn sich ein Objekt zwischen den Türdichtungen und den Dichtung Oberflächen befindet.

**Vermeiden Sie die Bildung von Schmutz oder Fett an Türdichtungen und angrenzenden Teilen. Reinigen Sie das Gerät in regelmäßigen Abständen und entfernen Sie Lebensmittelrückstände. Bitte folgen Sie den Hinweisen im Kapitel "Reinigung und Pflege". Wird das Gerät nicht in einem sauberen Zustand gehalten kann dies zu einer Beschädigung der Oberfläche führen, was die Gebrauchsdauer des Gerätes nachteilig beeinflussen und möglicherweise zu einer Gefahrensituation führen kann.**

Personen mit HERZSCHRITTMACHERN sollten ihren Arzt oder den Hersteller des Herzschrittmachers nach Vorichtsmaßnahmen beim Umgang mit Mikrowellengeräten befragen.





### **Zur Vermeidung von elektrischen Schlägen:**

Unter keinen Umständen sollte das äußere Gehäuse entfernt werden.

Niemals Flüssigkeiten in die Öffnungen der Türsicherungsverriegelung oder Lüftungsöffnungen eintreten lassen, ferner keine Gegenstände in diese Öffnungen stecken.

Wenn größere Mengen Flüssigkeiten verschüttet werden, Gerät sofort ausschalten, den Netzstecker ziehen und den SHARP-Kundendienst kontaktieren.

Niemals das Netzkabel bzw. den Netzstecker in Wasser oder andere Flüssigkeiten legen.

Das Netzkabel nicht über scharfe Kanten eines Tisches oder einer Arbeitsplatte führen.

Das Netzkabel von erwärmten Oberflächen fernhalten, einschließlich der Geräterückseite.

Gerät und Kabel außerhalb der Reichweite von Kindern unter 8 Jahren aufstellen.

Auf keinen Fall versuchen, die Garraumlampe selbst auszuwechseln, sondern nur von einem von SHARP autorisierten Elektriker auswechseln lassen! Wenn die Garraumlampe ausfallen sollte, wenden Sie sich bitte an Ihren Elektrohändler oder eine von SHARP autorisierte Kundendienststelle!

Bei beschädigtem Netzkabel muss dieses mit einem speziellen Kabel ersetzt werden.

Der Austausch muss von qualifizierten Personen durchgeführt werden, um eine Gefährdung zu vermeiden.



## WICHTIGE SICHERHEITSHINWEISE

**Zur Vermeidung von Explosionen und plötzlichem Sieden:**

**WARNUNG: Speisen in flüssiger und anderer Form dürfen nicht in verschlossenen Gefäßen erhitzt werden, da diese explodieren könnten.**

**Die Erhitzung von Getränken durch Mikrowellen kann verspätetes Aufwallen verursachen. Bei der Handhabung der Gefäße ist daher Vorsicht geboten.**

Niemals verschlossene Behälter verwenden. Verschlüsse und Abdeckungen entfernen. Verschlossene Behälter können durch den Druckanstieg selbst nach dem Ausschalten des Gerätes noch explodieren. Beim Erhitzen von Flüssigkeiten vorsichtig sein. Behälter mit großer Öffnung verwenden, damit entstehende Blasen entweichen können.

**Niemals Flüssigkeiten in schmalen, hohen Gefäßen (z.B. Babyflaschen) erhitzen, da der Inhalt heraus spritzen kann und zu Verbrennungen führen könnte.**

Um Verbrennungen durch plötzliches Überkochen (Siedeverzug) zu vermeiden:

1. Stellen Sie keine extrem langen Garzeiten ein.
2. Die Flüssigkeiten vor dem Kochen/Erhitzen umrühren.
3. Es wird empfohlen, während des Erhitzens einen Glasstab oder ähnlichen Gegenstand (kein Metall) in den Behälter zu stellen.
4. Nach dem Erhitzen die Flüssigkeiten noch mindestens 20 Sekunden im Gerät stehen lassen, um verspätetes



Aufwallen durch Siedeverzug zu verhindern.

**Eier nicht mit der Schale kochen. Hartgekochte Eier dürfen nicht in Mikrowellengeräten erwärmt werden, da sie selbst nach der Erwärmung explodieren können.**

**Zum Kochen oder Aufwärmen von Eiern, die nicht verquirlt oder verrührt wurden, das Eigelb und Eiweiß anstechen, damit es nicht explodiert. Vor dem Aufwärmen im Mikrowellengerät die Schale von gekochten Eiern entfernen und die Eier in Scheiben schneiden.**

Die Schale von Lebensmitteln wie z.B. Kartoffeln, Würstchen oder Obst vor dem Garen anstechen, damit der Dampf entweichen kann.

**Zur Vermeidung von Verbrennungen:**

**Der Inhalt von Saugflaschen und Baby-Nahrungsbehältnissen muss vor dem Gebrauch geschüttelt bzw. gerührt und die Temperatur muss vor dem Verzehr geprüft werden, um Verbrennungen zu vermeiden. Beim Entnehmen von Gargut aus dem Garraum sollten Topflappen oder Ofenhandschuhe verwendet werden.**

Behälter, Popcorneschirr, Kochbeutel, usw. immer vom Gesicht und den Händen abgewandt öffnen, um Verbrennungen durch Dampf und Siedeverzug zu vermeiden. Um Verbrennungen zu vermeiden, immer die Lebensmit-



## WICHTIGE SICHERHEITSHINWEISE

teltemperatur prüfen und umrühren, bevor Sie das Gargut servieren. Besondere Vorsicht ist geboten, wenn die Lebensmittel oder Getränke an Babys, Kinder oder ältere Personen weitergereicht werden. Zugängliche Teile werden während des Betriebs heiß. Halten Sie Kinder deshalb fern.

Die Temperatur des Behälters ist kein echter Hinweis auf die tatsächliche Temperatur des Lebensmittels oder Getränks; immer die Temperatur prüfen.

Halten Sie beim Öffnen der Gerätetür ausreichenden Abstand, um Verbrennungen durch austretende Hitze oder Dampf zu vermeiden.

Schneiden Sie gefüllte und gebackene Speisen nach dem Garen in Scheiben, um den Dampf entweichen zu lassen und Verbrennungen zu vermeiden.

Kinder von der Tür fern halten, um Verbrennungen zu vermeiden.

**Zur Vermeidung von Missbrauch durch Kinder:**  
**WARNUNG: Nur Kinder über 8 Jahren sollten das Gerät ohne Beaufsichtigung verwenden, wenn entsprechende Sicherheitseinweisungen gegeben wurden, und das Kind versteht, dass der Gebrauch gefährlich sein kann. Wenn das Gerät in den Modi GRILL, MIX-GRILL und AUTO MENÜ betrieben wird sollten Kinder das Gerät wegen der hohen Temperaturen nur unter Aufsicht eines Erwachsenen betreiben. Dieses Gerät ist nicht für die Verwendung von Personen (ein-**



**schließlich Kinder) mit eingeschränkten physischen, sensorischen oder geistigen Fähigkeiten oder mangelnder Erfahrung und Wissen bestimmt, es sei denn sie stehen unter Aufsicht oder ausführliche Anleitung zur Benutzung des Geräts durch eine verantwortliche Person für ihre Sicherheit. Kindern sollten Anweisungen gegeben werden, dass dieses Gerät kein Spielzeug ist.**

Nicht an die Gerätetür lehnen oder hängen. Nicht mit dem Gerät spielen, oder es als Spielzeug verwenden.

Kinder sollten mit allen wichtigen Sicherheitshinweisen vertraut gemacht werden, wie z.B. Verwendung von Topflappen und vorsichtiges Abnehmen von Deckeln. Beachten Sie besonders Verpackungen, die Lebensmittel knusprig machen (z.B. selbstbräunende Materialien), da diese besonders heiß werden.

### **Sonstige Hinweise**

Niemals das Gerät in irgendeiner Weise modifizieren.

Das Gerät während des Betriebs nicht bewegen.

Dieses Gerät ist für die Verwendung in Haushalten.

Dieses Gerät ist nur für den Hausgebrauch vorgesehen und darf nur zum Erwärmen von Lebensmitteln und Getränken verwendet werden.

Trocknen von Speisen oder Kleidung und Erwärmung von Heizkissen, Hausschuhen, Schwämmen, feuchten Putzlapen und Ähnlichem kann zu Verletzungen, Entzündungen oder Feuer führen.



## WICHTIGE SICHERHEITSHINWEISE

Es eignet sich nicht für gewerbliche Zwecke oder den Gebrauch in einem Labor.

### **Zur Vermeidung von Fehlfunktionen und Beschädigungen dieses Gerätes:**

Das Gerät niemals im leeren Zustand betreiben. Bei der Verwendung von Bräunungsgeschirr oder selbsterwärmenden Materialien muss eine hitzebeständige Isolierung (z.B. ein Porzellanteller) zwischen Geschirr und Drehteller gestellt werden. Dadurch werden Beschädigungen des Drehtellers durch Wärme vermieden. Die angegebene Aufheizzeit für das Geschirr darf nicht überschritten werden.

Keine Metall-Utensilien verwenden, die Mikrowellen reflektieren, da dies Funkenbildung zur Folge haben kann. Stellen Sie keine Konservendosen in das Gerät.

Nur für das Gerät konzipierte Drehteller und Drehteller-Träger verwenden. Gerät nie ohne Drehteller betreiben.

Um den Drehteller vor Bruch zu bewahren:

- a) Lassen Sie den Drehteller vor der Reinigung mit Wasser abkühlen.
- b) Stellen Sie keine heißen Lebensmittel oder Utensilien auf den kalten Drehteller.
- c) Stellen Sie keine kalten Lebensmittel oder Utensilien auf den heißen Drehteller.

Stellen Sie während des Betriebs keine anderen Gegenstände auf das Gehäuse.

### **HINWEIS:**

**WICHTIGE SICHERHEITSHINWEISE**

Verwenden Sie für das Garen mit Mikrowellen keine Plastikbehälter, wenn das Gerät vom GRILL oder MIX-GRILL heiß ist. Diese könnten schmelzen.

Plastikbehälter dürfen in den oberen Modi nicht verwendet werden, es sei denn, der Hersteller des Behälters versichert, dass diese Mikrowellen geeignet sind.

Sollten Sie sich beim Anschluss des Gerätes nicht sicher sein, so kontaktieren Sie bitte einen Fachmann.

Weder der Hersteller noch der Händler übernimmt Haftung für Schäden am Gerät oder Verletzungen, die infolge von Nichtbeachtung des elektrischen Anschlusses entstehen.

An den Innenwänden oder den Dichtungen und Dichtungsoberflächen können Wasserdampf oder Tropfen entstehen.

Dies ist ein normaler Vorgang und kein Zeichen für eine Fehlfunktion der Mikrowelle.



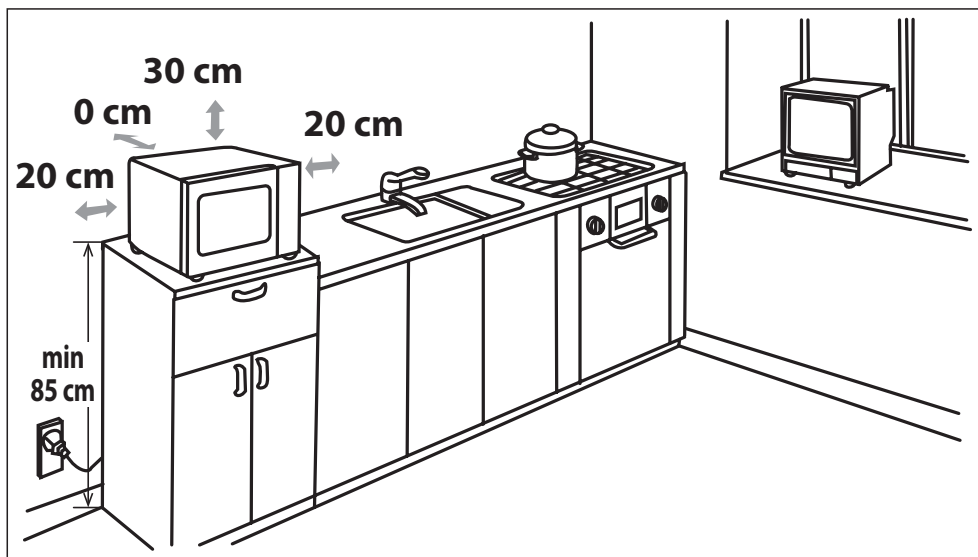
Dieses Symbol bedeutet, dass die Oberflächen während des Gebrauchs auch heiß werden können.



## AUFSTELLANWEISUNGEN

1. Entfernen Sie sämtliches Verpackungsmaterial aus dem Inneren des Gerätes und jegliche Schutzfolien von der Gehäuseoberfläche des Gerätes.
2. Überprüfen Sie das Gerät auf eventuelle Beschädigungen.
3. Platzieren Sie das Gerät auf einer sicheren, ebenen Oberfläche, die stabil genug ist, um das Gewicht des Gerätes und der darin zubereiteten Lebensmittel zu tragen. Das Gerät nicht in einem Schrank aufstellen.
4. Wählen Sie eine ebene Fläche, die über genügend Freiraum für die Ein- und/oder Auslässe verfügt. Die Rückseite des Gerätes sollte an einer Wand platziert werden.
  - Die minimale Installationshöhe sollte 85 cm betragen.
  - Ein minimaler Abstand von 20 cm zwischen Gerät und angrenzenden Wänden muss eingehalten werden.
  - Es ist ein Mindestabstand von 30 cm über dem Gerät einzuhalten.
  - Nicht die Standfüße des Gerätes entfernen.
  - Ein Blockieren der Ein- und/ oder Auslassöffnungen kann das Gerät beschädigen.
  - Platzieren Sie das Gerät so weit als möglich von Radios und TV-Geräten entfernt. Der Mikrowellenbetrieb kann den Radio- oder TV-Empfang stören.





5. Den Netzstecker des Mikrowellengerätes mit einer normalen, geerdeten Steckdose verbinden.

**WARNUNG:** Das Gerät nicht an Orten aufstellen an denen Hitze, Feuchtigkeit oder hohe Luftfeuchtigkeit (z. B. in der Nähe oder über einem konventionellen Backofen) auftreten können, oder in der Nähe brennbarer Materialien (z.B. Vorhänge).

Lüftungsöffnungen nicht blockieren oder behindern.  
Nichts auf die Oberseite des Gerätes stellen.



## MIKROWELLEN-LEISTUNGSTUFEN

- Wenn der Herd zum ersten Mal angesteckt wird, kann er nicht in Betrieb genommen werden. Öffnen und schließen Sie die Garraumtür einmal, danach werden die Funktionsanzeige „NIEDRIG/☐/⊕“ und die Timeranzeige „0“ aktiviert, und der Herd kehrt in den Standbymodus zurück.
- Im Standbymodus oder nach Beendigung des Garvorgangs geht der Herd in den Standby-Spermodus, wenn innerhalb von 3 Minuten keine Inbetriebnahme erfolgt.
- Sie können während des Garens das Garprogramm abbrechen, indem Sie die Garraumtür öffnen oder den Timer-Knopf auf „0“ stellen.
- Nach Beendigung des Garens erscheinen die ausgewählte Funktionsanzeige und die Timer-Anzeige „0“, und das System gibt eine akustisches Signal von sich.
- Wenn der Herd mehr als 2 Minuten verwendet wird, bleibt der Kühlventilator am Ende des Garzyklus eingeschaltet. Der Ventilator läuft rund 3 Minuten nach dem Garen weiter.



## GAREN MIT DER MIKROWELLE

1. Bereiten Sie Ihre Speisen vor und platzieren Sie diese in einem geeigneten Behälter (siehe hierzu: „GEEIGNETES MIKROWELLEN-GESCHIRR“). Positionieren Sie die Speisen/Behälter in der Mitte des Drehtellers. Schließen Sie die Tür.
2. Im Standby-Modus wiederholt die Taste FUNKTION drücken, bis die Funktionsanzeige „HOCH/☐/⊕“ oder „MITTEL/☐/⊕“ erscheint.
3. Drehen Sie den **TIMER**-Knopf auf die gewünschte Gar-/Auftauzeit und das Gerät läuft automatisch an.
4. Wenn das Garen/Auftauen beendet ist kehrt der **TIMER** auf „0“ (Null) zurück und das Signal ertönt. Die Garraumlampe erlischt und der Drehteller steht still. Öffnen Sie die Garraumtür und entnehmen Sie vorsichtig die Speisen/Behälter. Lassen Sie die Speisen wie gewünscht ruhen.

### HINWEISE ZUM GAREN:

Beim Start des Gerätes wird die Garraumlampe eingeschaltet und der Drehteller dreht sich im oder gegen den Uhrzeigersinn. Sollten Sie den Garvorgang vorzeitig beenden wollen, drehen Sie den **TIMER**-Knopf wieder auf „0“ (aus), oder öffnen Sie die Tür. Die Garraumtür kann zu jeder Zeit während des Garvorgangs geöffnet werden. Um mit dem Garen fortzufahren drehen Sie einfach den **TIMER**-Knopf auf die gewünschte neue Einstellung.

Wenn der Gar-/Auftauprozess weniger als 3 Minuten dauern soll, drehen Sie den **TIMER**-Knopf über die 10 Minuten-Markierung hinaus und dann zurück zur gewünschten Einstellung. Die Timer arbeitet dann präziser.

Um die Leistungsstufe während des Garens zu verändern, drehen Sie einfach den **MIKROWELLEN-LEISTUNGSTUFEN-REGLER** auf die gewünschte Einstellung.

### WARNUNG:

Stellen Sie sicher, dass die **TIMER** am Ende des Garvorgangs zurück auf „0“ (Null)-Position gestellt ist, oder der Herd startet automatisch, wenn die Garraumtür geschlossen ist.



## AUFTAU-LEITFADEN

Dieser Leitfaden wurde erstellt, um das Auftauen bestimmter Lebensmittel einfacher zu gestalten.

Es kann zum Auftauen folgender Lebensmittel verwendet werden: Hähnchenteile, Koteletts, Fisch (ganz oder Filet), Hackfleisch und Würstchen.

DEFROST 

|             |              |
|-------------|--------------|
| 100g 1,5min | 400g 5,0min  |
| 200g 3,0min | 500g 10,0min |
| 300g 4,0min |              |

**Beispiel:** Auftauen von 0,4 kg Hähnchenteilen:

1. Legen Sie die Hähnchenteile auf einen flachen Teller und platzieren Sie diesen auf dem Drehteller im Herd.
2. Drücken Sie im Standbymodus wiederholt die Taste FUNKTION, bis die Funktionsanzeige „Niedrig/☐/⊕“ erscheint
3. Drehen Sie den **TIMER** auf die Einstellung 5,0 min. Der Herd startet sofort. Während des Auftauens die Hähnchenteile 1-2mal umdrehen.
4. Decken Sie die Speisen nach dem Auftauen mit Folie ab oder lassen Sie sie stehen, bis sie vollständig aufgetaut sind.

**Hinweis:** Die Auftauzeit bezieht sich auf normale Bedingungen. Überprüfen Sie das Ergebnis nach dem Auftauen und passen Sie die Auftauzeit entsprechend an.



## GAREN MIT GRILL/GAREN mit MIX GRILL

### 1. GAREN NUR MIT DEM GRILL

Der Grill an der Oberseite des Gerätes besitzt nur eine Leistungsstufe. Der Grill wird durch den Drehteller unterstützt, der sich gleichzeitig dreht, um eine gleichmäßige Bräunung zu gewährleisten. Verwenden Sie den Rost zum Grillen von kleineren Speisen wie Speck, Schinken und Teekuchen. Die Lebensmittel können entweder direkt auf dem Rost oder in einer Auflaufform/ einem hitzebeständigen Teller auf dem Rost platziert werden.

- Drücken Sie im Standbymodus wiederholt die Taste FUNKTION, bis die Funktionsanzeige „GRILL/☀“ erscheint
- Drehen Sie den Timer-Knopf, um die Garzeit einzustellen. Die längste Zeit beträgt 30 Minuten. Dann beginnt der Garraum automatisch zu garen.

### 2. GAREN MIT MIX GRILL

**MIX GRILL** kombiniert die Mikrowelle mit dem Grill. MIX bedeutet, abwechselnd mit Mikrowelle und Grill zu garen. Die Kombination aus Mikrowelle und Grill reduziert die Garzeit und liefert eine knusprige Bräune.

Drücken Sie im Standby-Modus wiederholt die Taste FUNKTION, um Kombination 1 (die Funktionsanzeige „GRILL/☀“ und „MITTEL/☀☀“ werden angezeigt) oder Kombination 2 (die Funktionsanzeige „GRILL/☀“ und „HOCH/☀☀☀“ werden angezeigt) auszuwählen.

| Funktion/Leistung | Ausgang                | Anwendung  |
|-------------------|------------------------|--|
| Grill             | 100% Grill             | Gebackenes Brot, aufgeschnittene Speisen         |
| Kombi.1           | 70 % Grill 30 % Mikro. | Hähnchenstücke, Hähnchenbrust, Schweinskoteletts |
| Kombi.2           | 56% Grill 44% Mikro.   | Ganzes Huhn                                      |

#### HINWEISE zum GAREN mit GRILL und MIX GRILL:

- Der Grill muss vor dem Garen nicht vorgeheizt werden.
- Bei der Bräunung von Lebensmitteln in einem tiefen Behälter, platzieren Sie diese auf dem Drehteller.
- Die Verwendung von Bräunungsgeschirr wird nicht empfohlen.
- Bei Erstbenutzung des Grills kann es zu Rauch- oder Geruchsentwicklung kommen. Das ist normal und kein Anzeichen dafür, dass der Herd fehlerhaft ist. Um dieses Problem beim erstmaligen Gebrauch zu vermeiden, heizen Sie den Herd für 20 Minuten ohne Speisen auf Grill.

**WICHTIG:** Um ein Abziehen von Rauch oder Gerüchen zu ermöglichen, öffnen Sie während des Betriebs ein Fenster oder schalten Sie den Anzug ein.

**HINWEIS:** Bei Verwendung der Grillfunktion schaltet sich der Grill in regelmäßigen Abständen ein und aus, um eine Überhitzung zu vermeiden.



**WARNUNG:** Die Tür, das Gehäuse, der Garraum und anderes Zubehör werden während des Betriebs sehr heiß. Um Verbrennungen zu vermeiden, verwenden Sie stets dicke Ofenhandschuhe.

## TIMER



1. Drücken Sie im Standbymodus wiederholt die Taste FUNKTION, bis die Funktionsanzeige „Timer“ für den YC-GS02E und „NIEDRIG/☀☀☀“ und „HOCH/☀☀☀☀“ für den YC-GG02E erscheint.
2. Drehen Sie den TIMER-Knopf, um die gewünschte Zeit einzustellen. Die längste Zeit beträgt 30 Minuten. Dann startet der Ofen automatisch den Countdown-Timer.

#### HINWEIS:

- Wenn der Timermodus auf Mikrowelle und Auftaumodus geschaltet ist, wird die Timer-Zeit gelöscht (unabhängig davon, ob die Tür offen oder geschlossen ist).
- Wenn die Mikrowelle, der Auftau-, Grill- und Kombinationsmodus auf Timermodus geschaltet sind, wird der Timer gelöscht.



## GEEIGNETES GESCHIRR

Beim Garen/Auftauen in einem Mikrowellengerät muss die Mikrowellenenergie den Behälter durchdringen können, um auf die Lebensmittel wirken zu können. Daher ist es wichtig, geeignetes Geschirr zu wählen.

Bevorzugen Sie runde/ovale Behälter, da Lebensmittel in den Ecken von quadratischen oder länglichen Behältern schnell übergaren. Wie im Folgenden beschrieben, können viele verschiedene Arten von Geschirr verwendet werden.

| Geschirr                                   | Mikrowellene geeignet | Grill | Kommentare   |
|--|-----------------------|-------|--|
| Aluminiumfolie Folienbehälter              | ✓ / ✗                 | ✓     | Kleine Stücke aus Aluminiumfolie können verwendet werden, um die Lebensmittel vor Überhitzung zu schützen. Halten Sie die Folie mindestens 2 cm von den Wänden des Innenraums entfernt, da Lichtbögen auftreten können. Folienbehälter werden generell nicht empfohlen, außer vom Hersteller anders angegeben, wie z.B. Microfoil®. Folgen Sie den Anweisungen sorgfältig. |
| Bräunungsgeschirr                          | ✓ / ✗                 | ✗     | Befolgen Sie unbedingt die Anweisungen des Herstellers. Überschreiten Sie nicht die angegebenen Erwärmzeiten. Seien Sie sehr vorsichtig, da dieses Geschirr sehr heiß wird.  |
| Porzellan und Keramik                      | ✓ / ✗                 | ✗     | Porzellan, Tonware, glasiertes Steingut und feines Porzellan sind grundsätzlich geeignet, sofern Sie kein metallisches Dekor haben.  |
| Glas z.B. Pyrex®                           | ✓                     | ✓     | Seien Sie vorsichtig bei der Verwendung von feinen Gläsern, diese können beim plötzlichen Erwärmen zerspringen.  |
| Metall                                     | ✗                     | ✓     | Verwenden Sie kein Metallgeschirr, da sich Funken bilden könnten und somit ein Feuer verursacht werden kann.   |
| Plastik/Polystyrol, z.B. Fastfood-Behälter | ✓                     | ✗     | Bitte beachten Sie, dass sich einige Behälter bei hohen Temperaturen verformen, schmelzen oder ihre Farbe verändern.   |
| Klarsichtfolie                             | ✓                     | ✗     | Sollte die Lebensmittel nicht berühren und muss eingestochen werden, damit der Dampf entweichen kann.  |
| Gefrierbeutel/Bratfolie                    | ✓                     | ✗     | Muss angestochen werden, damit der Dampf entweichen kann. Stellen Sie sicher, dass die Beutel für Mikrowellen geeignet sind.   |
| Pappteller/-becher und Küchenpapier        | ✓                     | ✗     | Verwenden Sie keine Kunststoff- oder Metall-Bindungen, da diese schmelzen und aufgrund von Metall-Lichtbögen Feuer fangen können.  |
| Behälter aus Stroh und Holz                | ✓                     | ✗     | Nur zum Aufwärmen oder zur Absorbierung von Feuchtigkeit verwenden. Bitte darauf achten, dass eine Überhitzung einen Brand verursachen kann.   |
| Recyclingpapier und Zeitungen              | ✗                     | ✗     | Überwachen Sie das Gerät immer, wenn Sie dieses Material verwenden, da eine Überhitzung zu Bränden führen kann. Kann metallische Bestandteile enthalten, die zu Funkenbildung und Bränden führen können.   |



**WARNUNG: Beim Erhitzen von Lebensmitteln in Plastik- oder Papierbehältern müssen Sie das Gerät überwachen, da diese sich entzünden könnten.**

# REINIGUNG UND PFLEGE



**VORSICHT: ZUR REINIGUNG DÜRFEN KEINESFALLS HANDELSÜBLICHE BACKOFENREINIGER, DAMPFREINIGER, SCHEUERMITTEL, SCHARFE REINIGUNGSMITTEL, NATRIUMHYDROXIDENTHALTENDE REINIGUNGSMITTEL ODER SCHEUERSCHWÄMME VERWENDET WERDEN: DIES GILT FÜR ALLE TEILE DES GERÄTES.**

**Achten Sie vor dem Reinigen darauf, dass der Garraum, die Tür und das Zubehör vollkommen abgekühlt sind. REINIGEN SIE DAS GERÄT IN REGELMÄSSIGEN ABSTÄNDEN UND ENTFERNEN SIE LEBENSMITTLRÜCKSTÄNDE - Das Gerät sauber halten, da sonst die Oberflächen beschädigt werden können. Dies kann die Gebrauchsdauer des Gerätes nachteilig beeinflussen und möglicherweise zu einer Gefahrensituation führen.**

**HINWEIS:** Bei dem Gebrauch der Mikrowelle kann sich im Garraum, an der Stirnseite und an der Tür Kondenswasser bilden. Die Menge der Kondensation hängt von der Temperatur der Oberflächen und dem Feuchtigkeitsgehalt der in der Mikrowelle zubereiteten Lebensmittel ab. Stellen Sie sicher, dass nach der Benutzung jegliche Feuchtigkeit, die sich auf diesen Oberflächen sammelt, mit einem weichen, feuchtigkeitsabsorbierenden Tuch weggewischt wird.

#### **Außenbereich des Gerätes**

Die Außenseite des Gerätes mit einer milden Seifenlauge reinigen. Die Seifenlauge gründlich mit einem feuchten Tuch abwischen und mit einem Handtuch nachtrocknen.

#### **Bedienfeld**

Öffnen Sie vor der Reinigung die Tür, um das Bedienfeld zu deaktivieren. Bei der Reinigung des Bedienfeldes vorsichtig vorgehen. Nur mit einem feuchten Tuch sanft abwischen, bis das Bedienfeld sauber ist.

Niemals zuviel Wasser und keine chemischen oder scheuernden Reiniger verwenden.

#### **Garraum**

**1.** Verschmutzungen mit einem weichen, feuchten Tuch oder Schwamm nach jedem Gebrauch abwischen, während das Gerät noch warm ist. Starke Verschmutzungen mit einer milden Seifenlauge beseitigen und mehrmals mit einem feuchten Tuch nachwischen, bis alle Rückstände entfernt sind. Verschmutzungsrückstände können sich überhitzen, Rauch oder Feuer und Funkenüberschlag verursachen. Die Hohlleiterabdeckung nicht entfernen.

**2.** Stellen Sie sicher, dass keine Seifenlauge oder Wasser durch die kleinen Öffnungen in den Wänden gelangt. Dies kann zu Schäden am Gerät führen.

**3.** Keine Sprühreiniger im Garraum verwenden.

**4.** Heizen Sie das Gerät regelmäßig mit dem Grill und ohne Lebensmittel für 20 Minuten. Zurückgelassene Lebensmittel oder verspritztes Fett kann Rauch oder schlechte Gerüche verursachen.

Spritzschutz für den Hohlleiter immer sauber halten. Der Spritzschutz für den Hohlleiter besteht aus zerbrechlichem Material und sollte mit Sorgfalt gereinigt werden (folgen Sie den oben aufgeführten Reinigungsanweisungen).

**HINWEIS:** Übermäßige Durchnässung des Spritzschutzes für den Hohlleiter kann zu dessen Auflösung führen.

Der Spritzschutz für den Hohlleiter ist ein Verschleißteil und muss ohne regelmäßige Reinigung irgendwann ausgetauscht werden.

#### **ZUBEHÖR**

Zubehör wie Drehteller, Drehteller-Träger und Rost sollten mit einer milden Spülmittel-Lösung gewaschen und danach getrocknet werden. Das Zubehör ist spülmaschinenfest.

#### **GERÄTETÜR**

Die Tür auf beiden Seiten, die Türdichtung und die Dichtungsoberflächen des Öffneren mit einem feuchten Tuch abwischen, um Verschmutzungen zu entfernen.

Keine scheuernden Reinigungsmittel verwenden.

**HINWEIS:** Dampfreiniger dürfen nicht verwendet werden.

#### **Reinigungstipp - Zur leichteren Reinigung Ihres Gerätes:**

Geben Sie eine halbe Zitrone in eine Schüssel, fügen Sie 300 ml Wasser hinzu und erhitzen Sie diese für 10 - 12 Minuten bei 100%.

Reiben Sie das Gerät mit einem weichen, trockenen Tuch sauber.





### Atención:

Su producto está marcado con este símbolo. Significa que los productos eléctricos y electrónicos usados no deberían mezclarse con los residuos domésticos generales. Existe un sistema de recogida independiente para estos productos.

## A. Información sobre eliminación para usuarios particulares

### 1. En la Unión Europea

Atención: si quiere desechar este equipo, ¡por favor no utilice el cubo de la basura habitual!

Los equipos eléctricos y electrónicos usados deberían tratarse por separado de acuerdo con la legislación que requiere un tratamiento, una recuperación y un reciclaje adecuados de los equipos eléctricos y electrónicos usados.

Tras la puesta en práctica por parte de los estados miembros, los hogares de particulares dentro de los estados de la Unión Europea pueden devolver sus equipos eléctricos y electrónicos a los centros de recogida designados sin coste alguno\*.

En algunos países\* es posible que también su vendedor local se lleve su viejo producto sin coste alguno si Ud. compra uno nuevo similar.

\*) Por favor, póngase en contacto con su autoridad local para obtener más detalles.

Si sus equipos eléctricos o electrónicos usados tienen pilas o acumuladores, por favor deséchelos por separado con antelación según los requisitos locales.

Al desechar este producto correctamente, ayudará a asegurar que los residuos reciban el tratamiento, la recuperación y el reciclaje necesarios, previniendo de esta forma posibles efectos negativos en el medio ambiente y la salud humana que de otra forma podrían producirse debido a una manipulación de residuos inapropiada.

### 2. En otros países fuera de la Unión Europea

Si desea desechar este producto, por favor póngase en contacto con las autoridades locales y pregunte por el método de eliminación correcto.

Para Suiza: Los equipos eléctricos o electrónicos pueden devolverse al vendedor sin coste alguno, incluso si no compra ningún nuevo producto. Se puede encontrar una lista de otros centros de recogida en la página principal de [www.swico.ch](http://www.swico.ch) o [www.sens.ch](http://www.sens.ch).

## B. Información sobre Eliminación para empresas usuarias

### 1. En la Unión Europea

Si el producto se utiliza en una empresa y quiere desecharlo:

Por favor póngase en contacto con su distribuidor SHARP, quien le informará sobre la recogida del producto. Puede ser que le cobren los costes de recogida y reciclaje. Puede ser que los productos de tamaño pequeño (y las cantidades pequeñas) sean recogidos por sus centros de recogida locales.

Para España: por favor, póngase en contacto con el sistema de recogida establecido o con las autoridades locales para la recogida de los productos usados.

### 2. En otros países fuera de la Unión Europea

Si desea desechar este producto, por favor póngase en contacto con sus autoridades locales y pregunte por el método de eliminación correcto.



# ESPECIFICACIONES

| Nombre del modelo  | YC-GS02E                      | YC-GG02E-S                    |
|--|-------------------------------|-------------------------------|
| Voltaje de línea de CA                                       | 230-240 V, 50 Hz single phase | 230-240 V, 50 Hz single phase |
| Fusible/interruptor del circuito de la línea de distribución | 10 A                          | 10 A                          |
| Potencia de CA requerida:                                    | Microondas                    | 1200 W                        |
| Potencia de salida:  | Microondas                    | 700 W (IEC 60705)             |
|  | Grill                         | 1000 W                        |
|  | Modo Apagado                  | less than < 0,5W              |
| Frecuencia de Microondas                                     | 2450 MHz* (Grupo 2/Clase B)   | 2450 MHz* (Grupo 2/Clase B)   |
| Dimensiones Exteriores (A) x (P) x (A) mm                    | 452 x 262 x 345               | 452 x 262 x 345               |
| Dimensiones de la cavidad (A) x (P) x (A)** mm               | 315 x 198 x 297               | 315 x 198 x 297               |
| Capacidad del horno  | 20 litros**                   | 20 litros**                   |
| Plato giratorio  | ø 245 mm                      | ø 245 mm                      |
| Grill parrilla   |                               | ø 190 mm                      |
| Peso   | approx. 11,3 kg               | approx. 12,5 kg               |
| Lámpara del horno  | 20 W                          | 20 W                          |

\* - Este producto cumple con los requisitos de la norma europea EN55011.

En conformidad con esta norma, este producto se clasifica como equipo de grupo 2 clase B.

El grupo 2 significa que el equipo genera energía de radio frecuencia intencionadamente en forma de radiación electromagnética para el tratamiento térmico de los alimentos.

El equipo de clase B significa que el equipo es adecuado para su uso en establecimientos domésticos.

\*\* - La capacidad interna se calcula midiendo la anchura, la profundidad y la altura máxima. La capacidad real de almacenaje de alimentos es inferior.

COMO PARTE DE UNA POLÍTICA DE MEJORA CONTINUA, NOS RESERVAMOS EL DERECHO DE CAMBIAR EL DISEÑO SIN PREVIO AVISO.

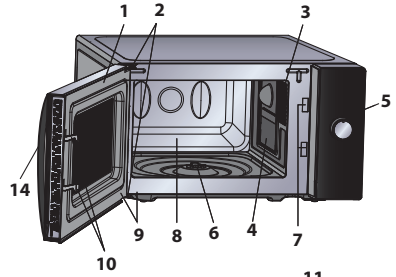


# HORNO Y ACCESORIOS



## HORNO

1. Puerta
2. Bisagras
3. Lámpara del horno
4. Tapa del emisor de ondas (NO EXTRAER)
5. Panel de control
6. Acoplamiento
7. Cerraduras de la puerta
8. Cavity del horno
9. Sellos de la puerta y superficies de sellado
10. Cierres de seguridad de la puerta
11. Orificios de ventilación
12. Mueble exterior
13. Cable de alimentación
14. Abertura de la puerta



## ACCESORIOS:

Compruebe que están incluidos los siguientes accesorios:

15. Lato giratorio
16. Soporte del plato giratorio
17. Acoplamiento
18. Parrilla (solo para YC-GG02E-S)

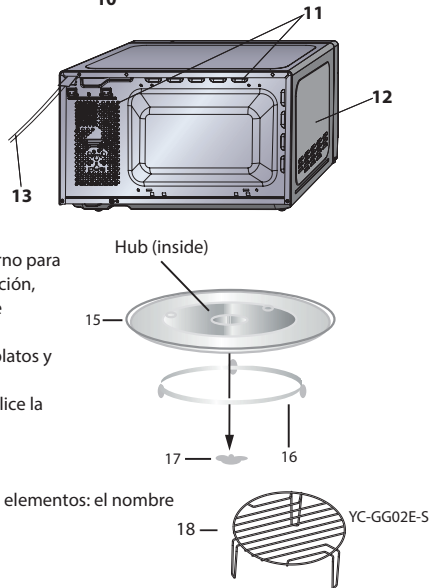
- Coloque el soporte del plato giratorio en el centro de la base del horno para que pueda girar libremente alrededor del acoplamiento. A continuación, coloque el plato giratorio en el soporte del plato para que se asiente firmemente en el acoplamiento.
- Para prevenir daños en el plato giratorio, asegúrese de levantar los platos y recipientes cuando los retire del plato giratorio del horno.
- La rejilla se ha diseñado para usarse solo con hornos con grill. No utilice la rejilla con la función de microondas.
- Para utilizar la parrilla.

**Nunca toque la parrilla cuando esté caliente.**

**NOTE:** Cuando realice pedidos de accesorios, por favor, mencione dos elementos: el nombre de la pieza y el nombre del modelo.

## NOTAS:

- La tapa del emisor de ondas es frágil. Se debe tener cuidado al realizar la limpieza del interior del horno para no dañarlo.
- Después de cocinar comidas grasas sin una tapa, limpie siempre la cavity y especialmente el elemento calentador de la parrilla minuciosamente, esta debe estar seca y libre de grasas. La grasa acumulada puede recalentarse y comenzar a humear o incendiarse.
- Utilice siempre el horno con el plato giratorio y el soporte correctamente instalados. Esto debe hacerse siempre, inclusive durante la cocción. Una mala instalación del plato giratorio puede hacer que vibre, que no gire adecuadamente y podría dañar el horno.
- Todos los alimentos y recipientes de los alimentos se colocan siempre en el plato giratorio para cocinar.
- El plato gira en la dirección de las manecillas del reloj y al contrario. La dirección de rotación puede cambiar cada vez que se encienda el horno. Esto no afecta el proceso de cocción.



**ADVERTENCIA:** Este símbolo significa que las superficies son susceptibles de calentarse durante el uso. La puerta, el mueble exterior, la cavity del horno, los accesorios y los platos se calientan mucho durante el funcionamiento. Para evitar quemaduras, utilice siempre guantes gruesos para horno.



# PANEL DE CONTROL

## 1. FUNCIÓN

Presione para seleccionar el nivel de potencia del microondas, la función del temporizador o el modo de combinación.

LOW / - 280 W

MED - 560 W

HIGH - 700W

GRILL - 100% Grill

GRILL (Combi 1) - 70 % Grill, 30 % Micro

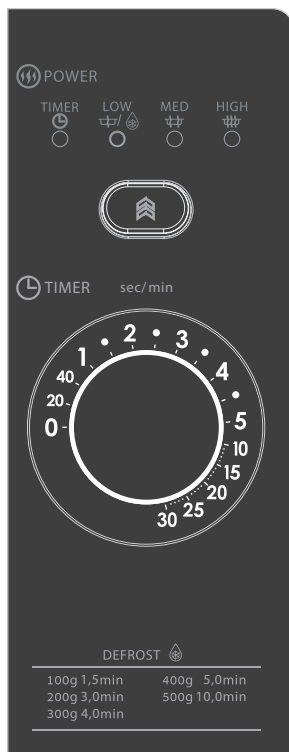
GRILL (Combi 2) - 44% Grill, 56% Micro

TIMER - Temporizador de cocina

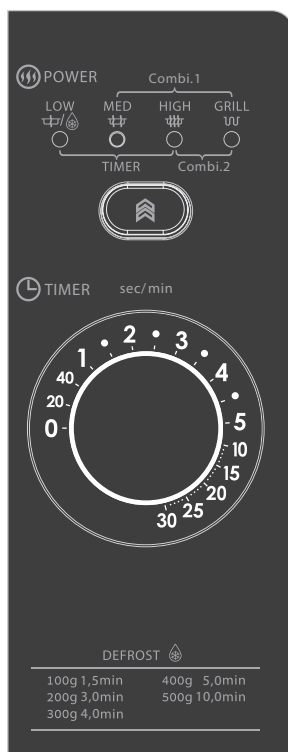
## 2. Mando del temporizador

Gire el mando del temporizador para establecer el tiempo de cocción. El periodo más largo es de 30 minutos, transcurridos los cuales el horno iniciará la cocción automáticamente.

NOTA: Para aumentar el tiempo de cocción o descongelado, gire el mando del temporizador hacia la derecha. Para reducir el tiempo de cocción o descongelado, gire la mando del temporizador hacia la izquierda.



YC-GS02E



YC-GG02E

## MEDIDAS IMPORTANTES DE SEGURIDAD



### **IMPORTANTES INSTRUCCIONES DE SEGURIDAD: LEER CUIDADOSAMENTE Y GUARDAR PARA FUTURAS REFERENCIAS**

#### **Para prevenir el peligro de incendio.**

**No debe dejarse el horno microondas sin vigilancia durante el proceso de cocción. Niveles de potencia demasiado altos o periodos de cocción demasiado largos pueden sobrecalentar la comida y provocar un incendio.**

Este horno está diseñado para utilizarse en una encimera solamente. No está diseñado para integrarse en una unidad de cocina.

No coloque el horno dentro de un armario.

La toma de corriente debe tener un fácil acceso para que la unidad pueda desconectarse fácilmente en caso de emergencia.

La fuente de alimentación de CA debe ser de 230-240 V, 50 Hz, con un fusible de línea de distribución de 10 A como mínimo, o un interruptor de circuito de distribución de 10 A como mínimo.

Se deberá suministrar un circuito eléctrico independiente sólo para este aparato.

No coloque el horno en zonas donde se genere calor. Por ejemplo, cerca de un horno convencional.

No instale el horno en áreas de alta humedad o donde se pueda acumular humedad.

No guarde o use el horno en exteriores.

**Si se observa humo, apague o desconecte el horno y**



## MEDIDAS IMPORTANTES DE SEGURIDAD

**mantenga la puerta cerrada con el fin de sofocar las llamas.**

**Utilice solamente recipientes e utensilios aptos para microondas. Se deberán comprobar los utensilios para verificar que son aptos para su uso en hornos de microondas.**

**Al calentar alimentos en recipientes de papel o plástico, vigile el horno debido a la posibilidad de ignición. Limpie la cubierta de la guía de onda, la cavidad del horno y el plato giratorio después de cada uso. Estos deben estar secos y no tener grasa. La grasa acumulada puede recalentarse y provocar humo o incendiarse.**

No coloque materiales inflamables cerca del horno o de los orificios de ventilación.

No bloquee los orificios de ventilación.

Extraiga todos los sellos metálicos, envolturas con alambre, etc., de la comida y de las envolturas de comida. Los arcos eléctricos en superficies metálicas pueden provocar un incendio.

No use el horno de microondas para calentar aceite para freír. La temperatura no se puede controlar y el aceite puede incendiarse.

Cuando haga palomitas de maíz, utilice solamente fabricantes especializados en palomitas para microondas.

No almacene comida u otros artículos dentro del horno.

Compruebe la configuración después de encender el horno para asegurar que el horno funciona como se desea.

Para evitar el calentamiento excesivo y el fuego, se debe prestar atención especial al cocinar o recalentar alimen-

## MEDIDAS IMPORTANTES DE SEGURIDAD



tos con un contenido alto de azúcar o grasa, por ejemplo, salchichas, pasteles o pudin de Navidad.

Ver las sugerencias correspondientes en el manual de funcionamiento.

### **Para evitar la posibilidad de lesiones.**

#### **ADVERTENCIA:**

No use el horno si esta averiado o no funciona correctamente. Compruebe lo siguiente antes de usar:

- a) Puerta; compruebe que la puerta esta cerrada correctamente y asegúrese de que no esté desalineada o deformada.
- b) Bisagras y cierres de puerta de seguridad; asegúrese de que no estén rotos o sueltos.
- c) Sellos de las puertas y superficies de sellado; compruebe que no han sido dañados.
- d) Interior de la cavidad del horno o puerta; asegúrese de que no presenta abolladuras.
- e) Cable de alimentación y enchufe, verifique que no estén dañados.

Si los sellos de la puerta o la puerta están dañados, no debe utilizar el horno hasta que haya sido reparado por una persona competente.

**Nunca ajuste, repare o modifique el horno. Es peligroso para cualquier persona que no este capacitada para llevar a cabo cualquier operación de mantenimiento o reparación, que consista en retirar una cubierta que protege contra la exposición a la energía de microondas.**



## MEDIDAS IMPORTANTES DE SEGURIDAD

No haga funcionar el horno con la puerta abierta ni modifique las cerraduras de seguridad de ninguna manera. No haga funcionar el horno si hay algún objeto entre los sellos de la puerta y las superficies de sellado.

**No permita que la grasa o la suciedad se acumule en las juntas de puerta y partes adyacentes. Limpiar el horno a intervalos regulares y eliminar los depósitos de alimentos. Lea las instrucciones de “Cuidado y limpieza”. El no mantener el horno en condiciones limpias podría dar lugar a un deterioro de la superficie que podría afectar negativamente a la vida del aparato así como provocar una situación peligrosa.**

Las personas con MARCAPASOS deben consultar a su médico o al fabricante del marcapasos para tomar las precauciones debidas respecto a los hornos microondas.

**Para evitar la posibilidad de una descarga eléctrica.**

Bajo ninguna circunstancia se deberá desmontar la carcasa exterior.

Nunca derrame o inserte ningún objeto en las aberturas de cerradura de la puerta u orificio de ventilación. En caso de que se produzca un derrame, apagar y desenchufar inmediatamente el aparato, y llame a un agente autorizado de servicio SHARP.

No sumerja el cable de alimentación o el enchufe en agua u otros líquidos.

No deje que el cable de alimentación cuelgue sobre el borde de una mesa o superficie de trabajo.

Mantenga el cable de alimentación alejado de superficies

## MEDIDAS IMPORTANTES DE SEGURIDAD



calientes, incluyendo la parte posterior del horno.

Mantenga el aparato y el cable fuera del alcance de los niños menores de 8 años.

No trate de cambiar la lámpara del horno usted mismo o permita que ninguna persona no autorizada por SHARP lo haga. Si la lámpara se estropea, por favor consulte a su distribuidor o un agente autorizado del servicio SHARP.

Si el cable de alimentación de este aparato está dañado, se debe sustituir por un cable especial.

El intercambio debe ser realizado por personas calificadas para evitar un peligro.

**Para evitar la posibilidad de explosión y de una ebullición repentina:**

**ADVERTENCIA: Los líquidos y otros alimentos no deben calentarse en recipientes cerrados ya que podrían explotar. El calentar bebidas en el microondas puede retardar la ebullición eruptiva, por lo que deberá tener cuidado al manejar el recipiente.**

Nunca utilice recipientes herméticos. Retire los cierres y las tapas antes de utilizarlos. Los recipientes sellados pueden explotar debido al aumento de la presión incluso una vez que el horno se haya apagado.

Tenga mucho cuidado cuando caliente líquidos. Use recipientes de boca ancha para dejar escapar las burbujas.

**No caliente nunca líquidos en recipientes de boca estrecha tales como biberones, ya que esto puede dar lugar a que el contenido del envase salga a chorros cuando esté caliente y pueda causar quemaduras.**



## MEDIDAS IMPORTANTES DE SEGURIDAD

Para prevenir la salida repentina del líquido hirviendo y posibles quemaduras:

1. No utilice una cantidad excesiva de tiempo.
2. Remueva el líquido antes de calentar/recalentar
3. Es aconsejable introducir una varilla de cristal o un utensilio similar (no metálico) en el líquido mientras se calienta.
4. Deje el líquido en reposo durante al menos 20 segundos en el horno al final del tiempo de cocción para evitar ebulliciones posteriores.

**No cocine huevos con cáscara, así como los huevos duros no deben calentarse en el microondas ya que pueden explotar, incluso después de que el microondas haya terminado la cocción. Para cocinar o recalentar los huevos que no hayan sido revueltos o mezclados, perfore las yemas y las claras o los huevos pueden explotar. Pele y corte los huevos duros antes de calentarlos en el horno microondas.**

Perforar la piel de los alimentos como las patatas, salchichas y frutas antes de cocinar, ya que pueden explotar.

### **Para evitar la posibilidad de quemaduras**

**ADVERTENCIA: Se debe revolver y agitar el contenido de biberones y envases de comida para bebés y revisar la temperatura antes de su consumo, con el fin de evitar quemaduras.**

**Utilice agarraderas o guantes de cocina cuando saque los alimentos del horno para evitar quemaduras.**



## MEDIDAS IMPORTANTES DE SEGURIDAD



Siempre que abra recipientes, bolsas de palomitas de maíz, bolsas para cocinar en el horno, etc. Hágalo lejos de su cara y manos para evitar quemaduras producidas por el vapor y líquido hirviendo.

Para evitar quemaduras, compruebe la temperatura de los alimentos y revuelva siempre antes de servir y preste especial atención a la temperatura de los alimentos y bebidas para bebés, niños o ancianos. Las partes accesibles pueden calentarse durante el uso.

Los niños pequeños deben permanecer alejados.

La temperatura de los recipientes no es un indicador real de la temperatura de los alimentos o bebidas; verifique siempre la temperatura de los alimentos.

Mantenga siempre la distancia de la puerta del horno cuando se abra para evitar quemaduras por el vapor y el calor que se escapa.

Cortar los alimentos rellenos horneados después de calentar para liberar el vapor y evitar quemaduras.

Mantenga a los niños lejos de la puerta para evitar que puedan quemarse.

**Para evitar el uso incorrecto por parte de los niños.**

**ADVERTENCIA: Sólo permita que los niños a partir de los 8 años de edad utilicen el horno sin supervisión cuando hayan recibido las instrucciones adecuadas para que puedan utilizar el horno de una forma segura y comprendan los peligros de un uso inadecuado. Este aparato no está diseñado para ser utilizado por personas (incluidos niños) con discapacidades físicas,**



## MEDIDAS IMPORTANTES DE SEGURIDAD

**sensoriales o mentales, o falta de experiencia y conocimiento, a menos que se les supervise o una persona responsable de su seguridad les enseñe a utilizar el aparato. Se debe vigilar a los niños para asegurarse de que no jueguen con el aparato.**

No se apoye sobre o balancee la puerta del horno. No juegue con el horno ni lo utilice como un juguete.

Los niños deben aprender todas las instrucciones importantes de seguridad: el uso de las agarraderas, la extracción cuidadosa de las tapas de los alimentos, prestando especial atención a los envases (por ejemplo, materiales de calentamiento automático) diseñados para hacer los alimentos crujientes, ya que pueden estar muy calientes.

### **Otras advertencias**

Nunca modifique el horno de ninguna manera.

No mueva el horno mientras este funcionando.

Este aparato está destinado a utilizarse en aplicaciones domésticas.

Este horno es para preparar alimentos en el hogar únicamente y sólo se puede utilizar para cocinar los alimentos.

El secado de los alimentos o la ropa y el calentamiento de las almohadillas térmicas, zapatillas, esponjas, paños húmedos y similares pueden provocar lesiones, ignición o incendio.

No es apto para uso comercial o de laboratorio.

**Para fomentar el uso de su horno sin problemas y evitar daños.**

Nunca utilice el horno si está vacío. Cuando utilice un pla-

## MEDIDAS IMPORTANTES DE SEGURIDAD



to para dorar o material de auto-calentamiento, coloque siempre un aislante resistente al calor, como un plato de porcelana debajo para evitar daños en el plato giratorio y soporte del plato, debido al estrés por calor.

No se debe exceder el tiempo de pre-calentamiento especificado en las instrucciones de los platos.

No utilice utensilios de metal, los cuales reflejan las microondas y pueden provocar arco eléctrico. No introduzca latas en el horno.

Utilice solamente el plato giratorio y el soporte del plato giratorio diseñado para este horno. No ponga en funcionamiento el horno sin el plato giratorio.

Para evitar que el plato giratorio se rompa:

- a) Antes de limpiar el plato con agua, deje que el plato giratorio se enfríe.
- b) No coloque alimentos calientes o utensilios calientes en un plato giratorio frío.
- c) No coloque los alimentos fríos o utensilios fríos en un plato giratorio caliente.

No coloque nada en el compartimiento exterior durante la operación.

### **NOTA:**

No utilice recipientes de plástico en el microondas si el horno está todavía caliente por el uso del funcionamiento en GRILL y MIX GRILL porque puede fundirse.

Los recipientes de plástico no deben utilizarse durante los



## MEDIDAS IMPORTANTES DE SEGURIDAD

modos indicados anteriormente a menos que el fabricante del recipiente diga que son adecuados.

Si usted no está seguro de cómo conectar su horno, consulte por favor a un electricista autorizado y calificado.

Ni el fabricante ni el distribuidor pueden aceptar ninguna responsabilidad por averías en el horno o lesiones personales que resulten del incumplimiento del correcto procedimiento de conexión eléctrica.

Se puede formar vapor de agua o gotas de vez en cuando en las paredes del horno o alrededor de los sellos de las puertas y las superficies de sellado. Esto es algo normal y no un indicador de fugas o mal funcionamiento del microondas.



Este símbolo significa que las superficies pueden calentarse durante el uso.





1. Retire todos los materiales de embalaje del interior del horno y retire cualquier película protectora que se encuentre en la superficie de la carcasa del horno microondas.
2. Revise detenidamente el horno para detectar cualquier signo de avería.
3. Coloque el horno en una superficie nivelada segura, lo suficientemente fuerte como para que pueda soportar el peso del horno, sumándole el artículo más pesado posible para cocinar en el horno. No coloque el horno en un armario.
4. Seleccione una superficie nivelada que proporcione suficiente espacio abierto para la admisión y/o rejillas de ventilación de salida.  
Se deberá colocar la superficie posterior del aparato contra la pared.

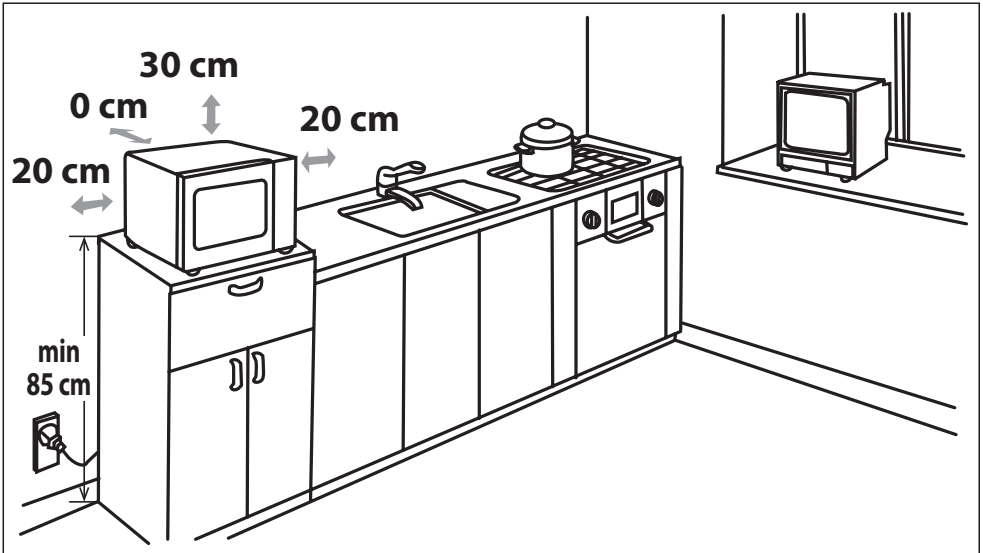
Se deberá colocar la superficie posterior del aparato contra la pared.

- La altura mínima de la instalación es de 85 cm.
- Se requiere un espacio mínimo de 20 cm entre el horno y las paredes adyacentes.
- Deje un espacio de 30 cm como mínimo por encima del horno.
- No quite las patas de la parte inferior del horno.
- El bloquear los orificios de entrada y/o de salida puede averiar el horno.
- Sitúe el horno lo más alejado de la radio y la televisión como sea posible. El funcionamiento del horno de



## INSTALACIÓN

microondas puede provocar interferencias en la recepción de radio o TV.



5. Conecte de forma segura el enchufe del horno a una toma de corriente eléctrica estándar conectada a tierra.

**ADVERTENCIA:** No coloque el horno donde se genere calor, vaho o mucha humedad, (por ejemplo, cerca o encima de un horno convencional) o cerca de materiales combustibles (por ejemplo, cortinas).

No bloquee ni obstruya los orificios de ventilación de aire.

No coloque objetos encima del horno.

No toque el exterior del horno de microondas durante o poco después de la operación, ya que estará caliente.



## NIVELES DE POTENCIA DE MICROONDAS

- El horno no se puede utilizar nada más enchufarlo. El horno entrará en modo de espera tras abrir y cerrar su puerta una vez, tras lo cual se iluminará el indicador de función "LOW/☞/⊕" y el indicador del temporizador mostrará "0".
- En el modo en espera o cuando finalice la cocción, el horno entrará en modo de bloqueo en espera si no se realiza ninguna acción durante tres minutos.
- Durante la cocción, puede cancelar el programa de cocción abriendo la puerta del horno o girando el mando del temporizador a "0".
- Cuando la cocción termina, se encenderá el indicador de función seleccionado, el indicador del temporizador mostrará "0" y el sistema emitirá un sonido.
- Si se usa el horno durante más de dos minutos, el ventilador de refrigeración se mantendrá encendido al final del ciclo de cocción. El ventilador funcionará durante unos tres minutos tras la cocción.



## COCINAR CON MICROONDAS

1. Prepare y coloque los alimentos en un recipiente adecuado (consulte "UTENSILIOS ADECUADOS PARA EL HORNO"). Coloque los alimentos o el recipiente directamente en el centro del plato giratorio. Cierre la puerta.
2. En el modo en espera, pulse varias veces el botón FUNCTION hasta que aparezca el indicador de función "HIGH/☞" o "MED/☞".
3. Gire el mando del **TEMPORIZADOR** hasta el tiempo de cocción o descongelado deseado, y el horno se pondrá en marcha automáticamente.
4. Una vez completada la cocción o el descongelado, el **TEMPORIZADOR** volverá a "0" y sonará una señal acústica. La lámpara del horno se apagará automáticamente y el plato giratorio dejará de girar. Abra la puerta del horno, retire los alimentos o el recipiente con cuidado. Deje reposar los alimentos el tiempo que sea necesario.

### CONSEJOS DE COCCIÓN:

Cuando el horno se pone en funcionamiento, se encenderá la lámpara del horno y el plato giratorio girará hacia la izquierda o hacia la derecha

Si desea detener la cocción antes de que haya transcurrido el tiempo de cocción, gire el mando del **TEMPORIZADOR** de nuevo a "0" (apagado) o abra la puerta del horno. La puerta del horno se puede abrir en cualquier momento durante la cocción. Para continuar con la cocción, cierre la puerta. Si desea cambiar el tiempo de cocción durante la cocción, simplemente gire el mando del **TEMPORIZADOR** hasta la nueva configuración deseada.

Para cocer o descongelar durante menos de tres minutos, gire el mando del **TEMPORIZADOR** hasta pasada la marca de 10 minutos y luego de nuevo a la posición deseada. El temporizador funcionará con mayor precisión.

Para cambiar el nivel de potencia durante la cocción, gire el mando de **CONTROL DE POTENCIA DE MICROONDAS** hasta la configuración deseada.

### ADVERTENCIA:

Asegúrese de que el **TEMPORIZADOR** se pone de nuevo en la posición de cero ("0") una vez finalizada la cocción; de lo contrario, el horno se pondrá en marcha automáticamente, cuando se cierre la puerta del horno.



## GUÍA DE DESCONGELADO

Esta guía está diseñada para descongelar más fácilmente alimentos específicos.

Se puede utilizar para descongelar: porciones de pollo, chuletas, pescado (entero o en filetes), carne picada y salchichas.

DEFROST ☞

|             |              |
|-------------|--------------|
| 100g 1,5min | 400g 5,0min  |
| 200g 3,0min | 500g 10,0min |
| 300g 4,0min |              |

**Ejemplo:** Para descongelar 0,4 kg de porciones de pollo:

1. Coloque el pollo en porciones de una fuente y sitúe la fuente en el plato giratorio en el interior del horno.
2. En el modo en espera, pulse varias veces el botón FUNCTION hasta que aparezca el indicador de función "LOW/☞/⊕".
3. Gire el **TEMPORIZADOR** al ajuste 5,0 min. El horno se pondrá en marcha inmediatamente. De la vuelta a las porciones de pollo 1 o 2 veces durante el descongelado.



4. Después de descongelar, cubra los alimentos en papel de aluminio y deje reposar hasta que estén totalmente descongelados.

**Nota:** El tiempo de descongelado se basa en condiciones estándar. Compruebe el resultado del descongelado y, si es necesario, ajuste los tiempos como corresponda.



## COCINAR EN GRILL/COCINAR EN MIX GRILL

### 1. COCINAR EN SOLO GRILL

El grill situado en la parte superior de la cavidad del horno tiene una sola configuración de potencia. El grill es ayudado por el plato giratorio que da vueltas al mismo tiempo para asegurar un dorado uniforme. Utilice la parrilla para asar alimentos pequeños tales como tocino, jamón y pastas de té. Los alimentos se pueden colocar directamente sobre la parrilla o en una fuente o plato resistente al calor en la parrilla.

- En el modo en espera, pulse varias veces el botón FUNCTION hasta que aparezca el indicador de función "GRILL/⚡".
- Gire el mando del temporizador para establecer el tiempo de cocción. El periodo más largo es de 30 minutos, transcurridos los cuales el horno iniciará la cocción automáticamente.

### 2. COCINAR EN MIX GRILL

**MICRO GRILL** combina la potencia de las microondas con el grill. MIX significa cocer con la potencia de las microondas y la potencia del grill alternativamente.

La combinación de la potencia de las microondas con el grill reduce el tiempo de cocción y proporciona resultados crujientes y dorados.

En el modo en espera, pulse varias veces el botón FUNCTION para seleccionar la combinación 1 (se encenderá el indicador de función "GRILL/⚡" y "MED/⚡") o la combinación 2 (se encenderá el indicador "GRILL/⚡" y "HIGH/⚡").

| Función/potencia | Salida                      | Aplicación   |
|------------------|-----------------------------|--|
| Parrilla         | 100 % grill                 | Pan horneado, alimentos en rodajas                       |
| Combi.1          | 70 % grill, 30 % microondas | Despieces de pollo, pechugas de pollo, chuletas de cerdo |
| Combi.2          | 56% grill, 44% microondas   | Pollo entero   |

### NOTAS para COCINAR EN GRILL y MIX GRILL:

- No es necesario precalentar el grill antes de cocinar.
- Cuando dore alimentos en un contenedor profundo, colóquelo en el plato giratorio.
- No se recomienda el uso de platos para dorar.
- Se puede detectar humo o percibir un olor a quemado cuando se utiliza el grill por primera vez. Esto es normal y no es una señal de que el horno esté estropeado. Para evitar este problema, caliente el horno sin alimentos durante 20 minutos en modo de grill cuando utilice el horno por primera vez.

**IMPORTANTE:** Durante el uso, abra la ventana o encienda el ventilador de la cocina para permitir que el humo y los olores se dispersen. **NOTE:** Cuando utilice la función de grill, la parrilla se encenderá y apagará a intervalos regulares para evitar el sobrecalentamiento.



**ADVERTENCIA:** La puerta, la carcasa exterior, la cavidad del horno y los accesorios se calientan mucho durante el funcionamiento. Para evitar quemaduras, utilice siempre guantes de horno gruesos

## TEMPORIZADOR DE COCINA



1. En el modo en espera, pulse varias veces el botón FUNCTION hasta que aparezca en indicador de función "TIMER" en el modelo YC-GS02E y "LOW/⚡/⌚" y "HIGH/⚡" en el modelo YC-GG02E.
2. Gire el mando del temporizador para establecer el tiempo deseado. El periodo más largo es de 30 minutos. Luego, el horno inicia el temporizador de cuenta regresiva automáticamente.

### NOTA:

- Cuando el modo del temporizador se utilice con el modo de microondas y descongelado, el tiempo del temporizador se borrará (con independencia de que la puerta esté abierta o cerrada).
- Cuando se utilice el modo de combinación, microondas, descongelado y grill con el modo de temporizador, el tiempo se borrará.

# UTENSILIOS ADECUADOS PARA EL HORNO



Para cocinar/descongelar los alimentos en un horno de microondas, la energía de microondas debe ser capaz de pasar por el contenedor para penetrar en los alimentos. Por lo tanto es importante escoger un recipiente adecuado. Los moldes redondos/ovalados son preferibles que los cuadrados/rectangulares, ya que los alimentos en las esquinas pueden cocinarse demasiado. Se puede utilizar una variedad de utensilios de cocina como se enumeran a continuación.

| Utensilios de cocina   | Apto para microondas | Grill | Comentarios  |
|--|----------------------|-------|--|
| Papel de aluminio<br>Recipientes de aluminio                   | ✓ / ✗                | ✓     | Se pueden utilizar trozos pequeños de papel de aluminio para proteger los alimentos contra el sobrecalentamiento. Mantenga el papel al menos a 2cm de distancia de las paredes del horno, ya que puede producirse arco voltaico. Los recipientes de aluminio no son recomendables a menos que los especifi que el fabricante, por ejemplo, Microfoil ®, siga las instrucciones cuidadosamente. |
| Platos para dorar  | ✓ / ✗                | ✗     | Siempre siga las instrucciones del fabricante. No exceder los tiempos de calentamiento dado. Tenga mucho cuidado ya que estos platos se calientan mucho.   |
| Porcelana y cerámica   | ✓ / ✗                | ✗     | Porcelana, cerámica, loza de barro esmaltada y la porcelana de huesos son generalmente convenientes, a excepción de aquellas con decoración metálica.  |
| Cristalería por ejemplo Pyrex ®                                | ✓                    | ✓     | Se debe tener cuidado si se utiliza cristalería fina, ya que puede romperse o agrietarse si se calienta súbitamente.   |
| Metal  | ✗                    | ✓     | No se recomienda usar utensilios de metal ya que crearía un arco voltaico, lo que podría provocar un incendio.   |
| Plástico/Poliestireno por ejemplo recipientes de comida rápida | ✓                    | ✗     | Se debe tener cuidado con algunos recipientes pueden combarse, derretirse o descolorarse con las altas temperaturas.   |
| Film adherente   | ✓                    | ✗     | No se debe tocar los alimentos y deben perforarse para permitir el escape de vapor.  |
| Bolsas para congelar/asar                                      | ✓                    | ✗     | Se deben perforar para dejar salir el vapor. Asegúrese de que las bolsas son adecuadas para su uso en microondas.  |
| Platos de papel, tazas y papel de cocina                       | ✓                    | ✗     | No utilice ataduras de plástico o metal, ya que pueden derretirse o incendiarse debido al 'arco' metálico.   |
| Recipientes de madera y paja                                   | ✓                    | ✗     | Utilizar únicamente para calentar o para absorber la humedad. Se debe tener cuidado ya que el sobrecalentamiento puede provocar un incendio.   |
| Papel reciclado y periódicos                                   | ✗                    | ✗     | Vigile siempre el horno cuando se utilizan estos materiales ya que el sobrecalentamiento puede ocasionar un incendio. Puede contener extractos de metal que pueden causar 'arco voltaico' y puede provocar un incendio.  |



**ADVERTENCIA: Al calentar alimentos en recipientes de papel o plástico, vigile el horno debido a la posibilidad de ignición.**



## CUIDADO Y LIMPIEZA

**PRECAUCIÓN: NO UTILICE LIMPIADORES COMERCIALES DE HORNO, LIMPIADORES A VAPOR, ABRASIVOS, LIMPIADORES DUROS, CUALQUIERA QUE CONTENGA HIDROXIDO DE SODIO O ESTROPAJOS EN CUALQUIER PARTE DE SU HORNO MICROONDAS.**

**Antes de limpiar, asegúrese de que la cavidad del horno, puerta, carcasa del horno y los accesorios estén completamente fríos.**

**LIMPIAR EL HORNO A INTERVALOS REGULARES Y EXTRAIGA CUALQUIER RESTO DE COMIDA - Mantenga el horno limpio, o el horno podría conducir a un deterioro de la superficie. Esto podría afectar negativamente la vida del aparato y provocar una situación peligrosa.**

**NOTA:** Al preparar alimentos, se puede formar condensación dentro de la cavidad del horno, en las paredes interiores y en la puerta. La cantidad de condensación dependerá de la temperatura de las superficies del horno y de la humedad del alimento que se esté preparando en el microondas. Asegúrese de limpiar toda la humedad que se forme en estas superficies con un paño absorbente y suave cuando acabe de preparar los alimentos.

### Exterior del horno

El exterior de su horno se puede limpiar fácilmente con agua y jabón suave. Asegúrese de limpiar el jabón con un paño húmedo y secar el exterior con una toalla suave.

### PANEL DE CONTROL

Abra la puerta antes de limpiar para desactivar el panel de control. Se debe tener cuidado al limpiar el panel de control. Utilizando un paño humedecido con agua solamente, frote suavemente el panel hasta que esté limpio. Evite el uso excesivo de cantidades de agua. No utilice ningún tipo de limpiadores químicos o abrasivos.

### Interior del horno

**1.** Para la limpieza, frotar cualquier salpicadura o derrame con un paño o esponja suave o húmeda después de cada uso, mientras que el horno está todavía caliente. Para más derrames más gruesos, utilice un jabón suave y frote varias veces con un trapo húmedo hasta que se eliminen todos los residuos. La acumulación de salpicaduras puede recalentarse y comenzar a humear o prenderse fuego, y provocar un arco voltaico.

No quite la tapa del emisor de ondas.

**2.** Asegúrese de que el jabón suave o el agua no penetran en los pequeños orificios de ventilación en las paredes que pueden causar daños al horno.

**3.** No utilice limpiadores de tipo aerosol en el interior del horno.

**4.** Calentar el horno con regularidad por medio del grill y calentar el horno sin alimentos durante 20 minutos en el grill. Los restos de comida o grasa salpicada puede provocar humo o mal olor.

Mantenga la tapa del emisor de onda limpia en todo momento.

La tapa del emisor de onda está hecha de un material frágil y se debe limpiar con cuidado (siga las instrucciones de limpieza de arriba).

**NOTA:** El mojar excesivamente puede provocar la desintegración de la tapa del emisor de onda.

La tapa del emisor de onda es una pieza que se consume y sin una limpieza regular, tendrá que ser reemplazada.

### ACCESORIOS:

Los accesorios como el plato giratorio, el soporte del plato giratorio y la parrilla se deben lavar con solución líquida suave y secar. Son aptos para el lavavajillas.

### Puerta

Para eliminar todo rastro de suciedad, limpiar regularmente ambos lados de la puerta, los sellos de las puertas y las partes adyacentes con un paño suave y húmedo. No utilizar un limpiador abrasivo.

**NOTA:** No se debe utilizar un limpiador a vapor.

### Consejo de limpieza- Para una manera fácil de limpiar su horno:

Coloque la mitad de un limón en un tazón, añadir 300 ml de agua y caliente al 100% por 10 -12 minutos.

Limpie el horno con un paño limpio, suave y seco.





**Atenção:**

O seu produto está identificado com este símbolo. Significa que os produtos eléctricos e electrónicos não devem ser misturados com o lixo doméstico comum. Existe um sistema de recolhas específico para estes produtos.

## A. Informações sobre a Eliminação de Produtos para os Utilizadores (particulares)

### 1. Na União Europeia

Atenção: Se quiser eliminar este equipamento, não o deve fazer juntamente com o lixo doméstico comum!

O equipamento eléctrico e electrónico deve ser tratado separadamente e ao abrigo da legislação aplicável que obriga a um tratamento, recuperação e reciclagem adequados de equipamentos eléctricos e electrónicos usados.

Após a implementação desta legislação por parte dos Estados-membros, todos os cidadãos residentes na União Europeia poderão entregar o seu equipamento eléctrico e electrónico usado em estações de recolha específicas a título gratuito\*.

Em alguns países\* o seu revendedor local também pode recolher o seu equipamento usado a título gratuito na compra de um novo equipamento.

\*) Contacte as entidades locais para mais informações.

Se o seu equipamento eléctrico e electrónico usado funcionar a pilhas ou baterias, deverá eliminá-las em separado, conforme a legislação local, e antes de entregar o seu equipamento.

Ao eliminar este produto correctamente estará a contribuir para que o lixo seja submetido aos processos de tratamento, recuperação e reciclagem adequados. Desta forma é possível evitar os efeitos nocivos que o tratamento inadequado do lixo poderia provocar no ambiente e na saúde.

### 2. Em outros Países fora da UE

Se quiser eliminar este produto, contacte as entidades locais e informe-se sobre o método correcto para proceder à sua eliminação.

Na Suíça: O equipamento eléctrico e electrónico é aceite, a título gratuito, em qualquer revendedor, mesmo que não tenha adquirido um novo produto.

Poderá encontrar uma lista das estações de recolha destes equipamentos na página da Web [www.swico.ch](http://www.swico.ch) ou [www.sens.ch](http://www.sens.ch).

## B. Informações sobre a Eliminação de Produtos para Utilizadores-Empresas

### 1. Na União Europeia

Se o produto for usado para fins comerciais e quiser eliminá-lo:

Contacte o seu revendedor SHARP que irá informá-lo sobre a melhor forma de eliminar o produto. Poderá ter de pagar as despesas resultantes da recolha e reciclagem do produto. Alguns produtos mais pequenos (e em pequenas quantidades) poderão ser recolhidos pelas estações locais.

Na Espanha: Contacte o sistema de recolhas público ou as entidades locais para mais informações sobre a recolha de produtos usados.

### 2. Em outros Países fora da UE

Se quiser eliminar este produto, contacte as entidades locais e informe-se sobre o método correcto para proceder à sua eliminação.



## ESPECIFICAÇÕES

| Nome do modelo                              |                | YC-GS02E                     | YC-GG02E                     |
|---|----------------|------------------------------|------------------------------|
| Tensão da Linha AC                          |                | 230-240 V, 50 Hz monofásico  |                              |
| Fusível de linha de distribuição/disjuntor: |                | 10 A                         | 10 A                         |
| Potência AC requerida:                      | Microondas     | 1200 W                       | 1200 W                       |
| Potência de saída:                          | Microondas     | 700 W (IEC 60705)            | 700 W (IEC 60705)            |
|   | Grill          |                              | 1000 W                       |
|   | Modo Desligado | menos de < 0,5W              | menos de < 0,5W              |
| Frequência do Microondas                    |                | 2450 MHz* (Grupo 2/Classe B) | 2450 MHz* (Grupo 2/Classe B) |
| Dimensões Exteriores (C) x (P) x (A) mm     |                | 452 x 262 x 345              | 452 x 262 x 345              |
| Dimensões da Cavidade (C) x (P) x (A)** mm  |                | 315 x 198 x 297              | 315 x 198 x 297              |
| Capacidade do Forno                         |                | 20 litros**                  | 20 litros**                  |
| Prato giratório                             |                | ø 245 mm                     | ø 245 mm                     |
| Grelha                                      |                |                              | ø 190 mm                     |
| Largura                                     |                | aprox. 11,3 kg               | aprox. 12,5 kg               |
| Lâmpada do forno                            |                | 20 W                         | 20 W                         |

\* Este Produto cumpre os requisitos do padrão europeu EN55011.

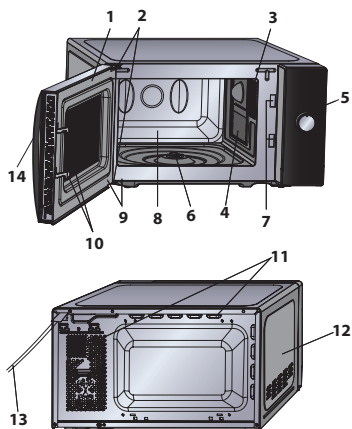
Em conformidade com este padrão, este produto é classificado como sendo um equipamento de grupo 2 classe B. O grupo 2 significa que o equipamento gera intencionalmente energia de rádio-frequência sob a forma de radiação eletromagnética para tratamento de aquecimento de alimentos.

Equipamento de classe B significa que o equipamento é adequado para ser usado em ambientes domésticos.

\*\* A capacidade interna calcula-se medindo a largura, profundidade e altura máximas. A capacidade real para os alimentos é menor.

COMO PARTE DA POLÍTICA DE CONTÍNUAS MELHORIAS, RESERVAMO-NOS O DIREITO DE ALTERAR O DESENHO E AS ESPECIFICAÇÕES SEM AVISO PRÉVIO.

## FORNO E ACESSÓRIOS



### FORNO

1. Porta
2. Dobradiças
3. Lâmpada do forno
4. Capa da guia de ondas (NÃO RETIRAR)
5. Painel de controlo
6. Atragem
7. Ganchos da porta
8. Cavidade do forno
9. Vedações da porta e da superfície
10. Fechos de segurança da porta
11. Aberturas de ventilação
12. Estrutura exterior
13. Cabo de alimentação
14. Puxador da porta

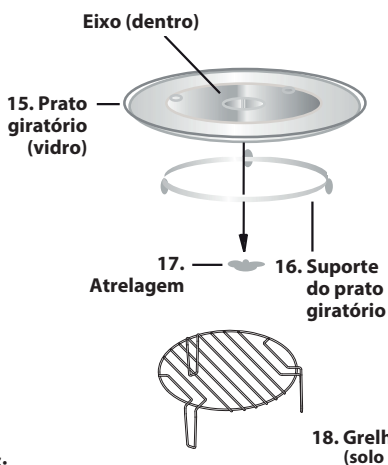
### ACESSÓRIOS:

Verifique que os seguintes acessórios são fornecidos: (15) Prato giratório (16) Suporte do prato giratório (17) Atragem (18) Grelha (solo per YC-GG02E)

- Coloque o suporte do prato giratório no meio do chão do forno para que possa girar livremente à volta da atragem. Em seguida, coloque o prato giratório no suporte do prato giratório de modo a que este esteja firme na atragem.
- Para evitar danos no prato giratório verifique que todos os pratos ou recipientes são levantados antes de serem retirados do forno.
- A grelha foi projetada para ser usada apenas em fornos com grill. Não use a grelha quando usar a função de micro-ondas.
- Para a utilização da grelha, veja a secção de grill na página PT-19.

### Nunca toque no grill quando este estiver quente

**NOTA:** Quando encomendar acessórios refira duas coisas: o nome da peça e o nome do modelo.



### NOTAS:

- A capa da guia de ondas é frágil. Tenha cuidado quando limpar o interior do forno de modo a não danificá-la.
- Depois de cozinhar comida gordurosa sem cobertura, limpe sempre devidamente a cavidade, sobretudo o elemento de aquecimento do grill. Este deve estar seco e sem gordura. A gordura acumulada pode causar sobreaquecimento e começar a deitar fumo ou a arder.
- Utilize sempre o forno com o prato giratório e o suporte do prato giratório devidamente encaixados. Isto permite cozinhar de forma minuciosa e uniforme. Um prato giratório mal colocado pode chocar, não girar adequadamente e provocar algum dano no forno.
- Toda a comida e recipientes de comida devem ser sempre colocados no prato giratório para serem cozinhados.
- O prato giratório gira no sentido dos ponteiros do relógio e no sentido contrário aos ponteiros do relógio. A direção da rotação pode mudar de cada vez que inicia o forno. Isto não afeta o desempenho no cozinhado.

**ATENÇÃO:** Este símbolo significa que as superfícies podem ficar quentes durante a utilização. A porta, o compartimento exterior, a cavidade do forno, os acessórios e pratos ficarão muito quentes durante a operação. Para evitar queimaduras, use sempre luvas almofadadas de cozinha.



# PAINEL DE CONTROLO

## 1. FUNÇÃO

Carregue para selecionar o nível de potência do micro-ondas, a função de temporizador ou o modo combinado.

BAIXO / - 280 W

MÉDIO - 560 W

ALTO - 700 W

GRILL - 100% Grill

GRILL (Combi 1) - 70% Grill, 30% Micro

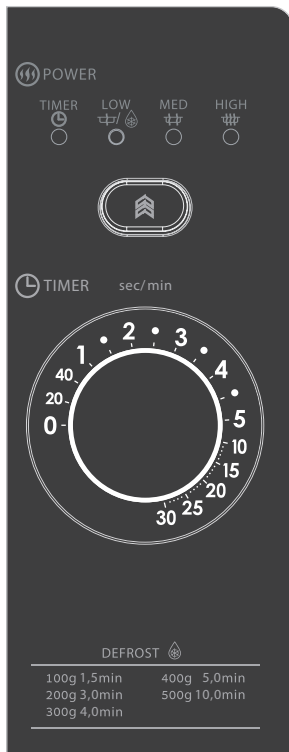
GRILL (Combi 2) - 44% Grill, 56% Micro

TEMPORIZADOR - temporizador de cozinha

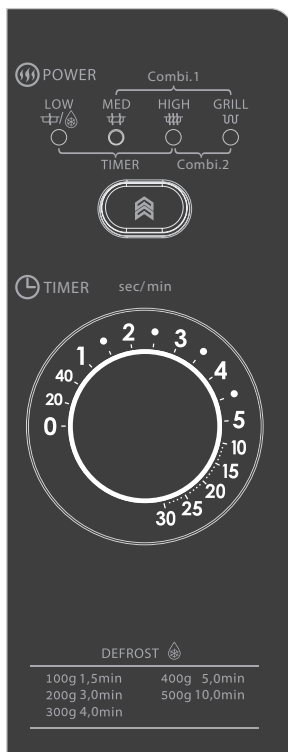
## 2. Manípulo do TEMPORIZADOR

Gire o manípulo do TEMPORIZADOR para definir o tempo de cozedura. O tempo máximo é de 30 minutos. Depois, o forno começará a cozinhar automaticamente.

NOTA: Para aumentar o tempo de cozedura/descongelar, gire o manípulo do temporizador para a direita. Para diminuir o tempo de cozedura/descongelar, gire o manípulo do temporizador para a esquerda.



YC-GS02E



YC-GG02E



## INSTRUÇÕES DE SEGURANÇA IMPORTANTES



### **INSTRUÇÕES DE SEGURANÇA IMPORTANTES: LEIA COM ATENÇÃO E GARDE PARA REFERÊNCIA FUTURA**

#### **Para evitar o risco de incêndios.**

**O forno microondas não deve ser deixado sem vigilância enquanto estiver a funcionar. Níveis de potência demasiado elevados ou tempo de cozedura demasiado longo podem sobreaquecer os alimentos, provocando um incêndio.**

Este forno foi projetado apenas para ser usado numa bancada. Não está projetado para ser incorporado numa unidade de cozinha.

Não coloque o forno num compartimento fechado.

A tomada elétrica deve estar acessível de forma a que a unidade possa ser desligada da corrente facilmente em caso de emergência.

O cabo de alimentação AC deve ser de 230-240 V, 50 Hz, com um mínimo de 10 A do fusível de distribuição ou um mínimo de 10 A do disjuntor de distribuição.

Deve arranjar-se um circuito separado apenas para esta aplicação

Não coloque o forno em áreas que gerem calor. Por exemplo, perto de um forno convencional.

Não instale o forno numa área de grande humidade ou onde se junte água.

Não guarde ou use o forno numa área exterior.

**Caso se observe fumo, desligue ou desconecte da parede o forno e mantenha a porta fechada, de forma a abafar quaisquer chamas.**



## INSTRUÇÕES DE SEGURANÇA IMPORTANTES

**Use apenas recipientes e utensílios próprios para o microondas.**

**Ver página PT-20 Os utensílios devem ser verificados para ver se são próprios para usar em fornos microondas.**

**Quando aquecer alimentos em recipientes de plástico ou papel, controle o forno devido à possibilidade de ignição.**

**Limpe a capa do guia de ondas, a cavidade do forno, o prato giratório e o suporte do prato giratório após a utilização. Estes devem estar secos e sem gordura. A gordura acumulada pode provocar sobreaquecimento e deitar fumo ou pegar fogo.**

Não coloque materiais inflamáveis perto do forno ou das aberturas de ventilação.

Não bloqueie as saídas de ventilação.

Retire todos os selos metálicos, arames, etc., da comida e de embalagens de comida. O arco elétrico nas superfícies metálicas pode provocar um incêndio.

Não use o forno microondas para aquecer óleo para fritar. A temperatura não pode ser controlada e o óleo pode pegar fogo.

Para fazer pipocas, use apenas embalagens próprias para fazer pipocas no microondas.

Não guarde comida ou quaisquer outros objetos dentro do forno.

Verifique as definições quando iniciar o forno para ter a certeza que o forno está a funcionar como desejado.

Para evitar sobreaquecimento e incêndios, devem ser

## INSTRUÇÕES DE SEGURANÇA IMPORTANTES



tidos cuidados especiais quando cozinhar ou reaquecer alimentos com grande quantidade de açúcar ou gordura, como por exemplo, salsichas, tartes ou bolos. Veja as dicas correspondentes no manual de operações.

### **Para evitar o risco de lesões.**

#### **ATENÇÃO:**

Não use o forno caso este esteja danificado ou a funcionar mal. Verifique o seguinte antes de o usar:

- a) A porta; certifique-se de que a porta se fecha devidamente e que não está desalinhada ou deformada.
- b) As dobradiças e os fechos de segurança da porta; verifique que não estão partidos ou lassos.
- c) As vedações da porta e da superfície; certifique-se de que não foram danificadas.
- d) O interior da cavidade do forno ou a porta; certifique-se de que não há brechas.
- e) O cabo de alimentação e tomada; certifique-se de que não estão danificados.

Caso a porta ou as vedações da porta estejam danificadas, o forno não deve ser posto em funcionamento até ter sido reparado por uma pessoa competente.

**ATENÇÃO: Nunca ajuste, repare ou modifique o forno sozinho. É arriscado para qualquer pessoa que não tenha competências para tal levar a cabo qualquer tipo de manutenção ou reparação que envolva a remoção de uma capa que protege da exposição a energia das microondas.**

Não opere o forno com a porta aberta nem altere os



## INSTRUÇÕES DE SEGURANÇA IMPORTANTES

fechos de segurança da porta de nenhum modo. Não opere o forno se houver algum objeto entre as vedações da porta e as vedações da superfície.

**Não deixe acumular gordura ou sujeira nas vedações da porta e partes adjacentes. Limpe o forno com regularidade e retire todos os depósitos de comida. Siga as instruções em “LIMPEZA E MANUTENÇÃO”. Caso o forno não se mantenha limpo, a superfície pode deteriorar-se, o que poderá afetar negativamente a vida da máquina e resultar numa situação não desejada.**

Pessoas com PACEMAKERS devem aconselhar-se com o seu médico ou com o fabricante do pacemaker sobre regras de segurança com fornos microondas.

### **Para evitar a possibilidade de choques elétricos**

Nunca em nenhum momento remova a cobertura exterior. Não derrame ou insira nenhum objeto nas ranhuras dos ganchos da porta ou nas aberturas de ventilação. Em caso de derrame, desligue e desconecte imediatamente o forno da corrente elétrica e chame um agente de serviço autorizado SHARP.

Não submerja o cabo de alimentação ou a tomada em água ou qualquer outro líquido.

Não deixe o cabo de alimentação pendurado à beira de uma mesa ou superfície de trabalho.

Mantenha o cabo de alimentação longe de superfícies quentes, incluindo o motor do forno.

Mantenha o aparelho e o cabo fora do alcance de crianças

## INSTRUÇÕES DE SEGURANÇA IMPORTANTES



com menos de 8 anos.

Não tente substituir a lâmpada do forno sozinho e não permita que alguém que não seja um electricista autorizado pela SHARP o faça. Se a lâmpada do forno se fundir, por favor contacte o seu revendedor ou a assistência técnica autorizada SHARP.

Caso o cabo de alimentação deste aparelho esteja danificado, deverá ser substituído por um cabo especial. A troca deve ser feita por pessoas qualificadas, a fim de evitar um perigo.

**Para evitar a possibilidade de explosão e de erupção espontânea:**

**ATENÇÃO: Líquidos e outros alimentos não devem ser aquecidos em recipientes fechados, pois podem explodir.**

**O aquecimento por microondas de bebidas pode causar uma erupção de bolhas tardia, pelo que deve-se ter cuidado ao pegar no recipiente.**

Nunca use recipientes fechados. Retire os selos e coberturas antes de usar. Recipientes fechados podem explodir devido à pressão interna que se forma mesmo depois de o forno ter sido desligado.

Tenha cuidado com os líquidos no microondas. Use um recipiente largo que permita as bolhas saírem.

**Nunca aqueça líquidos num recipiente com gargalo estreito, como biberons, pois isto pode provocar uma erupção do conteúdo do recipiente quando estiver quente e provocar queimaduras.**



## INSTRUÇÕES DE SEGURANÇA IMPORTANTES

Para evitar uma erupção espontânea de um líquido a ferver e eventuais queimaduras:

1. Não use tempo excessivo.
2. Mexa o líquido antes de o aquecer/reaquecer.
3. Aconselha-se a inserir uma vareta de vidro ou outro utensílio semelhante (não metálico) dentro do líquido quando o reaquecer.
4. Deixe o líquido descansar por, pelo menos, 20 segundos no forno após o fim do tempo de cozedura para evitar uma erupção de bolhas tardia

**Não cozinhe ovos com casca e igualmente ovos cozidos não devem ser aquecidos no forno microondas, pois podem explodir mesmo depois do forno ter parado de trabalhar. Para cozinhar ou reaquecer ovos que não tenham sido mexidos, perfure a gema e a clara, caso contrário os ovos podem explodir. Descasque e corte os ovos cozidos antes de os reaquecer no forno microondas.**

Perfure a pele de alimentos tais como batatas, salsichas e fruta antes de cozinhar, pois estes podem explodir.

### **Para evitar o risco de queimaduras**

**Atenção: O conteúdo de biberons e boiões com comida de bebés deve ser mexido ou agitado e a temperatura deve ser verificada antes de serem consumidos, para evitar queimaduras.**

**Use pegas ou luvas grossas quando retirar alimentos do forno para evitar queimaduras.**

## INSTRUÇÕES DE SEGURANÇA IMPORTANTES



Abra sempre os recipientes, embalagens de pipocas, embalagens para cozinhar no forno, etc., longe da cara e mãos para evitar queimaduras com o vapor ou erupção de bolhas. Para evitar queimaduras, verifique sempre antes a temperatura dos alimentos e mexa antes de servir.

Preste especial atenção à temperatura de alimentos e bebidas servidos a crianças ou idosos. As peças acessíveis podem ficar quentes durante a utilização. As crianças não deverão aproximar-se.

A temperatura do recipiente não é a verdadeira temperatura da comida ou bebida; verifique sempre a temperatura da comida.

Afaste-se sempre quando abrir a porta do forno para evitar queimaduras de vapor ou calor que saia do interior.

Corte em fatias alimentos assados antes de os aquecer para soltar o vapor e evitar queimaduras.

Mantenha as crianças afastadas da porta para prevenir que se queimem.

### **Para evitar o uso errado por crianças**

**Atenção: Deixe as crianças usar o forno sem supervisão apenas quando tiverem sido dadas instruções adequadas de modo a que a criança consiga usar o forno de uma forma segura e compreenda os riscos de uma utilização incorrecta. Quando utilizar as funções GRILL, MIX GRILL as crianças só devem usar o forno sob a supervisão de um adulto devido à temperatura gerada. Esta função não é adequada para o uso por pessoas (incluindo crianças) com capacidades físicas,**



## INSTRUÇÕES DE SEGURANÇA IMPORTANTES

**sensoriais ou mentais reduzidas, ou falta de experiência e conhecimento, a não ser que estejam sob supervisão ou tenham instruções relativas ao uso da função por uma pessoa responsável pela sua segurança. As crianças devem ser vigiadas para não brincarem com a máquina.**

Não se apoie ou balance a porta do forno. Não brinque com o forno nem o utilize como um brinquedo.

Deve-se ensinar às crianças todas as instruções de segurança importantes: o uso de pegas, o retirar com cuidado as coberturas dos alimentos; prestando especial atenção às embalagens (por exemplo, materiais que se aquecem sozinhos) feitas para tornar a comida estaladiça, pois podem estar particularmente quentes.

### **Outros avisos**

Nunca modifique o forno de nenhuma maneira. Não mova o forno quando este estiver a funcionar. O forno micro-ondas destina-se a aquecer alimentos e bebidas. Secar alimentos ou vestuário e aquecer almofadas térmicas, pantufas, esponjas, um pano húmido e semelhantes pode levar ao risco de lesões, ignição ou incêndio. Não é indicado para uso comercial ou em laboratórios. Não é indicado para uso comercial ou em laboratórios.

### **Para promover o uso sem problemas do seu forno e evitar problemas.**

Nunca opere o forno quando este estiver vazio. Quando usar um prato de barro ou material que aqueça sozinho,



## INSTRUÇÕES DE SEGURANÇA IMPORTANTES



coloque sempre por baixo um isolante resistente ao calor, como um prato de porcelana, para prevenir danos no prato giratório e no suporte do prato giratório devido à tensão do calor. O tempo de pré-aquecimento especificado nas instruções da loiça não deve ser excedido.

Não use utensílios metálicos, pois estes reflectem as microondas e podem causar arcos elétricos. Não coloque latas dentro do forno.

Utilize apenas o prato giratório e o suporte do prato giratório específicos para este forno. Não opere o forno sem o prato giratório.

Para evitar que o prato giratório se parta:

- a) Antes de lavar o prato giratório com água, deixe-o arrefecer.
- b) Não coloque alimentos quentes ou utensílios quentes no prato giratório frio.
- c) Não coloque alimentos frios ou utensílios frios no prato giratório quente.

Não coloque nada na parte exterior durante o funcionamento.

### **NOTA:**

Não utilize recipientes de plástico para o microondas se o forno ainda estiver quente depois da utilização das operações GRILL e MIX GRILL, pois podem derreter.



## INSTRUÇÕES DE SEGURANÇA IMPORTANTES

Os recipientes de plástico não devem ser utilizados nos modos acima mencionados, a não ser que o produtor do recipiente diga que são adequados.

Caso tenha dúvidas sobre a forma como ligar o seu forno, consulte um electricista autorizado e qualificado.

Nem o fabricante, nem o revendedor podem aceitar qualquer responsabilidade por estragos no forno ou danos pessoais resultantes da inobservância dos procedimentos corretos de ligação elétrica.

É possível que se forme ocasionalmente vapor ou gotas de água nas paredes do forno ou à volta das vedações da porta e da superfície. Isto é normal e não significa nenhuma falha ou mal funcionamento do microondas.



Este símbolo signica que las supercies pueden calentarse durante el uso.

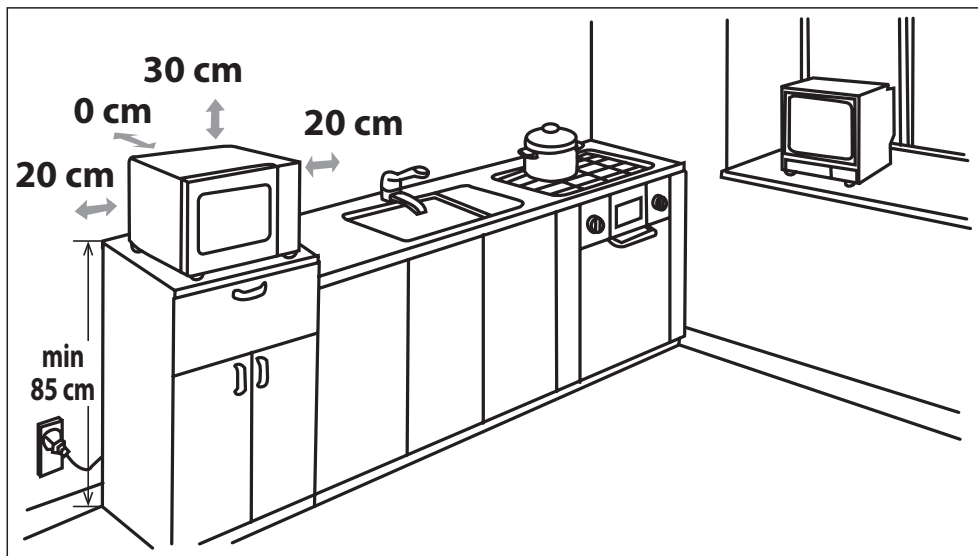




1. Retire todo o tipo de embalagens de dentro da cavidade do forno e retire todas as películas de proteção que encontrar na superfície da cabine do microondas.
2. Verifique cuidadosamente se o forno tem sinais de estragos.
3. Coloque o forno numa superfície segura, nivelada e suficientemente forte para suportar o peso do forno juntamente com o da peça mais pesada que pensa cozinhar no forno. Não coloque o forno num recipiente fechado.
4. Escolha uma superfície nivelada que forneça espaço aberto suficiente para a entrada e/ou saída de ar. A superfície traseira do aparelho deve ser colocada junto a uma parede.
  - A altura mínima de instalação é de 85 cm.
  - É necessário haver um espaço mínimo de 20 cm entre o forno e quaisquer paredes adjacentes.
  - Deixe um espaço mínimo de 30 cm por cima do forno. Não remova os pés da base do forno.
  - Bloquear a abertura de entrada e/ou saída pode danificar o forno.
  - Coloque o forno tão longe de rádios e televisores quanto possível. O funcionamento do forno microondas pode provocar interferências na receção de rádio ou televisão.



## INSTALAÇÃO



5. Conecte de forma segura a ficha do forno a uma tomada elétrica (com ligação à terra) normal de uso doméstico.

**ATENÇÃO:** Não coloque o forno em locais onde se gere calor, orvalho ou muita humidade (por exemplo, perto ou por baixo de um forno convencional) ou perto de materiais combustíveis (por exemplo, cortinas).

Não bloqueie nem obstrua as aberturas da saída de ar. Não coloque objetos em cima do forno.



## NÍVEIS DE POTÊNCIA DO MICRO-ONDAS

- Quando o forno for ligado pela primeira vez, não poderá ser usado. Depois de abrir e fechar a porta do forno uma vez, a indicação "LOW/☞/⊗" e o indicador do temporizador "0" aparecerão, depois o forno regressará ao modo de espera (standby).
- No modo de espera (standby) ou quando terminar a cozedura, se não for utilizado durante 3 minutos, o forno entrará no modo bloqueado de espera (standby).
- Durante a cozedura pode cancelar o programa de cozedura abrindo a porta do forno ou girando o manípulo de TEMPORIZADOR para "0".
- Quando terminar a cozedura, aparecerão o indicador da função selecionada e o indicador do temporizador "0" e irá soar o sistema.
- Quando usar o forno por mais de 2 minutos, a ventoinha de arrefecimento ficará ligada no fim do ciclo de cozedura. A ventoinha funcionará durante cerca de 3 minutos depois da cozedura.



## COZINHAR COM MICRO-ONDAS

1. Prepare e coloque os alimentos num recipiente adequado (ver "LOIÇA PRÓPRIA PARA O FORNO"), posicionando os alimentos/recipiente diretamente no meio do prato giratório. Feche a porta.
2. No modo de espera (standby), carregue várias vezes no botão FUNÇÃO até aparecer "HIGH/☞" ou "MED/☞" no indicador da função.
3. Gire o marcador do **TEMPORIZADOR** para o tempo desejado de cozedura/descongelar e o forno iniciará-se automaticamente.
4. Quando a cozedura/descongelar terminar, o **TEMPORIZADOR** voltará a "0" zero e ouvir-se-á um sinal sonoro. A lâmpada do forno apagar-se-á automaticamente e o prato giratório parará de girar. Abra a porta do forno, retire os alimentos/recipiente com cuidado. Deixe os alimentos repousar como necessário

### DICAS DE CULINÁRIA:

Quando o forno começar a funcionar, a lâmpada do forno acender-se-á e o prato giratório girará no sentido dos ponteiros do relógio, ou no sentido contrário.

Se desejar parar de cozinhar antes do tempo terminar, gire o manípulo do TEMPORIZADOR novamente para "0" (desligado), ou abra a porta do forno. A porta do forno pode ser aberta em qualquer momento durante a cozedura. Para continuar a cozinhar, feche a porta. Se desejar alterar o tempo de cozedura durante esta, basta girar o **manípulo** do **TEMPORIZADOR** para a nova definição desejada.

Quando cozinhar/descongelar por menos de 3 minutos, gire o manípulo do **TEMPORIZADOR** para mais de 10 minutos e em seguida novamente para a definição desejada. O temporizador funcionará de forma mais exata.

Para alterar o nível de potência durante a cozedura, gire o manípulo de **CONTROLO DA POTÊNCIA DO MICRO-ONDAS** para a definição desejada.

### AVISO:

Certifique-se de que o **TEMPORIZADOR** regressou à posição "0" zero no fim da cozedura, caso contrário o forno iniciará-se automaticamente quando a porta for fechada.



## GUIA DE DESCONGELAÇÃO

Este guia foi criado para facilitar a descongelação de alguns alimentos em concreto.

Pode ser usado para descongelar: peças de frango, costeletas, peixe (inteiro ou em filetes), carne picada e salsichas.

### DEFROST

|             |              |
|-------------|--------------|
| 100g 1,5min | 400g 5,0min  |
| 200g 3,0min | 500g 10,0min |
| 300g 4,0min |              |

**Exemplo:** Para descongelar 0,4 kg de peças de frango:

1. Coloque as peças de frango num prato raso e coloque-o no prato giratório do forno.
2. No modo de espera (standby), carregue várias vezes no botão FUNÇÃO até o indicador de função "LOW/☞/⊗" se ligar.
3. Gire o **TEMPORIZADOR** para a definição 5,0 min. O forno iniciará-se imediatamente. Vire as peças de frango 1-2 vezes

durante a descongelação.

4. Depois de descongelados, cubra os alimentos com película aderente e deixe ficar até estarem totalmente descongelados.

**Nota:** O tempo de descongelação baseia-se em condições normais. Verifique os resultados da descongelação e, se necessário, ajuste o tempo de descongelar.



## COZINHAR COM GRILL/COZINHAR COM MIX GRILL

### 1. COZINHAR APENAS COM GRILL

O grelhador na parte de cima da cavidade do forno só tem um nível de potência. O grelhador é assistido pelo prato giratório, que gira simultaneamente para garantir que o alimento fica tostado de forma uniforme. Utilize a grelha para grelhar pequenos alimentos, como bacon, presunto e torradas. Os alimentos podem ser colocados diretamente sobre a grelha ou num prato resistente ao calor sobre a grelha.

- No modo de espera (standby), carregue várias vezes no botão FUNÇÃO até o indicador de função "GRILL/☀" se ligar.
- Gire o manípulo do TEMPORIZADOR para definir o tempo de cozedura. O tempo máximo é de 30 minutos. Depois, o forno começará a cozinhar automaticamente.

### 2. COZINHAR COM O MIX GRILL

O **MIX GRILL** combina a potência do micro-ondas com o grill. MIX significa cozinhar alternadamente com a potência do micro-ondas e a do grill.

A combinação da potência do micro-ondas com o grill reduz o tempo de cozedura e garante um acabamento estalado e tostado.

No modo de espera (standby), carregue várias vezes no botão FUNÇÃO para selecionar a combinação 1 (o indicador de função "GRILL/☀" e "MED/☀" ligar-se-á) ou a combinação 2 (o indicador de função "GRILL/☀" e "HIGH/☀" ligar-se-á).

| Função/Potência | Resultado            | Aplicação   |
|-----------------|----------------------|---|
| Grill           | 100% grill           | Pão cozido, alimentos fatiados                        |
| Combi.1         | 70% grill 30% micro. | Peças de frango, peito de frango, costeletas de porco |
| Combi.2         | 56% grill 44% micro. | Frango inteiro  |

### NOTAS para COZINHAR COM GRILL e MIX GRILL:

- Não é necessário pré-aquecer o grill.
- Quando tostar alimentos num recipiente profundo, coloque o prato giratório.
- Não se recomenda a utilização de loiça para assar.
- Quando usar o grill pela primeira vez pode ver fumo ou sentir um cheiro a queimado. Isto é normal e não é sinal de mau funcionamento do forno. Para evitar este problema, quando usar o forno pela primeira vez, aqueça o forno sem alimentos durante 20 minutos no grill.

**IMPORTANTE:** Durante o funcionamento, para permitir que o fumo ou cheiros se dispersem, abra uma janela ou ligue a ventilação da cozinha. **NOTA:** Quando usar a função de grill, o grill ligar-se-á e e desligar-se-á em intervalos regulares para evitar o sobreaquecimento.



**ATENÇÃO:** A porta, o compartimento exterior, a cavidade do forno e os acessórios ficarão muito quentes durante o funcionamento. Para evitar queimaduras, use sempre luvas grossas para o forno.

## TEMPORIZADOR DE COZINHA



1. No modo de espera (standby), carregue várias vezes no botão FUNÇÃO até aparecer a indicação "TIMER" no YC-GS02E e aparecer "LOW/☀/⌚" e "HIGH/☀" no YC-GG02E.
2. Gire o manípulo do TEMPORIZADOR para definir o tempo desejado. O tempo máximo é de 30 minutos. Em seguida, o forno inicia a contagem regressiva automaticamente.

### NOTA:

- Quando se muda do modo do temporizador para o modo do micro-ondas e descongelar, a duração do temporizador é apagada (quer a porta esteja aberta ou fechada).
- Quando se muda do modo de micro-ondas, descongelar, grill e combinado para o modo do temporizador, a duração é apagada.



## LOIÇA PRÓPRIA PARA O FORNO

Para cozinhar/descongelar num forno microondas, a energia das microondas deve poder passar através do recipiente, para penetrar nos alimentos. Por isso, é necessário escolher uma loiça adequada.

É preferível usar pratos redondos/ovais do que quadrados/retangulares, pois os alimentos que ficam nos cantos costumam ficar demasiado cozinhados. Pode ser usada uma variedade de loiça como a listada em baixo.

| Loiça de cozinha   | Próprio para microondas | Grill | Comentários  |
|--|-------------------------|-------|--|
| Película de alumínio<br>Recipientes de alumínio          | ✓ / ✗                   | ✓     | Podem usar-se pequenos pedaços de película de alumínio para proteger os alimentos de sobreaquecerem-se. Mantenha a película a pelo menos 2cm das paredes do forno, pois pode provocar arco elétrico.<br>Não se recomendam recipientes de alumínio, a não ser que seja especificado pelo produtor, por ex., Microfoil®, siga as instruções com cuidado. |
| Loiça de barro   | ✓                       | ✗     | Siga sempre as instruções do produtor.<br>Não ultrapasse os tempos de cozedura indicados. Tenha muito cuidado, pois estes recipientes podem ficar muito quentes.   |
| Porcelana e cerâmica                                     | ✓ / ✗                   | ✗     | Porcelana, cerâmica, painéis de barro e porcelana de ossos em geral podem ser usadas, à exceção daquelas que tiverem decorações metálicas.   |
| Loiça de vidro<br>Por ex., Pyrex®                        | ✓                       | ✓     | Tenha cuidado se usar loiça de vidro sensível, pois este pode partir-se ou estalar se for aquecido repentinamente.   |
| Metal  | ✗                       | ✓     | Não é recomendável o uso de loiça metálica quando usar a potência das microondas, pois pode provocar faíscas e levar a um incêndio.  |
| Plástico/Esferovite<br>Por ex., recipientes de fast food | ✓                       | ✗     | Tenha em atenção que alguns recipientes podem deformar-se, derreter ou perder a cor quando expostos a temperaturas elevadas.   |
| Película aderente  | ✓                       | ✗     | Não deve tocar nos alimentos e deve estar furada para deixar sair o vapor.   |
| Sacos de congelar/assar                                  | ✓                       | ✗     | Deve estar perfurado para deixar sair o vapor. Certifique-se de que os sacos são apropriados para usar no microondas.  |
| Pratos/copos de papel e papel de cozinha                 | ✓                       | ✗     | Não utilize atilhos de plástico ou metal, pois podem derreter ou pegar fogo devido a arcos elétricos metálicos.  |
| Recipientes de verga e madeira                           | ✓                       | ✗     | Utilize apenas para aquecer ou para absorver humidade. Deve-se ter cuidado, pois o sobreaquecimento pode provocar um incêndio.   |
| Papel reciclado e jornais                                | ✗                       | ✗     | Esteja sempre com atenção ao forno quando usar estes materiais, pois podem sobreaquecer e provocar um incêndio.<br>Podem conter extratos de metal, o que provocará faúlhas e pode provocar um incêndio.  |

**⚠ ATENÇÃO:**  
Quando aquecer alimentos em recipientes de plástico ou papel, controle o forno devido à possibilidade de ignição.





**ATENÇÃO: NÃO USE PRODUTOS DE LIMPEZA DO FORNO COMERCIAIS, LIMPEZA A VAPOR, PRODUTOS ABRASIVOS OU ÁSPEROS, QUE CONTENHAM HIDRÓXIDO DE SÓDIO OU ESFREGÕES EM NENHUMA PARTE DO SEU FORNO MICROONDAS.**

**Antes de limpar, certifique-se de que a cavidade do forno, porta, cabine do forno e acessórios estão totalmente frios.**

**LIMPE O FORNO COM INTERVALOS REGULARES E ELIMINE DEPÓSITOS DE COMIDA - Mantenha o forno limpo, caso contrário a superfície pode deteriorar-se. Isto poderá afetar de forma adversa a vida do aparelho e provocar uma situação perigosa.**

**NOTA:** Ao cozinhar, pode formar-se condensação no interior da cavidade do forno, da frente da cavidade e da porta. A quantidade de condensação dependerá da temperatura das superfícies do forno e do teor de humidade do alimento que está a ser cozinhado com micro-ondas. Certifique-se de que, quando terminar a cozedura, limpa a humidade que se acumular nestas superfícies com um pano suave que absorva humidade.

#### **Exterior do forno**

A parte exterior do seu forno pode ser limpa facilmente com água e um detergente suave. Certifique-se de que a espuma é eliminada com um pano húmido e seque o exterior com uma toalha macia.

#### **PAINEL DE CONTROLO**

Abra a porta antes de limpar para desativar o painel de controlo. Deve-se ter cuidado ao limpar o painel de controlo. Usando um pano embebido apenas em água, limpe suavemente o painel até ficar limpo. Evite usar quantidades excessivas de água. Não utilize nenhum tipo de produto químico ou abrasivo.

#### **Interior do forno**

1. Para limpar, limpe os salpicos e pingos com um pano suave húmido ou com uma esponja após cada utilização enquanto o forno ainda estiver quente. Para derramamentos maiores utilize um detergente suave e passe várias vezes com um pano húmido até todos os resíduos serem eliminados. Os salpicos que secam

podem sobreaquecer e provocar fumo ou arder, provocando arco elétrico. Não retire a capa da guia de ondas.

2. Certifique-se de que o detergente suave ou a água não penetram nas pequenas ranhuras de ventilação nas paredes, pois isso provocará danos ao forno.

3. Não utilize produtos de limpeza de spray.

4. Aqueça o seu forno regularmente utilizando o grill e aqueça o forno sem alimentos durante 20 minutos com o grill. Os restos de comida ou gordura salpicada podem provocar fumo ou mau cheiro.

Mantenha a capa da guia de ondas sempre limpa.

A capa da guia de ondas está construída com um material frágil e deve ser limpa com cuidado (siga as instruções de limpeza em cima).

**NOTA:** Excesso de água pode provocar a desintegração da capa da guia de ondas.

A capa da guia de ondas é uma parte consumível e se não for limpa regularmente, precisará de ser substituída.

#### **Acessórios**

Os acessórios como o prato giratório, o suporte do prato giratório e a grelha devem ser lavados com uma solução de limpeza suave e secos. Podem ser lavados na máquina de lavar loiça.

#### **Porta**

Para remover todos os vestígios de sujidade, limpe regularmente ambos os lados da porta, as vedações da porta e partes adjacentes com um pano macio húmido.

**NOTA:** Não limpe a vapor o equipamento.

#### **Dica de limpeza - Para mais facilmente limpar o seu forno:**

Coloque meio limão numa taça, junte 300 ml de água e aqueça em 100% durante 10 -12 minutos.

Limpe o forno usando um pano suave e seco.





**Attention:**

vos produits  
comportent ce  
symbole.  
Il signifie que  
les produits  
électriques et  
électroniques  
usagés ne  
doivent pas  
être mélangés  
avec les déchets  
ménagers  
généralistes.  
Un système de  
collecte séparé  
est prévu pour  
ces produits.

## A. Informations sur la mise au rebut à l'intention des utilisateurs privés (ménages)

### 1. Au sein de l'Union européenne

Attention : si vous souhaitez mettre cet appareil au rebut, ne le jetez pas dans une poubelle ordinaire !

Les appareils électriques et électroniques usagés doivent être traités séparément et conformément aux lois en vigueur en matière de traitement, de récupération et de recyclage adéquats de ces appareils.

Suite à la mise en oeuvre de ces dispositions dans les Etats membres, les ménages résidant au sein de l'Union européenne peuvent désormais ramener gratuitement\* leurs appareils électriques et électroniques usagés sur des sites de collecte désignés.

Dans certains pays\*, votre détaillant reprendra également gratuitement votre ancien produit si vous achetez un produit neuf similaire.

\*) Veuillez contacter votre administration locale pour plus de renseignements. Si votre appareil électrique ou électronique usagé comporte des piles ou des accumulateurs, veuillez les mettre séparément et préalablement au rebut conformément à la législation locale en vigueur.

En veillant à la mise au rebut correcte de ce produit, vous contribuerez à assurer le traitement, la récupération et le recyclage nécessaires de ces déchets, et préviendrez ainsi les effets néfastes potentiels de leur mauvaise gestion sur l'environnement et la santé humaine.

### 2. Pays hors de l'Union européenne

Si vous souhaitez mettre ce produit au rebut, veuillez contacter votre administration locale qui vous renseignera sur la méthode d'élimination correcte de cet appareil.

Suisse : les équipements électriques ou électroniques usagés peuvent être ramenés gratuitement au détaillant, même si vous n'achetez pas un nouvel appareil. Pour obtenir la liste des autres sites de collecte, veuillez vous reporter à la page d'accueil du site [www.swico.ch](http://www.swico.ch) ou [www.sens.ch](http://www.sens.ch).

## B. Informations sur la mise au rebut à l'intention des entreprises

### 1. Au sein de l'Union européenne

Si ce produit est utilisé dans le cadre des activités de votre entreprise et que vous souhaitez le mettre au rebut :

Veillez contacter votre revendeur SHARP qui vous informera des conditions de reprise du produit. Les frais de reprise et de recyclage pourront vous être facturés. Les produits de petite taille (et en petites quantités) pourront être repris par vos organisations de collecte locales.

Espagne : veuillez contacter l'organisation de collecte existante ou votre administration locale pour les modalités de reprise de vos produits usagés.

### 2. Pays hors de l'Union européenne

Si vous souhaitez mettre ce produit au rebut, veuillez contacter votre administration locale qui vous renseignera sur la méthode d'élimination correcte de cet appareil.



## FICHE TECHNIQUE

| Nom du modèle                                 | YC-GS02E                      | YC-GG02E                      |
|---|-------------------------------|-------------------------------|
| Tension d'alimentation                        | 230-240 V, 50 Hz monophasé    | 230-240 V, 50 Hz monophasé    |
| Fusible/disjoncteur de protection             | 10 A                          | 10 A                          |
| Consommation électrique :                     |                               |                               |
| Micro-ondes                                   | 1200 W                        | 1200 W                        |
| Puissance :                                   |                               |                               |
| Micro-ondes                                   | 700 W (IEC 60705)             | 700 W (IEC 60705)             |
| Grill   |                               | 1000 W                        |
| Mode Veille                                   | moins de < 0,5W               | moins de < 0,5W               |
| Fréquence des micro-ondes                     | 2450 MHz* (Groupe 2/Classe B) | 2450 MHz* (Groupe 2/Classe B) |
| Dimensions Extérieures (W) x (D) x (H) mm     | 452 x 262 x 345               | 452 x 262 x 345               |
| Dimensions de la Cavité ( W) x (D) x (H)** mm | 315 x 198 x 297               | 315 x 198 x 297               |
| Capacité du four                              | 20 litres**                   | 20 litres**                   |
| Plateau tournant                              | ø 245 mm                      | ø 245 mm                      |
| Grille  |                               | ø 190 mm                      |
| Poids   | approx. 11,3 kg               | approx. 12,5 kg               |
| Éclairage du four                             | 20 W                          | 20 W                          |

\* - Ce produit répond aux exigences de la norme européenne EN55011.

Conformément à cette norme, ce produit est un équipement de groupe 2, classe B.

Groupe 2 signifie que cet équipement génère volontairement de l'énergie RF sous forme de rayonnement électromagnétique pour le traitement thermique d'aliments.

Classe B signifie que l'équipement est adapté à une utilisation domestique.

\*\* - La capacité intérieure est calculée en multipliant la largeur, la profondeur et la hauteur maximales. La contenance réelle pour les aliments est inférieure à celle-ci.

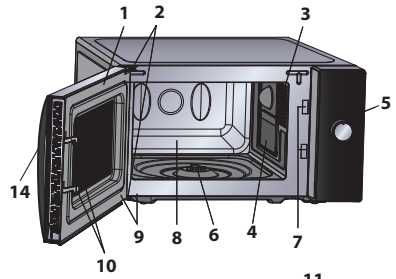
LES SPECIFICATIONS PEUVENT ETRE CHANGEES SANS PREAVIS LORS D'AMELIORATIONS APORTEES A L'APPAREIL.

## FOUR ET ACCESSOIRES



## FOUR

1. Porte
2. Charnières de porte
3. Éclairage du four
4. Boîtier du guide d'ondes (NE PAS ENLEVER)
5. Panneau de commande
6. Entraînement
7. Loquets de sécurité de la porte
8. Cavité du four
9. Joint de porte et surface de contact du joint
10. Loquets de sécurité de la porte
11. Ouvertures de ventilation
12. Partie extérieure
13. Cordon d'alimentation
14. D'ouverture de la porte



## ACCESSOIRES :

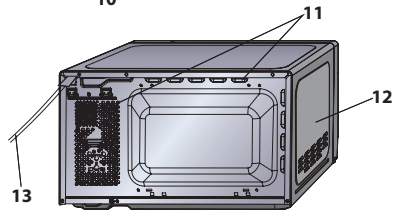
Assurez-vous que les accessoires suivants sont bien fournis avec le four :

15. Plateau tournant
16. Support du plateau tournant
17. Entraînement
18. Grille (*uniquement pour YC-GG02E*)

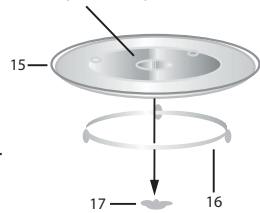
- Placez le support de le plateau tournant au centre de la sole de four, afin qu'il puisse tourner librement sur l'entraînement. Puis placez le plateau tournant sur le support de plateau tournant afin qu'il soit positionné fermement dans l'entraînement.
- Pour éviter d'endommager le plateau tournant, assurez-vous que les plats ou les récipients ne touchent pas le bord du plateau lorsqu'ils sont retirés du four.
- La grille est conçue pour être utilisée uniquement avec des fours à grill.
- N'utilisez pas le rack lorsque vous utilisez la fonction micro-ondes.
- Pour l'utilisation de la grille, référez-vous aux section grilades.

**Ne touchez jamais la grille lorsqu'elle est chaude.**

**REMARQUE :** Lorsque vous commandez des accessoires, veuillez mentionner deux éléments: nom de la pièce et nom du modèle.



Base (intérieure)



## REMARQUES :

- Le boîtier du guide d'ondes est fragile. Veuillez faire très attention en nettoyant l'intérieur du four à ne pas l'endommager.
- Après la cuisson de nourriture grasse sans couvercle, nettoyez toujours la cavité et particulièrement l'élément grill de manière approfondie, ceux-ci devant être secs et exempts de graisse. La graisse accumulée peut chauffer et commencer à fumer voir s'enflammer.
- Faites toujours fonctionner le four avec le plateau tournant et les pieds du plateau correctement installés. Cela favorise une cuisson régulière. Un plateau mal installé peut entraîner une mauvaise rotation et endommager le four.
- Toute la nourriture et les récipients contenant de la nourriture doivent être placés sur le plateau tournant pour leur cuisson.
- Le plateau tournant pivote dans le sens des aiguilles d'une montre ou dans le sens inverse. Le sens de la rotation peut changer à chaque utilisation du four. Ceci n'affecte pas les performances de cuisson.



**ATTENTION:** Ce symbole indique que les surfaces peuvent devenir chaudes durant l'utilisation. La porte, le boîtier externe, la cavité du four, les accessoires et les plats deviennent très chauds durant le fonctionnement. Pour éviter toute brûlure, utilisez-toujours des gants de cuisine anti-chaueur épais de four.



# PANNEAU DE COMMANDE

## 1. FONCTION

Appuyez sur cette touche pour sélectionner le niveau de puissance, la fonction de minuterie ou le mode combiné du micro-ondes.

LOW /  - 280 W

MED - 560 W

HIGH - 700 W

GRIL - 100 % Gril

GRIL (Combi 1) - 70 % Gril, 30 % Micro

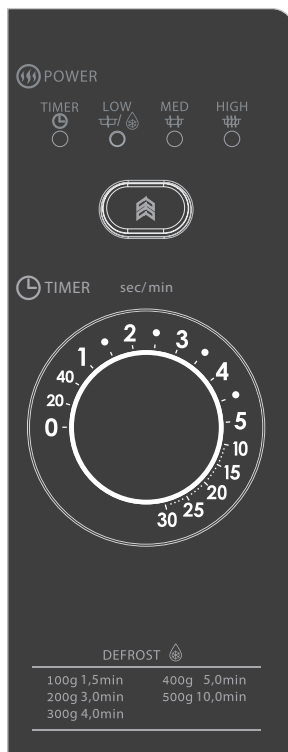
GRIL (Combi 2) - 44 % Gril, 56 % Micro

TIMER - Minuterie

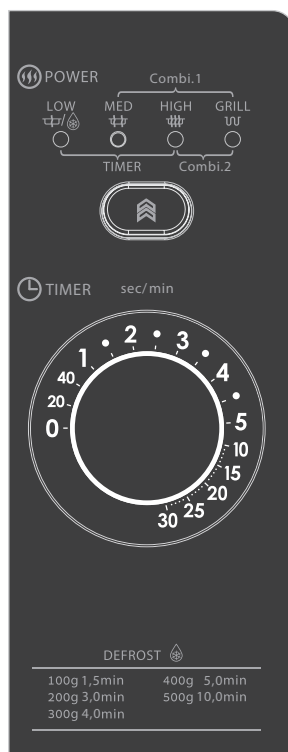
## 2. Bouton TIMER

Tournez le bouton TIMER pour régler le temps de cuisson. La durée maximale de cuisson est de 30 minutes. Le four commence alors à cuire automatiquement.

REMARQUE : Pour augmenter le temps de cuisson/décongélation, tournez le bouton de la minuterie vers la droite. Pour diminuer le temps de cuisson/décongélation, tournez le bouton de la minuterie vers la gauche.



YC-GS02E



YC-GG02E

## INSTRUCTIONS IMPORTANTES DE SECURITE



### **INSTRUCTIONS IMPORTANTES DE SECURITE : VEUILLEZ LIRE ATTENTIVEMENT ET CONSERVER POUR TOUTE REFERENCE ULTERIEURE**

**Pour éviter tout danger d'incendie.**

**Vous devez surveiller le four durant son fonctionnement. Un niveau de puissance trop élevé, ou un temps de cuisson trop long, peuvent entraîner une augmentation de la température des aliments conduisant à leur inflammation.**

Ce four est conçu pour être uniquement utilisé sur un plan de travail de cuisine. Il n'est pas conçu pour être installé dans un élément de cuisine.

Veillez ne pas placer le four dans un placard.

La prise secteur doit être facilement accessible, afin que la fiche du cordon d'alimentation puisse être aisément débranchée en cas d'urgence.

La tension d'alimentation doit être égale à 230-240 V, 50 Hz avec un fusible de distribution de 10 A minimum, ou un disjoncteur de 10 A minimum.

Ce four doit être alimenté à partir d'un circuit électrique indépendant.

Veillez ne pas placer votre four à proximité d'une zone génératrice de chaleur.

Par exemple, près d'un four à cuisson conventionnelle.

Ne placez pas ce four dans une atmosphère à humidité élevée ou bien où l'humidité peut s'accumuler.

Ne rangez pas et n'utilisez pas le four à l'extérieur.

**Si vous observez la présence de fumée, éteignez ou**



## INSTRUCTIONS IMPORTANTES DE SECURITE

**débranchez le four et laissez la porte fermée afin d'étouffer les flammes.**

**N'utilisez que des récipients et ustensiles compatibles avec la cuisson micro-ondes.**

**Lorsque vous réchauffez un plat dans un récipient en plastique ou en papier, surveillez le four pour prévenir tout risque d'ignition.**

**Nettoyez le cadre du répartiteur d'ondes, la cavité du four, le plateau tournant et le pied du plateau après chaque utilisation du four. Ces pièces doivent être toujours sèches et dépourvues de graisse. Les accumulations de graisse peuvent s'échauffer au point de fumer ou de s'enflammer.**

Ne placez pas de produits susceptibles de s'enflammer au voisinage du four ou de ses ouvertures de ventilation.

N'obstruez pas les ouvertures de ventilation.

Retirez toutes les étiquettes, fils, etc..., métalliques qui peuvent se trouver sur l'emballage des aliments. Ces éléments métalliques peuvent entraîner la formation d'un arc électrique qui à son tour peut produire un incendie.

N'utilisez pas ce four micro-ondes pour faire de la friture.

La température de l'huile ne peut pas être contrôlée et l'huile risquerait de s'enflammer.

Pour faire des popcorns, n'utilisez que des ustensiles conçus pour les fours à micro-ondes.

Ne conservez aucun aliment ou produit à l'intérieur du four.

Vérifiez les réglages après la mise en service du four et



## INSTRUCTIONS IMPORTANTES DE SECURITE



assurez-vous que le four fonctionne correctement. Pour éviter toute surchauffe et incendie, faites attention lorsque vous cuisinez ou réchauffez des plats ayant une forte proportion de sucre ou de graisse, par exemple des saucisses, des tartes ou des gâteaux. Référez-vous aux conseils correspondants dans le mode d'emploi.

### **Pour éviter toute blessure**

#### **AVERTISSEMENT :**

N'utilisez pas le four s'il est endommagé ou ne fonctionne pas normalement. Vérifiez les points suivants avant toute utilisation du four.

- a) Porte : assurez-vous qu'elle ferme correctement, qu'elle ne présente pas de défaut d'alignement et qu'elle n'est pas voilée.
- b) Charnières et loquets de sécurité : assurez-vous qu'ils ne sont ni endommagés ni desserrés.
- c) Joints de porte et surfaces de contact : assurez-vous qu'ils ne sont pas endommagés.
- d) Intérieur de la cavité et de la porte : assurez-vous qu'il n'est pas cabossé.
- e) Cordon d'alimentation et sa prise : assurez-vous qu'ils ne sont pas endommagés.

Si la porte ou les joints de porte sont endommagés, n'utilisez pas le four jusqu'à ce qu'il soit réparé par du personnel qualifié.

**Vous ne devez rien réparer ou remplacer par vous-même dans le four. Faites appel à du personnel qualifié. N'essayez pas de démonter l'appareil ni d'**



## INSTRUCTIONS IMPORTANTES DE SECURITE

**enlever le dispositif de protection contre l'énergie micro-ondes, vous risqueriez d'endommager le four et de vous blesser.**

Ne faites pas fonctionner le four avec la porte ouverte et ne modifiez pas les loquets de sécurité de la porte d'une quelconque manière. N'utilisez pas le four si un objet est interposé entre le joint de porte et la surface de contact du joint.

**Ne laissez pas la graisse ou les saletés s'accumuler sur les joints de porte ou autres pièces adjacentes. Nettoyez le four de manière régulière et enlevez tout dépôt de nourriture. Suivez les instructions concernant "Entretien et Nettoyage". Le non-respect des consignes de nettoyage du four entraînera une détérioration des surfaces susceptible d'affecter le bon fonctionnement de l'appareil et de présenter des risques.**

Si vous avez un STIMULATEUR CARDIAQUE, consultez votre médecin ou le fabricant du stimulateur afin de vous renseigner sur les précautions à prendre lors de l'utilisation du four.

### **Pour éviter toute décharge électrique**

Ne retirez en aucun cas le boîtier externe.

N'introduisez aucun objet ou liquide dans les ouvertures des verrous de la porte ou dans les ouvertures d'aération. Si un liquide pénètre dans le four, mettez-le immédiatement hors tension, débranchez la fiche du cordon d'alimentation et adressez-vous à un technicien

## INSTRUCTIONS IMPORTANTES DE SECURITE



d'entretien agréé par SHARP.

Ne plongez pas la fiche du cordon d'alimentation dans l'eau ou tout autre liquide.

Veillez à ce que le cordon d'alimentation ne pende pas en dehors de la table ou du meuble sur lequel est posé le four. Veillez à ce que le cordon d'alimentation soit éloigné des surfaces chauffées, y compris de l'arrière du four. Gardez l'appareil et son cordon d'alimentation hors de portée des enfants de moins de 8 ans.

Ne tentez pas de remplacer vous-même la lampe du four et ne laissez personne d'autre qu'un électricien agréé par SHARP faire ce travail. Si la lampe du four grille, adressez-vous au revendeur ou à un agent d'entretien agréé par SHARP.

Si le cordon d'alimentation de cet appareil est endommagé, il doit être remplacé par un cordon spécifique.

L'échange doit être effectué par des personnes qualifiées afin d'éviter un danger.

**Pour éviter toute explosion ou ébullition soudaine :**

**AVERTISSEMENT : Les liquides ou autres aliments ne doivent pas être réchauffés dans des récipients fermés, ceux-ci étant susceptibles d'exploser.**

**Le réchauffage des boissons au micro-ondes peut entraîner une ébullition explosive différée; il faut donc être prudent lors de la manipulation du récipient.**

N'utilisez jamais de récipient scellé. Retirez tout ruban d'étanchéité et couvercle avant l'utilisation. La surpression



## INSTRUCTIONS IMPORTANTES DE SECURITE

dans un récipient scellé peut provoquer une explosion et ce, même une fois le four arrêté.

Prenez des précautions lorsque vous employez votre four à micro-ondes pour chauffer des liquides. Utilisez des récipients à ouverture large de manière à ce que les bulles puissent s'échapper.

**Ne chauffez pas de liquide dans un récipient à col étroit tel qu'un biberon car le contenu du récipient peut déborder rapidement et provoquer des brûlures.**

Pour éviter tout débordement de liquide bouillant et brûlure éventuelle :

1. N'utilisez pas de temps de cuisson trop long.
2. Remuez le liquide avant le chauffage/réchauffage.
3. Il est recommandé de placer une tige de verre ou un objet similaire (non-métallique) dans le liquide durant le réchauffage.
4. Conservez le liquide pendant au moins 20 secondes dans le four une fois le chauffage terminé, de manière à éviter toute ébullition soudaine différée.

**Ne pas cuire d'oeuf dans leur coquille et ne pas réchauffer d'oeuf dur entier dans le four micro-ondes car il risque d'exploser même après la cuisson. Pour cuire ou réchauffer des oeufs qui n'ont pas été brouillés ou mélangés, percez le jaune et le blanc afin d'éviter qu'ils n'exploient. Retirer la coquille des oeufs durs et coupez les oeufs en tranches avant de les réchauffer dans un four à micro-ondes.**

## INSTRUCTIONS IMPORTANTES DE SECURITE



Percez la peau des aliments tels que pommes de terre et saucisses avant de les cuire, ceux-ci pouvant exploser.

### **Pour éviter toute brûlure.**

**AVERTISSEMENT : Il est nécessaire de remuer ou d'agiter le contenu des biberons et pots pour bébé et de vérifier leur température avant leur consommation, afin d'éviter toute brûlure.**

**Utilisez un porte-récipient ou des gants de cuisine antichaleur lorsque vous retirez les aliments du four de façon à éviter toute brûlure.**

Ouvrez les récipients, les plats à popcorn, les sachets de cuisson, etc. de manière à ce que la vapeur qui peut s'en échapper ne puisse vous brûler les mains ou le visage et pour empêcher toute ébullition éruptive.

Pour éviter de vous brûler, vérifiez toujours la température des aliments et mélangez bien avant le service. Faites particulièrement attention aux aliments et boissons destinés aux bébés, enfants et personnes âgées. Des pièces accessibles peuvent chauffer durant l'utilisation. Gardez les jeunes enfants à distance du four.

La température du récipient n'est pas un bon indicateur de la température des aliments, vérifiez toujours la température des aliments.

Tenez-vous éloigné du four lors de l'ouverture de la porte, de manière à éviter toute brûlure due à la vapeur ou à la chaleur. Coupez en tranches les plats cuisinés farcis après chauffage afin de laisser s'échapper la vapeur et d'éviter les brûlures.

Ne laissez pas les enfants s'approcher de la porte pour



## INSTRUCTIONS IMPORTANTES DE SECURITE

éviter qu'ils ne se brûlent.

**Pour éviter toute mauvaise utilisation par les enfants.**

**AVERTISSEMENT : Ne laissez un enfant de plus de 8 ans utiliser le four sans supervision que si vous lui avez donné des instructions adéquates, afin que l'enfant soit capable d'utiliser le four de manière sûre et comprenne les dangers d'une utilisation abusive. Cet appareil n'est pas conçu pour être utilisé par des personnes (y compris des enfants) ayant des capacités physiques, sensorielles ou mentales réduites ou manquant d'expérience et de connaissances, sauf s'ils sont supervisés ou si des instructions concernant l'utilisation de l'appareil leurs ont été données par une personne responsable de leur sécurité. Les enfants doivent être supervisés pour s'assurer qu'ils ne jouent pas avec l'appareil.**

Ne vous appuyez pas ou ne vous accrochez pas sur le porte du four. N'utilisez pas le four comme un jouet. Vous devez enseigner aux enfants les consignes de sécurité telles que : l'usage d'un porte-récipient, le retrait avec précaution de l'emballage des produits alimentaires. Vous devez leur dire de porter une attention particulière aux emballages conçus pour rendre la nourriture croustillante (par exemple, ceux destinés à griller un aliment) dont la température peut être très élevée.

### **Autres avertissements**

Veillez ne pas modifier le four en aucune manière.  
Veillez ne pas déplacer le four pendant son

## INSTRUCTIONS IMPORTANTES DE SECURITE



fonctionnement.

Cet appareil est conçu pour être utilisé dans les foyers applications.

Ce four a été conçu pour la préparation d'aliments et ne doit être utilisé que pour la cuisson d'aliments et de boissons. Le séchage d'aliments ou de vêtements et le réchauffement de coussins chauffants, de pantoufles, d'éponges, de chiffons humides ou similaires peuvent entraîner des risques de blessure, d'inflammation ou d'incendie. Il n'est pas adapté à un usage commercial ou scientifique.

### **Pour éviter une anomalie de fonctionnement et pour éviter d'endommager le four.**

N'utilisez jamais ce four à vide. Si vous utilisez un plat brunisseur ou un plat en matière auto-chauffante, interposez une protection contre la chaleur (par exemple, un plat en porcelaine) de manière à ne pas endommager le plateau tournant et le pied du plateau. Le temps de préchauffage précisé dans le livre de recettes ne doit pas être dépassé.

N'utilisez pas de récipients métalliques, qui renvoient les micro-ondes et peuvent causer des arcs électriques. Ne placez pas de cannettes dans le four.

Utilisez uniquement le plateau tournant et le support de plateau tournant conçus pour ce four. N'utilisez pas le four sans plateau tournant.

Pour prévenir tout risque de casse du plateau tournant :

a) Laissez le plateau refroidir avant de le nettoyer avec de l'eau.



## INSTRUCTIONS IMPORTANTES DE SECURITE

- b) Ne placez pas d'aliments ou d'ustensiles chauds sur un plateau froid.
- c) Ne placez pas d'aliments ou d'ustensiles froids sur un plateau chaud.

Ne posez aucun objet sur le boîtier du four pendant son fonctionnement.

### **REMARQUE :**

N'utilisez pas de récipients en plastique pour une cuisson au micro-ondes si le four est toujours chaud après une cuisson au GRIL ou MIX GRIL, ceci pouvant les faire fondre. Les récipients en plastique ne doivent pas être utilisés durant les modes mentionnés ci-dessus, sauf mention spécifique par le fabricant.

Si vous avez des doutes quant à la manière de brancher le four, consultez un technicien qualifié.

Ni le fabricant ni le distributeur ne sauraient être tenus responsable des dommages occasionnés au four ou des blessures personnelles qui résulteraient d'une mauvaise observation des consignes de branchement électrique.

Des gouttes d'eau peuvent se former sur les parois de la cavité du four, autour des joints et des surfaces d'étanchéité.

Ceci est normal et n'est pas une indication d'un mauvais fonctionnement ou de fuites de micro-ondes.



Ce symbole signifie que les surfaces sont susceptibles de chauffer pendant l'utilisation.







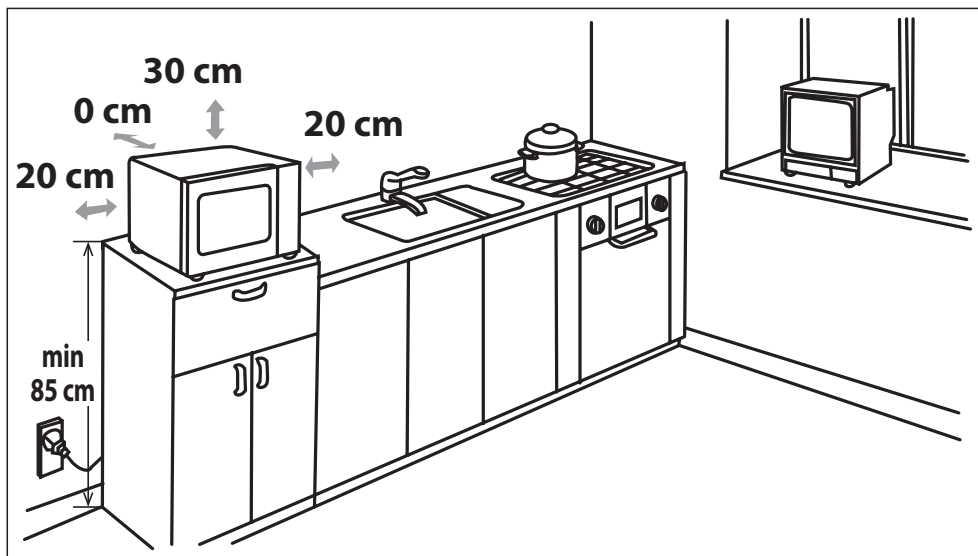
1. Retirez tous les éléments d'emballage de l'intérieur de la cavité du four et enlevez le film protecteur protégeant la surface du boîtier du four micro-ondes.
2. Vérifiez soigneusement que le four ne présente aucun signe de dommages.
3. Placez le four sur une surface sûre, plane et suffisamment solide pour supporter le poids du four, plus le poids de l'aliment le plus lourd à cuire dans le four. Ne placez pas le four dans un placard.
4. Sélectionnez une surface plane qui offre suffisamment de place pour les grilles d'aération d'entrée et de sortie.

La surface arrière de l'appareil doit être placée contre un mur.

- La hauteur minimale d'installation est de 85 cm.
- Un espace minimum de 20 cm est requis entre le four et les murs adjacents.
- Gardez un espace d'au moins 30 cm au-dessus du four.
- Ne retirez pas les pieds du bas du four.
- Bloquer l'entrée et/ou la sortie d'aération peut endommager le four
- Placez le four aussi loin que possible des radios et TV. Le fonctionnement du four à micro-ondes peut causer des interférences sur votre signal radio ou TV.



## INSTALLATION



5. Branchez la fiche du cordon d'alimentation dans une prise murale standard (avec prise de terre).

**AVERTISSEMENT :** Ne placez pas le four dans un endroit où est généré de la chaleur ou des niveaux élevés d'humidité (par exemple, près ou au-dessus d'un four conventionnel) ou près de matériaux combustibles (par ex. rideaux).

Ne bloquez ou n'obstruez pas les ouvertures de ventilation.

Ne placez pas d'objet sur le four.

Ne touchez pas l'extérieur du four à micro-ondes pendant ou peu de temps après son utilisation car il sera chaud.



## NIVEAUX DE PUISSANCE MICRO-ONDES

- Le four ne peut pas être utilisé lorsqu'il est branché pour la première fois. Après avoir ouvert et fermé une fois la porte du four, l'indicateur de fonction «LOW/» (Faible) et l'indicateur de la minuterie « 0 » s'allument, puis le four revient en mode veille.
- En mode veille ou après la fin de la cuisson, s'il n'y a pas de fonctionnement dans les 3 minutes, le four passe en mode de verrouillage de veille.
- Pendant la cuisson, vous pouvez annuler le programme de cuisson en ouvrant la porte du four ou en tournant le bouton **TIMER** sur « 0 ».
- Une fois la cuisson terminée, l'indicateur de fonction sélectionné et l'indicateur de la minuterie « 0 » s'allument et le système émet un signal sonore.
- Lorsque vous utiliserez le four pendant plus de 2 minutes, le ventilateur de refroidissement restera en marche à la fin du cycle de cuisson. Le ventilateur fonctionnera pendant environ 3 minutes après la cuisson.



## CUISSON AU MICRO-ONDES

- Préparez et placez les aliments dans un récipient approprié (voir « BIEN CHOISIR LA VAISSELLE »), placez les aliments/le récipient directement au milieu du plateau tournant. Fermez la porte.
- En mode veille, appuyez plusieurs fois sur la touche **FUNCTION** jusqu'à ce que l'indicateur de fonction « HIGH/» ou « MED/» apparaisse.
- Tournez le bouton **TIMER** pour obtenir le temps de cuisson / décongélation désiré et le four démarrera automatiquement.
- Lorsque la cuisson/décongélation sera terminée, le **TIMER** reviendra à « 0 » zéro et le signal retentira. La lampe du four s'éteindra automatiquement et le plateau tournant cessera de tourner. Ouvrez la porte du four, retirez les aliments/ récipients avec précaution. Laissez les aliments reposer selon les besoins.

### TRUCS DE CUISSON :

Lorsque le four démarre, la lampe du four s'allume et le plateau tournant commence à tourner dans le sens des aiguilles d'une montre ou dans le sens opposé.

Si vous souhaitez arrêter la cuisson avant que le temps de cuisson ne soit écoulé, remettez le bouton **TIMER** sur « 0 » (arrêt) ou ouvrez la porte du four. Celle-ci peut être ouverte à tout moment pendant la cuisson. Pour poursuivre la cuisson, fermez la porte. Si vous souhaitez modifier le temps de cuisson en cours de cuisson, il vous suffit de tourner le bouton **TIMER** sur le nouveau réglage souhaité.

Lorsque la cuisson/décongélation dure moins de 3 minutes, tournez le bouton **TIMER** au-delà de la marque des 10 minutes, puis revenez au réglage souhaité. La minuterie fonctionnera alors avec une plus grande précision.

Pour changer le niveau de puissance durant la cuisson, tournez le bouton de **CONTROLE DE LA PUISSANCE MICRO-ONDES** sur le réglage désiré.

### AVERTISSEMENT :

Assurez-vous que le **MINUTEUR** est remis à la position zéro « 0 » à la fin de la cuisson, sinon le four démarrera automatiquement lorsque la porte du four sera fermée.



## DECONGELATION PROGRAMMEE

Ce guide a été conçu pour faciliter la décongélation d'aliments spécifiques.

Il peut être utilisé pour décongeler : Morceaux de poulet, côtelettes, poisson (entier ou filets), viande hachée et saucisses.

DEFROST

|             |              |
|-------------|--------------|
| 100g 1,5min | 400g 5,0min  |
| 200g 3,0min | 500g 10,0min |
| 300g 4,0min |              |

**Par exemple :** Pour décongeler 0,4 kg de portions de poulet :

- Placez les portions de poulet dans un plat, puis placez-les sur le plateau tournant dans le four.
- En mode veille, appuyez plusieurs fois sur la touche **FUNCTION** jusqu'à ce que l'indicateur de fonction « LOW/» s'allume
- Réglez le **TIMER** sur 5,0 min. Le four démarrera immédiatement. Retournez les portions de poulet 1 à 2 fois pendant la décongélation.

4. Après la décongélation, couvrez les aliments d'une feuille de papier aluminium et laissez-les reposer jusqu'à décongélation complète.

**Remarque :** Le temps de décongélation est basé sur des conditions standards. Veuillez vérifier le résultat de la décongélation et, si nécessaire, ajuster les temps de décongélation de manière appropriée.



## CUISSON AU GRIL / MICRO-ONDES+GRIL

### 1. CUISSON AU GRIL UNIQUEMENT

Le gril en haut de la cavité du four possède un seul niveau de puissance. Le gril est assisté par le plateau tournant qui tourne en même temps pour assurer un brunissement uniforme. Utilisez la grille pour griller de petits aliments tels que bacon, lard fumé et pains aux raisins. La nourriture peut être placée directement sur la grille, dans un plat à gâteaux ou dans un plat résistant à la chaleur sur la grille.

- En mode veille, appuyez plusieurs fois sur la touche FUNCTION jusqu'à ce que l'indicateur de fonction « GRIL/⌘ » s'allume.
- Tournez le bouton TIMER pour régler le temps de cuisson. La durée maximale de cuisson est de 30 minutes. Le four commence alors à cuire automatiquement.

### 2. CUISSON GRIL MIXTE

La **CUISSON AU GRIL MIXTE** associe la puissance du micro-ondes au gril. MIX signifie que l'on peut cuisiner en alternant la puissance du micro-ondes et celle du gril.

La combinaison de la cuisson micro-ondes avec le gril permet de réduire le temps de cuisson, tout en ayant des aliments grillés.

En mode veille, appuyez plusieurs fois sur la touche FUNCTION pour sélectionner la combinaison 1 ( Les indicateurs de fonction « GRILL/⌘ » et « MED/⌘ » s'allument) ou la combinaison 2 ( Les indicateurs de fonction « GRILL/⌘ » et « HIGH/⌘ » s'allument) .

| Fonction/Alimentation électrique | Sortie                | Application   |
|----------------------------------|-----------------------|---|
| Gril                             | 100 % gril            | Pain cuit au four, aliments en tranches                     |
| Combi.1                          | 70 % gril 30 % micro. | Morceaux de poulet, Poitrines de poulet, Côtelettes de porc |
| Combi.2                          | 56 % gril 44 % micro. | Poulet entier   |

### REMARQUES pour la CUISSON SUR GRIL et GRIL MIXTE :

- Il n'est pas nécessaire de préchauffer le gril avant la cuisson.
- Lorsque vous brunissez des aliments dans un récipient profond, placez-le sur le plateau tournant.
- L'utilisation de plats à rôtir n'est pas recommandée.
- Vous pourriez détecter de la fumée ou une odeur de brûlé lorsque vous utilisez le gril pour la première fois. Ce phénomène est normal et ne signifie pas que le four est défectueux. Pour éviter ce problème, lorsque vous utilisez le four pour la première fois, faites-le chauffer sans aliments pendant 20 minutes sur gril.

**IMPORTANT :** Pendant le fonctionnement, pour permettre à la fumée ou aux odeurs de se disperser, ouvrez une fenêtre ou allumez la ventilation de la cuisine. **REMARQUE :** Lorsque vous utilisez la fonction gril, le gril s'allume et s'éteint à intervalles réguliers pour éviter la surchauffe.



**AVERTISSEMENT :** La porte, l'armoire extérieure, la cavité du four et les accessoires deviennent très chauds pendant le fonctionnement.

Pour éviter les brûlures, utilisez toujours des gants de cuisine épais.

## MINUTERIE



1. En mode veille, appuyez plusieurs fois sur la touche FUNCTION jusqu'à ce que l'indicateur de fonction « TIMER » apparaisse pour le YC-GS02E et que « LOW/⌘ » et « HIGH/⌘ » apparaissent pour le YC-GG02E.
2. Tournez le bouton de la MINUTERIE pour régler l'heure souhaitée. Le temps le plus long est de 30 minutes. Ensuite, le four lance automatiquement le compte à rebours.

### REMARQUE :

- Lorsque le mode minuterie est passé en mode micro-ondes et en mode dégivrage, le temps restant de la minuterie est remis à zéro (indépendamment du fait que la porte soit ouverte ou fermée).
- Lorsque le mode micro-ondes, décongélation, gril et combinaison est passé en mode minuterie, le temps restant de la minuterie est remis à zéro

# BIEN CHOISIR LA VAISSELLE



Pour cuire / décongeler des aliments dans un four à micro-ondes, l'énergie micro-ondes doit pouvoir pénétrer à travers du récipient contenant la nourriture. Il est ainsi important de choisir des ustensiles adaptés.

Les plats ronds / ovales sont préférables à ceux carrés / rectangles, la nourriture placée dans les coins ayant tendance à trop cuire. Une large gamme d'ustensiles de cuisine peut être utilisée, spécifiée dans la liste ci-dessous.

| Ustensiles de cuisine   | Compatible Microondes | Gril | Commentaires   |
|---|-----------------------|------|--|
| Papier aluminium<br>Récipients en aluminium                     | ✓ / ✗                 | ✓    | De petits morceaux d'aluminium peuvent être utilisés pour empêcher les aliments de surchauffer. Gardez le papier aluminium à une distance d'au moins 2 cm des parois du four, des arcs électriques pouvant se former. Les récipients en papier aluminium ne sont pas recommandés, sauf si spécifié par le fabricant, comme par ex. Microfoil®. Suivez dans ce cas les instructions avec attention. |
| Plats brunisseurs   | ✓ / ✗                 | ✗    | Suivez toujours les instructions des fabricants. Ne dépassez pas les temps de chauffage indiqués. Faites très attention, ces plats pouvant devenir très chauds.  |
| Porcelaine et céramiques  | ✓ / ✗                 | ✗    | La porcelaine, la poterie, la faïence émaillée et la porcelaine fine sont habituellement adaptées, à part dans le cas de décorations métalliques.  |
| Plats en verre par ex. Pyrex®                                   | ✓                     | ✓    | Restez vigilant lors de l'utilisation de verrerie fine, la chaleur brutale pouvant les craqueler ou les casser.  |
| Métal   | ✗                     | ✓    | Il n'est pas recommandé d'utiliser de récipients en métal, ceux-ci pouvant être source d'arcs électriques et causer des incendies.   |
| Plastique/Polystyrène par ex. récipients de restauration rapide | ✓                     | ✗    | Il est important de bien faire attention à la cuisson, certains récipients pouvant se déformer, fondre ou se détacher à haute température.   |
| Film plastique  | ✓                     | ✗    | Ne doit pas toucher la nourriture et doit être percé pour laisser la vapeur s'échapper.  |
| Sachets de Congélation / à Griller                              | ✓                     | ✗    | Doit être percé pour laisser la vapeur s'échapper. Assurez-vous que les sachets sont compatibles avec la cuisson à micro-ondes.  |
| Assiettes / Gobelets en papier et papier essuie-tout            | ✓                     | ✗    | N'utilisez pas d'attaches en plastique ou métal, celles-ci pouvant fondre ou s'enflammer à cause d'arcs électriques.   |
| Paille et récipients en bois                                    | ✓                     | ✗    | Utilisez uniquement pour réchauffer ou absorber l'humidité. Vérifiez soigneusement la cuisson, une surchauffe peut être source d'incendie.   |
| Papier recyclé et journaux                                      | ✗                     | ✗    | Restez toujours à proximité du micro-ondes lors de l'utilisation de ces matériaux, leur surchauffe pouvant être cause de départ de feu. Peut contenir des résidus de métaux pouvant causer des arcs électriques et un départ de feu.   |



**AVERTISSEMENT : Lorsque vous réchauffez un plat dans un récipient en plastique ou en papier, surveillez le four pour prévenir le risque d'ignition.**



## ENTRETIEN ET NETTOYAGE

**ATTENTION : N'UTILISEZ PAS DE PRODUITS DECAPANTS POUR FOUR VENDUS DANS LE COMMERCE OU DE PRODUITS ABRASIFS OU AGRESSIFS, OU DE PRODUITS QUI CONTIENNENT DE LA SOUDE CAUSTIQUE, OU DE TAMPONS ABRASIFS SUR UNE PARTIE QUELCONQUE DE VOTRE FOUR À MICROONDES.**

**Avant le nettoyage, assurez-vous que la cavité du four, la porte, le boîtier externe et les accessoires sont complètement froids.**

**NETTOYEZ LE FOUR A INTERVALLES REGULIERS ET RETIREZ TOUT DEPOT DE NOURRITURE - Gardez le four propre, pour empêcher toute détérioration de la surface. Ceci pourrait avoir une influence défavorable sur la durée de vie de l'appareil et entraîner une situation potentiellement dangereuse.**

**REMARQUE :** Lors de la cuisson, de la condensation peut s'accumuler à l'intérieur de la cavité du four, de l'avant de la cavité et de la porte. La quantité de condensation dépendra de la température des surfaces du four et de la teneur en humidité des aliments cuits au micro-ondes. Assurez-vous que lorsque vous aurez terminé la cuisson, toute l'humidité qui accumulée sur ces surfaces soit essuyée avec un chiffon doux absorbant l'humidité.

### **Extérieur du four**

Nettoyez l'extérieur du four au savon doux et à l'eau. Rincez pour éliminer l'eau savonneuse et séchez avec un chiffon doux.

### **Panneau de commande**

Ouvrez la porte avant le nettoyage pour désactiver le panneau de commande. Faites attention en nettoyant le panneau de commande. Utilisez uniquement un chiffon imbibé d'eau, nettoyez doucement le panneau jusqu'à ce qu'il soit propre.

Évitez d'utiliser des quantités excessives d'eau. N'utilisez aucun produit chimique ou nettoyeur abrasif.

### **Intérieur du four**

**1.** Pour le nettoyage, enlevez les éclaboussures et les débordements avec un chiffon doux humide ou une éponge après chaque utilisation lorsque le four est toujours chaud.

Pour les tâches plus importantes, utilisez un savon doux et nettoyez plusieurs fois avec un chiffon humide jusqu'à ce que tous les résidus disparaissent.

Une accumulation d'éclaboussures peut surchauffer et commencer à fumer et à s'enflammer, mais aussi causer des arcs électriques. Ne retirez pas le boîtier du guide d'ondes.

**2.** Assurez-vous que l'eau savonneuse ou l'eau ne pénètrent pas dans les petits trous des parois. Sinon, elle risque de causer des dommages au four.

**3.** N'utilisez pas un vaporisateur pour nettoyer l'intérieur du four.

**4.** Nettoyez votre four de manière régulière en utilisant le grill et chauffez le four sans aliments pendant 20 minutes sur grill. Les aliments restant ou les éclaboussures grasses peuvent être sources de fumée ou de mauvaises odeurs.

Gardez toujours propre le cadre du répartiteur d'ondes. Le cadre du répartiteur d'ondes est composé d'un matériau fragile et doit être nettoyé avec précaution (suivez les instructions de nettoyage ci-dessus).

**NOTE:** Ne laissez pas tremper le boîtier du guide d'ondes, il pourrait se désagréger.

Le cadre du répartiteur d'ondes est un consommable qui, s'il n'est pas nettoyé régulièrement, devra être remplacé.

### **Accessoires**

Les accessoires tels que la plateau tournant, le support de la plateau tournant et la grille doivent être nettoyés dans une solution de liquide vaisselle doux et séchés. Le nettoyage au lave-vaisselle est possible.

### **Porte**

Pour éliminer toute trace de salissure, nettoyez les deux côtés de la porte, les joints de la porte et les parties adjacentes avec un chiffon doux, humide. N'utilisez pas de nettoyant abrasif.

**REMARQUE :** Veillez à ne pas utiliser de produits décapants pour four.

### **Conseil de nettoyage - Pour un nettoyage facile de votre four :**

Placez un demi-citron dans un bol, ajouter 300 ml d'eau et chauffer sur 100% pendant 10 - 12 minutes.

Nettoyez le four en utilisant un chiffon doux sec.







#### **Uwaga:**

Państwa produkt jest oznaczony tym symbolem. Oznacza on, że zużytych urządzeń elektrycznych i elektronicznych nie można łączyć ze zwykłymi odpadami z gospodarstw domowych. Dla tych produktów istnieje oddzielny system zbiórki odpadów.

## **A. Informacje dla użytkowników (prywatnych gospodarstw domowych) dotyczące usuwania odpadów**

### **1. W krajach Unii Europejskiej**

Uwaga: Jeśli chcą Państwo usunąć to urządzenie, prosimy nie używać zwykłych pojemników na śmieci!

Zużyty sprzęt elektryczny i elektroniczny należy usuwać oddzielnie, zgodnie z wymogami prawa dotyczącymi odpowiedniego przetwarzania, odzysku i recyklingu zużytego sprzętu elektrycznego i elektronicznego.

Po wdrożeniu przepisów unijnych w Państwach Członkowskich prywatne gospodarstwa domowe na terenie krajów UE mogą bezpłatnie\* zwracać zużyty sprzęt elektryczny i elektroniczny do wyznaczonych punktów zbiórki odpadów. W niektórych krajach\* można bezpłatnie zwrócić stary produkt do lokalnych punktów sprzedaży detalicznej pod warunkiem, że zakupią Państwo podobny nowy produkt.

\*) W celu uzyskania dalszych informacji na ten temat należy skontaktować się z lokalnymi władzami.

Jeśli zużyty sprzęt elektryczny i elektroniczny jest wyposażony w baterie lub akumulatory, należy je usunąć oddzielnie, zgodnie z wymogami lokalnych przepisów.

Jeśli ten produkt zostanie usunięty we właściwy sposób, pomogą Państwo zapewnić, że odpady zostaną poddane przetworzeniu, odzyskowi i recyklingowi, a tym samym zapobiec potencjalnym negatywnym skutkom dla środowiska naturalnego i zdrowia ludzkiego, które w przeciwnym razie mogłyby mieć miejsce na skutek niewłaściwej obróbki odpadów.

### **2. Kraje pozaunijne**

W celu uzyskania szczegółowych informacji na temat prawidłowej metody pozbycia się zużytego urządzenia, prosimy o kontakt z władzami lokalnymi.

W Szwajcarii: Zużyte urządzenia elektryczne lub elektroniczne można bezpłatnie zwracać do sprzedawcy, nawet jeśli nie zostanie zakupiony nowy produkt. Szczegóły na temat punktów zbiórki odpadów są wymienione na stronie: [www.swico.ch](http://www.swico.ch) lub [www.sens.ch](http://www.sens.ch).

## **B. Informacje dla użytkowników biznesowych dotyczące usuwania odpadów**

### **1. W krajach Unii Europejskiej**

W przypadku gdy produkt używany jest do celów biznesowych i zamierzają go Państwo usunąć: Należy skontaktować się z dealerem firmy SHARP, który poinformuje o możliwości zwrotu wyrobu. Być może będą Państwo musieli ponieść koszty zwrotu i recyklingu produktu. Produkty niewielkich rozmiarów (i w małych ilościach) można zwrócić do lokalnych punktów zbiórki odpadów. W Hiszpanii: W celu usunięcia zużytego produktu prosimy o skontaktowanie się z wyznaczonym punktem systemu zbiórki odpadów lub władzami lokalnymi.

### **2. Kraje pozaunijne**

W celu uzyskania szczegółowych informacji na temat prawidłowej metody pozbycia się zużytego urządzenia, prosimy o kontakt z władzami lokalnymi.



## DANE TECHNICZNE

| Typ kuchenki:  |                 | YC-G502E                                  | YC-GG02E                                  |
|--|-----------------|---|---|
| AC Line Voltage  |                 | 230-240 V, 50 Hz prąd zmienny jednofazowy | 230-240 V, 50 Hz prąd zmienny jednofazowy |
| Bezpiecznik/wyłącznik automatyczny                       |                 | 10 A                                      | 10 A                                      |
| Wymagana moc wejściowa:                                  | Mikrofale       | 1200 W                                    | 1200 W                                    |
| Moc wyjściowa:   | Mikrofale       | 700 W (IEC 60705)                         | 700 W (IEC 60705)                         |
|  | Grill           |   | 1000 W                                    |
|  | Tryb wyłączenia | mniej niż < 0,5W                          | mniej niż < 0,5W                          |
| Częstotliwość mikrofal                                   |                 | 2450 MHz* (grupa 2/klasa B)               | 2450 MHz* (grupa 2/klasa B)               |
| Wymiary zewnętrzne (szer.) x (wys.) x (gł.) mm           |                 | 452 x 262 x 345                           | 452 x 262 x 345                           |
| Wymiary komory operacyjnej (szer.) x (wys.) x (gł.)** mm |                 | 315 x 198 x 297                           | 315 x 198 x 297                           |
| Pojemność kuchenki                                       |                 | 20 litrów**                               | 20 litrów**                               |
| Talerz obrotowy  |                 | ø 245 mm                                  | ø 245 mm                                  |
| Ruszt do grillowania                                     |                 |   | ø 190 mm                                  |
| Ciężar   |                 | ok. 11,3 kg                               | ok. 12,5 kg                               |
| Lampka oświetleniowa                                     |                 | 20 W                                      | 20 W                                      |

\* - Opiswane urządzenie spełnia wymagania europejskiego standardu EN55011.

Zgodnie z tym standardem urządzenie zostało sklasyfikowane jako sprzęt należący do grupy 2 i klasy B.

Przynależność do grupy 2 oznacza, że urządzenie w sposób zamierzony generuje fale radiowe służące do podgrzewania jedzenia.

Przynależność do klasy B oznacza, że urządzenie może pracować w gospodarstwach domowych.

\*\* - Pojemność kuchenki jest obliczana poprzez pomnożenie maksymalnej szerokości, głębokości i wysokości komory operacyjnej. Rzeczywista pojemność przeznaczona na potrawy jest mniejsza.

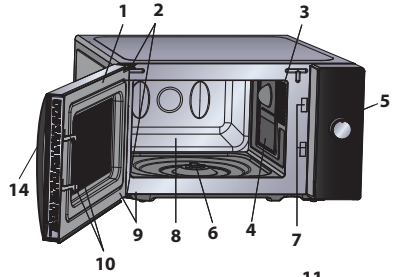
STAWIAJĄC SOBIE ZA CEL CIĄGŁE DOSKONALENIE SWOICH PRODUKTÓW FIRMA SHARP ZASTRZEGA SOBIE PRAWO DO ZMIANY WYGLĄDU I DANYCH TECHNICZNYCH URZĄDZENIA BEZ UPRZEDZENIA.

# KUCHENKA I JEJ WYPOSAŻENIE



## KUCHENKA

1. Drzwiczki
2. Zawiasy drzwiczek
3. Lampka oświetleniowa
4. Osłona źródła mikrofal (NIE USUWAJ)
5. Panel sterowania
6. Gniazdo napędowe
7. Zatrzaski drzwiczek
8. Komora operacyjna
9. Uszczelki drzwiczek i powierzchnie uszczelniające
10. Zatrzaski bezpieczeństwa drzwiczek
11. Otwory wentylacyjne
12. Obudowa
13. Przewód zasilający
14. Otwieranie drzwiczek



## WYPOSAŻENIE:

Należy upewnić się, że wraz z kuchenką dostarczone zostały następujące akcesoria:

15. Talerz obrotowy
16. Podstawa talerza obrotowego
17. Gniazdo napędowe
18. Ruszt (tylko dla YC-GG02E)

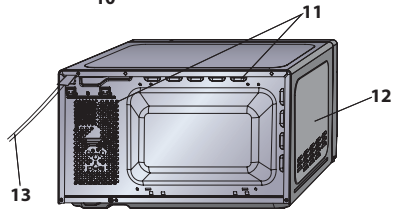
- Podstawę talerza obrotowego należy umieścić pośrodku na spodzie kuchenki, żeby mogła swobodnie obracać się wokół gniazda napędowego. A następnie dokładnie zamocować talerz obrotowy w gnieździe napędowym.
- Podczas wyjmowania z kuchenki naczyń lub pojemników należy ostrożnie unosić je nad krawędzią talerza obrotowego, żeby zapobiec uszkodzeniu talerza.
- Ruszt grilla jest przeznaczona do użytku wyłącznie z piekarnikami z funkcją grillowania. Nie używaj rusztu grilla podczas korzystania z funkcji mikrofal.
- Porady na temat wykorzystania rusztu znajdziesz w części dotyczącej obsługi FUNKCJI GRILLOWANIA.

**Nigdy nie dotykaj nagrzanego rusztu.**

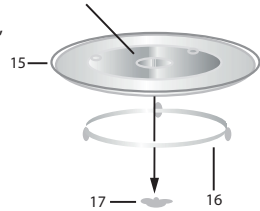
**UWAGA:** W celu zamówienia wyposażenia dodatkowego, podaj dwie pozycje: nazwę części i nazwę modelu.

## UWAGI:

- Osłona źródła mikrofal jest wrażliwa na uszkodzenia. Należy zachować szczególną ostrożność w trakcie czyszczenia wnętrza kuchenki.
- Po gotowaniu tłustych potraw bez użycia osłony zawsze dokładnie wyczyść komorę operacyjną, w szczególności element grzejny grilla - musi być on suchy i wolny od tłuszczu. Nagromadzony tłuszcz może spowodować przegrzanie, dymienie, a nawet pożar.
- Zawsze używaj kuchenki z poprawnie zamontowanym talerzem obrotowym i jego podstawą. Pomaga to w równomiernym gotowaniu potraw. Źle zamontowany talerz obrotowy może się kołysać, obracać nieprawidłowo, a nawet spowodować uszkodzenie kuchenki.
- Wszelkie przeznaczone do gotowania produkty i naczynia z potrawami należy zawsze ustawiać na talerzu obrotowym.
- Talerz obraca się w prawo lub w lewo. Kierunek obrotu może być inny przy każdym uruchomieniu kuchenki. Nie wpływa to na efektywność gotowania.



Piasta (wewnątrz)



**OSTRZEŻENIE:** Ten symbol oznacza, że ścianki kuchenki bardzo się nagrzewają. Drzwiczki, obudowa, komora operacyjna, elementy wyposażenia i naczynia bardzo silnie się nagrzewają podczas pracy kuchenki. Wyjmując naczynia i talerz obrotowy z kuchenki należy chwycić je przez grube rękawice, żeby zapobiec poparzeniom.



# PANEL STEROWANIA

## 1. Przycisk FUNCTION

Naciśnij przycisk, aby wybrać poziom mocy mikrofal, funkcję timera kuchennego lub tryb pracy kombinowanej.

LOW /  – 280 W

MED – 560 W

HIGH – 700 W

GRILL – 100% mocy grilla

GRILL (Combi.1) – przez 70% czasu gotowania wykorzystywany jest grill, a przez 30% czasu używane są mikrofałe

GRILL (Combi.2) – przez 44% czasu gotowania wykorzystywany jest grill, a przez 56% czasu używane są mikrofałe

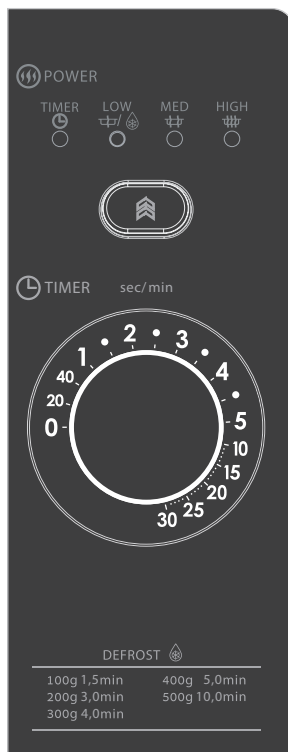
TIMER – timer kuchenny

## 2. Pokrętko TIMER

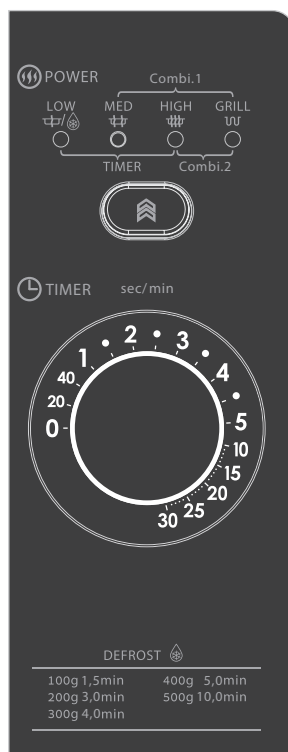
Ustaw żądany czas trwania procesu obracając pokrętko TIMER. Najdłuższy czas wynosi 30 minut. Kuchenka automatycznie rozpocznie proces przygotowania.

UWAGA: Żeby wydłużyć czas gotowania/rozmrzania, obróć pokrętko TIMER w prawo.

Żeby skrócić czas gotowania/rozmrzania, obróć pokrętko TIMER w lewo.



YC-GS02E



YC-GG02E



## IMPORTANT SAFETY INSTRUCTIONS:

### PRZECZYTAJ UWAŻNIE I ZACHOWAJ NA PRZYSZŁOŚĆ

#### Żeby uniknąć niebezpieczeństwa pożaru:

**Nie powinno się pozostawiać pracującej kuchenki bez nadzoru. Ustawienie zbyt wysokiego poziomu mocy lub zbyt długiego czasu gotowania może doprowadzić do przegrzania potrawy i spowodować pożar.**

Opisywana kuchenka została zaprojektowana do instalacji na blacie szafki. Nie jest przeznaczona do instalacji w zabudowie.

Nie wolno umieszczać kuchenki wewnątrz szafki. Gniazdko elektryczne, do którego podłączana jest kuchenka, musi być stale dostępne, żeby w razie konieczności można było po prostu wyciągnąć wtyczkę. Napięcie sieci musi wynosić 230-240 V (prąd zmienny, 50 Hz), instalacja elektryczna powinna być wyposażona w bezpiecznik/wyłącznik automatyczny o dopuszczalnym prądzie 10 A lub większym.

Zaleca się podłączenie urządzenia do niezależnego obwodu prądu.

Nie należy stawiać urządzenia w pobliżu źródeł ciepła, np. w pobliżu zwykłego piecyka.

Nie należy instalować kuchenki w miejscach o dużej wilgotności lub tam, gdzie może się skraplać para.

Nie należy przechowywać ani użytkować urządzenia na wolnym powietrzu.



## WAŻNE INFORMACJE DOTYCZĄCE BEZPIECZEŃSTWA

**Jeśli podgrzewane produkty zaczną dymić, wyłącz kuchenkę lub odłącz wtyczkę i odczekaj, aż podgrzewane produkty przestaną dymić.**

**Stosuj wyłącznie pojemniki i naczynia przeznaczone do kuchenek mikrofalowych.**

**Należy stosować wyłącznie naczynia nadające się do kuchenek mikrofalowych.**

**Korzystając z plastikowych, papierowych lub innych łatwopalnych pojemników na żywność nigdy nie pozostawiaj urządzenia bez nadzoru.**

**Ośłonę źródła mikrofal, komorę operacyjną, talerz obrotowy i jego podstawę należy oczyścić po użyciu.**

**Części te powinny być suche i bez tłuszczu.**

**Nagromadzony tłuszcz może się przegrzać, zacząć dymić lub zapalić się.**

W pobliżu urządzenia lub jego otworów wentylacyjnych nie wolno przechowywać materiałów łatwopalnych.

Nigdy nie blokuj otworów wentylacyjnych.

Usuwać z produktów i opakowań wszystkie metalowe zamknięcia, druty itp. Powstawanie łuku elektrycznego na powierzchniach metalu może doprowadzić do pożaru.

Nie używaj kuchni mikrofalowej do smażenia potraw w głębokim oleju. Temperatury oleju nie można kontrolować i tłuszcz może się zapalić.

Do prażenia kukurydzy powinny być używane wyłącznie do tego przeznaczone naczynia.

Nie przechowuj w urządzeniu żadnej żywności ani innych



przedmiotów.

Po uruchomieniu kuchenki sprawdź ustawienia, żeby upewnić się, że pracuje ona zgodnie z życzeniem. Żeby uniknąć przegrzania lub pożaru, należy zachować szczególną ostrożność podczas gotowania i podgrzewania potraw zawierających duże ilości cukru lub tłuszczu, np. krokietów z mięsem lub budyniu. Niniejszej instrukcji obsługi należy używać razem z podanymi dalej wskazówkami dotyczącymi gotowania.

### **Żeby uniknąć obrażeń ciała:**

#### **OSTRZEŻENIE:**

Nie używaj kuchenki, jeżeli jest uszkodzona lub wykazuje wadliwe funkcjonowanie. Przed użyciem sprawdź następujące punkty:

- a) Drzwiczki: muszą się zamykać prawidłowo i nie mogą być skrzywione lub scentrowane.
- b) Zawiasy oraz zatrzaski bezpieczeństwa: należy się upewnić, że nie są złamane ani luźne.
- c) Uszczelki drzwiczek i ich powierzchnie: nie mogą być uszkodzone.
- d) Wewnątrz urządzenia i na drzwiczkach: nie może być żadnych wgnieceń ani innych uszkodzeń
- e) Przewód zasilający oraz wtyczka: nie mogą być uszkodzone.

Nie używaj kuchenki, jeśli drzwiczki lub uszczelki drzwiczek są uszkodzone. Naprawę należy powierzyć wykwalifikowanemu pracownikom serwisu.



## WAŻNE INFORMACJE DOTYCZĄCE BEZPIECZEŃSTWA

**Nigdy nie próbuj samodzielnie regulować, naprawiać ani modyfikować urządzenia. Wszelkie naprawy, zwłaszcza wiążące się z otwarciem obudowy, mogą być przeprowadzone wyłącznie przez wykwalifikowanych pracowników serwisu firmy SHARP.**

Nie używaj kuchenki przy otwartych drzwiczkach lub zamknięciu przerobionym w jakikolwiek sposób. Nie używaj kuchenki, jeśli pomiędzy uszczelkami drzwiczek a powierzchniami uszczelniającymi znajdują się jakieś przedmioty.

**Nie dopuszczaj do gromadzenia się tłuszczu i zabrudzeń na uszczelce drzwiczek i powierzchniach uszczelki. Stosuj się do wskazówek w rozdziale „Czyszczenie i konserwacja”. Dopuszczenie do nadmiernego zanieczyszczenia kuchenki może spowodować zniszczenie jej ścianek, doprowadzi do jej przedwczesnego zużycia oraz może wywołać sytuacje niebezpieczne.**

Osoby mające ROZRUSZNIK SERCA powinny zapytać swojego lekarza lub producenta rozrusznika o środki ostrożności podczas posługiwania się kuchenkami mikrofalowymi.

**Żeby uniknąć porażenia prądem elektrycznym:**

W żadnym wypadku nie wolno zdejmować zewnętrznej obudowy kuchenki. Nie należy wprowadzać żadnych





przedmiotów ani płynów w otwory zatrząsków bezpieczeństwa drzwiczek ani w otwory wentylacyjne. Jeśli jakiś płyn rozleje się wewnątrz kuchenki, urządzenie należy natychmiast wyłączyć, wyjąć wtyczkę przewodu zasilającego z gniazda i zwrócić się do serwisu firmy SHARP. Przewodu zasilającego ani wtyczki nie wolno zanurzać w wodzie ani jakiegokolwiek innej cieczy.

Przewód nie powinien być zawieszony na krawędzi stołu lub blatu kuchennego. Przewód zasilający należy prowadzić z dala od powierzchni nagrzewających się, włącznie z tylną ścianką kuchenki.

Dzieciom poniżej 8 roku życia należy uniemożliwić zbliżanie się do kuchenki i kabla zasilającego.

Nie wolno samodzielnie wymieniać lampki oświetleniowej w kuchence ani też pozwalać, by wymieniał ją ktokolwiek, niebędący elektrykiem upoważnionym przez firmę SHARP. Jeśli ulegnie uszkodzeniu przewód zasilający, należy zainstalować nowy przewód tego samego typu. Wymiana powinna być dokonywana przez wykwalifikowane osoby w celu uniknięcia zagrożenia.

**Żeby uniknąć eksplozji i wykipienia:**

**OSTRZEŻENIE: Płynów i innych pokarmów nie wolno podgrzewać w zamkniętych pojemnikach, ponieważ mogą one eksplodować.**

**Podczas przenoszenia pojemnika z płynem podgrzanym w kuchence należy zachować szczególną**



### **ostrożność, ponieważ może nastąpić opóźnione wykipienie cieczy.**

Nigdy nie wolno używać szczelnie zamkniętych pojemników. Przed użyciem należy zdjąć pokrywki i wieczka. Szczelnie zamknięte pojemniki mogą wybuchnąć wskutek wzrostu ciśnienia, nawet po wyłączeniu kuchenki.

Przy podgrzewaniu płynów w kuchence należy zachować szczególną ostrożność. Stosuj naczynia o szerokim wylocie, aby pęcherzyki pary mogły swobodnie uchodzić.

### **Nigdy nie należy ogrzewać płynów w pojemnikach o wąskich szyjkach, takich jak butelki dla niemowląt, ponieważ gorący płyn może z nich gwałtownie wytrysnąć, powodując oparzenia.**

Żeby uniknąć gwałtownego wytryśnięcia wrzącej cieczy i oparzeń:

1. Nie należy przekraczać zalecanych czasów podgrzewania.
2. Płyn należy przed podgrzaniem zamieszać.
3. Wskazane jest włożenie do naczynia szklanej pałeczki lub podobnego przedmiotu na czas ogrzewania.
4. Po zakończeniu ogrzewania płyn należy pozostawić co najmniej 20 sekund w kuchence, aby zapobiec opóźnionemu wykipieniu.

### **Nie należy używać kuchenki do gotowania jajek w skorupkach ani do podgrzewania jajek gotowanych na twardo. Mogą one eksplodować nawet po**



**zakończeniu procesu gotowania. Przed gotowaniem lub podgrzewaniem jajek nie roztrzepanych czy rozmieszanych należy przekłuć żółtko i białko, gdyż w przeciwnym razie jajka mogą eksplodować. Jajka ugotowane na twardo należy przed podgrzewaniem w kuchence mikrofalowej obrać i pokrajać w plasterki.**

Przed gotowaniem należy przekłuć skórkę takich produktów jak ziemniaki, parówki i owoce – w przeciwnym razie mogą eksplodować.

**Żeby uniknąć poparzeń:**

**OSTRZEŻENIE: W celu uniknięcia poparzeń należy zawsze sprawdzać temperaturę pokarmów dla niemowląt i mieszać zawartość butelek i naczyń przed podaniem. Podczas wyjmowania potraw z kuchenki należy używać chwytak do garnków lub rękawic kuchennych.**

Pojemniki, naczynia do prażenia kukurydzy, woreczki do pieczenia itp. należy otwierać w taki sposób, by para nie wydobywała się z nich na twarz i ręce.

W celu uniknięcia poparzeń należy zawsze sprawdzać temperaturę pokarmów i mieszać je przed podaniem; szczególną ostrożność należy zachować w przypadku temperatury pokarmów i napojów przeznaczonych dla niemowląt, małych dzieci oraz osób starszych. Nie wolno dopuścić, żeby do kuchenki zbliżały się dzieci, ponieważ niektóre jej elementy bardzo się nagzewają.



## WAŻNE INFORMACJE DOTYCZĄCE BEZPIECZEŃSTWA

Temperatura naczynia nie jest miarodajnym wskaźnikiem temperatury pokarmu czy napoju; zawsze należy sprawdzać temperaturę samego pokarmu.

Przy otwieraniu drzwiczek kuchenki należy zachować ostrożność, by nie ulec poparzeniu wydobywającą się z wnętrza parą i falą gorącą.

Pieczone potrawy z nadzieniem należy po przyrządzeniu pokrajać w plastry, by para mogła ujść.

Nie wolno pozwalać dzieciom, żeby zbliżyły się do drzwiczek podczas pracy kuchenki, ponieważ mogłyby się poparzyć.

**Żeby zapobiec niewłaściwemu użyciu przez dzieci:**

**OSTRZEŻENIE: Dzieci w wieku 8 lat lub starsze mogą korzystać z kuchenki bez nadzoru tylko, jeśli zostały szczegółowo poinstruowane o sposobie bezpiecznego używania urządzenia i rozumieją ryzyko związane z niewłaściwym użyciem. Dzieci powinny używać kuchenki wyłącznie pod nadzorem dorosłych, gdy urządzenie pracuje w trybach GRILLA, PRACY KOMBINOWANEJ Z GRILLEM i GOTOWANIA AUTOMATYCZNEGO ze względu na generowanie wysokiej temperatury. Urządzenie nie może być obsługiwane przez osoby (włącznie z dziećmi) z obniżonymi zdolnościami fizycznymi, zmysłowymi bądź umysłowymi, a także przez osoby bez doświadczenia i wiedzy na temat obsługi, chyba że dostały pozwolenie, bądź udzielono im instrukcji**



**obsługi urządzenia przez osobę odpowiedzialną za ich bezpieczeństwo. Dzieci powinny pozostawać pod opieką, aby nie bawiły się urządzeniem.**

Nie wolno opierać się ani huścić na drzwiczkach kuchenki. Nie wolno traktować kuchenki jako przedmiotu do zabawy.

Dzieciom należy wpoić zasady bezpieczeństwa: używanie rękawic kuchennych, ostrożne zdejmowanie pokrywek, zachowanie szczególnej ostrożności co do opakowań (np. materiałów samonagrzewających się), gdyż opakowania te mogą być bardzo gorące.

### **Inne ostrzeżenia:**

Nie wolno w żaden sposób samodzielnie dokonywać modyfikacji kuchenki.

Nie wolno poruszać kuchenką podczas jej pracy.

Opisywane urządzenie przeznaczone jest do użytku w gospodarstwach domowych. Kuchenka ta służy wyłącznie do przygotowywania potraw w warunkach domowych i można jej używać tylko do takich celów. Suszenie odzieży, podgrzewanie poduszek rozgrzewających, kapci, gąbek, szmatek itp. może prowadzić do obrażeń, poparzeń oraz podpaleń. Nie jest ona przeznaczona do użytku przemysłowego ani laboratoryjnego.

### **Żeby zapewnić niezawodną pracę kuchenki i uniknąć uszkodzeń:**

Nigdy nie należy włączać pustej kuchenki. Używając



## WAŻNE INFORMACJE DOTYCZĄCE BEZPIECZEŃSTWA

naczynia powodującego rumienienie potraw lub materiałów samonagrzewających się, zawsze należy pod nimi umieścić izolację termiczną, na przykład porcelanowy talerz, żeby zapobiec uszkodzeniu talerza obrotowego i podstawy talerza na skutek nadmiernego wzrostu temperatury. Niedopuszczalne jest przekraczanie czasu podgrzewania, podanego w przepisach.

Nie wolno używać naczyń metalowych odbijających mikrofałe i mogących spowodować powstawanie łuków elektrycznych. Nie wkładaj do kuchenki puszek.

Należy używać wyłącznie talerza obrotowego i jego podstawy przeznaczonych dla tego typu kuchenki. Nie używaj kuchenki, jeśli został wyjęty z niej talerz obrotowy. Żeby uniknąć uszkodzenia talerza obrotowego:

- a) Przed rozpoczęciem mycia talerza obrotowego wodą należy odczekać dopóki nie ostygnie.
- b) Nie wolno ustawiać gorących produktów lub naczyń na zimnym talerzu obrotowym.
- c) Nie wolno ustawiać zimnych produktów lub naczyń na gorącym talerzu obrotowym.

Podczas pracy urządzenia nie należy na jego obudowie stawiać jakichkolwiek przedmiotów.

### **UWAGA:**

Nie wolno używać plastikowych naczyń, jeśli komora operacyjna nie ostygła jeszcze po użyciu grilla (tryby GRILL i PRACY KOMBINOWANEJ Z GRILLEM), ponieważ mogłyby się roztopić. W wymienionych trybach nie wolno używać

## WAŻNE INFORMACJE DOTYCZĄCE BEZPIECZEŃSTWA



plastikowych naczyń, o ile ich producent nie zaznaczył, że są one do tego celu przeznaczone.

W przypadku wątpliwości co do sposobu przyłączenia kuchenki należy skontaktować się z upoważnionym, wykwalifikowanym elektrykiem.

Producent ani sprzedawca nie ponoszą żadnej odpowiedzialności za uszkodzenie kuchenki lub obrażenia ciała, powstałe wskutek zaniedbania poprawnych połączeń elektrycznych.

Na ściankach kuchenki lub wokół uszczelki drzwiczek może czasami pojawiać się para wodna lub krople wody. Jest to zjawisko normalne i nie świadczy o wydobywaniu się mikrofal na zewnątrz ani o wadliwym działaniu kuchenki.



Ten symbol informuje o powierzchniach, które mogą być gorące podczas użycia.



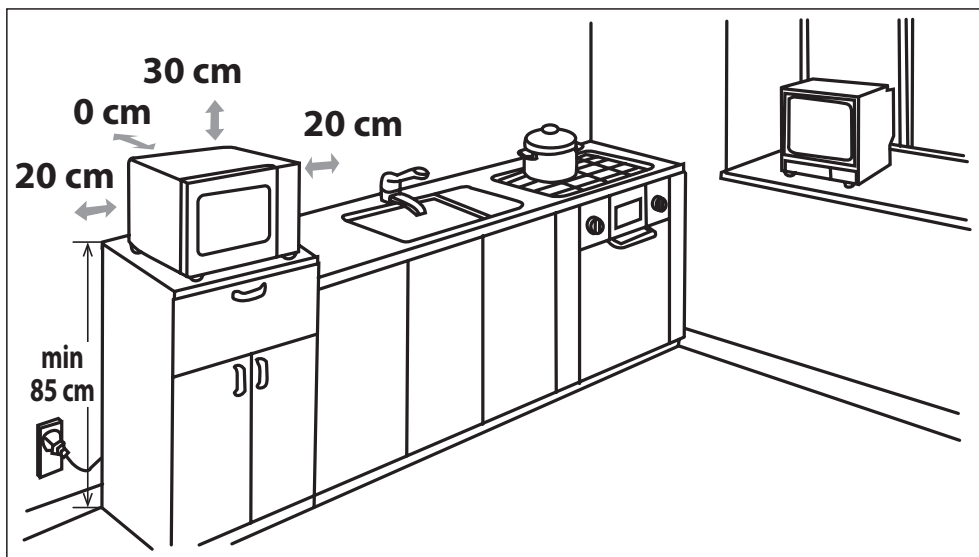
## INSTALACJA

1. Wyjmij ze środka kuchenki wszystkie elementy opakowania i zdejmij warstwę ochronną znajdującą się na obudowie urządzenia.
2. Upewnij się, że kuchenka nie nosi żadnych śladów uszkodzenia.
3. Ustaw kuchenkę na równym i płaskim podłożu, dostatecznie wytrzymałym, by mogło unieść ciężar kuchenki wraz z przyrządzaną w niej żywnością. Nie wolno umieszczać kuchenki wewnątrz szafki.
4. Wybierz miejsce, które zapewni dostateczną ilość wolnej przestrzeni dla prawidłowego działania otworów wlotowych i/lub wylotowych powietrza.

Tylna ścianka kuchenki może opierać się o ścianę.

- Minimalna wysokość instalacji wynosi 85 cm.
- Pomiedzy kuchenką a sąsiadującymi ścianami należy pozostawić przynajmniej 20 cm wolnej przestrzeni.
- Nad kuchenką należy pozostawić co najmniej 30 cm wolnej przestrzeni.
- Nie należy demontować nóżek znajdujących się na spodzie kuchenki.
- Zablokowanie otworów wlotowych i/lub wylotowych powietrza może spowodować uszkodzenie kuchenki.
- Kuchenkę należy ustawić w możliwie największej odległości od odbiorników radiowych i telewizyjnych. Korzystanie z kuchenki mikrofalowej może powodować zakłócenia odbiorników radiowych i telewizyjnych.





5. Podłącz wtyczkę kuchenki do standardowego uziemionego gniazdka elektrycznego.

**OSTRZEŻENIE:** Nie należy stawiać urządzenia w pobliżu źródeł ciepła, w miejscach o dużej wilgotności (np. w pobliżu zwykłego piekarnika) lub w pobliżu palnych materiałów (np. zasłon).

Nie należy blokować ani zasłaniać otworów wentylacyjnych. Nie należy ustawiać żadnych przedmiotów na obudowie urządzenia.



## POZIOMY MOCY MIKROFAL

- Po pierwszym podłączeniu kuchenki do sieci elektrycznej nie można jej obsługiwać. Po jednokrotnym otwarciu i zamknięciu drzwiczek kuchenki zaświeci się wskaźnik trybu pracy „LOW/☞/☞” i wskaźnik timera „0”, a następnie kuchenka powróci do trybu czuwania.
- W trybie czuwania lub po zakończeniu procesu: jeśli w ciągu trzech 3 minut nie zostanie naciśnięty żaden przycisk, kuchenka zostanie zablokowana.
- Podczas procesu można anulować program gotowania otwierając drzwiczki kuchenki lub ustawiając pokrętkę TIMER na „0”.
- Po zakończeniu procesu zaświeci się wskaźnik wybranego trybu pracy i wskaźnik timera „0”, a urządzenie wyemituje sygnał dźwiękowy.
- Jeśli kuchenka będzie wykorzystana dłużej niż dwie minuty, wentylator chłodzący pozostanie włączony po zakończeniu cyklu gotowania. Wentylator będzie działał ok. trzech minut po zakończeniu procesu.



## TRYB PRACY Z MIKROFALAMI

1. Przygotuj i włóż potrawę do odpowiedniego naczynia (patrz część „PRZYDATNE NACZYNIA”), ustaw potrawę/naczynie bezpośrednio na środku talerza obrotowego. Zamknij drzwiczki.
2. W trybie czuwania naciśnij przycisk FUNCTION, dopóki nie zaświeci się wskaźnik trybu pracy „HIGH/☞/☞” lub „MED/☞/☞”.
3. Ustaw pokrętkę **TIMER** na żądanym ustawieniu czasu gotowania/rozmrzania. Kuchenka włączy się automatycznie.
4. Po zakończeniu gotowania/rozmrzania pokrętkę **TIMER** powróci do położenia „0” (zero) i zostanie wyemitowany sygnał dźwiękowy. Lampka oświetleniowa wyłączy się automatycznie i talerz obrotowy przestanie się obracać. Otwórz drzwiczki kuchenki i ostrożnie wyjmij potrawę/naczynie z kuchenki. Odstaw potrawę przed podaniem, jeśli to konieczne.

### PORADY DOTYCZĄCE GOTOWANIA:

Po uruchomieniu kuchenki lampka oświetleniowa zaświeci się a talerz zacznie się obracać w lewo lub w prawo.

Jeśli chcesz zatrzymać pracę kuchenki przed upływem czasu trwania procesu, ustaw pokrętkę **TIMER** w położeniu „0” (wył.) lub otwórz drzwiczki kuchenki. Drzwiczki kuchenki można otworzyć w dowolnym czasie podczas gotowania. Żeby kontynuować proces, zamknij drzwiczki. Jeśli chcesz zmienić czas procesu w trakcie gotowania, po prostu ustaw pokrętkę **TIMER** w żądanym położeniu.

Jeśli chcesz gotować/rozmrzać potrawę krócej niż trzy minuty, ustaw pokrętkę **TIMER** poza pozycją 10 minut, a następnie cofnij je do żądanego ustawienia. Działanie timera będzie dokładniejsze.

Żeby zmienić poziom mocy mikrofal w trakcie gotowania, ustaw pokrętkę **POZIOM MOCY MIKROFAL** w żądanym położeniu.

### OSTRZEŻENIE:

Upewnij się, że pokrętkę **TIMER** powróciło do pozycji „0” po zakończeniu procesu. W przeciwnym razie kuchenka uruchomi się automatycznie, jeśli drzwiczki kuchenki są zamknięte.



## PORADY DOTYCZĄCE ROZMRZANIA:

Porady mają na celu ułatwienie procesu rozmrażania określonych produktów.

Można je wykorzystać do rozmrażania: porcji kurczaka, kotletów, ryb (całych lub filetów), mięsa mielonego i kielbasek.

### DEFROST

|             |              |
|-------------|--------------|
| 100g 1,5min | 400g 5,0min  |
| 200g 3,0min | 500g 10,0min |
| 300g 4,0min |              |

**Przykład:** rozmrażanie 0,4 kg kawałków kurczaka:

1. Umieść kawałki kurczaka w płaskim naczyniu i ustaw naczynie na talerzu obrotowym w kuchenie.
2. W trybie czuwania naciśnij przycisk FUNCTION, dopóki nie zaświeci się wskaźnik trybu pracy „LOW/☞/☞”.
3. Ustaw pokrętkę **TIMER** w położeniu 5 minut. Proces rozmrażania rozpocznie się natychmiast. Obróć kawałki kurczaka 1–2 razy w trakcie rozmrażania.
4. Po rozmrożeniu przykryj jedzenie folią aluminiową i pozostaw do całkowitego rozmrożenia.

**Uwaga:** Podany czas rozmrażania dotyczy standardowych warunków. Sprawdź efekty rozmrażania i, jeśli to konieczne, ustaw odpowiedni czas rozmrażania.



## TRYB PRACY Z GRILLEM/TRYB PRACY KOMBINOWANEJ Z GRILLEM

### 1. Tryb pracy tylko z wykorzystaniem GRILLA

Grill zamontowany nad komorą operacyjną kuchenki ma tylko jedno ustawienie mocy. Obrotowy talerz wspomaga pracę grilla zapewniając równe opiekanie potraw. Skorzystaj z rusztu podczas grillowania jedzenia o małych rozmiarach, takich jak bekon, szynka wędzona i bułeczki z rodzynkami. Jedzenie można umieszczać bezpośrednio na ruszcie lub na ustawionym na nim naczyniu żaroodpornym.

- W trybie czuwania naciśnij przycisk FUNCTION, dopóki nie zaświeci się wskaźnik trybu pracy „GRILL/ℓ”.
  - Ustaw żądany czas trwania procesu obracając pokrętkę TIMER. Najdłuższy czas wynosi 30 minut. Kuchenka automatycznie rozpocznie proces przygotowania.

### 2. TRYB PRACY KOMBINOWANEJ Z GRILLEM

**TRYB PRACY KOMBINOWANEJ Z GRILLEM** łączy moc mikrofal z funkcją grilla. Na przemian stosowane jest promieniowanie mikrofalowe i opiekanie przy pomocy grilla.

Tryb kombinowany pozwala na zmniejszenie czasu trwania procesu i uzyskanie chrupiących i zarumienionych potraw. W trybie czuwania naciśnij kilkakrotnie przycisk FUNCTION, aby wybrać tryb pracy kombinowanej Combi.1 (zaświecą się wskaźniki trybu pracy „GRILL/ℓ” i „MED/⚡”) lub tryb pracy kombinowanej Combi.2 (zaświecą się wskaźniki trybu pracy „GRILL/ℓ” i „HIGH/⚡”).

| Funkcja/poziom mocy | Moc   | Zastosowanie  |
|---------------------|---|---|
| Grill               | 100% mocy grilla  | Pieczony chleb, potrawa pokrojona w plastry         |
| Combi.1             | Przez 70% czasu gotowania wykorzystywany jest grill, a przez 30% czasu używane są mikrofałe | Części kurczaka, piersi kurczaka, kotlety wieprzowe |
| Combi.2             | Przez 56% czasu gotowania wykorzystywany jest grill, a przez 44% czasu używane są mikrofałe | Kurczak, cały                                       |

### UWAGI dotyczące trybów GRILL i PRACY KOMBINOWANEJ Z GRILLEM:

- Nie jest konieczne wstępne nagrzewanie grilla.
- W przypadku opiekania żywności w wysokim naczyniu należy umieścić je na obrotowym talerzu.
- Używanie naczyń powodujących rumienienie potraw nie jest zalecane.
- Przy pierwszym użyciu grilla może być wyczuwalny zapach dymu lub spaleniźny. Jest to zjawisko normalne i nie świadczy o uszkodzeniu kuchenki. Żeby uniknąć tego problemu, należy przy pierwszym uruchomieniu włączyć pustą kuchenkę na 20 minut w trybie pracy z grillem.

**WAŻNE:** Podczas pracy należy otworzyć okno lub włączyć wyciąg kuchenny, żeby zapewnić prawidłowe odprowadzanie dymu i zapachów. **UWAGA:** Podczas korzystania z trybu grilla – element grzejny grilla będzie się włączał i wyłączał w regularnych odstępach czasu, aby zapobiec przegraniu.



**OSTRZEŻENIE:** Drzwiczki, zewnętrzna obudowa, komora operacyjna kuchenki, wyposażenie i naczynia bardzo się nagrzewają podczas pracy kuchenki.

**Aby zapobiec poparzeniom, należy zawsze używać grube rękawice.**

## TIMER KUCHENNY



1. W trybie czuwania naciśnij przycisk FUNCTION, dopóki nie zaświeci się wskaźnik „TIMER” w przypadku modelu YC-GS02E, albo dopóki nie zaświecą się wskaźniki trybu pracy „LOW/⚡/⌚” i „HIGH/⚡” w przypadku modelu YC-GG02E.
2. Ustaw żądany czas trwania procesu obracając pokrętkę TIMER. Najdłuższy czas wynosi 30 minut. Następnie piekarnik automatycznie uruchomi minutnik.

### UWAGA:

- Jeśli tryb timera zostanie przełączony na mikrofałe lub rozmrażanie, ustawienie czasu timera zostanie skasowane (niezależnie od otwarcia lub zamknięcia drzwiczek).
- Po przełączeniu trybu mikrofal, rozmrażania, grilla lub pracy kombinowanej na tryb timera, ustawienie czasu zostanie skasowane.



## PRZYDATNE NACZYNIA

Żeby możliwe było gotowanie/rozmarzanie w kuchenke, promieniowanie mikrofalowe musi przeniknąć przez pojemnik do naczyń. Z tego względu konieczne jest odpowiednie dobranie naczyń.

Zalecane są naczynia owalne/okrągłe zamiast kwadratowych/prostokątnych, ponieważ żywność w rogach może się nadmiernie zagotowywać. Można zastosować rozmaite naczynia, zgodnie z poniższą listą.

| Naczynie  | Odpowiednie do kuchenek mikrofalowych | Grill | Komentarze   |
|---|---------------------------------------|-------|--|
| Folia aluminiowa Naczynia z folii                         | ✓ / ✗                                 | ✓     | Można użyć małych kawałków folii aluminiowej do ochrony potraw przed przegrzaniem. Folia powinna znajdować się przynajmniej 2 cm od ścianek kuchenki, ponieważ może dojść do wyładowań. Naczynia foliowe nie są zalecane, o ile wyraźnie nie określił tego producent (np. Microfoil®). Należy przestrzegać dołączonych instrukcji. |
| Naczynia powodujące rumienienie potraw                    | ✓ / ✗                                 | ✗     | Zawsze przestrzegaj zaleceń producenta. Nie należy przekraczać podanych czasów nagrzewania. Zachowaj szczególną ostrożność, ponieważ te naczynia mogą się znacznie nagrzewać.  |
| Porcelana i naczynia ceramiczne                           | ✓ / ✗                                 | ✗     | Porcelana, ceramika, ceramika glazurowana i porcelana kostna są zazwyczaj odpowiednie, z wyjątkiem naczyń posiadających metaliczne ozdoby.   |
| Naczynia szklane np. Pyrex®                               | ✓                                     | ✓     | Należy zachować szczególną ostrożność przy używaniu delikatnych naczyń szklanych, ponieważ mogą się stłuc lub pęknąć w wyniku nagłego podgrzania.  |
| Metal   | ✗                                     | ✓     | Nie jest zalecane stosowanie metalowych naczyń, ponieważ powodują one wyładowania elektryczne, a co za tym idzie mogą doprowadzić do pożaru.   |
| Plastik/polistyren, np. naczynia z barów szybkiej obsługi | ✓                                     | ✗     | Należy zachować ostrożność, ponieważ niektóre naczynia mogą się odkształcić, stopić lub stracić kolor przy wysokich temperaturach.   |
| Folia plastikowa  | ✓                                     | ✗     | Nie należy dotykać potraw i folię należy przekłuć, żeby pozwolić na wydostanie się pary.   |
| Torby do zamrażania/ pieczenia                            | ✓                                     | ✗     | Torby należy przekłuć, żeby pozwolić na wydostanie się pary. Upewnij się, że torby nadają się do użycia w kuchenke mikrofalowej.   |
| Papierowe talerze, kubki i papier kuchenny                | ✓                                     | ✗     | Nie należy ich wiązać materiałami plastikowymi lub metalowymi, ponieważ mogą się stopić lub zapalić w wyniku wyładowań.  |
| Naczynia słomiane i drewniane                             | ✓                                     | ✗     | Można używać tylko przy podgrzewaniu lub do wchłaniania wilgoci. Należy zachować ostrożność, ponieważ nadmierne podgrzanie może spowodować pożar.  |
| Papier z recyklingu i gazety                              | ✗                                     | ✗     | Zawsze należy nadzorować kuchenkę podczas korzystania z takich materiałów, ponieważ nadmierne podgrzanie może spowodować pożar. Mogą zawierać skrawki metalu, które mogą powodować wyładowania i wywołać pożar.  |



**OSTRZEŻENIE: Korzystając z plastikowych, papierowych lub innych łatwopalnych pojemników na żywność nigdy nie pozostawiaj urządzenia bez nadzoru.**

# CZYSZCZENIE I KONSERWACJA



**OSTRZEŻENIE: DO CZYSZCZENIA JAKIKOLWIEK ELEMENTÓW KUCHENKI NIE NALEŻY UŻYWAĆ DOSTĘPNYCH W SPRZEDAŻY PREPARATÓW DO CZYSZCZENIA PIEKARNIKÓW I KUCHENEK, ODKURZACZY PAROWYCH, ŚRODKÓW DO SZOROWANIA ZAWIERAJĄCYCH WODOROTLENEK SODU LUB SZORSTKICH ZMYWAKÓW.** Przed przystąpieniem do czyszczenia należy się upewnić, że komora operacyjna, drzwiczki, obudowa kuchenki i wyposażenie wystygły. KUCHENKĘ NALEŻY REGULARNIE CZYSZCIĆ I USUWAĆ Z NIEJ WSZYSTKIE POZOSTAŁOŚCI JEDZENIA.

**Korzystanie z zanieczyszczonej kuchenki może doprowadzić do uszkodzenia ścianek komory operacyjnej i szybszego zużycia kuchenki. Może być również przyczyną sytuacji niebezpiecznych.**

**UWAGA:** Podczas procesu gotowania może gromadzić się wilgoć we wnętrzu kuchenki, na przedniej ścianie i na drzwiczkach piekarnika. Ilość wilgoci będzie zależała od temperatury powierzchni piekarnika i zawartości wody w żywności poddawanej działaniu mikrofal. Po zakończeniu gotowania upewnij się, że wilgoć gromadząca się na tych powierzchniach została usunięta miękką, chłonną szmatką.

### Zewnętrzne elementy obudowy

Zewnętrzne elementy obudowy kuchenki można łatwo oczyścić delikatnym detergentem i wodą. Roztwór detergentu należy zetrzeć wilgotną ściereczką, a następnie osuszyć powierzchnię miękkim ręcznikiem.

### Panel sterowania

Przed czyszczeniem należy otworzyć drzwiczki kuchenki, żeby wyłączyć panel sterowania. Przy czyszczeniu panelu sterowania należy zachować szczególną ostrożność. Czyścić się go delikatnie pocierając ściereczką zwilżoną tylko wodą. Należy unikać używania nadmiernych ilości wody. Nie należy używać żadnych chemikaliów ani środków do szorowania.

### Komora operacyjna

**1.** W celu utrzymania kuchenki w czystości, należy po każdym użyciu zetrzeć wszelkie zachłapania i plamy miękką, wilgotną ściereczką lub gąbką, dopóki kuchenka jest jeszcze ciepła. W wypadku silniejszego zabrudzenia trzeba użyć delikatnego detergentu i wielokrotnie przecierać zabrudzone miejsce wilgotną ściereczką, aż do całkowitego usunięcia zabrudzenia. Trwałe zabrudzenia mogą spowodować przegrzewanie, dymienie, pożar lub powstawanie łuków elektrycznych.

Nie należy zdejmować osłony źródła mikrofal.

**2.** Należy zwracać uwagę, by woda lub roztwór detergentu nie dostały się do małych otworów wentylacyjnych w ściankach kuchenki; mogłoby to spowodować uszkodzenie kuchenki.

**3.** Do mycia wnętrza kuchenki nie należy używać środków czyszczących w aerozolu.

**4.** Regularnie rozgrzewaj pustą kuchenkę przez 20 minut używając elementów grzejnych grilla. Resztki jedzenia i krople tłuszczu na ściankach komory operacyjnej mogą powodować powstawanie dymu i przykrych zapachów. Osłonę źródła mikrofal należy utrzymywać w stałej czystości.

Osłona jest wykonana z delikatnego materiału i należy zachować ostrożność przy jej czyszczeniu (przestrzegaj powyższych instrukcji na temat czyszczenia).

**UWAGA:** Nadmierne zmoczenie może doprowadzić do zniszczenia osłony źródła mikrofal.

Osłona źródła mikrofal należy do elementów eksploatacyjnych i bez regularnego czyszczenia będzie wymagała wymiany.

### Wyposażenie

Wyposażenie, jak talerz obrotowy, podstawę talerza obrotowego i ruszt, należy myć w wodzie z płynem do mycia naczyń i osuszyć. Środki do mycia naczyń są bezpieczne.

### Drzwiczki

W celu usunięcia wszelkich śladów zabrudzeń, obie strony drzwiczek oraz uszczelki należy regularnie czyścić miękką, wilgotną ściereczką. Nie należy stosować środków do szorowania.

**UWAGA:** Do czyszczenia żadnego elementu kuchenki nie należy używać odkurzaczy parowych.

### Porada ułatwiająca czyszczenie kuchenki:

Wlóż połówkę cytryny do miski, dodaj 300 ml (trochę więcej niż szklanek) wody i podgrzej z mocą 100% przez 10-12 minut. Wtrzyj kuchenkę do czysta przy pomocy miękkiej, suchej ściereczki.





**Attenzione:**

Il prodotto è contrassegnato con questo simbolo.

Significa che prodotti elettrici ed elettronici usati non devono essere messi insieme ai rifiuti normali. C'è un sistema di raccolta separato per questi prodotti.

## A. Informazioni sullo smaltimento per gli utilizzatori (uso privato)

### 1. Nell'Unione Europea

Attenzione: se volete disfarvi di questo apparecchio, non utilizzate la normale raccolta di rifiuti!

Apparecchi elettrici ed elettronici usati devono essere smaltiti separatamente e secondo la regolamentazione che richiede un trattamento specifico, il recupero e il riciclaggio di apparecchiature elettriche ed elettroniche.

Secondo le disposizioni degli stati membri, i privati possono restituire all'interno dell'UE i propri apparecchi elettrici ed elettronici usati per raccolte specifiche e senza costi\*.

In alcuni paesi\* il rivenditore locale può anche ritirare il vostro vecchio prodotto gratuitamente nel caso ne si acquisti uno simile nuovo.

\*) Contattare le autorità locali per ulteriori dettagli.

Se gli apparecchi elettrici o elettronici usati hanno batterie o accumulatori, bisogna smaltirli separatamente secondo la locale regolamentazione.

Smaltendo correttamente questo prodotto, fate in modo che i rifiuti subiscano il trattamento, il recupero e il riciclo adeguati; questo previene potenziali effetti negativi sull'ambiente e sulla salute, che potrebbero essere causati da uno smaltimento inappropriato.

### 2. In altri paesi al di fuori dell'UE

Se volete eliminare questo prodotto, contattate le autorità locali e chiedete quali siano le modalità per un corretto smaltimento.

Per la Svizzera: apparecchiature elettriche o elettroniche usate possono essere restituite senza costi al fornitore, anche se non si acquista un nuovo prodotto. Ulteriori agevolazioni per la raccolta sono elencate nella homepage di [www.swico.ch](http://www.swico.ch) o [www.sens.ch](http://www.sens.ch).

## B. Informazioni sul prodotto per utilizzatore business.

### 1. Nell'Unione Europea

Se questo prodotto è utilizzato per scopi professionali e volete eliminarlo: Contattate il vostro fornitore SHARP, che vi informerà riguardo alle modalità di ritiro del prodotto. Potrebbero esservi addebitati dei costi derivati dal ritiro e dallo smaltimento. Piccoli prodotti (e piccole quantità) potrebbero essere ritirati dagli enti locali di raccolta.

Per la Spagna: contattate il sistema di raccolta ufficiale o le autorità locali per il ritiro dei prodotti usati.

### 2. In altri paesi al di fuori dell'UE

Se volete eliminare questo prodotto, contattate le autorità locali e chiedete quali sono le modalità per un corretto smaltimento.



## SPECIFICATIES

| Modelnaam                                  |           | YC-GS02E                     | YC-GG02E                     |
|--|-----------|------------------------------|------------------------------|
| Wisselstroom                               |           | 230-240 V, 50 Hz enkele fase |                              |
| Zekering/circuitonderbreker                |           | 10 A                         | 10 A                         |
| Vereist vermogen wisselstroom              | Magnetron | 1200 W                       | 1200 W                       |
| Geleverd vermogen                          | Magnetron | 700 W (IEC 60705)            | 700 W (IEC 60705)            |
|  | Grill     |                              | 1000 W                       |
|  | Uitstand  | minder dan < 0,5W            | minder dan < 0,5W            |
| Frequentie van de magnetron                |           | 2450 MHz* (Groep 2/Klasse B) | 2450 MHz* (Groep 2/Klasse B) |
| Afmetingen buitenkant (B) x (D) x (H) mm   |           | 452 x 262 x 345              | 452 x 262 x 345              |
| Afmetingen ovenruimte (B) x (D) x (H)** mm |           | 315 x 198 x 297              | 315 x 198 x 297              |
| Ovencapaciteit                             |           | 20 liter**                   | 20 liter**                   |
| Draaitafel                                 |           | ø 245 mm                     | ø 245 mm                     |
| Rek  |           |                              | ø 190 mm                     |
| Gewicht                                    |           | circa 11,3 kg                | circa 12,5 kg                |
| Ovenlamp                                   |           | 20 W                         | 20 W                         |

\* Dit product voldoet aan de eisen van de Europese norm EN55011.

Volgens deze norm is dit product geïnclassificeerd als groep 2 klasse B apparatuur.

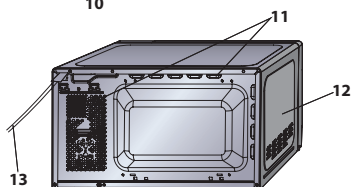
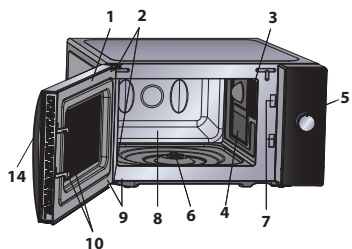
Groep 2 betekent dat het de bedoeling is dat dit apparaat radiofrequentie-energie genereert in de vorm van elektromagnetische straling voor het verhitten van voedsel.

Klasse B betekent dat het apparaat geschikt is voor huishoudelijk gebruik.

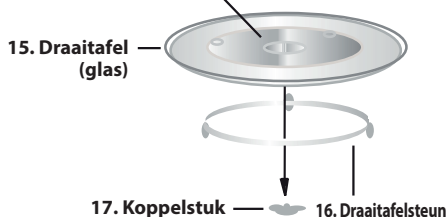
\*\* De inhoud wordt berekend door het meten van de maximum breedte, hoogte en diepte van het apparaat. De eigenlijke inhoud voor voedsel is minder.

ALS ONDERDEEL VAN ONS BELEID VAN CONTINUE VERBETERINGEN, BEHOUDEN WIJ HET RECHT OM HET ONTWERP EN DE SPECIFICATIES ZONDER VOORAFGAANDE KENNISGEVING TE WIJZIGEN.





Naaf (binnenin)



15. Draaitafel (glas) — 17. Koppelstuk — 16. Draaitafelsteun



## OVEN

1. Deur
2. Deurscharnieren
3. Ovenlamp
4. Afdekplaatje voor golfgeleider (NIET VERWIJDEREN)
5. Bedieningspaneel
6. Koppelstuk
7. Veiligheidsvergrendelingen deur
8. Ovenruimte
9. Deurafdichtingen en pasvlakken
10. Veiligheidsvergrendelingen deur
11. Ventilatie-openingen
12. Behuizing
13. Netsnoer
14. Deur open

## TOEBEHOREN:

Controleer dat de volgende accessoires zijn geleverd:

(15) Draaitafel (16) Draaitafelsteun (17) Koppelstuk (18) Rek (alleen voor YC-GG02E)

- Plaats de draaitafelsteun in het midden van de ovenvloer zodat deze vrij om het koppelstuk kan draaien. Plaats dan de draaitafel op de draaitafelsteun zodat deze goed op het koppelstuk past.
- Om ervoor te zorgen dat de draaitafel niet beschadigt, moeten de borden of schalen goed worden opgetild, zodat ze de rand van de draaitafel niet raken wanneer u ze uit de oven haalt.
- Het rek is uitsluitend bedoeld voor gebruik met grillovens. Gebruik het rek niet als u de magnetronfunctie gebruikt.
- Voor gebruik van het rek, kijk in de secties over grillen.

**Raak de grill nooit aan wanneer deze heet is.**

**OPMERKING:** Vermeld bij het nabestellen van accessoires op de hoogte van: de naam en de modelnaam.

## OPMERKING:

- Het afdekplaatje voor de golfgeleider is kwetsbaar. Maak de binnenkant van de combi-magnetron met zorg schoon om er zeker van te zijn dat deze niet beschadigt.
- Maak na het koken van vet voedsel zonder deksel altijd de binnenkant van de oven en in het bijzonder het hitte-element van de grill grondig schoon, deze moeten droog en vetvrij zijn. Opgebouwd vet kan gaan roken of vlam vatten.
- Bedien de oven alleen als de draaitafel en draaitafelsteun juist zijn geplaatst. Dit bevordert een grondige en gelijkmatige bereiding. Een slecht geplaatste draaitafel kan gaan rammelen, kan mogelijk niet goed draaien en kan schade aan de oven veroorzaken.
- Plaats te koken voedsel en verpakkingen altijd op de draaitafel.
- De draaitafel draait met de wijzers van de klok mee of tegen de wijzers van de klok in. De draairichting kan, telkens als u de combi-magnetron start, veranderen. Dit heeft geen invloed op de kookprestaties.

**WAARSCHUWING:** Dit symbool betekent dat de oppervlakten mogelijk heet worden tijdens het gebruik. De deur, behuizing, ovenruimte, accessoires en vaatwerk zullen erg heet worden tijdens het gebruik. Gebruik altijd dikke ovenwanten om brandwonden te voorkomen.



# BEDIENINGSPANEEL

## 1. FUNCTIE

Druk hierop om het vermogen van de magnetron, de kookwekkerfunctie of de combinatiemodus te selecteren.

LOW / - 280 W

MED - 560 W

HIGH - 700 W

GRILL - 100% Grill

GRILL (Combi 1) - 70% Grill, 30% Micro

GRILL (Combi 2) - 44% Grill, 56% Micro

TIMER - kookwekker

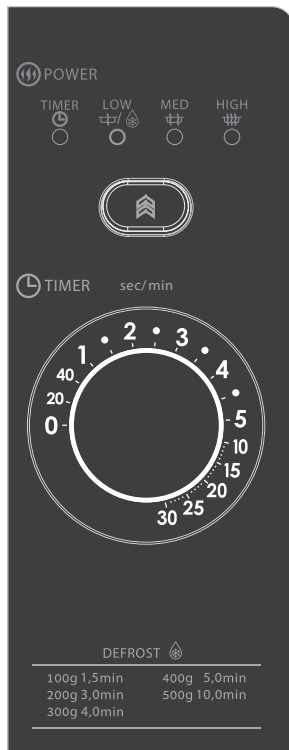
## 2. TIMER-knop

Draai aan de TIMER-knop om de bereidingstijd in te stellen. De langste tijd is 30 minuten.

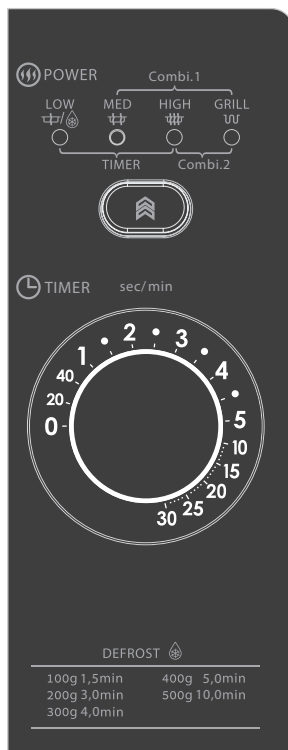
Vervolgens begint de oven de bereiding automatisch.

OPMERKING: Om de bereidings-/ontdooitijd te verhogen, draait u de timer-knop naar rechts.

Om de bereidings-/ontdooitijd te verlagen, draait u de timer-knop naar links.



YC-GS02E



YC-GG02E



## **BELANGRIJKE VEILIGHEIDSMATREGELEN: ZORGVULDIG LEZEN EN BEWAREN VOOR GEBRUIK IN DE TOEKOMST.**

### **Voorkomen van brand.**

**Laat de magnetron tijdens gebruik niet onbeheerd achter. Te hoge vermogensniveaus of te lange bereidingstijden kunnen het voedsel mogelijk oververhitten met brand als gevolg.**

Deze magnetron is alleen ontworpen om los te staan. Hij is niet ontworpen om in een keuken ingebouwd te worden.

Plaats de magnetron niet in een kast.

Steek de stekker van het netsnoer in een gemakkelijk toegankelijk stopcontact zodat u de stekker bij nood snel uit het stopcontact kunt trekken.

Sluit de magnetron alleen aan op een stopcontact met 230-240 V, 50 Hz wisselstroom met een minimale 10 A zekering of een minimale 10 A circuitonderbreker.

Voor dit apparaat moet een afzonderlijk stroomcircuit worden gebruikt dat alleen voor dit apparaat bestemd is.

Plaats de magnetron niet op een plaats waar hitte ontstaat, bijvoorbeeld naast een gewone oven.

Plaats de magnetron niet in een zeer vochtige of natte ruimte.

Plaats of gebruik de magnetron niet buitenshuis.

**Als u rook opmerkt, dient u de magnetron uit te schakelen of de stekker uit het stopcontact te trekken en de deur gesloten te houden zodat eventuele**



## BELANGRIJKE VEILIGHEIDSMATREGELEN

**vlammen doven.**

**Gebruik alleen magnetronvaste bakken en gerei.**

**Gerei moet nagekeken worden om er zeker van te zijn dat dit geschikt is voor gebruik in magnetrons.**

**Bij het verwarmen van eten in plastic of papieren bakjes dient u op de magnetron te letten of de bakjes geen vlam vatten.**

**Reinig het afdekplaatje voor de golfgeleider, de ovenruimte, draaitafel en draaitafelsteun na gebruik. Deze onderdelen dienen droog en vetvrij te zijn. Opgehoopt vet kan mogelijk oververhitten, gaan roken en vlam vatten.**

Plaats geen ontvlambare materialen in de buurt van de magnetron of de ventilatie-openingen. Blokkeer de ventilatie-openingen niet.

Verwijder alle metalen draadjes, verzegelingen, enz. van het voedsel en de verpakking. Vonken van metalen voorwerpen kunnen mogelijk brand veroorzaken. Gebruik de magnetron niet voor bakken met olie of het verwarmen van frituurvet. De temperatuur kan namelijk niet worden geregeld en de olie kan mogelijk vlam vatten.

Gebruik alleen popcorn die in een voor magnetrons geschikt materiaal is verpakt.

Bewaar geen voedsel of andere voorwerpen in de magnetron.

Controleer de instellingen van de magnetron na het starten ervan om ervoor de zorgen dat de magnetron naar

## BELANGRIJKE VEILIGHEIDSMATREGELEN



wens werkt.

Om oververhitting en brand te voorkomen dient u goed op te letten wanneer u voedsel met een hoog suiker- of vetgehalte, zoals bijvoorbeeld worsten- broodjes, gebak of kerstpudding verhit of opwarmt.

Volg de bijbehorende aanwijzingen in de gebruikers-handleiding.

### **Voorkomen van letsel.**

#### **WAARSCHUWING:**

Gebruik de magnetron niet indien deze is beschadigd of niet normaal functioneert. Controleer voor gebruik het volgende:

- a) Controleer of de deur goed sluit en niet krom of anders beschadigd is.
- b) Controleer of de scharnieren en deurvergrendelingen niet gebroken zijn of los zitten.
- c) Controleer of de deurafdichtingen en pasvlakken niet zijn beschadigd.
- d) Controleer of er geen deuken in de ovenruimte of in de deur zitten.
- e) Controleer of het netsnoer en de stekker niet beschadigd zijn.

Als de deur of de afdichtingen beschadigd zijn, mag de magnetron niet gebruikt worden totdat hij door een vakman is gerepareerd.

**WAARSCHUWING: Nooit zelf aanpassingen, veranderingen of reparaties aan de magnetron uit-**



## BELANGRIJKE VEILIGHEIDSMATREGELEN

**voeren. Niemand, behalve een gekwalificeerde technicus, dient onderhouds- of reparatiewerkzaamheden uit te voeren waarbij de afdekking die bescherming biedt tegen blootstelling aan microgolven, wordt verwijderd.**

Gebruik de magnetron niet wanneer de deur openstaat en bewerk de vergrendelingen van de deur niet. Gebruik de magnetron niet wanneer er zich een voorwerp tussen de deurafdichtingen en pasvlakken bevindt.

**Zorg ervoor dat er geen vet of vuil op de deurafdichtingen en aangrenzende onderdelen ophoopt. Reinig de magnetron regelmatig en verwijder voedselresten. Volg de voorschriften voor "Onderhoud en reiniging". Als u de magnetron niet regelmatig reinigt dan kan dit slijtage van magnetronbekleding veroorzaken waardoor de levensduur van het apparaat wordt verkort en gevaarlijke situaties kunnen ontstaan.**

Personen met een PACEMAKER dienen een dokter of de fabrikant van de pacemaker te raadplegen aangaande speciale voorzorgsmaatregelen bij gebruik van magnetrons.

**Het voorkomen van de mogelijkheid van een elektrische schok.**

De behuizing mag nooit worden geopend of verwijderd. Zorg dat er geen vloeistoffen of andere voorwerpen in de openingen van de deurvergrendelingen of ventila-

## BELANGRIJKE VEILIGHEIDSMATREGELEN



tie-openingen komen. Indien er iets in deze openingen terecht is gekomen, schakel de magnetron dan onmiddellijk uit, trek de stekker uit het stopcontact en raadpleeg erkend SHARP onderhoudspersoneel.

Dompel het netsnoer en de stekker niet in water of andere vloeistoffen.

Laat het netsnoer niet over de rand van een tafel of werkblad hangen.

Houd het netsnoer uit de buurt van warme oppervlakken, inclusief de achterkant van de magnetron.

Houd het apparaat en het netsnoer buiten bereik van kinderen jonger dan 8 jaar.

Vervang de ovenlamp niet zelf en laat dit niet door ondeskundige, niet door SHARP erkende elektriciens uitvoeren.

Raadpleeg uw dealer of erkend SHARP onderhoudspersoneel indien de ovenlamp niet meer functioneert.

Indien het netsnoer van dit apparaat is beschadigd, moet deze vervangen worden door een special snoer.

De uitwisseling moet worden gedaan door gekwalificeerde personen om gevaar te voorkomen.

### **Om de mogelijkheid van een explosie en overkoken te voorkomen:**

**WAARSCHUWING: Vloeistoffen en andere etenswaren mogen niet in gesloten bakjes en verpakkingen worden opgewarmd, aangezien ze kunnen ontploffen.**

**Bij het verhitten van dranken in de magnetron kunnen deze soms later nog overkoken. Houd**



## BELANGRIJKE VEILIGHEIDSMATREGELEN

**hiermee rekening wanneer u de verpakking vastpakt.**

Gebruik nooit gesloten bakjes. Verwijder de sluiting en deksels voor gebruik. Gesloten bakjes en dergelijke kunnen zelfs nadat de magnetron is uitgeschakeld nog ontploffen door de opgebouwde druk.

Let op bij het bereiden van vloeistoffen met de magnetron. Gebruik altijd flessen of verpakkingen met een wijde hals zodat bellen kunnen ontsnappen..

**Verhit nooit vloeistoffen in flessen met een dunne hals, zoals baby-zuigflessen, daar de vloeistof plotseling uit de fles zou kunnen spuiten en brandwonden kan veroorzaken.**

Om te voorkomen dat kokende vloeistof uit de fles spat:

1. Gebruik niet te veel bereidingstijd.
2. Roer de vloeistof voor het verwarmen/opwarmen.
3. Het wordt aanbevolen om tijdens het opwarmen een glazen staaf of dergelijk voorwerp (geen metaal) in de vloeistof te steken.
4. Laat de vloeistof na het koken ten minste 20 seconden in de magnetron staan om te voorkomen dat de vloeistof later uit de fles spuit..

**Verhit nooit hele eieren in hun schaal in de magnetron. Ook hardgekookte eieren moeten niet in magnetrons worden opgewarmd, aangezien ze kunnen ontploffen, zelfs nadat de magnetron is**



## BELANGRIJKE VEILIGHEIDSMATREGELEN



**uitgezet. Voor het opwarmen van eieren die niet zijn geklopt, dient u het eigeel en eiwit door te prikken om ontploffing te voorkomen. Pel en snijd hard gekookte eieren in plakjes alvorens deze in de magnetron te verwarmen..**

Prik ter voorkomen van het ontploffen van voedsel de schil of het vel van aardappelen, worstjes, fruit en dergelijke door voor het verwarmen.

**Om de mogelijkheid van brandwonden te voorkomen.**

**WAARSCHUWING: De inhoud van babyflesjes en potjes babyvoedsel moet geroerd of geschud worden en de temperatuur moet gecontroleerd worden voor gebruik om brandwonden te voorkomen.**

**Voorkom brandwonden en gebruik ovenwanten of pannenlappen wanneer u het voedsel uit de magnetron haalt.**

Voorkom brandwonden door hete stoom en overkoken en houd open bakjes, popcornschalen, kookzakken en dergelijk uit de buurt van uw gezicht en handen.

Voor het voorkomen van brandwonden, probeer de temperatuur van het voedsel altijd en roer het door voordat u het serveert. Besteed speciale aandacht aan de temperatuur van voedsel en dranken voor baby's, kinderen of ouderen. Toegankelijke delen kunnen tijdens gebruik heet worden. Houd kleine kinderen op afstand. De temperatuur van de verpakking komt niet overeen met



## BELANGRIJKE VEILIGHEIDSMATREGELEN

de temperatuur van het voedsel of de vloeistof. Controleer altijd de temperatuur van het voedsel of de vloeistof. Blijf altijd op veilige afstand van de magnetrondeur staan wanneer u deze opent, om brandwonden door ontsnappende stoom of hitte te voorkomen.

Snijd gevulde gebakken etenswaren na het koken om de stoom te laten ontsnappen en brandwonden te voorkomen. Houd kinderen uit de buurt van de magnetron zodat zij zich niet aan een hete magnetron kunnen branden.

### **Om incorrect gebruik door kinderen te voorkomen.**

**WAARSCHUWING: laat alleen kinderen van 8 jaar en ouder de magnetron gebruiken zonder toezicht wanneer ze goede aanwijzingen hebben gekregen, zodat het kind in staat is de magnetron op een veilige manier te gebruiken en de gevaren van onjuist gebruik begrijpt. Wanneer het apparaat wordt gebruikt in de GRILL en MIX GRILL stand, dienen kinderen alleen de magnetron te gebruiken onder toezicht van volwassenen in verband met de hoge temperatuur. Dit apparaat is niet geschikt voor gebruik bij personen (waaronder kinderen) met beperkte lichamelijke, zintuigelijke of verstandelijke beperkingen, tenzij ze onder toezicht staan of instructies hebben gekregen over het gebruik van het apparaat van de persoon die verantwoordelijk is voor hun veiligheid. Er moet op kinderen gelet worden zodat ze niet met het apparaat gaan spelen.**

Let op dat kinderen niet aan de deur of magnetron gaan



hangen. De magnetron is geen speelgoed. Zorg dat kinderen ook van de veiligheidsmaatregelen op de hoogte zijn: het gebruik van pannelappen, het voorzichtig verwijderen van de afdekking van voedsel; benadruk dat verpakking van bepaalde gerechten (bijvoorbeeld voor het knapperig maken van voedsel) zeer heet kan worden.

### **Overige waarschuwingen**

reng op geen enkele manier veranderingen aan de magnetron aan.

Verplaats de magnetron niet terwijl deze in werking is. Dit apparaat is bedoeld voor huishoudelijk gebruik.

Deze magnetron dient voor het bereiden van voedsel thuis en dient derhalve alleen voor het bereiden van voedsel te worden gebruikt. Gebruik de magnetron niet voor commerciële doeleinden of in een laboratorium.

### **Voorkomen van problemen of beschadiging.**

Gebruik de magnetron nooit wanneer deze leeg is. Ter voorkomen van beschadiging van de draaitafel en steun door oververhitting dient u bij gebruik van bruineringschalen of zelf-verwarmende materialen altijd een hittebestendig isolatiemateriaal zoals een porseleinen bord, onder de schaal of het materiaal te plaatsen. Overschrijd nooit de in de handleiding van het vaatwerk voorgeschreven opwarmtijd.



## BELANGRIJKE VEILIGHEIDSMATREGELEN

Gebruik geen metalen voorwerpen. Mikrogolven reflecteren hier namelijk op waardoor vonken kunnen ontstaan.

Plaats geen blikjes in de magnetron.

Gebruik alleen de voor deze magnetron ontworpen draaitafel en draaitafelsteun. Gebruik de magnetron niet zonder de draaitafel.

Om te voorkomen dat de draaitafel breekt:

- a) Laat de draaitafel afkoelen alvorens deze met water te reinigen.
- b) Plaats heet voedsel of hete schalen en dergelijke niet op een koude draaitafel.
- c) Plaats koud voedsel of koude schalen en dergelijke niet op een warme draaitafel..

Plaats tijdens gebruik geen voorwerpen op de behuizing van de magnetron.

### **OPMERKING:**

Gebruik geen plastic verpakkingen bij het opwarmen met de magnetronfunctie indien de magnetron nog steeds heet is van het gebruik van de GRILL en MIX GRILL-functie, om- dat deze dan kunnen smelten.

Plastic bakjes en verpakkingen kunnen niet met de hierboven genoemde functie worden gebruikt tenzij het bakje of verpakking door de fabrikant als geschikt zijn gemerkt.

Raadpleeg een erkend elektricien indien u twijfels heeft over het aansluiten van uw magnetron.

Noch de fabrikant noch de dealer zijn aansprakelijk voor schade aan de magnetron of letsel indien de magnetron

## BELANGRIJKE VEILIGHEIDSMATREGELEN



niet op de voorgeschreven, juiste manier is aangesloten. Condens of vocht kunnen zich mogelijk op de magnetronwanden of rond de deurafdichtingen en pasvlakken vormen. Dit is normaal en duidt niet op een defect of lekkage.

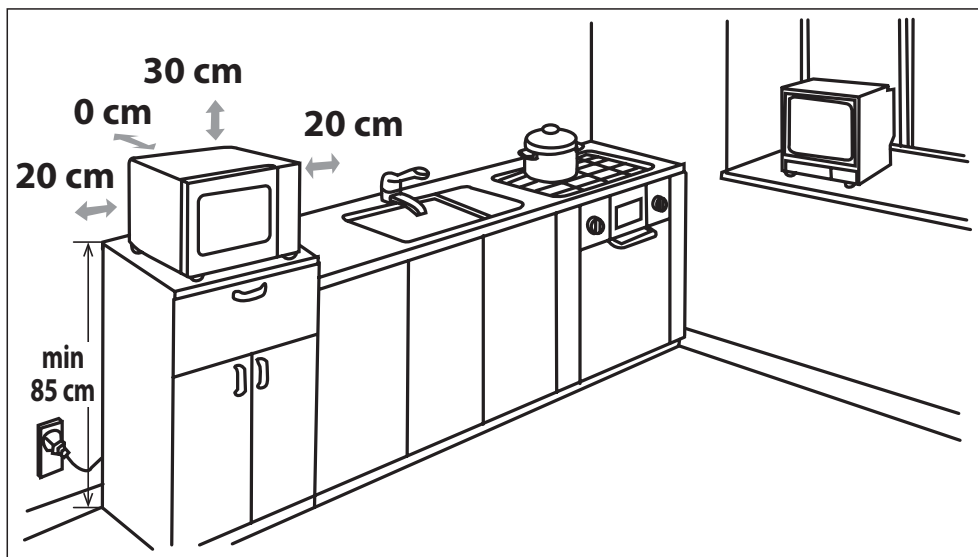


Dit symbool betekent dat de oppervlakken tijdens het gebruik warm kunnen worden.



## INSTALLATIE

1. Verwijder al het verpakkingsmateriaal uit de binnenkant van de magnetron en verwijder de beschermingslaag van de behuizing van de magnetron.
2. Controleer de magnetron zorgvuldig op tekenen van beschadiging.
3. Plaats de magnetron op een veilig, vlak oppervlak, dat sterk genoeg is om het gewicht van de magnetron plus de zwaarst mogelijk te bereiden artikelen te dragen. Plaats de magnetron niet in een kast.
4. Kies een vlak oppervlak met genoeg ruimte voor de ventilatieopeningen. De achterkant van het apparaat dient tegen een muur geplaatst worden.
  - De minimale installatiehoogte bedraagt 85 cm.
  - Er dient minimaal 20 cm ruimte over te worden gelaten tussen de magnetron en de wanden.
  - Laat een minimale ruimte van 30 cm boven de magnetron open.
  - Verwijder de voetjes van de onderkant van de magnetron niet.
  - Blokkering van de ventilatieopeningen kan de magnetron beschadigen.
  - Plaats de magnetron zo ver mogelijk verwijderd van radio's en TV's. Gebruik van de magnetron kan de ontvangst van uw radio of TV verstoren.



5. Steek de stekker van de magnetron in een standaard ge-aard stopcontact..

**WAARSCHUWING:** Plaats de magnetron niet op een plek waar hitte of vochtigheid ontstaat (bijvoorbeeld naast of boven een gewone oven) of naast brandbare materialen (bijvoorbeeld gordijnen).

Blokkeer of belemmer de ventilatieopeningen niet. Plaats geen objecten op de magnetron.



## VERMOGENSSTANDEN VAN DE MAGNETRON

- Wanneer de stekker van de oven voor het eerst wordt ingestoken, kan de oven niet worden gebruikt. Nadat u de oven eenmaal geopend en gesloten heeft, gaan de functie-indicatie "LOW/☐/☉" en het TIMER-symbool "0" aan, waarna de oven terugkeert naar de stand-bymodus.
- Als er in de stand-bymodus of na het einde van de bereiding niets bediend wordt gedurende 3 minuten, wordt de stand-bymodus vergrendeld.
- Tijdens de bereiding kunt u het bereidingsprogramma annuleren door de oven te openen of de TIMER-knop op "0" te draaien.
- Na het einde van de bereiding gaan de geselecteerde functie-indicatie en het TIMER-symbool "0" aan en klinkt een signaal.
- Wanneer de oven langer dan 2 minuten wordt gebruikt, blijft de ventilator werken aan het einde van de bereidingscyclus. De ventilator blijft werken tot ongeveer 3 minuten na het bereiden.



## VOEDSEL BEREIDEN MET DE MAGNETRON

1. Bereid het eten en doe het in een geschikte bak (raadpleeg "GESCHIKTE SCHALEN"), zet het voedsel/de bak op het midden van de draaitafel. Sluit de deur.
2. In de stand-bymodus drukt u herhaaldelijk op de FUNCTIE-knop tot de functie-indicatie "HIGH/☐☐" of "MED/☐☐" verschijnt.
3. Draai de **TIMER**-knop naar de gewenste verwarmings-/ontdooitijd en de oven start automatisch.
4. Wanneer het opwarmen/ontdooien afgelopen is, gaat de **TIMER** terug naar "0" nul en hoort u een signaal. De ovenlamp gaat automatisch uit en de draaitafel stopt met draaien. Open de deur van de oven, verwijder het voedsel/de bak voorzichtig. Laat het voedsel even staan als dit nodig is.

### BEREIDINGSTIPS:

Wanneer de oven start, gaat het ovenlampje branden en draait de draaitafel met de wijzers van de klok mee of tegen de wijzers van de klok in.

Als u stopt met verwarmen voordat de verwarmtijd afgelopen is, draai dan de **TIMER**-knop terug naar "0" (uit), of open de deur van de oven. De deur van de oven kan op elk moment geopend worden. Sluit de deur om verder te gaan met verwarmen. Als u de verwarmtijd tijdens het verwarmen wilt wijzigen, draai dan de **TIMER**-knop naar de gewenste nieuwe instelling.

Als u minder dan 3 minuten verwarmt/ontdooit, draai dan de **TIMER** voorbij het 10 minuten-teken en dan weer terug naar de gewenste instelling. De timer zal dan nauwkeuriger lopen.

Om het vermogen tijdens het verwarmen te veranderen, draait u de **REGELKNOP MAGNETRONVERMOGEN** naar de gewenste instelling.

### WAARSCHUWING:


Zorg ervoor dat de **TIMER** terug wordt gezet op "0" (nul) aan het eind van het bereiden; anders start de oven automatisch wanneer de deur wordt gesloten.



## WIJZER VOOR ONTDOOIEN

De ontdooiingshulp is om het ontdooien van bepaald voedsel makkelijker te maken.

Deze kan gebruikt worden voor het ontdooien van: stukken kip, karbonades, vis (hele of filet), gehakt en worstjes.

| DEFROST  |              |
|---|--------------|
| 100g 1,5min   | 400g 5,0min  |
| 200g 3,0min   | 500g 10,0min |
| 300g 4,0min   |              |

**Bijvoorbeeld:** 0,4 kg kip ontdooien:

1. Leg de stukken kip op een schotel en zet deze op de draaitafel in de oven.
2. In de stand-bymodus drukt u herhaaldelijk op de FUNCTIE-knop tot de functie-indicatie "LOW/☐/☉" aan gaat
3. Draai de **TIMER** naar 5,0 min. De oven begint meteen. Draai de stukken kip 1-2 keer tijdens het ontdooien.
4. Dek na het ontdooien het voedsel af met folie en laat het staan totdat het grondig is ontdooid.

**Opmerking:** de ontdooitijd is gebaseerd op standaard omstandigheden. Controleer het resultaat van het ontdooien en pas wanneer nodig de ontdooitijd aan.





## GRILL /MIX GRILL

### 1. KOKEN MET ALLEEN DE GRILL

De grill bovenin de ovenruimte heeft één vermogensniveau. De grill wordt ondersteund door de draaitafel die gelijktijdig draait voor een gelijkmatige garing. Gebruik het rek voor het grillen van klein voedsel zoals bacon, ham en cakejes. Het voedsel kan direct op het rek geplaatst worden of in een hittebestendige schaal op het rek.

- In de stand-bymodus drukt u herhaaldelijk op de FUNCTIE-knop tot de functie-indicatie "GRILL/⚡" aan gaat.
- Draai aan de TIMER-knop om de bereidingstijd in te stellen. De langste tijd is 30 minuten. Vervolgens begint de oven de bereiding automatisch.

### 2. MIX GRILL

**MIX GRILL** combineert de magnetron met de grill. MIX betekent wisselend tussen magnetron en grill koken.

De combinatie van magnetron met de grill vermindert de kooktijd en geeft een krokant en bruin resultaat.

In de stand-bymodus drukt u herhaaldelijk op de FUNCTIE-knop om combinatie 1 (de functie-indicaties "GRILL/⚡" en "MED/⚡") gaan aan) of combinatie 2 (de functie-indicaties "GRILL/⚡" en "HIGH/⚡") gaan aan) te selecteren.

| Functie/Vermogen | Vermogensinstelling       | Toepassing                               |
|------------------|---------------------------|--|
| Grill            | 100% grill                | Gebakken brood, gesneden voedsel         |
| Combi.1          | 70% grill, 30% magnetron. | Stukjes kip, kipfilet, varkenskoteletten |
| Combi.2          | 56% grill, 44% magnetron. | Hele kip                                 |

### OPMERKINGEN voor GRILL en MIX GRILL

- Het is niet nodig om de grill voor te verwarmen.
- Als u voedsel in een diepe verpakking bereidt, plaats deze dan op de draaitafel.
- Het gebruik van bruiningsschalen wordt niet aanbevolen.
- U kunt rook of een branderige geur ontdekken wanneer u de grill voor het eerst gebruikt. Dit is normaal en is niet een teken dat de oven defect is. U kunt dit probleem voorkomen, door wanneer u de oven voor het eerst gebruikt, de oven gedurende 20 minuten zonder voedsel op de grill-stand te verwarmen.

**BELANGRIJK:** Open een raam of zet de afzuiging van de keuken aan tijdens het gebruik om rook en geuren te verdrijven.

**OPMERKING:** Wanneer u de grillfunctie gebruikt, wordt de grill regelmatig aan en uit gezet om oververhitting te voorkomen.



**WAARSCHUWING:** De deur, de buitenkast, de ovenruimte en accessoires zullen zeer heet worden als de magnetron aanstaat. Gebruik altijd dikke ovenwanten om brandwonden te voorkomen.

## KOOKWEKKER



1. In de stand-bymodus drukt u herhaaldelijk op de FUNCTIE-knop tot de functie-indicatie "TIMER" verschijnt op de YC-GS02E en "LOW/⚡/⌚" en "HIGH/⚡" op de YC-GG02E.
2. Draai aan de TIMER-knop om de gewenste tijd in te stellen. De langste tijd is 30 minuten. Daarna begint de oven automatisch met aftellen.

### OPMERKING:

- Wanneer van de timer-modus wordt overgeschakeld naar de magnetron- en ontdooiingsmodus, wordt de tijd voor de timer gewist (ongeacht of de deur open of dicht is).
- Wanneer van de magnetron-, ontdooiings-, grill- en combinatiemodus wordt overgeschakeld naar de timermodus, wordt de tijd gewist.



## GESCHIKTE SCHALEN

Om te koken/ontdooien met een combi-magnetron, moet de microgolfenergie door de schaal heen kunnen om het voedsel te kunnen binnendringen. Daarom is het belangrijk om te kiezen voor geschikt kookgerei. Rond/ovaal servies is te verkiezen boven vierkante/langwerpig servies, omdat het voedsel in de hoeken de neiging heeft te overkoken. Een scala aan kookgerei kan worden gebruikt zoals hieronder omschreven.

| kookgerei                                 | Magnetron-<br>bestendig | Grill | Opmerkingen   |
|---|-------------------------|-------|---|
| Aluminiumfolie<br>Aluminium verpakkingen  | ✓ / ✗                   | ✓     | Kleine stukken aluminiumfolie kunnen worden gebruikt om voedsel voor oververhitting te beschermen. Houd folie tenminste 2 cm van de ovenwanden, omdat het folie dan kan gaan vonken.<br>Volle bakjes en schalen worden niet aanbevolen tenzij anders opgegeven door de fabrikant, bijv. Microfoil <sup>®</sup> , volg de instructies zorgvuldig op. |
| Bruiningsschalen                          | ✓                       | ✗     | Volg altijd de instructies van de fabrikant op.<br>Overschrijd niet de opgegeven opwarmtijden. Wees zeer voorzichtig omdat deze schalen heel heet worden.   |
| Porselein en keramiek                     | ✓ / ✗                   | ✗     | Porselein, aardewerk en geglazuurde aardewerken zijn normaal geschikt, behalve stukken met metalen decoratie.   |
| Glaswerk bijv. Pyrex <sup>®</sup>         | ✓                       | ✓     | Ga zorgvuldig om met glaswerk omdat deze kunnen breken of barsten bij plotselinge temperatuurverschillen.   |
| Metaal                                    | ✗                       | ✓     | Metalen kookgerei wordt niet aanbevolen omdat deze zullen vonken, wat tot brand kan leiden.   |
| Plastic/Polystyreen bijv. fastfood-bakjes | ✓                       | ✗     | Ga hier zorgvuldig mee om omdat sommige bakjes vervormen, smelten of verkleuren bij hoge temperaturen.  |
| Vershoudfolie                             | ✓                       | ✗     | Mag het voedsel niet raken en moet doorgeprikt zijn om de stoom te laten ontsnappen.  |
| Diepvries/braadzakken                     | ✓                       | ✗     | Moeten zijn doorgeprikt om de stoom te laten ontsnappen. Verzeker u ervan dat de zakken geschikt voor magnetron gebruik zijn.   |
| Papier - borden, bekers en keukenrol      | ✓                       | ✗     | Gebruik geen plastic of metalen bevestigingen, omdat deze smelten of vlam vatten door de vonken van het metaal.   |
| Bakjes van stro of hout                   | ✓                       | ✗     | Gebruik alleen voor opwarmen of om vocht te absorberen.<br>Voorzichtigheid is geboden om dat door oververhitting brand kan ontstaan.  |
| Gerecycled papier en krantenpapier        | ✗                       | ✗     | Blijf altijd bij de oven wanneer deze materialen worden gebruikt omdat oververhitting brand kan veroorzaken.<br>Kan extracten van metaal bevatten die vonken veroorzaken en kunnen leiden tot brand.  |



### WAARSCHUWING:

Bij het verwarmen van eten in plastic of papieren bakjes dient u regelmatig in de oven te kijken of de bakjes geen vlam vatten.



**LET OP: GEBRUIK VOOR HET REINIGEN VAN UW MAGNETRONOVEN GEEN OVENREINIGERS, STOOMREINIGERS, SCHUURMIDDELEN, BIJTENDE REINIGINGSMIDDELEN, REINIGINGSMIDDELEN MET NATRIUMHYDROXIDE OF SCHUURSPONSJES.**

**Voordat u begint met schoonmaken, verzeker u ervan dat de ovenruimte, deur en accessoires volledig afgekoeld zijn.**

**REINIG DE OVEN REGELMATIG EN VERWIJDER EVENTUELE ETENSRESTEN - Houd de oven schoon om slijtage van het oppervlak te voorkomen. Dit is voor behoud van een lange levensduur en om gevaarlijke situaties te voorkomen.**

**OPMERKING:** Tijdens de bereiding kan zich condens ophopen in de ovenruimte, het oppervlak van ovenruimte en de deur. De hoeveelheid condens is afhankelijk van de temperatuur van de ovenoppervlakken en het vochtgehalte van de etenswaren dat u bereidt met de magnetron. Als u klaar bent met de bereiding van de etenswaren, veeg dan al het vocht dat zich op deze oppervlakken verzamelt weg met een zachte, vochtabsorberende doek.

#### **Buitenkant van de oven**

De buitenkant van de oven kan eenvoudig gereinigd worden met een milde oplossing van zeep en water. Veeg zeepresten met een vochtig doekje weg en vervolgens met een zachte doek afdrogen.

#### **Bedieningspaneel**

Open de deur voor het schoonmaken om het bedieningspaneel uit te schakelen. Voorzichtigheid is geboden bij de schoonmaak van het bedieningspaneel. Met een alleen in water gedoopte doek, voorzichtig het paneel schoon wrijven totdat deze schoon is. Vermijd teveel water. Gebruik geen chemische of schurende reinigingsmiddelen

#### **Binnenkant van de oven**

1. Voor het schoonmaken, verwijder spetters en morsingen met een zachte doek of spons na gebruik terwijl de oven nog warm is. Voor grotere morsingen, gebruik milde zeep en veeg meerdere keren met een vochtige doek totdat alle resten zijn verwijderd. opgehoopte spetters kunnen gaan roken of vlam vatten

en kunnen vonken veroorzaken. Verwijder het afdekplaatje van de golfgeleider niet.

2. Zorg ervoor dat de zeepoplossing of het water niet door de ventilatie-openingen in de wanden dringen daar dit de oven kan beschadigen.

3. Gebruik voor de binnenkant van de oven geen reinigers in spuitbussen.

4. Verwarm uw oven regelmatig met de grill en verwarm de oven zonder voedsel voor 20 minuten met de grill. Resterend voedsel kan rook of vervelende geuren veroorzaken.

Houd het afdekplaatje voor de golfgeleider te allen tijde schoon.

Het afdekplaatje voor de golfgeleider is gemaakt van kwetsbaar materiaal en moet zorgvuldig gereinigd worden (volg de bovenstaande reinigingsinstructies).

**OPMERKING:** Overmatig onderdempelen kan ontbinding van het afdekplaatje voor de golfgeleider veroorzaken.

Het afdekplaatje voor de golfgeleider is een verbruiksartikel en moet, wanneer niet regelmatig gereinigd, worden vervangen.

#### **Accessoires**

De accessoires zoals de draaitafel, draaitafelsteen en rek moeten worden gewassen in een milde zeepoplossing en gedroogd worden. Ze zijn geschikt voor de vaatwasser.

#### **Deur**

Om alle sporen van vuil te verwijderen, maak regelmatig beide zijden van de deur, de deurverzegelingen en aanliggende onderdelen schoon met een zachte, vochtige doek. Gebruik geen schuurmiddelen.

**OPMERKING:** Gebruik geen stoomreiniger.

#### **Schoonmaaktip: om uw oven gemakkelijker schoon te maken:**

Plaats een halve citroen in een schaal, voeg 300 ml water toe en verwarm op 100% voor 10 -12 minuten. Veeg de oven schoon met een zachte, droge doek.





**Attenzione:**

Il prodotto è contrassegnato con questo simbolo.

Significa che prodotti elettrici ed elettronici usati non devono essere messi insieme ai rifiuti normali. C'è un sistema di raccolta separato per questi prodotti.

## A. Informazioni sullo smaltimento per gli utilizzatori (uso privato)

### 1. Nell'Unione Europea

Attenzione: se volete disfarvi di questo apparecchio, non utilizzate la normale raccolta di rifiuti!

Apparecchi elettrici ed elettronici usati devono essere smaltiti separatamente e secondo la regolamentazione che richiede un trattamento specifico, il recupero e il riciclaggio di apparecchiature elettriche ed elettroniche.

Secondo le disposizioni degli stati membri, i privati possono restituire all'interno dell'UE i propri apparecchi elettrici ed elettronici usati per raccolte specifiche e senza costi\*.

In alcuni paesi\* il rivenditore locale può anche ritirare il vostro vecchio prodotto gratuitamente nel caso ne si acquisti uno simile nuovo.

\*) Contattare le autorità locali per ulteriori dettagli.

Se gli apparecchi elettrici o elettronici usati hanno batterie o accumulatori, bisogna smaltirli separatamente secondo la locale regolamentazione.

Smaltendo correttamente questo prodotto, fate in modo che i rifiuti subiscano il trattamento, il recupero e il riciclo adeguati; questo previene potenziali effetti negativi sull'ambiente e sulla salute, che potrebbero essere causati da uno smaltimento inappropriato.

### 2. In altri paesi al di fuori dell'UE

Se volete eliminare questo prodotto, contattate le autorità locali e chiedete quali siano le modalità per un corretto smaltimento.

Per la Svizzera: apparecchiature elettriche o elettroniche usate possono essere restituite senza costi al fornitore, anche se non si acquista un nuovo prodotto. Ulteriori agevolazioni per la raccolta sono elencate nella homepage di [www.swico.ch](http://www.swico.ch) o [www.sens.ch](http://www.sens.ch).

## B. Informazioni sul prodotto per utilizzatore business.

### 1. Nell'Unione Europea

Se questo prodotto è utilizzato per scopi professionali e volete eliminarlo: Contattate il vostro fornitore SHARP, che vi informerà riguardo alle modalità di ritiro del prodotto. Potrebbero esservi addebitati dei costi derivati dal ritiro e dallo smaltimento. Piccoli prodotti (e piccole quantità) potrebbero essere ritirati dagli enti locali di raccolta.

Per la Spagna: contattate il sistema di raccolta ufficiale o le autorità locali per il ritiro dei prodotti usati.

### 2. In altri paesi al di fuori dell'UE

Se volete eliminare questo prodotto, contattate le autorità locali e chiedete quali sono le modalità per un corretto smaltimento.



## SPECIFICHE

| Nome del modello                                      |                 | YC-GS02E                     | YC-GG02E                     |
|---|-----------------|------------------------------|------------------------------|
| Tensione linea AC                                     |                 | 230-240 V, 50 Hz monofase    |                              |
| Fusibile linea distribuzione/interruttore di circuito |                 | 10 A                         | 10 A                         |
| Tensione di alimentazione CA richiesta                | Microonde       | 1200 W                       | 1200 W                       |
|   | Griglia         |                              | 1000 W                       |
| Potenza erogata                                       | Microonde       | 700 W (IEC 60705)            | 700 W (IEC 60705)            |
|   | Modalità spento | minder dan < 0,5W            | minder dan < 0,5W            |
| Frequenza microonde                                   |                 | 2450 MHz* (Groep 2/Klasse B) | 2450 MHz* (Groep 2/Klasse B) |
| Dimensioni esterne (S) x (A) x (A) mm                 |                 | 452 x 262 x 345              | 452 x 262 x 345              |
| Dimensioni cavità (S) x (A) x (A)** mm                |                 | 315 x 198 x 297              | 315 x 198 x 297              |
| Capacità forno  |                 | 20 litri**                   | 20 litri**                   |
| Tavolo ribaltabile                                    |                 | ø 245 mm                     | ø 245 mm                     |
| Griglia scaffale                                      |                 |                              | ø 190 mm                     |
| Peso  |                 | riempimento 11,3 kg          | riempimento 12,5 kg          |
| Luce del forno  |                 | 20 W                         | 20 W                         |

\* - Questo prodotto soddisfa i requisiti dello standard europeo EN55011. In conformità con questo standard, questo prodotto è classificato come apparecchiatura di gruppo 2 classe B. Gruppo 2 significa che l'apparecchiatura genera intenzionalmente energia a radiofrequenza nella forma di radiazione elettromagnetica per il trattamento al calore degli alimenti. Apparecchiatura di classe B significa che l'apparecchiatura è idonea per l'uso domestico.

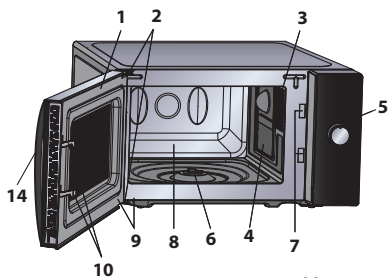
\*\* - La capacità interna è calcolata misurando larghezza, profondità e altezza massime. Lo spazio a disposizione per gli alimenti è inferiore.  
NEL QUADRO DELLA NOSTRA POLITICA DI MIGLIORAMENTO CONTINUO, LE SPECIFICHE TECNICHE POSSONO ESSERE MODIFICATE SENZA COMUNICAZIONE PREVENTIVA.

# FORNO E ACCESSORI



## FORNO

1. Sportello
2. Cerniere dello sportello
3. Lampadina del forno
4. Coperchio guida onde (NON TOGLIERE)
5. Pannello di controllo
6. Accoppiatore
7. Chiusura di sicurezza sportello
8. Cavità del forno
9. Guarnizioni e superfici di tenuta sportello
10. Ganci di sicurezza dello sportello
11. Aperture di ventilazione
12. Rivestimento esterno
13. Cavo per l'alimentazione
14. Apertura dello sportello



## ACCESSORI:

Accertatevi che i seguenti accessori siano presenti:

15. Piatto rotante (vetro)
16. Supporto del piatto rotante
17. Accoppiatore
18. Scaffale (solo per YC-GG02E)

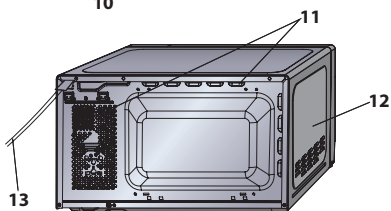
- Mettete il supporto del piatto rotante al centro del ripiano del forno in modo che possa liberamente ruotare attorno all'accoppiatore. Posizionate quindi il piatto rotante sul suo supporto in modo che resti agganciato all'accoppiatore.
- Per evitare di danneggiare il piatto rotante, al momento di togliere i piatti o i contenitori dal forno, sollevateli completamente dal piatto facendo attenzione a non urtare il bordo.
- La griglia è progettata per essere usata solo con forni a grill. Non utilizzarla usando la funzione microonde.
- Per l'uso dello scaffale, fare riferimento alle SEZIONI GRIGLIATURA.

**Non toccate mai il grill quando è caldo.**

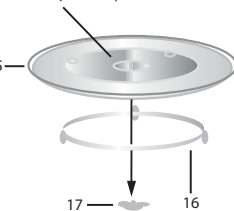
**NOTA:** Ordinando gli accessori, indicare due elementi: nome della parte e il nome del modello.

## NOTE:


- Il coperchio guida onde è fragile. Fate attenzione a non danneggiarlo quando si effettua la pulizia dell'interno del forno.
- Dopo aver cucinato cibi grassi senza un coperchio, pulite sempre l'interno e in particolare la resistenza, che deve essere asciutta e senza tracce di grasso. L'accumulo di grasso potrebbe surriscaldarsi, fumare o prendere fuoco.
- Mettete in funzione il forno sempre con il piatto rotante e il sostegno rotante posizionati correttamente. Ciò migliora il funzionamento del forno e di conseguenza anche la cottura. Se il piatto rotante non è posizionato correttamente, esso potrebbe sobbalzare, ruotare in maniera scorretta e causare danni al forno.
- Il cibo e i contenitori di cibo devono sempre essere posizionati sul piatto rotante per la cottura.
- Il piatto rotante ruota sia in senso orario, sia antiorario. La direzione di rotazione può variare ad ogni accensione del forno. Ciò non ha rilevanza sulla qualità della cottura.



Perno (dentro)



YC-GG02E

**ATTENZIONE:**  questo simbolo indica che le superfici possono diventare bollenti durante l'uso. Lo sportello, il cabinato esterno, la cavità del forno, accessori e piatti divengono molto caldi durante il funzionamento. Per prevenire le ustioni, usare sempre spessi guanti da forno.



# PANNELLO DI CONTROLLO

## 1. FUNZIONE

Premere per selezionare il livello di potenza del microonde, la funzione del timer o la modalità combinazione.

BASSO / - 280W

MEDIO - 560W

ALTO - 700W

GRIGLIA - 100% GRIGLIA

GRIGLIA (Combi 1) - 70% griglia, 30% micro

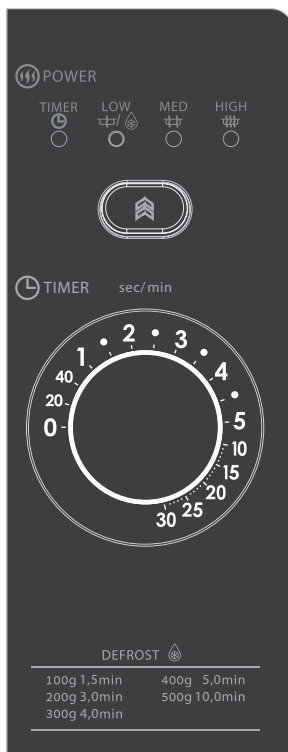
GRIGLIA (Combi 2) - 44% griglia, 56% micro

TIMER - timer cucina

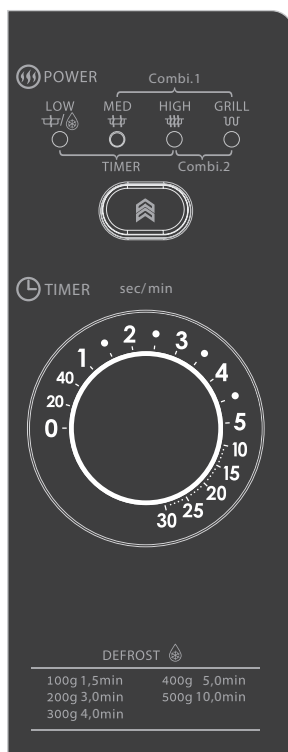
## 2. Manopola TIMER

Ruotare la manopola TIMER per impostare il tempo di cottura. Il tempo massimo è di 30 minuti. Quindi il forno inizia a cucinare in modo automatico.

NOTA: per aumentare il tempo di cottura/ scongelamento, ruotare la manopola del timer a destra. Per ridurre il tempo di cottura/ scongelamento, ruotare la manopola del timer a sinistra.



YC-GS02E



YC-GG02E





## **ISTRUZIONI IMPORTANTI SULLA SICUREZZA: LEGGETE ATTENTAMENTE E CONSERVATELO PER FUTURE CONSULTAZIONI**

**Per scongiurare il pericolo d'incendio.**

**Il forno a microonde non deve rimanere incustodito durante il funzionamento. Livelli di potenza troppo alti o tempi di cottura troppo lunghi possono surriscaldare il cibo e causare un incendio.**

Questo forno è progettato per essere utilizzato solamente su un piano da lavoro. Non è progettato per essere incassato.

Non mettete il forno in un armadio.

La presa di corrente deve essere facilmente accessibile, in modo da poter staccare facilmente il cavo di alimentazione in caso d'emergenza.

La tensione di alimentazione del forno deve essere di 230-240 V, 50 Hz, con un fusibile del quadro di distribuzione di un minimo di 10 A, o un salvavita di un minimo di 10 A.

Questo apparecchio deve essere collegato ad un circuito elettrico dedicato.

Non mettete il forno in aree in cui viene generato del calore.

Per esempio vicino ad un forno tradizionale.

Non installate il forno in un posto molto umido o dove si può formare della condensa.

Non lasciate o usate il forno all'aperto.



## ISTRUZIONI IMPORTANTI SULLA SICUREZZA

**Qualora il forno dovesse produrre fumo, spegnetelo o scollegate la spina dalla presa di corrente, mantenendo inoltre lo sportello chiuso in modo da soffocare le eventuali fiamme.**

**Usare esclusivamente contenitori e utensili adatti alle microonde. Gli utensili devono essere controllati per assicurarsi che siano adatti all'uso nei forni a microonde.**

**In caso di riscaldamento di alimenti inseriti in contenitori di plastica o di carta, a causa della possibilità della loro combustione mantenete il forno sotto osservazione.**

**Dopo l'uso, pulite sempre il coperchio guida onde, la cavità del forno, il piatto girevole e il sostegno rotante: devono essere asciutti e senza tracce di grasso. Gli accumuli di grasso possono surriscaldarsi, fumare o infiammarsi.**

Per evitare surriscaldamento o incendio, prestare molta attenzione alla cottura o al riscaldamento di cibi che contengono molto zucchero o sostanze grasse, quali ad esempio salsicce, pasticci di carne o dolci.

Vedere i riferimenti corrispondenti in questo manuale di istruzioni.

### **Per evitare il rischio di lesioni.**

#### **AVVERTENZE:**

Non usate il forno se è danneggiato o non funziona normalmente. Controllate quanto segue prima di

## ISTRUZIONI IMPORTANTI SULLA SICUREZZA



continuare ad usarlo:

- a) Assicurarsi che lo sportello si chiuda correttamente e che non sia fuori sesto o deformato.
- b) Che le cerniere e i ganci di sicurezza dello sportello non siano rotti o allentati.
- c) Che la guarnizioni e le superfici di tenuta dello sportello non siano danneggiate.
- d) Che l'interno del forno o lo sportello non siano ammaccati.
- e) Che il cavo di alimentazione e la sua spina non siano danneggiati.

Lo sportello o le relative guarnizioni si danneggiano, non usate il forno sino all'avvenuta riparazione da parte di personale competente.

**Non cercare mai di adattare, riparare o modificare il forno da soli. Qualsiasi intervento di assistenza o riparazione dell'apparecchio che richieda la rimozione della copertura di protezione dall'esposizione diretta alle microonde deve essere effettuato esclusivamente da personale specializzato.**

Non mettere in funzione il forno con lo sportello aperto né alterare la serratura di sicurezza del forno in alcun modo. Non azionare il forno in caso sia presente un oggetto tra le guarnizioni dello sportello e le superfici isolanti.

**Non fate in modo che grasso o sporco si formino sulle guarnizioni e le parti adiacenti. Pulite regolarmente il forno e togliete i residui di cibo. Seguite le istruzioni**



## ISTRUZIONI IMPORTANTI SULLA SICUREZZA

### **"Manutenzione e pulizia".**

**La mancata pulizia del forno potrebbe danneggiare la superficie e quindi influire sulla durata dell'elettrodomestico e creare situazioni pericolose.**

Chi porta un PACEMAKER deve rivolgersi al medico o al fabbricante del pacemaker riguardo alle precauzioni da prendere per l'uso del forno a microonde.

### **Per evitare il rischio di scosse elettriche.**

La copertura esterna del forno non deve assolutamente essere smontata.

Non inserite alcun oggetto nelle aperture di ventilazione del forno. In caso di ingresso di liquidi, spegnete immediatamente il forno, staccate il cavo di alimentazione e chiamate un tecnico di servizio SHARP autorizzato.

Non immergete il cavo di alimentazione o la sua spina nell'acqua od altro liquido.

Non lasciate pendere il cavo di alimentazione dal bordo di un tavolo o piano di lavoro.

Tenete il cavo di alimentazione lontano da superfici riscaldate, compresa la parte posteriore del forno.

Tenete l'elettrodomestico e il suo cavo fuori dalla portata di bambini minore di 8 anni.

Non cercate di sostituire da soli la lampadina del forno, e non fatela sostituire da chi non sia un tecnico SHARP autorizzato. Se la lampadina si fulmina, rivolgetevi al rivenditore o ad un concessionario SHARP autorizzato.

## ISTRUZIONI IMPORTANTI SULLA SICUREZZA



Se il cavo elettrico è rovinato, deve essere sostituito con un cavo speciale.

La sostituzione deve essere effettuata da un tecnico specializzato SHARP.

### **Per evitare esplosioni ed ebollizioni improvvise:**

**ATTENZIONE: Per evitare esplosioni o bolliture improvvise, non riscaldare liquidi o altri cibi in contenitori sigillati, perché potrebbero esplodere. Il riscaldamento di bevande mediante microonde può produrre una loro ritardata ed improvvisa ebollizione e pertanto è necessario fare attenzione durante il maneggiamento del contenitore in cui si trovano.**

Non usate mai recipienti sigillati. Togliete i sigilli e coperchi prima dell'uso. I recipienti sigillati possono esplodere a causa dell'aumento della pressione, anche dopo lo spegnimento del forno.

Fate attenzione a usare il forno a microonde con i liquidi. Usate recipienti con grandi aperture che permettano la fuoriuscita delle bolle d'aria.

**Non riscaldate mai liquidi in recipienti con collo stretto, come i biberon, perché potrebbe verificarsi un'eruzione del contenuto dal contenitore quando vengono riscaldati, con pericolo di bruciature.**

Per evitare improvvise eruzioni di liquido bollente con possibili bruciature:

1. Predisporre un periodo di tempo non eccessivamente



## ISTRUZIONI IMPORTANTI SULLA SICUREZZA

lungo.

2. Mescolare bene il liquido prima di cuocere o riscaldare.
3. Durante il riscaldamento si consiglia di porre nel liquido un'asticciola di vetro, o qualcosa di simile (purché non di metallo).
4. Lasciar riposare il liquido nel forno per almeno 20 secondi al termine del tempo di cottura per evitare l'eruzione ritardata della bollitura.

**Non usare il forno a microonde per cuocere le uova con il guscio né per riscaldare le uova sode intere, perché potrebbero esplodere anche dopo la fase di riscaldamento. Per cucinare o riscaldare le uova che non sono state strapazzate, foratene il tuorlo e l'albume, altrimenti potrebbero esplodere. Sgusciate e affettate le uova assodate prima di riscaldarle nel forno a microonde.**

Sgusciate e affettate le uova sode prima di riscaldarle nel forno a microonde. Forate la buccia delle patate, salicce e frutta prima di cucinarle, perché altrimenti possono esplodere.

**Per evitare il rischio di scottature.**

**ATTENZIONE: Al fine di evitare scottature, prima del consumo si raccomanda di agitare bene il contenuto di biberon o di vasetti per l'alimentazione dei bambini, nonché di controllarne la temperatura. Usare presine o guanti da cucina per togliere il cibo dal forno per evitare bruciature.**

## ISTRUZIONI IMPORTANTI SULLA SICUREZZA



Per evitare ustioni causate dal vapore o da improvvise eruzioni di bollitura, aprire sempre contenitori, recipienti per pop-corn, sacchetti da forno, ecc., tenendoli lontani dal viso e dalle mani.

Per evitare bruciature, controllate sempre la temperatura del cibo e mescolate prima di servire. Prestate particolare attenzione alla temperatura di cibo e bevande dati a bebè, bambini e anziani. Le parti accessibili potrebbero riscaldarsi durante l'utilizzo. I bambini piccoli devono essere tenuti lontani.

La temperatura del contenitore non è una veritiera indicazione della temperatura del cibo o della bevanda; controllate sempre la temperatura del cibo.

Per evitare le scottature causate dalla fuoriuscita del vapore e del calore, allontanarsi dallo sportello del forno durante l'apertura.

Per far uscire il vapore ed evitare ustioni, praticare alcune incisioni sui cibi ripieni riscaldati.

Tenere i bambini lontano dallo sportello per impedire che si ustionino.

### **Per evitare un uso improprio da parte di bambini.**

**ATTENZIONE! Permettere l'uso del forno a bambini dagli 8 anni in senza supervisione solo se sono state fornite istruzioni adeguate in modo che il bambino sia in grado di utilizzare l'apparecchio in completa sicurezza e comprende i rischi derivanti da un uso improprio. Quando l'apparecchio è in funzione GRILL**



## ISTRUZIONI IMPORTANTI SULLA SICUREZZA

**e MIX GRILL i bambini dovrebbero usare il forno soltanto sotto la supervisione di un adulto a causa delle temperature generate.**

**Questo apparecchio non è inteso per l'utilizzo da parte di persone (compresi bambini) che abbiano ridotte capacità fisiche, sensoriali o mentali, mancanza di esperienza e conoscenze, a meno che non siano state date loro supervisione o istruzioni riguardo l'utilizzo dell'apparecchio da parte di una persona responsabile della loro sicurezza.**

**I bambini dovrebbero essere supervisionati per assicurarsi che non giochino con l'apparecchio.**

Non appoggiatevi o fate dondolare lo sportello. Non giocate col forno né usatelo come se fosse un giocattolo. Illustrate ai bambini le norme di sicurezza: insegnate loro ad usare le presine per togliere i piatti dal forno, a rimuovere con precauzione i coperchi e, in particolare, gli involucri (ad esempio i materiali autoriscaldanti) usati per rendere il cibo croccante, in quanto possono diventare estremamente caldi.

### **Altri avvertimenti**

Non modificate in alcun modo il forno.

Non spostate il forno mentre sta funzionando.

Il forno a microonde è progettato per riscaldare cibo e bevande. Un eventuale uso per far asciugare cibo o tessuti e per riscaldare borse dell'acqua calda, pantofole, spugne, tessuti umidi e oggetti simili potrebbe comportare un



## ISTRUZIONI IMPORTANTI SULLA SICUREZZA



rischio di lesioni, fiamme e incendi. Esso non è adatto per l'uso commerciale o in laboratorio.

### **Per evitare difetti di funzionamento o danni al forno:**

Non fate funzionare il forno quando è vuoto. Usando un piatto per rosolare i cibi, o del materiale autoriscaldante, mettete sempre sotto di esso del materiale isolante resistente al calore, come un piatto di porcellana, per evitare danni al piatto girevole e al sostegno rotante a causa del calore. Non dovete inoltre superare il tempo di preriscaldamento specificato nelle istruzioni del piatto.

Non utilizzate utensili in metallo, che riflettono le microonde e possono causare archi elettrici. Non mettete lattine nel forno.

Usate solamente il piatto rotante e il supporto per il piatto rotante creati apposto per questo forno. Non fatelo funzionare senza il piatto rotante.

Per evitare che il piatto rotante si rompa:

- a) Prima di pulire il piatto rotante con l'acqua, fatelo raffreddare.
- b) Non mettete cibo o utensili caldi sul piatto rotante freddo.
- c) Non mettete cibo o utensili freddi sul piatto rotante caldo.

Non mettete alcun oggetto sul mobile esterno durante il funzionamento del forno.



## ISTRUZIONI IMPORTANTI SULLA SICUREZZA

### **NOTA:**

Non utilizzare contenitori di plastica per la cottura a microonde se il forno è ancora caldo dopo l'utilizzo della funzione GRILL o MIX GRILL poiché potrebbero sciogliersi. I contenitori di plastica non devono essere usati nelle funzioni sopra citate, a meno che il produttore degli stessi contenitori non affermi che essi siano adatti a questo tipo di utilizzo.

Se non siete sicuri su come collegare il vostro forno, consultate un elettricista autorizzato e qualificato.

Né il produttore né il rivenditore si fanno carico di alcuna responsabilità per danni al forno o per lesioni personali derivanti dal mancato rispetto della procedura di collegamento elettrico.

Si possono talvolta formare del vapore acqueo o delle gocce sulle pareti del forno o attorno alle guarnizioni e alle superfici di tenuta. E' del tutto normale e non è indice di malfunzionamento o di perdita.



Questo simbolo sta a significare che le superfici potrebbero diventare calde durante l'utilizzo.



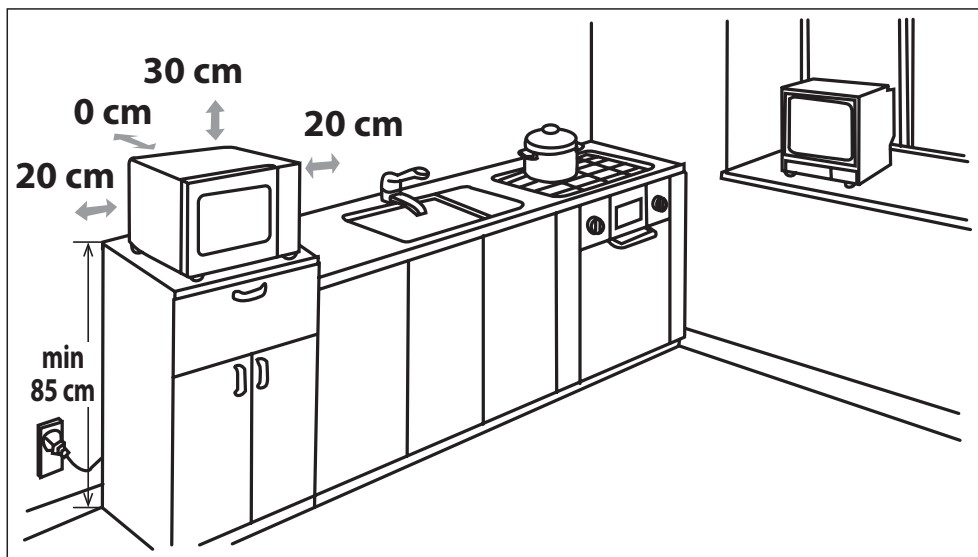
1. Togliete tutto il materiali all'interno del forno e togliete tutte le pellicole protettive dal microonde e sulla sua superficie.
2. Controllate con attenzione che il forno non sia danneggiato.
3. Posizionate il forno su di una superficie sicura e piana, resistente a sufficienza per sostenere il peso del forno e il più pesante elemento possibile che possa esservi cucinato. Non mettete il forno in un armadio.
4. Scegliete una superficie che dia sufficiente spazio alle ventole di ingresso e uscita.

La parte posteriore dell'elettrodomestico può essere posizionata contro il muro.

- L'altezza minima per l'installazione è 85 cm.
- E' richiesto uno spazio minimo di 20 cm tra i lati del forno a microonde e qualunque parete adiacente.
- Lasciate almeno 30 cm di spazio sopra il forno.
- Non togliete i piedini da sotto il forno.
- Bloccare la presa e/o i bocchettoni di sfianto potrebbe danneggiare il forno.
- Posizionate il forno il più lontano possibile da radio e televisori. Il funzionamento del microonde potrebbe causare interferenze con la radio o il televisore.



## INSTALACJA



5. Inserite la spina del cavo di alimentazione del forno in una presa a muro standard a massa.

**ATTENZIONE:** non posizionate il forno in luoghi in cui si producono calore, condensa o grande umidità (per esempio vicino o sopra un normale forno) o vicino a materiali combustibili (per esempio tende).

Non bloccate od ostruite le bocche di areazione.

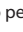
Non appoggiate oggetti sopra il forno.

Non toccare l'esterno del forno a microonde durante o poco dopo l'utilizzo, poiché sarà caldo.



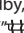
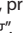


## LIVELLI DI POTENZA DELLE MICROONDE

- Quando il forno viene collegato per la prima volta, non può essere messo in funzione. Dopo aver aperto e chiuso lo sportello del forno per una volta, l'indicatore di funzione "LOW/"  e l'indicatore del timer "0" si accendono e il forno passa in modalità di standby.
- In modalità di standby o al termine della cottura, se non viene azionato entro 3 minuti, il forno passa alla modalità blocco standby.
- Durante la cottura, il programma di cottura può essere cancellato aprendo lo sportello del forno o ruotando la manopola TIMER su "0".
- Dopo il termine della cottura, l'indicatore di funzione selezionato e l'indicatore del timer "0" si accendono e il sistema emette un suono.
- Quando si usa il forno per più di 2 minuti, la ventola di raffreddamento resta accesa fino al termine del ciclo di cottura. La ventola resta in funzione per circa 3 minuti dopo la cottura.



## COTTURA A MICROONDE

1. Preparate e mettete il cibo in un contenitore adatto (fate riferimento a "STOVIGLIE ADATTE"), mettete il cibo/contenitore direttamente al centro del piatto rotante. Chiudete lo sportello.
2. In modalità di standby, premere ripetutamente il pulsante FUNZIONE fino a che non appare l'indicatore di funzione "HIGH/"  o "MED/" .
3. Girare la manopola **TIMER** sul tempo di cottura/scongelo desiderato e il forno inizia a funzionare immediatamente.
4. Quando la cottura o lo scongelamento sono completate, **TIMER** torna sullo zero, e si sentirà un segnale acustico. La luce del forno si spegne automaticamente e il piatto rotante si ferma. Aprite lo sportello del forno, togliete delicatamente il cibo/contenitore. Lasciate riposare il cibo quanto richiesto.

### CONSIGLI PER CUCINARE:

Quando il forno parte, la luce del forno si illumina e il piatto rotante ruota in senso orario o antiorario.

Se volete fermare la cottura prima del termine previsto, girate la manopola **TIMER** su "0" (off), o aprite lo sportello del forno.

Lo sportello del forno può essere aperto in un qualunque momento durante la cottura. Per continuare la cottura, chiudete lo sportello. Se volete cambiare la durata della cottura durante la cottura stessa, girate semplicemente la manopola **TIMER** sulla nuova impostazione desiderata.

Se cuocete/scongolate per meno di 3 minuti girate la manopola **TIMER** oltre il segno dei 10 minuti, e quindi indietro all'impostazione desiderata. Il timer funzionerà con maggior precisione.

Per cambiare il livello di potenza durante la cottura, girate la manopola **CONTROLLO DELLA POTENZA DELLE MICROONDE** sull'impostazione desiderata.

### AVVERTENZE:

Assicuratevi che **TIMER** sia su "0" al termine della cottura, altrimenti il forno riprenderà la cottura quando verrà chiuso lo sportello.




## GUIDA PER LO SCONGELAMENTO

Questa guida è fatta per facilitare lo scongelamento del cibo.

Può essere usato per lo scongelamento: porzioni di pollo, braciola, pesce (intero o filetti), carne sminuzzata e salsicce.

| DEFROST  |              |
|---|--------------|
| 100g 1,5min   | 400g 5,0min  |
| 200g 3,0min   | 500g 10,0min |
| 300g 4,0min   |              |

**Esempio:** Per scongelare 0,4 kg di porzioni di pollo:

1. Mettete le porzioni di pollo su un piatto da sformato, e mettetelo sul piatto rotante nel forno.
2. In modalità standby, premere ripetutamente il pulsante FUNZIONE fino a che non appare l'indicatore di funzione "LOW/" .
3. Girate la **TIMER** su 5 min. Il forno inizia a funzionare immediatamente. Girate le porzioni di pollo una o due volte durante lo scongelamento.
4. Dopo lo scongelamento, coprite il cibo con carta stagnola e lasciatelo riposare fino a scongelamento completo.

**Nota:** il tempo di scongelamento è basato su condizioni standard, controllate al termine dello scongelamento e, se necessario, aggiustatene la durata.



## COTTURA GRILL/COTTURA MICRO+GRILL

### 1. COTTURA SOLO GRILL

Il grill nella parte superiore dell'interno del forno ha solamente un'impostazione di potenza. Il grill è aiutato dal piatto rotante che ruota contemporaneamente per assicurare una doratura uniforme. Utilizzate la griglia per piccoli pezzi di cibo come il bacon, il prosciutto e i dolci da tè. Il cibo può essere messo sia direttamente sulla griglia o in un piatto resistente al calore sulla griglia.

- In modalità di standby, premere ripetutamente il pulsante FUNZIONE fino a che non appare l'indicatore di funzione "GRIGLIA/uv".
- Ruotare la manopola TIMER per impostare il tempo di cottura. Il tempo massimo è di 30 minuti. Quindi il forno inizia a cucinare in modo automatico.

### 2. MIX GRILL COOKING

**MISTO GRILL** unisce la potenza del microonde con il grill. MISTO significa cucinare con potenza microonde e grill alternativamente.

La combinazione di potenza microonde con il grill riduce il tempo di cottura e dà una finitura croccante e dorata.

In modalità di standby, premere ripetutamente il pulsante FUNZIONE per selezionare la combinazione 1 (gli indicatori di funzione "GRILL/uv" e "MED/uv" si accendono) o la combinazione 2 (gli indicatori di funzione "GRILL/uv" e "HIGH/uv" si accendono).

| Funzione/Alimentazione | Output               | Applicazione                                      |
|------------------------|----------------------|---|
| Griglia                | 100% grill           | Pane al forno, alimenti affettati                 |
| Combi.1                | 70% grill 30% micro. | Pezzi di pollo, petti di pollo, bocconi di maiale |
| Combi.2                | 56% grill 44% micro. | Polli interi                                      |

#### NOTE per GRILL e COTTURA MISTO GRILL:

- Non è necessario preriscaldare il grill.
- Se fate dorare il cibo in contenitori profondi, metteteli sul piatto rotante.
- L'uso dei piatti per rosolatura non è consigliato.
- Potreste vedere fumo o sentire odore di bruciato quando usate il grill per la prima volta. E' normale e non significa che il forno funzioni male. Per evitare questo problema, quando utilizzate per la prima volta il forno, scaldate il forno senza cibo per 20 minuti in modalità grill.

**IMPORTANTE:** durante l'uso, per consentire al fimo o agli odori di disperdersi aprire una finestra o accendere la ventilazione della cucina. **NOTA:** quando si usa la funzione griglia, la griglia si accende e spegne a intervalli regolari per prevenire il surriscaldamento.



**ATTENZIONE:** Lo sportello, la copertura esterna, la cavità del forno, i piatti e gli accessori diventano molto caldi durante il funzionamento. Per prevenire le ustioni, usare sempre spessi guanti da forno.

## TIMER DA CUCINA



1. In modalità standby, premere ripetutamente il pulsante FUNZIONE fino a che non appare l'indicatore di funzione "TIMER" per YC-GS02E e "LOW/uv" e "HIGH/uv" appaiono per YC-GG02E.
2. Ruotare la manopola TIMER per impostare l'orario desiderato. Il tempo massimo è 30 minuti. Quindi il forno avvia automaticamente il conto alla rovescia.

#### NOTA:

- Quando la modalità timer passa alla modalità microonde e scongelamento, il tempo del timer è annullato (indipendentemente dal fatto che lo sportello sia aperto o chiuso).
- Quando la modalità microonde, scongelamento, griglia e combinazione passano alla modalità timer, il tempo è annullato.



## UTENSILI ADATTI

Per cucinare/scongelerare cibo in un forno a microonde, l'energia a microonde deve poter passare attraverso un contenitore perché penetri nel cibo. Per questo è importante scegliere gli utensili adatti.

I piatti rotondi o ovali sono preferibili a quelli quadrati o oblungi, perché il cibo sui bordi tende a cuocere troppo. Diversi utensili da cucina possono essere usati, come indicato sotto.

| Utensile   | Microonde Sicura | Griglia | Note  |
|--|------------------|---------|---|
| Fogli di alluminio<br>vaschette di alluminio               | ✓ / ✗            | ✓       | Piccoli pezzi di fogli di alluminio possono essere utilizzati per proteggere il cibo dal surriscaldamento. Mantenete i fogli ad almeno 2 cm dalle pareti del forno, poiché potrebbero verificarsi archi elettrici.<br>Le vaschette di alluminio non sono consigliate, a meno che il produttore non lo specifichi, per esempio Microfoil®. Seguite attentamente le istruzioni. |
| Piatto crisp   | ✓ / ✗            | ✗       | Seguire sempre le istruzioni dei produttori. Non superare i tempi di cottura indicati. Fare molta attenzione perché i piatti possono divenire molto caldi.  |
| Porcellana e ceramica                                      | ✓ / ✗            | ✗       | Porcellana, terracotta, vasellame smaltato e porcellana fine sono di solito adatti, a meno che non abbiano decorazioni in metallo.  |
| Stoviglie in vetro, ad es. Pyrex®                          | ✓                | ✓       | Fate attenzione se utilizzate stoviglie in vetro fine, poiché potrebbero rompersi o creparsi se riscaldate improvvisamente.   |
| Metallo  | ✗                | ✓       | Non è consigliato l'utilizzo di utensili da cucina in metallo perché possono creare archi elettrici che, a loro volta, possono causare fuoco o incendi.   |
| Plastica/polistirene, per esempio contenitori di fast food | ✓                | ✗       | Fate attenzione poiché alcuni contenitori si deformano, si sciolgono o scoloriscono ad alte temperature.  |
| Pellicola protettiva                                       | ✓                | ✗       | Non dovrebbe toccare il cibo e deve essere forata per permettere al vapore di fuoriuscire.  |
| Sacchetti per il freezer/l'arrosto                         | ✓                | ✗       | Deve essere forato per far fuoriuscire il vapore. Assicuratevi che i sacchetti utilizzati siano adatti all'utilizzo nel forno a microonde.  |
| Carta - piatti, bicchieri e carta da cucina                | ✓                | ✗       | Non utilizzate fermagli in plastica o metallo poiché possono sciogliersi o prendere fuoco a causa degli archi metallici.  |
| Paglia e contenitori di legno                              | ✓                | ✗       | Usate solamente per scaldare o per assorbire l'umidità.<br>Fate attenzione, poiché il surriscaldamento può causare incendi.   |
| Carta riciclata e giornali                                 | ✗                | ✗       | Fate sempre attenzione al forno quando utilizzate questi materiali perché il surriscaldamento può provocare fiammate.<br>Può contenere estratti di metallo che causano archi metallici e possono sfociare in fiammate.  |



**ATTENZIONE: in caso di riscaldamento di alimenti inseriti in contenitori di plastica o di carta, a causa della possibilità della loro combustione mantenete il forno sotto osservazione.**



# MANUTENZIONE E PULIZIA



**ATTENZIONE: NON UTILIZZARE SU NESSUNA PARTE DEL FORNO DETERGENTI PER FORNI COMMERCIALI, GETTI A VAPORE, ABRASIVI, DETERGENTI RUVIDI O CHE CONTENGONO IDROSSIDO DI SODIO NÉ SPUGNE ABRASIVE SU NESSUNA PARTE DEL FORNO.**

**Prima della pulizia, accertarsi che la cavità del forno, lo sportello, il cabinato del forno e gli accessori siano completamente freddi. PULITE IL FORNO AD INTERVALLI REGOLARI DI TEMPO, RIMUOVENDO QUALSIASI DEPOSITO DI CIBO - Mantenete il forno pulito, poiché in caso contrario le sue superfici si potrebbero deteriorare. La mancata pulizia potrebbe ridurre la durata dell'apparecchio ed eventualmente dar luogo a situazioni di pericolo.**

**NOTA:** Durante la cottura, la condensa può accumularsi all'interno del forno, sulla superficie interna e sullo sportello. La quantità di condensa dipende dalla temperatura della superficie del forno e il contenuto di umidità del cibo che viene cotto al microonde. Terminata la cottura, assicurarsi di ripulire tutta l'umidità accumulata su queste superfici con un panno morbido e che sia in grado di assorbire umidità.

#### **Esterno del forno a microonde**

L'esterno del forno può essere facilmente pulito con acqua insaponata. Non dimenticate di togliere il sapone ed asciugare il forno a microonde con un panno morbido ed asciutto.

#### **Pannello di controllo**

Aprire lo sportello prima della pulizia per disattivare il pannello di controllo.

Prestate attenzione durante la pulizia del pannello di controllo. Usate solo un panno umidificato, passatelo delicatamente sul pannello finché non viene pulito. Evitate di usare troppa acqua. Non utilizzate alcun tipo pulitore chimico o abrasivo.

#### **Interno del forno**

1. Per la pulizia, strofinate spruzzi e schizzi con un panno morbido o una spugna dopo ogni utilizzo mentre il forno è ancora tiepido.

Per schizzi più impegnativi, utilizzate un sapone delicato e strofinate più volte con un panno umido finché non vengono rimossi tutti i residui. Spruzzi incrostanti possono surriscaldarsi e iniziare a fumare o infiammarsi, e causare archi elettrici. Non togliete il coperchio guida onde.

2. Controllate che sapone ed acqua non penetrino attraverso i fori nelle pareti, perché possono causare danni al forno.

3. Non usate pulitori di tipo spray all'interno del forno.

4. Scaldate il vostro forno regolarmente utilizzando il grill e riscaldare il forno senza cibo per 20 minuti sul grill. I residui di cibo o di grasso possono causare cattivo odore.

Tenete sempre pulita la copertura delle onde guida.

La copertura delle onde guida è fatta di un materiale fragile e deve essere pulito con attenzione (seguite le istruzioni sopra).

**NOTA:** L'utilizzo di troppa acqua potrebbe causare danni alla copertura della copertura delle onde guida.

La copertura della guida d'onda è una parte deperibile e, senza una regolare pulizia, dovrà essere sostituita.

#### **Accessori**

Gli accessori come il piatto rotante, il supporto per il piatto rotante e la griglia dovrebbero essere lavati con una soluzione liquida di sapone delicato ed asciugati. Sono lavabili in lavastoviglie.

#### **Sportello**

Per eliminare ogni traccia di sporco, pulite regolarmente entrambe i lati dello sportello, le guarnizioni e le parti adiacenti con un panno morbido e umido. Non utilizzate pulitori abrasivi.

**NOTA:** Non utilizzare getti a vapore.

#### **Consigli per la pulizia - per una più facile pulizia del vostro forno**

Mettete mezzo limone in un contenitore, aggiungete 300 ml di acqua e riscaldate a 100% per 10 - 12 minuti. Pulite il forno utilizzando un panno morbido e asciutto.







UMC Poland Sp. z o.o.  
Ostaszewo 57B, 87-148 Łysomice, Poland

SHARP CORPORATION  
1 Takumi-cho, Sakai-ku  
Sakai City, Osaka  
590-8522, Japan

SDA/MAN/0101

[www.sharpconsumer.eu](http://www.sharpconsumer.eu)

**SHARP**