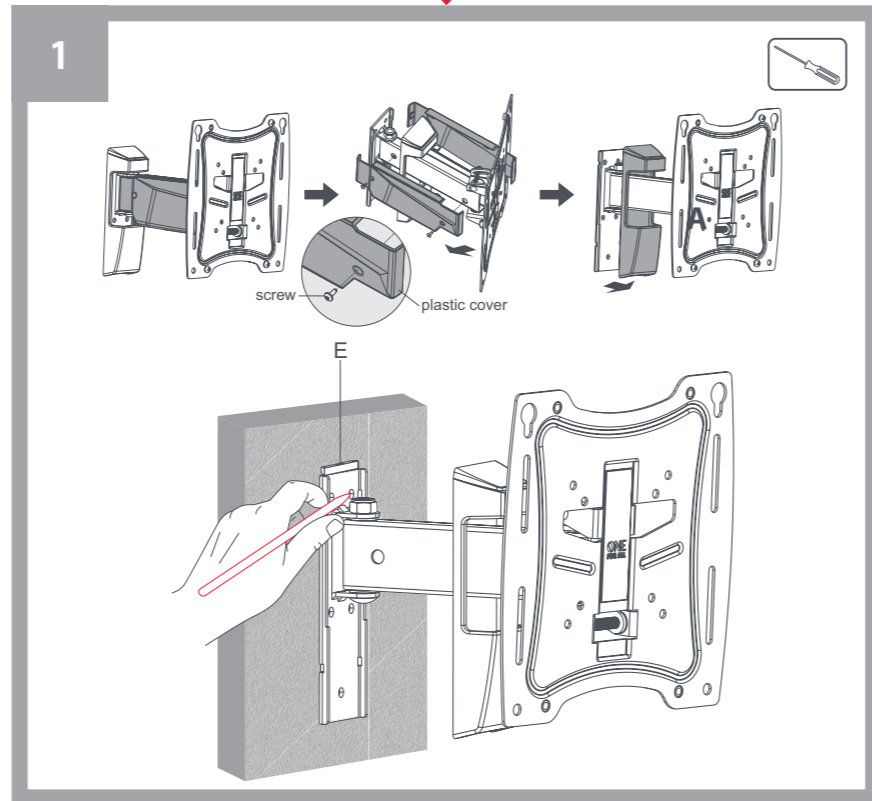
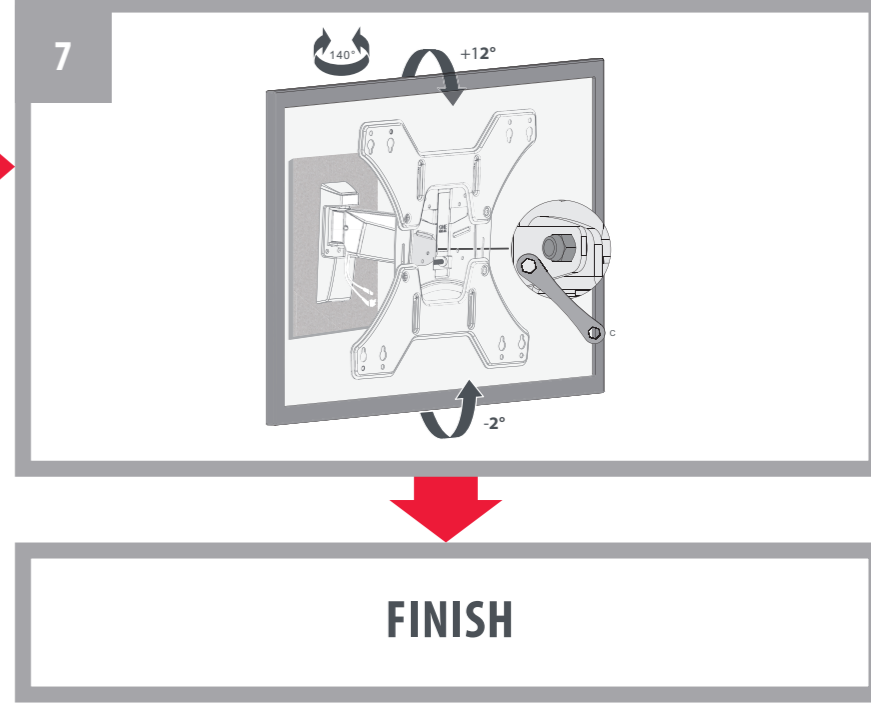
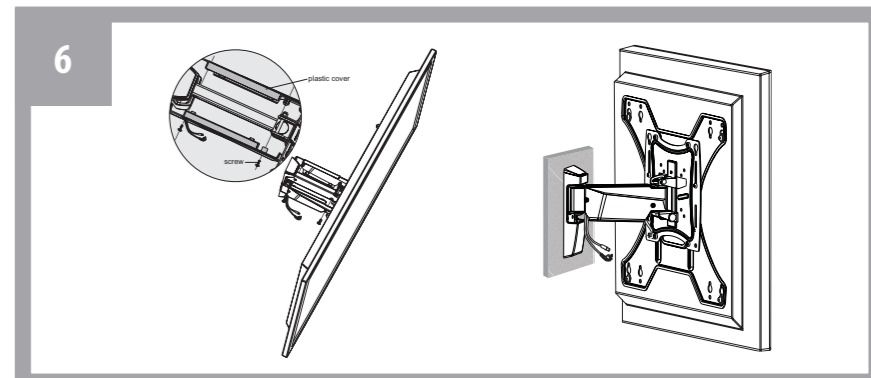
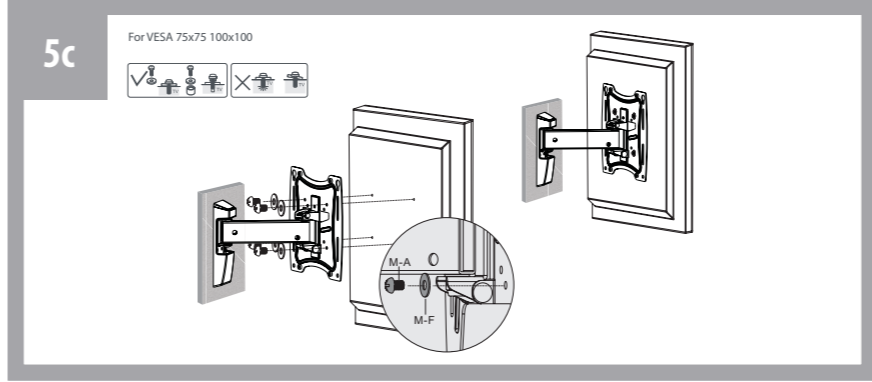
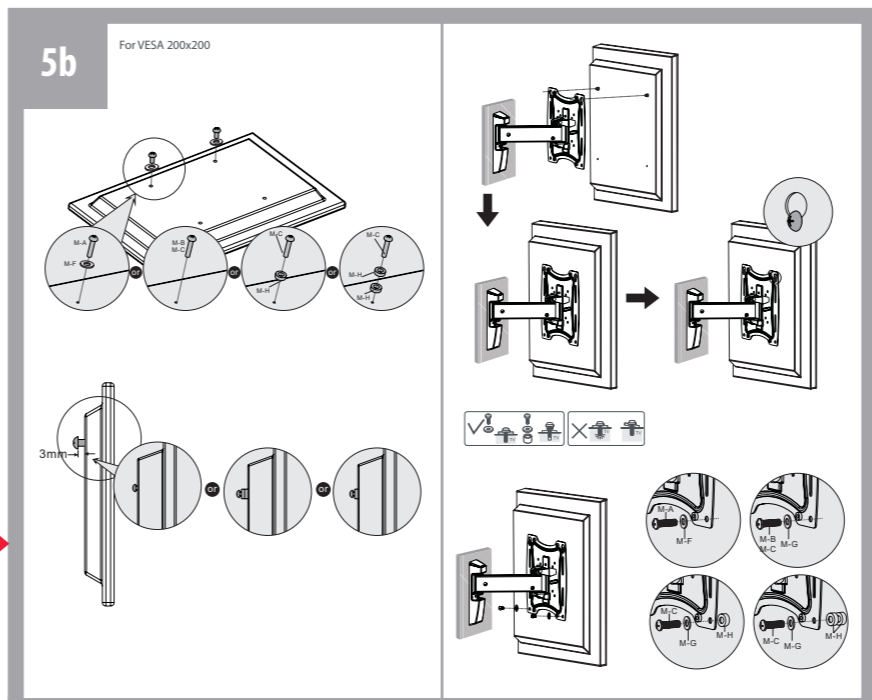
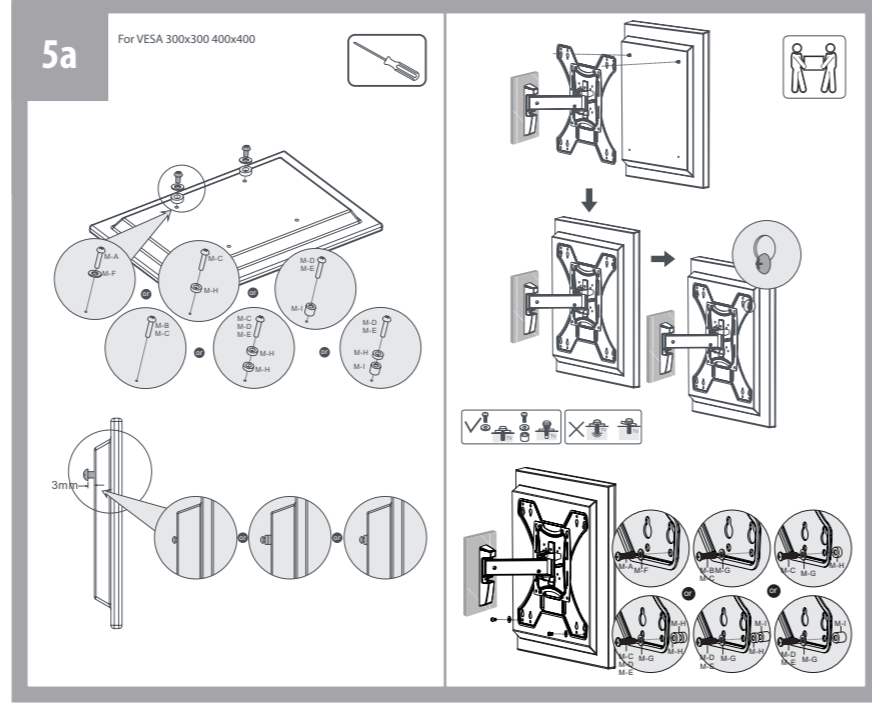
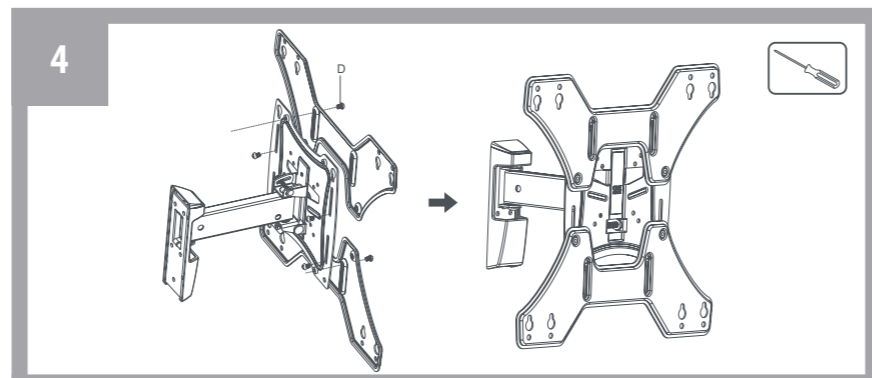
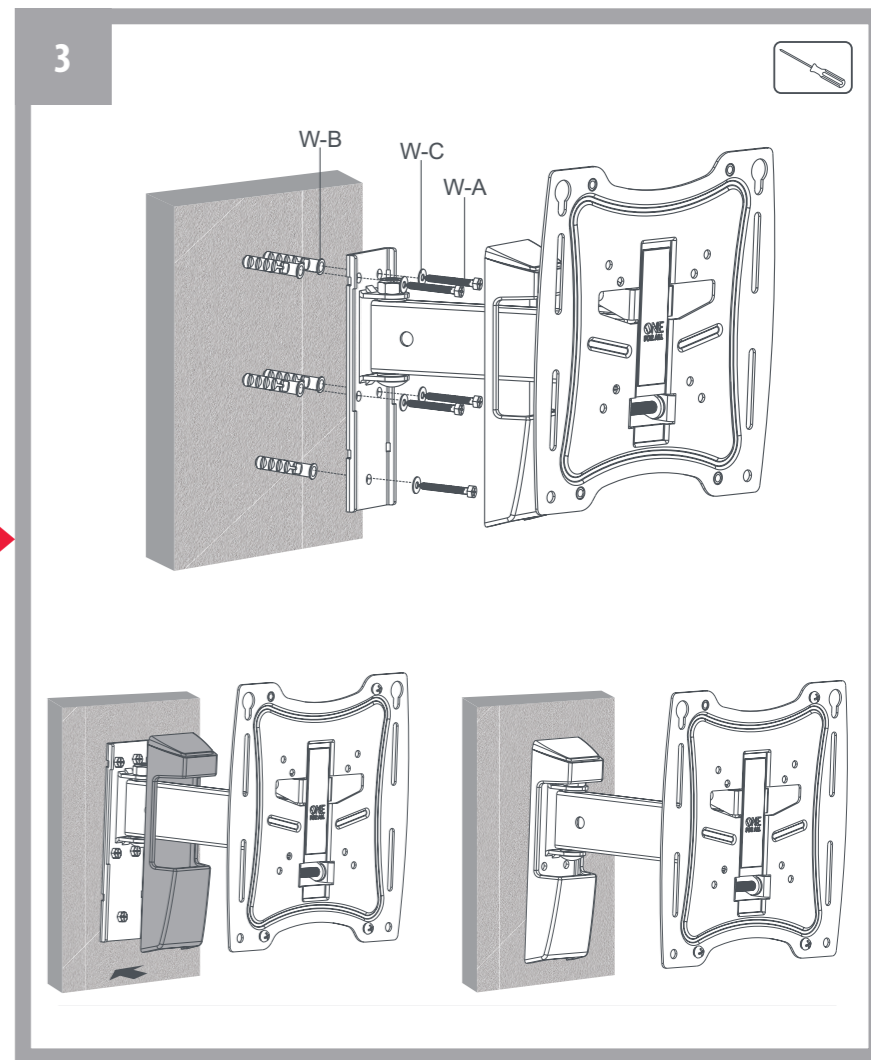
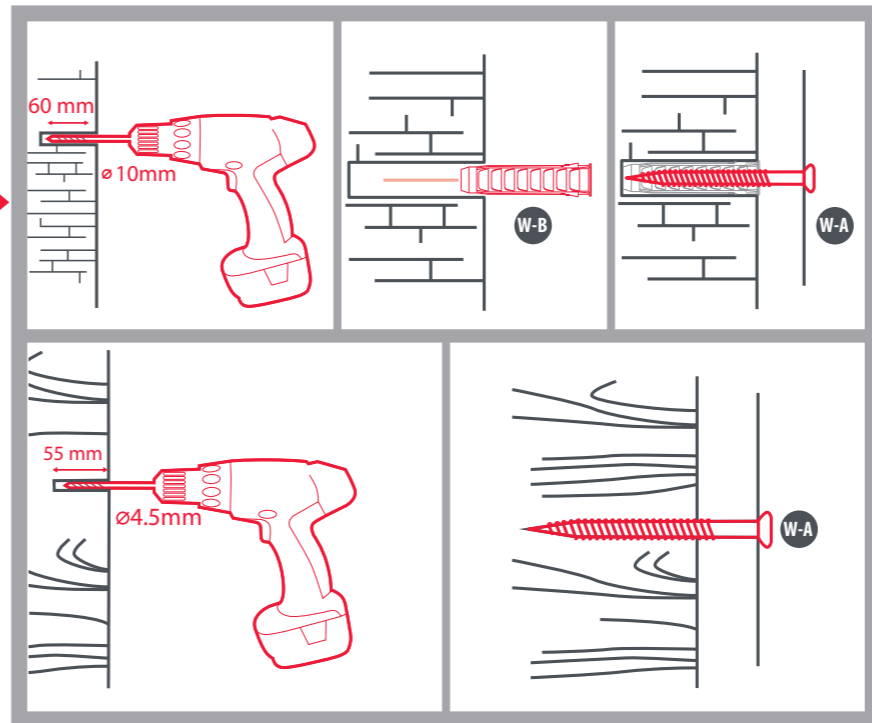


WM4441
10596-50419
Universal Electronics BV - Europe & International
P.O. Box 3332, 7500 DH Enschede
The Netherlands

START



2 WARNING
Please verify that the supporting surface will safely support the combined weight of the equipment and all attached hardware and components



FINISH