

IMPORTANT HAZARD & SAFETY NOTES



Please read the safety and installation instructions in this product manual carefully, before starting the installation. Failure to read, thoroughly understand and follow all instructions may result in serious personal injury, damage to the equipment or voiding of factory warranty. Make sure to keep this manual in a safe place.

General safety instruction



This product is designed for indoor use in public areas. Use the appropriate tools and equipment when installing the motorised product. Not using appropriate equipment may result in severe risk of injury. The stability can be impaired when attaching to furniture. Do not use when defective.

This product can be used by children aged from 8 years and above and persons with reduced physical, sensory or mental capabilities or lack of experience and knowledge if they are under supervision or have been given instruction concerning the use of the product in a safe way and understand the hazards involved. Children shall not play with the product. Cleaning and user maintenance shall not be made by children without supervision.

Electrical safety



Connect unit to a free accessible 220-240V, 50/60 Hz grounded power outlet only. Make sure the unit can be immediately separated from the power outlet.

Only use unit in dry rooms, protect unit from water and other liquids. Only wipe unit with dry cloth.

Do not open lift unit. RISK OF ELECTRIC SHOCK. There are no serviceable parts inside.

In case of disfunction unplug unit from power outlet and call an authorised technical service person.

Do not overrun or damage cables in any other way.

Replace damaged cables immediately with new one from same type.

Mechanical safety



Do not improperly load unit. Do not mount other than original parts in conjunction with original mounting parts. Do not hang on unit.

Only use original mounting parts provided with the system. Do not exceed the maximum load of 110 kg (242,5 lbs).

Assure installation of unit by authorized service person only. Before moving the unit up or down assure at least a safety distance of 20 cm/8 inch from any part of the unit to any other fitment in order to avoid shear traps or squeezing points. In case of any incident, please release operating panel. Movement of unit will stop immediately.



The socket connections of the unit and the wall socket must be easily accessible. Disconnect the power cable from the wall socket before moving the product.

Moveable and free standing units



Only operate unit on flat and stable floor surfaces. Move unit on flat floors only.

Risk of tilting when overrunning unevenness in floors, door sills and similar.

VERY HEAVY UNIT.

Severe risk of injury should the unit fall over. Lock brakes of all wheels when operating unit. Always relocate the floor stand with screen in the lowest position.



The device is not drip or splash water proof. Do not place liquids on or nearby or spray the device. Always unplug the unit from the wall socket before cleaning to reduce the risk of electric shock.



Anti-collision protection

The protection system is designed to detect contact between the lift system and an object. This system is intended for protection of the motorised screen lift. The system is explicitly not intended as a safety mechanism to prevent personal injury.

Wall mounting



Check the load capacity of the wall prior to installation. Not all wall types are suitable for the fixing hardware provided. When drilling holes, pay attention to location of electrical, gas and water lines. Using improper mounting material may result in tilting of the unit and severe risk of injury. Wall mounting must be done by a professional only.

It is highly recommended that all wall fixing screws supplied are used and that the purpose of all other fixing hardware is fully understood. In some cases additional fixing hardware is supplied to accommodate different AV equipment. The installer must be certain that any supplied fixing hardware is suitable for each specific installation. If any fixing screws or included hardware are deemed not sufficient for a safe installation, please consult a professional.



Instructions for disposal

Do not discard with general waste.





Tool

Drill



100x100 -
800x600 mm



0-110 kg

WL55-875WH1

PARTS



A, M5x12
(x4)



B, M5x30
(x4)



C, M6x16
(x4)



D, M6x35
(x4)



E, M8x20
(x4)



F, M8x35
(x4)



G, M8x50
(x4)



H, 5mm
(x4)



I, 10mm
(x4)



J, 14mm
(x4)



K, M6
(x4)



L, M8
(x8)



N, (x8)



O, M8x50
(x8)



P, (x8)



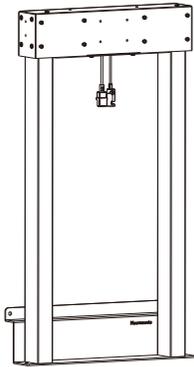
Q, 2.5mm
(x1)



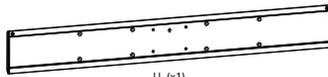
R, 4mm
(x1)



S, 5mm
(x1)



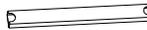
T, (x1)
Incl. M6x12 (x6)
Incl. M6x10 (x8)
Incl. M4x6 (x2)



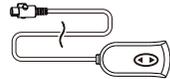
U, (x1)



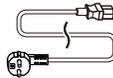
V, (x2)



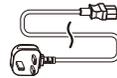
W, Cable duct
(x1)



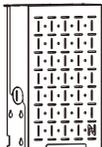
X, (x1)



Y, EU-plug 3m
(x1)



Z, UK-plug 3m
(x1)



AA, (x1)



AB, (x2)
Incl. M6x12 (x4)

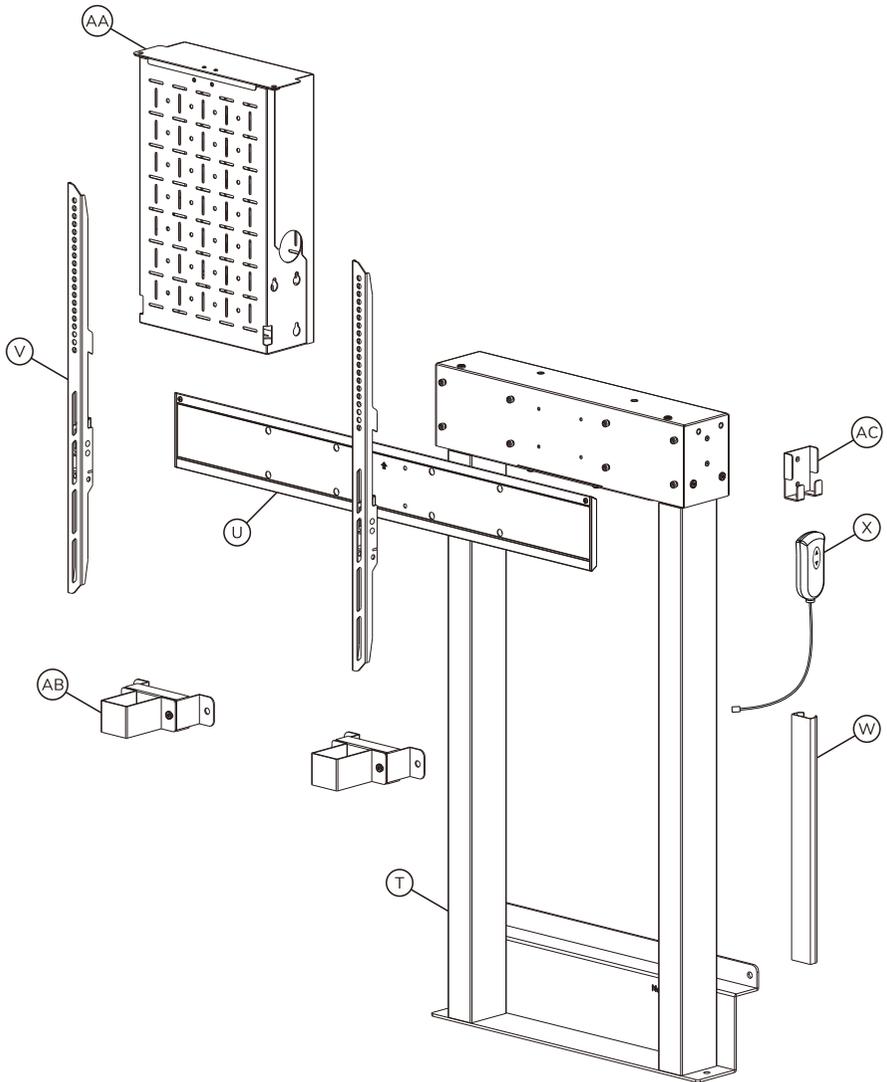


AC, (x1)



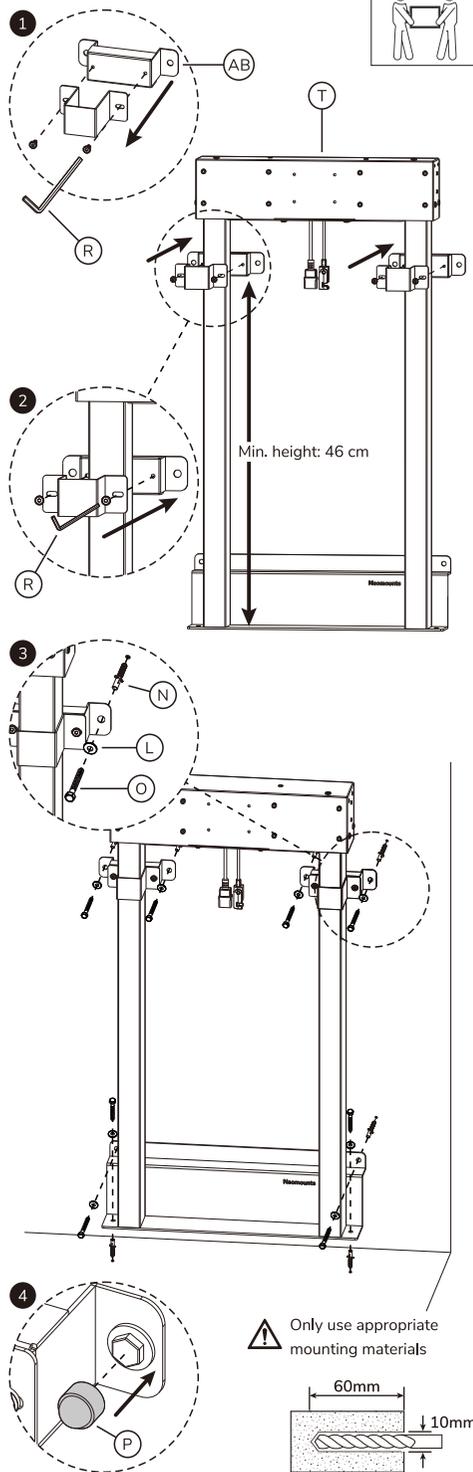
AD, 3M VHB adhesive pads
(x1)

PARTS DIAGRAM



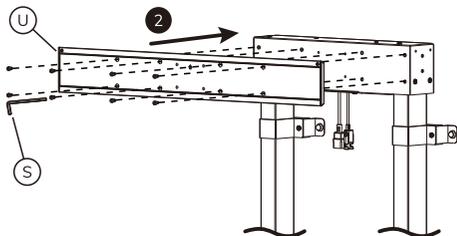
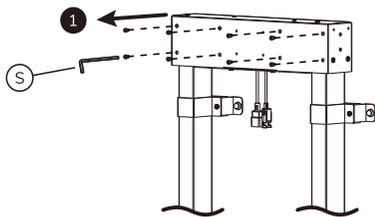
STEP 1

- EN Install the mount to a solid wall
- NL Installeer de steun aan een solide muur
- DE Montieren Sie die Halterung an einer festen Wand
- FR Installez le support sur un mur solide
- IT Installare il supporto su una parete solida
- ES Instale el soporte en una pared sólida
- PT Instalar o suporte a uma parede sólida
- PL Zamontuj uchwyty do solidnej ściany



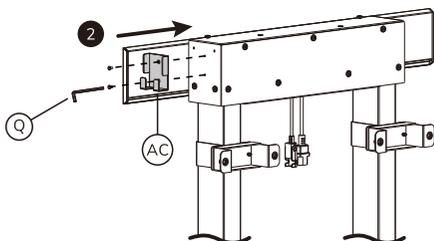
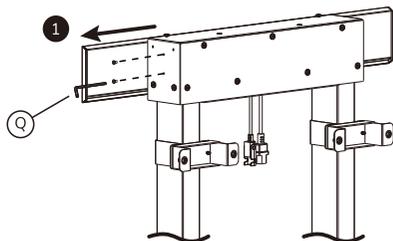
STEP 2

- EN Attach the back plate to the floor stand with the arrow pointing upwards
- NL Bevestig de achterplaat aan de vloersteun met de pijl naar boven wijzend
- DE Befestigen Sie die Rückenplatte mit dem Pfeil nach oben am Bodenträger
- FR Fixer la plaque arrière au support de sol, la flèche pointant vers le haut
- IT Fissare la piastra posteriore al supporto del pavimento con la freccia rivolta verso l'alto
- ES Fije la placa posterior al soporte del suelo con la flecha hacia arriba
- PT Fixe a placa posterior ao suporte de chão com a seta a apontar para cima
- PL Przymocuj tylną płytę do wspornika podłogowego strzałką skierowaną w górę



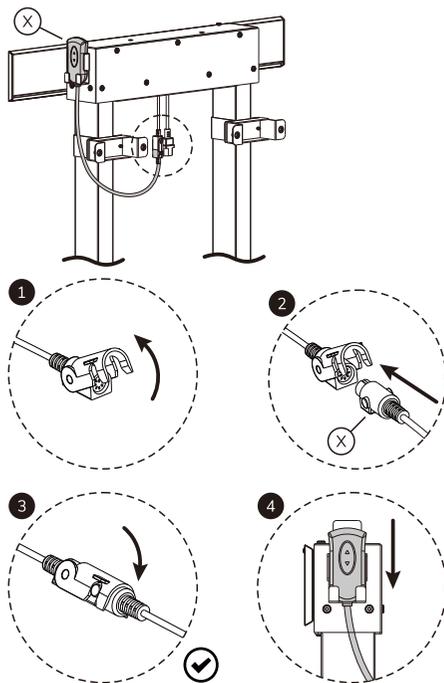
STEP 3

- EN Attach the control unit holder
- NL Bevestig de afstandsbediening houder
- DE Befestigen Sie die Bedieneinheit Halter
- FR Fixez le support de l'unité de command
- IT Attaccare il supporto per l'unità di controllo
- ES Coloque el soporte de la unidad de control
- PT Prenda o suporte da unidade de controlo
- PL Dołącz uchwyt zespół sterujący



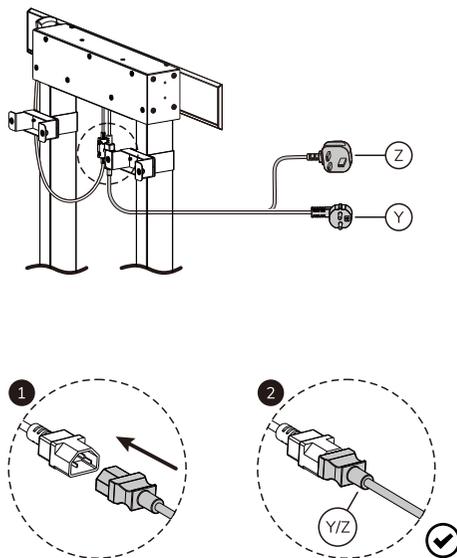
STEP 4

- EN** Connect the plug of the control unit and place the remote control
- NL** Sluit de stekker van de bedieningsunit aan en plaats de afstandsbediening
- DE** Schließen Sie das Steuergerät an und setzen Sie die Fernbedienung ein
- FR** Branchez l'unité de commande et insérez la télécommande
- IT** Collegare l'unità di controllo e inserire l'unità di comando a distanza
- ES** Conecte la unidad de control e inserte el mando a distancia
- PT** Ligar a unidade de controlo e inserir a unidade de controlo remoto
- PL** Podłączyć jednostkę sterującą i włożyć pilot zdalnego sterowania



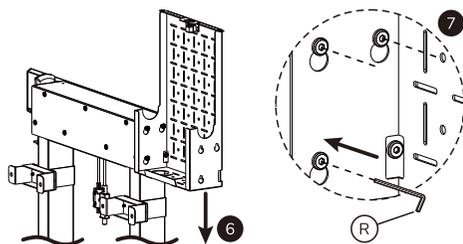
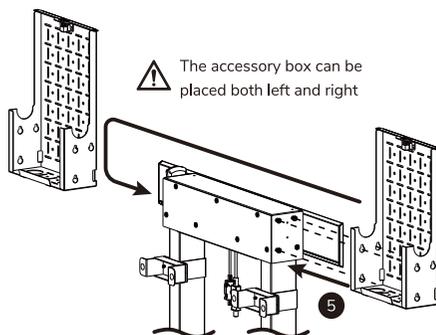
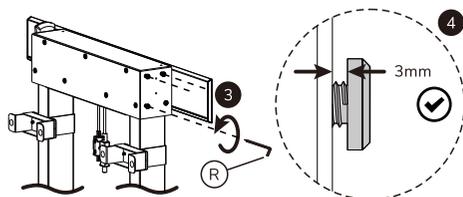
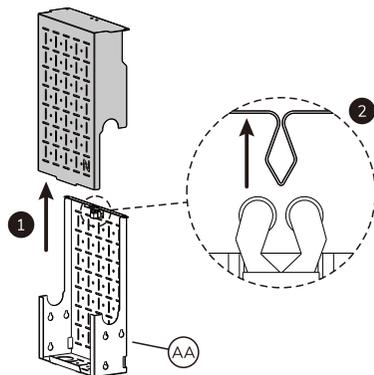
STEP 5

- EN** Connect and route the cables
- NL** Verbind en geleid de kabels
- DE** Verbinden und Verlegen Sie der Kabel
- FR** Connectez et acheminez les câbles
- IT** Collegare e instradare i cavi
- ES** Conectar y dirigir los cables
- PT** Ligar e encaminhar os cabos
- PL** Podłącznie i układanie kabli



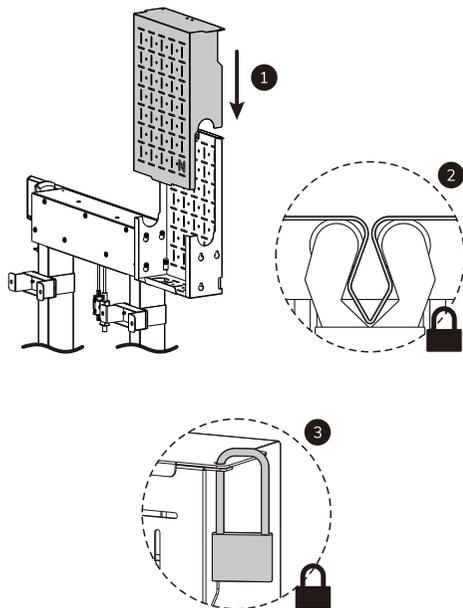
STEP 6

- EN Install the hardware compartment
- NL Installeer het hardware-compartiment
- DE Befestigen Sie das Hardwarefach
- FR Installez le compartiment hardware
- IT Installare lo scomparto hardware
- ES Instalar el compartimento de hardware
- PT Instalar o compartimento de hardware
- PL Zamontować komorę okuć



STEP 7

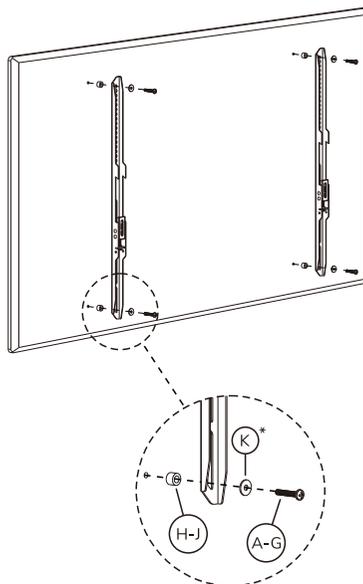
- EN Install the hardware compartment
- NL Installeer het hardware-compartiment
- DE Befestigen Sie das Hardwarefach
- FR Installez le compartiment hardware
- IT Installare lo scomparto hardware
- ES Instalar el compartimento de hardware
- PT Instalar o compartimento de hardware
- PL Zamontować komorę okuć



Attach a padlock (not included) as desired

STEP 8

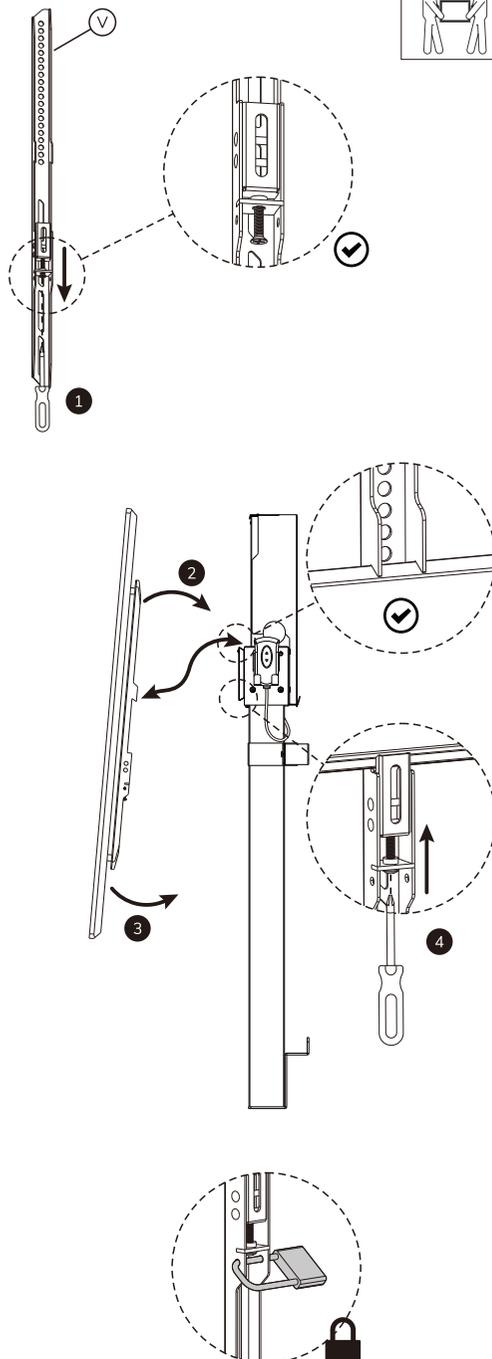
- EN Install the adapter brackets and use spacers if necessary
- NL Bevestig de adapter steunen en gebruik afstandhouders indien nodig
- DE Montage die Halterungsschienen und verwenden Sie Distanzscheiben wenn nötig
- FR Installation des adaptateurs sur l'écran et utilisez des entretoises si nécessaire (selon la forme de votre écran)
- IT Monti il supporto del adattatore e utilizzare distanziatori se necessario
- ES Conecte los soportes del adaptador y use espaciadores si es necesario
- PT Instalação de braços adaptadores e utilize separadores se necessário
- PL Zainstaluj ramiona uchwyty i użyj dystansów jeśli jest taka potrzeba



* Only applicable when using M5/M6

STEP 9

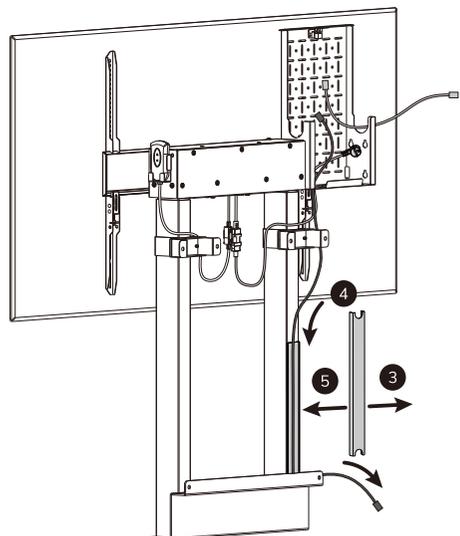
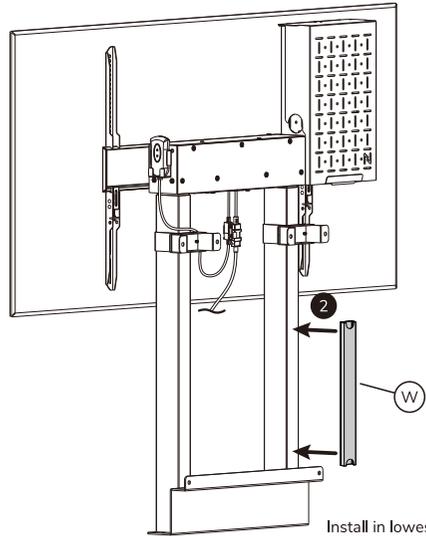
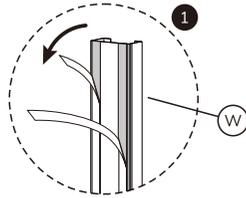
- EN Attach the screen onto the bracket and secure it
NL Bevestig het scherm aan de steun en zet vast
DE Befestigung und Sicherung des Bildschirmes an die Halterung
FR Accrochez l'écran sur le support et fixez-le
IT Appendere lo schermo sulla staffa e fissarlo
ES Cuelgue la pantalla en el soporte y asegúrela
PT Pendure a tela no suporte e prenda-a
PL Zawieś ekran na wsporniku i zabezpiecz go



Attach a padlock (not included) as desired

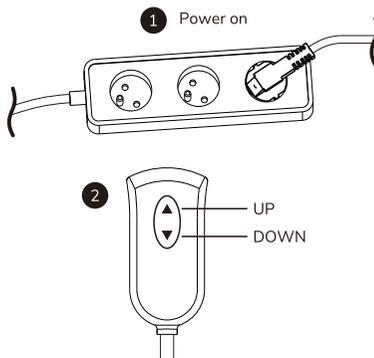
OPTION

- EN Place the cable cover
- NL Plaats de kabelgoot
- DE Installieren Sie die Kabelabdeckung
- FR Installez le couvercle du câble
- IT Installare il coperchio del cavo
- ES Instalar la cubierta del cable
- PT Instalar a cobertura do cabo
- PL Zamontować osłonę kabla



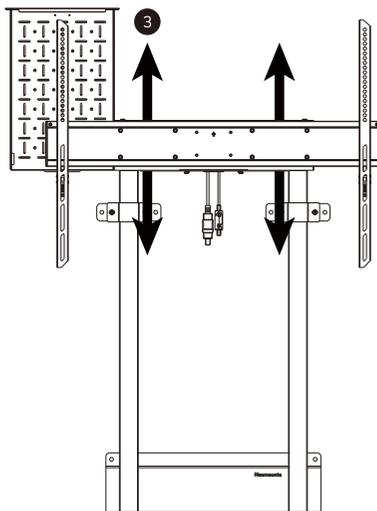
STEP 10

- EN Connect the floor stand to power
NL Sluit de vloersteen aan op stroom
DE Schließen Sie den Bodenständer an die Stromversorgung an
FR Connectez le pied de sol à l'alimentation
IT Collegare il supporto da pavimento all'alimentazione
ES Conecte el soporte de suelo a la corriente
PT Ligar o suporte de chão à corrente
PL Podłączenie statywu podłogowego do zasilania



Duty cycle: Max. 2 min operation / Min. 18 min stop.

System detects and prevents overheating by shutting down for approximately 18 min. after detection. After cool down period system activates automatically.

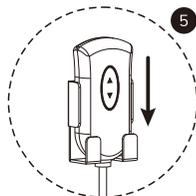
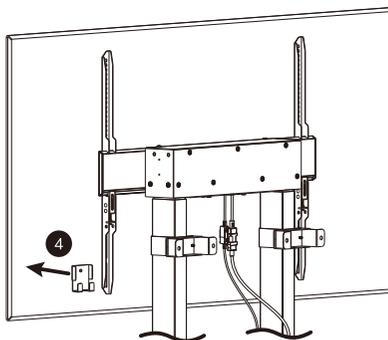
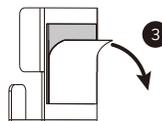
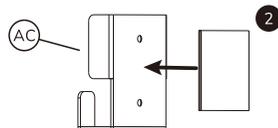
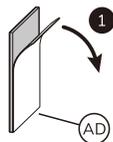


If the wall stand legs stops moving, a reset and rebalance will be needed.

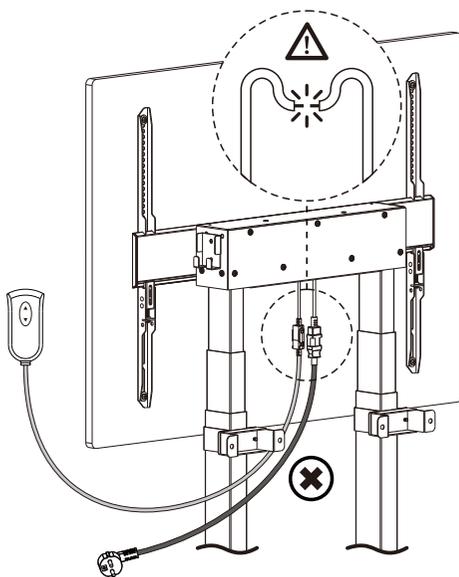
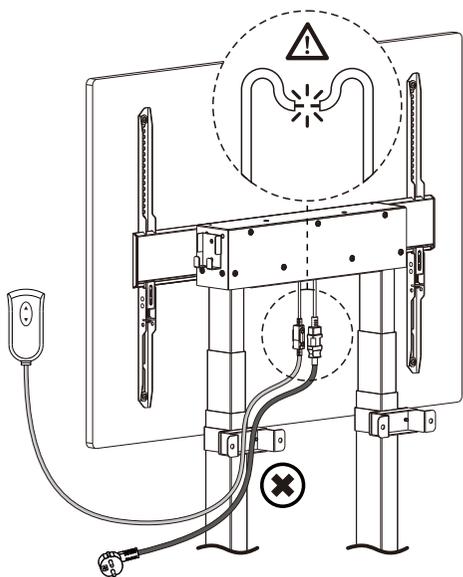
1. Push and hold the DOWN button on your remote until the legs are at the very bottom.
2. Keep holding the DOWN button for another 5-10 seconds until the legs react and move slightly upwards.
3. When upwards reaction has been identified the remote control function has been restarted and the legs will react as normal to your remote actions.

OPTION

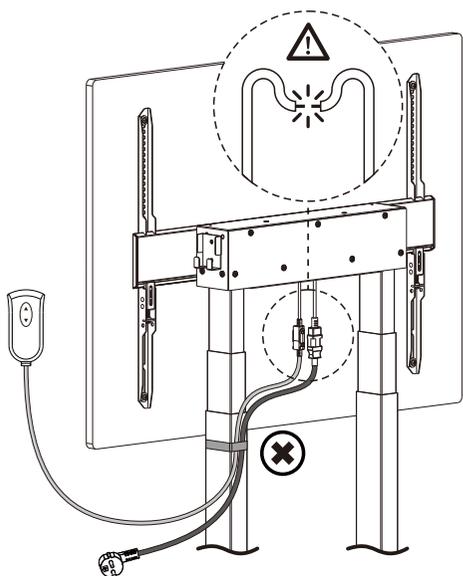
- EN** Place the self-adhesive pads on the remote control holder and attach the holder where desired
- NL** Plaats de zelfklevende pads op de houder van de afstandsbediening en bevestig de houder waar gewenst
- DE** Bringen Sie die selbstklebenden Pads auf dem Fernbedienungshalter an und befestigen Sie den Halter an der gewünschten Stelle
- FR** Placez les tampons auto-adhésifs sur le support de la télécommande et fixez-les à l'endroit souhaité
- IT** Posizionare i cuscinetti autoadesivi sul supporto del telecomando e fissarli nel punto desiderato
- ES** Coloque las almohadillas autoadhesivas en el soporte del mando a distancia y fije el soporte donde desee
- PT** Colocar as almofadas autocolantes no suporte do controlo remoto e fixar o suporte onde desejar
- PL** Umieścić samoprzylepne podkładki na uchwycie pilota i zamocować uchwyt w wybranym miejscu



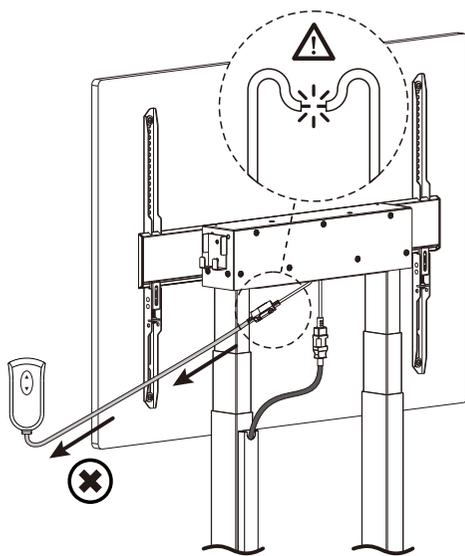
SAFETY NOTE



Do not route the cables below or through the wall brackets to avoid the risk of cable damage.



Do not tie the cables to the mount to avoid the risk of cable damage.



Do not apply excessive force (>10 kg) to the remote control cable to avoid the risk of cable damage.

Neomounts[®]

EC DECLARATION OF CONFORMITY

This Declaration of Conformity is issued under the sole responsibility of the manufacturer.



Manufacturer

Company name: Neomounts B.V.
Full address: Wateringweg 62
Postal code: 2031 EJ
Place: Haarlem
Country: The Netherlands

Description and identification of the machinery

Product description: Motorized floor stand
Motorized wall stand
Model/Type: FL55-875 / WL55-875
Function: Motorized height adjustable display lift

Compliance

The manufacturer declares that the above mentioned machinery fulfils all relevant provisions of

Machinery Directive 2006/42/EG
EMC Directive 2014/30/EU
RoHS Directive 2011/65/EU including amendment 2015/863/EU

In conjunction with the following harmonised standards and where appropriate other technical standards and specifications.

Safety of Machinery

EN ISO 12100:2010;

Safety of Electrical Equipment

EN 60335-1:2012+AC:2014;

Electromagnetic Compatibility (EMC)

EN 61000-3-2:2014;
EN 61000-3-3:2013
EN 61000-6-3:2007+AC:2012;
EN 61000-6-1:2007
EN 62233:2008

Technical documentation for the product is available from:

Name: Neomounts B.V.
Full address: Wateringweg 62, 2031 EJ Haarlem, The Netherlands

Place of issue: Haarlem, The Netherlands
Date of issue: October 17, 2022

Name: Barry Meester
Function: Head of Product Management

Signature:

A handwritten signature in blue ink, appearing to read 'Barry Meester', is written over a light blue rectangular background.

UK DECLARATION OF CONFORMITY

This Declaration of Conformity is issued under the sole responsibility of the manufacturer.



Manufacturer

Company name: Neomounts B.V.
Full address: Wateringweg 62
Postal code: 2031 EJ
Place: Haarlem
Country: The Netherlands

Description and identification of the machinery

Product description: Motorized floor stand
Motorized wall stand
Model/Type: FL55-875 / WL55-875
Function: Motorized height adjustable display lift

The object of the declaration described above is in conformity with the relevant UK Statutory Instruments (and their amendments)

2008 No. 1597	Supply of Machinery (Safety) Regulations 2008
2012 No. 3032	The Restriction of the Use of Certain Hazardous Substances in Electrical and Electronic Equipment Regulations 2012
2016 No. 1091	Electromagnetic Compatibility Regulations 2016

References to the relevant designated standards used or references to the other technical specifications in relation to which conformity is declared:

Safety of Machinery

EN ISO 12100:2010;

Safety of Electrical Equipment

EN 60335-1:2012+AC:2014;

Electromagnetic Compatibility (EMC)

EN 61000-3-2:2014;
EN 61000-3-3:2013
EN 61000-6-3:2007+AC:2012;
EN 61000-6-1:2007
EN 62233:2008

Technical documentation for the product is available from:

Name: Neomounts B.V.
Full address: Wateringweg 62, 2031 EJ Haarlem, The Netherlands

Place of issue: Haarlem, The Netherlands
Date of issue: October 17, 2022

Name: Barry Meester
Function: Head of Product Management

Signature:

A handwritten signature in blue ink is written over a light blue rectangular background. The signature is cursive and appears to read 'Barry Meester'.

Neomounts[®]

Neomounts[®]

EN CAUTION

- To ensure safety, please read this manual carefully before installation and follow the instructions. Store this manual in a secure place for future reference.
- The manufacturer shall not be held equally responsible for any equipment damage or personal injury caused by incorrect installation or operation other than that covered in this manual.
- The mount is designed for easy installation and removal. The manufacturer shall not be liable for damage to equipment or personal injuries arising out of human factors or acts of nature, such as earthquake or typhoon.
- It is recommended that the mount be installed by qualified personnel only.
- At least two persons are needed to install or remove the product to avoid hazard of falling objects.
- Please carefully inspect the area where the mount is to be installed:
 - Avoid places that are subject to high temperatures, humidity or contact with water.
 - Do not install the product near air conditioning vents or areas with excess dust and fumes.
 - Only install on vertical walls and avoid slanted surfaces.
 - Do not install in places subject to any shock or vibration.
 - Do not install in places subject to direct exposure to bright light, as it may cause eye fatigue when viewing the display panel.
- Maintain sufficient space around the display to ensure adequate ventilation.
- To ensure safe installation, first check the structure of the wall, ceiling or floor and select a secure mounting location.
- The weight of the ceiling fan should be strong enough to support a weight of at least four times of the display and mount combined. The mounting location must be able to withstand earthquake or other strong shock.
- Do not modify any accessories or use broken parts. Contact your dealer with any questions.
- Tighten all screws (do not exert excessive force to avoid breaking the screw or damaging its thread).
- Drill holes and bolts will be left in the wall, ceiling or floor once the display and bracket are removed. Stains may occur after extended use.
- Please the manufacturer's way to control the wall, ceiling or floor type and installation of the mount, the warranty of the product shall only cover the body of the mount. The warranty period of the product is 5 years.
- Please consult the English language manual for any dispute on conditions.

DE VORSICHT

- Um die Sicherheit zu gewährleisten, lesen Sie dieses Handbuch vor der Installation sorgfältig durch und befolgen Sie die Anweisungen. Bewahren Sie dieses Handbuch an einem sicheren Ort auf, damit Sie später darauf zurückgreifen können.
- Der Hersteller ist rechtlich nicht verantwortlich für Geräteschäden oder Personenschäden, die durch eine andere als die in diesem Handbuch beschriebenen Installation oder Bedienung verursacht werden.
- Das Produkt ist nicht für den Transport und Demontage ausgelegt. Der Hersteller haftet nicht für Schäden an Geräten oder Personenschäden, die durch menschliche Faktoren oder Naturereignisse wie Erdbeben oder Taifun verursacht werden.
- Es wird empfohlen, das Produkt nur durch qualifiziertes Personal zu installieren.
- Zur Installation oder Demontage des Produktes sind mindestens zwei Personen erforderlich, um die Gefahr von herabfallenden Gegenständen zu vermeiden.
- Bitte überprüfen Sie den Bereich, in dem das Produkt installiert werden soll sorgfältig:
 - Vermeiden Sie Orte die hohen Temperaturen, Feuchtigkeit oder Kontakt mit Wasser ausgesetzt sind.
 - Installieren Sie das Produkt nicht in der Nähe von Lüftungsschlitzen von Klimaanlage oder Bereichen mit übermäßigem Staub und Rauch.
 - Installieren Sie das Produkt nur an eine vertikale Wand. Vermeiden Sie schräge Oberflächen.
 - Nicht an Orten installieren, die Erschütterungen oder Vibrationen ausgesetzt sind.
 - Nicht an Orten installieren die direkter Sonneneinstrahlung bzw. zu starkem Licht ausgesetzt sind, da dies beim Betrachten der Bildschirmanzeige zu Ermüdung der Augen führen kann.
- Sorgen Sie für ausreichend Platz um das Display, um eine ausreichende Belüftung zu gewährleisten.
- Um die Sicherheit zu gewährleisten und Unfälle zu vermeiden ist es notwendig vor der Installation die Wand-, Decken- oder Bodenstruktur zu überprüfen und eine sichere Stelle auszuwählen.
- Pour garantir une installation sûre, vérifiez d'abord la structure de la surface, du mur, du plafond ou du sol, ni la qualité d'installation du produit, la garantie du produit ne couvre que le produit lui-même, et non le fonctionnement du produit. La période de garantie du produit est de 5 ans.
- Das Produkt ist für den Transport und Demontage ausgelegt. Der Hersteller haftet nicht für Schäden an Geräten oder Personenschäden, die durch menschliche Faktoren oder Naturereignisse wie Erdbeben oder anderen starken Erschütterungen stand halten können.
- Modifizieren Sie kein Zubehör und verwenden Sie keine beschädigten Teile. Wenden Sie sich bei Fragen bitte an Ihren Händler.
- Ziehen Sie alle Schrauben fest (üben Sie keine übermäßige Kraft aus, um ein Brechen der Schraube oder eine Beschädigung des Gewindes zu vermeiden).
- Nach dem Entfernen des Produktes können Löcher in der Wand-, Decken- oder Boden verbleiben. Nach längerem Gebrauch können Flecken auftreten.
- Der Hersteller hat keinen Einfluss auf die Wand-, Decken- oder Bodentart und die Installation der Halterung. Deshalb deckt die Garantie des Produktes nur das Produkt selbst ab. Die Garantiezeit des Produktes beträgt 5 Jahre.
- Bei Streitigkeiten über die Bedingungen ziehen Sie bitte das englischsprachige Handbuch hinzu.

FR ATTENTION

- Pour assurer la sécurité, veuillez lire attentivement ce manuel avant l'installation et suivre les instructions. Conservez ce manuel dans un endroit sûr pour un besoin ultérieur.
- Le fabricant ne sera pas légalement responsable de tout dommage à l'équipement ou de blessures corporelles causé par une installation ou une utilisation incorrecte autre que celles précisées dans ce manuel.
- Le produit est conçu pour une installation et un démontage faciles. Le fabricant ne peut être tenu responsable des dommages à l'équipement ou des blessures corporelles résultant de facteurs humains ou d'actes de nature, tels qu'un tremblement de terre ou un typhon.
- Il est recommandé que le produit soit installé uniquement par du personnel qualifié.
- Au moins deux personnes sont nécessaires pour installer ou démonter le produit afin d'éviter tout risque de chute d'objets.
- Veuillez inspecter soigneusement la zone où le produit doit être installé:
 - Évitez les endroits soumis à des températures élevées, à l'humidité ou au contact avec de l'eau.
 - N'installez pas le produit à proximité de bouches de climatisation ou de zones avec un excès de poussière et de fumées.
 - Installez uniquement sur des murs verticaux et évitez les surfaces inclinées.
 - Ne pas installer dans des endroits soumis à des chocs ou des vibrations.
 - N'installez pas dans des endroits soumis à une exposition directe à la lumière vive, car cela peut provoquer une fatigue oculaire lors de la visualisation des écrans d'affichage.
- Maintenez un espace suffisant autour de l'écran pour assurer une adéquate ventilation.
- Pour garantir une installation sûre, vérifiez d'abord la structure de la surface, du mur, du plafond ou du sol et sélectionnez un emplacement de montage sécurisé.
- La surface, le mur, le plafond ou le sol doivent être suffisamment solides pour supporter un poids d'au moins quatre fois l'écran et le produit combinés. L'emplacement de montage doit pouvoir résister aux tremblements de terre ou à d'autres chocs violents.
- Ne modifiez aucun accessoire et n'utilisez pas de pièces cassées. Contactez votre revendeur pour toute question à ce sujet.
- Serrez toutes les vis (n'exercez pas de force excessive pour éviter de casser les vis ou d'endommager leur filetage).
- Des trous et des boulons peuvent être laissés dans le mur, le plafond ou le sol une fois le produit retiré. Des taches peuvent apparaître après une utilisation prolongée.
- Étant donné que le fabricant ne peut pas vérifier / superviser la qualité de la surface / du mur, du plafond ou du sol, ni la qualité d'installation du produit, la garantie du produit ne couvre que le produit lui-même, et non le fonctionnement du produit. La période de garantie du produit est de 5 ans.
- Veuillez consulter le manuel pour tout différend sur les conditions.

IT ATTENZIONE

- Per garantire la sicurezza, leggere attentamente questo manuale prima dell'installazione e seguire le istruzioni. Conservare questo manuale in un luogo sicuro per riferimenti futuri.
- Il produttore non sarà legalmente responsabile per eventuali danni alle apparecchiature o lesioni personali causati da installazione o funzionamento non corretti diversi da quelli descritti nel presente manuale.
- Il prodotto è progettato per una facile installazione e rimozione. Il produttore non è responsabile per danni alle apparecchiature o lesioni personali derivanti da fattori umani o atti di natura, come terremoti o tifoni.
- Si consiglia di installare il prodotto solo da personale qualificato.
- Per installare o rimuovere il prodotto sono necessarie almeno due persone per evitare il rischio di caduta di oggetti.
- Ispezionare attentamente l'area in cui il prodotto deve essere installato:
 - Evitare luoghi soggetti ad alte temperature, umidità o contatto con l'acqua.
 - Non installare il prodotto vicino a prese d'aria o aree con polvere e fumi in eccesso.
 - Installare solo su pareti verticali ed evitare superfici inclinate.
 - Non installare in luoghi soggetti a urti o vibrazioni.
 - Non installare in luoghi soggetti a esposizione diretta a luce intensa, in quanto potrebbe causare affaticamento degli occhi durante la visualizzazione del pannello del display.
- Mantenere uno spazio sufficiente attorno al display per garantire un'adeguata ventilazione.
- Per garantire un'installazione sicura, verificare innanzitutto la struttura della superficie, della parete, del soffitto o del pavimento e selezionare una posizione di montaggio sicura.
- La superficie, la parete, il soffitto o il pavimento devono essere sufficientemente robusti da sostenere un peso di almeno quattro volte il display e il prodotto combinati. La posizione di montaggio deve essere in grado di resistere a terremoti o altri forti urti.
- Non modificare alcun accessorio o utilizzare parti rotte. Contatta il tuo rivenditore per qualsiasi domanda.
- Stringere tutte le viti (non esercitare una forza eccessiva per evitare di rompere la vite o danneggiare la filettatura).
- Una volta rimosso il prodotto, è possibile lasciare fori nella parete, nel soffitto o nel pavimento. Le macchie possono verificarsi dopo un uso prolungato.
- Poiché il produttore non può verificare / supervisionare la qualità della superficie / parete, soffitto o pavimento né la qualità dell'installazione del prodotto, la garanzia del prodotto copre solo il prodotto stesso, non il funzionamento del prodotto. Il periodo di garanzia del prodotto è di 5 anni.
- Consultare il manuale in lingua inglese per qualsiasi controversia relativa alle condizioni.

ES PRECAUCIÓN

- Para garantizar su seguridad, lea este manual cuidadosamente antes de la instalación y siga las instrucciones. Conserve este manual en un lugar seguro para futuras consultas.
- El fabricante no será legalmente responsable de ningún daño producido sobre el equipo o lesión personal causada por una instalación o uso no mencionado explícitamente en este manual.
- El soporte está diseñado para una fácil instalación y extracción. El fabricante no es responsable por daños al equipo o lesiones personales que se causan por factores humanos o actos de la naturaleza, como terremotos o tifones.
- Se recomienda que el soporte sea instalado solo por personal cualificado.
- Para evitar que se caiga el producto, la instalación o retirada deberá ser realizada por al menos dos personas.
- Inspeccione detenidamente el área donde se instalará el soporte:
 - Evite los lugares sometidos a altas temperaturas, humedad o contacto con el agua.
 - No instale el producto cerca de ventiladores de aire acondicionado o áreas con exceso de polvo y humos.
 - Instalar solo en paredes verticales y evitar superficies inclinadas.
 - No instale en lugares sujetos a golpes o vibraciones.
 - No instale en lugares sometidos a la exposición directa a la luz brillante, ya que puede causar fatiga ocular al ver el panel de la pantalla.
- Mantenga suficiente espacio alrededor de la pantalla para asegurar una ventilación adecuada.
- Para garantizar una instalación segura, primero verifique la estructura de la pared, el techo o el piso y seleccione una ubicación de montaje segura.
- La pared, el techo o el piso deben ser lo suficientemente fuertes para sostener un peso de al menos cuatro veces la pantalla y el montaje combinados. La ubicación de montaje debe ser capaz de resistir un terremoto o otro golpe fuerte.
- No modifique ningún accesorio ni utilice componentes deteriorados. Póngase en contacto con su distribuidor si tiene alguna duda.
- Apriete todos los tornillos (no ejerza demasiada fuerza para evitar que se roma el tornillo o se dañe la rosca).
- Mantenga los orificios y los pernos en la pared, techo o suelo después de retirar la pantalla y el soporte. Podrían quedar manchas después de un uso prolongado.
- Dado que el fabricante no puede verificar o controlar el tipo de pared, techo o piso y la instalación del soporte, la garantía del producto solo cubrirá el cuerpo del soporte. El periodo de garantía del producto es de 5 años.
- Consulte el manual en inglés si tiene alguna duda acerca de las condiciones.