

# 2in1 Rechargeable Stick Vacuum Cleaner

## User Manual



VRT 70925 VB

EN | DE | FR | ES | RO | IT |  
| PL | NL | SR | MK | SQ


01M-8817043200-2419-01  
01M-8817053200-2419-01

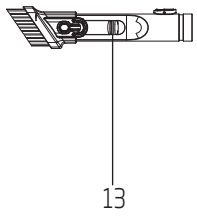
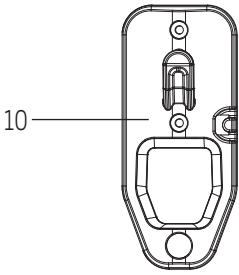
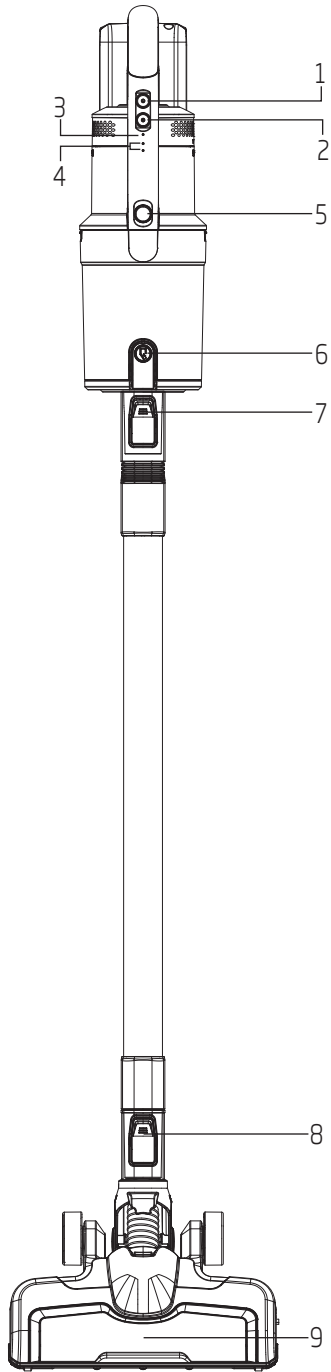
**beko**

## CONTENTS

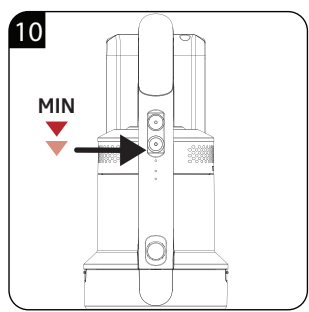
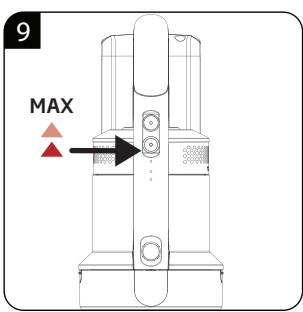
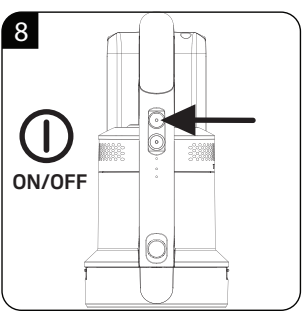
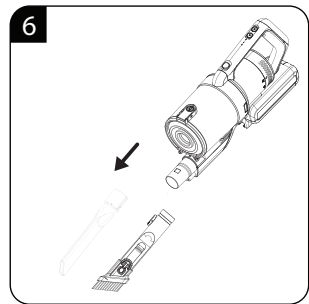
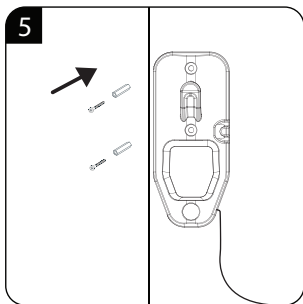
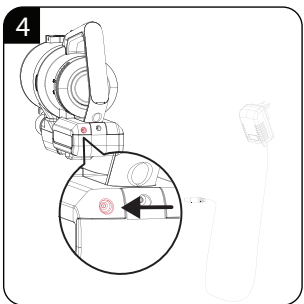
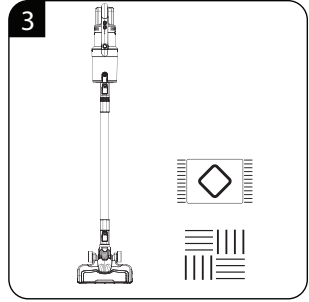
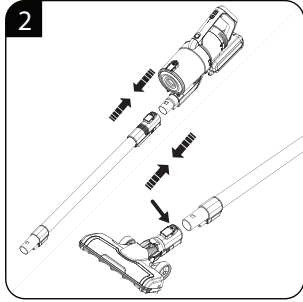
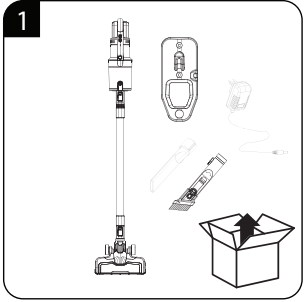
---

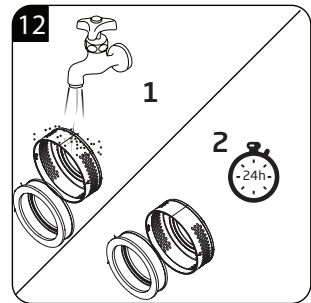
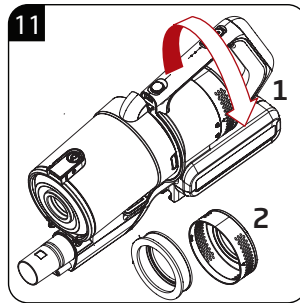
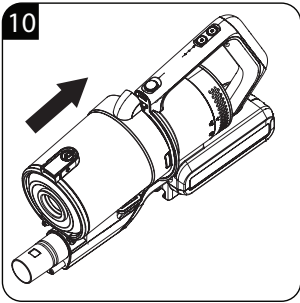
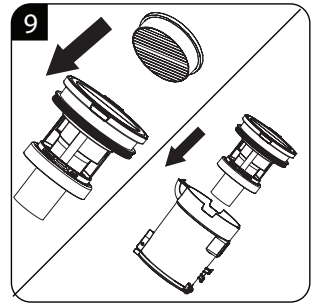
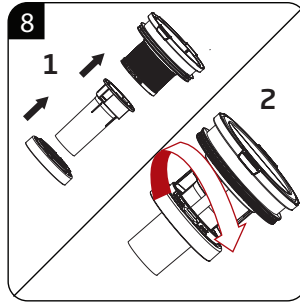
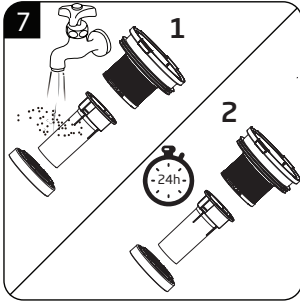
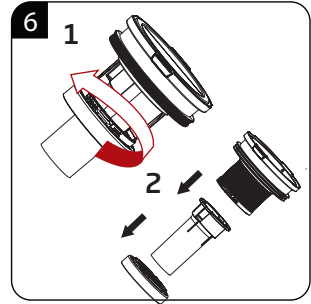
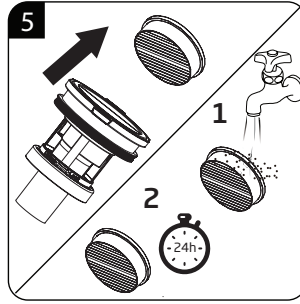
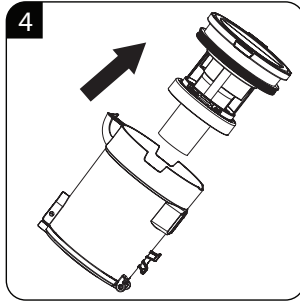
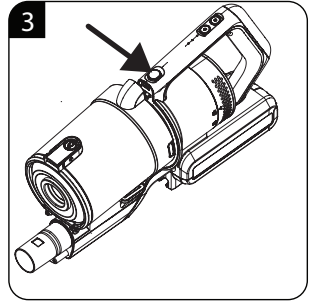
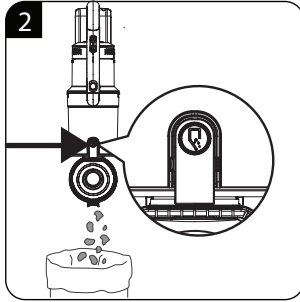
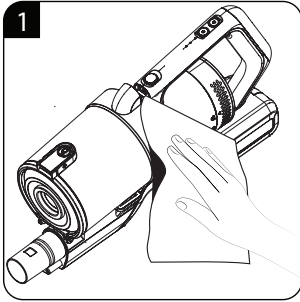
<b>ENGLISH</b>	<b>07-15</b>
<b>DEUTSCH</b>	<b>16-24</b>
<b>FRANÇAIS</b>	<b>25-31</b>
<b>ESPAÑOL</b>	<b>32-40</b>
<b>ROMANIAN</b>	<b>41-49</b>
<b>ITALIANO</b>	<b>50-57</b>
<b>POLSKI</b>	<b>58-66</b>
<b>NEDERLANDS</b>	<b>67-73</b>
<b>SRPSKI</b>	<b>74-80</b>
<b>МАКЕДОНСКИ</b>	<b>81-87</b>
<b>SHQIP</b>	<b>88-94</b>



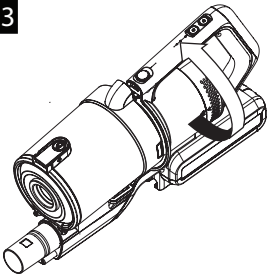


		
<b>EN</b>	OPERATION	CLEANING AND CARE
<b>DE</b>	BETRIEB	REINIGUNG UND PFLEGE
<b>FR</b>	FONCTIONNEMENT	NETTOYAGE ET ENTRETIEN
<b>ES</b>	FUNCIONAMIENTO	LIMPIEZA Y CUIDADOS
<b>RO</b>	UTILIZARE	CURĂȚAREA ȘI ÎNGRIJIREA
<b>IT</b>	UTILIZZO	PULIZIA E CURA
<b>PL</b>	OBSŁUGA	CZYSZCZENIE I KONSERWACJA
<b>NL</b>	BEDIENING	REINIGING EN ONDERHOUD
<b>SRB</b>	RUKOVANJE	ČIŠĆENJE I ODRŽAVANJE
<b>MK</b>	РАБОТА	ЧИСТЕЊЕ И ОДРЖУВАЊЕ
<b>ALBANIA (SQ)</b>	FUNKSIONIMI	PASTRIMI DHE KUJDESI

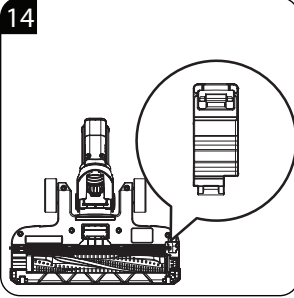




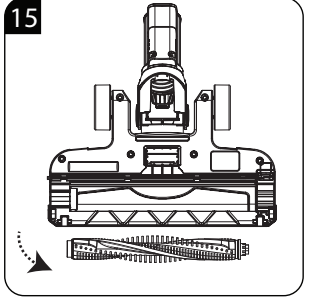
13



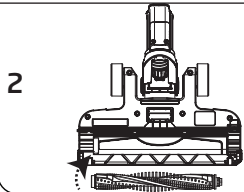
14



15



16



# Please read this manual first!

Dear Customer,

Thank you for selecting a Beko product. We hope that you get the best results from your appliance which has been manufactured with high quality and state-of-the-art technology. For this reason, please read this user manual and all other provided documents carefully before using the appliance and keep it as a reference for future use. If you hand over the appliance to someone else, give the user manual as well.

1. On/off button
2. Mode button
3. Max mode indicator
4. Charging level indicator
5. Dust bin release button
6. Dust bin cover release button
7. Tube release button
8. Brush release button
9. Electrical turbo brush
10. Wall hook
11. Power supply plug
12. Crevice tool
13. Two-in-one accessory



This appliance has been produced in environmentally-friendly, state-of-the-art facilities.

Follow the instructions by paying attention to all the information and warnings in the user manual.

## Meanings of the symbols

Following symbols are used in various sections of this manual:



Important information and useful hints about usage.



**WARNING:** Warnings against dangerous situations concerning the security of life and property.



Protection class for electric shock.

## Technical data

**Rated input power** : 150 W

**Adaptor Input** :  
100-240V ~ 50-60 Hz 0.5A

**Adaptor Output** : 25-29V 0,5A

**Charging time** : 4-6 hours

**Running time max. power:** 18 min.

**Running time min. power to up to:**  
42 min.

**Dust bin volume** : 700ml

**Battery type** :  
25,2V, 2000mAH, Li-ion battery

Technical and design modifications reserved.

The values which are declared in the markings affixed on your appliance or the other printed documents supplied with it represent the values which were obtained in the laboratories pursuant to the pertinent standards. These values may vary according to the usage of the appliance and ambient conditions.



This product does not contain PCB'S.



# 1 Important safety and environmental instructions

This section contains safety instructions that will help protect from risk of personal injury or property damage.

Failure to follow these instructions invalidates the granted warranty.

## 1.1 General safety

- This appliance complies with international safety standards.
- This appliance can be used by children aged from 8 years and above and persons with reduced physical, sensory or mental capabilities or lack of experience and knowledge if they have been given supervision or instruction concerning use of the appliance in a safe way and understand the hazards involved. Children shall not play with the appliance. Cleaning and user maintenance shall not be made by children without supervision.
- If the adapter or the appliance itself is damaged, do not use it. Contact an authorised service.
- Your mains power supply should comply with the information supplied on the rating plate of the appliance.
- Do not use the appliance with an extension cable.
- Prevent damage to the power cable by not squeezing, bending, or rubbing it on sharp edges.
- Do not touch the appliance or its plug when it is plugged if your hands are damp or wet.
- Do not pull the power cable when unplugging the appliance.
- Do not vacuum flammable materials and when vacuuming cigarette ash, make sure that it has cooled down.
- Do not vacuum water or other liquids.
- Protect the appliance from rain, humidity and heat sources.
- Never use the appliance in or near places where combustible or inflammable ambience or places are present.
- Unplug the appliance before cleaning and maintenance.
- Do not immerse the appliance or its power cable in water for cleaning.
- Do not attempt to dismantle the appliance.

# 1 Important safety and environmental instructions

- Use the original parts or parts recommended by the manufacturer only.
- Do not clean the particles such as cement, plaster and compressed paper in order to prevent the filter from being clogged and the motor being damaged.
- Use the appliance only with the adapter supplied with.
- Do not use the appliance without filters; otherwise it can get damaged.
- If you keep the packaging materials, store them out of the reach of children.
- This appliance is not intended for use by persons (including children) with reduced physical, sensory or mental capabilities, or lack of experience and knowledge, unless they have been given supervision or instruction concerning use of the appliance by a person responsible for their safety
- Children should be supervised to ensure that they do not play with the appliance
- The appliance is only to be used with the power supply unit provided with the appliance.
- The adapter must be removed from the socket-outlet and the battery pack must be removed from the appliance before cleaning or maintaining the appliance
- If the adapter is damaged, it must be replaced by the manufacturer or its agent or similarly qualified person in order to avoid hazard.
- Keep fingers, hair and loose clothing from moving parts and openings whilst using the vacuum cleaner
- The battery must be removed from the appliance before it is scrapped;
- Please dispose of used batteries according to local laws and regulations.
- This appliance contains batteries that are only replaceable by skilled persons.
- **WARNING:** For the purposes of recharging the battery, only use the detachable supply unit MC2508A-V provided with this appliance.
- Exhausted batteries are to be removed from the appliance and safely disposed of.
- The supply terminals are not to be short-circuited.

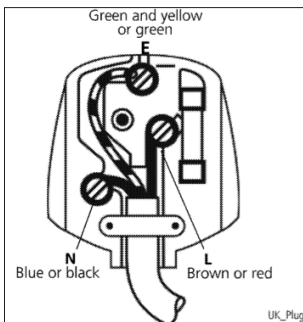
# 1 Important safety and environmental instructions

## Plug Wiring

The moulded plug on this appliance incorporates a 13 A fuse. Should the fuse need to be replaced an ASTA approved BS1362 fuse of the same rating must be used. Do not forget to refit the fuse cover. In the event of losing the fuse cover, the plug must not be used until a replacement fuse cover has been fitted. Colour of the replacement fuse cover must be the same colour as that visible on the pin face of the plug. Fuse covers are available from any good electrical store.

### • Fiting a different plug

- As the colours of the wires in the mains lead of this appliance may not correspond with the coloured markings identifying the terminals on your plug, proceed as follows:
- Brown cable = L (Live)
- Blue cable = N (Neutral)
- Green/yellow cable must be connected to ground (E)  $\equiv$  line
- With the alternative plugs a 13 A fuse must be fitted either in the plug or adaptor or in the main fuse box. If in doubt contact a qualified electrician.



## 2 Part assembling

### 2.2 Crevice tool

Suitable for cleaning the surfaces which are difficult to clean, such as areas remaining under sofas and furniture.

brush head of two-in-one accessory forwards, until "click" locking sound is heard. It is suitable for cleaning furniture, bookshelf and curtains, etc.

Insert the two-in-one accessory to the metal tube to operate on higher places such as ceiling, etc.

### 2.3 Two-in-one accessory

Push the brush head of fine the two-in-one accessory backwards, until "click" locking sound is heard. It is suitable for cleaning narrow slits, dead corners of doors and windows and other various small gaps. It is ready for vacuuming the gaps of wall corner, ladders and keyboard, etc. Push the

## 3 Use

### 3.1 Charging

Battery is not full when leaving factory, please remember to charge up before first usage.

1. Put the body on horizontal surface.
2. When charging, power indicator will twinkle continuously.
3. 1 min after charging up, indicator will shut off.

## 4 Information

### 4.1 Cleaning and care

Switch off and unplug the appliance, before cleaning it.



**WARNING:** Never use gasoline, solvent, abrasive cleaning agents, metal objects or hard brushes to clean the appliance.

### 4.2 Cleaning of filtration system

- Disassemble cyclone and clean, all parts are washable.

### 4.3 Storage

- If you do not intend to use the appliance for a long time, store it carefully.
- Pull the appliance's plug out.
- Keep the appliance out of the reach of children.

### 4.4 Handling and transportation

- During handling and transportation, carry the appliance in its original packaging. The packaging of the appliance protects it against physical damages.

## 5 Information

- Do not place heavy loads on the appliance or on the packaging. The appliance may get damaged.
- Dropping the appliance may render it non-operational or cause permanent damage.

### 4.5 Compliance with the WEEE Directive and disposal of the waste product



This product complies with EU WEEE Directive (2012/19/EU). This product bears a classification symbol for waste electrical and electronic equipment (WEEE).

This symbol indicates that this product shall not be disposed with other household wastes at the end of its service life. Used device must be returned to official collection point for recycling of electrical and electronic devices. To find these collection systems please contact to your local authorities or retailer where the product was purchased. Each household performs important role in recovering and recycling of old appliance. Appropriate disposal of used appliance helps prevent potential negative consequences for the environment and human health.

### 4.6 Compliance with RoHS Directive

The product you have purchased complies with EU RoHS Directive (2011/65/EU). It does not contain harmful and prohibited materials specified in the Directive.

### 4.7 Package information



Packaging materials of the product are manufactured from recyclable materials in accordance with our National Environment Regulations. Do

not dispose of the packaging materials together with the domestic or other wastes. Take them to the packaging material collection points designated by the local authorities.

### 4.8 Information on waste batteries



This symbol on rechargeable batteries/batteries or on the packaging indicates that the rechargeable battery/battery may not be disposed of with regular house hold rubbish. For certain rechargeable batteries/batteries, this symbol may be supplemented by a chemical symbol. Symbols for mercury (Hg) or lead (Pb) are provided if the rechargeable batteries/batteries

contain more than 0,0005 % mercury or more than 0,004 % lead.



Rechargeable batteries/batteries, including those which do not contain heavy metal, may not be disposed of with household waste. Always dispose of used batteries in accordance with local environmental regulations. Make enquiries about the applicable disposal regulations where you live.

## 6 Troubleshooting

Common failure	Possible cause	Solutions
The vacuum doesn't work	Product is power off or battery is low	Please charge the product before use
	Product suction port is blocked.	Cleaning product suction mouth
Suction is too weak	Dust barrel & filter assembly is dusty	Clean the dustbin and filter material
	Rolling brush is wrapped around the hair and other objects	Clean roller brush
	Situation still remains	Please contact with our after sales team
Different motor operation sound	The aluminum tube is blocked	Clean up the obstacles
	Situation still remains	Please contact with our after sales team
Vacuum cleaner in trouble at work	Too many obstacles in the cleaning area	Manually remove obstacles
	Product suction port is blocked	Clean product suction mouth
	Situation still remains	Please contact with our after sales team
Product can not be charged	Charger not connected well	Please check and contact well
	Charger or receptacle is not fully charged or loose	Check it and put away
	Situation still remains	Please contact with us

## Product Guarantee

### **12 months breakdown and repair guarantee**

Guarantor: **Beko plc, 1 Greenhill Crescent, Watford, Hertfordshire. WD18 8UF**

The guarantee does not in any way diminish your statutory or legal rights.

Your **appliance** has the benefit of our manufacturer's guarantee which covers the product for 12 months from the date of original purchase.

This gives you reassurance that if within that time, your **appliance** is proven to be defective because of either workmanship or materials, we will at our discretion either repair or replace your **appliance**.

The **appliance** must be correctly installed, located and operated in accordance with the instructions contained in the user manual. The guarantor disclaims any liability for accidental or consequential damage.

The Guarantee is subject to the following conditions:

- Documentary proof of the original purchase date is provided.
- The appliance has been installed and operated correctly and in accordance with our operating and maintenance instructions.
- The appliance is used only on the electricity supply on the rating plate.
- The appliance has only been used for normal domestic purposes.
- The appliance has not been altered, serviced, dismantled or otherwise interfered with by any person.
- The appliance is used in the United Kingdom or Republic of Ireland.
- Any parts removed during repair work or any product that has been replaced becomes our property.
- The guarantee is not transferrable if the product is resold.

The Guarantee does not cover:

- Transit, installation or delivery damage.
- Accidental damage.
- Misuse or abuse.
- Replacement of any consumable item or accessories. These include but are not limited to: plugs, cables, light bulbs, knobs, filters and flaps.
- Repairs or replacements required as a result of unauthorised repairs or inexperienced installation that fails to meet the requirements contained in the user guide or instruction book.
- Repairs to products used in commercial or non-residential household premises.

### How to obtain after sales service, help or general advice

**Please keep your purchase receipt or other proof of purchase in a safe place as you will need to show us this document if your product requires attention within the guarantee period.**

Please also record your product details below, which will allow you to access our services more quickly and help us identify your product. The model number is printed on the front of the user guide and the serial and model number is shown on your products rating plate.

Model number	Serial number	Purchased from	Date of purchase

Please call our UK based Customer Service department if you need help or advice from us:

United Kingdom and Northern Ireland:      **0845 600 4911 / 0345 600 4911**  
Republic of Ireland:                              **01 862 3411**  
You can also contact us through our website:      **www.beko.co.uk**

## Bitte lesen Sie zunächst diese Anleitung!

Sehr geehrte Kundin, sehr geehrter Kunde,

Vielen Dank, dass Sie sich für ein Beko-Produkt entschieden haben. Wir hoffen, dass Sie mit diesem Produkt, das mit den höchsten Qualitätsanforderungen und der modernsten Technologie hergestellt wurde, beste Ergebnisse erzielen. Bitte lesen Sie die gesamte Bedienungsanleitung und alle anderen Begleitdokumente aufmerksam, bevor Sie das Produkt verwenden; bewahren Sie sie zum künftigen Nachschlagen sicher auf. Wenn Sie das Produkt an einen Dritten weitergeben, händigen Sie bitte auch diese Anleitung aus. Befolgen Sie alle Warnhinweise und Informationen in dieser Anleitung.

1. Ein-/Austaste
2. Modustaste
3. Anzeige des Maximalmodus
4. Ladestandanzeige
5. Auffangbehälter-Entriegelungstaste
6. Auffangbehälterabdeckung-Entriegelungstaste
7. Rohr-Entriegelungstaste
8. Bürsten-Entriegelungstaste
9. Elektrische Turbobürste
10. Wandhaken
11. Netzstecker
12. Fugendüse
13. 2-in-1-Zubehör



Dieses Produkt wurde in umweltfreundlichen, hochmodernen Einrichtungen hergestellt

## Bedeutung der Symbole

Folgende Symbole werden in den verschiedenen Abschnitten dieser Anleitung verwendet:



Wichtige Informationen und nützliche Tipps zur Verwendung.



**WARNING:** Warnhinweise zu gefährlichen Situationen im Hinblick auf die Sicherheit von Leib, Leben und Eigentum.



Schutzklasse gegen Stromschläge.

## Technische Daten

**Nenneingangsleistung** : 150 W

**Netzteil Eingang** :  
100-240V ~ 50-60 Hz 0.5A

**Netzteil Ausgang** : 25-29V 0.5A

**Ladezeit** : 4 bis 6 Stunden

**Laufzeit bei max. Leistung** : 18 min

**Laufzeit bei min. Leistung bis** : 42 min.

**Fassungsvermögen des Auffangbehälters** : 700 ml

**Akkutyp** :  
25,2V, 2000mAh-Lithium-Ionen-Akku

Technische und optische Änderungen vorbehalten.

Die am Gerät oder in der Dokumentation angegebenen Werte wurden nach maßgeblichen Standards unter Laborbedingungen ermittelt. Diese Werte können je nach Geräteeinsatz und Umgebungsbedingungen variieren.



# 1 Wichtige Hinweise zu Sicherheit und Umwelt

Dieser Abschnitt enthält Sicherheitsanweisungen, die beim Schutz vor Personen- und Sachschäden helfen.

Bei Nichtbeachtung dieser Anweisungen erlischt die gewährte Garantie.

## 1.1 Allgemeine Sicherheit

- Dieses Gerät erfüllt internationale Sicherheitsstandards.
- Das Gerät darf nur dann von Kindern ab 8 Jahren und Personen mit körperlichen oder geistigen Einschränkungen genutzt werden, wenn diese beaufsichtigt werden oder gründlich über den richtigen und sicheren Umgang mit dem Gerät aufgeklärt wurden, sich sämtlicher möglicher Gefahren bewusst sind. Kinder dürfen nicht mit dem Gerät spielen. Reinigung und Benutzerwartung dürfen von Kindern nicht ohne Aufsicht durchgeführt werden.
- Verwenden Sie das Gerät nicht, falls Netzteil oder Gerät selbst beschädigt sind. Wenden Sie sich dann an einen autorisierten Serviceanbieter.
- Die Stromversorgung muss mit den Angaben am Typenschild des Gerätes übereinstimmen.
- Das Gerät nicht mit einem Verlängerungskabel verwenden.
- Schäden am Netzkabel vermeiden, dieses nicht quetschen, knicken oder über scharfe Kanten ziehen.
- Gerät oder eingesteckten Netzstecker nicht mit feuchten oder gar nassen Händen berühren.
- Beim Trennen des Gerätes nicht am Netzkabel selbst ziehen.
- Keine brennbaren Materialien aufsaugen; Zigarettenasche nur dann aufsaugen, wenn diese definitiv kalt ist.
- Saugen Sie weder Wasser noch andere Flüssigkeiten auf.
- Gerät vor Regen, Feuchtigkeit und Wärmequellen schützen.

# 1 Wichtige Hinweise zu Sicherheit und Umwelt

- Gerät niemals an oder in der Nähe von Stellen benutzen, an denen sich leicht brennbare oder gar explosive Materialien befinden.
- Vor Reinigung und Wartung den Netzstecker ziehen.
- Tauchen Sie zur Reinigung weder das Gerät noch sein Netzkabel in Wasser.
- Nicht versuchen, das Gerät zu demontieren.
- Nur Originalteile und vom Hersteller empfohlene Teile verwenden.
- Saugen Sie keine Partikel, wie Zement, Gips und komprimiertes Papier auf. Diese könnten den Filter verstopfen und den Motor schädigen.
- Verwenden Sie das Gerät nur mit dem mitgelieferten Netzteil.
- Gerät nicht ohne Filter verwenden; andernfalls können Schäden auftreten.
- Falls Sie die Verpackungsmaterialien aufheben möchten, bewahren Sie sie außerhalb der Reichweite von Kindern auf.
- Dieses Gerät ist nicht zur Nutzung durch Personen (einschließlich Kindern) vorgesehen, die über reduzierte körperliche Eignung, Wahrnehmung oder geistige Fähigkeiten, Mangel an Erfahrung und Wissen verfügen, sofern diese Personen nicht von einer verantwortlichen Person beaufsichtigt oder in der Verwendung des Gerätes unterwiesen wurden.
- Kinder sollten soweit beaufsichtigt werden, dass sie nicht mit dem Gerät spielen.
- Das Gerät darf nur mit dem mitgelieferten Netzteil verwendet werden.
- Vor Reinigung oder Wartung des Gerätes muss das Netzteil aus der Steckdose gezogen und muss der Akku aus dem Gerät entfernt werden.
- Falls das Netzteil beschädigt ist, muss es zur Vermeidung von Gefahren vom Hersteller, seinem Kundencenter oder vergleichbar qualifizierten Personen ersetzt werden.

# 1 Important safety and environmental instructions

---

- Halten Sie während der Benutzung des Staubsaugers Finger, Haare und lose Kleidungsstücke von beweglichen Teilen und Öffnungen fern.
- Der Akku muss vor der Verschrottung aus dem Gerät entfernt werden.
- Bitte entsorgen Sie verbrauchte Akkus entsprechend den lokalen Gesetzen und Richtlinien.
- Dieses Gerät enthält Akkus, die nur von sachkundigen Personen ersetzt werden dürfen.
- **WARNUNG:** Verwenden Sie zur Aufladung des Akkus nur das abnehmbare mit diesem Gerät gelieferte Netzteil MC2508A-V.
- Erschöpfte Akkus müssen aus dem Gerät entfernt und sachgemäß entsorgt werden.
- Die Versorgungsanschlüsse dürfen nicht kurzgeschlossen werden.

## 2 Montieren der Teile

### 2.2 Fugendüse

Zum Reinigen schwierig erreichbarer Stellen, beispielsweise zwischen Polstern, in Ecken und unter Möbeln.

### 2.3 2-in-1-Zubehör

Drücken Sie den Bürstenkopf des 2-in-1-Zubehörs nach hinten, bis Sie ein Klickgeräusch hören. Geeignet zur Reinigung schmaler Schlitze, schwer erreichbarer Winkel von Türen und Fenstern und verschiedener anderer kleiner Lücken. Geeignet zum Absaugen der Schlitze von Sockelleisten, Leitern, Tastaturen usw. Drücken Sie den Bürstenkopf des 2-in-1-Zubehörs nach vorne, bis Sie ein Klickgeräusch hören. Geeignet zum Reinigen von Möbeln, Bücherregalen, Vorhängen usw.

Stecken Sie das 2-in-1-Zubehör in das Metallrohr, wenn Sie höhere Stellen wie Decken usw. erreichen möchten.

## 3 Verwendung

### 3.1 Aufladung

Der Akku ist bei Auslieferung nicht vollständig geladen. Denken Sie daran, ihn vor der ersten Inbetriebnahme aufzuladen.

1. Stellen Sie das Gerät auf einen horizontalen Untergrund.
2. Beim Aufladen blinkt die Betriebsanzeige kontinuierlich.
3. 1 min nach der Aufladung erlischt die Anzeige.

## 4 Informationen

### 4.1 Reinigung und Pflege

Schalten Sie das Gerät vor seiner Reinigung ab und ziehen Sie den Netzstecker.



**WARNING:** Reinigen Sie das Gerät niemals mit Benzin, Lösungsmitteln, Scheuermitteln, Metallgegenständen, harten Bürsten oder ähnlichen Mitteln.

### 4.2 Filtersystem reinigen

- Demontieren Sie Zyklonabscheider und reinigen Sie alle abwaschbaren Teile. (5)



**WARNING:** Bei langfristiger Nichtbenutzung an einem kühlen, trockenen Ort aufbewahren, wobei der Akku mindestens zur Hälfte geladen sein sollte. Andernfalls könnte er beschädigt werden. Weder vollständig aufgeladen noch komplett entladen lagern. Bitte bewahren Sie den Akku nicht zusammen mit leitfähigen Materialien auf. Wenn Metallteile direkt mit dem Akku in Berührung kommen, könnte der Akku durch Kurzschluss beschädigt werden.

### 4.3 Aufbewahrung

- Lagern Sie das Gerät sorgfältig, wenn Sie es längere Zeit nicht benutzen sollten.
- Sorgen Sie dafür, dass das Gerät vom Stromnetz getrennt, gänzlich abgekühlt und trocken ist.
- Lagern Sie das Gerät an einem kühlen, trockenen Ort.
- Halten Sie das Gerät von Kindern fern.

### 4.4 Transport

- Transportieren Sie das Gerät in seiner Originalverpackung. Die Verpackung schützt das Gerät vor Beschädigungen.
- Legen Sie keine schweren Gegenstände auf dem Gerät oder der Verpackung ab. Andernfalls könnte das Gerät beschädigt werden.
- Falls das Gerät herunterfällt, ist es möglicherweise nicht mehr funktionsfähig oder weist dauerhafte Schäden auf.

### 4.5 Entsorgung von Altgeräten

Dieses Produkt erfüllt die Vorgaben der EU-WEEE-Direktive (2012/19/EU). Das Produkt wurde mit einem Klassifizierungssymbol für elektrische und elektronische Altgeräte (WEEE) gekennzeichnet.



Dieses Symbol zeigt an, dass dieses Gerät am Ende seiner Einsatzzeit nicht mit anderem Hausmüll entsorgt werden darf. Altgeräte müssen an offizielle Sammelstellen zum Recycling elektrischer und elektronischer Geräte abgegeben werden. Nähere Angaben zu diesen Sammelstellen erhalten Sie von Ihrer Stadtverwaltung oder dem Händler, bei dem Sie das Gerät erworben haben. Der Beitrag jedes Haushalts zum Umweltschutz ist wichtig. Eine angemessene Entsorgung von Altgeräten hilft bei der Verhinderung negativer Auswirkungen auf Umwelt und menschliche Gesundheit.

### 4.4 Einhaltung von RoHS-Vorgaben

Das von Ihnen erworbene Produkt erfüllt die Vorgaben der EU-RoHS Direktive (2011/65/EU). Es enthält keine in der Direktive angegebenen gefährlichen und unzulässigen Materialien.

## 5 Information

### 4.5 Informationen zur Verpackung



Die Verpackung des Produkts wurde gemäß unserer nationalen Gesetzgebung aus recyclingfähigen Materialien hergestellt. Entsorgen Sie die Verpackungsmaterialien nicht mit dem Hausmüll oder anderem Müll. Bringen Sie sie zu einer von der Stadtverwaltung bereitgestellten Sammelstelle für Verpackungsmaterial.

### 4.8 Verbrauchte Akkus



Achten Sie darauf, verbrauchte Akkus entsprechend den örtlichen Gesetzen und Richtlinien zu entsorgen. Das Symbol an Akku und Verpackung zeigt an, dass der mit dem Produkte gelieferte



Akku nicht über den Hausmüll entsorgt werden darf. An einigen Orten könnte dieses Symbol in Kombination mit einem chemischen Zeichen genutzt werden.

Falls die Akkus mehr als 0,0005 % Quecksilber oder mehr als 0,004 % Blei enthalten, befindet sich bei Quecksilber das Hg-Symbol und bei Blei das Pb-Symbol unter dem chemischen Zeichen. Durch eine ordnungsgemäße Entsorgung von Akkus und Batterien tragen Sie zur Verhinderung möglicher Gefahren für Umwelt und menschliche Gesundheit bei, die bei unsachgemäßer Entsorgung von Akkus und Batterien auftreten können.

## 6 Problemlösung

Allgemeiner Fehler	Mögliche Ursache	Abhilfemaßnahmen
Der Staubsauger funktioniert nicht	Gerät ist abgeschaltet oder Akkustand ist gering	Gerät vor der Benutzung aufladen
	Saugöffnung ist blockiert.	Saugöffnung des Gerätes reinigen
Saugleistung ist zu gering	Auffangbehälter und Filterbaugruppe sind staubig	Auffangbehälter und Filtermaterial reinigen
	Haare und andere Objekte sind um die Rollbürste gewickelt	Rollbürste reinigen
	Situation bleibt unverändert	An unseren Kundendienst wenden
Ungewöhnliches Motorgeräusch	Aluminiumrohr ist verstopft	Blockade entfernen
	Situation bleibt unverändert	An unseren Kundendienst wenden
Staubsauger funktioniert nicht richtig	Zu viele Hindernisse im Reinigungsbereich	Hindernisse manuell entfernen
	Saugöffnung ist blockiert	Saugöffnung des Gerätes reinigen
	Situation bleibt unverändert	An unseren Kundendienst wenden
Gerät kann nicht aufgeladen werden	Ladegerät ist nicht richtig angeschlossen	Prüfen und erneut anschließen
	Ladegerät oder Steckdose fehlerhaft oder locker	Prüfen und gegebenenfalls außer Betrieb nehmen
	Situation bleibt unverändert	Kontakt zu uns aufnehmen

Vertriebsniederlassung Österreich für Beko Kleingeräte:

Elektra Bregenz AG  
Pfarrgasse 77  
A-1230, Wien



<http://at.beko.com/>

Sehr geehrter Kunde!

Vielen Dank, dass Sie sich für ein Qualitätsprodukt von Beko entschieden haben!

Unsere Geräte werden nach den neuesten technischen Erkenntnissen entwickelt, produziert und geprüft.

Sollte trotzdem eine Störung auftreten, so bitten wir Sie, sich mit Ihrem **Fachhändler** bzw. mit der Verkaufsstelle in Verbindung zu setzen.

Gewährleistungsansprüche können **nicht direkt bei Beko** geltend gemacht werden! Behalten Sie deshalb immer Ihre Verkaufsquittung als Beleg.

Wir danken Ihnen, für Ihr Vertrauen und wünschen Ihnen viel Freude mit Ihrem neuen Produkt!



# Avant toute chose, veuillez lire ce manuel d'utilisation !

Chères clientes, Chers clients,  
Merci d'avoir choisi un produit Beko. Nous espérons que ce produit, fabriqué dans des installations modernes et soumis à un processus de contrôle qualité rigoureux, vous offre les meilleures performances possibles. C'est pourquoi nous vous recommandons, avant d'utiliser ce produit, de lire attentivement ce manuel et tous les autres documents fournis et de les conserver soigneusement pour toute consultation future. Si vous confiez le produit à quelqu'un d'autre, n'oubliez pas de lui remettre également le manuel d'utilisation. Veillez à bien respecter les consignes et les instructions figurant dans le manuel d'utilisation.

1. Bouton Marche/Arrêt
2. Bouton du mode
3. Indicateur de mode max
4. Indicateur de niveau de charge
5. Bouton de déverrouillage du bac à poussière
6. Bouton de déverrouillage du couvercle du bac à poussière
7. Bouton de libération du tuyau
8. Bouton de libération de la brosse
9. Brosse turbo électrique
10. Crochet mural
11. Fiche électrique
12. Suceur plat
13. Accessoire deux-en-un



Ce produit a été fabriqué dans des usines écologiques et modernes.

## Signification des symboles

Les symboles suivants sont repris tout au long de ce manuel:



Informations importantes et conseils utiles concernant l'utilisation de l'appareil.



**AVERTISSEMENT** : Avertissement sur les situations dangereuses concernant la sécurité des biens et des personnes.



Classe de protection contre les chocs électriques.

## Caractéristiques techniques

**Puissance d'entrée nominale** : 150 W

**Tension d'entrée de l'adaptateur** :  
100 - 240 V~ 50-60 Hz 0.5A

**Sortie de l'adaptateur** : 25-29V  
0.5A

**Durée de charge** : 4-6 heures

**Durée de fonctionnement à la puissance maximale** : 18 min.

**Durée de fonctionnement à la puissance minimale jusqu'à** : 42 min.

**Volume du bac à poussières** : 700ml

**Type de batterie** :

Batterie Liion 25,2 V, 2000mAh

Modifications techniques et conceptuelles réservées.

Les valeurs indiquées sur les inscriptions apposées sur votre appareil ou les autres documents fournis avec le produit sont des valeurs obtenues en conditions de laboratoire, conformément aux normes en vigueur. Ces valeurs peuvent varier en fonction de l'utilisation de l'appareil et des conditions ambiantes.



Ne contient pas de PCB.

# 1 Instructions importantes en matière de sécurité et d'environnement

Ce chapitre contient les instructions de sécurité qui vous aideront à éviter les risques de blessures corporelles ou de dégâts matériels. Le non-respect de ces instructions entraînera l'annulation de toute garantie.

## 1.1 Consignes générales de sécurité

- Cet appareil est conforme aux normes internationales de sécurité.
- Cet appareil peut être utilisé par des enfants de 8 ans minimum, des personnes à capacités physiques, sensorielles ou mentales réduites et des personnes manquant d'expérience ou de connaissances en la matière, à condition qu'ils soient supervisés ou aient été instruits sur le maniement sécurisé de l'appareil et qu'ils aient pleinement conscience des risques encourus. Les enfants ne doivent pas jouer avec l'appareil. Le nettoyage et l'entretien de l'appareil ne doivent pas être effectués par des enfants sans surveillance.
- Si l'adaptateur ou l'appareil est endommagé, ne pas l'utiliser. Contacter un service agréé.
- Assurez-vous que votre source d'alimentation électrique est conforme aux informations spécifiées sur la plaque signalétique de votre appareil.
- N'utilisez pas de rallonge.
- Pour éviter d'endommager le câble d'alimentation, évitez de l'aplatir, de le plier ou de le frotter contre des bords coupants.
- Si l'appareil est branché ne touchez pas la prise secteur avec les mains humides ou mouillées.
- Ne tirez pas sur le cordon d'alimentation de l'appareil pour le débrancher.
- N'aspirez jamais de substances inflammables ni de cendres chaudes.
- N'utilisez pas l'aspirateur pour l'eau ou tout autre liquide.
- Tenir l'appareil à l'écart de la pluie, de l'humidité et des sources de chaleur.
- N'utilisez pas l'appareil à proximité ou autour des environnements ou matières explosives ou inflammables.
- Veillez à toujours débrancher l'appareil avant de le nettoyer.
- Ne jamais introduire l'appareil ou le câble d'alimentation dans l'eau ou tout autre liquide.

# 1 Instructions importantes en matière de sécurité et d'environnement

- N'essayez pas de démonter l'appareil.
- Utilisez uniquement des pièces d'origine ou des pièces recommandées par le fabricant.
- Ne nettoyez pas les particules comme le ciment, le plâtre et le papier compressé afin d'éviter de boucher le filtre et d'endommager le moteur.
- Utilisez l'appareil uniquement avec l'adaptateur fourni.
- N'utilisez pas l'appareil sans filtre.
- Si vous conservez les matériaux d'emballage, tenez-les hors de la portée des enfants.
- Ce produit ne doit pas être utilisé par des personnes (y compris des enfants) dont les capacités physiques, sensorielles ou mentales sont réduites, ou manquant d'expérience ou de connaissances, à moins qu'elles ne soient supervisées ou instruites concernant l'utilisation de l'appareil par une personne responsable de leur sécurité.
- Les enfants doivent toujours être surveillés pour s'assurer qu'ils ne jouent pas avec l'appareil.
- Utiliser l'appareil uniquement avec le bloc d'alimentation fourni avec l'appareil.
- L'adaptateur doit être débranché de la prise électrique et le bloc de batteries retiré de l'appareil avant le nettoyage et l'entretien de l'appareil.
- Si l'adaptateur est endommagé, il doit être remplacé par le fabricant, son réparateur agréé ou une personne de qualification similaire afin d'éviter tout danger.
- Maintenir les doigts, les cheveux et les vêtements amples à distance des pièces en mouvement et des orifices pendant l'utilisation de l'aspirateur
- Retirer la batterie de l'appareil avant de le jeter ;
- Éliminer les batteries usagées dans le respect des lois et réglementations locales.
- Cet appareil contient des batteries que seules des personnes compétentes peuvent remplacer.
- **AVERTISSEMENT** : Utiliser uniquement le bloc d'alimentation séparé MC2508A-V fourni avec l'appareil pour recharger la batterie.
- Ne court-circuiter en aucun cas les bornes d'alimentation.

## 2 Assemblage

### 2.2 Suceur plat

Idéal pour le nettoyage des surfaces difficiles à nettoyer, notamment les zones en dessous des canapés et des meubles.

Insérez l'accessoire deux-en-un dans le tube métallique pour opérer à des endroits plus élevés tels que le plafond, etc.

### 2.3 Accessoire deux-en-un

Poussez la tête de brosse de l'accessoire deux-en-un vers l'arrière, jusqu'à ce que vous entendiez un « clic » de verrouillage. Il convient au nettoyage des fentes étroites, des coins morts des portes et fenêtres et autres petits espaces. Il convient parfaitement pour aspirer les interstices dans les murs, les échelles et les claviers, etc. Poussez la tête de brosse de l'accessoire deux-en-un vers l'avant, jusqu'à ce que vous entendiez un « clic » de verrouillage. Il convient pour le nettoyage de meubles, étagères et rideaux, etc.

## 3 Utilisation

### 3.1 Charge

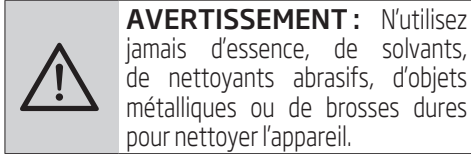
La batterie n'est pas pleine à la sortie d'usine, n'oubliez pas de la recharger avant la première utilisation.

1. Placez le corps sur une surface horizontale.
2. Pendant le chargement, l'indicateur d'alimentation clignote en continue.
3. 1 min après la charge, l'indicateur s'éteint.

## 4 Informations

### 4.1 Nettoyage et entretien

Arrêtez l'appareil et débranchez-le avant de le nettoyer.



### 4.2 Nettoyage du système de filtration

- Démonter le cyclone et le nettoyer, toutes les pièces sont lavables. (5)

### 4.3 Rangement

- Si vous ne comptez pas utiliser votre appareil pendant un certain temps, veuillez le ranger soigneusement.
- Assurez-vous que l'appareil soit débranché, refroidi et complètement sec.
- Conservez l'appareil dans un endroit frais et sec.
- Tenez l'appareil hors de portée des enfants.

### 4.4 Déplacement et transport

- Pendant la manipulation et le transport, utilisez toujours l'emballage d'origine de l'appareil. L'emballage de l'appareil le protège des dommages physiques.
- Ne placez pas de charges lourdes sur l'appareil ou sur l'emballage. Cela pourrait endommager l'appareil.
- Toute chute de l'appareil pourrait le rendre non opérationnel ou l'endommager de façon permanente.

### 4.5 Conformité avec la directive DEEE et mise au rebut des déchets

Ce produit est conforme à la directive DEEE (2012/19/UE) de l'Union européenne). Ce produit porte un symbole de classification pour la mise au rebut des équipements électriques et électroniques (DEEE).



Ce symbole indique que ce produit ne doit pas être jeté avec les déchets ménagers à la fin de sa vie utile. Les appareils usagés doivent être retournés au point de collecte officiel destiné au recyclage des appareils électriques et électroniques. Pour trouver ces systèmes de collecte, veuillez contacter les autorités locales ou le détaillant auprès duquel vous avez acheté le produit. Chaque ménage joue un rôle important dans la récupération et le recyclage des appareils ménagers usagés. L'élimination appropriée des appareils usagés aide à prévenir les conséquences négatives potentielles pour l'environnement et la santé humaine.

## 5 Informations

### 4.6 Conformité avec la directive LdSD

L'appareil que vous avez acheté est conforme à la directive LdSD (2011/65/UE) de l'Union européenne. Il ne comporte pas les matériaux dangereux et interdits mentionnés dans la directive.

### 4.7 Information sur l'emballage



L'emballage du produit est composé de matériaux recyclables, conformément à notre réglementation nationale. Ne jetez pas les éléments d'emballage avec les déchets domestiques et autres déchets. Déposez-les dans un des points de collecte d'éléments d'emballage que vous indiquera l'autorité locale dont vous dépendez.

### 4.8 Piles usagées



Assurez-vous que les piles déchargées sont mises au rebut conformément aux lois et réglementations locales. Le symbole inscrit sur la pile et l'emballage indique que la pile fournie avec l'appareil ne doit pas être considérée comme déchet ménager. Dans certains endroits, ce symbole peut être associé à un symbole chimique. Si la teneur en mercure et en plomb des piles dépasse respectivement 0,0005 % et 0,004 %, les symboles Hg du mercure et Pb du plomb sont placés en-dessous du symbole chimique. En vous assurant que les piles sont correctement mises au rebut, vous contribuez à la prévention des dommages potentiels à l'environnement et à la santé humaine qui pourraient survenir si les piles ne sont pas correctement mises au rebut.

## 6 Dépannage

Problème fréquent	Source éventuelle	Solutions
L'aspirateur ne fonctionne pas.	Le produit est hors tension ou la batterie est faible	Chargez le produit avant de l'utiliser
	L'orifice d'aspiration du produit est bloqué.	Nettoyage de la bouche d'aspiration du produit
L'aspiration est trop faible	Le bac à poussière et le filtre sont poussiéreux	Nettoyez le bac à poussière et le matériau filtrant
	Des cheveux et autres objets sont enroulés autour de la brosse à rouleaux	Nettoyez la brosse à rouleaux
	Le problème n'est pas résolu	Veillez contacter notre équipe de service après-vente
Bruit de fonctionnement du moteur différent	Le tube en aluminium est bloqué	Nettoyez les obstructions
	Le problème n'est pas résolu	Veillez contacter notre équipe de service après-vente
L'aspirateur fonctionne mal	Trop d'obstacles dans la zone de nettoyage	Enlevez manuellement les obstacles
	L'orifice d'aspiration du produit est bloqué	Nettoyez l'orifice d'aspiration du produit
	Le problème n'est pas résolu	Veillez contacter notre équipe de service après-vente
Le produit ne charge pas	Le chargeur n'est pas bien branché	Vérifiez et connectez bien le chargeur
	Le chargeur ou le réceptacle n'est pas complètement chargé ou est desserré	Vérifiez
	Le problème n'est pas résolu	Veillez nous contacter

# Por favor, ¡lea este manual de instrucciones primero!

Estimados Clientes,  
Gracias por elegir un producto Beko. Esperamos que usted consiga los mejores resultados con su producto el cual ha sido fabricado con una tecnología de alta calidad y última generación. Por lo tanto, por favor lea este manual de instrucciones al completo y el resto de documentos que lo acompañan antes de utilizar el producto y manténgalo como una referencia para su futuro uso. Si usted entrega el producto a otra persona, dele el manual de instrucciones también. Siga todas las advertencias e información del manual de instrucciones.

1. Botón de Encendido/Apagado
2. Botón de modo
3. Indicador de modo máx.
4. Indicador de nivel de carga
5. Botón de liberación del depósito de polvo
6. Botón de liberación de la tapa del depósito de polvo
7. Botón de liberación de la manguera
8. Botón de liberación del cepillo
9. Cepillo turbo eléctrico
10. Gancho de pared
11. Conector de alimentación eléctrica
12. Herramienta para hendidas
13. Accesorio dos en uno



Este producto ha sido producido en instalaciones respetuosas con el medio ambiente y de vanguardia.

## Significados de los símbolos

Los siguientes símbolos se utilizan en varias secciones de este manual:



Información importante y pistas útiles sobre uso.



**ADVERTENCIA:** Advertencias para situaciones peligrosas concernientes a la seguridad de la vida y de los bienes.



Clase de protección para descarga eléctrica.

## Datos técnicos

**Potencia de entrada nominal** : 150 W

**Entrada del adaptador:**

100-240V ~ 50-60 Hz 0,5A

**Adaptador de salida** : 25-29V 0,5A

**Tiempo de carga** : 4-6 horas

**Potencia máx. del tiempo de funcionamiento** : 18 min.

**Tiempo de funcionamiento min. potencia hasta** : 42 min.

**Volumen de la bolsa para polvo** : 700ml

**Tipo de batería** :

Batería de ion de litio de 25,2V, 2000mAh

Modificaciones técnicas y de diseño reservadas.

Los valores declarados en los marcadores adjuntos en su aparato o los otros documentos impresos facilitados junto a él representan los valores que fueron obtenidos en los laboratorios conforme a las normas pertinentes. Estos valores pueden variar de acuerdo con el uso del aparato y condiciones ambientales.



No contiene PCB.



# 1 Instrucciones importantes para la seguridad y el medio ambiente

Este apartado contiene instrucciones de seguridad que ayudarán a la protección contra los riesgos de lesiones personales o daños a la propiedad.

El incumplimiento de estas instrucciones causará la pérdida de cualquier tipo de garantía.

## 1.1 Seguridad general

- Este aparato cumple con las normas de seguridad internacionales.
- Este aparato puede ser utilizado por niños mayores de 8 años y por personas con capacidades físicas, sensoriales o mentales reducidas o con falta de experiencia y conocimientos, siempre que estén bajo supervisión o hayan recibido instrucciones pertinentes sobre el uso del aparato de manera segura y comprendan los peligros que conlleva. No deje que los niños jueguen con el aparato. La limpieza y mantenimiento del usuario no deben ser realizados por niños sin supervisión.
- Si el adaptador o el aparato está dañado, no lo utilice. Contacte con un servicio de atención al cliente autorizado.
- Su fuente de alimentación debe ser conforme a la información que se indica en la placa de datos del aparato.
- No utilice este aparato con un cable alargador.
- Evite daños al cable procurando que no sufra tirones, no se doble y no roce con bordes afilados para evitar dañarlo.
- No toque el aparato o su enchufe con las manos húmedas o mojadas cuando esté conectado a la red eléctrica.
- No tire del cable de alimentación cuando desenchufe el aparato.
- No aspire materiales inflamables y al aspirar cenizas de cigarro, asegúrese de que se haya enfriado.
- No aspire agua u otros líquidos.
- Proteja el aparato de la lluvia, la humedad y las fuentes de calor.
- No utilice nunca el aparato en lugares con materiales combustibles o inflamables, o cerca de ellos.
- Desenchufe el aparato antes de realizar tareas de limpieza y mantenimiento.
- No sumerja el aparato o el cable de alimentación en agua para su limpieza.

# 1 Instrucciones importantes en matière de sécurité et d'environnement

- No trate de desmontar el aparato.
- Use únicamente las piezas originales o recomendadas por el fabricante.
- No limpie las partículas tales como cemento, yeso y papel comprimido para evitar que el filtro se obstruya y el motor se dañe.
- Utilice el aparato solamente con el adaptador suministrado.
- No utilice el aparato sin filtros; de lo contrario, podría dañarlo.
- Si guarda el material de embalaje, manténgalo fuera del alcance de los niños.
- Este aparato no está destinado a personas (incluidos niños) con habilidades físicas, sensoriales o mentales reducidas, o falta de experiencia y conocimiento, salvo que se les haya dado supervisión o instrucción concerniente al uso del aparato por una persona responsable de su seguridad.
- Los niños deberían estar supervisados para asegurar que ellos no jueguen con el aparato.
- Conecte el aparato a la red eléctrica únicamente mediante la fuente de alimentación suministrada junto con él.
- El adaptador debe ser retirado de la toma de corriente y el paquete de baterías debe ser retirado del aparato antes de limpiarlo o mantenerlo.
- Si el adaptador está dañado, debe ser reemplazado por el fabricante o su agente o por una persona cualificada similar para evitar riesgos.
- Mantenga los dedos, el cabello y la ropa suelta alejados de las piezas móviles y aberturas mientras utiliza la aspiradora.
- La batería debe retirarse del aparato antes de desecharla;
- Deseche las baterías gastadas de acuerdo con las leyes y normativas locales.
- Este aparato contiene baterías que sólo pueden ser reemplazadas por personal cualificado.
- **ADVERTENCIA:** Para recargar la batería, utilice únicamente la unidad de alimentación desmontable MC2508A-V suministrada con este aparato.
- Las baterías agotadas deben retirarse del aparato y desecharse de forma segura.
- Los terminales de alimentación no deben estar en cortocircuito.

## 2 Montaje de las piezas

### 2.2 Herramienta para hendiduras

Adecuada para limpiar superficies de difícil acceso tales como las zonas debajo de sofás y muebles.

Inserte el accesorio dos en uno en el tubo de metal para usar en lugares más altos como el techo, etc.

### 2.3 Accesorio dos en uno

Empuje el cabezal del cepillo del accesorio dos en uno hacia atrás, hasta que se escuche un sonido de bloqueo de "clic". Es adecuado para la limpieza de ranuras estrechas, esquinas muertas de puertas y ventanas y otros pequeños espacios. Está preparado para aspirar los espacios de las esquinas de la pared, escaleras y teclado, etc. Empuje el cabezal del cepillo del accesorio dos en uno hacia adelante, hasta que se escuche un sonido de bloqueo de "clic". Es adecuado para la limpieza de muebles, estanterías y cortinas, etc.

## 3 Uso

### 3.1 Carga

La batería no está llena al salir de fábrica, por favor recuerde cargarla antes del primer uso.

1. Coloque el cuerpo sobre una superficie horizontal.
2. Durante el proceso de carga, el indicador de encendido parpadeará continuamente.
3. 1 minuto después de la carga, el indicador se apagará.

## 4 Información

### 4.1 Limpieza y cuidados

Apague y desenchufe el aparato antes de limpiarlo.



**ADVERTENCIA:** Jamás utilice gasolina, disolventes, limpiadores abrasivos, objetos metálicos o cepillos duros para limpiar el aparato.

### 4.2 Limpieza del sistema de filtración

- Desmontar el ciclón y limpiar, todas las partes son lavables. (5)

### 4.3 Almacenamiento

- Si no va a utilizar el aparato durante un periodo prolongado de tiempo, guárdelo cuidadosamente.
- Por favor, asegúrese de que el aparato esté desconectado, refrigerado y totalmente seco.
- Guarde el aparato en un lugar fresco y seco.
- Mantenga el aparato fuera del alcance de los niños.

### 4.4 Mudanza y transporte

- Durante el manejo y el transporte, lleve el aparato en su embalaje original. El embalaje del aparato lo protege de daños físicos.
- No coloque cargas pesadas en el aparato o en el embalaje. El aparato podría dañarse.
- Dejar caer el aparato podría causar que dejara de funcionar o dañarlo de forma permanente.

### 4.5 Conformidad con la normativa WEEE y eliminación del aparato al final de su vida útil

Este producto es conforme con la directiva de la UE sobre residuos de aparatos eléctricos y electrónicos (WEEE) (2012/19/UE). Este producto incorpora el símbolo de la clasificación selectiva para los residuos de aparatos eléctricos y electrónicos (WEEE).



Este símbolo indica que este producto no debe eliminarse con otros desechos domésticos al final de su vida útil. El dispositivo usado debe ser devuelto al punto de recogida oficial para el reciclaje de los dispositivos eléctricos y electrónicos. Para encontrar estos sistemas de recogida, por favor, póngase en contacto con las autoridades locales o con el distribuidor donde se compró el producto. Cada hogar desempeña un papel importante en la recuperación y el reciclaje de los aparatos antiguos. La eliminación adecuada de los aparatos usados ayuda a prevenir las posibles consecuencias negativas para el medio ambiente y la salud humana.

### 4.6 Cumplimiento de la directiva RoHS

El producto que ha adquirido es conforme con la directiva de la UE sobre la restricción de sustancias peligrosas (RoHS) (2011/65/UE). No contiene ninguno de los materiales nocivos o prohibidos especificados en la directiva.

## 5 Informations

### 4.7 Información de embalaje



El embalaje del producto está fabricado con material reciclable de acuerdo con las normativas nacionales sobre medio ambiente. No se deshaga del material de embalaje ni de los desechos domésticos o de otro tipo. Llévelos a los puntos de recogida de material de embalaje designados por las autoridades locales.

### 4.8 Desecho de las baterías



Asegúrese de que las baterías agotadas se desechan con arreglo a las leyes y regulaciones locales. El símbolo de la batería y el embalaje indica que la batería entregada con el producto no debe considerarse como basura doméstica.



En algunos lugares, este símbolo puede utilizarse en combinación con un símbolo químico. Si las baterías contienen más de 0,0005% de mercurio o más de 0,004% de plomo, entonces el símbolo Hg del mercurio y el símbolo de Pb para el plomo se coloca bajo el símbolo químico. Asegurándose de que las baterías se desechan correctamente, contribuirá a la prevención de posibles daños para el medio ambiente y la salud que se produciría si las baterías no son eliminadas correctamente.

## 6 Resolución de problemas

Fallo común	Posible causa	Soluciones
El aspirador no funciona	El producto está apagado o la batería está baja	Por favor, cargue el producto antes de usarlo
	El puerto de succión del producto está bloqueado.	Limpieza de la boca de succión del producto
La succión es demasiado débil	El barril de polvo y el ensamblaje del filtro están polvorientos	Limpie el cubo de basura y el material filtrante
	El cepillo rodante se envuelve alrededor del cabello y otros objetos	Limpie el cepillo de rodillo
	La situación sigue siendo la misma	Póngase en contacto con nuestro equipo de postventa
Diferente sonido de funcionamiento del motor	El tubo de aluminio está bloqueado	Limpie los obstáculos
	La situación sigue siendo la misma	Póngase en contacto con nuestro equipo de postventa
Aspirador con problemas en el trabajo	Demasiados obstáculos en el área de limpieza	Eliminar obstáculos manualmente
	El puerto de succión del producto está bloqueado	Limpie la boca de succión del producto
	La situación sigue siendo la misma	Póngase en contacto con nuestro equipo de postventa
El producto no puede cargarse	El cargador no está bien conectado	Por favor, compruebe y contacte bien
	El cargador o receptáculo no está completamente cargado o suelto.	Compruébalo y guárdalo
	La situación sigue siendo la misma	Póngase en contacto con nosotros



**Contacto para asistencia técnica:  
902 877 665/ 932 992 581**

#### **CONDICIONES DE GARANTIA - ESPAÑA**

El presente certificado cubre la garantía de reparación de su electrodoméstico durante dos años, a partir de la fecha de venta, contra todo defecto de funcionamiento proveniente de fabricación o materiales; o de sustitución del aparato, salvo que una de estas opciones resulte imposible o desproporcionada respecto de la otra. Cuando usted detecte un defecto o anomalía en el aparato contacte de forma inmediata con nosotros, un plazo de dos meses es el límite para informarnos de la falta de conformidad. El cargo de desplazamiento está incluido en la reparación, excepto para pequeños electrodomésticos que pueden ser transportados al taller del servicio oficial de la marca. En caso de sustitución, el plazo de garantía se suspende y el nuevo aparato mantendrá el periodo de vigencia del aparato sustituido, y como mínimo 6 meses de garantía.

La presente garantía sólo será válida si se presenta factura, ticket de compra o el albarán de entrega del producto correspondiente si éste fuera posterior a la fecha de factura. La presente garantía es válida en el territorio español y portugués para los aparatos distribuidos por Beko Electronics España S.L.. La garantía sólo tendrá validez sobre el primer comprador o adquirente del producto. La garantía será válida para aparatos adecuados a las condiciones climáticas y medioambientales en que estén ubicados.

#### **EXCLUSIONES DE LA GARANTIA**

El coste de la reparación será a cargo del usuario en los siguientes casos:

- Los aparatos utilizados para uso profesional o no exclusivamente doméstico, en establecimientos públicos, industriales o comerciales.
- Los aparatos desmontados o manipulados por personas ajenas a los servicios técnicos expresamente autorizados.
- Las instalaciones, transporte, sustitución de aparatos, puestas en marcha, cambio de sentido de puertas.
- Intervenciones de mantenimiento o de información sobre el uso de los aparatos.
- Cambio de inyectores en aparatos de gas.
- Las averías provocadas por falta de mantenimiento o limpieza o aquellas provocadas por un uso indebido, sobrecarga, abandono o de manera no conforme a las instrucciones de uso o de instalación de los aparatos.
- Las averías producidas por causas fortuitas, siniestros de fuerza mayor o derivados de instalación incorrecta y en general, averías por causas ajenas al propio aparato.
- Las averías provocadas por conexiones que puedan presentar fluctuaciones, irregularidades o falta de uniformidad en el suministro, por ejemplo: suministro de agua impulsado por grupos de presión, energía solar, energía eólica, generadores eléctricos, u otro tipo de suministro no normalizado.
- La sustitución de materiales rotos o deteriorados por desgaste o uso normal del aparato tales como juntas, plásticos, gomas, correas, cristales, escobillas, bombillas, asas, tiradores, tapas de quemadores, filtros, rejillas, ánoles de sacrificio (magnesio o similares) de calentadores o calderas, etc.
- Los aparatos que presenten oxidación, o daños por corrosión en esmaltes o pinturas, que puedan ser provocados por efectos químicos o electroquímicos del agua o cualquier otra sustancia, o aceleradas por circunstancias ambientales o climáticas no propicias.
- Defectos estéticos en serigrafía o pintura.
- Los daños de transporte o manipulación, golpes, etc.
- Los aparatos deben instalarse de forma accesible para su reparación, debiendo asumir el usuario los costes necesarios para el acceso al aparato para su reparación y sustitución.

La presente garantía no afecta a los derechos de que dispone el consumidor conforme a lo previsto en el Real Decreto 1/2007, de 16 de noviembre, por el que se aprueba el texto refundido de la Ley General para la Defensa de los Consumidores y Usuarios y otras leyes complementarias, y la Ley 3/2014 que la modifica.

El Servicio Oficial de Asistencia Técnica resolverá cualquier incidencia que pudiera precisar su electrodoméstico siempre que el aparato esté instalado de forma accesible.

Para asegurarse que su electrodoméstico va a ser intervenido por un técnico oficial autorizado, rogamos solicite el carnet avalado por ANFEL (Asociación Nacional de Fabricantes de Electrodomésticos) a nuestros técnicos.

Las marcas BEKO, ALTUS, ARDEM, BLOMBERG, NORTLINE y GRUNDIG se distribuyen por Beko Electronics España S.L.

#### **DATOS APARATO** (a rellenar por el Distribuidor):

Titular:		Sello Establecimiento:
Modelo:	Núm. serie:	
Establecimiento:	Fecha de compra:	

**El garante e importador de su electrodoméstico es: BEKO ELECTRONICS ESPAÑA S.L. Calle Provenza nº 388 3º Barcelona 08025, España. El producto ha sido fabricado por ARÇELIK A.S (Arçelik A.S.Sütlüce Karaağaç Cad. No:2-6 34445 Beyoğlu, İstanbul, Turkey).**

**Conózcanos mejor en nuestra página: [www.beko.es](http://www.beko.es). Conserve este documento, es importante para usted.**



**Contacte a assistência técnica:  
00351 225191300/  
00351 225191309**

#### **CONDIÇÕES DE GARANTIA - PORTUGAL**

Este certificado cobre a garantia de reparação do seu eletrodoméstico por dois anos a contar da data de compra, contra defeitos de funcionamento provenientes do fabrico ou dos materiais; ou de substituição do dispositivo, a menos que uma dessas opções seja impossível ou desproporcionada em relação à outra. Quando detetar um defeito ou anomalia no aparelho entre imediatamente em contacto connosco, existe um prazo limite de dois meses para nos informar sobre a falta de conformidade. O valor da deslocação está incluído na reparação, com exceção de pequenos aparelhos que podem ser transportados para a oficina do serviço oficial da marca. Em caso de substituição, o período de garantia fica suspenso e o aparelho irá manter o prazo de validade do aparelho substituído e no mínimo 6 meses de garantia.

Esta garantia só será válida se a fatura, recibo de venda ou a entrega do produto em questão for posterior à data da fatura. Esta garantia é válida em território espanhol e português para aparelhos distribuído pela Beko Electronics Espanha SL. A garantia só é válida para o primeiro comprador ou adquirente do produto. A garantia é válida para dispositivos adaptados às condições climáticas e ambientais em que se situam.

#### **EXCLUSÕES DA GARANTIA**

O custo da reparação será pago pelo utilizador nos seguintes casos:

- Aparelhos utilizados para uso profissional ou não exclusivamente doméstico, em estabelecimentos comerciais, industriais ou públicos.
- O equipamento desmontado ou adulterado por alguém que não seja expressamente autorizado pelos serviços técnicos.
- A instalação, transporte, substituição de equipamento, colocação em funcionamento, alteração do sentido das portas.
- Intervenções de manutenção ou informações sobre a utilização dos aparelhos.
- Alteração de injetores em aparelhos a gás.
- As avarias causadas pela falta de manutenção ou limpeza, ou aquelas causadas por um uso inadequado, sobrecarga, abandono ou de forma a não respeitar as instruções de uso ou instalação dos aparelhos.
- As avarias provocadas por causas acidentais, sinistros de força maior ou resultantes de instalação inadequada em geral, avarias por razões não relacionadas com o produto.
- As avarias causadas por ligações que podem apresentar flutuações, irregularidades ou falta de uniformidade no fornecimento, por exemplo: abastecimento de água, impulsionado por pressão, energia solar, energia eólica, geradores de energia elétrica ou outro tipo de fornecimento não-padrão.
- Os materiais quebrados ou danificados por desgaste ou uso normal do aparelho tais como juntas, plásticos, borracha, correias, vidros, pincéis, lâmpadas, asas, puxadores, tampas de queimadores, filtros, grades, etc.
- Os aparelhos que apresentem oxidação, ou danos por corrosão em esmaltes ou tintas, que possam ter sido causados por efeitos químicos ou eletroquímicos da água ou de qualquer outra substância, ou aceleradas por circunstâncias ambientais ou climáticas não propícias.
- Defeitos estéticos em serigrafia ou pintura.
- Os danos causados por transporte ou manuseio, colisões, etc.
- Os aparelhos devem ser instalados de forma acessível em caso de reparação e o utilizador deve assumir os custos necessários para aceder ao aparelho para reparação e substituição.

As marcas BEKO, ALTUS, ARDEM, BLOMBERG, NORTLINE e GRUNDIG são distribuídas por Beko Electronics Espanha S.L.

#### **DADOS DO APARELHO (a ser preenchido pelo Distribuidor):**

Detentor:		Carimbo do estabelecimento:
Modelo:	N.º série:	
Estabelecimento:	Data de compra:	

**O fiador e o importador do seu eletrodoméstico é: BEKO ELECTRONICS ESPAÑA S.L. Calle Provenza nº 388 3º Barcelona 08025, Espana. O produto foi fabricado por ARÇELIK A.S (Arçelik A.S.Sütluce Karagaç Cad. No:2-6 34445 Beyoğlu, Istanbul, Turquia).**

**Conheça-nos melhor na nossa página: [www.beko.es](http://www.beko.es). Conserve este documento, é importante para si.**



# Citiți mai întâi acest manual de utilizare!

Stimați clienți,

Vă mulțumim că ați ales un produs Beko. Sperăm să obțineți cele mai bune rezultate de la produsul dumneavoastră, care a fost fabricat la o calitate înaltă și cu tehnologii performante. În acest scop, citiți cu grijă și în întregime acest manual de utilizare și toate celelalte documente însoțitoare înainte de a utiliza produsul și păstrați-le pentru consultări ulterioare. Dacă predați produsul către o altă persoană, predați-i și manualul de utilizare. Respectați toate avertismentele și informațiile din manualul de utilizare.

1. Buton Pornit/Oprit
2. Buton mod de operare
3. Indicator mod maxim de operare
4. Indicator nivel de încărcare
5. Buton de eliberare a recipientului pentru praf
6. Buton de eliberare a capacului recipientului pentru praf
7. Buton de eliberare tub
8. Buton de eliberare a periei
9. Perie turbo electrică
10. Cârlig pentru perete
11. Cablu de alimentare
12. Accesoriu pentru spații înguste
13. Accesoriu 2 în 1

## Semnificația simbolurilor

Următoarele simboluri sunt folosite în diferite secțiuni ale prezentului manual:



Informații importante sau sfaturi utile referitoare la utilizare.



**AVERTISMENT:** Avertismente pentru situații periculoase privind siguranța vieții și bunurilor.



Clasa de protecție la șocuri electrice.

## Date tehnice

**Puterea nominală de intrare** : 150 W

**Intrare adaptor** :  
100-240V ~ 50-60 Hz 0.5A

**Ieșire adaptor** : 25-29V 0.5A

**Timp de încărcare** : 4-6 ore

**Timp de funcționare la putere maximă** : 18 min.

**Timp de funcționare la putere minimă până la** : 42 min.

**Volum casetă de praf** : 700ml

**Tip baterie** :  
Baterie Li-ion 25,2V, 2000mAh

Dreptul rezervat de a opera modificări tehnice și de design.

Valorile menționate pe marcasele atașate de aparatul dumneavoastră sau pe celelalte documente imprimate furnizate împreună cu acesta reprezintă valorile obținute în laboratoare, în conformitate cu standardele relevante. Aceste valori pot varia în funcție de maniera de utilizare a aparatului și de condițiile de mediu.



Acest produs a fost fabricat într-o unitate performantă și care protejează mediul.



Nu conține PCB.

# 1 Instrucțiuni importante referitoare la siguranță și mediul înconjurător

Această secțiune conține instrucțiuni de siguranță care vă vor ajuta să vă protejați de riscul vătămarilor corporale sau al pagubelor materiale.

Nerespectarea acestor instrucțiuni invalidează garanția furnizată.

## 1.1 Siguranță generală

- Acest produs este conform cu standardele internaționale de siguranță.
- Acest produs poate fi utilizat de către copii cu vârsta minimă de 8 ani și de persoanele cu capacități fizice, senzoriale sau mentale reduse sau lipsă de experiență și cunoștințe dacă aceștia au fost supravegheați sau instruiți cu privire la utilizarea produsului într-un mod sigur și înțeleg pericolele implicate. Copii nu trebuie să se joace cu produsul. Operațiunile de curățare și întreținere nu trebuie să fie efectuate de către copii fără supraveghere.
- Dacă adaptorul sau aparatul este deteriorat, nu îl folosiți. Contactați un service autorizat.
- Tensiunea de alimentare a prizelor trebuie să corespundă cu informațiile furnizate pe eticheta produsului.
- Nu utilizați produsul cu un prelungitor.
- Preveniți avarierea cablului de alimentare prin comprimare, deformare sau frecarea de margini tăioase.
- Dacă aveți mâinile umede, nu atingeți produsul sau ștecherul acestuia atunci când este conectat la priză.
- În momentul când scoateți fișa din priză, nu trageți de cablu.
- Nu aspirați materiale inflamabile, iar atunci când aspirați cenușa de țigară, asigurați-vă că este stinsă.
- Nu aspirați apă sau alte lichide.
- Protejați aparatul de ploaie, umiditate și surse de căldură.
- Nu utilizați niciodată produsul în locuri în care există materiale combustibile sau inflamabile sau în apropierea acestora.
- Înainte de curățare și întreținere, decuplați produsul.
- Nu imersați produsul sau cablul său în apă.

## 1 Instrucțiuni importante referitoare la siguranță și mediul înconjurător

- Nu încercați să demontați produsul.
- Utilizați doar componente originale sau componente recomandate de către producător.
- Nu curățați particule precum cele de ciment, tencuială și hârtie presată, pentru a preveni înfundarea filtrului și deteriorarea motorului.
- Utilizați produsul doar cu adaptorul cu care a fost furnizat.
- Nu utilizați produsul fără filtre, deoarece se poate avaria.
- Dacă păstrați materialele de ambalare, depozitați-le în locuri inaccesibile copiilor.
- Acest aparat nu este destinat utilizării de către persoane (inclusiv copii) cu capacități fizice, senzoriale sau mentale reduse, ori fără experiență și cunoștințe, cu excepția cazului în care au fost supravegheați sau instruiți cu privire la utilizarea aparatului de către o persoană responsabilă pentru siguranța lor.
- Copiii trebuie supravegheați pentru a nu se juca cu aparatul.
- Aparatul trebuie folosit doar cu sursa de alimentare furnizată împreună cu aparatul.
- Adaptorul trebuie scos din priză, iar acumulatorul trebuie extras din aparat înainte de curățarea și întreținerea aparatului.
- Dacă adaptorul este deteriorat, el trebuie înlocuit de către producător sau reprezentantul său ori de către o persoană cu o calificare similară pentru prevenirea pericolelor.
- Feriți degetele, părul și îmbrăcămintea largă de părțile în mișcare și orificii în timpul utilizării aspiratorului.
- Bateria trebuie extrasă din aparat înainte de a fi scoasă din uz;
- Vă rugăm să eliminați bateriile uzate în conformitate cu legile și reglementările locale.
- Acest aparat conține baterii care pot fi înlocuite doar de persoane calificate.
- **AVERTISMENT:** Pentru reîncărcarea bateriei, folosiți doar sursa de alimentare detașabilă MC2508A-V furnizată împreună cu produsul.
- Bateriile descărcate trebuie extrase din aparat și eliminate în siguranță.
- Terminalele de alimentare nu trebuie scurtcircuitate.

## 2 Montarea componentelor

### 2.2 Accesoriu pentru spații înguste

Potrivit pentru curățarea suprafețelor care sunt dificil de curățat, cum ar fi zonele de sub canapele și mobilă.

Introduceți accesoriul 2 în 1 în tubul metalic pentru a curăța spații aflate la înălțime, precum tavanul, etc.

### 2.3 Accesoriu 2 în 1

Împingeți capul periei accesoriului 2 în 1 spre înapoi, până când auziți un clic de blocare. Accesoriu este potrivit pentru curățarea fantelor înguste, a colțurilor ușilor și ferestrelor, precum și pentru curățarea diverselor spații mici. Poate fi utilizat pentru aspirarea colțurilor pereților, pentru scări, tastatură, etc. Împingeți capul periei accesoriului 2 în 1 în față, până când auziți un clic de blocare. Este potrivit pentru curățarea mobilei, a etajerelor și draperiilor, etc.

## 3 Utilizare

### 3.1 Încărcare

Bateria nu este încărcată complet atunci când produsul este livrat din fabrică; vă rugăm să îl încărcați complet înainte de prima utilizare.

1. Așezați corpul aparatului pe o suprafață orizontală.
2. În timpul încărcării, indicatorul de alimentare va licări continuu.
3. Indicatorul se va opri după 1 minut de la încărcarea completă a produsului.

## 4 Informații

### 4.1 Curățare și întreținere

Opriti și deconectați aparatul înainte de a-l curăța.



**AVERTISMENT:** Nu utilizați niciodată benzină, solvent, agenți de curățare, obiecte metalice sau perii dure pentru a curăța aparatul.

### 4.2 Curățarea sistemului de filtrare

- Scoateți separatorul ciclonic și curățați, toate componentele pot fi spălate. (5)

### 4.3 Depozitarea

- Dacă nu doriți să utilizați produsul pentru o perioadă lungă de timp, depozitați-l cu grijă.
- Asigurați-vă că aparatul este deconectat, răcit și total uscat.
- Depozitați produsul într-un loc uscat și răcoros.
- Păstrați produsul într-un loc inaccesibil copiilor.

### 4.8 Manevrarea și transportul

- În timpul manevrării și transportului, transportați produsul în ambalajul său original. Ambalajul aparatului îl protejează împotriva deteriorării fizice.
- Nu plasați obiecte grele pe produs sau pe ambalaj. Produsul se poate deteriora.
- Lovirea produsului îl poate face nefuncțional sau poate cauza deteriorarea iremediabilă.

### 4.5 Conformitate cu Directiva WEEE și depozitarea la deșeurile a produsului uzat

Acest produs respectă Directiva UE WEEE (2012/19/UE). Produsul este marcat cu un simbol de clasificare pentru deșeurile electrice și electronice (WEEE).



Acest simbol indică faptul că produsul nu trebuie eliminat cu alte deșeurile menajere la finalul perioadei de utilizare. Dispozitivele utilizate trebuie returnate la punctul special de reciclare de dispozitive electrice și electronice. Pentru a găsi aceste sisteme de colectare contactați autoritățile locale sau distribuitorul de la care a fost achiziționat produsul. Fiecare gospodărie are un rol important în recuperarea și reciclarea electrocasnicilor vechi. Eliminarea corespunzătoare a electrocasnicilor utilizate ajută la prevenirea posibilelor consecințe negative pentru mediu și sănătatea umană.

### 4.4 Conformitate cu Directiva RoHS

Produsul pe care l-ați achiziționat respectă Directiva UE RoHS (2011/65/UE). Nu conține materiale dăunătoare și interzise specificate în Directivă.

### 4.5 Informații despre ambalaj



Ambalajul produsului este fabricat din materiale reciclabile conform Legislației Naționale. Ambalajele nu trebuie aruncate împreună cu gunoiul menajer sau alt tip. Duceți-le la punctele de colectare destinate ambalajelor amenajate de către autoritățile locale.

## 5 Informații

### 4.8 Baterii consumate



Asigurați-vă că bateriile plate sunt eliminate în conformitate cu legile și reglementările locale. Simbolul de pe baterie și ambalaj indică faptul că bateria livrată împreună cu produsul nu trebuie



considerate deșeu menajer. În anumite locuri, acest simbol poate fi utilizat în combinație cu un simbol chimic. În cazul în care bateriile conțin mai mult de 0,0005% mercur sau mai mult de

0,004% plumb, simbolul Hg pentru mercur și simbolul Pb pentru plumb sunt plasate sub simbolul chimic. Asigurându-vă că bateriile sunt eliminate în mod corespunzător, veți contribui la prevenirea posibilelor daune aduse mediului și sănătății umane, care s-ar produce în cazul în care bateriile nu sunt eliminate în mod corespunzător.

## 6 Depanarea

Defecțiuni des întâlnite	Cauză posibilă	Soluții
Aspiratorul nu funcționează	Produsul este oprit sau nu are baterie	Vă rugăm să încărcați produsul înainte de utilizare
	Portul de aspirare este blocat.	Curățați gura de aspirare a produsului
Aspirarea este prea slabă	Recipientul pentru praf și ansamblul filtrului conțin prea mult praf	Curățați recipientul pentru praf și filtrul
	Peria de rulare conține păr și alte obiecte înfășurate în jurul său	Curățați peria de rulare
	Situația nu s-a rezolvat	Vă rugăm să contactați echipa noastră de asistență post vânzare
Sunet diferit al motorului în timpul funcționării	Tubul de aluminiu este blocat	Îndepărtați obstacolele
	Situația nu s-a rezolvat	Vă rugăm să contactați echipa noastră de asistență post vânzare
Aspiratorul prezintă probleme în timpul utilizării	Prea multe obstacole în zona de curățare	Îndepărtați manual aceste obstacole
	Portul de aspirare al produsului este blocat	Curățați gura de aspirare
	Situația nu s-a rezolvat	Vă rugăm să contactați echipa noastră de asistență post vânzare
Produsul nu poate fi încărcat	Încărcătorul nu este bine conectat	Vă rugăm să verificați și să conectați corespunzător încărcătorul
	Încărcătorul sau recipientul sunt incomplet încărcăți sau nu au putere suficientă	Verificați și puneți deoparte
	Situația nu s-a rezolvat	Vă rugăm să ne contactați



# CERTIFICAT DE GARANȚIE

Tensiune de alimentare/frecvență: 230V/50Hz

Importator: ARCTIC S.A., Găești, Dâmbovița, str.13 Decembrie nr. 210, email: office@arctic.ro

TIP:  **Electrocasnice mici de bucătărie - 3 ani**  **Cuptor cu microunde - 3 ani**  
 **Aspirator - 2 ani**  **Fier de călcat - 2 ani**  **Stație de călcat - 2 ani**  
Model / Serie: .....

## VÂNZĂTOR

Nr. factură: ..... Data: .....

Vânzător (firma, localitatea): .....

## CUMPĂRĂTOR

Nume ..... Localitatea .....

Str. .... Nr. .... Bloc ..... Sc. .... Et. .... Ap. ....

Județ ..... Telefon ..... E-mail .....

S-a efectuat proba de funcționare a aparatului, s-a prezentat modul de folosire, s-au predat instrucțiunile de utilizare și toate accesoriile. Am primit aparatul în perfectă stare de funcționare.

Stimați clienți,

La cumpărare vă recomandăm să solicitați efectuarea probei de funcționare și să verificați existența instrucțiunilor de utilizare și a accesoriilor.

Pentru a putea beneficia de toate avantajele produselor și serviciilor noastre vă rugăm:

- să citiți cu atenție și să respectați recomandările prezentate în "Instrucțiunile de utilizare".

- să păstrați cu grijă acest certificat pentru a-l putea prezenta (împreună cu documentul fiscal de achiziție), personalului SERVICE ARCTIC, la orice sesizare efectuată în perioada de garanție.

Vă mulțumim că ați optat pentru cumpărarea unui produs Beko!

**Durata medie de utilizare a produselor BEKO este de 5 ani!**

**Perioada de garanție legală de conformitate este de 2 ani de la intrarea produsului în posesia consumatorului.**

**Perioada de garanție comercială este de 3 ani de la intrarea produsului în posesia consumatorului, include și perioada de garanție legală de conformitate și se acordă pentru următoarele categorii: Electrocasnice mici de bucătărie și Cuptoare cu microunde.**

Art. 22, alin. 3-6, din L449/2013, modificata de OG 9/2016:

- (3) Timpul de nefuncționare din cauza lipsei de conformitate apărute în cadrul termenului de garanție prelungeste termenul de garanție legală de conformitate și cel al garanției comerciale și curge, după caz, din momentul la care a fost adusă la cunoștință vânzătorului lipsa de conformitate a produsului sau din momentul prezentării produsului la vânzător/unitatea service până la aducerea produsului în stare de utilizare normală și, respectiv, al notificării în scris în vederea ridicării produsului sau predării efective a produsului către consumator.

- (4) Produsele de folosință îndelungată care înlocuiesc produsele defecte în cadrul termenului de garanție vor beneficia de un nou termen de garanție care curge de la data preschimbării produsului.

- (5) Produsele de folosință îndelungată defectate în termenul de garanție legală de conformitate, atunci când nu pot fi reparate sau când durata cumulată de nefuncționare din cauza deficiențelor apărute în termenul de garanție legală de conformitate depășește 10% din durata acestui termen, la cererea consumatorului, vor fi înlocuite de vânzător sau acesta va restitui consumatorului contravaloarea produsului respectiv.

- (6) Termenul de garanție curge de la data intrării bunului respectiv în posesia consumatorului, inclusiv pentru bunurile noi de folosință îndelungată, obținute prin tragere la sorți la tombole, câștigate la concursuri și similare sau acordate cu reducere de preț ori gratuit de către operatorii economici.

Garanția oferită de producător nu exclude garanția de viciu ascuns, conform OG 21/1992 (R2) privind protecția consumatorului și Codul Civil.



Service-ul acestui produs este asigurat de ARCTIC S.A. cu sediul în Găești, Dâmbovița, str. 13 Decembrie nr. 210.  
\*9010 • www.arctic.ro • e-mail: service@arctic.ro • Program Call Center: Luni - Vineri 08:30 - 20:00;  
Sâmbătă 09:00 - 17:00



## UNITĂȚILE SERVICE ALE ARCTIC S.A. EXECUTĂ REPARAȚII ÎN TERMENUL DE GARANȚIE ȘI ÎN AFARA ACESTUIA

Nr. crt.	Data Reclamației	Data primirii în reparație	Reparat			Reparația curentă și/sau componenta înlocuită	Prelungirea termenului de garanție	Efectuarea verificării	
			Programat	Data ridicării aparatului	Cauza întârzierii			SERVICE	CLIENT

### CONDIȚIILE DE GARANȚIE LEGALĂ DE CONFORMITATE ȘI GARANȚIE COMERCIALĂ:

1. Garanția se aplică numai dacă documentul fiscal de achiziție împreună cu acest certificat sunt prezentate împreună cu produsul reclamat. Pentru orice defecțiune aparută în perioada de garanție sau post garanție, apelați la magazinul de unde a fost achiziționat produsul sau direct la Call Center Arctic.
2. Termenul de garanție se prelungește cu timpul scurs de la data semnării defectului și până la data repunerii aparatului în stare de funcționare. Prelungirea termenului de garanție se va înscrie în certificatul de garanție de către unitatea SERVICE care a efectuat reparația.
3. Garanția acoperă repararea și/sau înlocuirea pieselor constatate ca defecte (mecanizate de consumator) de către tehnicienii Service Arctic.
3. La cumpărare vă recomandăm să solicitați efectuarea probei de funcționare și să verificați existența tuturor accesoriilor și a instrucțiunilor de utilizare. Produsul trebuie să funcționeze corespunzător și să nu prezinte defecte vizibile ale pieselor și accesoriilor.
4. Termenul de realizare a operațiilor de reparație, înlocuire sau întreținere este de 15 zile calendaristice de la data la care cumpărătorul a sesizat defecțiunea la magazinul de unde a achiziționat produsul sau direct la Call Center Arctic.

### Reclamațiile referitoare la aspectele prevăzute mai jos, se rezolvă numai contra cost:

- a) nefuncționarea lămpilor de iluminare;
- b) accesoriile care nu au defecte constatate de tehnicienii Service Arctic;
- c) piesele și accesoriile care prezintă lovituri, zgârieturi, spărturi sau deformări.

### PRODUSUL NU BENEFICIAZĂ DE GARANȚIE LEGALĂ DE CONFORMITATE ȘI DE GARANȚIE COMERCIALĂ ÎN URMĂTOARELE CAZURI:

1. Nu au fost respectate instrucțiunile de transport, manipulare, instalare, utilizare și întreținere prescrite.
2. Subansamblurile și accesoriile casabile care se deteriorează în timpul transportului vor fi înlocuite de vânzător (în cazul în care asigură transportul).
3. Garanția nu se acordă subansamblurilor și accesoriilor casabile ale produselor care suferă deteriorări din vina consumatorului.
4. Tensiunea de alimentare are valori care nu se încadrează în limitele prevăzute de standarde (SR EN 50160).
5. Instalata electrică a utilizatorului prezintă improvizații sau neconformități.
6. Produsul a fost folosit în alte scopuri decât cel pentru care a fost proiectat.
7. Produsul a suportat intervenții (reparații, modificări) din partea unor persoane neautorizate de producător.

Drepturile consumatorului sunt cele prevăzute în **Legea 449/2003 (R1)**, modificată și completată de **OG 9/2016**, și **OG 21/1992 (R2)**. Drepturile consumatorului nu sunt afectate prin **garanția comercială oferită.**

# Si prega di leggere questo manuale prima dell'uso!

Gentile Cliente,  
grazie per aver scelto un prodotto Beko. Ci auguriamo che riesca ad ottenere i risultati migliori da questo prodotto, realizzato con tecnologia all'avanguardia e di alta qualità. Pertanto, prima di utilizzare il prodotto, La preghiamo di leggere con attenzione e per intero il presente manuale e ogni altro documento allegato, conservandoli come riferimento per impieghi futuri. Nel caso cedesse il prodotto ad altre persone, consegni loro anche queste istruzioni. Segua tutte le avvertenze e le informazioni riportate nel manuale utente.

1. Pulsante di accensione/spegnimento
2. Pulsante mode
3. Indicatore modalità max
4. Indicatore livello carica
5. Pulsante rilascio contenitore per la polvere
6. Pulsante rilascio copertura contenitore per la polvere
7. Pulsante di rilascio tubo
8. Pulsante di rilascio spazzola
9. Spazzola turbo elettrica
10. Gancio da parete
11. Spina di alimentazione
12. Strumento per fessure
13. Accessorio due in uno

## Significato dei simboli

I seguenti simboli sono utilizzati in diverse sezioni del presente manuale:



Informazioni importanti e suggerimenti utili sull'utilizzo.



**AVVERTENZA:** Avvisi in merito a situazioni pericolose per la sicurezza di persone e cose.



Classe di isolamento elettrico.

## Dati tecnici

<b>Potenza nominale in ingresso</b>	: 150 W
<b>Ingresso adattatore</b>	: 100-240V ~ 50-60 Hz 0,5A
<b>Uscita adattatore</b>	: 25-29V 0,5A
<b>Tempo di ricarica</b>	: 4-6 ore
<b>Potenza max. tempo di funzionamento</b>	: 18 min.
<b>Potenza min. tempo di funzionamento sino a</b>	: 42 min.
<b>Volume contenitore per la polvere</b>	: 700ml
<b>Tipo batteria</b>	: batteria agli ioni di litio da 25,2V, 2000mAh

Modifiche agli aspetti tecnici e progettuali riservate.

I valori dichiarati e affissi al dispositivo o gli altri documenti stampati e allegati rappresentano i valori ottenuti in laboratorio in accordo agli standard del settore. Questi valori possono variare secondo l'utilizzo dell'apparecchio e le condizioni ambientali.



Questo prodotto è stato realizzato in impianti all'avanguardia e rispettosi dell'ambiente.



Non contiene PCB.

# 1 Istruzioni importanti per la sicurezza e l'ambiente

Questa sezione contiene istruzioni di sicurezza che consentono di prevenire il pericolo di lesioni personali o di danni materiali.

L'inosservanza di queste istruzioni invalida la garanzia accordata.

## 1.1 Sicurezza generale

- Questo dispositivo risulta conforme agli standard di sicurezza internazionali.
- Questo apparecchio può essere usato da bambini di età superiore agli 8 anni e da persone con ridotte capacità fisiche, sensoriali o mentali o prive dell'esperienza e delle conoscenze necessarie solo sotto supervisione o con l'ausilio delle istruzioni riguardanti l'uso dell'apparecchio in modo sicuro e con la comprensione dei rischi che ne derivano. I bambini non devono giocare con l'apparecchio. Le operazioni di pulizia e manutenzione non devono essere eseguite da bambini in assenza di supervisione.
- Non utilizzarlo se l'adattatore o l'apparecchio stesso sono danneggiati. Contattare un servizio di assistenza tecnica autorizzato.
- Il proprio impianto elettrico deve essere conforme ai valori riportati sul dispositivo.
- Non utilizzare il dispositivo con una prolunga.
- Per evitare danni al cavo di alimentazione, evitare di schiacciarlo, piegarlo o strofinarlo su bordi taglienti.
- Non toccare l'apparecchio o la sua spina quando è inserita, se le mani sono umide o bagnate.
- Non tirare il cavo di alimentazione per staccare la spina dalla presa.
- Non aspirare materiali infiammabili e, nel caso di cenere di sigaretta, assicurarsi che non sia ancora calda.
- Non aspirare acqua o altri liquidi.
- Proteggere l'apparecchio da pioggia, umidità e fonti di calore.
- Non utilizzare mai il dispositivo all'interno o nei pressi di luoghi dove sia presente del combustibile o altro materiale infiammabile.
- Scollegare il dispositivo prima di effettuarne pulizia e manutenzione.
- Non immergere il dispositivo o il suo cavo in acqua con l'obiettivo di pulirli.
- Non tentare di smontare il dispositivo.

# 1 Istruzioni importanti per la sicurezza e l'ambiente

- Utilizzare esclusivamente componenti originali o consigliati dal produttore.
- Non pulire particelle come cemento, gesso e carta compressa per impedire che il filtro venga ostruito e il motore venga danneggiato.
- Utilizzare l'apparecchio solo con l'adattatore in dotazione.
- Non usare l'apparecchio senza filtri, altrimenti potrebbe danneggiarsi.
- Se si desidera conservare i materiali di imballaggio, tenerli fuori dalla portata dei bambini.
- Questo apparecchio non è pensato per l'uso da parte di persone (compresi i bambini) con ridotte capacità fisiche, sensoriali o mentali o mancata esperienza o conoscenze, se non sotto supervisione o con istruzioni riguardanti l'uso dell'apparecchio da parte di una persona responsabile della loro sicurezza.
- Controllare i bambini per assicurarsi che non giochino con l'apparecchio
- L'apparecchio deve essere utilizzato solo con l'unità di alimentazione in dotazione.
- L'adattatore deve essere rimosso dalla presa e il pacco batterie deve essere rimosso dall'apparecchio prima di pulire o sottoporre a manutenzione l'apparecchio.
- Qualora l'adattatore risulti danneggiato, dovrà essere sostituito dal produttore o dal suo agente o da una persona con qualifica analoga al fine di evitare pericoli.
- Tenere lontano dita, capelli e abiti svolazzanti da componenti mobili e aperture durante l'utilizzo dell'aspirapolvere
- La batteria deve essere rimossa dall'apparecchio prima di essere scartata;
- Smaltire le batterie usate in conformità con le norme e regolamentazioni locali.
- L'apparecchio contiene batterie che possono essere sostituite soltanto da persone esperte.
- **AVVERTENZA:** Per ricaricare la batteria utilizzare soltanto l'unità di alimentazione staccabile MC2508A-V fornita insieme all'apparecchio.
- Le batterie esauste devono essere rimosse dall'apparecchio e smaltite in modo sicuro.
- Non mandare in cortocircuito i terminali di alimentazione.

## 2 Montaggio delle parti

### 2.2 Strumento per fessure

Adatto alla pulizia di superfici difficili da raggiungere, come le zone sotto ai divani e ai mobili.

Inserire l'accessorio due in un uno nel tubo di metallo per utilizzare in luoghi alti come soffitti, ecc.

### 2.3 Accessorio due in uno

Spingere la testina dell'accessorio due in uno all'indietro, fino a sentire un "click". Adatto per la pulizia di fessure strette, angoli morti di porte e finestre e altre piccole aperture di vario genere. Pronto per l'aspirazione delle aperture negli angoli di pareti, scale, tastiere, ecc. Spingere la testina dell'accessorio due in uno in avanti, fino a sentire un "click". Adatto per la pulizia di mobili, scaffali, tende, ecc.

## 3 Uso

### 3.1 In ricarica


La batteria non è carica quando il prodotto lascia la fabbrica: ricordare di caricarla prima del primo utilizzo.

1. Posizionare il corpo su una superficie orizzontale.
2. Durante la carica, l'indicatore di alimentazione lampeggia in maniera continua.
3. 1 minuto dopo la carica, l'indicatore si spegne.

## 4 Informazioni

### 4.1 Pulizia e manutenzione

Spegnere e scollegare il dispositivo prima di pulirlo.

	<b>AVVERTENZA:</b> In nessun caso utilizzare benzina, solventi, detergenti abrasivi, oggetti metallici o spazzole dure per pulire il dispositivo.
--	---

### 4.2 Pulizia del sistema di filtrazione

- Smontare il ciclone e pulire: tutte le parti possono essere lavate. (5)

### 4.3 Conservazione

- Se si pensa di non usare l'apparecchio per un lungo periodo, riporlo con attenzione.
- Assicurarsi che l'apparecchio sia scollegato, freddo e completamente asciutto.
- Conservare l'apparecchio in un luogo fresco e asciutto.
- Tenere l'apparecchio lontano dalla portata dei bambini.

### 4.4 Spostamento e trasporto

- Per la movimentazione e il trasporto del dispositivo, riporlo all'interno del suo imballaggio originale. L'imballo lo proteggerà contro eventuali danni materiali.
- Non posizionare carichi pesanti sul dispositivo o il suo imballaggio. Potrebbe danneggiarsi.
- Far cadere l'apparecchio potrebbe renderlo non funzionante o provocare danni permanenti.

### 4.5 Conformità alla direttiva WEEE e allo smaltimento dei rifiuti

Questo apparecchio è conforme alla Direttiva UE WEEE (2012/19/EU). Questo apparecchio riporta il simbolo di classificazione per i rifiuti delle apparecchiature elettriche ed elettroniche (WEEE).



Questo simbolo indica che questo prodotto non deve essere smaltito con altri rifiuti domestici al termine della sua vita utile. Il dispositivo usato deve essere portato a un punto di raccolta ufficiale per il riciclaggio di dispositivi elettrici ed elettronici. Per individuare questi punti di raccolta, contattare le proprie autorità locali oppure il rivenditore presso cui è stato acquistato il prodotto. Ciascuna famiglia ha un ruolo importante nel recupero e riciclaggio di vecchi apparecchi. Lo smaltimento appropriato degli apparecchi usati aiuta a prevenire potenziali conseguenze negative per l'ambiente e la salute umana.

### 4.4 Conformità alla Direttiva RoHS

L'apparecchio acquistato è conforme alla Direttiva UE RoHS (2011/65/EU). Non contiene materiali pericolosi o proibiti specificati nella Direttiva.

### 4.5 Informazioni di imballaggio



L'imballaggio del prodotto è fatto di materiali riciclabili in conformità con la normativa nazionale. Non smaltire i materiali di imballaggio con i rifiuti domestici o altri rifiuti. Portarli ai punti di raccolta per materiali di imballaggio previsti dalle autorità locali.

## 5 Informazioni

### 4.8 Batterie



Assicurarsi che le batterie scariche vengano smaltite secondo le leggi e le normative locali. Il simbolo sulla batteria e la confezione indica che la batteria in dotazione con il prodotto non deve



essere considerata come rifiuto domestico. In alcuni paesi, questo simbolo può essere usato in combinazione con un simbolo chimico.

Se la batteria contiene più dello 0,0005% di mercurio o più dello 0,004% di piombo, il simbolo Hg per il mercurio e il simbolo Pb per il piombo sono collocati al di sotto del simbolo chimico. Accertandosi che le batterie siano smaltite correttamente, contribuirai alla prevenzione di potenziali danni all'ambiente e alla salute dell'uomo che si verificano se le batterie non sono smaltite correttamente.

## 6 Ricerca e risoluzione dei problemi

Guasto comune	Possibili cause	Soluzioni
L'aspirazione non funziona	Il prodotto non è alimentato o il livello della batteria è basso	Caricare il prodotto prima dell'uso
	La porta di aspirazione del prodotto è bloccata.	Pulire la bocca di aspirazione del prodotto
L'aspirazione è troppo debole	Il gruppo filtro & contenitore per la polvere è polveroso	Pulire il contenitore per la polvere e il filtro
	La spazzola rotante si è arrotolata attorno a capelli e altri oggetti	Pulire la spazzola rotante
	La situazione persiste	Contattare il nostro team post vendita
Rumore di funzionamento del motore diverso dal solito	Il tubo di alluminio è bloccato	Rimuovere gli ostacoli
	La situazione persiste	Contattare il nostro team post vendita
L'aspirapolvere fa fatica a funzionare	Troppi ostacoli nell'area da pulire	Rimuovere manualmente gli ostacoli
	La porta di aspirazione del prodotto è bloccata	Pulire la bocca di aspirazione del prodotto
	La situazione persiste	Contattare il nostro team post vendita
Impossibile ricaricare il prodotto	Il caricabatteria non è correttamente collegato	Controllare e contattare
	Il caricabatteria o il recipiente non sono pienamente carichi o ben fissati	Controllare e mettere da parte
	La situazione persiste	Contattarci



## CERTIFICATO DI GARANZIA

La presente garanzia commerciale si intende aggiuntiva e non sostitutiva di ogni altro diritto di cui gode il consumatore, intendendo per consumatore esclusivamente colui che utilizza il bene per scopi estranei all'attività imprenditoriale o professionale eventualmente svolta e pertanto per uso domestico/privato, e in particolare non pregiudica in alcun modo i diritti del consumatore stabiliti dal Dlgs 206/05. BEKO Italy S.r.l. in conformità alla facoltà prevista dalla legge, offre al consumatore una garanzia commerciale aggiuntiva, nei termini e nei modi di seguito indicati.

Questo certificato non deve essere spedito per la convalida. E' valido e operante solo se conservato assieme alla ricevuta fiscale o altro documento reso fiscalmente obbligatorio.

### Condizioni di Garanzia

1. BEKO Italy S.r.l. garantisce l'apparecchio per un periodo di 2 anni dalla data di acquisto (12 mesi se acquistato con fattura di vendita e non con scontrino fiscale).
2. La garanzia è valida esclusivamente sul territorio italiano compresa la Repubblica di San Marino e la città del Vaticano e deve essere comprovata da scontrino fiscale o fattura, che riporti il nominativo del Rivenditore, la data di acquisto dell'apparecchio nonché gli estremi i identificativi dello stesso (tipo, modello).
3. Per garanzia s'intende la sostituzione o riparazione gratuita delle parti componenti l'apparecchio che sono risultate difettose all'origine, per vizi di fabbricazione.
4. L'utente decade dai dritti di garanzia se non denuncia il difetto di conformità entro 2 mesi dalla scoperta dello stesso.
5. Diritto di Chiamata: gratuita per i primi 12 mesi di garanzia, a pagamento per gli altri 12 mesi nel caso l'utente non sia in grado di provare che il difetto sia dovuto a vizio di conformità del prodotto.
6. Manodopera e ricambi gratuiti per i 24 mesi del periodo di garanzia.
7. L'intervento di riparazione viene effettuato presso il centro di assistenza reperibile presso il call centre e sul sito [www.beko.it](http://www.beko.it), fatto salvo i casi di impossibilità oggettiva o di forza maggiore.
8. La riparazione o sostituzione dei componenti o dell'apparecchio stesso, non estendono la durata della garanzia.
9. Tutte le parti asportabili e tutte le parti estetiche, non sono coperte da garanzia.
10. Tutti i materiali soggetti ad usura non sono coperti da garanzia a meno che venga dimostrata la difettosità risalente a vizio di fabbricazione delle stesse.
11. La BEKO Italy S.r.l. declina ogni responsabilità per eventuali danni che possano derivare, direttamente od indirettamente, a persone e cose come conseguenza del mancato rispetto delle istruzioni tutte, incluse nell'apposito Manuale per l'uso dell'apparecchio allegato a ciascuno apparecchio, da parte dell'utente ed in particolare modo per quanto concerne le avvertenze relative alla installazione, all'uso ed alla manutenzione dell'apparecchio stesso.
12. La garanzia non diventa operante e l'assistenza sarà effettuata totalmente a pagamento nei seguenti casi:
  - a. Danni dovuti al trasporto o alla movimentazione delle merci.
  - b. Interventi di installazione e montaggio, così come l'errata connessione o errata erogazione dalle reti di alimentazione, mancanza di allacciamento alla presa di terra.
  - c. Installazione errata, imperfetta o incompleta, per incapacità d'uso da parte dell'Utente, se mancano gli spazi necessari ad operare attorno ai prodotti, per eccessiva o scarsa temperatura dell'ambiente,.
  - d. Interventi nei quali non è stato riscontrato il difetto lamentato, o per generici problemi di funzionamento causati da errata impressione del cliente
  - e. Danni causati da agenti atmosferici ( fulmini, terremoti, incendi, alluvioni, ecc.)
  - f. Se il numero di matricola risulta asportato, cancellato o manomesso.
  - g. Riparazioni, modifiche o manomissioni effettuate da persone non autorizzate dal produttore o comunque per cause non dipendenti dal prodotto. Per guasti dovuti a mancanza di regolare manutenzione ( pulizia e manutenzione del prodotto.).
  - h. Mancanza dei documenti fiscali o se gli stessi risultano contraffatti o non inerenti al prodotto.
  - i. L'uso improprio dell'apparecchio, non di tipo domestico o diverso da quanto stabilito dal produttore, fa decadere il dritto alla Garanzia.
  - j. Per tutte le circostanze esterne che non siano riconducibili a difetti di fabbricazione dell'elettrodomestico.
  - k. Si intendono a pagamento anche tutti gli eventuali trasporti necessari per lo svolgimento degli interventi legati ai casi citati.

Il Servizio Assistenza di BEKO Italy S.r.l. è l'unico autorizzato a riparare i prodotti a marchio BEKO. Per ogni controversia è competente il foro di Milano.

Durante e dopo il periodo di garanzia, vi consigliamo di rivolgervi sempre ai nostri centri di assistenza autorizzati. Per contattare il Centro di Assistenza Tecnica Autorizzato operante nella sua zona chiami il numero unico per l'Italia:

**02.03.03**

Prima di contattare l'assistenza tecnica, al fine di agevolare la gestione della chiamata, è necessario avere a portata di mano il modello del prodotto e il documento fiscale di acquisto.

# Przed rozpoczęciem użytkowania należy zapoznać się z instrukcją obsługi!

Szanowni Klienci, dziękujemy za wybranie produktu firmy Beko. Mamy nadzieję, że wyrób ten, wyprodukowany z zapewnieniem wysokiej jakości przy użyciu najnowszych technologii, okaże się w pełni zadowalający. Przed użyciem urządzenia należy uważnie przeczytać całą instrukcję obsługi oraz towarzyszące jej dokumenty i zachować ją do wglądu na przyszłość. Przekazując wyrób innemu użytkownikowi, należy dołączyć również niniejszą instrukcję. Proszę przestrzegać wszystkich ostrzeżeń i informacji zawartych w tej instrukcji obsługi.

1. Przycisk wł./wył.
2. Przycisk trybu
3. Wskaźnik trybu maks.
4. Wskaźnik poziomu ładowania
5. Przycisk zwalniania pojemnika na kurz
6. Przycisk zwalniania pokrywy pojemnika na kurz
7. Przycisk zwalniania rury
8. Przycisk zwalniania szczotki
9. Elektryczna szczotka turbo
10. Hak ścienny
11. Wtyczka zasilacza
12. Ssawka do szczelin
13. Akcesorium 2-w-1

## Znaczenie symboli

W niniejszej instrukcji stosuje się następujące symbole:



Ważne informacje i przydatne wskazówki dotyczące użytkowania.



**OSTRZEŻENIE:** Ostrzeżenia dotyczące sytuacji zagrażających bezpieczeństwu, życiu i mieniu.



Klasa ochrony przeciwporażeniowej.

## Dane techniczne

**Znamionowa moc wejściowa** : 150 W

**Parametry wejściowe zasilacza** : 100-240V ~ 50-60 Hz 0.5A

**Parametry wyjściowe zasilacza** : 25-29V 0.5A

**Czas ładowania** : 4-6 godzin

**Czas pracy przy najwyższym poziomie mocy:** 18 min

**Czas pracy przy najniższym poziomie mocy do** : 42 min

**Pojemność pojemnika na pył** : 700ml

**Typ akumulatora** : Akumulator litowo-jonowy 25,2V, 2000mAh

Zastrzega się prawo do wprowadzania modyfikacji konstrukcji i danych technicznych.

Wartości podane w oznaczeniach umieszczonych na tym urządzeniu lub w innych dostarczanych wraz z nim materiałach drukowanych uzyskano w warunkach laboratoryjnych zgodnie z obowiązującymi normami. Wartości te mogą się różnić w zależności od sposobu użytkowania urządzenia i warunków w jego otoczeniu.



Urządzenie zostało wyprodukowane w bezpiecznych dla środowiska, nowoczesnych zakładach.



Nie zawiera polichlorowanych bifenyli (PCB).

# 1 Ważne instrukcje dotyczące bezpieczeństwa i ochrony środowiska

Rozdział ten zawiera instrukcje bezpieczeństwa, które pomogą w uniknięciu obrażeń ciała i uszkodzeń mienia.

Nieprzestrzeganie tych instrukcji spowoduje unieważnienie udzielonej gwarancji.

## 1.1 Ogólne zasady bezpieczeństwa

- Urządzenie jest zgodne z międzynarodowymi normami bezpieczeństwa.
- To urządzenie może być obsługiwane przez dzieci w wieku 8 lat i starsze, osoby niepełnosprawne fizycznie, psychicznie lub sensorycznie, a także osoby bez doświadczenia lub wiedzy w zakresie obsługi urządzenia, o ile znajdują się one pod nadzorem lub zostały szczegółowo poinstruowane o bezpiecznym korzystaniu z urządzenia i potencjalnych zagrożeniach. Dzieci nie mogą bawić się tym urządzeniem. Dzieci bez nadzoru nie mogą czyścić ani konserwować tego urządzenia.
- Nie należy używać urządzenia, jeśli uszkodzony jest jego przewód zasilający lub samo urządzenie.

Należy skontaktować się z autoryzowanym punktem serwisowym.

- Zasilanie z domowej sieci elektrycznej powinno być zgodne z informacjami podanymi na tabliczce znamionowej urządzenia.
- Z urządzeniem nie należy używać przedłużaczy.
- Aby zapobiec uszkodzeniu przewodu zasilającego, nie wolno dopuścić do jego ściskania, zginania lub ocierania o ostre krawędzie.
- Nie wolno dotykać urządzenia i jego wtyczki mokrymi ani wilgotnymi dłońmi, jeśli jest ono podłączone do zasilania.
- Nie należy wyjmować wtyczki z gniazdka ciągnąc za przewód zasilający.
- Nie odkurzać materiałów palnych, a podczas odkurzania popiołu z papierosów upewnić się, że jest on zimny.
- Nie odkurzać wody ani innych cieczy.
- Chronić urządzenie przed deszczem, wilgocią i źródłami ciepła.

# 1 Ważne instrukcje dotyczące bezpieczeństwa i ochrony środowiska

- Nigdy nie używać urządzenia w miejscach przechowywania materiałów wybuchowych lub łatwopalnych ani w ich pobliżu.
- Przed przystąpieniem do czyszczenia i konserwacji urządzenia należy odłączyć je od zasilania.
- Podczas czyszczenia nie wolno zanurzać urządzenia ani przewodu zasilającego w wodzie.
- Nie należy próbować rozkładać tego urządzenia na części.
- Należy stosować wyłącznie oryginalne lub zalecane przez producenta części zamienne.
- Nie odkurzać pozostałości cementu, gipsu i sprasowanego papieru, aby zapobiec zatkaniu filtra i uszkodzeniu silnika.
- Urządzenia należy używać wyłącznie z dołączonym zasilaczem.
- Nie używać urządzenia bez filtrów. Może to spowodować jego uszkodzenie.
- Opakowanie urządzenia należy przechowywać poza zasięgiem dzieci.
- Urządzenie to nie jest przeznaczone do użytku przez osoby (w tym dzieci) o ograniczonej sprawności fizycznej, sensorycznej lub psychicznej bądź niemające doświadczenia i umiejętności, chyba że są nadzorowane lub zostały poinstruowane na temat obsługi tego urządzenia przez osobę odpowiedzialną za ich bezpieczeństwo.
- Należy zawsze uważać, aby dzieci nie bawiły się tym urządzeniem.
- Urządzenie można użytkować tylko z zasilaczem dostarczonym z tym urządzeniem.
- Adapter należy usunąć z gniazda zasilania, a akumulatory należy wyjąć z urządzenia przed jego czyszczeniem lub konserwacją.
- W razie uszkodzenia adaptera należy go wymienić u producenta, jego przedstawiciela lub u osoby o równoważnych kwalifikacjach, aby uniknąć niebezpieczeństwa.
- Podczas używania odkurzacza należy trzymać palce, włosy i luźne elementy odzieży za dala od jego ruchomych części i otworów.

## 1 Ważne instrukcje dotyczące bezpieczeństwa i ochrony środowiska

- Akumulator trzeba wyjąć z urządzenia, zanim zostanie zełomowany.
- Akumulatory należy utylizować zgodnie z lokalnymi przepisami.
- To urządzenie zawiera akumulatory, które może wymieniać jedynie odpowiednio wykształcona osoba.
- **OSTRZEŻENIE:** W celu naładowania akumulatora należy korzystać jedynie z odłączanej jednostki zasilania MC2508A-V dostarczonej wraz z urządzeniem.
- Zużyte akumulatory należy wyjąć z urządzenia i bezpiecznie zutylizować.
- Zaciski zasilania nie mogą być zwierane.

## 2 Montaż części

### 2.2 Ssawka do szczelin

Służy do odkurzania powierzchni trudnych do czyszczenia, takich jak miejsca pod sofami i meblami.

Aby wyczyścić wyższe miejsca, takie jak sufit, należy włożyć akcesorium 2-w-1 w metalową rurę.

### 2.3 Akcesorium 2-w-1

Przesunąć do tyłu główkę szczotki cienkiego akcesorium 2-w-1, aż rozlegnie się dźwięk „kliknięcia” oznaczający zablokowanie. Odpowiednie do czyszczenia wąskich szczelin, niedostępnych narożników drzwi i okien oraz innych różnych małych otworów. Przystosowane do odkurzania otworów w narożnikach ścian, drabin, klawiatur itd. Wcisnąć główkę szczotki akcesorium 2-w-1 aż do usłyszenia „kliknięcia”. Odpowiednie do czyszczenia mebli, półek z książkami oraz zasłon itp.

## 3 Użytkowanie

### 3.1 Ładowanie

Przy wysyłce z fabryki akumulator nie jest w pełni naładowany, należy pamiętać, aby naładować go przed pierwszym użyciem.

1. Ułożyć korpus na poziomej powierzchni.
2. Podczas ładowania wskaźnik poziomu naładowania będzie migał ciągle.
3. Wskaźnik wyłączy się 1 min po naładowaniu.

## 4 Informacje

### 4.1 Czyszczenie i konserwacja

Przed czyszczeniem należy wyłączyć urządzenie i wyciągnąć wtyczkę z gniazdka



**OSTRZEŻENIE:** Do czyszczenia urządzenia nie wolno używać benzyny, rozpuszczalników, szorstkich środków czyszczących, przedmiotów metalowych ani twardych szczotek.

### 4.2 Czyszczenie systemu filtrowania

- Rozmontować separator cyklonowy i wyczyścić; wszystkie części można myć wodą. (5)

### 4.3 Przechowywanie

- Jeśli urządzenie nie będzie używane przez dłuższy czas, należy je starannie przechowywać.
- Upewnij się, że urządzenie jest odłączone od sieci, zimne i zupełnie suche.
- Przechowuj urządzenie w chłodnym i suchym miejscu.
- Urządzenie należy trzymać poza zasięgiem dzieci.

### 4.4 Przenoszenie i transport

- Urządzenie należy przenosić i transportować w oryginalnym opakowaniu. Zabezpiecza ono urządzenie przed fizycznymi uszkodzeniami.
- Nie wolno umieszczać ciężkich ładunków na urządzeniu lub opakowaniu. Może to spowodować uszkodzenie urządzenia.

Upuszczenie urządzenia może spowodować jego awarię lub trwałe uszkodzenie.

### 4.5 Zgodność z dyrektywą WEEE i usuwanie odpadów



Niniejszy wyrób jest zgodny z dyrektywą Parlamentu Europejskiego i Rady (2012/19/WE). Wyrób ten oznaczony jest symbolem klasyfikacji zużytych urządzeń elektrycznych i elektronicznych (WEEE).

Ten symbol oznacza, że sprzęt nie może być umieszczany łącznie z innymi odpadami gospodarstwa domowego po okresie jego użytkowania. Zużyte urządzenie należy oddać do specjalnego punktu zbiórki zużytego sprzętu elektrycznego i elektronicznego w celu utylizacji. Aby uzyskać informacje o punktach zbiórki w swojej okolicy należy skontaktować się z lokalnymi władzami lub punktem sprzedaży tego produktu. Gospodarstwo domowe spełnia ważną rolę w przywróceniu się do ponownego użycia i odzysku zużytego sprzętu. Odpowiednie postępowanie ze zużytym sprzętem zapobiega potencjalnym negatywnym konsekwencjom dla środowiska naturalnego i ludzkiego zdrowia.

### 4.6 Zgodność z dyrektywą RoHS

Niniejszy wyrób jest zgodny z dyrektywą Parlamentu Europejskiego i Rady RoHS (Ograniczenie użycia substancji niebezpiecznych) (2011/65/WE). Nie zawiera szkodliwych i zakazanych materiałów, podanych w tej dyrektywie

### 4.7 Opakowanie urządzenia



Opakowanie urządzenia jest wykonane z materiałów nadających się do recyklingu. Opakowanie należy usunąć w sposób zgodny z lokalnymi przepisami w zakresie ochrony środowiska, tak aby wszystkie materiały zostały poddane recyklingowi.

## 5 Informacje

### 4.8 Zużyte akumulatory



Zużyte akumulatory muszą być usuwane zgodnie z lokalnymi przepisami i normami. Symbol ten na akumulatorze i opakowaniu oznacza, że akumulator



dołączany do produktu nie może być traktowany jako odpad komunalny. W niektórych miejscach symbol ten może być używany razem z symbolem chemicznym. Jeżeli akumulatory

zawierają powyżej 0,0005% rtęci lub powyżej 0,004% ołowiu, wówczas dodatkowo umieszczane są symbole Hg dla rtęci i Pb dla ołowiu. Upewniając się, że akumulatory są usuwane właściwie, przyczyniasz się do zapobiegania potencjalnym szkodom dla środowiska i zdrowia ludzkiego, które mogłyby wystąpić przy nieodpowiednim usuwaniu.



## 6 Rozwiązywanie problemów

Powszechna usterka	Możliwa przyczyna	Rozwiązania
Odkurzacz nie działa	Produkt jest wyłączony lub akumulator ma niski poziom naładowania	Przed użyciem naładować produkt
	Gniazdo zasysania produktu jest zablokowane.	Wyczyścić wlot zasysania produktu
Zbyt słabe ssanie	Zespół bębna i filtra kurzu jest zakurzony	Wyczyścić pojemnik na kurz i materiał filtra
	Wokół szczotki wałkowej zawinięte są włosy i inne przedmioty	Wyczyścić szczotkę wałkową
	Sytuacja się nie zmieniła	Skontaktować się z naszym zespołem posprzedażowym
Inny dźwięk pracy silnika	Rura aluminiowa jest zablokowana	Usunąć przeszkody
	Sytuacja się nie zmieniła	Skontaktować się z naszym zespołem posprzedażowym
Odkurzacz ma problemy podczas pracy	Zbyt dużo przeszkód w czyszczonym obszarze	Usunąć przeszkody ręcznie
	Gniazdo zasysania produktu jest zablokowane	Wyczyścić wlot zasysania produktu
	Sytuacja się nie zmieniła	Skontaktować się z naszym zespołem posprzedażowym
Nie można naładować produktu	Ładowarka nie jest prawidłowo podłączona	Sprawdzić i podłączyć prawidłowo
	Ładowarka lub gniazdo nie jest całkowicie naładowana(-ne) lub jest poluzowana(-ne)	Sprawdzić i wyjąć
	Sytuacja się nie zmieniła	Skontaktować się z nami

Szanowni Państwo,

Dziękujemy za okazane nam zaufanie. Cieszymy się, że zdecydowali się Państwo na wybór naszego produktu. Naszą misją jest dostarczanie Państwu niezawodnych rozwiązań, które ułatwią życie i uprzyjemnią codzienne obowiązki. Mamy nadzieję, że zakupiony sprzęt spełni Państwa oczekiwania i stanie się nowym przyjacielem w domu.

Jeżeli urządzenie ulegnie awarii prosimy skontaktować się ze sprzedawcą lub infolinią Beko. Warunki gwarancji są dostępne na stronie internetowej [www.beko.pl](http://www.beko.pl).

Podstawą do udzielenia 24 miesięcznej gwarancji jest przedstawienie dowodu zakupu zawierającego czytelny symbol urządzenia, datę zakupu i dane sprzedawcy.

Gwarancja jest udzielana Użytkownikowi dodatkowo i nie wyłącza, nie ogranicza ani nie zawiesza uprawnień Użytkownika wynikających z przepisów o rękojmi za wady rzeczy sprzedanej na podstawie Kodeksu cywilnego.



# Lees deze handleiding eerst!

Beste klant,

Wij danken u dat u een product van Beko heeft gekozen. We hopen dat u het beste haalt uit uw product, dat vervaardigd is met de modernste technologie van hoge kwaliteit. Lees daarom deze gehele gebruikershandleiding en alle andere verstrekte documenten zorgvuldig door voordat u het product gaat gebruiken en bewaar deze ter referentie in de toekomst. Als u het product aan iemand anders geeft, overhandig dan ook de gebruikershandleiding.

1. Aan/-/uit-knop
2. Modusknop
3. Max. modusindicator
4. Charging level indicator
5. Knop om stofreservoir vrij te geven
6. Knop om stofreservoirdeksel te openen
7. Vrijgaveknop van de stang
8. Vrijgaveknop van de borstel
9. Elektrische turboborstel
10. Wandhaak
11. Stroomstekker
12. Crevice tool
13. Twee-in-een-accessoire

Volg de instructies op door op alle informatie en waarschuwingen te letten in de gebruikershandleiding.

## Betekenis van de symbolen

De volgende symbolen worden gebruikt in de verschillende delen van deze handleiding:



Belangrijke informatie en nuttige aanwijzingen voor gebruik.



**WAARSCHUWING:** Waarschuwingen voor levensgevaarlijke situaties en schade aan eigendommen.



Beschermingsklasse voor een elektrische schok.

## Technische gegevens

**Nominaal ingaand vermogen** : 150 W

**Adaptor Input** : 100-240V ~ 50-60 Hz 0.5A

**Adaptor output** : 25-29V 0.5A

**Laadeenheid** : 4 - 6 uur

**Werkingstijd bij max. vermogen:** 18 min.

**Werkingstijd bij min. vermogen maximaal** : 42 min.

**Dust bin volume** : 700ml

**Batterijtype** : 25,2V, 2000mAh Li-ion-batterij

Technische aanpassingen of ontwerpwijzigingen onder voorbehoud.

De waarden die u aantreft in de etiketten die zich op het apparaat bevinden of in de meegeleverde gedrukte documenten vertegenwoordigen de waarden die werden verkregen in de laboratoria conform de relevante standaarden. Deze waarden kunnen variëren, afhankelijk van het gebruik van het apparaat en de omgevingsomstandigheden.



Dit apparaat is in een milieuvriendelijke, moderne faciliteit geproduceerd.



Het bevat geen pcb.

# 1 Belangrijke veiligheids- en milieu-instructies

Dit deel bevat veiligheidsinstructies die u beschermen tegen het risico op persoonlijk letsel of materiële schade.

Het niet naleven van deze instructies laat de garantie vervallen.

## 1.1 Algemene veiligheid

- Dit apparaat voldoet aan de internationale veiligheidsnormen.
- Dit apparaat kan worden gebruikt door kinderen vanaf 8 jaar en personen met verminderde fysieke, zintuiglijke of mentale vermogens, of met een gebrek aan ervaring en kennis, als deze onder toezicht staan of instructies hebben gekregen betreffende het veilige gebruik van het apparaat en op de hoogte zijn van de betrokken gevaren. Laat kinderen niet met het apparaat spelen. Reiniging en gebruikersonderhoud dienen niet zonder toezicht door kinderen uitgevoerd te worden.
- Gebruik het apparaat niet als de adapter of het apparaat zelf is beschadigd. Neem contact op met een erkende servicedienst.
- Uw netstroom moet overeenkomen met de informatie die u aantreft op het typeplaatje van het apparaat.
- Gebruik het apparaat niet met een verlengsnoer.
- Voorkom schade aan het netsnoer door er niet in te knijpen, het snoer te buigen of tegen scherpe randen te wrijven.
- Raak het apparaat of zijn stekker als die in het stopcontact zit niet aan met natte of vochtige handen.
- Trek niet aan het stroomsnoer bij het uittrekken van de stekker.
- Zuig geen ontvlambare materialen op en zorg er bij opzuigen van sigarettenas voor dat deze afgekoeld is.
- Zuig geen water of andere vloeistoffen op.
- Behoed het apparaat tegen regen, vocht en warmtebronnen.
- Het apparaat nooit gebruiken in of in de buurt van brandbare, ontvlambare omgevingen.
- Trek de stekker van het apparaat uit voor reiniging of onderhoud.
- Dompel het apparaat of de stroomkabel bij reiniging niet in water.
- Probeer het apparaat niet uit elkaar te halen.
- Gebruik alleen de originele onderdelen of onderdelen aanbevolen door de fabrikant.
- Zuig geen deeltjes op als cement,

# 1 Belangrijke veiligheids- en milieu-instructies

gips en gecompriemd papier omdat deze het filter kunnen verstopen en de motor daardoor beschadigd kan raken.

- Gebruik het apparaat uitsluitend met de meegeleverde adapter.
- Gebruik het apparaat niet zonder filters, want daardoor kan het beschadigd raken.
- Als u de verpakkingsmaterialen bewaart, berg ze dan op buiten het bereik van kinderen.
- Dit toestel is niet bedoeld voor gebruik door personen (waaronder kinderen) met beperkte fysieke, zintuigelijke of mentale capaciteiten of met een gebrek aan ervaring en kennis, tenzij ze onder toezicht staan of instructies hebben gekregen over het gebruik van het toestel door een persoon die verantwoordelijk is voor hun veiligheid.
- Kinderen moeten onder toezicht staan om ervoor te zorgen dat ze niet spelen met het apparaat.
- Het apparaat dient uitsluitend gebruikt te worden met de stroomstekker die met het apparaat is meegeleverd.
- De adapter moet uit het stopcontact worden getrokken en de batterij moet van het apparaat worden gehaald voordat het apparaat wordt gereinigd of onderhouden wordt uitgevoerd.
- Als het stroomsnoer beschadigd is, moet het worden vervangen door de fabrikant of zijn serviceagent of een vergelijkbaar gekwalificeerde persoon om gevaar te vermijden.
- Houd tijdens het gebruik van de stofzuiger vingers, haar en losse kleding verwijderd van de bewegende delen en openingen.
- De batterij moet uit het apparaat zijn verwijderd voordat het veilig wordt gesloopt;
- Gooi gebruikte batterijen weg volgens de plaatselijke wetgeving en voorschriften.
- Dit apparaat bevat batterijen die uitsluitend door vakkundige personen kunnen worden vervangen.
- **WAARSCHUWING:** Gebruik voor het opladen van de batterij uitsluitend het afneembare voedingsapparaat MC2508A-V dat met dit apparaat is meegeleverd.
- Lege batterijen moeten uit het apparaat worden verwijderd en veilig worden weggegooid.
- De voedingsaansluitblokken mogen niet worden kortgesloten.

## 2 Onderdelenmontage

### 2.2 Opzetstuk voor spleten

Geschikt voor het reinigen van oppervlakken die moeilijk schoon te maken zijn, zoals plaatsen onder banken en meubilair.

Steek het twee-in-een-accessoire op de metalen stang om hogere plaatsen zoals het plafond te bewerken.

### 2.3 Twee-in-een-accessoire

Duw de borstelkop op het twee-in-een-accessoire naar achteren, totdat u een "klik" hoort. Dit is geschikt voor het reinigen van smalle kieren, dode hoeken van deuren en ramen, en andere kleine gaten. Het is klaar om gaten in hoeken in de muur, trappen en toetsenborden enz. te zuigen. Duw de borstelkop van het twee-in-een-accessoire naar voren, totdat u een "klik" hoort. Dit is geschikt voor het zuigen van meubilair, boekenplanken, gordijnen enz.

## 3 Gebruik

### 3.1 Opladen


De batterij is af fabriek niet geladen. Laad de batterij voor het eerste gebruik op.

1. Leg de behuizing op een horizontaal oppervlak.
2. Tijdens het opladen knippert de spanningsindicator voortdurend.
3. 1 min. na het opladen, gaat de indicator uit.

## 4 Informatie

### 4.1 Reiniging en onderhoud

Trek de stekker van het apparaat uit voordat u het reinigt.

	<b>WAARSCHUWING:</b> Gebruik nooit benzine, oplosmiddelen of schuurmiddelen, metalen voorwerpen of harde borstels om het apparaat schoon te maken.
--	--

### 4.2 Reinigen van het filtersysteem

- Haal de cycloon uit elkaar en maak deze schoon. Alle onderdelen kunnen worden gewassen. (5)

### 4.3 Opslag

- Als u van plan bent het apparaat gedurende een lange periode niet te gebruiken, ruim het dan zorgvuldig op.
- Trek de stekker uit het apparaat.
- Bewaar het apparaat buiten het bereik van kinderen.

### 4.4 Hanteren en vervoeren

- Draag het apparaat bij hanteren en vervoeren in de oorspronkelijke verpakking. De verpakking van het apparaat beschermt tegen fysieke schade.
- Zet niets zwaars op het apparaat of op de verpakking. Het apparaat kan beschadigd raken.
- Het laten vallen van het apparaat kan ervoor zorgen dat het niet meer werkt of permanente schade veroorzaken.

### 4.5 Naleving van de WEEE-richtlijn en verwerking van afvalproducten



Dit product voldoet aan de EU WEEE-norm (2012/19/EU). Dit product is voorzien van een classificatiesymbool voor verwerking van elektrische en elektronische apparatuur (WEEE).

Dit symbool geeft aan dat dit product niet met ander huishoudelijk afval mag worden weggegooid aan het einde van zijn levensduur. Het gebruikte apparaat moet worden ingeleverd bij het officiële inzamelingspunt voor recycling van elektrische en elektronische apparaten. Voor de locatie van deze inzamelingspunten neemt u contact op met de plaatselijke gemeente of winkelier waar u het product heeft gekocht. Ieder huishouden heeft een belangrijke rol in de herwinning en recycling van oude apparaten. Correcte verwijdering van gebruikte apparaten helpt potentiële negatieve consequenties voor het milieu en de gezondheid van de mens te voorkomen.

### 4.6 Naleving van de RoHS-norm

Het door u aangekochte product voldoet aan de EU RoHS-norm (2011/65/EU). Het bevat geen schadelijke en verboden materialen die in de richtlijn worden genoemd.

### 4.7 Verpakkingsinformatie



Het verpakkingsmateriaal van het product is vervaardigd uit gerecyclede materialen overeenkomstig onze nationale milieunormen. Gooi het verpakkingsmateriaal niet weg met het huishoudelijk of ander afval. Breng het naar een door de gemeente aangewezen verzamelpunt voor verpakkingsmateriaal.

## 5 Informatie

### 4.8 Informatie over verwijdering van batterijen



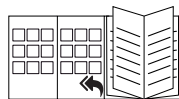
Dit symbool op wel of niet oplaadbare batterijen of op de verpakking ervan geeft aan dat de wel of niet oplaadbare batterij niet mag worden weggegooid met het normale huisafval. Voor



bepaalde wel of niet oplaadbare batterijen wordt dit symbool vergezeld van een chemicaliënsymbool. Als de wel of niet oplaadbare batterijen meer dan 0,0005 % kwik of meer dan 0,004 %

lood bevatten, wordt dit aangegeven met symbolen voor kwik (Hg) of lood (Pb).

Wel of niet oplaadbare batterijen, met inbegrip van de batterijen die geen zware metalen bevatten, mogen niet met het normale huisvuil worden weggegooid. Gooi gebruikte batterijen weg in overeenstemming met de plaatselijke milieuvorschriften. Vraag om informatie over de van toepassing zijnde verwijderingsvoorschriften bij u in de buurt.



Raadpleeg de omslag van de gebruikershandleiding voor hoofdstukken over eerste gebruik, algemeen gebruik en reiniging.



## 6 Problemen oplossen

Veelvoorkomende storing	Mogelijke oorzaak	Oplossingen
De stofzuiger doet het niet	Product staat uit of de batterij is leeg	Laad het product voor gebruik op
	De zuigmond van het product is verstopt	Reinig de zuigmond van het product
Zuigkracht is te laag	Stofreservoir en filterset zijn stoffig	Reinig het stofreservoir en filtermateriaal
	Rolborstel is ingewikkeld in haar en andere objecten	Reinig de rolborstel
	De situatie houdt aan	Neem contact op met onze klantenservice
Ander geluid tijdens het werken van de motor	De aluminium stang is verstopt	Ontdoe van verstopping
	De situatie houdt aan	Neem contact op met onze klantenservice
Stofzuiger kan niet goed werken	Te veel voorwerpen in het gebied dat gezogen moet worden	Verwijder de voorwerpen met de hand
	De zuigmond van het product is verstopt	Reinig de zuigmond van het product
	De situatie houdt aan	Neem contact op met onze klantenservice
Product kan niet opgeladen worden	Oplader is niet goed aangesloten	Controleer dit en zorg voor goede aansluiting
	Oplader of stopcontact is niet geladen of zit los	Controleer dit en berg op
	De situatie houdt aan	Neem contact met ons op

# Najpre pročitate ovaj priručnik!

Poštovani kupci,

Zahvaljujemo vam na kupovini proizvoda kompanije Beko. Nadamo se da ćete na najbolji mogući način iskoristiti svoj uređaj koji je napravljen sa visokim kvalitetom i vrhunskom tehnologijom. Iz tog razloga, pročitate ovo uputstvo za upotrebu i sve druge prateće dokumente pažljivo pre korišćenja proizvoda i sačuvajte ih za buduću upotrebu. Ako ovaj uređaj predate trećem licu, priložite i ovo uputstvo za upotrebu.

1. Dugme za uključivanje/isključivanje
2. Dugme za režim rada
3. Indikator za maksimalan režim rada
4. Indikator nivoa punjenja
5. Dugme za otpuštanje posude za prašinu
6. Dugme za otpuštanje poklopca posude za prašinu
7. Dugme za otpuštanje cevi
8. Dugme za otpuštanje četke
9. Električna tubro četka
10. Kuka za zid
11. Priključak za napajanje
12. Nastavak za teško dostupne površine
13. Dodatna oprema dva-u-jednom

Pratite uputstva obraćajući pažnju na sve informacije i upozorenja navedena u uputstvu za upotrebu.

## Značenje simbola

Sledeći simboli se koriste u raznim odeljcima ovog uputstva:



Važne informacije i korisni saveti u vezi sa upotrebom.



**UPOZORENJE:** Upozorenja na opasne situacije koje se odnose na bezbednost života i imovine.



Klasa zaštite od strujnog udara.

## Tehnički podaci

**Nominalna ulazna snaga:** 150 W

**Ulaz za adapter :**  
100-240V ~ 50-60 Hz 0,5A

**Izlaz za adapter :** 25-29V 0,5A

**Vreme punjenja :** 4-6 hours

**Vreme rada pod maks. snagom :** 18 min.

**Vreme rada pod min. snagom do :** 42 min.

**Zapremina posude za prašinu :** 700ml

**Vrsta baterije :**  
25,2V, 2000mAH Litijumska baterija

Zadržavamo pravo na tehničke i modifikacije u dizajnu.

Vrednosti koje su date na oznakama postavljenim na vaš uređaj ili drugim štampanim materijalima koje ste dobili sa uređajem predstavljaju vrednosti koje su dobijene u laboratorijama, u skladu sa važećim standardima. Ove vrednosti mogu da variraju prema upotrebi uređaja i uslovima sredine.



Ovaj proizvod je proizveden u ekološkim i tehnički najsavremenijim objektima.



Ovaj proizvod ne sadrži PCB.

# 1 Važna uputstva u vezi sa bezbednošću i zaštitom životne sredine

Ovaj odeljak sadrži sigurnosna uputstva koja će vam pomoći da se zaštitite od opasnosti povreda i oštećenja imovine.

Nepoštovanje ovih uputstava poništava odobrenu garanciju.

## 1.1 Opšta bezbednost

- Ovaj uređaj je usklađen sa međunarodnim standardima bezbednosti.
- Ovaj uređaj mogu da koriste deca koja imaju 8 i više godina, osobe sa nepotpuno razvijenim telesnim, senzornim ili mentalnim sposobnostima, kao i osobe koje nemaju dovoljno potrebnog znanja i iskustva sve dok su pod nadzorom ili im se daju uputstva u pogledu bezbedne upotrebe i dok shvataju rizike koji su obuhvaćeni upotrebom proizvoda. Deca ne smeju da se igraju uređajem. Čišćenje i korisničko održavanje ne smeju da obavljaju deca bez nadzora.
- Ako su adapter ili sam uređaj oštećeni, nemojte da ga koristite. Obratite se ovlašćenom servisu.
- Vaše mrežno napajanje strujom mora biti u skladu sa informacijama na pločici na aparatu.
- Nemojte koristiti uređaj sa produžnim kablom.
- Sprečite oštećenje kabla za napajanje tako što ga nećete stiskati, savijati ili trljati po ostrim ivicama.
- Ne dodirujte uređaj ili njegov priključak kada je priključen u struju ako su vam ruke vlažne ili mokre.
- Ne vucite strujni kabl prilikom isključivanja utikača aparata.
- Nemojte da usisavate zapaljive materijale, a kada usisavate pepeo cigareta, proverite da li se ohladio.
- Nemojte da usisavate vodu ili druge tečnosti.
- Zaštitite uređaj od kiše, vlage i izvora toplote.
- Nikada nemojte da koristite uređaj unutar ili u blizini zapaljivih okruženja ili mesta.
- Izvucite utikač uređaja iz struje pre čišćenja i održavanja.
- Nemojte uranjati uređaj ili njegov kabl za napajanje u vodu radi čišćenja.
- Nemojte da pokušavate da rastavljate aparat.

# 1 Važna uputstva u vezi sa bezbednošću i zaštitom životne sredine

- Koristite isključivo originalne delove ili delove koje preporučuje proizvođač.
- Nemojte da čistite čestice, kao što su cement, gips i kompresovani papir, da biste sprečili da se filter zapuši i da se motor ošteti.
- Koristite aparat samo sa dobijenom adapterom.
- Nemojte da koristite uređaj bez filtera; u suprotnom, može se oštetiti.
- Ako čuvate ambalažu, čuvajte je van domašaja dece.
- Ovaj uređaj nije namenjen da ga koriste osobe (uključujući i decu) sa smanjenim fizičkim, senzornim ili mentalnim sposobnostima ili sa nedostatkom iskustva i znanja, osim ako su pod nadzorom ili primaju instrukcije u vezi sa upotrebom uređaja od lica koje je odgovorno za njihovu bezbednost
- Deca treba da budu pod nadzorom kako bi se osiguralo da se ne igraju sa uređajem.
- Ovaj uređaj se koristi samo sa jedinicom za napajanje koja je priložena uz uređaj.
- Adapter mora biti uklonjen iz utičnice i baterija mora biti uklonjena iz aparata pre čišćenja ili održavanja uređaja
- Ako dođe do oštećenja adaptera, mora ga zameniti proizvođač ili njegov predstavnik ili slična kvalifikovana osoba da bi se izbegla opasnost.
- Prste, kosu i široku odeću držite podalje od pokretnih delova i otvora dok koristite usisivač
- Baterija se mora izvaditi iz aparata pre nego što se izbacila iz upotrebe;
- Odložite iskorištene baterije u skladu sa lokalnim zakonima i propisima.
- Ovaj uređaj sadrži baterije koje mogu zameniti samo stručna lica.
- **UPOZORENJE:** Da napunite bateriju, koristite samo odvojivu jedinicu za napajanje MC2508A-V koja se isporučuje sa ovim uređajem.
- Prazne baterije treba ukloniti iz aparata i sigurno ih odložiti.
- Pazite da ne napravite kratak spoj između priključaka za napajanje.

## 2 Sklapanje delova

### 2.2 Nastavak za teško dostupne površine

Pogodan za čišćenje površina koje je teško očistiti, kao što su mesta ispod kauča i nameštaja.

Umetnite dodatnu opremu dva-u-jednom u metalnu cev za usisavanje visokih mesta kao što su plafoni, itd.

### 2.3 Dodatna oprema dva-u-jednom

Gurnite unazad glavu četke dodatne opreme dva-u-jednom dok ne čujete zvuk „klik“ za zaključavanje. Pogodna je za čišćenje tesnih otvora, uglova iza vrata i prozora i drugih raznih malih prostora. Može se koristiti za usisavanje prostora u uglovima zidova, merdevina i tastatura, itd. Gurnite napred glavu četke dodatne opreme dva-u-jednom dok ne čujete zvuk „klik“ za zaključavanje. Pogodan je za čišćenje nameštaja, polica za knjige i zavesa, itd.

## 3 Upotreba

### 3.1 Punjenje

Baterija nije puna pri izlasku iz fabrike, ne zaboravite da je napunite pre prve upotrebe.

1. Postavite telo na vodoravnu površinu.
2. Kada punite, indikator napajanja će treperiti neprekidno.
3. 1 minut nakon što se napuni, indikator će se isključiti.

## 4 Informacije

### 4.1 Čišćenje i održavanje

Isključite uređaj i izvucite kabl uređaja iz struje pre čišćenja.



**UPOZORENJE:** Nikada nemojte koristiti benzin, rastvarač, abrazivna sredstva za čišćenje, metalne predmete ili grube četke za čišćenje ovog aparata.

### 4.2 Čišćenje sistema za filtriranje

- Rastavite ciklon i očistite, svi delovi se mogu prati. (5)

### 4.3 Skladištenje

- Ako ne nameravate da koristite aparat duže vreme, pažljivo ga odložite.
- Izvucite utikač uređaja iz utičnice.
- Držite uređaj van domašaja dece.

### 4.4 Prenos i transport

- Tokom prenosa i transporta nosite uređaj u njegovoj originalnoj ambalaži. Ambalaža uređaja ga štiti od fizičkih oštećenja.
- Nemojte stavljati teške predmete na uređaj ili njegovu ambalažu. Uređaj se može oštetiti.
- Ako vam uređaj ispadne, to može izazvati trajno oštećenje, odnosno aparat može postati nefunkcionalan.

### 4.5 Usaglašenost sa WEEE direktivom i odlaganje otpada



Ovaj proizvod je usaglašen sa WEEE direktivom Evropske unije (2012/19/EU). Ovaj proizvod nosi simbol klasifikacije za električni i elektronski otpad (WEEE).

Ovaj simbol označava da se ovaj proizvod ne sme odlagati zajedno s ostalim kućnim otpadom na kraju njegovog radnog veka. Korišćeni uređaj mora se vratiti na službeno mesto za sakupljanje za recikliranje električnih i elektronskih uređaja. Da biste pronašli ove sisteme za sakupljanje, obratite se lokalnim nadležnim telima ili prodavcu gde je proizvod kupljen. Svako domaćinstvo ima važnu ulogu u vraćanju i recikliranju starih uređaja. Odgovarajuće odlaganje iskorišćenog aparata pomaže u sprečavanju potencijalnih negativnih posledica po životnu sredinu i zdravlje ljudi.

### 4.6 Usaglašenost sa RoHS Direktivom

Proizvod koji ste kupili u saglasnosti je sa RoHS Direktivom Evropske unije (2011/65/EU). On ne sadrži štetne i zabranjene materijale navedene u Direktivi.

### 4.7 Informacije o pakovanju



Ambalažni materijali ovog proizvoda su napravljeni od materijala koji mogu da se recikliraju u skladu sa nacionalnim propisima o zaštiti životne sredine.

Ambalažne materijale ne odlagati zajedno sa kućnim ili drugim otpadom. Odnosite ih na mesta za prikupljanje ambalažnog materijala određena od strane lokalnih nadležnih tela.

## 5 Informacije

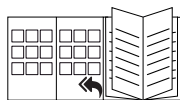
### 4.8 Informacije o iskorištenim baterijama



Ovaj simbol na punjivoj bateriji/ baterijama ili na ambalaži označava da se punjiva baterija/baterije ne sme odlagati zajedno sa običnim otpadom iz domaćinstva. Za određene punjive baterije / baterije, ovaj simbol može biti dopunjen hemijskim simbolom. Simboli za živu (Hg) ili olovo (Pb) se navedeni ako punjive baterije / baterije sadrže više od 0,0005% žive ili više od 0,004% olova.



Punjive baterije / baterije, uključujući one koje ne sadrže teške metale, ne smeju se odlagati zajedno sa kućnim otpadom. Korišćene baterije uvek odlažite u skladu sa lokalnim ekološkim propisima. Raspitajte se o važećim propisima o odlaganju otpada u vašem prebivalištu.



Pogledajte naslovnu stranu uputstva za korišćenje za odeljke o prvom korišćenju, opštem korišćenju i čišćenju.

## 6 Otkrivanje i rešavanje problema

Uobičajen problem	Mogući uzrok	Rešenja
Usisivač ne radi	Proizvod nema napajanje ili baterija je pri kraju.	Napunite bateriju pre upotrebe.
	Blokiran je ulazni otvor usisivača.	Čišćenje usisnog otvora proizvoda
Slabo vuče	Vrećica za prašinu i sklop filtera su puni prašine	Očistite posudu za prašinu u materijal filtera
	Rotirajuća četka je omotana oko dlaka i drugih predmeta	Očistite rotirajuću četku
	Problem ne prestaje	Stupite u kontakt sa našim prodajnim timom
Drugačiji zvuk rada motora	Blokirana je aluminijumska cev	Očistite cev
	Problem ne prestaje	Stupite u kontakt sa našim prodajnim timom
Usisivač ima poteškoće pri radu	Previše prepreka na površini koja se čisti	Ručno uklonite prepreke
	Blokiran je ulazni otvor usisivača	Očistite usisni otvor proizvoda
	Problem ne prestaje	Stupite u kontakt sa našim prodajnim timom
Proizvod se ne puni	Punjač nije dobro priključen	Proverite da ima dobar kontakt
	Punjač nije potpuno napunjen ili sud za prašinu nije pričvršćen	Proverite i odložite
	Problem ne prestaje	Pozovite nas



# Прво прочитајте го упатството!

Почитуван кориснику,  
Ви благодариме што избравте производ на Беко. Се надеваме дека ќе постигнете најдобри резултати со вашиот уред, којшто е произведен со врвна и високо квалитетна технологија. Затоа, внимателно прочитајте го целото упатство и целата друга придружна документација пред да го користите уредот и зачувајте го за идни потреби. Доколку го давате уредот на некој друг, заедно со него дајте го и прирачникот за употреба.

1. Копче за вклучување/исклучување
2. Копче за режим
3. Индикатор на максимален режим
4. Индикатор на ниво на полнење
5. Копче за ослободување на садот за ѓубре
6. Копче за ослободување на капакот на садот за ѓубре
7. Копче за ослободување на цевката
8. Копче за ослободување на четката
9. Електрична турбо четка
10. Закачалка за сид
11. Приклучок за струја
12. Алатка за вдлабнатини/отвори
13. Додаток две-во-едно



Овој производ е произведен во еколошки и модерни простории.

Следете ги инструкциите со обрнување внимание на сите информации и предупредувања во прирачникот.

## Значење на симболите

Следните симболи се користат низ разните поглавја на ова упатство:



Важни информации и корисни совети за употреба.



### ПРЕДУПРЕДУВАЊЕ:

Предупредувања за опасни ситуации во однос на безбедноста по животот и имотот.



Класа на заштита од струен удар.

## Технички податоци

**Номинална влезна моќност :** 150 W

**Влез на адаптер :**

100-240V ~ 50-60 Hz 0.5A

**Излез на адаптер :** 25-29V 0.5A

**Време на полнење :** 4-6 часа

**Време на работа со максимална моќност :** 18 мин.

**Време на работа со минимална моќност :** 42 мин.

**Волумен на сад за прашина :** 700ml

**Тип на батерија :** 25,2V, 2000mAh  
Li-ion батерија

Правата за технички и дизајнерски модификации се задржани.

Вредностите што се наведени на ознаките ставени на вашиот уред или во други испечатени документи доставени со него, претставуваат вредности добиени во лабораториски услови во согласност со релевантните стандарди. Овие вредности може да варираат според искористеноста на уредот и околните услови.



Производот не содржи ПХБ (полихлорирани бифенили).

# 1 Важни упатства за безбедноста и животната средина

Ова поглавје содржи безбедносни упатства што ќе ви помогнат да се заштитите од лична повреда или штета по имотот.

Ако не ги следите овие упатства, гаранцијата ќе биде поништена.

## 1.1 Општа безбедност

- Овој уред е усогласен со меѓународните безбедносни стандарди.
- Овој уред може да го употребуваат деца постари од 8 години и лица со намалени физички, сензорни или ментални способности или без искуство и познавање, доколку се под надзор или им се даваат упатства за безбедна употреба на апаратот и ги разбираат опасностите што можат да се случат. Децата не треба да си играат со апаратот. Уредот не смеат да го чистат и одржуваат деца без надзор.
- Не употребувајте го адаптерот или самиот уред ако е оштетен. Побарајте овластен сервис.
- Вашиот напон во домот треба да биде во согласност со информациите што се наоѓаат на плочката на уредот.
- Не употребувајте го уредот со продолжен кабел.
- Спречете оштетување на кабелот за струја со тоа што нема да го стискате, виткате или триете од остри рабови.
- Не допирајте го уредот или неговиот приклучок кога е приклучен доколку ви се влажни или мокри рацете.
- Не влечете го кабелот кога го исклучувате уредот од струја.
- Не смукајте запаливи материјали, а кога смукате пепел од цигари, гледајте пепелта да е ладна.
- Не смукајте вода или други течности.
- Заштитете го уредот од дожд, влажност и топлотни извори.
- Никогаш не употребувајте го уредот во или близу места каде што има запаливи материјали или каде што околината е запалива.
- Исклучете го апаратот од струја пред чистењето и одржувањето.
- Не потопувајте го уредот или кабелот во вода за чистење.
- Не обидувајте се да го расклопите уредот.

# 1 Важни упатства за безбедноста и животната средина

- Употребувајте само оригинални делови или делови препорачани од производителот.
- Не чистете честички како цемент, гипс или компресирана хартија со уредот, за да спречите затнување на филтерот и оштетување на моторот.
- Употребувајте го уредот само со адаптерот кој е испорачан заедно со него.
- Не употребувајте го уредот без филтри; инаку може да се оштети.
- Доколку го чувате пакувањето, држете го понастрана од деца.
- Овој уред не е наменет да го користат лица (вклучително и деца) со намалени физички, сетилни или ментални способности или лица кои не се доволно обучени или немаат познавања, освен ако се под надзор или добиваат упатства како да го користат уредот од страна на лице одговорно за нивната безбедност.
- Надгледувајте ги децата за да спречите да си играат со уредот.
- Уредот треба да се користи само со приклучокот за струја кој е испорачан заедно со него.
- Адаптерот треба да се извади од штекерот, а батериите треба да се извадат од уредот пред негово чистење и одржување.
- Ако адаптерот е оштетен, производителот или негов застапник или квалификувано лице, треба да го замени адаптерот за да се избегне опасност.
- Внимавајте на прстите, косата и облеката кај отворите и деловите на правосмукалката кои се движат додека чистите.
- Пред да го дадете уредот за рециклирање, отстранете ги батериите.
- Отстранете ги искористените батерии како што налагаат локалните закони и регулативи.
- Уредот користи батерии кои може да ги замени само искусно лице.
- **ПРЕДУПРЕДУВАЊЕ:** За полнење на батериите, употребувајте ја само единицата за напојување MC2508A-V која е испорачана заедно со уредот.
- Потрошените батерии треба да се извадат од уредот и безбедно да се отстранат.
- Терминалите за напојување не треба да претрпат краток спој.

## 2 Составување на деловите

### 2.2 Алатка за отвор

Одговара за чистење на површини што се чистат тешко, како на пример под софата и мебелот.

Вметнете го додатокот две-во-едно во металната цевка за да смукате на високи места, како на пример, таванот итн.

### 2.3 Додаток две-во-едно

Туркајте ја назад четката во додатокот две-во-едно додека не слушнете „кликнување“ дека е добро наместена. Соодветна е за чистење тесни отвори, тешко достапни агли на врати и прозорци и разни други мали отвори. Подготвена е за смукање во отвори на аглите од сидови, скалила и тастатура, итн. Туркајте ја напред четката во додатокот две-во-едно додека не слушнете „кликнување“ дека е добро наместена. Соодветна е за чистење мебел, полица за книги и завеси, итн.

## 3 Употреба

### 3.1 Полнење


Батеријата не е полна кога ќе излезе од фабриката, запомнете дека треба да ја наполните пред првата употреба.

1. Ставете на хоризонтална површина.
2. Додека трае полнењето, индикаторот за струја ќе светка постојано.
3. 1 минута по полнењето, индикаторот ќе се исклучи.

## 4 Информации

### 4.1 Чистење и одржување

Исклучете го уредот од струја пред да го чистите.

	<b>ПРЕДУПРЕДУВАЊЕ:</b> Никогаш не употребувајте бензин, растворувачи, абразивни агенси за чистење, метални објекти или тврди четки кога го чистите уредот.
--	---

### 4.2 Чистење на системот за филтрирање

- Размонтирајте го циклонскиот дел и исчистете, сите делови може да се мијат. (5)

### 4.3 Чување

- Доколку немате намера да го користите уредот подолго време, складирајте го внимателно.
- Исклучете го приклучокот од струја.
- Чувајте го уредот подалеку од дофат на деца.

### 4.4 Ракување и транспорт

- За време на ракувањето со уредот и неговото транспортирање, носете го во неговото оригинално пакување. Пакувањето го заштитува од секакви физички оштетувања.
- Не ставајте тешки работи врз уредот или врз пакувањето. Уредот може да се оштети.
- Доколку ви падне на земја може да престане да работи или да биде трајно оштетен.

### 4.5 Усогласеност со Директивата за отпадна електрична и електронска опрема (WEEE) и фрлање на производот



Овој производ е усогласен со Директивата за отпадна електрична и електронска опрема (WEEE (2012/19/EU)). Овој производ го носи симболот за класификација за отпадна електрична и електронска опрема (WEEE).

Овој симбол покажува дека овој производ не треба да се фрла со другиот отпад од домаќинството откако ќе престане да се користи. Искористениот уред треба да се врати во официјален пункт за собирање на електрични и електронски уреди за рециклирање. За да ги најдете овие системи за собирање отпад, контактирајте ги Вашите локални власти или малопродажното место од каде е купен производот. Секое домаќинство има важна улога во враќањето и рециклирањето на стари уреди. Правилното отстранување на искористените уреди помага во заштитата од можни негативни последици за животната средина и здравјето на луѓето.

### 4.6 Усогласеност со Директивата за ризик од опасни материи

Производот што го купивте е усогласен со Директивата на ЕУ за ризик од опасни материи (2011/65/EU). Овој производ не содржи штетни и забранети материјали коишто се посочени во Директивата.

## 5 Информации

### 4.7 Информации за пакувањето



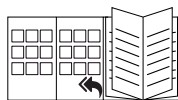
Материјалите за пакувањето на производот се изработени од рециклирачки материјали, во согласност со нашите национални регулативи за животна средина. Не фрлајте го материјалот од пакувањето заедно со домашниот или друг отпад. Однесете го во пункт за собирање материјал од пакување, назначен од локалните власти.

### 4.8 Информации за отпадни батерии



Овој симбол на батериите на полнење/батериите или на пакувањето, значи дека батериите на полнење/батериите не смеат да се фрлаат заедно со вообичаениот отпад од домаќинството. За одредени батерии на полнење/батерии, овој симбол може да биде дополнет со хемиски симбол. Доколку батериите на полнење/батериите содржат повеќе од 0,0005 % жива или повеќе од 0,004 % олово, ќе бидат означени со симболите за жива (Hg) или олово (Pb).

Батериите на полнење/батериите, вклучувајќи ги и оние кои не содржат тежок метал, не смеат да се фрлаат заедно со отпадот од домаќинството. Искористените батерии фрлајте ги секогаш во согласност со локалните регулативи за животна средина. Истражувајте кои регулативи за отстранување отпад се применуваат во Вашето место на живеење.



Погледнете ја насловната страница од прирачникот за првична и општа употреба и за чистење на секциите.

## 6 Отстранување проблеми

Чест дефект	Можна причина	Решенија
Правосмукалката не работи	Уредот е исклучен или батеријата е празна	Пред употреба, наполнете го уредот
	Отворот за вшмукување на уредот е блокиран.	Чистење на отворот за вшмукување на уредот
Вшмукувањето е премногу слабо	Садот за прашина и филтерот се правливи	Исчистете го садот за ѓубре и филтерот
	Кружната четка е завиткана со коса и други предмети	Исчистете ја кружната четка
	Ситуацијата се повторува	Контактирајте со нашиот тим за пост-продажни услуги
Различен звук на работењето на моторот	Алуминиумската цевка е блокирана	Исчистете ја цевката
	Ситуацијата се повторува	Контактирајте со нашиот тим за пост-продажни услуги
Проблеми со правосмукалката при работа	Премногу пречки во делот за чистење	Рачно отстранете ги пречките
	Отворот за вшмукување на уредот е блокиран.	Исчистете го отворот за вшмукување на уредот
	Ситуацијата се повторува	Контактирајте со нашиот тим за пост-продажни услуги
Уредот не може да се полни	Полначот не е добро поврзан	Проверете добро
	Полначот не е целосно наполнет или е разлабавен	Проверете и тргнете го настрана
	Ситуацијата се повторува	Контактирајте со нас

# Ju lutem lexoni këtë manual më parë!

I nderuar klient,  
Faleminderit që zgjodhët një produkt Beko. Shpresojmë që të arrini rezultatet më të mira nga pajisja juaj, e cila është prodhuar me cilësi të lartë dhe me teknologjinë më të fundit. Për këtë arsye, para se ta përdorni pajisjen ju lutemi ta lexoni me kujdes këtë manual dhe të gjitha dokumentet e dhëna si dhe ta ruani atë për t'iu referuar në të ardhmen. Nëse ia jepni pajisjen dikujt tjetër, jepini gjithashtu edhe manualin e përdorimit.

1. Butoni i ndezjes/fikjes
2. Butoni i modalitetit
3. Butoni i maks modalitetit
4. Treguesi i nivelit të tarifimit
5. Butoni për lirim e kovës për pluhur
6. Butoni për lirim e kapakut të kovës së pluhurit
7. Butoni për lirim e tubit
8. Butoni për lirim të fuqës
9. Fuqë elektrike turbo
10. Varëse muri
11. Furnizimi me energji
12. Mjeti për hapësirat
13. Pajisje dy-në-një

Ndiqui udhëzimet duke i kushtuar vëmendje të gjitha informacioneve dhe paralajmërimeve në manualin e përdorimit.

## Kuptimi i simboleve

Simbolet e mëposhtme janë përdorur në pjesë të ndryshme të këtij manuali:



Informacione të rëndësishme dhe sugjerime të dobishme për përdorimin.



**PARALAJMËRIM:** Paralajmërim për situata të rrezikshme në lidhje me sigurinë e jetës dhe pronës.



Kategoria e mbrojtjes për goditjet elektrike.

## Të dhëna teknike

<b>In-puti përshtatës</b>	:
100-240V ~ 50-60 Hz 0.5A	
<b>Out-puti përshtatës</b>	: 25-29V 0.5A
<b>Kohëzgjatje e mbushjes</b>	: 4-6 orë
<b>Kohëzgjatja e fuqisë maksimale</b>	: 18 min.
<b>Kohëzgjatja e fuqisë min. deri në</b>	: 42 min.
<b>Vëllimi i koshit të pluhurit</b>	: 700ml
<b>Lloji i baterisë</b>	:
25,2V, 2000mAh Li-ion bateri	

Modifikimet teknike dhe të dizajnit janë të rezervuara.

Vlerat që janë deklaruar në shënimet e ngjitura në produktin tuaj ose në dokumentet e printuara të dhëna bashkë me të tregojnë vlerat të cilat janë marrë në laboratorë sipas standardeve. Këto vlera mund të ndryshojnë sipas përdorimit të pajisjes dhe kushteve të ambientit.



Ky produkt është prodhuar në ambiente moderne që nuk dëmtojnë mjedisin.



Produkti nuk përmban PCB.



# 1 Udhëzime të rëndësishme për sigurinë dhe mjedisin

Kjo pjesë përmban udhëzime sigurie të cilat do të ndihmojnë për t'u mbrojtur nga lëndimet personale ose dëmtimet e pronës.

Mosndjekja e këtyre udhëzimeve do ta bëjë garancinë të pavlefshme.

## 1.1 Siguria e përgjithshme

- Kjo pajisje i përmbahet standardeve ndërkombëtare të sigurisë.
- Kjo pajisje mund të përdoret nga fëmijët e moshës nga 8 vjeç e sipër dhe nga persona me aftësi të kufizuara fizike, ndjeshmërie ose mendore ose me mungesë eksperience dhe njohurie nëse mbikëqyren ose nëse janë udhëzuar në lidhje me përdorimin e pajisjes në një mënyrë të sigurt dhe që i kuptojnë rreziqet që përfshihen. Fëmijët nuk duhet të luajnë me pajisjen. Pastrimi dhe mirëmbajtja nga përdoruesi nuk duhet të bëhet nga fëmijët pa u mbikëqyruar.
- Mos e përdorni pajisjen nëse kabli i energjisë ose vetë pajisja është e dëmtuar. Kontaktoni një shërbim të autorizuar.
- Rrjeti juaj i energjisë duhet të jetë në përputhje me informacionet e dhëna në etiketën e vlerave të pajisjes.
- Mos e përdorni pajisjen me kabëll zgjatimi.
- Parandaloni dëmtimet e kabllit të energjisë duke mos e shtypur, përthyer ose fërkuar mbi cepa të mprehta.
- Mos e prekni pajisjen ose spinën kur është në prizë me duar të lagura ose të njoma.
- Mos e tërhiqni kabllon e energjisë kur e hiqni pajisjen nga priza.
- Mos fshini me korrent materiale që marrin flakë dhe kur fshini hirin e cigareve, sigurohuni që të jetë ftohur.
- Mos fshini me korrent ujë ose lëngje të tjera.
- Mbrojeni pajisjen nga shiu, lagështia dhe burimet e nxehtësisë.
- Asnjëherë mos e përdorni pajisjen brenda ose pranë materialeve të djegshme dhe vendeve që marrin flakë.
- Hiqeni pajisjen nga priza para se ta pastroni dhe të bëni punë mirëmbajtjeje.
- Mos e zhytni pajisjen ose kabllin e energjisë në ujë për ta pastruar.
- Mos u mundoni ta çmontoni pajisjen.

# 1 Udhëzime të rëndësishme për sigurinë dhe mjedisin

- Përdorni vetëm pjesë origjinale ose pjesë të rekomanduara nga prodhuesi.
- Mos pastroni grimcat siç janë çimentoja, llaçi dhe letra e ngjeshur, në mënyrë që të parandaloni bllokimin e filtrit dhe dëmtim të motorit.
- Përdoreni pajisjen vetëm me kordon elektrik të furnizuar.
- Mos e përdorni pajisjen pa filtra; përndryshe mund të dëmtohet.
- Nëse i ruani materialet e paketimit, mbajini larg fëmijëve.
- Kjo pajisje nuk është synuar për t'u përdorur nga persona (përfshirë fëmijët) me aftësi të kufizuara fizike, shqisore ose mendore, apo me mungesë përvojë dhe njohurie, përveçse nëse mbikëqyren ose janë udhëzuar në lidhje me përdorimin e pajisjes nga personi përgjegjës për sigurinë e tyre.
- Fëmijët duhet të mbikëqyren për t'u siguruar që të mos luajnë me pajisjen.
- Pajisja duhet të përdoret vetëm me njësinë për furnizim me energji të pajisur me pajisjen.
- Kordoni duhet të hiqet nga foleja e prizës dhe pakoja e baterisë duhet të hiqet nga pajisja përpara se të pastroni ose të mirëmbani pajisjen.
- Nëse kordoni elektrik është i dëmtuar, duhet të zëvendësohet nga prodhuesi ose agjenti i tij ose ndonjë person me kualifikim të ngjashëm, në mënyrë që të shmangë rrezikun.
- Gishtat, flokët dhe veshjet e lëshuara mbajini larg nga pjesët e lëvizshme dhe hapësirat, gjatë përdorimit të fshesës me korrent.
- Bateria duhet të hiqet prej pajisjes para se të gjuhet.
- Ju lutemi hidhni bateritë e përdorura sipas ligjeve dhe rregulloreve lokale.
- Pajisja përmban bateri që janë të zëvendësueshëm vetëm nga persona të kualifikuar.
- **PARALAJMËRIM:** Për qëllime të rimbushjes së baterisë, përdorni vetëm njësi të ndashme të furnizimit MC2508A-V pajisur me këtë pajisje.
- Bateritë e prishura duhet të hiqen nga pajisja dhe me kujdes të asgjësohen.
- Terminalet furnizuese nuk duhet të jenë lidhur në qark të shkurtër.

## 2 Pjesa e grumbullimit

### 2.2 Mjeti për hapësirat

I përshtatshëm për pastrimin e sipërfaqeve, të cilat janë të vështira për t'u pastruar, të tilla si hapësirat nën divane dhe mobilie.

### 2.3 Pajisje dy-në-një

Shtyjeni majën e furçës në pajisjen dy-në-një prapa, deri sa të dëgjohet tingulli „klik“ i mbylljes. Është i përshtatshëm për pastrimin e çarjeve të zakonshme, kënde të vdekura të dyerve dhe dritareve dhe boshllëqeve të tjera të . Është gati për pastrimin e boshllëqeve të këndeve në

murre, shkallë dhe tastiere e të tjera. Shtyjeni majën e furçës në pajisjen dy-në-një përpara, deri sa të dëgjohet tingulli „klik“ i mbylljes. Është i përshtatshëm për pastrimin e mobilieve, rafteve për libra dhe perdeve, etj.

Vendosni pajisjen dy-në-një në tubin e metalit për të punuar në vende më të larta si tavane, etj.

## 3 Përdorimi

### 3.1 mbushje të baterisë

Bateria nuk është e mbushur kur del prej fabrike, ju lutem mbani mend të mbushni para përdorimit të parë.

1. Vendosni trupin në sipërfaqe horizontale
2. Kur mbushet, treguesi i energjisë do të ndrisë në vazhdimësi.
3. 1 minutë pas mbushjes, treguesi do të shuket.

## 4 Informacion

### 4.1 Pastrimi dhe kujdesi

Fikeni dhe hiqeni pajisjen nga priza para se ta pastroni.

	<b>PARALAJMËRIM:</b> Asnjëherë mos përdorni benzinë, hollues, agjentë pastrimi gërryes, objekte metalike ose fuçra të forta për ta pastruar pajisjen.
--	---

### 4.2 Sistemi për pastrim dhe filtrim

- Çmontoni ciklonin dhe pastroni, të gjithë pjesët që lahen. (5)

### 4.3 Ruajtja

- Nëse nuk keni ndërmend ta përdorni pajisjen për një kohë të gjatë, ruajeni me kujdes.
- Hiqeni pajisjen nga priza.
- Mbajeni pajisjen larg fëmijëve.

### 4.4 Lëvizja dhe transporti

- Gjatë lëvizjes dhe transportit, mbajeni pajisjen në paketimin e saj origjinal. Paketimi i pajisjes e mbron nga dëmtimet fizike.
- Mos vendosni pesha të rënda mbi pajisje ose mbi paketim. Pajisja mund të dëmtohet.
- Rrëzimi i pajisjes mund ta bëjë jofunksionale ose të shkaktojë dëmtime të riparueshme.

### 4.5 Pajtueshmëria me direktivën WEEE dhe hedhja e produktit të vjetër



Ky produkt i përmbahet Direktivës WEEE të BE (2012/19/EU). Ky produkt mbart një simbol klasifikimi për mbetjet e pajisjeve elektrike dhe elektronike (WEEE).

Ky simbol tregon që ky produkt nuk duhet të gjuhet me mbetjet të tjera shtëpiake në fund të jetë zgjatjes përdoruese të tij. Pajisja e përdorur duhet të kthehet në pikën zyrtare të grumbullimit për riciklimin e pajisjeve elektrike dhe elektronike. Për të gjetur këto sisteme koleksionimi ju lutemi kontaktoni me autoritetet tuaja lokale ose shitësin ku produkti është blerë. Çdo familje kryen një rol të rëndësishëm në rikuperimin dhe riciklimin e pajisjes së vjetër. Deponimi i duhur i pajisjes së përdorur ndihmon në parandalimin e pasojave të mundshme negative për mjedisin dhe shëndetin e njeriut.

### 4.6 Pajtimi me direktivën RoHS

Produkti që keni blerë i përmbahet Direktivës RoHS të BE (2011/65/EU). Nuk përmban materiale të dëmshme dhe të ndaluara të përcaktuara në Direktivë.

### 4.7 Informacione për paketimin



Materialet paketues të produktit janë prodhuar prej materialesh të riciklueshme sipas Rregullave tona Kombëtare për Mjedisin. Mos i hidhni materialet e paketimit bashkë me mbeturinat shtëpiake ose të tjera. Çojini ato në pikat e grumbullimit të materialeve të paketimit të caktuara nga autoritetet vendase.

## 5 Informacion

### 4.8 Informata për mbeturina të baterive

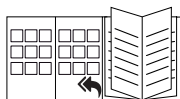


Ky simboli i baterisë ri-mbushës/baterisë ose në paketim tregon se bateria ri-mbushëse/bateria nuk mund të gjuhet më mbeturinat e shtëpisë. Për disa bateri ri-mbushëse/ bateri, ky simbol



mund të përcillet më një simbol kimik. Simbolet për merkur (hg) ose plumb (Pb) janë pajisur nëse bateritë ri-mbushës/ bateritë përmbajnë më shumë se 0,0005% merkur ose më shumë se 0,004% plumb.

Bateritë ri-mbushës/bateritë, duke përfshirë ato të cilët nuk përmbajnë metale të rënda, nuk mund të gjuhen më mbeturinat e shtëpisë. Gjithmonë largoni bateritë të përdorur në koordinim me rregulloret ambientale lokale. Bëni pyetje rreth rregullave të zbatueshme të deponimit ku jetoni.



Ju lutemi shihni kopertinën e manualit të përdorimit për përdorim fillestar, përdorimin e përgjithshëm dhe seksionet e pastrimit.

## 6 Zgjidhja e problemeve

Dështim i zakonshëm	Shkaku i mundshëm	Zgjidhjet
Fshesa nuk punon	Produkti është i fukur ose bateria është e ulët	Ju lutemi të mbushni produktin para përdorimit
	Pjesa e thithjes të produktit është e bllokuar	Pastrimi i vrimës të thithjes së pajisjes
Thithja është shumë e dobët	Fuqia e pluhurit & filtri janë me pluhur	Pastroni kovën e pluhurit dhe materialet e filtrit
	Furça rrotulluese është mbështjellë me flok dhe sende të tjera	Pastroni furçën rrotulluese
	Situata mbetet e njëjtë	Ju lutemi kontaktoni ekipin tonë pas shitjes
Zë i ndryshëm në punim të motorit	Tubi i aluminit është i bllokuar	Pastroni pengesat
	Situata mbetet e njëjtë	Ju lutemi kontaktoni ekipin tonë pas shitjes
Fshesa me korrent punon me telashe	Tepër pengesa në zonën e pastrimit	Manualisht hiqni pengesat
	Pjesa e thithjes të produktit është e bllokuar	Pastroni vrimën të thithjes së pajisjes
	Situata mbetet e njëjtë	Ju lutemi kontaktoni ekipin tonë pas shitjes
Produkti nuk mund të mbushet	Mbushësi nuk është i lidhur mirë	Ju lutemi kontrolloni mirë
	Ngarkuesi ose ena nuk është i ngarkuar ose e lirshme	Kontrolloni dhe largoni
	Situata mbetet e njëjtë	Ju lutemi na kontaktoni



Arçelik A.Ş. Karaağaç Cad.  
No:2-6 Sütlüce, 34445  
İstanbul, Türkiye

[www.beko.com](http://www.beko.com)