

STU-540

STU-541

(EN) Quick start guide

(DE) Schnellstartanleitung

(NL) Snelgids

(FR) Guide de mise en route

(IT) Guida rapida

(ES) Guía de arranque rápido

(PT) Guia de inicialização rápida

(PL) Podręcznik szybkiej instalacji

(RU) Руководство по быстрому запуску

(JP) クイックスタートガイド

(KR) 퀵 스타트 가이드

(TC) 快速入門指南

(SC) 快速入门指南

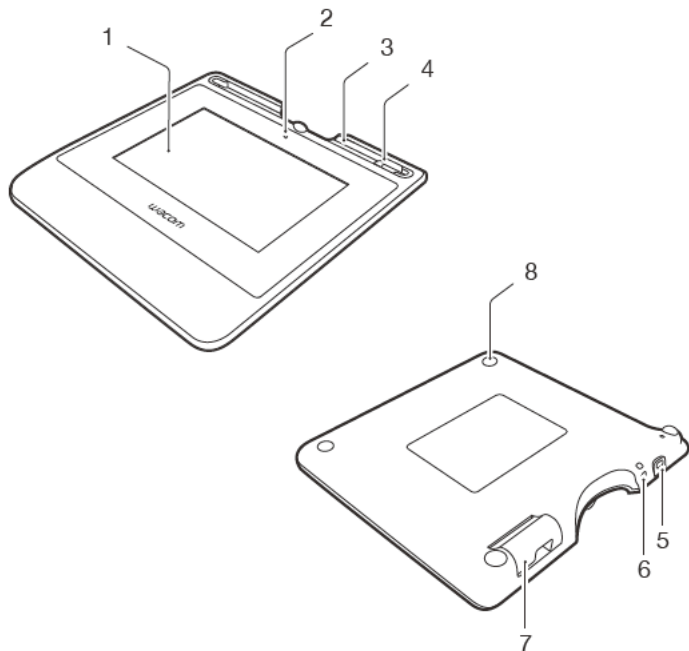


WACOM®

Important information

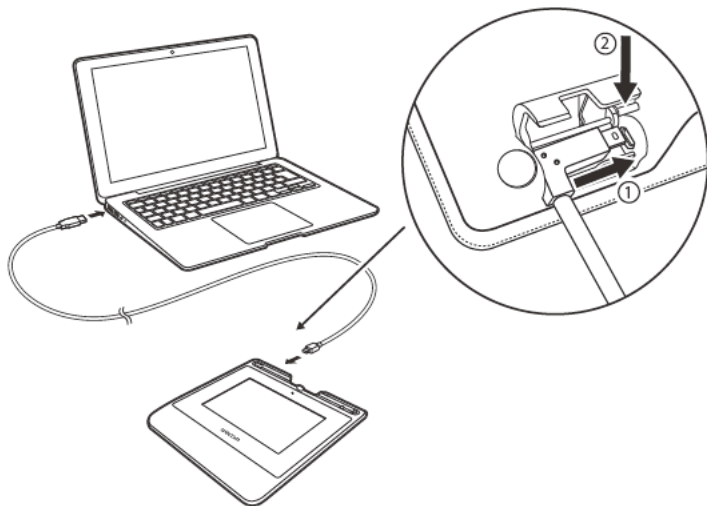
The Quick start guide provides an overview of the STU-540 and STU-541. It includes information about connecting and using the product, as well as precautions, product specifications, and other important information. Please read the Quick start guide carefully before using your signature pad.

1. Signing area
2. LED
3. Pen compartment
4. Pen holder
5. Security lock slot
6. Pen tether hole
7. USB plug cover
8. Feet



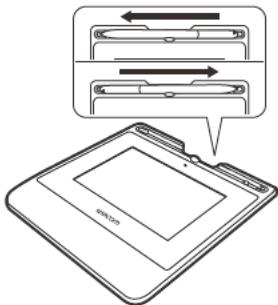
Connecting the product to your computer

1. Turn off your computer.
2. Insert the plug into the connector located at the left edge of the signature pad.
3. Plug the USB connector into a free USB port on your computer to use the signature pad.

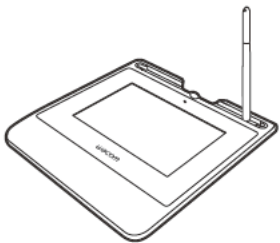


Pen storage compartment and pen tether

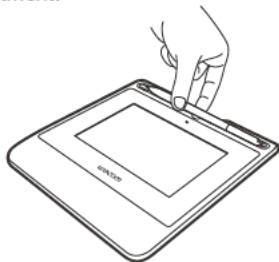
- Keep the pen in the compartment.



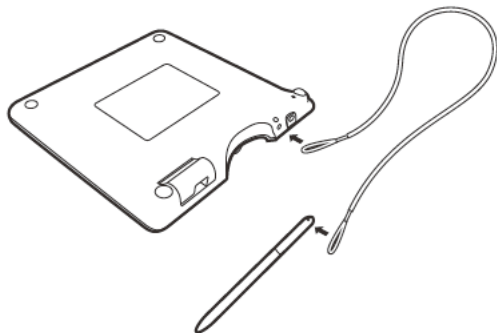
- You can stand the pen in the pen holder when you are not using the pen.



- Grasp the middle of the pen and remove it from the compartment.

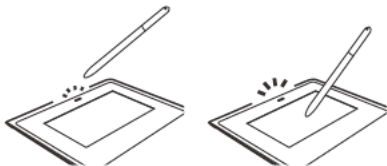


Pen tether hole



Status LED Lamp

- USB connected: dim light
- USB connected, pen touching the display: blue light



Wacom Support / Wacom Customer Service

For support and to register your product, go to wacom.com and click on Support.

Precautions

Be sure to follow all instructions, cautions, and warnings found within this guide. Failure to do so could cause the loss of data or damage to your computer. Failure to do so could also void your warranty, in which case Wacom shall have no responsibility to repair or replace the product.

Warning

Do not use the product in a facility control system that requires extremely high reliability; it may cause other electronic devices to malfunction, or other devices may cause the product to malfunction. Where use is prohibited, power off the product to prevent the possibility of it causing other electronic devices to malfunction. Wacom does not accept any liability for direct or consequential damages.

High Voltage. Do not open or disassemble the product. There is a risk of electrical shock when the casing is open. This will also void your warranty and Wacom shall have no responsibility to repair or replace the product.

If the LCD screen has been damaged, DO NOT touch any liquid that may be leaking from it; this liquid is an irritant. In case of contact with skin, eyes, or mouth, rinse immediately with running water for at least 15 minutes or more. If contact is made with the eyes or mouth, also consult a physician.

Prevent children from swallowing the pen tip. The pen tip may accidentally be pulled out if children are biting on them.

Caution

Do not use or store the product where:

- Temperature changes are severe or exceed specifications (e.g., outdoors or inside a vehicle).
- The product and pen are exposed to direct sunlight or heat from an appliance, or are exposed to water or any other kind of liquid.

Do not use the product in a dusty environment; this may damage the unit.

Do not disassemble the pen. This may cause the device to malfunction. In this case, Wacom shall have no responsibility to repair or replace the product.

Do not scratch the display screen. Avoid placing sharp objects on the display screen surface.

Avoid intensive shock or vibration to the product or the pen. Hitting or dropping the product may damage the display screen or other components.

Do not put heavy articles on the product or push against it with a strong force; this may damage the display screen.

Do not place heavy articles on the product cabling, repeatedly bend the cables sharply, or apply heavy stress to the cable connectors; this may damage the unit or cabling.

If the pen tip becomes sharp or angular, it may damage the coating on the display screen. Please replace the pen tip if necessary.

Do not expose the product to high voltage electrostatic discharges or to a buildup of an electrostatic charge on the LCD screen. This may result in a temporary blotching of the LCD monitor. If blotching occurs, leave the product's display on and the blotching should disappear within a few hours.

Note on using this product

Replacing the pen tip

For replacement of the pen tips please contact your Wacom Signature Solution Partner.

Note on use

When LCD panel is operated continuously for long period, a trace of electric charge remains near the electrode inside the LCD, and residual or "ghost" image of the previous image may be observed (Image persistence).

To avoid image persistence, Wacom recommends the use of a moving screen saver when the screen is turned on but idle.

Caring for your LCD signature pad

Keep the pen and LCD screen surface clean. Dust and dirt particles can stick to the pen and cause wear to the display screen surface. Regular cleaning will help prolong the life of your LCD screen surface and pen. Keep the tablet and pen in a clean, dry place and avoid extremes in temperature. Room temperature is best. The product and pen are not made to come apart. Taking apart the product will void your warranty.

Cleaning

To clean the product casing or the pen, use a soft, damp cloth; you can also dampen the cloth using a very mild soap diluted with water. Do not use paint thinner, benzene, alcohol, or other solvents to clean the unit casing or pen.

To clean the display screen, use an anti-static cloth or a slightly damp cloth. When cleaning, apply only a light amount of pressure to the display screen and do not make the surface wet. Do not use detergent to clean the display screen; this may damage the coating on the screen. Please note that damage of this kind is not covered by the manufacturer's warranty.

Product specifications

STU-540 / STU-541

General Specifications

Dimensions (W x D x H)	162.8 x 156.8 x 10.0 mm
Weight	Main Body: 250 g approximate
Operating temperature & humidity	5 to 40 degrees C, humidity: 30% to 80% RH (non-condensing)
Storage temperature & humidity	-20 to 60 degree C, humidity: 30% to 90% RH (non-condensing)
Interface cable	USB cable specialized for Corvina, length 3 m
Power consumption	2.5 W maximum

Display

Display panel	Amorphous-TFT-LCD
Screen size	5.0 inch (108.8 x 64.8 mm)
Number of pixels	800 x 480, WVGA
Pixel pitch	0.135 (H) x 0.135 (V) mm
Viewing Angle	140(70/70) / 140(70/70) as CR>=10 condition
Luminance	Typ. 160 cd/m ²
LCD quality	Each LCD panel is produced under very stringent quality standards. Production techniques cannot guarantee an absolutely perfect TFT display. Wacom does not allow any pixel to be always white or always black. A small number of pixels are allowed to show a wrong color for some parts of the color spectrum. This does not mean the display is defective.

Pen tablet

Reading technology	Electro-magnetic resonance technology
Active area	108.0 x 64.8 mm
Resolution	2540 lpi or 0.01 mm/pt
Accuracy	± 0.5 mm (center), the edge area 1 (20 mm wide from edge of display area) to be ± 2.0 mm, the edge area 2 (3 mm wide from edge of display area) to be ± 4.0 mm
Reading height	5 mm or more (center)
Maximum report rate	200 points/sec
Pressure levels	1024 levels
Communication interface	STU-540: USB, VCP, RS232 STU-541: USB, VCP

Others

Security slot	1
---------------	---

Pen

Physical size (L * D)	141.5 * 9.0 mm (5.57 * 0.35 in)
Weight	7 g (0.25 oz), approximately

RS232 connection interface kit (Optional accessory)

Model name	Serial kit for STU-540
Part number	ACK-422-01-ZX
Connector type	D-sub 9pin
Power supply	AC adaptor (Maker: Asian Power Devices INC. , Model number:WB-10E05R)

Warranties

Limited warranty (U.S.A. and Canada)

Wacom warrants the product, to the original consumer purchaser, except for the Software and consumable items such as the battery, pen cartridges, tablet surface sheet and nibs, to be free from defects in materials and workmanship under normal use and service for a period of three (3) years, from the date of original retail purchase, as evidenced by a copy of the receipt and registration with Wacom within 30 days of purchase.

The Software is licensed "as is". Wacom makes no warranty with respect to its quality or performance. Wacom cannot guarantee you uninterrupted service or the correction of any errors.

Upon discovery of a defect in the product, except in the Software, within the Warranty Period, you should contact Wacom Technical Support via telephone, email, or fax to obtain an RMA (Return Merchandise Authorization) number and instructions for shipping the product to a service location designated by Wacom. You should send the product, shipping charges prepaid, to the designated service location, accompanied by the return authorization number, your name, address and telephone number, proof of purchase date, and a description of the defect. Wacom will pay for return shipping by United Parcel Service or by an equivalent service as chosen by Wacom.

Wacom's sole obligation and entire liability under this warranty shall be, at Wacom's option, either the repair or replacement of the defective product or parts thereof of which Wacom is notified during the Warranty Period; provided, however, that you are responsible for (i) the cost of transportation of the product to the designated service location and (ii) any loss or damage to the product resulting from such transportation.

Wacom shall have no responsibility to repair or replace the product if the failure of the product has resulted from accident, abuse, misuse, negligence, or unauthorized modification or repair, or if it has been handled or stored other than in accordance with Wacom's storage instructions.

Any descriptions, drawings, specifications, samples, models, bulletins, or similar material, used in connection with the sale of the product, shall not be construed as an express warranty that the product will conform or comply with your requirements.

EXCEPT FOR THE LIMITED WARRANTY DESCRIBED ABOVE, THERE ARE NO OTHER WARRANTIES MADE BY WACOM ON THIS PRODUCT. NO ORAL OR WRITTEN INFORMATION OR ADVICE GIVEN BY WACOM, ITS DEALERS, DISTRIBUTORS, AGENTS, OR EMPLOYEES SHALL CREATE A WARRANTY

OR IN ANY WAY INCREASE THE SCOPE OF THIS WARRANTY, AND YOU MAY NOT RELY ON ANY SUCH INFORMATION OR ADVICE.

THIS WARRANTY GIVES YOU SPECIFIC LEGAL RIGHTS, AND YOU MAY ALSO HAVE OTHER RIGHTS WHICH VARY FROM STATE TO STATE.

WACOM LIMITS THE DURATION OF ANY LEGALLY IMPLIED WARRANTIES INCLUDING IMPLIED WARRANTIES OF MERCHANTABILITY OR FITNESS FOR A PARTICULAR PURPOSE, TO THE DURATION OF WACOM'S EXPRESS WARRANTY. SOME STATES DO NOT ALLOW LIMITATIONS ON HOW LONG AN IMPLIED WARRANTY LASTS, SO THE ABOVE LIMITATION MAY NOT APPLY TO YOU.

NEITHER WACOM NOR ANYONE ELSE WHO HAS BEEN INVOLVED IN THE CREATION, PRODUCTION, OR DELIVERY OF THIS PRODUCT SHALL BE LIABLE FOR ANY DIRECT, CONSEQUENTIAL, OR INCIDENTAL DAMAGES (INCLUDING DAMAGES FOR LOSS OF BUSINESS PROFITS, BUSINESS INTERRUPTION, LOSS OF BUSINESS INFORMATION AND THE LIKE) ARISING OUT OF THE USE OF OR INABILITY TO USE SUCH PRODUCT, EVEN IF WACOM HAS BEEN ADVISED OF THE POSSIBILITY OF SUCH DAMAGES. SOME STATES DO NOT ALLOW THE EXCLUSION OR LIMITATION OF INCIDENTAL OR CONSEQUENTIAL DAMAGES, SO THE ABOVE LIMITATION OR EXCLUSION MAY NOT APPLY TO YOU.

In the event that any of the above limitations are held unenforceable, Wacom's liability for any damages to you or any party shall not exceed the purchase price you paid, regardless of the form of any claim.

This Limited warranty is governed by the laws of the United States of America and the state of Washington.

This Limited warranty is valid for and only applies to products purchased and used inside the United States (and its territories or possessions) or Canada.

Warranty service

To obtain Warranty service within the U.S. or Canada contact:

Wacom Customer Care Center

Phone: 1.360.896.9833

Email Inquiry form: <http://www.wacom.com/productsupport/email.cfm>

Should you have any questions about this Agreement, or if you desire to contact Wacom for any reason, please contact in writing:

Wacom Technology Corporation

1455 NW Irving Street Suite 800

Portland OR 97209

U.S.A.

Limited warranty (Central America, South America and The Caribbean)

Wacom warrants the product, to the original consumer purchaser, except for the Software and consumable items such as the battery, pen cartridges, tablet surface sheet and nibs, to be free from defects in materials and workmanship under normal use and service for a period of three (3) years, from the date of original retail purchase, as evidenced by a copy of the receipt and registration with Wacom within 30 days of purchase.

The Software is licensed "as is". Wacom makes no warranty with respect to its quality or performance. Wacom cannot guarantee you uninterrupted service or the correction of any errors.

Upon discovery of a defect in the product, except in the Software, within the Warranty Period, you should contact Wacom Technical Support via telephone, email, or fax to obtain an RMA (Return Merchandise Authorization) number and instructions for shipping the product to a service location designated by Wacom. You should send the product, shipping charges prepaid, to the designated service location, accompanied by the return authorization number, your name, address and telephone number, proof of purchase date, and a description of the defect. Wacom will pay for return shipping by United Parcel Service or by an equivalent service as chosen by Wacom.

Wacom's sole obligation and entire liability under this warranty shall be, at Wacom's option, either the repair or replacement of the defective product or parts thereof of which Wacom is notified during the Warranty Period; provided, however, that you are responsible for (i) the cost of transportation of the product to the designated service location and (ii) any loss or damage to the product resulting from such transportation.

Wacom shall have no responsibility to repair or replace the product if the failure of the product has resulted from accident, abuse, misuse, negligence, or unauthorized modification or repair, or if it has been handled or stored other than in accordance with Wacom's storage instructions.

Any descriptions, drawings, specifications, samples, models, bulletins, or similar material, used in connection with the sale of the product, shall not be construed as an express warranty that the product will conform or comply with your requirements.

EXCEPT FOR THE LIMITED WARRANTY DESCRIBED ABOVE, THERE ARE NO OTHER WARRANTIES MADE BY WACOM ON THIS PRODUCT. NO ORAL OR WRITTEN INFORMATION OR ADVICE GIVEN BY WACOM, ITS DEALERS, DISTRIBUTORS, AGENTS, OR EMPLOYEES SHALL CREATE A WARRANTY OR IN ANY WAY INCREASE THE SCOPE OF THIS WARRANTY, AND YOU

MAY NOT RELY ON ANY SUCH INFORMATION OR ADVICE.

THIS WARRANTY GIVES YOU SPECIFIC LEGAL RIGHTS, AND YOU MAY ALSO HAVE OTHER RIGHTS WHICH VARY FROM COUNTRY TO COUNTRY.

WACOM LIMITS THE DURATION OF ANY LEGALLY IMPLIED WARRANTIES INCLUDING IMPLIED WARRANTIES OF MERCHANTABILITY OR FITNESS FOR A PARTICULAR PURPOSE, TO THE DURATION OF WACOM'S EXPRESS WARRANTY. SOME COUNTRIES DO NOT ALLOW LIMITATIONS ON HOW LONG AN IMPLIED WARRANTY LASTS, SO THE ABOVE LIMITATION MAY NOT APPLY TO YOU.

NEITHER WACOM NOR ANYONE ELSE WHO HAS BEEN INVOLVED IN THE CREATION, PRODUCTION, OR DELIVERY OF THIS PRODUCT SHALL BE LIABLE FOR ANY DIRECT, CONSEQUENTIAL, OR INCIDENTAL DAMAGES (INCLUDING DAMAGES FOR LOSS OF BUSINESS PROFITS, BUSINESS INTERRUPTION, LOSS OF BUSINESS INFORMATION AND THE LIKE) ARISING OUT OF THE USE OF OR INABILITY TO USE SUCH PRODUCT, EVEN IF WACOM HAS BEEN ADVISED OF THE POSSIBILITY OF SUCH DAMAGES. SOME COUNTRIES DO NOT ALLOW THE EXCLUSION OR LIMITATION OF INCIDENTAL OR CONSEQUENTIAL DAMAGES, SO THE ABOVE LIMITATION OR EXCLUSION MAY NOT APPLY TO YOU.

In the event that any of the above limitations are held unenforceable, Wacom's liability for any damages to you or any party shall not exceed the purchase price you paid, regardless of the form of any claim.

This Limited warranty is governed by the laws of the United States of America and the state of Washington.

This Limited warranty is valid for and only applies to products purchased and used inside Central America, South America or the Caribbean.

Warranty service

To obtain Warranty service within Central America, South America or the Caribbean contact your local dealer or distributor.

Wacom Customer Care Center

Spanish: <http://www.wacom.com/sp/productsupport/email.cfm>

Portuguese: <http://www.wacom.com/pr/productsupport/email.cfm>

Should you have any questions about this Agreement, or if you desire to contact Wacom for any reason, please contact in writing:

Wacom Technology Corporation
1455 NW Irving Street Suite 800
Portland OR 97209
U.S.A.

Limited warranty (Europe, Africa and Middle East)

WACOM warrants to you, as the initial purchaser, (hereinafter referred to as "you" or "the customer") that the product hardware will remain free from defects in materials and workmanship under normal use and service for a warranty period of THREE (3) YEARS,

commencing from the purchase date and provided that the product was unused at the time of purchase. Defects in wear parts (e.g. pen nibs, tablet surfaces and batteries) resulting from normal wear and tear are exempt from the warranty. Furthermore, WACOM warrants that the data carriers delivered with the product are free from defects in materials and workmanship under normal use for a period of SIX (6) MONTHS from the date of purchase.

If during the applicable warranty period the product, excluding any software, is discovered to be defective, it should be returned immediately to the place of purchase in its original packaging together with your name, address, and telephone number, a description of the problem, and a copy of the original receipt. The customer shall be liable for any possible damage or loss of the product during transit to the place of purchase for this purpose.

WACOM's sole obligation and entire liability under this warranty shall be, at WACOM's option, either the repair or the replacement of the product or parts thereof that prove defective and that were returned within the applicable warranty period.

WACOM does not warrant to repair or replace the product if: (a) the damage to the product results from accident, misuse, improper use, negligence or unauthorised alteration or repair; (b) the product was not handled or stored according to the instructions provided by WACOM; (c) the damage resulted from normal wear and tear of product parts; or (d) the serial number affixed by WACOM has been removed or rendered unintelligible.

Any descriptions, drawings, specifications, samples, models, notifications or similar material provided in connection with the purchase of the product cannot be taken as an explicit guarantee that the product corresponds to or fulfils your requirements.

The warranty guaranteed by law remains unaffected. You can claim defects of the product in accordance with the relevant legal provisions.

WACOM shall only be liable for itself and its vicarious agents if a material contractual obligation has been culpably breached in a manner jeopardising the purpose of the contract or the damage is due to intentional acts or omissions or gross negligence. A material contractual obligation is an obligation which is essential to the proper performance of the contract on which the other party will typically rely. In case that the culpable infringement of such a material

contractual obligation is not due to intention or gross negligence, the liability of a party shall be limited to such damages being typical for the contract and which were reasonably foreseeable at the time of the closure of the contract. Where these Terms and Conditions preclude or limit liability, this also applies to the personal liability of the executive officers of the party concerned, its employees, agents and subcontractors. The provisions of the product liability law (Produkthaftungsgesetz) remain unaffected.

If, when a claim made under this warranty is checked, it emerges that it is outside the permitted time period or is not covered by the warranty or that the product is not defective, the customer will reimburse WACOM for associated costs.

This limited warranty shall apply if the registered office of the vendor is situated in the EU or Iceland, Norway, Jersey, Switzerland, Russia, the Ukraine, Croatia, Serbia, Tunisia, Turkey, Syria, Lebanon, Jordan, Israel, Egypt, the United Arab Emirates, Iran or South Africa. This warranty is subject to German law. However, the applicability of the United Nations Convention on Contracts for the International Sale of Goods is explicitly excluded. The city of Düsseldorf, Germany, is the sole place of jurisdiction for all claims arising from this contractual relationship and all disputes between the parties resulting from the formation, handling or termination of the contractual relationship, provided that the customer is a trader, a legal entity or fund under public law. The jurisdiction agreement shall also apply for customers who do not have a general place of jurisdiction in Germany. The jurisdiction agreement shall not apply if, due to legal provisions, a different sole place of jurisdiction must be established for the case.

Furthermore, WACOM is authorised to file a lawsuit against the headquarters of the customer.

Should one of the provisions of this limited warranty be or become void, the validity of the other provisions shall not be affected, in full or in part. Should a provision be invalid, the legally permissible regulation most closely resembling the invalid regulation shall apply in its place. If you have any questions about this agreement, or would like to contact WACOM for another reason, please write to us at this address:

Wacom Europe GmbH
Völklinger Strasse 1
40219 Düsseldorf
GERMANY

Limited warranty (Asia Pacific region)

Wacom Co., Ltd. warrants the product, to the original consumer purchaser, to be free from defects in materials and workmanship under normal use and service for a period of one (1) year, from the date of original retail purchase, as evidenced by a copy of the receipt (proof of purchase).

The Software is licensed "as is". Wacom makes no warranty with respect to its quality or performance or others. Wacom cannot guarantee you uninterrupted service or the correction of any errors. Wacom also makes no warranty for consumable items such as battery, pen cartridges, tablet surface sheet and nibs.

Upon discovery of a defect in the product, except in the Software, within the Warranty Period, the warranty holder must contact the original place of purchase to obtain instructions for returning the product for repair or replacement. Wacom and its partners are not obligated to reimburse unauthorized prepaid shipment.

The warranty holder is under no obligation to pay for shipment charges between the original place of purchase and the place of repair or replacement.

Wacom's sole obligation and entire liability under this warranty shall be, at Wacom's option, either the repair or replacement of the defective product or parts thereof of which Wacom is notified during the Warranty Period.

Wacom shall have no responsibility to repair or replace the product if the failure of the product has resulted from force majeure including but not limited to fire, natural disasters, accident, and act of god; intentional or accidental abuse, misuse, negligence, unauthorized modification or repair, usage of this product in a fashion other than as explained in the users guide, or if the product has been handled or stored other than in accordance with Wacom's storage instructions.

Any descriptions, drawings, specifications, samples, models, bulletins, or similar material, used in connection with the sale of the product, shall not be construed as an express warranty that the product will conform or comply with your requirements.

EXCEPT FOR THE LIMITED WARRANTY DESCRIBED ABOVE, THERE ARE NO OTHER WARRANTIES MADE BY WACOM ON THIS PRODUCT. NO ORAL OR WRITTEN INFORMATION OR ADVICE GIVEN BY WACOM, ITS DEALERS, DISTRIBUTORS, AGENTS, OR EMPLOYEES SHALL CREATE A WARRANTY OR IN ANY WAY INCREASE THE SCOPE OF THIS WARRANTY, AND YOU MAY NOT RELY ON ANY SUCH INFORMATION OR ADVICE. THIS WARRANTY GIVES YOU SPECIFIC LEGAL RIGHTS, AND YOU MAY ALSO HAVE OTHER RIGHTS WHICH VARY FROM COUNTRY TO COUNTRY.

WACOM LIMITS THE DURATION OF ANY LEGALLY IMPLIED WARRANTIES INCLUDING IMPLIED WARRANTIES OF MERCHANTABILITY OR FITNESS FOR A PARTICULAR PURPOSE, TO THE DURATION OF WACOM'S EXPRESS WARRANTY.

SOME COUNTRIES DO NOT ALLOW LIMITATIONS ON HOW LONG AN IMPLIED WARRANTY LASTS, SO THE ABOVE LIMITATION MAY NOT APPLY TO YOU.

NEITHER WACOM NOR ANYONE ELSE WHO HAS BEEN INVOLVED IN THE CREATION, PRODUCTION, OR DELIVERY OF THIS PRODUCT SHALL BE LIABLE FOR ANY DIRECT, CONSEQUENTIAL, OR INCIDENTAL DAMAGES (INCLUDING DAMAGES FOR LOSS OF BUSINESS PROFITS, BUSINESS INTERRUPTION, LOSS OF BUSINESS INFORMATION AND THE LIKE) ARISING OUT OF THE USE OF OR INABILITY TO USE SUCH PRODUCT, EVEN IF WACOM HAS BEEN ADVISED OF THE POSSIBILITY OF SUCH DAMAGES. SOME COUNTRIES DO NOT ALLOW THE EXCLUSION OR LIMITATION OF INCIDENTAL OR CONSEQUENTIAL DAMAGES, SO THE ABOVE LIMITATION OR EXCLUSION MAY NOT APPLY TO YOU.

In the event that any of the above limitations are held unenforceable, Wacom's liability for any damages to you or any party shall not exceed the purchase price you paid, regardless of the form of any claim.

This Limited warranty is valid for and only applies to products purchased and used inside the countries and territories of Asia Pacific excluding Japan, the People's Republic of China, Hong Kong, and countries in the Middle East.

This Limited warranty is a statement of the current warranty policy of the Asia Pacific Division of Wacom Co., Ltd. and takes precedent over all other warranty statements contained in packaging, brochures, manuals, etc.

This Limited warranty is governed by the laws of Japan and is subject to change without prior notice.

Australian Consumer law: Our goods come with guarantees that cannot be excluded under the Australian Consumer law. You are entitled to a replacement or refund for a major failure and for compensation for any other reasonably foreseeable loss or damage. You are also entitled to have the goods repaired or replaced if the goods fail to be of acceptable quality and the failure does not amount to a major failure. Our hardware products come with a one (1) year warranty given by Wacom Co., Ltd. with a subsidiary located at Wacom Australia Pty. Ltd. Ground floor, Building 1,3 Richardson Place, North Ryde, NSW, 2113 Australia. If your products do not provide the general features and functions described in the User Documentation in the one (1) year period after delivery to you please contact us via <https://support.wacom.asia/en> with details of your product, serial number, and proof of purchase. You may be required to return the hardware product to the address we provide to

you at the time. The benefits under this warranty are in addition to other rights and remedies that you may have at law.

Warranty Service / Wacom Technical Support in Asia Pacific (except Japan, the People's Republic of China, Hong Kong, and countries in the Middle East): Detailed Asia Pacific Limited Warranty policy and product registration may be found online at <https://www.wacom.asia/en/customer-care>

To obtain technical support or Warranty service within Southeast and South Asia, Oceania and Taiwan, please contact the Wacom Customer Support Service. Phone numbers can be found here:

<https://support.wacom.asia/>

Should you have any questions about this Agreement, or if you desire to contact Wacom for any reason, please contact from the site below

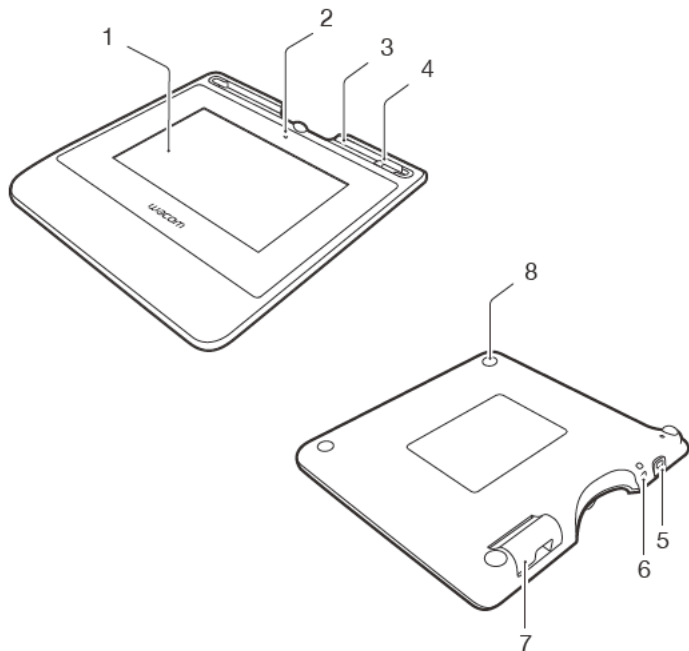
<https://support.wacom.asia/>

Wichtige Informationen

Die Schnellstartanleitung bietet eine Übersicht über STU-540 und STU-541. Sie enthält Informationen zum Anschließen und zur Verwendung des Produkts sowie Sicherheitsvorkehrungen, technische Daten und weitere wichtige Informationen. Lesen Sie die Schnellstartanleitung bitte sorgfältig durch, bevor Sie Ihr Unterschriften-Pad verwenden.

Lernen Sie das Produkt kennen

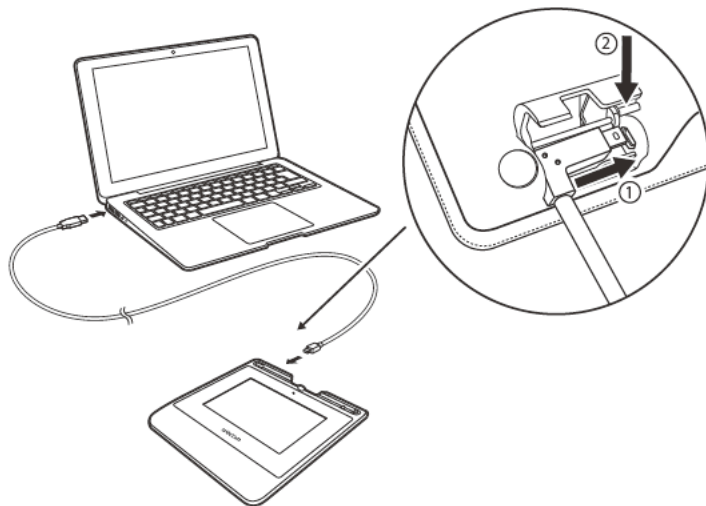
1. Unterschriftenbereich
2. LED
3. Stiftfach
4. Stifthalter
5. Schlitz für Sicherheitsschloss
6. Öffnung zur Befestigung des Stiftbands
7. Abdeckung des USB-Anschlusses
8. FüÙe



Verbindung des Produkts mit Ihrem Computer

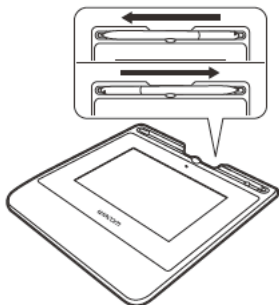
DE

1. Schalten Sie Ihren Computer aus.
2. Führen Sie den Stecker in den Anschluss an der linken Seite des Unterschriften-Pads ein.
3. Schließen Sie den USB-Stecker an einen freien USB-Anschluss Ihres Computers an, um das Unterschriften-Pad zu verwenden.

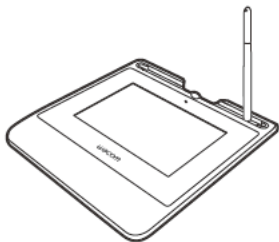


Stiftablagefach und Stiftband

- Bewahren Sie den Stift im Ablagefach auf.



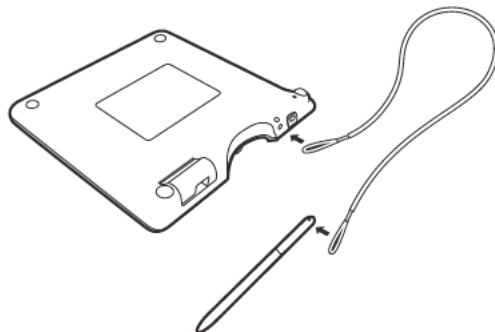
- Sie können den Stift in den Stifthalter stellen, wenn Sie ihn nicht verwenden.



- Umgreifen Sie den mittleren Bereich des Stifts und nehmen Sie ihn aus dem Ablagefach.

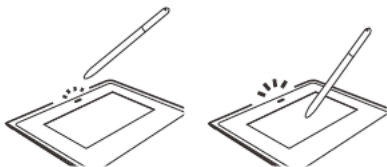


Öffnung zur Befestigung des Stiftbands



Status-LED-Leuchte

- USB angeschlossen: schwaches Licht
- USB angeschlossen, Stift berührt Display: blaues Licht



Wacom Support / Wacom Kundendienst

Informationen zum technischen Kundendienst und zur Produktregistrierung finden Sie auf wacom.com unter „Unterstützung (Support)“.

Warnungen und Vorsichtsmaßnahmen

Beachten Sie alle Anweisungen, Vorsichtshinweise und Warnungen in diesem Handbuch. Die Nichtbeachtung kann zu Datenverlust oder Beschädigungen an Ihrem Computer führen. Bei Nichtbeachtung erlischt möglicherweise Ihr Garantieanspruch. In diesem Fall übernimmt Wacom keine Verantwortung für die Reparatur oder den Ersatz des Produkts.

Warnung

Setzen Sie das Produkt nicht in Einrichtungskontrollsystemen ein, für die extrem hohe Zuverlässigkeit erforderlich ist. Dabei können Fehlfunktionen bei anderen elektronischen Geräten auftreten, oder andere Geräte können Fehlfunktionen des Produkts verursachen. Schalten Sie das Produkt an Standorten aus, an denen der Einsatz verboten ist, damit die Gefahr von Fehlfunktionen anderer elektronischer Geräte vermieden wird. Wacom übernimmt keinerlei Verantwortung für unmittelbare Schäden oder Folgeschäden.

Hochspannung. Öffnen bzw. zerlegen Sie das Produkt nicht. Bei offenem Gehäuse besteht die Gefahr eines Stromschlags. Darüber hinaus erlischt dadurch Ihr Garantieanspruch und Wacom übernimmt keinerlei Verantwortung für die Reparatur oder den Ersatz des Produkts.

Berühren Sie im Falle einer Beschädigung des LCD-Bildschirms KEINES-FALLS die möglicherweise austretende Flüssigkeit; diese Flüssigkeit kann zu Hautreizungen führen. Falls die Flüssigkeit dennoch mit Haut, Augen oder Mund in Berührung kommt, spülen Sie die betreffende Stelle sofort mindestens 15 Minuten lang unter fließendem Wasser ab. Suchen Sie bei Kontakt mit Augen und Mund außerdem einen Arzt auf.

Bewahren Sie die Stiftspitze außerhalb der Reichweite von Kindern auf. Wenn Kinder auf den Stift beißen, besteht die Gefahr, dass sich die Stiftspitze löst.

Vorsichtsmaßnahmen

Das Produkt darf unter folgenden Bedingungen nicht betrieben oder gelagert werden:

- Bei größeren Temperaturschwankungen bzw. außerhalb des angegebenen Bereichs liegenden Temperaturen (z. B. außerhalb geschlossener Räume oder in einem Fahrzeug).
- An Orten, an denen das Produkt und der Stift direkter Sonneneinstrahlung oder Wärme eines anderen Geräts, Wasser und anderen Flüssigkeiten ausgesetzt sind.

Setzen Sie das Produkt nicht in einer staubigen Umgebung ein. Dadurch kann das Gerät beschädigt werden.

Nehmen Sie den Stift nicht auseinander. Dies verursacht möglicherweise Fehlfunktionen des Geräts. In diesem Fall übernimmt Wacom keine Verantwortung für die Reparatur oder den Ersatz des Produkts.

Achten Sie darauf, dass der Bildschirm nicht verkratzt wird. Stellen Sie keine scharfen Gegenstände auf die Bildschirmoberfläche.

Vermeiden Sie heftige Erschütterungen des Produkts oder des Stiftes. Wenn Sie das Produkt heftigen Stößen aussetzen oder es fallen lassen, können der Bildschirm und andere Bauteile beschädigt werden.

Stellen Sie keine schweren Gegenstände auf das Produkt, und stoßen Sie nicht mit Gewalt dagegen. Dadurch kann der Bildschirm beschädigt werden.

Stellen Sie keine schweren Gegenstände auf die Kabel des Produkts, knicken Sie die Kabel nicht wiederholt und üben Sie keinen starken Druck auf die Kabelanschlüsse aus. Dadurch können das Gerät oder die Kabel beschädigt werden.

Wenn die Stiftspitze scharf oder kantig wird, kann die Beschichtung des Bildschirms beschädigt werden. Ersetzen Sie die Stiftspitze gegebenenfalls.

Setzen Sie das Produkt niemals elektrostatischen Entladungen mit hoher Spannung oder dem Aufbau von elektrostatischer Ladung am LCD-Bildschirm aus. Dadurch können am LCD-Bildschirm vorübergehend Flecken entstehen. Wenn Flecken auftreten, lassen Sie das Display des Produkts eingeschaltet. Die Flecken sind nach wenigen Stunden wieder verschwunden.

Hinweis zur Verwendung dieses Produkts

Austauschen der Stiftspitze

Wenden Sie sich zum Austausch der Stiftspitzen an den Wacom Signature Solution Partner.

Hinweis zur Verwendung

Wenn der LCD-Bildschirm längere Zeit fortlaufend verwendet wird, verbleibt eine elektrische Restladung in der Nähe der Elektrode im LCD. Das kann zu einem Rest- oder Geisterbild des früheren Bilds führen (Bildeinbrennung).

Um Bildeinbrennung zu verhindern, empfiehlt Wacom die Verwendung eines beweglichen Bildschirmschoners, wenn der Bildschirm eingeschaltet ist, aber nicht gebraucht wird.

Pflege des LCD-Unterschriften-Pads

Halten Sie den Stift und die LCD-Bildschirmoberfläche sauber. Staub- und Schmutzpartikel können am Stift kleben bleiben und die Bildschirmoberfläche abnutzen. Durch regelmäßiges Reinigen wird die Lebensdauer der LCD-Bildschirmoberfläche und des Stiftes verlängert. Bewahren Sie das Tablett und den Stift an einem sauberen, trockenen Platz auf, und vermeiden Sie starke Temperaturschwankungen. Empfehlenswert ist die Aufbewahrung bei Raumtemperatur. Das Produkt und der Stift sollten nicht auseinander genommen werden. Wenn Sie das Gerät auseinander nehmen, erlischt Ihr Garantieanspruch.

Reinigen

Verwenden Sie ein weiches, feuchtes Tuch, um das Gehäuse und den Stift des Produkts zu reinigen. Sie können das Tuch auch mit sehr mildem Seifenwasser befeuchten. Verwenden Sie keine Farbverdünner, Benzin, Alkohol oder andere Lösungsmittel, um das Gehäuse des Geräts oder den Stift zu reinigen.

Verwenden Sie zur Reinigung des Bildschirms ein antistatisches Tuch oder ein leicht angefeuchtetes Tuch. Üben Sie bei der Reinigung nur minimalen Druck auf den Bildschirm aus und achten Sie darauf, dass die Oberfläche nicht nass wird. Verwenden Sie zum Reinigen des Bildschirms kein Reinigungsmittel, da dadurch die Beschichtung des Bildschirms beschädigt werden kann. Beachten Sie, dass derartige Schäden nicht unter die Garantiebestimmungen des Herstellers fallen.

Technische Daten

STU-540 / STU-541

Allgemeine technische Daten

Abmessungen (B x T x H)	162,8 x 156,8 x 10,0 mm
Gewicht	Hauptgerät: ca. 250 g
Betriebstemperatur und Luftfeuchtigkeit	5 bis 40 °C, relative Luftfeuchtigkeit: 30 bis 80 % (nicht kondensierend)
Temperatur & Luftfeuchtigkeit bei Lagerung	-20 bis 60 °C, relative Luftfeuchtigkeit: 30 bis 90 % (nicht kondensierend)
Schnittstellenkabel Leistungsaufnahme	Spezielles USB-Kabel für Corvina, Länge 3 m Max. 2,5 W

Display

Display	Amorphes TFT-LCD-Display
Bildschirmgröße	5,0 Zoll (108,8 x 64,8 mm)
Anzahl der Pixel	800 x 480, WVGA
Punktabstand	0,135 (H) x 0,135 (V) mm
Blickwinkel	140(70/70) / 140(70/70) bei CR>=1
Helligkeit	Typ. 160 cd/m ²
LCD-Qualität	Jeder LCD-Bildschirm wird unter Einhaltung strenger Qualitätsstandards hergestellt. Herstellungsbedingt kann kein absolut perfektes TFT-Display garantiert werden. Wacom lässt nicht zu, dass ein einzelnes Pixel immer weiß oder immer schwarz ist. Eine geringe Anzahl von Pixeln darf für bestimmte Teile des Farbspektrums jedoch eine falsche Farbe aufweisen. Dies bedeutet nicht, dass die Anzeige fehlerhaft ist.

Stifttablett

Lesetechnologie	Elektromagnetische Resonanztechnologie
Aktiver Bereich	108,0 x 64,8 mm
Auflösung	2540 lpi oder 0,01 mm/pt
Genauigkeit	± 0,5 mm (Mitte), Randbereich 1 (20 mm vom Rand des Anzeigebereichs): ±2,0 mm, Randbereich 2 (3 mm vom Rand des Anzeigebereichs): ± 4,0 mm
Lesehöhe	5 mm oder mehr (Mitte)
Maximale Übertragungsrate	200 Punkte/Sek.
Druckstufen	1024 Stufen
Kommunikationsschnittstelle	STU-540: USB, VCP, RS232 STU-541: USB, VCP

Andere

Schlitz für Sicherheitsschloss 1

Stift

Abmessungen (L * D)	141,5 * 9,0 mm
Gewicht	ca. 7 g

Garantien

Beschränkte Garantie (Europa, Afrika und Naher Osten)

Wacom garantiert Ihnen als Erstkäufer („Sie“ oder „der Kunde“), dass die Produkthardware bei normaler Nutzung und Wartung für einen Garantiezeitraum von DREI (3) JAHREN

ab Verkaufsdatum frei von Material- und Verarbeitungsfehlern ist, vorausgesetzt, dass sie zum Zeitpunkt des Kaufes unbenutzt war. Defekte an Verschleißteilen (z. B. Stiftspitzen, Tabletoberflächen und Batterien), die auf normalen Verschleiß zurückzuführen sind, sind von der Garantie ausgenommen. WACOM übernimmt darüber hinaus für einen Zeitraum von SECHS (6) MONATEN ab Kaufdatum die Garantie, dass die mitgelieferten Datenträger bei normaler Nutzung frei von Material- und Verarbeitungsfehlern sind.

Wird innerhalb des Garantiezeitraums am Produkt – ausgenommen der Software – ein Fehler festgestellt, muss es unverzüglich in der Originalverpackung zusammen mit Ihrem Namen, Ihrer Anschrift, Telefonnummer, einer Beschreibung des Problems und einer Kopie der Originalrechnung an den ursprünglichen Erwerbort zurückgesendet werden. Für einen eventuellen Verlust oder eine Beschädigung des Produktes während des Transportes zum Erwerbort haftet der Kunde.

WACOM verpflichtet sich unter dieser Garantie nur dazu, das defekte Produkt oder Teile davon bei erwiesenen Mängeln und Einsendung innerhalb des Garantiezeitraumes nach eigenem Ermessen entweder zu reparieren oder zu ersetzen.

WACOM verpflichtet sich nicht, das Produkt zu reparieren oder zu ersetzen, wenn (a) der Schaden des Produktes auf Unfall, Missbrauch, unsachgemäße Benutzung, Nachlässigkeit oder unerlaubter Änderung oder Reparatur zurückzuführen ist oder (b) das Produkt nicht gemäß den Anweisungen von WACOM behandelt oder aufbewahrt wurde oder (c) der Schaden auf normale Abnutzung von Produktteilen zurückzuführen ist oder (d) wenn die von WACOM angebrachte Seriennummer entfernt oder unkenntlich gemacht wurde.

Jegliche Beschreibungen, Zeichnungen, Spezifikationen, Muster, Modelle, Mitteilungen oder ähnliches Material, die im Zusammenhang mit dem Verkauf des Produktes herausgegeben werden, können nicht als ausdrückliche Garantie ausgelegt werden, dass das Produkt Ihren Anforderungen entspricht oder sie erfüllt.

Die gesetzlich garantierte Haftung bleibt davon unberührt. Sie können gemäß den geltenden rechtlichen Vorschriften Mängel am Produkt beanstanden.

WACOM haftet für sich selbst und seine Erfüllungsgehilfen nur, wenn eine wesentliche Vertragspflicht schuldhaft verletzt wurde, sodass die Erreichung

des Vertragszwecks gefährdet wird oder der Schaden auf Vorsatz oder grobe Fahrlässigkeit zurückzuführen ist. Eine wesentliche Vertragspflicht ist eine Verpflichtung, die für die ordnungsgemäße Ausführung des Vertrags, auf die sich die andere Partei üblicherweise verlässt, erforderlich ist. Im Falle, dass die schuldhafte Verletzung einer solchen wesentlichen Vertragspflicht nicht auf Vorsatz oder grobe Fahrlässigkeit zurückzuführen ist, beschränkt sich die Haftung einer Partei auf diejenigen Schäden, die für den Vertrag üblich sind und die bei Abschluss des Vertrages realistischerweise vorhersehbar waren. Wo diese allgemeinen Bedingungen die Haftung ausschließen oder beschränken, gilt dies in gleichem Maße für die persönliche Haftung der Geschäftsführer der betreffenden Partei sowie deren Mitarbeiter, Vertreter und Subunternehmer. Die Vorschriften des Produkthaftungsgesetzes bleiben unberührt.

Stellt sich bei Prüfung eines unter dieser Garantie beanstandeten Mangels heraus, dass der Garantiezeitraum überschritten oder der Mangel nicht von der Garantie abgedeckt oder das Produkt gar nicht defekt ist, kommt der Kunde für die WACOM entstandenen Kosten auf.

Diese beschränkte Garantie gilt, wenn sich der Sitz des Verkäufers in der EU oder in Island, Norwegen, Jersey, der Schweiz, Russland, der Ukraine, Kroatien, Serbien, Tunesien, der Türkei, Syrien, Libanon, Jordanien, Israel, Ägypten, den Vereinigten Arabischen Emiraten, im Iran oder in Südafrika befindet. Diese Garantie unterliegt deutschem Recht. Die Anwendbarkeit der Konvention der Vereinten Nationen über Verträge für den Internationalen Verkauf von Waren (United Nations Convention on Contracts for the International Sale of Goods) wird allerdings explizit ausgeschlossen. Die Stadt Düsseldorf in Deutschland ist ausschließlicher Gerichtsstand für alle Ansprüche aufgrund dieses Vertragsverhältnisses sowie sämtliche sich zwischen den Parteien ergebenden Streitigkeiten über das Zustandekommen, die Abwicklung oder die Beendigung des Vertragsverhältnisses – soweit der Kunde Kaufmann, juristische Person des öffentlichen Rechts oder ein öffentlich-rechtliches Sondervermögen ist. Die Gerichtsstandsvereinbarung gilt auch für Kunden, die in Deutschland keinen allgemeinen Gerichtsstand haben. Sie gilt nicht, wenn für die Klage aufgrund von gesetzlichen Vorschriften zwingend ein anderer ausschließlicher Gerichtsstand begründet ist.

WACOM ist darüber hinaus berechtigt, am Hauptsitz des Kunden zu klagen.

Sollte eine der Bestimmungen dieser beschränkten Garantie ganz oder teilweise rechtsunwirksam sein oder werden, so wird die Gültigkeit der übrigen Bestimmungen dadurch nicht berührt. Sollte eine Bestimmung ungültig sein, gilt stattdessen die rechtlich zulässige Bestimmung, die der ungültigen am ähnlichsten ist. Sollten Sie Fragen zu dieser Vereinbarung haben oder aus anderen Gründen mit WACOM Kontakt aufnehmen wollen, wenden Sie sich bitte schriftlich an uns:

Wacom Europe GmbH
Völklinger Straße 1
40219 Düsseldorf
DEUTSCHLAND

Belangrijke informatie

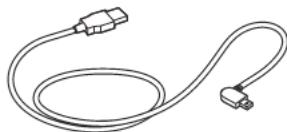
De snelgids geeft een overzicht van de STU-540 en STU-541. Deze bevat informatie over het aansluiten en gebruiken van het product alsmede waarschuwingen, productspecificaties en andere belangrijke informatie. Lees deze snelgids aandachtig door voordat u de signature-pad gaat gebruiken.

Meegeleverde accessoires

NL



Pensnoer



USB-kabel (3 m)



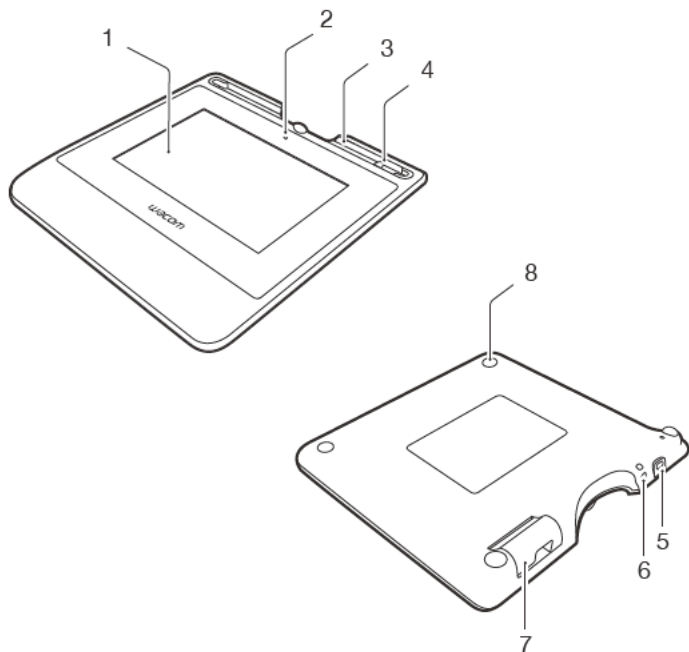
Pen



Snelgids

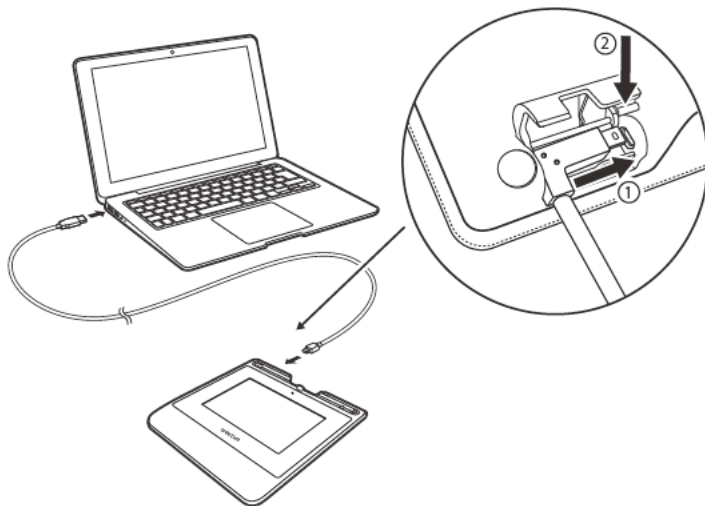
Kennismaken met het product

1. Handtekeninggebied
2. LED
3. Pencompartiment
4. Penhouder
5. Sleuf voor veiligheidsslot
6. Pensnoeropening
7. Afdekking USB-poort
8. Voetjes



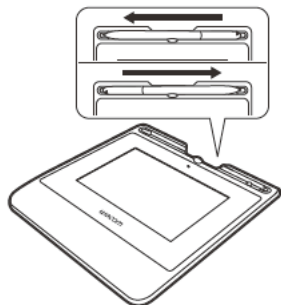
Het product aansluiten op uw computer

1. Zet uw computer uit.
2. Steek de stekker in de aansluiting aan de linkerkant van de signature-pad.
3. Steek de USB-connector in een vrije USB-poort van uw computer om de signature-pad te kunnen gebruiken.

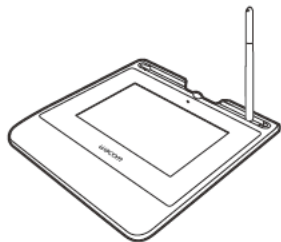


Opbergvak voor pen en pensnoer

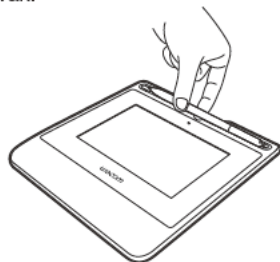
- Bewaar de pen in het opbergvak.



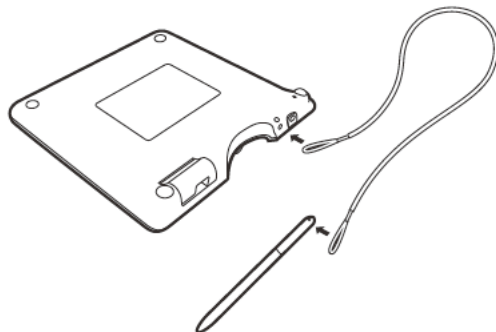
- U kunt de pen in de penhouder plaatsen als u deze niet gebruikt.



- Pak de pen in het midden vast en neem deze uit het opbergvak.

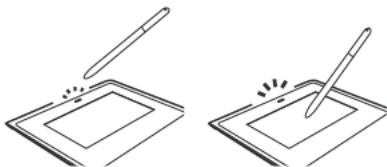


Pensnoeropening



Status-LED

- USB aangesloten: zwak licht
- USB aangesloten, de pen raakt het display: blauw licht



Wacom Support / Wacom Customer Service

Ga voor technische ondersteuning en voor het registreren van uw product naar wacom.com en klik op "Ondersteuning".

Vorzorgsmaatregelen

Zorg ervoor dat u alle instructies en waarschuwingen in deze gids opvolgt. Als u dit niet doet, kan er gegevensverlies optreden of kan uw computer beschadigd raken. Hierdoor kan ook het recht op garantie vervallen. In dat geval is Wacom niet verplicht het product te vervangen of te repareren.

Waarschuwing

Gebruik het product niet in een systeem voor facilitair beheer waarvoor een uitzonderlijke hoge mate van betrouwbaarheid is vereist. Hierdoor is het mogelijk dat de werking van andere apparatuur wordt verstoord, of dat andere apparatuur de werking van het product verstoort. In situaties waarin het gebruik van het product is verboden, moet u het product uitschakelen om te voorkomen dat het de werking van andere elektronische apparatuur verstoort. Wacom aanvaardt geen enkele aansprakelijkheid voor directe schade of gevolgschade.

Hoog voltage. Open of demonteer het product niet. U loopt het risico van een elektrische schok wanneer de behuizing geopend is. Uw garantie vervalt dan en Wacom is dan niet verplicht om het product te vervangen of te repareren.

Als het LCD-scherm beschadigd is, moet u de vloeistof die hier eventueel uit lekt NIET aanraken. Deze vloeistof is een irriterend middel. Wanneer deze vloeistof in aanraking is gekomen met huid, ogen of mond, moet u deze onmiddellijk gedurende minimaal 15 minuten afspelen met stromend water. Als er contact is geweest met de ogen of de mond, moet u ook een arts raadplegen.

Let erop dat kinderen de penpunt niet in de mond nemen. De penpunt kan onbedoeld naar buiten worden getrokken als kinderen erop bijten.

Opgelet

Gebruik of bewaar dit product niet op een plek waar:

- De temperatuur sterk wisselt of de specificaties overschrijdt (bijvoorbeeld buitenshuis of in een voertuig).
- Het product en de pen worden blootgesteld aan direct zonlicht of warmte van een apparaat, of worden blootgesteld aan water of een andere vloeistof.

Gebruik het product niet in een stoffige omgeving. De eenheid kan hierdoor beschadigd raken.

Demonteer de pen niet. Mogelijk werkt het apparaat dan niet meer goed. In dat geval is Wacom niet verplicht het product te vervangen of te repareren.

Maak geen krassen op het beeldscherm. Plaats geen scherpe objecten op het oppervlak van het beeldscherm.

Stel het product of de pen niet bloot aan sterke schokken of trillingen. Als u het product stoot of laat vallen, kunnen het scherm en andere onderdelen beschadigd raken.

Plaats geen zware objecten op het product en oefen er geen zware druk op uit; hierdoor kan het beeldscherm beschadigd raken.

Plaats geen zware voorwerpen op de kabels van het product, buig de kabels niet te veel en te vaak en stel de kabelconnectors niet bloot aan te veel druk. Hierdoor kunnen de eenheid en de kabels beschadigd raken.

Als de penpunt scherp of hoekig wordt, kan deze de coating van het beeldscherm beschadigen. Vervang indien nodig de penpunt.

Stel het product niet bloot aan elektrostatische ontladingen van hoge spanningen of de opbouw van elektrostatische lading op het LCD-scherm. Dit kan resulteren in een tijdelijke vlekkerigheid van het LCD-scherm. Wordt het scherm vlekkerig, laat het product dan ingeschakeld. De vlekkerigheid zou binnen een paar uur moeten zijn verdwenen.

Opmerkingen over het gebruik van dit product

Penpunt vervangen

Voor het vervangen van penpunten kunt u contact opnemen met uw Wacom Signature Solution Partner.

Opmerking over het gebruik

Als het LCD-scherm gedurende een lange periode continu wordt gebruikt, blijft er elektrische lading achter in de nabijheid van de elektrode binnen het LCD-scherm. Als gevolg hiervan is het mogelijk dat u een resterend beeld of "spookbeeld" van het vorige beeld ziet (beeldpersistentie).

Om beeldpersistentie te voorkomen adviseert Wacom het gebruik van een bewegende screensaver als het scherm is ingeschakeld maar niet wordt gebruikt.

Onderhoud van uw LCD signature-pad

Houd de pen en het oppervlak van het LCD-scherm schoon. Stof en vuildeeltjes kunnen aan de pen blijven kleven en voor slijtage van het schermoppervlak zorgen. Het LCD-scherm en de pen gaan langer mee als u deze regelmatig reinigt. Bewaar de tablet en pen op een schone, droge locatie en vermijd extreme temperaturen. Kamertemperatuur wordt aanbevolen. Het product en de pen kunnen niet worden gedemonteerd. De garantie vervalt als u het product opent.

Reinigen

Als u de behuizing van het product of de pen wilt schoonmaken, gebruikt u een zachte, vochtige doek. U kunt ook een doek gebruiken die is bevochtigd met een zeer milde zeep die is verdund met water. Gebruik geen verfyerduner, benzine, alcohol of andere oplosmiddelen om de behuizing van de eenheid of de pen schoon te maken.

Als u het beeldscherm wilt schoonmaken, gebruikt u een antistatische doek of een licht bevochtigde doek. Druk bij het schoonmaken zachtjes op het beeldscherm en maak het oppervlak niet nat. Gebruik geen schoonmaakmiddel om het beeldscherm te reinigen. Hierdoor kan de coating van het scherm beschadigd raken. Let erop dat dit type schade niet wordt gedekt door de garantie van de fabrikant.

Productspecificaties

STU-540 / STU-541

Algemene specificaties

Afmetingen (B x D x H)	162,8 x 156,8 x 10,0 mm
Gewicht	Hoofdbehuizing: ca. 250 g
Bedrijfstemperatuur & -luchtvochtigheid	5 tot 40 °C, Luchtvochtigheid: 30% tot 80% relatieve luchtvochtigheid (niet-condenserend)
Opslagtemperatuur & -luchtvochtigheid	-20 tot 60 °C, Luchtvochtigheid: 30% tot 90% relatieve luchtvochtigheid (niet-condenserend)
Aansluitkabel	USB-kabel speciaal voor Corvina, lengte 3 m
Opgenomen vermogen	2,5 W maximaal

Display

Beeldscherm	Amorf TFT LCD
Beeldschermgrootte	5,0 inch (108,8 x 64,8 mm)
Aantal pixels	800 x 480, WVGA
Pixel pitch	0,135 (h) x 0,135 (v) mm
Kijkhoek	140(70/70) / 140(70/70) met CR >= 10 : 1
Helderheid	Standaard 160 cd/m ²
LCD-kwaliteit	Elk LCD-scherm wordt onder zeer strenge kwaliteitsnormen geproduceerd. De productietechnieken garanderen echter geen absoluut perfecte TFT-weergave. Wacom staat niet toe dat een pixel altijd wit of altijd zwart is. Een klein aantal pixels mag een onjuiste kleur hebben voor sommige delen van het kleurenspectrum. Dit betekent niet dat het beeldscherm defect is.

Pentablet

Leestechнологie	Elektromagnetische resonantietechnologie
Actief gebied	108,0 x 64,8 mm
Resolutie	2540 lpi of 0,01 mm/pt
Nauwkeurigheid	± 0,5 mm (midden), randgebied 1 (20 mm breed vanaf rand van weergavegebied) tot ± 2,0 mm, randgebied 2 (3 mm breed vanaf rand van weergavegebied) tot ± 4,0 mm
Leeshoogte	5 mm of meer (midden)
Maximum overdrachtsnelheid	200 punten/s
Drukniveaus	1024 niveaus
Communicatie-interface	STU-540: USB, VCP, RS232 STU-541: USB, VCP

Andere

Sleuf voor veiligheidsslot	1
----------------------------	---

Pen

Afmetingen (l x d)	141,5 x 9,0 mm
Gewicht	ca. 7 g

Garanties

Bepaalde garantie (Europa, Afrika en Midden-Oosten)

WACOM garandeert u, als initiële koper (hierna "u" of "de klant" genoemd) dat de productuur bij normaal gebruik en onderhoud vrij is van materiaal- en fabricagefouten gedurende een garantieperiode van DRIE (3) JAAR,

die ingaat op de aankoopdatum en onder voorwaarde dat het product bij normaal ongebruikt was. Gebreken in slijtagegevoelige delen (bijv. penpunten, tabletopervlakken en batterijen) die het gevolg zijn van normale slijtage, vallen niet onder de garantie. Verder garandeert WACOM dat de gegevensdragers die zijn meegeleverd met het product, bij normaal gebruik vrij zijn van materiaal- en fabricagefouten gedurende een periode van ZES (6) MAANDEN vanaf de aankoopdatum.

Als het product, uitgezonderd de software, tijdens de toepasselijke garantieperiode gebreken vertoont, dient het onmiddellijk te worden geretourneerd naar de plaats van aanschaf in de originele verpakking, binnen de garantieperiode, voorzien van uw naam, adres en telefoonnummer, een omschrijving van het probleem en een kopie van de originele aankoopbon. De klant is aansprakelijk voor mogelijke schade aan of mogelijk verlies van het product tijdens verzending naar de plaats van aanschaf voor dit doel.

De enige verplichting en aansprakelijkheid van Wacom onder deze garantie bestaat, naar keuze van Wacom, uit de reparatie of vervanging van het product of de onderdelen ervan die defect zijn en binnen de desbetreffende garantieperiode zijn teruggezonden.

WACOM garandeert niet het product te repareren of te vervangen als:
(a) de schade aan het product het gevolg is van een ongeluk, onjuist gebruik, oneigenlijk gebruik, nalatigheid of onbevoegde wijzigingen of reparaties;
(b) het product niet is behandeld of opgeslagen volgens de door WACOM verstrekte voorschriften; (c) de schade het gevolg is van normale slijtage van productonderdelen, of (d) het door WACOM aangebrachte serienummer is verwijderd of onleesbaar is gemaakt.

Omschrijvingen, tekeningen, specificaties, voorbeelden, modellen, mededelingen of vergelijkbaar materiaal verstrekt in verband met de aankoop van het product, kunnen niet worden geïnterpreteerd als een uitdrukkelijke garantie dat het product voldoet aan of voorziet in uw wensen.

De garantie die wordt gewaarborgd onder wetgeving, blijft van kracht. U kunt een vordering indienen voor defecten in het product conform toepasselijke wettelijke bepalingen.

WACOM is alleen aansprakelijk voor zichzelf en zijn vertegenwoordigers bij een verwijtbaar inbreuk op een essentiële contractuele verplichting op een manier die het doel van het contract in gevaar brengt of wanneer de schade

het gevolg is van opzet of omissies of grove nalatigheid. Een essentiële contractuele verplichting is een verplichting die essentieel is voor de juiste uitvoering van het contract waarop de andere partij doorgaans vertrouwt. In geval dat de laakbare inbreuk op een dergelijke essentiële contractuele verplichting niet het gevolg is van bedoelde of grove nalatigheid, is de aansprakelijkheid van een partij beperkt tot de schade die gebruikelijk zijn bij het contract en die redelijkerwijs te verwachten waren op het moment dat het contract werd afgesloten. Indien dergelijke voorwaarden en bepalingen aansprakelijkheid uitsluiten of beperken, is dit tevens van toepassing op de persoonlijke aansprakelijkheid van de bedrijfsleiding en -vertegenwoordiging van de betrokken partij, zijn werknemers, vertegenwoordigers en onderaannemers. De bepalingen van de productaansprakelijkheidswet (Produkthaftungsgesetz) blijven van kracht.

Als bij controle van een vordering die onder deze garantie valt, blijkt dat deze buiten de toegestane periode valt of niet wordt gedekt door de garantie of dat het product niet defect is, zal de klant Wacom vergoeden voor alle bijbehorende kosten.

Deze beperkte garantie is van toepassing als de vestiging van de leverancier zich in een land van de Europese Unie bevindt of in IJsland, Noorwegen, Jersey, Zwitserland, Rusland, Oekraïne, Kroatië, Servië, Tunesië, Turkije, Syrië, Libanon, Jordanië, Israël, Egypte, de Verenigde Arabische Emiraten, Iran of Zuid-Afrika. Deze garantie valt onder de Duitse wetgeving. De toepassing van het Verdrag van de Verenigde Naties inzake internationale koopovereenkomsten betreffende roerende zaken wordt echter uitdrukkelijk uitgesloten. De Duitse stad Düsseldorf is het enige rechtsgebied voor alle vorderingen die voortvloeien uit deze contractuele relatie en alle geschillen tussen de partijen die voortkomen uit het opstellen, het afhandelen of het beëindigen van deze contractuele relatie, vooropgesteld dat de klant een ondernemer, een rechtspersoon of publiekrechtelijke organisatie is. De overeenkomst inzake rechtsbevoegdheid geldt ook voor klanten die niet onder een rechtsgebied in Duitsland vallen. De overeenkomst inzake rechtsbevoegdheid is niet van toepassing als op basis van wettelijke voorschriften een ander rechtsgebied dient te worden vastgesteld.

Voor het overige heeft WACOM het recht om een rechtszaak aan te spannen tegen het hoofdkantoor van de klant.

Mocht een van de bepalingen van deze beperkte garanti voorwaarden geheel of gedeeltelijk niet rechtsgeldig zijn, dan heeft dit geen invloed op de geldigheid van de overige bepalingen. Mocht een bepaling ongeldig zijn, dan is de wettelijk toegestane regel van toepassing die de meeste overeenkomsten vertoont met de ongeldige regel. Als u vragen over de overeenkomst hebt om een andere reden contact wilt opnemen met WACOM, kunt u schriftelijk contact met ons opnemen via het volgende adres:

Wacom Europe GmbH
Völklinger Strasse 1
40219 Düsseldorf
GERMANY

Informations importantes

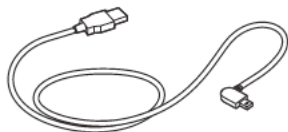
Le Guide de mise en route présente les produits STU-540 et STU-541. Il contient des informations sur la connexion et l'utilisation du produit, ainsi que des précautions de sécurité, les caractéristiques du produit, et d'autres informations importantes. Veuillez lire attentivement le Guide de mise en route avant d'utiliser votre tablette de signature.

Accessoires fournis

FR



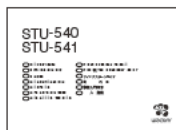
Cordon d'attache



Câble USB (3 m)



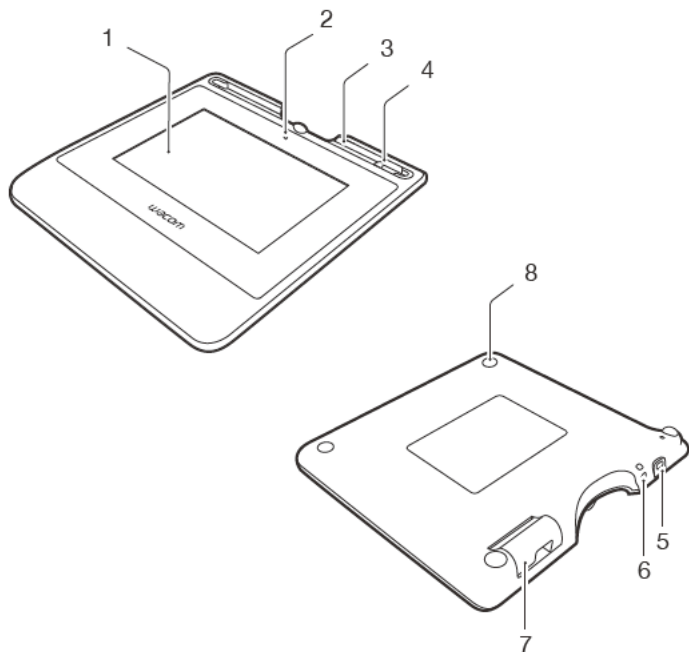
Stylet



Guide de mise en route

Familiarisation avec le produit

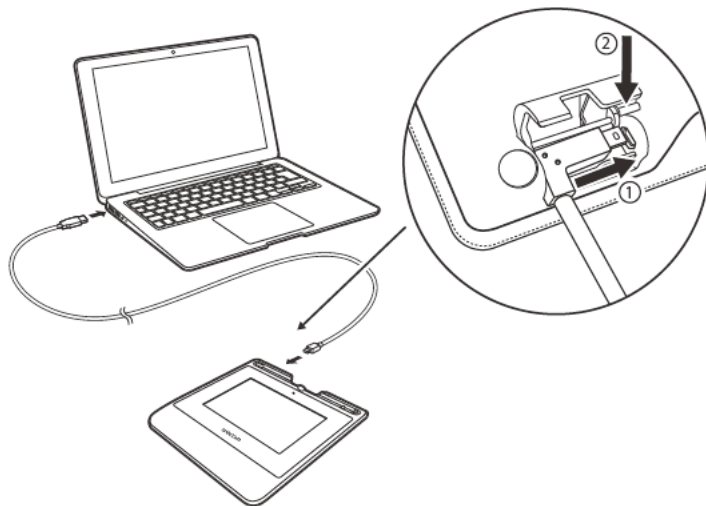
1. Zone de signature
2. Voyant
3. Range-stylet
4. Porte-stylet
5. Fente pour verrou de sécurité
6. Orifice de l'amarre-stylet
7. Cache de port USB
8. Pieds



Connexion du produit à votre ordinateur

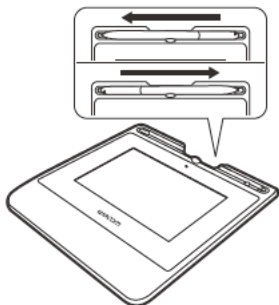
1. Mettez votre ordinateur hors tension.
2. Insérez la fiche dans le connecteur situé sur le bord gauche de la tablette de signature.
3. Branchez le connecteur USB sur un port USB libre de votre ordinateur pour utiliser la tablette de signature.

FR

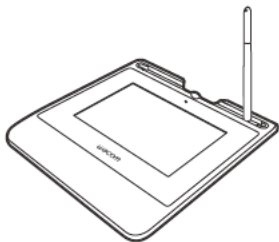


Range-styilet et cordon d'attache

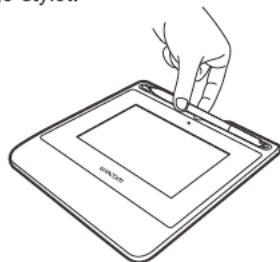
- Conservez le styilet dans le range-styilet.



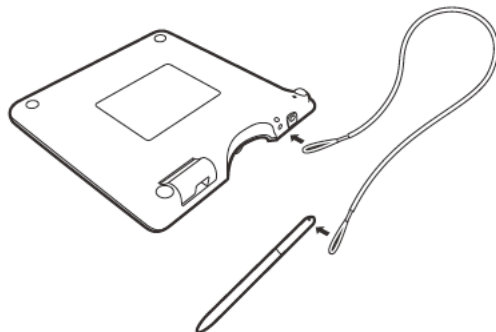
- Vous pouvez placer le styilet dans le porte-styilet quand vous ne l'utilisez pas.



- Saisissez le styilet par le milieu et retirez-le du range-styilet.

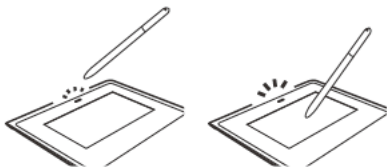


Orifice de l'amarre-styilet



Voyant d'état

- USB connecté : faible lumière
- USB connecté, stylet en contact avec l'écran : lumière bleue



FR

Assistance Wacom / Service clientèle Wacom

Pour contacter l'assistance et enregistrer votre produit, rendez-vous sur wacom.com et cliquez sur « Aide » (assistance).

Précautions

Respectez les avertissements et les instructions contenus dans ce guide. Sinon, vous risquez de perdre des données ou d'endommager votre ordinateur. Le non-respect de ces indications pourrait entraîner l'annulation de votre garantie. Si cela se produit, Wacom ne sera en aucun cas tenu de réparer ou de remplacer le produit.

Avertissement

N'utilisez pas le produit à proximité d'un système de commande nécessitant une fiabilité extrêmement élevée. Cela risque de nuire au bon fonctionnement d'autres appareils électroniques ou ces derniers risquent de provoquer un dysfonctionnement du produit. Lorsque son utilisation est interdite, mettez le produit hors tension pour éviter qu'il ne provoque un dysfonctionnement des autres appareils électroniques. Wacom décline toute responsabilité en cas de dommages directs ou indirects.

Haute tension. N'ouvrez et ne démontez en aucun cas le produit. Un risque de choc électrique est présent lorsque le boîtier est ouvert. Le cas échéant, votre garantie sera annulée et Wacom ne sera pas tenu de réparer ou de remplacer le produit.

Si l'écran LCD est endommagé, un liquide peut se répandre. Ne le touchez pas : ce liquide est irritant. En cas de contact avec la peau, les yeux ou la bouche, rincez immédiatement avec de l'eau sous le robinet pendant au moins 15 minutes. Si le liquide entre en contact avec les yeux ou la bouche, consultez un médecin.

Veillez à ce que les enfants n'avalent pas la pointe du stylet. La pointe du stylet risque de se détacher accidentellement si un enfant la mord.

Attention

N'utilisez pas et ne stockez pas le produit dans les conditions suivantes :

- En cas de variations de température importantes ou hors des limites spécifiées (par exemple à l'extérieur ou dans un véhicule).
- En cas d'exposition directe du produit et du stylet à la lumière du soleil, à une source de chaleur, à de l'eau ou à tout autre liquide.

N'utilisez pas le produit dans un environnement poussiéreux. Vous risqueriez d'endommager l'appareil.

Ne démontez pas le stylet. Cela risquerait d'entraîner son dysfonctionnement. Si cela se produit, Wacom ne sera en aucun cas tenu de réparer ou de remplacer le produit.

Ne rayez pas la surface de l'écran. Évitez de poser des objets pointus sur la surface de l'écran.

Évitez de soumettre le produit ou le stylet à des chocs et des vibrations violentes. Si vous heurtez ou laissez tomber le produit, vous risquez d'endommager la surface de l'écran ou d'autres composants.

Évitez de placer des objets lourds sur le produit ou d'y exercer une pression importante. Vous risqueriez d'endommager la surface de l'écran.

Ne posez pas d'objet lourd sur les câbles du produit, ne pliez pas brutalement les câbles de manière répétée et ne soumettez pas les connecteurs des câbles à une forte tension au risque d'endommager l'appareil ou son câblage.

Si la pointe du stylet devient pointue ou anguleuse, cela peut endommager le revêtement de l'écran. Remplacez la pointe du stylet si nécessaire.

N'exposez pas votre produit à des décharges électrostatiques de haute tension ou à une accumulation de charge électrostatique sur l'écran LCD. Vous risqueriez de tacher temporairement l'écran LCD. Si des taches apparaissent, laissez l'écran du produit allumé ; elles devraient disparaître en quelques heures.

Remarque sur l'utilisation de ce produit

Remplacement de la pointe du stylet

Pour savoir comment remplacer les pointes de stylet, contactez votre partenaire de solution de signature Wacom.

Remarque sur l'utilisation

Lorsque le panneau LCD fonctionne en continu pendant une longue période, une trace de la charge électrique reste près de l'électrode sur l'écran LCD, et une image résiduelle ou « fantôme » de l'image précédente peut être observée (persistance d'image).

Pour éviter la persistance d'image, Wacom recommande d'utiliser un économiseur d'écran animé lorsque l'écran est allumé, mais qu'aucune opération n'est enregistrée.

Entretien de votre tablette LCD de signature

Veillez à la propreté du stylet et de la surface de l'écran LCD. La poussière et les saletés peuvent adhérer à votre stylet et entraîner l'usure de la surface de l'écran. Un nettoyage régulier contribuera à prolonger la durée de vie de la surface de votre écran LCD et de votre stylet. Conservez la tablette et le stylet dans un endroit propre et sec et évitez de les exposer à des températures trop élevées ou trop basses. La température ambiante est celle qui convient le mieux. Le produit et son stylet ne sont pas faits pour être démontés. Ne démontez pas la tablette, au risque de rendre la garantie caduque.

Nettoyage

Pour nettoyer le boîtier du produit ou le stylet, utilisez un chiffon doux et humide. Vous pouvez également humidifier le chiffon avec de l'eau légèrement savonneuse. N'utilisez pas de diluant, de benzène, d'alcool ou autres solvants pour nettoyer le boîtier, le socle ou le stylet.

Pour nettoyer l'écran, utilisez un chiffon antistatique ou légèrement humide. Pendant le nettoyage, n'exercez qu'une pression légère sur l'écran et ne le mouillez pas. N'utilisez pas de détergent pour nettoyer l'écran. Vous risquez d'endommager son revêtement. Veuillez noter que ce type de dommage n'est pas couvert par la garantie du fabricant.

Caractéristiques du produit

STU-540 / STU-541

Spécifications générales

Dimensions (L x P x H)	162,8 x 156,8 x 10,0 mm
Poids	corps principal : environ 250 g
Température et humidité de fonctionnement	5 à 40 °C, humidité : 30 % à 80 % HR (sans condensation)
Température et humidité de stockage	-20 à 60 °C, humidité : 30 % à 90 % HR (sans condensation)
Câble d'interface	câble USB spécifique pour Corvina, longueur 3 m
Consommation électrique	2,5 W maximum

Écran

Panneau d'affichage	TFT-LCD amorphe
Dimensions de l'écran	5,0 pouces (108,8 x 64,8 mm)
Nombre de pixels	800 x 480, WVGA
Pas de pixel	0,135 (H) x 0,135 (V) mm
Angle de vision	140(70/70) / 140(70/70) à condition que : RC>=10
Luminosité	Type 160 cd/m ²
Qualité LCD	Chacun des panneaux LCD répond à des normes de qualité extrêmement rigoureuses. Les techniques de production ne peuvent pas garantir la perfection absolue de votre écran TFT. Wacom n'accepte pas de pixels toujours blancs ou toujours noirs. Un petit nombre de pixels peuvent afficher une couleur incorrecte pour certaines parties du spectre lumineux. Cela ne signifie pas que l'affichage est défectueux.

Tablette à stylet

Technologie de lecture	Technologie de résonance électromagnétique
Surface active	108,0 x 64,8 mm
Résolution	2540 lpi ou 0,01 mm/pt
Précision	± 0,5 mm (centre), zone de bord 1 (20 mm de large à partir du bord de l'espace d'affichage) à ± 2,0 mm, zone de bord 2 (3 mm de large à partir du bord de l'espace d'affichage) à ± 4,0 mm
Hauteur de lecture	5 mm ou plus (centre)
Taux maximal de transfert des données	200 points/s
Niveaux de pression	1 024 niveaux
Interface de communication	STU-540 : USB, VCP, RS232 STU-541 : USB, VCP

Autres

Fente de sécurité	1
-------------------	---

Stylet

Dimensions physiques (L * D)	141,5 * 9,0 mm (5,57 * 0,35 pouce)
Poids	7 g (0,25 oz), environ

Garanties

Garantie limitée (États-Unis et Canada)

Wacom garantit ce produit à l'acheteur d'origine, à l'exception du Logiciel et des consommables tels que la batterie, les cartouches de remplacement, la feuille (transparente) de la tablette et les pointes de stylet, contre toute défektivité de matériel et de fabrication dans des conditions d'utilisation et d'entretien normales, pour une période de trois (3) ans à compter de la date d'achat, d'après copie de la facture et de l'inscription Wacom par e-mail ou en ligne dans les 30 jours suivant l'achat.

La licence du Logiciel vous est accordée « telle quelle ». Wacom ne garantit en aucun cas sa qualité ou ses performances. Wacom ne peut vous garantir une utilisation ininterrompue ou la correction d'éventuelles erreurs.

En cas de découverte d'une défektivité dans le produit, à l'exception du Logiciel, pendant la Période de garantie, contactez le service d'assistance technique de Wacom par téléphone, e-mail ou fax pour obtenir un numéro d'ARM (Autorisation de retour de marchandise) et des instructions d'envoi du produit à un site d'entretien désigné par Wacom. Vous devez envoyer le produit, en payant à l'avance les frais d'expédition, au site d'entretien indiqué, en y joignant le numéro d'autorisation de retour, votre nom, votre adresse et votre numéro de téléphone, la date de la preuve d'achat et une description de la défektivité. Wacom prend à sa charge l'expédition en retour par le biais de United Parcel Service ou par un service équivalent de son choix.

La seule obligation de Wacom et sa responsabilité aux termes de la présente garantie consiste, au choix de Wacom, à réparer ou à remplacer le produit défektivé ou des composants de celui-ci si Wacom en est averti pendant la Période de garantie ; ceci, toutefois, pour autant que vous assumiez la responsabilité (i) des frais de transport du produit vers le site d'entretien indiqué et (ii) de toute perte ou dommage subi par le produit pendant ce transport.

Wacom ne sera pas tenu de réparer ou de remplacer le produit si sa défaillance résulte d'un accident, d'une utilisation abusive ou incorrecte, d'une négligence ou d'une modification ou réparation non autorisée, ou s'il a été manipulé ou stocké contrairement aux instructions de Wacom en matière de stockage.

Les descriptions, dessins, caractéristiques, échantillons, modèles, bulletins ou autres matériels utilisés dans le cadre de la vente du produit ne constituent pas une garantie explicite de la conformité du produit à vos exigences.

À L'EXCEPTION DE LA GARANTIE LIMITÉE DÉCRITE CI-DESSUS, AUCUNE AUTRE GARANTIE N'EST ACCORDÉE PAR WACOM AU SUJET DE CE PRODUIT. AUCUN CONSEIL NI RENSEIGNEMENT, ORAL OU ÉCRIT, FOURNI PAR WACOM, SES REVENDUEURS, DISTRIBUTEURS, REPRÉSENTANTS OU EMPLOYÉS NE FERA OFFICE DE GARANTIE NI N'ÉTENDRA LA PORTÉE DE LA PRÉSENTE GARANTIE ET VOUS NE POUVEZ PAS VOUS BASER SUR DES TELS CONSEILS OU RENSEIGNEMENTS.

LA PRÉSENTE GARANTIE VOUS OCTROIE DES DROITS JURIDIQUES PRÉCIS, ET ÉVENTUELLEMENT D'AUTRES DROITS QUI VARIENT D'UN ÉTAT À UN AUTRE.

WACOM LIMITE LA DURÉE DE TOUTE GARANTIE LÉGALE, NOTAMMENT DES GARANTIES IMPLICITES DE COMMERCIALISATION OU D'ADÉQUATION À UN USAGE PARTICULIER, À LA DURÉE DE LA GARANTIE EXPLICITE DE WACOM. CERTAINS ÉTATS N'AUTORISENT PAS DE LIMITATION DE LA DURÉE D'UNE GARANTIE IMPLICITE. PAR CONSÉQUENT, IL SE PEUT QUE LA RESTRICTION SUSMENTIONNÉE NE VOUS SOIT PAS APPLICABLE.

NI WACOM NI TOUTE AUTRE PERSONNE IMPLIQUÉE DANS LA CRÉATION, LA PRODUCTION OU LA LIVRAISON DE CE PRODUIT NE PEUT ÊTRE TENU RESPONSABLE DE TOUT DOMMAGE DIRECT, INDIRECT OU ACCESSOIRE (Y COMPRIS LA PERTE DE BÉNÉFICES COMMERCIAUX, L'INTERRUPTION D'ACTIVITÉ COMMERCIALE, LA PERTE D'INFORMATIONS COMMERCIALES, ETC.) DÉCOULANT DE L'UTILISATION OU DE L'IMPOSSIBILITÉ D'UTILISER CE PRODUIT, MÊME SI WACOM A ÉTÉ AVERTI DE L'ÉVENTUALITÉ DE TELS DOMMAGES. CERTAINS ÉTATS N'AUTORISANT PAS L'EXCLUSION OU LA LIMITATION DES RESPONSABILITÉS POUR LES DOMMAGES ACCESSOIRES OU INDIRECTS, IL SE PEUT QUE LA RESTRICTION OU L'EXCLUSION SUSMENTIONNÉE NE VOUS SOIT PAS APPLICABLE.

Dans l'éventualité où une partie des limitations mentionnées ci-dessus sont considérées comme non applicables, la responsabilité de Wacom pour tout dommage envers vous ou toute autre partie, n'excédera pas le prix que vous avez payé, quelle que soit la forme de la plainte.

La présente Garantie limitée est régie par les lois des États-Unis d'Amérique et de l'État de Washington.

La présente Garantie limitée n'est valable et applicable que pour les produits achetés et utilisés aux États-Unis (et dans leurs territoires ou possessions) ou au Canada.

Service de garantie

Pour obtenir un service de garantie aux États-Unis ou au Canada, contactez :

Centre de support client Wacom

Téléphone : +1.360.896.9833

Formulaire de demande par e-mail : <http://www.wacom.com/productsupport/email.cfm>

Pour toute question concernant cet Accord ou si vous désirez contacter Wacom pour quelque raison que ce soit, veuillez envoyer un courrier écrit à l'une des adresses suivantes :

Wacom Technology Corporation
1455 NW Irving Street Suite 800
Portland OR 97209
U.S.A.

Garantie limitée (Europe, Afrique et Moyen-Orient)

WACOM vous garantit, en tant qu'acheteur initial, (ci-après dénommé « vous » ou « le client ») que le matériel du produit est exempt de défauts de matériel et de fabrication dans des conditions d'utilisation et d'entretien normales pendant une période de garantie de TROIS (3) ANS,

à compter de la date d'achat, pour autant que le produit ait été acheté neuf. Les défauts sur les pièces d'usure (pointes de styler, surface de la tablette et batteries par exemple) liés à une usure normale sont exclus de cette garantie. En outre, WACOM garantit que les supports de données fournis avec le produit sont exempts de tout défaut matériel ou de fabrication dans des conditions d'utilisation et d'entretien normales, pendant une durée de SIX (6) MOIS à compter de la date d'achat.

Si, durant la période de garantie applicable, le produit, à l'exclusion de tout logiciel, est reconnu défectueux, il doit être immédiatement renvoyé sur le lieu d'achat dans son emballage d'origine, avec vos nom, adresse et numéro de téléphone, ainsi qu'un descriptif du problème et une copie du reçu original. Le client est responsable de tout dommage ou perte pendant le transport du produit vers le lieu d'achat à cette fin.

La seule obligation et l'entière responsabilité de Wacom consistera, à la discrétion de Wacom, soit de remplacer, soit de réparer les pièces ou le produit défectueux renvoyés au cours de la période de garantie.

WACOM n'est en aucun cas tenu de réparer ou remplacer le produit dans les cas suivants : (a) le produit est endommagé à la suite d'un accident, d'une mauvaise utilisation, d'un usage inapproprié, d'une négligence ou d'une modification ou réparation non autorisée ; (b) le produit n'a pas été manipulé ou stocké conformément aux instructions fournies par WACOM ; (c) l'endommagement est le résultat d'une usure normale des pièces du produit ; ou (d) le numéro de série apposé par WACOM a été retiré ou est devenu illisible.

Les descriptions, dessins, caractéristiques, échantillons, modèles, notifications ou support similaire fournis lors de l'achat du produit ne peuvent être considérés comme une garantie explicite de la correspondance du produit à vos exigences.

La garantie assurée par la loi reste valable. Vous pouvez faire valoir tout défaut du produit conformément aux dispositions juridiques applicables.

La responsabilité de WACOM engage l'entreprise elle-même et ses agents d'exécution, dans le cas du manquement à une obligation matérielle contractuelle portant atteinte aux fins du Contrat ou d'un dommage dû à des actes intentionnels, des omissions ou à une grande négligence. Une obligation matérielle contractuelle est une obligation essentielle à la bonne exécution du

contrat, sur lequel compte normalement l'autre partie. En cas de violation à une telle obligation matérielle contractuelle non intentionnelle ou non due à une grande négligence, la responsabilité d'une partie doit être restreinte aux dommages habituels pour le contrat, objectivement prévisibles au moment de la conclusion du contrat. L'annulation ou la restriction de responsabilité prévue dans le cadre des présentes Termes et Conditions s'applique également à la responsabilité des dirigeants de la partie concernée, ses employés, agents et sous-traitants. Les dispositions relatives à la loi sur la responsabilité du produit (Produkthaftungsgesetz) demeurent valables.

Si, au cours de la vérification d'une réclamation au titre de la présente garantie, il apparaît que cette réclamation dépasse la période autorisée ou n'est pas couverte par la garantie, ou encore que le produit n'est pas défectueux, les frais engagés par WACOM devront être remboursés par le client.

Cette garantie limitée s'applique si le siège social du fabricant est situé en UE ou en Islande, Norvège, Jersey, Suisse, Russie, Ukraine, Croatie, Serbie, Tunisie, Turquie, Syrie, Liban, Jordanie, Israël, Égypte, Émirats Arabes Unis, Iran ou Afrique du Sud. Cette garantie est soumise à la législation allemande. L'applicabilité de la Convention des Nations Unies sur les contrats de vente internationale de marchandises est explicitement exclue. La cour de Düsseldorf en Allemagne est le seul tribunal compétent pour toutes les réclamations émanant de cette relation contractuelle et pour tous les litiges entre les parties résultant de la formation, du traitement ou de la résiliation de la relation contractuelle, à condition que le client soit un négociant, une entité légale ou un fonds relevant de la loi publique. L'accord de compétence s'applique également aux clients dont la juridiction compétente n'est pas située en Allemagne. L'accord de compétence ne s'applique pas si, pour des raisons légales, une autre juridiction compétente doit être déterminée pour un cas particulier.

En outre, WACOM est autorisé à engager des poursuites judiciaires à l'encontre du siège social du client.

L'invalidation d'une des dispositions de la présente garantie limitée ne saura en aucun cas affecter la validité des autres dispositions, en tout ou partie. Dans l'éventualité où une disposition serait invalide, la réglementation légale la plus proche doit s'appliquer en lieu et place de cette dernière. Pour toute question concernant ce contrat, ou si vous souhaitez contacter WACOM pour toute autre raison, veuillez nous écrire à l'adresse suivante :

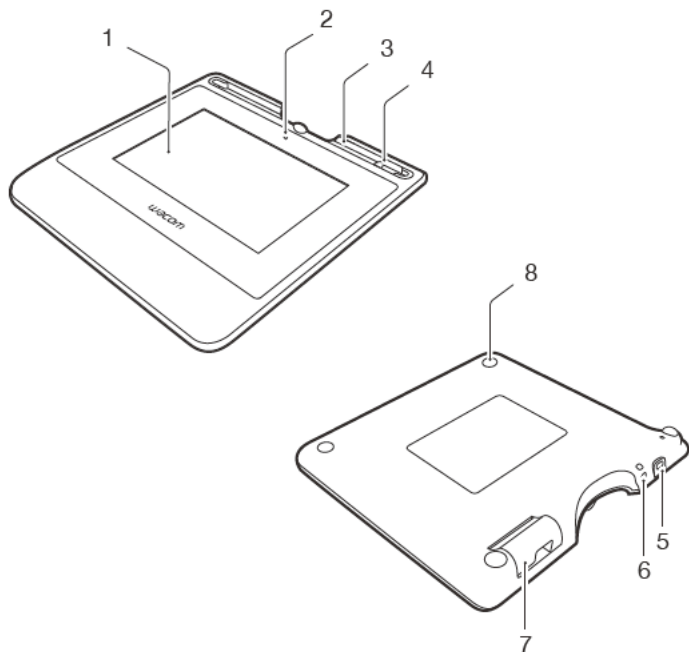
Wacom Europe GmbH
Völklinger Strasse 1
40219 Düsseldorf
ALLEMAGNE

Informazioni importanti

La Guida rapida offre una panoramica della penna STU-540 e STU-541. Questa guida contiene le istruzioni sulla connessione e l'utilizzo del prodotto, così come le precauzioni d'uso, le specifiche del prodotto, e altre importanti informazioni. Leggere attentamente la Guida rapida prima di utilizzare il sign pad.

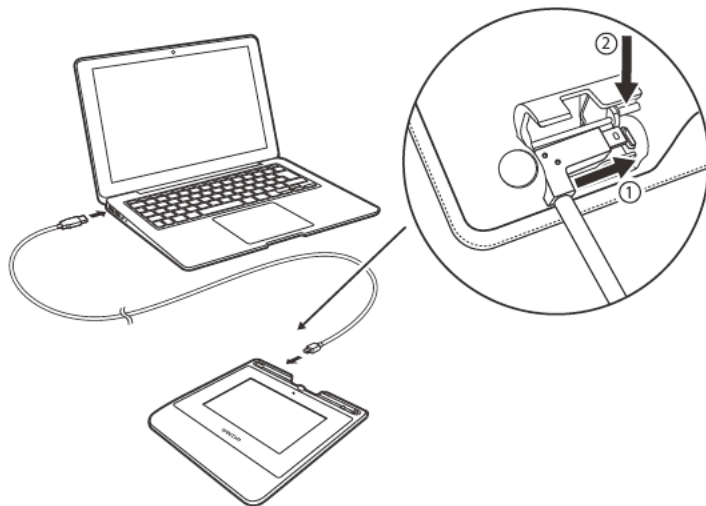
Descrizione del prodotto

1. Area grafometrica
2. LED
3. Astuccio della penna
4. Portapenna
5. Slot per blocco di sicurezza
6. Foro del laccio anticaduta della penna
7. Protezione presa USB
8. Piedini



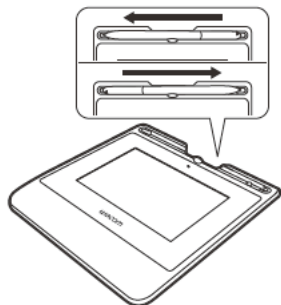
Collegamento del prodotto al proprio computer

1. Spegner il computer.
2. Inserire la spina nel connettore situato sul bordo sinistro del sign pad.
3. Per utilizzare il sign pad, inserire il connettore USB in una porta USB libera sul proprio computer.



Astuccio per la penna e laccio anticaduta

- Conservare la penna nell'apposito astuccio.



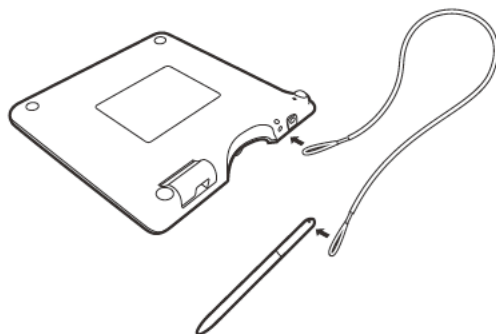
- Afferrare la penna al centro ed estrarla dall'astuccio.



- Quando non è utilizzata, è possibile collocare la penna nell'apposito portapenna.

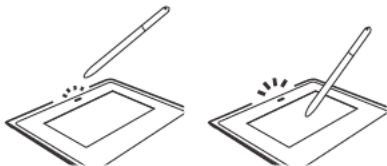


Foro del laccio anticaduta della penna



Indicatore LED di stato

- USB collegato: luce debole
- USB collegato, penna a contatto con il display: luce blu



Supporto Wacom / Servizio clienti Wacom

Per ricevere assistenza tecnica e registrare il prodotto, accedere a wacom.com e fare clic su Supporto.

Precauzioni

Seguire le istruzioni, le avvertenze e gli avvertimenti riportati nella presente guida. In caso contrario potrebbero verificarsi danneggiamenti al computer o perdite di dati. Inoltre, la garanzia perderebbe validità e Wacom non si assume alcuna responsabilità relativa alla riparazione o sostituzione del prodotto.

Avvertenza

Non utilizzare il prodotto in un sistema di controllo che richiede livelli di affidabilità estremamente elevati, in quanto può causare o subire malfunzionamenti se a contatto con altri dispositivi elettronici. Quando è proibito l'uso del prodotto, spegnerlo, per evitare possibili interferenze o malfunzionamenti a contatto con altri dispositivi elettronici. Wacom non accetta alcuna responsabilità per danni diretti o indiretti.

Alta tensione. Non aprire o smontare il prodotto. Quando il corpo dell'unità è aperto potrebbero verificarsi scosse elettriche. Ciò ne invaliderebbe la garanzia e Wacom non si assume alcuna responsabilità per la riparazione o sostituzione del prodotto.

Se lo schermo LCD è stato danneggiato, NON toccare il liquido che potrebbe fuoriuscire poiché è irritante. In caso di contatto con la pelle, gli occhi o la bocca, sciacquare immediatamente la parte con acqua corrente per almeno 15 minuti. In caso di contatto con gli occhi o la bocca, consultare un medico.

Impedire ai bambini di ingerire la punta della penna. I bambini potrebbero accidentalmente estrarre la punta.

Attenzione

Non utilizzare né conservare il prodotto in ambienti in cui:

- I cambiamenti di temperatura sono bruschi o superano le specifiche (ad es., all'esterno o all'interno di un veicolo).
- Il prodotto e la penna sono esposti alla luce diretta del sole o del calore di un apparecchio, all'acqua o ad altri liquidi.

Non utilizzare il prodotto in ambienti con molta polvere in quanto si potrebbe danneggiare l'unità.

Non smontare la penna, poiché si potrebbero causare malfunzionamenti al dispositivo. In questo caso, Wacom non si assume alcuna responsabilità per la riparazione o sostituzione del prodotto.

Non graffiare lo schermo del display. Evitare di posizionare oggetti appuntiti sulla superficie dello schermo del display.

Evitare urti o vibrazioni di natura violenta al prodotto o alla penna. Eventuali colpi o cadute possono danneggiare lo schermo del display o altri componenti.

Non porre oggetti pesanti sul prodotto o esercitare una forza eccessiva su di esso; questo potrebbe danneggiare lo schermo del display.

Non collocare oggetti pesanti sui cavi del prodotto, non piegare ripetutamente ad angolo i cavi e non applicare forti sollecitazioni sui connettori, in quanto ciò potrebbe danneggiare l'unità o i cavi.

Se la punta della penna diventa appuntita o angolare, potrebbe danneggiare il rivestimento dello schermo del display. Sostituire la punta della penna, se necessario.

Non esporre il prodotto a scariche elettrostatiche di alta tensione o evitare accumuli di cariche elettrostatiche sullo schermo LCD. Potrebbero formarsi della macchie momentanee sul monitor LCD. In questo caso, lasciare acceso il display del prodotto e il display dovrebbe tornare normale in poche ore.

Nota sull'uso del prodotto

Sostituzione della punta della penna

Per ottenere punte di ricambio della penna, contattare il Wacom Signature Solution Partner di zona.

Nota sull'uso

Quando il pannello LCD viene utilizzato di continuo per un lungo periodo, rimane una traccia di carica elettrica vicino all'elettrodo all'interno dell'LCD e si potrebbe notare un'immagine residua o "fantasma" dell'immagine precedente (persistenza dell'immagine).

Per evitare la persistenza dell'immagine, Wacom consiglia di utilizzare un salvaschermo in movimento quando lo schermo è acceso ma inattivo.

Conservazione del sign pad LCD

Mantenere puliti la penna e la superficie dello schermo LCD. Polvere e impurità possono depositarsi sulla penna causando un deterioramento della superficie dello schermo. Una pulizia periodica consente di prolungare la durata della superficie dello schermo LCD e della penna. Conservare la tavoletta e la penna in un luogo pulito e asciutto, evitando temperature estreme. La temperatura ambiente è la più adeguata. Il prodotto e la penna non sono separabili. Il disassemblaggio dei prodotti invalida la garanzia.

Pulizia

Per pulire il corpo del prodotto o la penna, utilizzare un panno soffice e umido; è anche possibile inumidire il panno con un sapone delicato diluito con acqua. Non utilizzare diluenti per vernice, benzene, alcol o altri solventi per pulire il corpo dell'unità o la penna.

Per pulire lo schermo, utilizzare un panno antistatico o un panno leggermente umido. Durante la pulizia, applicare solo una leggera pressione allo schermo del display e non lasciar inumidire la superficie. Non utilizzare detergenti per pulire lo schermo; ciò potrebbe danneggiare il rivestimento dello schermo. Ricordare che i danni di questo tipo non sono coperti dalla garanzia del fabbricante.

Specifiche del prodotto

STU-540 / STU-541

Specifiche generali

Dimensioni (L x P x A)	162,8 x 156,8 x 10,0 mm
Peso	del corpo principale: 250 g circa
Temperatura e umidità di funzionamento	temperatura da 5 a 40 °C, umidità: dal 30% all'80% (umidità relativa) senza condensa
Temperatura e umidità di immagazzinamento	temperatura da -20 a 60 °C, umidità: dal 30% al 90% (umidità relativa) senza condensa
Cavo di interfaccia	cavo USB specifico di Corvina, lunghezza 3 m
Consumo energetico	2,5 W massimo

Display

Pannello del display	TFT-LCD amorfo
Dimensioni schermo	5,0 pollici (108,8 x 64,8 mm)
Numero di pixel	800 x 480, WVGA
Passo dei pixel	0,135 (O) x 0,135 (V) mm
Angolo di visualizzazione	140(70/70) / 140(70/70) a condizione che CR>=10
Luminosità	tip. 160 cd/m ²
Qualità LCD	Ciascun pannello LCD viene prodotto secondo norme di qualità molto rigorose. Le tecniche di produzione non garantiscono un display TFT assolutamente privo di difetti. I pixel di Wacom non sono mai solo bianchi o solo neri. Un piccolo numero di pixel può essere di un colore errato per alcune parti dello spettro del colore. Questo non significa che il display sia difettoso.

Tavoletta con penna

Tecnologia di lettura	Tecnologia basata su risonanza elettromagnetica
Area attiva	108,0 x 64,8 mm
Risoluzione	2540 lpi o 0,01 mm/pt
Precisione	± 0,5 mm (centro), bordo 1 (20 mm dal bordo del display) pari a ± 2,0 mm, bordo 2 (3 mm dal bordo del display) pari a ± 4,0 mm
Altezza di lettura	5 mm o superiore (centro)
Velocità di trasmissione massima	200 punti/sec.
Livelli di pressione	1024 livelli
Interfaccia di comunicazione	STU-540: USB, VCP, RS232 STU-541: USB, VCP

Altro

Slot per blocco di sicurezza	1
------------------------------	---

Penna

Dimensioni (L * Diam.)	141,5 * 9,0 mm (5,57 * 0,35 pollici)
Peso	7 g (0,25 oz) circa

Garanzie

Garanzia limitata (Europa, Africa e Medio Oriente)

WACOM garantisce all'utente, in qualità di acquirente originario (di seguito denominato "Utente" o "Cliente") l'esenzione da difetti di materiale, fabbricazione e elaborazione dell'hardware del prodotto, in condizioni di uso e manutenzione normali, per un periodo coperto da garanzia di TRE (3) ANNI, a partire dalla data di acquisto sempre che il prodotto sia rimasto effettivamente inutilizzato fino al momento dell'acquisto. I difetti a carico delle parti soggette a usura (ad es. punte della penna, superfici della tavoletta e batterie) frutto di normale usura, sono esenti da garanzia. WACOM garantisce inoltre che i supporti di dati forniti con i prodotti sono esenti da difetti di materiale e fabbricazione in condizioni di uso normale, per un periodo di SEI (6) MESI dalla data di acquisto.

Se, nel corso del periodo di applicazione della garanzia, il prodotto risulta essere difettoso (software escluso), dovrà essere reso immediatamente al rivenditore nell'imballaggio originale, completo di nome, indirizzo e numero telefonico, descrizione del problema e copia della prova d'acquisto originale. Il cliente è responsabile per qualsiasi danno o perdita del prodotto durante il trasferimento al luogo di acquisto a tale scopo.

Unico obbligo e sola responsabilità di WACOM previsti dalla presente garanzia sono, a discrezione di WACOM, la riparazione o la sostituzione del prodotto o delle parti che risultino difettose e che vengono restituite entro il periodo di garanzia applicabile.

WACOM non è tenuta a restituire o sostituire il prodotto se: (a) il guasto del prodotto è dovuto a incidenti, abuso, uso improprio, negligenza oppure modifica e riparazione non autorizzate; (b) il prodotto è stato maneggiato e custodito in maniera non conforme alle indicazioni fornite da WACOM; (c) se il guasto è attribuibile a normale usura oppure (d) se il numero di serie apposto da WACOM è stato rimosso o reso illeggibile.

Descrizioni, disegni, specifiche, esempi, modelli, comunicazioni o materiale simile fornito all'acquisto del prodotto non sono da considerarsi garanzia esplicita di corrispondenza del prodotto o di soddisfazione dei requisiti del prodotto.

Rimane invariata la garanzia ai sensi di legge. L'utente ha facoltà di denunciare difetti del prodotto in conformità con le disposizioni di legge pertinenti.

La responsabilità di WACOM sarà limitata esclusivamente a se stessa e ai propri agenti rappresentanti in caso di violazione colposa di un'obbligazione contrattuale sostanziale, tale da compromettere pesantemente gli scopi del

contratto o se il danno è causato da atti intenzionali oppure omissioni o negligenza grave. Si definisce obbligazione contrattuale sostanziale un'obbligazione essenziale per la corretta esecuzione del contratto sul quale generalmente si basa la controparte. Se la violazione colposa di tale obbligazione contrattuale sostanziale non è da imputarsi a intenzionalità o negligenza grave, la responsabilità di una parte sarà limitata ai danni tipici per il contratto e che erano ragionevolmente prevedibili al momento della stipula del medesimo. Se i Termini e le Condizioni presenti precludono o limitano la responsabilità, si applicano anche alla responsabilità personale dei funzionari operativi della parte interessata, dei dipendenti, degli agenti e dei subappaltatori. Restano invariate le disposizioni della legge sulla responsabilità (Produkthaftungsgesetz).

Se, in seguito a verifica di un reclamo presentato ai sensi della presente garanzia, dovesse emergere che non è compreso nel periodo di validità o non è coperto dalla garanzia o che il prodotto non è difettoso, il cliente dovrà rimborsare a WACOM le spese associate.

Questa garanzia limitata è applicabile se la sede legale dell'azienda venditrice si trova nell'Unione Europea oppure in Islanda, Norvegia, Jersey, Svizzera, Russia, Ucraina, Croazia, Serbia, Tunisia, Turchia, Siria, Libano, Giordania, Israele, Egitto, Emirati Arabi Uniti, Iran o Sudafrica. La presente garanzia è soggetta alla legge della Repubblica Federale di Germania. La Convenzione delle Nazioni Unite sui contratti di vendita internazionale di merci è esplicitamente esclusa dal presente contratto. La città di Düsseldorf, Germania, è l'unico foro competente per qualsiasi reclamo originato dalla presente relazione contrattuale e qualsiasi disputa tra le parti avente origine dalla formazione, gestione o dallo scioglimento della relazione contrattuale, a condizione che il cliente sia un rivenditore, una persona giuridica di diritto pubblico o un fondo speciale di diritto pubblico. La clausola attributiva di competenza si applica anche a quei clienti che non rientrano nella giurisdizione della Germania. La clausola attributiva di competenza non si applica se, a causa di disposizioni legali, è necessario determinare una diversa giurisdizione per il caso specifico.

WACOM è inoltre autorizzata a intraprendere un'azione legale contro le sedi del cliente.

Se una qualsiasi delle clausole riportate nel presente contratto di garanzia limitata viene dichiarata priva di validità, il contratto resterà pienamente in vigore e valido sotto tutti gli altri aspetti. In questo caso la clausola ritenuta inefficace sarà sostituita dalla disposizione che più le si avvicina per contenuti. In caso di dubbi sul presente accordo o se si desidera mettersi in contatto con WACOM per qualsiasi altro motivo, è sufficiente scrivere al seguente indirizzo:

Wacom Europe GmbH
Völklinger Strasse 1
40219 Düsseldorf
GERMANIA

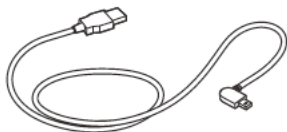
Información importante

La Guía de arranque rápido ofrece una visión general de la STU-540 y la STU-541. Incluye información sobre la conexión y el uso del producto, así como advertencias, especificaciones del producto y otra información importante. Lea la Guía de arranque rápido con atención antes de utilizar la tableta de firma.

Accesorios incluidos



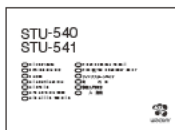
Cordón de sujeción



Cable USB (3 m)



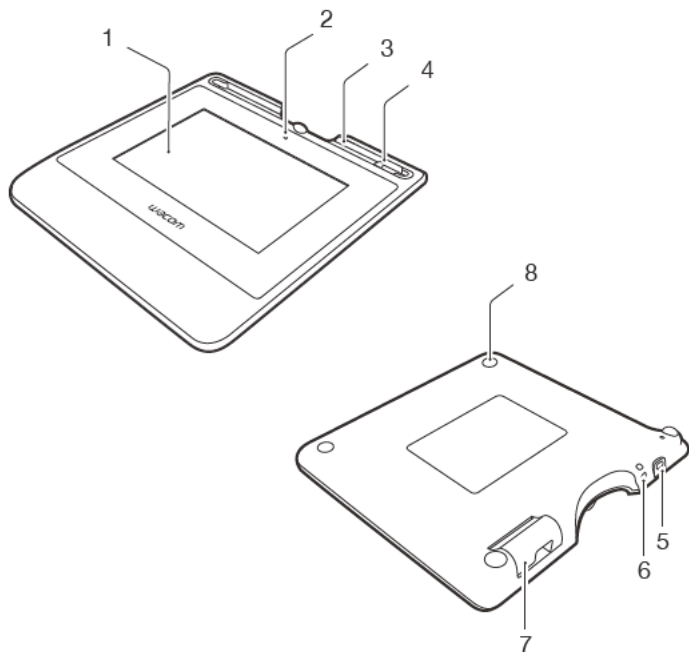
Lápiz



Guía de arranque rápido

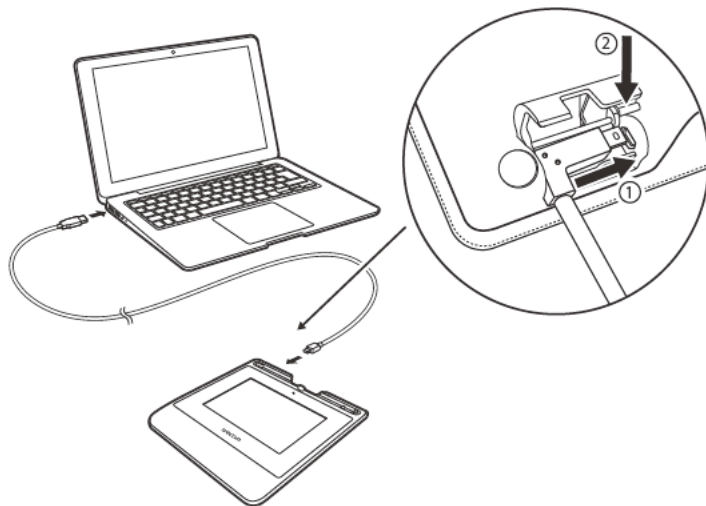
Aspectos básicos del producto

1. Área de firma
2. LED
3. Compartimento del lápiz
4. Portalápices
5. Ranura para bloqueo de seguridad
6. Orificio para la sujeción para lápiz
7. Cubierta del conector USB
8. Pies



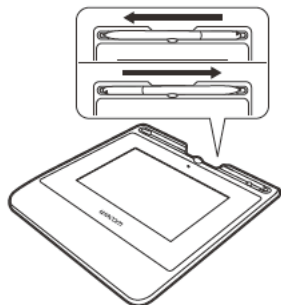
Conexión del producto al ordenador

1. Apague el ordenador.
2. Introduzca el enchufe en el conector situado en la esquina izquierda de la tableta de firma.
3. Enchufe el conector USB en un puerto USB libre del ordenador para utilizar la tableta de firma.



Compartimento para lápiz y cordón de sujeción

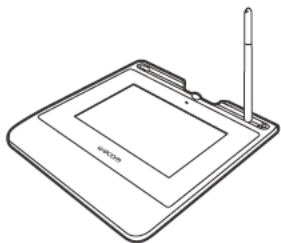
- Guarde el lápiz en el compartimento.



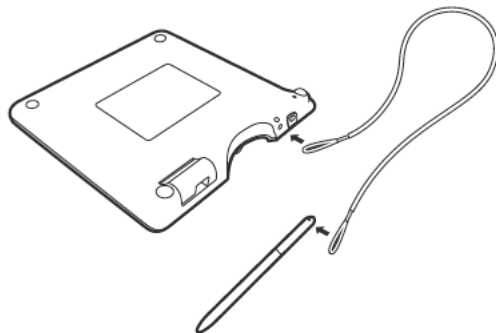
- Coja el lápiz por el centro y retírelo del compartimento.



- Puede colocar el lápiz en el portalápices cuando no lo utilice.

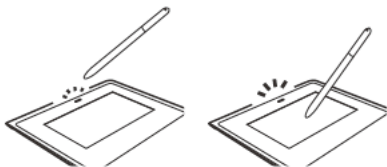


Orificio para la sujeción para lápiz



LED de estado

- USB conectado: luz tenue
- USB conectado, lápiz en contacto con la pantalla: luz azul



Asistencia técnica de Wacom / Servicio al cliente de Wacom

Para recibir asistencia técnica y para registrar su producto, visite wacom.com y haga clic en Soporte.

Precauciones

Asegúrese de respetar todas las instrucciones, precauciones y advertencias de la presente guía. De lo contrario, puede perder datos o provocar daños en el ordenador. Si no las respeta, podría anularse la garantía, en cuyo caso Wacom no asumirá responsabilidad alguna sobre la reparación o sustitución del producto.

Advertencia

No utilice el producto en un sistema de control de instalaciones en el que sea necesaria una fiabilidad extremadamente alta; puede provocar el funcionamiento erróneo de otros dispositivos electrónicos, u otros dispositivos pueden provocar que el producto funcione de forma incorrecta. Si su uso está prohibido, apague el producto para evitar la posibilidad de que provoque el funcionamiento incorrecto de otros dispositivos electrónicos. Wacom no acepta ninguna responsabilidad de daños directos o resultantes.

Alto voltaje. No abra ni desmonte el producto. Si abre la carcasa existe riesgo de descarga eléctrica. Del mismo modo, esto anulará la garantía y Wacom no asumirá responsabilidad alguna sobre la reparación o sustitución del producto.

Si la pantalla LCD está dañada, NO toque ningún líquido en caso de fuga; se trata de un líquido irritante. En caso de contacto con la piel, los ojos o la boca, enjuague inmediatamente con agua corriente durante al menos 15 minutos. En caso de contacto con los ojos o con la boca, consulte con el médico.

No permita que los niños se traguen la punta del lápiz. La punta del lápiz puede extraerse accidentalmente si los niños lo muerden.

Precaución

No utilice ni guarde el producto en lugares donde:

- Los cambios de temperatura sean bruscos o superen las especificaciones (por ejemplo, en el exterior o dentro de un vehículo).
- El producto y el lápiz queden expuestos a la luz directa del sol o al calor de un aparato eléctrico, así como al agua o a cualquier otro tipo de líquido.

No utilice el producto en un entorno con polvo, ya que podría dañarse la unidad.

No desmonte el lápiz. Si lo desmonta, el dispositivo podría dejar de funcionar correctamente. En tal caso, Wacom no asumirá responsabilidad alguna sobre la reparación o sustitución del producto.

No arañe la pantalla. Evite colocar objetos afilados sobre su superficie.

Evite cualquier golpe o vibración intensos del producto o del lápiz. Cualquier golpe o caída puede dañar la pantalla u otros componentes del producto.

No coloque artículos pesados sobre el producto ni presione con gran fuerza sobre él; podría dañar la pantalla.

No coloque artículos pesados sobre el cableado del producto, no doble continuamente los cables ni aplique una gran fuerza sobre los conectores de cable. Podría dañar la unidad o el cableado.

Si la punta del lápiz está afilada o con ángulos, podría dañar el revestimiento de la pantalla. Sustituya la punta del lápiz si fuese necesario.

No exponga el producto a descargas electrostáticas de alta tensión ni a la creación de carga electrostática en la pantalla LCD. Podría dar lugar a manchas temporales en el monitor LCD. Si se producen manchas, deje la pantalla del producto encendida y desaparecerán en unas pocas horas.

Nota sobre el uso de este producto

Sustitución de la punta del lápiz

Para la sustitución de las puntas del lápiz, póngase en contacto con su Wacom Signature Solution Partner.

Nota acerca del uso

Cuando se utiliza el panel LCD de forma continua durante un largo periodo de tiempo, queda un rastro de carga eléctrica cerca del electrodo en el interior de la pantalla LCD y es posible que se observe una imagen residual o "fantasma" de la imagen anterior (persistencia de imagen).

Para evitar la persistencia de imagen, Wacom recomienda el uso de un protector de pantalla móvil cuando la pantalla está encendida pero inactiva.

Cuidados de la tableta LCD para firmas

Mantenga el lápiz y la superficie de la pantalla LCD limpios. El polvo y las partículas de suciedad se pueden adherir al lápiz y desgastar la superficie de la pantalla. Una limpieza regular le ayudará a prolongar la vida del lápiz y la pantalla LCD. Mantenga el lápiz y la tableta en un lugar limpio, seco y evite temperaturas extremas. La temperatura ambiente es la más adecuada. El producto y el lápiz no se pueden desmontar. Si desmonta el producto, se anulará la garantía.

Limpieza

Para limpiar la carcasa del producto o el lápiz, utilice un paño suave y húmedo; también puede humedecer el paño con un jabón muy suave diluido en agua. No utilice disolventes, benceno o alcohol para limpiar la carcasa de la unidad o el lápiz.

Para limpiar la pantalla, utilice un paño antiestático o un paño ligeramente húmedo. Al limpiar la pantalla, no ejerza demasiada presión ni deje empapada la superficie. No utilice detergentes para limpiar la pantalla, ya que podría dañar el revestimiento. Tenga en cuenta que este tipo de daños no los cubre la garantía del fabricante.

Especificaciones del producto

STU-540/STU-541

Especificaciones generales

Dimensiones (An. x Prof. x AL)	162,8 x 156,8 x 10,0 mm
Peso	Cuerpo principal: 250 g aprox.
Temperatura y humedad de funcionamiento	5 a 40 °C, humedad: del 30 % al 80 % HR (sin condensación)
Temperatura y humedad de almacenamiento	-20 a 60 °C, humedad: del 30 % al 90 % HR (sin condensación)
Cable de interfaz	Cable USB especial para Corvina, 3 m de longitud
Consumo de energía	2,5 W máx.

Pantalla

Panel de visualización	LCD TFT de silicio amorfo
Tamaño de la pantalla	5,0 pulgadas (108,8 x 64,8 mm)
Número de píxeles	800 x 480, WVGA
Tamaño de píxel	0,135 (H) x 0,135 (V) mm
Ángulo de visión	140(70/70)/140(70/70) con contraste (CR)>=10 como condición
Luminancia	Típ. 160 cd/m ²
Calidad de LCD	Cada uno de los paneles LCD se ha fabricado según unos estándares de calidad muy exigentes. Las técnicas de producción no pueden garantizar una pantalla TFT absolutamente perfecta. Wacom no permite que ningún píxel quede siempre blanco o siempre negro. Se permite que un pequeño número de píxeles muestre un color incorrecto en algunas partes del espectro de color. Esto no significa que la pantalla sea defectuosa.

Tableta

Tecnología de lectura	Tecnología de resonancia electromagnética
Área activa	108,0 x 64,8 mm
Resolución	2540 lpp o 0,01 mm/pt
Precisión	± 0,5 mm (centro), área del borde 1 (20 mm de ancho desde el borde del área de visualización) : ± 2,0 mm, área del borde 2 (3 mm de ancho desde el borde del área de visualización): ± 4,0 mm
Altura de lectura	5 mm o más (centro)
Velocidad máxima de lectura	200 puntos/s
Niveles de presión	1024 niveles
Interfaz de comunicación	STU-540: USB, VCP, RS232 STU-541: USB, VCP

Otros

Ranura para bloqueo de seguridad	1
----------------------------------	---

Lápiz

Dimensiones (L * D)	141,5 * 9,0 mm (5,57 * 0,35 pulg.)
Peso	7 g (0,25 oz), aprox.

Garantías

Garantía limitada (EE.UU. y Canadá)

Wacom garantiza al comprador original y consumidor del producto la ausencia de defectos en materiales y mano de obra del producto, excepto el software y los artículos consumibles como la batería, los cartuchos de lápiz, la hoja para tableta y las puntas de lápiz. Esto será en condiciones de uso y funcionamiento normales durante tres (3) años a partir de la fecha de la compra original, siempre que se demuestre con una copia del recibo y del registro con Wacom en un plazo de 30 días a partir de la compra.

Se otorga licencia para el software "tal cual". Wacom no otorga ninguna garantía en cuanto a calidad o rendimiento. Wacom no puede garantizar un servicio ininterrumpido ni la subsanación de posibles errores.

Si se descubre un defecto en el producto, excepto en el software, dentro del período de garantía, se debe poner en contacto con el servicio técnico de Wacom por teléfono, correo electrónico o fax para obtener un número de RMA (autorización de devolución de mercancía) e instrucciones para enviar el producto a una ubicación de servicio designada por Wacom. Deberá enviar el producto, pagando los gastos de envío, a la ubicación de servicio designada, acompañado del número de autorización de devolución (RMA), su nombre, dirección y número de teléfono, prueba de la fecha de compra y una descripción del defecto. Wacom pagará la devolución que enviará por United Parcel Service (UPS) o por un servicio equivalente que Wacom elija.

La única obligación y exclusiva responsabilidad de Wacom con arreglo a esta garantía consistirá en reparar o sustituir, a elección de Wacom, el producto defectuoso o piezas del mismo de las que se haya notificado a Wacom durante el período de garantía, siempre y cuando el usuario se haga responsable de (i) el coste de transporte del producto a la ubicación de servicio designada y (ii) toda pérdida o daño que el producto pudiese sufrir durante dicho transporte.

Wacom no tendrá la obligación de reparar ni sustituir el producto si el fallo del producto se debe a un accidente, uso indebido o inadecuado, negligencia o modificación o reparación no autorizados, o si el producto no ha sido manipulado o almacenado de acuerdo con las instrucciones de Wacom.

Los materiales como descripciones, dibujos, especificaciones, muestras, modelos, boletines o materiales similares utilizados en relación con la venta del producto no podrán ser interpretados como garantía explícita de que el producto se ajustará a, o cumplirá, los requisitos del cliente.

A EXCEPCIÓN DE LA GARANTÍA LIMITADA DESCRITA ANTERIORMENTE, WACOM NO CONCEDE NINGUNA OTRA GARANTÍA PARA ESTE PRODUCTO. NINGUNA INFORMACIÓN O CONSEJO VERBAL O ESCRITO QUE DÉ WACOM, SUS REPRESENTANTES, DISTRIBUIDORES, AGENTES O EMPLEADOS CREARÁ UNA GARANTÍA O EN NINGUN CASO AMPLIARÁ EL

ÁMBITO DE LA PRESENTE GARANTÍA Y EL USUARIO NO PODRÁ BASARSE EN DICHA INFORMACIÓN O CONSEJO.

ESTA GARANTÍA LE OTORGA DERECHOS LEGALES ESPECÍFICOS Y PUEDE TENER OTROS QUE VARIAN DE UN ESTADO A OTRO.

WACOM LIMITA LA DURACIÓN DE CUALQUIER GARANTÍA LEGALMENTE IMPLÍCITA, INCLUIDAS GARANTÍAS IMPLÍCITAS DE COMERCIABILIDAD O IDONEIDAD PARA UN FIN PARTICULAR, A LA DURACIÓN DE LA GARANTÍA EXPLÍCITA DE WACOM. ALGUNOS ESTADOS NO PERMITEN LIMITACIONES A LA DURACIÓN DE UNA GARANTÍA IMPLÍCITA, POR LO TANTO, ES POSIBLE QUE LA LIMITACIÓN ANTERIOR NO SEA APLICABLE EN SU CASO.

NI WACOM NI OTRA PERSONA IMPLICADA EN LA CREACIÓN, PRODUCCIÓN O ENTREGA DE ESTE PRODUCTO SERÁN RESPONSABLES POR DAÑO ALGUNO YA SEA DIRECTO, RESULTANTE O INDIRECTO (INCLUIDOS DAÑOS DE PÉRDIDA DE BENEFICIOS COMERCIALES, INTERRUPCIÓN DE NEGOCIO, PÉRDIDA DE INFORMACIÓN COMERCIAL Y SIMILARES) QUE SURJA DEL USO O INCAPACIDAD PARA USAR DICHO PRODUCTO, AUNQUE SE HAYA AVISADO A WACOM DE LA POSIBILIDAD DE DICHOS DAÑOS. ALGUNOS ESTADOS NO PERMITEN LA LIMITACIÓN DE RESPONSABILIDAD POR DAÑOS RESULTANTES, POR LO TANTO, ES POSIBLE QUE LA LIMITACIÓN O EXCLUSIÓN ANTERIOR NO SEA APLICABLE EN SU CASO.

En caso de que alguna de las limitaciones anteriores no se pueda cumplir, la responsabilidad de Wacom por cualquier daño causado al usuario o a cualquier parte no excederá el precio de compra, sin tener en cuenta la forma de la reclamación.

Esta garantía limitada se registró por las leyes de los Estados Unidos de América y el estado de Washington.

Esta garantía limitada es válida y solo se aplica a productos adquiridos y utilizados dentro de EE.UU. (y sus territorios o posesiones) o Canadá.

Servicio de garantía

Para obtener el servicio de garantía dentro de los EE. UU. o Canadá, póngase en contacto con:

Centro de atención al cliente de Wacom

Teléfono: +1.360.896.9833

Formulario de consultas por correo electrónico: <http://www.wacom.com/productsupport/email.cfm>

Si tiene alguna pregunta relacionada con el presente Acuerdo, o desea ponerse en contacto con Wacom por cualquier otra razón, escriba a la siguiente dirección:

Wacom Technology Corporation

1455 NW Irving Street Suite 800

Portland OR 97209

EE. UU.

Garantía limitada (América central, Sudamérica y el Caribe)

Wacom garantiza al comprador original y consumidor del producto la ausencia de defectos en materiales y mano de obra del producto, excepto el software y los artículos consumibles como la batería, los cartuchos de lápiz, la hoja para tableta y las puntas de lápiz. Esto será en condiciones de uso y funcionamiento normales durante tres (3) años a partir de la fecha de la compra original, siempre que se demuestre con una copia del recibo y del registro con Wacom en un plazo de 30 días a partir de la compra.

Se otorga licencia para el software "tal cual". Wacom no otorga ninguna garantía en cuanto a calidad o rendimiento. Wacom no puede garantizar un servicio ininterrumpido ni la subsanación de posibles errores.

Si se descubre un defecto en el producto, excepto en el software, dentro del período de garantía, se debe poner en contacto con el servicio técnico de Wacom por teléfono, correo electrónico o fax para obtener un número de RMA (autorización de devolución de mercancía) e instrucciones para enviar el producto a una ubicación de servicio designada por Wacom. Deberá enviar el producto, pagando los gastos de envío, a la ubicación de servicio designada, acompañado del número de autorización de devolución (RMA), su nombre, dirección y número de teléfono, prueba de la fecha de compra y una descripción del defecto. Wacom pagará la devolución que enviará por United Parcel Service (UPS) o por un servicio equivalente que Wacom elija.

La única obligación y exclusiva responsabilidad de Wacom con arreglo a esta garantía consistirá en reparar o sustituir, a elección de Wacom, el producto defectuoso o piezas del mismo de las que se haya notificado a Wacom durante el período de garantía, siempre y cuando el usuario se haga responsable de (i) el coste de transporte del producto a la ubicación de servicio designada y (ii) toda pérdida o daño que el producto pudiese sufrir durante dicho transporte.

Wacom no tendrá la obligación de reparar ni sustituir el producto si el fallo del producto se debe a un accidente, uso indebido o inadecuado, negligencia o modificación o reparación no autorizados, o si el producto no ha sido manipulado o almacenado de acuerdo con las instrucciones de Wacom.

Los materiales como descripciones, dibujos, especificaciones, muestras, modelos, boletines o materiales similares utilizados en relación con la venta del producto no podrán ser interpretados como garantía explícita de que el producto se ajustará a, o cumplirá, los requisitos del cliente.

A EXCEPCIÓN DE LA GARANTÍA LIMITADA DESCRITA ANTERIORMENTE, WACOM NO CONCEDE NINGUNA OTRA GARANTÍA PARA ESTE PRODUCTO. NINGUNA INFORMACIÓN O CONSEJO VERBAL O ESCRITO QUE DÉ WACOM, SUS REPRESENTANTES, DISTRIBUIDORES, AGENTES O EMPLEADOS CREARÁ UNA GARANTÍA O EN NINGÚN CASO AMPLIARÁ EL ÁMBITO DE LA PRESENTE GARANTÍA Y EL USUARIO NO PODRÁ BASARSE EN DICHA INFORMACIÓN O CONSEJO.

ESTA GARANTÍA LE OTORGA DERECHOS LEGALES ESPECÍFICOS Y PUEDE TENER OTROS QUE VARIAN DE UN PAÍS A OTRO.

WACOM LIMITA LA DURACIÓN DE CUALQUIER GARANTÍA LEGALMENTE IMPLÍCITA, INCLUIDAS GARANTÍAS IMPLÍCITAS DE COMERCIABILIDAD O IDONEIDAD PARA UN FIN PARTICULAR, A LA DURACIÓN DE LA GARANTÍA EXPLÍCITA DE WACOM. ALGUNOS PAÍSES NO PERMITEN LIMITACIONES A LA DURACIÓN DE UNA GARANTÍA IMPLÍCITA, POR LO TANTO, ES POSIBLE QUE LA LIMITACIÓN ANTERIOR NO SEA APLICABLE EN SU CASO.

NI WACOM NI OTRA PERSONA IMPLICADA EN LA CREACIÓN, PRODUCCIÓN O ENTREGA DE ESTE PRODUCTO SERÁN RESPONSABLES POR DAÑO ALGUNO YA SEA DIRECTO, RESULTANTE O INDIRECTO (INCLUIDOS DAÑOS DE PÉRDIDA DE BENEFICIOS COMERCIALES, INTERRUPCIÓN DE NEGOCIO, PÉRDIDA DE INFORMACIÓN COMERCIAL Y SIMILARES) QUE SURJA DEL USO O INCAPACIDAD PARA USAR DICHO PRODUCTO, AUNQUE SE HAYA AVISADO A WACOM DE LA POSIBILIDAD DE DICHOS DAÑOS. ALGUNOS PAÍSES NO PERMITEN LA LIMITACIÓN DE RESPONSABILIDAD POR DAÑOS RESULTANTES, POR LO TANTO, ES POSIBLE QUE LA LIMITACIÓN O EXCLUSIÓN ANTERIOR NO SEA APLICABLE EN SU CASO.

En caso de que alguna de las limitaciones anteriores no se pueda cumplir, la responsabilidad de Wacom por cualquier daño realizado a usted o a cualquier parte no excederá el precio de compra pagado, sin tener en cuenta la forma de cualquier reclamación.

Esta garantía limitada se regirá por las leyes de los Estados Unidos de América y el estado de Washington.

Esta garantía limitada es válida y aplicable únicamente a los productos adquiridos y utilizados en América Central, Sudamérica o El Caribe.

Servicio de garantía

Para obtener un servicio de garantía en América Central, Sudamérica o el Caribe, póngase en contacto con el distribuidor o proveedor local.

Centro de atención al cliente de Wacom

Español: <http://www.wacom.com/sp/productsupport/email.cfm>

Portugués: <http://www.wacom.com/pr/productsupport/email.cfm>

Si tiene alguna pregunta relacionada con el presente Acuerdo, o desea ponerse en contacto con Wacom por cualquier otra razón, escriba a la siguiente dirección:

Wacom Technology Corporation
1455 NW Irving Street Suite 800
Portland OR 97209
EE. UU.

Garantía limitada (Europa, África y Oriente Medio)

WACOM le garantiza a usted, como comprador inicial, (en lo sucesivo, "usted" o "el cliente") que el producto de hardware se mantendrá libre de defectos de materiales y fabricación en condiciones de uso y servicio normales durante un período de garantía de TRES (3) AÑOS,

a partir de la fecha de compra, siempre que el producto no se hubiera utilizado antes del momento de la compra. Los defectos en las partes sometidas a desgaste (p. ej. las puntas de los lápices, las superficies de la tableta y las baterías) a consecuencia del desgaste normal quedan exentos de garantía. Además, WACOM garantiza que los soportes de datos entregados con el producto no presentan defectos materiales ni errores de fabricación bajo el uso normal durante un período de SEIS (6) MESES a partir de la fecha de compra.

Si durante el período de garantía correspondiente se descubriese que el producto (excepto el software) presenta defecto alguno, debe devolverse inmediatamente al establecimiento de compra en su embalaje original, junto con su nombre, dirección y número de teléfono, una descripción del problema y una copia del recibo original. El cliente será responsable de cualquier posible daño o pérdida del producto durante su traslado al lugar de compra con el objeto anteriormente citado.

La única obligación y exclusiva responsabilidad de Wacom con respecto a esta garantía consiste en reparar o sustituir, a elección de Wacom, el producto o piezas del mismo que resulten defectuosas y se hubieran devuelto dentro del período de garantía aplicable.

WACOM no garantiza la reparación o sustitución del producto si: (a) los daños en el producto son resultado de un accidente, falta de uso, uso inadecuado, negligencia o alteración o reparación no autorizada; (b) el producto no se ha manipulado o almacenado según las instrucciones de WACOM; (c) los daños son resultado del desgaste normal de las piezas del producto; (d) se ha borrado o resulta ilegible el número de serie asignado por WACOM.

Cualquier descripción, dibujo, especificación, muestra, modelo, notificación o material similar suministrado en relación con la compra del producto, no se considerará garantía explícita de que el producto satisface o cumple los requisitos del cliente.

La garantía aplicable por ley no se ve afectada. Puede reclamar por los defectos del producto, según las leyes correspondientes.

WACOM solo será responsable por sí misma y sus agentes indirectos en el caso de infracción de una obligación material contractual de forma que ponga en peligro la finalidad del contrato o si el perjuicio se debe a acciones intencionales, omisiones o negligencia grave. Una obligación material contractual

es aquella que resulta esencial para el adecuado cumplimiento del contrato y de la que la otra parte normalmente depende. En caso de que la infracción de dicha obligación material contractual no sea intencionada ni se deba a una negligencia grave, la responsabilidad de una parte se limitará a los perjuicios que estén relacionados con el contrato y que fueran razonablemente previsibles en el momento de la suscripción de este. En los puntos en los que estos términos y condiciones excluyen o limitan la responsabilidad, eso también se aplica a la responsabilidad personal de los directivos, empleados, agentes y subcontratistas de la parte en cuestión. Las estipulaciones de la ley de responsabilidad sobre el producto (Produkthaftungsgesetz) no se ven afectadas.

Si cuando se compruebe una reclamación realizada bajo esta garantía, se descubre que se ha producido fuera del período de tiempo permitido, que no está contemplada en la garantía, o que el producto no tiene defectos, el cliente compensará a WACOM los costes correspondientes.

La presente garantía limitada será de aplicación si la sede del proveedor se encuentra en la UE o en Islandia, Noruega, Jersey, Suiza, Rusia, Ucrania, Croacia, Serbia, Túnez, Turquía, Siria, Líbano, Jordán, Israel, Egipto, Emiratos Árabes Unidos, Irán o Sudáfrica. Esta garantía se rige por la ley de Alemania. No obstante, se excluye explícitamente la aplicabilidad de la Convención de las Naciones Unidas sobre contratos de compraventa internacional de mercaderías. La ciudad de Düsseldorf (Alemania) será la única jurisdicción para todas las reclamaciones resultantes de esta relación contractual y todas las disputas entre las partes que resulten de la formación, el manejo o la finalización de dicha relación contractual, siempre y cuando el cliente sea un agente comercial, una entidad o un fondo legal según el derecho público. El acuerdo de jurisdicción será asimismo aplicable a los clientes cuyo ámbito legal habitual no sea Alemania. El acuerdo de jurisdicción tampoco será aplicable si, debido a las disposiciones legales, ha de establecerse un único ámbito de jurisdicción distinto para el caso.

Además, WACOM está autorizado a emprender procesos judiciales contra la sede del cliente.

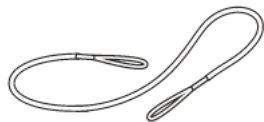
Si una de las disposiciones de esta garantía limitada resultara nula, ello no afectará a la validez del resto de las disposiciones, ni en parte ni en su totalidad. Si una de las disposiciones no fuese válida, se aplicaría en su lugar la regulación legal permisible más similar a la no válida. Si tiene alguna pregunta acerca del contrato o le gustaría ponerse en contacto con WACOM por cualquier otro motivo, escribanos a la siguiente dirección:

Wacom Europe GmbH
Völklinger Strasse 1
40219 Düsseldorf
ALEMANIA

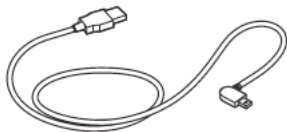
Informações importantes

O Guia de inicialização rápida fornece uma visão geral do STU-540 e STU-541. Ele inclui informações sobre a conexão e o uso do produto, bem como precauções, especificações do produto e outras informações importantes. Leia o Guia de inicialização rápida atentamente antes de usar sua mesa digitalizadora para assinatura.

Acessórios fornecidos



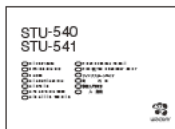
Cabo de fixação da caneta



Cabo USB (3 m)



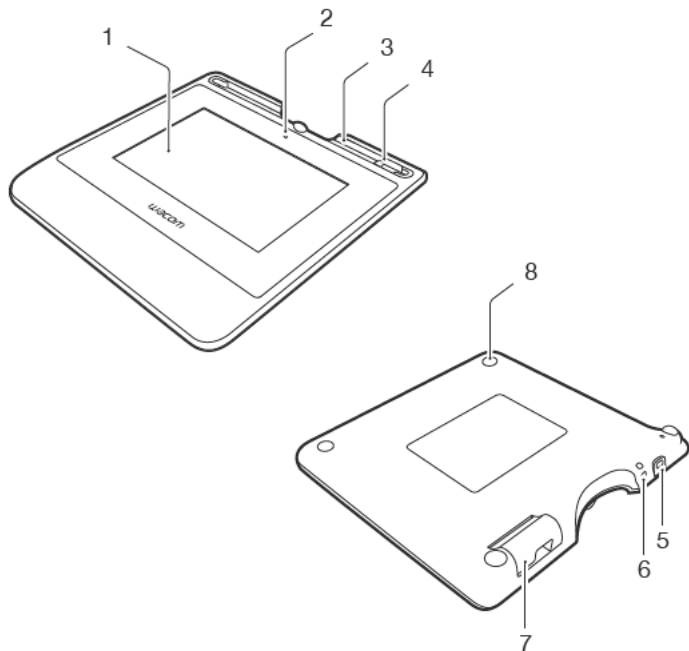
Caneta



Gua de Inicialização rápida

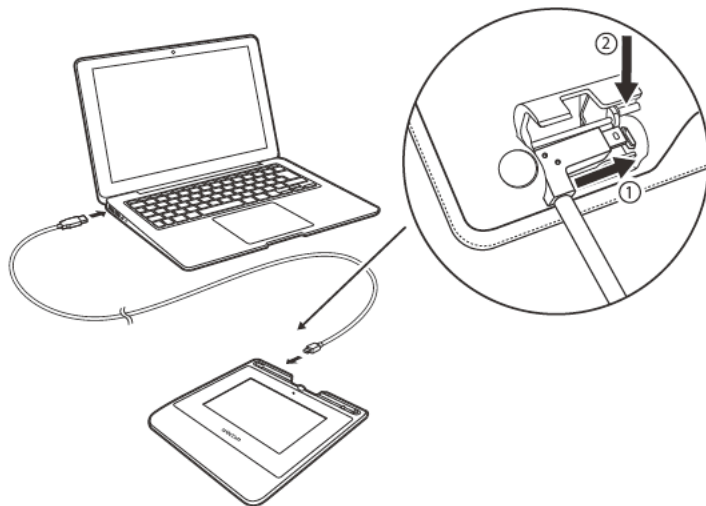
Componentes do produto

1. Área de assinatura
2. LED
3. Compartimento da caneta
4. Suporte de caneta
5. Slot de trava de segurança
6. Orifício do cabo de fixação para a caneta
7. Tampa do conector USB
8. Pés



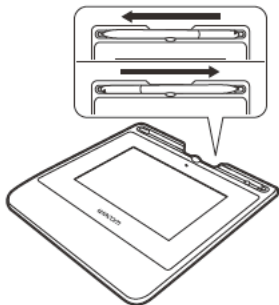
Conectando o produto ao computador

1. Desligue o computador.
2. Encaixe o conector localizado na borda esquerda da mesa digitalizadora para assinatura.
3. Encaixe o conector USB em uma porta USB do computador para usar a mesa digitalizadora para assinatura.

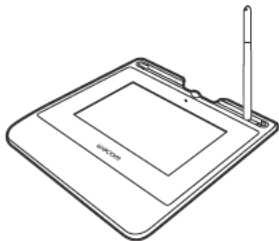


Compartimento para caneta e cabo de fixação

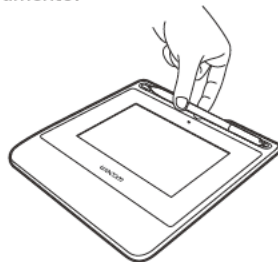
- Mantenha a caneta no compartimento.



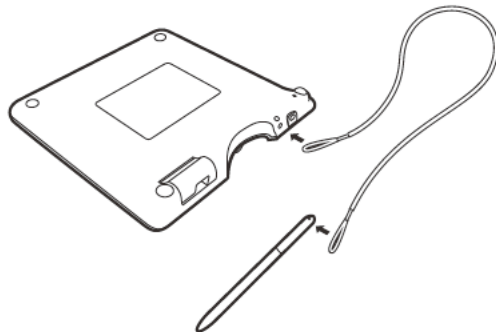
- É possível colocar a caneta no suporte para caneta quando ela não estiver em uso.



- Segure a caneta pelo meio e remova-a do compartimento.

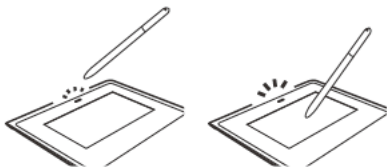


Orifício do cabo de fixação para a caneta



Lâmpada LED de status

- USB conectado: luz fraca
- USB conectado, a caneta toca a tela: luz azul



Suporte Wacom / Serviço de atendimento ao cliente Wacom

PT

Para obter suporte para registrar seu produto, acesse wacom.com e clique em "Suporte".

Precauções

Siga todas as instruções, todos os cuidados e todos os avisos presentes neste guia. O descumprimento dessas recomendações pode causar perda de dados ou danificar o computador. O descumprimento dessas recomendações também pode anular a garantia; nesse caso, a Wacom não se responsabilizará pelo reparo ou substituição do produto.

Aviso

Não use o produto em um sistema de controle das instalações que exija um alto nível de confiabilidade; isso pode causar mau funcionamento em outros dispositivos eletrônicos ou outros dispositivos podem fazer com que o produto apresente mau funcionamento. Onde o uso for proibido, desligue o produto para evitar o possível mau funcionamento de outros dispositivos eletrônicos. A Wacom não se responsabiliza por danos diretos ou indiretos. Alta tensão. Não abra nem desmonte o produto. Risco de choque elétrico se a carcaça for aberta. Isso também anulará a garantia e a Wacom não se responsabilizará pelo reparo ou substituição do produto.

Se a tela LCD estiver danificada, NÃO toque em nenhum líquido que esteja vazando; esse líquido causa irritação. Em caso de contato com a pele, os olhos ou a boca, lave imediatamente com água corrente por, no mínimo, 15 minutos. Se houver contato com os olhos ou a boca, consulte também um médico. Tome cuidado para não deixar que crianças engulam a ponta da caneta. A ponta da caneta poderá ser removida acidentalmente se for mordida.

Cuidado

Não use nem armazene o produto onde:

- As mudanças de temperatura forem extremas ou excederem as especificações (por exemplo, ambientes externos ou o interior de veículos).
- O produto e a caneta ficarem expostos à luz solar direta, ao calor emitido por um aparelho ou à água ou a outro tipo de líquido.

Não use o produto em ambientes empoeirados; isso pode danificar a unidade. Não desmonte a caneta. Isso pode causar mau funcionamento do dispositivo. Nesse caso, a Wacom não se responsabilizará por consertar ou substituir o produto.

Não arranhe a tela do monitor. Evite colocar objetos pontiagudos na superfície da tela do monitor.

Evite choques ou vibrações fortes no produto ou na caneta. Batidas e quedas do produto podem danificar a tela do monitor ou outros componentes.

Não coloque objetos pesados sobre o produto nem o empurre com força;

isso pode danificar a tela do monitor.

Não coloque objetos pesados sobre os cabos do produto, não torça muito nem repetidamente os cabos, nem exerça muita força nos conectores dos cabos para não danificar o produto ou os cabos.

Se a ponta da caneta ficar pontiaguda ou angular, ela poderá danificar o revestimento na tela do monitor. Troque a ponta da caneta, se necessário.

Não exponha o produto a descargas eletrostáticas de alta voltagem nem ao acúmulo de carga eletrostática na tela LCD. Isso pode causar manchas temporárias no monitor LCD. Se houver manchas, deixe o monitor do produto ligado, e a mancha desaparecerá em algumas horas.

Nota sobre o uso deste produto

Troca da ponta da caneta

Para troca de pontas da caneta, entre em contato com seu Wacom Signature Solution Partner.

Nota sobre o uso

Quando o tela LCD for operado continuamente por um longo período, um resíduo de carga elétrica permanece próximo ao eletrodo dentro do LCD, e é possível observar uma imagem residual ou um "fantasma" da imagem anterior (persistência da imagem).

Para evitar a persistência da imagem, a Wacom recomenda o uso de um protetor de tela em movimento quando a tela permanece ligada, porém, ociosa.

Cuidados com sua mesa gráfica LCD para assinatura

Mantenha limpas a caneta e a superfície da tela LCD. Poeira e partículas de sujeira podem se prender à caneta e causar desgaste à superfície da tela do monitor. A limpeza frequente ajudará a prolongar a vida útil da superfície da tela LCD e da caneta. Mantenha a mesa gráfica e a caneta em um local limpo e seco, evitando temperaturas muito altas ou baixas demais. Recomenda-se a temperatura ambiente. O produto e a caneta não foram projetados para serem separados. A desmontagem do produto cancelará a garantia.

Limpeza

Para limpar a carcaça do produto ou a caneta, use um pano úmido e macio; você também pode umedecer o pano com um sabão muito suave diluído em água. Não use solvente de tinta, benzina, álcool ou outros solventes para limpar a carcaça da unidade ou a caneta.

Para limpar a tela do monitor, use um pano antiestático ou um pano ligeiramente úmido. Durante a limpeza, pressione levemente a tela do monitor e não molhe a superfície. Não use detergente para limpar a tela do monitor; isso pode danificar o revestimento da tela. Esse tipo de dano não é coberto pela garantia do fabricante.

Especificações do produto

STU-540 / STU-541

Especificações gerais

Dimensões (L x P x A)	162,8 x 156,8 x 10,0 mm
Peso	Carcaça principal: 250 g, aproximadamente
Temperatura e umidade de operação	5 a 40 graus C, umidade: 30% a 80% umidade relativa (sem condensação)
Temperatura e umidade de armazenamento	-20 a 60 graus C, umidade: 30% a 90% umidade relativa (sem condensação)
Cabo da interface	Cabo USB específico para Corvina, 3 m de comprimento
Consumo de energia	2,5 W máximo

Monitor

Tela do monitor	Amorfo-TFT-LCD
Tamanho da tela	5,0 polegadas (108,8 x 64,8 mm)
Número de pixels	800 x 480, WVGA
Distância entre pixels	0,135 (H) x 0,135 (V) mm
Ângulo de visão	140(70/70) / 140(70/70) sob a condição CR _{>} =10
Brilho	Tipo 160 cd/m ²
Qualidade da tela LCD	Cada tela LCD é produzida de acordo com padrões extremamente rigorosos de qualidade. As técnicas de produção não podem assegurar uma exibição TFT absolutamente perfeita. A Wacom não permite que nenhum pixel seja sempre branco nem sempre preto. Um pequeno número de pixels pode exibir a cor incorreta em algumas partes do espectro de cores. Isso não significa que há defeito na tela.

Mesa gráfica com caneta

Tecnologia de leitura	Tecnologia de ressonância eletromagnética
Área ativa	108,0 x 64,8 mm
Resolução das coordenadas	2540 lpi ou 0,01 mm/pt
Precisão das coordenadas	± 0,5 mm (centro), a área da borda 1 (20 mm de largura da borda da área da tela) deve ser ± 2,0 mm, a área da borda 2 (3 mm de largura da borda da área da tela) deve ser ± 4,0 mm
Altura de leitura	5 mm ou mais (centro)
Velocidade máxima de leitura	200 pontos/s
Níveis de pressão	1024 níveis
Interface de comunicação	STU-540: USB, VCP, RS232 STU-541: USB, VCP

Outros

Slot de trava de segurança	1
----------------------------	---

Caneta

Dimensões (C * D)	141,5 * 9,0 mm (5,57 * 0,35 pol.)
Peso	aproximadamente 7g (0,25 oz)

Garantias

Garantia limitada (América Central, América do Sul e Caribe)

A Wacom garante ao comprador original que o produto, exceto o Software e itens de consumo como a bateria, cartuchos de caneta, folha da superfície da mesa gráfica e pontas, estará livre de defeitos de materiais e fabricação durante uso e serviço normais pelo período de 3 (três) anos contados a partir da data de compra original no varejo, comprovada por uma cópia do recibo e pelo registro feito na Wacom no prazo de 30 dias após a compra.

O Software é licenciado "como está". A Wacom não concede garantias no que diz respeito à sua qualidade ou desempenho. A Wacom não pode garantir o serviço ininterrupto do produto nem a correção de todos os erros.

Ao detectar qualquer defeito no produto, exceto no Software, dentro do Período de garantia, contate o Suporte técnico da Wacom por telefone, e-mail ou fax para obter um número de autorização de devolução da mercadoria (RMA - Return Merchandise Authorization) e instruções para enviar o produto ao local de atendimento técnico designado pela Wacom. Você deve enviar o produto, com os custos de transporte já pagos, ao local designado de assistência técnica, acompanhado do número de autorização de devolução, seu nome, endereço e número de telefone, comprovante de compra e uma descrição do defeito. A Wacom pagará os custos de transporte da devolução pelo United Parcel Service ou por um serviço equivalente, conforme escolhido pela Wacom.

A única obrigação e total comprometimento da Wacom nesta garantia será o conserto ou a substituição do produto ou peças com defeito, se a Wacom estiver de acordo, partindo do pressuposto de que ela será notificada durante o Período de garantia. No entanto, você se responsabilizará pelo (i) custo de transporte do produto ao local de manutenção designado e (ii) por qualquer perda ou dano que o produto venha a sofrer resultante de tal transporte.

A Wacom não se responsabilizará por consertar ou substituir o produto se o defeito for resultante de acidente, irregularidade, utilização inadequada, negligência, modificação ou reparo não autorizado, ou se o produto tiver sido manuseado ou guardado de forma contrária à especificada nas instruções fornecidas pela Wacom.

Nenhuma descrição, desenho, especificação, amostra, comunicado ou material similar utilizado na venda do produto deverá ser interpretado como garantia expressa de que o produto está em conformidade com suas exigências.

A NÃO SER PELA GARANTIA LIMITADA DESCRITA ACIMA, NÃO HÁ NENHUMA OUTRA GARANTIA ESTABELECIDA PELA WACOM PARA ESTE PRODUTO. NENHUMA INFORMAÇÃO ORAL OU ESCRITA OU ADVERTÊNCIA FORNECIDA PELA WACOM, SEUS FORNECEDORES, DISTRIBUIDORES, AGENTES OU FUNCIONÁRIOS CONFIGURARÁ UMA GARANTIA OU,

DE FORMA ALGUMA, EXPANDIRÁ O ESCOPO DESTA GARANTIA; ALÉM DISSO, VOCÊ NÃO DEVE CONFIAR PLENAMENTE EM TAIS INFORMAÇÕES OU ADVERTÊNCIAS.

ESTA GARANTIA CONFERE A VOCÊ DIREITOS LEGAIS ESPECÍFICOS, E VOCÊ PODE TER OUTROS DIREITOS QUE VARIAM DE UM PAÍS PARA OUTRO.

A WACOM LIMITA A DURAÇÃO DE QUALQUER GARANTIA LEGALMENTE IMPLÍCITA, INCLUINDO AS GARANTIAS IMPLÍCITAS DE COMERCIALIZAÇÃO OU ADEQUAÇÃO PARA UM FIM ESPECÍFICO. A DURAÇÃO DA GARANTIA EXPRESSA DA WACOM. ALGUNS PAÍSES NÃO PERMITEM LIMITAÇÕES NO QUE DIZ RESPEITO À DURAÇÃO DE UMA GARANTIA IMPLÍCITA, DE MODO QUE A LIMITAÇÃO ACIMA PODE NÃO SE APLICAR A VOCÊ.

NEM A WACOM NEM QUALQUER OUTRA PESSOA QUE ESTEJA ENVOLVIDA NA CRIAÇÃO, PRODUÇÃO OU ENTREGA DESTE PRODUTO DEVERÁ SE RESPONSABILIZAR POR QUAISQUER DANOS DIRETOS OU INDIRETOS (INCLUINDO OS DANOS REFERENTES A PERDA DE LUCRATIVIDADE OU INTERRUPÇÃO NOS NEGÓCIOS, PERDA DE INFORMAÇÕES COMERCIAIS OU ALGO SEMELHANTE) RESULTANTES DO USO OU INCAPACIDADE DE UTILIZAÇÃO DO PRODUTO, AINDA QUE A WACOM TENHA SIDO INFORMADA DA POSSIBILIDADE DE TAIS DANOS. COMO ALGUNS PAÍSES NÃO PERMITEM A EXCLUSÃO OU LIMITAÇÃO DE DANOS INCIDENTAIS OU CONSEQUENCIAIS, A LIMITAÇÃO ACIMA MENCIONADA PODE NÃO SE APLICAR A VOCÊ.

No evento de qualquer das limitações descritas em cima serem mantidas como inaplicáveis, a responsabilidade da Wacom por quaisquer danos a si ou a qualquer outro partido não deverá exceder o preço de compra do produto, independentemente da forma de qualquer reclamação.

Esta Garantia Limitada é governada pelas leis dos Estados Unidos e pelo Estado de Washington.

Ela é válida para os produtos comprados e usados na América Central, América do Sul e no Caribe.

Serviço de garantia

Para obter o serviço de garantia na América Central, América do Sul e no Caribe, contate o seu revendedor ou distribuidor local.

Centro de Atendimento ao Cliente da Wacom

Espanhol: <http://www.wacom.com/sp/productsupport/email.cfm>

Português: <http://www.wacom.com/pr/productsupport/email.cfm>

Caso você tenha alguma dúvida com relação a este Contrato ou queira entrar em contato com a Wacom por qualquer motivo, escreva para:

Wacom Technology Corporation
1455 NW Irving Street Suite 800
Portland OR 97209
U.S.A.

Garantia limitada (Europa, África e Oriente Médio)

A WACOM garante a você, como comprador inicial, (referido neste documento como "você" ou "o cliente") que o hardware do produto permanecerá livre de defeitos de materiais e fabricação sob uso e serviço normais pelo período de garantia de TRÊS (3) ANOS,

a contar da data de compra e desde que o produto esteja sem uso na data de compra. Defeitos em peças desgastadas (por exemplo, pontas da caneta, superfícies da mesa gráfica e baterias) resultantes do desgaste não são cobertos pela garantia. Além disso, a WACOM garante que os transportadores de dados fornecidos com o produto estão livres de defeitos e materiais de fabricação sob uso normal por um período de SEIS (6) MESES a partir da data da compra.

Se durante o período de garantia aplicável, o produto, com exceção de qualquer software, estiver defeituoso, ele deverá ser devolvido imediatamente ao local de compra na embalagem original, com seu nome, endereço e telefone, uma descrição do problema e uma cópia da nota fiscal original. O cliente será responsável por qualquer dano ou perda possível do produto durante o trânsito para o local de compra para este fim.

A única obrigação e total comprometimento da WACOM nesta garantia será o conserto ou a substituição, a critério da WACOM, do produto ou das peças com defeito, contanto que o defeito seja comprovado e que esse produto ou essas peças sejam devolvidos dentro do Período de garantia aplicável.

A WACOM não garante o conserto ou a substituição do produto se: (a) o dano do produto for decorrente de acidente, má utilização, uso impróprio, negligência, alteração ou conserto sem autorização; (b) o produto não tiver sido manuseado ou armazenado de acordo com as instruções fornecidas pela WACOM; (c) o dano for decorrente de desgaste normal de peças do produto; ou (d) o número de série afixado pela WACOM tiver sido removido ou não estiver legível.

Nenhuma descrição, desenho, especificação, amostra, modelos, comunicado ou material similar utilizado na venda do produto será interpretado como garantia expressa de que o produto está em conformidade com seus requisitos.

A garantia determinada pela lei permanece inalterada. Você pode reclamar defeitos do produto de acordo com as disposições legais relevantes.

A WACOM só será responsável por si própria e seus agentes representantes se uma obrigação contratual material tiver sido comprovadamente violada de maneira a arriscar a finalidade do contrato ou ocorrerem danos devido a atos ou omissões intencionais ou total negligência. Uma obrigação contratual material é uma obrigação essencial para o desempenho adequado do contrato

no qual a outra parte se apoiará. No caso em que a violação dessa obrigação contratual material não for intencional ou por total negligência, a responsabilidade de uma parte será limitada a tais danos, sendo característica para o contrato e que eram razoavelmente previsíveis no momento da firmação do contrato. Onde estes termos e condições impossibilitam ou limitam a responsabilidade, isso também se aplica à responsabilidade pessoal dos diretores executivos da parte interessada, seus funcionários, agentes e subcontratados. As disposições da lei de responsabilidade do produto (Produkthaftungsgesetz) permanecem inalteradas.

Se uma solicitação feita sob esta garantia for verificada e for constatado que está fora do período permitido ou não estiver coberta pela garantia ou se o produto não apresentar defeitos, o cliente reembolsará a WACOM pelos custos associados.

Esta garantia limitada será aplicável se o domicílio da empresa do vendedor estiver situado na União Europeia ou na Islândia, na Noruega, em Jersey, na Suíça, na Rússia, na Ucrânia, na Croácia, na Sérvia, na Tunísia, na Turquia, na Síria, no Líbano, na Jordânia, em Israel, no Egito, nos Emirados Árabes Unidos, no Irã ou na África do Sul. Esta garantia está sujeita à lei alemã. No entanto, a aplicabilidade da Convenção das Nações Unidas sobre Contratos para venda internacional de produtos está explicitamente excluída. A cidade de Düsseldorf, na Alemanha, é a única jurisdição para todas as solicitações decorrentes desta relação contratual e todas as disputas entre as partes resultantes da formação, da condução ou do encerramento da relação contratual, desde que o cliente seja um comerciante, uma pessoa jurídica ou fundo especial sob lei pública. O contrato de jurisdição também é aplicável aos clientes que não tenham local de jurisdição geral na Alemanha. O contrato de jurisdição não deverá ser aplicado se, devido a cláusulas legais, for necessário estabelecer um único local de jurisdição para o caso.

Além disso, a WACOM está autorizada a registrar um processo contra a sede do cliente.

Se uma das cláusulas desta garantia limitada for anulada, a validade das demais cláusulas não será afetada, no todo ou em parte. Se uma cláusula for inválida, a regulamentação legalmente permissível mais próxima à regulamentação inválida deverá ser aplicada. Caso você tenha alguma dúvida com relação a este contrato ou queira entrar em contato com a WACOM por qualquer motivo, escreva para:

Wacom Europe GmbH
Völklinger Strasse 1
40219 Düsseldorf
GERMANY

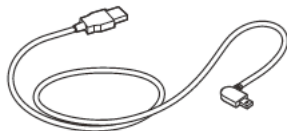
Ważne informacje

Podręcznik szybkiej instalacji zawiera przegląd urządzeń STU-540 i STU-541. Obejmuje on informacje o podłączaniu i użytkowaniu produktu, jak również ostrzeżenia, specyfikacje produktu i inne ważne informacje. Podręcznik szybkiej instalacji należy uważnie przeczytać przed przystąpieniem do użytkowania tabletu do podpisów.

Akcesoria znajdujące się w zestawie



Uwłóż na pióro

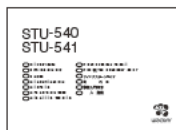


Przewód USB (3 m)



Pióro

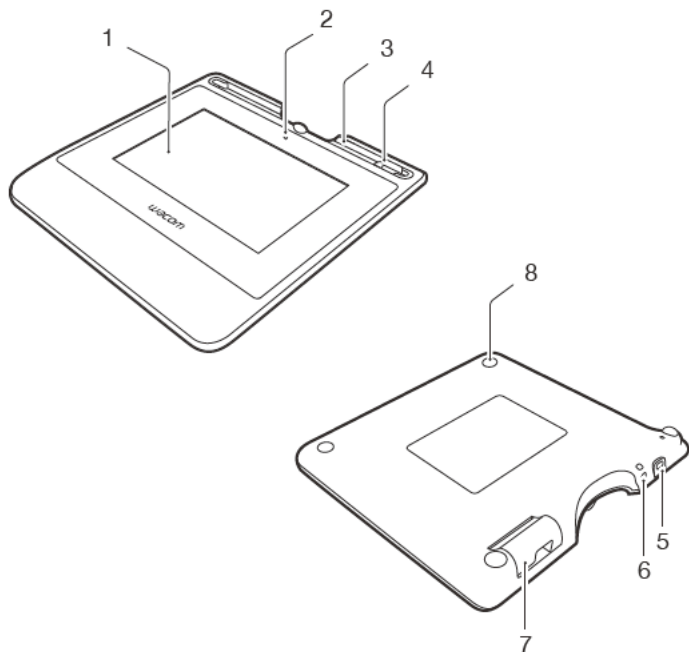
PL



Podręcznik szybkiej instalacji

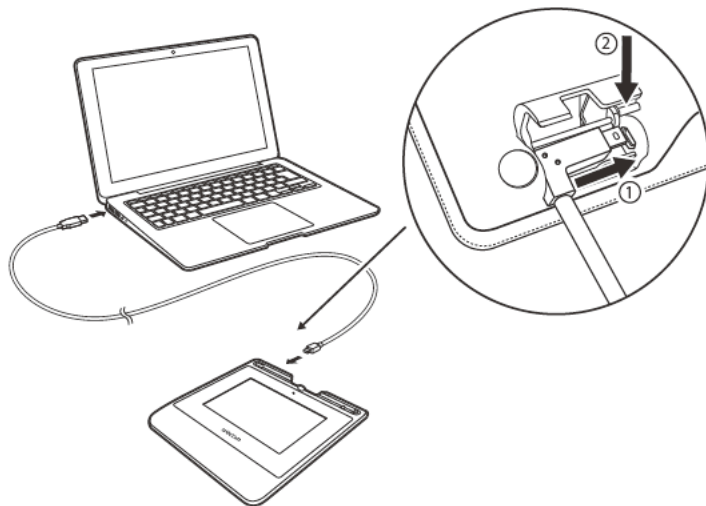
Zapoznanie się z produktem

1. Obszar składania podpisu
2. LED
3. Schowek na pióro
4. Uchwyt pióra
5. Szczelina zabezpieczająca
6. Otwór uwięzi na pióro
7. Pokrywa gniazda USB
8. Nóżki



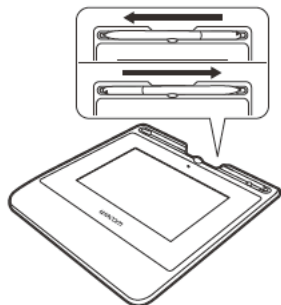
Podłączenie produktu do komputera

1. Wyłącz komputer.
2. Podłącz wtyczkę do złącza, które znajduje się przy lewej krawędzi tabletu do podpisów.
3. Podłącz złącze USB do wolnego gniazda USB w komputerze, aby użyć tabletu do podpisu.

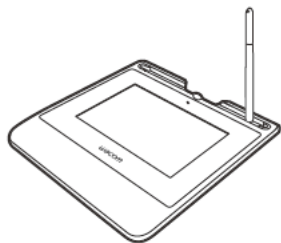


Schówek i uwięź na pióro

- Pióro należy przechowywać w schowku.



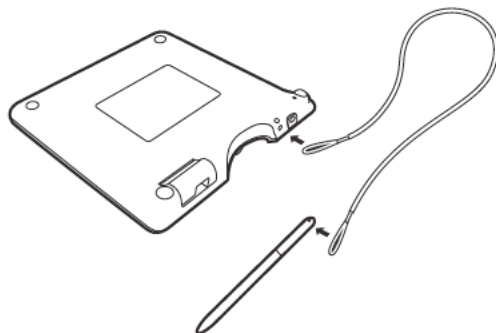
- Pióro można odkładać do uchwytu pióra, gdy nie jest używane.



- Chwyć pióro w środku i wyjmij ze schowka.

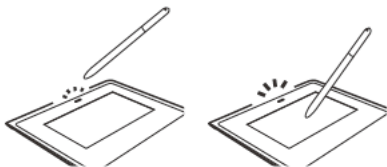


Otwór uwięzi na pióro



Kontrolka LED stanu

- Przewód USB podłączony: przyćmione światło
- Przewód USB podłączony, pióro dotyka wyświetlacza: niebieskie światło



Pomoc Wacom/dział obsługi klienta Wacom

Aby zarejestrować swój produkt i uzyskać pomoc techniczną, przejdź do witryny wacom.com i kliknij łącze Support (Pomoc).

Środki ostrożności

Należy postępować zgodnie z wszelkimi instrukcjami, przestrożkami i ostrzeżeniami zawartymi w niniejszej instrukcji. Inaczej powstanie ryzyko utraty danych i uszkodzenia komputera. Niezastosowanie się do tych zapisów może również spowodować unieważnienie gwarancji; w takim przypadku firma Wacom nie ponosi odpowiedzialności za naprawę lub wymianę produktu.

Ostrzeżenie

Nie wolno używać produktu w systemach sterowania instalacjami technicznymi ani w innych systemach wymagających wysokiej niezawodności. Może on powodować nieprawidłową pracę innych urządzeń elektronicznych lub inne urządzenia mogą powodować nieprawidłową pracę produktu. W miejscach, w których używanie produktu jest zabronione, należy go wyłączyć, aby zapobiec nieprawidłowej pracy innych urządzeń elektronicznych. Firma Wacom nie ponosi odpowiedzialności za szkody powstałe bezpośrednio ani pośrednio.

Wysokie napięcie. Nie otwieraj ani nie dokonuj demontażu produktu. Po otwarciu obudowy istnieje ryzyko porażenia prądem elektrycznym. Spowoduje to również unieważnienie gwarancji; w takim przypadku firma Wacom nie ponosi odpowiedzialności za naprawę lub wymianę wadliwego produktu.

W przypadku zniszczenia wyświetlacza LCD NIE WOLNO dotykać płynów, które mogą z niego wyciekać; płyn ten ma właściwości drażniące. W przypadku kontaktu ze skórą, oczami lub ustami należy je natychmiast przepłukać pod bieżącą wodą, płukając przez co najmniej 15 minut. W przypadku kontaktu z oczami lub ustami należy także zasięgnąć porady lekarza.

Należy uważać, aby dzieci nie połknęły końcówki pióra. Końcówka może zostać przypadkowo wyciągnięta, jeśli dzieci będą wkładały pióro do buzi.

Uwaga

Urządzenia nie wolno używać ani przechowywać w miejscach, w których:

- Występują znaczne wahania temperatury lub jej wartość wykracza poza dopuszczalne granice (np. na zewnątrz pomieszczeń lub w pojeździe).
- Produkt i pióro są wystawione na bezpośrednie działanie promieni słonecznych lub ciepła od innych urządzeń, bądź są narażone na zamoczenie w wodzie lub innych płynach.

Nie należy używać produktu w środowisku mocno zapyłonym, ponieważ może to spowodować jego uszkodzenie.

Nie należy dokonywać demontażu pióra. Może to spowodować usterkę urządzenia. W takim przypadku firma Wacom nie ponosi odpowiedzialności na naprawę lub wymianę wadliwego produktu.

Nie należy dopuszczać do zadrapań ekranu. Należy unikać umieszczania na powierzchni ekranu ostro zakończonych obiektów.

Nie należy narażać produktu lub pióra na silne uderzenia i wibracje. Uderzenie

lub upuszczenie produktu może spowodować uszkodzenie ekranu lub innych elementów.

Na urządzeniu nie należy umieszczać ciężkich przedmiotów ani naciskać na nie z użyciem znacznej siły. Może to spowodować uszkodzenie ekranu.

Na przewodach nie wolno umieszczać ciężkich przedmiotów, nie wolno mocno zginać przewodów ani mocno naciskać na złącza. Może to spowodować uszkodzenie urządzenia lub przewodów.

Gdy końcówka pióra ulegnie zaostreniu lub sfazowaniu, może uszkodzić powierzchnię ekranu. W razie potrzeby należy wymienić końcówkę pióra.

Nie wolno narażać produktu na wyładowania elektrostatyczne wysokiej napięcia ani dopuszczać do gromadzenia ładunków elektrostatycznych na powierzchni ekranu LCD. Może to spowodować powstanie tymczasowych plam na powierzchni ekranu. W razie wystąpienia takich plam należy pozostawić ekran produktu włączony; plamy powinny zniknąć w ciągu kilku godzin.

Uwagi dotyczące użytkowania produktu

Wymiana końcówki pióra

Gdy zajdzie potrzeba wymiany końcówki pióra, należy skontaktować się z firmą należącą do programu Wacom Signature Solution Partner.

Uwaga dotycząca użytkowania

Gdy panel LCD działa przez długi czas, szczytkowy ładunek elektryczny pozostaje w pobliżu elektrody w jego wnętrzu, w wyniku czego można zaobserwować obraz szczytkowy, inaczej „zjawę” (utrwalenie obrazu).

Aby uniknąć utrwalenia obrazu, firma Wacom zaleca włączanie wygaszacza ekranu, gdy ekran jest włączony, ale bezczynny.

Dbłość o tablet LCD do podpisów

Pióro i wyświetlacz LCD należy utrzymywać w czystości. Kurz lub zabrudzenia mogą osiadać na piórze, powodując zużycie powierzchni ekranu. Regularne czyszczenie umożliwia wydłużenie okresu korzystania z ekranu LCD i pióra. Tablet oraz pióro należy przechowywać w czystym, suchym miejscu oraz trzymać z dala od ekstremalnych temperatur. Najlepsza dla urządzenia jest temperatura pokojowa. Produkt i pióro nie są przeznaczane do demontażu. Próbę demontażu produktu unieważniają gwarancję.

Czyszczenie

Aby oczyścić obudowę produktu lub pióro, użyj miękkiej, wilgotnej szmatki. Szmatkę można również zwilżyć wodą z rozpuszczonym łagodnym mydłem. Nie należy czyścić obudowy urządzenia bądź pióra za pomocą rozpuszczalnika do farb, benzyny, alkoholu ani innych rozpuszczalników.

Aby wyczyścić powierzchnię ekranu, użyj antystatycznej bądź lekko wilgotnej szmatki. Podczas czyszczenia należy wywierać jedynie delikatny nacisk na ekran i nie doprowadzać do jej zamoczenia. Do czyszczenia powierzchni ekranu nie należy używać detergentów, ponieważ mogą ją uszkodzić. Należy pamiętać, że tego typu uszkodzenia nie są objęte gwarancją.

Specyfikacje produktu

STU-540 / STU-541

Ogólne dane techniczne

Wymiary (S x G x W)	162,8 x 156,8 x 10,0 mm
Waga	korpusu: ok. 250 g
Temperatura i wilgotność podczas pracy	od 5 do 40 °C, wilgotność względna: od 30% do 80% (bez skraplania)
Temperatura i wilgotność podczas przechowywania	od -20 do 60 °C, wilgotność względna: od 30% do 90% (bez skraplania)
Przewód interfejsu	Specjalny przewód USB dla urządzenia Corvina, długość 3 m
Pobór mocy	maks. 2,5 W

Ekran

Panel ekranowy	Amorphous-TFT-LCD
Przekątna ekranu	5,0 cali (108,8 x 64,8 mm)
Liczba pikseli	800 x 480, WVGA
Wielkość piksela	0,135 (poziomo) x 0,135 (pionowo) mm
Kąt widzenia	140(70/70) / 140(70/70) pod warunkiem: CR>=10
Jasność	typ. 160 cd/m ²
Jakość wyświetlacza LCD	Każdy panel LCD jest wytwarzany przy zachowaniu najwyższych standardów jakościowych. Technologia produkcji nie może zapewnić całkowicie doskonałego wyświetlacza TFT. W firmie Wacom nie dopuszcza się występowania pikseli zawsze białych lub zawsze czarnych. Dopuszcza się występowanie niewielkiej liczby pikseli nieprawidłowo odwzorowujących barwy w pewnej części widma kolorów. Ich występowanie nie oznacza, że ekran jest uszkodzony.

Tablet piórkowy

Technologia odczytu	Technologia rezonansu elektromagnetycznego
Obszar aktywny	108,0 x 64,8 mm
Rozdzielczość	2540 lpi lub 0,01 mm/pkt
Dokładność	± 0,5 mm (środek), krawędź 1 (20 mm szerokości od krawędzi wyświetlacza): ± 2,0 mm, krawędź 2 (3 mm szerokości od krawędzi wyświetlacza): ± 4,0 mm
	5 mm lub więcej (środek)
Wysokość odczytu	
Maksymalna częstota próbkowania	200 punktów/s
Poziomy nacisku	1024 poziomy
Interfejs komunikacyjny	STU-540: USB, VCP, RS232 STU-541: USB, VCP

Inne

Szczelina zabezpieczająca 1

Pióro

Wymiary (dł. * śr.)	141,5 * 9,0 mm (5,57 * 0,35 cala)
Waga	ok. 7 g (0,25 oz)

Gwarancje

Ograniczona gwarancja (Europa, Afryka i Bliski Wschód)

Firma WACOM udziela niniejszym pierwotnemu nabywcy (zwanemu dalej „Użytkownikiem” lub „Klientem”) gwarancji, że produkt sprzedawany będzie wolny od wad materiałowych i wad wykonania przez okres TRZECH (3) LAT

od daty zakupu nowego produktu. Uszkodzenia części zużywających się (np. końcówek pióra, powierzchni tabletu i akumulatorów) wynikające z normalnego zużycia nie podlegają gwarancji. Firma WACOM udziela ponadto gwarancji na nośniki danych dostarczone wraz z produktem co do braku wad materiałowych i wad wykonania w warunkach normalnego użytkowania przez okres SZESZCIU (6) MIESIĘCY od daty zakupu.

W przypadku wykrycia wady w produkcie, z wyłączeniem jakiegokolwiek oprogramowania, w stosownym okresie gwarancji, należy zwrócić produkt w oryginalnym opakowaniu do miejsca jego zakupu oraz należy podać informacje dotyczące imienia i nazwiska osoby składającej reklamację, jej adresu, numeru telefonu oraz opis problemu i kopię oryginalnego rachunku. Klient ponosi odpowiedzialność za jakiegokolwiek uszkodzenia produktu lub straty podczas transportu produktu do miejsca zakupu.

Wyłącznym zobowiązaniem firmy WACOM w ramach niniejszej gwarancji jest naprawa bądź wymiana (według uznania firmy WACOM) produktu lub jego części, jeśli zostanie wykazana wadliwość produktu, a produkt zostanie zwrócony w okresie gwarancyjnym.

Firma WACOM nie gwarantuje naprawy lub wymiany produktu, jeśli: (a) uszkodzenie produktu było wynikiem wypadku, niewłaściwego użycia, zaniedbania lub też niedozwolonych modyfikacji bądź napraw; (b) produkt nie był obsługiwany lub przechowywany zgodnie z instrukcjami dostarczonymi przez firmę WACOM; (c) uszkodzenie było wynikiem normalnego zużycia części składowych produktu; (d) numer seryjny umieszczony na produkcie przez firmę WACOM został usunięty lub jest nieczytelny.

Wszelkie opisy, rysunki, specyfikacje, próbki, modele, powiadomienia i inne podobne materiały wykorzystywane w związku z zakupem produktu nie mogą być traktowane jako udzielenie wyraźnej gwarancji co do tego, że produkt spełni wymagania użytkownika.

Gwarancja zapewniona przepisami prawa pozostanie nienaruszona. Użytkownik może zgłaszać uszkodzenia produktu zgodnie z zapisami odpowiednich przepisów prawa.

W przypadku karygodnego naruszenia materialnych zobowiązań kontraktowych w sposób zagrażający celowi kontraktu lub uszkodzenia wynikającego z zamierzonych działań, zaniedbań lub rażących zaniedbań, firma WACOM będzie odpowiedzialna jedynie za siebie i występujących w jej imieniu

przedstawicieli. Materialne zobowiązania kontraktowe stanowią zobowiązanie o zasadniczym znaczeniu dla właściwej realizacji kontraktu, na którym zwyczajowo polega druga strona. W przypadku, gdy karygodne naruszenie takiego materialnego zobowiązania kontraktowego nie jest celowe ani nie wynika z rażącego zaniedbania, odpowiedzialność strony będzie ograniczona do typowych odszkodowań w ramach danego kontraktu, które były do przewidzenia w momencie zamknięcia kontraktu. Tam, gdzie niniejsze warunki i postanowienia wyłączają lub ograniczają odpowiedzialność, odnosi się to również do odpowiedzialności osobistej kadry dyrektorskiej danej strony, jej pracowników, przedstawicieli i podwykonawców. Przepisy dotyczące odpowiedzialności za produkt (Produkthaftungsgesetz) nie ulegają zmianie.

W przypadku, gdy w wyniku przeprowadzonego postępowania wyjaśniającego okaże się, że roszczenia zgłoszone na podstawie gwarancji zostały złożone po okresie gwarancji lub przekraczają zakres udzielonej gwarancji, jak też w przypadku, gdy okaże się, że produkt nie jest wadliwy, klient zwróci firmie WACOM poniesione koszty.

Niniejsza ograniczona gwarancja znajduje zastosowanie w przypadku, gdy zarejestrowane biuro sprzedawcy znajduje się na terytorium Unii Europejskiej lub w Islandii, w Norwegii, na wyspie Jersey, w Szwajcarii, Rosji, na Ukrainie, w Chorwacji, Serbii, Tunezji, Turcji, Syrii, Libanie, Jordanie, Izraelu, Egipcie, Zjednoczonych Emiratach Arabskich, Iranie lub RPA. Niniejsza gwarancja podlega przepisom prawa w Niemczech. Jednakże zastosowanie Konwencji Narodów Zjednoczonych o umowach międzynarodowej sprzedaży towarów jest jawnie wykluczone. Wszelkie skargi wynikające ze stosunków kontraktowych, a także wszelkie spory pomiędzy stronami wynikające z nawiazania, obsługi i zakończenia stosunków kontraktowych, przy założeniu, że klient jest podmiotem handlowym, podmiotem prawnym lub funduszem specjalnym podlegającym prawu publicznemu, podlegają wyłącznej jurysdykcji sądu w niemieckim mieście Düsseldorf. Umowa sądowa obowiązuje także klientów, których główna siedziba nie podlega jurysdykcji sądów w Niemczech. Umowa sądowa nie obowiązuje w sytuacjach, w których ze względu na postanowienia prawne należy dla danego przypadku wyznaczyć wyłączną jurysdykcję.

Ponadto firma WACOM jest upoważniona do wniesienia sprawy przeciwko głównej siedzibie klienta.

Jeśli któreś z postanowień niniejszej ograniczonej gwarancji zostało lub zostanie unieważnione, ważność pozostałych postanowień nie ulegnie zmianie, w całości ani w części. W przypadku gdy takie postanowienie zostanie unieważnione, zostanie zastąpione dozwoloną przez prawo regulacją najbardziej zbliżoną do unieważnionego postanowienia. W razie jakichkolwiek pytań dotyczących niniejszej umowy lub też w razie potrzeby skontaktowania się z firmą WACOM z jakiegokolwiek innego powodu prosimy o kierowanie pisemnych zapytań pod adres:

Wacom Europe GmbH
Völklinger Strasse 1
40219 Düsseldorf
GERMANY

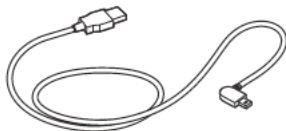
Важная информация

Руководство по быстрому запуску предоставляет обзор устройств STU-540 и STU-541. Оно включает в себя информацию о подключении и использовании продукта, а также меры предосторожности, технические характеристики продукта и другую важную информацию. Перед использованием планшета для подписи внимательно прочтите руководство по быстрому запуску.

Поставляемые принадлежности



Шнур пера



Кабель USB (3 м)



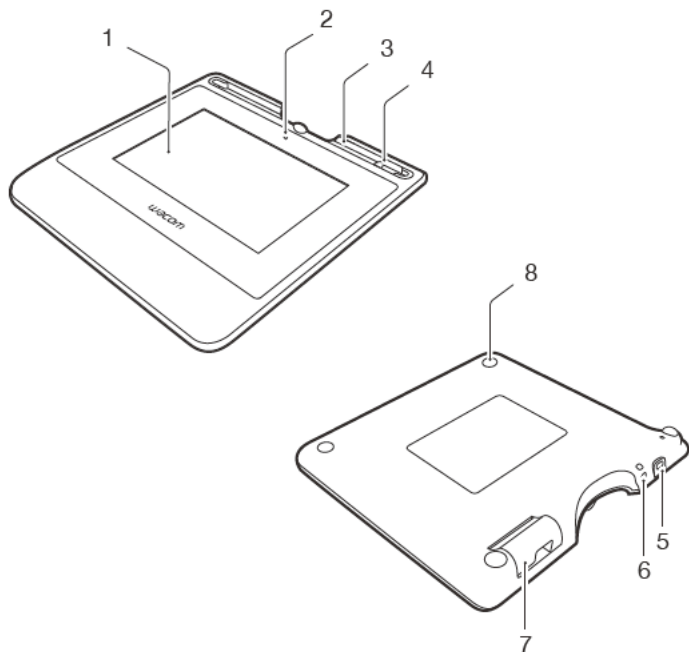
Перо



Руководство по быстрому запуску

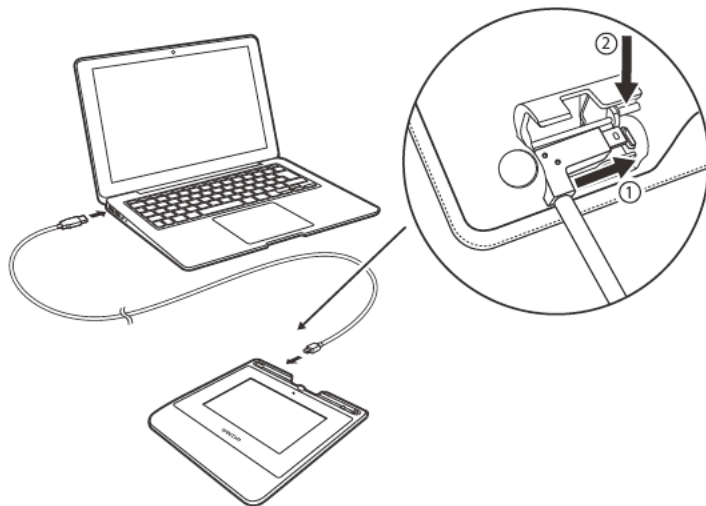
Знакомство с устройством

1. Область подписи
2. Индикатор
3. Отсек пера
4. Держатель пера
5. Разъем для замка безопасности
6. Отверстие для шнура пера
7. Крышка USB-разъем
8. Ножки



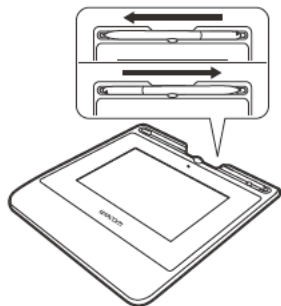
Подключение устройства к компьютеру

1. Выключите компьютер.
2. Вставьте штекер в разъем, расположенный на левом краю планшета для подписи.
3. Чтобы использовать планшет для подписи, подключите USB-разъем к свободному USB-порту на компьютере.

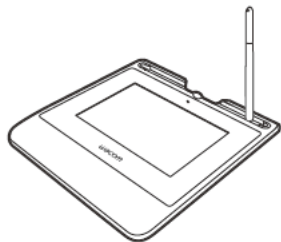


Отсек для хранения пера и шнура пера

- Держите перо в отсеке для хранения.



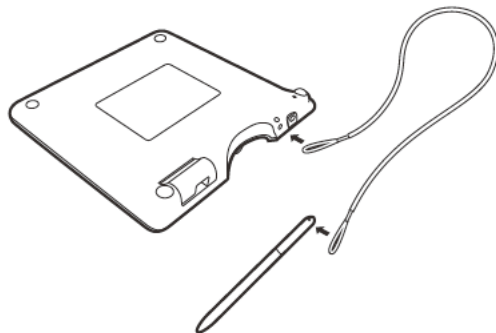
- Можно установить перо в подставку для пера, когда вы им не пользуетесь.



- Возьмитесь за середину пера и извлеките его из отсека.

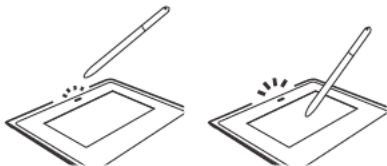


Отверстие для шнура пера



Лампа индикатора состояния

- USB подключен: тусклый свет
- USB подключен, перо касается экрана: синий свет



Поддержка Wacom / Сервисная служба Wacom

Для получения технической поддержки и регистрации устройства перейдите на веб-сайт wacom.com и выберите раздел «Поддержка».

Меры предосторожности

Настоятельно рекомендуется соблюдать все инструкции и меры предосторожности, приведенные в настоящем руководстве. В противном случае это может привести к потере данных или повреждению компьютера. Также это может привести к аннулированию гарантии, в случае чего компания Wacom не несет ответственности за ремонт или замену продукта.

Предупреждение

Не используйте устройство вблизи систем управления объектами/системами, предполагающими высокую точность функционирования оборудования. Планшет может послужить причиной сбоев в работе другого электронного устройства, или такие устройства могут являться причиной сбоев в работе продукта. Если использование устройства данного типа запрещено, отключите его во избежание возможных сбоев в работе другого электронного оборудования, вызванных работой устройства. Компания Wacom не несет ответственности за прямой или косвенный ущерб в случае несоблюдения данного условия.

Высокое напряжение. Не открывайте и не разбирайте продукт. Вскрытие корпуса может привести к поражению электрическим током. Это также приведет к аннулированию гарантии, в случае чего Wacom не несет ответственности за ремонт или замену устройства.

В случае повреждения ЖК-дисплея **НЕ ПРИКАСАЙТЕСЬ** к жидкости, которая может появиться на его поверхности. Эта жидкость является раздражающим веществом. При попадании ее на кожу, в глаза или в рот, немедленно промойте их проточной водой не менее 15 минут. При попадании жидкости в глаза или рот также обратитесь к врачу.

Предотвращайте ситуации, в которых дети могут проглотить наконечник пера. Наконечник пера может выпасть из инструмента, если ребенок пытается его грызть.

Внимание

Не используйте и не храните данный продукт:

- в помещениях с резкими перепадами температур или температурой, превышающей уровень, указанный в технических характеристиках (например, на улице или в транспорте);
- на прямом солнечном свете, рядом с отопительными приборами, водой или другими жидкостями.

Не используйте устройство в пыльных помещениях, так как это может привести к его повреждению.

Не разбирайте перо. Это может привести к неисправности в работе устройства. В этом случае компания Wacom не несет ответственности за ремонт или замену продукта.

Не царапайте экран дисплея. Не кладите острые предметы на поверхность экрана.

Не подвергайте продукт или перо сильным ударам или вибрации. В результате падения или удара, экран дисплея или другие компоненты могут повредиться.

Не кладите на устройство тяжелые предметы и не давите на него с силой. Это может привести к повреждению экрана дисплея.

Не кладите тяжелые предметы на кабели устройства, не сгибайте их сильно в одном месте несколько раз, не нажимайте слишком сильно на кабельные разъемы, так как это может привести к повреждению устройства или кабелей.

Если наконечник пера заострился или износился, он может повредить защитное покрытие экрана дисплея. При необходимости замените наконечник пера.

Не допускайте полного разряда устройства и накопления электростатического заряда на ЖК-дисплее. Это может привести к появлению пятен на ЖК-мониторе. В случае появления пятен оставьте дисплей включенным на несколько часов, после чего они должны исчезнуть.

Примечания по использованию данного устройства

Замена наконечника пера

По вопросам замены наконечников пера обращайтесь локальному представителю Wacom Signature Solution.

Примечания по использованию

В случае непрерывной работы ЖК-панели в течение длительного периода рядом с электродом внутри ЖК-дисплея остается след электростатического заряда, что может привести к сохранению на экране предыдущего изображения в виде остаточного или «фантомного» изображения (инерционность изображения).

Чтобы избежать инерционности изображения, Wasot рекомендует использовать подвижные экранные заставки, когда экран включен, но находится в режиме покоя.

Уход за ЖК-дисплеем планшета для электронных подписей

Содержите перо и поверхность ЖК-экрана в чистоте. Пыль и частички грязи могут приставать к перу и вызывать износ поверхности перьевого дисплея. Регулярная очистка поможет продлить срок эксплуатации поверхности ЖК-экрана и пера. Храните планшет и перо в сухом чистом месте и не подвергайте их воздействию чрезмерных температур. Оптимальной температурой является комнатная. Устройство и перо не предназначены для разборки. Разборка устройства аннулирует гарантию.

Очистка

Для очистки корпуса устройства или пера используйте мягкую влажную ткань. Ее можно также увлажнить при помощи слабого мыльно-водного раствора. Не применяйте для очистки корпуса дисплея или пера разбавитель для краски, бензин, спирт и другие растворители.

Для очистки экрана используйте антистатическую или слегка влажную ткань. Во время очистки экрана дисплея не мочите его поверхность и не давите на него с излишним усилием. Не используйте моющие средства для очистки экрана, так как это может привести к повреждению защитного покрытия. Обращаем ваше внимание, что подобные повреждения не входят в гарантию производителя.

Характеристики устройства

STU-540 / STU-541

Общие технические характеристики

Размеры (Ш x В x Г)	162,8 x 156,8 x 10,0 мм
Вес	Корпус: приблизительно 250 г
Рабочая температура и влажность	5–40 °С, влажность 30–80% (без конденсации)
Температура хранения и влажность	-20–60 °С, влажность 30–90% (без конденсации)
Кабель интерфейса	USB-кабель, специализированный для Corvina, длина 3 м
Энергопотребление	максимум 2,5 Вт

Дисплей

Панель дисплея	Amorphous-TFT-LCD
Размер экрана	5,0 дюймов (108,8 x 64,8 мм)
Число пикселей	800 x 480, WVGA
Размер пикселя	0,135 (Г) x 0,135 (В) мм
Угол обзора	140(70/70) / 140(70/70) при условии CR>=10
Яркость	тип. 160 кд/м ²
Качество ЖК-панелей	Каждая ЖК-панель произведена в соответствии со строгими стандартами качества. Технологии производства не могут гарантировать идеальное качество TFT-дисплея. Компания Wascom не допускает наличия полностью черных или белых пикселей. Допускается, что небольшое количество пикселей показывает неверный цвет в некоторых частях цветового спектра. Это не значит, что дисплей неисправен.

Графический планшет

Технология считывания	Технология электромагнитного резонанса
Рабочая область	108,0 x 64,8 мм
Разрешение	2540 строк/дюйм или 0,01 мм/точку
Координатная точность	± 0,5 мм (центр), краевая область 1 (20 мм шириной от границы экранной области) приблизительно ± 2,0 мм, краевая область 2 (3 мм шириной от границы экранной области) приблизительно ± 4,0 мм
Рабочая высота пера	5 мм и более (центр)
Максимальная частота опроса	200 точек/с
Уровни давления:	1024 уровня
Коммуникационный интерфейс	STU-540: USB, VCP, RS232 STU-541: USB, VCP

Другое

Разъем для замка безопасности	1
-------------------------------	---

Перо

Физические размеры (длина * диаметр)	141,5 * 9,0 мм (5,57 * 0,35 дюймов)
Вес	приблизительно 7 г (0,25 унц.)

Гарантии

Ограниченная гарантия (Европа, Африка и Ближний Восток)

Компания WACOM гарантирует вам, как первоначальному покупателю (в дальнейшем именуемый «Вы» или «клиент»), что при условии правильной эксплуатации и обслуживания оборудование устройства не будет обладать дефектами материалов и производства в течение ТРЕХЛЕТНЕГО (3) срока,

начиная со дня приобретения, при условии, что на момент приобретения продукт не использовался. Дефекты изнашиваемых деталей (например, наконечников пера, поверхности планшета и батарей) в результате естественного износа не подлежат действию гарантии. Более того, WACOM гарантирует, что носители данных, поставляемые вместе с продуктом, не обнаруживают дефектов материалов и качества изготовления при нормальном использовании в течение ШЕСТИ (6) МЕСЯЦЕВ со дня приобретения.

При обнаружении дефекта в период действия гарантии продукт — за исключением любого ПО — следует незамедлительно вернуть по месту покупки в оригинальной упаковке и при этом предоставить сведения о своем имени, адресе и номере телефона, описание проблемы и копию оригинала чека. Потребитель несет ответственность за любой возможный ущерб или утерю продукта во время передачи продукта в место покупки с этой целью.

Исключительной обязанностью и полной ответственностью WACOM по условиям настоящей гарантии является, по выбору компании WACOM, ремонт или замена продукта или его частей, которые оказались дефектными и были возвращены в течение действующего гарантийного срока.

Компания WACOM не гарантирует ремонт или замену продукта в следующих случаях: (а) продукт был поврежден вследствие несчастного случая, нарушения условий эксплуатации, недопустимого использования, неосторожности или несанкционированной попытки изменения или ремонта; (б) при эксплуатации или хранении продукта были нарушены рекомендации компании WACOM; (в) повреждения были вызваны естественным процессом износа компонентов продукта; или (г) наклейка с серийным номером, прикрепленная в компании WACOM, была удалена или содержала неразборчивые сведения.

Любые описания, рисунки, характеристики, примеры, модели, уведомления или аналогичные материалы, предоставленные при покупке

продукта, не могут быть истолкованы как гарантия того, что продукт будет удовлетворять или соответствовать Вашим требованиям.

Гарантия, предоставляемая законом, остается без изменений. Вы можете обжаловать дефекты продукта на основании соответствующих законных положений.

Компания WACOM несет ответственность только за свои действия и за действия своих уполномоченных представителей, в случае если материальное обязательство по контракту было нарушено способом, который подверг риску цель данного контракта, или если убыток был нанесен в результате действий на международной арене или упущений или чрезвычайной небрежности. Материальное обязательство по контракту является обязательством, неотъемлемым для надлежащего исполнения контракта, на которое (исполнение) стандартно полагается вторая сторона. В случае, если причиной рассматриваемого нарушения подобного материального обязательства является не намеренная или чрезмерная небрежность, то ответственность стороны будет ограничена убытками, стандартно прописанными в контракте, которые были в разумной степени предвидимы во время заключения контракта. Если в какой-то области данные Правила исключают или ограничивают ответственность, то данное условие также будет справедливо и в случае личной ответственности должностных лиц заинтересованной стороны, ее работников, представителей и субконтрагентов. Положения закона об ответственности за продукт (Produkthaftungsgesetz) остаются без изменений.

Если при проверке иска, поданного в соответствии с данными гарантийными обязательствами, обнаруживается, что он находится за пределами разрешенного периода времени или не покрывается данными гарантийными обязательствами или продукт не содержит дефектов, то покупатель возместит компании WACOM связанные с этим иском расходы.

Настоящая ограниченная гарантия применяется, если зарегистрированный офис поставщика находится в странах ЕС или в Исландии, Норвегии, Джерси, Швейцарии, России, Украине, Хорватии, Сербии, Тунисе, Турции, Сирии, Ливане, Иордании, Израиле, Египте, ОАЭ, Иране или ЮАР. Данная гарантия подчиняется законодательству Германии. Однако применимость конвенции ООН о договорах международной купли-продажи товаров не явным образом исключается. Город Дюссельдорф, Германия, является единственной зоной юрисдикции для подачи всех исков, возникающих на основе данных контрактных отношений, а также для разрешения всех споров между сторонами, возникающих в результате создания, действия или прекращения действия данных контрактных отношений при условии, что покупатель является членом биржи, юридическим субъектом или

фондом, подчиняющимся действию публичного права. Соглашение о юрисдикции относится также к клиентам, чья основная юрисдикция находится за пределами Германии. Соглашение о юрисдикции утрачивает силу, если в соответствии с правовыми нормами для конкретного случая требуется установить другое единое место юрисдикции.

Кроме того, компания WACOM вправе начать судебное разбирательство против головного офиса клиента.

В случае если одно из положений настоящей ограниченной гарантии утрачивает силу, это не отражается на действительности других положений, полностью или частично. В случае недействительности какого-либо положения, вместо него должны быть применены наиболее близкие по смыслу юридически правомочные предписания. При возникновении вопросов по поводу данного Соглашения или при необходимости связаться с компанией WACOM по другому поводу, пишите нам по адресу:

Wacom Europe GmbH
Völklinger Strasse 1
40219 Düsseldorf
GERMANY

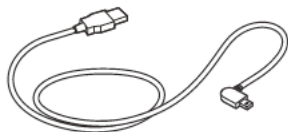
動作環境

クイックスタートガイドには、STU-540 および STU-541 の概要が記載されています。これには、製品の接続方法や使用方法に関する情報、注意事項、製品仕様、その他の重要な情報が含まれます。サインタブレットをご使用になる前に、クイックスタートガイドをよくお読みください。

付属品



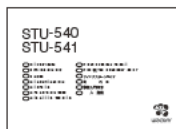
ペン紛失防止ケーブル



USB ケーブル (3 m)



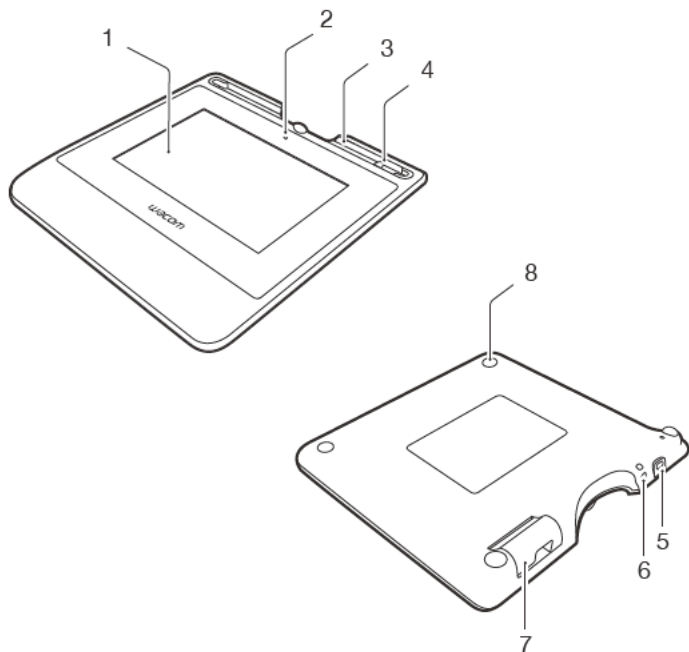
ペン



クイックスタートガイド (本書)

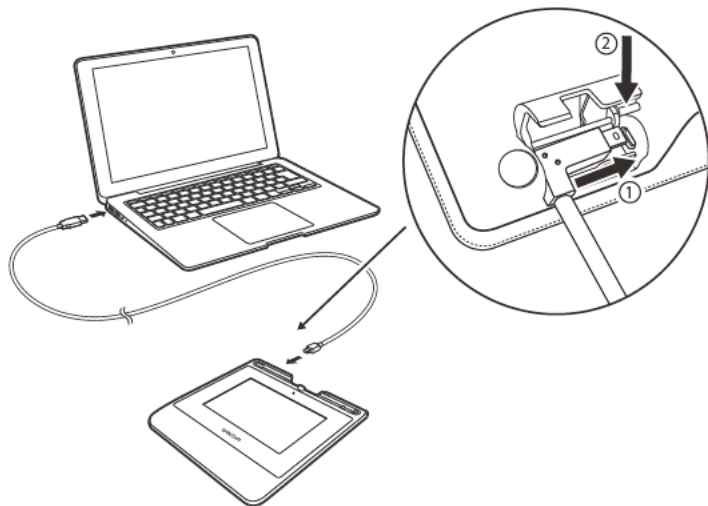
この製品について

1. 署名欄
2. LED
3. ペンコンパートメント
4. ペンホルダー
5. セキュリティロック
スロット
6. ペン紛失防止ケーブル
取り付け穴
7. USB プラグカバー
8. 脚部



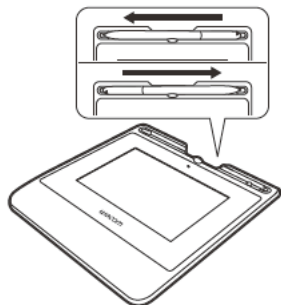
製品をコンピュータに接続する

1. コンピュータの電源を切ります。
2. サインタブレットの左端にあるコネクタにプラグを差し込みます。
3. USB コネクタをサインタブレットを使用するコンピュータの空いている USB ポートに差し込みます。



ペンホルダーとペン紛失防止ケーブル

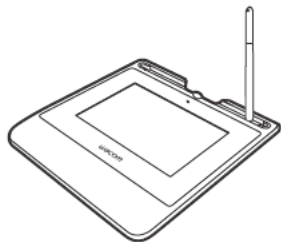
- コンパートメントにペンを収納します。



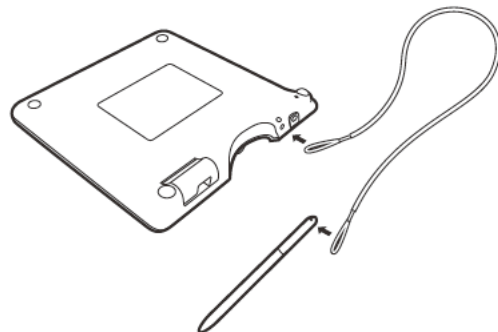
- ペンの中央を持ち、コンパートメントから取り外します。



- ペンを使用しない時は、ペンをペンスタンドに立てておくことができます。

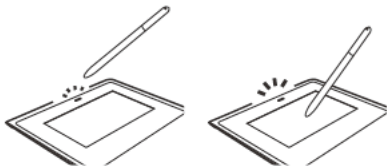


ペン紛失防止ケーブル取り付け穴



ステータス LED ランプ

- USB が接続されている：淡い光
- USB が接続されており、ペンがディスプレイに触れている：青い光



Wacom サポート / Wacom カスタマーサービス

製品のサポートと登録については、wacom.com にアクセスし、「サポート」をクリックしてください。

安全上のご注意

本機を安全に使用するために、本マニュアルに記載されている指示や注意事項、警告をよくお読みのうえ、記載事項を守ってお使いください。記載事項を無視して誤った取り扱いをしますと、データを消失したり、お使いのコンピュータを破損したりすることがあります。また、記載事項を無視したことでの生じた損害は、当社の保証の対象外となることがあります。その場合は、当社は本機の修理または交換を含む一切の責任を負いません。

警告

高度な信頼性を要求される施設管理システム内で本機を使用しないでください。その他の電子機器の誤作動や故障の原因になることがあります。また、その他の電子機器が本機の誤作動や故障の原因になることがあります。使用が禁止されている場所では、本機の電源を切り、その他の電子機器の誤作動や故障の原因になる可能性を防止してください。当社は、いかなる直接的または間接的な損害の責任を負いません。

高圧電流が流れています。本機のケースを開けたり、分解したりしないでください。感電の原因になります。また、当社の保証の対象外となり、本機の修理または交換を含む一切の保証を受けられなくなります。

液晶画面を破損した場合、漏れた液体には決して触れないでください。液体が皮膚に付着したり、目や口に入った場合は、最低でも15分間以上、流水で洗い流してください。また、目や口に入った場合は、さらに医師による診察を受けてください。

小さなお子様が電子ペンや替え芯などを口の中に入れてください。ご注意ください。替え芯が抜けてしまい、誤って飲み込む危険があります。

注意

以下の環境下で本機を使用しないでください。

- 温度が大きく変化、または仕様上規定された温度を超える場所（屋外や乗り物の中など）
- 本体やプロペンが直射日光や、電気器具の熱、または水やその他の液体にさらされる場所

本機をほこりの多い環境で使用しないでください。故障の原因になることがあります。

プロペンを分解しないでください。誤作動や故障の原因になることがあります。分解した場合、保証が無効となりますのでご注意ください。

液晶画面に傷をつけないでください。液晶画面表面に硬く尖った物で触れないでください。

本機やプロペンに強い衝撃や振動を与えないでください。本機を叩いたり落下させたりすると、破損することがあります。

本機の上に重い物を乗せないでください。また、過度の圧力をかけないでください。液晶画面を破損することがあります。

本機のケーブルに重い物を置く、繰り返し無理に曲げる、コネクタ部に強い力をかける等の行為は行わないでください。本機やケーブルを破損することがあります。

ペン先が摩耗して尖ったり角ができた場合は、液晶画面のコーティングを傷つけるおそれがあります。必要に応じてペン先を交換してください。

本機を高電圧の静電放電が発生する場所や、液晶画面に静電気が帯電する場所で使用しないでください。静電気の影響で一時的に液晶画面に斑点が発生することがあります。斑点が発生した場合は、本機の液晶画面をオンにしたまま数時間放置すると斑点が消えます。

本機のご使用に際して

ペン芯を交換する

ペン芯の交換については、ワコムサインソリューションパートナーにお問い合わせください。

ご使用に際して

長時間続けて液晶パネルを操作すると、液晶内部に直前まで表示していた画像が残像（ゴースト）として残ることがあります（焼き付き）。

残像の発生を予防するために、画面の電源を入れた状態で操作を行わない場合はスクリーンセーバーの使用をお勧めします。

液晶サインタブレットのお手入れ

ペンや液晶画面表面は清潔に保ってください。ほこりやちりの粒子がペンに付着すると、液晶画面表面が摩耗することがあります。定期的に清掃することで、液晶画面表面やペンの寿命を延ばせます。ペンタブレットとペンは清潔で乾燥した場所に保管し、高温な場所、低温の場所は避けてください。室温での保管が最適です。本機やペンは分解しないでください。製品を分解すると、保証が無効になります。

清掃

本体やペンの清掃には、柔らかい、水で軽く湿らせた布をご使用ください。水で希釈した低刺激性せっけんも使用できます。本体やペンの清掃に、シンナー、ベンゼン、アルコール、またはその他の溶剤を使用しないでください。

液晶画面の清掃には、帯電防止布または軽く湿らせた布をご使用ください。液晶画面を軽く押す程度にし、表面をぬらさないようにしてください。液晶画面の清掃には洗剤を使用しないでください。画面のコーティングが損傷するおそれがあります。このような故障はメーカーの保証の対象外となりますのでご注意ください。

製品仕様

STU-540/STU-541

一般仕様

外形寸法 (W×H×D)

重さ

使用温度および湿度

保管温度および湿度

インタフェースケーブル

消費電力

162.8 × 156.8 × 10.0 mm

本体：約 250 g

5° C ~ 40° C、相対湿度：30% ~ 80%
(結露なきこと)

-20° C ~ 60° C、相対湿度：30% ~ 90%
(結露なきこと)

Corvina 専用 USB ケーブル (長さ 3 m)
最大 2.5 W

ディスプレイ

駆動方式

表示サイズ

最大表示解像度

画素ピッチ

視野角

輝度

液晶の品質

アモルファス TFT カラー液晶

5.0 インチ (108.8 × 64.8 mm)

800 × 480、WVGA

0.135 (H) × 0.135 (V) mm

CR>=10 の場合、視野角 140 (70/70) /
140 (70/70)

通常 160 cd/m²

液晶パネルは非常に高精度の技術で作られています。まれに画素欠けや常時点灯の画素が生じる場合があります。故障ではありません。静止画を長時間表示したあとに残像が生じる場合がありますが、時間がたつと徐々に元に戻ります。

ペンタブレット

読取方式

読取可能範囲

読取分解能

読取精度

読取可能高さ

読取速度

筆圧レベル

通信インタフェース

電磁誘導方式

(Electro Magnetic Resonance technology)

108.0 × 64.8 mm

2540dpi または 0.01 mm/pt

± 0.5 mm (中央)、周辺エリア 1 (表示領域の周辺 20 mm 幅) では ± 2.0 mm、周辺エリア 2 (表示領域の周辺 3 mm 幅) では ± 4.0 mm

5 mm 以上 (中央)

200 ポイント / 秒

1024 レベル

STU-540 : USB、VCP、RS232

STU-541 : USB、VCP

その他

セキュリティスロット

1

ペン

サイズ (L×D)

重さ

141.5 × 9.0 mm (5.57 × 0.35 インチ)

約 7 g

保証書

保証期間：お買い上げ日から1年間

お買い上げ日： 年 月 日

シリアル番号：

販売店名・住所：

印

TEL () -

保証規定

1. 保証期間内の修理

同梱の取扱説明書や本体添付ラベル等の注意書きなどに従ってお客様が本機を正しく使用したにもかかわらず、お買い上げから1年（「保証期間」といいます）以内に本機（ハードウェア）が故障した場合には、無償で修理いたします。ハードウェアとは本体とその付属品をいい、クイックスタートガイドなどの印刷物や替え芯などの消耗品、アプリケーション等は除きます。

2. ご購入時点で既に本機に不良があった場合（初期不良）

（イ）必ず購入日から1週間以内にワコムサポートセンターにご連絡ください。

ワコムサポートセンターで、製品不良であることが確認された場合のみ製品の交換をお受けします。お客様自身の判断による不良品としての交換、返品には一切応じかねますのでご注意ください。

（ロ）購入から1週間を過ぎた場合は、1.に準ずるもの（修理扱い）になります。

3. 以下の場合には、保証期間中であっても保証の対象とはなりません。

（イ）誤ったご使用方法による故障、または損傷。

（ロ）お買い上げ後の落下などによる故障や損傷。

（ハ）お客様が改造または修理されたためと認められる故障や損傷。

（ニ）災害、あるいは異常電圧などの外部要因による故障や損傷。

（ホ）本機と接続した他の機器の故障に起因して本機に故障が生じた場合。

（ヘ）製品購入日と販売店が分かる書類（レシート・納品書等）のご提示がない場合。

4. 本製品の修理を依頼される場合は、ワコム製以外の他の機器を取り外してからお送りください。

5. 故障等により本製品を弊社に送付いただく費用はお客様がご負担ください。

お客様への返却費用は弊社の負担とさせていただきます。故障により本製品を弊社に送付される場合は、運送中に破損しないよう、梱包してお送りください。もし運送中に破損した場合の修理は弊社では負担できません。

6. 本保証は日本国内においてのみ（日本国内で購入し、日本国内で使用された場合においてのみ）有効です。

7. 弊社は本製品の使用を理由とする損失や逸失利益などにつきましては、いかなる責任も負いません。

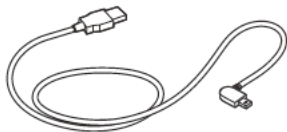
중요한 정보

이 퀵 스타트 가이드는 STU-540 및 STU-541 에 대한 개략적인 정보를 제공합니다. 이 가이드에는 제품 연결 및 사용에 관한 정보뿐만 아니라 주의사항과 제품 사양을 비롯한 기타 중요 정보가 포함되어 있습니다. 서명 패드를 사용하기 전에 이 퀵 스타트 가이드를 읽고 숙지하시기 바랍니다.

제공 액세서리



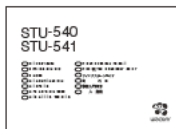
펜 연필 끝



USB 케이블 (3 m)



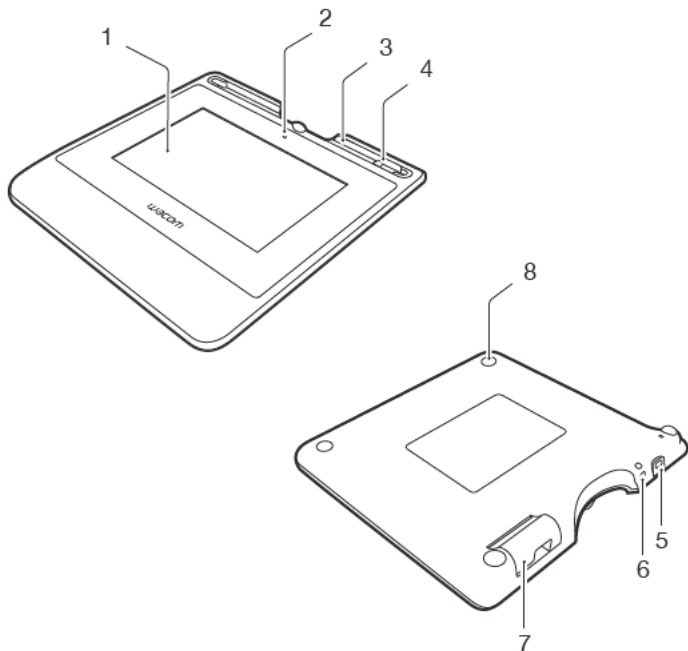
펜



퀵 스타트 가이드

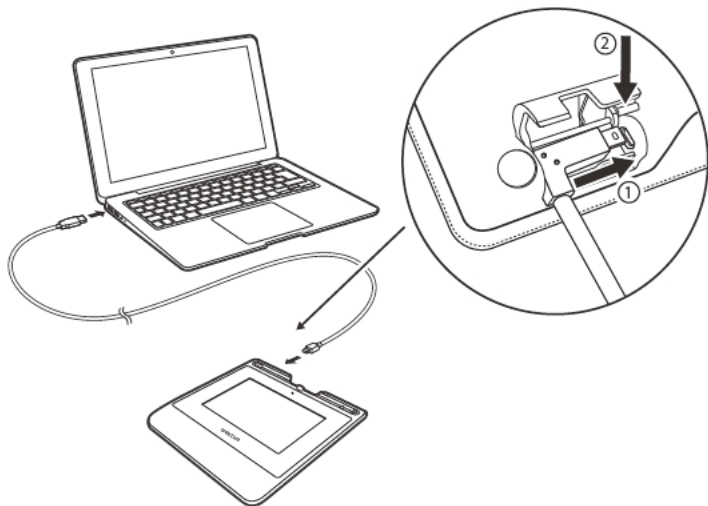
제품 살펴보기

1. 서명 영역
2. LED
3. 펜 보관함
4. 펜꽂이
5. 보안슬롯
6. 펜 연결 끈 구멍
7. USB 플러그 커버
8. 받침



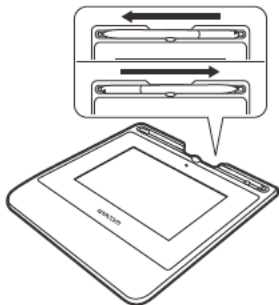
제품을 컴퓨터에 연결하기

1. 컴퓨터의 전원을 종료하십시오.
2. 플러그를 서명 패드의 왼쪽 가장자리에 있는 커넥터에 끼우십시오.
3. 서명 패드를 사용하려면 USB 커넥터를 컴퓨터의 빈 USB 포트에 끼우십시오.

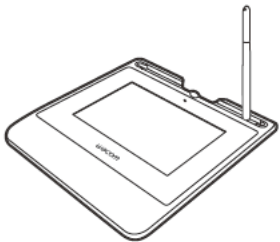


펜 보관함 및 펜 연결 끈

- 펜을 보관함에 보관하십시오.



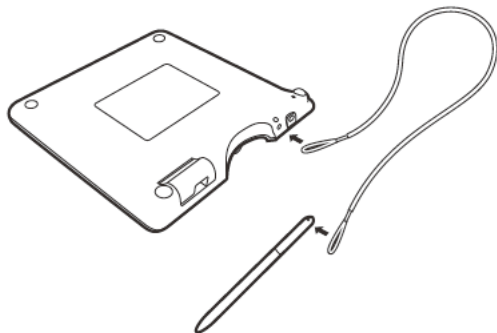
- 펜을 사용하지 않을 때는 펜을 펜 꽂이에 꽂아둘 수 있습니다.



- 펜 가운데를 잡고 보관함에서 꺼내십시오.

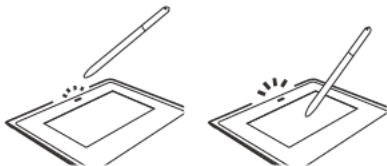


펜 연결 끈 구멍



상태 표시 LED 등

- USB 연결됨 : 희미하게 들어옴
- USB 연결됨 , 펜으로 디스플레이를 터치함 : 파란색 불이 들어옴



Wacom 지원 / Wacom 고객 서비스

제품의 지원 및 등록에 관한 내용을 보려면 wacom.com 에서 Support(지원) 를 클릭하십시오 .

주의사항

본 가이드의 모든 지침, 주의사항 및 경고를 준수하십시오. 그렇게 하지 않으면 데이터 손실 또는 컴퓨터에 손상을 줄 수 있습니다. 또한 보증이 무효가 되고, 이 경우 Wacom은 제품의 수리 또는 교체에 대해 책임을 지지 않습니다.

경고

극도로 높은 신뢰성을 요구하는 설비 제어 시스템에서 제품을 사용하지 마십시오. 다른 전자 기기의 오작동을 유발하거나 제품이 오작동을 일으킬 수 있습니다. 사용이 금지된 장소에서는 제품의 전원을 꺼서 다른 전자 기기의 오작동을 유발할 가능성을 방지하십시오. Wacom은 직접적 또는 결과적인 손해에 대해 어떠한 책임도 지지 않습니다.

고전압. 제품을 열거나 분해하지 마십시오. 케이스를 열면 감전의 우려가 있습니다. 이것은 또한 보증을 무효로 하며, Wacom은 제품 수리 또는 교체에 대한 책임을 지지 않습니다.

LCD 화면이 손상된 경우 흘러나오는 액체를 만지지 마십시오. 이 액체는 자극성 물질입니다. 피부, 눈 또는 입에 닿은 경우에는 즉시 흐르는 물에 최소한 15분 이상 씻어내 주십시오. 눈이나 입에 닿은 경우에는 의사에게도 상담하십시오.

어린이가 펜심을 삼키지 않도록 주의하십시오. 펜심은 어린이가 입에 물면 빠질 수 있습니다.

주의

다음과 같은 장소에서는 제품을 사용 또는 보관하지 마십시오.

- 온도 변화가 심하거나 사양 범위를 벗어나는 곳 (예: 실외 또는 차량 내부 등).
- 제품과 펜이 직사광선, 가전제품으로부터의 열에 노출되거나 물 또는 그 밖의 종류의 액체에 노출되는 곳.

먼지가 많은 곳에서 제품을 사용하지 마십시오. 기기에 손상을 줄 수 있습니다.

펜을 분해하지 마십시오. 장치 오작동을 유발할 수 있습니다. 이 경우 Wacom은 제품 수리 또는 교체에 대해 책임을 지지 않습니다.

디스플레이 화면을 긁지 마십시오. 디스플레이 화면 표면에 표촉한 물체를 두지 마십시오.

제품 또는 펜에 큰 충격이나 진동을 주지 마십시오. 제품에 충격을 주거나 떨어뜨리면 디스플레이 화면 또는 기타 부속품을 손상시킬 수 있습니다.

제품 위에 무거운 물체를 두거나 강한 힘으로 누르지 마십시오. 디스플레이 화면이 손상될 수 있습니다.

제품 케이블 배선 위에 무거운 물체를 놓거나, 케이블을 반복해서 구부리거나, 케이블 커넥터에 큰 응력을 가하지 마십시오. 기기 또는 배선에 손상을 줄 수 있습니다.

펜심이 날카로워지거나 모가 닳면 디스플레이 화면의 코팅이 손상될 수 있습니다. 필요한 경우 펜심을 교체하십시오.

제품을 고압 정전기 방전 또는 LCD 화면에서의 정전기 전하 축적에 노출되지 않도록 하십시오. 그렇게 하면 LCD 모니터의 일시적인 얼룩을 유발할 수 있습니다. 얼룩이 발생할 경우, 제품의 디스플레이를 켜 상태로 두면 몇 시간 안에 얼룩이 사라집니다.

제품 사용 지침

펜심 교체

펜심 교체 정보는 Wacom Signature Solution Partner 로 문의하시기 바랍니다.

사용 지침

LCD 패널을 장시간 연속으로 작동하면 LCD 내부의 전극 근처에 전하가 남아, 이전 이미지의 잔상 또는 “고스트”가 발생할 수 있습니다(잔상 현상).

잔상 현상을 방지하려면, 화면이 켜져있지만 유휴 상태일 때 움직이는 화면 보호기를 사용하는 것이 좋습니다.

LCD 서명패드 관리

펜과 LCD 화면 표면을 깨끗하게 관리하십시오. 펜에 먼지가 붙어 디스플레이 화면 표면이 마모될 수 있습니다. 정기적인 청소로 사용하는 LCD 화면 표면과 펜의 수명을 연장시킬 수 있습니다. 태블릿과 펜을 청결하고 건조한 장소에 보관하고 온도가 너무 높거나 낮은 곳에 보관하지 마십시오. 실온이 가장 적합합니다. 제품과 펜을 분해하지 마십시오. 제품을 분해할 경우 보증이 무효화됩니다.

청소

제품 케이스나 펜을 청소할 때는 살짝 적신 부드러운 천을 사용하십시오. 또한 물로 희석한 순한 세제로 천을 적서 사용할 수도 있습니다. 페인트 스프레이, 벤젠, 알코올 등의 유기 용제를 사용해 기기의 케이스 또는 펜을 닦지 마십시오.

디스플레이 화면을 청소할 때는 정전기 방지용 천 또는 살짝 적신 천을 사용하십시오. 디스플레이 화면을 닦을 때에는 최대한 가볍게 눌러 닦아야 하며 표면이 젖지 않도록 하십시오. 합성 세제를 사용해 디스플레이 화면을 청소하지 마십시오. 화면 코팅이 손상될 수 있습니다. 이러한 종류의 손상에는 제조업체 보증이 적용되지 않으므로 유의하십시오.

제품 사양

STU-540 / STU-541

일반 사양

크기 (너비 x 깊이 x 높이)	162.8 x 156.8 x 10.0 mm
중량	본체 : 약 250 g
작동 온도 및 습도	5 ~ 40 °C, 습도 : 30% ~ 80% RH (결로 현상 없는 것)
보관 온도 및 습도	-20 ~ 60 °C, 습도 : 30% ~ 90% RH (결로 현상 없는 것)
인터페이스 케이블 소비 전력	Corvina 전용 USB 케이블, 길이 3m 최대 2.5 W

디스플레이

디스플레이 패널	Amorphous-TFT-LCD
화면 크기	5.0 인치 (108.8 x 64.8 mm)
화소 수	800 x 480, WVGA
화소 피치	0.135 (H) x 0.135 (V) mm
시야각	CR>=10 조건에서 140(70/70) / 140(70/70)
휘도	보통 160 cd/m ²
LCD 품질	각 LCD 패널은 매우 엄격한 품질 기준에 따라 생산됩니다. 그러나 생산 기술로 완전 무결점의 TFT 디스플레이를 보장할 수는 없습니다. Wacom 은 화소가 항상 흰색이거나 항상 검정색으로 유지되게 하지 않습니다. 컬러 스펙트럼의 일부분에 극소수의 화소가 잘못된 색상으로 표시될 수 있습니다. 이것은 디스플레이의 결함이 아닙니다.

펜 태블릿

감지 기술	전자기 유도 기술
작업 영역	108.0 x 64.8 mm
해상도	2540 lpi 또는 0.01 mm/pt
정확도	± 0.5 mm(중앙), 가장자리 1(디스플레이 영역의 가장자리로부터 20 mm 폭) ± 2.0 mm, 가장자리 2(디스플레이 영역의 가장자리로부터 3 mm 폭) ± 4.0 mm
감지 높이	5 mm 이상 (중앙)
최대 응답 속도	초당 200 포인트
필압 레벨	1024 레벨
통신 인터페이스	STU-540: USB, VCP, RS232 STU-541: USB, VCP

기타

보안 슬롯	1
-------	---

펜

크기 (길이 * 지름)	141.5 * 9.0 mm (5.57 * 0.35 in)
중량	약 7 g (0.25 oz)

보증

제한적 보증 (아시아 태평양 지역)

Wacom Co., Ltd. 는 최초로 정품을 소매 매입한 날로부터 1년 동안 최초 소비자 구매자를 대상으로 제품이 일반적인 사용 및 서비스 조건에서 재료 및 기술상의 결함 없이 있음을 보증합니다. 구매 날짜는 영수증 (구매 증명서) 사본으로 증명해야 합니다.

소프트웨어는 "있는 그대로" 사용이 허가됩니다. Wacom 은 품질이나 성능을 보증하지 않습니다. Wacom 은 중단 없는 서비스 또는 모든 오류의 수정을 보장할 수 없습니다. Wacom 은 또한 배터리, 펜 카트리지, 태블릿 표면 시트, 펜심 같은 소비재에 대해서는 보증을 제공하지 않습니다.

보증 기간 내에 소프트웨어를 제외하고 제품이 결함이 발견되면, 보증 소지자는 최초 구매처에 문의하여 수리 또는 교체 대상 제품을 반환하기 위한 지침을 얻어야 합니다. Wacom 과 해당 파트너는 승인되지 않은 선지급 배송료를 배상할 책임이 없습니다.

보증 소지자는 최초 구매처와 수리 또는 교체 지점 간의 배송료를 지불할 의무가 없습니다.

이 보증에 따른 Wacom 의 유일한 의무와 전적인 책임은 Wacom 의 임의대로 보증 기간 중에 Wacom 에 통지된 결함 있는 제품 또는 부품을 수리하거나 교체하는 것입니다.

Wacom 은 화재, 자연 재해, 사고 등의 불가항력, 의도적 또는 우발적인 악용, 오용, 부주의, 무단 개조 또는 수리, 사용자 가이드에 명시된 방법 이외의 방법으로 제품을 사용하여 제품 손상이 발생한 경우나, Wacom 의 보관 지침을 준수하지 않고 제품을 취급 또는 보관한 데 따라 제품 손상이 발생한 경우 (이에 국한되지는 않음) 제품을 수리하거나 교체할 책임이 없습니다.

제품의 판매와 관련하여 사용된 모든 설명, 그림, 사양, 샘플, 모델, 계산판 또는 유사한 자료가 이 제품이 사용자의 요구 사항을 따르거나 그에 부합된다는 명시적인 보증으로 간주될 수 없습니다.

위에 명시된 제한된 보증을 제외하고, Wacom 은 이 제품에 대한 다른 어떠한 보증도 하지 않습니다. Wacom, 판매점, 총판, 대리인 또는 직원이 제공하는 구두 또는 서면상의 정보나 조언은 어떠한 보증도 하지 않으며 이 보증의 범위를 확대하지 않습니다. 사용자는 그러한 정보나 조언에 의존해서는 안 됩니다. 이러한 보증은 사용자에게 특별한 법적 권한을 부여하며 사용자는 국가에 따라 다른 기타 권한을 보유할 수도 있습니다.

Wacom 은 상품성 또는 특정 목적에의 적합성에 대한 묵시적 보증을 포함하여 적법한 묵시적 보증 기간을 Wacom 의 명시적인 보증 기간으로 제한합니다.

일부 국가에서는 묵시적 보증의 유지 기간에 대한 사항을 허용하지 않으므로 위의 제한 사항은 사용자에 적용되지 않을 수 있습니다.

Wacom 또는 이 제품의 제조, 생산 또는 제공을 담당하는 관련 업체는 모두 그러한 제품의 사용 또는 사용할 수 없음으로 인한 모든 간접적, 결과적 또는 부수적 손해 (영업 이익 손실, 영업 중단, 영업 정보 손실, 또는 그 밖의 손해 포함)에 대하여 어떠한 경우에도 책임을 지지 않으며, 이는 Wacom 이 사전에 그와 같은 손해의 가능성에 대한 조언을 받은 경우에도 마찬가지입니다. 일부 국가에서는 부수적 또는 결과적 손해에 대한 책임의 배제나 제한을 허용하지 않으므로 위와 같은 책임의 배제나 제한은 사용자에 적용되지 않을 수 있습니다.

위의 제한 사항을 적용할 수 없는 경우, 귀하 또는 다른 당사자의 손해에 대한 Wacom 의 책임은 청구의 종류에 관계없이 귀하가 지불한 제품 가격을 초과하지 않습니다.

이러한 제한된 보증은 일본, 중국, 홍콩, 중동 국가를 제외한 아시아 태평양 국가 및 그 영토 내에서 구매하고 사용한 제품에 유효하고 이러한 제품에 대해서만 적용됩니다.

이러한 제한된 보증은 Wacom Co., Ltd. 아시아 태평양 사업부의 현재 보증 정책을 나타내며 포장, 브로슈어, 설명서 등에 포함된 다른 모든 보증 선언보다 우선 적용됩니다.

이러한 제한된 보증은 일본 법률의 적용을 받으며 사전 통지 없이 변경될 수 있습니다.

오스트레일리아 소비자보호법 본사의 상품에는 오스트레일리아 소비자보호법에서 배제될 수 없는 보장 항목이 제공됩니다. 귀하는 중대한 손상에 대해 교체 또는 환불을 요청할 수 있으며 합리적으로 예측할 수 있는 손해나 손상에 대해 배상을 요구할 수 있습니다. 또한 귀하는 제품이 수용 가능한 품질에 미치지 못하고 손상이 중대한 손상에 해당하지 않는 경우 제품 수리 또는 교체를 요청할 수 있습니다.

Wacom 하드웨어 제품에는 Wacom Co., Ltd. 가 자회사 Wacom Australia Pty. Ltd. (주소: Wacom Australia Pty. Ltd. Ground floor, Building 1, 3 Richardson Place, North Ryde, NSW, 2113 Australia) 를 통해 제공하는 1년 보증이 적용됩니다.

배송 후 1년 이내에 제품에서 사용자 설명서에 나와 있는 일반 기능이 제공되지 않을 경우 제품에 대한 세부 정보, 일련 번호, 구매 증명서와 함께 <https://support.wacom.asia/en> 을 통해 연락하십시오. 귀하는 해당 시점에 귀하에게 제공된 주소로 하드웨어 제품을 반환하도록 요구받을 수 있습니다. 이 보증에 따른 혜택은 법률상 기타 권리와 구제 방법과 더불어 제공됩니다.

아시아 태평양 지역의 보증 서비스 /Wacom 기술 지원 (일본, 중국, 홍콩, 중동 국가 제외), 자세한 아시아 태평양 지역 제한적 보증 정책 및 제품 등록은 <https://www.wacom.asia/en/customer-care> 에서 확인하실 수 있습니다.

동남아시아와 남아시아, 오세아니아와 대만 내에서 기술 지원 또는 보증 서비스를 받으려면 Wacom 고객 지원 서비스에 문의하십시오. 전화 번호는 다음에서 찾을 수 있습니다.

<https://support.wacom.asia/>

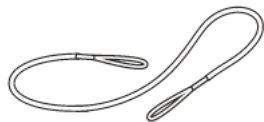
이 계약에 대한 질문이 있거나 Wacom 에 대한 문의 사항이 있는 경우 아래 웹사이트를 통해 연락하십시오.

<https://support.wacom.asia/>

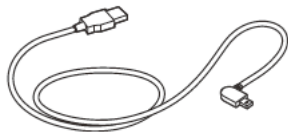
重要資訊

此《快速入門指南》為STU-540與STU-541的產品簡介。內容涵蓋使用與連接本產品、預防性安全措施、規格以及其他重要資訊。使用您的簽名板前，請先閱讀《快速入門指南》。

隨附配件



筆繩



USB連接線 (3公尺)



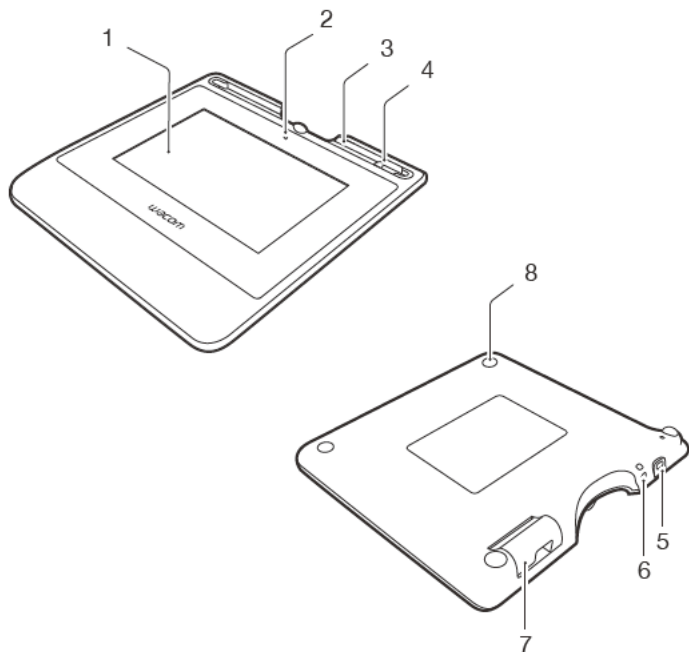
數位筆



快速入門指南

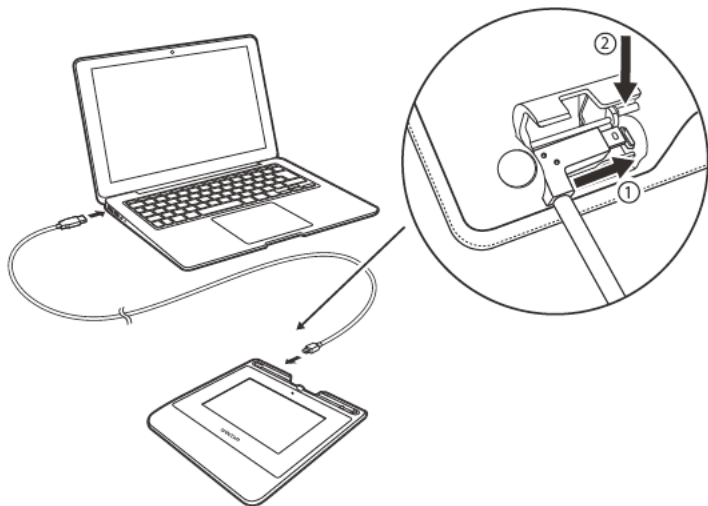
認識產品

1. 簽名區域
2. LED指示燈
3. 數位筆收納槽
4. 筆座
5. 安全鎖插槽
6. 數位筆繩孔
7. USB插孔蓋
8. 腳架



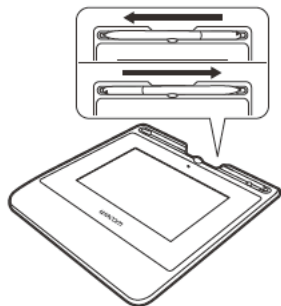
將產品連接至您的電腦

1. 關閉電腦電源。
2. 將插頭插入簽名板左側邊緣的連接器。
3. 將USB接頭插入電腦上可用的USB連接埠以使用簽名板。

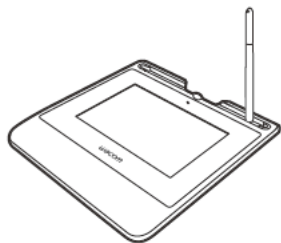


數位筆儲存空間和筆繩

- 請將數位筆置於收納槽中。



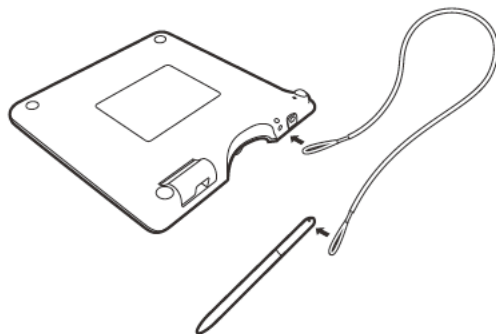
- 不使用時可將數位筆置於筆座內。



- 握住筆身中段並自收納槽中取出。

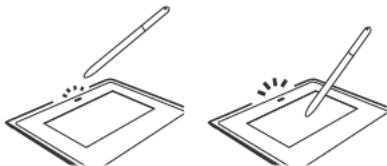


數位筆繩孔



狀態指示燈

- 已連接USB：指示燈微亮
- 已連接USB、數位筆碰觸到顯示器：藍色指示燈



Wacom支援／Wacom客服中心

如需支援或註冊產品請至wacom.com並按一下「支援」。

安全措施

務必遵循本指南中的所有說明、注意事項與警告。若未確實遵守，可能會遺失資料或損壞電腦。若未確實遵守，也可能使保固無效，不論發生哪一種情況，Wacom均無需負擔維修或更換產品的責任。

警告

請勿在需高度可靠性的設備管理系統中使用本產品，否則可能造成其他電子裝置故障，或其他裝置可能導致本產品故障。在禁止使用的場所，請關閉本產品以免造成其他電子裝置故障。對於任何直接或衍生性損害，Wacom公司概不負責。

高壓電。請勿拆開或拆解本產品。若拆開外殼，可能有觸電危險。這樣做將使保固失效，在此情況下，Wacom無需負擔維修或更換產品的責任。

若LCD螢幕已損壞，「切勿」碰觸洩漏的任何液體，以免皮膚受到刺激。若不慎接觸到皮膚、眼睛或嘴巴，請立即以清水沖洗至少15分鐘。若接觸到眼睛或嘴巴，亦請即刻就醫。

避免孩童吞下筆尖。筆尖可能因孩童咬咬而遭意外扯出。

注意

請勿在下列環境使用或存放產品：

- 溫度變化劇烈或超出規格之外（例如在室外或車內）。
- 產品會因直接日曬、受到電器熱源，碰觸到水或其他任何類型的液體而受到影響。

請勿在多灰塵的環境中使用產品，以免使其受損。

請勿拆解數位筆。這樣做可能會導致裝置故障。在此情況下，Wacom無需負擔維修或更換產品的責任。

請勿刮傷顯示器螢幕。請避免在顯示器螢幕表面上放置尖銳物品。

避免大力搖晃或震動產品或數位筆。碰撞或不慎掉落產品，可能會損壞顯示器螢幕或其他元件。

請勿將重物放置於產品上，或用力按壓顯示器；這樣做可能會使顯示器損壞或腳座彎曲。

請勿將重物放在產品的纜線上、重複折彎纜線，或重壓纜線接頭；這樣做可能會損壞產品或纜線。

若筆尖太尖銳或有稜角，將造成顯示器螢幕的塗層受損。請視需要更換筆尖。

請勿將本產品暴露於高壓靜電放電、或使LCD螢幕累積靜電的環境下。這可能會導致LCD螢幕暫時出現斑點。出現斑點時，請讓產品開著，幾小時後斑點應會消失。

產品使用的注意事項

更換筆尖

關於筆尖的更換，請聯絡您的Wacom簽名解決方案夥伴。

使用的注意事項

長時間持續使用LCD面板，LCD內的電極附近會有電荷的痕跡，可能殘留之前的影像或出現「鬼影」（影像暫留）。

為避免影像暫留，Wacom建議您在螢幕開啟但閒置時使用螢幕保護程式。

保養您的LCD簽名板

請保持數位筆與LCD螢幕表面的清潔。灰塵與顆粒會附著在數位筆上，磨損顯示器螢幕表面。定期清潔將有助於延長LCD螢幕表面與數位筆的使用年限。請將數位板與數位筆放在整潔、乾燥的地方，避免放在極端溫度環境之中。室溫是最佳的溫度。液晶數位板與數位筆不能拆開使用。產品與畫筆不可拆開使用。拆開產品會使保固失效。

清潔

若要清潔產品外殼或數位筆，請使用柔軟的濕布；您亦可使用乾布沾上非常溫的肥皂水清潔。請勿使用油漆稀釋劑、石油精、酒精或其他溶劑來清潔產品外殼或數位筆。

若要清潔顯示器螢幕，請使用抗靜電布料或稍微沾溼的布料。清潔時請對顯示器螢幕輕輕施力，不可使表面沾溼。請勿使用清潔劑來清潔顯示器螢幕，這樣做將造成顯示器螢幕的塗層受損。請注意，因為此類不當做法而導致的損壞不在製造商的保固範圍之內。

產品規格

STU-540 / STU-541

一般規格

外形尺寸 (寬x長x高)

重量

操作溫度及濕度

存放溫度及濕度

介面連接線

耗電量

顯示器

顯示器面板

螢幕尺寸

像素

像素間距

檢視角度

亮度

LCD品質

162.8 x 156.8 x 10.0公釐

本體：約250公克

5到40度C，溼度：相對溼度30%到80%
(未凝結)

-20到60度C，溼度：相對溼度30%到90%
(未凝結)

Corvina專用USB連接線，長度3公尺

最高2.5瓦

Amorphous-TFT-LCD

5.0英吋 (108.8 x 64.8公釐)

800 x 480，WVGA

0.135 (水平) x 0.135 (垂直) 公釐

CR>=10的條件下為

140 (70/70) / 140 (70/70)

標準160 cd/m²

每片LCD面板均以非常嚴格的品質標準生產製造。但生產技術無法保證TFT顯示器絕對完美無瑕。Wacom不允許面板上出現亮點或暗點。在色彩頻譜的某些部分允許少許像素顯示錯誤。這並不代表顯示器故障。

數位板

讀取技術

工作區域

解析度

精確度

讀取高度

最高讀取速率

壓力感應級數

通訊介面

電磁共振技術

108.0 x 64.8公釐

2540 lpi或0.01公釐/點

±0.5公釐 (中心)，邊緣區1 (顯示區邊緣起寬度20公釐) 為± 2.0 公釐，邊緣區2 (顯示區邊緣起寬度3公釐) 為± 4.0公釐

5公釐或更遠 (中心)

200點/秒

1024級

STU-540：USB、VCP、RS232

STU-541：USB、VCP

其他

安全鎖插槽

1

數位筆

外形尺寸 (長 * 直徑)

重量

141.5 * 9.0公釐 (5.57 x 0.35英吋)

7公克 (0.25盎司)，近似值

保固條款

有限保固 (亞太地區)

Wacom Co., Ltd. 對原購買者提供產品保固，自原始零售購買日起一 (1) 年 (以收據據本為證，即購買證明) 內，Wacom 保證產品在正常使用下，其用料和做工沒有瑕疵。

軟體係根據「軟體現狀」授權。Wacom 不對其品質或效能，或其他項目提供任何保固。Wacom 不向您保證能不斷運作或修正任何錯誤。Wacom 不提供電池、筆芯、數位版表層和筆尖等消耗品的產品保固。

保固持有人如果在保固期內發現產品有瑕疵 (軟體瑕疵除外)，必須與原購買地點聯絡，以取得將產品退回以進行維修或更換的相關指示。Wacom 及其合作夥伴沒有償還未經授權之預付運費的義務。

保固持有人無義務支付原始購買地點和維修或更換地點之間的運費。

根據本保固，Wacom 所承擔的唯一義務和全部責任，就是在 Wacom 的選擇下，維修或更換其在保固期內接獲通知的瑕疵產品或其零件。

在下列情況下，Wacom 沒有維修或更換產品的責任：產品故障是因不可抗力之情事所造成，包括但不限於火災、自然災害、意外和天災；有意或無意濫用、誤用、疏忽、擅自修改或維修、未依照使用者指南中所說明的方式使用本產品，或是未依照 Wacom 的存放指示操作或保存產品。

任何與銷售產品搭配使用的說明、繪圖、樣品、模型、公告或類似的資料不得解釋為產品會符合或滿足您的需求的明示保固。

除了以上描述的有限保固外，WACOM 不對本產品提供其他保固。WACOM、其經銷商、代理商、代理人或員工所提供的口頭、書面資訊或建議，均不構成任何保固或以任何方式增加本保固範圍，您不得依賴此類資訊或建議。除了本保固賦予您的特定法律權利外，您可能還享有各國/地區不同的其他權利。

WACOM 將合法的暗示保固 (包括適售性或特定用途適用性的暗示保固) 期限，限定為 WACOM 明示保固的期限。

有些國家/地區不允許限制暗示保固的時限，因此上述限制可能不適用於您。

對於因使用或無法使用該產品而造成的直接、連帶發生或附帶的損害 (包括商業利益損失、業務中斷、業務資訊遺失等損害)，WACOM 或參與產品製作、生產或運送的任何其他人均不負責，即使已被告知發生此類損害的可能性時亦同。有些國家/地區不允許排除或限制附帶或連帶發生的損害，因此上述限制或排除可能不適用於您。

在上述限制被裁定為無法執行的情況下，無論索賠的形式為何，Wacom 對您或任一方所擔負的損害責任，均不得超過您所支付的購買價格。

本有限保固僅適用於在亞太地區各國和地區 (不包括日本、中國、香港和中東國家) 境內購買和使用的產品。

本有限保固是 Wacom Co., Ltd. Asia Pacific Division (亞太分部) 現行保固政策的聲明，並優先於包裝、說明書、手冊等所包含的所有其他保固聲明。

本有限保固受到日本法律規範，並會隨時更改，恕不另行通知。

澳洲消費者法 (Australian Consumer Law) 我們的產品都隨附澳洲消費者法規定不能排除的保證。若發生重大故障，您有權更換或退款，若發生其他可合理預見的損失或損害，則可獲得賠償。若商品未達可接受品質，或發生未達重大程度之故障，您也有權要求維修或更換商品。我們的硬體產品享有 Wacom Co., Ltd. 提供的一 (1) 年保固，Wacom Co., Ltd. 的子公司 Wacom Australia Pty. Ltd. 位於 Ground floor, Building 1,3 Richardson Place, North Ryde, NSW, 2113 Australia。如果您的產品在運送給您後一 (1) 年內，未能提供使用者說明文件所述的一般功能，請透過 <https://support.wacom.com/asia/en> 與我們聯絡，同時附上產品的詳細資料、序號和購買證明。您可能需要將硬體產品退還至我們在那時候提供給您的地址。除本保固範圍內的利益，您可能還依法擁有其他權利與補救措施。

亞太地區保固服務／Wacom技術支援（日本、中國、香港和中東國家除外）
詳細的亞太地區有限保固政策和產品註冊資訊可以在下列網頁找到：

<https://www.wacom.asia/en/customer-care>

若要取得東南亞和南亞、大洋洲和台灣的技術支援或保固服務，請聯絡Wacom
客戶支援服務。電話號碼請見：

<https://support.wacom.asia/>

若您對本合約有任何疑問，或因任何原因希望與Wacom聯絡，請透過以下網站
與我們聯絡：

<https://support.wacom.asia/>

重要信息

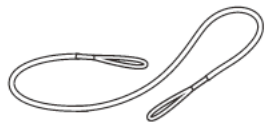
快速入门指南中对 STU-540 和 STU-541 进行了概述，其中包含有关产品连接和使用的信息、预防措施、产品规格以及其他重要信息。使用您的签名板前，请仔细阅读快速入门指南。

请保留此文件以便将来查看。

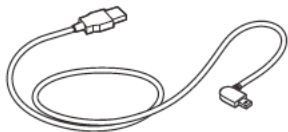
产品用途：

STU-540 / STU-541 用来在电子文档上添加电子签名。

随附配件



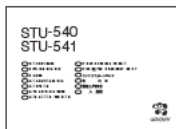
笔绳



USB 连接线 (3 米)



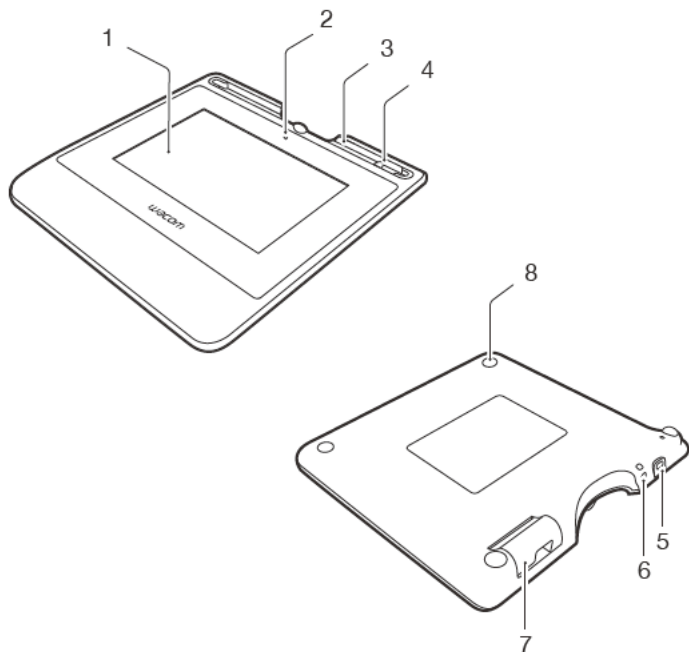
笔



快速入门指南

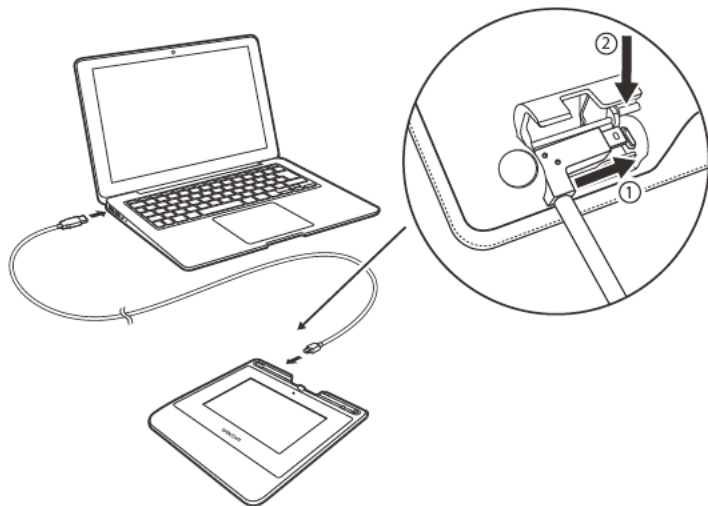
了解产品

1. 签名区域
2. LED (指示灯)
3. 书写笔槽
4. 笔插
5. 安全锁孔
6. 笔绳孔
7. USB 插头盖
8. 支脚



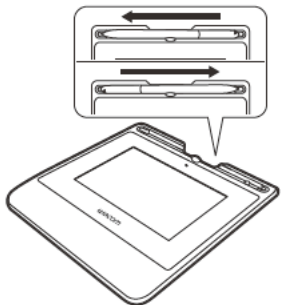
连接产品至您的电脑

1. 关闭电脑。
2. 将插头插入签名板左边缘处的接口。
3. 将 USB 接口插入电脑上可用的 USB 端口即可使用签名板。

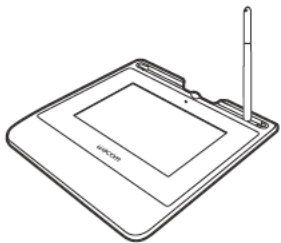


笔仓和笔绳

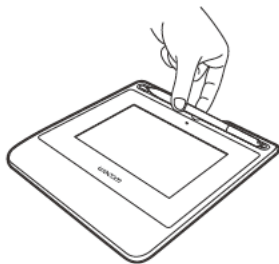
- 笔应放置在笔仓中。



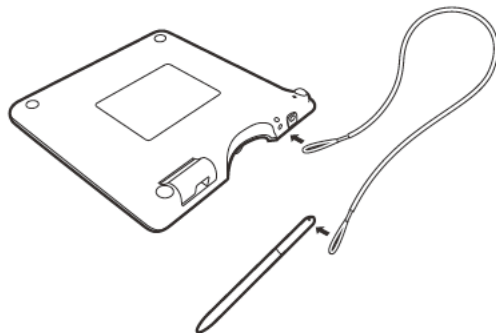
- 不使用笔时，可将笔插立在笔架中。



- 抓住笔的中部，从笔仓中拿起。

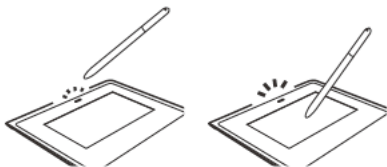


笔绳孔



状态 LED 指示灯

- 连接 USB：暗光
- 连接 USB，笔接触显示屏：蓝光



Wacom支持 / Wacom客户服务

如需支持并注册您的产品，请转至 wacom.com，然后点击“支持”。

注意事项

请务必遵循本指南所含的所有指导说明、注意及警告。否则可能会导致数据丢失或电脑损坏。否则可能还会无法获得维修担保，在这种情况下，Wacom 将不负责维修或更换产品。

警告

请勿在需要极高可靠性的设备控制系统中使用本产品；它可能会导致其他电子设备故障，或其他设备可能会导致产品故障。在禁止使用的场合，请关闭产品电源，以防设备可能导致其他电子设备故障。Wacom 对因此所造成的直接或间接损害概不承担责任。

高压危险！请勿开启或拆解产品。机壳开启会有触电的危险。这样操作还会无法获得维修担保，Wacom 将不负责维修或更换产品。

如果 LCD 屏幕损坏，请勿接触屏幕可能泄漏的液体，该液体具有刺激性。如果接触到皮肤、眼睛或嘴部，请立即用流水冲洗 15 分钟以上。如果接触到眼睛或嘴部，还应咨询专业医生。

防止儿童吞服笔尖。如果儿童用嘴咬笔，可能会不慎将笔尖咬出。

注意

请勿在以下位置使用或存放本产品：

- 温度急剧变化或超出规定范围的地方（例如室外或车内）。
- 产品和笔暴露于直射阳光下或电器散热口附近，或者暴露于水或任何其他液体的地方。

请勿在多尘环境下使用该产品，否则可能会损坏装置。

请勿拆解笔。否则可能会导致设备故障。在这种情况下，Wacom 将不负责维修或更换产品。

请勿刮擦显示屏。避免将尖锐物品放置在显示屏表面上。

避免产品或笔受到强烈冲击或震动。碰撞或摔落产品可能会损坏显示屏或其他组件。

请勿将重物放置在产品上或用力按压，否则可能会损坏显示屏。

请勿将重物放置在产品接线上，反复过度弯曲电缆或用力按压电缆接头，否则可能会损坏本机或接线。

如果笔尖变尖或有棱角，则可能会损坏显示屏上的涂层。请根据需要更换笔尖。

请勿致使产品受到高压静电放电或在 LCD 屏幕上积聚静电电荷。否则可能会造成 LCD 显示器短暂出现斑点。如果出现斑点，请保持产品显示屏开启，斑点会在几小时内消失。

产品使用注意事项

更换笔尖

如需更换笔尖，请联系您的 Wacom Signature Solution Partner。

使用说明

当 LCD 面板连续运行较长时间后，LCD 内的电极附近会仍有一道电荷轨迹，并可能会观察到之前图像的残留或“重影”图像（图像暂留）。

为避免图像暂留，Wacom 建议在屏幕打开但处于闲置状态时使用移动屏幕保护程序。

LCD 签名板的保养

请保持笔和 LCD 屏幕表面清洁。灰尘和尘土颗粒会黏着在笔上，使显示屏表面磨损。定期清洁有助于延长 LCD 屏幕表面和笔的寿命。将数位板和笔放置在清洁、干燥的地方，避免使其处于极端温度中。室温是最佳温度。产品和笔不可拆分。拆分产品将无法获得维修担保。

清洁

如需清洁产品机壳或笔，请使用柔软的干布；另可使用少量肥皂经水稀释后将布蘸湿。请勿使用涂料稀释剂、汽油、酒精或其他溶剂清洁本机机壳或笔。

如需清洁显示屏幕，请使用防静电布或略微蘸湿的布。清洁时，只需稍稍按压显示屏即可，请勿弄湿屏幕表面。请勿使用清洁剂清洁显示屏，否则可能会损坏屏幕涂层。请注意，此类损坏无法获得厂商的维修担保。

产品规格

STU-540 / STU-541

一般规格

尺寸 (宽x深x高) 162.8 x 156.8 x 10.0 毫米

重量 主机: 约 250 克

工作温度和湿度 5 至 40 °C, 相对湿度:
30% 至 80% (无冷凝)

存储温度和湿度 -20 至 60 °C, 相对湿度:
30% 至 90% (无冷凝)

连接线 Corvina 专用 USB 连接线,
长度: 3 米

功耗 2.5 W (最高)

显示器

显示屏

屏幕尺寸

像素数

像素点距

视角

照度

LCD质量

Amorphous-TFT-LCD

5.0 英寸 (108.8 x 64.8 毫米)

800 x 480, WVGA

0.135 (水平) x 0.135 (垂直) 毫米

140(70/70) / 140(70/70) 条件:

CR>=10

160 cd/m² (典型值)

每块 LCD 面板均依照非常严格的质量标准进行制造。制造技术无法保证绝对完美的 TFT 显示屏。Wacom 不允许任何像素一直呈现白色或黑色。但可允许少数像素显示色谱中某些部分的颜色时出现错误。这并不表示显示屏有缺陷。

数位板

读取技术	电磁感应技术
活动区域	108.0 x 64.8 毫米
分辨率	2540 lpi 或 0.01 毫米/像素点
精度	± 0.5 毫米 (中央), 边缘区域 1 (距离显示区域边缘 20 毫米宽度处) 为 ± 2.0 毫米, 边缘区域 2 (距离显示区域边缘 3 毫米宽度处) 为 ± 4.0 毫米
读取高度	5 毫米或以上 (中央)
最高报告速率	200 点/秒
压力级别	1024 级
通信接口	STU-540: USB、VCP、RS232 STU-541: USB、VCP

其他

安全锁孔 1

笔

物理尺寸 (长 x 直径)	141.5 x 9.0 毫米 (5.57 x 0.35 英寸)
重量	约 7 克 (0.25 盎司)

Wacom 产品保修条款

1 定义

1.1 “Wacom”指 Wacom Company Ltd. 于中国大陆的全资公司及唯一合法代表“和冠科技(北京)有限公司”及其品牌。

1.2 “Wacom 产品”指仅限于经由 Wacom 授权或认可的中国大陆区域内的授权代理商或授权零售商销售给最终用户的 Wacom 品牌的产品。

1.3 “客户”指接受 Wacom 或 Wacom 授权销售商就 Wacom 产品的销售作出的书面或口头报价，或其 Wacom 产品购买订单被 Wacom 或 Wacom 授权销售商接受的一方。

1.4 本条款仅适用于中国大陆区域，解释权归属 Wacom (和冠科技(北京)有限公司) 专有。

2 有限保修条款

2.1 Wacom 向客户保证，除非另有规定，就 Wacom 产品的一般用途而言，Wacom 产品中的硬件产品将不存在影响正常使用的材料和工艺上的缺陷(软件和第三方产品除外)。在正常使用情况下的有效保修期内，由于产品本身质量问题引起的非人为损坏的故障，客户凭有效购买证明(指包含销售商资料、产品型号、产品序列号、购买日期及产品序列号的原始购买发票)，Wacom 将对存在瑕疵的 Wacom 硬件产品进行维修或更换，免收人工和备件费。

如果 Wacom 产品存在瑕疵，客户将享受下列服务：

2.1.1 自购买之日起 7 日内客户可在原购买处享有免费退机或者换机之服务或在 Wacom 公司享受免费维修服务；

2.1.2 自购买之日起 15 日内客户可以在原购买处享有免费换机之服务，或在 Wacom 公司享受免费维修服务；

2.1.3 自购买之日起 15 日以后的有效保修期内，客户可通过原购买处，或在 Wacom 公司享受免费维修服务；

保修内容和有效保修期如下：

液晶数位屏(数位板)、压感笔有效保修期为一年；

电源适配器、笔座、转换接头、数据连结线有效保修期为一年；

贴膜、笔芯属于耗材，不提供保修服务；

不可更换笔芯的压感笔(丽图和批笔配套的压感笔)属于耗材，有效保修期为三个月；

软件只提供载体的(光盘和软盘)损坏更换服务。

2.1.4 有效保修期的计算自开具发票之日计算，有效保修期的最后一天为法定节假日的，以节假日的次日为有效保修期的最后一天。

2.1.5 客户如果无法出示有效购买发票和有效保修卡，Wacom 公司将以出厂日期后第 45 天为有效的起始日期为客户提供免费保修服务。

2.1.6 最终判定权归属 Wacom (和冠科技(北京)有限公司)。

2.2 上述有限保修条款不适用于下列情况:

2.2.1 包括但不限于电力、空调、湿度控制或其他环境条件发生故障或不稳定、意外事故;

2.2.2 由于客户或其雇员、销售商或任何第三方滥用、错误使用造成的上述各项,包括但不限于塑料断裂或破裂、电源问题、仓储问题、未经 Wacom 授权的维修、不按产品说明而使用、未进行所需的预防性维护以及使用非 Wacom 供应的配件和组件引起的各种问题等;

2.2.3 产品的自然磨损 (包括但不限于外壳、显示屏、按键、贴膜、笔芯、附件等) 及其引起的维护,或者更换配件;

2.2.4 有效发票和保修卡上的内容和商品不符;

2.2.5 产品序列号不清楚、涂改、损坏、撕下后再粘贴或者去除;

2.2.6 一切自然灾害造成的损失。

2.3 在任何情况下,非 Wacom 品牌的第三方产品 (软件和硬件) 均不属于 Wacom 的有限保修范围。

2.4 Wacom 保证经维修或更换的 Wacom 产品在功能上将与原 Wacom 产品等同。

2.5 维修过的产品,对于同一故障,将在原来保修期剩下的时间里或从维修好之日起 90 天内仍被保修,以较长时间为准。

2.6 有限保修期满后,若属调校、维护或维修及配件更新性质的服务,均须收取配件及维修手续费。

2.7 当产品出现故障时,客户应当采取以下措施:

2.7.1 重新启动电脑,检查电脑是否感染病毒;

2.7.2 如果故障依旧,建议您更换另一台电脑 (例如朋友家的电脑),并在 Wacom 公司网站下载最新版本的驱动程序进行测试,以确认是否是数位板的硬件问题;

2.7.3 如果故障依旧,请联系 Wacom 公司,拨打 Wacom 公司服务热线或者发送电子邮件到 Support@wacom.com.cn 获得正确的服务信息。

2.8 送修流程

2.8.1 携带在保修项目内的故障 Wacom 硬件产品;

2.8.2 携带有效购买证明 (指包含销售商资料、产品型号、产品序列号、购买日期及产品序列号的原始购买发票) 及随机产品保修卡;

2.8.3 将产品送往原购买处或直接送往 Wacom 公司,送修及返回的一切费用应由客户承担。

注意: Wacom 并未授权任何销售商以 Wacom 产品维修资格

3 免责条款及其他声明:

3.1 由故障 Wacom 硬件产品直接或间接地引起其他连接设备所发生的故障不予负责。

3.2 软件引起的资料或其他应用软件损失不予负责。

3.3 更换下来的瑕疵备件归 Wacom 公司所有。

3.4 客户应对其数据的安全性自行负责。Wacom 公司不承担对数据，程序或可移动存储介质的损坏或丢失的责任。

3.5 除以上具体指明的责任之外，公司在任何情况下皆不对任何直接，间接，特殊，附带或继发性损害承担任何责任，无论是基于合同，过失或其他法律理论，以及是基于无论是否被告知有发生此类损害之可能。

3.6 任何 Wacom 的经销商或其授权维修点均无权代表 Wacom 公司承认或承担超出本保修条款范畴的义务，也无权放弃 Wacom 公司在本保修条款中列出的任何权利。

3.7 本售后服务条款的解释权归 Wacom (和冠科技(北京)有限公司) 所有，Wacom (和冠科技(北京)有限公司) 保留调整保修范围，产品功能及规范等的权利，恕不另行通知。

3.8 本保修条款中若有与国家政策法规不一致之处，以国家规定为准。

4 随机产品保修卡

4.1 Wacom 敬请客户在产品购买日起算 15 天以内(以按本条款要求完整填写的购买发票为准)，登录 Wacom 网站进行产品注册，以确保所购买的 Wacom 产品享受保修服务。(注意：非 Wacom 大陆地区销售的产品在 Wacom 网站无法进行产品注册，也无法享受 Wacom 公司的免费保修服务，如有疑问请拨打咨询电话：400-810-5460)

4.2 未按本售后服务条款要求详细填写相关资料的产品保修注册一律视为无效。

4.3 Wacom 敬请客户妥善保管随机产品保修卡和购买证明(指包含销售商资料，产品型号，购买日期及产品序列号的原始购买发票)，于申请维修时一并附上，否则此随机产品维修卡无效。

4.4 随机产品保修卡如被涂改，产品序列号不全或未加盖销售商公章，一切保修作废。

4.5 随机产品保修卡只适用于中国大陆区域，一旦遗失，恕不补发。

和冠科技(北京)有限公司

中国北京市朝阳区建国门外大街 1 号

中国国际贸易中心国贸西楼 518 室

邮编：100004

wacom®

© 2016 Wacom CO., Ltd. All rights reserved.

Wacom and its respective logos are trademarks and/or registered trademarks of Wacom Co., Ltd. All other company names and product names are trademarks and/or registered trademarks of their respective owners.

Printed in China UM-0585(A)