

STRONG

HD TV 32" (80CM) / FHD 40" (100 CM) SRT32HF2003 / SRT40FF2003



Picture similar

User Manual
Bedienungsanleitung
Manuel utilisateur
Manual del Usuario
Инструкции за употреба
Uživatelská příručka
Korisnički priručnik
Használati útmutató
Manuale utente

Gebruiksaanwijzing
Instrukcja obsługi
Manual do Utilizador
Manual de Utilizare
Uputstvo za upotrebu
Používateľská príručka
Navodila za uporabo
Посібник користувача
Руководство пользователя

SERVICE CENTER

AT	  support_at@strong.tv 0820 400 150 (€ 0,12/Min. österr. Festnetz)	HU	  support_hu@strong.tv +36 1 445 26 10
BG	  support_bg@strong.tv +359 32 634451	IT	  support_it@strong.tv 199 404 032 Da rete fissa 24,8 cent. al min. 12,5 cent. scatto alla risposta Da rete mobile max 49 cent. al min. 15,6 cent. scatto allo risposta
CZ	  support_cz@strong.tv 844 44 44 90	NL	  support_nl@strong.tv
DE	  support_de@strong.tv 0180 501 49 91 (€ 0,14/Min. deutsches Festnetz) (€ 0,42/Min. max. Mobilfunknetze)	PL	  support_pl@strong.tv 801 702 017
DK	  support_dk@strong.tv	PT	  support_pt@strong.tv +351 2 100 06 125
ES	  support_es@strong.tv +34 91 119 61 76	SK	  support_sk@strong.tv 0850 15 05 50
FR	  support_fr@strong.tv	SL	  support_sl@strong.tv +386 1 828 08 58
HR	  support_hr@strong.tv +385 1 344 57 66	UA	  support_ua@strong.tv +380 (44) 238 61 50

Supplied by STRONG Austria
Represented by STRONG Ges.m.b.H.
Teinfaltstraße 8/4. Stock
1010 Vienna, Austria
Email: support_at@strong.tv

Licenses

This product contains one or more programs protected under international and U.S. copyright laws as unpublished works. They are confidential and proprietary to **Dolby Laboratories**. Their reproduction or disclosure, in whole or in part, or the production of derivative works therefrom without the express permission of Dolby Laboratories is prohibited. Copyright 2003-2009 by Dolby Laboratories. All rights reserved.

SIMPLIFIED EU DECLARATION OF CONFORMITY

Hereby, STRONG declares that the device SRT 32HF2003, SRT 40FF2003 is in compliance with Directive 2014/53/EU.

The full text of the EU declaration of conformity is available at the following internet address: <https://www.strong.tv/en/doc>
Subject to alterations. In consequence of continuous research and development technical specifications, design and appearance of products may change. Manufactured under license from Dolby Laboratories. Dolby, Dolby Audio and the double-D symbol are trademarks of Dolby Laboratories. The terms HDMI, HDMI High-Definition Multimedia Interface, and the HDMI Logo are trademarks or registered trademarks of HDMI Licensing Administrator, Inc. All product names are trademarks or registered trademarks of their respective owners.

© STRONG 2023. All rights reserved.

To obtain the best performance and safety, please read this manual carefully. Please keep this manual for future reference.

TABLE OF CONTENTS




1.0 INSTRUCTION	4
1.1 SAFETY INSTRUCTIONS	4
1.2 STORAGE	4
1.3 ACCESSORIES	5
1.4 EQUIPMENT SET-UP	5
2.0 INSTALLATION	6
2.1 DEFAULT PIN CODE: 0000	6
2.2 FRONT PANEL/UNDERSIDE	6
2.3 REAR PANEL	6
2.4 REMOTE CONTROL	8
2.5 INSTALLING THE BATTERIES	9
2.6 USING THE REMOTE CONTROL	9
3.0 FIRST TIME INSTALLATION	9
3.1 AIR > DVB-T/T2 INSTALLATION	10
3.2 CABLE > DVB-C INSTALLATION	10
3.3 SATELLITE > DVB-S/S2 INSTALLATION	10
4.0 ELECTRONIC PROGRAMME GUIDE (EPG)	11
5.0 MENU SETTINGS	11
5.1 MENU CONTROL (DTV MODE)	11
5.2 CHANNEL	11
5.2.1 ANTENNA TYPE	11
5.2.2 AUTO TUNING	11
5.2.3 DISH SETUP	11

5.2.4 DTV MANUAL TUNING (IN DVB-T MODE ONLY)	11
5.2.5 ATV MANUAL TUNING (IN DVB-C MODE ONLY)	11
5.2.6 CHANNEL EXTRA SETTINGS	12
5.3 PICTURE MENU	12
5.3.1 CONTRAST/BRIGHTNESS/COLOUR	12
5.3.2 COLOUR TEMPERATURE	12
5.3.3 NOISE REDUCTION	12
5.4 SOUND MENU	12
5.5 TIMER MENU	13
5.6 LOCK	13
5.7 OPTION MENU	13
5.7.1 HDMI CEC	14
6.0 MEDIA	14
6.1 USB MENU	14
6.2 PLAY MUSIC	14
6.3 PLAY MUSIC	15
6.4 BROWSE PHOTOS	15
6.4.1 BROWSE TEXT DOCUMENTS	15
6.4.2 SOFTWARE UPDATE VIA USB	15
7.0 TROUBLESHOOTING	16
8.0 SPECIFICATIONS	17

1.0 INSTRUCTION

1.1 SAFETY INSTRUCTIONS



Read all of the instructions before operating the set. Keep these instructions well for later use.

- Only use attachments/accessories specified or provided by the manufacturer (such as the exclusive supply adapter, battery etc.).
- Please refer to the information on the exterior back enclosure for electrical and safety information before installing or operating the apparatus.
- To reduce the risk of fire or electric shock, do not expose this apparatus to rain or moisture.
- The ventilation should not be impeded by covering the ventilation openings with items, such as newspaper, table-cloths, curtains, etc.
- The apparatus shall not be exposed to dripping or splashing and no objects filled with liquids, such as vases, shall be placed on the apparatus.
- The mark  indicates a risk of electric shock. The external wires must be installed by an instructed person or ready-made leads or cords must be used.
- To prevent injury, this apparatus must be securely attached to the floor/wall in accordance with the installation instructions.
- Danger of explosion if the battery is incorrectly replaced. Replace only with the same or equivalent types.
- The battery (battery or batteries or battery pack) shall not be exposed to excessive heat such as sunshine, fire or the like.
- Excessive sound pressure from earphones and headphones can cause hearing loss.
Listening to music at high volume levels and for extended durations can damage one's hearing.
- In order to reduce the risk of damage to hearing, one should lower the volume to a safe, comfortable level, and reduce the amount of time listening at high levels.
- The mains plug or appliance coupler is used as disconnect device, it shall remain readily operable. When not in use and during movement, please take care of the power cord set, e.g. tie up the power cord set with cable tie or something like that. It shall be free from sharp edges or similar which can cause abrasion of the power cord set. When put into use again, please make sure the power cord is not damaged. In case of damages, please get the power cord replaced by a similar one with the same specifications. The absence of a light indication on the apparatus does not mean that it is fully disconnected from the mains. To disconnect the apparatus completely, the mains plug must be pulled out.
- Attention should be drawn to environmental aspects of battery disposal.
- No naked flame sources, such as lighted candles, should be placed on the apparatus.
-  To prevent the spread of fire, keep candles or other open flames away from this product at all times.
- A USB terminal can provide a maximum of 500 mA.
-  Equipment with this symbol is a Class II or double insulated electrical appliance. It has been designed in such a way that it does not require a safety connection to electrical earth.

Operating Environment

- Do not install this equipment in a confined space such as a bookcase or similar unit.
- Do not use the set near damp, and cold areas, protect the set from overheating.
- Keep away from direct sunlight.
- Do not use the set near dust place.
- Do not attach candle to accessible opening area, to avoid flammable foreign material from entering the TV.

WEEE Directive

 Correct Disposal of this product. This marking indicates that this product should not be disposed with other household wastes throughout the EU. To prevent possible harm to the environment or human health from uncontrolled waste disposal,  recycle it responsibly to promote the sustainable reuse of material resources. To return your used device, please use the return and collection systems or contact the retailer where the product was purchased. They can take this product for environmental safe recycling.

1.2 STORAGE

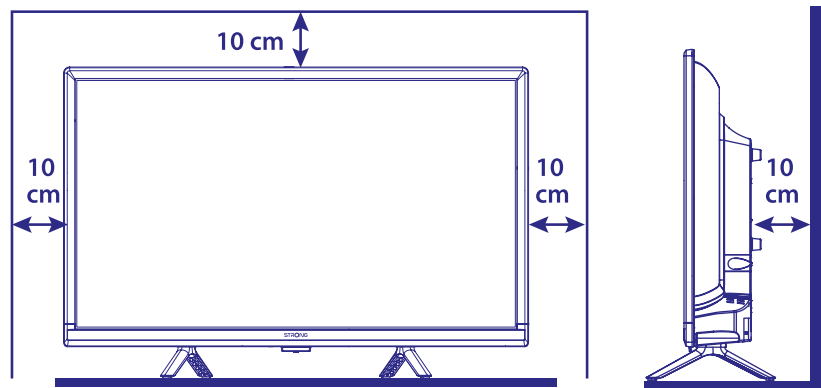
Your device has been carefully checked and packed before shipping. When unpacking it, make sure that all the parts are included and keep the packaging away from children. We recommend that you keep the carton during the warranty period, to keep your device perfectly protected in the event of repair or warranty.

1.3 ACCESSORIES

- 1x installation instructions
- 1x safety instructions/warranty cards
- 1x remote control
- 2x AAA batteries

1.4 EQUIPMENT SET-UP

Fig. 1



Install the display on a solid horizontal surface such as a table or desk. For ventilation, leave a space of at least 10 cm free all around the set. To prevent any fault and unsafe situations, please do not place any objects on top of the set. This apparatus can be used in tropical and/or moderate climates.

Stand assembly instruction

1. Carefully place the TV with its front side facing down on a cushioned flat surface in order to protect the TV and the TV screen from damage.
2. Take out the 2x feet and assemble them to the TV.
3. Fasten the feet to the bottom of the TV using the 4xPA4x14mm screws.

This user manual provides complete instructions for installing and using this TV. The symbols serve as follows.

WARNING Indicates warning information.

NOTE Indicates any other additional important or helpful information.

MENU Represents a button on the remote control or the TV.
(Bold characters)

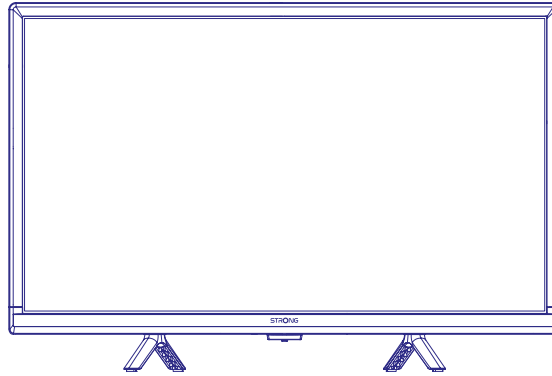
Move to Represents a menu item within a window.
(Italic characters)

2.0 INSTALLATION

2.1 DEFAULT PIN CODE: 0000

2.2 FRONT PANEL/UNDERSIDE

Fig. 2



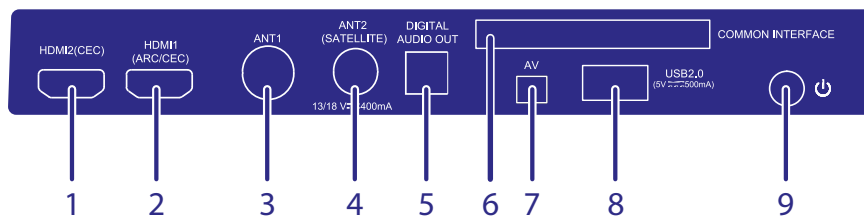
NOTE: The graphics are for representation only.

1. Power indicator /remote sensor
2. Speakers
3. Buttons: Input source, Menu, V-/V+, CH-/CH+, Standby/ON.

2.3 REAR PANEL

NOTE: The graphics are for representation only.

Fig. 3



32"

1. HDMI 2 (CEC)
2. HDMI 1

Connect HDMI input signal from a signal source such as DVD, Blu-ray player or game console.
Connect HDMI input signal from a signal source such as Chromecast stick, Android box, Google TV box or Dolby audio amplifier.

3. ANT 1
4. ANT 2/ SAT IN

Connect a coaxial cable to receive signal from the DVB-T/T2 antenna or DVB-C cable.
Connect a coaxial cable to receive signal from the Dish LNB. Connect a coaxial cable to receive signal from the DVB-T/T2 antenna or DVB-C cable.

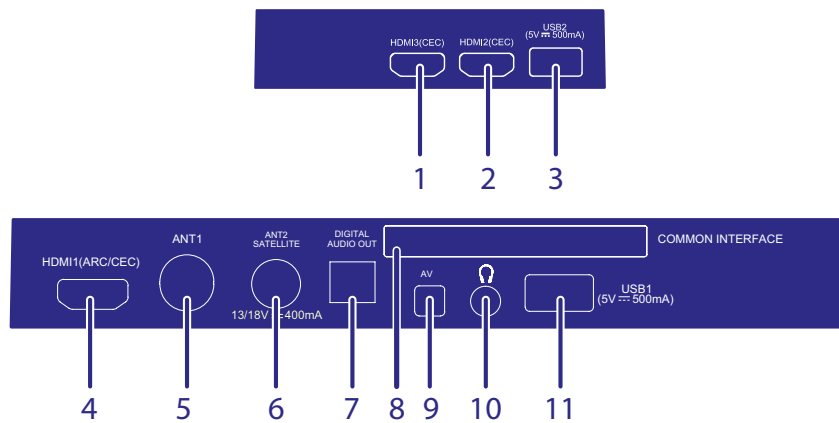
5. S/PDIF (optical)
6. COMMON INTERFACE
7. Mini AV IN

Use an optical cable to connect your TV to a compatible digital amplifier or Home theatre set.
Insert a Conditional Access Module (CAM) for decoding channels.

8. USB
9. Power button

To connect your video camera or other device using 3.5 mm AV cable to your TV to play videos on your TV screen.

Connect a USB device for playback of multimedia files
Press to turn the TV on, open menu or long press switch to standby

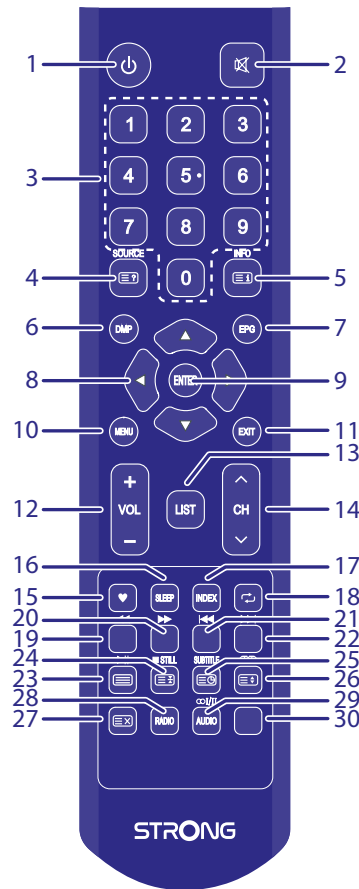


40"

- | | |
|---|--|
| <ul style="list-style-type: none"> 1. HDMI 3 (CEC) 2. HDMI 2 (CEC) 3. USB 2.0 4. HDMI 1 5. ANT 1 6. ANT 2/ SAT IN 7. S/PDIF (optical) 8. COMMONINTERFACE 9. HEADPHONE 10. USB 2.0 11. Mini AV IN | <p>Connect HDMI input signal from a signal source such as DVD, Blu-ray player or game console.</p> <p>Connect HDMI input signal from a signal source such as DVD, Blu-ray player or game console.</p> <p>Connect a USB device for playback of multimedia files</p> <p>Connect HDMI input signal from a signal source such as DVD, Blu-ray player or game console.</p> <p>Connect a coaxial cable to receive signal from the DVB-T/T2 antenna or DVB-C cable.</p> <p>Connect a coaxial cable to receive signal from the Dish LNB. Connect a coaxial cable to receive signal from the DVB-T/T2 antenna or DVB-C cable.</p> <p>Use an optical cable to connect your TV to a compatible digital amplifier or Home theatre set.</p> <p>Insert a Conditional Access Module (CAM).</p> <p>Headphone or Earphone audio output, speakers will be muted when earphone is plugged in and headphone selected.</p> <p>Connect a USB device for playback of multimedia files</p> <p>To connect your video camera or other device using 3.5 mm AV cable to your TV to play videos on your TV screen</p> |
|---|--|

2.4 REMOTE CONTROL

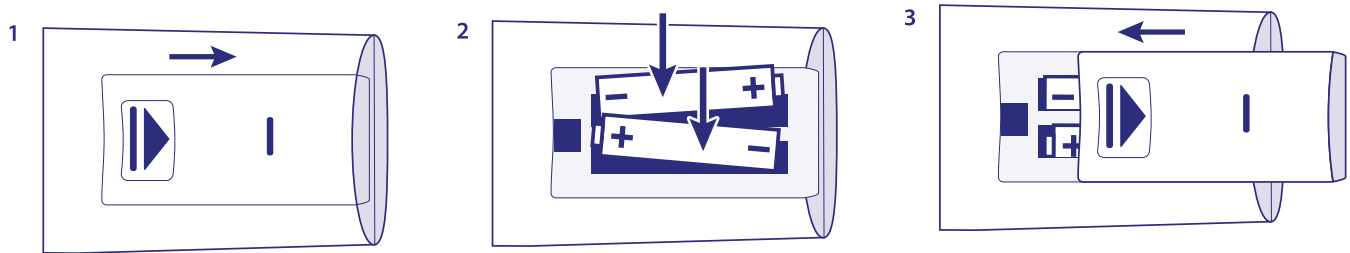
Fig. 4



- | | |
|---|---|
| <ol style="list-style-type: none"> 1. 2. 3. 0 ~ 9 4. 5. INFO 6. DMP 7. EPG 8. 9. ENTER 10. MENU 11. EXIT 12. VOL +/- 13. LIST 14. CH +/- 15. 16. SLEEP 17. INDEX 18. 19. RED / ◀◀ 20. GREEN / ▶▶ 21. YELLOW / ◀ 22. BLUE / ▶ 23. 24. 25. SUBTITLE / 26. 27. 28. RADIO 29. 30. | <p>Press to turn the TV on or standby.</p> <p>Press to mute or restore the volume.</p> <p>Choose channel directly.</p> <p>Press to access the TV sources.</p> <p>Display information about the current source.</p> <p>Access directly multimedia menu</p> <p>Press to display the current EPG information in DTV mode.</p> <p>Navigate the menu.</p> <p>Confirm the selection.</p> <p>Open the menu options. Step back in some menu options.</p> <p>Exit the current menu.</p> <p>Adjust the volume up or down.</p> <p>Press to view your assigned favourite list or main list channels. Press ▲▼ to cycle through your assigned favourite channels, press ENTER to confirm.</p> <p>Change programmes up or down. Big steps in Channel list.</p> <p>Open or close Favourite List menu</p> <p>Select the sleep time, such as 15 min, 30 min etc.</p> <p>Index or Transponder list</p> <p>Recall between the last viewed channel or item</p> <p>Press to fast reverse.</p> <p>Press to fast forward.</p> <p>Press to play the previous file.</p> <p>Press to play the next file.</p> <p>Tele text On/Off. Multimedia to start/pause playback.</p> <p>Freeze picture or to stop playback.</p> <p>Enable/disable subtitles in DTV mode</p> <p>Press to select screen formats or zoom function</p> <p>Hide text in teletext mode</p> <p>Switch between TV and Radio.</p> <p>Audio Languages selection</p> <p>No function</p> |
|---|---|

2.5 INSTALLING THE BATTERIES

Fig. 5



Place 2x AAA batteries in the battery compartment of the remote control. Make sure to match the polarity markings inside the compartment.

NOTE: Pictures are only for reference. Actual items may differ.

1. Open the cover.
2. Put 2x AAA batteries in the compartment and make sure the polarity is correct.
3. Close the cover.

Precautions for using the batteries

Improper using of the battery will cause leakage. Carefully follow these instructions.

1. Please note the batteries' polarity to avoid short circuit.
2. When the battery's voltage is insufficient which affect the use range, you should replace it with a new battery. Remove the batteries from the remote control unit if you do not intend to use it for a long time.
3. Do not use different types of batteries (for example Manganese and Alkaline batteries) together.
4. Do not put the battery into fire, and charge or decompose the battery.
5. Please dispose batteries abide by relevant environmental protection regulation.

2.6 USING THE REMOTE CONTROL

- Use the remote control by pointing it towards the remote sensor. Items between the remote control and the remote sensor could block normal operation.
- Do not cause the remote control to vibrate violently. Also, do not splash liquid on the remote control, also do not put the remote control in a high humidity place.
- Do not place the remote control under direct sunlight which will cause deformation of the unit by heat.
- When the remote sensor is under direct sunlight or strong lighting, the remote control will not work. If so, please change the lighting or TV's position, or operate the remote control closer to the remote sensor.

3.0 FIRST TIME INSTALLATION

After all connections have been properly made, switch on your TV. The welcome wizard appears on screen and confirm with **OK** to start the installation. The language selection will appear on screen. Use **▲▼** to select the OSD Language of your preference. Press **▶** and then use **▲▼** to select the country where you will use this TV. This is important to set setting as text character correctly. Press **▶** to change Environment from Home to Shop modus to demonstration TV in shop, otherwise keep as it is. Press **▶** and then use **▲▼** to select the Antenna / Tuner type you are using for reception. Press **▶** for next step to go to Tuning setup. If you like to make change, use **▶** to go step back in this wizard.

In Antenna Type selection you select which tuner input source you like to use.

- Air* to receive terrestrial broadcasts with indoor or outdoor antenna.
- Cable* to receive cable broadcasts if you have cable connection.
- Satellite* to receive satellite broadcasts if you are equipped with a satellite dish.

Next step is depending of your choice in Tuner setup.

3.1 AIR > DVB-T/T2 I NSTALLATION

Directly when you select *Air* and press ► button. Auto channel searching for channels is started. Just wait until all channels are found. Now you can enjoy digital Tv.

If no channels are found, check antenna connection, or check if arial is correct adjusted to transmission tower. Start from beginning the installation trough menu/ option/ Installation Guide.

3.2 CABLE > DVB-C INSTALLATION

After you select *Cable* and press ► button. The *Cable Scan Menu* will open. In this menu you can select *Full* for automatically searching for channels if you do not know the details of you local provider. Select *Network Search* to install the channels list in sorted channel order from local provider.

Cable Setting

Press ▲▼ ◀▶ to highlight your settings.

Scan type You can select *Network Search* or *Full*.

Network ID The default setting is *Auto*. To enter your own value press ◀▶ and enter (with 0 ~ 9) the used *Network ID* from your provider.

Frequency The default setting is *Auto*. To enter your own value press ◀▶ and enter (with 0 ~ 9) the main frequency used by your provider in KHz.

Symbol Rate The default setting is *Auto*. To enter your own value press ◀▶ and enter (with 0 ~ 9) the used *Symbol Rate* from your provider. (Ks/s) most used values are 6900 or 6875.

After selection is made, press **ENTER** Auto channel searching for channels is now started. Just wait until all channels are found. Now you can enjoy digital Tv.

If no channels are found, check antenna connection, or check if correct values of network are entered. Start from beginning the installation trough menu/ option/ Installation Guide.

NOTE: Please, check the settings for your cable system used by your provider! *Full* scan will have a duration of approximately 20 minutes, depending on your cable network.

3.3 SATELLITE > DVB-S/S2 INSTALLATION

Select *Satellite* press ► button to proceed installation for channels from satellite.

If you have selected country Germany or Austria , then *Channel Preset* menu will open. Select if you like load a pre-installed channel list ready to use or proceed with Auto Channel search as for all other countries.

Select *Auto Channel Search* to open Satellite Setup menu.

Use ▲▼ to highlight the satellite your dish is aimed at and confirm with **ENTER** button.

use ► to highlight the options of you dish antenna installation.

Select *LNB type* to select your used LNB type in the dish antenna. (Most common is 09750/10600).

Select *DiSEqC 1.0* or *1.1* if your installation is using switch for selection of more satellite dishes.

(Most common is to set DiSEqC 1.0 to LNB 1 port).

Select *Motor* for the satellite specialist how are using motor to receive multiple satellites.

If all setting and selection are made, press **BLUE Scan** button to open next menu *Channel Search*.

Scan Mode Choose between *Default* (recommended) and *Blind Scan*
Encrypted type Select *FTA channels* to search Free-To-Air channels only.
 Select *Encrypted* to search scrambled /coded channels only.
 Select *All* to search all channels.

Service Type Select *All* to search Digital TV channels and Radio.

Select *DTV* for only Digital TV channels.

Select *RADIO* to search radio channels only.

It is recommended to use the default settings.

confirm with **ENTER** button to start auto searching of channels. Just wait until all channels are found. Now you can enjoy digital Tv. If no channels are found, check antenna connection, or check if correct values of network are entered. Start from beginning the installation through menu/ option/ Installation Guide.

4.0 ELECTRONIC PROGRAMME GUIDE (EPG)

EPG stands for Digital Electronic Programme Guide. It is supplied by the programme providers and offers information on broadcasted programmes. You can access it in digital mode by pressing **EPG** on the remote control. Press **EPG** to bring up the EPG interface. Use **▲▼** to select a channel.

Press **INDEX ▶** to switch to overview from one channel EPG. Use **▲▼** to select event where you like to know more details. Press **EXIT** to stop and return to viewing modes.

Then press the **COLOUR BUTTONS** for entering the required settings.

GREEN Information
YELLOW Schedule List
BLUE Set a reminded to event or set even Timer function.

5.0 MENU SETTINGS

Below items depend if they are available of select input source. Use **SOURCE** to select other source. Selections are DTV, ATV, HDMI, AV, and USB Media.

5.1 MENU CONTROL (DTV MODE)

Press **MENU** to enter the main menu. Press **◀▶** to select an item. Press **ENTER** to select the submenus. Press **MENU** to exit the item.

5.2 CHANNEL

Press **MENU** to display the main menu. Press **ENTER** to select *Channel* in the main menu. Press **▲▼** to select the option you wish to adjust in the *Channel* menu.

Press **ENTER** to enter sub menu. After finish your adjustment, press **MENU** to save and return to the previous menu. Below items depend if they are available of select input source. Use **SOURCE** to select other source.

5.2.1 ANTENNA TYPE

Press **ENTER** to select which antenna type you want to use. Select between, Air, Cable or Satellite.

5.2.2 AUTO TUNING

Press **▲▼** to select *Auto Tuning*. If the TV use DVB-T or DVB-C tuner please refer to chapters 3.1 and 3.2; for Satellite (DVB-S) tuner please refer to chapter 3.3.

5.2.3 DISH SETUP

If you use *Satellite* as input source, the *Dish Setup* menu allow you to set you satellite and belonging settings as DiSeqC port and LNB type. Afterwards you may start the *Auto Tuning* with the **BLUE** Scan button or *Manual Tuning* by selecting with **INDEX** button the wanted transponder.

5.2.4 DTV MANUAL TUNING (IN DVB-T MODE ONLY)

Search and store programmes manually. Press **▲▼** to select *DTV Manual Tuning*. Then press **ENTER** to enter the sub-menu. Press **◀▶** to select a *Channel No.*, and then press **ENTER** to start the search. The search stops when a programme is found and this programme will be stored in the current channel position. Press **MENU** to exit.

5.2.5 ATV MANUAL TUNING (IN DVB-C MODE ONLY)

In the Channel menu, select *ATV Manual Tuning* and press **ENTER** to access. Highlight and press **▲▼** to select *Storage To 1* (maybe other number), *Sound System* and *Channel No.*. Then select search and press **ENTER** to start the search. Press **▶** for the unit to search towards higher frequency. Press **◀** for the unit to search towards lower frequency. The search stops when a programme is found and this programme will be stored in the current channel position. If you want to stop the search, press **MENU**.

Sound Standard Select the Sound standard.
Video Standard Select the Video standard (Available: AUTO, PAL, NTSC, SECAM)
Current CH Set the channel number.
Search Start the channel search.
Fine-Tune Adjust the frequency of the channel.

5.2.6 CHANNEL EXTRA SETTINGS

Logical Channel Numbering LCN

This function sort channels automatically to logic order in DVB-T modus if broadcaster support this function. Press **ENTER** to select *On* or *Off*.

Dynamic Rescan

This function can search changes or for new channels automatically. Press **ENTER** to select *On* or *Off*. **NOTE:** if set to *On*, your channel list sorting can be changed if new channels are found.

Programme Edit

Edit the programmes. You can press the **COLOUR BUTTONS** on the remote control to skip programmes, rename and delete programmes or move programmes, and add programmes to the favourite list by pressing **FAV**.

CI information

In the case you use an CI Module for decoding encoded channels, this menu shows the internal menu of the card and/or CAM.

Signal Information

Showing the information of current DTV channel. Only available with DTV signal.

Channel Type

Select *FTA* to search Free-To-Air channels only, or *ALL* to search FTA and Encrypted channels.

NOTE: If *Logical Channel Numbering* function is set to *ON* then sorting of channels is not possible in normally way. *Logical Channel Numbering* is not functioning in satellite mode.

5.3 PICTURE MENU

Picture Mode

Select one of the automatic picture control mode. Available choices are *Home*, *Vivid*, *Standard*, *Mild*. Select *User* to adjust Contrast, Brightness, Colour and Sharpness as you like.

Colour Temperature

Select the overall colour tone of the picture. Available choices are *User*, *Cool*, *Standard*, *Warm*. *Noise Reduction*, Eliminates noise in the picture. Available choices are *Off*, *Low*, *Middle*, *High* and *Default*.

5.3.1 CONTRAST/BRIGHTNESS/COLOUR

If *Picture Mode* is set to *User* you are able to change the following settings.

Press **▲▼** to select an option, then press **◀▶** to adjust.

Contrast

Adjust the highlight intensity of the picture, but the shadow of the picture is invariable.

Brightness

Adjust the optical fiber output of the entire picture, it will effect the dark region of the picture.

Colour

Adjust the saturation of the colour based on your own preference.

Tint

No function

5.3.2 COLOUR TEMPERATURE

In this menu you can change the overall colour cast of the picture.

Press **▲▼** to select *Colour Temperature*, then press **ENTER** to enter a sub-menu. Press **▲▼** to select the relevant picture effect.

Cold

Increase the blue tone for the white.

Standard

Increase the neutral colours for the white.

Warm

Increase the red colour for the white.

5.3.3 NOISE REDUCTION

In this menu you can filter out and reduce the image noise and improve picture quality. Press **▲▼** to select *Noise Reduction*, then press **ENTER** to enter a sub-menu.

Off

Select to turn off video noise detection.

Low

Detect and reduce low video noise.

Middle

Detect and reduce moderate video noise.

High

Detect and reduce enhanced video noise.

Default

Set as Default.

5.4 SOUND MENU

Sound Mode

Select your favourite sound mode for each input. Choices are *Standard*, *Music*, *Movie*, *Sports* and *User*.

Treble

Adjusts the higher frequency of the sound.

Bass

Adjusts the lower frequency of the sound.

Balance

Control the sound balance between the right and left loudspeaker (earphone).

Auto Volume

Adjust the volume corresponding to the input audio level. Options are *On* and *Off*.

Surround

Simulate surround effect out of stereo audio. Options are *On* and *Off*.

S/PDIF Mode

If you have connected S/PDIF output to digital home audio system. You can select *Auto* to output Dolby audio automatically. If channel have this audio channel. Select *PCM* to output only stereo audio or *OFF* to switch output off.

AD Switch Turn on the *Audio* description, you can activate the setting of AD volume. When turn on the audio description, a narrator will describe what is happening on the screen for blind or visually impaired viewers. (Only if available in DTV mode.)

Audio Delay If the audio not is in lib-sync can here you adjust the delay of audio.

5.5 TIMER MENU

Press **MENU** to display the main menu. Press ◀▶ to select *TIMER* in the main menu. Press ▲▼ to do further adjustments. Press **ENTER** to confirm or Press **MENU** to return.

Auto Sync. Default is time synchronization set to On. If you like to set time manual, select *Off*.

Clock The time is automatically obtained from the channel transmission and doesn't have to be set manually.

Time Zone Press ▲▼◀▶ to select *Time Zone* if you like to change to other zone.

Sleep Timer Press ▲▼ to select *Sleep Timer*. Available Options: *Off, 10 min., 20 min., 30 min., 60 min., 90min., 120 min., 180 min. and 240 min.*

Auto Standby This function allows you to set the automatic shutdown of your TV. Choose between *3H, 4H, 5H* or *Off* to disable this function.

No Signal OSD Timer If source signals are gone or stopped, can Tv switch automatically to standby mode. Options are On and Off. This function allows you to choose how long the channellist banner is displayed. Choose between *5s, 15s* or *30s*.

5.6 LOCK

Press **MENU** to display the main menu. Press ◀▶ to enter the *Lock* menu settings. To enable enter the PIN code (default:0000).

Press ▲▼ to select the options. The following options are available:

Lock System This option allows you to enable or disable the password protection. Press **ENTER** to set this function *On* or *Off*.

Set Password The default password is **0000**, to customize the password press **ENTER** and follow the instruction within the menu.

Block Program This option allows you to protect viewing of one or more channels with an PIN code. Press **ENTER** to display the channel list and select with ▲▼ the channel you want to be locked. Press **YELLOW** to lock it. Consider the same procedure to lock other channels if needed.

Parental Guidance Press **ENTER** to enter and set the age for suitable programmes for children, then press ▲▼.

5.7 OPTION MENU

Language Select the *Menu language* of your choice. The default setting is *English*. Press ▲▼ to select the menu language.

Audio Languages Press ◀▶ to select *Primary* for main audio track or *Secondary* next audio channel if first is not available. Press ▲▼◀▶ to select your chosen *Audio Language*, then press **ENTER**.

Subtitle Select to switch On or Off for displaying subtitles on screen if available.

Subtitle Language Press ▲▼◀▶ to select your chosen *Subtitle Language*, then press **ENTER** to select.

Hearing Impaired If you like to have extra subtitles support for hearing impaired user then select this function to On.

Aspect Ratio Change in this option the picture format from displayed video on the screen. Press **ENTER** to select. *Auto, 16:9, 4:3, Zoom 1, Zoom 2*.

Country Display the selected country selected in installation.

Environment Press **ENTER** to select between HOME or STORE modes. In Store mode will it display an information banner on screen.

Energy Saving Show or to select energy saving status. If set to Off, it allows you to adjust some screen levels with use high power consumptions.

Health Remind Press **ENTER** to select between On or Off modes. In will it display an information after some time on screen.

HDMI CEC See Next chapter 5.7.1

Power On Logo Press **ENTER** to select between On or Off modes. To display boot logo after switch TV to On.

Default Press **ENTER** and PIN to restore all settings back to default. Selection can be made to keep current channel list or delete this as well.

Installation Guide This option allows you to perform the First Installation again. Select *Start* pressing **ENTER**. Now you will reset all the settings contained in the main menu and deleted all installed channels. TV will go back to First Time Installation. See chapter 3.

Software Version Find here the details of the installed software version.

Software Update (USB) If a new software release for this model is available on our website and you have copied the unzipped file to an empty USB device, formatted in FAT32, you can upgrade the system software of this TV. After

successfully update a message appears on screen. Power off by removing the main power connector. Remove USB device and power ON.

NOTE: NEVER disconnect the USB device from the TV, the TV from the main or switch OFF power during the update procedure. It can damage your device and warranty will void!

5.7.1 HDMI CEC

- HDMI_CEC** Select this item and Press ENTER. Press ◀▶ to turn the HDMI CEC control On or Off
- ARC** Press ◀▶ to turn the Audio Return Channel On or Off.
- Auto Standby** Press ◀▶ to turn on this feature. When finished turn off your TV. The connected device will turn off automatically.
- Auto Power On** Press ◀▶ to select this option. When you switch On connected device it will turn on the Tv automatically.
- Device List** Press ENTER to open the main menu of connected HDMI device(s).

6.0 MEDIA

1. Some USB storage devices may not be compatible to operate smoothly with this TV.
2. Back up all of the data in the USB storage device in case data is lost due to an unexpected accident. STRONG does not assume any liability for the losses by misuse or malfunction. Data backup is consumer's responsibility.
3. For large file sizes, the loading speed may be slightly longer.
4. The recognition speed of a USB storage device may depend on each device.
5. When connecting or disconnecting the USB storage device, make sure the TV is not in USB mode otherwise the USB storage device or the files stored in it may be damaged.
6. Please use only a USB storage device which is formatted in FAT32, NTFS (playback only) file system provided with the Windows operating system. In case of a storage device formatted as a different utility programme which is not supported by Windows, it may not be recognized.
7. For Software Updates and Database functions it is recommended to use USB-Sticks (keys) in FAT32.
8. When using a USB Hard Disk Drive which is not powered independently, ensure its power does not exceed 500 mA. Otherwise the TV system will change into standby mode, and you must pull out the USB Hard Disk and restart the TV system.
9. An "Unsupported File" message will be displayed if the file format is unsupported or the file is corrupted.
10. FHD big picture needs longer time to process, which is not caused by the TV. Please be patient.
11. This TV may not support some multimedia files changed and upgraded as the change of the encoding format or other technical aspects advances.
12. Please refer to chapter 9. **Appendix** for a list of supported file formats for USB playback.

6.1 USB MENU

Press **SOURCE** and select *Media* or press DMP button.. You can view movie, music, photo and text files from your USB storage devices. Connect a USB storage device to the USB input terminal and select the types of media on the home page: *Movie*, *Music*, *Photo* and *text*. Press **ENTER**, the screen will show the connected USB device, press **ENTER** again to view the file folders and files. Press ▲▼ or ◀▶ to select a folder, press **ENTER** to open the folder and select the files. Highlight the one you want to play or watch or press directly ▶ || to start playing directly. Press ■ to stop playing and return to upper level folder. Continuously press **EXIT** to go back to upper level folder. Repeat again to select and play another media type.

NOTE: By choosing one of the three media types, for example *Movie*, the folders inside will display only video files and no other formats.

6.2 PLAY MUSIC

During playback, press **INFO** or **ENTER** to display/exit the menu bar. Press the **USB control buttons** on the remote control to do relevant operations.

Play & Pause/Stop/Prev./Next

Press ▶ || to play or pause the playback. Press ■ to stop playing. Press ◀▶ to play the previous or the next video file. Press **INFO** and use ◀▶ to highlight the corresponding icon on the control bar, then press **ENTER**. The TV will response accordingly.

Fast Reverse/Fast Forward

Press and hold ◀▶ for seconds to draw the playing progress as your desire, then press ▶ || to start the playing from the new position.

Play Mode

Highlight the corresponding icon and press **ENTER** to switch to another play mode.

Information

Highlight the corresponding icon and press **ENTER** to view the information of the playing video.

Zoom in/out

Highlight the button and press **ENTER** to change the display mode.

6.3 PLAY MUSIC

Press **INFO** or **ENTER** to display/exit from the menu bar. Press the **USB control buttons** on the remote control to do relevant operations.

Play & Pause/Stop/Previous/Next

Press **▶ ||** to play or pause the playback. Press **■** to stop playing. Press **◀▶** to play the previous or the next music file. Press **◀▶** to highlight the corresponding icon on the control bar, and then press **ENTER**. The player will response accordingly.

Fast Forward/Fast Reverse

Press and hold **◀▶** for seconds to draw the playing progress as you wish, then press **▶ ||** on the remote control to start playing from the new position.

Repeat

Highlight the icon and press **ENTER**. You can select 3 different modes: *None* to disable the function, *1* to repeat one track only and *All* to repeat the entire list once it is finished.

Information

Highlight the icon and press **ENTER** to check the information of the playing music.

NOTE:

- If one (or more) file(s) of the play list is selected, the buttons **◀▶** will play only selected files.
- This menu only shows supported files.
- Files with other file extensions are not displayed, even if they are saved on the same USB storage device.
- An over-modulated mp3 file may cause some sound distortion during playback.
- This TV supports lyrics display (in English). The maximum number of characters per line is 48.
- The file name of music and lyrics must be the same in order to display lyrics while the music is playing.
- If you want to show the associated lyrics on the screen with the music, you must store these in the same folder using the same file name with ".lrc" file extensions.

6.4 BROWSE PHOTOS

Press during viewing **INFO** or **ENTER** to display/exit from the menu bar. Press the **USB control buttons** on the remote control to do relevant operations.

Play & Pause/Stop/Previous/Next

Press **▶ ||** to play or pause the playback. Press **■** to stop playing. Press **◀▶** to show the previous or the next picture. Press **◀▶** to highlight the icon on the control bar, and then press **ENTER**. The TV will response accordingly.

Repeat

Highlight the icon and press **ENTER**. You can select 3 different modes: *None* to disable the function, *1* to repeat one track only and *All* to repeat the entire list once it is finished.

Info

Highlight the button and press **ENTER** to check the information of the shown photo.

Rotate

Highlight the icon in the menu bar and press **ENTER** to rotate the picture 90 degrees clockwise or counter clockwise.

Zoom In/Zoom Out

Highlight the icon on the menu bar and press **ENTER** to zoom in or zoom out of the image.

Move View

When the image is magnified, use this function for convenient check. Highlight this icon, press **ENTER**, then press **◀▶▲▼** to move the image.

NOTE:

The move function  is only available when the image is enlarged.

6.4.1 BROWSE TEXT DOCUMENTS


Press **◀▶** to select *Text* in the main menu. Then press **◀▶** to select the drive disk you choose to watch and **ENTER** to enter. Select the file you want to display by using **▲▼◀▶** and confirm with **OK**. Quit step by pressing **ENTER**. Press **◀▶** to select *return* and go back to previous menu.

6.4.2 SOFTWARE UPDATE VIA USB

From time to time you can check if there is an improved software version available. This can be viewed and downloaded from our website www.strong.tv. Search the model number on our website's service support section. If there is an improved software version you can download the file and copy it to the root of a USB device. Then press **▲▼** button to select *Software Update (USB)* from the Option menu on your TV. Plug your USB device into the USB slot and press **ENTER** to update the respective software. Confirm with *Yes* using **◀▶**. When the update is completed, remove the USB stick, disconnect your device from the main power supply and plug in again.

7.0 TROUBLESHOOTING

There may be various reasons for abnormal operation of your TV set. Check your TV set according to the general procedures shown below. Additionally, we strongly recommend reading the detailed troubleshooting of your TV set in the full user manual available on our website www.strong.tv. If your TV set does not work properly after checking the general and detailed troubleshooting, please contact your dealer, the local Service Hotline, or send an email to our support via www.strong.tv. DO NOT try to open or disassemble your TV set. It may cause a dangerous situation and the warranty will be void.

Problem	Possible cause and solution
The LED/Standby indicator does not light up	<ol style="list-style-type: none"> 1. Check whether the power connector is completely plugged at the TV and into power socket. 2. Make sure that the switch on multipoint connectors is switched ON as well. 3. The electrical outlet may be damaged. 4. STBY LED is defective.
No Signal	<ol style="list-style-type: none"> 1. The TV is not connected to a signal source (DVB-C, DVB-S/S2 or DVB-T/T2) or the antenna (terrestrial or satellite antenna) is maybe not aligned correctly respectively the according connection and distribution equipment might show malfunction, incompatibility or defectives. 2. DVB-T/T2: Active antennas need antenna power switched ON or external power connected. Antenna is maybe out of digital signal reception in your area. Check reference from service providers about coverage. 3. DVB-S/S2: Incorrect values of some tuner parameters (e.g. one or some channel(s) changed to another transponder or are no longer emitted). Incorrect values of LNB parameters.
The picture and sound remain frozen, or macro blocks or similar distortion are visible on the screen.	<p>DVB-S/S2, DVB-T/T2: The reception signal is too weak or disturbed by electromagnetic, high-frequency, or other interference signals. DVB-T/T2 : Disturbances caused by signal reflections.</p> <p>DVB-C, DVB-S/S2: The connection cables at the signal source are too long (too high attenuation).</p> <p>DVB-T/T2, DVB-S/S2: The antenna is not properly adjusted or got misaligned after storm etc.</p>
Any other reception or signal related problems	<ol style="list-style-type: none"> 1. Generally cables might have loosened. Moisture might have entered into cables or connectors. There is heavy rain or heavy storm at present (DVB-S/S2 and -T/T2). Check the cable connections. DVB-S/S2 and -T/T2: Check all equipment connected between the reception point and the TV. 2. Wait until heavy rain/thunderstorm passed. If no solution ask a local satellite specialist for advice. DVB-S/S2: The satellite dish is NOT aligned to the (correct) satellite(s). Ask a local satellite specialist for advice. 3. DVB-S/S2: Satellite dish is too small. Trees or buildings are in path. Ask a local satellite specialist for advice. 4. DVB-S/S2: Signal is too strong, maybe need to be attenuated. Ask a local satellite specialist for advice.
No colour	<ol style="list-style-type: none"> 1. Devices are not properly connected (scart, RCA sockets) or wrong/bad cables are used. 2. Adjust the saturation. 3. Switch TV on another channel. It is possible that the current programme is broadcast in black and white.
No picture, normal sound	<ol style="list-style-type: none"> 1. Adjust the brightness and contrast 2. Radio channel is tuned to or the programme is not transmitting Video signals or another broadcasting interference/failure.
Normal picture, no sound	<ol style="list-style-type: none"> 1. Press the volume up button to increase the volume level. 2. Audio is muted, press  to restore the sound. 3. If external devices are used to loop the sound through, make sure to select correct sources and correct sound mode, for details also check advices in User Manuals from connected devices 4. Maybe a channel w/o audio is tuned to (demo) or the programme is not transmitting audio signals or there is some other transmission interference/failure.
Playback of video is causing picture freeze/macro blocks or similar distortion, especially on HD content.	<p>Read/write speed of your USB device could be too low. Make sure to use a USB storage device with sufficient speed and space. Pen drives (USB sticks) may not support sufficient speed.</p>

Problem	Possible cause and solution
The remote control does not work	<ol style="list-style-type: none"> 1. Change the batteries. If you're using rechargeable ones take care to use such with low self-discharge 2. The batteries are not installed correctly or the types have been mixed 3. IR Sensor is blocked or maybe interfered from bright light
The TV switches off after a certain time	Switch ON the TV and check settings for automatic STBY function, by default the TV switches OFF after 4 hours to fulfil European low power regulations and help you to save energy.

NOTE: If the problem persists after these solutions, please contact your local support centre or send a support mail via our website www.strong.tv.

8.0 SPECIFICATIONS

Audio

Audio Output: 32": 5W
40": 8W

Video

DVB-T: Reception range: VHF (174MHz ~ 230MHz), UHF (474MHz ~ 862MHz)
 Input impedance: 75Ω
 Channel Bandwidth: 7MHz/8MHz
 Modulation: DVB-T: COFDM 2K/8K QPSK, 16QAM, 64QAM
 DVB-S/S2: QPSK, 8PSK
 DVB-T2: QPSK, 16QAM, 64QAM, 256QAM
 DVB-C: 16QAM, 32QAM, 64QAM, 128QAM, 256QAM
 Video System: MPEG-2 MP@ML, MPEG-2 MP@HL, H.2 Main/Main- 10 profile, @L4.1, Support 8-bit/10-bit color depth, 1920x1080@60fps
 Sound System: MPEG-1 layer 1/2
 System: DTV: DVB-T2, DVB-S2, DVB-C, DVB-T, DVB-S
 ATV: PAL/SECAM/ NTSC
 AV: PAL, NTSC

Connectors 32"

1x ANT IN 1x SAT IN
 2x HDMI
 1x USB
 1x S/PDIF (optical)
 1x AV IN
 1x COMMONINTERFACE (CI)

Connectors 40"

1x ANT IN 1x SAT IN
 3x HDMI
 2x USB
 1x S/PDIF (optical)
 1x AV IN
 1x COMMONINTERFACE (CI)
 1x Headphones

General Data

Operating voltage: 100 ~ 240 V AC 50/60 Hz
 Power consumption: 32": max. 55W
 40": max. 74W
 Operating temperature: 5 °C ~ +35 °C
 Storage temperature: -15 °C ~ +45 °C
 Operating humidity: 0% ~ 89% RH, non-condensing
 Storage humidity: 0% ~ 85% RH, non-condensing
 Dimensions (WxHxD) in mm: 32": 732.5 x 80.6 x 434.7 mm
 40": 904.3 x 80.3 x 516 mm
 Net-weight: 32": 3.7 kg
 40": 5.4 kg