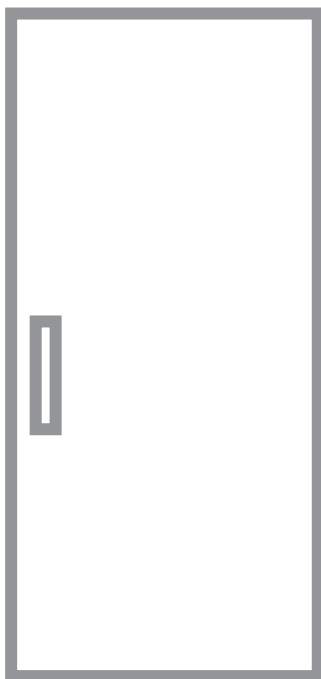


► SKB812F1AC

EN	<b>User Manual</b> Refrigerator	2
IT	<b>Istruzioni per l'uso</b> Frigorifero	19
ES	<b>Manual de instrucciones</b> Frigorífico	37

# USER MANUAL



**AEG**

## CONTENTS

1. SAFETY INFORMATION.....	2
2. SAFETY INSTRUCTIONS.....	4
3. INSTALLATION.....	6
4. CONTROL PANEL.....	9
5. DAILY USE.....	11
6. HINTS AND TIPS.....	11
7. CARE AND CLEANING.....	12
8. TROUBLESHOOTING.....	13
9. NOISES.....	17
10. TECHNICAL DATA.....	17
11. INFORMATION FOR TEST INSTITUTES.....	17

## FOR PERFECT RESULTS

Thank you for choosing this AEG product. We have created it to give you impeccable performance for many years, with innovative technologies that help make life simpler – features you might not find on ordinary appliances. Please spend a few minutes reading to get the very best from it.

Visit our website for:



Get usage advice, brochures, trouble shooter, service and repair information:  
**[www.aeg.com/support](http://www.aeg.com/support)**



Register your product for better service:  
**[www.registeraeg.com](http://www.registeraeg.com)**



Buy Accessories, Consumables and Original spare parts for your appliance:  
**[www.aeg.com/shop](http://www.aeg.com/shop)**

## CUSTOMER CARE AND SERVICE

Always use original spare parts.

When contacting our Authorised Service Centre, ensure that you have the following data available: Model, PNC, Serial Number.

The information can be found on the rating plate.

 Warning / Caution-Safety information

 General information and tips

 Environmental information

Subject to change without notice.

### 1. SAFETY INFORMATION

Before the installation and use of the appliance, carefully read the supplied instructions. The manufacturer is not responsible for any injuries or damage that are the result of incorrect installation or

usage. Always keep the instructions in a safe and accessible location for future reference.

## 1.1 Children and vulnerable people safety

- This appliance can be used by children aged from 8 years and above and persons with reduced physical, sensory or mental capabilities or lack of experience and knowledge if they have been given supervision or instruction concerning the use of the appliance in a safe way and understand the hazards involved.
- Children aged from 3 to 8 years are allowed to load and unload the appliance provided that they have been properly instructed.
- This appliance may be used by persons with very extensive and complex disabilities provided that they have been properly instructed.
- Children of less than 3 years of age should be kept away from the appliance unless continuously supervised.
- Do not let children play with the appliance.
- Children shall not carry out cleaning and user maintenance of the appliance without supervision.
- Keep all packaging away from children and dispose of it appropriately.

## 1.2 General Safety

- This appliance is intended to be used in household and similar applications such as:
  - Farm houses; staff kitchen areas in shops, offices and other working environments;
  - By clients in hotels, motels, bed and breakfast and other residential type environments.
- To avoid contamination of food respect the following instructions:
  - do not open the door for long periods;
  - clean regularly surfaces that can come in contact with food and accessible drainage systems;

- store raw meat and fish in suitable containers in the refrigerator, so that it is not in contact with or drip onto other food.
- **WARNING:** Keep ventilation openings, in the appliance enclosure or in the built-in structure, clear of obstruction.
- **WARNING:** Do not use mechanical devices or other means to accelerate the defrosting process, other than those recommended by the manufacturer.
- **WARNING:** Do not damage the refrigerant circuit.
- **WARNING:** Do not use electrical appliances inside the food storage compartments of the appliance, unless they are of the type recommended by the manufacturer.
- Do not use water spray and steam to clean the appliance.
- Clean the appliance with a moist soft cloth. Only use neutral detergents. Do not use abrasive products, abrasive cleaning pads, solvents or metal objects.
- When the appliance is empty for long period, switch it off, defrost, clean, dry and leave the door open to prevent mould from developing within the appliance.
- Do not store explosive substances such as aerosol cans with a flammable propellant in this appliance.
- If the supply cord is damaged, it must be replaced by the manufacturer, its Authorised Service Centre or similarly qualified persons in order to avoid a hazard.

## 2. SAFETY INSTRUCTIONS

### 2.1 Installation



#### **WARNING!**

Only a qualified person must install this appliance.

- Remove all the packaging.
- Do not install or use a damaged appliance.
- Do not use the appliance before installing it in the built-in structure due to safety manner.
- Follow the installation instructions supplied with the appliance.
- Always take care when moving the appliance as it is heavy. Always use safety gloves and enclosed footwear.
- Make sure the air can circulate around the appliance.
- At first installation or after reversing the door wait at least 4 hours before connecting the appliance to the power supply. This is to allow the oil to flow back in the compressor.

- Before carrying out any operations on the appliance (e.g. reversing the door), remove the plug from the power socket.
- Do not install the appliance close to radiators or cookers, ovens or hobs.
- Do not expose the appliance to the rain.
- Do not install the appliance where there is direct sunlight.
- Do not install this appliance in areas that are too humid or too cold.
- When you move the appliance, lift it by the front edge to avoid scratching the floor.

## 2.2 Electrical connection



**WARNING!**  
Risk of fire and electric shock.



**WARNING!**  
When positioning the appliance, ensure the supply cord is not trapped or damaged.



**WARNING!**  
Do not use multi-plug adapters and extension cables.

- The appliance must be earthed.
- Make sure that the parameters on the rating plate are compatible with the electrical ratings of the mains power supply.
- Always use a correctly installed shockproof socket.
- Make sure not to cause damage to the electrical components (e.g. mains plug, mains cable, compressor). Contact the Authorised Service Centre or an electrician to change the electrical components.
- The mains cable must stay below the level of the mains plug.
- Connect the mains plug to the mains socket only at the end of the installation. Make sure that there is access to the mains plug after the installation.
- Do not pull the mains cable to disconnect the appliance. Always pull the mains plug.

## 2.3 Use



**WARNING!**  
Risk of injury, burns, electric shock or fire.



The appliance contains flammable gas, isobutane (R600a), a natural gas with a high level of environmental compatibility. Be careful not to cause damage to the refrigerant circuit containing isobutane.

- Do not change the specification of this appliance.
- Do not put electrical appliances (e.g. ice cream makers) in the appliance unless they are stated applicable by the manufacturer.
- If damage occurs to the refrigerant circuit, make sure that there are no flames and sources of ignition in the room. Ventilate the room.
- Do not let hot items to touch the plastic parts of the appliance.
- Do not store flammable gas and liquid in the appliance.
- Do not put flammable products or items that are wet with flammable products in, near or on the appliance.
- Do not touch the compressor or the condenser. They are hot.

## 2.4 Internal lighting



**WARNING!**  
Risk of electric shock.

- The type of lamp used for this appliance is for household appliances only. Do not use it for house lighting.

## 2.5 Care and cleaning



**WARNING!**  
Risk of injury or damage to the appliance.

- Before maintenance, deactivate the appliance and disconnect the mains plug from the mains socket.
- This appliance contains hydrocarbons in the cooling unit. Only a qualified person must do the maintenance and the recharging of the unit.

- Regularly examine the drain of the appliance and if necessary, clean it. If the drain is blocked, defrosted water collects in the bottom of the appliance.

## 2.6 Service

- To repair the appliance contact the Authorised Service Centre. Use original spare parts only.
- Please note that self-repair or non-professional repair can have safety consequences and might void the guarantee.
- The following spare parts will be available for 7 years after the model has been discontinued: thermostats, temperature sensors, printed circuit boards, light sources, door handles, door hinges, trays and baskets. Please note that some of these spare parts are only available to professional repairers, and that not all spare parts are relevant for all models.
- Door gaskets will be available for 10 years after the model has been discontinued.

## 3. INSTALLATION



**WARNING!**  
Refer to Safety chapters.



**WARNING!**  
Refer to installation instruction document to install your appliance.

## 2.7 Disposal



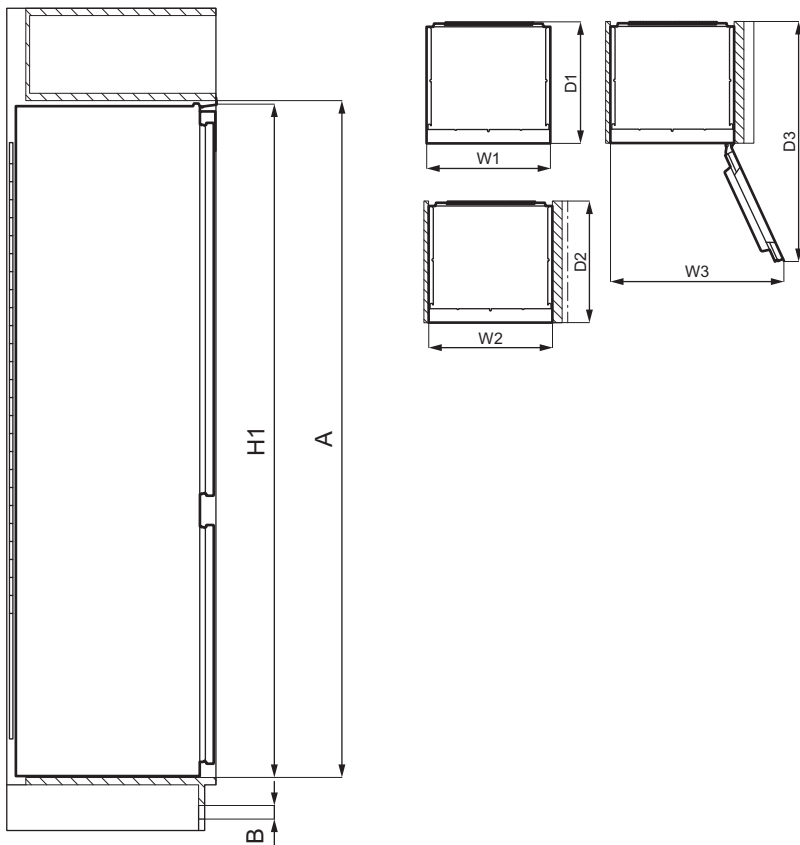
**WARNING!**  
Risk of injury or suffocation.

- Disconnect the appliance from the mains supply.
- Cut off the mains cable and discard it.
- Remove the door to prevent children and pets to be closed inside of the appliance.
- The refrigerant circuit and the insulation materials of this appliance are ozone-friendly.
- The insulation foam contains flammable gas. Contact your municipal authority for information on how to discard the appliance correctly.
- Do not cause damage to the part of the cooling unit that is near the heat exchanger.



**WARNING!**  
Fix the appliance in accordance with installation instruction document to avoid a risk of instability of the appliance.

### 3.1 Dimensions



Overall dimensions <sup>1)</sup>		
H 1	mm	1224
W 1	mm	556
D 1	mm	549

<sup>1)</sup> the height, width and depth of the appliance without the handle and feet

Space required in use <sup>1)</sup>		
H 2 (A+B)	mm	1261
W 2	mm	560
D 2	mm	552

Space required in use <sup>1)</sup>		
A	mm	1225
B	mm	36

<sup>1)</sup> the height, width and depth of the appliance including the handle, plus the space necessary for free circulation of the cooling air

Overall space required in use <sup>1)</sup>		
H 3 (A+B)	mm	1261
W 3	mm	780

Overall space required in use <sup>1)</sup>		
D 3	mm	1085

<sup>1)</sup> the height, width and depth of the appliance including the handle, plus the space necessary for free circulation of the cooling air, plus the space necessary to allow door opening to the minimum angle permitting removal of all internal equipment

### 3.2 Location

To ensure appliance's best functionality, you should not install the appliance in the nearby of the heat source (oven, stoves, radiators, cookers or hobs) or in a place with direct sunlight. Make sure that air can circulate freely around the back of the cabinet.

### 3.3 Positioning

This appliance should be installed in a dry, well ventilated indoor position.

This appliance is intended to be used at ambient temperature ranging from 10°C to 43°C.

**i** If you have any doubts regarding where to install the appliance, please turn to the vendor, to our customer service or to the nearest Authorised Service Centre.

**i** It must be possible to disconnect the appliance from the mains power supply. The plug must therefore be easily accessible after installation.

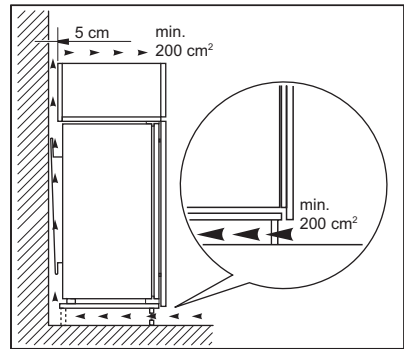
### 3.4 Electrical connection

- Before plugging in, ensure that the voltage and frequency shown on the rating plate correspond to your domestic power supply.

- The appliance must be earthed. The power supply cable plug is provided with a contact for this purpose. If the domestic power supply socket is not earthed, connect the appliance to a separate earth in compliance with current regulations, consulting a qualified electrician.
- The manufacturer declines all responsibility if the above safety precautions are not observed.
- This appliance complies with the E.E.C. Directives.

### 3.5 Ventilation requirements

The airflow behind the appliance must be sufficient.



**!** **CAUTION!**  
Refer to the installation instructions for the installation.

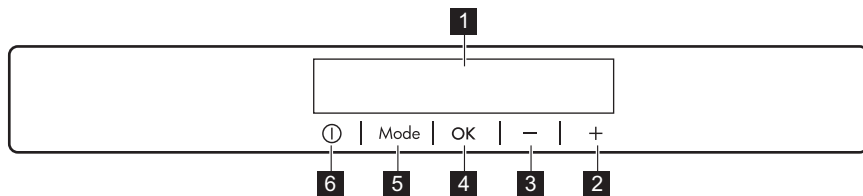
### 3.6 Door reversibility

Please refer to the separate document with instructions on installation and door reversal.

**!** **CAUTION!**  
At every stage of reversing the door protect the floor from scratching with a durable material.



## 4. CONTROL PANEL

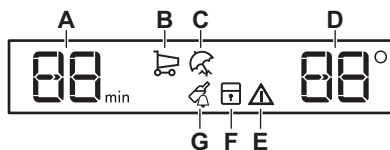


- |                                    |                 |
|------------------------------------|-----------------|
| <b>1</b> Display                   | <b>5</b> Mode   |
| <b>2</b> Temperature warmer button | <b>6</b> ON/OFF |
| <b>3</b> Temperature colder button |                 |
| <b>4</b> OK                        |                 |

It is possible to change predefined sound of buttons by pressing together

Mode and temperature colder button for a few seconds. Change is reversible.

### 4.1 Display



- A.** Timer indicator
- B.** Coolmatic function
- C.** Holiday mode
- D.** Temperature indicator
- E.** Alarm indicator
- F.** ChildLock function
- G.** DrinksChill function

### 4.2 Switching on

1. Connect the mains plug to the power socket.
2. Press the appliance ON/OFF if the display is off. The temperature indicators show the set default temperature.

To select a different set temperature refer to "Temperature regulation".

If "dEMo" appears on the display, refer to "Troubleshooting".

### 4.3 Switching off

1. Press the appliance ON/OFF for 3 seconds.  
The display switches off.
2. Disconnect the mains plug from the power socket.

### 4.4 Temperature regulation

Set the temperature of the appliance by pressing the temperature regulators. Default recommended set temperature is:

- +4°C for the fridge

The temperature range may vary between 2°C and 8°C for fridge.

The temperature indicators show the set temperature.



The set temperature will be reached within 24 hours. After a power failure the set temperature remains stored.

### 4.5 Coolmatic function

If you need to insert in the fridge compartment a large amount of warm food, for example after doing the

grocery shopping, we suggest activating the Coolmatic function to chill the products more rapidly and to avoid warming the other food which is already in the refrigerator.


1. Press the Mode until the corresponding icon appears. The Coolmatic indicator flashes.
2. Press the OK to confirm. The Coolmatic indicator is shown. This function stops automatically after approximately 6 hours.

You can deactivate the Coolmatic function before its automatic end by repeating the procedure or by selecting a different fridge set temperature.

## 4.6 Holiday mode

This mode allows you to keep the appliance empty during a long holiday period reducing the formation of bad odours.

1. Press the Mode until the corresponding icon appears. The Holiday indicator flashes. The temperature indicator shows the set temperature.
2. Press the OK to confirm. The Holiday indicator is shown.

 This mode switches off after selecting a different temperature.

## 4.7 ChildLock function

Activate the ChildLock function to lock the buttons from unintentional operation.


1. Press Mode until the corresponding icon appears. The ChildLock indicator flashes.
2. Press OK to confirm. The ChildLock indicator is shown. To deactivate the ChildLock function, repeat the procedure until the ChildLock indicator goes off.

## 4.8 DrinksChill function

The DrinksChill function is to be used to set an acoustic alarm at the preferred time, useful for example when a recipe requires to cool down food products for a certain period of time.

1. Press Mode until the corresponding icon appears. The DrinksChill indicator flashes. The Timer shows the set value (30 minutes) for a few seconds.
2. Press the Timer regulator to change the Timer set value from 1 to 90 minutes.
3. Press OK to confirm. The DrinksChill indicator is shown. The Timer starts to flash (min). At the end of the countdown the "0 min" indicator flashes and an audible alarm sounds. Press OK to switch off the sound and terminate the function.


To switch off the function repeat the procedure until the DrinksChill goes off.

 It is possible to change the time at any time during the countdown and at the end by pressing the Temperature colder button and the Temperature warmer button.

## 4.9 Door open alarm

If the fridge door is left open for approximately 5 minutes, the sound is on and alarm indicator flashes.

The alarm stops after closing the door. During the alarm, the sound can be muted by pressing any button.

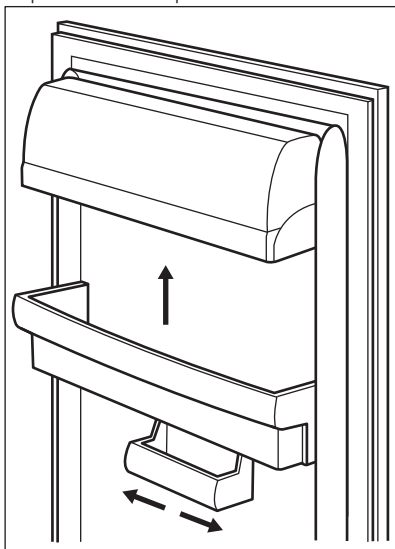
 If you do not press any button, the sound switches off automatically after around one hour to avoid disturbing.

## 5. DAILY USE

### 5.1 Positioning the door shelves

To permit storage of food packages of various sizes, the door shelves can be placed at different heights.

1. Gradually pull the shelf up until it comes free.
2. Reposition as required.



This model is equipped with a variable storage box which can be moved sideways.

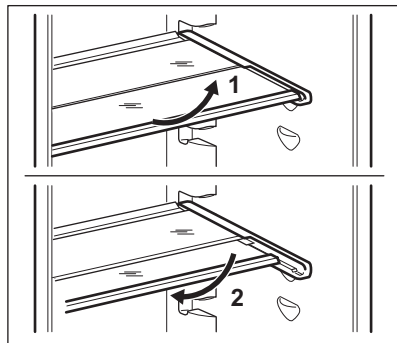
### 5.2 Movable shelves

The walls of the refrigerator are equipped with a series of runners so that the shelves can be positioned as desired.

This appliance is also equipped with a shelf consisting of two parts. The front half of the shelf can be placed under the second half to make better use of space.

To fold the shelf:

1. Take out the front half gently.
2. Slide it into the lower rail and under the second half.



Do not move the glass shelf above the vegetable drawer to ensure correct air circulation.

### 5.3 Vegetable drawer

There is a special drawer in the bottom part of the appliance suitable for storage of fruits and vegetables.

## 6. HINTS AND TIPS

### 6.1 Hints for energy saving

- Most efficient use of energy is ensured in the configuration with the drawers in the bottom part of the appliance and shelves evenly distributed. Position of the door bins does not affect energy consumption.
- Do not open the door frequently or leave it open longer than necessary.
- Do not set too high temperature to save energy unless it is required by the characteristics of the food.
- If the ambient temperature is high and the temperature control is set to low temperature and the appliance is fully loaded, the compressor may run continuously, causing frost or ice formation on the evaporator. In this case, set the temperature control

toward higher temperature to allow automatic defrosting and to save energy this way.

- Ensure a good ventilation. Do not cover the ventilation grilles or holes.

## 6.2 Hints for fresh food refrigeration

- Good temperature setting that ensures preservation of fresh food is a temperature less than or equal to +4°C.  
Higher temperature setting inside the appliance may lead to shorter shelf life of food.
- Cover the food with packaging to preserve its freshness and aroma.
- Always use closed containers for liquids and for food, to avoid flavours or odours in the compartment.
- To avoid the cross-contamination between cooked and raw food, cover the cooked food and separate it from the raw one.
- It is recommended to defrost the food inside the fridge.
- Do not insert hot food inside the appliance. Make sure it has cooled down at room temperature before inserting it.

- To prevent food waste the new stock of food should always be placed behind the old one.

## 6.3 Hints for food refrigeration

- Meat (all types): wrap in a suitable packaging and place it on the glass shelf above the vegetable drawer. Store meat for at most 1-2 days.
- Fruit and vegetables: clean thoroughly (eliminate the soil) and place in a special drawer (vegetable drawer).
- It is advisable not to keep the exotic fruits like bananas, mangos, papayas etc. in the refrigerator.
- Vegetables like tomatoes, potatoes, onions, and garlic should not be kept in the refrigerator.
- Butter and cheese: place in an airtight container or wrap in an aluminium foil or a polythene bag to exclude as much air as possible.
- Bottles: close them with a cap and place them on the door bottle shelf, or (if available) on the bottle rack.
- Always refer to the expiry date of the products to know how long to keep them.

# 7. CARE AND CLEANING



### WARNING!

Refer to Safety chapters.

## 7.1 Cleaning the interior

Before using the appliance for the first time, the interior and all internal accessories should be washed with lukewarm water and some neutral soap to remove the typical smell of a brand-new product, then dried thoroughly.



### CAUTION!

Do not use detergents, abrasive powders, chlorine or oil-based cleaners as they will damage the finish.



### CAUTION!

The accessories and parts of the appliance are not suitable for washing in a dishwasher.

## 7.2 Periodic cleaning

The equipment has to be cleaned regularly:

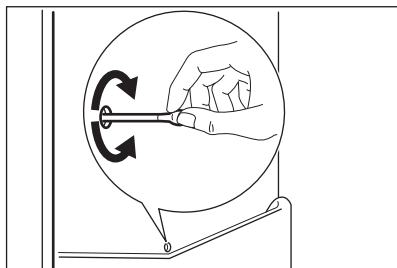
1. Clean the inside and accessories with lukewarm water and some neutral soap.
2. Regularly check the door seals and wipe them clean to ensure they are clean and free from debris.
3. Rinse and dry thoroughly.

### 7.3 Defrosting of the refrigerator

Frost is automatically eliminated from the evaporator of the refrigerator compartment during normal use. The defrost water drains out through a trough into a special container at the back of the appliance, over the motor compressor, where it evaporates.

It is important to periodically clean the defrost water drain hole in the middle of the refrigerator compartment channel to prevent the water overflowing and dripping onto the food inside.

For this purpose use the tube cleaner provided with the appliance.



### 7.4 Period of non-operation

When the appliance is not in use for long period, take the following precautions:

1. Disconnect the appliance from electricity supply.
2. Remove all food.
3. Clean the appliance and all accessories.
4. Leave the door open to prevent unpleasant smells.

## 8. TROUBLESHOOTING






**WARNING!**  
Refer to Safety chapters.

### 8.1 What to do if...

Problem	Possible cause	Solution
The appliance does not operate.	The appliance is switched off.	Switch on the appliance.
	The mains plug is not connected to the mains socket correctly.	Connect the mains plug to the mains socket correctly.
	There is no voltage in the mains socket.	Connect a different electrical appliance to the mains socket. Contact a qualified electrician.
The appliance is noisy.	The appliance is not supported properly.	Check if the appliance stands stable.

<b>Problem</b>	<b>Possible cause</b>	<b>Solution</b>
Acoustic or visual alarm is on.	The cabinet has been recently switched on.	Refer to "Door Open Alarm" or "High Temperature Alarm".
	The temperature in the appliance is too high.	Refer to "Door Open Alarm" or "High Temperature Alarm".
	The door is left open.	Close the door.
The compressor operates continually.	Temperature is set incorrectly.	Refer to "Control Panel" chapter.
	Many food products were put in at the same time.	Wait a few hours and then check the temperature again.
	The room temperature is too high.	Refer to "Installation" chapter.
	Food products placed in the appliance were too warm.	Allow food products to cool to room temperature before storing.
	The door is not closed correctly.	Refer to "Closing the door" section.
	The Coolmatic function is switched on.	Refer to "Coolmatic function" section.
	The compressor does not start immediately after pressing the "Coolmatic", or after changing the temperature.	The compressor starts after a period of time.
Door is misaligned or interferes with ventilation grill.	The appliance is not levelled.	Refer to installation instructions.
Door does not open easily.	You attempted to re-open the door immediately after closing.	Wait a few seconds between closing and re-opening of the door.
The lamp does not work.	The lamp is in stand-by mode.	Close and open the door.
	The lamp is defective.	Contact the nearest Authorized Service Centre.
There is too much frost and ice.	The door is not closed correctly.	Refer to "Closing the door" section.
	The gasket is deformed or dirty.	Refer to "Closing the door" section.

<b>Problem</b>	<b>Possible cause</b>	<b>Solution</b>
	Food products are not wrapped properly.	Wrap the food products better.
	Temperature is set incorrectly.	Refer to "Control Panel" chapter.
	Appliance is fully loaded and is set to the lowest temperature.	Set a higher temperature. Refer to "Control Panel" chapter.
	Temperature set in the appliance is too low and the ambient temperature is too high.	Set a higher temperature. Refer to "Control Panel" chapter.
Water flows on the rear plate of the refrigerator.	During the automatic defrosting process, frost melts on the rear plate.	This is correct.
There is too much condensed water on the rear wall of the refrigerator.	Door was opened too frequently.	Open the door only when necessary.
	Door was not closed completely.	Make sure the door is closed completely.
	Stored food was not wrapped.	Wrap food in suitable packaging before storing it in the appliance.
Water flows inside the refrigerator.	Food products prevent the water from flowing into the water collector.	Make sure that food products do not touch the rear plate.
	The water outlet is clogged.	Clean the water outlet.
Water flows on the floor.	The melting water outlet is not connected to the evaporative tray above the compressor.	Attach the melting water outlet to the evaporative tray.
Temperature cannot be set.	The "Coolmatic function" is switched on.	Switch off "Coolmatic function" manually, or wait until the function deactivates automatically to set the temperature. Refer to "Coolmatic function" section.
The temperature in the appliance is too low/too high.	The temperature is not set correctly.	Set a higher/lower temperature.
	The door is not closed correctly.	Refer to "Closing the door" section.

Problem	Possible cause	Solution
	The food products' temperature is too high.	Let the food products temperature decrease to room temperature before storage.
	Many food products are stored at the same time.	Store less food products at the same time.
	The door has been opened often.	Open the door only if necessary.
	The Coolmatic function is switched on.	Refer to "Coolmatic function" section.
	There is no cold air circulation in the appliance.	Make sure that there is cold air circulation in the appliance. Refer to "Hints and Tips" chapter.
DEMO appears on the display.	The appliance is in demonstration mode.	Keep the OK key pressed for approximately 10 seconds until a long sound is heard and the display turns off for a short time.
A  or  or  symbol is shown instead of numbers on the temperature display.	Temperature sensor problem.	Contact the nearest Authorized Service Centre (the cooling system will continue to keep food products cold, but temperature adjustment will not be possible).



If the advice does not lead to the desired result, call the nearest Authorized Service Centre.

## 8.2 Replacing the lamp

The appliance is equipped with a longlife LED interior light.

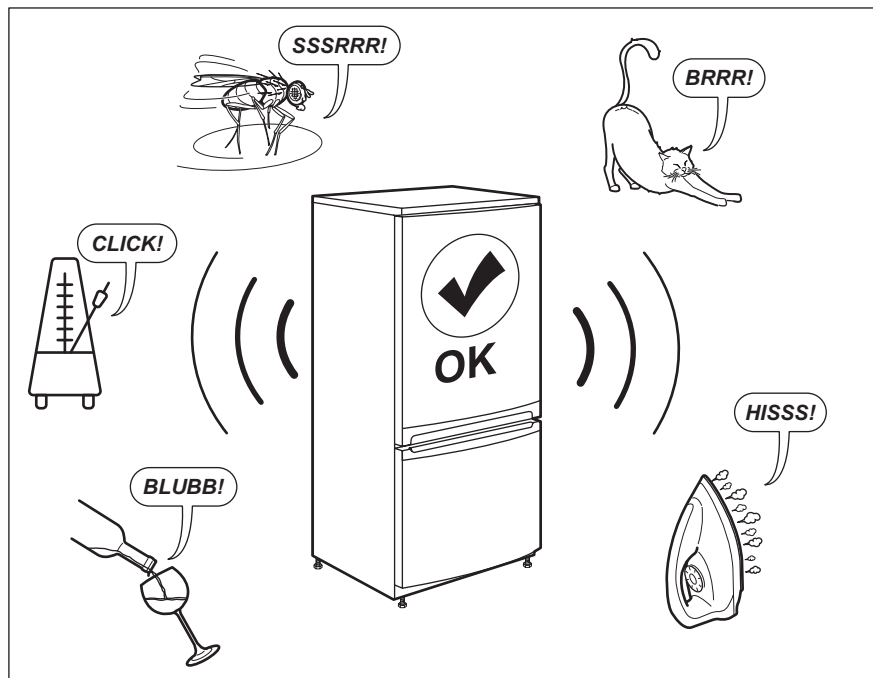
Only service is allowed to replace the lighting device. Contact your Authorised Service Centre.

## 8.3 Closing the door

1. Clean the door gaskets.
2. If necessary, adjust the door. Refer to installation instructions.
3. If necessary, replace the defective door gaskets. Contact the Authorised Service Centre.



## 9. NOISES



## 10. TECHNICAL DATA

The technical information is situated in the rating plate on the internal side of the appliance and on the energy label.

The QR code on the energy label supplied with the appliance provides a web link to the information related to the performance of the appliance in the EU EPREL database. Keep the energy label for reference together with the user manual and all

other documents provided with this appliance.


It is also possible to find the same information in EPREL using the link <https://eprel.ec.europa.eu> and the model name and product number that you find on the rating plate of the appliance.

## 11. INFORMATION FOR TEST INSTITUTES

Installation and preparation of the appliance for any EcoDesign verification shall be compliant with EN 62552. Ventilation requirements, recess dimensions and minimum rear clearances

shall be as stated in this User Manual at Chapter 3. Please contact the manufacturer for any other further information, including loading plans.

## 12. ENVIRONMENTAL CONCERNS

Recycle materials with the symbol .  
Put the packaging in relevant containers to recycle it. Help protect the environment and human health by recycling waste of electrical and electronic appliances. Do not dispose of

appliances marked with the symbol  with the household waste. Return the product to your local recycling facility or contact your municipal office.

# INDICE

1. INFORMAZIONI DI SICUREZZA.....	19
2. ISTRUZIONI DI SICUREZZA.....	22
3. INSTALLAZIONE.....	24
4. PANNELLO DEI COMANDI.....	26
5. UTILIZZO QUOTIDIANO.....	28
6. CONSIGLI E SUGGERIMENTI UTILI.....	29
7. PULIZIA E CURA.....	30
8. RISOLUZIONE DEI PROBLEMI.....	31
9. RUMORI.....	35
10. DATI TECNICI.....	35
11. INFORMAZIONI PER GLI ISTITUTI DI PROVA.....	35

## PER RISULTATI PERFETTI

Grazie per aver scelto di acquistare questo prodotto AEG. Lo abbiamo creato per fornirvi prestazioni impeccabili per molti anni, grazie a tecnologie innovative che vi semplificheranno la vita - funzioni che non troverete sulle normali apparecchiature. Vi invitiamo di dedicare qualche minuto alla lettura per sapere come trarre il massimo dal vostro elettrodomestico.

Visitate il nostro sito web per:



Ricevere consigli, scaricare i nostri opuscoli, eliminare eventuali anomalie, ottenere informazioni sull'assistenza e la riparazione:

**[www.aeg.com/support](http://www.aeg.com/support)**



Per registrare il vostro prodotto e ricevere un servizio migliore:

**[www.registreaeg.com](http://www.registreaeg.com)**



Acquistare accessori, materiali di consumo e ricambi originali per la vostra apparecchiatura:

**[www.aeg.com/shop](http://www.aeg.com/shop)**

## SERVIZIO CLIENTI E MANUTENZIONE

Consigliamo sempre l'impiego di ricambi originali.

Quando si contatta l'Assistenza, accertarsi di disporre dei seguenti dati: Modello, PNC, numero di serie.

Le informazioni si trovano sulla targhetta dei dati.

 Avvertenza / Attenzione - Importanti Informazioni di Sicurezza.

 Informazioni e consigli generali

 Informazioni ambientali

Con riserva di modifiche.

### 1. INFORMAZIONI DI SICUREZZA

Leggere attentamente le istruzioni fornite prima di installare e utilizzare l'apparecchiatura. I produttori non sono responsabili di eventuali lesioni o danni derivanti

da un'installazione o un uso scorretti. Conservare sempre le istruzioni in un luogo sicuro e accessibile per poterle consultare in futuro.

## **1.1 Sicurezza dei bambini e delle persone vulnerabili**

- Questa apparecchiatura può essere usata da bambini a partire dagli 8 anni e da adulti con limitate capacità fisiche, sensoriali o mentali o con scarsa esperienza o conoscenza sull'uso dell'apparecchiatura, solamente se sorvegliati o se istruiti relativamente all'uso dell'apparecchiatura e se hanno compreso i rischi coinvolti.
- I bambini di età compresa tra i 3 e gli 8 anni possono caricare e scaricare l'apparecchio a condizione che siano stati adeguatamente istruiti.
- Questa apparecchiatura può essere usata da persone con disabilità diffuse e complesse, se debitamente istruite.
- Tenere lontani dall'apparecchiatura i bambini al di sotto dei 3 anni se non costantemente supervisionati.
- Non consentire ai bambini di giocare con l'apparecchio.
- I bambini non devono eseguire interventi di pulizia e manutenzione sull'apparecchiatura senza essere supervisionati.
- Tenere gli imballaggi lontano dai bambini e smaltirli in modo adeguato.

## **1.2 Sicurezza generale**

- Questa apparecchiatura è destinata all'uso domestico e applicazioni simili, tra cui:
  - Case di campagna; cucine di negozi, uffici e altri ambienti di lavoro;
  - Clienti di hotel, motel, bed and breakfast e altri ambienti residenziali.
- Per evitare la contaminazione degli alimenti rispettare le seguenti istruzioni:

- non aprire la porta per lunghi periodi;
- pulire regolarmente le superfici che possono venire a contatto con gli alimenti e i sistemi di drenaggio accessibili;
- conservare la carne e il pesce crudo in contenitori adeguati in frigorifero, in modo che non venga a contatto con altri alimenti e non goccioli su altri alimenti.
- **AVVERTENZA!** Verificare che le aperture di ventilazione, sia sull'apparecchiatura che nella struttura da incasso, siano libere da ostruzioni.
- **AVVERTENZA!** Non usare dispositivi elettrici o altri mezzi artificiali non raccomandati dal produttore allo scopo di accelerare il processo di sbrinamento.
- **AVVERTENZA!** Non danneggiare il circuito refrigerante.
- **AVVERTENZA!** Non utilizzare apparecchiature elettriche all'interno dei compartimenti di conservazione degli alimenti, ad eccezione di quelli consigliati dal costruttore.
- Non nebulizzare acqua né utilizzare vapore per pulire l'apparecchiatura.
- Pulire l'apparecchiatura con un panno inumidito e morbido. Utilizzare solo detersivi neutri. Non usare prodotti abrasivi, spugnette abrasive, solventi od oggetti metallici.
- Quando l'apparecchiatura resta vuota per un lungo periodo di tempo, spegnerla, sbrinarla, pulirla, asciugarla e lasciare la porta aperta per evitare la formazione di muffa al suo interno.
- Non conservare in questa apparecchiatura sostanze esplosive come bombolette spray contenenti un propellente infiammabile.
- Se il cavo di alimentazione è danneggiato, deve essere sostituito dal produttore, dal Centro di Assistenza Autorizzato o da una persona qualificata per evitare situazioni di pericolo.

## 2. ISTRUZIONI DI SICUREZZA

### 2.1 Installazione



#### AVVERTENZA!

L'installazione dell'apparecchiatura deve essere eseguita da personale qualificato.

- Rimuovere tutti i materiali di imballaggio.
- Non installare o utilizzare l'apparecchiatura se è danneggiata.
- Non usare l'apparecchiatura prima di installarla nella struttura a incasso date le misure di sicurezza.
- Attenersi alle istruzioni fornite insieme all'apparecchiatura.
- Prestare sempre attenzione in fase di spostamento dell'apparecchiatura, dato che è pesante. Usare sempre i guanti di sicurezza e le calzature adeguate.
- Assicurarsi che l'aria possa circolare liberamente attorno all'apparecchiatura.
- In fase di prima installazione o dopo aver girato la porta, attendere almeno 4 ore prima di collegare l'apparecchiatura alla sorgente di alimentazione. Questo serve a consentire all'olio di fluire nuovamente nel compressore.
- Prima di eseguire eventuali operazioni sull'apparecchiatura (ad esempio invertire la porta), togliere la spina dalla presa di corrente.
- Non installare l'apparecchiatura in prossimità di radiatori, fornelli, forni o piani di cottura.
- Non esporre l'apparecchiatura alla pioggia.
- Non installare l'apparecchiatura dove sia esposta alla luce solare diretta.
- Non installare questa apparecchiatura in aree troppo umide o troppo fredde.
- Quando si sposta l'apparecchiatura, sollevarla dal bordo anteriore, così da non graffiare il pavimento.

### 2.2 Collegamento elettrico



#### AVVERTENZA!

Rischio di incendio e scossa elettrica.



#### AVVERTENZA!

In fase di posizionamento dell'apparecchiatura, verificare che il cavo di alimentazione non sia intrappolato o danneggiato.



#### AVVERTENZA!

Non utilizzare prese multiple e prolunghe.

- L'apparecchiatura deve disporre di una messa a terra.
- Verificare che i parametri sulla targhetta siano compatibili con le indicazioni elettriche dell'alimentazione.
- Utilizzare sempre una presa elettrica con contatto di protezione correttamente installata.
- Accertarsi di non danneggiare i componenti elettrici (ad es. la spina di alimentazione, il compressore). Contattare il Centro di Assistenza Autorizzato o un elettricista per sostituire i componenti elettrici.
- Il cavo di alimentazione deve rimanere sotto il livello della spina di alimentazione.
- Inserire la spina di alimentazione nella presa solo al termine dell'installazione. Verificare che la spina di alimentazione rimanga accessibile dopo l'installazione.
- Non tirare il cavo di alimentazione per scollegare l'apparecchiatura. Tirare sempre dalla spina.

### 2.3 Utilizzare



#### AVVERTENZA!

Rischio di lesioni, scottature o scosse elettriche.



L'apparecchiatura contiene gas infiammabile, isobutano (R600a), un gas naturale con un alto livello di compatibilità ambientale. Fare attenzione a non danneggiare il circuito refrigerante che contiene isobutano.

- Non modificare le specifiche tecniche dell'apparecchiatura.
- Non introdurre apparecchiature elettriche (ad es. gelatiere) nell'apparecchiatura se non specificamente consentito dal produttore.
- Nel caso di danno al circuito refrigerante, assicurarsi che non si sviluppino fiamme libere e scintille nel locale. Aerare bene l'ambiente.
- Non appoggiare oggetti incandescenti sulle parti in plastica dell'apparecchiatura.
- Non conservare gas e liquidi infiammabili nell'apparecchiatura.
- Non appoggiare o tenere liquidi o materiali infiammabili, né oggetti facilmente incendiabili sull'apparecchiatura, al suo interno o nelle immediate vicinanze.
- Non toccare il compressore o il condensatore. Sono incandescenti.

## 2.4 Luce interna



**AVVERTENZA!**  
Pericolo di scosse elettriche.

- Il tipo di lampada utilizzata per questa apparecchiatura è adatta soltanto agli elettrodomestici. Non usarle per l'illuminazione di casa.

## 2.5 Pulizia e cura



**AVVERTENZA!**  
Vi è il rischio di ferirsi o danneggiare l'apparecchiatura.

- Prima di eseguire qualunque intervento di manutenzione, spegnere l'apparecchiatura ed estrarre la spina dalla presa.
- L'unità refrigerante di questa apparecchiatura contiene idrocarburi. L'unità deve essere ricaricata ed

ispezionata esclusivamente da personale qualificato.

- Controllare regolarmente lo scarico dell'apparecchiatura e, se necessario, pulirlo. L'ostruzione dello scarico può causare un deposito di acqua di sbrinamento sul fondo dell'apparecchiatura.

## 2.6 Assistenza Tecnica

- Per riparare l'apparecchiatura contattare un Centro di Assistenza Autorizzato. Utilizzare esclusivamente ricambi originali.
- Tenere presente che la riparazione autonoma o non professionale possono avere conseguenze sulla sicurezza e potrebbero invalidare la garanzia.
- Le guarnizioni per porte saranno disponibili per 7 anni dopo l'interruzione del modello. termostati, sensori di temperatura, circuiti stampati, sorgenti luminose, maniglie delle porte, cerniere delle porte, vassoi e cestelli. Si prega di notare che alcuni di questi pezzi di ricambio sono disponibili solo per i riparatori professionisti e che non tutti i pezzi di ricambio sono rilevanti per tutti i modelli.
- Le guarnizioni per porte saranno disponibili per 10 anni dopo l'interruzione del modello.

## 2.7 Smaltimento



**AVVERTENZA!**  
Rischio di lesioni o soffocamento.

- Staccare la spina dall'alimentazione elettrica.
- Tagliare il cavo di rete e smaltirlo.
- Rimuovere la porta per evitare che bambini e animali domestici rimangano chiusi all'interno dell'apparecchiatura.
- Il circuito refrigerante e i materiali di isolamento di questa apparecchiatura rispettano l'ozono.
- La schiuma isolante contiene gas infiammabili. Contattare le autorità locali per ricevere informazioni su come smaltire correttamente l'apparecchiatura.

- Non danneggiare i componenti dell'unità refrigerante che si trovano vicino allo scambiatore di calore.

### 3. INSTALLAZIONE



**AVVERTENZA!**

Fare riferimento ai capitoli sulla sicurezza.



**AVVERTENZA!**

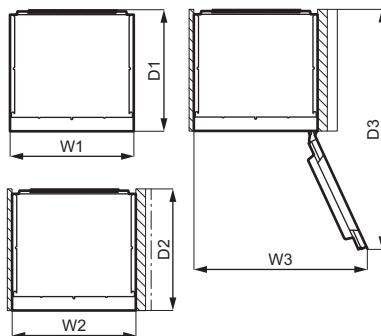
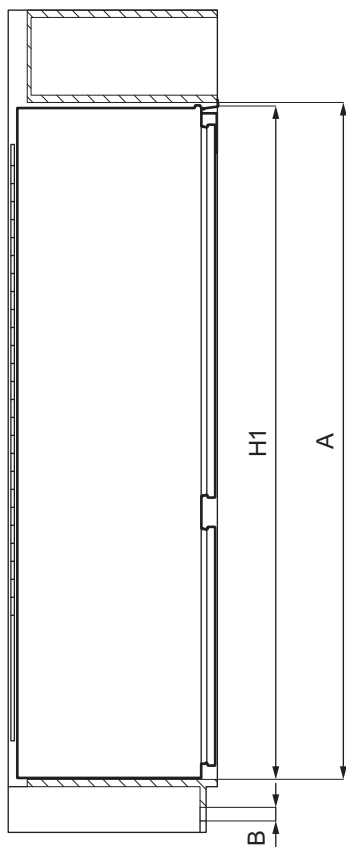
Per l'installazione dell'apparecchio, fare riferimento al documento di istruzioni per l'installazione.



**AVVERTENZA!**

Fissare l'apparecchio secondo le istruzioni di installazione per evitare il rischio di instabilità dell'apparecchio.

#### 3.1 Dimensioni





Dimensioni complessive <sup>1)</sup>		
H 1	mm	1224
W 1	mm	556
D 1	mm	549

<sup>1)</sup> l'altezza, la larghezza e la profondità dell'apparecchio senza l'impugnatura e i piedini

Spazio necessario durante l'uso <sup>1)</sup>		
H 2 (A+B)	mm	1261
W 2	mm	560
D 2	mm	552
A	mm	1225
B	mm	36

<sup>1)</sup> l'altezza, la larghezza e la profondità dell'apparecchio, compresa la maniglia, più lo spazio necessario per la libera circolazione dell'aria di raffreddamento

Spazio complessivo necessario durante l'uso <sup>1)</sup>		
H 3 (A+B)	mm	1261
W 3	mm	780
D 3	mm	1085

<sup>1)</sup> l'altezza, la larghezza e la profondità dell'apparecchiatura, compresa la maniglia, più lo spazio necessario per la libera circolazione dell'aria di raffreddamento, più lo spazio necessario per consentire l'apertura della porta con l'angolazione minima che permette la rimozione di tutte le apparecchiature interne

## 3.2 Posizione

Per garantire la migliore funzionalità dell'apparecchiatura, non si dovrebbe installare l'apparecchio nelle vicinanze della fonte di calore (forno, stufe, termosifoni, fornelli o piani di cottura) o in un luogo con luce solare diretta. Controllare che sul retro dell'apparecchio sia garantita un'adeguata circolazione dell'aria.

## 3.3 Posizionamento

Questa apparecchiatura deve essere installata in una posizione interna asciutta e ben ventilata.

Questa apparecchiatura è destinata ad essere utilizzata a temperature ambiente che vanno da 10°C a 43°C.



In caso di dubbi sul luogo di installazione dell'apparecchiatura, contattare il venditore, il nostro Centro di Assistenza o il rivenditore autorizzato più vicino.



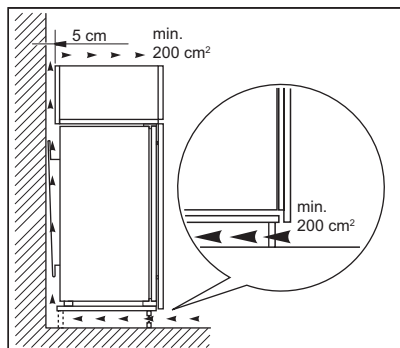
Deve essere possibile scollegare l'apparecchiatura dalla rete elettrica. Eseguire perciò l'installazione facendo sì che la spina rimanga facilmente accessibile.

## 3.4 Collegamento elettrico

- Prima di inserire la spina, verificare che la tensione e la frequenza riportate sulla targhetta di identificazione corrispondano a quelle dell'impianto domestico.
- L'apparecchiatura deve disporre di una messa a terra. La spina del cavo di alimentazione è dotata di un apposito contatto. Se la presa di corrente dell'impianto domestico non è collegata a terra, allacciare l'apparecchiatura a una presa di terra separata in conformità alle norme in vigore, rivolgendosi a un elettricista qualificato.
- Il produttore declina ogni responsabilità qualora le suddette precauzioni di sicurezza non vengano rispettate.
- Questa apparecchiatura è conforme alle direttive CEE.

## 3.5 Requisiti di ventilazione

Il flusso d'aria dietro l'apparecchiatura deve essere sufficiente.

**ATTENZIONE!**

Consultare le istruzioni per l'installazione.

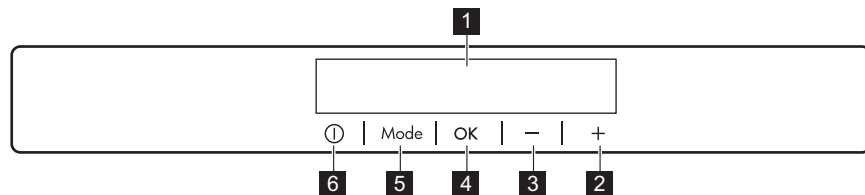
### 3.6 Possibilità di invertire la porta

Fare riferimento al documento separato con le istruzioni per l'installazione e l'inversione della porta.

**ATTENZIONE!**

In ogni fase di inversione della porta proteggere il pavimento da graffi con un materiale resistente.

## 4. PANNELLO DEI COMANDI



**1** Display

**2** Tasto Temperatura più calda

**3** Tasto Temperatura più fresca

**4** OK

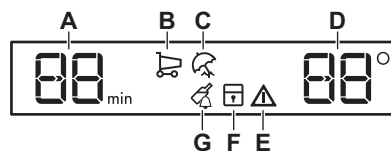
**5** Mode

**6** ON/OFF

È possibile modificare le impostazioni audio predefinite dei tasti premendo contemporaneamente il tasto Mode e il

tasto temperatura più fresca per pochi secondi. La modifica è reversibile.

### 4.1 Display



**A.** Spia timer

**B.** Coolmatic funzione

**C.** Holiday modalità

**D.** Indicatore della temperatura

**E.** Indicatore di allarme

**F.** ChildLock funzione

**G.** DrinksChill funzione

## 4.2 Accensione

1. Inserire la spina nella presa di alimentazione.
2. Premere il tasto ON/OFF dell'apparecchiatura se il display è spento. Gli indicatori di temperatura visualizzano la temperatura impostata predefinita.

Per selezionare una temperatura diversa, fare riferimento alla sezione "Regolazione della temperatura".

Se sul display appare "dEMO", fare riferimento alla sezione "Risoluzione dei problemi".

## 4.3 Spegnimento

1. Premere il tasto ON/OFF dell'apparecchiatura per 3 secondi. Il display si spegne.
2. Scollegare la spina dalla presa di corrente.

## 4.4 Regolazione della temperatura

Impostare la temperatura dell'apparecchiatura premendo i regolatori della temperatura. La temperatura predefinita consigliata impostata è:

- +4°C per il frigorifero

La gamma di temperatura può variare tra 2°C e 8°C per il frigorifero.

Gli indicatori della temperatura visualizzano la temperatura impostata.



La temperatura impostata verrà raggiunta entro 24 ore. Dopo un'interruzione di corrente la temperatura impostata rimane in memoria.

## 4.5 Coolmatic funzione

Se occorre inserire una grande quantità di alimenti nello scomparto frigorifero, per esempio al ritorno dalla spesa, è consigliabile attivare la funzione Coolmatic per raffreddare più rapidamente gli alimenti introdotti nel frigorifero e non intiepidire i cibi già presenti al suo interno.

1. Premere Mode finché appare l'icona corrispondente.

La spia Coolmatic lampeggia.

2. Premere OK per confermare. La spia Coolmatic viene visualizzata. Questa funzione si arresta automaticamente dopo circa 6 ore.

È possibile disattivare la funzione Coolmatic prima della sua fine automatica ripetendo la procedura o selezionando una diversa temperatura impostata del frigorifero.

## 4.6 Holiday modalità

Questa modalità permette di tenere l'apparecchiatura vuota durante un periodo di assenza prolungato riducendo la formazione di cattivi odori.

1. Premere Mode finché appare l'icona corrispondente.

La spia Holiday lampeggia. L'indicatore della temperatura mostra la temperatura impostata.

2. Premere OK per confermare. La spia Holiday viene visualizzata.



Questa modalità si spegne dopo aver selezionato una temperatura diversa.

## 4.7 ChildLock funzione

Attivare la funzione ChildLock per evitare che i tasti vengano premuti accidentalmente.

1. Premere Mode finché non appare l'icona corrispondente.

La spia ChildLock lampeggia.

2. Premere OK per confermare. La spia ChildLock viene visualizzata. Per disattivare la funzione ChildLock, ripetere la procedura finché la spia ChildLock si spegne.

## 4.8 DrinksChill funzione

La funzione DrinksChill serve per impostare un segnale acustico in un preciso momento, utile per esempio quando una pietanza richiede il raffreddamento di un alimento per un certo periodo di tempo.

1. Premere Mode finché non appare l'icona corrispondente.

La spia DrinksChill lampeggia.  
Il timer visualizza il valore impostato (30 minuti) per alcuni secondi.

2. Premere il tasto Regolatore timer per modificare il valore impostato da 1 a 90 minuti.
3. Premere OK per confermare.  
La spia DrinksChill viene visualizzata.  
Il Timer inizia a lampeggiare (min).  
Al termine del conto alla rovescia la spia "0 min" lampeggia e viene emesso un segnale acustico. Premere OK per spegnere il segnale acustico e porre fine alla funzione.

Per terminare la funzione, ripetere la procedura finché DrinksChill si spegne.

- i** È possibile modificare l'ora in qualsiasi momento durante il conto alla rovescia e alla fine premendo il tasto Temperatura più fresca ed il Tasto temperatura più calda.

## 4.9 Allarme porta aperta

Se la porta del frigorifero viene lasciata aperta per circa 5 minuti, si avvia l'allarme acustico e la spia allarme lampeggia.

L'allarme si ferma dopo la chiusura della porta. Durante l'allarme, il segnale acustico può essere disattivato premendo qualsiasi tasto.

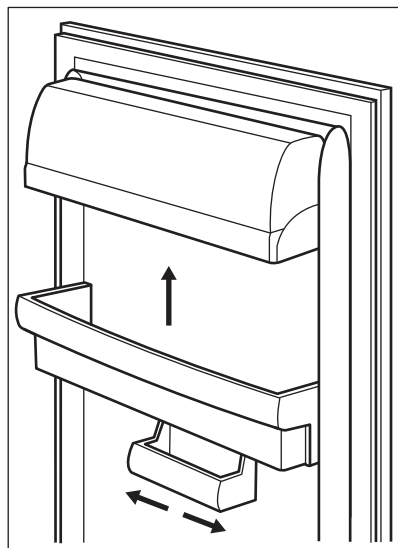
- i** In questo modo, una maggiore circolazione dell'aria si traduce in una minore umidità dell'aria.

## 5. UTILIZZO QUOTIDIANO

### 5.1 Posizionamento dei ripiani della porta

Per facilitare l'introduzione di alimenti di diverse dimensioni, i ripiani della porta possono essere posizionati ad altezze differenti.

1. Tirare gradualmente il ripiano fino a che non si libera.
2. Riposizionare secondo necessità.



Questo modello è dotato di un contenitore a dimensione variabile per la conservazione che può essere spostato lateralmente.

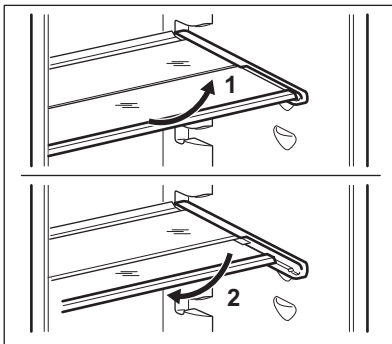
## 5.2 Ripiani rimovibili

Le guide presenti sulle pareti del frigorifero permettono di posizionare i ripiani a diverse altezze.

L'apparecchiatura è anche dotata di un ripiano composto di due parti. La metà anteriore del ripiano può essere collocata sotto alla seconda per usare meglio lo spazio.

Per piegare il ripiano:

1. Estrarre delicatamente la metà anteriore.
2. Farla scorrere nel binario inferiore e sotto al secondo ripiano.



Per garantire una corretta circolazione dell'aria, non spostare il ripiano di vetro posto sopra il cassetto delle verdure.

## 5.3 Cassetto per verdura

Nella parte inferiore dell'apparecchiatura è presente un cassetto speciale adatto alla conservazione di frutta e verdura.

# 6. CONSIGLI E SUGGERIMENTI UTILI

## 6.1 Consigli per il risparmio energetico

- L'uso più efficiente dell'energia è garantito dalla configurazione con i cassettei nella parte inferiore dell'apparecchiatura e i ripiani distribuiti uniformemente. La posizione degli scomparti sulla porta non influisce sul consumo energetico.
- Non aprire frequentemente la porta e limitare il più possibile i tempi di apertura.
- Non impostare una temperatura troppo alta per risparmiare energia, a meno che non sia richiesta dalle caratteristiche dell'alimento.
- Se la temperatura ambiente è elevata, il controllo della temperatura è impostato su un valore basso e l'apparecchiatura è a pieno carico, il compressore può funzionare in

maniera ininterrotta, causando la formazione di brina o di ghiaccio sull'evaporatore. In questo caso, impostare il controllo della temperatura su una posizione più elevata per consentire lo sbrinamento automatico e ridurre così il consumo di energia.

- Garantire una buona ventilazione. Non coprire le griglie di ventilazione o i fori.

## 6.2 Consigli per la refrigerazione dei cibi freschi

- Una buona impostazione della temperatura che garantisce la conservazione degli alimenti freschi è una temperatura inferiore o uguale a +4°C. L'impostazione di una temperatura più elevata all'interno

dell'apparecchio può portare a una minore durata di conservazione degli alimenti.

- Coprire il cibo con un imballaggio per preservarne la freschezza e l'aroma.
- Utilizzare sempre contenitori chiusi per liquidi e per alimenti, per evitare sapori o odori nello scomparto.
- Per evitare la contaminazione incrociata tra cibo cotto e crudo, coprire il cibo cotto e separarlo da quello crudo.
- Si consiglia di scongelare il cibo all'interno del frigorifero.
- Non inserire cibo caldo all'interno dell'apparecchiatura. Assicurarsi che si sia raffreddato a temperatura ambiente prima di inserirlo.
- Per evitare lo spreco di cibo, la nuova scorta di cibo dovrebbe essere sempre collocata dietro a quella vecchia.

### 6.3 Consigli per la refrigerazione dei cibi

- Carne (tutti i tipi): deve essere avvolta in appositi sacchetti e collocata sul

ripiano di vetro, sopra il cassetto delle verdure. La carne può essere conservata al massimo per 1-2 giorni.

- Frutta e verdura: pulire accuratamente (eliminare lo sporco) e riporre in un apposito cassetto (cassetto per la verdura).
- Si consiglia di non conservare in frigorifero i frutti esotici come banane, manghi, papaya, ecc.
- Le verdure come pomodori, patate, cipolle e aglio non devono essere conservate in frigorifero.
- Burro e formaggio: riporli in un apposito contenitore sottovuoto oppure avvolgerli in un foglio di alluminio o in un sacchetto di polietilene per limitare il più possibile la presenza di aria.
- Bottiglie: chiuderle con un tappo e conservarle sul ripiano portabottiglie della porta, o (se presente) sulla griglia portabottiglie.
- Fare sempre riferimento alla data di scadenza dei prodotti per sapere per quanto tempo conservarli.

## 7. PULIZIA E CURA



### AVVERTENZA!

Fare riferimento ai capitoli sulla sicurezza.

### 7.1 Pulizia dell'interno

Prima di utilizzare l'apparecchiatura per la prima volta, lavare l'interno e gli accessori con acqua tiepida e sapone neutro per eliminare il tipico odore dei prodotti nuovi, quindi asciugare accuratamente.



### ATTENZIONE!

Non usare detersivi, polveri abrasive, detersivi a base di cloro od olio, dato che potrebbero danneggiare le finiture.



### ATTENZIONE!

Gli accessori e i componenti dell'apparecchiatura non sono lavabili in lavastoviglie.

### 7.2 Pulizia periodica

L'apparecchiatura deve essere pulita regolarmente:

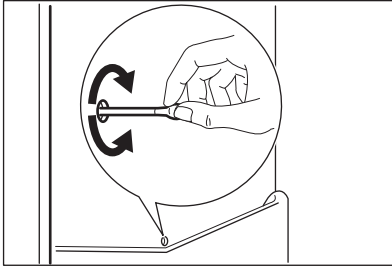
1. Lavare l'interno e gli accessori con acqua tiepida e sapone neutro.
2. Ispezionare regolarmente le guarnizioni della porta ed eliminare con un panno umido tracce di sporco e residui.
3. Risciacquare e asciugare accuratamente.

### 7.3 Sbrinamento del frigorifero

Durante il normale utilizzo, la brina viene eliminata automaticamente dall'evaporatore dello scomparto del frigorifero. L'acqua di sbrinamento giunge attraverso un condotto in un apposito recipiente posto sul retro dell'apparecchiatura, sopra il motore compressore, dove evapora.

È importante pulire periodicamente il foro di scarico dell'acqua di sbrinamento, situato al centro del canale sulla parete posteriore, per evitare che l'acqua fuoriesca sugli alimenti.

A tal fine usare il pulisci-tubo fornito in dotazione con l'apparecchiatura.



## 7.4 Periodi di non utilizzo

Se l'apparecchiatura non viene utilizzata per un lungo periodo, adottare le seguenti precauzioni:

1. Scollegare l'apparecchiatura dalla rete elettrica.
2. Estrarre tutti gli alimenti.
3. Pulire l'apparecchiatura e tutti gli accessori.
4. Lasciare la porta socchiusa/e per evitare la formazione di odori sgradevoli.

## 8. RISOLUZIONE DEI PROBLEMI



### AVVERTENZA!

Fare riferimento ai capitoli sulla sicurezza.

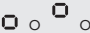
### 8.1 Cosa fare se...

Problema	Causa possibile	Soluzione
L'apparecchiatura non funziona.	L'apparecchiatura è spenta.	Accendere l'apparecchiatura.
	La spina non è inserita correttamente nella presa di alimentazione.	Inserire correttamente la spina nella presa di alimentazione.
	Assenza di tensione nella presa di alimentazione.	Collegare alla presa di alimentazione un altro apparecchio elettrico. Rivolgersi ad un elettricista qualificato.
L'apparecchiatura è rumorosa.	L'apparecchiatura non è appoggiata in modo corretto	Controllare se l'apparecchiatura è appoggiata in modo stabile.
L'allarme acustico o visivo è attivo.	Il mobiletto è stato acceso di recente.	Fare riferimento alla sezione "Allarme porta aperta" o "Allarme di alta temperatura".

Problema	Causa possibile	Soluzione
	La temperatura all'interno del forno è troppo alta.	Fare riferimento alla sezione "Allarme porta aperta" o "Allarme di alta temperatura".
	La porta viene lasciata aperta.	Chiudere l'oblò.
Il compressore rimane sempre in funzione.	La temperatura impostata non è corretta.	Fare riferimento al capitolo "Pannello di controllo".
	Sono stati introdotti molti alimenti contemporaneamente.	Attendere alcune ore e ricontrollare la temperatura.
	La temperatura ambiente è troppo alta.	Fare riferimento al capitolo "Installazione".
	Gli alimenti introdotti nell'apparecchiatura erano troppo caldi.	Lasciar raffreddare gli alimenti a temperatura ambiente prima di introdurli.
	La porta non è chiusa correttamente.	Vedere la sezione "Chiusura della porta".
	La funzione Coolmatic è attiva.	Vedere la sezione "Funzione Coolmatic".
Il compressore non si avvia immediatamente dopo avere premuto il tasto "Coolmatic", oppure dopo avere modificato la temperatura.	Il compressore si avvia dopo un certo periodo di tempo.	Ciò è normale, non si è verificato alcun errore.
La porta non è allineata o interferisce con la griglia di ventilazione.	L'apparecchiatura non è perfettamente in piano.	Fare riferimento alle istruzioni di installazione.
La porta non si apre facilmente.	Hai cercato di ri-aprire la porta subito dopo averla chiusa.	Attendere alcuni secondi fra la chiusura e la riapertura della porta.
La lampadina non si accende.	La lampadina è in modalità stand-by.	Chiudere e riaprire la porta.
	La lampadina è guasta.	Contattare il Centro di Assistenza Autorizzato più vicino.
Presenza di brina e ghiaccio eccessivi.	La porta non è chiusa correttamente.	Vedere la sezione "Chiusura della porta".
	La guarnizione è deformata o sporca.	Vedere la sezione "Chiusura della porta".



<b>Problema</b>	<b>Causa possibile</b>	<b>Soluzione</b>
	Gli alimenti non sono avvolti correttamente.	Avvolgere correttamente gli alimenti.
	La temperatura impostata non è corretta.	Fare riferimento al capitolo "Pannello di controllo".
	L'apparecchiatura è completamente carica ed è impostata sulla temperatura più bassa.	Impostare una temperatura superiore. Fare riferimento al capitolo "Pannello di controllo".
	La temperatura impostata nell'apparecchiatura è troppo bassa e la temperatura ambiente è troppo alta.	Impostare una temperatura superiore. Fare riferimento al capitolo "Pannello di controllo".
Scorre dell'acqua sul pannello posteriore del frigorifero.	Durante lo sbrinamento automatico, la brina che si forma sul pannello posteriore si scioglie.	Non si tratta di un'anomalia.
C'è troppa acqua condensata sulla parete posteriore del frigorifero.	La porta è stata aperta con eccessiva frequenza.	Aprire la porta solo se necessario.
	La porta non è stata chiusa completamente.	Controllare che la porta sia chiusa completamente.
	Il cibo conservato non è stato avvolto nell'apposito materiale.	Avvolgere gli alimenti in un imballaggio adeguato prima di riporli all'interno dell'apparecchiatura.
Scorre dell'acqua all'interno del frigorifero.	Gli alimenti impediscono all'acqua di scorrere nell'apposito collettore.	Evitare di disporre gli alimenti direttamente contro la parete posteriore.
	Lo scarico dell'acqua è ostruito.	Pulire lo scarico dell'acqua.
Presenza di acqua sul pavimento.	L'acqua di sbrinamento non viene scaricata nella bacinella di evaporazione posta sopra il compressore.	Collegare lo scarico dell'acqua di sbrinamento alla bacinella di evaporazione.
Impossibile impostare la temperatura.	La funzione "Coolmatic" è attiva.	Disattivare manualmente la "Coolmatic" oppure aspettare finché la funzione si disattiva automaticamente per impostare la temperatura. Vedere la sezione "Funzione Coolmatic".

Problema	Causa possibile	Soluzione
La temperatura all'interno dell'apparecchiatura è troppo bassa/troppo alta.	La temperatura non è impostata correttamente.	Impostare una temperatura superiore/inferiore.
	La porta non è chiusa correttamente.	Vedere la sezione "Chiusura della porta".
	La temperatura degli alimenti è troppo alta.	Prima di introdurre gli alimenti, lasciarli raffreddare a temperatura ambiente.
	Sono stati introdotti molti alimenti contemporaneamente.	Introdurre gli alimenti un poco alla volta.
	Il coperchio viene aperto frequentemente.	Aprire la porta solo se necessario.
	La funzione Coolmatic è attiva.	Vedere la sezione "Funzione Coolmatic".
	L'aria fredda non circola correttamente all'interno dell'apparecchio.	Adottare le misure necessarie per garantire una corretta circolazione dell'aria fredda. Fare riferimento al capitolo "Consigli e suggerimenti utili".
DEMO compare sul display.	L'apparecchiatura è in modalità demo.	Mantenere premuto il tasto OK per circa 10 secondi finché non viene emesso segnale sonoro prolungato e il display si spegne per qualche istante.
Appare il simbolo  anziché i numeri sul display della temperatura.	Problema al sensore della temperatura.	Contattare il Centro di Assistenza Autorizzato più vicino (il sistema refrigerante continuerà a mantenere gli alimenti freddi, ma non sarà possibile regolare la temperatura).



Se il consiglio non dà risultati, contattare il Centro di Assistenza Autorizzato più vicino.

## 8.2 Sostituzione della lampadina

L'apparecchiatura è dotata di una lampadina interna a LED a lunga durata.

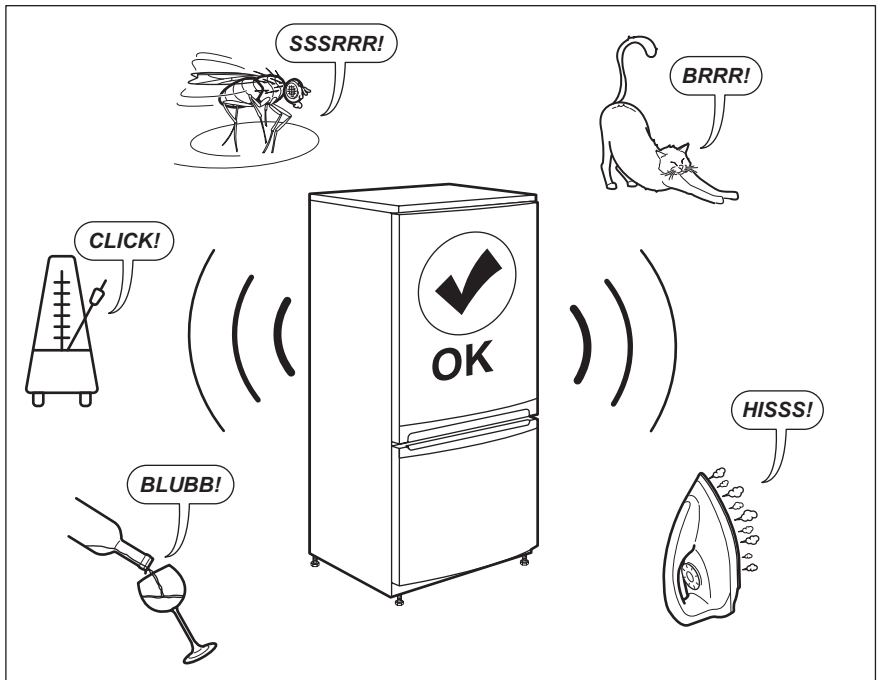
Solo al Centro di Assistenza è permesso sostituire l'impianto d'illuminazione. Contattare un Centro Assistenza autorizzato.

## 8.3 Chiusura della porta

1. Pulire le guarnizioni della porta.
2. Se necessario, regolare la porta. Fare riferimento alle istruzioni di installazione.

3. Se necessario, sostituire le guarnizioni difettose. Contattare il Centro Assistenza Autorizzato.

## 9. RUMORI



## 10. DATI TECNICI

I dati tecnici sono riportati sulla targhetta dei dati applicata sul lato esterno dell'apparecchiatura e sull'etichetta dei valori energetici.

Il codice QR sull'etichetta energetica fornita con l'apparecchio fornisce un link web alle informazioni correlate al funzionamento di questa apparecchiatura nella banca dati EPREL dell'UE. Conservare l'etichetta

energetica come riferimento insieme al manuale d'uso e a tutti gli altri documenti forniti con questo apparecchio.

È possibile trovare le stesse informazioni anche in EPREL utilizzando il link <https://eprel.ec.europa.eu> e il nome del modello e il numero di prodotto che si trovano sulla targhetta dell'apparecchio.


## 11. INFORMAZIONI PER GLI ISTITUTI DI PROVA


L'installazione e la preparazione dell'apparecchiatura per qualsiasi verifica di EcoDesign devono essere conformi a EN 62552. I requisiti di ventilazione, le dimensioni dell'incavo e le distanze

minime dalla parte posteriore devono essere conformi a quanto indicato nel presente manuale d'uso al capitolo 3. Si prega di contattare il produttore per

qualsiasi altra informazione, compresi i piani di carico.

## 12. CONSIDERAZIONI SULL'AMBIENTE

Riciclare i materiali con il simbolo .  
Buttare l'imballaggio negli appositi contenitori per il riciclaggio. Aiutare a proteggere l'ambiente e la salute umana e a riciclare rifiuti derivanti da apparecchiature elettriche ed elettroniche. Non smaltire le

apparecchiature che riportano il simbolo  insieme ai normali rifiuti domestici. Portare il prodotto al punto di riciclaggio più vicino o contattare il comune di residenza.

## CONTENIDO

1. INFORMACIÓN SOBRE SEGURIDAD.....	37
2. INSTRUCCIONES DE SEGURIDAD.....	40
3. INSTALACIÓN.....	42
4. PANEL DE MANDOS.....	44
5. USO DIARIO.....	46
6. CONSEJOS.....	47
7. MANTENIMIENTO Y LIMPIEZA.....	48
8. SOLUCIÓN DE PROBLEMAS.....	49
9. RUIDOS.....	53
10. DATOS TÉCNICOS.....	53
11. INFORMACIÓN PARA LOS INSTITUTOS DE PRUEBAS.....	53

## PARA OBTENER RESULTADOS PERFECTOS

Gracias por escoger este producto AEG. Este artículo ha sido creado para ofrecer un rendimiento impecable durante muchos años, con innovadoras tecnologías que facilitarán su vida y prestaciones que probablemente no encuentre en electrodomésticos corrientes. Por favor, dedique algunos minutos a la lectura para disfrutar de todas sus ventajas.

Consulte en nuestro sitio web:



Obtener consejos, folletos, soluciones a problemas e información de servicio y reparación:

**[www.aeg.com/support](http://www.aeg.com/support)**



Registrar su producto para recibir un mejor servicio:

**[www.registreaeg.com](http://www.registreaeg.com)**



Adquirir accesorios, artículos de consumo y recambios originales para su aparato:

**[www.aeg.com/shop](http://www.aeg.com/shop)**


## ATENCIÓN Y SERVICIO AL CLIENTE

Le recomendamos que utilice recambios originales.

Al contactar con nuestro centro autorizado de servicio técnico, cerciőrese de tener la siguiente informaci3n a mano: Modelo, PNC, N3mero de serie.

La informaci3n se puede encontrar en la placa de caracter3sticas.

 Advertencia / Precauci3n-Info-rmacion sobre seguridad

 Informaci3n general y consejos

 Informaci3n sobre el medio ambiente

Salvo modificaciones.

### 1. INFORMACI3N SOBRE SEGURIDAD

Antes de instalar y utilizar el aparato, lea atentamente las instrucciones facilitadas. El fabricante no se hace responsable de lesiones o dańos producidos como

resultado de una instalación o un uso incorrectos. Conserve siempre estas instrucciones en lugar seguro y accesible para futuras consultas.

## 1.1 Seguridad de niños y personas vulnerables

- Este aparato puede ser utilizado por niños de 8 años en adelante y personas cuyas capacidades físicas, sensoriales o mentales estén disminuidas o que carezcan de la experiencia y conocimientos suficientes para manejarlo, siempre que cuenten con las instrucciones o la supervisión sobre el uso del electrodoméstico de forma segura y comprendan los riesgos.
- Los niños de 3 a 8 años pueden cargar y descargar el aparato siempre que hayan sido debidamente instruidos.
- Este aparato puede ser utilizado por personas con discapacidades muy extensas y complejas, siempre que hayan sido instruidas adecuadamente.
- Es necesario mantener alejados del aparato a los niños de menos de 3 años salvo que estén bajo supervisión continua.
- No deje que los niños jueguen con el aparato.
- La limpieza y mantenimiento de usuario del aparato no podrán ser realizados por niños sin supervisión.
- Mantenga todo el material de embalaje fuera del alcance de los niños y deséchelo de forma adecuada.

## 1.2 Seguridad general

- Este aparato está concebido para utilizarse en aplicaciones domésticas y similares, tales como:
  - Granjas; áreas de cocina para el personal en tiendas, oficinas y otros entornos de trabajo;
  - Por clientes en hoteles, moteles, pensiones y otros entornos de tipo residencial.
- Para evitar la contaminación alimentaria, respete las siguientes instrucciones:

- no abra la puerta durante largos periodos de tiempo;
- limpie regularmente las superficies que pueden entrar en contacto con los alimentos y los sistemas de drenaje accesibles;
- guarde la carne y el pescado crudos en recipientes adecuados en el frigorífico, de manera que no estén en contacto con otros alimentos ni goteen sobre ellos.
- **ADVERTENCIA:** Mantenga libres de obstrucciones las aberturas de ventilación del alojamiento del aparato o de la estructura empotrada.
- **ADVERTENCIA:** No utilice dispositivos mecánicos ni medios artificiales para acelerar el proceso de descongelación, excepto los recomendados por el fabricante.
- **ADVERTENCIA:** No dañe el circuito del refrigerante.
- **ADVERTENCIA:** No utilice dispositivos eléctricos dentro de los compartimientos para alimentos del aparato, salvo si son del tipo recomendado por el fabricante.
- No utilice pulverizadores ni vapor de agua para limpiar el aparato.
- Limpie el aparato con un paño suave humedecido. Utilice solo detergentes neutros. No utilice productos abrasivos, estropajos duros, disolventes ni objetos metálicos.
- Cuando el aparato esté vacío durante un largo período, apáguelo, descongélelo, límpielo, séquelo y deje la puerta abierta para evitar que se desarrolle moho en el interior del aparato.
- No almacene sustancias explosivas tales como latas de aerosol con un propulsor inflamable en este aparato.
- Si el cable eléctrico sufre algún daño, el fabricante, su servicio técnico autorizado o un profesional cualificado tendrán que cambiarlo para evitar riesgos.

## 2. INSTRUCCIONES DE SEGURIDAD

### 2.1 Instalación



#### ADVERTENCIA!

Sólo un técnico cualificado puede instalar el aparato.

- Retire todo el embalaje.
- No instale ni utilice un aparato dañado.
- No utilice el aparato antes de instalarlo en la estructura empotrada por motivos de seguridad.
- Siga las instrucciones de instalación suministradas con el aparato.
- Tenga cuidado al mover el aparato, porque es pesado. Utilice siempre guantes de protección y calzado cerrado.
- Asegúrese de que el aire pueda circular alrededor del aparato.
- En la primera instalación otras invertir el sentido de apertura de la puerta, espere al menos 4 horas antes de conectar el aparato a la alimentación eléctrica. Esto es para permitir que el aceite regrese al compresor.
- Desenchufe siempre el aparato antes de llevar a cabo cualquier operación, por ejemplo cambiar el sentido de apertura de la puerta.
- No instale el aparato cerca de radiadores, cocinas, hornos o placas de cocción.
- No exponga el aparato a la lluvia.
- No instale el aparato donde reciba luz solar directa.
- No instale este aparato en áreas excesivamente húmedas o frías.
- Al mover el aparato, levántelo por el borde frontal para no arañar el suelo.

### 2.2 Conexión eléctrica



#### ADVERTENCIA!

Riesgo de incendios y descargas eléctricas.



#### ADVERTENCIA!

Al colocar el producto, asegúrese de que el cable de alimentación no queda atrapado o doblado.



#### ADVERTENCIA!

No utilice adaptadores de enchufes múltiples ni cables prolongadores.

- El aparato debe conectarse a tierra.
- Asegúrese de que los parámetros de la placa de características son compatibles con los valores eléctricos del suministro eléctrico.
- Utilice siempre una toma con aislamiento de conexión a tierra correctamente instalada.
- Asegúrese de no provocar daños en los componentes eléctricos (como enchufe, cable de alimentación, compresor). Póngase en contacto con un electricista o con el servicio técnico autorizado para cambiar los componentes eléctricos.
- El cable de alimentación debe estar por debajo del nivel del enchufe de alimentación.
- Conecte el enchufe a la toma de corriente únicamente cuando haya terminado la instalación. Asegúrese de tener acceso al enchufe del suministro de red una vez finalizada la instalación.
- No desconecte el aparato tirando del cable de conexión a la red. Tire siempre del enchufe.

### 2.3 Uso del aparato



#### ADVERTENCIA!

Existe riesgo de lesiones, quemaduras, descargas eléctricas o incendios.



El aparato contiene un gas inflamable, isobutano (R600a), un gas natural con alto grado de compatibilidad medioambiental. Tenga cuidado para no dañar el circuito de refrigerante que contiene isobutano.

- No cambie las especificaciones de este aparato.
- No utilice otros aparatos eléctricos (como máquinas de hacer helados) dentro de aparatos de refrigeración,



salvo que el fabricante haya autorizado su utilización.

- Si se daña el circuito del refrigerante, evite las llamas y fuentes de ignición en la habitación. Ventile la habitación.
- No toque con elementos calientes las piezas de plástico del aparato.
- No almacene gas ni líquido inflamable en el aparato.
- No coloque productos inflamables ni objetos mojados con productos inflamables dentro, cerca o encima del aparato.
- No toque el compresor ni el condensador. Están calientes.

## 2.4 Luz interna



### ADVERTENCIA!

Riesgo de descarga eléctrica.

- El tipo de luz utilizada para este aparato es específica para aparatos domésticos. No se debe utilizar para la iluminación doméstica.

## 2.5 Mantenimiento y limpieza



### ADVERTENCIA!

Podría sufrir lesiones o dañar el aparato.

- Antes de proceder con el mantenimiento, apague el aparato y desconecte el enchufe de la red.
- Este equipo contiene hidrocarburos en la unidad de refrigeración. Solo una persona cualificada debe realizar el mantenimiento y la recarga de la unidad.
- Examine periódicamente el desagüe del aparato y límpielo si fuera necesario. Si el desagüe se bloquea, el agua descongela se acumulará en la base del aparato.

## 2.6 Asistencia

- Para reparar el aparato, póngase en contacto con el centro de servicio

autorizado. Utilice solamente piezas de recambio originales.

- Tenga en cuenta que la autorreparación o la reparación no profesional puede tener consecuencias de seguridad y podría anular la garantía.
- Las siguientes piezas de repuesto estarán disponibles durante 7 años después de que el modelo se haya retirado: termostatos, sensores de temperatura, placas de circuitos impresos, fuentes de luz, manijas de puertas, bisagras de puertas, bandejas y cestas. Tenga en cuenta que algunas de estas piezas de recambio solo están disponibles para los reparadores profesionales, y que no todas las piezas de recambio son relevantes para todos los modelos.
- Las juntas de las puertas estarán disponibles durante 10 años después de que el modelo se haya retirado.

## 2.7 Desecho



### ADVERTENCIA!

Existe riesgo de lesiones o asfixia.

- Desconecte el aparato de la red.
- Corte el cable de conexión a la red y deséchelo.
- Retire la puerta para evitar que los niños y las mascotas queden encerrados en el aparato.
- El circuito del refrigerante y los materiales aislantes de este aparato no dañan la capa de ozono.
- La espuma aislante contiene gas inflamable. Póngase en contacto con las autoridades locales para saber cómo desechar correctamente el aparato.
- No dañe la parte de la unidad de refrigeración que está cerca del intercambiador de calor.

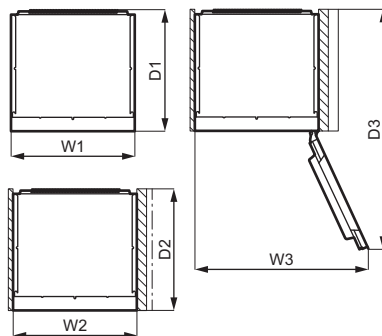
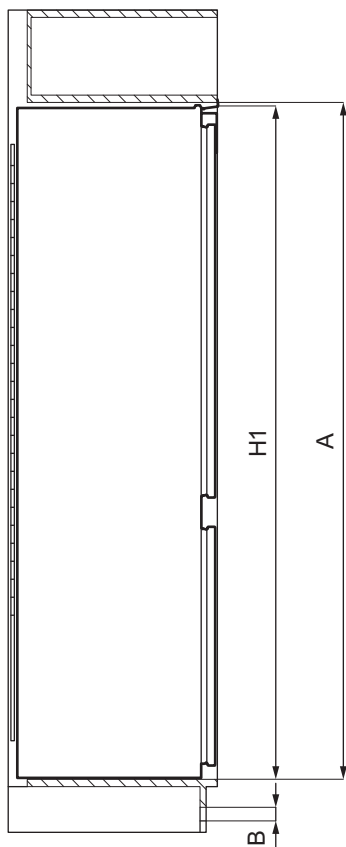
## 3. INSTALACIÓN

**⚠ ADVERTENCIA!**  
Consulte los capítulos sobre seguridad.

**⚠ ADVERTENCIA!**  
Consulte el documento de instrucciones de instalación para instalar su aparato.

**⚠ ADVERTENCIA!**  
Fije el aparato de acuerdo con las instrucciones de instalación para evitar el riesgo de inestabilidad.

### 3.1 Medidas



#### Dimensiones generales<sup>1)</sup>

H 1	mm	1224
W 1	mm	556

Dimensiones generales <sup>1)</sup>		
D 1	mm	549

<sup>1)</sup> la altura, anchura y profundidad del aparato sin el mango y las patas

Espacio necesario en uso <sup>1)</sup>		
H 2 (A+B)	mm	1261
W 2	mm	560
D 2	mm	552
A	mm	1225
B	mm	36

<sup>1)</sup> la altura, anchura y profundidad del aparato, incluyendo la manija, más el espacio necesario para la libre circulación del aire de refrigeración

Espacio total necesario en uso <sup>1)</sup>		
H 3 (A+B)	mm	1261
W 3	mm	780
D 3	mm	1085

<sup>1)</sup> la altura, anchura y profundidad del aparato, incluido el mango, más el espacio necesario para la libre circulación del aire de refrigeración, más el espacio necesario para permitir la apertura de la puerta hasta el ángulo mínimo que permita la extracción de todo el equipo interno

### 3.2 Ubicación

Para garantizar el mejor funcionamiento del aparato, no debe instalarlo en las proximidades de la fuente de calor (horno, estufas, radiadores, cocinas o fogones) ni en un lugar con luz solar directa. Asegúrese de que el aire pueda circular libremente alrededor de la parte posterior del gabinete.

### 3.3 Colocación

Este aparato debe instalarse en una ubicación interior seca y bien ventilada.

Este aparato está destinado a ser utilizado a una temperatura ambiente que oscila entre 10°C y 43°C.



Si tiene cualquier duda respecto al lugar de instalación del aparato, consulte al vendedor, a nuestro servicio de atención al cliente o al servicio técnico autorizado más cercano.



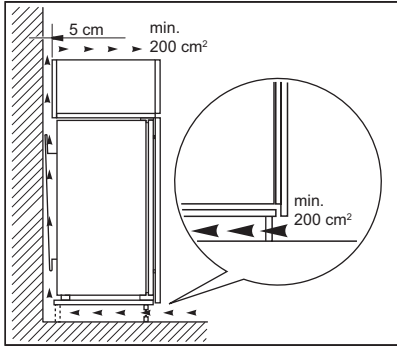
Puede que en algún momento sea necesario desenchufar el aparato de la toma de corriente. por lo que el enchufe debe quedar accesible tras la instalación del aparato.

### 3.4 Conexión eléctrica

- Antes de conectar el aparato, compruebe que el voltaje y la frecuencia indicados en la placa de datos técnicos se corresponden con el suministro de la vivienda.
- El aparato debe conectarse a tierra. El enchufe del cable de alimentación se suministra con un contacto para tal fin. Si la toma de red de la vivienda carece de conexión a tierra, conecte el aparato a una toma de tierra conforme con la normativa, después de consultar a un electricista profesional
- El fabricante declina toda responsabilidad si no se toman las precauciones antes indicadas.
- Este aparato cumple las directivas CEE.

### 3.5 Requisitos de ventilación

El aire debe poder circular libremente por la parte posterior del aparato.



**PRECAUCIÓN!**  
Consulte las instrucciones para realizar la instalación.

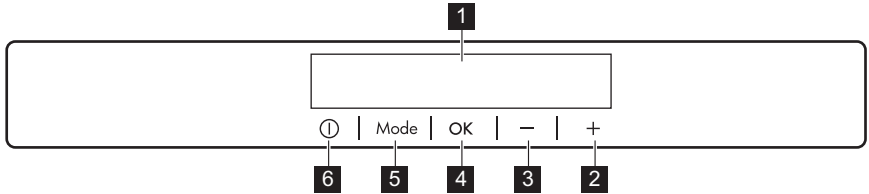
### 3.6 Cambio del sentido de apertura de la puerta

Consulte el documento separado con instrucciones de instalación y de inversión de la puerta.



**PRECAUCIÓN!**  
En todas las fases del cambio de sentido de la puerta, proteja la puerta de arañazos con un material resistente.

## 4. PANEL DE MANDOS



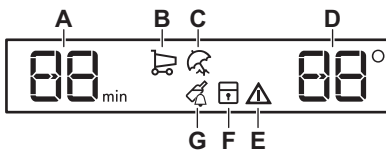
- 1** Pantalla
- 2** Botón de calentamiento de temperatura
- 3** Botón de enfriamiento de temperatura

- 4** OK
- 5** Mode
- 6** ON/OFF

Se puede cambiar el sonido predefinido de los botones manteniendo pulsadas al mismo tiempo unos segundos la tecla

Mode y la de menor temperatura. El cambio es reversible.

### 4.1 Pantalla



- A.** Indicador del temporizador
- B.** Función Coolmatic
- C.** Modo Holiday
- D.** Indicador de temperatura
- E.** Indicador de alarma
- F.** Función ChildLock
- G.** Función DrinksChill

## 4.2 Encendido

1. Conecte el enchufe a la toma de corriente.
2. Pulse ON/OFF del aparato si la pantalla está apagada. Los indicadores de temperatura muestran la temperatura predeterminada programada.

Para programar otra temperatura, consulte la sección "Regulación de la temperatura".

Si "dEMo" aparece en la pantalla, consulte "Solución de problemas".

## 4.3 Apagado

1. Pulse ON/OFF en el aparato durante 3 segundos. La pantalla se apaga.
2. Desenchufe el aparato de la toma de corriente.

## 4.4 Regulación de la temperatura

Ajuste la temperatura del aparato pulsando los reguladores de temperatura.

La temperatura de ajuste por defecto recomendada es:

- +4°C para el frigorífico.

El rango de temperatura puede variar entre 2°C y 8°C para el frigorífico.

Los indicadores de temperatura muestran la temperatura programada.



La temperatura programada se alcanza en un plazo de 24 horas.

Después de un corte del suministro eléctrico, la temperatura ajustada se guarda.

## 4.5 Función Coolmatic

Si necesita introducir en el frigorífico una gran cantidad de alimentos calientes, por ejemplo después de hacer la compra, se aconseja activar la función Coolmatic para enfriarlos más rápidamente y evitar que suba la temperatura de los que ya están almacenados en el frigorífico.

1. Pulse Mode hasta que aparezca el icono correspondiente. El indicador Coolmatic parpadea.
2. Pulse OK para confirmar. Aparece el indicador Coolmatic. Esta función se detiene automáticamente después de unas 6 horas.

Puede desactivar la función Coolmatic antes de su finalización automática repitiendo el procedimiento o seleccionando una temperatura de ajuste diferente en el frigorífico.

## 4.6 Modo Holiday

Este modo permite mantener el aparato vacío durante periodos de tiempo prolongados reduciendo la formación de malos olores.

1. Pulse Mode hasta que aparezca el icono correspondiente. El indicador Holiday parpadea. El indicador de temperatura muestra la temperatura programada.
2. Pulse OK para confirmar. Aparece el indicador Holiday.



Este modo se apaga seleccionando una temperatura programada diferente.

## 4.7 Función ChildLock

Active la función ChildLock para bloquear los botones frente a pulsaciones accidentales.

1. Pulse Mode hasta que aparezca el icono correspondiente. El indicador ChildLock parpadea.
2. Pulse OK para confirmar. Aparece el indicador ChildLock. Para activar la función ChildLock, repita el procedimiento hasta que el indicador ChildLock se apague.

## 4.8 Función DrinksChill

La función DrinksChill debe utilizarse para ajustar una alarma acústica a la hora deseada, algo útil por ejemplo para recetas en las que deben enfriarse los alimentos durante un tiempo determinado.

1. Pulse Mode hasta que aparezca el icono correspondiente.  
El indicador DrinksChill parpadea.  
El temporizador muestra el tiempo programado (30 minutos) durante unos segundos.
2. Pulse el regulador del temporizador para programar un valor entre 1 y 90 minutos.
3. Pulse OK para confirmar.  
Aparece el indicador DrinksChill.  
El temporizador empieza a parpadear (min).  
Al terminar la cuenta atrás, parpadea el indicador "0 min" y suena la alarma.  
Pulse OK para apagar el sonido y desactivar la función.

Para apagar la función, repita el procedimiento hasta que DrinksChill se apague.

- i** El tiempo puede modificarse en cualquier momento durante la cuenta atrás y al finalizar, pulsando los botones de enfriamiento o calentamiento de temperatura.

## 5. USO DIARIO

### 5.1 Colocación de los estantes de la puerta

Para poder guardar alimentos de distintos tamaños, los estantes de la puerta se pueden colocar a diferentes alturas.

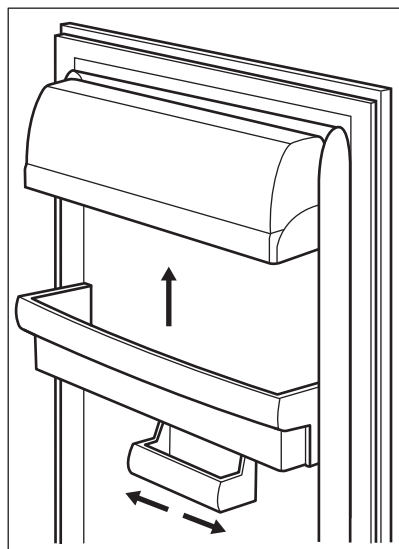
1. Tire gradualmente del estante hacia arriba hasta que se suelte.
2. Vuelva a colocarlo según sea necesario.

### 4.9 Alarma de puerta abierta

Si la puerta del frigorífico se deja abierta durante aproximadamente 5 minutos, el sonido se activa y el indicador de alarma parpadea.

La alarma se detiene después de cerrar la puerta. Durante la alarma, el sonido se puede desactivar pulsando cualquier botón.

- i** Si no se pulsa ningún botón, el sonido se apaga automáticamente después de aproximadamente una hora para evitar molestias.



Este modelo cuenta con una caja de almacenamiento variable que se puede deslizar lateralmente.

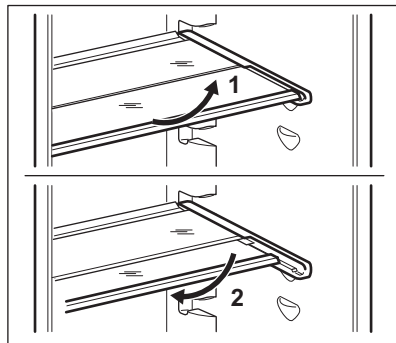
## 5.2 Estantes móviles

Las paredes del frigorífico cuentan con una serie de guías para colocar los estantes del modo que se prefiera.

Este aparato también está equipado con un estante que consta de dos partes. La mitad delantera del estante puede colocarse bajo la segunda mitad para aprovechar mejor el espacio.

Para plegar el estante:

1. Saque la mitad delantera con cuidado.
2. Deslícela en la guía inferior bajo la segunda mitad.



No coloque el estante de vidrio por encima del cajón de verduras para no impedir la correcta circulación del aire.

## 5.3 Cajón para verduras

En la parte inferior del aparato hay un cajón especial para guardar frutas y verduras.

# 6. CONSEJOS

## 6.1 Consejos para ahorrar energía

- Se garantiza el consumo más eficiente de energía en la configuración con los cajones en la parte inferior del aparato y los estantes distribuidos uniformemente. La posición de los contenedores de la puerta no afecta al consumo de energía.
- No abra la puerta con frecuencia ni la deje abierta más tiempo del necesario.
- No fije una temperatura demasiado alta para ahorrar energía, a menos que lo requieran las características del alimento.
- Si la temperatura ambiente es alta, se ha ajustado un valor de temperatura bajo y el aparato está totalmente lleno, el compresor podría funcionar sin detenerse y generar escarcha o hielo en el evaporador. En este caso, ajuste el control a una temperatura más alta para permitir la descongelación automática y ahorrar energía de esta manera.

- Asegure una buena ventilación. No cubra las rejillas de ventilación ni los agujeros.

## 6.2 Consejos para la refrigeración de alimentos frescos

- Un buen ajuste de temperatura que asegure la conservación de los alimentos frescos es una temperatura menor o igual a +4°C. Una temperatura más alta en el interior del aparato puede reducir la vida útil de los alimentos.
- Cubra el alimento con el envase para preservar su frescura y aroma.
- Utilice siempre recipientes cerrados para líquidos y para alimentos, para evitar sabores u olores en el compartimento.
- Para evitar la contaminación cruzada entre alimentos cocidos y crudos, cubra la comida cocinada y sepárela de la cruda.
- Se recomienda descongelar los alimentos dentro de la nevera.

- No coloque alimentos calientes dentro del aparato. Asegúrese de que se haya enfriado a temperatura ambiente antes de introducirla.
- Para evitar el desperdicio de alimentos, los alimentos más recientes deben colocarse siempre detrás de los viejos.

### 6.3 Consejos para la refrigeración de alimentos

- Carne (de todo tipo): guárdela en un envoltorio adecuado y colóquela en el estante de vidrio, sobre el cajón de las verduras. Almacene la carne durante un máximo de 1-2 días.
- Frutas y verduras: limpie a fondo (elimine la suciedad) y coloque en un cajón especial (cajón de verduras).

- Es aconsejable no guardar en el frigorífico las frutas exóticas como plátanos, mangos, papayas, etc.
- Las verduras como tomates, patatas, cebollas y ajos no deben guardarse en el frigorífico.
- Mantequilla y queso: coloque en un recipiente hermético, envuelva en papel de aluminio o en bolsas de polietileno para eliminar todo el aire posible.
- Botellas: cierre con un tapón y colóquelas en el estante para botellas de la puerta de la puerta o en el botellero (si dispone de él).
- Consulte siempre la fecha de caducidad de los productos para saber cuánto tiempo debe conservarlos.

## 7. MANTENIMIENTO Y LIMPIEZA



### ADVERTENCIA!

Consulte los capítulos sobre seguridad.

### 7.1 Limpieza del interior

Antes de utilizar el aparato por primera vez, lave su interior y todos los accesorios internos con agua templada y jabón neutro para eliminar el típico olor de los productos nuevos. A continuación, seque todo bien.



### PRECAUCIÓN!

No utilice detergentes, polvos abrasivos ni limpiadores a base de cloro o aceite, ya que podrían dañar el acabado.



### PRECAUCIÓN!

Los accesorios y las piezas del aparato no deben lavarse en el lavavajillas.

### 7.2 Limpieza periódica

El equipo debe limpiarse de forma regular:

1. Limpie el interior y los accesorios con agua templada y un jabón neutro.

2. Revise y limpie periódicamente las juntas de la puerta para mantenerlas limpias y sin restos.
3. Aclare y seque a fondo.

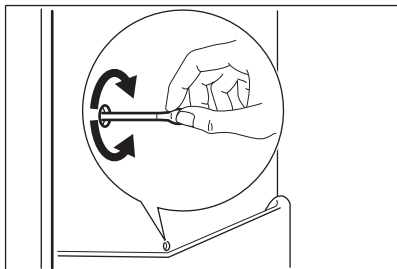
### 7.3 Descongelación del frigorífico

La escarcha se elimina automáticamente del evaporador del compartimento frigorífico durante el uso normal. El agua de la descongelación se descarga por un canal hacia un recipiente especial situado en la parte posterior del aparato, sobre el motor compresor, desde donde se evapora.

Es importante limpiar periódicamente el orificio de salida del agua de descongelación situado en la mitad del canal del compartimento frigorífico para evitar que el agua se desborde y caiga sobre los alimentos del interior.

Utilice para ello la varilla limpiadora incluida con el aparato.





Si el aparato no se utiliza durante un tiempo prolongado, tome las siguientes precauciones

1. Desconecte el aparato de la red eléctrica.
2. Extraiga todos los alimentos.
3. Limpie el aparato y todos los accesorios.
4. Deje la puerta abierta para evitar olores desagradables.

### 7.4 Periodos sin funcionamiento

## 8. SOLUCIÓN DE PROBLEMAS



**ADVERTENCIA!**




Consulte los capítulos sobre seguridad.

### 8.1 Qué hacer si...

Problema	Posible causa	Solución
El aparato no funciona.	El aparato se apaga.	Encienda el electrodoméstico.
	El aparato no está correctamente enchufado a la toma de corriente.	Enchufe el aparato correctamente a la toma de corriente.
	No hay tensión en la toma de corriente.	Enchufe un aparato eléctrico diferente a la toma de corriente. Llame a un electricista cualificado.
El aparato hace ruido.	El aparato no está bien apoyado en el suelo.	Compruebe que los soportes del aparato descansan sobre una superficie estable.
La alarma audible o visual está activada.	El armario se ha encendido hace poco.	Consulte "Alarma de puerta abierta" o "Alarma de temperatura alta".
	La temperatura del horno es demasiado alta.	Consulte "Alarma de puerta abierta" o "Alarma de temperatura alta".
	La puerta se ha dejado abierta.	Cierre la puerta.
El compresor funciona continuamente.	La temperatura está ajustada incorrectamente.	Consulte el capítulo "Panel de control".

Problema	Posible causa	Solución
	Se han guardado muchos alimentos al mismo tiempo.	Espere unas horas y vuelva a comprobar la temperatura.
	La temperatura ambiente es demasiado alta.	Consulte el capítulo "Instalación".
	Los alimentos introducidos en el aparato estaban demasiado calientes.	Deje que los alimentos se enfríen a temperatura ambiente antes de almacenarlos.
	La puerta no está bien cerrada.	Consulte la sección "Cierre de la puerta".
	La función Coolmatic está activada.	Consulte la sección "Función Coolmatic".
El compresor no se pone en marcha inmediatamente después de pulsar "Coolmatic", o tras cambiar la temperatura.	El compresor se pone en marcha después de un cierto tiempo.	Esto es normal y no significa que exista un error.
La puerta está mal alineada o interfiere con la rejilla de ventilación.	El aparato no está nivelado.	Consulte las instrucciones de instalación.
La puerta no se abre fácilmente.	Ha intentado volver a abrir la puerta inmediatamente después de cerrarla.	Espere unos segundos entre el cierre y la reapertura de la puerta.
La bombilla no funciona.	La bombilla está en modo de espera.	Cierre y abra la puerta.
	La bombilla es defectuosa.	Póngase en contacto con el servicio técnico autorizado más cercano.
Hay demasiada escarcha o hielo.	La puerta no está bien cerrada.	Consulte la sección "Cierre de la puerta".
	La junta de la puerta está sucia o deformada.	Consulte la sección "Cierre de la puerta".
	Los alimentos no están bien envueltos.	Envuelva mejor los productos.
	La temperatura está ajustada incorrectamente.	Consulte el capítulo "Panel de control".
	El aparato está completamente cargado y ajustado a la temperatura más baja.	Seleccione una temperatura más alta. Consulte el capítulo "Panel de control".

Problema	Posible causa	Solución
	La temperatura ajustada en el aparato es demasiado baja y la temperatura ambiente demasiado alta.	Seleccione una temperatura más alta. Consulte el capítulo "Panel de control".
El agua fluye por la placa posterior del frigorífico.	Durante el proceso de descongelación automática, la escarcha se derrite en la placa posterior.	Es correcto.
Hay demasiada agua de condensación en la pared posterior del frigorífico.	La puerta se abre con demasiada frecuencia.	Abra la puerta solo cuando sea necesario.
	La puerta no se cierra completamente.	Asegúrese de que la puerta está cerrada completamente.
	Los alimentos guardados no están envueltos correctamente.	Envuelva los alimentos correctamente antes de guardarlos en el aparato.
El agua fluye por el interior del frigorífico.	Los productos impiden que el agua fluya al colector de agua.	Asegúrese de que los alimentos no entran en contacto con la placa posterior.
	La salida de agua está obstruida.	Limpie la salida de agua.
Hay agua en el suelo.	La salida de agua de la descongelación no está conectada a la bandeja de evaporación situada sobre el compresor.	Fije la salida de agua de descongelación a la bandeja de evaporación.
No es posible ajustar la temperatura.	La "Función Coolmatic" está activada.	Apague manualmente la "Función Coolmatic", o espere hasta que la función se desactive automáticamente antes de ajustar la temperatura. Consulte "Función Coolmatic".
La temperatura del aparato es demasiado baja/alta.	La temperatura no se ha ajustado correctamente.	Seleccione una temperatura más alta o baja.
	La puerta no está bien cerrada.	Consulte la sección "Cierre de la puerta".
	La temperatura de los productos es demasiado alta.	Deje que la temperatura de los productos descienda a la temperatura ambiente antes de guardarlos.

Problema	Posible causa	Solución
	Se han guardado muchos alimentos al mismo tiempo.	Guarde menos productos al mismo tiempo.
	La puerta se ha abierto con frecuencia.	Si es necesario, cierre la puerta.
	La función Coolmatic está activada.	Consulte la sección "Función Coolmatic".
	No hay circulación de aire frío en el aparato.	Compruebe que el aire frío circula libremente en el aparato. Consulte el capítulo "Consejos".
DEMO aparece en la pantalla.	El aparato está en modo de demostración.	Mantenga pulsado OK durante aproximadamente 10 segundos hasta que se oiga un sonido largo y la pantalla se apague un breve instante.
Aparecerá un símbolo  ,  o  en lugar de números en la pantalla de temperatura.	Problema en el sensor de temperatura.	Póngase en contacto con el centro de servicio técnico autorizado más cercano (el sistema de refrigeración seguirá manteniendo fríos los alimentos, pero no podrá ajustar la temperatura).



Si el consejo anterior no ofrece resultados, llame al servicio técnico autorizado más cercano.

## 8.2 Cambio de la bombilla

El aparato está equipado con una luz LED interior de larga duración.

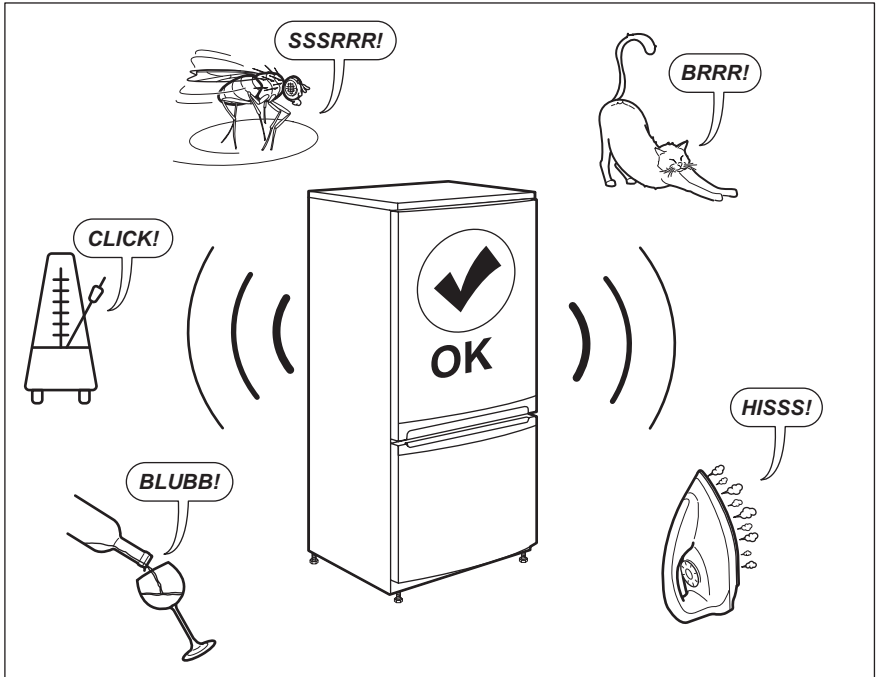
El dispositivo de iluminación solo debe ser sustituido por el servicio técnico.

Póngase en contacto con el servicio técnico.

## 8.3 Cierre de la puerta

1. Limpie las juntas de la puerta.
2. Si es necesario, ajuste la puerta. Consulte las instrucciones de instalación.
3. Si es necesario, cambie las juntas defectuosas. Póngase en contacto con el servicio técnico autorizado.

## 9. RUIDOS



## 10. DATOS TÉCNICOS

La información técnica se encuentra en la placa de datos técnicos en el lado interior izquierdo del aparato y en la etiqueta de energía.

El código QR de la etiqueta energética suministrada con el aparato proporciona un enlace web a la información relacionada con el rendimiento del aparato en la base de datos de EU EPREL. Guarde la etiqueta de energía

como referencia junto con el manual de usuario y todos los demás documentos que se proporcionan con este aparato.


También puede encontrar la misma información en EPREL utilizando el enlace <https://eprel.ec.europa.eu> y el nombre del modelo y el número de producto que se encuentra en la placa de características del aparato.


## 11. INFORMACIÓN PARA LOS INSTITUTOS DE PRUEBAS

La instalación y la preparación del aparato para cualquier verificación de EcoDiseño deberá cumplir con EN 62552. Los requisitos de ventilación, las dimensiones de los huecos y las distancias mínimas traseras serán los

indicados en el Capítulo 3 de este Manual de Usuario. Por favor, póngase en contacto con el fabricante para cualquier otra información adicional, incluyendo los planos de carga.

## 12. ASPECTOS MEDIOAMBIENTALES

Recicle los materiales con el símbolo . Coloque el material de embalaje en los contenedores adecuados para su reciclaje. Ayude a proteger el medio ambiente y la salud pública, así como a reciclar residuos de aparatos eléctricos y

electrónicos. No deseche los aparatos marcados con el símbolo  junto con los residuos domésticos. Lleve el producto a su centro de reciclaje local o póngase en contacto con su oficina municipal.



[www.aeg.com/shop](http://www.aeg.com/shop)



211625923-A-072020



**AEG**