

▶ RTB413E1AW

EN	<b>User Manual</b> Refrigerator	2
IT	<b>Istruzioni per l'uso</b> Frigorifero	22
ES	<b>Manual de instrucciones</b> Frigorífico	44

# USER MANUAL



**AEG**

## CONTENTS

1. SAFETY INFORMATION.....	2
2. SAFETY INSTRUCTIONS.....	4
3. INSTALLATION.....	6
4. OPERATION.....	11
5. DAILY USE.....	12
6. HINTS AND TIPS.....	13
7. CARE AND CLEANING.....	15
8. TROUBLESHOOTING.....	17
9. NOISES.....	20
10. TECHNICAL DATA.....	20
11. INFORMATION FOR TEST INSTITUTES.....	20
12. ENVIRONMENTAL CONCERNS.....	21

## FOR PERFECT RESULTS

Thank you for choosing this AEG product. We have created it to give you impeccable performance for many years, with innovative technologies that help make life simpler – features you might not find on ordinary appliances. Please spend a few minutes reading to get the very best from it.

Visit our website to:



Get usage advice, brochures, trouble shooter, service and repair information:  
[www.aeg.com/support](http://www.aeg.com/support)



Register your product for better service:  
[www.registeraeg.com](http://www.registeraeg.com)



Buy Accessories, Consumables and Original spare parts for your appliance:  
[www.aeg.com/shop](http://www.aeg.com/shop)

## CUSTOMER CARE AND SERVICE

Always use original spare parts.

When contacting our Authorised Service Centre, ensure that you have the following data available: Model, PNC, Serial Number.

The information can be found on the rating plate.

 Warning / Caution-Safety information

 General information and tips

 Environmental information

Subject to change without notice.

### 1. SAFETY INFORMATION

Before the installation and use of the appliance, carefully read the supplied instructions. The manufacturer is not responsible for any injuries or damage that are the result

of incorrect installation or usage. Always keep the instructions in a safe and accessible location for future reference.

## **1.1 Children and vulnerable people safety**

- This appliance can be used by children aged from 8 years and above and persons with reduced physical, sensory or mental capabilities or lack of experience and knowledge if they have been given supervision or instruction concerning the use of the appliance in a safe way and understand the hazards involved.
- Children aged from 3 to 8 years are allowed to load and unload the appliance provided that they have been properly instructed.
- This appliance may be used by persons with very extensive and complex disabilities provided that they have been properly instructed.
- Children of less than 3 years of age should be kept away from the appliance unless continuously supervised.
- Children should be supervised to ensure that they do not play with the appliance.
- Children shall not carry out cleaning and user maintenance of the appliance without supervision.
- Keep all packaging away from children and dispose of it appropriately.

## **1.2 General Safety**

- This appliance is for storing food and beverages only.
- This appliance is designed for single household domestic use in an indoor environment.
- This appliance may be used in, offices, hotel guest rooms, bed & breakfast guest rooms, farm guest houses and other similar accommodation where such use does not exceed (average) domestic usage levels.
- To avoid contamination of food respect the following instructions:
  - do not open the door for long periods;

- clean regularly surfaces that can come in contact with food and accessible drainage systems;
- store raw meat and fish in suitable containers in the refrigerator, so that it is not in contact with or drip onto other food.
- **WARNING:** Keep ventilation openings, in the appliance enclosure or in the built-in structure, clear of obstruction.
- **WARNING:** Do not use mechanical devices or other means to accelerate the defrosting process, other than those recommended by the manufacturer.
- **WARNING:** Do not damage the refrigerant circuit.
- **WARNING:** Do not use electrical appliances inside the food storage compartments of the appliance, unless they are of the type recommended by the manufacturer.
- Do not use water spray and steam to clean the appliance.
- Clean the appliance with a moist soft cloth. Only use neutral detergents. Do not use abrasive products, abrasive cleaning pads, solvents or metal objects.
- When the appliance is empty for long period, switch it off, defrost, clean, dry and leave the door open to prevent mould from developing within the appliance.
- Do not store explosive substances such as aerosol cans with a flammable propellant in this appliance.
- If the supply cord is damaged, it must be replaced by the manufacturer, its Authorised Service Centre or similarly qualified persons in order to avoid a hazard.

## 2. SAFETY INSTRUCTIONS

### 2.1 Installation



#### **WARNING!**

Only a qualified person must install this appliance.

- Remove all the packaging.
- Do not install or use a damaged appliance.
- Follow the installation instructions supplied with the appliance.
- Always take care when moving the appliance as it is heavy. Always use safety gloves and enclosed footwear.
- Make sure the air can circulate around the appliance.
- At first installation or after reversing the door wait at least 4 hours before connecting the appliance to the power

supply. This is to allow the oil to flow back in the compressor.

- Before carrying out any operations on the appliance (e.g. reversing the door), remove the plug from the power socket.
- Do not install the appliance close to radiators or cookers, ovens or hobs.
- Do not expose the appliance to the rain.
- Do not install the appliance where there is direct sunlight.
- Do not install this appliance in areas that are too humid or too cold.
- When you move the appliance, lift it by the front edge to avoid scratching the floor.

## 2.2 Electrical connection



**WARNING!**  
Risk of fire and electric shock.



**WARNING!**  
When positioning the appliance, ensure the supply cord is not trapped or damaged.



**WARNING!**  
Do not use multi-plug adapters and extension cables.

- The appliance must be earthed.
- Make sure that the parameters on the rating plate are compatible with the electrical ratings of the mains power supply.
- Always use a correctly installed shockproof socket.
- Make sure not to cause damage to the electrical components (e.g. mains plug, mains cable, compressor). Contact the Authorised Service Centre or an electrician to change the electrical components.
- The mains cable must stay below the level of the mains plug.
- Connect the mains plug to the mains socket only at the end of the installation. Make sure that there is access to the mains plug after the installation.

- Do not pull the mains cable to disconnect the appliance. Always pull the mains plug.

## 2.3 Use



**WARNING!**  
Risk of injury, burns, electric shock or fire.



The appliance contains flammable gas, isobutane (R600a), a natural gas with a high level of environmental compatibility. Be careful not to cause damage to the refrigerant circuit containing isobutane.

- Do not change the specification of this appliance.
- Do not put electrical appliances (e.g. ice cream makers) in the appliance unless they are stated applicable by the manufacturer.
- If damage occurs to the refrigerant circuit, make sure that there are no flames and sources of ignition in the room. Ventilate the room.
- Do not let hot items to touch the plastic parts of the appliance.
- Do not put soft drinks in the freezer compartment. This will create pressure on the drink container.
- Do not store flammable gas and liquid in the appliance.
- Do not put flammable products or items that are wet with flammable products in, near or on the appliance.
- Do not touch the compressor or the condenser. They are hot.
- Do not remove or touch items from the freezer compartment if your hands are wet or damp.
- Do not freeze again food that has been thawed.
- Follow the storage instructions on the packaging of frozen food.
- Wrap the food in any food contact material before putting it in the freezer compartment.
- Do not place unpacked food on the appliance.

## 2.4 Internal lighting



**WARNING!**  
Risk of electric shock.

- This product contains a light source of energy efficiency class G.
- Concerning the lamp(s) inside this product and spare part lamps sold separately: These lamps are intended to withstand extreme physical conditions in household appliances, such as temperature, vibration, humidity, or are intended to signal information about the operational status of the appliance. They are not intended to be used in other applications and are not suitable for household room illumination.

## 2.5 Care and cleaning



**WARNING!**  
Risk of injury or damage to the appliance.

- Before maintenance, deactivate the appliance and disconnect the mains plug from the mains socket.
- This appliance contains hydrocarbons in the cooling unit. Only a qualified person must do the maintenance and the recharging of the unit.
- Regularly examine the drain of the appliance and if necessary, clean it. If the drain is blocked, defrosted water collects in the bottom of the appliance.

## 2.6 Service

- To repair the appliance contact the Authorised Service Centre. Use original spare parts only.

- Please note that self-repair or non-professional repair can have safety consequences and might void the guarantee.
- The following spare parts will be available for 7 years after the model has been discontinued: thermostats, temperature sensors, printed circuit boards, light sources, door handles, door hinges, trays and baskets. Please note that some of these spare parts are only available to professional repairers, and that not all spare parts are relevant for all models.
- Door gaskets will be available for 10 years after the model has been discontinued.

## 2.7 Disposal



**WARNING!**  
Risk of injury or suffocation.

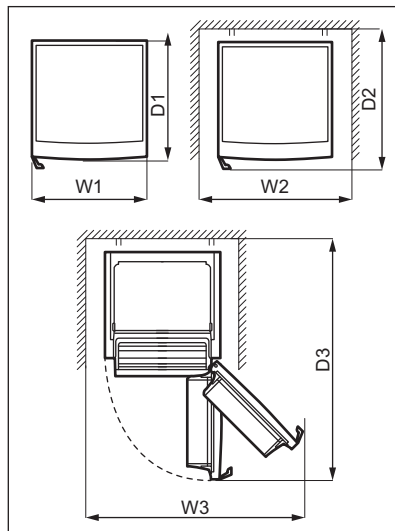
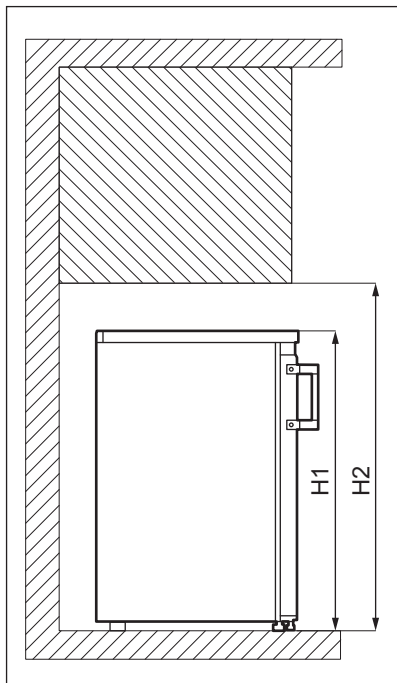
- Disconnect the appliance from the mains supply.
- Cut off the mains cable and discard it.
- Remove the door to prevent children and pets to be closed inside of the appliance.
- The refrigerant circuit and the insulation materials of this appliance are ozone-friendly.
- The insulation foam contains flammable gas. Contact your municipal authority for information on how to discard the appliance correctly.
- Do not cause damage to the part of the cooling unit that is near the heat exchanger.

# 3. INSTALLATION



**WARNING!**  
Refer to Safety chapters.

### 3.1 Dimensions



Overall dimensions <sup>1</sup>		
H1	mm	845
W1	mm	604
D1	mm	576

<sup>1</sup> the height, width and depth of the appliance without the handle

Space required in use <sup>2</sup>		
H2	mm	945
W2	mm	804
D2	mm	689

<sup>2</sup> the height, width and depth of the appliance including the handle, plus the space necessary for free circulation of the cooling air

Overall space required in use <sup>3</sup>		
H2	mm	945
W3	mm	1193
D3	mm	1209

<sup>3</sup> the height, width and depth of the appliance including the handle, plus the space necessary for free circulation of the cooling air, plus the space necessary to allow door opening to the minimum angle permitting removal of all internal equipment

### 3.2 Location

This appliance is not intended to be used as a built-in appliance.

In case of different installation from freestanding respecting space required in use dimensions, the appliance will function correctly but energy consumption might increase slightly.

To ensure appliance's best functionality, you should not install the appliance in the nearby of the heat source (oven, stoves, radiators, cookers or hobs) or in a place with direct sunlight. Make sure that air can circulate freely around the back of the cabinet.

This appliance should be installed in a dry, well ventilated indoor position.

To ensure best performance, if the appliance is positioned below an overhanging wall unit, the minimum distance between the top of the cabinet shall be maintained. Ideally, however, the appliance should not be positioned below overhanging wall units. One or more adjustable feet at the base of the cabinet ensure that the appliance stands level.



#### **CAUTION!**

If you position the appliance against the wall, use back spacers provided or keep the minimum distance indicated in the installation instructions.



#### **CAUTION!**

If you install the appliance next to a wall, refer to the installation instructions to understand the minimum distance between the wall and the side of the appliance where door hinges are to provide enough space to open the door when the internal equipment is removed (e.g. when cleaning).

This appliance is intended to be used at ambient temperature ranging from 10°C to 38°C.



The correct operation of the appliance can only be guaranteed within the specified temperature range.



If you have any doubts regarding where to install the appliance, please turn to the vendor, to our customer service or to the nearest Authorised Service Centre.



It must be possible to disconnect the appliance from the mains power supply. The plug must therefore be easily accessible after installation.

### **3.3 Electrical connection**

- Before plugging in, ensure that the voltage and frequency shown on the rating plate correspond to your domestic power supply.
- The appliance must be earthed. The power supply cable plug is provided with a contact for this purpose. If the domestic power supply socket is not earthed, connect the appliance to a separate earth in compliance with current regulations, consulting a qualified electrician.
- The manufacturer declines all responsibility if the above safety precautions are not observed.
- This appliance complies with the E.E.C. Directives.

### **3.4 Levelling**

When placing the appliance make sure that it stands level. This can be achieved by two adjustable feet at the bottom in front.

### **3.5 Door reversibility**

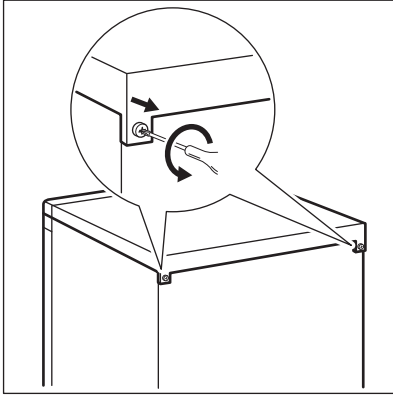


#### **WARNING!**

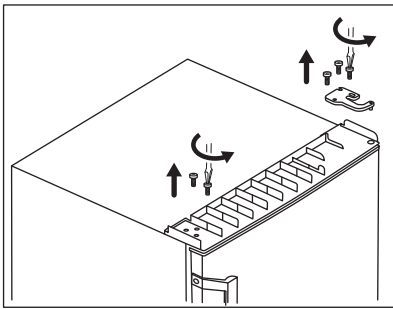
Before carrying out any operations, remove the plug from the power socket.

1. Make sure the appliance stands upright.
2. Open the door and remove the door equipment. Refer to the "Daily Use" chapter. Close the door.
3. Unscrew the screws on the back of the top cover.

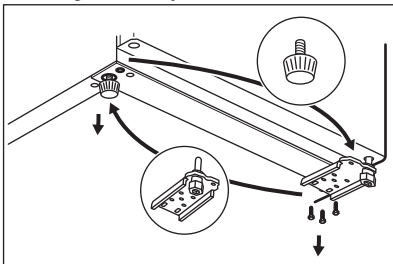




4. Lift the top cover and place it on a soft surface.
5. Unscrew the 4 screws that connect the upper hinge. Put the upper hinge in a safe place together with the screws.

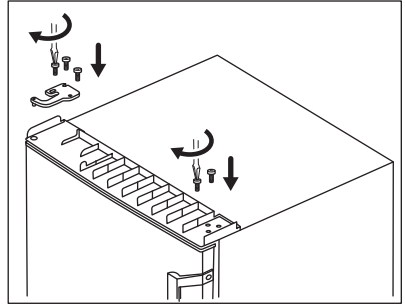


6. Lift the door and put it on a soft surface.
7. Tilt the appliance carefully on a soft foam packaging or similar material to avoid any damage to the back of the appliance and the floor.
8. Unscrew the screws of the bottom hinge and adjustable feet.

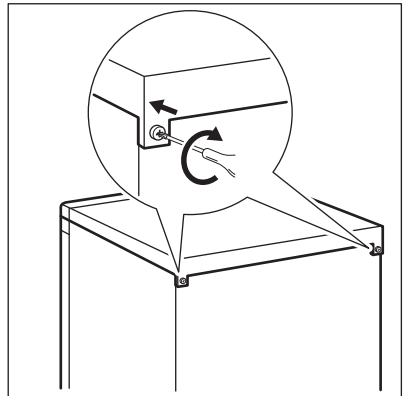


9. Install the pin in the opposite hole of the hinge.

10. Screw the bottom hinge on the other side of the appliance.
11. Install the rubber support on the side with no hinge.
12. Fit the door on the lower hinge making sure the hinge pin enters the door bottom hole.
13. Install the upper hinge on the opposite side of the appliance. Fit the upper hinge pin into the door upper hole. Tighten the screws.



14. Screw the remaining 2 screws on the top side of the appliance with no hinge.
15. Place the top cover on the appliance and tighten the screws on the back.



Install the door equipment.

Wait at least 4 hours before connecting the appliance to the power supply.

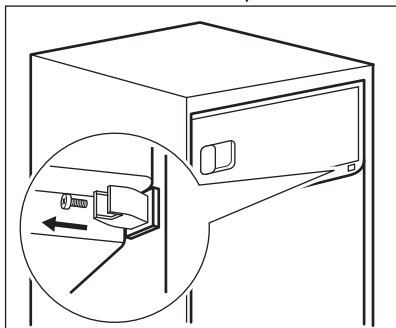
### 3.6 Reversing the freezer compartment door



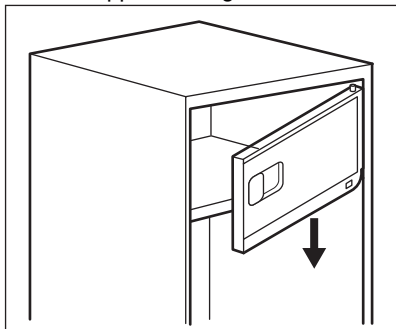
#### WARNING!

Before carrying out any operations, remove the plug from the power socket.

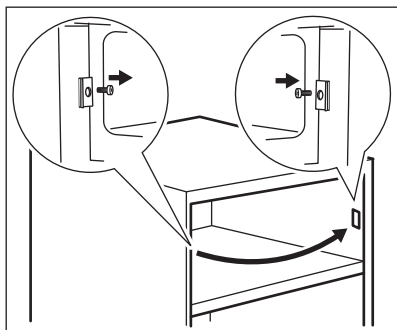
1. Close the freezer compartment door. Unscrew the screw of the installation button. Place the installation button and the screw in a safe place.



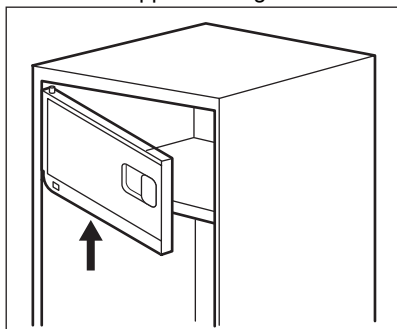
2. Open a freezer compartment door slightly. Pull down the freezer compartment door and the cap from the door upper bearing.



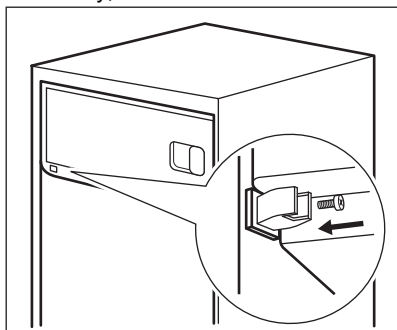
3. Remove the installation buckle and install it on the opposite side.



4. Reverse the freezer compartment door by 180 degrees. Install the cap on the door upper bearing.



5. Fit the freezer compartment door and close them.
6. Fix the installation button to the door lower bearing. Press the installation button until there is no gap between it and cavity, then fix the screw.

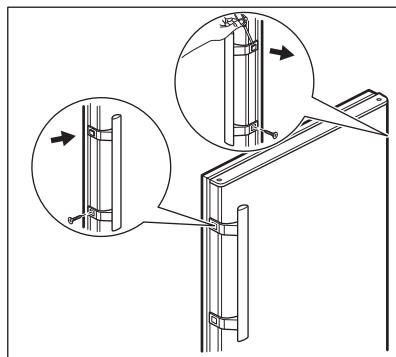


7. Take out hole covers from a bag and put them in the holes left after the door hinge.

### 3.7 Installation of a door handle

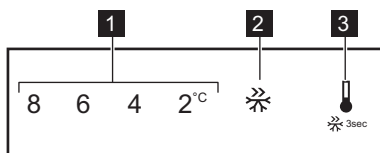
If there is a door handle separately provided in a bag, you can install it as follows:

1. Remove the screws from the holes on the side of the door. Keep or install the screw covers on the side with a door hinge.
2. Match the handle holes with the holes in the door and screw the handle with screws previously removed.



## 4. OPERATION

### 4.1 Control panel



1. Temperature indicator
2. Super Freeze indicator

3. Control button

### 4.2 Switching on

Insert the plug into the wall socket.

### 4.3 Switching off

To turn off the appliance, remove the plug from the power socket.

### 4.4 Temperature regulation

To set the temperature, press the control button repeatedly until you reach the desired temperature.

Recommended set temperature is:

- +4°C for the fridge,

The temperature range may vary between 2°C and 8°C for fridge.

Choose the setting keeping in mind that the temperature inside the appliance depends on:

- room temperature,

- frequency of opening the door,
- quantity of food stored,
- appliance location.

The temperature indicators show the set temperature.



The set temperature will be reached within 24 hours. After a power failure it remains stored.

### 4.5 Super Freeze function

The Super Freeze is used to perform pre-freezing and fast freezing in sequence of Freezer compartment. This function accelerates the freezing of fresh food and, at the same time, protects foodstuffs already stored from undesirable warming.

- i** To freeze fresh food activate the Super Freeze function at least 24 hours before placing the food to complete pre-freezing.

To activate the Super Freeze function, press and hold the Control button for 3 seconds. The Super Freeze indicator flashes.

This function stops automatically after 52 hours.

You can deactivate the Super Freeze function before its automatic end by

pressing and holding the Control button for 3 seconds. The Super Freeze indicator turns off.

## 4.6 Door open alarm

If the fridge door is left open for approximately 1 minute, the sound is on.

The alarm stops after closing the door.

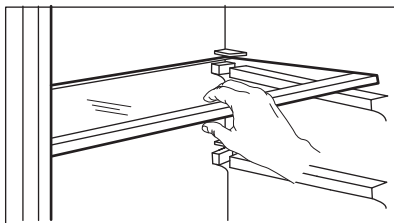
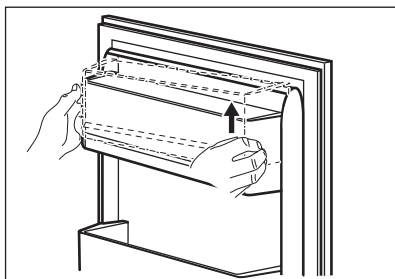
- i** The sound switches off automatically after around 10 minutes to avoid disturbing.

## 5. DAILY USE

### 5.1 Removing and installing the door shelf

To remove the door shelf:

1. Hold the left side of the shelf.
2. Lift the right side of the shelf until it comes free from the fastener.



- i** To ensure correct air circulation, do not move the glass shelf above the vegetable drawer.

3. Lift the left side of the shelf and remove it.

To put the shelf back in:

1. Place the shelf flat on the door.
2. Push two sides of the shelf downwards at the same time so that the shelf fits both fasteners.

### 5.2 Movable shelves

The walls of the refrigerator compartment are equipped with a series of runners so that the shelves can be positioned as desired.

### 5.3 Vegetable drawer

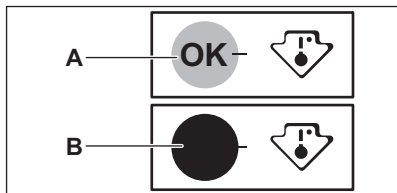
There is a special drawer in the bottom part of the appliance suitable for storage of fruits and vegetables.

### 5.4 Temperature indicator

For proper storage of food the refrigerator is equipped with the temperature indicator. The symbol on the side wall of the appliance indicates the coldest area in the refrigerator.

If OK is displayed (A), put fresh food into area indicated by symbol, if not (B), wait at least 12 hours and check if it is OK (A).

If it is still not OK (B), adjust the setting control to a colder setting.



## 5.5 Freezing fresh food

The freezer compartment is suitable for freezing fresh food and storing frozen and deep-frozen food for a long time.

To freeze fresh food activate the Super Freeze function at least 24 hours before placing the food to be frozen in the freezer compartment.

Store the fresh food evenly distributed in the freezing compartment.

The maximum amount of food that can be frozen without adding other fresh food during 24 hours is specified on the rating plate (a label located inside the appliance).

## 5.6 Storage of frozen food

When activating an appliance for the first time or after a period out of use, before

putting the products in the compartment let the appliance run at least 3 hours with the Super Freeze function switched on.

Keep the food no closer than 15 mm from the door.



### CAUTION!

In the event of accidental defrosting, for example due to a power failure, if the power has been off for longer than the value shown on rating plate under "rising time", the defrosted food must be consumed quickly or cooked immediately then cooled and then re-frozen.

## 5.7 Thawing

Deep-frozen or frozen food, prior to being used, can be thawed in the refrigerator compartment or at room temperature, depending on the time available for this operation.

Small pieces may even be cooked still frozen, directly from the freezer: in this case, cooking will take longer.

# 6. HINTS AND TIPS

## 6.1 Hints for energy saving

- Fridge: Most efficient use of energy is ensured in the configuration with the drawers in the bottom part of the appliance and shelves evenly distributed. Position of the door bins does not affect energy consumption.
- Do not open the door frequently or leave it open longer than necessary.
- Fridge: Do not set too high temperature to save energy unless it is required by the characteristics of the food.
- If the ambient temperature is high and the temperature control is set to low temperature and the appliance is fully loaded, the compressor may run continuously, causing frost or ice formation on the evaporator. In this case, set the temperature control toward higher temperature to allow

automatic defrosting and to save energy this way.

- Ensure a good ventilation. Do not cover the ventilation grilles or holes.

## 6.2 Hints for freezing

- Activate Super Freeze function at least 24 hours before placing the food inside the freezer compartment.
- Before freezing wrap and seal fresh food in: aluminium foil, plastic film or bags, airtight containers with lid.
- For more efficient freezing and thawing divide food into small portions.
- It is recommended to put labels and dates on all your frozen food. This will help to identify foods and to know when they should be used before their deterioration.


- The food should be fresh when being frozen to preserve good quality. Especially fruits and vegetables should be frozen after the harvest to preserve all of their nutrients.
- Do not freeze bottles or cans with liquids, in particular drinks containing carbon dioxide - they may explode during freezing.
- Do not put hot food in the freezer compartment. Cool it down at room temperature before placing it inside the compartment.
- To avoid increase in temperature of already frozen food, do not place fresh unfrozen food directly next to it. Place food at room temperature in the part of the freezer compartment where there is no frozen food.
- Do not eat ice cubes, water ices or ice lollies immediately after taking them out of the freezer. Risk of frostbites.
- Do not re-freeze defrosted food. If the food has defrosted, cook it, cool it down and then freeze it.
- The whole freezer compartment is suitable for storage of frozen food products.
- Leave enough space around the food to allow air to circulate freely.
- For adequate storage refer to food packaging label to see the shelf life of food.
- It is important to wrap the food in such a way that prevents water, humidity or condensation from getting inside.

## 6.4 Shopping tips

After grocery shopping:

- Ensure that the packaging is not damaged - the food could be deteriorated. If the package is swollen or wet, it might have not been stored in the optimal conditions and defrosting may have already started.
- To limit the defrosting process buy frozen goods at the end of your grocery shopping and transport them in a thermal and insulated cool bag.
- Place the frozen foods immediately in the freezer after coming back from the shop.
- If food has defrosted even partially, do not re-freeze it. Consume it as soon as possible.
- Respect the expiry date and the storage information on the package.

## 6.3 Hints for storage of frozen food

- Freezer compartment is the one marked with .
- Higher temperature setting inside the appliance may lead to shorter shelf life.

## 6.5 Shelf life for freezer compartment


Type of food	Shelf life (months)
Bread	3
Fruits (except citrus)	6 - 12
Vegetables	8 - 10
Leftovers without meat	1 - 2
<b>Dairy food:</b>	
Butter	6 - 9
Soft cheese (e.g. mozzarella)	3 - 4
Hard cheese (e.g. parmesan, cheddar)	6
<b>Seafood:</b>	

Type of food	Shelf life (months)
Fatty fish (e.g. salmon, mackerel)	2 - 3
Lean fish (e.g. cod, flounder)	4 - 6
Shrimps	12
Shucked clams and mussels	3 - 4
Cooked fish	1 - 2
<b>Meat:</b>	
Poultry	9 - 12
Beef	6 - 12
Pork	4 - 6
Lamb	6 - 9
Sausage	1 - 2
Ham	1 - 2
Leftovers with meat	2 - 3

## 6.6 Hints for fresh food refrigeration

- Good temperature setting that ensures preservation of fresh food is a temperature less than or equal to +4°C.  
Higher temperature setting inside the appliance may lead to shorter shelf life of food.
- Cover the food with packaging to preserve its freshness and aroma.
- Always use closed containers for liquids and for food, to avoid flavours or odours in the compartment.
- To avoid the cross-contamination between cooked and raw food, cover the cooked food and separate it from the raw one.
- It is recommended to defrost the food inside the fridge.
- Do not insert hot food inside the appliance. Make sure it has cooled down at room temperature before inserting it.
- To prevent food waste the new stock of food should always be placed behind the old one.

## 6.7 Hints for food refrigeration

- Fresh food compartment is the one marked (on the rating plate) with .
- Fruit and vegetables: clean thoroughly (eliminate the soil) and place in a special drawer (vegetable drawer).
- It is advisable not to keep the exotic fruits like bananas, mangos, papayas etc. in the refrigerator.
- Vegetables like tomatoes, potatoes, onions, and garlic should not be kept in the refrigerator.
- Butter and cheese: place in an airtight container or wrap in an aluminium foil or a polythene bag to exclude as much air as possible.
- Bottles: close them with a cap and place them on the door bottle shelf, or (if available) on the bottle rack.
- Always refer to the expiry date of the products to know how long to keep them.

# 7. CARE AND CLEANING



**WARNING!**  
Refer to Safety chapters.

## 7.1 Cleaning the interior

Before using the appliance for the first time, the interior and all internal accessories should be washed with

lukewarm water and some neutral soap to remove the typical smell of a brand-new product, then dried thoroughly.



**CAUTION!**

Do not use detergents, abrasive powders, chlorine or oil-based cleaners as they will damage the finish.



**CAUTION!**

The accessories and parts of the appliance are not suitable for washing in a dishwasher.

## 7.2 Periodic cleaning

The equipment has to be cleaned regularly:

1. Clean the inside and accessories with lukewarm water and some neutral soap.
2. Regularly check the door seals and wipe them clean to ensure they are clean and free from debris.
3. Clean the condenser with a brush at least twice a year.
4. Clean the evaporator tray periodically to remove accumulated water.
5. Rinse and dry thoroughly.

## 7.3 Defrosting of the fridge

The defrost water automatically drains out through a trough into the evaporative tray at the back of the appliance, over the motor compressor.

## 7.4 Defrosting of the freezer



**CAUTION!**

Never use sharp metal tools to scrape off frost from the evaporator as you could damage it.

Do not use a mechanical device or any artificial means to speed up the thawing process other than those recommended by the manufacturer.



About 12 hours prior to defrosting set a lower temperature in order to build up sufficient chill reserve in case of any interruption in operation.

Defrost the freezer compartment when the frost layer reaches a thickness of about 3-5 mm.

To defrost freezer compartment:

1. Switch off the appliance or pull out electrical plug from the wall socket.
2. Remove any stored food, wrap it in several layers of newspaper and put it in a cool place.



**CAUTION!**

A temperature rise of the frozen food packs during defrosting may shorten their safe storage life. Do not touch frozen goods with wet hands. Hands can freeze to the goods.

3. Leave the door open. Protect the floor from the defrosting water e.g. with a cloth or a flat vessel.
4. In order to speed up the defrosting process, place a pot of warm water in the freezer compartment. In addition, remove pieces of ice that break away before defrosting is complete.
5. When defrosting is complete, dry the interior thoroughly.
6. Switch on the appliance and close the door.
7. Set the temperature regulator to obtain the maximum coldness and run the appliance for three hours using this setting.

Only after this time put the food back into the freezer compartment.

## 7.5 Periods of non-operation

When the appliance is not in use for long periods, take the following precautions:

1. Disconnect the appliance from electricity supply.
2. Remove all food.
3. Defrost the appliance.
4. Clean the appliance and all accessories.



5. Leave the doors open to prevent unpleasant smells.

## 8. TROUBLESHOOTING



### WARNING!

Refer to Safety chapters.

### 8.1 What to do if...

Problem	Possible cause	Solution
The appliance does not operate.	The appliance is switched off.	Switch on the appliance.
	The mains plug is not connected to the mains socket correctly.	Connect the mains plug to the mains socket correctly.
	There is no voltage in the mains socket.	Connect a different electrical appliance to the mains socket. Contact a qualified electrician.
The appliance is noisy.	The appliance is not supported properly.	Check if the appliance stands stable.
The compressor operates continually.	Temperature is set incorrectly.	Refer to "Operation" chapter.
	Many food products were put in at the same time.	Wait a few hours and then check the temperature again.
	The room temperature is too high.	Refer to "Installation" chapter.
	Food products placed in the appliance were too warm.	Allow food products to cool to room temperature before storing.
	The door is not closed correctly.	Refer to "Closing the door" section.
	The Super Freeze function is switched on.	Refer to "Super Freeze function" section.
The compressor does not start immediately after pressing the "Super Freeze", or after changing the temperature.	The compressor starts after a period of time.	This is normal, no error has occurred.
Door is misaligned or interferes with ventilation grill.	The appliance is not levelled.	Refer to installation instructions.

<b>Problem</b>	<b>Possible cause</b>	<b>Solution</b>
Door does not open easily.	You attempted to re-open the door immediately after closing.	Wait a few seconds between closing and re-opening of the door.
The lamp does not work.	The lamp is in stand-by mode.	Close and open the door.
	The lamp is defective.	Contact the nearest Authorized Service Centre.
There is too much frost and ice.	The door is not closed correctly.	Refer to "Closing the door" section.
	The gasket is deformed or dirty.	Refer to "Closing the door" section.
	Food products are not wrapped properly.	Wrap the food products better.
	Temperature is set incorrectly.	Refer to "Operation" chapter.
	Appliance is fully loaded and is set to the lowest temperature.	Set a higher temperature. Refer to "Operation" chapter.
	Temperature set in the appliance is too low and the ambient temperature is too high.	Set a higher temperature. Refer to "Operation" chapter.
	Water flows on the rear plate of the refrigerator.	During the automatic defrosting process, frost melts on the rear plate.
There is too much condensed water on the rear wall of the refrigerator.	Door was opened too frequently.	Open the door only when necessary.
	Door was not closed completely.	Make sure the door is closed completely.
	Stored food was not wrapped.	Wrap food in suitable packaging before storing it in the appliance.
Water flows inside the refrigerator.	Food products prevent the water from flowing into the water collector.	Make sure that food products do not touch the rear plate.
	The water outlet is clogged.	Clean the water outlet.

Problem	Possible cause	Solution
Water flows on the floor.	The melting water outlet is not connected to the evaporative tray above the compressor.	Attach the melting water outlet to the evaporative tray.
Temperature cannot be set.	The Super Freeze function is switched on.	Switch off the Super Freeze function manually, or wait until the function deactivates automatically to set the temperature. Refer to "Super Freeze function" section.
The temperature in the appliance is too low/too high.	The temperature is not set correctly.	Set a higher/lower temperature.
	The door is not closed correctly.	Refer to "Closing the door" section.
	The food products' temperature is too high.	Let the food products temperature decrease to room temperature before storage.
	Many food products are stored at the same time.	Store less food products at the same time.
	The thickness of the frost is greater than 4-5 mm.	Defrost the appliance.
	The door has been opened often.	Open the door only if necessary.
	The Super Freeze function is switched on.	Refer to "Super Freeze function" section.



If the advice does not lead to the desired result, call the nearest Authorized Service Centre.

## 8.2 Replacing the lamp

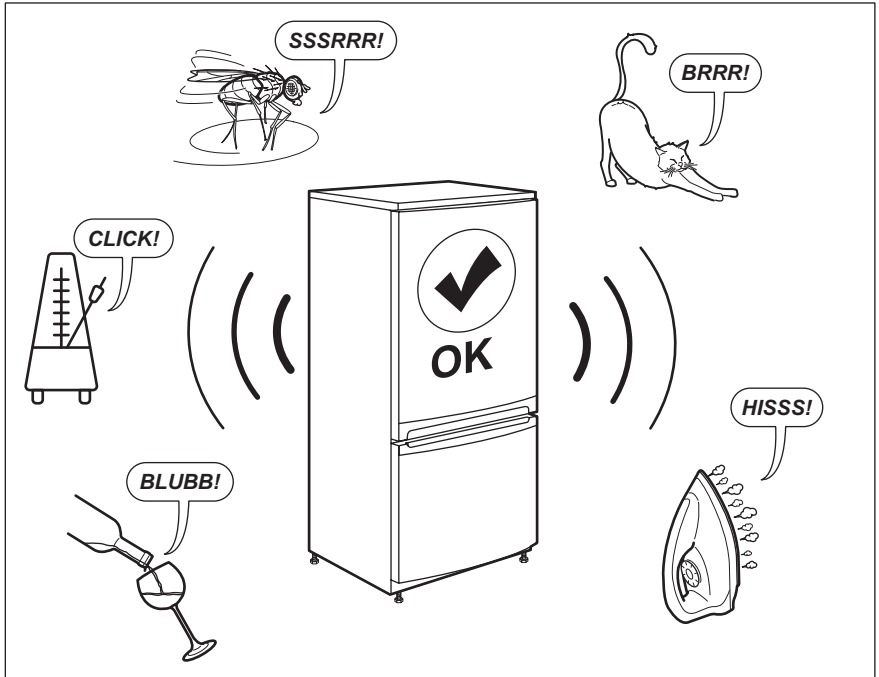
The appliance is equipped with a longlife LED interior light.

Only service is allowed to replace the lighting device. Contact your Authorised Service Centre.

## 8.3 Closing the door

1. Clean the door gaskets.
2. If necessary, adjust the door. Refer to "Installation" chapter.
3. If necessary, replace the defective door gaskets. Contact the Authorised Service Centre.

## 9. NOISES



## 10. TECHNICAL DATA

The technical information is situated in the rating plate on the internal side of the appliance and on the energy label.

The QR code on the energy label supplied with the appliance provides a web link to the information related to the performance of the appliance in the EU EPREL database. Keep the energy label for reference together with the user manual and all other documents provided with this appliance.

It is also possible to find the same information in EPREL using the link <https://eprel.ec.europa.eu> and the model name and product number that you find on the rating plate of the appliance.


See the link [www.theenergylabel.eu](http://www.theenergylabel.eu) for detailed information about the energy label.


## 11. INFORMATION FOR TEST INSTITUTES

Installation and preparation of the appliance for any EcoDesign verification shall be compliant with EN 62552. Ventilation requirements, recess dimensions and minimum rear

clearances shall be as stated in this User Manual at Chapter 3. Please contact the manufacturer for any other further information, including loading plans.

## 12. ENVIRONMENTAL CONCERNS

Recycle materials with the symbol .  
Put the packaging in relevant containers to recycle it. Help protect the environment and human health by recycling waste of electrical and electronic appliances. Do not dispose of

appliances marked with the symbol  with the household waste. Return the product to your local recycling facility or contact your municipal office.

## INDICE

1. INFORMAZIONI DI SICUREZZA.....	22
2. ISTRUZIONI DI SICUREZZA.....	25
3. INSTALLAZIONE.....	27
4. FUNZIONAMENTO.....	32
5. UTILIZZO QUOTIDIANO.....	33
6. CONSIGLI E SUGGERIMENTI UTILI.....	34
7. PULIZIA E CURA.....	37
8. RISOLUZIONE DEI PROBLEMI.....	38
9. RUMORI.....	42
10. DATI TECNICI.....	42
11. INFORMAZIONI PER GLI ISTITUTI DI TEST.....	42
12. CONSIDERAZIONI SULL'AMBIENTE.....	43

## PER RISULTATI PERFETTI

Grazie per aver scelto di acquistare questo prodotto AEG. Lo abbiamo creato per fornirvi prestazioni impeccabili per molti anni, grazie a tecnologie innovative che vi semplificheranno la vita - funzioni che non troverete sulle normali apparecchiature. Vi invitiamo di dedicare qualche minuto alla lettura per sapere come trarre il massimo dal vostro elettrodomestico.

Visitate il nostro sito web per:



Ricevere consigli, scaricare i nostri opuscoli, eliminare eventuali anomalie, ottenere informazioni sull'assistenza e la riparazione:

**[www.aeg.com/support](http://www.aeg.com/support)**



Per registrare il vostro prodotto e ricevere un servizio migliore:

**[www.registeraeg.com](http://www.registeraeg.com)**



Acquistare accessori, materiali di consumo e ricambi originali per la vostra apparecchiatura:

**[www.aeg.com/shop](http://www.aeg.com/shop)**

## ASSISTENZA CLIENTI E ASSISTENZA TECNICA

Consigliamo sempre l'impiego di ricambi originali.

Quando si contatta il nostro Centro di Assistenza Autorizzato, accertarsi di avere a disposizione i dati seguenti: Modello, numero dell'apparecchio (PNC), numero di serie.

Le informazioni sono riportate sulla targhetta identificativa.

 Avvertenza/Attenzione - Importanti Informazioni per la sicurezza

 Informazioni generali e suggerimenti

 Informazioni ambientali

Con riserva di modifiche.

### 1. INFORMAZIONI DI SICUREZZA

Leggere attentamente le istruzioni fornite prima di installare e utilizzare l'apparecchiatura. I produttori non

sono responsabili di eventuali lesioni o danni derivanti da un'installazione o un uso scorretti. Conservare sempre le istruzioni in un luogo sicuro e accessibile per poterle consultare in futuro.

## **1.1 Sicurezza dei bambini e delle persone vulnerabili**

- Quest'apparecchiatura può essere usata da bambini a partire da 8 anni di età e da adulti con capacità fisiche, sensoriali o mentali limitate o con scarsa esperienza e conoscenza sull'uso dell'apparecchiatura, solamente se sorvegliati o se istruiti relativamente all'utilizzo in sicurezza dell'apparecchiatura e se hanno compreso i rischi coinvolti.
- I bambini di età compresa fra i 3 e gli 8 anni possono caricare e scaricare l'apparecchiatura a condizione che siano stati istruiti debitamente.
- Quest'apparecchiatura può essere usata da persone con disabilità diffuse e complesse a condizione che siano state istruite debitamente.
- Tenere i bambini al di sotto dei 3 anni lontani dall'apparecchiatura, a meno che non vi sia una supervisione continua.
- Sorvegliare i bambini per assicurarsi che non giochino con l'apparecchiatura.
- I bambini non devono eseguire interventi di pulizia e manutenzione sull'elettrodomestico senza essere supervisionati.
- Tenere gli imballaggi lontano dai bambini e smaltirli in modo adeguato.

## **1.2 Avvertenze di sicurezza generali**

- Quest'apparecchiatura è destinata esclusivamente alla conservazione di alimenti e bevande.
- Quest'apparecchiatura è progettata per un uso domestico singolo in un ambiente interno.
- Quest'apparecchiatura può essere utilizzata in uffici, camere d'albergo, camere di bed & breakfast, alloggi

- in agriturismi e altre sistemazioni simili in cui tale utilizzo non superi i livelli di utilizzo domestico (medi).
- Per evitare la contaminazione degli alimenti rispettare le seguenti istruzioni:
    - non aprire la porta per lunghi periodi;
    - pulire regolarmente le superfici che possono venire a contatto con gli alimenti e i sistemi di drenaggio accessibili;
    - conservare la carne e il pesce crudo in contenitori adeguati in frigorifero, in modo che non venga a contatto con altri alimenti e non goccioli su altri alimenti.
  - **AVVERTENZA:** Verificare che le aperture di ventilazione, sia sull'apparecchiatura che nella struttura da incasso, siano libere da ostruzioni.
  - **AVVERTENZA:** Non usare dispositivi elettrici o altri mezzi artificiali non raccomandati dal produttore allo scopo di accelerare il processo di sbrinamento.
  - **AVVERTENZA:** Non danneggiare il circuito refrigerante.
  - **AVVERTENZA:** Non utilizzare apparecchiature elettriche all'interno dei compartimenti di conservazione degli alimenti, ad eccezione di quelli consigliati dal costruttore.
  - Non nebulizzare acqua né utilizzare vapore per pulire l'apparecchiatura.
  - Pulire l'apparecchiatura con un panno inumidito e morbido. Utilizzare solo detersivi neutri. Non usare prodotti abrasivi, spugnette abrasive, solventi od oggetti metallici.
  - Quando l'apparecchiatura resta vuota per un lungo periodo di tempo, spegnerla, sbrinarla, pulirla, asciugarla e lasciare la porta aperta per evitare la formazione di muffa al suo interno.
  - Non conservare in questa apparecchiatura sostanze esplosive come bombolette spray contenenti un propellente infiammabile.



- Se il cavo di alimentazione è danneggiato, deve essere sostituito dal produttore, da un tecnico autorizzato o da una persona qualificata per evitare situazioni di pericolo.

## 2. ISTRUZIONI DI SICUREZZA

### 2.1 Installazione



#### **AVVERTENZA!**

L'installazione dell'apparecchiatura deve essere eseguita da personale qualificato.

- Rimuovere tutti i materiali di imballaggio.
- Non installare o utilizzare l'apparecchiatura se è danneggiata.
- Attenersi alle istruzioni fornite insieme all'apparecchiatura.
- Prestare sempre attenzione in fase di spostamento dell'apparecchiatura, dato che è pesante. Usare sempre i guanti di sicurezza e le calzature adeguate.
- Assicurarsi che l'aria possa circolare liberamente attorno all'apparecchiatura.
- In fase di prima installazione o dopo aver girato la porta, attendere almeno 4 ore prima di collegare l'apparecchiatura alla sorgente di alimentazione. Questo serve a consentire all'olio di fluire nuovamente nel compressore.
- Prima di eseguire eventuali operazioni sull'apparecchiatura (ad esempio invertire la porta), togliere la spina dalla presa di corrente.
- Non installare l'apparecchiatura in prossimità di radiatori, fornelli, forni o piani di cottura.
- Non esporre l'apparecchiatura alla pioggia.
- Non installare l'apparecchiatura dove sia esposta alla luce solare diretta.
- Non installare questa apparecchiatura in aree troppo umide o troppo fredde.
- Quando si sposta l'apparecchiatura, sollevarla dal bordo anteriore, così da non graffiare il pavimento.

### 2.2 Collegamento elettrico



#### **AVVERTENZA!**

Rischio di incendio e scossa elettrica.



#### **AVVERTENZA!**

In fase di posizionamento dell'apparecchiatura, verificare che il cavo di alimentazione non sia intrappolato o danneggiato.



#### **AVVERTENZA!**

Non utilizzare prese multiple e prolunghe.

- L'apparecchiatura deve disporre di una messa a terra.
- Verificare che i parametri sulla targhetta siano compatibili con le indicazioni elettriche dell'alimentazione.
- Utilizzare sempre una presa elettrica con contatto di protezione correttamente installata.
- Accertarsi di non danneggiare i componenti elettrici (ad es. la spina di alimentazione, il cavo di alimentazione, il compressore). Contattare il Centro di Assistenza Autorizzato o un elettricista per sostituire i componenti elettrici.
- Il cavo di alimentazione deve rimanere sotto il livello della spina di alimentazione.
- Inserire la spina di alimentazione nella presa solo al termine dell'installazione. Verificare che la spina di alimentazione rimanga accessibile dopo l'installazione.
- Non tirare il cavo di alimentazione per scollegare l'apparecchiatura. Tirare sempre dalla spina.

## 2.3 Utilizzo



### AVVERTENZA!

Rischio di lesioni, scottature o scosse elettriche.



L'apparecchiatura contiene gas infiammabile, isobutano (R600a), un gas naturale con un alto livello di compatibilità ambientale. Fare attenzione a non danneggiare il circuito refrigerante che contiene isobutano.

- Non modificare le specifiche tecniche dell'apparecchiatura.
- Non introdurre apparecchiature elettriche (ad es. gelatiere) nell'apparecchiatura se non specificamente consentito dal produttore.
- Nel caso di danno al circuito refrigerante, assicurarsi che non si sviluppino fiamme libere e scintille nel locale. Aerare bene l'ambiente.
- Non appoggiare oggetti incandescenti sulle parti in plastica dell'apparecchiatura.
- Non introdurre bevande analcoliche nel vano congelatore. Si verrà a creare una pressione nel contenitore della bevanda.
- Non conservare gas e liquidi infiammabili nell'apparecchiatura.
- Non appoggiare o tenere liquidi o materiali infiammabili, né oggetti facilmente infiammabili sull'apparecchiatura, al suo interno o nelle immediate vicinanze.
- Non toccare il compressore o il condensatore. Sono incandescenti.
- Non togliere o toccare gli oggetti nel vano congelatore con le mani bagnate o umide.
- Non ricongelare del cibo precedentemente scongelato.
- Attenersi alle istruzioni per la conservazione riportate sulla confezione del cibo surgelato.
- Avvolgere gli alimenti con materiali per uso alimentare prima di metterli nello scomparto del congelatore.
- Non collocare alimenti disimballati sull'apparecchiatura.

## 2.4 Illuminazione interna



### AVVERTENZA!

Pericolo di scosse elettriche.

- Questo prodotto contiene una sorgente luminosa di classe di efficienza energetica G.
- Per quanto riguarda la lampada o le lampade all'interno di questo prodotto e le lampade di ricambio vendute separatamente: Queste lampade sono destinate a resistere a condizioni fisiche estreme negli elettrodomestici, come temperatura, vibrazioni, umidità, o sono destinate a segnalare informazioni sullo stato operativo dell'apparecchio. Non sono destinate ad essere utilizzate in altre applicazioni e non sono adatte per l'illuminazione di ambienti domestici.

## 2.5 Pulizia e cura



### AVVERTENZA!

Vi è il rischio di ferirsi o danneggiare l'apparecchiatura.

- Prima di eseguire qualunque intervento di manutenzione, spegnere l'apparecchiatura ed estrarre la spina dalla presa.
- L'unità refrigerante di questa apparecchiatura contiene idrocarburi. L'unità deve essere ricaricata ed ispezionata esclusivamente da personale qualificato.
- Controllare regolarmente lo scarico dell'apparecchiatura e, se necessario, pulirlo. L'ostruzione dello scarico può causare un deposito di acqua di sbrinamento sul fondo dell'apparecchiatura.

## 2.6 Assistenza

- Per far riparare l'apparecchiatura, rivolgersi a un Centro di Assistenza Autorizzato. Utilizzare solo ricambi originali.
- Tenere presente che la riparazione autonoma o non professionale possono avere conseguenze sulla sicurezza e potrebbero invalidare la garanzia.

- I seguenti pezzi di ricambio saranno disponibili per 7 anni dopo la cessazione della produzione del modello: termostati, sensori di temperatura, circuiti stampati, sorgenti luminose, maniglie delle porte, cerniere delle porte, vassoi e cestelli. Si prega di notare che alcuni di questi pezzi di ricambio sono disponibili solo per i riparatori professionisti e che non tutti i pezzi di ricambio sono rilevanti per tutti i modelli.
- Le guarnizioni per porte saranno disponibili per 10 anni dopo l'interruzione del modello.
- Staccare la spina dall'alimentazione elettrica.
- Tagliare il cavo di rete e smaltirlo.
- Rimuovere la porta per evitare che bambini e animali domestici rimangano chiusi all'interno dell'apparecchiatura.
- Il circuito refrigerante e i materiali di isolamento di questa apparecchiatura rispettano l'ozono.
- La schiuma isolante contiene gas infiammabili. Contattare le autorità locali per ricevere informazioni su come smaltire correttamente l'apparecchiatura.
- Non danneggiare i componenti dell'unità refrigerante che si trovano vicino allo scambiatore di calore.

## 2.7 Smaltimento



### **AVVERTENZA!**

Rischio di lesioni o soffocamento.

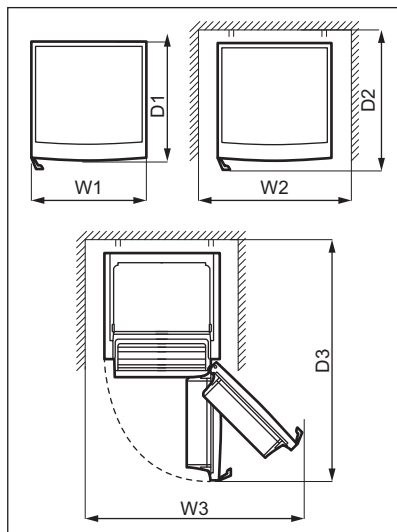
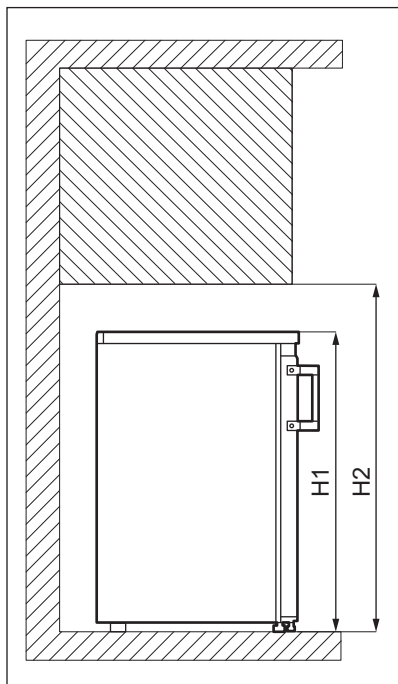
## 3. INSTALLAZIONE



### **AVVERTENZA!**

Fare riferimento ai capitoli sulla sicurezza.

### 3.1 Dimensioni



Dimensioni complessive <sup>1</sup>		
H1	mm	845
W1	mm	604
D1	mm	576

<sup>1</sup> l'altezza, la larghezza e la profondità dell'apparecchiatura senza l'impugnatura

Spazio necessario durante l'uso <sup>2</sup>		
H2	mm	945
W2	mm	804
D2	mm	689

<sup>2</sup> l'altezza, la larghezza e la profondità dell'apparecchio, compresa la maniglia, più lo spazio necessario per la libera circolazione dell'aria di raffreddamento

Spazio complessivo necessario durante l'uso <sup>3</sup>		
H2	mm	945
W3	mm	1193
D3	mm	1209

<sup>3</sup> l'altezza, la larghezza e la profondità dell'apparecchiatura, compresa la maniglia, più lo spazio necessario per la libera circolazione dell'aria di raffreddamento, più lo spazio necessario per consentire l'apertura della porta con l'angolazione minima che permette la rimozione di tutte le apparecchiature interne

### 3.2 Posizione

Questa apparecchiatura non è stata pensata per essere usata come apparecchiatura da incasso.

In caso di installazione diversa da quella libera rispettando lo spazio richiesto dalle dimensioni d'uso, l'apparecchiatura funzionerà correttamente ma il consumo energetico potrebbe aumentare leggermente.

Per garantire la migliore funzionalità dell'elettrodomestico, non si dovrebbe installare l'apparecchio nelle vicinanze di fonti di calore (forno, stufe, termosifoni, fornelli o piani di cottura) o in luoghi esposti alla luce solare diretta. Controllare che sul retro dell'apparecchio sia garantita un'adeguata circolazione dell'aria.

Questa apparecchiatura deve essere installata in una posizione interna asciutta e ben ventilata.

Per garantire le migliori prestazioni, se l'apparecchiatura è posizionata sotto un pensile a sbalzo, deve essere mantenuta la distanza minima tra la parte superiore dell'armadio. L'apparecchiatura non deve tuttavia essere posizionata sotto un pensile. Uno o più piedini regolabili alla base dell'armadietto garantiscono che l'apparecchiatura resti in piano.



#### **ATTENZIONE!**

Se si posiziona l'apparecchiatura contro la parete, utilizzare i distanziatori posteriori in dotazione o mantenere la distanza minima indicata nelle istruzioni di installazione.



#### **ATTENZIONE!**

Se si installa l'apparecchiatura vicino a una parete, fare riferimento alle istruzioni di installazione per capire la distanza minima tra la parete e il lato dell'apparecchio dove le cerniere della porta devono fornire spazio sufficiente per aprire la porta quando l'apparecchiatura interna viene rimossa (ad es. durante la pulizia)..

Quest'elettrodomestico è destinato a essere utilizzato a temperature ambiente che vanno da 10°C a 38°C.



Il corretto funzionamento dell'apparecchiatura può essere garantito solo nel rispetto delle temperature indicate.



In caso di dubbi sul luogo di installazione dell'apparecchiatura, contattare il venditore, il nostro Centro di Assistenza o il Centro di Assistenza Autorizzato più vicino.



Deve essere possibile scollegare l'apparecchiatura dalla rete elettrica. Eseguire perciò l'installazione facendo sì che la spina rimanga facilmente accessibile.

### **3.3 Collegamento elettrico**

- Prima di inserire la spina, verificare che la tensione e la frequenza riportate sulla targhetta di identificazione corrispondano a quelle dell'impianto domestico.
- L'apparecchiatura deve disporre di una messa a terra. La spina del cavo di alimentazione è dotata di un apposito contatto. Se la presa di corrente dell'impianto domestico non è collegata a terra, allacciare l'apparecchiatura a una presa di terra separata in conformità alle norme in vigore, rivolgendosi a un elettricista qualificato.
- Il produttore declina ogni responsabilità qualora le suddette precauzioni di sicurezza non vengano rispettate.
- Questa apparecchiatura è conforme alle direttive CEE.

### **3.4 Livellamento**

Quando si posiziona l'elettrodomestico, assicurarsi che sia in piano. Ciò può essere effettuato con due piedini regolabili nella parte inferiore anteriore.

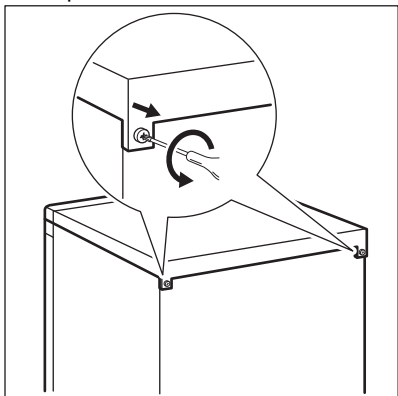
### 3.5 Come invertire la porta



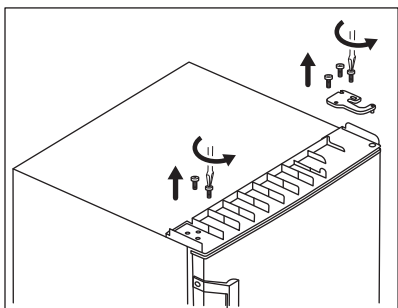
#### AVVERTENZA!

Prima di eseguire le operazioni descritte, estrarre la spina dalla presa di corrente.

1. Controllare che l'apparecchio sia in posizione verticale.
2. Aprire la porta e rimuovere le dotazioni della porta. Fare riferimento al capitolo "Utilizzo quotidiano". Chiudere la porta.
3. Svitare le viti sul retro del coperchio superiore.



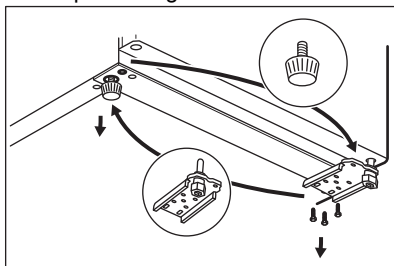
4. Sollevare il coperchio superiore e posizionarlo su una superficie morbida.
5. Rimuovere le 4 viti che collegano la cerniera superiore. Collocare la cerniera superiore in un luogo sicuro insieme alle viti.



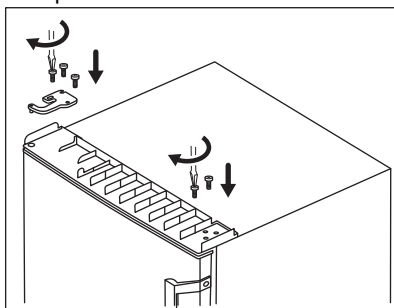
6. Sollevare la porta e riportarla su una superficie morbida.
7. Inclinare l'apparecchiatura con cautela su un imballaggio di schiuma morbida o materiale simile per

evitare di danneggiare il retro dell'apparecchiatura e il pavimento.

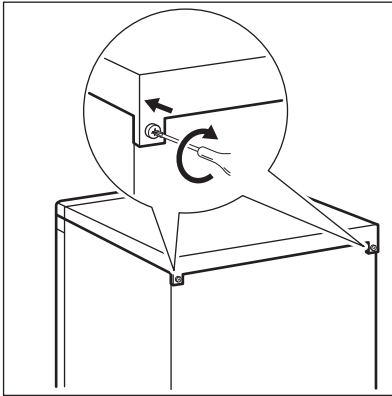
8. Svitare le viti della cerniera inferiore e i piedini regolabili.



9. Installare il perno nel foro opposto della cerniera.
10. Avvitare la cerniera inferiore sul lato opposto dell'elettrodomestico.
11. Installare il supporto in gomma sul lato senza cerniera.
12. Montare lo sportello sulla cerniera inferiore, assicurandosi che il perno della cerniera entri nel foro inferiore dello sportello.
13. Montare la cerniera superiore sul lato opposto dell'elettrodomestico. Inserire il perno della cerniera superiore nel foro superiore dello sportello. Serrare le viti.



14. Avvitare le 2 viti rimanenti sul lato superiore dell'apparecchio senza cerniera.
15. Posizionare il coperchio superiore sull'apparecchio e stringere le viti sul retro.



Installare le dotazioni della porta.

Attendere almeno 4 ore prima di collegare l'apparecchio alla rete elettrica.

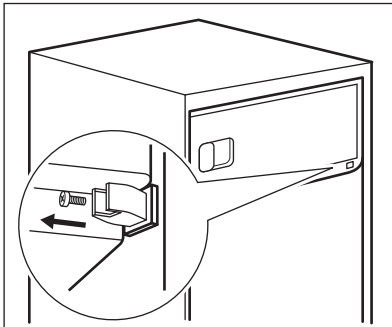
### 3.6 Inversione della porta del vano congelatore



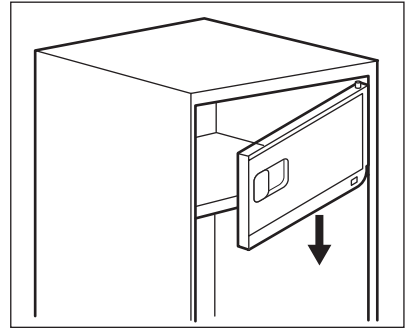
#### AVVERTENZA!

Prima di eseguire le operazioni descritte, estrarre la spina dalla presa di corrente.

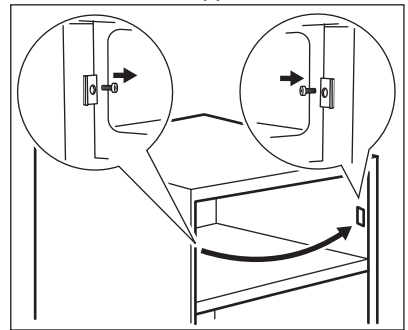
1. Chiudere la porta del vano congelatore. Rimuovere la vite del pulsante di installazione. Posizionare il pulsante di installazione e la vite in un luogo sicuro.



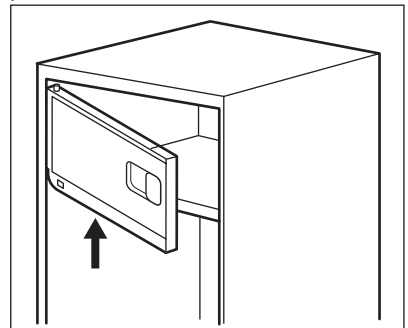
2. Aprire leggermente lo sportello di un compartimento congelatore. Tirare verso il basso lo sportello del vano congelatore e il tappo dal cuscinetto superiore dello sportello.



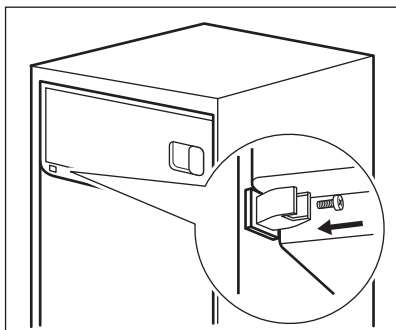
3. Rimuovere la fibbia di montaggio e installarla sul lato opposto.



4. Invertire lo sportello del vano congelatore di 180 gradi. Installare il tappo sul cuscinetto superiore della porta.



5. Montare lo sportello del congelatore e chiuderlo.
6. Fissare il pulsante di installazione al cuscinetto inferiore della porta. Premere il pulsante di installazione fino a quando non c'è più spazio tra esso e la cavità, quindi fissare la vite.

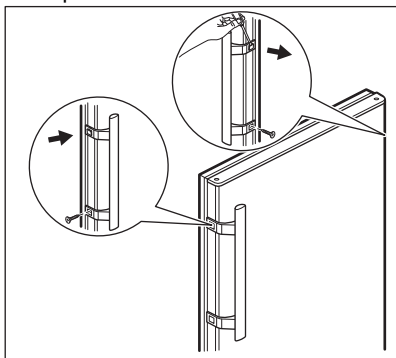


7. Togliere i coperchi dei fori da un sacchetto e metterli nei fori rimasti dopo la cerniera della porta.

### 3.7 Installazione di una maniglia per porta

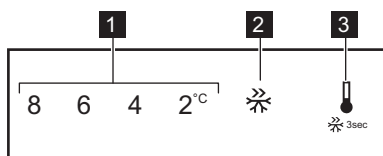
Se in una borsa è presente una maniglia della porta fornita separatamente, è possibile installarla come segue:

1. Rimuovere le viti dai fori sulla parte laterale della porta. Conservare o installare i coperchi delle viti sul lato con una cerniera della porta.
2. Abbinare i fori della maniglia ai fori della porta e avvitare la maniglia con le viti precedentemente rimosse.



## 4. FUNZIONAMENTO

### 4.1 Pannello di controllo



1. Spia della temperatura
2. Super Freeze spia
3. Tasto di controllo

### 4.2 Accensione

Inserire la spina nella presa a muro.

### 4.3 Spegnimento

Per spegnere l'elettrodomestico, rimuovere la spina dalla presa di corrente.

### 4.4 Regolazione della temperatura

Per impostare la temperatura, premere ripetutamente il tasto di comando fino a raggiungere la temperatura desiderata.

La temperatura impostata consigliata è:

- +4°C per il frigorifero,

L'intervallo di temperatura può variare tra 2° C e 8 °C per il frigorifero.

È importante ricordare che la temperatura all'interno



dell'apparecchiatura è condizionata dai seguenti fattori:

- temperatura ambiente,
- frequenza di apertura della porta,
- quantità di alimenti conservati,
- posizione dell'apparecchiatura.

Le spie della temperatura mostrano la temperatura impostata.

- i** La temperatura impostata verrà raggiunta entro 24 ore. Dopo un'interruzione di corrente rimane memorizzata.

## 4.5 Funzione Super Freeze

Super Freeze viene utilizzato per eseguire il pre-congelamento e il congelamento rapido in sequenza del vano congelatore. La funzione accelera il congelamento di alimenti freschi e, al tempo stesso, protegge gli alimenti già conservati da riscaldamenti indesiderati.

- i** Per congelare alimenti freschi, attivare la funzione Super Freeze almeno 24 ore prima di introdurli nel vano congelatore.

Premere e tenere premuto il tasto Comando per 3 secondi per attivare la funzione Super Freeze. La spia Super Freeze lampeggia.

Questa funzione si interrompe in modo automatico dopo 52 ore.

La funzione Super Freeze può essere disattivata prima della sua fine automatica tenendo premuto il tasto Comando tasto per 3 secondi. L'indicatore Super Freeze si spegne.

## 4.6 Allarme di porta aperta

Se la porta del frigorifero viene lasciata aperta per circa 1 minuto, si avvia l'allarme acustico.

L'allarme si arresta dopo la chiusura della porta.

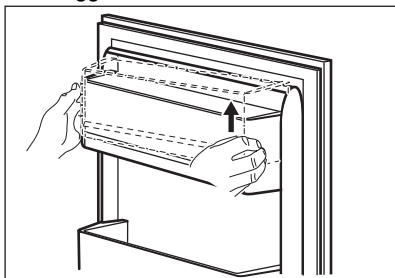
- i** Il segnale acustico si spegne automaticamente dopo circa 10 minuti per evitare di disturbare.

# 5. UTILIZZO QUOTIDIANO

## 5.1 Rimozione e installazione del ripiano della porta

Per togliere il ripiano della porta:

1. Tenere il lato sinistro dello scaffale.
2. Sollevare il lato destro del ripiano fino a quando non si libera dall'elemento di fissaggio.



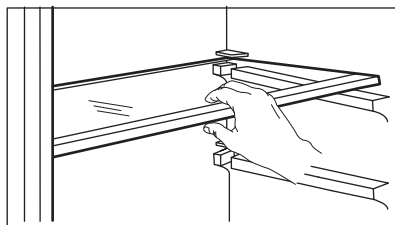
3. Sollevare il lato sinistro del ripiano e rimuoverlo.

Per rimettere a posto il ripiano:

1. Collocare il ripiano in posizione piana sulla porta.
2. Spingere due lati del ripiano verso il basso contemporaneamente, in modo che il ripiano si adatti ad entrambi gli elementi di fissaggio.

## 5.2 Ripiani mobili

Le guide presenti sugli scomparti del frigorifero permettono di posizionare i ripiani a diverse altezze.





Per garantire una corretta circolazione dell'aria, non spostare il ripiano di vetro sopra il cassetto delle verdure.

### 5.3 Cassetto per verdura

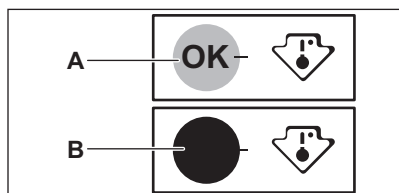
Nella parte inferiore dell'apparecchiatura è presente un cassetto speciale adatto alla conservazione di frutta e verdura.

### 5.4 Indicatore della temperatura

Per una corretta conservazione del cibo, il frigorifero è corredato di un indicatore di temperatura. Il simbolo sulla parete laterale dell'apparecchiatura indica la zona più fredda del frigorifero.

Se compare OK (A), mettere il cibo fresco nella zona indicata dal simbolo, se non (B), attendere almeno 12 ore e controllare se è OK (A).

Se non è ancora OK (B), regolare il controllo su un'impostazione più fredda.



### 5.5 Congelamento di alimenti freschi

Lo scomparto congelatore è adatto al congelamento di alimenti freschi e alla conservazione di alimenti congelati e surgelati a lungo.

Per congelare alimenti freschi, attivare la funzione Super Freeze almeno 24 ore prima di introdurli nel vano congelatore.

Conservare gli alimenti freschi distribuendoli uniformemente nel vano congelatore.

La quantità massima di cibo che può essere congelata, senza l'aggiunta di altri alimenti freschi per 24 ore, è indicata sulla targhetta (un'etichetta situata all'interno dell'apparecchiatura).

### 5.6 Conservazione dei surgelati

Al primo avvio o dopo un periodo di non utilizzo, lasciare in funzione l'apparecchiatura per almeno 3 ore attivando la funzione Super Freeze prima di introdurre gli alimenti.

Il cibo deve trovarsi ad una distanza di 15 mm dalla porta.



#### ATTENZIONE!

In caso di scongelamento accidentale, ad esempio a causa di un'interruzione di corrente, se la corrente è rimasta spenta più a lungo del valore indicato sulla targhetta sotto "tempo di risalita", gli alimenti scongelati devono essere consumati rapidamente o cotti immediatamente, poi raffreddati e poi ricongelati.

### 5.7 Scongelo

Prima dell'utilizzo, i cibi surgelati o congelati possono essere scongelati nel frigorifero o, per un processo più veloce, a temperatura ambiente.

Gli alimenti divisi in piccole porzioni possono essere cucinati direttamente, senza essere prima scongelati: in questo caso la cottura durerà più a lungo.

## 6. CONSIGLI E SUGGERIMENTI UTILI

### 6.1 Consigli per il risparmio energetico

- Frigorifero: L'uso più efficiente dell'energia è garantito dalla


configurazione con i cassetti nella parte inferiore dell'apparecchiatura e i ripiani distribuiti uniformemente. La posizione degli scomparti sulla porta non influisce sul consumo energetico.

- Non aprire frequentemente la porta e limitare il più possibile i tempi di apertura.
- Frigorifero: Non impostare una temperatura troppo alta per risparmiare energia, a meno che non sia richiesta dalle caratteristiche dell'alimento.
- Se la temperatura ambiente è elevata, il controllo della temperatura è impostato su un valore basso e l'apparecchiatura è a pieno carico, il compressore può funzionare in maniera ininterrotta, causando la formazione di brina o di ghiaccio sull'evaporatore. In questo caso, impostare il controllo della temperatura su una posizione più elevata per consentire lo sbrinamento automatico e ridurre così il consumo di energia.
- Garantire una buona ventilazione. Non coprire le griglie o i fori di ventilazione.
- Non mettere cibi caldi nel congelatore. Raffreddarli a temperatura ambiente prima di collocarli all'interno dello scomparto.
- Al fine di evitare gli aumenti di temperatura di alimenti già congelati, non mettere alimenti freschi scongelati nelle immediate vicinanze. Collocare gli alimenti a temperatura ambiente nella parte dello scomparto del congelatore dove non ci sono cibi surgelati.
- Non mangiare i cubetti di ghiaccio, i ghiaccioli o granite subito dopo averli tolti dal congelatore. Rischio di sintomi da congelamento.
- Non congelare nuovamente il cibo scongelato. Se il cibo si è scongelato, cuocerlo, raffreddarlo e poi congelarlo.

## 6.2 Consigli per il congelamento

- Attivare la funzione Super Freeze almeno 24 ore prima di inserire gli alimenti nel vano congelatore.
- Prima di congelare avvolgere e sigillare gli alimenti freschi in: foglio di alluminio, pellicola di plastica o sacchetti, contenitori ermetici con coperchio.
- Per congelare e scongelare in modo più efficace, suddividere gli alimenti in piccole porzioni.
- Si raccomanda di mettere etichette e date su tutti gli alimenti surgelati. Questo aiuterà a identificare gli alimenti e a sapere quando devono essere utilizzati prima del loro deterioramento.
- Il cibo deve essere fresco quando viene congelato per preservarne la buona qualità. Soprattutto frutta e verdura dovrebbero essere congelate dopo il raccolto per preservare tutte le loro sostanze nutritive.
- Non congelare bottiglie o lattine con liquidi, in particolare bevande contenenti anidride carbonica - potrebbero esplodere durante il congelamento.

## 6.3 Consigli per la conservazione di cibi congelati

- Il vano congelatore è quello contrassegnato con .
- L'impostazione di una temperatura più elevata all'interno dell'apparecchiatura può portare a una minore durata di conservazione.
- L'intero scomparto del congelatore è adatto alla conservazione di prodotti alimentari surgelati.
- Lasciare abbastanza spazio intorno al cibo per permettere all'aria di circolare liberamente.
- Per una conservazione adeguata, fare riferimento all'etichetta sulla confezione dell'alimento per vedere la durata di conservazione degli alimenti.
- È importante avvolgere il cibo in modo tale da evitare che l'acqua, l'umidità o la condensa penetrino all'interno.

## 6.4 Consigli per l'acquisto

Dopo aver acquistato alimenti:

- Assicurarsi che l'imballaggio non sia danneggiato - il cibo potrebbe deteriorarsi. Se la confezione è gonfia o bagnata, potrebbe non essere stata conservata nelle condizioni ottimali e

- lo sbrinamento potrebbe essere già iniziato.
- Per limitare il processo di scongelamento, acquistare i prodotti surgelati alla fine della spesa e trasportarli in un sacchetto termico e isolato.
- Mettete i surgelati immediatamente nel congelatore dopo essere tornati dal negozio.
- Se il cibo si è scongelato anche solo parzialmente, non congelarlo di nuovo. Consumarlo il prima possibile.
- Rispettare la data di scadenza e le informazioni di conservazione sulla confezione.

## 6.5 Periodo di conservazione per scomparto congelatore


Tipo di cibo	Periodo di conservazione (mesi)
Pane	3
Frutta (a eccezione degli agrumi)	6 - 12
Verdure	8 - 10
Avanzi senza carne	1 - 2
<b>Latticini:</b>	
Burro	6 - 9
Formaggio a pasta molle (ad es. mozzarella)	3 - 4
Formaggio a pasta dura (ad es. parmigiano, cheddar)	6
<b>Frutti di mare:</b>	
Pesci grassi (ad es. salmone, sgombro)	2 - 3
Pesci magri (ad es. merluzzo, platessa)	4 - 6
Gamberetti	12
Vongole e cozze sgusciate	3 - 4
Pesce cotto	1 - 2
<b>Carne:</b>	
Pollame	9 - 12
Manzo	6 - 12
Maiale	4 - 6
Agnello	6 - 9
Salsiccia	1 - 2
Prosciutto	1 - 2
Avanzi con carne	2 - 3

## 6.6 Consigli per la refrigerazione dei cibi freschi

- Una buona impostazione della temperatura che garantisce la conservazione degli alimenti freschi è una temperatura inferiore o uguale a +4°C.
- L'impostazione di una temperatura più elevata all'interno dell'apparecchio può portare a una minore durata di conservazione degli alimenti.
- Coprire il cibo con un imballaggio per preservarne la freschezza e l'aroma.
- Utilizzare sempre contenitori chiusi per liquidi e per alimenti, per evitare sapori o odori nello scomparto.

- Per evitare la contaminazione incrociata tra cibo cotto e crudo, coprire il cibo cotto e separarlo da quello crudo.
- Si consiglia di scongelare il cibo all'interno del frigorifero.
- Non inserire cibo caldo all'interno dell'apparecchiatura. Assicurarsi che si sia raffreddato a temperatura ambiente prima di inserirlo.
- Per evitare lo spreco di cibo, la nuova scorta di cibo dovrebbe essere sempre collocata dietro a quella vecchia.

## 6.7 Consigli per la refrigerazione dei cibi

- Il comparto alimenti freschi è quello contrassegnato (sulla targhetta dei dati) con .
- Frutta e verdura: pulire accuratamente (eliminare lo sporco) e

- riporre nell'apposito cassetto (cassetto per la verdura).
- Si consiglia di non conservare in frigorifero i frutti esotici come banane, manghi, papaie, ecc.
- Le verdure come pomodori, patate, cipolle e aglio non devono essere conservate in frigorifero.
- Burro e formaggio: riporli in un apposito contenitore sottovuoto oppure avvolgerli in un foglio di alluminio o in un sacchetto di polietilene per limitare il più possibile la presenza di aria.
- Bottiglie: chiuderle con un tappo e conservarle nel ripiano portabottiglie della porta, o (se presente) sulla griglia portabottiglie.
- Fare sempre riferimento alla data di scadenza dei prodotti per sapere per quanto tempo conservarli.

# 7. PULIZIA E CURA



### AVVERTENZA!

Fare riferimento ai capitoli sulla sicurezza.

## 7.1 Pulizia dell'interno

Prima di utilizzare l'elettrodomestico per la prima volta, lavare l'interno e gli accessori con acqua tiepida e sapone neutro per eliminare il tipico odore dei prodotti nuovi, quindi asciugare accuratamente.



### ATTENZIONE!

Non usare detersivi, polveri abrasive, detersivi a base di cloro od olio, in quanto potrebbero danneggiare le finiture.



### ATTENZIONE!

Gli accessori e le parti dell'elettrodomestico non sono adatti per essere lavati in lavastoviglie.

## 7.2 Pulizia periodica

L'apparecchiatura deve essere pulita regolarmente:

1. Pulire l'interno e gli accessori con acqua tiepida e sapone neutro.
2. Ispezionare regolarmente le guarnizioni della porta ed eliminare con un panno umido tracce di sporco e residui.
3. Pulire il condensatore con una spazzola almeno due volte all'anno.
4. Pulire periodicamente il vassoio dell'evaporatore per rimuovere l'acqua accumulata.
5. Sciacquare e asciugare accuratamente.

## 7.3 Scongellamento del frigorifero

L'acqua di sbrinamento viene scaricata automaticamente attraverso una canalina nel vassoio di evaporazione sul retro dell'apparecchiatura, al di sopra del compressore del motore.

## 7.4 Scongellamento del congelatore



### ATTENZIONE!

Non usare mai utensili metallici appuntiti per rimuovere la brina dall'evaporatore, in quanto potrebbero danneggiarlo. Non usare dispositivi meccanici o altri mezzi artificiali non raccomandati dal produttore allo scopo di accelerare il processo di sbrinamento.



Circa 12 ore prima dello sbrinamento, impostare una temperatura più bassa per accumulare una riserva di freddo sufficiente in caso di eventuale interruzione del funzionamento.

Quando tale strato raggiunge uno spessore di ca. 3-5 mm, il vano congelatore deve essere sbrinato.

Per sbrinare il vano congelatore:

1. Spegnere l'elettrodomestico o estrarre la spina della presa a parete.
2. Togliere gli eventuali alimenti conservati, avvolgerli in diversi strati di carta di giornale e riporli in un luogo fresco.



### ATTENZIONE!

Un innalzamento della temperatura dei cibi congelati durante lo sbrinamento può ridurre la loro durata di conservazione. Non toccare gli oggetti congelati con le mani bagnate. Le mani potrebbero congelarsi al contatto.

3. Lasciare lo sportello aperto. Proteggere il pavimento dall'acqua di sbrinamento, ad esempio, con un panno o un recipiente piatto.
4. Per accelerare il processo di sbrinamento, collocare una ciotola di acqua calda nel vano congelatore. Inoltre, rimuovere i pezzi di ghiaccio che si distaccano prima che lo sbrinamento sia completo.
5. Una volta completato lo sbrinamento, asciugare accuratamente l'interno.
6. Accendere l'elettrodomestico e chiudere lo sportello.
7. Impostare il regolatore di temperatura al livello massimo di raffreddamento e lasciare in funzione l'elettrodomestico per tre ore.

Solo successivamente rimettere gli alimenti nello scomparto congelatore.

## 7.5 Periodi di non utilizzo

Se l'apparecchiatura non viene utilizzata per un lungo periodo, adottare le seguenti precauzioni:

1. Scollegare l'apparecchiatura dalla rete elettrica.
2. Rimuovere tutto il cibo.
3. Sbrinare l'apparecchiatura.
4. Pulire l'apparecchiatura e tutti gli accessori.
5. Lasciare la porte socchiusa/e per evitare la formazione di odori sgradevoli.

## 8. RISOLUZIONE DEI PROBLEMI



### AVVERTENZA!

Fare riferimento ai capitoli sulla sicurezza.

## 8.1 Cosa fare se...

<b>Problema</b>	<b>Causa possibile</b>	<b>Soluzione</b>
L'apparecchiatura non funziona.	L'apparecchiatura è spenta.	Accendere l'apparecchiatura.
	La spina non è collegata correttamente alla presa elettrica.	Collegare correttamente la spina alla presa elettrica.
	La presa elettrica non ha tensione.	Collegare un'apparecchiatura elettrica diversa alla presa di alimentazione. Contattare un elettricista qualificato.
L'apparecchiatura è rumorosa.	L'apparecchiatura non è supportata correttamente.	Controllare che l'apparecchiatura abbia una posizione stabile.
Il compressore funziona in modo continuo.	La temperatura non è impostata correttamente.	Fare riferimento al capitolo "Funzionamento".
	Sono stati introdotti molti alimenti contemporaneamente.	Attendere alcune ore e ricontrollare la temperatura.
	La temperatura ambiente è troppo alta.	Fare riferimento al capitolo "Installazione".
	Gli alimenti introdotti nell'apparecchiatura erano troppo caldi.	Prima di introdurre gli alimenti, lasciarli raffreddare a temperatura ambiente.
	La porta non è chiusa correttamente.	Fare riferimento alla sezione "Chiusura della porta".
	La funzione Super Freeze è attiva.	Vedere la sezione "Funzione Super Freeze".
Il compressore non si avvia immediatamente dopo aver premuto il "Super Freeze", oppure dopo avere cambiato la temperatura.	Il compressore si avvia dopo un certo periodo di tempo.	È normale, non si tratta di un'anomalia di funzionamento.
La porta non è allineata o interferisce con la griglia di ventilazione.	L'apparecchiatura non è perfettamente in piano.	Fare riferimento alle istruzioni di installazione.
La porta non si apre facilmente.	Si è cercato di riaprire la porta subito dopo averla chiusa.	Attendere alcuni secondi fra la chiusura della porta e la sua riapertura.
La lampadina non funziona.	La lampadina è in modalità stand-by.	Chiudere e aprire la porta.

<b>Problema</b>	<b>Causa possibile</b>	<b>Soluzione</b>
	La lampadina è difettosa.	Contattare il Centro di Assistenza Autorizzato più vicino.
C'è una quantità eccessiva di brina e ghiaccio.	La porta non è chiusa correttamente.	Fare riferimento alla sezione "Chiusura della porta".
	La guarnizione è deformata o sporca.	Fare riferimento alla sezione "Chiusura della porta".
	Gli alimenti non sono stati avvolti in maniera idonea.	Avvolgere meglio gli alimenti.
	La temperatura non è impostata correttamente.	Fare riferimento al capitolo "Funzionamento".
	L'apparecchiatura è completamente carica ed è impostata sulla temperatura più bassa.	Impostare una temperatura superiore. Fare riferimento al capitolo "Funzionamento".
	La temperatura impostata nell'apparecchiatura è troppo bassa e la temperatura ambiente è troppo alta.	Impostare una temperatura superiore. Fare riferimento al capitolo "Funzionamento".
Sulla piastra posteriore del frigorifero scorre l'acqua.	Durante lo sbrinamento automatico, la brina si scioglie sul pannello posteriore.	Ciò è corretto. Asciugare l'acqua con un panno morbido.
Si è condensata troppa acqua sulla parete posteriore del frigorifero.	La porta è stata aperta con eccessiva frequenza.	Aprire la porta solo se necessario.
	La porta non è stata chiusa completamente.	Controllare che la porta sia chiusa completamente.
	Il cibo conservato non è stato avvolto nell'apposito materiale.	Avvolgere gli alimenti in un imballaggio adeguato prima di riporli all'interno dell'apparecchiatura.
L'acqua scorre all'interno del frigorifero.	Gli alimenti impediscono all'acqua di scorrere nell'apposito collettore.	Assicurarsi che gli alimenti non tocchino il pannello posteriore.
	Lo scarico dell'acqua è ostruito.	Pulire lo scarico dell'acqua.
L'acqua scorre sul pavimento.	Lo scarico dell'acqua di sbrinamento non è collegato alla vaschetta di evaporazione posta al di sopra del compressore.	Collegare lo scarico dell'acqua di sbrinamento alla vaschetta di evaporazione.



Problema	Causa possibile	Soluzione
Non è possibile impostare la temperatura.	La funzione Super Freeze è attiva.	Disattivare manualmente la Super Freezefunzione oppure aspettare finché non si disattiva automaticamente per impostare la temperatura. Fare riferimento alla sezione "Funzione Super Freeze".
La temperatura all'interno dell'apparecchiatura è troppo bassa/troppo alta.	La temperatura non è impostata correttamente.	Impostare una temperatura superiore/inferiore.
	La porta non è chiusa correttamente.	Fare riferimento alla sezione "Chiusura della porta".
	La temperatura degli alimenti è troppo alta.	Prima di introdurre gli alimenti, lasciarli raffreddare a temperatura ambiente.
	Sono stati introdotti molti alimenti contemporaneamente.	Introdurre meno alimenti poco alla volta allo stesso tempo.
	Lo spessore della brina è maggiore di 4-5 mm.	Sbrinare l'apparecchiatura.
	La porta viene aperta frequentemente.	Aprire la porta solo se necessario.
	La funzione Super Freeze è attiva.	Vedere la sezione "Funzione Super Freeze".



Se il suggerimento non da i risultati auspicati, contattare il Centro di Assistenza Autorizzato più vicino.

## 8.2 Sostituzione della lampadina

L'apparecchiatura è dotata di una lampadina interna a LED a lunga durata.

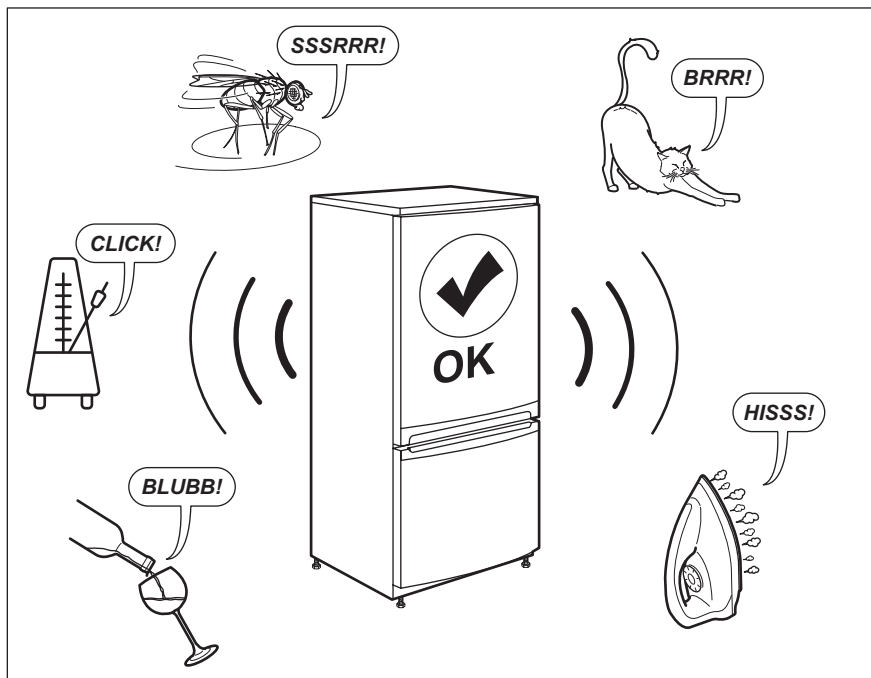
Solo al Centro di Assistenza è permesso sostituire l'impianto d'illuminazione.

Contattare un Centro Assistenza autorizzato.

## 8.3 Chiusura della porta

1. Pulire le guarnizioni della porta.
2. Se necessario, regolare la porta. Fare riferimento al capitolo "Installazione".
3. Se necessario, sostituire le guarnizioni difettose. Contattare il Centro Assistenza Autorizzato.

## 9. RUMORI



## 10. DATI TECNICI

I dati tecnici sono riportati sulla targhetta dei dati applicata sul lato esterno dell'apparecchiatura e sull'etichetta dei valori energetici.

Il codice QR sull'etichetta energetica fornita con l'apparecchiatura riporta un link web alle informazioni correlate al funzionamento di questa apparecchiatura nella banca dati EPREL dell'UE. Conservare l'etichetta energetica come riferimento insieme al

manuale d'uso e a tutti gli altri documenti forniti con questa apparecchiatura.

È possibile trovare le stesse informazioni anche in EPREL utilizzando il link <https://eprel.ec.europa.eu> e il nome del modello e il numero di prodotto che si trovano sulla targhetta dell'apparecchiatura.


Per informazioni dettagliate sull'etichetta energetica, vedere il sito [www.theenergylabel.eu](http://www.theenergylabel.eu).


## 11. INFORMAZIONI PER GLI ISTITUTI DI TEST

L'installazione e la preparazione dell'apparecchiatura per qualsiasi verifica di EcoDesign devono essere conformi alla normativa EN 62552. I requisiti di ventilazione, le dimensioni dell'incavo e le distanze minime dalla parte posteriore

devono essere conformi a quanto indicato nel presente manuale d'uso al capitolo 3. Si prega di contattare il produttore per qualsiasi altra informazione, compresi i piani di carico.

## 12. CONSIDERAZIONI SULL'AMBIENTE

Riciclare i materiali con il simbolo .  
Buttare l'imballaggio negli appositi contenitori per il riciclaggio. Aiutare a proteggere l'ambiente e la salute umana e a riciclare rifiuti derivanti da apparecchiature elettriche ed elettroniche. Non smaltire le

apparecchiature che riportano il simbolo  insieme ai normali rifiuti domestici. Portare il prodotto al punto di riciclaggio più vicino o contattare il comune di residenza.

## CONTENIDO

1. INFORMACIÓN SOBRE SEGURIDAD.....	44
2. INSTRUCCIONES DE SEGURIDAD.....	47
3. INSTALACIÓN.....	49
4. FUNCIONAMIENTO.....	54
5. USO DIARIO.....	55
6. CONSEJOS.....	56
7. MANTENIMIENTO Y LIMPIEZA.....	59
8. SOLUCIÓN DE PROBLEMAS.....	60
9. RUIDOS.....	64
10. DATOS TÉCNICOS.....	64
11. INFORMACIÓN PARA INSTITUTOS DE PRUEBAS.....	64
12. ASPECTOS MEDIOAMBIENTALES.....	65

## PARA UNOS RESULTADOS PERFECTOS

Gracias por elegir este producto AEG. Lo hemos creado para brindarle un rendimiento impecable durante muchos años, con tecnologías innovadoras que lo ayudan a simplificar la vida, características que quizás no encuentre en los electrodomésticos comunes. Dedique unos minutos a leer este documento para sacarle el máximo partido.

Visite nuestro sitio web para:



Obtener consejos, folletos, soluciones a problemas e información de servicio y reparación:

**[www.aeg.com/support](http://www.aeg.com/support)**



Registrar su producto para recibir un mejor servicio:

**[www.registeraeg.com](http://www.registeraeg.com)**



Comprar accesorios, artículos de consumo y piezas de recambio originales para su aparato:

**[www.aeg.com/shop](http://www.aeg.com/shop)**

## ATENCIÓN AL CLIENTE Y SERVICIO

Le recomendamos que utilice recambios originales.

Cuando se ponga en contacto con nuestro Centro de servicio técnico, asegúrese de tener los siguientes datos disponibles: Modelo, código numérico del producto (PNC), número de serie.

La información se encuentra en la placa de características.

 Advertencia / Precaución - Información sobre seguridad

 Información general y consejos

 Información relativa al medioambiente

Salvo modificaciones.

### 1. INFORMACIÓN SOBRE SEGURIDAD

Antes de instalar y utilizar el aparato, lea atentamente las instrucciones facilitadas. El fabricante no se hace

responsable de lesiones o daños producidos como resultado de una instalación o un uso incorrectos. Conserve siempre estas instrucciones en lugar seguro y accesible para futuras consultas.

### **1.1 Seguridad de niños y personas vulnerables**

- Este aparato puede ser utilizado por niños de 8 años en adelante y personas cuyas capacidades físicas, sensoriales o mentales estén disminuidas o que carezcan de la experiencia y conocimientos suficientes para manejarlo, siempre que cuenten con las instrucciones o la supervisión sobre el uso del electrodoméstico de forma segura y comprendan los riesgos.
- Los niños de 3 a 8 años pueden cargar y descargar el aparato siempre que hayan sido debidamente instruidos.
- Este aparato puede ser utilizado por personas con discapacidades muy extensas y complejas, siempre que hayan sido instruidas adecuadamente.
- Es necesario mantener alejados del aparato a los niños de menos de 3 años salvo que estén bajo supervisión continua.
- Es necesario vigilar a los niños para que no jueguen con el aparato.
- La limpieza y mantenimiento de usuario del producto no podrán ser realizados por niños sin supervisión.
- Mantenga todo el material de embalaje fuera del alcance de los niños y deséchelo de forma adecuada.

### **1.2 Instrucciones generales de seguridad**

- Este aparato está diseñado únicamente para almacenar alimentos y bebidas.
- Este aparato está diseñado para uso doméstico en interiores.
- Este aparato se puede utilizar en oficinas, habitaciones de hotel, habitaciones de Bed&Breakfast, casas de campo y otros alojamientos

similares donde dicho uso no exceda (en promedio) los niveles de uso doméstico.

- Para evitar la contaminación alimentaria, respete las siguientes instrucciones:
  - no abra la puerta durante largos periodos de tiempo;
  - limpie regularmente las superficies que pueden entrar en contacto con los alimentos y los sistemas de drenaje accesibles;
  - guarde la carne y el pescado crudos en recipientes adecuados en el frigorífico, de manera que no estén en contacto con otros alimentos ni goteen sobre ellos.
- **ADVERTENCIA:** Mantenga libres de obstrucciones las aberturas de ventilación del alojamiento del aparato o de la estructura empotrada.
- **ADVERTENCIA:** No utilice dispositivos mecánicos u otros medios para acelerar el proceso de descongelación, excepto los recomendados por el fabricante.
- **ADVERTENCIA:** No dañe el circuito de refrigerante.
- **ADVERTENCIA:** No utilice aparatos eléctricos dentro de los compartimentos de almacenamiento de alimentos del aparato, a menos que sean del tipo recomendado por el fabricante.
- No utilice agua pulverizada ni vapor para limpiar el aparato.
- Limpie el aparato con un paño suave humedecido. Utilice solo detergentes neutros. No utilice productos abrasivos, estropajos duros, disolventes ni objetos de metal.
- Cuando el aparato esté vacío durante un largo período, apáguelo, descongélelo, límpielo, séquelo y deje la puerta abierta para evitar que se desarrolle moho en el interior del aparato.
- No almacene sustancias explosivas tales como latas de aerosol con un propulsor inflamable en este aparato.

- Si el cable de alimentación sufre algún daño, el fabricante, su servicio técnico autorizado o un profesional tendrán que cambiarlo para evitar riesgos.

## 2. INSTRUCCIONES DE SEGURIDAD

### 2.1 Instalación



#### ADVERTENCIA!

Sólo un técnico cualificado puede instalar el aparato.

- Retire todo el embalaje.
- No instale ni utilice un aparato dañado.
- Siga las instrucciones de instalación suministradas con el aparato.
- Tenga cuidado al mover el aparato, porque es pesado. Utilice siempre guantes de protección y calzado cerrado.
- Asegúrese de que el aire pueda circular alrededor del aparato.
- En la primera instalación otras invertir el sentido de apertura de la puerta, espere al menos 4 horas antes de conectar el aparato a la alimentación eléctrica. Esto es para permitir que el aceite regrese al compresor.
- Desenchufe siempre el aparato antes de llevar a cabo cualquier operación, por ejemplo cambiar el sentido de apertura de la puerta.
- No instale el aparato cerca de radiadores, cocinas, hornos o placas de cocción.
- No exponga el aparato a la lluvia.
- No instale el aparato en lugares con luz solar directa.
- No instale este aparato en áreas excesivamente húmedas o frías.
- Cuando mueva el aparato, levántelo por el borde delantero para evitar rayar el suelo.



#### ADVERTENCIA!

Al colocar el producto, asegúrese de que el cable de alimentación no queda atrapado o doblado.



#### ADVERTENCIA!

No utilice adaptadores de enchufes múltiples ni cables prolongadores.

- El aparato debe conectarse a tierra.
- Asegúrese de que los parámetros de la placa de características son compatibles con los valores eléctricos del suministro eléctrico.
- Utilice siempre una toma con aislamiento de conexión a tierra correctamente instalada.
- Asegúrese de no provocar daños en los componentes eléctricos (como enchufe, cable de alimentación, compresor). Póngase en contacto con un electricista o con el servicio técnico autorizado para cambiar los componentes eléctricos.
- El cable de alimentación debe estar por debajo del nivel del enchufe de alimentación.
- Conecte el enchufe a la toma de corriente únicamente cuando haya terminado la instalación. Asegúrese de tener acceso al enchufe del suministro de red una vez finalizada la instalación.
- No desconecte el aparato tirando del cable de conexión a la red. Tire siempre del enchufe.

### 2.2 Conexión eléctrica



#### ADVERTENCIA!

Riesgo de incendios y descargas eléctricas.



#### ADVERTENCIA!

Existe riesgo de lesiones, quemaduras, descargas eléctricas o incendios.

### 2.3 Uso



El aparato contiene un gas inflamable, isobutano (R600a), un gas natural con alto grado de compatibilidad medioambiental. Tenga cuidado para no dañar el circuito de refrigerante que contiene isobutano.

- No cambie las especificaciones de este aparato.
- No utilice otros aparatos eléctricos (como máquinas de hacer helados) dentro de aparatos de refrigeración, salvo que el fabricante haya autorizado su utilización.
- Si se daña el circuito de refrigerante, asegúrese de que no haya llamas ni fuentes de ignición en la sala. Ventile la sala.
- No deje que los objetos calientes toquen las partes de plástico del aparato.
- No coloque refrescos en el congelador. De esta forma se creará presión en el contenedor de bebidas.
- No almacene gases ni líquidos inflamables en el aparato.
- No coloque productos inflamables o artículos mojados con productos inflamables dentro, cerca o sobre el aparato.
- No toque el compresor ni el condensador. Están calientes.
- No retire ni toque elementos del compartimento del congelador si sus manos están mojadas o húmedas.
- No vuelva a congelar los alimentos que se hayan descongelado.
- Siga las instrucciones del envase de los alimentos congelados.
- Envuelva los alimentos en cualquier material adecuado antes de ponerlos en el congelador.
- No coloque alimentos desenvasados sobre el aparato.

## 2.4 Iluminación interna



### **ADVERTENCIA!**

Riesgo de descarga eléctrica.

- Este producto contiene una fuente luminosa de la clase de eficiencia energética G.

- En cuanto a la(s) bombilla(s) de este producto y las de repuesto vendidas por separado: Estas bombillas están destinadas a soportar condiciones físicas extremas en los aparatos domésticos, como la temperatura, la vibración, la humedad, o están destinadas a señalar información sobre el estado de funcionamiento del aparato. No están destinadas a utilizarse en otras aplicaciones y no son adecuadas para la iluminación de estancias domésticas.

## 2.5 Mantenimiento y limpieza



### **ADVERTENCIA!**

Podría sufrir lesiones o dañar el aparato.

- Antes de proceder con el mantenimiento, apague el aparato y desconecte el enchufe de la red.
- Este equipo contiene hidrocarburos en la unidad de refrigeración. Solo una persona cualificada debe realizar el mantenimiento y la recarga de la unidad.
- Examine periódicamente el desagüe del aparato y límpielo si fuera necesario. Si el desagüe se bloquea, el agua descongelada se acumulará en la base del aparato.

## 2.6 Asistencia técnica

- Para reparar el aparato, póngase en contacto con el centro de servicio autorizado. Utilice solamente piezas de recambio originales.
- Tenga en cuenta que la autorreparación o la reparación no profesional puede tener consecuencias de seguridad y podría anular la garantía.
- Los siguientes repuestos estarán disponibles durante 7 años después de que el modelo se haya retirado del mercado: termostatos, sensores de temperatura, placas de circuito impreso, fuentes de luz, manijas de puertas, bisagras de puertas, bandejas y cestas. Tenga en cuenta que algunas de estas piezas de recambio solo están disponibles para los reparadores profesionales, y que



no todas las piezas de recambio son relevantes para todos los modelos.

- Las juntas de las puertas estarán disponibles durante 10 años después de que el modelo se haya retirado.

### 2.7 Desecho



**ADVERTENCIA!**

Existe riesgo de lesiones o asfixia.

- Desconecte el aparato de la red.
- Corte el cable de conexión a la red y deséchelo.

- Retire la puerta para evitar que los niños y las mascotas queden encerrados en el aparato.
- El circuito del refrigerante y los materiales aislantes de este aparato no dañan la capa de ozono.
- La espuma aislante contiene gas inflamable. Póngase en contacto con las autoridades locales para saber cómo desechar correctamente el aparato.
- No dañe la parte de la unidad de refrigeración que está cerca del intercambiador de calor.

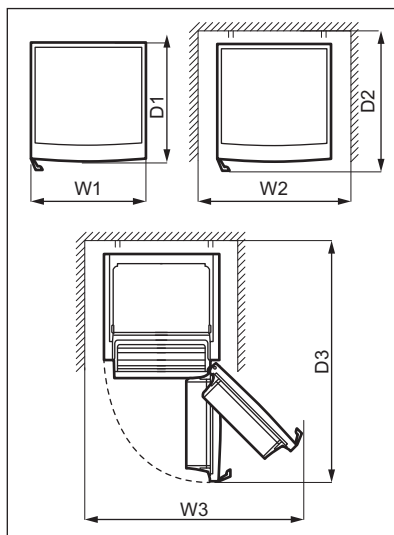
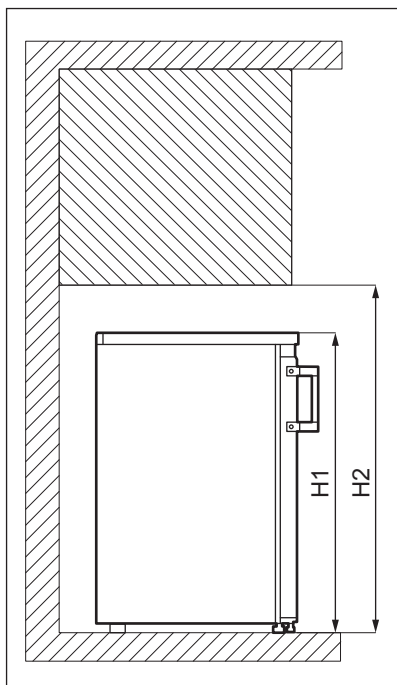
## 3. INSTALACIÓN



**ADVERTENCIA!**

Consulte los capítulos sobre seguridad.

### 3.1 Dimensiones



Dimensiones generales <sup>1</sup>		
H1	mm	845
W1	mm	604
D1	mm	576

<sup>1</sup> la altura, anchura y profundidad del aparato sin el asa

Espacio necesario en uso <sup>2</sup>		
H2	mm	945
W2	mm	804
D2	mm	689

<sup>2</sup> la altura, anchura y profundidad del aparato, incluyendo la manija, más el espacio necesario para la libre circulación del aire de refrigeración

Espacio total necesario en uso <sup>3</sup>		
H2	mm	945
W3	mm	1193
D3	mm	1209

<sup>3</sup> la altura, anchura y profundidad del aparato, incluido el mango, más el espacio necesario para la libre circulación del aire de refrigeración, más el espacio necesario para permitir la apertura de la puerta hasta el ángulo mínimo que permita la extracción de todo el equipo interno

## 3.2 Ubicación

Este aparato no está diseñado para utilizarse empotrado.

En el caso de una instalación diferente de la autónoma respetando el espacio requerido en las dimensiones de uso, el aparato funcionará correctamente pero el consumo de energía podría aumentar ligeramente.

Para garantizar el mejor funcionamiento del aparato, no debe instalarlo en las proximidades de la fuente de calor (horno, estufas, radiadores, cocinas o fogones) ni en un lugar con luz solar

directa. Asegúrese de que el aire pueda circular libremente alrededor de la parte posterior del armario.

Este aparato debe instalarse en una ubicación interior seca y bien ventilada.

Para garantizar el mejor rendimiento, si el aparato se coloca debajo de un mueble de cocina colgado en la pared, mantenga la distancia mínima entre la parte superior y el mueble. Sin embargo, lo ideal sería que el aparato no se coloque debajo de los muebles de pared. Una o más patas ajustables en la base del armario garantizan que el aparato se mantiene nivelado.



### PRECAUCIÓN!

Se coloca el aparato contra un muro, utilice los separadores traseros suministrados o mantenga la distancia mínima indicada en las instrucciones de instalación.



### PRECAUCIÓN!

Se instala el aparato junto muro, consulte las instrucciones de instalación para conocer la distancia mínima entre el muro y el lado del aparato donde se encuentran las bisagras de la puerta para dejar espacio suficiente para abrir la puerta al retirar los equipos internos (por ejemplo, limpiar).

Este aparato está destinado a ser utilizado a una temperatura ambiente que oscila entre 10°C y 38°C.



Solo se puede garantizar el correcto funcionamiento del aparato dentro del rango de temperatura especificado.

**i** Si tiene cualquier duda respecto al lugar de instalación del aparato, consulte al vendedor, a nuestro servicio de atención al cliente o al centro de servicio autorizado más cercano.

**i** Puede que en algún momento sea necesario desconectar el aparato de la toma de corriente. Por lo que el enchufe debe quedar accesible tras la instalación del aparato.

### 3.3 Conexión eléctrica

- Antes de conectar el aparato, compruebe que el voltaje y la frecuencia indicados en la placa de datos técnicos se corresponden con el suministro de la vivienda.
- El aparato debe conectarse a tierra. El enchufe del cable de alimentación se suministra con un contacto para tal fin. Si la toma de red de la vivienda carece de conexión a tierra, conecte el aparato a una toma de tierra conforme con la normativa, después de consultar a un electricista profesional
- El fabricante declina toda responsabilidad si no se toman las precauciones antes indicadas.
- Este aparato cumple las directivas CEE.

### 3.4 Nivelado

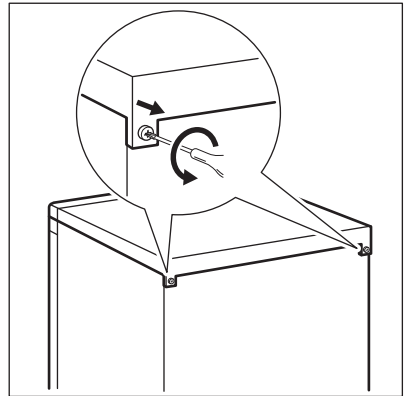
Al colocar el aparato, asegúrese de que queda nivelado. Esto se puede conseguir con dos patas ajustables en la parte inferior delantera.

### 3.5 Cambio del sentido de apertura de la puerta

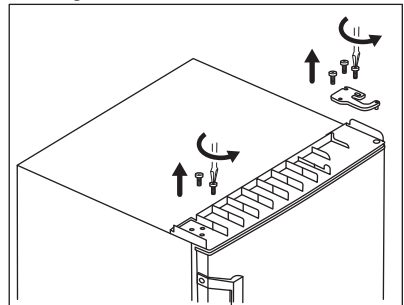
**!** **ADVERTENCIA!**  
Desenchufe siempre el aparato antes de llevar a cabo cualquier operación.

1. Asegúrese de que el aparato se mantenga en posición vertical.

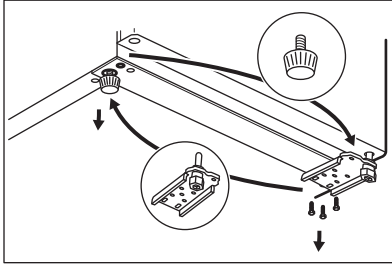
2. Abra la puerta y saque el equipamiento de la puerta. Consulte el capítulo "Uso diario". Cierre la puerta.
3. Desatornille los tornillos de la parte posterior de la cubierta superior.



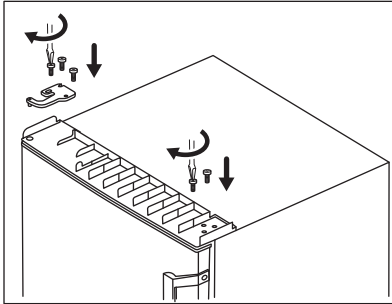
4. Levante la cubierta superior y colóquela sobre una superficie blanda.
5. Quite los tornillos 4 que conectan la bisagra superior. Coloque la bisagra superior y los tornillos un lugar seguro.



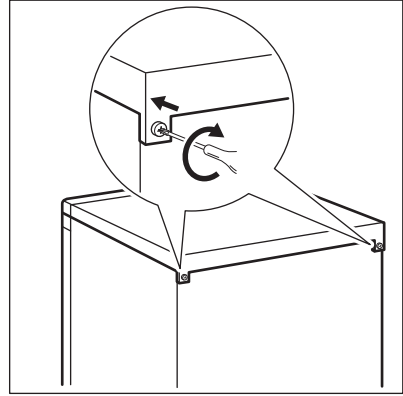
6. Levante la puerta y colóquela sobre una superficie suave.
7. Inclíne el aparato con cuidado sobre un embalaje de espuma suave o un material similar para evitar cualquier daño a la parte posterior del aparato y al suelo.
8. Desatornille los tornillos de la bisagra inferior y las patas ajustables.



9. Coloque el pasador en el orificio opuesto de la bisagra.
10. Atornille la bisagra inferior en el otro lado del aparato.
11. Instale el soporte de goma en el lado sin bisagra.
12. Monte la puerta en la bisagra inferior asegurándose de que el pasador de la bisagra entra en el agujero inferior de la puerta.
13. Coloque la bisagra superior en el lado opuesto del aparato. Monte el pasador de la bisagra superior en el agujero superior de la puerta. Apriete los tornillos.



14. Atornille los 2 tornillos restantes en la parte superior del aparato sin bisagra.
15. Coloque la cubierta superior del aparato y apriete los tornillos de la parte posterior.



Instale el equipamiento de la puerta.

Espera al menos 4 horas antes de conectar el aparato a la alimentación eléctrica.

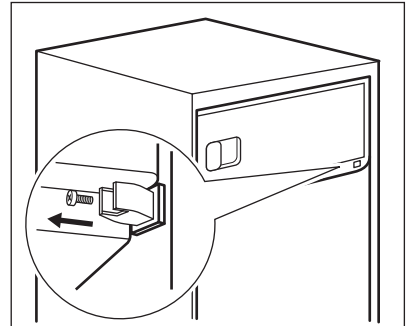
### 3.6 Inversión de la puerta del compartimento congelador



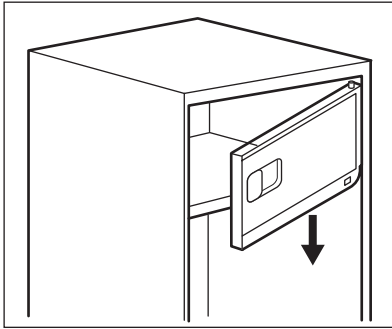
#### ADVERTENCIA!

Desenchufe siempre el aparato antes de llevar a cabo cualquier operación.

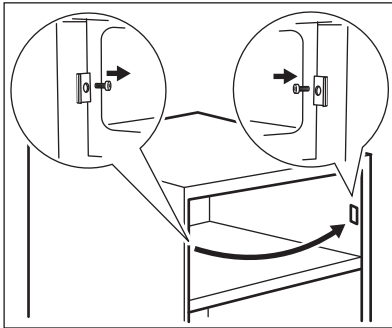
1. Cierre la puerta del congelador. Desatornille el tornillo del botón de instalación. Coloque el botón de instalación y el tornillo en un lugar seguro.



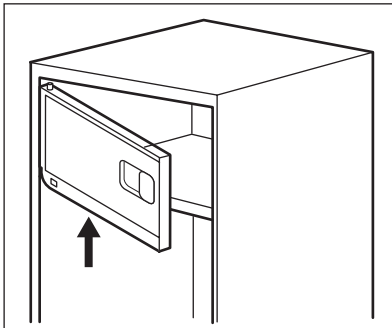
2. Abra un poco la puerta del congelador. Baje la puerta del congelador y la tapa del cojinete superior de la puerta.



3. Retire la hebilla de instalación e instale en el lado opuesto

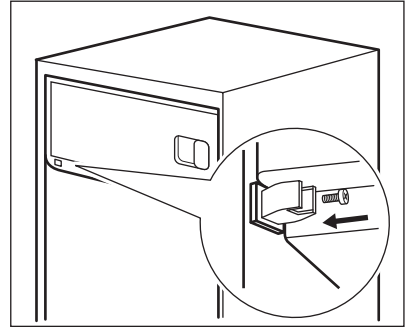


4. Invierta la puerta del congelador en 180 grados. Instale la tapa en el cojinete superior de la puerta.



5. Coloque la puerta del congelador y ciérrelas.
6. Fije el botón de instalación en el rodamiento inferior de la puerta. Presione el botón de instalación

hasta que no haya ningún hueco entre él y la cavidad, después fije el tornillo.

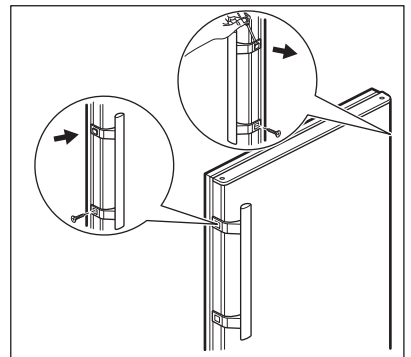


7. Saque las tapas de los agujeros de una bolsa y póngalas en los agujeros que quedan después de la bisagra de la puerta.

### 3.7 Instalación de una manija de la puerta

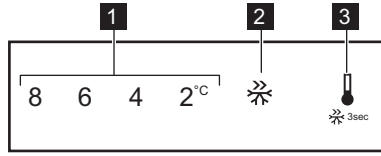
Si hay una manija de la puerta que se suministra por separado en una bolsa, puede instalarla de la siguiente manera:

1. Quite los tornillos de los agujeros del lado de la puerta. Mantenga o instale las tapas de los tornillos en el lado con una bisagra de la puerta.
2. Haga coincidir los agujeros de la manija con los de la puerta y atorníllela con tornillos previamente retirados.



## 4. FUNCIONAMIENTO

### 4.1 Panel de control



1. Indicador de temperatura
2. Indicador Super Freeze
3. Botón Control

### 4.2 Encendido

Enchufe el aparato a la toma de corriente.

### 4.3 Apagado

Para apagar el aparato, desenchufe el enchufe de la toma de corriente.

### 4.4 Regulación de temperatura

Para ajustar la temperatura, pulse el botón de control repetidamente hasta que alcance la temperatura deseada.

La temperatura recomendada es:

- +4 °C para el frigorífico,

El rango de temperatura puede variar entre 2 °C y 8 °C para el frigorífico.

El ajuste debe elegirse teniendo en cuenta que la temperatura interior del aparato depende de:

- temperatura ambiente,
- frecuencia de apertura de la puerta,
- cantidad de alimentos guardados,
- ubicación del aparato.

Los indicadores de temperatura muestran la temperatura programada.



La temperatura programada se alcanza en un plazo de 24 horas. Se conserva después de un corte de energía.

### 4.5 Función Super congelación

Super Freeze se utiliza para realizar la precongelación y la congelación rápida en secuencia en el compartimiento del congelador. Esta función acelera la congelación de alimentos frescos e impide que se calienten los alimentos ya almacenados.



Para congelar alimentos frescos, active la función Super Freeze al menos 24 horas antes de introducir los alimentos para completar la precongelación.

Para activar la función Super Freeze, mantenga pulsado el botón de control durante 3 segundos. El indicador Super Freeze parpadea.

La función se para automáticamente después de 52 horas.

Puede desactivar la función Super Freeze antes de su finalización automática manteniendo pulsado el botón de control durante 3 segundos. El indicador Super Freeze se apaga.

### 4.6 Alarma de puerta abierta

Si la puerta del frigorífico se deja abiertas durante aproximadamente 1 minuto, se activa un sonido.

La alarma se detiene después de cerrar la puerta.

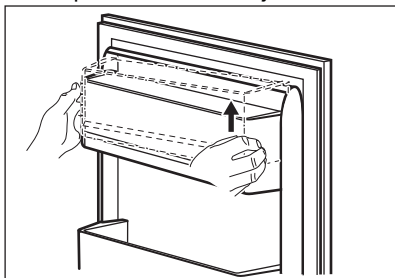
- i** El sonido se apaga automáticamente transcurridos unos 10 minutos para evitar molestias.

## 5. USO DIARIO

### 5.1 Extracción e instalación del estante de la puerta

Para retirar el estante de la puerta:

1. Sostenga el lado izquierdo del estante.
2. Levante el lado derecho del estante hasta que se libere del sujetador.



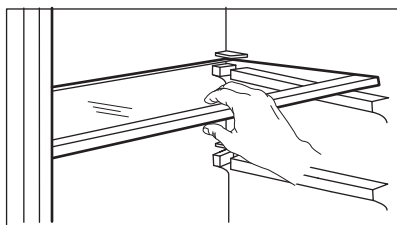
3. Levante el lado izquierdo del estante y retírelo.

Para volver a colocar el estante:

1. Coloque el estante plano en la puerta.
2. Ambos lados del estante hacia abajo simultáneamente para que el estante encaje en ambas sujeciones.

### 5.2 Estantes móviles

Las paredes del compartimento del frigorífico cuentan con una serie de guías para colocar los estantes del modo que se prefiera.



- i** Para asegurar una correcta circulación del aire, no mueva el estante de vidrio sobre el cajón de verduras.

### 5.3 Cajón para verduras

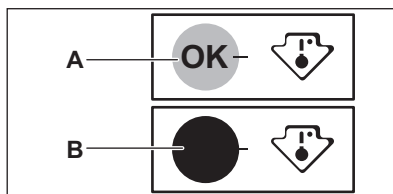
En la parte inferior del aparato hay un cajón especial para guardar frutas y verduras.

### 5.4 Indicador de temperatura

Para almacenar correctamente los alimentos, el frigorífico dispone de indicador de temperatura. El símbolo de la pared lateral indica el área más fría del frigorífico.

Si aparece OK (A), coloque los alimentos frescos en el área indicada por el símbolo, si no (B), espere al menos 12 horas y compruebe si aparece OK (A).

Si todavía no aparece OK (B), ajuste el control de configuración a un ajuste más frío.



### 5.5 Congelación de alimentos frescos

El compartimento del congelador es adecuado para congelar alimentos frescos y conservar a largo plazo los alimentos congelados y ultracongelados.

Para congelar alimentos frescos, active la función Super Freeze al menos 24 horas antes de introducir los alimentos en el compartimento congelador.

Guarde los alimentos frescos distribuidos uniformemente en el compartimento congelador.

La cantidad máxima de alimentos que pueden congelarse sin añadir otros alimentos frescos durante 24 horas, se indica en la placa de datos técnicos (una etiqueta situada en el interior del aparato).

## 5.6 Conservación de alimentos congelados

Al activar un aparato por primera vez o después de un periodo sin uso, déjelo en marcha al menos durante 3 horas con la función Super Freeze encendida antes de colocar productos en el compartimento.

Todos los alimentos deben estar como mínimo a 15 mm de la puerta.



### PRECAUCIÓN!

En caso de producirse una descongelación accidental, por ejemplo, por un corte del suministro eléctrico, y si la interrupción ha sido más prolongada que el valor indicado en el campo "tiempo de elevación" de la placa de características técnicas, será necesario consumir cuanto antes los alimentos descongelados o cocinarlos de inmediato, enfriarlos y después congelarlos de nuevo.

## 5.7 Descongelación

Los alimentos ultracongelados o congelados, antes de utilizarlos, se pueden descongelar en el compartimento del frigorífico o a temperatura ambiente, dependiendo del tiempo de que se disponga.

Es posible incluso cocinar trozos pequeños congelados, directamente desde el congelador, en este caso, la cocción tardará más en cocinarse.

# 6. CONSEJOS

## 6.1 Consejos para ahorrar energía

- Frigorífico: Se garantiza el consumo más eficiente de energía en la configuración con los cajones en la parte inferior del aparato y los estantes distribuidos uniformemente. La posición de los contenedores de la puerta no afecta al consumo de energía.
- No abra la puerta con frecuencia ni la deje abierta más tiempo del necesario.
- Frigorífico: No fije una temperatura demasiado alta para ahorrar energía, a menos que lo requieran las características del alimento.
- Si la temperatura ambiente es elevada y el control de temperatura se ajusta a baja temperatura y el aparato está totalmente cargado, el compresor puede funcionar de manera continua, provocando la formación de escarcha o hielo en el evaporador. En tal caso, ajuste el control de temperatura hacia una temperatura más elevada para



permitir la descongelación automática y ahorrar energía.


- Asegure una buena ventilación. No cubra las rejillas o los orificios de ventilación.

## 6.2 Consejos sobre la congelación

- Active la función Super Freeze al menos 24 horas antes de colocar los alimentos en dentro del congelador.
- Antes de congelar, envuelva y selle los alimentos frescos en: papel de aluminio, film o bolsas de plástico, envases herméticos con tapa.
- Para congelar y descongelar con más eficacia, divida la comida en porciones pequeñas.
- Se recomienda poner etiquetas y fechas en todos sus alimentos congelados. Esto ayudará a identificar los alimentos y a saber cuándo deben utilizarse antes de su deterioro.
- Los alimentos deben ser frescos al congelarlos para preservar la buena calidad. Especialmente las frutas y verduras deben ser congeladas después de cosecharlos para preservar todos sus nutrientes.
- No congele las botellas o latas con líquidos, en particular las bebidas que contienen dióxido de carbono, ya que pueden explotar durante la congelación.
- No coloque alimentos calientes en el compartimiento del congelador. Enfríelos a temperatura ambiente antes de colocarlos dentro del compartimento.
- Para evitar aumentos en la temperatura de comida ya congelada, no coloque comida no congelada justo al lado. Coloque los alimentos a temperatura ambiente en la parte del compartimento del congelador donde no hay alimentos congelados.
- No coma cubitos de hielo, sorbetes o helados inmediatamente después de sacarlos del congelador. Existe riesgo de quemaduras.
- No vuelva a congelar los alimentos descongelados. Si la comida se ha

descongelado, cocínela, enfríela y luego congélela.

## 6.3 Consejos para el almacenamiento de alimentos congelados

- El compartimento congelador es el marcado con .
- Una temperatura más alta en el interior del aparato puede reducir la vida útil.
- Todo el compartimento congelador es adecuado para el almacenamiento de alimentos congelados.
- Deje suficiente espacio alrededor de los alimentos para permitir que el aire circule libremente.
- Para un almacenamiento adecuado, consulte la etiqueta de los envases de los alimentos para ver su vida útil.
- Es importante envolver los alimentos de tal manera que se evite que el agua, la humedad o la condensación entren en su interior.

## 6.4 Consejos de compra

Después de la compra:

- Asegúrese de que el envase no esté dañado - los alimentos podrían estar deteriorados. Si el paquete está hinchado o mojado, es posible que no se haya almacenado en condiciones óptimas y que la descongelación ya haya comenzado.
- Para limitar el proceso de descongelación, compre los productos congelados al final de su compra en el supermercado y téngalos en una bolsa térmica y aislada.
- Ponga los alimentos congelados inmediatamente en el congelador después de volver de la tienda.
- Si la comida se ha descongelado aunque sea parcialmente, no la vuelva a congelar. Se debe consumir lo antes posible.
- Respete la fecha de caducidad y la información de almacenamiento del paquete.

## 6.5 Vida útil en el congelador


Tipo de alimento	Vida útil (meses)
Pan	3
Frutas (excepto cítricos)	6 - 12
Verduras	8 - 10
Sobras sin carne	1 - 2
<b>Lácteos:</b>	
Mantequilla	6 - 9
Queso blando (p. ej. mozzarella)	3 - 4
Queso duro (p. ej. parmesano, cheddar)	6
<b>Marisco:</b>	
Pescado graso (p. ej. salmón, caballa)	2 - 3
Pescado magro (p. ej. bacalao, platija)	4 - 6
Langostinos	12
Almejas y mejillones desconchados	3 - 4
Pescado cocinado	1 - 2
<b>Carne:</b>	
Aves	9 - 12
Vacuno	6 - 12
Cerdo	4 - 6
Cordero	6 - 9
Salchichas	1 - 2
Jamón	1 - 2
Sobras con carne	2 - 3

## 6.6 Consejos para la refrigeración de alimentos frescos

- Un buen ajuste de temperatura que asegure la conservación de los alimentos frescos es una temperatura menor o igual a +4°C. Una temperatura más alta en el interior del aparato puede reducir la vida útil de los alimentos.
- Cubra el alimento con el envase para preservar su frescura y aroma.
- Utilice siempre recipientes cerrados para líquidos y para alimentos, para evitar sabores u olores en el compartimento.
- Para evitar la contaminación cruzada entre alimentos cocidos y crudos, cubra la comida cocinada y sepárela de la cruda.

- Se recomienda descongelar los alimentos dentro de la nevera.
- No coloque alimentos calientes dentro del aparato. Asegúrese de que se haya enfriado a temperatura ambiente antes de introducirla.
- Para evitar el desperdicio de alimentos, los alimentos más recientes deben colocarse siempre detrás de los viejos.

## 6.7 Consejos para la refrigeración de alimentos

- El compartimento de alimentos frescos es el marcado (en la placa de características) con .
- Frutas y verduras: límpielas a fondo (elimine la suciedad) y colóquelas en un cajón especial (cajón para verduras).

- Es aconsejable no guardar en el frigorífico las frutas exóticas como plátanos, mangos, papayas, etc.
- Las verduras como tomates, patatas, cebollas y ajos no deben guardarse en el frigorífico.
- Queso y mantequilla: colóquelo en un recipiente hermético, o envuélvalo en papel de aluminio o en bolsas de polietileno para eliminar todo el aire posible.
- Botellas: ciérrelas con un tapón y colóquelas en el estante para botellas de la puerta o en el botellero (si dispone de él).
- Consulte siempre la fecha de caducidad de los productos para saber cuánto tiempo debe conservarlos.

## 7. MANTENIMIENTO Y LIMPIEZA



**ADVERTENCIA!**  
Consulte los capítulos sobre seguridad.

### 7.1 Limpieza del interior

Antes de utilizar el aparato por primera vez, lave el interior y todos los accesorios internos con agua templada y un jabón neutro para eliminar el típico olor de un producto nuevo y a continuación seque bien.



**PRECAUCIÓN!**  
No utilice detergentes, polvos abrasivos ni limpiadores a base de cloro o aceite, ya que podrían dañar el acabado.



**PRECAUCIÓN!**  
Los accesorios y las piezas del aparato no deben lavarse en lavavajillas.

### 7.2 Limpieza periódica

El equipo debe limpiarse con regularidad:

1. Limpie el interior y los accesorios con agua tibia y jabón neutro.
2. Revise y limpie periódicamente las juntas de la puerta para mantenerlas limpias y sin restos.
3. Limpie el condensador con un cepillo al menos dos veces al año.
4. Limpie la bandeja de evaporación periódicamente para eliminar el agua acumulada.
5. Enjuague y seque bien.

### 7.3 Descongelación del frigorífico

El agua de descongelación se drena automáticamente por un canal hacia una bandeja de evaporación situada en la parte trasera del aparato sobre el compresor.

### 7.4 Descongelación del congelador



**PRECAUCIÓN!**  
No utilice herramientas metálicas afiladas para raspar la escarcha del evaporador, ya que podría dañarlo.

No utilice dispositivos mecánicos ni medios artificiales para acelerar el proceso de descongelación, excepto los recomendados por el fabricante.



Unas 12 horas antes de realizar la descongelación, ajuste una temperatura más baja con el fin de acumular frío suficiente en caso de una interrupción del funcionamiento.

Descongele el compartimento del congelador cuando la capa de escarcha alcance un grosor de unos 3-5 mm.

Para descongelar el compartimento del congelador:

1. Apague el aparato o desconecte el enchufe de la toma de corriente.

2. Retire los alimentos guardados, envuélvalos en varias hojas de papel periódico y colóquelos en un lugar fresco.



### PRECAUCIÓN!

El aumento de la temperatura de los paquetes de alimentos congelados durante la descongelación puede acortar su tiempo de almacenamiento.

No toque los alimentos congelados con las manos mojadas. Podrían congelarse al contacto con los alimentos.

3. Deje la puerta abierta. Proteja el suelo del agua de la descongelación p. ej., con un paño o recipiente plano.
4. Para acelerar el proceso de descongelación, coloque un recipiente de agua tibia en el compartimento congelador. Además, retire los trozos de hielo que se desprendan antes de que finalice la descongelación.

5. Cuando la descongelación haya terminado, seque a fondo el interior del aparato.
6. Encienda el aparato y cierre la puerta.
7. Ajuste el regulador de temperatura para obtener el máximo frío y haga funcionar el aparato durante tres horas con dicho ajuste.

Solo después de este tiempo vuelva a poner la comida en el congelador.

## 7.5 Periodos sin funcionamiento

Si el aparato no se utiliza durante un tiempo prolongado, toma las siguientes precauciones:

1. Desconecte el aparato del suministro eléctrico.
2. Retire todos los alimentos.
3. Descongele el aparato.
4. Limpie el aparato y todos los accesorios.
5. Deje las puertas abiertas para evitar olores desagradables.

## 8. SOLUCIÓN DE PROBLEMAS



### ADVERTENCIA!

Consulte los capítulos sobre seguridad.

### 8.1 Qué hacer si...

Problema	Posible causa	Solución
El aparato no funciona.	El aparato está apagado.	Encienda el aparato.
	El enchufe no está bien conectado a la toma de corriente.	Conecte el aparato a la toma de corriente correctamente.
	No hay tensión en la toma de corriente.	Conecte un aparato diferente a la de corriente. Póngase en contacto con un electricista cualificado.
El aparato hace ruido.	El aparato no está bien apoyado.	Compruebe que los soportes del aparato están estables.

<b>Problema</b>	<b>Posible causa</b>	<b>Solución</b>	
El compresor funciona continuamente.	La temperatura se ha ajustado de manera incorrecta.	Consulte el capítulo "Funcionamiento".	
	Se han introducido muchos alimentos al mismo tiempo.	Espere unas horas y vuelva a comprobar la temperatura.	
	La temperatura ambiente es demasiado alta.	Consulte el capítulo "Instalación".	
	Los alimentos introducidos en el aparato estaban demasiado calientes.	Deje que los alimentos se enfríen a temperatura ambiente antes de guardarlos.	
	La puerta no está bien cerrada.	Consulte la sección "Cierre de la puerta".	
El compresor no se pone en marcha inmediatamente después de pulsar »Super Freeze«, o tras cambiar la temperatura.	La función Super Freeze está activada.	Consulte la sección "Función Super Freeze".	
	El compresor se pone en marcha al cabo de cierto tiempo.	Esto es normal, no se ha producido ningún error.	
	La puerta está mal alineada o interfiere con la rejilla de ventilación.	El aparato no está nivelado.	Consulte las instrucciones de instalación.
	La puerta no se abre fácilmente.	Ha intentado volver a abrir la puerta inmediatamente después de cerrarla.	Espere unos segundos entre el cierre y la reapertura de la puerta.
	La bombilla no funciona.	La bombilla está en modo de espera.	Cierre y abra la puerta.
La bombilla es defectuosa.		Póngase en contacto con el servicio técnico autorizado más cercano.	
Hay demasiada escarcha y hielo.	La puerta no está bien cerrada.	Consulte la sección "Cierre de la puerta".	
	La junta de la puerta está sucia o deformada.	Consulte la sección "Cierre de la puerta".	
	Los alimentos no están bien envueltos.	Envuelva mejor los productos.	
	La temperatura se ha ajustado de manera incorrecta.	Consulte el capítulo "Funcionamiento".	
	El aparato está completamente cargado y ajustado a la temperatura más baja.	Seleccione una temperatura más alta. Consulte el capítulo "Funcionamiento".	

<b>Problema</b>	<b>Posible causa</b>	<b>Solución</b>
	La temperatura ajustada en el aparato es demasiado baja y la temperatura ambiente demasiado alta.	Seleccione una temperatura más alta. Consulte el capítulo "Funcionamiento".
El agua fluye por la placa posterior del frigorífico.	Durante el proceso de descongelación automática, la escarcha se derrite en la placa posterior.	Es correcto. Seque el agua con un paño suave.
Hay demasiada agua de condensación en la pared posterior del frigorífico.	La puerta se abre con demasiada frecuencia.	Abra la puerta solo cuando sea necesario.
	La puerta no se cierra completamente.	Asegúrese de que la puerta está cerrada completamente.
	Los alimentos guardados no están envueltos correctamente.	Envuelva los alimentos correctamente antes de guardarlos en el aparato.
El agua fluye por el interior del frigorífico.	Los productos impiden que el agua fluya al colector de agua.	Asegúrese de que los alimentos no tocan la placa posterior.
	La salida de agua está obstruida.	Limpie la salida de agua.
El agua fluye por el suelo.	La salida de agua de descongelación no está conectada a la bandeja de evaporación situada sobre el compresor.	Acople la salida de agua de descongelación a la bandeja de evaporación.
No se puede ajustar la temperatura.	La función Super Freeze está activada.	Apaga la Super Freeze función manualmente o espera hasta que la función se desactive automáticamente para ajustar la temperatura. Consulte la sección "Función Super Freeze".
La temperatura del aparato es demasiado baja/alta.	La temperatura no se ha ajustado correctamente.	Seleccione una temperatura más alta/más baja.
	La puerta no está bien cerrada.	Consulte la sección "Cierre de la puerta".
	La temperatura de los productos es demasiado alta.	Deje que la temperatura de los alimentos descienda a la temperatura ambiente antes de guardarlos.

Problema	Posible causa	Solución
	Se han guardado muchos alimentos al mismo tiempo.	Guarde menos alimentos al mismo tiempo.
	El grosor de la escarcha es superior a 4-5 mm.	Descongele el aparato.
	La puerta se ha abierto con frecuencia.	Abra la puerta sólo si es necesario.
	La función Super Freeze está activada.	Consulte la sección "Función Super Freeze".



Si el consejo anterior no ofrece resultados, llame al servicio técnico autorizado más cercano.

## 8.2 Cambio de la bombilla

El aparato está equipado con una luz LED interior de larga duración.

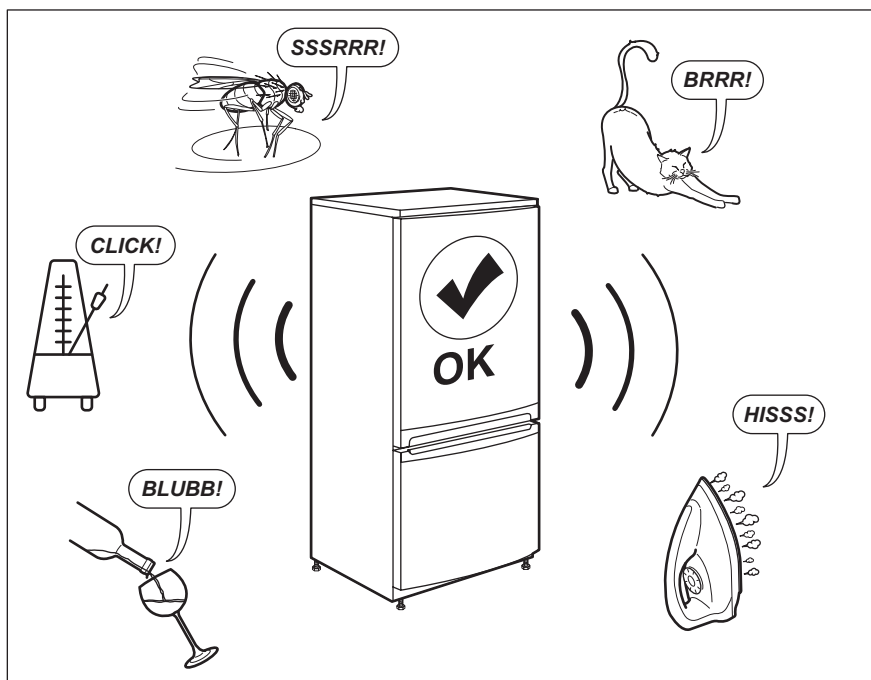
El dispositivo de iluminación solo debe ser sustituido por el servicio técnico.

Póngase en contacto con el servicio técnico.

## 8.3 Cierre de la puerta

1. Limpie las juntas de la puerta.
2. Si es necesario, ajuste la puerta. Consulte el capítulo "Instalación".
3. Si es necesario, cambie las juntas defectuosas. Póngase en contacto con el servicio técnico autorizado.

## 9. RUIDOS



## 10. DATOS TÉCNICOS

La información técnica se encuentra en la placa de datos técnicos situada en el interior del aparato y en la etiqueta de consumo energético.

El código QR de la etiqueta energética suministrada con el aparato proporciona un enlace web a la información relacionada con el rendimiento del aparato en la base de datos EPREL de la UE. Guarde la etiqueta energética como referencia junto con el manual de usuario y todos los demás documentos que se proporcionan con este aparato.

También puede encontrar la misma información en EPREL accediendo desde el enlace <https://eprel.ec.europa.eu> e introduciendo el nombre del modelo y el número de producto que se encuentran en la placa de datos técnicos del aparato.

Consulte el enlace [www.theenergylabel.eu](http://www.theenergylabel.eu) para obtener información detallada sobre la etiqueta energética.


## 11. INFORMACIÓN PARA INSTITUTOS DE PRUEBAS


La instalación y la preparación del aparato para cualquier verificación de EcoDiseño deberá cumplir con EN 62552. Los requisitos de ventilación, las dimensiones de los huecos y las

distancias mínimas traseras serán los indicados en el Capítulo 3 de este Manual de Usuario. Por favor, póngase en contacto con el fabricante para cualquier otra información adicional, incluyendo los planos de carga.



## 12. ASPECTOS MEDIOAMBIENTALES

Recicle los materiales con el símbolo . Coloque el material de embalaje en los contenedores adecuados para su reciclaje. Ayude a proteger el medio ambiente y la salud pública, así como a reciclar residuos de aparatos eléctricos y electrónicos. No deseche los aparatos

marcados con el símbolo  junto con los residuos domésticos. Lleve el producto a su centro de reciclaje local o póngase en contacto con su oficina municipal.





[www.aeg.com/shop](http://www.aeg.com/shop)



804183043-C-492021



**AEG**