



Refrigerator

User manual

Chłodziarka

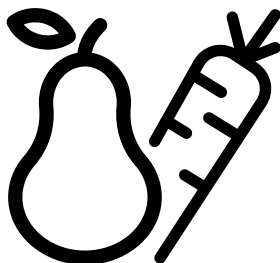
Instrukcja użytkowania

Chladnička

Používateľská príručka

Hladilnik

Navodila za uporabo



RCNE560E60ZGWHN - RCNE560E60ZGBHN



EN / PL / SK / SL

58 5051 0000/AA

1/2

Please read this manual before using the product!

Dear Valued Customer,

We wish you to get the best results from your product that has been manufactured meticulously at modern plants and tested with detailed quality control checks.

For this reason, we recommend that you read this user manual thoroughly before starting the product. If you hand over the product to someone else, please remember to give the user manual as well.

This manual will help you use your appliance in a fast and safe way.

- Please read this user manual carefully before installing and using the product.
- Always follow the applicable safety instructions.
- Keep the user manual in an easily accessible place for further use.
- Please read all the other documents provided with the product.

Please keep in mind that this manual may apply to several product models. This manual expressly indicates the differences between various models.

	Important information and useful hints.
	Risk of injury and property damage.
	Risk of electric shock.
	Packaging materials of this product has been manufactured from recyclable materials in accordance with the National Environment Regulations.

INFORMATION



SUPPLIER'S NAME

MODEL IDENTIFIER

(*)

A

A

The model information as stored in the product data base can be reached by entering following website and searching for your model identifier (*) found on energy label.

<https://eprel.ec.europa.eu/>

1 Important Instructions Regarding Safety and Environment **5**

1.1. General Safety	5
1.1.1 Hydrocarbon (HC) Warning	7
1.1.2 For Products with a Water Dispenser/Ice Machine	7
1.2. Intended Use	8
1.3. Children's Safety	8
1.4. Compliance with the WEEE Directive and Disposing the Waste Product:	8
1.5. Compliance with the RoHS Directive:	9
1.6. Packaging Information	9

2 Your Refrigerator **10**

3 Installation **11**

3.1. Right place for installation	11
3.2. Attaching the plastic wedges	11
3.3. Adjusting the stands	11
3.4. Power connection	11
3.5. Reversing the doors	12
3.6. Reversing the doors	13

4 Preparation **14**

4.1. What to do for energy saving	14
4.2. First Use	14

5 Operating the product **15**

5.1. Ice bucket	18
5.2. Eggholder	18
5.3. Fan	18
5.4. Vegetable bin	18
5.5. Using the second crisper of the product;	19
5.6. Zero degree compartment	20
5.7. Sliding storage box	20
5.8. Moving door rack	20
5.9. Moisture controlled vegetable bin	21
5.10. Deodoriser Module	21

5.11 Automatic ice machine	22
5.12 Icematic and ice storage container	22
5.13 Ice bucket	23
5.14 Blue light/HarvestFresh	23
5.15 Using the water dispenser	24
5.16 Filling the water dispenser's tank	25
5.17 Cleaning the water tank	26
5.18 Drip tray	26
5.19 HerbBox/HerbFresh	26
5.20 Freezing fresh food	27
5.21 Recommendations for storing frozen foods	27
5.22 Deep freezer details	28
5.23 Placing the food	28
5.24 Door open alert	28
5.25 Changing the opening direction of the door	28
5.26 Interior light	28

6 Care and Cleaning **29**

6.1. Avoiding Bad Odours	29
6.2. Protection of plastic surfaces	29
6.3. Cleaning the Inner Surface	29
6.4. Stainless Steel Outer Surfaces	30
6.5. Cleaning Products with Glass Doors	30





7 Troubleshooting **31**

1 Important Instructions Regarding Safety and Environment

Environment

This chapter contains safety information that will help you avoid the risk personal injury or property damage. Failure to follow these instructions shall render any product warranty void.

Intended use

	WARNING: Keep ventilation openings, in the appliance enclosure or in the built-in structure, clear of obstruction.
	WARNING: Do not use mechanical devices or other means to accelerate the defrosting process, other than those recommended by the manufacturer.
	WARNING: Do not damage the refrigerant circuit.
	WARNING: Do not use electrical appliances inside the food storage compartments of the appliance, unless they are of the type recommended by the manufacturer.

This appliance is intended to be used in household and similar applications such as

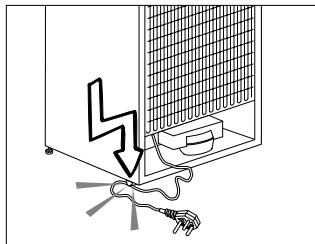
- staff kitchen areas in shops, offices and other working environments;
- farm houses and by clients in hotels, motels and other residential type environments;
- bed and breakfast type environments;

– catering and similar non-retail applications.

1.1. General Safety

- Persons with physical, sensory or mental disabilities; persons who lack experience and information and children should not approach, enter or play with the product.
- Failure to follow the instructions and uncontrolled use of the product lead to dangerous results!
- Unplug the product if you encounter a failure during use.
- If the product malfunctions, it must not be operated until repaired by the authorised service provider. Risk of electric shock!
- Plug the product into a grounded socket protected by a fuse that corresponds to the value on its nameplate. Have a qualified electrician ground the product. Our company cannot be held responsible for damages resulting from the failure to use the product with a grounded socket pursuant to local regulations.
- Unplug the product when not in use.
- Never wash the product by spreading or pouring water onto it! Risk of electric shock!
- Never touch the plug with wet hands!
- Never unplug the product by pulling the cable. Always pull the plug by holding the socket.

Safety and environment instructions



- Do not plug the refrigerator if the wall socket is loose.
- Never connect your refrigerator to energy saving devices. Such systems are harmful to your product.
- Unplug the product during installation, care, cleaning and repairing procedures.
- Always have the **Authorised Service Provider** install the product and establish its electrical connections. The manufacturer cannot be held responsible for damages caused by procedures performed by unauthorised persons.
- Do not eat cone ice cream or ice cubes immediately after you take them out of the freezer compartment! This may cause frostbite in your mouth!
- Do not touch frozen food with wet hands! They may stick to your hand!
- Do not put bottled or canned liquid beverages in the freezer compartment. They may burst!
- Never use steam or steam cleaners to clean or defrost the refrigerator. Steam gets into contact with the live parts in your refrigerator, causing short circuit or electric shock!
- Do not use mechanical devices or other means to accelerate the defrosting process other than those recommended by the manufacturer.
- Never use the parts in your refrigerator such as the door and drawer as a means of support or step. This may cause the product to tip over or damage the parts of it.
- Do not damage the parts where the refrigerant is circulating with drilling or cutting tools. The refrigerant that might blow out when the gas channels of the evaporator, pipe extensions or surface coatings are punctured causes skin irritations and eye injuries.
- Do not cover or block the ventilation holes in your refrigerator with any object.
- Place the beverage with higher proofs tightly closed and vertically.
- Do not use gaseous sprays near the product since there is the risk of fire or explosion!
- Flammable items or products that contain flammable gases (e.g. spray) as well as explosive materials should never be kept in the appliance.
- Do not place vessels filled with liquid onto the product. Splashing water on an electrical part may cause electric shock or the risk of fire.
- Do not store items that need precise temperature adjustment (such as vaccines, heat-sensitive

Safety and environment instructions

medication, science materials etc.) in the refrigerator.





- If you are not going to use the product for a long time, unplug it and remove the food in it.
- If there is a blue light on the refrigerator, do not look at this light with optical tools.
- Exposing the product to rain, snow, sun or wind is dangerous in terms of electrical safety.
- In products with mechanical control (thermostat), wait for 5 minutes to plug in the product again after unplugging.
- Do not overload the refrigerator. Objects in the refrigerator may fall down when the door is opened, causing injury or damage. Similar problems may arise if any object is placed onto the product.
- If the product has a door handle, do not pull the handle when re-locating the product. The handle might be loose.
- Be careful not to jam your hand or any other body part in the moving parts of the refrigerator.
- Do not put your hand or any other foreign materials into the ice machine while it is operating.

1.1.1 Hydrocarbon (HC) Warning

- If your product's cooling system contains R600a:

This gas is flammable. Therefore, pay attention not to damage the cooling system or the piping during use and transportation. If damaged, keep the product

away from potential fire sources that may cause it to catch fire and ventilate the room where the product is placed.

	If the product is damaged and if you see gas leak, please keep away from the gas. It may cause frostbite when it gets into contact with the skin. (including R134)
	Ignore this warning if the cooling system of your product contains R134a.
	Type of gas used in the product is stated on the type plate which is on the left wall inside the refrigerator.
	WARNING: Never throw the product into fire for disposal.

1.1.2 For Products with a Water Dispenser/Ice Machine

- Pressure for cold water inlet shall be maximum 90 psi (620 kPa). If your water pressure exceeds 80 psi (550 kPa), use a pressure limiting valve in your mains system. If you do not know how to check your water pressure, ask for the help of a professional plumber.

Safety and environment instructions

- If there is a risk of water impact in your installation, always use a water impact protection equipment in that installation. Please consult professional plumbers if you are not sure if there is water impact in your installation.
- Do not make installation on the hot water inlet.
- Use drinking water only.
- Take the necessary measures against the freezing risk of the hoses. The water temperature operating range must be 0.6°C (33°F) minimum and 38°C (100°F) maximum.



WARNING:

Never connect the product to a cold water mains with a pressure of 550 kPa (80 psi) or above.

1.2. Intended Use

- This product has been designed for domestic use. It is not suitable for commercial use and it must not be used out of its intended use.
- It must be used only for storing food.
- The manufacturer will not take any responsibility for damages resulting from improper use or transport.
- Original spare parts will be available for 10 years after the purchase date of the product.

1.3. Children's Safety

- If there is a lock on the door of the product, the key should be kept out of the reach of children.
- Do not let children play with the product.



DANGER:

Before disposing your old refrigerator or freezer:

- Children may get locked inside.
- Remove the doors.
- Leave the shelves to prevent children from getting inside the product easily.

1.4. Compliance with the WEEE Directive and Disposing the Waste Product:



This product conforms to the EU WEE Directive (2012/19 EU). This product bears a classification symbol for waste electrical and electronic equipment (WEEE). This product has been manufactured from high quality parts and materials which can be reused and are suitable for recycling. Therefore, do not dispose the product with normal domestic waste or other waste at the end of its service life. Take it to a collection centre for recycling electrical and electronic equipment. Please consult local authorities to learn about the locations of such collection centres.

Safety and environment instructions

1.5. Compliance with the RoHS Directive:

The unit you have purchased conforms to the EU RoHS Directive (2011/65/EU). It does not contain harmful or prohibited materials specified in the Directive.

1.6. Packaging Information

- Packaging materials of the product have been manufactured from recyclable materials in accordance with our National Environment Regulations. Do not dispose the packaging materials with normal domestic waste or other types of waste. Take these materials to a recycling point designated by local authorities.

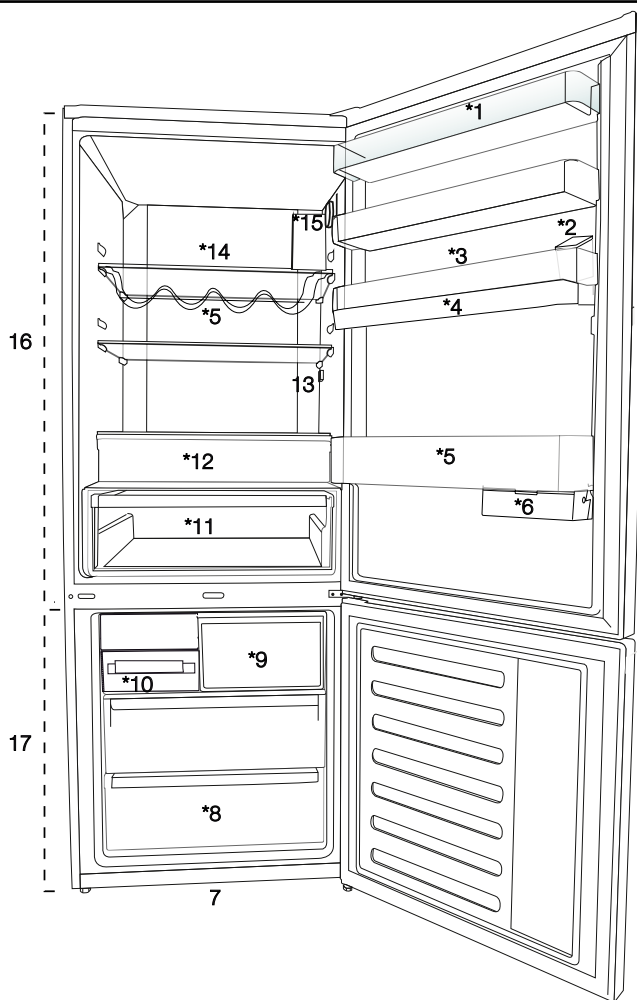


DANGER:

Risk of Fire or Explosion:

- This product uses flammable refrigerant.
- Do not use mechanical devices to defrost the refrigerator.
- Do not use chemicals for cleaning.
- Do not pierce the refrigerant pipe.
- If the refrigerant pipe is pierced, it must be repaired only by licensed service personnel.
- Please consult the repair/ user manual before cleaning the product. All safety instructions must be followed.
- Dispose the product according to federal or local regulations.

2 Your Refrigerator



1. Cooler compartment door shelf
2. Water dispenser filling tank
3. Egg section
4. Water dispenser reservoir
5. Bottle shelf
6. Sliding storage box
7. Adjustable legs
8. Deep freezer compartment
9. Quick freeze compartment
10. Ice cube tray & Ice bank
11. Vegetable bin
12. Zero degree compartment
13. Interior light
14. Cooler compartment glass shelf
15. Temperature adjustment button
16. Cooler compartment
17. Freezer compartment

May not be available in all models






***optional:** Pictures given in this manual are given as example figures and they may not be exactly the same as your product. If your product does not comprise the relevant parts, the information pertains to other models.

3 Installation

3.1. Right place for installation

Contact the Authorized Service for the product's installation. To ready the product for installation, see the information in the user guide and make sure the electric and water utilities are as required. If not, call an electrician and plumber to arrange the utilities as necessary.

	WARNING: The manufacturer assumes no responsibility for any damage caused by the work carried out by unauthorized persons.
	WARNING: The product's power cable must be unplugged during installation. Failure to do so may result in death or serious injuries!
	WARNING: If the door span is too narrow for the product to pass, remove the door and turn the product sideways; if this does not work, contact the authorized service.

- Place the product on a flat surface to avoid vibration.
- Place the product at least 30 cm away from the heater, stove and similar sources of heat and at least 5 cm away from electric ovens.
- Do not expose the product to direct sunlight or keep in damp environments.
- The product requires adequate air circulation to function efficiently.
- If the product will be placed in an alcove, remember to leave at least 5 cm distance between the product and the ceiling and the walls.
- Do not install the product in environments with temperatures below -5°C .

3.2. Attaching the plastic wedges

Use the plastic wedges in the provided with the product to provide sufficient space for air circulation between the product and the wall.

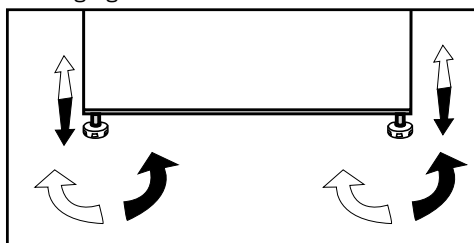
1. To attach the wedges, remove the screws on the product and use the screws provided with the wedges.

2. Attach 2 plastic wedges on the ventilation cover as shown in the figure.




Refrigerator / User Guide

3.3. Adjusting the stands

If the product is not in balanced position, adjust the front adjustable stands by rotating right or left.



3.4. Power connection

	WARNING: Do not use extension or multi sockets in power connection.
	WARNING: Damaged power cable must be replaced by Authorized Service.
	When placing two coolers in adjacent position, leave at least 4 cm distance between the two units.

- Our firm will not assume responsibility for any damages due to usage without earthing and power connection in compliance with national regulations.
- The power cable plug must be easily accessible after installation.
- Do not use multi-group plug with or without extension cable between the wall socket and the refrigerator.
- Your product requires adequate air circulation to function efficiently. If the product will be placed in an alcove, remember to leave at least 5 cm clearance between the product and the ceiling, rear wall and the side walls.
- If the product will be placed in an alcove, remember to leave at least 5 cm clearance between the product and the ceiling, rear wall and the side walls.

Installation

Check if the rear wall clearance protection component is present at its location (if provided with the product). If the component is not available, or if it is lost or fallen, position the product so that at least 5 cm clearance shall be left between the rear surface of the product and the wall of the room. The clearance at the rear is important for efficient operation of the product.

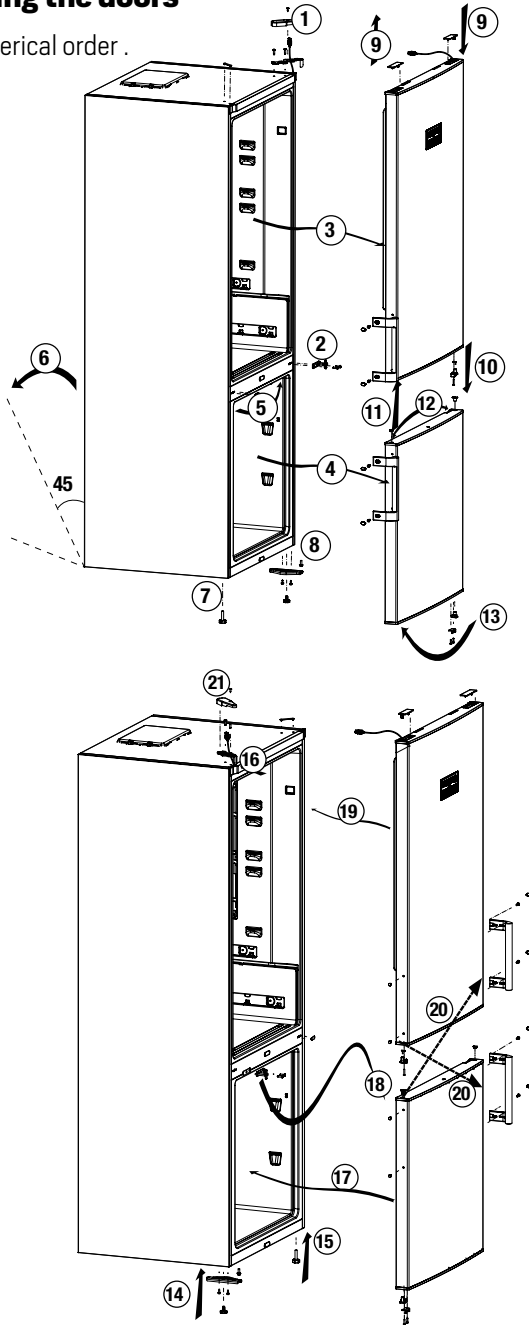


Hot Surface Warning!
Side walls of your product is equipped with refrigerant pipes to improve the cooling system. Refrigerant with high temperatures may flow through these areas, resulting in hot surfaces on the side walls. This is normal and does not need any servicing. Please pay attention while touching these areas.

Installation

3.5. Reversing the doors

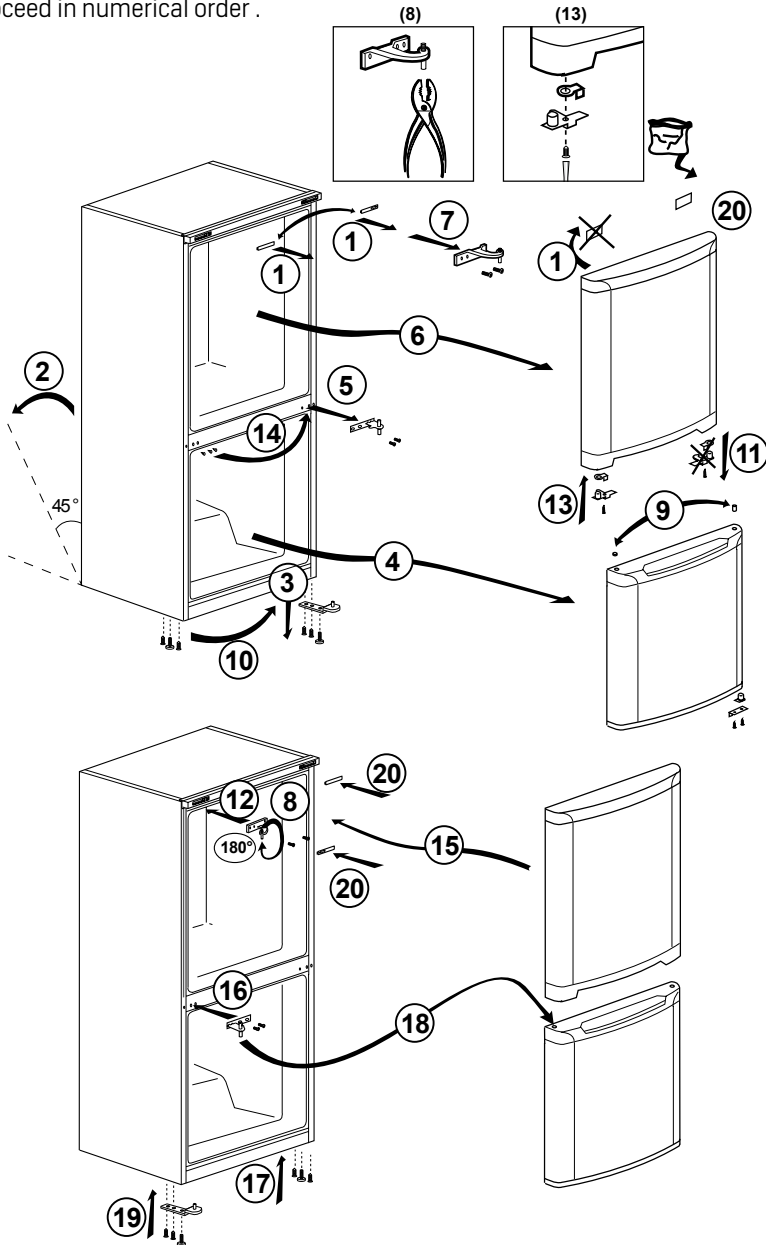
Proceed in numerical order .



Installation

3.6. Reversing the doors

Proceed in numerical order .



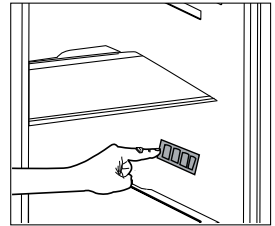
4.1. What to do for energy saving



Connecting the product to electronic energy-saving systems is harmful, as it may damage the product.

- For a freestanding appliance; 'this refrigerating appliance is not intended to be used as a built-in appliance'.
- Do not keep the refrigerator doors open for long periods.
- Do not place hot food or beverages into the refrigerator.
- Do not overfill the refrigerator; blocking the internal air flow will reduce cooling capacity.
- In order to store the maximum amount of food into the cooler compartment of your refrigerator, you should take out the upper drawers and place it onto the glass rack. The declared energy consumption of your refrigerator was determined by taking out the cooler, ice tray and upper drawers in a way that will enable maximum storage. Using the below drawer when storing is strongly recommended. Energy saving function should be activated for best energy consumption.
- You should not block the airflow by putting food in front of the cooler fan. A space of minimum 3cm must be left in front of the protective fan wire when placing food.
- Depending on the product's features; defrosting frozen foods in the cooler compartment will ensure energy saving and preserve food quality.
- Food should be stored using the drawers in the cooler compartment in order to ensure energy saving and protect food in better conditions.
- Food packages should not be in direct contact with the heat sensor located in the cooler compartment. If they are in contact with the sensor, energy consumption of the appliance might increase.

- Make sure the foods are not in contact with the cooler compartment temperature sensor described below.
- Since hot and humid air will not directly penetrate into your product when the doors are not opened, your product will optimize itself in conditions sufficient to protect your food. Functions and components such as compressor, fan, heater, defrost, lighting, display and so on will operate according to the needs to consume minimum energy under these circumstances.



4.2. First Use

Before using your refrigerator, make sure the necessary preparations are made in line with the instructions in "Safety and environment instructions" and "Installation" sections.

- Keep the product running with no food inside for 6 and do not open the door, unless absolutely necessary.



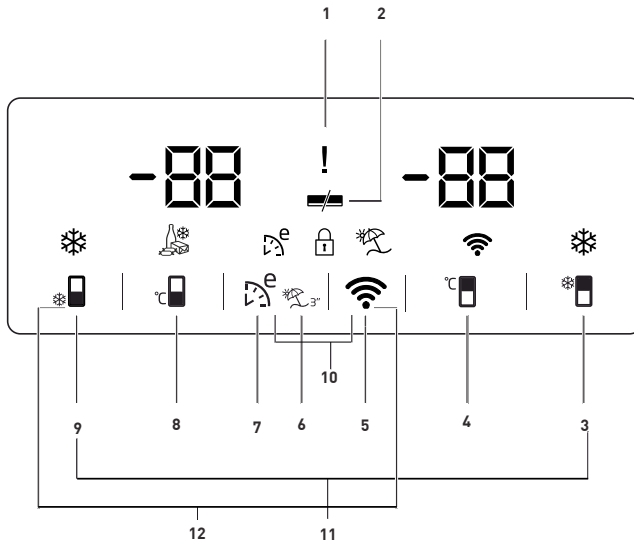
A sound will be heard when the compressor is engaged. It is normal to hear sound even when the compressor is inactive, due to the compressed liquids and gasses in the cooling system.



Front edges of the product might heat up. This is normal. These areas are designed to warm up in order to prevent condensation.



In some models indicator panel turns off automatically 5 minutes after the door closes. It will be reactivated when the door is open or any button is pressed.



1. Error status indicator
2. Energy saving function (display off) indicator
3. Quick fridge key
4. Fridge compartment temperature setting key
5. Wireless connection key
6. Vacation function key
7. Eco-fuzzy key
8. Freezer compartment temperature setting key
9. Quick freeze button
10. Key lock
11. Key for changing temperature unit




***Optional:** The figures in this user guide are intended as drafts and may not perfectly match your product. If your product does not comprise the relevant parts, the information pertains to other models.

Using the product


1. Error status indicator

If your refrigerator does not cool adequately or if there is a sensor failure, this indicator

() will be activated. When this indicator is active, Freezer Compartment Temperature indicator will display "E" and Fridge Compartment Temperature Indicator will display numbers such as "1,2,3...". These numbers on the indicator provide information about the error to the service personnel.


When you place hot food into the freezer compartment or if you leave the door open for a long time, exclamation mark can illuminate for some time. This is not a failure; this warning will disappear when the food cools down.

2. Energy saving function (display off) indicator

If the product doors are kept closed for a long time energy saving function is automatically activated and energy saving symbol is illuminated. ()


When energy saving function is activated, all symbols on the display other than energy saving symbol will turn off. When the energy saving function is activated, if any button is pressed or the door is opened, energy saving function will be canceled and the symbols on display will return to normal. Energy saving function is a factory default and cannot be cancelled.

3. Quick fridge key

Quick fridge indicator () is lit and the fridge compartment temperature indicator value is displayed as 1 when the quick fridge function is activated. To cancel this function, press the Quick fridge button again. Quick fridge indicator will be off and the refrigerator will be reset to its normal settings. Quick fridge function is cancelled automatically in 1 hour if you do not cancel it. If you want to cool large amounts of fresh food, press


the Quick fridge button before putting the food into the fridge compartment.

4. Fridge compartment temperature setting button

When this button is pressed the fridge compartment temperature can be set to 8,7,6,5,4,3,2 and 1 values. ()

5. Wireless connection (*optional) key

A long press on the button (3 seconds) starts the product's first introduction to the home network.

During the connection establishment process, the wireless network icon () will flash at 0.5 sec intervals.

When the connection to the home network is successful, the wireless network icon lights up continuously.

After the first connection has been established, the connection can be activated/deactivated by briefly pressing this button.

After turning the power off and on, it will automatically remember and establish a connection to your network.

The wireless network icon will flash briefly (at 0.2 sec intervals) until the connection is established.

When the connection is active, the wireless network icon will light up continuously.

If the connection cannot be established for a certain period of time, check your modem/connection settings.

HomeWhiz application is used as the connection interface.

The connection steps are described in the HomeWhiz QUICK INSTALLATION GUIDE that comes with the product.

See the troubleshooting section for answers to basic questions.

Using the product

6. Vacation function key

In order to activate vacation function, press and hold the button (🔌) for 3 seconds and the vacation mode indicator (🔌) will be activated. When the vacation function is activated, “- -” is displayed on the fridge compartment temperature indicator and no active cooling is performed in the fridge compartment. It is not suitable to keep the food in the fridge compartment when this function is activated. Other compartments will continue to be cooled according to their set temperatures.

To cancel this function, press **vacation function** button again.

7. Eco-fuzzy key

Press the eco-fuzzy button to enable the eco fuzzy function. When this function is enabled, the freezer will start to run in eco mode after at least 6 hours and the economical use indicator will be on. (🔌)

To disable the eco-fuzzy function, press the eco-fuzzy function button again. When the eco-fuzzy function is enabled, this indicator will turn on after 6 hours.

8. Freezer button temperature setting key

Temperature setting is made for freezer compartment.

When the button numbered (🔌) is pressed, you can set the temperature of the freezer compartment to -18, -19, -20, -21, -22, -23 and -24.

9. Quick freeze button

Press button no. (9) for quick freeze; the quick freeze indicator (🔌) will be activated.

When the quick freeze function is on, the quick freeze indicator is lit and the freezer

compartment temperature indicator displays -27. To cancel this function press the quick freeze button (🔌) again. The quick freeze indicator will turn off and the refrigerator will return to its normal settings. Quick freeze function is cancelled automatically in 25 hours if you do not cancel it. If you want to freeze large amounts of fresh food, press the quick freeze button before putting the food into the freezer compartment.

10. Key lock

Press and hold the wireless network (📶) and eco-fuzzy (🔌) buttons simultaneously for 3 seconds. Key lock symbol (🔒) will light up and key lock mode will be activated. Buttons will not function when the key lock mode is active. Press and hold the wireless network (📶) and eco-fuzzy (🔌) buttons simultaneously for 3 seconds. Key lock will be deactivated. Use the **key lock** function if you want to prevent changing of the temperature setting of the refrigerator.

11. Key for changing temperature unit

Press and hold the Quick Fridge (🔌) And Quick Freeze (🔌) keys for 3 seconds to switch between Fahrenheit and Celsius.

Using the product

5.1. Ice bucket

*optional

Take the ice bucket from the freezer compartment.

Fill the ice bucket with water.

Place the ice bucket into the freezer compartment.

The ice will be ready after approximately two hours. Take the ice bucket from the freezer compartment and bend in slightly over the holder that you are going to serve. Ice will easily pour into the serving holder.

5.2. Eggholder

You can put the eggholder on the door or body rack of your choice. If you decide to put it on the body rack, it is recommended to prefer the shelves below as they are colder.

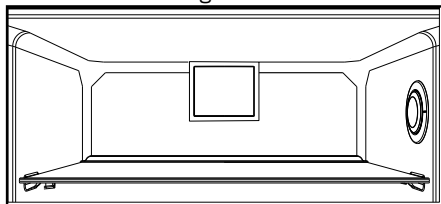


Do not put the eggholder into the freezer compartment.

5.3. Fan

Fan was designed to distribute circulate the cold air inside your refrigerator homogeneously. Operating time of the fan might vary depending the features of your product.

While in some products fan only operates with compressor, in others control system determines the operating time based on the need for cooling.



5.4. Vegetable bin

*optional

Product's vegetable bin is designed to keep vegetables fresh by preserving humidity. For this purpose, the overall cold air circulation is intensified in the vegetable bin.

5.5. Using the second crisper of the product;



Figure 1.

As shown in the figure, there are 2 stoppers in the second crisper of K70560 model product.



Figure 2.

The second crisper looks like Figure 2 when closed.



Figure 3.

With the door is open 90°, pull the second crisper up to the first stopper as shown in Figure 3.

In the case that the drawer is more open, first of all, open the door by at least 135° degrees. After that, as shown in Figure 4, lift the second crisper for about 5 mm so that it is freed from the first stopper.



Figure 4.

After lifting, pull the second drawer up to the second stopper as shown in Figure 5.



Figure 5.

Using the product

5.6. Zero degree compartment

*optional

Use this compartment to keep delicatessen at lower temperatures or meat products for immediate consumption.

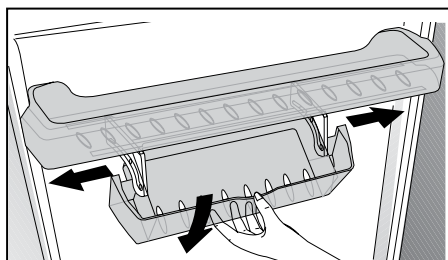
Zero degree compartment is the coolest place where foods such as dairy products, meat, fish and chicken can be stored in ideal storage conditions. Vegetables and/or fruits should not be stored in this compartment.

5.7. Sliding storage box

*optional

This accessory has been designed to increase the usage volume of the door racks.

Thanks to its ability to move sideways, it enables you to easily place long bottle, jar or boxes that you put in the bottle rack below.



5.8. Moving door rack

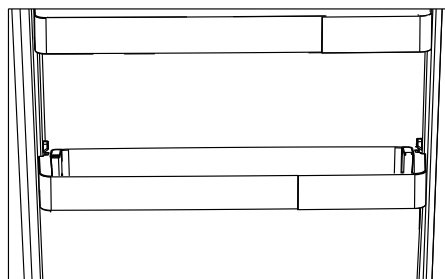
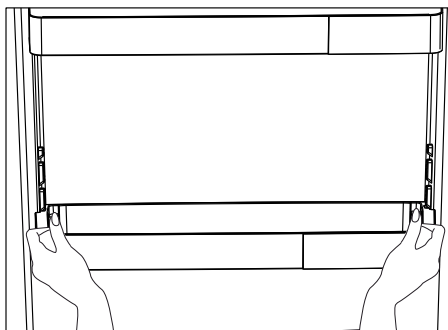
*optional

Moving door rack can be fixed in 3 different positions.

In order to move the rack, push the buttons on the side evenly. Rack will be movable.

Move the rack up or down.

When the rack is in the position that you want, release the buttons. Rack will be fixed again in the position where you have released the buttons.



Using the product

5.9. Moisture controlled vegetable bin

***optional**

With moisture control feature, moisture rates of vegetables and fruits are kept under control and ensures a longer freshness period for foods.

It is recommended to store leafed vegetables such as lettuce and spinach and similar vegetables prone to moisture loss not on their roots but in horizontal position into the vegetable bin as much as possible.

When placing the vegetables, place heavy and hard vegetables at the bottom and light and soft ones on the top, taking into account the specific weights of vegetables.

Do not leave vegetables in the vegetable bin in plastic bags. Leaving them in plastic bags causes vegetables to rot in a short time. In situations where contact with other vegetables is not preferred, use packaging materials such as paper that has a certain porosity in terms of hygiene. Do not put fruits that have a high ethylene gas production such as pear, apricot, peach and particularly apple in the same vegetable bin with other vegetables and fruits. The ethylene gas coming out of these fruits might cause other vegetables and fruits to mature faster and rot in a shorter period of time.

5.10. Deodoriser Module

(OdourFresh +) *optional

The deodoriser module quickly eliminates the bad smells in your refrigerator before they permeate the surfaces. Thanks to this module, which is placed on the ceiling of the fresh food compartment, the bad odours dissolve while the air is actively being passed on the odour filter, then the air that has been cleaned by the filter is re-emitted to the fresh food compartment. This way, the unwanted odours that may emerge during the storage of foods in the refrigerator are eliminated before they permeate the surfaces.

This is achieved thanks to the fan, LED and the odour filter integrated into the module. In daily use, the deodorising module will turn on automatically on a periodic basis. To maintain efficient performance, it is recommended to have the filter in the deodorising module by the authorised service provider every 5 years. Due to the fan integrated into the module, the noise you will hear during operation is normal. If you open the door of the fresh food compartment while the module is active, the fan will pause temporarily and resume where it has left off after some time the door is closed again. In case of power failure, the deodoriser module will resume where it has left off in the total operation duration once the power is back.

Info: It is recommended to store aromatic foods (such as cheese, olives and delicatessen foods) in their packaging and sealed to avoid bad odours that may result when smells of various foods get mixed. Besides, it is recommended to take spoiled foods out of the refrigerator quickly to prevent the other foods from getting spoiled and avoid bad odours.

Using the product

5.11 Automatic ice machine

*optional

Automatic ice machine enables you to easily make ice in your refrigerator. In order to obtain ice from the ice machine, take out the water tank in the cooler compartment, fill it with water and fix it back.

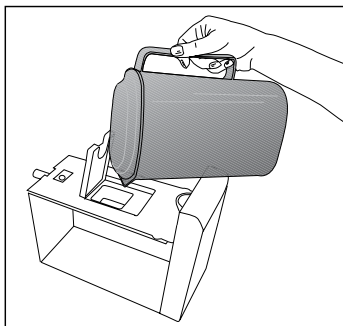
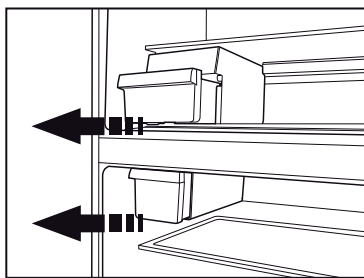
First ice will be ready in about 2 hours in the ice machine drawer in the cooler compartment.

After placing the full water tank, you can obtain about 60–70 cubes of ice until it is fully empty.

If the water in the tank has waited for 2–3 weeks, it should be changed.



In products with automatic ice machine, you might hear a sound when pouring the ice. This sound is normal and is not a sign of failure.



5.12 Icematic and ice storage container

*optional

Using the Icematic

Fill the Icematic with water and place it into its seat. Your ice will be ready approximately in two hours. Do not remove the Icematic from its seating to take ice.

Turn the knobs on the ice reservoirs clockwise by 90 degrees.

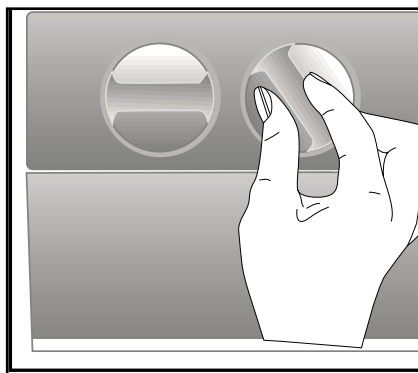
Ice cubes in the reservoirs will fall down into the ice storage container below.

You may take out the ice storage container and serve the ice cubes.

If you wish, you may keep the ice cubes in the ice storage container.

Ice storage container

Ice storage container is only intended for accumulating the ice cubes. Do not put water in it. Otherwise, it will break.

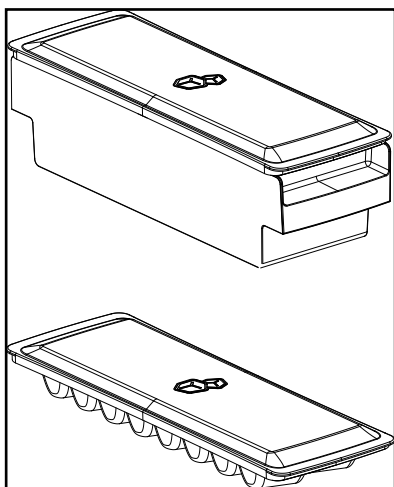


Using the product

5.13 Ice bucket

*optional

- Take the ice bucket from the freezer compartment.
- Fill the ice bucket with water.
- Place the ice bucket into the freezer compartment.
- The ice will be ready after approximately two hours. Take the ice bucket from the freezer compartment and bend in slightly over the holder that you are going to serve. Ice will easily pour into the serving holder.



5.14 Blue light/HarvestFresh

*May not be available in all models

For the blue light,

Fruits and vegetables stored in the crispers that are illuminated with a blue light continue their photosynthesis by means of the wavelength effect of blue light and thus preserve their vitamin content.

For HarvestFresh,

Fruits and vegetables stored in crispers illuminated with the HarvestFresh technology preserve their vitamins for a longer time thanks to the blue, green, red lights and dark cycles, which simulate a day cycle.

If you open the door of the refrigerator during the dark period of the HarvestFresh technology, the refrigerator will automatically detect this and enable the blue-green or red light to illuminate the crisper for your convenience. After you have closed the door of the refrigerator, the dark period will continue, representing the night time in a day cycle.

Using the product

5.15 Using the water dispenser

*optional

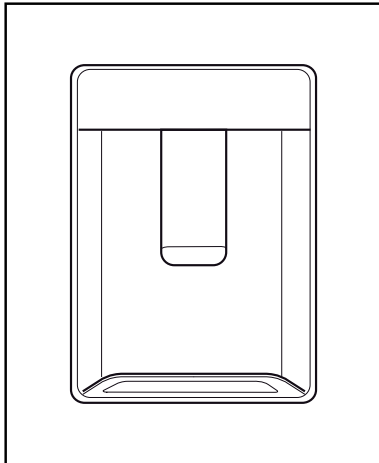


It is normal for the first few glasses of water taken from the dispenser to be warm.



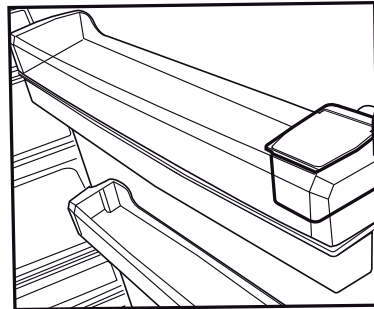
If the water dispenser is not used for a long period of time, dispose of first few glasses of water to obtain fresh water.

1. Push in the lever of the water dispenser with your glass. If you are using a soft

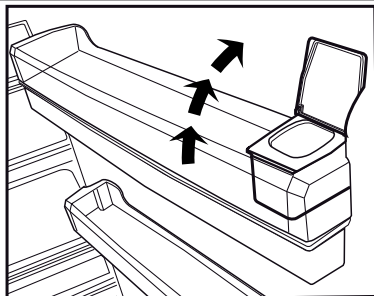


plastic cup, pushing the lever with your hand will be easier.

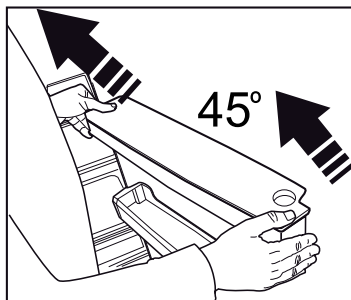
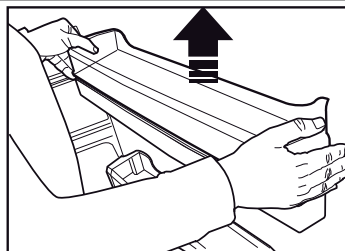
2. After filling the cup up to the level you want, release the lever.



Using the product



Please note, how much water flows from the dispenser depends on how far you depress the lever. As the level of water in your cup / glass rises, gently reduce the amount of pressure on the lever to avoid overflow. If you slightly press the arm, the water will drip; this is quite normal and not a failure.



Do not fill the water tank with any other liquid except for water such as fruit juices, carbonated beverages or alcoholic drinks which are not suitable to use in the water dispenser. Water dispenser will be irreparably damaged if these kinds of liquids are used. Warranty does not cover such usages. Some chemical substances and additives contained in these kinds of drinks/liquids may damage the water tank.



Use clean drinking water only.

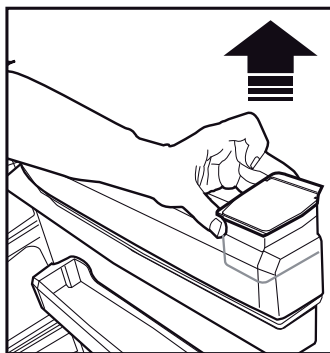


Capacity of the water tank is 3 litres; do not overfill.

5.16 Filling the water dispenser's tank

Water tank filling reservoir is located inside the door rack.

1. Open the cover of the tank.
2. Fill the tank with fresh drinking water.
3. Close the cover.



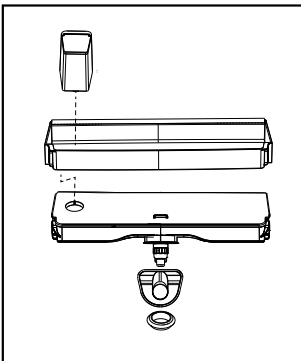
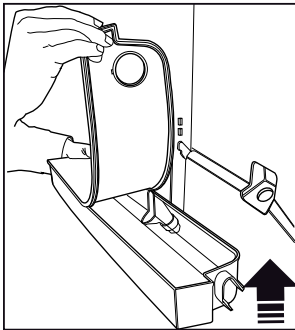
Using the product

5.17 Cleaning the water tank

1. Remove the water filling reservoir inside the door rack.
2. Remove the door rack by holding from both sides.
3. Grab the water tank from both sides and remove it with an angle of 45°C.
4. Remove the cover of the water tank and clean the tank.



Components of the water tank and water dispenser should not be washed in dishwasher.

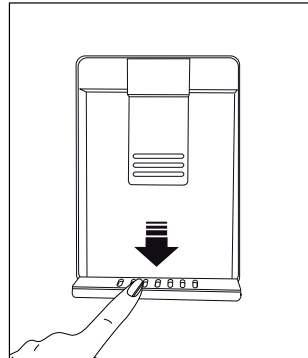


5.18 Drip tray

Water that dripped while using the water dispenser accumulates in the spillage tray.

Remove the plastic filter as shown in the figure.

With a clean and dry cloth, remove the water that has accumulated.



5.19 HerbBox/HerbFresh

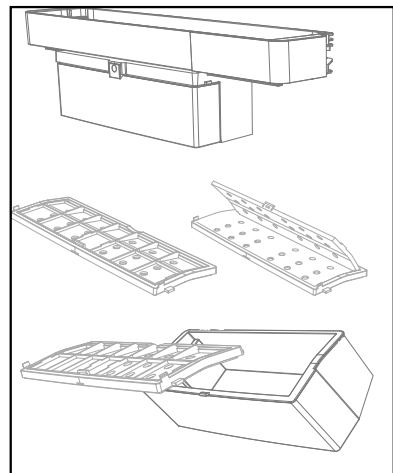
Remove the film container from HerbBox/HerbFresh+

Take the film out of the bag and put it into the film container as shown in the image.

Seal the container again and replace it into HerbBox/HerbFresh+ unit.

HerbBox–HerbFresh+ sections are especially ideal for storage of various herbs that are supposed to be kept in delicate conditions. You can store your unbagged herbs (parsley, dill, etc.) in this section horizontally and keep them fresh for a much longer period.

The film shall be replaced in every six months.



Using the product

5.20 Freezing fresh food

- To preserve food quality, the food items placed in the freezer compartment must be frozen as quickly as possible, use the rapid freezing for this.
- Freezing the food items when fresh will extend the storage time in the freezer compartment.
- Pack the food items in air-tight packs and seal tightly.
- Make sure the food items are packed before putting in the freezer. Use freezer holders, tinfoil and damp-proof paper, plastic bag or similar packaging materials instead of traditional packaging paper.



Ice in the freezing compartment thaws automatically.

- Mark each food pack by writing the date on the package before freezing. This will allow you to determine the freshness of each pack every time the freezer is opened. Keep the earlier food items in the front to ensure they are used first.
- Frozen food items must be used immediately after defrosting and should not be frozen again.
- Do not freeze large quantities of food at once.

5.21 Recommendations for storing frozen foods

The compartment must be set to at least -18°C .

1. Place the food items in the freezer as quickly as possible to avoid defrosting.
2. Before freezing, check the "Expiry Date" on the package to make sure it is not expired.

Freezer Compartment Temperature Setting	Cooler Compartment Temperature Setting	Details
-18°C	4°C	This is the default, recommended setting.
-20°C , -22°C or -24°C	4°C	These settings are recommended for ambient temperatures exceeding 30°C .
Quick Freeze	4°C	Use when you want to freeze your food in a short time. When the process ends, the product will regain its position.
-18°C or colder	2°C	Use these settings if you believe the cooler compartment is not cold enough due to ambient temperature or frequently opening the door.

Using the product

3. Make sure the food's packaging is not damaged.

5.22 Deep freezer details

As per the IEC 62552 standards, the freezer must have the capacity to freeze 4,5 kg of food items at -18°C or lower temperatures in 24 hours for each 100 litres of freezer compartment volume.

Food items can only be preserved for extended periods at or below temperature of -18°C .

You can keep the foods fresh for months (in deep freezer at or below temperatures of 18°C).

The food items to be frozen must not contact the already-frozen food inside to avoid partial defrosting.

Boil the vegetables and filter the water to extend the frozen storage time. Place the food in air-tight packages after filtering and place in the freezer. Bananas, tomatoes, lettuce, celery, boiled eggs, potatoes and similar food items should not be frozen. In case this food rots, only nutritional values and eating qualities will be negatively affected. A rotting threatening human health is not in question.

5.23 Placing the food

Freezer compartment shelves	Various frozen goods including meat, fish, ice cream, vegetables etc.
Cooler compartment shelves	Food items inside pots, capped plate and capped cases, eggs (in capped case)

Cooler compartment door shelves	Small and packed food or beverages
Vegetable bin	Fruits and vegetables
Fresh food compartment	Delicatessen (breakfast food, meat products to be consumed in short notice)

5.24 Door open alert

(Optional)

An audible alert will be heard if the product's door remains open for at least 1 minute. The audible alert will stop when the door is closed or any button on the display (if available) is pressed.

Door open alert is indicated to the user both audibly and visually. Interior lighting will turn off if the warning continues for 10 min.

5.25 Changing the opening direction of the door

You can change the direction of opening of your refrigerator depending on the location where you use it. When you need this, consult the closest Authorized Service.

The explanation above is a general statement. You should check the warning tag located inside the product package about the changeability of direction of the door.

5.26 Interior light

Interior light uses a LED type lamp. Contact the authorized service for any problems with this lamp. Lamp(s) used in this appliance cannot be used for house lighting. Intended use of this lamp is to help the user place food into the refrigerator / freezer safely and comfortably.

Service life of the product will extend and frequently encountered problems will decrease if the product is cleaned periodically.



WARNING: Switch off the product before cleaning.



WARNING: It is recommended to clean the condenser every six months using gloves. You must not use vacuum cleaners.

- Never use gasoline, benzene or similar substances for cleaning purposes.
- Never use any sharp abrasive instruments, soap, household cleaners, detergent or wax polish for cleaning.
- Dissolve one teaspoon of carbonate in half liter of water. Soak a cloth in the solution and wring it thoroughly. Wipe the interior of the refrigerator with this cloth and the dry thoroughly.
- Make sure that no water enters the lamp housing or other electrical parts.
- If you will not use the refrigerator for a long time, unplug it, remove all food inside, clean it and leave the door ajar.
- Check regularly that the door gaskets are clean. If not, clean them.
- Take out all items in the product to remove the door and body shelves.
- Remove the door shelves by pulling them up. Slide the shelves downwards to re-install them after cleaning.
- Never use chloric cleaning agents or water to clean outer surfaces or chrome-coated parts of the product. Chlorine causes abrasion on such metal surfaces.
- For non-No Frost products, water drops and frosting up to a fingerbreadth occur on the rear wall of the Fridge compartment. Do not clean it; never apply oil or similar agents on it.
- Only use slightly damp microfiber cloths to clean the outer surface of the product. Sponges and other types of cleaning cloths may scratch the surface.

6.1. Avoiding Bad Odours

Materials that may cause odour are not used in the production of our refrigerators. However, odour may be emitted if foods are stored improperly or if the inner surface of the product is not cleaned as required. Please consider the following to avoid this problem:

- It is important that the refrigerator is kept clean. Food residuals, stains, etc. can cause odour. For this reason, clean your refrigerator with carbonate solved in water every 15 days. Never use detergents or soap.
- Keep your foods in closed vessels. Microorganisms emitted from vessels without a cover may cause unpleasant odours.
- Never keep expired or spoiled foods in your refrigerator.

6.2. Protection of plastic surfaces

Do not put liquid oils or oil-cooked meals in your refrigerator in unsealed containers as they damage the plastic surfaces of your refrigerator. If oil is spilled or smeared onto the plastic surfaces, clean and rinse the relevant part of the surface with warm water immediately.

6.3. Cleaning the Inner Surface

To clean the inner surfaces and all removable parts, wash them with a mild solution comprising soap, water and carbonate. Rinse and dry thoroughly. Prevent the water from contacting the lighting means and control panel.

6 Care and Cleaning



ATTENTION:

Do not use vinegar, rubbing alcohol or other alcohol-based cleaning agents on any of the inner surfaces.

6.4. Stainless Steel Outer Surfaces

Use a stainless steel cleaning agent that is non-abrasive and apply it with a lint-free, soft cloth. For polishing, wipe the surface softly with a damp microfiber cloth and use dry wash-leather. Always follow the strands of the stainless steel.

6.5. Cleaning Products with Glass Doors

Remove the protection foil on the glass. There is a coating on the surface of the glass. This coating minimises stain formation and ensures that stains and dirt are cleaned easily. Glasses that are not protected by a coating might be exposed to permanent bonding of organic or inorganic, air or waterborne pollutants such as limescale, mineral salts, unburned hydrocarbons, metal oxides and silicons, which lead to stains and physical damage in a short time. Despite regular washing, the glass becomes very hard to keep clean, though not impossible. As a result, the clarity and good appearance of the glass reduces. Hard and abrasive cleaning compounds and methods increase these defects even further and accelerate the deterioration process.

*Non-alkali, non-abrasive and water-based cleaning products must be used for routing cleaning procedures.

For the coating to have long service life, alkali or abrasive substances must not be used during cleaning processes.

These glasses were subject to a tempering process to increase their impact and breakage resistance.

As an additional safety measure, there is a safety film on the back surfaces of the glasses to ensure that they will not harm the environment in case of breakage.

Please review this list before calling the service. This will save you time and money. This list contains frequently encountered problems that are not results of faulty workmanship or material use. Your product may not have some of the features described here.

The refrigerator is not operating.

- It may not be plugged in properly. >>>Plug in the product properly.
- The fuse of the socket to which your refrigerator is connected or the main fuse may have blown. >>>Check the fuse.

Condensation on the side wall of the fridge compartment (MULTI ZONE, COOL CONTROL and FLEXI ZONE).

- The door may have been opened/closed frequently. >>>Do not open/close the refrigerator door frequently.
- The environment may be too humid. >>>Do not install the refrigerator at locations with a very high level of humidity.
- Foods containing liquid may have been placed into the refrigerator in vessels without covers. >>>Do not place foods containing liquid into the refrigerator in unsealed vessels.
- Door of the refrigerator may have been left ajar. >>>Do not keep the doors of your refrigerator open for a long time.
- The thermostat may have been set to a very cold level. >>>Set the thermostat to an appropriate level.

The compressor is not operating.

- Protective thermal of the compressor will blow out during sudden power failures or plug-out plug-ins as the refrigerant pressure in the cooling system of the refrigerator has not been balanced yet. The refrigerator will start running approximately after 6 minutes. Please call the Authorised Service Provider if the refrigerator does not start at the end of this period.
- The freezer is in defrosting cycle. >>>This is normal for a refrigerator that performs full-automatic defrosting. Defrosting cycle is performed periodically.
- The refrigerator may not be plugged in. >>>Make sure that the plug fits the socket.
- Temperature settings may be incorrect. >>>Select the correct temperature value.
- Possible power failure. >>>The refrigerator will start to operate normally when power restores.

The operation noise increases when the refrigerator is running.

- Operating performance of the refrigerator may vary based on the ambient temperature changes. This is normal and not a fault.

Troubleshooting

The fridge is running frequently or for a long time.

- Your new product may be bigger than the previous one. Larger refrigerators operate for a longer period of time.
- The room temperature may be high. >>> It is normal that the product operates for longer periods in hot environments.
- The refrigerator may have just been plugged in or loaded with food. >>>It takes the product longer to reach the set temperature when it has just been plugged in or loaded with food. This is normal.
- Large amounts of hot food may have been placed into the refrigerator recently. >>>Do not place hot foods into the refrigerator.
- The doors may have been opened frequently or left ajar for a long time. >>>The warm air that enters the refrigerator causes it to operate for a longer period of time. Do not open the doors frequently.
- Freezer or fridge compartment door may have been left ajar. >>> Check if the doors are closed completely.
- The appliance may be set to a very low temperature. >>> Set the refrigerator temperature to a warmer degree and wait until the product reaches this temperature.
- Door seal of the fridge or freezer compartment may be soiled, worn out, broken or not properly seated. >>> Clean or replace the seal. Damaged/broken seal causes the refrigerator to run for a longer period of time to maintain the current temperature.

Fridge temperature is adequate but the freezer temperature is very low.

- The freezer compartment temperature may be set to a very low value. >>> Set the freezer compartment temperature to a higher value and check.

Freezer temperature is adequate but the fridge temperature is very low.

- The fridge temperature is adjusted to a very low value. >>> Adjust the fridge temperature to a higher value and check.

Food kept in the fridge compartment drawers is frozen.

- The fridge compartment temperature may be set to a very high value. >>> Set the fridge compartment temperature to a lower value and check.

Temperature in the fridge or freezer is very high.

- The fridge compartment temperature may be set to a very high value. >>> Fridge compartment temperature setting has an effect on the temperature of the freezer. Change the temperature of the fridge or freezer compartment until the fridge or freezer compartment temperature reaches an adequate level.
- The doors may have been opened frequently or left ajar for a long time. >>>Do not open the doors frequently.
- The door may have been left ajar. >>>Close the door completely.
- The refrigerator may have been just plugged in or loaded with food. >>>This is normal. It takes the product longer to reach the set temperature when it has just been plugged in or loaded with food.
- Large amounts of hot food may have been placed into the refrigerator recently. >>>Do not place hot foods into the refrigerator.

Troubleshooting

Vibration or noise.

- The floor may not be stable or level. >>>If the refrigerator shakes when moved slightly, adjust the feet to balance it. Make sure that the floor is level and capable of carrying the refrigerator.
- Objects placed onto the refrigerator may cause noise. >>>Remove the objects on the refrigerator.

There are noises coming from the refrigerator like liquid spilling or spraying.

- Liquid and gas flows occur in accordance with the operating principles of the refrigerator. >>>This is normal and not a fault.

Whistle is heard from the refrigerator.

- There are fans that are used to cool the refrigerator. This is normal and not a fault.

Damp accumulates on the inner walls of refrigerator.

- Hot and humid weather increases icing and condensation. This is normal and not a fault.
- The doors may have been opened frequently or left ajar for a long time. >>>Do not open the doors frequently. Close the doors, if open.
- The door may have been left ajar. >>>Close the door completely.

Humidity occurs on the outer surface of the refrigerator or between the doors.

- Air might be humid. This is quite normal in humid weathers. >>>Condensation will disappear when the humidity level decreases.
- There might be external condensation at the section between two doors of the refrigerator if you use your product rarely. This is normal. Condensation will disappear upon frequent use.

There is a bad odour inside the refrigerator.

- No regular cleaning may have been performed. Clean the inside of the refrigerator with a sponge, lukewarm water or carbonated water.
- Some vessels or packaging materials may cause the odour. >>>Use another vessel, or packaging materials from another brand.
- Foods may have been placed into the refrigerator in vessels without covers. >>>Store the foods in closed vessels. Microorganisms emitted from vessels without a cover may cause unpleasant odours.
- Take out expired or spoiled foods from the refrigerator.

Troubleshooting

The door cannot be closed.

- Food packages may be preventing the door from closing. >>> Re-locate the packages that are obstructing the door.
- The refrigerator may be unstable on the floor. >>>Adjust the refrigerator feet as required to keep the refrigerator in balance.
- The floor may not be level or solid. >>>Make sure that the floor is level and capable of carrying the refrigerator.

Crispers are stuck.

- Foods may be touching the upper wall of the crisper. >>>Re-organise the foods in the crisper.

If The Surface Of The Product Is Hot.

High temperatures may be observed between the two doors, on the side panels and at the rear grill while the product is operating. This is normal and does not require service maintenance!

Fan keeps running when the door is open.

The fan may keep running when the door of the freezer is open.

The wireless network indicator blinks continuously.

- If wireless connection cannot be established or if the current connection is lost, this indicator will flash continuously; check the modem/ connection settings.
- The blinking of the wireless icon is not a factor affecting the cooling of the product, so it does not affect the cooling performance of the product.

I am having trouble entering the product code during installation.

- The product code requested during installation can be found on the inner side wall of the refrigerator or under the crisper drawer. The product code is a 10-digit number starting with '7'.

I'm having trouble establishing a connection with the refrigerator.

- The Location Access and Bluetooth features of your mobile device must be turned on during the installation.
- Do not establish any connection until you press the Wi-Fi icon for a long time and make sure the icon blinks at 0.5 s intervals.
- If the aforementioned items are fine, make sure you have an internet connection.



WARNING: If you cannot eliminate the problem although you follow the instructions in this section, consult your dealer or the Authorised Service Provider. Never attempt to repair a malfunctioned product.

Drogi kliencie,

Chcemy, abyś mógł uzyskać optymalną efektywność naszego produktu, który został wyprodukowany w nowoczesnym zakładzie i przy drobiazgowej kontroli jakości.

W tym celu prosimy przeczytać całą instrukcję obsługi przed użyciem produktu i przechowywać ją do ewentualnego użycia w przyszłości. Jeśli ten produkt zostanie przekazany innej osobie, prosimy przekazać tę instrukcję wraz z produktem.

Instrukcja obsługi zapewnia szybkie i bezpieczne korzystanie z produktu.

- Przed zainstalowaniem i rozpoczęciem korzystania z produktu należy przeczytać instrukcję obsługi.
- Należy zawsze przestrzegać mających zastosowanie instrukcji dotyczących bezpieczeństwa.
- Instrukcję obsługi należy mieć pod ręką, aby móc łatwo z niej korzystać.
- Prosimy przeczytać wszelkie inne dokumenty dostarczane wraz z produktem.

Należy pamiętać, że ta instrukcja obsługi może się odnosić do kilku modeli produktu. W instrukcji zostały wyraźnie określone różnice między modelami.

Symbole i uwagi

W tej instrukcji obsługi są używane następujące symbole:

	Ważne informacje i przydatne wskazówki.
	Zagrożenie dla życia i majątku.
	Zagrożenie porażeniem elektrycznym.
	Opakowanie produktu jest wykonane z materiałów umożliwiających recykling zgodnie z krajowymi przepisami środowiskowymi.

INFORMACJE

	ENERG 	
<small>SUPPLIER'S NAME</small>	<small>MODEL IDENTIFIER</small>	<small>(*)</small>
		

Informacje o modelu zapisane w bazie danych produktów można uzyskać, wchodząc na następującą stronę internetową i wyszukując identyfikator modelu (*) znajdujący się na etykiecie efektywności energetycznej.

<https://eprel.ec.europa.eu/>

1 Instrukcje dotyczące bezpieczeństwa i środowiska 3

1.1. Bezpieczeństwo ogólne	3
1.1.1 Ostrzeżenie HC	5
1.1.2 Dla modeli z wodotryskiem	5
1.2. Przeznaczenie	6
1.3. Bezpieczeństwo dzieci	6
1.4. Zgodność z dyrektywą WEEE i usuwanie odpadów:	6
1.5. Zgodność z dyrektywą RoHS:	6
1.6. Informacje o opakowaniu	6

2 Oto Twoja chłodziarka 7

3 Instalacja 8

3.1. Odpowiednie miejsce na instalację	8
3.2. Zakładanie klinów plastikowych	8
3.3. Regulacja nóżek	8
3.4. Połączenie elektryczne	9
3.5. Przekładanie drzwi	10
3.6. Przekładanie drzwi	11

4 Przygotowanie 12

4.1. Co zrobić, aby oszczędzać energię	12
4.2. Pierwsze uruchomienie	12

5 Obsługa urządzenia 13

5.1. Pojemnik na lód	16
5.2. Pojemnik na jajka	16
5.3. Wentylator	16
5.4. Pojemnik na warzywa	16
5.5. Komora o temperaturze zero	16
5.6. Użycie drugiego pojemnika na świeże warzywa	17
5.7. Ruchomy stelaż na drzwiach	18
5.8. Pojemnik przesuwany	18
5.9. Pochłaniacz zapachów	18
5.10. Pojemnik na warzywa z kontrolą wilgotności	19
5.11. Automatyczna maszyna do lodu	19
5.12. Kostkarka do lodu Icematic i pojemnik na lód	20

5.13. Korzystanie z dozownika wody	20
5.14. Napełnianie zbiornika dozownika wodą	21
5.15. Czyszczenie zbiornika na wodę	22
5.16. Tacka na krople	23
5.17. Zamrażanie żywności świeżej	24
5.18. Przechowywanie żywności mrożonej	24
5.19. Informacje o komorze głębokiego zamrażania	24
5.20. Rozmieszczenie żywności	25
5.21. Alarm o otwartych drzwiach	25
5.22. Zmiana kierunku otwierania drzwi	25
5.23. Oświetlenie wewnętrzne	25

6 Konserwacja i czyszczenie 26

6.1. Jak unikać nieprzyjemnych zapachów	26
6.2. Jak zabezpieczać powierzchnie plastikowe	26
6.3. Szkło w drzwiach	26

7 Rozwiązywanie problemów 27

1 Instrukcje dotyczące bezpieczeństwa i środowiska

Ten rozdział zawiera instrukcje dotyczące bezpieczeństwa służące unikaniu obrażeń i szkód materialnych. Nieprzestrzeganie tych instrukcji spowoduje unieważnienie wszelkich typów gwarancji produktu.

Zamierzone przeznaczenie

	OSTRZEŻENIE: Nie blokuj otworów wentylacyjnych urządzenia ani w zabudowie.
	OSTRZEŻENIE: Nie używaj urządzeń mechanicznych, ani innych środków do przyspieszenia procesu rozmrażania, poza tymi, które zaleca producent.
	OSTRZEŻENIE: Nie uszkudź obiegu chłodzącego.
	OSTRZEŻENIE: Nie używaj urządzeń elektrycznych w komorze do przechowywania żywności, chyba, że są rekomendowane przez producenta.

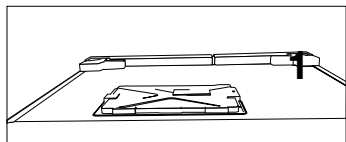
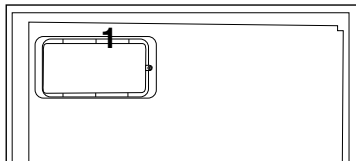
Urządzenie to jest przeznaczone do użytku domowego lub w podobnych miejscach, np.

- w kuchniach personelu sklepu, biur i innych środowisk pracy;
- gospodarstwa rolne, przez klientów hoteli, moteli i innych miejsc typu mieszkalnego
- pensjonaty;
- catering i podobne aplikacje niehandlo

1.1. Bezpieczeństwo ogólne

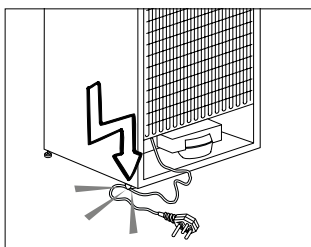
- Produkt nie może być używany przez osoby z niepełnosprawnością fizyczną, czuciową i umysłową, bez wystarczającej wiedzy i doświadczenia ani przez dzieci. Urządzenie może być używane przez takie osoby pod nadzorem i z użyciem wskazówek osoby odpowiedzialnej za ich bezpieczeństwo. Dzieciom nie wolno się bawić urządzeniem.
- W przypadku awarii urządzenia należy odłączyć od zasilania.
- Po odłączeniu należy odczekać przynajmniej 5 minut przed jego ponownym podłączeniem. Nieużywane urządzenie należy odłączyć od zasilania. Nie wolno dotykać wtyczki mokrymi rękami! Nie wolno ciągnąć za kabel, aby odłączyć zasilanie, zawsze należy trzymać za wtyk.
- Lodówki nie wolno podłączać do luźnego gniazda.
- Podczas instalacji, konserwacji, czyszczenia i naprawy produkt powinien być odłączony.
- Jeśli produkt nie będzie używany przez dłuższy czas, odłącz zasilanie i usuń całą żywność ze środka.
- Do czyszczenia lodówki i topienia lodu we wnętrzu nie wolno używać pary ani parowanych materiałów czyszczących. Para może trafić na powierzchnie elektryczne i spowodować zwarcie lub porażenie elektryczne!
- Nie wolno myć produktu, spryskując go lub polewając wodą! Zagrożenie porażeniem elektrycznym!
- Nigdy nie korzystaj z urządzenia, jeśli górna lub tylna jego część, zawierająca płytki obwodów drukowanych jest otwarta (osłona płytki obwodów drukowanych) (1).

Instrukcje dotyczące bezpieczeństwa i środowiska



- W przypadku awarii nie wolno używać produktu, ponieważ może to spowodować porażenie elektryczne. Przed wykonaniem jakichkolwiek czynności należy skontaktować się z autoryzowanym serwisem.
- Produkt należy podłączyć do uziemionego gniazdka. Uziemienie musi być wykonane przez wykwalifikowanego elektryka.
- Jeśli produkt ma oświetlenie typu LED, w celu wymiany lub usunięcia problemu należy się skontaktować z autoryzowanym serwisem.
- Nie wolno dotykać zamrożonej żywności mokrymi rękami! Może ona przymarznąć do rąk!
- Do komory zamrażarki nie wolno wkładać płynów w butelkach ani w puszkach. Mogą one wybuchnąć!
- Płyny należy stawiać pionowo po dokładnym zamknięciu pokrywki.
- W pobliżu produktu nie wolno rozpryskiwać substancji łatwopalnych, ponieważ mogą się one zapalić lub wybuchnąć.
- W lodówce nie wolno przechowywać materiałów łatwopalnych ani produktów z gazem łatwopalnym (aerzoli itp.).

- Na produkcie nie wolno kłaść pojemników z płynem. Zalanie wodą części elektrycznej może spowodować porażenie elektryczne i pożar.
- Narażenie produktu na deszcz, śnieg, bezpośrednie promienie słoneczne i wiatr spowoduje zagrożenie elektryczne. Podczas przemieszczania produktu nie wolno ciągnąć za uchwyt drzwiowy. Uchwyt może nie wytrzymać.
- Należy uważać, aby uniknąć pochwycenia ręki lub innej części ciała przez ruchome części wewnątrz produktu.
- Nie wolno stawać ani opierać się o drzwi, szuflady ani podobne części lodówki. Spowoduje to przewrócenie produktu i uszkodzenie części.
- Należy uważać, aby nie przytrzasnąć kabla zasilania.



- Podczas ustawiania urządzenia należy się upewnić, że przewód zasilający nie został przytrzasnięty ani nie jest uszkodzony.
- Nie umieszczaj przenośnej listwy zasilającej ani przenośnych zasilaczy z tyłu urządzenia.
- **Lodówka Side by Side wymaga podłączenia do wody. Jeśli nie jeszcze dostępnego zaworu i musisz zadzwonić po hydraulika, zwróć uwagę na to, że: jeśli Twój dom jest**

Instrukcje dotyczące bezpieczeństwa i środowiska

wyposażony w system ogrzewania podłogowego, **weź pod uwagę, że wiercenie otworów w betonowym suficie może uszkodzić ten system ogrzewania.**

- Dzieci w wieku od 3 do 8 lat mogą wkładać żywność do chłodziarek i wyjmować ją.
- Aby uniknąć zanieczyszczenia żywności, należy przestrzegać poniższych wskazówek:
 - Otwarcie drzwi na dłuższy czas może spowodować znaczny wzrost temperatury w komorach chłodziarki.
 - Regularnie czyścić powierzchnie, które mogą mieć kontakt z żywnością i dostępnymi systemami odpływowymi.
 - Oczyszczyć zbiorniki wody, jeśli nie były używane przez 48 godz.; przepłukać system wodny podłączony do dopływu, jeśli woda nie była pobierana przez 5 dni.
 - Surowe mięso i ryby należy przechowywać w odpowiednich pojemnikach w lodówce, tak aby się z nimi nie stykały ani nie skapywały na inną żywność.
 - Komory na żywność mrożoną oznaczone dwiema gwiazdkami nadają się do przechowywania żywności wstępnie zamrożonej, przechowywania lub wytwarzania lodów oraz robienia kostek lodu.
 - Komory oznaczone jedną, dwiema lub trzema gwiazdkami nie nadają się do zamrażania świeżej żywności.
 - Jeżeli urządzenie chłodnicze ma być przez dłuższy czas puste, należy je wyłączyć, rozmrozić, oczyścić, wysuszyć i pozostawić otwarte

drzwi, aby zapobiec rozwojowi pleśni wewnątrz urządzenia.

1.1.1 Ostrzeżenie HC

Jeśli produkt zawiera układ chłodzenia używający gazu R600a, należy uważać, aby nie uszkodzić układu chłodzenia i jego rurki podczas używania i przemieszczania produktu. Ten gaz jest łatwopalny. W razie uszkodzenia układu chłodzenia należy trzymać produkt z dala od źródeł ognia i natychmiast przewietrzyć pomieszczenie.



Etykieta wewnątrz z lewej strony wskazuje typ gazu użyty w produkcie.

1.1.2 Dla modeli z wodotryskiem

- Maksymalnie dopuszczalne ciśnienie dla dopływu zimnej wody wynosi 620 kPa (90 psi). Jeśli ciśnienie wody w Państwa instalacji przekroczy 550 kPa (80 psi), należy zastosować zawór ograniczający ciśnienie w Państwa sieci wodociągowej. Jeśli nie wiedzą Państwo w jaki sposób sprawdzić ciśnienie wody, prosimy poprosić o pomoc profesjonalnego hydraulika.
- Jeśli w Państwa instalacji występuje ryzyko uderzenia wodnego, należy zawsze stosować wyposażenie zapobiegające przed uderzeniem wodnym. Jeśli nie mają Państwo pewności co do występowania efektu uderzenia wodnego w swojej instalacji, prosimy zasięgnąć porady u profesjonalnego hydraulika.
- Nie podłączać do dopływu ciepłej wody. Zachować środki ostrożności przed ryzykiem zamarznięcia przewodów. Temperatura robocza

Instrukcje dotyczące bezpieczeństwa i środowiska

wody powinna mieścić się w zakresie od 0,6°C (33°F) do 38°C (100°F).

- Należy używać tylko wody pitnej.

1.2. Przeznaczenie

- Ten produkt jest przeznaczony do użytku domowego. Nie jest on przeznaczony do użytku komercyjnego.
- Produkt powinien być używany jedynie do przechowywania żywności i napojów.
- W lodówce nie wolno przechowywać produktów wymagających temperatur kontrolowanych (szczepionek, leków wrażliwych na ciepło, materiałów medycznych itd.).
- Producent nie bierze na siebie odpowiedzialności za jakiegokolwiek uszkodzenia spowodowane niepoprawnym użytkowaniem lub obsługą.
- Oryginalne części zamienne będą dostępne przez 10 lat od daty zakupu produktu.

1.3. Bezpieczeństwo dzieci

- Materiały opakowaniowe należy przechowywać poza zasięgiem dzieci.
- Nie wolno pozwalać dzieciom na zabawę produktem.
- Jeśli drzwi produktu mają zamek, klucz należy przechowywać poza zasięgiem dzieci.

1.4. Zgodność z dyrektywą WEEE i usuwanie odpadów:

Niniejszy wyrób jest zgodny z dyrektywą Parlamentu Europejskiego i Rady (2012/19/WE). Wyrób ten oznaczony jest symbolem klasyfikacji zużytych urządzeń elektrycznych i elektronicznych (WEEE).



Ten symbol oznacza, że sprzęt nie może być umieszczany łącznie z innymi odpadami gospodarstwa domowego po okresie jego użytkowania. Zużyte urządzenie należy oddać do specjalnego punktu zbiórki zużytego sprzętu elektrycznego i elektronicznego w celu utylizacji. Aby uzyskać informacje o punktach zbiórki w swojej okolicy należy skontaktować się z lokalnymi władzami lub punktem sprzedaży tego produktu. Gospodarstwo domowe spełnia ważną rolę w przyczynianiu się do ponownego użycia i odzysku zużytego sprzętu. Odpowiednie postępowanie ze zużyтым sprzętem zapobiega potencjalnym negatywnym konsekwencjom dla środowiska naturalnego i ludzkiego zdrowia.

1.5. Zgodność z dyrektywą RoHS:

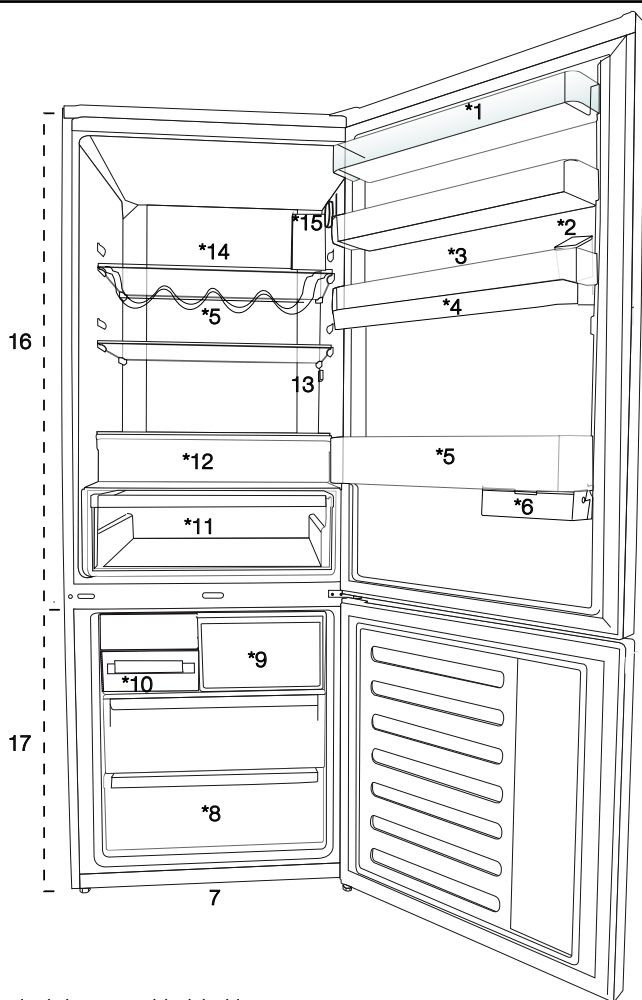
Niniejszy wyrób jest zgodny z dyrektywą Parlamentu Europejskiego i Rady RoHS (Ograniczenie użycia substancji niebezpiecznych) (2011/65/WE). Nie zawiera szkodliwych i zakazanych materiałów, podanych w tej dyrektywie.

1.6. Informacje o opakowaniu



Opakowanie tego wyrobu wykonano z materiałów nadających się do recyklingu, zgodnie z naszym ustawodawstwem krajowym. Nie wyrzucaj materiałów opakowaniowych do śmieci wraz z innymi odpadkami domowymi. Oddaj je w jednym z wyznaczonych przez władze lokalne punktów zbiórki materiałów opakowaniowych.

2 Oto Twoja chłodziarka



1. Półka w drzwiach komory chłodziarki
2. Zbiornik dozownika wody
3. Miejsce na jajka
4. Zbiornik dozownika wody
5. Półka na butelki
6. Pojemnik przesuwany
7. Regulowane nóżki
8. Komora głębokiego zamrażania
9. Komora szybkiego zamrażania
10. Tacka na kostki lodu & zapas kostek lodu
11. Pojemnik na warzywa
12. Komora o temperaturze zero
13. Oświetlenie wewnętrzne
14. Szklana półka komory chłodzenia
15. Przycisk regulacji temperatury
16. Komora chłodzenia
17. Komora zamrażalnika



***Opcjonalne:** Rysunki w tej instrukcji obsługi są tylko szkieletowe i mogą nie odpowiadać dokładnie posiadanemu produktowi. Jeśli posiadany produkt nie zawiera odpowiednich części, informacje dotyczą innych modeli.

3.1. Odpowiednie miejsce na instalację

W sprawie instalacji produktu skontaktuj się z autoryzowanym serwisem. Aby przygotować produkt do instalacji, zapoznaj się z informacjami w instrukcji użytkownika i sprawdź, czy zasilanie elektryczne i dopływ wody są zgodne z wymaganiami. Jeśli nie, skontaktuj się elektrykiem i hydraulikiem, aby dokonać stosownych zmian.



OSTRZEŻENIE: Producent nie bierze żadnej odpowiedzialności za szkody spowodowane pracami wykonywanymi przez osoby nieupoważnione.



OSTRZEŻENIE: Podczas instalacji kabel zasilający produktu musi być odłączony od sieci. W przeciwnym razie może to skutkować śmiercią lub poważnymi obrażeniami!



OSTRZEŻENIE: Jeśli drzwi są zbyt wąskie, aby przenieść przez nie produkt, zdejmij jego drzwiczki i obróć go na bok; jeśli to nie pomoże, skontaktuj się z autoryzowanym serwisem.

- Aby uniknąć wibracji, chłodziarkę należy ustawić na równej powierzchni.
- Zainstaluj produkty co najmniej 30 cm od podgrzewacza, piecyka i podobnych źródeł ciepła, oraz co najmniej 5 cm od kuchenek elektrycznych.
- Nie narażaj produktu na bezpośrednie działanie promieni słonecznych ani nie trzymaj go w wilgotnym otoczeniu.
- Produkt wymaga odpowiedniej cyrkulacji powietrza, aby działać wydajnie.
- Jeśli chłodziarka ma stać we wnęce w ścianie, należy zwrócić uwagę, aby pozostawić co najmniej 5 cm odstępu od sufitu i ścian.
- Nie instaluj chłodziarki w miejscu, gdzie temperatura spada poniżej -5°C .

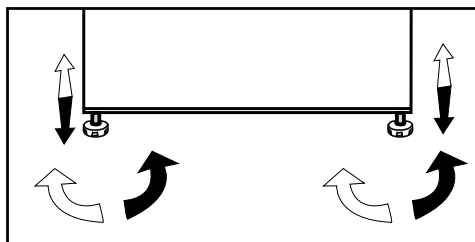
3.2. Zakładanie klinów plastikowych

Użyj klinów plastikowych dostarczonych wraz z produktem, aby zapewnić wystarczająco dużo miejsca na cyrkulację powietrza między produktem a ścianą.

1. Aby założyć kliny, wyjmij śruby z produktu i użyj śrub dostarczonych w tej samej torebce, co kliny.
2. Włóż 2 plastikowe kliny w tylną płytę wentylacyjną, jak pokazano na rysunku.




3.3. Regulacja nóżek

Jeśli produkt nie jest ustawiony równo, wyreguluj przednie regulowane nóżki, obracając je w prawo lub w lewo.



Instalacja

3.4. Połączenie elektryczne

	OSTRZEŻENIE: Do podłączania zasilania nie używaj przedłużacza ani wtyczki wielokrotnej.
	OSTRZEŻENIE: Wymianę uszkodzonego przewodu zasilającego należy zlecić autoryzowanemu serwisowi.
	W przypadku umieszczenia dwóch chłodziarek obok siebie należy zostawić między nimi odstęp przynajmniej 4 cm.

- Nasza firma nie bierze odpowiedzialności za jakiegokolwiek szkody powstałe na skutek używania bez uziemienia i korzystania z połączenia elektrycznego niezgodnego z przepisami krajowymi.
- Po instalacji wtyczka zasilania musi być łatwo dostępna.
- Nie używaj wtyczki wielokrotnej bez przedłużacza ani z nim do połączenia gniazdka w ścianie z chłodziarką.
- Produkt wymaga odpowiedniej cyrkulacji powietrza, aby mógł działać skutecznie. Jeśli produkt zostanie umieszczony we wnęce, pamiętaj o pozostawieniu co najmniej 5 cm odstępu między produktem a sufitem, ścianą tylną i ścianami bocznymi.
- Jeśli produkt zostanie umieszczony we wnęce, pamiętaj o pozostawieniu co najmniej 5 cm odstępu między produktem a sufitem, ścianą tylną i ścianami bocznymi. Sprawdź, czy element zabezpieczający tylną ścianę znajduje się na swoim miejscu (jeśli został dostarczany z produktem). Jeśli element nie jest dostępny lub został zgubiony, lub upadł, ustaw produkt w taki sposób, aby pozostawić przynajmniej 5 cm odstępu między przestrzenią za produktem a ścianami. Odstęp z tyłu jest ważny dla efektywnego działania produktu.

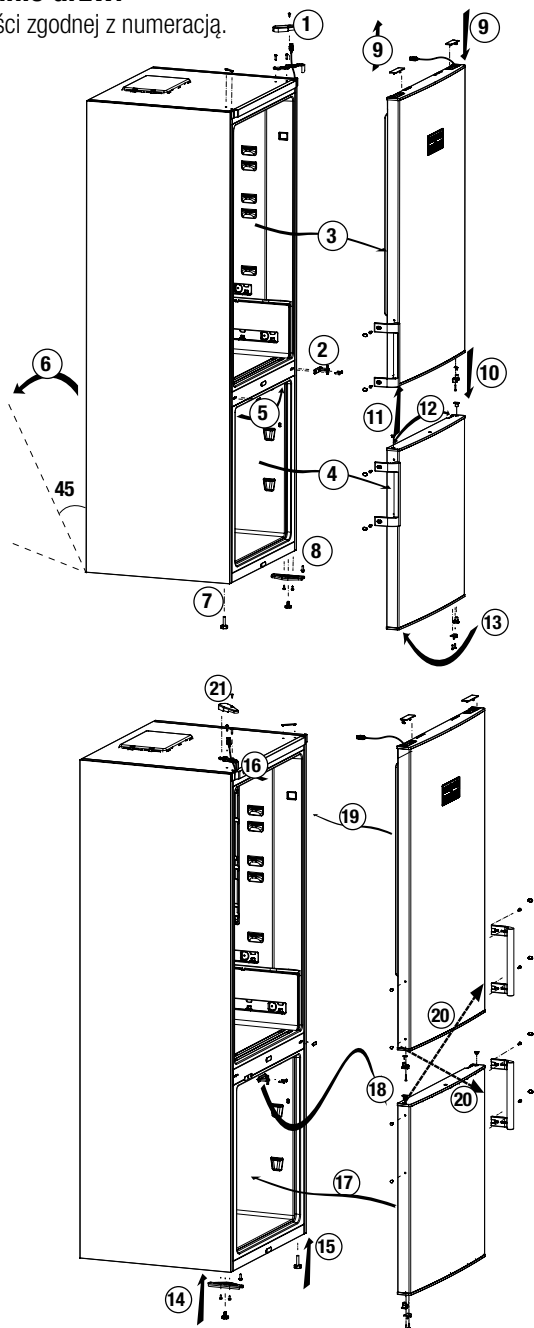


Ostrzeżenie o gorącej powierzchni
W bocznych ściankach produktu poprowadzone są przewody z chłodziwem dla poprawy systemu chłodzenia. Czynnik chłodniczy w wysokich temperaturach może przepływać przez te obszary, co może bardzo rozgrzać powierzchnie ścianek bocznych. Jest to normalne i nie wymaga żadnego serwisowania. Proszę zachować ostrożność podczas dotykania tych obszarów.

Instalacja

3.5. Przekładanie drzwi

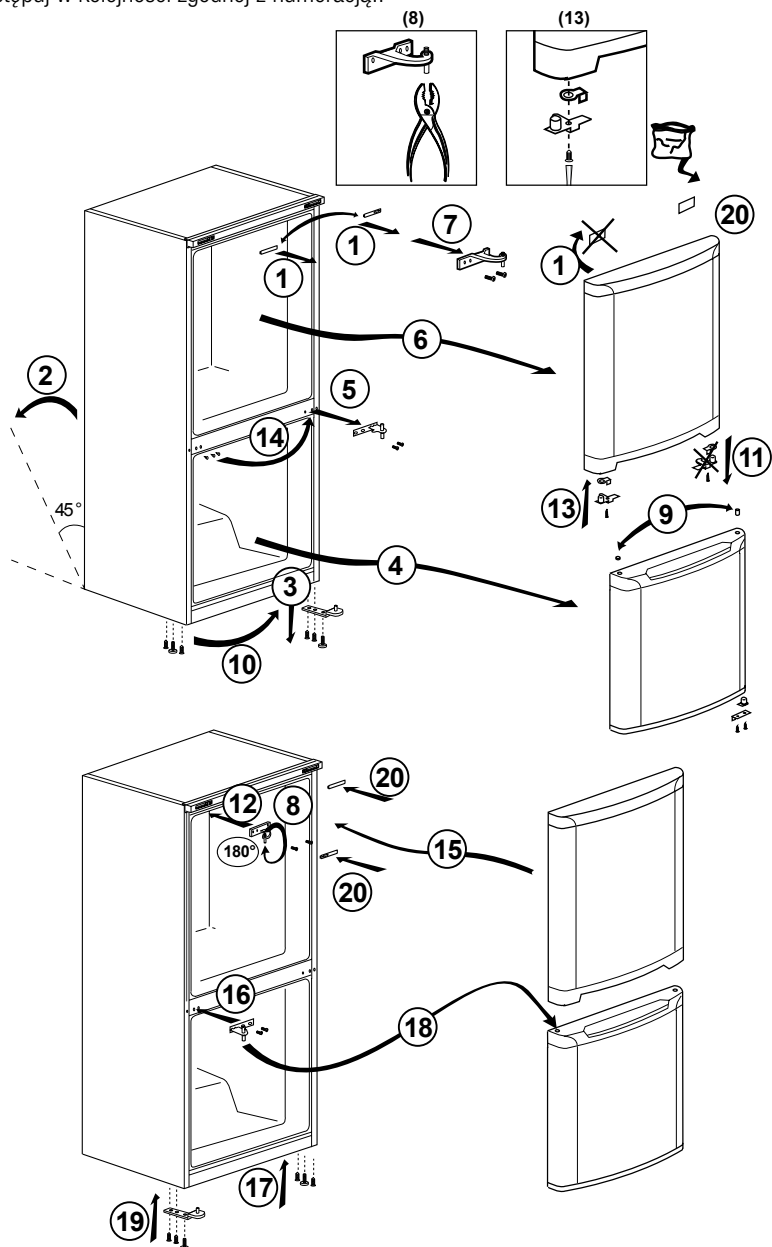
Postępuj w kolejności zgodnej z numeracją.



Instalacja

3.6. Przekładanie drzwi

Postępuj w kolejności zgodnej z numeracją..

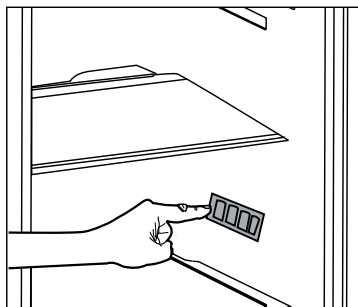


4.1. Co zrobić, aby oszczędzać energię



Podłączanie produktu do elektronicznych systemów oszczędzania energii jest niebezpieczne, ponieważ może uszkodzić produkt.

- W przypadku urządzenia wolnostojącego; „Urządzenie chłodnicze nie jest przeznaczone do stosowania jako urządzenie wbudowane”;
- Nie trzymaj chłodziarki otwartej przez dłuższy czas.
- Nie wkładaj gorącej żywności ani napojów do chłodziarki.
- Nie przepelniaj chłodziarki; zablokowanie wewnętrznego przepływu powietrza zmniejsza wydajność chłodzenia.
- Aby przechowywać maksymalną możliwą ilość żywności w komorze chłodzenia chłodziarki, należy wyjąć górne szuflady i umieścić żywność na półkach szklanych. Deklarowane zużycie energii chłodziarki zostało określone przy wyjęciu komory chłodzenia, tacki na lód i górnych szuflad w sposób, który umożliwi przechowywanie maksymalnej ilości żywności. Korzystanie z dolnej szuflady do przechowywania jest zdecydowanie zalecane. Należy włączyć funkcję oszczędzania energii w celu zoptymalizowania jej zużycia.
- Nie należy blokować przepływu powietrza, umieszczając żywność przed wentylatorem. Wkładając żywność, należy zachować minimum 3 cm odstępu od osłony wentylatora.
- W zależności od funkcji produktu; rozmrażanie zamrożonej żywności w komorze chłodzenia zapewni oszczędność energii i zachowanie jakości produktów spożywczych.
- Żywność należy przechowywać w szufladach w komorze chłodzenia, aby zapewnić oszczędność energii i lepsze warunki przechowywania.
- Pojemniki z żywnością nie powinny stykać się bezpośrednio z czujnikiem temperatury umieszczonym w komorze chłodzenia. Jeśli stykają się one z czujnikiem, zużycie energii przez urządzenie może wzrosnąć.



- Upewnij się, że żywność nie styka się z czujnikiem temperatury komory chłodzenia opisanym poniżej.
- Ponieważ gorące i wilgotne powietrze nie będzie miało bezpośredniego dostępu do Twojego produktu kiedy drzwi będą zamknięte, produkt dokona samodzielnej optymalizacji w warunkach wystarczających do ochrony Twojej żywności. W takich okolicznościach, funkcje i komponenty, takie jak kompresor, wentylator, podgrzewacz, rozmrażanie, oświetlenie, wyświetlacz itp. będą działały w taki sposób, aby zużywać minimalną potrzebną ilość energii.

4.2. Pierwsze uruchomienie

Przed użyciem chłodziarki wykonaj odpowiednie przygotowania zgodnie z instrukcjami w sekcjach „Instrukcje dotyczące bezpieczeństwa i ochrony środowiska” i „Instalacja”.

- Zostaw produkt włączony bez żywności w środku na 6 godzin i nie otwieraj drzwi, jeśli nie jest to absolutnie konieczne.



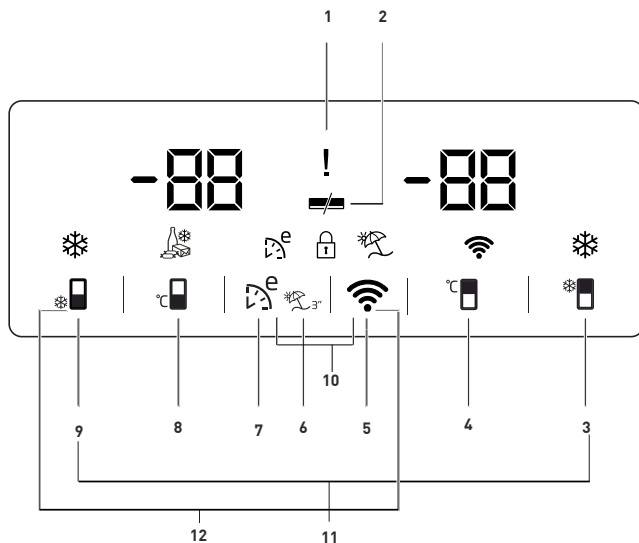
Gdy zaczyna działać sprężarka, rozlega się dźwięk. Nawet jeśli sprężarka jest wyłączona, dźwięki są normalne z powodu skompresowanych cieczy i gazów w systemie chłodzenia.



Przednie krawędzie produktu mogą się nagrzewać. Jest to całkiem normalne. Te obszary zostały zaprojektowane, aby się nagrzewać w celu zapobiegnięcia kondensacji.



W niektórych modelach panel wskaźników wyłącza się automatycznie po 5 minutach od zamknięcia drzwi. Włącza się on ponownie w momencie otwarcia drzwi lub naciśnięcia dowolnego przycisku.




1. Wskaźnik statusu usterki
2. Wskaźnik funkcji oszczędzania energii (wyświetlacz wyłączony)
3. Przycisk szybkiego chłodzenia
4. Regulator temperatury komory chłodziarki
5. Przycisk połączenia bezprzewodowego
6. Przycisk funkcji czuwania
7. Przycisk eco-fuzzy
8. Regulator temperatury zamrażalnika
9. Przycisk szybkiego zamrażania
10. Blokada przycisków
11. Przycisk zmiany jednostki miary temperatury

Opcja może nie być dostępna we wszystkich modelach

Korzystanie z produktu

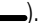
1. Wskaźnik statusu usterki

W przypadku niewłaściwego chłodzenia lub uszkodzenia czujnika

zapala się wskaźnik () . Gdy wskaźnik ten jest aktywny, wyświetlacz temperatury zamrażalnika pokazuje „E”, natomiast wskaźnik temperatury w komorze chłodzenia pokazuje liczby takie jak „1, 2, 3...”. Liczby te oznaczają kod błędu rozpoznawany przez personel serwisowy.


Po wstawieniu gorącej potrawy do zamrażalnika lub pozostawieniu jego drzwiczek otwartych przez dłuższy czas na wyświetlaczu przez moment może wyświetlić się znak wykrzyknika. Nie oznacza to żadnej usterki. Ostrzeżenie znika po schłodzeniu potrawy.

2. Wskaźnik funkcji oszczędzania energii (wyświetlacz wyłączony)

Jeśli drzwi lodówki pozostają zamknięte przez dłuższy czas, następuje automatyczne uruchomienie funkcji oszczędzania energii i pokazuje się symbol tej funkcji ().


Po uaktywnieniu się funkcji oszczędzania energii gasną wszystkie inne symbole na wyświetlaczu. Funkcja oszczędzania energii wyłącza się po naciśnięciu dowolnego przycisku lub otwarciu drzwi, a symbole na wyświetlaczu powracają do normalnego stanu. Ta funkcja jest ustawiania fabrycznie i nie da się jej usunąć.

3. Przycisk szybkiego chłodzenia

Po włączeniu funkcji szybkiego chłodzenia zapala się wskaźnik szybkiego chłodzenia () , a na wskaźniku temperatury w komorze chłodziarki wyświetlana jest wartość 1. W celu wyłączenia tej funkcji należy ponownie nacisnąć przycisk szybkiego chłodzenia. Wskaźnik szybkiego chłodzenia gaśnie i zostają przywrócone normalne ustawienia lodówki. Funkcja szybkiego chłodzenia wyłącza się automatycznie po 1 godzinie, o ile nie zostanie


wcześniej wyłączona przez użytkownika. W celu schłodzenia dużej ilości świeżej żywności przed jej włożeniem do lodówki należy nacisnąć przycisk szybkiego chłodzenia.

4. Regulator temperatury we wnętrzu komory chłodzenia

Po naciśnięciu tego przycisku można ustawić poziom temperatury w komorze chłodzenia na wybraną wartość: 8, 7, 6, 5, 4, 3, 2 lub 1. ()

5. Przycisk połączenia bezprzewodowego (*opcja)

Po naciśnięciu i przytrzymaniu tego przycisku przez 3 s lodówka łączy się z lokalną sieć internetową.

W czasie nawiązywania połączenia miga ikona sieci bezprzewodowej () z częstotliwością co 0,5 s.

Po ustanowieniu połączenia ikona ta zaczyna świecić światłem ciągłym.

Po pierwszym ustanowieniu połączenia można je włączać i wyłączać przez krótkie naciśnięcie tego przycisku.

Po wyłączeniu i ponownym włączeniu zasilania połączenie zostaje zapamiętane i jest każdorazowo inicjalizowane.

W czasie nawiązywania połączenia ikona sieci bezprzewodowej miga szybko (z częstotliwością co 0,2 s).

Po inicjalizacji połączenia ikona zaczyna świecić światłem ciągłym.

W przypadku niepowodzenia w ustanowieniu połączenia przez dłuższy czas należy sprawdzić modem i jego skonfigurowanie z siecią.



Jako interfejs połączenia stosowana jest aplikacja HomeWhiz.

Konfiguracja połączenia jest opisana w KRÓTKIEJ INSTRUKCJI INSTALACJI HomeWhiz dostarczonej wraz z lodówką.

Odpowiedzi na najczęstsze pytania znajdują się w części „Rozwiązywanie problemów”.

Korzystanie z produktu


6. Przycisk funkcji wakacyjnej

W celu uruchomienia funkcji wakacyjnej nacisnąć i przytrzymać przez 3 sekundy przycisk . Włącza się wskaźnik trybu wakacyjnego . Gdy funkcja trybu wakacyjnego jest aktywna, na wskaźniku temperatury w komorze chłodzenia wyświetla się „- -” i komora ta nie jest aktywnie chłodzona. W takim przypadku nie można trzymać żywności w komorze chłodzenia. Pozostałe części lodówki są nadal chłodzone zgodnie z ustawioną temperaturą.

W celu wyłączenia tej funkcji należy ponownie nacisnąć przycisk **funkcji wakacyjnej**.

7. Przycisk eco-fuzzy


Nacisnąć przycisk eco-fuzzy w celu włączenia trybu pracy ekonomicznej. Po upływie min.

6 h od włączenia tej funkcji zamrażalnik zaczyna pracować w trybie ekonomicznym, co potwierdza odpowiedni wskaźnik .


Aby wyłączyć funkcję eco-fuzzy, należy ponownie nacisnąć przycisk eco-fuzzy. Wskaźnik zapali się po 6 godzinach od momentu włączenia funkcji eco-fuzzy.


8. Przycisk ustawienia temperatury zamrażalnika

Służy do regulacji temperatury zamrażalnika.

Nacisnąć przycisk  w celu ustawienia temperatury zamrażalnika na wybraną wartość: -18, -19, -20, -21, -22, -23 lub -24.



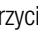


9. Przycisk szybkiego zamrażania

Nacisnąć przycisk nr (9) w celu szybkiego zamrożenia produktów; zapala się wskaźnik szybkiego zamrażania .

Po uruchomieniu funkcji szybkiego mrożenia świeci ikona tej funkcji, a wskaźnik temperatury zamrażalnika pokazuje wartość -27. W celu wyłączenia tej funkcji należy ponownie nacisnąć przycisk szybkiego zamrażania . Wskaźnik gaśnie i lodówka wraca do



normalnych ustawień. Funkcja szybkiego zamrażania wyłącza się automatycznie po 25 godzinach, o ile nie zostanie wcześniej wyłączona przez użytkownika. W celu zamrożenia większej ilości świeżej żywności przed włożeniem jej do zamrażalnika należy nacisnąć przycisk szybkiego zamrażania.

10. Blokada przycisków

Równocześnie nacisnąć i przytrzymać przez 3 s przyciski: sieci bezprzewodowej  i eco-fuzzy . Zapala się symbol blokady przycisków  i ich blokada zostaje uruchomiona. W takim przypadku żaden przycisk nie działa. Równocześnie nacisnąć i przytrzymać przez 3 s przyciski: sieci bezprzewodowej  i eco-fuzzy . Blokada klawiszy zostaje wyłączona.

W celu uniemożliwienia zmiany ustawionej temperatury lodówki należy nacisnąć przycisk **blokady przycisków**.

11. Przycisk zmiany jednostki miary temperatury

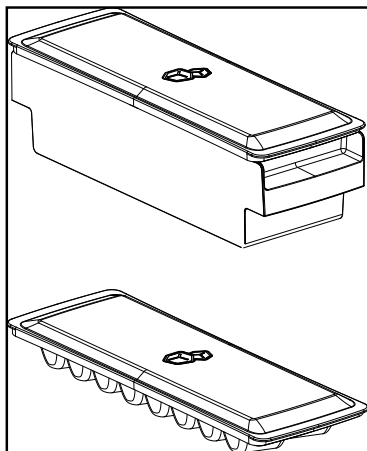
W celu przełączenia wskazań ze stopni Fahrenheita na stopnie Celsjusza nacisnąć i przytrzymać przez 3 s przycisk szybkiego chłodzenia  i szybkiego zamrażania .

Korzystanie z produktu

5.1. Pojemnik na lód

(Opcja)

- Wyjmij pojemnik na lód z komory zamrażalnika.
- Wypełnij pojemnik na lód wodą.
- Włóż pojemnik na lód do komory zamrażalnika.
- Lód będzie gotowy za ok. dwie godziny. Wyjmij pojemnik na lód z komory zamrażalnika i zegnij go lekko nad pojemnikiem, w którym zamierzasz go podać. Lód łatwo wypadnie do pojemnika.



5.2. Pojemnik na jajka

Pojemnik na jajka możesz umieścić na drzwiach lub w głównej komorze. Jeśli zdecydujesz się go umieścić w głównej komorze, zaleca się korzystanie z dolnych półek, ponieważ jest tam chłodniej.

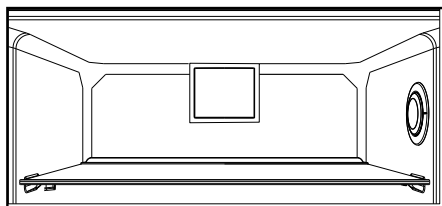


Nie wkładaj pojemnika na jajka do komory zamrażalnika.

5.3. Wentylator

Wentylator został zaprojektowany, aby równomiernie rozprowadzać chłodne powietrze we wnętrzu chłodziarki. Czas działania wentylatora może się różnić w zależności od własności chłodziarki.

W niektórych chłodziarkach wentylator działa tylko wtedy, kiedy sprężarka, w innych system sterowania określa czas działania w zależności od zapotrzebowania.



5.4. Pojemnik na warzywa

(Opcja)

Pojemnik na warzywa został zaprojektowany, aby utrzymać świeżość warzyw poprzez zachowanie wilgotności. W tym celu ogólna cyrkulacja zimnego powietrza jest intensywniejsza w tym pojemniku.

5.5. Komora o temperaturze zero

(Opcja)

Używaj tej komory, aby przechowywać delikaty w niższych temperaturach lub produkty mięsne do szybkiego spożycia. Komora o temperaturze zero to najchłodniejsze miejsce, gdzie możesz przechowywać artykuły spożywcze takie jak nabiał, mięso, ryby i drób w idealnych warunkach. W tej komorze nie należy przechowywać warzyw ani owoców.

5.6. Użycie drugiego pojemnika na świeże warzywa.



Rysunek 1.

Jak pokazano na rysunku, w drugiej komorze na świeże warzywa w modelu K70560 znajdują się 2 blokady.



Rysunek 2.

Zamknięty drugi pojemnik na świeże warzywa wygląda tak, jak pokazano na rysunku 2.



Rysunek 3.

Przy otwartych pod kątem 90° drzwiach wysunąć drugi pojemnik na świeże warzywa do pierwszej blokady, jak pokazano na rysunku 3.



W przypadku większego wysunięcia szuflady należy najpierw otworzyć drzwi przynajmniej pod kątem 135°. Następnie, jak pokazano na rysunku 4, podnieść drugi pojemnik na świeże warzywa na ok. 5 mm, aby zwolnić pierwszą blokadę.



Rysunek 4.

Po podniesieniu wysunąć drugą szufladę do drugiej blokady, jak pokazano na rysunku 5.

Rysunek 5.

Corystanie z produktu

5.7. Ruchomy stelaż na drzwiach

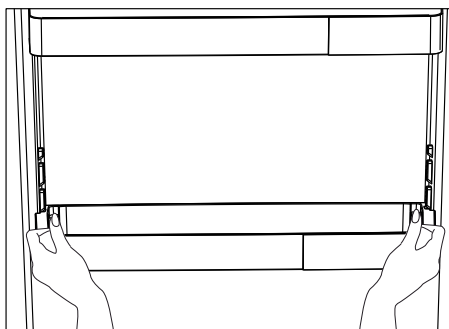
(Opcja)

Ruchomy stelaż na drzwiach można zamocować w 3 różnych pozycjach.

Aby przesunąć stelaż, naciśnij jednocześnie przyciski z boku. Stelaż można przesunąć.

Przesuń stelaż w górę lub w dół.

Kiedy stelaż znajdzie się w żądanej pozycji, zwolnij przyciski. Stelaż zostanie zamocowany w pozycji, w jakiej zwolnisz przyciski.

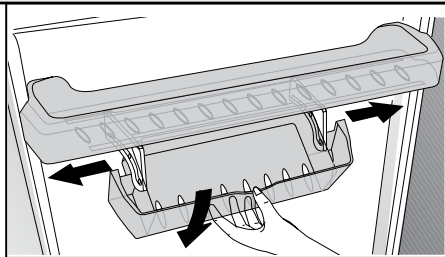


5.8. Pojemnik przesuwany

(Opcja)

Ten element wyposażenia został zaprojektowany, aby zwiększyć używalność stelaży na drzwiach.

Dzięki możliwości przesuwania na boki, ułatwia on ułożenie długiej butelki, słoika lub pudełka, które wkładasz w uchwyt na butelki poniżej.



5.9. Pochłaniacz zapachów

(FreshGuard) * opcja

Pochłaniacz zapachów błyskawicznie usuwa z lodówki nieprzyjemne zapachy, zanim przenikną do powierzchni. Urządzenie znajduje się na suficie komory na świeżej żywności. Dzięki niemu nieprzyjemne zapachy zostają zneutralizowane podczas aktywnego przepływu powietrza przez filtr zapachowy. Po oczyszczeniu powietrze wraca do komory na świeżą żywność. Dzięki temu nieprzyjemne zapachy pochodzące z żywności przechowywanej w lodówce zostają usunięte, zanim przenikną do powierzchni.

Jest to możliwe dzięki wentylatorowi, diodzie LED oraz filtrowi zapachowemu – wszystkie te elementy stanowią integralną część pochłaniacza zapachów. Podczas codziennego użytkowania pochłaniacz zapachów okresowo włącza się automatycznie. Aby zapewnić skuteczne działanie wyrobu, zaleca się wymianę filtra zapachowego przez autoryzowany serwis co 5 lat. Ponieważ pochłaniacz zapachów jest wyposażony w wentylator, podczas pracy emituje hałas – jest to normalne zjawisko. W przypadku gdy drzwi komory na świeżą żywność zostaną otwarte podczas pracy pochłaniacza, wentylator wstrzyma działanie, a po zamknięciu drzwi wznowi pracę po pewnym czasie. W przypadku awarii zasilania pochłaniacz wznowi pracę po przywróceniu zasilania na tym samym etapie cyklu działania, na którym została ona przerwana.

Korzystanie z produktu

Informacja: Zaleca się przechowywanie żywności o silnym zapachu (takiej jak sery, oliwki i wyroby garmażeryjne) w zamkniętym opakowaniu, aby uniknąć nieprzyjemnej woni powstałej na skutek wymieszania zapachów różnych produktów. Ponadto zaleca się szybkie wyjmowanie z lodówki zepsutych produktów, aby zapobiec nieprzyjemnym zapachom oraz zepsuciu innych artykułów.

5.10. Pojemnik na warzywa z kontrolą wilgotności

(Opcja)

Funkcja kontroli wilgotności umożliwia zachowanie odpowiedniej wilgotności warzyw i owoców oraz zapewnia dłuższą świeżość żywności.

Zaleca się w miarę możliwości przechowywanie w pojemniku warzyw liściastych, jak sałata, szpinak itp. w pozycji poziomej, a nie opartych o korzeń, ze względu na utratę wilgotności.

Układając warzywa, ciężkie i twarde należy układać na dole, a lekkie i miękkie na górze, biorąc pod uwagę konkretną wagę warzyw.

Nie zostawiać w pojemniku warzyw w plastikowych torebkach. Zostawienie ich w plastikowej torebce spowoduje, że szybko zgniją. W sytuacjach, kiedy styczność z innymi warzywami jest niezalecana, używaj materiałów opakowaniowych takich jak papier, które mają pewną porowatość pozwalającą zachować higienę.

Nie wkładaj owoców, które wydzielają dużo gazowego etylenu, jak gruszki, morele, brzoskwinie, a przede wszystkim jabłka, do tego samego pojemnika na warzywa, co inne warzywa i owoce. Gazowy etylen wydobywający się z tych owoców może spowodować szybsze dojrzewanie i gnienie pozostałych warzyw i owoców.

5.11. Automatyczna maszyna do lodu

(Opcja)

Automatyczna maszyna do lodu umożliwia łatwe wytwarzanie lodu w chłodziarce. Aby wytworzyć lód za pomocą maszyny do lodu, wyjmij zbiornik wody z komory chłodzenia, napełnij go wodą i włóż z powrotem.

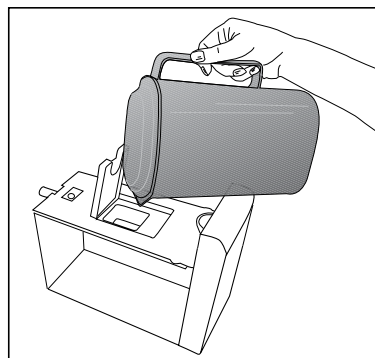
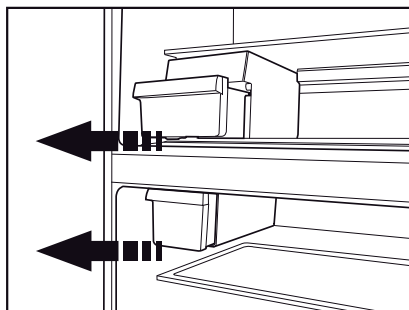
Pierwszy lód powstanie po dwóch godzinach w szufladzie na lód znajdującej się w komorze chłodzenia.

Po włożeniu pełnego zbiornika wody możesz uzyskać z niego 60-70 kostek lodu.

Jeśli woda w zbiorniku stała przez 2-3 tygodnie, należy ją wymienić.



W przypadku produktów z automatyczną maszyną do lodu możesz słyszeć dźwięk podczas wysypywania lodu. Jest to zupełnie normalne i nie świadczy o awarii.



Korzystanie z produktu

5.12. Kostkarka do lodu Icematic i pojemnik na lód

*opcja

Obsługa kostkarki do lodu Icematic

Napełnij Icematic wodą i włóż do obudowy. Lód będzie gotowy za ok. dwie godziny. Nie wyjmuj Icematic z obudowy, aby wyjąć lód.

Obróć pokrętkę na zbiornikach lodu zgodnie z ruchem wskazówek zegara o 90 stopni.

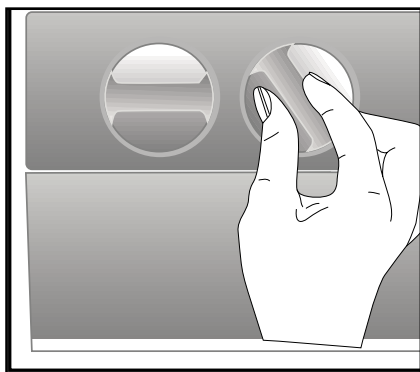
Kostki lodu w zbiornikach wypadną do pojemnika na lód pod nimi.

Teraz możesz wyjąć pojemnik na lód i podać kostki lodu.

Jeśli chcesz, możesz trzymać kostki lodu w tym pojemniku.

Pojemnik na lód

Pojemnik na lód służy wyłącznie do gromadzenia kostek lodu. Nie wlewaj do niego wody. W przeciwnym razie ulegnie uszkodzeniu.



5.13. Korzystanie z dozownika wody

*opcja



Pierwsze kilka szklanek wody z dozownika mogą być ciepłe i jest to całkiem normalne.

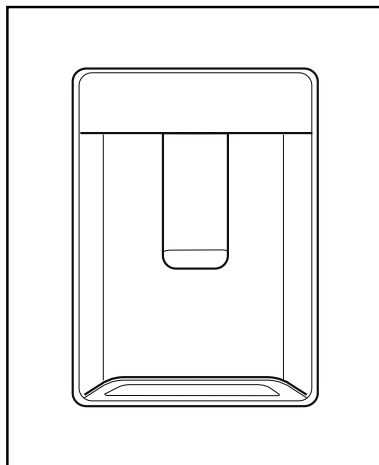


Jeżeli dozownika wody nie używa się przez dłuższy czas, wylewa się pierwsze kilka szklanek wody, aby uzyskać wodę świeżą.

1. Naciśnij szklanką dźwignię dozownika wody. Jeśli korzystasz z miękkiego plastikowego kubka, naciśnięcie dźwigni ręką będzie łatwiejsze.
2. Po napełnieniu kubka dożądanego poziomu puść dźwignię.



Prosimy zwrócić uwagę, że ilość wody wypływającej z dozownika zależy od tego, jak bardzo wciśnięto dźwignię. W miarę jak podnosi się poziom wody w kubku lub szklance delikatnie zmniejszaj nacisk na dźwignię, aby uniknąć przelania się wody. Jeśli lekko nacisnąc ramię, woda kapie, co jest całkiem normalne i nie świadczy o awarii.



Korzystanie z produktu

5.14. Napełnianie zbiornika dozownika wodą

Zbiornik wody mieści się w stelażu na drzwiach.

1. Otwórz pokrywę zbiornika.
2. Napełnij zbiornik świeżą wodą pitną.
3. Zamknij pokrywkę.



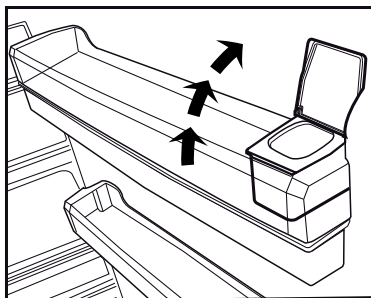
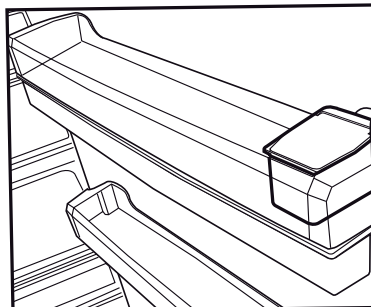
Nie napełniaj zbiornika na wodę innym płynem niż woda, np. sokiem owocowym, napojem gazowanym, czy napojem alkoholowym, które nie nadają się do stosowania w zbiorniku na wodę. Użycie płynu tego rodzaju spowoduje trwałe uszkodzenie dozownika. Użytkowania takiego nie obejmuje gwarancja. Pewne zawarte w takich płynach substancje chemiczne i dodatki mogą uszkodzić zbiornik na wodę.



Używaj tylko świeżej, czystej wody pitnej.



Pojemność zbiornika na wodę wynosi 3 litry, nie należy jej przekraczać.



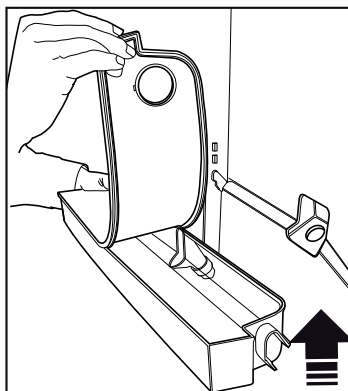
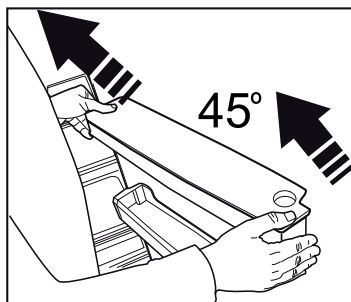
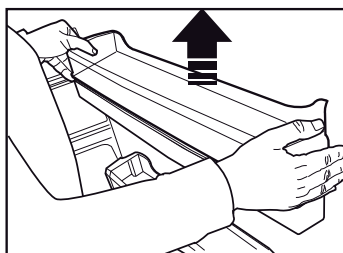
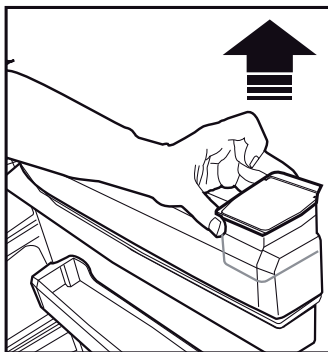
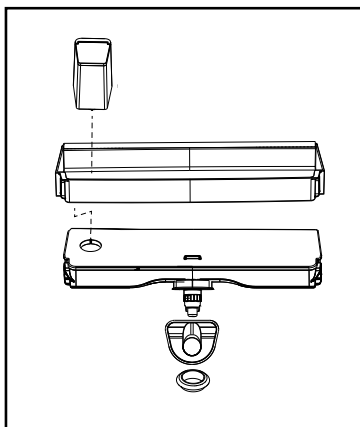
Korzystanie z produktu

5.15. Czyszczenie zbiornika na wodę

1. Wyjmij zbiornik na wodę ze stelaża na drzwiach.
2. Wyjmij stelaż na drzwiach, trzymając go z obu stron.
3. Chwyć zbiornik na wodę z obu stron i wyjmij go pod kątem 45°C.
4. Zdejmij pokrywę zbiornika na wodę i wyczyść go.



Elementów zbiornika i dozownika nie należy myć w zmywarkach do naczyń.



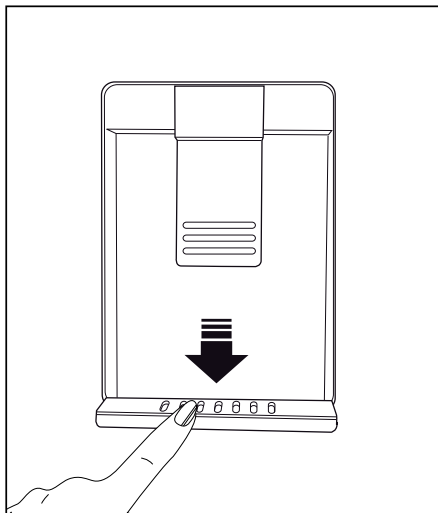
Korzystanie z produktu

5.16. Tacka na krople

Woda, która kapie przy korzystaniu z dozownika zbiera się w tacce na krople.

Wyjmij plastikowy filtr tak jak pokazano na rysunku.

Wytrzyj zebraną wodę za pomocą czystej i suchej ściereczki.



HerbBox/HerbFresh

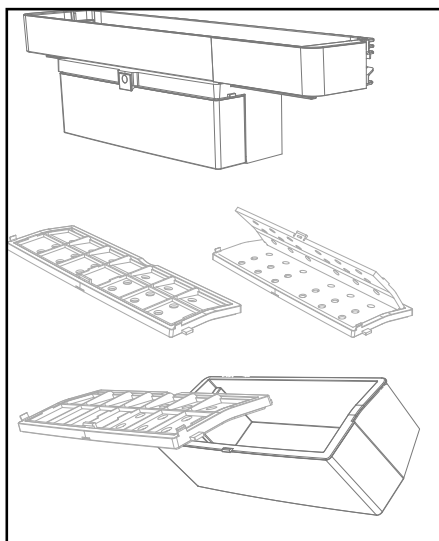
Wyjmij woreczek foliowy z pojemnika HerbBox/HerbFresh+.

Wyjmij folię z woreczka i włóż do ją do osłony tak, jak pokazano na ilustracji.

Zamknij pojemnik i umieść go w części HerbBox/HerbFresh+.

HerbBox/HerbFresh+ jest idealne do przechowywania różnorodnych, delikatnych ziół, wymagających odpowiednich warunków. W pojemniku tym możesz przechowywać na poziomo zioła wyjęte z opakowań (pietruszka, koperek, itp.), co zapewni im świeżość przez znacznie dłuższy okres.

Folię należy wymieniać co pół roku.



Corystanie z produktu

5.17. Zamrażanie żywności świeżej

- Aby zachować jakość żywności, produkty spożywcze włożone do komory zamrażalnika powinny zostać zamrożone jak najszybciej. W tym celu użyj funkcji szybkiego zamrażania.
- Zamrażanie świeżych produktów spożywczych przedłuż ich czas przechowywania w komorze zamrażalnika.
- Zapakuj produkty spożywcze w hermetyczne opakowania i dobrze zamknij.
- Sprawdź, czy produkty są zapakowane przed włożeniem ich do zamrażalnika. Użyj pojemników do zamrażalnika, folii aluminiowej, papieru pergaminowego, woreczków plastikowych lub podobnych materiałów opakowaniowych zamiast tradycyjnego papieru do pakowania.
- Oznacz każde opakowanie przed zamrożeniem, pisząc na nim datę. Pozwoli Ci to określić świeżość każdego opakowania za każdym otwarciem zamrażalnika. Przechowuj wcześniej włożone produkty spożywcze z przodu, aby zostały użyte pierwsze.
- Zamrożone produkty należy zużyć zaraz po rozmrożeniu i nie wolno ich zamrażać ponownie.
- Nie należy zamrażać dużych ilości żywności na raz.



Lód w komorze zamrażania jest rozmrażany automatycznie.

Regulacja temperatury w komorze zamrażalnika.	Regulacja temperatury w komorze chłodzenia.	Informacje
-18°C	4°C	To domyślne, zalecane ustawienie.
-20, -22 lub -24°C	4°C	Te ustawienia są zalecane, jeśli temperatura otoczenia przekracza 30°C.
Quick Freeze	4°C	Funkcji tej używa się do szybkiego zamrażania żywności. Kiedy ten proces się zakończy, chłodziarka wróci do poprzedniego ustawienia.
-18°C lub zimniej	2°C	Użyj tych ustawień, jeśli uważasz, że w komorze chłodzenia nie jest dostatecznie zimno z powodu temperatury otoczenia lub częstego otwierania drzwiczek.

5.18. Przechowywanie żywności mrożonej

Temperatura komory musi być ustawiona na co najmniej -18°C.

1. Zamrożone produkty należy wkładać do zamrażalnika możliwie jak najszybciej, aby uniknąć rozmrożenia.
2. Przed zamrożeniem sprawdź datę ważności na opakowaniu, aby mieć pewność, że jest ona aktualna.

3. Sprawdź, że opakowanie żywności nie jest uszkodzone.

5.19. Informacje o komorze głębokiego zamrażania

Zgodnie ze standardem IEC 62552 zamrażalnik musi mieć zdolność zamrożenia 4,5 kg żywności w temperaturze -18°C lub niższej w ciągu 24 godzin na każde 100 litrów objętości komory zamrażalnika.

Corystanie z produktu

Produkty spożywcze można przechowywać przez dłuŝszy czas tylko w temperaturze -18°C lub niŝszej.

Moŝesz zachować ŝwieŝość ŝywności przez kilka mieŝcy (w komorze głąbokiego zamraŝania w temperaturze -18°C lub niŝszej). Produkty spożywcze, które mają zostać zamroŝone, nie mogą się stykać z juŝ zamroŝonymi produktami, aby uniknąć ich częŝciowego rozmroŝenia.

Ugotuj warzywa i filtruj wodę, aby przedłuŝyć czas przechowywania. Umieŝć ŝywność w hermetycznych opakowaniach po filtrowaniu i umieŝć w zamraŝalniku. Banany, pomidory, sałata, seler, gotowane jajka, ziemniaki i podobne artykuły nie powinny być zamraŝane. Jeŝli te artykuły zepsują się, wpłynie to negatywnie tylko na wartości odżywcze i smak. Zepsucie zagraŝające zdrowiu ludzkiemu nie wchodzi w grę.

5.20. Rozmieszczenie ŝywności

Półki w komorze zamraŝalnika	Różne mroŝonki, np. mięso, ryby, lody, warzywa itp.
Półki komory chłodzenia	Produkty spożywcze w garnkach, na przykrytych talerzach, zamkniętych pudełkach, jajka (w zamkniętym pudełku)
Półki na drzwiach komory chłodzenia	Małe i zapakowane produkty spożywcze oraz napoje
Pojemnik na warzywa	Owoce i warzywa
Komora na ŝywność ŝwieŝą	Delikatesy (produkty śniadaniowe, produkty mięsne do szybkiego spoŝycia)

5.21. Alarm o otwartych drzwiach (Opcja)

Jeŝli drzwi chłodziarki będą otwarte przez co najmniej minutę, rozlegnie się słyszalny alarm. Alarm ten wyłączy się po zamknięciu drzwi lub naciśnięciu dowolnego przycisku na wyświetlaczu (jeŝli dostępny).

Alarm o otwartych drzwiach jest prezentowany uŝytkownikowi słyszalnie i wizualnie. Oświetlenie wewnętrzne wyłączy się, jeŝli ostrzeŝenie będzie trwało 10 min.

5.22. Zmiana kierunku otwierania drzwi

Moŝesz zmienić kierunek otwierania chłodziarki, w zależności od miejsca uŝytkowania. Jeŝli musisz to zrobić, skontaktuj się z najbliŝszym autoryzowanym serwisem. Powyŝsze wyjaśnienie to stwierdzenie ogólne. Aby uzyskać informacje o moŝliwości zmiany kierunku otwierania drzwi, sprawdź etykietę ostrzegawczą wewnątrz opakowania produktu.

5.23. Oświetlenie wewnętrzne

Oświetlenie wewnętrzne korzysta z lampek typu LED. W przypadku problemów z lampką skontaktuj się z autoryzowanym serwisem. Lampek uŝywanych w tym urządzeniu nie moŝna uŝyć do oświetlania domu. Zgodne z przeznaczeniem uŝycie tej lampki to pomoc uŝytkownikowi w bezpiecznym i wygodnym umieszczeniu ŝywności w chłodziarce/ zamraŝalniku.

Czas eksploatacji urządzenia wydłuża się, jeśli jest ono regularnie czyszczone.



OSTRZEŻENIE: Przed czyszczeniem chłodziarki odłącz ją od prądu.

- Do czyszczenia nie wolno stosować żadnych ostrych ani szorstkich narzędzi, mydła, domowych środków czystości, detergentów, ani wosku do polerowania.
- Rozpuść łyżeczkę węglanu w pół litrze wody. Namoczyc ściereczkę w roztworze i dokładnie ją wyżmij. Przetrzyj wewnątrz chłodziarki tą ściereczką i dokładnie wytrzyj do sucha.
- Dbaj, aby do obudowy lampki i innych urządzeń elektrycznych nie dostała się woda.
- Wyczyść drzwi wilgotną ściereczką. Aby wyjąć półki z drzwi i wnętrza chłodziarki, opróżnij je z całej zawartości. Wyjmij półki z drzwi, przesuwając je w górę. Po oczyszczeniu, wsuń je od góry do dołu, aby włożyć na miejsce.
- Do czyszczenia powierzchni zewnętrznych i chromowanych części produktu nie należy używać ani środków czyszczących, ani wody z zawartością chloru. Chlor powoduje korozję takich powierzchni metalowych.
- Nie używaj ostrych ani szorstkich narzędzi, mydła, domowych środków czystości, detergentów, nafty, oleju napędowego, lakieru itp., aby zapobiec odpadnięciu i odkształceniu plastikowych części. Do czyszczenia użyj letniej wody i miękkiej ściereczki, a następnie wytrzyj do sucha.

6.1. Jak unikać nieprzyjemnych zapachów

Do wyrobu chłodziarek nie używa się materiałów powodujące zapachy. Jednak w wyniku niewłaściwego przechowywania żywności i nieczyszczenia wnętrza chłodziarki mogą powstawać nieprzyjemne zapachy.

A zatem co 15 dni czyść chłodziarkę roztworem węglanu w wodzie.

- Żywność przechowuje się w zamkniętych pojemnikach. Wydostające się z odkrytych pojemników mikroorganizmy mogą powodować nieprzyjemne zapachy.

- W chłodziarce nie wolno przechowywać żywności zepsutej ani takiej, której termin przydatności do spożycia upłynął.

6.2. Jak zabezpieczać powierzchnie plastikowe.

Wymyć od razu ciepłą wodą, ponieważ olej może spowodować uszkodzenie plastikowej powierzchni.

6.3. Szkło w drzwiach

Zdejmij folię ochronną ze szkła.

Na powierzchni szkła znajduje się pokrycie.

To pokrycie ogranicza możliwość powstawania plam i ułatwia usuwanie ewentualnych plam i zabrudzeń. Szkło niechronione takim pokryciem może ulec trwałemu zabrudzeniu organicznymi lub nieorganicznymi związkami opartymi na powietrzu lub wodzie, jak kamień, sole mineralne, niespalone węglowodory, tlenki metali i silikony, które łatwo i szybko powodują powstanie plam i szkody materialne. Utrzymanie szkła w czystości staje się zbyt trudne pomimo regularnego czyszczenia. W konsekwencji pogarsza się wygląd i zmniejsza przezroczystość szkła. Ostre i szorstkie metody i środki czyszczące zwiększą te problemy i przyspieszą proces niszczenia.

Należy używać niezasadowych i łagodnych środków czyszczących opartych na wodzie.

Do czyszczenia należy używać niezasadowych i łagodnych środków czyszczących, aby wydłużyć trwałość tej powłoki.

Szkło to hartuje się, aby zwiększyć odporność na uderzenie i pęknięcie.

Na jego tylne powierzchnie nakłada się także folie ochronne jako dodatkowe zabezpieczenie w celu zapobieżenia szkodom w otoczeniu w przypadku jego potłuczenia.

* Zasady to podstawa do tworzenia jonów wodorotlenku (OH⁻) po rozpuszczeniu w wodzie.

Li (lit), Na (sód), K (potas) Rb (rubid), Cs (cez) oraz sztuczny i radioaktywny Fr (frans) są nazywane METALAMI ALKALICZNYMI.

7 Rozwiązywanie problemów

Przed skontaktowaniem się z serwisem należy sprawdzić tę listę. Umożliwi to zaoszczędzenie czasu i pieniędzy. Ta lista zawiera często spotykane problemy niezwiązane z wadami jakości wykonania lub materiałów. Pewne wymienione tutaj funkcje mogą nie dotyczyć posiadanego produktu.

Lodówka nie działa.

- Wtyk zasilania nie jest włożony do końca. >>> Dociśnij go do końca w gniazdku.
- Bezpiecznik podłączony do gniazda zasilającego produkt lub bezpiecznik główny jest przepalony. >>> Sprawdź bezpieczniki.

Kondensacja na bocznej ścianie komory chłodziarki (WIELOSTREFOWE, CHŁODZENIE, KONTROLA I STREFA ELASTYCZNA).

- Drzwi są za często otwierane >>> Należy pamiętać, aby nie otwierać drzwi produktu za często.
- Środowisko jest za wilgotne. >>> Produktu nie należy instalować w wilgotnych środowiskach.
- Żywność zawierająca płyny jest przechowywana w nieuszczelnionych opakowaniach. >>> Żywność zawierająca płyny należy przechowywać w zamkniętych opakowaniach.
- Drzwi produktu pozostały otwarte. >>> Nie wolno pozostawiać otwartych drzwi produktu przez długi czas.
- Termostat jest ustawiony na za niską temperaturę. >>> Ustaw termostat na odpowiednią temperaturę.

Sprężarka nie działa.

- W przypadku nagłej awarii zasilania lub wyciągnięcia kabla zasilającego z gniazda i podłączenia go z powrotem ciśnienie gazu w układzie chłodzenia produktu jest nierównoważone, co wyzwała zabezpieczenie termiczne sprężarki. Produkt ponownie się uruchomi po około 6 minutach. Jeśli produkt nie uruchomi się po tym czasie, skontaktuj się z serwisem.
- Odmrażanie jest aktywne. >>> To jest normalne w przypadku produktu z całkowicie zautomatyzowanym odmrażaniem. Odmrażanie odbywa się okresowo.
- Produkt nie jest podłączony. >>> Upewnij się, że kabel zasilania jest podłączony.
- Nastawa temperatury jest niepoprawna. >>> Wybierz poprawną nastawę temperatury.
- Brak zasilania. >>> Po przywróceniu zasilania produkt będzie kontynuował normalną pracę.

Hałas pracy lodówki zwiększa się podczas używania.

- Wydajność robocza produktu może się zmieniać w zależności od zmian temperatury otoczenia. To jest sytuacja normalna, a nie awaria.

Lodówka włącza się za często lub na zbyt długo.

Rozwiązywanie problemów

- Nowy produkt może być większy niż poprzedni. Większe produkty pracują dłużej.
- Temperatura w pomieszczeniu może być wysoka. >>> Produkt będzie normalnie działał przed dłuższy czas przy wyższej temperaturze w pomieszczeniu.
- Produkt mógł zostać niedawno podłączony lub do środka została włożona nowa porcja żywności. >>> Produkt będzie potrzebował więcej czasu na osiągnięcie ustawionej temperatury, jeśli został niedawno podłączony lub do środka została włożona nowa porcja żywności. To jest normalne.
- Do produktu włożono ostatnio dużą ilość gorącej żywności. >>> Do produktu nie wolno wkładać gorącej żywności.
- Drzwi były często otwierane lub były otwarte przez dłuższy czas. >>> Ciepłe powietrze przedostające się do środka spowoduje wydłużenie pracy produktu. Nie należy za często otwierać drzwi.
- Drzwi zamrażarki lub chłodziarki mogą być uchylone. >>> Sprawdź, czy drzwi są całkowicie zamknięte.
- Produkt może mieć ustawioną za niską temperaturę. >>> Ustaw wyższą temperaturę i poczekaj aż produkt ją osiągnie.
- Uszczelka drzwi chłodziarki lub zamrażarki może być zabrudzona, zużyta, uszkodzona lub niepoprawnie ułożona. >>> Oczyszczyć lub wymieść uszczelkę. Uszkodzona/podarta uszczelka drzwi spowoduje wydłużenie działania produktu w celu utrzymania bieżącej temperatury.

Temperatura zamrażarki jest bardzo niska, ale temperatura chłodziarki jest odpowiednia.

- Temperatura komory zamrażarki jest ustawiona bardzo nisko. >>> Ustaw wyższą temperaturę komory zamrażarki i sprawdź ponownie.

Temperatura chłodziarki jest bardzo niska, ale temperatura zamrażarki jest odpowiednia.

- Temperatura komory chłodziarki jest ustawiona bardzo nisko. >>> Ustaw wyższą temperaturę komory chłodziarki i sprawdź ponownie.

Żywność przechowywana w szufladach komory chłodziarki jest zamrożona.

- Temperatura komory chłodziarki jest ustawiona bardzo nisko. >>> Ustaw wyższą temperaturę komory zamrażarki i sprawdź ponownie.

Temperatura chłodziarki lub zamrażarki jest za wysoka.

- Temperatura komory chłodziarki jest ustawiona bardzo wysoko. >>> Nastawa temperatury komory chłodziarki wpływa na temperaturę komory zamrażarki. Zmień temperaturę komory chłodziarki lub zamrażarki i poczekaj aż odpowiednia komora osiągnie ustawiony poziom temperatury.
- Drzwi były często otwierane lub były otwarte przez dłuższy czas. >>> Nie należy za często otwierać drzwi.
- Drzwi mogą być uchylone. >>> Całkowicie zamknij drzwi.
- Produkt mógł zostać niedawno podłączony lub do środka została włożona nowa porcja żywności. >>> To jest normalne. Produkt będzie potrzebował więcej czasu na osiągnięcie ustawionej temperatury, jeśli został niedawno podłączony lub do środka została włożona nowa porcja żywności.
- Do produktu włożono ostatnio dużą ilość gorącej żywności. >>> Do produktu nie wolno wkładać gorącej żywności.

Wstrząsy lub hałas.

Rozwiązywanie problemów

- Podłoże nie jest poziome lub wytrzymałe. >>> Jeśli produkt się kołysze podczas powolnego przemieszczania, wyreguluj nóżki w celu zrównoważenia produktu. Upewnij się też, że podłoże jest wystarczająco wytrzymałe i uniesie produkt.

- Wszelkie przedmioty umieszczone na produkcie mogą powodować hałas. >>> Zdejmij wszelkie przedmioty umieszczone na produkcie.

Produkt wytwarza dźwięki przepływającego płynu, rozpryskiwania itd.

- Zasada działania produktu obejmuje przepływy płynu i gazu. >>> To jest sytuacja normalna, a nie awaria.

Z produktu słychać odgłos dmuchającego wiatru.

- Produkt używa wentylatora w procesie chłodzenia. To jest sytuacja normalna, a nie awaria.

Na wewnętrznych ściankach produktu występuje kondensacja.

- Gorąca lub zimna pogoda zwiększy zalodzenie i kondensację. To jest sytuacja normalna, a nie awaria.
- Drzwi były często otwierane lub były otwarte przez dłuższy czas. >>> Nie należy otwierać drzwi za często, a jeśli są otwarte należy je zamknąć.
- Drzwi mogą być uchylone. >>> Całkowicie zamknij drzwi.

Na powierzchni zewnętrznej lub między drzwiami produktu występuje kondensacja.

- Pogoda może być wilgotna i to zjawisko jest normalne w takich warunkach. >>> Po zmniejszeniu wilgotności kondensacja zniknie.

Nieprzyjemny zapach we wnętrzu.

- Produkt nie jest regularnie czyszczony. >>> Czyść wnętrze regularnie za pomocą gąbki, ciepłej wody i wody z węglanem.
- Niektóre pojemniki i opakowania mogą wywoływać nieprzyjemne zapachy. >>> Należy używać pojemników i opakowań z materiałów niewydzielających zapachów.
- Żywność została umieszczona w nieszczelnym opakowaniu. >>> Żywność należy przechowywać w zamkniętych opakowaniach. Drobnoustroje mogą się rozprzestrzeniać z niezamkniętych opakowań i powodować nieprzyjemne zapachy.
- Z produktu należy usunąć wszelką przeterminowaną i zepsutą żywność.

Drzwi się nie zamykają.

- Opakowania żywności mogą blokować drzwi. >>> Przesuń przedmioty blokujące drzwi.
- Produkt nie stoi całkowicie pionowo na ziemi. >>> Wyreguluj nóżki, aby zrównoważyć produkt.
- Podłoże nie jest poziome lub wytrzymałe. >>> Upewnij się, że podłoże jest poziome i wystarczająco wytrzymałe oraz uniesie produkt.

Zaciął się pojemnik na warzywa.

- Żywność może się stykać z górną częścią szuflady. >>> Zmień ułożenie żywności w szufladzie.

Jeśli powierzchnia produktu jest gorąca.

- Podczas pracy produktu obszar między drzwiczkami, panele boczne i tylny ruszt mogą osiągać wysoką temperaturę. Jest to normalne zjawisko i nie oznacza konieczności dokonywania naprawy!



OSTRZEŻENIE: Jeśli problem nie zniknie po wykonaniu instrukcji podanych w tym rozdziale, skontaktuj się ze sprzedawcą lub autoryzowanym serwisem. Nie próbuj naprawiać produktu.

Gwarancja jakości

Twój produkt marki BEKO posiada gwarancję jakości udzieloną przez Beko S.A z siedzibą w Warszawie ul. Puławska 366, 02-819 Warszawa (dalej Gwarant). Gwarancja jakości udzielana jest wyłącznie na produkty marki BEKO wprowadzane do obrotu na terytorium Rzeczypospolitej Polskiej przez Gwaranta. Termin gwarancji wynosi 24 miesiące od daty zakupu produktu. Oświadczenie gwarancyjne określające warunki gwarancji znajdziesz na stronie internetowej **www.beko.pl** w sekcji serwis.

Warunkiem wykonywania uprawnień z gwarancji jest przedstawienie dowodu zakupu produktu lub zarejestrowanie produktu na stronie **www.beko.pl w sekcji serwis .**

Zarejestruj swój produkt.

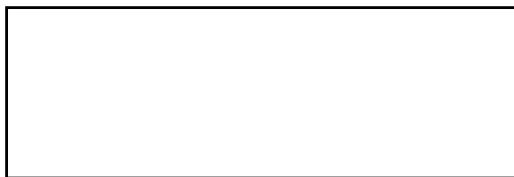
Załącz konto oraz zarejestruj teraz swój produkt marki BEKO objęty gwarancją na naszej stronie internetowej **www.beko.pl** w sekcji serwis. Dzięki temu nie będziesz musiał się martwić w sytuacji gdy zgubisz dowód zakupu. Ponadto będziesz miał możliwość otrzymania oświadczenia gwarancyjnego w postaci „cyfrowej karty gwarancyjnej”.

Obsługa klienta – infolinia 22 250 14 14

W celu zgłoszenia reklamacji lub usterki produktu marki BEKO prosimy o kontakt telefoniczny z infolinią . Nasi konsultanci pomogą ci rozwiązać problem lub skierują do właściwego serwisu BEKO.

Infolinia czynna jest 7 dni w tygodniu od 8.00 do 20:00.

* Koszt połączenia jak za połączenie lokalne (z telefonu stacjonarnego) lub według stawek operatora sieci komórkowej.



Podpis i pieczęć instalatora (z numerem uprawnienia) w przypadku montażu urządzeń gazowych lub płyt i piekarników elektrycznych

Aby otrzymać więcej informacji dotyczących serwisu BEKO np. gdzie kupić części zamienne lub akcesoria należy odwiedzić stronę internetową **www.beko.pl i wybrać zakładkę serwis.**

Pred použitím produktu si pozorne prečítajte tento návod na obsluhu.

Vážení zákazníci,


Chceme Vám poskytnúť možnosť najlepšieho použitia nášho výrobku, ktorý bol vyrobený v moderných zariadeniach so starostlivosťou a dôkladnou kontrolou kvality.

Tiež, pred použitím výrobku Vám odporúčame prečítať si celý návod na použitie. V prípade odpredaja výrobku, nezabudnite odovzdať návod jeho novému majiteľovi spoločne s výrobkom.

Táto príručka vám pomôže aby ste mohli výrobok používať rýchlo a bezpečne.

- Pred inštaláciou a použitím výrobku si prosím pozorne prečítajte užívateľskú príručku.
- Vždy dodržujte platné bezpečnostné predpisy.
- Majte užívateľskú príručku v dosahu pre budúce použitie.
- Prečítajte si prosím všetky ďalšie dokumenty dodané s výrobkom.

Nezabúdajte, že táto Užívateľská príručka sa môže vzťahovať na viacero modelov výrobkov. Príručka jasne ukáže všetky variácie rôznych modelov.

	Dôležité informácie a užitočné tipy.
	Ohrozenie života a majetku.
	Riziko zranenia elektrickým prúdom.
	Obal tohto výrobku je vyrobený z recyklovateľných materiálov, v súlade s Národnou legislatívou pre životné prostredie.

INFORMÁCIE



Informácie o modeli uložené v databáze výrobkov sa dajú získať zadaním nasledujúcej webovej stránky a vyhľadanim identifikátora vášho modelu (*), ktorý je uvedený na energetickom štítku.

<https://eprel.ec.europa.eu/>

1 Bezpečnostné pokyny a životné prostredie **3**

- 1. Všeobecná bezpečnosť 3
- 1.1. Varovanie HC. 4
- 1.1.2 Pre modely s dávkovačom vody 4
- 1.2. Účel použitia 5
- 1.3. Bezpečnosť detí 5
- 1.4. Súlad so smernicou WEEE a Odstránenie odpadov výrobku 5
- 1.5. Súlad so smernicou RoHS 5
- 1.6. Informácie o balení 5

2 Vaša chladnička **6**

3 Inštalácia **7**

- 3.1. Správne miesto pre inštaláciu 7
- 3.2. Pripojenie plastových klinov 7
- 3.3. Nastavenie stojanov 7
- 3.4. Pripojenie napájania 8
- 3.5. Obrátenie dverí 9
- 3.6. Obrátenie dverí 10

4 Príprava **11**

- 4.1. Čo urobiť pre úsporu energie 11
- 4.2. Prvé uvedenie do prevádzky 11

5 Prevádzka spotrebiča **12**

- 5.1. Zásobník na ľad 15
- 5.2. Držiak na vajička 15
- 5.3. Ventilátor 15
- 5.4. Zásobník na zeleninu 15
- 5.5. Oddelenia Nulového stupňa 16
- 5.6. Pohyblivý stojan vo dverách 16
- 5.7. Posuvná odkladacia schránka 16

- 5.8. Dezodorizačný modul 17
- 5.9. Používanie druhého priečinka na zeleninu a ovocie; 18
- 5.10. Zásobník na zeleninu s kontrolou vlhkosti . 19
- 5.11. Automatický výrobnik ľadu 19
- 5.12. Icematic a držiak na skladovanie ľadu . . . 20
- 5.13. Používanie dávkovača na vodu 20
- 5.14. Plnenie nádrže dávkovača na vodu 21
- 5.15. Čistenie nádrže na vodu 22
- 5.16. Odkvapkávací miska. 23
- 5.17. Zmrazovanie čerstvých potravín 24
- 5.18. Odporúčania pre skladovanie zmrazených potravín 24
- 5.19. Podrobnosti o mrazničke 25
- 5.20. Umiestnenie jedla 25
- 5.21. Upozornenie na otvorené dvere. 25
- 5.22. Zmena smeru otvárania dverí 25
- 5.23. Vnútorne osvetlenie 25

6 Údržba a čistenie **26**

- 6.1. Zabránenie vzniku nepríjemných pachov . . 26
- 6.2. Ochrana plastových povrchov 26
- 6.3. Dverové sklá 26

7 Riešenie problémov **27**

Táto časť obsahuje bezpečnostné pokyny nevyhnutné pre zabránenie nebezpečenstvu zranení a materiálnych škôd. Nedodržaním týchto pokynov zanikajú všetky typy záruky výrobu.

Určené použitie

UPOZORNENIE:

Udržujte vetracie otvory na kryte prístroja alebo v konštrukcii zabudovania bez prekážok.

UPOZORNENIE:

Nepoužívajte mechanické nástroje alebo iné prostriedky na urýchlenie procesu odmrazenia, okrem tých, ktoré odporúča výrobca.

UPOZORNENIE:

Nepoškodujte chladiaci okruh.

UPOZORNENIE:

Nepoužívajte elektrické spotrebiče vo vnútri priestoru na potraviny, iba ak sú doporučené výrobcom.

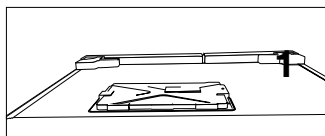
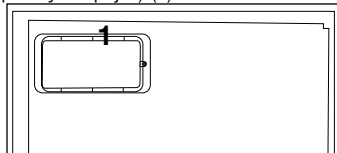


Toto zariadenie je určené pre použitie v domácnosti a v podobných podmienkach, ako sú napríklad

- Kuchynské miestnosti pre personál v obchodoch, kanceláriách a v iných pracovných prostrediach;
- farmárske domy a klienti v hoteloch, moteloch a iných typoch bytových zariadení;
- v ubytovacích zariadeniach typu bed and breakfast;
- stravovacie a podobné zariadenia neobchodného typu.

1.1. Všeobecná bezpečnosť

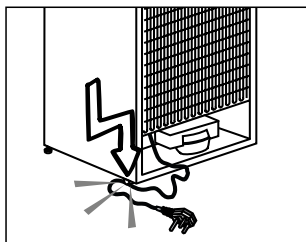
- Tento produkt by nemali používať osoby s telesným, zmyslovým a mentálnym postihnutím, osoby bez dostatočných znalostí a skúseností, alebo deti. Zariadenie môžu tieto osoby používať len pod dohľadom a po poučení osobou zodpovednou za ich bezpečnosť. Nedovoľte deťom hrať sa s týmto zariadením.
- V prípade poruchy prístroj odpojte.
- Po odpojení počkajte najmenej 5 minút pred opätovným pripojením. Odpojte výrobok, keď sa nepoužíva. Nedotýkajte sa zástrčky mokrymi rukami! Pri odpájaní neťahajte za kábel, vždy uchopte zástrčku.
- Nezapájajte chladničku, ak je zásuvka uvoľnená.
- Pri inštalácii, údržbe, čistení a opravách výrobok odpojte.
- Ak sa výrobok nebude dlhší čas používať, odpojte ho a vyberte z neho potraviny.
- Nepoužívajte paru alebo čistiace prostriedky s parou pre čistenie chladničky a topenia ľadu vo vnútri. Para môže prísť do styku s elektrifikovanými oblasťami a spôsobíť skrat alebo elektrický šok!
- Neumývajte výrobok striekaním alebo polievaním vodou na neho! Nebezpečenstvo úrazu elektrickým prúdom!
- Nikdy nepoužívajte výrobok, ak časť nachádzajúca sa na hornej alebo zadnej strane výrobku s elektronickou doskou s plošným spojom vo vnútri je otvorená (krycia doska elektronických plošných spojov) (1).



Bezpečnostné pokyny a životné prostredie

- V prípade jeho poruchy výrobok nepoužívajte, pretože by mohlo dôjsť k úrazu elektrickým prúdom. Pred tým, než čokoľvek urobíte, sa obráťte na autorizovaný servis.
- Výrobok zapájajte do uzemnenej zásuvky. Uzemnenie musí byť vykonané kvalifikovaným elektrikárom.
- Ak produkt má osvetlenie typu LED, pre jeho nahradenie alebo v prípade akéhokoľvek problému sa obráťte na autorizovaný servis.
- Nedotýkajte sa mrazených potravín mokrymi rukami! Môžu sa nalepiť na Vaše ruky!
- Nekladte do mrazničky tekutiny vo fľašiach a plechovkách. Môžu vybuchnúť!
- Tekutiny umiestnite vo vzpriamenej polohe a pevne uzatvorte ich veko.
- Nestriekajte horľavé látky v blízkosti výrobku, nakoľko sa môže zapáliť alebo explodovať.
- Nenechávajte horľavé materiály a produkty s horľavým plynom (spreje, atď.) v chladničke.
- Nekladte nádoby obsahujúce kvapaliny na hornú časť výrobku. Voda striekajúca na elektrifikované časti môže spôsobiť úraz elektrickým prúdom a nebezpečenstvo požiaru.
- Vystavenie produkt dažďu, snehu, slnku a vetru môže spôsobiť elektrické nebezpečenstvo. Pri premiestňovaní výrobku ho neľahajte držaním za rukoväť dverí. Rukoväť sa môže odtrhnúť.
- Dbajte na to, aby nedošlo k zachyteniu akúkoľvek časti vašich rúk či tela do akýchkoľvek z pohybujúcich sa častí vo vnútri výrobku.
- Nevyliezajte alebo sa neopierajte o dvere, zásuvky a podobné časti chladničky. Môže to mať za následok pád výrobku a spôsobiť poškodenie dielov.
- Dávajte pozor, aby nedošlo k privretiu napájacieho kábla.

- Pri umiestnení zariadenia sa uistite, že napájací kábel nie je zachytený alebo poškodený.
- Neumiestňujte viac prenosných zásuviek alebo prenosných zdrojov napájania vzadu od zariadení.



1.1.1 Varovanie HC

Ak výrobok obsahuje chladiaci systém v ktorom sa používa plyn R600a, zabezpečte, aby pri používaní a pohybovaní spotrebiča nedošlo k poškodeniu chladiaceho systému a jeho potrubia. Tento plyn je horľavý. Ak je chladiaci systém poškodený, zabezpečte, aby bolo zariadenie mimo dosahu zdrojov ohňa a okamžite vyvetrajte miestnosť.



Štítko na vnútornej ľavej strane označuje druh plynu používaného v produkte.

1.1.2 Pre modely s dávkovačom vody

Tlak pre prívod studenej vody musí byť maximálne 90 psi (620 kPa). Ak je váš tlak vody vyšší ako 80 psi (550 kPa, použite vo vašej sieti ventil na obmedzovanie tlaku. Ak neviete, ako skontrolovať tlak vody, požiadajte o pomoc profesionálneho inštalátora.

- Ak pri inštalácii existuje riziko vodného rázu, vždy použite preventívne zariadenia proti vodnému rázu. Ak ste si nie je istý, či vo Vašej

Bezpečnostné pokyny a životné prostredie

sieti je efekt vodného rázu, poraďte sa s profesionálnym inštalátorom. Neinštalujte na prívode pre teplú vodu. Vykonajte nevyhnutné opatrenia proti riziku zamrznutia hadíc. Prevádzkový interval teplota vody musí byť medzi minimálne 33 ° F (0,6 ° C) a maximálne 100 ° F (38 ° C).

- Používajte len pitnú vodu.

1.2. Účel použitia

- Tento výrobok je určený pre domáce použitie. Nie je určený pre komerčné použitie.
- Spotrebič by mal byť používaný iba pre skladovanie potravín a nápojov.
- Do chladničky neukladajte citlivé produkty, ktoré si vyžadujú riadené teploty (očkovacie látky, lieky citlivé na teplo, zdravotnícky materiál, atď.).
- Výrobca nenesie žiadnu zodpovednosť za prípadné škody spôsobené nesprávnym použitím alebo nesprávnou manipuláciou.
- Životnosť výrobku je 10 rokov. Náhradné diely potrebné pre funkčnosť tohoto výrobku budú pre toto obdobie k dispozícii.

1.3. Bezpečnosť detí

- Obalové materiály uchovávajte mimo dosahu detí.
- Nedovoľte deťom, aby sa s výrobkom hrali.
- Ak je na dverách výrobku zámok, kľúč držte mimo dosahu detí.

1.4. Súlad so smernicou WEEE a Odstránenie odpadov výrobku

Tento výrobok spĺňa požiadavky smernice WEEE EÚ (2012/19/EU). Na tomto produkte je zobrazený symbol klasifikácie odpadu elektrických a elektronických zariadení (OEEZ).



Tento výrobok bol vyrobený z vysoko kvalitných materiálov a komponentov, ktoré sa dajú opätovne použiť a ktoré sú vhodné pre recykláciu. Na konci svojej životnosti spotrebič nevyhadzujte spolu s bežnými domácimi a inými odpadmi. Odnesť ho do zberného centra pre recykláciu elektrických a elektronických zariadení. Pre informácie o týchto zberných strediskách sa prosím obráťte na miestne úrady.

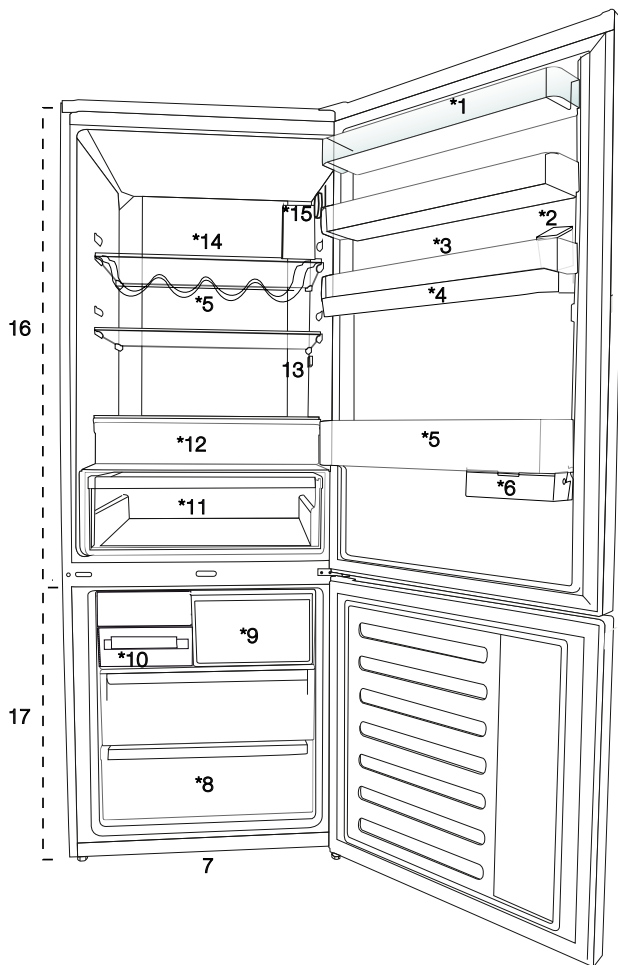
1.5. Súlad so smernicou RoHS

Tento výrobok spĺňa požiadavky smernice WEEE EÚ (2011/65/EU). Neobsahuje škodlivé a zakázané látky uvedené v smernici.

1.6. Informácie o balení

Obalové materiály výrobku sú vyrobené z recyklovateľných materiálov v súlade s našimi národnými predpismi o životnom prostredí. Nevyhadzujte obalové materiály spolu s domácimi alebo inými odpadmi. Vezmite ich do zberných miest pre obalové materiály určené miestnymi orgánmi.

2 Vaša chladnička



1. Polica v dverách chladiacej časti
2. Plniaca nádrž dávkovača vody
3. Časť pre vajíčka
4. Zásobník dávkovača vody
5. Polica pre fľaše
6. Posuvná odkladacia schránka
7. Nastaviteľné nohy
8. Časť hlbokého mrazenia
9. Časť rýchleho mrazenia
10. Zásobník na ľadové kocky a akumulovaný ľad
11. Zásobník na zeleninu
12. Oddelenia Nulového stupňa
13. Vnútorne osvetlenie
14. Sklenená polica v chladiacej časti
15. Tlačidlo pre Nastavenie teploty
16. Chladiaci priestor
17. Mraziaci priestor

Nemusi byť súčasťou výbavy všetkých modelov



***voliteľné:** Obrázky uvedené v tejto príručke sú uvádzané ako príklad a nemusia sa presne zhodovať s Vaším produktom. Ak váš výrobok neobsahuje príslušné časti, tieto informácie sa vzťahujú na ostatné modely.

3 Inštalácia

3.1. Správne miesto pre inštaláciu

Pre inštaláciu výrobku sa obráťte na autorizovaný servis. Pre prípravu výrobku pre inštaláciu vyhľadajte informácie v užívateľskej príručke a uistite sa, že sú k dispozícii požadované elektrické a vodovodné nástroje. Ak nie, pre usporiadanie týchto nástrojov podľa potreby sa obráťte na elektrikára a vodoinštalatéra.



VAROVANIE: Výrobca nenesie žiadnu zodpovednosť za škodu spôsobenú prácou vykonanou neoprávnenými osobami.



VAROVANIE: V priebehu inštalácie musí byť napájací kábel tohto výrobku odpojený. Ak tak neurobíte, môže to mať za následok smrť alebo vážne zranenie!



VAROVANIE: Ak je rozpätie dverí príliš úzke pre prenesenie výrobku, odmontujte dvere a otočte produkt na bok, ak to nefunguje, obráťte sa na autorizovaný servis.

- Pre zabránenie vibráciám umiestnite výrobok na rovný povrch.
- Umiestnite výrobok aspoň 30 cm od radiátorov, pecí a podobných tepelných zdrojov a aspoň 5 cm od elektrických rúr.
- Nevystavujte výrobok priamemu slnečnému žiareniu alebo ho neponechávajte vo vlhkom prostredí.
- Výrobok pre svoje efektívne fungovanie vyžaduje dostatočnú cirkuláciu vzduchu.
- Pokiaľ bude výrobok umiestnený vo výklenku, nezabudnite nechať najmenej 5 cm odstup medzi produktom, stropom a stenami.
- Neinštalujte výrobok v prostredí s teplotami pod -5°C .

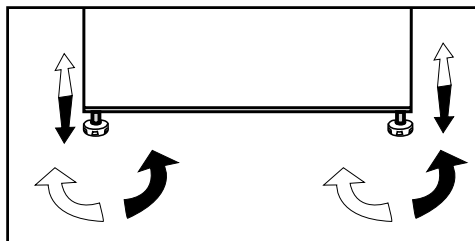
3.2. Pripojenie plastových klinov

Použite plastové kliny dodané s produktom pre zabezpečenie dostatočného priestoru pre cirkuláciu vzduchu medzi výrobkom a stenou.




1. Ak chcete pripojiť kliny, odstráňte skrutky na výrobku a použite skrutky dodané s klinmi.
2. Pripevnite 2 plastové kliny na kryt vetrania ako sú zobrazené na obrázku.

3.3. Nastavenie stojanov

Ak výrobok nie je v rovnovážnej polohe, nastavte predné nastaviteľné stojany ich otáčaním smerom doprava alebo doľava.



3.4. Pripojenie napájania

	VAROVANIE: Pre napájanie nepoužívajte rozšírené alebo združené zásuvky.
	VAROVANIE: Poškodený napájací kábel musí byť vymenený autorizovaným servisom.
	Pri umiestnení dvoch chladničiek v príľahlej pozícii, medzi dvoma jednotkami nechajte vzdialenosť najmenej 4 cm.



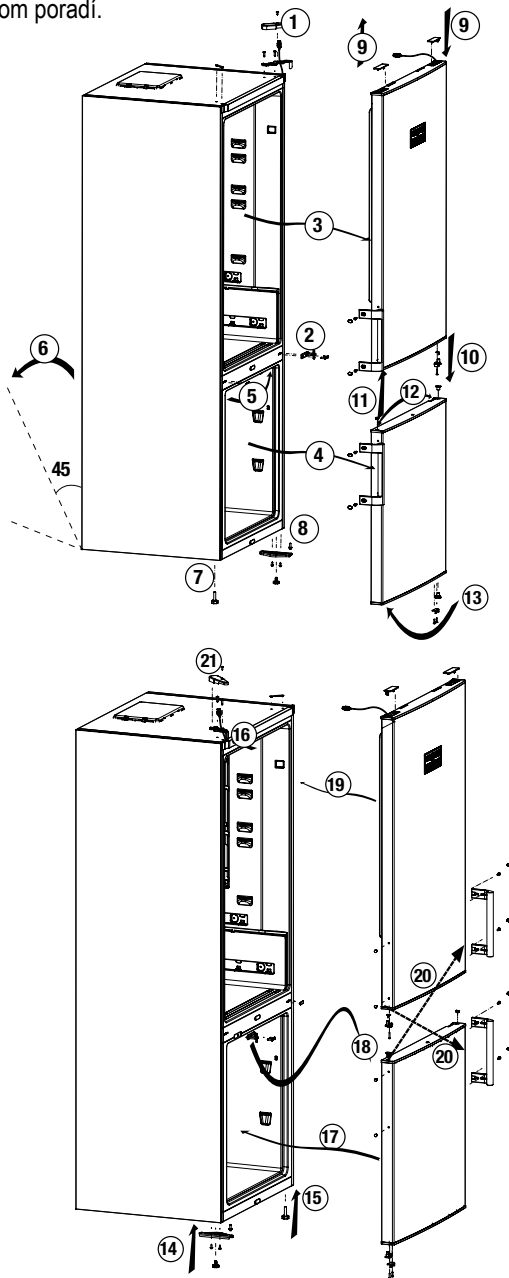
Výstraha pred horúcim povrchom
Bočné steny vášho produktu sú vybavené chladiacim potrubím pre zlepšenie chladiaceho systému. Cez tieto oblasti môže prúdiť chladivo s vysokými teplotami, čo vedie k horúcim povrchom bočných stien. To je normálne a nepotrebuje žiadnu opravu. Dbajte na to, keď sa dotýkate týchto oblastí.

- Naša spoločnosť nenesie zodpovednosť za prípadné škody vzniknuté v dôsledku použitia bez uzemnenia a pripojenia napájania v nesúlade s vnútroštátnymi predpismi.
- Zásuvka napájacieho kábla musí byť ľahko prístupná aj po inštalácii.
- Medzi zásuvkou a chladničkou nepoužívajte rozdvojku alebo predlžovací kábel.
- Váš výrobok pre svoje efektívne fungovanie vyžaduje dostatočnú cirkuláciu vzduchu. Ak sa výrobok umiestni do výklenku, nezabudnite medzi výrobkom a stropom, zadnou stenou a bočnými stenami ponechať voľný priestor najmenej 5 cm.
- Ak sa výrobok umiestni do výklenku, nezabudnite medzi výrobkom a stropom, zadnou stenou a bočnými stenami ponechať voľný priestor najmenej 5 cm. Skontrolujte, či sa komponent na zaistenie voľného priestoru voči zadnej stene nachádza na svojom mieste (ak sa dodáva s výrobkom). Ak komponent nie je k dispozícii, alebo ak sa stratil či spadol, umiestnite výrobok tak, aby medzi zadnou stenou výrobkov a stenou miestnosti zostal voľný priestor najmenej 5 cm. Voľný priestor vzadu je dôležitý pre efektívnu prevádzku výrobku.

Inštalácia

3.5. Obrátenie dverí

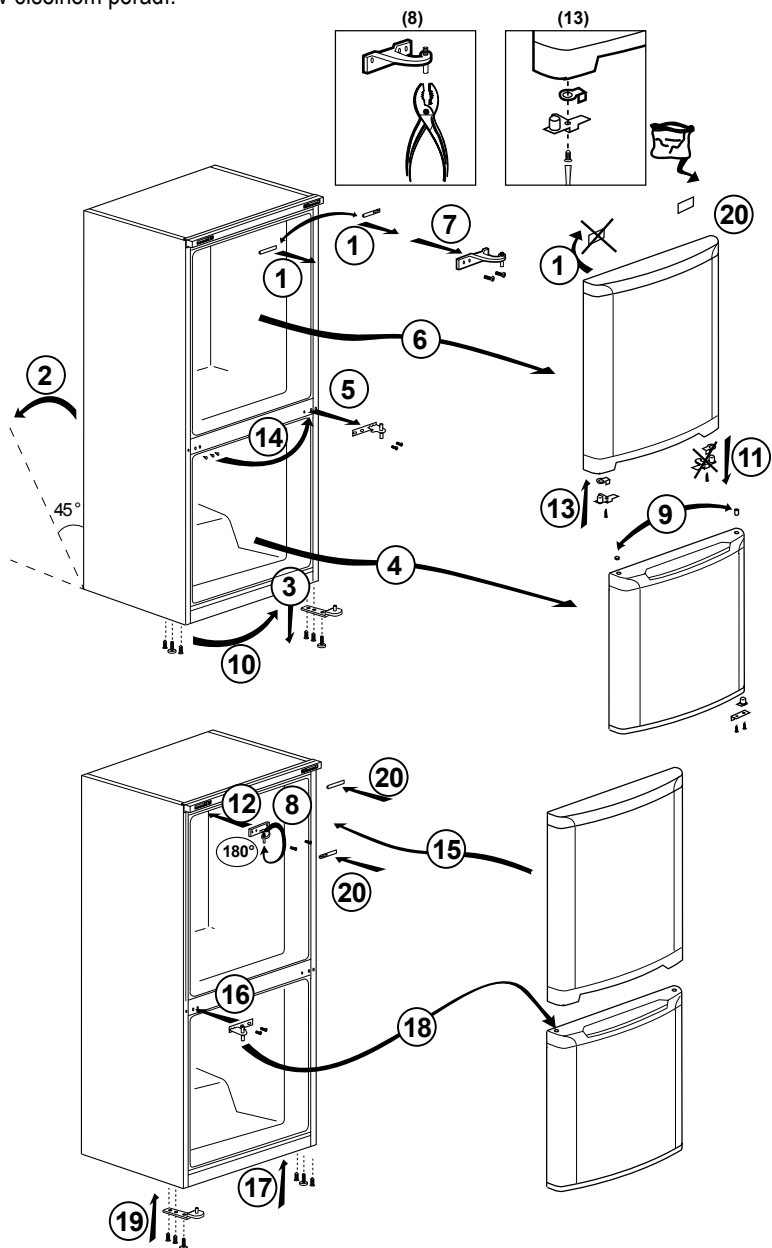
Postupujte v číselnom poradí.



Inštalácia

3.6. Obrátenie dverí

Postupujte v číselnom poradí.



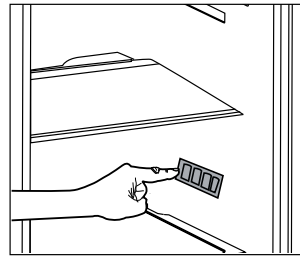
4.1. Čo urobiť pre úsporu energie



Pripojenie výrobku k elektronickým systémom pre úsporu energie je škodlivé, pretože môže dôjsť k poškodeniu výrobku.

- Pre voľne stojace zariadenie; „tento chladiaci spotrebič nie je určený na použitie ako zabudovaný spotrebič“;
- Nenechávajte dvere chladničky otvorené po dlhšiu dobu.
- Nevkladajte do chladničky horúce potraviny alebo nápoje.
- Nepreplňujte chladničku; blokovanie vnútorného toku vzduchu zníži chladiacu kapacitu.
- Aby ste mohli uchovávať maximálne množstvo potravín v chladnejšom priestore vašej chladničky, vyberte hornú zásuvku a položte ju na sklenenú policu. Deklarovaná spotreba energie chladničky bola určená po vybratí chladiča, zásobníka na ľad a hornej zásuvky, čo umožní vytvoriť maximálny skladovací priestor. Pri skladovaní dôrazne odporúčame použitie spodnej zásuvky. Pre najlepšiu spotrebu energie aktivujte funkciu úspory energie.
- Neblokujte prúdenie vzduchu tým, že umiestnite jedlo pred ventilátor chladiča. Pri umiestnení potravín je potrebné zabezpečiť minimálne 3 cm priestor pred ochrannými mrežami ventilátora.
- V závislosti na funkciách tohto výrobku; rozmrazovanie zmrazených potravín v chladnejšom priestore zaistí úsporu energie a zachovanie kvality potravín.
- Jedlo ukladajte pomocou použitia zásuviek v chladiacom priestore, s cieľom zabezpečenia úspory energie a ochrany potravín v lepších podmienkach.
- Balíky potravín nesmú byť v priamom kontakte s čidlom tepla, nachádzajúceho sa v chladiacom priestore. V prípade ak sa dotýkajú čidla, môže sa zvýšiť spotreba energie zariadenia.

- Uistite sa, že potraviny nie sú v kontakte so snímačom teploty priestoru chladničky popísaného nižšie.
- Pretože horúci a vlhký vzduch sa nedostane priamo do vášho výrobku, keď nie sú dvierka zatvorené, výrobok sa optimalizuje v existujúcich podmienkach tak, aby jedlo vnútri bolo bezpečne chránené. Funkcie a súčasti, ako sú kompresor, ventilátor, ohrievač, rozmrazovač, osvetlenie, displej a iné, budú fungovať tak, aby za týchto podmienok spotrebávali minimálne množstvo energie.



4.2. Prvé uvedenie do prevádzky

Pred použitím chladničky sa uistite, že boli vykonané všetky nevyhnutné prípravy v súlade s pokynmi uvedenými v kapitolách “Bezpečnostné pokyny a životné prostredie” a “Inštalácia”.

- Nechajte výrobok bežať bez jedla v jeho vnútri po dobu 6 hodín a neotvárajte dvere, ak to nie je nevyhnutné.



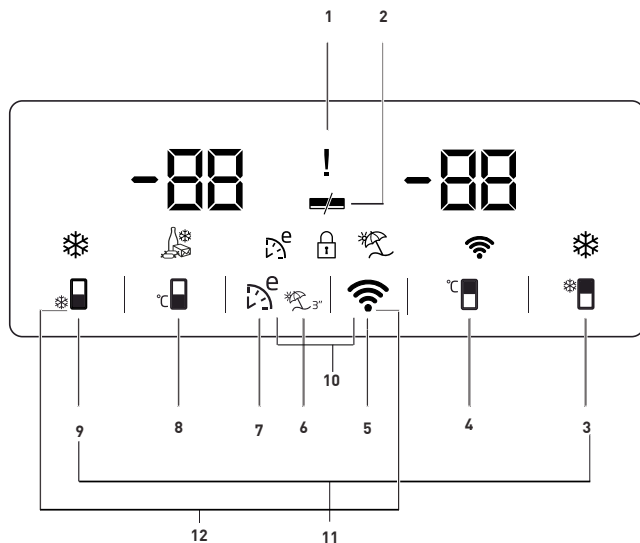
Keď sa kompresor zapne, budete počuť zvuk. Je normálne počuť zvuk, aj keď kompresor nie je aktívny, v dôsledku stlačenej kvapaliny a plynov v chladiacom systéme.



Predné hrany produktu sa môžu zahriať. To je normálne. Tieto oblasti sú navrhnuté tak, aby sa zahriali, s cieľom zabránenia kondenzácie.



Pri niektorých modeloch sa panel indikátora automaticky vypne po 5 minútach po zatvorení dverí. Znovu sa aktivujú keď sa dvere otvoria alebo po stlačení tlačidla.




1. Kontrolka poruchového stavu
2. Kontrolka funkcie úspory energie (vypnutý displej)
3. Tlačidlo rýchleho chladenia
4. Tlačidlo nastavenia teploty chladiacej časti
5. Tlačidlo bezdrôtového pripojenia
6. Tlačidlo funkcie Dovolenka
7. Tlačidlo Eco-fuzzy
8. Tlačidlo nastavenia teploty mraziacej časti
9. Tlačidlo rýchleho mrazenia
10. Zámok tlačidiel
11. Tlačidlo na zmenu jednotky teploty

May not be available in all models

Tlačidlo pre Nastavenie teploty

1. Kontrolka poruchového stavu

Ak vaše chladnička nechladí dostatočne, alebo ak dôjde k poruche snímača aktivuje sa kontrolka

 Keď je aktívna táto kontrolka, Kontrolka teploty v mraziacom priestore zobrazí "E" a Kontrolka teploty v chladiacom priestore zobrazí čísla "1,2, 3..." atď. Tieto čísla na kontrolke poskytujú informácie o chybe pre servisný personál.

Ak do mraziaceho priestoru vložíte teplé jedlo alebo ak dlhší čas necháte dvere otvorené, môže sa na nejaký čas rozsvietiť výkričník. Nejde o zlyhanie; po ochladení potravín toto varovanie zmizne.


2. Kontrolka funkcie úspory energie (vypnutý displej)

Ak sú dvere produktu zatvorené po dlhšiu dobu, automaticky sa aktivuje funkcia úspory energie a rozsvieti sa symbol úspory energie.




Keď je aktivovaná funkcia úspory energie, vypnú sa všetky symboly na displeji, okrem symbolu úspory energie. Ak je aktivovaná funkcia pre úsporu energie, ak stlačíte akékoľvek tlačidlo alebo otvoríte dvere, funkcia úspory energie sa zruší a symboly na displeji sa vrátia do normálu. Funkcia Úspora energie je nastavená od výroby a nie je ju možné zrušiť.

3. Tlačidlo rýchleho chladenia

Kontrolka rýchleho chladenia  svieti, keď je aktivovaná funkcia rýchleho chladenia a hodnota indikátora teploty chladničky sa zobrazuje ako 1. Pre zrušenie tejto funkcie stlačte tlačidlo Rýchleho chladenia. Kontrolka rýchleho chladenia sa vypne a chladnička sa vráti do normálneho nastavenia. Ak ju nezrušíte, funkcia rýchleho chladenia sa automaticky zruší do 1 hodiny. Ak chcete ochladiť veľké množstvo čerstvých potravín, pred vložením potravín do chladničky stlačte tlačidlo rýchleho chladenia.

4. Tlačidlo nastavenia teploty chladiacej časti

Stlačením tlačidla môžete teplotu chladiaceho priestoru nastaviť na 8,7, 6,5, 4,3, 2 a 1. 

5. Tlačidlo bezdrôtového pripojenia (* voliteľné)

Dlhým stlačením tlačidla (3 sekundy) sa spustí prvé predstavenie produktu do domácej siete.

Počas procesu nadviazania spojenia, bude ikona bezdrôtovej siete  blikať v 0,5-sekundových intervaloch.

Po úspešnom pripojení k domácej sieti bude ikona bezdrôtovej siete nepretržite svietiť.

Po nadviazaní prvého spojenia je možné spojenie aktivovať/deaktivovať krátkym stlačením tohto tlačidla.

Po vypnutí a zapnutí napájania sa automaticky zapamätá a vytvorí sa pripojenie k sieti.

Kým sa spojenie nevytvorí, ikona bezdrôtovej siete bude krátko blikať (v intervaloch 0,2 sekundy).

Keď je pripojenie aktívne, bude ikona bezdrôtovej siete nepretržite svietiť.



Ak určitú dobu nie je možné nadviazať pripojenie, skontrolujte nastavenia modemu/pripojenia.

Aplikácia HomeWhiz sa používa ako rozhranie pripojenia.

Kroky pripojenia sú popísané v príručke HomeWhiz QUICK INSTALLATION GUIDE, ktorá je dodávaná s produktom.

V časti venovanej riešeniu problémov nájdete odpovede na základné otázky.


6. Tlačidlo funkcie Dovolenska

Ak chcete aktivovať funkciu Dovolenska, stlačte a podržte tlačidlo  na 3 sekundy a aktivuje sa kontrolka dovolenkového režimu . Ak je aktivovaná funkcia Dovolenska, na ukazovateli teploty chladničky sa zobrazí "- -" a v časti chladničky nebude aktívne chladenie. Keď je táto funkcia aktívna, neodporúča sa skladovať potraviny v chladiacom priestore. Ostatné oddelenia sa budú

Tlačidlo pre Nastavenie teploty

naďalej chladíť podľa nastavených teplôt.
Pre zrušenie tejto funkcie znova stlačte tlačidlo
funkcie Dovolenska.


7. Tlačidlo Eco-fuzzy

Zapnite funkciu Eco-fuzzy stlačením tlačidla Eco-fuzzy. Ak je táto funkcia povolená, mraznička začne fungovať v ekologickom režime najmenej po 6 hodín a bude svietiť kontrolka ekonomického používania. 


Ak chcete funkciu Eco-fuzzy deaktivovať, znova stlačte tlačidlo funkcie Eco-fuzzy. Ak je aktivovaná funkcia eko-fuzzy, táto kontrolka sa rozsvieti po 6 hodinách.


8. Tlačidlo nastavenia teploty mrazničky

Nastavenie teploty sa vykonáva pre mraziaci priestor.



V prípade stlačenia očíslovaného tlačidla , môžete nastaviť teplotu v mrazničke na -18, -19, -20, -21, -22, -23 a -24.




9. Tlačidlo rýchleho mrazenia

Stlačte tlačidlo č. (9) na rýchle zmrazenie; aktivuje sa kontrolka rýchleho zmrazenia  sa.

Keď je zapnutá funkcia rýchleho zmrazenia, rozsvieti sa kontrolka rýchleho zmrazenia a na displeji sa zobrazí kontrolka teploty mraziacej časti -27. Túto funkciu zrušíte opätovným stlačením tlačidla rýchleho zmrazenia ). Kontrolka rýchleho zmrazenia zhasne a chladnička sa vráti do pôvodného stavu. Ak ju nezrušíte, funkcia Rýchleho chladenia sa do 25 hodín automaticky zruší. Ak chcete zmraziť veľké množstvo čerstvých potravín, pred vložení potravín do mrazničky stlačte tlačidlo Rýchleho mrazenia.



10. Zámok tlačidiel

Stlačte a podržte na 3 sekundy súčasne tlačidlá pre bezdrôtovú sieť  a Eko-fuzzy . Rozsvieti sa symbol Zámku tlačidiel

 a aktivuje sa režim Zámok tlačidiel. Ak je režim Zámok tlačidiel aktívny, tlačidlá nebudú fungovať. Stlačte a podržte na 3 sekundy súčasne tlačidlá pre bezdrôtovú sieť  a Eko-fuzzy . Zámok tlačidiel bude deaktivovaný.

Ak chcete zabrániť pozmeneniu nastavenia teploty v chladničke, stlačte tlačidlo **Zámok tlačidiel.**

11. Tlačidlo na zmenu jednotky teploty

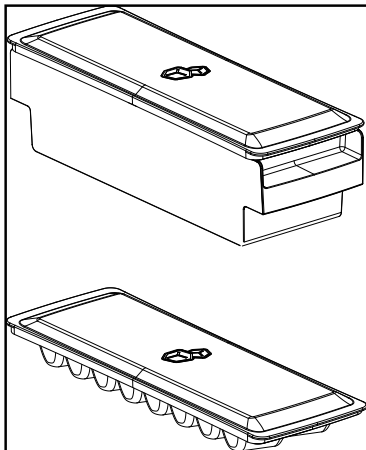
Stlačte a podržte tlačidlá Quick Fridge  a Quick Freeze  na 3 sekundy pre prepínanie medzi Fahrenheitom a Celziosom.

Tlačidlo pre Nastavenie teploty

5.1. Zásobník na ľad

(Voliteľné)

- Vyberte von nádobu na ľad z mrazničky.
- Naplňte nádobu na ľad vodou.
- Vložte nádobu na ľad do mrazničky.
- Ľad bude pripravený asi po dvoch hodinách. Vezmite nádobu na ľad z mrazničky a opatrne ju ohnite nad držiakom, ktorý budete podávať. Ľad ľahko vypadne do servírovacieho držiaka.



5.2. Držiak na vajíčka

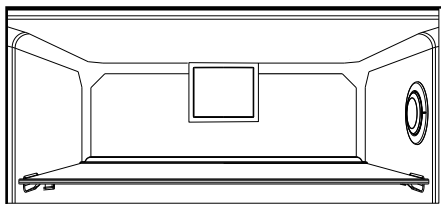
Držiak na vajíčka môžete ľubovoľne umiestniť na držiak vo dverách alebo v chladničke. Ak ste sa rozhodli dať ju na držiak v chladničke, odporúčame, aby ste použili nižšie police, nakoľko sú chladnejšie.



Nedávajte držiak na vajíčka do mrazničky.

5.3. Ventilátor

Ventilátor bol navrhnutý tak, aby zabezpečil cirkuláciu chladného vzduchu vo vnútri chladničky homogénne. Prevádzková doba ventilátora sa môže líšiť v závislosti na funkciách vášho produktu.



5.4. Zásobník na zeleninu

(Voliteľné)

Zásobník na zeleninu produktu je navrhnutý tak, aby zelenina zostala čerstvá pri zachovaní svojej vlhkosti. Za týmto účelom je celková cirkulácia chladného vzduchu v zásobníku na zeleninu intenzívnejšia.

Tlačidlo pre Nastavenie teploty

5.5. Oddelenia Nulového stupňa

(Voliteľné)

Použite tento priestor pre udržanie lahôdok alebo mäsových výrobkov na okamžitú spotrebu pri nižších teplotách.

Oddelenia Nulového stupňa je najlepšie miesto, kde môžu byť uložené v ideálnych podmienkach skladovania potraviny, ako sú mliečne výrobky, mäso, ryby a kurča. Neskladujte zeleninu a/alebo ovocie v tomto priestore.

5.6. Pohyblivý stojan vo dverách

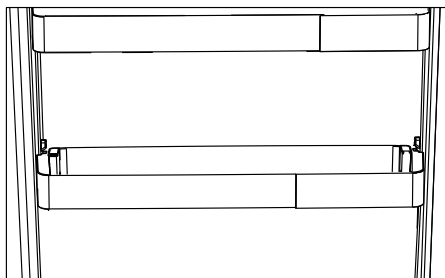
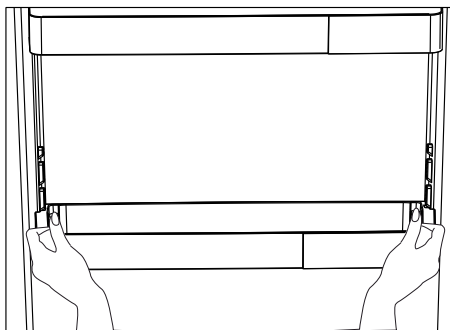
(Voliteľné)

Pohyblivý stojan vo dverách je možné upevniť do 3 rôznych polôh.

Pre presun stojana, rovnomerne stlačte bočné tlačidlá. So stojanom bude možné pohybovať.

Posuňte stojan smerom nahor alebo nadol.

Keď je stojan v požadovanej pozícii, uvoľnite tlačidlá. Po uvoľnení tlačidiel bude stojan opäť pevný na svojej pozícii.

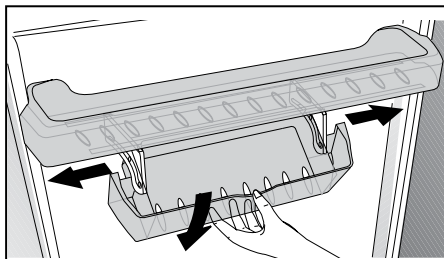


5.7. Posuvná odkladacia schránka

(Voliteľné)

Tento doplnok bol navrhnutý pre zvýšenie objemu využitia dverných stojanov.

Vďaka svojej schopnosti pohybovania sa do strán, vám umožní ľahko umiestniť dlhé fľaše, poháre alebo krabice, ktoré ste vložili do poličky pre fľaše nižšie.



5.8. Dezodorizačný modul

(FreshGuard)

(Voliteľné)

Dezodorizačným modulom sa rýchlo odstraňujú zápachy vo vašej chladničke skôr, ako preniknú do povrchov. Vďaka tomuto modulu, ktorý sa nachádza na strope priehradky na čerstvé potraviny, sa zápachy rozptýlia počas aktívneho presúvania vzduchu do zápachového filtra, potom sa vzduch prečistený filtrom opätovne vypúšťa do priehradky na čerstvé potraviny. Takto sa nežiaduce zápachy, ktoré môžu vzniknúť počas uskladnenia potravín v chladničke, odstraňujú skôr, ako preniknú do povrchov.

Dosahuje sa to vďaka ventilátoru, LED a pachovému filtru, ktoré sú zabudované v module. Pri dennom používaní sa dezodorizačný modul bude pravidelne automaticky spúšťať. Na zachovanie účinnosti sa odporúča dať si filter v dezodorizačnom module vymeniť autorizovaným servisným technikom každých 5 rokov. V dôsledku zabudovania ventilátora do modulu je zvuk, ktorý počuť pri prevádzke, bežný. Ak otvoríte dverka priehradky na čerstvé potraviny,

keď je modul v činnosti, ventilátor sa dočasne zastaví a po istom čase bude pokračovať, kde prestal, po opätovnom zatvorení dvierok. V prípade výpadku prúdu bude dezodorizačný modul pokračovať, kde prestal počas trvania celkovej prevádzky, po obnovení napájania. Informácia: Aromatické potraviny (napr. syr, olivy a lahôdky) sa odporúča uchovávať v ich balení a uzavreté, aby sa zamedzilo zápachom, ktoré môžu vzniknúť v dôsledku zmiešania pachov rôznych potravín. Okrem toho sa odporúča pokazené potraviny bezodkladne vybrať z chladničky, aby sa zabránilo pokazeniu ostatných potravín a zamedzilo zápachu.

Tlačidlo pre Nastavenie teploty

5.9. Používanie druhého priečinka na zeleninu a ovocie;



Obrázok 1.

V druhom priečniku na zeleninu a ovocie na modeli K70560 sú 2 zarážky.



Obrázok 2.

Druhý priečnik vyzerá ako na Obrázku 2, keď je zatvorený.



Obrázok 3.

Otvorte dvere do uhla 90° a vytiahnite druhý priečnik na zeleninu a ovocie až po prvú zarážku, ako je znázornené na Obrázku 3.

V prípade, že je zásuvka viac otvorená, najprv otvorte dvere do uhla aspoň 135°.



Potom nadvihnite druhý priečnik na zeleninu a ovocie asi o 5 mm, takže sa uvoľní z prvej zarážky (ako je znázornené na Obrázku 4).



Obrázok 4.

Po nadvihnutí vytiahnite druhú zásuvku až po druhú zarážku, ako je znázornené na Obrázku 5.

Obrázok 5.

Tlačidlo pre Nastavenie teploty

5.10. Zásobník na zeleninu s kontrolou vlhkosti

(Voliteľné)

Pomocou funkcie regulácie vlhkosti je vlhkosť zeleniny a ovocia pod kontrolou a zabezpečí sa tým dlhšia doba čerstvosti potravín.

Ako je to možné, odporúča sa skladovať listovú zeleninu, ako je hlávkový šalát a špenát a podobné zeleniny, náchylné na stratu vlhkosti nie na svojich koreňoch, ale vo vodorovnej polohe v zeleninovom koši.

Pri umiestňovaní zeleniny, uložte ťažkú a tvrdú zeleninu na dno a ľahkú a mäkkú na vrchol, s prihliadnutím na špecifické hmotnosti zeleniny.

Nenechávajte zeleninu na zásobníku v igelitových sáčkoch. Ponechanie v igelitových sáčkoch spôsobí, že zelenina zhynie v krátkej dobe. V situáciách, kde kontakt s ostatnou zeleninou nie je vhodný, použite obalový materiál, ako je papier, ktorý má určitú pórovitosť v súlade s hygienou.

Nedávajte plody, ktoré majú vysokú produkciu plynu etylénu, ako sú hrušky, marhule, broskyne a najmä jablká do spoločného zeleninového zásobníka s inou zeleninou a ovocím. Plyn etylén vychádzajúci z týchto plodov môže spôsobiť, že ostatná zelenina a ovocie budú zrieť rýchlejšie a začnú hniť v kratšom časovom období.

5.11. Automatický výrobnik ľadu

(Voliteľné)

Automat ľad vám umožní ľahko vytvoriť ľad v chladničke. Za účelom získania ľadu z výrobníka ľadu, vyberte nádržku na vodu z chladiaceho priestoru, naplňte ju vodou a dajte ju naspäť.

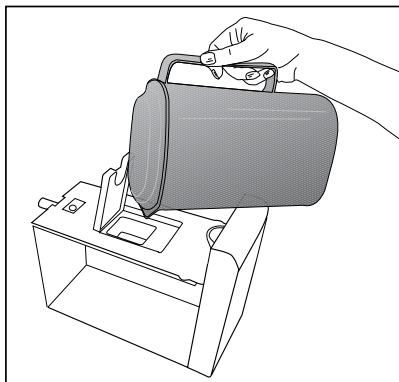
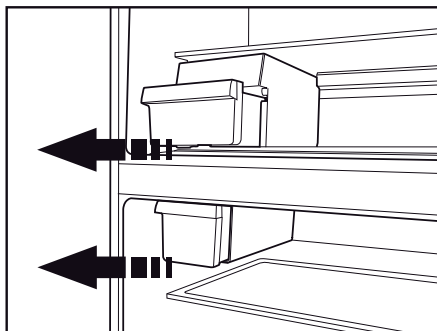
Prvý ľad bude vo výrobníku ľadu pripravený asi za 2 hodiny v chladiacom priestore.

Po umiestnení plnej vodnej nádrže, kým sa úplne nevyprázdni, môžete získať asi 60-70 kociek ľadu.

V prípade, že voda v nádrži bola dlhšie ako 2-3 týždne, vymeňte ju.



Pri produktoch s automatickým výrobníkom ľadu, pri výrobe ľadu môžete počuť zvuk. Tento zvuk je normálny a nie je známkou poruchy.



Tlačidlo pre Nastavenie teploty

5.12. Icematic a držiak na skladovanie ľadu

*voliteľné

Používanie výrobníka ľadu Icematic

Naplňte výrobník ľadu Icematic vodou a umiestnite ho na jeho miesto. Váš ľad bude pripravený asi po dvoch hodinách. Pre vybratie ľadu neodstraňujte Icematic z jeho miesta.

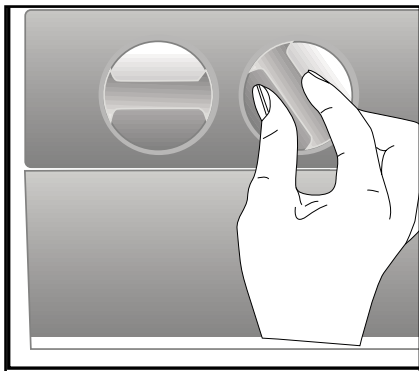
Otočte gombík na ľadovom zásobníku v smere hodinových ručičiek o 90 stupňov. Ľadové kocky v nádrži spadnú dolu do nižšie umiestneného držiaku ľadu.

Následne môžete vybrať držiak ľadu a podávať ľadové kocky.

Ak chcete, ľadové kocky môžete skladovať aj v držiaku na ľad.

Držiak na skladovanie ľadu

Držiak na skladovanie ľadu je určený len pre zbieranie kociek ľadu. Nedávajte do neho vodu. V opačnom prípade sa zlomí.



5.13. Používanie dávkovača na vodu

*voliteľné



Je normálne, že prvých niekoľko pohárov vody odobraných z dávkovača vody bude obvykle teplých.

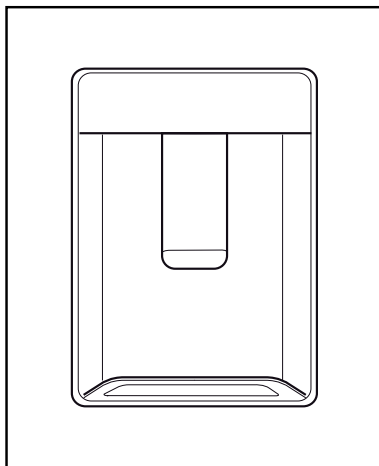


Ak sa dávkovač vody nepoužíval dlhšiu dobu, aby ste získali čistú vodu, prvé poháre vody vylejte.

1. Zatláčte pohárom o páku dávkovača vody. Ak používate mäkký plastový téglik, bude jednoduchšie páku stlačiť rukou.
2. Po naplnení pohára po požadovanú úroveň, uvoľnite páku.



Upozorňujeme, že z dávkovača vytečie toľko vody, ako ďaleko potlačíte páku. Keď hladina vody vo Vašej šálke / pohári stúpne, jemne znížte množstvo tlaku na páku, aby ste zabránili pretečeniu. Ak páku ľahko stlačíte, bude kvapkať voda; to je úplne normálne a nejde o poruchu.



Tlačidlo pre Nastavenie teploty

5.14. Plnenie nádrže dávkovača na vodu

Plniaca nádrž Vodnej nádrže je umiestnená vo vnútri stojana dverí.

1. Otvorte kryt nádrže.
2. Naplňte nádrž čerstvou pitnou vodou.
3. Zatvorte kryt.



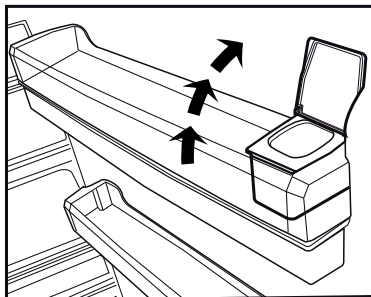
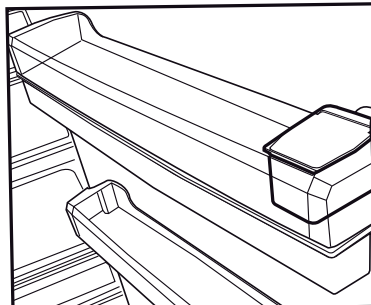
Neplňte nádrž na vodu s inou kvapalinou okrem vody, ako sú napríklad ovocné džúsy, sýtené nápoje a alkoholické nápoje, ktoré nie sú vhodné pre použitie v dávkovači vody. V prípade použitia týchto druhov kvapalín sa dávkovač vody nenapraviteľne poškodí. Záruka sa nevzťahuje na takéto použitie. Niektoré chemické látky a prísady obsiahnuté v týchto druhov nápojov / kvapalín môžu poškodiť nádržku na vodu.



Používajte len čistú pitnú vodu.



Kapacita nádrže na vodu je 3 litre; neprepĺňajte ju.



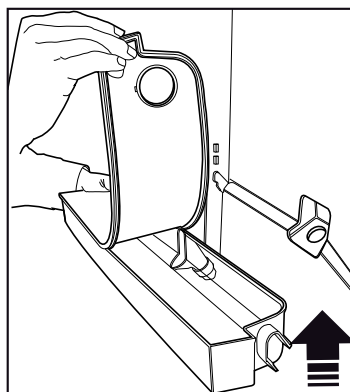
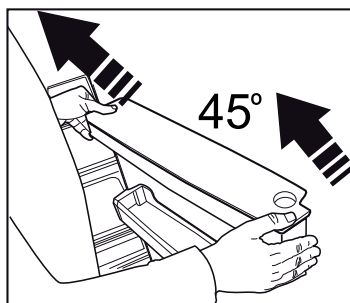
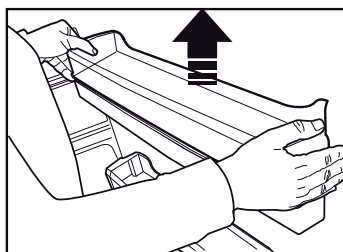
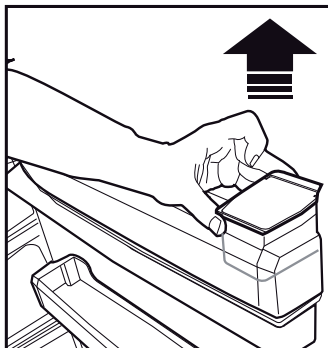
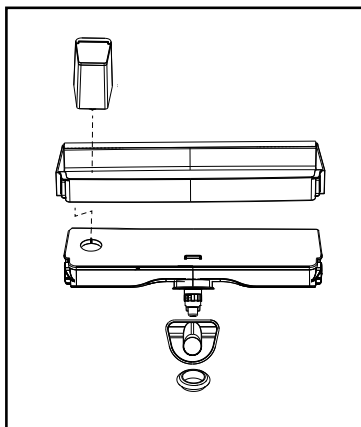
Tlačidlo pre Nastavenie teploty

5.15. Čistenie nádrže na vodu

1. Vyberte nádrž na vodu vo vnútri rámu dverí.
2. Odstráňte rám dverí ich pridržením z oboch strán.
3. Chyťte nádržku na vodu z oboch strán a odstráňte ju pod uhlom 45 ° C.
4. Odstráňte kryt zásobníka na vodu a vyčistite nádrž.



Súčasti nádrže na vodu a dávkovač vody neumývajte v umývačke riadu.



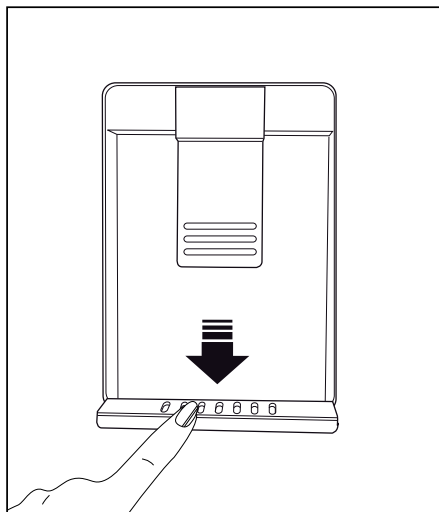
Tlačidlo pre Nastavenie teploty

5.16. Odkvapkováca miska

Voda, ktorá pri použití dávkovača vody vykvapkala, sa hromadí v odkvapkávacom zásobníku.

Odstráňte plastový filter, ako je znázornené na obrázku.

S čistou a suchou handričkou odstráňte nahromadenú vodu.



HerbBox/HerbFresh

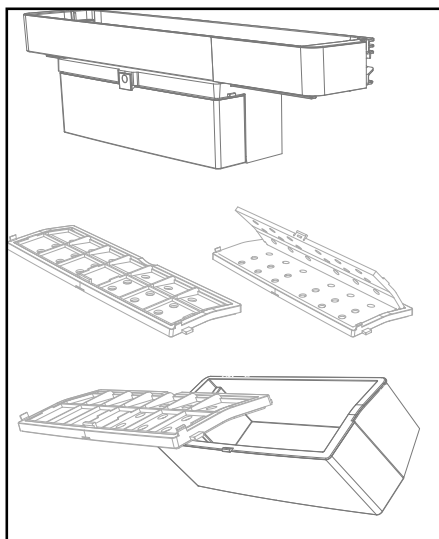
Vyberte filmový zásobník z HerbBox/HerbFresh+

Odstráňte film zo sáčky a vložte ho do filmového zásobníka, ako je znázornené na obrázku.

Opäť uzatvorte zásobník a vložte ho späť do jednotky HerbBox/HerbFresh+

Časti HerbBox/HerbFresh+ sú obzvlášť vhodné pre skladovanie rôznych bylín, ktoré majú byť uchovávané v citlivých podmienkach. Môžete ukladať svoje nezabalené bylinky (petržlen, kôpor, atď.) do tejto časti horizontálne a udržať ich čerstvé oveľa dlhšiu dobu.

Film sa nahrádza každých šesť mesiacov.



Tlačidlo pre Nastavenie teploty

5.17. Zmrazovanie čerstvých potravín

- Ak chcete zachovať kvalitu potravín, potraviny umiestnené v mrazničke musia byť zmrazené tak rýchlo, ako je to možné, z toho dôvodu použijete funkciu rýchleho zmrazenia.
- Zmrazenie potravín v čerstvom stave predĺži dobu ich skladovania v mrazničke.
- Zabaľte potraviny do vzduchotesných balení a tesne ich uzatvorte.
- Uistite sa, že potraviny sú pred vložením do mrazničky zabalené. Miesto tradičného obalového papiera použijete krabice do mrazničky, staniol a papier odolný proti vlhkosti, igelitové vrecká alebo podobné obalové materiály.



Lad sa v mraziacej časti topí automaticky.

- Pred zmrazením označte každé balenie potravín napísaním dátumu na ich obal. To vám umožní určiť čerstvosť každého balenia pri každom otvorení mrazničky. Udržujte skoršie položky potravín v prednej časti, aby ste zabezpečili, že budú použité ako prvé.
- Zmrazené potraviny musia byť použité ihneď po rozmrazení a nemali by byť znovu zmrazené.
- Nezmrazujte veľké množstvo potravín naraz.

5.18. Odporúčania pre skladovanie zmrazených potravín

Chladiaci priestor musí byť nastavený na menej ako -18°C.

1. Umiestnite potraviny do mrazničky čo najrýchlejšie, aby nedošlo k ich rozmrazeniu.
2. Pred zmrazením skontrolujte položku "Dátum spotreby" na obale, aby ste sa uistili, že ešte nevypršala.
3. Uistite sa, že balenie potravín nie je poškodené.

Nastavenie teploty Mraziaceho priestoru	Nastavenie teploty Chladiaceho priestoru	Podrobnosti
-18°C	4°C	Toto je predvolené, odporúčané nastavenie.
-20,-22 alebo 24°C	4°C	Tieto nastavenia sa odporúčajú pri teplotách okolia nad 30 °C.
Quick Freeze - Rýchle mrazenie	4°C	Použite, keď chcete zmraziť vaše potraviny krátkej dobe. Po ukončení procesu sa produkt vráti do svojej predchádzajúcej pozície.
-18°C alebo nižšie	2°C	Použite toto nastavenie, ak si myslíte, že chladiaci priestor nie je dostatočne studený vzhľadom na teplotu prostredia alebo časté otváranie dverí.

Tlačidlo pre Nastavenie teploty

5.19. Podrobnosti o mrazničke

Podľa noriem IEC 62552, mraznička musí mať schopnosť zmraziť 4,5 kg potravín na teplotu -18°C alebo nižšie do 24 hodín na každých 100 litrov objemu mraziaceho priestoru.

Potraviny môžu byť zachované po dlhšiu dobu iba pri teplote do teploty -18°C.

Potraviny môžete udržiavať čerstvé po dobu niekoľkých mesiacov (v mrazničke na alebo pod teplotou -18°C).

Potraviny ktoré majú byť zmrazené nesmú prísť do kontaktu s už zmrazenými potravinami vo vnútri mrazničky z dôvodu zabránenia ich čiastočnému rozmrazeniu.

Zeleninu uvarte a vodu odfiltrujte pre predĺženie doby zmrazeného skladovania.

Po filtrácii dajte jedlo do vzduchotesných balení a umiestnite ho v mrazničke. Banány, paradajky, hlávkový šalát, zeler, varené vajcia, zemiaky a podobné potraviny nezmrazujte.

V opačnom prípade tieto potraviny zhnijú a budú ovplyvnené ich nutričné hodnoty a kvalita jedenia. To, že hniloba ohrozuje aj ľudské zdravie, nie je otáznе.

5.20. Umiestnenie jedla

Police v mraziacej časti	Rôzny mrazený tovar ako sú mäso, ryby, zmrzlina, zelenina a pod.
Police v chladiacej časti	Potraviny v hrnci, tanieri a krabice s viečkami, vajcia (v krabiciach s viečkom)
Police v dverách chladiacej časti	Malé a balené potraviny alebo nápoje
Zásobník na zeleninu	Ovocie a zelenina
Časť pre čerstvé potraviny	Lahôdky (potraviny pre raňajky, mäsové výrobky, ktoré majú byť konzumované v krátkej dobe)

5.21. Upozornenie na otvorené dvere

(Voliteľné)

Ak dvere výrobku zostanú otvorené, po dobu aspoň 1 minúty, zaznie akustické upozornenie. Akustický upozornenie stíchne, keď sú dvere zatvorené alebo po stlačení ľubovoľného tlačidla na displeji (ak je k dispozícii).

Upozornenie na otvorené dvere je indikované užívateľovi tak akusticky, ako aj vizuálne. Ak alarm pokračuje po dobu 10 min, osvetlenie interiéru vypne.

5.22. Zmena smeru otvárania dverí

Smer otvárania dverí vašej chladničky môžete zmeniť v závislosti na jej mieste používania.

Keď tak potrebujete urobiť, obráťte sa na najbližší Autorizovaný servis.

Hore uvedené vysvetlenie je všeobecné vyhlásenie. O možnosti zmeny smeru otvárania dverí skontrolujte štítok s upozornením umiestnený vo vnútri obalu.

5.23. Vnútorňé osvetlenie

Vo vnútorňom osvetlení sa používa LED lampa. V prípade akýchkoľvek problémov s touto lampou sa obráťte na autorizovaný servis.

Lampa/y, použité v tomto zariadení nie je možné použiť pre osvetlenie domu. Účel použitia tohto svetla je pomôcť užívateľovi umiestniť potraviny do chladničky / mrazničky bezpečne a pohodlne.

Pri pravidelnom čistení sa zvýši životnosť výrobku.



VAROVANIE: Pred čistením chladničky produkt najprv odpojte z elektrickej siete.

- Na čistenie nikdy nepoužívajte ostré alebo brúsne nástroje, mydlo, domáce čistidlá, detergenty a voskové politúry.
- Rozpusťte jednu lyžičku karbonátu v pol litri vody. Namočte handričku do roztoku a dôkladne ju vyžmýkajte. Utrite vnútro spotrebiča s touto látkou a vysušte ho.
- Uistite sa, aby sa o telesa osvetlenia a iných elektrických predmetov nedostala žiadna voda.
- Očistite dvere pomocou vlhkej handričky. Ak chcete odstrániť police vo dverách a hlavné police, odstráňte všetok ich obsah. Vyberte police dverí ich posunutím smerom nahor. Po očistení, k uloženiu ich vložte smerom zhora nadol.
- Pre čistenie vonkajších povrchov a pochrómovaných súčastí výrobku nikdy nepoužívajte čistiace prostriedky ani vodu s obsahom chlóru. Chlór spôsobuje koróziu kovových povrchov.
- Pre zabránenie odstráneniu a deformácii nápisov na plastových dielach, nepoužívajte žiadne ostré, brúsne nástroje, mydlo, čistiace prostriedky pre domácnosť, čistiace prostriedky, petrolej, vykurovací olej, laky atď.. Na čistenie použite vlažnú vodu a mäkkú handričku a utrite ich do sucha.

6.1. Zabránenie vzniku nepríjemných pachov

Pri výrobe našich zariadení sa nepoužívajú materiály, ktoré môžu spôsobiť zápach. Avšak, nevhodné podmienky pre zachovanie potravín a zanedbanie čistenia vnútorného povrchu zariadenia v potrebnej miere môže spôsobiť problém zápachu.

Preto chladničku čistite karbonáto rozpusteným vo vode každých 15 dní.

- Potraviny uchovávajte v uzavretých nádobách. Mikroorganizmy šíriace sa z nekrytých nádob môžu spôsobiť nepríjemné pachy.
- Nikdy neskladujte jedlo, ktorým vypršala trvanlivosti a sú rozliate v chladničke.

6.2. Ochrana plastových povrchov

Okamžite očistite s teplou vodou, nakoľko olej nanosený na plastové povrchy môže spôsobiť poškodenie povrchu.

6.3. Dverové sklá

Zo skiel odstráňte ochrannú fóliu.

Na povrchu skla sa nachádza povlak. Tento povlak minimalizuje vznik škvŕn pomáha ľahko odstrániť prípadné nečistoty a škvŕny. Sklá, ktoré nie sú chránené takýmto povlakom môžu byť vystavené trvalým organickým alebo anorganickým nečistotám na báze vzduchu alebo vody, ako sú vodný kameň, minerálne soli, nespálené uhľovodíky, oxidy kovov a silikóny, ktoré ľahko a rýchlo spôsobujú škvŕny alebo materiálne škody. Udržiavanie skla v čistom stave sa stáva príliš ťažkým, napriek pravidelnému čisteniu. V dôsledku toho, vzhľad a transparentnosť skla sa zhoršuje. Drsné a žieravé metódy čistenia a zlúčeniny zintenzívňujú tieto vady a urýchľujú proces zhoršovania sa. Pre bežné čistiace účely použite čistiace prostriedky na vodnej báze, ktoré nie sú zásadité a korozívne.

Na čistenie použite nealkoholické a nekorozívne materiály, aby ste zachovali povlak po dlhú dobu. Sklá sú temperované pre zvýšenie ich odolnosti proti nárazom a lámaniu.

Na ich zadnej ploche bola tiež aplikovaná bezpečnostná fólia, ako ďalšie bezpečnostné opatrenie pre zabránenie poškodeniu ich okolia v prípade ich rozbitia.

* Alkál je báza, ktorá pri rozpustení vo vode tvorí hydroxidové ióny (OH).

Kovy Li (lítium), Na (sodík), K (draslík) Rb (rubídium), Cs (cézium), a umelý a rádioaktívny Fr (Francium) sa nazývajú alkalické kovy.

7 Riešenie problémov

Než sa obrátite na servis, pozrite si nasledujúci zoznam. Môže Vám to ušetriť čas aj peniaze. Tento zoznam obsahuje časté sťažnosti, ktoré nie sú spojené s chybným spracovaním alebo poškodením materiálu. Niektoré funkcie uvedené v tomto dokumente sa nemusia vzťahovať na váš produkt.

Chladnička nefunguje.

- Zástrčka nie je úplne nasadená. >>> Zapojte ju úplne do zásuvky.
- Poistka pripojená do zásuvky ktorá napája produkt alebo hlavná poistka je spálená. >>> Skontrolujte poistky.

Kondenzácia na bočnej stene chladiaceho priestoru (MULTI ZÓNA, CHLADIACA, KONTROLNÁ a FLEXI ZÓNA).

- Prostredie je príliš chladné. >>> Neinštalujte výrobok v prostredí s teplotami pod -5°C .
- Dvere sa otvárajú príliš často >>> Dbajte na to, aby ste dvere výrobku neotvárali príliš často.
- Prostredie je príliš vlhké. >>> Neinštalujte výrobok vo vlhkom prostredí.
- Potraviny obsahujúce tekutiny sú uchovávané v neuzavretých nádobách. >>> Uchovávajte potraviny, ktoré obsahujú tekutiny v uzavretých nádobách.
- Dvere výrobku boli ponechané otvorené. >>> Nenechávajte dvere chladničky otvorené po dlhšiu dobu.
- Termostat je nastavený na príliš nízku teplotu. >>> Nastavte termostat na vhodnú teplotu.

Kompresor nepracuje.

- V prípade náhleho výpadku prúdu alebo vytiahnutia napájacieho kábla a po jeho opätovnom pripojení tlak plynu v chladiacom systéme výrobku nie je vyvážený, čo spustí tepelný istič kompresora. Produkt sa rešartuje po približne 6 minútach. Keď sa výrobok po uplynutí tejto doby nerešartuje, obráťte sa na servis.
- Je aktívne rozmrazovanie. >>> To je normálne pre chladničku s plne automatickým rozmrazovaním. Odmrazovania sa vykonáva pravidelne.
- Produkt nie je zapojený do elektrickej siete >>> Uistite sa, že napájací kábel je zapojený.
- Nastavenie teploty je nesprávne. >>> Zvoľte zodpovedajúce nastavenie teploty.
- Nie je prúd. >>> Produkt bude naďalej fungovať normálne po obnovení napájania.

Prevádzkový hluk chladničky sa pri používaní zvyšuje.

- Prevádzkové výsledky tohto výrobku sa môžu líšiť v závislosti na zmenách teploty okolitého prostredia. To je normálne a nejedná sa o závalu.

Chladnička beží príliš často alebo príliš dlho.

Riešenie problémov

- Nový výrobok môže byť väčší ako ten predchádzajúci. Väčšia výroby budú pracovať po dlhšiu dobu.
- Teplota v miestnosti môže byť vysoká. >>> Výrobok bude v miestnosti s vyššou teplotou spustený po dlhšiu dobu.
- Výrobok mohol byť zapojený len nedávno alebo v ňom boli umiestnené nové položky potravín. >>> Výrobok dosiahne nastavenú teplotu dlhšie, keď bol len práve zapojený alebo doň boli umiestnené nové potraviny. To je normálne.
- Do výrobku bolo v poslednej dobe umiestnené veľké množstvo teplého jedla. >>> Nepokladajte horúce jedlo do výrobku.
- Dvere boli často otvorené alebo zostali otvorené po dlhšiu dobu. >>> Teplý vzduch pohybuje sa vo vnútri spôsobí, že výrobok bude v prevádzke dlhšie. Neotvárajte dvere chladničky príliš často.
- Dvere mrazničky alebo chladničky mohli zostať pootvorené. >>> Skontrolujte, či sú dvere úplne zatvorené.
- Výrobok môže byť nastavený na príliš nízku teplotu. >>> Nastavte teplotu na vyšší stupeň a počkajte, až výrobok dosiahne nastavenú teplotu.
- Podložky dvier chladničky alebo mrazničky môžu byť špinavé, opotrebované, rozbité alebo nesprávne nasadené. >>> Vyčistite alebo vymeňte podložky. Poškodené / roztrhané podložky dverí spôsobia, že výrobok bude bežať dlhšiu dobu pre zachovanie aktuálnej teploty.

Teplota mrazenia je veľmi nízka, ale teplota chladiča je dostatočujúca.

- Teplota priestoru mrazničky je nastavená na veľmi nízky stupeň. >>> Nastavte teplotu v mrazničke na vyšší stupeň a znovu skontrolujte.

Teplota chladenia je veľmi nízka, ale teplota mrazničky je dostatočujúca.

- Teplota priestoru chladničky je nastavená na veľmi nízky stupeň. >>> Nastavte teplotu v mrazničke na vyšší stupeň a znovu skontrolujte.

Potraviny uchovávané v chladnejších zásuvkách priestorov sú zmrazené.

- Teplota priestoru chladničky je nastavená na veľmi nízky stupeň. >>> Nastavte teplotu v mrazničke na vyšší stupeň a znovu skontrolujte.

Teplota v chladničke alebo v mrazničke je príliš vysoká.

- Teplota priestoru chladničky je nastavená na veľmi vysoký stupeň. >>> Nastavenie teploty chladiaceho priestoru má vplyv na teplotu v mraziacom priestore. Počkajte, až teplota príslušných častí dosiahne dostatočnú úroveň zmenou teploty chladiaceho alebo mraziaceho priestoru.
- Dvere boli často otvorené alebo zostali otvorené po dlhšiu dobu. >>> Neotvárajte dvere chladničky príliš často.
- Dvere môžu byť pootvorené. >>> Úplne zatvorte dvere.
- Výrobok mohol byť zapojený len nedávno alebo v ňom boli umiestnené nové položky potravín. >>> To je normálne. Výrobok dosiahne nastavenú teplotu dlhšie, keď bol len práve zapojený alebo doň boli umiestnené nové potraviny.
- Do výrobku bolo v poslednej dobe umiestnené veľké množstvo teplého jedla. >>> Nepokladajte horúce jedlo do výrobku.

Trasie sa alebo vydáva hluk.

- Podlaha nie je vo vodováhe alebo nie je odolná. >>> Ak sa výrobok trasie, keď sa pomaly pohybuje, nastavte stojany na vyrovnanie výrobku. >>> Uistite sa tiež, že podlaha je dostatočne odolná k tomu, aby uniesla produkt.
- Všetky položky umiestnené na výrobku môže spôsobiť hluk. >>> Odstráňte všetky položky umiestnené na výrobku.

Výrobok vytvára hluk tečúcej, striekajúcej kvapaliny a pod.

- Princíp fungovania tohto výrobku je založený na toku kvapalín a plynu. >>> To je normálne a nejedná sa o závalu.

Z výrobku znie zvuk ako vanúci vietor.

Riešenie problémov

- Výrobok pre proces chladenia používa ventilátor. To je normálne a nejedná sa o závalu.
- Potraviny môžu byť v kontakte s hornou časťou zásobníka. >>> Preusporiadajte potraviny v šuplíku.

Na vnútorných stenách výrobku sa vytvoril kondenzát.

- Horúce alebo vlhké počasie zvýši nárazu a kondenzáciu. To je normálne a nejedná sa o závalu.
- Dvere boli často otvorené alebo zostali otvorené po dlhšiu dobu. >>> Neotvárajte dvere príliš často, ak zostali otvorené, zatvorte ich.
- Dvere môžu byť pootvorené. >>> Úplne zatvorte dvere.

Vytvára sa kondenzát na vonkajšej strane výrobku alebo medzi dverami.

- Okolité prostredie môže byť vlhké, je to úplne normálne vo vlhkom počasí. >>> Kondenzácia sa rozptýli, keď sa zníži vlhkosť.

Interiér zapácha.

- Produkt nie je pravidelne čistený. >>> Pravidelne čistite vnútro pomocou hubky, teplej vody a sýtenej vody.
- Niektoré balenia a obalové materiály môže spôsobiť zápach. >>> Používajte balenia a obalové materiály bez zápachu.
- Potraviny boli umiestnené v neuzavretých baleniach. >>> Uchovávajte potraviny v uzavretých baleniach. Mikroorganizmy sa môžu z neuzavretých potravín rozšíriť a spôsobiť zápach. Z výrobku odstráňte všetky potraviny so zašlým dátumom spotreby a pokazené potraviny.

Dvere sa nezatvárajú.

- Balíčky s potravinami môžu blokovať dvere. >>> Premiestnite predmety blokujúce dvere.
- Produkt nestojí v úplne zvislej polohe na zemi. >>> Nastavte stojany pre uvedenie výrobku do zvislej polohy.
- Podlaha nie je vo vodováhe alebo nie je odolná. >>> Uistite sa, že podlaha je vyvážená a dostatočne odolná k tomu, aby uniesla produkt.

Zásobník na zeleninu sa zasekol.



VAROVANIE: Ak problém pretrváva aj po vykonaní pokynov v tejto časti, obráťte sa na svojho predajcu alebo na autorizovaný servis. Nepokúšajte sa opraviť produkt.

Spoštovani kupec.

Privoščimo vam, da dosežete optimalno učinkovitost našega izdelka, ki je bil proizveden v sodobni tovarni z natančnim nadzorom kakovosti.

V ta namen prosimo, da v celoti preberete navodila, preden pričnete z uporabo izdelka in naj vas vodijo kot referenčni vir. Če boste ta izdelek predali drugi osebi, poskrbite da gredo ta navodila skupaj z izdelkom.



Navodila za uporabo zagotovijo hitro in varno uporabo izdelka.






- Prosimo preberite navodila pred namestitvijo in uporabo izdelka.
- Vedno upoštevajte veljavne varnostne napotke.
- Hranite navodila v bližini za prihodnjo uporabo.
- Prosimo, da preberete vse druge dokumente, ki so prišli z izdelkom.

Imejte v mislih, da lahko ta navodila veljajo za več modelov izdelka. Ta vodič jasno prikaže razlike med različnimi modeli.

Simboli in opombe

V priročniku so uporabljeni naslednji simboli:

	Pomembne informacije in koristni nasveti.
	Tveganje za življenje in premoženje.
	Nevarnost električnega udara.
	Embalaža izdelka je izdelana iz recikliranih materialov, v skladu z nacionalno okoljsko zakonodajo.

	INFORMACIJE
	
<small>SUPPLIER'S NAME</small> 	<small>MODEL IDENTIFIER</small> → (*) 
Do informacij o modelu, ki so shranjene v zbirki podatkov o izdelkih, lahko pridete tako, da obiščete naslednje spletno mesto in poiščete identifikator modela (*), ki je naveden na energijski nalepki.	
https://eprel.ec.europa.eu/	

1 Varnost in okoljska navodila	3	5.15. Čiščenje posode za vodo 21	
1.1. Splošna varnost	3	5.16. Pladenj za vodo 22	
1.1.1 HC opozorilo	4	5.17. Zamrzovanje svežih živil 23	
1.1.2 Pri modelih z vodno fontano	4	5.18. Priporočila za shranjevanje zamrznjenih živil 23	
1.2. Predvidena uporaba	5	5.19. Podrobnosti globokega zamrzovanja 24	
1.3. Varnost otrok	5	5.20. Postavitev živil 24	
1.4. Skladnost z Direktivo OEEQ in odstranjevanje naprave kot odpadka	5	5.21. Opozorilo za odprta vrata 24	
1.5. Skladnost z direktivo RoHS	5	5.22. Spreminjanje smeri odpiranja vrat 24	
1.6. Informacije o embalaži	5	5.23. Notranja luč 24	
2 Hladilnik	6	6 Vzdrževanje in čiščenje	25
3 Namestitev	7	6.1. Izogibanje neprijetnim vonjavam 25	
3.1. Ustrezno mesto za namestitev	7	6.2. Zaščita plastičnih površin 25	
3.2. Pritrnitev plastičnih klinov	7	6.3. Steklo vrat 25	
3.3. Prilagoditev stojal	7	7 Odpravljanje motenj	26
3.4. Električna povezava	8		
3.5. Obračanje vrat	9		
3.6. Obračanje vrat	10		
4 Priprava	11		
4.1. Kako prihraniti z energijo	11		
4.2. Prva uporaba	11		
5 Uporaba izdelka	12		
5.1. Vedro za led	15		
5.2. Nosilec za jajca	15		
5.3. Ventilator	15		
5.4. Posoda za zelenjavo	16		
5.5. Zamrzovalni predel	16		
5.6. Premikajoča vratna polica	16		
5.7. Uporaba drugega predala za zelenjavo	17		
5.8. Drseče škatle za shrambo	18		
5.9. Posoda za zelenjavo z uravnavanjem vlage	19		
5.10. Modul z osvežilcem zraka	19		
5.11. Samodejna naprava za led	19		
5.12. Ledomat in posoda za shranjevanje ledu	20		
5.13. Točaj vode	20		
5.14. Uporaba vodne pipe	21		

1 Varnost in okoljska navodila

To poglavje vsebuje navodila za varno uporabo, potrebna za preprečitev nevarnosti poškodb in materialne škode. Neupoštevanje teh navodil bo izničilo vse vrste garancije izdelka.

Namen uporabe

	OPOZORILO : Odprtine za zračenje, ohišje naprave ali vgrajeni hladilni elementi naj bodo vedno nezastrti.
	OPOZORILO : Za hitrejšo odmrzovanje ne uporabljajte mehanskih naprav, razen takih, ki jih priporoča proizvajalec.
	OPOZORILO : Ne poškodujte tokokroga hladilnega sredstva.
	OPOZORILO : V notranjosti razdelka za shranjevanje živil aparata ne uporabljajte električnih naprav, razen takih, ki jih priporoča proizvajalec.

Ta naprava je namenjena za uporabo v gospodinjstvu in podobnih okoljih, kot so:

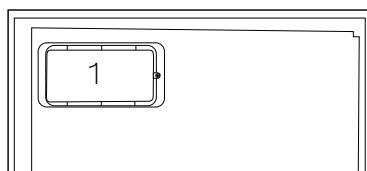
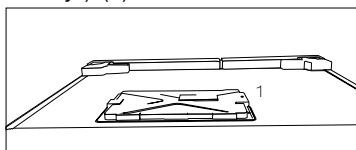
- kuhinje za osebje v trgovinah, pisarnah in drugih delovnih okoljih;
- hoteli, moteli in druga stanovanjska okolja, kjer jo lahko uporabljajo gostje;
- okolja, kjer ponujajo nočitve z zajtrkom.
- pri cateringu in v podobnih okoljih, kjer ne gre za neposredno prodajo.

1.1. Splošna varnost

- Ta izdelek naj ne uporabljajo otroci in osebe s telesnimi, čutnimi in duševnimi motnjami brez zadostnega znanja in izkušenj. Napravo smejo uporabljati takšne osebe le pod nadzorom in po

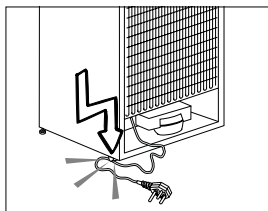
navodilih osebe, odgovorne za njihovo varnost. Otroci se ne smejo igrati s to napravo.

- V primeru okvare, izklopite napravo.
- Ko odklopite, počakajte najmanj 5 minut pred ponovnim priklopom. Izključite napravo, ko ni v uporabi. Ne dotikajte se vtiča z mokrimi rokami! Ko želite izklopiti ne vlecite za kabel, vedno držite le za vtič.
- Ne priklaplajte hladilnika, če je vtičnica razrahljana.
- Izključite napravo med namestitvijo, vzdrževanjem, čiščenjem in popravilom.
- Če naprave nekaj časa ne boste uporabljali, jo izključite in iz notranjosti odstranite vso hrano.
- Ne uporabljajte pare ali parnih čistilnih sredstev za notranje čiščenje hladilnika in taljenje ledu. Para lahko pride v stik z električnimi elementi in povzroči kratek stik ali električni udar!
- Izdelka tudi zunaj ne perite z razprševanjem ali polivanjem vode! Nevarnost električnega udara!
- Izdelka ne uporabljajte, če je področje na vrhu ali na zadnji strani izdelka, ki vsebuje elektronska tiskana vezja, odprto (pokrov elektronskega tiskanega vezja) (1).



Varnostna in okoljska navodila

- V primeru okvare ne uporabljajte naprave, saj lahko to povzroči električni udar. Preden karkoli poskušate se obrnite na pooblaščenega serviserja.
- Napravo priključite v ozemljeno vtičnico. Ozemljitev mora izvesti usposobljen električar.
- Če ima naprava razsvetljavo vrste LED, se obrnite na pooblaščenega servisa zaradi zamenjave ali v primeru kakršnih koli težav.
- Ne dotikajte se zmrznjene hrane z mokrimi rokami! Lahko se prilepi vašim rokam!
- Ne postavljajte tekočin v steklenicah, plastenkah in pločevinkah v zamrzovalnik. Lahko počijo ali pa tekočina izbruhne!
- Postavite tekočine v pokončnem položaju, ko tesno zaprete pokrov.
- Ne pršite vnetljivih snovi v bližini naprave, saj lahko to povzroči požar ali eksplozijo.
- Ne hranite vnetljivih materialov in izdelkov z vnetljivimi plini (razpršilci itd) v hladilniku.
- Ne postavljajte posod v katerih so tekočine na vrh naprave. Polittje vode po elektrificiranih delih lahko povzroči električni udar in nevarnost požara.
- Izpostavljanje naprave dežju, snegu, soncu in vetru povzroči električno nevarnost. Ko prestavljate napravo, jo ne vlecite tako, da držite za ročaj vrat. Ročaj se lahko odtrga.
- Bodite pozorni, da preprečite ukleščenje katerihkoli delov vaših rok ali telesa v katerega od gibljivih delov naprave.
- Ne stopajte ali se obešajte na vrata, predale in podobne dele hladilnika. To bi povzročilo, da se naprava prevrne in se deli poškodujejo.
- Pazite, da ne zapnete v napajalni kabel.



1.1.1 HC opozorilo

Če naprava vsebuje hladilni sistem, ki uporablja plin R600a, pazite, da ne bi poškodovali hladilni sistem in njegovo cev med uporabo in premikanjem naprave. Ta plin je vnetljiv. Če je hladilni sistem poškodovan, imejte napravo stran od virov ognja in takoj prezračite prostor.



Nalepka na notranji levi strani označuje vrsto uporabljenega plina v napravi.

1.1.2 Pri modelih z vodno fontano

- Tlak vstopne hladne vode ne sme presegati 620 kPa (90 psi). Če tlak vstopne vode presega 550 kPa (80 psi), uporabite ventil za omejevanje tlaka v vodovodnem tokokrogu. Če ne veste, kako izmeriti vodni tlak, poprosite inštalaterja za vodovod.

Varnostna in okoljska navodila

- Če je v vaši inštalaciji prisotno tveganje nastanka hidravličnega udara, vedno uporabite opremo za preprečevanje hidravličnega udara. Da preverite, da v vaši inštalaciji ni tveganja za pojav hidravličnega udara, se posvetujte z inštalaterjem za vodovod.
- Ne nameščajte na vod s toplo vodo. Izvedite potrebne ukrepe za preprečevanje zamrznitve cevi. Območje temperature vode za delovanje naj bo med najmanj 0,6°C (33°F) in največ 38°C (100°F).
- Uporabljajte samo pitno vodo.

1.2. Predvidena uporaba

- Ta naprava je namenjena za domačo uporabo. Ni namenjena za komercialno uporabo.
- To napravo se sme uporabiti samo za shranjevanje hrane in pijače.
- Ne hranite v hladilniku občutljive izdelke, ki zahtevajo nadzorovane temperature (cepiva, toplotno občutljiva zdravila, medicinski izdelki itd).
- Proizvajalec ne prevzema odgovornosti za morebitno škodo zaradi zlorabe ali napačne uporabe.
- Originalne nadomestne dele zagotavljamo 10 let po datumu nakupa.

1.3. Varnost otrok

- Hranite embalažne materiale izven dosega otrok.
- Ne dovolite, da bi se otroci igrali z napravo.
- Če vrata naprave vsebujejo ključavnico, hranite ključ izven dosega otrok.

1.4. Skladnost z Direktivo OEE0 in odstranjevanje naprave kot odpadka

Ta naprava je skladna z direktivo EU WEEE (2012/19/EU). Ta naprava nosi oznako klasifikacije za odpadno električno in elektronsko opremo (OEE0).



Naprava je bila izdelana iz visoko kakovostnih delov in materialov, ki jih je mogoče ponovno uporabiti in so primerni za recikliranje. Ne zavržite naprave kot odpadke med običajne domače in druge odpadke na koncu njegove življenjske dobe. Odnosite jo v zbirni center za recikliranje električne in elektronske opreme. Obrnite se na lokalne oblasti, da izveste za lokacije teh zbirnih centrov.

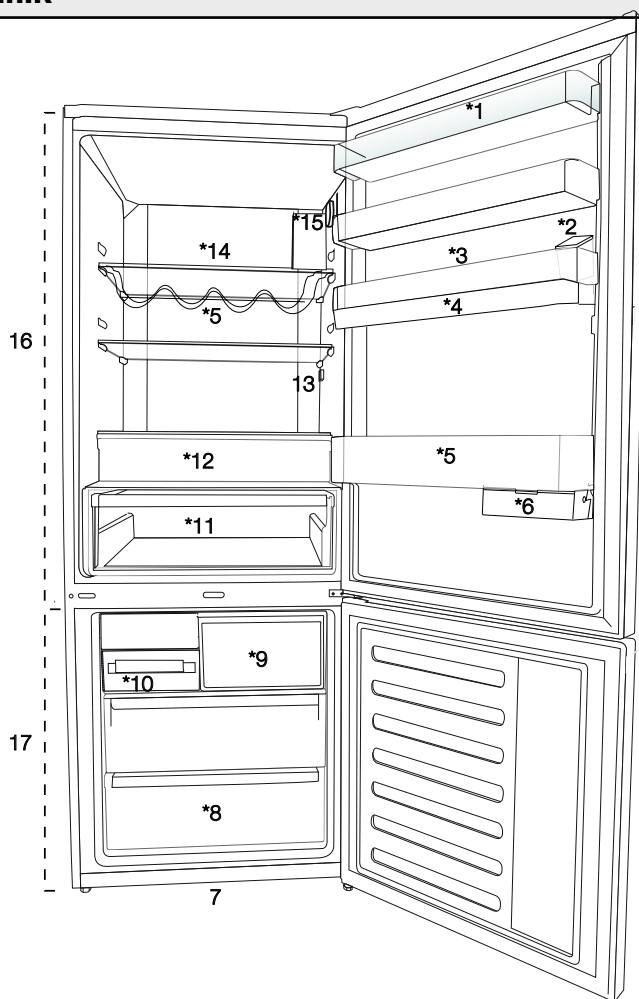
1.5. Skladnost z direktivo RoHS

- Ta naprava je skladna z direktivo EU WEEE (2011/65/EU). Ne vsebuje škodljivih in prepovedanih snovi, navedenih v direktivi.

1.6. Informacije o embalaži

- Embalaža naprave je izdelana iz recikliranih materialov v skladu z našimi nacionalnimi predpisi za okolje. Ne odlagajte embalažnih materialov skupaj z domačimi ali drugimi odpadki. Peljite jih v zbirne centre za embalažo, ki so jih lokalne oblasti pooblastile.

2 Hladilnik



1. Polica na vratih hladilnega dela
2. Posoda za polnjenje točaja vode
3. Pladenj za jajca
4. Rezervoar točaja vode
5. Polica za steklenice
6. Drseče škatle za shrambo
7. Nastavljive noge
8. Predel za globoko zamrzovanje
9. Predal za hitro zamrzovanje
10. Pladenj za kocke ledu & posoda za led
11. Posoda za zelenjavo
12. Zamrzovalni predel
13. Notranja luč
14. Steklena polica predela hladilnika
15. Gumb za nastavitev temperature
16. Predel hladilnika
17. Zamrzovalni del






***izbirno:** Slike v tem priročniku so podate kot primer in morda niso popolnoma enako kot izdelek. Če vaš izdelek ne vključuje ustreznih delov, se podatki nanašajo na druge modele.

3 Namestitev

3.1. Ustrezno mesto za namestitev

Za namestitev izdelka se obrnite na pooblaščen servis. Če želite pripraviti izdelek na namestitev, glejte informacije v uporabniškem priročniku in se prepričajte, da so električne in vodovodne storitve ustrezne. Če ne, pokličite električarja in vodovodarja, da uredita potrebne napeljave.

	OPOZORILO: Proizvajalec ne prevzema odgovornosti za škodo, ki je posledica del, ki so jih izvedle nepooblaščene osebe.
	OPOZORILO: Med nameščanjem mora biti napajalni kabel izdelka izključen. Neupoštevanje tega lahko povzroči smrt ali resne poškodbe!
	OPOZORILO: Če je razpon vrat preozek za hrano, odstranite vrata in obrnite izdelek na stran; če to ne deluje, se obrnite na pooblaščen servis.

- Izdelek postavite na ravno površino, da ne pride do vibracij.
- Izdelek morate namestiti vsaj 30 cm od grelnika, štedilnika in podobnih virov toplote in vsaj 5 cm od električnih pečice.
- Izdelka ne postavljajte pod neposredno sončno svetlobo in v vlažna okolja.
- Izdelek za učinkovito delovanje rabi zadostno kroženje zraka.
- Če bo izdelek nameščen v nišo, ne pozabite, da pustite razdaljo vsaj 5 cm med izdelkom in stropom ter stenami.
- Naprave ne nameščajte v okoljih s temperaturo nižjo od -5°C .

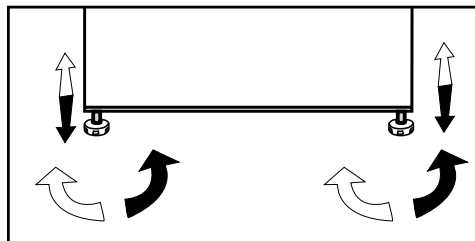
3.2. Pritrditev plastičnih klinov

Uporabite plastične klinke, ki so priloženi izdelku, da omogočite dovolj prostora za kroženje zraka med izdelkom in steno.

1. Za pritrditev klinov odstranite vijake na izdelku in uporabite vijake, ki so dobavljeni skupaj s klini.
2. Pritrdite 2 plastična klinca na pokrov prezračevanja, kot prikazuje slika.




3.3. Prilagoditev stojal

Če izdelek ni uravnotežen, prilagodite nastavljiva stojala z obračanjem v desno ali levo.




Namestitev

3.4. Električna povezava

	OPOZORILO: Pri električni povezavi ne uporabljajte podaljškov ali več vtičnic.
	OPOZORILO: Poškodovan napajalni kabel lahko zamenja le pooblaščen servis.
	Če hladilnik postavite ob drug hladilnik, naj bo razdalja med njima vsaj 4 cm.

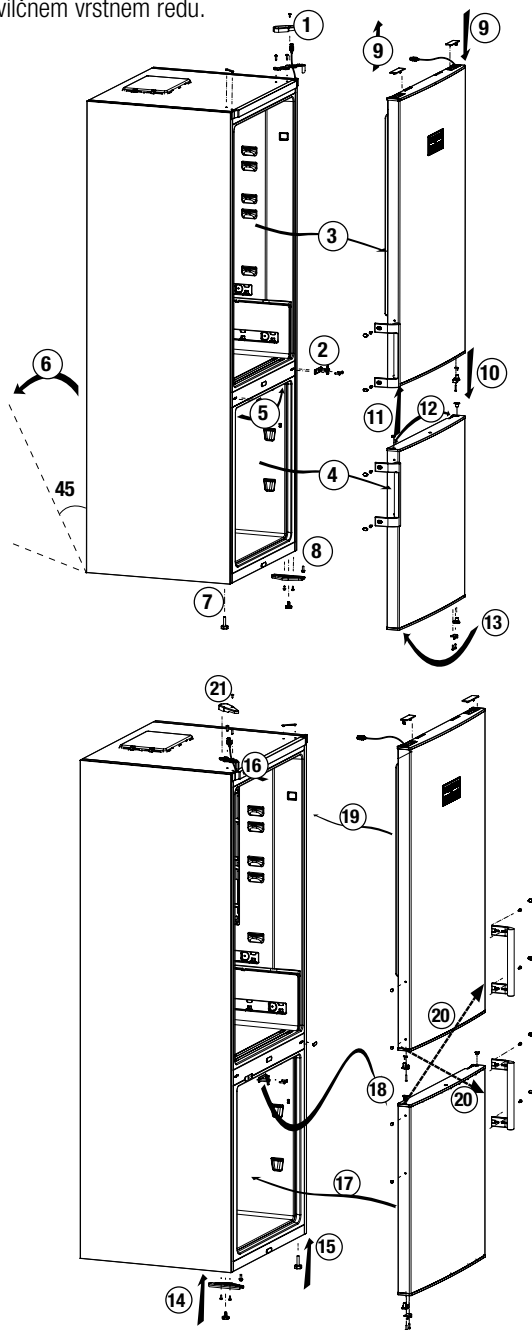
- Naše podjetje ne prevzema odgovornosti za škodo, ki nastane zaradi uporabe ozemljitve in električne povezave, ki ni v skladu z državnimi predpisi.
- Vtič napajalnega kabla naj bo po namestitvi lahko dostopen.
- Med vtičnico in hladilnikom ne uporabljajte več vtičev z ali brez podaljška.
- Za učinkovito delovanje tega izdelka je potrebno zadostno kroženje zraka. Če bo izdelek nameščen v nišo, pustite vsaj 5 cm prostora med izdelkom ter stropom, zadnjo steno in stranskima stenama.
- Če bo izdelek nameščen v nišo, pustite vsaj 5 cm prostora med izdelkom ter stropom, zadnjo steno in stranskima stenama. Preverite, ali je nameščen zaščitni del za odmik od zadnje stene (če je priložen izdelku). Če del ni na voljo ali pa je izgubljen oziroma uničen, namestite izdelek tako, da je z zadnjo stranjo od stene prostora oddaljen vsaj 5 cm. Odmik na zadnji strani je pomemben za učinkovito delovanje izdelka.

	Opozorilo za vročo površino Bočne stene izdelka so zaradi izboljšanja hladilnega sistema opremljene s hladilnimi cevmi. Po teh delih se lahko pretaka hladilno sredstvo z visoko temperaturo, zaradi česar se lahko bočne stene zelo segrejejo. To je običajno in ni razlog za servisiranje. Bodite previdni pri dotikanju teh površin.
---	--

Namestitev

3.5. Obračanje vrat

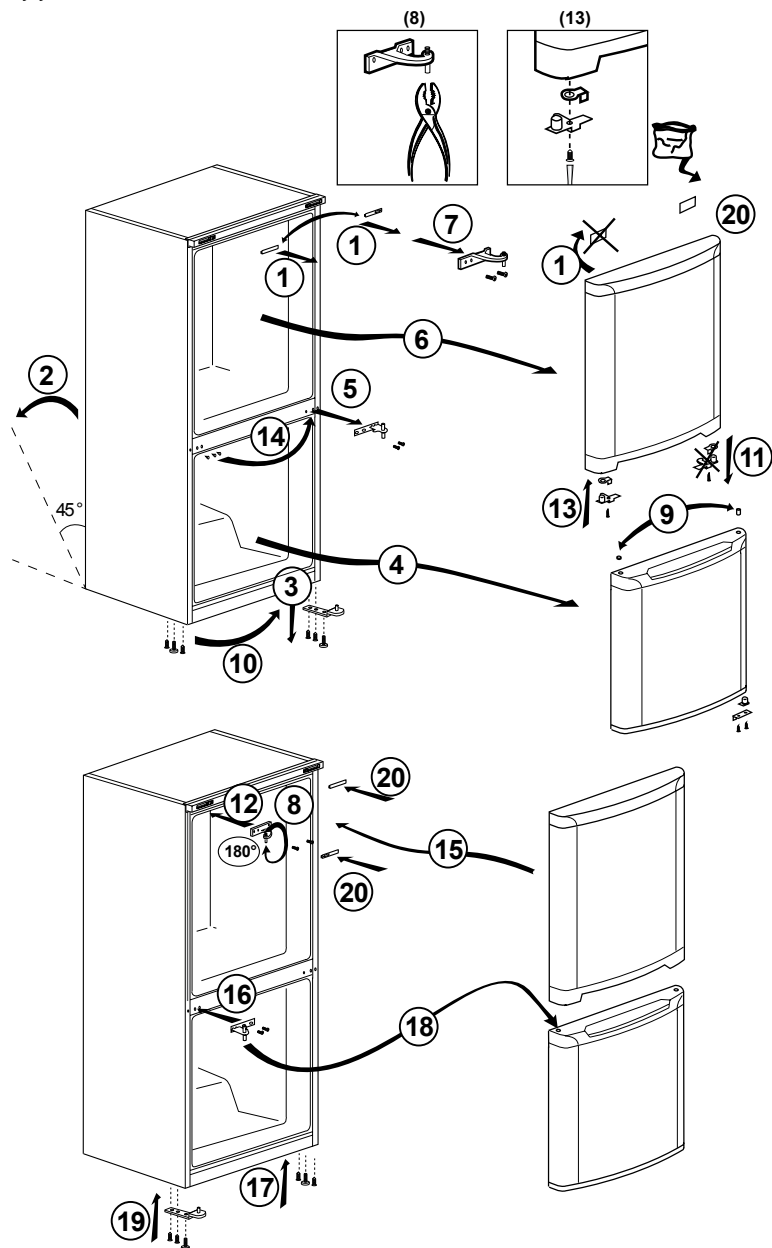
Nadaljujte v številčnem vrstnem redu.



Namestitev

3.6. Obračanje vrat

Nadaljujte v številčnem vrstnem redu.



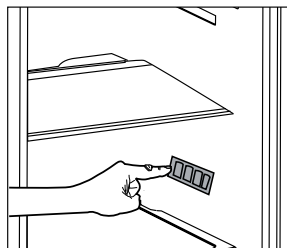
4 Priprava

4.1. Kako prihraniti z energijo



Priklučitev naprave na sisteme varčevanja električne energije je nevarno, saj lahko poškodujejo napravo.

- Za samostoječi aparat; »ta hladilni aparat ni namenjen za uporabo kot vgradni aparat«; Ne puščajte vrat hladilnika odprtih dlje časa.
- V napravo ne nalagajte vročih živil in pijač.
- Ne naložite v hladilnik preveč stvari; z blokiranjem notranjega pretoka zraka zmanjšate učinkovitost hlajenja.
- Da bi v hladilni predel vašega hladilnika shranili čim večjo količino hrane, odstranite zgornje police in jo položite na stekleno polico. Označena poraba energije vašega hladilnika je bila določena z odstranjenim hladilnikom, pladnjem za led in zgornjimi predali, da bi omogočili največjo zmogljivost shranjevanja. Močno priporočamo uporabo spodnje police za shranjevanje. Za najboljšo porabo energije je treba vklopiti funkcijo za varčevanje z energijo.
- Hrane ne postavljajte pred ventilator hladilnika, saj tako blokirate pretok zraka. Hrano položite vsaj 3 cm od zaščitne žice ventilatorja.
- Glede na lastnosti izdelka; z odtajanjem zamrznjene hrane v predelu hladilnika boste zagotovili varčevanje z energijo in ohranili kakovost živil.
- Hrano shranite z uporabo polic v predelu hladilnika, da zagotovite varčevanje z energijo in ohranite živila v boljšem stanju.
- Paketi hrane ne smejo biti v neposrednem stiku s senzorji toplote, ki se nahajajo v predelu hladilnika. Če so v stiku s senzorji, se lahko poraba energije naprave poveča.
- Pazite, da živila niso v stiku s senzorjem temperature predela hladilnika, kot je opisano spodaj.
- Ker vroč in vlažen zrak ne bo neposredno prodril v vaš izdelek, ko vrata niso odprta, se bo vaš izdelek optimiziral v pogojih, ki zadostujejo za zaščito vaše hrane. Funkcije in sestavni deli, kot so kompresor, ventilator, grelec, odmrzovanje, osvetlitev, zaslon in tako naprej, bodo delovali v skladu s potrebami po porabi minimalne energije v teh okoliščinah.



4.2. Prva uporaba

Pred prvo uporabo hladilnika, poskrbite, da so vse priprave izvedene v skladu z navodili v razdelkih »Varnostna in okoljska navodila« in »Namestitvev«.

- Naj izdelek deluje brez hrane 6 ur in ne odpirajte vrat, razen če je res nujno potrebno.



Ko kompresor prične delovati, boste zaslišali zvok. Zvoki so povsem običajni, tudi ko kompresor ne deluje, zaradi stisnjenih tekočin in plinov v hladilnem sistemu.

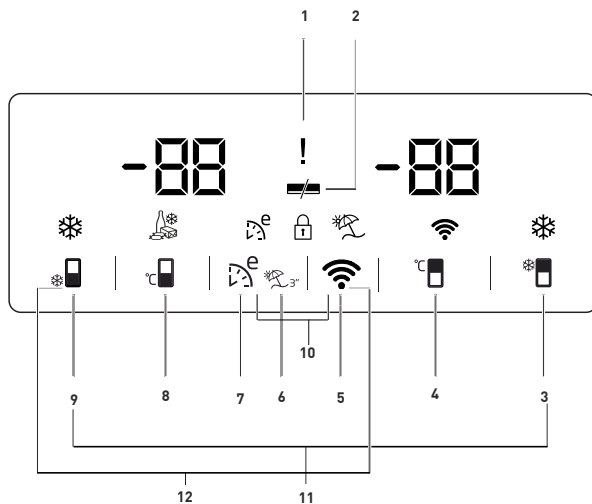


Sprednji robovi izdelka se lahko segrejejo. To je običajno. Ti predeli so oblikovani, da se segrejejo in preprečijo kondenzacijo.



Pri nekaterih modelih se indikatorska tabla samodejno izklopi 5 minut po tem, ko zaprete vrata. Aktivirala se bo, ko se vrata odprejo ali pritisnete kateri koli gumb.

5 Uporaba izdelka



1. Indikator stanja napake
2. Indikator funkcije za varčevanje z energijo (prikazovalnik izklopljen)
3. Tipka za hitro hlajenje
4. Tipka za nastavitve temperature hladilnega dela
5. Tipka za brezžično povezavo
6. Tipke za funkcijo za počitnice
7. Tipka za varčno funkcijo (Eco-Fuzzy)
8. Tipka za nastavitve temperature zamrzovalnega dela
9. Tipka za hitro zamrzovanje
10. Zaklepanje tipk
11. Tipka za spreminjanje enote za temperaturo



Slike v tem uporabniškem priročniku so shematske in se z izdelkom natančno ne ujemajo. Če izdelek, ki ste ga kupili, določenega dela ne vsebuje, potem ta del velja za kak drug model.

Uporaba izdelka

1. Indikator stanja napake

V primeru nezadostnega hlajenja hladilnika ali napake senzorja

se aktivira ta indikator (⚠️). Ko je aktiven ta indikator, indikator temperature zamrzovalnega dela prikazuje »E«, indikator temperature hladilnega dela pa prikazuje številke, kot so »1, 2, 3 ...«. Prikazane številke predstavljajo informacije o napaki za servisno osebje.

Ko postavite toplo hrano v zamrzovalni del ali če pustite vrata dlje časa odprta, lahko za nekaj časa zasveti klicaj. To ni napaka; to opozorilo izgine, ko se hrana ohladi.

2. Indikator funkcije za varčevanje z energijo (prikazovalnik izklopljen)

Če so vrata izdelka dlje časa zaprta, se samodejno aktivira funkcija za varčevanje z energijo in zasveti simbol varčevanja z energijo. (🔌)

Ko je aktivirana funkcija za varčevanje z energijo, se izklopijo vsi simboli na prikazovalniku razen simbola varčevanja z energijo. Če pritisnete katero koli tipko ali odprete vrata, ko je aktivirana funkcija za varčevanje z energijo, se funkcija za varčevanje z energijo izklopi in na prikazovalniku se prikažejo običajni simboli. Funkcija za varčevanje z energijo je tovarniško nastavljena in je ni mogoče onemogočiti.

3. Tipka za hitro hlajenje

Ko je aktivirana funkcija hitrega hlajenja, sveti indikator hitrega hlajenja (❄️) in vrednost indikatorja temperature hladilnega dela je prikazana kot 1. Če želite preklicati to funkcijo, znova pritisnete tipko za hitro hlajenje. Indikator hitrega hlajenja se izklopi in hladilnik se postavi na običajne nastavitve. Če funkcije hitrega hlajenja ne prekličete, se samodejno deaktivira po 1 uri. Če želite ohladiti velike količine sveže hrane, pritisnete tipko za hitro hlajenje, preden postavite hrano v hladilni del.

4. Tipka za nastavitev temperature hladilnega dela

Ko pritisnete to tipko, lahko nastavite temperaturo hladilnega dela na vrednost 8, 7, 6, 5, 4, 3, 2 ali 1. (🌡️)

5. Tipka za brezžično povezavo (*dodatna možnost)

Z dolgim pritiskom na gumb (3 sekunde) zaženete prvo povezovanje izdelka z domačim omrežjem.

Med vzpostavljanjem povezave ikona brezžičnega omrežja (📶) utripa v polsekundnih intervalih.

Ko je povezava z domačim omrežjem vzpostavljena, ikona brezžičnega omrežja neprekinjeno sveti.

Po prvi vzpostavitvi povezave lahko povezavo aktivirate/deaktivirate s kratkim pritiskom na ta gumb.

Po izklopu in vklopu napajanja se nastavljena povezava ohrani in izdelek se samodejno poveže z domačim omrežjem.

Ikona brezžičnega omrežja hitro utripa (v 0,2-sekundnih intervalih), dokler ni povezava vzpostavljena.

Ko je povezava aktivna, ikona brezžičnega omrežja neprekinjeno sveti.

Če v določenem obdobju ni mogoče vzpostaviti povezave, preverite nastavitve modema/povezave.

Kot vmesnik povezave se uporablja aplikacija HomeWhiz.

Koraki povezave so opisani v KRATKIH NAVODILIH ZA NAMESTITEV aplikacije HomeWhiz, ki so priložena izdelku.

Za odgovore na osnovna vprašanja glejte razdelek o odpravljanju težav.

Uporaba izdelka

6. Tipke za funkcijo za počitnice

Če želite aktivirati funkcijo za počitnice, pritisnite gumb (☀️) in ga držite 3 sekunde; aktivira se indikator načina za počitnice (🏠). Ko je aktivirana funkcija za počitnice, se na indikatorju temperature hladilnega dela prikaže »- « in v hladilnem delu ni aktivnega hlajenja. Ko je ta funkcija aktivirana, shranjevanje živil v hladilniku ni priporočljivo. Drugi deli še naprej hladijo skladno z nastavljenimi temperaturami.

Če želite preklicati to funkcijo, znova pritisnite tipko za **funkcijo za počitnice**.

7. Tipka za varčno funkcijo (Eco-Fuzzy)

Če želite omogočiti varčno funkcijo, pritisnite tipko za varčno funkcijo. Ko je ta funkcija omogočena, začne zamrzovalnik delovati v varčnem načinu po najmanj 6 urah in vklopi se indikator varčne uporabe (🌿).

Če želite onemogočiti varčno funkcijo, znova pritisnite gumb za varčno funkcijo. Ko je varčna funkcija omogočena, se ta indikator vklopi po 6 urah.

8. Tipka za nastavitev temperature zamrzovalnega dela

Nastavi se temperatura za zamrzovalni del.

Ko pritisnete številsko tipko (🔢), lahko nastavite temperaturo zamrzovalnega dela na -18, -19, -20, -21, -22, -23 ali -24.

9. Tipka za hitro zamrzovanje

Pritisnite tipko št. (9) za hitro zamrzovanje; aktivira se indikator hitrega zamrzovanja (❄️).

Ko je funkcija hitrega zamrzovanja vklopljena, sveti indikator hitrega zamrzovanja in indikator temperature zamrzovalnega dela prikazuje -27.

Če želite preklicati to funkcijo, znova pritisnite tipko za hitro zamrzovanje (❄️). Indikator hitrega zamrzovanja se izklopi in hladilnik se vrne na običajne nastavitve. Če funkcije hitrega zamrzovanja

ne prekličete, se samodejno deaktivira po 25 urah. Če želite zamrzniti velike količine sveže hrane, pritisnite tipko za hitro zamrzovanje, preden postavite hrano v zamrzovalni del.

10. Zaklepanje tipk

Hkrati pritisnite tipki za domače omrežje (📶) in varčno funkcijo (🌿) ter ju držite 3 sekunde. Zasveti simbol zaklepanja tipk (🔒) in aktivira se način zaklepanja tipk. Ko je aktiven način zaklepanja tipk, tipke ne delujejo. Hkrati pritisnite tipki za domače omrežje (📶) in varčno funkcijo (🌿) ter ju držite 3 sekunde. Zaklepanje tipk se deaktivira.

Funkcijo za **zaklepanje tipk** uporabite, če želite preprečiti spreminjanje nastavitve temperature hladilnika.

11. Tipka za spreminjanje enote za temperaturo

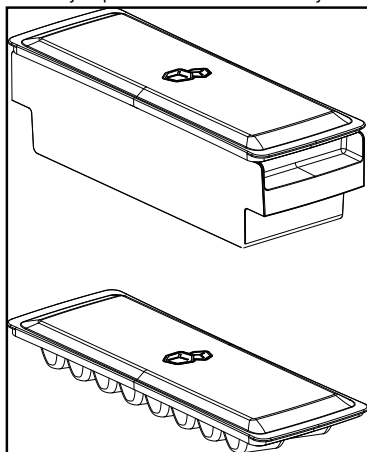
Za preklop med stopinjami F in C hkrati pritisnite tipki za hitro hlajenje (❄️) in hitro zamrzovanje (❄️) ter ju držite 3 sekunde.

Uporaba izdelka

5.1. Vedro za led

(izbirno)

- Vzemite vedro za led iz predela zamrzovalnika.
- Napolnite vedro za led z vodo.
- Postavite vedro za led v predela zamrzovalnika.
- Led bo pripravljen približno v dveh urah. Vzemite vedro za led iz predela zamrzovalnika in rahlo nagnite čez držalo, ki ga boste postregli. Led se bo samodejno prelił v držalo za serviranje.



5.2. Nosilec za jajca

Nosilec za jajca lahko namestite na vrata ali polico po izbiri. Če se odločite, da ga boste postavili na polico trupa, je priporočljivo uporabiti spodnje police, saj so hladnejše.

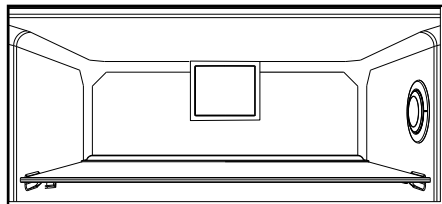


Nosilca za jajca ne postavljajte v predel zamrzovalnika.

5.3. Ventilator

Ventilator je oblikovan, da enakomerno razporeja kroženje hladnega zraka znotraj hladilnika. Čas delovanja ventilatorja se lahko razlikuje glede na lastnosti naprave.

Pri nekaterih izdelkih ventilator deluje le s kompresorjem, pri drugih pa kontrolni sistem določa čas delovanja glede na potrebo po hlajenju.



Uporaba izdelka

5.4. Posoda za zelenjavo

(izbirno)

Posoda za zelenjavo je narejen, da ohranja vlago in ohranja zelenjavo svežo. V ta namen se celotno kroženje mrzlega zraka v posodi za zelenjavo okrepi.

5.5. Zamrzovalni predel

(izbirno)

Ta predel uporabljajte za shranjevanje delikates pri nizkih temperaturah ali mesnih izdelkov, ki jih boste takoj porabili.

Zamrzovalni predel je najhladnejše mesto, kjer lahko shranite živila kot so mlečni izdelki, meso, ribe in piščanec, v idealnih pogojih shranjevanja. Ta predel ni primeren za shranjevanje zelenjave in/ali sadja.

5.6. Premikajoča vratna polica

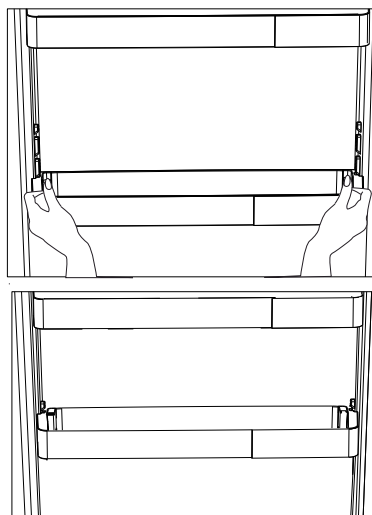
(izbirno)

Premikajoča vratna polica se lahko pritrdi na 3 različne položaje.

Če želite premakniti polico, enakomerno pritisnite gumba na straneh. Police se tako odstrani.

Pomaknite polico gor ali dol.

Ko je polica v želenem položaju, sprostite gumba. Polica bo ponovno pritrjena v položaju, kjer ste spustili gumba.



Uporaba izdelka

5.7. Uporaba drugega predala za zelenjavo



Slika 1

Kot prikazuje slika, sta v drugem predalu za zelenjavo modela K70560 dva zaustavljavca.



Slika 2

Ko je drugi predal zaprt, je videti tako, kot prikazuje slika 2.



Slika 3

Ko so vrata odprta za 90°, drugi predal za zelenjavo povlecite do prvega zaustavljavca, kot prikazuje slika 3.

Če je predal bolj odprt, najprej odprite vrata za vsaj 135°. Nato dvignite drugi predal za zelenjavo za približno 5 mm, da ga odmaknete od prvega zaustavljavca, kot prikazuje slika 4.



Slika 4



Ko ste ga dvignili, povlecite drugi predal za zelenjavo do drugega zaustavljavca, kot prikazuje slika 5.

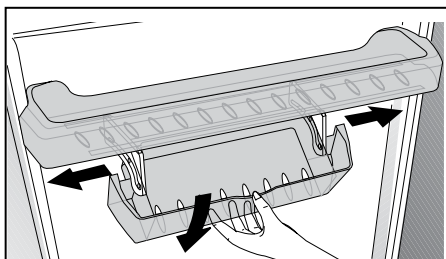
Slika 5

5.8. Drseče škatle za shrambo

(izbirno)

Dodatek je oblikovan z namenom povečati uporabno prostornino polic na vratih.

Ker se lahko premakne na stran, omogoča enostavno nameščanje dolgih steklenic, kozarcev ali škatel, ki jih postavite spodnje stojalo za steklenice.



HerbBox/HerbFresh

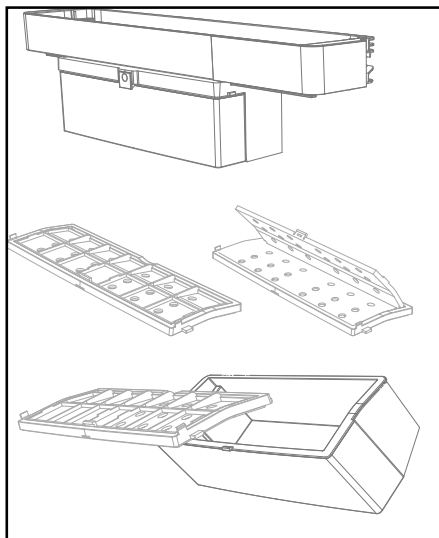
Iz škatle HerbBox/HerbFresh+ odstranite posodico s folijo.

Vzemite folijo iz vrečke in jo položite v posodico, kot je prikazano na sliki.

Znova zaprite posodo in jo vstavite v enoto HerbBox/HerbFresh+.

Razdelki HerbBox-HerbFresh+ so idealni zlasti za shranjevanje različnih zelišč, ki jih je treba hraniti pod posebnimi pogoji. V tem razdelku lahko v vodoravni legi hranite vaša zelišča, ki niso v vrečkah (peteršilj, koper in podobno), ter jih ohranite dalj časa sveže.

Zamenjajte film vsakih šest mesecev.



Uporaba izdelka

5.9. Posoda za zelenjavo z uravnavanjem vlage

(izbirno)

Funkcija uravnavanja vlage ohranjate stopnje vlage zelenjave in sadja pod nadzorom in zagotovi hrano dlje časa svežo.

Listnato zelenjavo, kot je zelena solata, špinata in podobna zelenjava, ki je podvržena izgubi vlage, shranjujte v vodoravnem položaju v posodi za zelenjavo in ne na koreninah.

Ko nalagata zelenjavo, položite težjo in trdo zelenjavo na dno, lahko in mehko pa na vrh, pri tem pa upoštevajte specifične teže zelenjave.

Zelenjave ne pustite v posodi za zelenjavo v plastičnih vrečkah. Če jo pustite v plastičnih vrečkah, zelenjava hitreje zgine. V situacijah, kjer ni dobro, da se različne vrste zelenjave stikajo med seboj, uporabite pakirni material, kot je papir, ki ima določeno poroznost v smislu higijene.

Sadja, ki ima proizvodnjo z visoko vsebnostjo etilena, kot so hruške, marelice, breskve in predvsem jabolka, v isto posodo za zelenjavo z drugo zelenjavo in sadjem. Etilen, ki prihaja iz tega sadja, lahko povzroči, da druga zelenjava in sadje hitreje dozori in zgine.

5.10. Modul z osvežilcem zraka (FreshGuard) *izbirno

Modul z osvežilcem zraka hitro odstrani neprijetne vonjave v hladilniku, preden prežamejo površine. S tem modulom, ki je nameščen na strop predala za sveža živila, se bodo slabe vonjave razblinile, zrak bo prešel v filter za odpravo neprijetnih vonjav, ta pa bo zrak poslal nazaj v predal za sveža živila. Tako bodo odstranjene neprijetne vonjave, ki se pojavijo med shranjevanjem živil v hladilniku, preden prežamejo površine.

To omogočajo ventilator, dioda in filter za svež zrak, ki je vgrajen v modulu. Modul z

osvežilcem zraka se bo samodejno vklopil v intervalih. Če želite ohraniti učinkovito delovanje modula z osvežilcem zraka, vam priporočamo, da filter v modulu vsakih 5 let zamenja pooblaščen serviser. Hrup, ki ga slišite med delovanjem modula je zaradi vgrajenega ventilatorja normalen. Če odprete vrata predala za sveža živila, medtem ko modul deluje, se bo ventilator začasno ustavil, ter se ponovno vklopil in deloval naprej, ko vrata zaprete. V primeru izpada električnega toka bo modul z osvežilcem zraka po ponovni vzpostavitvi napajanja nadaljeval z delovanjem od točke, na kateri se je ustavil.

Informacije: Priporočamo, da aromatična živila (kot so sir, olive, delikatese) hranite zaprta v njihovi embalaži, da se izognete slabim vonjavam, ki se lahko pojavijo, kadar se mešajo vonjave različnih živil. Poleg tega priporočamo, da pokvarjena živila hitro odstranite iz hladilnika, da preprečite kvarjenje drugih živil in se izognete slabim vonjavam.

5.11. Samodejna naprava za led (izbirno)

Samodejna naprava za led omogoča enostavno izdelavo ledu v vašem hladilniku. Če želite dobiti led iz naprave za led, odstranite rezervoar za vodo iz predela hladilnika, ga napolnite z vodo in ga pritrdite nazaj na mesto.

Prvi led bo pripravljen v ok. 2 urah v predali naprave za led v predelu hladilnika.

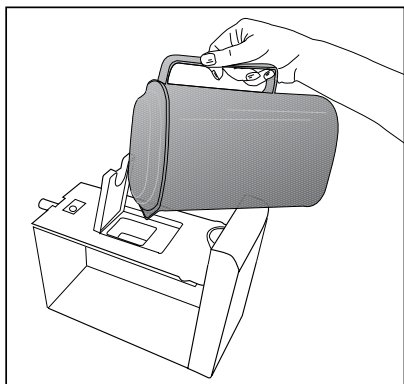
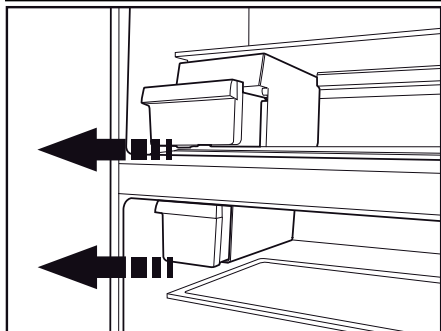
Ko namestite polni rezervoar za vodo, lahko dobite ok. 60-70 kock ledu, dokler ni popolnoma prazen.

Če je voda v rezervoarju stala 2-3 tedne, jo je treba zamenjati.



Pri izdelkih s samodejno napravo za led boste med vlivanjem ledu morda slišali zvok. Ta zvok je običajen in ni napaka.

Uporaba izdelka



5.12. Ledomat in posoda za shranjevanje ledu

***izbirno**

Uporaba ledomata

Ledomat napolnite z vodo in ga postavite na ustrezno mesto. Led bo pripravljen približno v dveh urah. Ledomata ne odstranjujte iz svojega mesta, da bi vzeli led.

Gumbe na njem zavrtite v smeri urinega kazalca za 90 stopinj.

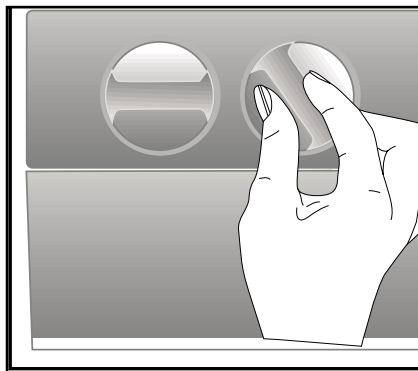
Kocke ledu v zbiralnikih bodo padle v posodo za shranjevanje ledu spodaj.

Posodo za shranjevanje ledu lahko izvlečete in postrežete kocke ledu.

Če želite, lahko kocke ledu hranite v posodi za shranjevanje ledu.

Posoda za shranjevanje ledu

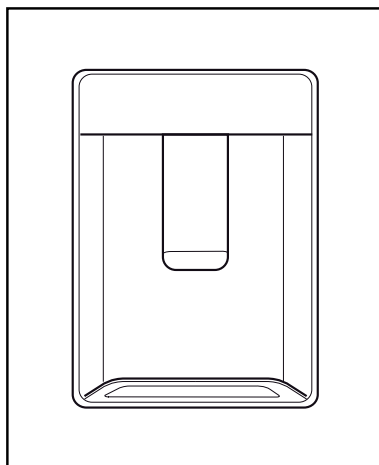
Posoda za shranjevanje ledu je namenjena le zadrževanju kock ledu. V posodo ne vlivajte vode, saj se lahko zlomi.



5.13. Točaj vode

(pri nekaterih modelih)

Točaj vode je zelo uporabna naprava, ki omogoča natančno nastavljanje hladne vode brez odpiranja vrat hladilnika. Ker vam ne bo treba pogosto odpirati vrat hladilnika, boste prihranili energijo.



Uporaba izdelka

5.14. Uporaba vodne pipe

S kozarcem potisnite ročico točaja vode.

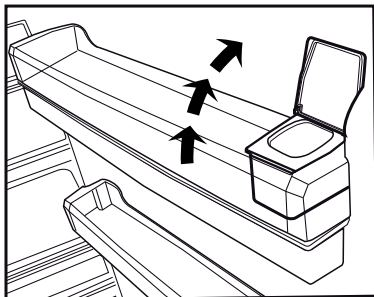
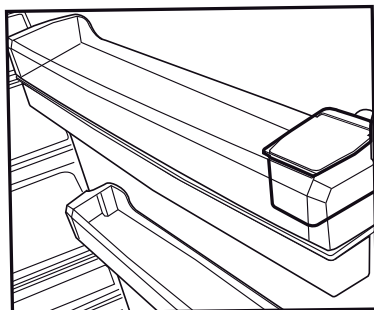
Ko pritisk na ročico popustite, bo točaj vode prenehal delovati.

Med natakanjem vode lahko dosežete največji pretok s pritiskom na ročico do konca. Ne pozabite, da je pretok vode iz točaja odvisen od sile, s katero pritisnete na ročico.

Medtem ko gladina vode v kozarcu/posodi narašča, malce popustite pritisk, da se voda ne prelije. Pri zelo nežnem pritisku na ročico bo voda samo kapljala; to je normalno in ni motnja delovanja.

Polnjenje posode točaja vode

Polnilna posodica za vodo se nahaja v notranjosti regala vrat. Odprite pokrov posode in jo napolnite s čisto pitno vodo. Nato pokrov zaprite.



Pozor!

- Posodo za vodo polnite le z vodo in ne s katero koli drugo tekočino, kot so sadni sokovi, gazirane pijače ali alkoholne pijače, ki niso primerne za uporabo v točaju vode. Pri uporabi teh tekočin bo točaj vode bo nepopravljivo poškodovan. Garancija take uporabe ne krije. Nekatere kemične snovi in aditivi, vsebovani v teh vrstah pijač / tekočin lahko posodo za vodo poškodujejo.

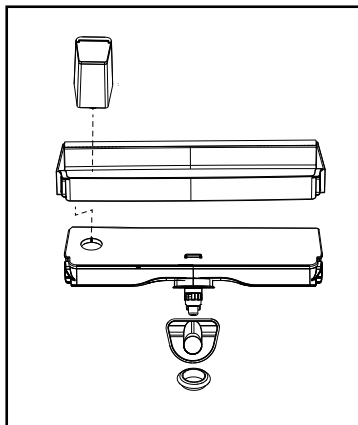
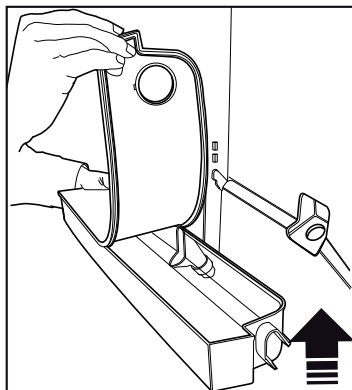
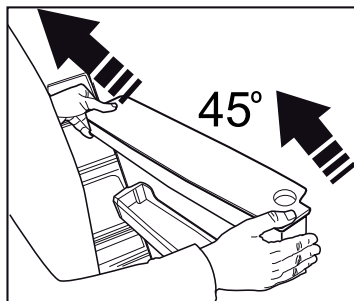
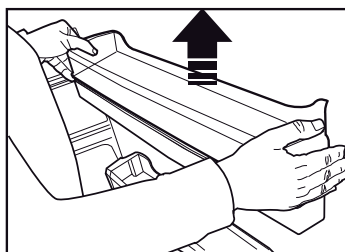
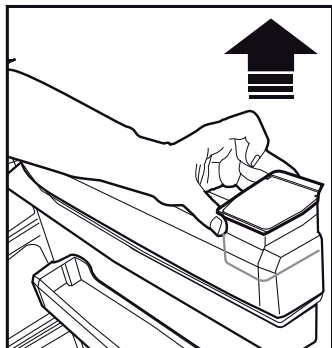
- Uporabljajte samo čisto in svežo pitno vodo.
- Prostornina posode za vodo znaša 3 litre; ne napolnite preveč.
- S kozarcem potisnite ročico točaja vode. Če uporabljate plastične kozarce za enkratno uporabo, potisnite ročico s prsti za kozarcem.

5.15. Čiščenje posode za vodo

- Odstranite posodo za polnjenje vode v notranjosti regala na vratih.
- Odstranite regal vrat, tako da ga primete na obeh straneh.
- Primite posodo za vodo na obeh straneh in jo odstranite pod kotom 45 °C.
- Posodo za vodo očistite z odstranitvijo pokrova.

Pomembno:

Sestavni deli posode za vodo in točaja vode se ne smejo prati v pomivalnem stroju.



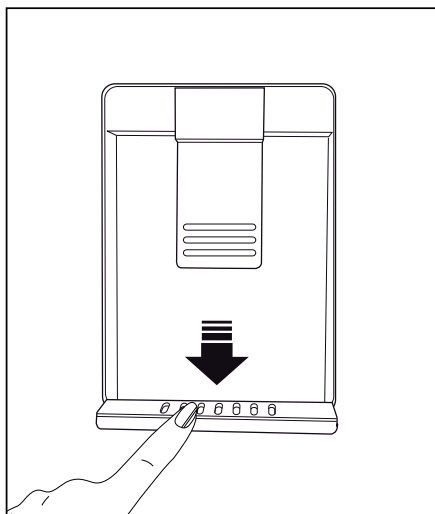
5.16. Pladenj za vodo

Voda, ki kaplja pri uporabi točaja vode, se nabira v pladnju za vodo.

Plastični pladenj odstranite, kot je prikazano na sliki.

S čisto in suho krpo obrišite razlito vodo.

POZOR: Priključite samo na napeljavo s pitno vodo.



Uporaba izdelka

5.17. Zamrzovanje svežih živil

- Če želite ohraniti kakovost živil, morate živila, ki jih postavite v predel zamrzovalnika, čim hitreje zamrzniti; za to uporabite hitro zamrzovanje.
- Zamrzovanje sveže hrane podaljša čas shranjevanja v predelu zamrzovalnika.
- Zapakirajte živila v nepredušne pakete in jih tesno zaprite.
- Pazite, da so živila zapakirana, preden jih postavite v zamrzovalnik. Uporabite držala zamrzovalnika, folijo in papir, ki je odporen na vlago, plastične vrečke ali podobni pakirni material, namesto običajnega papirja.



Leđ v predelu zamrzovalnika se samodejno odtaja.

- Pred pakete s hrano zamrznete jih označite z datumom. Tako boste lahko določili svežino posameznega paketa vsakič, ko odprete zamrzovalnik. Hranite starejša živila spredaj, da jih tako uporabite najprej.
- Zamrznjena živila je treba porabiti takoj ko se odtalijo in se ne smejo ponovno zamrzniti.
- Ne zamrzujte velike količine živil naenkrat.

5.18. Priporočila za shranjevanje zamrznjenih živil

Predel mora biti nastavljen vsaj na -18°C .

1. Živila nemudoma postavite v zamrzovalnik, da se ne odtalijo.
2. Pred zamrzovanjem, preverite »datum izteka roka« na embalaži, da se prepričajte, da se ni izdelek.
3. Preverite, da embalaža živil ni poškodovana.

Nastavitev temperature zamrzovalnega dela	Nastavitev temperature hladilnega dela	Podrobnosti
-18°C	4°C	To je privzeta in priporočena nastavitev.
$-20, -22$ ali -24°C	4°C	Te nastavitve so priporočene za temperature okolja, ki presegajo 30°C .
Funkcija hitrega zamrzovanja	4°C	Uporabite, ko želite zamrzniti hrano v kratkem času. Ko se postopek konča, izdelek ponovno pridobi svoj položaj.
-18°C ali hladneje	2°C	Te nastavitve uporabite, če mislite, da predel hladilnika ni dovolj hladen zaradi temperature okolja ali pogostega odpiranja vrat.

Uporaba izdelka

5.19. Podrobnosti globokega zamrzovanja

Po standardih IEC 62552 mora imeti zamrzovalnik zmogljivost, da zamrzne 4,5 kg hrane pri -18°C ali nižji temperaturi v 24 urah na vsakih 100 litrov volumna predela zamrzovalnika.

Živila lahko dlje časa hranite samo pri ali pod temperaturo -18°C.

Hrano lahko tako ohranite svežo več mesecev (v globoke zamrzovalniku pri ali pod temperaturo -18°C).

Hrana, ki jo nameravate zamrzniti, se ne sme dotikati že zamrznjene hrane, da ne pride do delnega odtajanja.

Zavrite zelenjavo in prefiltrirajte vodo, da podaljšate čas shranjevanja zamrznjenih živil. Živila najprej filtrirajte, nato pa jih dajte v nepredušne pakete in postavite v zamrzovalnik. Banan, paradižnika, zelene solate, zelene, kuhanih jajc, krompirja in podobnih živil se ne sme zamrzovati. V primeru, da ta hrana zgine, bo to negativno vpliva na prehranske vrednosti in kakovost. Gnitje, ki ogroža človeško življenje, ni vprašljivo.

5.20. Postavitev živil

Police zamrzovalnega dela	Različne vrste živil, vključno z mesom, ribami, sladoledom, zelenjavo itd.
Police predel hladilnika	Živila v loncih, zaprtih krožnikih in zaprtih ovojih, jajca (v zaprtem ovoju)
Police na vratih hladilnega dela	Manjša in pakirana živila ali pijače
Posoda za zelenjavo	Sadje in zelenjava
Predel za sveža živila	Delikatese (hrana za zajtrk, mesni izdelki, ki jih boste porabili v kratkem času)

5.21. Opozorilo za odprta vrata (izbirno)

Če vrata naprave ostanejo odprta vsaj 1 minute, boste zaslišali zvočni alarm. Zvočni alarm ugase, ko zaprete vrata ali pritisnete katerokoli tipko na prikazovalniku (če je na voljo).

Opozorilo za odprta vrata uporabnik sliši in vidi. Notranja razsvetljava ugase, če se opozorilo nadaljuje 10 minut.

5.22. Spreminjanje smeri odpiranja vrat

Smer odpiranja vrat vašega hladilnika lahko spremenite glede na lokacijo, kjer ga uporabljate. Ko to rabite, se obrnite na najbližji pooblaščen servis.

Razlaga zgoraj je samo splošna izjava.

Preverite opozorilno oznako, ki se nahaja znotraj embalaže izdelka, glede spreminjanja smeri odpiranja vrat.

5.23. Notranja luč

Notranja luč uporablja luč tipa LED. Za težave s to lučjo se obrnite na pooblaščen servis.

Luč(i), ki je(so) uporabljena(-e) v tej napravi, ni mogoče uporabiti za hišno razsvetljavo. Namenska uporaba te luči je, da uporabnik varno in udobno postavi hrano v hladilnik/zamrzovalnik.

Ob rednem čiščenju naprave se njena življenjska doba podaljša.



OPOZORILO: Pred začetkom čiščenja hladilnika, ga izključite iz napajanja.

- Za čiščenje ne uporabljajte ostrih abrazivnih predmetov, mila, gospodinjskih čistil, čistilnih sredstev in loščila.
- Rastopite eno žličko karbonata v pol litra vode. V to raztopino pomočite krpo in jo temeljito ožemite. S to krpo obrišite notranjost naprave in temeljito posušite.
- Preprečite, da bi ohišje luči in ostali električni predmeti prišli v stik z vodo.
- Vrata očistite z vlažno krpo. Če želite odstraniti vrata in police, jih popolnoma spraznite. Police na vratih odstranite tako, da jih pomaknete navzgor. Po čiščenju ji namestite tako, da ji zdrsnete od zgoraj navzdol.
- Za čiščenje zunanjih površin in kromiranih delov izdelka ne uporabljajte čistilnih sredstev ali klorirane vode. Klor povzroči korozijo na kovinskih površinah.
- Ne uporabljajte ostrih, abrazivnih orodij, gospodinjskih čistil, čistilnih sredstev, kerozina, olja, loščila itd., da preprečite odstranjevanje in deformacijo odtisov na plastičnem delu. Za čiščenje uporabite mlačno vodo in mehko krpo ter do suhega obrišite.

6.1. Izigibanje neprijetnim vonjavam

V proizvodnji naših naprav ne uporabljamo materialov, ki povzročajo vonj. Vendar pa nepravilno shranjevanje živil in pomanjkljivo čiščenje notranjosti naprave lahko povzroči neprijetne vonjave.

Zato vsakih 15 dni čistite hladilnik s karbonatom, raztopljenim v vodi.

- Živila shranjujte v zaprtih posodah. Mikroorganizmi, ki prihajajo iz nepokritih posod, lahko povzročijo neprijetne vonjave.
- V hladilniku ne hranite pokvarjenih živil ali živil s pretečenim rokom.

6.2. Zaščita plastičnih površin

Nemudoma očistite s toplo vodo, saj lahko olje poškoduje plastično površino.

6.3. Steklo vrat

Odstranite zaščitno folijo s stekla.

Na površini stekla je premaz. Ta premaz zmanjša nabiranje madežev in pomaga pri lažjem odstranjevanju madežev in umazanije. Steklo, ki ni zaščiteno s takšnim premazom, je lahko predmet trajne vezave zraka ali organske ali anorganske umazanije, na osnovi vode, kot je vodni kamen, mineralne soli, nezagorelih ogljikovodikov, kovinskih oksidov in silikonov, ki lahko enostavno in hitro povzročijo madeže ali materialno škodo. Ohranjanje čistega stekla postane pretežko, kljub rednemu čiščenju. Posledično se poslabšata videz in prosojnost stekla. Grobe in korozivne metode in spojine čiščenja povečajo te napake in pospešijo proces poslabšanja.

Za redno čiščenje uporabite izdelke, na osnovi vode, ki niso alkalni in jedki.

Za čiščenje uporabite nealkalne in nekorozivne materiali in tako podaljšate življenjsko dobo tega premaza.

Steklo vrat je kaljeno za večjo odpornost proti udarcem in zlomu.

Zadnja površina stekla pa je prevlečena z zaščitnim filmom kot dodatni varnostni ukrep, ki preprečuje, da bi steklo ob zlomu povzročilo škodo okolici.

* Alkalij je baza, ki tvori hidroksilne ione (OH⁻), ko jo raztopimo v vodi.

Li (Litij), Na (Natrij), K (Kalij) Rb (Rubidij), Cs (Cezij) in umetne in radioaktivne Fr (Frensijski) kovine se imenujejo ALKALIJSKE KOVINE.

Preverite ta seznam, preden se obrnete na servisno službo. S tem boste prihranili čas in denar. Ta seznam vključuje pogoste pritožbe, ki niso povezane z nestrokovno izdelavo ali materiali. Nekatere funkcije, ki so omenjene, morda ne veljajo za vašo napravo.

Hladilnik ne deluje.

- Napajalni kabel ni v celoti vključen v vtičnico. >>> Priključite ga v celoti, da se vsede v vtičnico.
- Pregorela je glavna varovalka ali pa varovalka priključena na vtičnico, ki napaja napravo. >>> Preverite varovalke.

Kondenzacija na stranski steni predela hladilnika (MULTI CONA, COOL, NADZOR in FLEXI CONA).

- Vrata se prepogosto odpirajo. >>> Pazite, da ne boste odpirali vrat naprave prepogosto.
- Okolje je preveč vlažno. >>> Ne nameščajte naprave v vlažnih okoljih.
- Živila, ki vsebujejo tekočine, so shranjena v nezaprtih posodah. >>> Naj bodo živila, ki vsebujejo tekočine, v zaprtih posodah.
- Vrata naprave so ostala odprta. >>> Vrata naprave ne imejte odprta predolgo časa.
- Termostat je nastavljen na prenizko temperaturo. >>> Nastavite termostat na primerno temperaturo.

Kompresor ne deluje.

- V primeru nenadnega izpada električne energije ali izvečenega vtičača ter nato ponovnega vklopa, tlak plina v hladilnem sistemu naprave ni uravnotežen, kar sproži termično zaščito kompresorja. Naprava se bo ponovno zagnala po približno 6 minutah. Če se naprava ne zažene ponovno po tem času, se obrnite na servis.
- Odtajanje je vključeno. >>> To je normalno za popolnoma samodejno odtajanje naprave. Odtajanje se izvaja v rednih časovnih presledkih.
- Naprava ni priključena. >>> Prepričajte se, da je napajalni kabel priključen.
- Nastavitev temperature je napačna. >>> Izberite nastavitev na primerno temperaturo.
- Napajanja ni. >>> Naprava bo še naprej normalno delovala, ko se bo vrnilo napajanje.

Obratovalni hrup hladilnika se povečuje, medtem ko je v uporabi.

- Delovna intenzivnost naprave se lahko razlikuje, odvisno od nihanja temperature okolice. To je normalno in ne gre za okvaro.

Hladilnik teče prepogosto ali predolgo.

- Nova naprava je lahko večja od prejšnje. Večje naprave bodo delovale več časa.
- Sobna temperatura je lahko visoka. >>> Naprava običajno deluje več časa pri visoki sobni temperaturi.
- Naprava je lahko bila pred kratkim priključena na električno omrežje ali pa se novo živo nahaja v notranjosti. >>> Naprava bo zahtevala več časa, da doseže nastavljeno temperaturo, če je bila pred kratkim priključena na električno omrežje ali pa se nahaja v notranjosti novo živo. To je normalno.
- Velike količine tople hrane so bili morda pred kratkim dane v napravo. >>> Ne postavljajte tople hrane v napravo.
- Vrata so se pogosto odprla ali bila odprta daljše obdobje. >>> Topel zrak, ki se giblje znotraj povzroči, da naprava več časa deluje. Ne odpirajte vrat prepogosto.
- Vrata zamrzovalne skrinje ali hladilnika so lahko samo priprta. >>> Preverite, če so vrata popolnoma zaprta.
- Naprava je nastavljena na prenizko temperaturo. >>> Nastavite temperaturo na višjo stopnjo in počakajte, da naprava doseže nastavljeno temperaturo.
- Podložka vrat hladilnika ali zamrzovalnika je morda umazana, obrabljena, počena ali ni pravilno vstavljena. >>> Očistite jih ali zamenjajte podložko. Poškodovana oz. raztrgana podložka vrat bo povzročila, da naprava deluje več časa, da ohrani trenutno temperaturo.

Temperatura zamrzovalnika je zelo nizka, vendar je temperatura hladilnika primerna.

- Termostat zamrzovalnika je nastavljen na zelo nizko temperaturo. >>> Nastavite temperaturo predela zamrzovalnika na višjo stopnjo in še enkrat preverite.

Temperatura hladilnika je zelo nizka, vendar je temperatura zamrzovalnika primerna.

- Termostat hladilnika je nastavljen na zelo nizko temperaturo. >>> Nastavite temperaturo predela hladilnika na višjo stopnjo in še enkrat preverite.

Živilski izdelki hranjeni v predalih hladilnika so zamrznjeni.

Oodpravljanje težav

- Termostat hladilnika je nastavljen na zelo nizko temperaturo. >>> Nastavite temperaturo predela zamrzovalnika na višjo stopnjo in še enkrat preverite.

Temperatura hladilnika ali zamrzovalnika je previsoka.

- Termostat hladilnika je nastavljen na zelo visoko stopnjo. >>> Nastavitev temperature v predelu hladilnika vpliva na temperaturo predela zamrzovalnika. Spremenite temperaturo hladilnika ali zamrzovalnika in počakajte, da ustrezni predeli dosežejo nastavljeno temperaturno raven.
- Vrata so se pogosto odpirala ali bila odprta daljše obdobje. >>> Ne odpirajte vrat prepogosto.
- Vrata so lahko samo priprta. >>> Popolnoma zaprite vrata.
- Naprava je lahko bila pred kratkim priključena na električno omrežje ali pa se novo živilo nahaja v notranjosti. >>> To je normalno. Naprava bo zahtevala več časa, da doseže nastavljeno temperaturo, če je bila pred kratkim priključena na električno omrežje ali pa se nahaja v notranjosti novo živilo.
- Velike količine tople hrane so bili morda pred kratkim dane v napravo. >>> Ne postavljajte tople hrane v napravo.

Tresenje ali hrup.

- Tla niso ravna ali gladka. >>> Če se naprava trese, ko jo počasi premikate, prilagodite nogice za uravnoteženje naprave. Prav tako poskrbite, da so tla dovolj trdna, da nosijo napravo.
- Vsi predmeti, ki so dani na napravo lahko povzročijo hrup. >>> Odstranite vse predmete, ki so postavljeni na napravo.

Naprava proizvaja hrup pretoka tekočine, pršenja ipd.

- Principi delovanja naprave vključujejo tokove tekočin in plinov. >>> To je normalno in ne gre za okvaro.

Sliši se zvok podoben vetriču, ki prihaja iz naprave.

- Naprava uporablja ventilator za postopek hlajenja. To je normalno in ne gre za okvaro.

Nabira se kondenzacija na notranjih stenah naprave.

- Vroče ali vlažno vreme bo povečalo nabiranje ledu in kondenzacije. To je normalno in ne gre za okvaro.
- Vrata so se pogosto odprla ali bila odprta daljše obdobje. >>> Ne odpirajte vrat prepogosto; če so odprta, zaprite vrata.
- Vrata so lahko samo priprta. >>> Popolnoma zaprite vrata.

Nabira se kondenzacija na zunanjih stenah naprave ali med vrati.

- Prostor je lahko vlažen, kar je povsem normalno v vlažnem vremenu. >>> Kondenzacija se bo umaknila, ko se vlažnost zmanjša.

Notranjost ima neprijetne vonjave.

- Naprava se ne čisti redno. >>> Redno čistite notranjost z uporabo gobice, tople vode in vode s sodo.
- Nekatere posodice in embalažni materiali lahko povzročijo neprijeten vonj. >>> Uporabite posodice in embalažne materiale brez neprijetnega vonja.
- Živila so se hranila v nezaprth posodah. >>> Hranite živila v zaprtih posodah. Mikroorganizmi se lahko širijo iz nezaprte hrane in povzročijo vonjave.
- Odstranite vsa pretekla ali pokvarjena živila iz naprave.

Vrata se ne zapirajo.

- Embalaža živil lahko ovira vrata. >>> Premaknite vse predmete, ki ovirajo vrata.
- Naprava ne stoji v popolnem pokončnem položaju glede na tla. >>> Prilagodite nogice za uravnoteženje naprave.
- Tla niso ravna ali gladka. >>> Poskrbite, da so tla v ravnini in dovolj trdna, da nosijo napravo.

Posoda za zelenjavo se je zataknila.

- Živilski izdelki so lahko v stiku z zgornjim delom predala. >>> Premestite kose hrane v predalu.



OPOZORILO: Če težave ne odpravite po sledenju navodilom v tem poglavju, se obrnite na prodajalca ali pooblaščen servis. Ne poskušajte sami popraviti naprave.