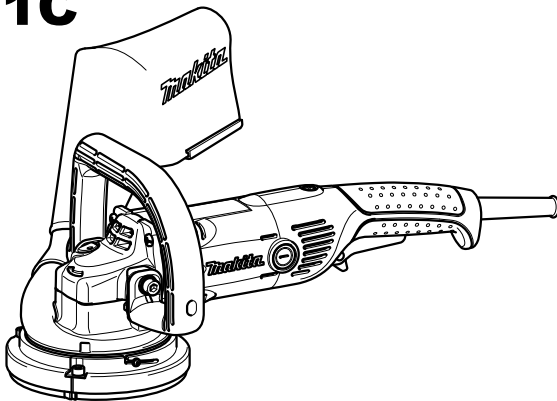




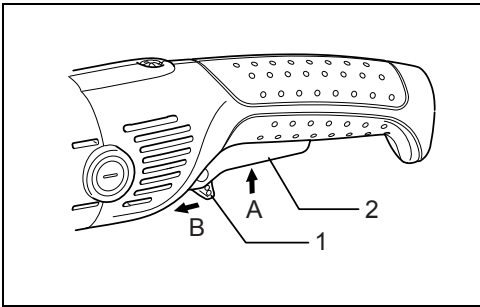
GB	Concrete Planer	Instruction manual
F	Surfaceuse à béton	Manuel d'instructions
D	Betonschleifer	Betriebsanleitung
I	Pialla per cemento	Istruzioni per l'uso
NL	Handbetonschuurmachine	Gebruiksaanwijzing
E	Desbastadora de diamante	Manual de instrucciones
P	Plaina para cimento	Manual de instruções
DK	Betonhøvl	Brugsanvisning
GR	Πλάνη τσιμέντου	Οδηγίες χρήσης

PC5000C
PC5001C



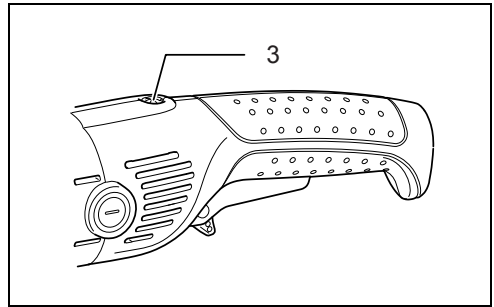
009839





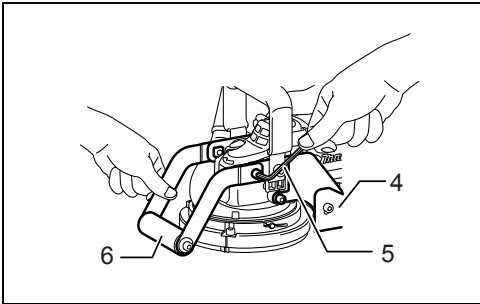
1

008415



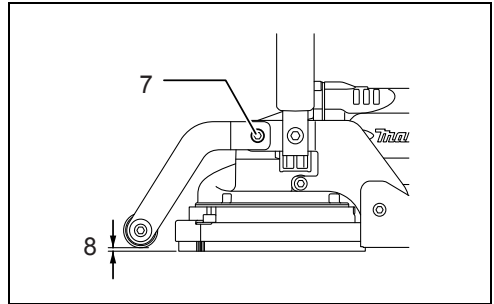
2

008416



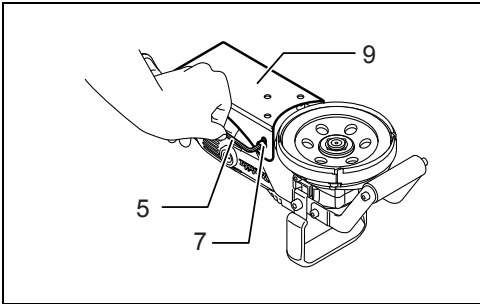
3

009847



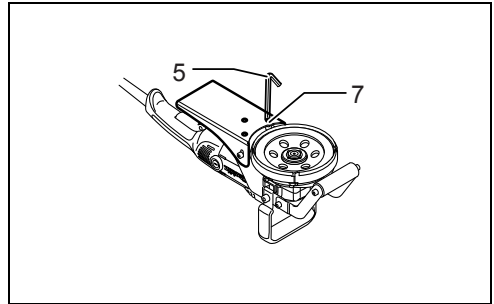
4

009848



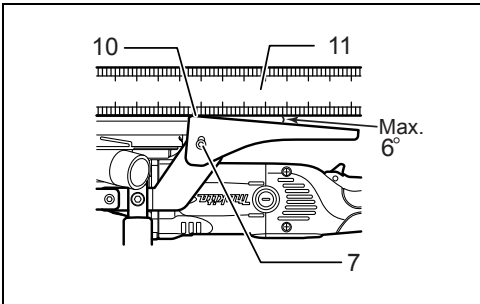
5

009849



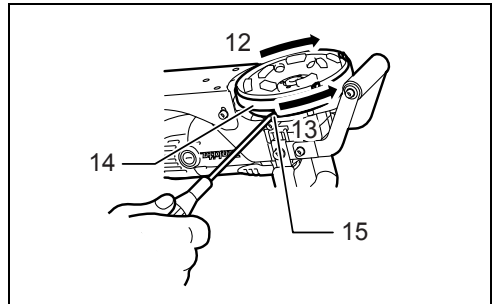
6

009850



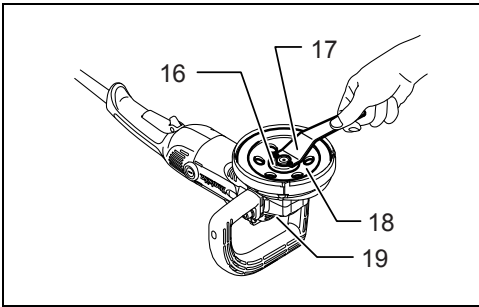
7

009851



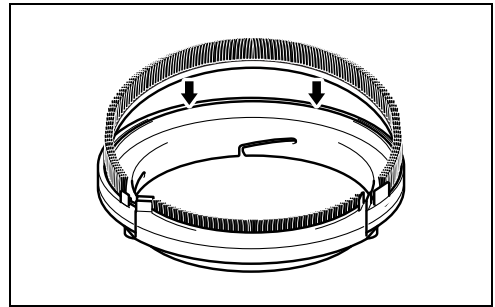
8

009885



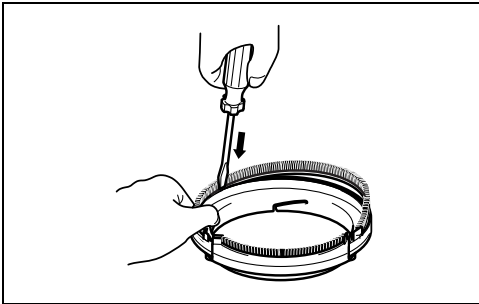
9

009841



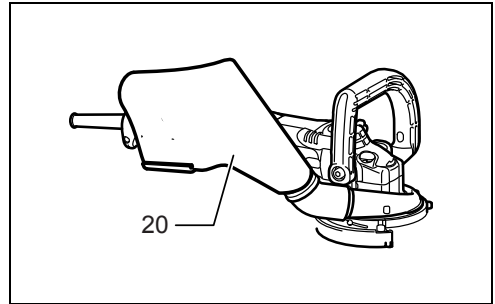
10

013144



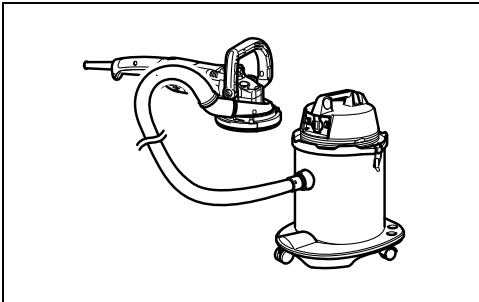
11

013145



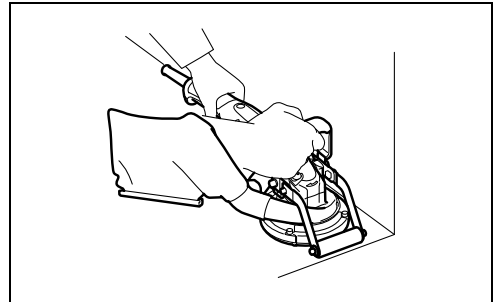
12

009846



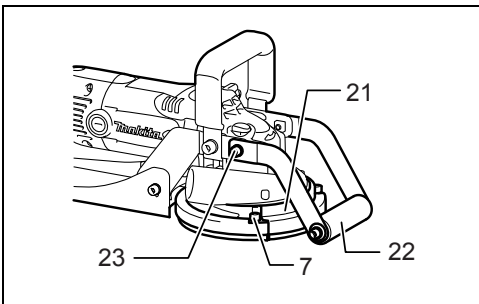
13

009845



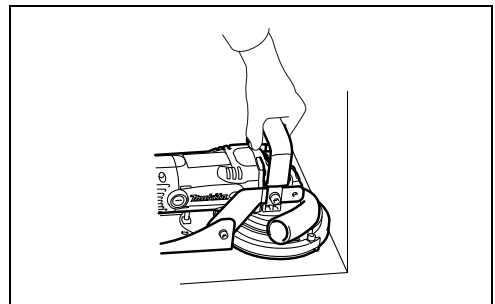
14

010273



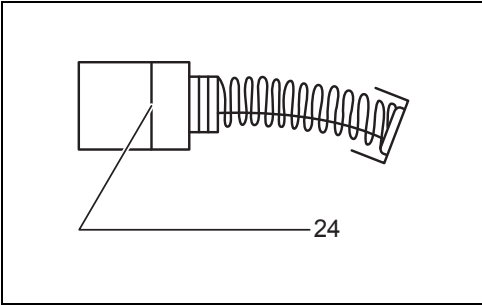
15

009883



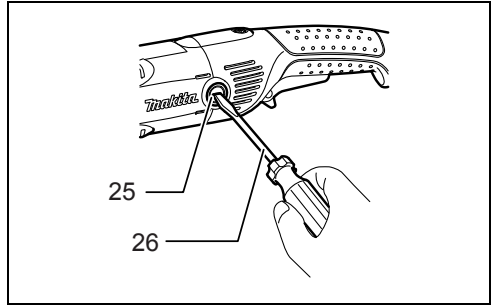
16

009884



17

001145



18

009844

ENGLISH (Original instructions)

Explanation of general view

- | | | |
|----------------------------|---------------------|-----------------------------|
| 1. Lock lever | 10. Same level | 19. Shaft lock |
| 2. Switch trigger | 11. Square or ruler | 20. Dust bag |
| 3. Indication lamp | 12. Raise | 21. Dust cover cap |
| 4. Base (for PC5001C only) | 13. Lower | 22. The whole roller holder |
| 5. Hex wrench | 14. Dust cover | 23. Hex bolt |
| 6. Front roller | 15. Screw | 24. Limit mark |
| 7. Hex socket head bolt | 16. Lock nut | 25. Brush holder cap |
| 8. Stock removal amount | 17. Lock nut wrench | 26. Screwdriver |
| 9. Base | 18. Diamond wheel | |

SPECIFICATIONS

Model	PC5000C	PC5001C
Wheel diameter	125 mm	
Hole diameter	22.23 mm	
Spindle thread	M14	
Rated speed (n) / No load speed (n ₀)	10,000 min ⁻¹	
Overall length	437 mm	479 mm
Net weight	4.0 kg	5.1 kg
Safety class	□/II	

- Due to our continuing program of research and development, the specifications herein are subject to change without notice.
- Specifications may differ from country to country.
- Weight according to EPTA-Procedure 01/2003

Intended use

ENE002-1

The tool is intended for planing concrete surfaces.

Power supply

ENF002-2

The tool should be connected only to a power supply of the same voltage as indicated on the nameplate, and can only be operated on single-phase AC supply. They are double-insulated and can, therefore, also be used from sockets without earth wire.

General Power Tool Safety Warnings

GEA010-1

⚠ WARNING Read all safety warnings and all instructions. Failure to follow the warnings and instructions may result in electric shock, fire and/or serious injury.

Save all warnings and instructions for future reference.

CONCRETE PLANER SAW SAFETY WARNINGS

GEB043-6

Safety Warnings for Grinding Operation:

1. **This power tool is intended to function as a grinder with offset diamond wheels. Read all safety warnings, instructions, illustrations and specifications provided with this power tool.**
Failure to follow all instructions listed below may result in electric shock, fire and/or serious injury.
2. **Operations such as grinding with abrasive wheels, sanding, wire brushing, polishing or cutting-off are not recommended to be performed with this power tool.** Operations for which the power tool was not designed may create a hazard and cause personal injury.
3. **Do not use accessories which are not specifically designed and recommended by the tool manufacturer.** Just because the accessory can be attached to your power tool, it does not assure safe operation.
4. **The rated speed of the accessory must be at least equal to the maximum speed marked on the power tool.** Accessories running faster than their rated speed can break and fly apart.
5. **The outside diameter and the thickness of your accessory must be within the capacity rating of your power tool.** Incorrectly sized accessories cannot be adequately guarded or controlled.
6. **Threaded mounting of accessories must match the tool spindle thread. For accessories mounted by flanges, the arbour hole of the accessory must fit the locating diameter of the flange.** Accessories that do not match the mounting hardware of the power tool will run out of balance, vibrate excessively and may cause loss of control.
7. **Do not use a damaged accessory. Before each use inspect the accessory such as offset diamond wheels for chips and cracks. If power tool or accessory is dropped, inspect for damage or install an undamaged accessory. After inspecting and installing an accessory, position yourself and bystanders away from the plane of the rotating**

accessory and run the power tool at maximum no-load speed for one minute. Damaged accessories will normally break apart during this test time.

8. **Wear personal protective equipment. Depending on application, use face shield, safety goggles or safety glasses. As appropriate, wear dust mask, hearing protectors, gloves and workshop apron capable of stopping small abrasive or workpiece fragments.** The eye protection must be capable of stopping flying debris generated by various operations. The dust mask or respirator must be capable of filtering particles generated by your operation. Prolonged exposure to high intensity noise may cause hearing loss.
9. **Keep bystanders a safe distance away from work area. Anyone entering the work area must wear personal protective equipment.** Fragments of workpiece or of a broken accessory may fly away and cause injury beyond immediate area of operation.
10. **Hold the power tool by insulated gripping surfaces only, when performing an operation where the cutting accessory may contact hidden wiring or its own cord.** Cutting accessory contacting a "live" wire may make exposed metal parts of the power tool "live" and could give the operator an electric shock.
11. **Position the cord clear of the spinning accessory.** If you lose control, the cord may be cut or snagged and your hand or arm may be pulled into the spinning accessory.
12. **Never lay the power tool down until the accessory has come to a complete stop.** The spinning accessory may grab the surface and pull the power tool out of your control.
13. **Do not run the power tool while carrying it at your side.** Accidental contact with the spinning accessory could snag your clothing, pulling the accessory into your body.
14. **Regularly clean the power tool's air vents.** The motor's fan will draw the dust inside the housing and excessive accumulation of powdered metal may cause electrical hazards.
15. **Do not operate the power tool near flammable materials.** Sparks could ignite these materials.
16. **Do not use accessories that require liquid coolants.** Using water or other liquid coolants may result in electrocution or shock.

Kickback and Related Warnings

Kickback is a sudden reaction to a pinched or snagged rotating wheel, backing pad, brush or any other accessory. Pinching or snagging causes rapid stalling of the rotating accessory which in turn causes the uncontrolled power tool to be forced in the direction opposite of the accessory's rotation at the point of the binding.

For example, if an abrasive wheel is snagged or pinched by the workpiece, the edge of the wheel that is entering into the pinch point can dig into the surface of the material causing the wheel to climb out or kick out. The wheel may either jump toward or away from the operator, depending on direction of the wheel's movement at the point of pinching. Abrasive wheels may also break under these conditions.

Kickback is the result of power tool misuse and/or incorrect operating procedures or conditions and can be avoided by taking proper precautions as given below.

- a) **Maintain a firm grip on the power tool and position your body and arm to allow you to resist kickback forces. Always use auxiliary handle, if provided, for maximum control over kickback or torque reaction during start-up.** The operator can control torque reactions or kickback forces, if proper precautions are taken.
- b) **Never place your hand near the rotating accessory.** Accessory may kickback over your hand.
- c) **Do not position your body in the area where power tool will move if kickback occurs.** Kickback will propel the tool in direction opposite to the wheel's movement at the point of snagging.
- d) **Use special care when working corners, sharp edges etc. Avoid bouncing and snagging the accessory.** Corners, sharp edges or bouncing have a tendency to snag the rotating accessory and cause loss of control or kickback.
- e) **Do not attach a saw chain woodcarving blade or toothed saw blade.** Such blades create frequent kickback and loss of control.

Safety Warnings Specific for Grinding Operation:

- a) **Use only wheel types that are recommended for your power tool and the specific guard designed for the selected wheel.** Wheels for which the power tool was not designed cannot be adequately guarded and are unsafe.
- b) **Always use undamaged wheel flanges that are of correct size and shape for your selected wheel.** Proper wheel flanges support the wheel thus reducing the possibility of wheel breakage.

Additional Safety Warnings:

17. **Always install the dust cover before operation.**
18. **Be careful not to damage the spindle, the flange (especially the installing surface) or the lock nut. Damage to these parts could result in wheel breakage.**
19. **Make sure the wheel is not contacting the workpiece before the switch is turned on.**
20. **Before using the tool on an actual workpiece, let it run for a while. Watch for vibration or wobbling that could indicate poor installation or a poorly balanced wheel.**
21. **Do not leave the tool running. Operate the tool only when hand-held.**
22. **Do not touch the offset diamond wheel immediately after operation; it may be extremely hot and could burn your skin.**
23. **Observe the instructions of the manufacturer for correct mounting and use of wheels. Handle and store wheels with care.**
24. **Do not use separate reducing bushings or adaptors to adapt large hole wheels.**
25. **Use only flanges specified for this tool.**
26. **Pay attention that the wheel continues to rotate after the tool is switched off.**
27. **If working place is extremely hot and humid, or badly polluted by conductive dust, use a short-circuit breaker (30 mA) to assure operator safety.**

28. Do not use the tool on any materials containing asbestos.

SAVE THESE INSTRUCTIONS.

WARNING:

DO NOT let comfort or familiarity with product (gained from repeated use) replace strict adherence to safety rules for the subject product. MISUSE or failure to follow the safety rules stated in this instruction manual may cause serious personal injury.

FUNCTIONAL DESCRIPTION

CAUTION:

- Always be sure that the tool is switched off and unplugged before adjusting or checking function on the tool.

Switch action (Fig. 1)

CAUTION:

- Before plugging in the tool, always check to see that the switch trigger actuates properly and returns to the "OFF" position when released.

For tool with the lock-on switch

To start the tool, simply pull the switch trigger (A). Release the switch trigger to stop. For continuous operation, pull the switch trigger (A) and then push in the lock lever (B). To stop the tool from the locked position, pull the switch trigger (A) fully, then release it.

For tool with the lock-off switch

To prevent the switch trigger from accidentally pulled, a lock lever is provided. To start the tool, push in the lock lever (B) and then pull the switch trigger (A). Release the switch trigger to stop.

For tool with the lock on and lock-off switch

To prevent the switch trigger from accidentally pulled, a lock lever is provided. To start the tool, push in the lock lever (B) and then pull the switch trigger (A). Release the switch trigger to stop. For continuous operation, push in the lock lever (B), pull the switch trigger (A) and then push in the lock lever (B) further. To stop the tool from the locked position, pull the switch trigger (A) fully, then release it.

Electronic function

Constant speed control

- Possible to get fine finish, because the rotating speed is kept constantly even under the loaded condition.
- Additionally, when the load on the tool exceeds admissible levels, power to the motor is reduced to protect the motor from overheating. When the load returns to admissible levels, the tool will operate as normal.

Soft start feature

- Soft start because of suppressed starting shock.

Indication lamp (Fig. 2)

The indication lamp lights up green when the tool is plugged. If the indication lamp does not light up, the mains

cord or the controller may be defective. The indication lamp is lit but the tool does not start even if the tool is switched on, the carbon brushes may be worn out, or the controller, the motor or the ON/OFF switch may be defective.

Unintentional restart proof

Even lock lever keeping the switch trigger depressed (Lock-on position) does not allow the tool to restart even when the tool is plugged.

At this time, the indication lamp flickers red and shows the unintentional restart proof device is on function.

To cancel the unintentional restart proof, pull the switch trigger fully, then release it.

Level planing (for PC5001C only) (Fig. 3)

To level a surface, the base of the planer should be aligned with the diamond wheel. The front roller should be adjusted (use hex wrench) upward to the level required for the desired stock removal amount.

To change the amount of stock (concrete) removed, loosen the hex socket head bolts on the base holder with the hex wrench. Raise or lower the front roller to adjust the gap between it and the diamond wheel. The difference is the stock removal amount. Then secure the hex socket head bolts very carefully. (Fig. 4)

NOTE:

- Maximum stock removal should be less than 4.0 mm.

Tilting base for smoother planing (for PC5001C only) (Fig. 5)

For smooth removal of a given surface roughness or texture, tilting the base is helpful. Use the hex wrench to loosen the two hex socket head bolts securing the base on either side.

Use a hex wrench to lower the three hex socket head bolts on the base by turning them on the base clockwise. (Fig. 6)

Use a square or ruler to obtain the desired base angle in relation to the diamond wheel. Then secure carefully the hex socket head bolts on either side of the base. Adjust center of base near wheel so that it is on the same level as the wheel. (Fig. 7)

NOTE:

- After base adjustment, turn the three hex socket head bolts on the base counterclockwise until the heads are flush with the back side of the base. Turn gently or base adjustment will be thrown off.

Base adjustment to compensate for wheel wear (for PC5001C only)

With long use, the diamond wheel will wear and thus create a gap with the planing surface so that performance becomes poor. Check the tool after every 4 or 5 hours of use.

If the wheel and base surfaces are not aligned, loosen two hex socket head bolts securing the base. Turn three hex socket head bolts on the base clockwise and adjust the base so as to be level with the wheel surface. Retighten firmly the hex socket head bolts securing base and then lightly turn the hex socket head bolts counterclockwise so that the hex socket head bolts do not come loose during operation.

Dust cover adjustment (Fig. 8)

Loosen the screw, and adjust the dust cover's brush level. The dust cover's brush should be either flush with the diamond wheel surface or very slightly above (when tool is inverted) 0.5 mm. Suction/pickup will be poor if they are not approximately on the same level. After adjusting, be sure to tighten the screw firmly.

To adjust the dust cover, grip it on the outside; turn clockwise to raise, counterclockwise to lower.

ASSEMBLY

CAUTION:

- Always be sure that the tool is switched off and unplugged before carrying out any work on the tool.

Installing or removing diamond wheel (Fig. 9)

To replace a worn diamond wheel with a new one, press in the shaft lock to hold the shaft steady, then loosen the lock nut counterclockwise with the lock nut wrench provided.

Remove the worn diamond wheel.

To install a new one, follow the above removal procedure in reverse.

When installing a diamond wheel, always make sure to tighten the lock nut firmly.

NOTE:

- The ordinary diamond wheels on the market have no exhaust holes, so dust evacuation is poor. Also, if the installing hole is not of the exact diameter, tool vibration occurs and accidents can occur. ALWAYS USE A MAKITA OFFSET DIAMOND WHEEL.

Replacing dust cover's brush

To remove the dust cover's brush from the dust cover, grab an end of the dust cover's brush and take it out slowly. (Fig. 10)

To install the dust cover's brush, firstly align the both ends of the brush with the groove of the dust cover. (Fig. 11) And then insert the brush all the way into the groove of the dust cover by using slotted driver or other appropriate tool.

Dust bag (Fig. 12)

To install dust bag, slip onto dust port. Always make sure to slip onto dust port all the way until it stops so that it does not come off during operation.

Remove dust bag when it begins to touch cutting surface. This is a sign that it is full. Failure to empty bag will lead to poor suction/pickup.

Connecting a vacuum cleaner (Fig. 13)

When you wish to perform clean planing operation, connect a Makita vacuum cleaner to your tool as shown in the figure.

OPERATION (Fig. 14)

Always use the top grip (auxiliary handle) and firmly hold the tool by top grip and switch handle during operations.

Planing in corners

For PC5000C

Flush planing of corners is possible after first removing the dust cover cap.

For PC5001C only (Fig. 15)

Before performing the flush planing of corners, remove the hex bolt which secures roller holder and base holder and then take away the whole roller holder.

Next, loosen the hex socket head bolt and take away the dust cover cap and then adjust the dust cover in a proper position according to your work. (Fig. 16)

MAINTENANCE

CAUTION:

- Always be sure that the tool is switched off and unplugged before attempting to perform inspection or maintenance.
- Never use gasoline, benzine, thinner, alcohol or the like. Discoloration, deformation or cracks may result.

Replacing carbon brushes (Fig. 17)

Remove and check the carbon brushes regularly. Replace when they wear down to the limit mark. Keep the carbon brushes clean and free to slip in the holders. Both carbon brushes should be replaced at the same time. Use only identical carbon brushes.

Use a screwdriver to remove the brush holder caps. Take out the worn carbon brushes, insert the new ones and secure the brush holder caps. (Fig. 18)

To maintain product SAFETY and RELIABILITY, repairs, any other maintenance or adjustment should be performed by Makita Authorized Service Centers, always using Makita replacement parts.

OPTIONAL ACCESSORIES

CAUTION:

- These accessories or attachments are recommended for use with your Makita tool specified in this manual. The use of any other accessories or attachments might present a risk of injury to persons. Only use accessory or attachment for its stated purpose.

If you need any assistance for more details regarding these accessories, ask your local Makita Service Center.

- Offset diamond wheel (Dry type)
- Dust cover brush

NOTE:

- Some items in the list may be included in the tool package as standard accessories. They may differ from country to country.

Noise

ENG905-1

The typical A-weighted noise level determined according to EN60745:

Model PC5000CSound pressure level (L_{pA}): 91 dB (A)Sound power level (L_{WA}): 102 dB (A)

Uncertainty (K): 3 dB (A)

Model PC5001CSound pressure level (L_{pA}): 89 dB (A)Sound power level (L_{WA}): 100 dB (A)

Uncertainty (K): 3 dB (A)

Wear ear protection.**Vibration**

ENG900-1

The vibration total value (tri-axial vector sum) determined according to EN60745:

Model PC5000C

Work mode: planing concrete

Vibration emission (a_h): 12.0 m/s²Uncertainty (K): 1.5 m/s²**Model PC5001C**

Work mode: planing concrete

Vibration emission (a_h): 12.5 m/s²Uncertainty (K): 2.5 m/s²

ENG902-1

- The declared vibration emission value has been measured in accordance with the standard test method and may be used for comparing one tool with another.
- The declared vibration emission value may also be used in a preliminary assessment of exposure.
- The declared vibration emission value is used for main applications of the power tool. However if the power tool is used for other applications, the vibration emission value may be different.

⚠ WARNING:

- The vibration emission during actual use of the power tool can differ from the declared emission value depending on the ways in which the tool is used.
- Be sure to identify safety measures to protect the operator that are based on an estimation of exposure in the actual conditions of use (taking account of all parts of the operating cycle such as the times when the tool is switched off and when it is running idle in addition to the trigger time).

For European countries only

ENH101-16

EC Declaration of Conformity

We Makita Corporation as the responsible manufacturer declare that the following Makita machine(s):

Designation of Machine:

Concrete Planer

Model No./ Type: PC5000C, PC5001C

are of series production and

Conforms to the following European Directives:

2006/42/EC

And are manufactured in accordance with the following standards or standardised documents:

EN60745

The technical documentation is kept by:

Makita International Europe Ltd.
 Technical Department,
 Michigan Drive, Tongwell,
 Milton Keynes, Bucks MK15 8JD, England

30. 1. 2009



Tomoyasu Kato
 Director

Makita Corporation
 3-11-8, Sumiyoshi-cho,
 Anjo, Aichi, 446-8502, JAPAN

FRANÇAIS (Instructions d'origine)

Descriptif

- | | | |
|------------------------------------|-------------------------------|---|
| 1. Levier de verrouillage | 10. Alignement à respecter | 20. Sac à poussières |
| 2. Gâchette | 11. Équerre ou règle | 21. Bouchon de la protection anti-poussière |
| 3. Voyant | 12. Monter | 22. Tout le support à rouleaux |
| 4. Socle (pour PC5001C uniquement) | 13. Abaisser | 23. Boulon hexagonal |
| 5. Clé hexagonale | 14. Protection anti-poussière | 24. Repère d'usure |
| 6. Rouleau avant | 15. Vis | 25. Bouchon du porte-charbon |
| 7. Boulon à tête creuse hexagonale | 16. Contre-écrou | 26. Tournevis |
| 8. Profondeur à atteindre | 17. Clé à contre-écrou | |
| 9. Socle | 18. Meule diamantée | |
| | 19. Blocage de l'arbre | |

SPÉCIFICATIONS

Modèle	PC5000C	PC5001C
Diamètre de la meule	125 mm	
Diamètre de l'orifice	22,23 mm	
Filetage de l'axe	M14	
Vitesse nominale (n)/Vitesse à vide (n ₀)	10 000 min ⁻¹	
Longueur totale	437 mm	479 mm
Poids net	4 kg	5,1 kg
Niveau de sécurité	□/II	

- Étant donné l'évolution constante de notre programme de recherche et de développement, les spécifications contenues dans ce manuel sont sujettes à des modifications sans préavis.
- Les spécifications peuvent varier suivant les pays.
- Poids conforme à la procédure EPTA 01/2003

Utilisations ENE002-1

L'outil est conçu pour le rabotage des surfaces en béton.

Alimentation ENF002-2

L'outil ne doit être raccordé qu'à une alimentation de la même tension que celle qui figure sur la plaque signalétique, et il ne peut fonctionner que sur un courant secteur monophasé. Réalisé avec une double isolation, il peut de ce fait être alimenté sans mise à la terre.

Consignes de sécurité générales des outils électriques GEA010-1

⚠ AVERTISSEMENT Veuillez lire toutes les consignes de sécurité et les instructions. Il y a un risque de choc électrique, d'incendie et/ou de blessure grave si les consignes et les instructions ne sont pas toutes respectées.

Conservez toutes les consignes et instructions pour référence ultérieure.

AVERTISSEMENTS DE SÉCURITÉ RELATIFS À LA SURFACEUSE À BÉTON GEB043-6

Consignes de sécurité pour l'opération de meulage :

1. Cet outil électrique est conçu pour fonctionner comme une meule avec meules diamantées

déportées. Lisez tous les avertissements concernant la sécurité, les instructions, les illustrations et les caractéristiques fournis avec cet outil électrique. Il y a risque d'électrocution, d'incendie et/ou de blessures graves si les instructions énumérées ci-dessous ne sont pas respectées.

2. **Les opérations comme le ponçage avec des meules, le brossage à brosse métallique, le polissage ou le tronçonnage sont déconseillées avec cet outil électrique.** Les opérations pour lesquelles l'outil électrique n'a pas été conçu peuvent générer un danger et occasionner des blessures.
3. **N'utilisez pas d'accessoires qui ne sont pas spécifiquement conçus et recommandés par le fabricant de l'outil.** Le simple fait que l'accessoire puisse être fixé à votre outil électrique ne signifie pas que le fonctionnement sera sécurisé.
4. **La vitesse nominale de l'accessoire doit être au moins égale à la vitesse maximale indiquée sur l'outil électrique.** Les accessoires fonctionnant plus rapidement que leur vitesse nominale risquent de se casser et de voler en éclats.
5. **Le diamètre externe et l'épaisseur de votre accessoire doivent correspondre à la puissance nominale de votre outil électrique.** Des accessoires aux dimensions inappropriées ne peuvent pas être protégés ou contrôlés correctement.
6. **Le montage fileté des accessoires doit correspondre au filetage de l'axe de l'outil. Pour les accessoires montés à l'aide de flasques, l'orifice de tonnelle de l'accessoire doit correspondre au diamètre du flasque.** Les

- accessoires qui ne correspondent pas au matériel de montage de l'outil électrique seront déséquilibrés, subiront des vibrations excessives et pourront entraîner une perte de contrôle.
7. **N'utilisez pas d'accessoire endommagé. Avant chaque utilisation, vérifiez que les accessoires comme les meules diamantées déportées ne comportent pas de copeaux et de craquements. En cas de chute de l'outil électrique ou d'un accessoire, assurez-vous qu'il n'est pas endommagé et remplacez-le au besoin par un accessoire en bon état. Après avoir inspecté et installé un accessoire, positionnez-vous ainsi que les spectateurs à distance du plan de rotation de l'accessoire et faites fonctionner l'outil électrique à la vitesse maximale à vide pendant une minute.** Normalement, tout accessoire endommagé se brisera au cours de ce temps d'essai.
 8. **Portez un équipement de protection corporelle. En fonction du type de travail à effectuer, utilisez un écran facial, des lunettes étanches ou des lunettes de protection. Si nécessaire, portez un masque anti-poussières, des protège-tympons, des gants et un tablier d'atelier capable d'arrêter les petits fragments abrasifs ou des morceaux de la pièce à travailler.** La protection pour les yeux doit pouvoir stopper les projections de débris générées par diverses opérations. Le masque anti-poussières ou le masque filtrant doit pouvoir filtrer les particules générées lors des travaux. L'exposition prolongée à un bruit d'intensité élevée peut entraîner la surdité.
 9. **Gardez les spectateurs à une distance de sécurité de la zone de travail. Quiconque pénètre dans la zone de travail doit porter un équipement de protection corporelle.** Des fragments de pièces à travailler ou d'un accessoire cassé peuvent être projetés hors de la zone de travail immédiate et entraîner des blessures.
 10. **Ne tenez l'outil électrique que par ses surfaces de poigne isolées lorsque vous effectuez une opération au cours de laquelle l'accessoire de découpe peut entrer en contact avec des fils dissimulés ou avec le cordon de l'outil.** Il est possible que le contact de l'accessoire tranchant avec un fil sous tension mette les parties métalliques exposées de l'outil sous tension, risquant ainsi de provoquer un choc électrique chez l'utilisateur.
 11. **Éloignez le cordon de l'accessoire rotatif.** En cas de perte de contrôle, le cordon risque d'être coupé ou accroché et votre main ou votre bras happé(e) par l'accessoire rotatif.
 12. **Ne posez jamais l'outil électrique à terre tant que l'accessoire ne s'est pas complètement arrêté.** L'accessoire rotatif peut accrocher la surface et vous risquez de perdre le contrôle de l'outil électrique.
 13. **Ne faites pas tourner l'outil électrique si vous le transportez à côté de vous.** Un contact accidentel avec l'accessoire rotatif pourrait accrocher vos vêtements et attirer l'accessoire vers votre corps.
 14. **Nettoyez régulièrement les aérations de l'outil électrique.** Le ventilateur du moteur tirera la poussière à l'intérieur du logement et une accumulation excessive de poudre métallique peut entraîner des chocs électriques.
 15. **Ne faites pas fonctionner l'outil électrique à proximité de matériaux inflammables.** Les étincelles risquent d'enflammer ces matériaux.
 16. **N'utilisez pas d'accessoires qui nécessitent des liquides de refroidissement.** L'utilisation d'eau ou de liquides de refroidissement peut entraîner une électrocution ou un choc électrique.
- Rebond et avertissements afférents**
- Le rebond est une réaction soudaine suite à un pincement ou accrochage d'une roue en rotation, d'un patin de renfort, d'une brosse ou d'un autre accessoire. Un pincement ou un accrochage peut entraîner le calage rapide de l'accessoire rotatif, ce qui peut alors forcer l'outil électrique hors de contrôle à tourner dans la direction opposée au sens de rotation de l'accessoire, jusqu'à ce qu'ils se bloquent.
- Par exemple, si une meule est accrochée ou pincée par la pièce à travailler, le rebord de la meule qui entraine dans le point de pincement peut creuser dans la surface du matériau, ce qui peut faire sortir la meule. La meule risque de sauter en direction de l'opérateur ou dans la direction opposée, en fonction du sens de rotation de la meule au niveau du point de pincement. Les meules peuvent également se casser dans certaines conditions.
- Le rebond est dû à une mauvaise utilisation de l'outil et/ou à des procédures ou conditions de travail inappropriées. Il peut être évité en prenant les mesures appropriées, telles que celles indiquées ci-dessous.
- a) **Maintenez une prise ferme sur l'outil électrique et positionnez votre corps et vos bras de façon à pouvoir résister aux forces du rebond. Utilisez toujours une poignée auxiliaire, le cas échéant, pour contrôler au maximum les rebonds ou la réaction du couple au démarrage.** L'opérateur peut contrôler les réactions du couple ou les forces du rebond s'il prend les précautions nécessaires.
 - b) **Ne placez jamais la main à proximité de l'accessoire rotatif.** L'accessoire risque de rebondir sur votre main.
 - c) **Ne positionnez pas votre corps dans la zone où l'outil électrique se déplacera en cas de rebond.** Le rebond propulsera l'outil dans la direction opposée au mouvement de la meule, au point d'accrochage.
 - d) **Soyez particulièrement prudent lorsque vous travaillez dans des recoins, sur des rebords tranchants, etc. Évitez de faire rebondir ou d'accrocher l'accessoire.** Les recoins, les rebords tranchants ou les rebonds ont tendance à accrocher l'accessoire rotatif et à provoquer une perte de contrôle ou un retour de choc.
 - e) **Ne fixez pas une lame de sculpteur à chaîne coupante ou une lame de scie dentée.** De telles lames peuvent créer de fréquents rebonds et pertes de contrôle.
- Consignes de sécurité spécifiques pour l'opération de meulage :**
- a) **N'utilisez que les types de meules qui sont recommandées pour votre outil électrique et le carter spécifique conçu pour la meule sélectionnée.** Les meules pour lesquelles l'outil électrique n'a pas été conçu ne peuvent pas être protégées de manière adéquate et ne sont pas sûres.

b) Utilisez toujours des flasques de meule en bon état dont la taille et la forme sont adaptées à la meule que vous avez choisie. Des flasques de meule appropriés soutiennent la meule, réduisant ainsi le risque de cassure de la meule.

Autres avertissements de sécurité :

17. Installez toujours la protection anti-poussière avant de travailler.
18. Prenez garde de ne pas endommager l'axe, la flasque (tout particulièrement la surface d'installation) ou le contre-écrou. La meule risque de casser si ces pièces sont endommagées.
19. Assurez-vous que la meule n'entre pas en contact avec la pièce à travailler avant de mettre l'outil sous tension.
20. Avant d'utiliser l'outil sur la pièce elle-même, laissez-le tourner un instant. Soyez attentif à toute vibration ou sautellement pouvant indiquer que la meule n'est pas bien installée ou qu'elle est mal équilibrée.
21. N'abandonnez pas l'outil alors qu'il tourne. Ne faites fonctionner l'outil qu'une fois que vous l'avez bien en main.
22. Ne touchez pas la meule diamantée déportée immédiatement après l'opération ; elle risque d'être extrêmement chaude et de vous brûler la peau.
23. Pour installer et utiliser correctement la meule, veuillez suivre les instructions du fabricant. Manipulez les meules avec soin et rangez-les en lieu sûr.
24. N'utilisez aucun raccord de réduction ou adaptateur séparé pour adapter un trou de meule trop grand.
25. Utilisez exclusivement les flasques spécifiés pour cet outil.
26. Gardez à l'esprit que la meule continue de tourner même une fois le contact coupé sur l'outil.
27. Si le site de travail est extrêmement chaud et humide ou s'il y a beaucoup de poussières conductrices dans l'air, utilisez un coupe-circuit (30 mA) pour assurer votre sécurité.
28. N'utilisez l'outil sur aucun matériau contenant de l'amiante.

CONSERVEZ CES INSTRUCTIONS.

AVERTISSEMENT :

NE vous laissez **PAS** tromper (au fil d'une utilisation répétée) par un sentiment d'aisance et de familiarité avec le produit, en négligeant le respect rigoureux des consignes de sécurité qui accompagnent l'outil. Une **UTILISATION INCORRECTE** de l'outil ou le non-respect des consignes de sécurité indiquées dans ce manuel d'instructions peuvent causer des blessures graves.

DESCRIPTION DU FONCTIONNEMENT

ATTENTION :

- Assurez-vous toujours que l'outil est éteint et débranché avant de le régler ou de vérifier son fonctionnement.

Interrupteur (Fig. 1)

ATTENTION :

- Avant de brancher l'outil, vérifiez toujours que la gâchette fonctionne correctement et revient en position d'arrêt (« OFF ») lorsqu'elle est relâchée.

Pour l'outil équipé d'un commutateur de verrouillage

Pour mettre l'outil en marche, appuyez simplement sur la gâchette (A). Pour l'arrêter, relâchez la gâchette. Pour un fonctionnement continu, appuyez sur la gâchette (A) puis enfoncez le bouton de verrouillage (B). Pour arrêter l'outil alors qu'il est en position verrouillée, appuyez à fond sur la gâchette (A) puis relâchez-la.

Pour les outils équipés d'un commutateur de sécurité

Un bouton de sécurité est prévu pour prévenir la pression accidentelle sur la gâchette. Pour faire démarrer l'outil, enfoncez le bouton de sécurité (B) puis appuyez sur la gâchette (A). Pour l'arrêter, relâchez la gâchette.

Pour les outils équipés d'un commutateur de sécurité et d'un commutateur de verrouillage

Un bouton de sécurité est prévu pour prévenir la pression accidentelle sur la gâchette. Pour faire démarrer l'outil, enfoncez le bouton de sécurité (B) puis appuyez sur la gâchette (A). Pour l'arrêter, relâchez la gâchette. Pour un fonctionnement continu, enfoncez le bouton de sécurité (B), appuyez sur la gâchette (A), puis enfoncez plus le bouton de sécurité (B). Pour arrêter l'outil alors qu'il est en position verrouillée, appuyez à fond sur la gâchette (A) puis relâchez-la.

Fonction électronique

Contrôle de vitesse constante

- Possibilité d'obtenir une très bonne finition, car la vitesse de rotation reste constante même en cas de conditions de charge.
- En plus, quand la charge sur l'outil excède les niveaux admissibles, la puissance au moteur est réduite pour protéger le moteur de la surchauffe. Lorsque la charge retourne aux niveaux admissibles, l'outil fonctionne normalement.

Fonction de démarrage graduel

- Le choc du démarrage est supprimé grâce au démarrage graduel.

Voyant (Fig. 2)

Le voyant vert de mise sous tension s'allume lorsque l'outil est branché. Si le voyant ne s'allume pas, il se peut que le cordon d'alimentation ou le contrôleur soit défectueux. Si le voyant est allumé alors que l'outil ne démarre pas même s'il est sous tension, il se peut que les charbons soient usés ou que le contrôleur, le moteur ou l'interrupteur MARCHE/ARRÊT soit défectueux.

Redémarrage involontaire

Même le verrouillage du levier maintenant la gâchette enfoncée (position verrouillée) ne permet pas de redémarrer même lorsque l'outil est branché.

À ce stade, le voyant rouge clignote et indique que le dispositif de sécurité contre un redémarrage involontaire est en cours de fonctionnement.

Pour l'annuler, poussez à fond la gâchette, puis relâchez-la.

Surfaçage (pour PC5001C uniquement)

(Fig. 3)

Pour niveler une surface, le socle de la surfaceuse doit être aligné avec la meule diamantée. Le rouleau avant doit être réglé (utilisez une clé hexagonale) au-dessus du niveau requis pour la profondeur à atteindre voulue.

Pour modifier la profondeur de béton à retirer, desserrez les boulons à tête creuse hexagonale sur le support du socle avec la clé hexagonale. Soulevez ou abaissez le rouleau avant pour régler l'espace entre lui et la meule diamantée. La différence est la profondeur à atteindre. Sécurisez les boulons à tête creuse hexagonale très soigneusement. (Fig. 4)

REMARQUE :

- La profondeur à atteindre maximale doit être inférieure à 4,0 mm.

Lissage avec socle incliné (pour PC5001C uniquement) (Fig. 5)

Pour lisser une surface rugueuse, il peut être utile d'incliner le socle. Utilisez la clé hexagonale pour desserrer les deux boulons à tête creuse hexagonale qui maintiennent le socle de chaque côté.

Utilisez une clé hexagonale pour abaisser les trois boulons à tête creuse hexagonale sur le socle en les tournant dans le sens des aiguilles d'une montre. (Fig. 6) Utilisez une équerre ou une règle pour obtenir l'angle de socle souhaité par rapport à la meule diamantée. Puis sécurisez soigneusement les boulons à tête creuse hexagonale de chaque côté du socle. Réglez le centre du socle près de la meule de sorte qu'il soit sur le même niveau que la meule. (Fig. 7)

REMARQUE :

- Après le réglage du socle, tournez les boulons à tête creuse hexagonale sur le socle dans le sens inverse des aiguilles d'une montre jusqu'à ce que les têtes soient de niveau avec l'arrière du socle. Tournez doucement sinon le réglage du socle sera déséquilibré.

Réglage du socle pour compenser l'usure de la meule (pour PC5001C uniquement)

Lors d'une utilisation prolongée, la meule diamantée s'use et crée un espace avec la surface de lissage, ce qui entraîne une diminution des performances. Vérifiez l'outil toutes les 4 ou 5 heures d'utilisation.

Si les surfaces de la meule et du socle ne sont pas alignées, desserrez les deux boulons à tête creuse hexagonale qui maintiennent le socle. Tournez les trois boulons à tête creuse hexagonale sur le socle dans le sens des aiguilles d'une montre et réglez le socle de sorte qu'il soit de niveau avec la surface de la meule. Resserrez fermement les boulons à tête creuse hexagonale maintenant le socle, puis tournez-les légèrement dans le

sens inverse des aiguilles d'une montre pour éviter qu'ils ne se desserrent en cours de fonctionnement.

Réglage de la protection anti-poussière

(Fig. 8)

Desserrez la vis et réglez le niveau de la brosse de la protection anti-poussière. La brosse de la protection anti-poussière doit être de niveau avec la surface de la meule diamantée ou très légèrement au-dessus (lorsque l'outil est en position renversée) de 0,5 mm. Si elles ne sont pas au même niveau, l'aspiration sera diminuée. Après le réglage, assurez-vous de serrer la vis fermement.

Pour régler la protection anti-poussière, saisissez-la à la périphérie ; tournez dans le sens des aiguilles d'une montre pour la faire monter, dans le sens inverse pour l'abaisser.

ASSEMBLAGE

⚠ ATTENTION :

- Avant d'effectuer toute intervention sur l'outil, assurez-vous toujours qu'il est hors tension et débranché.

Pose ou dépose de la meule diamantée

(Fig. 9)

Pour remplacer une meule diamantée usée par une nouvelle, appuyez sur le blocage de l'arbre pour stabiliser l'arbre, puis desserrez le contre-écrou dans le sens inverse des aiguilles d'une montre avec la clé à contre-écrou fournie.

Retirez la meule diamantée usée.

Pour en installer une nouvelle, suivez la procédure de retrait ci-dessus dans l'ordre inverse.

Lors de l'installation d'une meule diamantée, assurez-vous toujours de serrer le contre-écrou fermement.

REMARQUE :

- Les meules diamantées classiques disponibles sur le marché n'ont pas de trous d'évacuation, la récupération de poussière est donc faible. De plus, si le trou de pose n'a pas exactement le même diamètre, l'outil vibre et des accidents peuvent survenir. N'UTILISEZ TOUJOURS QUE DES MEULES DIAMANTÉES DÉPORTÉES MAKITA.

Remplacement de la brosse de la protection anti-poussière

Pour retirer la brosse de la protection anti-poussière, saisissez une extrémité de la brosse et soulevez-la lentement. (Fig. 10)

Pour installer la brosse de la protection anti-poussière, commencez par aligner les deux extrémités de la brosse sur la rainure de la protection anti-poussière. (Fig. 11) Insérez ensuite la brosse à fond dans la rainure de la protection anti-poussière à l'aide d'un tournevis pour écrous à fente ou d'un autre outil adapté.

Sac à poussières (Fig. 12)

Pour installer le sac à poussières, faites-le glisser sur l'orifice à poussières. Assurez-vous toujours de bien faire glisser le sac jusqu'à ce qu'il s'arrête de sorte qu'il ne se retire pas en cours de fonctionnement.

Retirez le sac à poussières lorsqu'il commence à toucher la surface de découpe. Cela signifie qu'il est plein. Ne pas vider le sac entraîne une aspiration faible.

Raccordement à un aspirateur (Fig. 13)

Pour effectuer un rabotage plus propre, raccordez un aspirateur Makita à votre outil, comme indiqué par la figure.

UTILISATION (Fig. 14)

Utilisez toujours la poignée supérieure (poignée auxiliaire). Tenez fermement l'outil par la poignée supérieure et changez de poignée pendant l'utilisation.

Rabotage dans les angles

Pour PC5000C

Le rabotage dans les angles est possible après avoir retiré le bouchon de la protection anti-poussière.

Pour PC5001C uniquement (Fig. 15)

Avant d'effectuer un rabotage dans les angles, retirez le boulon hexagonal qui maintient le support à rouleaux et le support du socle, puis retirez tout le support à rouleaux. Ensuite, desserrez le boulon à tête creuse hexagonale et retirez le bouchon de la protection anti-poussière et réglez la protection anti-poussière dans la position adaptée à votre travail. (Fig. 16)

MAINTENANCE

⚠ ATTENTION :

- Assurez-vous toujours que l'outil est éteint et débranché avant d'effectuer tout travail d'inspection ou de maintenance.
- N'utilisez jamais d'essence, de benzine, de diluant, d'alcool ou de produit similaire. Ces produits risquent de provoquer des décolorations, des déformations ou des fissures.

Remplacement des charbons (Fig. 17)

Retirez et vérifiez les charbons régulièrement. Remplacez-les lorsqu'ils atteignent le repère d'usure. Gardez les charbons propres et libres de glisser dans les porte-charbons. Les deux charbons doivent être remplacés en même temps. Utilisez uniquement des charbons identiques.

Retirez les bouchons de porte-charbon à l'aide d'un tournevis. Enlevez les charbons usés, insérez les neufs et remettez en place les bouchons de porte-charbon.

(Fig. 18)

Pour assurer la SÉCURITÉ et la FIABILITÉ du produit, toute réparation ou travail d'entretien ou de réglage doivent être effectués dans un Centre de service après-vente Makita agréé, avec des pièces de rechange Makita.

ACCESSOIRES FOURNIS EN OPTION

⚠ ATTENTION :

- Ces accessoires ou pièces complémentaires sont recommandés pour être utilisés avec l'outil Makita spécifié dans ce mode d'emploi. L'utilisation de tout autre accessoire ou pièce complémentaire peut

comporter un risque de blessure. N'utilisez les accessoires ou pièces qu'aux fins auxquelles ils ont été conçus.

Pour obtenir plus de détails sur ces accessoires, contactez votre Centre de service local Makita.

- Meule diamantée déportée (type sec)
- Brosse de la protection anti-poussière

REMARQUE :

- Certains éléments de la liste peuvent être inclus en tant qu'accessoires standard dans le coffret de l'outil envoyé. Ils peuvent varier suivant les pays.

Bruit

ENG905-1

Les niveaux de bruit pondéré A typiques ont été mesurés selon la norme EN60745 :

Modèle PC5000C

Niveau de pression sonore (L_{pA}) : 91 dB (A)

Niveau de puissance sonore (L_{WA}) : 102 dB (A)

Incertitude (K) : 3 dB (A)

Modèle PC5001C

Niveau de pression sonore (L_{pA}) : 89 dB (A)

Niveau de puissance sonore (L_{WA}) : 100 dB (A)

Incertitude (K) : 3 dB (A)

Portez des protections auditives.

Vibrations

ENG900-1

La valeur totale de vibration (somme du vecteur triaxial) a été déterminée selon la norme EN60745 :

Modèle PC5000C

Mode de fonctionnement : surfacage du béton

Émission des vibrations (a_{H1}) : 12,0 m/s²

Incertitude (K) : 1,5 m/s²

Modèle PC5001C

Mode de fonctionnement : surfacage du béton

Émission des vibrations (a_{H1}) : 12,5 m/s²

Incertitude (K) : 2,5 m/s²

ENG902-1

- La valeur de l'émission des vibrations déclarée a été mesurée conformément à la méthode de test standard et peut être utilisée afin de comparer des outils entre eux.
- La valeur de l'émission des vibrations déclarée peut également être utilisée lors d'une évaluation préliminaire de l'exposition.
- La valeur de l'émission des vibrations déclarée est utilisée pour les principales applications de l'outil électrique. Cependant, si l'outil est utilisé pour d'autres applications, la valeur de l'émission des vibrations peut être différente.

⚠ AVERTISSEMENT :

- Selon la manière dont l'outil est utilisé, il est possible que l'émission des vibrations pendant l'utilisation réelle de l'outil électrique diffère de la valeur de l'émission déclarée.
- Veillez à identifier les mesures de sécurité destinées à protéger l'opérateur et établies à partir de l'estimation de l'exposition dans les conditions réelles d'utilisation (en prenant en compte toutes les étapes du cycle de fonctionnement, telles que les périodes de mise hors tension de l'outil, les périodes de fonctionnement au ralenti et les périodes de mise en route).

Pour les pays d'Europe uniquement ENH101-16

Déclaration de conformité CE

Nous, Makita Corporation, en tant que fabricant responsable, déclarons que les machines Makita suivantes :

Nom de la machine :

Surfaceuse à béton

N° de modèle/Type : PC5000C, PC5001C

sont fabriquées en série et

sont conformes aux directives européennes

suivantes :

2006/42/CE

et sont produites conformément aux normes ou documents de normalisation suivants :

EN60745

La documentation technique est disponible auprès de :

Makita International Europe Ltd.

Technical Department,

Michigan Drive, Tongwell,

Milton Keynes, Bucks MK15 8JD, Angleterre

30. 1. 2009



Tomoyasu Kato

Directeur

Makita Corporation

3-11-8, Sumiyoshi-cho,

Anjo, Aichi, 446-8502, JAPAN

DEUTSCH (Originalanweisungen)

Erklärung der Gesamtdarstellung

- | | | |
|---------------------------------|------------------------------------|--------------------------|
| 1. Verriegelungshebel | 10. Gleiche Höhe | 19. Spindelarretierung |
| 2. Ein/Aus-Schalter | 11. Anschlagwinkel oder Lineal | 20. Staubsack |
| 3. Anzeigeleuchte | 12. Anheben | 21. Staubschutzkappe |
| 4. Gleitschuh (nur für PC5001C) | 13. Absenken | 22. Rolle mit Halterung |
| 5. Inbusschlüssel | 14. Staubschutz | 23. Inbusschraube |
| 6. Vordere Rolle | 15. Schraube | 24. Verschleißmarkierung |
| 7. Inbusschraube | 16. Sicherungsmutter | 25. Bürstenhalterkappe |
| 8. Tiefe Materialabtrag | 17. Schlüssel für Sicherungsmutter | 26. Schraubendreher |
| 9. Gleitschuh | 18. Diamantscheibe | |

TECHNISCHE DATEN

Modell	PC5000C	PC5001C
Scheibendurchmesser	125 mm	
Lochdurchmesser	22,23 mm	
Spindelgewinde	M14	
Nenn Drehzahl (n) / Leerlaufdrehzahl (n ₀)	10.000 min ⁻¹	
Gesamtlänge	437 mm	479 mm
Gewicht netto	4,0 kg	5,1 kg
Sicherheitsklasse	□/II	

- Aufgrund unserer beständigen Forschungen und Weiterentwicklungen sind Änderungen an den hier angegebenen Technischen Daten ohne Vorankündigung vorbehalten.
- Die Technischen Daten können in den einzelnen Ländern voneinander abweichen.
- Gewicht entsprechend EPTA-Verfahren 01/2003

Verwendungszweck ENE002-1
Dieses Werkzeug ist für das Schleifen von Betonflächen vorgesehen.

Stromversorgung ENF002-2
Das Werkzeug darf nur an eine Stromversorgung mit Einphasen-Wechselstrom mit der auf dem Typenschild angegebenen Spannung angeschlossen werden. Das Werkzeug verfügt über ein doppelt isoliertes Gehäuse und kann daher auch an einer Stromversorgung ohne Schutzkontakt betrieben werden.

Allgemeine Sicherheitshinweise für Elektrowerkzeuge

GEA010-1

⚠ WARNUNG Lesen Sie alle Sicherheitshinweise und Anweisungen sorgfältig durch. Wenn die Hinweise und Anweisungen nicht beachtet werden, besteht die Gefahr eines Stromschlags, Brands und/oder das Risiko von ernsthaften Verletzungen.

Bewahren Sie alle Hinweise und Anweisungen zur späteren Referenz gut auf.

SICHERHEITSHINWEISE ZUM BETONSCHEIFER

GEB043-6

Sicherheitshinweise für den Betrieb:

1. **Dieses Elektrowerkzeug wurde für die Verwendung als Schleifgerät mit Spezial-**

Diamantscheiben entwickelt. Lesen Sie alle Sicherheitshinweise, Anweisungen, Abbildungen und Spezifikationen durch, die mit diesem Elektrowerkzeug geliefert wurden. Werden nicht alle der unten aufgeführten Anweisungen befolgt, besteht die Gefahr eines Stromschlags, Brands und/oder die Gefahr schwerer Verletzungen.

2. **Arbeiten wie das Schleifen mit Schleifscheiben, Schmirgeln, Drahtbürsten, Polieren oder Trennschleifen sollten mit diesem Elektrowerkzeug nicht ausgeführt werden.** Bei Arbeiten, für die das Elektrowerkzeug nicht vorgesehen ist, kann es zu gefährlichen Situationen und zu Verletzungen kommen.
3. **Verwenden Sie nur Zubehör, das vom Hersteller des Geräts entwickelt oder vom Hersteller ausdrücklich empfohlen wurde.** Nur weil Sie ein bestimmtes Zubehör am Werkzeug befestigen können, bedeutet dies nicht, dass die Verwendung gefahrlos möglich ist.
4. **Die Nenn Drehzahl des Zubehörs muss mindestens der auf dem Elektrowerkzeug angegebenen Höchstdrehzahl entsprechen.** Zubehör, das mit einer höheren Drehzahl als der zulässigen Drehzahl betrieben wird, kann zerbersten, wobei Teile mit hoher Geschwindigkeit durch die Luft fliegen.
5. **Außendurchmesser und Dicke von Zubehör müssen innerhalb der Nennwerte des Elektrowerkzeugs liegen.** Zubehör in unzulässiger Größe kann nicht angemessen abgedeckt oder betrieben werden.
6. **Bei Gewindemontage muss das Zubehör auf das Spindelgewinde des Werkzeugs passen. Bei**

- Flanschmontage muss die Bohrung des Zubehörteils die richtige Größe für den Flansch besitzen.** Zubehör, das nicht den Montageteilen des Elektrowerkzeugs entspricht, läuft exzentrisch, schwingt stark und führt zum Kontrollverlust.
7. **Verwenden Sie kein beschädigtes Zubehör. Überprüfen Sie vor jeder Verwendung Zubehörteile wie beispielsweise Spezial-Schleifscheiben auf Risse und sonstige Beschädigungen. Wenn das Elektrowerkzeug oder ein Zubehör zu Boden gefallen sein sollte, überprüfen Sie Werkzeug bzw. Zubehör auf Beschädigungen und tauschen Sie ggf. beschädigte Teile gegen unbeschädigte Teile aus. Halten Sie und Umstehende nach der Überprüfung und Montage des Zubehörs Abstand vom rotierenden Zubehörteil, und lassen Sie das Elektrowerkzeug eine Minute mit maximaler Leerlaufdrehzahl laufen.** Möglicherweise beschädigtes Zubehör würde üblicherweise innerhalb dieser Testzeit zerbersten.
 8. **Tragen Sie eine persönliche Schutzausrüstung. Tragen Sie je nach Arbeitsaufgabe einen Gesichtsschild oder eine Schutzbrille. Tragen Sie soweit erforderlich Staubmaske, Gehörschutz, Schutzhandschuhe oder Arbeitsschürze, die kleine Schleif- und Materialpartikel von Ihnen fernhält.** Der Augenschutz muss umherfliegende Fremdkörper abhalten können, die bei verschiedenen Arbeiten auftreten können. Die Staub- oder Atemschutzmaske muss Partikel herausfiltern können, die bei verschiedenen Arbeiten entstehen. Lange und intensive Lärmeinwirkung kann zu Gehörverlust führen.
 9. **Achten Sie darauf, dass Zuschauer den Sicherheitsabstand zum Arbeitsbereich einhalten. Jeder, der den Arbeitsbereich betritt, muss eine persönliche Schutzausrüstung tragen.** Splitter des Werkstücks oder eines geborstenen Zubehörteils können umherfliegen und auch außerhalb des eigentlichen Arbeitsbereichs noch zu Verletzungen führen.
 10. **Halten Sie das Elektrowerkzeug an den isolierten Griffflächen, wenn Sie unter Bedingungen arbeiten, bei denen das Schneidwerkzeug nicht sichtbare Stromkabel oder das eigene Kabel berühren kann.** Bei Kontakt des Werkzeugs mit einem stromführenden Kabel wird der Strom an die Metallteile des Elektrowerkzeugs und dadurch an den Bediener weitergeleitet, und der Bediener erleidet einen Stromschlag.
 11. **Halten Sie das Netzkabel von rotierendem Zubehör fern.** Falls Sie die Kontrolle über das Elektrowerkzeug verlieren, kann das Netzkabel durchtrennt oder erfasst werden, oder Ihre Hand oder Ihr Arm kann in das rotierende Zubehör geraten.
 12. **Legen Sie das Elektrowerkzeug erst dann ab, nachdem rotierendes Zubehör völlig zum Stillstand gekommen ist.** Das rotierende Zubehör könnte Kontakt zur Auflagefläche erhalten, sodass Sie die Kontrolle über das Elektrowerkzeug verlieren.
 13. **Lassen Sie das Elektrowerkzeug nicht in Betrieb, während Sie es tragen.** Ihre Kleidung kann durch zufälligen Kontakt mit dem sich drehenden Zubehör

erfasst werden, und das Zubehör kann sich in Ihren Körper bohren.

14. **Reinigen Sie die Lüftungsschlitze des Elektrowerkzeugs regelmäßig.** Der Motorventilator zieht Staub in das Gehäuse hinein, wobei eine übermäßige Ansammlung von Metallspänen Gefahren durch elektrischen Strom verursachen kann.
15. **Betreiben Sie das Elektrowerkzeug nicht in der Nähe brennbarer Materialien.** Diese Materialien können durch Funken entzündet werden.
16. **Verwenden Sie keine Zubehörteile, die flüssige Kühlmittel benötigen.** Bei Verwendung von Wasser oder anderen flüssigen Kühlmitteln kann es zu einem Stromschlag kommen.

Rückschläge und entsprechende Warnhinweise

Ein Rückschlag ist eine plötzliche Reaktion einer verklemmten oder verfangenen rotierenden Schleifscheibe, Stützscheibe, der Bürste oder anderen Zubehörs. Durch Verklemmen oder Verfangen kommt es zu einem plötzlichen Stillstand des rotierenden Zubehörs, sodass das Elektrowerkzeug am Punkt des Festfahrens in die der Rotationsrichtung des Zubehörs entgegengesetzte Richtung gezwungen wird.

Verklemmt sich beispielsweise eine Schleifscheibe im Werkstück, kann die Kante, die in den Punkt des Verklemmens eindringt, in die Oberfläche des Materials eindringen, sodass die Scheibe ausschlägt. Die Scheibe springt entweder in Richtung des Bedieners oder vom Bediener weg, dies hängt von der Richtung der Scheibenbewegung am Punkt der Blockade ab. Unter diesen Umständen können Schleifscheiben auch zerbersten.

Ein Rückschlag ist auf eine Zweckentfremdung bzw. inkorrekte Betriebsweise oder auf einen fehlerhaften Zustand des Elektrowerkzeugs zurückzuführen und kann durch die im Folgenden aufgeführten Vorsichtsmaßnahmen verhindert werden.

- a) **Halten Sie das Elektrowerkzeug stets mit beiden Händen gut fest, und halten Sie Ihren Körper und Ihre Arme so, dass Sie Rückschläge abfangen können. Verwenden Sie, falls vorhanden, immer den Zusatzgriff, um eine größtmögliche Kontrolle über Rückschlagkräfte oder Reaktionsmomente beim Anlaufen zu haben.** Bei geeigneten Vorsichtsmaßnahmen können Rückschlag- und Reaktionskräfte sicher von der Bedienperson beherrscht werden.
- b) **Halten Sie Ihre Hand niemals in der Nähe des rotierenden Zubehörs.** Das Zubehör könnte über Ihre Hand zurückschlagen.
- c) **Meiden Sie mit Ihrem Körper den Bereich, in den sich das Elektrowerkzeug bei einem Rückschlag bewegen würde.** Das Elektrowerkzeug wird am Punkt der Blockade in die der Rotationsrichtung der Scheibe entgegengesetzte Richtung zurückgeschlagen.
- d) **Arbeiten Sie im Bereich von Ecken, scharfen Kanten usw. besonders vorsichtig. Verhindern Sie, dass Zubehör vom Werkstück zurückprallt und verklemmt.** Das rotierende Zubehörteil neigt bei Ecken, scharfen Kanten oder beim Abprallen dazu, sich zu verklemmen. Dies verursacht einen Verlust der Kontrolle oder Rückschlag.

e) Verwenden Sie keine Kettensägen-Holzschneidblätter oder sonstige gezähnte Sägeblätter. Diese Sägeblätter verursachen häufig Rückschläge und führen zum Verlust der Kontrolle.

Spezielle Sicherheitshinweise für den Schleifbetrieb:

- a) Verwenden Sie ausschließlich die für dieses Elektrowerkzeug zugelassenen Schleifkörper und die für diese Schleifkörper vorgesehene Schutzhaube. Schleifkörper, die nicht für das Elektrowerkzeug vorgesehen sind, können nicht ausreichend abgeschirmt werden und stellen Gefahrenquellen dar.
- b) Verwenden Sie ausschließlich unbeschädigte Spannflansche in der richtigen Größe und Form für die von Ihnen gewählte Schleifscheibe. Die richtigen Scheibenflansche unterstützen die Schleifscheibe, sodass die Möglichkeit des Scheibenbruchs vermindert wird.

Zusätzliche Sicherheitshinweise:

17. Bringen Sie vor dem Betrieb immer erst den Staubschutz an.
18. Achten Sie sorgfältig darauf, dass Spindel, Flansch (insbesondere die Ansatzfläche) und Sicherungsmutter nicht beschädigt werden. Eine Beschädigung dieser Teile kann zu einem Scheibenbruch führen.
19. Stellen Sie vor dem Einschalten des Werkzeugs sicher, dass die Scheibe das Werkstück nicht berührt.
20. Bevor Sie das Werkzeug auf das zu bearbeitende Werkstück ansetzen, lassen Sie es einige Zeit ohne Last laufen. Achten Sie auf Vibrationen und Schlagen; beide Anzeichen können auf eine schlecht ausgewuchtete oder nicht fachgerecht eingebaute Schleifscheibe hindeuten.
21. Lassen Sie das Werkzeug nicht unbeaufsichtigt eingeschaltet. Das Werkzeug darf nur dann in Betrieb sein, wenn es festgehalten wird.
22. Vermeiden Sie eine Berührung der Spezial-Diamantscheibe unmittelbar nach der Bearbeitung, die Scheibe ist noch sehr heiß und kann Hautverbrennungen verursachen.
23. Befolgen Sie die Anweisungen des Herstellers zur korrekten Montage und Verwendung von Trennscheiben. Behandeln und lagern Sie Werkzeugeinsätze mit Sorgfalt.
24. Verwenden Sie keine separaten Reduzierbuchsen oder Adapter zur Anpassung von Schleifscheiben mit zu großem Innendurchmesser.
25. Verwenden Sie ausschließlich die für dieses Werkzeug vorgeschriebenen Flansche.
26. Beachten Sie, dass sich die Schleifscheibe nach dem Ausschalten des Werkzeugs noch weiterdreht.
27. Falls der Arbeitsplatz sehr heiß, feucht oder durch leitfähigen Staub stark verschmutzt ist, verwenden Sie zum Schutz des Bedieners einen Kurzschlusschalter (30 mA).
28. Verwenden Sie dieses Werkzeug nicht zum Bearbeiten von asbesthaltigen Materialien.

BEWAHREN SIE DIESE ANLEITUNG SORGFÄLTIG AUF.

⚠️ WARNUNG:

Lassen Sie sich NIE durch Bequemlichkeit oder (aus fortwährendem Gebrauch gewonnener) Vertrautheit mit dem Werkzeug dazu verleiten, die Sicherheitsregeln für das Werkzeug zu missachten. Bei MISSBRÄUHLICHER Verwendung des Werkzeugs oder Missachtung der in diesem Handbuch enthaltenen Sicherheitshinweise kann es zu schweren Verletzungen kommen.

FUNKTIONSBESCHREIBUNG

⚠️ VORSICHT:

- Schalten Sie das Werkzeug stets aus und ziehen Sie den Stecker, bevor Sie Einstellungen am Werkzeug oder eine Funktionsprüfung des Werkzeugs vornehmen.

Bedienung des Schalters (Abb. 1)

⚠️ VORSICHT:

- Achten Sie vor dem Einstecken des Werkzeug-Netzsteckers darauf, dass sich der Ein/Aus-Schalter korrekt bedienen lässt und beim Loslassen in die Position „OFF“ (AUS) zurückkehrt.

Für Werkzeug mit Ausschaltsperr

Betätigen Sie zum Starten des Werkzeugs einfach den Ein/Aus-Schalter (A). Lassen Sie zum Ausschalten des Werkzeugs den Ein/Aus-Schalter los. Betätigen Sie für einen Dauerbetrieb den Ein/Aus-Schalter (A) und drücken Sie dann die Arretiertaste (B) hinein. Zum Lösen der Arretierung drücken Sie den Ein/Aus-Schalter (A) bis zum Anschlag und lassen Sie den Schalter anschließend los.

Für Werkzeug mit Einschaltsperr

Um eine versehentliche Betätigung des Ein/Aus- bzw. Auslöseschalters zu verhindern, kann das Werkzeug mit einer Einschaltsperr ausgestattet sein. Betätigen Sie zum Starten des Werkzeugs den Ein/Aus- bzw. Auslöseschalter (A), während Sie die Arretiertaste (B) gedrückt halten. Lassen Sie zum Ausschalten des Werkzeugs den Ein/Aus- bzw. Auslöseschalter los.

Für Werkzeug mit Aus- und Einschaltsperr

Um eine versehentliche Betätigung des Ein/Aus- bzw. Auslöseschalters zu verhindern, kann das Werkzeug mit einer Schaltsperr ausgestattet sein. Betätigen Sie zum Starten des Werkzeugs den Ein/Aus- bzw. Auslöseschalter (A), während Sie die Arretiertaste (B) gedrückt halten. Lassen Sie zum Ausschalten des Werkzeugs den Ein/Aus- bzw. Auslöseschalter los. Betätigen Sie für den Dauerbetrieb den Ein-/Aus-Schalter (A), während Sie die Arretiertaste (B) gedrückt halten, und drücken Sie die Arretiertaste (B) weiter hinein. Zum Lösen der Arretierung drücken Sie den Ein/Aus-Schalter (A) bis zum Anschlag und lassen Sie den Schalter anschließend los.

Elektronische Funktion

Regelung einer konstanten Drehzahl

- Eine saubere Oberfläche wird erreicht, wenn die Drehzahl auch bei Belastung konstant gehalten wird.
- Wenn die Last auf dem Werkzeug den erlaubten Pegel überschreitet, wird außerdem die Stromzufuhr an den Motor gedrosselt, um den Motor vor Überhitzung zu schützen. Wenn die Last wieder auf den erlaubten Pegel absinkt, wird das Werkzeug normal betrieben.

Soft-Start-Funktion

- Weiches Anlaufen auf Grund eines unterdrückten Anlaufdruckens.

Anzeigenleuchte (Abb. 2)

Die Anzeige leuchtet grün, sobald das Werkzeug an die Stromversorgung angeschlossen ist. Wenn die Anzeige nicht leuchtet, ist möglicherweise das Netzkabel oder der Regler defekt. Wenn die Anzeige leuchtet und das Werkzeug nicht startet, obwohl es eingeschaltet wird, können die Kohlebürsten verbraucht sein, oder der Motor oder der Schalter ist defekt.

Sicherung vor unbeabsichtigtem Neustart

Auch wenn die Arretiertaste den Ein-Aus-Schalter gedrückt hält (Einschaltposition), wird das Werkzeug nicht erneut gestartet, wenn das Werkzeug an die Stromversorgung angeschlossen wird.

Zu diesem Zeitpunkt flackert die Anzeige rot und zeigt die Aktivierung des Schutzgeräts zur Verhinderung eines unbeabsichtigten Neustarts an.

Zum Aufheben der Sicherung vor unbeabsichtigtem Neustart betätigen Sie den Auslöseschalter bis zum Anschlag betätigen und lassen Sie ihn anschließend los.

Abschleifen (nur für PC5001C) (Abb. 3)

Zum Abschleifen einer Fläche auf eine bestimmte Tiefe muss der Gleitschuh des Schleifers entsprechend zur Diamantscheibe ausgerichtet werden. Die vordere Rolle muss (mit einem Sechskantschlüssel) aufwärts auf die Höhe eingestellt werden, die für den gewünschten Werkstoffabtrag erforderlich ist.

Um den Abtrag von der zu bearbeitenden Fläche zu ändern, lösen Sie mit Hilfe des Sechskantschlüssels die Inbusschrauben am Griffhalter. Heben bzw. senken Sie die vordere Rolle, um den Abstand zur Diamantscheibe einzustellen. Die Differenz ist der Betrag an abgetragenem Werkstoff. Ziehen Sie dann die Inbusschrauben sorgfältig wieder fest. (Abb. 4)

HINWEIS:

- Der maximale Werkstoffabtrag sollte unter 4,0 mm liegen.

Kippen des Gleitschuhs für glattes

Abschleifen (nur für PC5001C) (Abb. 5)

Um Oberflächenrauheiten oder Texturen glattzuschleifen, ist das Kippen des Gleitschuhs sinnvoll. Lösen Sie mit Hilfe des Inbusschlüssels die beiden Inbusschrauben, mit denen der Gleitschuh auf beiden Seiten gesichert ist. Senken Sie mit Hilfe eines Inbusschlüssels die drei Inbusschrauben am Gleitschuh durch Drehen im Uhrzeigersinn ab. (Abb. 6)

Stellen Sie mit Hilfe eines Anschlagwinkels oder Lineals den gewünschten Winkel des Gleitschuhs in Bezug zur Diamantscheibe ein. Ziehen Sie dann die Inbusschrauben auf beiden Seiten des Gleitschuhs sorgfältig wieder fest. Stellen Sie die Mitte des Gleitschuhs neben der Scheibe so ein, dass sie sich auf gleicher Höhe mit der Scheibe befindet. (Abb. 7)

HINWEIS:

- Nach Einstellen des Gleitschuhs drehen Sie die drei Inbusschrauben am Gleitschuh gegen den Uhrzeigersinn, bis die Köpfe mit der Rückseite des Gleitschuhs abschließen. Gehen Sie dabei vorsichtig vor, da sich anderenfalls die Einstellung des Gleitschuhs verändern kann.

Einstellung des Gleitschuhs zum Ausgleich der Scheibenabnutzung (nur für PC5001C)

Bei längerem Gebrauch nutzt sich die Diamantscheibe ab, und es entsteht ein Abstand zur Schleifoberfläche, wodurch sich die Schleifleistung vermindert. Überprüfen Sie das Werkzeug alle 4 bis 5 Betriebsstunden. Wenn die Oberflächen von Scheibe und Gleitschuh nicht in derselben Ebene liegen, lösen Sie die zwei Inbusschrauben, mit denen der Gleitschuh gesichert ist. Drehen Sie die drei Inbusschrauben am Gleitschuh im Uhrzeigersinn, und stellen Sie den Gleitschuh auf diese Weise plan mit der Scheibenoberfläche ein. Ziehen Sie die zwei Inbusschrauben, mit denen der Gleitschuh gesichert ist, wieder ordnungsgemäß fest und drehen Sie anschließend die Inbusschrauben entgegen den Uhrzeigersinn, damit sich die Schrauben während des Betriebs nicht lösen.

Einstellen des Staubschutzes (Abb. 8)

Lösen Sie die Schraube und stellen Sie die Höhe der Bürste des Staubschutzes ein. Die Bürste des Staubschutzes sollte sich entweder in der gleichen Ebene wie die Diamantscheibe oder leicht darüber (0,5 mm) befinden (wenn das Werkzeug umgedreht wird). Wenn Bürste und Scheibe nicht ungefähr in der gleichen Ebene sind, erfolgen Staubaufnahme und -absaugung nur ungenügend. Ziehen Sie die Schraube nach der Einstellung unbedingt wieder ordnungsgemäß fest. Stellen Sie die Höhe des Staubschutzes ein. Erfassen Sie dazu den Staubschutz an der Außenseite und drehen Sie den Staubschutz im Uhrzeigersinn zum Anheben bzw. entgegen den Uhrzeigersinn zum Absenken.

MONTAGE

⚠ VORSICHT:

- Schalten Sie das Werkzeug stets aus und ziehen Sie den Netzstecker, bevor Sie irgendwelche Arbeiten am Werkzeug durchführen.

Montage und Demontage der Schleifscheibe (Abb. 9)

Um eine abgenutzte Diamantscheibe zu ersetzen, drücken Sie die Spindelarretierung voll hinein, um die Spindel festzuhalten, und lösen Sie mit Hilfe des mitgelieferten Sicherungsmutterschlüssels die Sicherungsmutter durch Linksdrehung.

Entnehmen sie die abgenutzte Diamantscheibe. Zum Montieren einer neuen Scheibe führen Sie die oben aufgeführten Demontageschritte in umgekehrter Reihenfolge aus.

Stellen Sie bei der Montage einer Diamantscheibe unbedingt sicher, dass die Sicherungsmutter ordnungsgemäß festgezogen wurde.

HINWEIS:

- Die auf dem Markt erhältlichen billigen Diamantscheiben haben keine Auslassöffnungen, die Staubabsaugung erfolgt daher unzureichend. Außerdem kann das Werkzeug vibrieren, wenn das Montageloch nicht den exakten Durchmesser hat, wodurch es zu Unfällen kommen kann. VERWENDEN SIE AUSSCHLIESSLICH SPEZIAL-DIAMANTSCHLEIBEN VON MAKITA.

Austausch der Staubschutzbürste

Nehmen Sie die Staubschutzbürste vom Staubschutz ab, indem Sie ein Ende der Bürste erfassen und langsam herausziehen. (Abb. 10)

Zum Anbringen der Staubschutzbürste richten Sie zuerst beide Enden der Bürste an der Nut im Staubschutz aus. (Abb. 11)

Setzen Sie anschließend die Bürste ganz in die Nut im Staubschutz ein; verwenden Sie dazu einen Schlitzschraubendreher oder ein anderes geeignetes Werkzeug.

Staubsack (Abb. 12)

Schieben Sie den Staubsack auf den Staubabsaugstutzen. Stellen Sie unbedingt sicher, dass der Staubsack bis zum Anschlag über den Absaugstutzen gestülpt wird, damit sich der Beutel während des Betriebs nicht löst.

Entnehmen Sie den Staubsack, sobald er die zu bearbeitende Fläche berührt. Dies ist ein Zeichen, dass der Beutel voll ist. Wenn Sie den Beutel nicht leeren, lässt die Saugleistung/Aufnahme nach.

Anschließen eines Staubsaugers (Abb. 13)

Um die Schleifarbeiten bei größter Sauberkeit auszuführen, schließen Sie einen Makita-Staubsauger an das Werkzeug an, wie in der Abbildung dargestellt.

BETRIEB (Abb. 14)

Nutzen Sie immer den oberen Griff (Zusatzgriff), und erfassen Sie das Werkzeug während der Arbeiten fest am oberen Griff und am Schaltergriff.

Schleifen in Ecken

Für PC5000C

Das Planschleifen von Ecken ist nur mit demontierter Staubschutzkappe möglich.

Für PC5001C (Abb. 15)

Vor dem Planschleifen in Ecken schrauben Sie die Sechskantschraube heraus, mit der Rollenhalter und Gleitschuhhalter befestigt sind, und nehmen Sie anschließend den kompletten Rollerhalter ab. Lösen Sie anschließend die Inbusschraube, nehmen Sie die Staubschutzkappe ab und bringen Sie den

Staubschutz in eine für die vorgesehenen Arbeiten geeignete Position. (Abb. 16)

WARTUNG

⚠ VORSICHT:

- Schalten Sie das Werkzeug stets aus und ziehen Sie den Stecker, bevor Sie Prüfungen oder Wartungsarbeiten am Werkzeug durchführen.
- Verwenden Sie zum Reinigen niemals Kraftstoffe, Benzin, Verdünner, Alkohol oder ähnliches. Dies kann zu Verfärbungen, Verformungen oder Rissen führen.

Ersetzen der Kohlebürsten (Abb. 17)

Entnehmen und überprüfen Sie die Kohlebürsten in regelmäßigen Abständen. Wenn die Kohlebürsten bis zur Verschleißgrenze abgenutzt sind, müssen sie ersetzt werden. Halten Sie die Kohlebürsten sauber und sorgen Sie dafür, dass sie problemlos in den Halterungen gleiten. Ersetzen Sie immer beide Kohlebürsten. Verwenden Sie nur identische Kohlebürsten.

Nehmen Sie die Kappen der Bürstenhalter mit Hilfe eines Schraubendrehers ab. Entnehmen Sie die verbrauchten Kohlebürsten, setzen Sie neue Bürsten ein und bringen Sie die Bürstenhalterkappen wieder fest an. (Abb. 18) Um die SICHERHEIT und ZUVERLÄSSIGKEIT des Produkts zu gewährleisten, sollten Reparaturen, Wartungsarbeiten und Einstellungen nur durch von Makita autorisierte Servicecenter durchgeführt und ausschließlich Makita-Ersatzteile verwendet werden.

SONDERZUBEHÖR

⚠ ACHTUNG:

- Für das in diesem Handbuch beschriebene Makita-Gerät werden die folgenden Zubehör- und Zusatzteile empfohlen. Bei Verwendung anderer Zubehör- und Zusatzteile kann es zu Verletzungen kommen. Verwenden Sie Zubehör- und Zusatzteile nur für den vorgesehenen Zweck.

Informationen zu diesem Zubehör erhalten Sie von Ihrem Makita-Servicecenter.

- Spezial-Diamantscheibe (Trockentyp)
- Staubschutzbürste

HINWEIS:

- Einige der in der Liste aufgeführten Elemente sind dem Werkzeugpaket als Standardzubehör beigelegt. Diese können in den einzelnen Ländern voneinander abweichen.

Geräuschpegel

ENG905-1

Typischer A-bewerteter Schallpegel nach EN60745:

Modell PC5000C

Schalldruckpegel (L_{pA}): 91 dB (A)
Schalleistungspegel (L_{WA}): 102 dB (A)
Abweichung (K): 3 dB (A)

Modell PC5001C

Schalldruckpegel (L_{pA}): 89 dB (A)
Schalleistungspegel (L_{WA}): 100 dB (A)
Abweichung (K): 3 dB (A)

Tragen Sie Gehörschutz.

Schwingung

ENG900-1

Schwingungsgesamtwerte (Vektorsumme dreier Achsen) nach EN60745:

Modell PC5000C

Arbeitsmodus: Schleifen von Beton
Schwingungsbelastung (a_{rh}): 12,0 m/s²
Abweichung (K): 1,5 m/s²

Modell PC5001C

Arbeitsmodus: Schleifen von Beton
Schwingungsbelastung (a_{rh}): 12,5 m/s²
Abweichung (K): 2,5 m/s²

ENG902-1

- Der hier angegebene Wert für die erzeugten Schwingungen wurde gemäß dem genormten Testverfahren ermittelt und kann als Vergleich zu anderen Werkzeugen herangezogen werden.
- Der angegebene Wert für die erzeugten Schwingungen ist außerdem für eine vorbeugende Bewertung der Belastung zu verwenden.
- Der angegebene Wert für die erzeugten Schwingungen gilt, wenn das Elektrowerkzeug für den vorgesehenen Zweck verwendet wird. Wenn das Werkzeug für andere Zwecke verwendet wird, kann der Wert für die Schwingungsbelastung jedoch von dem hier aufgeführten Wert abweichen.

WARNUNG:

- Die Schwingungsbelastung kann bei tatsächlichem Gebrauch des Elektrowerkzeugs in Abhängigkeit von der Handhabung des Elektrowerkzeugs von dem hier aufgeführten Wert abweichen.
- Stellen Sie sicher, dass Schutzmaßnahmen für den Bediener getroffen werden, die auf den unter den tatsächlichen Arbeitsbedingungen zu erwartenden Belastungen beruhen (beziehen Sie alle Bestandteile des Arbeitsablaufs ein, also zusätzlich zu den Arbeitszeiten auch Zeiten, in denen das Werkzeug ausgeschaltet ist oder ohne Last läuft).

Nur für europäische Länder

ENH101-16

EG-Konformitätserklärung

Wir, Makita Corporation als verantwortlicher Hersteller, erklären, dass die folgenden Geräte der Marke Makita:

Bezeichnung des Geräts:

Betonschleifer

Nummer / Typ des Modells: PC5000C, PC5001C

in Serienfertigung hergestellt werden und

den folgenden Richtlinien der Europäischen Union genügen:

2006/42/EG

Außerdem werden die Geräte gemäß den folgenden

Standards oder Normen gefertigt:

EN60745

Die technische Dokumentation erfolgt durch:

Makita International Europe Ltd.
Technical Department,
Michigan Drive, Tongwell,
Milton Keynes, Bucks MK15 8JD, England

30. 1. 2009



Tomoyasu Kato
Direktor

Makita Corporation
3-11-8, Sumiyoshi-cho,
Anjo, Aichi, 446-8502, JAPAN

ITALIANO (Istruzioni originali)

Spiegazione della vista generale

- | | | |
|--|---------------------------|--------------------------------|
| 1. Levetta di blocco | 9. Base | 19. Blocco dell'albero |
| 2. Interruttore | 10. Stesso livello | 20. Sacchetto per la polvere |
| 3. Spia luminosa | 11. Squadra o riga | 21. Coperchio antipolvere |
| 4. Base (solo per PC5001C) | 12. Sollevare | 22. Supporto dell'intero rullo |
| 5. Chiave esagonale | 13. Abbassare | 23. Bullone esagonale |
| 6. Rullo anteriore | 14. Coperchio antipolvere | 24. Indicatore di limite |
| 7. Bullone a testa esagonale incassata | 15. Vite | 25. Coperchio portaspazzola |
| 8. Quantità di materiale da rimuovere | 16. Controdado | 26. Cacciavite |
| | 17. Chiave controdado | |
| | 18. Disco diamantato | |

CARATTERISTICHE TECNICHE

Modello	PC5000C	PC5001C
Diametro del disco	125 mm	
Diametro del foro	22,23 mm	
Filettatura mandrino	M14	
Velocità nominale (n)/Velocità a vuoto (n ₀)	10.000 min ⁻¹	
Lunghezza totale	437 mm	479 mm
Peso netto	4,0 kg	5,1 kg
Classe di sicurezza	□/II	

- Le caratteristiche tecniche riportate di seguito sono soggette a modifiche senza preavviso in virtù del nostro programma continuo di ricerca e sviluppo.
- Le caratteristiche tecniche possono differire da paese a paese.
- Peso determinato in conformità con la EPTA-Procedure 01/2003

Uso previsto

ENE002-1

L'utensile è progettato per la piallatura di superfici in cemento.

Alimentazione

ENF002-2

L'utensile deve essere collegato a una presa di corrente con la stessa tensione di quella indicata sulla targhetta e può funzionare soltanto con corrente alternata monofase. L'utensile è dotato di doppio isolamento, pertanto può essere usato anche con prese di corrente sprovviste della messa a terra.

Avvertenze generali di sicurezza per l'uso dell'utensile

GEA010-1

⚠ AVVERTENZA Leggere attentamente tutte le avvertenze di sicurezza e le istruzioni. La mancata osservanza delle istruzioni e delle avvertenze riportate di seguito potrebbe provocare scosse elettriche, incendi e/o lesioni gravi.

Conservare le avvertenze e le istruzioni per riferimenti futuri.

AVVERTENZE DI SICUREZZA PER LA PIALLA PER CEMENTO

GEB043-6

Avvertenze di sicurezza per l'uso dello spruzzatore:

1. Questo elettroutensile è costruito per essere utilizzato come smerigliatrice con dischi diamantati. Leggere tutti gli avvisi di sicurezza, le

Istruzioni, le illustrazioni e le caratteristiche

tecniche fornite con questo utensile. La mancata osservanza delle istruzioni riportate di seguito può provocare scosse elettriche, incendi e/o lesioni gravi.

2. **Non è consigliato eseguire con questo utensile operazioni quali smerigliatura con dischi abrasivi, carteggiatura, lucidatura, pulitura e taglio.** Le operazioni per cui l'utensile non è stato progettato possono creare un rischio e lesioni personali.
3. **Non utilizzare accessori non appositamente progettati e consigliati dal produttore dell'utensile.** Il semplice fissaggio dell'accessorio al proprio utensile non garantisce un funzionamento sicuro.
4. **La velocità nominale dell'accessorio deve essere almeno equivalente alla velocità massima contrassegnata sull'utensile.** Gli accessori che funzionano più velocemente della velocità nominale possono rompersi in più pezzi.
5. **Il diametro esterno e lo spessore dell'accessorio devono corrispondere ai limiti di capienza dell'utensile.** Gli accessori con dimensioni errate non possono essere custoditi o controllati adeguatamente.
6. **L'attacco filettato degli accessori deve corrispondere alla filettatura del mandrino dell'utensile. Per quanto riguarda gli accessori montati mediante flange, il diametro del foro dell'albero sull'accessorio deve corrispondere a quello della flangia.** Gli accessori che non corrispondono all'attacco di montaggio dell'utensile risulteranno sbilanciati, vibreranno eccessivamente e potrebbero causare la perdita di controllo.

7. **Non utilizzare un accessorio danneggiato.** Prima di ogni uso, esaminare gli accessori come i dischi diamantati, per individuare eventuali trucioli o rotture. Se l'utensile o l'accessorio cadono, controllare l'eventuale presenza di danni o installare un accessorio intatto. Dopo aver esaminato e installato un accessorio, scostarsi e allontanare eventuali persone presenti dal piano di rotazione dell'accessorio, quindi azionare l'utensile alla massima velocità a vuoto per un minuto. Normalmente, gli accessori danneggiati si romperanno durante questo periodo di prova.
8. **Indossare l'equipaggiamento di protezione individuale.** A seconda dell'applicazione, utilizzare uno schermo facciale, occhiali protettivi o di sicurezza. Se necessario, indossare una maschera antipolvere, guanti e un grembiule da officina in grado di fermare frammenti piccoli o abrasivi del pezzo in lavorazione. La protezione degli occhi deve essere capace di arrestare i residui volanti generati dalle varie operazioni. La maschera antipolvere o il respiratore devono essere in grado di filtrare le particelle generate dalla propria attività. L'esposizione prolungata al rumore ad alta intensità può causare la perdita dell'udito.
9. **Mantenere gli astanti a distanza di sicurezza dall'area di lavoro.** Tutte le persone che entrano nella zona di lavoro devono indossare l'equipaggiamento di protezione individuale. I frammenti di un pezzo o di un accessorio rotto possono volare via e provocare lesioni oltre l'area operativa immediata.
10. **Se vengono eseguite operazioni in cui l'accessorio di taglio può toccare fili nascosti o il cavo di alimentazione dell'utensile, impugnare l'utensile utilizzando solo i punti di presa isolati.** Se l'accessorio da taglio entra a contatto con un filo percorso da corrente, le parti metalliche esposte dell'utensile si troveranno anch'esse sotto tensione e potrebbero provocare scosse elettriche all'operatore.
11. **Posizionare il cavo lontano dell'accessorio rotante.** Se si perde il controllo, il cavo può tagliarsi o impigliarsi e la mano o il braccio potrebbero essere spinti nell'accessorio rotante.
12. **Non appoggiare mai l'utensile a terra se l'accessorio non è completamente fermo.** L'accessorio rotante può agganciare la superficie causando la perdita di controllo dell'utensile.
13. **Non azionare l'utensile quando viene trasportato a lato del proprio corpo.** In caso di contatto accidentale, l'accessorio rotante può impigliarsi nei vestiti provocando lesioni fisiche.
14. **Pulire regolarmente le aperture di ventilazione dell'utensile.** La ventola del motore attirerà la polvere all'interno dell'alloggiamento e l'accumulo eccessivo di polvere metallica può causare pericoli elettrici.
15. **Non utilizzare l'utensile vicino a materiali infiammabili.** Le scintille possono provocare l'accensione di questi materiali.
16. **Non utilizzare accessori che richiedano refrigeranti liquidi.** L'utilizzo di acqua o altri refrigeranti liquidi può provocare elettrocuzione o scosse elettriche.

Contraccolpi e relative avvertenze

I contraccolpi sono una reazione improvvisa in caso di inceppamento di un disco mobile, una spazzola o qualunque altro accessorio. L'inceppamento causa un improvviso stallo dell'accessorio rotante che spinge a sua volta l'utensile in direzione opposta al verso di rotazione dell'accessorio, causandone il grippaggio.

Se un disco abrasivo si incastra in un pezzo, ad esempio, il bordo del disco inceppato può scavare la superficie del materiale causando l'innalzamento o l'espulsione del disco. Il disco potrebbe schizzare contro o lontano dall'operatore, a seconda della direzione di movimento del disco nel punto di inceppamento. In queste circostanze i dischi abrasivi possono anche rompersi. I contraccolpi sono determinati dall'uso improprio dell'utensile e/o da procedure o condizioni operative errate e si possono evitare adottando le precauzioni specifiche illustrate di seguito.

- a) **Stringere con forza l'utensile posizionando il proprio corpo e il braccio in modo da resistere alla forza del contraccolpo. Utilizzare sempre la maniglia ausiliaria, se in dotazione, per il massimo controllo in caso di reazione contro la coppia di torsione o i contraccolpi in fase di avviamento.** Se vengono adottate le precauzioni adeguate, l'operatore può controllare le reazioni della coppia di torsione o le forze del contraccolpo.
- b) **Non avvicinare le mani all'accessorio rotante.** Potrebbe verificarsi un contraccolpo dell'accessorio sulle estremità del corpo.
- c) **Se si verificano contraccolpi, non posizionare il corpo nel raggio di spostamento dell'utensile.** I contraccolpi spingeranno l'utensile nella direzione opposta al movimento del disco nel punto di inceppamento.
- d) **Prestare particolare attenzione durante le operazioni su spigoli, bordi appuntiti e così via. Evitare di fare rimbalzare o inceppare l'accessorio.** Gli spigoli, i bordi appuntiti o i rimbalzi tendono a far inceppare l'accessorio rotante provocando contraccolpi o perdita di controllo.
- e) **Non collegare una lama per scolpire il legno munita di catena o una lama da taglio dentata.** Queste lame provocano frequenti contraccolpi e perdita di controllo.

Avvertenze di sicurezza specifiche per le operazioni di smerigliatura:

- a) **Utilizzare soltanto i tipi di dischi consigliati per l'utensile e la protezione specifica progettata per il disco selezionato.** I dischi non progettati per l'utensile non possono essere custoditi adeguatamente e sono pericolosi.
- b) **Utilizzare sempre flange del disco intatte con le dimensioni e la forma corrette per il disco selezionato.** Le flange corrette sorreggono adeguatamente il disco, riducendo la possibilità di rotture.

Avvertenze di sicurezza supplementari:

17. **Inserire sempre il coperchio antipolvere prima dell'utilizzo.**
18. **Fare attenzione a non danneggiare il mandrino, la flangia (soprattutto la superficie di installazione) o**

il controdado. Se queste parti vengono danneggiate, il disco potrebbe rompersi.

19. **Verificare che il disco non tocchi il pezzo in lavorazione prima di accendere l'interruttore.**
20. **Prima di utilizzare l'utensile su un pezzo in lavorazione, lasciarlo funzionare a vuoto per qualche minuto. Prestare attenzione a vibrazioni e oscillazioni che potrebbero indicare difetti di installazione o il bilanciamento errato del disco.**
21. **Non lasciare l'utensile acceso. Azionare l'utensile solo quando viene tenuto in mano.**
22. **Non toccare il dispositivo con disco diamantato subito dopo aver utilizzato l'utensile: si possono raggiungere temperature elevate con conseguente rischio di ustioni.**
23. **Osservare le istruzioni del produttore per il corretto montaggio e utilizzo dei dischi. Maneggiare e conservare i dischi con cura.**
24. **Non utilizzare boccole di riduzione o adattatori separati per montare i dischi con foro largo.**
25. **Usare soltanto flange specifiche per questo utensile.**
26. **Tenere presente che il disco continua a girare anche dopo aver spento l'utensile.**
27. **Se l'ambiente di lavoro è estremamente caldo o umido oppure contaminato da polvere conduttiva, usare un salvavita (30 mA) per garantire la sicurezza dell'operatore.**
28. **Non usare l'utensile su materiali che contengono amianto.**

CONSERVARE QUESTE ISTRUZIONI.

⚠ AVVERTENZA:
NON lasciare che la familiarità acquisita con il prodotto (dovuta all'uso ripetuto) provochi l'insosservanza delle norme di sicurezza. L'USO IMPROPRIO o la mancata osservanza delle norme di sicurezza indicate in questo manuale di istruzioni possono provocare gravi danni alla persona.

DESCRIZIONE FUNZIONALE

⚠ ATTENZIONE:
• Prima di regolare o controllare le funzioni dell'utensile, verificare sempre di averlo spento e scollegato dall'alimentazione.

Azionamento dell'interruttore (Fig. 1)

⚠ ATTENZIONE:
• Prima di collegare l'utensile, controllare se l'interruttore funziona correttamente e ritorna alla posizione "OFF" una volta rilasciato.

Per utensili con interruttore di blocco

Per accendere l'utensile è sufficiente premere l'interruttore (A). Per spegnere l'utensile, rilasciare l'interruttore. Per il funzionamento continuo, tirare l'interruttore (A) e, successivamente, premere la levetta di blocco (B). Per arrestare l'utensile in funzionamento continuo premere a fondo l'interruttore (A) e, quindi, rilasciarlo.

Per utensili con sicura

La levetta di blocco consente di evitare di azionare involontariamente l'interruttore. Per accendere l'utensile spingere la levetta di blocco (B) e premere l'interruttore di accensione (A). Per spegnere l'utensile, rilasciare l'interruttore.

Per utensili con interruttore di blocco e sicura

La levetta di blocco consente di evitare di azionare involontariamente l'interruttore. Per accendere l'utensile spingere la levetta di blocco (B) e premere l'interruttore di accensione (A). Per spegnere l'utensile, rilasciare l'interruttore. Per il funzionamento continuo, spingere la levetta di blocco (B), premere l'interruttore di accensione (A), quindi spingere di nuovo la levetta di blocco (B). Per arrestare l'utensile in funzionamento continuo premere a fondo l'interruttore (A), quindi rilasciarlo.

Funzione elettronica

Controllo costante della velocità

- Consente finiture precise grazie alla costanza della velocità di rotazione anche in condizioni di carico.
- Inoltre, quando il carico dell'utensile supera i livelli consentiti, la potenza fornita al motore viene ridotta per evitare che il motore si surriscaldi. Quando il carico ritorna ai livelli consentiti, l'utensile riprende a funzionare normalmente.

Funzione di avvio morbido

- L'avvio morbido permette di eliminare colpi e scosse iniziali.

Spia luminosa (Fig. 2)

La spia luminosa diventa verde quando l'utensile è collegato alla presa di corrente. Se la spia non si accende, il cavo di alimentazione o il controller potrebbero essere difettosi. Se la spia si accende ma l'utensile non si avvia nonostante sia acceso, potrebbero essersi usurate le spazzole di carbone oppure il controller, il motore o l'interruttore potrebbero essere difettosi.

Prova di riavvio involontario

Se si blocca la leva tenendo premuto l'interruttore (Posizione di blocco), l'utensile non si riaccende anche se collegato alla presa di corrente.

In questo momento, la spia luminosa diventa rossa e mostra che il dispositivo a prova di riavvio involontario è in funzione.

Per annullare la prova di riavvio involontario, premere a fondo l'interruttore, quindi rilasciarlo.

Operazione di livellamento (solo per PC5001C) (Fig. 3)

Per livellare una superficie, la base della piastra deve essere allineata con il disco diamantato. Il rullo anteriore deve essere regolato (utilizzando una chiave esagonale) fino a raggiungere il livello appropriato per la quantità di materiale che si intende rimuovere.

Per modificare la quantità di materiale (cemento) da rimuovere, allentare i bulloni a testa esagonale incassata sul supporto di base con la chiave esagonale. Sollevare o abbassare il rullo anteriore per regolare lo spazio con il disco diamantato. La differenza è la quantità di materiale da rimuovere. Quindi riavvitare con estrema cura i bulloni a testa esagonale incassata. (Fig. 4)

NOTA:

- Il materiale totale da rimuovere deve essere inferiore a 4,0 mm.

Inclinazione della base per un funzionamento più omogeneo (solo per PC5001C) (Fig. 5)

Per la rimozione omogenea di una superficie ruvida o irregolare, si consiglia di inclinare la base dell'utensile. Utilizzare la chiave esagonale per allentare i due bulloni a testa esagonale incassata che fissano la base su entrambi i lati.

Utilizzare la chiave esagonale per abbassare i tre bulloni a testa esagonale incassata sulla base ruotandoli sulla base in senso orario. (Fig. 6)

Utilizzare una squadra o una riga per ottenere l'angolo della base desiderato in relazione al disco diamantato. Assicurare quindi con estrema cura i bulloni a testa esagonale incassata su entrambi i lati della base. Regolare il centro della base vicino al disco in modo che sia sullo stesso livello del disco. (Fig. 7)

NOTA:

- Dopo la regolazione della base, ruotare i tre bulloni a testa esagonale incassata sulla base in senso antiorario finché le teste non sono a filo con il lato posteriore della base. Ruotare delicatamente, in caso contrario la regolazione della base si sposterà dalla sua sede.

Regolazione della base per compensare l'usura del disco (solo per PC5001C)

Con l'uso ripetuto, il disco diamantato si usurerà e verrà quindi a crearsi uno spazio nella superficie lavorata e i risultati saranno di conseguenza meno soddisfacenti.

Verificare l'utensile ogni 4-5 ore di utilizzo.

Se le superfici del disco e della base non sono allineate, allentare i due bulloni a testa esagonale incassata che fissano la base. Ruotare in senso orario i tre bulloni a testa esagonale incassata sulla base e regolare la base in modo che sia a livello con la superficie del disco.

Stringere di nuovo saldamente i bulloni a testa esagonale incassata che fissano la base e quindi ruotare delicatamente in senso antiorario i bulloni a testa esagonale incassata in modo che non si allentino durante l'utilizzo dell'apparecchio.

Regolazione del coperchio antipolvere (Fig. 8)

Allentare le vite e regolare il livello della spazzola del coperchio antipolvere. La spazzola del coperchio antipolvere deve essere a filo con la superficie del disco diamantato o appena superiore (quando l'apparecchio è invertito) a 0,5 mm. L'aspirazione/la pulitura non sarà efficace se le superfici non si trovano sullo stesso livello. Al termine della regolazione, serrare saldamente la vite. Per regolare il coperchio antipolvere, impugnarlo dall'esterno; ruotare in senso orario per sollevarlo e in senso antiorario per abbassarlo.

MONTAGGIO

⚠ ATTENZIONE:

- Accertarsi sempre che l'utensile sia spento e scollegato prima di iniziare qualsiasi operazione di montaggio.

Installazione o rimozione del disco diamantato (Fig. 9)

Per sostituire un disco diamantato usurato con uno nuovo, premere il blocco dell'albero per tenere fermo l'albero, quindi allentare il controdamo ruotandolo in senso antiorario con l'apposita chiave.

Rimuovere il disco diamantato usurato.

Per installarne uno nuovo, attenersi alla procedura di rimozione descritta in precedenza, procedendo in senso inverso.

Durante l'installazione di un disco diamantato, assicurarsi di serrare saldamente il controdamo.

NOTA:

- I comuni dischi diamantati presenti sul mercato non sono dotati di fori di ventilazione, per cui l'espulsione di polvere è scarsa. Inoltre, se il foro di installazione non è del diametro esatto, si potrebbero verificare vibrazioni dell'apparecchio e incidenti. UTILIZZARE SEMPRE UN DISPOSITIVO CON DISCO DIAMANTATO MAKITA.

Sostituzione della spazzola del coperchio antipolvere

Per rimuovere la spazzola del coperchio antipolvere dal coperchio antipolvere, prendere un'estremità della spazzola del coperchio antipolvere ed estrarla delicatamente. (Fig. 10).

Per installare la spazzola del coperchio antipolvere, allineare prima entrambe le estremità della spazzola con la scanalatura del coperchio antipolvere. (Fig. 11).

Quindi, inserire la spazzola a fondo nella scanalatura del coperchio antipolvere servendosi di un cacciavite a lama piatta o di un altro utensile analogo.

Sacchetto per la polvere (Fig. 12)

Per installare il sacchetto per la polvere, inserirlo nell'area di espulsione della polvere. Assicurarsi di inserirlo completamente nell'area di espulsione della polvere finché non si arresta, in modo che non fuoriesca durante l'utilizzo dell'apparecchio.

Rimuovere il sacchetto per la polvere quando comincia a toccare la superficie di taglio. Questo indica che il sacchetto è pieno. Nel caso non si sostituisca il sacchetto, l'aspirazione/la pulitura della polvere non sarà efficace.

Collegamento di un aspiratore (Fig. 13)

Se si desidera eseguire tagli senza produrre polvere, collegare all'utensile un aspiratore Makita, come mostrato nella figura.

USO (Fig. 14)

Durante il funzionamento, tenere saldamente l'utensile utilizzando sempre l'impugnatura superiore (maniglia ausiliaria) e l'impugnatura con l'interruttore.

Piallatura in posizioni angolate

Per PC5000C

È possibile eseguire la piallatura a filo in posizioni angolate dopo aver rimosso il coperchio del supporto antipolvere.

Solo per PC5001C (Fig. 15)

Prima di effettuare la piallatura a filo di angoli, rimuovere il bullone esagonale che fissa il supporto del rullo e il supporto della base, quindi rimuovere il supporto dell'intero rullo.

Quindi, allentare il bullone a testa esagonale incassata, rimuovere il coperchio del supporto antipolvere e regolare il coperchio antipolvere in una posizione adeguata a seconda del lavoro da svolgere. (Fig. 16)

MANUTENZIONE

ATTENZIONE:

- Prima di effettuare controlli e operazioni di manutenzione, verificare sempre che l'utensile sia spento e scollegato dall'alimentazione.
- Evitare assolutamente di usare benzina, diluenti, solventi, alcol o sostanze simili. In caso contrario, potrebbero verificarsi scoloriture, deformazioni o incrinature.

Sostituzione delle spazzole di carbone (Fig. 17)

Rimuovere e controllare periodicamente le spazzole di carbone. Sostituire le spazzole quando sono consumate fino all'indicatore di limite. Mantenere le spazzole di carbone pulite e libere di scorrere nei supporti. Entrambe le spazzole di carbone devono essere sostituite contemporaneamente. Utilizzare solo spazzole di carbone dello stesso tipo.

Rimuovere i coperchi dei portaspazzola con un cacciavite. Estrarre le spazzole di carbone consumate, inserire le nuove spazzole e fissare i coperchi dei portaspazzola. (Fig. 18)

Al fine di garantire la SICUREZZA e l'AFFIDABILITÀ del prodotto, le riparazioni e qualsivoglia ulteriore operazione di manutenzione o regolazione devono essere eseguite dai centri di assistenza autorizzati Makita utilizzando sempre parti di ricambio Makita.

ACCESSORI OPZIONALI

ATTENZIONE:

- Si consiglia l'uso dei seguenti accessori per l'utensile Makita descritto in questo manuale. L'uso di qualsiasi altro accessorio potrebbe provocare lesioni personali. Utilizzare gli accessori esclusivamente per l'uso dichiarato.

Per l'assistenza e per ulteriori informazioni su tali accessori, rivolgersi al centro assistenza Makita di zona.

- Dispositivo con disco diamantato (Tipo a secco)
- Coperchio antipolvere

NOTA:

- Alcuni degli accessori elencati potrebbero essere inclusi nella confezione dell'utensile come accessori standard. Gli accessori standard possono differire da paese a paese.

Rumorosità

ENG905-1

Il tipico livello di rumore ponderato "A" è determinato in conformità con la norma EN60745:

Modello PC5000C

Livello di pressione sonora (L_{pA}): 91 dB (A)

Livello di potenza sonora (L_{WA}): 102 dB (A)

Variazione (K): 3 dB (A)

Modello PC5001C

Livello di pressione sonora (L_{pA}): 89 dB (A)

Livello di potenza sonora (L_{WA}): 100 dB (A)

Variazione (K): 3 dB (A)

Indossare una protezione acustica.

Vibrazioni

ENG900-1

Il valore totale delle vibrazioni (somma vettoriale triassiale) è determinato in conformità con la norma EN60745:

Modello PC5000C

Modalità operativa: piallatura cemento

Emissione delle vibrazioni (a_n): 12,0 m/s²

Variazione (K): 1,5 m/s²

Modello PC5001C

Modalità operativa: piallatura cemento

Emissione delle vibrazioni (a_n): 12,5 m/s²

Variazione (K): 2,5 m/s²

ENG902-1

- Il valore di emissione delle vibrazioni dichiarato è stato misurato in conformità con il metodo di test standard e può essere utilizzato per confrontare tra loro diversi utensili.
- Il valore di emissione delle vibrazioni dichiarato può anche essere utilizzato per stime preliminari dell'esposizione.
- Il valore dell'emissione delle vibrazioni dichiarato è utilizzato per le applicazioni principali dello strumento. Tuttavia, se lo strumento viene utilizzato per altre applicazioni, il valore dell'emissione delle vibrazioni potrebbe essere diverso.

AVVERTENZA:

- L'emissione delle vibrazioni durante l'uso effettivo dell'utensile elettrico può risultare diversa rispetto al valore dichiarato, in base alla modalità d'uso dell'utensile.
- Assicurarsi di individuare le necessarie misure di sicurezza per proteggere l'operatore in base a una stima dell'esposizione nelle condizioni reali di utilizzo (prendendo in considerazione tutte le fasi del ciclo operativo, come quante volte l'utensile viene spento e i periodi in cui rimane inattivo, oltre al tempo di avviamento).

Solo per i paesi europei

ENH101-16

Dichiarazione di conformità CE

Makita Corporation, in qualità di produttore responsabile, dichiara che gli utensili Makita indicati di seguito:

Denominazione dell'utensile:

Piatta per cemento

N. modello/Tipo: PC5000C, PC5001C

appartengono a una produzione in serie e

sono conformi alle seguenti direttive europee:

2006/42/EC

Sono inoltre prodotti in conformità con gli standard o i

documenti standardizzati riportati di seguito:

EN60745

La documentazione tecnica viene conservata da:

Makita International Europe Ltd.

Technical Department,

Michigan Drive, Tongwell,

Milton Keynes, Bucks MK15 8JD, Inghilterra

30. 1. 2009



Tomoyasu Kato

Direttore

Makita Corporation

3-11-8, Sumiyoshi-cho,

Anjo, Aichi, 446-8502, JAPAN

NEDERLANDS (Originele instructies)

Verklaring van algemene gegevens

1. Vergrendelknop	10. Gelijke hoogte	19. Asvergrendeling
2. Aan/uit-schakelaar	11. Winkelhaak of liniaal	20. Stofzak
3. Bedrijfslampje	12. Hoger	21. Stofafdichtdeksel
4. Voet (alleen voor PC5001C)	13. Lager	22. Complete voorroller
5. Inbussleutel	14. Stofafdichting	23. Zeskantbout
6. Voorrol	15. Schroef	24. Slijtgrensmarkering
7. Inbusbout	16. Borgmoer	25. Koolborsteldop
8. Schuurdiepte	17. Borgmoersleutel	26. Schroevendraaier
9. Voet	18. Diamantschijf	

TECHNISCHE GEGEVENS

Model	PC5000C	PC5001C
Schijfdiameter	125 mm	
Diameter middengat	22,23 mm	
Asschroefdraad	M14	
Nominaal toerental (n)/Nullasttoerental (n ₀)	10.000 min ⁻¹	
Totale lengte	437 mm	479 mm
Netto gewicht	4,0 kg	5,1 kg
Veiligheidsklasse	□/II	

- Als gevolg van ons doorlopende onderzoeks- en ontwikkelingsprogramma, zijn de technische gegevens van dit gereedschap onderhevig aan veranderingen zonder voorafgaande kennisgeving.
- De technische gegevens kunnen van land tot land verschillen.
- Gewicht volgens EPTA-procedure 01/2003

Gebruiksdoel

ENE002-1

Het gereedschap is bedoeld om beton te schuren.


Voeding

ENF002-2

Het gereedschap mag uitsluitend worden aangesloten op een voeding met dezelfde spanning als aangegeven op het typeplaatje en werkt alleen op enkele-fase wisselstroom. Het gereedschap is dubbel geïsoleerd en mag derhalve ook op een niet-geaard stopcontact worden aangesloten.

Algemene veiligheidswaarschuwingen voor elektrisch gereedschap

GEA010-1

 **WAARSCHUWING** Lees alle veiligheidswaarschuwingen en alle instructies. Het niet volgen van de waarschuwingen en instructies kan leiden tot elektrische schokken, brand en/of ernstig letsel.

Bewaar alle waarschuwingen en instructies om in de toekomst te kunnen raadplegen.

VEILIGHEIDSWAARSCHUWINGEN SPECIFIEK VOOR EEN HANDBETONSCHUURMACHINE

GEB043-6

Algemene veiligheidswaarschuwingen voor slijpwerkzaamheden:

1. **Dit elektrisch gereedschap is bedoeld voor gebruik als slijpgereedschap met excentrische diamantschijven. Lees alle veiligheidswaarschuwingen, instructies, afbeeldingen en technische gegevens die bij dit elektrisch gereedschap worden geleverd.** Als u nalaat alle onderstaande instructies te volgen, kan dit leiden tot een elektrische schok, brand en/of ernstig letsel.
2. **Wij adviseren u werkzaamheden zoals slijpen met slijpschijven, schuren, draadborstelen, polijsten of doorslijpen niet uit te voeren met dit elektrisch gereedschap.** Werkzaamheden waarvoor dit elektrisch gereedschap niet is bedoeld kunnen gevaarlijke situaties opleveren en tot persoonlijk letsel leiden.
3. **Gebruik geen accessoires die niet specifiek zijn ontworpen en aanbevolen door de fabrikant van het gereedschap.** Ook wanneer het accessoire kan worden bevestigd op uw elektrisch gereedschap, is een veilige werking niet gegarandeerd.
4. **Het nominaal toerental van het accessoire moet minstens gelijk zijn aan het maximumtoerental vermeld op het elektrisch gereedschap.** Accessoires die met een hoger toerental draaien dan

hun nominaal toerental kunnen stuk breken en in het rond vliegen.

5. **De buitendiameter en de dikte van het accessoire moet binnen het capaciteitsbereik van het elektrisch gereedschap vallen.** Accessoires met verkeerde afmetingen kunnen niet afdoende worden afgeschermd of beheerst.
6. **De schroefdraadbevestiging van accessoires moet overeenkomen met de asschroefdraad van het gereedschap. Als accessoires met flensbevestiging worden aangebracht, moet het asgat van het accessoire overeenkomen met de diameter van de pasrand op de flens.** Accessoires die niet overeenkomen met de bevestigingshardware van het elektrisch gereedschap, zullen niet gebalanceerd draaien en buitensporig trillen, en kunnen leiden tot verlies van controle over het gereedschap.
7. **Gebruik nooit een beschadigd accessoire. Inspecteer het accessoire, bijvoorbeeld een excentrische diamantschijf, vóór ieder gebruik op ontbrekende schijfers en barsten. Nadat het elektrisch gereedschap is gevallen, inspecteert u het op schade of monteert u een onbeschadigd accessoire. Na inspectie en montage van een accessoire, zorgt u ervoor dat u en omstanders niet in het rotatie vlak van het accessoire staan, en laat u het elektrisch gereedschap draaien op het maximaal, onbelast toerental gedurende één minuut.** Beschadigde accessoires breken normaal gesproken in stukken gedurende deze testduur.
8. **Gebruik persoonlijke veiligheidsmiddelen. Afhankelijk van de toepassing gebruikt u een spat scherm, een beschermende bril of een veiligheidsbril. Al naar gelang van toepassing draagt u een stofmasker, gehoorbeschermers, handschoenen en een werkschoort die in staat zijn kleine stukjes slijpsel of werkstukfragmenten te weerstaan.** De oogbescherming moet in staat zijn rondvliegend afval te stoppen dat ontstaat bij de diverse werkzaamheden. Het stofmasker of ademhalingsapparaat moet in staat zijn deeltjes te filteren die ontstaat bij de werkzaamheden. Langdurige blootstelling aan zeer intens geluid kan leiden tot gehoorbeschadiging.
9. **Houd omstanders op veilige afstand van het werkgebied. Iedereen die zich binnen het werkgebied begeeft, moet persoonlijke veiligheidsmiddelen gebruiken.** Fragmenten van het werkstuk of van een uiteengevallen accessoire kunnen rondvliegen en letsel veroorzaken buiten de onmiddellijke werkomgeving.
10. **Houd het elektrisch gereedschap uitsluitend vast aan het geïsoleerde oppervlak van de handgrepen wanneer u werkt op plaatsen waar het slijpaccessoire met verborgen bedrading of zijn eigen snoer in aanraking kan komen.** Wanneer het accessoire in aanraking komen met onder spanning staande draden, zullen de niet-geïsoleerde metalen delen van het gereedschap onder spanning komen te staan zodat de gebruiker een elektrische schok kan krijgen.
11. **Houd het snoer goed uit de buurt van het ronddraaiende accessoire.** Als u de controle verliest

over het gereedschap, kan het snoer worden doorgesneden of bekneld raken, en kan uw hand of arm tegen het ronddraaiende accessoire worden aangetrokken.

12. **Leg het elektrisch gereedschap nooit neer voordat het accessoire volledig tot stilstand is gekomen.** Het ronddraaiende accessoire kan de ondergrond pakken zodat u de controle over het elektrisch gereedschap verliest.
13. **Laat het elektrisch gereedschap niet draaien terwijl u het naast u draagt.** Als het ronddraaiende accessoire u per ongeluk raakt, kan het verstrikt raken in uw kleding waardoor het accessoire in uw lichaam wordt getrokken.
14. **Maak de ventilatieopeningen van het gereedschap regelmatig schoon.** De ventilator van de motor zal het stof de behuizing in trekken, en een grote opeenhoping van metaalslijpsel kan leiden tot elektrische gevaarlijke situaties.
15. **Gebruik het elektrisch gereedschap niet in de buurt van brandbare materialen.** Vonken kunnen deze materialen doen ontvlammen.
16. **Gebruik geen accessoires die met vloeistof moeten worden gekoeld.** Het gebruik van water of andere vloeibare koelmiddelen kan leiden tot elektrocutie of elektrische schokken.

Terugslag en aanverwante waarschuwingen

Terugslag is een plotselinge reactie op een beknelde of vastgelopen draaiende schijf, rugschijf, draadborstel of enig ander accessoire. Beknellen of vastlopen veroorzaakt een snelle stilstand van het draaiende accessoire dat op zijn beurt ertoe leidt dat het elektrisch gereedschap zich ongecontroleerd beweegt in de tegenovergestelde richting van de draairichting van het accessoire op het moment van vastlopen. Bijvoorbeeld, als een slijpschijf bekneld raakt of vastloopt in het werkstuk, kan de rand van de schijf die het beknellingspunt ingaat, zich invreten in het oppervlak van het materiaal waardoor de schijf eruit klimt of eruit slaat. De schijf kan daarbij naar de gebruiker toe of weg springen, afhankelijk van de draairichting van de schijf op het beknellingspunt. Slijpschijven kunnen in dergelijke situaties ook breken.

Terugslag is het gevolg van misbruik van het elektrisch gereedschap en/of onjuiste gebruiksprocedures of -omstandigheden, en kan worden voorkomen door goede voorzorgsmaatregelen te treffen, zoals hieronder vermeld:

- a) **Houd het gereedschap stevig vast en houdt uw armen en lichaam zodanig dat u in staat bent een terugslag op te vangen. Gebruik altijd de extra handgreep (indien aanwezig) voor een maximale controle over het gereedschap in geval van terugslag en koppelreactie bij het starten.** De gebruiker kan een terugslag of de koppelreactie opvangen indien de juiste voorzorgsmaatregelen worden getroffen.
- b) **Plaats uw hand nooit in de buurt van het draaiende accessoire.** Het accessoire kan terugslaan over uw hand.
- c) **Plaats uw lichaam niet in het gebied waar het elektrisch gereedschap naar toe gaat wanneer een terugslag optreedt.** Een terugslag zal het gereedschap bewegen in de tegenovergestelde

richting van de draairichting van de schijf op het moment van beknellen.

- d) **Wees bijzonder voorzichtig bij het werken met hoeken, scherpe randen, enz. Voorkom dat het accessoire springt of bekneld raakt.** Hoeken, scherpe randen of springen veroorzaken vaak beknellen van het draaiende accessoire wat leidt tot terugslag of verlies van controle over het gereedschap.
- e) **Bevestig geen houtbewerkingsblad van een zaagketting of getand zaagblad.** Dergelijke bladen leiden vaak tot terugslag of verlies van controle over het gereedschap.

Veiligheidswaarschuwingen specifiek voor slijpwerkzaamheden:

- a) **Gebruik uitsluitend schijven van het type aanbevolen voor uw elektrisch gereedschap en de specifieke beschermkap voor de te gebruiken schijf.** Schijven waarvoor het elektrisch gereedschap niet is ontworpen, kunnen niet goed worden afgeschermd en zijn niet veilig.
- b) **Gebruik altijd onbeschadigde schijfflens van de juiste afmetingen en vorm voor de te gebruiken schijf.** Een goede schijfflens ondersteunt de schijf en verkleint daarmee de kans op het breken van de schijf.

Aanvullende veiligheidswaarschuwingen:

- 17. Monteer altijd vóór gebruik het stofafdichtdeksel.**
- 18. Let erop dat u de as, de flens (met name de montagekant) en de borgmoer niet beschadigt. Als deze onderdelen beschadigd raken, kan de schijf breken.**
- 19. Zorg ervoor dat de schijf niet in aanraking is met het werkstuk voordat u het gereedschap hebt ingeschakeld.**
- 20. Laat het gereedschap een tijdje draaien voordat u het op het werkstuk gebruikt. Controleer op trillingen of schommelingen die op onjuiste montage of een slecht uitgebalanceerde schijf kunnen wijzen.**
- 21. Laat het gereedschap niet ingeschakeld liggen. Bedien het gereedschap alleen wanneer u het vasthoudt.**
- 22. Raak de excentrische diamantschijf niet onmiddellijk na gebruik aan. Deze kan bijzonder heet zijn en brandwonden op uw huid veroorzaken.**
- 23. Houd u aan de instructies van de fabrikant voor juiste montage en gebruik van de schijven. Behandel en bewaar de schijven zorgvuldig.**
- 24. Gebruik geen afzonderlijke verkleinbussen of adapterringen om slijpschijven met een groot middengat te kunnen monteren.**
- 25. Gebruik uitsluitend flenzen die geschikt zijn voor dit gereedschap.**
- 26. Wees erop bedacht dat de schijf blijft doordraaien nadat het gereedschap is uitgeschakeld.**
- 27. Als de werkruimte bijzonder heet en vochtig is, of sterk vervuild is met geleidend stof, gebruik dan een kortsluitonderbreker (30 mA) om de veiligheid van de gebruiker te garanderen.**
- 28. Gebruik het gereedschap niet op materiaal dat asbest bevat.**

BEWAAR DEZE INSTRUCTIES.

⚠ WAARSCHUWING:

Laat u NIET misleiden door een vals gevoel van comfort en bekendheid met het gereedschap (na veelvuldig gebruik) en neem alle veiligheidsvoorschriften van het betreffende product altijd strikt in acht. VERKEERD GEBUIK of het niet volgen van de veiligheidsinstructies in deze gebruiksaanwijzing kan leiden tot ernstig persoonlijk letsel.

BESCHRIJVING VAN DE FUNCTIES

⚠ LET OP:

- Controleer altijd of het gereedschap is uitgeschakeld en de stekker uit het stopcontact is getrokken alvorens de functies van het gereedschap te controleren of af te stellen.

In- en uitschakelen (zie afb. 1)

⚠ LET OP:

- Controleer altijd, voordat u de stekker in het stopcontact steekt, of de aan/uit-schakelaar op de juiste manier schakelt en weer terugkeert naar de uitstand nadat deze is losgelaten.

Voor gereedschappen met een aan-vergrendeling

Om het gereedschap in te schakelen, knijpt u gewoon de aan/uit-schakelaar (A) in. Laat de aan/uit-schakelaar los om het gereedschap te stoppen. Om het gereedschap continu te laten werken, knijpt u de aan/uit-schakelaar (A) in en duwt u vervolgens de vergrendelknop (B) naar voren. Om vanuit de vergrendelde werking het gereedschap te stoppen, knijpt u de aan/uit-schakelaar (A) helemaal in en laat u deze vervolgens weer los.

Voor gereedschappen met een uit-vergrendeling

Om te voorkomen dat de aan/uit-schakelaar per ongeluk wordt bediend, is een vergrendelknop aangebracht. Om het gereedschap te starten, duwt u eerst de vergrendelknop (B) naar voren en knijpt u vervolgens de aan/uit-schakelaar (A) in. Laat de aan/uit-schakelaar los om het gereedschap te stoppen.

Voor gereedschappen met een aan-vergrendeling en een uit-vergrendeling

Om te voorkomen dat de aan/uit-schakelaar per ongeluk wordt bediend, is een vergrendelknop aangebracht. Om het gereedschap te starten, duwt u eerst de vergrendelknop (B) naar voren en knijpt u vervolgens de aan/uit-schakelaar (A) in. Laat de aan/uit-schakelaar los om het gereedschap te stoppen. Om het gereedschap continu te laten werken, duwt u de vergrendelknop (B) naar voren, knijpt u de aan/uit-schakelaar in, en duwt u de vergrendelknop (B) verder naar voren. Om vanuit de vergrendelde werking het gereedschap te stoppen, knijpt u de aan/uit-schakelaar (A) helemaal in en laat u deze vervolgens weer los.

Elektronische aansturing

Constante-snelheidsregeling

- Maakt een onberispelijke afwerking mogelijk omdat de draaisnelheid zelfs onder belasting constant blijft.
- Bovendien, wanneer de belasting van het gereedschap het toelaatbare niveau overschrijdt, wordt de voeding naar de motor beperkt om te voorkomen dat deze oververhit raakt. Wanneer de belasting weer op een toelaatbaar niveau komt, zal het gereedschap weer normaal werken.

Zachte-startfunctie

- Maakt een zachte start mogelijk door onderdrukking van de aanloepschok.

Bedrijfslampje (zie afb. 2)

Het bedrijfslampje gaat branden zodra de stekker van het gereedschap in een stopcontact wordt gestoken. Als het lampje niet brandt, kan het netsnoer beschadigd zijn of de sturing defect. Als het lampje brandt, maar het gereedschap niet start, zelfs niet wanneer de schuifknop in de aan-stand wordt gezet, kunnen de koolborstels versleten zijn, of kunnen de motor, de sturing, of de schuifknop defect zijn.

Onbedoelde herstartpreventie

Zelfs als de aan/uit-schakelaar met de vergrendelknop ingedrukt wordt gehouden (vergrendeld in de aan-stand), kan het gereedschap niet worden gestart door de stekker in het stopcontact te steken.

Op dit moment knipt het bedrijfslampje rood ten teken dat de onbedoelde herstartpreventie werkt.

Om de beveiliging tegen onbedoeld starten te annuleren, knijpt u de aan/uit-schakelaar helemaal in en laat u deze vervolgens weer los.

Vlak schuren (alleen voor PC5001C) (zie afb. 3)

Om een oppervlak vlak te schuren moet de voet van de schuurmachine zijn uitgelijnd met de diamantschijf. De voorrol moet hoger worden afgesteld (met behulp van een inbussleutel) op de hoogte die nodig is om de gewenste schuurdiepte te verkrijgen.

Om de gewenste schuurdiepte (in het beton) in te stellen, draait u de inbusbouten op de voethouder los met behulp van de voorrol hoger of lager af om het verschil ten opzichte van de diamantschijf in te stellen. Dit verschil is de schuurdiepte. Draai vervolgens de inbusbouten weer zorgvuldig vast (zie afb. 4).

OPMERKING:

- De maximale schuurdiepte is 4,0 mm.

De voet kantelen om vlakker te schuren (alleen voor PC5001C) (zie afb. 5)

Om een bepaalde ruwheid of profiel van het betonoppervlak beter te kunnen verwijderen, is het handig de voet van het gereedschap te kantelen. Gebruik de inbussleutel om de twee inbusbouten los te draaien waarmee de voet aan beide zijanten is vastgezet. Draai met behulp van de inbussleutel de drie inbusbouten dieper in de voet door ze rechtsom te draaien (zie afb. 6). Gebruik een winkelhaak of liniaal om de voet af te stellen op de gewenste hoek ten opzichte van de diamantschijf.

Zet daarna de inbusbouten op de zijanten van de voet weer stevig vast. Stel het midden van de rand van de voet die langs de schijf ligt af op dezelfde hoogte als de schijf (zie afb. 7).

OPMERKING:

- Na het afstellen van de voet van het gereedschap, draait u de drie inbusbouten in de voet linksom tot de boutkoppen gelijk liggen met de achterkant van de voet. Draai langzaam omdat anders de afstelling van de voet wordt veranderd.

De voet afstellen ter compensatie van de schijfslijtage (alleen voor PC5001C)

Na langdurig gebruik slijt de diamantschijf af waardoor een hoogteverschil met de voet ontstaat, en het resultaat van het schuurwerk verslechtert. Controleer het gereedschap na iedere 4 of 5 gebruiksuren.

Als de oppervlakken van de schijf en de voet niet meer uitgelijnd zijn, draait u de twee inbusbouten los waarmee de voet op de zijkant is vastgezet. Draai daarna de drie inbusbouten in de voet rechtsom en stel de voet opnieuw op gelijke hoogte met het oppervlak van de schijf. Draai de inbusbouten waarmee de voet op de zijkant is vastgezet weer stevig vast, en draai daarna de inbusbouten in de voet voorzichtig linksom zodat de inbusbouten tijdens het gebruik niet los gaan zitten.

De stofafdichting afstellen (zie afb. 8)

Draai de schroef los en stel de hoogte van de borstel in de stofafdichting af. De borstel in de stofafdichting moet op gelijke hoogte als het oppervlak van de diamantschijf staan of daar 0,5 mm boven (wanneer het gereedschap ondersteboven ligt). Als ze niet ongeveer op dezelfde hoogte zijn afgesteld, zal de afzuiging/opname slecht zijn. Draai na het afstellen de schroef weer stevig vast.

Om de stofafdichting af te stellen, pakt u deze aan de buitenkant vast en draait u deze rechtsom om hoger in te stellen, en linksom om lager in te stellen.

ONDERDELEN AANBRENGEN/ VERWIJDEREN

⚠ LET OP:

- Controleer altijd of het gereedschap is uitgeschakeld en de stekker uit het stopcontact is getrokken alvorens enige werk aan het gereedschap uit te voeren.

De diamantschijf aanbrengen en verwijderen (zie afb. 9)

Om een versleten diamantschijf te vervangen door een nieuwe, drukt u de asvergrendeling in om te voorkomen dat de as meedraait, en draait u vervolgens de borgmoer linksom los met behulp van de bijgeleverde borgmoersleutel.

Verwijder de versleten diamantschijf.

Om een nieuwe aan te brengen, volgt u de bovenstaande verwijderingsprocedure in omgekeerde volgorde.

Bij het aanbrengen van een diamantschijf moet u de borgmoer altijd stevig vastdraaien.

OPMERKING:

- De gewone diamantschijven die in de winkel verkrijgbaar zijn, hebben geen ventilatiegaten

waardoor de stofafzuiging slecht is. Bovendien, als het montagegat niet exact dezelfde diameter heeft, treden trillingen in het gereedschap op waardoor ongelukken kunnen gebeuren. **GEBRUIK ALTIJD EXCENTRISCHE DIAMANTSCHIJVEN VAN MAKITA.**

De borstel in de stofafdichting vervangen

Om de borstel uit de stofafdichting te verwijderen, pakt u een uiteinde van de borstel vast en trekt u hem langzaam eruit (zie afb. 10).

Om de borstel in de stofafdichting aan te brengen, lijnt u eerst beide uiteinden van de borstel uit met de groef in de stofafdichting (zie afb. 11).

Steek daarna de borstel helemaal in de groef van de stofafdichting met behulp van een platkopschroevendraaier of ander geschikt gereedschap.

Stofzak (zie afb. 12)

Om de stofzak aan te brengen, schuift u deze over de stofuitwerpmond. Zorg ervoor dat de stofzak zo ver mogelijk over de stofuitwerpmond wordt geschoven zodat deze tijdens gebruik niet ervan valt.

Verwijder de stofzak wanneer deze het schuuroppervlak begint te raken. Dit is een teken dat de stofzak vol is. Als u de stofzak niet tijdig leegmaakt, zal de afzuiging/opname verslechteren.

Een stofzuiger aansluiten (zie afb. 13)

Wanneer u tijdens het schuren schoon wilt werken, sluit u een Makita-stofzuiger aan op uw gereedschap, zoals aangegeven in de afbeelding.

BEDIENING (zie afb. 14)

Gebruik altijd de beugelhandgreep (extra handgreep) en houd het gereedschap tijdens gebruik stevig vast aan zowel de beugelhandgreep als de hoofdhandgreep.

Schuren in de hoeken

Voor PC5000C

Vlak schuren in hoeken is mogelijk nadat u eerst het stofafdichtdeksel hebt verwijderd.

Alleen voor PC5001C (zie afb. 15)

Alvorens in hoeken vlak te schuren, verwijdert u de inbusbout waarmee de rolhouder is vastgezet aan de voethouder, en haalt u de complete voorroller eraf. Draai vervolgens de inbusbout los, verwijder het stofafdichtdeksel, en stel vervolgens de stofafdichting in de juiste stand af voor uw werkzaamheden (zie afb. 16).

ONDERHOUD

⚠ LET OP:

- Zorg er altijd voor dat het gereedschap is uitgeschakeld en de stekker uit het stopcontact is getrokken, voordat u een inspectie of onderhoud uitvoert.
- Gebruik nooit benzine, wasbenzine, thinner, alcohol, enz. Dit kan leiden tot verkleuren, vervormen of barsten.

De koolborstels vervangen (zie afb. 17)

Verwijder en controleer de koolborstels regelmatig. Vervang deze wanneer ze tot aan de slijtgrensmarkering zijn afgesleten. Houd de koolborstels schoon en zorg ervoor dat ze vrij kunnen bewegen in de houders. Beide koolborstels dienen tegelijkertijd te worden vervangen. Gebruik alleen identieke koolborstels.

Gebruik een schroevendraaier om de koolborsteldoppen te verwijderen. Haal de versleten koolborstels eruit, plaats de nieuwe erin, en zet de koolborsteldoppen goed vast (zie afb. 18).

Om de VEILIGHEID en BETROUWBAARHEID van het gereedschap te handhaven, dienen alle reparaties, onderhoud en afstellingen te worden uitgevoerd door een erkend Makita-servicecentrum, en altijd met gebruikmaking van originele Makita-ervangingsonderdelen.

VERKRIJGBARE ACCESSOIRES

⚠ LET OP:

- Deze accessoires of hulpstukken worden aanbevolen voor gebruik met het Makita-gereedschap dat in deze gebruiksaanwijzing wordt beschreven. Het gebruik van andere accessoires of hulpstukken kan gevaar voor persoonlijk letsel opleveren. Gebruik de accessoires of hulpstukken uitsluitend voor de aangegeven gebruiksdoeleinden.

Mocht u meer informatie willen hebben over deze accessoires, dan kunt u contact opnemen met uw plaatselijke Makita-servicecentrum.

- Excentrische diamantschijf (droog type)
- Borstel van de stofafdichting

OPMERKING:

- Sommige items op de lijst kunnen zijn inbegrepen in de doos van het gereedschap als standaard toebehoren. Zij kunnen van land tot land verschillen.

Geluid

ENG905-1

De typische, A-gewogen geluidsniveaus zijn gemeten volgens EN60745:

Model PC5000C

Geluidsdrukniveau (L_{pA}): 91 dB (A)
Geluidsvermogeniveau (L_{wA}): 102 dB (A)
Onzekerheid (K): 3 dB (A)

Model PC5001C

Geluidsdrukniveau (L_{pA}): 89 dB (A)
Geluidsvermogeniveau (L_{wA}): 100 dB (A)
Onzekerheid (K): 3 dB (A)

Draag gehoorbescherming.

Trilling

ENG900-1

De totale trillingswaarde (triaxiale vectorsom) zoals vastgesteld volgens EN60745:

Model PC5000C

Gebruikstoepassing: schuren van beton
Trillingsemissie (a_h): 12,0 m/s²
Onzekerheid (K): 1,5 m/s²

Model PC5001C

Gebruikstoepassing: schuren van beton
Trillingsemissie (a_h): 12,5 m/s²
Onzekerheid (K): 2,5 m/s²

- De opgegeven trillingsemisiewaarde is gemeten volgens de standaardtestmethode en kan worden gebruikt om dit gereedschap te vergelijken met andere gereedschappen.
- De opgegeven trillingsemisiewaarde kan ook worden gebruikt voor een beoordeling vooraf van de blootstelling.
- De opgegeven trillingsemisiewaarde wordt gebruikt bij veel toepassingen van het elektrisch gereedschap. Echter, indien het elektrisch gereedschap wordt gebruikt bij andere toepassingen, dan kan de trillingsemisiewaarde anders zijn.

⚠ WAARSCHUWING:

- De trillingsemisie tijdens het gebruik van het elektrisch gereedschap in de praktijk kan verschillen van de opgegeven trillingsemisiewaarde afhankelijk van de manier waarop het gereedschap wordt gebruikt.
- Zorg ervoor dat veiligheidsmaatregelen worden getroffen ter bescherming van de operator die zijn gebaseerd op een schatting van de blootstelling onder praktijkomstandigheden (rekening houdend met alle fasen van de bedrijfscyclus, zoals de tijdsduur gedurende welke het gereedschap is uitgeschakeld en stationair draait, naast de ingeschakelde tijdsduur).

Alleen voor Europese landen

ENG101-16

EU-verklaring van conformiteit

Wij, Makita Corporation, als de verantwoordelijke fabrikant, verklaren dat de volgende Makita-machine(s):

Aanduiding van de machine:

Handbetonschuurmachine

Modelnr./Type: PC5000C en PC5001C

in serie zijn geproduceerd en

Voldoen aan de volgende Europese richtlijnen:

2006/42/EC

En zijn gefabriceerd in overeenstemming met de

volgende normen of genormaliseerde documenten:

EN60745

De technische documentatie wordt bewaard door:

Makita International Europe Ltd.

Technical Department,

Michigan Drive, Tongwell,

Milton Keynes, Bucks MK15 8JD, Engeland

30. 1. 2009



Tomoyasu Kato

Directeur

Makita Corporation

3-11-8, Sumiyoshi-cho,

Anjo, Aichi, 446-8502, JAPAN

ESPAÑOL (Instrucciones originales)

Descripción y visión general

- | | | |
|----------------------------------|---------------------------|----------------------------------|
| 1. Palanca de bloqueo | 10. Mismo nivel | 19. Bloqueo del eje |
| 2. Interruptor disparador | 11. Escuadra o regla | 20. Bolsa colector de polvo |
| 3. Luz indicadora | 12. Subir | 21. Tapa guardapolvo |
| 4. Base (para PC5001C solamente) | 13. Bajar | 22. Soporte del rodillo completo |
| 5. Llave Allen | 14. Guardapolvo | 23. Perno hexagonal |
| 6. Rodillo delantero | 15. Tornillo | 24. Marca de límite |
| 7. Perno de cabeza hexagonal | 16. Contratuerca | 25. Tapa del portaescobillas |
| 8. Profundidad de rebaje | 17. Llave de contratuerca | 26. Destornillador |
| 9. Base | 18. Disco de diamante | |

ESPECIFICACIONES

Modelo	PC5000C	PC5001C
Diámetro del disco	125 mm	
Diámetro de perforación	22,23 mm	
Rosca del husillo	M14	
Velocidad nominal (n)/Velocidad en vacío (n ₀)	10.000 min ⁻¹	
Longitud total	437 mm	479 mm
Peso neto	4,0 kg	5,1 kg
Clase de seguridad	□/II	

- Debido a nuestro programa continuo de investigación y desarrollo, las especificaciones aquí descritas están sujetas a cambios sin previo aviso.
- Las especificaciones pueden ser diferentes de un país a otro.
- Peso de acuerdo con el procedimiento EPTA 01/2003

Uso previsto

ENE002-1

La herramienta está pensada para cepillar superficies de hormigón.

Alimentación

ENF002-2

La herramienta debe conectarse solamente a una fuente de alimentación de la misma tensión que la indicada en la placa de características, y sólo puede funcionar con corriente alterna monofásica. La herramienta cuenta con un doble aislamiento y puede, por lo tanto, usarse también en tomacorrientes sin conductor de tierra.

Advertencias de seguridad generales para herramientas eléctricas

GEA010-1

⚠ ADVERTENCIA Lea todas las advertencias de seguridad y todas las instrucciones. La no observancia de las advertencias y las instrucciones puede provocar descargas eléctricas, incendios y/o lesiones graves.

Guarde todas las advertencias e instrucciones para futuras consultas.

ADVERTENCIAS DE SEGURIDAD DE LA DESBASTADORA DE DIAMANTE

GEB043-6

Advertencias de seguridad comunes para operaciones de amolado:

1. **Esta herramienta eléctrica está prevista para ser utilizada como amoladora con discos de diamante cóncavos. Lea todas las advertencias de seguridad, instrucciones, ilustraciones y especificaciones que acompañan a esta herramienta eléctrica.** No seguir todas las instrucciones que se indican a continuación podría provocar una descarga eléctrica, incendio y/o heridas graves.
2. **No se recomienda utilizar esta herramienta eléctrica para operaciones tales como amolar con discos abrasivos, lijar, cepillar con alambre, pulir o cortar.** El uso de la herramienta eléctrica en aplicaciones para las cuales no ha sido diseñada puede generar peligros y ocasionar daños personales.
3. **No utilice accesorios diferentes de aquellos que el fabricante haya diseñado o recomendado especialmente para esta herramienta.** El hecho de que el accesorio pueda montarse en la herramienta eléctrica no garantiza que sea seguro.
4. **Las revoluciones nominales del accesorio deben ser como mínimo iguales a la velocidad máxima indicada en la herramienta eléctrica.** Si un accesorio se mueve a una velocidad mayor a la admisible, podría romperse y salir despedido.

5. **El diámetro exterior y el grosor del accesorio deben encontrarse dentro de la capacidad de la herramienta eléctrica.** Los accesorios de tamaño incorrecto no pueden protegerse ni controlarse correctamente.
 6. **La rosca de montaje de los accesorios debe coincidir con la rosca del husillo de la herramienta. Para accesorios montados mediante bridas, el orificio del eje del accesorio debe ajustarse al diámetro de encaje de la brida.** Los accesorios que no coincidan con los mecanismos de rosca de la herramienta eléctrica funcionarán desequilibrados, vibrarán excesivamente y pueden provocar una pérdida de control.
 7. **No utilice accesorios dañados. Antes de empezar a utilizar los accesorios, tales como discos de diamante cóncavos, compruebe que no estén astillados ni agrietados. Si se cae la herramienta eléctrica o el accesorio, compruebe si ha sufrido algún daño o monte un accesorio en buen estado. Una vez revisado y montado un accesorio, colóquese usted y las personas circundantes fuera del plano de rotación del accesorio y deje funcionar la herramienta eléctrica en vacío a velocidad máxima durante un minuto.** Por norma general, los accesorios que están dañados se rompen durante este tipo de prueba.
 8. **Utilice equipo de protección personal. Dependiendo del trabajo, utilice una careta, protección para los ojos o gafas de seguridad. Si fuera necesario, utilice una mascarilla antipolvo, protectores auditivos, guantes y un mandil adecuado para protegerse de los pequeños fragmentos que pudieran salir proyectados.** Las gafas de protección deberán ser indicadas para detener los pequeños fragmentos que pudieran salir proyectados al trabajar. La mascarilla antipolvo o respiratoria debe ser apta para filtrar las partículas producidas al trabajar. Una exposición prolongada al ruido puede producir pérdidas auditivas.
 9. **Encárguese de que todas las personas se mantengan a suficiente distancia de la zona de trabajo. Toda persona que acceda a la zona de trabajo deberá utilizar equipo de protección personal.** Podría sufrir daños, incluso fuera del área de trabajo inmediata, al salir proyectados fragmentos de la pieza de trabajo o del accesorio.
 10. **Sujete la herramienta eléctrica sólo por las superficies de agarre aisladas al realizar una operación en que el accesorio de corte pueda entrar en contacto con cables ocultos o con su propio cable.** Si entra en contacto con un cable con corriente, puede que las piezas metálicas expuestas de la herramienta eléctrica se carguen también de corriente y que el operario reciba una descarga.
 11. **Mantenga el cable alejado del accesorio en funcionamiento.** En caso de perder el control, el cable de red podría enredarse o cortarse con el accesorio y arrastrar de esta forma su mano hacia el mismo.
 12. **Jamás deposite la herramienta eléctrica hasta que el accesorio se haya detenido por completo.** El accesorio en funcionamiento podría entrar en contacto con la superficie de apoyo y hacerle perder el control sobre la herramienta eléctrica.
 13. **No deje funcionar la herramienta eléctrica mientras la transporta.** El accesorio en funcionamiento podría ocasionarle daños personales al engancharse accidentalmente en su vestimenta.
 14. **Limpié periódicamente los orificios de ventilación de la herramienta.** El ventilador del motor aspira polvo hacia el interior de la carcasa y, en caso de acumularse un exceso de polvo metálico, podría provocar una descarga eléctrica.
 15. **No utilice la herramienta eléctrica cerca de materiales inflamables.** Las chispas podrían inflamarlos.
 16. **No emplee accesorios que requieran ser refrigerados con líquidos.** El uso de agua u otros refrigerantes líquidos puede provocar una descarga o electrocución.
- Contragolpes y advertencias al respecto**
- El contragolpe es una reacción brusca que se produce al atascarse o engancharse un disco de amolar, un plato lijador, un cepillo de alambre u otro accesorio. Al engancharse o pellizcarse el accesorio en funcionamiento, éste es frenado bruscamente y puede hacer perder el control sobre la herramienta eléctrica, impulsándola en la dirección opuesta al sentido de giro que tenía el accesorio en el momento de agarrarse. Por ejemplo, si un disco de amolar se atasca o engancha en la pieza de trabajo, puede suceder que el borde del accesorio que entra en el material quede bloqueado, provocando la rotura del accesorio u un contragolpe. Según el sentido de giro del disco en el momento de bloquearse, puede que éste resulte despedido en dirección al operario o en sentido opuesto. En este caso también puede suceder que los discos abrasivos se rompan.
- El contragolpe es el resultado de un mal uso de la herramienta eléctrica o de condiciones o procedimientos de uso incorrectos y se puede evitar tomando las precauciones que se indican a continuación.
- a) **Sujete con firmeza la herramienta eléctrica y mantenga su cuerpo y brazos en una posición que le permita resistir los contragolpes. Si forma parte del equipo, utilice siempre la empuñadura auxiliar para poder controlar mejor las fuerzas derivadas del contragolpe o los pares de reacción durante la puesta en marcha.** El operario puede controlar los pares de reacción y las fuerzas derivadas del contragolpe si toma las medidas oportunas.
 - b) **Jamás aproxime la mano al accesorio en funcionamiento.** En caso de contragolpe el accesorio podría dañarle la mano.
 - c) **No se coloque en el área hacia donde se movería la herramienta eléctrica en caso de contragolpe.** En caso de contragolpe la herramienta saldrá rechazada en sentido opuesto al movimiento del disco.
 - d) **Preste especial atención al trabajar en esquinas, bordes afilados, etc. Evite que el accesorio rebote o se atasque.** En las esquinas, bordes afilados, o al rebotar, el accesorio en funcionamiento tiende a atascarse y puede provocar la pérdida de control o un contragolpe.

e) **No utilice discos de sierra para maderas ni otros accesorios dentados.** Estos accesorios son propensos al contragolpe y pueden hacerle perder el control.

DESCRIPCIÓN DEL FUNCIONAMIENTO

⚠ PRECAUCIÓN:

- Asegúrese siempre de que la herramienta esté apagada y desenchufada antes de intentar realizar cualquier tipo de ajuste o comprobación en ella.

Funcionamiento del interruptor (Fig. 1)

⚠ PRECAUCIÓN:

- Antes de enchufar la herramienta, asegúrese siempre de que el interruptor disparador funcione como es debido y de que vuelva a la posición "OFF" (apagado) al soltarlo.

Para herramientas con interruptor de bloqueo

Para poner en marcha la herramienta, simplemente accione el interruptor disparador (A). Suelte el interruptor disparador para detener la herramienta. Para un uso continuo, accione el interruptor disparador (A) y después pulse el botón de bloqueo (B). Para detener la herramienta desde la posición de bloqueo, accione totalmente el interruptor disparador (A) y, a continuación, suéltelo.

En herramientas con interruptor de desbloqueo

Para evitar que el disparador del interruptor se accione accidentalmente se proporciona una palanca de bloqueo. Para poner en marcha la herramienta, empuje la palanca de bloqueo (B) y tire del interruptor disparador (A). Suelte el interruptor disparador para detener la herramienta.

Para herramientas con interruptor de bloqueo y desbloqueo

Para evitar que el disparador del interruptor se accione accidentalmente se proporciona una palanca de bloqueo. Para poner en marcha la herramienta, empuje la palanca de bloqueo (B) y tire del interruptor disparador (A). Suelte el interruptor disparador para detener la herramienta. Para un uso continuo, empuje la palanca de bloqueo (B), accione el interruptor disparador (A) y después empuje más la palanca de bloqueo (B). Para detener la herramienta desde la posición de bloqueo, accione totalmente el interruptor disparador (A) y, a continuación, suéltelo.

Función electrónica

Control de velocidad constante

- Permite obtener un acabado preciso, porque la velocidad de rotación se mantiene a un nivel constante incluso en caso de que haya carga.
- Adicionalmente, cuando la carga de la herramienta sobrepasa los niveles admisibles, se reduce la potencia del motor para protegerlo del sobrecalentamiento. Cuando la carga vuelva a niveles admisibles, la herramienta funcionará con normalidad.

Característica de inicio lento

- Elimina la sacudida inicial.

Luz indicadora (Fig. 2)

La luz indicadora se enciende de color verde al enchufar la herramienta. Si la luz indicadora no se enciende, puede que el cable de la corriente o el controlador estén

Advertencias de seguridad específicas para operaciones de amolado:

- a) **Utilice únicamente los tipos de discos recomendados para su herramienta eléctrica y el protector correcto para el disco en cuestión.** Los discos que no fueron diseñados para esta herramienta no pueden quedar suficientemente protegidos y suponen un peligro.
- b) **Utilice siempre bridas que estén en buen estado y que tengan las dimensiones y la forma correctas para el disco utilizado.** Una brida adecuada soporta correctamente el disco, reduciendo así el peligro de rotura.

Advertencias de seguridad adicionales:

17. **Instale siempre el guardapolvo antes de su uso.**
18. **Tenga cuidado de no dañar el husillo, la brida (especialmente la superficie de instalación) ni la contratuerca.** Si se dañan estas piezas, el disco podría romperse.
19. **Asegúrese de que el disco no esté tocando la pieza de trabajo antes de activar el interruptor.**
20. **Antes de utilizar la herramienta en la pieza de trabajo definitiva, déjela funcionar durante un rato.** Esté atento por si se producen vibraciones u oscilaciones, lo que indicaría que el disco no se ha instalado correctamente o que está mal equilibrado.
21. **No deje la herramienta encendida.** Póngala en marcha solamente cuando la tenga en las manos.
22. **No toque el disco de diamante cóncavo después de la tarea, ya que puede estar extremadamente caliente y producir quemaduras en la piel.**
23. **Observe las instrucciones del fabricante para montar y utilizar correctamente los discos.** Maneje y guarde con cuidado los discos.
24. **No utilice bujes de reducción ni adaptadores separados para adaptar discos de orificio grande.**
25. **Utilice sólo las bridas especificadas para esta herramienta.**
26. **Tenga en cuenta que el disco continuará girando después de haber apagado la herramienta.**
27. **Si el lugar de trabajo es muy caluroso y húmedo, o si está muy contaminado con polvo conductor, utilice un disyuntor de cortocircuito (30 mA) para garantizar la seguridad del operario.**
28. **No utilice la herramienta con ningún material que contenga amianto.**

GUARDE ESTAS INSTRUCCIONES.

⚠ ADVERTENCIA:

NO deje que la comodidad o la familiaridad con el producto (a base de utilizarlo repetidamente) sustituya la estricta observancia de las normas de seguridad del producto en cuestión. El MAL USO o la no observancia de las normas de seguridad expuestas en este manual de instrucciones pueden ocasionar graves daños corporales.

averiados. Si la luz indicadora está encendida, pero la herramienta no se pone en marcha aunque esté encendida, puede que las escobillas de carbón estén desgastadas o que el controlador, el motor o el interruptor de encendido y apagado estén averiados.

Mecanismo contra la puesta en marcha accidental

Aunque la palanca de bloqueo mantenga presionado el interruptor disparador (posición de bloqueo), no se permite que la herramienta se ponga en marcha aunque la herramienta esté enchufada.

En ese momento, la luz indicadora parpadea en color rojo e indica que el mecanismo contra la puesta en marcha accidental está funcionando.

Para cancelar el mecanismo contra la puesta en marcha accidental, accione el interruptor disparador completamente y suéltelo.

Cepillado para nivelar (para PC5001C solamente) (Fig. 3)

Para nivelar una superficie, la base de la desbastadora debe estar alineada con el disco de diamante. El rodillo delantero debe ajustarse (mediante la llave Allen) hacia arriba hasta el nivel necesario para la profundidad de rebaje de material deseada.

Para cambiar la profundidad de material (hormigón) que se debe rebajar, afloje los pernos de cabeza hexagonal del soporte de la base con la llave Allen. Suba o baje el rodillo delantero para ajustar la separación entre el rodillo y el disco de diamante. La diferencia es la cantidad de material que se rebajará. A continuación, fije los pernos de cabeza hexagonal con mucho cuidado. (Fig. 4)

NOTA:

- El rebaje máximo debería ser inferior a 4,0 mm.

Base basculante para lograr un cepillado más suave (para PC5001C solamente) (Fig. 5)

Para lograr un rebaje suave de una textura o superficie áspera, inclinar la base puede resultar útil. Utilice la llave Allen para aflojar los dos pernos de cabeza hexagonal que fijan la base en cualquiera de los dos lados.

Utilice una llave Allen para bajar los tres pernos de cabeza hexagonal de la base girándolos en la base en el sentido de las agujas del reloj. (Fig. 6)

Utilice una escuadra o una regla para obtener el ángulo de la base deseado en relación con el disco de diamante. A continuación, fije con cuidado los pernos de cabeza hexagonal en cualquier lado de la base. Ajuste el centro de la base cerca del disco de forma que esté en el mismo nivel que el disco. (Fig. 7)

NOTA:

- Tras el ajuste de la base, gire los tres pernos de cabeza hexagonal de la base en el sentido contrario a las agujas del reloj hasta que las cabezas estén niveladas con la parte posterior de la base. Realice los giros suavemente o el ajuste de la base se modificará.

Ajuste de la base para compensar el desgaste del disco (para PC5001C solamente)

Con un uso prolongado, el disco de diamante se gastará y provocará una holgura con la superficie de cepillado, de forma que se reducirá el rendimiento. Compruebe la herramienta cada 4 ó 5 horas de uso.

Si el disco y las superficies de la base no están alineados, afloje los pernos de cabeza hexagonal que fijan la base. Gire los tres pernos de cabeza hexagonal de la base en el sentido de las agujas del reloj y ajuste la base para que esté nivelada con la superficie del disco. Vuelva a apretar firmemente los pernos de cabeza hexagonal que fijan la base y, a continuación, gire ligeramente los pernos de cabeza hexagonal en el sentido contrario a las agujas del reloj para que no se suelten durante el uso.

Ajuste del guardapolvo (Fig. 8)

Afloje el tornillo y ajuste el nivel de los cepillos del guardapolvo. Los cepillos del guardapolvo deben estar nivelados con la superficie del disco de diamante o muy ligeramente por encima (con la herramienta invertida) 0,5 mm. La succión/recogida será muy pobre si no están aproximadamente en el mismo nivel. Tras el ajuste, asegúrese de apretar el tornillo firmemente.

Para ajustar el guardapolvo, sujételo por la parte exterior y gírelo en el sentido de las agujas del reloj para subirlo y en el sentido contrario a las agujas del reloj para bajarlo.

MONTAJE

⚠ PRECAUCIÓN:

- Asegúrese siempre de que la herramienta esté apagada y desenchufada antes de intentar realizar cualquier trabajo en ella.

Instalación o extracción del disco de diamante (Fig. 9)

Para sustituir un disco de diamante gastado con un nuevo, pulse el bloqueo del eje para mantenerlo quieto y, a continuación, afloje la contratuerca en el sentido contrario a las agujas del reloj con la llave para la contratuerca proporcionada.

Retire el disco de diamante gastado.

Para instalar un disco nuevo, siga el procedimiento de extracción anterior en orden inverso.

Cuando instale un disco de diamante, asegúrese siempre de apretar la contratuerca firmemente.

NOTA:

- Los discos de diamante normales del mercado no tienen orificios de escape, por lo que la evacuación del polvo es deficiente. Asimismo, si el orificio de instalación no es del diámetro exacto, la herramienta puede vibrar y se pueden producir accidentes. **UTILICE SIEMPRE UN DISCO DE DIAMANTE CÓNCAVO DE MAKITA.**

Sustitución del cepillo del guardapolvo

Para extraer del guardapolvo el cepillo del guardapolvo, sujete un extremo del cepillo del guardapolvo y tire de él lentamente. (Fig. 10)

Para instalar el cepillo del guardapolvo, alinee primero ambos extremos del cepillo con la ranura del guardapolvo. (Fig. 11)

A continuación, inserte el cepillo completamente en la ranura del guardapolvo utilizando un destornillador plano o la herramienta adecuada.

Bolsa colectora de polvo (Fig. 12)

Para instalar la bolsa colectora de polvo, deslícela en el puerto colector de polvo. Asegúrese siempre de deslizarla en el puerto recolector de polvo completamente hasta que se detenga, de forma que no se desprenda durante el uso.

Extraiga la bolsa colectora de polvo cuando empiece a tocar la superficie de corte. Es un signo de que está llena. Si no vacía la bolsa, la succión/recogida será deficiente.

Conexión de una aspiradora (Fig. 13)

Si desea realizar una operación de cepillado limpia, conecte una aspiradora Makita a la herramienta.

MANEJO (Fig. 14)

Utilice siempre la empuñadura superior (empuñadura auxiliar) y sujete firmemente la herramienta por la empuñadura superior y por la empuñadura del interruptor durante las operaciones.

Cepillado en esquinas

Para PC5000C

El cepillado a ras de esquinas se puede realizar si se quita la tapa del guardapolvo.

Para PC5001C solamente (Fig. 15)

Antes de realizar el cepillado a ras de las esquinas, retire el perno hexagonal que fija el soporte del rodillo y el soporte de la base y, a continuación, extraiga todo el soporte del rodillo.

A continuación, afloje el perno de cabeza hexagonal y retire la tapa del guardapolvo y ajuste el guardapolvo en una posición adecuada para el trabajo. (Fig. 16)

MANTENIMIENTO

⚠ PRECAUCIÓN:

- Asegúrese siempre de que la herramienta esté apagada y desenchufada antes de intentar realizar cualquier trabajo de inspección o mantenimiento en ella.
- Nunca utilice gasolina, benceno, disolvente, alcohol o un producto similar. Se puede provocar una decoloración, una deformación o grietas.

Reemplazo de las escobillas de carbón (Fig. 17)

Extraiga y compruebe las escobillas de carbón regularmente. Cámbielas cuando el desgaste alcance la marca de límite. Mantenga las escobillas de carbón limpias y de forma que entren libremente en los portaescobillas. Ambas escobillas de carbón deberán ser sustituidas al mismo tiempo. Utilice únicamente escobillas de carbón idénticas.

Utilice un destornillador para extraer las tapas de los portaescobillas. Saque las escobillas de carbón

desgastadas, introduzca las nuevas y cierre las tapas de los portaescobillas. (Fig. 18)

Para conservar la SEGURIDAD y la FIABILIDAD del producto, los trabajos de reparación y otros trabajos de mantenimiento y ajuste deberán ser realizados en centros de servicio autorizados de Makita, utilizando siempre repuestos Makita.

ACCESORIOS OPCIONALES

⚠ PRECAUCIÓN:

- Se recomienda el uso de estos accesorios o complementos con la herramienta Makita especificada en este manual. El uso de otros accesorios o complementos puede conllevar el riesgo de ocasionar daños corporales. Utilice los accesorios o complementos solamente para su fin establecido.

Si necesita cualquier ayuda para obtener más información relativa a estos accesorios, pregunte a su centro de servicio Makita local.

- Disco de diamante cóncavo (tipo seco)
- Cepillo del guardapolvo

NOTA:

- Algunos elementos de la lista se pueden incluir en el paquete de la herramienta como accesorios estándar. Pueden ser diferentes de un país a otro.

Ruido

ENG905-1

Niveles típicos de ruido ponderado A determinados conforme a EN60745:

Modelo PC5000C

Nivel de presión de sonido (L_{pA}): 91 dB (A)

Nivel de potencia de sonido (L_{WA}): 102 dB (A)

Incertidumbre (K): 3 dB (A)

Modelo PC5001C

Nivel de presión de sonido (L_{pA}): 89 dB (A)

Nivel de potencia de sonido (L_{WA}): 100 dB (A)

Incertidumbre (K): 3 dB (A)

Utilice protección para los oídos.

Vibración

ENG900-1

Valor total de la vibración (suma de vectores triaxiales) determinado según el estándar EN60745:

Modelo PC5000C

Modo de trabajo: desbastado de hormigón

Emisión de vibraciones (a_h): 12,0 m/s²

Incertidumbre (K): 1,5 m/s²

Modelo PC5001C

Modo de trabajo: desbastado de hormigón

Emisión de vibraciones (a_h): 12,5 m/s²

Incertidumbre (K): 2,5 m/s²

ENG902-1

- El valor de emisión de vibraciones se ha medido de acuerdo con el método de prueba estándar y se puede utilizar para comparar herramientas.
- El valor de emisión de vibraciones declarado también se puede usar en una evaluación preliminar de la exposición.
- El valor de emisión de vibraciones declarado se usa para las aplicaciones principales de la herramienta eléctrica. No obstante, si se utiliza la herramienta eléctrica para otras aplicaciones, el valor de emisión de vibraciones puede ser diferente.

⚠ ADVERTENCIA:

- La emisión de vibraciones durante el uso de la herramienta eléctrica puede diferir del valor de emisiones declarado, dependiendo de las formas en que se utiliza la herramienta.
- Asegúrese de identificar las mediciones correctas para proteger al operario, que se basan en una estimación de la exposición en condiciones de uso reales (teniendo en cuenta todas las partes del ciclo de operaciones, como los momentos en los que la herramienta está apagada y cuando funciona al ralentí además del tiempo en que está activado el interruptor).

Sólo para países europeos

ENH101-16

Declaración de conformidad de la CE

Nosotros, Makita Corporation, en calidad de fabricante responsable, declaramos que las siguientes máquinas Makita:

Designación de la máquina:

Desbastadora de diamante

Nº de modelo/ Tipo: PC5000C, PC5001C

son de producción serie y

Cumplen con las siguientes Directivas europeas:

2006/42/CE

Y se han fabricado de acuerdo con los siguientes estándares o documentos estandarizados:

EN60745

La documentación técnica la conserva:

Makita International Europe Ltd.

Technical Department,

Michigan Drive, Tongwell,

Milton Keynes, Bucks MK15 8JD, Inglaterra

30. 1. 2009



Tomoyasu Kato

Director

Makita Corporation

3-11-8, Sumiyoshi-cho,

Anjo, Aichi, 446-8502, JAPAN

PORTUGUÊS (Instruções de origem)

Descrição geral

1. Alavanca de bloqueio	9. Base	18. Roda diamantada
2. Gatilho	10. Mesmo nível	19. Bloqueio do veio
3. Luz indicadora	11. Esquadro ou régua	20. Saco de pó
4. Base (apenas para PC5001C)	12. Levantar	21. Tampa da protecção para o pó
5. Chave sextavada	13. Baixar	22. O suporte do rolo inteiro
6. Rolo dianteiro	14. Protecção para o pó	23. Parafuso sextavado
7. Parafuso de cabeça cilíndrica sextavada	15. Parafuso	24. Marca limite
8. Quantidade de material removido	16. Porca de bloqueio	25. Tampa do porta-escovas
	17. Chave da porca de bloqueio	26. Chave de parafusos

ESPECIFICAÇÕES

Modelo	PC5000C	PC5001C
Diâmetro da roda	125 mm	
Diâmetro do orifício	22,23 mm	
Ranhura do fuso	M14	
Velocidade nominal (n)/Velocidade sem carga (n ₀)	10.000 min ⁻¹	
Comprimento total	437 mm	479 mm
Peso líquido	4,0 kg	5,1 kg
Classe de segurança	□/II	

- Devido à pesquisa e desenvolvimento constantes, estas especificações estão sujeitas a alteração sem aviso prévio.
- Estas especificações podem diferir de país para país.
- Peso de acordo com procedimento EPTA de 01/2003

Utilização prevista ENE002-1

A ferramenta destina-se a aplainar superfícies de cimento.

Fonte de alimentação ENF002-2

A ferramenta apenas deve ser ligada a uma fonte de alimentação da mesma tensão que a indicada na chapa de especificações, e apenas pode funcionar com uma alimentação CA monofásica. Estão blindadas duplamente e podem, assim, ser igualmente ligadas a tomadas sem fio terra.

Avisos gerais de segurança para ferramentas eléctricas GEA010-1

⚠ AVISO Leia todos os avisos de segurança e todas as instruções. O não cumprimento dos avisos e instruções pode resultar na ocorrência de choques eléctricos, incêndios e/ou ferimentos graves.

Guarde todos os avisos e instruções para referência futura.

AVISOS DE SEGURANÇA PARA A PLAINA PARA CIMENTO GEB043-6

Avisos de segurança para operações que envolvem afiar:

1. Esta ferramenta eléctrica destina-se a funcionar como afiadora com rodas diamantadas de desvio. Leia todos os avisos, instruções, ilustrações e especificações de segurança fornecidos juntamente com a ferramenta. Caso não siga todas as instruções indicadas em baixo, poderão ocorrer choques eléctricos, incêndios e/ou ferimentos graves.
2. **Não é recomendada a utilização desta ferramenta eléctrica para determinadas operações, como, por exemplo, lixar moer, escovar com arame, polir ou cortar, nem com rodas abrasivas.** Operações para as quais a ferramenta não foi concebida podem criar perigos e causar ferimentos pessoais.
3. **Não utilize acessórios que não sejam especificamente concebidos e recomendados pelo fabricante da ferramenta.** Mesmo que o acessório encaixe na ferramenta, isso não garante uma operação segura.
4. **A velocidade nominal do acessório deve ser no mínimo igual à velocidade máxima marcada na ferramenta.** Os acessórios a funcionar mais rapidamente do que a velocidade nominal podem quebrar e sair projectados.
5. **O diâmetro exterior e a espessura do acessório deve estar dentro da capacidade nominal da ferramenta.** Os acessórios com tamanhos incorrectos não podem ser guardados ou controlados adequadamente.
6. **A montagem roscada dos acessórios tem de corresponder à ranhura do fuso da ferramenta.** Para os acessórios montados por flanges, o orifício do veio do acessório tem de encaixar no diâmetro da flange. Os acessórios que não correspondem ao hardware de montagem da ferramenta eléctrica irão ficar desequilibrados, vibrar excessivamente e podem causar perda de controlo.
7. **Não utilize um acessório danificado. Inspeccione o acessório antes de cada utilização, por exemplo, verificar se as rodas diamantadas de desvio estão**

lascadas ou rachadas. Se a ferramenta ou acessório cair, inspeccione para a existência de danos ou instale um acessório não danificado. Depois de inspeccionar e instalar um acessório, afaste-se e afaste outras pessoas na proximidade do plano do acessório rotativo e ligue a ferramenta eléctrica na velocidade máxima sem carga durante um minuto. Normalmente, os acessórios danificados partem-se durante este teste.

8. **Use equipamento pessoal de protecção. Consoante a aplicação, use protecção para a cara ou óculos de segurança. Use máscara de pó, protectores auditivos, luvas e avental adequados, capazes de parar pequenos fragmentos abrasivos ou da peça de trabalho.** A protecção dos olhos deve ser capaz de parar detritos projectados gerados por várias utilizações. A máscara de pó ou respirador deve conseguir filtrar partículas geradas pela operação que estiver a efectuar. Uma exposição prolongada a ruído de alta intensidade pode causar perda de audição.
9. **Mantenha as pessoas presentes a uma distância segura da área de trabalho. Qualquer pessoa que entre na área de trabalho deve usar equipamento pessoal de protecção.** Os fragmentos da peça de trabalho ou de um acessório partido podem ser projectados e causar ferimentos para além da área imediata da operação.
10. **Quando executar operações em que acessórios de corte possam entrar em contacto com fios eléctricos ocultos ou com próprio cabo eléctrico da ferramenta, tenha o cuidado de tocar apenas nas superfícies isoladas desses acessórios.** O acessório de corte em contacto com um fio eléctrico ligado à corrente pode electrificar as peças de metal da ferramenta e provocar um choque.
11. **Posicione o cabo eléctrico longe do acessório rotativo.** Se perder o controlo, o cabo eléctrico pode ser cortado ou movimentado bruscamente e a sua mão ou braço podem ser puxados para o acessório rotativo.
12. **Nunca pouse a ferramenta antes do acessório parar por completo.** O acessório rotativo pode apanhar a superfície e fazê-lo perder o controlo da ferramenta.
13. **Não ligue a ferramenta enquanto a leva na mão junto ao corpo.** O contacto accidental com o acessório rotativo pode arrancar a sua roupa, puxando o acessório para o corpo.
14. **Limpe regularmente as aberturas de ventilação da ferramenta.** A ventoinha do motor atrairá o pó para dentro da caixa e acumulação excessiva de metal em pó pode causar perigos eléctricos.
15. **Não utilize a ferramenta perto de materiais inflamáveis.** As faíscas podem acender esses materiais.
16. **Não utilizar acessórios que requeiram arrefecedores líquidos.** Usar água ou outro líquido arrefecedor poderá resultar em electrocussão ou choque.

Recuos e Avisos Relacionados

Um recuo é uma reacção repentina a um disco rotativo, disco de apoio, escova ou outro qualquer acessório encravado ou movimentado bruscamente. Pressionar ou

mover bruscamente causa um rápido bloqueio do acessório rotativo, o que por sua vez faz com que a ferramenta descontrolada seja forçada na direcção oposta à da rotação do acessório ao ponto de empeno. Por exemplo, se um disco abrasivo for movimentado bruscamente ou encravado pela peça de trabalho, a ponta do disco que está entrar no ponto de encravamento pode perfurar a superfície do material, fazendo com que o disco salte fora ou ressalte. O disco pode saltar em direcção ao operador ou na direcção oposta, consoante o movimento no ponto de perfuração. Os discos abrasivos podem também quebrar nestas condições. O recuo é o resultado de uma má utilização da ferramenta e/ou procedimentos de funcionamento incorrectos e pode ser evitado tomando as devidas precauções, tal como indicado em baixo.

- a) **Segure firmemente na ferramenta e posicione o corpo e o braço de forma a resistir às forças do recuo. Se fornecida, utilize sempre uma pega auxiliar para um controlo máximo sobre o recuo ou reacção de força durante o início.** Se tomar medidas de precaução adequadas, o operador pode controlar as reacções de força ou de recuo.
- b) **Nunca posicione a mão perto do acessório rotativo.** O acessório pode recuar sobre a sua mão.
- c) **Não posicione o corpo na área para onde a ferramenta se moverá se ocorrer um recuo.** O recuo projectará a ferramenta na direcção oposta ao movimento da roda, no ponto de movimento brusco.
- d) **Tenha especial atenção ao trabalhar cantos, extremidades afiadas, etc. Evite fazer ressaltar e movimentar bruscamente o acessório.** Os cantos, extremidades afiadas ou ressaltos têm uma tendência de movimentar bruscamente o acessório rotativo e causam perda de controlo ou recuo.
- e) **Não colocar uma serra de cortar madeira ou uma serra dentada.** Tais lâminas criam recuos frequentes e perda de controlo.

Avisos de segurança específicos para operações que envolvem afiar:

- a) **Use apenas tipos de discos que são recomendados para a ferramenta e a protecção específica concebida para o disco seleccionado.** Discos para os quais a ferramenta não foi concebida não podem ser protegidos e não são seguros.
- b) **Use sempre flanges de rodas não danificadas de tamanho e forma certos para a roda escolhida.** As flanges adequadas apoiam o disco, reduzindo assim a possibilidade de quebra do mesmo.

Avisos de segurança adicionais:

17. **Instale sempre a protecção para o pó antes do funcionamento.**
18. **Não danifique o veio, a flange (especialmente a superfície de instalação) ou a porca de bloqueio. Os danos nestas peças podem resultar em quebra dos discos.**
19. **Certifique-se de que o disco não está em contacto com a peça de trabalho antes de ligar o interruptor.**
20. **Antes de utilizar a ferramenta numa peça de trabalho, deixe-a a trabalhar durante algum tempo. Procure a existência de vibrações ou oscilações**

que possam indicar uma má fixação ou um disco mal equilibrado.

21. Não abandone a ferramenta a funcionar. Ponha-a a funcionar apenas quando estiver a segurá-la.
22. Não toque na roda diamantada de desvio logo após a operação uma vez que pode estar demasiado quente e provocar queimaduras.
23. Cumpra as instruções do fabricante sobre a instalação e utilização correctas das rodas. Manuseie e guarde os discos com cuidado.
24. Não utilize casquilhos de redução separados ou adaptadores para adaptar rodas com orifícios de grandes dimensões.
25. Utilize apenas as flanges especificadas para esta ferramenta.
26. Tome atenção uma vez que o disco continua a rodar após a ferramenta ser desligada.
27. Se o local de trabalho for extremamente quente e húmido ou muito poluído pelo pó, utilize um disjuntor (30 mA) para garantir a segurança do operador.
28. Não utilize a ferramenta ou quaisquer materiais que contenham amianto.

GUARDE ESTAS INSTRUÇÕES.

⚠ AVISO:

NÃO deixe que o conforto ou familiaridade com o produto (obtida de uma utilização regular) substituam um cumprimento severo das regras de segurança do produto em causa. Uma UTILIZAÇÃO INCORRECTA ou não cumprimento das regras de segurança indicadas neste manual de instruções podem provocar ferimentos pessoais sérios.

DESCRIÇÃO DO FUNCIONAMENTO

⚠ PRECAUÇÃO:

- Certifique-se sempre de que a ferramenta está desligada no interruptor e da tomada antes de proceder a ajustes ou testes à mesma.

Acção do interruptor (Fig. 1)

⚠ PRECAUÇÃO:

- Antes de inserir a ficha da ferramenta na tomada, verifique se o gatilho está a funcionar correctamente e se volta à posição "OFF" quando o solta.

Para ferramentas com o interruptor de bloqueio

Para colocar a ferramenta em funcionamento, prima o gatilho (A). Para parar a ferramenta, solte o gatilho. Para um funcionamento contínuo, puxe o gatilho (A) e pressione a alavanca de bloqueio (B). Para parar a ferramenta da posição de bloqueada, puxe totalmente o gatilho (A) e solte-o.

Para ferramentas com o interruptor de desbloqueio

Para evitar que o gatilho seja acidentalmente puxado, é fornecida uma alavanca de bloqueio. Para iniciar a ferramenta, pressione a alavanca de bloqueio (B) e puxe o gatilho (A). Para parar a ferramenta, solte o gatilho.

Para ferramentas com o interruptor de bloqueio e desbloqueio

Para evitar que o gatilho seja acidentalmente puxado, é fornecida uma alavanca de bloqueio. Para iniciar a ferramenta, pressione a alavanca de bloqueio (B) e puxe o gatilho (A). Para parar a ferramenta, solte o gatilho. Para um funcionamento contínuo, pressione a alavanca de bloqueio (B), puxe o gatilho (A) e, depois, pressione ainda mais a alavanca de bloqueio (B). Para parar a ferramenta da posição de bloqueada, puxe totalmente o gatilho (A) e solte-o.

Função electrónica

Controlo de velocidade constante

- É possível obter um acabamento fino, uma vez que a velocidade de rotação é mantida constante, mesmo em condições de carga.
- Além disso, quando a carga da ferramenta exceder os níveis permitidos, a alimentação para o motor é reduzida para proteger o motor contra o sobreaquecimento. Assim que a carga retomar os níveis permitidos, a ferramenta funcionará de modo normal.

Funcionalidade de arranque suave

- Arranque suave devido à eliminação do choque de arranque.

Luz indicadora (Fig. 2)

A luz indicadora acende-se a verde quando a ferramenta é ligada à tomada. Se a luz indicadora não se acender, o cabo de alimentação ou o controlador podem estar avariados. Se a luz indicadora se acender mas a ferramenta não se iniciar, mesmo que a ferramenta seja ligada, as escovas de carvão poderão estar gastas ou o controlador, o motor ou o interruptor podem estar avariados.

Protecção contra arranque acidental

Mesmo com a alavanca de bloqueio a manter o gatilho pressionado (posição de bloqueado), não é permitido à ferramenta arrancar quando a ficha é ligada à tomada. Nesta altura, a luz indicadora pisca a vermelho, indicando que está activada a função de dispositivo protegido contra arranque acidental.

Para cancelar a protecção contra arranque acidental, puxe totalmente o gatilho e solte-o.

Plainagem de nivelamento (apenas para PC5001C) (Fig. 3)

Para nivelar uma superfície, a base da plaina deve estar alinhada com a roda diamantada. O rolo dianteiro deve ser ajustado (utilize a chave sextavada) para cima para o nível necessário para a quantidade de material removido. Para alterar a quantidade de material (cimento) removido, desaperte os parafusos de cabeça cilíndrica sextavados no suporte da base com a chave sextavada. Levante ou baixe o rolo dianteiro para ajustar a folga entre o rolo e a roda diamantada. A diferença é a quantidade de material removido. De seguida, fixe os parafusos de cabeça cilíndrica sextavados muito cuidadosamente. (Fig. 4)

NOTA:

- A remoção máxima de material deve ser inferior a 4,0 mm.

Inclinar a base para uma plainagem mais suave (apenas para PC5001C) (Fig. 5)

Para uma remoção suave da rugosidade ou textura de determinada superfície, inclinar a base é útil. Utilize a chave sextavada para desapertar os dois parafusos de cabeça cilíndrica sextavados que fixam a base em cada lado.

Utilize uma chave sextavada para baixar os três parafusos de cabeça cilíndrica sextavados na base rodando-os na base no sentido dos ponteiros do relógio.

(Fig. 6)

Utilize um esquadro ou régua para obter o ângulo de base pretendido em relação à roda diamantada. De seguida, fixe cuidadosamente os parafusos de cabeça cilíndrica sextavados em ambos os lados da base. Ajuste o centro da base perto da roda de modo a que esteja ao mesmo nível que a roda. (Fig. 7)

NOTA:

- Após o ajuste da base, rode os três parafusos de cabeça cilíndrica sextavados na base no sentido contrário aos ponteiros do relógio até as cabeças ficarem encostadas à parte traseira da base. Rode gentilmente, ou o ajuste da base ficará errado.

Ajuste da base para compensar o desgaste da roda (apenas para PC5001C)

Com uma utilização longa, a roda diamantada irá ficar desgastada e criar uma folga com a superfície de plainagem reduzindo o nível de desempenho. Verifique a ferramenta a cada 4 ou 5 horas de utilização.

Se a superfície da roda e da base não estiverem alinhadas, desaperte os dois parafusos de cabeça cilíndrica sextavados que fixam a base. Rode os três parafusos de cabeça cilíndrica sextavados na base no sentido dos ponteiros do relógio e ajuste a base de modo a estar ao nível da superfície da roda. Aperte firmemente os parafusos de cabeça cilíndrica sextavados que fixam a base e rode ligeiramente os parafusos de cabeça cilíndrica sextavados no sentido contrário aos ponteiros do relógio, de modo a que os parafusos de cabeça cilíndrica sextavados não fiquem soltos durante o funcionamento.

Ajuste da protecção para o pó (Fig. 8)

Desaperte o parafuso e ajuste o nível da escova da protecção para o pó. A escova da protecção para o pó deve estar encostada à superfície da roda diamantada ou ligeiramente acima (quando a ferramenta está invertida) 0,5 mm. A aspiração/absorção será fraca se não estiverem aproximadamente ao mesmo nível. Após o ajuste, certifique-se de que aperta firmemente o parafuso. Para ajustar a protecção para o pó, agarre-a por fora; rode no sentido dos ponteiros do relógio para levantar, sentido contrário aos ponteiros do relógio para baixar.

MONTAGEM

⚠ PRECAUÇÃO:

- Certifique-se sempre de que a ferramenta está desligada no interruptor e da tomada antes de efectuar qualquer trabalho na mesma.

Instalar ou retirar a roda diamantada (Fig. 9)

Para substituir uma roda diamantada gasta por uma nova, pressione o bloqueio do veio para manter o veio estável, de seguida, desaperte a porca de bloqueio no sentido dos ponteiros do relógio com a chave da porca de bloqueio fornecida.

Retire a roda diamantada desgastada.

Para instalar uma roda nova, siga o procedimento de remoção acima de forma inversa.

Quando instalar uma roda diamantada, certifique-se sempre de que aperta a porca de bloqueio com firmeza.

NOTA:

- As rodas diamantadas normais no mercado não têm orifícios de descarga, por isso, a evacuação de pó é fraca. Além disso, se o orifício de instalação não tiver o diâmetro exacto, a vibração da ferramenta ocorre e pode resultar em acidentes. UTILIZE SEMPRE RODAS DIAMANTADAS DE DESVIO DA MAKITA.

Substituir a escova da protecção para o pó

Para retirar a escova da protecção para o pó da protecção para o pó, agarre uma extremidade da escova da protecção para o pó e retire-a lentamente. (Fig. 10)

Para instalar a escova da protecção para o pó, alinhe primeiro ambas as extremidades com a ranhura da protecção para o pó. (Fig. 11)

De seguida, insira a escova totalmente na ranhura da protecção para o pó, utilizando uma chave de fendas ou outra ferramenta adequada.

Saco de pó (Fig. 12)

Para instalar o saco de pó, encaixe na porta de pó.

Certifique-se sempre de que encaixa ao máximo na porta de pó até parar, de modo a não sair durante o funcionamento.

Retire o saco de pó quando começa a entrar em contacto com a superfície de corte. Isto é um sinal de que está cheio. Se não esvaziar o saco irá causar uma aspiração/absorção fraca.

Ligar a um aspirador (Fig. 13)

Quando pretender efectuar uma operação de plainagem limpa, ligue um aspirador Makita à sua ferramenta, como mostrado na figura.

FUNCIONAMENTO (Fig. 14)

Utilize sempre a pega superior (manípulo auxiliar) e segure firmemente a ferramenta pela pega superior e manípulo do interruptor durante a utilização.

Plainagem em cantos

Para PC5000C

A plainagem de cantos é possível após retirar primeiro a tampa da protecção para o pó.

Apenas para PC5001C (Fig. 15)

Antes de efectuar a plainagem de cantos, retire o parafuso sextavado que fixa o suporte do rolo e da base e, de seguida, retire o suporte do rolo inteiro.

De seguida, desaperte o parafuso de cabeça cilíndrica sextavado e retire a tampa da protecção para o pó e depois ajuste a protecção para o pó numa posição adequada de acordo com o seu trabalho. (Fig. 16)

MANUTENÇÃO

⚠️ PRECAUÇÃO:

- Certifique-se sempre de que a ferramenta está desligada no interruptor e da tomada antes de inspecionar ou fazer a manutenção da ferramenta.
- Nunca utilize gasolina, benzina, diluente, álcool ou semelhante. Podem formar-se descolorações, deformações ou fissuras.

Substituir as escovas de carvão (Fig. 17)

Remova e verifique regularmente as escovas de carvão. Substitua-as quando o desgaste atingir a marca limite. Mantenha-as limpas para poderem deslizar no porta-escovas. Substitua as duas ao mesmo tempo. Utilize unicamente escovas de carvão idênticas. Utilize uma chave de parafusos para remover as tampas do porta-escovas. Retire as escovas usadas, coloque umas novas e fixe as tampas do porta-escovas. (Fig. 18) Para manter os níveis de SEGURANÇA e FIABILIDADE definidos para este produto, as reparações e os procedimentos de manutenção ou ajustes devem ser executados por centros de assistência Makita autorizados, utilizando sempre peças de substituição Makita.

ACESSÓRIOS OPCIONAIS

⚠️ PRECAUÇÃO:

- Os seguintes acessórios ou extensões são os recomendados para utilizar com a ferramenta Makita especificada neste manual. A utilização de quaisquer outros acessórios poderá representar um risco de ferimento para as pessoas. Apenas utilize o acessório para o fim indicado.

Se precisar de informações adicionais relativas aos acessórios, contacte o centro local de assistência Makita.

- Roda diamantada de desvio (Tipo seco)
- Escova da protecção para o pó

NOTA:

- Alguns itens na lista podem estar incluídos no pacote de ferramentas como acessórios de série. Podem diferir de país para país.

Ruído

ENG905-1

Os níveis acústicos ponderados A típicos foram determinados segundo a EN60745:

Modelo PC5000C

Nível de pressão sonora (L_{pA}): 91 dB (A)
Nível de potência sonora (L_{WA}): 102 dB (A)
Incerteza (K): 3 dB (A)

Modelo PC5001C

Nível de pressão sonora (L_{pA}): 89 dB (A)
Nível de potência sonora (L_{WA}): 100 dB (A)
Incerteza (K): 3 dB (A)

Use protecção para os ouvidos.

Vibração

ENG900-1

O valor total da vibração (soma triaxial de vectores) foi determinado segundo a EN60745:

Modelo PC5000C

Modo de trabalho: plaina para cimento
Emissão de vibração (a_{h1}): 12,0 m/s²
Incerteza (K): 1,5 m/s²

Modelo PC5001C

Modo de trabalho: plaina para cimento
Emissão de vibração (a_{h1}): 12,5 m/s²
Incerteza (K): 2,5 m/s²

ENG902-1

- O valor da emissão de vibração declarado foi medido de acordo com o método de teste padrão e pode ser utilizado para comparar uma ferramenta com outra.
- O valor da emissão de vibração declarado pode também ser utilizado numa avaliação preliminar de exposição.
- O valor da emissão de vibração declarado é utilizado para as aplicações principais da ferramenta eléctrica. No entanto, se a ferramenta eléctrica for utilizada para outras aplicações, o valor da emissão de vibração pode ser diferente.

⚠️ AVISO:

- A emissão de vibração durante a utilização real da ferramenta eléctrica pode ser diferente do valor de emissão declarado, dependendo da forma como a ferramenta é utilizada.
- Certifique-se de que identifica medidas de segurança, para proteger o operador, que são baseadas numa estimativa de exposição nas condições reais de utilização (tendo em conta todas as partes do ciclo de funcionamento, como as vezes que a ferramenta é desligada e quando está a trabalhar ao ralenti, além do tempo de utilização).

Apenas para os países europeus

ENH101-16

Declaração de conformidade CE

A Makita Corporation, na qualidade do fabricante responsável, declara que a(s) máquina(s) Makita seguinte(s):

Designação da máquina:

Plaina para cimento

N.º de modelo/Tipo: PC5000C, PC5001C

são produzidas em série e

estão em conformidade com as Directivas Europeias seguintes:

2006/42/EC

E são fabricadas de acordo com as normas ou os documentos padronizados seguintes:

EN60745

A documentação técnica é mantida por:
Makita International Europe Ltd.
Technical Department,
Michigan Drive, Tongwell,
Milton Keynes, Bucks MK15 8JD, Inglaterra

30. 1. 2009



Tomoyasu Kato
Director
Makita Corporation
3-11-8, Sumiyoshi-cho,
Anjo, Aichi, 446-8502, JAPAN

DANSK (Originalvejledning)

Forklaring til generel oversigt

- | | | |
|-------------------------------|-----------------------------------|-------------------------------|
| 1. Låsehåndtag | 10. Samme niveau | 19. Skaftlås |
| 2. Afbryder | 11. Vinkelmåler eller lineal | 20. Støvpose |
| 3. Indikatorlampe | 12. Hælv | 21. Overstykke til støvdæksel |
| 4. Basis (kun til PC5001C) | 13. Sænk | 22. Hele rulleholderen |
| 5. Unbrakonøgle | 14. Støvdæksel | 23. Sekskantskrue |
| 6. Frontrulle | 15. Skrue | 24. Slidgrænse |
| 7. Sekskantbolt | 16. Sikringsmøtrik | 25. Kulholderdæksel |
| 8. Materiale der skal fjernes | 17. Skruenøgle til sikringsmøtrik | 26. Skruetrækker |
| 9. Basis | 18. Diamantskive | |

SPECIFIKATIONER

Model	PC5000C	PC5001C
Skivediameter	125 mm	
Huldiameter	22,23 mm	
Spindeltråd	M14	
Nominal hastighed (n)/hastighed uden belastning (n_0)	10.000 min ⁻¹	
Længde i alt	437 mm	479 mm
Nettovægt	4,0 kg	5,1 kg
Sikkerhedsklasse	□/II	

- På grund af vores løbende forsknings- og udviklingsprogram kan specifikationerne heri ændres uden forudgående varsel.
- Specifikationerne kan variere fra land til land.
- Vægt i henhold til EPTA-Procedure 01/2003

Tilsigtet anvendelse

ENE002-1

Værktøjet er beregnet til betonafhøvling.

Strømforsyning

ENF002-2

Værktøjet bør kun sluttes til en strømforsyning med den spænding, der er angivet på mærkepladen, og det kan kun benyttes med enkelfaset vekselstrøm. Det er dobbelt isoleret og kan derfor også sluttes til stikkontakter uden jordforbindelse.

Generelle sikkerhedsadvarsler for maskiner

GEA010-1

⚠ ADVARSEL Læs alle sikkerhedsadvarsler og alle instruktioner. Hvis De ikke følger alle advarsler og instruktioner, kan det medføre elektrisk stød, brand og/eller alvorlig personskade.

Gem alle advarsler og instruktioner til senere reference.

SIKKERHEDSADVARSLER FOR BETONHØVLLSÅV

GEB043-6

Sikkerhedsadvarsler for afslibning:

1. Denne maskine er beregnet til anvendelse som en sliber med diamantkopsten. Læs alle sikkerhedsadvarsler, instruktioner, illustrationer og specifikationer, der følger med maskinen. Hvis du ikke følger alle instruktionerne nedenfor, kan det medføre elektrisk stød, brand og/eller alvorlig personskade.
2. **Det anbefales ikke at benytte maskinen til formål som f.eks. afslibning med slibeskiver, sandslibning, trådbørstning, polering eller vinkelslibning.** Anvendelser, som maskinen ikke er beregnet til, kan udgøre en risiko og medføre personskade.
3. **Undlad at benytte tilbehør, som ikke er specielt udviklet og anbefalet af værktøjsproducenten.** Selvom tilbehøret kan monteres på maskinen, er anvendelsen ikke nødvendigvis sikker.
4. **Tilbehørets nominelle hastighed skal være mindst lig med den maksimale hastighed, der er angivet på maskinen.** Tilbehør, der kører hurtigere end dets nominelle hastighed, kan gå i stykker og blive slynget bort.
5. **Tilbehørets udvendige diameter og tykkelse skal overholde maskinens kapacitet.** Tilbehør med forkert størrelse kan ikke fastgøres eller kontrolleres korrekt.
6. **Ved montering af tilbehør med gevind skal det passe til maskinens spindelgevind. Ved tilbehør, som monteres med flanger, skal akselhullet på tilbehøret passe til flangediameteren på anbringelsesstedet.** Tilbehør, der ikke passer til monteringsudstyret på maskinen, vil komme ud af balance, vibrere voldsomt og kan medføre, at du mister kontrollen.
7. **Undlad brug af beskadiget tilbehør. Kontroller tilbehør som f.eks. diamantkopsten for flænger og revner, hver gang det skal benyttes. Hvis du taber maskinen eller tilbehøret, skal du se efter for beskadigelser eller montere ubeskadiget tilbehør. Efter kontrol og montering af tilbehør skal du**

placere dig selv og tilskuere væk fra tilbehørets drejningsplan og lade maskinen køre ved maksimal hastighed uden belastning i et minut.

Beskadiget tilbehør vil normalt gå i stykker inden for denne testperiode.

8. **Bær personligt sikkerhedsudstyr. Afhængigt af anvendelsen skal du bære ansigtsskærm, beskyttelsesbriller eller sikkerhedsbriller. Bær om nødvendigt støvmaske, høreværn, handsker og arbejdsforklæde, der kan stoppe små slibningsstykker eller stumper af arbejdsemnet.** Øjenbeskyttelsen skal kunne stoppe flyvende stumper, der frembringes ved forskellige anvendelser. Støvmasken eller åndedrætsbeskyttelsen skal kunne filtrere partikler, der frembringes ved anvendelsen. Længerevarende udsættelse for kraftig støj kan medføre høreskader.
9. **Hold andre tilstedeværende på sikker afstand af arbejdsområdet. Alle, der kommer ind i arbejdsområdet, skal bære personligt sikkerhedsudstyr.** Dele af arbejdsemnet eller ødelagt tilbehør kan flyve væk og medføre personskade uden for det umiddelbare anvendelsesområde.
10. **Hold kun maskinen i de isolerede gribeflader, når du udfører arbejde, hvor skæretilbehøret kan komme i kontakt med skjulte ledninger eller maskinens egen ledning.** Hvis skæretilbehøret kommer i kontakt med en strømførende ledning, kan udsatte metaldele på maskinen blive strømførende, hvorved operatøren kan få elektrisk stød.
11. **Placer ledningen på afstand af det roterende tilbehør.** Hvis du mister kontrollen, kan ledningen blive skåret over eller beskadiget, og din hånd eller arm kan blive trukket ind i det roterende tilbehør.
12. **Læg aldrig maskinen fra dig, før tilbehøret er stoppet helt.** Det roterende tilbehør kan gribe fat i overfladen og trække i maskinen, så du mister kontrollen.
13. **Lad ikke maskinen køre, mens du bærer den ved siden.** Hvis dit tøj kommer i kontakt med det roterende tilbehør, kan det gribe fat i tøjet og trække tilbehøret ind imod kroppen på dig.
14. **Rengør regelmæssigt maskinens ventilationsåbninger.** Motorventilatoren trækker støvet ind i kabinettet, og koncentration af forstøvet metal kan medføre elektriske risici.
15. **Undlad at betjene maskinen i nærheden af brændbare materialer.** Gnister kan antænde disse materialer.
16. **Undlad at benytte tilbehør, der kræver flydende kølemidler.** Brug af vand eller andre flydende kølemidler kan medføre elektrisk stød eller chok.

Tilbageslag og relaterede advarsler

Tilbageslag er en pludselig reaktion på, at en roterende skive, bagpolstring, børste eller andet tilbehør sidder fast eller kommer i klemme. Hvis tilbehøret sidder fast eller kommer i klemme, går det roterende tilbehør pludselig i stå, hvorved den ikke-kontrollerede maskine tvinges i den modsatte retning af tilbehørets rotationsretning på det sted, hvor det sidder fast.

Hvis en slibeskive f.eks. kommer i klemme eller sidder fast på arbejdsemnet, kan den kant på skiven, der sidder ind i fastklemningspunktet, skære sig ind i emnets

overflade, så skiven klatrer ud eller slås ud. Skiven kan enten springe mod eller bort fra operatøren, afhængigt af skivens bevægelse på det sted, hvor den sidder fast. Slibeskiver kan også gå i stykker under disse forhold. Tilbageslag skyldes forkert brug af maskinen og/eller forkerte betjeningsprocedurer eller forhold og kan undgås ved at træffe de nødvendige forsigtighedsregler som beskrevet nedenfor.

- a) **Hold godt fast i maskinen, og placer kroppen og armen, så du kan modstå tilbageslag. Benyt altid det ekstra håndtag, hvis det er tilgængeligt, for at opnå størst mulig kontrol med tilbageslag eller drejningsreaktion ved start.** Operatøren kan kontrollere drejningsreaktioner eller tilbageslag, hvis der træffes de rette forholdsregler.
- b) **Placer aldrig hånden i nærheden af roterende tilbehør.** Tilbehøret kan blive slået tilbage hen over hånden.
- c) **Placer ikke dig selv i det område, hvor maskinen vil bevæge sig, hvis der opstår tilbageslag.** Ved tilbageslag bliver maskinen slynget i modsat retning af skivens bevægelse på det sted, hvor den sidder fast.
- d) **Vær særligt forsigtig ved arbejde på hjørner, skarpe kanter osv. Undgå at støde og vride tilbehøret.** Hjørner, skarpe kanter og stød har tendens til at få det roterende tilbehør til at sidde fast og forårsage tab af kontrollen eller tilbageslag.
- e) **Montér ikke en klinge til savning i træ eller en savklinge med tænder.** Sådanne klinger forårsager ofte tilbageslag og tab af kontrollen.

Særlige sikkerhedsadvarsler for afslibning:

- a) **Anvend kun skivetyper, der anbefales til maskinen, og den specifikke beskyttelsesskærm, der er beregnet til den valgte skive.** Skiver, som maskinen ikke er beregnet til, kan ikke beskyttes ordentligt og er ikke sikre at bruge.
- b) **Anvend altid ubeskadigede skiveflanger af den korrekte størrelse og form til den valgte skive.** Korrekte skiveflanger understøtter skiven, så der er mindre risiko for, at den går i stykker.

Yderligere sikkerhedsadvarsler:

17. **Monter altid støvdækslet inden betjeningen.**
18. **Vær forsigtig med ikke at beskadige spindelen, flangen (især monteringsområdet) eller sikringsmøtrikken.** Beskadigelse af disse dele kan medføre beskadigelse af skiven.
19. **Sørg for, at skiven ikke har kontakt med arbejdsemnet, før der tændes på kontakten.**
20. **Lad maskinen køre et stykke tid, før den benyttes på et arbejdsemne. Hold øje med vibrationer eller slinger, der kan være tegn på en dårlig montering eller en dårligt afbalanceret skive.**
21. **Gå ikke fra maskinen, mens den kører. Lad kun maskinen køre, mens du holder den i hænderne.**
22. **Berør ikke diamantkopstenen umiddelbart efter arbejde. Den kan være meget varm og forårsage forbrændinger på huden.**
23. **Overhold producentens instruktioner for korrekt montering og brug af skiver. Vær omhyggelig med håndteringen og opbevaringen af skiverne.**
24. **Anvend ikke separate reduktionsbøsninger eller adaptore til tilpasning af skiver med store huller.**

25. Brug kun flanger, der er beregnet til maskinen.
26. Vær opmærksom på, at skiven fortsætter med at rotere, efter at der slukkes for maskinen.
27. Hvis arbejdspladsen er meget varm og fugtig, eller hvis den er kraftigt forurenet med ledende støv, skal du bruge en kortslutningsafbryder (30 mA) til at beskytte operatøren.
28. Anvend ikke maskinen på materialer, der indeholder asbest.

GEM DISSE INSTRUKTIONER.

ADVARSEL:

LAD IKKE tryghed eller kendskab til produktet (fra gentagen brug) føre til, at du ikke strengt overholder sikkerhedsreglerne for det gældende produkt.

MISBRUG eller manglende overholdelse af sikkerhedsreglerne i denne brugsanvisning kan medføre alvorlig personskade.

FUNKTIONSBESKRIVELSE

FORSIGTIG:

- Sørg altid for, at værktøjet er slukket, og at stikket er taget ud af stikkontakten, før du justerer værktøjet eller kontrollerer dets funktion.

Betjening af afbryderkontakten (Fig. 1)

FORSIGTIG:

- Før værktøjet tilsluttes, skal du altid kontrollere, at afbryderkontakten reagerer korrekt og vender tilbage til "OFF"-stillingen, når du slipper den.

For værktøjer med tryklåsekontakt

For at starte værktøjet skal du blot trykke på kontaktgrebet (A). Slip afbryderkontakten for at stoppe værktøjet. Hvis værktøjet skal bruges i længere tid ad gangen, skal du trykke på afbryderkontakten (A) og derefter trykke låseknappen (B) ind. Når du vil stoppe værktøjet fra den låste position, skal du trykke afbryderkontakten (A) helt ind og slippe den.

For værktøjer med låsehåndtag

Et låsehåndtag forhindrer, at afbryderkontakt trækkes op ved et uheld. Værktøjet startes ved at trykke låsehåndtaget (B) ind og derefter trække i afbryderkontakten (A). Slip afbryderkontakten for at stoppe værktøjet.

For værktøjer med tryklåsekontakt og låsehåndtag

Et låsehåndtag forhindrer, at afbryderkontakt trækkes op ved et uheld. Værktøjet startes ved at trykke låsehåndtaget (B) ind og derefter trække i afbryderkontakten (A). Slip afbryderkontakten for at stoppe værktøjet. Hvis værktøjet skal bruges i længere tid, skal du trykke låsehåndtaget (B) ind, trykke på afbryderkontakten (A) og derefter trykke låsehåndtaget (B) længere ind. Når du vil stoppe værktøjet fra den låste position, skal du trykke afbryderkontakten (A) helt ind og slippe den.

Elektronisk funktionalitet

Styring af konstant hastighed

- Det er muligt at få en pæn finish, fordi omdrejningshastigheden holdes konstant, også under belastning.
- Desuden reduceres strømmen til motoren, hvis belastningen af værktøjet overskrider det tilladelige niveau, for at beskytte motoren mod overophedning. Når belastningen igen bliver tilladelig, fungerer værktøjet som normalt.

Funktion til blød start

- Blød start, fordi startvibrationen dæmpes.

Indikatorlampe (Fig. 2)

Indikatorlampen lyser grønt, når værktøjet er sat i stikkontakten. Hvis indikatorlampen ikke tændes, er netledningen eller kontrollen muligvis defekte. Hvis indikatorlampen lyser, men værktøjet ikke starter, selvom der er tændt for værktøjet, er kulbørsterne muligvis slidt ned, eller motoren eller afbryderkontakten kan være defekte.

Sikring mod genstart ved et uheld

Selvom låsehåndtaget holder afbryderkontakten nede (låst position), kan værktøjet ikke starte igen, heller ikke selvom værktøjet er sat i stikkontakten. I dette tilfælde blinker indikationslampen rødt for at vise, at sikringen mod genstart ved et uheld er sat i funktion. For at annullere sikringen mod genstart skal du trykke afbryderkontakten helt ind og derefter slippe den.

Planslibning (kun for PC5001C) (Fig. 3)

For at planslibe en overflade skal betonhøvlens basis rettes ind med diamantskiven. Frontrullen skal justeres (med unbrakonøglen) opad til niveauet for den ønskede mængde materiale, der skal fjernes. Hvis mængden af materiale (beton), der skal fjernes, skal ændres, skal sekskantsboltene på basisholderen løsnes med unbrakonøglen. Hæv eller sænk frontrullen for at justere afstanden mellem den og diamantskiven. Forskellen bliver den mængde materiale, der skal fjernes. Fastspænd derefter sekskantsboltene meget omhyggeligt. (Fig. 4)

BEMÆRK:

- Den maksimale mængde materiale, der fjernes, bør være mindre end 4,0 mm.

Vipning af basis for mere jævn slibning (kun på PC5001C) (Fig. 5)

Det kan hjælpe at vippe basis for at opnå en mere jævn slibning af en ujævn overflade. Anvend unbrakonøglen til at løsne de to sekskantsbolte, der holder basis fast på hver side.

Brug en unbrakonøgle til at sænke de tre sekskantbolte på basis ved at dreje dem i urets retning. (Fig. 6)

Brug en vinkelmåler eller en lineal til at indstille den ønskede basisvinkel i forhold til diamantskiven. Fastspænd derefter omhyggeligt sekskantsboltene på hver side af basis. Juster midten af basis så det er på samme niveau som skiven. (Fig. 7)

BEMÆRK:

- Når basis er justeret, drejes de tre sekskantbolte på basis mod urets retning, indtil hovederne flugter med bagsiden af basis. Drej forsigtigt så basisjusteringen ikke bliver skæv.

Basisjustering for at kompensere for skiveslidtage (kun på PC5001C)

Efter lang tids brug slides diamantskiven og derved kommer der afstand til slibeoverfladen således at ydeevnen forringes. Kontroller værktøjet efter hver 4 eller 5 timers brug.

Hvis skiven og basis ikke er på samme niveau, løsnes to sekskantbolte der fastholder basis. Drej tre sekskantbolte på basis i urets retning og juster basis så det kommer i samme niveau som skiveoverfladen. Spænd igen sekskantboltene der fastholder basis og drej derefter forsigtigt sekskantboltene mod urets retning, sådan at sekskantboltene ikke løsnes under betjeningen.

Justering af støvdæksel (Fig. 8)

Løs skruen og juster støvdækslets børsterniveau. Støvdækslets børste bør enten flugte med diamantskivens overflade eller være en lille smule over (når værktøjet er vendt om) 0,5 mm. Indsugningen/opsamlingen forringes, hvis de ikke er på omtrent det samme niveau. Sørg for at stramme skruen ordentligt efter justeringen. Støvdækslet justeres ved at du tager fat udvendigt og drejer med uret for at hæve det og mod uret for at sænke det.

MONTERING

FORSIGTIG:

- Sørg altid for, at værktøjet er slukket og taget ud af stikkontakten, før du udfører nogen form for arbejde på værktøjet.

Montering eller afmontering af diamantskiven (Fig. 9)

For at udskifte en slidt diamantskive med en ny skal du trykke på skaftlåsen for at holde skaflet roligt, og derefter løsne sikringsmøtrikken mod urets retning med den medfølgende skruenøgle til sikringsmøtrikken. Afmonter den slidte diamantskive. Følg fremgangsmåden til afmontering ovenfor i omvendt rækkefølge for at montere en ny diamantskive. Ved montering af en diamantskive skal du altid sørge for at stramme sikringsmøtrikken ordentligt.

BEMÆRK:

- De almindelige diamantskiver der fås i handlen har ikke nogen udsugningshuller, hvilket medfører dårlig udsugning. Hvis monteringshullet endvidere ikke har den eksakte diameter, opstår der vibrationer, og det kan medføre ulykker. BRUG ALTID MAKITA DIAMANTKOPSTEN.

Udskiftning af støvdækselbørsten

For at tage støvdækselbørsten af støvdækslet, skal du tage fat i enden af støvdækselbørsten og trække den langsomt ud. (Fig. 10)

For at montere støvdækselbørsten skal du først rette begge børstens ender ind efter rillen i støvdækslet. (Fig. 11)

Sæt derefter børsten hele vejen ind i rillen i støvdækslet vha. en liggelækket skruestrækker eller et andet passende værktøj.

Støvpose (Fig. 12)

Støvposen skal monteres på støvåbningen. Sørg altid for at skubbe støvposen helt ind over støvåbningen indtil den stopper, sådan at den ikke falder af under arbejdet.

Fjern støvposen når den begynder at røre ved overfladen der slibes. Dette er et tegn på at den er fuld. Hvis posen ikke tømmes, medfører det dårlig udsugning/opsamling.

Tilslutning til støvsuger (Fig. 13)

Hvis du vil udføre en ren slibning, kan du tilslutte en Makita-støvsuger til værktøjet som vist i figuren.

BETJENING (Fig. 14)

Brug altid tophåndtaget (ekstrahåndtag) og sørg for at holde godt fast i værktøjet vha. tophåndtaget og kontakthåndtaget, når du arbejder.

Slibning i hjørner

Med PC5000C

Jævn slibning af hjørner er først mulig efter aftagning af overstykket til støvdækslet.

Kun på PC5001C (Fig. 15)

Inden planslibning i hjørner fjernes den sekskantbolt, der fastholder rulleholderen og basholderen, og derefter tages hele rulleholderen af.

Nu løsnes sekskantboltene og overstykket til støvdækslet tages af, hvorefter støvdækslet justeres ordentligt ind i forhold til arbejdet. (Fig. 16)

VEDLIGEHOLDELSE

FORSIGTIG:

- Sørg altid for, at værktøjet er slukket, og at stikket er taget ud, før du udfører inspektion eller vedligeholdelse.
- Brug aldrig benzin, benzen, fortynder, alkohol eller lignende. Det kan muligvis medføre misfarvning, deformation eller revner.

Udskiftning af kulbørsterne (Fig. 17)

Tag regelmæssigt kulbørsterne af, og efterse dem. Udskift dem, når de er nedslidt til slidgrænsen. Hold kulbørsterne rene og frie til at glide i holderne. Begge kulbørster skal udskiftes samtidig. Brug altid identiske kulbørster.

Brug en skruestrækker til at fjerne kulholderdækslerne. Tag de udslidte kulbørster ud, monter de nye, og fastgør kulholderdækslerne. (Fig. 18)

For at holde produktet SIKKERT og PÅLIDELIGT skal reparationer samt al anden vedligeholdelse eller justering udføres af autoriserede Makita-servicecentre, og der skal altid benyttes Makita-reservedele.

EKSTRAUDSTYR

FORSIGTIG:

- Dette tilbehør eller ekstraudstyr anbefales til brug med det Makita-værktøj, som er beskrevet i denne brugsanvisning. Brug af andet tilbehør eller ekstraudstyr kan forårsage personskade. Brug kun tilbehør eller ekstraudstyr til det formål, det er beregnet til.

Henvend dig til dit lokale Makita-servicecenter, hvis du har brug for hjælp eller yderligere oplysninger vedrørende tilbehøret.

- Diamantkopsten (tør type)
- Støvdækselbørste

BEMÆRK:

- Visse dele på listen er muligvis indeholdt maskinindpakningen som standardtilbehør. De kan variere fra land til land.

Støj

ENG905-1

Det typiske A-vægtede støjniveau bestemt i overensstemmelse med EN60745:

Model PC5000C

Lydtryksniveau (L_{pA}): 91 dB (A)
Lydeffektniveau (L_{WA}): 102 dB (A)
Usikkerhed (K): 3 dB (A)

Model PC5001C

Lydtryksniveau (L_{pA}): 89 dB (A)
Lydeffektniveau (L_{WA}): 100 dB (A)
Usikkerhed (K): 3 dB (A)

Bær høreværn.

Vibration

ENG900-1

Den samlede vibrationsværdi (treaksial vektorsum) bestemt i overensstemmelse med EN60745:

Model PC5000C

Arbejdstilstand: betonslibning
Vibrationsemission (a_h): 12,0 m/s²
Usikkerhed (K): 1,5 m/s²

Model PC5001C

Arbejdstilstand: betonslibning
Vibrationsemission (a_h): 12,5 m/s²
Usikkerhed (K): 2,5 m/s²

ENG902-1

- Den opgivne vibrationsemissionsværdi er målt i overensstemmelse med standardtestmetoden og kan bruges til at sammenligne et værktøj med et andet.
- Den opgivne vibrationsemissionsværdi kan muligvis også bruges til en indledende eksponeringsvurdering.
- Den opgivne vibrationsemissionsværdi gælder, når maskinen benyttes til dens hovedfunktioner. Men hvis maskinen bruges til andre formål, vil vibrationsemissionsværdien muligvis være en anden.

ADVARSEL:

- Vibrationsemissionen under den faktiske brug af maskinen kan afvige fra den opgivne emissionsværdi afhængigt af den måde, maskinen anvendes på.
- Sørg for at bestemme sikkerhedsforanstaltninger for beskyttelse af operatøren, som er baseret på en eksponeringsvurdering for brug under faktiske forhold (hvor alle anvendelsescyklussens dele inddrages, som f.eks. antal gange maskinen slukkes, og når den kører i tomgang ud over triggetiden).

Kun for europæiske lande

ENH101-16

EF-overensstemmelseserklæring

Vi, **Makita Corporation**, erklærer som ansvarlig producent at følgende **Makita-maskine(r)**:

Maskinens betegnelse:

Betonhøvl

Modelnummer/ type: PC5000C, PC5001C

er en produktionsserie og

Overholder følgende europæiske direktiver:

2006/42/EF

Og er produceret i overensstemmelse med følgende standarder eller standardiserede dokumenter:

EN60745

Den tekniske dokumentation findes hos:

Makita International Europe Ltd.

Technical Department,

Michigan Drive, Tongwell,

Milton Keynes, Bucks MK15 8JD, England

30. 1. 2009



Tomoyasu Kato

Direktør

Makita Corporation

3-11-8, Sumiyoshi-cho,
Anjo, Aichi, 446-8502, JAPAN

ΕΛΛΗΝΙΚΑ (Πρωτογενείς οδηγίες)

Γενική περιγραφή

- | | | |
|----------------------------------|-----------------------------------|--|
| 1. Μοχλός κλειδώματος | 11. Γνώμονας ή χάρακας | 21. Καπάκι καλύμματος σκόνης |
| 2. Σκανδάλη-διακόπτης | 12. Ανύψωση | 22. Ολόκληρο το στήριγμα του κυλίνδρου |
| 3. Ενδεικτική λυχνία | 13. Χαμήλωμα | 23. Εξαγωνικό μπουλόνι |
| 4. Βάση (μόνο για το PC5001C) | 14. Κάλυμμα σκόνης | 24. Ένδειξη ορίου |
| 5. Εξαγωνικό άλεν | 15. Βίδα | 25. Καπάκι υποδοχής για το καρβουνάκι |
| 6. Μπροστινός κύλινδρος | 16. Παξιμάδι κλειδώματος | 26. Καταβίδι |
| 7. Μπουλόνι εξάγ. κοίλης κεφαλής | 17. Κλειδί κλειδώματος παξιμαδιού | |
| 8. Ποσότητα αφαιρούμενου υλικού | 18. Διαμαντένιος τροχός | |
| 9. Βάση | 19. Κλειδίωμα άξονα | |
| 10. Ίδιο επίπεδο | 20. Σάκος σκόνης | |

ΠΡΟΔΙΑΓΡΑΦΕΣ

Μοντέλο	PC5000C	PC5001C
Διάμετρος τροχού	125 χιλ	
Διάμετρος στήλης	22,23 χιλ	
Σπείρωμα ατράκτου	M14	
Ονομαστική ταχύτητα (n)/Ταχύτητα χωρίς φορτίο (n ₀)	10.000 λεπ. ⁻¹	
Ολικό μήκος	437 χιλ	479 χιλ
Καθαρό βάρος	4,0 κιλά	5,1 κιλά
Τάξη ασφάλειας	□/II	

- Λόγω του συνεχόμενου προγράμματος που εφαρμόζουμε για έρευνα και ανάπτυξη, τα τεχνικά χαρακτηριστικά στο παρόν έντυπο υπόκεινται σε αλλαγή χωρίς προειδοποίηση.
- Τα τεχνικά χαρακτηριστικά ενδέχεται να διαφέρουν ανάλογα με τη χώρα.
- Βάρος σύμφωνα με τη διαδικασία ΕΡΤΑ 01/2003

Προοριζόμενη χρήση

ENE002-1

Το εργαλείο προορίζεται για πλάνισμα επιφανειών από τσιμέντο.

Ηλεκτρική παροχή

ENF002-2

Το εργαλείο πρέπει να συνδέεται μόνο σε ηλεκτρική παροχή της ίδιας τάσης με αυτήν που αναγράφεται στην πινακίδα ονομαστικών τιμών και μπορεί να λειτουργήσει μόνο με εναλλασσόμενο μονοφασικό ρεύμα. Τα εργαλεία αυτά διαθέτουν διπλή μόνωση και συνεπώς μπορούν να συνδεθούν με πρίζες χωρίς γείωση.

Γενικές Προειδοποιήσεις Ασφαλείας Του Ηλεκτρικού Εργαλείου

GEA010-1

⚠ ΠΡΟΕΙΔΟΠΟΙΗΣΗ Διαβάστε όλες τις προειδοποιήσεις ασφαλείας και όλες τις οδηγίες. Αν δεν ακολουθήσετε όλες τις προειδοποιήσεις και τις οδηγίες, υπάρχει κίνδυνος ηλεκτροπληξίας, πυρκαγιάς ή/και σοβαρού τραυματισμού.

Φυλάξτε όλες τις προειδοποιήσεις και τις οδηγίες για μελλοντική αναφορά.

ΠΡΟΕΙΔΟΠΟΙΗΣΕΙΣ ΑΣΦΑΛΕΙΑΣ ΓΙΑ ΤΗ ΦΡΕΖΑ ΠΛΑΝΙΣΜΑΤΟΣ ΤΣΙΜΕΝΤΟΥ

GEB043-6

Προειδοποιήσεις ασφαλείας για τη λειτουργία τροχίσματος:

1. **Αυτό το ηλεκτρικό εργαλείο προορίζεται να λειτουργήσει ως εργαλείο τροχίσματος με έκκεντρος διαμαντένιους τροχούς. Διαβάστε όλες τις προειδοποιήσεις ασφαλείας, τις οδηγίες, τις εικόνες και τις προδιαγραφές που παρέχονται με αυτό το ηλεκτρικό εργαλείο.** Αν δεν ακολουθήσετε όλες τις οδηγίες που παρατίθενται παρακάτω, υπάρχει κίνδυνος ηλεκτροπληξίας, πυρκαγιάς ή/και σοβαρού τραυματισμού.
2. **Δεν συνιστάται να πραγματοποιούνται λειτουργίες όπως τροχίσμα με λειαντικούς τροχούς, λείανση, χρήση σφυροτόβουρτσας, λουστράρισμα ή κοπή με αυτό το ηλεκτρικό εργαλείο.** Αν χρησιμοποιηθεί το ηλεκτρικό εργαλείο για εργασίες για τις οποίες δεν έχει σχεδιαστεί, ενδεχομένως να προκληθεί κίνδυνος και προσωπικός τραυματισμός.
3. **Μη χρησιμοποιείτε εξαρτήματα που δεν είναι ειδικά σχεδιασμένα από τον κατασκευαστή του εργαλείου και τα οποία δεν συνιστά ο κατασκευαστής του εργαλείου.** Αν και είναι δυνατό να προσαρτηθεί το εξάρτημα στο ηλεκτρικό εργαλείο σας, αυτό δεν σημαίνει ότι μπορεί να λειτουργεί με ασφάλεια.

4. **Η ονομαστική ταχύτητα του εξαρτήματος πρέπει να είναι τουλάχιστον ίση με τη μέγιστη ταχύτητα που αναγράφεται στο ηλεκτρικό εργαλείο.** Τα εξαρτήματα που λειτουργούν με ταχύτητα υψηλότερη από την ονομαστική ταχύτητά τους μπορεί να σπασούν και να εκτιναχθούν τα μέρη τους.
5. **Η εξωτερική διάμετρος και το πάχος του εξαρτήματος σας πρέπει να βρίσκονται εντός των δυνατοτήτων του ηλεκτρικού εργαλείου σας.** Τα εξαρτήματα με λανθασμένο μέγεθος δεν προστατεύονται ούτε ελέγχονται ικανοποιητικά.
6. **Το σπείρωμα για τη στερέωση των εξαρτημάτων πρέπει να ταιριάζει με το σπείρωμα της ατράκτου του εργαλείου. Για εξαρτήματα που στερεώνονται με φλάντζες, η τρύπα του άξονα του εξαρτήματος πρέπει να ταιριάζει με τη διάμετρο έδρασης της φλάντζας.** Τα εξαρτήματα που δεν ταιριάζουν με τον εξοπλισμό στερέωσης του ηλεκτρικού εργαλείου θα λειτουργούν ιδιόρρυθμα, προκαλώντας υπερβολικούς κραδασμούς και ενδοχόμενες απώλεια ελέγχου.
7. **Μη χρησιμοποιείτε εξαρτήματα που έχουν υποστεί βλάβη. Πριν τη κάθε χρήση εξετάστε το εξάρτημα όπως τους έκκεντρος διαμαντινούς τροχούς για σπασίματα και ρωγμές. Αν το ηλεκτρικό εργαλείο ή ένα εξάρτημα πέσει κάτω, ελέγξτε για ζημιές ή εγκαταστήστε ένα εξάρτημα που δεν έχει υποστεί βλάβη. Μετά την εξέταση και την εγκατάσταση ενός εξαρτήματος, παραμείνετε εσείς και οι παρευρισκόμενοι μακριά από το επίπεδο του περιστρεφόμενου εξαρτήματος και λειτουργήστε το ηλεκτρικό εργαλείο στη μέγιστη ταχύτητα χωρίς φορτίο για ένα λεπτό.** Τα εξαρτήματα που έχουν υποστεί βλάβη, συνήθως σπάνε κατά τη διάρκεια αυτής της δοκιμής.
8. **Να φοράτε προσωπικό προστατευτικό εξοπλισμό. Ανάλογα με την εφαρμογή, να χρησιμοποιείτε προσωπικά, προστατευτικά ματιών ή προστατευτικά γυαλιά. Αν είναι απαραίτητο, να φοράτε προσωπικά κατά της σκόνης, υποασπίδες, γάντια και φόρμα συνεργείου που έχουν τη δυνατότητα να σταματούν την κίνηση μικρών θραυσμάτων που προέρχονται από τη λείανση ή το τεμάχιο εργασίας.** Ο προστατευτικός εξοπλισμός για τα μάτια πρέπει να έχει τη δυνατότητα να σταματά την κίνηση των εκτινασόμενων θραυσμάτων που δημιουργούνται από τις διάφορες εργασίες. Η προσωπικά κατά της σκόνης ή ο αντανευστήρας πρέπει να έχει τη δυνατότητα να φιλτράρει τα σωματίδια που δημιουργούνται από την εργασία που εκτελείται. Η παρατεταμένη έκθεση σε θόρυβο υψηλής έντασης μπορεί να προκαλέσει απώλεια ακοής.
9. **Να απομακρύνετε τους μη έχοντες εργασία σε ασφαλή απόσταση από το χώρο εργασίας. Κάθε άτομο που εισέρχεται στο χώρο εργασίας πρέπει να φορά προσωπικό προστατευτικό εξοπλισμό.** Μπορεί να εκτιναχθούν θραύσματα από το τεμάχιο εργασίας ή από ένα σπασμένο εξάρτημα και να προκαλέσουν τραυματισμό σε άτομα που βρίσκονται μακριά από την άμεση περιοχή της εργασίας.
10. **Να κρατάτε το ηλεκτρικό εργαλείο μόνο από τις λαβές με μόνωση όταν εκτελείτε εργασίες κατά τις οποίες το κοπτικό εξάρτημα μπορεί να έρθει σε επαφή με κρυμμένα καλώδια ή με το ίδιο του το**

καλώδιο. Αν το κοπτικό εξάρτημα έρθει σε επαφή με κάποιο ηλεκτροφόρο καλώδιο, τα εκτεθειμένα μεταλλικά μέρη του ηλεκτρικού εργαλείου θα γίνουν κι αυτά ηλεκτροφόρα και μπορεί να προκληθεί ηλεκτροπληξία στο χειριστή.

11. **Να τοποθετείτε το ηλεκτρικό καλώδιο μακριά από το περιστρεφόμενο εξάρτημα.** Αν χάσετε τον έλεγχο, το ηλεκτρικό καλώδιο μπορεί να κοπεί ή να σκαλωθεί και μπορεί να τραβήξει το χέρι ή το βραχίονά σας μέσα στο περιστρεφόμενο εξάρτημα.
12. **Ποτέ να μην τοποθετείτε κάτω το ηλεκτρικό εργαλείο έως ότου το εξάρτημα σταματήσει τελείως.** Το περιστρεφόμενο εξάρτημα ενδοχόμεως να πιαστεί στην επιφάνεια και να χάσετε τον έλεγχο του ηλεκτρικού εργαλείου.
13. **Μη θέτετε το ηλεκτρικό εργαλείο σε λειτουργία ενώ το μεταφέρετε κρατώντας το στο πλάι σας.** Η τυχαία επαφή με το περιστρεφόμενο εξάρτημα μπορεί να έχει ως αποτέλεσμα να πιαστούν τα ρούχα σας και το εξάρτημα να τραβηχτεί προς το σώμα σας.
14. **Να καθαρίζετε τακτικά τα ανοίγματα εξαερισμού του ηλεκτρικού εργαλείου.** Ο ανεμιστήρας του μοτέρ τραβεί τη σκόνη στο εσωτερικό του περιβλήματος και η υπερβολική συσσώρευση μετάλλου σε μορφή σκόνης ενδοχόμεως να προκαλέσει κίνδυνο ηλεκτροπληξίας.
15. **Μη θέτετε σε λειτουργία το ηλεκτρικό εργαλείο κοντά σε εύφλεκτα υλικά.** Οι σπινθήρες μπορούν να προκαλέσουν ανάφλεξη αυτών των υλικών.
16. **Μη χρησιμοποιείτε εξαρτήματα που απαιτούν υγρά ψυκτικά.** Η χρήση νερού ή άλλων υγρών ψυκτικών μπορεί να έχει ως αποτέλεσμα την ηλεκτροπληξία.

Κλώστωμα και σχετικές προειδοποιήσεις

Το κλώστωμα είναι μια ξαφνική αντίδραση όταν αποκοπεί ή σκαλωθεί ο περιστρεφόμενος τροχός, το επίθεμα στήριξης, η βούρτσα ή κάποιο άλλο εξάρτημα. Η αποκοπή ή το σκάλωμα προκαλεί την απότομη εμπλοκή του περιστρεφόμενου εξαρτήματος, το οποίο με τη σειρά του προκαλεί την κίνηση του ανεξέλεγκτου ηλεκτρικού εργαλείου προς την αντίθετη κατεύθυνση της περιστροφής του εξαρτήματος στο σημείο της εμπλοκής. Για παράδειγμα, αν ένας λειαντικός τροχός αποκοπεί ή σκαλωθεί στο τεμάχιο εργασίας, το άκρο του τροχού που εισέρχεται στο σημείο αποκοπής μπορεί να σκάψει μέσα στην επιφάνεια του υλικού και να έχει ως αποτέλεσμα ο τροχός να εξέλθει από αυτό ή να κλωστήσει. Ο τροχός μπορεί να πεταχτεί προς το χειριστή ή μακριά από αυτόν, ανάλογα με την κατεύθυνση κίνησης του τροχού στο σημείο της αποκοπής. Οι λειαντικοί τροχοί μπορεί και να σπαστούν κάτω από αυτές τις συνθήκες.

Το κλώστωμα προκαλείται όταν το ηλεκτρικό εργαλείο χρησιμοποιείται λανθασμένα ή/και όταν οι διαδικασίες ή οι συνθήκες λειτουργίας είναι λανθασμένες, ενώ μπορεί να αποφευχθεί αν ληφθούν οι κατάλληλες προφυλάξεις που αναφέρονται παρακάτω.

- a) **Να κρατάτε το ηλεκτρικό εργαλείο καλά και με τα δύο χέρια και να τοποθετείτε το σώμα και το βραχίονά σας με τρόπο ώστε να αντιστέκονται στη δύναμη του κλωστήματος. Να χρησιμοποιείτε πάντα τη βοηθητική λαβή, αν παρέχεται, για μέγιστο έλεγχο κατά του κλωστήματος ή της αντίδρασης ροπής κατά την έναρξη της λειτουργίας.** Ο χειριστής μπορεί να

- ελέγχει τις αντιδράσεις ροπής ή τις δυνάμεις κλωστήματος αν λάβει τις κατάλληλες προφυλάξεις.
- b) **Μην τοποθετείτε ποτέ τα χέρια σας κοντά στο περιστρεφόμενο εξάρτημα.** Το εξάρτημα μπορεί να κλωστήσει επάνω από το χέρι σας.
- c) **Μην τοποθετείτε το σώμα σας στην περιοχή που θα κινηθεί το ηλεκτρικό εργαλείο στην περίπτωση που αυτό κλωστήσει.** Το κλώστημα θα προωθήσει το εργαλείο προς την αντίθετη κατεύθυνση της κίνησης του τροχού στο σημείο του σκαλώματος.
- d) **Να είστε ιδιαίτερα προσεκτικοί όταν εργάζεστε σε γωνίες, αιχμηρές άκρες, κτλ. Να αποφεύγετε την αναπήδηση και το σκάλωμα του εξαρτήματος.** Οι γωνίες, οι αιχμηρές άκρες ή η αναπήδηση έχουν την τάση να σκαλώνουν το περιστρεφόμενο εξάρτημα και να προκαλούν την απώλεια ελέγχου ή το κλώστημα.
- e) **Μην προσαρτάτε μίνα λάμα αλυσπρίνου για ξύλο ή οδοντωτή λάμα.** Τέτοιες λάμες δημιουργούν συχνά κλώστημα και απώλεια του ελέγχου.

Ειδικές προειδοποιήσεις ασφαλείας για τη λειτουργία τροχίσματος:

- a) **Να χρησιμοποιείτε μόνο είδη τροχών που συνιστώνται για το ηλεκτρικό εργαλείο σας και να χρησιμοποιείτε το ειδικό προστατευτικό που έχει σχεδιαστεί για τον επιλεγμένο τροχό.** Οι τροχοί για τους οποίους δεν είναι σχεδιασμένο το ηλεκτρικό εργαλείο δεν μπορούν να προστατευτούν ικανοποιητικά και είναι ανασφαλείς.
- b) **Να χρησιμοποιείτε πάντα φλάντζες τροχών με το σωστό μέγεθος και σχήμα για τον επιλεγμένο τροχό σας, οι οποίες δεν έχουν υποστεί βλάβη.** Οι σωστές φλάντζες τροχού υποστηρίζουν τον τροχό μειώνοντας κατά αυτόν τον τρόπο την πιθανότητα σπασίματος του τροχού.

Επιπρόσθετες προειδοποιήσεις ασφαλείας:

17. Πάντοτε να τοποθετείτε το κάλυμμα της σκόνης πριν από τη λειτουργία.
18. **Να προσέχετε ώστε να μην καταστρέψετε την άτρακτο, τη φλάντζα (ειδικά την επιφάνεια τοποθέτησης) ή το παζιμάδι κλειδώματος. Αν τα εξαρτήματα αυτά είναι κατεστραμμένα, μπορεί να επέλθει ως αποτέλεσμα το σπάσιμο του τροχού.**
19. **Βεβαιωθείτε ότι ο τροχός δεν ακουμπά το τεμάχιο εργασίας πριν ενεργοποιήσετε το διακόπτη λειτουργίας.**
20. **Πριν χρησιμοποιήσετε το εργαλείο σε ένα πραγματικό τεμάχιο εργασίας, να το αφήνετε να λειτουργεί για λίγη ώρα. Να προσέχετε για κραδασμούς ή κινήσεις που θα μπορούσαν να υποδειχούν κακή τοποθέτηση ή κακή ισορροπία του τροχού.**
21. **Μην αφήνετε το εργαλείο σε λειτουργία. Το εργαλείο πρέπει να βρίσκεται σε λειτουργία μόνο όταν το κρατάτε.**
22. **Μην αγγίζετε τον έκκεντρο διαμαντένιο τροχό αμέσως μετά τη λειτουργία του εργαλείου. Μπορεί να είναι εξαιρετικά θερμός και να προκαληθεί έγκαυμα στο δέρμα σας.**
23. **Να τηρείτε τις οδηγίες του κατασκευαστή όσον αφορά τη σωστή τοποθέτηση και χρήση των**

- τροχών. **Να χειρίζεστε και να αποθηκεύετε τους τροχούς με προσοχή.**
24. **Μη χρησιμοποιείτε ξεχωριστές ροδέλες ή προσαρμογείς για να προσαρμόσετε τροχούς με μεγάλη οπή.**
 25. **Να χρησιμοποιείτε μόνο φλάντζες κατάλληλες για αυτό το εργαλείο.**
 26. **Να προσέχετε όταν ο τροχός συνεχίζει να περιστρέφεται ακόμη και αφού απενεργοποιήσετε το εργαλείο.**
 27. **Εάν το περιβάλλον εργασίας είναι πολύ ζεστό και υγρό ή εάν υπάρχει υπερβολική αγωγιμη σκόνη, να χρησιμοποιείτε ασφάλεια βραχυκυκλώματος (30 mA) για να εξασφαλίσετε την ασφάλεια του χειριστή.**
 28. **Μη χρησιμοποιείτε το εργαλείο σε κανένα υλικό που περιέχει αμίαντο.**

ΦΥΛΑΞΤΕ ΑΥΤΕΣ ΤΙΣ ΟΔΗΓΙΕΣ.

⚠️ ΠΡΟΕΙΔΟΠΟΙΗΣΗ:

ΜΗΝ επιτρέψετε στη βολικότητα ή στην εξοικειωσή σας με το προϊόν (που αποκλήθηκε από επανειλημμένη χρήση) να αντικαταστήσει την αυστηρή προσήλωση στους κανόνες ασφαλείας του εν λόγω προϊόντος. Η ΛΑΝΘΑΣΜΕΝΗ ΧΡΗΣΗ ή η μη τήρηση των κανόνων ασφαλείας που διατυπώνονται στο παρόν εγχειρίδιο οδηγίων μπορεί να προκαλέσει σοβαρό τραυματισμό.

ΠΕΡΙΓΡΑΦΗ ΛΕΙΤΟΥΡΓΙΑΣ

⚠️ ΠΡΟΣΟΧΗ:

- Να βεβαιώνετε πάντοτε ότι το εργαλείο είναι σβηστό και αποσυνδεδεμένο από το ηλεκτρικό ρεύμα πριν ρυθμίσετε ή ελέγξετε κάποια λειτουργία του.

Δράση διακόπτη (Εικ. 1)

⚠️ ΠΡΟΣΟΧΗ:

- Πριν συνδέετε το εργαλείο στην πρίζα, πάντοτε να ελέγχετε ότι η σκανδάλη-διακόπτης ενεργοποιείται κανονικά και επιστρέφει στη θέση "OFF" όταν την αφήνετε.

Για εργαλείο με διακόπτη κλειδώματος

Για να ξεκινήσετε το εργαλείο, απλά πιέστε τη σκανδάλη-διακόπτης (A). Για να σταματήσετε το εργαλείο, αφήστε την σκανδάλη-διακόπτης. Για συνεχόμενη λειτουργία, πατήστε τη σκανδάλη-διακόπτης (A) και κατόπιν πατήστε το μοχλό κλειδώματος (B). Για να βγάλετε το εργαλείο από την κλειδωμένη θέση, πιέστε εντελώς τη σκανδάλη-διακόπτης (A) και κατόπιν αφήστε την.

Για εργαλείο με διακόπτη ασφάλισης

Για να μην πιεστεί η σκανδάλη-διακόπτης κατά λάθος, παρέχεται ένας μοχλός ασφάλισης. Για να ξεκινήσετε τη λειτουργία του εργαλείου, πιέστε το μοχλό ασφάλισης (B) και μετά πατήστε τη σκανδάλη-διακόπτης (A). Για να σταματήσετε το εργαλείο, αφήστε την σκανδάλη-διακόπτης.

Για εργαλείο με διακόπτη ασφάλισης και κλειδώματος

Για να μην πιεστεί η σκανδάλη-διακόπτης κατά λάθος, παρέχεται ένας μοχλός ασφάλισης. Για να ξεκινήσετε τη

λειτουργία του εργαλείου, πιέστε το μοχλό ασφάλισης (B) και μετά πατήστε τη σκανδάλη-διακόπτης (A). Για να σταματήσετε το εργαλείο, αφήστε την σκανδάλη-διακόπτης. Για συνεχή λειτουργία, πιέστε το μοχλό ασφάλισης (B), τραβήξτε την σκανδάλη-διακόπτης (A) και μετά πιέστε περισσότερο το μοχλό κλειώματος (B). Για να βγάλετε το εργαλείο από την κλειδωμένη θέση, πιέστε εντελώς τη σκανδάλη-διακόπτης (A) και κατόπιν αφήστε την.

Ηλεκτρονική λειτουργία

Έλεγχος σταθερής ταχύτητας

- Είναι δυνατό να έχετε ένα καθαρό τελείωμα, επειδή η ταχύτητα περιστροφής διατηρείται σταθερή ακόμη και κάτω από συνθήκες φορτίου.
- Επιπρόσθετα, όταν το φορτίο στο εργαλείο ξεπερνά τα επιτρεπόμενα όρια, η ισχύς στο μοτέρ ελαττώνεται για την προστασία του μοτέρ από την υπερθέρμανση. Όταν το φορτίο επιστρέψει στα επιτρεπτά όρια, το εργαλείο θα λειτουργεί κανονικά.

Χαρακτηριστικό ομαλής εκκίνησης

- Ομαλή εκκίνηση λόγω των απότομων κραδασμών κατά την εκκίνηση.

Ενδεικτική λυχνία (Εικ. 2)

Όταν συνδέετε το εργαλείο στη πρίζα, ανάβει η πράσινη ενδεικτική λυχνία. Αν δεν ανάβει η ενδεικτική λυχνία, μπορεί να είναι ελαττωματικό το ηλεκτρικό καλώδιο ή ο ελεγκτής. Αν η ενδεικτική λυχνία είναι αναμμένη, αλλά το εργαλείο δεν ξεκινάει, ακόμη και αν πατηθεί ο διακόπτης, μπορεί να έχουν φθαρεί τα καρβουνάκια, ή να είναι ελαττωματικός ο ελεγκτής, το μοτέρ ή ο διακόπτης ON/OFF.

Προστασία ακούσιας επανεκκίνησης

Ο επίπεδος μοχλός ασφάλισης διατηρεί τη σκανδάλη-διακόπτης πατημένη (Ασφαλισμένη θέση) μη επιτρέποντας στο εργαλείο την επανεκκίνηση ακόμη και όταν αυτό μπει στην πρίζα.

Τη στιγμή αυτή, η ενδεικτική λυχνία αναβοσβήνει στο κόκκινο και δείχνει ότι λειτουργεί η συσκευή της προστασίας ενάντια στην ακούσια επανεκκίνηση.

Για την ακύρωση της προστασίας ενάντια στην ακούσια επανεκκίνηση, τραβήξτε τη σκανδάλη-διακόπτης πλήρως, και μετά ελευθερώστε την.

Επίπεδο πλάνισμα (μόνο για το PC5001C) (Εικ. 3)

Για να ισιώσετε μια επιφάνεια η βάση της πλάνης πρέπει να είναι ευθυγραμμισμένη με τον διαμαντένιο τροχό. Ο μπροστινός κώνος θα πρέπει να προσαρμοστεί (χρησιμοποιήστε ένα εξαγωνικό άλεν) προς τα επάνω στο επίπεδο που απαιτείται για την ποσότητα του υλικού που επιθυμείτε να αφαιρεθεί.

Για να αλλάξετε την ποσότητα του αφαιρούμενου υλικού (τσιμέντου), ξεσφίξτε τα μπουλόνια που διαθέτουν τις εξάγ. κοίλες κεφαλές στο στήριγμα της βάσης με το εξαγωνικό άλεν. Χαμηλώστε ή ανυψώστε τον μπροστινό κώνο για να προσαρμόσετε το κενό μεταξύ αυτού και του διαμαντένιου τροχού. Η διαφορά είναι η ποσότητα του αφαιρούμενου υλικού. Στη συνέχεια ασφαλίστε προσεκτικά τα μπουλόνια με τις εξάγ. κοίλες κεφαλές. (Εικ. 4)

ΣΗΜΕΙΩΣΗ:

- Η μέγιστη αφαίρεση υλικού θα πρέπει να είναι μικρότερη από 4,0 χιλ.

Κλίση της βάσης για πιο λείο πλάνισμα (μόνο για το PC5001C) (Εικ. 5)

Η κλίση της βάσης βοηθά στην λεία αφαίρεση μιας επιφάνειας με δεδομένη τραχύτητα ή υφή. Χρησιμοποιήστε το εξαγωνικό άλεν για να ξεσφίξετε τα δυο μπουλόνια με την εξάγ. κοίλη κεφαλή που στερεώνουν την βάση και στις δυο πλευρές. Χρησιμοποιήστε το εξαγωνικό άλεν για να χαμηλώσετε τα μπουλόνια με την εξάγ. κοίλη κεφαλή στη βάση περιστρέφοντάς τα προς τα δεξιά πάνω στη βάση. (Εικ. 6)

Χρησιμοποιήστε ένα γνώμονα ή ένα χάρακα για να αποκτήσετε την επιθυμητή γωνία της βάσης σε σχέση με τον διαμαντένιο τροχό. Στη συνέχεια στερεώστε προσεκτικά τα μπουλόνια με τις εξάγ. κοίλες κεφαλές πάνω στις δυο πλευρές της βάσης. Προσαρμόστε το κέντρο της βάσης κοντά στον τροχό έτσι ώστε να βρίσκεται στο ίδιο επίπεδο με τον τροχό. (Εικ. 7)

ΣΗΜΕΙΩΣΗ:

- Μετά την προσαρμογή της βάσης, στρέψτε προς τα αριστερά τα τρία μπουλόνια με την εξάγ. κοίλη κεφαλή έως ότου οι κεφαλές να έρθουν στο ίδιο επίπεδο με την πίσω πλευρά της βάσης. Στρέψτε με προσοχή διαφορετικά η προσαρμογή της βάσης θα ακυρωθεί.

Προσαρμογή της βάσης ως αντιστάθμισμα της φθοράς του τροχού (μόνο για το PC5001C)

Με τη μακροχρόνια χρήση, ο διαμαντένιος τροχός θα φθαρεί και έτσι θα δημιουργηθεί ένα κενό με την επιφάνεια πλάνισης έχοντας ως αποτέλεσμα την μείωση της απόδοσης. Ελέγξτε το εργαλείο μετά από 4 ή 5 ώρες χρήσης.

Εάν οι επιφάνειες του τροχού και της βάσης δεν είναι ευθυγραμμισμένες, ξεσφίξτε τα δυο μπουλόνια με τις εξάγ. κοίλες κεφαλές που στερεώνουν τη βάση. Στρέψτε προς τα δεξιά τα μπουλόνια με τις εξάγ. κοίλες κεφαλές που βρίσκονται πάνω στη βάση και προσαρμόστε τη βάση ώστε να είναι επίπεδη με την επιφάνεια του τροχού. Ξανασφίξτε καλά τα μπουλόνια με τις εξάγ. κοίλες κεφαλές που στερεώνουν τη βάση και στη συνέχεια στρέψτε ελαφρά προς τα αριστερά τα μπουλόνια με τις εξάγ. κοίλες κεφαλές έτσι ώστε να μην ξεσφίξουν κατά την λειτουργία.

Προσαρμογή του καλύμματος της σκόνης (Εικ. 8)

Ξεσφίξτε τη βίδα και προσαρμόστε το επίπεδο της βούρτσας του καλύμματος της σκόνης. Η βούρτσα του καλύμματος της σκόνης θα πρέπει να είναι είτε επίπεδη με την επιφάνεια του διαμαντένιου τροχού ή πολύ λίγο πάνω (όταν το εργαλείο είναι ανάστροφο) από τα 0,5 χιλ. Η αναρρόφηση/συλλογή θα είναι ανεπαρκής εάν δεν είναι κατά προσέγγιση στο ίδιο επίπεδο. Μετά την προσαρμογή, φροντίστε να σφίξετε την βίδα καλά. Για να προσαρμόσετε το κάλυμμα της σκόνης, πιέστε το από τα εξωτερικά, στρέψτε δεξιόστροφα για να το ανυψώσετε ή αριστερόστροφα για να το χαμηλώσετε.

ΣΥΝΑΡΜΟΛΟΓΗΣΗ

ΠΡΟΣΟΧΗ:

- Να βεβαιώνετε πάντοτε ότι το εργαλείο είναι σβηστό και αποσυνδεδεμένο από το ηλεκτρικό ρεύμα πριν εκτελέσετε οποιαδήποτε εργασία σε αυτό.

Τοποθέτηση ή αφαίρεση του διαμαντένιου τροχού (Εικ. 9)

Για να αντικαταστήσετε ένα φθαρμένο διαμαντένιο τροχό με ένα καινούργιο, πιέστε την ασφάλεια του άξονα για να κρατήσετε σταθερό τον άξονα, και στη συνέχεια ξεσφίξτε το παξιμάδι κλειδώματος προς τα αριστερά με το παρεχόμενο κλειδί που είναι ειδικό για το παξιμάδι κλειδώματος.

Αφαιρέστε τον φθαρμένο διαμαντένιο τροχό.

Για να τοποθετήσετε ένα καινούργιο, ακολουθήστε τη παραπάνω διαδικασία αφαίρεσης με αντίστροφη σειρά. Κατά την τοποθέτηση του διαμαντένιου τροχού πάντοτε να φροντίζετε να σφίγγετε καλά το παξιμάδι κλειδώματος.

ΣΗΜΕΙΩΣΗ:

- Οι συννησιμένοι διαμαντένιοι τροχοί της αγοράς δεν διαθέτουν σπές εξαγωγής, έτσι η εκκένωση της σκόνης είναι περιορισμένη. Επίσης, εάν η οπή εγκατάστασης δεν είναι απολύτως της ίδιας διαμέτρου, θα συμβεί δόνηση στο εργαλείο και μπορούν να προκληθούν ατυχήματα. ΠΑΝΤΟΤΕ ΝΑ ΧΡΗΣΙΜΟΠΟΙΗΤΕ ΕΝΑ ΕΚΚΕΝΤΡΟ ΔΙΑΜΑΝΤΕΝΙΟ ΤΡΟΧΟ ΤΗΣ ΜΑΚΙΤΑ.

Αντικατάσταση της βούρτσας του καλύμματος της σκόνης

Για να αφαιρέσετε τη βούρτσα του καλύμματος της σκόνης από το κάλυμμα της σκόνης, πιάστε το άκρο της βούρτσας του καλύμματος της σκόνης και βγάλτε το σιγά-σιγά προς τα έξω. (Εικ. 10)

Για να τοποθετήσετε τη βούρτσα του καλύμματος της σκόνης, πρώτα ευθυγραμμίστε και τα δύο άκρα της βούρτσας με την αυλάκωση του καλύμματος της σκόνης. (Εικ. 11)

Και στη συνέχεια εισάγετε μέχρι το τέρμα τη βούρτσα στην αυλάκωση του καλύμματος της σκόνης χρησιμοποιώντας τον οδηγό με εσοχή ή κάποιο άλλο κατάλληλο εργαλείο.

Σάκος σκόνης (Εικ. 12)

Για να τοποθετήσετε τον σάκο της σκόνης, σύρτε τον μέσα στην είσοδο της σκόνης. Πάντοτε να φροντίζετε να τον σέρνετε μέσα στην είσοδο της σκόνης μέχρι τέλους έως ότου να σταματήσει, έτσι ώστε να μην μπορεί να βγει έξω κατά την διάρκεια της λειτουργίας.

Αφαιρέστε τον σάκο της σκόνης όταν αρχίζει να αγγίζει την επιφάνεια κοπής. Αυτό είναι ένα σημάδι ότι έχει γεμίσει. Αν δεν αδειάσετε τον σάκο θα καταστεί ανεπαρκής η αναρρόφηση/συλλογή.

Σύνδεση ηλεκτρικής σκούπας (Εικ. 13)

Όταν θέλετε να εκτελέσετε εργασίες πλάνισματος καθαρά, συνδέστε την ηλεκτρική σκούπα της Makita στο εργαλείο σας όπως δείχνεται στην εικόνα.

ΛΕΙΤΟΥΡΓΙΑ (Εικ. 14)

Να χρησιμοποιείτε πάντα την πάνω λαβή (βοηθητική χειρολαβή) και, κατά τη διάρκεια των εργασιών, να

κρατάτε το εργαλείο καλά από την πάνω χειρολαβή και από τη χειρολαβή του διακόπτη.

Πλάνισμα σε γωνίες

Για το PC5000C

Το επίπεδο πλάνισμα των γωνιών είναι εφικτό αφού πρώτα αφαιρέσετε το καπάκι του καλύμματος της σκόνης.

Μόνο για το PC5001C (Εικ. 15)

Πριν εκτελέσετε το επίπεδο πλάνισμα γωνιών, αφαιρέστε το εξάγωνο μπουλόνι που στερεώνει το στήριγμα του κυλίνδρου με το στήριγμα της βάσης και στη συνέχεια βγάλτε ολόκληρο το στήριγμα του κυλίνδρου.

Μετά, ξεσφίξτε το μπουλόνι με την εξάγ. κοίλη κεφαλή και βγάλτε το καπάκι του καλύμματος της σκόνης και στη συνέχεια προσαρμόστε το κάλυμμα της σκόνης σε μια κατάλληλη θέση ανάλογα με την εργασίας σας. (Εικ. 16)

ΣΥΝΤΗΡΗΣΗ

ΠΡΟΣΟΧΗ:

- Να βεβαιώνετε πάντοτε ότι το εργαλείο είναι σβηστό και αποσυνδεδεμένο από το ηλεκτρικό ρεύμα πριν εκτελέσετε οποιαδήποτε εργασία ελέγχου ή συντήρησης σε αυτό.
- Μην χρησιμοποιήσετε βενζίνη, βενζόλη, διαλυτικό, αλκοόλη ή κάτι παρόμοιο. Μπορεί να προκληθεί αποχρωματισμός, παραμόρφωση ή ρωγμές.

Αλλαγή καρβουνακίων (Εικ. 17)

Να αφαιρείτε και να ελέγχετε τακτικά τα καρβουνάκια. Να αντικαθιστάτε τα καρβουνάκια όταν έχουν φθαρεί έως την ένδειξη του ορίου. Να διατηρείτε τα καρβουνάκια καθαρά και ελεύθερα για να γλιστρούν στις υποδοχές. Πρέπει να αλλάξετε ταυτόχρονα και τα δύο καρβουνάκια. Να χρησιμοποιείτε μόνο καρβουνάκια ίδιου τύπου.

Με τη βοήθεια ενός κατσαβιδιού, βγάλτε τα καπάκια υποδοχής για τα καρβουνάκια. Βγάλτε τα φθαρμένα καρβουνάκια, τοποθετήστε τα καινούργια και ασφαλίστε τα καπάκια υποδοχής για τα καρβουνάκια. (Εικ. 18) Για να διατηρείται η ΑΣΦΑΛΕΙΑ και η ΑΞΙΟΠΙΣΤΙΑ του προϊόντος, οι εργασίες επισκευής, καθώς και οποιαδήποτε άλλη εργασία συντήρησης ή ρύθμισης, θα πρέπει να εκτελούνται σε εξουσιοδοτημένα κέντρα εξυπηρέτησης της Makita, και πάντοτε με τη χρήση ανταλλακτικών της Makita.

ΠΡΟΑΙΡΕΤΙΚΑ ΑΞΕΣΟΥΑΡ

ΠΡΟΣΟΧΗ:

- Συνιστάται η χρήση αυτών των αξεσουάρ ή εξαρτημάτων με το εργαλείο της Makita, όπως περιγράφεται στο παρόν εγχειρίδιο. Αν χρησιμοποιήσετε άλλα αξεσουάρ ή εξαρτήματα μπορεί να παρουσιαστεί κίνδυνος για πρόκληση τραυματισμού προσώπων. Να χρησιμοποιείτε τα αξεσουάρ και τα εξαρτήματα μόνο για το σκοπό για τον οποίο προορίζονται.

Αν χρειάζεστε κάποια βοήθεια ή περισσότερες πληροφορίες σχετικά με τα αξεσουάρ αυτά, απευθυνθείτε στο πλησιέστερο κέντρο εξυπηρέτησης της Makita.

- Έκκεντρος διαμαντένιος τροχός (Ξηρού τύπου)
- Βούρτσα καλύμματος σκόνης

ΣΗΜΕΙΩΣΗ:

- Ορισμένα από τα στοιχεία της λίστα μπορεί να περιέχονται στην συσκευασία του εργαλείου ως κανονικά αξεσουάρ. Αυτά ενδέχεται να διαφέρουν από χώρα σε χώρα.

Θορύβος

ENG905-1

Το σύνθετος σταθμισμένο επίπεδο θορύβου που έχει καθοριστεί σύμφωνα με την EN60745:

Μοντέλα PC5000C

Επίπεδο ηχητικής πίεσης (L_{pA}): 91 dB (A)
Επίπεδο ηχητικής ισχύος (L_{WA}): 102 dB (A)
Αβεβαιότητα (K): 3 dB (A)

Μοντέλα PC5001C

Επίπεδο ηχητικής πίεσης (L_{pA}): 89 dB (A)
Επίπεδο ηχητικής ισχύος (L_{WA}): 100 dB (A)
Αβεβαιότητα (K): 3 dB (A)

Να φοράτε ωτοασπίδες.

Δόνηση

ENG900-1

Η συνολική τιμή δόνησης (διανυσματικό άθροισμα τριών αξόνων) που έχει καθοριστεί σύμφωνα με την EN60745:

Μοντέλα PC5000C

Κατάσταση λειτουργίας: πλάνισμα τσιμεντού
Εκπομπή δόνησης (a_h): 12,0 m/s²
Αβεβαιότητα (K): 1,5 m/s²

Μοντέλα PC5001C

Κατάσταση λειτουργίας: πλάνισμα τσιμεντού
Εκπομπή δόνησης (a_h): 12,5 m/s²
Αβεβαιότητα (K): 2,5 m/s²

ENG902-1

- Η δηλωθείσα τιμή των παραγομένων κραδασμών έχει καταμετρηθεί σύμφωνα με την τυποποιημένη μέθοδο δοκιμασίας και μπορεί να χρησιμοποιηθεί για την σύγκριση ενός εργαλείου με ένα άλλο.
- Η δηλωθείσα τιμή των παραγομένων κραδασμών μπορεί επίσης να χρησιμοποιηθεί για μια προκαταρκτική αξιολόγηση της έκθεσης στους κραδασμούς.
- Η δηλωθείσα τιμή των παραγομένων κραδασμών χρησιμοποιείται για τις κύριες χρήσεις του ηλεκτρικού εργαλείου. Ωστόσο, εάν το ηλεκτρικό εργαλείο χρησιμοποιηθεί για άλλες εφαρμογές, η τιμή των παραγομένων κραδασμών μπορεί να είναι διαφορετική.

ΠΡΟΕΙΔΟΠΟΙΗΣΗ:

- Η εκπομπή κραδασμών κατά τη διάρκεια της πραγματικής χρήσης του ηλεκτρικού εργαλείου μπορεί να διαφέρει από τη δηλωθείσα τιμή των εκπομπών, ανάλογα με τον τρόπο με τον οποίο χρησιμοποιείται το εργαλείο.
- Φροντίστε να λάβετε τα μέτρα ασφαλείας που απαιτούνται για την προστασία του χρήστη που βασίζονται σε μια εκτίμηση της έκθεσης σε πραγματικές συνθήκες χρήσης (λαμβάνοντας υπόψη όλα τα μέρη του κύκλου λειτουργίας, όπως είναι οι περιπτώσεις κατά τις οποίες το εργαλείο είναι απενεργοποιημένο και όταν λειτουργεί στο ρελαντί επιπρόσθετως του χρόνου κατά τον οποίο το εργαλείο βρίσκεται σε χρήση).

Για τις ευρωπαϊκές χώρες μόνο

ENH101-16

ΕΚ – Δήλωση συμμόρφωσης

Η Εταιρία Makita ως υπεύθυνος κατασκευαστής, δηλώνει ότι το παρακάτω μηχάνημα ή μηχανήματα της Makita:

Ονομασία Μηχανήματος:

Πλάνη τσιμεντού

Αρ. Μοντέλου/ Τύπος: PC5000C, PC5001C

αποτελούν παραγωγή σε σειρά και

Συμμορφώνονται με τις ακόλουθες Ευρωπαϊκές

Οδηγίες:

2006/42/ΕΚ

Και κατασκευάζονται σύμφωνα με τα παρακάτω πρότυπα ή τυποποιημένα έγγραφα:

EN60745

Τα τεχνικά έγγραφα διατηρούνται από το:

Makita International Europe Ltd.

Technical Department,

Michigan Drive, Tongwell,

Milton Keynes, Bucks MK15 8JD, England

30. 1. 2009



Tomoyasu Kato

Διευθυντής

Makita Corporation

3-11-8, Sumiyoshi-cho,

Anjo, Aichi, 446-8502, JAPAN

Makita Corporation
Anjo, Aichi, Japan

www.makita.com

884876F998

ALA