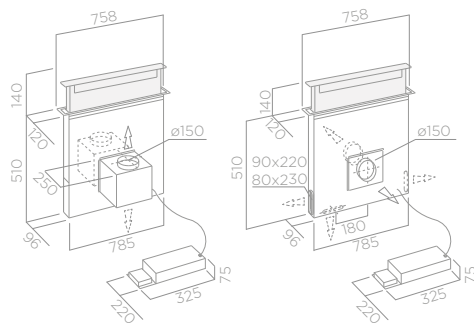




PANDORA

ELICA DESIGN CENTER



Misure Size	90 cm
Finiture Finish	Nero, acciaio inox Black, stainless steel
Versione Version	Filtrante (motore interno)/Aspirante (motore esterno) Recycling (internal motor)/Duct out (external motor)



HIGH PERFORMANCE



ENERGY CLASS

Comandi Controls	TOUCH CONTROL 3V+I 3s + B Touch control
Portata intensiva Booster airflow	680 m ³ /h
Livello sonoro max Max noise level	57 db(A)
Assorbimento totale Total absorption	250 W
Uscita Duct size	150 mm

Filtro grassi alluminio e Filtro carbone (mot. int.) inclusi. Vedi pagina 246.
Grease filter aluminium and Charcoal filter (int. mot) included. See page 246.

ACCESSORI Accessories	
Kit filtro carbone Pandora (*Incluso) Charcoal filter kit Pandora (*Included)	KIT0120954
Motore esterno GME 22 External motor GME 22	PRF0006212A
Motore esterno GME 88 External motor GME 88	PRF0046491A

Dettagli motori esterni disponibili a pag.249
See page 249 for external motor specifications

MODELLO Model	
PANDORA BL/F/90 *	PRF0120979
PANDORA IX/F/90 *	PRF0120980
PANDORA GME BL/A/90	PRF0120981
PANDORA GME IX/A/90	PRF0120982