

Lenco

Model SB-080



User manual - 90CM soundbar with 80W RMS, Bluetooth, built-in subwoofer and HDMI (ARC)

Gebruikshandleiding - 90 cm SoundBar met 80 W RMS, Bluetooth, ingebouwde subwoofer en HDMI (ARC)

Bedienungsanleitung – 90-cm-Soundbar mit 80 W RMS, Bluetooth, integriertem Subwoofer und HDMI (ARC)

Mode d'emploi - Barre de son de 90 cm avec 80 W RMS, Bluetooth, caisson de graves intégré et HDMI (ARC)

Manual de usuario – barra de sonido de 90 cm con 80 W RMS, Bluetooth, subwoofer integrado y HDMI (ARC)

Index

English	1
Nederlands	12
Deutsch	24
Français	36
Español	47

CAUTION:

Usage of controls or adjustments or performance of procedures other than those specified herein may result in hazardous radiation exposure.

PRECAUTIONS BEFORE USE**KEEP THESE INSTRUCTIONS IN MIND:**

1. Do not cover or block any ventilation openings. When placing the device on a shelf, leave 5 cm (2") free space around the whole device.
2. Install in accordance with the supplied user manual.
3. Keep the device away from heat sources such as radiators, heaters, stoves, candles and other heat-generating products or naked flame. The device can only be used in moderate climates. Extremely cold or warm environments should be avoided. Working temperature between 0° and 35°C.
4. Avoid using the device near strong magnetic fields.
5. Electrostatic discharge can disturb normal usage of this device. If so, simply reset and restart the device following the instruction manual. During file transmission, please handle with care and operate in a static-free environment.
6. Warning! Never insert an object into the product through the vents or openings. High voltage flows through the product and inserting an object can cause electric shock and/or short circuit internal parts. For the same reason, do not spill water or liquid on the product.
7. Do not use in wet or moist areas such as bathrooms, steamy kitchens or near swimming pools.
8. The device shall not be exposed to dripping or splashing and make sure that no objects filled with liquids, such as vases, are placed on or near the apparatus.
9. Do not use this device when condensation may occur. When the unit is used in a warm wet room with damp, water droplets or condensation may occur inside the unit and the unit may not function properly; let the unit stand in power OFF for 1 or 2 hours before turning on the power: the unit should be dry before getting any power.
10. Although this device is manufactured with the utmost care and checked several times before leaving the factory, it is still possible that problems may occur, as with all electrical appliances. If you notice smoke, an excessive build-up of heat or any other unexpected phenomena, you should disconnect the plug from the main power socket immediately.
11. This device must operate on a power source as specified on the specification label. If you are not sure of the type of power supply used in your home, consult your dealer or local power company.
12. Keep away from animals. Some animals enjoy biting on power cords.
13. To clean the device, use a soft dry cloth. Do not use solvents or petrol based fluids. To remove severe stains, you may use a damp cloth with dilute detergent.
14. The supplier is not responsible for damage or lost data caused by malfunction, misuse, modification of the device or battery replacement.
15. Do not interrupt the connection when the device is formatting or transferring files. Otherwise, data may be corrupted or lost.

16. If the unit has USB playback function, the USB memory stick should be plugged into the unit directly. Don't use an USB extension cable because it can cause interference resulting in failing of data.
17. The rating label has been marked on the bottom or back panel of the device.
18. This device is not intended for use by people (including children) with physical, sensory or mental disabilities, or a lack of experience and knowledge, unless they're under supervision or have received instructions about the correct use of the device by the person who is responsible for their safety.
19. This product is intended for non professional use only and not for commercial or industrial use.
20. Make sure the unit is adjusted to a stable position. Damage caused by using this product in an unstable position vibrations or shocks or by failure to follow any other warning or precaution contained within this user manual will not be covered by warranty.
21. Never remove the casing of this device.
22. Never place this device on other electrical equipment.
23. Do not allow children access to plastic bags.
24. Only use attachments/accessories specified by the manufacturer.
25. Refer all servicing to qualified service personnel. Servicing is required when the device has been damaged in any way, such as the power supply cord or the plug, when liquid has been spilled or objects have fallen into the device, when the device has been exposed to rain or moisture, does not operate normally, or has been dropped.
26. Long exposure to loud sounds from personal music players may lead to temporary or permanent hearing loss.
27. If the product is delivered with power cable or AC power adaptor:
 - If any trouble occur, disconnect the AC power cord and refer servicing to qualified personnel.
 - Don't step on or pinch the power adaptor. Be very careful, particularly near the plugs and the cable's exit point. Do not place heavy items on the power adaptor, which may damage it. Keep the entire device out of children's reach! When playing with the power cable, they can seriously injure themselves.
 - Unplug this device during lightning storms or when unused for a long period.
 - The socket outlet must be installed near the equipment and must be easily accessible.
 - Do not overload ac outlets or extension cords. Overloading can cause fire or electric shock.
 - Devices with class 1 construction should be connected to a main socket outlet with a protective earthed connection.
 - Devices with class 2 construction do not require a earthed connection.
 - Always hold the plug when pulling it out of the main supply socket. Do not pull the power cord. This can cause a short circuit.
 - Do not use a damaged power cord or plug or a loose outlet. Doing so may result in fire or electric shock.
28. If the product contains or is delivered with a remote control containing coin/cell batteries:
Warning:
 - "Do not ingest battery, Chemical Burn Hazard" or equivalent warning.

- [The remote control supplied with] This product contains a coin/button cell battery. If the battery is swallowed, it can cause severe internal burns in just 2 hours and can lead to death.
 - Keep new and used batteries away from children.
 - If the battery compartment does not close securely, stop using the product and keep it away from children.
 - If you think batteries might have been swallowed or placed inside any part of the body, seek immediate medical attention.
29. Caution about the use of Batteries:
- Danger of explosion if battery is incorrectly replaced. Replace only with the same or equivalent type.
 - Battery cannot be subjected to high or low extreme temperatures, low air pressure at high altitude during use, storage or transportation.
 - Replacement of a battery with an incorrect type that can result in an explosion or the leakage of flammable liquid or gas.
 - Disposal of a battery into fire or a hot oven, or mechanically crushing or cutting of a battery, that can result in an explosion.
 - Leaving a battery in an extremely high temperature surrounding environment that can result in an explosion or that leakage of flammable liquid or gas.
 - A battery subjected to extremely low air pressure that may result in an explosion or the leakage of flammable liquid or gas.
 - Attention should be drawn to the environmental aspects of battery disposal.

INSTALLATION

- Unpack all parts and remove protective material.
- Do not connect the unit to the mains before checking the mains voltage and before all other connections have been made.

Warning about use of HDMI cable connection.

-Use only a HIGH SPEED HDMI cable (from HDMI 1.4)

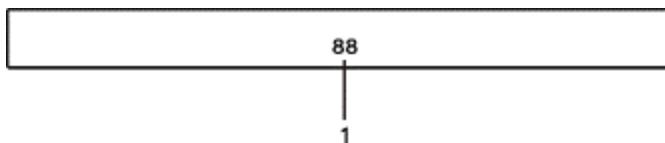
-Check if your TV has a HDMI connector with "ARC" mentioned.

If yes, please connect the HDMI cable with this connector.

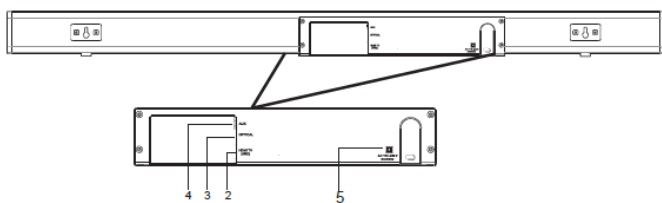
If not, then it is not sure that the sound synchronization of volume of your soundbar will work perfectly.

In the HDMI settings of your TV, please select the CEC-HDMI option (or ANYNET for some brands)

Soundbar Controls and Connections

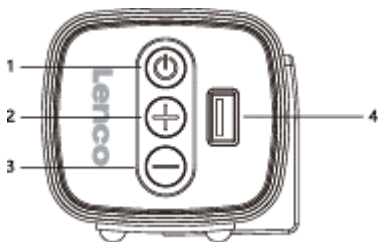


BACK VIEW



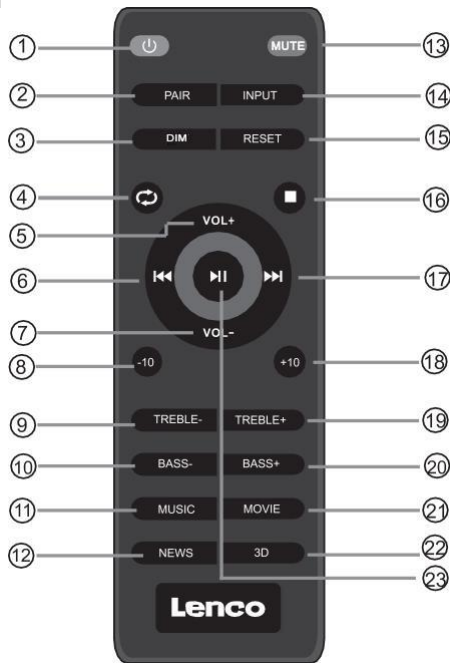
1. DISPLAY
2. HDMI TV(ARC)
3. OPTICAL
4. AUX
5. AC IN

SIDE VIEW



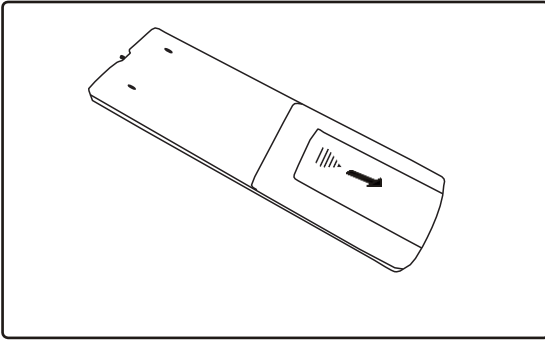
1. Standby
2. Vol+
3. Vol-
4. USB

Remote Control

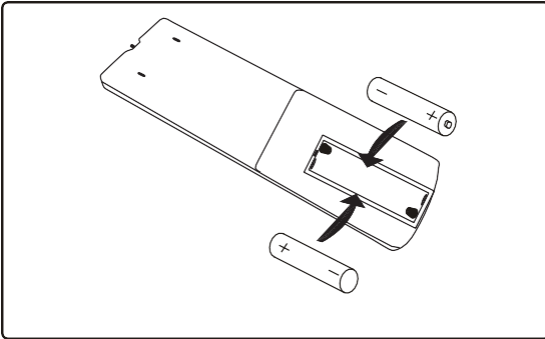


1. Standby mode for power on/off.
2. PAIR: Connect or disconnect to the pairing device. (Press the button more than 2 seconds).
3. DIM: Brightness control. This button will not work in standby mode
4. Loop playback (this function is for USB).
5. Volume +
6. Pre button: Previous song (this function is for bluetooth mode only).
7. Volume -
8. -10: Backwards ten songs (this function is for BT mode only).
9. Treble -
10. Bass -
11. MUSIC: Select the MUSIC EQ preset.
12. NEWS: Select the MUSIC EQ preset.
13. MUTE mode.
14. INPUT: AUX/OPT/USB/BT selection
15. RESET: Reset all sound bar volume levels and switch EQ back to music setting. Press and hold this button for 2 seconds.
16. Stop button: Press to stop. (this function is for USB mode only).
17. Next button: Next song. (this function is for USB and BT mode only).
18. +10: Forwards ten songs. (this function is for USB mode only).
19. Treble +.
20. Bass +
21. MOVIE: Select the MOVIE EQ preset.
22. 3D: Select the 3D EQ preset.
23. Play/Pause (this function is for USB and BT only).

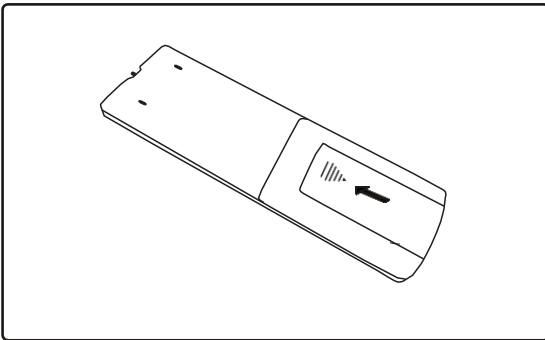
Remote Control Battery Replacement



- A. Remove the battery compartment cover, by sliding it downwards.**



- B. Insert 2 AAA batteries according to the marking inside the battery compartment.**



- C. Close the compartment, by sliding it upwards.**

Operating INSTRUCTIONS

Using the soundbar

1. Switch on the soundbar by using the power button on the soundbar or by using the Standby button on the remote control. After switching it on, the default input mode will be shown on the display
2. Input modes can be changed by pressing the power button again or by using the INPUT button on remote

Below are input mode names appearing in the soundbar display:

Note: USB input mode is not available in the source selection. It will be available only after inserting a compatible USB Drive (appears as US in display)

Pairing Mode

Connect

1. Plug in the power cord and the display will lit up, display shows [--] which means the unit is in standby mode
2. Switch on the soundbar by pressing the power button and then change the input mode to Bluetooth. The display will show [bt]. If no device was previously paired, the display will show a blinking [bt].
3. Search for new Bluetooth devices on your Bluetooth audio player (for example: smartphone/tablet/computer). Choose the device named 'Lenco SB-080' from the list of the detected devices. If a password is requested just type 0000. The blinking [bt] will stop flashing and a beep will sound when the sound bar is successfully paired.
4. The soundbar will remember the last paired device and reconnects the next time you switch on the soundbar in Bluetooth mode. (The previously paired device must be in the neighborhood of the sound bar with the Bluetooth function activated)

Note: When your device was unable to detect the soundbar while pairing, please restart the bluetooth mode and try to pair again.

Disconnect

Go to the Bluetooth settings of your Bluetooth audio player, select 'Lenco SB-080' from the list of devices and choose the option 'disconnect'.

Note: You have to disconnect from your Bluetooth audio player if you want to connect a different BT player.

AUX Mode

1. After switching on the soundbar, change to AUX input mode by pressing the 'input' button on the remote control until [AU] is shown on the display.
2. Plug in the 3.5mm AUX cable to the AUX connector on the soundbar and start playing from the connected music device.

USB Mode

The USB port can be found on the right side of the soundbar. You can use USB memory sticks with music files in MP3 format.

1. Plug in the USB drive into the USB port.
2. The music files on the USB drive will play automatically and the display will show [US]
3. You can use the remote control to play/pause/stop and play next/previous track.

HDMI Mode

1. The Soundbar supports HDMI with Audio Return Channel (ARC). If your TV is HDMI ARC compliant, you can hear the TV audio through your soundbar by using a single HDMI cable
2. Connect a high speed HDMI cable from the HDMI TV (ARC) connector on the soundbar to the HDMI ARC connector on your TV. The HDMI ARC connector on the TV might be labelled differently. (HD) will display on the soundbar
3. On your TV, select source as HDMI (ARC) mode. For details on the HDMI (ARC) mode, consult your TV user manual.

Optical Mode

Using an optical cable, connect the OPTICAL connector on the Soundbar to the OPTICAL OUT connect on the TV or other device. (OP) will display on the sounbar.

TROUBLESHOOTING

ISSUES	PROBLEMS	SOLUTIONS
Sound	No sound from SoundBar speakers	<p>Connect the audio cable from your SoundBar to your TV or other devices. However, you do not need a separate audio connection when the SoundBar and TV are connected through HDMI ARC connection.</p> <p>On the remote control, select the correct audio input</p>
	Distorted sound or echo	If you play audio from the TV through the SoundBar, make sure that the TV is muted.
Bluetooth	A device cannot connect with the SoundBar	Restart the soundbar and try pairing again
		You have not enabled the Bluetooth function of the device. See the user manual of the device on how to enable the function.
		The device is not correctly connected
		The SoundBar is already connected with another Bluetooth device. Disconnect the connected device, then try again.
	Quality of audio play from a connected Bluetooth device is poor	The Bluetooth reception is poor. Move the device closer to the SoundBar, or remove any obstacle between the device and the SoundBar.
The connected Bluetooth device connects and disconnects constantly	The Bluetooth reception is poor. Move the device closer to the SoundBar, or remove any obstacle between the device and the SoundBar.	

TECHNICAL SPECIFICATIONS

Power Supply	SMPS 110V-240V ~ 50/60Hz
Power output	20W*2+40W=80W R.M.S.
Driver Unit	2"*2+2.25"*2
Input impedance	8Ω*2+3Ω*2
S/N	≥ 72dB
Frequency Response	80Hz-20Khz
Distortion	</=0.5% (1K/1W)
Input Sensitivity	800mV±50mV
bluetooth Version	Version: 5.0 Range:up to 10m
Dimension (mm)	70H*78D*900L mm

GUARANTEE

Lenco offers service and warranty in accordance to European law, which means that in case of repairs (both during and after the warranty period) you should contact your local dealer.

Important note: It is not possible to send products that need repairs to Lenco directly.

Important note: If this unit is opened or accessed by a non-official service center in any way, the warranty expires.

This device is not suitable for professional use. In case of professional use, all warranty obligations of the manufacturer will be voided.

DISCLAIMER

Updates to Firmware and/or hardware components are made regularly. Therefore some of the instruction, specifications and pictures in this documentation may differ slightly from your particular situation. All items described in this guide for illustration purposes only and may not apply to particular situation. No legal right or entitlements may be obtained from the description made in this manual.

DISPOSAL OF THE OLD DEVICE



This symbol indicates that the relevant electrical product or battery should not be disposed of as general household waste in Europe. To ensure the correct waste treatment of the product and battery, please dispose them in accordance to any applicable local laws of requirement for disposal of electrical equipment or batteries. In so doing, you will help to conserve natural resources and improve standards of environmental protection in treatment and disposal of electrical waste (Waste Electrical and Electronic Equipment Directive).

CE-MARKING

Hereby, Lenco Benelux B.V., Thermiekstraat 1a, 6361 HB Nuth, The Netherlands, declares that this product is in compliance with the essential EU directive requirements.

The declaration of conformity may be consulted via techdoc@commaxxgroup.com



SERVICE

For more information and helpdesk support, please visit www.lenco.com
Lenco Benelux BV, Thermiekstraat 1a, 6361 HB, The Netherlands.

LET OP:

Het gebruik van afstandsbedieningen of aanpassingen of de uitvoering van procedures die niet in dit document zijn gespecificeerd, kan leiden tot gevaarlijke blootstelling aan straling.

VOORZORGSMATREGELEN VOOR GEBRUIK**ONTHOUD DE VOLGENDE INSTRUCTIES:**

1. Bedek of blokkeer de ventilatieopeningen niet. Wanneer u het apparaat op een schap plaatst, dient u 5 cm (2") vrije ruimte rondom het gehele apparaat te behouden.
2. Installeer het product volgens de meegeleverde gebruikershandleiding.
3. Houd het apparaat uit de buurt van hittebronnen, zoals radiatoren, verwarmingen, kachels, kaarsen en andere hittegenererende producten of open vuur. Het apparaat kan alleen worden gebruikt in een gematigd klimaat. Extreem koude of warme omgevingen dienen te worden vermeden. Het bedrijfstemperatuurbereik ligt tussen 0 °C en 35 °C.
4. Gebruik dit apparaat niet in de buurt van krachtige magnetische velden.
5. Elektrostatische ontlading kan normaal gebruik van dit apparaat verstoren. U hoeft het apparaat in dit geval slechts te resetten en opnieuw op te starten volgens de gebruikershandleiding. Wees voorzichtig tijdens bestandsoverdracht en gebruik het product in een omgeving zonder statische interferentie.
6. Waarschuwing! Steek nooit een voorwerp via de ventilatie- of andere openingen in het product. Er is hoogspanning in het product aanwezig en als u er een object insteekt, kan dat een elektrische schok veroorzaken en/of kortsluiting in de interne onderdelen. Mors om dezelfde reden geen water of vloeistof op het product.
7. Gebruik het toestel niet in vochtige ruimtes, zoals badkamers, stomende keukens of in de buurt van zwembaden.
8. Het apparaat mag niet worden blootgesteld aan druppels en spetters en zorg ervoor dat er geen met vloeistof gevulde voorwerpen, zoals vazen, op of in de buurt van het apparaat worden geplaatst.
9. Gebruik dit apparaat niet wanneer condensatie kan optreden. Wanneer het apparaat in een warme, natte ruimte wordt gebruikt, kunnen zich waterdruppels of condens vormen in het apparaat en kan het apparaat niet goed functioneren. Laat het apparaat 1 of 2 uur uit staan voordat u het inschakelt: het apparaat dient droog te zijn voordat deze stroom ontvangt.
10. Alhoewel dit apparaat met grote zorg gefabriceerd en verschillende keren geïnspecteerd is voordat het de fabriek verlaat, is het nog steeds mogelijk dat er problemen optreden, zoals met alle elektrische apparaten. Als u rook, een overmatige hitteontwikkeling of enig ander onverwacht verschijnsel opmerkt, moet u onmiddellijk de stekker van het netsnoer uit het stopcontact halen.
11. Dit apparaat moet worden gebruikt met een voedingsbron zoals gespecificeerd op het specificatielabel. Als u twijfelt over het type voeding dat gebruikt wordt in uw huis, raadpleeg dan uw dealer of plaatselijk energiebedrijf.
12. Buiten bereik van dieren houden. Sommige dieren kauwen graag op voedingskabels.

13. Gebruik een zacht, droog doekje om het apparaat te reinigen. Gebruik geen oplosmiddelen of op benzine gebaseerde vloeistoffen. U kunt een vochtig doekje met verdund schoonmaakmiddel gebruiken om hardnekkige vlekken te verwijderen.
14. De leverancier is niet verantwoordelijk voor schade of verloren gegevens veroorzaakt door storing, misbruik, modificatie van het apparaat of batterijvervangning.
15. Onderbreek nooit de verbinding wanneer het apparaat formateert of bestanden overdraagt. De gegevens kunnen anders corrupt of verloren raken.
16. Indien het apparaat een USB-afspeelfunctie heeft, moet de USB-geheugenstick rechtstreeks op het apparaat worden aangesloten. Gebruik geen USB-verlengkabel, omdat die kan leiden tot storingen met foutieve gegevens als gevolg.
17. Het classificatielabel bevindt zich op de onderkant of het achterpaneel van het apparaat.
18. Dit hulpmiddel is niet bedoeld voor gebruik door mensen (inclusief kinderen) met een fysieke, zintuiglijke of mentale handicap, of een gebrek aan ervaring en kennis, tenzij zij toezicht of instructies hebben gekregen over het juiste gebruik van het hulpmiddel door een persoon die verantwoordelijk is voor hun veiligheid.
19. Dit product is alleen voor niet-professioneel gebruik bedoeld en niet voor commercieel of industrieel gebruik.
20. Verzeker u ervan dat het apparaat in een stabiele positie staat opgesteld. Schade die wordt veroorzaakt door het gebruik van dit product in een onstabiele positie, trillingen of schokken of het niet opvolgen van de waarschuwingen of voorzorgsmaatregelen in deze gebruikershandleiding wordt niet gedekt door de garantie.
21. Verwijder nooit de behuizing van dit apparaat.
22. Plaats dit apparaat nooit op andere elektrische apparatuur.
23. Geef kinderen geen gelegenheid in aanraking met plastic zakken te komen.
24. Gebruik uitsluitend uitbreidingen/accessoires gespecificeerd door de fabrikant.
25. Laat alle reparaties over aan gekwalificeerd onderhoudspersoneel. Onderhoud is nodig als het apparaat is beschadigd, bijvoorbeeld als de voedingskabel of de stekker is beschadigd, als er vloeistof op het apparaat is gemorst, als er voorwerpen in het apparaat zijn gevallen, als het apparaat is blootgesteld aan regen of vocht, als het apparaat niet normaal werkt of als het is gevallen.
26. Langdurige blootstelling aan harde geluiden van persoonlijke muzikspelers kan leiden tot tijdelijk of permanent gehoorverlies.
27. Als het product wordt geleverd met voedingskabel of wisselstroomvoedingsadapter:
 - Als er zich problemen voordoen, moet u de voedingskabel loskoppelen en het ter onderhoud aanbieden aan gekwalificeerd personeel.
 - Nooit op de voedingsadapter stappen of deze indrukken. Wees zeer voorzichtig, vooral in het gebied rond de stekkers en de kabelaan sluitingen. Plaats geen zware voorwerpen op de voedingsadapter, om beschadiging ervan te voorkomen. Houd het gehele apparaat buiten bereik van kinderen! Wanneer kinderen met de voedingskabel spelen, kunnen zij ernstig letsel oplopen.
 - Haal de stekker uit het stopcontact tijdens onweer of wanneer u deze langere tijd niet gebruikt.
 - Het stopcontact moet in de buurt van de apparatuur zijn geïnstalleerd en eenvoudig te bereiken zijn.

- Laat AC-stopcontacten of verlengsnoeren nooit overbelast raken. Overbelasting kan brand of een elektrische schok veroorzaken.
 - Apparaten met een Klasse 1 structuur dienen te worden aangesloten op een stopcontact met een beschermende aardverbinding.
 - Apparaten met een Klasse 2 structuur vereisen geen aardverbinding.
 - Houd altijd de stekker vast wanneer u deze uit het stopcontact trekt. Trek nooit aan de voedingskabel. Dit kan tot een kortsluiting leiden.
 - Gebruik nooit een beschadigde voedingskabel of stekker of een los stopcontact. Dit vormt namelijk een risico op brand of elektrische schokken.
28. Indien het product knoopcelbatterijen bevat of wordt geleverd met een afstandsbediening die knoopcelbatterijen bevat:
- Waarschuwing:
- "Batterij niet inslikken, chemisch brandgevaar" of gelijkwaardige werking.
 - De meegeleverde afstandsbediening bevat een knoopcelbatterij. Als de batterij wordt ingeslikt, kan deze in slechts 2 uur ernstige interne brandwonden veroorzaken en tot de dood leiden.
 - Houd nieuwe en gebruikte batterijen buiten bereik van kinderen.
 - Als de batterijhouder niet goed kan worden gesloten, dient u het product niet meer te gebruiken en buiten bereik van kinderen te houden.
 - Als u denkt dat batterijen zijn ingeslikt of binnenin een willekeurig lichaamsdeel terecht zijn gekomen, dient u onmiddellijk medische hulp te zoeken.
29. Waarschuwing m.b.t. het gebruik van batterijen:
- Als de batterij onjuist wordt geplaatst, bestaat er explosiegevaar. Vervang de batterij alleen door een zelfde of vergelijkbare soort batterij.
 - Stel de batterij niet bloot aan extreem hoge of lage temperaturen of een lage luchtdruk op grote hoogte tijdens gebruik, opslag of transport.
 - Vervanging van een batterij door een incorrect type kan leiden tot een ontploffing of de lekkage van ontvlambare vloeistoffen of gas.
 - Het weggooien van een batterij in het vuur of een hete oven, of het mechanisch verpletteren of insnijden van een batterij, kan leiden tot een explosie.
 - Het achterlaten van een batterij in een omgeving met extreem hoge temperaturen kan leiden tot een explosie of het lekken van brandbare vloeistof of gas.
 - Een batterij die aan een extreem lage luchtdruk wordt blootgesteld, kan leiden tot een explosie of het lekken van brandbare vloeistof of gas.
 - Aandacht voor het milieu is nodig bij het verwijderen van de batterijen.

INSTALLATIE

- Pak alle onderdelen uit en verwijder de beschermende materialen.
- Sluit het apparaat niet aan op het stopcontact, voordat u de netspanning hebt gecontroleerd en voordat alle andere aansluitingen zijn gemaakt.

Waarschuwing over het gebruik van een HDMI-kabelaansluiting.

-Gebruik alleen een HIGH SPEED HDMI-kabel (van HDMI 1.4)

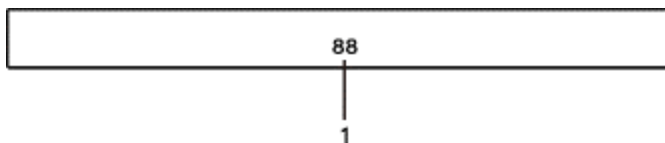
-Controleer of uw tv een HDMI-aansluiting heeft met de vermelding "ARC".

Indien ja, sluit dan de HDMI-kabel aan op deze connector.

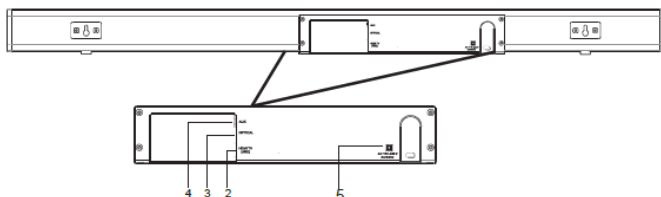
Indien niet, dan is het niet zeker of de geluidssynchronisatie van het volume van uw soundbar perfect zal werken.

Selecteer in de HDMI-instellingen van uw tv de optie CEC-HDMI (of ANYNET voor sommige merken)

* Bedieningen en aansluitingen van de SoundBar

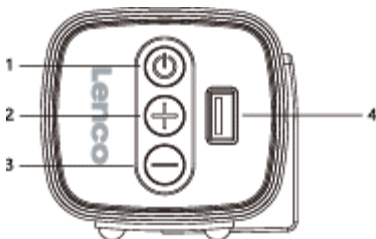


ACHTERAANZICHT



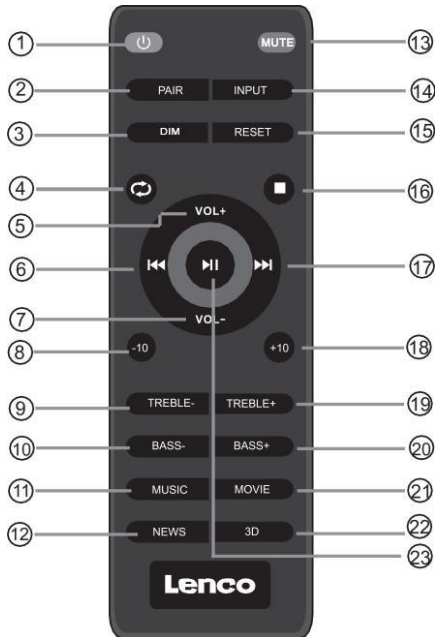
1. SCHERM
2. HDMI TV(ARC)
3. OPTISCH
4. AUX
5. AC-IN

ZIJAANZICHT



1. Stand-by
2. Vol+
3. Vol-
4. USB

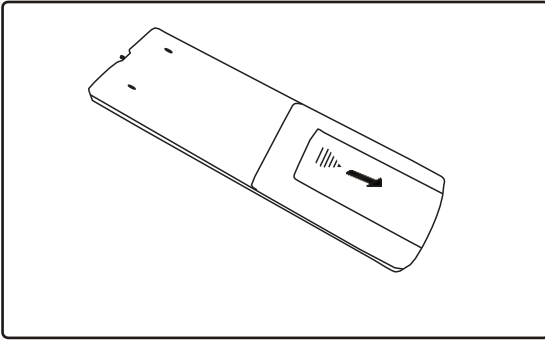
Afstandsbediening



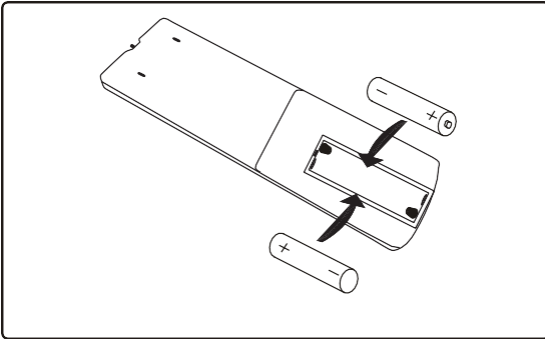
1. Stand-by-modus voor in-/uitschakelen.
2. KOPPELEN: Koppelen met of loskoppelen van het gekoppelde apparaat. (Houd de toets minstens 2 seconden ingedrukt).
3. DIM: Helderheidsregeling. Deze toets werkt niet in stand-by-modus.
4. Herhalende afspeelmodus (deze functie is voor USB).
5. Volume +
6. Vorige-toets: Vorige track (deze functie werkt alleen in Bluetooth-modus).
7. Volume -
8. -10: Tien tracks terug (deze functie werkt alleen in BT-modus).
9. Hoge tonen -
10. Lage tonen -
11. MUZIEK: Een MUZIEK EQ voorkeuze selecteren.
12. NIEUWS: Een MUZIEK EQ voorkeuze
13. DEMP-modus.
14. INGANG: AUX/OPT/USB/BT selecteren
15. RESETTEN: Alle volumeniveaus van de SoundBar resetten en de EQ weer inschakelen op de muziekinstelling. Houd deze toets minstens 2 seconden ingedrukt.
16. Stoptoets: Indrukken om te stoppen. (deze functie werkt alleen in USB-modus).
17. Volgende-toets: Volgende track. (deze functie werkt alleen voor USB- en BT-modus).
18. +10: Tien tracks vooruit. (deze functie werkt alleen in USB-modus).
19. Hoge tonen +.
20. Lage tonen +
21. FILM: Een FILM EQ voorkeuze selecteren.
22. 3D: De 3D EQ voorkeuze selecteren.
23. Start/Pauze (deze functie werkt alleen voor USB- en BT-modus).

selecteren.

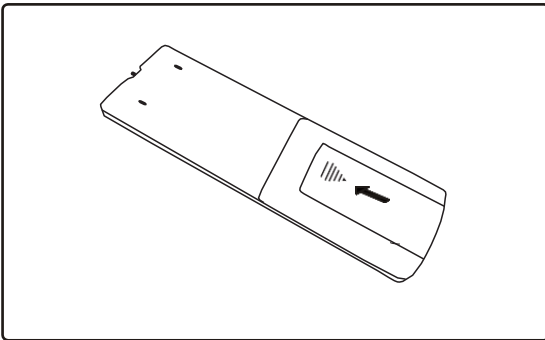
Batterijen van de afstandsbediening vervangen



- A. Verwijder de klep van het batterijvak door deze omlaag te schuiven.



- B. Installeer 2 type AAA batterijen volgens de markeringen binnenin het batterijvak.



- C. Sluit het batterijvak door de klep omhoog te schuiven.

Gebruiksaanwijzingen

De SoundBar gebruiken

1. Schakel de SoundBar in door op de aan-/uittoets op de SoundBar te drukken of door de toets Stand-by op de afstandsbediening te gebruiken. Na te zijn ingeschakeld, zal de standaard ingangsmodus Be op de display worden weergegeven.
2. U kunt van ingangsmodus wisselen door nogmaals op de aan-/uittoets te drukken of door de toets INPUT op de afstandsbediening te drukken.

Hieronder volgen de namen van de ingangsmodi die op de display van de SoundBar verschijnen:

Opmerking: De USB-ingangsmodus is niet beschikbaar in de bronselectie en zal pas beschikbaar zijn nadat een compatibele USB-drive is aangesloten (verschijnt als US op de display).

Koppelmodus

Verbinden

1. Sluit de voedingskabel aan en de display zal oplichten en [--] weergeven, wat betekent dat het apparaat op de stand-by-modus is geschakeld.
2. Schakel de SoundBar in door op de aan-/uittoets te drukken en stel de ingangsmodus vervolgens in op Bluetooth. De display zal [bt] weergeven. Als er eerder nog geen apparaat was gekoppeld, dan zal [bt] op de display knipperen.
3. Zoek naar nieuwe Bluetooth-apparatuur op uw Bluetooth-audiospeler (bijvoorbeeld: smartphone/tablet/computer). Selecteer het apparaat met de naam 'Lenco SB-080' in de lijst met gevonden apparatuur. U hoeft slechts 0000 in te voeren als er om een wachtwoord wordt gevraagd. De knipperende [bt] zal stoppen met knipperen en er klinkt een piepton wanneer de SoundBar succesvol is gekoppeld.
4. De SoundBar zal het laatst gekoppelde apparaat onthouden en daarmee opnieuw verbinding maken de volgende keer dat u de SoundBar op Bluetooth-modus schakelt. (Het eerder gekoppelde apparaat moet in de buurt van de SoundBar zijn met de Bluetooth-functie geactiveerd)

Opmerking: Wanneer uw apparaat de SoundBar tijdens het koppelen niet herkent, herstart dan a.u.b. de Bluetooth-modus en probeer opnieuw te koppelen.

Loskoppelen

Ga naar de Bluetooth-instellingen van uw Bluetooth-audiospeler, selecteer 'Lenco SB-080' in de apparatenlijst en kies de optie 'disconnect' (loskoppelen).

Opmerking: U dient uw Bluetooth-audiospeler los te koppelen als u een andere BT-speler wilt verbinden.

AUX-modus

1. Na de SoundBar te hebben ingeschakeld, selecteer de AUX-ingang door op de toets INPUT op de afstandsbediening te drukken totdat [AU] op de display verschijnt.
2. Steek de 3,5 mm AUX-kabel in de AUX-ingang op de SoundBar en start het afspelen op de aangesloten muziekspeler.

USB-modus

De USB-poort is te vinden op de rechterzijde van de SoundBar . U kunt USB-drives gebruiken met muziekbestanden in MP3-formaat.

1. Steek de USB-drive in de USB-poort.
2. De muziekbestanden op de USB-drive zullen automatisch worden afgespeeld terwijl de display [US] weergeeft.
3. U kunt de afstandsbediening gebruiken om te starten/pauzeren/stoppen en de volgende/vorige track te selecteren.

HDMI-modus

1. Deze SoundBar ondersteunt HDMI met Audio Return Channel (ARC). Als uw tv compatibel is met HDMI ARC, dan kunt u de audio van de tv horen via uw soundbar door een enkele HDMI-kabel te gebruiken.
2. Sluit een high-speed HDMI-kabel aan tussen de HDMI TV (ARC)-ingang op de SoundBar en de HDMI ARC-uitgang op uw tv. De HDMI ARC-uitgang op de tv kan met een andere naam gemarkeerd zijn. De display zal [HD] weergeven.
3. Selecteer als bron op uw tv de modus HDMI (ARC). Raadpleeg de gebruikshandleiding van uw tv voor meer informatie over de modus HDMI (ARC).

Optische modus

Gebruik een optische kabel om de ingang OPTICAL van de SoundBar aan te sluiten op de OPTICAL OUT van uw tv of ander apparaat. De display zal [OP] weergeven.

PROBLEEMOPLOSSING

KWESTIES	PROBLEMEN	OPLOSSINGEN
Geluid	Geen geluid uit de luidsprekers van de SoundBar	Sluit de audiokabel van uw SoundBar aan op uw tv of ander apparaat. U hebt echter geen afzonderlijke audioverbinding nodig wanneer de SoundBar en tv zijn aangesloten via HDMI ARC-aansluiting. Selecteer de juiste audio-ingang met de afstandsbediening.
	Vervormd geluid of echo	Als u audio van een tv afspeelt via de SoundBar, zorg er dan voor dat de tv is gedempt.
Bluetooth	Een apparaat kan geen verbinding maken met de SoundBar	Herstart de SoundBar en probeer opnieuw te koppelen.
		U hebt de Bluetooth-functie van het apparaat niet ingeschakeld. Raadpleeg de gebruikshandleiding van het apparaat over hoe u de functie kunt inschakelen.
		Het apparaat is niet goed verbonden.
		De SoundBar is al verbonden met een ander Bluetooth-apparaat. Koppel het verbonden apparaat los en probeer vervolgens opnieuw.
	Slechte audiokwaliteit van een verbonden Bluetooth-apparaat	De Bluetooth-ontvangst is slecht. Plaats het apparaat dichterbij de SoundBar of verwijder eventuele obstakels tussen het apparaat en de SoundBar.
Het verbonden Bluetooth-apparaat verliest constant de verbinding en maakt dan weer opnieuw verbinding	De Bluetooth-ontvangst is slecht. Plaats het apparaat dichterbij de SoundBar of verwijder eventuele obstakels tussen het apparaat en de SoundBar.	

TECHNISCHE SPECIFICATIES

Stroomvoorziening	SMPS 110 V-240 V ~ 50/60 Hz
Uitgangsvermogen	20 W*2+40 W=80 W R.M.S.
Drivereenheid	2"*2+2,25"*2
Ingangsimpedantie	8Ω*2+3Ω*2
Signaal/ruis	≥ 72 dB
Frequentiebereik	80 Hz-20 Khz
Vervorming	</=0,5% (1 K/1 W)
Ingangsgevoeligheid	800 mV ± 50 mV
Bluetooth-Versie	Versie: 5.0 Bereik: tot 10 m
Afmetingen (mm)	70H*78D*900L mm

GARANTIE

Lenco biedt service en garantie aan overeenkomstig met de Europese wetgeving. Dit houdt in dat u, in het geval van reparaties (zowel tijdens als na de garantieperiode), uw lokale handelaar moet contacteren.

Belangrijke opmerking: Het is niet mogelijk om producten die gerepareerd moeten worden direct naar Lenco te sturen.

Belangrijke opmerking: De garantie verloopt als een onofficieel servicecenter het apparaat op wat voor manier dan ook heeft geopend, of er toegang toe heeft gekregen.

Het apparaat is niet geschikt voor professioneel gebruik. In het geval van professioneel gebruik worden alle garantieverplichtingen van de fabrikant nietig verklaard.

DISCLAIMER

Er worden regelmatig updates in de firmware en/of hardwarecomponenten gemaakt. Daardoor kunnen gedeelten van de instructie, de specificaties en afbeeldingen in deze documentatie enigszins verschillen van uw eigen situatie. Alle onderwerpen die staan beschreven in deze handleiding zijn bedoeld als illustratie en zijn niet van toepassing op specifieke situaties. Aan de beschrijving in dit document kunnen geen rechten worden ontleend.

AFVOER VAN HET OUDE APPARAAT



Dit symbool geeft aan dat het betreffende elektrische product of de batterij niet moet worden verwijderd als algemeen huishoudelijk afval in Europa. Zorg voor een juiste afvalverwerking door het product en de batterij in overeenstemming met alle van toepassing zijnde lokale wetten voor het verwijderen van elektrische apparatuur of batterijen te verwijderen. Als u dit doet, helpt u de natuurlijke hulpbronnen te behouden en de standaard van milieubescherming te verbeteren bij de behandeling en verwijdering van elektrisch afval (Afgedankte Elektrische en Elektronische Apparatuur).

CE-MARKERING

Lenco Benelux B.V., Thermiekstraat 1a, 6361 HB Nuth, Nederland, verklaart hierbij dat dit product voldoet aan de vereisten van de essentiële EU-richtlijnen. De conformiteitsverklaring kan worden opgevraagd via techdoc@commaxxgroup.com



SERVICE

Bezoek voor meer informatie en helpdeskondersteuning www.lenco.com
Lenco Benelux BV, Thermiekstraat 1a, 6361 HB, Nederland.

ACHTUNG:

Eine andere als die hier beschriebene Bedienung, Einstellung oder Verwendung der Funktionen kann zu gefährlicher Strahlenbelastung führen.

VORSICHTSMASSNAHMEN VOR DER BENUTZUNG**BEFOLGEN SIE IMMER FOLGENDE ANWEISUNGEN:**

1. Blockieren oder bedecken Sie keine Lüftungsöffnungen. Wenn Sie das Gerät auf ein Regal stellen, lassen Sie um das gesamte Gerät 5 cm (2") freien Platz.
2. Stellen Sie das Gerät entsprechend den Anweisungen der mitgelieferten Bedienungsanleitung auf.
3. Halten Sie das Gerät von Hitzequellen wie Radiatoren, Heizern, Öfen, Kerzen oder anderen hitzeerzeugenden Produkten oder offenen Flammen fern. Das Gerät darf nur bei gemäßigtem Klima verwendet werden. Sehr kalte oder heiße Umgebungen sind zu vermeiden. Der Betriebstemperaturbereich liegt zwischen 0 °C und 35 °C.
4. Meiden Sie bei der Nutzung des Produkts die Nähe starker Magnetfelder.
5. Elektrostatische Entladungen können die normale Verwendung von diesem Gerät stören. Sollte dies geschehen, führen Sie einfach einen Reset aus und starten Sie dann das Gerät entsprechend den Anweisungen dieser Bedienungsanleitung neu. Gehen Sie besonders bei Datenübertragungen mit dem Gerät vorsichtig um und führen Sie diese nur in einer antielektrischen Umgebung aus.
6. Warnung! Niemals Gegenstände durch die Lüftungsschlitze oder Öffnungen in das Gerät stecken. In diesem Gerät fließt Hochspannung und das Hineinstecken von Gegenständen kann zu elektrischem Schock und/oder Kurzschluss interner elektrischer Bauteile führen. Aus dem gleichen Grund kein Wasser oder Flüssigkeiten in das Gerät geben.
7. Benutzen Sie das Gerät nicht in nasser oder feuchter Umgebung wie Bad, Dampfküche oder in der Nähe von Schwimmbecken.
8. Das Gerät darf weder Tropf- noch Spritzwasser ausgesetzt werden und es dürfen keine mit Flüssigkeit gefüllten Behälter wie z.B. Vasen auf das Gerät oder in der Nähe des Gerätes gestellt werden.
9. Benutzen Sie das Gerät nicht bei Kondensationsgefahr. Wenn Sie das Gerät in einem warmen feuchten Raum benutzen, dann können sich im Inneren des Geräts Wassertropfen oder Kondensationen bilden und zu Fehlfunktionen des Geräts führen. Schalten Sie in diesem Fall das Gerät für 1 – 2 Stunden aus, bevor Sie es erneut einschalten: Das Gerät sollte vollständig getrocknet sein, wenn Sie es wieder einschalten.
10. Obwohl dieses Gerät unter größter Sorgfalt und vor Auslieferung mehrmals überprüft wurde, können trotzdem wie bei jedem anderen elektrischen Gerät auch Probleme auftauchen. Trennen Sie das Gerät im Falle einer Rauchentwicklung, starker Hitzeentwicklung oder jeden anderen unnatürlichen Erscheinung sofort vom Netz.
11. Dieses Gerät ist durch eine Stromquelle wie auf dem Typenschild angegeben zu betreiben. Halten Sie bei Unsicherheiten über die Art Ihrer Stromversorgung in Ihrer Wohnung Rücksprache mit Ihrem Händler oder Ihrer Stromzulieferfirma.

12. Halten Sie es von Haustieren fern. Einige Nagetiere lieben es, an Netzkabeln zu nagen.
13. Benutzen Sie für die Reinigung ein weiches und trockenes Tuch. Benutzen Sie niemals Lösungsmittel oder Flüssigkeiten auf Ölbasis. Benutzen Sie zum Entfernen hartnäckiger Flecken ein feuchtes Tuch mit mildem Reinigungsmittel.
14. Der Hersteller haftet nicht für Schäden oder Verluste durch Fehlfunktion, Zweckentfremdung oder Modifikation des Geräts oder durch Wechseln der Batterien.
15. Unterbrechen Sie die Verbindung nicht während einer Formatierung oder einer Datenübertragung. Bei Unterbrechung drohen Datenverlust und Datenbeschädigung.
16. Wenn das Gerät eine USB-Wiedergabefunktion besitzt, dann stecken Sie den USB-Stick direkt in das Gerät. Verwenden Sie kein USB-Verlängerungskabel, weil die erhöhte Störungsanfälligkeit zu Datenverlust führen könnte.
17. Das Typenschild befindet sich an der Unter- oder Rückseite des Geräts.
18. Dieses Gerät ist nicht zur Benutzung durch Personen (einschließlich Kinder) mit physischen, sensorischen oder mentalen Beeinträchtigungen oder ohne ausreichender Erfahrung vorgesehen, es sei denn, sie werden durch eine verantwortliche Person beaufsichtigt oder wurden in die ordnungsgemäße Bedienung des Gerätes durch eine für ihre Sicherheit verantwortliche Person eingewiesen.
19. Dieses Produkt ist nur für den nicht-professionellen Gebrauch und nicht für gewerbliche oder industrielle Zwecke bestimmt.
20. Stellen Sie sicher, dass das Gerät in einer stabilen Position aufgestellt ist. Schäden aufgrund Verwendung dieses Produkts in einer instabilen Position, Vibrationen, Stöße oder Nichtbeachtung der anderen in dieser Bedienungsanleitung enthaltenen Warnungen und Sicherheitshinweise werden nicht durch die Garantie abgedeckt.
21. Entfernen Sie niemals das Gehäuse dieses Produkts.
22. Stellen Sie das Produkt niemals auf andere elektrische Geräte.
23. Halten Sie Kinder von den Plastiktüten fern.
24. Benutzen Sie nur vom Hersteller spezifizierte Erweiterungen/Zubehörteile.
25. Lassen Sie alle Eingriffe von qualifiziertem Servicepersonal ausführen. Eingriffe werden notwendig, wenn das Gerät auf irgendeine Weise wie beispielsweise am Netzkabel oder am Netzstecker beschädigt wurde, Flüssigkeit in das Gerät eingedrungen ist, Gegenstände in das Gerät gefallen sind, das Gerät Regen oder Feuchtigkeit ausgesetzt war, es heruntergefallen ist oder nicht ordnungsgemäß funktioniert.
26. Langes Hören lauter Töne aus einem Musikgerät kann zum zeitweiligen oder permanenten Hörverlust führen.
27. Wenn zum Lieferumfang des Produkts ein Netzkabel oder ein Netzadapter gehört:
 - Wenn irgendwelche Probleme auftreten, dann ziehen Sie den Netzstecker aus der Netzsteckdose und setzen Sie sich anschließend mit einer qualifizierten Fachkraft in Verbindung.
 - Treten Sie nicht auf das Netzteil und klemmen Sie es auch nicht ein. Geben Sie besonders im näheren Bereich des Steckers und der Stelle acht, wo das Kabel aus dem Gerät herausgeführt wird. Stellen Sie keine schweren Gegenstände auf das Netzteil, weil es dadurch beschädigt werden könnte. Halten Sie das gesamte Gerät außerhalb der Reichweite von Kindern! Durch Spielen mit dem Netzkabel können sie sich ernsthafte Verletzungen zuziehen.

- Trennen Sie das Gerät während eines Gewitters oder bei längerer Nichtbenutzung vom Netz.
 - Die Wandsteckdose muss sich in der Nähe des Geräts befinden und einfach zu erreichen sein.
 - Steckdosen und Verlängerungsleitungen nicht überlasten. Eine Überlastung kann zu Brandgefahr bzw. Stromschlag führen.
 - Geräte der Schutzklasse 1 sind an eine Netzsteckdose mit Schutzleiter anzuschließen.
 - Geräte der Schutzklasse 2 benötigen keinen Schutzleiteranschluss.
 - Halten Sie den Netzstecker in der Hand, wenn Sie ihn aus der Netzsteckdose ziehen. Ziehen Sie ihn nicht durch Zerren am Kabel heraus. Das kann zu einem Kurzschluss führen.
 - Verwenden Sie weder ein beschädigtes Netzkabel noch einen beschädigten Stecker oder eine lockere Steckdose. Es besteht Brand- und Stromschlaggefahr.
28. Wenn das Produkt mit einer Fernbedienung mit Batterien/Knopfzellen geliefert wird oder das Produkt eine derartige Fernbedienung umfasst:
- Warnung:
- „Die Batterie nicht einnehmen, es besteht Verätzungsgefahr“.
 - [Die mit diesem Produkt mitgelieferte Fernbedienung] enthält eine Knopfzelle. Das Verschlucken der Batterie kann innerhalb von nur 2 Stunden zu schwersten inneren Verbrennungen mit Todesfolge führen.
 - Halten Sie neue und gebrauchte Batterien von Kindern fern.
 - Verwenden Sie dieses Produkt nicht weiter und halten Sie es von Kindern fern, wenn das Batteriefach nicht sicher schließt.
 - Suchen Sie umgehend ärztliche Hilfe auf, wenn Sie vermuten, dass Batterien verschluckt oder in Körperöffnungen eingeführt wurden.
29. Warnhinweise bzgl. der Verwendung von Batterien:
- Es besteht Explosionsgefahr, wenn die Batterien nicht korrekt eingelegt werden. Nur mit Batterien des gleichen oder entsprechenden Typs ersetzen.
 - Die Batterie darf während der Benutzung, Aufbewahrung oder des Transports weder sehr hohen oder sehr niedrigen Temperaturen noch niedrigem Luftdruck in großen Höhenlagen ausgesetzt werden.
 - Die Ersetzung der Batterie mit einem falschen Batterietyp kann zum Explodieren der Batterie oder dem Auslaufen von entflammbarem Gas oder entflammbarer Flüssigkeit aus der Batterie führen.
 - Die Entsorgung der Batterie in Feuer oder einem heißen Ofen oder das mechanische Zerkleinern oder Zerteilen der Batterie kann zu Explosionen führen.
 - Das Verbleiben der Batterie in einer Umgebung mit sehr hohen Temperaturen kann zum Explodieren der Batterie oder dem Auslaufen von entflammbarem Gas oder entflammbarer Flüssigkeit führen.
 - Eine in einem sehr niedrigen Luftdruck ausgesetzte Batterie kann explodieren oder es kann aus einer in einem sehr niedrigen Luftdruck ausgesetzten Batterie entflammbares Gas oder entflammbare Flüssigkeit auslaufen.
 - Augenmerk ist auf den ökologischen Aspekt der Batterieentsorgung zu legen.

ANSCHLUSS

- Packen Sie alle Teile aus und entfernen Sie danach die Schutzmaterialien.
- Schließen Sie das Gerät nicht eher an das Netz an, bevor Sie die Netzspannung überprüft haben und alle anderen notwendigen Verbindungen hergestellt sind.

Warnung bzgl. der Benutzung von HDMI-Kabeln.

– Benutzen Sie nur HOCHGESCHWINDIGKEITS-HDMI-Kabel (ab HDMI 1.4).

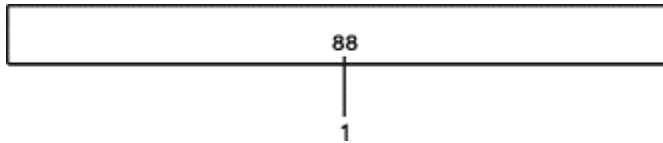
– Überprüfen Sie, ob die HDMI-Buchse Ihres Fernsehgerätes mit „ARC“ gekennzeichnet ist.

Wenn ja, dann schließen Sie das HDMI-Kabel an dieser Buchse an.

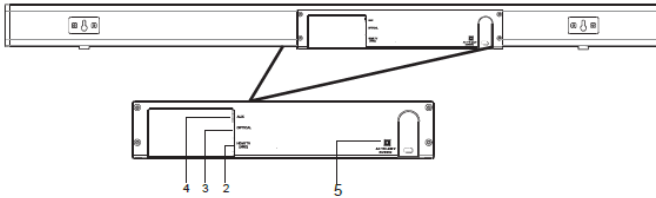
Wenn nicht, dann kann nicht sichergestellt werden, dass die Lautstärkesynchronisation Ihrer Soundbar perfekt arbeitet.

Bitte wählen Sie bei den HDMI-Einstellungen Ihres Fernsehgerätes die Option HDMI-CEC (oder bei manchen Marken ANYNET) aus.

* Soundbar-Steuerung und Anschlüsse

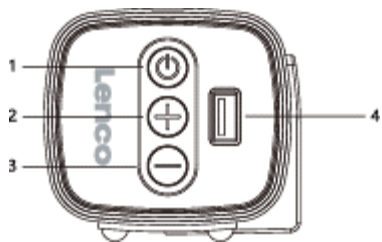


ANSICHT VON HINTEN



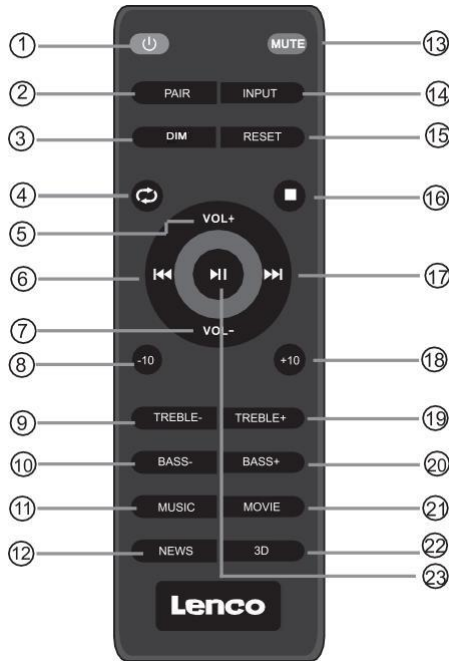
1. ANZEIGE
2. HDMI TV (ARC)
3. OPTISCH
4. AUX
5. AC-
NETZANSCHLUSSBUCHSE

ANSICHT VON DER SEITE



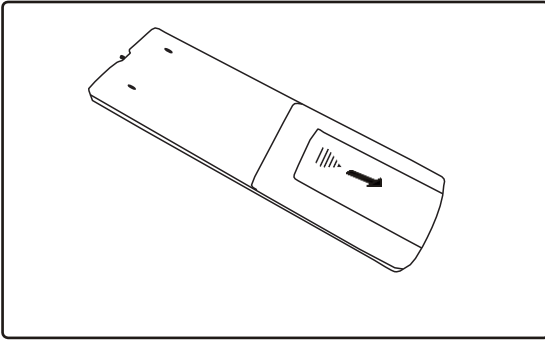
1. Standby
2. Lautstärke+
3. Lautstärke-
4. USB

Fernbedienung

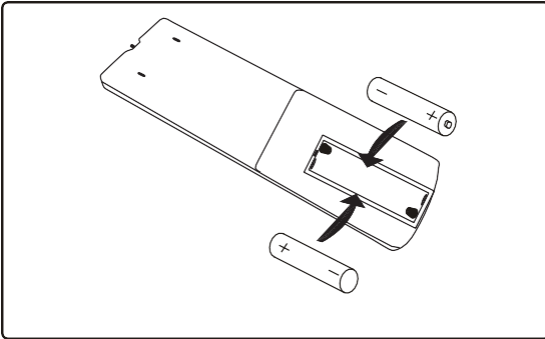


1. Standby-Modus zum Ein/Ausschalten.
2. KOPPELN: Zum Verbinden oder Trennen mit dem zu koppelnden Gerät (die Taste länger als 2 s drücken).
3. HELLIGKEIT: Helligkeitssteuerung. Diese Taste besitzt im Standby-Modus keine Funktion
4. Endloswiedergabe (nur für USB).
5. Lautstärke +
6. Zurück-Taste: Vorheriger Titel (diese Funktion steht nur im Bluetooth-Modus zur Verfügung).
7. Lautstärke –
8. -10: 10 Titel zurückspringen (diese Funktion steht nur im Bluetooth-Modus zur Verfügung).
9. Höhen–
10. Bässe–
11. MUSIK: Auswahl der EQ-Musikvoreinstellung.
12. NACHRICHTEN: Auswahl der EQ-Musikvoreinstellung.
13. STUMMSCHALTUNG.
14. EINGANG: Auswahl von AUX/OPTISCH/USB/BLUETOOTH
15. RÜCKSETZEN: Rücksetzen aller Soundbar-Lautstärkeinstellungen und Zurückschalten des EQ auf Musikeinstellung. Diese Taste für 2 s gedrückt halten.
16. Stopp-Taste: Zum Beenden drücken (diese Funktion steht nur im USB-Modus zur Verfügung).
17. Vor-Taste: Nächster Titel. (diese Funktion steht nur im USB- und Bluetooth-Modus zur Verfügung).
18. +10: 10 Titel überspringen. (diese Funktion steht nur im USB-Modus zur Verfügung).
19. Höhen+.
20. Bässe+
21. FILM: Auswahl der EQ-Filmvoreinstellung.
22. 3D: Auswahl der EQ-3D-Voreinstellung.
23. Wiedergabe/Pause (diese Funktion steht nur im USB- und Bluetooth-Modus zur Verfügung).

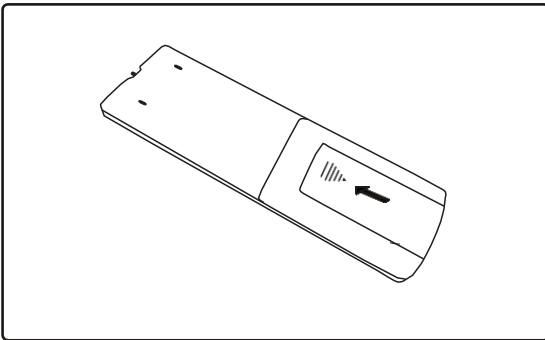
Batteriewechsel bei der Fernbedienung



- A. Entfernen Sie die Abdeckung des Batteriefachs, indem Sie sie abwärts schieben.



- B. Legen Sie 2 Batterien vom Typ AAA entsprechend der Markierung im Batteriefach ein.



- C. Schließen Sie das Batteriefach wieder, indem Sie die Abdeckung nach oben schieben.

Bedienungsanleitung

Benutzung der Soundbar

1. Schalten Sie die Soundbar über die Ein/Aus-Taste der Soundbar oder der Standby-Taste der Fernbedienung ein. Nach dem Einschalten wird der aktuelle Eingangsmodus auf dem Display angezeigt.
2. Den Eingangsmodus können Sie ändern, indem Sie die Ein/Aus-Taste der Soundbar oder die INPUT-Taste der Fernbedienung erneut drücken.

Nachstehend sind die im Display der Soundbar angezeigten Bezeichnungen der Eingangsmodi aufgelistet:

Hinweis: In der Quellenauswahl steht kein USB-Eingang zur Verfügung. Dieser steht nur zur Verfügung, wenn ein kompatibler Datenträger (angezeigt im Display als [US]) verbunden wurde.

Kopplungsmodus

Verbinden

1. Wenn Sie das Stromversorgungskabel anschließen, dann wird die Anzeige beleuchtet und [--] angezeigt, was anzeigt, dass sich das Gerät im Standby-Modus befindet.
2. Schalten Sie die Soundbar ein, indem Sie die Ein/Aus-Taste drücken und dann zum Bluetooth-Eingangsmodus wechseln. Auf dem Display wird [bt] angezeigt. Wenn zuvor kein Gerät gekoppelt wurde, dann blinkt die Anzeige [bt].
3. Suchen Sie auf Ihrem Bluetooth-Wiedergabegerät (z. B.: Smartphone/ Tablet-PC/PC) nach neuen Bluetooth-Geräten. Wählen Sie aus der Liste gefundener Geräte das Gerät mit Namen „Lenco SB-080“ aus. Wenn ein Passwort verlangt wird, dann geben Sie 0000 ein. Jetzt blinkt die Anzeige [bt] nicht mehr und ein Piepston ertönt, wenn die Soundbar erfolgreich gekoppelt wurde.
4. Die Soundbar erinnert sich an das zuletzt gekoppelte Gerät und verbindet es erneut, wenn Sie das nächste Mal auf Ihrer Soundbar den Bluetooth-Modus auswählen. (Auf dem zuvor gekoppelten Gerät muss der Bluetooth-Modus aktiviert sein und es muss sich in der Nähe der Soundbar befinden.)

Hinweis: Wenn Ihr Gerät die Soundbar während des Kopplungsvorgangs nicht finden konnte, dann starten Sie den Bluetooth-Modus erneut und versuchen Sie dann die Kopplung noch einmal.

Verbindung trennen

Wechseln Sie zu den Bluetooth-Einstellungen Ihres Bluetooth-Audiowiedergabegeräts, wählen Sie aus der Geräteliste „Lenco SB-080“ und anschließend die Option „disconnect“ (trennen) aus.

Hinweis: Wenn Sie ein anderes Audio-Wiedergabegerät verbinden möchten, dann müssen Sie zuerst den bereits verbundenen Player trennen.

AUX-Modus

1. Wechseln Sie nach dem Einschalten der Soundbar in den AUX-Modus, indem Sie die INPUT-Taste der Fernbedienung solange drücken, bis auf dem Display [AU] angezeigt wird.
2. Schließen Sie ein 3,5-mm-AUX-Kabel an der AUX-Eingangsbuchse der Soundbar an und starten Sie dann die Wiedergabe am verbundenen Musikwiedergabegerät.

USB-Modus

Der USB-Port befindet sich auf der rechten Seite der Soundbar. Sie können USB-Sticks mit Musikdateien im MP3-Format verwenden.

1. Stecken Sie den USB-Datenträger am USB-Port an.
2. Die Musikdateien auf dem USB-Datenträger werden automatisch wiedergegeben und auf dem Display wird [US] angezeigt.
3. Über die Fernbedienung können Sie die Wiedergabe starten/unterbrechen/stoppen sowie den nächsten/vorherigen Titel wiedergeben lassen.

HDMI-Modus

1. Die Soundbar unterstützt HDMI mit Audiorückkanal (ARC). Wenn Ihr Fernseher HDMI-ARC-konform ist, dann können Sie die Fernseheraudioausgabe über Ihre Soundbar durch Benutzung eines einzigen HDMI-Kabels hören.
2. Verbinden Sie ein Hochgeschwindigkeits-HDMI-Kabel mit dem Anschluss HDMI TV (ARC) der Soundbar und dem Anschluss HDMI ARC Ihres Fernsehers. Der Anschluss HDMI ARC Ihres Fernsehers kann u.U. eine andere Bezeichnung besitzen. Auf dem Display wird [HD] angezeigt
3. Wählen Sie bei ihrem Fernseher als Quelle HDMI (ARC) aus. Schlagen Sie für weitere Einzelheiten bezüglich HDMI (ARC) bei Ihrem Fernseher in der Bedienungsanleitung zu Ihrem Fernseher nach.

Optischer Modus

Verbinden Sie ein optisches Kabel mit dem Anschluss OPTICAL Ihrer Soundbar und dem Anschluss OPTICAL OUT Ihres Fernsehers oder anderer Geräte. Auf dem Display wird [OP] angezeigt

PROBLEMLÖSUNGEN

BETRIFFT	PROBLEM	LÖSUNGEN
Klang	Kein Ton aus den Soundbar-Lautsprechern	Verbinden Sie das Audiokabel von Ihrer Soundbar mit Ihrem Fernseher oder einem anderen Gerät. Allerdings benötigen Sie kein separates Audiokabel, wenn die Verbindung zwischen Soundbar und Fernseher über eine HDMI-ARC-Verbindung hergestellt wurde. Wählen Sie über die Fernbedienung den richtigen Audioeingang aus.
	Verzerrter Klang oder Echo	Wenn Sie Audio vom Fernseher über die Soundbar wiedergeben, dann stellen Sie sicher, dass der Fernseher stummgeschaltet ist.
Bluetooth	Ein Gerät kann sich nicht mit der Soundbar verbinden	Starten Sie die Soundbar neu und versuchen Sie die Kopplung erneut.
		Auf dem Gerät ist Bluetooth nicht aktiviert. Schlagen Sie bzgl. der Aktivierung dieser Funktion in der Bedienungsanleitung des Geräts nach.
		Das Gerät ist nicht ordnungsgemäß verbunden
		Die Soundbar ist bereits mit einem anderen Bluetooth-Gerät verbunden. Trennen Sie das verbundene Gerät und versuchen Sie es dann erneut.
	Die Qualität der Audiowiedergabe vom verbundenen Bluetooth-Gerät ist schlecht	Der Bluetooth-Empfang ist schlecht. Bewegen Sie das Gerät näher an die Soundbar heran oder beseitigen Sie vorhandene Hindernisse zwischen Gerät und Soundbar.
Das verbundene Bluetooth-Gerät verbindet und trennt sich ständig.	Der Bluetooth-Empfang ist schlecht. Bewegen Sie das Gerät näher an die Soundbar heran oder beseitigen Sie vorhandene Hindernisse zwischen Gerät und Soundbar.	

TECHNISCHE SPEZIFIKATIONEN

Stromversorgung	Schaltnetzteil 110 –240 V~ 50/60 Hz
Ausgangsleistung	2 x 20 W + 40 W = 80 W RMS
Lautsprechertreiber	2 x 2" + 2 x 2,25"
Eingangswiderstand	2 x 8 Ω + 2 x 3 Ω
Rauschabstand	≥ 72 dB
Frequenzgang	80 Hz – 20 kHz
Klirrfaktor	$\leq 0,5$ % (1 kHz/W)
Eingangsempfindlichkeit	800 mV \pm 50 mV
Bluetooth-Version	Version: 5.0 Reichweite bis zu 10 m
Abmessung (mm)	70 (H) x 78 (T) x 900 (L) mm

GARANTIE

Lenco bietet Leistungen und Garantien im Einklang mit Europäischem Recht. Im Falle von Reparaturen (sowohl während als auch nach Ablauf der Garantiezeit) sollten Sie deshalb Ihren Einzelhändler kontaktieren.

Wichtiger Hinweis: Es ist nicht möglich, Geräte für Reparaturen direkt an Lenco zu schicken.

Wichtiger Hinweis: Falls dieses Gerät von einem nicht autorisierten Kundendienst geöffnet oder darauf zugegriffen wird, erlischt die Garantie.

Dieses Gerät ist nicht für professionelle Zwecke geeignet. Falls das Gerät für professionelle Zwecke eingesetzt wird, erlöschen alle Garantieverpflichtungen seitens des Herstellers.

HAFTUNGSAUSSCHLUSS

Aktualisierungen der Firmware und/oder Hardware-Komponenten werden regelmäßig durchgeführt. Daher können einige der Anweisungen, Spezifikationen und Abbildungen in dieser Dokumentation von Ihrer individuellen Situation abweichen. Alle in diesem Handbuch beschriebenen Elemente dienen nur zur Illustration und treffen auf Ihre individuelle Situation möglicherweise nicht zu. Aus der in diesem Handbuch getätigten Beschreibung können keine Rechtsansprüche oder Ansprüche geltend gemacht werden.

ENTSORGUNG DES ALTGERÄTS



Dieses Symbol zeigt an, dass das entsprechende Produkt oder dessen Batterie in Europa nicht mit dem normalen Hausmüll entsorgt werden darf. Um die ordnungsgemäße Abfallbehandlung des Produkts und dessen Batterie zu gewährleisten, müssen diese im Einklang mit allen anwendbaren örtlichen Vorschriften zur Entsorgung von Elektrogeräten und Batterien entsorgt werden. Dabei helfen Sie, natürliche Ressourcen zu schonen und Umweltschutzstandards zur Verwertung und Entsorgung von Altgeräten aufrecht zu halten (Waste Electrical and Electronic Equipment Directive).

CE-KENNZEICHEN

Hiermit erklärt Lenco Benelux B.V., Thermiekstraat 1a, 6361 HB Nuth, The Netherlands, dass dieses Produkt den grundsätzlichen Anforderungen der EU-Richtlinie entspricht.

Die Konformitätserklärung ist erhältlich unter techdoc@commaxxgroup.com



SERVICE

Weitere Informationen und Unterstützung erhalten Sie unter www.lenco.com
Lenco Benelux BV, Thermiekstraat 1a, 6361 HB, Die Niederlande.

ATTENTION :

L'utilisation de commandes ou d'ajustements ou l'exécution de procédures autres que celles spécifiées dans le présent document peuvent entraîner une exposition dangereuse aux radiations.

PRÉCAUTIONS AVANT UTILISATION**GARDEZ CES INSTRUCTIONS À L'ESPRIT :**

1. Ne couvrez pas et n'obtenez pas les ouvertures de ventilation. Lorsque vous placez l'appareil sur une étagère, laissez 5 cm (2") d'espace libre tout autour de l'appareil.
2. Installez-le conformément au mode d'emploi fourni.
3. Gardez l'appareil à l'écart des sources de chaleur telles que des radiateurs, appareils de chauffage, fours, bougies et autres produits générant de la chaleur ou une flamme nue. L'appareil ne peut être utilisé que dans des climats modérés. Les environnements extrêmement froids ou chauds doivent être évités. La plage de température de fonctionnement se situe entre 0° et 35° C.
4. Évitez d'utiliser l'appareil à proximité de champs magnétiques puissants.
5. Des décharges électrostatiques peuvent perturber le fonctionnement de cet appareil. Dans ce cas, il suffit de réinitialiser et de redémarrer l'appareil en suivant le mode d'emploi. Pendant le transfert de fichiers, manipulez l'appareil avec précaution et faites-le fonctionner dans un environnement sans électricité statique.
6. Mise en garde ! N'introduisez jamais un objet dans l'appareil par les ouvertures et les fentes de ventilation. Étant donné que des tensions élevées sont présentes à l'intérieur du produit, l'insertion d'un objet peut entraîner une électrocution et/ou court-circuiter les composants internes. Pour les mêmes raisons, ne versez pas de l'eau ou un liquide sur le produit.
7. Ne l'utilisez pas dans des endroits humides tels qu'une salle de bain, une cuisine pleine de vapeur ou à proximité d'une piscine.
8. L'appareil ne doit pas être exposé à des écoulements ou des éclaboussures et aucun objet contenant un liquide, tel qu'un vase, ne doit être posé sur ou près de l'appareil.
9. N'utilisez pas cet appareil lorsque de la condensation est possible. Lorsque l'appareil est utilisé dans une pièce humide et chaude, des gouttelettes d'eau ou de la condensation peuvent se former à l'intérieur de l'appareil et affecter son fonctionnement. Laissez l'appareil hors tension pendant 1 ou 2 heures avant de le mettre en marche : l'appareil doit être sec avant sa mise sous tension.
10. Bien que ce dispositif soit fabriqué avec le plus grand soin et contrôlé à plusieurs reprises avant de quitter l'usine, des problèmes peuvent néanmoins survenir, comme avec tous les appareils électriques. Si l'appareil émet de la fumée ou en cas d'accumulation excessive de la chaleur ou d'un phénomène inattendu, débranchez immédiatement la fiche d'alimentation du secteur.
11. Cet appareil doit fonctionner avec la source d'alimentation indiquée sur la plaque signalétique. Si vous n'êtes pas sûr du type d'alimentation utilisé chez vous, contactez votre revendeur ou le fournisseur local d'électricité.
12. Tenez l'appareil à l'abri des animaux. Certains animaux aiment ronger les cordons électriques.

13. Pour nettoyer l'appareil, servez-vous d'un chiffon doux et sec. N'utilisez pas de solvant ni d'autre liquide à base de pétrole. Pour enlever les taches importantes, vous pouvez vous servir d'un chiffon humide imbibé d'une solution de détergent diluée.
14. Le fournisseur n'est pas responsable des dommages ou pertes de données causés par un dysfonctionnement, une utilisation abusive, une modification de l'appareil ou un remplacement de la batterie.
15. N'interrompez pas la connexion lorsque l'appareil formate ou transfère des fichiers. Dans le cas contraire, les données pourraient être endommagées ou perdues.
16. Si l'appareil a une fonction de lecture USB, il faut brancher la clé USB directement sur l'appareil. N'utilisez pas un câble d'extension USB, car cela peut causer des interférences entraînant des pertes de données.
17. L'étiquette de classification se trouve sur le panneau inférieur ou arrière de l'appareil.
18. Cet appareil ne doit pas être utilisé par des personnes (y compris les enfants) souffrant de déficiences physiques, sensorielles ou mentales, ou d'un manque d'expérience et de connaissances, à moins qu'elles n'aient été supervisées ou qu'une personne responsable de leur sécurité ne leur ait donné des instructions sur l'utilisation correcte de l'appareil.
19. Ce produit est réservé à un usage non professionnel, et non pas à un usage commercial ni industriel.
20. Vérifiez que l'appareil est en position stable. La garantie ne couvre pas les dégâts occasionnés par l'utilisation de cet appareil en position instable, par les vibrations, les chocs ou par la non-observation de tout autre avertissement ou précaution contenus dans ce mode d'emploi.
21. N'ouvrez jamais cet appareil.
22. Ne placez jamais cet appareil sur un autre appareil électrique.
23. Ne laissez pas les sacs en plastique à la portée des enfants.
24. Utilisez uniquement les accessoires recommandés par le fabricant.
25. Confiez l'entretien et les réparations à un personnel qualifié. Une réparation est nécessaire lorsque l'appareil a été endommagé de quelque façon que ce soit, par exemple lorsque le cordon d'alimentation ou la prise sont endommagés, lorsqu'un liquide s'est déversé ou des objets sont tombés sur l'appareil, lorsque l'appareil a été exposé à la pluie ou à l'humidité, lorsqu'il ne fonctionne pas correctement ou est tombé.
26. Une exposition prolongée à la musique avec un volume élevé peut entraîner une perte auditive temporaire ou permanente.
27. Si l'appareil est livré avec un câble d'alimentation ou un adaptateur secteur :
 - En cas de problème, débranchez le cordon d'alimentation CA et confiez l'entretien à un personnel qualifié.
 - Ne marchez pas sur l'adaptateur secteur ou ne le coincez pas. Faites très attention, en particulier à proximité des fiches et du point de sortie du câble. Ne placez pas d'objets lourds sur l'adaptateur secteur, car ils pourraient l'endommager. Gardez l'appareil hors de portée des enfants ! Ils pourraient se blesser gravement s'ils jouent avec le câble d'alimentation.
 - Débranchez cet appareil pendant les orages ou lorsqu'il n'est pas utilisé pendant une longue durée.
 - La prise secteur doit être installée près de l'appareil et doit être facilement accessible.
 - Ne surchargez pas les prises de courant ou les rallonges. Une surcharge peut entraîner un incendie ou une électrocution.

- Les appareils de classe 1 doivent être branchés à une prise de courant disposant d'une connexion protectrice à la terre.
 - Les appareils à la norme de construction de classe 2 ne nécessitent pas de connexion à la terre.
 - Tirez toujours sur la fiche pour débrancher le cordon de la prise secteur. Ne tirez pas sur le cordon d'alimentation. Cela pourrait provoquer un court-circuit.
 - N'utilisez pas un cordon ou une fiche d'alimentation endommagé ni une prise desserrée. Vous courez un risque d'incendie ou de décharge électrique.
28. Si le produit contient ou est livré avec une télécommande contenant des piles boutons :
Avertissement :
- « N'ingérez pas la pile, car vous risquez une brûlure chimique » ou une formule équivalente.
 - La télécommande fournie contient une pile bouton/pièce de monnaie. Si la pile est avalée, elle peut causer de graves brûlures internes en seulement 2 heures et peut entraîner la mort.
 - Tenez les piles neuves et usagées hors de portée des enfants.
 - Si le compartiment à piles ne se ferme pas correctement, cessez d'utiliser l'appareil et tenez-le hors de portée des enfants.
 - Si vous pensez que les piles ont été avalées ou placées à l'intérieur d'une partie du corps, consultez un médecin immédiatement.
29. Mise en garde relative à l'utilisation des piles :
- Risque d'explosion si la pile est mal remplacée. Remplacez les piles par des piles d'un type identique ou équivalent.
 - Pendant l'utilisation, le stockage ou le transport, la pile ne doit pas être soumise à des températures extrêmement élevées ou basses, à une faible pression d'air à haute altitude.
 - Le remplacement d'une pile par une autre de type incorrect peut entraîner une explosion ou une fuite de liquide ou de gaz inflammable.
 - L'introduction d'une pile dans le feu ou dans un four chaud, l'écrasement ou le découpage mécanique peut entraîner une explosion.
 - L'exposition d'une pile dans un environnement à température extrêmement élevée peut entraîner une explosion ou une fuite de liquide ou de gaz inflammable.
 - L'exposition d'une pile à une pression d'air extrêmement basse peut entraîner une explosion ou une fuite de liquide ou de gaz inflammable.
 - Veuillez considérer les questions environnementales lors de la mise au rebut des piles.

INSTALLATION

- Déballez toutes les pièces et enlevez le matériau de protection.
- Ne connectez pas l'unité au secteur avant d'avoir vérifié la tension du secteur et avant que toutes les autres connexions n'aient été effectuées.

Avertissement sur l'utilisation du branchement du câble HDMI.

– Utilisez uniquement un câble HDMI HAUTE VITESSE (à partir de HDMI 1.4)

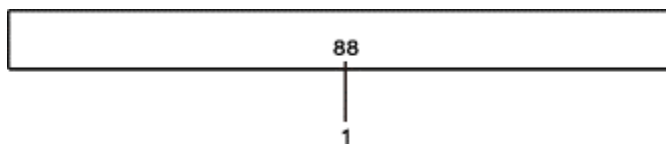
– Vérifiez si votre téléviseur dispose d'un connecteur HDMI portant la mention « ARC ».

Dans l'affirmative, veuillez connecter le câble HDMI à ce connecteur.

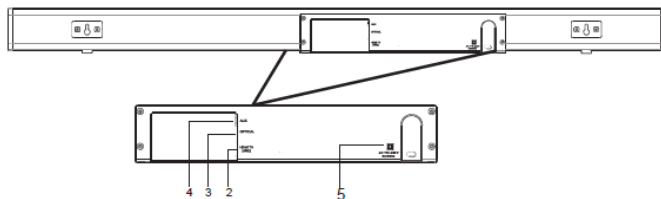
Dans le cas contraire, il n'est pas certain que la synchronisation audio du volume de votre barre de son fonctionnera parfaitement.

Dans les paramètres HDMI de votre téléviseur, veuillez sélectionner l'option CEC-HDMI (ou ANYNET pour certaines marques)

Commandes et connexions de la barre de son

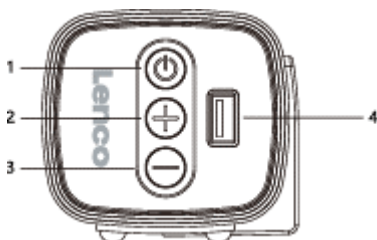


VUE ARRIÈRE



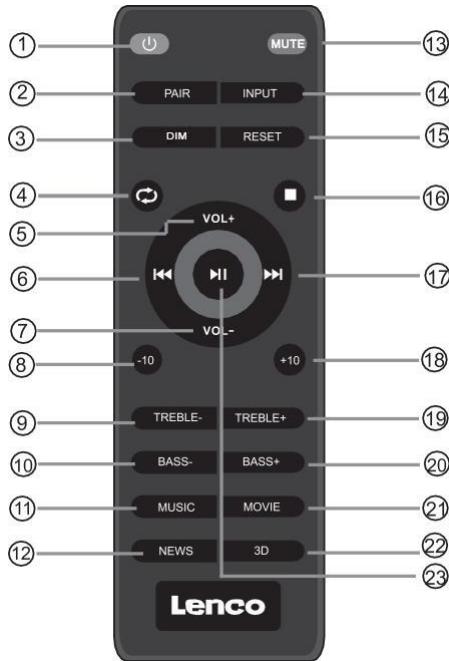
1. AFFICHAGE
2. HDMI TV (ARC)
3. OPTIQUE
4. AUX
5. ENTRÉE SECTEUR

VUE DE CÔTÉ



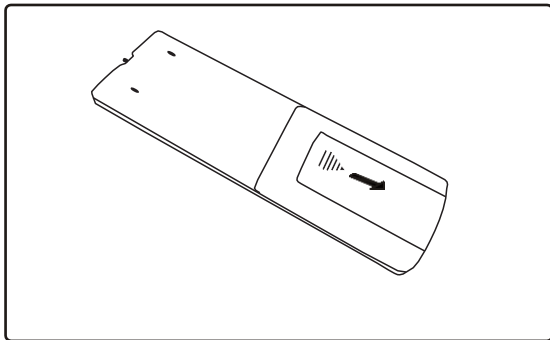
1. Mise en veille
2. Vol+
3. Vol-
4. USB

Télécommande

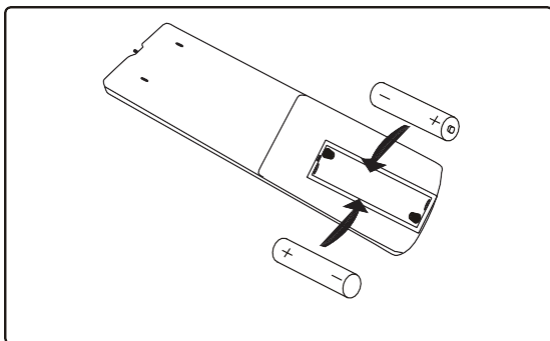


1. Mode veille pour allumer/éteindre.
2. APPARIEMENT : Connexion au dispositif d'appairage ou déconnexion. (Appuyez sur la touche pendant plus de 2 secondes).
3. DIM : Réglage de la luminosité. Cette touche ne fonctionne pas en mode veille
4. Lecture en boucle (cette fonction s'applique au mode USB).
5. Volume +
6. Touche Pre : Morceau précédent (cette fonction est réservée au mode Bluetooth).
7. Volume -
8. -10 : Recul de dix morceaux (cette fonction est réservée au mode BT).
9. Aigu -
10. Grave -
11. MUSIQUE : Sélection du préréglage d'égaliseur de musique.
12. ACTUALITÉS : Sélection du préréglage d'égaliseur de musique.
13. Mode SOURDINE.
14. ENTRÉE : Sélection AUX/OPT/USB/BT
15. RÉINITIALISER : Réinitialisation de tous les niveaux de volume de la barre de son et retour au réglage musical de l'égaliseur. Maintenez enfoncée cette touche pendant 2 secondes.
16. Bouton Arrêt : Appuyez sur cette touche pour arrêter. (cette fonction ne s'applique qu'au mode USB).
17. Bouton suiv : Prochain morceau. (cette fonction ne s'applique qu'aux modes USB et BT).
18. +10 : Avance de dix morceaux. (cette fonction ne s'applique qu'au mode USB).
19. Aigu +
20. Grave +
21. FILM : Sélection du préréglage d'égaliseur de film.
22. 3D : Sélection du préréglage d'égaliseur 3D.
23. Lecture/Pause (cette fonction ne s'applique qu'aux modes USB et BT).

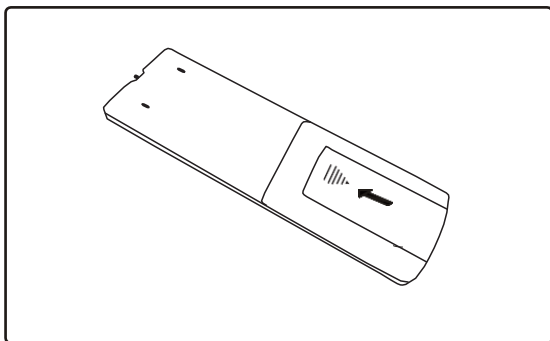
Remplacement des piles de la télécommande



- A.** Retirez le couvercle du compartiment à piles en le faisant glisser vers le bas.



- B.** Insérez 2 piles AAA en respectant les indications inscrites à l'intérieur du compartiment à piles.



- C.** Fermez le compartiment en faisant glisser le couvercle vers le haut.

Instruction de fonctionnement

Utilisation de la barre de son

1. Allumez la barre de son en utilisant la touche d'alimentation de la barre de son ou en utilisant la touche veille de la télécommande. Après l'activation, le mode d'entrée par défaut sera affiché à l'écran
2. Les modes d'entrée peuvent être modifiés en appuyant à nouveau sur le bouton d'alimentation ou en utilisant le bouton INPUT de la télécommande.

Vous trouverez ci-dessous des noms de mode de saisie qui apparaissent dans la barre de son :

Remarque : Le mode d'entrée USB n'est pas disponible dans la sélection de source. Il ne sera disponible qu'après l'insertion d'une clé USB compatible (US s'affiche à l'écran)

Mode d'appairage

Connecter

1. Branchez le cordon d'alimentation et l'écran s'allume. L'écran affiche [--], ce qui signifie que l'appareil est en mode veille.
2. Allumez la barre de son en appuyant sur la touche d'alimentation, puis passez le mode d'entrée à Bluetooth. L'écran affiche [bt]. Si aucun dispositif n'a été appairé auparavant, l'écran affiche le texte clignotant [bt].
3. Recherchez de nouveaux dispositifs Bluetooth sur votre lecteur audio Bluetooth (par exemple : smartphone/tablette/ordinateur). Choisissez l'appareil nommé « Lenco SB-080 » dans la liste des dispositifs détectés. Si vous êtes invité(e) à entrer un mot de passe, tapez 0000. Le texte [bt] cesse de clignoter et un bip retentit lorsque la barre de son est correctement appairée.
4. La barre de son se souviendra du dernier dispositif appairé et s'y reconnectera lors de la prochaine activation de la barre de son en mode Bluetooth. (Le dispositif précédemment appairé doit se trouver à proximité de la barre de son avec la fonction Bluetooth activée)

Remarque : Lorsque votre dispositif ne parvient pas à détecter la barre de son lors de l'appairage, redémarrez le mode Bluetooth et réessayez l'appairage.

Déconnecter

Accédez aux paramètres Bluetooth de votre lecteur audio Bluetooth, sélectionnez « Lenco SB-080 » dans la liste des périphériques et choisissez l'option « disconnect »

(Déconnecter).

Remarque : Vous devez vous déconnecter de votre lecteur audio Bluetooth si vous souhaitez connecter un autre lecteur BT.

Mode Auxiliaire

1. Après avoir allumé la barre de son, passez en mode d'entrée AUX en appuyant sur la touche « INPUT » de la télécommande jusqu'à ce que [AU] s'affiche.
2. Branchez le câble AUX de 3,5 mm au connecteur AUX de la barre de son et lancez la lecture sur le dispositif de de musique connecté.

Mode USB

Le port USB se trouve sur le côté droit de la barre de son. Vous pouvez utiliser des clés USB avec des fichiers de musique au format MP3.

1. Branchez le lecteur USB sur le port USB.
2. Les fichiers de musique sur la clé USB sont lus automatiquement et l'affichage indique [US].
3. Vous pouvez utiliser la télécommande pour lire / mettre en pause / arrêter et lire la piste suivante/précédente.

Mode HDMI

1. La barre de son prend en charge HDMI avec la fonction Canal de retour de son (ARC). Si votre téléviseur est compatible HDMI ARC, vous pouvez écouter le son de votre téléviseur à travers votre barre de son en utilisant un seul câble HDMI.
2. Connectez un câble HDMI haute vitesse du connecteur HDMI TV (ARC) sur la barre de son au connecteur HDMI ARC de votre téléviseur. Il est possible que le connecteur HDMI ARC sur le téléviseur soit étiqueté différemment. L'écran affiche [HD].
3. Sur votre téléviseur, sélectionnez la source en mode HDMI (ARC). Pour plus de détails sur le mode HDMI (ARC), consultez le manuel d'utilisation de votre téléviseur.

Mode optique

À l'aide d'un câble optique, connectez le connecteur OPTICAL de la barre de son au connecteur de OPTICAL OUT du téléviseur ou d'un autre appareil. L'écran affiche [OP].

POINTS	PROBLÈMES	SOLUTIONS
Son	Les haut-parleurs de la barre de son n'émettent aucun son	Connectez le câble audio de votre barre de son à votre téléviseur ou à d'autres dispositifs. Toutefois, vous n'avez pas besoin d'une connexion audio séparée lorsque la barre de son et le téléviseur sont connectés via une connexion HDMI ARC. Sélectionnez la bonne entrée audio sur la télécommande
	Son déformé ou écho	Si vous écoutez de l'audio depuis le téléviseur à travers la barre de son, assurez-vous que le téléviseur est en mode sourdine.
Bluetooth	Un appareil ne peut pas se connecter à la barre de son	Redémarrez la barre de son et essayez à nouveau d'appairer
		Vous n'avez pas activé la fonction Bluetooth du dispositif. Voir le mode d'emploi du dispositif pour savoir comment activer cette fonction.
		Le dispositif n'est pas correctement connecté
		La barre de son est déjà connectée à un autre dispositif Bluetooth. Déconnectez le dispositif connecté, puis réessayez.
	La qualité de lecture audio d'un dispositif Bluetooth connecté est médiocre	La réception Bluetooth est mauvaise. Rapprochez le dispositif de la barre de son ou supprimez tout obstacle entre le dispositif et la barre de son.
Le dispositif Bluetooth connecté se connecte et se déconnecte constamment	La réception Bluetooth est mauvaise. Rapprochez le dispositif de la barre de son ou supprimez tout obstacle entre le dispositif et la barre de son.	

CARACTÉRISTIQUES TECHNIQUES

Alimentation électrique	SMPS 110 V-240 V ~ 50/60 Hz
Puissance de sortie	20 W * 2 + 40 W = 80 W R.M.S.
Haut-parleurs	5 cm * 2 + 5,7 cm * 2
Impédance d'entrée	8 Ω * 2+3 Ω * 2
N° de série	≥ 72 dB
Réponse en fréquence	80 Hz-20 kHz
Distorsion	</=0,5 % (1 K/1 W)
Sensibilité d'entrée	800 mV±50 mV
Version Bluetooth	Version : 5.0 Portée : jusqu'à 10 m
Dimensions (mm)	70H * 78P * 900L mm

GARANTIE

Lenco propose un entretien et une garantie conformément à la législation européenne, ce qui signifie qu'en cas de besoin de réparation (aussi bien pendant et après la période de garantie), vous pouvez contacter votre revendeur le plus proche.

Remarque importante : Il n'est pas possible de renvoyer l'appareil pour réparation directement à Lenco.

Remarque importante : Si l'unité est ouverte ou modifiée de quelque manière que ce soit par un réparateur non agréé, la garantie serait caduque.

Cet appareil ne convient pas à une utilisation professionnelle. En cas d'utilisation professionnelle, les obligations de garantie du fabricant seront annulées.

CLAUSE DE NON-RESPONSABILITÉ

Des mises à jour du logiciel et/ou des composants informatiques sont régulièrement effectuées. Il se peut donc que certaines instructions, caractéristiques et images présentes dans ce document diffèrent légèrement de votre configuration spécifique. Tous les articles décrits dans ce guide le sont fournis uniquement à des fins d'illustration et peuvent ne pas s'appliquer à une configuration spécifique. Aucun droit légal ne peut être obtenu depuis les informations contenues dans ce manuel.

MISE AU REBUT DE L'APPAREIL USAGÉ



Ce symbole indique que l'équipement électrique concerné ou la batterie ne doivent pas être jetés parmi les autres déchets ménagers en Europe. Afin de garantir un traitement approprié de la batterie ou de l'appareil usagés, veuillez les mettre au rebut conformément à la réglementation locale en vigueur relative aux équipements électriques et autres batteries. En agissant de la sorte, vous contribuerez à la préservation des ressources naturelles et à l'amélioration des niveaux de protection environnementale concernant le traitement et la destruction des déchets électriques (Directive sur les déchets des équipements électriques et électroniques).

MARQUAGE CE

Par la présente, Lenco Benelux B.V., Thermiekstraat 1a, 6361 HB Nuth, Pays-Bas, déclare que ce produit est conforme aux exigences principales des directives européennes. La déclaration de conformité peut être consultée au lien :

techdoc@commaxxgroup.com



SERVICE

Pour en savoir plus et obtenir de l'assistance, visitez www.lenco.com

Lenco Benelux BV, Thermiekstraat 1a, 6361 HB, The Netherlands.

PRECAUCIÓN:

El uso de controles o ajustes o rendimiento de procedimientos excepto aquellos que los aquí especificados puede provocar una exposición peligrosa a la radiación.

PRECAUCIONES PREVIAS AL USO**TENGA ESTAS INSTRUCCIONES EN MENTE:**

1. No cubra o bloquee ninguna apertura de ventilación. Cuando coloque el dispositivo en una estantería, deje 5 cm (2") de espacio libre alrededor de todo el dispositivo.
2. Instálelo conforme al manual de usuario que se adjunta.
3. Mantenga el aparato alejado de fuentes de calor, como radiadores, calentadores, estufas, velas u otros productos que generen calor o llama viva. El aparato solo puede usarse en climas moderados. Se deben evitar los ambientes extremadamente fríos o cálidos. La gama de temperatura de funcionamiento es de entre 0° y 35°C.
4. Evite usar el dispositivo cerca de campos magnéticos fuertes.
5. Una descarga electrostática puede entorpecer el uso normal de este dispositivo. En tal caso, simplemente reinícielo siguiendo el manual de instrucciones. Durante la transmisión de archivos, por favor manéjelo con cuidado opérela en un entorno libre de electricidad estática.
6. ¡Advertencia! Nunca inserte un objeto en el producto a través de las ventilaciones o aperturas. Alto voltaje fluye a través del producto e insertar un objeto puede provocar una descarga eléctrica y/o un cortocircuito de sus componentes internos. Por el mismo motivo, no derrame agua o líquidos en el producto.
7. No lo utilice en zonas húmedas, como cuartos de baño, cocinas en las que se forme vapor ni cerca de piscinas.
8. El aparato no debe exponerse a goteos o salpicaduras y asegúrese de que se colocan sobre o cerca del aparato objetos llenos de líquidos, como jarrones.
9. No use este dispositivo cuando se pueda producir condensación. Cuando la unidad se usa en una sala húmeda cálida, se pueden formar gotitas de agua o condensación en el interior de la unidad y esta puede no funcionar adecuadamente; deje que la unidad se apague durante 1 o 2 horas antes de volver a encender la unidad: el aparato debe estar seco antes de conectarse a una fuente de alimentación.
10. Aunque este dispositivo está fabricado con el máximo cuidado y comprobado varias veces antes de salir de fábrica, todavía es posible que se puedan producir problemas, al igual que con todos los aparatos eléctricos. Si observa la aparición de humo, una acumulación excesiva de calor o cualquier otro fenómeno inesperado, deberá desconectar inmediatamente el enchufe de la toma de corriente.
11. Este dispositivo debe funcionar con una fuente de alimentación que se especifica en la etiqueta de especificaciones. Si no está seguro del tipo de alimentación que se usa en su hogar, consulte con el distribuidor o una compañía eléctrica local.
12. Manténgalo alejado de los animales. A algunos animales les encanta morder los cables de alimentación.

13. Para limpiar el dispositivo use un paño seco y suave. No utilice líquidos disolventes ni con base de petróleo. Para eliminar manchas difíciles, puede usar un paño húmedo con detergente diluido.
14. El proveedor no asume ninguna responsabilidad por daños o datos perdidos provocados por un funcionamiento incorrecto, uso incorrecto, modificación del dispositivo o sustitución de la batería.
15. No interrumpa la conexión cuando el dispositivo esté formateando o transfiriendo archivos. En caso contrario, los datos se pueden estropear o perder.
16. Si la unidad dispone de función de reproducción USB, se debe conectar la memoria USB directamente en la unidad. No utilice un cable de extensión USB ya que pueden crear interferencias que causen una pérdida de datos.
17. La etiqueta calificativa se encuentra en la parte inferior o en el panel posterior del aparato.
18. Este dispositivo no está diseñado para su uso por parte de personas (incluyendo niños) con discapacidad física, sensorial o mental o con falta de experiencia o conocimientos, salvo que se les haya dado supervisión o instrucciones acerca del uso correcto del dispositivo por parte de una persona responsable de su seguridad.
19. Este producto está diseñado para un uso no profesional únicamente y no para un uso comercial o industrial.
20. Asegúrese de que la unidad esté fijada en una posición estable. La garantía no cubrirá los daños derivados de usar este producto en una posición inestable, vibraciones o golpes o por no seguir otras advertencias o precauciones que aparecen en este manual de usuario.
21. Nunca retire la carcasa del dispositivo.
22. Nunca coloque este dispositivo sobre otro equipo eléctrico.
23. Mantenga las bolsas de plástico fuera del alcance de los niños.
24. Use únicamente los dispositivos/accesorios especificados por el fabricante.
25. Remita todas las reparaciones al personal cualificado. Es necesario el mantenimiento cuando el aparato presenta cualquier tipo de daño, por ejemplo, el cable de alimentación o el enchufe presentan daños; se ha vertido líquido sobre el aparato; se han caído objetos en el aparato; el aparato se ha expuesto a la lluvia o humedad; el aparato no funciona normalmente o se ha caído.
26. Una larga exposición a sonidos elevados de reproductores de música personales puede provocar una pérdida de audición temporal o permanente.
27. Si el producto viene con un cable de alimentación o un adaptador de corriente de CA:
 - Si se produce cualquier problema, desconecte el cable de alimentación CA y remítalo a mantenimiento por parte de personal cualificado.
 - No pise o pince el adaptador de alimentación. Tenga mucho cuidado, en especial en las zonas alrededor de las tomas y el punto de salida del cable. No coloque objetos pesados en el adaptador de alimentación, ya que pueden dañarlo. ¡Mantenga el dispositivo fuera del alcance de los niños! Si juegan con el cable de alimentación, puede sufrir lesiones graves.
 - Desconecte el dispositivo durante tormentas eléctricas o cuando no vaya a usarse durante periodos prolongados de tiempo.
 - La salida de la toma debe instalarse cerca del equipo y debe ser fácilmente accesible.
 - No sobrecargue las tomas CA o los cables de extensión. La sobrecarga puede provocar un incendio o una descarga eléctrica.

- Los dispositivos con construcción de Clase 1 deben estar conectados a una toma de corriente con una conexión a tierra protegida.
 - Los dispositivos con construcción de Clase 2 no requieren una conexión a tierra.
 - Sujete siempre el enchufe cuando los extraiga de la toma de corriente. No tire del cable de alimentación. Esto puede provocar un cortocircuito.
 - No utilice un cable de alimentación o enchufe deteriorado o una toma suelta. Si lo hace, podría provocar un incendio o una descarga eléctrica.
28. Si el producto contiene o se entrega con un mando a distancia que contiene pilas de botón / celdas:
- Advertencia:
- “Ni ingiera la pila, riesgo de quemadura química” o frase equivalente.
 - [El mando a distancia que se suministra] Este producto contiene una pila de tipo botón/moneda. Si la pila se traga, puede provocar graves quemaduras internas en sólo 2 horas y podría ocasionar la muerte.
 - Mantenga las pilas nuevas o usadas fuera del alcance de los niños.
 - Si el compartimiento de las pilas no se cierra correctamente, deje de usar el producto y no lo deje al alcance los niños.
 - Si tiene la sospecha de que una pila ha sido ingerida o se encuentra en algún lugar del cuerpo, busque inmediatamente atención médica.
29. Precaución sobre el uso de las pilas:
- Existe riesgo de explosión si la pila no se sustituye correctamente. Sustitúyala únicamente con otra del mismo tipo u otro equivalente.
 - No se pueden exponer las pilas a temperaturas extremadamente altas o bajas, baja presión de aire a gran altitud durante el uso, almacenamiento o transporte.
 - Si cambia la pila por otra que no sea la correcta, se puede producir una explosión o la fuga de líquidos o gases inflamables.
 - Si arroja la pila al fuego o a un horno caliente, o aplasta o corta mecánicamente una pila, podría provocar una explosión.
 - Si deja una pila en un lugar con temperaturas extremadamente altas, se puede producir una explosión o una fuga de líquido o gas inflamable.
 - Si se expone la pila a una presión de aire extremadamente baja, se puede producir una explosión o la fuga de líquidos o gases inflamables.
 - Se debe prestar atención a los aspectos medioambientales sobre la eliminación de baterías.

INSTALACIÓN

- Desembale todas las piezas y retire el material protector.
- No conecte la unidad a la corriente eléctrica antes de comprobar la tensión de la corriente y antes de que se hayan hecho todas las demás conexiones.

Advertencia sobre el uso de la conexión de cable HDMI.

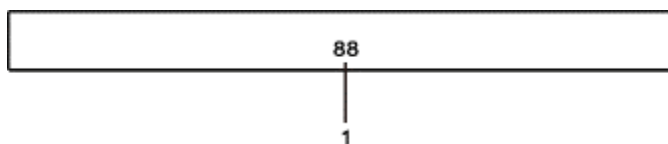
- Use únicamente un cable HDMI de ALTA VELOCIDAD (a partir de HDMI 1.4)
- Compruebe si su TV dispone de un conector HDMI con “ARC” mencionado.

En tal caso, conecte el cable HDMI con este conector.

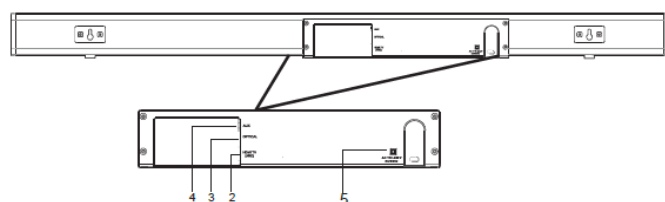
En caso contrario, no es seguro que la sincronización del sonido del volumen de la barra de sonido funcione perfectamente.

En la configuración HDMI de su TV, seleccione la opción CEC-HDMI (o ANYNET para algunas marcas)

Controles y conexiones de la barra de sonido

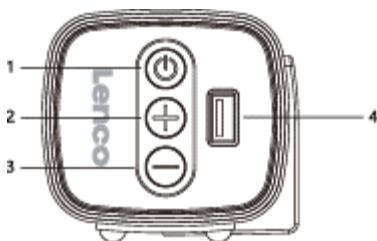


VISTA POSTERIOR



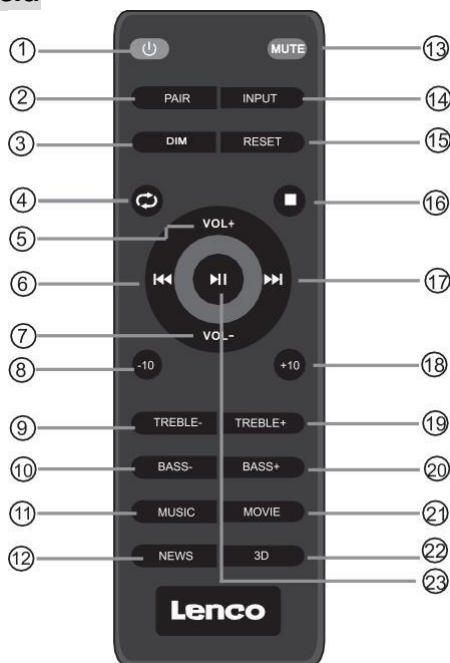
1. PANTALLA
2. HDMI TV(ARC)
3. ÓPTICO
4. AUX
5. ENTRADA CA

Vista lateral



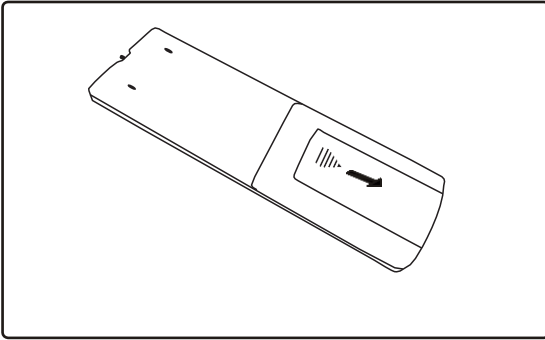
1. En espera
2. Volumen +
3. Volumen -
4. USB

Mando a distancia

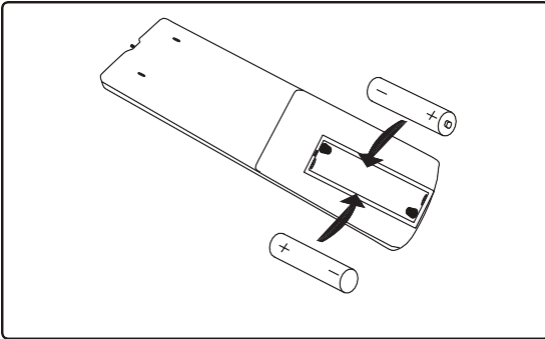


1. Modo en espera para encendido y apagado.
2. EMPAREJAR: Conecte o desconecte el dispositivo de emparejamiento. (Pulse el botón durante más de 2 segundos).
3. DIM: Control de brillo. Este botón no funcionará en modo en espera.
4. Reproducción en bucle (esta función es para el USB).
5. Volumen +
6. Botón anterior: Canción anterior (esta función es únicamente para el modo Bluetooth).
7. Volumen -
8. -10: Atrás diez canciones (esta función es únicamente para el modo BT).
9. Agudos -
10. Bajos -
11. MÚSICA: Selecciona el ECUALIZADOR DE MÚSICA presintonizado.
12. NOTICIAS: Selecciona el ECUALIZADOR DE MÚSICA presintonizado.
13. Modo SILENCIO.
14. INPUT: Selección de AUXILIAR/ÓPTICO/USB/BT
15. REINICIO: Reinicia todos los niveles de la barra de sonido y cambia el ecualizador a la configuración de la música. Mantenga pulsado este botón durante 2 segundos.
16. Botón Detener: Púlselo para detenerlo. (esta función solo es para el modo USB).
17. Botón Siguiente: Siguiente canción. (esta función solo es para el modo USB y BT).
18. +10: Avanza diez canciones. (esta función solo es para el modo USB).
19. Agudos +.
20. Bajos +
21. PELÍCULA: Selecciona el ECUALIZADOR DE PELÍCULAS presintonizado.
22. 3D: Selecciona el ECUALIZADOR 3D presintonizado.
23. Reproducción/Pausa (esta función solo es para el modo USB y BT).

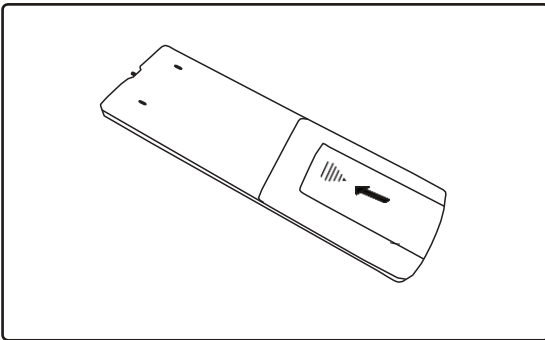
Compartimento de las pilas del mando a distancia



- A. Retire la cubierta del compartimento de las pilas deslizándola hacia abajo.**



- B. Inserte 2 pilas AAA según la marca del interior del compartimento de las pilas.**



- C. Cierre el compartimento deslizándolo hacia arriba.**

Instrucciones de funcionamiento

Uso de la barra de sonido

1. Encienda la barra de sonido usando el botón de encendido de la misma o usando el botón en espera del mando a distancia. Tras encenderla, el modo de entrada predeterminado se mostrará en la pantalla.
2. Los modos de entrada pueden modificarse volviendo a pulsar el botón de encendido o usando el botón INPUT del mando a distancia.

Debajo se muestran los nombres de entrada que aparecen en la pantalla de la barra de sonido:

Nota: El modo de entrada USB no está disponible en la selección de fuentes. Solo estará disponible tras insertar una unidad USB compatible (aparece como US en la pantalla)

Modo de emparejamiento

Conexión

1. Conecte el cable de alimentación y la pantalla se iluminará; la pantalla muestra [--] lo que indica que la unidad está en modo en espera.
2. Encienda la barra de sonido pulsando el botón de encendido y posteriormente cambie el modo de entrada a Bluetooth. La pantalla mostrará [bt]. Si no se ha emparejado previamente ningún dispositivo, la pantalla mostrará [bt] parpadeando.
3. Busque nuevos dispositivos Bluetooth en su reproductor de audio Bluetooth (por ejemplo: smartphone/tableta/ordenador). Elija el dispositivo denominado "Lenco SB-080" de la lista de dispositivos detectados. Si le solicita una contraseña, simplemente introduzca 0000. El [bt] que parpadea dejará de parpadear u sonará un pitido cuando la barra de sonido se empareje correctamente.
4. La barra de sonido recordará el último dispositivo emparejado y se vuelve a conectar la próxima vez que encienda la barra de sonido en modo Bluetooth. (El dispositivo previamente emparejado debe encontrarse cerca de la barra de sonido con la función Bluetooth activada)

Nota: Cuando el dispositivo no puede detectar la barra de sonido mientras se empareja, reinicie el modo Bluetooth e intente volver a emparejarlo.

Desconexión

Vaya a la configuración Bluetooth de su dispositivo de audio Bluetooth y seleccione “Lenco SB-080” de la lista de dispositivos y elija la opción «disconnect» (Desconexión).

Nota: Tiene que desconectarlo de su reproductor de audio Bluetooth si desea conectar un reproductor BT diferente.

MODO Auxiliar

1. Tras encender la barra de sonido, cambie al modo de entrada AUX pulsando el botón «INPUT» del mando a distancia hasta que se muestre [AU] en la pantalla.
2. Conecte el cable AUXILIAR de 3.5mm al conector AUX de la barra de sonido e inicie la reproducción del dispositivo de música conectado.

Modo USB

Se puede encontrar el puerto USB en el lateral derecho de la barra de sonido. Puede usar las memorias USB con archivos de música en formato MP3.

1. Conecte la unidad USB en el puerto USB.
2. Los archivos de música de la unidad USB se reproducirán automáticamente y la pantalla mostrará [US]
3. Puede usar el mando a distancia para reproducir / hacer una pausa / detener y reproducir la pista siguiente / anterior.

Modo HDMI

1. La barra de sonido es compatible con HDMI con Canal de Retorno de Audio (ARC). Si su TV cumple con HDMI ARC, puede oír el audio de la TV a través de la barra de sonido usando un único cable HDMI.
2. Conecte un cable HDMI de alta velocidad desde el conector de TV HDMI (ARC) de la barra de sonido al conector HDMI ARC de su TV. El conector HDMI ARC del TV puede estar etiquetado de forma diferente. La pantalla mostrará [HD].
3. En su TV, seleccione fuente como modo HDMI (ARC). Para obtener más detalles sobre el modo HDMI (ARC), consulte su manual de usuario del TV.

Modo óptico

Usando un cable óptico, conecte el conector OPTICAL de la barra de sonido a la conexión OPTICAL OUT del TV u otro dispositivo. La pantalla mostrará [OP].

SOLUCIÓN DE PROBLEMAS

TEMAS	PROBLEMAS	SOLUCIONES
Sonido	No hay sonido en los altavoces de la barra de sonido	Conecte el cable de audio de la barra de sonido a su TV u otros dispositivos. Sin embargo, no es necesaria una conexión de audio separada cuando la barra de sonido y el TV están conectados a través de una conexión HDMI ARC.
		En el mando a distancia, seleccione la entrada de audio correcta.
	Sonido distorsionado u eco	Si reproduce audio desde el TV a través de la barra de sonido, asegúrese de que el TV está en silencio.
Bluetooth	No se puede conectar un dispositivo con la barra de sonido	Reinicie la barra de sonido y vuelva a intentar el emparejamiento.
		No ha activado la función Bluetooth del dispositivo. Véase el manual de usuario del dispositivo acerca de cómo activar la función.
		El dispositivo no está conectado correctamente
		La barra de sonido ya está conectada a otro dispositivo Bluetooth. Desconecte el dispositivo conectado y después vuelva a intentarlo.
	La calidad de la reproducción de audio de un dispositivo Bluetooth conectado es mala	La recepción Bluetooth es mala. Mueva el dispositivo más cerca de la barra de sonido o retire cualquier obstáculo entre el dispositivo y la barra de sonido.
	El dispositivo Bluetooth conectado se conecta y desconecta constantemente	La recepción Bluetooth es mala. Mueva el dispositivo más cerca de la barra de sonido o retire cualquier obstáculo entre el dispositivo y la barra de sonido.

ESPECIFICACIONES TÉCNICAS

Alimentación	SMPS 110 V-240 V ~ 50/60 Hz
Salida de potencia	20 W*2+40 W=80 W R.M.S.
Unidad conductora	2"*2+2.25"*2
Impedancia de entrada	8 Ω*2+3 Ω*2
S/R	≥ 72 dB
Respuesta de frecuencia	80 Hz-20 KHz
Distorsión	</=0.5% (1 K/1 W)
Sensibilidad de entrada	800 mV±50 mV
Versión de Bluetooth	Versión: 5.0 Alcance: hasta 10 m
Dimensiones (mm)	70H*78D*900L mm

GARANTÍA

Lenco ofrece servicio y garantía en cumplimiento con las leyes de la Unión Europea, lo cual implica que, en caso de que su producto precise ser reparado (tanto durante como después del periodo de garantía), deberá contactar directamente con su distribuidor.

Nota importante: No es posible enviar sus reparaciones directamente a Lenco.

Nota importante: Si la unidad es abierta por un centro de servicio no oficial, la garantía quedará anulada.

Este aparato no es adecuado para el uso profesional. En caso de darle un uso profesional, todas las obligaciones de garantía del fabricante quedarán anuladas.

EXENCIÓN DE RESPONSABILIDAD

Regularmente se llevan a cabo actualizaciones en el Firmware y en los componentes del hardware. Por esta razón, algunas de las instrucciones, especificaciones e imágenes incluidas en este documento pueden diferir ligeramente respecto a su situación particular. Todos los elementos descritos en esta guía tienen un objetivo de mera ilustración, y pueden no ser de aplicación en su situación particular. No se puede obtener ningún derecho ni derecho legal a partir de la descripción hecha en este manual.

ELIMINACIÓN DEL ANTIGUO DISPOSITIVO



Este símbolo indica que no deberá deshacerse del producto eléctrico o batería en cuestión junto con los residuos domésticos, en el ámbito de la UE. Para garantizar un tratamiento residual correcto del producto y su batería, por favor, elimínelos cumpliendo con las leyes locales aplicables sobre requisitos para el desechado de equipos eléctricos y baterías. De hacerlo, ayudará a conservar recursos naturales y mejorar los estándares de protección medioambiental en el tratamiento y eliminación de residuos eléctricos (Directiva sobre la Eliminación de Equipos Eléctricos y Electrónicos).

MARCA CE

Por la presente, Lenco Benelux B.V., Thermiekstraat 1a, 6361 HB Nuth, Países Bajos, declara que este producto cumple con las exigencias esenciales de la directiva de la UE. La declaración de conformidad puede consultarse mediante

techdoc@commaxxgroup.com



Service (Servicio)

Para obtener más información y soporte del departamento técnico, por favor, visite la página web www.lenco.com

Lenco Benelux BV, Thermiekstraat 1a, 6361 HB, Países Bajos.