

# U<sup>⚡</sup>power



Atlantis

 **ON-LINE**



**2000**  
VA

**LINE POWER 2002**  
**PRO** OnLine Double Conversion  
Tower UPS

# 2000 VA

# LINE POWER 2002 PRO

## OnLine Double Conversion Tower UPS



# ON-LINE

La linea di prodotti LinePower è in grado di proteggere qualsiasi sistema elettrico o elettronico nel caso in cui si verifichi una variazione della tensione di alimentazione. Le principali caratteristiche di questa linea di UPS sono:

- La tecnologia OnLine a doppia conversione rende il dispositivo particolarmente adatto a gestire apparati, quali server o workstation, con PFC attivo
- Lo chassis in metallo garantisce un'ottima dissipazione ed una maggiore schermatura da eventuali disturbi elettromagnetici
- La modalità ECO permette un importante risparmio nei consumi elettrici
- Alto fattore di cresta, adatto ad ogni tipo di carico
- Gestione avanzata delle Batterie ed estrema semplicità nella sostituzione
- Interfaccia USB / RS232
- Software di management incluso

1800  
WATT

CPU



LED

4 X  
BATTERY  
12V@9.0A/h



CONNECTOR  
FOR EXTERNAL  
BATTERY BANK

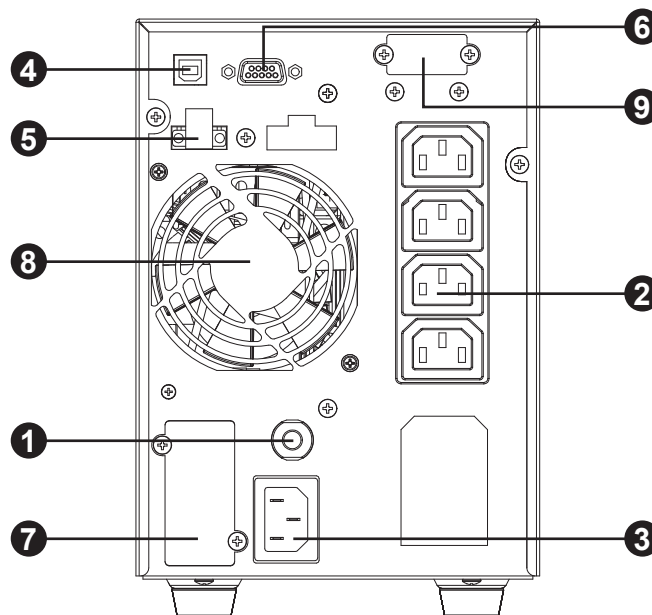
SNMP  
SNMP SLOT

### SPECIFICHE TECNICHE

<b>POWER RATING (VA) POWER RATING (W) INPUT (LOW LINE TRANSFER)</b>	2000 1800 - 80VAC-300VAC(load <=30%±5%) - 120VAC-300VAC(load <=60%±5%) - 140VAC-300VAC(load <=80%±5%) - 160VAC-300VAC(load <=100%±5%)
<b>FREQUENCY RANGE POWER FACTOR OUTPUT</b>	40Hz to 70Hz >0,99 (Normal Voltage) <b>Voltage:</b> 208/220/230/240VAC ±1% <b>AC Voltage Regulation:</b> ±1% <b>Frequency Range:</b> 50Hz (±0.5%) or 60Hz (±0.5%) <b>Waveform:</b> Pure SineWave <b>Crest Ratio:</b> 3:1 (Max) <b>Harmonic Distortion (THDU):</b> <3% THD (liner Load) <5% THD (Non liner Load)
<b>TRANSFER</b>	AC->Battery Zero INV->ByPass Less than 4ms (typical)
<b>WAVEFORM (BATT. MODE) EFFICIENCY BATTERY</b>	Pure Sinewave AC Mode = 90%   Battery = 87%   ECO = 97% <b>Voltage:</b> 48VDC <b>Capacity:</b> 12V/9.0Ah <b>Quantity:</b> 4 <b>Recharge Time:</b> 4 hours to (90%) <b>Type:</b> Sealed Maintenance Free Lead Acid VRLA Type <b>Design:</b> Swappable battery design <b>Charging Voltage:</b> 54,8VDC ±1% <b>Charging I:</b> 1,5A Max
<b>INDICATORS (DISPLAY LCD)</b>	UPS status, Load level, Battery level, Input/Output/battery info, Discharge time and Fault indicators
<b>PROTECTION</b>	- 105%<Overload AC <110% Overload Warning UPS Only - 110%<Overload AC <130% Overload Warning UPS transfers to ByPass after 1 minutes - Overload AC >130% Overload Warning UPS transfers to ByPass after 3 seconds - 105%<Overload Battery <110% Overload Warning UPS - 110%<Overload Battery <130% Overload Warning UPS shut down after 1 minute - Overload AC >130% Overload Warning shut down after 3 seconds - 110%<ByPass <120% Overload Warning UPS shut down after 30 minutes - 120%<ByPass <130% Overload Warning UPS shut down after 10 minutes - ByPass >130% Overload Warning UPS shut down after 1 minute - Overload Inverter (>100%) - Short Circuit INV: Electric Circuit - Short Circuit AC: ICB & Electric Circuit - Battery Over-drain Two stages: Controlled Battery Low Warning & Cut Off - High Surge Level Immunity(>7KV) - Fan detect protection and Fan speed control - ECO mode
<b>ADVANCED</b>	
<b>CONNECTIONS</b>	Output 4xIEC 320 C13 (Battery Power Supplied)   RS232 and USB(HID)   Intelligent Slot for SNMP Card   EPO/ROO   Battery Bank Connection
<b>BACKUP TIME (MIN)</b>	- 1800w up to 3:15m - 1350w up to 5:30m - 900w up to 9:30m - 450w up to 22m
<b>DIMENSIONS (WxHxD) WEIGHT ENVIRONMENTS</b>	151 x 225 x 394 mm 17,15 Kg (with battery) - Temperature 0°-40° C - Humidity 20-90% (non-condensing)
<b>NOISE LEVEL CERTIFICATION</b>	Less than 50 dBA @ 1.0 meter (battery full charged, without buzzer) CE (EMC, Safety)

### PUNTI DI FORZA

- La Tecnologia OnLine a doppia conversione rende il dispositivo particolarmente adatto a gestire apparati, quali server o workstation, con PFC attivo
- La modalità ECO permette un importante risparmio nei consumi elettrici
- La capacità delle batterie (4 da 12V@9A/h) offrono una lunga durata in assenza di rete elettrica
- Lo Chassis in metallo garantisce un'ottima dissipazione ed una maggiore schermatura
- Gestione avanzata delle Batterie ed estrema semplicità nella sostituzione
- Interfaccia USB / RS232
- Software di management incluso permette lo spegnimento controllato del sistema e di controllare lo stato di funzionamento dell'UPS



- 1 INPUT CIRCUIT BREAKER
- 2 IEC OUTPUT
- 3 AC INPUT
- 4 USB interface
- 5 EPO / ROO
- 6 RS232 interface
- 7 SNMP SLOT
- 8 FAN
- 9 CONNECTOR FOR EXTERNAL BATTERY BANK

UPS ON-LINE

Code: A03-OP2002P

EAN: 8026974022499

Tutti i marchi riportati sono registrati ed appartengono ai rispettivi proprietari. Le specifiche riportate possono cambiare senza preavviso. Nessuna responsabilità per errori e/o omissioni | All rights registered. Specifications are subject to change without prior notice. No liability for technical errors and/or omissions.

# 2000 VA

# LINE POWER 2002 PRO

## OnLine Double Conversion Tower UPS



# ON-LINE

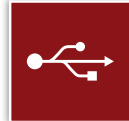
The LinePower product line can protect any electrical or electronic system in the event of a change in the supply voltage.

The main features of this UPS line are:

- OnLine double conversion technology makes the device particularly suitable for managing devices, such as servers or workstations, with Active PFC
- The metal chassis guarantees excellent and greater dissipation shielding from any electromagnetic disturbances
- The ECO mode allows significant savings in electricity consumption
- High crest factor, suitable for any type of load
- Advanced battery management and extreme simplicity in replacement
- USB / RS232 interface
- Management software included

1800  
WATT

CPU



LCD

4 X  
BATTERY  
12V@9.0A/h



CONNECTOR  
FOR EXTERNAL  
BATTERY BANK

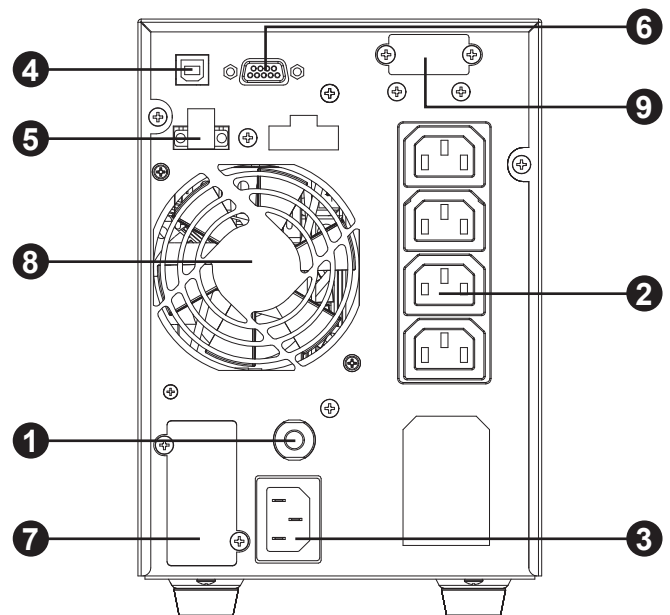
SNMP  
SNMP SLOT

### TECHNICAL SPECIFICATIONS

<b>POWER RATING (VA) POWER RATING (W) INPUT (LOW LINE TRANSFER)</b>	2000 1800 - 80VAC-300VAC(load <=30%±5%) - 120VAC-300VAC(load <=60%±5%) - 140VAC-300VAC(load <=80%±5%) - 160VAC-300VAC(load <=100%±5%)
<b>FREQUENCY RANGE POWER FACTOR OUTPUT</b>	40Hz to 70Hz >0,99 (Normal Voltage) <b>Voltage:</b> 208/220/230/240VAC <b>AC Voltage Regulation:</b> ±1% <b>Frequency Range:</b> 50Hz (±0.5%) or 60Hz (±0.5%) <b>Waveform:</b> Pure SineWave <b>Crest Ratio:</b> 3:1 (Max) <b>Harmonic Distortion (THDU):</b> <3% THD (liner Load) <5% THD (Non liner Load)
<b>TRANSFER</b>	AC->Battery Zero INV->ByPass Less than 4ms (typical)
<b>WAVEFORM (BATT. MODE) EFFICIENCY BATTERY</b>	Pure Sinewave AC Mode = 90%   Battery = 87%   ECO = 97% <b>Voltage:</b> 48VDC <b>Capacity:</b> 12V/9.0Ah <b>Quantity:</b> 4 <b>Recharge Time:</b> 4 hours to (90%) <b>Type:</b> Sealed Maintenance Free Lead Acid VRLA Type <b>Design:</b> Swappable battery design <b>Charging Voltage:</b> 54,8VDC ±1% <b>Charging I:</b> 1,5A Max
<b>INDICATORS (DISPLAY LCD)</b>	UPS status, Load level, Battery level, Input/Output/battery info, Discharge time and Fault indicators
<b>PROTECTION</b>	- 105%<Overload AC <110% Overload Warning UPS Only - 110%<Overload AC <130% Overload Warning UPS transfers to ByPass after 1 minutes - Overload AC >130% Overload Warning UPS transfers to ByPass after 3 seconds - 105%<Overload Battery <110% Overload Warning UPS - 110%<Overload Battery <130% Overload Warning UPS shut down after 1 minute - Overload AC >130% Overload Warning shut down after 3 seconds - 110%<ByPass <120% Overload Warning UPS shut down after 30 minutes - 120%<ByPass <130% Overload Warning UPS shut down after 10 minutes - ByPass >130% Overload Warning UPS shut down after 1 minute - Overload Inverter (>100%) - Short Circuit INV: Electric Circuit - Short Circuit AC: ICB & Electric Circuit - Battery Over-drain Two stages: Controlled Battery Low Warning & Cut Off - High Surge Level Immunity(>7KV) - Fan detect protection and Fan speed control - ECO mode
<b>ADVANCED</b>	
<b>CONNECTIONS</b>	Output 4xIEC 320 C13 (Battery Power Supplied)   RS232 and USB(HID)   Intelligent Slot for SNMP Card   EPO/ROO   Battery Bank Connection
<b>BACKUP TIME (MIN)</b>	- 1800w up to 3:15m - 1350w up to 5:30m - 900w up to 9:30m - 450w up to 22m
<b>DIMENSIONS (WxHxD) WEIGHT ENVIRONMENTS</b>	151 x 225 x 394 mm 17,15 Kg (with battery) - Temperature 0°-40° C - Humidity 20-90% (non-condensing)
<b>NOISE LEVEL CERTIFICATION</b>	Less than 50 dBA @ 1.0 meter (battery full charged, without buzzer) CE (EMC, Safety)

### PLUS

- Using on-line double conversion technology, this device applies the highest level of voltage and frequency regulation for all customers needs (workstation and server with A-PFC)
- ECO Mode
- The capacity of the batteries (4x12V @ 9A/h) offers a long life in the absence of electricity
- Metal Housing guarantees higher protection from electromagnetic disturbs
- Advanced Battery Management & Easy Swappable Battery Function
- USB / RS232 Communication Interface
- Management Software is included



- 1 INPUT CIRCUIT BREAKER
- 2 IEC OUTPUT
- 3 AC INPUT
- 4 USB interface
- 5 EPO / ROO
- 6 RS232 interface
- 7 SNMP SLOT
- 8 FAN
- 9 CONNECTOR FOR EXTERNAL BATTERY BANK

UPS ON-LINE

Code: A03-OP2002P

EAN: 8026974022499

Tutti i marchi riportati sono registrati ed appartengono ai rispettivi proprietari. Le specifiche riportate possono cambiare senza preavviso. Nessuna responsabilità per errori e/o omissioni | All rights registered. Specifications are subject to change without prior notice. No liability for technical errors and/or omissions.

# 2000 VA

# LINE POWER 2002 PRO

## OnLine Double Conversion Tower UPS

**ON-LINE**

### ACCESSORI OPZIONALI / OPTIONAL ACCESSORIES



A03-BB2002P-RC



A03-SNMP2-IN



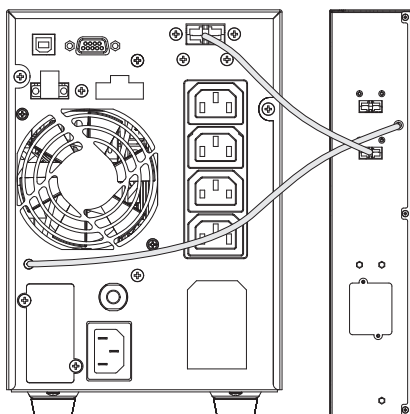
P011-SL3006P-B



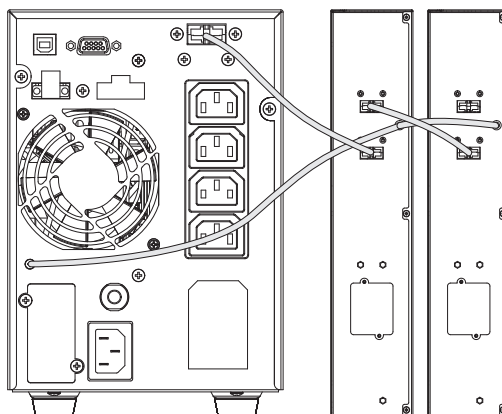
A03-OP2002P	
Battery Low	45.12V - 46.08V ± 1%
Battery Cut OFF	38.4V - 45.12V ± 1%
Battery Charging Voltage	54,7VDC ± 1%
Charging Current (max)	1.5A

	ONLY UPS	with 1 A03-BB2002P-RC	with 2 A03-BB2002P-RC
<b>100% Load</b> (1800W)	3:15min	16:30min	19:00min
<b>75% Load</b> (1350W)	5:30min	23:00min	38:00min
<b>50% Load</b> (900W)	9:30min	35:00min	57:00min
<b>25% Load</b> (450W)	22:00min	69:00min	115:00min
<b>Total Batteries</b>	4 into UPS	4+8 into UPS and 1 <sup>st</sup> Battery Bank	4+16 into UPS and Battery Banks

A03-OP2002P + A03-BB2002P-RC



A03-OP2002P + 2xA03-BB2002P-RC



UPS ON-LINE  
Code: A03-OP2002P  
EAN: 8026974022499

BATTERY BANK  
Code: A03-BB2002P-RC  
EAN: 8026974022574

Tutti i marchi riportati sono registrati ed appartengono ai rispettivi proprietari. Le specifiche riportate possono cambiare senza preavviso. Nessuna responsabilità per errori e/o omissioni. | All rights registered. Specifications are subject to change without prior notice. No liability for technical errors and/or omissions.