

# INSTRUCTIONS FOR USE

## DIAGRAM OF THE APPLIANCE (FIG. 1)

- A. Handle.
- B. Safety lock (if provided).
- C. Gasket.
- D. Separator (if provided).
- E. Defrost water drain plug.
- F. Control panel.
- G. Side motor cooling grille.

## INSTALLATION

- **Please refer to the chapter “BEFORE USING THE APPLIANCE”.**
- **Unpack the appliance.**
- **Remove the 4 protection pieces inserted between lid and appliance.**
- Ensure that the defrosting water drainage plug (if provided) is correctly positioned (4).
- For best operation of the appliance and in order to avoid damage when the lid is opened, leave a space of at least 7 cm from the rear wall and 7 cm at the sides.
- Fit the accessories (if provided).

Clean the inside of the appliance before using it.

## DIAGRAM OF THE CONTROL PANEL (FIG. 2)

1. Thermostat: it can be used to adjust the internal temperature of the appliance.
2. Red LED (if provided): Indicates that the appliance temperature is not sufficiently low.
3. Green LED (if provided): indicates that the appliance is on.
4. Yellow/orange illuminated button (if provided): activates/deactivates the fast freeze function.

**IMPORTANT: when using the product as a cooler please check that the fast freeze function is not activated in order to avoid bottle cracking.**

**The exact configuration of the controls may vary according to the model.**

### Switching on the appliance

- The appliance is factory set for optimum freezer operation at a temperature of  $-18^{\circ}\text{C}$ .
- Plug in the appliance.
- The green LED lights up (if provided).
- Also the red LED (if provided) will switch on because the temperature inside the appliance is not yet sufficiently low for food storage. The red LED will normally switch off within the first six hours after the appliance is switched on.

- After connecting the appliance to the mains supply and when the optimal temperature has been reached, ensure that the fast freeze button is not pressed (the yellow LED, if provided, is off).
- Place food inside the product only when the red LED (if provided) has switched off.

**Note:** As the seal is tight, the appliance lid cannot be reopened immediately after closing. Wait a few minutes before re-opening the lid of the appliance.

**Note:** This appliance features “skin condenser” technology: the condensing unit is integrated into the walls of the freezer. For this reason the side and front walls of the product may become hot while the product is running. This is entirely normal and also reduces the risk of condensation forming in particularly critical environmental conditions (see paragraph “Troubleshooting guide”).

### Temperature Adjustment

Use the thermostat to select the ideal storage temperature. This product could be used both as freezer and as cooler.



- To use the product as freezer set thermostat in position “freezer”. In this case the product must be used to store frozen food, to freeze fresh food and to make ice.  
**Internal temperature could be set between  $-14^{\circ}\text{C}$  and  $-22^{\circ}\text{C}$**  (depending on the environmental conditions, this range may vary slightly)
- To use the product as cooler set thermostat in position “cooler”. In this case the product must be used to store fresh food and beverages.  
**Internal temperature could be set between  $0^{\circ}\text{C}$  and  $+6^{\circ}\text{C}$**  (depending on the environmental conditions, this range may vary slightly)
- To turn off the product set thermostat in OFF position.  
**In this case the product is already connected to power supply.**

**IMPORTANT: when using the product as a cooler please check that the fast freeze function is not activated in order to avoid bottle cracking.**

### WHEN THE APPLIANCE IS NOT IN USE

Disconnect the appliance from the mains power supply, then empty, defrost (if necessary) and clean it. Leave the door open, so that air can circulate inside the compartments. This will prevent the formation of mould and bad odours and an oxidation (blackening) of internal walls.

## COOLER USE



### Before switching from freezer use to cooler use please:

1. check that frozen food is not present inside the cavity to avoid unwanted food defrosting.
2. defrost and clean the product to avoid water stagnation on the bottom.

Note: In the case of high levels of humidity, it is possible that inside the appliance condensation may form on both the walls and the bottom of the compartment. This is absolutely natural and does not jeopardise the operation of the appliance in any way.

In this case, we recommend closing any liquid-filled containers (e.g.: sauce pans full of stock), wrapping foods with a high liquid content (e.g.: vegetables).

**IMPORTANT: when using the product as a cooler please check that the fast freeze function is not activated in order to avoid bottle cracking.**

## FREEZER USE



## FROZEN FOOD STORAGE

**Before putting frozen food inside the cavity please check that the product is set as freezer (see "Temperature adjustment" paragraph) and red light doesn't light up.**

**BEFORE SWITCHING FROM COOLER USE TO FREEZER USE PLEASE CHECK THAT FOOD OR BOTTLES ARE NOT PRESENT INSIDE THE CAVITY TO AVOID UNWANTED FOOD FROSTING OR BOTTLE CRACKING.**

Refer to the table on the appliance.

### Classification of frozen foods

Load and classify the frozen foods; it is advisable to indicate the storage date on the packs, to ensure consumption before the expiry dates listed in months in Fig. 6 for each type of food.

### Advice for storing frozen food

When purchasing frozen food products:

- Ensure that the packaging is not damaged (frozen food in damaged packaging may have deteriorated).

If the package is swollen or has damp patches, it may not have been stored under optimal conditions and defrosting may have already begun.

- When shopping, leave frozen food purchases until last and transport the products in a thermally insulated cool bag.
- Once at home, place the frozen foods immediately in the appliance.
- Avoid, or reduce temperature variations to the minimum. Respect the best-before date on the package.
- Always observe the storage information on the package.

**Note:**

**Eat fully or partially defrosted foods immediately.**

**Do not refreeze unless the food is cooked after it has thawed. Once cooked, the thawed food can be refrozen.**

**If there is a long power failure:**

- **Do not open the appliance lid except to place ice packs (if provided) over the frozen foods on the right and left of the appliance. This will slow down the rise in temperature.**

## FREEZING FOOD

**Before freezing food inside the cavity please check that the product is set as freezer (see "Temperature adjustment" paragraph) and red light doesn't light up.**

### Preparation of fresh food for freezing

- Before freezing, wrap and seal fresh food in: aluminium foil, cling film, air and water-tight plastic bags, polyethylene containers with lids, provided they are suitable for freezing foods.
- Food must be fresh, mature and of prime quality in order to obtain high quality frozen food.
- Fresh vegetables and fruit should preferably be frozen as soon as they are picked to maintain the full original nutritional value, consistency, colour and flavour.
- Always leave hot food to cool before placing in the appliance.

### Freezing fresh food

- Place foods to be frozen in direct contact with the walls of appliance (fig 5):

- A. foods to be frozen
- B. foods already frozen.

- Avoid placing foods to be frozen in direct contact with food already frozen.

- For best and fastest freezing, foods should be split into small portions; this will also be useful when the frozen items are to be used.
1. At least 24 hours before storing fresh food in the appliance, press the fast freeze button.
  2. Place the food to be frozen and keep the lid of the appliance closed for 24 hours. At the end of this period, switch off the fast freeze button.

### APPLIANCE DEFROSTING

The appliance should be defrosted when the thickness of ice on the walls reaches 5-6 mm.

- Disconnect the appliance from the power supply.
- Remove food from the appliance and put it in a very cool place or a thermally insulated bag.
- Leave the appliance door open.
- Remove the internal defrost water drain plug (depending on model) (Fig. 8).
- Remove the external defrost water drain plug (depending on model) and reposition it as shown in fig. 8).
- Use the separator (depending on model) inside the product as a recipient for any remaining water, (D) as shown in fig. 8. If there is no separator, use a shallow container.

- Defrosting can be sped up by using a spatula to detach the frost from the appliance walls.
- Remove the frost from the bottom of the appliance.
- In order to avoid permanent damage to the appliance interior, do not use pointed or sharp metal instruments to remove the ice.
- Do not use abrasive products or heat up the interior artificially.
- Dry the inside of the appliance thoroughly.
- Refit the plug after defrosting.

#### CLEANING AND MAINTENANCE

- Remove the frost from the upper edges (see Troubleshooting Guide).
- Clean the inside after defrosting, using a sponge dampened with warm water and/or mild detergent.
- Clean the side vent (if provided).

**Unplug the appliance before carrying out maintenance operations. Do not use abrasive products, scourers or stain-removers (e.g. acetone, trichloroethylene) to clean the appliance.**

**To obtain the best results from your appliance, carry out cleaning and maintenance at least once a year.**

#### HANGING THE LID LIGHT BULB (IF PROVIDED)

- Disconnect the appliance from the mains power supply.
- Remove the diffuser by following the sequence of steps shown in the figure.
- Unscrew the light bulb and replace it with an identical bulb of the same wattage and voltage.
- Refit the diffuser and plug in the appliance.

#### TROUBLESHOOTING GUIDE

##### 1. The red LED (if provided) remains alight.

- Is there a power failure?
- Is defrosting in progress?
- Is the appliance lid properly closed?
- Is the appliance positioned near a heat source?
- Is the thermostat setting correct?
- Are the ventilation grille and condenser clean?

##### 2. The appliance is too noisy.

- Is the appliance perfectly horizontal?
- Is the appliance in contact with other furniture or objects that may cause vibrations?
- Has the packaging been removed from under the appliance?

**Note:** Gurgling noises from the refrigerating circuit after the compressor cuts out are perfectly normal.

##### 3. The green LED (if provided) is off and the appliance is not working.

- Is there a power failure?
- Is the plug properly inserted in the socket?
- Is the electric cable intact?

##### 4. The green LED (if provided) is off and the appliance is working.

- The green LED is not working. Contact the After-Sales Service for a replacement.

##### 5. The compressor runs continuously.

- Have hot foods been put in the appliance?
- Has the appliance lid been left open for a long time?
- Is the appliance positioned in a very warm room or near heat sources?
- Is the thermostat setting correct?
- Has the fast freeze function (depending on model) been pressed by mistake?

##### 6. Too much ice on the upper edge.

- Are the defrost water drainage plugs correctly positioned?
- Is the appliance lid properly closed?
- Is the appliance lid seal damaged or deformed? (See chapter "Installation")
- Have the 4 protection pieces been removed? (See chapter "Installation")

#### 7. Condensation forms on the external walls of the appliance

- It is normal for condensation to form under certain atmospheric conditions (humidity above 85%) or if the appliance is located in a damp or poorly ventilated room.

The performance of the appliance is in no way affected.

#### 8. The layer of ice on the internal walls of the appliance is not uniform.

- This phenomenon is quite normal.

#### AFTER-SALES SERVICE

Before contacting After-Sales Service:

1. See if you can solve the problem yourself.
2. Switch the appliance on again to see if the problem has been solved. If it has not, disconnect the appliance from the power supply and wait for about an hour before switching on again.
3. If the problem persists after this course of action, contact After-Sales Service.

#### Specify:

- the nature of the fault,
- the model,
- the service number (the number after the word SERVICE on the rating plate on the rear of the appliance),
- your full address,
- your telephone number and area code.

**SERVICE** 0000 000 00000



#### ELECTRICAL CONNECTION FOR GREAT BRITAIN AND IRELAND ONLY

**Warning – this appliance must be earthed.**

#### Fuse replacement

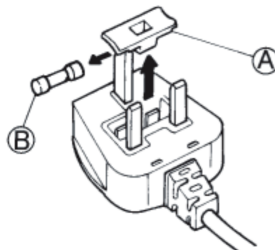
If the mains lead of this appliance is fitted with a BS 1363A 13amp fused plug, to change a fuse in this type of plug use an A.S.T.A. approved fuse to BS 1362 type and proceed as follows:

1. Remove the fuse cover (A) and fuse (B).
2. Fit replacement 13A fuse into fuse cover.
3. Refit both into plug.

#### Important:

The fuse cover must be refitted when changing a fuse and if the fuse cover is lost the plug must not be used until a correct replacement is fitted.

Correct replacement are identified by the colour insert or the colour embossed in words on the base of the plug. Replacement fuse covers are available from your local electrical store.



#### For the Republic of Ireland only

The information given in respect of Great Britain will frequently apply, but a third type of plug and socket is also used, the 2-pin, side earth type.

#### Socket outlet / plug (valid for both countries)

If the fitted plug is not suitable for your socket outlet, please contact After-sales Service for further instruction. Please do not attempt to change plug yourself. This procedure needs to be carried out by a qualified technician in compliance with the manufacturers instructions and current standard safety regulations.

# INSTRUÇÕES DE UTILIZAÇÃO

## DESCRIÇÃO DO APARELHO (FIG. 1)

- Puxador.
- Fechadura (caso exista).
- Vedação.
- Separador (caso exista).
- Tampa do tubo de drenagem da água de descongelação.
- Painel de comando.
- Grelha de ventilação do motor lateral.

## INSTALAÇÃO

- Consulte o capítulo "ANTES DE USAR O APARELHO".
- Desembale o aparelho.
- Retire os 4 espaçadores inseridos entre a porta e o aparelho.

- Certifique-se de que a tampa do dreno da água de descongelação (se existir) está posicionada corretamente (4).
- Para uma melhor operação do aparelho e para evitar danos quando abre a tampa, deixe um espaço mínimo de 7 cm até à parede atrás e 7 cm dos lados.
- Insira os acessórios (se fornecidos).

Antes de utilizar o aparelho, limpe o seu interior.

## DIAGRAMA DO PAINEL DE CONTROLO (FIG. 2)

- Termóstato: pode ser usado para ajustar a temperatura interior do aparelho.
- LED vermelho (se fornecido) : indica que a temperatura interna do produto ainda não está suficientemente fria.
- LED verde (se fornecido): indica que o aparelho está ligado.
- Botão luminoso amarelo/laranja (se fornecido): ativa/desativa a função de congelação rápida.

**IMPORTANTE: sempre que utilizar o aparelho como frigorífico certifique-se de que a função "Congelação Rápida" está desativada para evitar a quebra de garrafas.**

**A configuração exata do painel de comandos pode variar consoante os modelos.**

## Ligar o aparelho

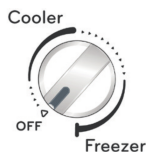
- A temperatura do produto vem configurada de fábrica para o congelamento ideal à temperatura de  $-18^{\circ}\text{C}$ .
- Ligue o aparelho na tomada.
- O LED verde (se fornecido) acende-se.
- Além disso, o LED vermelho (se fornecido) também se acende porque a temperatura no interior do aparelho ainda não está suficientemente fria para o armazenamento de alimentos. O LED vermelho apaga-se normalmente durante as primeiras seis horas após o aparelho ter sido ligado.
- Após ligar o produto à corrente elétrica e uma vez atingida a temperatura ideal, certifique-se de que o botão CONGELAÇÃO RÁPIDA não é premido (o LED amarelo, se fornecido, está apagado).
- Coloque os alimentos apenas quando o LED vermelho (se fornecido) se apagar.

**Nota:** Como a junta é de vedação, não poderá voltar a abrir a porta do aparelho imediatamente após tê-la fechado. Espere alguns minutos antes de reabrir a tampa do aparelho.

**Nota:** Este aparelho dispõe de tecnologia "skin condenser": a unidade de condensação está integrada nas paredes do congelador. Por este motivo, as paredes laterais e frontais do aparelho poderão aquecer durante o funcionamento do mesmo. Tal é perfeitamente normal e reduz também o risco de formação de condensação em condições ambientais particularmente críticas (consulte o "Guia de Resolução de Problemas").

## Regular a temperatura

Selecione a temperatura correta utilizando o termóstato. Este aparelho pode ser utilizado quer como congelador, quer como frigorífico.



- Para utilizar o aparelho como congelador, regule o termóstato para a posição "freezer" (congelador). Nesse caso, o aparelho deve ser utilizado para o armazenamento de alimentos congelados, congelar alimentos frescos e fazer gelo.

**A temperatura interna pode ser regulada entre  $-14^{\circ}\text{C}$  e  $-22^{\circ}\text{C}$**  (dependendo das condições atmosféricas, este intervalo de temperatura poderá variar ligeiramente)

- Para utilizar o aparelho como frigorífico, regule o termóstato para a posição "cooler" (frigorífico). Nesse caso, o aparelho deve ser utilizado para o armazenamento de alimentos frescos e de bebidas.

**A temperatura interna pode ser regulada entre  $0^{\circ}\text{C}$  e  $+6^{\circ}\text{C}$**  (dependendo das condições atmosféricas, este intervalo de temperatura poderá variar ligeiramente)

- Para desligar o aparelho, regule o termóstato para a posição OFF (Desligar).

**Neste caso, o produto já está ligado à fonte de alimentação elétrica.**

**IMPORTANTE: sempre que utilizar o aparelho como frigorífico certifique-se de que a função "Congelação Rápida" está desativada para evitar a quebra de garrafas.**

## EM CASO DE NÃO UTILIZAÇÃO DO APARELHO

Desligue o aparelho da corrente elétrica, despeje-o, descongele-o (se necessário) e limpe-o. Mantenha a porta aberta para que o ar circule no interior dos compartimentos. Evitará, assim, a formação de mofo, maus odores e a oxidação (escurecimento) das paredes internas.

## UTILIZAÇÃO COMO FRIGORÍFICO



### Antes de alterar a utilização de congelador para frigorífico certifique-se de que:

1. certifique-se de que não existem alimentos congelados no interior da cavidade para evitar a descongelação indesejada dos mesmos.
2. Descongele e limpe o aparelho para evitar a estagnação de água no fundo do aparelho.

Nota: Em caso de humidade elevada, é possível que se forme alguma condensação nas paredes e no fundo do compartimento do aparelho. Tal

é absolutamente normal, não colocando, de modo algum, em perigo o funcionamento do aparelho.

Nesse casos, é aconselhável fechar os recipientes que contenham líquidos (p. ex.: panelas com caldos), cozinhar os alimentos com elevado conteúdo de humidade (p. ex.: vegetais).

**IMPORTANTE: sempre que utilizar o aparelho como frigorífico certifique-se de que a função "Congelação Rápida" está desativada para evitar a quebra de garrafas.**

## UTILIZAÇÃO COMO CONGELADOR



## ARMAZENAMENTO DE ALIMENTOS CONGELADOS

**Antes de colocar alimentos congelados no interior da cavidade certifique-se de que o aparelho está definido para utilização como congelador (consulte a secção "Regular a Temperatura") e que o LED vermelho não está aceso.**

**ANTES DE ALTERAR A UTILIZAÇÃO DE FRIGORÍFICO PARA CONGELADOR CERTIFIQUE-SE DE QUE NÃO EXISTEM QUAISQUER ALIMENTOS OU GARRAFAS NO INTERIOR DA CAVIDADE PARA EVITAR A DESCONGELAÇÃO INDESEJADA DOS ALIMENTOS OU A QUEBRA DAS GARRAFAS.**

Consulte a tabela no aparelho.

### Classificação dos alimentos congelados

Carregue e classifique os alimentos congelados; é aconselhável indicar a data de armazenamento dos mesmos nas embalagens para garantir o seu consumo antes do término da data de validade indicada em meses na Fig. 6 para cada tipo de alimento.

### Conselhos sobre o armazenamento de alimentos congelados

Quando adquirir alimentos congelados:

- Certifique-se de que a embalagem não está danificada (alimentos congelados em embalagens danificadas podem estar deteriorados).

Se uma embalagem estiver inchada ou mostrar sinais de humidade, significa que não foi conservada nas melhores condições e pode ter sofrido um início de descongelação.

- Quando fizer compras, deixe a compra de alimentos congelados para o fim e transporte os alimentos num saco térmico de frio.
- Em casa, coloque os alimentos congelados imediatamente no aparelho.
- Evite, ou reduza ao mínimo as variações de temperatura. Respeite a data de validade impressa na embalagem.
- Siga sempre as instruções de armazenamento impressas na embalagem.

Nota:

**Os alimentos descongelados ou parcialmente descongelados devem ser consumidos de imediato.**

**Não torne a congelar a menos que os alimentos sejam cozinhados após terem descongelado. Uma vez cozinhados, os alimentos descongelados podem ser congelados de novo.**

**Se ocorrer uma falha de corrente prolongada:**

- Não abra a tampa do aparelho a não ser para colocar acumuladores de frio (se incluídos) sobre os alimentos congelados à direita e à esquerda do aparelho. Isto permite retardar o aumento da temperatura.

## CONGELAR ALIMENTOS

**Antes de proceder à congelação de alimentos no interior da cavidade certifique-se de que o aparelho está definido para utilização como congelador (consulte a secção "Regular a Temperatura") e que o LED vermelho não está aceso.**

### Preparar alimentos frescos para congelar

- Antes de congelar, embrulhe bem os alimentos em: folha de alumínio, película transparente, sacos de plástico estanques ao ar e à água, recipientes de polietileno com tampa desde que sejam adequados para congelar alimentos.
- Os alimentos devem estar frescos, maduros ou ser de primeira qualidade para obter alimentos congelados de alta qualidade.
- Os vegetais e fruta frescos devem ser preferencialmente congelados logo que sejam colhidos, para manter o total valor nutricional original, a consistência, a cor e o sabor.
- Deixe sempre que os alimentos quentes arrefeçam antes de os colocar no aparelho.

### Congelar alimentos frescos

- Coloque os alimentos a congelar em contacto direto com as paredes do aparelho (fig 5):

- A. alimentos a congelar,
- B. alimentos já congelados.

- Evite colocar alimentos a congelar em contacto direto com alimentos já congelados.
- Para obter uma congelação mais rápida e melhor, divida os alimentos em pequenas porções; esta medida também lhe será útil quando pretender utilizar os alimentos congelados.
- 1. Pressione o botão de congelação rápida, pelo menos, 24 horas antes de colocar alimentos frescos no aparelho.
- 2. Coloque os alimentos a congelar no interior do aparelho e mantenha a tampa do mesmo fechada durante 24 horas. A função "Congelação Rápida" desliga-se automaticamente após cerca de 50 horas.

### DESCONGELAÇÃO DO APARELHO

O aparelho deve ser descongelado quando a espessura de gelo nas paredes atingir os 5-6 mm.

- Desligue o aparelho da corrente elétrica.
- Remova os alimentos do aparelho e coloque-os num local fresco ou num saco térmico.

- Deixe a porta do aparelho aberta.
- Retire a tampa interna do dreno da água de descongelação (depende do modelo) (Fig. 8).
- Retire a tampa externa do dreno da água de descongelação (depende do modelo) e reposicione-a conforme se apresenta na figura 8.
- Utilize o separador (dependendo do modelo) existente no interior do aparelho como recipiente para quaisquer resíduos de água (D), tal como ilustrado na fig. 8. Caso não exista um separador, utilize um recipiente pouco profundo.
- A descongelação pode ser acelerada se utilizar uma espátula para retirar o gelo das paredes do aparelho.
- Retire o gelo do fundo do aparelho.
- Para evitar danos permanentes no interior do aparelho, não utilize instrumentos metálicos pontiagudos ou afiados para remover o gelo.
- Não utilize produtos abrasivos nem aqueça o interior artificialmente.
- Seque bem o interior do aparelho.
- Descongelamento concluído, coloque novamente o dreno no respetivo lugar.

## LIMPEZA E MANUTENÇÃO

- Retire o gelo do rebordo superior (consulte o Guia para Resolução de Problemas).
- Após a descongelação, limpe o interior usando uma esponja humedecida com água morna e/ou detergente suave.
- Limpe a ventilação lateral (caso exista).

**Antes de realizar quaisquer tarefas de manutenção, desligue o aparelho da corrente. Não utilize produtos abrasivos, esfregões ou tira-nódoas (por exemplo, acetona, tricloroetileno) para limpar o aparelho.**

**Para obter os melhores resultados do seu aparelho, realize tarefas de limpeza e manutenção pelo menos uma vez por ano.**

## COLOCAR A LÂMPADA DA TAMPA (SE EXISTIR)

- Desligue o aparelho da tomada.
- Retire o difusor seguindo as indicações da figura na sequência indicada.
- Desaperte a lâmpada e substitua-a por uma idêntica com os mesmos watts e volts.
- Torne a colocar o difusor e ligue o aparelho.

## GUIA DE RESOLUÇÃO DE PROBLEMAS

### 3. O LED vermelho (se fornecido) permanece aceso.

- Houve uma falha de energia?
- A descongelação está em curso?
- A tampa do aparelho está devidamente fechada?
- O aparelho está situado junto a uma fonte de calor?
- O termostato está na posição correta?
- A grelha de ventilação e o condensador estão limpos?

### 4. O aparelho é demasiado ruidoso.

- O aparelho está perfeitamente na horizontal?
- O aparelho está em contacto com mobília ou objetos que possam provocar vibrações?
- Foi removida a parte da embalagem da base do produto?

**Nota:** O som de gorgolejo no circuito de refrigeração após o compressor parar, é perfeitamente normal.

### 5. O LED verde (se fornecido) está apagado e o produto não funciona.

- Houve uma falha de energia?
- A ficha está inserida corretamente na tomada?
- O cabo de alimentação está intato?

### 6. O LED verde (se fornecido) está apagado e o produto funciona.

- O LED verde está avariado. Contacte o Serviço Pós-Venda para efetuar a substituição.

### 7. O compressor funciona ininterruptamente.

- Foram colocados alimentos quentes dentro do aparelho?
- A porta do aparelho permaneceu aberta durante muito tempo?
- O aparelho foi colocado numa divisão demasiado quente ou junto a uma fonte de calor?
- O termostato está na posição correta?
- O botão de congelação rápida (se previsto) foi inadvertidamente premido?

### 8. Excessiva formação de gelo nos rebordos superiores.

- As tampas do dreno de descongelação estão posicionadas corretamente?
- A tampa do aparelho está devidamente fechada?
- O vedante da tampa do aparelho está danificado ou deformado? (Consulte o capítulo "Instalação")
- As 4 peças de proteção foram removidas? (Consulte o capítulo "Instalação")

### 9. Formação de condensação nas paredes externas do aparelho

- É normal que se forme condensação em determinadas condições atmosféricas (humidade acima de 85%) ou se o aparelho estiver instalado num ambiente húmido ou mal ventilado.

O desempenho do aparelho não é de forma alguma afetado.

### 10. A camada de gelo nas paredes internas do produto não é uniforme.

- Este fenómeno é normal.

## SERVIÇO PÓS-VENDA

Antes de contactar o Serviço Pós-Venda:

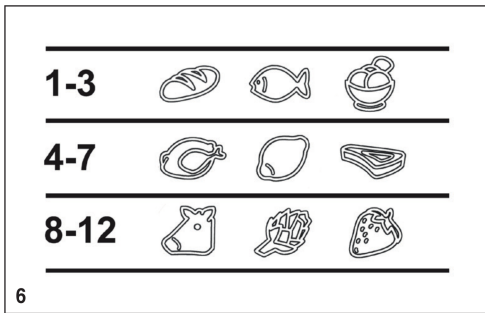
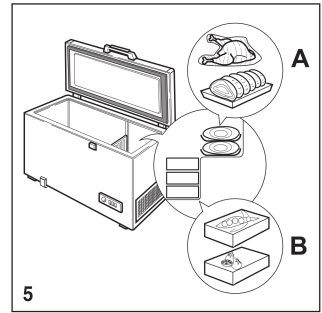
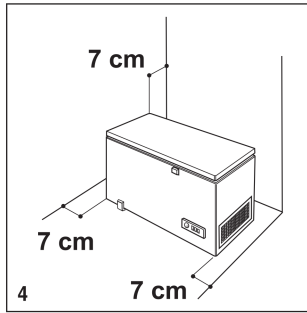
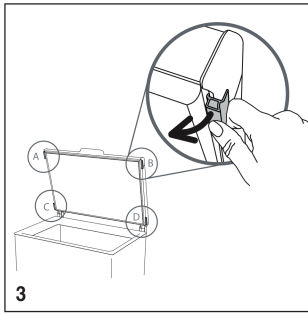
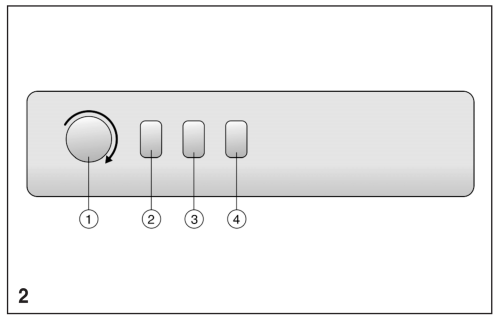
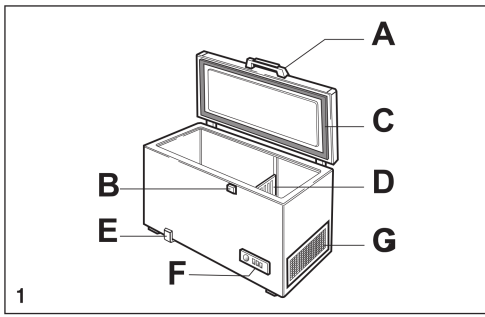
1. Verifique se não é possível resolver a avaria pessoalmente.
2. Torne a ligar o aparelho para verificar se o problema foi resolvido. Caso não tenha sido, desligue o aparelho da corrente e espere cerca de uma hora antes de o ligar de novo.
3. Se o problema persistir após estas ações, contacte o Serviço Pós-Venda.

### Indique:

- a descrição da avaria,
- o modelo,
- o número Service (o número que encontra depois da palavra SERVICE na chapa de características situada na parte posterior do aparelho)
- a sua morada completa,
- o seu número de telefone e o indicativo da área.







CLASE / KLASSE / CLASSE / CLASS			
XXXXX		XXXXXXXXX	
TYP	XXXXX	MODEL	XXXXX

CLASE/KLASSE CLASSE/TRIEDA	°C	°F
SN	10 - 32	50 - 90
N	16 - 32	61 - 90
ST	16 - 38	61 - 100
T	16 - 43	61 - 110

