



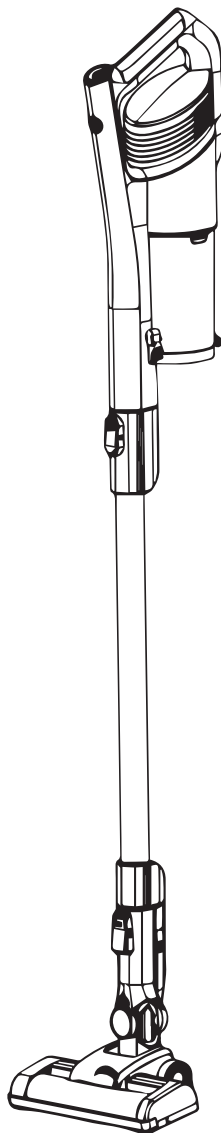
INSTRUCTION MANUAL

Vacuum Cleaner
MCS2025GB

**PLEASE READ THE
MANUAL CAREFULLY
BEFORE USING AND
KEEP IT PROPERLY
FOR FUTURE USE**

**Warning notices: Before
using this product, please
read this manual carefully
and keep it for future
reference.**

**The design and
specifications are subject to
change without prior notice
for product improvement.
Consult with your dealer or
manufacturer for details.**



EN, IT, DE, ES, FR, HR

ENGLISH.....	3-14
ITALIANO.....	15-27
DEUTSCH.....	28-42
ESPAÑOL.....	43-56
FRANÇAIS.....	57-69
Hrvatskijezik.....	70-82

Important Safety Instructions



- Read this manual thoroughly before first use, even if you are familiar with this type of product.
- The safety precautions enclosed reduce the risk of fire, electric shock and injury when correctly adhered to.
- Keep the manual in a safe place for future reference, along with the completed warranty card, purchase receipt and carton.
- Always follow basic safety precautions and accident prevention measures when using an electrical appliance, including the following:
 - Before turning on, ensure the electrical voltage and frequency of the charging adaptor corresponds to those indicated on the rating label.
- Do not leave the vacuum cleaner when plugged in.
- Unplug from outlet when not in use and before cleaning or servicing.
- Do not use outdoors or on wet surfaces.
- Young children should be supervised to ensure they do not play with the appliance.
- Do not insert any objects into the appliance.
- Use only as described in this manual, use only manufacturers recommended attachments.
- Do not operate any appliance with a damaged charging adaptor or after the appliance malfunctions, or has been damaged in any manner.
- Keep the charging adaptor and cords away from heated surfaces.
- Do not unplug by pulling on cord. To unplug, grasp the charging adaptor, not the cord.
- To reduce the risk of electrocution never operate the product with wet hands, submerge in water or spill liquids into the product.
- Do not use with any opening blocked; keep free of dust, lint, hair, and anything that may reduce airflow.
- Turn off all controls before unplugging.
- Do not use to vacuum flammable or combustible liquids, such as gasoline, matches, or use in areas where they may be present.
- Do not vacuum anything that is burning or smoking, such as cigarettes, matches, or hot ashes.

- Do not use without the filter in place.
- This appliance is intended for normal household use only.
- If the charging adaptor is damaged, it must be replaced by the same type.
- This appliance is not intended for use by persons (including children) with reduced physical, sensory or mental capabilities, or lack of experience and knowledge, unless they have been given supervision or instruction concerning use of the appliance by a person responsible for their safety.
- Children should be supervised to ensure that they do not play with the appliance.
- When charging the appliance, the power switch must be off.
- This Appliance should not be used by children or people who are physically challenged.
- This appliance is not a toy, and if not used in the correct manner, can lead to unnecessary damage or failure to perform.

Caution

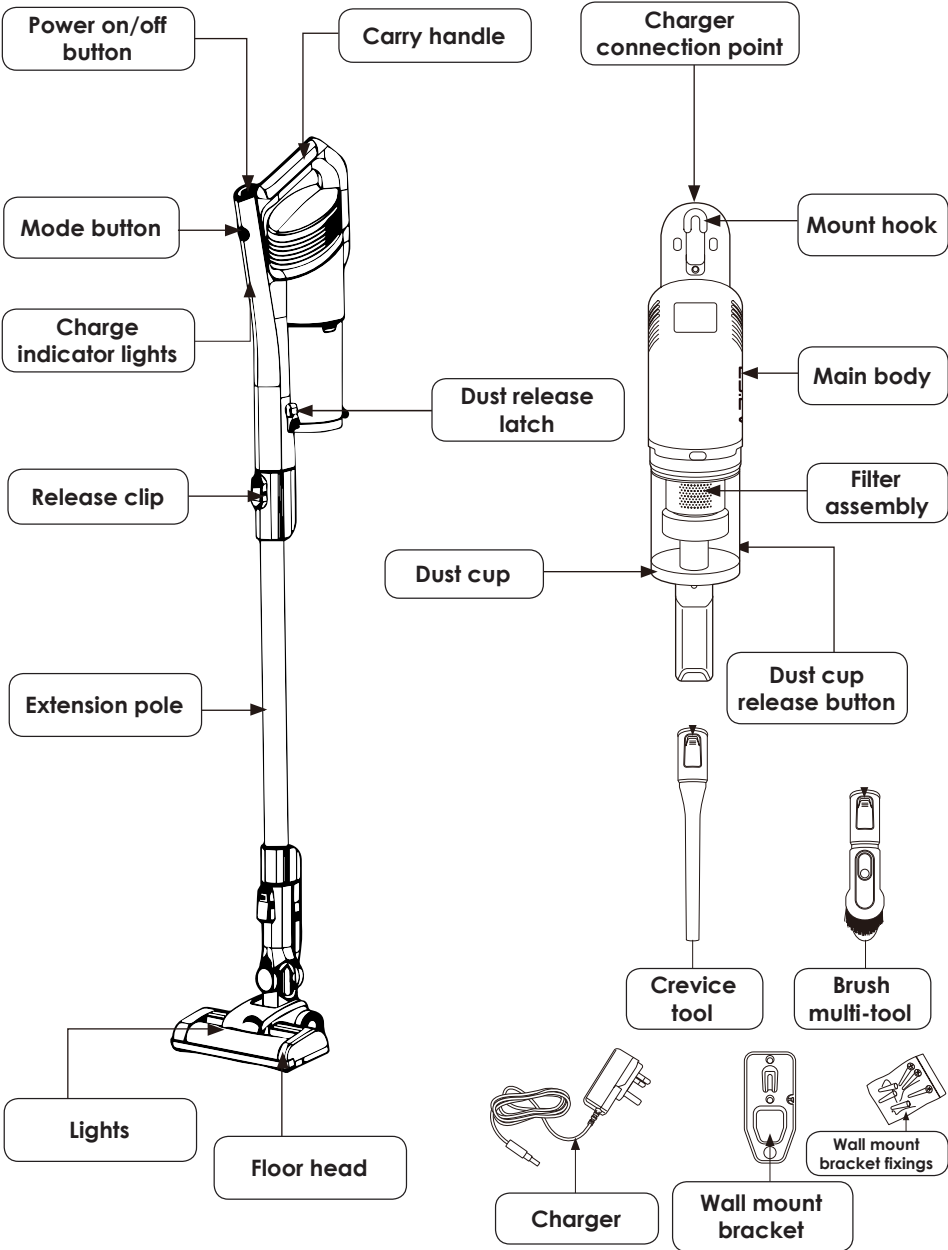
- Do not use your appliance out doors or on any wet surface or for wet pick up. Never use the product to suck up water.
- Do not pick up hard or sharp objects, matches, hot ashes, cigarette ends or other similar items.

- Do not spray with or pick up flammable liquids, cleaning fluids, aerosols or their vapours.
- Do not run over the power charging cord when using your appliance or remove the plug by pulling on the power cord.
- Do not continue to use your appliance or charger if it appears faulty.
- Do not replace the batteries with non-rechargeable batteries.
- The battery must be removed from the appliance before it is scrapped
- The appliance must be disconnected from the supply mains when removing the battery
- The battery is to be disposed of safely
- Do not recharge non-rechargeable batteries, the battery is not replaceable

Motor Power: 350W
 Adaptor Model:MC2805B-V
 Input: 100-240V~50-60Hz 0.5A
 Output: 25.0V  0.5A 12.5W
 29.0V  0.5A 14.5W

Battery Type:
 25.2V, 2000mAh, Li-ion
 Charging Time: 3-5 hours
 Dust Bin Volume: 0.45L
 Running Time:
 Max Power Mode: ≥12mins
 Mid Power Mode: ≥30mins
 Min Power Mode: ≥60mins

Names of Main Parts



Operation instructions

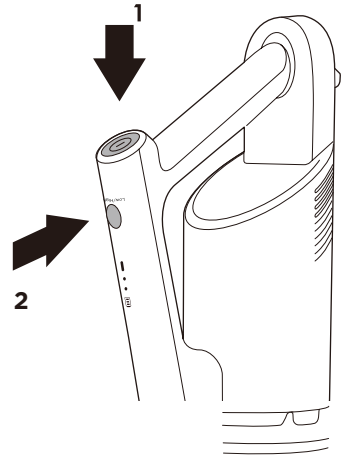
How to use your vacuum cleaner

Ensure the vacuum cleaner is fully charged and assembled before using. Always take care when vacuuming stairs.

1. There are two power settings on the stick vac: max mode (this has a higher suction power but a shorter running time, approx 15 mins) and eco mode (lower suction power with a longer running time, approx 45 mins).

The stick vac will always start in max mode. The run time may vary depending on the surface being cleaned.

2. For the 'max' mode simply press the power button **(1)**, while for 'eco' mode press the power button **(1)** followed by the mode button **(2)**. The max operation light will illuminate when in 'max' mode and go out when switched to 'eco' mode.



When required, press the power button again to turn off the stick vac.

3. Move the floor head back and forth over the surface. Use even strokes. Don't press hard; allow the stick vac to suck away the debris. There are lights on the floor head which will illuminate automatically when the stick vac is in operation to help with visibility in dark corners/ areas.
4. The stick vac has charge indicator lights, these are the two small lights on the handle.

Whilst charging - the lower light will flash and the top light is off

Half charged - the lower light is on and the top light will flash

Fully charged - both lights are on, will turn off after 10mins

When in use and the battery is almost gone, the bottom light will be off and the top light will flash. After approximately 10 seconds the stick vac will automatically switch off.

5. It is advisable to empty the dust cup after each use. For best performance, check the filters are clean (see the 'Removing and cleaning the dust cup and filters' section of this manual).

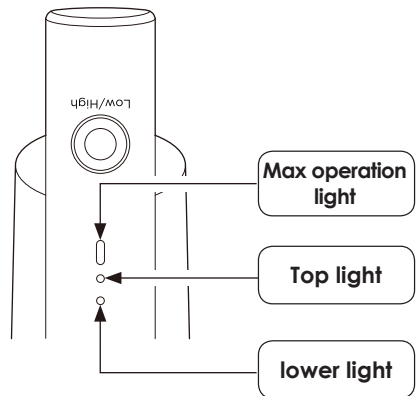
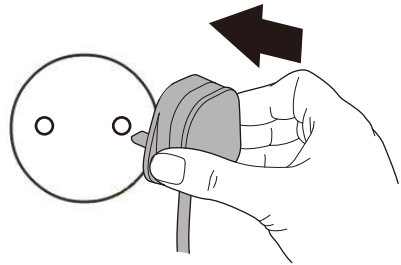
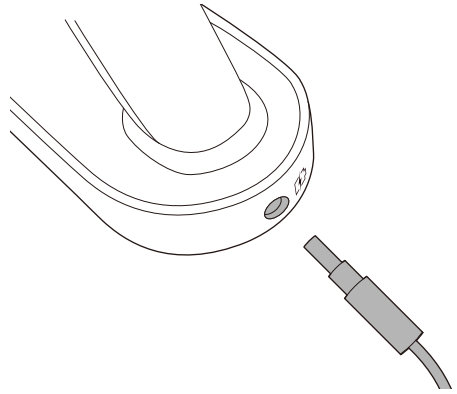
Operation instructions

Charging vacuum cleaner

Before use we recommend that the stick vac is charged fully for between 3 and 4 hours. When first purchased there will be some charge so it may not take the full amount of time to fully charge.

1. Plug the end of the charger into the charger connection point located on the top of the stick vac main body. It is recommended that the stick vac is charged without any attachments connected and the appliance is laid on a flat surface.
2. Plug the charger into the mains.
3. The lower charge indicator light will flash on and off to show the appliance is charging. Leave to charge.
4. Once fully charged, the charge indicator light will stop flashing and both lights will be lit.
5. Turn off from the mains power and remove the charger.

Note: Do not leave the stick vac unattended or leave overnight when charging. The appliance will not work whilst charging.

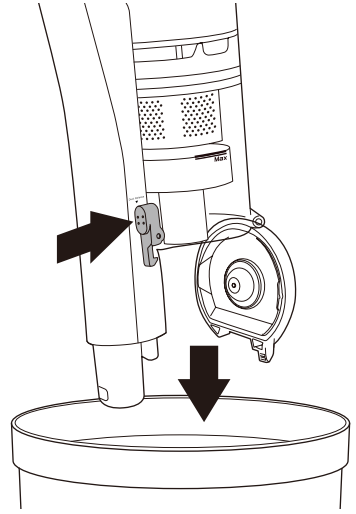


Maintenance guide

Emptying the dust cup

Ensure the stick vac is switched off and any attachments are removed before emptying the dust cup.

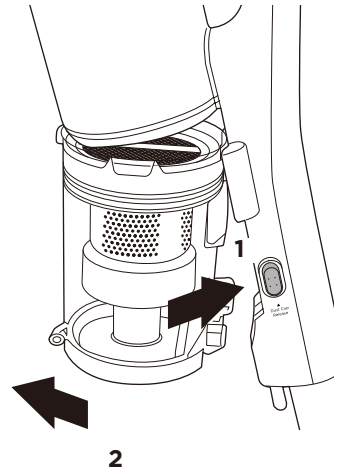
1. Hold the cup assembly over a household bin and push the dust release latch on the side of the dust cup. The debris will fall out into the bin. Please note: Do not allow the dust cup to overfill. Don't exceed the MAX level marker. Empty regularly. Every time you empty the dust cup, check the filter assembly and tap gently over the household bin to remove any excess dust.
2. Once empty close the lid until it clicks shut.



Removing and cleaning the dust cup and filters

Before starting any cleaning, ensure the stick vac is not charging and is switched off. It is easier to remove the dust cup without any attachments on the stick vac.

1. Empty the dust cup as shown in the 'Emptying the dust cup' section of this manual.
2. Press the dust cup release button located on the side of the main body near the bottom of the dust cup (1). Then pull the dust cup away from the main body, keeping the cup fairly upright (2).

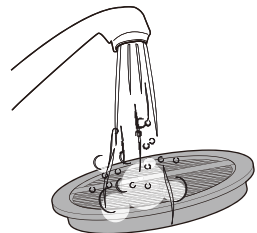
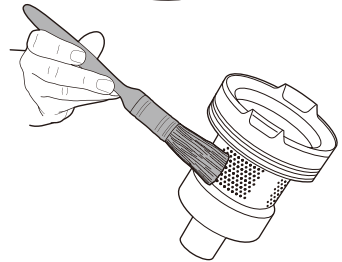
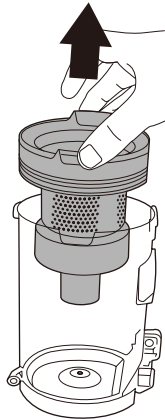
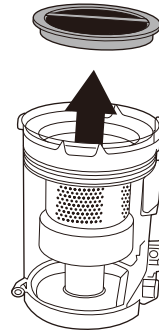


Maintenance guide

3. The dust cup houses the circular sponge filter and filter assembly. Firstly remove the circular sponge filter by pinching the ribbon material at the top of the filter and pulling upwards, then set aside.
4. Pinch either side of the filter assembly and pull upwards away from the dust cup. Tap the filter assembly gently over the household bin to remove any large amounts of dust.

Note: Do not allow the dust cup to overfill. Don't exceed the MAX level marker. Empty regularly.

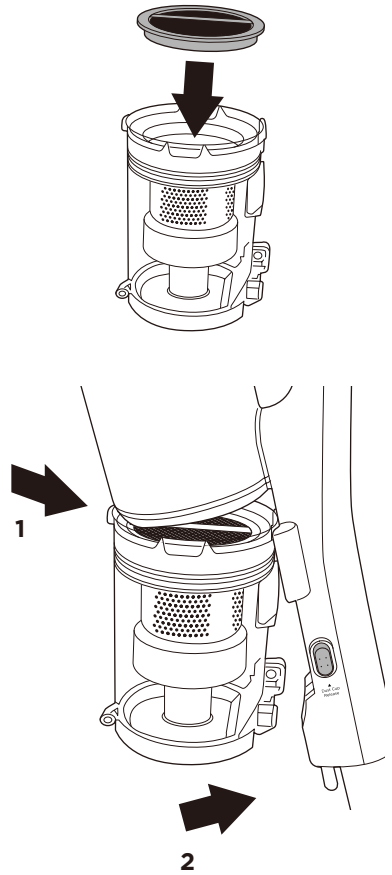
5. Remove any more excess dust from the filter assembly using a soft brush or a clean paint brush. The filter can be broken down into three parts. Hold the top section and twist the lower section in the direction of the arrow and the unlock padlock icon.
6. Rinse the dust cup, filter assembly parts and circular sponge filter under warm water until the water runs clear and leave to dry for 24 hours.



Maintenance guide

7. Once all the parts are thoroughly dry, reassemble the filter assembly parts following the arrow and the icon for the locked padlock and place it back into the dust cup. Don't forget to put the circular sponge filter back in the top of the filter assembly.
8. Replace the dust cup to the main body by hooking the channel on the top of the dust cup with the lug on the main body **(1)**. Push the dust cup back towards the main body until you hear it click into place **(2)**.

Note: It is important to regularly maintain and clean the filters. A clogged filter reduces suction power and can shorten the life of your stick vac.



Below is a recommended guide for how often you should clean the filters:

Filter type	Recommended cleaning times
Filter assembly	<ul style="list-style-type: none">• Shake out debris when you empty the dust cup. Use the soft dusting brush to gently remove any dust build-up.• Rinse under warm water once a month or more often if required.
Circular sponge filter	<ul style="list-style-type: none">• occasionally remove any dust/debris as necessary. The filter can also be rinsed under warm water once a month.

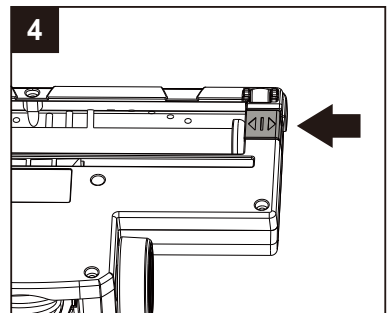
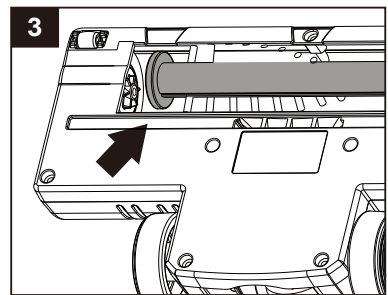
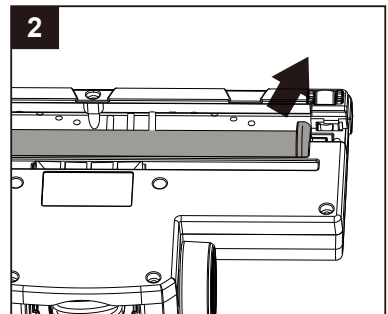
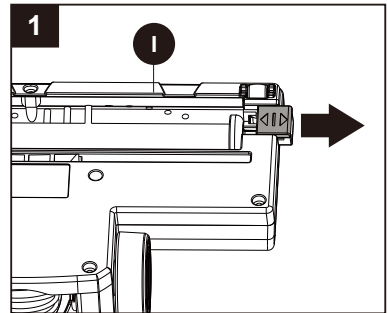
Maintenance guide

Removing and cleaning the floor head and roller brush

Before starting any cleaning, ensure the stick vac is not charging and is switched off and remove the floor nozzle from the rest of the stick vac.

If the roller brush becomes tangled during use, the self-protect system will shut off the stick vac. If that happens, please follow below steps.

1. Turn the floor brush head (I) upside down. To access the roller brush, slide the tab, marked with arrows, to the right.
2. Pull the roller brush at a slight angle up and out of the floor brush head. Any build up of hair etc. can now be removed from the roller brush. Scissors can be used to cut any hair away from the roller if necessary, taking care not to cut any of the brush bristles.
3. Once the roller brush is cleaned, replace the roller brush by aligning the left, open side of the roller with the star cog shape on the floor brush head. You may need to twist the roller head a little to lock this in place.
4. Push the other end of the roller down as far as it will go. Slide the tab back to the left to lock in place.



Maintenance guide

Clearing a blockage

Ensure the stick vac is not plugged into the mains supply and is switched off before dismantling the vac.

The stick vac would only become blocked if the dust cup has exceeded the 'Max' level, the filters are clogged up or a large object has been sucked up.

1. Check the dust cup and empty if necessary.
2. Check the 2 filters in the unit, remove any debris/dust and wash if necessary.
3. If the floor head, crevice or brush multi-tool were in use, detach them from the main body or extension pole and check for blockages. Remove any blockages.
4. Detach the extension pole and look down it to see if there are any blockages. If there are, use the handle of a broom to clear the obstruction. Take care not to damage the pole in the process.
5. Check the roller brush for any hair or thread which may have become wrapped around the roller. Cut away with a pair of scissors. To do this safely, remove as shown in the 'Removing and cleaning the floor head roller brush' section of this manual.

Storing the cordless stick vac

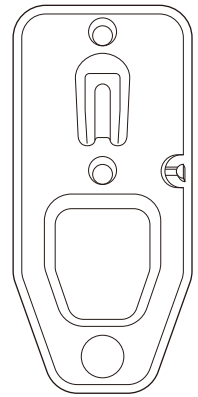
Your stick vac can be stored safely and securely by hanging from the wall mount supplied with your product or by removing all the attachments and stowing together in a cupboard. Either way will help avoid the product falling over and causing damage.

Always turn off and unplug from the mains supply before storing.

1. Remove any attachments if the stick vac was last used with them on.
2. Store the stick vac and accessories away safely in a dry place.

Storing the cordless stick vac with the wall mount

1. Find a suitable spot in your household where you'd like to secure your stick vac.
2. Mark the desired screw hole positions on the wall using a pencil. We recommend that the stick vac hangs slightly lifted off the floor.
3. Use the wall mount bracket fixings supplied only if suitable for your wall type.
4. Screw the wall mount bracket fixings and mount to the wall (see illustration for which way the mount should hang on the wall).
5. The stick vac can then be mounted on the wall mount. The mount hook can be found on the back on the main body near the handle.



Troubleshooting

Problem	Solution
The stick vac is not cleaning well.	<ol style="list-style-type: none"> 1. Empty the dust cup 2. Remove excess dust from the filters 3. Wash the filters 4. Check for blockages
The stick vac has stopped or won't work.	<ol style="list-style-type: none"> 1. Charge the vac (check the mains socket works and the switch is turned on) 2. It might be blocked - check items 1 to 4 above 3. Product self-protection activated. Switch off the vac and leave the motor to cool for an hour then try using again.
The lights on the floor head turn off and/or the motor overheat light illuminates red.	<ol style="list-style-type: none"> 1. The floor head is blocked, refer to the 'Removing and cleaning the floor head and roller brush' section of this manual. 2. The roller brush motor has become overheated due to heavy loading. This might be due to extended use on a long pile carpet or loose rug. Leave the vac to cool for an hour then use the eco mode rather than the max mode.



A JYU #U]U'G'f""U'gcW]c i b]Mc ..
 J]U'Y '@ []'6cX]c '&- # +'''
 &\$%), 'A]Ubc fA £



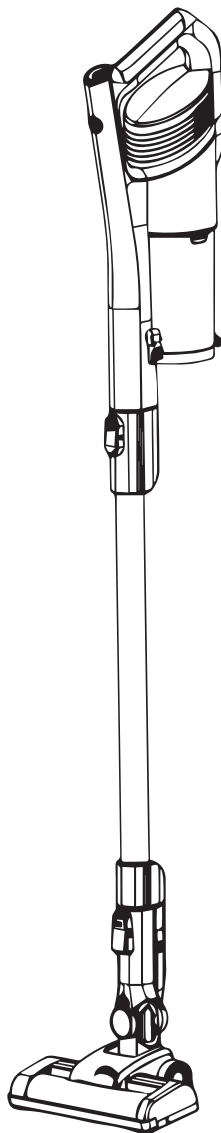
**Aspirapolvere
MCS2025GB**

**LEGGERE CON
ATTENZIONE IL
PRESENTE MANUALE
PRIMA DELL'USO
E CONSERVARLO
ADEGUATAMENTE
PER UN'EVENTUALE
CONSULTAZIONE
FUTURA.**

**Avvertenze: Prima di usare il
prodotto, leggere con attenzione
il presente manuale e conservarlo
adeguatamente per un'eventuale
consultazione futura.**

**Sia il design sia le specifiche
tecniche sono soggetti a variazioni
senza preavviso finalizzate al
miglioramento del prodotto.
Consultare il rivenditore o
il produttore per maggiori
informazioni.**

MANUALE DI ISTRUZIONI



Importanti istruzioni di sicurezza


- Leggere attentamente questo manuale prima del primo utilizzo, anche se si ha familiarità con questo tipo di prodotto.
- Le precauzioni di sicurezza ivi presenti riducono il rischio di incendio, scosse elettriche e lesioni se correttamente rispettate.
- Conservare il manuale in un luogo sicuro per riferimenti futuri, insieme alla scheda di garanzia compilata, alla ricevuta d'acquisto e alla confezione.
- Quando si utilizza un apparecchio elettrico, seguire sempre le precauzioni di sicurezza di base e le misure di prevenzione degli incidenti, e più specificatamente:
 - Prima dell'accensione, assicurarsi che la tensione e la frequenza elettrica dell'adattatore di ricarica corrispondano a quelle indicate sulla targhetta di identificazione.
 - Non lasciare l'aspirapolvere con la spina collegata alla presa.
 - Scollegare la spina dalla presa di corrente quando non è in uso e prima degli interventi di pulizia o manutenzione.
 - Non utilizzare all'aperto o su superfici bagnate.
 - Sorvegliare i bambini per assicurarsi che non giochino con l'apparecchio.
 - Non inserire alcun oggetto nell'apparecchio.
- Utilizzare solo come descritto nel presente manuale. Fare uso esclusivamente degli accessori consigliati dal produttore.
- Non mettere in funzione alcun apparecchio con un adattatore di carica danneggiato o a seguito di un malfunzionamento oppure se è stato danneggiato in qualunque modo.
- Tenere l'adattatore di carica e i cavi lontano da superfici riscaldate.
- Non staccare la spina tirando il cavo. Per scollegare, fare presa sull'adattatore di carica e non sul cavo.
- Per ridurre il rischio di folgorazione non usare mai il prodotto con le mani bagnate, non immergere mai il prodotto in acqua e non versare liquidi su di esso.
- Non utilizzare con l'apertura bloccata; mantenerla libera da polvere, lanugine, capelli e da tutto ciò in grado di ridurre il flusso d'aria.
- Spegnere tutti i comandi prima di scollegare la spina.
- Non utilizzare per aspirare liquidi infiammabili o combustibili come benzina e fiammiferi. Non utilizzare l'apparecchio in aree dove questi materiali potrebbero essere presenti.
- Non passare l'aspirapolvere su tutto ciò che brucia o fuma come sigarette, fiammiferi o cenere calda.

- Non usare se il filtro non è in posizione.
- Questo apparecchio è destinato esclusivamente al normale uso domestico.
- Se l'adattatore di carica è danneggiato, occorre sostituirlo con lo stesso tipo di accessorio.
- Questo apparecchio non può essere usato da persone (compresi i bambini) con ridotte capacità fisiche, sensoriali o mentali o privi di esperienza e conoscenza, a meno che non siano sotto stretta supervisione o vengano date istruzioni sull'uso dell'apparecchio da una persona responsabile della loro sicurezza.
- I bambini devono essere sorvegliati per assicurarsi che non giochino con l'apparecchio.
- Quando si ricarica l'apparecchio, l'interruttore di alimentazione deve essere spento.
- Questo apparecchio non dovrebbe essere utilizzato da bambini o da persone con disabilità fisiche.
- Questo apparecchio non è un giocattolo e, se non viene utilizzato nel modo corretto, può causare danni superflui o il mancato funzionamento.

Potenza del motore: 350 W

Ingresso dell'adattatore: 100-240 V ~ 50-60 Hz 0,5 A

Uscita: 25.0V  0.5A 12.5W

29.0V  0.5A 14.5W

Tipo di batteria: 25,2 V, 2000 mAh, ioni di litio

Tempo di ricarica della batteria: 3-5 ore

Volume della vaschetta raccogli polvere: 0,45 l

Tempo di esecuzione: Modalità di potenza massima.: ≥ 12 minuti

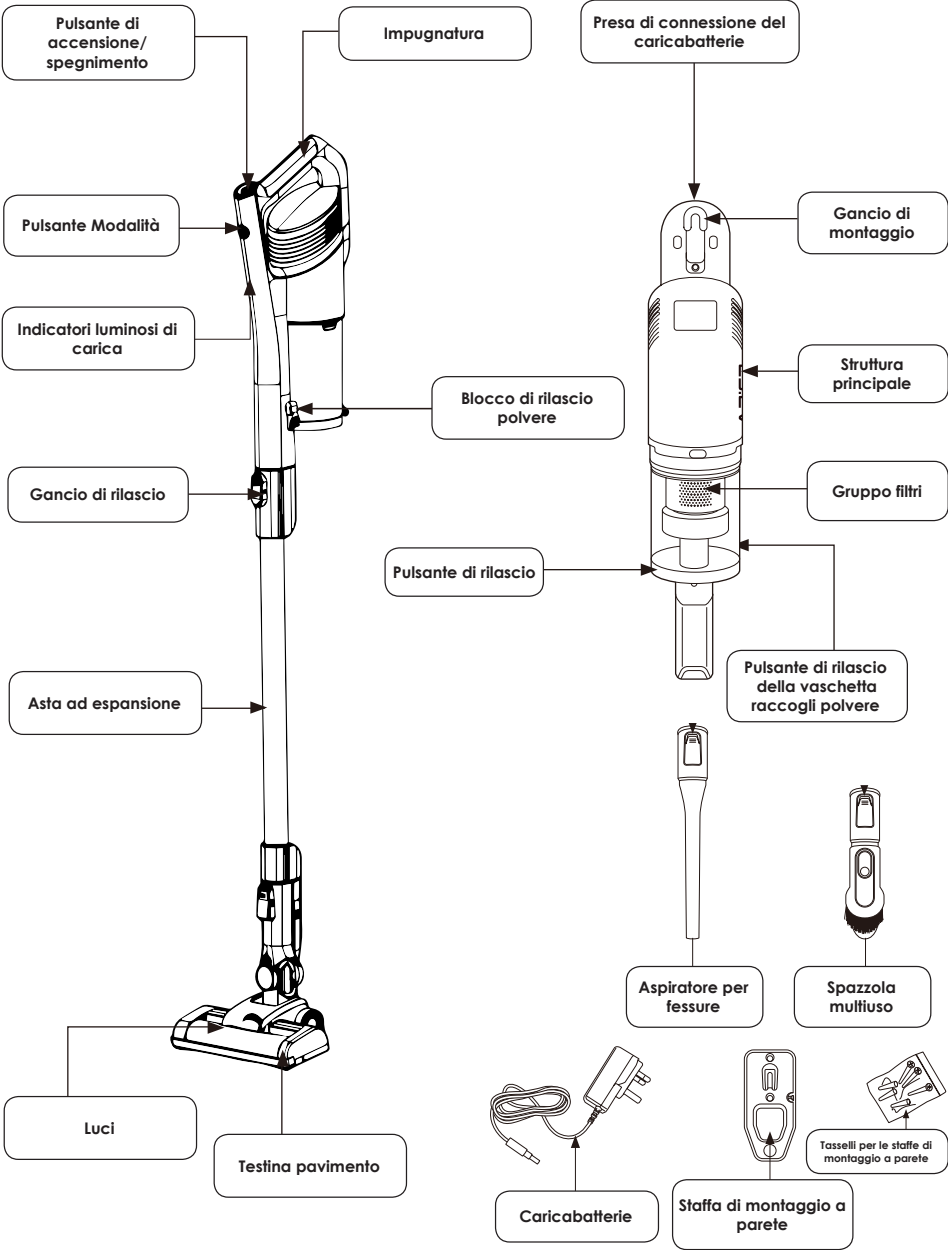
Modalità a media potenza: ≥30 minuti

Modalità di potenza minima: ≥ 60 minuti

Attenzione

- Non utilizzare l'apparecchio all'aperto o su una superficie bagnata o per aspirare liquidi. Non usare mai il prodotto per aspirare acqua.
- Non aspirare oggetti duri o taglienti, fiammiferi, cenere calda, mozziconi di sigaretta o altri oggetti simili.
- Non spruzzare o aspirare liquidi infiammabili, detergenti liquidi, aerosol o vapori.
- Non passare sul cavo di alimentazione quando si utilizza l'apparecchio e non rimuovere la spina tirando il cavo di alimentazione.
- Non continuare ad utilizzare l'apparecchio o il caricabatterie se appare difettoso.
- Non sostituire le batterie con batterie non ricaricabili.
- La batteria dovrà essere rimossa dall'elettrodomestico prima del suo smaltimento
- L'elettrodomestico deve essere scollegato dall'alimentazione elettrica durante la rimozione della batteria
- La batteria deve essere smaltita nella massima sicurezza
- Non ricaricare le batterie non ricaricabili. La batteria non è sostituibile

Nomi delle parti principali



Istruzioni d'uso

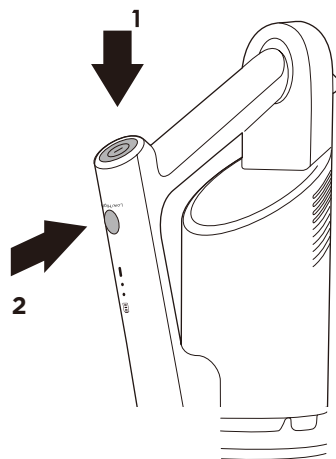
Come usare l'aspirapolvere

Assicurarsi che l'aspirapolvere sia completamente carico e montato prima dell'uso. Fare molta attenzione durante la pulizia delle scale.

1. Ci sono due livelli di potenza dell'aspirapolvere: modalità massima (che ha una maggiore potenza di aspirazione, ma un tempo di funzionamento ridotto, circa 15 minuti) e modalità ecologica (che ha una minore potenza di aspirazione, ma un tempo di funzionamento più lungo, circa 45 minuti).

L'aspirapolvere entra sempre in funzione a potenza massima. La durata dell'operazione può variare in base alla superficie da pulire.

2. Per attivare la modalità 'max', basta premere l'interruttore (1), mentre per la modalità 'eco', occorre premere l'interruttore (1) seguito dal pulsante di modalità (2). L'indicatore di funzionamento 'max' si accende in quella modalità, mentre si spegne in modalità 'eco'.



Quando serve, premere di nuovo l'interruttore per spegnere l'aspirapolvere.

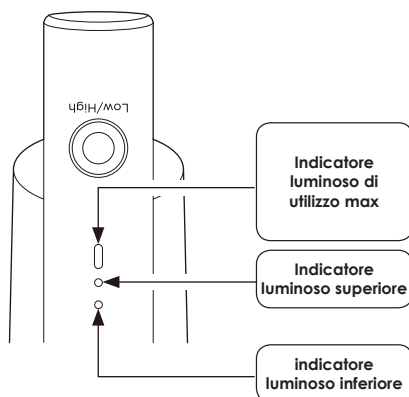
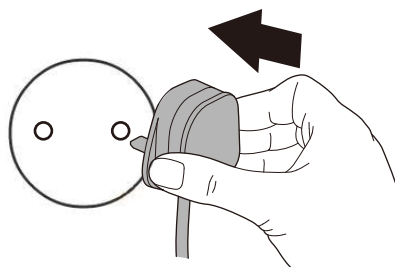
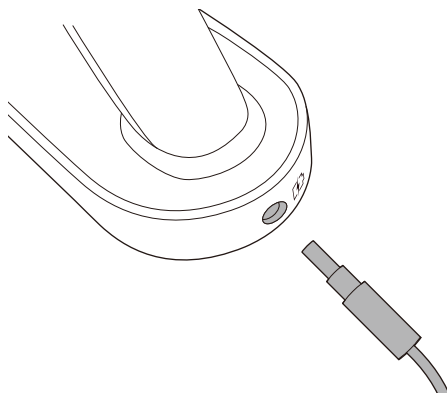
3. Spostare avanti e indietro la testina da pavimento sulla superficie da pulire. I movimenti devono essere regolari. Non premere con forza, ma permettere all'aspirapolvere di rimuovere i detriti. Quando l'aspirapolvere è in funzione, ci sono delle luci che si accendono automaticamente sulla testina da pavimento per facilitare la visibilità di angoli e spazi bui.
4. L'aspirapolvere è anche dotato di due indicatori di carica, due piccole spie luminose che si trovano sull'impugnatura.
Durante la carica - la luce inferiore lampeggia e quella superiore è spenta
A metà della carica - la luce inferiore è accesa e quella superiore lampeggia
Carica completa - entrambe le luci sono accese, si spengono dopo 10 minuti
Se la batteria è quasi scarica durante l'uso, l'indicatore luminoso inferiore è spento e quello superiore lampeggia. Dopo circa 10 secondi l'aspirapolvere si spegne automaticamente.
5. Si consiglia di svuotare il raccogliore di polvere dopo ogni uso. Per garantire i migliori risultati, controllare che i filtri siano puliti (consultare la sezione 'Rimozione e pulizia di filtri e raccogliore di polvere' di questo manuale).

Istruzioni d'uso

Ricaricare l'aspirapolvere

Prima dell'uso si consiglia di caricare completamente l'aspirapolvere per un periodo compreso tra le 3 e le 4 ore. Al primo uso dopo l'acquisto, il prodotto potrebbe presentare una carica residua, per cui la ricarica completa potrebbe durare di meno.

1. Inserire l'estremità del caricabatterie nella presa di connessione, situata in cima alla struttura centrale dell'aspirapolvere. Si consiglia di procedere alla ricarica dell'aspirapolvere dopo averne rimosso tutti gli accessori e averlo sistemato su una superficie piana.
2. Collegare il caricabatterie all'alimentazione elettrica.
3. La spia di ricarica inferiore lampeggia e si spegne per indicare che l'apparecchio è sotto carica. Lasciare ricaricare.
4. Quando la ricarica è completata, l'indicatore di ricarica smetterà di lampeggiare ed entrambe le spie luminose saranno accese.
5. Spegnerne l'alimentazione elettrica e rimuovere il caricabatterie.



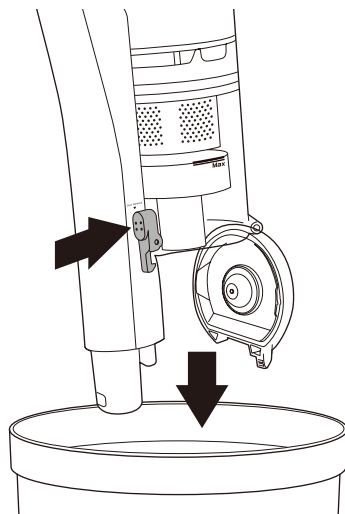
Nota: Non lasciare l'apparecchio incustodito durante la ricarica né farlo caricare durante la notte. L'elettrodomestico non funziona durante la carica.

Guida alla manutenzione

Svuotamento del raccogliitore di polvere

Prima di svuotare il raccogliitore di polvere, verificare che l'aspirapolvere sia spento e privo di accessori.

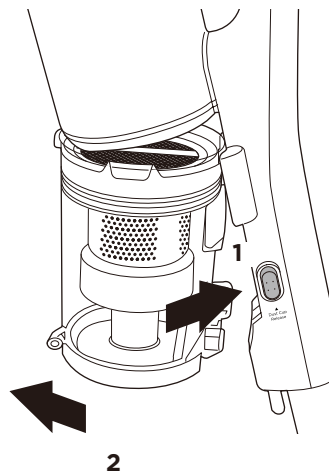
1. Tenendo il raccogliitore su un cestino di rifiuti domestici, premere il blocco di rilascio della polvere sul lato del raccogliitore. I residui di polvere cadranno nel cestino. Note importanti: Evitare il riempimento eccessivo del raccogliitore di polvere. Non superare mai l'indicatore del livello MAX. Svuotarlo regolarmente. Dopo aver svuotato il raccogliitore di polvere, controllare il gruppo filtri e scuoterlo delicatamente su un cestino di rifiuti domestici per rimuovere eventuali accumuli di polvere.
2. Dopo lo svuotamento, chiudere il coperchio facendolo scattare nella posizione di chiusura.



Rimozione e pulizia di filtri e raccogliitore di polvere

Prima di procedere alle operazioni di pulizia, verificare che l'aspirapolvere sia spento e scollegato dalla rete elettrica. Il modo migliore per rimuovere il raccogliitore di polvere è senza accessori applicati all'elettrodomestico.

1. Svuotare il raccogliitore di polvere come indicato nella sezione 'Svuotamento del raccogliitore di polvere' del presente manuale.
2. Premere il pulsante di rilascio della vaschetta raccogli polvere situato sul lato del corpo principale vicino alla parte inferiore del contenitore stesso (1). Quindi rimuovere il raccogliitore di polvere dalla struttura principale dell'unità, tenendolo rivolto verso l'alto (2).

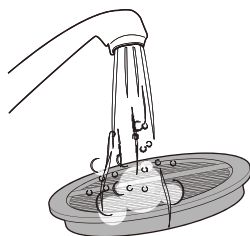
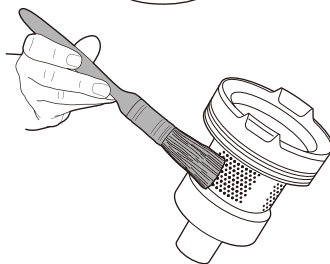
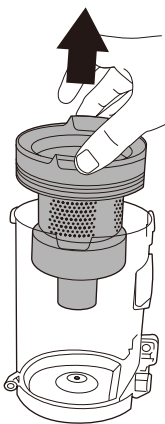
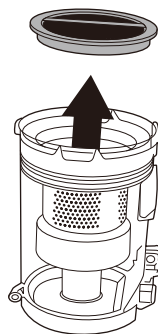


Guida alla manutenzione

3. Il raccogliatore di polvere contiene il filtro a spugna circolare e il gruppo dei filtri. Dapprima rimuovere il filtro a spugna circolare, tenendo con le dita e tirando verso l'alto il nastro situato in cima al filtro, quindi metterlo via.
4. Tenendo con le dita entrambi i lati del gruppo filtri, estrarlo dal raccogliatore di polvere. Avvicinando il gruppo filtri a un contenitore di rifiuti domestici, scuoterlo delicatamente su di esso per rimuovere eventuali accumuli di polvere.

Nota: Evitare il riempimento eccessivo del raccogliatore di polvere. Non superare mai l'indicatore del livello MAX. Svuotarlo regolarmente.

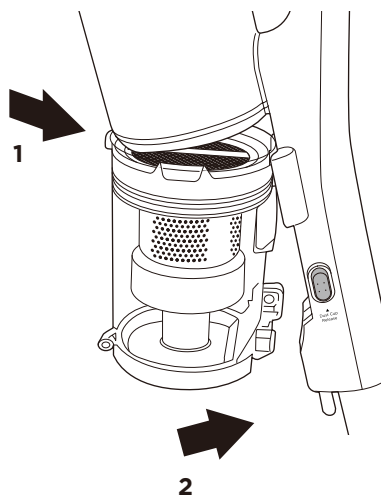
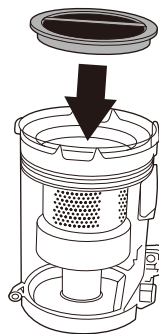
5. Rimuovere eventuali accumuli di polvere residui dal gruppo filtri tramite una spazzola morbida o un pennello pulito. Il filtro può essere diviso in tre parti. Tenendo la sezione superiore, ruotare la sezione inferiore nella direzione della freccia e dell'icona del lucchetto aperto.
6. Lavare il raccogliatore di polvere, le parti del gruppo filtri e il filtro a spugna circolare in acqua tiepida finché l'acqua non è pulita, lasciandoli poi asciugare per 24 ore.



Guida alla manutenzione

7. Dopo aver accuratamente asciugato tutti i componenti, rimontare il gruppo filtri seguendo le frecce e l'icona del lucchetto chiuso, e sistemarli di nuovo sul raccogliitore di polvere. Non dimenticare di applicare il filtro a spugna circolare in cima al gruppo filtri.
8. Rimettere a posto il raccogliitore di polvere sulla struttura centrale agganciando il canale in cima al raccogliitore al morsetto sulla struttura centrale **(1)**. Far scorrere il raccogliitore di polvere verso la struttura principale finché non scatta nella corretta posizione **(2)**.

Nota: La manutenzione e la pulizia periodica dei filtri è molto importante. Un filtro ostruito riduce la capacità di aspirazione dell'apparecchio e ne può ridurre la durata.



Seguono alcuni consigli sulla frequenza di pulizia dei filtri:

Tipo di filtro	Tempi di pulizia suggeriti
Gruppo filtri	<ul style="list-style-type: none">• Rimuovere tutti i detriti durante lo svuotamento del raccogliitore di polvere. Usare la spazzola morbida per spolverare per la rimozione delicata degli accumuli di polvere.• Sciacquare in acqua tiepida almeno una volta al mese se necessario.
Filtro a spugna circolare	<ul style="list-style-type: none">• Rimuovere periodicamente polvere o detriti in caso di necessità. Il filtro può essere lavato in acqua tiepida una volta al mese.

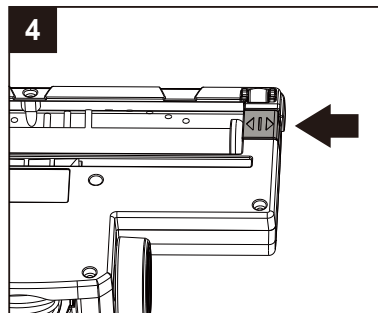
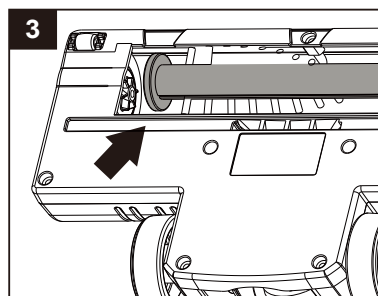
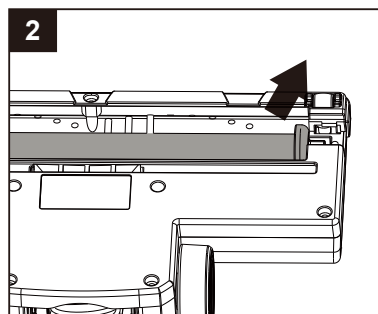
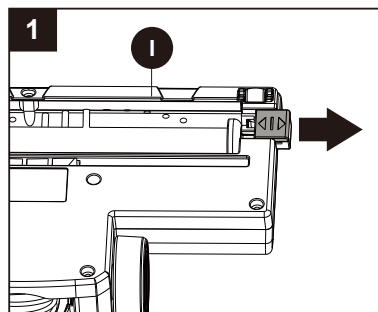
Guida alla manutenzione

Rimozione e pulizia della testina da pavimento e della spazzola rotante

Prima di iniziare la pulizia, accertarsi che l'aspirapolvere non sia sotto carica e che sia spento. Rimuovere la bocchetta per pavimenti dall'aspirapolvere.

Se la spazzola a rullo si aggroviglia durante l'uso, il sistema di auto-protezione spegne l'aspirapolvere. Se accade ciò, osservare le seguenti istruzioni.

1. Capovolgere la testa di aspirazione (I). Per accedere alla spazzola a rullo, far scorrere la linguetta, contrassegnata dalle frecce, verso destra.
2. Effettuando un leggero movimento angolare, tirare la spazzola a rullo verso l'alto. Verrà così staccata dalla testata di aspirazione. Ora è possibile rimuovere eventuali accumuli di polvere o peluria dalla spazzola rotante. Gli eventuali accumuli di peluria della spazzola possono essere tagliati con delle forbici, evitando di tagliare le setole della spazzola.
3. Una volta pulita la spazzola a rullo, riposizionarla allineando il lato sinistro aperto del rullo alla ruota dentata a forma di stella sulla testa di aspirazione. Per bloccare la testina della spazzola, potrebbe essere necessario ruotarla leggermente per fissarla nella giusta posizione.
4. Spingere verso il basso l'altra estremità della spazzola rotante finché va. Far scorrere la linguetta verso sinistra per bloccarla in posizione.



Guida alla manutenzione

Pulizia dei blocchi

Per smontare l'aspirapolvere, occorre che l'apparecchio sia prima scollegato dalla rete elettrica e spento.

L'aspirapolvere si blocca quando il raccoglitore di polvere supera il 'Max', i filtri sono ostruiti o in caso di aspirazione di oggetti di dimensioni eccessive.

1. Svuotare il raccoglitore di polvere se necessario.
2. Controllare i 2 filtri dell'unità e pulirli rimuovendone detriti e polvere, se necessario.
3. Se la testina da pavimento, l'aspiratore per fessure o la spazzola multiuso erano in uso, staccarli dall'asta ad espansione o dalla struttura centrale dell'apparecchio e rimuovere eventuali blocchi. Rimuovere eventuali blocchi.
4. Rimuovere l'asta ad espansione e controllare la presenza di eventuali blocchi. Se ce ne sono, servirsi dell'impugnatura di una scopa per rimuovere le ostruzioni. Fare attenzione a non danneggiare l'asta durante l'operazione.
5. Rimuovere eventuale fili di polvere o peluria che potrebbero essersi accumulati intorno alla spazzola rotante. Tagliarli servendosi di un paio di forbici. A questo scopo, procedere come indicato nella sezione "Rimozione e pulizia della testina da pavimento e della spazzola rotante" del presente manuale.

Conservazione dell'aspirapolvere senza fili

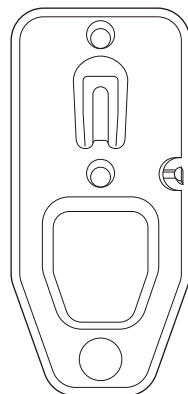
L'aspirapolvere può essere conservato in tutta sicurezza appendendolo al sostegno a parete in dotazione con il prodotto oppure rimuovendo tutti gli accessori e conservandoli in un armadietto. In entrambi i casi, il prodotto sarà protetto dal rischio di danni e cadute.

Spegnere e staccare sempre la spina dalla rete elettrica prima di immagazzinarla.

1. Rimuovere gli eventuali accessori applicati all'aspirapolvere nell'ultimo utilizzo.
2. Conservare aspirapolvere e accessori in un luogo asciutto.

Conservazione dell'aspirapolvere senza fili poggiandolo all'apposito sostegno a parete

1. Trovare in casa un posto adeguato in cui poter conservare in modo sicuro l'aspirapolvere.
2. Segnare con una matita le posizioni dei fori per le viti sulla parete. Sugeriamo di lasciare l'aspirapolvere leggermente sollevato dal pavimento.
3. Usare i perni di montaggio della piastra di sostegno a parete in dotazione solo se adatti al tipo di parete in questione.
4. Avvitare i perni di montaggio della staffa di sostegno e applicarla alla parete (consultare la figura per i dettagli sulla sistemazione del sostegno alla parete).
5. L'aspirapolvere potrà poi essere applicato al sostegno a parete. Il gancio di appoggio si trova sul retro della struttura centrale dell'apparecchio in prossimità dell'impugnatura.



Risoluzione dei problemi

Problema	Soluzione
L'aspirapolvere non funziona bene.	<ol style="list-style-type: none"> 1. Svuotare il raccogliore di polvere 2. Rimuovere gli accumuli di polvere dai filtri 3. Lavare i filtri 4. Rimuovere eventuali blocchi
L'aspirapolvere ha smesso di funzionare.	<ol style="list-style-type: none"> 1. Caricare l'aspirapolvere (verificare che la presa di corrente sia funzionante e che l'interruttore sia acceso) 2. Potrebbe essere bloccato - controllare i precedenti punti 1-4 3. Auto-protezione del prodotto attivata. Spegnerne l'aspirapolvere e lasciar raffreddare il motore per un'ora prima di usare di nuovo l'apparecchio.
Le spie luminose sulla testina da pavimento sono spente e/o la spia di surriscaldamento del motore è accesa in rosso.	<ol style="list-style-type: none"> 1. Se la testina da pavimento è bloccata, consultare la sezione "Rimozione e pulizia della testina da pavimento e della spazzola rotante" del presente manuale. 2. Il motore della spazzola rotante è surriscaldato a causa di un sovraccarico. Questo potrebbe accadere in caso di uso prolungato su fibre di moquette o tappeti. Lasciar raffreddare l'aspirapolvere e riprendere l'uso in modalità eco anziché max.



A XYU #U]U'G'f""U'gcW)c i b]M€ ''
 J]U'Y'@] []'6c X]c '&- # +'''
 &\$%), 'A]Ubc fA €

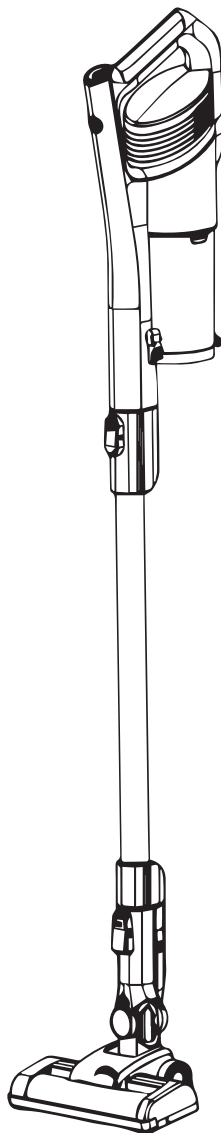


Staubsauger
MCS2025GB

**BITTE LESEN SIE
DAS HANDBUCH
VOR GEBRAUCH
AUFMERKSAM DURCH
UND BEWAHREN SIE
ES FÜR SPÄTEREN
GEBRAUCH
SORGFÄLTIG AUF**

Warnhinweise: Bevor Sie dieses Produkt verwenden, lesen Sie bitte dieses Handbuch aufmerksam durch und bewahren Sie es zum späteren Nachschlagen auf. Das Design und die Spezifikationen können ohne vorherige Ankündigung zur Produktverbesserung geändert werden. Wenden Sie sich für Einzelheiten an Ihren Fachhändler oder an den Hersteller.

BEDIENUNGSANLEITUNG



Wichtige Sicherheitshinweise

- Lesen Sie dieses Handbuch vor Erstgebrauch aufmerksam durch, auch wenn Sie mit dieser Art von Produkten vertraut sind.
- Die enthaltenen Sicherheitshinweise verringern bei korrekter Beachtung die Gefahr von Feuer, Stromschlag und Verletzungen.
- Bewahren Sie das Handbuch zum späteren Nachschlagen zusammen mit der ausgefüllten Garantiekarte, dem Kaufbeleg und der Verpackung auf.
- Befolgen Sie stets die grundlegenden Sicherheits- und Unfallverhütungsmaßnahmen, wenn Sie ein elektrisches Gerät verwenden, einschließlich der folgenden:
 - Vergewissern Sie sich vor dem Einschalten, dass Spannung und Frequenz des Ladegeräts mit den auf dem Typenschild angegebenen Werten übereinstimmen.
 - Lassen Sie den Staubsauger nicht unbeaufsichtigt, wenn er angeschlossen ist.
 - Ziehen Sie den Netzstecker, wenn Sie ihn nicht benutzen sowie vor der Reinigung oder Wartung.
 - Verwenden Sie den Staubsauger nicht im Freien oder auf nassen Flächen.
 - Kleine Kinder müssen beaufsichtigt werden, damit sie nicht mit dem Gerät spielen.
 - Führen Sie keine Fremdkörper in das Gerät ein.
- Verwenden Sie das Gerät nur wie in diesem Handbuch beschrieben, verwenden Sie nur vom Hersteller empfohlene Zubehörteile.
- Betreiben Sie kein Gerät mit einem beschädigten Ladegerät oder wenn es nicht funktioniert oder in irgendeiner Weise beschädigt wurde.
- Halten Sie das Ladegerät und die Kabel von heißen Flächen fern.
- Ziehen Sie den Netzstecker nicht am Kabel ab. Fassen Sie zum Trennen des Netzsteckers das Ladegerät und nicht am Kabel an.
- Um das Risiko eines Stromschlags zu verringern, bedienen Sie das Gerät nie mit nassen Händen, tauchen Sie es nicht in Wasser und verschütten Sie keine Flüssigkeiten auf dem Gerät.
- Verwenden Sie das Gerät nicht mit blockierten Öffnungen; halten Sie es frei von Staub, Fusseln, Haaren und allem, was den Luftstrom beeinträchtigen könnte.
- Schalten Sie alle Bedienelemente aus, bevor Sie den Netzstecker ziehen.
- Verwenden Sie den Staubsauger nicht zum Aufsaugen von brennenden oder brennbaren Flüssigkeiten wie Benzin, Streichhölzern oder in Bereichen, in denen sie möglicherweise vorhanden sind.

- Saugen Sie keine brennenden oder rauchenden Gegenstände wie Zigaretten, Streichhölzer oder heiße Asche auf.
- Verwenden Sie das Gerät nicht ohne eingesetzten Filter.
- Dieses Gerät ist nur für den normalen Gebrauch im Haushalt bestimmt.
- Wenn das Ladegerät beschädigt ist, muss es durch den gleichen Typ ersetzt werden.
- Dieses Gerät ist nicht für die Verwendung durch Personen (einschließlich Kinder) mit eingeschränkten physischen, sensorischen oder geistigen Fähigkeiten oder mangelnder Erfahrung und Kenntnissen bestimmt, es sei denn, sie wurden von einer für ihre Sicherheit verantwortlichen Person beaufsichtigt oder in die Verwendung des Geräts eingewiesen.
- Kinder müssen beaufsichtigt werden, damit sie nicht mit dem Gerät spielen.
- Während des Aufladens muss das Gerät ausgeschaltet sein.
- Dieses Gerät darf nicht von Kindern oder Personen mit körperlichen Behinderungen verwendet werden.
- Dieses Gerät ist kein Spielzeug und kann bei unsachgemäßem Gebrauch zu unnötigen Schäden oder Leistungseinbußen führen.

Vorsicht

- Benutzen Sie das Gerät nicht im Freien, auf nassen Flächen oder zum Aufsaugen von Nässe. Verwenden Sie das Gerät

niemals zum Aufsaugen von Wasser.

- Saugen Sie keine harten oder scharfen Gegenstände, Streichhölzer, heiße Asche, Zigarettenstummel oder ähnliche Gegenstände auf.
- Besprühen Sie das Gerät nicht mit brennbaren Flüssigkeiten, Reinigungsflüssigkeiten, Aerosolen oder deren Dämpfen und saugen Sie diese nicht auf.
- Treten Sie nicht auf das Ladekabel, wenn Sie Ihr Gerät benutzen und ziehen Sie den Netzstecker nicht am Netzkabel.
- Benutzen Sie Ihr Gerät oder Ladegerät nicht weiter, wenn es defekt zu sein scheint.
- Ersetzen Sie die Akkus nicht durch gewöhnliche Batterien.
- Der Akku muss vor der Entsorgung aus dem Gerät ausgebaut werden.
- Das Gerät muss von der Stromversorgung getrennt sein, wenn Sie den Akku ausbauen.
- Entsorgen Sie den Akku umweltgerecht.
- Laden Sie keine gewöhnlichen Batterien auf, der Akku ist nicht austauschbar.

Motorleistung: 350 W

Netzteilgang:

100 - 240 V~, 50-60 Hz, 0,5 A

Ausgang: 25,0V \equiv 0,5A 12,5W

29,0V \equiv 0,5A 14,5W

Akku: 25,2 V, 2000 mAh, Lithium-Ionen

Ladezeit: 3 - 5 Stunden

Volumen Staubbehälter: 0,45 L

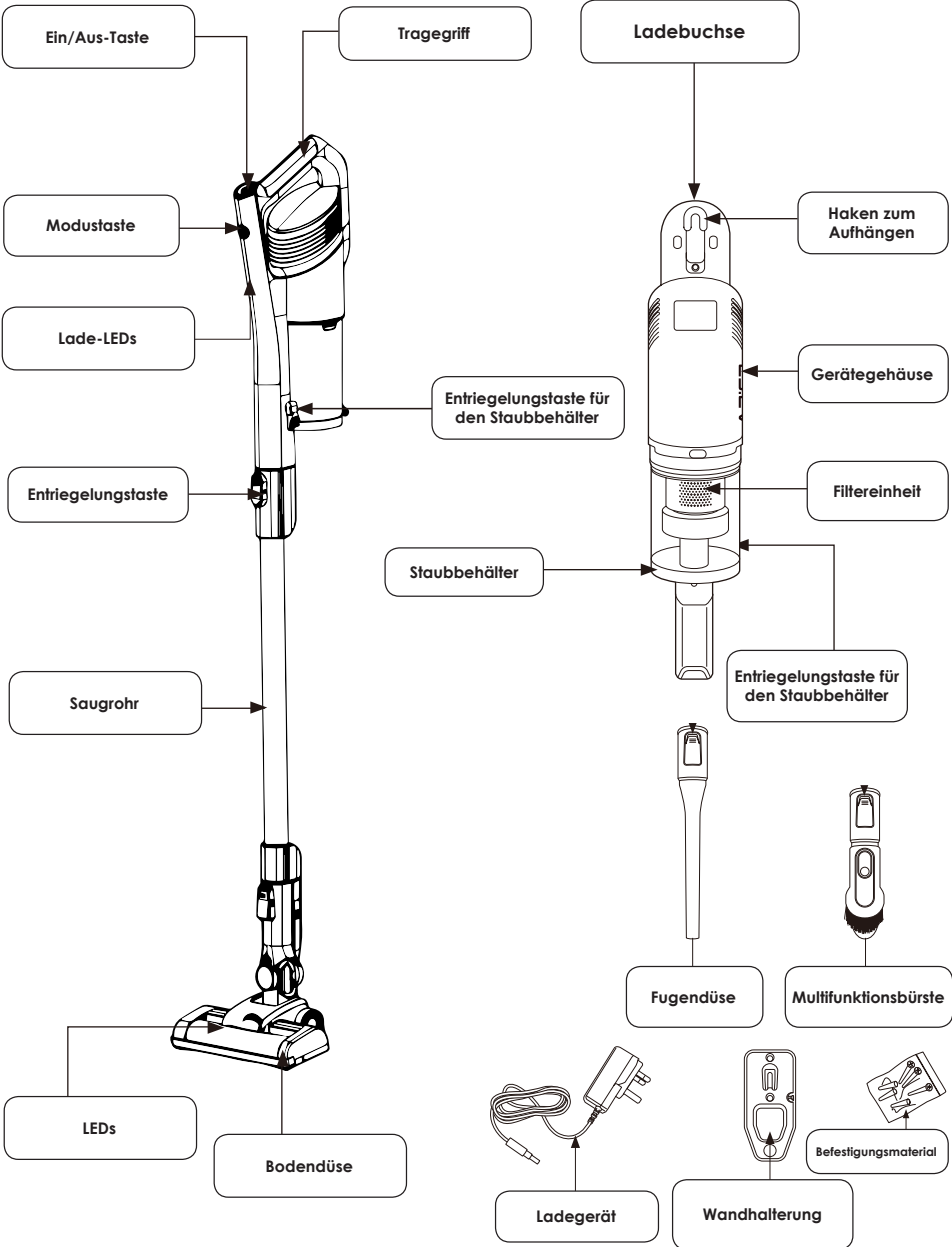
Betriebszeit:

Hochleistungsmodus: \geq 12 Minuten

Mitte Leistungsmodus: \geq 30 Minuten

30 Niedriger Leistungsmodus: \geq 60 Minuten

Komponenten



Bedienungshinweise für den Betrieb

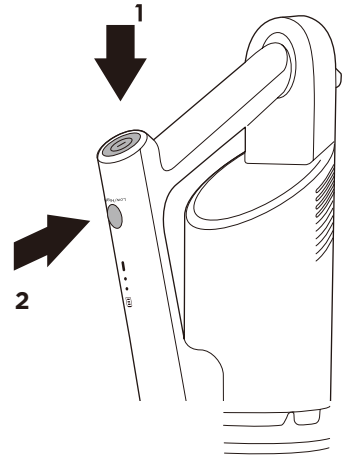
Staubsauger verwenden

Achten Sie darauf, dass der Staubsauger vor Gebrauch vollständig aufgeladen und montiert ist. Seien Sie beim Saugen von Treppen immer besonders vorsichtig.

1. Der Staubsauger besitzt zwei Leistungseinstellungen: Den Höchstleistungsmodus (mehr Saugkraft, jedoch kürzere Laufzeit (ca. 15 Minuten)) und den Energiesparmodus (geringere Saugkraft, jedoch längere Laufzeit (ca. 45 Minuten)).

Der Staubsauger startet immer im Höchstleistungsmodus. Die Laufzeit kann je nach zu saugender Fläche unterschiedlich sein.

2. Drücken Sie für den Höchstleistungsmodus die Ein/Aus-Taste **(1)** und für den Energiesparmodus die Ein/Aus-Taste **(1)** gefolgt von der Modustaste **(2)**. Im Höchstleistungsmodus leuchtet die Höchstleistungsmodus-LED, die erlischt, wenn Sie in den Energiesparmodus wechseln.



Drücken Sie nach Beenden der Staubsaugerbenutzung die Ein/Aus-Taste erneut, um ihn wieder auszuschalten.

3. Bewegen Sie die Bodendüse auf der zu saugenden Fläche vor und zurück. Verwenden Sie gleichmäßige Bewegungen. Drücken Sie nicht zu stark auf, damit der Staubsauger die Verschmutzung aufsaugen kann. An der Bodendüse befinden sich kleine LEDs, die während des Betriebs des Staubsaugers automatisch leuchten, damit Sie auch in dunklen Ecken gut sehen können.

4. Der Staubsauger besitzt am Griff zwei kleine LEDs für die Ladezustandsanzeige.

Während des Ladens - die untere LED blinkt und die obere LED ist aus.

Halb aufgeladen - die untere LED leuchtet und die obere LED blinkt.

Vollständig aufgeladen - beide LEDs leuchten und erlöschen nach 10 Minuten.

Wenn der Akku während der Benutzung fast leer ist, erlischt die untere LED und die obere LED blinkt. Ca. 10 Sekunden später schaltet sich der Staubsauger automatisch aus.

5. Wir empfehlen, den Staubbehälter nach jeder Benutzung zu entleeren. Überprüfen Sie für maximale Leistung die Filter auf Sauberkeit (siehe Abschnitt „Staubbehälter und Filter entfernen und reinigen“ in dieser Bedienungsanleitung).

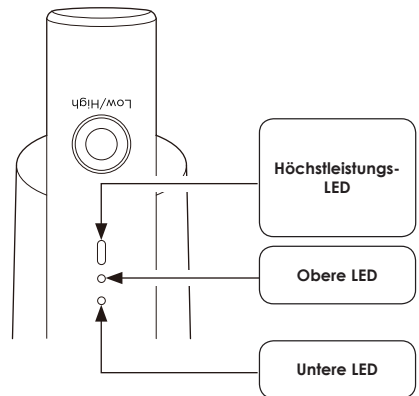
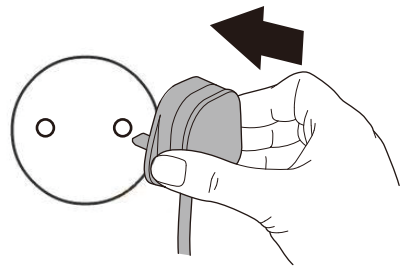
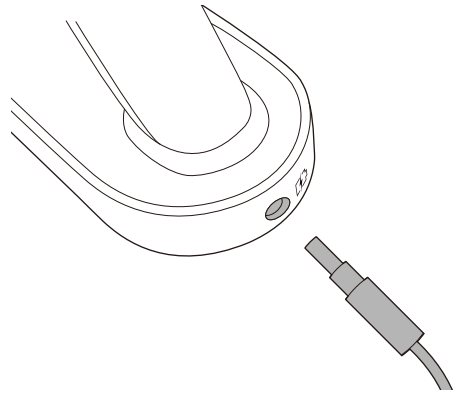
Bedienungshinweise für den Betrieb

Staubsauger aufladen

Vor Gebrauch empfehlen wir, den Staubsauger für 3 - 4 Stunden vollständig aufzuladen. Das erstmalige Laden kann etwas kürzer sein, weil der Staubsauger etwas geladen ausgeliefert wird.

1. Schließen Sie das Ladegerät an der Ladebuchse am oberen Ende des Staubsaugers an. Wir empfehlen, den Staubsauger ohne montiertes Zubehör und auf einer ebenen Fläche zu laden.
2. Schließen Sie das Ladegerät an einer geeigneten Steckdose an.
3. Die untere LED blinkt zur Anzeige, dass das Gerät aufgeladen wird. Lassen Sie das Gerät laden.
4. Sobald der Akku vollständig geladen ist, leuchten beide LEDs.
5. Ziehen Sie den Netzstecker und anschließend das Ladekabel vom Staubsauger ab.

Bitte beachten Sie: Lassen Sie den Staubsauger während des Ladens nicht unbeaufsichtigt und laden Sie auch nicht über Nacht. Während des Ladenzyklus können Sie das Gerät nicht benutzen.



Pflegehinweise

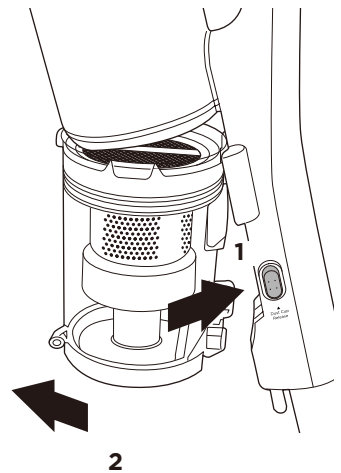
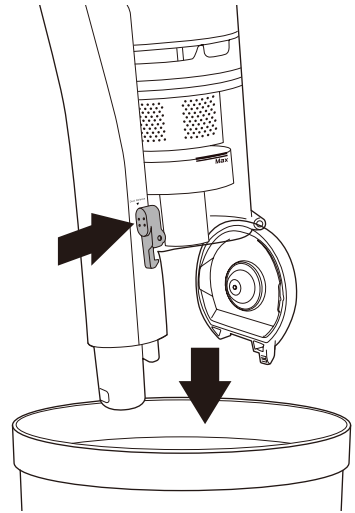
Staubbehälter entleeren

Vergewissern Sie sich, dass der Staubsauger ausgeschaltet ist und das Zubehör entfernt wurde, bevor Sie den Staubbehälter entleeren.

1. Halten Sie den Staubbehälter über einen Abfalleimer und drücken Sie dann die Entriegelungstaste, die sich an der Seite des Staubbehälters befindet. Daraufhin fällt der angesammelte Staub in den Abfalleimer. Bitte beachten Sie: Achten Sie immer darauf, dass sich nicht zu viel Staub im Staubbehälter ansammelt. Der angesammelte Staub darf die Markierung „MAX“ nicht überschreiten. Entleeren Sie den Staubbehälter regelmäßig. Überprüfen Sie jedes Mal die Filtereinheit, wenn Sie den Staubbehälter entleeren und klopfen Sie sie vorsichtig über einen Abfalleimer aus, um übermäßige Staubansammlungen zu entfernen.
2. Schließen Sie nach dem Entleeren den Deckel wieder und achten Sie darauf, dass er hörbar einrastet.

Staubbehälter und Filter entfernen und reinigen

Vergewissern Sie sich, dass der Staubsauger nicht geladen wird und ausgeschaltet ist, bevor Sie mit der Reinigung beginnen. Das Entfernen des Staubbehälters ist einfacher, wenn kein Zubehör am Staubsauger montiert ist.

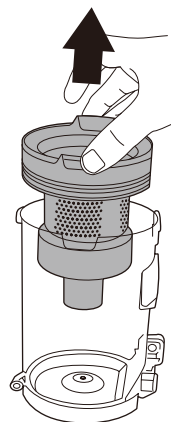
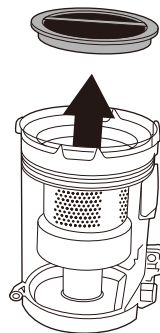


1. Entleeren Sie den Staubbehälter, wie es unter „Staubbehälter entleeren“ in dieser Bedienungsanleitung beschrieben wird.
2. Drücken Sie die Entriegelungstaste des Staubbehälters, die sich an der Seite des Gehäuses in der Nähe des Bodens des Staubbehälters befindet **(1)**. Entfernen Sie anschließend den Staubbehälter und achten Sie dabei darauf, dass er aufrecht bleibt **(2)**.

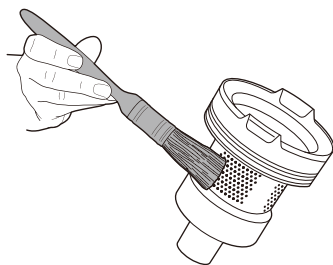
Pflegehinweise

3. Staubbehälter, runder Schwammfilter und Filtereinheit: Entfernen Sie zuerst den runden Schwammfilter, indem Sie ihn an dem Band auf der Oberseite des Filters zuerst nach oben und dann zur Seite ziehen.
4. Drücken Sie jetzt beide Seiten der Filtereinheit zusammen und ziehen Sie sie dann nach oben hin aus dem Staubbehälter heraus. Klopfen Sie die Filtereinheit über dem Mülleimer vorsichtig aus, um den Staub grob zu entfernen.

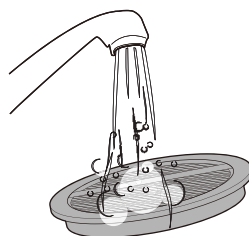
Bitte beachten Sie: Achten Sie immer darauf, dass sich nicht zu viel Staub im Staubbehälter ansammelt. Der angesammelte Staub darf die Markierung „MAX“ nicht überschreiten. Entleeren Sie den Staubbehälter regelmäßig.



5. Entfernen Sie den verbleibenden Staub in der Filtereinheit mit Hilfe einer weichen Bürste oder eines sauberen Pinsels. Sie können die Filtereinheit in drei Teile zerlegen. Halten Sie die Filtereinheit am oberen Abschnitt fest und drehen Sie den unteren Abschnitt in Pfeilrichtung in Richtung des offenen Schlosssymbols.

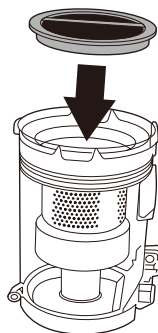


6. Spülen Sie den Staubbehälter, die Teile der Filtereinheit und den runden Schwammfilter unter warmem Wasser solange ab, bis das Wasser klar bleibt. Lassen Sie anschließend alle Teile für 24 Stunden trocknen.

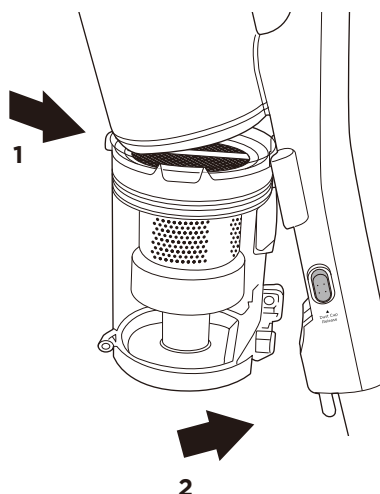


Pflegehinweise

7. Wenn alle Teile vollständig getrocknet sind, setzen Sie die Teile der Filtereinheit den Pfeilen und dem geschlossenen Schlosssymbol folgend zusammen. Setzen Sie sie anschließend wieder zurück in den Staubbehälter. Vergessen Sie nicht, den runden Schwammfilter wieder auf die Oberseite der Filtereinheit zu setzen.



8. Bringen Sie den Staubbehälter wieder am Staubsauger an, indem Sie ihn zuerst oben mit der Nase zum Staubsauger (1) zeigend ansetzen. Drücken Sie nun den Staubbehälter in Richtung Staubsauger an, bis er hörbar einrastet (2).



Bitte beachten Sie: Es ist wichtig, die Filter regelmäßig zu warten und zu reinigen. Ein zugesetzter Filter verringert die Saugleistung und kann die Lebensdauer Ihres Staubsaugers verkürzen.

Nachstehend finden Sie eine Empfehlung, wie oft Sie die Filter reinigen sollten:

Filtertyp	Empfohlene Reinigungsintervalle
Filtereinheit	<ul style="list-style-type: none">• Schütteln Sie alle Verunreinigungen heraus, wenn Sie den Staubbehälter entleeren. Entfernen Sie festsitzende Verschmutzungen mit Hilfe einer weichen Bürste.• Spülen Sie sie einmal pro Monat oder bei Bedarf öfters unter warmem Wasser ab.
Runder Schwammfilter	<ul style="list-style-type: none">• Entfernen Sie ab und an Staub und Verunreinigungen. Sie können den Filter auch einmal pro Monat mit warmem Wasser abspülen.

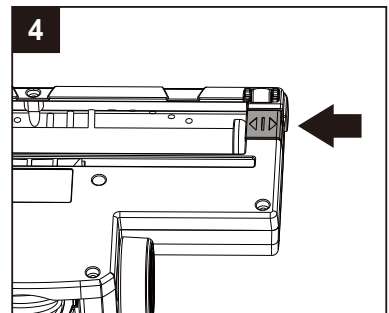
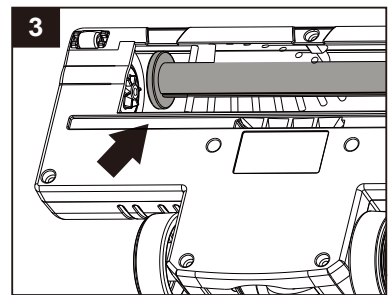
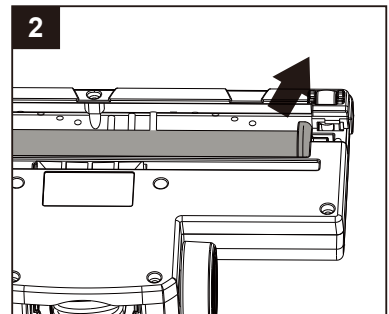
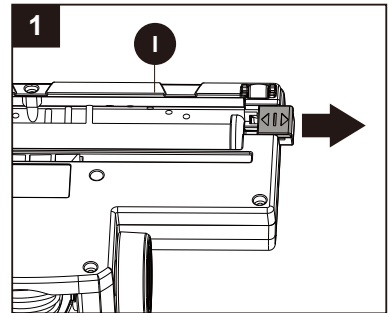
Pflegehinweise

Bodendüse und Walzenbürste entfernen und reinigen

Bevor Sie mit der Reinigung beginnen, vergewissern Sie sich, dass der Staubsauger nicht geladen wird und ausgeschaltet ist und entfernen Sie die Bodendüse vom Staubsauger.

Wenn sich die Walzenbürste während des Gebrauchs verheddert, schaltet das Selbstschutzsystem den Staubsauger ab. Befolgen Sie in diesem Fall bitte die nachstehenden Schritte.

1. Drehen Sie die Bodenbürste (I) um. Um Zugang zur Walzenbürste zu erhalten, schieben Sie die mit Pfeilen markierte Nase nach rechts.
2. Ziehen Sie die Walzenbürste in einem leichten Winkel nach oben und aus der Bodenbürste heraus. Jetzt können Sie Haare usw. von der Walzenbürste entfernen. Sie können Haare und andere Fremdkörper auch mit einer Schere von der Walzenbürste entfernen. Achten Sie jedoch darauf, dass Sie keine Bürstenhaare abschneiden.
3. Wenn die Walzenbürste gereinigt ist, setzen Sie sie wieder ein, indem Sie die linke, offene Seite der Walze mit der sternförmigen Verzahnung der Bodenbürste ausrichten. Möglicherweise müssen Sie die Bodendüse ein wenig drehen, damit die Bürste in ihrer Position einrastet.
4. Drücken Sie jetzt die andere Seite der Walzenbürste so weit wie möglich herunter. Schieben Sie die Nase wieder nach links, um sie zu verriegeln.



Pflegehinweise

Blockierungen entfernen

Vergewissern Sie sich, dass der Staubsauger nicht am Stromnetz angeschlossen und ausgeschaltet ist, bevor Sie ihn demontieren.

Der Staubsauger verstopft nur, wenn der Staubbehälter über die Markierung MAX hinaus gefüllt ist, die Filter zugesetzt sind oder ein großes Objekt aufgesaugt wurde.

1. Überprüfen Sie den Staubbehälter und entleeren Sie ihn gegebenenfalls.
2. Überprüfen Sie die beiden Filter im Gerät und entfernen Sie wenn notwendig Staub/Verunreinigungen.
3. Wenn Sie die Bodendüse, die Fugendüse oder die Multifunktionsbürste benutzt haben, entfernen Sie sie vom Staubsauger oder dem Saugrohr und überprüfen Sie sie anschließend auf Blockierungen. Beseitigen Sie alle Blockierungen.
4. Entfernen Sie das Saugrohr und schauen Sie hindurch, um evtl. Blockierungen zu erkennen. Wenn es Blockierungen gibt, entfernen Sie sie mit Hilfe eines Besenstiels. Beschädigen Sie dabei das Saugrohr nicht.
5. Überprüfen Sie die Walzenbürste auf vorhandene Haare, Fäden usw., die sich um die Walzenbürste gewickelt haben. Schneiden Sie sie mit einer Schere durch. Schlagen Sie hierfür unter „Bodendüse und Walzenbürste entfernen und reinigen“ in dieser Bedienungsanleitung nach, um dies sicher durchzuführen.

Staubsauger aufbewahren

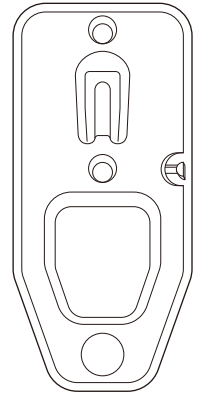
Mit der mitgelieferten Wandhalterung können Sie Ihren Staubsauger sicher an der Wand befestigen. Sie können aber auch sein Zubehör entfernen und ihn zusammen mit seinem Zubehör in einem Schrank verstauen. Beide Möglichkeiten schützen den Staubsauger davor, umzufallen und dadurch beschädigt zu werden.

Schalten Sie das Gerät bei Nichtgebrauch stets aus und ziehen Sie den Netzstecker.

1. Entfernen Sie alle Zubehörteile, wenn der Staubsauger mit Zubehörteilen benutzt wurde.
2. Bewahren Sie den Staubsauger und sein Zubehör an einem trockenen Ort auf.

Staubsauger an der Wandhalterung aufhängen

1. Suchen Sie eine geeignete Stelle in Ihrer Wohnung, an der Sie den Staubsauger an der Wand aufhängen möchten.
2. Markieren Sie die Stelle für die Schrauben mit einem Bleistift. Wir empfehlen, den Staubsauger etwas über dem Boden hängen zu lassen.
3. Benutzen Sie die mitgelieferte Wandhalterung nur dann, wenn Sie für Ihren Wandtyp geeignet ist.
4. Bohren Sie die Löcher in die Wand und bringen Sie anschließend die Wandhalterung an (siehe Abbildung für die richtige Ausrichtung an der Wand).
5. Anschließend können Sie den Staubsauger an der Wandhalterung aufhängen. Der Haken befindet sich auf der Rückseite des Staubsaugers in der Nähe des Griffs.



Fehlerbehebung

Problem	Lösungsvorschlag
Der Staubsauger saugt nicht gut.	<ol style="list-style-type: none"> 1. Entleeren Sie den Staubbehälter. 2. Entfernen Sie groben Staub von den Filtern. 3. Waschen Sie die Filter aus. 4. Überprüfen Sie auf Blockierungen.
Der Staubsauger hat sich ausgeschaltet oder lässt sich nicht einschalten.	<ol style="list-style-type: none"> 1. Laden Sie den Staubsauger auf (überprüfen Sie, ob die Steckdose Strom führt). 2. Er ist möglicherweise verstopft, überprüfen Sie die vorstehenden Punkte 1 bis 4. 3. Der Selbstschutz des Produkts ist aktiviert. Schalten Sie Ihren Staubsauger aus und lassen Sie den Motor für 1 Stunde abkühlen. Versuchen Sie es anschließend erneut.
Die LEDs an der Bodendüse sind erloschen und/oder die Motorüberhitzungs-LED leuchtet rot.	<ol style="list-style-type: none"> 1. Die Bodendüse ist blockiert – schlagen Sie unter „Bodendüse und Walzenbürste entfernen und reinigen“ in dieser Bedienungsanleitung nach. 2. Der Walzenbürstenmotor ist aufgrund großer Belastung überhitzt. Das kann bei längerem Benutzen auf einem Langflorteppich oder Läufer auftreten. Lassen Sie den Staubsauger für ca. eine Stunde abkühlen und benutzen Sie anschließend lieber den Energiesparmodus als den Höchstleistungsmodus.



A JYU #U]U'Gf""U'gcW)c i b]Mc ''
 J]U'Y '@ [[]'6c X]c '&- # +'''
 &\$%), 'A]Ubc fA €



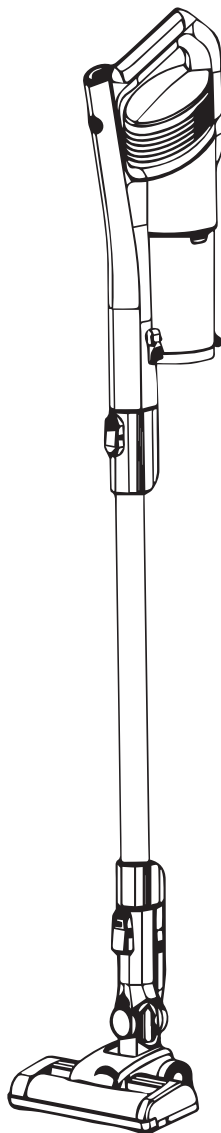
MANUAL DE INSTRUCCIONES

**Aspirador
MCS2025GB**

**LEA DETENIDAMENTE
EL MANUAL ANTES DE
USARLA Y GUÁRDELO
DEBIDAMENTE COMO
REFERENCIA FUTURA**

Aviso de advertencia: Antes de usar este producto, lea este manual detenidamente y guárdelo como referencia futura.

El diseño y las especificaciones están sujetos a cambio sin previo aviso para la mejora del producto. Consulte con su distribuidor o fabricante para obtener más detalles.



Instrucciones importantes de seguridad

- Lea detenidamente este manual antes de usarlo por primera vez, incluso si está familiarizado con este tipo de productos.
- Las precauciones de seguridad adjuntas reducen el riesgo de incendios, descarga eléctrica y lesiones cuando se cumplen correctamente.
- Guarde el manual en un lugar seguro como referencia futura, conjuntamente con la tarjeta de garantía cumplimentada, recibo de compra y cartón.
- Siempre siga las precauciones e seguridad básicas y las medidas de prevención de accidentes cuando se use un aparato eléctrico, incluyendo las siguientes:
 - Antes de encenderlo, asegúrese de que la tensión y la frecuencia eléctrica del adaptador de carga se corresponden con aquellas indicadas en la etiqueta de calificación.
 - No deje el aspirador sin atender cuando esté enchufado.
 - Desenchúfelo de la toma cuando no vaya a usarse y antes de la limpieza o mantenimiento.
 - No lo use en el exterior o en superficies húmedas.
 - Se debe supervisar a los niños pequeños para asegurarse de que no juegan con el aparato.
- No inserte ningún objeto en el aparato.
- Úselo solo tal y como se describe en este manual; use únicamente los accesorios recomendados por el fabricante.
- No opera ningún aparato con un adaptador de carga dañado o tras un funcionamiento incorrecto del aparato o si este presenta cualquier tipo de daños.
- Mantenga el adaptador de carga y los cables alejados de superficies calientes.
- No lo desenchufe tirando del cable. Para desenchufarlo, agarre el adaptador de carga, no el cable.
- Para reducir el riesgo de electrocución, nunca opera el producto con las manos húmedas, lo sumerja en agua o vierta líquidos en el producto.
- No lo use con cualquier abertura bloqueada; manténgalo libre de polvo, pelusas, pelo y cualquier cosa que pueda reducir el flujo de aire.
- Apague todos los controles antes de desenchufarlo.
- No lo use para aspirar líquidos inflamables o combustibles, como gasolina, cerillas o lo use en áreas donde puedan estar presentes.

- No aspire nada que queme o presente humos, como cigarrillos, cerillas o cenizas ardiendo.
- No lo use sin el filtro en su lugar.
- Este aparato está diseñado únicamente para un uso doméstico normal.
- Si el adaptador de carga presenta daños, debe sustituirse por uno del mismo tipo.
- Este aparato no está diseñado para usarse por parte de personas (incluidos niños) con capacidades físicas, sensoriales o mentales reducidas o con falta de conocimientos o experiencia salvo que se les haya dado una supervisión o instrucciones adecuadas respecto al uso del aparato por parte de una persona responsable de su seguridad.
- Se debe supervisar a los niños para asegurarse de que no juegan con el aparato.
- Cuando cargue el aparato, el interruptor de alimentación debe estar apagado.
- Los niños o personas con discapacidad física no deben usar este aparato.
- Este aparato no es un juguete, y si no se usa de una manera correcta, puede provocar daños innecesarios o fallos de funcionamiento.

Precaución

- No use el aparato en el exterior o sobre cualquier superficie húmeda o para recoger artículos húmedos. Nunca use el producto para aspirar agua.

- No recoja objetos duros y afilados, cerillas, cenizas ardiendo, colillas de cigarrillos u otros elementos similares.
- No pulverice o recoja líquidos inflamables, líquidos de limpieza, aerosoles o sus vapores.
- No pise el cable de alimentación cuando use el aparato o lo retire del enchufe tirando del cable de alimentación.
- No continúe usando el aparato o el cargador si parece defectuoso.
- No sustituya las baterías por baterías no recargables.
- Se debe retirar la batería del aparato antes de que deseche.
- El aparato debe desconectarse de la alimentación antes de retirar la batería.
- La batería debe eliminarse de forma segura
- No recargue las pilas no recargables; la batería no es sustituible

Potencia del motor: 350W

Entrada del adaptador:

100-240V ~ 50-60 Hz 0,5A

Salida: 25.0V \equiv 0.5A 12.5W

29.0V \equiv 0.5A 14.5W

Tipo de batería:

Iones de litio de 25,2V, 2000 mAh

Tiempo de carga de la batería:

3-5 horas

Volumen del contenedor de polvo:
0,45L

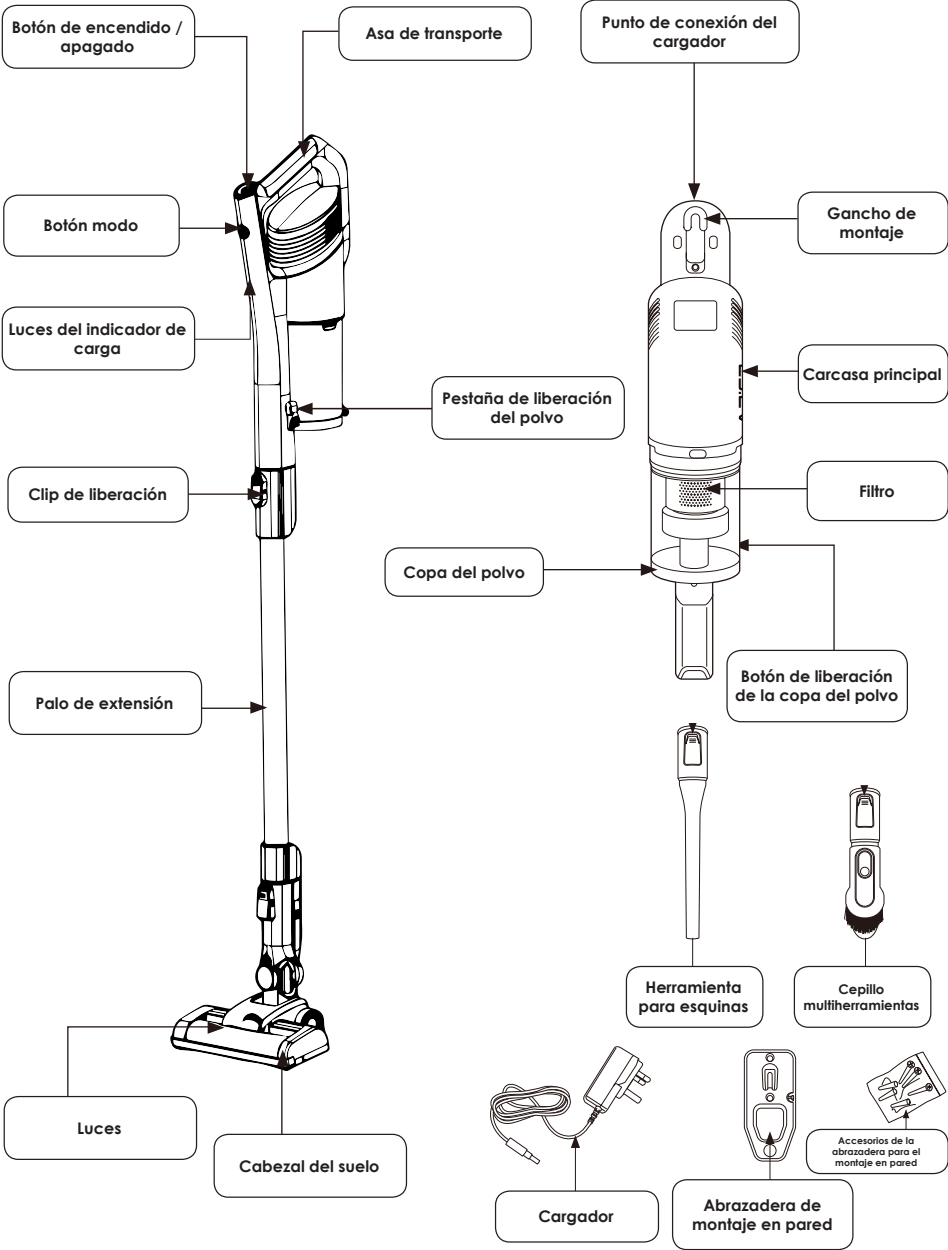
Tiempo de funcionamiento:

Mode Puissance maximum : \geq 12 minutes

Mode Puissance milieu : \geq 30 minutes

45 Mode Puissance minimum : \geq 60 minutes

Nombres de las piezas principales



Instrucciones de funcionamiento

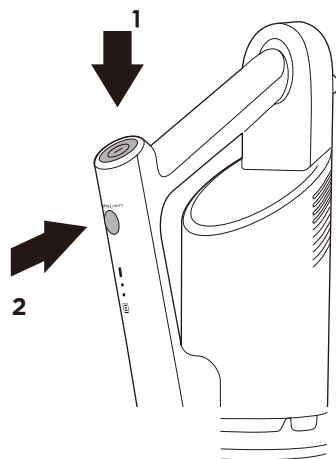
Uso del aspirador

Asegúrese de que el aspirador esté completamente cargado y montado antes de usarlo. Tenga siempre cuidado cuando aspire escaleras.

1. Hay dos configuraciones adecuadas en el aspirador: modo máximo (este tiene un mayor poder de succión pero un menor tiempo de funcionamiento, aproximadamente 15 minutos) y el modo eco (menor poder de succión con un mayor tiempo de funcionamiento, aproximadamente 45 minutos).

El aspirador siempre empezará en modo máximo. El tiempo de funcionamiento puede variar dependiendo de la superficie que se esté limpiando.

2. Para ir al modo "máximo" simplemente pulse el botón de encendido **(1)**, mientras que para el modo "eco" pulse el botón de encendido **(1)** seguido por el botón modo **(2)**. La luz de funcionamiento máximo se iluminará cuando esté en modo "máximo" y se apagará cuando cambie a modo "eco".



Cuando sea necesario, vuelva a pulsar el botón de encendido para apagar el aspirador.

3. Mueva hacia adelante y hacia atrás el cabezal del suelo sobre la superficie. Use pasos uniformes. No pulse muy fuerte; deje que el aspirador succione los residuos. Hay luces en el cabezal del suelo que se iluminarán automáticamente cuando el aspirador esté en funcionamiento para ayudar a la visibilidad de áreas / esquinas oscuras.

4. El aspirador dispone de luces indicativas de carga; existen dos pequeñas luces en el asa.

Mientras se carga - la luz inferior parpadeará y la luz superior está apagada

Cargado a la mitad - la luz inferior está encendida y la luz superior parpadeará

Completamente cargado - ambas luces están encendidas y se apagarán después de 10 minutos

Cuando esté en uso y la batería esté casi gastada, la luz inferior estará apagada y la luz superior parpadeará. Tras aproximadamente 10 segundos, el aspirador se apagará automáticamente.

5. Es recomendable vaciar la copa de polvo tras cada uso. Para obtener el mejor rendimiento, compruebe que los filtros están limpios (véase la sección "Retirada y limpieza de la copa de polvo y filtros" en este manual).

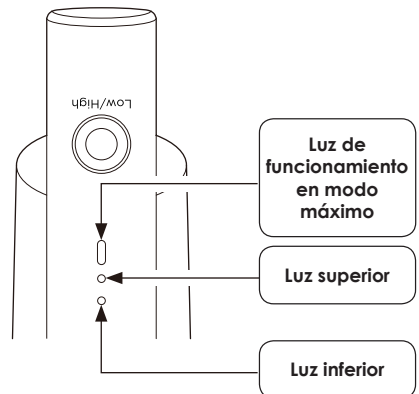
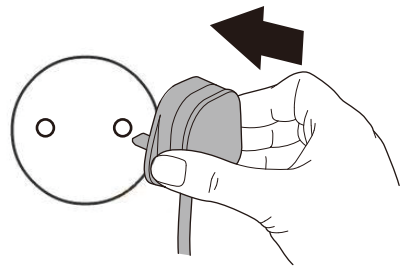
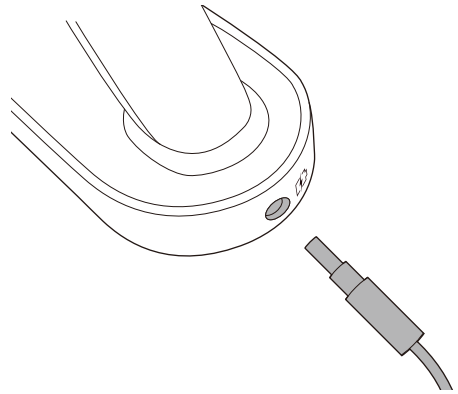
Instrucciones de funcionamiento

Carga del aspirador

Antes de usarlo, recomendamos que se cargue completamente el aspirador entre 3 y 4 horas. Cuando se adquiere, estará algo cargado así que puede que no tarde todo el tiempo en cargarse completamente.

1. Conecte el extremo del cargador en el punto de conexión del cargador situado en la parte superior de la carcasa del aspirador. Se recomienda que se cargue el aspirador sin accesorios conectados y que se coloque el aparato sobre una superficie plana.
2. Enchufe el cargador en la corriente eléctrica.
3. La luz del indicador de carga inferior parpadeará y se apagará para mostrar que el aparato se está cargando. Déjelo cargando.
4. Una vez que esté completamente cargado, la luz del indicador de carga dejará de parpadear y ambas luces permanecerán encendidas.
5. Desconéctelo de la corriente eléctrica y retire el cargador.

Nota: No deje el aspirador sin atender o lo deje cargando por la noche. El aparato no funcionará mientras se está cargando.

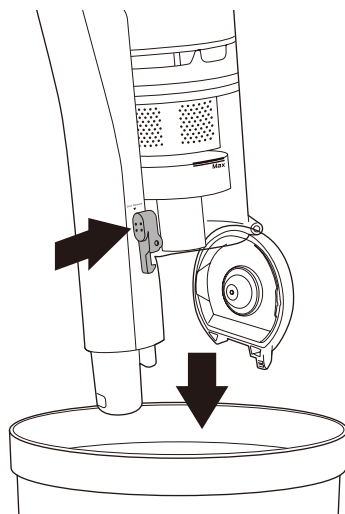


Guía de mantenimiento

Vaciado de la copa de polvo

Asegúrese de que el aspirador está apagado y que se han eliminado los accesorios antes de vaciar la copa de polvo.

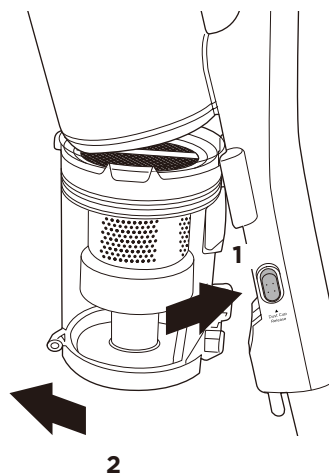
1. Sujete la copa sobre el cubo de residuos domésticos y empuje la pestaña de liberación de polvo situada en un lateral de la copa de polvo. Los residuos caerán al cubo. Tenga en cuenta: No deje que la copa se llene demasiado. No supere la marca de nivel MAX. Vacíelo regularmente. Cada vez que vacíe la copa de polvo, compruebe el filtro y golpéelo suavemente sobre el cubo de residuos domésticos para retirar cualquier exceso de polvo.
2. Una vez vacío, cierre la tapa hasta que se cierre con un clic.



Retirada y limpieza de la copa de polvo y filtros

Antes de iniciar cualquier limpieza, asegúrese de que el aspirador no está cargando y está apagado. Es más sencillo retirar la copa de polvo sin ningún accesorio en el aspirador.

1. Vacíe la copa de polvo tal y como se muestra en la sección "Vaciado de la copa de polvo" de este manual.
2. Presione el botón de liberación de la copa de polvo situado en el lateral de la carcasa principal cerca de la parte inferior de la copa de polvo (1). Posteriormente extraiga la copa de polvo de la carcasa manteniendo la copa recta (2).

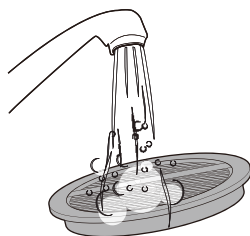
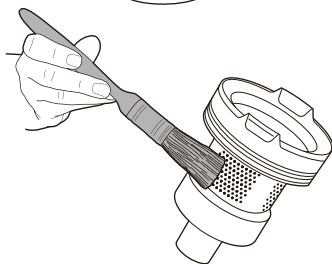
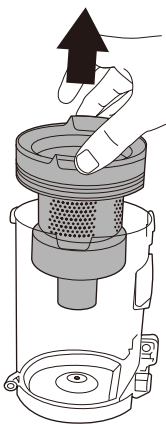
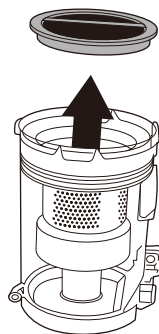


Guía de mantenimiento

3. La copa de polvo alberga el filtro de esponja circular y el filtro. Retire primero el filtro de esponja circular pinzando el material del lazo situado en la parte superior del filtro y tirando hacia arriba y después separándolo.
4. Pince cada lado del filtro y tire hacia arriba alejándolo de la copa de polvo. Golpee suavemente el filtro sobre la basura doméstica para eliminar cualquier cantidad grande de polvo.

Nota: No deje que la copa se llene demasiado. No supere la marca de nivel MAX. Vacíelo regularmente.

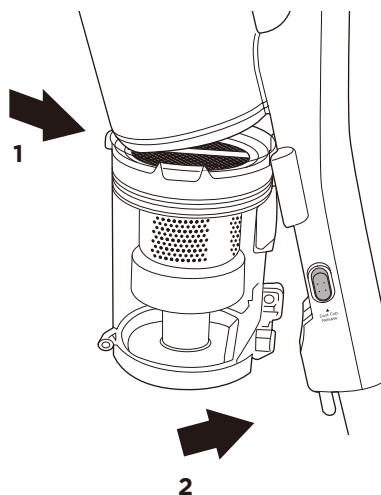
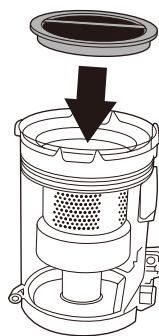
5. Retire cualquier exceso de polvo del filtro usando un cepillo suave o un pincel de pintura limpio. El filtro puede dividirse en tres partes. Sujete la sección superior y doble la sección inferior en la dirección de la flecha y el icono del candado abierto.
6. Aclare la copa de polvo, los componentes del filtro y el filtro de esponja circular bajo agua caliente hasta que el agua salga limpia y déjelo secar durante 24 horas.



Guía de mantenimiento

- Una vez que todas las piezas están completamente secas, vuelva a montar los componentes del filtro tras la flecha y el icono del candado cerrado y vuélvalo a colocar en la copa del polvo. No se olvide de volver a colocar el filtro de esponja circular en la parte superior del filtro.
- Vuelva a colocar la copa del polvo en la carcasa sujetando el canal en la parte superior de la copa del polvo con la agarradera de la carcasa **(1)**. Vuelva a empujar la copa del polvo hacia la carcasa hasta que se ajuste en su lugar con un clic **(2)**.

Nota: Es importante mantener regularmente y limpiar los filtros. Un filtro atascado reduce el poder de succión y puede acortar la vida del aspirador.



Debajo se encuentra una guía recomendada sobre la frecuencia con la que debe limpiar los filtros:

Tipo de filtro	Tiempos de limpieza recomendados
Filtro	<ul style="list-style-type: none">Agite los residuos cuando vacíe la copa del polvo. Use el cepillo de polvo suave para retirar con suavidad cualquier acumulación de polvo.Aclárelo bajo agua caliente una vez al mes o más si es necesario.
Filtro de esponja circular	<ul style="list-style-type: none">De forma ocasional elimine cualquier polvo / residuo según sea necesario. También se puede aclarar el filtro bajo agua caliente una vez al mes.

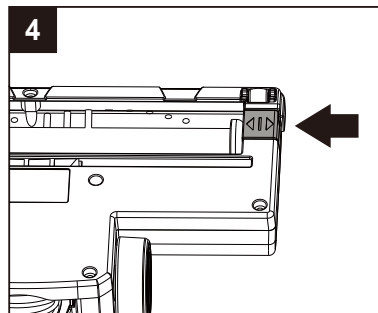
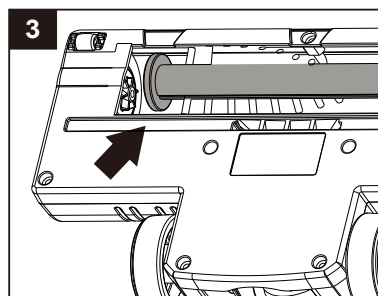
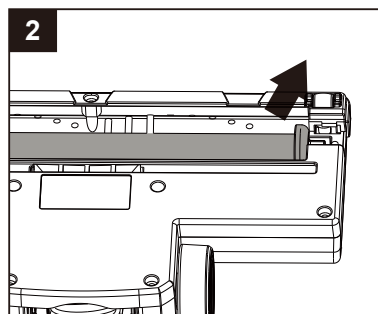
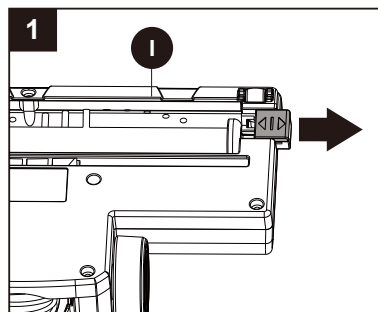
Guía de mantenimiento

Retirada y limpieza del cabezal de suelo y cepillo rodillo

Antes de iniciar cualquier limpieza, asegúrese de que el aspirador no se está cargando y está apagado y retire la boquilla del suelo del resto del aspirador.

Si el cepillo rodillo queda enredado durante su uso, el Sistema de protección automática apagará el aspirador. Si eso se produce, siga los pasos que aparecen debajo.

1. Dé la vuelta al cabezal del cepillo de suelo (I). Para acceder al cepillo rodillo, deslice la pestaña, marcada con flechas, a la derecha.
2. Tire del cepillo rodillo en un ligero ángulo y extraiga el cabezal del cepillo de suelo. Ahora se puede eliminar cualquier acumulación de pelo del cepillo rodillo. Se pueden usar tijeras para cortar cualquier pelo del rodillo si es necesario, teniendo cuidado en no cortar las cerdas del cepillo.
3. Una vez que se ha limpiado el cepillo rodillo, vuelva a colocar el cepillo rodillo alineándolo a la izquierda; abra el lateral del rodillo con forma de atasco en Estrella en el cabezal del cepillo de suelo. Puede que sea necesario doblar en cabezal del rodillo un poco para ajustarlo en su lugar.
4. Empuje el otro extremo del rodillo hacia abajo hasta donde pueda. Vuelva a deslizar la pestaña a la izquierda para bloquearla.



Guía de mantenimiento

Eliminación de un bloqueo

Asegúrese de que el aspirador no está conectado a la corriente eléctrica y está apagado antes de desmontar el aspirador.

El aspirador solo quedará atascado si la copa de polvo ha superado el nivel "Máx" o los filtros están atascados o se ha aspirado un objeto muy grande.

1. Compruebe la copa de polvo y vacíelo si es necesario.
2. Compruebe los 2 filtros de la unidad y retire cualquier residuo / polvo si es necesario.
3. Si el cabezal del suelo, la herramienta para esquinas o el cepillo multiherramienta se están usando, sepárelos de la carcasa principal o palo de extensión y compruebe a ver si hay bloqueos. Elimine cualquier bloqueo.
4. Separe el palo de extensión y mire hacia abajo para ver si hay bloqueos. Si los hubiera, use el palo de una escoba para eliminar la obstrucción. Tenga cuidado en no dañar el palo en el proceso.
5. Compruebe el cepillo rodillo en busca de cualquier pelo o hilo que haya podido quedar atrapado alrededor del rodillo. Córtele con unas tijeras. Para hacerlo de forma segura, elimínelo tal y como se muestra en la sección "Retirada y limpieza del cepillo del cabezal del rodillo del suelo" de este manual.

Guardar el aspirador sin cables

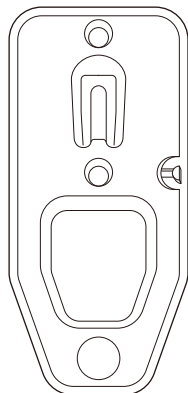
El aspirador puede guardarse de forma segura colgándolo del montaje en pared que se suministra con el producto o retirando todos los accesorios y guardándolos todos en un armario. De cualquier manera, ayudará a evitar que el producto se caiga y cause daños.

Apáguelo y desconéctelo siempre de la corriente eléctrica antes de guardarlo.

1. Retire cualquier accesorio si el aspirador los ha usado la última vez.
2. Guarde el aspirador y los accesorios de forma segura en un lugar seguro.

Guarde el aspirador sin cables con el montaje en pared

1. Encuentre un lugar adecuado en su hogar donde desee asegurar el aspirador.
2. Marque las posiciones que desee del agujero para los tornillos en la pared usando un lapicero. Recomendamos que aspirador cuelgue ligeramente sobre el suelo.
3. Use los accesorios de la abrazadera del montaje en pared que se suministran solo si son aptos para su tipo de pared.
4. Atornille los accesorios de la abrazadera de montaje en pared y móntelo en la pared (véase la ilustración para ver de qué manera el montaje debe colgar en la pared).
5. El aspirador puede montarse en el montaje en pared. El gancho de montaje puede encontrarse en la parte posterior de la carcasa cerca del asa.



Problemas y soluciones

Problema	Solución
El aspirador no limpia bien.	<ol style="list-style-type: none"> 1. Vacíe la copa de polvo 2. Retire el exceso de polvo de los filtros 3. Lave los filtros 4. Comprobación de bloqueos
El aspirador se ha parado o no funciona.	<ol style="list-style-type: none"> 1. Cargue el aspirador (compruebe que la toma de corriente funciona y que el interruptor está encendido) 2. Puede que esté bloqueado - compruebe los elementos 1 al 4 que aparecen arriba 3. Protección automática del producto activada. Apague el aspirador y deje que el motor se enfríe durante una hora y después intente volver a usarlo.
Las luces del cabezal del suelo se apagan y/o la luz de sobrecalentamiento del motor se ilumina de color rojo.	<ol style="list-style-type: none"> 1. El cabezal del suelo está bloqueado; remítase a la sección "Retirada y limpieza del cabezal de suelo y cepillo rodillo" en este manual. 2. El motor del cepillo rodillo se ha sobrecalentado debido a una carga pesada. Esto puede deberse a un uso prolongado de una alfombra grande o a una alfombrilla suelta. Deje que el aspirador se enfríe durante una hora y después use el modo eco en lugar del modo máximo.



A XYU ' #U]U 'G'f""U 'gc Wjc i b]Mc ''
 J]U'Y '@ [[]'6c X]c '&- # +'''
 &\$%), 'A]Ubc 'fA €



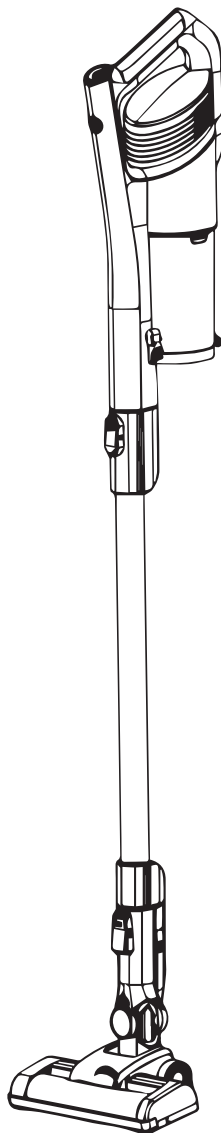
GUIDE D'UTILISATION

**Aspirateur
MCS2025GB**

**VEUILLEZ LIRE
ATTENTIVEMENT
LE MANUEL AVANT
USAGE ET LE
CONSERVER POUR
Y FAIRE REFERENCE
DANS LE FUTUR**

**Avertissements : Avant
d'utiliser ce produit, veuillez
lire attentivement ce manuel
et le garder pour s'y référer
dans le futur.**

**La conception et les
spécifications sont indiquées
sous réserve de modifications
pour l'amélioration du
produit. Consultez votre
revendeur ou le fabricant
pour les détails.**



Instructions Importantes De Securite

- Lire attentivement ce manuel avant la première utilisation, même si vous êtes familier avec ce type de produit.
- Ces instructions de sécurité réduisent le risque d'incendie, d'électrocution et de blessure quand elles sont respectées.
- Garder le manuel dans un endroit sûr pour s'y reporter dans le futur, avec la carte de garantie complète, le reçu d'achat et le carton.
- Toujours respecter les précautions de sécurité basiques et les mesures de prévention des accidents lors de l'utilisation d'appareil électrique, y-compris les points suivants :
 - Avant de mettre sous tension, s'assurer que la tension et la fréquence électrique de l'adaptateur de chargement correspond à celles indiquées sur la plaque d'identification.
 - Ne pas partir en laissant l'aspirateur branché.
 - Le débrancher de la prise de courant quand il n'est pas utilisé et avant le nettoyage ou la révision.
 - Ne pas utiliser dehors ou sur des surfaces mouillées.
 - Les jeunes enfants doivent être surveillés pour s'assurer qu'ils ne jouent pas avec l'appareil.
- Ne pas insérer de corps étranger dans l'appareil.
- N'utiliser que tel que décrit dans ce manuel, n'utiliser que les accessoires recommandés par le fabricant.
- Ne faire fonctionner aucun appareil avec un chargeur endommagé ou après un dysfonctionnement, ou s'il a été endommagé.
- Tenir le chargeur et les fils à l'écart des surfaces chaudes.
- Ne pas débrancher en tirant sur le fil. Pour débrancher, tenir le chargeur, pas le fil.
- Pour réduire le risque d'électrocution, ne jamais faire fonctionner le produit avec les mains mouillées, ne pas le plonger dans l'eau ni renverser du liquide dedans.
- Ne pas utiliser avec une ouverture bouchée ; retirer la poussière, les peluches, les cheveux et tout ce qui peut réduire la circulation d'air.
- Eteindre toutes les commandes avant de débrancher.
- Ne pas utiliser pour aspirer des produits inflammables ou combustibles comme l'essence, les allumettes, ou l'utiliser dans des zones où ils peuvent être présents.
- Ne pas aspirer une matière qui brûle ou fume, comme les

cigarettes, les allumettes ou les cendres chaudes.

- Ne pas utiliser sans les filtres en place.
 - Cet appareil n'est prévu que pour un usage domestique.
 - Si le chargeur est endommagé, il doit être remplacé par le même type.
 - L'appareil n'est pas prévu pour être utilisé par des personnes (y-compris les enfants) ayant des capacités physiques, sensorielles ou mentales réduites, ou un manque d'expérience et de connaissance, sauf si elles sont supervisées ou reçoivent des instructions concernant l'usage de l'appareil, par une personne responsable de leur sécurité.
 - Les enfants doivent être surveillés pour s'assurer qu'ils ne jouent pas avec l'appareil.
 - En chargeant l'appareil, l'interrupteur doit être coupé.
 - L'appareil ne doit pas être utilisé par les enfants ou les personnes physiquement diminuées.
 - Cet appareil n'est pas un jouet, et s'il n'est pas utilisé correctement, cela peut entraîner des dégâts non nécessaires ou des pannes.
- Ne pas aspirer des objets durs ou pointus, des allumettes, des cendres chaudes, des mégots de cigarette ou autres articles similaires.
 - Ne pas disperser ou aspirer des liquides inflammables, des liquides de nettoyage, des aérosols ou leurs vapeurs.
 - Ne pas passer sur le fil de chargement en utilisant votre appareil, ou le débrancher en tirant sur le fil.
 - Ne pas continuer à utiliser votre appareil ou le chargeur s'il semble défectueux.
 - Ne pas remplacer les batteries avec des piles non-rechargeables.
 - La batterie doit être retirée de l'appareil avant de le jeter
 - L'appareil doit être débranché de la prise de courant pour retirer la batterie
 - La batterie doit être mise au rebut de façon sécurisée
 - Ne pas recharger des piles non-rechargeables, la batterie n'est pas remplaçable

Puissance du moteur : 350 W

Entrée d'adaptateur :

100-240 V ~ 50-60 Hz 0,5 A

Sortie : 25.0V \equiv 0.5A 12.5W

29.0V \equiv 0.5A 14.5W

Type de batterie :

25,2 V, 2000 mAh, Li-ion

Durée de chargement de la batterie :

3 à 5 heures

Volume du bac à poussière : 0,45 l

Durée de fonctionnement :

Modo de potencia máxima: ≥12 minutos

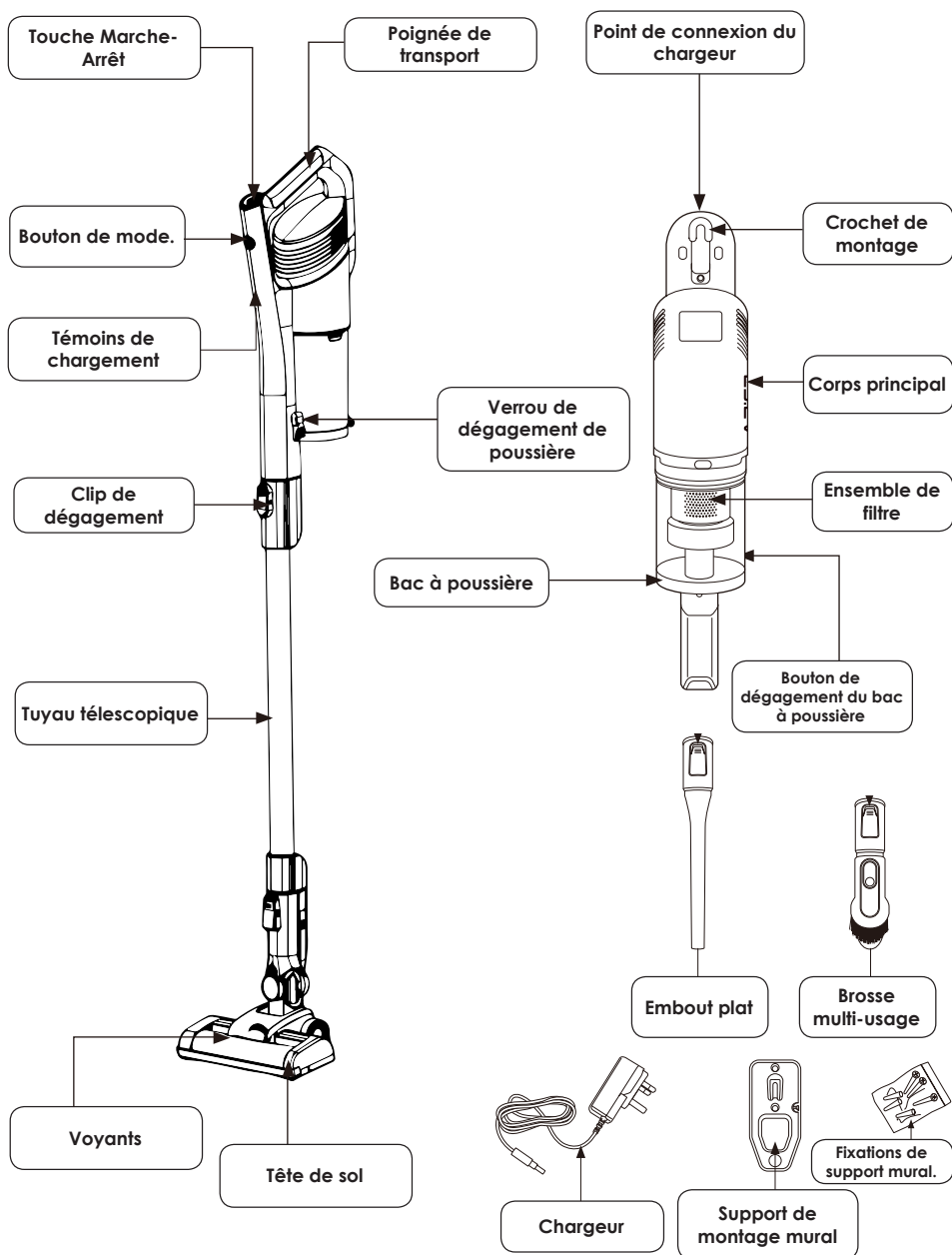
Modo de potencia mediados: ≥30 minutos

59 Modo de potencia mínima: ≥60 minutos

Attention

- Ne pas utiliser votre appareil à l'extérieur ou sur une surface mouillée ou pour aspirer des articles mouillés. Ne jamais utiliser le produit pour aspirer de l'eau.

Nom des pièces principales



Instructions opérationnelles

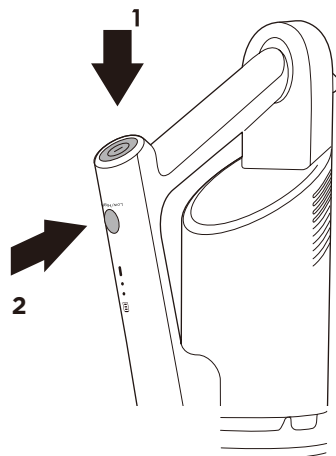
Comment utiliser votre aspirateur

S'assurer que l'aspirateur est complètement chargé et assemblé avant l'utilisation. Faire très attention en aspirant des escaliers.

1. Il y a deux réglages de puissance sur l'aspirateur-balai : mode Max. (plus grande puissance d'aspiration mais durée de fonctionnement plus courte, environ 15 min.) et mode Eco (moins de puissance d'aspiration avec une durée de fonctionnement plus longue, environ 45 min.).

L'aspirateur-balai démarre toujours en mode Max. La durée de fonctionnement peut varier selon la surface à nettoyer.

2. Pour le mode Max., appuyer simplement sur le bouton Marche (1), tandis que pour le mode Eco, appuyer sur le bouton Marche (1) puis sur le bouton de mode (2). Le voyant de mode Max. s'allume et s'éteint quand le mode Eco est sélectionné.



Réappuyer sur le bouton Marche pour couper l'aspirateur-balai.

3. Déplacer la tête de sol d'avant en arrière sur la surface. Faire des passages réguliers. Ne pas appuyer trop fort ; laisser l'aspirateur-balai aspirer les débris. Des voyants se trouvent sur la tête de sol qui s'allument automatiquement quand l'aspirateur-balai est en marche pour aider la visibilité dans des zones ou des coins sombres.
4. L'aspirateur-balai a des voyants de charge, ce sont deux petits voyants sur le manche.

En cours de chargement - le voyant bas clignote et celui du haut est éteint

Demi-charge - le voyant bas est allumé et celui du haut clignote

Complètement chargé - les deux voyants sont allumés, ils s'éteignent après 10 minutes

Lors de l'utilisation et que la batterie est presque déchargée, le voyant du bas s'éteint et celui du haut clignote. Après 10 secondes environ, l'aspirateur-balai s'arrête automatiquement.

5. Il est conseillé de vider le bac à poussière après chaque usage. Pour de meilleurs résultats, vérifier si les filtres sont propres (voir la section « Dépose et nettoyage le bac à poussière et les filtres » dans ce manuel.

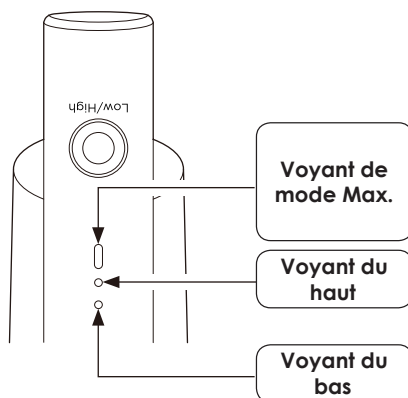
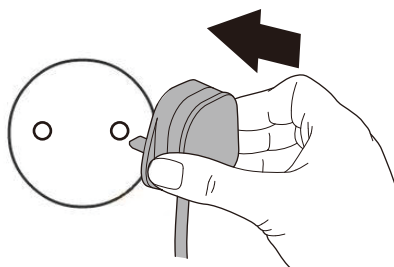
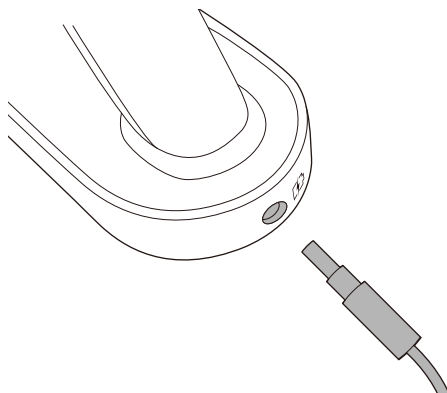
Instructions opérationnelles

Chargement de l'aspirateur

Avant usage, nous recommandons que l'aspirateur soit complètement chargé entre 3 et 4 heures. A l'achat, il y a peu de charge, il faudra donc le temps complet pour le charger entièrement.

1. Brancher le chargeur dans la connexion en haut du corps principal de l'aspirateur-balai. Il est recommandé que l'aspirateur-balai soit chargé sans les accessoires et qu'il soit couché sur une surface plane.
2. Brancher le chargeur dans la prise de courant.
3. Le voyant de charge du bas clignote pour indiquer le chargement de l'appareil. Laisser charger.
4. Une fois complètement chargé, le voyant de charge arrête de clignoter et les deux voyants sont allumés.
5. Couper la prise de courant et enlever le chargeur.

Remarque : Ne pas laisser l'aspirateur-balai sans surveillance ni le charger la nuit. L'appareil ne fonctionne pas quand il est en cours de chargement.

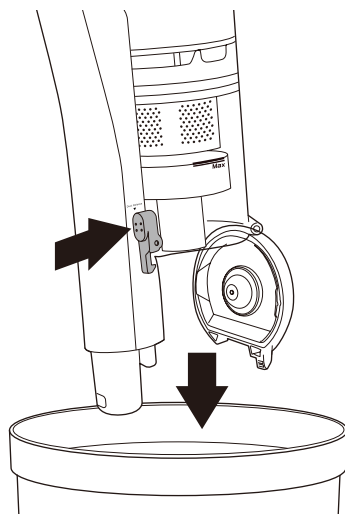


Guide d'entretien

Vider le bac à poussière

S'assurer que l'aspirateur-balai est arrêté et que les accessoires sont retirés avant de vider le bac à poussière.

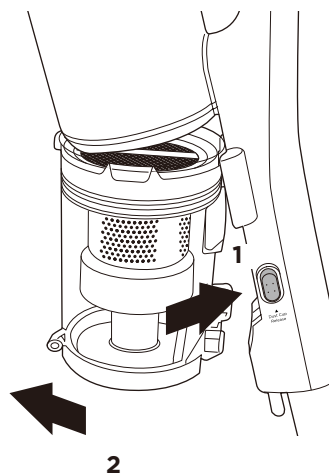
1. Tenir le bac au-dessus de la poubelle et pousser le loquet de dégagement de poussière sur le côté du bac à poussière. Les débris tombent dans la poubelle. Remarque : Ne pas laisser le bac à poussière trop se remplir. Ne pas dépasser la marque MAX. Vider régulièrement. A chaque fois que vous videz le bac à poussière, vérifiez l'ensemble de filtre et taper doucement au-dessus de la poubelle pour retirer l'excès de poussière.
2. Une fois vide, fermer le couvercle jusqu'au clic.



Dépose et nettoyage le bac à poussière et les filtres.

Avant de commencer le nettoyage, s'assurer que l'aspirateur-balai n'est pas en cours de chargement et qu'il est à l'arrêt. Il est plus facile de retirer le bac à poussière s'il n'y a pas d'accessoire sur l'aspirateur-balai.

1. Vider le bac à poussière comme indiqué dans la section "Vider le bac à poussière" de ce manuel.
2. Appuyer sur le bac à poussière, relâcher le bouton situé sur le côté du corps principal près du bas du bac à poussière (1). Puis retirer le bac à poussière du corps principal en tenant le bac bien (2).

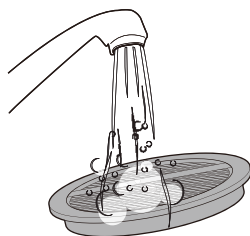
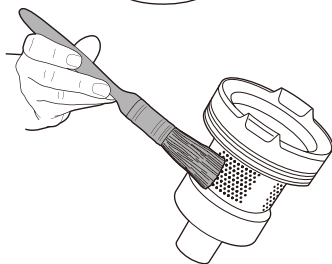
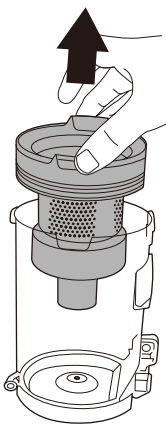
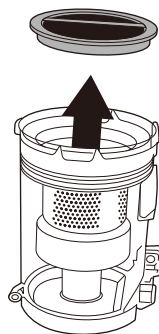


Guide d'entretien

3. Le bac à poussière contient le filtre circulaire en éponge et l'ensemble de filtre. Retirer d'abord le filtre circulaire en éponge en pinçant le ruban en haut du filtre et en tirant vers le haut, puis le mettre de côté.
4. Pincer un des côtés de l'ensemble de filtre et tirer vers le haut pour le sortir du bac à poussière. Taper doucement sur l'ensemble de filtre au-dessus de la poubelle pour retirer les gros volumes de poussière.

Remarque : Ne pas laisser le bac à poussière trop se remplir. Ne pas dépasser la marque MAX. Vider régulièrement.

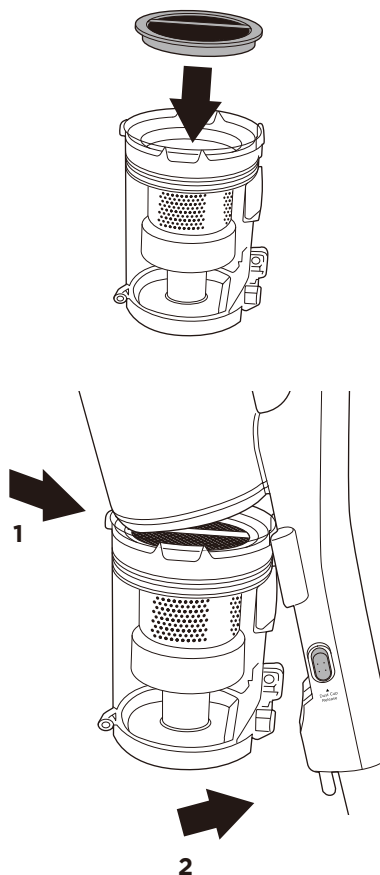
5. Retirer ce qui reste de poussière de l'ensemble de filtre avec une brosse douce ou un pinceau à peinture propre. Le filtre peut être divisé en trois parties. Tenir la section supérieure et tourner la section inférieure dans le sens de la flèche et de l'icône de déverrouillage.
6. Rincer le bac à poussière, les pièces de l'ensemble de filtre et le filtre circulaire en éponge sous l'eau tiède jusqu'à ce que l'eau soit propre et laisser sécher pendant 24 heures.



Guide d'entretien

- Une fois que toutes les pièces sont bien sèches, réassembler les pièces de filtre en suivant les flèches et l'icône de cadenas verrouillé et le remettre dans le bac à poussière. Ne pas oublier de mettre le filtre circulaire en éponge en haut du filtre.
- Replacer le bac à poussière dans le corps principal en accrochant le profilé en haut du bac à poussière dans la prise du corps (1). Pousser le bac à poussière contre le corps principal jusqu'au (2).

Remarque : Il est important d'entretenir et nettoyer les filtres. Un filtre bouché réduit la puissance d'aspiration et peut diminuer la durée de vie de l'aspirateur-balai.



Le guide ci-dessous est la recommandation de la fréquence de nettoyage des filtres :

Type de filtre	Intervalles recommandés de nettoyage
Ensemble de filtre	<ul style="list-style-type: none">Secouer les débris pour vider le bac à poussière. Utiliser une brosse de dépoussiérage douce pour enlever les amas de poussière.Rincer sous l'eau tiède une fois par mois ou plus souvent si nécessaire. se under warm water once a month or more often if required.
Filtre circulaire en éponge	<ul style="list-style-type: none">Retirer de temps en temps la poussière et les débris. Le filtre peut également être rincé à l'eau tiède une fois par mois.

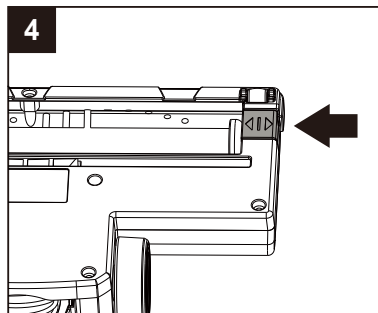
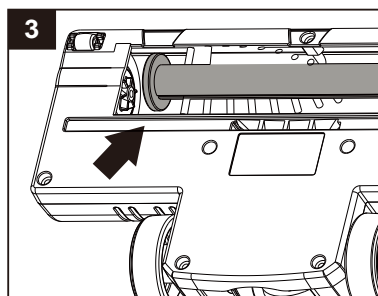
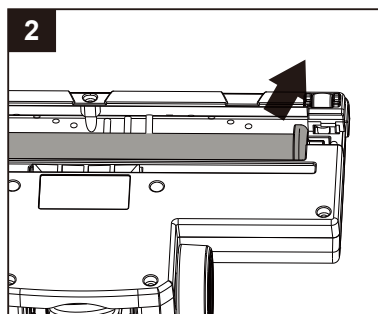
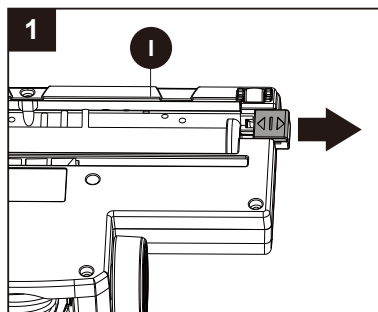
Guide d'entretien

Dépose et nettoyage de la tête de sol et de la brosse rotative

Avant de commencer le nettoyage, s'assurer que l'aspirateur-balai n'est pas en cours de chargement et qu'il est coupé, et retirer la tête de sol du reste de l'aspirateur-balai.

Si la brosse rotative se coince pendant l'utilisation, le système d'autoprotection coupe l'aspirateur. Si cela se produit, procéder de la façon suivante.

1. Retourner la tête de sol (I). Pour accéder à la brosse rotative, glisser la plaque marquée de flèches, vers la droite.
2. Tirer sur la brosse rotative avec un angle hors de la tête de sol. Les amas de cheveux, etc., peuvent être maintenant retirés de la brosse rotative. Des ciseaux peuvent être utilisés pour couper les cheveux du rouleau si cela est nécessaire, en prenant soin de ne pas couper les poils de brosse.
3. Une fois que la brosse est nettoyée, la remettre en alignant le côté gauche ouvert du rouleau avec l'étoile de la tête de sol. Vous devrez peut-être pivoter un peu la tête de rouleau pour la verrouiller en place.
4. Pousser l'autre extrémité du rouleau aussi loin que possible. Remettre la plaque en place vers la gauche pour la verrouiller.



Guide d'entretien

Nettoyer un blocage

S'assurer que l'aspirateur-balai n'est pas branché dans la prise et qu'il est coupé avant de le démonter.

L'aspirateur-balai ne se bloque que si le bac est rempli et dépasse le niveau Max., que les filtres sont bouchés ou qu'un gros objet a été aspiré.

1. Vérifier le bac à poussière et le vider si nécessaire.
2. Vérifier les deux filtres dans l'unité, retirer les débris et la poussière, et les laver si nécessaire.
3. Si la tête de sol, l'embout plat ou la brosse multi-usage est en cours d'utilisation, les retirer du corps principal ou du tuyau et vérifier les blocages. Retirer les blocages.
4. Détacher le tuyau et regarder dedans pour voir s'il y a un blocage. S'il y en a un, utiliser le manche d'un balai pour retirer l'obstruction. Prendre soin de ne pas endommager le tuyau au cours du processus.
5. Vérifier si des cheveux ou des fils ne se sont pas enroulés sur la brosse rotative. Couper avec des ciseaux. Pour le faire en sécurité, les retirer comme indiqué dans la section "Retirer et nettoyer la brosse rotative de la tête de sol " dans ce manuel.

Rangement de l'aspirateur-balai sans fil

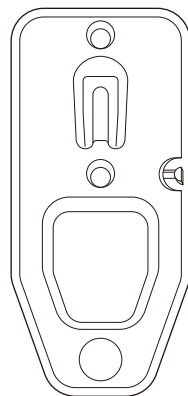
Votre aspirateur-balai peut être rangé de façon sécurisée en le pendant au support mural fourni avec le produit ou en retirant l'accessoire et en les rangeant ensemble dans une armoire. Chaque façon évitera la chute du produit et les dommages.

Toujours l'arrêter et le débrancher de la prise de courant avant de le ranger.

1. Retirer les accessoires si l'aspirateur-balai les a utilisés la dernière fois.
2. Ranger l'aspirateur-balai et les accessoires de façon sécurisée dans un endroit sec.

Ranger l'aspirateur-balai sur le support mural.

1. Trouver un endroit approprié dans l'habitat où vous voulez ranger votre aspirateur-balai.
2. Marquer le trou de vis sur le mur avec un crayon. Nous recommandons de lever légèrement l'aspirateur-balai du sol.
3. Utiliser les fixations de support mural fournies si elles conviennent à votre mur.
4. Visser les fixations de support mural au mur (voir l'illustration indiquant la façon de suspendre le support au mur).
5. L'aspirateur-balai peut être monté au mur. Le crochet se trouve au dos du corps principal près du manche.



Dépannage

Problème	Solution
L'aspirateur-balai ne nettoie pas bien.	<ol style="list-style-type: none"> 1. Vider le bac à poussière 2. Retirer l'excès de poussière des filtres. 3. Laver les filtres 4. Vérifier s'il y a des blocages
L'aspirateur-balai s'est arrêté ou ne fonctionne pas.	<ol style="list-style-type: none"> 1. Charger l'aspirateur (vérifier si les prises de courant fonctionnent et si l'interrupteur est en marche) 2. Il pourrait être bloqué - vérifier les articles 1 à 4 ci-dessus 3. Autoprotection du produit activée. Arrêter l'aspirateur et laisser le moteur refroidir pendant une heure avant de le réutiliser.
Les voyants sur la tête de sol s'éteignent et/ou le voyant du moteur s'allume en rouge.	<ol style="list-style-type: none"> 1. La tête de sol est verrouillée, voir la section « Dépose et nettoyage de la tête de sol et de la brosse rotative » dans ce manuel. 2. Le moteur de brosse rotative chauffe en raison de surcharge. Cela peut être dû à une utilisation prolongée sur un tapis à poil long ou sur une moquette détendue. Laisser l'aspirateur refroidir pendant une heure puis utiliser le mode Eco plutôt que le mode Max.



A XYU #U]U'G'f""U'gcW)c i b]Mc ''
 J]U'Y '@ [[]'6c X]c '&- # +'''
 &\$%), 'A]Ubc fA €



Usisivač

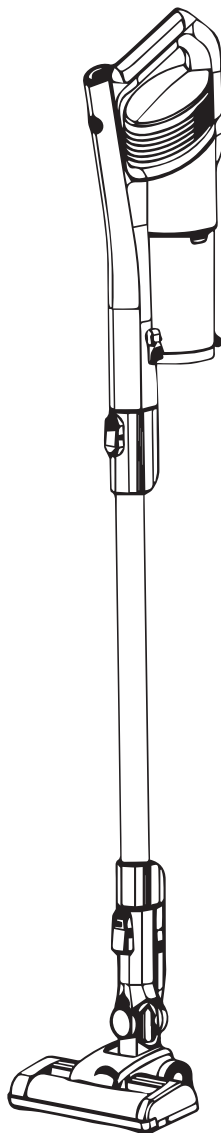
MCS2025GB

**MOLIMO VAS,
PROČITAJTE PRIRUČNIK
PRIJE UPOTREBE I
SAČUVAJTE GA ZA
BUDUĆU UPOTREBU**

**Upozorenja: Prije upotrebe
ovog proizvoda, pažljivo
pročitajte ovaj priručnik
i sačuvajte ga za buduću
upotrebu.**

**Dizajn i specifikacije
podložne su promjenama bez
prethodne najave, u svrhu
poboljšanja proizvoda. Za
detalje se obratite prodavaču
ili proizvođaču.**

KORISNIČKI PRIRUČNIK



Važne upute za sigurnost

- Prije prve uporabe pažljivo pročitajte ovaj priručnik, čak i ako ste upoznati s ovom vrstom proizvoda.
- Priložene sigurnosne mjere opreza smanjuju rizik od požara, električnog udara i ozljeda ako ih se pravilno pridržavate.
- Čuvajte ovaj priručnik na sigurnom mjestu za buduće reference, zajedno sa popunjenom garancijskom karticom, računom i kutijom.
- Kad koristite električni uređaj, uvijek slijedite osnovne sigurnosne mjere i mjere sprječavanja nesreća, uključujući sljedeće:
- Prije uključivanja osigurajte da električni napon i frekvencija adaptera za punjenje odgovaraju onima navedenim na naljepnici.
- Ne ostavljajte usisavač kad je uključen u struju.
- Odspojite utikač iz utičnice kada se ne koristi i prije čišćenja ili servisiranja.
- Ne koristiti na otvorenom ili na vlažnim površinama.
- Djecu treba nadzirati kako se ne bi igrala s uređajem.
- U uređaj ne stavljajte nikakve predmete.
- Koristite samo kako je opisano u ovom priručniku, koristite samo dodatke koje preporučí proizvođač.
- Nemojte koristiti uređaje s oštećenim adapterom za punjenje ili nakon nepravilnog rada uređaja ili nakon bilo kojeg oštećenja.
- Držite adapter i kablove za punjenje dalje od grijanih površina.
- Ne isključujte utikač izvlačenjem kabela. Kako biste iskopčali utikač primite adapter za punjenje, a ne kabel.
- Kako biste smanjili rizik od električnog udara, proizvod nikada ne primajte mokrim rukama, ne potapajte ga u vodu i ne prosipajte tekućinu u proizvod.
- Ne upotrebljavajte s blokiranim otvorima; čuvajte od prašine, dlaka, kose i svega što bi moglo smanjiti protok zraka.
- Isključite sve kontrole prije isključivanja.
- Ne upotrebljavajte za usisavanje zapaljivih tekućina ili predmeta, kao što su benzin, šibice, ili koristite na mjestima gdje isti mogu biti prisutni.
- Ne usisavajte ništa što gori ili se dimi, poput cigareta, šibica ili vrućeg pepela.

- Ne koristite bez filtra.
- Ovaj je uređaj namijenjen samo uobičajenoj kućanskoj uporabi.
- Ako je adapter za punjenje oštećen, mora se zamijeniti istim tipom.
- Uređaj nije namijenjen osobama (uključujući djecu) sa smanjenim fizičkim, senzornim ili mentalnim sposobnostima ili nedostatkom iskustva i znanja, osim ako im nije dodijeljen nadzor ili upute o korištenju uređaja od strane osobe odgovorne za njihovu sigurnost.
- Djecu treba nadzirati kako bi se osiguralo da se ne igraju s uređajem.
- Pri punjenju uređaja uređaj mora biti isključen.
- Ovaj uređaj ne smiju koristiti djeca ili ljudi koji su fizički ugroženi.
- Ovaj uređaj nije igračka i ako se ne koristi na pravilan način, može dovesti do nepotrebnih oštećenja ili kvarova u radu.

Oprez

- Ne koristite vani niti na bilo kojoj mokroj površini ili za mokro usisavanje. Nikada ne koristite proizvod za usisavanje vode.
- Ne skupljajte tvrde ili oštre predmete, šibice, vrući pepeo, opuške cigareta ili druge slične predmete.

- Ne prskajte i ne usisavajte zapaljive tekućine, tekućine za čišćenje, aerosole ili njihove pare.
- Nemojte prelaziti preko kabela za napajanje tijekom upotrebe uređaja ili vaditi utikač povlačenjem kabela.
- Ne nastavljajte koristiti svoj uređaj ili punjač ako se čini neispravnim.
- Ne mijenjajte baterije baterijama koje se ne mogu puniti.
- Baterija mora biti izvađena iz uređaja prije odlaganja
- Kad uklanjate bateriju, uređaj mora biti iskopčan iz mrežnog napajanja
- Bateriju je potrebno sigurno odložiti
- Nemojte ponovno puniti baterije koje se ne mogu puniti, baterija nije zamjenjiva

Snaga motora: 350 W

Ulazna snaga adaptera:

100-240 V ~ 50-60 Hz 0,5 A

Izlaz: 25.0V \equiv 0.5A 12.5W

29.0V \equiv 0.5A 14.5W

Vrsta baterije:

25,2 V, 2000 mAh, Li-ion

Vrijeme punjenja baterije: 3-5 sati

Zapremina spremnika za prašinu:

0,45 L

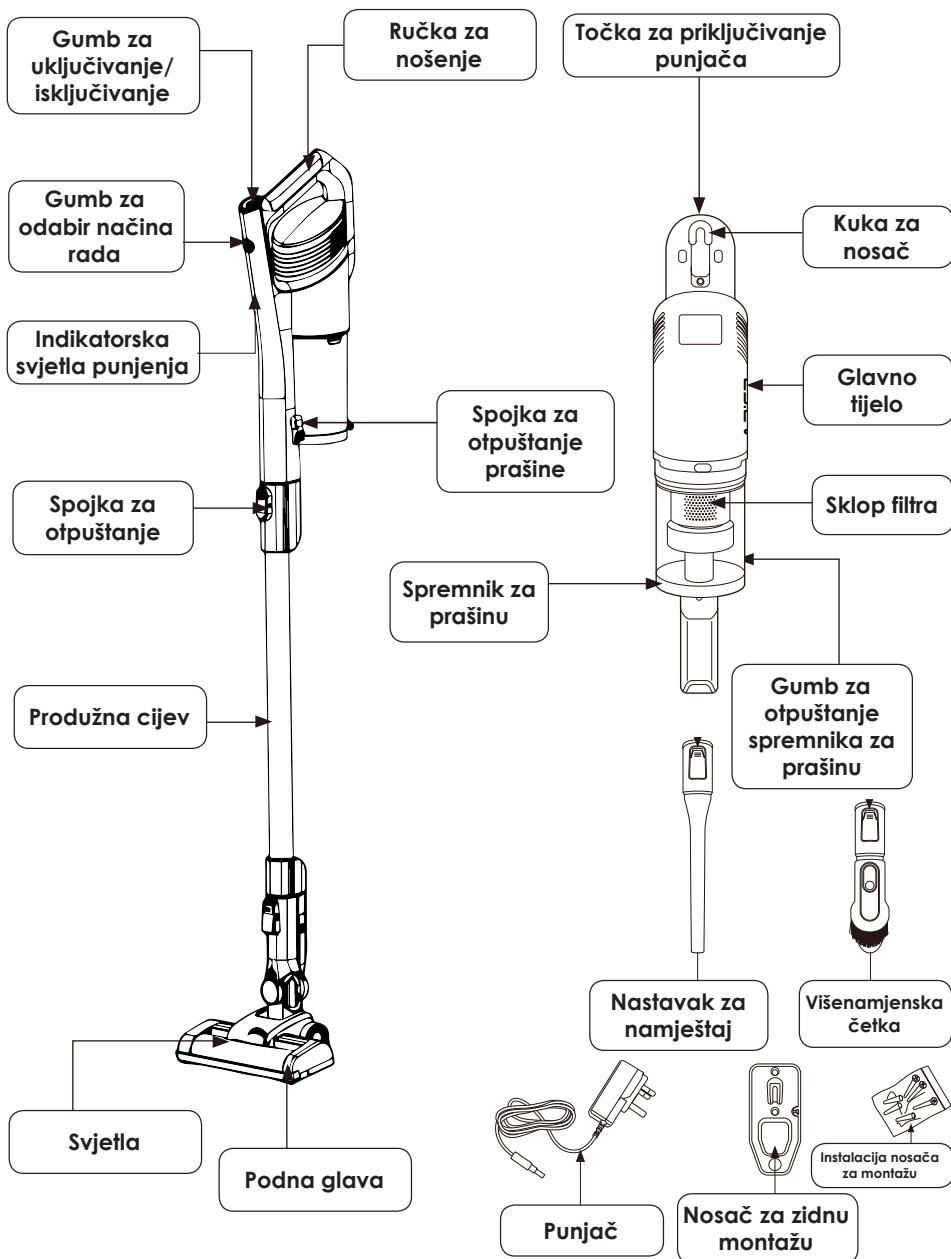
Vrije rada:

Maks. snaga: \geq 12 min

Közepén. snaga: \geq 30 min

Min. snaga: \geq 60 min

Nazivi glavnih dijelova



Upute za uporabu

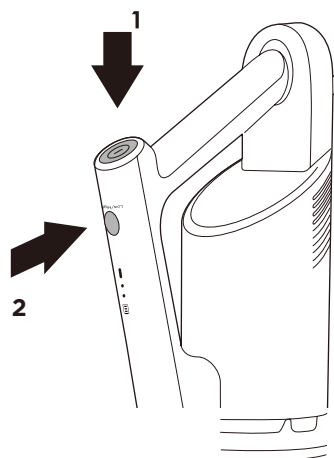
Kako koristiti vaš usisivač

Provjerite je li usisivač potpuno napunjen i sastavljen prije upotrebe. Uvijek pazite kod usisavanja stepenica.

1. Na štapnom usisivaču postoje dvije postavke snage: max način rada (ima veću snagu usisavanja, ali kraće vrijeme rada, oko 15 min) i eko način rada (niža snaga usisavanja s dužim radnim vremenom, oko 45 min).

Štapni usisivač će se uvijek pokrenuti u max modu. Trajanje rada može se razlikovati ovisno o površini koja se čisti.

2. Za način rada "max" jednostavno pritisnite tipku za uključivanje (1), dok za režim "eko" pritisnite gumb za napajanje (1), a zatim gumb za odabir načina rada (2). Svjetlo maks. načina rada će se upaliti kad je u režimu "max" i ugasiti se kad je prebačeno na "eko" način rada.



Po potrebi ponovno pritisnite gumb za napajanje da biste isključili štapni usisivač.

3. Pomičite podnu glavu natrag-naprijed po površini. Koristite ujednačene poteze. Ne pritiskajte snažno; dopustite da štapni usisivač pokupi ostatke. Na podnoj glavi nalaze se svjetla koja će se automatski upaliti kad štapni usisivač, kako bi pomogla u vidljivosti u tamnim kutovima/područjima.
4. Štapni usisivač ima indikatorske lampice napunjenosti, to su dvije male lampice na ručici.

Tijekom punjenja - donje svjetlo treperi, a gornje svjetlo je ugašeno

Djelomična napunjenost - donje svjetlo je uključeno, a gornje svjetlo treperi

Potpuno napunjenost - oba svjetla su uključena, ugasit će se nakon 10 min

Kad se koristi i baterija gotovo da nestane, donje svjetlo će se ugasiti, a gornje svjetlo će bljeskati. Nakon otprilike 10 sekundi, štapni usisivač se automatski isključuje.

5. Preporučljivo je isprazniti spremnik za prašinu nakon svake uporabe. Za najbolje performanse provjerite jesu li filteri čisti (pogledajte "Uklanjanje i čišćenje spremnika za prašinu i filtera" u ovom priručniku).

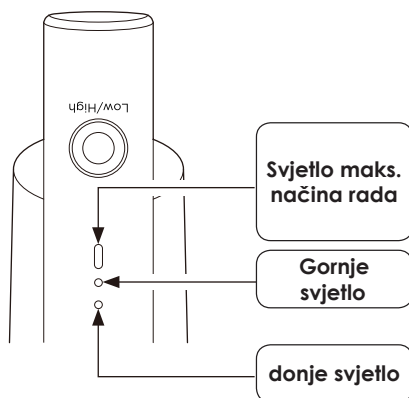
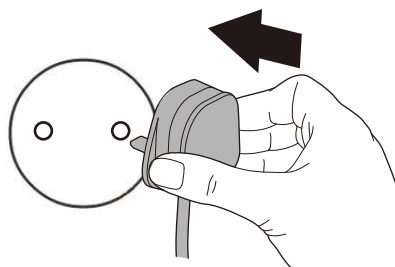
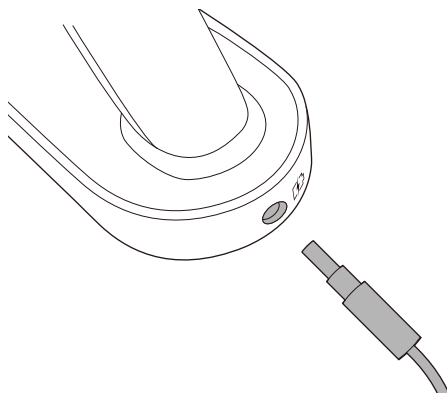
Upute za uporabu

Punjenje usisivača

Prije upotrebe, preporučujemo da se štapni usisivač napuni u potpunosti između 3 i 4 sata. Kada ga kupite, bit će donekle napunjen, pa možda neće trebati puno vremena za potpuno punjenje.

1. Kraj punjača uključite u mjesto priključka punjača na vrhu glavnog tijela štapnog usisivača. Preporučuje se punjenje štapnog usisivača bez ikakvih nastavaka i uređajem položeneim na ravnu površinu.
2. Uključite punjač u napajanje.
3. Pokazivač slabe napunjenosti će se upaliti i ugasi kako bi pokazao da se uređaj puni. Ostavite da se puni.
4. Kad se potpuno napuni, indikatorna lampica napunjenosti prestat će treperiti i oba svjetla će zasvijetliti.
5. Isključite iz napajanja i izvadite punjač.

Napomena: Nemojte ostavljati štapni usisivač bez nadzora ili ne ostavljajte preko noći tijekom punjenja. Uređaj neće raditi tijekom punjenja.

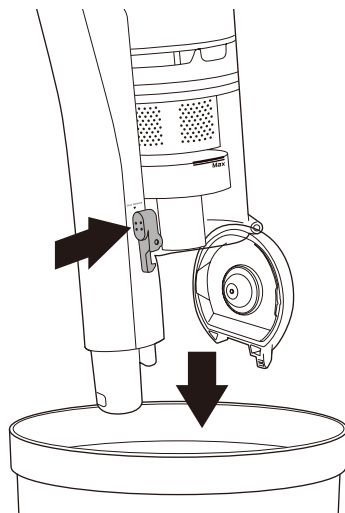


Vodič za održavanje

Pražnjenje spremnika za prašinu

Prije pražnjenja spremnika za prašinu osigurajte da je štapni usisivač isključen i da su svi dodaci uklonjeni.

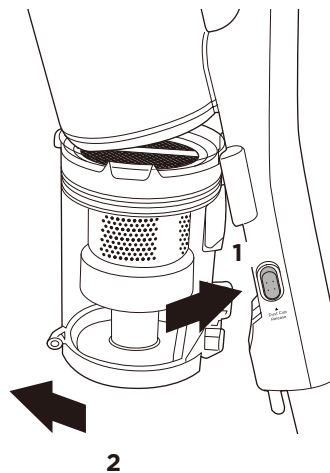
1. Držite sklop spremnika za prašinu nad kantom i gurnite zasun za ispuštanje prašine na strani spremnika za prašinu. Krhotine će pasti u kantu za smeće. Imajte na umu: Nemojte dopustiti da se spremnik za prašinu previše napuni. Ne prelazite oznaku razine MAX. Praznite redovito. Svaki put kada praznite spremnik za prašinu, provjerite sklop filtra i lagano protresite nad kantom kako biste uklonili suvišnu prašinu.
2. Nakon pražnjenja zatvorite poklopac dok ne začujete klik.



Uklanjanje i čišćenje spremnika za prašinu i filtera

Prije početka bilo kakvog čišćenja provjerite da se usisivač ne puni i da je isključen. Lakše je skinuti spremnik za prašinu bez dodataka na usisivaču.

1. Ispraznite spremnik za prašinu kao što je prikazano u odjeljku 'Pražnjenje spremnika za prašinu' u ovom priručniku.
2. Pritisnite gumb za otpuštanje spremnika za prašinu smješten na bočnom dijelu kućišta, blizu dna spremnika za prašinu (1). Potom spremnik za prašinu izvucite s glavnog tijela, držeći spremnik prilično uspravno (2).



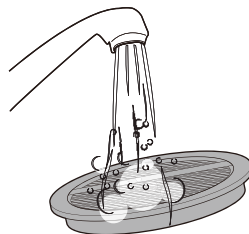
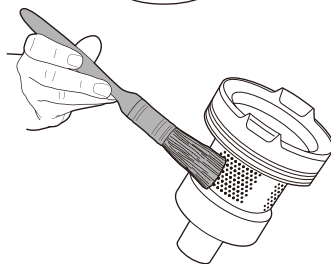
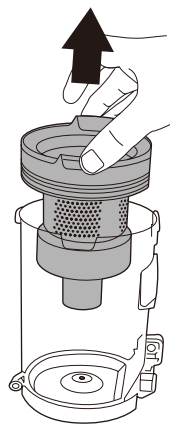
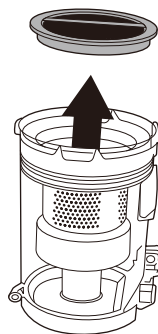
Vodič za održavanje

3. Spremnik za prašinu sadrži kružni spužvasti filter i filter. Prvo uklonite kružni spužvasti filter tako što ćete primiti trake na vrhu filtera i povući prema gore, a zatim ga odložiti.
4. Zakrenite obje strane sklopa filtera i povucite prema gore od spremnika za prašinu. Lagano protresite sklop filtera nad kantom kako biste uklonili velike količine prašine.

Napomena: Nemojte dopustiti da se spremnik za prašinu previše napuni. Ne prelazite oznaku razine MAX. Praznite redovito.

5. Uklonite višak prašine sa sklopa filtera mekom četkom ili čistom soboslikarskom četkom. Filter se može rastaviti na tri dijela. Držite gornji dio i uvijte donji dio u smjeru strelice i ikone za otključavanje katanca.

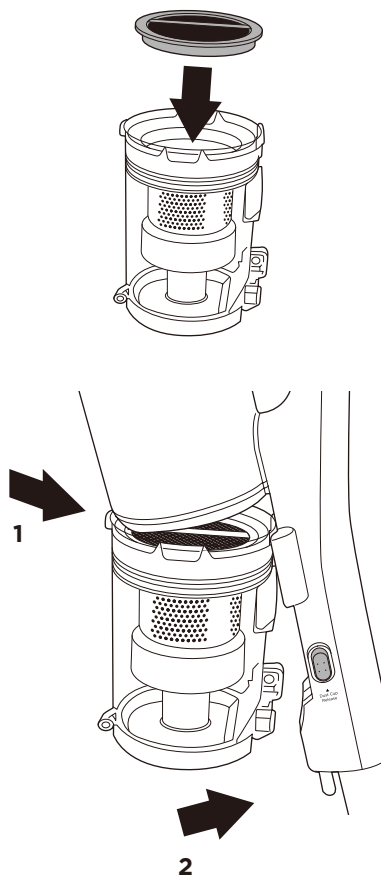
6. Spremnik za prašinu, dijelove sklopa i kružni spužvasti filter isperite pod toplom vodom dok voda ne bude čista i ostavite da se osuši 24 sata.



Vodič za održavanje

7. Nakon što se svi dijelovi temeljno osuše, sastavite dijelove sklopa filtra slijedeći strelicu i ikonu zaključane bravice i vratite natrag u spremnik za prašinu. Ne zaboravite staviti kružni spužvasti filter na vrh sklopa filtra.
8. Zamijenite spremnik za prašinu na glavnom tijelu tako da zakačite kanal na vrhu spremnika za prašinu te pričvrstite nastavak na glavno tijelo **(1)**. Gurnite spremnik za prašinu natrag prema glavnom tijelu dok ne čujete da klikne na svom mjestu **(2)**.

Napomena: Važno je redovito održavati i čistiti filtre. Začepljeni filter smanjuje snagu usisavanja i može skratiti vijek trajanja vašeg usisivača.



Ispod je preporučeni vodič za učestalost čišćenja filtera:

Tip filtra	Preporučena vremena čišćenja
Sklop filtra	<ul style="list-style-type: none">• Istresite ostatke kad ispraznite spremnik s prašinom. Koristite meku četkicu za prašinu kako biste nježno uklonili nakupine prašine.• Isperite pod toplom vodom jednom mjesečno ili češće, ako je potrebno.
Kružni spužvasti filter	<ul style="list-style-type: none">• Povremeno uklonite prašinu/nečistoće po potrebi. Filter se također može isprati pod toplom vodom jednom mjesečno.

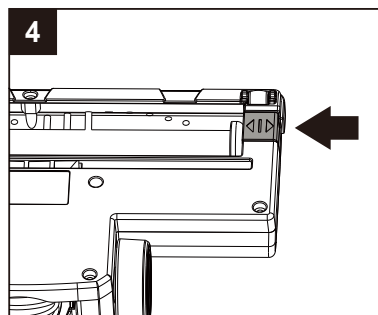
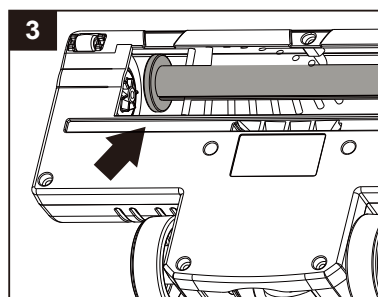
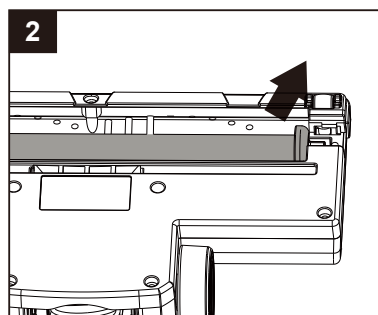
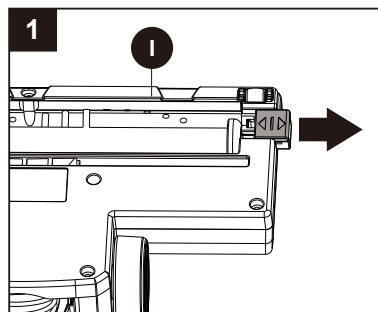
Vodič za održavanje

Uklanjanje i čišćenje podne glave i četke s valjkom

Prije početka bilo kakvog čišćenja, osigurajte da se štapni usisivač ne puni i da je isključen i uklonite podnu mlaznicu s ostatka usisivača.

Ako se tijekom upotrebe četka s valjkom zaplete, samozaštitni sustav će isključiti usisivač. Ako se to dogodi, slijedite korake u nastavku.

1. Okrenite glavu podne četke (I) naopako. Kako biste pristupili četki s valjkom, pomaknite jezičak označen strelicama desno.
2. Izvucite četku s valjkom k pod malim kutom prema gore i van glave podne četke. Svaka nakupina dlake itd. sada se može ukloniti iz četke s valjkom. Škare se mogu koristiti za rezanje bilo koje dlake s valjka ako je potrebno, pri čemu morate paziti da ne izrežete niti jednu četkicu.
3. Kad se očisti valjkasta četka, zamijenite četku s valjkom poravnavajući lijevu, otvorenu stranu valjka sa stošcem u obliku zvijezde na glavi podne četke. Možda ćete morati malo zakrenuti glavu valjka kako biste je zaključali na svom mjestu.
4. Drugi kraj valjka gurnite dolje dok ide. Pomaknite jezičak nalijevo kako biste zaključali u mjestu.



Vodič za održavanje

Uklanjanje blokade

Provjerite je li usisivač priključen u mrežni kabel i je li isključen prije demontaže usisivača.

Štapni usisivač blokira se samo ako je spremnik za prašinu premašio razinu 'Max', filteri su začepljeni ili je usisan veliki predmet.

1. Provjerite spremnik za prašinu i po potrebi ga ispraznite.
2. Provjerite 2 filtra u uređaju, uklonite nečistoće/prrašinu i po potrebi operite.
3. Ako ste koristili podnu glavu, nastavak za namještaj ili višenamjensku četku, odvojite ih od glavnog tijela ili produžne cijevi i provjerite da li postoje blokade. Uklonite sve blokade.
4. Odvojite produžnu cijev i pogledajte prema dolje kako biste vidjeli ima li blokada. Ako postoje, koristite ručicu metle za uklanjanje blokada. Pripazite da ne oštetite cijev u postupku.
5. Provjerite postoji li dlaka ili konac koji bi se mogli umotati u valjak četke. Odrežite škarama. Da biste to učinili sigurno, uklonite kako je prikazano u odjeljku "Uklanjanje i čišćenje četke s valjkom za podnu glavu" ovog priručnika.

Skladištenje bežičnog štapnog usisivača

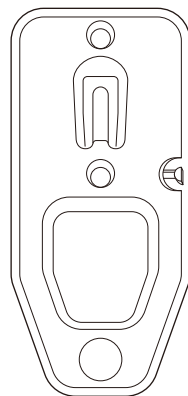
Vaš štapni usisivač se može sigurno spremiti vješanjem na zidni nosač koji se isporučuje uz vaš proizvod ili uklanjanjem svih privitaka i spremanjem u ormar. Bilo koji način pomoći će vam da izbjegnute prevrtanje proizvoda i nanošenje štete.

Prije spremanja uvijek isključite uređaj i isključite mrežni kabel.

1. Uklonite sve nastavke ako je štapni usisivač posljednji put korišten s njima.
2. Čuvajte štapni usisivač i nastavke na sigurnom i suhom mjestu.

Skladištenje štapnog usisivača sa zidnim nosačem

1. Pronađite odgovarajuće mjesto u svom kućanstvu gdje želite spremići vaš usisivač.
2. Olovkom označite željene položaje rupa za vijke na zidu. Preporučamo da štapni usisivač visi malo podignut od poda.
3. Upotrijebite isporučena pričvršćenja na zidu nosača samo ako su prikladna za vašu vrstu zida.
4. Privijte pričvrsne držače zidnog nosača i pričvrstite ih na zid (pogledajte sliku na koji način nosač treba visiti na zidu).
5. Štapni se usisivač zatim može postaviti na zidni nosač. Kuka za postavljanje može se naći na stražnjoj strani glavnog tijela u blizini ručke.



Rješavanje Problema

Problem	Rješenje
Štapni usisivač ne čisti dobro.	<ol style="list-style-type: none"> 1. Ispraznite spremnik za prašinu 2. Uklonite višak prašine s filtera 3. Operite filtre 4. Provjerite ima li blokada
Štapni usisivač je zaustavljen ili neće raditi.	<ol style="list-style-type: none"> 1. Napunite usisivač (provjerite da li mrežna utičnica radi i da li je prekidač uključen) 2. Može biti blokiran - provjerite stavke gore od 1 do 4 3. Aktivirana je automatska zaštita proizvođača. Isključite usisivač i ostavite motor da se ohladi sat vremena, a zatim pokušajte ponovo.
Svjetla na podnoj glavi se isključuju i/ili svjetlo pregrijavanja motora svijetli crveno.	<ol style="list-style-type: none"> 1. Podna glava je blokirana, pogledajte odjeljak "Uklanjanje i čišćenje podne glave i četke s valjkom" u ovom priručniku. 2. Motor četke s valjkom se pregrijava zbog velikog opterećenja. To bi moglo biti posljedica duže upotrebe na dugom tepihu ili otiraču. Ostavite usisivač da se hladi sat vremena, a zatim upotrijebite eko, a ne maks. način rada.



A XYU #U]U'Gf""U'gcW)c i b]Mč ''
 J]U'Y '@ [[]'6c X]c '&- # +'''
 &\$%) , 'A]Ubc 'fA €