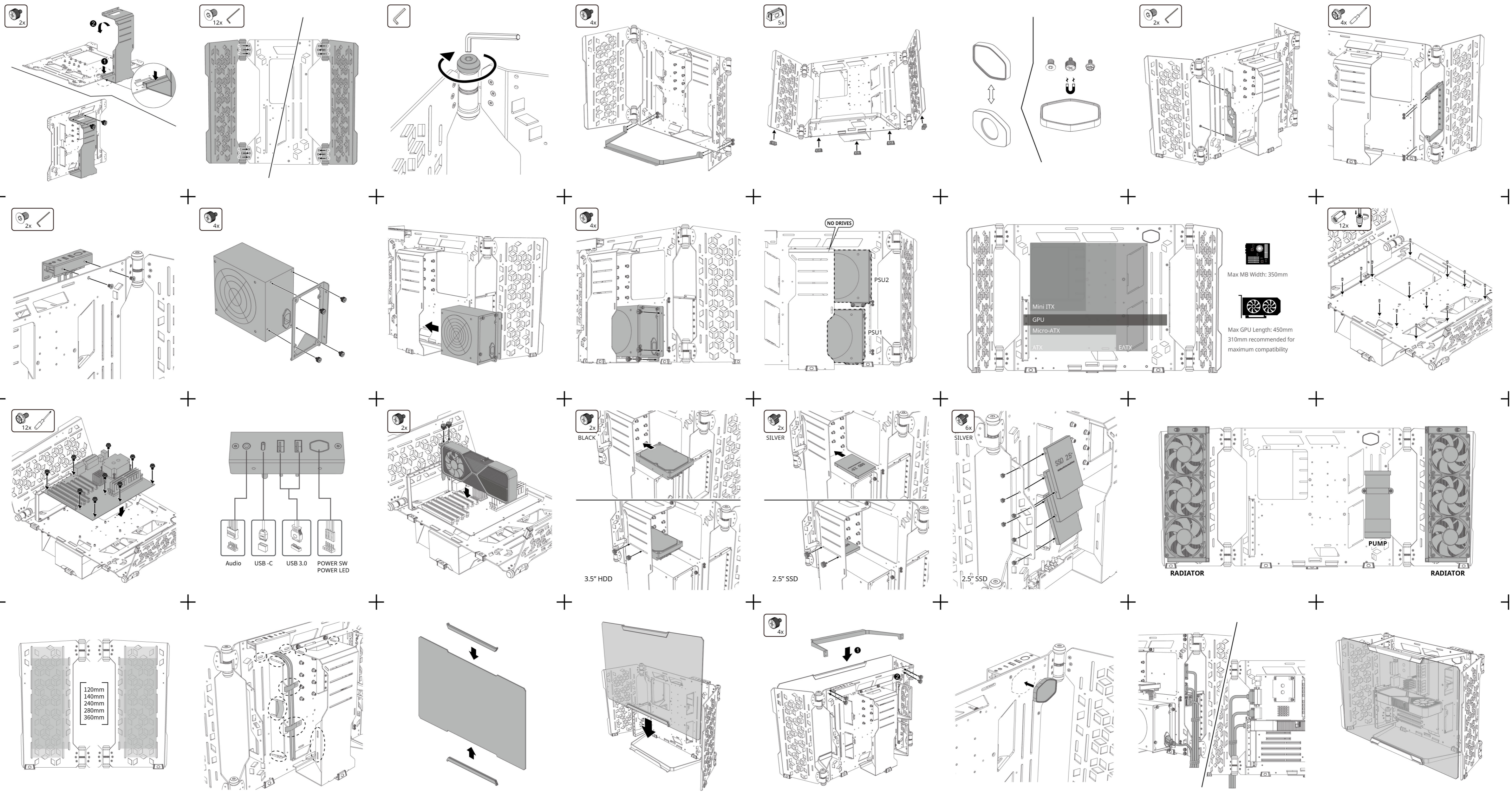


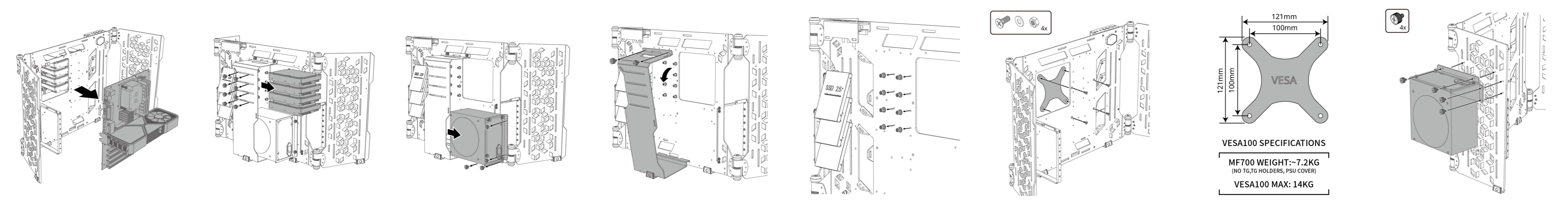
MASTERFRAME 700

// ASSEMBLY GUIDE - OPEN AIR MODE

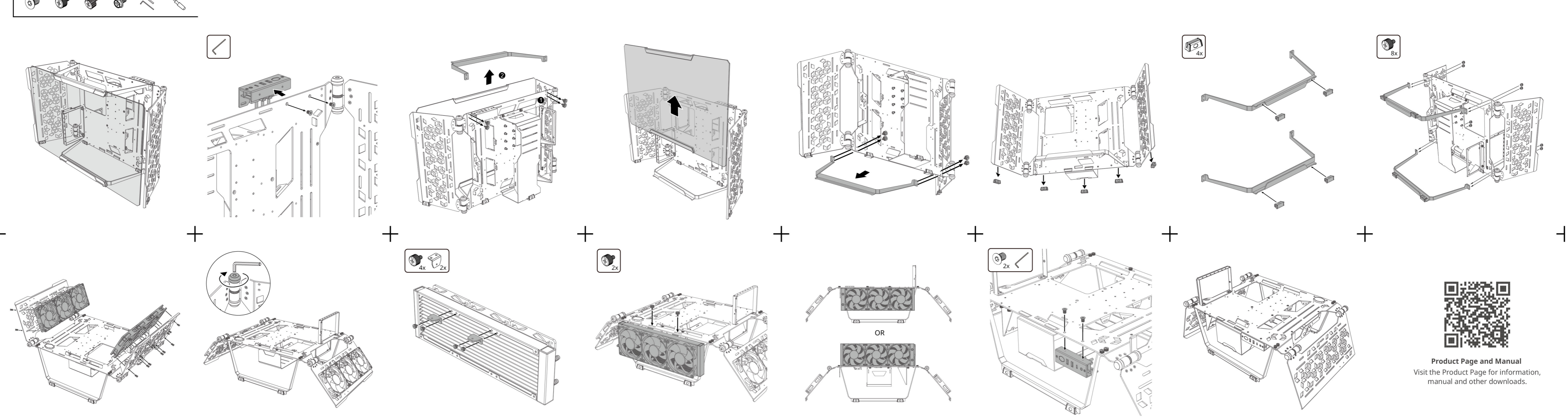


© 2020 Cooler Master Technology Inc. All Rights Reserved. All trademarks are registered to their respective owners. 31204280-GP-V1.0 2020-12

// ASSEMBLY GUIDE - VESA100 MOUNTING



// ASSEMBLY GUIDE - TEST BENCH MODE



Warranty information

English (EN)
Cooler Master warrants that this device is free of defect in material and workmanship, and provides a limited warranty for the duration of the product's useful life. All Cooler Master products come with a one-year limited warranty.
The warranty period starts from the date of purchase. In the case of a manufacturing defect, please return to the original store of purchase.

简体中文 (ZH-S)
Cooler Master 保证本设备之材料及工艺。并提供有限设备之保修。Cooler Master 提供有限保修。保修期为产品使用寿命。Cooler Master 产品均享有为期一年的有限保修。
保修期自购买之日起算。如有制造缺陷，请返回至购买本产品之原始商店。

繁體中文 (ZH-T)
Cooler Master 保證本產品之材料及工藝。並提供有限設備之保修。Cooler Master 提供有限保修。保修期為產品之使用壽命。Cooler Master 產品均享有為期一年之有限保修。
保修期自購買之日起算。如有製造缺陷，請返回至購買本產品之原始商店。

Türkçe (TR)
Cooler Master bu cihazın malzemesi ve işçiliği için sınırlı bir garanti sunar. Cihazın malzemesi ve işçiliği için sınırlı bir garanti sunar. Cooler Master bu cihazın malzemesi ve işçiliği için sınırlı bir garanti sunar. Cooler Master bu cihazın malzemesi ve işçiliği için sınırlı bir garanti sunar.

United States (US)
Cooler Master warrants that this device is free of defect in material and workmanship, and provides a limited warranty for the duration of the product's useful life. All Cooler Master products come with a one-year limited warranty.
The warranty period starts from the date of purchase. In the case of a manufacturing defect, please return to the original store of purchase.

Other Warranty Provisions:
This warranty is void if the product has been modified, altered, or repaired by anyone other than Cooler Master. The warranty is void if the product has been used in a manner that is not intended by Cooler Master. The warranty is void if the product has been used in a manner that is not intended by Cooler Master.

Product Page and Information:
Visit the Product Page for manual, manual and other downloads.

QR Code:

MASTERFRAME 700

Build. Unparalleled.