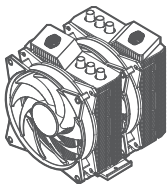


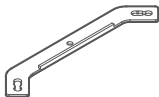


MASTERAIR MA620P

01.Package Content

A

x1

B

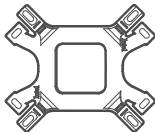
x2

C

x2

D

x4

E

x1

F

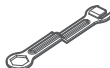
x4

G

x4

H

x4

I

x1

J

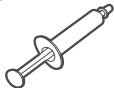
x2

K

x4

L

x4

M

x1

N

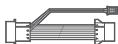
x1

O

x1

P

x1

Q

x1

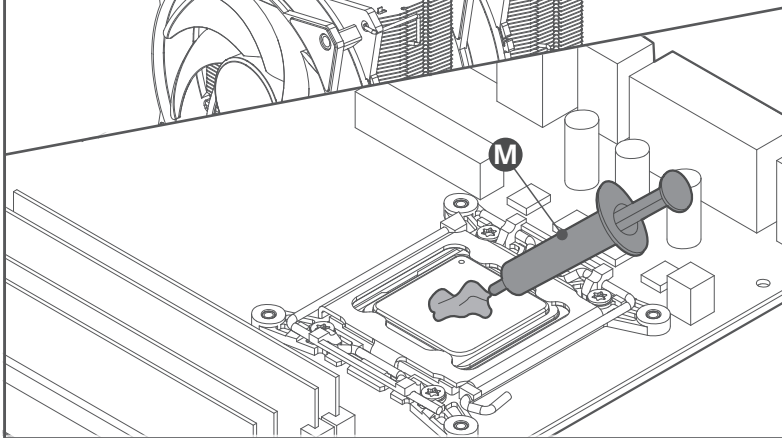
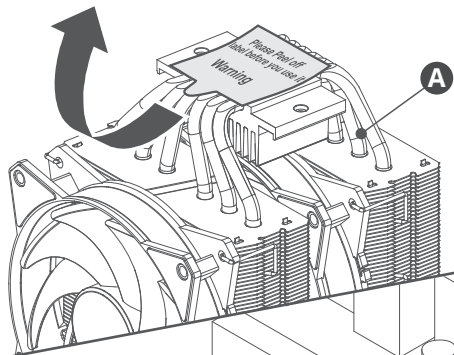
R

x1

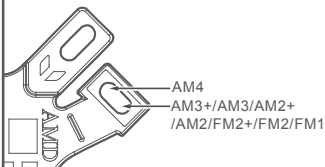
S

x2

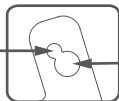
02. Intel & AMD



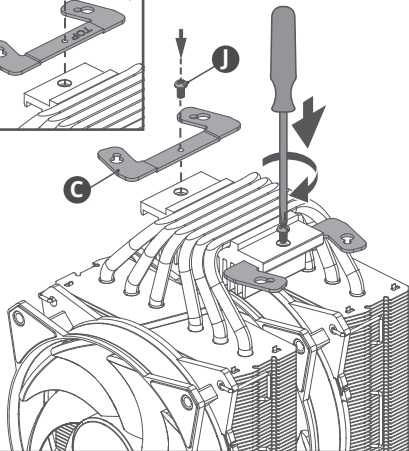
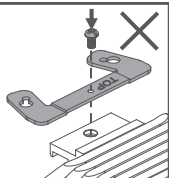
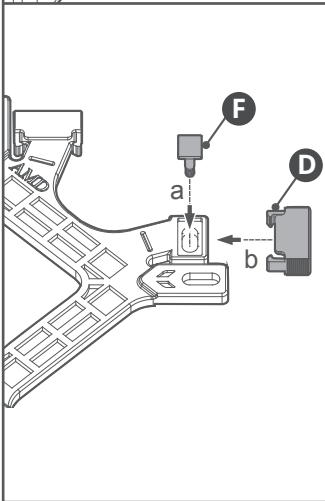
03. AMD AM4/AM3+/AM3/AM2+/AM2/FM2+/FM2/FM1



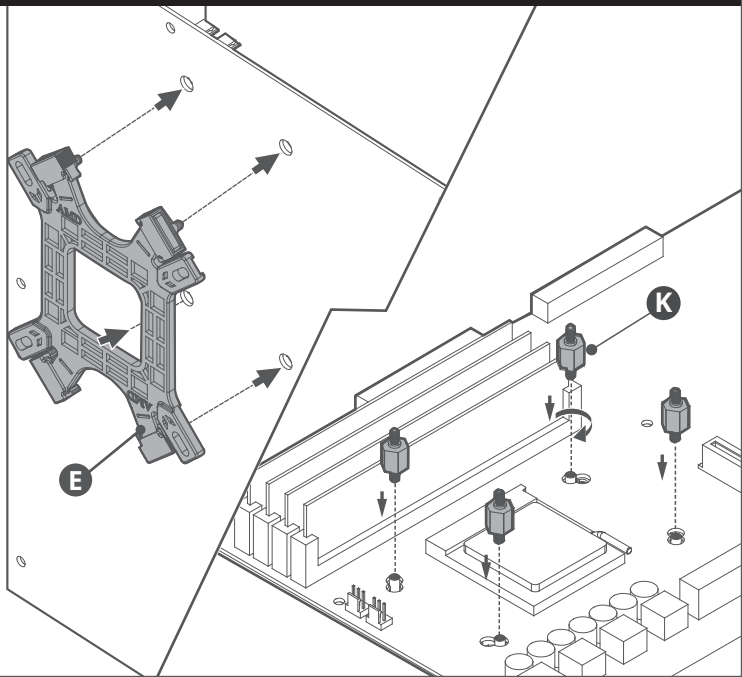
AM3+/AM3/AM2+/
AM2/FM2+/FM2/FM1



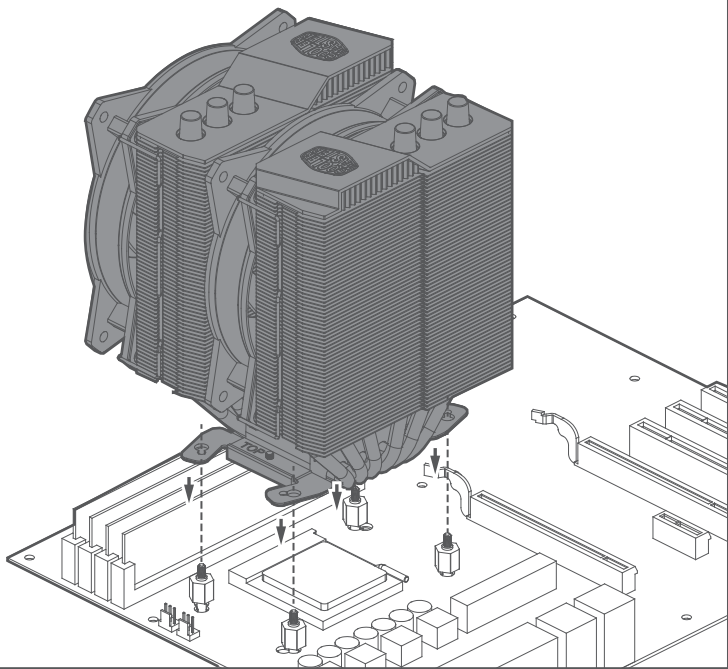
AM4



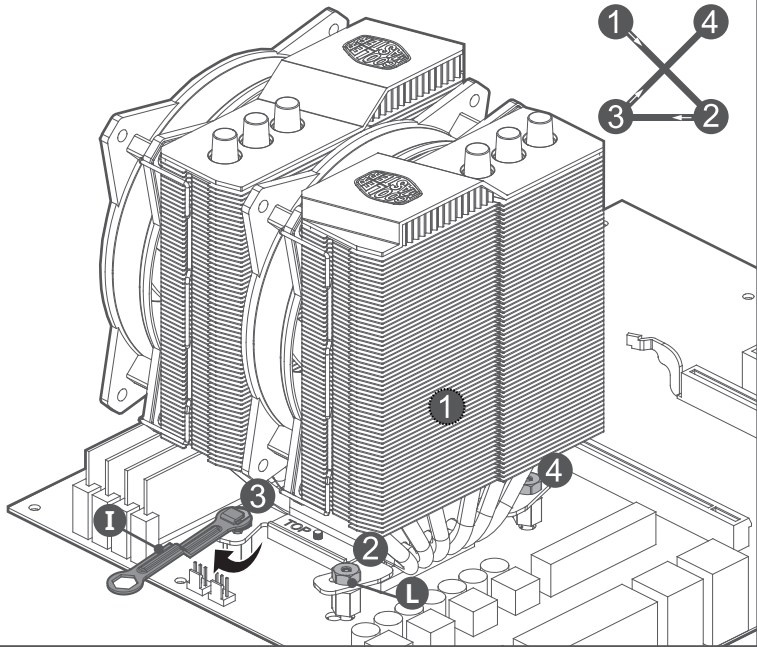
04. AMD AM4/AM3+/AM3/AM2+/AM2/FM2+/FM2/FM1



05. AMD AM4/AM3+/AM3/AM2+/AM2/FM2+/FM2/FM1



06. AMD AM4/AM3+/AM3/AM2+/AM2/FM2+/FM2/FM1

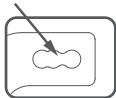


07. Intel - LGA 2066/2011-v3/2011/1366/115x/775

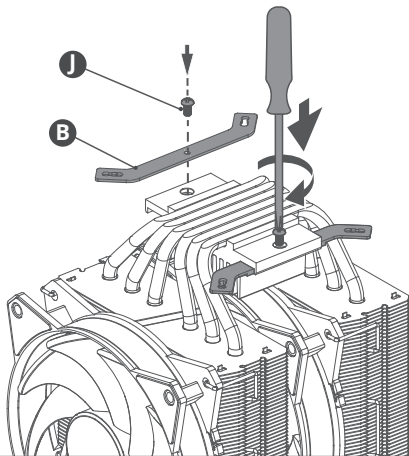
LGA 775



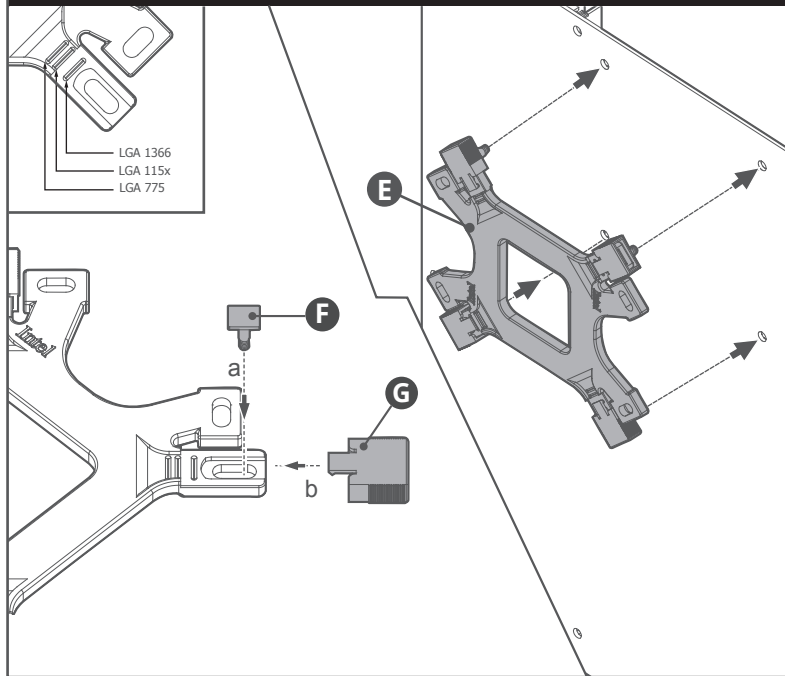
LGA 115x



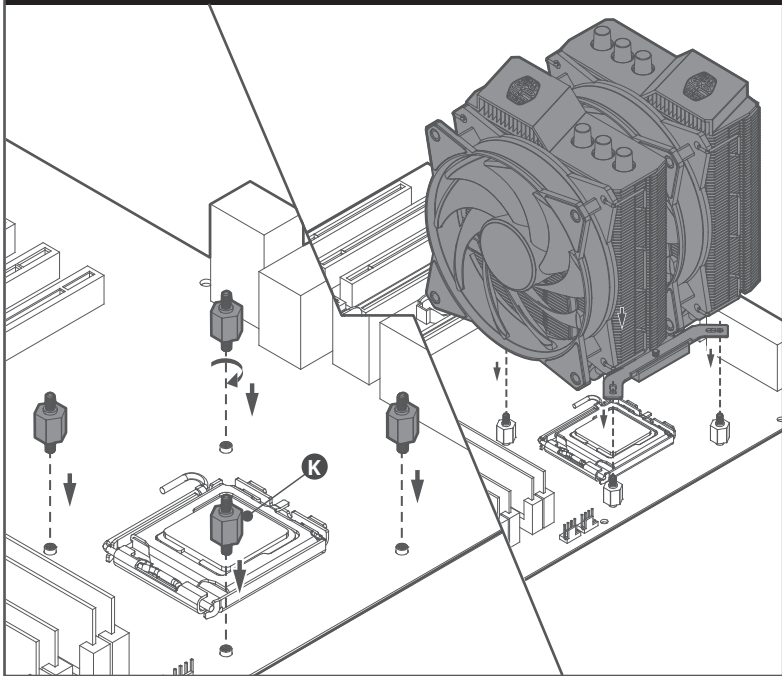
LGA 2066/2011/2011-v3/1366



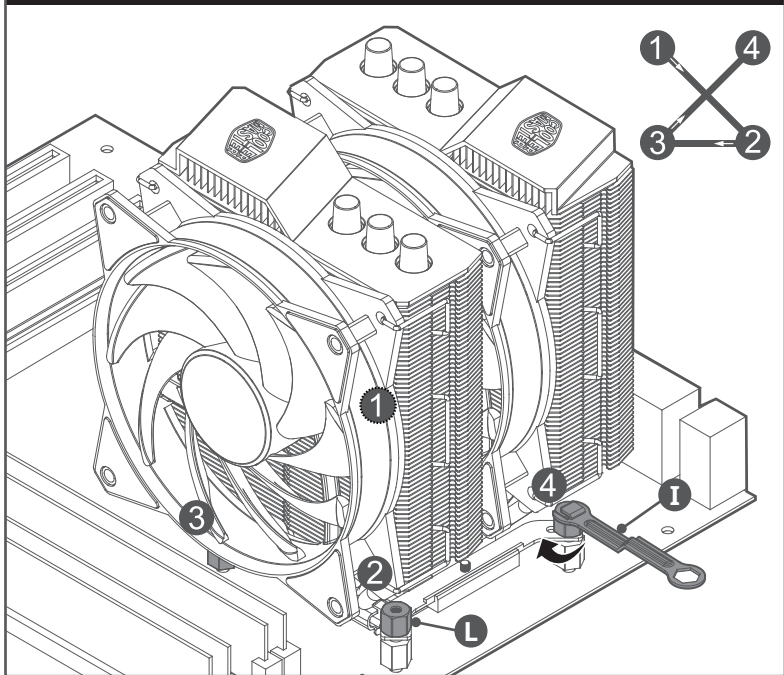
08. Intel - LGA 1366/115x/775



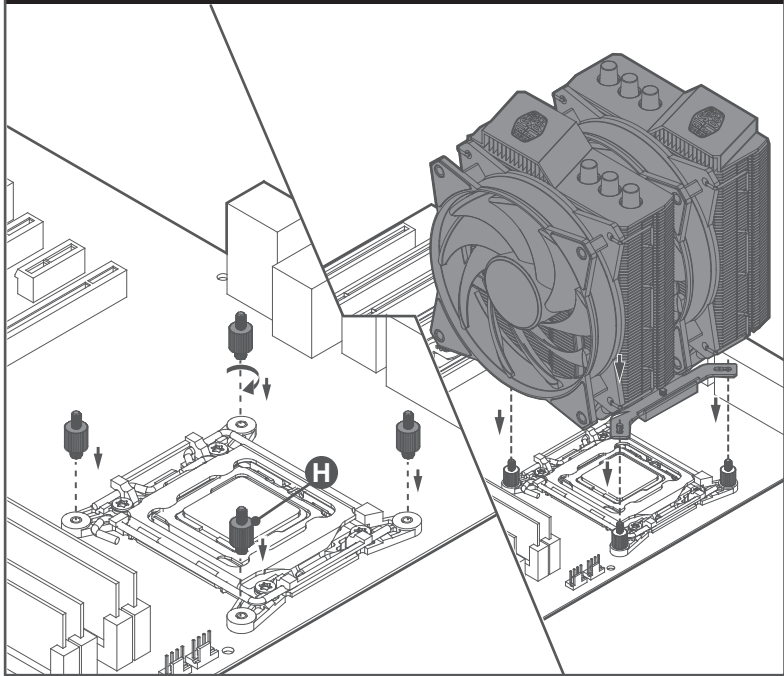
09. Intel - LGA 1366/115x/775



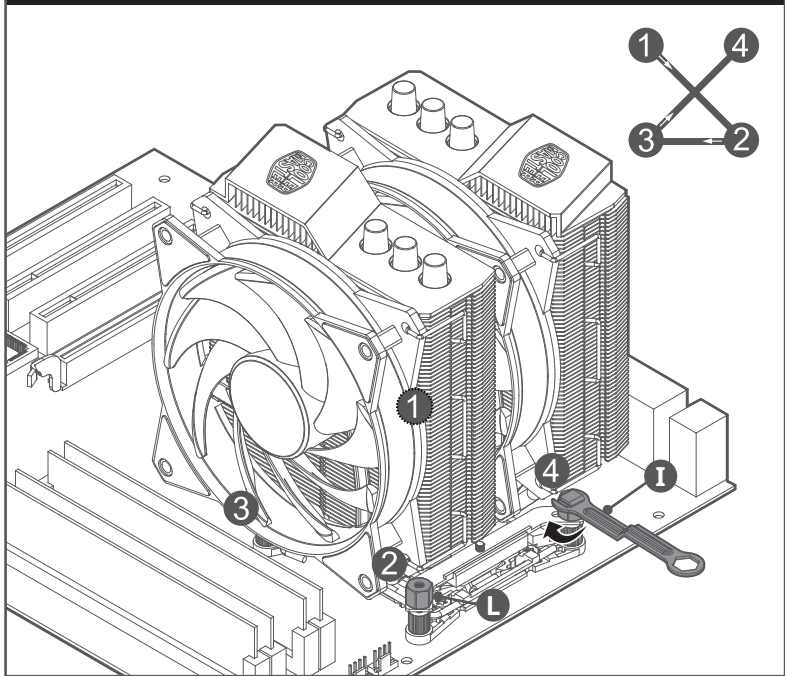
10. Intel - LGA 1366/115x/775



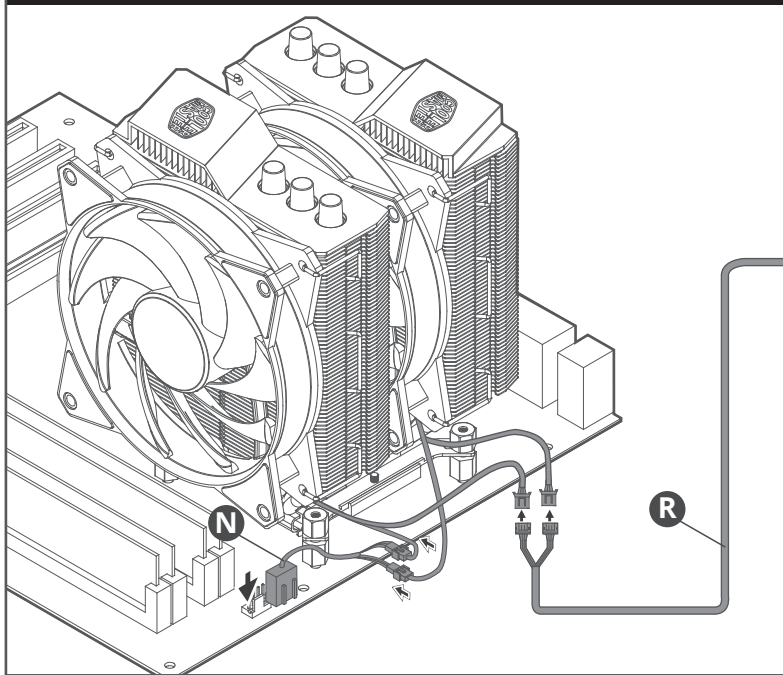
11. Intel - LGA 2066/2011-v3/2011



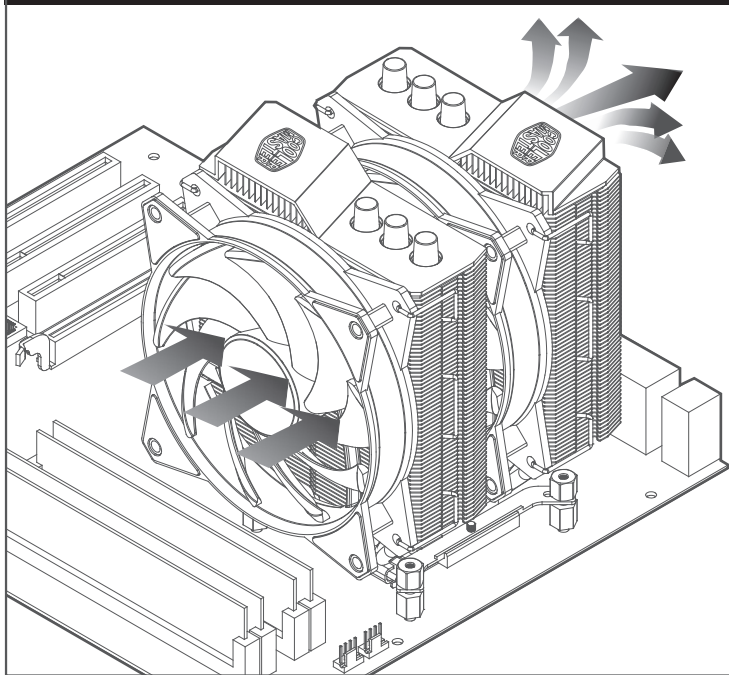
12. Intel - LGA 2066/2011-v3/2011



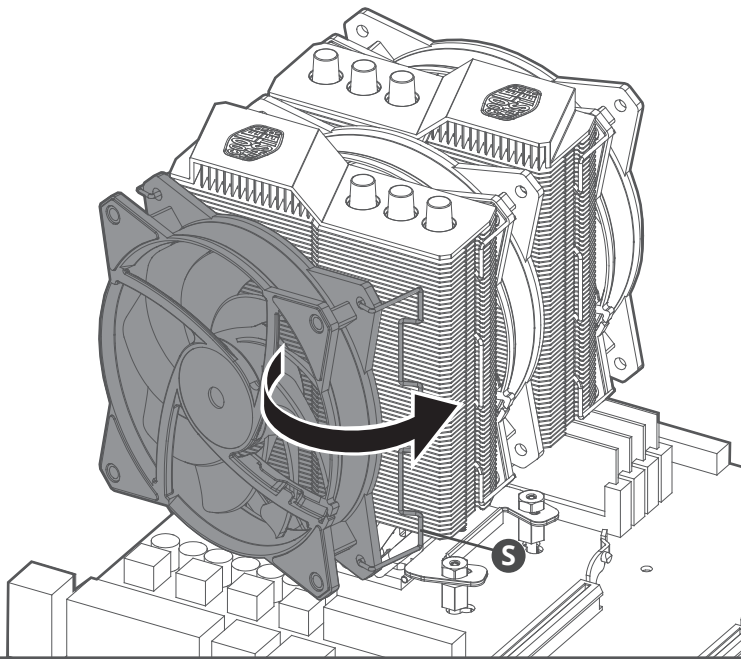
13. Intel & AMD



15. Intel & AMD



16. Optional



Please visit our website at www.coolermaster.com

Asia Pacific – Cooler Master Technology Inc.
8F., No. 788-1, Zhongzheng Rd., Zhonghe Dist.,
New Taipei City 23586, Taiwan (R.O.C.)
Tel: +886-2-2225-3517

Europe - Cooler Master Europe B.V.
Lodewijkstraat 1b, 5652AC Eindhoven,
The Netherlands
Tel: +31-(0)40-702-0900

China – Cooler Master China
Room 2062, Floor 6, No. 421, Weiquing Rd.,
Jinshan District, Shanghai City, China
Tel: +86-21-51872177

North America - Cooler Master Technology NA
4820 Schaefer Ave. Chino CA. 91710, USA
Tel: +1-888-624-5099

For the most updated information, please visit our official website: www.coolermaster.com
Cooler Master Support: <https://account.coolermaster.com/>



512000822-GP Ver 1.0:2018/01

©2018 Cooler Master Technology Inc. All Rights Reserved. All trademarks are registered to their respective owners.