



EN Refrigerator
ES Frigorífico

User Manual 2
Manual de instrucciones 21

CONTENTS

1. SAFETY INFORMATION.....	2
2. SAFETY INSTRUCTIONS.....	4
3. INSTALLATION.....	6
4. CONTROL PANEL.....	9
5. DAILY USE.....	10
6. HINTS AND TIPS.....	11
7. CARE AND CLEANING.....	14
8. TROUBLESHOOTING.....	15
9. NOISES.....	19
10. TECHNICAL DATA.....	19
11. INFORMATION FOR TEST INSTITUTES.....	19
12. ENVIRONMENTAL CONCERNS.....	20

WE'RE THINKING OF YOU

Thank you for purchasing an Electrolux appliance. You've chosen a product that brings with it decades of professional experience and innovation. Ingenious and stylish, it has been designed with you in mind. So whenever you use it, you can be safe in the knowledge that you'll get great results every time.

Welcome to Electrolux.

Visit our website to:



Get usage advice, brochures, trouble shooter, service and repair information:
www.electrolux.com/support



Register your product for better service:
www.registerelectrolux.com



Buy Accessories, Consumables and Original spare parts for your appliance:
www.electrolux.com/shop

CUSTOMER CARE AND SERVICE

Always use original spare parts.

When contacting our Authorised Service Centre, ensure that you have the following data available: Model, PNC, Serial Number.

The information can be found on the rating plate.

 Warning / Caution-Safety information

 General information and tips

 Environmental information

Subject to change without notice.

1. SAFETY INFORMATION

Before the installation and use of the appliance, carefully read the supplied instructions. The manufacturer is not responsible for any injuries or damage that are the result

of incorrect installation or usage. Always keep the instructions in a safe and accessible location for future reference.

1.1 Children and vulnerable people safety

- This appliance can be used by children aged from 8 years and above and persons with reduced physical, sensory or mental capabilities or lack of experience and knowledge if they have been given supervision or instruction concerning the use of the appliance in a safe way and understand the hazards involved.
- Children aged from 3 to 8 years are allowed to load and unload the appliance provided that they have been properly instructed.
- This appliance may be used by persons with very extensive and complex disabilities provided that they have been properly instructed.
- Children of less than 3 years of age should be kept away from the appliance unless continuously supervised.
- Children should be supervised to ensure that they do not play with the appliance.
- Children shall not carry out cleaning and user maintenance of the appliance without supervision.
- Keep all packaging away from children and dispose of it appropriately.

1.2 General Safety

- This appliance is for storing food and beverages only.
- This appliance is designed for single household domestic use in an indoor environment.
- This appliance may be used in, offices, hotel guest rooms, bed & breakfast guest rooms, farm guest houses and other similar accommodation where such use does not exceed (average) domestic usage levels.
- To avoid contamination of food respect the following instructions:
 - do not open the door for long periods;

- clean regularly surfaces that can come in contact with food and accessible drainage systems;
- store raw meat and fish in suitable containers in the refrigerator, so that it is not in contact with or drip onto other food.
- **WARNING:** Keep ventilation openings, in the appliance enclosure or in the built-in structure, clear of obstruction.
- **WARNING:** Do not use mechanical devices or other means to accelerate the defrosting process, other than those recommended by the manufacturer.
- **WARNING:** Do not damage the refrigerant circuit.
- **WARNING:** Do not use electrical appliances inside the food storage compartments of the appliance, unless they are of the type recommended by the manufacturer.
- Do not use water spray and steam to clean the appliance.
- Clean the appliance with a moist soft cloth. Only use neutral detergents. Do not use abrasive products, abrasive cleaning pads, solvents or metal objects.
- When the appliance is empty for long period, switch it off, defrost, clean, dry and leave the door open to prevent mould from developing within the appliance.
- Do not store explosive substances such as aerosol cans with a flammable propellant in this appliance.
- If the supply cord is damaged, it must be replaced by the manufacturer, its Authorised Service Centre or similarly qualified persons in order to avoid a hazard.

2. SAFETY INSTRUCTIONS

2.1 Installation



WARNING!

Only a qualified person must install this appliance.

- Remove all the packaging.
- Do not install or use a damaged appliance.
- Do not use the appliance before installing it in the built-in structure due to safety manner.
- Follow the installation instructions supplied with the appliance.
- Always take care when moving the appliance as it is heavy. Always use safety gloves and enclosed footwear.
- Make sure the air can circulate around the appliance.

- At first installation or after reversing the door wait at least 4 hours before connecting the appliance to the power supply. This is to allow the oil to flow back in the compressor.
- Before carrying out any operations on the appliance (e.g. reversing the door), remove the plug from the power socket.
- Do not install the appliance close to radiators or cookers, ovens or hobs.
- Do not expose the appliance to the rain.
- Do not install the appliance where there is direct sunlight.
- Do not install this appliance in areas that are too humid or too cold.
- When you move the appliance, lift it by the front edge to avoid scratching the floor.

2.2 Electrical connection



WARNING!
Risk of fire and electric shock.



WARNING!
When positioning the appliance, ensure the supply cord is not trapped or damaged.



WARNING!
Do not use multi-plug adapters and extension cables.

- The appliance must be earthed.
- Make sure that the parameters on the rating plate are compatible with the electrical ratings of the mains power supply.
- Always use a correctly installed shockproof socket.
- Make sure not to cause damage to the electrical components (e.g. mains plug, mains cable, compressor). Contact the Authorised Service Centre or an electrician to change the electrical components.
- The mains cable must stay below the level of the mains plug.
- Connect the mains plug to the mains socket only at the end of the installation. Make sure that there is

access to the mains plug after the installation.

- Do not pull the mains cable to disconnect the appliance. Always pull the mains plug.

2.3 Use



WARNING!
Risk of injury, burns, electric shock or fire.



The appliance contains flammable gas, isobutane (R600a), a natural gas with a high level of environmental compatibility. Be careful not to cause damage to the refrigerant circuit containing isobutane.

- Do not change the specification of this appliance.
- Any use of the built-in product as free-standing is strictly prohibited.
- Do not put electrical appliances (e.g. ice cream makers) in the appliance unless they are stated applicable by the manufacturer.
- If damage occurs to the refrigerant circuit, make sure that there are no flames and sources of ignition in the room. Ventilate the room.
- Do not let hot items to touch the plastic parts of the appliance.
- Do not put soft drinks in the freezer compartment. This will create pressure on the drink container.
- Do not store flammable gas and liquid in the appliance.
- Do not put flammable products or items that are wet with flammable products in, near or on the appliance.
- Do not touch the compressor or the condenser. They are hot.
- Do not remove or touch items from the freezer compartment if your hands are wet or damp.
- Do not freeze again food that has been thawed.
- Follow the storage instructions on the packaging of frozen food.
- Wrap the food in any food contact material before putting it in the freezer compartment.

2.4 Internal lighting



WARNING!
Risk of electric shock.

- This product contains a light source of energy efficiency class G.
- Concerning the lamp(s) inside this product and spare part lamps sold separately: These lamps are intended to withstand extreme physical conditions in household appliances, such as temperature, vibration, humidity, or are intended to signal information about the operational status of the appliance. They are not intended to be used in other applications and are not suitable for household room illumination.

2.5 Care and cleaning



WARNING!
Risk of injury or damage to the appliance.

- Before maintenance, deactivate the appliance and disconnect the mains plug from the mains socket.
- This appliance contains hydrocarbons in the cooling unit. Only a qualified person must do the maintenance and the recharging of the unit.
- Regularly examine the drain of the appliance and if necessary, clean it. If the drain is blocked, defrosted water collects in the bottom of the appliance.

2.6 Service

- To repair the appliance contact the Authorised Service Centre. Use original spare parts only.

- Please note that self-repair or non-professional repair can have safety consequences and might void the guarantee.
- The following spare parts will be available for 7 years after the model has been discontinued: thermostats, temperature sensors, printed circuit boards, light sources, door handles, door hinges, trays and baskets. Please note that some of these spare parts are only available to professional repairers, and that not all spare parts are relevant for all models.
- Door gaskets will be available for 10 years after the model has been discontinued.

2.7 Disposal



WARNING!
Risk of injury or suffocation.

- Disconnect the appliance from the mains supply.
- Cut off the mains cable and discard it.
- Remove the door to prevent children and pets to be closed inside of the appliance.
- The refrigerant circuit and the insulation materials of this appliance are ozone-friendly.
- The insulation foam contains flammable gas. Contact your municipal authority for information on how to discard the appliance correctly.
- Do not cause damage to the part of the cooling unit that is near the heat exchanger.

3. INSTALLATION



WARNING!
Refer to Safety chapters.

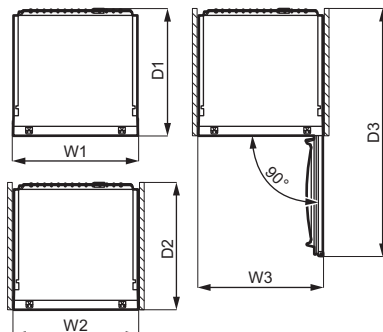
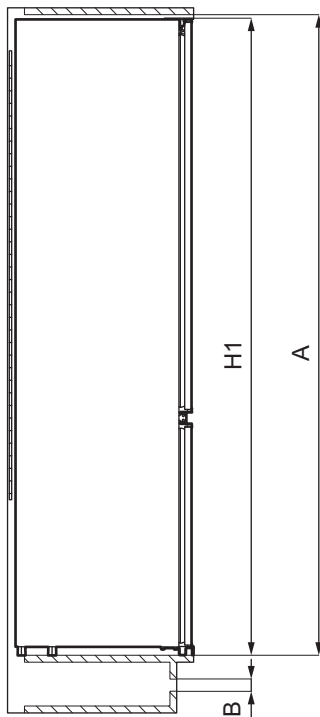


WARNING!
Refer to installation instruction document to install your appliance.



WARNING!
Fix the appliance in accordance with installation instruction document to avoid a risk of instability of the appliance.

3.1 Dimensions



Overall dimensions ¹		
H1	mm	1218
W1*	mm	548
D1	mm	549

¹ the height, width and depth of the appliance without the handle

* including the width of the bottom hinges (8 mm)

Space required in use ²		
H2 (A+B)	mm	1261
W2*	mm	548
D2	mm	551
A	mm	1225

Space required in use ²		
B	mm	36

² the height, width and depth of the appliance including the handle, plus the space necessary for free circulation of the cooling air

* including the width of the bottom hinges (8 mm)

Overall space required in use ³		
H3 (A+B)	mm	1261
W3*	mm	548
D3	mm	1071

³ the height, width and depth of the appliance including the handle, plus the space necessary for free circulation of

the cooling air, plus the space necessary to allow door opening to the minimum angle permitting removal of all internal equipment

* including the width of the bottom hinges (8 mm)

3.2 Location

To ensure appliance's best functionality, you should not install the appliance in the nearby of the heat source (oven, stoves, radiators, cookers or hobs) or in a place with direct sunlight. Make sure that air can circulate freely around the back of the cabinet.

This appliance should be installed in a dry, well ventilated indoor position.

This appliance is intended to be used at ambient temperature ranging from 10°C to 43°C.

i The correct operation of the appliance can only be guaranteed within the specified temperature range.

i If you have any doubts regarding where to install the appliance, please turn to the vendor, to our customer service or to the nearest Authorised Service Centre.

i It must be possible to disconnect the appliance from the mains power supply. The plug must therefore be easily accessible after installation.

3.3 Electrical connection

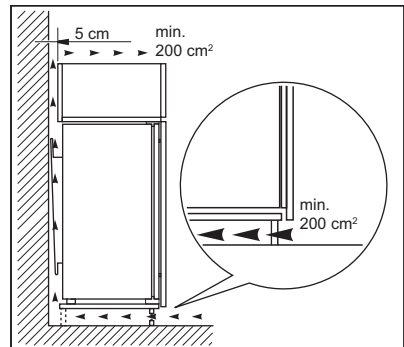
- Before plugging in, ensure that the voltage and frequency shown on the rating plate correspond to your domestic power supply.
- The appliance must be earthed. The power supply cable plug is provided

with a contact for this purpose. If the domestic power supply socket is not earthed, connect the appliance to a separate earth in compliance with current regulations, consulting a qualified electrician.

- The manufacturer declines all responsibility if the above safety precautions are not observed.
- This appliance complies with the E.E.C. Directives.

3.4 Ventilation requirements

The airflow behind the appliance must be sufficient.



CAUTION!

Refer to the installation instructions for the installation.

3.5 Door reversibility

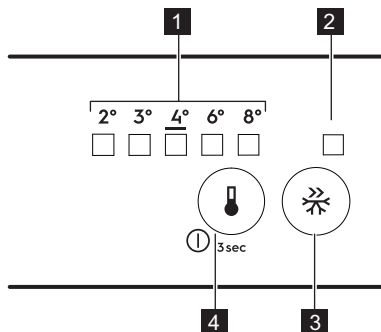
Please refer to the separate document with instructions on installation and door reversal.



CAUTION!

At every stage of reversing the door protect the floor from scratching with a durable material.

4. CONTROL PANEL



1. Temperature indicator LED
2. FastFreeze indicator
3. FastFreeze button
4. Temperature regulator ON/OFF button

4.1 Switching on

1. Insert the plug into the wall socket.
2. Touch the temperature regulator button if all LED indicators are off.

4.2 Switching off

Keep touching the temperature regulator button for 3 seconds.
All indicators light off.

4.3 Temperature regulation

To operate the appliance, touch the temperature regulator until the LED corresponding to the required temperature lights up. Selection is progressive, varying from 2°C to 8°C. Recommended setting is 4°C.

1. Touch temperature regulator. Current temperature indicator blinks. Any time you touch the temperature regulator, the setting moves by one position. The corresponding LED blinks for a while.
2. Touch the temperature regulator until the required temperature is selected.



The set temperature will be reached within 24 hours.
After a power failure the set temperature remains stored.

4.4 FastFreeze function

The FastFreeze function is used to perform pre-freezing and fast freezing in sequence in the freezer compartment. This function accelerates the freezing of fresh food and, at the same time, protects food products already stored in the freezer compartment from undesirable warming.



To freeze fresh food activate the FastFreeze function at least 24 hours before placing the food to complete pre-freezing.

To activate FastFreeze function press the FastFreeze button. The FastFreeze indicator switches on.



This function stops automatically after 52 hours.

It is possible to deactivate the function at any time by pressing FastFreeze button again. The FastFreeze indicator switches off.

4.5 Door open alarm

If the fridge door is left open for approximately 5 minutes, the sound is on.

During the alarm the sound can be muted by pressing any button. The sound switches off automatically after around one hour to avoid disturbing.

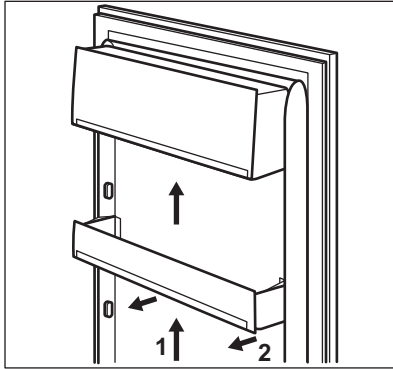
The alarm deactivates after closing the door.

5. DAILY USE

5.1 Positioning the door shelves

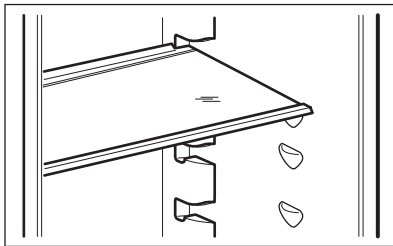
To permit storage of food packages of various sizes, the door shelves can be placed at different heights.

1. Gradually pull the shelf up until it comes free.
2. Reposition as required.



5.2 Movable shelves

The walls of the refrigerator are equipped with a series of runners so that the shelves can be positioned as desired.



- i** Do not move the glass shelf above the vegetable drawer to ensure correct air circulation.

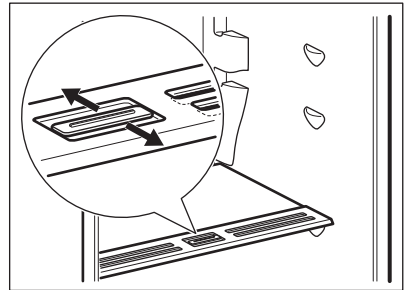
5.3 Vegetable drawer

There is a special drawer in the bottom part of the appliance suitable for storage of fruits and vegetables.

5.4 Humidity control

The glass shelf incorporates a device with slits (adjustable by means of a sliding lever), which makes it possible to regulate the humidity in the vegetable drawer(s).

- i** Do not place any food products on the humidity control device.



The position of the humidity control depends on the type and on the amount of fruits and vegetables:

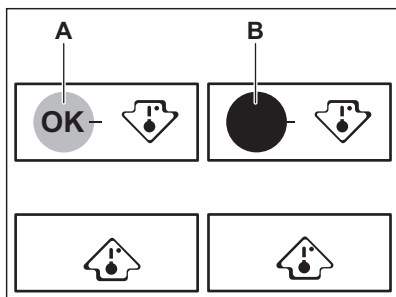
- Slots closed: recommended when there is a small amount of fruits and vegetables. In this way, the natural moisture content in fruits and vegetables is preserved longer.
- Slots opened: recommended when there is a big amount of fruits and vegetables. In this way, more air circulation results in a lower air moisture.

5.5 Temperature indicator

For proper storage of food the refrigerator is equipped with the temperature indicator. The symbols on the side wall of the appliance indicate a cold area in the refrigerator, between the two arrows.

If OK is displayed (A), put fresh food into area indicated by the two labels, if not (B), wait at least 12 hours and check if it is OK (A).

If it is still not OK (B), adjust the setting control to a colder setting.



5.6 Freezing fresh food

The freezer compartment is suitable for freezing fresh food and storing frozen and deep-frozen food for a long time.

To freeze fresh food activate the FastFreeze function at least 24 hours before placing the food to be frozen in the freezer compartment.

Store the fresh food evenly distributed in all compartments or drawers.

The maximum amount of food that can be frozen without adding other fresh food during 24 hours is specified on the rating plate (a label located inside the appliance).

When the freezing process is complete, the appliance automatically returns to the previous temperature setting (see "FastFreeze Function").

i In this condition, the temperature inside the refrigerator might change slightly.

6. HINTS AND TIPS

6.1 Hints for energy saving

- Fridge: Most efficient use of energy is ensured in the configuration with the drawers in the bottom part of the appliance and shelves evenly distributed. Position of the door bins does not affect energy consumption.
- Do not open the door frequently or leave it open longer than necessary.
- Freezer: The colder the temperature setting, the higher the energy consumption.

For more information refer to "Hints for freezing".

5.7 Storage of frozen food

When activating an appliance for the first time or after a period out of use, before putting the products in the compartment let the appliance run at least 3 hours with the FastFreeze function switched on.

Keep the food no closer than 15 mm from the door.



CAUTION!

In the event of accidental defrosting, for example due to a power failure, if the power has been off for longer than the value shown on rating plate under "rising time", the defrosted food must be consumed quickly or cooked immediately then cooled and then re-frozen.

5.8 Thawing

Deep-frozen or frozen food, prior to being consumed, can be thawed in the refrigerator or inside a plastic bag under cold water.

This operation depends on the time available and on the type of food. Small pieces may even be cooked still frozen.

- Fridge: Do not set too high temperature to save energy unless it is required by the characteristics of the food.
- If the ambient temperature is high and the temperature control is set to low temperature and the appliance is fully loaded, the compressor may run continuously, causing frost or ice formation on the evaporator. In this case, set the temperature control toward higher temperature to allow

automatic defrosting and to save energy this way.

- Ensure a good ventilation. Do not cover the ventilation grilles or holes.


6.2 Hints for freezing

- Activate FastFreeze function at least 24 hours before placing the food inside the freezer compartment.
- Before freezing wrap and seal fresh food in: aluminium foil, plastic film or bags, airtight containers with lid.
- For more efficient freezing and thawing divide food into small portions.
- It is recommended to put labels and dates on all your frozen food. This will help to identify foods and to know when they should be used before their deterioration.
- The food should be fresh when being frozen to preserve good quality. Especially fruits and vegetables should be frozen after the harvest to preserve all of their nutrients.
- Do not freeze bottles or cans with liquids, in particular drinks containing carbon dioxide - they may explode during freezing.
- Do not put hot food in the freezer compartment. Cool it down at room temperature before placing it inside the compartment.
- To avoid increase in temperature of already frozen food, do not place fresh unfrozen food directly next to it. Place food at room temperature in the part of the freezer compartment where there is no frozen food.
- Do not eat ice cubes, water ices or ice lollies immediately after taking them out of the freezer. Risk of frostbites.
- Do not re-freeze defrosted food. If the food has defrosted, cook it, cool it down and then freeze it.

6.5 Shelf life for freezer compartment

Type of food	Shelf life (months)
Bread	3
Fruits (except citrus)	6 - 12

6.3 Hints for storage of frozen food

- Freezer compartment is the one marked with .
- The medium temperature setting ensures good preservation of frozen food products. Higher temperature setting inside the appliance may lead to shorter shelf life.
- The whole freezer compartment is suitable for storage of frozen food products.
- Leave enough space around the food to allow air to circulate freely.
- For adequate storage refer to food packaging label to see the shelf life of food.
- It is important to wrap the food in such a way that prevents water, humidity or condensation from getting inside.

6.4 Shopping tips

After grocery shopping:

- Ensure that the packaging is not damaged - the food could be deteriorated. If the package is swollen or wet, it might have not been stored in the optimal conditions and defrosting may have already started.
- To limit the defrosting process buy frozen goods at the end of your grocery shopping and transport them in a thermal and insulated cool bag.
- Place the frozen foods immediately in the freezer after coming back from the shop.
- If food has defrosted even partially, do not re-freeze it. Consume it as soon as possible.
- Respect the expiry date and the storage information on the package.


Type of food	Shelf life (months)
Vegetables	8 - 10
Leftovers without meat	1 - 2
Dairy food:	
Butter	6 - 9
Soft cheese (e.g. mozzarella)	3 - 4
Hard cheese (e.g. parmesan, cheddar)	6
Seafood:	
Fatty fish (e.g. salmon, mackerel)	2 - 3
Lean fish (e.g. cod, flounder)	4 - 6
Shrimps	12
Shucked clams and mussels	3 - 4
Cooked fish	1 - 2
Meat:	
Poultry	9 - 12
Beef	6 - 12
Pork	4 - 6
Lamb	6 - 9
Sausage	1 - 2
Ham	1 - 2
Leftovers with meat	2 - 3

6.6 Hints for fresh food refrigeration

- Good temperature setting that ensures preservation of fresh food is a temperature less than or equal to +4°C.
Higher temperature setting inside the appliance may lead to shorter shelf life of food.
- Cover the food with packaging to preserve its freshness and aroma.
- Always use closed containers for liquids and for food, to avoid flavours or odours in the compartment.
- To avoid the cross-contamination between cooked and raw food, cover the cooked food and separate it from the raw one.
- It is recommended to defrost the food inside the fridge.
- Do not insert hot food inside the appliance. Make sure it has cooled down at room temperature before inserting it.

- To prevent food waste the new stock of food should always be placed behind the old one.

6.7 Hints for food refrigeration

- Fresh food compartment is the one marked (on the rating plate) with .
- Meat (all types): wrap in a suitable packaging and place it on the glass shelf above the vegetable drawer. Store meat for at most 1-2 days.
- Fruit and vegetables: clean thoroughly (eliminate the soil) and place in a special drawer (vegetable drawer).
- It is advisable not to keep the exotic fruits like bananas, mangos, papayas etc. in the refrigerator.
- Vegetables like tomatoes, potatoes, onions, and garlic should not be kept in the refrigerator.
- Butter and cheese: place in an airtight container or wrap in an aluminium foil or a polythene bag to exclude as much air as possible.

- Bottles: close them with a cap and place them on the door bottle shelf, or (if available) on the bottle rack.
- Always refer to the expiry date of the products to know how long to keep them.

7. CARE AND CLEANING



WARNING!
Refer to Safety chapters.

7.1 Cleaning the interior

Before using the appliance for the first time, the interior and all internal accessories should be washed with lukewarm water and some neutral soap to remove the typical smell of a brand-new product, then dried thoroughly.



CAUTION!
Do not use detergents, abrasive powders, chlorine or oil-based cleaners as they will damage the finish.



CAUTION!
The accessories and parts of the appliance are not suitable for washing in a dishwasher.

7.2 Periodic cleaning

The equipment has to be cleaned regularly:

1. Clean the inside and accessories with lukewarm water and some neutral soap.
2. Regularly check the door seals and wipe them clean to ensure they are clean and free from debris.
3. Rinse and dry thoroughly.

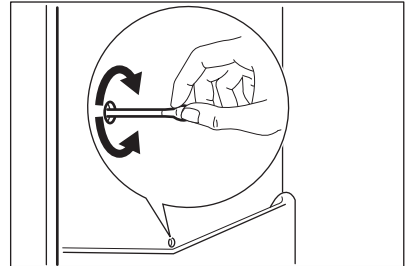
7.3 Defrosting of the refrigerator

Frost is automatically eliminated from the evaporator of the refrigerator compartment during normal use. The defrost water drains out through a trough into a special container at the back of the appliance, over the motor compressor, where it evaporates.

It is important to periodically clean the defrost water drain hole in the middle of

the refrigerator compartment channel to prevent the water overflowing and dripping onto the food inside.

For this purpose use the tube cleaner provided with the appliance.



7.4 Defrosting of the freezer



CAUTION!
Never use sharp metal tools to scrape off frost from the evaporator as you could damage it.
Do not use a mechanical device or any artificial means to speed up the thawing process other than those recommended by the manufacturer.



About 12 hours prior to defrosting set a lower temperature in order to build up sufficient chill reserve in case of any interruption in operation.

A certain amount of frost will always form on the freezer shelves and around the top compartment.

Defrost the freezer when the frost layer reaches a thickness of about 3-5 mm.

1. Switch off the appliance or pull out electrical plug from the wall socket.
2. Remove any stored food and put it in a cool place.

**CAUTION!**

A temperature rise of the frozen food packs during defrosting may shorten their safe storage life. Do not touch frozen goods with wet hands. Hands can freeze to the goods.

3. Leave the door open. Protect the floor from the defrosting water e.g. with a cloth or a flat vessel.
4. In order to speed up the defrosting process, place a pot of warm water in the freezer compartment. In addition, remove pieces of ice that break away before defrosting is complete.
5. When defrosting is complete, dry the interior thoroughly.
6. Switch on the appliance and close the door.

7. Set the temperature regulator to obtain the maximum coldness and run the appliance for at least 3 hours using this setting.

Only after this time put the food back into the freezer compartment.

7.5 Period of non-operation

When the appliance is not in use for long period, take the following precautions:

1. Disconnect the appliance from electricity supply.
2. Remove all food.
3. Defrost the appliance.
4. Clean the appliance and all accessories.
5. Leave the doors open to prevent unpleasant smells.

8. TROUBLESHOOTING**WARNING!**

Refer to Safety chapters.

8.1 What to do if...

Problem	Possible cause	Solution
The appliance does not operate.	The appliance is switched off.	Switch on the appliance.
	The mains plug is not connected to the mains socket correctly.	Connect the mains plug to the mains socket correctly.
	There is no voltage in the mains socket.	Connect a different electrical appliance to the mains socket. Contact a qualified electrician.
The appliance is noisy.	The appliance is not supported properly.	Check if the appliance stands stable.
Acoustic or visual alarm is on.	The cabinet has been recently switched on.	Refer to "Door Open Alarm" or "High Temperature Alarm".
	The temperature in the appliance is too high.	Refer to "Door Open Alarm" or "High Temperature Alarm".
	The door is left open.	Close the door.

Problem	Possible cause	Solution
The compressor operates continually.	Temperature is set incorrectly.	Refer to "Control Panel" chapter.
	Many food products were put in at the same time.	Wait a few hours and then check the temperature again.
	The room temperature is too high.	Refer to "Installation" chapter.
	Food products placed in the appliance were too warm.	Allow food products to cool to room temperature before storing.
	The door is not closed correctly.	Refer to "Closing the door" section.
	The FastFreeze function is switched on.	Refer to "FastFreeze function" section.
The compressor does not start immediately after pressing the "FastFreeze", or after changing the temperature.	The compressor starts after a period of time.	This is normal, no error has occurred.
Door is misaligned or interferes with ventilation grill.	The appliance is not levelled.	Refer to installation instructions.
Door does not open easily.	You attempted to re-open the door immediately after closing.	Wait a few seconds between closing and re-opening of the door.
The lamp does not work.	The lamp is in stand-by mode.	Close and open the door.
	The lamp is defective.	Contact the nearest Authorized Service Centre.
There is too much frost and ice.	The door is not closed correctly.	Refer to "Closing the door" section.
	The gasket is deformed or dirty.	Refer to "Closing the door" section.
	Food products are not wrapped properly.	Wrap the food products better.
	Temperature is set incorrectly.	Refer to "Control Panel" chapter.
	Appliance is fully loaded and is set to the lowest temperature.	Set a higher temperature. Refer to "Control Panel" chapter.

Problem	Possible cause	Solution
	Temperature set in the appliance is too low and the ambient temperature is too high.	Set a higher temperature. Refer to "Control Panel" chapter.
Water flows on the rear plate of the refrigerator.	During the automatic defrosting process, frost melts on the rear plate.	This is correct.
There is too much condensed water on the rear wall of the refrigerator.	Door was opened too frequently.	Open the door only when necessary.
	Door was not closed completely.	Make sure the door is closed completely.
	Stored food was not wrapped.	Wrap food in suitable packaging before storing it in the appliance.
Water flows inside the refrigerator.	Food products prevent the water from flowing into the water collector.	Make sure that food products do not touch the rear plate.
	The water outlet is clogged.	Clean the water outlet.
Water flows on the floor.	The melting water outlet is not connected to the evaporative tray above the compressor.	Attach the melting water outlet to the evaporative tray.
Temperature cannot be set.	The "FastFreeze function" is switched on.	Switch off "FastFreeze function" manually, or wait until the function deactivates automatically to set the temperature. Refer to "FastFreeze function" section.
The temperature in the appliance is too low/too high.	The temperature is not set correctly.	Set a higher/lower temperature.
	The door is not closed correctly.	Refer to "Closing the door" section.
	The food products' temperature is too high.	Let the food products temperature decrease to room temperature before storage.
	Many food products are stored at the same time.	Store less food products at the same time.
	The thickness of the frost is greater than 4-5 mm.	Defrost the appliance.

Problem	Possible cause	Solution
	The door has been opened often.	Open the door only if necessary.
	The FastFreeze function is switched on.	Refer to "FastFreeze function" section.
	There is no cold air circulation in the appliance.	Make sure that there is cold air circulation in the appliance. Refer to "Hints and Tips" chapter.
Some specific surfaces inside the fridge compartment are warmer at some times.		This is a normal state.
Temperature setting LEDs flash at the same time.	An error has occurred in measuring the temperature.	Contact the nearest Authorised Service Centre. The cooling system will continue to keep food products cold, but temperature adjustment will not be possible.



If the advice does not lead to the desired result, call the nearest Authorized Service Centre.

8.2 Replacing the lamp

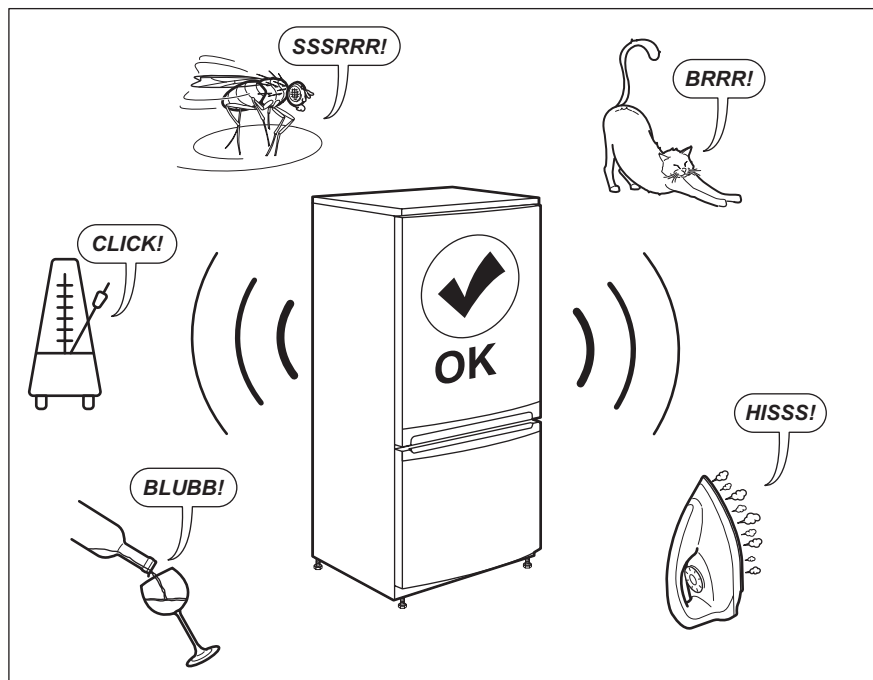
The appliance is equipped with a longlife LED interior light.

Only service is allowed to replace the lighting device. Contact your Authorised Service Centre.

8.3 Closing the door

1. Clean the door gaskets.
2. If necessary, adjust the door. Refer to installation instructions.
3. If necessary, replace the defective door gaskets. Contact the Authorised Service Centre.

9. NOISES



10. TECHNICAL DATA

The technical information is situated in the rating plate on the internal side of the appliance and on the energy label.

The QR code on the energy label supplied with the appliance provides a web link to the information related to the performance of the appliance in the EU EPREL database. Keep the energy label for reference together with the user manual and all other documents provided with this appliance.

It is also possible to find the same information in EPREL using the link <https://eprel.ec.europa.eu> and the model name and product number that you find on the rating plate of the appliance.


See the link www.theenergylabel.eu for detailed information about the energy label.

11. INFORMATION FOR TEST INSTITUTES

Installation and preparation of the appliance for any EcoDesign verification shall be compliant with EN 62552. Ventilation requirements, recess dimensions and minimum rear

clearances shall be as stated in this User Manual at Chapter 3. Please contact the manufacturer for any other further information, including loading plans.

12. ENVIRONMENTAL CONCERNS

Recycle materials with the symbol . Put the packaging in relevant containers to recycle it. Help protect the environment and human health by recycling waste of electrical and electronic appliances. Do not dispose of

appliances marked with the symbol  with the household waste. Return the product to your local recycling facility or contact your municipal office.

CONTENIDO

1. INFORMACIÓN SOBRE SEGURIDAD.....	21
2. INSTRUCCIONES DE SEGURIDAD.....	24
3. INSTALACIÓN.....	26
4. PANEL DE CONTROL.....	29
5. USO DIARIO.....	30
6. CONSEJOS.....	31
7. MANTENIMIENTO Y LIMPIEZA.....	34
8. SOLUCIÓN DE PROBLEMAS.....	36
9. RUIDOS.....	40
10. DATOS TÉCNICOS.....	40
11. INFORMACIÓN PARA INSTITUTOS DE PRUEBAS.....	40
12. ASPECTOS MEDIOAMBIENTALES.....	41

PENSAMOS EN USTED

Gracias por adquirir un electrodoméstico Electrolux. Ha elegido un producto que lleva décadas de experiencia e innovación profesionales. Ingenioso y elegante, ha sido diseñado pensando en usted. Así pues, cada vez que lo utilice, puede tener la seguridad de que obtendrá siempre excelentes resultados.

Le damos la bienvenida a Electrolux.

Visite nuestro sitio web para:



Obtener consejos, folletos, soluciones a problemas e información de servicio y reparación:

www.electrolux.com/support



Registrar su producto para recibir un mejor servicio:

www.registerelectrolux.com



Comprar accesorios, artículos de consumo y piezas de recambio originales para su aparato:

www.electrolux.com/shop

ATENCIÓN AL CLIENTE Y SERVICIO

Le recomendamos que utilice recambios originales.

Cuando se ponga en contacto con nuestro Centro de servicio técnico, asegúrese de tener los siguientes datos disponibles: Modelo, código numérico del producto (PNC), número de serie.

La información se encuentra en la placa de características.

 Advertencia / Precaución - Información sobre seguridad

 Información general y consejos

 Información relativa al medioambiente

Salvo modificaciones.

1. INFORMACIÓN SOBRE SEGURIDAD

Antes de instalar y utilizar el aparato, lea atentamente las instrucciones facilitadas. El fabricante no se hace

responsable de lesiones o daños producidos como resultado de una instalación o un uso incorrectos. Conserve siempre estas instrucciones en lugar seguro y accesible para futuras consultas.

1.1 Seguridad de niños y personas vulnerables

- Este aparato puede ser utilizado por niños de 8 años en adelante y personas cuyas capacidades físicas, sensoriales o mentales estén disminuidas o que carezcan de la experiencia y conocimientos suficientes para manejarlo, siempre que cuenten con las instrucciones o la supervisión sobre el uso del electrodoméstico de forma segura y comprendan los riesgos.
- Los niños de 3 a 8 años pueden cargar y descargar el aparato siempre que hayan sido debidamente instruidos.
- Este aparato puede ser utilizado por personas con discapacidades muy extensas y complejas, siempre que hayan sido instruidas adecuadamente.
- Es necesario mantener alejados del aparato a los niños de menos de 3 años salvo que estén bajo supervisión continua.
- Es necesario vigilar a los niños para que no jueguen con el aparato.
- La limpieza y mantenimiento de usuario del producto no podrán ser realizados por niños sin supervisión.
- Mantenga todo el material de embalaje fuera del alcance de los niños y deséchelo de forma adecuada.

1.2 Instrucciones generales de seguridad

- Este aparato está diseñado únicamente para almacenar alimentos y bebidas.
- Este aparato está diseñado para uso doméstico en interiores.
- Este aparato se puede utilizar en oficinas, habitaciones de hotel, habitaciones de Bed&Breakfast, casas de campo y otros alojamientos

- similares donde dicho uso no exceda (en promedio) los niveles de uso doméstico.
- Para evitar la contaminación alimentaria, respete las siguientes instrucciones:
 - no abra la puerta durante largos periodos de tiempo;
 - limpie regularmente las superficies que pueden entrar en contacto con los alimentos y los sistemas de drenaje accesibles;
 - guarde la carne y el pescado crudos en recipientes adecuados en el frigorífico, de manera que no estén en contacto con otros alimentos ni goteen sobre ellos.
 - **ADVERTENCIA:** Mantenga libres de obstrucciones las aberturas de ventilación del alojamiento del aparato o de la estructura empotrada.
 - **ADVERTENCIA:** No utilice dispositivos mecánicos u otros medios para acelerar el proceso de descongelación, excepto los recomendados por el fabricante.
 - **ADVERTENCIA:** No dañe el circuito de refrigerante.
 - **ADVERTENCIA:** No utilice aparatos eléctricos dentro de los compartimentos de almacenamiento de alimentos del aparato, a menos que sean del tipo recomendado por el fabricante.
 - No utilice agua pulverizada ni vapor para limpiar el aparato.
 - Limpie el aparato con un paño suave humedecido. Utilice solo detergentes neutros. No utilice productos abrasivos, estropajos duros, disolventes ni objetos de metal.
 - Cuando el aparato esté vacío durante un largo período, apáguelo, descongélelo, límpielo, séquelo y deje la puerta abierta para evitar que se desarrolle moho en el interior del aparato.
 - No almacene sustancias explosivas tales como latas de aerosol con un propulsor inflamable en este aparato.

- Si el cable de alimentación sufre algún daño, el fabricante, su servicio técnico autorizado o un profesional tendrán que cambiarlo para evitar riesgos.

2. INSTRUCCIONES DE SEGURIDAD

2.1 Instalación



ADVERTENCIA!

Sólo un técnico cualificado puede instalar el aparato.

- Retire todo el embalaje.
- No instale ni utilice un aparato dañado.
- No utilice el aparato antes de instalarlo en la estructura empotrada por motivos de seguridad.
- Siga las instrucciones de instalación suministradas con el aparato.
- Tenga cuidado al mover el aparato, porque es pesado. Utilice siempre guantes de protección y calzado cerrado.
- Asegúrese de que el aire pueda circular alrededor del aparato.
- En la primera instalación otras invertir el sentido de apertura de la puerta, espere al menos 4 horas antes de conectar el aparato a la alimentación eléctrica. Esto es para permitir que el aceite regrese al compresor.
- Desenchufe siempre el aparato antes de llevar a cabo cualquier operación, por ejemplo cambiar el sentido de apertura de la puerta.
- No instale el aparato cerca de radiadores, cocinas, hornos o placas de cocción.
- No exponga el aparato a la lluvia.
- No instale el aparato en lugares con luz solar directa.
- No instale este aparato en áreas excesivamente húmedas o frías.
- Cuando mueva el aparato, levántelo por el borde delantero para evitar rayar el suelo.

2.2 Conexión eléctrica



ADVERTENCIA!

Riesgo de incendios y descargas eléctricas.



ADVERTENCIA!

Al colocar el producto, asegúrese de que el cable de alimentación no queda atrapado o doblado.



ADVERTENCIA!

No utilice adaptadores de enchufes múltiples ni cables prolongadores.

- El aparato debe conectarse a tierra.
- Asegúrese de que los parámetros de la placa de características son compatibles con los valores eléctricos del suministro eléctrico.
- Utilice siempre una toma con aislamiento de conexión a tierra correctamente instalada.
- Asegúrese de no provocar daños en los componentes eléctricos (como enchufe, cable de alimentación, compresor). Póngase en contacto con un electricista o con el servicio técnico autorizado para cambiar los componentes eléctricos.
- El cable de alimentación debe estar por debajo del nivel del enchufe de alimentación.
- Conecte el enchufe a la toma de corriente únicamente cuando haya terminado la instalación. Asegúrese de tener acceso al enchufe del suministro de red una vez finalizada la instalación.
- No desconecte el aparato tirando del cable de conexión a la red. Tire siempre del enchufe.

2.3 Uso



ADVERTENCIA!

Existe riesgo de lesiones, quemaduras, descargas eléctricas o incendios.



El aparato contiene un gas inflamable, isobutano (R600a), un gas natural con alto grado de compatibilidad medioambiental. Tenga cuidado para no dañar el circuito de refrigerante que contiene isobutano.

- No cambie las especificaciones de este aparato.
- Está estrictamente prohibido usar el producto incorporado de forma autónoma.
- No utilice otros aparatos eléctricos (como máquinas de hacer helados) dentro de aparatos de refrigeración, salvo que el fabricante haya autorizado su utilización.
- Si se daña el circuito de refrigerante, asegúrese de que no haya llamas ni fuentes de ignición en la sala. Ventile la sala.
- No deje que los objetos calientes toquen las partes de plástico del aparato.
- No coloque refrescos en el congelador. De esta forma se creará presión en el contenedor de bebidas.
- No almacene gases ni líquidos inflamables en el aparato.
- No coloque productos inflamables o artículos mojados con productos inflamables dentro, cerca o sobre el aparato.
- No toque el compresor ni el condensador. Están calientes.
- No retire ni toque elementos del compartimento del congelador si sus manos están mojadas o húmedas.
- No vuelva a congelar los alimentos que se hayan descongelado.
- Siga las instrucciones del envase de los alimentos congelados.
- Envuelva los alimentos en cualquier material adecuado antes de ponerlos en el congelador.

2.4 Iluminación interna



ADVERTENCIA!

Riesgo de descarga eléctrica.

- Este producto contiene una fuente luminosa de la clase de eficiencia energética G.

- En cuanto a la(s) bombilla(s) de este producto y las de repuesto vendidas por separado: Estas bombillas están destinadas a soportar condiciones físicas extremas en los aparatos domésticos, como la temperatura, la vibración, la humedad, o están destinadas a señalar información sobre el estado de funcionamiento del aparato. No están destinadas a utilizarse en otras aplicaciones y no son adecuadas para la iluminación de estancias domésticas.

2.5 Mantenimiento y limpieza



ADVERTENCIA!

Podría sufrir lesiones o dañar el aparato.

- Antes de proceder con el mantenimiento, apague el aparato y desconecte el enchufe de la red.
- Este equipo contiene hidrocarburos en la unidad de refrigeración. Solo una persona cualificada debe realizar el mantenimiento y la recarga de la unidad.
- Examine periódicamente el desagüe del aparato y límpielo si fuera necesario. Si el desagüe se bloquea, el agua descongelada se acumulará en la base del aparato.

2.6 Asistencia técnica

- Para reparar el aparato, póngase en contacto con el centro de servicio autorizado. Utilice solamente piezas de recambio originales.
- Tenga en cuenta que la autorreparación o la reparación no profesional puede tener consecuencias de seguridad y podría anular la garantía.
- Los siguientes repuestos estarán disponibles durante 7 años después de que el modelo se haya retirado del mercado: termostatos, sensores de temperatura, placas de circuito impreso, fuentes de luz, manijas de puertas, bisagras de puertas, bandejas y cestas. Tenga en cuenta que algunas de estas piezas de recambio solo están disponibles para los reparadores profesionales, y que

no todas las piezas de recambio son relevantes para todos los modelos.

- Las juntas de las puertas estarán disponibles durante 10 años después de que el modelo se haya retirado.

2.7 Desecho



ADVERTENCIA!

Existe riesgo de lesiones o asfixia.

- Desconecte el aparato de la red.
- Corte el cable de conexión a la red y deséchelo.

- Retire la puerta para evitar que los niños y las mascotas queden encerrados en el aparato.
- El circuito del refrigerante y los materiales aislantes de este aparato no dañan la capa de ozono.
- La espuma aislante contiene gas inflamable. Póngase en contacto con las autoridades locales para saber cómo desechar correctamente el aparato.
- No dañe la parte de la unidad de refrigeración que está cerca del intercambiador de calor.

3. INSTALACIÓN



ADVERTENCIA!

Consulte los capítulos sobre seguridad.



ADVERTENCIA!

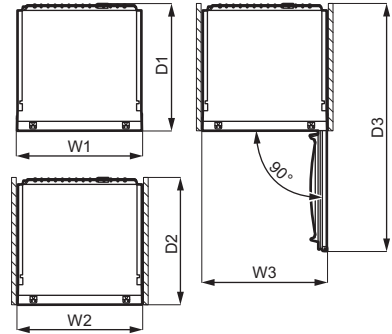
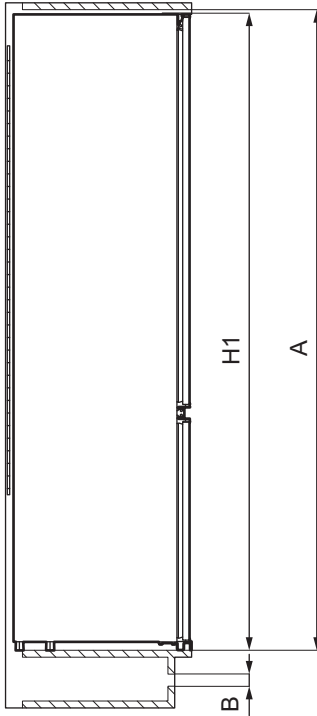
Consulte el documento de instrucciones de instalación para instalar su aparato.



ADVERTENCIA!

Fije el aparato de acuerdo con las instrucciones de instalación para evitar el riesgo de inestabilidad.

3.1 Dimensiones



Dimensiones generales ¹		
H1	mm	1218
W1*	mm	548
D1	mm	549

¹ la altura, anchura y profundidad del aparato sin el asa

* incluido el ancho de las bisagras inferiores (8 mm)

Espacio necesario en uso ²		
H2 (A+B)	mm	1261
W2*	mm	548
D2	mm	551
A	mm	1225

Espacio necesario en uso ²		
B	mm	36

² la altura, anchura y profundidad del aparato, incluyendo la manija, más el espacio necesario para la libre circulación del aire de refrigeración

* incluido el ancho de las bisagras inferiores (8 mm)

Espacio total necesario en uso ³		
H3 (A+B)	mm	1261
W3*	mm	548
D3	mm	1071

³ la altura, anchura y profundidad del aparato, incluido el mango, más el espacio necesario para la libre

circulación del aire de refrigeración, más el espacio necesario para permitir la apertura de la puerta hasta el ángulo mínimo que permita la extracción de todo el equipo interno

* incluido el ancho de las bisagras inferiores (8 mm)

3.2 Ubicación

Para garantizar el mejor funcionamiento del aparato, no debe instalarse en las proximidades de la fuente de calor (horno, estufas, radiadores, cocinas o fogones) ni en un lugar con luz solar directa. Asegúrese de que el aire pueda circular libremente alrededor de la parte posterior del gabinete.

Este aparato debe instalarse en una ubicación interior seca y bien ventilada.

Este aparato está destinado a ser utilizado a una temperatura ambiente que oscila entre 10°C y 43°C.

i Solo se puede garantizar el correcto funcionamiento del aparato dentro del rango de temperatura especificado.

i Si tiene cualquier duda respecto al lugar de instalación del aparato, consulte al vendedor, a nuestro servicio de atención al cliente o al servicio técnico autorizado más cercano.

i Puede que en algún momento sea necesario desenchufar el aparato de la toma de corriente, por lo que el enchufe debe quedar accesible tras la instalación del aparato.

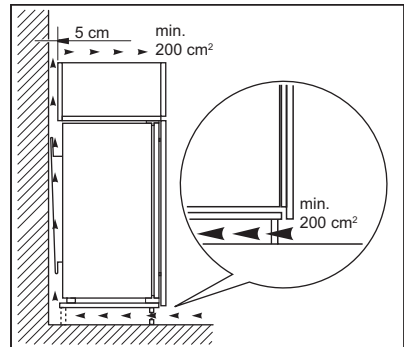
3.3 Conexión eléctrica

- Antes de conectar el aparato, compruebe que el voltaje y la frecuencia indicados en la placa de datos técnicos se corresponden con el suministro de la vivienda.

- El aparato debe conectarse a tierra. El enchufe del cable de alimentación se suministra con un contacto para tal fin. Si la toma de red de la vivienda carece de conexión a tierra, conecte el aparato a una toma de tierra conforme con la normativa, después de consultar a un electricista profesional
- El fabricante declina toda responsabilidad si no se toman las precauciones antes indicadas.
- Este aparato cumple las directivas CEE.

3.4 Requisitos de ventilación

El flujo de aire detrás del aparato debe ser suficiente.



PRECAUCIÓN!

Consulte las instrucciones para realizar la instalación.

3.5 Cambio del sentido de apertura de la puerta

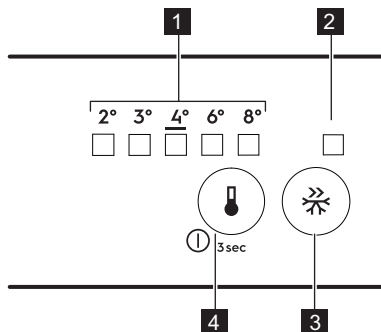
Consulte el documento separado con instrucciones de instalación y de inversión de la puerta.



PRECAUCIÓN!

En todas las fases del cambio de sentido de la puerta, proteja la puerta de arañazos con un material resistente.

4. PANEL DE CONTROL



1. Indicador LED de temperatura
2. Indicador FastFreeze
3. Botón FastFreeze
4. Regulador de temperatura
Botón de encendido/apagado

4.1 Encendido

1. Introduzca el enchufe en la toma de pared.
2. Toque el botón del regulador de temperatura si todos los LED están apagados.

4.2 Apagado

Siga tocando el botón del regulador de temperatura durante 3 segundos. Todos los indicadores se apagan.

4.3 Regulación de la temperatura

Para utilizar el aparato, toque el regulador de temperatura hasta que se encienda el LED correspondiente a la temperatura que desea. La selección es progresiva y oscila de 2°C a 8°C. El ajuste recomendado es de 4°C.

1. Toque el regulador de temperatura. El indicador de temperatura actual parpadea. Cada vez que se toca el regulador de temperatura, el ajuste se mueve una posición. El LED parpadea un momento.
2. Toque el regulador de temperatura hasta que se seleccione la temperatura deseada.

i La temperatura programada se alcanza en un plazo de 24 horas. Después de un corte del suministro eléctrico, la temperatura ajustada se guarda.

4.4 Función FastFreeze

La función FastFreeze se utiliza para realizar la pre congelación y la congelación rápida en secuencia en el compartimiento del congelador. Esta función acelera la congelación de alimentos frescos e impide que se calienten los alimentos ya almacenados en el compartimiento congelador.

i Para congelar alimentos frescos, active la función FastFreeze al menos 24 horas antes de introducir los alimentos para completar la pre congelación.

Para activar la función FastFreeze, pulse el botón FastFreeze. Se enciende el indicador FastFreeze.

i La función se detiene automáticamente después de 52 horas.

La función se puede desactivar en cualquier momento pulsando de nuevo el botón FastFreeze. Se apaga el indicador FastFreeze.

4.5 Alarma de puerta abierta

Si la puerta del frigorífico se deja abierta durante aproximadamente 5 minutos, el sonido se activa.

Durante la alarma, el sonido se puede desactivar pulsando cualquier botón. El sonido se apaga automáticamente después de aproximadamente una hora para evitar molestias.

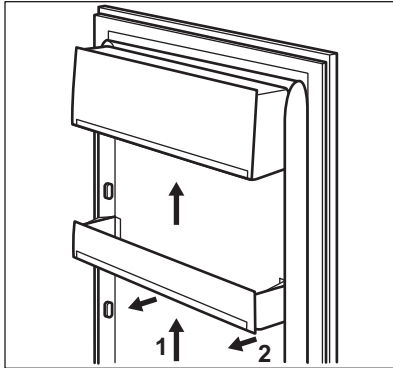
La alarma se desactiva después de cerrar la puerta.

5. USO DIARIO

5.1 Colocación de los estantes de la puerta

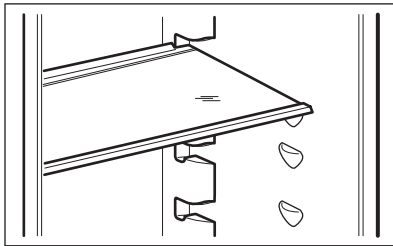
Para permitir el almacenamiento de paquetes de alimentos de varios tamaños, los estantes de las puertas se pueden colocar a diferentes alturas.

1. Tire gradualmente del estante hacia arriba hasta que se suelte.
2. Reposición según sea necesario.



5.2 Estantes móviles

Las paredes del frigorífico cuentan con una serie de guías para colocar los estantes del modo que se prefiera.



- i** No coloque el estante de vidrio por encima del cajón de verduras para no impedir la correcta circulación del aire.

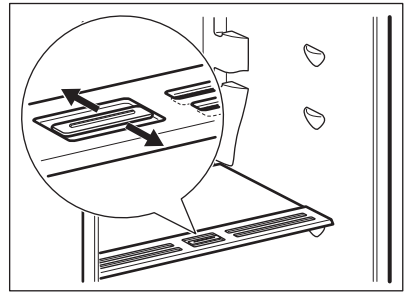
5.3 Cajón para verduras

En la parte inferior del aparato hay un cajón especial para guardar frutas y verduras.

5.4 Control de humedad

El estante de cristal incorpora un dispositivo con ranuras (regulables mediante palanca deslizante), que permite regular la humedad en el/los cajón/cajones de verduras.

- i** No coloque ningún producto alimenticio en el dispositivo de control de humedad.



La posición del control de la humedad depende del tipo y de la cantidad de frutas y verduras:

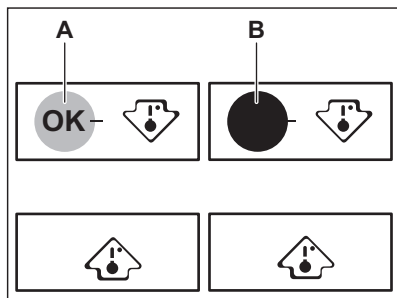
- Ranuras cerradas: se recomienda cuando hay una pequeña cantidad de frutas y verduras. De esta manera, el contenido de humedad natural de las frutas y verduras se conserva durante más tiempo.
- Ranuras abiertas: se recomienda cuando hay gran cantidad de frutas y verduras. De esta manera, una mayor circulación de aire da como resultado menor humedad del aire.

5.5 Indicador de temperatura

Para almacenar correctamente los alimentos, el frigorífico dispone de indicador de temperatura. Los símbolos en la pared lateral del aparato indican una zona fría en el frigorífico, entre las dos flechas.

Si aparece OK (A), coloque los alimentos frescos en el área indicada por las dos etiquetas, si no (B), espere al menos 12 horas y compruebe si aparece OK (A).

Si todavía no aparece OK (B), ajuste el control de configuración a un ajuste más frío.



5.6 Congelación de alimentos frescos

El compartimento del congelador es adecuado para congelar alimentos frescos y conservar a largo plazo los alimentos congelados y ultracongelados.

Para congelar alimentos frescos, active la FastFreeze función al menos 24 horas antes de introducir los alimentos en el compartimento congelador.

Guarde los alimentos frescos distribuidos uniformemente en todos los compartimentos o cajones.

La cantidad máxima de alimentos que pueden congelarse sin añadir otros alimentos frescos durante 24 horas, se indica en la placa de datos técnicos (una etiqueta situada en el interior del aparato).

Cuando haya finalizado el proceso de congelación, el aparato vuelve automáticamente al ajuste de temperatura anterior (consulte "FastFreeze Función").



En esta condición, la temperatura dentro del frigorífico puede cambiar ligeramente.

6. CONSEJOS

6.1 Consejos para ahorrar energía

- Frigorífico: Se garantiza el consumo más eficiente de energía en la

Para obtener más información, consulte "Sugerencias para congelar".

5.7 Almacenamiento de alimentos congelados

Al activar un aparato por primera vez o después de un periodo sin uso, déjelo en marcha al menos durante 3 horas antes de colocar productos en el compartimento con la función FastFreeze encendida.

Todos los alimentos deben estar como mínimo a 15 mm de la puerta.



PRECAUCIÓN!

En caso de que se produzca una descongelación accidental, por ejemplo, por un corte del suministro eléctrico, si la interrupción ha sido más prolongada que el valor indicado en la placa de características bajo el "tiempo de elevación", los alimentos descongelados se deben consumir rápidamente o cocinar de inmediato y luego volverse a congelar.

5.8 Descongelación

Los alimentos ultracongelados o congelados, antes de consumirlos, pueden descongelarse en el frigorífico o dentro de una bolsa de plástico bajo agua fría.

Esta operación depende del tiempo disponible y del tipo de alimento. Los trozos pequeños pueden incluso cocinarse aún congelados.

configuración con los cajones en la parte inferior del aparato y los estantes distribuidos uniformemente. La posición de los contenedores de la

puerta no afecta al consumo de energía.

- No abra la puerta con frecuencia ni la deje abierta más tiempo del necesario.
- Congelador: Cuanto más frío sea el ajuste de la temperatura, mayor será el consumo de energía.
- Frigorífico: No fije una temperatura demasiado alta para ahorrar energía, a menos que lo requieran las características del alimento.
- Si la temperatura ambiente es elevada y el control de temperatura se ajusta a baja temperatura y el aparato está totalmente cargado, el compresor puede funcionar de manera continua, provocando la formación de escarcha o hielo en el evaporador. En tal caso, ajuste el control de temperatura hacia una temperatura más elevada para permitir la descongelación automática y ahorrar energía.
- Asegure una buena ventilación. No cubra las rejillas o los orificios de ventilación.


6.2 Sugerencias para congelar

- Active la función FastFreeze al menos 24 horas antes de introducir los alimentos en el compartimento congelador.
- Antes de congelar envuelva y selle los alimentos frescos en: papel de aluminio, film o bolsas de plástico, recipientes herméticos con tapa.
- Para congelar y descongelar con más eficacia, divida la comida en porciones pequeñas.
- Se recomienda poner etiquetas y fechas en todos sus alimentos congelados. Esto ayudará a identificar los alimentos y a saber cuándo deben utilizarse antes de su deterioro.
- Los alimentos deben ser frescos al congelarlos para preservar la buena calidad. Especialmente las frutas y verduras deben ser congeladas después de cosecharlos para preservar todos sus nutrientes.
- No congele las botellas o latas con líquidos, en particular las bebidas que contienen dióxido de carbono, ya que

pueden explotar durante la congelación.

- No coloque alimentos calientes en el compartimento del congelador. Enfríelos a temperatura ambiente antes de colocarlos dentro del compartimento.
- Para evitar aumentos en la temperatura de comida ya congelada, no coloque comida no congelada justo al lado. Coloque los alimentos a temperatura ambiente en la parte del compartimento del congelador donde no hay alimentos congelados.
- No coma cubitos de hielo, sorbetes o helados inmediatamente después de sacarlos del congelador. Existe riesgo de quemaduras.
- No vuelva a congelar los alimentos descongelados. Si la comida se ha descongelado, cocínala, enfríala y luego congélela.

6.3 Consejos para el almacenamiento de alimentos congelados

- El compartimento congelador es el marcado con .
- El ajuste de temperatura medio garantiza una buena conservación de los alimentos congelados. Una temperatura más alta en el interior del aparato puede reducir la vida útil.
- Todo el compartimento congelador es adecuado para el almacenamiento de alimentos congelados.
- Deje suficiente espacio alrededor de los alimentos para permitir que el aire circule libremente.
- Para un almacenamiento adecuado, consulte la etiqueta de los envases de los alimentos para ver su vida útil.
- Es importante envolver los alimentos de tal manera que se evite que el agua, la humedad o la condensación entren en su interior.

6.4 Consejos de compra

Después de la compra:

- Asegúrese de que el envase no esté dañado - los alimentos podrían estar deteriorados. Si el paquete está

- hinchado o mojado, es posible que no se haya almacenado en condiciones óptimas y que la descongelación ya haya comenzado.
- Para limitar el proceso de descongelación, compre los productos congelados al final de su compra en el supermercado y transpórtelos en una bolsa térmica y aislada.
 - Ponga los alimentos congelados inmediatamente en el congelador después de volver de la tienda.
 - Si la comida se ha descongelado aunque sea parcialmente, no la vuelva a congelar. Se debe consumir lo antes posible.
 - Respete la fecha de caducidad y la información de almacenamiento del paquete.

6.5 Vida útil en el congelador


Tipo de alimento	Vida útil (meses)
Pan	3
Frutas (excepto cítricos)	6 - 12
Verduras	8 - 10
Sobras sin carne	1 - 2
Lácteos:	
Mantequilla	6 - 9
Queso blando (p. ej. mozzarella)	3 - 4
Queso duro (p. ej. parmesano, cheddar)	6
Marisco:	
Pescado graso (p. ej. salmón, caballa)	2 - 3
Pescado magro (p. ej. bacalao, platija)	4 - 6
Langostinos	12
Almejas y mejillones desconchados	3 - 4
Pescado cocinado	1 - 2
Carne:	
Aves	9 - 12
Vacuno	6 - 12
Cerdo	4 - 6
Cordero	6 - 9
Salchichas	1 - 2
Jamón	1 - 2
Sobras con carne	2 - 3

6.6 Consejos para refrigeración de alimentos frescos

- Un buen ajuste de temperatura que asegure la conservación de los alimentos frescos es una temperatura menor o igual a +4°C.
- Una temperatura más alta en el interior del aparato puede reducir la vida útil de los alimentos.
- Cubra el alimento con el envase para preservar su frescura y aroma.
- Utilice siempre recipientes cerrados para líquidos y para alimentos, para evitar sabores u olores en el compartimento.

- Para evitar la contaminación cruzada entre alimentos cocidos y crudos, cubra la comida cocinada y sepárela de la cruda.
- Se recomienda descongelar los alimentos dentro de la nevera.
- No coloque alimentos calientes dentro del aparato. Asegúrese de que se hayan enfriado a temperatura ambiente antes de introducirlos.
- Para evitar el desperdicio de alimentos, los alimentos más recientes deben colocarse siempre detrás de los viejos.
- Almacene la carne durante un máximo de 1-2 días.
- Frutas y verduras: límpielas a fondo (elimine la suciedad) y colóquelas en un cajón especial (cajón para verduras).
- Es aconsejable no guardar en el frigorífico las frutas exóticas como plátanos, mangos, papayas, etc.
- Las verduras como tomates, patatas, cebollas y ajos no deben guardarse en el frigorífico.
- Queso y mantequilla: colóquelo en un recipiente hermético, o envuélvalo en papel de aluminio o en bolsas de polietileno para eliminar todo el aire posible.
- Botellas: ciérrelas con un tapón y colóquelas en el estante para botellas de la puerta o en el botellero (si dispone de él).
- Consulte siempre la fecha de caducidad de los productos para saber cuánto tiempo debe conservarlos.

6.7 Consejos para la refrigeración de alimentos

- El compartimento de alimentos frescos es el marcado (en la placa de características) con .
- Carne (cualquier variedad): guárdela en un envoltorio adecuado y colóquela en el estante de vidrio, sobre el cajón de las verduras.

7. MANTENIMIENTO Y LIMPIEZA



ADVERTENCIA!

Consulte los capítulos sobre seguridad.

7.1 Limpieza del interior

Antes de utilizar el aparato por primera vez, lave su interior y todos los accesorios internos con agua templada y jabón neutro para eliminar el típico olor de los productos nuevos. A continuación, seque todo bien.



PRECAUCIÓN!

No utilice detergentes, polvos abrasivos ni limpiadores a base de cloro o aceite, ya que podrían dañar el acabado.



PRECAUCIÓN!

Los accesorios y las piezas del aparato no deben lavarse en el lavavajillas.

7.2 Limpieza periódica

El equipo debe limpiarse de forma regular:

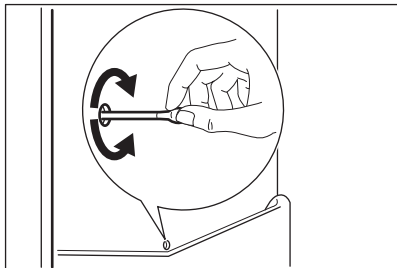
1. Limpie el interior y los accesorios con agua templada y un jabón neutro.
2. Revise y limpie periódicamente las juntas de la puerta para mantenerlas limpias y sin restos.
3. Aclare y seque a fondo.

7.3 Descongelación del frigorífico

La escarcha se elimina automáticamente del evaporador del compartimento frigorífico durante el uso normal. El agua de descongelación sale a través de un canal a un recipiente especial en la parte posterior del aparato, sobre el compresor del motor, donde se evapora.

Es importante limpiar, de forma periódica, el orificio de drenaje del agua de descongelación en el medio del canal del compartimento del frigorífico para evitar que el agua se desborde y gotee sobre los alimentos del interior.

Utilice para ello la varilla limpiadora incluida con el aparato.



7.4 Descongelación del congelador



PRECAUCIÓN!

No utilice herramientas metálicas afiladas para raspar la escarcha del evaporador, ya que podría dañarlo.

No utilice dispositivos mecánicos ni medios artificiales para acelerar el proceso de descongelación, excepto los recomendados por el fabricante.



Unas 12 horas antes de realizar la descongelación, ajuste una temperatura más baja con el fin de acumular frío suficiente en caso de una interrupción del funcionamiento.

Siempre se formará cierta cantidad de escarcha en los estantes del congelador y alrededor del compartimento superior.

Descongela el congelador cuando la capa de escarcha alcance un grosor de unos 3-5 mm.

1. Apague el aparato o desconecte el enchufe de la toma de corriente.
2. Retire cualquier alimento almacenado y póngalo en un lugar fresco.



PRECAUCIÓN!

El aumento de la temperatura de los paquetes de alimentos congelados durante la descongelación puede acortar su tiempo de almacenamiento. No toque los alimentos congelados con las manos mojadas. Podrían congelarse al contacto con los alimentos.

3. Deje la puerta abierta. Proteja el suelo del agua de la descongelación p. ej., con un paño o recipiente plano.
4. Para acelerar el proceso de descongelación, coloque un recipiente de agua tibia en el compartimento congelador. Debes retirar además los trozos de hielo que se desprendan antes de que finalice la descongelación.
5. Cuando la descongelación haya terminado, seque a fondo el interior del aparato.
6. Encienda el aparato y cierre la puerta.
7. Ajuste el regulador de temperatura para obtener el máximo frío y haga funcionar el aparato durante al menos 3 horas con dicho ajuste. Solo después de este tiempo vuelva a poner la comida en el congelador.

7.5 Periodos sin funcionamiento

Si el aparato no se utiliza durante un tiempo prolongado, tome las siguientes precauciones

1. Desconecte el aparato del suministro eléctrico.
2. Retire todos los alimentos.
3. Descongele el aparato.
4. Limpie el aparato y todos los accesorios.
5. Deje las puertas abiertas para evitar olores desagradables.

8. SOLUCIÓN DE PROBLEMAS



ADVERTENCIA!

Consulte los capítulos sobre seguridad.

8.1 Qué hacer si...

Problema	Posible causa	Solución	
El aparato no funciona.	El aparato está apagado.	Encienda el aparato.	
	El enchufe no está bien conectado a la toma de corriente.	Conecte el aparato a la toma de corriente correctamente.	
	No hay tensión en la toma de corriente.	Conecte un aparato diferente a la de corriente. Póngase en contacto con un electricista cualificado.	
El aparato hace ruido.	El aparato no está bien apoyado.	Compruebe que los soportes del aparato están estables.	
	La alarma audible o visual está activada.	El armario se ha encendido hace poco.	Consulte "Alarma de puerta abierta" o "Alarma de temperatura alta".
		La temperatura del aparato es demasiado alta.	Consulte "Alarma de puerta abierta" o "Alarma de temperatura alta".
El compresor funciona continuamente.	La puerta se queda abierta.	Cierre la puerta.	
	La temperatura se ha ajustado incorrectamente.	Consulte el capítulo "Panel de control".	
	Se han introducido muchos alimentos al mismo tiempo.	Espere unas horas y vuelva a comprobar la temperatura.	
La temperatura ambiente es demasiado alta.	La temperatura ambiente es demasiado alta.	Consulte el capítulo "Instalación".	
	Los alimentos introducidos en el aparato estaban demasiado calientes.	Deje que los alimentos se enfríen a temperatura ambiente antes de guardarlos.	
	La puerta no está bien cerrada.	Consulte la sección "Cierre de la puerta".	
	La función FastFreeze está activada.	Consulte la sección "Función FastFreeze".	

Problema	Posible causa	Solución
El compresor no se pone en marcha inmediatamente después de pulsar "FastFreeze", o tras cambiar la temperatura.	El compresor se pone en marcha al cabo de cierto tiempo.	Esto es normal, no se ha producido ningún error.
La puerta está mal alineada o interfiere con la rejilla de ventilación.	El aparato no está nivelado.	Consulte las instrucciones de instalación.
La puerta no se abre fácilmente.	Ha intentado volver a abrir la puerta inmediatamente después de cerrarla.	Espere unos segundos entre el cierre y la reapertura de la puerta.
La bombilla no funciona.	La bombilla está en modo de espera.	Cierre y abra la puerta.
	La bombilla es defectuosa.	Póngase en contacto con el servicio técnico autorizado más cercano.
Hay demasiada escarcha y hielo.	La puerta no está bien cerrada.	Consulte la sección "Cierre de la puerta".
	La junta de la puerta está sucia o deformada.	Consulte la sección "Cierre de la puerta".
	Los alimentos no están bien envueltos.	Envuelva mejor los productos.
	La temperatura se ha ajustado incorrectamente.	Consulte el capítulo "Panel de control".
	El aparato está completamente cargado y ajustado a la temperatura más baja.	Seleccione una temperatura más alta. Consulte el capítulo "Panel de control".
	La temperatura ajustada en el aparato es demasiado baja y la temperatura ambiente demasiado alta.	Seleccione una temperatura más alta. Consulte el capítulo "Panel de control".
El agua fluye por la placa posterior del frigorífico.	Durante el proceso de descongelación automática, la escarcha se derrite en la placa posterior.	Es correcto.
Hay demasiada agua de condensación en la pared posterior del frigorífico.	La puerta se abre con demasiada frecuencia.	Abra la puerta solo cuando sea necesario.
	La puerta no se cierra completamente.	Asegúrese de que la puerta está cerrada completamente.

Problema	Posible causa	Solución
	Los alimentos guardados no están envueltos correctamente.	Envuelva los alimentos correctamente antes de guardarlos en el aparato.
El agua fluye por el interior del frigorífico.	Los productos impiden que el agua fluya al colector de agua.	Asegúrese de que los alimentos no tocan la placa posterior.
	La salida de agua está obstruida.	Limpie la salida de agua.
El agua fluye por el suelo.	La salida de agua de descongelación no está conectada a la bandeja de evaporación situada sobre el compresor.	Acople la salida de agua de descongelación a la bandeja de evaporación.
No se puede ajustar la temperatura.	La "función FastFreeze" está activada.	Apague la "función FastFreeze" manualmente, o espere hasta que la función se desactive automáticamente antes de ajustar la temperatura. Consulte la sección "Función FastFreeze".
La temperatura del aparato es demasiado baja/alta.	La temperatura no se ha ajustado correctamente.	Seleccione una temperatura más alta/más baja.
	La puerta no está bien cerrada.	Consulte la sección "Cierre de la puerta".
	La temperatura de los productos es demasiado alta.	Deje que la temperatura de los alimentos descienda a la temperatura ambiente antes de guardarlos.
	Se han guardado muchos alimentos al mismo tiempo.	Guarde menos alimentos al mismo tiempo.
	El grosor de la escarcha es superior a 4-5 mm.	Descongele el aparato.
	La puerta se ha abierto con frecuencia.	Abra la puerta sólo si es necesario.
	La función FastFreeze está activada.	Consulte la sección "Función FastFreeze".
	No hay circulación de aire frío en el aparato.	Asegúrese de que el aire frío circula libremente en el aparato. Consulte el capítulo "Consejos".

Problema	Posible causa	Solución
Algunas superficies específicas dentro del compartimiento frigorífico están más calientes en algunos momentos.		Es un estado normal.
Los LED de ajuste de temperatura parpadean al mismo tiempo.	Se ha producido un error al medir la temperatura.	Póngase en contacto con el centro de servicio técnico más cercano. El sistema de refrigeración seguirá manteniendo fríos los alimentos, pero no podrá ajustar la temperatura.



Si el consejo anterior no ofrece resultados, llame al servicio técnico autorizado más cercano.

8.2 Cambio de la bombilla

El aparato está equipado con una luz LED interior de larga duración.

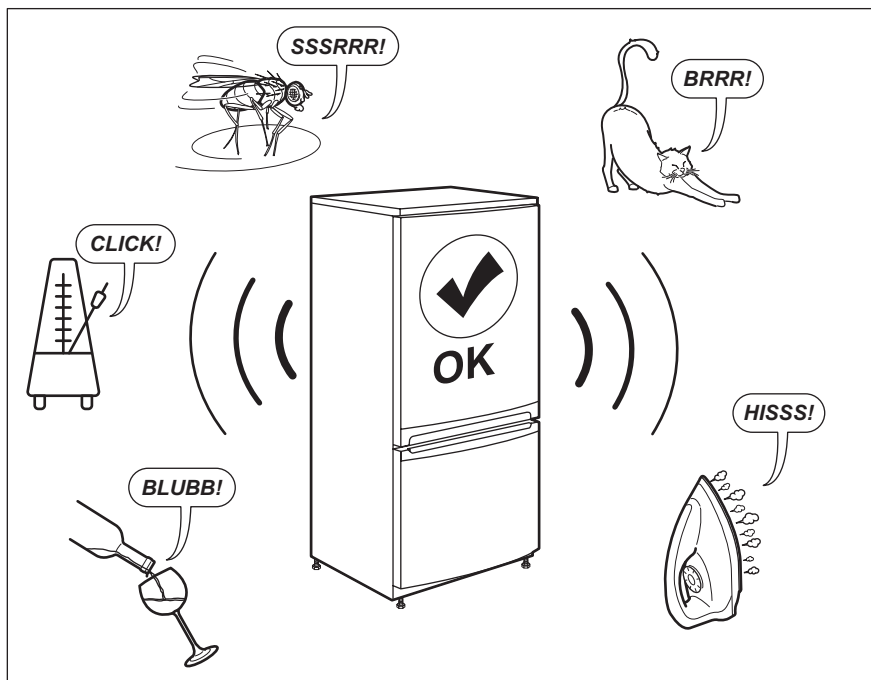
El dispositivo de iluminación solo debe ser sustituido por el servicio técnico.

Póngase en contacto con el servicio técnico.

8.3 Cierre de la puerta

1. Limpie las juntas de la puerta.
2. Si es necesario, ajuste la puerta. Consulte las instrucciones de instalación.
3. Si es necesario, cambie las juntas defectuosas. Póngase en contacto con el servicio técnico autorizado.

9. RUIDOS



10. DATOS TÉCNICOS

La información técnica se encuentra en la placa de datos técnicos situada en el interior del aparato y en la etiqueta de consumo energético.

El código QR de la etiqueta energética suministrada con el aparato proporciona un enlace web a la información relacionada con el rendimiento del aparato en la base de datos EPREL de la UE. Guarde la etiqueta energética como referencia junto con el manual de usuario y todos los demás documentos que se proporcionan con este aparato.

También puede encontrar la misma información en EPREL accediendo desde el enlace <https://eprel.ec.europa.eu> e introduciendo el nombre del modelo y el número de producto que se encuentran en la placa de datos técnicos del aparato.


Consulte el enlace www.theenergylabel.eu para obtener información detallada sobre la etiqueta energética.


11. INFORMACIÓN PARA INSTITUTOS DE PRUEBAS

La instalación y la preparación del aparato para cualquier verificación de EcoDiseño deberá cumplir con EN 62552. Los requisitos de ventilación, las dimensiones de los huecos y las distancias mínimas traseras serán los

indicados en el Capítulo 3 de este Manual de Usuario. Por favor, póngase en contacto con el fabricante para cualquier otra información adicional, incluyendo los planos de carga.

12. ASPECTOS MEDIOAMBIENTALES

Recicle los materiales con el símbolo . Coloque el material de embalaje en los contenedores adecuados para su reciclaje. Ayude a proteger el medio ambiente y la salud pública, así como a reciclar residuos de aparatos eléctricos y electrónicos. No deseche los aparatos

marcados con el símbolo  junto con los residuos domésticos. Lleve el producto a su centro de reciclaje local o póngase en contacto con su oficina municipal.

www.electrolux.com/shop



211627499-B-502021

