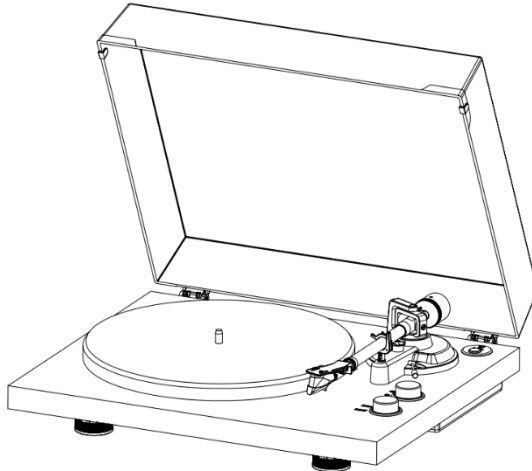


# Lenco

**Model: LBT-335/ LBT-345**



**User manual - Turntable with bluetooth transmission and Ortofon 2M Red cartridge**

**Gebbruikshandleiding - Platenspeler met bluetooth-overdracht en Ortofon 2M Red element**

**Bedienungsanleitung – Plattenspieler mit Bluetooth-Funktion und Ortofon 2M Red Tonabnehmer**

**Guide d'utilisation – Tourne-disque avec transmission Bluetooth et cellule Ortofon 2M Red**

**Manual de usuario: tocadiscos con transmisión Bluetooth y cartucho Ortofon 2M Red**

**Manuale d'uso - Giradischi con trasmissione Bluetooth e testina Ortofon 2M Red**

**Brugervejledning - Pladespiller med Bluetooth og Ortofon 2M Red-pickup**

**Bruksanvisning – Skivspelare med Bluetooth-överföring och Ortofon 2M Red-pickup**

**Руководство по эксплуатации – Проигрыватель с функцией передачи через Bluetooth-соединение и с головкой звукоснимателя Ortofon 2M Red**

Index	
English.....	2
Nederlands.....	24
Deutsch.....	49
Français.....	75
Español.....	99
Italiano.....	122
Dansk/Norsk.....	145
Svenska.....	168
Русский.....	190

Version: 4.0

**CAUTION:**

Usage of controls or adjustments or performance of procedures other than those specified herein may result in hazardous radiation exposure.

**PRECAUTIONS BEFORE USE**

---

**KEEP THESE INSTRUCTIONS IN MIND:**

1. Do not cover or block any ventilation openings. When placing the device on a shelf, leave 5 cm (2") free space around the whole device.
2. Install in accordance with the supplied user manual.
3. Keep the device away from heat sources such as radiators, heaters, stoves, candles and other heat-generating products or naked flame. The device can only be used in moderate climates. Extremely cold or warm environments should be avoided. Working temperature between 0° and 35°C.
4. Avoid using the device near strong magnetic fields.
5. Electrostatic discharge can disturb normal usage of this device. If so, simply reset and restart the device following the instruction manual. During file transmission, please handle with care and operate in a static-free environment.
6. Warning! Never insert an object into the product through the vents or openings. High voltage flows through the product and inserting an object can cause electric shock and/or short circuit internal parts. For the same reason, do not spill water or liquid on the product.
7. Do not use in wet or moist areas such as bathrooms, steamy kitchens or near swimming pools.
8. The device shall not be exposed to dripping or splashing and make sure that no objects filled with liquids, such as vases, are placed on or near the apparatus.
9. Do not use this device when condensation may occur. When the unit is used in a warm wet room with damp, water droplets or condensation may occur inside the unit and the unit may not function properly; let the unit stand in power OFF for 1 or 2 hours before turning on the power: the unit should be dry before getting any power.

10. Although this device is manufactured with the utmost care and checked several times before leaving the factory, it is still possible that problems may occur, as with all electrical appliances. If you notice smoke, an excessive build-up of heat or any other unexpected phenomena, you should disconnect the plug from the main power socket immediately.
11. This device must operate on a power source as specified on the specification label. If you are not sure of the type of power supply used in your home, consult your dealer or local power company.
12. Keep away from animals. Some animals enjoy biting on power cords.
13. To clean the device, use a soft dry cloth. Do not use solvents or petrol based fluids.  
To remove severe stains, you may use a damp cloth with dilute detergent.
14. The supplier is not responsible for damage or lost data caused by malfunction, misuse, modification of the device or battery replacement.
15. Do not interrupt the connection when the device is formatting or transferring files. Otherwise, data may be corrupted or lost.
16. If the unit has USB playback function, the USB memory stick should be plugged into the unit directly. Don't use an USB extension cable because it can cause interference resulting in failing of data.
17. The rating label has been marked on the bottom or back panel of the device.
18. This device is not intended for use by people (including children) with physical, sensory or mental disabilities, or a lack of experience and knowledge, unless they're under supervision or have received instructions about the correct use of the device by the person who is responsible for their safety.
19. This product is intended for non professional use only and not for commercial or industrial use.
20. Make sure the unit is adjusted to a stable position. Damage caused by using this product in an unstable position vibrations or shocks or by failure to follow any other warning or precaution contained within this user manual will not be covered by warranty.
21. Never remove the casing of this device.
22. Never place this device on other electrical equipment.
23. Do not allow children access to plastic bags.
24. Only use attachments/accessories specified by the manufacturer.

25. Refer all servicing to qualified service personnel. Servicing is required when the device has been damaged in any way, such as the power supply cord or the plug, when liquid has been spilled or objects have fallen into the device, when the device has been exposed to rain or moisture, does not operate normally, or has been dropped.
26. Long exposure to loud sounds from personal music players may lead to temporary or permanent hearing loss.
27. If the product is delivered with power cable or AC power adaptor:
  - If any trouble occur, disconnect the AC power cord and refer servicing to qualified personnel.
  - Don't step on or pinch the power adaptor. Be very careful, particularly near the plugs and the cable's exit point. Do not place heavy items on the power adaptor, which may damage it. Keep the entire device out of children's reach! When playing with the power cable, they can seriously injure themselves.
  - Unplug this device during lightning storms or when unused for a long period.
  - The socket outlet must be installed near the equipment and must be easily accessible.
  - Do not overload ac outlets or extension cords. Overloading can cause fire or electric shock.
  - Devices with class 1 construction should be connected to a main socket outlet with a protective earthed connection.
  - Devices with class 2 construction do not require a earthed connection.
  - Always hold the plug when pulling it out of the main supply socket. Do not pull the power cord. This can cause a short circuit.
  - Do not use a damaged power cord or plug or a loose outlet. Doing so may result in fire or electric shock.
28. If the product contains or is delivered with a remote control containing coin/cell batteries:

Warning:

  - "Do not ingest battery, Chemical Burn Hazard" or equivalent working.
  - [The remote control supplied with] This product contains a coin/button cell battery. If the battery is swallowed, it can cause severe internal burns in just 2 hours and can lead to death.
  - Keep new and used batteries away from children.

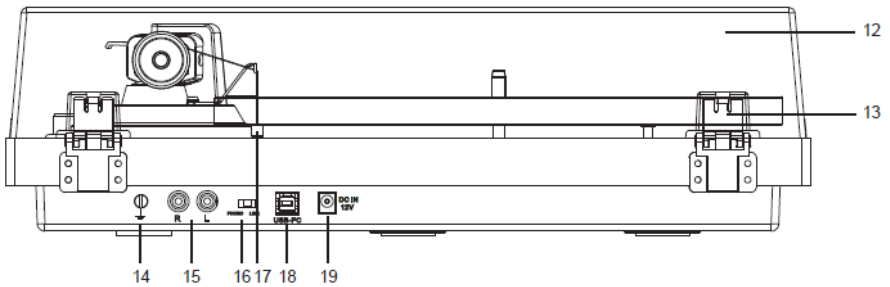
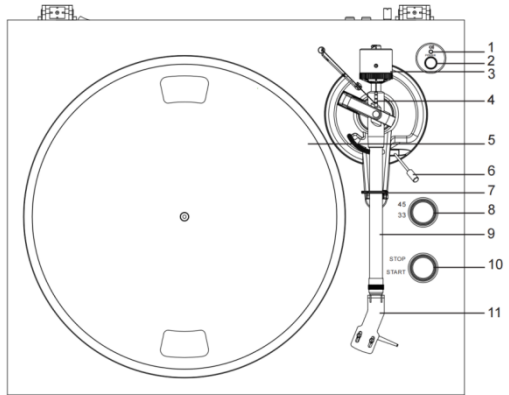
- If the battery compartment does not close securely, stop using the product and keep it away from children.
  - If you think batteries might have been swallowed or placed inside any part of the body, seek immediate medical attention.
29. Caution about the use of Batteries:
- Danger of explosion if battery is incorrectly replaced. Replace only with the same or equivalent type.
  - Battery cannot be subjected to high or low extreme temperatures, low air pressure at high altitude during use, storage or transportation.
  - Replacement of a battery with an incorrect type that can result in an explosion or the leakage of flammable liquid or gas.
  - Disposal of a battery into fire or a hot oven, or mechanically crushing or cutting of a battery, that can result in an explosion.
  - Leaving a battery in an extremely high temperature surrounding environment that can result in an explosion or that leakage of flammable liquid or gas.
  - A battery subjected to extremely low air pressure that may result in an explosion or the leakage of flammable liquid or gas.
  - Attention should be drawn to the environmental aspects of battery disposal.

## **INSTALLATION**

- Unpack all parts and remove protective material.
- Do not connect the unit to the mains before checking the mains voltage and before all other connections have been made.

## COMPONENTS, FEATURES AND CONNECTIONS

1. Power & Bluetooth indicator
2. Power button
3. Counterweight
4. Anti-skating Stub
5. Turntable Platter
6. Tonearm lift lever
7. Tonearm rest
8. 33/45 selector
9. Tonearm
10. Stop/Start knob
11. Removable Headshell with Cartridge



- |                             |                         |
|-----------------------------|-------------------------|
| 12. Lid                     | 17. Anti-skating Weight |
| 13. Lid Hinge               | 18. USB-PC port         |
| 14. Ground Connector        | 19. AC-DC Power Jack    |
| 15. PHONO & Line Out Jacks  |                         |
| 16. PHONO & Line Out Switch |                         |

Please check thoroughly and make sure you find the following items that come along with this package:

- |                                |  |
|--------------------------------|--|
| 1) Unit                        | 8) Cartridge Alignment Protractor      |
| 2) Adaptor with EU-UK plug-end | 9) USB-PC Cable                        |
| 3) Counterweight               | 10) 2pcs lid spare rubber              |
| 4) Platter with Belt           | 11) Anti-skating Weight                |
| 5) 45 RPM Adaptor              | 12) Line out cable                     |
| 6) Turntable mat               | 13) Centerweight (for LBT-345 ONLY)    |
| 7) Instruction Manual          | 14) Removable Headshell with cartridge |

This turntable is supplied with a factory fitted and adjusted cartridge.

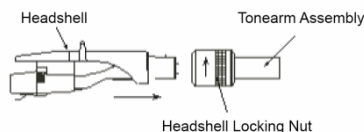
\*\*The following instructions for adjusting the cartridge are provided in case the cartridge is replaced by a different model at a later date.

### Installing the Lid

Install the **Lid** carefully over the hinge prongs.

### Installing the Headshell

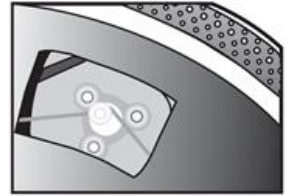
Insert the Headshell into the front end of the Tonearm Assembly. While holding Headshell firmly into the front end of the tonearm assembly, turn the Headshell Locking Nut counter-clockwise to firmly secure the Headshell to Tonearm Assembly.



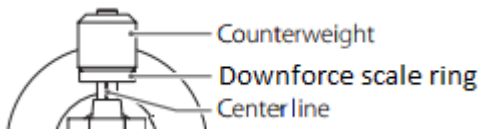


## Turntable Platter and Belt Setup

1. Install the drive belt over the inner ring under the platter and make sure it won't fall off during the setup.
2. Place the platter through the turntable spindle, then rotate the platter until you see the drive motor pulley through the window at the top left corner.
3. Carefully grab the drive belt and put it around the slot of motor pulley.
4. Connect the power adapter to the turntable and power on the turntable.
5. Set the Motor Start/Stop switch to the Start position to see if the platter motor spins. If the platter does not spin, try the steps listed above again.



## Cartridge Down force Adjustment



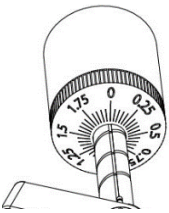
The **Counterweight** supplied is suitable for cartridges weighing between 6.0-8.0g.

- Gently push and turn the Counterweight onto the rear of the tonearm (with the scale facing toward the front of the turntable).
- Remove the cartridge protection cap.
- Lower the tonearm lift and position the cartridge in the space between tonearm rest and platter.

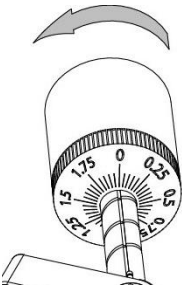
Carefully rotate the **Counterweight** until the tonearm balances out. The tonearm should return to the balanced position if it is moved up or down. This adjustment must be done carefully.



- Once the tonearm is correctly balanced return it to its' rest. Hold the **Counterweight** without moving it, and gently rotate the **Down force Scale** ring until the zero is in line with black line on the rear of the **tonearm**. Check whether the arm still balances out.



- Rotate the counterweight counter clockwise (seen from the front) to adjust the down force according to the cartridge manufacturer's recommendations. One mark on the scale represents 0.05g of down force.

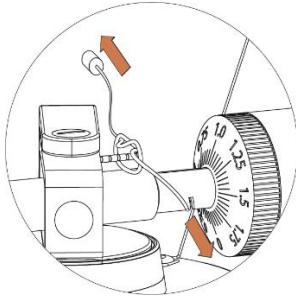


**NOTE:** The recommended down force for the factory fitted cartridge is  $1.8 \pm 0.2g$ .

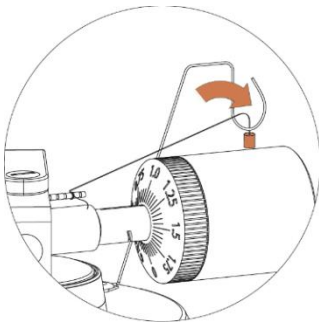
### Locate the anti-skating weight

You will find a anti-skating weight with small fishing line from the package, please follow below steps to locate the anti-skating weight:

1. Slip the looped end of the fishing line over the anti-skating weight adjustment stub and into Groove 3<sup>rd</sup> (the correct anti-skating force for the factory-fitted cartridge).



2. Pull the anti-skating weight slightly to let the tie of the fishing line move to the stub.
3. Lift the anti-skating weight over the anti-skating weight wire support. The anti-skating weight should now be dangling in free space to the left of support.



Slip the loop of the anti-skating weight's thread over the **3<sup>nd</sup>** groove of the stub to set the correct anti-skating force for the factory-fitted cartridge. Feed the thread through the loop of the wire support.

### **Anti-skating force adjustment**

The anti-skating force must be adjusted corresponding to the down force as follows:

### Down force

- 1 - 1.25g
- 1.25 - 1.5g
- 1.5 - 1.75g
- 1.75 - 2g

### Groove in the stub

- 1 st from bearing rings
- 2 nd " " "
- 3rd " " "
- 4 th " " "



Slip the loop of the anti-skating weight's thread over the **3rd** groove of the stub to set the correct anti-skating force for the factory-fitted cartridge. Feed the thread through the loop of the wire support.

## **Stereo System connection**

### **RCA Jacks**

- The RCA Jacks of this unit are shared as both the Phone output jacks and the Line output jacks. They are determined by the Phono/Line Switch.
- When used as a line output, the jacks output analog line-level signals and could be connected directly with a pair of active speakers or the appropriate input of your stereo system. When used as a Phono output, they should be connected to the phono pre-amplifier or the phono input of the stereo system.
- The Red plug connects with the Right channel and the White plug connects with the Left channel.

### Note:

- If the Phono/Line switch is set at LINE position but RCA jacks connected to the stereo system's phono input, the sound might be distorted due to input overload and could damage your stereo system.

- If the Phono/Line switch is set at PHONO position but RCA jacks connected to the stereo system's line input, the volume will be very low due to lacking signal pre-amplification.

RCA Jack is not designed to be connected directly to the passive/unpowered speakers and if it does, the volume will be very low.

## **Main Power Connection**

The power adaptor is in the foam packing material. Unpack the power adaptor and plug the small end into the **DC power jack** located at the back side of the turntable. Plug the power adaptor into your power outlet.

## **Operation**

### **Turntable Operation**

1. Connect the included power adapter to unit and Press the power button (2) to power ON the turntable.
2. Remove the needle cover from the cartridge.
3. Place the slipmat on the platter and place a record on the slipmat. If using 45 RPM records, put the 45 RPM adapter on the center spindle before placing the record on the platter.
4. Set the 33/45 RPM Selector according to the type of record.
5. Turn the Start/Stop dial to the Start position to begin spinning the platter.
6. Unlock the arm clip and set the Lift Lever to the up position.
7. Position the tonearm over the desired location (groove) on the record.
8. Move the tonearm lift lever to the down position to move the tonearm toward the record. Alternatively, place the needle over the desired location on the record.
9. Carefully lower the tonearm on the record.
10. When you are finished playing the record, raise the tonearm, return it to rest on the arm clip, and turn the Start/Stop dial to the Stop.

11. Press the power button to turn off the power.
12. The platter will stop turning if there is no signal output from the unit in 3 minutes.

### **Bluetooth Operation**

This unit has a Bluetooth transmitter to send the sound to a Bluetooth speaker or headphone wirelessly.

1. Power on your Bluetooth speaker and ensure it is in pairing mode.
2. Power ON the turntable with the power button (2). The LED indicator (1) will first light to RED and then will flash in blue during Bluetooth searching of the external speaker or headphone.

Note: if you want to disable the Bluetooth searching function you can press the Power button for 3 seconds, then the Led light indicator will light to RED.

3. When pairing, the Blue LED light will flash twice per second, then change to be long Lighting Blue when paired;

*Note:* This unit will connect to the closest Bluetooth. If after 2 minutes no Bluetooth speaker can be found to pair with, the Bluetooth transmitter will become inactive and the LED color will turn to red.

4. To disconnect pairing, long press power button for 3 seconds or turn off Bluetooth pairing on your External Bluetooth speaker or headphone..

*“This product has a bluetooth **transmission** function, **you can not receive any bluetooth sound on it**: this means that you can transmit wirelessly a bluetooth sound signal to an external device like a bluetooth speaker, bluetooth headphone, audio system with bluetooth reception,...”*

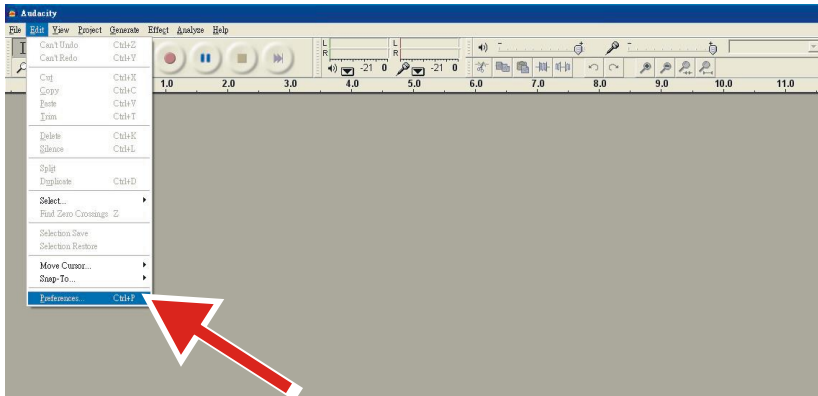
### **Audacity software overview**

Audacity is free software, licensed under the GNU General Public License (GPL). More information as well as open source code can be found on the web at <https://www.audacityteam.org/download/>

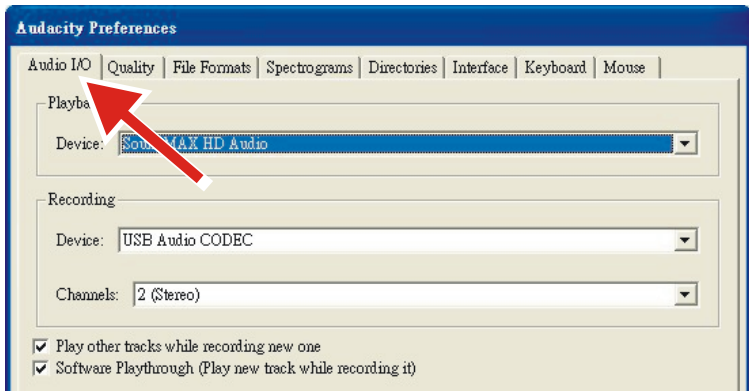
\* **Please ensure you have installed the software before starting.**

### Setting up your PC to work with Audacity

1. Connect an input source to the unit.
2. Connect the USB lead to your computer.
3. Install the Audacity recording software.
4. Open the Audacity program.
5. Select Preference from the Edit tab in the Audacity Menu.



6. Select **Audio I/O** tab at the top left.
  - Under Playback, Device, select **your internal sound card**.
  - Under Recording, Device, select **USB Audio CODEC**.
  - Under Recording, Channels, select **2 (Stereo)**.
  - Check the box marked **Play other tracks while recording new one**.
  - Check the box marked **Software Playthrough**.

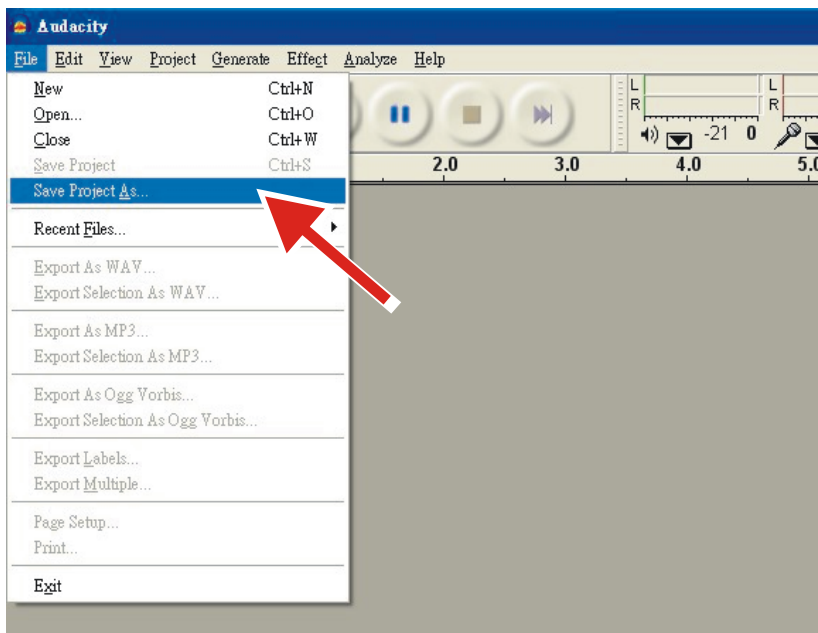


## Recording Albums with Audacity

### 1. Saving a project

- Audacity writes all the changed and recorded audio to a directory called **Projectname\_data**, which is located right where you saved the project file itself.
- Thus, select **Save Project as** from your Audacity File tab and choose a location and filename for your project.
- Please note that when you startup Audacity fresh, only the **“Save As...”** menu option is available.





## 2. How to record

- Set your USB turntable up to play the song or album you want to record.



- Click on the red Record button to begin recording.

- Lower tone arm on USB turntable onto album and track you want to record.

- Click on the blue Pause button to pause the recording. Press it again to

continue.



- Click on the yellow Stop button.



That's it. You can now play around with your recording and explore the editing capabilities of Audacity. Remember that you can use the Undo function almost without limits while the project is open.

**NOTE:** CD's cannot be burned directly from the Audacity application. Other CD burning applications should be used.

## Maintenance and Cleaning

Your turntable requires little of no regular maintenance. Remove dust with a slightly damp antistatic cloth. Never use a dry cloth, this will create static electricity and attract more dust! Antistatic cleaning agents are available at specialist stores, but must be applied sparingly to avoid damage to rubber parts. It is recommended to install the needle cover before cleaning or maintenance is carried out to avoid damage.

If the turntable is not used over a long period of time, the drive belt should be removed to prevent unequal stretching.

NOTE: Always disconnect the record player from the power supply as a precaution before maintenance!

## Useful Tips

The turntable should be positioned on a low-resonance surface such as wood or multiple layer ply board to avoid structural vibrations disturbing playback.

## Cartridge Replacement

1. Before replacement, put the stylus protector back on the stylus to prevent damage to the stylus during the replacement process.
2. Carefully remove the wire leads from the original cartridge.

3. Loosen the two screws on the headshell that are securing the cartridge and then remove the original cartridge.
4. Mount the new cartridge to the headshell and tighten it lightly. Do not completely tighten the screws at this moment.
5. Connect the wire leads to the new cartridge's terminals. The wire lead color codes are as below:
  - White Left channel positive (L+)
  - Blue Left channel negative (L-)
  - Red Right channel positive (R+)
  - Green Right channel negative (R-)
6. Adjust the cartridge's position to make sure it is precisely aligned on the headshell so that the stylus will be tracking the grooves in parallel perfectly.

To achieve this, place the included paper cartridge alignment protractor over the turntable spindle, carefully lift the tone arm and place the tip of the stylus on the points marked 130mm and 250mm respectively. Fine tune the cartridge's position on the headshell until the cartridge is perfectly in parallel with the reference lines at both points.
7. Tighten the screws completely once the perfect alignment is achieved.

NOTE: If you are unfamiliar or uncomfortable with completing this procedure, we recommend consulting with a professional to perform the installation.

### Technical Specifications:

Nominal Speeds	33 1/3 & 45RPM
Wow and Flutter	≤0.15%
Signal to Noise	55dB
Down force Range	0-2.0g
Effective Tonearm Length	8.6" (218.5mm)
Overhang	0.73in
Power Consumption	6W (Max)
Outboard Power Supply	12V/500mA AC-DC
Dimensions (W x H x D)	420 x 360 x 125mm
Weight	4.8kgs

### Technical Specifications: 2M RED (Ortofon)

Frequency response	20Hz-20kHz
Recommended load resistance	47kohms
Channel balance	1.5dB
Amplifier connection	MM - input
Channel separation	22dB
Recommended tracking force	1.8±0.2g
Output voltage	5.5mV
Weight	7.2g

### Potential Incorrect Use and Fault Conditions

These turntables are manufactured to the highest standards and undergo strict quality controls before leaving the factory. Faults that may possibly occur are not necessarily due to material or production faults but can sometimes be caused by incorrect use or unfortunate circumstances. Therefore the following list of common fault symptoms is included.

**The platter doesn't turn although the unit is switched on:**

- The unit is not connected to the main power supply.
- No power at the outlet.
- Drive belt is not installed or has slipped off.
- The unit automatically switched in standby mode, power ON again.

**No signal through one or other channel or both channels:**

- Phone input not selected at amplifier.
- Amplifier not switched on.
- Amplifier or speakers muted.
- No connection to the speakers.
- No connection between turntable and amplifier.
- Wire leads not connected the cartridge.

**Strong hum on phono input:**

- No ground connection from cartridge, arm, or arm cable to amplifier or ground loop.
- Turntable too close to speakers.

**Distorted of inconsistent sound from one or both channels:**

- Turntable is connected to wrong input of amplifier.
- Needle or cantilever damaged.
- Drive belt overstretched or dirty.
- Platter bearing without oil, dirty or damaged.
- Dust on stylus.
- MM/MC switch on pre-amplifier set incorrectly.

**Remark: Due to the ErP Stage 2 requirements for power saving measures, a unit which is connected to the mains power will switch itself to standby mode automatically if no music has been playing for about 20 minutes.**

**If your unit switches off regularly, this is no defect.**

Power supply adaptor

Manufacturer: BRIGHTPOWER OPTOELECTRONIC TECHNOLOGY CO., LTD

Model number: SW1200500-FM

Input voltage: 100-240V

Input AC frequency: 50/60Hz

Output voltage: DC 12V

Output current: 0.5A

Output Power: 6W

Average active efficiency: 79.62%

Efficiency at low load (10%): 70.40%

No load Power consumption: 0.073W

Use only the power supply listed in the user instructions

Technical specs Ortofon 2M RED

Frequency response - 20-20.000 Hz + 3 / - 1 dB

Tracking ability at 315Hz at recommended tracking force \*) - 70 µm

Compliance, dynamic, lateral - 20 µm/mN

Stylus type - Elliptical

Stylus tip radius - r/R 8/18 µm

Equivalent stylus tip mass - 0.5 mg

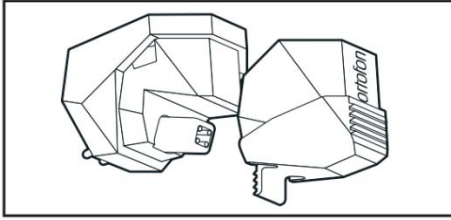
Tracking force range - 1.6-2.0 g (16-20 mN)

Tracking force, recommended - 1.8 g (18 mN)

Tracking angle - 20°

\*) Typical value

Stylus colour - Red



## **Guarantee**

Commaxx B.V. offers service and warranty in accordance with the European law, which means that in case of repairs (both during and after the warranty period) you should contact your local dealer.

Important note: It is not possible to send products that need repairs to Commaxx B.V. directly.

Important note: If this unit is opened or accessed by a non-official service center in any way, the warranty expires.

This device is not suitable for professional use. In case of professional use, all warranty obligations of the manufacturer will be voided.

## **Disclaimer**

Updates to Firmware and/or hardware components are made regularly.

Therefore some of the instruction, specifications and pictures in this documentation may differ slightly from your particular situation. All items described in this guide for illustration purposes only and may not apply to particular situation. No legal right or entitlements may be obtained from the description made in this manual.

## **Disposal of the Old Device**



This symbol indicates that the relevant electrical product or battery should not be disposed of as general household waste in Europe. To ensure the correct waste treatment of the product and battery, please dispose them in accordance to any applicable local laws of requirement for disposal of electrical equipment or [REDACTED] batteries. In so doing, you will help to conserve natural resources and improve standards of environmental protection in treatment and disposal of electrical waste (Waste Electrical and Electronic Equipment Directive).

### **DECLARATION OF CONFORMITY**

Hereby, Commaxx declares that the radio equipment type [Lenco LBT-335 / LBT-345] is in compliance with directive 2014/53/EU. The full text of the EU declaration of conformity is available at the following internet address:

[https://commaxx-certificates.com/doc/lbt-335\\_doc.pdf](https://commaxx-certificates.com/doc/lbt-335_doc.pdf)

[https://commaxx-certificates.com/doc/lbt-345\\_doc.pdf](https://commaxx-certificates.com/doc/lbt-345_doc.pdf)

Type RF	Frequency range (MHz)	Power (dBm)
Bluetooth	2402-2480	<6

### **Service**

For more information and helpdesk support, please visit [www.lenco.com](http://www.lenco.com)  
Commaxx B.V. Wiebachstraat 37, 6466 NG, Kerkrade, The Netherlands.



**VOORZICHTIG:**

Het gebruik van bedieningen of afstellingen of het uitvoeren van procedures anders dan hierin gespecificeerd, kan leiden tot blootstelling aan gevaarlijke straling.

**VOORZORGSMAATREGELEN VÓÓR GEBRUIK**

---

**ONTHOUD DEZE INSTRUCTIES:**

1. Bedek of blokkeer geen van de ventilatieopeningen. Als u het apparaat op een plank plaatst, laat dan 5 cm (2") ruimte vrij rond het hele apparaat.
2. Installeer in overeenstemming met de meegeleverde gebruikshandleiding.
3. Houd het apparaat uit de buurt van warmtebronnen zoals radiatoren, kachels, fornuizen, kaarsen en andere warmtegenererende producten of open vuur.  
Het apparaat kan alleen worden gebruikt in gematigde klimaten. Extreem koude of warme omgevingen dienen te worden vermeden. Bedrijfstemperatuur tussen 0° en 35°C.
4. Gebruik het apparaat niet in de buurt van krachtige magnetische velden.
5. Elektrostatische ontlading kan de normale werking van dit apparaat verstoren. Indien dit het geval is, reset dan gewoon het apparaat en start het opnieuw op in navolging van de handleiding. Wees voorzichtig tijdens de bestandsoverdracht en voer dit uit in een omgeving zonder statische interferentie.
6. Waarschuwing! Steek geen voorwerpen in het product via de ventilatie- of andere openingen. Er is hoge spanning aanwezig in het product en als u er een voorwerp insteekt, kan dat tot elektrische schokken en/of kortsluiting van de interne onderdelen leiden. Laat om dezelfde reden geen water of vloeistof op het product terechtkomen.
7. Gebruik het apparaat niet in natte of vochtige ruimtes zoals badkamers, keukens met veel stoom of in de buurt van zwembaden.
8. Stel het apparaat niet bloot druppels of spetters en zorg ervoor dat er geen met vloeistof gevulde voorwerpen, zoals vazen, op of in de buurt van het apparaat worden geplaatst.
9. Gebruik dit apparaat niet als er condensatie kan optreden. Wanneer het apparaat in een warme en vochtige kamer wordt gebruikt, dan kunnen

er waterdruppeltjes of condensatie binnenin het apparaat worden gevormd waardoor het apparaat mogelijk niet meer goed werkt; houd en apparaat 1 of 2 uur op UIT staan voordat u de voeding weer inschakelt: het apparaat dient droog te zijn voordat deze stroom ontvangt.

10. Al is dit apparaat met de grootste zorg vervaardigd en meerdere keren gecontroleerd voordat deze de fabriek verlaat, is het toch mogelijk dat er problemen optreden, zoals bij alle elektrische apparaten. Als u rook, overmatige warmteontwikkeling of andere onverwachte verschijnselen constateert, dient u onmiddellijk de stekker uit het stopcontact te trekken.
11. Dit apparaat moet van stroom worden voorzien door een bron zoals gespecificeerd op het nominale specificatielabel. Als u niet zeker weet welk type stroomvoorziening in uw huis wordt gebruikt, neem dan contact op met uw dealer of het plaatselijke energiebedrijf.
12. Houd uit de buurt van dieren. Sommige dieren houden ervan om aan stroomkabels te bijten.
13. Gebruik een zachte, droge doek om het apparaat schoon te maken. Gebruik geen oplosmiddelen of vloeistoffen op benzinebasis. U kunt een vochtige doek met verdund schoonmaakmiddel gebruiken om hardnekkige vlekken te verwijderen.
14. De leverancier is niet verantwoordelijk voor schade of verlies van gegevens veroorzaakt door storing, misbruik, modificatie van het apparaat of vervanging van de batterij.
15. Zorg ervoor de verbinding niet te verbreken terwijl het apparaat bezig is met formateren of bestandsoverdracht. Gegevens kunnen anders corrupt of verloren raken.
16. Als het apparaat een USB-afspeelfunctie heeft, moet de USB-geheugenstick rechtstreeks in het apparaat worden gestoken. Gebruik geen USB-verlengsnoer, omdat deze interferentie kan veroorzaken waardoor uw gegevens verloren kunnen gaan.
17. Het nominale specificatielabel is te vinden op het onder- of achterpaneel van het apparaat.
18. Dit product is niet bestemd voor gebruik door personen (waaronder kinderen) met verminderde fysieke, zintuiglijke of mentale capaciteiten, of met een tekort aan kennis en ervaring, tenzij een persoon verantwoordelijk voor hun veiligheid toezicht houdt of instructies heeft gegeven voor het correcte gebruik van het apparaat.

19. Dit product is uitsluitend bedoeld voor niet-professioneel gebruik en niet voor commercieel of industrieel gebruik.
20. Zorg ervoor dit apparaat op een stabiele plek te plaatsen. Beschadigingen veroorzaakt door het gebruik van dit apparaat in een onstabiele positie, trillingen of schokken of door het niet opvolgen van andere waarschuwingen of voorzorgsmaatregelen beschreven in deze gebruikshandleiding, worden niet gedekt door de garantie.
21. Verwijder nooit de behuizing van dit apparaat.
22. Plaats dit apparaat nooit op andere elektrische apparatuur.
23. Houd plastic zakken uit de buurt van kinderen.
24. Gebruik alleen uitbreidingen/accessoires gespecificeerd door de fabrikant.
25. Laat alle reparaties over aan bevoegd onderhoudspersoneel. Reparatie is vereist wanneer het apparaat op enigerlei wijze is beschadigd, zoals een beschadigde voedingskabel of stekker, wanneer vloeistof is gemorst of voorwerpen in het apparaat zijn gevallen, wanneer het apparaat is blootgesteld aan regen of vocht, niet normaal functioneert of is gevallen.
26. Langdurige blootstelling aan harde geluiden van persoonlijke muzikspelers kan leiden tot tijdelijk of permanent gehoorverlies.
27. Als het product wordt geleverd met een voedingskabel of AC-stroomadapter:
  - Als er problemen optreden, koppel de AC-voedingskabel dan los en laat reparaties over aan bevoegd personeel.
  - Niet op de stroomadapter gaan staan of deze indrukken. Wees zeer voorzichtig, vooral in de buurt van de stekkers en waar de kabel uit het apparaat komt. Plaats geen zware voorwerpen op de stroomadapter, om beschadiging ervan te voorkomen. Houd het gehele apparaat buiten bereik van kinderen! Wanneer kinderen met de voedingskabel spelen, kunnen zij ernstig letsel oplopen.
  - Koppel dit apparaat los tijdens onweer of wanneer deze voor een lange periode niet wordt gebruikt.
  - Het stopcontact moet in de buurt van de apparatuur zijn geïnstalleerd en eenvoudig te bereiken zijn.
  - Zorg ervoor stopcontacten of verlengsnoeren niet te overbelasten. Overbelasting kan tot brand of elektrische schokken leiden.
  - Apparaten met een klasse 1 constructie moeten worden aangesloten op een stopcontact met een beschermende aardeverbinding.

- Apparaten met een klasse 2 constructie vereisen geen aardeverbinding.
  - Houd altijd de stekker vast wanneer u deze uit het stopcontact trekt. Trek niet aan de voedingskabel. Dit kan anders een kortsluiting veroorzaken.
  - Gebruik geen beschadigde voedingskabel of stekker of een los stopcontact. Dit kan anders leiden tot brand of elektrische schokken.
28. Als het product een afstandsbediening met knoop-/celbatterijen bevat of daarmee wordt geleverd:  
 Waarschuwing:
- "Batterij niet inslikken, gevaar op chemische brandwonden" of soortgelijke werking.
  - [De afstandsbediening meegeleverd met] Dit product bevat een knoop-/celbatterij. Als de batterij wordt ingeslikt, kan deze in slechts 2 uur ernstige en zelfs fatale interne brandwonden veroorzaken.
  - Houd zowel nieuwe als verbruikte batterijen uit de buurt van kinderen.
  - Als het batterijvak niet goed sluit, gebruik het product dan niet langer en houd het uit de buurt van kinderen.
  - Als u denkt dat batterijen zijn ingeslikt of in een lichaamsdeel zijn geplaatst, dient u onmiddellijk medische hulp in te roepen.
29. Waarschuwing m.b.t. het gebruik van batterijen:
- Risico op ontploffing als de batterij incorrect is geïnstalleerd. Vervang alleen door hetzelfde of een gelijkwaardig type.
  - Stel de batterij niet bloot aan extreem hoge of lage temperaturen of een lage luchtdruk op grote hoogte tijdens gebruik, opslag of transport.
  - Vervanging van een batterij door een incorrect type kan leiden tot een ontploffing of de lekkage van ontvlambare vloeistoffen of gas.
  - Verwijdering van een batterij in vuur of een hete oven of het mechanisch verpletteren of snijden van een batterij kan leiden tot een ontploffing.
  - Laat een batterij nooit achter in omgevingen met extreem hoge temperaturen, anders kan dit leiden tot een ontploffing of de lekkage van ontvlambare vloeistoffen of gas.

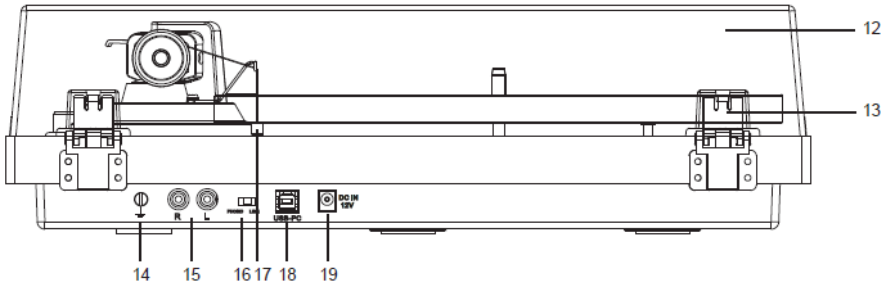
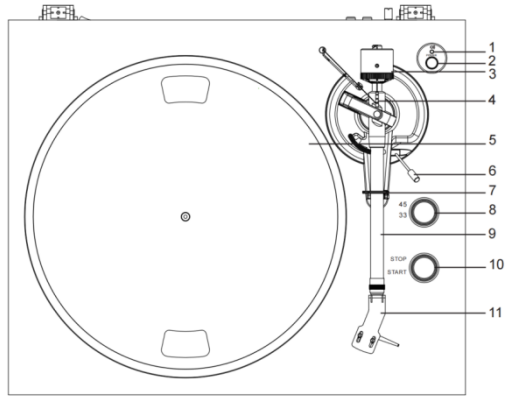
- Stel een batterij nooit bloot aan een extreem lage luchtdruk, anders kan dit leiden tot een ontploffing of de lekkage van ontvlambare vloeistoffen of gas.
- Houd rekening met de impact op het milieu bij het afdanken van batterijen.

#### **INSTALLATIE**

- Pak alle onderdelen uit en verwijder het beschermende materiaal.
- Sluit het apparaat niet aan op het lichtnet voordat de correcte netspanning is geverifieerd en alle andere aansluitingen tot stand zijn gebracht.

## ONDERDELEN, FUNCTIES EN AANSLUITINGEN

1. Aan/uit- en Bluetooth-indicator
2. Aan-/uittoets
3. Contragewicht
4. Antiskating-mechanisme
5. Platenspelerplateau
6. Toonarm hefhendel
7. Toonarmsteun
8. 33/45-keuzeschakelaar
9. Toonarm
10. Stop-/Starttoets
11. Verwijderbare headshell met element



- |                                  |                          |
|----------------------------------|--------------------------|
| 12. Deksel                       | 17. Antiskating-gewicht  |
| 13. Scharnier van deksel         | 18. USB-PC-poort         |
| 14. Aarde-verbinding             | 19. AC-DC-voedingsingang |
| 15. Uitgangen PHONO en Lijn uit  |                          |
| 16. Schakelaar PHONO en Lijn uit |                          |

Controleer de verpakking goed en zorg ervoor dat de volgende onderdelen in de verpakking aanwezig zijn:

- |                                      |   |
|--------------------------------------|---|
| 1) Apparaat                          | 8) Uitlijningsprotractor voor cartridge   |
| 2) Adapter met EU-VK-stekkeruiteinde | 9) USB-PC-kabel                           |
| 3) Contragewicht                     | 10) 2 st. vervangingsrubber deksel        |
| 4) Plateau met riem                  | 11) Antiskating-gewicht                   |
| 5) Adapter 45 tpm                    | 12) Lijn-uit-kabel                        |
| 6) Mat platenspeler                  | 13) Centergewicht (ALLEEN voor LBT-345)   |
| 7) Gebruikshandleiding               | 14) Verwijderbare headshell met cartridge |

Deze platenspeler wordt geleverd met een element dat in de fabriek is gemonteerd en aangepast.

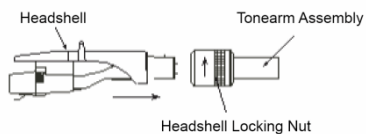
\*\*Hieronder ziet u de instructies voor het afstellen van het element voor het geval dat de cartridge wordt vervangen door een ander model op een latere datum.

### **Het deksel plaatsen**

Plaats het **Deksel** voorzichtig over de uitsteeksels van het scharnier.

### **De headshell plaatsen**

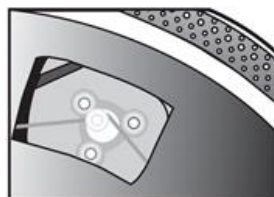
Plaats de headshell in het uiteinde van de voorkant van de toonarm. Terwijl je de headshell stevig vasthoudt in het uiteinde van de voorkant van de toonarm, draai de vergrendelingsmoer van de headshell in tegenwijzerzin om de headshell stevig te bevestigen aan de toonarm.



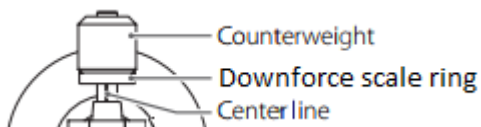
EN	NL
Headshell	Headshell
Tonearm Assembly	Toonarm
Headshell Locking Nut	Vergrendelingsmoer headshell

### Instellen draaiplateau en riem

1. Plaats de aandrijfriem over de binnenring onder het plateau en zorg ervoor dat hij er niet afvalt tijdens het instellen.
2. Plaats het plateau door de spindel van de platenspeler, draai vervolgens aan het plateau tot u de poelie van de aandrijfmotor door het venster in de linkerbovenhoek ziet.
3. Pak voorzichtig de aandrijfriem vast en plaats hem rond de sleuf van de motorpoelie.
4. Verbind de voedingsadapter met de platenspeler en schakel de platenspeler in.
5. Stel de schakelaar Motor starten/stoppen in de Start-stand om te zien of de motor van het plateau draait. Als het plateau niet draait, herhaal dan de bovenstaande stappen.



### Neerwaartse druk cartridge afstellen





EN	NL
Counterweight	Contragewicht
Downforce scale ring	Schaalring voor de neerwaartse kracht
Center line	Middenlijn

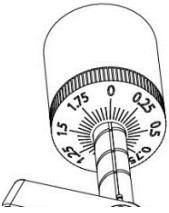
Het meegeleverde **Contragewicht** is geschikt voor cartridges met een gewicht tussen 6,0-8,0 g.

- Duw en draai het contragewicht voorzichtig op de achterkant van de toonarm (met de schaalverdeling naar de voorkant van de platenspeler gericht).
- Verwijder de beschermkap van de cartridge.
- Laat de toonarmhendel zakken en plaats de cartridge in de ruimte tussen toonarmsteun en plateau.

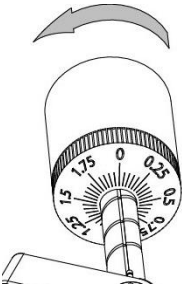
Draai voorzichtig aan het **Contragewicht** totdat de toonarm uit in balans is. De toonarm moet terugkeren naar de balanspositie als hij omhoog of omlaag wordt bewogen. Deze afstelling moet zorgvuldig gebeuren.



- Zodra de toonarm correct is uitgebalanceerd, zet u hem terug in zijn rustpositie. Houd het **Contragewicht** vast zonder het te bewegen en draai de schaalring voor de **Neerwaartse kracht** voorzichtig tot de nul in lijn ligt met de zwarte lijn op de achterkant van de **toonarm**. Controleer of de toonarm nog in balans is.



- Draai het contragewicht rechtsom (van voren gezien) om de neerwaartse kracht af te stellen volgens de aanbevelingen van de fabrikant van de cartridge. Eén streepje op de schaal staat voor 0,05 g neerwaartse kracht.

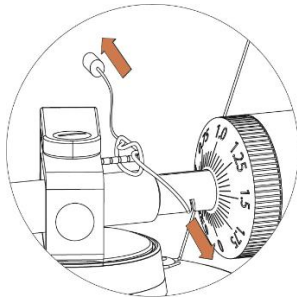


**OPMERKING:** de aanbevolen neerwaartse kracht voor de in de fabriek gemonteerde cartridge is 1,8 g ( $\pm 0,2$  g).

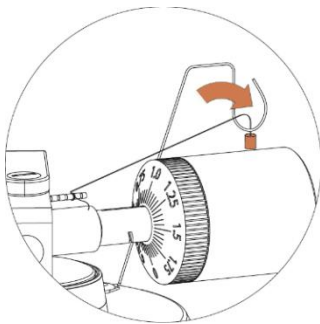
### Het antiskating-gewicht zoeken

Het antiskating-gewicht met een kleine vislijn vindt in de verpakking. Volg de onderstaande stappen om het antiskating-gewicht te vinden:

1. Schuif het lusvormige uiteinde van de vislijn over het afstelmechanisme van het antiskating-gewicht en in de 3e groef (de juiste antiskating-kracht voor de in de fabriek gemonteerde cartridge).



2. Trek iets aan het antiskating-gewicht om de knoop van de vislijn door het mechanisme te laten bewegen.
3. Til het antiskating-gewicht over de draadsteun van het antiskating-gewicht. Het antiskating-gewicht zou nu in de vrije ruimte links van de steun moeten bungelen.



Laat de lus van de draad van het antiskating-gewicht over de **3e** groef van de stomp glijden om de juiste antiskating-kracht in te stellen voor de in de fabriek gemonteerde cartridge. Rijg de draad door de lus van de draadsteun.

### **Antiskating-kracht afstellen**

De antiskating-kracht moet als volgt worden aangepast aan de neerwaartse kracht:

Neerwaartse kracht

1 - 1,25 g

1,25 - 1,5 g

Groef in het mechanisme

1e vanaf lagerringen

2e " " "

1,5 - 1,75 g

3e " " "

1,75 - 2 g

4e " " "



Laat de lus van de draad van het antiskating-gewicht over de **3e** groef van de stomp glijden om de juiste antiskating-kracht in te stellen voor de in de fabriek gemonteerde cartridge. Rijk de draad door de lus van de draadsteun.

## Aansluiting stereosysteem

### RCA-aansluitingen

- De RCA-aansluitingen van dit apparaat worden gedeeld als Phono- en lijnuitgangsaansluitingen. Ze worden bepaald door de Phono/Line-schakelaar.
- Bij gebruik als lijnuitgang voeren de aansluitingen analoge signalen op lijnniveau uit en kunnen ze rechtstreeks worden aangesloten op een paar actieve luidsprekers of de juiste ingang van uw stereo-installatie. Bij gebruik als phono-uitgang moeten ze worden aangesloten op de phono-voorversterker of de phono-ingang van de stereo-installatie.
- De rode stekker wordt aangesloten op het rechterkanaal en de witte stekker op het linkerkanaal.

### Opmerking:

- Als de Phono/Line-schakelaar op LINE staat, maar er RCA-aansluitingen zijn aangesloten op de phono-ingang van de stereo-installatie, kan het geluid vervormd raken door overbelasting van de ingang en kan uw stereo-installatie beschadigd raken.

- Als de Phono/Line-schakelaar op PHONO staat, maar er RCA-aansluitingen zijn aangesloten op de lijningang van de stereo-installatie, kan het geluid heel laag zijn omdat de versterking vooraf van het signaal ontbreekt.

RCA-aansluitingen zijn niet ontworpen om rechtstreeks op de passieve/onbekrachtigde luidsprekers te worden aangesloten en als dat toch gebeurt, zal het volume zeer laag zijn.

### **Aansluiting netspanning**

De voedingsadapter bevindt zich in het schuimrubberen verpakkingsmateriaal. Pak de voedingsadapter uit en steek het kleine uiteinde in de **voedingaansluiting** aan de achterkant van de platenspeler. Steek de stekker van de voedingsadapter in het stopcontact.

### **Bediening**

#### **Werking platenspeler**

1. Sluit de bijgesloten voedingsadapter aan op het apparaat en druk op de aan-/uittoets (2) om de platenspeler in te schakelen.
2. Verwijder de naaldkap van de patroon.
3. Plaats de slipmat op het plateau en plaats een plaat op de slipmat. Als u 45-toerenplaten gebruikt, plaats dan de 45-toerenadapter op de middelste as voordat u de plaat op het plateau plaatst.
4. Stel de 33/45-toerenschakelaar in volgens het type plaat.
5. Draai de Start-/Stoptoets naar de stand Start om het plateau te laten draaien.
6. Ontgrendel de armklem en zet de hefhendel omhoog.
7. Plaats de toonarm op de gewenste plaats (groef) op de plaat.

8. Beweeg de toonarmhendel naar beneden om de toonarm in de richting van de plaat te bewegen. De naald kunt u ook op de gewenste plaats op de plaat plaatsen.
9. Laat de toonarm voorzichtig op de plaat zakken.
10. Wanneer u klaar bent met het afspelen van de plaat, til dan de toonarm op, laat deze weer op de armklem rusten en draai de Start-/Stoptoets naar Stop.
11. Druk op de aan-/uittoets om de voeding uit te zetten.
12. Het plateau houdt op met draaien als er binnen 3 minuten geen signaal door het apparaat wordt uitgezonden.

### **Bluetooth gebruiken**

Dit apparaat heeft een Bluetooth-zender om draadloos het geluid naar een Bluetooth-luidspreker of -hoofdtelefoon te sturen.

1. Schakel uw Bluetooth-luidspreker in en zorg ervoor dat deze zich in de koppelingsmodus bevindt.
2. Schakel de platenspeler in met de aan-/uittoets (2). De led-indicator (1) zal eerst ROOD oplichten en vervolgens blauw knipperen tijdens het tot stand brengen van de Bluetooth-koppeling met de externe luidspreker of hoofdtelefoon.

Opmerking: als u de Bluetooth-zoekfunctie wilt uitschakelen, houdt u de aan-/uittoets 3 seconden ingedrukt waarna de led-indicator rood oplicht.

3. Tijdens het koppelen knippert de blauwe led twee keer per seconde en blijft blauw branden wanneer de koppeling gereed is.

*Opmerking:* dit apparaat maakt verbinding met het Bluetooth-apparaat. Als er na 2 minuten geen Bluetooth-luidspreker kan worden gevonden om mee te koppelen, wordt de Bluetooth-zender inactief en brandt de LED rood.

4. Om het koppelen te verbreken, houdt u de aan-/uittoets 3 seconden ingedrukt of schakelt u Bluetooth-koppeling op uw externe Bluetooth-luidspreker of -hoofdtelefoon uit.

*“Dit product heeft een Bluetooth-zendfunctie, u kunt geen Bluetooth-geluid ermee ontvangen: dit betekent dat u draadloos een Bluetooth-geluidssignaal kunt verzenden van een extern apparaat, zoals een Bluetooth-luidspreker, Bluetooth-hoofdtelefoon, audiosysteem met Bluetooth-ontvangst...”*

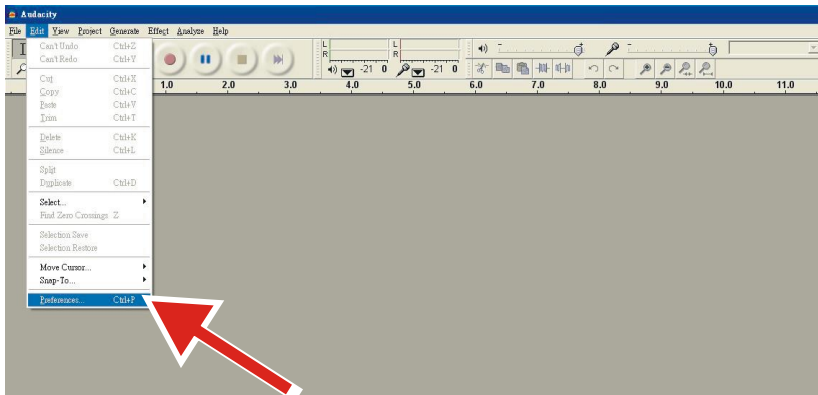
## **Overzicht Audacity-software**

Audacity is gratis software, gelicentieerd onder de GNU General Public License (GPL). Meer informatie en opensourcecode zijn te vinden op het internet op <https://www.audacityteam.org/download/>

**\* Zorg ervoor dat u de software heeft geïnstalleerd voordat u begint.**

### **Uw pc instellen om met Audacity te werken**

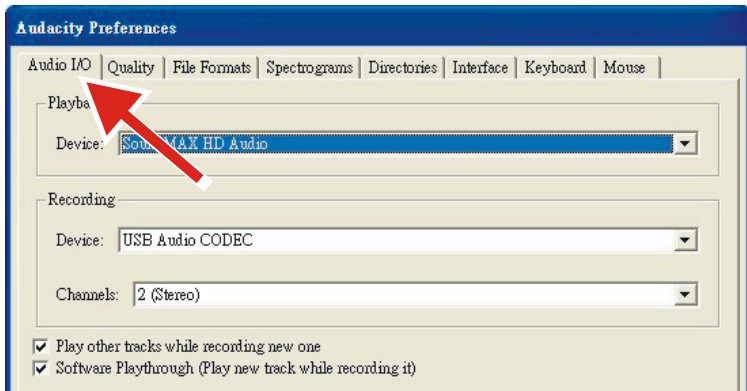
1. Sluit een ingangsbron aan op het apparaat.
2. Sluit de USB-kabel aan op uw computer.
3. Installeer de Audacity-opnamesoftware.
4. Open het Audacity-programma.
5. Selecteer Preferences (Voorkeuren) op het tabblad Edit (Bewerken) in het menu Audacity .



6. Selecteer het tabblad **Audio I/O** linksboven.

- Onder Playback (Afspelen), Device (Apparaat), selecteert u **your internal sound card (uw interne geluidskaat)**.
- Onder Recording (Opname), Device (Apparaat), selecteert u **USB Audio CODEC (USB-AUDICODEC)**.
- Onder Recording (Opname), Channels (Kanalen), selecteert u **2 (Stereo)**.
- Vink het vakje **Play other tracks while recording new one (Andere sporen afspelen tijdens het opnemen van een nieuwe)** aan.
- Vink het vakje **Software Playthrough (Software doornemen)** aan.

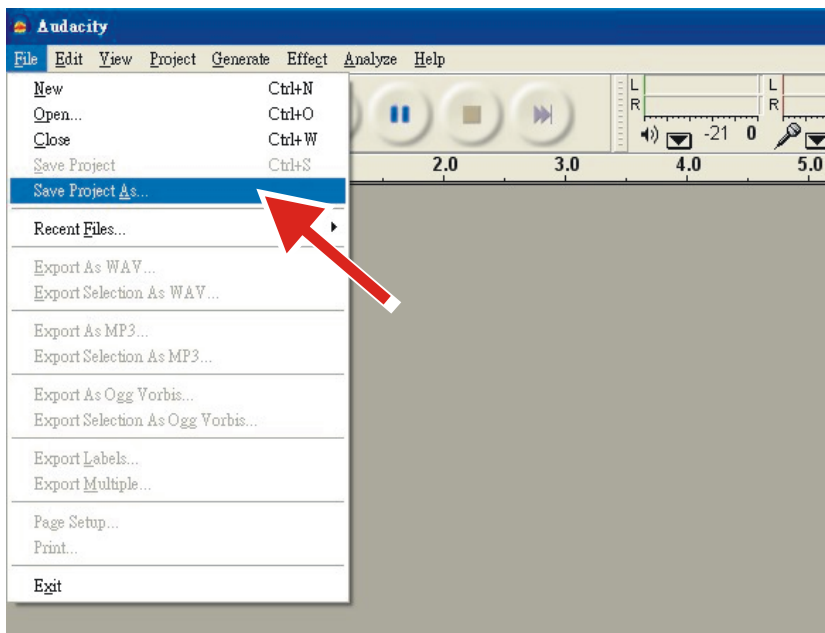




## Albums opnemen met Audacity

### 1. Een project opslaan

- Audacity schrijft alle gewijzigde en opgenomen audio naar een map genaamd **Projectname\_data (Projectnaam\_data)**, die zich bevindt op de plaats waar u het projectbestand zelf heeft opgeslagen.
- Selecteer dus **Save project as (Project opslaan als)** in het tabblad Audacity File (Audacity-bestand) en kies een locatie en bestandsnaam voor uw project.
- Let op, wanneer u Audacity opnieuw opstart is alleen de menu-optie **Save As... (Opslaan als...)** beschikbaar.



## 2. Opnemen

- Stel uw USB-platenspeler in om het nummer of album dat u wilt opnemen af te spelen.



- Klik op de rode opnameknop om de opname te beginnen.

- Laat de toonarm van de USB-platenspeler zakken op de plaat met het nummer of album dat u wilt opnemen.

- Klik op de blauwe pauzeknop om de opname te pauzeren. Druk er



nogmaals op om door te gaan.

- Klik op de gele stopknop.



Dat is alles. U kunt nu met uw opname spelen en de bewerkingsmogelijkheden van Audacity verkennen. Let op: de functie Ongedaan maken kunt u bijna onbeperkt gebruiken terwijl het project geopend is.

**OPMERKING:** Cd's kunnen niet rechtstreeks vanuit Audacity worden gebrand. Hiervoor moet u andere cd-brandprogramma's gebruiken.

### Onderhoud en reiniging

Uw platenspeler heeft weinig of geen regelmatig onderhoud nodig. Verwijder stof met een licht bevochtigde antistatische doek. Gebruik nooit een droge doek, dit veroorzaakt statische elektriciteit en trekt meer stof aan! Antistatische reinigingsmiddelen zijn verkrijgbaar in gespecialiseerde winkels, maar moeten spaarzaam worden toegepast om schade aan rubberen onderdelen te voorkomen. Het wordt aanbevolen de naaldkap te installeren voordat reiniging of onderhoud wordt uitgevoerd om schade te voorkomen.

Als de platenspeler gedurende langere tijd niet wordt gebruikt, moet de aandrijfriem worden verwijderd om ongelijkmatige uitrekking te voorkomen.

**OPMERKING:** Haal uit voorzorg de stekker van platenspeler altijd uit het stopcontact voordat u onderhoud pleegt!

### Nuttige tips

De platenspeler moet op een oppervlak met weinig resonantie worden geplaatst, zoals hout of een multiplexplaat, om te voorkomen dat structurele trillingen het afspeken verstoren.

## Cartridge vervangen

1. Plaats voor het vervangen de stylusbescherming terug op de stylus om schade aan de stylus tijdens het vervangen van de cartridge te voorkomen.
2. Verwijder voorzichtig de draden van de originele cartridge.
3. Draai de twee schroeven op de headshell los waarmee de cartridge vastzit en verwijder vervolgens de originele cartridge.
4. Monteer de nieuwe cartridge op de kop en draai deze lichtjes aan. Draai de schroeven nu nog niet helemaal vast.
5. Sluit de draden aan op de klemmen van de nieuwe cartridge. De kleurencodes van de draden zijn zoals hieronder vermeld:  
Wit linkerkanaal positief (L+)  
Blauw linkerkanaal negatief (L-)  
Rood rechterkanaal positief (R+)  
Groen rechterkanaal negatief (R-)
6. Stel de positie van de cartridge af om ervoor te zorgen dat deze precies is uitgelijnd met de headshell, zodat de stylus de groeven perfect parallel volgt.  
Plaats daartoe de meegeleverde papieren uitlijningsprotractor van de cartridge over de platenspelersspindel, til de toonarm voorzichtig op en plaats de punt van de stylus op de punten die respectievelijk met 130 mm en 250 mm zijn gemarkeerd. Stel de positie van de cartridge op de behuizing nauwkeurig af totdat de cartridge op beide posities perfect parallel is aan de referentielijnen.
7. Draai de schroeven volledig aan zodra de perfecte uitlijning is bereikt.

OPMERKING: Mocht u niet bekend zijn met deze procedure of zich er niet prettig bij voelen, dan raden we u aan een professional te raadplegen om de installatie uit te voeren.

## Technische specificaties:

Nominale snelheden	33 1/3 & 45 tpm	
Wow en flutter	≤0,15%	
Signaal/ruis	55 dB	
Bereik neerwaartse kracht	0-2,0 g	
Effectieve toonarm lengte	218,5 mm	
Overhang	0,73 in	
Opgenomen vermogen	6 W (Max)	
Stroomvoorziening	12 V/500 mA	AC-DC
buitenboord		
Afmetingen (B x H x D)	420 x 360 x 125 mm	
Gewicht	4,8 kg	

#### **Technische specificaties: 2M RED (Ortofon)**

Frequentierespons	20 Hz-20 kHz
Aanbevolen belastingsweerstand	47 kOhm
Kanaalbalans	1,5 dB
Aansluiting versterker	MM-ingang
Kanaalscheiding	22 dB
Aanbevolen naalddruk	1,8±0,2 g
Uitgangsspanning	5,5 mV
Gewicht	7,2 g

#### **Mogelijk onjuist gebruik en foutcondities**

Deze platenspelers zijn gefabriceerd volgens de hoogste standaarden en ondergaan strenge kwaliteitscontroles voordat ze de fabriek verlaten. Fouten die zich kunnen voordoen zijn niet noodzakelijkerwijze te wijten aan materiaal- of productiefouten, maar kunnen soms het gevolg zijn van onjuist gebruik of onvoorziene omstandigheden. Daarom is de onderstaande lijst met meest voorkomende fouten inbegrepen.

### **Het plateau draait niet, hoewel het apparaat is ingeschakeld:**

- Het apparaat is niet aangesloten op de hoofdvoeding.
- Geen voeding op het stopcontact.
- De aandrijfriem is niet geïnstalleerd of is afgeleden.
- Het apparaat gaat automatisch in de stand-bymodus, zet weer AAN.

### **Geen signaal via een of een ander kanaal of beide kanalen:**

- Telefooningang niet geselecteerd op de versterker.
- Versterker niet ingeschakeld.
- Versterker of luidsprekers gedempt.
- Geen verbinding met de luidsprekers.
- Geen verbinding tussen de platenspeler en de versterker.
- Draden niet met de cartridge verbonden.

### **Sterke brom op phono-ingang:**

- Geen aardeverbinding van de cartridge, arm, armkabel met de versterker of aardelus.
- Platenspeler te dicht bij de luidsprekers geplaatst.

### **Vervormd of inconsistent geluid uit één of beide kanalen:**

- De platenspeler is op verkeerde ingang van de versterker aangesloten.
- Naald of cantilever beschadigd.
- Aandrijfriem te ver uitgerekt of vuil.
- Plateaulager zonder olie, vuil of beschadigd.
- Stof op de stylus.
- MM/MC-schakelaar op voorversterker verkeerd ingesteld.

**Opmerking: Als gevolg van de ErP Stage 2-vereisten voor energiebesparende maatregelen, zal een apparaat dat op het lichtnet is aangesloten automatisch naar de stand-bymodus overschakelen als er gedurende ongeveer 20 minuten geen muziek is afgespeeld.**

**Dit is geen defect als uw apparaat regelmatig uitschakelt.**

#### Stroomadapter

Fabrikant: BRIGHTPOWER OPTOELECTRONIC TECHNOLOGY CO., LTD

Modelnummer: SW1200500-FM

Ingangsspanning: 100-240 V

AC-ingangsfrequentie: 50/60 Hz

Uitgangsspanning: DC 12 V

Uitgangsstroom: 0,5 A

Uitgangsvermogen: 6 W

Gemiddelde actieve efficiëntie: 79,62%

Efficiëntie bij lage belasting (10%): 70,40%

Stroomverbruik bij geen belasting: 0,073 W

Gebruik uitsluitend de voeding vermeld in de gebruikshandleiding

#### Technische specificaties voor Ortofon 2M RED

Frequentierespons - 20-20.000 Hz + 3 / - 1 dB

Aandrijfvermogen à 315Hz bij aanbevolen aandrijfkracht \*) - 70 µm

Conformiteit, dynamisch, lateraal - 20 µm/mN

Naaldtype - Elliptisch

Naaldpunt radius - r/R 8/18 µm

Equivalent massa naaldpunt - 0,5 mg

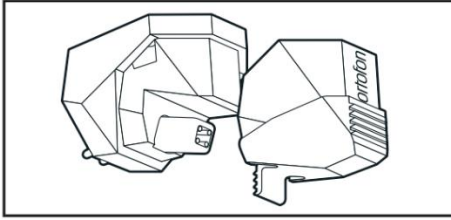
Bereik aandrijfkracht - 1,6-2,0 g (16-20 mN)

Aandrijfkracht, aanbevolen - 1,8 g (18 mN)

Aandrijfhoek - 20°

\*) Typische waarde

Naald kleur - Rood



## Garantie

Commaxx B.V. verleent service en garantie in overeenstemming met de Europese wetgeving, wat betekent dat u bij reparaties (zowel tijdens als na de garantieperiode) contact dient op te nemen met uw lokale dealer.

Belangrijke opmerking: Het is niet mogelijk om te repareren producten direct naar Commaxx B.V. te sturen.

Belangrijke opmerking: Als dit apparaat op enigerlei wijze wordt geopend door de gebruiker of een niet-officieel servicecentrum, komt de garantie te vervallen.

Dit apparaat is niet geschikt voor professioneel gebruik. Bij professioneel gebruik worden alle garantieverplichtingen van de fabrikant nietig.

## Disclaimer

Er worden regelmatig updates voor de firmware en/of hardwarecomponenten uitgegeven. Daarom kunnen sommige instructies, specificaties en afbeeldingen in deze documentatie enigszins afwijken van uw specifieke situatie. Alle items beschreven in deze handleiding, zijn alleen bestemd ter illustratie en zijn mogelijk niet van toepassing op een bepaalde situatie. Aan de beschrijving in deze handleiding kunnen geen wettelijke rechten of aanspraken worden ontleend.

## Het oude apparaat afdanken





Dit symbool geeft aan dat het betreffende elektrische product of de batterij in Europa niet als algemeen huishoudelijk afval mag worden afgevoerd. Om ervoor te zorgen dat het product en de batterij op de juiste manier worden verwerkt, dient u deze af te danken in overeenstemming met de toepasselijke lokale [REDACTED] wetgeving met betrekking tot de verwijdering van elektrische apparatuur of batterijen. U helpt hierdoor natuurlijke hulpbronnen te behouden en de normen voor milieubescherming bij de behandeling en verwijdering van elektrisch afval te verbeteren (richtlijn afgedankte elektrische en elektronische apparatuur).

### CONFORMITEITSVERKLARING

Hierbij verklaart Commaxx dat het type radioapparatuur [Lenco LBT-335 / LBT-345] in overeenstemming is met richtlijn 2014/53/EU. De volledige tekst van de EU-conformiteitsverklaring is beschikbaar op het volgende internetadres:

[https://commaxx-certificates.com/doc/lbt-335\\_doc.pdf](https://commaxx-certificates.com/doc/lbt-335_doc.pdf)

[https://commaxx-certificates.com/doc/lbt-345\\_doc.pdf](https://commaxx-certificates.com/doc/lbt-345_doc.pdf)

Type RF	Frequentiebereik: (MHz)	Vermogen (dBm)
Bluetooth	2402-2480	<6

### Service

Bezoek voor meer informatie en helpdeskondersteuning [www.lenco.com](http://www.lenco.com)

Commaxx B.V. Wiebachstraat 37, 6466 NG, Kerkrade, The Netherlands.

## **VORSICHT:**

Eine andere als die hier beschriebene Benutzung der Bedienelemente oder Einstellung oder Durchführung von Abläufen kann zu einer Aussetzung gefährlicher Strahlung führen.

## **VORSICHTSMASSNAHMEN VOR DER BENUTZUNG**

### **BEFOLGEN SIE IMMER FOLGENDE ANWEISUNGEN:**

1. Blockieren oder bedecken Sie keine Lüftungsöffnungen. Lassen Sie um das gesamte Gerät herum 5 cm Freiraum, wenn Sie es in ein Regal stellen.
2. Stellen Sie das Gerät entsprechend den Anweisungen der mitgelieferten Bedienungsanleitung auf.
3. Halten Sie das Gerät von Hitzequellen wie Radiatoren, Heizern, Öfen, Kerzen oder anderen hitzeerzeugenden Produkten oder offenen Flammen fern.  
Das Gerät darf nur bei gemäßigttem Klima verwendet werden. Sehr kalte oder heiße Umgebungen sind zu vermeiden. Die Betriebstemperatur liegt zwischen 0 °C und 35 °C.
4. Meiden Sie bei der Benutzung des Produkts die Nähe starker Magnetfelder.
5. Elektrostatische Entladungen können die normale Benutzung dieses Gerätes stören. Sollte dies geschehen, setzen Sie das Gerät zurück und starten Sie es dann entsprechend den Anweisungen dieser Bedienungsanleitung neu. Gehen Sie besonders bei Datenübertragungen mit dem Gerät vorsichtig um und führen Sie diese nur in einer anti-elektrostatischen Umgebung aus.
6. Warnung! Niemals Gegenstände durch die Lüftungsschlitze oder Öffnungen in das Gerät stecken. Dieses Gerät steht unter Hochspannung. Das Hineinstecken von Gegenständen kann zu Stromschlag und/oder Kurzschluss interner elektrischer Bauteile führen. Spritzen/gießen Sie aus dem gleichen Grund weder Wasser noch andere Flüssigkeiten auf das Gerät.
7. Benutzen Sie das Gerät nicht in nasser oder feuchter Umgebung wie Bad, Dampfküche oder in der Nähe von Schwimmbecken.
8. Das Gerät darf weder Tropf- noch Spritzwasser ausgesetzt werden und es dürfen keine mit Flüssigkeit gefüllten Behälter wie z. B. Vasen auf das Gerät oder in der Nähe des Gerätes gestellt werden.

9. Benutzen Sie das Gerät nicht, wenn Kondensation entstehen kann. Wenn Sie das Gerät in einem warmen, feuchten Raum mit Dampf benutzen, können Wassertropfen oder Kondensation in das Gerät eindringen und u. U. zu Fehlfunktionen des Gerätes führen. Schalten Sie in diesem Fall das Gerät für 1 bis 2 Stunden aus, bevor Sie es erneut einschalten, wobei Sie darauf achten sollten, dass das Gerät vollständig getrocknet ist, bevor Sie es wieder einschalten.
10. Obwohl dieses Gerät unter größter Sorgfalt hergestellt und vor Auslieferung mehrmals überprüft wurde, können trotzdem wie bei jedem anderen elektrischen Gerät auch Probleme auftauchen. Trennen Sie das Gerät bei Rauchentwicklung, starker Hitzeentwicklung oder jeder anderen unnatürlichen Erscheinung sofort vom Stromnetz.
11. Dieses Gerät ist durch eine Stromquelle wie auf dem Typenschild angegeben zu betreiben. Halten Sie bei Unsicherheiten über die Art Ihrer Stromversorgung in Ihrer Wohnung Rücksprache mit Ihrem Händler oder Ihrem Stromversorger.
12. Halten Sie das Gerät von Haustieren fern. Einige Nagetiere nagen gerne an Netzkabeln.
13. Benutzen Sie für die Reinigung ein weiches, trockenes Tuch. Benutzen Sie niemals Lösungsmittel oder Flüssigkeiten auf Ölbasis. Benutzen Sie zum Entfernen hartnäckiger Flecken ein feuchtes Tuch mit mildem Reinigungsmittel.
14. Der Hersteller haftet nicht für Beschädigungen oder Datenverluste aufgrund von Fehlfunktion, Zweckentfremdung oder Modifikation des Gerätes oder aufgrund des Wechselns der Batterie.
15. Unterbrechen Sie die Verbindung nicht während einer Formatierung oder einer Datenübertragung. Bei Unterbrechung drohen Datenverlust und Datenbeschädigung.
16. Wenn das Gerät eine USB-Wiedergabefunktion besitzt, stecken Sie den USB-Stick direkt in das Gerät. Verwenden Sie kein USB-Verlängerungskabel, weil die erhöhte Störungsanfälligkeit zu Datenverlust führen kann.
17. Das Typenschild befindet sich an der Unter- oder Rückseite des Gerätes.
18. Dieses Gerät ist nicht zur Benutzung durch Personen (einschließlich Kinder) mit physischen, sensorischen oder mentalen Beeinträchtigungen oder ohne ausreichende Erfahrung vorgesehen, es sei denn, sie werden durch eine für ihre Sicherheit verantwortliche Person beaufsichtigt oder wurden in die ordnungsgemäße Bedienung

des Gerätes durch eine für ihre Sicherheit verantwortliche Person eingewiesen.

19. Dieses Produkt ist nur für den nicht-professionellen Gebrauch und nicht für gewerbliche oder industrielle Zwecke bestimmt.
20. Stellen Sie sicher, dass das Gerät in einer stabilen Position aufgestellt ist. Schäden, die durch Verwendung dieses Produkts in einer instabilen Position, durch Vibrationen, Stöße oder Nichtbeachtung der anderen in diesem Handbuch enthaltenen Warnungen und Sicherheitsmaßnahmen entstehen, werden nicht durch die Garantie abgedeckt.
21. Entfernen Sie niemals das Gehäuse dieses Gerätes.
22. Stellen Sie dieses Gerät niemals auf andere elektrische Geräte.
23. Halten Sie Kinder von den Plastiktüten fern.
24. Benutzen Sie nur vom Hersteller spezifizierte Erweiterungen/Zubehörteile.
25. Lassen Sie alle Wartungs-/Reparaturarbeiten von qualifiziertem Servicepersonal ausführen. Reparatur/Wartung wird notwendig, wenn das Gerät in irgendeiner Weise wie beispielsweise am Netzkabel oder am Netzstecker beschädigt wurde oder wenn Flüssigkeit in das Gerät gelangt ist bzw. Gegenstände in das Gerät gefallen sind, das Gerät Regen oder Feuchtigkeit ausgesetzt war, es heruntergefallen ist oder nicht ordnungsgemäß funktioniert.
26. Langes Hören lauter Töne aus einem Musikgerät kann zu zeitweiligem oder permanentem Hörverlust führen.
27. Wenn zum Lieferumfang des Produkts ein Netzkabel oder ein Netzadapter gehört:
  - Wenn irgendwelche Probleme auftreten, trennen Sie das Gerät vom Stromnetz und setzen Sie sich anschließend mit einer qualifizierten Fachkraft in Verbindung.
  - Treten Sie nicht auf den Netzadapter und klemmen Sie ihn auch nicht ein. Seien Sie besonders im näheren Bereich des Netzsteckers und an der Stelle vorsichtig, an der das Netzkabel aus dem Gerät herausgeführt wird. Stellen Sie keine schweren Gegenstände auf den Netzadapter, da er dadurch beschädigt werden kann. Halten Sie das gesamte Gerät außerhalb der Reichweite von Kindern! Durch Spielen mit dem Netzkabel können sie sich ernsthafte Verletzungen zuziehen.
  - Trennen Sie das Gerät während eines Gewitters oder bei längerer Nichtbenutzung vom Stromnetz.

- Die Netzsteckdose muss sich in der Nähe des Gerätes befinden und einfach zu erreichen sein.
  - Überlasten Sie Steckdosen und Verlängerungsleitungen nicht. Eine Überlastung kann zu Brandgefahr bzw. Stromschlag führen.
  - Geräte der Schutzklasse 1 müssen an eine Netzsteckdose mit Schutzleiter angeschlossen werden.
  - Geräte der Schutzklasse 2 benötigen keinen Schutzleiteranschluss.
  - Greifen Sie beim Abziehen von der Netzsteckdose am Netzstecker. Ziehen Sie ihn nicht durch Zerren am Kabel heraus. Das kann zu einem Kurzschluss führen.
  - Verwenden Sie weder ein beschädigtes Netzkabel noch einen beschädigten Netzstecker oder eine lockere Steckdose. Missachtung kann zu Brand oder Stromschlag führen.
28. Wenn das Produkt mit einer Fernbedienung mit Batterien/Knopfzellen geliefert wird oder das Produkt eine derartige Fernbedienung umfasst: Warnung:
- Die Batterie nicht verschlucken – Verätzungsgefahr.
  - Die mit diesem Produkt [gelieferte Fernbedienung] enthält eine Knopfzelle. Das Verschlucken der Batterie kann innerhalb von nur 2 Stunden zu schwersten inneren Verbrennungen mit Todesfolge führen.
  - Halten Sie neue und gebrauchte Batterien von Kindern fern.
  - Falls sich das Batteriefach nicht richtig schließen lässt, stellen Sie die Benutzung des Gerätes ein und halten Sie es von Kindern fern.
  - Wenn Sie vermuten, dass Batterien verschluckt oder in eine Körperöffnung eingeführt worden sind, suchen Sie umgehend eine(n) Ärztin/Arzt auf.
29. Warnhinweise bzgl. der Verwendung von Batterien:
- Es besteht Explosionsgefahr, wenn die Batterie nicht ordnungsgemäß ersetzt wird. Tauschen Sie die Batterie nur gegen eine Batterie des gleichen Typs aus.
  - Die Batterie darf während der Benutzung, Aufbewahrung oder des Transports weder sehr hohen oder sehr niedrigen Temperaturen noch niedrigem Luftdruck in großen Höhenlagen ausgesetzt werden.
  - Die Auswechslung der Batterie mit einem falschen Batterietyp kann zum Explodieren der Batterie oder zum Entweichen von entflammbarem Gas oder Auslaufen von entflammbarer Flüssigkeit aus der Batterie führen.

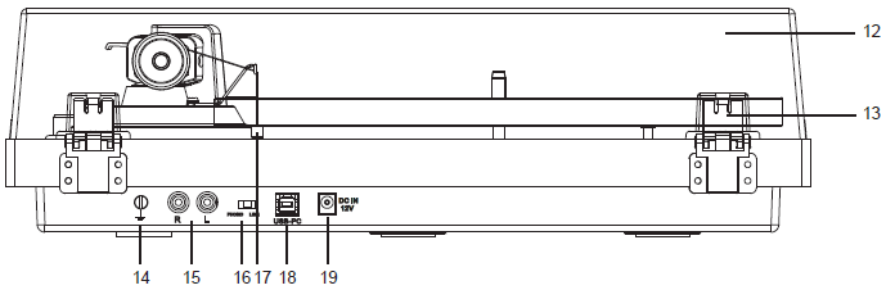
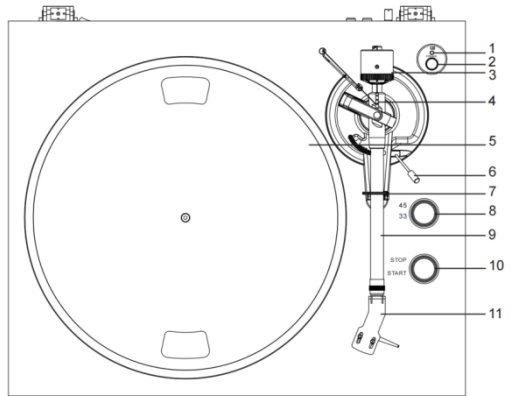
- Die Entsorgung der Batterie in Feuer oder einem heißen Ofen oder das mechanische Zerkleinern oder Zerteilen der Batterie kann zu Explosionen führen.
- Das Verbleiben der Batterie in einer Umgebung mit sehr hohen Temperaturen kann zum Explodieren der Batterie oder zum Entweichen von entflammbarem Gas oder zum Auslaufen von entflammbarer Flüssigkeit aus der Batterie führen.
- Eine einem sehr niedrigen Luftdruck ausgesetzte Batterie kann explodieren oder es kann aus einer einem sehr niedrigen Luftdruck ausgesetzten Batterie entflammbares Gas entweichen oder entflammbare Flüssigkeit auslaufen.
- Legen Sie besonderes Augenmerk auf den ökologischen Aspekt der Batterieentsorgung.

### **INSTALLATION**

- Packen Sie alle Teile aus und entfernen Sie danach die Schutzmaterialien.
- Schließen Sie das Gerät erst an das Stromnetz an, nachdem Sie die Netzspannung überprüft haben und alle anderen notwendigen Anschlüsse hergestellt sind.

## KOMPONENTEN, FEATURES UND VERBINDUNGEN

1. Betriebs- und Bluetooth-Anzeige
2. Ein/Aus-Taste
3. Gegengewicht
4. Anti-Skating-Regler
5. Plattenteller
6. Tonarm-Hebel
7. Tonarmablage
8. Drehzahlregler (33/45)
9. Tonarm
10. Start-/Stopp-Drehregler
11. Abnehmbarer Tonabnehmerkopf mit Tonabnehmer



- |                                    |                                  |
|------------------------------------|----------------------------------|
| 12. Abdeckung                      | 16. PHONO-/Line Out-Wahlschalter |
| 13. Abdeckungsscharnier            | 17. Anti-Skating-Gewicht         |
| 14. Erdungsanschluss               | 18. USB-Anschluss                |
| 15. Cinch-Buchsen (PHONO/Line Out) | 19. Netzeingang                  |

Bitte überprüfen Sie sorgfältig, dass folgende Komponenten im Paket enthalten sind:

- |                               |   |
|-------------------------------|---|
| 1) Gerät                      | 8) Steckmodul-Ausrichtungsnadel                 |
| 2) Netzteil mit EU-UK Stecker | 9) USB-PC-Kabel                                 |
| 3) Gegengewicht               | 10) 2 Stk. Ersatzgummi für die Abdeckung        |
| 4) Plattenteller mit Gürtel   | 11) Anti-Skating-Gewicht                        |
| 5) 45 RPM-Adapter             | 12) Line-Out-Kabel                              |
| 6) Plattenspielermatte        | 13) Gegengewicht (NUR für LBT-345)              |
| 7) Bedienungsanleitung        | 14) Abnehmbarer Tonabnehmerkopf mit Tonabnehmer |

Dieser Plattenspieler verfügt über einen vormontierten und eingestellten Tonabnehmer.

\*\*Falls die Kartusche zu einem späteren Zeitpunkt durch ein anderes Modell ersetzt wird, beachten Sie bitte folgende Anweisungen zum Einstellen der Kartusche.

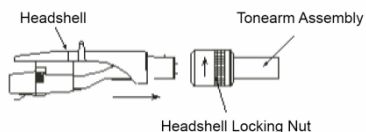
### Montage der Abdeckung

Montieren Sie die **Abdeckung** vorsichtig über die Scharnierzinken.

### Montage des Tonabnehmerkopfs

Setzen Sie den Tonabnehmerkopf in das vordere Ende der Tonarmbaugruppe ein. Halten Sie den Tonabnehmerkopf fest am vorderen Ende der Tonarmbaugruppe und drehen Sie die Sicherungsmutter des Tonabnehmerkopfs gegen den Uhrzeigersinn, um den Tonabnehmerkopf sicher an der Tonarmbaugruppe zu befestigen.

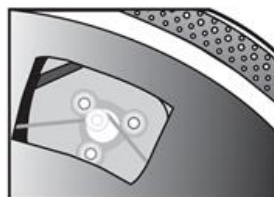




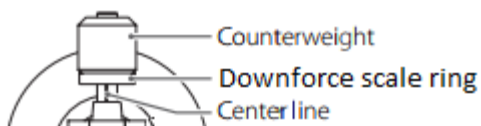
EN	DE
Headshell	Tonkopf
Tonearm Assembly	Tonarmbaugruppe
Headshell Locking Nut	Sicherungsmutter des Tonabnehmerkopfs

### Plattenteller- und Riemen-Einrichtung

1. Platzieren Sie den Riemen über den Innenring unter dem Plattenteller und achten Sie darauf, dass er während der Einrichtung nicht herunterfällt.
2. Stecken Sie den Plattenteller durch die Drehtellerspindel und drehen Sie den Plattenteller, bis Sie durch das Fenster in der oberen linken Ecke die Riemenscheibe des Motors sehen.
3. Nehmen Sie vorsichtig den Riemen in die Hand und legen Sie ihn um den Schlitz der Motorriemenscheibe.
4. Schließen Sie das Netzteil an und schalten Sie den Plattenspieler ein.
5. Stellen Sie den Motor-Start/Stop-Schalter auf Start, um zu sehen, ob sich der Plattenteller dreht. Wenn sich der Plattenteller nicht dreht, wiederholen Sie die oben aufgeführten Schritte.



### Einstellung der Abwärtskraft des Tonabnehmers



EN	DE
Counterweight	Gegengewicht
Downforce scale ring	Abwärtskraft-Skalenring
Center line	Mittellinie

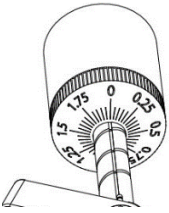
Das **Gegengewicht** des mitgelieferten Tonabnehmers ist für Tonabnehmer mit einem Gewicht zwischen 6,0 und 8,0 g geeignet.

- Schieben und drehen Sie das Gegengewicht vorsichtig auf die Rückseite des Tonarms (mit der Skala zur Vorderseite des Plattentellers hin).
- Entfernen Sie die Schutzkappe des Tonabnehmers.
- Senken Sie den Tonarmlift ab und positionieren Sie den Tonabnehmer in den Zwischenraum zwischen Tonarmauflage und Plattenteller.

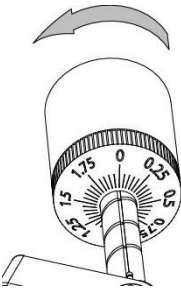
Drehen Sie das **Gegengewicht** vorsichtig, bis der Tonarm ausbalanciert ist. Der Tonarm sollte in die Gleichgewichtsposition zurückkehren, wenn er nach oben oder unten bewegt wird. Nehmen Sie diese Einstellung sorgfältig vor.



- Sobald der Tonarm korrekt ausbalanciert ist, stellen Sie ihn wieder in seine Ruheposition. Halten Sie das **Gegengewicht**, ohne es zu bewegen, und drehen Sie den Ring der **Abwärtskraftskala** vorsichtig, bis der Nullpunkt mit der schwarzen Linie auf der Rückseite des **Tonarms** übereinstimmt. Prüfen Sie, ob sich der Arm noch im Gleichgewicht befindet.



- Drehen Sie das Gegengewicht gegen den Uhrzeigersinn (von vorne gesehen), um die Abwärtskraft gemäß den Empfehlungen des Tonabnehmerherstellers einzustellen. Eine Markierung auf der Skala entspricht einer Abwärtskraft von 0,05g.

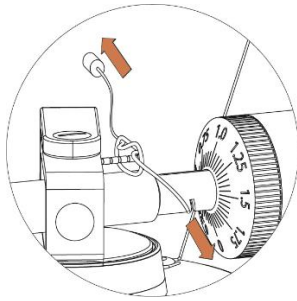


**HINWEIS:** Die empfohlene Abwärtskraft für den werkseitig montierten Tonabnehmer beträgt  $1,8 \pm 0,2\text{g}$ .

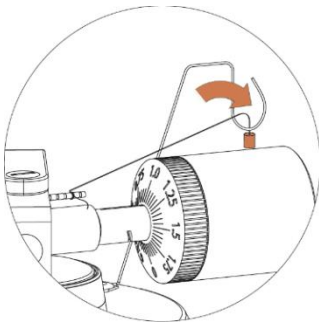
### **Anti-Skating-Gewicht positionieren**

In der Verpackung befindet sich ein Anti-Skating-Gewicht mit einer kleinen Angelschnur. Bitte folgen Sie den folgenden Schritten, um das Anti-Skating-Gewicht zu positionieren:

1. Schieben Sie das geschlungene Ende der Angelschnur über den Einstellstummel des Anti-Skating-Gewichts und in die dritte Nut (die richtige Anti-Skating-Kraft für den werkseitig montierten Tonabnehmer).



2. Ziehen Sie leicht am Anti-Skating-Gewicht, damit sich die Angelschnur bis zum Stummel bewegt.
3. Heben Sie das Anti-Skating-Gewicht über den Anti-Skating-Gewichtsdrahträger. Das Anti-Skating-Gewicht sollte jetzt links von der Halterung frei baumeln.



Schieben Sie die Schlaufe des Gewindes des Anti-Skating-Gewichts über die 3. Nut des Stummels, um die richtige Anti-Skating-Kraft für den werkseitig montierten Tonabnehmer einzustellen. Führen Sie den Faden durch die Schlaufe der Drahthalterung.

### **Einstellung der Anti-Skating-Kraft**

Die Anti-Skating-Kraft muss entsprechend der Abwärtskraft wie folgt eingestellt werden:

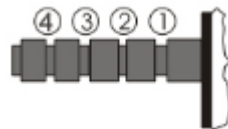
Abwärtskraft

1 – 1,25 g

Rille im Stummel

1. von Lagerringen

1,25 – 1,5 g	2. " " "
1,5 – 1,75 g	3. " " "
1,75 – 2 g	4. " " "



Schieben Sie die Schlaufe des Gewindes des Anti-Skating-Gewichts über die 3. Nut des Stummels, um die richtige Anti-Skating-Kraft für die werkseitig montierte Tonabnehmer einzustellen. Führen Sie den Faden durch die Schlaufe der Drahthalterung.

## Anschluss der Stereoanlage

### RCA-Buchse

- Die RCA-Buchsen dieses Geräts werden sowohl als Telefonausgangsbuchsen als auch als Line-Ausgangsbuchsen genutzt. Die Funktion wird durch den Phono/Line-Schalter festgelegt.
- Bei Verwendung als Line-Ausgang geben die Buchsen analoge Line-Pegel-Signale aus und können direkt mit einem Paar Aktivlautsprechern oder dem entsprechenden Eingang Ihrer Stereoanlage verbunden werden. Bei Verwendung als Phono-Ausgang sollten sie an den Phono-Vorverstärker oder den Phono-Eingang der Stereoanlage angeschlossen werden.
- Der rote Stecker wird mit dem rechten Kanal und der weiße Stecker mit dem linken Kanal verbunden.

### Hinweis:

- Wenn sich der Phono/Line-Schalter in der Position LINE befindet, die RCA-Buchsen jedoch an den Phono-Eingang der Stereoanlage angeschlossen sind, kann es aufgrund von

Eingangsüberlastung zu Tonverzerrungen und Beschädigung Ihrer Stereoanlage führen.

- Wenn sich der Phono/Line-Schalter in der Position PHONO befindet, die RCA-Buchsen aber an den Line-Eingang der Stereoanlage angeschlossen sind, ist die Lautstärke aufgrund der fehlenden Signalvorverstärkung sehr niedrig.

Die RCA-Buchse ist nicht für den direkten Anschluss an die passiven/stromlosen Lautsprecher vorgesehen; in diesem Fall wird die Lautstärke sehr niedrig sein.

## Hauptstromanschluss

Das Netzteil befindet sich in der Schaumstoffverpackung. Packen Sie das Netzteil aus und stecken Sie das kleine Ende in die **Gleichstrombuchse** auf der Rückseite des Plattenspielers. Stecken Sie das Netzteil in eine Steckdose.

## Bedienung

### Bedienung des Plattenspielers

1. Schließen Sie das im Lieferumfang enthaltene Netzteil an das Gerät an und drücken Sie die Einschalttaste (2), um den Plattenspieler einzuschalten.
2. Entfernen Sie die Abdeckung der Tonnadel vom Kopfteil des Tonabnehmers.
3. Bringen Sie die Slipmat auf dem Plattenteller an und legen Sie eine Schallplatte darauf. Sollten Sie Schallplatten mit 45 U/min verwenden, setzen Sie zuerst den 45-U/min-Adapter auf die Zentrierung, bevor Sie die Schallplatte auf den Plattenteller legen.
4. Bringen Sie den Drehzahlregler (33/45 U/min) unter Berücksichtigung der verwendeten Schallplattenart in die entsprechende Stellung.
5. Bringen Sie den Start-/Stopp-Drehregler in die Stellung „Start“, um den Plattenteller in Bewegung zu setzen.

6. Lösen Sie den Tonarm aus der sich an der Tonarmablage befindlichen Klemmvorrichtung und bringen Sie den Hebel zum Anheben des Arms in die obere Stellung.
7. Positionieren Sie den Tonarm an der gewünschten Stelle (Rille) über der Schallplatte.
8. Bringen Sie den Hebel zum Anheben des Tonarms in die untere Stellung, um den Tonarm zur Schallplatte zu bewegen. Alternativ können Sie die Nadel auch auf die gewünschte Stelle der Schallplatte setzen.
9. Senken Sie den Tonarm vorsichtig ab, bis er die Schallplatte berührt.
10. Sind Sie mit dem Abspielen der Schallplatte fertig, heben Sie den Tonarm an und bringen Sie ihn wieder in der Klemmvorrichtung der Tonarmablage unter. Bringen Sie anschließend den Start-/Stopp-Drehregler in die Stellung „Stop“.
11. Drücken Sie die Ein-/Aus-Taste, um das Produkt auszuschalten.
12. Der Plattenteller hört auf, sich zu drehen, wenn innerhalb von 3 Minuten kein Signal vom Gerät ausgegeben wird.

### **Bluetooth-Bedienung**

Dieses Gerät verfügt über einen Bluetooth-Sender, um den Ton drahtlos an einen Bluetooth-Lautsprecher oder Kopfhörer zu senden.

1. Schalten Sie Ihren Bluetooth-Lautsprecher ein und stellen Sie sicher, dass er sich im Kopplungsmodus befindet.
2. Schalten Sie den Plattenspieler mit dem Netzschalter (2) ein. Während der Bluetooth-Suche nach dem externen Lautsprecher oder Kopfhörer leuchtet die LED-Anzeige (1) zunächst ROT und blinkt dann blau.

Hinweis: Wenn Sie die Bluetooth-Suchfunktion deaktivieren möchten, können Sie die Einschalttaste 3 Sekunden lang drücken, dann leuchtet die LED-Anzeige ROT.

3. Während des Kopplungsvorgangs blinkt die blaue LED-Anzeige zweimal pro Sekunde. War der Kopplungsvorgang erfolgreich, leuchtet sie durchgehend.

*Hinweis:* Dieses Gerät stellt eine Verbindung mit dem nächstgelegenen Bluetooth her. Sollte nach zwei Minuten kein Bluetooth-Lautsprecher für die Verbindungsherstellung gefunden worden sein, wird der Bluetooth-Sender automatisch deaktiviert und die LED-Betriebsanzeige/-Bluetooth-Anzeige leuchtet wieder durchgehend rot.

4. Wenn Sie die Kopplung aufheben möchten, halten Sie entweder drei Sekunden lang die Ein-/Aus-Taste gedrückt oder deaktivieren Sie die Bluetooth-Funktion an Ihrem Bluetooth-Lautsprecher oder Kopfhörer.

*„Dieses Produkt verfügt über eine Bluetooth-Übertragungsfunktion, Sie können damit keinen Bluetooth-Ton empfangen: das bedeutet, dass Sie drahtlos ein Bluetooth-Tonsignal an ein externes Gerät wie einen Bluetooth-Lautsprecher, einen Bluetooth-Kopfhörer, ein Audiosystem mit Bluetooth-Empfang,... übertragen können.“*

## **Überblick über die Audiosoftware Audacity**

Audacity ist Freeware unter der GNU General Public License (GPL). Weitere Informationen sowie den Open-Source-Quellcode finden Sie im Internet unter <https://www.audacityteam.org/download/>

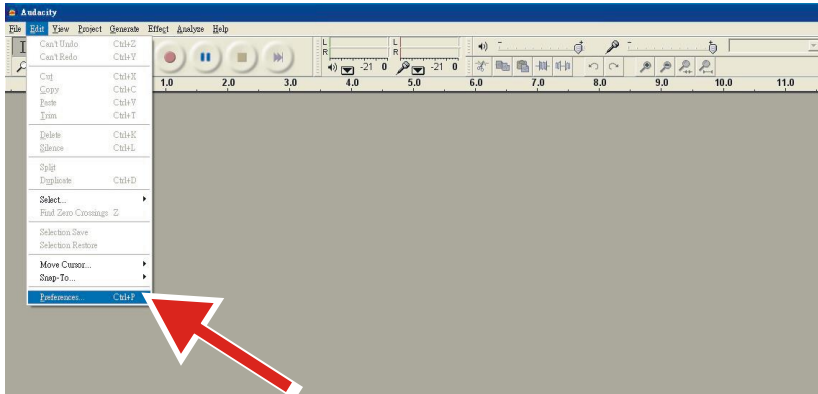
- \* **Bitte vergewissern Sie sich vor dem Start der Software, dass Sie sie installiert haben.**

### **Einrichten Ihres PCs für die Arbeit mit Audacity**

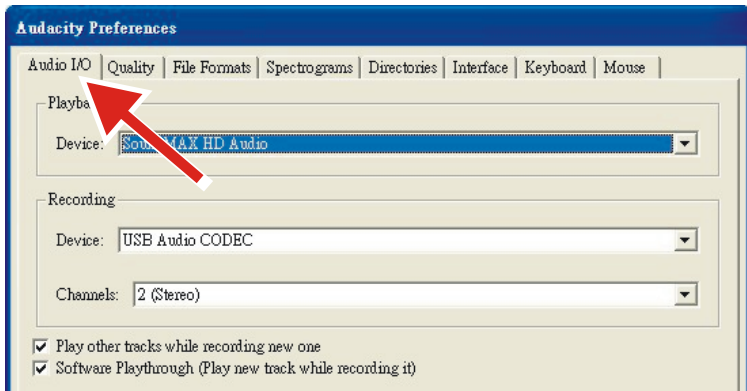
1. Schließen Sie das mitgelieferte USB-Kabel am Plattenspieler an.
2. Verbinden Sie den verbleibenden USB-Stecker mit Ihrem Computer.



3. Installieren Sie die Audiosoftware Audacity.
4. Starten Sie das Programm Audacity.
5. Wählen Sie im Audacity-Menü unter dem Reiter Edit (Bearbeiten) Preferences (Einstellungen) aus.



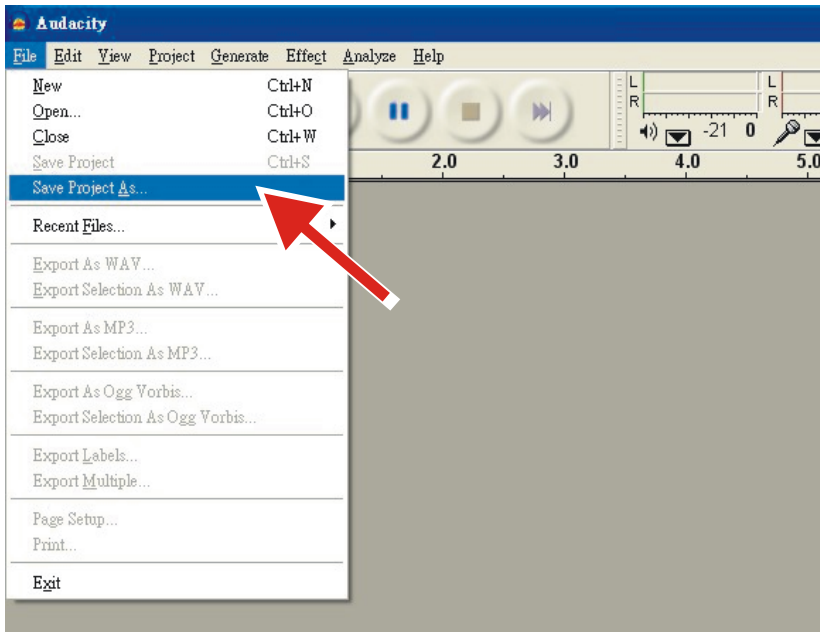
6. Klicken Sie oben links auf den Reiter **Audio I/O** (Audioschnittstelle).
  - Wählen Sie unter Playback (Wiedergabe) bei Device (Gerät) **your internal sound card (Ihre interne Soundkarte)** aus.
  - Wählen Sie unter Recording (Aufnahme) bei Device (Gerät) **USB Audio CODEC** aus.
  - Wählen Sie unter Recording (Aufnahme) bei Channels (Kanäle) **2 (Stereo)** aus.
  - Setzen Sie einen Haken bei **Play other tracks while recording new one (Andere Spuren während Aufnahme abspielen (Overdub))**.
  - Setzen Sie einen Haken bei **Software Playthrough (Eingang per Software durchschleifen)**.



## Aufzeichnen von Alben mit Audacity

### 1. Speichern eines Projekts

- Audacity speichert alle geänderten und aufgezeichneten Audiodateien im Verzeichnis **Projektname\_data**, das sich dort befindet, wo Sie Ihr Projekt gespeichert haben.
- Wählen Sie unter dem Audacity-Reiter File (Datei) **Save Project as (Projekt speichern als)** aus und wählen Sie danach den Speicherort und den Namen für Ihr Projekt aus.
- Bitte beachten Sie, dass Ihnen nur die Option „**Save As...**“ (**Speichern als**) zur Verfügung steht, wenn Sie Audacity neu gestartet haben.



## 2. Aufzeichnen

- Bereiten Sie Ihren über USB verbundenen Plattenspieler für die Wiedergabe des Titels oder Albums vor, den/das Sie aufzeichnen möchten.
- Klicken Sie zum Starten der Aufzeichnung auf die rote



Aufzeichnungstaste.

- Senken Sie den Tonarm des über USB verbundenen Plattenspielers bei dem Titel/Album ab, den/das Sie aufzeichnen möchten.

- Klicken Sie auf die blaue Pausetaste, um die Aufzeichnung zu pausieren.



Klicken Sie diese erneut an, um die Aufzeichnung fortzusetzen.



- Klicken Sie auf die gelbe Stopptaste.

Das war's auch schon. Sie können jetzt mit Ihrer Aufzeichnung herumexperimentieren und die vielen Bearbeitungsmöglichkeiten von Audacity erkunden. Sie können die Undo-Funktion (Rückgängig machen) fast unbegrenzt benutzen, solange das Projekt geöffnet ist.

**HINWEIS:** CDs können direkt aus Audacity heraus nicht gebrannt werden. Hierfür benötigen Sie ein separates CD-Brennprogramm.

## Wartung und Reinigung

Ihr Plattenspieler benötigt wenig oder gar keine regelmäßige Wartung. Entfernen Sie Staub mit einem leicht angefeuchteten antistatischen Tuch. Verwenden Sie niemals ein trockenes Tuch, da dies statische Elektrizität erzeugt und noch mehr Staub anzieht! Antistatische Reinigungsmittel sind im Fachhandel erhältlich, müssen aber sparsam verwendet werden, um Schäden an Gummiteilen zu vermeiden. Es wird empfohlen, die Nadelabdeckung vor der Reinigung oder Wartung anzubringen, um Schäden zu vermeiden.

Wenn der Plattenspieler über einen längeren Zeitraum nicht benutzt wird, sollte der Antriebsriemen entfernt werden, um eine ungleichmäßige Dehnung zu vermeiden.

**HINWEIS:** Trennen Sie den Plattenspieler vor der Wartung vorsichtshalber immer vom Stromnetz!

## Nützliche Tipps

Der Plattenspieler sollte auf einer resonanzarmen Unterlage wie z. B. Holz oder einer mehrschichtigen Sperrholzplatte aufgestellt werden, um zu vermeiden, dass die Wiedergabe durch Strukturschwingungen gestört wird.

### **Tonabnehmer auswechseln**

1. Bringen Sie vor dem Auswechseln des Tonabnehmers den Tonabnehmerschutz wieder auf dem Tonabnehmer an, um eine Beschädigung des Tonabnehmers während des Auswechslens zu vermeiden.
2. Entfernen Sie vorsichtig die Kabel des Original-Tonabnehmers.
3. Lösen Sie die beiden Schrauben am Tonabnehmerkopf, mit denen der Tonabnehmer befestigt ist, und nehmen Sie den Original-Tonabnehmer heraus.
4. Setzen Sie den neuen Tonabnehmer auf den Tonabnehmerkopf und ziehen Sie ihn leicht an. Ziehen Sie die Schrauben zu diesem Zeitpunkt noch nicht ganz fest.
5. Schließen Sie die Kabel an die Anschlüsse des neuen Tonabnehmers an.  
Die Farbcodes erklären sich wie folgt:  
Weißer Linker Kanal positiv (L+)  
Blauer Linker Kanal negativ (L-)  
Roter Rechter Kanal positiv (R+)  
Grüner Rechter Kanal negativ (R-)
6. Stellen Sie die Position des Tonabnehmers ein, um sicherzustellen, dass er genau auf dem Tonabnehmerkopf ausgerichtet ist, damit die Nadel die Rillen perfekt parallel abtastet.  
Legen Sie dazu das mitgelieferte Papier-Winkelmesser zur Ausrichtung des Tonabnehmers über die Spindel des Plattenspielers, heben Sie den Tonarm vorsichtig an und setzen Sie die Spitze der Tonabnehmernadel

auf die mit 130 mm bzw. 250 mm markierten Punkte. Passen Sie die Position des Tonabnehmers genau an, bis der Tonabnehmer an beiden Punkten perfekt parallel zu den Referenzlinien ist.

7. Ziehen Sie die Schrauben vollständig an, sobald die perfekte Ausrichtung erreicht ist.

HINWEIS: Wenn Sie mit der Durchführung dieses Verfahrens nicht vertraut sind oder sich damit unwohl fühlen, empfehlen wir Ihnen, die Installation von einem Fachmann durchführen zu lassen.

### Technische Daten:

Nenngeschwindigkeiten	33 1/3 & 45RPM
Gleichlaufschwankung	≤ 0.15 %
Signal-Rausch-Verhältnis	55 dB
Abtriebkraftbereich	0 – 2,0 g
Effektive Tonarmlänge	218,5 mm
Überstand	0,73"
Leistungsaufnahme	6 W (Max)
Außenbordnetzteil	12 V/500 mA AC-DC
Abmessungen (B x H x T)	420 x 360 x 125 mm
Gewicht	4,8 kg

### Technische Daten: 2M RED (Ortofon)

Frequenzgang	20 Hz – 20 kHz
Empfohlener Belastungswiderstand	47 kOhm
Kanalbalance	1,5 dB
Verstärkersanschluss	MM - Eingang
Kanaltrennung	22 dB
Empfohlene Auflagekraft	1,8 ± 0,2 g

Ausgangsspannung	5,5 mV
Gewicht	7,2 g

### **Mögliche falsche Verwendung und Fehlerbedingungen**

Diese Plattenspieler werden nach höchsten Standards hergestellt und unterliegen strengen Qualitätskontrollen, bevor sie das Werk verlassen. Eventuell auftretende Mängel sind nicht zwangsläufig auf Material- oder Produktionsfehler zurückzuführen, sondern können manchmal auch auf unsachgemäßen Gebrauch oder unglückliche Umstände zurückzuführen sein. Wir haben daher folgende Liste häufiger Fehler zusammengetragen.

### **Der Plattenteller dreht sich nicht, obwohl sich das Produkt im eingeschalteten Zustand befindet:**

- Das Produkt ist nicht oder nicht ordnungsgemäß an die Netzsteckdose angeschlossen.
- Die Stromversorgung zur Netzsteckdose ist unterbrochen.
- Der Antriebsriemen ist abgerutscht oder nicht bzw. nicht ordnungsgemäß installiert.
- Das Produkt hat sich automatisch in den Standby-Modus versetzt. Schalten Sie es wieder ein.

### **Kein Signal auf einem oder beiden Kanälen:**

- Am Verstärker ist der Telefoneingang nicht ausgewählt.
- Verstärker nicht eingeschaltet.
- Verstärker oder Lautsprecher stummgeschaltet.
- Keine Verbindung zu den Lautsprechern.
- Keine Verbindung zwischen Plattenspieler und Verstärker.
- Die Kabelleitungen sind nicht mit der Kartusche verbunden.

### **Starkes Brummen am Phono-Eingang:**

- Keine Erdungsverbindung vom Tonabnehmer, Arm oder Armkabel zum Verstärker oder zur Erdungsschleife.

- Plattenspieler zu nahe an den Lautsprechern.

**Verzerrter oder inkonsistenter Klang von einem oder beiden Kanälen:**

- Der Plattenspieler ist an den falschen Verstärkereingang angeschlossen.
- Nadel oder Cantilever beschädigt.
- Antriebsriemen überdehnt oder verschmutzt.
- Plattentellerlager ohne Öl, verschmutzt oder beschädigt.
- Staub auf der Abtastnadel.
- MM/MC-Schalter am Vorverstärker falsch eingestellt.

**Hinweis: Aufgrund der Anforderungen der ErP Stufe 2 an Energiesparmaßnahmen schaltet sich ein Gerät, das an das Stromnetz angeschlossen ist, automatisch in den Standby-Modus, wenn etwa 20 Minuten lang keine Musik abgespielt wird.**

**Wenn sich Ihr Gerät regelmäßig ausschaltet, ist dies kein Defekt.**

Netzteil

Hersteller: BRIGHTPOWER OPTOELECTRONIC TECHNOLOGY CO., LTD

Modellnummer: SW1200500-FM

Eingangsspannung: 100 – 240 V

Wechselstromfrequenz des AC-Eingangs: 50/60 Hz

Ausgangsspannung: 12 V Gleichspannung

Ausgangsstrom: 0,5 A

Ausgangsleistung: 6 W

Durchschnittliche Effizienz bei Normallast: 79,62 %

Effizienz bei Niederlast (10%): 70,40 %

Leistungsaufnahme bei Nulllast: 0,073 W



Benutzen Sie nur die in der Bedienungsanleitung angegebene Stromversorgung

#### Technische Daten Ortofon 2M RED

Frequenzgang - 20 bis 20.000 Hz + 3 / - 1 dB

Tracking-Fähigkeit bei 315 Hz bei empfohlener Auflagekraft \*) - 70  $\mu$ m

Konformität, dynamisch, lateral- 20  $\mu$ m/mN

Nadeltyp - elliptisch

Radius der Nadelspitze - r/R 8/18  $\mu$ m

Äquivalentes Gewicht der Nadelspitze - 0,5 mg

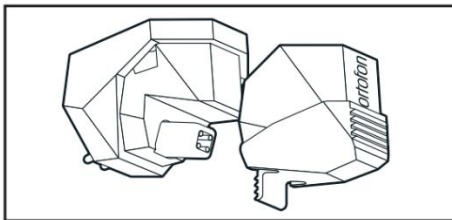
Auflagekraftbereich - 1,6 bis 2,0 g (16 bis 20 mN)

Auflagekraft, empfohlen - 1,8 g (18 mN)

Spurwinkel -20°

\*) Typischer Wert

Farbe der Nadel - Rot



#### Garantie

Commaxx B.V. bietet Leistungen und Garantien im Einklang mit europäischem Recht. Setzen Sie sich deshalb im Falle von Reparaturen (sowohl während als auch nach Ablauf der Garantiezeit) mit Ihrem Fachhändler in Verbindung. Wichtiger Hinweis: Es ist nicht möglich, Produkte für Reparaturen direkt an Commaxx B.V. zu schicken.

Wichtiger Hinweis: Wenn dieses Gerät aus welchem Grund auch immer durch ein nicht offizielles Servicezentrum geöffnet oder durch dieses Servicezentrum darauf zugegriffen wurde, erlischt die Garantie. Dieses Gerät ist nicht für professionelle Zwecke geeignet. Falls das Gerät für professionelle Zwecke eingesetzt wird, erlöschen alle Garantieverpflichtungen seitens des Herstellers.

### **Haftungsausschluss**

Aktualisierungen der Firmware und/oder Hardware-Komponenten werden regelmäßig durchgeführt. Aus diesem Grund können einige der Anweisungen, Spezifikationen und Abbildungen in dieser Dokumentation von dem Ihnen vorliegenden Gerät geringfügig abweichen. Alle in diesem Handbuch beschriebenen Elemente dienen nur zur Illustration und treffen auf Ihre individuelle Situation möglicherweise nicht zu. Aus der in diesem Handbuch getätigten Beschreibung können keine Rechtsansprüche oder Leistungsanforderungen geltend gemacht werden.

## Entsorgung des Altgeräts



Dieses Symbol zeigt an, dass das entsprechende Produkt oder dessen Akku/Batterie in Europa nicht mit dem normalen Hausmüll entsorgt werden darf. Um die ordnungsgemäße Abfallbehandlung des Produkts und dessen Akku/Batterie zu gewährleisten, müssen diese im Einklang mit allen anwendbaren

örtlichen Vorschriften zur Entsorgung von Elektrogeräten und Akkus/Batterien entsorgt werden. Dadurch helfen Sie, natürliche Ressourcen zu schonen und Umweltschutzstandards zur Verwertung und Entsorgung von Altgeräten aufrecht zu halten (Richtlinie über Entsorgung Elektrischer und Elektronischer Altgeräte).

## KONFORMITÄTSEKTLÄRUNG

Hiermit erklärt Commaxx, dass der Funkgerätetyp [Lenco LBT-335 / LBT-345] der Richtlinie 2014/53/EU entspricht. Den vollständigen Text der EU-Konformitätserklärung finden Sie unter der folgenden Internetadresse:

[https://commaxx-certificates.com/doc/lbt-335\\_doc.pdf](https://commaxx-certificates.com/doc/lbt-335_doc.pdf)

[https://commaxx-certificates.com/doc/lbt-345\\_doc.pdf](https://commaxx-certificates.com/doc/lbt-345_doc.pdf)

Typ HF	Frequenzbereich (MHz)	Leistung (dBm)
Bluetooth	2402-2480	<6

## Service

Besuchen Sie bitte für weitere Informationen und unseren Kundendienst unsere Homepage [www.lenco.com](http://www.lenco.com)

Commaxx B.V. Wiebachstraat 37, 6466 NG, Kerkrade, The Netherlands.

**ATTENTION :**

L'utilisation de commandes ou de réglages ou l'exécution de procédures autres que celles spécifiées dans ce manuel peut entraîner une exposition à des rayonnements dangereux.

**PRÉCAUTIONS AVANT UTILISATION**

---

**GARDEZ CES INSTRUCTIONS À L'ESPRIT :**

1. Ne couvrez pas et n'obtenez pas les ouvertures de ventilation. Lorsque vous placez l'appareil sur une étagère, laissez un espace libre de 5 cm autour de l'appareil.
2. L'installation doit être effectuée conformément au guide d'utilisation fourni.
3. Gardez l'appareil à l'écart des sources de chaleur telles que les radiateurs, les systèmes de chauffage, les cuisinières, les bougies et autres équipements générant de la chaleur ou une flamme nue. L'appareil ne doit être utilisé que dans un climat modéré. Les environnements extrêmement froids ou chauds doivent être évités. La température de fonctionnement doit se trouver entre 0 et 35 °C.
4. Évitez d'utiliser l'appareil à proximité de champs magnétiques puissants.
5. Des décharges électrostatiques peuvent perturber le fonctionnement normal de cet appareil. Dans ce cas, réinitialisez et redémarrez l'appareil en suivant le guide d'utilisation. Pendant le transfert de fichiers, manipulez l'appareil avec précaution dans un environnement privé d'électricité statique.
6. Avertissement ! N'introduisez jamais un objet dans l'appareil par les ouvertures et fentes de ventilation. Des tensions élevées sont présentes dans l'appareil, l'insertion d'un objet peut entraîner une électrocution ou court-circuiter certains composants. Pour les mêmes raisons, ne versez pas d'eau ou de liquide sur l'appareil.
7. N'utilisez pas l'appareil dans des endroits humides tels qu'une salle de bain, une cuisine pleine de vapeur ou à proximité d'une piscine.
8. L'appareil ne doit pas être exposé à des écoulements ou des éclaboussures et aucun objet contenant un liquide, tel qu'un vase, ne doit être posé sur ou près de l'appareil.
9. N'utilisez pas cet appareil lorsque de la condensation est possible. Lorsque l'appareil est utilisé dans une pièce chaude et humide, des gouttelettes d'eau ou de la condensation peuvent se former à l'intérieur

- de l'appareil et affecter son fonctionnement adéquat. Si tel est le cas, laissez l'appareil hors tension pendant 1 ou 2 heures avant de le mettre en marche : l'appareil doit être sec avant toute remise en marche.
10. Cet appareil est fabriqué avec le plus grand soin et vérifié plusieurs fois avant la sortie de l'usine, cependant il est toujours possible, comme pour tout appareil électrique, que des problèmes surviennent. Si vous remarquez de la fumée, une accumulation excessive de chaleur ou tout autre phénomène inattendu, débranchez immédiatement la fiche de la prise électrique secteur.
  11. Cet appareil doit fonctionner avec la source d'alimentation indiquée sur la plaque signalétique. Si vous n'êtes pas sûr de votre type d'alimentation électrique, contactez le revendeur ou la compagnie d'électricité locale.
  12. Gardez l'appareil à l'écart des animaux. Certains animaux aiment ronger les cordons d'alimentation.
  13. Pour nettoyer l'appareil, utilisez un chiffon doux et sec. N'utilisez pas de solvant ni d'autre liquide à base de pétrole. Pour enlever les taches tenaces, utilisez un chiffon humide imbibé d'une solution de détergent diluée.
  14. Le fournisseur n'est pas responsable des dommages ou pertes de données causés par un dysfonctionnement, une utilisation abusive, une modification de l'appareil ou un remplacement de la batterie.
  15. Ne coupez aucune connexion lorsque l'appareil effectue un formatage ou transfert de fichiers. Autrement, les données risquent d'être corrompues ou perdues.
  16. Si l'appareil dispose d'une fonction de lecture USB, il faut brancher la clé USB directement sur l'appareil. N'utilisez pas de câble de rallonge USB, car cela peut provoquer des interférences susceptibles de causer la perte de données.
  17. La plaque signalétique se situe en dessous ou à l'arrière de l'appareil.
  18. Cet appareil n'est pas destiné à être utilisé par des personnes (enfants y compris) souffrant de handicaps physiques, sensoriels ou mentaux, ou manquant d'expérience et de connaissances, sauf si elles sont sous surveillance ou ont reçu des instructions sur l'utilisation correcte de l'appareil par la personne responsable de leur sécurité.
  19. Cet appareil est réservé à un usage non professionnel, et non pas à un usage commercial ou industriel.
  20. Vérifiez que l'appareil est en position stable. La garantie ne couvre pas les dégâts occasionnés par l'utilisation de cet appareil en position

instable, soumis à des vibrations ou chocs, ou par le non-respect de tout autre avertissement ou précaution contenus dans ce guide d'utilisation.

21. N'ouvrez jamais cet appareil.
22. Ne placez jamais cet appareil sur un autre appareil électrique.
23. Ne laissez pas les sacs en plastique à la portée des enfants.
24. N'utilisez que des pièces/accessoires recommandés par le fabricant.
25. Confiez tout entretien à un personnel de service qualifié. Une réparation est nécessaire lorsque l'appareil a été endommagé de quelque façon que ce soit, par exemple lorsque le cordon d'alimentation ou sa fiche est endommagée, lorsqu'un liquide a été renversé ou des objets ont été introduits dans l'appareil, lorsqu'il a été exposé à la pluie ou à l'humidité, ne fonctionne pas correctement ou s'il est tombé.
26. Une exposition prolongée à la musique avec un volume élevé peut entraîner une perte auditive temporaire ou permanente.
27. Si l'appareil est livré avec un câble d'alimentation ou un adaptateur secteur :
  - En cas de problème, débranchez le cordon d'alimentation secteur et confiez l'entretien à un personnel qualifié.
  - Ne marchez pas sur l'adaptateur secteur et ne le pincez pas. Faites très attention, en particulier lorsque vous êtes à proximité des fiches et du point de sortie du câble. Ne placez aucun objet lourd sur l'adaptateur secteur, il pourrait l'endommager. Gardez l'appareil hors de portée des enfants ! Les enfants pourraient se blesser gravement s'ils jouent avec le cordon d'alimentation.
  - Débranchez cet appareil pendant les orages ou lorsqu'il n'est pas utilisé pendant une longue durée.
  - La prise secteur doit être installée près de l'appareil et être facilement accessible.
  - Ne surchargez pas les prises de courant ou les rallonges. Une surcharge peut entraîner un incendie ou une électrocution.
  - Un appareil de classe 1 doit être branché sur une prise secteur disposant d'une mise à la terre.
  - Les appareils de classe 2 ne nécessitent pas de mise à la terre.
  - Tirez toujours sur la fiche lorsque vous la retirez de la prise d'alimentation secteur. Ne tirez pas sur le cordon d'alimentation. Cela pourrait provoquer un court-circuit.
  - N'utilisez pas un cordon ou une fiche d'alimentation endommagé(e) ni une prise desserrée. Cela pourrait entraîner une électrocution ou un incendie.

28. Si l'appareil comprend ou est livré avec une télécommande contenant des piles boutons/piles :

Avertissement :

- « N'avez pas les piles ! Risque de brûlure chimique » ou équivalent.
- [La télécommande fournie avec] cet appareil contient une pile bouton/pile. Si la pile bouton est avalée, elle peut causer des brûlures internes graves en seulement 2 heures et peut conduire à la mort.
- Gardez les piles neuves et usées hors de la portée des enfants.
- Si le compartiment à pile ne se ferme pas correctement, cessez d'utiliser l'appareil et gardez-le hors de portée des enfants.
- Si vous pensez que les piles ont été avalées ou ingérées d'une manière ou d'une autre, consultez immédiatement un médecin.

29. Avertissements sur l'utilisation des piles :

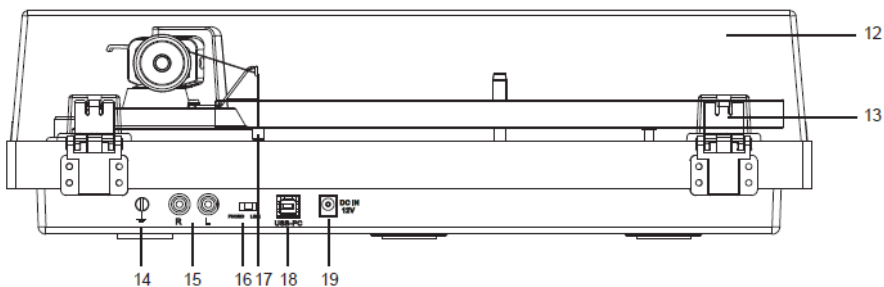
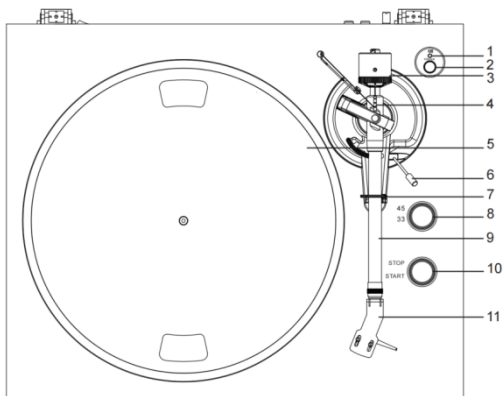
- Risque d'explosion si la pile n'est pas remplacée correctement. Ne les remplacez que par des piles du même type ou d'un type équivalent.
- Les piles ne doivent pas être soumises à des températures extrêmement élevées ou basses, à une faible pression d'air à haute altitude pendant l'utilisation, le stockage ou le transport.
- Tout remplacement de pile par un type incorrect peut entraîner une explosion ou une fuite de liquide ou de gaz inflammable.
- L'élimination d'une pile dans le feu ou dans un four chaud, l'écrasement ou le découpage mécanique peut entraîner une explosion.
- Laisser une pile dans un environnement à température extrêmement élevée peut entraîner une explosion ou une fuite de liquide ou de gaz inflammable.
- Une pile soumise à une pression d'air extrêmement basse peut entraîner une explosion ou une fuite de liquide ou de gaz inflammable.
- Une attention particulière doit être portée sur les aspects environnementaux d'élimination des piles.

## **INSTALLATION**

- Déballer tous les composants et enlever les matériaux de protection.
- Ne branchez pas l'appareil sans avoir vérifié la tension secteur et sans avoir effectué toutes les autres connexions.

## COMPOSANTS, CARACTÉRISTIQUES ET CONNEXIONS

1. Voyant d'alimentation et Bluetooth
2. Bouton d'alimentation
3. Contrepoids
4. Doigt annelé de l'antipatinage
5. Plateau du tourne-disque
6. Levier de levage du bras de lecture
7. Repose-bras
8. Sélecteur 33 et 45 tr/min
9. Bras de lecture
10. Molette de démarrage/arrêt
11. Tête amovible avec cellule





- |   |                                |
|---|--------------------------------|
| 12. Couvercle                               | 17. Poids antipatinage         |
| 13. Charnière du couvercle                  | 18. Port USB                   |
| 14. Connecteur de terre                     | 19. Prise d'alimentation CA-CC |
| 15. Prises de sortie de ligne et PHONO      |                                |
| 16. Commutateur de sortie de ligne et PHONO |                                |

Veillez vérifier soigneusement et vous assurer que les éléments suivants sont présents dans cet emballage :

- |                                |   |
|--------------------------------|---|
| 1) Unité                       | 8) Gabarit d'alignement de cartouche                |
| 2) Adaptateur avec fiche UE-RU | 9) Câble USB-PC                                     |
| 3) Contrepoids                 | 10) 2 caoutchoucs de rechange pour couvercle        |
| 4) Plateau avec courroie       | 11) Poids antipatinage                              |
| 5) Adaptateur 45 tr/min        | 12) Câble de sortie de ligne                        |
| 6) Tapis de tourne-disque      | 13) Stabilisateur central (pour LBT-345 UNIQUEMENT) |
| 7) Manuel d'utilisation        | 14) Porte-cellule amovible avec cartouche           |

Ce tourne-disque est livré avec une cellule montée et réglée en usine.

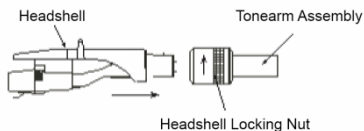
\*\*Les instructions suivantes relatives au réglage de la cellule sont fournies au cas où la cellule serait remplacée par un modèle différent à une date ultérieure.

### **Installation du couvercle**

Installez le **couvercle** avec précaution sur les charnières.

### **Installation du porte-cellule**

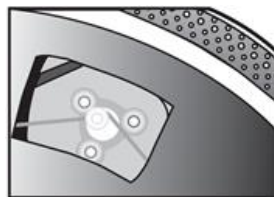
Insérez le porte-cellule dans l'extrémité avant de l'assemblage du bras de lecture. Tout en maintenant fermement le porte-cellule dans l'extrémité avant du bras de lecture, tournez l'écrou de blocage de celui-ci dans le sens inverse des aiguilles d'une montre pour fixer fermement le porte-cellule sur l'ensemble du bras de lecture.



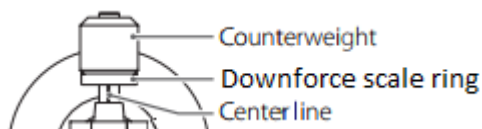
EN	FR
Headshell	Coquille de tête
Tonearm Assembly	Assemblage du bras de lecture
Headshell Locking Nut	Écrou de blocage du porte-cellule

### Installation du plateau et de la courroie du tourne-disque

1. Installez la courroie d'entraînement sur l'anneau intérieur sous le plateau et assurez-vous qu'elle ne tombera pas pendant l'installation.
2. Placez le plateau dans l'axe du tourne-disque, puis faites-le tourner jusqu'à ce que vous voyiez la poulie du moteur d'entraînement à travers la fenêtre située dans le coin supérieur gauche.
3. Saisissez délicatement la courroie d'entraînement et placez-la autour de la fente de la poulie du moteur.
4. Branchez l'adaptateur d'alimentation au tourne-disque et mettez ce dernier sous tension.
5. Placez le commutateur de démarrage/d'arrêt du moteur en position de démarrage pour voir si le moteur du plateau tourne. Si le plateau ne tourne pas, essayez à nouveau les étapes énumérées ci-dessus.



## Réglage de la force descendante de la cartouche



EN	FR
Counterweight	Contrepoids
Downforce scale ring	Anneau gradué de la force descendante
Center line	Ligne centrale

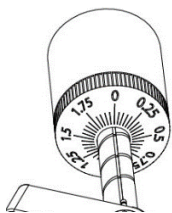
Le **contrepoids** fourni convient aux cellule pesant entre 6 et 8 g.

- Poussez et tournez doucement le contrepoids sur l'arrière du bras de lecture (avec la graduation tournée vers l'avant du tourne-disque).
- Retirez le capuchon de protection de la cartouche.
- Abaissez le levier du bras de lecture et placez la cartouche dans l'espace entre le support du bras de lecture et le plateau.

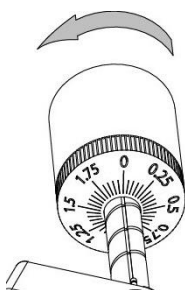
Tournez délicatement le **contrepoids** jusqu'à ce que le bras de lecture soit équilibré. Le bras de lecture doit revenir à sa position d'équilibre s'il est déplacé vers le haut ou le bas. Ce réglage doit être effectué avec soin.



- Une fois que le bras de lecture est correctement équilibré, remettez-le sur son support. Tenez le **contrepoids** sans le déplacer et tournez doucement l'anneau **gradué de la force descendante** jusqu'à ce que le zéro soit aligné avec la ligne noire à l'arrière du **bras de lecture**. Vérifiez si le bras est toujours équilibré.



- Tournez le contrepoids dans le sens antihoraire (vu de l'avant) pour régler la force descendante selon les recommandations du fabricant de la cartouche. Une marque sur la gradation représente 0,05 g de force descendante.

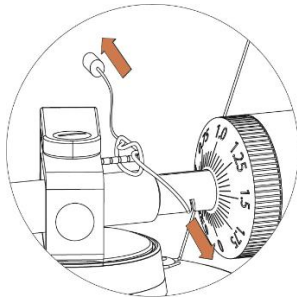


**REMARQUE :** La force descendante recommandée pour la cartouche montée en usine est de  $1,8 \pm 0,2$  g.

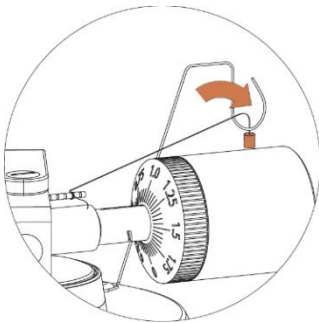
### Localiser le poids antipatinage

Vous trouverez un poids antipatinage avec un petit fil de pêche dans l'emballage, veuillez suivre les étapes ci-dessous pour localiser le poids antipatinage :

1. Glissez l'extrémité en boucle du fil de pêche sur l'embout de réglage du poids antipatinage et dans la 3<sup>e</sup> rainure (force antipatinage correcte pour la cartouche montée en usine).



2. Tirez légèrement sur le poids antipatinage pour laisser l'attache de la ligne de pêche se déplacer vers l'embout.
3. Soulevez le poids antipatinage au-dessus du support du fil du poids antipatinage. Le poids antipatinage doit maintenant se balancer dans l'espace libre à gauche du support.



Faites glisser la boucle du fil du poids antipatinage sur la **3e** rainure de l'embout pour régler la force antipatinage correcte pour la cartouche montée en usine. Faites passer le fil dans la boucle du support de fil.

### Réglage de la force antipatinage

La force antipatinage doit être ajustée en fonction de la force descendante comme suit :

Force descendante  
1 à 1,25 g

Rainure dans l'embout  
La 1<sup>re</sup> des bagues de roulement

1,25 à 1,5 g

1,5 à 1,75 g

1,75 à 2 g

La 2e des bagues de roulement

La 3e des bagues de roulement

La 4e des bagues de roulement



Faites glisser la boucle du fil du poids antipatinage sur la **3e** rainure de l'embout pour régler la force antipatinage correcte pour la cartouche montée en usine. Faites passer le fil dans la boucle du support de fil.

## Connexion au système stéréo

### Prises RCA

- Les prises RCA de cet appareil sont partagées entre les prises de sortie phono et les prises de sortie ligne. Elles sont déterminées par le sélecteur Phono/Line.
- Lorsque les prises sont utilisées comme sortie ligne, elles émettent des signaux analogiques de niveau ligne et peuvent être connectées directement à une paire d'enceintes actives ou à l'entrée appropriée de votre système stéréo. Lorsqu'elles sont utilisées comme sortie phono, elles doivent être connectées au préamplificateur phono ou à l'entrée phono de la chaîne stéréo.
- La fiche rouge se connecte au canal droit et la fiche blanche se connecte au canal gauche.

Remarque :

- Si le sélecteur Phono/Line est réglé sur la position LINE, mais que des prises RCA sont connectées à l'entrée phono de la chaîne stéréo, le son risque d'être déformé en raison d'une surcharge d'entrée et d'endommager votre chaîne stéréo.

- Si le sélecteur Phono/Line est réglé sur la position PHONO, mais que des prises RCA sont connectées à l'entrée ligne de la chaîne stéréo, le volume sera très faible en raison du manque de préamplification du signal.

La prise RCA n'est pas conçue pour être connectée directement aux enceintes passives/non alimentées et si c'est le cas, le volume sera très faible.

### **Branchement au secteur**

L'adaptateur électrique se trouve dans la mousse d'emballage. Déballez l'adaptateur d'alimentation et branchez la petite extrémité dans la **prise d'alimentation CC** située à l'arrière du tourne-disque. Branchez l'adaptateur électrique dans votre prise de courant.

### **Utilisation**

#### **Utilisation de la platine**

1. Branchez l'adaptateur d'alimentation fourni à l'appareil, puis appuyez sur le bouton d'alimentation (2) pour allumer le tourne-disque.
2. Retirez le cache de la cartouche.
3. Placez le tapis antidérapant sur le plateau et un disque sur le tapis antidérapant. S'il s'agit d'un disque 45 tours, placez l'adaptateur de disque 45 tours sur la broche centrale avant de mettre le disque sur le plateau.
4. Réglez le sélecteur de vitesse sur 33 tr/min ou sur 45 tr/min selon le type de disque.
5. Tournez le bouton de démarrage/d'arrêt sur la position de démarrage pour que faire tourner le plateau.
6. Débloquez le fermoir du bras de lecture, puis levez le lève-bras.
7. Positionnez le bras sur la piste désirée (sillon) du disque.

8. Abaissez le levier du lève-bras pour déplacer le bras de lecture sur le disque. Autrement, placez la pointe de lecture à la position souhaitée sur le disque.
9. Levez doucement le bras de lecture du disque.
10. Une fois l'écoute du disque terminée, levez le bras, reposez-le sur le repose-bras en utilisant le fermoir, puis tournez le bouton de démarrage/d'arrêt sur la position d'arrêt.
11. Appuyez sur le bouton d'alimentation pour éteindre l'appareil.
12. Le plateau cessera de tourner si aucun signal n'est émis par l'appareil au bout de 3 minutes.

### **Utilisation Bluetooth**

Cet appareil est équipé d'un émetteur Bluetooth qui permet d'envoyer le son sans fil vers une enceinte Bluetooth ou le casque.

1. Allumez l'enceinte acoustique Bluetooth et assurez-vous qu'il est en mode couplage.
2. Allumez le tourne-disque à l'aide du bouton d'alimentation (2). Le voyant LED (1) s'allume d'abord en ROUGE puis clignote en bleu pendant la recherche Bluetooth de l'enceinte externe ou du casque.

Remarque : si vous souhaitez désactiver la fonction de recherche Bluetooth, appuyez sur le bouton d'alimentation pendant 3 secondes, et le voyant devient ROUGE.

3. Lors du couplage, le voyant bleu clignote deux fois par seconde, puis reste allumé si le couplage a réussi ;

*Remarque* : Cet appareil se connectera au Bluetooth le plus proche. Si, après 2 min, aucune enceinte Bluetooth n'a été détectée pour le couplage, le Bluetooth est désactivé et le voyant devient rouge.



4. Pour annuler le couplage, appuyez longuement sur le bouton d'alimentation pendant 3 s ou désactivez le couplage Bluetooth sur l'enceinte externe ou le casque Bluetooth.

*« Ce produit est doté d'une fonction de **transmission** Bluetooth, **vous ne pouvez pas l'utiliser pour recevoir de son Bluetooth** : cela signifie que vous pouvez transmettre sans fil un signal sonore Bluetooth à un appareil externe comme une enceinte Bluetooth, un casque Bluetooth, une chaîne audio avec réception Bluetooth... »*

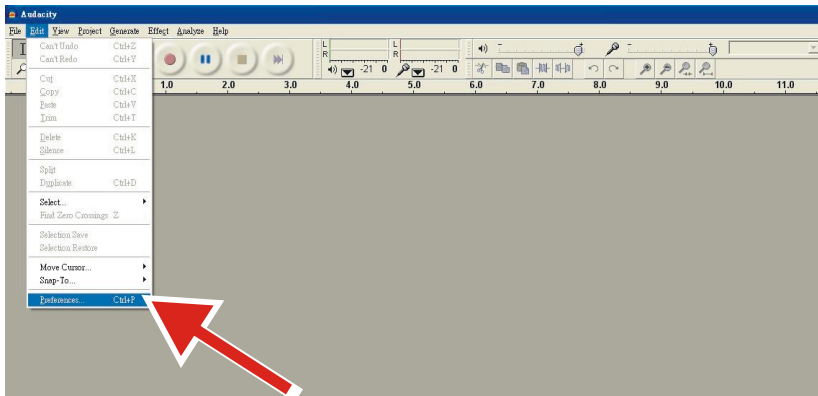
## **Présentation du logiciel Audacity**

Audacity est un logiciel libre, sous licence publique générale GNU. De plus amples informations ainsi que le code source ouvert peuvent être trouvés sur son site à l'adresse <https://www.audacityteam.org/download/>

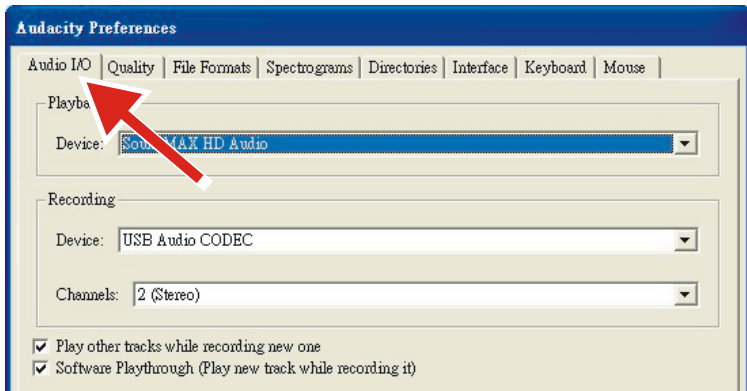
- \* **Veillez vous assurer que vous avez installé le logiciel avant de commencer.**

### **Configuration de votre PC pour le faire fonctionner avec Audacity**

1. Connectez une source d'entrée à l'appareil.
2. Connectez le câble USB à votre ordinateur.
3. Installez le logiciel d'enregistrement Audacity.
4. Ouvrez le programme Audacity.
5. Sélectionnez Preference (Préférence) dans l'onglet Edit (Éditer) du menu Audacity.



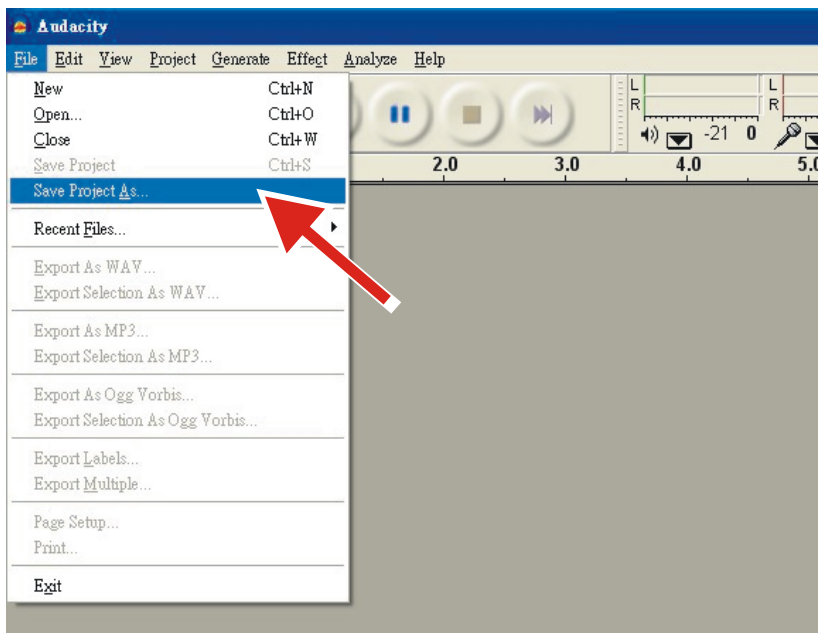
6. Sélectionnez l'onglet **Audio I/O (E/S audio)** en haut à gauche.
  - Dans Playback (Lecture), Device (Appareil), sélectionnez **your internal sound card (votre carte son interne)**.
  - Dans Recording (Enregistrement), Device (Appareil), sélectionnez **USB Audio CODEC (CODEC audio USB)**.
  - Dans Recording (Enregistrement), Channels (Canaux), sélectionnez **2 (Stereo) (2 (Stéréo))**.
  - Cochez la case intitulée **Play other tracks while recording new one (Lire d'autres morceaux pendant l'enregistrement d'un nouveau morceau)**.
  - Cochez la case intitulée **Software Playthrough (Lecture logicielle)**.



## Enregistrement des albums avec Audacity

### 1. Sauvegarde d'un projet

- Audacity écrit toutes les modifications et les enregistrements audio dans un répertoire appelé **Projectname\_data (Nomdeprojet\_données)**, qui est situé à l'endroit où vous avez sauvegardé le fichier du projet lui-même.
- Puis, sélectionnez **Save Project as (Enregistrer le projet sous)** à partir de votre onglet Audacity File (Fichier Audacity) et choisissez un emplacement et un nom de fichier pour votre projet.
- Veuillez noter que lorsque vous démarrez une nouvelle session d'Audacity, seule l'option de menu « **Save As... (Enregistrer sous)** » est disponible.



## 2. Comment enregistrer

- Réglez votre tourne-disque USB pour lire la chanson ou l'album que vous souhaitez enregistrer.
- Cliquez sur le bouton rouge « Enregistrer » pour commencer



l'enregistrement.

- Abaissez le bras de lecture du tourne-disque USB sur l'album et le morceau que vous souhaitez enregistrer.
- Cliquez sur le bouton bleu « Pause » pour interrompre l'enregistrement.



Appuyez à nouveau sur ce bouton pour continuer.

- Cliquez sur le bouton jaune « Arrêter ».



C'est tout. Vous pouvez maintenant jouer avec votre enregistrement et explorer les capacités d'édition d'Audacity. N'oubliez pas que vous pouvez utiliser la fonction Annuler presque sans limites tant que le projet est ouvert.

**REMARQUE :** Les CD ne peuvent pas être gravés directement à partir de l'application Audacity. Des applications de gravure de CD tierces devraient être utilisées.

## Entretien et nettoyage

Votre tourne-disque ne nécessite que peu ou pas d'entretien régulier. Enlevez la poussière avec un chiffon antistatique légèrement humide. N'utilisez jamais un chiffon sec, cela créerait de l'électricité statique et attirerait davantage de poussière ! Des produits de nettoyage antistatiques sont disponibles dans les magasins spécialisés, mais doivent être appliqués avec parcimonie pour éviter d'endommager les pièces en caoutchouc. Il est recommandé d'installer le couvercle de l'aiguille avant de procéder au nettoyage ou à l'entretien afin d'éviter tout dommage.

Si le tourne-disque n'est pas utilisé pendant une longue période, la courroie d'entraînement doit être retirée pour éviter un étirement inégal.

**REMARQUE :** Avant tout entretien, débranchez toujours le tourne-disque de l'alimentation électrique par précaution !

## Conseils pratiques

Le tourne-disque doit être placé sur une surface de faible résonance, comme du bois ou un panneau de contreplaqué multicouche, afin d'éviter que des vibrations structurelles ne perturbent la lecture.

## Remplacement de la cellule

1. Avant le remplacement, remettez la protection de la tête de lecture pour éviter de l'endommager pendant le processus de remplacement.
  2. Retirez avec précaution les fils de la cellule d'origine.
  3. Desserrez les deux vis de la tête de lecture qui fixent la cellule, puis retirez la cartouche d'origine.
  4. Montez la nouvelle cellule sur la tête de lecture et serrez-la légèrement. Ne serrez pas complètement les vis à ce moment-là.
  5. Connectez les fils aux bornes de la nouvelle cellule. Les codes de couleurs des fils sont les suivants :
    - Positif du canal gauche blanc (L+)
    - Négatif du canal gauche bleu (L-)
    - Positif du canal droit rouge (R+)
    - Négatif du canal droit vert (R-)
  6. Ajustez la position de la cellule pour vous assurer qu'elle est précisément alignée sur l'enveloppe afin que la tête de lecture suive parfaitement les rainures en parallèle.

Pour ce faire, placez le gabarit d'alignement de cellule en carton fourni sur l'axe de la platine, soulevez soigneusement le bras de lecture et placez la pointe de la tête de lecture sur les points marqués 130 mm et 250 mm. Ajustez la position de la cellule sur la tête de lecture jusqu'à ce que la cellule soit parfaitement parallèle aux lignes de référence aux deux points.
  7. Serrez complètement les vis une fois que l'alignement parfait est atteint.
- REMARQUE : Si vous n'êtes pas familier ou à l'aise avec cette procédure, nous vous recommandons de consulter un professionnel pour effectuer l'installation.

### Spécifications techniques :

Vitesses nominales	33 1/3 et 45 tr/min
Pleurage et scintillement	≤ 0,15 %
Rapport signal/bruit	55 dB
Gamme de force descendante	0 à 2 g
Longueur effective du bras de lecture	218,5 mm
Avance	18,5 mm (0,73 po)
Consommation	6 W (max)
Alimentation externe	12 V/500 mA CA-CC
Dimensions (L x H x P)	420 x 360 x 125 mm
Poids	4,8 kg

### Spécifications techniques : 2M RED (Ortofon)

Réponse en fréquence	20 Hz-20 kHz
Résistance à la charge recommandée	47 kOhms
Balance des canaux	1,5 dB
Connexion de l'amplificateur	MM - entrée
Séparation des canaux	22 dB
Force d'appui recommandée	1,8 ± 0,2 g
Tension de sortie	5,5 mV
Poids	7,2 g

### Utilisation incorrecte potentielle et conditions de défaillance

Ces tourne-disques sont fabriqués selon les normes les plus strictes et subissent des contrôles de qualité rigoureux avant de quitter l'usine. Les défauts qui peuvent éventuellement survenir ne sont pas nécessairement dus à des défauts de matériel ou de production, mais peuvent parfois être causés par une utilisation incorrecte ou des circonstances malheureuses. Ainsi, la liste suivante de symptômes de défauts courants est incluse.

**Bien que l'appareil est allumé, le plateau ne tourne pas :**

- L'appareil n'est pas correctement branché à l'alimentation par secteur.
- La prise électrique n'est pas alimentée.
- La courroie d'entraînement n'est pas installée ou s'est délogée.
- L'appareil est passé automatiquement en mode veille. Allumez à nouveau l'appareil.

**Absence de signal sur l'un ou l'autre canal ou sur les deux canaux :**

- l'entrée téléphone n'est pas sélectionnée au niveau de l'amplificateur.
- l'amplificateur n'est pas allumé.
- l'amplificateur ou les haut-parleurs sont en sourdine.
- pas de connexion aux enceintes.
- pas de connexion entre le tourne-disque et l'amplificateur.
- les fils ne sont pas connectés à la cartouche.

**Fort bourdonnement sur l'entrée phono :**

- pas de connexion de terre entre la cartouche, le bras ou le câble du bras et l'amplificateur ou boucle de terre.
- Le tourne-disque est trop proche des enceintes.

**Son déformé ou inégal sur un ou deux canaux :**

- Le tourne-disque est connecté à la mauvaise entrée de l'amplificateur.
- Aiguille ou avance endommagée.
- Courroie d'entraînement trop tendue ou sale.
- Palier du plateau non huilé, sale ou endommagé.
- Poussière sur la tête de lecture.
- Le sélecteur MM/MC du préamplificateur est mal réglé.

**Remarque : En raison des exigences de l'étape 2 de l'ErP concernant les mesures d'économie d'énergie, un appareil branché sur le secteur se mettra automatiquement en mode veille si aucune musique n'a été jouée pendant environ 20 minutes.**



**Si votre platine s'éteint régulièrement, il ne s'agit pas d'un défaut.**

Adaptateur d'alimentation

Fabricant : BRIGHTPOWER OPTOELECTRONIC TECHNOLOGY CO., LTD

Numéro du modèle : SW1200500-FM

Tension d'entrée : 100-240 V

Fréquence d'entrée CA : 50/60 Hz

Tension de sortie : 12 VCC

Courant en sortie : 0,5 A

Puissance de sortie : 6 W

Efficacité active moyenne : 79,62 %

Efficacité à faible charge (10 %) : 70,40 %

Pas de consommation d'énergie à vide : 0,073 W

Utilisez uniquement l'alimentation électrique indiquée dans le mode d'emploi

Spécifications techniques Ortofon 2M RED

Réponse en fréquence - 20-20,000 Hz + 3 / - 1 dB

Capacité de suivi à 315 Hz à la force de suivi recommandée \*) - 70 µm

Conformité, dynamique, latérale - 20 µm / mN

Type de stylet - Elliptique

Rayon de la pointe du stylet - r / R 8/18 µm

Masse équivalente de la pointe du stylet - 0,5 mg

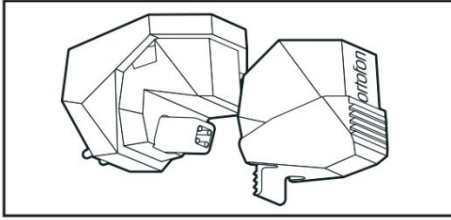
Plage de force de suivi - 1,6-2,0 g (16-20 mN)

Force de suivi, recommandée - 1,8 g (18 mN)

Angle de suivi - 20°

\*) Valeur typique

Couleur du stylet - Rouge



## **Garantie**

Commaxx B.V. propose un service et une garantie conformément à la législation européenne, ce qui signifie qu'en cas de besoin de réparation (aussi bien pendant et après la période de garantie), vous pouvez contacter le revendeur le plus proche.

Remarque importante : Il n'est pas possible de renvoyer l'appareil pour réparation directement à Commaxx B.V.

Remarque importante : Si l'appareil est ouvert ou modifié de quelque manière que ce soit par un réparateur non agréé, la garantie est annulée. Cet appareil ne convient pas à une utilisation professionnelle. En cas d'utilisation professionnelle, les obligations de garantie du fabricant sont annulées.

## **Clause de non-responsabilité**

Des mises à jour du micrologiciel ou des composants matériels sont régulièrement effectuées. Ainsi, certaines instructions, spécifications et images de la présente documentation peuvent être légèrement différentes. Tous les éléments décrits dans ce manuel sont donnés uniquement à des fins d'illustration et peuvent ne pas s'appliquer à une situation particulière. Aucun droit juridique ou légal ne peut être obtenu à partir de la description faite dans ce manuel.

## Mise au rebut de l'appareil usagé



Ce symbole indique que le produit électrique concerné ainsi que les piles ne doivent pas être jetés avec les autres déchets ménagers en Europe. Pour assurer le traitement correct des déchets de l'appareil et des piles, il faut les éliminer conformément aux lois locales applicables sur l'élimination des

██████████ équipements électriques et des piles. En faisant cela, vous contribuez à la conservation des ressources naturelles et à l'amélioration des normes de protection de l'environnement dans le traitement et l'élimination des déchets électriques (Directive sur les déchets d'équipements électriques et électroniques).

### DÉCLARATION DE CONFORMITÉ

Par la présente, Commaxx déclare que le type d'équipement radio auquel appartient [Lenco LBT-335 / LBT-345] est conforme à la directive 2014/53/UE. Le texte intégral de la déclaration de conformité UE est disponible à l'adresse Internet suivante :

[https://commaxx-certificates.com/doc/lbt-335\\_doc.pdf](https://commaxx-certificates.com/doc/lbt-335_doc.pdf)

[https://commaxx-certificates.com/doc/lbt-345\\_doc.pdf](https://commaxx-certificates.com/doc/lbt-345_doc.pdf)

Type RF	Plage de fréquences (MHz)	Puissance (dBm)
Bluetooth	2 402 - 2 480	< 6

### Service

Pour plus d'informations et en cas de besoin d'assistance, rendez-vous sur [www.lenco.com](http://www.lenco.com)

Commaxx B.V. Wiebachstraat 37, 6466 NG, Kerkrade, The Netherlands.

### **PRECAUCIÓN:**

Un uso de los controles, unos ajustes o un rendimiento de los procedimientos distintos a los especificados aquí puede resultar en una exposición peligrosa a la radiación.

### **PRECAUCIONES PREVIAS AL USO**

---

#### **TENGA ESTAS INSTRUCCIONES EN CUENTA:**

1. No cubra ni obstruya las aberturas de ventilación. Al colocar el dispositivo en un estante, deje libres 5 cm (2") de espacio alrededor de todo el dispositivo.
2. Instálelo en conformidad con el manual del usuario incluido.
3. Mantenga el dispositivo apartado de fuentes de calor como radiadores, calentadores, estufas, velas y otros productos que generen calor o llamas abiertas.  
El dispositivo solo puede utilizarse en climas moderados. Deben evitarse los entornos muy fríos o cálidos. La temperatura de funcionamiento es de entre 0 °C y 35 °C.
4. Evite utilizar el dispositivo cerca de campos magnéticos intensos.
5. Las descargas electrostáticas pueden perturbar el uso normal de este dispositivo. En tal caso, solo tiene que seguir el manual de instrucciones para restablecer y reiniciar el dispositivo. Durante la transmisión de archivos, por favor manéjelo con cuidado y opérelo en un entorno libre de electricidad estática.
6. ¡Advertencia! Nunca introduzca objetos en las aberturas o conductos de ventilación del producto. Alto voltaje fluye a través del producto e insertar un objeto puede provocar una descarga eléctrica o un cortocircuito en sus componentes internos. Por el mismo motivo, no derrame agua ni líquidos sobre el producto.
7. No lo utilice en áreas mojadas o húmedas, como cuartos de baño, cocinas con mucho vapor o cerca de piscinas.
8. No se debe exponer el dispositivo a goteos ni salpicaduras y debe asegurarse de que no haya objetos llenos de líquidos, como jarrones, encima ni cerca del aparato.
9. No utilice este dispositivo si puede haber condensación. Cuando se utilice la unidad en una sala cálida y húmeda, pueden aparecer gotas de agua o condensación dentro de la unidad y esta puede no funcionar correctamente; deje la unidad apagada durante 1 o 2 horas antes de

encender la alimentación: la unidad debe estar seca antes de encenderla.

10. Aunque este dispositivo está fabricado con el máximo cuidado y se ha comprobado varias veces antes de salir de fábrica, todavía es posible que se puedan producir problemas, igual que con todos los aparatos eléctricos. Si detecta humo, una acumulación excesiva de calor o cualquier otro fenómeno inesperado, deberá desconectar inmediatamente el enchufe de la toma de corriente.
11. Este dispositivo debe estar conectado a una fuente de alimentación conforme a lo indicado en la etiqueta de especificaciones. Si no está seguro del tipo de fuente de alimentación de su hogar, consulte con su distribuidor o su empresa eléctrica local.
12. Manténgalo alejado de los animales. Algunos animales muerden los cables eléctricos.
13. Utilice un trapo suave y seco para limpiar el dispositivo. No utilice disolventes ni líquidos con base de gasolina. Puede usar un paño húmedo con detergente diluido para eliminar las manchas persistentes.
14. El proveedor no asume ninguna responsabilidad por daños o datos perdidos como consecuencia de un funcionamiento incorrecto, uso incorrecto, modificación del dispositivo o sustitución de la batería.
15. No interrumpa la conexión mientras se formatea el dispositivo o esté transfiriendo archivos. De lo contrario, los datos podrían quedar dañados o perderse.
16. Si la unidad tiene una función de reproducción USB, se debe conectar directamente el dispositivo de memoria USB a la unidad. No utilice cables de extensión USB ya que pueden crear interferencias que causen una pérdida de datos.
17. La etiqueta de clasificación está marcada en el panel inferior o trasero del dispositivo.
18. Este aparato no está diseñado para su uso por personas (incluyendo niños) con discapacidades físicas, sensoriales o mentales o con falta de experiencia o conocimientos, salvo que estén bajo supervisión o hayan recibido formación sobre el uso correcto del dispositivo por parte de una persona responsable de su seguridad.
19. Este producto está destinado únicamente al uso no profesional y no al uso comercial ni industrial.
20. Compruebe que la unidad está ajustada en una posición estable. Los daños causados por las vibraciones o sacudidas derivadas del uso del

producto en una posición inestable o el incumplimiento de otras advertencias o precauciones incluidas en este manual del usuario no estarán cubiertos por la garantía.

21. Nunca retire la carcasa del dispositivo.
22. Nunca coloque el dispositivo sobre otros equipos eléctricos.
23. No permita que los niños accedan a las bolsas de plástico.
24. Utilice solo los accesorios especificados por el fabricante.
25. Solicite todo el trabajo de mantenimiento a personal de servicio cualificado. El dispositivo deberá ser reparado cuando quede dañado de cualquier forma, por ejemplo, si el cable de alimentación o el enchufe están dañados, se ha derramado líquido o han caído objetos sobre él, ha quedado expuesto a la lluvia o a la humedad, no funciona con normalidad, o se ha caído al suelo.
26. La exposición prolongada a sonidos fuertes de reproductores personales de música puede provocar una pérdida temporal o permanente de audición.
27. Si el producto incluye un cable de alimentación o un adaptador de CA:
  - Si hubiera algún problema, desconecte el cable de CA y solicite su mantenimiento al personal cualificado.
  - No pise ni pellizque el adaptador de corriente. Tenga mucho cuidado, en especial cerca de los enchufes y el punto de salida del cable. No coloque objetos pesados sobre el adaptador de corriente, ya que podría dañarlo. ¡Mantenga todo el dispositivo fuera del alcance de los niños! Si juegan con el cable de alimentación, pueden sufrir lesiones graves.
  - Desenchufe el dispositivo durante tormentas eléctricas o si no se utiliza durante largos periodos.
  - La toma debe estar instalada cerca del equipo y ser fácilmente accesible.
  - No sobrecargue las tomas de CA ni los cables de extensión. Una sobrecarga podría provocar un incendio o una descarga eléctrica.
  - Los dispositivos con una construcción de clase 1 deben estar conectados a una toma eléctrica con conexión a tierra protectora.
  - Los dispositivos con una construcción de clase 2 no requieren una conexión a tierra.
  - Sujete siempre el enchufe cuando lo extraiga de la toma de corriente. No estire del cable eléctrico. Podría provocar un cortocircuito.

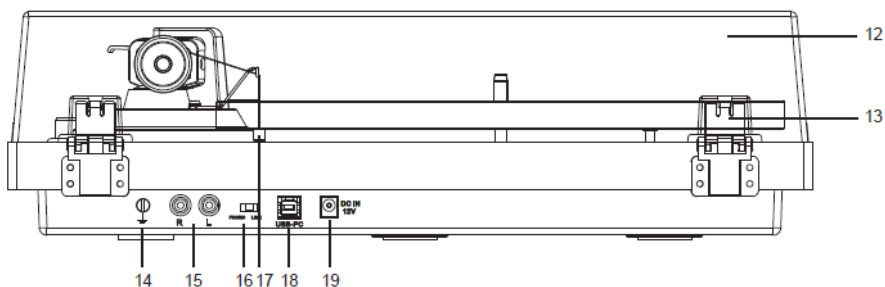
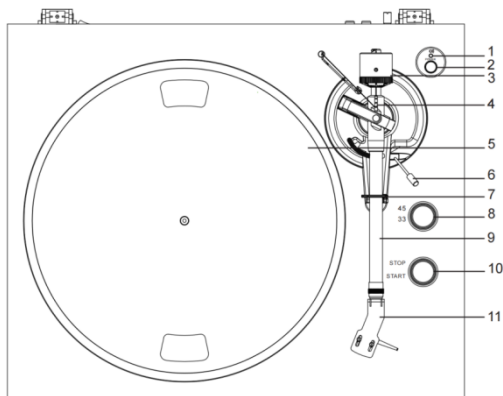
- No utilice cables de alimentación o enchufes deteriorados o tomas sueltas. Podría provocar un incendio o descarga eléctrica.
28. Si el producto contiene o se entrega con un mando a distancia que contiene pilas de botón:  
Advertencia:
- «No ingiera la pila, existe riesgo de quemaduras químicas» o equivalente.
  - [Mando a distancia incluido] Este producto contiene una pila de botón. En caso de ingesta de la pila, puede provocar quemaduras internas graves en menos de 2 horas que pueden provocar la muerte.
  - Mantenga las pilas nuevas y usadas fuera del alcance de los niños.
  - Si el compartimento de las pilas no cierra bien, deje de usar el producto y manténgalo fuera del alcance de los niños.
  - Si cree que puede haber ingerido una pila, solicite inmediatamente atención médica.
29. Precauciones sobre el uso de las pilas:
- Existe peligro de explosión si se sustituye la pila por una de tipo incorrecto. Sustitúyalas únicamente por pilas del mismo tipo o equivalentes.
  - No se puede someter las pilas a temperaturas muy altas o bajas, ni a presiones de aire bajas a altitudes altas durante el uso, almacenamiento o transporte.
  - La sustitución de una pila por una de tipo incorrecto puede resultar en una explosión o fuga del líquido o gas inflamable.
  - Arrojar una pila al fuego o a un horno caliente, o aplastarla o cortarla con medios mecánicos, puede resultar en una explosión.
  - Dejar una pila en un entorno con temperaturas muy altas puede resultar en una explosión o fuga del líquido o gas inflamable.
  - Someter una pila a presiones de aire muy bajas puede resultar en una explosión o la fuga del líquido o gas inflamable.
  - Se debe prestar atención a los aspectos medioambientales sobre la eliminación de baterías.

## **INSTALACIÓN**

- Desempaquete todas las piezas y retire el material protector.
- No conecte la unidad a la corriente sin comprobar la tensión eléctrica y que se han hecho todas las demás conexiones.

## COMPONENTES, FUNCIONES Y CONEXIONES

1. Indicador de encendido y de Bluetooth
2. Botón de encendido
3. Contrapeso
4. Varilla de antideslizamiento
5. Bandeja del tocadiscos
6. Palanca elevadora del brazo de lectura
7. Soporte del brazo de lectura
8. Selector de 33/45
9. Brazo de lectura
10. Rueda de inicio/parada
11. Cabezal extraíble con cartucho





- |                                  |                               |
|----------------------------------|-------------------------------|
| 12. Tapa                         | 17. Peso de antideslizamiento |
| 13. Bisagra de la tapa           | 18. Puerto USB-PC             |
| 14. Conector a tierra            | 19. Toma de corriente CA-CC   |
| 15. Entrada PHONO y Line Out     |                               |
| 16. Interruptor PHONO y Line Out |                               |

Compruebe atentamente y asegúrese de que este paquete contiene los siguientes elementos:

- |  |   |
|--|---|
| 1) Aparato   | 8) Transportador de alineación de cartuchos         |
| 2) Adaptador con clavijas para la UE y Reino Unido | 9) Cable USB-PC                                     |
| 3) Contrapeso                                      | 10) Dos piezas de goma de repuesto para la cubierta |
| 4) Bandeja con correa                              | 11) Peso de antideslizamiento                       |
| 5) Adaptador 45 RPM                                | 12) Cable de salida                                 |
| 6) Alfombrilla del tocadiscos                      | 13) Ponderación al centro (SOLO para LBT-345 )      |
| 7) Manual de instrucciones                         | 14) Cabezal extraíble con cartucho                  |

Este tocadiscos se presenta con un cartucho instalado de fábrica y ajustado.

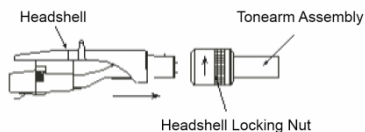
\*\*Las instrucciones siguientes para ajustar el cartucho se facilitan en caso de que se reemplace con un modelo distinto en otro momento.

### Instalación de la cubierta

Instale la **cubierta** con cuidado sobre las bisagras.

## Instalación del cabezal

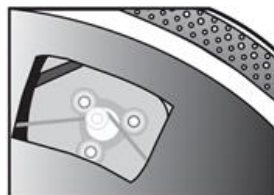
Inserte el cabezal en el extremo delantero del brazo de lectura. Mientras sujeta el cabezal firmemente en el extremo delantero del brazo de lectura, gire la tuerca de fijación del cabezal en sentido contrario a las agujas del reloj para fijar el cabezal al brazo de lectura.



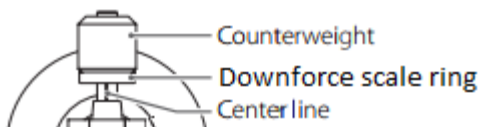
EN	ES
Headshell	Cabezal
Tonearm Assembly	Brazo de lectura
Headshell Locking Nut	Tuerca de fijación del cabezal

## Montaje de la correa y bandeja del tocadiscos

1. Instale la correa de transmisión sobre el anillo interior bajo la bandeja y asegúrese de que no se desprende durante el montaje.
2. Coloque la bandeja en el eje del tocadiscos y, a continuación, gírela hasta ver la polea del motor de transmisión a través de la ventana de la esquina izquierda superior.
3. Agarre con cuidado la correa de transmisión y póngala alrededor de la ranura de la polea del motor .
4. Conecte el adaptador de corriente al tocadiscos y enciéndalo.
5. Configure el botón Start/Stop del motor en la posición de Start para comprobar que el motor de la bandeja gira. De lo contrario, pruebe de nuevo los pasos mencionados anteriormente.



## Ajuste de la fuerza descendente del cartucho



EN	ES
Counterweight	Contrapeso
Downforce scale ring	Anillo de escala de la fuerza descendente
Center line	Línea central

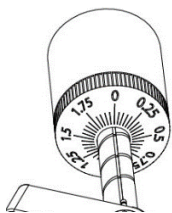
El **contrapeso** incluido es apto para cartuchos de entre 6 y 8 g de peso.

- Empuje y gire con cuidado el contrapeso en la parte trasera del tocadiscos (con la escala mirando hacia la parte frontal).
- Retire la tapa protectora del cartucho.
- Baje el elevador del brazo de lectura y coloque el cartucho en el espacio entre el soporte del brazo de lectura y la bandeja.

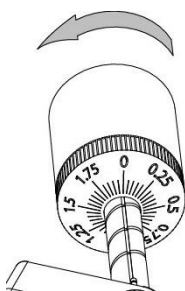
Gire el **contrapeso** hasta que el brazo de lectura se equilibre. El brazo debería volver a la posición de equilibrio si se mueve hacia arriba o hacia abajo. Se debe ajustar con cuidado.



- Cuando el brazo esté bien equilibrado, devuélvalo a su soporte. Sostenga el **contrapeso** sin moverlo y gire suavemente el anillo de **escala de fuerza descendente** hasta que el cero esté en línea con la línea negra de la parte trasera del **brazo de lectura**. Compruebe que el brazo sigue equilibrado.



- Gire el contrapeso en sentido contrario al de las agujas del reloj (visto de frente) para ajustar la fuerza descendente siguiendo las recomendaciones del fabricante. Una marca en la escala representa 0,05 g de fuerza descendente.

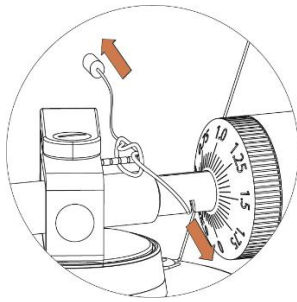


**NOTA:** La fuerza descendente recomendada por el cartucho instalado de fábrica es  $1,8 \pm 0,2$  g.

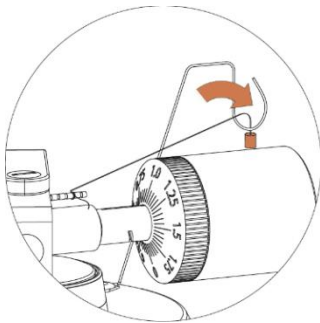
### Localice el peso de antideslizamiento

Encontrará un peso de antideslizamiento con un pequeño sedal en el paquete, siga las siguientes instrucciones para localizar el peso de antideslizamiento:

1. Deslice el extremo en bucle del sedal sobre la varilla de ajuste del peso antideslizante y en la tercera ranura (la fuerza antideslizante correcta para el cartucho montado en fábrica).



2. Tire del peso de antideslizamiento ligeramente para dejar que el nudo del sedal se mueva a la varilla.
3. Levante el peso de antideslizamiento sobre el soporte de alambre de este. El peso de antideslizamiento debería quedar colgando en el espacio libre a la izquierda del soporte.



Deslice el aro del hilo del peso de antideslizamiento sobre la **tercera** ranura de la varilla para establecer la fuerza de antideslizamiento adecuada para el cartucho instalado de fábrica. Pase el hilo por el aro del soporte del cable.

### **Ajuste de la fuerza de antideslizamiento**

La fuerza de antideslizamiento se debe ajustar según la fuerza descendente como se indica a continuación:

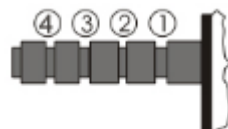
Fuerza descendente

1-1,25 g

Ranura en la varilla

1.º de los anillos del  
rodamiento

1,25-1,5 g	2.º " " "
1,5-1,75 g	3.º " " "
1,75-2 g	4.º " " "



Deslice el aro del hilo del peso de antideslizamiento sobre la **tercera** ranura de la varilla a fin de establecer la fuerza de antideslizamiento adecuada para el cartucho instalado de fábrica. Pase el hilo por el aro del soporte del cable.

## Conexión del sistema estéreo

### Tomas de RCA

- Las tomas de RCA de este aparato se comparten como tomas de salida Phono y Line. Se determina por el interruptor Phono/Line.
- Cuando se usan como salida de línea, las tomas emiten señales analógicas de nivel de línea y pueden conectarse directamente con un par de altavoces activos o con la entrada apropiada de su sistema estéreo. Cuando se usan como salida de fono, se deberían conectar al preamplificador o a la entrada de fono del sistema estéreo.
- El enchufe rojo se conecta con el canal derecho y el blanco se conecta con el canal izquierdo.

### Nota:

- Si el interruptor Phono/Line se pone en la posición de LINE pero hay tomas de RCA conectadas a la entrada de fono del sistema estéreo, el sonido podría distorsionarse debido a la sobrecarga de entradas y puede dañar el sistema.
- Si el interruptor Phono/Line se pone en la posición de PHONO pero hay tomas de RCA conectadas a la entrada de línea del

sistema estéreo, el volumen será muy bajo debido a la falta de preamplificación de la señal.

Las tomas de RCA no están diseñadas para conectarse directamente a los altavoces pasivos/sin alimentación y, si se conectan, el volumen será muy bajo.

### **Conexión a la corriente principal**

El adaptador de corriente está en el material de embalaje de espuma. Desembálelo y conecte el extremo pequeño en la **toma de corriente continua** situada en la parte trasera del tocadiscos. Conéctelo a la toma de corriente.

### **Funcionamiento**

#### **Funcionamiento del tocadiscos**

1. Conecte al aparato el adaptador de corriente incluido y pulse el botón de encendido (2) para encender el tocadiscos.
2. Retire tapa de la aguja del cartucho.
3. Coloque el patinador en la bandeja y el disco sobre él. Si usa un disco de 45 RPM, ponga el adaptador en el eje central antes de colocar el disco en la bandeja.
4. Establezca el selector de 33/45 RPM de acuerdo al tipo de disco.
5. Gire la rueda de inicio/parada a la posición de inicio para que la bandeja empiece a girar.
6. Desbloquee el seguro del brazo y suba la palanca elevadora.
7. Coloque el brazo de lectura sobre la posición deseada (surco) del disco.
8. Baje la palanca elevadora del brazo para moverlo hacia el disco. Como alternativa, puede colocar la aguja directamente en la posición deseada del disco.
9. Baje con cuidado el brazo de lectura hacia el disco.
10. Cuando haya terminado de reproducir el disco, levante el brazo de lectura, vuelva a colocarle el seguro y gire la rueda de inicio/parada a la posición de parada.

11. Pulse el botón de encendido para apagar el aparato.
12. La bandeja dejará de dar vueltas si no hay salida de señal del aparato durante tres minutos.

### **Funcionamiento del Bluetooth**

Este aparato tiene un transmisor de Bluetooth para enviar sonido a un altavoz Bluetooth de unos auriculares de forma inalámbrica.

1. Encienda el altavoz Bluetooth y asegúrese de que está en el modo de emparejamiento.
2. Encienda el tocadiscos con el botón de encendido (2). El indicador LED (1) se encenderá primero en rojo y luego parpadeará en azul durante la búsqueda por Bluetooth de altavoces o auriculares externos.

Nota: si quiere desactivar la función de búsqueda por Bluetooth, puede pulsar el botón de encendido durante 3 segundos; luego el indicador LED se encenderá en ROJO.

3. Durante el emparejamiento, la luz LED azul parpadeará dos veces por segundo y luego cambiará a una iluminación azul larga cuando esté emparejado.

*Nota:* Este aparato se conectará al Bluetooth más cercano. Si no se ha encontrado ningún altavoz al que conectarse en 2 minutos, se desactivará el transmisor de Bluetooth y la luz LED se volverá roja.

4. Para detener el emparejamiento, mantenga pulsado el botón de encendido durante 3 segundos o desconecte el Bluetooth de su altavoz o sus auriculares externos.

*«Este producto tiene una función de **transmisión** de Bluetooth, **no puede recibir sonido por Bluetooth en él**: esto significa que solo puede transmitir una señal de sonido por Bluetooth a un dispositivo externo, como un altavoz o unos auriculares Bluetooth, un sistema de audio con Bluetooth, etc.»*



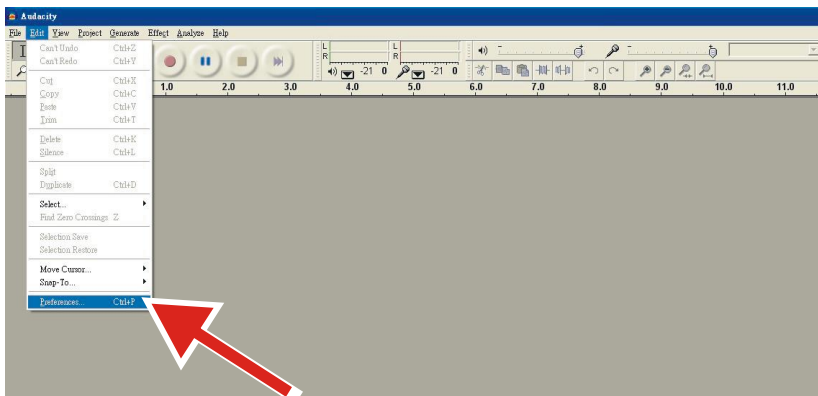
## Descripción del software Audacity

Audacity es un software libre, licenciado bajo la Licencia Pública General de GNU (GPL). Puede encontrar más información, además del código fuente abierto, en la web <https://www.audacityteam.org/download/>

\* **Asegúrese de que ha instalado el software antes de comenzar.**

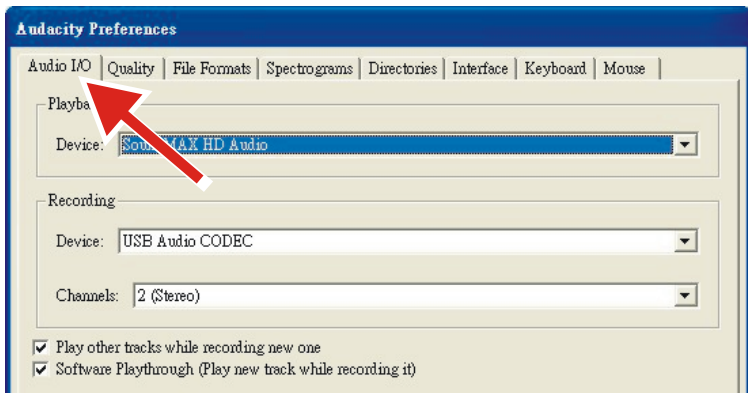
### Configuración del PC para que funcione con Audacity

1. Conecte una fuente de entrada al aparato.
2. Conecte el cable USB al ordenador.
3. Instale el programa de grabación Audacity.
4. Abra el programa Audacity.
5. Seleccione Preference (preferencias) de la pestaña Edit (editar) en el menú de Audacity.



6. Seleccione la pestaña **Audio I/O (entrada/salida de audio)** en la parte superior izquierda.

- En Playback (reproducción), Device (dispositivo), seleccione **your internal sound card (su tarjeta de sonido interna)**.
- En Recording (grabación) , Device (dispositivo), seleccione **USB Audio CODEC (CODEC de audio USB)**.
- En Recording (grabación), Channels (canales), seleccione **2 (Stereo)**.
- Marque la casilla **Play other tracks while recording new one (reproducir otras pistas mientras se graba una nueva)**.
- Marque la casilla **Software Playthrough (reproducir la pista que se está grabando)**.

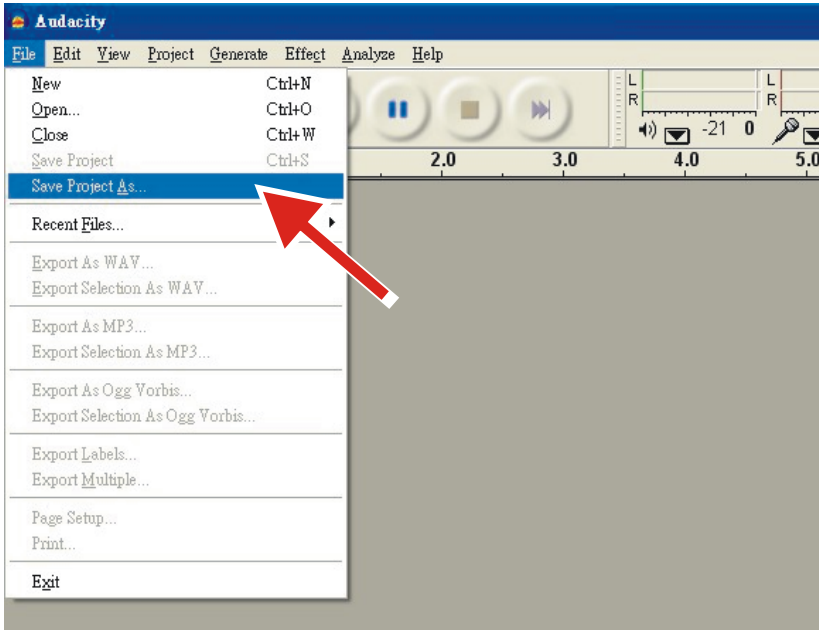


## Grabación de álbumes con Audacity

### 1. Guardar el proyecto

- Audacity escribe todos los audios editados y grabados en una carpeta llamada **Projectname\_data (nombredelproyecto\_data)** , que está localizada en el mismo sitio en el que guardó el propio archivo del proyecto.
- Por lo tanto, seleccione **Save Project as (guardar proyecto como)** desde la pestaña archivo y elija una ubicación y un nombre de archivo para el proyecto.

- Tenga en cuenta que cuando inicie Audacity desde cero, solo tendrá disponible la opción **Save As... (guardar como)**.



## 2. Cómo grabar

- Configure el tocadiscos USB para que reproduzca la canción o el álbum que quiere grabar.



- Haga clic en el botón rojo para comenzar la grabación.
- Baje el brazo de lectura hasta el disco en la canción que quiera grabar.
- Haga clic en el botón azul para pausar la grabación. Vuelva a pulsarlo



para continuar.



- Haga clic en el botón amarillo para finalizar.

Eso es todo. Ahora puede experimentar con la grabación y explorar las capacidades de edición de Audacity. Recuerde que puede usar la función Deshacer casi sin límites mientras el proyecto esta abierto.

**NOTA:** No se pueden grabar CD directamente desde Audacity. Será necesario usar otros programas de grabación de CD.

## **Mantenimiento y limpieza**

Su tocadiscos requiere poco o ningún mantenimiento regular. Elimine el polvo con un paño antiestático ligeramente húmedo. Nunca use un paño seco, ya que crearía electricidad estática y atraería más polvo. Los agentes de limpieza antiestáticos están disponibles en tiendas especializadas, pero deben aplicarse con moderación para evitar daños en las piezas de goma. Se recomienda colocar la cubierta de la aguja antes de realizar la limpieza o el mantenimiento para evitar daños.

Si no se usa el tocadiscos durante un largo periodo de tiempo, se debería retirar la correa de transmisión de accionamiento para evitar un estiramiento desigual.

**NOTA:** Desconecte siempre el reproductor de la fuente de alimentación como precaución antes del mantenimiento.

## **Consejos útiles**

El tocadiscos debería estar colocado en una superficie con baja resonancia, como la madera o un tablero de capas múltiples, para evitar que las vibraciones estructurales perturben la reproducción.

## Sustitución del cartucho

1. Antes de la sustitución, vuelva a colocarle el protector a la aguja para evitar que sufra daños durante el proceso de sustitución.
2. Retire con cuidado los cables del cartucho original.
3. Afloje los dos tornillos del cabezal que sujetan el cartucho y luego retírelo.
4. Monte el nuevo cartucho en el cabezal y apriételo un poco. No apriete los tornillos por completo de momento.
5. Conecte los cables a los terminales del nuevo cartucho. Los códigos de color de los cables son los siguientes:  
Canal izquierdo positivo blanco (L+)  
Canal izquierdo negativo azul (L-)  
Canal derecho positivo rojo (R+)  
Canal derecho negativo verde (R-)
6. Ajuste la posición del cartucho para asegurarse de que está alineado de forma precisa al cabezal de modo que la aguja siga las ranuras perfectamente en paralelo.  
Para ello, coloque el transportador de papel de alineación del cartucho incluido sobre el husillo del tocadiscos, levante con cuidado el brazo de lectura y coloque la punta de la aguja en los puntos marcados con 130 mm y 250 mm respectivamente. Ajuste con precisión la posición del cartucho en la carcasa hasta que esté perfectamente en paralelo con las líneas de referencia en las dos puntas.
7. Apriete los tornillos por completo cuando consiga la alineación perfecta.

NOTA: Si desconoce este procedimiento o no siente la confianza para completarlo, se recomienda que contacte con un profesional para que lo instale.

## Especificaciones técnicas:

Velocidades nominales	33 1/3 y 45 rpm
Lloro y trémolo	≤0,15 %
Señal/ruido	55 dB
Escala de fuerza descendente	0-2,0 g
Longitud efectiva del brazo de lectura	8,6" (218,5 mm)
Voladizo	0,73 in
Consumo eléctrico	6 W (máx)
Corriente eléctrica externa	12V/500 mA CA-CC
Dimensiones (An x Al x P)	420 x 360 x 125 mm
Peso	4,8 kg

### **Especificaciones técnicas: 2M RED (Ortofon)**

Respuesta de frecuencia	20 Hz-20 kHz
Resistencia de carga recomendada	47 kiloohmios
Balance de canales	1,5 dB
Conexión del amplificador	MM - entrada
Separación de canales	22 dB
Fuerza de tracción recomendada	1,8±0,2 g
Tensión de salida	5,5 mV
Peso	7,2 g

### **Posible uso incorrecto o condiciones de fallo**

Estos tocadiscos se fabrican con la máxima calidad y se someten a controles estrictos de calidad antes de dejar la factoría. Los posibles fallos que puedan presentar no se deben necesariamente a fallos en la producción o en los materiales pero en ocasiones pueden ser causa de un uso indebido o circunstancias desafortunadas. Por este motivo, a continuación figura una lista de síntomas de fallos comunes.

### **El aparato está encendido, pero la bandeja no gira:**

- El aparato no está enchufado a la fuente de alimentación.
- No hay corriente en el enchufe.
- La correa de transmisión no está instalada o se ha salido.
- El aparato se ha puesto automáticamente en modo de espera, vuelva a encenderlo.

**No hay señal en uno o en los dos canales:**

- La entrada Phone no está seleccionada en el amplificador.
- El amplificador no está encendido.
- El amplificador o los altavoces están en silencio.
- No hay conexión con los altavoces.
- No hay conexión entre el tocadiscos y el amplificador.
- Los cables no están conectados al cartucho.

**Fuerte zumbido en la entrada de fono:**

- No hay conexión a tierra del cartucho, brazo o cable del brazo al amplificador o el aro de tierra.
- El tocadiscos está demasiado cerca de los altavoces.

**Sonido distorsionado o inconsistente en uno o ambos canales:**

- El tocadiscos está conectado a la entrada del amplificador incorrecta.
- La aguja o el voladizo están dañados.
- La correa de transmisión está demasiado estirada o sucia.
- El rodamiento de la bandeja no tiene aceite o está sucio o dañado.
- Hay polvo en la aguja.
- El interruptor MM/MC del preamplificador está mal ajustado.

**Observaciones: Debido a los requisitos de la Fase 2 de ErP en la adopción de medidas para ahorrar energía, un aparato que no esté conectado a la red eléctrica pasará automáticamente al modo de suspensión si han transcurrido veinte minutos sin reproducir música.**

**Si su unidad se apaga regularmente, no es un defecto.**

Adaptador de alimentación

Fabricante: BRIGHTPOWER OPTOELECTRONIC TECHNOLOGY CO., LTD

Número de modelo: SW1200500-FM

Tensión de entrada: 100-240 V

Frecuencia CA de entrada: 50/60 Hz

Tensión de salida: CC de 12 V

Corriente de salida: 0,5 A

Potencia de salida: 6 W

Eficiencia activa media: 79,62 %

Eficiencia con carga baja (10%): 70,40 %

Consumo energético sin carga: 0,073 W

Use únicamente la alimentación descrita en las instrucciones de usuario

Ficha técnica Ortofon 2M RED

Respuesta en frecuencia - 20-20,000 Hz + 3 / - 1 dB

Capacidad de seguimiento de 315 Hz para la fuerza de seguimiento recomendada \*) - 70  $\mu$ m

Adaptabilidad, dinámico, lateral - 20  $\mu$ m/mN

Tipo de aguja - Elíptica

Radio punta de la aguja - r/R 8/18  $\mu$ m

Peso equivalente de la punta de la aguja - 0,5 mg

Rango de la fuerza de seguimiento - 1,6-2,0 g (16-20 mN)

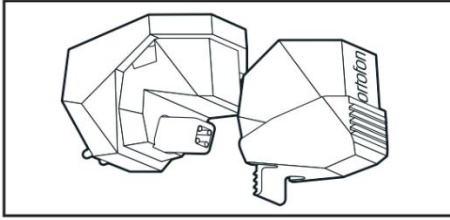
Fuerza de seguimiento, recomendada - 1.8 g (18 mN)

Ángulo de seguimiento - 20°

\*) Valor típico

Color de la aguja - Rojo





## Garantía

Commaxx B.V. ofrece servicio y garantía en conformidad con las leyes europeas, por lo que en caso de requerir una reparación (tanto durante como después del periodo de garantía) debe ponerse en contacto con su distribuidor local.

Nota importante: No es posible enviar directamente a Commaxx B.V. los productos que necesiten reparación.

Nota importante: Si se abre la unidad o se accede a su interior en modo alguno en un centro de mantenimiento no oficial, la garantía quedará anulada.

El dispositivo no es adecuado para un uso profesional. En caso de realizar un uso profesional, todas las obligaciones de garantía del fabricante quedarán anuladas.

## Aviso legal

Se realizan actualizaciones del firmware y/o componentes de hardware de manera periódica. Por tanto, algunas instrucciones, especificaciones e imágenes de estos documentos podrían diferir ligeramente de su modelo concreto. Todos los elementos descritos en esta guía son únicamente para fines ilustrativos y pueden no corresponderse a su modelo concreto. Las descripciones de este manual no otorgarán ningún derecho legal.

## Eliminación de un dispositivo usado



Este símbolo indica que el producto eléctrico o batería pertinente no debe eliminarse con los residuos domésticos generales en Europa. Para garantizar un tratamiento correcto de los residuos del producto y las pilas, elimínelos en conformidad con las leyes locales vigentes para la eliminación de equipos eléctricos y pilas.

Al hacerlo, ayudará a preservar los recursos naturales y mejorar los niveles de protección del medio ambiente en el tratamiento y eliminación de residuos eléctricos (Directiva sobre residuos de aparatos eléctricos y electrónicos).

## DECLARACIÓN DE CONFORMIDAD

Por el presente, Commaxx declara que el equipo de radio tipo [Lenco LBT-335/LBT-345] cumple la Directiva 2014/53/UE. El texto completo de la declaración UE de conformidad está disponible en la siguiente dirección de Internet:

[https://commaxx-certificates.com/doc/lbt-335\\_doc.pdf](https://commaxx-certificates.com/doc/lbt-335_doc.pdf)

[https://commaxx-certificates.com/doc/lbt-345\\_doc.pdf](https://commaxx-certificates.com/doc/lbt-345_doc.pdf)

Tipo de radiofrecuencia	Rango de frecuencia (MHz)	Potencia (dBm)
Bluetooth	2402-2480	<6

## Servicio

Para más información y atención al cliente, visite [www.lenco.com](http://www.lenco.com)

Commaxx B.V. Wiebachstraat 37, 6466 NG, Kerkrade, The Netherlands.

**ATTENZIONE:**

L'utilizzo di controlli o regolazioni o l'esecuzione di procedure diverse da quelle specificate può causare l'esposizione a radiazioni pericolose.

**PRECAUZIONI PRIMA DELL'USO**

---

**CONSERVARE QUESTE ISTRUZIONI:**

1. Non coprire o bloccare le aperture di ventilazione. Quando si posiziona il dispositivo su un ripiano, lasciare 5 cm (2") di spazio libero intorno.
2. Installare secondo quanto riportato nel manuale fornito.
3. Tenere il dispositivo lontano da sorgenti di calore come radiatori, termosifoni, stufe, candele e altri prodotti che generano calore o fiamme libere.  
Il dispositivo può essere utilizzato solo in climi miti. Evitare ambienti estremamente freddi o caldi. Temperatura operativa compresa tra 0° e 35 °C.
4. Evitare l'uso del dispositivo in presenza di forti campi magnetici.
5. Le scariche elettrostatiche possono interferire con il normale utilizzo di questo dispositivo. In tal caso, è sufficiente ripristinare e riavviare il dispositivo seguendo il manuale di istruzioni. Durante la trasmissione di file, maneggiarlo con cura e operare in un ambiente privo di elettricità statica.
6. Avviso! Non inserire mai oggetti nel prodotto attraverso le prese d'aria o le aperture. All'interno del prodotto sono presenti tensioni elevate e l'inserimento di un oggetto può provocare scariche elettriche e/o cortocircuiti. Per lo stesso motivo, non versare acqua o liquidi sul prodotto.
7. Non utilizzare in ambienti umidi o bagnati come bagni, cucine con vapore o piscine.
8. Non esporre il dispositivo a schizzi o gocciolamenti di liquidi; non poggiare sopra o accanto al dispositivo oggetti contenenti liquidi, ad esempio vasi.
9. Non utilizzare questo dispositivo in caso di condensa. Quando l'unità viene utilizzata in una stanza calda e umida, al suo interno possono formarsi goccioline d'acqua o condensa e l'unità potrebbe non funzionare correttamente; lasciare l'unità spenta per 1 o 2 ore prima di

accenderla in quanto deve essere asciutta prima di collegarla all'alimentazione.

10. Sebbene questo dispositivo sia fabbricato con la massima cura e controllato più volte prima di lasciare la fabbrica, è comunque possibile che si verifichino problemi come per qualsiasi altra apparecchiatura elettrica. Se si nota fumo, eccessivo accumulo di calore o altri fenomeni imprevisti, scollegare immediatamente la spina dalla presa di alimentazione principale.
11. Questo dispositivo deve funzionare con una fonte di alimentazione con i valori indicati sull'etichetta delle specifiche. Se non si è sicuri del tipo di alimentazione utilizzata in casa, consultare il rivenditore o la compagnia elettrica locale.
12. Tenere fuori dalla portata degli animali domestici. Ad alcuni animali piace mordere i cavi di alimentazione.
13. Per pulire il dispositivo, utilizzare un panno morbido e asciutto. Non usare solventi o liquidi a base di benzina. Per rimuovere le macchie persistenti, è possibile utilizzare un panno umido con detergente diluito.
14. Il fornitore non è responsabile per danni o perdita di dati causati da malfunzionamento, uso improprio, modifica del dispositivo o sostituzione della batteria.
15. Non interrompere la connessione quando il dispositivo sta formattando o trasferendo file. In caso contrario, i dati potrebbero essere danneggiati o andare persi.
16. Se l'unità dispone della funzione di riproduzione USB, la chiavetta USB deve essere collegata direttamente all'unità. Non utilizzare una prolunga USB perché può causare interferenze con conseguenti perdite di dati.
17. L'etichetta di classificazione è situata sul pannello inferiore o posteriore del dispositivo.
18. Questo dispositivo non è destinato all'uso da parte di persone (compresi i bambini) con disabilità fisiche, sensoriali o mentali, o privi di esperienza e conoscenza, a meno che non siano sotto supervisione o abbiano ricevuto istruzioni circa l'uso corretto del dispositivo da parte di chi è responsabile per la loro sicurezza.
19. Questo prodotto è destinato esclusivamente all'uso non professionale e non commerciale o industriale.
20. Assicurarsi che l'unità sia collocata in una posizione stabile. I danni causati dall'uso di questo prodotto in una posizione instabile, vibrazioni o urti o la mancata osservanza di qualsiasi altro avvertimento o

precauzione indicati in questo manuale dell'utente non saranno coperti da garanzia.

21. Non rimuovere mai l'involucro esterno di questo dispositivo.
22. Non posizionare mai questo dispositivo su altre apparecchiature elettriche.
23. Non permettere ai bambini di accedere ai sacchetti di plastica.
24. Utilizzare solo collegamenti/accessori specificati dal produttore.
25. Rivolgersi a personale qualificato per l'assistenza. È necessario ricorrere all'assistenza quando il dispositivo ha subito qualsivoglia tipo di danno, ad esempio al cavo di alimentazione o alla spina, se è stato versato del liquido o sono caduti oggetti al suo interno, oppure se è stato esposto a pioggia o umidità, quando non funziona correttamente o è caduto.
26. L'esposizione prolungata ai suoni ad alto volume dei lettori musicali può causare una perdita temporanea o permanente dell'udito.
27. Se il prodotto viene consegnato con cavo di alimentazione o adattatore di alimentazione CA:
  - In caso di problemi, scollegare il cavo di alimentazione CA e rivolgersi a personale qualificato per l'assistenza.
  - Non calpestare o schiacciare l'alimentatore. Fare molta attenzione, in particolare vicino alle prese e al punto di uscita del cavo. Non posizionare oggetti pesanti sull'alimentatore in quanto potrebbero danneggiarlo. Tenere il dispositivo fuori dalla portata dei bambini. Giocando con il cavo di alimentazione possono infortunarsi seriamente.
  - Scollegare il dispositivo durante i temporali o quando non viene utilizzato per un lungo periodo.
  - La presa di corrente deve essere installata vicino all'apparecchio e deve essere facilmente accessibile.
  - Non sovraccaricare le prese CA né le prolunghe. Il sovraccarico può causare incendi o scariche elettriche.
  - I dispositivi con struttura di classe 1 devono essere collegati a una presa di rete con connessione di messa a terra di protezione.
  - I dispositivi con struttura di classe 2 non richiedono un collegamento a terra.
  - Tenere sempre la spina quando la si estrae dalla presa di rete. Non tirare il cavo di alimentazione. Ciò può causare un cortocircuito.
  - Non utilizzare un cavo o una presa di alimentazione danneggiati o una presa non fissata correttamente. Tale azione potrebbe provocare incendi o scariche elettriche.

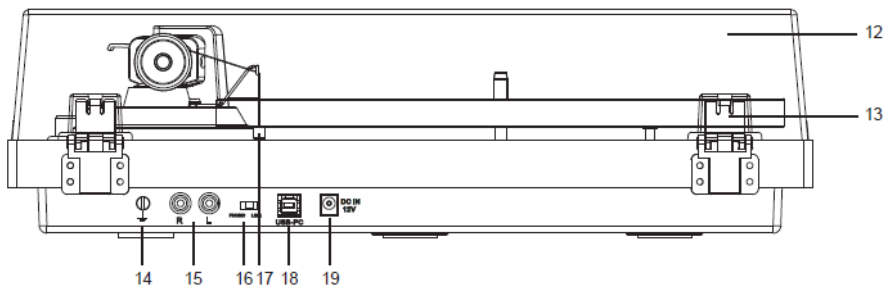
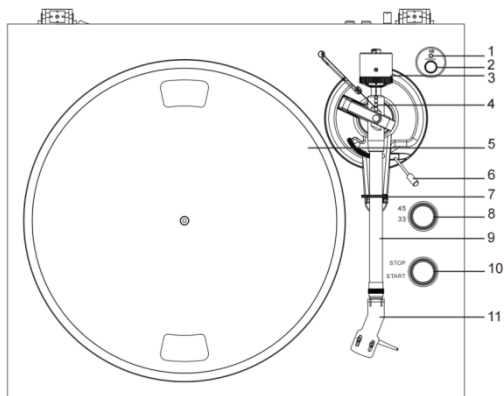
28. Se il prodotto contiene o viene consegnato con un telecomando contenente batterie a pulsante/a bottone:  
Avvertenza:
- "Non ingerire la batteria, pericolo di ustioni chimiche" o problema equivalente.
  - [Il telecomando in dotazione con] Il presente prodotto contiene una pila a bottone. Se ingerita, la batteria può causare gravi ustioni interne in sole 2 ore e portare alla morte.
  - Tenere le batterie, nuove o usate, fuori dalla portata dei bambini.
  - Se il vano batteria non si chiude completamente, interrompere l'uso del dispositivo e tenerlo fuori della portata dei bambini.
  - Se si teme che delle batterie possano essere state inghiottite o essere venute a contatto con qualsiasi parte interna del corpo, contattare immediatamente un medico.
29. Precauzioni sull'uso delle batterie:
- La batteria può esplodere se non viene sostituita correttamente. Sostituire solo con lo stesso tipo o equivalente.
  - Non sottoporre le batterie a temperature estreme alte o basse, bassa pressione dell'aria ad alta quota durante l'uso, lo stoccaggio o il trasporto.
  - La sostituzione con una batteria di tipo errato può provocare un'esplosione o la perdita di liquidi o gas infiammabili.
  - Lo smaltimento di una batteria nel fuoco o in un forno caldo o lo schiacciamento o il taglio meccanico di una batteria possono provocare un'esplosione.
  - Lasciare una batteria in un ambiente circostante a temperatura estremamente elevata può provocare un'esplosione o una perdita di liquidi o gas infiammabili.
  - Una batteria soggetta a una pressione dell'aria estremamente bassa può provocare un'esplosione o una perdita di liquidi o gas infiammabili.
  - È necessario prestare attenzione agli aspetti ambientali legati allo smaltimento delle batterie.

## **INSTALLAZIONE**

- Disimballare tutte le parti e rimuovere il materiale protettivo.
- Non collegare l'unità alla rete elettrica prima di avere controllato la tensione di rete e prima che siano stati effettuati tutti gli altri collegamenti.

## COMPONENTI, CARATTERISTICHE E CONNESSIONI

1. Spia di alimentazione e Bluetooth
2. Pulsante di alimentazione
3. Contrappeso
4. Controllo anti-skating
5. Piatto
6. Leva di sollevamento del braccio
7. Ferma braccio
8. Selettore 33/45
9. Braccio di lettura
10. Manopola Stop/Start
11. Conchiglia rimovibile con testina



- |                                |                                 |
|--------------------------------|---------------------------------|
| 12. Coperchio                  | 17. Peso anti-skating           |
| 13. Cerniera del coperchio     | 18. Porta USB-PC                |
| 14. Connettore di massa        | 19. Jack di alimentazione CA-CC |
| 15. Jack PHONO e Line Out      |                                 |
| 16. Selettore PHONO e Line Out |                                 |

Si prega di controllare accuratamente e di assicurarsi di trovare i seguenti articoli all'interno della scatola:

- |  |  |
|--|--|
| 1) Dispositivo                         | 8) Goniometro per l'allineamento delle testine |
| 2) Adattatore con spina UE-Regno Unito | 9) Cavo USB-PC                                 |
| 3) Contrappeso                         | 10) 2 gomme di ricambio per il coperchio       |
| 4) Piatto con cinghia                  | 11) Peso antiskating                           |
| 5) Adattatore 45 giri                  | 12) Cavo di uscita                             |
| 6) Tappetino per giradischi            | 13) Peso centrale (solo per LBT-345)           |
| 7) Manuale d'uso                       | 14) Conchiglia rimovibile con testina          |

Questo giradischi viene fornito con una testina montata e regolata in fabbrica. \*\*Le seguenti istruzioni per la regolazione della testina sono fornite nel caso in cui la testina venga sostituita con un modello diverso in un secondo momento.

### **Installare il coperchio**

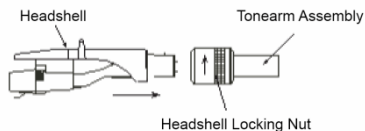
Installare con cautela il **coperchio** sui perni della cerniera.

### **Installazione della Conchiglia**

Inserire la Conchiglia nell'estremità anteriore del gruppo braccio. Tenendo saldamente la Conchiglia nell'estremità anteriore del gruppo braccio, ruotare il



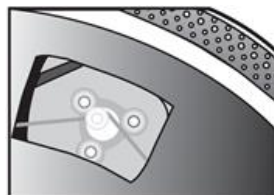
dado di bloccaggio della Conchiglia in senso antiorario per fissare saldamente la Conchiglia al gruppo braccio.



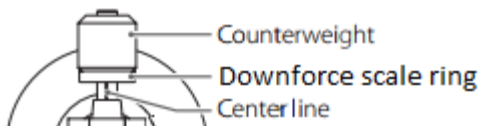
EN	IT
Headshell	Conchiglia
Tonearm Assembly	Assemblaggio del braccio
Headshell Locking Nut	Dado bloccante della Conchiglia

### Installazione del piatto e della cinghia del giradischi

1. Installare la cinghia di trasmissione sull'anello interno sotto il piatto e assicurarsi che non cada durante l'installazione.
2. Posizionare il piatto attraverso il mandrino del giradischi, quindi ruotare il piatto finché non si vede la puleggia del motore di trazione attraverso la finestra nell'angolo in alto a sinistra.
3. Afferrare con cautela la cinghia di trasmissione e farla passare intorno alla fessura della puleggia del motore.
4. Collegare l'adattatore di alimentazione al giradischi e accenderlo.
5. Portare l'interruttore Start/Stop del motore sulla posizione di avvio per verificare se il motore del piatto gira. Se il piatto non gira, riprovare a eseguire i passaggi sopra elencati.



### Regolazione della forza d'appoggio della testina



EN	IT
Counterweight	Contrappeso
Downforce scale ring	Ghiera della scala graduata della forza d'appoggio
Center line	Linea centrale

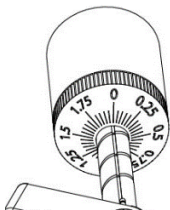
Il **contrappeso** fornito è adatto a testine di peso compreso tra 6,0 e 8,0 g.

- Spingere delicatamente e ruotare il contrappeso sulla parte posteriore del braccio (con la scala rivolta verso la parte anteriore del giradischi).
- Rimuovere il cappuccio di protezione della testina.
- Abbassare il dispositivo di sollevamento del braccio e posizionare la testina nello spazio tra il poggiabracchio e il piatto.

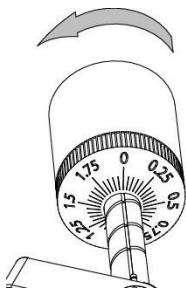
Ruotare con cautela il **contrappeso** finché il braccio non si equilibra. Il braccio deve tornare in posizione bilanciata se viene spostato verso l'alto o verso il basso. Questa regolazione deve essere eseguita con cura.



- Quando il braccio è correttamente bilanciato, riportarlo sul poggiabracchio. Tenere fermo il **contrappeso** e ruotare delicatamente la **ghiera con scala graduata di regolazione della forza d'appoggio** in modo tale che lo zero corrisponda alla linea nera sul retro del **braccio**. Controllare se il braccio è ancora in equilibrio.



- Ruotare il contrappeso in senso antiorario (visto dalla parte anteriore) per regolare la forza d'appoggio in base alle raccomandazioni del produttore della testina. Una tacca sulla scala rappresenta una forza d'appoggio pari a 0,05 grammi.

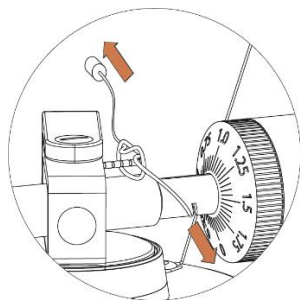


**NOTA:** La forza d'appoggio consigliata per la testina montata in fabbrica è di  $1,8 \pm 0,2$  grammi.

### Individuazione del peso antiskating

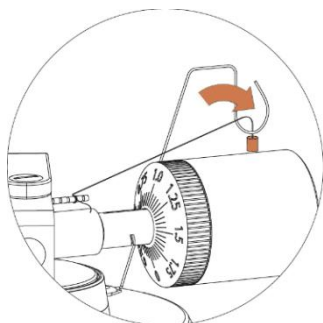
La confezione contiene un peso antiskating con una piccola lenza da pesca; seguire i passaggi di seguito per individuare il peso antiskating:

1. Fare scorrere l'estremità a occhiello della lenza da pesca sul blocchetto di regolazione del peso antiskating e infilarlo nella terza scanalatura (la forza antiskating corretta per la testina montata in fabbrica).



2. Tirare leggermente il peso antiskating in modo che il tirante della lenza sposti il tronchetto.

3. Sollevare il peso antiskating sul supporto del filo del peso antiskating. Il peso antiskating dovrebbe ora pendere nello spazio libero a sinistra del supporto.



Infilare l'anello della filettatura del peso antiskating sulla **terza** scanalatura del mozzo per impostare la forza antiskating corretta per la testina montata in fabbrica. Far passare il filo attraverso l'occhiello del supporto del filo.

### **Regolazione della forza antiskating**

Regolare la forza antiskating in base alla forza d'appoggio, come indicato sotto:

#### Forza d'appoggio

1 - 1,25 g

1,25 - 1,5 g

1,5 - 1,75 g

1,75 - 2 g

#### Scanalatura nel blocchetto

Prima dagli anelli del cuscinetto

Seconda dagli anelli del cuscinetto

Terza dagli anelli del cuscinetto

Quarta dagli anelli del cuscinetto



Infilare l'anello della filettatura del peso antiskating sulla **terza** scanalatura del mozzo per impostare la forza antiskating corretta per la cartuccia montata in fabbrica. Far passare il filo attraverso l'occhiello del supporto del filo.

## Connessione impianto stereo

### Jack RCA

- Le prese RCA di questa unità sono condivise sia come prese di uscita Phono che come prese di uscita Line. Possono essere selezionati con il selettore Phono/Line.
- Se utilizzati come uscita di linea, i jack emettono segnali analogici a livello di linea e possono essere collegati direttamente a una coppia di altoparlanti attivi o all'ingresso appropriato dell'impianto stereo. Se utilizzati come uscita Phono, occorre collegarli al preamplificatore phono o all'ingresso phono dell'impianto stereo.
- Lo spinotto rosso viene collegato al canale destro e lo spinotto bianco a quello sinistro.

### Nota:

- Se il selettore Phono/Line è impostato sulla posizione LINE, ma i jack RCA sono collegati all'ingresso Phono dell'impianto stereo, l'audio potrebbe risultare distorto a causa del sovraccarico in ingresso e danneggiare l'impianto stereo.
- Se il selettore Phono/Line è impostato sulla posizione PHONO, ma i jack RCA sono collegati all'ingresso di linea dell'impianto stereo, il volume sarà molto basso a causa della mancanza di preamplificazione del segnale.

Il jack RCA non è progettato per essere collegato direttamente agli altoparlanti passivi/privi di alimentazione e, in tal caso, il volume risulterà molto basso.

## Collegamento alla rete elettrica

L'adattatore di alimentazione si trova nel materiale di imballaggio in polistirolo. Estrarre l'adattatore di alimentazione dalla confezione, quindi collegare

l'estremità più piccola alla **presa di alimentazione CC** situata sul lato posteriore del giradischi. Collegare l'adattatore di alimentazione a una presa di corrente.

## **Operazione**

### **Funzionamento del giradischi**

1. Collegare l'adattatore di alimentazione fornito in dotazione all'unità e premere il pulsante di accensione (2) per ACCENDERE il giradischi.
2. Rimuovere il copripuntina dalla testina.
3. Posizionare il tappetino sul piatto, quindi posizionare un disco su quest'ultimo. Se si ascolta un disco a 45 giri/min, inserire prima l'apposito adattatore sul perno centrale del piatto, quindi posizionare il disco sul piatto.
4. Impostare il selettore 33/45 giri/min in base al tipo di disco.
5. Girare la manopola Start/Stop in posizione Start per iniziare a ruotare il piatto.
6. Sbloccare il fermo del braccio sollevare la leva di sollevamento.
7. Posizionare il braccio sulla posizione (solco) desiderata del disco.
8. Spostare la leva di sollevamento del braccio verso il basso per spostare il braccio verso il disco. In alternativa, posizionare la puntina sulla posizione desiderata del disco.
9. Abbassare con cautela il braccio sul disco.
10. Al termine della riproduzione del disco, sollevare il braccio e riportarlo in posizione di riposo sul fermo braccio, quindi girare la manopola Start/Stop su Stop.
11. Premere il pulsante di alimentazione per spegnere il giradischi.
12. Se l'unità non emette alcun segnale entro 3 minuti, il piatto smette di girare.

### **Funzione Bluetooth**

Questa unità è dotata di un trasmettitore Bluetooth per inviare il suono a un altoparlante o a una cuffia Bluetooth in modalità wireless.

1. Accendere l'altoparlante Bluetooth e assicurarsi che sia in modalità di associazione.
2. ACCENDERE il giradischi con il pulsante di accensione (2). La spia LED si accende prima in ROSSO e poi lampeggia in blu durante la ricerca dell'altoparlante esterno o della cuffia tramite Bluetooth.

Nota: se si desidera disattivare la funzione di ricerca Bluetooth, premere il pulsante di alimentazione per 3 secondi; la spia LED diventerà ROSSA.

3. Durante l'associazione, la spia LED blu lampeggia due volte al secondo per poi restare accesa una volta completata correttamente l'operazione.

*Nota:* l'unità si connette al dispositivo Bluetooth più vicino. Se dopo due minuti non è stato trovato alcun altoparlante Bluetooth per l'associazione, il trasmettitore Bluetooth si disattiverà e la spia LED si illuminerà in rosso.

4. Per terminare l'associazione, tenere premuto il pulsante di alimentazione per 3 secondi o disattivare l'associazione Bluetooth sull'altoparlante esterno o sulle cuffie Bluetooth.

*"Questo prodotto ha una funzione di **trasmissione** Bluetooth, ma **non può ricevere alcun segnale Bluetooth**: questo significa che è possibile trasmettere in modalità wireless un segnale audio Bluetooth a un dispositivo esterno come un altoparlante Bluetooth, cuffie Bluetooth, sistema audio con ricezione Bluetooth,..."*

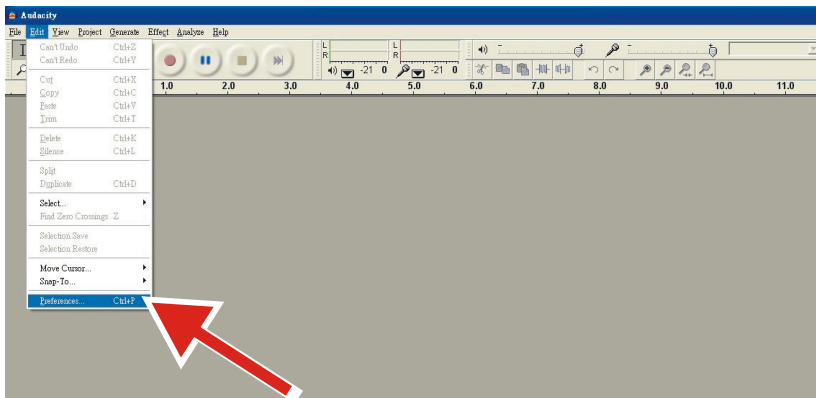
## **Panoramica software Audacity**

Audacity è un software gratuito, concesso in licenza con GNU General Public License (GPL). Ulteriori informazioni e il codice open source sono disponibili sul Web all'indirizzo <https://www.audacityteam.org/download/>

\* Assicurarsi di aver installato il software prima di iniziare.

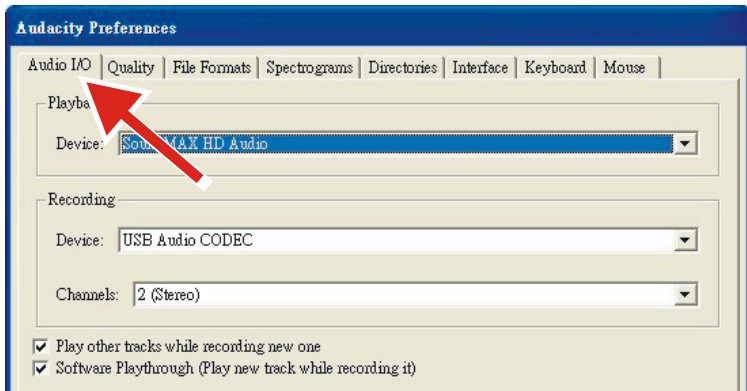
### Configurare il PC per lavorare con Audacity

1. Collegare una sorgente di ingresso all'unità.
2. Collegare il filo USB al proprio computer.
3. Installare il software di registrazione Audacity.
4. Aprire il programma Audacity.
5. Selezionare Preference (Preferenze) dalla scheda Edit (Modifica) del menu Audacity.



6. Selezionare la scheda **Audio I/O** (Ingresso/Uscita audio) in alto a sinistra.
  - Alla voce Playback (Riproduzione), Device (Dispositivo), selezionare **your internal sound card (la scheda audio interna in uso)**.
  - Alla voce Recording (Registrazione), Device (Dispositivo), selezionare **USB Audio CODEC (CODEC Audio USB)**.
  - Alla voce Recording (Registrazione), Channels (Canali), selezionare **2 (Stereo)**.
  - Selezionare la casella **Play other tracks while recording new one** (Riproduci altre tracce durante la registrazione di una nuova traccia).
  - Selezionare la casella contrassegnata con **Software Playthrough**.

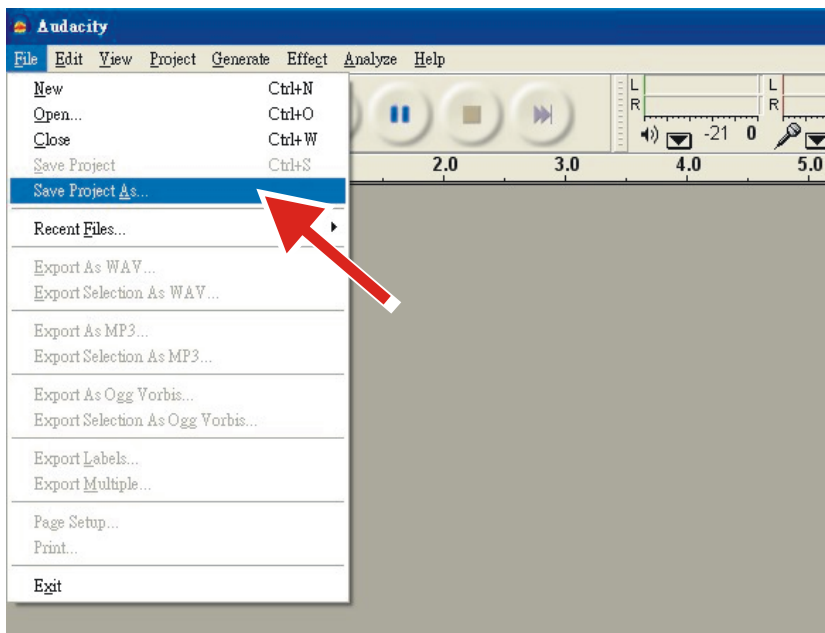




## Registrazione di album con Audacity

### 1. Salvataggio di un progetto

- Audacity scrive tutti gli audio modificati e registrati in una directory denominata **Projectname\_data (NomeProgetto\_data)**, che si trova proprio dove è stato salvato il file del progetto stesso.
- Quindi, selezionare **Save Project as** (Salva progetto come) dalla scheda Audacity File (File Audacity) e selezionare una posizione e il nome del file per il progetto.
- Nota: quando si avvia Audacity per la prima volta, sarà disponibile solo l'opzione di menu "**Save As... (Salva come...)**".



## 2. Come registrare

- Impostare il giradischi USB per riprodurre il brano o l'album che si desidera registrare.
- Fare clic sul pulsante di registrazione rosso per avviare la registrazione.



- Abbassare il braccio sul giradischi USB sul disco e la traccia che si desidera registrare.
- Fare clic sul pulsante di pausa blu per mettere in pausa la registrazione.



Premerlo di nuovo per riprenderla.

- Fare clic sul pulsante Stop giallo.



Questo è tutto. Ora è possibile riprodurre le registrazioni e scoprire le capacità di editing di Audacity. Nota: è possibile usare la funzione Annulla quasi senza limiti mentre il progetto è aperto.

**NOTA:** non è possibile masterizzare CD direttamente dall'applicazione Audacity. Devono essere usate altre applicazioni per la masterizzazione di CD.

## Manutenzione e pulizia

Il giradischi non richiede alcuna manutenzione regolare se non in misura minima. Rimuovere la polvere con un panno antistatico leggermente umido. Non utilizzare mai un panno asciutto per non creare elettricità statica e attirare ancora più polvere! Nei negozi specializzati sono disponibili detergenti antistatici, ma devono essere applicati con parsimonia per evitare di danneggiare le parti in gomma. Per evitare danni alla puntina, si consiglia applicare l'apposito cappuccio prima di effettuare interventi di pulizia o manutenzione.

Se il giradischi non viene utilizzato per un lungo periodo di tempo, la cinghia di trasmissione deve essere rimossa per evitare un allungamento non uniforme.

NOTA: Per precauzione, scollegare sempre il giradischi dall'alimentazione prima di effettuare la manutenzione!

## Suggerimenti utili

Posizionare il giradischi su una superficie a bassa risonanza, ad esempio in legno o su un pannello di compensato a più strati, per evitare che le vibrazioni strutturali compromettano la riproduzione.

## Sostituzione della testina

1. Prima della sostituzione, applicare il cappuccio protettivo alla testina per evitare di danneggiarla durante il processo di sostituzione.
2. Rimuovere con cautela i conduttori dalla testina originale.
3. Allentare le due viti sulla conchiglia che fissano la testina, quindi rimuove la testina originale.
4. Montare la nuova testina sulla conchiglia e serrarla leggermente. Non serrare completamente le viti in questa fase.
5. Collegare i cavetti ai terminali della nuova cartuccia. I codici colori dei cavi sono i seguenti:
  - Canale sinistro positivo bianco (L+)
  - Canale sinistro negativo blu (L-)
  - Canale sinistro positivo rosso (R+)
  - Canale sinistro negativo verde (R-)
6. Regolare la posizione della testina e assicurarsi che sia allineata con precisione alla conchiglia, in modo che la puntina tracci i solchi in modo perfettamente parallelo.

A tal fine, posizionare la dima di allineamento della testina in carta fornita in dotazione sul mandrino del giradischi, sollevare con cautela il braccio e posizionare l'estremità della puntina sui punti contrassegnati rispettivamente 130 mm e 250 mm. Regolare con precisione la posizione della testina sul portatestina fino a quando la testina è perfettamente parallela alle linee di riferimento in entrambi i punti.
7. Una volta raggiunto l'allineamento perfetto, serrare completamente le viti.

NOTA: Se non si ha dimestichezza o non ci si sente a proprio agio nel completare questa procedura, si consiglia di rivolgersi a un professionista per eseguire l'installazione.

### **Specifiche Tecniche:**

Velocità Nominali

33 1/3 e 45 giri

Wow e Flutter	≤ 0,15%
Rapporto segnale-rumore	55 dB
Intervallo forza d'appoggio	0-2,0 g
Lunghezza del braccio effettiva	8,6" (218,5 mm)
Sporgenza	0,73 pollici
Consumo energetico	6 W (Max)
Alimentazione esterna	12 V / 500 mA CA-CC
Dimensioni (L x A x P)	420 x 360 x 125 mm
Peso	4,8 kg

### **Specifiche Tecniche: 2M RED (Ortofon)**

Risposta in frequenza	20 Hz - 20 kHz
Resistenza di carico consigliata	47 kohms
Bilanciamento canale	1,5 dB
Connessione amplificatore	MM - ingresso
Separazione canale	22 dB
Forza di tracciamento ottimale	1,8 ± 0,2 g
Tensione in uscita	5,5 mV
Peso	7,2 g

### **Potenziale uso errato e condizioni di guasto**

Questi giradischi sono prodotti secondo gli standard più elevati e sono sottoposti a rigorosi controlli di qualità prima di lasciare la fabbrica. I guasti che possono verificarsi non sono necessariamente dovuti a difetti materiali o di produzione, ma possono talvolta essere causati da un uso scorretto o da circostanze sfortunate. Per questo motivo è stato incluso il seguente elenco di guasti comuni.

#### **Il piatto non gira anche se l'unità è accesa:**

- L'unità non è collegata alla rete elettrica.

- La presa non eroga corrente.
- La cinghia di trasmissione non è installata o è scivolata o si è sganciata.
- L'unità è passata automaticamente alla modalità standby; riaccenderla.

**Nessun segnale attraverso uno o l'altro canale o entrambi i canali:**

- L'ingresso per il telefono non è selezionato sull'amplificatore.
- L'amplificatore non è acceso.
- Amplificatore o altoparlanti disattivati.
- Nessun collegamento con le casse.
- Nessun collegamento tra il giradischi e l'amplificatore.
- I cavi non sono collegati alla testina.

**Forte ronzio sull'ingresso phono:**

- Manca il collegamento a terra dalla testina, dal braccio o dal cavo del braccio all'amplificatore o un loop di terra.
- Il giradischi è troppo vicino agli altoparlanti.

**Suono distorto o non uniforme da uno o entrambi i canali:**

- Il giradischi è collegato all'ingresso errato dell'amplificatore.
- Puntina o cantilever danneggiati.
- Cinghia di trasmissione troppo tesa o sporca.
- Cuscinetto del piatto non lubrificato, sporco o danneggiato.
- Polvere sulla puntina.
- Il selettore MM/MC sul preamplificatore non è impostato correttamente.

**Nota: In base ai requisiti ErP di fase 2 per le misure di risparmio energetico, un apparecchio collegato alla rete elettrica passa automaticamente alla modalità standby se non viene riprodotta musica per circa 20 minuti.**

**Se l'unità si spegne regolarmente, ciò non è un difetto.**

## Alimentatore

Produttore: BRIGHTPOWER OPTOELECTRONIC TECHNOLOGY CO., LTD

Numero di modello: SW1200500-FM

Tensione in ingresso: 100-240 V

Frequenza in ingresso CA: 50/60 Hz

Tensione in uscita: 12 V CC

Corrente in uscita: 0,5 A

Potenza in uscita: 6 W

Efficienza attiva media: 79,62%

Efficienza a basso carico (10%): 70,40%

Consumo energetico in assenza di carico: 0,073 W

Utilizzare solo l'alimentazione indicata nel presente manuale

## Scheda tecnica Ortofon 2M ROSSO

Risposta in frequenza - 20-20.000 Hz + 3 / - 1 dB

Capacità di tracciamento a 315 Hz alla forza di tracciamento consigliata \*) -  
70  $\mu\text{m}$

Conformità, dinamica, laterale - 20  $\mu\text{m}/\text{mN}$

Tipo di stilo - Ellittico

Raggio della punta dello stilo - r/R 8/18  $\mu\text{m}$

Massa equivalente della punta dello stilo - 0,5 mg

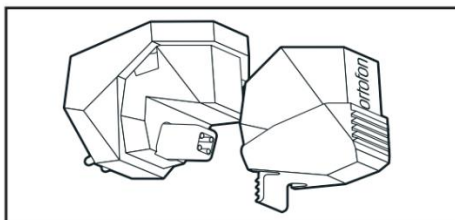
Intervallo della forza di tracciamento - 1,6-2,0 g (16-20 mN)

Forza di tracciamento, consigliata - 1,8 g (18 mN)

Angolo di tracciamento - 20°

\*) Valore tipico

Colore dello stilo: Rosso



## **Garanzia**

Commaxx B.V. offre assistenza post-vendita e garanzia in conformità con i regolamenti europei. Pertanto, nell'eventualità si rendano necessarie riparazioni (durante e dopo il periodo di garanzia), è opportuno rivolgersi al locale rivenditore di fiducia.

Nota importante: Non è possibile inviare direttamente a Commaxx B.V. i prodotti da riparare.

Nota importante: Qualora l'unità venga aperta o manomessa in qualsiasi modo da un centro di assistenza non riconosciuto, la garanzia decade.

Questo dispositivo non è adatto per l'uso professionale. Qualora l'unità venga utilizzata per scopi professionali, tutti gli obblighi del produttore derivanti dalla garanzia sono nulli.

## **Clausola di esclusione di responsabilità**

Il firmware e/o i componenti hardware vengono aggiornati regolarmente.

Pertanto, è possibile che alcune parti relative a istruzioni, specifiche e immagini contenute nella presente documentazione siano diverse da quanto riscontrato nel singolo caso. Tutte le descrizioni incluse in questa guida sono fornite a puro titolo illustrativo e non si applicano necessariamente alla specifica situazione. Nessun diritto legale o contrattuale può derivare dalle descrizioni contenute nel presente libretto di istruzioni.

## **Smaltimento al termine della vita utile del dispositivo**





Questo simbolo indica che in Europa è vietato gettare il relativo prodotto elettrico o batteria tra i rifiuti domestici. Per il corretto smaltimento a fine vita del prodotto e della batteria, attenersi alle vigenti normative locali per il trattamento dei rifiuti da apparecchiature elettriche ed elettroniche e delle batterie. In tal modo si contribuisce a salvaguardare le risorse naturali e a migliorare gli standard per la protezione dell'ambiente nel trattamento dei rifiuti da apparecchiature elettriche ed elettroniche (Direttiva RAEE).

### DICHIARAZIONE DI CONFORMITÀ

Con la presente, Commaxx dichiara che il tipo di apparecchiatura radio [Lenco LBT-335 / LBT-345] è conforme alla direttiva 2014/53/UE. Il testo completo della Dichiarazione di conformità della UE è disponibile al seguente indirizzo:

[https://commaxx-certificates.com/doc/lbt-335\\_doc.pdf](https://commaxx-certificates.com/doc/lbt-335_doc.pdf)

[https://commaxx-certificates.com/doc/lbt-345\\_doc.pdf](https://commaxx-certificates.com/doc/lbt-345_doc.pdf)

Tipo RF	Gamma di frequenza (MHz)	Potenza (dBm)
Bluetooth	2402-2480	<6

### Assistenza

Per ulteriori informazioni e accesso all'helpdesk, visitare il sito

[www.lenco.com](http://www.lenco.com)

Commaxx B.V. Wiebachstraat 37, 6466 NG, Kerkrade, The Netherlands.

**FORSIGTIG:**

Hvis enheden ikke anvendes, justeres og behandles i overensstemmelse med brugervejledningen, kan det resultere i farlig stråling.

**FORHOLDSREGLER FØR IBRUGTAGNING**

---

**HUSK DISSE ANVISNINGER:**

1. Tildæk eller blokér ikke ventilationsåbningerne. Hvis enheden placeres på en hylde, skal der altid være 5 cm (2") frirum på alle sider af enheden.
2. Installér enheden iht. anvisningerne i den medfølgende brugervejledning.
3. Hold enheden på afstand af varmekilder som fx radiatorer, varmeapparater, ovne, stearinlys og andre varmegenererende produkter samt åben ild.  
Enheden er udelukkende til brug i tempererede klimazoner. Undgå stærk varme og kulde. Driftstemperatur mellem 0° og 35°C.
4. Undlad at anvende enheden nær stærke magnetfelter.
5. Elektrostatisk udladning kan forstyrre denne enheds normale drift. Sker det, skal du blot nulstille og genstarte enheden i henhold til anvisningerne i brugervejledningen. Under filoverførsel skal du handle med omhu og betjene enheden i et område fri for statisk elektricitet.
6. Advarsel! Stik aldrig genstande ind i enheden gennem ventilationsåbninger eller sprækker. Produktet indeholder strømførende dele, og hvis du stikker en genstand ind i enheden, kan det medføre elektrisk stød og/eller kortslutning af de indre dele. Af samme grund må du ikke spilde vand eller væske på produktet.
7. Benyt ikke enheden på våde eller fugtige steder som fx på et badeværelse, i et dampfyldt køkken eller nær en swimmingpool.
8. Enheden må ikke udsættes for dryp eller stænk. Der må ikke anbringes genstande fyldt med væske, som fx vaser, på eller i nærheden af apparatet.
9. Brug ikke enheden på steder, hvor der kan opstå kondens. Hvis enheden placeres i et varmt og fugtigt rum, kan der danne sig vanddråber eller kondens inde i den, og den kan muligvis ikke fungere korrekt. Lad enheden stå slukket i 1 - 2 timer, inden du tænder den. Enheden skal være tør, når der tændes for strømmen.

10. Trods det, at enheden er fremstillet med yderste omhu og kontrolleret flere gange før afsendelse fra fabrikken, kan det stadig forekomme, som med alle elektriske apparater, at der opstår problemer. Hvis du oplever røg eller overdreven varmeudvikling eller andre uventede fænomener, bør du omgående tage stikket ud af stikkontakten.
11. Denne enhed skal drives af en strømkilde som den, der er angivet på mærkepladen. Hvis du ikke er sikker på, hvilken forsyningsspænding, der anvendes i dit hjem, bør du søge vejledning hos din forhandler eller det lokale elselskab.
12. Hold enheden udenfor dyrs rækkevidde. Nogle kæledyr kan finde på at bide i strømkabler.
13. Rengør enheden med en blød, tør klud. Brug ikke opløsningsmidler eller benzinbaserede væsker. Hårdnakkede pletter kan fjernes med en let fugtet klud med en mild sæbeopløsning.
14. Producenten er ikke ansvarlig for skade eller mistede data, der skyldes fejlfunktion, misbrug, ændringer af enheden eller udskiftning af batterier.
15. Undlad at afbryde forbindelsen, mens enheden formateres, eller der overføres filer. I modsat fald kan data blive beskadiget eller gå tabt.
16. Hvis enheden er udstyret med funktion til USB-afspilning, skal USB-sticken sættes direkte i apparatet. Brug ikke et USB-forlængerkabel, da et sådant kan skabe interferens og føre til tab af data.
17. Mærkepladen findes i bunden eller på bagsiden af enheden.
18. Denne enhed må ikke bruges af personer (inkl. børn) med nedsatte fysiske motoriske eller mentale evner eller manglende erfaring, medmindre de er blevet instrueret i brugen af en person, der er ansvarlig for deres sikkerhed, og er under dennes opsyn.
19. Produktet er udelukkende beregnet til professionel brug, ikke til kommerciel eller industriel anvendelse.
20. Sørg for, at enheden er placeret stabilt. Skade, der skyldes anvendelse af produktet i en ustabil position, vibrationer, stød eller manglende overholdelse af de retningslinjer og andre advarsler, der er udstukket i denne brugervejledning, dækkes ikke af garantien.
21. Åbn aldrig enhedens kabinet.
22. Placér aldrig denne enhed ovenpå andet elektrisk udstyr.
23. Lad ikke børn få adgang til plastposer.
24. Brug kun tilslutninger/tilbehør, der er angivet af producenten.

25. Overlad alt servicearbejde til et kvalificeret serviceværksted. Service er påkrævet, hvis enheden på nogen måde er blevet beskadiget, hvis fx strømkablet eller stikket er beskadiget, hvis der er spildt væske på enheden, eller hvis en genstand er faldet ned i den, hvis enheden har været udsat for regn eller fugt, ikke fungerer korrekt eller er blevet tabt.
26. Langvarig lytning til musik ved høj lydstyrke kan medføre midlertidigt eller permanent høretab.
27. Hvis produktet leveres med strømkabel eller strømforsyning til vekselstrøm:
  - Hvis der opstår problemer, skal du tage stikket ud af kontakten og overlade al service til kvalificeret tekniker.
  - Undlad at træde på eller klemme strømforsyningen. Vær forsigtig, især nær de steder, hvor stik og kabler er fastgjort. Undlad at placere tunge genstande på strømforsyningen, da dette vil kunne beskadige den. Hold hele enheden udenfor børns rækkevidde! Hvis børn leger med strømkabler, kan de komme slemt til skade.
  - Tag stikket ud af stikkontakten i tordenvejr, samt hvis du ikke skal bruge enheden i længere tid.
  - Enheden skal placeres nær stikkontakten, og der skal altid være let adgang til den stikkontakt, enheden er tilsluttet.
  - Undlad at overbelaste stikkontakter eller forlængerledninger. Overbelastning kan medføre brand eller elektrisk stød.
  - Enheder med klasse 1-opbygning bør forbindes til en stikkontakt med jord.
  - Enheder med klasse 2-opbygning kræver ikke jordforbindelse.
  - Hold altid i stikket, når du tager det ud af stikkontakten. Træk ikke i ledningen. Dette kan medføre kortslutning.
  - Brug ikke en beskadiget ledning eller stik eller en løs stikkontakt. Gør du det, kan det medføre brand eller elektrisk stød.
28. Hvis produktet indeholder eller leveres med en fjernbetjening indeholdende knapcellebatterier:

Advarsel:

  - "Slug ikke batteriet, der er risiko for kemisk forbrænding" eller tilsvarende.
  - [Fjernbetjeningen leveret med] dette produkt indeholder et knapcellebatteri. Hvis batteriet sluges, kan det medføre alvorlige indre forbrændinger på blot 2 timer, hvilket kan medføre dødsfald.
  - Hold nye og brugte batterier udenfor børns rækkevidde.

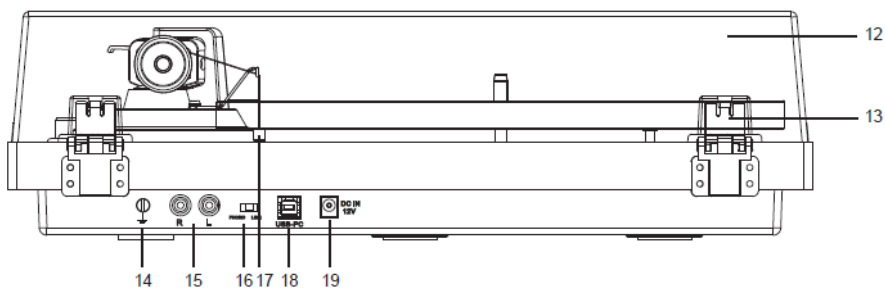
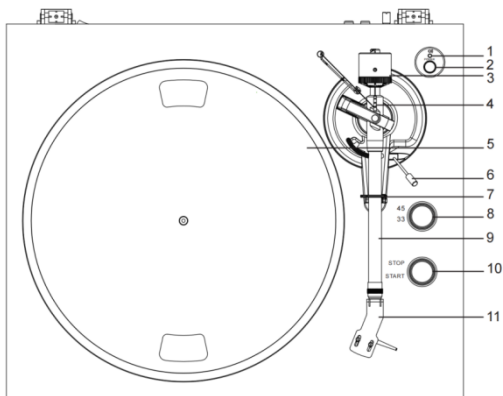
- Hvis batterirummet ikke kan lukkes sikkert, skal du holde op med at bruge produktet og holde det udenfor børns rækkevidde.
  - Hvis du tror, et batteri kan være blevet slugt eller placeret inden i nogen del af kroppen, skal du omgående søge lægehjælp.
29. OBS ved brug af batterier:
- Eksplosionsfare, hvis batteriet udskiftes med et andet af forkert type. Udskift udelukkende med samme eller tilsvarende type.
  - Batteriet må ikke udsættes for ekstremt høje eller lave temperaturer eller lavt lufttryk ved stor højde under brug, opbevaring eller transport.
  - Udskiftning af et batteri med et andet af forkert type kan medføre eksplosion eller lækage af brændbar væske eller gas.
  - Bortskaffelse af batterier ved afbrænding eller i en varm ovn eller ved mekanisk knusning eller opskæring af et batteri kan medføre en eksplosion.
  - Hvis et batteri efterlades i omgivelser med ekstremt høje temperaturer, kan det medføre eksplosion eller lækage af brændbar væske eller gas.
  - Hvis et batteri udsættes for ekstremt lavt lufttryk, kan det medføre eksplosion eller lækage af brændbar væske eller gas.
  - Tænk på miljøet ved bortskaffelse af brugte batterier.

## **INSTALLATION**

- Udpak alle dele, og fjern beskyttelsesmaterialerne.
- Slut ikke enheden til lysnettet, før du har kontrolleret forsyningsspændingen og foretaget alle nødvendige tilslutninger.

## KNAPPER, FUNKTIONER OG TILSLUTNINGER

1. Kontrollampe for strøm og Bluetooth
2. Afbryderknap
3. Kontravægt
4. Anti-skating-stub
5. Pladetallerken
6. Løftehåndtag til tonearm
7. Tonearmsholder
8. Hastighedsvælger 33/45
9. Tonearm
10. Drejeknappen Stop/Start
11. Aftageligt pickup-hus med pickup



- |  |                       |
|--|-----------------------|
| 12. Støvlåg                            | 17. Anti-skating-vægt |
| 13. Hængsel til støvlåg                | 18. USB-PC-port       |
| 14. Jordforbindelsesstik               | 19. AC-DC strømstik   |
| 15. PHONO og linjeudgangsstik          |                       |
| 16. Omskifter for PHONO og linjeudgang |                       |

Tjek indholdet grundigt. Der skal være følgende dele i pakken:

- |                                  |  |
|----------------------------------|--|
| 1) Enhed                         | 8) Vinkelmåler til justering af pickup |
| 2) Strømforsyning med EU-UK-stik | 9) USB-PC-kabel                        |
| 3) Kontravægt                    | 10) 2 stk. ekstra gummidupper til låg  |
| 4) Pladetaljerken med drivrem    | 11) Anti-skating-vægt                  |
| 5) 45 o/min. singleadapter       | 12) Linjeudgangskabel                  |
| 6) Plademåtte                    | 13) Centervægt (gælder KUN LBT-345)    |
| 7) Brugervejledning              | 14) Aftageligt pickup-hus med pickup   |

Denne pladespiller leveres med en pickup, der er monteret og justeret fra fabrikken.

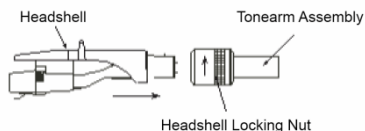
\*\*Følgende vejledning i justering af pickupperen gælder de tilfælde, hvor pickupperen udskiftes med en anden model på et senere tidspunkt.

## Installation af låg

Sæt forsigtigt **støvlåget** på hængselsstifterne.

## Installation af pickup-hus

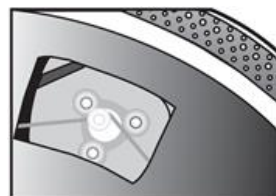
Sæt pickup-huset på den forreste del af tonearmen. Tryk pickup-huset godt fast mod den forreste ende af tonearmen, og drej låsemøtrikken på pickup-huset mod uret for at fastgøre det forsvarligt til tonearmen.



EN	DK/NO
Headshell	Pickuphus
Tonearm Assembly	Tonearm
Headshell Locking Nut	Låsemøtrik på pickup-hus

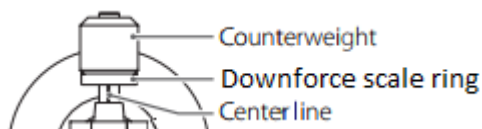
## Opsætning af pladetallerken og rem

1. Placér drivremmen over den inderste ring under pladetallerkenen, og sørg for, at den ikke falder af under opsætningen.
2. Sæt pladetallerkenen ned over spindlen, og drej pladetallerkenen, indtil du kan motorremskiven til drevet gennem vinduet i øverste venstre hjørne.
3. Tag forsigtigt fat i drivremmen, og placér dem omkring rillen i motorremskiven.
4. Slut strømforsyningen til pladespilleren, og tænd pladespilleren.
5. Stil kontakten Start/Stop på positionen Start for at kontrollere, om motoren drejer pladetallerkenen. Hvis pladetallerkenen ikke begynder at dreje, skal du prøve at gennemføre trinene herover igen.





## Justering af nåletryk



EN	DK/NO
Counterweight	Kontravægt
Downforce scale ring	Nåletryksskalaring
Center line	Centerlinje

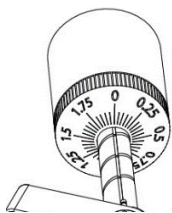
Den medfølgende **kontravægt** er velegnet til pickupper med en vægt mellem 6,0-8,0 g.

- Skub og drej forsigtigt kontravægten ind over bagenden af tonearmen (med skalaen vendende fremad mod forsiden af pladespilleren).
- Fjern nålebeskytteren.
- Sænk tonearmsliften, og placér nålen i rummet mellem tonearmsholderen og pladetallerkenen.

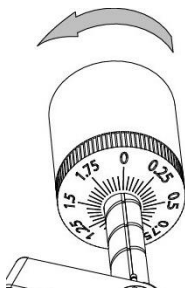
Drej forsigtigt **kontravægten**, indtil tonearmen balancerer. Tonearmen skal vende tilbage til den afbalancerede position, hvis den bevæges op eller ned. Denne justering kræver nøjagtighed.



- Når tonearmen er korrekt afbalanceret, skal du føre den tilbage til holderen. Hold i **kontravægten** uden at flytte den, og drej forsigtigt **nåletryksskalaringen**, indtil nullet står på linje med den sorte linje på bagsiden af **tonearmen**. Kontrollér, om tonearmen stadig balancerer.



- Drej kontravægten mod uret (set forfra) for at justere nåletrykket iht. anbefalingerne fra producenten af pickuppen. Én streg på skalaen repræsenterer 0,05 g nåletryk.

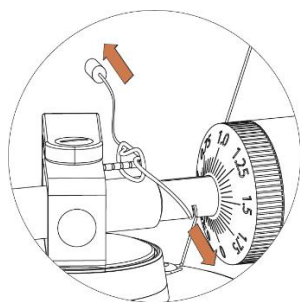


**BEMÆRK:** Det anbefalede nåletryk for en pickup monteret fra fabrikken er  $1,8 \pm 0.2$  g.

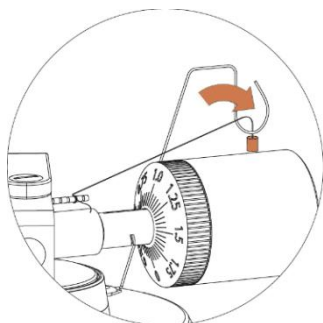
### Find anti-skating vægten

Du vil finde en anti-skating-vægt med en lille nylontråd i pakken. Følg vejledningen herunder for at indstille anti-skating-vægten:

1. Før den løkkede ende af nylontråden over anti-skating-stubben til vægtjustering og ind i 3. rille (den korrekte anti-skating-kraft til en fabriksmonteret pickup).



2. Træk let i anti-skating-vægten for at føre fæstet på nylontråden til stubben.
3. Løft anti-skating-vægten over anti-skating-trådstøtten. Anti-skating-vægten skal nu hænge frit til venstre for støtten.



Før løkken på tråden til anti-skating-vægten ind i **3.** rille på stubben for at indstille den korrekte anti-skating-kraft til en fabriksmonteret pickup. Før tråden gennem løkken på trådstøtten.

### Justering af anti-skating-kraft

Anti-skating-kraften skal justeres i forhold til nåletrykket som følger:

#### Nåletryk

1 - 1,25 g

1,25 - 1,5 g

1,5 - 1,75 g

1,75 - 2 g

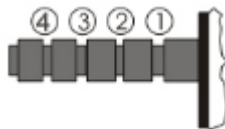
#### Rille i stubben

1. fra lejet

2. " "

3. " " "

4. " "



Før løkken på tråden til anti-skating-vægten ind i **3.** rille på stubben for at indstille den korrekte anti-skating-kraft til en fabriksmonteret pickup. Før tråden gennem løkken på trådstøtten.

## Tilslutning til stereoanlæg

### RCA-stik

- RCA-stikkene på denne enhed deles af både Phono-udgangen og linjeudgangen. Det afgøres med omskifteren for phono/linjeudgang.
- Når de anvendes som linjeudgang, sender stikkene analoge linjeudgangssignaler, der kan forbindes direkte til et par aktive højttalere eller den passende indgang på dit stereoanlæg. Når de anvendes som phonoudgang, skal de være forbundet til phono-forforstærkeren eller phonoindgangen på stereoanlægget.
- Det røde stik går til højre kanal, og det hvide stik går til venstre kanal.

### Bemærk:

- Hvis omskifteren for phono/linjeudgang er indstillet til LINE, men RCA-stikkene er forbundet til stereoanlæggets phonoindgang, kan lyden være forvrænget pga. overbelastning af indgangen, hvilket kan beskadige dit stereoanlæg.
- Hvis omskifteren for phono/linjeudgang er indstillet til PHONO, men RCA-stikkene er forbundet til stereoanlæggets linjeindgang, vil lydstyrken være meget lav, da forforstærkningen mangler.

RCA-stik er ikke designet til at være direkte forbundet til en passiv højttaler uden strømforsyning, og hvis det sker, vil lydstyrken være meget lav.

## Tilslutning til strøm

Strømforsyningen findes i skumemballagen. Pak strømforsyningen ud, og slut dens lille stik til **DC-strømticket** på bagsiden af pladespilleren. Slut strømforsyningen til en stikkontakt.

## **Betjening**

### **Betjening af pladespilleren**

1. Slut den medfølgende strømforsyning til enheden, og tryk på afbryderknappen (2) for at tænde pladespilleren.
2. Tag nålebeskytteren af nålen.
3. Placér glidemåtten på pladetallerkenen, og læg en plade på måtten. Hvis du vil afspille 45 o/min. singler, skal du lægge singleadapteren på spindlen, inden du lægger pladen på pladespilleren.
4. Indstil drejeknappen for hastighed 33/45 o/min. iht. pladetypen.
5. Drej kontakten Start/Stop til positionen Start for at starte pladetallerkenen.
6. Lås tonearmslåsen op, og løft tonearmsliften med håndtaget.
7. Placér tonearmen over den ønskede position (rille) på pladen.
8. Sænk tonearmsliften for at sænke tonearmen ned på pladen. Alternativt kan du placere nålen over det ønskede sted på pladen.
9. Sænk forsigtigt tonearmen ned på pladen.
10. Når pladen er spillet færdig, skal du hæve tonearmen og føre den tilbage til tonearmsstøtten og låse den. Drej kontakten Start/Stop over på Stop.
11. Tryk på afbryderen for at slukke pladespilleren.
12. Pladetallerkenen holder op med at dreje, hvis der intet signal udgår fra enheden i 3 minutter.

### **Brug af Bluetooth**

Denne enhed har en Bluetooth-sender, der kan sende lyden trådløst til en Bluetooth-højttaler eller trådløse hovedtelefoner.

1. Tænd din Bluetooth-højttaler, og kontrollér, at den er i parringstilstand.

2. Tænd pladespilleren på afbryderknappen (2). LED-kontrollampen (1) lyser først RØDT, hvorefter den blinker blå under Bluetooth-søgningen efter eksterne højttalere eller hovedtelefoner.

Bemærk: Hvis du vil deaktivere Bluetooth-søgefunktionen, skal du holde afbryderknappen inde i 3 sekunder, hvorefter LED-kontrollampen lyser RØDT.

3. Under parringen blinker den blå LED-kontrollampe to gange pr. sekund. Dette skifter til konstant blå, når parringen er gennemført.

*Bemærk:* Denne enhed opretter forbindelse til nærmeste Bluetooth-enhed. Hvis enheden ikke har fundet en Bluetooth-højttaler at oprette forbindelse til indenfor 2 minutter, slår Bluetooth-senderen fra, og LED-kontrollampen skifter til rødt.

4. Hvis du vil ophæve parringen, skal du holde afbryderknappen inde i 3 sekunder eller afbryde Bluetooth-parringen på din eksterne Bluetooth-højttaler eller hovedtelefoner.

*“Dette produkt har en Bluetooth **sende**-funktion, **du kan ikke modtage lyd via Bluetooth med det**: Det betyder, at du kan sende trådløse Bluetooth lydsignaler til en ekstern enhed, som fx en Bluetooth-højttaler, Bluetooth-hovedtelefoner, lydssystem med Bluetooth-modtagelse...”*

## Introduktion til Audacity-softwaren

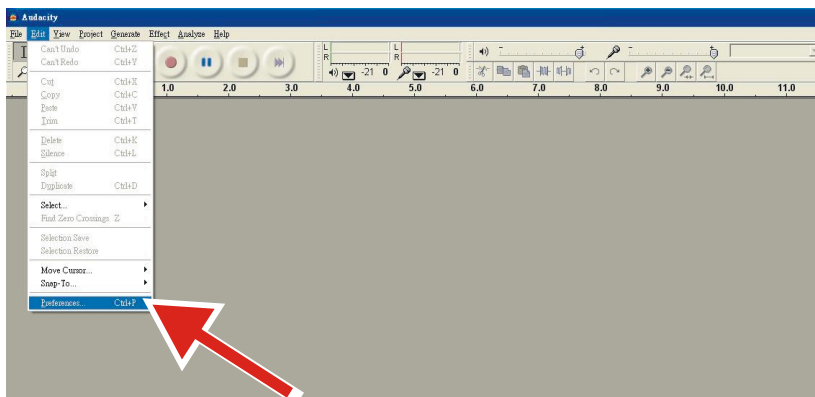
Audacity er en gratis software, licenseret under GNU General Public License (GPL). Yderligere information og kode til open source findes på internettet på <https://www.audacityteam.org/download/>

\* **Sørg for at installere softwaren, inden du starter.**

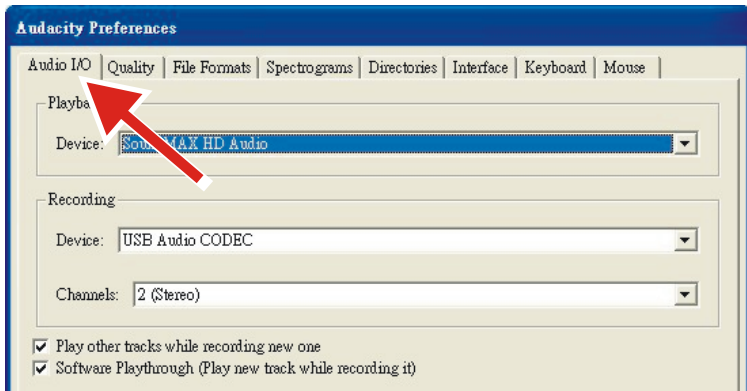
### Opsætning af din PC til at køre med Audacity

1. Slut en indgangskilde til enheden.

2. Slut USB-kablet til din computer.
3. Installér optagelsessoftwaren Audacity.
4. Åbn programmet Audacity.
5. Vælg Preference (Præferencer) på fanen Edit (Redigér) i Audacity-menuen.



6. Vælg fanen **Audio I/O** (Lyd ind/ud) øverst til venstre.
  - Vælg **your internal sound card** (dit indbyggede lydkort) i Playback, Device (Afspilning, Enhed).
  - Under Recording, Device (Optagelse, Enhed) skal du vælge **USB Audio CODEC** (USB lyd-CODEC).
  - Under Recording, Channels (Optagelse, Kanaler) skal du vælge **2 (Stereo)**.
  - Markér boksen **Play other tracks while recording new one** (Afspil andre spor, mens et nyt optages).
  - Markér boksen **Software Playthrough** (Software-gennemspilning).

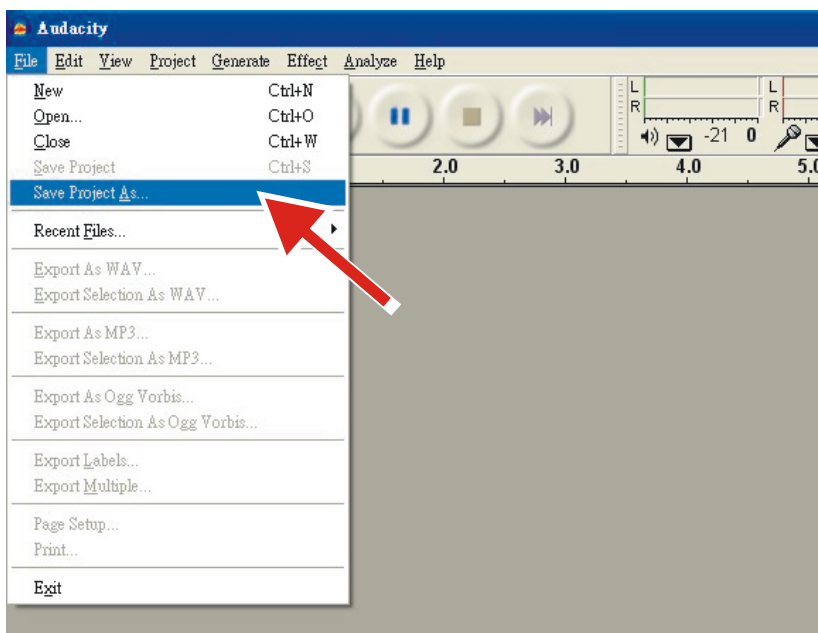


## Optagelse af albums med Audacity

### 1. Sådan gemmes et projekt

- Audacity gemmer al ændret og optaget lyd i en mappe med navnet **Projectname\_data**, der er placeret der, hvor du gemte selve projektet.
- Du skal derfor vælge **Save Project as** (gem projekt som) i fanen File (fil) i Audacity og vælge placering og filnavn til dit projekt.
- Bemærk, at når du starter Audacity igen, vises kun menupunktet **“Save As...”** (gem som).





## 2. Sådan optager du

- Gør din USB-pladespiller klar til at afspille den skæring eller det album, du vil optage.



- Klik på den røde Optageknap for at starte optagelsen.
- Sænk tonearmen ned på USB-pladespilleren ved det album og den skæring, du vil optage.
- Klik på den blå Pauseknap for at sætte optagelsen på pause. Tryk igen



for at fortsætte.



- Klik på den gule stopknap.

Det var det. Du kan nu lege med dine optagelser og udforske Audacitys redigeringsfunktioner. Husk, at du kan bruge fortrydelsesfunktionen Undo næsten ubegrænset, så længe projektet er åbent.

**BEMÆRK:** CD'er kan ikke brændes direkte i Audacity. Dertil skal du bruge et andet CD-brænderprogram.

### Vedligeholdelse og rengøring

Din pladespiller kræver meget lidt regelmæssig vedligeholdelse. Fjern støv med en letfugtet antistatisk klud. Brug aldrig en tør klud, da dette vil skabe statisk elektricitet og tiltrække mere støv! Antistatiske rengøringsmidler fås i specialbutikker, men de skal anvendes sparsomt, da de kan beskadige gummidelene. Det anbefales at sætte nålebeskytteren på for at undgå skade, inden du udfører rengøring eller vedligeholdelse.

Hvis pladespilleren ikke skal bruges i længere tid, skal du tage drivremmen af, så den ikke strækker sig ujævnt.

**BEMÆRK:** Tag altid stikket til pladespilleren ud af kontakten inden vedligeholdelse!

### Nyttige tips

Pladespilleren bør placeres på et resonansfrit underlag som fx træ eller tyk spånplade for at undgå strukturelle vibrationer, der kan forstyrre afspilningen.

### Udskiftning af pickup

1. Inden udskiftning skal du sætte nålebeskytteren på pickuppen, så du ikke beskadiger nålen under udskiftningen.
2. Fjern forsigtigt kablerne fra den oprindelige pickup.

3. Løsn de to skruer på pickup-huset, der holder pickuppen på plads, og fjern den gamle pickup.
4. Sæt den nye pickup på pickup-huset, og spænd skruerne let. Stram ikke skruerne helt på dette tidspunkt.
5. Forbind kablerne til terminalerne på den nye pickup. Ledningerne er farvekodede som følger:  
 Hvid - venstre kanal, positiv (L+)  
 Blå - venstre kanal, negativ (L-)  
 Rød - højre kanal, positiv (R+)  
 Grøn - højre kanal, negativ (R-)
6. Justér pickuppens position for at sikre, at den sidder nøjagtigt på pickup-huset, så nålen kører fuldstændig parallelt i rillerne.  
 For at opnå dette skal du bruge den medfølgende protractor af papir til justeringen. Placér protractoren over spindlen, før forsigtigt tonearmen ind, og placér spidsen af pickuppen på de punkter, der er markeret hhv. 130 mm og 250 mm. Finejustér pickuppens placering på pickup-huset, indtil pickuppen står fuldstændig parallelt med referencelinjerne ved begge punkter.
7. Stram skruerne helt, når du har fundet den perfekte justering.

**BEMÆRK:** Hvis du ikke er vant til at gøre det selv, eller hvis du ikke synes, du kan selv, anbefaler vi, at du lader en fagmand foretage installationen.

#### **Tekniske specifikationer:**

Hastigheder	33 1/3 og 45 o/min.
Wow og flutter	≤0,15 %
Signal-/støjforhold	55 dB
Område for nåletryk	0-2,0 g

Tonearmens effektive længde	8,6" (218,5 mm)
Overhæng	0,73"
Strømforbrug	6 W (Maks.)
Ekstern strømforsyning	12 V/500 mA AC-DC
Mål (B x H x D)	420 x 360 x 125 mm
Vægt	4,8 kg

### **Tekniske specifikationer: 2M RED (Ortofon)**

Frekvensområde	20 Hz-20 kHz
Anbefalet belastningsmodstand	47 kΩ
Kanalbalance	1,5dB
Forstærkertilslutning	MM - indgang
Kanaladskillelse	22dB
Anbefalet nåletryk	1,8 ±0,2 g
Udgangsspænding	5,5 mV
Vægt	7,2 g

### **Mulig forkert brug eller fejlforbindelse**

Disse pladespillere er fremstillet iht. de højeste standarder og undergår streng kvalitetskontrol, inden de forlader fabrikken. Evt. fejl, der måtte opstå, skyldes ikke nødvendigvis produktions- eller materialefejl, de kan sommetider skyldes forkert brug eller uheldige omstændigheder. Af den grund medfølger følgende liste over almindelige fejlsymptomer.

### **Pladetallerkenen drejer ikke, selvom enheden er tændt:**

- Enheden er ikke forbundet til lysnettet.
- Der er ikke tændt på stikkontakten.
- Drivremmen er ikke sat på, eller den er faldet af.

- Enheden har automatisk skiftet til standby, tænd den igen.

**Intet signal gennem en eller af kanalerne eller gennem begge kanaler:**

- Du har ikke valgt phonoindgangen på forstærkeren.
- Forstærkeren er ikke tændt.
- Forstærker eller højttalere er indstillet til lydløs.
- Ingen forbindelse til højttalerne.
- Ingen forbindelse mellem pladespiller og forstærker.
- Ledningerne til pickuppen er ikke tilsluttet.

**Stærk brummen i phonoindgangen:**

- Ingen jordforbindelse fra pickup eller ledning til tonearm til forstærker eller jordsløjfe.
- Pladespilleren befinder sig for tæt på højttaleren.

**Forvrænget eller afbrudt lyd fra en eller begge kanaler:**

- Pladespilleren er forbundet til den forkerte indgang på forstærkeren.
- Nålen eller pickuppen er beskadiget.
- Drivremmen er overstrakt eller snavset.
- Lejet på pladetallerken mangler smøring, er snavset eller beskadiget.
- Støv på nålen.
- Omskifteren for MM/MC på forforstærkeren er indstillet forkert.

**Bemærk: På grund af ErP Stage 2-kravene til strømbesparende foranstaltninger vil en enhed, der er tilsluttet lysnettet, automatisk gå på standby, hvis der ikke er afspillet musik i ca. 20 minutter.**

**Hvis din enhed slukker med jævne mellemrum, er det ikke en fejl.**

Strømforsyning

Producent: BRIGHTPOWER OPTOELECTRONIC TECHNOLOGY CO., LTD

Modelnr.: SW1200500-FM

Indgangsspænding: 100 - 240 V

AC-indgangsfrekvens: 50/60 Hz

Udgangsspænding: Jævnstrøm 12 V

Udgangsstrøm: 0,5 A

Udgangseffekt: 6 W

Gns. aktiv effektivitet: 79,62 %

Effektivitet ved lav belastning (10%): 70,40 %

Strømforbrug ved ingen belastning: 0,073 W

Brug kun den strømforsyning, der er angivet i betjeningsvejledningen

Tekniske specifikationer for Ortofon 2M RØD

Frekvensområde – 20-20.000 Hz + 3/-1 dB

Sporingsevne ved 315 Hz ved anbefalet nåletryk\*) – 70 µm

Compliance, dynamisk, lateral – 20 µm/mN

Nåletype – ellipseformet

Radius for nålespids – r/R 8/18 µm

Ækvivalent masse for nålespids – 0.5 mg

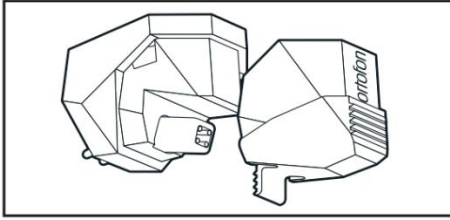
Interval for nåletryk – 1,6-2,0 g (16-20 mN)

Anbefalet nåletryk – 1,8 g (18 mN)

Sporingsvinkel – 20°

\*) Typisk værdi

Nålefarve – rød



## Garanti

Commaxx B.V. tilbyder service og garanti i overensstemmelse med europæisk lov, hvilket betyder, at i tilfælde af reparationer (både under og efter garantiperioden) skal du kontakte din lokale forhandler.

Vigtig meddelelse: Det er ikke muligt at sende produktet direkte til Commaxx B.V., hvis det kræver reparation.

Vigtig meddelelse: Hvis enheden åbnes eller på nogen måde tilgås af et ikke-godkendt servicecenter, bortfalder garantien.

Denne enhed er ikke egnet til professionel brug. I tilfælde af professionel brug bortfalder alle garantiforpligtelser fra producentens side.

## Ansvarsfraskrivelse

Firmware og/eller hardwarekomponenter opdateres regelmæssigt. Derfor kan visse dele af vejledningen, specifikationerne og illustrationerne i vejledningen variere en smule fra dit faktiske produkt. Alle elementer, der beskrives i denne vejledning, er kun til illustration og gælder måske ikke i den givne situation. Ingen juridisk ret eller rettighed kan opnås fra beskrivelsen i denne vejledning.

## Bortskaffelse af udtjente enheder



Symbolet angiver, at det relevante elektriske produkt eller batteri inden for Europa ikke må bortskaffes som almindeligt husholdningsaffald. For at sikre korrekt affaldsbehandling af produktet og batteriet skal du bortskaffe dem i overensstemmelse med gældende lokal lovgivning om [REDACTED] bortskaffelse af elektrisk udstyr eller batterier. På den måde hjælper du med at bevare naturressourcer og forbedre miljøbeskyttelsen indenfor behandling og bortskaffelse af elektrisk affald (Direktiv om affald af elektrisk og elektronisk udstyr).

## OVERENSSTEMMELSESERKLÆRING

Commaxx erklærer hermed, at radioudstyret af typen [Lenco LBT-335 / LBT-345] er i overensstemmelse med with direktivet 2014/53/EU. EU-overensstemmelseserklæringens fulde tekst kan findes på følgende internetadresse:

[https://commaxx-certificates.com/doc/lbt-335\\_doc.pdf](https://commaxx-certificates.com/doc/lbt-335_doc.pdf)

[https://commaxx-certificates.com/doc/lbt-345\\_doc.pdf](https://commaxx-certificates.com/doc/lbt-345_doc.pdf)

Type RF	Frekvensområde (MHz)	Effekt (dBm)
Bluetooth	2402 - 2480	< 6

## Service

Gå ind på [www.lenco.com](http://www.lenco.com) for yderligere oplysninger og support fra vores helpdesk

Commaxx B.V. Wiebachstraat 37, 6466 NG Kerkrade, The Netherlands.



### **VAR FÖRSIKTIG:**

Att använda kontroller eller justeringar eller utföra andra förfaranden än de som anges häri kan leda till att du utsätts för farlig strålning.

### **FÖRSIKTIGHETSÅTGÄRDER INNAN ANVÄNDNING**

---

#### **HA DESSA INSTRUKTIONER I ÅTANKE:**

1. Täck inte över eller blockera några ventilationsöppningar. När du placerar enheten på en hylla ska du lämna 5 cm (2") fritt utrymme runt hela enheten.
2. Montera i enlighet med den medföljande användarmanualen.
3. Håll enheten borta från värmekällor såsom radiatorer, värmare, spisar, ljus och andra värmegenererande produkter eller öppen eld. Enheten kan endast användas i måttliga klimat. Extremt kalla eller varma omgivningar bör undvikas. Drifttemperatur mellan 0 och 35 °C.
4. Undvik att använda enheten nära starka magnetfält.
5. Elektrostatisk urladdning kan störa den normala användningen av den här enheten. Återställ och starta om enheten enligt instruktionsboken om så är fallet. Hantera försiktigt och använd i en statistiskt fri miljö vid filöverföring.
6. Varning! För aldrig in ett föremål i produkten genom ventilerna eller öppningarna. Högspänning flödar genom produkten och om du för in ett föremål kan det orsaka elektriska stötar och/eller kortslutning av interna komponenter. Spill inte vatten eller vätska på produkten av samma anledning.
7. Använd inte i våta eller fuktiga områden såsom badrum, ångfyllda kök eller i närheten av simbassänger.
8. Enheten får inte utsättas för dropp eller stänk och se till att inga föremål fyllda med vätskor såsom vaser placeras på eller i närheten av den.
9. Använd inte den här enheten när kondens kan uppstå. När enheten används i ett varmt och fuktigt rum kan vattendroppar eller kondens uppstå inuti enheten och enheten kanske inte fungerar som den ska. Låt enheten vara avstängd i en eller två timmar innan du slår på strömmen igen. Enheten ska vara torr innan strömmen slås på.

10. Även om denna enhet tillverkas med största omsorg och kontrolleras flera gånger innan den lämnar fabriken är det fortfarande möjligt att problem kan uppstå vilket gäller alla elektriska apparater. Om du märker rök, kraftigt uppbyggnad av värme eller andra oväntade fenomen ska du omedelbart dra ur kontakten ur eluttaget.
11. Enheten måste drivas med en strömkälla såsom anges på de särskilda märkningskraven. Kontakta din återförsäljare eller lokala elbolag om du är osäker på vilken typ av strömförsörjning som används i ditt hem.
12. Håll på säkert avstånd från husdjur. Vissa djur kan bita på elkablar.
13. Använd en mjuk och torr trasa för att rengöra enheten. Använd inte lösningsmedel eller bensinbaserade vätskor.  
För att ta bort allvarliga fläckar kan du använda en fuktig trasa med utspätt rengöringsmedel.
14. Leverantören ansvarar inte för skador eller förlorade data orsakade av fel, missbruk, modifiering av enheten eller batteribyte.
15. Avbryt inte anslutningen när enheten formaterar eller överför filer. Data kan då bli skadade eller förloras.
16. Om enheten har en funktion med USB-uppspelning bör USB-minnet anslutas direkt till enheten. Använd inte en USB-förlängningskabel eftersom den kan orsaka störningar som kan leda till att data förloras.
17. Klassificeringsetiketten är placerad på enhetens undersida eller baksida.
18. Den här enheten är inte avsedd för att användas av personer (inklusive barn) med fysiska, sensoriska eller psykiska funktionshinder eller brist på erfarenhet och kunskap såvida de inte är under övervakning av eller har fått instruktioner om korrekt användning av enheten av den person som ansvarar för deras säkerhet.
19. Den här produkten är endast avsedd för icke-professionell användning och inte för kommersiellt eller industriellt bruk.
20. Se till att enheten är justerad till en stabil position. Skador orsakade av att använda den här produkten i ett instabilt läge med vibrationer eller stötar eller av att inte följa någon annan varning eller försiktighetsåtgärd i denna användarmanual täcks inte av garantin.
21. Ta aldrig bort enhetens hölje.
22. Placera aldrig enheten på annan elektrisk utrustning.
23. Låt inte barn ha tillgång till plastpåsar.
24. Använd endast tillbehör som anges av tillverkaren.

25. Överlåt all service till kvalificerad servicepersonal. Service krävs när enheten har skadats på något sätt, exempelvis på strömkabeln eller strömkontakten, när vätska har spillts eller föremål fallit in i den, när den har utsatts för regn eller fukt och inte fungerar normalt eller har tappats.
26. Lång exponering för höga ljud från musikspelare kan leda till tillfällig eller permanent hörselnedsättning.
27. Om produkten levereras med strömkabel eller nätadapter:
  - Dra ur strömkabeln och kontakta behörig personal för service om ett problem uppstår.
  - Trampa inte på nätadaptern och kläm den inte. Var mycket försiktig och då särskilt nära kontakter och kabelns uttag. Placera inte tunga föremål på nätadaptern då detta kan skada den. Håll hela enheten utom räckhåll för barn! När de leker med strömkabeln kan de skada sig själva.
  - Koppla ur denna enhet under åskväder eller när den inte används under en längre period.
  - Eluttaget måste finnas nära utrustningen och måste vara lättillgängligt.
  - Överbelasta inte eluttaget eller förlängningssladdar. Överbelastning kan orsaka brand eller elektriska stötar.
  - Enheter med klass 1-konstruktion bör anslutas till ett vägguttag med skyddsjord.
  - Enheter med klass 2-konstruktion kräver ingen jordad anslutning.
  - Håll alltid i kontakten när du drar ut den ur vägguttaget. Dra inte i strömkabeln. Detta kan orsaka en kortslutning.
  - Använd inte en skadad strömkabel, strömkontakt eller ett löst vägguttag. Om du gör detta kan det orsaka brand eller elektriska stötar.
28. Om produkten innehåller eller levereras med en fjärrkontroll som innehåller mynt/cellbatterier:

Varning:

  - "Svälj inte batterier då kemiska brännskador" eller motsvarande kan uppstå.
  - [Den medföljande fjärrkontrollen] Denna produkt innehåller ett knappellsbatteri. Om batteriet sväljs kan det orsaka allvarliga inre brännskador på bara två timmar och vara livshotande.
  - Håll nya och använda batterier borta från barn.

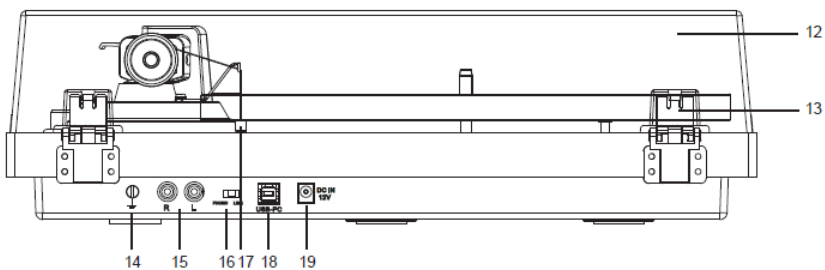
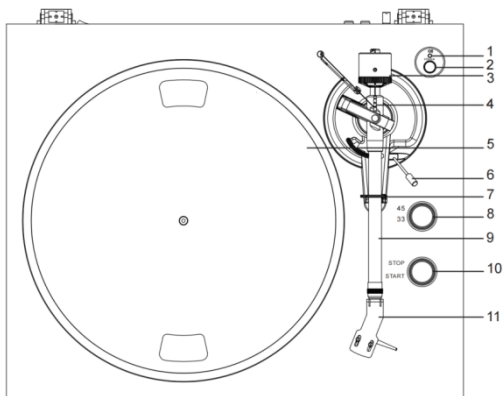
- Om batterifacket inte går att stänga ordentligt bör du sluta använda produkten och hålla den borta från barn.
  - Om du tror att batterier har svalt eller finns någonstans i kroppen ska du omedelbart söka läkarvård.
29. Varning om användning av batterier:
- Explosionsrisk om batteriet byts ut felaktigt. Byt endast ut mot samma eller motsvarande typ.
  - Batteriet får inte vid användning, förvaring eller transport utsättas för extremt höga eller låga temperaturer samt lågt lufttryck vid hög höjd.
  - Att byta ut ett batteri mot en felaktig typ kan leda till en explosion eller läckage av brandfarlig vätska eller gas.
  - Kassering av ett batteri i eld, en varm ugn, mekaniskt krossning eller skärning av det kan resultera i en explosion.
  - Att lämna ett batteri i en omgivning med extremt hög temperatur kan resultera i en explosion eller läckage av brandfarlig vätska eller gas.
  - Ett batteri som utsätts för extremt lågt lufttryck kan leda till en explosion eller läckage av brandfarlig vätska eller gas.
  - Miljöaspekterna bör uppmärksammas när det gäller kassering av batterier.

## **MONTERING**

- Packa upp alla delar och ta bort skyddsmaterialet.
- Anslut inte enheten till elnätet innan du kontrollerar nätspänningen och att alla andra anslutningar har gjorts.

## KOMPONENTER, FUNKTIONER OCH ANSLUTNINGAR

1. Ström- och Bluetooth-indikator
2. Strömknapp
3. Motvikt
4. Antiskating-tapp
5. Skivtallrik
6. Tonarmens lyftspak
7. Tonarmens vagg
8. Väljare för 33/45
9. Tonarm
10. Stop/start-reglage
11. Löstagbart tonarmsskal med pickup



- |                                |                          |
|--------------------------------|--------------------------|
| 12. Lock                       | 17. Antiskating-vikt     |
| 13. Gångjärn till lock         | 18. USB-port             |
| 14. Jordanslutning             | 19. Strömuttag för AC/DC |
| 15. PHONO och Linje ut-uttag   |                          |
| 16. PHONO och Linje ut-reglage |                          |

Se till att du hittar följande artiklar som medföljer i förpackningen:

- |                                    |  |
|------------------------------------|--|
| 1) Enhet                           | 8) Gradskiva för justering av pickupen |
| 2) Adapter med kontakter för EU/UK | 9) USB-kabel                           |
| 3) Motvikt                         | 10) 2 st. extra gummiskydd för locket  |
| 4) Tallrik med rem                 | 11) Antiskating-vikt                   |
| 5) 45 RPM Adapter                  | 12) Linje ut-kabel                     |
| 6) Slipmat                         | 13) Centrumvikt (ENDAST för LBT-345)   |
| 7) Bruksanvisning                  | 14) Löstagbart tonarmsskal med pickup  |

Den här skivspelaren levereras med en fabriksmonterad och justerad pickup.

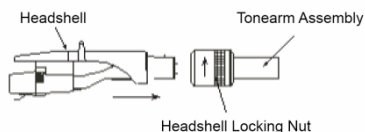
\*\*Följande anvisningar för att justera pickupen finns tillgängliga om den byts ut mot en annan modell, vid ett senare tillfälle.

## Montera locket

Montera **locket** försiktigt på gångjärnets stift.

## Installera pickupskalet

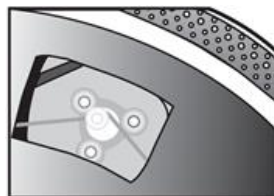
Placera pickupskalet på den främre änden av tonarmen. Håll stadigt i pickupskalet och placera det på den främre änden av tonarmen. Roterar pickupskalets låsmutter moturs för att fästa det ordentligt på tonarmen.



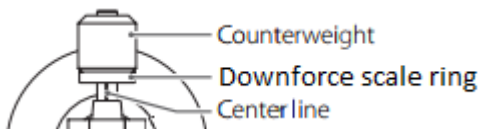
EN	SE
Headshell	Pickupskalet
Tonearm Assembly	Tonarm
Headshell Locking Nut	Pickupskalets låsmutter

## Konfigurera tallriken och remmen

1. Montera drivremmen över den inre ringen under tallriken och garantera att den inte faller av under monteringen.
2. Placera tallriken genom skivspelarens spindel och rotera sedan tallriken till drivmotorns remskiva syns i fönstret i det övre vänstra hörnet.
3. Fatta försiktigt tag i drivremmen och placera den runt spåret på motorns remskiva.
4. Anslut strömadaptern till skivspelaren och slå på den.
5. Ställ motorns strömbrytare till startläget för att se om tallriken motor snurrar. Utför stegen ovan igen om tallriken inte snurrar.



## Justering av pickupens tryck



EN	SE
Counterweight	Motvikt
Downforce scale ring	Ring för nåltrycksskala
Center line	Mittlinje

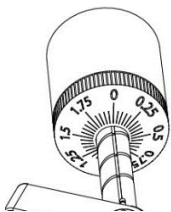
Den medföljande **motvikten** är lämplig för pickuper som väger mellan 6,0–8,0 g.

- Tryck försiktigt på motvikten och vrid den på plats på tonarmens baksida (med skalan vänd mot skivspelarens framsida).
- Ta bort pickupens skyddskåpa.
- Sänk tonarmslyften och placera pickupen i utrymmet mellan tonarmsstödet och skivtallriken.

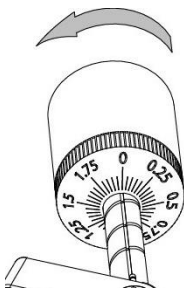
Vrid försiktigt **motvikten** tills tonarmen är balanserad. Tonarmen ska återgå till balanserat läge om den flyttas upp eller ner. Denna justering måste göras försiktigt.



- När tonarmen är korrekt balanserad sätter du tillbaka den i stödet. Håll **motvikten** utan att den flyttas och rotera försiktigt ringen som justerar **trycket** till nollan är i linje med den svarta linjen på baksidan av **tonarmen**. Kontrollera om armen fortfarande är i balans.



- Vrid motvikten moturs (sett framifrån) för att justera trycket enligt pickup-tillverkarens rekommendationer. En markering på skalan motsvarar 0,05 g tryck.



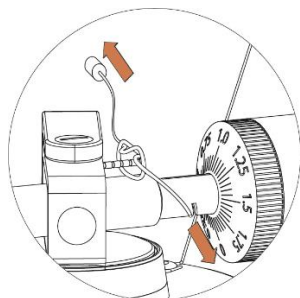


**OBS!** Det rekommenderade trycket för den fabriksmonterade pickupen är 1,8 ± 0,2 g.

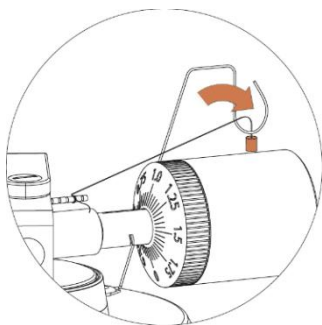
### Lokalisera antiskating-vikten

Det finns en antiskating-vikt med liten fiskelina i förpackningen. Följ stegen nedan så hittar du antiskating-vikten:

1. För den öglade änden av fiskelinan över justeringstappen på antiskating-vikten och in i tredje spåret (korrekt antiskating-tryck för den fabriksmonterade pickupen).



2. Dra lätt i antiskating-vikten så att linans ögla kan flyttas till tappen.
3. Lyft antiskating-vikten över dess stödtråd. Antiskating-vikten ska nu dingla fritt i utrymmet till vänster om stödet.

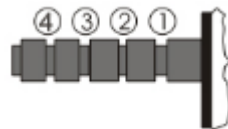


För öglan på antiskating-viktens lina över det tredje spåret på tappen för att ställa in rätt antiskating-tryck för den fabriksmonterade pickupen. Mata linan genom öglan på stödet.

## Justera antiskating-trycket

Antiskating-kraften måste justeras så att den motsvarar trycket enligt följande:

<u>Tryck</u>	<u>Spår i tappen</u>
1–1,25 g	1:a från lagringarna
1,25–1,5 g	2:a " " "
1,5–1,75 g	3:e " " "
1,75–2 g	4:e " " "



För öglan på antiskating-viktens lina över det tredje spåret på tappen för att ställa in rätt antiskating-tryck för den fabriksmonterade pickupen. Mata linan genom öglan på stödet.

## Anslutning till stereosystem

### RCA-uttag

- RCA-uttagen på denna enhet är delade och de är både phono- och linjeutgångar. Funktionen bestäms med Phono/Line-omkopplaren.
- När de används som linjeutgång matar uttagen ut analoga linjenivåsignaler och kan anslutas direkt till ett par aktiva högtalare eller lämplig ingång i ditt stereosystem. När de används som Phono-utgång ska de anslutas till stereosystemets phono-förförstärkare eller phono-ingång.
- Den röda kontakten ansluter till den högra kanalen och den vita kontakten ansluter till den vänstra kanalen.

Obs:

- Om Phono/Line-omkopplaren är inställd på linjeläge (LINE) men RCA-uttagen är anslutna till stereosystemets phono-ingång, kan ljudet förvrängas på grund av överbelastning av ingångarna och skada stereoanläggningen.

- Om Phono/Line-omkopplaren är inställd på PHONO-läge men RCA-uttagen är anslutna till stereosystemets linjeingång blir volymen mycket låg på grund av bristande signalförstärkning. RCA-jacket är inte avsedda att anslutas direkt till passiva/effektlösa högtalarna. Om detta görs blir volymen väldigt låg.

## Strömanslutning

Nätadaptern finns i förpackningsmaterialet. Packa upp nätadaptern och anslut den lilla änden till **likströmsuttaget** på skivspelarens baksida. Anslut nätadaptern till eluttaget.

## Användning

### Använda skivspelaren

1. Anslut den medföljande strömadaptern till enheten och tryck på strömbrytaren (2) för att slå PÅ skivspelaren.
2. Ta bort stiftskyddet från pickupen.
3. Placera skivspelarmattan på skivtallriken och placera en skiva på skivspelarmattan. Om du använder 45-varvsskivor ska du först sätta 45-varvsadaptern på skivtallriksaxeln innan du placerar skivan på tallriken.
4. Ställ omkopplaren för 33/45 varv/minut på rätt typ av skiva.
5. Vrid Start/Stopp-reglaget till positionen Start för att börja snurra tallriken.
6. Lås upp armklämman och ställ lyftspaken i det övre läget.
7. Placera tonarmen över önskad plats (önskat spår) på skivan.
8. Flytta spaken för tonarmslyften till nedåtläge för att flytta tonarmen mot skivan. Alternativt kan du placera stiftet över önskad plats på skivan.
9. Sänk försiktigt ned tonarmen på skivan.
10. När skivan har spelats upp ska du lyfta tonarmen, placera den på vaggan och vrida Start/Stopp-reglaget till Stopp.

11. Stäng av strömmen genom att trycka på strömknappen.
12. Tallriken slutar att snurra om det inte kommer någon signal från enheten på tre minuter.

### Använda Bluetooth

Den här enheten har en Bluetooth-sändare som trådlöst skickar ljudet till en Bluetooth-högtalare eller -hörlurar.

1. Slå på din Bluetooth-högtalare och kontrollera att den är i ihopparningsläge.
2. Slå på skivspelaren med strömbrytaren (2). LED-indikatorn (1) lyser först RÖTT och blinkar sedan blått medan Bluetooth söker efter externa högtalare eller hörlurar.

Obs: om du vill inaktivera sökningsfunktionen för Bluetooth kan du hålla strömknappen intryckt i tre sekunder. Då börjar LED-lampan lysa RÖTT.

3. Vid ihopparning blinkar den blå LED-lampan två gånger i sekunden och ändras sedan till fast blått sken när ihopparningen är klar.

*Obs!* Den här enheten ansluter till närmaste Bluetooth-signal. Om ingen Bluetooth-högtalare kan hittas för ihopparning efter två minuter blir Bluetooth-sändaren inaktiv och LED-färgen ändras till röd.

4. För att koppla från ihopparningen håller du strömbrytaren intryckt i tre sekunder eller stänger av Bluetooth-parning på den externa Bluetooth-högtalaren eller hörlurarna.

*”Denna produkt har en funktion för **överföring** av Bluetooth, men **det går inte ta emot något Bluetooth-ljud på den**. Detta betyder att du trådlöst kan överföra en Bluetooth-ljudsignal till en extern enhet som en Bluetooth-högtalare, Bluetooth-hörlurar, ljudsystem med Bluetooth-mottagning ...”*

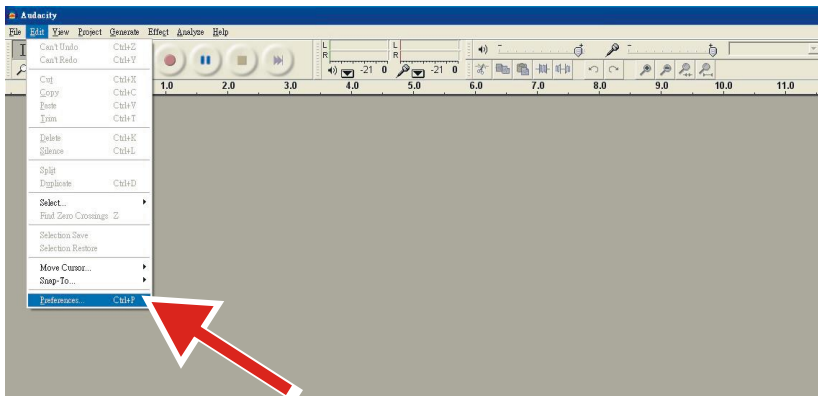
## Översikt över Audacitys programvara

Audacity är fri programvara, licensierad under GNU General Public License (GPL). Mer information samt öppen källkod finns på webben på <https://www.audacityteam.org/download/>

\* **Kontrollera att du har installerat programvaran innan du börjar.**

### Konfigurera din dator så att den fungerar med Audacity

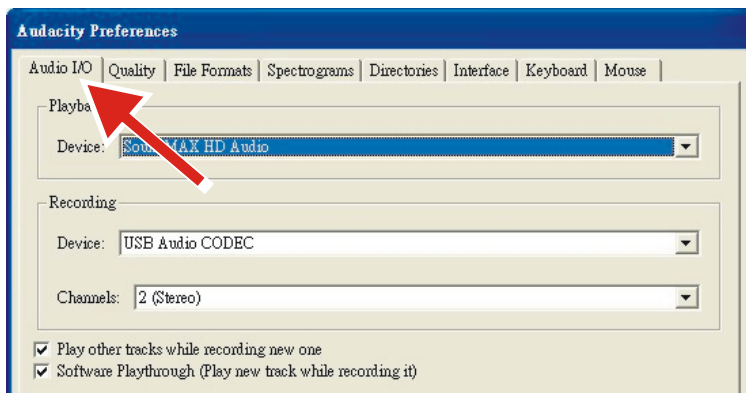
1. Anslut en ingångskälla till enheten.
2. Anslut USB-kabeln till datorn.
3. Installera Audacitys programvara för inspelning.
4. Öppna Audacity-programmet.
5. Välj Preferences (inställningar) på fliken Edit (redigera) i Audacity-menyn.



6. Välj fliken **Audio I/O** längst upp till vänster.
  - Under Playback (uppspelning), Device (enhet) väljer du **your internal sound card** (ditt interna ljudkort).
  - Under Recording (inspelning), Device (enhet) väljer du **USB Audio**

## CODEC.

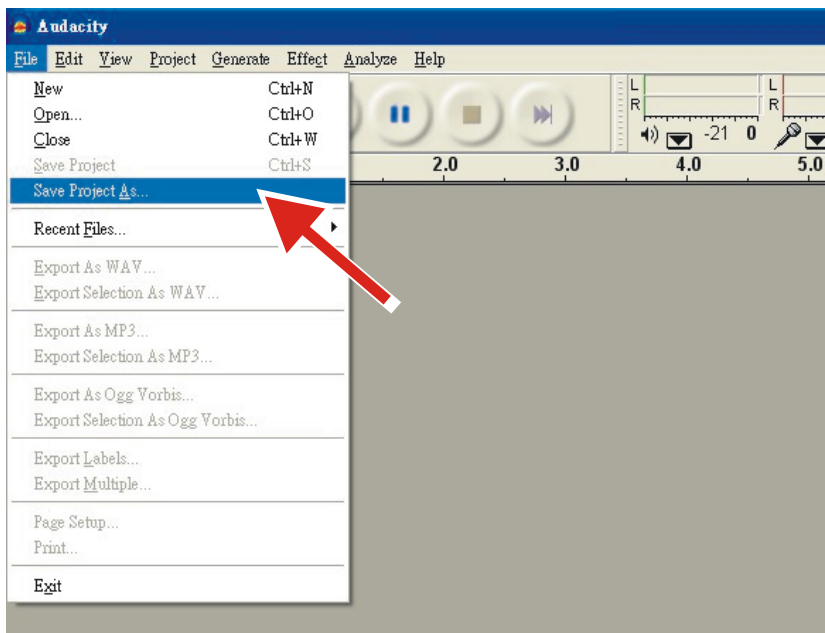
- Under Recording (inspelning), Channels (kanaler) väljer du **2 (Stereo)**.
- Kryssa i rutan **Play other tracks while recording new one** (spela upp andra spår medan du spelar in ett nytt).
- Kryssa i rutan **Software Playthrough** (genomspejning av programvara).



## Spela in album med Audacity

### 1. Spara ett projekt

- Audacity skriver allt ändrat och inspelat ljud till en katalog som heter **Projectname\_data**, som finns där du sparade själva projektfilen.
- Välj därför **Save project as** (spara projekt som) från fliken Audacity File (Audacity-fil) och välj en plats och ett filnamn för ditt projekt.
- Observera att när du startar Audacity på nytt är endast menyalternativet **"Save As..."** (spara som...) tillgängligt.



## 2. Så här spelar du in

- Ställ in din USB-skivspelare så att den spelar låten eller albumet du vill spela in.



- Klicka på den röda inspelningsknappen för att börja spela in.

- Sänk ned tonarmen på USB-skivspelaren på albumet och spåret du vill spela in.

- Klicka på den blå pausknappen för att pausa inspelningen. Tryck på den



igen för att fortsätta.

- Klicka på den gula stoppknappen.



Så enkelt är det. Du kan du experimentera med din inspelning och utforska redigeringsmöjligheterna i Audacity. Kom ihåg att du kan använda Ångra-funktionen nästan obegränsat medan projektet är öppet.

**OBS!** CD-skivor kan inte brännas direkt från programmet Audacity. Andra program för bränning av CD-skivor ska användas.

### Underhåll och rengöring

Skivspelaren kräver lite eller inget regelbundet underhåll. Avlägsna damm med en lätt fuktad antistatisk trasa. Använd aldrig en torr trasa – det skapar statisk elektricitet och drar till sig mer damm! Antistatiska rengöringsmedel finns att köpa i fackhandeln men måste appliceras sparsamt för att undvika skador på gummidelar. Det rekommenderas att sätta på stiftskyddet innan rengöring eller underhåll utförs för att undvika skador.

Om skivspelaren inte används under en längre tid bör drivremmen tas bort för att förhindra att den sträcks ojämnt.

OBS: Som en försiktighetsåtgärd ska skivspelaren alltid kopplas bort från strömförsörjningen innan underhåll utförs!

### Praktiska tips

Skivspelaren bör placeras på en yta med låg resonans som trä eller plywood i flera lager för att undvika strukturella vibrationer som stör uppspelningen.

### Byte av pickup

1. Sätt tillbaka pickupskyddet på pickupen för att förhindra skador på stiftet när bytet utförs.
2. Ta försiktigt bort ledningarna från originalpickupen.



3. Lossa de två skruvarna på tonarmsskalet som håller fast pickupen och ta sedan bort originalpickupen.
4. Montera den nya pickupen på tonarmsskalet och dra åt det lätt. Dra inte åt skruvarna helt ännu.
5. Anslut ledningarna till den nya pickupens uttag. Kabelns färgkoder är enligt nedan:
  - Vit vänster kanal, positiv (L+)
  - Blå vänster kanal, negativ (L-)
  - Röd höger kanal, positiv, (R+)
  - Grön höger kanal, negativ, (R-)
6. Justera pickupens position så att den är exakt i linje med tonarmsskalet och stiftet följer spåren parallellt.
 

För att uppnå detta placerar du den medföljande inriktningsgradienten av papper över skivtallriksaxeln, lyfter försiktigt tonarmen och placerar stiftet spets på punkterna märkta 130 mm respektive 250 mm. Finjustera pickupens position på pickupskalet till den är perfekt parallell med referenslinjerna på båda punkterna.
7. Dra åt skruvarna helt när perfekt inriktning har uppnåtts.

OBS! Om du inte är bekant med, eller känner dig obekvämd med att slutföra den här proceduren, rekommenderar vi att du kontaktar en yrkesverksam för att utföra installationen.

#### **Tekniska Specifikationer:**

Nominella varvtal	33 1/3 och 45 rpm
Wow och flutter (svaj)	≤ 0,15 %
Signal-brusförhållande	55 dB
Tryckintervall	0–2,0 g
Tonarmens effektiva längd	8,6 tum (218,5 mm)

Överhäng	0,73 tum
Energiförbrukning	6 W (max)
Strömförsörjning	12 V/500 mA AC/DC
Mått (B x H x D)	420 x 360 x 125 mm
Vikt	4,8 kg

### **Tekniska specifikationer: 2M RED (Ortofon)**

Frekvensåtergivning	20 Hz – 20 kHz
Rekommenderat belastningsmotstånd	47 kohm
Kanalbalans	1,5 dB
Förstärkaranslutning	MM – ingång
Kanalseparation	22 dB
Rekommenderat spårtryck	1,8 ± 0,2 g
Utspänning	5,5 mV
Vikt	7,2 kg

### **Potentiellt felaktig användning och feltillstånd**

Dessa skivspelare är tillverkade enligt högsta standard och genomgår stränga kvalitetskontroller innan de levereras till kund. Fel som kan uppstå beror inte nödvändigtvis på material- eller tillverkningsfel. De kan ibland orsakas av felaktig användning eller olyckliga omständigheter. Därför medföljer följande lista över vanliga fel och dess symptom.

### **Tallriken roterar inte trots att enheten är påslagen:**

- Enheten är inte ansluten till nätström.
- Det finns ingen ström i vägguttaget.
- Drivremmen är inte monterad eller har glidit av.
- Enheten har automatiskt gått in i standby-läge. Slå PÅ strömmen igen.

**Ingen signal via den ena eller andra kanalen, eller båda:**

- Phone-ingången är inte vald på förstärkaren.
- Förstärkaren är inte påslagen.
- Förstärkare eller högtalare avstängda.
- Ingen anslutning till högtalarna.
- Ingen anslutning mellan skivspelaren och förstärkaren.
- Sladdarna är inte anslutna till pickupen.

**Kraftigt brum vid phonoingång:**

- Ingen jordanslutning från pickupen, armen eller armens sladd till förstärkare eller jord.
- Skivspelaren är för nära högtalarna.

**Förvrängt eller inkonsekvent ljud från en eller båda kanalerna:**

- Skivspelaren är ansluten till fel ingång på förstärkaren.
- Stiftet eller stiftarmen är skadad.
- Drivremmen är översträckt eller smutsig.
- Skivtallrikens lager saknar olja, är smutsigt eller skadat.
- Damm på stiftet.
- MM/MC-omkopplaren på förförstärkaren är felaktigt inställd.

**Observera: På grund av kraven på ErP Stage 2 för energibesparingar går en enhet, som är ansluten till nätström, automatiskt över till standby-läget om ingen musik har spelats upp under cirka 20 minuter.**

**Om enheten stängs av regelbundet är detta inget fel.**

Nätadapter

Tillverkare: BRIGHTPOWER OPTOELECTRONIC TECHNOLOGY CO., LTD

Modellnummer: SW1200500-FM

Inspänning: 100–240 VAC

Inmatningens AC-frekvens: 50/60 Hz

Utspänning: 12 VDC

Utström: 0,5 A

Uteffekt: 6 W

Genomsnittlig aktiv effektivitet: 79,62 %

Effektivitet vid låg belastning (10 %): 70,40 %

Effektförbrukning utan belastning: 0,073 W

Använd endast den strömförsörjning som anges i bruksanvisningen

Tekniska specifikationer för Ortofon 2M RED

Frekvenssvar – 20–20 000 Hz + 3/- 1 dB

Spårningsprestanda vid 315 Hz med rekommenderad spårningskraft \*) – 70  
µm

Efterlevnad, dynamisk, lateral – 20 µm/mN

Typ av penna – elliptisk

Radie på pennspetsen – r/R 8/18 µm

Motsvarande massa på pennspetsen – 0,5 mg

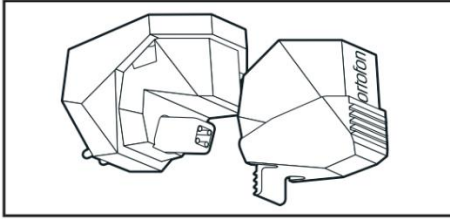
Spårningskraftens intervall – 1,6–2,0 g (16–20 mN)

Spårningskraft, rekommenderad – 1,8 g (18 mN)

Spårningsvinkel – 20°

\*) Typiskt värde

Pennfärg – röd



## Garanti

Commaxx B.V. erbjuder service och garanti i enlighet med europeisk lagstiftning, vilket innebär att du ska kontakta din lokala återförsäljare om reparation krävs (både under och efter garantins giltighetsperiod).

Viktigt: Det är inte möjligt att skicka produkter som är i behov av reparation direkt till Commaxx B.V.

Viktigt: Om denna enhet öppnas eller görs åtkomlig av ett icke officiellt servicecenter på något sätt, utgår garantin.

Denna enhet är inte lämplig för yrkesmässig användning. Vid yrkesmässig användning, upphör samtliga garantier från tillverkaren att gälla.

## Friskrivningsklausul

Uppdateringar av hård mjukvara och/eller hårdvarukomponenter görs regelbundet. Därmed kan vissa anvisningar, specifikationer och bilder i denna dokumentation skilja sig något från din särskilda situation. Alla artiklar beskrivna in denna guide är endast för illustration och kan inte tillämpas på någon speciell situation. Inga juridiska rättigheter eller anspråk kan erhållas från beskrivningen i denna manual.

## Bortskaffande av gammal enhet



Denna symbol anger att den relevanta elektriska produkten eller batteriet ska inte kasseras i det allmänna hushållsavfallet i Europa.

När den korrekta avfallsbehandlingen för produkten och batteriet ska säkerställas, ska elektrisk utrustning eller batterier kasseras i enlighet med varje krav på tillämplig lokal lagstiftning. Genom

██████████ detta handlande, bidrar du till att återvinna naturresurser och förbättra normer för miljöskydd och kassering av elektrisk avfall (elektrisk och elektronisk utrustning).

### FÖRSÄKRAN OM EFTERLEVNAD

Härmed intygar Commaxx att radioutrustningstypen [Lenco LBT-335 / LBT-345] överensstämmer med direktiv 2014/53/EU. Den fullständiga texten gällande EU-försäkran om överensstämmelse finns på följande internetadress:

[https://commaxx-certificates.com/doc/lbt-335\\_doc.pdf](https://commaxx-certificates.com/doc/lbt-335_doc.pdf)

[https://commaxx-certificates.com/doc/lbt-345\\_doc.pdf](https://commaxx-certificates.com/doc/lbt-345_doc.pdf)

RF-typ	Frekvensintervall (MHz)	Effekt (dBm)
Bluetooth	2402–2480	< 6

### Service

För mer information och support via vår helpdesk går du till [www.lenco.com](http://www.lenco.com)  
Commaxx B.V. Wiebachstraat 37, 6466 NG Kerkrade, The Netherlands.

## **ОСТОРОЖНО:**

Использование устройств управления или регулирования или выполнение процедур, отличных от указанных в настоящем документе, может привести к опасному воздействию излучения.

## **МЕРЫ ПРЕДОСТОРОЖНОСТИ ПЕРЕД ИСПОЛЬЗОВАНИЕМ**

---

### **НЕОБХОДИМО СОБЛЮДАТЬ СЛЕДУЮЩИЕ ИНСТРУКЦИИ:**

1. Не закрывайте и не загораживайте вентиляционные отверстия. При размещении устройства на полке требуется 5 см (2 дюйма) свободного пространства вокруг устройства со всех сторон.
2. Установите устройство в соответствии с прилагаемым руководством по эксплуатации.
3. Держите устройство вдали от источников тепла, таких как радиаторы отопления, обогреватели, печи, свечи и другие устройства, выделяющие тепло, или источники открытого огня. Устройство можно использовать только в условиях умеренного климата. Следует избегать слишком низких или слишком высоких температур. Рабочая температура: от 0° до 35°С.
4. Избегайте использования устройства вблизи сильных магнитных полей.
5. Электростатический разряд может создать помехи в работе данного устройства. В таком случае необходимо выполнить сброс данных и перезагрузку устройства, следуя инструкциям в руководстве по эксплуатации. При передаче данных требуется осторожность и обеспечение работы устройства в среде, свободной от помех.
6. Внимание! Никогда не вставляйте посторонние предметы в устройство через вентиляционные и другие отверстия. Через устройство проходит высокое напряжение, и вставка постороннего предмета может привести к поражению электрическим током и/или короткому замыканию на внутренних элементах устройства. По той же причине нельзя допускать проливания на устройство воды или другой жидкости.
7. Не используйте устройство в помещениях с высокой влажностью, таких как ваннные комнаты, кухни, наполненные паром, или около бассейнов.
8. Не допускайте попадания на устройство капель или брызг, следите за тем, чтобы ни на устройстве, ни рядом с ним не было емкостей, наполненных жидкостью, например, ваз.
9. Не используйте устройство в условиях, в которых возможно

образование конденсата. Если устройство используется в теплом помещении с повышенной влажностью, внутри устройства могут образоваться капли воды или конденсат, что может привести к некорректной работе устройства; следует оставить устройство с выключенным питанием на 1-2 часа, и только после этого можно включать питание: перед подачей питания устройство должно быть сухим.

10. Хотя данное устройство и изготовлено с особой тщательностью, а также прошло неоднократную проверку перед отгрузкой с завода-изготовителя, могут возникнуть проблемы, как и у любого электрического прибора. Если вы заметили дым, перегрев или иные неожиданные явления, немедленно вытащите вилку из розетки.

11. Устройство должно работать от источника питания, характеристики которого соответствуют характеристикам, указанным на заводской табличке. Если вы не уверены в соответствии типа источника питания, используемого в вашем доме, обратитесь за консультацией к дилеру или местной энергоснабжающей организации.

12. Не допускайте к устройству животных. Некоторые животные любят грызть шнуры питания.

13. Для очистки устройства используйте мягкую сухую ткань. Не используйте растворители или жидкости на основе нефтепродуктов. Для удаления стойких загрязнений можно использовать ткань, смоченную разбавленным моющим средством.

14. Поставщик не несет ответственности за повреждения или потерю данных в результате неисправности, неправильного использования, модификации устройства или замены аккумулятора.

15. Не прерывайте соединение, когда устройство форматирует или передает файлы. Иначе данные могут быть повреждены или потеряны.

16. Если устройство оснащено функцией воспроизведения через USB, то USB-накопитель следует подключать непосредственно к устройству. Не используйте удлинительный USB-кабель, так как он может вызвать помехи, что приведет к сбою данных.

17. На нижней или задней панели устройства имеется табличка с техническими данными.

18. Данное устройство не предназначено для использования людьми (включая детей) с инвалидностью вследствие соматических нарушений, с нарушениями чувственного восприятия или психическими нарушениями, а также не имеющими достаточного опыта и знаний, если они не находятся под присмотром или не получили инструкции по правильному



использованию устройства от лица, ответственного за их безопасность.

19. Устройство не предназначено для профессионального, коммерческого или промышленного применения.

20. Убедитесь в том, что устройство находится в устойчивом положении. Гарантия не распространяется на повреждения, возникшие в результате использования устройства в неустойчивом положении, вибрационного воздействия или ударов, а также несоблюдения других предупреждений или мер предосторожности, содержащихся в данном руководстве по эксплуатации.

21. Никогда не снимайте корпус устройства.

22. Никогда не помещайте устройство на другое электрическое оборудование.

23. Не разрешайте детям играть с пластиковой упаковкой от устройства.

24. Используйте только приспособления/вспомогательное оборудование, указанные производителем.

25. Обслуживание устройства должно осуществляться только квалифицированными специалистами. Обслуживание требуется при наличии каких-либо повреждений на устройстве, например, в случае повреждения шнура питания или вилки, если на устройство пролилась жидкость, или что-то упало, если устройство подверглось воздействию дождя или влаги, если оно не функционирует нормально, или его уронили.

26. Длительное воздействие громких звуков от музыкальных проигрывателей может привести к временной или постоянной потере слуха.

27. Если устройство поставляется с кабелем питания или адаптером питания переменного тока:

- При возникновении неполадок отсоедините кабель питания от сети переменного тока и обратитесь к квалифицированным специалистам для выполнения технического обслуживания.
- Не наступайте на адаптер питания и не допускайте его защемления. Соблюдайте осторожность, особенно возле штекеров и кабельного вывода. Не ставьте на адаптер питания тяжелые предметы, которые могут его повредить. Храните устройство в недоступном для детей месте! При игре с кабелем питания они могут получить серьезные травмы.
- Отключайте устройство от сети во время грозы, или если оно не используется в течение длительного времени.

- Розетка должна находиться рядом с оборудованием и должна быть легкодоступной.
- Не перегружайте розетки сети переменного тока или удлинители. Перегрузка может привести к возгоранию или поражению электрическим током.
- Устройства с конструкцией класса 1 следует подключать к основной розетке с заземлением.
- Устройства с конструкцией класса 2 не требуют заземления.
- При извлечении вилки из основной розетки всегда следует держаться за вилку, а не тянуть за шнур питания. Это может привести к короткому замыканию.
- Не используйте поврежденный шнур питания или вилку, а также незакрепленную розетку. Это может привести к возгоранию или поражению электрическим током.

28. При наличии батареек/элементов питания таблеточного типа в самом устройстве или в пульте дистанционного управления:

Внимание:

- "Не проглатывать батарею, опасность химического ожога" или аналогичная надпись.
- [Пульт дистанционного управления, входящий в комплект поставки] Данное изделие содержит батарейку/элемент питания таблеточного типа. В случае проглатывания батарейка может вызвать тяжелые внутренние ожоги в течение всего 2 часов и привести к смерти.
- Храните новые и использованные батарейки в недоступном для детей месте.
- Если батарейный отсек невозможно надежно закрыть, прекратите использование устройства и поместите его в место, недоступное для детей.
- Если вы предполагаете, что батарейки могли быть проглочены или помещены внутрь какой-либо части тела, немедленно обратитесь за медицинской помощью.

29. Осторожность при использовании батареек:

- Опасность взрыва при неправильной замене элемента питания. Допускается замена только на элементы питания того же или эквивалентного типа.
- Элемент питания нельзя подвергать воздействию слишком высоких или слишком низких температур, низкого атмосферного давления на

больших высотах при эксплуатации, хранении или транспортировке.

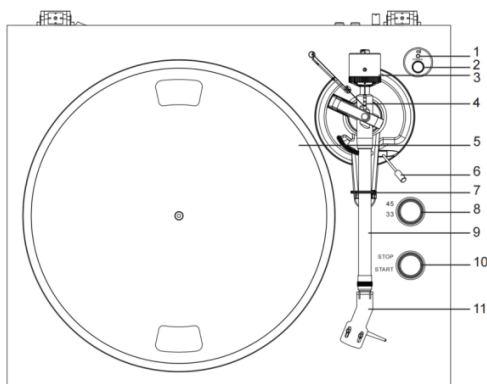
- Замена элемента питания на элемент питания несоответствующего типа может привести к взрыву или утечке легковоспламеняющейся жидкости или газа.
- Сжигание элемента питания, механическое разрушение или разрезание элемента питания может привести к взрыву.
- Оставление элемента питания в окружающей среде с очень высокими температурами может привести к взрыву или утечке легковоспламеняющейся жидкости или газа.
- Нахождение элемента питания в условиях слишком низкого атмосферного давления может привести к взрыву или утечке легковоспламеняющейся жидкости или газа.
- Необходимо обратить внимание на экологические аспекты утилизации элементов питания.

### УСТАНОВКА

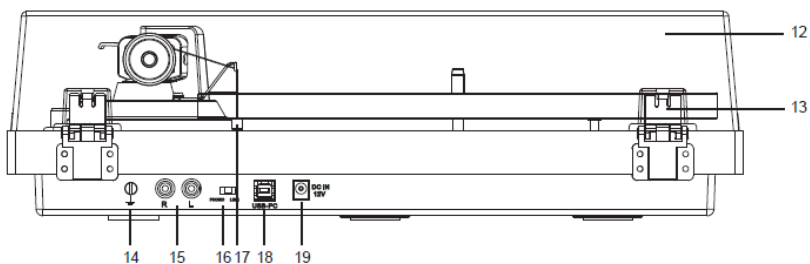
- Распакуйте все детали и снимите защитный материал.
- Не следует подключать устройство к сети без предварительной проверки сетевого напряжения и до выполнения всех других подключений.

### КОМПОНЕНТЫ, ФУНКЦИИ И ПОДКЛЮЧЕНИЯ

1. Индикатор питания/Bluetooth
2. Кнопка питания
3. Противовес
4. Стойка антискейтинга
5. Диск проигрывателя
6. Рычаг тонарма
7. Опора тонарма
8. Переключатель скорости вращения 33/45
9. Тонарм
10. Кнопка Пуск/Стоп



## 11. Съемная головка со звукоснимателем



- |                                    |                               |
|------------------------------------|-------------------------------|
| 12. Крышка                         | 17. Грузик антискейтинга      |
| 13. Петля крышки                   | 18. Разъем USB/ПК             |
| 14. Гнездо заземления              | 19. Разъем питания            |
| 15. Выходные разъемы PHONO и Line  | (переменный и постоянный ток) |
| 16. Переключатель PHONO и Line Out |                               |

Тщательно проверьте содержимое упаковки, в которой должно находиться следующее:

- |   |  |
|---|--|
| 1) Проигрыватель  | 8) Регулятор положения головки             |
| 2) Адаптер питания с вилкой стандарта ЕС/Великобритании | 9) Кабель USB/ПК                           |
| 3) Противовес   | 10) Запасное уплотнение для крышки (2 шт)  |
| 4) Диск с ремнем  | 11) Грузик антискейтинга                   |
| 5) Адаптер на 45 об/мин                                 | 12) Кабель для линейного выхода Line out   |
| 6) Слипмат  | 13) Противовес (ТОЛЬКО для модели LBT-345) |
| 7) Руководство по эксплуатации                          | 14) Съемный держатель с картриджем         |

Данный проигрыватель поставляется с установленным и отрегулированным на заводе звукоснимателем.

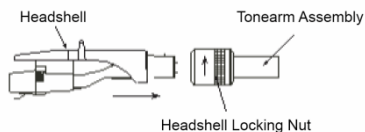
\*\*Далее приведены инструкции по настройке звукоснимателя на случай его последующей замены на другую модель.

### Установка крышки

Аккуратно установите **крышку** в петли проигрывателя.

### Установка держателя

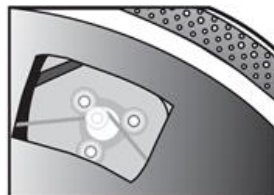
Установите держатель на переднем крае тонарма в сборе. Крепко удерживайте держатель на переднем крае тонарма в сборе и поверните зажимную гайку держателя против часовой стрелки, чтобы надежно закрепить держатель на тонарме в сборе.



EN	RU
Headshell	Держатель
Tonearm Assembly	Тонарм в сборе
Headshell Locking Nut	Зажимная гайка держателя

### Диск проигрывателя и регулировка ремня

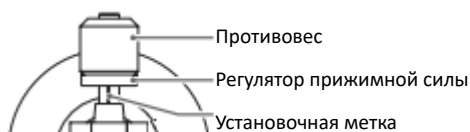
1. Наденьте приводной ремень на внутреннее кольцо под диском и проверьте, чтобы он не соскочил во время установки.
2. Установите диск проигрывателя на шпиндель, после чего нужно поворачивать



диск до тех пор, пока шкив приводного двигателя не будет виден через окошко в левом верхнем углу.

3. Осторожно установите приводной ремень в паз шкива электродвигателя.
4. Подключите адаптер питания к проигрывателю и включите его..
5. Установите переключатель Пуск/Стоп (Motor Start/Stop) в положение Пуск (Start) и посмотрите, вращается ли двигатель диска проигрывателя. Если диск не вращается, повторите предыдущие шаги.

### Регулировка прижимной силы звукоснимателя



Входящий в комплект **противовес** подходит для звукоснимателей весом 6,0-8,0 г.

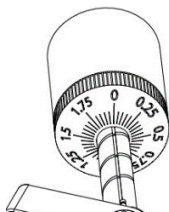
- Слегка надавите на противовес и поверните его в направлении задней части тонарма (шкала должна быть направлена в сторону передней части проигрывателя).
- Снимите защитный колпачок звукоснимателя.
- Опустите подъемное устройство тонарма и установите звукосниматель в положение между опорой тонарма и диском проигрывателя.

Осторожно поворачивайте **противовес**, пока не сбалансируется тонарм. Тонарм должен возвращаться в сбалансированное положение при его перемещении вверх или вниз.

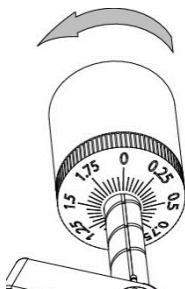
Эту регулировку следует выполнять очень аккуратно.



- После балансировки тонарма верните его в исходное положение. Удерживая **противовес**, осторожно поворачивайте **кольцо шкалы прижимной силы** до совпадения нулевой отметки с черной линией на задней части **тонарма**. Проверьте, остается ли рычаг в сбалансированном положении.



- Поворачивайте противовес против часовой стрелки (если смотреть спереди), чтобы отрегулировать прижимную силу в соответствии с рекомендациями производителя звукоснимателя. Одна отметка на шкале означает 0,05 г прижимной силы.

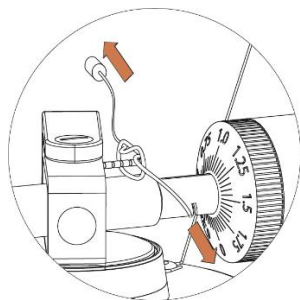


**ПРИМЕЧАНИЕ:** Рекомендуемое значение прижимной силы для звукоснимателя, установленного на заводе, составляет  $1,8 \pm 0,2$  г.

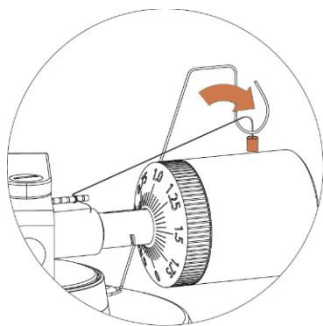
## Установка грузика антискейтинга

В упаковке имеется грузик антискейтинга с короткой леской, для установки которого необходимо выполнить следующие действия:

1. Проденьте петлю лески через стойку для регулировки антискейтинга и установите в 3-й паз (правильное значение для усилия противоскольжения для звукоснимателя, установленного на заводе).



2. Слегка потяните за грузик, чтобы конец лески переместился на стойку.
3. Поднимите грузик антискейтинга над проволочной опорой грузика. Теперь грузик должен висеть в свободном пространстве слева от опоры.



Проденьте петлю грузика антискейтинга через 3-й паз стойки, чтобы отрегулировать усилие противоскольжения для установленного на заводе звукоснимателя. Пропустите леску через петлю проволочной



опоры.

### Регулировка усилия противоскольжения

Усилие противоскольжения регулируется в соответствии со значением прижимной силы:

#### Прижимная сила

1 - 1,25 г

1,25 - 1,5 г

1,5 - 1,75 г

1,75 - 2 г

#### Паз на стойке

1-й от опорных колец

2-й " " "

3-й " " "

4-й " " "



Проденьте петлю грузика антискейтинга через **3-й** паз стойки, чтобы отрегулировать усилие противоскольжения для установленного на заводе звукоснимателя. Пропустите леску через петлю проволоочной опоры.

### Подключение стереосистемы

#### Разъемы RCA

Разъемы RCA данного устройства используются как выходные разъемы Phono и Line. Они выбираются переключателем Phono/Line.

- При использовании разъема Line выводятся аналоговые сигналы линейного уровня и могут быть подключены непосредственно к паре активных колонок или соответствующему входу стереосистемы. При использовании выхода Phono их следует подключать к предусилителю или гнезду входа стереосистемы.

- Красный штекер подключается к правому каналу, а белый – к левому.

Примечание:

- Если переключатель Phono/Line установлен в положение LINE, а разъемы RCA подключены к входу Phono стереосистемы, звук может искажаться из-

за перегрузки входа, и стереосистема может быть повреждена.

- Если переключатель Phono/Line установлен в положение PHONO, а разъемы RCA подключены к линейному входу стереосистемы, громкость будет очень низкой из-за недостаточного предварительного усиления сигнала.

Разъем RCA не предназначен для прямого подключения к пассивным/не включенным динамикам, и при прямом подключении громкость будет очень низкой.

## **Подключение к сети**

Адаптер питания находится в упаковке из пенопласта. Распакуйте адаптер питания и вставьте штекер в **разъем питания постоянного тока** на задней панели проигрывателя. Подключите адаптер питания к розетке.

## **Эксплуатация**

### **Эксплуатация проигрывателя**

1. Подключите входящий в комплект адаптер питания к устройству и нажмите кнопку питания (2), чтобы включить проигрыватель.
2. Снимите защитный колпачок с иглы звукоснимателя.
3. Поместите слипмат на диск проигрывателя и положите на него пластинку. Если используются пластинки со скоростью вращения 45 об/мин, установите адаптер на 45 об/мин на центральный шпиндель перед тем, как положить пластинку на диск.
4. Установите переключатель 33/45 об/мин в положение, соответствующее типу пластинки.
5. Поверните переключатель Пуск/Стоп (Start/Stop) в положение Пуск (Start) для запуска вращения диска проигрывателя.
6. Разблокируйте фиксатор тонарма и переведите рычаг подъема тонарма в верхнее положение.

7. Переместите тонарм в положение над нужным участком (дорожкой) на пластинке.
8. Переместите рычаг подъема тонарма в нижнее положение, чтобы приблизить тонарм к пластинке. Или поместите иглу над нужным участком на пластинке.
9. Осторожно опустите тонарм на пластинку.
10. По окончании проигрывания пластинки поднимите тонарм, возвратите его на опору и поверните переключатель Пуск/Стоп (Start/Stop) в положение "стоп" (Stop).
11. Нажмите кнопку питания для выключения.
12. Вращение диска проигрывателя прекращается, если в течение 3 минут с устройства не поступает сигнал

### **Режим Bluetooth**

Этот проигрыватель поддерживает беспроводное соединение Bluetooth для подключения к Bluetooth-колонкам и наушникам.

1. Включите Bluetooth-колонку и убедитесь в том, что она находится в режиме сопряжения.
2. Включите проигрыватель кнопкой питания (2). Светодиодный индикатор (1) сначала загорится КРАСНЫМ, а затем будет мигать синим во время поиска Bluetooth-колонки или наушников.

Примечание: если вы хотите отключить функцию поиска через Bluetooth, нажмите кнопку питания и удерживайте ее в течение 3 секунд, после чего светодиодный индикатор загорится КРАСНЫМ.

3. При установке сопряжения синий светодиодный индикатор будет мигать дважды в секунду, а после успешного сопряжения индикатор перестанет мигать и будет продолжать гореть синим.

Примечание: Это устройство будет подключаться через Bluetooth к ближайшему устройству. Если через 2 минуты не будет найдена Bluetooth-колонка или наушники для сопряжения, передатчик Bluetooth отключается, а цвет светодиодного индикатора меняется на красный.

4. Для отключения сопряжения нажмите кнопку питания и удерживайте ее в течение 3 секунд или выключите сопряжение Bluetooth на Bluetooth-колонке или наушниках.

*"Данное устройство имеет функцию **передачи bluetooth**, **вы не можете с его помощью принимать звук по bluetooth**: это означает, что вы можете передавать звуковой сигнал беспроводным способом по bluetooth на внешнее устройство, такое как bluetooth-колонка, bluetooth-наушники, аудиосистема с приемом bluetooth..."*

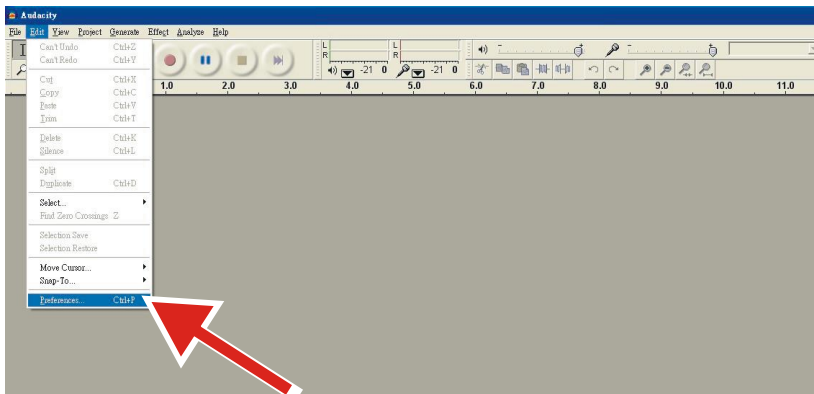
## **Обзор программного обеспечения Audacity**

Audacity – это свободное программное обеспечение, лицензируемое по общедоступной лицензии GNU (GPL). Дополнительную информацию, а также открытый исходный код можно найти в по ссылке <https://www.audacityteam.org/download/>

**\* Убедитесь в том, что вы установили программное обеспечение перед началом работы.**

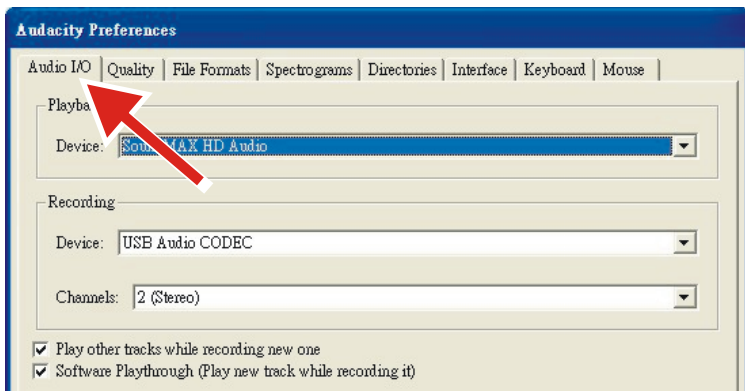
### **Настройка компьютера для работы с Audacity**

1. Подключите к устройству источник сигнала.
2. Подключите USB-кабель к компьютеру.
3. Установите программу для записи Audacity.
4. Откройте программу Audacity.
5. Выберите Preference (Установка) на вкладке Edit (Редактировать) в меню Audacity.



6. Выберите вкладку **Audio/O** (Ввод/вывод аудио) в левом верхнем углу..

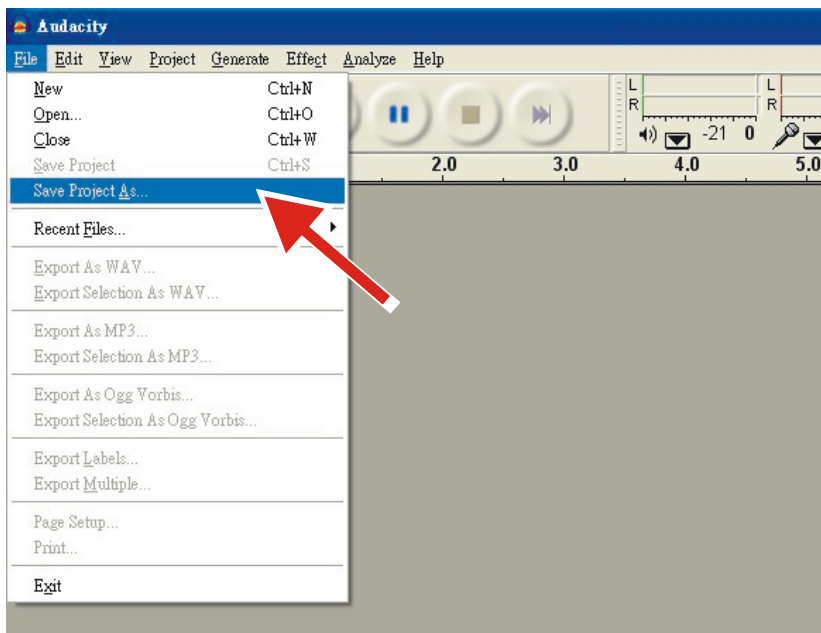
- В разделе Playback (Воспроизведение), Device (Устройство), **выберите встроенную звуковую карту.**
- В разделе Recording (Запись), Device (Устройство), выберите **USB Audio CODEC.**
- В разделе Recording (Запись), Channels (Каналы) выберите **2 (Stereo) (Стерео).**
- Установите метку **Play other tracks while recording new one (Воспроизведение других дорожек во время записи новой).**
- Установите метку **Software Playthrough (запуск ПО).**



## Запись альбомов с помощью Audacity

### 1. Сохранение проекта

- Audacity записывает все измененные и записанные аудиозаписи в каталог под именем **Projectname\_data**, который находится там же, где вы сохранили сам файл проекта.
- Выберите **Save Project as (Сохранить проект как)** во вкладке Audacity File (файл в Audacity) и выберите расположение и имя файла проекта.
- Обратите внимание на то, что при запуске новой версии Audacity доступен только пункт меню **“Save As...” (Сохранить как...)**.



## 2. Как записывать

- Настройте проигрыватель с USB на воспроизведение песни или альбома, который вы хотите записать.
- Нажмите на красную кнопку Record (Запись), чтобы начать запись.



• Опустите тонарм проигрывателя с USB на соответствующий альбом и дорожку, который вы хотите записать.

- Нажмите синюю кнопку Pause (Пауза), чтобы приостановить

запись. Нажмите ее снова, чтобы продолжить.



- Нажмите желтую кнопку Stop (Стоп).



Готово. Теперь вы можете проигрывать вашу запись и изучать возможности редактирования в программе Audacity. Помните, что вы можете использовать функцию Undo (Отмена) практически без ограничений, пока проект открыт.

**ПРИМЕЧАНИЕ:** Запись на компакт-диски напрямую из приложения Audacity невозможна. Необходимо использовать другие приложения для записи на компакт-диски.

### **Техническое обслуживание и очистка**

Проигрыватель практически не требует регулярного ухода. Очищайте его от пыли слегка влажной салфеткой с антистатическим эффектом. Не используйте сухую ткань – при этом образуется статическое электричество, и притягивается еще больше пыли! Антистатические чистящие средства можно приобрести в специализированных магазинах, но применять их следует с осторожностью, чтобы не повредить резиновые части. Перед очисткой рекомендуется надеть защитный колпачок для иглы, чтобы избежать повреждений.

Если проигрыватель не используется в течение длительного времени, необходимо снять приводной ремень для предотвращения неравномерного растяжения.

**ПРИМЕЧАНИЕ:** Перед выполнением обслуживания всегда отключайте проигрыватель от сети в качестве меры предосторожности!

### **Рекомендации**

Проигрыватель следует устанавливать на поверхность, не подверженную высокой резонансной вибрации, например, на дерево или многослойную фанеру, чтобы избежать структурных вибраций, мешающих воспроизведению.



## Замена звукоснимателя

1. Перед заменой наденьте на иглу защитный колпачок, чтобы предотвратить его повреждение во время замены.
2. Осторожно отсоедините подводящие провода от установленного звукоснимателя.
3. Открутите два винта на головке звукоснимателя, а затем снимите установленный звукосниматель.
4. Установите новый звукосниматель в головку и слегка затяните винты. В этот момент полностью затягивать винты не следует.
5. Подключите провода к клеммам нового звукоснимателя. Цвет проводов указан ниже:

Белый	Левый канал +	(L+)
Синий	Левый канал -	(L-)
Красный	Правый канал +	(R+)
Зеленый	Правый канал -	(R-)
6. Отрегулируйте положение звукоснимателя, чтобы убедиться в том, что он точно выровнен по головке, так чтобы игла точно попадала в дорожки пластинки.

Для этого поместите входящий в комплект бумажный транспортир для выравнивания звукоснимателя на шпиндель проигрывателя, осторожно поднимите тонарм и поместите кончик иглы на точки, обозначенные 130 мм и 250 мм соответственно. Отрегулируйте положение звукоснимателя на головке, пока он не будет точно параллелен контрольным линиям в обеих точках.
7. После точного выравнивания полностью затяните винты.

ПРИМЕЧАНИЕ: Если вы не уверены в том, что сможете выполнить эту процедуру, рекомендуем обратиться к специалисту для ее выполнения.

### Технические характеристики:

Номинальная скорость	33 1/3 и 45 об/мин
Общая детонация	≤0,15%
Отношение сигнал/шум	55 дБ
Диапазон прижимной силы	0-2,0 г
Эффективная длина тонарма	8,6 дюймов (218,5 мм)
Вынос	0,73 дюйма
Энергопотребление	6 Вт (макс.)
Питание	12 В/500 мА АС-DC
Размеры (Ш x В x Г)	420 x 360 x 125 мм
Вес	4,8 кг

### Технические данные: 2M RED (ortofon)

Частотная характеристика	20 Гц - 20 кГц
Рекомендуемое нагружающее сопротивление	47 кОм
Баланс каналов	1,5 дБ
Подключение усилителя	ММ - вход
Разделение стереоканалов	22 дБ
Рекомендуемая прижимная сила	1,8±0,2 г
Выходное напряжение	5,5 мВ
Вес	7,2 г

### Возможные ошибки при эксплуатации и неисправности

Данные проигрыватели изготовлены в соответствии с самыми высокими стандартами и проходят строгий контроль качества перед отправкой с завода. Возможные неисправности не обязательно связаны с дефектами материала или изготовления, но иногда могут быть вызваны ненадлежащей эксплуатацией или неблагоприятными обстоятельствами.

Поэтому ниже приведен перечень типичных признаков неисправностей.

#### **Питание включено, но диск проигрывателя не вращается**

- Устройство не подключено к сети.
- Нет питания в сети.
- Приводной ремень проигрывателя не надет или соскочил.
- Устройство автоматически переключилось в режим ожидания, нужно снова включить питание.

#### **Отсутствие сигнала по одному или по обоим каналам:**

- На усилителе не выбран вход Phono.
- Усилитель не включен.
- Отключен звук усилителя или динамиков.
- Нет соединения с динамиками.
- Нет соединения между проигрывателем и усилителем.
- Провода не подключены к звукоснимателю.

#### **Сильный гул на входе Phono**

- Нет заземления в соединении от звукоснимателя, тонарма или кабеля тонарма к усилителю или контура заземления..
- Проигрыватель стоит слишком близко к колонкам.

#### **Искажение звука на одном или обоих каналах:**

- Проигрыватель подключен не к тому входу усилителя.
- Повреждена игла или иглодержатель.
- Приводной ремень слишком сильно натянут или загрязнен.
- В подшипнике диска нет масла, он загрязнен или поврежден.
- Пыль на игле.
- Неправильно установлен переключатель ММ/МС на предусилителе.

**Примечание: В соответствии с требованиями ErP уровня 2 для снижения энергопотребления проигрыватель автоматически переходит в режим ожидания, если музыка не воспроизводится около 20 минут.**

**Если проигрыватель периодически выключается, это не является дефектом.**

Адаптер питания

Производитель: BRIGHTPOWER OPTOELECTRONIC TECHNOLOGY CO., LTD

Модель: SW1200500-FM

Входное напряжение: 100-240 В

Входная частота переменного тока: 50/60 Гц

Выходное напряжение: 12 В постоянного тока

Выходной ток: 0,5 А

Выходная мощность: 6 Вт

Средняя фактическая производительность: 79,62%

Производительность при низкой нагрузке (10%): 70,40%

Потребляемая мощность без нагрузки: 0,073 Вт

Используйте только источник питания, указанный в руководстве по эксплуатации

Технические характеристики Ortofon 2M RED

Частотный диапазон: 20-20 000 Гц + 3 / - 1 дБ

Отслеживающая способность на 315 Гц при рекомендуемой силе прижима \*): 70 мкм

Податливость, динамическая, горизонтальная: 20 мкм/мН

Тип иглы: эллиптическая

Радиус конца иглы: r/R 8/18 мкм

Эквивалентная масса конца иглы: 0,5 мг

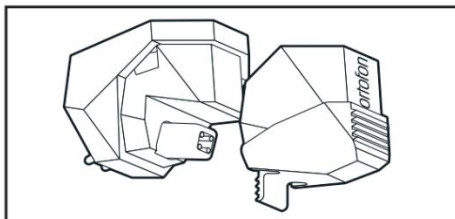
Диапазон силы прижима: 1,6-2,0 г (16-20 мН)

Сила прижима, рекомендуемая: 1,8 г (18 мН)

Угол трекинга: 20 °

\*) Типичное значение

Цвет иглы: красный



## Гарантия

Компания Commax B.V. предлагает сервисное и гарантийное обслуживание в соответствии с европейским законодательством, что означает, что в случае ремонта (как в течение, так и после истечения гарантийного срока) вам следует обращаться к местному дилеру.

Важное примечание: Невозможно отправить устройства, требующие ремонта, непосредственно в Commax B.V.

Важное примечание: Если данное устройство вскрыто, или к нему получен доступ в неофициальном сервисном центре, действие гарантии прекращается.

Данное устройство не предназначено для профессионального использования. В случае профессионального использования все гарантийные обязательства производителя аннулируются.

## Заявление об ограничении ответственности

Обновления микропрограммного обеспечения и/или компонентов аппаратного обеспечения производятся регулярно. Поэтому некоторые инструкции, технические характеристики и изображения в данной документации могут несколько отличаться от вашей конкретной ситуации. Все элементы, описанные в настоящем руководстве, предназначены только для иллюстрации и могут не относиться к конкретной ситуации. На основании описания, представленного в настоящем руководстве, не возникает никаких

юридических прав.

### Утилизация устройства



Данный символ означает, что соответствующее электрооборудование или элементы питания не подлежит утилизации как обычные бытовые отходы на территории Европы. Для обеспечения надлежащей утилизации данного оборудования следует руководствоваться местными законами или требованиями в отношении утилизации электронного оборудования и элементов питания. Таким образом, Вы поможете сохранить природные ресурсы и улучшить стандарты защиты окружающей среды при обращении и утилизации отходов электрического

оборудования (Директива ЕС об отходах электрического и электронного оборудования).

### ДЕКЛАРАЦИЯ СООТВЕТСТВИЯ

Настоящим компания Commax B.V. («Коммакс Б.В.») заявляет, что данный тип радиоэлектронного оборудования [Lenco LBT-335 / LBT-345] соответствует требованиям Директивы 2014/53/ЕС. С полным текстом декларации соответствия ЕС можно ознакомиться по адресу

[https://commax-certificates.com/doc/lbt-335\\_doc.pdf](https://commax-certificates.com/doc/lbt-335_doc.pdf)

[https://commax-certificates.com/doc/lbt-345\\_doc.pdf](https://commax-certificates.com/doc/lbt-345_doc.pdf)

Радиочастота	Диапазон частот (МГц)	Мощность (дБм)
Bluetooth	2402-2480	<6

### Маркировка «ЕАС»



Товар сертифицирован для использования на территории Таможенного Союза без каких-либо ограничений. Соответствует требованиям ТР ТС 004/2011 «О безопасности низковольтного

оборудования» и ТР ТС 020/2011 «Электромагнитная совместимость

технических средств». **Импортер и организация, уполномоченная на**

**принятие претензий:** ООО "Бизнес-фабрика", 123458 г. Москва, ул.

Маршала Прошлякова, д. 30, офис 503, +7 495 787 5900. **Изготовитель:**

«Ленко Бенелюкс БВ», Термикстраат 1а, Нют, 6361 НВ, Нидерланды /

**Филиал:** Эс.Ти.Ай. Электроникс Лтд., Юнит 903-907, 9/ЭФ, Лоз

Коммершиал Плаза, 788 Чонг Ша Ван Роуд, Коулун, Гонконг. Сделано в

Китае

## Обслуживание

Для получения дополнительной информации и обращения в службу поддержки клиентов посетите наш веб-сайт: [www.lenco.ru](http://www.lenco.ru). Дизайн и спецификация могут быть изменены производителем без предварительного информирования.

## Дата изготовления продукции

Год и месяц изготовления продукции указаны в номере партии и серийном номере продукта. Ниже описаны способы уточнения этой даты.

- По номеру партии (номер партии указан либо на упаковке устройства, либо на транспортировочной упаковке).
  - Формат номера партии: AAAABDDMY
- По серийному номеру продукта (серийный номер указан на устройстве).
  - Формат серийного номера: AAAABDDMYSSSSS

Где М (восьмой символ слева) равен месяцу производства, а Y (девятый символ слева) равен году производства. Месяц производства указывается одной из букв латинского алфавита.

Соответствие буквенных обозначений месяца производства:

<b>A</b>	<b>B</b>	<b>C</b>	<b>D</b>	<b>E</b>	<b>F</b>
Январь	Февраль	Март	Апрель	Май	Июнь
<b>G</b>	<b>H</b>	<b>I</b>	<b>J</b>	<b>K</b>	<b>L</b>
Июль	Август	Сентябрь	Октябрь	Ноябрь	Декабрь

Год производства указывается одной цифрой, которая соответствует последней цифре года производства (цифра 1 равна 2021 году производства).

**Пример расшифровки по номеру партии:**

- Номер партии: 2461A05**C0**
- Где буква **C** это месяц (Март), а цифра **0** – последняя цифра года производства (2020 год).

**Пример расшифровки по серийному номеру:**

- 2461A05**A1**123456
- Где буква **A** это месяц (Январь), а цифра **1** – последняя цифра года производства (2021 год).

## Гарантийный талон





### Информация об устройстве

Модель:	
Серийный номер:	
Дата продажи:	срок гарантии – 1 (один) год с даты продажи

### Информация о продавце

Название торговой организации:	
Телефон торговой организации:	
Адрес, e-mail:	

Подпись продавца \_\_\_\_\_

М.П.

Подпись покупателя \_\_\_\_\_

*Изделие получено в исправном состоянии и в полной комплектации. С условиями гарантии ознакомлен и согласен.*

**ВНИМАНИЕ! Гарантийный талон недействителен без печати продавца.**

Поддержка: [www.lenco.ru](http://www.lenco.ru)