



 MOBILITY

USER MANUAL

- › English
- › Italiano
- › Español
- › Français
- › Deutsch
- › Nederlands
- › Polski
- › Čeština
- › Slovenčina
- › Ελληνικά
- › Slovenščina
- › Срpski
- › Български
- › العربية
- › Türkçe
- › Hrvatski
- › Românesc

English	02
Italiano	30
Español	58
Français	86
Deutsch	114
Nederlands	142
Polski	170
Čeština	198
Slovenčina	226
Ελληνικά	254
Slovenščina	282
Srpski	310
Български	338
عربي	366
Türkçe	394
Hrvatski	422
Românesc	450

This manual refers to the following electric scooter:

AL EXT AL2

User manual
LA-MO-000001 rev. 2

Instructions translated from the original Italian

Thank you for choosing this product.
For information, technical support, assistance and to consult the general terms of the warranty, contact your dealer or visit www.alemobility.com/en/support/

Contents

1. Safety instructions
2. Package contents and assembly
3. Product overview
4. Command information / Control panel
5. Quick guide
6. Folding and carrying
7. Range and performance
8. Storage, maintenance and cleaning
9. App configuration
10. Technical data sheet
11. Troubleshooting
12. Liability and general terms of warranty

1. SAFETY INSTRUCTIONS



CAUTION

IMPORTANT! Read and follow the instructions carefully before using the item. Keep this manual for future reference or new users.

Take the time to learn the basics of the procedure to avoid severe accidents that may occur in the initial months. Contact your dealer for advice on how to use the bike correctly or indications on contacting a suitable training organisation.

The company assumes no direct or indirect responsibility arising from misuse of the item, non-compliance with both the highway code and the instructions in the manual, accidents or disputes caused by non-compliance or illegal activity.

This product is to be used for recreational purposes, by one person only and without passengers, therefore it cannot be used by more than one person at a time.

Do not modify the intended use of the vehicle in any way. The item is not suitable for stunts, competitions, transporting objects, towing other vehicles or trailers.

The **electric scooter** must be used carefully, always respecting the **rules** imposed by the Highway Code of the country where it is used, in order to avoid dangerous situations and to take the utmost care of yourself and others.



CAUTION

Illustrative vehicle design requirements:

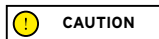
Electric scooter model	AL EXT Green	AL EXT Bronze	AL2
Product code with indicators included	LA-MO-210001	LA-MO-220013	LA-MO-220003
	LA-MO-220002	LA-MO-220001	LA-MO-220004
LA-MO-210002			
MIN weight (Kg)	30	30	30
MAX weight (Kg)	120	120	120
MIN age *	14	14	14
MAX age *	65	65	65
MIN height (cm)	120	120	120
MAX height (cm)	200	200	200

* Before using the product, check and follow local regulations regarding the minimum age of the rider, restrictions on the type of riders who can use the product and on the use of the product itself.

The A-weighted emission sound pressure level (noise) at the rider's ear is less than 70 dB(A).

Symbols identifying safety warnings

The following visual symbols are used to identify safety messages in this manual. They draw the focus of attention of the reader/user to the proper, safe use of the item.



Pay attention

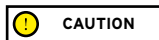
Highlights the rules to follow to prevent damage to the item and/or prevent hazardous situations from arising.



Residual risks

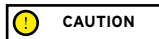
Highlights the presence of hazards that generate residual risks to which the user must pay attention to avoid injury or material damage.

General warnings



It is important to bear in mind that when out in a public space or on the road, even when the instructions in the manual are observed down to the letter, the rider is not immune to injury caused by infractions or inappropriate actions taken towards other vehicles, obstacles or persons. Misuse of the item or non-compliance with the instructions provided in this manual may cause severe injury.

This product is an electric vehicle. The faster you ride, the longer the braking distance. Emergency braking on slippery, muddy, wet or icy roads may result in wheel spin and loss of balance. Adequate speeds and safety distances from other vehicles or pedestrians must be adhered to. Take extra care when riding on unfamiliar roads. Do not open the kickstand when using the item, risk of severe personal injury and damage to item.



On wet roads, the braking distance increases and the grip decreases compared to dry roads! Drive more carefully, keep a safe distance!

For personal safety, wear a helmet, and knee and elbow pads to protect against falls and injuries while riding the item. When allowing others to use the item, ensure that the rider wears the safety equipment and explain the operation of the vehicle. To avoid injury, do not allow other persons to use the item if they do not know how to use it. Wear shoes before using the item.

Children must not play with the electric scooter or its parts, nor should they be allowed to clean it or perform maintenance operations.

When riding, take special care to not frighten children or pedestrians. When overtaking behind them, warn them by sounding the horn and slow down using the minimum speed of 6km/h.

Instructions and warnings on rider behaviour

Conditions	Appropriate/intended use	Improper use
Riders	One	More than one person, with children or animals
Safety equipment	Helmet, knee pads, elbow pads, reflective vest	No safety equipment
Pre-riding check	<p>Prior to each use, check brakes and any wear, check tyre pressure (see side of tyre for recommended value), wheel wear, throttle, indicators, lights and charge status of battery.</p> <p>If any unusual noises or faults are detected, do not use the item and contact your dealer or the Authorised Technical Support Department</p>	<p>Never checking the item prior to use</p> <p>Using the item when noise or faults are present</p>
Walking while pushing the item	<p>Not accelerating</p> <p>Pushing while walking across pedestrian crossings</p> <p>In pedestrian areas when not in pedestrian mode (6 km/h)</p> <p>In overcrowded areas</p>	<p>Depressing the throttle</p> <p>Riding the vehicle on pedestrian crossings</p> <p>Riding the vehicle in pedestrian areas when not in pedestrian mode (6 km/h)</p> <p>Riding the vehicle in overcrowded areas</p>
Stationary	The person riding the item must be able to easily place both feet on the ground while holding the handlebars at the correct height	<p>Not being able to keep the item stationary and balanced</p> <p>Sitting on the item while it is running or stationary</p>

Conditions	Appropriate/intended use	Improper use
Riding under normal conditions	No objects hanging from handlebars	Objects hanging from handlebars result in instability and may impede manoeuvring
	Riding with both hands on the handlebars Not using devices such as phones, smartwatches, music players, or headphones	One-handed or hand-free riding Using devices such as phones, smartwatches, music players, or headphones
	Riding with both feet on the footrest comfortably and safely	Riding with one or more feet off the footrest It is prohibited to place or amass weight on the rear mudguard.
	Riding with helmet and protective equipment	Riding without helmet and protective equipment
	Riding on easily accessible, smooth compact roads, avoiding heavily trafficked or overcrowded areas: e.g. dedicated cycle paths, smooth paved surfaces	Riding on motorways, long-distance roads Riding on busy roads Riding on pavements Riding in overcrowded areas Riding on very rough roads Riding near: ravines, escarpments, harbours, sea, lakes or rivers
	Complying with local regulations and the highway code	Failure to comply with regulations and the highway code
	Looking ahead and watching out for obstacles, vehicles or nearby pedestrians	Becoming distracted while riding
	Changing direction, making sure to be seen, moderating speed Anticipating the route and moderating speed while observing the highway code and those that are the most vulnerable Using direction indicators, if included on the item	Changing direction abruptly at high speed without making sure that you have been seen Braking and cornering at the same time makes the vehicle unstable Not using direction indicators
Uneven road conditions: speed bumps/steps/rough road surfaces	Slowing down when pedestrians are present Using pedestrian mode in pedestrian areas (6 km/h) Warning others of your presence by using the bell	Accelerating or maintaining a constant speed when pedestrians are present Riding without using pedestrian mode in pedestrian areas (6 km/h) Not warning others of your presence by using the bell
	Riding at moderate speeds Bend knees slightly for better shock absorption when traversing uneven surfaces.	High-speed riding Accelerating over bumps or ditches, going down steps, jumping over obstacles, climbing pavements, riding harshly.

Conditions	Appropriate/intended use	Improper use
Behaviour: around bends, down slopes, in the presence of nearby obstacles, vehicles and pedestrians	<p>Keeping at a safe distance</p> <p>Ceasing to accelerate</p> <p>Braking and slowing down</p> <p>Riding at moderate speed and braking safely</p> <p>Paying attention to doors and other high obstacles</p>	<p>Not observing safety distances</p> <p>Accelerating</p> <p>Riding at high speed, braking suddenly</p> <p>Traversing beneath high obstacles</p>
Visibility conditions	<p>Only ride if there is enough light to ride safely. When riding in unfavourable lighting conditions (from half an hour following sunset, throughout the entire period of darkness and even during the day, if weather conditions preclude road visibility, when driving through tunnels), remember to switch on the item's lights and wear a reflective vest, belts or bands.</p>	<p>Riding in unfavourable lighting conditions with lights off and without using a reflective vest, belts or bands.</p>
Weather conditions	<p>Driving in optimal conditions (no rain)</p>	<p>Driving in adverse conditions: in the rain, in case of snowfall, in the presence of ice or mud on the road, in case of strong wind and fog.</p>
Parking	<p>In designated areas without impeding movement of vehicles or pedestrians</p> <p>On smooth surfaces, ensuring stability is maintained</p> <p>Switching off the item and using an anti-theft device</p> <p>Using the kickstand provided</p>	<p>Everywhere, impeding movement of vehicles or pedestrians</p> <p>On uneven surfaces and without ensuring stability</p> <p>Leaving the item switched on, unattended with no anti-theft device</p>
Engaging in extreme sports/ acrobatics	<p>NO</p>	<p>YES, improper use:</p> <p>Riding near: ravines, escarpments, harbours, sea, lakes or rivers</p> <p>Riding through puddles</p> <p>Racing with other vehicles</p>
Subjecting the item to forceful impact	<p>NO</p>	<p>YES, improper use:</p> <p>Jumping over object or persons, jumping off steps or from high places</p>

What to do after a fall:

Check that the throttle lever works properly. To do this, accelerate and decelerate several times.

Check that the brakes work properly. To do this, get off the item, push it forward and brake to ensure it responds to the controls.

Check that all vehicle components are in place and securely fastened.

Check tyre wear and pressure (see side of tyre for recommended value).


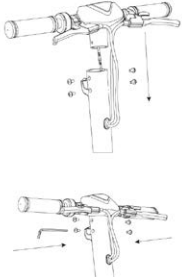

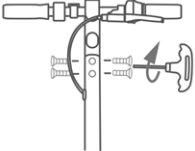
Check the wear of the brakes and cables.



The brakes may become hot during use. Do not touch after use.

2. PACKAGE CONTENTS AND ASSEMBLY

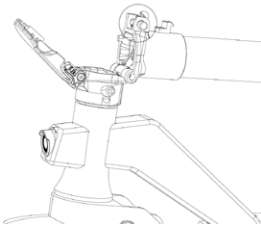
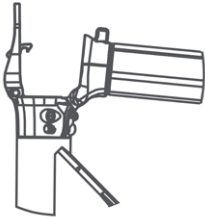
Assembled item, the handlebar must be installed using the special screws contained in the package.


Model	Reference picture	In the package	Handlebar assembly
AL EXT		<p>Accessories:</p> <p>1x Allen spanner</p> <p>4x Handlebar screws</p> <p>1x Battery charger</p>	
AL2		<p>Accessories:</p> <p>1x Allen key</p> <p>2x Handlebar screws</p> <p>1x Battery charger</p>	

Method

AL EXT / AL2

- Take the item out of its packaging.
- Open the handlebar stem and secure it by closing the lever on the closing mechanism.
- Connect the display power cable to the main wiring (if necessary).
- Fit the handlebar onto the stem (do not crush the cables).
- Insert and tighten the bolts on the stem using the supplied spanner.
- Fit the stand (if necessary).
- Adjust the locking mechanism on the stem* (if necessary).
- When first used, charge the product 100%.

Model	Reference picture	* Adjusting the stem locking mechanism
AL EXT		<p>There is a hex screw inside the mechanism.</p> <p>If the handlebar stem is not very stable after closing, adjust the screw in the mechanism, by tightening or loosening it as required to increase the stability of the stem.</p>
AL2		<p>A hexagonal screw is located inside the mechanism.</p> <p>If the handlebar stem is unstable after closing, adjust the screw of the mechanism by screwing or unscrewing it just enough to increase the stability of the stem.</p>

 **CAUTION**

Assemble the item correctly. If, during assembly, any factory defects, unclear steps or difficulties with assembly or adjustments are encountered, do not ride the vehicle and contact your dealer or visit www.alemobility.com/en/ for technical support.

Do not use accessories and/or additional parts that are not approved by the manufacturer.

Keep children away from plastic items (including packaging materials) and small parts that may result in suffocation.

It is forbidden to modify or transform the item or any its parts in any way, as this may impair efficiency, reduce structural integrity and cause damage. If any factory defects, unusual noises or faults are encountered, do not ride the vehicle and contact your dealer or visit www.alemobility.com/en/ for technical support.

3. PRODUCT OVERVIEW

In the interest of technological development, the manufacturer reserves the right to modify the item with no prior notice and this manual will not be automatically updated.

For information and to view updates of this manual, visit www.alemobility.com/en/

AL EXT



1. Front headlight
2. Brake lever
3. Hook
4. Locking mechanism
5. Front wheel
6. Stand
7. Charging port
8. Footrest
9. Fastening clip
10. Rear light

11. Rear mudguard
12. Rear drive wheel
13. Brake caliper
14. Bell
15. Display
16. Throttle
17. ON/OFF button
18. Light Switch
19. USB port

AL2



1. Hook
2. Bell
3. Brake lever
4. Locking mechanism
5. Headlight
6. Drum brake
7. Stand
8. Footrest
9. Rear drive wheel
10. Headlight

11. Rear mudguard
12. Fastening clip
13. Charging port
14. Display
15. Throttle

Battery charging

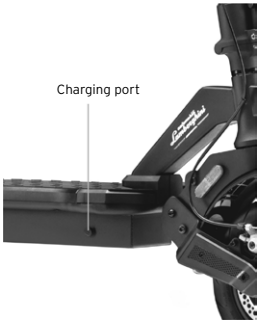


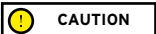


CAUTION

Prior to using the item for the first time, charge to 100%. Ensure the item, charger, and charging port are dry.

Instructions

- Open the kickstand
- Switch off the item

Model	Reference picture	INSTRUCTIONS
AL EXT		<ul style="list-style-type: none">• Only use the supplied magazine.• Connect the charger first to the wall socket and only then to the charging socket.• Do not switch on the electric scooter while it is charging.  <p>CAUTION</p> <p>The red light on the charger will turn green when charging is complete.</p>
AL2		<ul style="list-style-type: none">• Use only the supplied charger.• Connect the charger first to the wall socket and only then to the charging socket.• Do not switch on the electric scooter while it is charging.  <p>CAUTION</p> <p>The red light on the power supply will turn green when the loading operation is complete.</p>

To recharge the item, use the battery charger supplied **ONLY**



CAUTION

Model	Product code	Battery charger model	Output voltage	Charging time
AL EXT	LA-MO-210001	FCA136-546020	54.6V - 2A	About 7 hours
	LA-MO-220002			
	LA-MO-210002			
	LA-MO-220013			
	LA-MO-220001			
AL2	LA-MO-220003	HLT-180-4201500	42V - 1.5A	About 5 hours
	LA-MO-220004			

Using another type of charger may damage the scooter or entail other potential risks.

Never leave the item unsupervised while it is charging. Do not switch the product on while it is charging.

After each use, fully recharge the battery to extend its useful life. Do not recharge the item immediately after use. Allow the scooter to cool for an hour before recharging.

The item should not be charging for extended periods. Overcharging reduces battery life and poses additional potential hazards.

Allow the vehicle to discharge completely to prevent damage to the battery.

Damage caused by the battery being left uncharged for a long period is irreversible and is not covered by the limited warranty. Once the damage has occurred, the battery cannot be recharged (the battery must not be dismantled by unqualified personnel, as this could lead to electric shocks, short circuits or even major safety incidents). If the owner is away, e.g. on holiday, and the device is entrusted to a third party, leave it in a partial charge state (20-50% charge), not fully charged.

Carry out regular visual inspection of the charger and charger cables. If the battery charger cable is clearly damaged, do not use it to avoid further damage and/or risks; please contact us for a replacement.

Battery warnings

The battery consists of lithium-ion cells and chemical elements that are hazardous to health and the environment. Do not use the item if it emits odours, substances or excessive amounts of heat. Do not dispose of the item or the battery with household waste. The end user is responsible for the disposal of electrical and electronic equipment and batteries in compliance with all applicable regulations.

Avoid used, defective and/or non-original batteries of other models or brands.



Do not leave the battery near fire or heat sources. Fire and explosion hazard.

Do not open the battery or take it apart. Do not strike, throw, or puncture the battery or attach objects onto it.

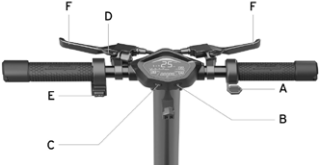
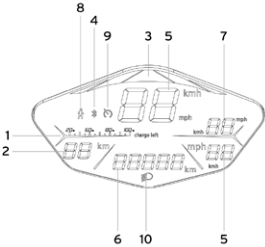
Do not touch any substances leaking from the battery, as they are deemed hazardous. Do not allow children or pets to touch the battery.

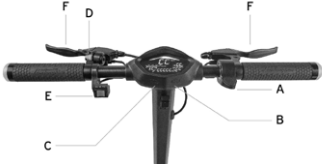
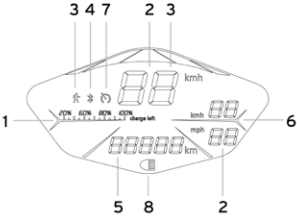
Do not overcharge or short-circuit the battery. Fire and explosion hazard.

Do not immerse or expose the battery to water, rain or other liquids. Do not expose the battery to direct sunlight, excessive heat or cold (for example, do not leave the item or battery in a car in direct sunlight for extended periods of time), or environments containing explosive gases or flames.




Do not carry or store the battery with metal objects such as hairpins, necklaces, etc. Contact between metal objects and battery contacts may cause a short circuit resulting in physical injury or death.

4. COMMAND INFORMATION / CONTROL PANEL

Model		
		
	<p>A. Throttle: press down to accelerate.</p> <p>B. Power button: long press to switch the electric scooter on or off.</p> <p>Odometer ODO/TRIP: press briefly 3 times to switch from ODO to TRIP display.</p> <p>C. Speed modes: press briefly to change the speed level.</p> <p>Lights: Long press the button to switch the lights on or off.</p>	<p>D. Bell: press the lever once to operate it.</p> <p>E. Direction indicators: Press the switch to the right or left to activate and/or deactivate them.</p> <p>F. Brake lever: tighten the lever to brake.</p>
AL EXT	<ol style="list-style-type: none"> Battery level: residual state of charge. Autonomy: estimation of the remaining distance. Speed mode (LED bar): <ul style="list-style-type: none"> - Level 1: green colour - Level 2: orange colour - Level 3: red colour Bluetooth: smartphone connection available. Tachometer: instantaneous speed electric scooter (km/h - mph). Odometer ODO / TRIP: press briefly 3 times to switch from ODO to TRIP display. AVG speed: average speed. Pedestrian mode: help to push the vehicle with flashing light. Cruise control: speed maintenance. It is activated after holding the same speed for a few seconds. Lights: lighting indicator light. 	

Model		
		
AL2	<p>A. Throttle: press down to accelerate.</p> <p>B. Power button: long press to switch the electric scooter on or off.</p> <p>Odometer ODO/TRIP: press briefly 3 times to switch from ODO to TRIP display.</p> <p>C. Speed modes: press briefly to change the speed level.</p> <p>Lights: Long press the button to switch the lights on or off.</p>	<p>D. Bell: press the lever once to operate it.</p> <p>E. Direction indicators: Press the switch to the right or left to activate and/or deactivate them.</p> <p>F. Brake lever: tighten the lever to brake.</p>
	<ol style="list-style-type: none"> Battery level: residual state of charge. Tachometer: instantaneous speed of the electric scooter (km/h and mph) Speed modes (TACHIMETER): <ul style="list-style-type: none"> - Level 1: Indicated by number 1 - Level 2: indicated by the number 2 - Level 3: indicated by the number 3 - Pedestrian: Help pushing vehicle with flashing light. Bluetooth: smartphone connection available. Odometer ODO/TRIP: total distance travelled and single session distance. AVG Speed: average speed. Cruise control: speed maintenance. It is activated after holding the same speed for a few seconds. Lights: lighting indicator light. 	

Direction indicators

Model	
AL EXT AL2	 <p data-bbox="194 506 866 525">Direction indicators are positioned at the ends of the handlebars (left and right sides).</p> <p data-bbox="194 547 928 588">The direction indicators are required to provide early warning of any change in direction while riding.</p> <p data-bbox="194 649 332 668">Drive control:</p>  <div data-bbox="644 653 848 703"> CAUTION</div> <p data-bbox="644 729 940 787">Before each use of the product, check the correct operation of the direction indicators.</p>

5. QUICK GUIDE

- Prior to using the item for the first time, charge to 100%.
- Check tyre pressure (see side of tyre for recommended value). If the item does not reach at least 60% of the declared kms, or the maximum speed within the first 3 months of use, it is likely that the wheels have deflated once more. In this case, restore pressure as indicated.
- Check and adjust the brakes.
- Switch on the display.
- Place the item onto a flat surface.
- Hold the handlebars firmly using both hands. Step onto the footrest with one foot and use the other to give yourself a gentle push and accelerate.



Zero Start Function: the throttle is activated once the forward speed exceeds 3 km/h.

For safety reasons, the item is initially set up to avoid standing starts.

- When riding the item, tilt body in the riding direction during a turn and slowly turn the handlebars.
- Stop the item, release the throttle and pull the brake lever.
- To get off, first stop the vehicle. Getting off the moving electrical scooter may cause damage.
- Prior to each use, check brakes and any wear, check tyre pressure (see side of tyre for recommended value), wheel wear, throttle and charge status of battery.

Adjusting the position of the brake levers

AL EXT / AL2

Brake adjustment

The position of the brake lever can be adjusted if required using point A.
(see figure)



Brake adjustment

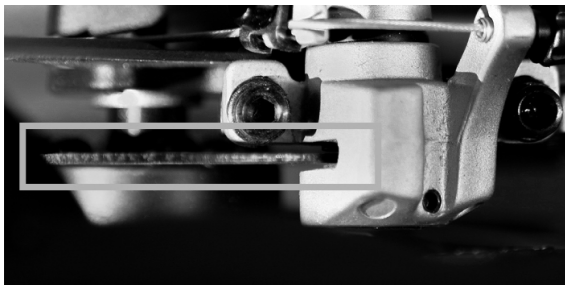
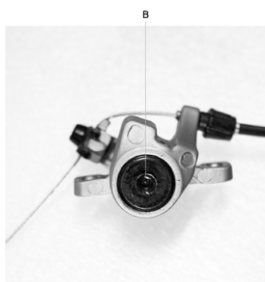
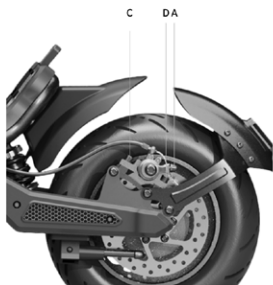
AL EXT

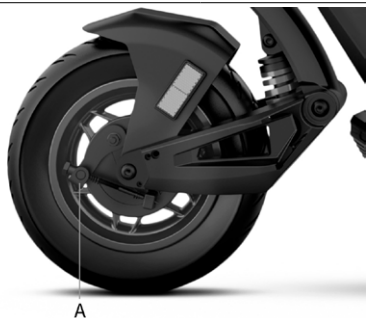
Adjusting the brake calliper

If the brake is too tight or too loose, use the hex wrench to loosen screw (A), then adjust the brake wire (shorten the brake wire from the top end if it is too tight. If the wire is too loose, pull it from the bottom end), then tighten screw (A) again.

If the wire is too loose or too tight even after following the first step, it may be necessary to adjust the (fixed) brake pad by means of the wheel located on the opposite side. Use the hex wrench to move away (counter-clockwise) or closer (clockwise) the brake pad (B) (see picture). Check the correct alignment between the brake caliper and the disc. Use screws C and D to adjust the position / alignment on the disc, if necessary.

For the rear brake calliper, unscrew and remove bolts C and D, then remove the brake calliper from the disc.



**Adjusting the drum brake:**

If the brake is too tight or too loose, act by loosening or tightening screw (A). If the brake lever is too soft or too hard even after following the first step, it may be necessary to repeat the operation until an optimal setting is reached.

6. FOLDING AND CARRYING

Make sure the electric scooter is turned off. Hold the handlebar stem with your hand, pull the lever, fold the stem towards the footrest and fasten it.

AL EXT



Opening:

Unlocking the handlebar stem: Move the handlebar release clip outwards, raise the handlebar stem as far as it will go and lock it by pushing the lever inwards. Switch on the electric scooter.



Closing:

Switch off the electric scooter, pull the safety hook upwards and pull the lever outwards, bring the handlebar stem inwards, insert the clip into the hook and ensure effective locking.

Handlebar clip

**Opening:**

Unlock the handlebar stem from the footrest: press down on the clip to release the handlebar, raise the handlebar stem as far as it will go and lock it by pushing the lever of the locking mechanism inwards. Switch on the electric scooter.

Locking mechanism lever

**Closing:**

Switch off the electric scooter, unlock the locking mechanism: press the red hook and pull the lever outwards (see picture), bring the handlebar stem inwards and ensure that it is actually locked.



After folding, lift it by holding the handlebar stem with one or both hands.

**CAUTION**

Make sure to secure the item during transportation. If the item cannot be lifted, do not transport with the item raised. If dropped, the item may cause severe injury and damage.

7. RANGE AND PERFORMANCE

The maximum range and performance of the vehicle depends on a number of variables:

Terrain: riding on smooth roads provides greater range and performance than riding on rough roads and climbs.

Weight of user: the greater the weight, the lower the range and performance of the vehicle.

Temperature: riding the electric scooter in very cold or hot conditions affects range and performance.

Speed and riding style: riding smoothly and at a constant speed extends the range. Continuous acceleration, deceleration and manoeuvring greatly reduce the range. A lower speed extends the range.

Maintenance: prompt recharging, proper maintenance and regular checking of tyre pressure (see reference value in section 10) increase range and ensure consistent performance over time.

The level of battery charge affects performance - the lower the level, the lower the speed, especially on climbs.

8. STORAGE, MAINTENANCE AND CLEANING

If there are stains on the body of the scooter, wipe with a damp cloth. If the stains persist, apply neutral soap, brush out with a toothbrush, then wipe with a damp cloth. If there are scratches on the plastic components, use sandpaper or other abrasive material to remove them. Do not clean the items with alcohol, petrol, paraffin or other corrosive or volatile chemical solvents to prevent severe damage. Do not wash the item using high-pressure water jets. When cleaning the scooter, make sure that it is switched off, that the charging cable is disconnected, and the rubber cap is closed, as a water leak may cause an electric shock or other serious problems. Water seeping into the battery may cause damage to internal circuits and risk of fire or explosion. Should you suspect that water may have entered the battery, stop using the battery immediately and return it to your dealer's after-sales service for checking.

When the item is not in use, store it indoors in a cool, dry place. Do not store outdoors or inside cars for extended periods of time. Excessive sunlight, overheating, and excessive cold accelerate tyre ageing and jeopardize the life of both the item and the battery. Do not expose it to rain or water or immerse it in water to wash it.

Regularly check the tightness of the bolted parts, in particular wheel axles, the folding and transportation system, the steering system, the braking system, the state of the frame, the forks and the suspension. Nuts and all other self-locking fasteners may lose their effectiveness. Periodically check and tighten these components.

Like all mechanical components, the item is subject to wear and tear. Different materials and components may react to wear or stress fatigue in a variety of ways. If the service life of a component is exceeded, it may break suddenly, resulting in injury to the rider. Any cracks, scratches or changes in colour in areas subject to high levels of stress indicate that the life of the component has been reached and must be replaced.

Check the condition of the tyres: there must be no cuts, cracks, foreign bodies, abnormal swelling, missing parts or other damage. For tyre pressure, refer to the value indicated in section 10 in this instruction manual.

Do not attempt to disassemble or repair the scooter yourself. Replacement of all electric scooter components should be carried out by an authorised technical service department. For further information, contact your dealer or visit: www.alemobility.com/en/

9. APP CONFIGURATION

Products that are equipped with Bluetooth and can be paired with the AL e-Mobility app are listed below: AL EXT, AL2.

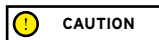
The App allows you to control the item directly from your Smartphone.

Scan the QR CODE to download and install the App. If the App is not found, search for it on your reference App store.

Open the App and follow the instructions provided.



Open the App and follow the instructions given.



The App may require various permissions required for the use and operation of the App itself.

The app version may have been updated by your app store. It is advisable to constantly check whether any updates are available for the App in order to be able to use the new features and always install the latest version of the App on your device.

Do not use your device while riding.

10. TECHNICAL DATA SHEET

General information

AL EXT

Frame	Steel and aluminium	
Suspensions	Front and rear	
Speed	LA-MO-210001; LA-MO-210002; LA-MO-220013 Pedestrian: \leq 6km/h L1: \leq 15km/h L2: \leq 20km/h L3: \leq 25km/h (velocità max) * *according to country of circulation	LA-MO-220001; LA-MO-220002 Pedestrian: \leq 6km/h L1: \leq 10km/h L2: \leq 15km/h L3: \leq 20km/h(velocità max) * *according to country of circulation
Maximum slope **	22%	
Brakes	Front disc brake, rear disc brake and electronic brake	
Tyres	Size: 90/65-6.5 Pressure: 50 psi / 3.5 bar	
Maximum load	120kg	
Rider	Check the legislation in your country	
Operating temperature	-0°C / 45°C	
Protection level	IPX4	
Charging time	approximately 7 hours	
Autonomy**	up to 40km	

Electrical system

Rated power of motor	0.50kW; 500W Brushless
Maximum power of motor	0.900kW; 900W
Display	Integrated LED
Battery	48V 12.5Ah 600Wh
Low voltage protection	42V
Current limit	20A
KERS	yes
Lights	LED front and rear
Features	Bluetooth

Measures

Net weight	30.6Kg
Gross weight	38.75Kg

* Always observe the highway code and the regulations in force in the country where the electric scooter is in use.

** Subject to variations based on the riders weight, road conditions and temperature.

General information

AL2

Frame	Steel and aluminium	
Suspensions	Front and rear	
Speed	LA-MO-220003 Pedestrian: \leq 6km/h L1: \leq 15km/h L2: \leq 20km/h L3: \leq 25km/h (max. speed) * *according to country of circulation	LA-MO-220004 Pedestrian: \leq 6km/h L1: \leq 10km/h L2: \leq 15km/h L3: \leq 20km/h(max. speed) * *according to country of circulation
Maximum slope **	16%	
Brakes	Front drum brake, rear electric brake	
Tyres	Size: 10" X 2.125" with inner tube Pressure: 36 psi / 2.5 bar	
Maximum load	120kg	
Rider	Check the legislation in your country	
Operating temperature	-0°C / +45°C	
Protection level	IPX5	
Charging time	about 5 hours	
Autonomy**	up to 35km	

Electrical system

Rated power of motor	0.35kW; 350W brushless
Maximum power of motor	0.55kW; 550W
Display	Integrated LED
Battery	36V 8Ah 288Wh
Low voltage protection	31 + / - 0.5V
Current limit	17A
KERS	yes
Lights	LED front and rear
Features	Bluetooth with app

Measures

Net weight	19Kg
Gross weight	22Kg

* Always observe the highway code and the regulations in force in the country where the electric scooter is in use.

** Subject to variations based on the riders weight, road conditions and temperature.

11. TROUBLESHOOTING

Error	Cause	Solution
The motor is not running	Electrical issue, error code present	Request technical assistance
The drive wheel does not turn	Problems with the brakes Motor is blocked	Adjust the brakes; if the problem persists, request technical assistance Check that the wheel is properly tightened, check that the wheel turns without starting the vehicle. If the problem persists, request technical assistance
The motor stops while it is running	Motor overheating Presence of error code	Stop the vehicle and wait for it to cool Request technical assistance
After charging it, the item does not switch on or it switches off after a few km.	Damaged battery	Request technical assistance
The battery does not charge or the item does not switch on	Connection problems The battery is not connected (models with removable battery) The battery is depleted Damaged battery Problems with the battery charger	Request technical assistance Check that the power connector is connected. Charge the battery to 100% Request technical assistance Replace the battery charger

AL EXT / AL2

Error code table

Error code	Definition
E1	Motor connectivity fault
E2	MOS fault or short-circuit motor phase
E3	Brake sensor malfunction
E4	Electronic handlebar fault
E5	Low voltage protection
E6	Communication of failed instrumentation
E7	High voltage protection
E8 / E9	Control unit/BMS fault

12. LIABILITY AND GENERAL TERMS OF WARRANTY

The rider assumes all liability for any injury when not wearing a helmet or other protective devices.

The driver must respect current local regulations regarding:

1. The minimum age allowed for the rider
2. Restrictions on the types of riders who can use the product
3. All other regulatory aspects

The driver must always keep the product clean and in a perfect state of efficiency and maintenance, diligently perform the safety checks he/she is responsible for as described in the previous section, not tamper with the product in any way and keep all the maintenance documents.

M.T. Distribution shall not be liable for any damages caused and is in no way responsible for damages caused to property or persons when:

- the item is used incorrectly or in a manner that does not comply with the instructions of the user guide;
- after the purchase, the item is modified or tampered with in all or a number of its components.

In the event of product malfunction due to causes not attributable to rider misconduct and in order to consult the general terms of the warranty, contact your dealer or visit www.alemobility.com/en/

The Legal Guarantee never covers any Product faults or malfunctions caused by accidental events and/or events attributable to the Purchaser, or due to use of the Product in non-compliance with its intended use and/or with the provisions of the technical documentation attached to the Product, or due to failure to regulate mechanical parts, the natural wear of consumable materials, or due to assembly errors, lack of maintenance and/or use of said product in non-compliance with the instructions.

For example, the following are to be considered excluded from the statutory guarantee regarding products:

- damage caused by impacts, accidental falls or collisions, punctures;
- damage caused by use, exposure or storage in an unsuitable environment (e.g.: presence of rain and/or mud, exposure to moisture or excessive heat, contact with sand or other substances)
- caused by failure to adjust for road use and/or maintenance of mechanical parts, mechanical disc brakes, handlebars, tyres, etc.; incorrect installation and/or assembly of parts and/or components
- the natural wear and tear of consumable materials: mechanical disc brake (e.g. pads, callipers, disc, cables), tires, platforms, gaskets, bearings, led lights and bulbs, kickstand, knobs, mudguards, rubber parts (platform), wiring cable connectors, grilles and stickers, etc.;
- improper maintenance and/or improper use of the Product battery;
- tampering with and/or forcing parts of the Product;
- incorrect or inadequate maintenance or alteration of the Product;
- improper use of the product (e.g.: excessive load, use in competitions and/or for commercial or rental activities);
- maintenance, repairs and/or technical interventions on the product carried out by unauthorised third parties;
- damage to the products resulting from transport, if carried out by the purchaser;
- damage and/or defects resulting from the use of non-original parts.

Refer to the latest version of the warranty terms available at www.alemobility.com/en/support/



CAUTION

Disposal of end-of-life electrical or electronic equipment (applicable in all countries in the European Union and other European systems with a separate waste collection system)



This symbol on the product or packaging indicates that the product should not be considered as normal household waste, but should be taken to a facility authorised to dispose of waste from electrical and electronic equipment (WEEE).

Ensure that this product is disposed of properly to help prevent potential negative consequences to the environment and health that might otherwise be caused by improper disposal. Recycling materials will help to conserve natural resources.

For more detailed information regarding recycling and disposal of this item, contact the local waste disposal service or the point of sale where the item was purchased.

In any case, disposal must be carried out in accordance with the legislation in force in the country of purchase.

More specifically, consumers must not dispose of WEEE as municipal waste, but must dispose of this type of waste separately, in one of two possible ways:

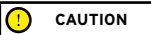
- At municipal collection centres (also called eco-collection centres or recycling facilities), directly or through the collection services of municipal companies, where available;
- At shops selling new electrical or electronic equipment.

Here, very small items of the WEEE type (with the longest side less than 25 cm) can be left free of charge, while larger ones can be left on a 1-for-1 basis, i.e., you can leave the old item when you buy a new one having the same function.

Moreover, the 1-on-1 mode is always guaranteed when the consumer purchases a new EEE, regardless of the size of the WEEE.

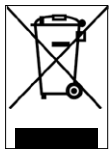
In the event of unauthorised disposal of electrical or electronic equipment, the sanctions provided for by current environmental legislation may be applied (Italian legislation - check the regulations in effect in the country of use/ disposal of the vehicle).

If the WEEE contains batteries or accumulators, they must be removed and subjected to specific separate collection.



CAUTION

Handling of spent batteries (applicable in all countries in the European Union and in other European systems with separate collection systems)



This symbol on the product or packaging indicates that the battery pack should not be treated as normal household waste. On some types of batteries, this symbol may be used in combination with a chemical symbol.

The chemical symbols for mercury (Hg) or lead (Pb) are added if the battery contains more than 0.0005% mercury or 0.004% lead.

Ensure that batteries are disposed of properly, to help prevent potential negative consequences to the environment and health that might otherwise be caused by improper disposal. Recycling materials will help to conserve natural resources. In the case of products which, for safety, performance or data protection reasons, require a fixed connection to an internal battery, this should only be replaced by qualified service personnel.

Deliver the product at the end of its service life to collection centres suitable for the disposal of electrical and electronic equipment: this ensures that the battery inside it is also treated correctly.

For more detailed information about disposal of the dead battery, contact the local waste disposal service or the shop where it was purchased.

In any case, disposal must be carried out in accordance with the legislation in force in the country of purchase.

Questo manuale è valido per il seguente monopattino elettrico:

AL EXT AL2

Manuale d'uso
LA-MO-000001 rev. 2

Istruzioni originali

Grazie per aver scelto questo prodotto.
Per informazioni, supporto tecnico, assistenza e per consultare i termini generali di garanzia rivolgersi al proprio rivenditore o visita il sito www.alemobility.com/it/assistenza/

Per i ricambi visitare il sito www.urbanemobility.com

Indice

1. Istruzioni di sicurezza
2. Contenuto della confezione e assemblaggio
3. Panoramica del prodotto
4. Informazioni dei comandi / Pannello di controllo
5. Guida rapida
6. Piegare e trasportare
7. Autonomia e prestazioni
8. Conservazione, manutenzione e pulizia
9. Configurazione app
10. Scheda tecnica
11. Risoluzione dei problemi
12. Responsabilità e termini generali di garanzia

1. ISTRUZIONI DI SICUREZZA



ATTENZIONE

IMPORTANTE! Leggere e seguire attentamente le seguenti istruzioni prima di utilizzare il prodotto. Custodire questo manuale per riferimenti futuri o nuovi utilizzatori.

Prendere il tempo necessario per imparare le basi della pratica per evitare qualsiasi incidente grave che possa aver luogo nei primi mesi. Rivolgersi al proprio rivenditore per ricevere adeguato supporto in merito alle corrette modalità di utilizzo del prodotto o per essere indirizzato presso un'organizzazione di formazione appropriata.

L'azienda declina ogni responsabilità diretta o indiretta derivata dal cattivo utilizzo del prodotto, inadempienze tanto relative alle normative stradali quanto alle istruzioni di questo manuale, incidenti e controversie causati dal mancato rispetto delle normative e da azioni illegali.

Questo prodotto va utilizzato per scopi ricreativi, deve essere utilizzato da una sola persona e non per trasporto passeggeri, pertanto non può essere utilizzato da più di una persona contemporaneamente.

Non cambiare in alcun modo la finalità di utilizzo del veicolo, questo prodotto non è adatto a fare acrobazie, competizioni, trasportare oggetti, trainare altri veicoli o appendici.

Il **monopattino elettrico** deve essere usato con prudenza, rispettando sempre le **regole** imposte dal Codice della Strada del paese di circolazione, per evitare pericoli e prendersi la massima cura di se stessi e degli altri.



ATTENZIONE

Requisiti indicativi di progetto veicolo:

Modello monopattino elettrico	AL EXT Green	AL EXT Bronze	AL2
Codice prodotto con frecce incluse	LA-MO-210001	LA-MO-220013	LA-MO-220003
	LA-MO-220002	LA-MO-220001	LA-MO-220004
Peso MIN (Kg)	30	30	30
Peso MAX (Kg)	120	120	120
Età MIN *	14	14	14
Età MAX *	65	65	65
Altezza (cm) MIN	120	120	120
Altezza (cm) MAX	200	200	200

* Prima di utilizzare il prodotto, verificare e seguire le normative locali vigenti in relazione all'età minima consentita per il conducente, alle restrizioni sulla tipologia dei conducenti che possono utilizzare il prodotto e all'utilizzo stesso di questo tipo di prodotto.

Il livello di pressione sonora (rumorosità) di emissione ponderato A all'orecchio del conducente è inferiore a 70 dB(A).

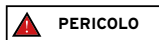
Forma grafica delle avvertenze di sicurezza

Per identificare i messaggi di sicurezza nel presente manuale, saranno utilizzati i seguenti simboli grafici di segnalazione. Essi hanno la funzione di attirare l'attenzione del lettore / utilizzatore ai fini di un uso corretto e sicuro del prodotto.



Prestare attenzione

Evidenzia le regole da rispettare per evitare di danneggiare il prodotto e/o impedire il verificarsi di situazioni pericolose.



Rischi residui

Evidenzia la presenza di pericoli che causano rischi residui ai quali l'utente deve prestare attenzione per evitare lesioni o danni materiali.

Avvertenze generali



È importante tenere presente che quando ci si trova in un luogo pubblico o sulla strada, anche se segui questo manuale alla lettera, non sei immune a lesioni causate da violazioni o azioni inappropriate intraprese nei confronti di altri veicoli, ostacoli o persone. Il cattivo utilizzo del prodotto o il mancato rispetto delle istruzioni di questo manuale possono provocare seri danni.

Questo prodotto è un veicolo elettrico. Più velocemente si guida, più lo spazio di frenata si allunga. La frenata di emergenza su strade scivolose, fangose, bagnate o ghiacciate può fare slittare le ruote e fare perdere l'equilibrio. È necessario mantenere adeguate velocità e distanza di sicurezza da altri veicoli o pedoni. Fare maggiore attenzione quando si guida su strade sconosciute. Non aprire il cavalletto quando si utilizza il prodotto, rischio di gravi danneggiamenti personali ed al prodotto.



Su strade bagnate, lo spazio di frenata aumenta e l'aderenza diminuisce notevolmente rispetto alle strade asciutte! Guidare con maggiore prudenza, rispettare le distanze!

Per la propria sicurezza, indossare sempre: casco, ginocchiere e gomitiere per proteggersi da eventuali cadute e lesioni mentre si guida il prodotto. Quando si presta il prodotto, fare indossare le attrezzature di sicurezza al conducente e spiegare come utilizzare il veicolo. Per evitare lesioni, non prestare il prodotto a persone che non sanno come utilizzarlo. Indossare sempre le scarpe prima dell'utilizzo del prodotto.

I bambini non devono giocare con il monopattino elettrico o con sue parti, né si devono consentire loro interventi di pulizia o di manutenzione.

Quando si guida il prodotto, fare attenzione a non spaventare bambini e pedoni. Quando si passa dietro di loro, avvertili utilizzando il campanello e rallentare utilizzando la velocità minima di 6km/h.

Istruzioni e avvertenze circa il comportamento alla guida

Condizioni	Utilizzo appropriato/previsto	Utilizzo improprio
Conducenti	Uno	Più persone, con bambini o animali
Equipaggiamento di sicurezza	Casco, ginocchiere, gomitiere, giubbotto catarifrangente	Nessun equipaggiamento
Controllo prima della guida	Prima di ogni uso controllare i freni e la loro usura, controllare la pressione degli pneumatici (vedi il lato dello pneumatico per conoscere il valore consigliato), l'usura delle ruote, l'acceleratore, le frecce, le luci e lo stato di carica della batteria. Se si rilevano rumori insoliti o qualche anomalia, non utilizzare il prodotto e contattare il proprio rivenditore o il Servizio di Assistenza Tecnica Autorizzato	Non controllare mai il prodotto prima della guida Utilizzare il prodotto in presenza di rumori e anomalie
Camminare spingendo il prodotto	Non accelerare Spingere camminando sugli attraversamenti pedonali In aree pedonali se sprovvisti di modalità pedone (6 km/h) In aree sovraffollate	Premere l'acceleratore Condurre il veicolo sugli attraversamenti pedonali Condurre il veicolo in aree pedonali se sprovvisti di modalità pedone (6 km/h) Condurre il veicolo in aree sovraffollate
Da fermo	La persona che conduce questo prodotto deve essere in grado di appoggiare facilmente entrambi i piedi per terra impugnando il manubrio ad una corretta altezza	Non essere in grado di mantenere fermo ed in equilibrio il prodotto Sedersi sul prodotto in marcia o da fermo

Condizioni	Utilizzo appropriato/previsto	Utilizzo improprio
Guida in condizioni normali	Nessun oggetto appeso al manubrio	Oggetti appesi al manubrio causano instabilità e possono essere di intralcio durante le manovre
	Guida con entrambe le mani sul manubrio Non utilizzare dispositivi come telefoni, smartwatch, lettori musicali, cuffie auricolari	Guida con una sola mano o senza mani Utilizzare dispositivi come telefoni, smartwatch, lettori musicali, cuffie auricolari
	Guida con entrambi i piedi sopra la pedana in modo comodo e sicuro	Guida con uno o più piedi al di fuori della pedana È vietato posizionare e concentrare il peso sul parafrangente posteriore.
	Guida con casco ed equipaggiamento protettivo	Guida senza casco ed equipaggiamento protettivo
	Guida su strade facilmente accessibili, lisce e compatte, evitare aree a traffico intenso o aree sovraffollate: es. pista ciclabile dedicata, superfici con pavimentazione liscia	Guida in autostrada, strade di lunga percorrenza Guida su strade trafficate Guida sui marciapiedi Guida in aree sovraffollate Guida su strade molto accidentate Guida in prossimità di: burroni, scarpate, porti, mare, laghi e fiumi
	Rispettare le normative locali vigenti ed il codice della strada	Mancanza di rispetto delle normative vigenti e del codice della strada
	Guardare sempre in avanti e fare attenzione a tutti gli ostacoli, veicoli e pedoni vicini	Distrarsi mentre si guida
	Cambiare direzione assicurandosi di essere visti, moderando la velocità In ogni caso, anticipare la traiettoria e moderare la velocità rispettando il codice della strada e i più vulnerabili Utilizzare sempre gli indicatori di direzione se previsti sul prodotto	Cambiare direzione bruscamente ad alta velocità senza assicurarsi di essere visti Frenare e curvare contemporaneamente rende instabile il veicolo Non utilizzare gli indicatori di direzione
	Rallentare in presenza di pedoni Utilizzare la modalità pedone in zone pedonali (6 km/h) Avvertire della propria presenza utilizzando il campanello	Accelerare o mantenere costante la velocità in presenza di pedoni Condurre senza utilizzare la modalità pedone in zone pedonali (6 km/h) Non avvertire della propria presenza utilizzando il campanello
Condizioni stradali irregolari: dossi artificiali/gradini/fondo stradale accidentato	Guida a velocità moderata Piegarne leggermente le ginocchia per un migliore assorbimento degli urti quando si attraversa una superficie irregolare.	Guida ad alta velocità Accelerare su dossi e cunette, scendere i gradini, saltare ostacoli, salire sui marciapiedi, guidare rigidamente.

Condizioni	Utilizzo appropriato/previsto	Utilizzo improprio
Comportamento: in curva, in discesa, in presenza di ostacoli, veicoli e pedoni vicini	Mantenere la distanza di sicurezza Smettere di accelerare Frenare e rallentare Guida a velocità moderata e frena in maniera sicura Prestare attenzione alle porte e ad altri ostacoli in altezza	Non rispettare la distanza di sicurezza Accelerare Guida ad alta velocità, frenare improvvisamente Passare sotto ostacoli in altezza
Condizioni di visibilità	Condurre solamente nel caso ci sia sufficiente luce da poter guidare in modo sicuro. In caso di guida in condizione di luce non favorevole (da mezz'ora dopo il tramonto, per tutto il periodo di oscurità e anche di giorno, qualora le condizioni atmosferiche precludano la visibilità della strada, se si transita all'interno di gallerie) si ricorda di attivare le luci del prodotto e di indossare un giubbotto o bretelle catarifrangenti.	Guidare in condizione di luce non favorevole con le luci spente e senza l'utilizzo di un giubbotto o bretelle catarifrangenti.
Condizioni meteo	Guida in condizioni meteorologiche ottimali (no pioggia)	Guida in condizioni avverse: sotto la pioggia, quando nevicata, in presenza di ghiaccio o fango sulla strada, forte vento, in caso di nebbia.
Parcheggiare	In aree apposite senza intralciare la circolazione di veicoli e pedoni Su superfici lisce, assicurandosi della stabilità Spegner il prodotto e utilizzare sempre un dispositivo antifurto Utilizzare il cavalletto in dotazione	Ovunque, intralciando la circolazione di veicoli e pedoni Su superfici sconnesse e senza assicurarsi della stabilità Lasciare il prodotto acceso, incustodito senza un dispositivo antifurto
Praticare sport estremi / acrobazie	NO	SI, uso improprio: Guida in prossimità di: burroni, scarpate, porti, mare, laghi e fiumi Guida sopra le pozzanghere Gareggiare con altri veicoli
Sottoporre il prodotto a forti impatti	NO	SI, uso improprio: Lanciare sopra cose o persone, lanciare dai gradini o dall'alto

Cosa fare dopo una caduta:

Verificare che la leva dell'acceleratore funzioni correttamente. Per far ciò, accelerare e decelerare varie volte.

Verificare sempre che i freni funzionino correttamente. Per far ciò, scendere dal prodotto, spingere il prodotto in avanti e frenare per assicurarsi che risponda ai comandi.

Verificare che tutte le componenti del veicolo siano in posizione e fissate in modo sicuro.

Verificare l'usura e la pressione degli pneumatici (vedi il lato dello pneumatico per conoscere il valore consigliato).


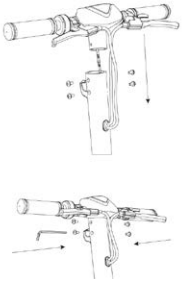

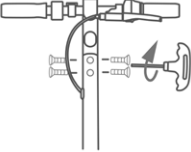
Verificare l'usura dei freni e dei cavi.



I freni potrebbero diventare caldi durante l'uso. Non toccare dopo l'uso.

2. CONTENUTO DELLA CONFEZIONE E ASSEMBLAGGIO

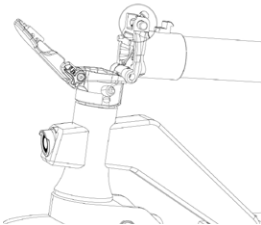
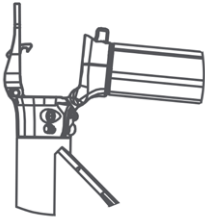
Prodotto assemblato, il manubrio sarà da installare con le apposite viti contenute nella confezione.

Modello	Immagine di riferimento	Nella confezione	Montaggio manubrio
AL EXT		Accessori: 1x Chiave a brugola 4x Viti per manubrio 1x Caricabatteria	
AL2		Accessori: 1x Chiave a brugola 2x Viti per manubrio 1x Caricabatteria	

Passaggi:

AL EXT / AL2

- Prelevare il prodotto dalla confezione.
- Aprire il piantone del manubrio e fissarlo chiudendo la leva del meccanismo di chiusura.
- Collegare il cavo di alimentazione del display al cablaggio principale (se necessario).
- Installare il manubrio sul piantone (non schiacciare i cavi).
- Inserire e serrare le viti sul piantone con la chiave in dotazione.
- Installare il cavalletto (se necessario).
- Effettuare la regolazione del meccanismo di chiusura del piantone* (se necessario).
- Al primo utilizzo caricare il prodotto al 100%.

Modello	Immagine di riferimento	* Regolazione meccanismo di chiusura del piantone
AL EXT		<p>All'interno del meccanismo si trova una vite esagonale.</p> <p>Se il piantone del manubrio risulta poco stabile dopo la chiusura, regolare la vite del meccanismo avvitando o svitando quanto basta per aumentare la stabilità del piantone.</p>
AL2		<p>All'interno del meccanismo si trova una vite esagonale.</p> <p>Se il piantone del manubrio risulta poco stabile dopo la chiusura, regolare la vite del meccanismo avvitando o svitando quanto basta per aumentare la stabilità del piantone.</p>

⚠ ATTENZIONE

Assemblare correttamente il prodotto. Nel caso in cui, in occasione dell'assemblaggio, si rileva qualche difetto di fabbrica, dei passaggi non chiari o difficoltà nell'assemblaggio stesso o nelle regolazioni, non guidare il veicolo e contatta il tuo rivenditore o visita il sito www.alemobility.com/it/ per ricevere assistenza tecnica.

Non utilizzare accessori e/o parti aggiuntive non approvate dal produttore.

Tenere lontano i bambini da parti plastiche (inclusi i materiali di imballo) e piccole parti che possono provocare soffocamenti.

È vietato modificare o trasformare in alcun modo il prodotto o le sue parti, ciò potrebbe danneggiare l'efficienza, la struttura e provocare danni. Se si rileva qualche difetto di fabbrica, se si rilevano rumori insoliti o qualche anomalia, non guidare il veicolo e contatta il tuo rivenditore o visita il sito www.alemobility.com/it/ per ricevere assistenza tecnica.

3. PANORAMICA DEL PRODOTTO

Nell'ottica del continuo sviluppo tecnologico, la casa costruttrice si riserva di modificare il prodotto senza preavviso, senza che sia automaticamente aggiornato questo manuale.

Per informazioni e per consultare le revisioni di questo manuale visita il sito www.alemobility.com/it/

AL EXT



1. Faro anteriore
2. Leva del freno
3. Gancio
4. Meccanismo di chiusura
5. Ruota anteriore
6. Cavalletto
7. Porta di ricarica
8. Pedana
9. Clip di chiusura
10. Fanale posteriore

11. Parafango posteriore
12. Ruota motore posteriore
13. Pinza del freno
14. Campanello
15. Display
16. Acceleratore
17. Pulsante ON/OFF
18. Pulsante Luci
19. Porta USB

AL2



1. Gancio
2. Campanello
3. Leva del freno
4. Meccanismo di chiusura
5. Proiettore
6. Freno a tamburo
7. Cavalletto
8. Pedana
9. Ruota motore posteriore
10. Fanale

11. Parafango posteriore
12. Clip di chiusura
13. Porta di ricarica
14. Display
15. Acceleratore



Ricarica della batteria



Al primo utilizzo caricare il prodotto al 100%. Accertarsi che il prodotto, il caricabatterie e la porta di ricarica siano asciutti.

Istruzioni

- Aprire il cavalletto
- Spegnerne il prodotto

Modello	Immagine di riferimento	ISTRUZIONI
AL EXT		<ul style="list-style-type: none">• Utilizzare solo il caricatore in dotazione.• Collegare il caricabatterie prima alla presa a muro e solo dopo alla presa di ricarica.• Non accendere il monopattino elettrico mentre è in carica. <div data-bbox="612 659 814 707"></div> <p data-bbox="609 732 923 794">La luce rossa presente sull'alimentatore diventerà verde quando l'operazione di caricamento sarà terminata.</p>
AL2		<ul style="list-style-type: none">• Utilizzare solo il caricatore in dotazione.• Collegare il caricabatterie prima alla presa a muro e solo dopo alla presa di ricarica.• Non accendere il monopattino elettrico mentre è in carica. <div data-bbox="612 1115 814 1163"></div> <p data-bbox="609 1188 923 1250">La luce rossa presente sull'alimentatore diventerà verde quando l'operazione di caricamento sarà terminata.</p>

Per ricaricare questo prodotto utilizzare SOLO il caricabatterie in dotazione



Modello	Codice prodotto	Modello caricabatterie	Tensione di uscita	Tempo di ricarica
AL EXT	LA-MO-210001	FCA136-546020	54.6V - 2A	Circa 7 ore
	LA-MO-220002			
	LA-MO-210002			
	LA-MO-220013			
	LA-MO-220001			
AL2	LA-MO-220003	HLT-180-4201500	42V - 1.5A	Circa 5 ore
	LA-MO-220004			

L'utilizzo di un altro tipo di caricatore può danneggiare il prodotto o comportare altri potenziali rischi.

Non caricare mai il prodotto senza supervisione. Non accendere il prodotto durante la ricarica.

Dopo ogni utilizzo, ricaricare completamente la batteria per prolungarne la vita utile. Non ricaricare il prodotto immediatamente dopo l'uso. Lasciare che il prodotto si raffreddi per un'ora prima della ricarica.

Il prodotto non deve essere caricato per periodi prolungati. Il sovraccarico riduce la durata della batteria e comporta ulteriori rischi potenziali.

È consigliabile non permettere che il veicolo si scarichi completamente per evitare che si danneggi la batteria.

Il danno provocato da un'assenza di carica prolungata è irreversibile e non è coperto dalla garanzia limitata. Una volta avvenuto il danno, la batteria non può essere ricaricata (è vietato lo smontaggio della batteria da parte di personale non qualificato, in quanto ciò potrebbe provocare scosse elettriche, cortocircuiti o persino incidenti di sicurezza di notevole entità). Se ci si assenta per un certo periodo, ad esempio per le vacanze, e si affida il dispositivo a terzi, lasciarlo nello stato di carica parziale (20-50% di carica), non completamente carico.

Effettuare regolarmente l'ispezione visiva del caricabatterie e dei cavi del caricabatterie. Se il cavo del caricabatterie ha danni evidenti non utilizzarlo per evitare ulteriori danni e/o rischi, si prega di contattarci per la sostituzione.

Avvertenze sulla batteria

La batteria è composta da celle agli ioni di litio ed elementi chimici pericolosi per la salute e l'ambiente. Non utilizzare il prodotto se emette odori, sostanze o calore eccessivo. Non smaltire il prodotto o la batteria insieme ai rifiuti domestici. L'utente finale è responsabile dello smaltimento delle apparecchiature elettriche ed elettroniche e delle batterie in conformità con tutte le normative in vigore.

Evitare di utilizzare batterie usate, difettose e/o non originali, di altri modelli o marche.



Non lasciare la batteria vicino al fuoco o fonti di calore. Rischio di incendio ed esplosione.

Non aprire o smontare la batteria o colpire, lanciare, forare o attaccare oggetti alla batteria.

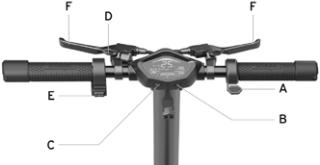
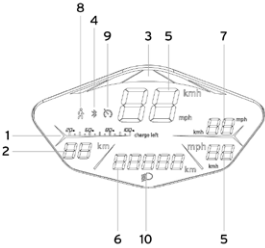
Non toccare eventuali sostanze fuoriuscite dalla batteria, poiché contiene sostanze pericolose. Non lasciare che bambini o animali tocchino la batteria.

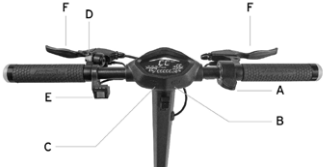
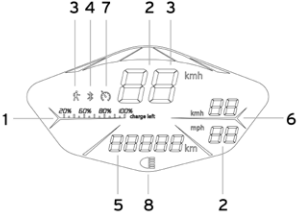
Non sovraccaricare o mandare in cortocircuito la batteria. Rischio di incendio ed esplosione.

Non immergere o esporre la batteria all'acqua, sotto la pioggia o ad altre sostanze liquide. Non esporre la batteria sotto la luce diretta del sole, a calore o freddo eccessivi (ad esempio, non lasciare il prodotto o la batteria in un'auto sotto la luce solare diretta per un periodo di tempo prolungato), ad un ambiente contenente gas esplosivi o fiamme.



Non trasportare o conservare la batteria insieme a oggetti metallici come forcine, collane, ecc. Il contatto tra oggetti metallici e contatti della batteria può provocare cortocircuiti che portano a danni fisici o morte.

4. INFORMAZIONI DEI COMANDI / PANNELLO DI CONTROLLO

Modello		
		
	<p>A. Acceleratore: premere verso il basso per accelerare.</p> <p>B. Pulsante di accensione: premere a lungo per accendere o spegnere il monopattino elettrico.</p> <p>Contachilometri ODO/TRIP: premere brevemente per 3 volte per passare dalla visualizzazione ODO a TRIP.</p> <p>C. Modalità di velocità: premere brevemente per cambiare il livello della velocità.</p> <p>Luci: premere a lungo il pulsante per accendere o spegnere le luci.</p>	<p>D. Campanello: premere 1 volta la leva per azionarlo.</p> <p>E. Indicatori di direzione: Premere l'interruttore a destra o sinistra per azionarle e/o disattivarle.</p> <p>F. Leva del freno: stringere la leva per frenare.</p>
AL EXT	<ol style="list-style-type: none"> Livello della batteria: stato di carica residua. Autonomia: stima della percorrenza residua. Modalità di velocità (barra LED): <ul style="list-style-type: none"> - Livello 1: colore verde - Livello 2: colore arancione - Livello 3: colore rosso Bluetooth: connessione smartphone disponibile. Tachimetro: velocità istantanea monopattino elettrico (km/h - mph). Contachilometri ODO / TRIP: premere brevemente per 3 volte per passare dalla visualizzazione ODO a TRIP. AVG speed: velocità media. Modalità pedone: aiuto a spingere il veicolo con fanale lampeggiante. Cruise control: mantenimento della velocità. Si attiva dopo aver mantenuto la stessa velocità per qualche secondo. Luci: spia di accensione delle luci. 	

Modello		
		
AL2	<p>A. Acceleratore: premere verso il basso per accelerare.</p> <p>B. Pulsante di accensione: premere a lungo per accendere o spegnere il monopattino elettrico.</p> <p>Contachilometri ODO/TRIP: premere brevemente per 3 volte per passare dalla visualizzazione ODO a TRIP.</p> <p>C. Modalità di velocità: premere brevemente per cambiare il livello della velocità.</p> <p>Luci: premere a lungo il pulsante per accendere o spegnere le luci.</p>	<p>D. Campanello: premere 1 volta la leva per azionarlo.</p> <p>E. Indicatori di direzione: Premere l'interruttore a destra o sinistra per azionarle e/o disattivarle.</p> <p>F. Leva del freno: stringere la leva per frenare.</p>
	<ol style="list-style-type: none"> Livello della batteria: stato di carica residua. Tachimetro: velocità istantanea del monopattino elettrico (km/h e mph) Modalità di velocità (TACHIMETRO): <ul style="list-style-type: none"> - Livello 1: Indicato dal numero 1 - Livello 2: indicato dal numero 2 - Livello 3: indicato dal numero 3 - Pedone: aiuto a spingere il veicolo con fanale lampeggiante. Bluetooth: connessione smartphone disponibile. Contachilometri ODO/TRIP: distanza totale percorsa e distanza singola sessione. AVG Speed: velocità media. Cruise control: mantenimento della velocità. Si attiva dopo aver mantenuto la stessa velocità per qualche secondo. Luci: spia di accensione delle luci. 	

Indicatori di direzione

Modello	
<p data-bbox="60 557 125 576">AL EXT</p> <p data-bbox="60 601 97 620">AL2</p>	<div data-bbox="288 180 886 474"></div> <p data-bbox="194 506 909 525">Gli indicatori di direzione sono posizionati all'estremità del manubrio (lato destro e sinistro).</p> <p data-bbox="194 550 928 591">Gli indicatori di direzione occorrono per segnalare tempestivamente qualsiasi cambiamento di direzione durante la guida.</p> <p data-bbox="194 649 449 668">Comando di azionamento:</p> <div data-bbox="232 685 586 1020"></div> <div data-bbox="646 656 847 703"> ATTENZIONE</div> <p data-bbox="646 729 967 790">Prima di ogni utilizzo del prodotto, verificare il corretto funzionamento degli indicatori di direzione.</p>

5. GUIDA RAPIDA

- Al primo utilizzo caricare il prodotto al 100%.
- Effettuare il controllo della pressione delle gomme (vedi il lato dello pneumatico per conoscere il valore consigliato). Nel caso in cui il prodotto non arrivi a fare almeno il 60% dei Km dichiarati o non raggiunga la velocità massima nei primi 3 mesi di utilizzo, è probabile che le ruote si siano nuovamente sgonfiate, bisognerà quindi ripristinare la pressione come indicato.
- Effettuare il controllo e la regolazione dei freni.
- Accendere il display.
- Posizionare il prodotto su una superficie piana.
- Tenere il manubrio saldamente con entrambe le mani. Salire sulla pedana con un piede e utilizzare l'altro per darsi una leggera spinta e accelerare.

ATTENZIONE

Funzione Zero Start: l'acceleratore entra in funzione una volta che la velocità di avanzamento supera i 3 km/h. **Per motivi di sicurezza, il prodotto è inizialmente impostato per evitare la partenza da fermo.**

- Quando si guida il prodotto, inclinare il corpo nella direzione di guida durante una svolta e ruotare lentamente il manubrio.
- Per fermare il prodotto, rilasciare l'acceleratore e premere la leva freno.
- Per scendere, fermare prima completamente il veicolo. Scendere dal monopattino elettrico in movimento può provocare lesioni.
- Prima di ogni utilizzo controllare i freni e la loro usura, controllare la pressione degli pneumatici (vedi il lato dello pneumatico per conoscere il valore consigliato), l'usura delle ruote, l'acceleratore e lo stato di carica della batteria.

Regolazione della posizione delle leve dei freni

AL EXT / AL2

Regolazione dei freni

È possibile regolare la posizione della leva del freno qualora lo necessiti attraverso il punto A. (vedi immagine)

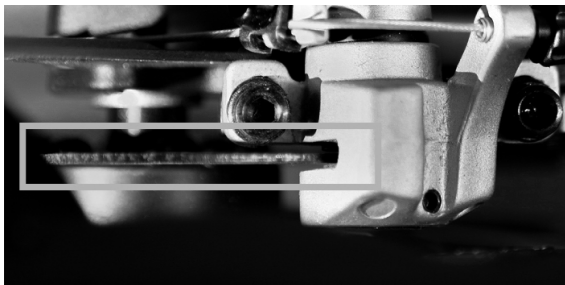
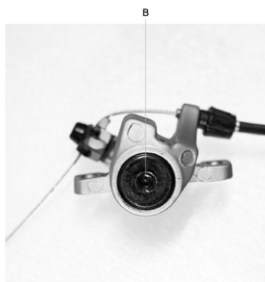
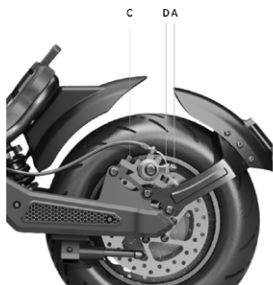


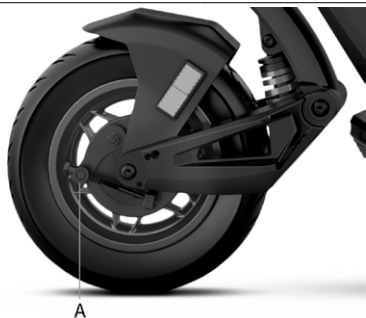
AL EXT

Regolazione della pinza freno

Nel caso in cui il freno sia troppo tirato o troppo allentato, utilizzare la chiave esagonale per allentare la vite (A), poi regolare il cavo del freno, (accorciare il cavo del freno verso l'alto se è troppo stretto. Se il cavo è troppo allentato, tirare il cavo verso il basso) e poi, stringere di nuovo la vite (A). Se dovesse risultare troppo lento o troppo tirato anche dopo aver seguito il primo passaggio potrebbe essere necessario regolare la pastiglia del freno (fissa) che potete regolare attraverso la ruota dal lato opposto. Utilizzare la chiave esagonale per allontanare (in senso antiorario) o avvicinare (in senso orario) la pastiglia freno (B) (vedi immagine). Verifica il corretto allineamento tra la pinza freno e il disco. Utilizzare le viti C e D per regolare la posizione / allineamento sul disco se necessario.

Per la pinza freno posteriore svitare e rimuovere le viti C e D, successivamente rimuovere la pinza freno dal disco.



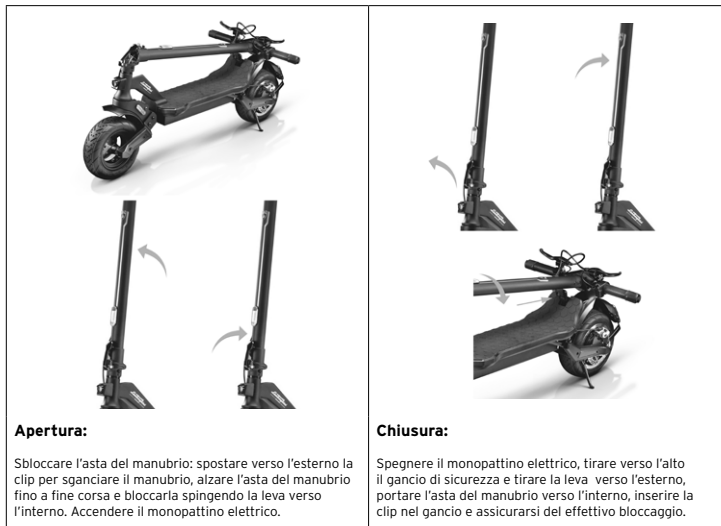
**Regolazione del freno a tamburo:**

Nel caso in cui il freno sia troppo tirato o troppo allentato, agire allentando o stringendo la vite (A). Se la leva del freno dovesse risultare troppo morbida o troppo dura anche dopo aver seguito il primo passaggio potrebbe essere necessario ripetere l'operazione fino a raggiungere un settaggio ottimale.

6. PIEGARE E TRASPORTARE

Assicurarsi che il monopattino elettrico sia spento. Tenere il piantone del manubrio con la mano, tirare la leva, ripiegare il piantone del manubrio verso la pedana e agganciare.

AL EXT



Clip manubrio

**Apertura:**

Sbloccare l'asta del manubrio dalla pedana: premere sulla clip per sganciare il manubrio, alzare l'asta del manubrio fino a fine corsa e bloccarla spingendo la leva del meccanismo di chiusura verso l'interno. Accendere il monopattino elettrico.

Leva del meccanismo di chiusura

**Chiusura:**

Spegnere il monopattino elettrico, sbloccare il meccanismo di chiusura: premere il gancio rosso e tirare la leva verso l'esterno (vedi immagine), portare l'asta del manubrio verso l'interno e assicurarsi dell'effettivo bloccaggio.



Dopo la ripiegatura, sollevare tenendo il piantone del manubrio con una o entrambe le mani.



Assicurarsi di tenere saldamente il prodotto durante il trasporto. Se non si è sicuri di poter mantenere il peso del prodotto non continuare il trasporto con il prodotto sollevato. Il prodotto, se lasciato improvvisamente cadere può causare lesioni anche gravi, e danneggiarsi.

7. AUTONOMIA E PRESTAZIONI

La massima autonomia e le prestazioni del veicolo dipendono da diverse variabili:

Terreno: la guida su pavimentazione liscia comporta autonomia e prestazioni maggiori rispetto alla guida su strade sconnesse e salite.

Peso dell'utente: maggiore è il peso, minori saranno l'autonomia e le prestazioni del veicolo.

Temperatura: la guida del monopattino elettrico in un ambiente molto freddo o caldo influenza l'autonomia e le prestazioni.

Velocità e stile di guida: la guida fluida e costante estende l'autonomia. Continue accelerazioni, decelerazioni e manovre riducono molto l'autonomia. La velocità più bassa prolunga l'autonomia.

Manutenzione: la ricarica tempestiva, la corretta manutenzione e il controllo regolare della pressione delle gomme (vedi valore di riferimento nella sezione 10) aumentano l'autonomia e garantiscono prestazioni costanti nel tempo.

Il livello di carica della batteria influisce sulle prestazioni, minore è il livello minori saranno le prestazioni di velocità, soprattutto in presenza di salite.

8. CONSERVAZIONE, MANUTENZIONE E PULIZIA

Se sono presenti macchie sul corpo del prodotto, pulirle con un panno umido. Se le macchie persistono, applicarvi sopra del sapone neutro, spazzolarle con uno spazzolino, quindi pulire con un panno umido. Se sono presenti graffi sui componenti in plastica, utilizzare carta vetrata o altro materiale abrasivo per rimuoverli. Non pulire il prodotto con alcol, benzina, cherosene o altri solventi chimici corrosivi e volatili per evitare di danneggiarlo in modo grave. Non lavare il prodotto con getti di acqua ad alta pressione. Durante la pulizia accertarsi che il prodotto sia spento, il cavo di ricarica scollegato e il tappo in gomma chiuso in quanto un'infiltrazione d'acqua potrebbe provocare scosse elettriche o altri gravi problemi. Le infiltrazioni d'acqua nella batteria possono comportare danni ai circuiti interni, rischio di incendio o di esplosione. Se si ha il dubbio che ci sia un'infiltrazione d'acqua nella batteria, sospendere immediatamente l'utilizzo della batteria e restituirla al servizio di assistenza tecnica o presso il rivenditore per un controllo.

Quando il prodotto non viene utilizzato conservarlo al chiuso in un luogo secco e fresco. Non conservarlo all'aperto o all'interno dell'auto per un periodo di tempo prolungato. Luce del sole eccessiva, surriscaldamento e freddo eccessivo accelerano l'invecchiamento delle gomme e compromettono la vita utile sia del prodotto che della batteria. Non esporlo a pioggia o acqua, né immergerlo e lavarlo con acqua.

Controllare regolarmente il serraggio dei vari elementi imbullonati, in particolare gli assi delle ruote, il sistema di piega e trasporto, il sistema di sterzo, il sistema frenante, il buono stato del telaio, delle forcelle e delle sospensioni. I dadi e tutti gli altri fissaggi auto serranti possono perdere la loro efficienza, è quindi necessario controllare periodicamente e stringere questi componenti.

Come tutti i componenti meccanici, anche questo prodotto è soggetto ad usura e forti sollecitazioni. Materiali e componenti diversi possono reagire all'usura o alla fatica da sollecitazione in modi diversi. Se la vita utile di un componente venisse superata, potrebbe rompersi improvvisamente, causando lesioni al conduttore. Qualsiasi forma di crepa, graffio o cambiamento di colorazione in zone molto sollecitate indica che la vita del componente è stata raggiunta e deve essere sostituito.

Verificare lo stato di usura delle gomme: non vi devono essere tagli, screpolature, corpi estranei, rigonfiamenti anomali, mancanza di pezzi e altri danni. Per la pressione degli pneumatici fare riferimento al valore presente nella sezione 10 del presente manuale di istruzione.

Non tentare di smontare o riparare il prodotto per conto proprio. La sostituzione di tutti i componenti del monopattino elettrico va effettuata dal servizio di assistenza tecnica autorizzato, per saperne di più contatta il tuo rivenditore o visita il sito: www.alemobility.com/it/

9. CONFIGURAZIONE APP

Di seguito i prodotti dotati di Bluetooth e che possono essere abbinati all'app AL e-Mobility: AL EXT, AL 2.

L'app permette il controllo del prodotto direttamente dal proprio smartphone.

Eeguire la scansione del QR CODE per scaricare e installare l'app. Se l'app non viene trovata si consiglia di cercarla sul proprio servizio app di riferimento.

Aprire l'app e seguire le istruzioni riportate sul proprio servizio app di riferimento.



Aprire l'app e seguire le istruzioni riportate sul tuo servizio app di riferimento.



L'app potrebbe richiedere diverse autorizzazioni necessarie per l'utilizzo e la funzionalità dell'app stessa.

La versione dell'app potrebbe essere stata aggiornata sul proprio servizio app. Si consiglia di controllare costantemente gli aggiornamenti dell'app per usufruire di nuove funzionalità e di installare sempre l'ultima release dell'app sul proprio dispositivo.

Non utilizzare il proprio dispositivo durante la guida.

10. SCHEDA TECNICA

Informazioni generiche

AL EXT

Telaio	Acciaio e alluminio	
Sospensioni	Anteriore e posteriore	
Velocità	LA-MO-210001; LA-MO-210002; LA-MO-220013 Pedone: ≤ 6km/h L1: ≤ 15km/h L2: ≤ 20km/h L3: ≤ 25km/h (velocità max) * *in base al paese di circolazione	LA-MO-220001; LA-MO-220002 Pedone: ≤ 6km/h L1: ≤ 10km/h L2: ≤ 15km/h L3: ≤ 20km/h (velocità max) * *in base al paese di circolazione
Pendenza massima **	22%	
Freni	Freno a disco anteriore, freno a disco ed elettronico posteriore	
Pneumatici	Misura: 90/65-6.5 Pressione: 50 psi / 3.5 bar	
Carico massimo	120kg	
Conducente	Controllare la normativa vigente nel proprio paese	
Temperatura di esercizio	-0°C / 45°C	
Livello di protezione	IPX4	
Tempo di carica	circa 7 ore	
Autonomia**	fino a 40km	

Sistema elettrico

Potenza nominale Motore	0.50kW; 500W Brushless
Potenza massima Motore	0.900kW; 900W
Display	LED integrato
Batteria	48V 12.5Ah 600Wh
Protezione bassa tensione	42V
Limite di corrente	20A
KERS	Si
Luci	LED anteriore e posteriore
Funzionalità	Bluetooth

Misure

Peso netto	30.6Kg
Peso lordo	38.75Kg

* Rispettare sempre il codice della strada e le norme in materia vigenti nel paese di circolazione.

** Soggetto a variazioni in base al peso del conducente, alle condizioni della strada e alla temperatura.

Informazioni generiche

AL2

Telaio	Lega di alluminio	
Sospensioni	Anteriore e posteriore	
Velocità	LA-MO-220003 Pedone: ≤ 6km/h L1: ≤ 15km/h L2: ≤ 20km/h L3: ≤ 25km/h (velocità max) * *in base al paese di circolazione	LA-MO-220004 Pedone: ≤ 6km/h L1: ≤ 10km/h L2: ≤ 15km/h L3: ≤ 20km/h(velocità max) * *in base al paese di circolazione
Pendenza massima **	16%	
Freni	Freno a tamburo anteriore, freno elettrico posteriore	
Pneumatici	Misura: 10" x 2.125 con camera a d'aria Pressione: 36 psi / 2.5 bar	
Carico massimo	120kg	
Conducente	Controllare la normativa vigente nel proprio paese	
Temperatura di esercizio	-0°C / +45°C	
Livello di protezione	IPX5	
Tempo di carica	circa 5 ore	
Autonomia**	fino a 35km	

Sistema elettrico

Potenza nominale Motore	0.35kW; 350W brushless
Potenza massima Motore	0.55kW; 550W
Display	LED integrato
Batteria	36V 8Ah 288Wh
Protezione bassa tensione	31 + / - 0.5V
Limite di corrente	17A
KERS	Si
Luci	LED anteriore e posteriore
Funzionalità	Bluetooth con app
Misure	
Peso netto	19Kg
Peso lordo	22Kg

* Rispettare sempre il codice della strada e le norme in materia vigenti nel paese di circolazione.

** Soggetto a variazioni in base al peso del conducente, alle condizioni della strada e alla temperatura.

11. RISOLUZIONE DEI PROBLEMI

Errore	Causa	Soluzione
Il motore non funziona	Problema elettrico, presenza di codice errore	Richiedere assistenza tecnica
La ruota motrice non gira	Problema ai freni Il motore è bloccato	Regolare i freni, se il problema persiste richiedere assistenza tecnica Verificare il corretto serraggio della ruota, verificare che la ruota gira senza accendere il veicolo. Se il problema persiste richiedere assistenza tecnica
Il motore si spegne mentre è in funzione	Surriscaldamento del motore Presenza di codice errore	Fermare il veicolo e attendere che si raffreddi Richiedere assistenza tecnica
Dopo averlo caricato, il prodotto non si accende o si spegne dopo pochi km.	Batteria danneggiata	Richiedere assistenza tecnica
La batteria non si carica o il prodotto non si accende	Problemi di connessione La batteria non è collegata (modelli con batteria rimovibile) La batteria è scarica Batteria danneggiata Problemi al caricabatterie	Richiedere assistenza tecnica Verificare se il connettore di alimentazione è collegato. Caricare la batteria al 100% Richiedere assistenza tecnica Sostituire il caricabatterie

AL EXT / AL2

Tabella codici errore

Codice errore	Definizione
E1	Anomalia connettività motore
E2	Anomalia MOS o fase motore in cortocircuito
E3	Anomalia sensore del freno
E4	Anomalia elettronica manubrio
E5	Protezione bassa tensione
E6	Comunicazione della strumentazione fallita
E7	Protezione alta tensione
E8 / E9	Anomalia centralina/BMS

12. RESPONSABILITÀ E TERMINI DI GARANZIA

Il conducente si assume tutti i rischi relativi al mancato utilizzo di un casco e di altri dispositivi di protezione.

Il conducente ha l'obbligo di rispettare le normative locali vigenti in relazione:

1. All'età minima consentita per il conducente,
2. Alle restrizioni sulla tipologia dei conducenti che possono utilizzare il prodotto
3. A tutti gli altri aspetti normativi

Il conducente ha altresì l'obbligo di mantenere pulito ed in perfetto stato di efficienza e di manutenzione il prodotto, di eseguire diligentemente i controlli di sicurezza di sua competenza come descritti nelle sezioni precedenti, di non manomettere il prodotto in nessun modo e di conservare tutta la documentazione relativa alla manutenzione.

L'azienda non risponde dei danni causati e non è in alcun modo responsabile dei danni provocati a cose o persone nelle fattispecie in cui:

- il prodotto venga utilizzato in modo improprio o non conforme a quanto riportato nel manuale di istruzioni;
- il prodotto, in seguito all'acquisto, venga alterato o manomesso in tutti o in alcuni dei suoi componenti.

In caso di malfunzionamento del prodotto per cause non imputabili a comportamenti scorretti del conducente e nel caso in cui si voglia consultare i termini generali di garanzia si prega di contattare il proprio rivenditore o di visitare il sito www.alemobility.com/it/

Sono sempre esclusi dal campo di applicazione della Garanzia Legale dei Prodotti eventuali guasti o malfunzionamenti causati da fatti accidentali e/o ascrivibili a responsabilità dell'Acquirente ovvero da un uso del Prodotto non conforme alla sua destinazione d'uso e/o a quanto previsto nella documentazione tecnica allegata al Prodotto, ovvero dovuti a mancata regolazione delle parti meccaniche, naturale usura dei materiali logorabili o causati da errori di assemblaggio, carenza di manutenzione e/o da utilizzo dello stesso non conforme alle istruzioni.

Sono, per esempio, da considerarsi esclusi dalla Garanzia Legale relativa ai Prodotti:

- i danni causati da urti, cadute accidentali o collisioni, forature;
- i danni causati da utilizzo, esposizione o rimessaggio in ambiente non adeguato (es: presenza di pioggia e/o fango, esposizione all'umidità o fonte di calore eccessiva, contatto con la sabbia o con altre sostanze)
- i danni causati da mancata regolazione per messa in strada e/o manutenzione di parti meccaniche, freni a disco meccanico, manubrio, pneumatici ecc.; l'errata installazione e/o l'errato assemblaggio di parti e/o componenti
- la naturale usura dei materiali logorabili: freno a disco meccanico (es: pastiglie, pinze, disco, cavi), pneumatici, pedane, guarnizioni, cuscinetti, luci led e lampadine, cavalletto, manopole, parafanghi, parti in gomma (pedana), cablaggi dei connettori dei cavi, mascherine e adesivi, ecc.;
- la manutenzione impropria e/o l'uso improprio della batteria del Prodotto;
- la manomissione e/o la forzatura di parti del Prodotto;
- la manutenzione o la modificazione scorretta o non adeguata del Prodotto;
- l'utilizzo improprio del Prodotto (es: carico eccedente, uso in competizioni e/o per attività commerciali di affitto o noleggio);
- manutenzioni, riparazioni e/o interventi tecnici sul Prodotto effettuati da soggetti terzi non autorizzati;
- danni ai Prodotti derivanti dal trasporto, ove effettuato a cura dell'Acquirente;
- danni e/o difetti derivanti dall'uso di parti di ricambio non originali.

Invitiamo a consultare la versione più aggiornata dei termini di garanzia disponibile al sito www.alemobility.com/it/assistenza/



Trattamento del dispositivo elettrico o elettronico a fine vita (applicabile in tutti i paesi dell'unione europea ed in altri sistemi europei con sistema di raccolta differenziata)



Questo simbolo sul prodotto o sulla confezione indica che il prodotto non deve essere considerato come un normale rifiuto domestico, ma deve invece essere consegnato ad un punto di raccolta appropriato per il riciclo di apparecchi elettrici ed elettronici (RAEE).

Assicurarsi che questo prodotto sia smaltito correttamente, così da contribuire a prevenire potenziali conseguenze negative per l'ambiente e per la salute che potrebbero altrimenti essere causate dal suo smaltimento inadeguato. Il riciclaggio dei materiali aiuta a conservare le risorse naturali.

Per informazioni più dettagliate circa il riciclo e lo smaltimento di questo prodotto contattare il servizio locale di smaltimento rifiuti oppure il punto vendita dove è stato acquistato.

In ogni caso occorre effettuare lo smaltimento secondo la normativa vigente nel Paese d'acquisto.

In particolare, i consumatori hanno l'obbligo di non smaltire i RAEE come rifiuti urbani, ma devono partecipare alla raccolta differenziata di questa tipologia di rifiuti attraverso due modalità di consegna:

- Presso i Centri di Raccolta comunali (anche dette Eco-piazzole, isole ecologiche), direttamente o tramite i servizi di raccolta delle municipalizzate, ove questi siano disponibili;
- Presso i punti di vendita di nuove apparecchiature elettriche ed elettroniche.

Qui si possono consegnare gratuitamente i RAEE di piccolissime dimensioni (con il lato più lungo inferiore a 25 cm), mentre quelli di dimensioni maggiori possono essere conferiti in modalità 1 contro 1, ovvero consegnando il vecchio prodotto nel momento in cui se ne acquista uno nuovo di pari funzioni.

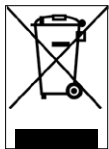
Inoltre la modalità 1 contro 1 è sempre garantita durante l'atto di acquisto da parte del consumatore di una nuova AEE, indipendentemente dalla dimensione del RAEE.

In caso di smaltimento abusivo di apparecchiature elettriche o elettroniche potrebbero essere applicate le sanzioni previste dalla normativa vigente in materia di tutela ambientale (normativa italiana, è necessario verificare le normative in essere nel paese di utilizzo/smaltimento del mezzo).

Qualora i RAEE contengano pile o accumulatori, questi devono essere rimossi e soggetti ad una specifica raccolta differenziata.



Trattamento delle batterie esauste (applicabile in tutti i paesi dell'unione europea ed in altri sistemi europei con sistema di raccolta differenziata)



Questo simbolo sul prodotto o sulla confezione indica che la batteria non deve essere considerata un normale rifiuto domestico. Su alcuni tipi di batterie questo simbolo potrebbe essere utilizzato in combinazione con un simbolo chimico.

I simboli chimici del Mercurio (Hg) o del Piombo (Pb) sono aggiunti se la batteria contiene più dello 0,0005% di mercurio o dello 0,004% di piombo.

Assicurarsi che le pile-batterie siano smaltite correttamente, così da contribuire a prevenire potenziali conseguenze negative per l'ambiente e per la salute che potrebbero altrimenti essere causate dal loro smaltimento inadeguato. Il riciclaggio dei materiali aiuta a conservare le risorse naturali. In caso di prodotti che, per motivi di sicurezza, prestazione o protezione dei dati richiedano un collegamento fisso ad una pila/batteria interna, la stessa dovrà essere sostituita solo da personale di assistenza qualificato.

Consegnare il prodotto a fine vita a punti di raccolta idonei allo smaltimento di apparecchiature elettriche ed elettroniche: questo assicura che anche la pila al suo interno venga trattata correttamente.

Per informazioni più dettagliate circa lo smaltimento della pila-batteria esausta o del prodotto, potete contattare il servizio locale di smaltimento rifiuti oppure il punto vendita dove lo avete acquistato.

In ogni caso occorre effettuare lo smaltimento secondo la normativa vigente nel Paese d'acquisto.

Este manual es válido para el siguiente patinete eléctrico:

AL EXT AL2

Manual del usuario
LA-MO-000001 rev. 2

Instrucciones traducidas del italiano original

Gracias por elegir este producto.

Para obtener información, asistencia técnica, asistencia y para consultar las condiciones generales de garantía contacta con tu vendedor o visita el sitio www.alemobility.com/en/support/

Índice

1. Instrucciones de seguridad
2. Contenido del empaque y ensamblaje
3. Panorámica del producto
4. Información de los mandos / Panel de control
5. Guía rápida
6. Plegar y transportar
7. Autonomía y rendimientos
8. Conservación, mantenimiento y limpieza
9. Configuración de la app
10. Ficha técnica
11. Solución de los problemas
12. Responsabilidad y términos generales de garantía

1. INSTRUCCIONES DE SEGURIDAD



ATENCIÓN

¡IMPORTANTE! Antes de utilizar el producto, leer y seguir atentamente las siguientes instrucciones. Guardar este manual para futuras consultas o nuevos usuarios.

Tómese el tiempo necesario para aprender las bases de la práctica y así evitar cualquier accidente que pueda producirse en los primeros meses. Consultar al propio distribuidor para recibir el adecuado soporte en relación a las correctas modalidades de uso del producto o para ser enviado a una organización de formación adecuada.

La empresa declina toda responsabilidad directa o indirecta derivada del uso incorrecto del producto, incumplimientos relacionados tanto a las normativas de circulación como a las instrucciones de este manual, accidentes y conflictos causados por la falta de respeto de las normativas y por acciones ilegales.

Este producto se usará con fines recreativos, deberá ser utilizado por una sola persona y no para el transporte de pasajeros, por lo tanto no deberá ser utilizado por más de una persona al mismo tiempo.

No cambiar de ningún modo la finalidad de uso del vehículo. Este producto no es apto para realizar acrobacias, competiciones, transporte de objetos, remolcar otros vehículos o aplicaciones.

El **monopatín eléctrico** debe usarse con prudencia, respetando siempre las **normas** impuestas por el Código Vial del país de circulación, para evitar peligros y, cuidando al máximo de nosotros mismos y de los demás.



ATENCIÓN

Requisitos indicativos de proyecto de vehículo:

Modelo de monopatín eléctrico	AL EXT Green	AL EXT Bronze	AL2
Código del producto con intermitentes incluidos	LA-MO-210001	LA-MO-220013	LA-MO-220003
	LA-MO-220002	LA-MO-220001	LA-MO-220004
Peso MÍN. (Kg)	30	30	30
Peso MÁX. (Kg)	120	120	120
Edad MÍN *	14	14	14
Edad MÁX *	65	65	65
Altura (cm) MÍN	120	120	120
Altura (cm) MÁX	200	200	200

* Antes de utilizar el producto verificar y seguir las normativas locales vigentes en relación con la edad mínima permitida para el conductor, con las restricciones sobre el tipo de conductores que pueden utilizar el producto y con el propio uso de este tipo de producto.

El nivel de presión acústica (ruido) de emisión ponderado A al oído del conductor es inferior a 70 dB(A).

Forma gráfica de las advertencias de seguridad

Para identificar los mensajes de seguridad en el presente manual, se utilizarán los siguientes símbolos gráficos de señalización. Éstos tienen la función de llamar la atención del lector / usuario en aras de un uso correcto y seguro del producto.



Prestar atención

Destaca las reglas para respetar para evitar los daños al producto y/o impedir la verificación de situaciones peligrosas.



Riesgos residuales

Evidenciar la presencia de peligros que causan riesgos residuales a los cuales el usuario debe prestar atención para evitar lesiones o daños materiales.

Advertencias generales



Es importante tener presente que, cuando se está en un lugar público o en la calle, aun siguiendo este manual al pie de la letra, no se está inmune a lesiones causadas por infracciones o acciones inapropiadas realizadas frente a otros vehículos, obstáculos o personas. El mal uso del producto o el incumplimiento de las instrucciones de este manual pueden provocar daños serios.

Este producto es un vehículo eléctrico. Mientras más velocidad se conduce, más se extiende el espacio de frenado. El frenado de emergencia en calles resbaladizas, mojadas o congeladas puede hacer derrapar las ruedas y hacer perder el equilibrio. Es necesario mantener una velocidad adecuada y una distancia de seguridad de otros vehículos y peatones. Prestar mayor atención cuando se conduce en calles desconocidas. No abrir el caballete cuando se utiliza el producto por riesgo a daños personales y del producto graves.



¡En calzadas mojadas, la distancia de frenado aumenta y la adherencia disminuye considerablemente en comparación con calzadas secas! ¡Conducir con más cuidado, respetar las distancias!

Para la propia seguridad, usar siempre casco, rodilleras y coderas para protegerse de eventuales caídas y lesiones mientras se conduce el producto. Cuando se presta el producto, hacer usar los accesorios de seguridad al conductor y explicar cómo utilizar el vehículo. Para evitar lesiones, no prestar el producto a personas que no saben cómo utilizarlo. Portar siempre calzado antes de utilizar el producto.

Los niños no deben jugar con el monopatín eléctrico ni con sus piezas, ni deben permitírseles intervenciones de limpieza o de mantenimiento.

Cuando conduzcas el producto, ten cuidado para no asustar a los niños ni a los peatones. Cuando pases por detrás de ellos, avísalos utilizando el timbre y frena a una velocidad mínima 6 km/h.

Instrucciones y advertencias sobre el comportamiento en la conducción

Condiciones	Uso apropiado/previsto	Utilización incorrecta
Conductores	Uno	Más personas, con niños o animales
Equipamiento de seguridad	Casco, rodilleras, coderas, chaleco reflectante	Ningún equipamiento
Control antes de la conducción	<p>Antes de cada uso controlar los frenos y su desgaste, controlar la presión de los neumáticos (ver el lado del neumático para conocer el valor recomendado), el desgaste de las ruedas, el acelerador, los intermitentes, las luces y el estado de carga de la batería.</p> <p>Si se detectan ruidos insólitos o alguna anomalía, no utilizar el producto y contactar con el propio revendedor o con el Servicio de Asistencia Técnica autorizado</p>	<p>Jamás controlar el producto antes de la conducción</p> <p>Utilizar el producto en presencia de sonidos y anomalías</p>
Caminar impulsando el producto	<p>No acelerar</p> <p>Impulsar caminando en los cruces peatonales</p> <p>En áreas peatonales si no se dispone de modalidad peatón (6 km/h)</p> <p>En áreas superpobladas</p>	<p>Presionar el acelerador</p> <p>Conducir el vehículo en los cruces peatonales</p> <p>Conducir el vehículo en áreas peatonales si no se dispone de modalidad peatón (6 km/h)</p> <p>Conducir el vehículo en áreas superpobladas</p>
Desde cero	La persona que conduce este producto debe poder apoyar fácilmente ambos pies sobre la tierra sujetando el manillar a una altura correcta	<p>No ser capaz de mantener el producto quieto y en equilibrio</p> <p>Sentarse sobre el producto en marcha o detenido</p>

Condiciones	Uso apropiado/previsto	Utilización incorrecta
Conducción en condiciones normales	Ningún objeto colgado en el manillar	Objetos colgados al manillar causan inestabilidad y pueden ser un obstáculo durante las maniobras
	Conducción con las dos manos en el manillar No utilizar dispositivos como teléfonos, smartwatch, lectores musicales, auriculares	Conducción con una sola mano o sin manos Utilizar dispositivos como teléfonos, smartwatch, lectores musicales, auriculares
	Conducción con ambos pies sobre la plataforma en modo cómodo y seguro	Conducción con uno o más pies fuera de la plataforma Está prohibido colocar y concentrar el peso sobre el parachoques trasero.
	Conducción con casco y equipamiento de protección	Conducción sin casco y equipamiento de protección
	Conducción en calles fácilmente accesibles, lisas y compactas, evitar áreas de tráfico intenso o áreas superpobladas: por ej.: pista para bicicletas dedicada a tal fin, superficies con pavimento liso	Conducción en autopista, calles de largo recorrido Conducción en calles transitadas Conducción en veredas Conducción en áreas superpobladas Conducción en calles con muchos baches
	Respetar las normativas locales vigentes y el código de la calle	Conducción en proximidad a: barrancos, acantilados, puertos, mares, lagos y ríos Incumplimiento de las normativas vigentes y del código de la calle
	Mirar siempre hacia adelante y prestar atención a todos los obstáculos, vehículos y peatones circundantes	Distraerse mientras se conduce
	Cambiar dirección asegurándose de ser visto moderando la velocidad En todo caso anticipar la trayectoria y moderar la velocidad respetando el código de la calle y los más vulnerables Utilizar siempre los indicadores de dirección si están previstos en el producto	Cambiar dirección bruscamente y a alta velocidad sin asegurarse de ser visto Frenar y girar al mismo tiempo desestabiliza el vehículo No utilizar los indicadores de dirección
Ralentizar en presencia de peatones Utilizar la modalidad peatón en zonas peatonales (6 km/h) Advertir la propia presencia utilizando la campanilla	Acelerar o mantener constante la velocidad en presencia de peatones Conducir sin utilizar la modalidad peatón en zonas peatonales (6 km/h) No advertir la propia presencia utilizando la campanilla	
Condiciones de tránsito irregulares: badenes artificiales/peldaños/calzada con baches	Conducción a velocidad moderada Flexionar ligeramente las rodillas para una mejor absorción de los impactos cuando se atraviesa una superficie irregular.	Conducción a alta velocidad Acelerar en badenes o cunetas, bajar por los peldaños, saltar obstáculos, subir a las veredas, conducir de forma rígida.

Condiciones	Uso apropiado/previsto	Utilización incorrecta
Comportamiento: en curva, en bajada, en presencia de obstáculos, vehículos y peatones cercanos	Mantener la distancia de seguridad Dejar de acelerar Frenar y ralentizar Conducción a velocidad moderada y frenar de forma segura Prestar atención a las puertas y a otros obstáculos en altura	No respetar la distancia de seguridad Acelerar Conducción a alta velocidad, frenar de forma repentina Pasar sobre obstáculos en altura
Condiciones de visibilidad	Conducir solamente en el caso de que haya suficiente luz para poder conducir de modo seguro. En caso de conducir bajo condiciones de luz no favorables (por media hora después del atardecer, en todo el período de oscuridad y también de día, siempre que las condiciones atmosféricas excluyan la visibilidad de la calle, si se transita por el interior de galerías) se recuerda activar las luces del producto y usar un chaleco o tirantes reflectantes.	Conducir en condiciones de luz no favorables con las luces apagadas y sin usar un chaleco o tirantes reflectantes.
Condiciones meteorológicas	Conducción en condiciones meteorológicas óptimas (sin lluvia)	Conducción en condiciones adversas: bajo la lluvia, cuando nieva, en presencia de hielo o fango en la calle, viento fuerte, en caso de niebla.
Estacionar	En áreas específicas sin obstaculizar la circulación de vehículos y peatones Sobre superficies lisas asegurando la estabilidad Apagar el producto y utilizar siempre un dispositivo antirrobo Utilizar el caballete incluido	En cualquier lugar obstaculizando la circulación de vehículos y peatones Sobre superficies irregulares y sin asegurar la estabilidad Dejar el producto encendido, desprotegido sin un dispositivo antirrobo
Practicar deportes extremos/ acrobacias	NO	Sí, uso impropio: Conducción en proximidad a: barrancos, acantilados, puertos, mares, lagos y ríos Conducción sobre charcos Competir con otros vehículos
Exponer el producto a golpes fuertes	NO	Sí, uso impropio: Lanzarse encima de cosas o personas, lanzarse desde los peldaños o desde lo alto

Qué hacer luego de una caída:

Verificar que la palanca del acelerador funcione correctamente. Para ello, acelerar y desacelerar varias veces.

Verificar siempre que los frenos funcionen correctamente. Para ello, bajar del producto, impulsar el producto hacia adelante y frenar para asegurarse que responda a los mandos.

Verificar que todos los componentes del vehículo estén en posición y fijados de modo seguro.

Verificar el desgaste y la presión de los neumáticos (ver el lado del neumático para conocer el valor recomendado).


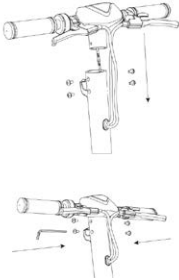

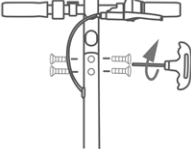
Verificar el desgaste de los frenos y de los cables.



Los frenos podrían calentarse durante el uso. No tocar luego del uso.

2. CONTENIDO DEL EMPAQUE Y ENSAMBLAJE

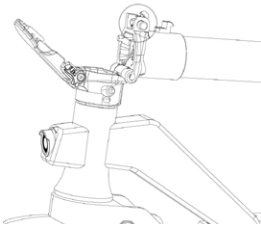
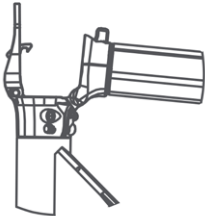
Producto ensamblado, el manubrio será para instalar con los tornillos correspondientes contenidos en el empaque.

Modelo	Imagen de referencia	En el embalaje	Montaje del manillar
AL EXT		<p>Accesorios:</p> <p>1x Llave Allen</p> <p>4x Tornillos de manillar</p> <p>1x Cargador de batería</p>	
AL2		<p>Accesorios:</p> <p>1x Llave Allen</p> <p>2x Tornillos de manillar</p> <p>1x Cargador de batería</p>	

Pasos

AL EXT / AL2

- Sacar el producto del embalaje.
- Abrir el soporte del manillar y asegurarlo cerrando la palanca del mecanismo de bloqueo.
- Conectar el cable de alimentación de la pantalla al mazo de cables principal (si es necesario).
- Instalar el manillar en la columna del manillar (no pise los cables).
- Introducir y apretar los tornillos del pilar con la llave suministrada.
- Instalar el caballete (si es necesario).
- Ajustar el mecanismo de bloqueo en el pilar* (si es necesario).
- Cuando se utilice por primera vez, cargue el producto al 100%.

Modelo	Imagen de referencia	* Ajuste del mecanismo de bloqueo de la columna
AL EXT		<p>En el interno del mecanismo se encuentra un tornillo hexagonal.</p> <p>Si el plantón del manubrio resulta poco estable después del cierre, regular el tornillo del mecanismo atornillando o desatornillando lo necesario para aumentar la estabilidad del plantón.</p>
AL2		<p>En el interior del mecanismo hay un tornillo hexagonal.</p> <p>Si la potencia del manillar es inestable después de cerrarla, ajuste el tornillo del mecanismo enroscándolo o desenroscándolo lo suficiente para aumentar la estabilidad de la potencia.</p>

 **ATENCIÓN**

Ensamblar correctamente el producto. En caso de que se detecte en el ensamblaje algún defecto de fábrica, pasos que no quedan claros o dificultades en el montaje mismo o en los ajustes, no conducir el vehículo y conectar con el vendedor o visitar el sitio web www.alemobility.com/en/ para recibir asistencia técnica.

No utilizar accesorios y/o piezas adicionales no aprobadas por el productor.

Mantener las piezas plásticas alejadas de los niños (incluso los materiales de empaquetado) y piezas pequeñas que pueden provocar asfixia.

Está prohibido modificar o transformar de ningún modo el producto o sus piezas. Esto podría dañar la eficiencia, la estructura y provocar daños. Si se detecta algún defecto de fábrica, ruidos anómalos o alguna anomalía, no conducir el vehículo y contactar con el revendedor o visitar el sitio www.alemobility.com/en/ para recibir asistencia técnica.

3. PANORÁMICA DEL PRODUCTO

Con vistas al continuo desarrollo tecnológico, el fabricante se reserva la modificación del producto sin previo aviso y sin que este manual sea automáticamente actualizado.

Para obtener información y para consultar las revisiones de este manual visitar el sitio web www.alemobility.com/en/

AL EXT



1. Faro delantero
2. Palanca del freno
3. Gancho
4. Mecanismo de cierre
5. Rueda delantera
6. Caballete
7. Puerto de recarga
8. Plataforma
9. Clip de cierre
10. Faro trasero

11. Guardabarros trasero
12. Rueda motor trasero
13. Pinza del freno
14. Campanilla
15. Visor
16. Acelerador
17. Botón ON/OFF
18. Botón de las luces
19. Puerto USB

AL2



1. Gancho
2. Campana
3. Palanca de freno
4. Mecanismo de bloqueo
5. Faro delantero
6. Freno de tambor
7. Caballete
8. Reposapiés
9. Rueda motriz trasera
10. Faro delantero

11. Guardabarros trasero
12. Clip de fijación
13. Puerto de carga
14. Pantalla
15. Acelerador

Recarga de la batería





ATENCIÓN

En el primer uso cargar el producto al 100%. Asegurarse de que el producto, el cargador de baterías y el puerto de recarga estén secos.

Instrucciones

- Abrir el caballete
- Apagar el producto

Modelo	Imagen de referencia	INSTRUCCIONES
AL EXT		<ul style="list-style-type: none">• Utilizar exclusivamente el cargador suministrado.• Conectar el cargador primero a la toma de corriente y solo después a la toma de carga.• No encender el monopatín eléctrico mientras se esté cargando. <div data-bbox="612 646 814 695"><p>ATENCIÓN</p></div> <p>La luz roja presente en el alimentador se pondrá verde cuando la operación de carga haya concluido.</p>
AL2		<ul style="list-style-type: none">• Utilice únicamente el cargador suministrado.• Conecte primero el cargador a la toma de corriente y después a la toma de carga.• No encienda el scooter eléctrico mientras se esté cargando. <div data-bbox="612 1093 814 1142"><p>ATENCIÓN</p></div> <p>La luz roja de la fuente de alimentación se pondrá verde cuando finalice la operación de carga.</p>

Para recargar el artículo, utilice el cargador de batería suministrado SOLO



ATENCIÓN

Modelo	Código del producto	Modelo del cargador de batería	Tensión de salida	Tiempo de recarga
AL EXT	LA-MO-210001	FCA136-546020	54.6V - 2A	Alrededor de 7 horas
	LA-MO-220002			
	LA-MO-210002			
	LA-MO-220013			
	LA-MO-220001			
AL2	LA-MO-220003	HLT-180-4201500	42V - 1.5A	Alrededor de 5 horas
	LA-MO-220004			

El uso de otro tipo de cargador puede dañar el producto o causar otros riesgos potenciales.

No cargar nunca el producto sin supervisión. No encender el producto durante la recarga.

Después de cada uso, recargar completamente la batería para prolongar la vida útil. No recargar el producto inmediatamente después del uso. Dejar que el producto se enfríe durante una hora antes de la recarga.

El producto no debe ser recargado por períodos prolongados. La sobrecarga reduce la duración de la batería y conlleva a ulteriores riesgos potenciales.

Es recomendable no permitir que el vehículo se descargue completamente para evitar que se dañe la batería.

El daño provocado por una ausencia de carga prolongado es irreversible y no está cubierto por la garantía limitada. Una vez que se ha producido el daño, la batería no puede recargarse (se prohíbe el desmontaje de la batería por parte de personal no cualificado, ya que puede provocar una descarga eléctrica, un cortocircuito o incluso un accidente de seguridad importante). En caso de que, por ausencia durante cierto período, como durante las vacaciones, se encomiende el dispositivo a terceros, dejarlo en el estado de carga parcial (20-50% de carga), no completamente cargado.

Realizar de forma regular una inspección visual del cargador de baterías y de los cables del cargador de baterías. Si el cable del cargador de batería tiene daños evidentes, no lo utilice para evitar daños y/o riesgos mayores, le rogamos que nos contacte para la sustitución.

Advertencias sobre la batería

La batería está formada por celdas de iones de litio y elementos químicos peligrosos para la salud y el medioambiente. No utilizar el producto si emite olores, sustancias o calor excesivo. No eliminar el producto o la batería junto con residuos domésticos. El usuario final es responsable de la eliminación de los equipos eléctricos y electrónicos y de las baterías de acuerdo con todas las normativas vigentes.

Evitar utilizar baterías usadas, defectuosas y/o no originales, de otros modelos o marcas.



No dejar la batería cerca del fuego o fuentes de calor. Riesgo de incendio y explosión.

No abrir o desmontar la batería o golpear, lanzar, perforar o pegar objetos a la batería.

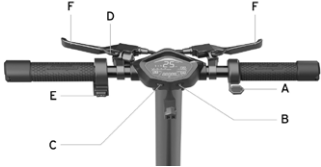
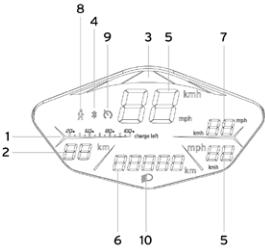
No tocar eventuales sustancias derramadas de la batería ya que contiene sustancias peligrosas. No dejar que niños o animales toquen la batería.

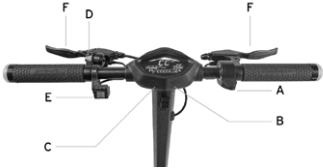
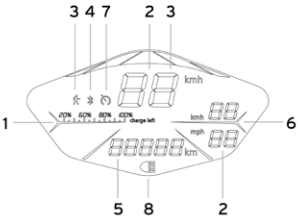
No sobrecargar o enviar a cortocircuito la batería. Riesgo de incendio y explosión.

No sumergir o exponer la batería al agua, bajo la lluvia o a otras sustancias líquidas. No exponer la batería a la luz directa del sol, al calor o frío excesivos (por ejemplo, no dejar el producto o la batería en un coche bajo la luz solar directa por un período de tiempo prolongado), en un ambiente que contenga gas explosivos o llamas.

No transportar o conservar la batería junto a objetos metálicos como horquillas, collares, etc. El contacto entre objetos metálicos y la batería puede provocar cortocircuitos que llevan a daños físicos o a la muerte.

4. INFORMACIÓN DE LOS MANDOS / PANEL DE CONTROL

Modelo		
	<p>A. Acelerador: pulsa para acelerar.</p> <p>B. Botón de encendido: Pulsación larga para encender o apagar el scooter eléctrico.</p> <p>Cuentakilómetros ODO/TRIP: pulse brevemente 3 veces para pasar de la pantalla ODO a la pantalla TRIP.</p> <p>C. Modos de velocidad: pulse brevemente para cambiar el nivel de velocidad.</p> <p>Luces: Pulsa prolongadamente el botón para encender o apagar las luces.</p>	<p>D. Campana: Presione la palanca una vez para accionarla.</p> <p>E. Indicadores de dirección: Pulse el interruptor hacia la derecha o hacia la izquierda para activarlas y/o desactivarlas.</p> <p>F. Palanca de freno: apriete la palanca para frenar.</p>
AL EXT	<ol style="list-style-type: none"> Nivel de batería: estado de carga residual. Autonomía: estimación de la distancia restante. Modo de velocidad (Barra LED): <ul style="list-style-type: none"> - Nivel 1: color verde - Nivel 2: color naranja - Nivel 3: color rojo Bluetooth: Conexión para smartphone disponible. Tacómetro: scooter eléctrico de velocidad instantánea (km/h - mph). Odómetro ODO / TRIP: pulse brevemente 3 veces para pasar de la pantalla ODO a la pantalla TRIP. Velocidad AVG: velocidad media. Modo peatón: ayuda a empujar el vehículo con luz intermitente. Control de crucero: mantenimiento de la velocidad. Se activa tras mantener la misma velocidad durante unos segundos. Luces: indicador luminoso. 	

Modelo		
		
AL2	<p>A. Acelerador: press down to accelerate.</p> <p>B. Power button: Pulsación larga para encender o apagar el scooter eléctrico.</p> <p>Cuentakilómetros ODO/TRIP: pulse brevemente 3 veces para pasar de la pantalla ODO a la pantalla TRIP.</p> <p>C. Modos de velocidad: pulse brevemente para cambiar el nivel de velocidad.</p> <p>Luces: Pulsa prolongadamente el botón para encender o apagar las luces.</p>	<p>D. Campana: Presione la palanca una vez para accionarla.</p> <p>E. Indicadores de dirección: Pulse el interruptor hacia la derecha o hacia la izquierda para activarlas y/o desactivarlas.</p> <p>F. Palanca de freno: apriete la palanca para frenar.</p>
	<ol style="list-style-type: none"> Nivel de batería: residual state of charge. Tacómetro: velocidad instantánea del scooter eléctrico (km/h and mph) Modos de velocidad (TACÓMETRO): <ul style="list-style-type: none"> - Nivel 1: Indicado por el número 1 - Nivel 2: indicado por el número 2 - Nivel 3: indicado por el número 3 - Peatón: Ayuda empujando vehículo con luz intermitente. Bluetooth: Conexión para smartphone disponible. Cuentakilómetros ODO/TRIP: distancia total recorrida y distancia en una sola sesión. Velocidad AVG: velocidad media. Control de crucero: mantenimiento de la velocidad. Se activa tras mantener la misma velocidad durante unos segundos. Luces: indicador luminoso. 	

Indicador de dirección

Modelo	
AL EXT AL2	 <p>Los indicadores de dirección están situados en los extremos del manillar (lado izquierdo y derecho).</p> <p>Los indicadores de dirección son necesarios para señalar el tiempo y forma cualquier cambio de dirección durante la conducción.</p> <p>Control de las operaciones:</p>  <div data-bbox="644 653 848 703"> ATENCIÓN</div> <p>Antes de utilizar el producto, comprobar el correcto funcionamiento de los indicadores de dirección.</p>

5. GUÍA RÁPIDA

- En el primer uso cargar el producto al 100%.
- Efectuar el control de la presión de los neumáticos (ver el lado del neumático para conocer el valor aconsejado). En caso de que el producto no consiga alcanzar al menos el 60% de los Km declarados o no alcance la velocidad máxima en los primeros 3 meses de uso, es probable que las ruedas se hayan desinflado de nuevo, por lo que será necesario restablecer la presión como se indica.
- Efectuar el control y la regulación de los frenos.
- Encender el display.
- Colocar el producto sobre una superficie plana.
- Mantener el manillar con firmeza con ambas manos. Subir a la plataforma con un pie y utilizar el otro para darse un ligero empujón y acelerar.



ATENCIÓN

Función Zero Start: el acelerador entra en función una vez que la velocidad de avance supera los 3 km. **Por motivos de seguridad, el producto está configurado en un principio para evitar el arranque desde parado.**

- Cuando se conduce el producto, inclinar el cuerpo en la dirección de conducción durante un giro y girar lentamente el manillar.
- Para detener el producto, soltar el acelerador y presionar la palanca de freno.
- Antes de bajar hay que detener el vehículo por completo. Bajarse del monopatín eléctrico mientras está en movimiento puede provocar lesiones.
- Antes de cada uso, controlar los frenos y su desgaste, controlar la presión de los neumáticos (ver el lado del neumático para conocer el valor aconsejado), el desgaste de las ruedas, el acelerador y el estado de carga de la batería.

Regulación de la posición de las palancas de freno

AL EXT / AL2

Ajuste de los frenos

En caso de que sea necesario, es posible regular la posición de la palanca del freno mediante el punto A (ver imagen).



Ajuste de los frenos

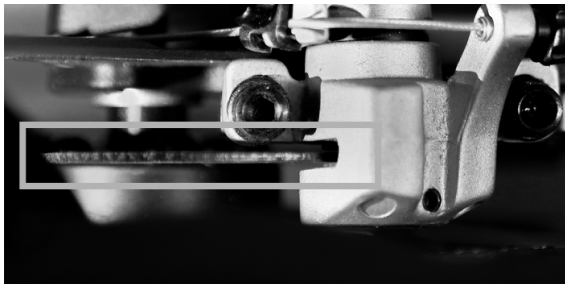
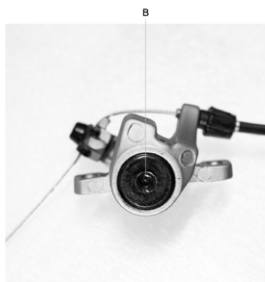
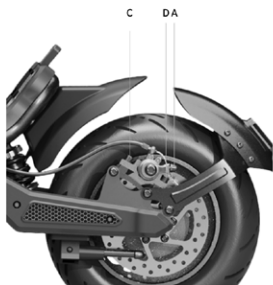
AL EXT

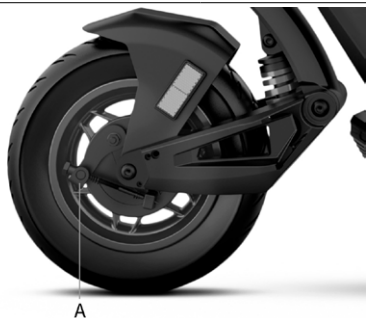
Regulación de las pinzas de freno

En el caso de que el freno esté demasiado apretado o demasiado flojo, utilizar la llave hexagonal para aflojar el tornillo (A), luego regular el cable del freno, (acortar el cable del freno hacia arriba si está demasiado apretado. Si el cable está demasiado flojo, halar e cable hacia abajo) y luego, apretar de nuevo el tornillo (A).

Si estuviera demasiado flojo o demasiado apretado incluso después de haber realizado el primer paso, podría ser necesario ajustar la pastilla de freno (fija), que puede ajustarse a través de la rueda del lado opuesto. Utilizar la llave hexagonal para alejar (en sentido contrario a las agujas del reloj) o acercar (en sentido horario) la pastilla de freno (B) (véase la imagen). Verificar la correcta alineación entre la pinza del freno y el disco. Utilizar los tornillos C y D para regular la posición / alineación en el disco si es necesario.

Para la pinza de freno trasera, desenroscar y sacar los tornillos C y D, y luego retirar la pinza de freno del disco.



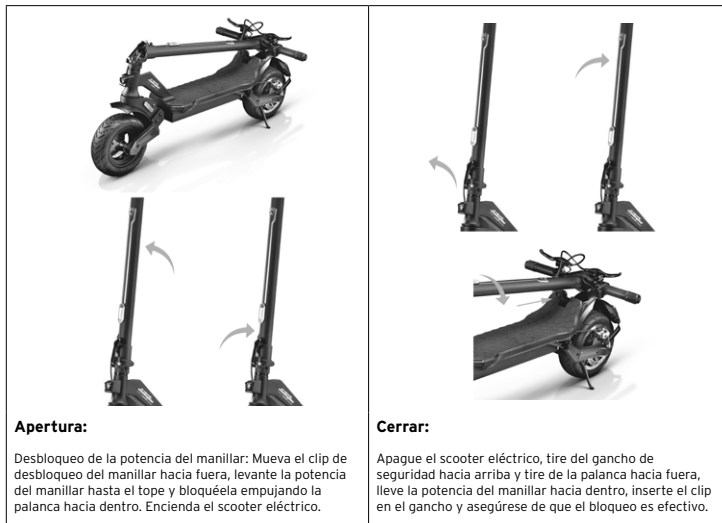
**Ajuste del freno de tambor:**

Si el freno está demasiado apretado o demasiado flojo, actúe aflojando o apretando el tornillo (A). Si la palanca de freno está demasiado blanda o demasiado dura incluso después de seguir el primer paso, puede ser necesario repetir la operación hasta alcanzar un ajuste óptimo.

6. PLEGAR Y TRANSPORTAR

Asegurarse de que el patinete eléctrico esté apagado. Sostener el plantón del manubrio con la mano, jalar la palanca, replegar el plantón del manubrio hacia la plataforma y enganchar.

AL EXT



Pinza de manillar

**Apertura:**

Desbloquee la potencia del manillar del reposapiés: presione hacia abajo el clip para liberar el manillar, levante la potencia del manillar hasta el tope y bloquéela empujando la palanca del mecanismo de bloqueo hacia dentro. Encienda el scooter eléctrico.

Palanca del mecanismo de bloqueo

**Cerrar:**

Apague el scooter eléctrico, desbloquee el mecanismo de bloqueo: presione el gancho rojo y tire de la palanca hacia fuera (ver imagen), lleve la potencia del manillar hacia dentro y asegúrese de que realmente está bloqueado.



Después del plegado, elevar sosteniendo el plantón del manubrio con una o ambas manos.

**ATENCIÓN**

Asegurarse de mantener el producto con fuerza durante el transporte. Si no se está seguro de poder mantener el peso del producto, no seguir con el transporte del producto levantado. Si se deja caer el producto de forma repentina puede causar incluso lesiones graves y dañarse.

7. AUTONOMÍA Y RENDIMIENTOS

La autonomía máxima y los rendimientos del vehículo dependen de distintas variables:

Terreno: la conducción sobre pavimento liso conlleva a una autonomía y rendimientos mayores respecto a la conducción sobre calles irregulares y subidas.

Peso del usuario: a mayor peso, menores serán la autonomía y rendimientos del vehículo.

Temperatura: la conducción del patinete en un ambiente muy frío o caluroso afecta a la autonomía y el rendimiento.

Velocidad y estilo de conducción: la conducción fluida y constante extiende la autonomía. Continuas aceleraciones, desaceleraciones y maniobras reducen mucho la autonomía. La velocidad más baja prolonga la autonomía.

Mantenimiento: la recarga rápida, el correcto mantenimiento y el control regular de la presión de las ruedas (véase el valor de referencia en la sección 10) aumentan la autonomía y garantizan prestaciones constantes en el tiempo.

El nivel de carga de la batería afecta los rendimientos; a menor nivel, menor serán los rendimientos de la velocidad, especialmente en presencia de subidas.

8. CONSERVACIÓN, MANTENIMIENTO Y LIMPIEZA

Si se presentan manchas en el cuerpo del producto, limpiarlas con un paño húmedo. Si las manchas persisten, aplicarles jabón neutro por encima, cepillarlas con un cepillo y luego limpiar con un paño húmedo. Si hay arañazos en los componentes de plástico, utilizar papel de lija u otro material abrasivo para eliminarlos. No limpiar el producto con alcohol, gasolina, queroseno u otros solventes químicos corrosivos para evitar dañarlo de forma grave. No lavar el producto con chorros de agua a alta presión. Durante la limpieza asegurarse de que el producto esté apagado, el cable de carga desconectado y el tapón de goma cerrado dado que una filtración de agua podría provocar descargas eléctricas u otros problemas graves. Las filtraciones de agua en la batería pueden causar daños a los circuitos internos, riesgo de incendio o de explosión. Si se tiene la duda de que haya una filtración de agua en la batería, suspender inmediatamente el uso de la misma y entregarla al servicio de asistencia técnica o donde el distribuidor para un control.

Cuando el producto no es utilizado, conservarlo en un lugar cerrado seco y fresco. No conservarlo al aire libre o dentro de un coche por un período de tiempo prolongado. La luz del sol excesiva, el recalentamiento y el frío excesivo aceleran el envejecimiento de los neumáticos y comprometen la vida útil tanto del producto como de la batería. No exponerlo a lluvia o agua, ni sumergirlo ni lavarlo con agua.

Controlar regularmente la sujeción de los distintos elementos atornillados, en particular los ejes de las ruedas, el sistema de pliegue y transporte, el sistema de dirección, el sistema de frenado, el buen estado del bastidor, de las horquillas y de las suspensiones. Las tuercas y todas las demás sujeciones autotensadas pueden perder su eficiencia, por ende, es necesario controlar de forma periódica y ajustar estos componentes.

Como todos los componentes mecánicos, este producto también queda sujeto a desgaste y fuertes exigencias. Distintos materiales y componentes pueden reaccionar al desgaste o a la fatiga por exigencias de distinto modo. Si la vida útil de un componente fuese superada, podría romperse de forma imprevista causando lesiones al conductor. Cualquier forma de fisura, arañazo o cambio de coloración en zonas muy exigidas indica que la vida del componente ha sido alcanzada y debe ser sustituido.

Comprobar el estado de desgaste de las ruedas. No debe haber cortes, grietas, cuerpos extraños, abultamientos anómalos, ausencia de piezas y otros daños. En lo referente a la presión de los neumáticos, consultar el valor presente en la sección 10 de este manual de instrucciones.

No intentar desmontar o reparar el producto por su cuenta. La sustitución de todos los componentes del monopatín eléctrico debe ser llevada a cabo por el centro de servicio autorizado, para más información contactar con su distribuidor o visitar la página web: www.alemobility.com/en/

9. CONFIGURACIÓN DE LA APP

A continuación se muestran los productos que están equipados con Bluetooth y que pueden emparejarse con la aplicación AL e-Mobility: AL EXT, AL2.

La aplicación permite el control del producto directamente desde el propio smartphone.

Realizar el escaneo del CÓDIGO QR para descargar e instalar la aplicación. Si la aplicación no se encuentra se recomienda buscarla en el propio servicio de aplicación de referencia.

Abrir la aplicación y seguir las instrucciones que figuran en el servicio de la aplicación de referencia.



Abrir la aplicación y seguir las instrucciones que figuran en el servicio de la aplicación de referencia.



La aplicación podría pedir diferentes autorizaciones necesarias para el uso y la función de la aplicación misma.

La versión de la aplicación podría haber sido actualizada en el servicio de la aplicación. Se recomienda controlar constantemente las actualizaciones de la aplicación para aprovechar las nuevas funcionalidades e instalar siempre la última versión de la aplicación en el dispositivo.

No utilizar el propio dispositivo durante la conducción.

10. FICHA TÉCNICA

General information

AL EXT

Bastidor	Acero y aluminio	
Suspensiones	Delante y detrás	
Velocidad	LA-MO-210001; LA-MO-210002; LA-MO-220013 Peatón: ≤ 6km/h L1: ≤ 15km/h L2: ≤ 20km/h L3: ≤ 25km/h (velocidad máx.) * *según el país de circulación	LA-MO-220001; LA-MO-220002 Peatón: ≤ 6km/h L1: ≤ 10km/h L2: ≤ 15km/h L3: ≤ 20km/h(velocidad máx.) * *según el país de circulación
Inclinación máxima**	22%	
Frenos	Freno de disco delantero, freno de disco trasero y freno electrónico	
Neumáticos	Medida: 90/65-6.5 Presión: 50 psi / 3.5 bar	
Carga máxima	120kg	
Conductor	Compruebe la legislación de su país	
Temperatura de funcionamiento	-0°C / 45°C	
Nivel de protección	IPX4	
Tiempo de carga	aproximadamente 7 horas	
Autonomía**	hasta 40 km	
Sistema eléctrico		
Potencia nominal del motor	0.50kW; 500W Brushless	
Potencia máxima del motor	0.900kW; 900W	
Visor	LED integrado	
Batería	48V 12.5Ah 600Wh	
Protección baja tensión	42V	
Límite de corriente	20A	
KERS	sí	
Luces	LED delanteros y traseros	
Funcionalidad	Bluetooth	
Medidas		
Peso neto	30.6Kg	
Peso bruto	38.75Kg	

* Respetar siempre el código de la circulación y las correspondientes normas vigentes en el país donde se circula.

** Sujeto a variaciones en función del peso del conductor, de las condiciones de la calle y de la temperatura.

Generic information

AL2

Bastidor	Acero y aluminio	
Suspensiones	Delante y detrás	
Velocidad	LA-MO-220003 Peatón: ≤ 6km/h L1: ≤ 15km/h L2: ≤ 20km/h L3: ≤ 25km/h (velocidad máx.) * *según el país de circulación	LA-MO-220004 Peatón: ≤ 6km/h L1: ≤ 10km/h L2: ≤ 15km/h L3: ≤ 20km/h(velocidad máx.) * *según el país de circulación
Inclinación máxima**	16%	
Frenos	Freno de tambor delantero, freno eléctrico trasero	
Neumáticos	Medida: 10" X 2.125" con cámara de aire Presión: 36 psi / 2.5 bar	
Carga máxima	120kg	
Conductor	Compruebe la legislación de su país	
Temperatura de funcionamiento	-0°C / +45°C	
Nivel de protección	IPX5	
Tiempo de carga	unas 5 horas	
Autonomía**	hasta 35 km	

Sistema eléctrico

Potencia nominal del motor	0.35kW; 350W brushless
Potencia máxima del motor	0.55kW; 550W
Visor	LED integrado
Batería	36V 8Ah 288Wh
Protección baja tensión	3I + / - 0.5V
Límite de corriente	17A
KERS	sí
Luces	LED delanteros y traseros
Funcionalidad	Bluetooth con aplicación

Medidas

Peso neto	19Kg
Peso bruto	22Kg

* Respetar siempre el código de la circulación y las correspondientes normas vigentes en el país donde se circula.

** Sujeto a variaciones en función del peso del conductor, de las condiciones de la calle y de la temperatura.

11. SOLUCIÓN DE LOS PROBLEMAS

Falla	Causa	Solución
El motor no funciona	Problema eléctrico, presencia código de error	Pedir asistencia técnica
La rueda motriz no gira	Problema en los frenos El motor está bloqueado	Regular los frenos, si el problema persiste pedir asistencia técnica Verificar la correcta sujeción de la rueda, verificar que la rueda gire sin encender el vehículo. Si el problema persiste pedir asistencia técnica
El motor se apaga mientras está en funcionamiento	Recalentamiento del motor Presencia de código de error	Detener el vehículo y esperar que se enfríe Pedir asistencia técnica
Después de haberlo cargado, el producto no se enciende o se apaga después de pocos km.	Batería dañada	Pedir asistencia técnica
La batería no se carga o el producto no se enciende	Problemas de conexión La batería no está conectada (modelos con batería removible) La batería está descargada Batería dañada Problemas en el cargador de baterías	Pedir asistencia técnica Verificar si el conector de alimentación está conectado. Cargar la batería al 100% Pedir asistencia técnica Sustituir el cargador de baterías

AL EXT / AL2

Tabla de códigos de error

Código de error	Definición
E1	Anomalía en la conexión del motor
E2	Anomalía MOS o fase de motor en cortocircuito
E3	Anomalía sensor del freno
E4	Anomalía electrónica del manillar
E5	Protección baja tensión
E6	Comunicación de instrumentos averiados
E7	Protección alta tensión
E8 / E9	Fallo de la unidad de control/BMS

12. RESPONSABILIDAD Y TÉRMINOS GENERALES DE GARANTÍA

El conductor asume todos los riesgos asociados a la falta de uso de un casco y de otros dispositivos de protección.

El conductor tiene la obligación de respetar las normativas locales vigentes en relación con:

1. A la edad mínima permitida para el conductor
2. A las restricciones en el tipo de los conductores que pueden utilizar el producto
3. A los restantes aspectos normativos

Además, el conductor tiene la obligación de mantener limpio y en perfecto estado de eficiencia el producto, de realizar con diligencia las comprobaciones de seguridad de su competencia tal como se describen en las secciones anteriores, de no manipular el producto de ningún modo y de conservar toda la documentación relativa al mantenimiento.

La empresa no responde por los daños causados y no es responsable en ningún caso de los daños causados a los bienes o a las personas en las siguientes circunstancias:

- el producto es utilizado de modo inadecuado o no conforme a lo que figura en el manual de instrucciones;
- el producto es alterado o manipulado después de la compra en todos o en algunos de sus componentes.

En caso de mal funcionamiento del producto por causas no imputables a comportamientos incorrectos del conductor y en caso de que se quiera consultar los términos generales de garantía, se ruega contactar el propio distribuidor o visitar el www.alemobility.com/en/

Siempre están excluidos del campo de aplicación de la Garantía Legal de los Productos eventuales averías o mal funcionamientos causados de hechos accidentales y/o atribuibles a responsabilidades del Adquisidor, es decir, de un uso del Producto no conforme a su destino de uso y/o a lo previsto en la documentación técnica anexada al Producto, es decir debido a la falta de regulación de las partes mecánicas, desgaste natural de los materiales laborables o causados de errores de ensamblaje, carencia de mantenimiento y/o de uso del mismo no conforme a las instrucciones.

Por ejemplo, deben considerarse excluidos de la garantía Legal relativa a los Productos:

- los daños causados por golpes, caídas accidentales o colisiones, agujeros;
- los daños causados de uso, exposición o almacenaje en ambiente no adecuado (ej: presencia de lluvia y/o fango, exposición a la humedad o fuente de calor excesiva, contacto con la arena o con otras sustancias)
- los daños por falta de regulación por puesta en carretera y/o mantenimiento de partes mecánicas, frenos de disco mecánico, manubrio, neumático, etc.; la instalación incorrecta y/o el ensamblaje incorrecto de partes y/o componentes
- el desgaste natural de los materiales laborables: freno con disco mecánico (ej: pastillas, pinzas, disco, cables), neumáticos, plataformas, juntas, cojinetes, luces de led y bombillas, cablete, manijas, guardabarros, partes de neumático (plataforma), cableados de los conectores de los cables, mascarillas y adhesivos;
- el mantenimiento inadecuado y/o el uso inadecuado de la batería del Producto;
- la manipulación y/o el forzado de partes del Producto;
- el mantenimiento o la modificación incorrecta o no adecuada del producto;
- el uso inadecuado del Producto (ej: carga excedente, uso en competencias y/o para actividades comerciales de renta o alquiler);
- mantenimientos, reparaciones y/o intervenciones técnicas en el producto realizados por terceros no autorizados;
- daños a los Productos derivados del transporte, donde se realiza a cargo del Adquisidor;
- daños y/o defectos derivados del uso de partes de repuesto no originales.

Le invitamos a consultar la versión más actualizada de los términos de garantía disponible en el sitio www.alemobility.com/en/support/



ATENCIÓN

Tratamiento del dispositivo eléctrico o electrónico al final de su vida útil (aplicable en todos los países de la Unión Europea y en otros sistemas europeos con sistema de recogida selectiva)



Este símbolo en el producto o en el empaque indica que el producto no debe ser considerado como un desecho doméstico normal, sino que en cambio debe entregarse a un punto de recogida apropiado para el Reciclaje de Aparatos Eléctricos y Electrónicos (RAEE).

Asegurándose de que este producto sea eliminado correctamente, contribuirá a prevenir potenciales consecuencias negativas para el medio ambiente y para la salud que, de lo contrario, podrían ser causadas por una eliminación inadecuada. El reciclaje de los materiales ayuda a conservar los recursos naturales.

Para obtener información más detallada sobre el reciclaje y la eliminación de este producto, póngase en contacto con su servicio local de eliminación de residuos o con el punto de venta donde lo compró.

En cualquier caso, la eliminación debe realizarse de acuerdo con la normativa vigente en el país de compra.

En particular, los consumidores están obligados a no eliminar los RAEE como residuos urbanos, sino que deben participar en la recogida selectiva de este tipo de residuos mediante dos métodos de entrega:

- En los centros de recogida municipales (también llamados Eco-piazzole, islas ecológicas), directamente o a través de los servicios de recogida de los ayuntamientos, cuando estos estén disponibles;
- En los puntos de venta de nuevos equipos eléctricos y electrónicos.

Aquí se pueden entregar gratuitamente los RAEE muy pequeños (con el lado más largo de menos de 25 cm) mientras que los más grandes pueden entregarse a razón de 1 por 1, es decir, entregando el producto antiguo cuando se adquiere uno nuevo con las mismas funciones.

Además, la modalidad 1 contra 1 siempre está garantizada durante el acto de compra por parte del consumidor de una nueva AEE, con independencia del tamaño del RAEE.

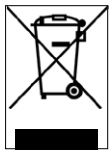
En caso de eliminación abusiva de aparatos eléctricos o electrónicos podrían aplicarse las sanciones previstas de la normativa vigente en materia de protección ambiental (normativa italiana, es necesario verificar las normativas en marcha en el país de uso/ eliminación del medio).

Cuando los RAEE contengan pilas o acumuladores, estos deberán retirarse y someterse a una recogida selectiva específica.



ATENCIÓN

Tratamiento de las Batería agotadas (aplicable en todos los países de la Unión Europea y en otros sistemas europeos con sistema de recogida selectiva)



Este símbolo en el producto o en el embalaje indica que la batería no debe ser considerada un desecho doméstico normal. En algunos tipos de batería este símbolo podría ser utilizado en combinación con un símbolo químico.

Los símbolos químicos del Mercurio (Hg) o del Plomos (Pb) se añaden si la batería contiene más del 0,0005% de mercurio o del 0,004% de plomo.

Asegurándose de que las pilas-baterías sean eliminadas correctamente, contribuirá a prevenir potenciales consecuencias negativas para el medio ambiente y para la salud que, de lo contrario, podrían ser causadas por una eliminación inadecuada. El reciclaje de los materiales ayuda a conservar los recursos naturales. En caso de productos que, por motivos de seguridad, rendimiento o protección de los datos requieran una conexión fija a una pila/batería interna, la misma deberá ser sustituida solo por personal de asistencia cualificado.

Entregar el producto al final de su vida útil en puntos de recogida adecuados para la eliminación de aparatos eléctricos y electrónicos. Esto garantiza que también la pila en su interior se tratará correctamente.

Para obtener información más detallada sobre la eliminación de la pila-batería agotada o del producto, póngase en contacto con el servicio de eliminación de residuos domésticos o con la tienda donde compró el producto.

En cualquier caso, la eliminación debe realizarse de acuerdo con la normativa vigente en el país de compra.

Ce manuel est valable pour la trottinette électrique suivante :

AL EXT AL2

Mode d'emploi

LA-MO-000001 rév. 2

Instructions traduites de l'italien original

Nous vous remercions pour avoir choisi ce produit.

Pour plus d'informations, assistance technique, assistance et pour consulter les conditions générales de garantie veuillez contacter votre revendeur ou visiter le site suivant www.alemobility.com/en/support/

Table des matières

1. Consignes de sécurité
2. Contenu de l'emballage et montage
3. Panoramique du produit
4. À propos des commandes / Panneau de commande
5. Guide rapide
6. Plier et transporter
7. Autonomie et performances
8. Stockage, entretien et nettoyage
9. Configuration appli
10. Fiche technique
11. Résolution des problèmes
12. Responsabilité et conditions générales de garantie

1. CONSIGNES DE SÉCURITÉ



ATTENTION

IMPORTANT! Veuillez lire et suivre attentivement les instructions suivantes avant d'utiliser le produit. Conservez ce manuel pour toute référence ultérieure ou pour les nouveaux utilisateurs.

Prenez le temps d'apprendre les bases de la pratique afin d'éviter tout accident grave qui pourrait survenir au cours des premiers mois. Contactez votre revendeur pour obtenir une assistance appropriée sur la façon d'utiliser correctement le produit ou pour être dirigé vers un organisme de formation approprié.

La société décline toute responsabilité, directe ou indirecte, due à d'une mauvaise utilisation du produit, du non-respect tant du code de la route que des instructions contenues dans ce mode d'emploi, des accidents et des litiges causés par le non-respect et les actions illégales.

Ce produit doit être utilisé à des fins récréatives, pour une seule personne et non pour le transport de passagers, il ne peut donc pas être utilisé par plus d'une personne à la fois.

Ne modifiez pas l'utilisation prévue du véhicule de quelque manière que ce soit, ce produit ne convient pas aux cascades, aux compétitions, au transport d'objets, au remorquage d'autres véhicules ou d'appendices.

La **trottinette électrique** doit être utilisée avec prudence, en respectant toujours les **règles** imposées par le Code de la route du pays dans lequel elle est utilisée, afin d'éviter les dangers et de prendre le maximum de précautions pour soi-même et pour les autres.



ATTENTION

Exigences indicatives en matière de conception de véhicules :

Modèle de trottinette électrique	AL EXT Green	AL EXT Bronze	AL2
Code produit avec cliquotants inclus	LA-MO-210001	LA-MO-220013	LA-MO-220003
	LA-MO-220002	LA-MO-220001	LA-MO-220004
		LA-MO-210002	
Poids MIN (Kg)	30	30	30
Poids MAX (Kg)	120	120	120
Âge MIN *	14	14	14
Âge MAX *	65	65	65
Hauteur (cm) MIN	120	120	120
Hauteur (cm) MAX	200	200	200

* Avant d'utiliser le produit, vérifiez et suivez les réglementations locales concernant l'âge minimum requis pour le conducteur, les restrictions sur le type de conducteur pouvant utiliser le produit et l'utilisation même du produit.

Le niveau de pression acoustique d'émission pondéré A (bruit) à l'oreille du conducteur est inférieur à 70 dB(A).

Forme graphique des consignes de sécurité

Pour identifier les messages de sécurité contenus dans ce manuel, les symboles graphiques suivants seront utilisés. Ils sont destinés à attirer l'attention du lecteur / de l'utilisateur sur l'utilisation correcte et sûre du produit.



Faire attention

Ils mettent en évidence les règles à suivre pour éviter d'endommager le produit et / ou prévenir les situations dangereuses.



Risques résiduels

Met en évidence les dangers qui entraînent des risques résiduels auxquels l'utilisateur doit faire attention afin d'éviter des blessures corporelles ou des dommages matériels.

Avertissements généraux



Il est important de garder à l'esprit que lorsque vous êtes dans un lieu public ou sur la route, même si vous suivez ce mode d'emploi à la lettre, vous n'êtes pas à l'abri de blessures causées par des violations ou des actions inappropriées prises envers d'autres véhicules, obstacles ou personnes. Toute mauvaise utilisation du produit ou le non-respect des instructions de ce mode d'emploi peut entraîner de graves dommages.

Ce produit est un véhicule électrique. Plus vous roulez vite, plus la distance de freinage est longue. Un freinage d'urgence sur des routes glissantes, boueuses, humides ou verglacées peut faire patiner les roues et vous faire perdre l'équilibre. Veuillez maintenir une vitesse et une distance de sécurité suffisantes par rapport aux autres véhicules ou aux piétons. Soyez très prudent lorsque vous roulez sur des routes inconnues. N'ouvrez pas la béquille lorsque vous utilisez le produit, vous risqueriez de vous blesser gravement et d'endommager le produit.



Sur les routes mouillées, la distance de freinage augmente et l'adhérence diminue considérablement par rapport aux routes sèches ! Conduisez plus prudemment, respectez les distances de sécurité !

Pour votre propre sécurité, portez toujours : un casque, des genouillères et des coudières pour vous protéger des chutes et des blessures lorsque vous utilisez le produit. Lors du prêt du produit, demandez au conducteur de porter l'équipement de sécurité et expliquez-lui comment utiliser le véhicule. Pour éviter toute blessure, ne prêtez pas le produit à des personnes qui ne savent pas comment l'utiliser. Portez toujours des chaussures avant d'utiliser le produit.

Les enfants ne doivent pas jouer avec la trottinette électrique, ni être autorisés à la nettoyer ou à la réparer.

Lorsque vous conduisez le produit, veillez à ne pas effrayer les enfants et les piétons. Lorsque vous passez derrière eux, avertissez-les à l'aide du klaxon et ralentissez en respectant la vitesse minimale de 6 km/h.

Instructions et avertissements sur le comportement au volant

Conditions	Utilisation inappropriée/prévue	Utilisation inappropriée
Conducteurs	Un	Plusieurs personnes, avec des enfants ou des animaux
Équipement de sécurité	Casque, genouillère, coudières, gilet réfléchissant	Aucun équipement
Contrôle avant de conduire	<p>Avant chaque utilisation, vérifiez les freins et leur état d'usure, vérifiez la pression des pneus (voir la valeur recommandée sur le flanc du pneu), l'état d'usure des roues, l'accélérateur, les clignotants, les feux et l'état de charge de la batterie.</p> <p>En cas de constat de bruits inhabituels ou d'anomalies, n'utilisez pas le produit et contactez le revendeur ou le SAV autorisé</p>	<p>Ne jamais vérifier le produit avant de conduire</p> <p>Utiliser le produit en présence de bruits ou d'anomalies</p>
Marcher en poussant le produit	<p>N'accélérez pas</p> <p>Conduire en marchant sur les passages piétons</p> <p>Dans les zones piétonnes sans mode piéton (6 km/h)</p> <p>Dans les zones surpeuplées</p>	<p>Appuyer sur l'accélérateur</p> <p>Conduire le véhicule sur les passages piétons</p> <p>Conduire le véhicule dans des zones piétonnes s'il n'est pas en mode piéton (6 km/h)</p> <p>Conduire le véhicule dans des zones surpeuplées</p>
Stationnaire	La personne qui conduit ce produit doit être capable de poser facilement ses deux pieds par terre tout en tenant le guidon à la bonne hauteur	<p>Ne pas être capable de garder le produit stationnaire et en équilibre</p> <p>S'asseoir sur le produit lorsqu'il est en marche ou à l'arrêt</p>

Conditions	Utilisation inappropriée/prévue	Utilisation inappropriée
Conduite dans des conditions normales	Pas d'objets accrochés au guidon	Les objets qui pendent du guidon provoquent une instabilité et peuvent gêner lors des manœuvres
	Conduire avec les deux mains sur le guidon N'utilisez pas d'appareils tels que des téléphones, des montres intelligentes, des lecteurs de musique ou des écouteurs	Conduite à une main ou mains libres Utiliser des appareils tels que des téléphones, des montres intelligentes, des lecteurs de musique, des écouteurs
	Conduite avec les deux pieds sur la plate-forme, confortablement et en toute sécurité	Conduite avec un ou plusieurs pieds hors de la plate-forme Il est interdit de placer et de concentrer du poids sur le garde-boue arrière.
	Conduite avec un casque et des équipements de protection	Conduite sans casque et sans équipement de protection
	Conduite sur des routes faciles d'accès, lisses et compactes, évitez les zones à forte circulation ou les zones surpeuplées : par exemple, les pistes cyclables réservées, les surfaces pavées lisses Respectez les réglementations locales en vigueur et le code de la route	Conduite sur autoroute, routes longue distance Conduite sur routes fréquentées Conduite sur les trottoirs Conduite dans des zones surpeuplées Conduite sur routes très accidentées Conduite à proximité de : ravins, escarpements, ports, mer, lacs et fleuves Non-respect de la réglementation en vigueur et du code de la route
	Regardez toujours devant vous et faites attention à tous les obstacles, véhicules et piétons à proximité	Ne vous laissez pas distraire au volant
	Changez de direction, en s'assurant d'être vu, en modérant sa vitesse Dans tous les cas, anticipez votre trajectoire et modérez votre vitesse en respectant le code de la route et les personnes les plus vulnérables Utilisez toujours les indicateurs de direction s'ils sont installés sur le produit	Changer brusquement de direction à grande vitesse sans s'assurer d'être vu Le fait de freiner et de prendre un virage en même temps rend le véhicule instable N'utilisez pas d'indicateurs de direction
	Ralentissez en présence de piétons Utilisez le mode piéton dans les zones piétonnes (6 Km/h) Signalez votre présence en utilisant la sonnette	Accélérer ou maintenir une vitesse constante en présence de piétons Conduire sans utiliser le mode piéton dans les zones piétonnes (6 km/h) Ne pas annoncer votre présence en utilisant la sonnette
Conditions routières irrégulières : dos d'âne / marches / surface de route accidenté	Conduite à vitesse modérée Pliez légèrement les genoux pour mieux amortir les chocs lorsque vous traversez une surface irrégulière.	Conduite à grande vitesse Accélérer sur les bosses et les dos d'âne, descendre les marches, sauter par-dessus les obstacles, monter sur les trottoirs, conduire de manière rigide.

Conditions	Utilisation inappropriée/prévue	Utilisation inappropriée
Comportement : dans les virages, les pentes en descente, en présence d'obstacles, de véhicules et de piétons à proximité	Respectez toujours la distance de sécurité Arrêter d'accélérer Freiner et ralentir Conduisez à une vitesse modérée et freinez en toute sécurité Faites attention aux portes et autres obstacles en hauteur	Ne pas respecter la distance de sécurité Accélérer Conduite à grande vitesse, freinage brusque Passage sous des obstacles élevés
Conditions de visibilité	Ne conduisez que s'il y a suffisamment de lumière pour conduire en toute sécurité. Lorsque vous conduisez dans des conditions de luminosité défavorables (à partir d'une demi-heure après le coucher du soleil, pendant toute la période d'obscurité et également pendant la journée, si les conditions météorologiques empêchent la visibilité de la route, lorsque vous traversez des tunnels), pensez à allumer les feux de votre produit et à porter un gilet ou des bretelles réfléchissants.	Conduire dans des conditions de luminosité défavorables avec les feux éteints et sans utiliser de gilet ou de bretelles réfléchissants.
Conditions météo	Conduite dans des conditions météorologiques optimales (sans pluie)	Conduites dans des conditions défavorables : sous la pluie, lorsqu'il neige, en présence de glace ou de boue sur la route, de vent fort, en cas de brouillard.
Se garer	Dans les zones désignées sans gêner la circulation des véhicules et des piétons Sur les surfaces lisses, en s'assurant de la stabilité Éteignez le produit et utilisez toujours un dispositif antivol Utiliser la béquille fournie en dotation	Partout, entravant la circulation des véhicules et des piétons Sur des surfaces inégales et sans garantie de stabilité Laisser le produit allumé, sans surveillance et sans dispositif antivol
Faire des sports extrêmes/acrobaties	NON	OUI, mauvaise utilisation : Conduite à proximité de : ravins, escarpements, ports, mer, lacs et fleuves Conduite sur les flaques d'eau Course avec d'autres véhicules
Soumettre le produit à de forts impacts	NON	OUI, mauvaise utilisation : jeter sur des objets ou des personnes, jeter depuis des marches ou d'en haut

Que faire après une chute :

Vérifiez que le levier d'accélérateur fonctionne correctement. Pour cela, accélérez et décélérez plusieurs fois.

Vérifiez toujours que les freins fonctionnent correctement. Pour ce faire, descendez du produit, poussez-le en avant et freinez pour vous assurer qu'il réagit aux commandes.

Vérifiez que tous les composants du véhicule sont en place et solidement fixés.

Vérifiez l'état d'usure et la pression des pneus (la valeur recommandée est indiquée sur le côté du pneu).


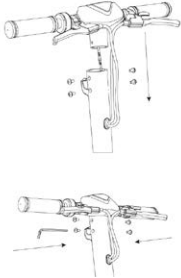

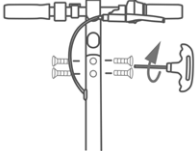
Vérifiez l'usure des freins et des câbles.



Les freins peuvent devenir chauds pendant l'utilisation. Ne touchez pas après utilisation.

2. CONTENU DE L'EMBALLAGE ET MONTAGE

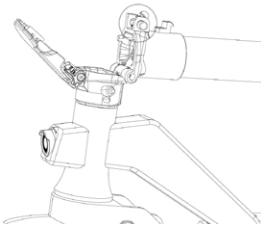
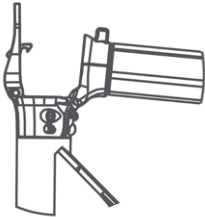
Produit assemblé, le guidon sera monté avec les vis fournies dans l'emballage.

Modèle	Image de référence	Dans l'emballage	Montage guidon
AL EXT		<p>Accessoires:</p> <p>1x clé Allen</p> <p>4x Vis pour le guidon</p> <p>1x Chargeur de batterie</p>	
AL2		<p>Accessoires:</p> <p>1x clé Allen</p> <p>2x Vis pour le guidon</p> <p>1x Chargeur de batterie</p>	

Passages

AL EXT / AL2

- Retirez le produit de son emballage.
- Ouvrez la perche du guidon et fixez-la en fermant le levier du mécanisme de fermeture.
- Connectez le câble d'alimentation de l'écran au faisceau de câblage principal (si nécessaire).
- Installez le guidon sur la colonne du guidon (ne pas écraser les câbles).
- Insérez et serrez les vis du pilier à l'aide de la clé fournie.
- Installez la béquille (si nécessaire).
- Ajustez le mécanisme de verrouillage sur la perche* (si nécessaire).
- Lors de la première utilisation, chargez le produit à 100%.

Modèle	Image de référence	* Réglage du mécanisme de fermeture de la perche
AL EXT		<p>Une vis hexagonale est située à l'intérieur du mécanisme.</p> <p>Si la potence du guidon devient instable après la fermeture, régler la vis du mécanisme en la serrant ou en la desserrant selon les besoins pour augmenter la stabilité de la potence.</p>
AL2		<p>Une vis hexagonale est située à l'intérieur du mécanisme.</p> <p>Si la potence du guidon est instable après la fermeture, ajustez la vis du mécanisme en la vissant ou la dévissant juste assez pour augmenter la stabilité de la potence.</p>

ATTENTION

Assemblez le produit correctement. Si, au cours du montage, on constate des vices de fabrication, des passages imprécis ou des difficultés de montage ou de réglage, ne pas conduire le véhicule et contacter le revendeur ou visiter le site www.alemobility.com/en/ pour obtenir une assistance technique.

N'utilisez pas d'accessoires et / ou de pièces supplémentaires non approuvés par le fabricant.

Tenez les enfants à l'écart des pièces en plastique (y compris les matériaux d'emballage) et des petites pièces qui peuvent provoquer une suffocation.

Il est interdit de modifier ou de transformer le produit ou ses parties de quelque manière que ce soit, car cela pourrait nuire à l'efficacité, à la structure et causer des dommages. Si vous détectez des défauts d'usine, des bruits inhabituels ou des anomalies, ne conduisez pas le véhicule et contactez votre concessionnaire ou visitez le site www.alemobility.com/en/ pour bénéficier de l'assistance technique.

3. PANORAMIQUE DU PRODUIT

Compte tenu du développement technologique continu, le fabricant se réserve le droit de modifier le produit sans préavis, sans mise à jour automatique de ce mode d'emploi.

Pour plus d'informations et pour consulter les révisions de ce manuel, visiter le site www.alemobility.com/en/

AL EXT



1. Phare avant
2. Levier de frein
3. Crochet
4. Mécanisme de fermeture
5. Roue avant
6. Béquille
7. Port de recharge
8. Planche
9. Clip de fermeture
10. Feu arrière

11. Garde-boue arrière
12. Roue moteur arrière
13. Étrier du frein
14. Sonnette
15. Écran
16. Accélérateur
17. Bouton ON/OFF
18. Bouton d'éclairage
19. Port USB

AL2



1. Hook
2. Sonnette
3. Levier de frein
4. Mécanisme de fermeture
5. Phare avant
6. Frein à tambour
7. Stand
8. Planche
9. Roue moteur arrière
10. Phare avant

11. Garde-boue arrière
12. Clip de fermeture
13. Port de recharge
14. Display
15. Accélérateur

Recharge de la batterie

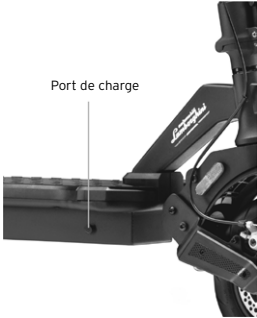





ATTENTION

Lors de la première utilisation, chargez le produit à 100 %. Assurez-vous que le produit, le chargeur et le port de recharge sont secs.

Instructions

- Ouvrez la béquille
- Éteindre le produit

Modèle	Image de référence	INSTRUCTIONS
AL EXT		<ul style="list-style-type: none">• Utilisez uniquement le chargeur fourni.• Branchez d'abord le chargeur à la prise murale et seulement ensuite à la prise de charge.• N'allumez pas la trottinette électrique pendant qu'elle est en charge. <div data-bbox="612 662 814 710">ATTENTION</div> <p>La lumière rouge présente sur l'alimentateur deviendra verte lorsque l'opération de recharge sera terminée.</p>
AL2		<ul style="list-style-type: none">• Utilisez uniquement le chargeur fourni.• Branchez d'abord le chargeur sur la prise murale et seulement ensuite sur la prise de charge.• N'allumez pas le scooter électrique pendant qu'il est en charge. <div data-bbox="612 1110 814 1158">ATTENTION</div> <p>Le voyant rouge du bloc d'alimentation devient vert lorsque l'opération de chargement est terminée.</p>

Pour recharger l'article, utilisez le chargeur de batterie fourni UNIQUEMENT



Modèle	Code produit	Modèle chargeur de batterie	Tension de sortie	Temps de charge
AL EXT	LA-MO-210001	FCA136-546020	54.6V - 2A	Environ 7 heures
	LA-MO-220002			
	LA-MO-210002			
	LA-MO-220013			
	LA-MO-220001			
AL2	LA-MO-220003	HLT-180-4201500	42V - 1.5A	Environ 5 heures
	LA-MO-220004			

L'utilisation d'un autre type de chargeur peut endommager le produit ou impliquer d'autres risques potentiels.

Ne chargez jamais le produit sans surveillance. N'allumez pas la trottinette pendant la recharge.

Après chaque utilisation, rechargez complètement la batterie pour prolonger sa durée de vie. Ne rechargez pas le produit immédiatement après son utilisation. Laissez le produit refroidir pendant une heure avant de le recharger.

Le produit ne doit pas être chargé pendant de longues périodes. La surcharge réduit la durée de vie de la batterie et présente des risques potentiels supplémentaires.

Il est conseillé de ne pas laisser le véhicule se décharger complètement pour éviter d'endommager la batterie.

Les dommages causés par une absence prolongée de charge sont irréversibles et ne sont pas couverts par la garantie limitée. Une fois le dommage survenu, la batterie ne peut plus être rechargée (le démontage de la batterie par du personnel non qualifié est interdit car cela pourrait entraîner des chocs électriques, des courts-circuits ou même des incidents de sécurité majeurs). Si vous êtes absent pendant un certain temps, par exemple pendant les vacances, et que vous confiez l'appareil à un tiers, laissez-le à l'état de charge partielle (20 à 50 % de charge), et non à l'état de charge complète.

Effectuez un contrôle visuel régulier du chargeur et des câbles du chargeur. Si le câble du chargeur présente des dommages évidents, ne l'utilisez pas pour éviter tout dommage et/ou risque supplémentaire, contactez-nous pour un remplacement.

Avvertissements concernant la batterie

La batterie est composée de cellules lithium-ion et de produits chimiques dangereux pour la santé et l'environnement. N'utilisez pas le produit s'il dégage des odeurs, des substances ou une chaleur excessive. Ne mettez pas au rebut le produit ou la batterie avec les déchets ménagers. L'utilisateur final est responsable de l'élimination des équipements électriques et électroniques et des batteries conformément à toutes les réglementations en vigueur.

Évitez d'utiliser des batteries usagées, défectueuses et / ou non originales, d'autres modèles ou marques.



Ne laissez pas la batterie à proximité d'un feu ou de sources de chaleur. Risque d'incendie et d'explosion.

N'ouvrez pas ou ne démontez pas la batterie et ne frappez pas, ne jetez pas, ne percez pas la batterie et n'y fixez pas d'objets.

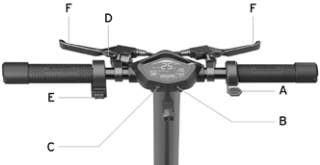
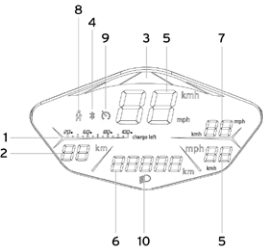
Ne touchez pas les substances qui s'échappent de la batterie, car elle contient des substances dangereuses. Ne laissez pas les enfants ou les animaux toucher la batterie.

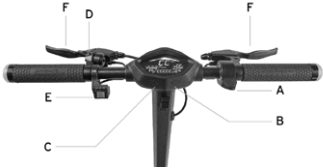
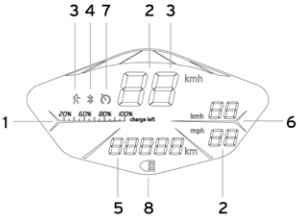
Ne surchargez pas ou ne court-circuitiez pas la batterie. Risque d'incendie et d'explosion.

Évitez d'immerger ou d'exposer la batterie à l'eau, sous la pluie ou à d'autres substances liquides. N'exposez pas la batterie à la lumière directe du soleil, à une chaleur ou un froid excessif (par exemple, ne laissez pas le produit ou la batterie dans une voiture en plein soleil pendant une période prolongée), à un environnement contenant des gaz explosifs ou des flammes.




Ne transportez pas et ne stockez pas la batterie avec des objets métalliques tels que des épingles à cheveux, des colliers, etc. Le contact entre des objets métalliques et les contacts de la batterie peut provoquer un court-circuit entraînant des dommages physiques ou la mort.

4. À PROPOS DES COMMANDES / PANNEAU DE COMMANDE

Modèle		
	<p>A. Accélérateur : appuyez sur l'accélérateur pour accélérer.</p> <p>B. Bouton d'alimentation : appuyez longuement pour allumer ou éteindre le scooter électrique.</p> <p>Odomètre ODO/TRIP : appuyez brièvement 3 fois pour passer de l'affichage ODO à l'affichage TRIP.</p> <p>C. Modes de vitesse : appuyez brièvement pour changer le niveau de vitesse.</p> <p>Lumières : Appuyez longuement sur le bouton pour allumer ou éteindre les lumières.</p>	<p>D. Cloche : appuyez une fois sur le levier pour la faire fonctionner.</p> <p>E. Indicateurs de direction : Appuyez sur le commutateur vers la droite ou la gauche pour les activer et/ou les désactiver.</p> <p>F. Levier de freinage : serrez le levier pour freiner.</p>
AL EXT	<ol style="list-style-type: none"> Niveau de la batterie : état de charge résiduel. Autonomie : estimation de la distance restante. Mode vitesse (barre de LED) : <ul style="list-style-type: none"> - Niveau 1 : couleur verte - Niveau 2 : couleur orange - Niveau 3 : couleur rouge Bluetooth : connexion au smartphone disponible. Tachymètre : vitesse instantanée scooter électrique (km/h - mph). Odomètre ODO / TRIP : appuyez brièvement 3 fois pour passer de l'affichage ODO à TRIP. Vitesse AVG : vitesse moyenne. Mode piéton : aide à la poussée du véhicule grâce à un voyant clignotant. Régulateur de vitesse : maintien de la vitesse. Il est activé après avoir maintenu la même vitesse pendant quelques secondes. Feux : témoin lumineux d'éclairage. 	

Modèle		
AL2		
	<p>A. Accélérateur : appuyez sur l'accélérateur pour accélérer.</p> <p>B. Bouton d'alimentation : appuyez longuement pour allumer ou éteindre le scooter électrique.</p> <p>Odomètre ODO/TRIP : appuyez brièvement 3 fois pour passer de l'affichage ODO à l'affichage TRIP.</p> <p>C. Modes de vitesse : appuyez brièvement pour changer le niveau de vitesse.</p> <p>Lumières : Appuyez longuement sur le bouton pour allumer ou éteindre les lumières.</p>	<p>D. Cloche : appuyez une fois sur le levier pour la faire fonctionner.</p> <p>E. Indicateurs de direction : Appuyez sur le commutateur vers la droite ou la gauche pour les activer et/ou les désactiver.</p> <p>F. Levier de freinage : serrez le levier pour freiner.</p>
	<ol style="list-style-type: none"> Niveau de la batterie : état de charge résiduel. Tachymètre : vitesse instantanée du scooter électrique (km/h et mph). Modes de vitesse (TACHIMETRE) : <ul style="list-style-type: none"> - Niveau 1 : indiqué par le chiffre 1 - Niveau 2 : indiqué par le chiffre 2 - Niveau 3 : indiqué par le chiffre 3 - Piéton : aide à pousser le véhicule avec un feu clignotant. Bluetooth : connexion au smartphone disponible. Odomètre ODO/TRIP : distance totale parcourue et distance par session. Vitesse AVG : vitesse moyenne. Cruise control : maintien de la vitesse. Il est activé après avoir maintenu la même vitesse pendant quelques secondes. Feux : témoin lumineux d'éclairage. 	

Indicateurs de direction

Model	
AL EXT AL2	 <p data-bbox="194 506 866 525">Les indicateurs de direction sont placés à l'extrémité du guidon (côté gauche et droit).</p> <p data-bbox="194 547 951 588">Les clignotants doivent permettre de signaler rapidement tout changement de direction pendant la conduite.</p> <p data-bbox="194 649 470 668">Commande d'entraînement :</p>  <div data-bbox="645 656 848 703"> ATTENTION</div> <p data-bbox="645 729 961 787">Avant chaque utilisation du produit, vérifiez que les clignotants fonctionnent correctement.</p>

5. GUIDE RAPIDE

- Lors de la première utilisation, chargez le produit à 100 %.
- Vérifiez la pression des pneus (la valeur recommandée est indiquée sur le côté du pneu). Au cas où la trottinette électrique n'arrive pas à faire au moins 60 % des km déclarés ou n'atteint pas la vitesse maximale dans les 3 premiers mois d'utilisation, il est probable que les pneus se soient à nouveau dégonflés, il faudra donc rétablir la pression comme indiqué.
- Vérifiez et réglez les freins.
- Allumez l'écran.
- Placez le produit sur une surface plane.
- Tenez fermement le guidon avec les deux mains. Montez sur la plate-forme avec un pied et utilisez l'autre pour vous donner une légère poussée et accélérer.



ATTENTION

Fonction Zero Start : l'accélérateur est activé dès que la vitesse de conduite dépasse les 3 km / h.
Pour des raisons de sécurité, le produit est initialement défini pour éviter un démarrage à l'arrêt.

- Lorsque vous conduisez le produit, inclinez votre corps dans le sens de la marche pendant un virage et tournez lentement le guidon.
- Pour arrêter le produit, relâchez l'accélérateur et appuyez sur le levier de frein.
- Pour descendre, arrêtez d'abord complètement le véhicule. Descendre de la trottinette électrique en mouvement peut provoquer des blessures.
- Avant chaque utilisation, vérifiez les freins et leur état d'usure, vérifiez la pression des pneus (voir la valeur recommandée sur le flanc du pneu), l'état d'usure des roues, l'accélérateur et l'état de charge de la batterie.

Réglage de la position des leviers des freins

AL EXT / AL2

Réglage des freins

Il est possible d'ajuster la position du levier du frein si nécessaire, en agissant sur le point A (voir image)



Réglage des freins

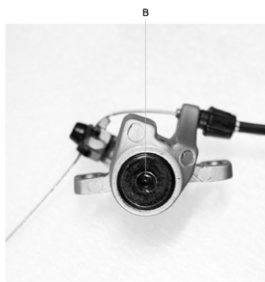
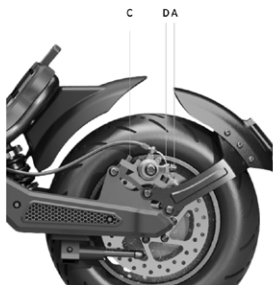
AL EXT

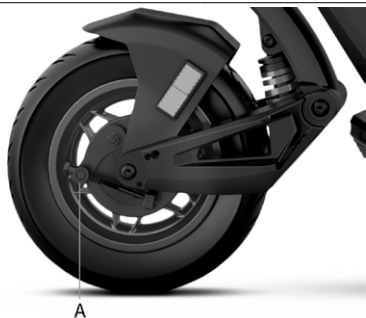
Réglage de l'étrier de frein

Si le frein est trop serré ou trop lâche, utilisez la clé hexagonale pour desserrer la vis (A), puis ajustez le câble de frein, (raccourcir le câble de frein vers le haut s'il est trop tendu. Si le câble est trop lâche, tirez le câble vers le bas) puis resserrez la vis (A).

S'il est être trop lâche ou trop serré même après avoir suivi la première étape, il peut être nécessaire d'ajuster la plaquette de frein (fixe) que vous pouvez ajuster à travers la roue du côté opposé. Utilisez la clé Allen pour éloigner la plaquette de frein (B) (dans le sens contraire aux aiguilles d'une montre) ou la rapprocher (dans le sens des aiguilles d'une montre) (voir image). Vérifiez le bon alignement entre l'étrier de frein et le disque. Utilisez les vis C et D pour régler la position / alignement sur le disque si besoin.

Pour l'étrier de frein arrière, dévissez et retirez les vis C et D, puis retirez l'étrier de frein du disque.



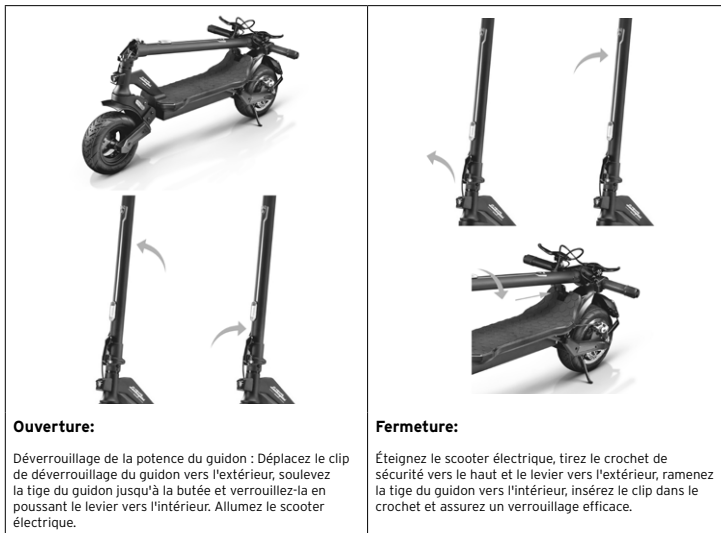
**Réglage du frein à tambour :**

Si le frein est trop serré ou trop lâche, agir en desserrant ou en resserrant la vis (A). Si le levier de frein est trop mou ou trop dur même après avoir suivi la première étape, il peut être nécessaire de répéter l'opération jusqu'à ce qu'un réglage optimal soit atteint.

6. PLIER ET TRANSPORTER

Assurez-vous que la trottinette électrique est éteinte. Tenez la perche du guidon d'une main, tirez le levier, repliez la perche du guidon vers le plateau et accrochez.

AL EXT



Ouverture:

Déverrouillage de la potence du guidon : Déplacez le clip de déverrouillage du guidon vers l'extérieur, soulevez la tige du guidon jusqu'à la butée et verrouillez-la en poussant le levier vers l'intérieur. Allumez le scooter électrique.

Fermeture:

Éteignez le scooter électrique, tirez le crochet de sécurité vers le haut et le levier vers l'extérieur, ramenez la tige du guidon vers l'intérieur, insérez le clip dans le crochet et assurez un verrouillage efficace.

Clip pour le guidon

**Ouverture:**

Déverrouillez la tige du guidon du repose-pieds : appuyez sur le clip pour libérer le guidon, relevez la tige du guidon jusqu'à la butée et verrouillez-la en poussant le levier du mécanisme de verrouillage vers l'intérieur. Mettez le scooter électrique en marche.

Levier du mécanisme de verrouillage

**Fermeture:**

Éteignez le scooter électrique, déverrouillez le mécanisme de verrouillage : appuyez sur le crochet rouge et tirez le levier vers l'extérieur (voir photo), ramenez la tige du guidon vers l'intérieur et assurez-vous qu'elle est bien verrouillée.



Après le pliage, soulevez en tenant la perche du guidon avec une ou deux mains.

**ATTENTION**

Assurez-vous de tenir fermement le produit pendant le transport. Si vous n'êtes pas sûr de pouvoir maintenir le poids du produit, ne continuez pas le transport avec le produit relevé. En cas de chute soudaine, le produit peut provoquer des blessures graves et s'abîmer.

7. AUTONOMIE ET PERFORMANCES

L'autonomie maximale et les performances du véhicule dépendent de plusieurs variables :

Terrain : la conduite sur chaussée lisse permet d'obtenir une meilleure autonomie et de meilleures performances que la conduite sur des routes accidentées et des montées.

Poids de l'utilisateur : plus le poids est élevé, plus l'autonomie et les performances du véhicule sont réduites.

Température : la conduite de la trottinette dans un environnement très froid ou très chaud affecte l'autonomie et les performances.

Vitesse et style de conduite : une conduite fluide et constante permet de prolonger l'autonomie. Les accélérations, décélérations et manœuvres continues réduisent considérablement l'autonomie. La vitesse plus basse prolonge l'autonomie.

Maintenance et entretien : une recharge en temps opportun, un entretien correct et un contrôle régulier de la pression des pneus (voir la valeur de référence dans la section 10) augmentent l'autonomie et assurent des performances constantes dans le temps.

Le niveau de charge de la batterie influe sur les performances. Plus le niveau est bas, plus les performances de vitesse sont faibles, surtout en côte.

8. STOCKAGE, ENTRETIEN ET NETTOYAGE

Si l'y a des taches sur le corps du produit, nettoyez-les avec un chiffon humide. Si les taches persistent, appliquez un savon neutre, brossez-les avec une brosse à dents, puis essuyez avec un chiffon humide. Si les composants en plastique présentent des rayures, utilisez du papier de verre ou un autre matériau abrasif pour les éliminer. Ne nettoyez pas le produit avec de l'alcool, de l'essence, de la paraffine ou d'autres solvants chimiques corrosifs et volatils afin d'éviter tout dommage grave. Ne lavez pas le produit avec des jets d'eau à haute pression. Pendant le nettoyage, assurez-vous que le produit est éteint, que le câble de charge est déconnecté et que le bouchon en caoutchouc est fermé car une fuite d'eau pourrait provoquer des chocs électriques ou d'autres problèmes graves. L'infiltration d'eau dans la batterie peut endommager les circuits internes, provoquer un incendie ou une explosion. En cas de doute sur la présence d'une infiltration d'eau dans la batterie, arrêtez immédiatement de l'utiliser et renvoyez-la au SAV ou à votre revendeur pour un contrôle.

Lorsque le produit n'est pas utilisé, rangez-le dans un endroit fermé sec et frais. Ne le rangez pas à l'extérieur ou à l'intérieur de la voiture pendant une période prolongée. Un ensoleillement excessif, une surchauffe et un froid extrême accélèrent le vieillissement des pneus et compromettent la durée de vie à la fois du produit et de la batterie. Ne l'exposez pas à la pluie ou à l'eau, ne l'immergez pas et ne le lavez pas à l'eau.

Vérifiez régulièrement le serrage des différentes pièces boulonnées, notamment les axes des roues, le système de pliage et de transport, le système de direction, le système de freinage, le bon état du cadre, des fourches et de la suspension. Les écrous et toutes les autres fixations autobloquantes peuvent perdre leur efficacité, il est donc nécessaire de vérifier et de resserrer périodiquement ces éléments.

Comme tous les composants mécaniques, ce produit est sujet à l'usure et à de fortes contraintes. Des matériaux et des composants différents peuvent réagir à l'usure ou à la fatigue sous contrainte de différentes manières. Si la durée de vie d'un composant est dépassée, il peut se briser brusquement et causer des blessures au conducteur. Toute fissure, rayure ou changement de couleur dans les zones fortement sollicitées indique que la durée de vie du composant a été atteinte et qu'il doit être remplacé.

Vérifiez l'usure des pneus : il ne doit pas y avoir de coupures, de fissures, de corps étrangers, de gonflements anormaux, de pièces manquantes ou d'autres dommages. Pour la pression des pneus, référez-vous à la valeur indiquée dans la section 10 de ce manuel d'instructions.

N'essayez pas de démonter ou de réparer le produit par vous-même. Le remplacement de tous les composants de la trottinette électrique doit être effectué par le centre de service agréé. Pour en savoir plus, contactez votre revendeur ou visitez le site Web : www.alemobility.com/en/

9. CONFIGURATION APPLI

Vous trouverez ci-dessous les produits qui sont équipés de Bluetooth et peuvent être couplés avec l'application AL e-Mobility: AL EXT, AL2.

L'application permet de contrôler le produit directement depuis le smartphone.

Scannez le QR CODE pour télécharger et installer l'application. S'il n'est pas possible de trouver l'application, il est conseillé de la rechercher sur le service d'applications de référence.

Ouvrez l'application et suivez les instructions du service d'applications de référence.



Ouvrez l'application et suivez les instructions du service app de référence.



L'application peut nécessiter différentes autorisations pour son utilisation et son fonctionnement.

La version de l'application a peut-être été mise à jour sur votre service d'applications. Il est recommandé de vérifier constamment les mises à jour de l'application pour découvrir de nouvelles fonctions et de toujours installer la dernière version de l'application sur votre appareil.

N'utilisez pas le dispositif pendant la conduite.

10. FICHE TECHNIQUE

Informations générales

AL EXT

Châssis	Acier et aluminium	
Suspensions	Avant et arrière	
Vitesse	LA-MO-210001; LA-MO-210002; LA-MO-220013 Piéton: ≤ 6km/h L1: ≤ 15km/h L2: ≤ 20km/h L3: ≤ 25km/h (vitesse maximale) * *selon le pays de circulation	LA-MO-220001; LA-MO-220002 Piéton: ≤ 6km/h L1: ≤ 10km/h L2: ≤ 15km/h L3: ≤ 20km/h(vitesse maximale) * *selon le pays de circulation
Pente maximum **	22%	
Freins	Frein à disque avant, frein à disque arrière et frein électronique	
Pneus	Mesure: 90/65-6.5 Pression: 50 psi / 3.5 bar	
Charge maximum	120kg	
Conducteur	Vérifiez la législation en vigueur dans votre pays	
Température de fonctionnement	-0°C / 45°C	
Niveau de protection	IPX4	
Durée de charge	environ 7 heures	
Autonomie**	Jusqu'à 40 km	
Système électrique		
Puissance nominale Moteur	0.50kW; 500W Brushless	
Puissance maximum Moteur	0.900kW; 900W	
Affichage	LED intégrée	
Batterie	48V 12.5Ah 600Wh	
Protection à basse tension	42V	
Limite de courant	20A	
KERS	oui	
Phares	LED avant et arrière	
Fonction	Bluetooth	
Mesures		
Poids net	30.6Kg	
Poids brut	38.75Kg	

* Toujours respecter le Code de la route et les normes en matière en vigueur dans le pays de circulation.

** Sujet à variations en fonction du poids du conducteur, des conditions de la route et de la température.

Informations générales

AL2

Châssis	Acier et aluminium	
Suspensions	Avant et arrière	
Vitesse	LA-MO-220003 Piéton: \leq 6km/h L1: \leq 15km/h L2: \leq 20km/h L3: \leq 25km/h (vitesse maximale) * *selon le pays de circulation	LA-MO-220004 Piéton: \leq 6km/h L1: \leq 10km/h L2: \leq 15km/h L3: \leq 20km/h(vitesse maximale) * *selon le pays de circulation
Pente maximum **	16%	
Freins	Frein à tambour avant, frein électrique arrière	
Pneus	Mesure: 10" X 2.125" avec chambre à air Pression: 36 psi / 2.5 bar	
Charge maximum	120kg	
Conducteur	Vérifiez la législation de votre pays	
Température de fonctionnement	-0°C / +45°C	
Niveau de protection	IPX5	
Durée de charge	environ 5 heures	
Autonomie**	jusqu'à 35 km	

Système électrique

Puissance nominale Moteur	0.35kW; 350W brushless
Puissance maximum Moteur	0.55kW; 550W
Affichage	LED intégrée
Batterie	36V 8Ah 288Wh
Protection à basse tension	31 + / - 0.5V
Limite de courant	17A
KERS	oui
Phares	LED à l'avant et à l'arrière
Fonction	Bluetooth avec application

Mesures

Poids net	19Kg
Poids brut	22Kg

* Toujours respecter le Code de la route et les normes en matière en vigueur dans le pays de circulation.

** Sujet à variations en fonction du poids du conducteur, des conditions de la route et de la température.

11. RÉOLUTION DES PROBLÈMES

Erreur	Cause	Solution
Le moteur ne tourne pas	Problème électrique, présence d'un code d'erreur	Demander l'assistance technique
La roue motrice ne tourne pas	Problème aux freins Le moteur est bloqué	Régler les freins. Si le problème persiste, demander l'assistance technique Vérifiez le bon serrage de la roue, vérifiez qu'elle tourne sans démarrer le véhicule. Si le problème persiste, demander l'assistance technique
Le moteur s'éteint en cours de fonctionnement	Surchauffe du moteur Présence d'un code erreur	Arrêtez le véhicule et attendez qu'il refroidisse Demander l'assistance technique
Une fois le produit rechargé, il ne s'allume pas ou s'éteint après quelques kilomètres.	Batterie endommagée	Demander l'assistance technique
La batterie ne se charge pas ou le produit ne s'allume pas	Problèmes de connexion La batterie n'est pas connectée (modèles avec batterie amovible) La batterie est déchargée Batterie endommagée Problèmes au chargeur de batterie	Demander l'assistance technique Vérifier si le connecteur d'alimentation est branché. Chargez la batterie à 100% Demander l'assistance technique Remplacer le chargeur de batterie

AL EXT / AL2

Tableau codes d'erreur

Code d'erreur	Définition
E1	Anomalie connectivité du moteur
E2	Anomalie MOS ou phase moteur court-circuitée
E3	Anomalie du capteur du frein
E4	Défaut électronique du guidon
E5	Protection à basse tension
E6	Communication de l'instrumentation défaillante
E7	Protection haute tension
E8 / E9	Anomalie centrale de commande/BMS

12. RESPONSABILITÉ ET CONDITIONS GÉNÉRALES DE GARANTIE

Le conducteur assume tous les risques liés à la non-utilisation d'un casque et d'autres équipements de protection.

Le conducteur est tenu de respecter les réglementations locales en vigueur en ce qui concerne :

1. L'âge minimum autorisé pour le conducteur,
2. Les restrictions sur les types de conducteurs qui peuvent utiliser le produit
3. Au niveau de tous les aspects de la norme

Le conducteur est également tenu de maintenir le produit propre et en parfait état d'efficacité et d'entretien, d'effectuer avec diligence les contrôles de sécurité qui lui incombent tels que décrits dans les sections précédentes, de ne pas altérer le produit de quelque manière que ce soit et de conserver toute la documentation relative à l'entretien.

La société ne répond pas des dommages provoqués et n'est en aucun cas responsable des dommages causés aux biens ou aux personnes dans les cas où :

- le produit a été utilisé de manière incorrecte ou non conforme aux instructions du manuel d'instructions;
- le produit, suite à l'achat, a été altéré ou modifié dans tous ou dans une partie de ses composants.

En cas de défaillance du produit dû à des causes non imputables à des comportements incorrects du conducteur et si vous souhaitez consulter les conditions générales de garantie, veuillez contacter votre concessionnaire ou visitez le site www.alemobility.com/en/

Sont toujours exclues du champ d'application de la Garantie Légale des Produits les défaillances ou dysfonctionnements causés par des événements accidentels et/ou imputables à la responsabilité de l'Acheteur ou par une utilisation du Produit non conforme à l'usage prévu et/ou à celui prévu dans la documentation technique jointe au Produit, ou dus à un défaut de réglage des parties mécaniques, à l'usure naturelle des matériaux d'usure ou causés par des erreurs de montage, un manque d'entretien et/ou une utilisation de celui-ci non conforme aux instructions.

Par exemple, les éléments suivants doivent être considérés comme exclus de la Garantie légale relative aux Produits :

- les dommages causés par des chocs, des chutes ou des collisions accidentelles, des crevaisons;
- les dommages causés par l'utilisation, l'exposition ou le stockage dans un environnement inapproprié (par exemple : présence de pluie et/ou de boue, exposition à l'humidité ou à des sources de chaleur excessive, contact avec du sable ou d'autres substances)
- les dommages causés par le manque de réglage pour l'utilisation sur route et/ou entretien des pièces mécaniques, des freins à disque mécaniques, du guidon, des pneus, etc.; l'installation et/ou le montage incorrect des pièces et/ou des composants
- l'usure naturelle des matériaux consommables : frein à disque mécanique (par ex. plaquettes, étriers, disque, câbles), pneus, plateformes, joints, roulements, feux led et ampoules, pied, boutons, garde-boue, pièces en caoutchouc (plateforme), câblage des connecteurs des câbles, caches et autocollants, etc.; connecteurs des câbles, masques et autocollants, etc.;
- l'entretien inapproprié et/ou l'utilisation incorrecte de la batterie du Produit;
- l'altération et/ou le forçage de parties du Produit;
- l'entretien ou la modification incorrect ou inadéquat du Produit;
- la mauvaise utilisation du Produit (par exemple : surcharge, utilisation dans des compétitions et/ou pour des activités commerciales de location);
- les entretiens, les réparations et/ou les interventions techniques sur le Produit effectués par des tiers non autorisés;
- les dommages aux Produits résultant du transport, s'il est effectué par l'Acheteur;
- les dommages et/ou les défauts résultant de l'utilisation de pièces de rechange non originales.

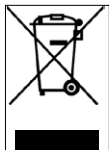
Nous vous invitons à consulter la version la plus récente des conditions de garantie disponible sur

www.alemobility.com/en/support/



ATTENTION

Traitement du dispositif électrique ou électronique en fin de vie (applicable dans tous les pays de l'union européenne et dans d'autres systèmes européens avec système de tri sélectif)



Ce symbole sur le produit ou sur l'emballage indique que le produit ne doit pas être considéré comme un déchet ménager normal; veuillez plutôt le remettre à un point de collecte approprié pour le recyclage des équipements électriques et électroniques (DEEE).

En vous assurant que ce produit est éliminé correctement, vous contribuerez à éviter les conséquences négatives potentielles pour l'environnement et la santé qui pourraient autrement être causées par une élimination inappropriée. Le recyclage des matériaux permet de conserver les ressources naturelles.

Pour des informations plus détaillées sur le recyclage et l'élimination de ce produit, veuillez contacter votre service local d'élimination des déchets ou le point de vente où il a été acheté.

Dans tous les cas, il faut effectuer l'élimination conformément à la normative en vigueur dans le pays d'achat.

En particulier, les consommateurs sont tenus de ne pas éliminer les DEEE en tant que déchets municipaux, mais doivent participer à la collecte séparée de ce type de déchets à travers deux modes de remise:

- Aux centres de collecte municipaux (également appelés Éco-emplacements, îlots écologiques), directement ou via les services de collecte des entreprises municipales, là où ils sont disponibles;
- Auprès des points de vente de nouveaux appareils électriques et électroniques.

Ici, les DEEE de très petites dimensions (dont le côté le plus long est inférieur à 25 cm) peuvent être livrés gratuitement, tandis que les plus gros peuvent être livrés en mode 1 contre 1, c'est-à-dire en livrant l'ancien produit lorsque vous en achetez un neuf ayant les mêmes fonctions.

Par ailleurs, le mode 1 contre 1 est toujours garanti lors de l'achat par le consommateur d'un nouvel EEE, quelle que soit la taille du DEEE.

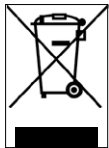
En cas d'élimination abusive d'équipements électriques ou électroniques, les sanctions prévues par la législation en vigueur en matière de protection de l'environnement peuvent être appliquées (selon la législation italienne; veuillez impérativement vous conformer à la réglementation en vigueur dans le pays d'utilisation / d'élimination du véhicule).

Si les DEEE contiennent des piles ou des accumulateurs, ceux-ci doivent être retirés et soumis à un tri sélectif spécifique.



ATTENTION

Traitement des batteries usagées (applicable dans tous les pays de l'Union européenne et dans d'autres systèmes européens dotés de systèmes de tri sélectif)



Ce symbole sur le produit ou sur l'emballage indique que la batterie ne doit pas être considérée comme un déchet ménager normal. Sur certains types de batteries, ce symbole peut être utilisé en combinaison avec un symbole chimique.

Les symboles chimiques du mercure (Hg) ou du plomb (Pb) sont ajoutés si la batterie contient plus de 0,0005 % de mercure ou de 0,004 % de plomb.

En vous assurant que les batteries sont éliminées correctement, vous contribuerez à éviter les conséquences négatives potentielles pour l'environnement et la santé qui pourraient autrement être causées par leur mise au rebut inappropriée. Le recyclage des matériaux permet de conserver les ressources naturelles. Dans le cas de produits qui, pour des raisons de sécurité, de performance ou de protection des données, nécessitent une connexion fixe à une pile/batterie interne, celle-ci ne doit être remplacée que par du personnel de maintenance qualifié.

Livrez le produit en fin de vie à des points de collecte adaptés à l'élimination des équipements électriques et électroniques: cela garantit que la batterie à l'intérieur est également traitée correctement.

Pour plus d'informations sur la mise au rebut de la pile-batterie usée ou du produit, vous pouvez contacter le service local pour l'élimination des déchets ou le point de vente où vous l'avez acheté.

Dans tous les cas, il faut effectuer l'élimination conformément à la normative en vigueur dans le pays d'achat.

Dieses Handbuch gilt für den folgenden elektrischen Roller:

AL EXT AL2

Benutzerhandbuch
LA-MO-000001 rev. 2

Anweisungen aus dem italienischen Original übersetzt

Vielen Dank, dass Sie sich für dieses Produkt entschieden haben.
Für Informationen, technische Unterstützung, Kundendienst und die allgemeinen Garantiebedingungen wenden Sie sich bitte an Ihren Händler oder besuchen Sie die Website www.alemobility.com/en/support/

Verzeichnis

1. Sicherheitshinweise
2. Verpackungsinhalt und Montage
3. Produktübersicht
4. Informationen zu den Bedienelementen / Bedienpult
5. Kurzanleitung
6. Zusammenklappen und Transportieren
7. Reichweite und Leistungen
8. Lagerung, Wartung und Reinigung
9. App-Konfiguration
10. Technisches Datenblatt
11. Abhilfe bei Problemen
12. Haftung und allgemeine Garantiebedingungen

1. SICHERHEITSHINWEISE



VORSICHT

WICHTIG! Lesen und befolgen Sie die nachstehenden Anleitungen sorgfältig, bevor Sie das Produkt verwenden. Bewahren Sie dieses Handbuch zum Nachschlagen oder für neue Benutzer auf.

Nehmen Sie sich die nötige Zeit, um die Grundlagen zu erlernen und schwere Unfälle zu vermeiden, die in den ersten Monaten auftreten können. Wenden Sie sich an Ihren Händler, um Unterstützung bei der korrekten Verwendung des Produkts zu erhalten oder um zu erfahren, wo Sie Pedelec-Kurse nehmen können.

Das Unternehmen lehnt jede direkte oder indirekte Haftung ab, die sich aus der unsachgemäßen Verwendung des Produkts, der Nichteinhaltung der Verkehrsvorschriften und der Anleitungen in diesem Handbuch, aus Unfällen und Streitigkeiten aufgrund von Nichtbeachtung und illegalen Handlungen ergibt.

Dieses Produkt ist ein Freizeitprodukt. Es darf nur von einer Person und nicht für den Transport von Passagieren benutzt werden, da es nicht von mehr als einer Person zur Zeit benutzt werden darf.

Verändern Sie den Zweck des Fahrzeugs in keiner Weise. Dieses Produkt ist nicht für Kunststücke, Wettbewerbe, den Transport von Gegenständen, das Abschleppen anderer Fahrzeuge oder Anhänger geeignet.

Der **Elektroller** muss umsichtig und immer unter Einhaltung der von der Straßenverkehrsordnung des Landes, in dem er gefahren wird, durchgesetzten **Regeln** benutzt werden, um gefährliche Situationen zu vermeiden und sich selbst und die anderen Verkehrsteilnehmer zu schützen.



VORSICHT

Indikative Anforderungen an die Fahrzeugkonstruktion:

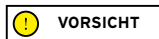
Modell Elektroller	AL EXT Green	AL EXT Bronze	AL2
Artikelnummer Produkt mit Blinker	LA-MO-210001	LA-MO-220013	LA-MO-220003
	LA-MO-220002	LA-MO-220001	LA-MO-220004
		LA-MO-210002	
Gewicht MIN. (kg)	30	30	30
Gewicht MAX. (kg)	120	120	120
Alter MIN *	14	14	14
Alter MAX *	65	65	65
Größe (cm) MIN.	120	120	120
Größe (cm) MAX.	200	200	200

- * Bevor Sie das Produkt benutzen, kontrollieren Sie und halten Sie sich an die lokalen Bestimmungen hinsichtlich des zulässigen Mindestalters für den Rollerfahrer, den Einschränkungen hinsichtlich der Personen, die das Produkt benutzen dürfen, und des Gebrauchs dieses Produkttyps.

Der A-bewertete Emissionsschalldruckpegel (Lärm) am Ohr des Fahrers beträgt weniger als 70 dB(A).

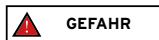
Grafische Darstellung von Sicherheitswarnungen

Die folgenden grafischen Symbole werden zur Kennzeichnung von Sicherheitshinweisen in dieser Anleitung verwendet. Sie sollen die Aufmerksamkeit des Lesers/Benutzers auf die richtige und sichere Verwendung des Produkts lenken.



Aufmerksam sein

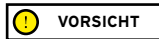
Hebt die Regeln hervor, die befolgt werden müssen, um Schäden am Produkt zu vermeiden und/oder gefährliche Situationen zu verhindern.



Restrisiken

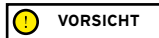
Weist auf das Vorhandensein von Gefahren hin, die Restrisiken verursachen, auf die der Benutzer achten muss, um Verletzungen oder Sachschäden zu vermeiden.

Allgemeine Warnhinweise



Denken Sie daran, dass Sie auf öffentlichen Plätzen oder im Straßenverkehr auch dann, wenn Sie dieses Handbuch buchstabengetreu befolgen, nicht vor Verletzungen geschützt sind, die durch Verstöße oder unangemessenes Verhalten gegenüber anderen Fahrzeugen, Hindernissen oder Personen verursacht werden. Ein unsachgemäßer Gebrauch des Produkts oder die Nichtbeachtung der Anweisungen in diesem Handbuch kann zu ernsthaften Schäden führen.

Dieses Produkt ist ein Elektrofahrzeug. Je schneller Sie fahren, desto länger ist der Bremsweg. Bei einer Vollbremsung auf rutschigen, schlammigen, nassen oder vereisten Straßen können die Räder durchdrehen und Sie können das Gleichgewicht verlieren. Sie müssen eine angemessene Geschwindigkeit und einen ausreichenden Sicherheitsabstand zu anderen Fahrzeugen oder Fußgängern einhalten. Seien Sie besonders vorsichtig, wenn Sie auf unbekanntem Straßen fahren. Öffnen Sie den Ständer nicht, wenn Sie das Produkt verwenden, da sonst die Gefahr besteht, dass Sie sich schwer verletzen und das Produkt beschädigt wird.



Auf nassen Straßen wird der Bremsweg länger und die Bodenhaftung verringert sich merklich im Vergleich zu trockenen Straßen! Fahren Sie vorsichtiger und halten Sie die Sicherheitsabstände ein!

Tragen Sie zu Ihrer eigenen Sicherheit immer einen Helm, Knie- und Ellbogenschützer, um sich vor Stürzen und Verletzungen während der Fahrt mit dem Produkt zu schützen. Wenn Sie das Produkt verleihen, lassen Sie den Fahrer die Sicherheitsausrüstung tragen und erklären Sie ihm die Bedienung des Fahrzeugs. Um Verletzungen zu vermeiden, leihen Sie das Produkt nicht an Personen aus, die nicht wissen, wie man es benutzt. Tragen Sie immer Schuhe, bevor Sie das Produkt verwenden.

Kinder dürfen mit dem Elektroroller oder Teilen davon nicht spielen, noch darf man ihnen erlauben, Reinigungs- oder Wartungsarbeiten an ihm auszuführen.

Achten Sie beim Fahren mit dem Produkt darauf, dass Sie Kinder und Fußgänger nicht erschrecken. Wenn Sie hinter ihnen vorbeifahren, warnen Sie sie mit der Klingel und fahren Sie langsamer unter Verwendung der Mindestgeschwindigkeit von 6km/h.

Anleitungen und Warnhinweise zum Fahrverhalten

Bedingungen	Bestimmungsgemäße/sachgemäße Verwendung	Unsachgemäße Verwendung
Fahrer	Einer	Mehrere Personen, mit Kindern oder Tieren
Sicherheitsausrüstung	Helm, Knieschützer, Ellbogenschützer, reflektierende Jacke	Keine Ausrüstung
Kontrolle vor der Fahrt	<p>Überprüfen Sie vor jeder Fahrt die Bremsen und deren Verschleiß, den Reifendruck (der empfohlene Wert steht auf der Seite des Reifens), den Verschleiß der Räder, das Gaspedal, die Blinker, die Lichter und den Ladezustand des Akkus.</p> <p>Wenn Sie ungewöhnliche Geräusche oder Anomalien feststellen, verwenden Sie das Produkt nicht und wenden Sie sich an Ihren Händler oder den technischen Kundendienst</p>	<p>Die mangelnde Kontrolle vor der Fahrt</p> <p>Die Verwendung des Produkts, wenn man ungewöhnliche Geräusche oder Anomalien feststellt</p>
Gehen beim Anschieben des Produkts	<p>Nicht beschleunigen</p> <p>Anschieben beim Gehen auf Fußgängerüberwegen</p> <p>In Fußgängerzonen, wenn nicht mit Fußgängermodus ausgestattet (6 km/h)</p> <p>In überfüllten Gebieten</p>	<p>Drücken des Gaspedals</p> <p>Fahren mit dem Fahrzeug auf Fußgängerüberwegen</p> <p>Fahren mit dem Fahrzeug in Fußgängerzonen, wenn es nicht mit dem Fußgängermodus ausgestattet ist (6 km/h)</p> <p>Fahren mit dem Fahrzeug in überfüllten Gebieten</p>
Beim Halten	Die Person, die dieses Produkt fährt, muss in der Lage sein, beide Füße auf den Boden zu stellen und den Lenker in der richtigen Höhe zu halten	<p>Nicht in der Lage zu sein, das Produkt still und im Gleichgewicht zu halten.</p> <p>Sich auf das fahrende oder stillstehende Produkt zu setzen</p>

Bedingungen	Bestimmungsgemäße/sachgemäße Verwendung	Unsachgemäße Verwendung
Fahren unter normalen Bedingungen	Keinen Gegenstand vom Lenker baumeln lassen	Vom Lenker herabhängende Gegenstände verursachen Instabilität und können das Manövrieren behindern
	Fahren mit beiden Händen am Lenker Verwenden Sie keine Geräte wie Telefone, Smartwatches, Musikgeräte und Kopfhörer	Fahren mit einer Hand oder ohne Hände Verwendung von Geräten wie Telefonen, Smartwatches, Musikgeräten und Kopfhörern
	Bequemes und sicheres Fahren mit beiden Füßen auf dem Trittbrett	Fahren mit einem oder beiden Füßen außerhalb des Trittbretts Es ist verboten, das Gewicht auf das hintere Schutzblech zu legen und darauf zu konzentrieren.
	Fahren mit Helm und Schutzausrüstung	Fahren ohne Helm und Schutzausrüstung
	Fahren auf leicht zugänglichen, glatten und kompakten Straßen, vermeiden Sie stark befahrene oder überfüllte Gebiete: z. B. eigener Radweg, glatte Pflasterflächen Beachten Sie die geltenden örtlichen Vorschriften und Verkehrsregeln	Fahren auf Autobahnen, Langstreckenstraßen Fahren auf verkehrsreichen Straßen Fahren auf Gehwegen Fahren in überfüllten Gebieten Fahren auf sehr unebenen Straßen Fahren in der Nähe von: Schluchten, Böschungen, Häfen, Meer, Seen und Flüssen Nichteinhaltung der örtlichen Vorschriften und Verkehrsregeln
	Schauen Sie immer voraus und achten Sie auf alle Hindernisse, Fahrzeuge und Fußgänger in der Nähe	Ablenkungen beim Fahren
	Vergewissern Sie sich bei Richtungsänderungen, dass Sie gesehen werden, und verringern Sie die Geschwindigkeit In jedem Fall die Flugbahn vorhersehen und die Geschwindigkeit unter Beachtung der Verkehrsregeln und der schwächsten Verkehrsteilnehmer mäßigen Verwenden Sie immer die Richtungsanzeiger, wenn sie auf dem Produkt vorhanden sind	Abrupter Richtungswechsel bei hoher Geschwindigkeit, ohne sich zu vergewissern, dass Sie gesehen werden Gleichzeitiges Bremsen und Wenden macht das Fahrzeug instabil Mangelnde Verwendung von Richtungsanzeigern
	Verlangsamen in Gegenwart von Fußgängern Benutzen des Fußgängermodus in Fußgängerzonen (6 km/h) Warnen mit der Klingel vor Ihrer Anwesenheit	Beschleunigen oder Beibehalten einer konstanten Geschwindigkeit in Gegenwart von Fußgängern Fahren ohne Verwendung des Fußgängermodus in Fußgängerzonen (6 km/h) Nicht mit Hilfe der Klingel auf sich aufmerksam machen
Schlechte Straßenverhältnisse: künstliche Unebenheiten / Stufen / rauer Straßenbelag	Fahren mit gemäßigter Geschwindigkeit Beugen Sie Ihre Knie leicht, um Stöße besser abzufedern, wenn Sie eine unebene Fläche überqueren.	Fahren mit hoher Geschwindigkeit Beschleunigen über Unebenheiten und Bremsklötze, Herunterfahren von Stufen, Springen über Hindernisse, Treten auf Bürgersteige, starres Fahren.

Bedingungen	Bestimmungsgemäße/sachgemäße Verwendung	Unsachgemäße Verwendung
Verhalten: in Kurven, beim Abwärtsfahren, in Gegenwart von Hindernissen, Fahrzeugen in der Nähe und Fußgängern	Einen sicheren Abstand einhalten Nicht mehr beschleunigen Bremsen und langsamer fahren Fahren mit mäßiger Geschwindigkeit und sicher bremsen Achten auf Türen und andere Hindernisse in der Höhe	Nichtbeachtung des Sicherheitsabstands Beschleunigen Fahren mit hoher Geschwindigkeit, plötzliches Bremsen Fahren unter hohen Hindernissen
Sichtbarkeitsbedingungen	Fahren Sie nur, wenn die Lichtverhältnisse eine sichere Fahrt ermöglichen. Denken Sie daran, bei ungünstigen Lichtverhältnissen (ab einer halben Stunde nach Sonnenuntergang, während der gesamten Dunkelheit und auch tagsüber, wenn die Witterungsbedingungen die Sicht auf die Straße behindern, bei Tunneldurchfahrten) die Beleuchtung des Produkts einzuschalten und eine reflektierende Jacke oder einen reflektierenden Gurt zu tragen.	Fahren bei ungünstigen Lichtverhältnissen mit ausgeschaltetem Licht und ohne eine reflektierende Jacke oder einen reflektierenden Gurt zu tragen.
Wetterbedingungen	Fahren bei optimalen Witterungsbedingungen (kein Regen)	Fahren bei widrigen Witterungsbedingungen: bei Regen, Schnee, Eis oder Schlamm auf der Straße, bei starkem Wind oder bei Nebel.
Parken	In gekennzeichneten Bereichen, ohne den Verkehr von Fahrzeugen und Fußgängern zu behindern Auf glatten Oberflächen, die Stabilität gewährleisten Schalten Sie das Produkt aus und verwenden Sie immer eine Diebstahlsicherung Benutzen Sie den mitgelieferten Ständer	Überall, wo der Fahrzeug- und Fußgängerverkehr behindert wird Auf unebenen Flächen und ohne Gewährleistung der Stabilität Das Produkt eingeschaltet und unbeaufsichtigt lassen, ohne Diebstahlsicherung
Extremsportarten/Akrobatik	NEIN	JA, unsachgemäßer Gebrauch: Fahren in der Nähe von: Schluchten, Böschungen, Häfen, Meer, Seen und Flüssen Fahren über Pfützen Rennen mit anderen Fahrzeugen
Einwirkung starker Stöße auf das Produkt	NEIN	JA, unsachgemäßer Gebrauch: Über Dinge oder Personen werfen, von Stufen oder aus der Höhe herunterfallen lassen

Was nach einem Sturz zu tun ist:


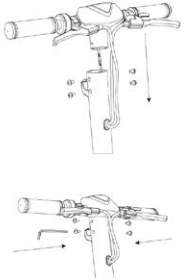

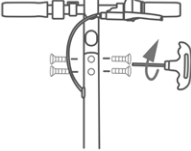
Überprüfen Sie, ob der Gasbedienungshebel richtig funktioniert. Beschleunigen und verzögern Sie dazu mehrmals. Prüfen Sie immer, dass die Bremsen korrekt funktionieren. Steigen Sie dazu vom Produkt ab, schieben Sie das Produkt vorwärts und bremsen Sie, um sicherzustellen, dass es auf die Bedienelemente reagiert. Stellen Sie sicher, dass alle Rollerkomponenten vorhanden und sicher befestigt sind. Überprüfen Sie den Reifenverschleiß und den Reifendruck (die empfohlenen Werte finden Sie auf der Reifenflanke). Überprüfen Sie den Verschleiß der Bremsen und der Kabel.



Die Bremsen könnten während der Verwendung heiß werden. Nach Gebrauch nicht berühren.

2. VERPACKUNGSIHALT UND MONTAGE

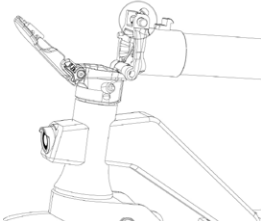
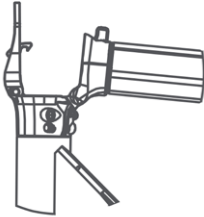
Das Produkt wird zusammengebaut, der Lenker wird mit den mitgelieferten Schrauben montiert.

Modell	Bezugsbild	In der Verpackung	Montage des Lenkers
AL EXT		<p>Zubehör:</p> <p>1x Inbusschlüssel</p> <p>4x Lenkerschrauben</p> <p>1x Batterieladegerät</p>	
AL2		<p>Zubehör:</p> <p>1x Inbusschlüssel</p> <p>2x Lenkerschrauben</p> <p>1x Batterieladegerät</p>	

Schritte

AL EXT / AL2

- Nehmen Sie das Produkt aus der Verpackung.
- Öffnen Sie das Steuerrohr des Lenkers und befestigen Sie diesen, indem Sie den Hebel des Verriegelungsmechanismus schließen.
- Verbinden Sie das Stromkabel des Displays an die Hauptverkabelung (wenn notwendig).
- Montieren Sie den Lenker am Steuerrohr (die Kabel nicht quetschen).
- Setzen Sie die Schrauben am Steuerrohr ein und ziehen Sie sie mit dem Schlüssel aus der Ausstattung fest.
- Montieren Sie den Ständer (wenn notwendig).
- Führen Sie die Einstellung des Verriegelungsmechanismus des Steuerrohrs* aus (wenn notwendig).
- Laden Sie das Produkt bei der ersten Verwendung zu 100 % auf.

Modell	Bezugsbild	* Einstellung des Verriegelungsmechanismus des Steuerrohrs
AL EXT		<p>Im Inneren des Mechanismus befindet sich eine Sechskantschraube.</p> <p>Wenn das Steuerrohr des Lenkers nach dem Schließen instabil wird, stellen Sie die Schraube des Mechanismus ein, indem Sie sie nach Bedarf hinein- oder herausdrehen, um die Stabilität des Steuerrohrs zu erhöhen.</p>
AL2		<p>Im Inneren des Mechanismus befindet sich eine Sechskantschraube.</p> <p>Wenn der Lenkervorbau nach dem Schließen instabil ist, stellen Sie die Schraube des Mechanismus ein, indem Sie sie gerade so weit auf- oder zuschrauben, dass der Vorbau stabiler wird.</p>

⚠ VORSICHT

Bauen Sie das Produkt richtig zusammen. Sollten Sie beim Zusammenbau Werksfehler, unklare Arbeitsschritte oder Schwierigkeiten bei der Montage selbst oder bei den Einstellungen feststellen, fahren Sie das Fahrzeug nicht und wenden Sie sich an Ihren Händler oder besuchen Sie die Website www.alemobility.com/en/, um technische Unterstützung zu erhalten.

Verwenden Sie kein Zubehör und/oder zusätzliche Teile, die nicht vom Hersteller genehmigt wurden.

Halten Sie Kinder von Kunststoffteilen (einschließlich Verpackungsmaterial) und Kleinteilen fern, an denen sie ersticken könnten.

Es ist verboten, das Produkt oder seine Teile in irgendeiner Weise zu modifizieren oder zu verändern, da dies die Effizienz und die Struktur beeinträchtigen und Schäden verursachen könnte. Wenn Sie Werksfehler, ungewöhnliche Geräusche oder Anomalien feststellen, fahren Sie nicht mit dem Fahrzeug und wenden Sie sich an Ihren Händler oder besuchen Sie die Website www.alemobility.com/en/ for technical support.

3. PRODUKTÜBERSICHT

Im Sinne der ständigen technischen Weiterentwicklung behält sich der Hersteller das Recht vor, Änderungen am Produkt ohne vorherige Ankündigung vorzunehmen, ohne dass dieses Handbuch automatisch aktualisiert wird.

Für Informationen und um die Überarbeitungen dieses Handbuchs einzusehen, besuchen Sie bitte die Website www.alemobility.com/en/

AL EXT



1. Vorderer Scheinwerfer
2. Bremshebel
3. Haken
4. Verriegelungsmechanismus
5. Vorderrad
6. Ständer
7. Ladeanschluss
8. Trittbrett
9. Verschlussklammer
10. Rückscheinwerfer

11. Hinteres Schutzblech
12. Hinteres Antriebsrad
13. Bremssattel
14. Klingel
15. Display
16. Beschleuniger
17. ON/OFF-Taste
18. Lichtschalter
19. USB-Anschluss

AL2



1. Haken
2. Klingel
3. Bremshebel
4. Verriegelungsmechanismus
5. Scheinwerfer
6. Trommelbremse
7. Ständer
8. Trittbrett
9. Hinteres Antriebsrad
10. Scheinwerfer

11. Hinterer Kotflügel
12. Verschlussklammer
13. Ladeanschluss
14. Display
15. Beschleuniger


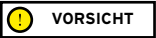


Aufladen des Akkus



Laden Sie bei der ersten Verwendung das Produkt zu 100% auf. Stellen Sie sicher, dass das Produkt, das Ladegerät und der Ladeanschluss trocken sind.

Anweisungen

- Den Ständer öffnen
- Schalten Sie das Produkt aus

Modell	Bezugsbild	ANWEISUNGEN
AL EXT		<ul style="list-style-type: none">• Verwenden Sie nur das Ladegerät aus der Ausstattung.• Schließen Sie das Ladegerät zuerst an die Steckdose an der Wand und dann erst an den Ladeanschluss an.• Schalten Sie den Elektroroller nicht ein, während er aufgeladen wird. <div data-bbox="612 681 814 729" style="border: 1px solid black; padding: 2px;"></div> <p>Wenn der Akku voll geladen ist, erlischt das rote Licht am Netzteil.</p>
AL2		<ul style="list-style-type: none">• Verwenden Sie nur das mitgelieferte Ladegerät.• Schließen Sie das Ladegerät zuerst an die Steckdose und erst dann an die Ladebuchse an.• Schalten Sie den Elektroroller nicht ein, während er aufgeladen wird. <div data-bbox="612 1144 814 1192" style="border: 1px solid black; padding: 2px;"></div> <p>Die rote Lampe am Netzteil leuchtet grün, wenn der Ladevorgang abgeschlossen ist.</p>

Verwenden Sie zum Aufladen dieses Produkts NUR das mitgelieferte Ladegerät



VORSICHT

Modell	Produkt-Code	Modell Akkuladegerät	Ausgangsspannung	Ladezeit
AL EXT	LA-MO-210001	FCA136-546020	54.6V - 2A	Etwa 7 Stunden
	LA-MO-220002			
	LA-MO-210002			
	LA-MO-220013			
	LA-MO-220001			
AL2	LA-MO-220003	HLT-180-4201500	42V - 1.5A	Etwa 5 Stunden
	LA-MO-220004			

Die Verwendung eines anderen Ladegerätetyps kann das Produkt beschädigen oder andere potenzielle Risiken bergen.

Laden Sie das Produkt niemals unbeaufsichtigt auf. Starten Sie das Produkt nicht, während der Akku auflädt.

Laden Sie den Akku nach jedem Gebrauch vollständig auf, um seine Lebensdauer zu verlängern. Laden Sie das Produkt nicht sofort nach Gebrauch auf. Lassen Sie das Produkt eine Stunde abkühlen, bevor Sie es wieder aufladen.

Das Produkt darf nicht für längere Zeiträume geladen werden. Eine Überladung verkürzt die Lebensdauer des Akkus und birgt zusätzliche potenzielle Risiken.

Es ist ratsam, den Akku nicht vollständig zu entladen, um eine Beschädigung des Akkus zu vermeiden.

Der Schaden, der durch ein längeres Nichtaufladen verursacht wird, ist irreversibel und wird nicht von der Garantie abgedeckt. Tritt ein Schaden auf, kann der Akku nicht mehr aufgeladen werden (die Demontage des Akkus durch nicht qualifiziertes Personal ist verboten, da dies zu Stromschlägen, Kurzschlüssen oder sogar größeren Schadensfällen führen kann). Wenn Sie für einen bestimmten Zeitraum abwesend sind, zum Beispiel im Urlaub, und das Gerät einem Dritten anvertrauen, belassen Sie es im teilgeladenen Zustand (20-50 % geladen), nicht voll geladen.

Führen Sie regelmäßig eine Sichtprüfung des Ladegeräts und der Ladekabel durch. Wenn das Ladegerätkabel beschädigt ist, verwenden Sie es nicht, um Schäden und/oder gefährliche Situationen zu vermeiden. Bitte wenden Sie sich für den Austausch des Kabels an uns.

Warnhinweise zum Akku

Der Akku besteht aus Lithium-Ionen-Zellen und chemischen Elementen, die gesundheits- und umweltgefährdend sind. Verwenden Sie das Produkt nicht, wenn es Gerüche, Substanzen oder übermäßige Hitze abgibt. Entsorgen Sie das Produkt oder den Akku nicht mit dem Hausmüll. Der Endverbraucher ist für die Entsorgung von elektrischen und elektronischen Geräten und Akkus gemäß allen geltenden Vorschriften verantwortlich.

Vermeiden Sie die Verwendung gebrauchter, defekter und/oder nicht originaler Akkus anderer Modelle oder Marken.



Lassen Sie den Akku nicht in der Nähe von offenen Flammen oder Wärmequellen. Es besteht Brand- und Explosionsgefahr.

Öffnen oder zerlegen Sie den Akku keinesfalls, schlagen Sie nicht auf den Akku und befestigen Sie keine Gegenstände an diesem.

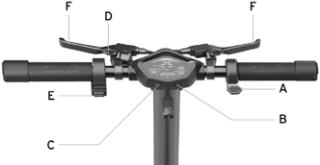
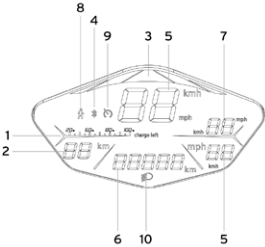
Berühren Sie keine Substanzen, die aus dem Akku auslaufen, da dieser gefährliche Stoffe enthält. Achten Sie darauf, dass Kinder oder Tiere den Akku nicht berühren.

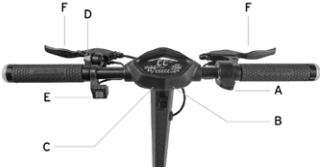
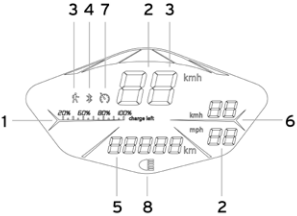
Überladen Sie den Akku nicht und schließen Sie ihn nicht kurz. Es besteht Brand- und Explosionsgefahr.

Tauchen Sie den Akku nicht in Wasser und setzen Sie ihn nicht Regen oder anderen flüssigen Substanzen aus. Setzen Sie den Akku nicht direktem Sonnenlicht, übermäßiger Hitze oder Kälte (lassen Sie das Produkt oder den Akku z. B. nicht über einen längeren Zeitraum in einem Auto im direkten Sonnenlicht liegen), einer Umgebung mit explosiven Gasen oder Flammen aus.

Tragen oder lagern Sie den Akku nicht zusammen mit Metallgegenständen wie Haarnadeln, Halsketten usw. Der Kontakt zwischen Metallgegenständen und Akkukontakten kann Kurzschlüsse verursachen, die zu körperlichen Schäden oder zum Tod führen können.

4. INFORMATIONEN ZU DEN BEDIENELEMENTEN / BEDIENPULT

Modell		
		<p>D. Glocke: Drücken Sie den Hebel einmal, um sie zu betätigen.</p> <p>E. Fahrtrichtungsanzeiger: Drücken Sie den Schalter nach rechts oder links, um sie zu aktivieren bzw. zu deaktivieren.</p> <p>F. Bremshebel: Ziehen Sie den Hebel an, um zu bremsen.</p>
AL EXT	<p>A. Gaspedal: zum Beschleunigen nach unten drücken.</p> <p>B. Einschaltknopf: lang drücken, um den Elektroroller ein- oder auszuschalten.</p> <p>Kilometerzähler ODO/TRIP: 3 Mal kurz drücken, um von der ODO- zur TRIP-Anzeige zu wechseln.</p> <p>C. Geschwindigkeitsmodi: kurz drücken, um die Geschwindigkeitsstufe zu ändern.</p> <p>Lichter: Langes Drücken der Taste schaltet das Licht ein oder aus.</p>	 <p>1. Batteriestand: Restladezustand der Batterie.</p> <p>2. Autonomie: Schätzung der verbleibenden Entfernung.</p> <p>3. Geschwindigkeitsmodus (LED-Balken):</p> <ul style="list-style-type: none"> - Stufe 1: grüne Farbe - Stufe 2: orange Farbe - Stufe 3: rote Farbe <p>4. Bluetooth: Smartphone-Verbindung verfügbar.</p> <p>5. Tachometer: momentane Geschwindigkeit Elektroroller (km/h - mph).</p> <p>6. Kilometerzähler ODO / TRIP: 3 Mal kurz drücken, um von der ODO- zur TRIP-Anzeige zu wechseln.</p> <p>7. AVG speed: Durchschnittsgeschwindigkeit.</p> <p>8. Fußgänger-Modus: Hilfe zum Schieben des Fahrzeugs mit Blinklicht.</p> <p>9. Tempomat: Geschwindigkeitsregulierung. Er wird aktiviert, wenn die gleiche Geschwindigkeit einige Sekunden lang gehalten wird.</p> <p>10. Lichter: Beleuchtung Kontrollleuchte.</p>

Modell		
		
AL2	<p>A. Gaspedal: zum Beschleunigen nach unten drücken.</p> <p>B. Einschaltknopf: lang drücken, um den Elektroroller ein- oder auszuschalten.</p> <p>Kilometerzähler ODO/TRIP: 3 Mal kurz drücken, um von der ODO- zur TRIP-Anzeige zu wechseln.</p> <p>C. Geschwindigkeitsmodi: kurz drücken, um die Geschwindigkeitsstufe zu ändern.</p> <p>Lichter: Langes Drücken der Taste schaltet das Licht ein oder aus.</p>	<p>D. Glocke: Drücken Sie den Hebel einmal, um sie zu betätigen.</p> <p>E. Fahrtrichtungsanzeiger: Drücken Sie den Schalter nach rechts oder links, um sie zu aktivieren bzw. zu deaktivieren.</p> <p>F. Bremshebel: Ziehen Sie den Hebel an, um zu bremsen.</p>
	<p>1. Batteriestand: Restladezustand der Batterie.</p> <p>2. Tachometer: momentane Geschwindigkeit des Elektrorollers (km/h und mph)</p> <p>3. Geschwindigkeitsstufen (TACHIMETER):</p> <ul style="list-style-type: none"> - Stufe 1: angezeigt durch die Nummer 1 - Stufe 2: angezeigt durch die Nummer 2 - Stufe 3: wird durch die Nummer 3 angezeigt - Fußgänger: Hilfe beim Schieben des Fahrzeugs mit Blinklicht. <p>4. Bluetooth: Smartphone-Verbindung verfügbar.</p> <p>5. Kilometerzähler ODO/TRIP: insgesamt zurückgelegte Strecke und einzelne Sitzung Entfernung.</p> <p>6. AVG Speed: Durchschnittsgeschwindigkeit.</p> <p>7. Tempomat: Geschwindigkeitskontrolle. Sie wird aktiviert, wenn die Geschwindigkeit einige Sekunden lang beibehalten wird.</p> <p>8. Lights: Beleuchtungs-Kontrollleuchte.</p>	
		

Richtungsanzeiger

Model



Die Richtungsanzeiger befinden sich an der Extremität des Lenkers (linke und rechte Seite).

AL EXT

Die Richtungsanzeiger werden gebraucht, um die Richtungswechsel während der Fahrt anzuzeigen.

AL2

Steuerung:



VORSICHT

Prüfen Sie vor jeder Anwendung des Produkts, ob die Richtungsanzeiger korrekt funktionieren.

5. KURZANLEITUNG

- Laden Sie bei der ersten Verwendung das Produkt zu 100% auf.
- Prüfen Sie den Reifendruck (den empfohlenen Wert finden Sie auf der Seite des Reifens). *Wenn das Produkt in den ersten 3 Monaten mindestens 60 % der erklärten km gefahren ist oder die Höchstgeschwindigkeit erreicht hat, können die Reifen Luft verloren haben und müssen, wie beschrieben, wieder aufgepumpt werden.
- Kontrollieren und stellen Sie die Bremsen ein.
- Schalten Sie das Display ein.
- Positionieren Sie das Produkt auf einer ebenen Oberfläche.
- Halten Sie den Lenker mit beiden Händen gut fest. Steigen Sie mit einem Fuß auf das Trittbrett und benutzen Sie den anderen, um sich leicht Schwung zu geben und zu beschleunigen.

VORSICHT

Nullstartfunktion: Der Beschleuniger geht in Betrieb, sobald die Fahrgeschwindigkeit 3 km/h überschritten hat.
Aus Sicherheitsgründen ist das Produkt anfangs so eingestellt, dass ein Losfahren im Stillstand verhindert wird.

- Neigen Sie beim Fahren des Produkts Ihren Körper während einer Kurve in Fahrtrichtung und drehen Sie den Lenker langsam.
- Lassen Sie zum Anhalten des Produkts das Gaspedal los und betätigen den Bremshebel.
- Halten Sie das Fahrzeug vollständig an, bevor Sie absteigen. Wenn Sie während der Fahrt vom Roller absteigen, kann dies zu Verletzungen führen.
- Vor jedem Gebrauch müssen Sie die Bremsen und ihren Verschleißzustand, den Reifendruck (den empfohlenen Wert finden Sie auf der Seite des Reifens), den Verschleiß der Reifen, den Beschleuniger und den Ladezustand des Akkus kontrollieren.

Einstellung der Position der Bremshebel

AL EXT / AL2

Einstellung der Bremse

Es ist möglich, bei Bedarf die Position des Bremshebels über den Punkt A zu regulieren. (siehe Abbildung)



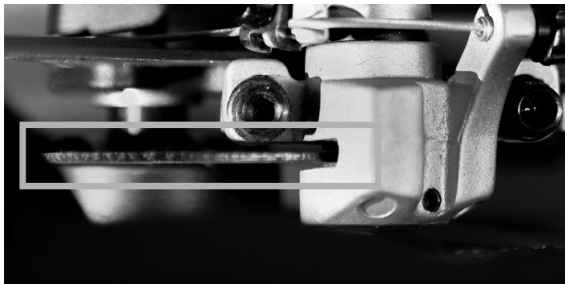
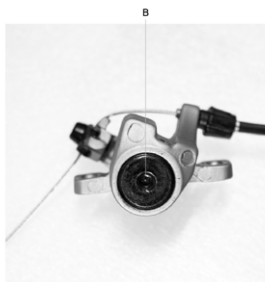
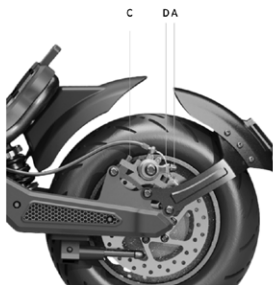
Einstellung der Bremse

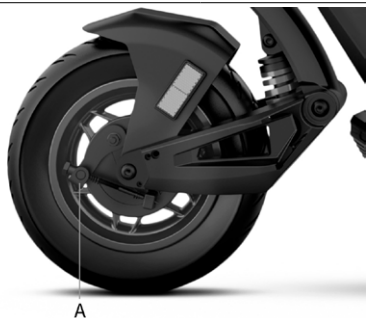
AL EXT

Einstellung des Bremsatzels

Wenn die Bremse zu fest oder zu locker sitzt, lösen Sie die Schraube (A) mit dem Sechskantschlüssel und stellen Sie dann das Bremsseil ein (kürzen Sie das Bremsseil nach oben, wenn es zu fest sitzt. Wenn das Kabel zu locker ist, ziehen Sie es nach unten) und ziehen Sie dann die Schraube (A) wieder fest. Wenn sie auch nach dem ersten Schritt zu locker oder zu fest sitzt, müssen Sie möglicherweise den Bremsbelag (fest) einstellen, den Sie über das Rad auf der gegenüberliegenden Seite einstellen können. Stellen Sie mit dem Inbusschlüssel den Bremsbelag (B) weiter weg (gegen den Uhrzeigersinn drehen) oder dichter (im Uhrzeigersinn ein (siehe Bild). Überprüfen Sie die korrekte Ausrichtung zwischen Bremsattel und Scheibe. Verwenden Sie die Schrauben C und D um die Position / Ausrichtung zur Scheibe einzustellen, falls notwendig.

Für den hinteren Bremsattel die Schrauben C und D abschrauben und entfernen, dann den Bremsattel von der Scheibe entfernen.



**Einstellen der Trommelbremse:**

Wenn die Bremse zu fest oder zu locker ist, lösen Sie die Schraube (A) oder ziehen Sie sie an. Wenn der Bremshebel auch nach dem ersten Schritt zu weich oder zu hart ist, kann es erforderlich sein, den Vorgang zu wiederholen, bis eine optimale Einstellung erreicht ist.

6. ZUSAMMENKLAPPEN UND TRANSPORTIEREN

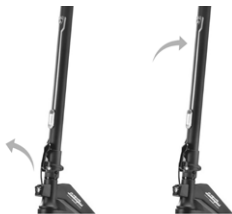
Sicherstellen, dass der Elektroroller ausgeschaltet ist. Halten Sie das Steuerrohr mit der Hand, ziehen Sie den Hebel, klappen Sie das Steuerrohr zum Trittbrett und haken Sie es ein.

AL EXT



Eröffnung:

Entriegeln des Lenkervorbau: Schieben Sie den Entriegelungsclip des Lenkers nach außen, heben Sie den Lenkervorbau bis zum Anschlag an und verriegeln Sie ihn, indem Sie den Hebel nach innen drücken. Schalten Sie den Elektroroller ein.



Schließen:

Schalten Sie den Elektroroller aus, ziehen Sie den Sicherheitshebel nach oben und ziehen Sie den Hebel nach außen, bringen Sie den Lenkervorbau nach innen, stecken Sie den Clip in den Haken und sorgen Sie für eine wirksame Verriegelung.

Lenkerklemme

**Eröffnung:**

Entriegeln Sie den Lenkervorbau von der Fußstütze: Drücken Sie den Clip nach unten, um den Lenker zu entriegeln, heben Sie den Lenkervorbau bis zum Anschlag an und verriegeln Sie ihn, indem Sie den Hebel des Verriegelungsmechanismus nach innen drücken. Schalten Sie den Elektroroller ein.

Hebel des Verriegelungsmechanismus

**Schließen:**

Schalten Sie den Elektroroller aus, entriegeln Sie den Verriegelungsmechanismus: Drücken Sie den roten Haken und ziehen Sie den Hebel nach außen (siehe Bild), bringen Sie den Lenkerschaft nach innen und vergewissern Sie sich, dass er tatsächlich verriegelt ist.



Heben Sie das Rad nach dem Zusammenklappen an, während Sie das Steuerrohr mit einer oder beiden Händen festhalten.

**VORSICHT**

Vergewissern Sie sich, dass Sie das Produkt während des Transports fest halten. Wenn Sie nicht sicher sind, dass Sie das Gewicht des Produkts halten können, setzen Sie den Transport mit angehobenem Produkt nicht fort. Wenn das Produkt plötzlich fallen gelassen wird, kann es schwere Verletzungen und Schäden verursachen.

7. REICHWEITE UND LEISTUNGEN

Die maximale Reichweite und Leistung des Fahrzeugs hängt von mehreren Variablen ab:

Gelände: Das Fahren auf glattem Asphalt führt zu einer größeren Reichweite und Leistung als das Fahren auf unebenen Straßen und Steigungen.

Gewicht des Nutzers: Je höher das Gewicht, desto geringer die Reichweite und Leistung des Fahrzeugs.

Temperatur: Das Fahren des Rollers in einer sehr kalten oder heißen Umgebung beeinträchtigt die Reichweite und Leistung.

Geschwindigkeit und Fahrstil: Ein zügiger und konstanter Fahrstil erhöht die Autonomie. Kontinuierliches Beschleunigen, Abbremsen und Bedienen reduzieren die Reichweite stark. Die niedrigere Geschwindigkeit verlängert die Autonomie.

Wartung: Rechtzeitiges Aufladen des Akkus, korrekte Wartung und regelmäßige Kontrolle des Reifendrucks (siehe den Bezugswert im Abschnitt 10) erhöhen die Autonomie und garantieren konstante Leistungen über die Zeit.

Der Akkuladestand beeinflusst die Leistungen; je niedriger der Akkuladestand ist, desto geringer sind die Leistungen in Bezug auf die Geschwindigkeit, vor allem beim bergauf fahren.

8. LAGERUNG, WARTUNG UND REINIGUNG

Flecken am Rahmen des Produkts wischen Sie mit einem feuchten Tuch ab. Wenn die Flecken bestehen bleiben, tragen Sie milde Seife auf, bürsten Sie sie mit einer Zahnbürste aus und reinigen Sie sie anschließend mit einem feuchten Tuch. Wenn Kratzer auf den Kunststoffteilen vorhanden sind, verwenden Sie Sandpapier oder ein anderes abrasives Material, um diese zu entfernen. Reinigen Sie das Produkt nicht mit Alkohol, Benzin, Petroleum oder anderen ätzenden und flüchtigen chemischen Lösungsmitteln, um ernsthafte Schäden zu vermeiden. Waschen Sie das Produkt nicht mit einem Hochdruckwasserstrahl. Stellen Sie während der Reinigung sicher, dass das Produkts ausgeschaltet, das Ladekabel abgezogen und die Gummikappe geschlossen ist, da das Eindringen von Wasser Stromschläge oder andere schwerwiegende Probleme verursachen kann. Das Eindringen von Wasser in den Akku kann zu Schäden an internen Schaltkreisen, Brand- oder Explosionsgefahr führen. Falls der Verdacht besteht, dass Wasser in das Innere des Akkus eingedrungen ist, stellen Sie den Betrieb des Akkus unverzüglich ein und geben Sie ihn zur Überprüfung an den technischen Kundendienst oder an den Händler zurück.

Wenn das Produkt nicht verwendet wird, lagern Sie ihn an einem trockenen und kühlen Ort im Innenbereich. Bewahren Sie es nicht über einen längeren Zeitraum im Freien oder im Auto auf. Übermäßiges Sonnenlicht, Überhitzung und übermäßige Kälte beschleunigen die Alterung der Reifen und beeinträchtigen die Lebensdauer des Produkts und des Akkus. Setzen Sie ihn weder Regen noch Wasser aus, tauchen Sie ihn nicht in Wasser ein und waschen Sie es nicht damit.

Kontrollieren Sie regelmäßig den Anzug der verschiedenen verschraubten Elemente, insbesondere der Radachsen, des Klapp- und Transportsystems, der Lenkung, des Bremssystems sowie den guten Zustand des Rahmens, der Gabeln und der Federung. Muttern und alle anderen selbstsichernden Verschlüsse können ihre Wirksamkeit verlieren, daher müssen diese Teile regelmäßig überprüft und nachgezogen werden.

Wie alle mechanischen Komponenten unterliegt auch dieses Produkt einem gewissen Verschleiß. Verschiedene Materialien und Bauteile können auf Verschleiß oder Ermüdung unterschiedlich reagieren. Wenn die Lebensdauer eines Bauteils überschritten wird, kann es plötzlich brechen und zu Verletzungen des Leiters führen. Risse, Kratzer oder Farbveränderungen in stark beanspruchten Bereichen deuten darauf hin, dass die Lebensdauer des Bauteils erreicht ist und es ersetzt werden muss.

Prüfen Sie den Reifenverschleiß: Es dürfen keine Schnitte, Risse, Fremdkörper, Beulen und andere Schäden zu sehen sein und keine Teile fehlen. Nehmen Sie für den Reifendruck Bezug auf den Wert im Abschnitt 10 dieser Gebrauchsanweisung.

Versuchen Sie nicht, das Produkt selbst zu zerlegen oder zu reparieren. Der Austausch aller Komponenten des Elektrorollers sollte von einem autorisierten technischen Kundendienst durchgeführt werden. Für weitere Informationen wenden Sie sich bitte an Ihren Händler oder besuchen Sie die Website:

www.alemobility.com/en/

9. APP-KONFIGURATION

Im Folgenden sind die Produkte aufgeführt, die mit Bluetooth ausgestattet sind und mit der App AL e-Mobility kombiniert werden können: AL EXT, AL2.

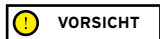
Mit der App können Sie das Produkt direkt über Ihr Smartphone steuern.

Scannen Sie den QR CODE, um die App herunterzuladen und zu installieren. Wenn Sie die App nicht finden können, empfehlen wir Ihnen, sie über Ihren Referenz-App-Dienst zu suchen.

Öffnen Sie die App und folgen Sie den Anweisungen Ihres Referenz-App-Dienstes.



Öffnen Sie die App und folgen Sie den Anweisungen Ihres Referenz-App-Dienstes.



Für die Nutzung und den Betrieb der App können verschiedene Berechtigungen erforderlich sein.

Möglicherweise wurde die App-Version in Ihrem App-Dienst aktualisiert. Wir empfehlen Ihnen, die App-Updates ständig auf neue Funktionen zu überprüfen und immer die neueste Version der App auf Ihrem Gerät zu installieren.

Verwenden Sie Ihr Gerät nicht während der Fahrt.

10. TECHNISCHES DATENBLATT

Allgemeine Informationen

AL EXT

Rahmen	Stahl und Aluminium	
Federungen	Vorne und hinten	
Geschwindigkeit	LA-MO-210001; LA-MO-210002; LA-MO-220013 Fußgänger: ≤ 6 km/h L1: ≤ 15 km/h L2: ≤ 20 km/h L3: ≤ 25 km/h (Höchstgeschwindigkeit) * *nach dem Land der Verbreitung	LA-MO-220001; LA-MO-220002 Fußgänger: ≤ 6 km/h L1: ≤ 10 km/h L2: ≤ 15 km/h L3: ≤ 20 km/h (Höchstgeschwindigkeit) * *nach dem Land der Verbreitung
Maximales Gefälle**	22%	
Bremsen	Scheibenbremse vorne, Scheibenbremse hinten und elektronische Bremse	
Reifen	Größe: 90/65-6.5 Druck: 50 psi / 3.5 bar	
Maximale Last	120kg	
Fahrer	Überprüfen Sie die Gesetzgebung in Ihrem Land	
Betriebstemperatur	-0°C / 45°C	
Schutzgrad	IPX4	
Ladezeit	etwa 7 Stunden	
Reichweite**	bis zu 40 km	
Elektrik		
Nennleistung Motor	0.50kW; 500W Bürstenlos	
Max. Motorleistung	0.900kW; 900W	
Display	Integrierte LED	
Batterie	48V 12.5Ah 600Wh	
Niederspannungsschutz	42V	
Stromgrenzwert	20A	
KERS	ja	
Leuchten	LED vorne und hinten	
Funktionen	Bluetooth	
Maßnahmen		
Nettogewicht	30.6Kg	
Bruttogewicht	38.75Kg	

* Beachten Sie immer die Straßenverkehrsordnung und die im Einsatzland geltenden Vorschriften.

** Änderungen abhängig vom Fahrergewicht, den Straßenverhältnissen und der Temperatur.

Allgemeine Informationen

AL2

Rahmen	Stahl und Aluminium	
Federungen	Vorne und hinten	
Geschwindigkeit	LA-MO-220003 Fußgänger: ≤ 6km/h L1: ≤ 15km/h L2: ≤ 20km/h L3: ≤ 25km/h (max. Geschwindigkeit) * *nach dem Land der Verbreitung	LA-MO-220004 Fußgänger: ≤ 6km/h L1: ≤ 10km/h L2: ≤ 15km/h L3: ≤ 20km/h (max. Geschwindigkeit) * *nach dem Land der Verbreitung
Maximales Gefälle**	16%	
Bremsen	Trommelbremse vorne, elektrische Bremse hinten	
Reifen	Größe: 10" X 2.125" mit Schlauch Druck: 36 psi / 2.5 bar	
Maximale Last	120kg	
Fahrer	Überprüfen Sie die Gesetzgebung in Ihrem Land	
Betriebstemperatur	-0°C / +45°C	
Schutzgrad	IPX5	
Ladezeit	etwa 5 Stunden	
Reichweite**	bis zu 35 km	

Elektrik

Nennleistung Motor	0.35kW; 350W Bürstenlos
Max. Motorleistung	0.55kW; 550W
Display	Integrierte LED
Batterie	36V 8Ah 288Wh
Niederspannungsschutz	31 + / - 0.5V
Stromgrenzwert	17A
KERS	ja
Leuchten	LED vorne und hinten
Funktionen	Bluetooth mit App

Maßnahmen

Nettogewicht	19Kg
Bruttogewicht	22Kg

* Beachten Sie immer die Straßenverkehrsordnung und die im Einsatzland geltenden Vorschriften.

** Änderungen abhängig vom Fahrergewicht, den Straßenverhältnissen und der Temperatur.

11. ABHILFE BEI PROBLEMEN

Fehler	Ursache	Lösung
Der Motor läuft nicht	Elektrisches Problem, Vorhandensein eines Fehlercodes	Technisches Kundendienst anfordern
Antriebsrad dreht sich nicht	Problem mit den Bremsen Der Motor ist blockiert	Stellen Sie die Bremsen ein; wenn das Problem weiterhin besteht, fordern Sie technisches Kundendienst an Prüfen Sie, ob das Rad richtig angezogen ist und ob es sich dreht, ohne dass das Fahrzeug angelassen wird. Wenn das Problem weiterhin besteht, fordern Sie technisches Kundendienst an
Der Motor schaltet sich während der Fahrt aus	Überhitzung des Motors Vorhandensein eines Fehlercodes	Das Fahrzeug anhalten und warten bis es sich abkühlt Technisches Kundendienst anfordern
Nach dem Aufladen schaltet sich das Produkt nicht ein oder nach einigen Kilometern wieder aus.	Beschädigter Akku	Technisches Kundendienst anfordern
Der Akku lässt sich nicht aufladen oder das Gerät lässt sich nicht einschalten	Anschlussprobleme Der Akku ist nicht angeschlossen (Modelle mit herausnehmbarem Akku) Akku entleert Beschädigter Akku Probleme mit dem Ladegerät	Technisches Kundendienst anfordern Prüfen Sie, ob der Netzstecker angeschlossen ist. Die Batterie zu 100% aufladen Technisches Kundendienst anfordern Ladegerät ersetzen

AL EXT / AL2

Tabelle der Fehlercodes

Fehlercode	Definition
E1	Störung Motoranschluss
E2	Störung MOS oder Motorphase in Kurzschluss
E3	Störung Bremssensor
E4	Störung Lenker-Elektronik
E5	Niederspannungsschutz
E6	Mitteilung über ausgefallene Instrumente
E7	Hochspannungsschutz
E8 / E9	Störung Steuereinheit/BMS

12. HAFTUNG UND ALLGEMEINE GARANTIEBEDINGUNGEN

Der Fahrer übernimmt die Verantwortung für alle Risiken im Zusammenhang mit der Nichtbenutzung eines Helms und anderen Schutzausrüstungen.

Der Fahrer ist verpflichtet, die geltenden örtlichen Vorschriften einzuhalten in Bezug auf:

1. Das zulässige Mindestalter für den Fahrer.
2. Alle Beschränkungen bezüglich der Typologie der Fahrer, die das Produkt verwenden können
3. Alle anderen gesetzliche Aspekte

Der Fahrer ist außerdem verpflichtet, das Produkt sauber und im perfekten Leistungs- und Wartungszustand zu halten, sorgfältig die Sicherheitskontrollen, die in seinen Zuständigkeitsbereich fallen, durchzuführen, das Produkt in keiner Weise zu manipulieren und die gesamte Dokumentation zur Wartung aufzubewahren.

Das Unternehmen haftet nicht für Schäden, die in den folgenden Fällen an Sachen oder Personen verursacht werden, und ist in keiner Weise verantwortlich, wenn:

- das Produkt unsachgemäß oder nicht in Übereinstimmung mit der Gebrauchsanweisung verwendet wird;
- das Produkt nach dem Kauf ganz oder teilweise verändert oder manipuliert wird.

Bei Fehlfunktionen des Produkts, die nicht einem falschen Verhalten des Fahrers zugeschrieben werden können, und wenn Sie die allgemeinen Garantiebedingungen nachsehen möchten, kontaktieren Sie bitte Ihren Händler oder besuchen Sie die Website www.alemobility.com/en/

Von der Mängelhaftung für die Produkte sind in jedem Fall Schäden und/oder Fehlfunktionen ausgeschlossen, die durch zufällige und/oder der Verantwortung des Käufers zuzuschreibende Vorfälle oder einen bestimmungswidrigen und/oder nicht von der technischen Dokumentation für das Produkt beschriebenen Gebrauch oder wegen der versäumten Einstellung der mechanischen Teile, natürlichem Verschleiß der Verschleißteile oder durch Montagefehler, mangelnde Wartung und/oder Missachtung der Gebrauchsanweisungen für das Produkt entstanden sind.

Zum Beispiel werden von der Mängelhaftung für das Produkt nicht abgedeckt:

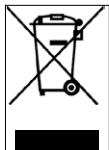
- Durch Stöße, Stürze oder Kollisionen und Löcher verursachte Schäden;
- Schäden, die durch Gebrauch, Exposition oder Unterstellung an ungeeigneten Orten (z. B. bei Regen bzw. Schlamm, in feuchten Räumen oder neben extrem starken Wärmequellen, im Sand oder Kontakt mit anderen Stoffen) verursacht wurden
- Schäden durch versäumte Einstellung für den Straßenverkehr bzw. nicht erfolgte Wartung der mechanischen Teile, der mechanischen Scheibenbremse, des Lenkers, der Reifen usw., falsche Installation bzw. falsche Montage der Teile bzw. Komponenten
- Schäden durch natürliche Abnutzung von Verschleißteilen: mechanische Scheibenbremse (z. B. Beläge, Sättel, Scheibe, Kabel), Reifen, Trittbretter, Dichtungen, Lager, Led-Leuchten und Lampen, Ständer, Handgriffe, Schutzbleche, Gummiteile (Trittbrett), Kabel der Kabelstecker, Masken und Aufkleber usw.
- Schäden durch unsachgemäße Wartung bzw. Gebrauch des Akkus
- Schäden durch Manipulation bzw. gewaltsames Entfernen von Teilen des Produkts
- Schäden durch falsche oder ungeeignete Wartungsmaßnahmen oder Änderungen am Produkt
- Schäden durch unsachgemäße Verwendung des Produkts (z. B. zu hohe Last, Gebrauch in Wettrennen bzw. Verleih oder Vermietung des Produkts)
- Schäden durch Reparaturen bzw. technische Eingriffe am Produkt durch nicht autorisierte Dritte
- Transportschäden, falls der Transport vom Käufer durchgeführt worden ist
- Schäden bzw. Mängel durch Verwendung von nicht originalen Ersatzteilen

Wir laden Sie ein, sich die verfügbare aktuelle Version der Garantiebedingungen auf der Website

www.alemobility.com/en/support/



Behandlung von Elektro- und Elektronik-Altgeräten (gilt in allen EU-Ländern und anderen europäischen Systemen mit getrennter Sammlung)



Dieses Symbol auf dem Produkt oder auf der Verpackung weist darauf hin, dass das Produkt nicht als normaler Hausmüll betrachtet werden sollte, sondern an eine geeignete Sammelstelle für das Recycling von Elektro- und Elektronikgeräten (WEEE) geliefert werden sollte.

Stellen Sie sicher, dass dieses Produkt korrekt entsorgt wird, um möglichen negativen Auswirkungen auf die Umwelt und die Gesundheit vorzubeugen, die andernfalls durch eine unsachgemäße Entsorgung verursacht werden könnten. Das Recycling von Materialien hilft, natürliche Ressourcen zu schonen.

Nehmen Sie für nähere Informationen zum Recycling und zur Entsorgung dieses Produkts Kontakt mit Ihrem örtlichen Entsorgungsdienst oder dem Geschäft auf, in dem Sie es gekauft haben.

In jedem Fall muss die Entsorgung gemäß der im eigenen Land geltenden Gesetzgebung erfolgen.

Insbesondere sind die Verbraucher verpflichtet, Elektro- und Elektronik-Altgeräte nicht als Hausabfallmüll zu entsorgen, sondern müssen auf zwei Arten an der getrennten Sammlung dieser Art von Abfällen teilnehmen:

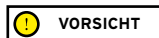
- bei den städtischen Sammel- und Abfallannahmestellen (auch Recyclinghöfe, Öko-Inseln genannt), direkt oder über die Sammeldienste der Stadtwerke, sofern diese verfügbar;
- bei den Verkaufsstellen von neuen elektrischen und elektronischen Geräten.

An diese Stellen können sehr kleine Elektro- und Elektronik-Altgeräte (mit einer längsten Seite von weniger als 25 cm) kostenlos abgegeben werden, während die größeren im 1-zu-1-Modus geliefert werden können, d.h. durch Entgegennahme des alten Produkts beim Kauf eines neuen, mit gleichen Funktionen.

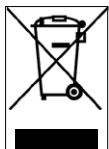
Außerdem wird die 1:1- Modalität während des Kaufs durch den Verbraucher eines Neugeräts unabhängig von der Größe des Altgeräts immer garantiert.

Im Falle einer illegalen Entsorgung von elektrischen oder elektronischen Geräten können die in den geltenden Umweltschutzgesetzen vorgesehenen Sanktionen verhängt werden (nach italienischem Recht müssen die im Land der Nutzung/Entsorgung des Fahrzeugs geltenden Vorschriften überprüft werden).

Wenn WEEE-Altgeräte Batterien oder Akkumulatoren enthalten, müssen diese entfernt und einer getrennten Sammlung zugeführt werden.



Behandlung von Altbatterien (anwendbar in allen Ländern der Europäischen Union und anderen europäischen Systemen mit getrennten Sammelsystemen)



Dieses Symbol auf dem Produkt oder auf der Verpackung weist darauf hin, dass der Akku nicht als normaler Hausmüll einzustufen ist. Bei einigen Akkutypen kann dieses Symbol in Kombination mit einem chemischen Symbol verwendet werden.

Chemische Symbole für Quecksilber (Hg) oder Blei (Pb) werden hinzugefügt, wenn die Akku mehr als 0,0005% Quecksilber oder 0,004% Blei enthält.

Stellen Sie sicher, dass die Batterien-Akkus korrekt entsorgt werden, um möglichen negativen Auswirkungen auf die Umwelt und die Gesundheit vorzubeugen, die andernfalls durch eine unsachgemäße Entsorgung verursacht werden könnten. Das Recycling von Materialien hilft, natürliche Ressourcen zu schonen. Bei Produkten, die aus Sicherheits-, Leistungs- oder Datenschutzgründen eine feste Verbindung zu einem internen Akku erfordern, darf dieser nur von qualifiziertem Servicepersonal ersetzt werden.

Geben Sie das Produkt am Ende seiner Lebensdauer an geeigneten Sammelstellen für die Entsorgung von Elektro- und Elektronikgeräten ab. So ist sichergestellt, dass auch der darin befindliche Akku korrekt behandelt wird.

Für nähere Informationen zur Entsorgung des verbrauchten Akkus oder des Produkts wenden Sie sich bitte an den örtlichen Entsorgungsdienst oder an die Verkaufsstelle, bei der Sie den Akku gekauft haben.

In jedem Fall muss die Entsorgung gemäß der im eigenen Land geltenden Gesetzgebung erfolgen.

Deze handleiding is geldig voor de volgende elektrische step:

AL EXT AL2

Handleiding LA-MO-000001 rev. 2

Instructies vertaald uit het oorspronkelijke Italiaans

Bedankt voor het kiezen van dit product.

Neem voor informatie, technische ondersteuning en voor de raadpleging van de algemene garantie neem contact op met uw dealer of ga naar www.alemobility.com/en/support/

Inhoudsopgave

1. Veiligheidsinstructies
2. Inhoud van de verpakking en montage
3. Overzicht product
4. Informatie over de bedieningselementen / Bedieningspaneel
5. Snelstartgids
6. Opvouwen en vervoeren
7. Actiebereik en prestaties
8. Opslag, onderhoud en reiniging
9. Configuratie app
10. Technisch gegevensblad
11. Problemen oplossen
12. Aansprakelijkheid en algemene garantievoorwaarden

1. VEILIGHEIDSIINSTRUCTIES



OPGELET

BELANGRIJK! Lees de volgende instructies aandachtig door alvorens het product te gebruiken. Bewaar deze handleiding voor toekomstig gebruik of voor nieuwe gebruikers.

Neem de tijd om de basisprincipes van het gebruik te leren, om tijdens de eerste maanden van gebruik mogelijk ernstige ongevallen te voorkomen. Neem contact op met uw dealer voor ondersteuning inzake de correcte gebruikswijze van het product of om verwezen te worden naar een geschikte opleidingsorganisatie.

De fabrikant wijst alle directe of indirecte aansprakelijkheid af voor een oneigenlijk gebruik van het product, de niet-naleving van de verkeersregels of de aanwijzingen van deze handleiding, ongevallen en geschillen veroorzaakt door de niet-naleving van de regelgeving en door illegale activiteiten.

Dit product is bedoeld voor recreatieve doeleinden, het mag slechts door één persoon worden gebruikt en niet voor het vervoeren van personen. Daarom kan het niet door meer dan één persoon tegelijkertijd worden gebruikt.

Wijzig op geen enkele wijze de gebruiksbepemming van het voertuig; dit product is niet geschikt voor het uitvoeren van stunts, wedstrijden, vervoer van voorwerpen, slepen van andere voertuigen of aanhangers.

De **elektrische step** moet met de nodige voorzichtigheid worden gebruikt met inachtneming van de **regels** die zijn opgelegd door de verkeersregels van het land van circulatie om gevaren te vermijden voor uzelf en anderen.



OPGELET

Indicatieve ontwerpvoorschriften voor voertuigen:

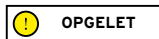
Elektrische scooter model	AL EXT Green	AL EXT Bronze	AL2
Productcode inclusief richtingaanwijzers	LA-MO-210001	LA-MO-220013	LA-MO-220003
	LA-MO-220002	LA-MO-220001	LA-MO-220004
		LA-MO-210002	
MIN gewicht (Kg)	30	30	30
MAX gewicht (Kg)	120	120	120
MIN leeftijd *	14	14	14
MAX leeftijd *	65	65	65
MIN hoogte (cm)	120	120	120
MAX hoogte (cm)	200	200	200

* Vóór u het product gebruikt de geldende lokale voorschriften met betrekking tot de toegestane minimumleeftijd voor de bestuurder, de beperkingen op het type bestuurder dat het product mag gebruiken en het gebruik van dit type product en leef deze na.

Het geluidsdruk niveau van de A-gewogen geluidsemmissie is bij het oor van de bestuurder lager dan 70 dB (A).

Grafische vorm van de veiligheidswaarschuwingen

Voor de identificatie van de veiligheidsberichten in deze handleiding worden de volgende grafische waarschuwingssymbolen gebruikt. Deze symbolen vragen de aandacht van de lezer / gebruiker voor een correct en veilig gebruik van het product.



Let op

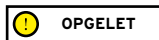
Benadrukt de regels die in acht moeten worden genomen om beschadiging van het product en/of het ontstaan van gevaarlijke situaties te voorkomen.



Restricties

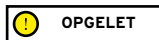
Benadrukt de aanwezigheid van gevaren die restricties veroorzaken waarop de gebruiker moet letten om persoonlijk letsel of materiële schade te voorkomen.

Algemene waarschuwingen



Het is belangrijk dat u er zich van bewust bent, wanneer u zich op een openbare plaats of weg bevindt, en ook wanneer u de aanwijzingen van deze handleiding strikt naleeft, dat u niet immuun bent voor letsel veroorzaakt door overtredingen of ongepaste acties jegens andere voertuigen, obstakels of personen. Misbruik van het product of de niet-naleving van de aanwijzingen van deze handleiding kunnen ernstige schade veroorzaken.

Dit product is een elektrisch voertuig. Hoe sneller u rijdt, hoe langer de remweg. Een noodstop op gladde, modderige, natte of ijzige wegen kan de wielen doen slippen en het evenwicht doen verliezen. Houd een geschikte snelheid aan en een veilige afstand tot andere voertuigen of voetgangers. Let met name op wanneer u op onbekende wegen rijdt. Vermijd om de standaard tijdens het gebruik van het product te openen: ernstig risico op persoonlijk letsel en beschadiging van het product.



Op nat wegdek neemt de remweg toe en neemt de grip aanzienlijk af ten opzichte van droog wegdek! Rij voorzichtig en houd voldoende afstand!

Draag, omwille van uw veiligheid, altijd: een helm, kniebeschermers en elleboogbeschermers om uzelf te beschermen tegen vallen en letsel tijdens het rijden met het product. Als u het product uitleent, laat de bestuurder dan de veiligheidsuitrusting dragen en leg hem het gebruik van het voertuig uit. Om letsel te voorkomen, mag het product niet worden uitgeleend aan personen die niet op de hoogte zijn van de gebruikswijze. Draag altijd schoenen voordat u het product gebruikt.

Kinderen mogen niet met de elektrische step of een van de onderdelen ervan spelen. Ook mogen ze geen schoonmaak- of onderhoudswerkzaamheden uitvoeren.

Zorg ervoor dat kinderen en voetgangers niet schrikken als u met het product rijdt. Waarschuw ze met de bel indien u hen van achteren passeert en vertraag waarbij u de minimumsnelheid van 6 km/u aanhoudt.

Aanwijzingen en waarschuwingen inzake het rijgedrag

Omstandigheden	Juist/beoogd gebruik	Onjuist gebruik
Bestuurders	Een	Meerdere personen, met kinderen of dieren
Veiligheidsuitrusting	Helm, kniebeschermers, reflecterend vest	Geen uitrusting
Controle voordat u gaat rijden	<p>Controleer voorafgaand aan het gebruik de remmen en hun eventuele slijtage, controleer de bandenspanning (zie de zijkant van de band voor de aanbevolen waarde), controleer de slijtage van de banden, de gasbediening, de richtingaanwijzers, de lampen en het laadniveau van de accu.</p> <p>Als er ongebruikelijke geluiden of storingen worden waargenomen, gebruik het product dan niet en neem contact op met uw dealer of met de geautoriseerde Technische Servicedienst</p>	<p>Het product nooit voorafgaand aan het gebruik controleren</p> <p>Het product gebruiken in aanwezigheid van geluiden storingen</p>
Het product duwen terwijl u loopt	<p>Geen gas geven</p> <p>Duwen tijdens het lopen over zebrapaden</p> <p>In voetgangersgebieden indien niet uitgerust met de voetgangersmodus (6 km/uur)</p> <p>In drukke gebieden</p>	<p>Draai de gasbediening</p> <p>Met het voertuig over zebrapaden rijden</p> <p>Met het voertuig rijden in voetgangersgebieden, indien niet uitgerust met de voetgangersmodus (6 km/uur)</p> <p>Met het voertuig rijden in drukke gebieden</p>
Stilstaand	De bestuurder van dit product moet in staat zijn om gemakkelijk beide voeten op de grond te plaatsen terwijl hij het stuur op een correcte hoogte vasthoudt	<p>Niet in staat zijn het product stilstaand en in evenwicht te houden</p> <p>Op het rijdende of stilstaande product gaan zitten</p>

Omstandigheden	Juist/beoogd gebruik	Onjuist gebruik
Rijden onder normale omstandigheden	Geen voorwerpen hangend aan het stuur	Voorwerpen die aan het stuur worden opgehangen veroorzaken instabiliteit en kunnen tijdens het rijden en sturen hinder veroorzaken
	Rijd met beide handen op het stuur Maak geen gebruik van apparatuur zoals telefoons, smartwatches, muziekspelers, oordoppen/koptelefoons	Rijden met één hand of zonder handen Apparatuur zoals telefoons, smartwatches, muziekspelers, oordoppen/koptelefoons gebruiken
	Rijden met beide voeten comfortabel en veilig op de voetplaat	Rijden met één of beide voeten buiten de voetplaat Het is verboden om het gewicht op het achterspatbord te plaatsen en te concentreren.
	Rijden met helm en beschermingsuitrusting	Rijden zonder helm en beschermingsuitrusting
	Rijden om gemakkelijk toegankelijke wegen, glad en compact, vermijd gebieden met veel verkeer of drukke gebieden: bijv. specifieke fietspaden, oppervlakken met glad wegdek	Rijden op snelwegen, langeafstandswegen Rijden op drukke wegen Rijden op trottoirs Rijden in drukke gebieden Rijden op zeer oneffen wegen Rijden in de nabijheid van: ravijnen, bermen, havens, zee, meren en rivieren
	Neem de plaatselijk geldende regelgeving en de verkeersregels in acht	Niet-naleving van de geldende regelgeving en de verkeersregels
	Kijk altijd vooruit en let op voor alle nabij aanwezige obstakels, voertuigen en voetgangers	Zich laten afleiden tijdens het rijden
	Zorg er bij het veranderen van richting voor dat u gezien wordt en verminder de snelheid In elk geval moet u op het traject anticiperen en de snelheid verminderen, met respect voor de verkeersregels en de meest kwetsbaren Gebruik altijd de richtingaanwijzers, indien deze op het product aanwezig zijn	Plotseling van richting veranderen, bij hoge snelheid en zonder zich ervan verzekerd te hebben dat u gezien wordt Gelijktijdig remmen en door bochten sturen maakt het voertuig instabiel De richtingaanwijzers niet gebruiken
Rem af in aanwezigheid van voetgangers Gebruik de voetgangersmodus in voetgangersgebieden (6 km/uur) Waarschuw voor uw aanwezigheid met gebruik van de bel	Gas geven of de snelheid constant houden in aanwezigheid van voetgangers Zonder gebruik van de voetgangersmodus (6 km/uur) rijden in voetgangersgebieden Niet met de bel waarschuwen voor uw aanwezigheid	
Oneffen wegomstandigheden: verkeersdrempels/trappen/oneffen wegdek	Rijd met matige snelheid Buig de knieën enigszins voor een beterde schokabsorptie bij het rijden over oneffenheden.	Rijden met hoge snelheid Gas geven op hobbels en verkeersdrempels, trappen afdalen, over obstakels springen, trottoirs opklimmen, stijf rijden.

Omstandigheden	Juist/beoogd gebruik	Onjuist gebruik
Gedrag: in bochten, afdalingen, nabij aanwezige obstakels, voertuigen en voetgangers	Handhaaf een veilige afstand Stop met gas geven Rem en verminder de snelheid Rijd met matige snelheid en rem op veilige wijze Let op voor portieren en andere op hoogte aanwezige obstakels	De veilige afstand niet in acht nemen Gas geven Rijden bij hoge snelheid, plotseling remmen Onder obstakels op hoogte doorrijden
Zichtomstandigheden	Rijd alleen als er voldoende licht is om veilig te kunnen rijden. In geval van rijden bij ongunstige lichtomstandigheden (vanaf een half uur na zonsopgang, gedurende de gehele duistere periode en ook overdag wanneer de weersomstandigheden het zicht op de weg belemmeren, tijdens het rijden in tunnels), moet de verlichting van het product worden ingeschakeld en moet u gebruik maken van een reflecterend vest of reflecterende bretels.	Rijden bij ongunstige lichtomstandigheden met uitgeschakelde verlichting en zonder gebruik van een reflecterend vest of reflecterende bretels.
Weersomstandigheden	Rijden onder optimale weersomstandigheden (geen regen)	Rijden onder ongunstige omstandigheden: bij regen, sneeuw, bij ijsvorming of modder op de weg, harde wind, in geval van mist.
Parkeren	In speciale gebieden, zonder hinder voor het verkeer van voertuigen en voetgangers Op vlakke oppervlakken, na controle van de stabiliteit Schakel het product uit en gebruik altijd een anti-diefstalsysteem Gebruik de meegeleverde standaard	Overall, met hinder voor het verkeer van voertuigen en voetgangers Op oneffen oppervlakken, zonder de stabiliteit gecontroleerd te hebben Het product ingeschakeld laten, onbeheerd en zonder een anti-diefstalsysteem
Extreme sporten/acrobatiek beoefenen	NEE	JA, oneigenlijk gebruik: Rijden in de nabijheid van: ravijnen, bermen, havens, zee, meren en rivieren Rijden door plassen Racen met andere voertuigen
Het product onderwerpen aan sterke schokken	NEE	JA, oneigenlijk gebruik: dingen of personen overgooien, vanaf trappen of vanaf hoogte springen

Wat te doen na een val:

Controleer of de gasbediening correct functioneert. Hiervoor moet meerdere keren gas worden gegeven en gas terug worden genomen.

Controleer altijd of de remmen correct functioneren. Hiervoor moet van het voertuig worden afgestapt, het product vooruit worden geduwd, om vervolgens te remmen en te controleren of er op de bediening wordt gereageerd.

Controleer of alle onderdelen van het voertuig zich op hun plaats bevinden en veilig bevestigd zijn.

Controleer de slijtage en de spanning van de banden (zie de zijkant van de band voor de aanbevolen waarde).


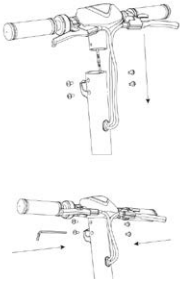

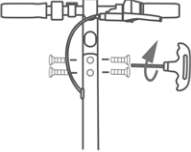
Controleer de slijtage van remmen en kabels.



De remmen kunnen tijdens het gebruik heet worden. Raak ze niet aan na gebruik.

2. INHOUD VAN DE VERPAKKING EN MONTAGE

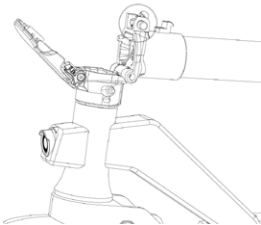
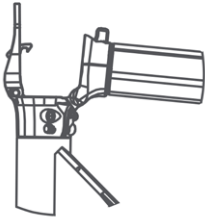
Gemonteerd product, het stuur moet geïnstalleerd worden met de in de verpakking bijgeleverde schroeven.

Model	Referentieafbeelding	In de verpakking	Montage stuur
AL EXT		Accessoires: 1x inbussleutel 4x stuurschroeven 1x Acculader	
AL2		Accessoires: 1x inbussleutel 2x stuurschroeven 1x Acculader	

Stappen

AL EXT / AL2

- Verwijder het product uit de verpakking.
- Open de stuurpen en zet deze vast door de hendel van het sluitingsmechanisme te sluiten.
- Sluit de voedingskabel van het display aan op de hoofdbedrading (indien nodig).
- Installeer het stuur op de stuurpen (knijp de kabels niet af).
- Plaats de schroeven op de kolom en draai ze vast met de bijgeleverde sleutel.
- Installeer de standaard (indien nodig).
- Stel het sluitingsmechanisme van de stuurpen* af (indien noodzakelijk).
- Laad het product bij het eerste gebruik voor 100% op.

Model	Referentieafbeelding	* Regeling sluitingsmechanisme van de stuurpen
AL EXT		<p>In het mechanisme bevindt zich een inbuschroef.</p> <p>Als de stuurpen na het sluiten onstabiel wordt, stelt u de schroef van het mechanisme bij door hem zo nodig strakker of losser te draaien om de stabiliteit van de stuurpen te vergroten.</p>
AL2		<p>In het mechanisme bevindt zich een zeshoekige schroef.</p> <p>Als de stuurpen na het sluiten instabiel is, stelt u de schroef van het mechanisme bij door hem net genoeg aan of uit te draaien om de stabiliteit van de stuurpen te vergroten.</p>

⚠ OPGELET

Monteer het product op correcte wijze. In geval er tijdens de montage fabricagefouten worden vastgesteld, er sprake is van onduidelijke stappen of van moeilijkheden bij de montage of de afstelling, ga dan niet met het voertuig rijden en neem contact op met uw dealer, of ga voor technische bijstand naar de website www.alemobility.com/en/.

Gebruik geen accessoires en/of aanvullende onderdelen die niet door de fabrikant zijn goedgekeurd.

Houd kinderen uit de buurt van plastic delen (inclusief verpakkingsmateriaal) en kleine onderdelen die een verstikkingsgevaar vormen.

Het is verboden om het product en zijn onderdelen op enige wijze te wijzigen of om te bouwen: dit kan de efficiëntie en de structuur aantasten en schade veroorzaken. Als er eventuele fabricagefouten, abnormale geluiden of storingen worden vastgesteld, ga dan niet met het voertuig rijden en neem contact op met uw dealer, of ga voor technische bijstand naar de website www.alemobility.com/en/.

3. OVERZICHT PRODUCT

Met het oog op de voortdurende technologische ontwikkeling behoudt de fabrikant zich het recht voor om het product zonder voorafgaande kennisgeving bij te werken, zonder dat deze handleiding automatisch wordt bijgewerkt.

Ga voor informatie en de herzieningen van deze handleiding naar de visit www.alemobility.com/en/

AL EXT



1. Koplamp voor
2. Remhendel
3. Haak
4. Sluitingsmechanisme
5. Voorwiel
6. Standaard
7. Oplaadaansluiting
8. Voetplaat
9. Sluitclip
10. Achterlicht

11. Achterspatbord
12. Achterste motorwiel
13. Remklauw
14. Bel
15. Display
16. Gasbediening
17. Toets ON/OFF
18. Knop verlichting
19. USB-poort

AL2



1. Haak
2. Bel
3. Remhendel
4. Sluitingsmechanisme
5. Koplamp
6. Trommelrem
7. Standaard
8. Voetplaat
9. Achterste motorwiel
10. Koplamp

11. Achterspatbord
12. Sluitclip
13. Oplaadaansluiting
14. Display
15. Gasbediening



Opladen van de accu

! OPGELET

Voorafgaand aan het eerste gebruik moet de accu naar 100% worden opgeladen. Zorg ervoor dat het product, de acculader en de oplaadaansluiting droog zijn.

Aanwijzingen

- Open de standaard
- Zet het product uit

Model	Referentieafbeelding	INSTRUCTIES
AL EXT	 <p>Oplaadpoort</p>	<ul style="list-style-type: none">• Gebruik alleen het bijgeleverde magazijn.• Sluit de lader eerst aan op het stopcontact en dan pas op het laadcontact.• Zet de elektrische scooter niet aan terwijl hij aan het opladen is. <p>! OPGELET</p> <p>Het rode lampje op de voedingslading wordt groen wanneer het opladen is voltooid.</p>
AL2	 <p>Oplaadpoort</p>	<ul style="list-style-type: none">• Gebruik alleen de meegeleverde oplader.• Sluit de lader eerst aan op het stopcontact en daarna pas op het laadcontact.• Zet de elektrische scooter niet aan tijdens het opladen. <p>! OPGELET</p> <p>Het rode lampje op de voeding wordt groen wanneer het laden is voltooid..</p>

Gebruik ALLEEN de meegeleverde batterijlader om het artikel op te laden.



OPGELET

Model	Productcode	Model acculader	Uitgangsspanning	Oplaatijd
AL EXT	LA-MO-210001	FCA136-546020	54.6V - 2A	Ongeveer 7 uur
	LA-MO-220002			
	LA-MO-210002			
	LA-MO-220013			
	LA-MO-220001			
AL2	LA-MO-220003	HLT-180-4201500	42V - 1.5A	Ongeveer 5 uur
	LA-MO-220004			

Het gebruik van een ander type acculader kan het product beschadigen of eventuele andere risico's veroorzaken.

Laad het product nooit op zonder toezicht. Schakel het product nooit in tijdens het opladen.

Laad de accu na elk gebruik volledig op om de levensduur ervan te verlengen. Laad het product niet onmiddellijk na gebruik op. Laat het product een uur afkoelen voordat u het oplaadt.

Het product mag niet gedurende lange perioden worden opgeladen. Overladen vermindert de levensduur van de accu en veroorzaakt eventuele andere risico's.

Aangeraden wordt om ervoor te zorgen dat het product niet volledig wordt ontladen, om beschadiging van de accu te voorkomen.

Schade veroorzaakt door de step lange tijd niet op te laden is onomkeerbaar en wordt niet gedekt door de beperkte garantie. Als er eenmaal schade is ontstaan, kan de accu niet meer opgeladen worden (het is verboden om de accu te laten demonteren door niet-gekwalificeerd personeel: dit zou elektrische schokken, kortsluitingen of zelfs ongevallen van aanzienlijke omvang tot gevolg kunnen hebben). Als uzelf gedurende een bepaalde periode ja afwezig bent, bijvoorbeeld voor een vakantie, en u het product toevertrouwd aan derden, laat het product dan gedeeltelijk opgeladen (laadniveau van ongeveer 20-50%), maar niet volledig opgeladen.

Verricht regelmatig een visuele controle van de acculader en de kabels van de acculader. Indien de kabel van de oplader duidelijke schade heeft, gebruik deze dan niet om verdere schade en/of gevaar te voorkomen. Neem contact met ons op voor de vervanging ervan.

Waarschuwingen inzake de accu

De accu bestaat uit lithiumioncellen en chemische elementen die gevaarlijk zijn voor de gezondheid en het milieu. Gebruik het product niet als er geuren, stoffen of overmatige warmte wordt afgegeven. Gooi het product of de accu niet weg met het huisvuil. De eindgebruiker is er verantwoordelijk voor dat de elektrische en elektronische apparatuur en de accu's in overeenstemming met alle geldende normen wordt verwijderd.

Vermijd om gebruikte, defecte en/of niet-originele accu's van andere modellen of merken te gebruiken.



Laat de accu niet in de buurt van vuur of warmtebronnen. Risico op brand en explosie.

De accu mag niet geopend of gedemonteerd worden en vermijd ertegen te stoten, hem te laten vallen, te doorboren of er voorwerpen op te bevestigen.

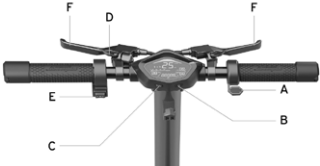
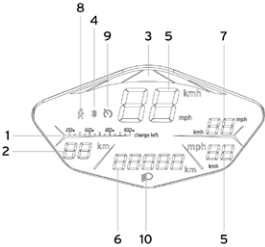
Eventueel door de accu afgegeven stoffen mogen niet worden aangeraakt omdat ze gevaarlijk zijn. Voorkom dat kinderen of dieren de accu aanraken.

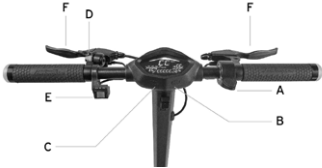
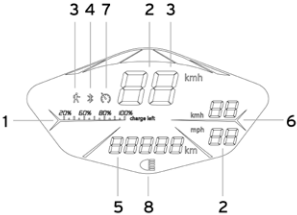
Laat de accu niet overladen en vermijd kortsluitingen. Risico op brand en explosie.

De accu mag niet in water worden ondergedompeld of aan water, regen of andere vloeistoffen worden blootgesteld. Stel de accu niet bloot aan direct zonlicht, overmatige hitte of kou (laat het product of de accu, bijvoorbeeld, niet achter in een auto die langdurig wordt blootgesteld aan direct zonlicht), aan omgevingen met explosieve gassen of vuur.




Vervoer en bewaar de accu niet samen met metalen voorwerpen zoals haarspelden, halskettingen, enz. Het contact tussen metalen voorwerpen en de accu kan kortsluitingen veroorzaken en dientengevolge persoonlijk letsel of de dood.

4. INFORMATIE OVER DE BEDIENINGSELEMENTEN / BEDIENINGSPANEEL

Model		
AL EXT		
	<p>A. Gashendel: indrukken om te versnellen.</p> <p>B. Aan/uit knop: lang indrukken om de elektrische scooter aan of uit te zetten.</p> <p style="padding-left: 20px;">Odometer ODO/TRIP: 3x kort indrukken om van ODO naar TRIP weergave te schakelen.</p> <p>C. Snelheidsstanden: kort indrukken om het snelheidsniveau te wijzigen.</p> <p style="padding-left: 20px;">Lichten: Lang indrukken om de verlichting aan of uit te zetten.</p>	<p>D. Bel: druk eenmaal op de hendel om hem te bedienen.</p> <p>E. Richtingaanwijzers: Druk de schakelaar naar rechts of links om ze te activeren en/of te deactiveren.</p> <p>F. Remhendel: draai de hendel aan om te remmen.</p>
	<p>1. Batterijniveau: resterende ladingstoestand.</p> <p>2. Autonomie: schatting van de resterende afstand.</p> <p>3. Snelheidsmodus (LED-balk):</p> <ul style="list-style-type: none"> - Niveau 1: groene kleur - Niveau 2: oranje kleur - Niveau 3: rode kleur <p>4. Bluetooth: smartphoneverbinding beschikbaar.</p> <p>5. Tachometer: momentane snelheid elektrische scooter (km/h - mph).</p> <p>6. Odometer ODO / TRIP: 3x kort indrukken om van ODO naar TRIP weergave te schakelen.</p> <p>7. AVG snelheid: gemiddelde snelheid.</p> <p>8. Voetgangersmodus: hulp om het voertuig te duwen met knipperend licht.</p> <p>9. Cruise control: behoud van de snelheid. Deze wordt geactiveerd na enkele seconden dezelfde snelheid vast te houden.</p> <p>10. Lampen: lichtindicator.</p>	

Model		
		
AL2	<p>A. Gashendel: indrukken om te versnellen.</p> <p>B. Aan/uit knop: lang indrukken om de elektrische scooter aan of uit te zetten.</p> <p>Odometer ODO/TRIP: 3x kort indrukken om van ODO naar TRIP weergave te schakelen.</p> <p>C. Snelheidsstanden: kort indrukken om het snelheidsniveau te wijzigen.</p> <p>Lichten: Lang indrukken om de verlichting aan of uit te zetten.</p>	<p>D. Bel: druk eenmaal op de hendel om hem te bedienen.</p> <p>E. Richtingaanwijzers: Druk de schakelaar naar rechts of links om ze te activeren en/of te deactiveren.</p> <p>F. Remhendel: draai de hendel aan om te remmen.</p>
	<ol style="list-style-type: none"> Batterijniveau: resterende ladingstoestand. Tachometer: momentane snelheid van de elektrische scooter (km/h en mph). Snelheidsstanden (TACHIMETER): <ul style="list-style-type: none"> - Niveau 1: aangegeven door het cijfer 1 - Niveau 2: aangegeven met het cijfer 2 - Niveau 3: aangegeven door het cijfer 3 - Voetganger: Hulp bij het duwen van het voertuig met knipperend licht. Bluetooth: smartphoneverbinding beschikbaar. Contachilometri ODO/TRIP: totale afgelegde afstand en afstand per sessie. AVG Snelheid: gemiddelde snelheid. Cruise control: behoud van snelheid. Deze wordt geactiveerd nadat dezelfde snelheid enkele seconden is aangehouden. Lampjes: controlelampje verlichting. 	

Richtingaanwijzers

Model	
AL EXT AL2	 <p data-bbox="194 506 904 525">De richtingaanwijzers bevinden zich aan het uiteinde van het stuur (linker- en rechterkant).</p> <p data-bbox="194 547 961 588">Richtingaanwijzers worden gebruikt om elke richtingsverandering tijdens het rijden onmiddellijk te signaleren.</p> <p data-bbox="194 649 377 671">Aandrijvingsbevel:</p>  <div data-bbox="645 656 848 703" style="border: 1px solid black; padding: 5px; display: inline-block;"> OPGELET</div> <p data-bbox="645 729 923 787">Controleer vóór elk gebruik van het product de juiste werking van de richtingaanwijzers.</p>

5. SNELSTARTGIDS

- Voorafgaand aan het eerste gebruik moet de accu naar 100% worden opgeladen.
- Controleer de bandenspanning (zie de zijkant van de band voor de aanbevolen waarde). In het geval het product er niet in slaagt om ten minste 60% van het opgegeven aantal kilometers te bereiken of gedurende de eerste 3 maanden van gebruik niet de maximale snelheid bereikt, is het waarschijnlijk dat de banden gedeeltelijk zijn leeggelopen: herstel de bandenspanning naar de aanbevolen waarde.
- Controleer de remmen en, indien nodig, stel ze af.
- Zet de display aan.
- Plaats het product op een vlakke ondergrond.
- Houd het stuur stevig met beide handen vast. Stap met één voet op de voetplaat en gebruik de andere voet om uzelf een zacht duwtje te geven en geef gas.



OPGELET

Functie Zero Start: de gasbediening wordt geactiveerd nadat de rijsnelheid de 3 km/uur overschrijdt.

Om veiligheidsredenen is het product aanvankelijk ingesteld om start vanuit de stilstand te voorkomen.

- Tijdens het rijden moet het lichaam bij het maken van bochten in de rijrichting worden gekanteld en moet het stuur langzaam gedraaid worden.
- Laat, om het product te stoppen, de gasbediening los en knijp de remhendels.
- Voordat u afstapt, moet de step volledig tot stilstand zijn gekomen. Tijdens het rijden van een elektrische step afstappen kan letsel veroorzaken.
- Controleer voorafgaand aan elk gebruik de remmen en hun eventuele slijtage, controleer de bandenspanning (zie de zijkant van de band voor de aanbevolen waarde), controleer de slijtage van de banden, de gasbediening en het laadniveau van de accu.

Regeling van de stand van de remhendels

AL EXT / AL2

Aandrijvingsbevel

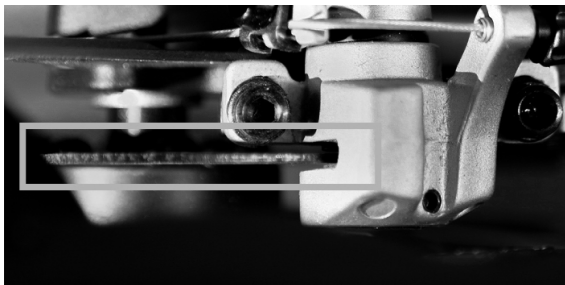
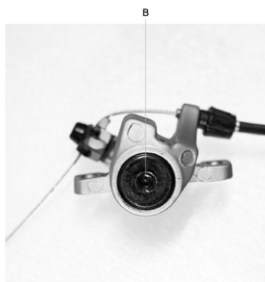
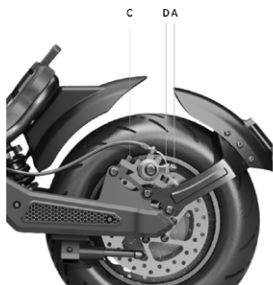
De stand van de remhendel kan, indien nodig, worden afgesteld door middel van het punt A. (zie afbeelding)

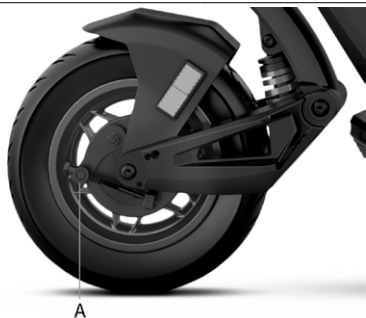


Afstelling van de remklauw

Gebruik, in geval de rem te strak of te ontspannen is, de ringsleutel met dubbele zeskant om de schroef (A) los te draaien; pas vervolgens de remkabel aan (kort de remkabel naar boven in indien te strak. Trek de remkabel omlaag indien te ontspannen); scherp tenslotte de schroef (A) weer aan. Als het ook na het volgen van de eerste stap te los of te strak zit, kan het nodig zijn om het (vaste) remblok af te stellen via het wiel aan de andere kant. Gebruik de ringsleutel met dubbele zeskant om het remblok (B) weg te bewegen (linksom) of dichterbij te brengen (rechtsom) (zie afbeelding). Controleer de correcte uitlijning tussen de remklauw en de schijfrem. Gebruik indien nodig de schroeven C en D om de positie/uitlijning op de schijf aan te passen.

Voor de remklauw van de achterrem draait u de schroeven C en D los en verwijderd u deze, waarna u de remklauw van de schijf verwijdert.



**Afstellen van de trommelrem:**

Als de rem te strak of te los staat, handel dan door schroef (A) los of vast te draaien. Indien de remhendel te zacht of te hard is, zelfs na het uitvoeren van de eerste stap, kan het nodig zijn de handeling te herhalen totdat een optimale instelling is bereikt.

6. OPVOUWEN EN VERVOEREN

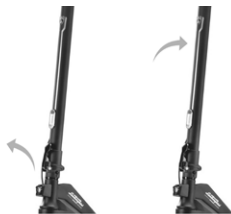
Zorg ervoor dat de elektrische step is uitgeschakeld. Houd de stuurpen met uw hand vast, trek aan de hendel, klap de stuurpen naar de voetplaat en klik vast.

AL EXT



Opening:

Ontgrendelen van de stuurpen: Beweeg de ontgrendelingsclip van het stuur naar buiten, til de stuurpen zover mogelijk op en vergrendel hem door de hendel naar binnen te duwen. Schakel de elektrische scooter in.



Afsluiting:

Schakel de elektrische scooter uit, trek de veiligheidshaak omhoog en trek de hendel naar buiten, breng de stuurpen naar binnen, steek de clip in de haak en zorg voor een effectieve vergrendeling.

Stuurklem

**Opening:**

Ontgrendel de stuurpen van de voetsteun: druk op de clip om het stuur los te maken, breng de stuurpen zover mogelijk omhoog en vergrendel hem door de hendel van de vergrendeling naar binnen te duwen. Zet de elektrische scooter aan.

Vergrendelingsmechanisme hendel

**Afsluiting:**

Schakel de elektrische scooter uit, ontgrendel de vergrendeling: druk op de rode haak en trek de hendel naar buiten (zie foto), breng de stuurpen naar binnen en zorg ervoor dat hij daadwerkelijk vergrendeld is.



Na het inklappen tilt u de stuurpen op terwijl u deze met één of beide handen vasthoudt.

**OPGELET**

Zorg ervoor dat u het product tijdens het vervoer stevig vasthoudt. Als u er niet zeker van bent dat u het gewicht van het product kunt dragen, ga dan niet verder met het vervoer met geheven product. Het plotseling vallende product kan ernstig letsel veroorzaken, naast de beschadiging van het product zelf.

7. ACTIEBEREIK EN PRESTATIES

Het maximale actiebereik en de prestaties van het voertuig zijn afhankelijk van verschillende variabelen:

Ondergrond: bij rijden op gladde wegdekken zijn een groter actiebereik en hogere prestaties mogelijk dan bij rijden op oneffen en hellende wegen.

Gewicht van de gebruiker: hoe zwaarder de gebruiker, hoe korter het actiebereik en hoe lager de prestaties van het voertuig.

Temperatuur: met de elektrische step rijden in een zeer koude of warme omgeving zal van invloed zijn op het actiebereik en de prestaties.

Snelheid en rijstijl: soepel en constant rijden zorgt voor een groter actiebereik. Voortdurend gas geven, afremmen en sturen zullen het actiebereik aanzienlijk verminderen. Het laagste snelheidsniveau zal het actiebereik vergroten.

Onderhoud: tijdig opladen, correct onderhoud en regelmatige bandenspanningscontroles (zie referentiewaarde in hoofdstuk 10) vergroten de autonomie en garanderen constante prestaties gedurende lange tijd.

Het laadniveau van de accu is van invloed op de prestaties: hoe lager het laadniveau, hoe lager de prestaties voor wat betreft de snelheid, vooral in geval van heuvels.

8. OPSLAG, ONDERHOUD EN REINIGING

Vlekken op het chassis van het product kunnen verwijderd worden met een vochtige doek. Breng op hardnekkige vlekken milde zeep aan, gebruik een borsteltje en reinig vervolgens met een vochtige doek. Krassen op de plastic onderdelen kunnen verwijderd worden met schuurpapier of een ander schurend materiaal. Gebruik voor de reiniging van het product geen alcohol, benzine, kerosine of andere corrosieve en vluchtige chemische oplosmiddelen om ernstige beschadiging te voorkomen. Was het product niet met de hogedrukreiniger. Voordat het product wordt gereinigd, moet het worden uitgeschakeld, de laadkabel worden losgekoppeld en de rubberen dop gesloten worden omdat het binnendringen van water zou kunnen leiden tot elektrische schokken of andere ernstige problemen. Het binnendringen van water in de accu kan leiden tot beschadiging van de interne circuits, brand- en explosiegevaar. Als u twijfelt of er water in de accu is binnengedrongen, staak dan onmiddellijk het gebruik van de accu en laat hem controleren door de technische servicedienst of de dealer.

Als het product niet wordt gebruikt, bewaar het dan op een droger en koele plaats binnen. Vermijd om het product langdurig buiten of in de auto te bewaren. Sterk zonlicht, te hoge en te lage temperaturen versnellen de veroudering van de handen en beïnvloeden de levensduur van zowel het product als de accu. Stel de step niet bloot aan regen of water, dompel hem niet onder in water en vermijd hem met water te wassen.

Controleer regelmatig de aanscherping van de verschillende vastgeschroefde elementen, in het bijzonder de assen van de wielen, het opbouw-/vervoersysteem, het stuursysteem, het remsysteem; controleer ook de goede conditie van het chassis, de vorken en de vering. De moeren en alle andere zelfspannende bevestigingselementen kunnen hun efficiëntie verliezen en moeten derhalve regelmatig gecontroleerd en aangescherpt worden.

Zoals geldt voor alle mechanische componenten, is ook dit product onderhevig aan slijtage en zware belasting. Verschillende materialen en componenten kunnen op verschillende wijze reageren op slijtage en stressvermoeidheid. Als de nuttige levensduur van een onderdeel eventueel wordt overschreden, zou het plotseling kunnen breken en letsel voor de bestuurder kunnen veroorzaken. Alle vormen van barsten, krassen of verkleuringen op plekken die veel belast worden, geven aan dat de levensduur van het onderdeel is bereikt en dat het derhalve vervangen moet worden.

Controleer de staat van slijtage van de banden: er mag geen sprake van sneden, scheuren, vreemde voorwerpen, abnormale zwellingen, gebrek aan onderdelen of andere schade zijn. Raadpleeg voor de bandenspanning de waarde in hoofdstuk 10 van deze gebruiksaanwijzing.

Probeer niet het product zelf te demonteren of te repareren. De vervanging van alle onderdelen van elektrische scooters moet worden uitgevoerd door het erkende servicecentrum, voor meer informatie kunt u contact opnemen met uw dealer of de website bezoeken:

www.alemobility.com/en/

9. CONFIGURATIE APP

Hieronder vindt u de producten die zijn uitgerust met Bluetooth en kunnen worden gekoppeld met de AL e-Mobility app: AL EXT, AL2.

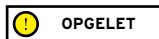
Met de app kunt u het product rechtstreeks vanaf uw smartphone bedienen.

Scan de QR CODE om de app te downloaden en te installeren. Als u de app niet kunt vinden, raden wij u aan deze te zoeken met de speciale zoekfunctie voor apps.

Open de app en volg de instructies.



Open de app en volg de instructies.



De app kan verschillende machtigingen vereisen om de app te gebruiken en te bedienen.

De versie van de app kan zijn bijgewerkt door uw app-service. Wij raden u aan om voortdurend de app-updates te controleren op nieuwe functies en altijd de nieuwste app-release op uw apparaat te installeren.

Gebruik uw toestel niet tijdens het rijden.

10. TECHNISCH GEGEVENSBLAD

Algemene informatie

AL EXT

Frame	Staal en aluminium	
Vering	Voor en achter	
Snelheid	LA-MO-210001; LA-MO-210002; LA-MO-220013 Pion: \leq 6km/h L1: \leq 15km/h L2: \leq 20km/h L3: \leq 25km/h (max snelheid) * *naar land van circulatie	LA-MO-220001; LA-MO-220002 Pion: \leq 6km/h L1: \leq 10km/h L2: \leq 15km/h L3: \leq 20km/h(max snelheid) * *naar land van circulatie
Maximale helling **	22%	
Remmen	Schijfrem voor, schijfrem achter en elektronische rem	
Banden	Afmeting: 90/65-6.5 Druk: 50 psi / 3.5 bar	
Maximale belasting	120kg	
Bestuurder	Controleer de regelgeving van kracht in uw land	
Bedrijfstemperatuur	-0°C / 45°C	
Beschermingsniveau	IPX4	
Oplaadtijd	ongeveer 7 uur	
Actiebereik**	tot 40km	
Elektrisch systeem		
Nominaal vermogen motor	0.50kW; 500W Brushless	
Maximaal vermogen motor	0.900kW; 900W	
Display	Geïntegreerde led	
Accu	48V 12.5Ah 600Wh	
Laagspanningsbeveiliging	42V	
Stroomlimiet	20A	
KERS	ja	
Lampen	LED voor en achter	
Functies	Bluetooth	
Maatregelen		
Nettogewicht	30.6Kg	
Brutogewicht	38.75Kg	

* Respecteer altijd de verkeersregels en de geldende voorschriften in het land van gebruik.

** Onderhevig aan variaties afhankelijk van het gewicht van de bestuurder, de wegomstandigheden en de temperatuur.

Algemene informatie

AL2

Frame	Staal en aluminium	
Vering	Voor en achter	
Snelheid	LA-MO-220003 Pion: \leq 6km/h L1: \leq 15km/h L2: \leq 20km/h L3: \leq 25km/h (max snelheid) * *naar land van circulatie	LA-MO-220004 Pion: \leq 6km/h L1: \leq 10km/h L2: \leq 15km/h L3: \leq 20km/h(max snelheid) * *naar land van circulatie
Maximale helling **	16%	
Remmen	Trommelrem voor, elektrische rem achter	
Banden	Afmeting: 10" X 2.125" met binnenband Druk: 36 psi / 2.5 bar	
Maximale belasting	120kg	
Bestuurder	Controleer de regelgeving van kracht in uw land	
Bedrijfstemperatuur	-0°C / +45°C	
Beschermingsniveau	IPX5	
Oplaadtijd	ongeveer 5 uur	
Actiebereik**	tot 35km	

Elektrisch systeem

Nominaal vermogen motor	0.35kW; 350W brushless
Maximaal vermogen motor	0.55kW; 550W
Display	Geïntegreerde LED
Accu	36V 8Ah 288Wh
Laagspanningsbeveiliging	31 + / - 0.5V
Stroomlimiet	17A
KERS	ja
Lampen	LED voor en achter
Functies	Bluetooth met app

Maatregelen

Nettogewicht	19Kg
Brutogewicht	22Kg

* Respecteer altijd de verkeersregels en de geldende voorschriften in het land van gebruik.

** Onderhevig aan variaties afhankelijk van het gewicht van de bestuurder, de wegomstandigheden en de temperatuur.

11. PROBLEMEN OPLOSSEN

Fout	Oorzaak	Oplossing
De motor functioneert niet	Elektrisch probleem, aanwezigheid foutcode	Vraag om technische hulp
Het aandrijfwiel draait niet	Problemen van de remmen De motor is geblokkeerd	Stel de remmen af, als het probleem aanhoudt, vraag dan om technische hulp Controleer de correcte aanscherping van het wiel, controleer, zonder het voertuig in te schakelen, of het wiel draait. Als het probleem aanhoudt, vraag dan om technische hulp
De motor wordt tijdens de werking uitgeschakeld	Oververhitting van de motor Aanwezigheid van een foutcode	Stop het voertuig en wacht tot de motor is afgekoeld Vraag om technische hulp
Na het opladen gaat het product niet aan of schakelt het na een paar kilometer uit.	De accu is beschadigd	Vraag om technische hulp
De accu laadt niet op of het product kan niet ingeschakeld worden	Probleem van de aansluiting De accu is niet aangesloten (modellen met verwijderbare accu) De accu is leeg De accu is beschadigd Problemen van de acculader	Vraag om technische hulp Controleer of de voedingsconnector is aangesloten. Laad de accu naar 100% op Vraag om technische hulp Vervang de acculader

AL EXT / AL2

Tabel foutcodes

Foutcode	Definitie
E1	Storing in de verbinding van de motor
E2	MOS-storing of kortgesloten motorfase
E3	Storing remsensor
E4	Elektronische stuurstoring
E5	Laagspanningsbeveiliging
E6	Mededeling van defecte instrumenten
E7	Hoogspanningsbeveiliging
E8 / E9	ECU/BMS-fout

12. AANSPRAKELIJKHEID EN ALGEMENE GARANTIEVOORWAARDEN

De bestuurder draagt de verantwoordelijke voor alle risico's die verband houden met het gebruik van een helm en andere beschermingsmiddelen.

De bestuurder moet zich houden aan de geldende plaatselijke voorschriften met betrekking tot:

1. de toegestane minimumleeftijd voor de bestuurder,
2. de beperkingen op het type bestuurder dat het product mag gebruiken
3. alle andere reglementaire aspecten

De bestuurder is tevens verplicht het product schoon en in een perfecte staat van efficiëntie en onderhoud te houden. Hij/zij is verplicht de veiligheidscontroles die binnen zijn/haar bevoegdheid vallen zorgvuldig uit te voeren zoals beschreven in de vorige secties. Hij/zij mag op geen enkele manier het product aanpassen en is verplicht alle documentatie met betrekking tot onderhoud te bewaren.

De fabrikant is niet aansprakelijk voor veroorzaakte schade en voor schade veroorzaakt aan voorwerpen en personen, met name als:

- het product op oneigenlijke wijze wordt gebruikt of niet in overeenstemming met de inhoud van de handleiding;
- het product na de aankoop wordt gewijzigd of er wordt geknoeid met alle of enkele van de onderdelen.

In het geval van een storing van het product om redenen die niet te wijten zijn aan onjuist gedrag van de bestuurder en indien u de algemene garantievoorwaarden wenst te raadplegen, wordt u verzocht contact op te nemen met uw dealer of om de website www.alemobility.com/en/ te bezoeken

De volgende defecten of storingen zijn altijd uitgesloten van het toepassingsgebied van de wettelijke garantie voor producten: eventuele defecten of storingen die veroorzaakt zijn door incidentele gebeurtenissen en/of die toe te schrijven zijn aan de verantwoordelijkheid van de koper of door oneigenlijk gebruik (ten opzichte van het gebruiksdoel en/of zoals aangegeven in de meegeleverde technische documentatie), door het niet afstellen van de mechanische onderdelen, door natuurlijke slijtage van materiaal, door slijtage dat wordt veroorzaakt door montagefouten, door gebrek aan onderhoud en/of gebruik dat niet overeenkomt met de instructies.

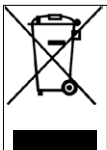
Het volgende moet bijvoorbeeld worden beschouwd als uitgesloten van de wettelijke garantie voor producten:

- schade veroorzaakt door stoten, vallen of aanrijdingen, lekke banden;
- schade veroorzaakt door gebruik, blootstelling of opslag in een ongeschikte omgeving (bijvoorbeeld: aanwezigheid van regen en/of modder, blootstelling aan vocht of overmatige warmtebronnen, contact met zand of andere stoffen)
- schade veroorzaakt door het ontbreken van de afstelling voor het wegklaar maken en/of het niet onderhouden van mechanische onderdelen, mechanische schijfremmen, stuur, banden, enz.; onjuiste installatie en/of montage van onderdelen
- de natuurlijke slijtage van verbruiksmaterialen: mechanische schijfrem (bijv. remblokken, remklauwen, remschijf, kabels), banden, voetplaten, pakkings, lagers, led-verlichting en lampen, standaard, knoppen, spatborden, rubberen onderdelen (voetplaat), bedrading van kabelstekkers, maskers en stickers, enz.;
- onjuist onderhoud of gebruik van de accu van het product;
- het aanpassen en/of forceren van onderdelen van het product;
- onjuist of ongeschikt onderhoud of aanpassing van het product;
- onjuist gebruik van het product (bijvoorbeeld: overbelasting, gebruik bij wedstrijden en/of voor commerciële verhuuractiviteiten);
- onderhoud, reparaties en/of technische handelingen op het product die worden uitgevoerd door onbevoegde derden;
- schade aan producten als gevolg van het transport, indien uitgevoerd door de koper;
- schade en/of defecten als gevolg van het gebruik van niet-originele reserveonderdelen.

We nodigen u uit om de meest recente versie van de garantievoorwaarden te raadplegen die beschikbaar zijn op www.alemobility.com/en/support/

! OPGELET

Verwerking van afgedankte elektrische en elektronische apparaten (van toepassing in alle landen van de Europese Unie en in andere Europese systemen voor gescheiden inzameling)



Dit symbool op het product of op de verpakking geeft aan dat het product niet als normaal huishoudelijk afval moet worden beschouwd, maar moet worden ingeleverd bij het specifieke inzamelpunt voor de recycling van afgedankte elektrische en elektronische apparatuur (AEEA).

Door het product op de juiste manier af te voeren, helpt u mogelijke negatieve gevolgen voor het milieu en de gezondheid door een onjuiste afvalverwerking te voorkomen. De recycling van de materialen draagt bij aan het behoud van de natuurlijke hulpbronnen.

Voor nadere informatie over de recycling en verwijdering van dit product kunt u contact opnemen met uw plaatselijke afvalverwijderingsdienst of het verkooppunt waar het product is gekocht.

In ieder geval moet het product verwijderd worden volgens de regelgeving van kracht in het land van aankoop.

De consument mag de AEEA niet als gemeentelijk afval afvoeren, maar moet dit soort afval op gescheiden manier laten verwerken door middel van twee manieren van inzameling:

- Bij de Gemeentelijk inzamelpunten, rechtstreeks of via de gemeentelijke inzameldienst;
- Bij de verkooppunten in geval van de aanschaf van nieuwe elektrische en elektronische apparatuur.

Hier kunt u de AEEA van kleine afmetingen (de langste zijde korter dan 25 cm) gratis inleveren. Grotere producten kunnen een-tegen-een worden geleverd: het afgedankte product wordt ingeleverd bij aanschaf van een nieuw product met dezelfde functie.

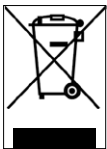
Bovendien is de modus een-tegen-een altijd gegarandeerd tijdens de aankoop door de consument van een nieuwe EEA, ongeacht de grootte van de AEEA.

In geval van een illegale verwijdering van elektrische of elektronische apparatuur kunnen de sancties van de geldende regelgeving inzake milieubescherming worden toegepast (controleer de toepasselijke regelgeving van het land van gebruik/verwijdering van het voertuig).

Als de AEEA batterijen of accu's bevatten, moeten deze worden verwijderd en apart worden ingezameld.

! OPGELET

Verwerking van lege batterijen/accu's (van toepassing in alle landen van de Europese Unie en in andere Europese systemen voor gescheiden inzameling)



Dit symbool op het product of op de verpakking geeft aan dat de accu niet beschouwd mag worden als normaal huishoudelijk afval. Op enkele soorten accu's kan dit symbool in combinatie met een chemisch symbool gebruikt worden.

De chemische symbolen voor kwik (Hg) of lood (Pb) worden toegevoegd als de accu meer dan 0,0005% kwik of 0,004% lood bevat.

Door de batterijen/accu's op de juiste manier af te voeren, helpt u mogelijke negatieve gevolgen voor het milieu en de gezondheid door een onjuiste afvalverwerking te voorkomen. De recycling van de materialen draagt bij aan het behoud van de natuurlijke hulpbronnen. Bij producten die vanwege de veiligheid, prestaties of gegevensbescherming een vaste verbinding met een interne batterij/accu vereisen, mag de accu of batterij alleen worden vervangen door gekwalificeerd servicepersoneel.

Lever het afgedankte product in bij inzamelpunten voor de verwerking van elektrische en elektronische apparatuur. Hierdoor wordt ook de interne batterij/accu op de juiste manier verwerkt.

Neem voor meer informatie over de verwijdering van de afgewerkte accu/batterij of van het product contact op met de plaatselijke afvalverwerkingsdienst of met het verkooppunt waar u het product heeft aangeschaft.

In ieder geval moet het product verwijderd worden volgens de regelgeving van kracht in het land van aankoop.

Niniejsza instrukcja odnosi się do następującej hulajnogi elektrycznej:

AL EXT AL2

Instrukcja obsługi
LA-MO-000001 rev. 2

Instrukcja przetłumaczona z oryginalnego języka włoskiego

Dziękujemy za wybranie naszego produktu.

W celu uzyskania informacji, wsparcia technicznego, pomocy oraz zapoznania się z ogólnymi warunkami gwarancji należy skontaktować się ze sprzedawcą lub odwiedzić stronę internetową www.alemobility.com/en/support/

Spis treści

1. Instrukcje bezpieczeństwa
2. Zawartość opakowania i montaż
3. Opis części produktu
4. Informacje dotyczące sterowników / Panelu sterowania
5. Instrukcje użytkowania
6. Składanie hulajnogi i transport
7. Zasięg i wydajność
8. Przechowywanie, konserwacja i czyszczenie
9. Konfiguracja aplikacji
10. Dokumentacja techniczna
11. Rozwiązywanie problemów
12. Odpowiedzialność i ogólne warunki gwarancji

1. INSTRUKCJE BEZPIECZEŃSTWA



UWAGA

WAŻNE! Przed rozpoczęciem korzystania z produktu dokładnie zapoznaj się z treścią instrukcji obsługi. Zachować niniejszą instrukcję do wglądu w przyszłości i dla ewentualnych nowych użytkowników.

Poświęć niezbędną ilość czasu na zapoznanie się z podstawami użytkowania, aby uniknąć poważnych wypadków, do których może dojść w ciągu pierwszych kilku miesięcy użytkowania. Skontaktować się ze swoim sprzedawcą, aby uzyskać odpowiednie wsparcie w zakresie prawidłowego użytkowania produktu lub dane kontaktowe do stosownych ośrodków szkoleniowych.

Firma zrzeka się wszelkiej odpowiedzialności, bezpośredniej lub pośredniej, wynikającej z niewłaściwego użytkowania produktu, braku stosowania się zarówno do przepisów ruchu drogowego, jak i do wskazówek zawartych w niniejszej instrukcji obsługi, wypadków i sporów spowodowanych nieprzestrzeganiem przepisów oraz działań niezgodnych z prawem.

Niniejszy produkt jest przeznaczony do celów rekreacyjnych, musi być używany przez jedną osobę, bez pasażerów, zatem obowiązuje zakaz jednoczesnego używania przez więcej niż jedną osobę.

Nie należy w żaden sposób zmieniać przeznaczenia pojazdu. Produkt nie nadaje się do wykonywania akrobacji, użytku w zawodach, transportowania przedmiotów, holowania innych pojazdów lub przyczep.

II **Hulajnoga elektryczna** musi być używana z zachowaniem ostrożności, zgodnie z **zasadami** ruchu drogowego obowiązującymi w kraju, w którym jest używana, aby uniknąć zagrożenia i chronić bezpieczeństwo własne i innych osób.



UWAGA

Orientacyjne wymagania dotyczące konstrukcji pojazdu:

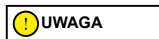
Model hulajnogi elektrycznej	AL EXT Green	AL EXT Bronze	AL2
Kod produktu z kierunkowskazami	LA-MO-210001	LA-MO-220013	LA-MO-220003
	LA-MO-220002	LA-MO-220001	LA-MO-220004
		LA-MO-210002	
Ciężar MIN (Kg)	30	30	30
Ciężar MAKS (Kg)	120	120	120
Wiek MIN *	14	14	14
Wiek MAX *	65	65	65
Wysokość (cm) MIN	120	120	120
Wysokość (cm) MAKS	200	200	200

* Przed użyciem produktu zapoznać się i następnie przestrzegać norm obowiązujących w zakresie dozwolonego minimalnego wieku użytkownika i ograniczeń dotyczących kategorii użytkowników, którzy mogą używać tego typu produktu oraz użytkowania tego typu produktu.

Poziomy ciśnienia akustycznego (hałas) ważony krzywą korekcyjną A w uchu użytkownika jest niższy niż 70 dB(A).

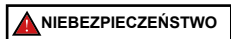
Reprezentacja graficzna ostrzeżeń bezpieczeństwa

W niniejszej instrukcji informacje dotyczące bezpieczeństwa zostały oznaczone za pomocą następujących symboli graficznych. Ich zadaniem jest przyciągnięcie uwagi czytelnika / użytkownika, aby prawidłowo i bezpiecznie korzystać z produktu.



Zwróć uwagę

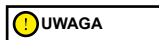
Zwraca uwagę na zasady, których należy przestrzegać, aby nie uszkodzić produktu i/lub zapobiec występowaniu niebezpiecznych sytuacji.



Ryzyko resztkowe

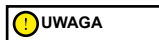
Zwraca uwagę na występowanie zagrożeń z powodu obecności ryzyka resztkowego, na które użytkownik musi zwracać uwagę, aby uniknąć obrażeń ciała lub strat materialnych.

Ostrzeżenia ogólne



Należy pamiętać, że w miejscu publicznym lub na drodze, nawet jeśli postępuje się zgodnie z niniejszą instrukcją obsługi, nie jest się odpornym na obrażenia będące skutkiem naruszeń lub nieodpowiednim zachowaniem wobec innych pojazdów, przeszkód lub osób. Niewłaściwe użytkowanie produktu lub brak przestrzegania zaleceń zawartych w niniejszej instrukcji obsługi może spowodować poważne uszkodzenia.

Przedmiotowy produkt jest pojazdem elektrycznym. Im jazda jest szybsza, tym dłuższa jest droga hamowania. Nagłe hamowanie na śliskich, błotnistych, mokrych lub oblodzonych drogach może spowodować ślizganie się kół i utratę równowagi. Należy zachować odpowiednią prędkość i bezpieczną odległość od pieszych lub innych pojazdów. Zachować szczególną ostrożność podczas jazdy po nieznanych drogach. Nie otwieraj stopki podczas używania produktu, gdyż grozi to poważnymi obrażeniami ciała i uszkodzeniem produktu.



W przypadku mokrych nawierzchni, droga hamowania dodatkowo się wydłuża i przyczepność, w stosunku do suchych dróg, ulega znaczącemu ograniczeniu! W czasie jazdy zachować maksymalną ostrożność i przestrzegać odległości bezpieczeństwa!

Dla własnego bezpieczeństwa, przed wyjazdem założyć zawsze: kask, ochraniacze na łokcie i kolana, aby chronić się przed ewentualnymi upadkami i urazami. Jeśli pożyczysz produkt innej osobie, poprosić kierowcę o założenie sprzętu ochronnego i wyjaśnić mu, jak należy obsługiwać pojazd. Aby uniknąć obrażeń, nie pożyczaj produktu osobom, które nie potrafią z niego korzystać. Podczas używania produktu zawsze nosić buty.

Dzieci nie mogą bawić się hulajnogą elektryczną lub jej częściami i nie mogą wykonywać czyszczenia lub konserwacji.

Podczas kierowania pojazdem należy uważać, aby nie przestraszyć dzieci i pieszych. W czasie przejeżdżania za innymi osobami, ostrzec je o swojej obecności wydając sygnał dźwiękowy i zwolnić do prędkości minimalnej równej 6km/h.

Instrukcje i ostrzeżenia dotyczące zachowania w czasie jazdy

Warunki	Używanie właściwe/przewidziane	Niewłaściwe użytkowanie
Kierowcy	Jeden	Kilka osób, z dziećmi lub zwierzętami
Sprzęt ochronny	Kask ochronny, ochraniacze na łokcie i kolana, kamizelka odblaskowa	Brak sprzętu
Kontrola przed jazdą	<p>Przed każdym użyciem sprawdzić hamulce i stan ich zużycia, sprawdzić ciśnienie w oponach (zalecana wartość została wskazana z boku opony), zużycie kół, akcelerator, kierunkowskazy, światła i stan naładowania akumulatora.</p> <p>W przypadku wystąpienia jakichkolwiek nietypowych hałasów lub nieprawidłowości, nie używać produktu i skontaktować się ze sprzedawcą lub autoryzowanym Serwisem Pomocy Technicznej</p>	<p>Brak kontroli produktu przed jazdą</p> <p>Używanie produktu w przypadku obecności hałasów lub nieprawidłowości</p>
Prowadzenie produktu podczas spaceru	<p>Nie wciskaj manetki przyspieszenia</p> <p>Prowadź pojazd obok siebie podczas przechodzenia przez przejście dla pieszych</p> <p>W strefach dla pieszych, jeśli nie posiada trybu pieszego (6 km/h)</p> <p>W zatłoczonych obszarach</p>	<p>Naciskanie manetki przyspieszenia</p> <p>Przejeżdżanie pojazdem przez przejścia dla pieszych</p> <p>Jeżdżenie pojazdem w strefach dla pieszych, jeśli nie posiada trybu pieszego (6 km/h)</p> <p>Jeżdżenie pojazdem w zatłoczonych obszarach</p>
Po zatrzymaniu się	Osoba prowadząca produkt musi być w stanie z łatwością postawić obie stopy na ziemi, trzymając kierownicę na odpowiedniej wysokości	<p>Nie być w stanie utrzymać produktu w sposób stabilny i zrównoważony</p> <p>Siedzieć na produkcie podczas jazdy lub stania w miejscu</p>

Warunki	Używanie właściwe/przewidziane	Niewłaściwe użytkowanie
Jazda w normalnych warunkach	Kierownica bez zawieszonych przedmiotów	Przedmioty zawieszone na kierownicy mogą powodować utratę stabilności i przeszkadzać podczas manewrów
	Jazda z trzymaniem obu rąk na kierownicy Nieużywanie urządzeń takich jak telefony, smartwatche, odtwarzacze muzyki, słuchawki douszne	Jazda z użyciem jednej ręki lub bez trzymania rąk na kierownicy Używanie urządzeń takich jak telefony, smartwatche, odtwarzacze muzyki, słuchawki douszne
	Wygodne i bezpieczne prowadzenie pojazdu z obiema stopami na podeście	Prowadzenie pojazdu z jedną lub dwoma stopami poza podestem Zakaz przenoszenia i koncentrowania ciężaru na tylnym błotniku.
	Jazda z użyciem kasku i sprzętu ochronnego	Jazda bez użycia kasku i sprzętu ochronnego
	Jazda po łatwo dostępnych, gładkich i zwartych drogach, unikając obszarów o dużym natężeniu ruchu lub zatłoczonych: np. wydzielona ścieżka rowerowa, gładkie, utwardzone nawierzchnie	Jazda po autostradzie, drogach dalekobieżnych Jazda po ruchliwych drogach Jazda po chodnikach Jazda w zatłoczonych obszarach Jazda po bardzo nierównych drogach Jazda w pobliżu: rowów, zboczy, portów, morza, jezior i rzek
	Przestrzeganie lokalnych przepisów i zasad ruchu drogowego	Nieprzestrzeganie obowiązujących przepisów i zasad ruchu drogowego
	Patrzeć zawsze przed siebie i uważanie na wszystkie przeszkody, pojazdy i pieszych w pobliżu	Rozpraszenie się podczas jazdy
	Zmiana kierunku, po upewnieniu się, że jest się widzianym i zmniejszając prędkość W każdym przypadku, należy wskazać zmianę kierunku ruchu i zmniejszyć prędkość, przestrzegając przepisów ruchu drogowego i uważając na osoby najbardziej narażone na wypadki Używanie kierunkowskazów, jeżeli zostały one przewidziane	Gwałtowna zamiana kierunku jazdy przy dużej prędkości, bez upewnienia się, że jest się widzianym Jednoczesne hamowanie i skręcanie powoduje niestabilność pojazdu Nieużywanie kierunkowskazów
Zwolnienie w obecności pieszych Używanie trybu pieszego w strefach dla pieszych (6 km/h) Upředzanie o swojej obecności za pomocą dzwonka	Przyspieszanie lub utrzymywanie stałej prędkości w obecności pieszych Jazda bez użycia trybu pieszego w strefach dla pieszych (6 km/h) Brak ostrzegania o swojej obecności za pomocą dzwonka	
Nierówności na drodze: progi zwalniające/stopnie/nierówna nawierzchnia drogi	Jazda z umiarkowaną prędkością Lekko ugiąć kolana, aby lepiej amortyzować wstrząsy podczas pokonywania nierównej powierzchni. Jazda z dużą prędkością Przyspieszanie przy wjeżdżaniu na próg zwalniający i kanały, zjeżdżanie po schodach, przeskakowanie przez przeszkody, wjeżdżanie na chodniki, sztywna jazda.	

Warunki	Używanie właściwe/przewidziane	Niewłaściwe użytkowanie
Zachowanie: na zakrętach, zjazdach, w obecności przeszkód, pobliskich pojazdów i pieszych	Zachować bezpieczną odległość Nie przyspieszać Zahamować i zwolnić Jazda z umiarkowaną prędkością i bezpieczne hamowanie Zwracanie uwagi na bramy i inne przeszkody na wysokości	Nieprzestrzeganie bezpiecznego odstępu Przyspieszanie Jazda z dużą prędkością, nagle hamowanie Przejeżdżanie pod przeszkodami na wysokości
Warunki widoczności	Używać produktu tylko wtedy, gdy światło gwarantuje bezpieczną jazdę. Podczas jazdy w trudnych warunkach oświetleniowych (pół godziny po zachodzie słońca, przez cały okres ciemności, a także w ciągu dnia, jeśli warunki atmosferyczne uniemożliwiają widoczność drogi, podczas jazdy w tunelach) należy pamiętać o włączeniu światła oraz o założeniu kamizelki lub szelek odblaskowych.	Jazda w trudnych warunkach oświetleniowych z wyłączonymi światłami i bez założonej kamizelki odblaskowej lub szelek.
Warunki pogodowe	Jazda w optymalnych warunkach meteorologicznych (bez deszczu)	Jazda w niekorzystnych warunkach: w deszczu, podczas opadów śniegu, gdy na drodze jest lód lub błoto, silny wiatr, we mgle.
Parkowanie	W wyznaczonych miejscach, bez utrudniania ruchu pojazdów i pieszych Na gładkich powierzchniach, zapewniając stabilność Wyłączyć produkt i zawsze używać urządzenia zabezpieczającego przed kradzieżą Używać dostępnej podpórki	W dowolnym miejscu, utrudniając ruch pojazdów i pieszych Na nierównych powierzchniach i bez zapewnienia stabilności Pozostawianie włączonego produktu bez nadzoru i bez włączonego urządzenia zabezpieczającego przed kradzieżą
Uprawianie sportów ekstremalnych/akrobacji	NIE	TAK, niewłaściwe użycie: Jazda w pobliżu: rowów, zboczy, portów, morza, jezior i rzek Przejeżdżanie przez kałuże Ściganie się z innymi pojazdami
Narażanie produktu na silne zderzenia	NIE	TAK, niewłaściwe użycie: Rzucanie na rzeczy lub osoby, zrzucanie ze schodów lub z wysokości

Co robić po upadku:

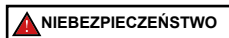
Sprawdzić, czy manetka przyspieszenia działa prawidłowo. W tym celu kilka razy przyspieszyć i zwolnić.

Zawsze sprawdzać, czy hamulce działają prawidłowo. W tym celu zejść z produktu, popchnąć go do przodu i zahamować, aby upewnić się, że reaguje na polecenia.

Sprawdzić, czy wszystkie elementy pojazdu znajdują się w przewidzianym położeniu i że są stabilnie zamocowane.

Sprawdzić stan zużycia i ciśnienie w oponach (sprawdzić zalecane wartości z boku opony).


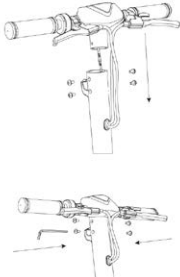

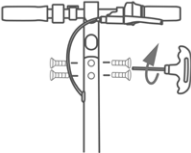
Sprawdzić stan zużycia hamulców i linek.



Hamulce mogą się nagrzewać podczas użytkowania. Nie dotykać po użyciu.

2. ZAWARTOŚĆ OPAKOWANIA I MONTAŻ

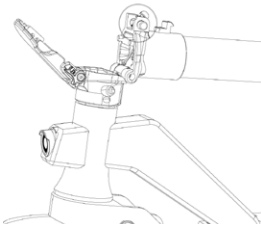
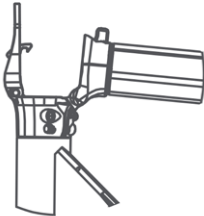
Produkt zmontowany, kierownicę należy zamontować za pomocą odpowiednich śrub znajdujących się w opakowaniu.

Model	Ilustracja odniesienia	W opakowaniu	Montaż kierownicy
AL EXT		<p>Akcesoria:</p> <p>1x klucz imbusowy</p> <p>4x Śruby do kierownicy</p> <p>1x Ładowarka do akumulatorów</p>	
AL2		<p>Akcesoria:</p> <p>1x klucz imbusowy</p> <p>2x Śruby do kierownicy</p> <p>1x Ładowarka do akumulatorów</p>	

Sekwencja

AL EXT / AL2

- Wyjąć produkt z opakowania.
- Otworzyć drążek kierownicy i przymocować go, zamykając dźwignię mechanizmu zamykającego.
- Podłączyć kabel zasilający wyświetlacza do okablowania głównego (jeżeli jest to niezbędne).
- Zamontować kierownicę na drążku (nie ścisnąć linek).
- Włożyć i dokręcić śruby w drążku za pomocą dołączonego klucza.
- Zamontować podpórkę (jeżeli to konieczne).
- Wyregulować mechanizm zamykający drążek* (jeżeli to konieczne).
- Przy pierwszym użyciu należy naładować produkt w 100%.

Model	Ilustracja odniesienia	* Regulacja mechanizmu zamykającego drążek
AL EXT		<p>Wewnątrz mechanizmu znajduje się śruba sześciokątna.</p> <p>Jeśli drążek kierownicy nie jest zbyt stabilny po zamknięciu, należy go wyregulować śrubą mechanizmu, dokręcając lub odkręcając tylko na tyle, aby zwiększyć stabilność drążka.</p>
AL2		<p>Wewnątrz mechanizmu znajduje się śruba sześciokątna.</p> <p>Jeśli po zamknięciu wspornik kierownicy jest niestabilny, należy wyregulować śrubę mechanizmu, wkręcając lub wykręcając ją tylko na tyle, aby zwiększyć stabilność wspornika.</p>

! UWAGA

Prawidłowo złożyć produkt. Jeżeli w czasie montażu wykryje się jakiegokolwiek wady fabryczne, etapy procedury opisane w sposób niewystarczająco zrozumiały lub trudności montażowe lub regulacyjne, nie używać pojazdu i skontaktować się ze sprzedawcą lub odwiedzić stronę www.alemobility.com/en/ w celu uzyskania pomocy technicznej.

Używać tylko akcesoriów i/lub dodatkowych części zatwierdzonych przez producenta.

Trzymać dzieci z dala od plastikowych części (w tym materiałów opakowaniowych) i małych części, które mogą spowodować uduszenie.

Nie wolno w jakikolwiek sposób modyfikować ani przerabiać produktu lub jego części, gdyż może to niekorzystnie wpłynąć na wydajność, konstrukcję oraz spowodować uszkodzenia. W przypadku wykrycia jakichkolwiek wad fabrycznych, nietypowych odgłosów lub innych nieprawidłowości, nie używać pojazdu i skontaktować się ze sprzedawcą lub odwiedzić stronę www.alemobility.com/en/ w celu uzyskania pomocy technicznej.

3. OPIS CZĘŚCI PRODUKTU

Ze względu na stały postęp technologiczny producent zastrzega sobie prawo do wprowadzania zmian w produkcie bez uprzedzenia i bez automatycznej aktualizacji niniejszej instrukcji.

Aby uzyskać więcej informacji i zapoznać się z najnowszą wersją niniejszej instrukcji, należy odwiedzić stronę internetową www.alemobility.com/en/

AL EXT



1. Przedni reflektor
2. Dźwignia hamulca
3. Hak
4. Mechanizm blokujący
5. Koło przednie
6. Stojak
7. Port ładowania
8. Podnóżek
9. Klips mocujący
10. Światło tylne

11. Błotnik tylny
12. Tylne koło napędowe
13. Zacisk hamulcowy
14. Dzwonek
15. Wyświetlacz
16. Przepustnica
17. Przycisk ON/OFF
18. Przełącznik świateł
19. Port USB

AL2



1. Hak
2. Dzwonek
3. Dźwignia hamulca
4. Mechanizm blokujący
5. Reflektor
6. Hamulec bębnowy
7. Stojak
8. Podnóżek
9. Tylne koło napędowe
10. Reflektor

11. Błotnik tylny
12. Klips mocujący
13. Port ładowania
14. Wyświetlacz
15. Przepustnica




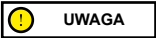
Ładowanie akumulatora



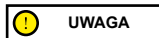
Przed pierwszym użyciem naładować akumulator do poziomu 100%. Upewnić się, że produkt, ładowarka i port ładowania są suche.

Instrukcje

- Otworzyć stopkę
- Wylączyć produkt

Model	Ilustracja odniesienia	INSTRUKCJE
AL EXT		<ul style="list-style-type: none">• Należy używać wyłącznie oryginalnej ładowarki.• Podłączyć ładowarkę najpierw do gniazda ściennego, a dopiero potem do gniazda ładowania.• Nie należy włączać hulajnoży elektrycznej podczas ładowania. <div data-bbox="612 681 814 729"></div> <p>Czerwone światło zapalone na zasilaczu zmieni barwę na zieloną, kiedy ładowanie zostanie zakończone.</p>
AL2		<ul style="list-style-type: none">• Należy używać wyłącznie dostarczonej ładowarki.• Podłącz ładowarkę najpierw do gniazda ściennego, a dopiero potem do gniazda ładowania.• Nie należy włączać skutera elektrycznego podczas ładowania. <div data-bbox="612 1125 814 1173"></div> <p>Czerwona lampka na zasilaczu zmieni kolor na zielony po zakończeniu operacji ładowania.</p>

Do ładowania produktu używać **WYŁĄCZNIE** oryginalnej ładowarki



Model	Kod produktu	Model ładowarki	Napięcie wyjściowe	Czas ładowania
AL EXT	LA-MO-210001	FCA136-546020	54.6V – 2A	Okolo 7 godzin
	LA-MO-220002			
	LA-MO-210002			
	LA-MO-220013			
	LA-MO-220001			
AL2	LA-MO-220003	HLT-180-4201500	42V – 1.5A	Okolo 5 godzin
	LA-MO-220004			

Użycie ładowarki innego typu może spowodować uszkodzenie produktu lub stwarzać inne potencjalne zagrożenia.

Nigdy nie ładować produktu pozostawionego bez nadzoru. Nie włączać produktu w czasie ładowania.

Po każdym użyciu należy całkowicie naładować akumulator, aby przedłużyć jego żywotność. Nie należy ładować produktu bezpośrednio po użyciu. Pozostawić produkt do ochłodzenia na jedną godzinę, a następnie naładować.

Produktu nie należy ładować przez zbyt długi czas. Przeładowanie akumulatora skraca jego żywotność i stwarza inne potencjalne zagrożenia.

Unikać całkowitego rozładowania akumulatora pojazdu, ponieważ może to spowodować jego uszkodzenie.

Uszkodzenia spowodowane długotrwałym brakiem naładowania są nieodwracalne i nie są objęte ograniczoną gwarancją. Po wystąpieniu uszkodzenia akumulatora nie można go ponownie naładować (zabrania się demontowania akumulatora przez personel niewykwalifikowany, ponieważ może to spowodować porażenie prądem, zwarcie lub nawet poważne wypadki). Jeśli z powodu dłuższej nieobecności, np. wyjazdu na wakacje, powierza się urządzenie innym osobom, należy zostawić je naładowane tylko częściowo (20-50% naładowania), nie w pełni.

Regularnie sprawdzać wzrokowo ładowarkę i jej kable. W przypadku widocznego uszkodzenia przewodu ładowarki, zaprzestać używania, aby uniknąć dodatkowych uszkodzeń i/lub ryzyka. Prosimy o kontakt w celu dokonania wymiany.

Ostrzeżenia dotyczące akumulatora

Akumulator składa się z ogniw litowo-jonowych i z substancji chemicznych szkodliwych dla środowiska i zdrowia człowieka. Nie używać produktu, jeśli wydziela nietypowy zapach lub nadmierne ciepło. Nie utylizować produktu lub akumulatora razem z odpadami z gospodarstwa domowego. Użytkownik końcowy jest odpowiedzialny za utylizację urządzeń elektrycznych i elektronicznych oraz akumulatorów zgodnie ze wszystkimi obowiązującymi przepisami.

Nie używaj akumulatorów zużytych, uszkodzonych i/lub nieoryginalnych, innych modeli lub marek.



Nie należy pozostawiać akumulatora w pobliżu ognia lub źródeł ciepła. Zagrożenie pożarem i wybuchem.

Nie otwierać, nie demontować i nie narażać akumulatora na uderzenia, nie rzucać, nie przebijać i nie przyklejać jakichkolwiek przedmiotów do akumulatora.

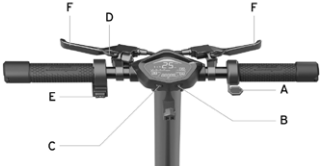
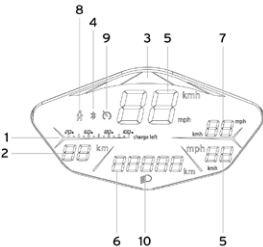
Nie dotykać żadnych substancji wyciekających z akumulatora, ponieważ zawierają one substancje niebezpieczne. Nie pozwalać, aby dzieci lub zwierzęta dotykały akumulatora.

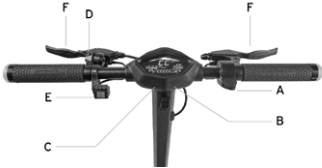
Nie ładować nadmiernie lub dopuszczać do zwarcia w akumulatorze. Zagrożenie pożarem i wybuchem.

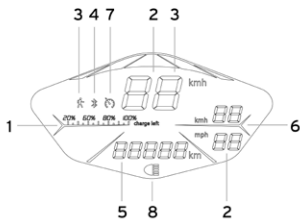
Nie zanurzać akumulatora w wodzie ani nie narażać go na kontakt z wodą czy innymi płynami. Nie narażać akumulatora na bezpośrednie działanie promieni słonecznych, nadmierne ciepło lub zimno (np. nie pozostawiać produktu lub akumulatora w samochodzie wystawionym na bezpośrednie działanie promieni słonecznych przez wydłużony okres czasu), nie używać w środowisku zawierającym gazy wybuchowe lub w obecności ognia.

Nie przenosić ani nie przechowywać akumulatora razem z metalowymi przedmiotami, takimi jak spinki do włosów, naszyjniki itp. Kontakt metalowych przedmiotów ze stykami akumulatora może spowodować zwarcia prowadzące do obrażeń ciała lub śmierci.




4. INFORMACJE DOTYCZĄCE STEROWNIKÓW / PANELU STEROWANIA

Model		
		
	<p>A. Przepustnica: naciśnij w dół, aby przyspieszyć.</p> <p>B. Przycisk zasilania: długo naciśnij, aby włączyć lub wyłączyć skuter elektryczny. Odometr ODO/TRIP: naciśnij krótko 3 razy, aby przełączyć z wyświetlania ODO na TRIP.</p> <p>C. Tryby prędkości: naciśnij krótko, aby zmienić poziom prędkości. Światła: Naciśnij długo przycisk, aby włączyć lub wyłączyć światła.</p>	<p>D. Dzwonek: naciśnij raz dźwignię, aby go uruchomić.</p> <p>E. Kierunkowskazy: Naciśnij przełącznik w prawo lub w lewo, aby je aktywować i/lub dezaktywować.</p> <p>F. Dźwignia hamulca: dokręć dźwignię, aby zahamować.</p>
AL EXT	<ol style="list-style-type: none"> Poziom baterii: szczątkowy stan naładowania. Autonomia: oszacowanie pozostałej odległości. Tryb prędkości (pasek LED): <ul style="list-style-type: none"> - Poziom 1: kolor zielony - Poziom 2: kolor pomarańczowy - Poziom 3: kolor czerwony Bluetooth: dostępne połączenie ze smartfonem. Tachometr: prędkość chwilowa hulajnoży elektrycznej (km/h - mph). Odometr ODO / TRIP: naciśnij krótko 3 razy, aby przełączyć z wyświetlania ODO na TRIP. AVG speed: średnia prędkość. Tryb pieszego: pomoc w pchaniu pojazdu z migającym światłem. Cruise control: utrzymywanie prędkości. Uruchamia się po utrzymaniu tej samej prędkości przez kilka sekund. Światła: lampka kontrolna oświetlenia. 	

Model		
		
AL2	<p>A. Przepustnica: naciśnij w dół, aby przyspieszyć.</p> <p>B. Przycisk zasilania: długo naciśnij, aby włączyć lub wyłączyć skuter elektryczny.</p> <p>Odometr ODO/TRIP: naciśnij krótko 3 razy, aby przełączyć z wyświetlania ODO na TRIP.</p> <p>C. Tryby prędkości: naciśnij krótko, aby zmienić poziom prędkości.</p> <p>Światła: Naciśnij długo przycisk, aby włączyć lub wyłączyć światła.</p>	<p>D. Dzwonek: naciśnij raz dźwignię, aby go uruchomić.</p> <p>E. Kierunkowskazy: Naciśnij przełącznik w prawo lub w lewo, aby je aktywować i/lub dezaktywować.</p> <p>F. Dźwignia hamulca: dokręć dźwignię, aby zahamować.</p>
	<p>1. Poziom baterii: szczątkowy stan naładowania.</p> <p>2. Tachometr: prędkość chwilowa skutera elektrycznego (km/h i mph)</p> <p>3. Tryby prędkości (TACHIMETR):</p> <ul style="list-style-type: none"> - Poziom 1: wskazywany przez liczbę 1 - Poziom 2: oznaczony liczbą 2 - Poziom 3: oznaczony cyfrą 3 - Pieszy: Pomoc w pchaniu pojazdu z migającym światłem. <p>4. Bluetooth: dostępne połączenie ze smartfonem.</p> <p>5. Licznik kilometrów ODO/TRIP: całkowita przebyta odległość i odległość pojedynczej sesji.</p> <p>6. AVG Speed: średnia prędkość.</p> <p>7. Cruise control: utrzymywanie prędkości. Uruchamia się po utrzymaniu tej samej prędkości przez kilka sekund.</p> <p>8. Światła: lampka kontrolna oświetlenia.</p>	



Kierunkowskazy

Model	
AL EXT AL2	 <p data-bbox="194 506 788 525">Kierunkowskazy znajdują się na końcu kierownicy (po lewej i prawej stronie).</p> <p data-bbox="194 547 946 588">Kierunkowskazy są niezbędne dla natychmiastowego zasygnalizowania zmiany kierunku ruchu w czasie jazdy.</p> <p data-bbox="194 646 443 665">Polecenia uruchomienia:</p>  <div data-bbox="644 653 848 703" style="border: 1px solid black; padding: 5px;"> UWAGA</div> <p data-bbox="644 729 899 787">Przed każdym użyciem produktu sprawdzić, czy kierunkowskazy funkcjonują prawidłowo.</p>

5. INSTRUKCJE UŻYTKOWANIA

- Przed pierwszym użyciem naładować akumulator do poziomu 100%.
- Sprawdzić ciśnienie w oponach (patrz zalecane wartości z boku opony). W przypadku gdy produkt nie przejedzie co najmniej 60% przewidzianych kilometrów lub w ciągu pierwszych 3 miesięcy używania nie osiągnie prędkości maksymalnej, mogło dojść do spadku ciśnienia w oponach, należy je napompować, aby przywrócić wartość ciśnienia wskazaną w instrukcji.
- Sprawdzić i wyregulować hamulce.
- Włączyć wyświetlacz.
- Ustawić produkt na płaskiej powierzchni.
- Mocno trzymać kierownicę obiema rękami. Wejść na podest jedną nogą, drugą lekko się odepchnąć i przyspieszyć.

! UWAGA

Funkcja Zero Start: manetka przyspieszenia zaczyna działać, gdy prędkość jazdy do przodu przekroczy 3 km/h. **Ze względów bezpieczeństwa produkt został fabrycznie skonfigurowany, aby uniemożliwić start z miejsca.**

- Prowadząc produkt, podczas skręcania przechylaj ciało w kierunku jazdy i powoli skręcaj kierownicą.
- Aby zatrzymać produkt, zwolnić manetkę przyspieszenia i nacisnąć dźwignię hamulca.
- Aby zejść z hulajnogi, należy najpierw całkowicie ją zatrzymać. Zejście z poruszającej się hulajnogi elektrycznej może spowodować obrażenia ciała.
- Przed każdym użyciem skontroluj hamulce i stan ich zużycia, sprawdź ciśnienie w oponach (zalecana wartość podana jest na boku opony), zużycie kół, pedał gazu i stan naładowania akumulatora.

Regulacja położenia dźwigni hamulców

AL EXT / AL2

Regulacja hamulca

Położenie dźwigni hamulca może być regulowane, w zależności od potrzeby, za pomocą punktu A. (patrz zdjęcie)

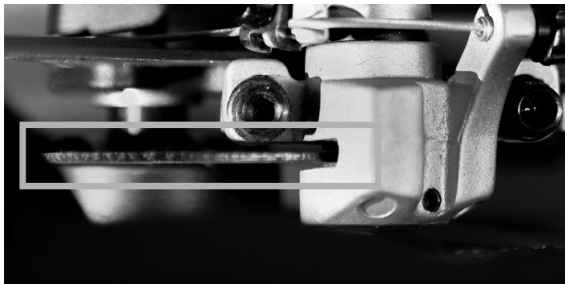
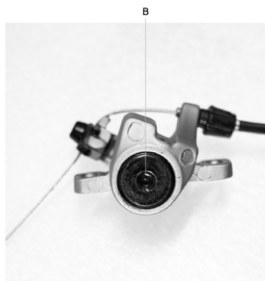
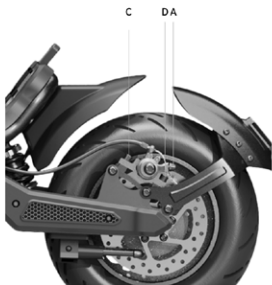


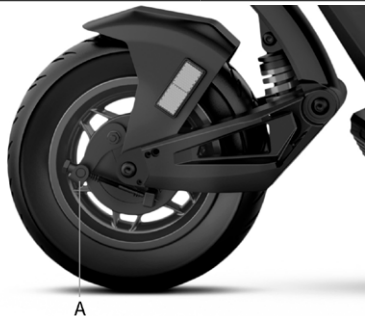
AL EXT

Regulacja zacisku hamulcowego

W przypadku nadmiernego naprężenia lub poluzowania hamulca użyć klucza sześciokątnego do poluzowania śruby (A), następnie wyregulować kabel hamulca (Pociągnąć za kabel hamulca w kierunku górnym, jeżeli jest nadmiernie naprężony. Jeżeli kabel jest za luźny, pociągnąć w kierunku dolnym), następnie ponownie dokręcić śrubę (A). Jeżeli kabel, po wykonaniu regulacji opisanej powyżej, pozostanie nadmiernie naprężony lub poluzowany, może być niezbędne wyregulowanie klocka hamulcowego (stały), które wykonuje się z użyciem koła po przeciwnej stronie. Za pomocą klucza sześciokątnego oddalić (obracając w kierunku przeciwwzegarowym) lub zbliżyć (obracając w kierunku zegarowym) okładzinę (B)(zob. zdjęcie). Sprawdzić poprawne wyrównanie pomiędzy szczęką hamulca a tarczą. Za pomocą śrub C i D wyregulować pozycję /wyrównanie tarczy, jeżeli jest to niezbędne.

W przypadku zacisku hamulca tylnego należy odkręcić i wyjąć śruby C i D, a następnie zdjąć zacisk hamulcowy z tarczy.





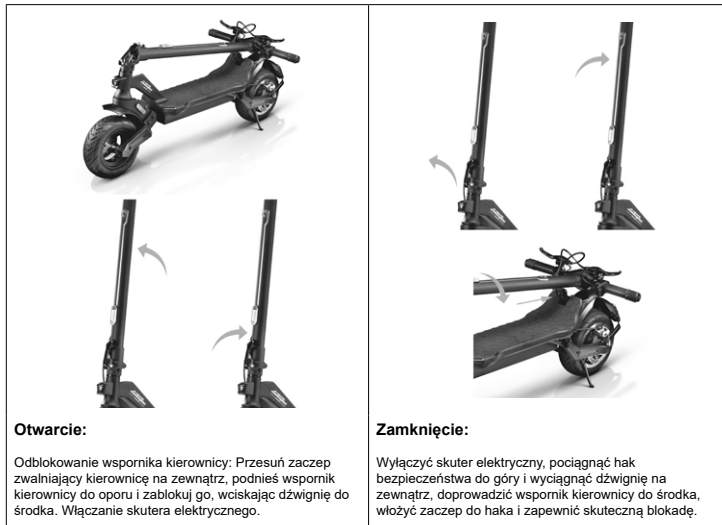
Regulacja hamulca bębnowego:

Jeżeli hamulec jest zbyt ciasny lub zbyt luźny, należy działać poprzez poluzowanie lub dokręcenie śruby (A). Jeśli dźwignia hamulca jest zbyt miękka lub zbyt twarda nawet po wykonaniu pierwszego kroku, może być konieczne powtórzenie operacji aż do osiągnięcia optymalnego ustawienia.

6. SKŁADANIE HULAJNOGI I TRANSPORT

Upewnić się, że hulajnoga elektryczna jest wyłączona. Przytrzymać drążek kierownicy jedną ręką, pociągnąć za dźwignię, złożyć drążek kierownicy przemieszczając go w kierunku podestu i zaczepić.

AL EXT



Klips do kierownicy

**Otwarcie:**

Odblokować wspornik kierownicy z podnóżka: nacisnąć na zaczep, aby zwolnić kierownicę, podnieść wspornik kierownicy do oporu i zablokować go, wciskając dźwignię mechanizmu blokującego do wewnątrz. Włączyć skuter elektryczny.

Dźwignia mechanizmu blokującego

**Zamknięcie:**

Wylączyć skuter elektryczny, odblokować blokadę: nacisnąć czerwony haczyk i wyciągnąć dźwignię na zewnątrz (patrz rysunek), doprowadzić wspornik kierownicy do środka i upewnić się, że jest rzeczywiście zablokowany.



Po złożeniu, zawsze przenoś hulajnogę trzymając drążek kierownicy jedną lub obiema rękami.

**UWAGA**

Upewnić się, że produkt jest dobrze trzymany podczas transportu. Jeśli nie jest się pewnym, czy jest się w stanie utrzymać wagę produktu, nie kontynuować transportu z uniesionym produktem. Nagle upuszczenie może doprowadzić do poważnych obrażeń oraz do uszkodzenia samego produktu.

7. ZASIĘG I WYDAJNOŚĆ

Maksymalny zasięg i wydajność zależą od kilku zmiennych:

Nawierzchnia: jazda po gładkiej nawierzchni pozwala pokonać większą odległość w porównaniu do jazdy po nierównych drogach i wzniesieniach.

Waga użytkownika: im większa jest masa ciała użytkownika, tym krótsza będzie przejechana odległość niewymagająca doładowania pojazdu.

Temperatura: używanie hulajnogi w zbyt niskiej lub zbyt wysokiej temperaturze środowiska wpływa na wydajność i na poziom zużycia baterii.

Prędkość i styl jazdy: płynna i stabilna jazda umożliwia wydłużenie zasięgu pojazdu. Ciągłe przyspieszanie, zwalnianie i manewrowanie istotnie zmniejszają zasięg pojazdu. Niższa prędkość jazdy umożliwia wydłużenie zasięgu pojazdu.

Konserwacja: ładowanie dostosowane do wymogów akumulatora, prawidłowa konserwacja i regularne kontrole ciśnienia opon (zob. wartość odniesienia w sekcji 10) umożliwiają zoptymalizowanie zużycia baterii i gwarantują zachowanie wydajności wraz z upływem czasu.

Poziom naładowania akumulatora wpływa na wydajność, im niższy poziom naładowania, tym niższa będzie prędkość, zwłaszcza na wzniesieniach.

8. PRZECHOWYWANIE, KONSERWACJA I CZYSZCZENIE

W przypadku zauważenia plam na korpusie produktu oczyścić je wilgotną szmatką. Jeśli plamy nie schodzą, należy na zabrudzone miejsca nieco łagodnego mydła i szczoteczką do zębów usunąć plamy, po czym wytrzeć wilgotną szmatką. W przypadku zarysowań na komponentach z tworzyw sztucznych, w celu ich usunięcia użyć papieru lub innego materiału ściernego. Aby uniknąć poważnych uszkodzeń, nie czyścić hulajnogi alkoholem, benzyną, naftą ani innymi żrącymi lub lotnymi rozpuszczalnikami chemicznymi. Nie myć produktu przy użyciu strumienia wody pod wysokim ciśnieniem. Podczas czyszczenia produkt powinien być wyłączony, kabel zasilacza odłączony, a gumowa zaśleпка założona, ponieważ przedostanie się wody do środka grozi porażeniem elektrycznym lub innymi poważnymi problemami. Przedostanie się wody do wnętrza akumulatora może spowodować uszkodzenie obwodów wewnętrznych, pożar lub wybuch. W przypadku wystąpienia wątpliwości związanych z przeniknięciem wody do wnętrza akumulatora, należy natychmiast zaprzestać używania i przekazać go do punktu pomocy technicznej lub do sprzedawcy w celu wykonania kontroli.

Nieużywany produkt należy przechowywać w suchym i chłodnym pomieszczeniu. Nie pozostawiać go na zewnątrz lub w samochodzie przez długi okres czasu. Nadmierne oddziaływanie światła słonecznego, przegrzanie i zbyt niskie temperatury przyspieszają starzenie się opon i negatywnie wpływają na żywotność zarówno produktu, jak i akumulatora. Nie narażać na działanie deszczu lub wody, ani nie zanurzać i nie myć wodą.

Regularnie sprawdzać dokręcenie poszczególnych przykręcanych, części, w szczególności osi kół, mechanizmu składania i transportu, układu kierowniczego, układu hamulcowego, dobry stan ramy, widelców i zawieszki. Nakrętki i wszystkie inne łączniki samozaciskowe mogą stracić swoją skuteczność, dlatego konieczne jest okresowe sprawdzanie i dokręcanie takich elementów.

Jak wszystkie elementy mechaniczne, produkt ten poddawany jest dużym obciążeniom i ulega zużyciu. Poszczególne materiały i komponenty mogą w różny sposób reagować na zużycie lub zmęczenie naprężeniowe. W przypadku przekroczenia żywotności elementu, może on ulec nagłemu pęknięciu, powodując obrażenia kierowcy. Wszelkie pęknięcia, zarysowania lub przebarwienia w miejscach poddawanych dużym obciążeniom wskazują, że okres żywotności elementu został osiągnięty i należy go wymienić.

Sprawdzić stan zużycia opon: nie mogą być na nich obecne przecięcia, pęknięcia, ciała obce, nieprawidłowe wybrzuszenie, brak elementów lub inne uszkodzenia. W celu regulacji ciśnienia opon sprawdzić wartość wskazaną w sekcji 10 niniejszej instrukcji.

Nie należy podejmować prób samodzielnego demontażu lub naprawy produktu. Wymiana wszystkich komponentów hulajnogi elektrycznej powinna być przeprowadzona przez autoryzowany serwis pomocy technicznej. Aby uzyskać więcej informacji należy skontaktować się ze sprzedawcą lub odwiedzić stronę internetową:

www.alemobility.com/en/

9. KONFIGURACJA APLIKACJI

Poniżej przedstawiamy produkty wyposażone w Bluetooth, które można sparować z aplikacją AL e-Mobility: AL EXT, AL2.

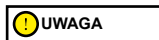
Aplikacja do kontroli produktu bezpośrednio z poziomu twojego smartfona.

Zeskanuj QR CODE, aby pobrać i zainstalować aplikację. Jeśli aplikacja nie została znaleziona, wyszukaj ją w sklepie z aplikacjami.

Otwórz aplikację i postępuj zgodnie z instrukcjami sklepu z aplikacjami.



Otwórz aplikację i postępuj zgodnie z instrukcjami sklepu z aplikacjami.



Aplikacja może wymagać różnych uprawnień niezbędnych do korzystania i działania samej aplikacji.

Wersja aplikacji mogła zostać zaktualizowana w Twoim sklepie z aplikacjami. Często sprawdzaj dostępność aktualizacji aplikacji, aby korzystać z nowych funkcji i zawsze mieć zainstalowaną najnowszą wersję aplikacji na swoim urządzeniu.

Nie używaj urządzenia podczas jazdy.

10. DOKUMENTACJA TECHNICZNA

Informacje ogólne

AL EXT

Rama	Stal i aluminium	
Zawieszania	Przód i tył	
Prędkość	LA-MO-210001; LA-MO-210002; LA-MO-220013 Pieszy: ≤ 6km/h L1: ≤ 15km/h L2: ≤ 20km/h L3: ≤ 25km/h (prędkość maksymalna) * *według kraju obiegu	LA-MO-220001; LA-MO-220002 Pieszy: ≤ 6km/h L1: ≤ 10km/h L2: ≤ 15km/h L3: ≤ 20km/h (prędkość maksymalna) * *według kraju obiegu
Maksymalne nachylenie **	22%	
Hamulec	Przedni hamulec tarczowy, tylny hamulec tarczowy i hamulec elektroniczny	
Opony	Rozmiar: 90/65-6.5 Ciśnienie: 50 psi / 3.5 bar	
Maksymalne obciążenie	120kg	
Kierowca	Sprawdź, jakie przepisy obowiązują w Twoim kraju	
Temperatura pracy	-0°C / 45°C	
Stopień ochrony	IPX4	
Czas ładowania	około 7 godzin	
Zasięg	do 40 km	

System elektryczny

Moc nominalna silnika	0.50kW; 500W bezszczotkowy
Moc maksymalna silnika	0.900kW; 900W
Wyświetlacz	Zintegrowana dioda LED
Akumulator	48V 12.5Ah 600Wh
Zabezpieczenie przed niskim napięciem	42V
Limit prądu	20A
KERS	Tak
Światła	LED z przodu i z tyłu
Funkcja	Bluetooth
Środki	
Waga netto	30.6Kg
Waga brutto	38.75Kg

* Przestrzegać przepisów ruchu drogowego i odpowiednich przepisów obowiązujących w kraju użytkownika.

** Może ulegać zmianie w zależności od wagi kierowcy, warunków drogowych i temperatury.

General information

AL2

Rama	Stal i aluminium	
Zawieszania	Przód i tył	
Prędkość	LA-MO-220003 Pieszy: ≤ 6km/h L1: ≤ 15km/h L2: ≤ 20km/h L3: ≤ 25km/h (prędkość max.) * *według kraju obiegu	LA-MO-220004 Pieszy: ≤ 6km/h L1: ≤ 10km/h L2: ≤ 15km/h L3: ≤ 20km/h(prędkość max.) * *według kraju obiegu
Maksymalne nachylenie **	16%	
Hamulce	Przedni hamulec bębnowy, tylny hamulec elektryczny	
Opony	Rozmiar: 10" X 2.125" z dętką Ciśnienie: 36 psi / 2.5 bar	
Maksymalne obciążenie	120kg	
Kierowca	Sprawdź, jakie przepisy obowiązują w Twoim kraju	
Temperatura pracy	-0°C / +45°C	
Stopień ochrony	IPX5	
Czas ładowania	około 5 godzin	
Zasięg	do 35 km	

System elektryczny

Moc nominalna silnika	0.35kW; 350W bezszczotkowy
Moc maksymalna silnika	0.55kW; 550W
Wyświetlacz	Zintegrowana dioda LED
Akumulator	36V 8Ah 288Wh
Zabezpieczenie przed niskim napięciem	31 + / - 0.5V
Limit prądu	17A
KERS	Tak
Światła	LED z przodu i z tyłu
Funkcja	Bluetooth z aplikacją
Środki	
Waga netto	19Kg
Waga brutto	22Kg

* Przestrzegać przepisów ruchu drogowego i odpowiednich przepisów obowiązujących w kraju użytkowania.

** Może ulegać zmianie w zależności od wagi kierowcy, warunków drogowych i temperatury.

11. ROZWIĄZYWANIE PROBLEMÓW

Błąd	Przyczyna	Rozwiązanie
Silnik nie działa	Problem elektryczny, obecność kodu błędu	Zwrócić się o pomoc techniczną
Koło napędowe nie obraca się	Problem z hamowaniem Silnik jest zablokowany	Wyregulować hamulce, jeśli problem się utrzymuje, zwrócić się o pomoc techniczną Sprawdzić, czy koło jest zamocowane poprawnie, bez uruchamiania pojazdu sprawdzić, czy koło się obraca. Jeśli problem utrzymuje się, zwrócić się o pomoc techniczną
Silnik się wyłącza podczas funkcjonowania	Przegrzanie silnika Obecność kodu błędu	Zatrzymać pojazd i poczekać na ochłodzenie silnika Zwrócić się o pomoc techniczną
Po naładowaniu produkt nie włącza się lub wyłącza po kilku km.	Akumulator uległ uszkodzeniu	Zwrócić się o pomoc techniczną
Akumulator nie ładuje się lub produkt nie włącza się	Problemy z połączeniem Akumulator nie jest podłączony (modele z wymiowanym akumulatorem) Akumulator jest rozładowany Akumulator uległ uszkodzeniu Problemy z ładowarką	Zwrócić się o pomoc techniczną Sprawdzić, czy złącze zasilania jest podłączone. Naładować akumulator do poziomu 100% Zwrócić się o pomoc techniczną Wymienić ładowarkę

AL EXT / AL2

Tabela kodów błędów

Kody błędów	Definicja
E1	Usterka podłączenia silnika
E2	Usterka MOS lub zwarcie fazy silnika
E3	Usterka czujnika hamulca
E4	Usterka elektroniczna kierownicy
E5	Zabezpieczenie przed niskim napięciem
E6	Komunikacja uszkodzonego oprzyrządowania
E7	Zabezpieczenie przed wysokim napięciem
E8 / E9	Usterka centralki/BMS

12. ODPOWIEDZIALNOŚĆ I OGÓLNE WARUNKI GWARANCJI

Kierowca bierze na siebie całe ryzyko związane z brakiem kasku lub innego wyposażenia ochronnego.

Użytkownik jest zobowiązany do przestrzegania norm i przepisów obowiązujących lokalnie, które dotyczą:

1. minimalnego dopuszczalnego wieku użytkownika,
2. ograniczeń dotyczących kategorii osób, które mogą używać produktu
3. wszystkich innych aspektów prawnych

Ponadto użytkownik jest zobowiązany do utrzymywania produktu w stanie czystości, doskonałej wydajności oraz do poddawania produktu regularnej konserwacji, przewidzianym kontrolom bezpieczeństwa, zgodnie z opisem wskazanym w odpowiednich sekcjach instrukcji, oraz do przechowania całej dokumentacji dotyczącej konserwacji. Użytkownikowi zabrania się manipulowania przy produkcji, w jakikolwiek sposób.

Firma uchyla się od odpowiedzialności za jakiegokolwiek szkody na mieniu lub osobach, w przypadku gdy:

- produkt jest używany w sposób niewłaściwy lub niezgodny ze wskazaniami podanymi w instrukcji obsługi;
- po nabyciu, wszystkie lub niektóre komponenty produktu zostaną naruszone lub zmodyfikowane.

W przypadku nieprawidłowości działania produktu, które nie zostały spowodowane niewłaściwym zachowaniem użytkownika i w celu zapoznania się z ogólnymi warunkami gwarancji, prosimy o kontakt ze swoim sprzedawcą lub odwiedzenie strony internetowej www.alemobility.com/en/

Gwarancja Prawna nie ma zastosowania w przypadku wystąpienia usterek lub nieprawidłowości na Produktach, które zostały spowodowane zdarzeniami losowymi i/lub przypisywanymi odpowiedzialności Nabywcy tj. nieprawidłowe używanie Produktów, używanie niezgodne z przeznaczeniem i/lub ze wskazaniami podanymi w dokumentacji technicznej załączonej do Produktu, brak regulacji części mechanicznych, naturalne zużycie materiałów eksploatacyjnych, błędy montażowe, brak konserwacji i/lub używanie w sposób niezgodny z instrukcją.

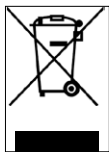
Gwarancja Prawna nie obejmuje, między innymi:

- uszkodzeń spowodowanych uderzeniami, upadkiem lub kolizją, wierceniem;
- uszkodzeń spowodowanych użytkowaniem, narażeniem lub przechowywaniem w nieodpowiednim środowisku (np. obecność deszczu i/lub błota, narażenie na wilgoć lub nadmierne ciepło, kontakt z piaskiem lub innymi substancjami)
- uszkodzeń spowodowanych brakiem regulacji przed włączeniem do ruchu drogowego lub brakiem konserwacji części mechanicznych, hamulców tarczowych, kierownicy, opon, itp., błędną instalacją lub błędnym montażem części, lub komponentów
- naturalnego zużycia materiałów podatnych na zużycie: mechaniczne hamulce tarczowe (np.: klocki, zaciski, tarcze, linki), opony, podesty, uszczelki, łożyska, światła LED i żarówki, stopka, pokrętła, błotniki, części gumowe (podest), okablowanie, maski i naklejki itp;
- niewłaściwej konserwacji lub niewłaściwego użytkowania akumulatora Produktu;
- manipulowania i/lub wywierania nadmiernej siły na części produktu;
- nieprawidłowej lub nieodpowiedniej konserwacji lub modyfikacji Produktu;
- nieprawidłowego używania produktu (np: nadmierne obciążenie, używanie w zawodach sportowych i/lub w celu wynajmu lub leasingu);
- konserwacji, napraw i/lub interwencji technicznych na produkcie wykonanych przez nieupoważnione podmioty trzecie;
- uszkodzeń Produktów wynikłych w czasie transportu, jeżeli został on wykonany przez Nabywcę;
- uszkodzeń i/lub wad spowodowanych używaniem nieoryginalnych części zamiennych.

Prosimy o zapoznanie się z zaktualizowaną wersją gwarancji dostępną na stronie www.alemobility.com/en/support/

! UWAGA

Postępowanie z odpadami elektrycznymi i elektronicznymi po zakończeniu okresu eksploatacji (dotyczy wszystkich państw Unii Europejskiej i innych systemów europejskich, w których przewidziano zbiórkę selektywną)



Ten symbol umieszczony na produkcie lub na opakowaniu oznacza, że produktu nie wolno usuwać wraz z odpadami z gospodarstwa domowego, lecz należy go przekazać do odpowiedniego punktu zbiórki w celu poddania recyklingowi wraz ze sprzętem elektrycznym i elektronicznym (WEEE).

Zapewniając prawidłową utylizację tego produktu, pomożesz zapobiec potencjalnym negatywnym skutkom dla środowiska i zdrowia, które mogłyby spowodować jego niewłaściwa utylizacja. Recykling materiałów pomaga chronić zasoby naturalne.

Aby uzyskać szczegółowe informacje na temat recyklingu i utylizacji tego produktu, należy skontaktować się z lokalnym zakładem utylizacji odpadów lub punktem sprzedaży, w którym produkt został zakupiony.

W każdym przypadku należy utylizować zgodnie z przepisami obowiązującymi w kraju zakupu.

W szczególności, konsumentom nie wolno usuwać produktów elektrycznych i elektronicznych razem z odpadami z gospodarstwa domowego, powinni przekazywać je do selektywnej zbiórki tego typu odpadów na dwa różne sposoby:

- Do Gminnych Punktów Zbiórki (zwanych również wyspami ekologicznymi), bezpośrednio lub za pośrednictwem służb zbierających odpady w gminach, gdzie są one;
- Do punktów sprzedaży nowego sprzętu elektrycznego i elektronicznego.

Do tych punktów można oddać bezpłatnie najmniejszy ZSEE (o najdłuższym boku krótszym niż 25 cm), natomiast większy ZSEE można oddawać na zasadzie 1 za 1, tzn. oddanie starego produktu przy zakupie nowego o tych samych właściwościach.

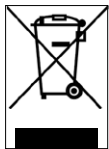
Ponadto w przypadku nabycia przez konsumenta nowej AEE, gwarantowany jest tryb 1 na 1, niezależnie od wymiarów RAEE.

W przypadku nielegalnej utylizacji sprzętu elektrycznego lub elektronicznego mogą zostać zastosowane kary przewidziane w przepisach dotyczących ochrony środowiska (dotyczy prawa włoskiego; zapoznać się z normami obowiązującymi w kraju, w którym pojazd był użytkowany/będzie utylizowany).

W przypadku gdy RAEE zawierają baterie lub akumulatory, muszą być one usunięte i poddane odpowiedniej zbiórce selektywnej.

! UWAGA

Postępowanie ze zużytymi bateriami/akumulatorami (dotyczy wszystkich krajów Unii Europejskiej i innych systemów europejskich, w których przewidziano zbiórkę selektywną)



Ten symbol na produkcie lub opakowaniu oznacza, że baterii/akumulatora nie wolno usuwać wraz z odpadami z gospodarstwa domowego. Na niektórych rodzajach akumulatorów ten symbol może być używany w połączeniu z symbolem pierwiastka chemicznego.

Symbole chemiczne rtęci (Hg) lub ołowiu (Pb) są dodawane w przypadku, gdy akumulator zawiera więcej niż 0,0005% rtęci lub 0,004% ołowiu.

Zapewniając prawidłową utylizację baterii lub akumulatorów, pomożesz zapobiec potencjalnym negatywnym skutkom dla środowiska i zdrowia, które mogłyby spowodować ich niewłaściwa utylizacja. Recykling materiałów pomaga chronić zasoby naturalne. W przypadku produktów, które ze względów bezpieczeństwa, sprawności lub ochrony danych wymagają stałego podłączenia do wewnętrznej baterii lub akumulatora, ich wymiana może być wykonana wyłącznie przez wykwalifikowany personel serwisowy.

Po zakończeniu okresu żywotności, przekazać produkt do autoryzowanych punktów zbiórki zużytego sprzętu elektrycznego i elektronicznego: gwarantuje to prawidłową utylizację akumulatora.

Aby uzyskać szczegółowe informacje na temat sposobu utylizacji zużytej baterii, akumulatora lub produktu, skontaktować się z lokalnym zakładem utylizacji odpadów lub punktem sprzedaży, w którym zakupiono produkt.

W każdym przypadku utylizować zgodnie z przepisami obowiązującymi w kraju zakupu.

Tato příručka platí pro následující elektrickou koloběžku:

AL EXT AL2

Návod k použití
LA-MO-000001 rev. 2

Pokyny přeložené z italského originálu

Děkujeme, že jste si vybrali tento výrobek.
Informace, technickou podporu, asistenci a všeobecné záruční podmínky získáte u svého prodejce nebo na internetových stránkách www.alemobility.com/en/support/

Obsah

1. Bezpečnostní pokyny
2. Obsah balení a sestavení
3. Popisný přehled výrobku
4. Informace o ovladačích/Ovládací panel
5. Rychlonávod
6. Složení a přeprava
7. Autonomie a výkon
8. Úschova, údržba a čištění
9. Konfigurace aplikace
10. Technický list
11. Řešení problémů
12. Odpovědnost a obecné záruční podmínky

1. BEZPEČNOSTNÍ POKYNY



POZOR

DŮLEŽITÉ! Před použitím výrobku si pečlivě přečtěte a dodržujte následující pokyny. Tento návod si uschovejte pro budoucí použití nebo pro nové uživatele.

Věnujte potřebný čas osvojení si základů praxe, abyste se vyhnuli jakékoliv vážné nehodě, ke které může dojít v prvních měsících. Obratě se na svého prodejce, který vám poskytne náležitou podporu ohledně správného používání výrobku nebo vás odkáže na příslušnou školicí organizaci.

Společnost odmítá jakoukoli přímou nebo nepřímou odpovědnost vyplývající z nesprávného používání výrobku, nedodržení silničních předpisů i pokynů v tomto návodu, nehod a sporů způsobených nedodržením předpisů a nezákonným jednáním.

Tento výrobek je určen k rekreačním účelům, k použití pouze jednou osobou, nikoli k přepravě spolujezdců, a proto jej nemůže používat více než jedna osoba najednou.

Nijak neměňte zamýšlené použití vozidla, tento výrobek není vhodný pro kaskadérské kousky, soutěže, přepravu předmětů, tažení jiných vozidel nebo přídatných zařízení.

Elektrickou koloběžku je nutné používat obezřetně a vždy dodržovat pravidla stanovená silničními předpisy země, ve které je používána, abyste se vyhnuli nebezpečí a zajistili maximální ochranu sobě i ostatním.



POZOR

Orientační konstrukční požadavky na vozidlo:

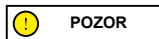
Model elektrické koloběžky	AL EXT Green	AL EXT Bronze	AL2
Kód výrobku včetně blinkrů	LA-MO-210001	LA-MO-220013	LA-MO-220003
	LA-MO-220002	LA-MO-220001	LA-MO-220004
	LA-MO-210002	LA-MO-210002	
Hmotnost MIN (kg)	30	30	30
Hmotnost MAX (kg)	120	120	120
Věk MIN *	14	14	14
Věk MAX *	65	65	65
Výška (cm) MIN	120	120	120
Výška (cm) MAX	200	200	200

* Před použitím výrobku zkontrolujte a dodržujte místní platné předpisy týkající se minimálního povoleného věku řidiče, omezení typu řidiče, jenž smí výrobek používat, a použití samotného výrobku.

Hladina váženého emisního akustického tlaku A (hluk) u ucha řidiče je nižší než 70 dB(A).

Grafická podoba bezpečnostních upozornění

Pro identifikaci bezpečnostních hlášení v tomto návodu se používají následující grafické symboly. Jejich účelem je upozornit čtenáře/uživatele na správné a bezpečné používání výrobku.



Dávejte pozor

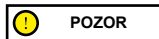
Upozorňuje na pravidla, která je třeba dodržovat, aby nedošlo k poškození výrobku a/nebo aby se předešlo nebezpečným situacím.



Zbytková rizika

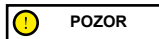
Upozorňuje na přítomnost nebezpečí, která způsobují zbytková rizika, jimž musí uživatel věnovat pozornost, aby se vyhnul zranění nebo hmotným škodám.

Všeobecná upozornění



Je důležité mít na paměti, že pokud se nacházíte na veřejném místě nebo na silnici, nejste ani při doslovném dodržování tohoto návodu chráněni před zraněním způsobeným porušením předpisů nebo nevhodným chováním vůči jiným vozidlům, překážkám nebo osobám. Nesprávné použití výrobku nebo nedodržení pokynů uvedených v tomto návodu může mít za následek vážné poškození.

Tento výrobek je elektrickým vozidlem. Čím rychleji jedete, tím delší je brzdná dráha. Nouzové brzdění na kluzké, blátivé, mokré nebo zledovatělé vozovce může způsobit protáčení kol a ztrátu rovnováhy. Je nutné dodržovat přiměřenou rychlost a bezpečný odstup od ostatních vozidel nebo chodců. Při jízdě po neznámých silnicích dbejte zvýšené opatrnosti. Při používání výrobku neotvírejte stojánek, hrozí nebezpečí vážného zranění osob a poškození výrobku.



Na mokré vozovce se brzdná dráha prodlužuje a přilnavost výrazně klesá ve srovnání se suchou vozovkou! Jezděte s větší opatrností, dodržujte odstup!

V zájmu vlastní bezpečnosti vždy používejte: přilbu, chrániče kolen a loktů, které chrání před pády a zraněními při jízdě na výrobku. Při půjčování výrobku požádejte řidiče, aby si nasadil bezpečnostní vybavení, a vysvětlíte mu, jak se vozidlo ovládá. Abyste předešli zranění, nepůjčujte výrobek osobám, které s ním neumějí zacházet. Před použitím výrobku si vždy obujte boty.

Děti si nesmí s elektrickou koloběžkou nebo s nějakou její částí hrát, ani se jim nesmí dovolit provádět čistění či údržbu.

Při řízení výrobku dbejte na to, abyste nevystrašili děti a chodce. Při projíždění za nimi je upozorněte zvonkem a zpomalte na minimální rychlost 6 km/h.

Pokyny a upozornění týkající se chování řidiče

Podmínky	Vhodné/předpokládané použití	Nevhodné použití
Řidiči	Jeden	Více osob, s dětmi nebo zvířaty
Bezpečnostní výbava	Přilba, chrániče kolen, chrániče loktů, reflexní vesta	Žádná výbava
Kontrola před jízdou	Před každým použitím zkontrolujte brzdy a jejich opotřebení, tlak v pneumatikách (doporučená hodnota je uvedena na boku pneumatiky), opotřebení kol, akcelerátor, blinkry, světla a stav nabití baterie. Pokud zaznamenáte neobvyklé zvuky nebo anomálie, výrobek nepoužívejte a kontaktujte svého prodejce nebo autorizovaný technický servis	Neprovedení kontroly výrobku před jízdou Používání výrobku za přítomnosti zvuků a anomálií
Chůze s tlačáním výrobku	Bez zrychlování Tlačení při přecházení přechodu pro chodce V pěších zónách, pokud nejste vybaveni režimem chodce (6 km/h) V přelidněných prostorách	Stisknutí akcelerátoru Jízda na vozidle po přechodech pro chodce Jízda na vozidle v pěších zónách, pokud nejste vybaveni režimem chodce (6 km/h) Jízda na vozidle v přelidněných prostorách
V zastavené poloze	Osoba řídící tento výrobek musí být schopna snadno položit obě nohy na zem a zároveň držet řídítka ve správné výšce	Nebýt schopen udržet výrobek zastavený a v rovnováze Sedat si na výrobek v chodu nebo zastavený

Podmínky	Vhodné/předpokládané použití	Nevhodné použití
Jízda za normálních podmínek	Bez předmětů zavěšených na řídítkách	Předměty visící z řídítek způsobují nestabilitu a mohou překážet při manévrování
	Řízení s oběma rukama na řídítkách Nepoužívání zařízení, jako jsou telefony, chytré hodinky, hudební přehrávače, sluchátka	Řízení jen jednou rukou nebo bez použití rukou Používání zařízení, jako jsou telefony, chytré hodinky, hudební přehrávače, sluchátka
	Jízda s oběma chodidly na plošině pohodlným a bezpečným způsobem	Jízda s jedním nebo více chodidly mimo plošinu Je zakázáno umisťovat a soustřeďovat váhu na zadní blatník.
	Jízda s přílbou a ochranným vybavením	Jízda bez přílby a ochranného vybavení
	Jízda po snadno přístupných, hladkých a kompaktních silnicích, vyhýbání se místům s hustým provozem nebo předílněným oblastem: např. vyhrazená cyklostezka, hladký zpevněný povrch	Jízda po dálnici, na dálkových silnicích Jízda po frekventovaných silnicích Jízda po chodnicích Jízda v přeplněných oblastech Jízda po velmi poškozených cestách Jízda v blízkosti: roklí, srázů, přístavů, moře, jezer a řek
	Dodržování místních předpisů a pravidel silničního provozu	Nedodržování platných předpisů a silničního zákona
	Neustálé hledění vpřed a dávání pozor na všechny překážky, vozidla a blízké chodce	Rozptylování se během jízdy
	Změna směru po ujistění se, že vás ostatní viděli, a zpomalení V každém případě předvidání vlastní trajektorie a snížení rychlosti a respektování pravidel silničního provozu a zranitelných osob Používání ukazatelů směru, pokud jsou na výrobku namontovány	Náhla změna směru ve vysoké rychlosti, aniž byste se ujistili, že vás ostatní viděli Současné brzdění a zatáčení způsobuje nestabilitu vozidla Nepoužívání ukazatelů směru
Zpomalení v přítomnosti chodců Používání režimu chodce v pěších zónách (6 km/h) Upozornění na svou přítomnost pomocí zvonku	Zrychlování nebo udržování konstantní rychlosti v přítomnosti chodců Jízda bez použití režimu chodce v pěších zónách (6 km/h) Neupozornění na svou přítomnost pomocí zvonku	
Nerovnoměrný stav vozovky: rychlostní hrbole/výškové nerovnosti/drsný povrch vozovky	Jízda mírnou rychlostí Mírné pokrčení kolen při přejíždění nerovného povrchu pro lepší tlumení nárazů.	Jízda vysokou rychlostí Zrychlování přes hrbole a klíny, sjíždění schodů, přeskakování překážek, vyjíždění na chodníky, strnulá jízda.

Podmínky	Vhodné/předpokládané použití	Nevhodné použití
Chování: v zatáčkách, při jízdě z kopce, za přítomnosti překážek, okolních vozidel a chodců	Udržování bezpečnostní vzdálenosti Přestat zrychlovat Brzdit a zpomalit Jízda mírnou rychlostí a bezpečně brzdění Věnování pozornosti dvěřím a jiným překážkám ve výšce	Nedodržování bezpečnostní vzdálenosti Zrychlování Jízda vysokou rychlostí, náhlé brzdění Projíždění pod překážkami ve výšce
Podmínky viditelnosti	Jezděte pouze tehdy, pokud je dostatek světla pro bezpečnou jízdu. Při jízdě za nepříznivých světelných podmínek (od půl hodiny po západu slunce, po celou dobu tmy a také ve dne, pokud povětrnostní podmínky znemožňují viditelnost vozovky, při průjezdu tunely) nezapomeňte zapnout světla výrobku a nosit reflexní bundu nebo pásky.	Jízda za nepříznivých světelných podmínek s vypnutými světly a bez použití reflexní vesty nebo šíl.
Povětrnostní podmínky	Jízda za optimálních povětrnostních podmínek (bez deště)	Jízda za zhoršených podmínek: za deště, když sněží, když je na silnici led nebo bláto, při silném větru, v mlze.
Parkování	Na vyhrazených místech, bez bránění pohybu vozidel a chodců Na hladkém povrchu a s ověřením stability Vypněte výrobek a vždy používejte zařízení proti krádeži Používejte dodaný stojánek	Všude, kde brání pohybu vozidel a chodců Na nerovném povrchu a bez zajištění stability Ponechání zapnutého výrobku bez dozoru a bez zařízení proti krádeži
Provozování extrémních sportů/akrobacie	NE	ANO, nesprávné použití: Jízda v blízkosti: roklí, srázů, přístavů, moře, jezer a řek Jízda přes kaluže Závodění s jinými vozidly
Vystavení výrobku silným nárazům	NE	ANO, nesprávné použití: Přeskokování věcí nebo osob, seskok ze schodů nebo shora

Co dělat v případě pádu:

Zkontrolujte, zda páčka akceleratoru funguje správně. Za tímto účelem několikrát zrychlete a zpomalte.

Vždy zkontrolujte, zda brzdy správně fungují. Za tímto účelem z výrobku sesedněte, zatlačte na výrobek dopředu a zabrzdíte, abyste se ujistili, že výrobek reaguje na ovládací prvky.

Ověřte, zda jsou všechny součásti vozidla na svém místě a bezpečně upevněny.

Zkontrolujte opotřebení a tlak v pneumatikách (doporučené hodnoty najdete na boku pneumatiky).


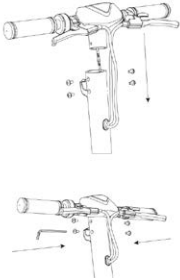

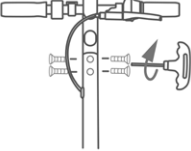
Zkontrolujte opotřebení brzd a kabelů.



Brzdy se mohou během používání zahřívát. Nedotýkejte se jich po použití.

2. OBSAH BALENÍ A SESTAVENÍ

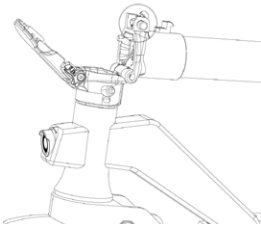
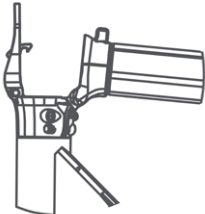
Sestavený výrobek, řídítka se montují pomocí šroubů, které jsou součástí balení.

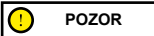
Model	Referenční obrázek	V balení	Montáž řídítek
AL EXT		<p>Příslušenství:</p> <p>1x imbusový klíč</p> <p>4x šrouby do řídítek</p> <p>1x nabíječka baterií</p>	
AL2		<p>Příslušenství:</p> <p>1x imbusový klíč</p> <p>2x šrouby na řídítkách</p> <p>1x nabíječka baterií</p>	

Kroky

AL EXT / AL2

- Vyměňte výrobek z obalu.
- Otevřete představec řídítek a zajistěte jej zavřením páčky zavíracího mechanismu.
- Připojte napájecí kabel displeje k hlavní kabeláži (je-li to nutné).
- Namontujte řídítka na představec (nepřiskřípněte kabely).
- Vložte a utáhněte šrouby na představci pomocí dodaného klíče.
- Nainstalujte stojánek (pokud je to nutné).
- Seřídte zavírací mechanismus představce* (je-li to nutné).
- Při prvním použití nabijte výrobek na 100 %.

Model	Referenční obrázek	* Seřízení zavíracího mechanismu představce
AL EXT		<p>Uvnitř mechanismu je umístěn šestihřanný šroub.</p> <p>Pokud je představec řídicí po zavření nestabilní, upravte šroub mechanismu tak, že jej zašroubujete nebo vyšroubujete, abyste zvýšili stabilitu představce.</p>
AL2		<p>Šestihřanný šroub je umístěn uvnitř mechanismu.</p> <p>Pokud je představec řídicí po zavření nestabilní, upravte šroub mechanismu tak, že jej zašroubujete nebo vyšroubujete jen natolik, abyste zvýšili stabilitu představce.</p>



Výrobek správně sestavte. Pokud během montáže zjistíte výrobní vady, nejasné kroky nebo potíže při sestavení či seřizování, nejezděte s vozidlem a kontaktujte svého prodejce nebo navštivte internetové stránky www.alemobility.com/en/, kde vám poskytnou technickou pomoc.

Nepoužívejte příslušenství a/nebo doplňky, které nejsou schváleny výrobcem.

Udržujte děti z dosahu plastových částí (včetně obalových materiálů) a malých částí, které mohou způsobit udušení.

Je zakázáno jakkoli upravovat nebo měnit výrobek nebo jeho části, protože by to mohlo poškodit účinnost, strukturu a způsobit škody. Pokud zjistíte jakoukoli tovární závadu, neobvyklé zvuky nebo jakékoli anomálie, vozidlo nepoužívejte a kontaktujte svého prodejce nebo navštivte internetové stránky www.alemobility.com/en/, kde vám poskytnou technickou pomoc.

3. POPISNÝ PŘEHLED VÝROBKU

V zájmu neustálého technologického vývoje si výrobce vyhrazuje právo na změnu výrobku bez předchozího upozornění a bez nutnosti automatické aktualizace tohoto návodu.

Informace a revize tohoto návodu naleznete na internetových stránkách www.alemobility.com/en/

AL EXT



1. Přední světlomet
2. Brzdová páka
3. Hák
4. Blokovací mechanismus
5. Přední kolo
6. Stojan
7. Nabíjecí port
8. Opěrka nohou
9. Upevňovací spona
10. Zadní světlo

11. Zadní blatník
12. Zadní hnací kolo
13. Brzdový třmen
14. Zvon
15. Displej
16. Škrtilci klapka
17. Tlačítko ON/OFF
18. Spínač světel
19. Port USB

AL2



1. Háček
2. Zvonek
3. Brzdová páka
4. Blokovací mechanismus
5. Světlomety
6. Bubnová brzda
7. Stojan
8. Opěrka nohou
9. Zadní hnací kolo
10. Přední světlo

11. Zadní blatník
12. Upevňovací spona
13. Nabíjecí port
14. Displej
15. Škrticí klapka

Nabíjení baterie

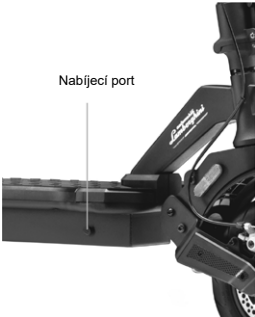





POZOR

Při prvním použití nabijte výrobek na 100 %. Ujistěte se, že jsou výrobek, nabíječka a nabíjecí port suché.

Pokyny

- Otevřete stojánek
- Vypněte výrobek

Model	Referenční obrázek	POKYNY
AL EXT		<ul style="list-style-type: none">• Používejte pouze dodanou nabíječku.• Nejprve připojte nabíječku do zásuvky a poté do nabíjecího portu.• Nezapínejte elektrickou koloběžku během nabíjení. <p> POZOR</p> <p>Po dokončení nabíjení se červená kontrolka na napájecím zdroji rozsvítí zeleně.</p>
AL2		<ul style="list-style-type: none">• Používejte pouze dodanou nabíječku.• Nejprve připojte nabíječku do zásuvky a teprve potom do nabíjecí zásuvky.• Během nabíjení elektrický skútr nezapínejte. <p> POZOR</p> <p>Po dokončení načítání se červená kontrolka na napájecím zdroji rozsvítí zeleně.</p>

K dobíjení tohoto výrobku používejte POUZE dodanou nabíječku



POZOR

Model	Kód produktu	Model nabíječky	Výstupní napětí	Doba nabíjení
AL EXT	LA-MO-210001	FCA136-546020	54.6V – 2A	Asi 7 hodin
	LA-MO-220002			
	LA-MO-210002			
	LA-MO-220013			
	LA-MO-220001			
AL2	LA-MO-220003	HLT-180-4201500	42V – 1.5A	Asi 5 hodin
	LA-MO-220004			

Použití jiného typu nabíječky může výrobek poškodit nebo sebou nést další potenciální rizika.

Nikdy nenabíjejte výrobek bez dozoru. Výrobek během nabíjení nezapínejte.

Po každém použití baterii plně nabijte, abyste prodloužili její životnost. Nenabíjejte výrobek ihned po použití. Před nabíjením nechte výrobek hodinu vychladnout.

Výrobek nesmí být nabíjen po dlouhou dobu. Přebíjení snižuje životnost baterie a představuje další potenciální rizika.

Doporučuje se nenechat vozidlo zcela vybit, aby nedošlo k poškození baterie.

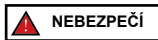
Poškození způsobené prodlouženým dobíjením je nevratné a nevztahuje se na něj omezená záruka. Jakmile dojde k poškození, baterii nelze nabít (demonťáž baterie nequalifikovaným personálem je zakázána, protože by to mohlo způsobit úraz elektrickým proudem, zkrat nebo dokonce vážnou bezpečnostní nehodu). Pokud jste na delší dobu pryč, např. na dovolené, a svěřujete zařízení třetí osobě, nechte jej ve stavu částečného nabití (20-50% nabití), nikoliv plně nabitě.

Provádějte pravidelnou vizuální kontrolu nabíječky a nabíjecích kabelů. Pokud je kabel nabíječky zjevně poškozený, nepoužívejte jej, abyste předešli dalšímu poškození a/nebo riziku, a kontaktujte nás kvůli výměně.

Upozornění týkající se baterie

Baterie se skládá z lithium-iontových článků a chemických prvků, které jsou nebezpečné pro zdraví a životní prostředí. Výrobek nepoužívejte, pokud z něj vychází zápach, látky nebo nadměrné teplo. Nevyhazujte výrobek ani baterii do komunálního odpadu. Koncový uživatel odpovídá za likvidaci elektrických a elektronických zařízení a baterií v souladu se všemi příslušnými předpisy.

Nepoužívejte použité, vadné a/nebo neoriginální baterie jiných modelů nebo značek.



Nenechávejte baterii v blízkosti zdrojů ohně nebo tepla. Nebezpečí požáru a výbuchu.

Baterii neotevírejte ani nerozebírejte, nezasahujte do ní, neházejte s ní, nepropichujte ji ani k ní nepřipevňujte žádné předměty.

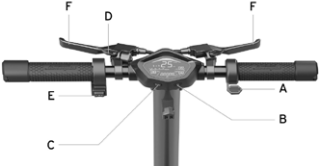
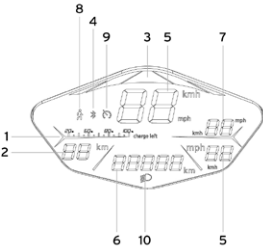
Nedotýkejte se látek vytékajících z baterie, protože obsahuje nebezpečné látky. Nedovolte, aby se baterie dotýkaly dětí nebo zvířata.

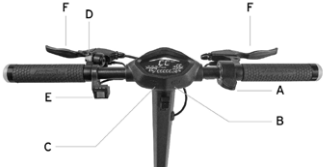
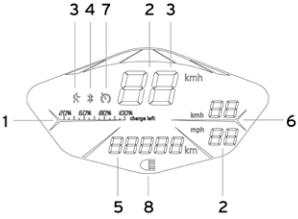
Baterii nepřebíjejte ani nezkratujte. Nebezpečí požáru a výbuchu.

Baterii neponořujte ani nevystavujte působení vody, deště nebo jiných kapalných látek. Nevystavujte baterii přímému slunečnímu záření, nadměrnému teplu nebo chladu (například nenechávejte výrobek nebo baterii delší dobu v autě na přímém slunci), prostředí s výbušnými plyny nebo plameny.




Nepřepravujte ani neukládejte baterii s kovovými předměty, jako jsou sponky do vlasů, náhrdelníky apod. Kontakt kovových předmětů s kontakty baterie může způsobit zkrat s následkem fyzického zranění nebo smrti.

4. INFORMACE O OVLADAČÍCH/OVLÁDACÍ PANEL

Model		
		
	<p>A. Plynová páka: stisknutím dolů zrychlíte.</p> <p>B. Tlačítko napájení: dlouhým stisknutím zapnete nebo vypnete elektrickou koloběžku.</p> <p>Tachometr ODO/TRIP: krátkým stisknutím 3krát přepnete ze zobrazení ODO na TRIP.</p> <p>C. Režimy rychlosti: krátkým stisknutím změňte úroveň rychlosti.</p> <p>Světla: Slouží k nastavení rychlosti: Dlouhým stisknutím tlačítka zapnete nebo vypnete světla.</p>	<p>D. Zvonek: jednou stiskněte páčku, abyste jej spustili.</p> <p>E. Směrové ukazatele: Stisknutím spínače vpravo nebo vlevo je aktivujete a/nebo deaktivujete.</p> <p>F. Brzdová páka: Pro brzdění utáhněte páčku.</p>
AL EXT	<ol style="list-style-type: none"> Úroveň nabití baterie: zbytkový stav nabití. Autonomie: odhad zbývající vzdálenosti. Rychlostní režim (LED indikátor): <ul style="list-style-type: none"> - Úroveň 1: zelená barva - Úroveň 2: oranžová barva - Úroveň 3: červená barva Bluetooth: možnost připojení k chytrému telefonu. Tachometr: okamžitá rychlost elektrické koloběžky (km/h - mph). ODO / TRIP: krátkým stisknutím 3krát přepnete ze zobrazení ODO na TRIP. AVG speed: průměrná rychlost. Režim chodce: pomoc při tlačení vozidla s blikajícím světlem. Tempomat: udržování rychlosti. Aktivuje se po udržení stejné rychlosti po dobu několika sekund. Světla: kontrolka osvětlení. 	

Model		
		
AL2	<p>A. Plynová páka: stisknutím dolů zrychlíte.</p> <p>B. Tlačítko napájení: dlouhým stisknutím zapnete nebo vypnete elektrickou koloběžku.</p> <p>Tachometr ODO/TRIP: krátkým stisknutím 3krát přepnete ze zobrazení ODO na TRIP.</p> <p>C. Režimy rychlosti: krátkým stisknutím změníte úroveň rychlosti.</p> <p>Světla: Slouží k nastavení rychlosti: Dlouhým stisknutím tlačítka zapnete nebo vypnete světla.</p>	<p>D. Zvonek: jednou stisknete páčku, abyste jej spustili.</p> <p>E. Směrové ukazatele: Stisknutím spínače vpravo nebo vlevo je aktivujete a/nebo deaktivujete.</p> <p>F. Brzdová páka: Pro brzdění utáhněte páčku.</p>
	<ol style="list-style-type: none"> Úroveň nabití baterie: zbytkový stav nabití. Tachometr: okamžitá rychlost elektrického skútru (km/h a mph). Režimy rychlosti (TACHIMETR): <ul style="list-style-type: none"> - Úroveň 1: označená číslem 1 - Úroveň 2: označená číslem 2 - Úroveň 3: označuje se číslem 3 - Chodec: Pomoc při tlačení vozidla s blikajícím světlem. Bluetooth: možnost připojení chytrého telefonu. Počítadlo kilometrů ODO/TRIP: celková ujetá vzdálenost a vzdálenost jedné relace. AVG Rychlost: průměrná rychlost. Tempomat: udržování rychlosti. Aktivuje se po udržení stejné rychlosti po dobu několika sekund. Světla: kontrolka osvětlení. 	

Směrové ukazatele

Model	
AL EXT AL2	 <p data-bbox="194 506 774 528">Směrové ukazatele jsou umístěné na konci řídítek (na levé a pravé straně).</p> <p data-bbox="194 546 821 567">Směrové ukazatele jsou potřebné pro včasné varování před změnou směru jízdy.</p> <p data-bbox="194 626 376 647">Ovladač spuštění:</p>  <div data-bbox="644 633 848 681" style="border: 1px solid black; padding: 5px; display: inline-block;"> POZOR</div> <p data-bbox="644 707 925 768">Před každým použitím výrobku zkontrolujte, zda směrové ukazatele správně fungují.</p>

5. RYCHLONÁVOD

- Při prvním použití nabijte výrobek na 100 %.
- Zkontrolujte tlak v pneumatikách (doporučená hodnota je uvedena na boku pneumatiky). Pokud výrobek neujede alespoň 60 % deklarováného počtu kilometrů nebo nedosáhne maximální rychlosti během prvních 3 měsíců používání, je pravděpodobné, že se pneumatiky opět vyfoukly a je třeba obnovit tlak podle pokynů.
- Zkontrolujte a seřídte brzdy.
- Zapněte displej.
- Umístěte výrobek na rovný povrch.
- Říditka držte pevně oběma rukama. Jednou nohou si stoupněte na stupátko a druhou se lehce odrazte a zrychlete.



POZOR

Funkce Zero Start: akcelérátor se aktivuje, jakmile rychlost jízdy vpřed překročí 3 km/h. Z bezpečnostních důvodů je výrobek zpočátku nastaven tak, aby nedošlo k nastartování ze zastavené polohy.

- Při jízdě na výrobku nakloňte během zatáčení tělo ve směru jízdy a pomalu otáčejte říditky.
- Chcete-li výrobek zastavit, uvolněte akcelérátor a stiskněte brzdovou páčku.
- Chcete-li vystoupit, nejprve vozidlo zcela zastavte. Vystupování z elektrické koloběžky v pohybu může způsobit zranění.
- Před každým použitím zkontrolujte brzdy a jejich opotřebení, tlak v pneumatikách (doporučená hodnota je uvedena na boku pneumatiky), opotřebení kol, akcelérátor a stav nabití baterie.

Seřízení polohy brzdových páček

AL EXT / AL2

Nastavení brzd

Polohu brzdové páčky lze v případě potřeby nastavit prostřednictvím bodu A.
(viz obrázek)

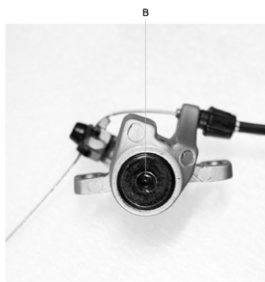
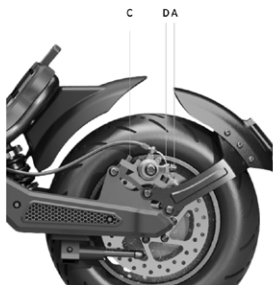


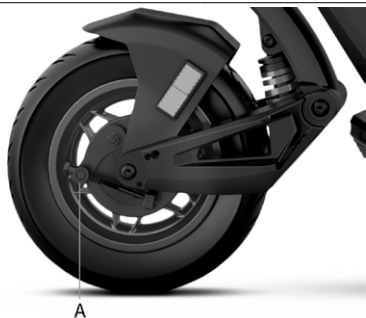
Seřízení brzdového třmenu

Pokud je brzda příliš utažená nebo příliš volná, povolte šroub (A) pomocí šestihranného klíče a poté seřídte brzdové lanko (pokud je příliš utažené, zkrátte brzdové lanko směrem nahoru. Pokud je lanko příliš volné, stáhněte jej směrem dolů) a poté šroub (A) znovu utáhněte.

Pokud je i po provedení prvního kroku příliš volné nebo příliš utažené, může být nutné seřídít brzdovou destičku (pevnou), kterou můžete seřídít přes kolo na opačné straně. Pomocí šestihranného klíče brzdovou destičku (B) oddalte (proti směru hodinových ručiček) nebo přiblížte (ve směru hodinových ručiček) (viz obrázek). Zkontrolujte správné zarovnání mezi brzdovým třmenem a kotoučem. V případě potřeby upravte polohu/vyrovnání na kotouči pomocí šroubů C a D.

U zadního brzdového třmenu odšroubujte a vyjměte šrouby C a D, poté sejměte brzdový třmen z kotouče.





Seřízení bubnové brzdy:

Pokud je brzda příliš utažená nebo povolena, proveďte zásah povolením nebo utažením šroubu (A). Pokud je brzdová páka i po provedení prvního kroku příliš měkká nebo příliš tvrdá, může být nutné úkon opakovat, dokud nebude dosaženo optimálního nastavení.

6. SLOŽENÍ A PŘEPRAVA

Ujistěte se, že je elektrická koloběžka vypnutá. Rukou uchopte představec řídítek, zatáhněte za páčku, sklopte představec řídítek směrem k plošině a zahákněte.

AL EXT



Otevření:

Odemknutí představce řídítek: Odemknutí řídítek: Posuňte uvolňovací sponu směrem ven, zvedněte představec řídítek co nejvýše a zajistěte jej zatlačením páčky dovnitř. Zapněte elektrický skútr.



Uzávěrka:

Vypněte elektrický skútr, vytáhněte bezpečnostní hák nahoru a vytáhněte páčku směrem ven, zasuňte představec řídítek dovnitř, vložte svorku do háku a zajistěte účinné zajištění.

Klip na říditka

**Otevření:**

Odemkněte představec říditek od opěrky nohou: stisknutím spony uvolněte říditka, zvedněte představec říditek co nejvýše a zajistěte jej zatlačením páčky zajišťovacího mechanismu směrem dovnitř. Zapněte elektrický skútr.

Páčka zamykacího mechanismu

**Uzávěrka:**

Vypněte elektrický skútr, odemkněte blokovací mechanismus: stiskněte červený háček a vytáhněte páčku směrem ven (viz obrázek), posuňte představec říditek dovnitř a ujistěte se, že je skutečně zablokovaný.



Po složení ji zvedněte uchopením za představec říditek jednou nebo oběma rukama.

**POZOR**

Dbejte na pevné držení výrobku během přepravy. Pokud si nejste jisti, že dokážete udržet hmotnost výrobku, nepokračujte v přepravě se zvednutým výrobkem. Při náhlém pádu může výrobek způsobit vážné zranění a poškození.

7. AUTONOMIE A VÝKON

Maximální dojezd a výkon vozidla závisí na několika proměnných:

Terén: jízda po hladkém povrchu znamená větší dojezd a výkon než jízda po nerovných cestách a do kopce.

Hmotnost uživatele: čím větší je hmotnost, tím kratší je dojezd a výkon vozidla.

Teplota: jízda na elektrické koloběžce ve velmi chladném nebo horkém prostředí ovlivňuje dojezd a výkon.

Rychlost a styl jízdy: plynulá a konstantní jízda prodlužuje autonomii. Neustálé zrychlování, zpomalování a manévrování výrazně snižuje dojezd. Nižší rychlost prodlužuje autonomii.

Údržba: včasné dobíjení, řádná údržba a pravidelná kontrola tlaku v pneumatikách (viz referenční hodnota v oddíle 10) zvyšují dojezd a zajišťují stálý výkon v průběhu času.

Úroveň nabití baterie ovlivňuje výkon, čím je nižší, tím nižší je rychlostní výkon, zejména při stoupání.

8. ÚSCHOVA, ÚDRŽBA A ČIŠTĚNÍ

Pokud jsou na těle výrobku skvrny, očistíte je vlhkým hadříkem. Pokud skvrny přetrvávají, naneste na ně neutrální mýdlo, vyčistíte je zubním kartáčkem a poté je otřete vlhkým hadříkem. Pokud jsou na plastových součástech škrábance, odstraňte je pomocí brusného papíru nebo jiného brusného materiálu. Výrobek nečistěte alkoholem, benzínem, parafínem ani jinými korozivními a těkavými chemickými rozpouštědly, aby nedošlo k jeho vážnému poškození. Výrobek nemyjte vysokotlakými proudy vody. Při čištění se ujistěte, že je výrobek vypnutý, nabíjecí kabel je odpojený a gumová krytka je uzavřená, protože prosakující voda může způsobit úraz elektrickým proudem nebo jiné vážné problémy. Vniknutí vody do baterie může způsobit poškození vnitřních obvodů, riziko požáru nebo výbuchu. Pokud existuje jakákoliv pochybnost, že do baterie vnikla voda, okamžitě přestaňte baterii používat a vraťte ji ke kontrole do technického servisu nebo k prodejci.

Pokud výrobek nepoužíváte, skladujte jej v uzavřeném prostoru na suchém a chladném místě. Neskladujte jej delší dobu venku nebo uvnitř automobilu. Nadměrné sluneční záření, přehřátí a nadměrný chlad urychlují stárnutí pneumatik a ohrožují životnost výrobku i baterie. Nevystavujte ji dešti ani vodě, neponořujte ji a nemyjte vodou.

Pravidelně kontrolujte utažení jednotlivých šroubových součástí, zejména os kol, skládáče a přepravního systému, systému řízení, brzdového systému, dobrý stav rámu, vidlic a odpružení. Matice a všechny ostatní samosvorné spojovací prvky mohou ztratit svou účinnost, proto je nutné tyto součásti pravidelně kontrolovat a dotahovat.

Stejně jako všechny mechanické součásti podléhá i tento výrobek opotřebení. Různé materiály a součásti mohou reagovat na opotřebení nebo únavu z namáhání různým způsobem. Pokud je životnost součásti překročena, může dojít k jejímu náhlému rozbití a zranění řidiče. Jakékoli praskliny, škrábance nebo změna barvy na vysoce namáhaných místech znamenají, že životnost součásti je již vyčerpána a je třeba ji vyměnit.

Zkontrolujte stav opotřebení pneumatik: nesmí být žádné prořezy, praskliny, cizí tělesa, abnormální otoky, chybějící části nebo jiná poškození. Tlak v pneumatikách je uveden v kapitole 10 tohoto návodu k obsluze.

Nepokoušejte se výrobek sami rozebírat nebo opravovat. Výměnu všech součástí elektrické koloběžky musí provádět autorizované servisní středisko, více informací získáte u svého prodejce nebo na internetových stránkách:

www.alemobility.com/en/

9. KONFIGURACE APLIKACE

Níže jsou uvedeny výrobky, které jsou vybaveny technologií Bluetooth a lze je spárovat s aplikací AL e-Mobility: AL EXT, AL2.

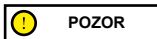
Aplikace umožňuje ovládat výrobek přímo z chytrého telefonu.

Stáhněte a nainstalujte aplikaci naskenováním QR KÓDU. Pokud aplikaci nenajdete, doporučujeme ji vyhledat ve vlastní referenční službě aplikací.

Otevřete aplikaci a postupujte podle pokynů v referenční službě aplikací.



Otevřete aplikaci a postupujte podle pokynů v referenční službě aplikací.



Aplikace může vyžadovat různá oprávnění nezbytná pro její používání a funkčnost.

Verze aplikace může být aktualizována ve vlastní službě aplikací. Doporučujeme neustále kontrolovat aktualizace aplikací, zda neobsahují nové funkce, a do zařízení vždy instalovat nejnovější verzi aplikace.

Nepoužívejte vaše zařízení během řízení.

10. TECHNICKÝ LIST

Obecné informace

AL EXT

Rám	Ocel a hliník	
Odpružení	Přední a zadní část	
Rychlost	LA-MO-210001; LA-MO-210002; LA-MO-220013 Chodci: ≤ 6km/h L1: ≤ 15km/h L2: ≤ 20km/h L3: ≤ 25km/h (maximální rychlost) * *podle země oběhu	LA-MO-220001; LA-MO-220002 Chodci: ≤ 6km/h L1: ≤ 10km/h L2: ≤ 15km/h L3: ≤ 20km/h(maximální rychlost) * *podle země oběhu
Maximální sklon **	22%	
Brzdy	Přední kotoučová brzda, zadní kotoučová brzda a elektronická brzda	
Pneumatiky	Velikost: 90/65-6.5 Tlak: 50 psi / 3.5 bar	
Maximální zatížení	120kg	
Řidič	Ověřte si právní předpisy ve své zemi	
Provozní teplota	-0°C / 45°C	
Stupeň ochrany	IPX4	
Doba nabíjení	přibližně 7 hodin	
Autonomie**	do 40 km	
Elektrický systém		
Jmenovitý výkon Motor	0.50kW; 500W bezkartáčový	
Maximální výkon motoru	0.900kW; 900W	
Displej	integrováný LED	
Baterie	48V 12.5Ah 600Wh	
Nízkonapěťová ochrana	42V	
Proudový limit	20A	
KERS	ano	
Světla	LED vpředu a vzadu	
Funkčnost	Bluetooth	
Āpatření		
Čistá hmotnost	30.6Kg	
Hrubá hmotnost	38.75Kg	

* Vždy dodržujte silniční předpisy a příslušné předpisy platné v zemi použití.

** V závislosti na hmotnosti řidiče, stavu vozovky a teplotě.

Obecné informace

AL2

Rám	Ocel a hliník	
Odpružení	Přední a zadní část	
Rychlost	LA-MO-220003 Chodci: ≤ 6km/h L1: ≤ 15km/h L2: ≤ 20km/h L3: ≤ 25km/h (maximální rychlost) * *podle země oběhu	LA-MO-220004 Chodci: ≤ 6km/h L1: ≤ 10km/h L2: ≤ 15km/h L3: ≤ 20km/h(maximální rychlost) * *podle země oběhu
Maximální sklon **	16%	
Brzdy	Přední bubnová brzda, zadní elektrická brzda	
Pneumatiky	Velikost: 10" X 2.125" s vnitřní trubkou Tlak: 36 psi / 2.5 bar	
Maximální zatížení	120kg	
Řidič	Ověřte si právní předpisy ve své zemi	
Provozní teplota	-0°C / +45°C	
Stupeň ochrany	IPX5	
Doba nabíjení	asi 5 hodin	
Autonomie**	do 35 km	

Elektrický systém

Jmenovitý výkon Motor	0.35kW; 350W bezkartáčový
Maximální výkon motoru	0.55kW; 550W
Displej	integrovaný LED
Baterie	36V 8Ah 288Wh
Nízkonapěťová ochrana	31 + / - 0.5V
Proudový limit	17A
KERS	ano
Světla	LED vpředu a vzadu
Funkčnost	Bluetooth s aplikací

Opatření

Čistá hmotnost	19Kg
Hrubá hmotnost	22Kg

* Vždy dodržujte silniční předpisy a příslušné předpisy platné v zemi použití.

** V závislosti na hmotnosti řidiče, stavu vozovky a teplotě.

11. ŘEŠENÍ PROBLÉMŮ

Chyba	Příčina	Řešení
Motor nefunguje	Elektrický problém, přítomnost chybového kódu	Požádejte o technickou asistenci
Hnací kolo se neotáčí	Problém na brzdách Motor je zablokován	Seřídte brzdy, pokud problém přetrvává, požádejte o technickou asistenci Zkontrolujte, zda je kolo správně utaženo, ověřte, zda se kolo otáčí bez zapnutí vozidla. Pokud problém přetrvává, požádejte o technickou asistenci
Motor se během provozu zastaví	Přehřátí motoru Přítomnost chybového kódu	Zastavte vozidlo a počkejte, až vychladne Požádejte o technickou asistenci
Po nabití se výrobek nezapne nebo se po pár kilometrech vypne.	Poškozená baterie	Požádejte o technickou asistenci
Baterie se nenabíjí nebo se výrobek nezapne	Problémy připojení Baterie není připojena (modely s odnímatelnou baterií) Baterie je vybitá Poškozená baterie Problémy s nabíječkou	Požádejte o technickou asistenci Zkontrolujte, zda je připojen napájecí konektor. Nabijte baterii na 100% Požádejte o technickou asistenci Vyměňte nabíječku

AL EXT / AL2

Tabulka s chybovými kódy

Chybový kód	Definice
E1	Porucha připojení motoru
E2	Porucha MOS nebo zkrat fáze motoru
E3	Závada brzdového snímače
E4	Elektronická závada říditel
E5	Nizkonapěťová ochrana
E6	Sdělení o selhání přístrojového vybavení
E7	Vysokonapěťová ochrana
E8 / E9	Porucha řídicí jednotky/BMS

12. ODPOVĚDNOST A OBECNÉ ZÁRUČNÍ PODMÍNKY

Řidič na sebe přebírá veškerá rizika spojená s nepoužíváním přilby a dalších ochranných pomůcek.

Řidič je povinen dodržovat příslušné místní předpisy upravující:

1. Minimální povolený věk řidiče
2. Omezení typu řidičů, kteří mohou výrobek používat
3. Všechny ostatní regulační aspekty

Řidič je rovněž povinen udržovat výrobek v čistotě a v bezvadném stavu, pečlivě provádět bezpečnostní kontroly, za které odpovídá, jak je popsáno v předchozích bodech, nijak s výrobkem nemanipulovat a uchovávat veškerou dokumentaci týkající se údržby.

Společnost neodpovídá za způsobené škody a nenese žádnou odpovědnost za škody způsobené na majetku nebo osobách v případech, kdy:

- výrobek je používán nevhodným způsobem nebo v rozporu s návodem k použití;
- výrobek je po zakoupení pozměněn nebo je zasahováno do všech nebo některých jeho součástí.

V případě poruch výrobku způsobených příčinami, které nelze přičíst chybnému chování řidiče, a v případě, že se chcete seznámit se všeobecnými záručními podmínkami, kontaktujte svého prodejce nebo navštivte internetové stránky www.alemobility.com/en/

Jakékoli poruchy nebo závady způsobené náhodnými událostmi a/nebo přičitatelné odpovědnosti Kupujícího, nebo používáním Výrobku, které není v souladu s jeho určením a/nebo s ustanoveními technické dokumentace přiložené k Výrobku, nebo v důsledku neseřízení mechanických částí, přirozeného opotřebení opotřebitelných materiálů nebo způsobené chybami při montáži, nedostatečnou údržbou a/nebo používáním Výrobku, které není v souladu s návodem, jsou vždy vyloučeny z rozsahu Zákonné záruky na Výrobky.

Například je třeba považovat za vyloučené ze zákonné záruky na výrobky:

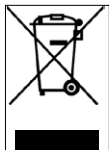
- škody způsobené nárazy, náhodnými pády nebo srážkami, propíchnutím;
- poškození způsobená používáním, vystavením nebo skladováním v nevhodném prostředí (např. přítomnost deště a/ nebo bláta, vystavení vlhkosti nebo nadměrnému zdroji tepla, kontakt s pískem nebo jinými látkami);
- škody způsobené neseřízením mechanických částí, mechanických kotoučových brzd, řídítek, pneumatik atd. k provozu na pozemních komunikacích a/nebo jejich údržbě; nesprávná instalace a/nebo montáž dílů a/nebo součástí;
- přirozené opotřebení opotřebitelných materiálů: mechanické kotoučové brzdy (např: destičky, třmeny, kotouče, kabely), pneumatiky, plošiny, těsnění, ložiska, LED světla a žárovky, stojánek, řídítka, blatníky, gumové díly (plošina), svazky kabelových konektorů, masky a samolepky atd;
- nesprávná údržba a/nebo nesprávné používání baterie výrobku;
- manipulace s částmi výrobku a/nebo jejich namáhání;
- nesprávná nebo nedostatečná údržba nebo úprava výrobku;
- nesprávné používání výrobku (např: nadměrné zatížení, použití v soutěžích a/nebo pro komerční pronájem nebo půjčování);
- údržba, opravy a/nebo technické zásahy na Výrobku prováděné neoprávněnými třetími stranami;
- škody na výrobcích vzniklé v důsledku přepravy, pokud tuto přepravu provádí Kupující;
- poškození a/nebo závady vzniklé v důsledku použití neoriginálních náhradních dílů.

Prostudujte si prosím nejnovější verzi záručních podmínek, která je k dispozici na internetových stránkách www.alemobility.com/en/support/



POZOR

Nakládání s vysloužilými elektrickými nebo elektronickými zařízeními (platí ve všech zemích EU a v dalších evropských systémech se systémy odděleného sběru)



Tento symbol na výrobku nebo na obalu označuje, že s výrobkem se nesmí nakládat jako s běžným komunálním odpadem, ale musí být předán do příslušného sběrného místa pro recyklaci elektrických a elektronických zařízení (OEEZ).

Zajistěte správnou likvidaci tohoto výrobku, abyste předešli možným negativním důsledkům pro životní prostředí a zdraví, které by jinak mohly být způsobeny jeho nesprávnou likvidací. Recyklace materiálů pomáhá chránit přírodní zdroje.

Podrobnější informace o recyklaci a likvidaci tohoto výrobku získáte u místní služby pro likvidaci odpadu nebo v prodejně, kde byl zakoupen.

V každém případě musí být likvidace provedena v souladu s předpisy platnými v zemi nákupu.

Spotřebitelé jsou zejména povinni nelikvidovat OEEZ jako komunální odpad, ale podílet se na odděleném sběru tohoto druhu odpadu prostřednictvím dvou způsobů odevzdání:

- do městských sběrných center (nazývaných také sběrné dvory), přímo nebo prostřednictvím sběrných služeb městských společností, pokud jsou k dispozici;
- na prodejních místech nových elektrických a elektronických zařízení.

Zde je možné bezplatně odevzdat velmi malé OEEZ (s nejdelší stranou menší než 25 cm), zatímco větší lze odevzdat v režimu 1 za 1, tj. odevzdáním starého výrobku při zakoupení nového se stejnými funkcemi.

Kromě toho je režim 1 za 1 zaručen vždy při nákupu nového EEZ spotřebitelem, bez ohledu na velikost OEEZ.

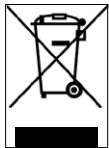
V případě neoprávněné likvidace elektrického nebo elektronického zařízení mohou být uplatněny sankce stanovené platnými právními předpisy na ochranu životního prostředí (dle italské legislativy, je nutné ověřit předpisy platné v zemi použití/likvidace vozidla).

Pokud OEEZ obsahuje baterie nebo akumulátory, musí být odstraněny a podrobeny zvláštnímu oddělenému sběru.



POZOR

Zpracování vybitých baterií (platí ve všech zemích Evropské unie a v dalších evropských systémech s odděleným sběrem)



Tento symbol na výrobku nebo na obalu označuje, že s baterií se nesmí nakládat jako s běžným komunálním odpadem. U některých typů baterií může být tento symbol použit v kombinaci s chemickým symbolem.

Pokud baterie obsahuje více než 0,0005% rtuti nebo 0,004% olova, přidávají se chemické symboly pro rtuť (Hg) nebo olovo (Pb).

Zajištěním správné likvidace baterií pomáháte předcházet možným negativním dopadům na životní prostředí a zdraví, které by jinak mohly být způsobeny jejich nevhodnou likvidací. Recyklace materiálů pomáhá chránit přírodní zdroje. V případě výrobků, které z důvodu bezpečnosti, výkonu nebo ochrany dat vyžadují pevné připojení k vnitřní baterii, musí být vyměněny pouze kvalifikovaným servisním personálem.

Po skončení životnosti výrobku jej odevzdejte do vhodných sběrů zaměřených na likvidaci elektrických a elektronických zařízení: tím zajistíte, že bude správně naloženo i s baterií uloženou uvnitř.

Podrobnější informace o způsobu likvidace použité baterie nebo výrobku získáte od místní služby pro likvidaci odpadu nebo v obchodě, kde jste výrobek zakoupili.

V každém případě musí být likvidace provedena v souladu s předpisy platnými v zemi nákupu.

Tento návod sa vzťahuje na túto elektrickú kolobežku:

AL EXT AL2

Návod na použitie

LA-MO-000001 rev. 2

Pokyny preložené z talianskeho originálu

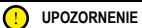
Ďakujeme, že ste si vybrali tento výrobok.

Pre informácie, technickú podporu, pomoc a konzultáciu všeobecných záručných podmienok sa obráťte na svojho predajcu alebo navštívte stránku www.alemobility.com/en/support/

Obsah

1. Bezpečnostné pokyny
2. Obsah balenia a montáž
3. Náhľad na výrobok
4. Informácie o ovládaniach / Ovládací panel
5. Rýchly sprievodca
6. Skladanie a preprava
7. Jazdný dosah a výkony
8. Uchovávanie, údržba a čistenie
9. Konfigurácia aplikácie
10. Technický list
11. Riešenie problémov
12. Zodpovednosť a všeobecné záručné termíny

1. BEZPEČNOSTNÉ POKYNY



UPOZORNENIE

DÔLEŽITÉ! Pred používaním výrobku si prečítajte a pozorne dodržiavajte nasledujúce pokyny. Uschovajte tento návod pre budúce nahliadnutia alebo nových používateľov.

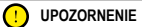
Venujte čas potrebný na to, aby ste sa naučili základné praktické postupy na zabránenie ťažkým úrazom, ku ktorým by mohlo dôjsť v prvých mesiacoch používania kolobežky. Obráťte sa na svojho predajcu so žiadosťou o primeranú podporu týkajúcu sa správneho používania produktu alebo o poskytnutie vhodnej školiacej organizácie.

Podnik odmieta akúkoľvek priamu aj nepriamu zodpovednosť odvodenú od nesprávneho používania výrobku, nedodržania noriem cestnej premávky a pokynov uvedených v tomto návode, úrazy, nehody a spory spôsobené nedodržaním noriem a nelegálnymi činnosťami.

Tento výrobok sa používa na rekreačné účely, smie ho používať iba jedna osoba a nepoužíva sa na prepravu cestujúcich, preto ho nesmie používať viac ako jedna osoba súčasne.

Žiadnym spôsobom nemeňte účely použitia vozidla, tento výrobok nie je vhodný na akrobacie, súťaže, prepravu predmetov, vlečenie iných vozidiel alebo príviesov.

Elektrická kolobežka sa musí používať opatrne, pričom vždy dodržiavajte **pravidlá** stanovené zákonom o cestnej premávke v krajine používania, aby ste zabránili nebezpečenstvám a venujte maximálnu pozornosť sebe a ostatným.



UPOZORNENIE

Indikatívne projektové požiadavky na kolobežku:

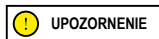
Model elektrickej kolobežky	AL EXT Green	AL EXT Bronze	AL2
Kód výrobku so zahnutými ukazovateľmi smeru	LA-MO-210001	LA-MO-220013	LA-MO-220003
	LA-MO-220002	LA-MO-220001	LA-MO-220004
	LA-MO-210002	LA-MO-210002	
Hmotnosť MIN (kg)	30	30	30
Hmotnosť MAX (kg)	120	120	120
MIN vek *	14	14	14
MAX vek *	65	65	65
Výška (cm) MIN	120	120	120
Výška (cm) MAX	200	200	200

* Pred používaním výrobku si overte a riadte sa miestnymi normami platnými vo vzťahu k minimálnemu veku povolenému pre vodiča, obmedzeniam typov vodičov, ktorí môžu výrobok používať a samotnému používaniu tohto typu výrobku.

Vážená hladina akustického tlaku (hlučnosť) A v uchu vodiča je nižšia ako 70 dB(A).

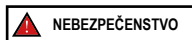
Grafická forma bezpečnostných upozornení

Na identifikáciu bezpečnostných správ v tomto návode sa používajú nasledujúce grafické symboly označovania. Ich funkciou je pritiahnúť pozornosť čitateľa/používateľa na účely správneho a bezpečného používania výrobku.



Venujte pozornosť

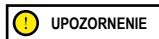
Zvýrazňuje pravidlá, ktoré sa majú dodržiavať, aby sa zabránilo poškodeniu výrobku a/alebo výskytu nebezpečných situácií.



Zvyškové riziká

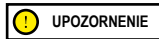
Zvýrazňuje prítomnosť nebezpečí, ktoré spôsobujú zvyškové riziká, ktorým používateľ musí venovať pozornosť, aby zabránil zraneniam alebo materiálnym škodám.

Všeobecné upozornenia



Je dôležité mať na pamäti, že keď sa nachádzate na verejnom mieste alebo na ceste, aj keď do písmena dodržiavate tento návod, nie ste imúnni voči zraneniam spôsobeným porušeniami alebo nevhodnými činnosťami podniknutými voči iným vozidlám, prekážkam alebo osobám. Zlé použitie výrobku alebo nedodržanie pokynov v tomto návode môžu spôsobiť vážne škody.

Tento výrobok je elektrické vozidlo. Čím rýchlejšie sa jazdí, tým dlhšia je brzdná vzdialenosť. Núdzové brzdenie na šmykľavých, zablatených, mokrych alebo zľadovatených vozovkách môže spôsobiť šmykanie kolies a stratu rovnováhy. Je potrebné udržať primeranú rýchlosť a bezpečnú vzdialenosť od ostatných vozidiel alebo peších. Väčšiu pozornosť venujte pri jazde na neznámych cestách. Neotvárajte stojan pri použití výrobku, riziko vážnych osobných zranení a poškodení výrobku.



Na mokrych cestách sa brzdná dráha značne zväčšuje a priľnavosť značne znižuje v porovnaní so suchými vozovkami! Jazdite so zvýšenou pozornosťou, dodržiavajte vzdialenosti!

Pre vlastnú bezpečnosť vždy noste: prilbu, chrániče kolien a lakťov, aby ste sa chránili pred prípadnými pádmi a zraneniami pri jazde na výrobku. Pri požičaní výrobku upozornite vodiča, aby nosil bezpečnostné prostriedky a vysvetlite mu, ako vozidlo používať. Aby sa zabránilo zraneniam, nepožičiavajte výrobok osobám, ktoré nevedia, ako ho používať. Vždy pred použitím výrobku noste topánky.

Deti sa s kolobežkou, ani s jej časťami nesmú hrať, ani sa im nesmie umožniť vykonávať zásahy čistenia alebo údržby.

Pri jazde na výrobku dávajte pozor, aby ste nenafakali deti ani okoloidúcich. Keď prechádzate za nimi, upozornite ich použitím zvončeka a spomalte jazdu na minimálnu rýchlosť 6 km/hod.

Pokyny a varovania o správaní sa počas jazdy

Podmienky	Náležité/stanovené použitie	Nenáležité použitie
Vodiči	Jeden	Viac osôb, s deťmi alebo zvieratami
Bezpečnostné vybavenie	Prilba, chrániče kolien, chrániče lakťov, reflexná vesta	Žiadne vybavenie
Kontrola pred jazdou	<p>Pred každým použitím skontrolujte brzdy a ich opotrebovanie, skontrolujte tlak pneumatík (na bočnej strane pneumatiky nájdete odporúčanú hodnotu), opotrebovanie kolies, akcelerátor a stav nabitia batérie.</p> <p>Ak zistíte nezvyčajný hluk alebo akúkoľvek anomáliu, výrobok nepoužívajte a skontaktujte sa so svojím predajcom alebo s autorizovanou službou technickej pomoci</p>	<p>Výrobok nikdy nekontrolujte pred jazdou</p> <p>Výrobok používajte pri výskyte hluku a anomálií</p>
Pri kráčaní výrobok tlačte	<p>Nezrýchľujte</p> <p>Pri kráčaní na priechody pre chodcov kolobežku tlačte</p> <p>V zónach pre chodcov, ak v nich nie sú režimy pre chodcov (6 km/h)</p> <p>V preplnených zónach</p>	<p>Stlačte akcelerátor</p> <p>Veďte vozidlo na priechodoch pre chodcov</p> <p>Veďte vozidlo v zónach pre chodcov, ak v nich nie sú režimy pre chodcov (6 km/h)</p> <p>Veďte vozidlo v preplnených zónach</p>
Pri zastavení	Osoba, ktorá vedie tento výrobok, musí byť schopná ľahko položiť obe chodidlá na zem, pričom uchopí riadidlá v správnej výške	<p>Byť neschopný udržať výrobok zastavený a v rovnováhe</p> <p>Sediť na výrobku v chode alebo pri zastavení</p>

Podmienky	Náležitý/stanovené použitie	Nenáležitý použitie
Jazda v normálnych podmienkach	Žiadny predmet zavesený na riadidlách	Predmety zavesené na riadidlách spôsobujú nestabilitu a počas manévrov môžu byť prekážkou
	Jazdíte oboma rukami na riadidlách Nepoužívajte zariadenia ako telefóny, smart hodinky, prehrávače hudby, slúchadlá	Jazda s len jednou rukou alebo bez rúk Používanie zariadení ako telefóny, smart hodinky, prehrávače hudby, slúchadlá
	Jazda s obomi chodidlami na plošine pohodlným a bezpečným spôsobom	Jazda s jedným alebo obomi chodidlami mimo plošiny Je zakázané ukladať a koncentrovať záťaž na zadný blatník.
	Jazda s prilbou a ochrannou výbavou	Jazda bez prilby a ochrannej výbavy
	Jazda na ľahko prístupných, hladkých a kompaktných cestách, vyhňte sa zónach s intenzívnou premávkou a preplneným zónam: napr. pruh pre cyklistov, povrchy s hladkými dlaždicami	Jazda na diaľnici, cestách na veľké vzdialenosti Jazda na frekventovaných cestách Jazda na nástupištiach Jazda v preplnených zónach Jazda na cestách s veľkou nevhodnosťou Jazda v blízkosti: roklín, zrázov, prístavov, morí, jazier a riek
	Dodržiavať platné miestne normy a zákony o cestnej premávke	Nedodržiavanie platných noriem a zákonov o cestnej premávke
	Jazdíte vždy dopredu a dávajte pozor na všetky prekážky, vozidlá a blízky chodcov	Rozptyľovanie sa počas jazdy
	Pri zmene smeru sa uistite, či vás ostatní vidia, pričom znížte rýchlosť V každom prípade predvídajte trajektóriu a znížte rýchlosť pri súčasnom dodržaní zákona o cestnej premávke a rešpektujúc najzraniteľnejšie osoby Vždy používajte smerovky, ak sú na vozidle	Náhla zmena smeru pri vysokej rýchlosti bez uistenia sa, či ste viditeľní Súčasné brzdenie a zatáčanie spôsobuje nestabilitu vozidla Nepoužívanie smeroviek
Spomaľte v prítomnosti chodcov Používanie režimu chodcov v zónach pre chodcov (6 km/h) Upozornenie na svoju vlastnú prítomnosť zvončekom	Zrýchlenie alebo udržanie konštantnej rýchlosti v prítomnosti chodcov Vedenie bez použitia režimu chodcov v zónach pre chodcov (6 km/h) Neupozornenie na svoju vlastnú prítomnosť zvončekom	
Neregulárne podmienky na ceste: umelé pahorky/terasy/ hrboľatý povrch vozovky	Jazda pri miamej rýchlosti Jazda pri vysokej rýchlosti Zrýchlenie na pahorkoch a výmoloch, zostupovanie na terasách, preskakovanie prekážok, vystupovanie na nástupištia, strnulá jazda.	

Podmienky	Náležité/stanovené použitie	Nenáležité použitie
Správanie: v zákrute, pri spáde, pri výskyte prekážok, blízkych vozidiel a chodcov	<p>Dodržiavanie bezpečnej vzdialenosti</p> <p>Prestaňte zrýchľovať</p> <p>Brzdenie a spomaľovanie</p> <p>Jazda pri miernej rýchlosti a bezpečné brzdzenie</p> <p>Venujte pozornosť bránam a iným prekážkam vo výške</p>	<p>Nedodržiavanie bezpečnej vzdialenosti</p> <p>Zrýchľovanie</p> <p>Jazda pri vysokej rýchlosti, náhle brzdzenie</p> <p>Prechod pod prekážkami vo výške</p>
Podmienky viditeľnosti	<p>Jazdíte iba v prípade, ak je dostatočné svetlo, aby ste mohli jazdiť bezpečne. V prípade jazdy v nepriaznivých svetelných podmienkach (polhodinu po západe slnka, za tmy a šera aj cez deň, v prípade, ak poveternostné podmienky znemožňujú viditeľnosť vozovky, pri prechode do tunelov) nezabudnite aktivovať svetlá vozidla a noste reflexné vesty alebo pásy.</p>	<p>Jazda v nepriaznivých svetelných podmienkach s vypnutými svetlami a bez použitia reflexnej vesty alebo pásov.</p>
Meteorologické podmienky	<p>Jazda v optimálnych poveternostných podmienkach (bez dažďa)</p>	<p>Jazda v nepriaznivých podmienkach: v daždi, keď sneží, keď je na ceste ľad alebo blato, v silnom vetre alebo v hmle.</p>
Parkovanie	<p>V príslušných zónach bez toho, aby ste bránili premávke vozidiel a pohybu chodcov</p> <p>Na hladkých povrchoch, pričom zabezpečte stabilitu</p> <p>Vozidlo vypnite a vždy použite zariadenie proti krádeži</p> <p>Použite stojan z výbavy</p>	<p>Kdekoľvek, bránenie premávke vozidiel a pohybu chodcov</p> <p>Na neznámych povrchoch a bez zabezpečenia stability</p> <p>Nechať vozidlo zapnuté, bez dozoru a bez zariadenia proti krádeži</p>
Praktizovanie extrémnych športov/akrobácií	NIE	<p>ÁNO, nevhodné použitie:</p> <p>Jazda v blízkosti: roklín, zrázov, prístavov, morí, jazier a riek</p> <p>Jazda nad mlákami</p> <p>Súperenie s inými vozidlami</p>
Vystaviť výrobok silným nárazom	NIE	<p>ÁNO, nevhodné použitie:</p> <p>Skákať ponad vecami alebo osobami, skákať zo schodov alebo z výšky</p>

Čo urobiť po páde:

Overte, či páka akcelerátora funguje správne. Za týmto účelom zrýchlite a spomaľte niekoľkokrát.

Vždy overte, či brzdy fungujú správne. Ak to chcete urobiť, zostúpte z vozidla, potlačte ho dopredu a zabrzdíte, aby ste sa uistili, či odpovedá na ovládania.

Skontrolujte, či všetky komponenty vozidla sú na svojom mieste a bezpečne upevnené.

Skontrolujte opotrebovanie a tlak pneumatík (odporúčanú hodnotu nájdete na boku pneumatiky).


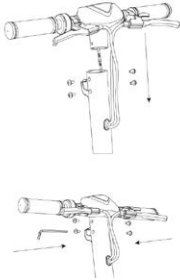

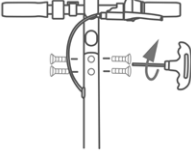
Skontrolujte opotrebovanie brzd a káblov.



Brzdy by sa mohli počas použitia zohriať. Nedotýkajte sa ich po použití.

2. OBSAH BALENIA A MONTÁŽ

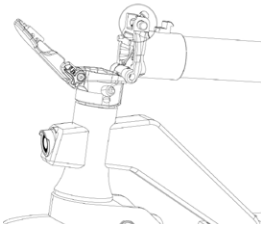
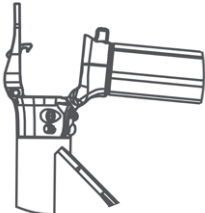
Zmontovaný výrobok, riadidlá sa musia namontovať s príslušnými skrutkami obsiahnutými v balení.

Model	Referenčný obrázok	V balení	Montáž riadidiel
AL EXT		<p>Príslušenstvo:</p> <p>1x imbusový kľúč</p> <p>4x skrutky na riadidlá</p> <p>1x nabíjačka batérií</p>	
AL2		<p>Príslušenstvo:</p> <p>1x imbusový kľúč</p> <p>2x skrutky na riadidlá</p> <p>1x nabíjačka batérií</p>	

Prechody

AL EXT / AL2

- Vyberte výrobok z obalu.
- Otvorte predstavec riadidiel a upevnite ho zatvorením páky uzatváracieho mechanizmu.
- Pripojte napájací kábel displeja k hlavnej kabeláži (ak je to potrebné).
- Riadidlá namontujte na predstavec (nepomliažďte káble).
- Vložte a dotiahnite skrutky na predstavec pomocou dodaného kľúča.
- Namontujte stojan (ak je to potrebné).
- Nastavte uzatvárací mechanizmus predstavca* (ak je to potrebné).
- Pri prvom použití nabite výrobok na 100 %.

Model	Referenčný obrázok	* Nastavenie uzatváracieho mechanizmu predstavca
AL EXT		<p>Vnútri mechanizmu sa nachádza kľúč na šesťhranné matice.</p> <p>Ak je predstavec riadiel málo stabilný po zatvorení, nastavte skrutku mechanizmu tak, aby stačila na zvýšenie stability predstavca.</p>
AL2		<p>Šesťhranná skrutka sa nachádza vo vnútri mechanizmu.</p> <p>Ak je predstavec riadiel po zatvorení nestabilný, nastavte skrutku mechanizmu tak, že ju zaskrutkujete alebo odskrutkujete len natoľko, aby ste zvýšili stabilitu predstavca.</p>



UPOZORNENIE

Výrobok správne zmontujte. V prípade, ak sa pri montáži zistí výrobná chyba, nejasné kroky alebo ťažkosti pri samotnej montáži alebo pri nastaveniach, na kolobežke nejazdte a kontaktujte svojho predajcu alebo navštívte stránku <https://www.alemobility.com/en/> za účelom získania technickej pomoci.

Nepoužívajte príslušenstvo a/alebo prídavné diely neschválené výrobcom.

Zabráňte prístupu detí k plastovým častiam (vrátane obalových materiálov) a malým častiam, ktoré môžu spôsobiť dusenie.

Je zakázané upravovať alebo meniť výrobok a jeho časti akýmkoľvek spôsobom, mohlo by to poškodiť jeho účinnosť, konštrukciu a spôsobiť škody. Ak zistíte akúkoľvek výrobnú chybu, nezvyčajný hluk alebo akúkoľvek anomáliu, na kolobežke nejazdte a kontaktujte svojho predajcu alebo navštívte stránku www.alemobility.com/en/ pre získanie technickej pomoci.

3. NÁHLAD NA VÝROBOK

V perspektíve neustáleho technického rozvoja si výrobca vyhradzuje právo zmeniť výrobok bez predchádzajúceho upozomenia, bez automatickej aktualizácie tohto návodu.

Pre informácie a nahliadnutie do revízií tohto návodu navštívte stránku www.alemobility.com/en/

AL EXT



1. Predné svetlomety
2. Brzdová páka
3. Hák
4. Blokovací mechanizmus
5. Predné koleso
6. Stojan
7. Nabíjací port
8. Opierka na nohy
9. Upevňovacia svorka
10. Zadné svetlo

11. Zadný blatník
12. Zadné hnacie koleso
13. Brzdový strmeň
14. Zvon
15. Displej
16. Škrtiaca klapka
17. Tlačidlo ON/OFF
18. Spínač svetla
19. USB port

AL2



1. Háčik
2. Zvonček
3. Brzdová páka
4. Blokovací mechanizmus
5. Svetlomety
6. Bubnová brzda
7. Stojan
8. Opierka na nohy
9. Zadné hnacie koleso
10. Svetlomety

11. Zadný blatník
12. Upevňovacia spona
13. Nabíjací port
14. Displej
15. Škrtiaca klapka





Nabíjanie batérie

UPOZORNENIE

Pri prvom použití výrobok nabite na 100 %. Uistite sa, či výrobok, nabíjačka batérií a nabíjací port sú suché.

Návod

- Sklopte stojan
- Výrobok vypnite

Model	Referenčný obrázok	POKYNY
AL EXT	 <p>Nabíjací port</p>	<ul style="list-style-type: none">• Používajte len dodanú nabíjačku.• Pripojte nabíjačku najskôr do zásuvky v stene a potom do zásuvky určenej na nabíjanie kolobežky.• Elektrickú kolobežku nezapínajte, kým sa nabíja. <p> UPOZORNENIE</p> <p>Červené svetlo nachádzajúce sa na napájacom zdroji sa zmení na zelené, keď sa nabíjanie dokončí.</p>
AL2	 <p>Nabíjací port</p>	<ul style="list-style-type: none">• Používajte iba dodanú nabíjačku.• Nabíjačku najprv pripojte k sieťovej zásuvke a až potom k nabíjacej zásuvke.• Počas nabíjania elektrický skúter nezapínajte. <p> UPOZORNENIE</p> <p>Červená kontrolka na napájacom zdroji sa po dokončení načítania rozsvieti na zeleno.</p>

Na nabíjanie tohto produktu používajte IBA nabíjačku batérií vo výbave



UPOZORNENIE

Model	Kód produktu	Model nabíjačky batérií	Výstupné napätie	Čas nabíjania
AL EXT	LA-MO-210001	FCA136-546020	54.6V – 2A	Približne 7 hodín
	LA-MO-220002			
	LA-MO-210002			
	LA-MO-220013			
	LA-MO-220001			
AL2	LA-MO-220003	HLT-180-4201500	42V – 1.5A	Približne 5 hodín
	LA-MO-220004			

Použitie iného typu nabíjačky môže výrobok poškodiť alebo spôsobiť ďalšie potenciálne riziká.

Nikdy nenabíjajte výrobok bez dozoru. Výrobok počas nabíjania nezapínajte.

Po každom použití batériu úplne nabite, aby ste predĺžili jej životnosť. Nenabíjajte výrobok ihneď po použití. Pred opätovným nabitím nechajte výrobok asi jednu hodinu vychladnúť.

Výrobok sa nesmie nabíjať predĺžene. Nadmerné nabitie skracuje životnosť batérie a spôsobuje ďalšie potenciálne riziká.

Odporúča sa nedovoľiť, aby sa vozidlo úplne vybilo, čím sa zabráni poškodeniu batérie.

Poškodenie spôsobené chýbajúcim predĺženým nabitím je nezvratné a nie je kryté obmedzenou zárukou. Keď dôjde k poškodeniu, batéria sa nemôže dobiť (je zakázané demontáž batérie nekvalifikovanými osobami, keďže by to mohlo vyvolať zásahy elektrickým prúdom, skraty alebo dokonca aj bezpečnostné nehody značného rozsahu). Ak sa nepoužíva určité obdobie, napríklad, cez dovolenku, a zariadenie zveríte tretej strane, nechajte ho v stave čiastočného nabitia (20-50 % nabitia), nie úplne nabité.

Pravidelne vykonávajte vizuálne prehliadky nabíjačky batérií a káblov nabíjačky batérií. Ak kábel nabíjačky batérií vykazuje jasné poškodenia, nepoužívajte ho, aby ste zabránili ďalším poškodeniam/rizikám, prosíme, aby ste sa s nami kontaktovali za účelom výmeny.

Varovania v súvislosti s batériou

Batéria je zložená z článkov z lítiových iónov a chemických prvkov nebezpečných pre zdravie a prostredie. Výrobok nepoužívajte, ak vydáva zápach, látky alebo nadmerné teplo. Výrobok alebo batériu nelikvidujte spolu s odpadom z domácnosti. Konečný používateľ je zodpovedný za likvidáciu elektrických a elektronických zariadení a batérií v zhode so všetkými platnými normami.

Nepoužívajte použité, chybné a/alebo neoriginálne batérie, batérie iných modelov alebo značiek.



Batériu nenechávajte v blízkosti ohňa alebo tepelných zdrojov. Riziko požiaru a výbuchu.

Neotvárajte ani nedemontujte batériu, ani neudierajte, nehádzte, nevrťajte ani neprípájajte predmety k batérii.

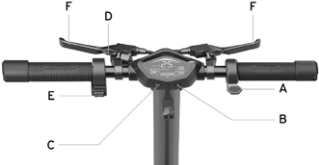
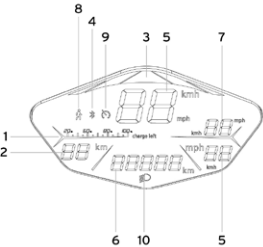
Nedotýkajte sa prípadných uniknutých látok z batérie, keďže obsahujú nebezpečné látky. Nedovoľte, aby sa deti alebo zvieratá dotýkali batérie.

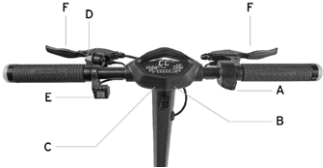
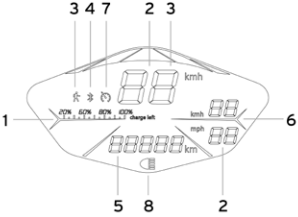
Neprebíjajte batériu, ani ju neuvádzajte do skratu. Riziko požiaru a výbuchu.

Batériu neponárajte, ani nevystavujte vode, dažďu alebo iným kvapalným látkam. Nevystavujte batériu priamemu slnečnému svetlu, nadmernému teplu alebo chladu (napríklad, nenechávajte výrobok alebo batériu v aute pod priamym slnečným svetlom na dlhé obdobie), v prostredí obsahujúcom výbušné plyny alebo plamene.




Neprepravujte ani neuchovávajte batériu spolu s kovovými predmetmi, ako ihlice, náhrdelníky atď. Kontakt medzi kovovými predmetmi a kontaktmi batérie môže spôsobiť skraty, ktoré vyvolajú fyzické poškodenia alebo smrť.

4. INFORMÁCIE O OVLÁDANIACH / OVLÁDACÍ PANEL

Model		
		
	<p>A. Plynová rukoväť: stlačte ju, aby ste zrýchlili.</p> <p>B. Tlačidlo napájania: dlhým stlačením zapnete alebo vypnete elektrický skúter.</p> <p>Odometer ODO/TRIP: krátkym stlačením 3-krát prepnete zo zobrazenia ODO na TRIP.</p> <p>C. Režim rýchlosti: krátkym stlačením zmeníte úroveň rýchlosti.</p> <p>Svetlá: Dlhým stlačením tlačidla zapnete alebo vypnete svetlá.</p>	<p>D. Zvonček: stlačte páku jedenkrát, aby ste ho uviedli do činnosti.</p> <p>E. Smerové ukazovatele: Stlačením spínača doprava alebo doľava ich aktivujete a/alebo deaktivujete.</p> <p>F. Brzdová páka: Stiahnutím páky zabrzdíte.</p>
AL EXT	<ol style="list-style-type: none"> Úroveň nabitia batérie: zostatkový stav nabitia. Autonómia: odhad zostávajúcej vzdialenosti. Režim rýchlosti (LED lišta): <ul style="list-style-type: none"> - Úroveň 1: zelená farba - Úroveň 2: oranžová farba - Úroveň 3: červená farba Bluetooth: možnosť pripojenia k smartfónu. Tachometer: okamžitá rýchlosť elektrického skútra (km/h - mph). Odometer ODO / TRIP: krátkym stlačením 3-krát prepnete zo zobrazenia ODO na TRIP. AVG speed: priemerná rýchlosť. Pedestrian mode (Režim chodca): pomoc pri tlačení vozidla s blikačiacim svetlom. Tempomat: udržiavanie rýchlosti. Aktivuje sa po udržaní rovnakej rýchlosti počas niekoľkých sekúnd. Svetlá: kontrolka osvetlenia. 	

Model		
		
AL2	<p>A. Plynová rukoväť: stlačte ju, aby ste zrýchlili.</p> <p>B. Tlačidlo napájania: dlhým stlačením zapnete alebo vypnete elektrický skúter.</p> <p>Odometer ODO/TRIP: krátkym stlačením 3-krát prepnete zo zobrazenia ODO na TRIP.</p> <p>C. Režim rýchlosti: krátkym stlačením zmeníte úroveň rýchlosti.</p> <p>Svetlá: Dlhým stlačením tlačidla zapnete alebo vypnete svetlá.</p>	<p>D. Zvonček: stlačte páku jedenkrát, aby ste ho uviedli do činnosti.</p> <p>E. Smerové ukazovatele: Stlačením spínača doprava alebo doľava ich aktivujete a/alebo deaktivujete.</p> <p>F. Brzdová páka: Stiahnutím páky zabrzdíte.</p>
	<ol style="list-style-type: none"> Úroveň nabitia batérie: zostatkový stav nabitia. Tachometer: okamžitá rýchlosť elektrického skútra (km/h a mph) Režim rýchlosti (TACHIMETER): <ul style="list-style-type: none"> - Úroveň 1: označená číslom 1 - Úroveň 2: označená číslom 2 - Úroveň 3: označená číslom 3 - Chodec: Pomoc pri tlačení vozidla s blikajúcim svetlom. Bluetooth: K dispozícii je pripojenie k smartfónu. Počítadlo kilometrov ODO/TRIP: celková prejdená vzdialenosť a vzdialenosť jednej relácie. AVG Speed: priemerná rýchlosť. Tempomat: udržiavanie rýchlosti. Aktivuje sa po udržaní rovnakej rýchlosti počas niekoľkých sekúnd. Svetlá: kontrolka osvetlenia. 	

Smerovky

Model	
AL EXT AL2	 <p>Smerovky sú umiestnené na koncoch riadidiel (pravá a ľavá strana).</p> <p>Ukazovatele smeru sú potrebné na včasnú signalizáciu zmeny smeru počas jazdy.</p> <p>Ovládač pohonu:</p>  <div data-bbox="644 634 847 681" style="border: 1px solid black; padding: 5px; display: inline-block;"> UPOZORNENIE</div> <p>Pred každým použitím výrobku skontrolujte správnu prevádzku ukazovateľov smeru.</p>

5. RÝCHLY SPRIEVODCA

- Pri prvom použití výrobok nabite na 100 %.
- Vykonať kontrolu tlaku pneumatík (na bočnej strane pneumatiky nájdete odporúčanú hodnotu). V prípade, ak výrobok neprejde aspoň 60 % deklarovaných km alebo nedosiahne maximálnu rýchlosť v prvých 3 mesiacoch používania, je pravdepodobné, že kolesá sú znova vypustené, preto sa bude musieť obnoviť tlak podľa pokynov.
- Vykonať kontrolu a nastavenie bŕzd.
- Zapnite displej.
- Výrobok umiestnite na rovný povrch.
- Riadidlá držte pevne oboma rukami. Vystúpte na plošinu jedným chodidlom a druhé využite na mierny posun a zrýchlenie.

! UPOZORNENIE

Funkcia Zero Start: funkcia akcelerátora sa aktivuje, keď rýchlosť posuvu presiahne 3 km/h.
Z bezpečnostných dôvodov je výrobok počiatočne nastavený tak, aby sa zabránilo štartu zo stavu zastavenia.

- Pri jazde na výrobku nakláňajte telo v smere jazdy počas zatáčania a pomaly otáčajte riadidlá.
- Pre zastavenie výrobku uvoľnite akcelerátor a stlačte brzdovú páku.
- Pre zostup najprv kolobežku úplne zastavte. Zostup z elektrickej kolobežky v pohybe môže spôsobiť zranenia.
- Pred každým použitím skontrolujte brzdy a ich opotrebovanie, skontrolujte tlak pneumatík (na bočnej strane pneumatiky nájdete odporúčanú hodnotu), opotrebovanie kolies, akcelerátor a stav nabitia batérie.

Nastavenie polohy brzdových pák

AL EXT / AL2

Nastavenie brzdy

Je možné nastaviť polohu brzdovej páky v prípade, ak je to potrebné, cez bod A.
(pozri obrázok)



Nastavenie brzd

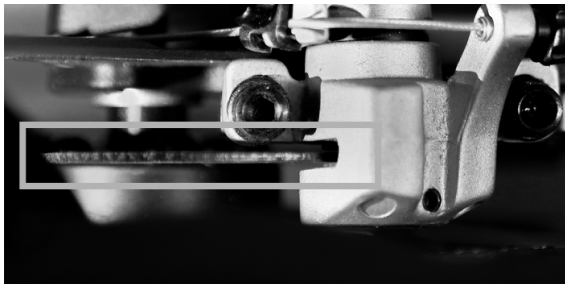
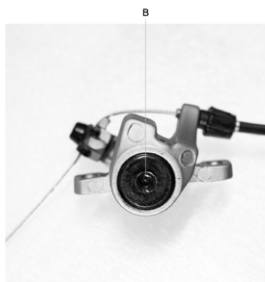
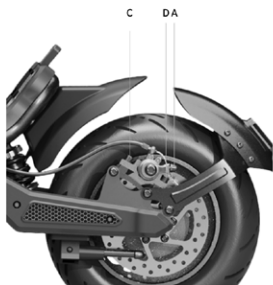
AL EXT

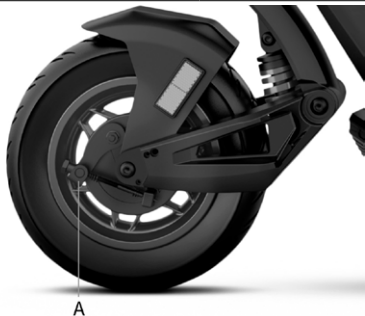
Nastavenie svorky brzdy

V prípade, ak by brzda bola príliš vytiahnutá alebo príliš uvoľnená, použite kľúč na šesťhranné matice na utiahnutie skrutky (A), potom nastavte brzdový kábel, (skrátte brzdový kábel smerom nahor, ak je príliš úzky. Ak je kábel príliš uvoľnený, potiahnite ho smerom nadol) a potom znovu utiahnite skrutku (A).

Ak by bola príliš pomalá alebo príliš vytiahnutá aj po prvom prejazde, možno by bolo potrebné nastaviť brzdovú platničku (pevnú), ktorú môžete nastaviť cez koleso z opačnej strany. Použite kľúč na šesťhranné matice na oddialenie (proti smeru otáčania hodinových ručičiek) alebo priblíženie (v smere otáčania hodinových ručičiek) brzdovej doštičky (B) (pozri obrázok). Overte správne vyrovnanie medzi svorkou brzdy a kotúčom. Použite skrutky C a D na nastavenie polohy / zarovnanie na kotúči, ak je to potrebné.

Na zadnom brzdovom strmeni odskrutkujte a vyberte skrutky C a D, následne vyberte brzdový strmeň z kotúča.



**Nastavenie bubnovej brzdy:**

Ak je brzda príliš utiahnutá alebo príliš uvoľnená, postupujte uvoľnením alebo utiahnutím skrutky (A). Ak je brzdová páka príliš mäkká alebo príliš tvrdá aj po vykonaní prvého kroku, môže byť potrebné opakovať úkon, kým sa nedosiahne optimálne nastavenie.

6. SKLADANIE A PREPRAVA

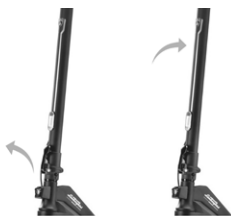
Uistite sa, či elektrická kolobežka je vypnutá. Predstavec riadiel držte rukou, potiahnite páku, zložte predstavec riadiel smerom k plošine a upevnite hákom.

AL EXT



Otvorenie stránky:

Odomknutie predstavca riadiel: Posuňte sponu na uvoľnenie riadiel smerom von, zdvihnite predstavec riadiel tak ďaleko, ako to ide, a zaistíte ho zatlačením páčky dovnútra. Zapnite elektrický skúter.



Uzavierka:

Vypnite elektrický skúter, vyťahnite bezpečnostný hák smerom nahor a vyťahnite páčku smerom von, zasuňte predstavec riadiel dovnútra, vložte sponu do háku a zaistíte účinné zaistenie.

Spona na riadidlá

**Otvorenie stránky:**

Odomknite predstavec riadidiel od opierky nôh: stlačením spony uvoľnite riadidlá, zdvihnite predstavec riadidiel čo najviac a zaistite ho zatlačením páčky blokovacieho mechanizmu dovnútra. Zapnite elektrický skúter.

Páčka uzamykacieho mechanizmu

**Uzávierka:**

Vypnite elektrický skúter, odomknite blokovací mechanizmus: stlačte červený háčik a vytiahnite páčku smerom von (pozri obrázok), posuňte predstavec riadidiel dovnútra a uistite sa, že je skutočne zablokovaný.



Po zložení zdvihnite, pričom držte predstavec riadidiel jednou alebo oboma rukami.

**UPOZORNENIE**

Počas prepravy výrobok pevne držte. Ak si nie ste istí, či dokážete udržať hmotnosť výrobku, nepokračujte v preprave so zdvihnutým výrobkom. Ak výrobok náhle pustíte, môže spadnúť a spôsobiť zranenie, aj ťažké, a poškodiť sa.

7. JAZDNÝ DOSAH A VÝKONY

Maximálny jazdný dosah a výkony vozidla závisia od rôznych premenných:

Terén: jazda na hladkom povrchu prináša väčší jazdný dosah a výkony v porovnaní s jazdou na neznámych cestách a stúpaniach.

Hmotnosť používateľa: čím vyššia je hmotnosť, tým menšie sú jazdný dosah a výkony vozidla.

Teplota: jazda na elektrickej kolobežke vo veľmi studenom alebo teplom prostredí ovplyvňuje jazdný dosah a výkony.

Rýchlosť a štýl jazdy: plynulá a konštantná jazda zväčšuje jazdný dosah. Neustále zrýchľovania, spomaľovania a manévry značne znižujú jazdný dosah. Nižšia rýchlosť jazdný dosah predlžuje.

Údržba: včasná nabíeka, správna údržba a pravidelná kontrola tlaku pneumatík (referenčnú hodnotu pozrite v oddiele 10) zvyšujú jazdný dosah a zaručujú konštantné výkony v priebehu času.

Úroveň nabitia batérie ovplyvňuje výkony, čím nižšia je úroveň, tým menšie budú výkony rýchlosti, najmä pri stúpaniach.

8. UCHOVÁVANIE, ÚDRŽBA A ČISTENIE

Ak sa na telese výrobku nachádzajú škrvny, vyčistite ich vlhkou handrou. Ak škrvny pretrvávajú, použite neutrálne mydlo, vyčistite ich kefkou, potom vlhkou handrou. Ak sú na plastových komponentoch škrabance, na ich odstránenie použite sklenený papier alebo iný abrazívny materiál. Výrobok nečistite alkoholom, benzínom, petrolejom alebo inými korozívnymi a prchavými chemickými rozpúšťadlami, aby ste zabránili jeho ťažkému poškodeniu. Výrobok neumývajte prúdmi vody pri vysokom tlaku. Počas čistenia sa uistite, či je výrobok vypnutý, či nabíjací kábel je odpojený a či je gumený uzáver zatvorený, keďže infiltrácia vody by mohla spôsobiť zásahy elektrickým prúdom alebo iné vážne problémy. Vniknutie vody do batérie môže spôsobiť poškodenia vnútorných obvodov, riziko požiaru alebo výbuchu. Ak máte pochybnosti, či v batérii nie je infiltrácia vody, batériu okamžite prestaňte používať a vráťte ju do strediska technickej pomoci alebo predajcovi na kontrolu.

Keď výrobok nepoužívate, uchovajte ho zatvorený na suchom a chladnom mieste. Neuchovávajte ho vo vonkajšom prostredí alebo vnútri auta na dlhé obdobie. Nadmerné slnečné svetlo, prehriatie a nadmerný chlad urýchľujú zostarnutie pneumatík a znižujú životnosť výrobku aj batérie. Nevystavujte ju dažďu, ani vode, ani ju neponárajte a neumývajte vodou.

Pravidelne kontrolujte utiahnutie rôznych priskrutkovaných prvkov, najmä osí kolies, systému ohybu a prepravy, systém riadenia, brzdový systém, dobrý stav rámu, vidlíc a zavesení. Matice a všetky ostatné samouťahovacie upevňovacie prvky môžu stratiť svoju účinnosť, je preto potrebné tieto komponenty pravidelne kontrolovať a utahovať.

Ako všetky mechanické komponenty, aj tento výrobok podlieha opotrebovaniu a silným namáhaniam. Rôzne materiály a komponenty môžu reagovať na opotrebovanie alebo namáhanie odlišnými spôsobmi. Ak sa prekročí životnosť niektorého komponentu, mohol by sa náhle pretrhnúť, čím vodičovi spôsobí zranenia. Akákoľvek forma praskliny, trhliny, škrabancov alebo zmeny farby v najviac namáhaných zónach signalizuje, že komponent dosiahol svoju životnosť a musí sa vymeniť.

Overte stav opotrebovania pneumatík: nesmú vykazovať porezania, trhliny a praskliny, cudzie telieska, anomálne vydutia, chýbanie kusov a ďalšie škody. Pre tlak pneumatík odkazujeme na hodnotu uvedenú v oddieli 10 tohto návodu na použitie.

Výrobok sa nepokúšajte sami demontovať ani opravovať. Výmenu všetkých dielov elektrickej kolobežky musí vykonávať autorizovaný servis, pre bližšie informácie kontaktujte svojho predajcu alebo navštívte stránku:

www.alemobility.com/en/

9. KONFIGURÁCIA APLIKÁCIE

Nižšie uvádzame výrobky vybavené Bluetooth, ktoré je možné priradiť k aplikácii AL e-Mobility: AL EXT, AL2.

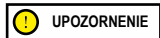
Aplikácia umožňuje kontrolu výrobku priamo z vášho smartfónu.

Zoskenujte QR kód na stiahnutie a inštaláciu aplikácie. Ak aplikáciu nenájdete, odporúčame ju vyhľadať na referenčnej službe aplikácií.

Otvorte aplikáciu a riadte sa pokynmi uvedenými vo vlastnej referenčnej službe aplikácií.



Otvorte aplikáciu a riadte sa pokynmi uvedenými v referenčnej službe aplikácií.



Aplikácia si možno bude vyžadovať rôzne oprávnenia potrebné na používanie a funkčnosť samotnej aplikácie.

Verziu aplikácie bude možno potrebné aktualizovať vo vlastnej službe aplikácií. Odporúča sa neustále kontrolovať aktualizácie aplikácie, aby ste mohli využívať nové funkcie a inštalovať vždy najnovšiu verziu aplikácie na vaše zariadenie.

Zariadenie nepoužívajte počas jazdy.

10. TECHNICKÝ LIST

Všeobecné informácie

AL EXT

Rám	Oceľ a hliník		
Zavesenia	Predné a zadné		
Rýchlosť	<table border="1"> <tr> <td>LA-MO-210001; LA-MO-210002; LA-MO-220013 Chodec: ≤ 6km/h L1: ≤ 15km/h L2: ≤ 20km/h L3: ≤ 25km/h (max. rýchlosť) * *podľa krajiny obeh</td> <td>LA-MO-220001; LA-MO-220002 Chodec: ≤ 6km/h L1: ≤ 10km/h L2: ≤ 15km/h L3: ≤ 20km/h(max. rýchlosť) * *podľa krajiny obeh</td> </tr> </table>	LA-MO-210001; LA-MO-210002; LA-MO-220013 Chodec: ≤ 6 km/h L1: ≤ 15 km/h L2: ≤ 20 km/h L3: ≤ 25 km/h (max. rýchlosť) * *podľa krajiny obeh	LA-MO-220001; LA-MO-220002 Chodec: ≤ 6 km/h L1: ≤ 10 km/h L2: ≤ 15 km/h L3: ≤ 20 km/h(max. rýchlosť) * *podľa krajiny obeh
LA-MO-210001; LA-MO-210002; LA-MO-220013 Chodec: ≤ 6 km/h L1: ≤ 15 km/h L2: ≤ 20 km/h L3: ≤ 25 km/h (max. rýchlosť) * *podľa krajiny obeh	LA-MO-220001; LA-MO-220002 Chodec: ≤ 6 km/h L1: ≤ 10 km/h L2: ≤ 15 km/h L3: ≤ 20 km/h(max. rýchlosť) * *podľa krajiny obeh		
Maximálny sklon**	22%		
Brzdy	Predná kotúčová brzda, kotúčová a elektronická zadná brzda		
Pneumatiky	Rozmer: 90/65-6.5 Tlak: 50 psi / 3.5 bar		
Maximálne zaťaženie	120kg		
Vodič	Overte si nariadenia platné vo Vašej krajine		
Prevádzková teplota	-0°C / 45°C		
Stupeň ochrany	IPX4		
Doba nabíjania	približne 7 hodín		
Jazdný dosah**	do 40 km		

Elektrický systém

Menovitý výkon motora	0.50kW; 500W bezkefkový
Maximálny výkon motora	0.900kW; 900W
Displej	Integrovaná LED
Batéria	48V 12.5Ah 600Wh
Nízkonapäťová ochrana	42V
Medzná hodnota prúdu	20A
KERS	áno
Svetlá	Predné a zadné LED svetlo
Funkcie	Bluetooth

Opatrenia

Čistá hmotnosť	30.6Kg
Hrubá hmotnosť	38.75Kg

* Vždy dodržiavajte zákon o cestnej premávke a príslušné normy platné v krajine používania kolobežky.

** Podlieha zmenám v závislosti od hmotnosti vodiča, cestných podmienok a teploty.

Všeobecné informácie

AL2

Frame	Oceľ a hliník	
Suspensions	Predné a zadné	
Speed	LA-MO-220003 Chodec: ≤ 6km/h L1: ≤ 15km/h L2: ≤ 20km/h L3: ≤ 25km/h (max. rýchlosť) * *podľa krajiny obehu	LA-MO-220004 Chodec: ≤ 6km/h L1: ≤ 10km/h L2: ≤ 15km/h L3: ≤ 20km/h(max. rýchlosť) * *podľa krajiny obehu
Maximum slope **	16%	
Brakes	Predná bubnová brzda, zadná elektrická brzda	
Tyres	Rozmer: 10" X 2.125" s vnútornou rúrkou Tlak: 36 psi / 2.5 bar	
Maximum load	120kg	
Rider	Skontrolujte právne predpisy vo svojej krajine	
Operating temperature	-0°C / +45°C	
Protection level	IPX5	
Charging time	približne 5 hodín	
Autonomy**	do 35 km	

Electrical system

Rated power of motor	0.35kW; 350W bezkefkový
Maximum power of motor	0.55kW; 550W
Display	Integrovaná LED
Battery	36V 8Ah 288Wh
Low voltage protection	31 + / - 0.5V
Current limit	17A
KERS	áno
Lights	LED vpredu a vzadu
Features	Bluetooth s aplikáciou

Opatrenia

Net weight	19Kg
Gross weight	22Kg

* Vždy dodržiavajte zákon o cestnej premávke a príslušné normy platné v krajine používania kolobežky.

** Podlieha zmenám v závislosti od hmotnosti vodiča, cestných podmienok a teploty.

11. RIEŠENIE PROBLÉMOV

Chyba	Príčina	Riešenie
Motor nefunguje	Elektrický problém, výskyt chybového kódu	Požiadajte o technickú pomoc
Hnacie koleso sa neotáča	Problém s brzdami Motor je zablokovaný	Nastavte brzdy, ak problém pretrváva, požiadajte o technickú pomoc Overte správne utiahnutie kolesa, overte, či sa koleso otáča bez zapnutia vozidla. Ak problém pretrváva, požiadajte o technickú pomoc
Motor sa vypne, kým je v prevádzke	Prehriatie motora Prítomnosť chybového kódu	Vozidlo zastavte a počkajte, kým nevychladne Požiadajte o technickú pomoc
Po nabití sa výrobok nezapne alebo sa vypne po niekoľkých km.	Batéria poškodená	Požiadajte o technickú pomoc
Batéria sa nenabíja alebo sa výrobok nezapne	Problémy s pripojením Batéria nie je pripojená (modely s vyberateľnou batériou) Batéria je vybitá Batéria poškodená Problémy v nabíjačke batérií	Požiadajte o technickú pomoc Overte, či je pripojený napájací konektor. Batériu nabite na 100 % Požiadajte o technickú pomoc Vymeňte nabíjačku batérií

AL EXT / AL2

Error code table

Chybový kód	Definícia
E1	Porucha pripojiteľnosti motora
E2	Porucha MOS alebo skrat fázy motora
E3	Porucha snímača brzdy
E4	Elektronická porucha riadiel
E5	Nízkonapäťová ochrana
E6	Komunikácia o zlyhaných prístrojoch
E7	Vysokonapäťová ochrana
E8 / E9	Porucha skrinky/BMS

12. ZODPOVEDNOSŤ A VŠEOBECNÉ ZÁRUČNÉ TERMÍNY

Vodič preberá všetky riziká týkajúce sa nepoužívania prilby a ďalších ochranných prostriedkov.

Povinnosťou vodiča je dodržiavať miestne normy platné vo vzťahu:

1. k minimálnemu povolenému veku pre vodiča,
2. k obmedzeniam týkajúcim sa typov vodičov, ktorí môžu výrobok používať
3. a ku všetkým ostatným legislatívnym aspektom

Povinnosťou vodiča je okrem toho udržiavať výrobok čistý a v perfektnom stave účinnosti a vykonávať údržbu výrobku, dôkladne vykonávať kontroly bezpečnosti v rámci svojich znalostí, ako sú opísané v predchádzajúcich oddieloch, nepoškodzovať výrobok žiadnym spôsobom a zachovávať celú dokumentáciu týkajúcu sa údržby.

Podnik nezodpovedá za spôsobené škody a žiadnym spôsobom nie je zodpovedný za škody spôsobené na veciach alebo osobách v skutkovej podstate, v ktorej:

- sa výrobok použil nenáležitým spôsobom alebo nie v súlade s tým, čo je uvedené v návode na použitie;
- boli všetky alebo niektoré komponenty výrobku po jeho kúpe upravené alebo zmenené.

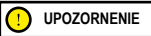
V prípade funkčnej poruchy výrobku z dôvodov neprisúdiiteľných nesprávnemu správaniu sa vodiča a v prípade, ak chcete nahliadnuť do všeobecných záručných termínov, kontaktujte prosím svojho predajcu alebo navštívte stránku www.alemobility.com/en/

Vždy sú vyradené z rozsahu aplikácie Právnej záruky výrobkov prípadné poškodenia alebo funkčné poruchy spôsobené náhodnými konaniami a/alebo pripísateľnými na zodpovednosť kupujúceho alebo použitím výrobku, ktoré nie je v súlade s jeho určeným použitím a/alebo v súlade s tým, čo je stanovené v technickej dokumentácii priloženej k výrobku, alebo spôsobené nevykonaným nastavením mechanických častí, prirodzeným opotrebovaním opotrebovateľných materiálov alebo spôsobené montážnymi chybami, nedostatočnou údržbou a/alebo použitím výrobku, ktoré nie je v súlade s návodom.

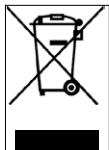
Z právnej záruky vzťahujúcej sa na výrobky, sú vyradené, napríklad:

- škody spôsobené nárazom, náhodným pádom, zrážkou alebo defektom;
- škody spôsobené používaním, vystavením alebo skladovaním v neadekvátnom prostredí (napr.: výskyt dažďa a/alebo blata, vystavenie vlhkosti alebo zdroju nadmerného tepla, kontakt s pieskom alebo inými látkami)
- škody spôsobené nevykonaným nastavením na uvedenie na vozovku a/alebo nevykonanou údržbou mechanických častí, bŕzd s mechanickým kotúčom, riadiel, pneumatík atď.; chybnou inštaláciou a/alebo chybnou montážou dielov a/alebo komponentov
- prirodzené opotrebovanie opotrebovateľných materiálov: brzda s mechanickým kotúčom (napr.: doštičky, spony, kotúč, káble), pneumatiky, plošiny, tesnenia, ložiská, LED svetlá a svetlomety, stojan, rukoväte, blatníky, gumené časti (plošina), kabeláže káblových spojov, masky a tmely atď.;
- nenáležitá údržba a/alebo nenáležitú použitie batérie výrobku;
- poškodenie a/alebo vydutie častí výrobku;
- nesprávna alebo neprimeraná údržba alebo úprava výrobku;
- nesprávne použitie výrobku (napr. nadmerné zaťaženie, použitie na súťažiacich a/alebo na komerčné činnosti spojené s prenájomom alebo požičaním);
- údržby, opravy a/alebo technické zásahy na výrobku vykonané neoprávnenými tretími stranami;
- škody na výrobkoch spôsobené prepravou, keď ju vykonával kupujúci;
- škody a/alebo chyby spôsobené použitím neoriginálnych náhradných dielov.

Žiadame vás nahliadnuť do najnovšej verzie záručných podmienok, ktorá je k dispozícii na stránke www.alemobility.com/en/support/



Zneškodnenie elektrických alebo elektronických zariadení na konci ich životnosti (platí vo všetkých krajinách Európskej únie a v iných európskych systémoch so separovaným zberom)



Tento symbol na výrobku alebo na obale označuje, že výrobok sa nesmie považovať za bežný odpad z domácnosti, ale musí sa odovzdať do zberného miesta vhodného na recykláciu elektrických a elektronických zariadení (RAEE).

Zabezpečte, aby bol tento výrobok zlikvidovaný správne, a Vy ste tak prispeli k zabráneniu možných negatívnych dôsledkov pre životné prostredie a zdravie, ktoré by inak mohli byť spôsobené jeho neadekvátnou likvidáciou. Recyklácia materiálov napomáha udržiavať prírodné zdroje.

Pre podrobnejšie informácie o recyklácii a zneškodnení tohto výrobku kontaktujte miestnu službu na likvidáciu odpadov alebo predajné miesto, kde ste výrobok zakúpili.

V každom prípade je potrebné vykonať likvidáciu podľa normy platnej v krajine nákupu.

Osobitne, povinnosťou spotrebiteľov je nelikvidovať RAEE ako komunálny odpad, ale musia sa podieľať na triedenom zbere tohto typu odpadu prostredníctvom dvoch spôsobov odovzdania:

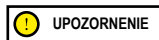
- V zberných strediskách obcí (nazývaných aj ekologické prístrešky, ekologické ostrovy), priamo alebo prostredníctvom komunálnych zberných služieb, ak sú k dispozícii;
- V predajných miestach nových elektrických a elektronických zariadení.

Tu sa môžu zdarma odovzdať RAEE veľmi malých rozmerov (s najdlhšou stranou kratšou ako 25 cm), kým tie s väčšími rozmermi sa môžu poskytnúť spôsobom 1 za 1, alebo odovzdaním starého výrobku v momente nákupu nového s rovnakými funkciami.

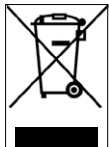
Okrem toho, spôsob 1 za 1 je vždy garantovaný počas aktu nákupu nového elektrického alebo elektronického zariadenia zo strany spotrebiteľa, nezávisle od veľkosti RAEE.

V prípade nezákonnej likvidácie elektrických alebo elektronických zariadení by sa mohli aplikovať sankcie stanovené platnou normou v oblasti ochrany životného prostredia (talianska norma, je potrebné overiť normy platné v krajine použitia/likvidácie dopravného prostriedku).

Ak OEEZ obsahuje batérie alebo akumulátory, je treba ich odstrániť a zneškodniť prostredníctvom špecifického zberu triedeného odpadu.



Spracovanie vybitých batérií (aplikovateľné vo všetkých krajinách Európskej únie a v iných európskych systémoch so systémom zberu triedeného odpadu)



Tento symbol na výrobku alebo na obale označuje, že batéria sa nesmie považovať za bežný odpad z domácnosti. Na niektorých typoch batérií by sa tento symbol mohol použiť v kombinácii s chemickou značkou.

Chemické značky ortuti (Hg) alebo olova (Pb) sa pridávajú, ak batéria obsahuje viac ako 0,0005 % ortuti alebo viac ako 0,004 % olova.

Zabezpečte, aby sa články-batérie likvidovali správne, a Vy ste tak prispeli k zabráneniu možných negatívnych dôsledkov pre životné prostredie a zdravie, ktoré by inak mohli byť spôsobené jeho neadekvátnou likvidáciou. Recyklácia materiálov napomáha udržiavať prírodné zdroje. V prípade výrobkov, ktoré, z dôvodov bezpečnosti, poskytnutia alebo ochrany údajov, si vyžadujú pevné pripojenie k vnútornému článku/batérii, tento článok alebo batériu smie vymeniť iba pomocný kvalifikovaný personál.

Na konci životnosti odovzdajte výrobok do zberného centra určeného na zneškodnenie elektrických a elektronických zariadení: to zaistí aj správne zneškodnenie vnútornej batérie.

Pre podrobnejšie informácie o likvidácii vybitého článku-batérie alebo výrobku sa môžete skontaktovať s obecným úradom, miestnou službou likvidácie odpadu alebo predajným miestom, kde ste si výrobok kúpili.

V každom prípade je potrebné vykonať likvidáciu podľa normy platnej v krajine nákupu.

Το παρόν εγχειρίδιο ισχύει για το παρακάτω ηλεκτρικό πατίνι:

AL EXT AL2

Εγχειρίδιο χρήσης
LA-MO-000001 rev. 2

Οδηγίες μεταφρασμένες από το ιταλικό πρωτότυπο

Σας ευχαριστούμε που επιλέξατε αυτό το προϊόν.

Για πληροφορίες, τεχνική υποστήριξη και βοήθεια, καθώς και για να διαβάσετε τους γενικούς όρους εγγύησης απευθυνθείτε στον προμηθευτή σας ή επισκεφτείτε τον ιστότοπο www.alemobility.com/en/support/

Περιεχόμενα

1. Οδηγίες ασφάλειας
2. Περιεχόμενο της συσκευασίας και συναρμολόγηση
3. Περιγραφή του προϊόντος
4. Πληροφορίες στοιχείων ελέγχου / Οθόνη ελέγχου
5. Γρήγορος οδηγός
6. Διπλώστε και μεταφέρετε
7. Αυτονομία και επιδόσεις
8. Αποθήκευση, συντήρηση και καθαρισμός
9. Ρύθμιση εφαρμογής
10. Τεχνικό δελτίο δεδομένων
11. Επίλυση προβλημάτων
12. Ευθύνες και γενικοί όροι εγγύησης

1. ΟΔΗΓΙΕΣ ΑΣΦΑΛΕΙΑΣ

ΠΡΟΣΟΧΗ

ΣΗΜΑΝΤΙΚΟ! Διαβάστε και ακολουθήστε προσεκτικά τις παρακάτω οδηγίες προτού χρησιμοποιήσετε το προϊόν. Φυλάξτε το παρόν εγχειρίδιο για μελλοντική αναφορά ή για νέους χρήστες.

Πάρτε τον χρόνο που χρειάζεστε προκειμένου να εξοικειωθείτε με τη χρήση ώστε να αποφύγετε οποιοδήποτε σοβαρό ατύχημα που μπορεί να συμβεί κατά τους πρώτους μήνες. Απευθυνθείτε στον προμηθευτή σας για να λάβετε κατάλληλη υποστήριξη αναφορικά με τους σωστούς τρόπους χρήσης του προϊόντος ή για να σας παραπέμψει σε κάποιον κατάλληλο φορέα εκπαίδευσης.

Η εταιρεία δεν φέρει καμία άμεση ή έμμεση ευθύνη που προκύπτει από την εσφαλμένη χρήση του προϊόντος, από τη μη τήρηση τόσο των κανόνων οδικής συμπεριφοράς όσο και των οδηγιών του παρόντος εγχειριδίου, από ατυχήματα και διαφορές που οφείλονται σε μη συμμόρφωση με τους κανονισμούς, καθώς και από παράνομες ενέργειες.

Το προϊόν αυτό πρέπει να χρησιμοποιείται για ψαχαγωγικούς σκοπούς από ένα μόνο άτομο και όχι ως μέσο μεταφοράς επιβατιών. Επομένως, δεν πρέπει να χρησιμοποιείται από περισσότερα από ένα άτομα ταυτόχρονα.

Μην αλλάζετε με οποιονδήποτε τρόπο το σκοπό χρήσης του οχήματος, διότι το προϊόν αυτό δεν είναι κατάλληλο για ακροβατικά, διαγωνισμούς, μεταφορά αντικειμένων, ρυμούλκηση άλλων οχημάτων ή προσαρτημάτων.

Το ηλεκτρικό πατίνι πρέπει να χρησιμοποιείται με σύνεση, τηρώντας πάντα τους **κανόνες** που επιβάλλονται από τον Κώδικα Οδικής Κυκλοφορίας της χώρας χρήσης, για την αποφυγή κινδύνων και τη μέγιστη φροντίδα του ίδιου του οδηγού και των άλλων.

ΠΡΟΣΟΧΗ

Ενδεικτικές απαιτήσεις οχήματος:

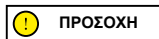
Μοντέλο ηλεκτρικού πατινιού	AL EXT Green	AL EXT Bronze	AL2
Κωδικός προϊόντος με φλας	LA-MO-210001	LA-MO-220013	LA-MO-220003
	LA-MO-220002	LA-MO-220001	LA-MO-220004
		LA-MO-210002	
	Ελάχ. Βάρος (Kg)	30	30
Μέγ. Βάρος (Kg)	120	120	120
Ελάχιστη Ηλικία *	14	14	14
Μέγιστη Ηλικία *	65	65	65
Ελάχ. Ύψος (εκ.)	120	120	120
Μέγ. Ύψος (εκ.)	200	200	200

* Προτού χρησιμοποιήσετε το προϊόν, θα πρέπει να ελέγχετε και να τηρείτε τους ισχύοντες τοπικούς κανονισμούς αναφορικά με την ελάχιστη επιτρεπόμενη ηλικία του οδηγού, με τους περιορισμούς ως προς τον τύπο των οδηγών που επιτρέπεται να χρησιμοποιούν το προϊόν και με την ίδια τη χρήση αυτού του τύπου προϊόντος.

Η Α-σταθμισμένη στάθμη ηχητικής πίεσης (θόρυβος) που εκπέμπεται στο αυτί του οδηγού είναι κάτω από 70 dB(A).

Γραφική απεικόνιση των προειδοποιήσεων ασφαλείας

Για τον εντοπισμό των μηνυμάτων ασφαλείας στο παρόν εγχειρίδιο, χρησιμοποιούνται τα παρακάτω προειδοποιητικά γραφικά σύμβολα. Αυτά έχουν σκοπό να τραβούν την προσοχή του αναγνώστη / χρήστη προκειμένου να γίνεται σωστή και ασφαλής χρήση του προϊόντος.



Απαιτείται προσοχή

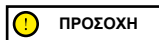
Επισημαίνει τους κανόνες που πρέπει να τηρούνται ώστε να μην προκαλείται ζημιά στο προϊόν ή/και να εμποδίζεται η εκδήλωση επικίνδυνων καταστάσεων.



Υπολειπόμενοι κίνδυνοι

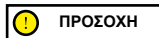
Επισημαίνει την παρουσία επικίνδυνων καταστάσεων που προκαλούν υπολειπόμενους κινδύνους απέναντι στους οποίους ο χρήστης πρέπει να είναι προσεκτικός για την αποφυγή τραυματισμών ή υλικών ζημιών.

Γενικές προειδοποιήσεις



Είναι σημαντικό να έχετε υπόψη ότι όταν βρίσκεστε σε δημόσιο χώρο ή στον δρόμο, ακόμη και όταν τηρείτε κατά γράμμα αυτό το εγχειρίδιο, δεν είστε απόλυτα προστατευμένοι από τραυματισμούς που μπορεί να οφείλονται σε παραβάσεις ή ακατάλληλες ενέργειες σε σχέση με άλλα οχήματα, εμπόδια ή άτομα. Η κακή χρήση του προϊόντος ή η μη τήρηση των οδηγιών του παρόντος εγχειριδίου μπορεί να προκαλέσουν σοβαρές ζημιές.

Το προϊόν αυτό είναι ένα ηλεκτρικό όχημα. Όσο πιο γρήγορα το οδηγείτε, τόσο περισσότερο επιμηκύνεται το διάστημα πέδησης. Η επείγουσα πέδηση σε ολισθηρούς, λασπώδεις, βρεγμένους ή παγωμένους δρόμους μπορεί να προκαλέσει την ολίσθηση των τροχών και την απώλεια της ισορροπίας. Είναι απαραίτητο να διατηρείται η κατάλληλη ταχύτητα και απόσταση ασφαλείας από άλλα οχήματα ή πεζούς. Απαιτείται μέγιστη προσοχή όταν οδηγείτε σε άγνωστους δρόμους. Μην ανοίγετε το σταντ στήριξης ενώ χρησιμοποιείτε το προϊόν, διότι υπάρχει κίνδυνος να προκληθεί σοβαρός προσωπικός τραυματισμός ή ζημιά στο προϊόν.



Σε βρεγμένους δρόμους, αυξάνεται η απόσταση πέδησης και μειώνεται η πρόσφυση σημαντικά σε σχέση με τους δρόμους που είναι στεγνοί! Οδηγείτε με μέγιστη προσοχή και τηρείτε τις αποστάσεις!

Για την ασφάλειά σας, φοράτε πάντα: κράνος, επιγονατίδες και επαγκωνίδες για προστασία από τυχαία πτώση και τραυματισμό ενώ οδηγείτε το προϊόν. Όταν δανείτε το προϊόν, παραχωρήστε τον εξοπλισμό ασφαλείας στον οδηγό και εξηγήστε του τη χρήση του οχήματος. Για την αποφυγή τραυματισμού, μην δανείτε το προϊόν σε άτομα που δεν γνωρίζουν πώς να το χρησιμοποιήσουν. Πρωτού χρησιμοποιήσετε το προϊόν φορέστε τα παπούτσια σας.

Τα παιδιά δεν πρέπει να παίζουν με το ηλεκτρικό πατίνι ή με τα διάφορα μέρη του και δεν πρέπει να επιτρέπεται αυτά να εκτελούν εργασίες καθαρισμού ή συντήρησης.

Κατά την οδήγηση του οχήματος, απαιτείται προσοχή προκειμένου να μην τρομάξετε τα παιδιά και τους πεζούς. Όταν περνάτε από πίσω τους, ειδοποιήστε τους πατώντας το κουδούνι και επιβραδύνετε χρησιμοποιώντας την ελάχιστη ταχύτητα των 6km/h.

Οδηγίες και προειδοποιήσεις σχετικά με την οδική συμπεριφορά

Συνθήκες	Κατάλληλη/προβλεπόμενη χρήση	Εσφαλμένη χρήση
Οδηγοί	Ένας	Περισσότερα άτομα, με παιδιά ή ζώα
Εξοπλισμός ασφάλειας	Κράνος, επιγονατίδες, επιαγκωνίδες, ανακλαστικό γιλέκο	Κανέναν εξοπλισμός
Έλεγχος πριν την οδήγηση	<p>Πριν από κάθε χρήση ελέγξτε τα φρένα και τη φθορά τους, ελέγξτε την πίεση των ελαστικών (δείτε στο πλάι του ελαστικού για τη συνιστώμενη τιμή), τη φθορά των τροχών, το γκάζι, τα φλας, τα φώτα και την κατάσταση φόρτισης της μπαταρίας.</p> <p>Εάν διαπιστώσετε ασυνήθιστους θορύβους ή κάποια ανωμαλία, μη χρησιμοποιείτε το προϊόν και επικοινωνήστε με τον προμηθευτή σας ή με την Εξουσιοδοτημένη Υπηρεσία Τεχνικής Υποστήριξης</p>	<p>Μη έλεγχοι του προϊόντος πριν από την οδήγηση</p> <p>Χρήση του προϊόντος υπό την παρουσία θορύβου και ανωμαλιών</p>
Περπατήστε σπρώχνοντας το προϊόν	<p>Μην επιταχύνετε</p> <p>Σπρώξτε το προϊόν ενώ περπατάτε στις διαβάσεις πεζών</p> <p>Σε πεζοδρόμους εάν δεν διατίθεται λειτουργία πεζού (6 km/h)</p> <p>Σε συνωστισμένες περιοχές</p>	<p>Πάτημα γκαζού</p> <p>Οδήγηση του οχήματος στις διαβάσεις πεζών</p> <p>Οδήγηση του οχήματος σε πεζοδρόμους εάν δεν διατίθεται η λειτουργία πεζού (6 km/h)</p> <p>Οδήγηση του οχήματος σε συνωστισμένες περιοχές</p>
Όταν είναι ακινητοποιημένο	Το άτομο που οδηγεί αυτό το προϊόν πρέπει να είναι σε θέση να στηρίξει με ευκολία και τα δύο πόδια στο έδαφος κρατώντας γερά το τιμόνι στο σωστό ύψος	<p>Μη ικανότητα να διατηρήσετε ακινητοποιημένο και σε ισορροπία το προϊόν</p> <p>Κάθεστε επάνω στο προϊόν ενώ αυτό κινείται ή είναι ακινητοποιημένο</p>

Συνθήκες	Κατάλληλη/προβλεπόμενη χρήση	Εσφαλμένη χρήση
Οδήγηση υπό κανονικές συνθήκες	Κανένα αντικείμενο κρεμασμένο στο τιμόνι	Αντικείμενα κρεμασμένα στο τιμόνι προκαλούν αστάθεια και μπορεί να αποτελέσουν εμπόδιο κατά τους ελιγμούς
	Οδήγηση έχοντας και τα δύο χέρια στο τιμόνι Μη χρησιμοποιείτε συσκευές όπως τηλέφωνα, smartwatch, συσκευές αναπαραγωγής μουσικής, ακουστικά	Οδήγηση με ένα μόνο χέρι ή χωρίς χέρια Χρήση συσκευών όπως τηλέφωνα, smartwatch, συσκευές αναπαραγωγής μουσικής, ακουστικά
	Οδήγηση και με τα δύο πόδια επάνω στην πλατφόρμα με άνετο και ασφαλή τρόπο	Οδήγηση με ένα ή και τα δύο πόδια εκτός της πλατφόρμας Απαγορεύεται η τοποθέτηση και συγκέντρωση του βάρους στο οπίσθιο φτερό.
	Οδήγηση με κράνος και προστατευτικό εξοπλισμό	Οδήγηση χωρίς κράνος και προστατευτικό εξοπλισμό
	Οδήγησε σε εύκολα προσβάσιμους, ομαλούς και συμπαγείς δρόμους, αποφύγετε περιοχές με έντονη κίνηση ή συνωστισμένες περιοχές: π.χ. ειδικός ποδηλατόδρομος, επιφάνειες με λεία επίστρωση	Οδήγηση σε αυτοκινητοδρόμους και οδικούς άξονες Οδήγηση σε δρόμους με έντονη κίνηση Οδήγηση σε πεζοδρόμια Οδήγηση σε περιοχές με συνωστισμό Οδήγηση σε ανώμαλους δρόμους Οδήγηση κοντά σε: γκρεμούς, πλαγιές, λιμάνια, θάλασσα, λίμνες και ποτάμια
	Τηρείτε τους ισχύοντες τοπικούς κανονισμούς και τον κώδικα οδικής κυκλοφορίας	Μη τήρηση των ισχυόντων κανονισμών και του κώδικα οδικής κυκλοφορίας
	Κοιτάζετε πάντα προς τα μπροστά και προσέχετε όλα τα κοντινά εμπόδια, οχήματα και πεζούς	Να αφαιρείστε ενώ οδηγείτε
	Αλλάζετε κατεύθυνση αφού είστε σίγουροι ότι σας έχουν δει, ελαττώνοντας ταχύτητα Σε κάθε περίπτωση, υπολογίστε εκ των προτέρων την πορεία σας και ελαττώστε ταχύτητα τηρώντας τον κώδικα οδικής κυκλοφορίας και τους πιο ευάλωτους Χρησιμοποιείτε πάντα τους δείκτες κατεύθυνσης εάν προβλέπονται στο προϊόν	Αλλαγή κατεύθυνσης με υψηλή ταχύτητα χωρίς να είστε σίγουροι ότι σας έχουν δει Το ταυτόχρονο φρενάρισμα και στρίψιμο καθιστά το όχημα ασταθές Μη χρήση των δεικτών κατεύθυνσης
Επιβραδύνετε όταν υπάρχουν πεζοί Χρησιμοποιήστε τη λειτουργία πεζού στους πεζοδρόμους (6 km/h) Ειδοποιήστε τους άλλους χρησιμοποιώντας το κουδούνι	Επιτάχυνση ή διατήρηση σταθερούς ταχύτητας υπό την παρουσία πεζών Οδήγηση χωρίς τη χρήση της λειτουργίας πεζού σε πεζοδρόμους (6 km/h) Μη ειδοποίηση των άλλων ως προς την παρουσία σας χρησιμοποιώντας το κουδούνι	
Μη ομαλές συνθήκες δρόμου: τεχνητά σαμαράκια/σκαλοπάτια/ ανώμαλο οδόστρωμα	Οδήγηση με μέτρια ταχύτητα Λυγίστε ελαφρώς τα γόνατα για καλύτερη απορρόφηση των κραδασμών όταν διασχίζετε μια ανώμαλη επιφάνεια.	Οδήγηση με υψηλή ταχύτητα Επιτάχυνση σε σαμαράκια και χαντάκια, κατέβασμα σκαλοπατιών, υπερπήδηση εμποδίων, ανάβαση σε πεζοδρόμια, μη ευέλικτη οδήγηση.

Συνθήκες	Κατάλληλη/προβλεπόμενη χρήση	Εσφαλμένη χρήση
Συμπεριφορά: κατά τη στροφή, κατάβαση, παρουσία εμποδίων, οχημάτων και πεζών σε κοντινή απόσταση	Διατηρείτε την απόσταση ασφαλείας Σταματήστε να επιταχύνετε Φρενάρετε και επιβραδύνετε Οδήγηση με μέτρια ταχύτητα και φρενάρισμα με ασφαλή τρόπο Προσοχή στις πόρτες και σε άλλα εμπόδια ως προς το ύψος	Μη τήρηση της απόστασης ασφαλείας Επιτάχυνση Οδήγηση με υψηλή ταχύτητα, απότομο φρενάρισμα Διέλευση κάτω από εμπόδια ως προς το ύψος
Συνθήκες ορατότητας	Οδηγείτε μόνο όταν υπάρχει επαρκής φωτισμός για ασφαλή οδήγηση. Σε περίπτωση οδήγησης με ανεπαρκή φωτισμό (μισή ώρα μετά τη δύση του ήλιου, καθ' όλη τη διάρκεια του σκοταδιού αλλά και κατά την ημέρα, σε περίπτωση που οι καιρικές συνθήκες αποκλείουν την ορατότητα του δρόμου, εάν διέρχεστε μέσα από τούνελ) να θυμάστε να ανάβετε τα φώτα του οχήματος και να φοράτε ανακλαστικό γιλέκο ή τιράντες.	Οδήγηση υπό ανεπαρκείς συνθήκες φωτισμού με τα φώτα σβησμένα και χωρίς τη χρήση ανακλαστικού γιλέκου ή τιραντών.
Καιρικές συνθήκες	Οδήγηση σε βέλτιστες καιρικές συνθήκες (όχι βροχή)	Οδήγηση σε αντίξοες συνθήκες: με βροχή, όταν χιονίζει, υπό την παρουσία πάγου ή λάσπης στον δρόμο, με δυνατό αέρα, σε περίπτωση ομίχλης.
Παρκάρισμα	Σε συγκεκριμένα σημεία χωρίς να εμποδίζετε την κυκλοφορία οχημάτων και πεζών Σε ομαλές επιφάνειες όπου διασφαλίζεται η σταθερότητα Απενεργοποιήστε το προϊόν και χρησιμοποιείτε πάντα αντικλεπτική συσκευή Χρησιμοποιήστε το σταντ στήριξης που παρέχεται	Οπουδήποτε, εάν εμποδίζετε την κυκλοφορία οχημάτων και πεζών Σε επιφάνειες χωρίς συνοχή όπου δεν διασφαλίζεται η σταθερότητα Ενεργοποιημένο όχημα, χωρίς να φυλάσσεται και χωρίς αντικλεπτική συσκευή
Εκτέλεση ριψοκίνδυνων αθλημάτων / ακροβατικών	OXI	ΝΑΙ, ακατάλληλη χρήση: Οδήγηση κοντά σε: γκρεμούς, πλαγιές, λιμάνια, θάλασσα, λίμνες και ποτάμια Οδήγηση πάνω σε νερόλακκους Αγώνες ταχύτητας με άλλα οχήματα
Χρήση του προϊόντος σε συνθήκες ισχυρών κραδασμών	OXI	ΝΑΙ, ακατάλληλη χρήση: Να πετάγεστε επάνω σε αντικείμενα ή ανθρώπους, να καταβείτε από σκάλες ή να πέφτετε από ύψος

Τι να κάνετε ύστερα από πώση:

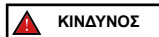
Βεβαιωθείτε ότι ο μοχλός του γκαζού λειτουργεί σωστά. Για να το κάνετε αυτό, επιταχύνετε και επιβραδύνετε αρκετές φορές.

Ελέγχετε πάντα ότι τα φρένα λειτουργούν σωστά. Για να το κάνετε αυτό, κατεβείτε από το όχημα, ωθήστε το προς τα μπροστά και φρενάρετε για να επιβεβαιώσετε ότι ανταποκρίνεται στις εντολές.

Επιβεβαιώστε ότι όλα τα εξαρτήματα του οχήματος βρίσκονται στη θέση τους και είναι στερεωμένα με ασφάλεια.

Ελέγξτε τη φθορά και την πίεση των ελαστικών (δείτε τη συνιστώμενη τιμή που αναγράφεται στο πλάι του ελαστικού).


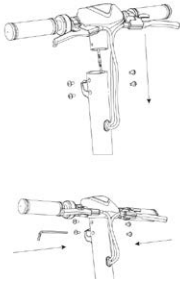

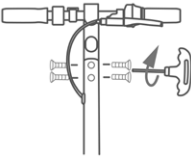
Ελέγξτε τη φθορά των φρένων και των καλωδίων.



Τα φρένα μπορεί να αναπτύξουν υψηλή θερμοκρασία κατά τη διάρκεια της χρήσης. Μην τα αγγίζετε μετά τη χρήση.

2. ΠΕΡΙΕΧΟΜΕΝΟ ΤΗΣ ΣΥΣΚΕΥΑΣΙΑΣ ΚΑΙ ΣΥΝΑΡΜΟΛΟΓΗΣΗ

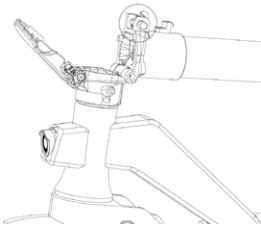
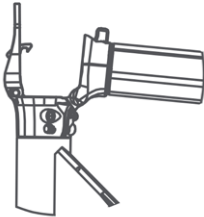
Συναρμολογημένο προϊόν, η εγκατάσταση του τιμονιού πρέπει να γίνεται με τις ειδικές βίδες που περιέχονται στη συσκευασία.

Μοντέλο	Εικόνα αναφοράς	Στη συσκευασία	Συναρμολόγηση τιμονιού
AL EXT		<p>Εξαρτήματα:</p> <p>1x κλειδί Allen</p> <p>4x Βίδες τιμονιού</p> <p>1x Φορτιστής μπαταρίας</p>	
AL2		<p>Εξαρτήματα:</p> <p>1x κλειδί Allen</p> <p>2x Βίδες τιμονιού</p> <p>1x Φορτιστής μπαταρίας</p>	

Βήματα

AL EXT / AL2

- Αφαιρέστε το προϊόν από τη συσκευασία.
- Ανοίξτε τον λαιμό του τιμονιού και στερεώστε το κλείνοντας τον μοχλό του μηχανισμού ασφάλισης.
- Συνδέστε το καλώδιο τροφοδοσίας της οθόνης στην κύρια καλωδίωση (εάν είναι απαραίτητο).
- Εγκαταστήστε το τιμόνι επάνω στον λαιμό (μην συνθλίβετε τα καλώδια).
- Εισάγετε και σφίξτε τις βίδες στον λαιμό με το κλειδί που παρέχεται.
- Εγκαταστήστε το σταντ στήριξης (εάν είναι απαραίτητο).
- Προβείτε σε ρύθμιση του μηχανισμού ασφάλισης του λαιμού* (εάν είναι απαραίτητο).
- Κατά την πρώτη χρήση, φορτίστε το προϊόν κατά 100%.

Μοντέλο	Εικόνα αναφοράς	* Ρύθμιση μηχανισμού ασφάλισης του λαιμού
AL EXT		<p>Στο εσωτερικό του μηχανισμού υπάρχει μια εξαγωνη βίδα.</p> <p>Αν ο λαιμός του τιμονιού δεν είναι πολύ σταθερός μετά το κλείδωμα, ρυθμίστε τη βίδα του μηχανισμού βιδώνοντας ή ξεβιδώνοντας όσο χρειάζεται για να αυξήσετε τη σταθερότητα του λαιμού.</p>
AL2		<p>Μια εξαγωνική βίδα βρίσκεται στο εσωτερικό του μηχανισμού.</p> <p>Εάν το στέλεχος του τιμονιού είναι ασταθές μετά το κλείσιμο, ρυθμίστε τη βίδα του μηχανισμού βιδώνοντας ή ξεβιδώνοντας την όσο χρειάζεται για να αυξηθεί η σταθερότητα του στελέχους.</p>

 **ΠΡΟΣΟΧΗ**

Συναρμολογήστε σωστά το προϊόν. Σε περίπτωση που, κατά τη συναρμολόγηση, διαπιστώσετε κάποιο εργοστασιακό ελάττωμα, κάποια ασάφεια ή δυσκολία ως προς τη συναρμολόγηση ή τις ρυθμίσεις, μην οδηγείτε το όχημα και επικοινωνήστε με τον προμηθευτή σας ή επισκεφθείτε τον ιστότοπο www.alemobility.com/en/ για να λάβετε τεχνική υποστήριξη.

Μη χρησιμοποιείτε αξεσουάρ ή/και πρόσθετα εξαρτήματα που δεν είναι εγκεκριμένα από τον κατασκευαστή.

Φυλάξτε τα παιδιά μακριά από πλαστικά μέρη (συμπεριλαμβανομένων των υλικών συσκευασίας) και μικρά εξαρτήματα για την αποφυγή του κινδύνου πνιγμού.

Απαγορεύεται η τροποποίηση ή μετατροπή με οποιονδήποτε τρόπο του προϊόντος ή μερών αυτού, διότι ενδέχεται να επηρεαστεί η αποτελεσματικότητα και η δομή του και να προκληθούν ζημιές. Αν εντοπίσετε κάποιο εργοστασιακό ελάττωμα, αν διαπιστώσετε κάποιον ασυνήθιστο θόρυβο ή ανωμαλία, μην οδηγείτε το όχημα και επικοινωνήστε με τον προμηθευτή σας ή επισκεφθείτε τον ιστότοπο www.alemobility.com/en/ για να λάβετε τεχνική υποστήριξη.

3. ΠΕΡΙΓΡΑΦΗ ΤΟΥ ΠΡΟΪΟΝΤΟΣ

Με σκοπό τη συνεχή τεχνολογική εξέλιξη, η κατασκευάστρια εταιρεία διατηρεί το δικαίωμα να τροποποιεί το προϊόν χωρίς προειδοποίηση, δίχως να ενημερώνεται αυτόματα το παρόν εγχειρίδιο.

Για πληροφορίες και για να δείτε τις αναθεωρήσεις του παρόντος εγχειριδίου επισκεφθείτε τον ιστότοπο www.alemobility.com/en/

AL EXT



1. Μπροστινός προβολέας
2. Μοχλός φρένων
3. Αγκιστρο
4. Μηχανισμός κλειδώματος
5. Μπροστινός τροχός
6. Βάση
7. Θύρα φόρτισης
8. Υποπόδιο
9. Κλιπ στερέωσης
10. Πίσω φως

11. Πίσω λασπωτήρας
12. Πίσω κινητήριος τροχός
13. Δαγκάνα φρένων
14. Καμπάνα
15. Οθόνη
16. Γκάζι
17. Κομπι ON/OFF
18. Διακόπτης φωτός
19. Θύρα USB

AL2



1. Άγκιστρο
2. Κουδούνι
3. Μοχλός φρένου
4. Μηχανισμός κλειδώματος
5. Προβολέας
6. Φρένο τυμπάνου
7. Βάση
8. Υποπόδιο
9. Πίσω τροχός κίνησης
10. Προβολέας

11. Πίσω λασπωτήρας
12. Κλιπ στερέωσης
13. Θύρα φόρτισης
14. Οθόνη
15. Γκάζι

Φόρτιση της μπαταρίας







ΠΡΟΣΟΧΗ

Κατά την πρώτη χρήση φορτίστε το προϊόν στο 100%. Βεβαιωθείτε ότι το προϊόν, ο φορτιστής και η θύρα φόρτισης είναι στεγνά.

Οδηγίες

- Ανοίξτε το σταντ στήριξης
- Απενεργοποιήστε το προϊόν

Μοντέλο	Εικόνα αναφοράς	ΟΔΗΓΙΕΣ
AL EXT	 <p>Θύρα φόρτισης</p>	<ul style="list-style-type: none">• Χρησιμοποιείτε αποκλειστικά τον φορτιστή που παρέχεται.• Συνδέστε τον φορτιστή πρώτα στην πρίζα του τοίχου και έπειτα στη θύρα φόρτισης.• Μην ενεργοποιείτε το ηλεκτρικό πατίνι ενώ φορτίζεται. <div data-bbox="612 671 814 717">ΠΡΟΣΟΧΗ</div> <p>Το κόκκινο φως που υπάρχει επάνω στο τροφοδοτικό θα γίνει πράσινο μόλις η φόρτιση ολοκληρωθεί.</p>
AL2	 <p>Θύρα φόρτισης</p>	<ul style="list-style-type: none">• Χρησιμοποιήστε μόνο τον παρεχόμενο φορτιστή.• Συνδέστε το φορτιστή πρώτα στην πρίζα τοίχου και μόνο στη συνέχεια στην πρίζα φόρτισης.• Μην ενεργοποιείτε το ηλεκτρικό σκούτερ κατά τη διάρκεια της φόρτισης. <div data-bbox="612 1118 814 1164">ΠΡΟΣΟΧΗ</div> <p>Η κόκκινη λυχνία στο τροφοδοτικό θα γίνει πράσινη όταν ολοκληρωθεί η διαδικασία φόρτωσης.</p>

Για τη φόρτιση αυτού του προϊόντος χρησιμοποιείτε ΜΟΝΟ τον φορτιστή του παρεχόμενου εξοπλισμού



ΠΡΟΣΟΧΗ

Μοντέλο	Κωδικός προϊόντος	Μοντέλο φορτιστή μπαταρίας	Τάση εξόδου	Χρόνος φόρτισης
AL EXT	LA-MO-210001	FCA136-546020	54.6V – 2A	Περίπου 7 ώρες
	LA-MO-220002			
	LA-MO-210002			
	LA-MO-220013			
	LA-MO-220001			
AL2	LA-MO-220003	HLT-180-4201500	42V – 1.5A	Περίπου 5 ώρες
	LA-MO-220004			

Η χρήση άλλου τύπου φορτιστή μπορεί να καταστρέψει το προϊόν ή να προκαλέσει άλλους πιθανούς κινδύνους.

Μην αφήνετε ποτέ το προϊόν να φορτίζεται χωρίς επίβλεψη. Μην ενεργοποιείτε το προϊόν κατά τη διάρκεια της φόρτισης.

Μετά από κάθε χρήση, φορτίστε πλήρως τη μπαταρία για να παρατείνετε την ωφέλιμη διάρκεια ζωής της. Μην επαναφορτίσετε το προϊόν αμέσως μετά τη χρήση. Αφήστε το προϊόν να κρυώσει για μία ώρα προτού το επαναφορτίσετε.

Το προϊόν δεν πρέπει να φορτίζεται για παρατεταμένο χρονικό διάστημα. Η υπερφόρτιση μειώνει τη διάρκεια της μπαταρίας και συνεπάγεται περαιτέρω πιθανούς κινδύνους.

Συνιστάται να μην αφήνετε το όχημα να αποφορτίζεται εντελώς προκειμένου να μην προκληθεί στη ζημιά στη μπαταρία.

Η ζημιά που μπορεί να προκληθεί στη μπαταρία όταν αυτή παραμένει χωρίς φόρτιση για μεγάλο χρονικό διάστημα είναι μη αναστρέψιμη και δεν καλύπτεται από την περιορισμένη εγγύηση. Εάν υποστεί τέτοιου είδους ζημιά, η μπαταρία δεν μπορεί να επαναφορτιστεί (απαγορεύεται η αποσυναρμολόγηση της μπαταρίας από μη εξειδικευμένο προσωπικό, διότι μπορεί να προκληθεί ηλεκτροπληξία, βραχυκύκλωμα ή ακόμη και σοβαρότερα ατυχήματα). Εάν πρόκειται να απουσιάσετε για κάποιο χρονικό διάστημα, π.χ. για διακοπές, και παραχωρήσετε το όχημα σε τρίτους, αφήστε το σε κατάσταση μερικής φόρτισης (20-50% φόρτιση), όχι πλήρως φορτισμένο.

Εκτελείτε τακτικά οπτικό έλεγχο του φορτιστή και των καλωδίων του φορτιστή. Εάν το καλώδιο του φορτιστή παρουσιάζει εμφανή ζημιά μην τον χρησιμοποιείτε για να αποφύγετε περαιτέρω ζημιές ή/και κινδύνους και επικοινωνήστε μαζί μας για την αντικατάστασή.

Προειδοποιήσεις σχετικά με τη μπαταρία

Η μπαταρία αποτελείται από κελιά ιόντων λιθίου και χημικά στοιχεία επικίνδυνα για την υγεία και το περιβάλλον. Μη χρησιμοποιείτε το προϊόν εάν αναδίδει μυρωδιά, ουσίες ή υπερβολική θερμότητα. Μην απορρίπτετε το προϊόν ή τη μπαταρία μαζί με τα οικιακά απορρίμματα. Ο τελικός χρήστης είναι υπεύθυνος για τη σωστή απόρριψη του ηλεκτρικού και ηλεκτρονικού εξοπλισμού και των μπαταριών σύμφωνα με όλους τους ισχύοντες κανονισμούς.

Αποφύγετε τη χρήση χρησιμοποιημένων, ελαττωματικών ή/και μη γνήσιων μπαταριών, καθώς και μπαταρίες που ανήκουν σε άλλα μοντέλα ή μάρκες.



Μην αφήνετε τη μπαταρία κοντά σε φωτιά ή πηγές θερμότητας. Κίνδυνος πυρκαγιάς και έκρηξης.

Μην ανοίγετε και μην αποσυναρμολογείτε τη μπαταρία, μην τη χτυπάτε, εκτοξεύετε, τρυπάτε και κολλάτε αντικείμενα επάνω της.

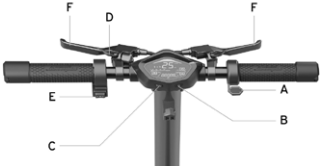
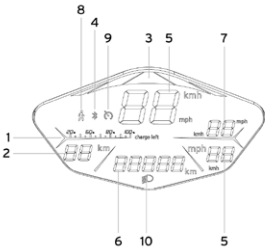
Μην αγγίζετε τυχόν ουσίες που έχουν διαρρεύσει από τη μπαταρία, διότι αυτή περιέχει επικίνδυνες ουσίες. Μην αφήνετε παιδιά ή ζώα να έρχονται σε επαφή με τη μπαταρία.

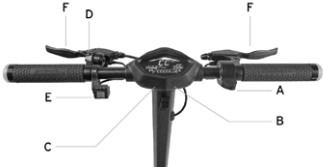
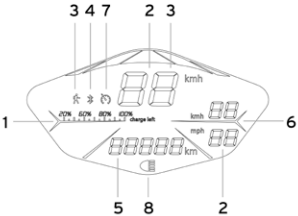
Αποφύγετε την υπερβολική φόρτιση ή τη βραχυκύκλωση της μπαταρίας. Κίνδυνος πυρκαγιάς και έκρηξης.

Μη βυθίζετε ή εκθέτετε τη μπαταρία σε νερό, κάτω από τη βροχή ή σε άλλες υγρές ουσίες. Μην εκθέτετε τη μπαταρία υπό το άμεσο ηλιακό φως, σε υπερβολική ζέση ή κρύο (π.χ. μην αφήνετε το προϊόν ή τη μπαταρία μέσα σε αυτοκίνητο υπό το άμεσο ηλιακό φως για παρατεταμένο χρονικό διάστημα), σε περιβάλλον που περιέχει εκρηκτικά αέρια ή φλόγες.




Μη μεταφέρετε ή αποθηκεύετε τη μπαταρία μαζί με μεταλλικά αντικείμενα όπως τσιμπιδάκια μαλλιών, κολιέ, κτλ. Η επαφή μεταξύ των μεταλλικών αντικειμένων και των επαφών της μπαταρίας ενδέχεται να προκαλέσει βραχυκύκλωμα που μπορεί να οδηγήσει σε σωματικό τραυματισμό ή θάνατο.

4. ΠΛΗΡΟΦΟΡΙΕΣ ΣΤΟΙΧΕΙΩΝ ΕΛΕΓΧΟΥ / ΘΘΟΝΗ ΕΛΕΓΧΟΥ

Μοντέλο		
		
	<p>A. Γκάζι: πατήστε προς τα κάτω για να επιταχύνετε.</p> <p>B. Κουμπί λειτουργίας: πατήστε παρατεταμένα για να ενεργοποιήσετε ή να απενεργοποιήσετε το ηλεκτρικό σκούτερ.</p> <p>Χιλιομετρητής ODO/TRIP: πιέστε σύντομα 3 φορές για να μεταβείτε από την ένδειξη ODO στην ένδειξη TRIP.</p> <p>C. Λειτουργίες ταχύτητας: πιέστε σύντομα για να αλλάξετε το επίπεδο ταχύτητας.</p> <p>Φώτα: Πατήστε παρατεταμένα το κουμπί για να ενεργοποιήσετε ή να απενεργοποιήσετε τα φώτα.</p>	<p>D. Κουδούνι: πατήστε το μοχλό μία φορά για να το ενεργοποιήσετε.</p> <p>E. Δείκτες κατεύθυνσης: Πατήστε το διακόπτη προς τα δεξιά ή προς τα αριστερά για να τους ενεργοποιήσετε ή/και να τους απενεργοποιήσετε.</p> <p>F. Μοχλός φρένου: σφίξτε το μοχλό για να φρενάρει.</p>
AL EXT	<ol style="list-style-type: none"> Στάθμη μπαταρίας: υπολειπόμενη κατάσταση φόρτισης. Αυτονομία: εκτίμηση της εναπομένουσας απόστασης. Λειτουργία ταχύτητας (μπάρα LED): <ul style="list-style-type: none"> - Επίπεδο 1: πράσινο χρώμα. - Επίπεδο 2: πορτοκαλί χρώμα - Επίπεδο 3: κόκκινο χρώμα Bluetooth: διαθέσιμη σύνδεση smartphone. Στροφόμετρο: στιγμιαία ταχύτητα ηλεκτρικού σκούτερ (km/h - mph). Χιλιομετρητής ODO / TRIP: πατήστε σύντομα 3 φορές για να μεταβείτε από την ένδειξη ODO στην ένδειξη TRIP. Ταχύτητα AVG: μέση ταχύτητα. Λειτουργία πεζού: βοήθεια για την ώθηση του οχήματος με φως που αναβοσβήνει. Cruise control: διατήρηση της ταχύτητας. Ενεργοποιείται μετά τη διατήρηση της ίδιας ταχύτητας για μερικά δευτερόλεπτα. Φώτα: ενδεικτική λυχνία φωτισμού. 	

Μοντέλο		
AL2		
	<p>A. Γκάζι: πατήστε προς τα κάτω για να επιταχύνετε.</p> <p>B. Κουμπί λειτουργίας: πατήστε παρατεταμένα για να ενεργοποιήσετε ή να απενεργοποιήσετε το ηλεκτρικό σκούτερ.</p> <p>Χιλιόμετρητής ODO/TRIP: πιάστε σύντομα 3 φορές για να μεταβείτε από την ένδειξη ODO στην ένδειξη TRIP.</p> <p>C. Λειτουργίες ταχύτητας: πιάστε σύντομα για να αλλάξετε το επίπεδο ταχύτητας.</p> <p>Φώτα: Πατήστε παρατεταμένα το κουμπί για να ενεργοποιήσετε ή να απενεργοποιήσετε τα φώτα.</p>	<p>D. Κουδούνι: πατήστε το μοχλό μία φορά για να το ενεργοποιήσετε.</p> <p>E. Δείκτης κατεύθυνσης: Πατήστε το διακόπτη προς τα δεξιά ή προς τα αριστερά για να τους ενεργοποιήσετε ή/και να τους απενεργοποιήσετε.</p> <p>F. Μοχλός φρένου: σφίξτε το μοχλό για να φρενάρει.</p>
	<ol style="list-style-type: none"> Στάθμη μπαταρίας: υπολειπόμενη κατάσταση φόρτισης. Ταχύμετρο: στιγμιαία ταχύτητα του ηλεκτρικού σκούτερ (km/h και mph). Λειτουργίες ταχύτητας (ΤΑΧΙΜΕΤΡΟ): <ul style="list-style-type: none"> - Επίπεδο 1: Υποδεικνύεται με τον αριθμό 1 - Επίπεδο 2: υποδεικνύεται με τον αριθμό 2 - Επίπεδο 3: υποδεικνύεται με τον αριθμό 3 - Πεζός: Βοήθεια για την ώθηση του οχήματος με φως που αναβοσβήνει. Bluetooth: διαθέσιμη σύνδεση smartphone. Οδομετρητής ODO/TRIP: συνολική διανυθείσα απόσταση και απόσταση μεμονωμένης συνεδρίας. AVG Ταχύτητα: μέση ταχύτητα. Έλεγχος ταχύτητας: διατήρηση της ταχύτητας. Ενεργοποιείται μετά τη διατήρηση της ίδιας ταχύτητας για μερικά δευτερόλεπτα. Φώτα: ενδεικτική λυχνία φωτισμού. 	

Δείκτες κατεύθυνσης

Μοντέλο	
AL EXT AL2	 <p data-bbox="194 506 857 527">Οι δείκτες κατεύθυνσης βρίσκονται στο άκρο του τιμονιού (δεξιά και αριστερή πλευρά).</p> <p data-bbox="194 547 917 588">Οι δείκτες κατεύθυνσης είναι απαραίτητοι για την έγκαιρη επισήμανση οποιασδήποτε αλλαγής κατεύθυνσης κατά την οδήγηση.</p> <p data-bbox="194 646 476 666">Χειριστήριο ενεργοποίησης:</p>  <div data-bbox="646 652 847 701" style="border: 1px solid black; padding: 5px;"> ΠΡΟΣΟΧΗ</div> <p data-bbox="646 728 961 786">Πριν από κάθε χρήση του προϊόντος, ελέγξτε τη σωστή λειτουργία των δεικτών κατεύθυνσης.</p>

5. ΓΡΗΓΟΡΟΣ ΟΔΗΓΟΣ

- Κατά την πρώτη χρήση φορτίστε το προϊόν στο 100%.
- Πραγματοποιήστε έλεγχο της πίεσης των ελαστικών (δείτε στο πλάι του ελαστικού για τη συνιστώμενη τιμή). Σε περίπτωση που το προϊόν δεν καταφέρει να διανύσει τουλάχιστον το 60% των δηλωθέντων Km ή δεν φτάσει στη μέγιστη ταχύτητα εντός των πρώτων 3 μηνών χρήσης, είναι πιθανό τα ελαστικά να έχουν ξεφουσκώσει ξανά και επομένως να χρειάζεται να αποκαταστήσετε την πίεση σύμφωνα με τις υποδείξεις.
- Εκτελέστε έλεγχο και ρύθμιση των φρένων.
- Ανάψτε την οθόνη.
- Τοποθετήστε το προϊόν επάνω σε επίπεδη επιφάνεια.
- Κρατήστε γερά το τιμόνι και με τα δυο χέρια. Ανεβάστε το ένα πόδι επάνω στην πλατφόρμα και χρησιμοποιήστε το άλλο πόδι για να δώσετε μια ελαφριά ώθηση και να επιταχύνετε.



ΠΡΟΣΟΧΗ

Λειτουργία Zero Start: το γκάζι αρχίζει να λειτουργεί μόλις η ταχύτητα προώθησης ξεπεράσει τα 3 km/h.

Για λόγους ασφαλείας, το προϊόν είναι στην αρχή έτσι ρυθμισμένο ώστε να αποφεύγεται η εκκίνηση από ακινητοποιημένη θέση.

- Όταν οδηγείτε το προϊόν, δώστε κλίση στο σώμα σας προς την κατεύθυνση οδήγησης όταν θέλετε να στρίψετε και στρέψτε αργά το τιμόνι.
- Για να ακινητοποιήσετε το προϊόν, αφήστε το γκάζι και πατήστε τον μοχλό του φρένου.
- Για να κατεβείτε, ακινητοποιήστε πρώτα εντελώς το όχημα. Εάν κατεβείτε από το ηλεκτρικό πατίνι ενώ αυτό βρίσκεται σε κίνηση ενδέχεται να τραυματιστείτε.
- Πριν από κάθε χρήση ελέγξτε τα φρένα και τη φθορά τους, ελέγξτε την πίεση των ελαστικών (δείτε στο πλάι του ελαστικού για να μάθετε τη συνιστώμενη τιμή), τη φθορά των τροχών, το γκάζι και την κατάσταση φόρτισης της μπαταρίας.

Ρύθμιση της θέσης των μοχλών φρένου

AL EXT / AL2

Ρύθμιση φρένων

Μπορείτε να ρυθμίσετε τη θέση του μοχλού του φρένου σε περίπτωση που είναι απαραίτητο μέσω του σημείου A. (δείτε εικόνα)



Ρύθμιση φρένων

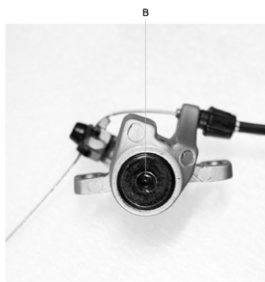
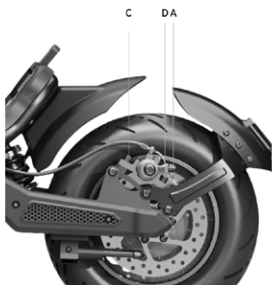
AL EXT

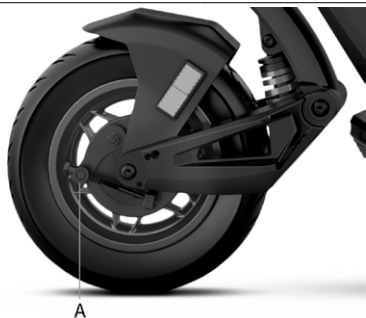
Ρύθμιση της δαγκάνας του φρένου

Εάν το φρένο είναι πολύ σφιχτό ή πολύ χαλαρό, χρησιμοποιήστε το εξάγωνο κλειδί του εξοπλισμού για να βιδώσετε τη βίδα (A), έπειτα ρυθμίστε το καλώδιο του φρένου (κοντύνετε το καλώδιο του φρένου προς τα επάνω εάν είναι πολύ σφιχτό. Εάν το φρένο είναι πολύ χαλαρό, τραβήξτε το καλώδιο προς τα κάτω) και έπειτα ξανασφίξτε τη βίδα (A).

Εάν εξακολουθεί να είναι πολύ χαλαρό ή πολύ σφιχτό ακόμη και μετά την εκτέλεση του πρώτου βήματος, μπορεί να χρειάζεται να ρυθμίσετε το τακάκι του φρένου (σταθερό) το οποίο μπορείτε να προσαρμόσετε μέσω του τροχού από την αντίθετη πλευρά. Χρησιμοποιήστε το εξάγωνο κλειδί για να απομακρύνετε (αριστερόστροφα) ή να πλησιάσετε (δεξιόστροφα) το τακάκι του φρένου (B) (δείτε εικόνα). Ελέγξτε τη σωστή λειτουργία μεταξύ της δαγκάνας του φρένου και του δίσκου. Χρησιμοποιήστε τις βίδες C και D για να ρυθμίσετε τη θέση / ευθυγράμμιση στον δίσκο εάν είναι απαραίτητο.

Για τη δαγκάνα του πίσω φρένου ξεβιδώστε και αφαιρέστε τις βίδες C και D και έπειτα αφαιρέστε τη δαγκάνα του φρένου από τον δίσκο.





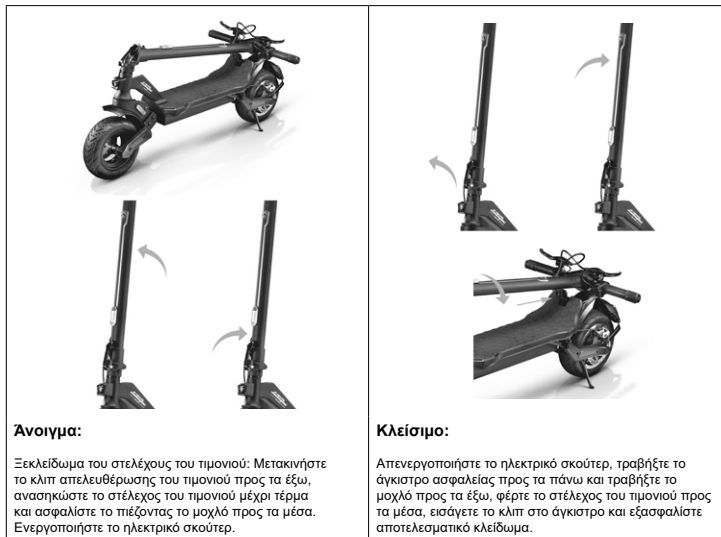
Ρύθμιση του φρένου τυμπάνου:

Εάν το φρένο είναι πολύ σφιχτό ή πολύ χαλαρό, ενεργήστε χαλαρώνοντας ή σφίγγοντας τη βίδα (A). Εάν ο μοχλός του φρένου είναι πολύ μαλακός ή πολύ σκληρός ακόμη και μετά την τήρηση του πρώτου βήματος, μπορεί να χρειαστεί να επαναλάβετε τη λειτουργία μέχρι να επιτευχθεί η βέλτιστη ρύθμιση.

6. ΔΙΠΛΩΣΤΕ ΚΑΙ ΜΕΤΑΦΕΡΕΤΕ

Βεβαιωθείτε ότι το ηλεκτρικό πατίνι είναι απενεργοποιημένο. Κρατήστε τον λαιμό του τιμονιού με το χέρι, τραβήξτε τον μοχλό, διπλώστε τον λαιμό του τιμονιού προς την πλατφόρμα και ασφαλίστε.

AL EXT



Κλιπ τιμονιού

**Άνοιγμα:**

Ξεκλειδώστε το στέλεχος του τιμονιού από το υποπόδιο: πιέστε προς τα κάτω το κλιπ για να απελευθερώσετε το τιμόνι, ανασηκώστε το στέλεχος του τιμονιού μέχρι τέρμα και ασφαλίστε το πιέζοντας το μοχλό του μηχανισμού ασφάλισης προς τα μέσα. Ενεργοποιήστε το ηλεκτρικό σκούτερ.

Μοχλός μηχανισμού κλειδώματος

**Κλείσιμο:**

Απενεργοποιήστε το ηλεκτρικό σκούτερ, ξεκλειδώστε το μηχανισμό ασφάλισης: πιέστε το κόκκινο άγκιστρο και τραβήξτε το μοχλό προς τα έξω (βλ. εικόνα), φέρτε το στέλεχος του τιμονιού προς τα μέσα και βεβαιωθείτε ότι είναι πραγματικά κλειδωμένο.



Αφού το διπλώσετε, σηκώστε το κρατώντας το λαιμό του τιμονιού με το ένα ή και με τα δυο χέρια.

**ΠΡΟΣΟΧΗ**

Βεβαιωθείτε ότι κρατάτε γερά το προϊόν κατά τη διάρκεια της μεταφοράς. Εάν δεν είστε σίγουροι ότι μπορείτε να αντέξετε το βάρος του προϊόντος μη συνεχίσετε να το κρατάτε σηκωμένο. Εάν αφήσετε το προϊόν να πέσει απότομα μπορεί να προκαλέσει ακόμη και σοβαρό τραυματισμό και να καταστραφεί.

7. ΑΥΤΟΝΟΜΙΑ ΚΑΙ ΕΠΙΔΟΣΕΙΣ

Η μέγιστη αυτονομία και οι επιδόσεις του οχήματος εξαρτώνται από διάφορους παράγοντες:

Έδαφος: η οδήγηση σε ομαλό έδαφος συνεπάγεται μεγαλύτερη αυτονομία και απόδοση σε σχέση με την οδήγηση σε ανώμαλους δρόμους και ανηφόρες.

Βάρος του χρήστη: όσο μεγαλύτερο είναι το βάρος, τόσο μικρότερη θα είναι η αυτονομία και οι επιδόσεις του οχήματος.

Θερμοκρασία: η οδήγηση του ηλεκτρικού πατινιού σε πολύ ψυχρό ή θερμό περιβάλλον επηρεάζει την αυτονομία και τις επιδόσεις.

Ταχύτητα και τρόπος οδήγησης: η ομαλή οδήγηση με σταθερή ταχύτητα αυξάνει την αυτονομία. Οι συνεχείς επιταχύνσεις, επιβραδύνσεις και ελιγμοί μειώνουν κατά πολύ την αυτονομία. Η χαμηλότερη ταχύτητα παρατείνει την αυτονομία.

Συντήρηση: η έγκαιρη φόρτιση, η σωστή συντήρηση και ο τακτικός έλεγχος της πίεσης των ελαστικών (δείτε τιμή αναφοράς στην ενότητα 10) αυξάνουν την αυτονομία και εγγυώνται σταθερές επιδόσεις με την πάροδο του χρόνου.

Το επίπεδο φόρτισης της μπαταρίας επηρεάζει τις επιδόσεις, όσο μικρότερο είναι το επίπεδο τόσο μικρότερες θα είναι και οι επιδόσεις ως προς την ταχύτητα, κυρίως στις ανηφόρες.

8. ΑΠΟΘΗΚΕΥΣΗ, ΣΥΝΤΗΡΗΣΗ ΚΑΙ ΚΑΘΑΡΙΣΜΟΣ

Εάν υπάρχουν λεκέδες στο σώμα του προϊόντος, καθαρίστε τους με ένα υγρό πανί. Εάν οι λεκέδες παραμένουν, τοποθετήστε επάνω τους ουδέτερο σαπούνι, βουρτσίστε με μια οδοντόβουρτσα και έπειτα σκουπίστε με ένα υγρό πανί. Αν υπάρχουν γρατζουνιές στα πλαστικά εξαρτήματα, χρησιμοποιήστε γυαλόχαρτο ή άλλο διαβρωτικό υλικό για να τις αφαιρέσετε. Μην καθαρίζετε το προϊόν με οινόπνευμα, βενζίνη, κηροζίνη ή άλλους διαβρωτικούς και πτητικούς χημικούς διαλύτες για να αποφύγετε σοβαρή ζημιά. Μην πλένετε το προϊόν με εκτοξεύοντας νερό με υψηλή πίεση. Κατά τον καθαρισμό, βεβαιωθείτε ότι το προϊόν είναι απενεργοποιημένο, το καλώδιο φόρτισης αποσυνδεδεμένο και το ελαστικό κάλυμμα τοποθετημένο, διότι η πιθανή είσοδος νερού μπορεί να προκαλέσει ηλεκτροπληξία ή άλλα σοβαρά προβλήματα. Η εισχώρηση νερού στη μπαταρία μπορεί να προκαλέσει ζημιά στα εσωτερικά κυκλώματα και υπάρχει ο κίνδυνος φωτιάς ή έκρηξης. Εάν υποψιάζεστε ότι μπορεί να έχει εισχωρήσει νερό στη μπαταρία, διακόψτε αμέσως τη χρήση της μπαταρίας και παραδώστε τη για έλεγχο στην υπηρεσία τεχνικής υποστήριξης ή στον προμηθευτή σας.

Όταν το προϊόν δεν χρησιμοποιείται πρέπει να αποθηκεύεται σε ξηρό και δροσερό προστατευμένο χώρο. Μην το αποθηκεύετε σε εξωτερικό χώρο ή μέσα στο αυτοκίνητο για παρατεταμένο χρονικό διάστημα. Η υπερβολική έκθεση στον ήλιο, η υπερθέρμανση και το υπερβολικό κρύο επιταχύνουν τη γήρανση των ελαστικών και επηρεάζουν την ωφέλιμη διάρκεια ζωής τόσο του προϊόντος όσο και της μπαταρίας. Μην το εκθέτετε σε βροχή ή νερό, μην το βυθίζετε και μην το πλένετε με νερό.

Ελέγχετε τακτικά τη σύσφιξη των διαφόρων κοχλιωτών στοιχείων, ιδιαίτερα τους άξονες των τροχών, το σύστημα διπλωσής και μεταφοράς, το σύστημα διεύθυνσης, το σύστημα πέδησης, την καλή κατάσταση του πλαισίου, των πριονιών και των αναρτήσεων. Τα παξιμάδια και όλα τα άλλα αυτοασφαλιζόμενα στοιχεία στερέωσης μπορεί να χάσουν την αποτελεσματικότητά τους, επομένως απαιτείται έλεγχος και σύσφιξη ανά τακτά διαστήματα αυτών των στοιχείων.

Όπως όλα τα εξαρτήματα μηχανικής φύσης, έτσι και αυτό το προϊόν υπόκειται σε φθορά και ισχυρές πιέσεις. Διαφορετικά υλικά και εξαρτήματα μπορεί να αντιδράσουν στη φθορά ή στην καταπόνηση με διαφορετικούς τρόπους. Εάν παρέλθει η ωφέλιμη διάρκεια ζωής ενός εξαρτήματος, μπορεί ξαφνικά να σπάσει, τραυματίζοντας τον οδηγό. Οποιαδήποτε μορφή ρωγμής, γρατζουνιάς ή αλλαγής στο χρώμα σε σημεία που δέχονται μεγάλη καταπόνηση, σημαίνει ότι η ζωή του εξαρτήματος έφτασε στο τέλος της και απαιτείται αντικατάσταση.

Ελέγξτε τον βαθμό φθοράς των ελαστικών: δεν πρέπει να υπάρχουν τομές, ρωγμές, ξένα σώματα, μη φυσιολογικά εξογκώματα, κομμάτια που λείπουν και άλλες ζημιές. Για την πίεση των ελαστικών ανατρέξτε στην τιμή που αναφέρεται στην ενότητα 10 του παρόντος εγχειριδίου οδηγιών.

Μην επιχειρείτε να αποσυναρμολογήσετε ή να επισκευάσετε μόνοι σας το προϊόν. Η αντικατάσταση όλων των εξαρτημάτων του ηλεκτρικού πατινιού πρέπει να πραγματοποιείται από την εξουσιοδοτημένη υπηρεσία τεχνικής υποστήριξης, για περισσότερες πληροφορίες επικοινωνήστε με τον πωλητή σας ή επισκεφθείτε τον ιστότοπο: www.alemobility.com/en/

9. ΡΥΘΜΙΣΗ ΕΦΑΡΜΟΓΗΣ

Παρακάτω αναφέρονται τα προϊόντα που διαθέτουν Bluetooth και που μπορούν να συνδυαστούν με την εφαρμογή AL e-Mobility: AL EXT, AL2.

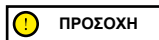
Η εφαρμογή επιτρέπει τον έλεγχο του προϊόντος απευθείας από το smartphone σας.

Σαρώστε τον QR CODE για να κατεβάσετε και να εγκαταστήσετε την εφαρμογή. Εάν δεν εντοπίζεται η εφαρμογή συνιστάται να την αναζητήσετε στη σχετική υπηρεσία εφαρμογών.

Ανοίξτε την εφαρμογή και ακολουθήστε τις οδηγίες που αναφέρονται στη σχετική υπηρεσία εφαρμογών.



Ανοίξτε την εφαρμογή και ακολουθήστε τις οδηγίες που αναφέρονται στη σχετική υπηρεσία εφαρμογών.



Η εφαρμογή μπορεί να ζητά ορισμένες άδειες που είναι απαραίτητες για τη χρήση και τη λειτουργία της ίδιας της εφαρμογής.

Η έκδοση της εφαρμογής μπορεί να έχει ενημερωθεί στην υπηρεσία εφαρμογών. Συνιστάται να ελέγχετε συνεχώς τις ενημερώσεις της εφαρμογής προκειμένου να επωφεληθείτε από τις νέες λειτουργίες και να εγκαθιστάτε την τελευταία έκδοση της εφαρμογής στη συσκευή σας.

Μη χρησιμοποιείτε τη συσκευή σας κατά τη διάρκεια της οδήγησης.

Γενικές πληροφορίες

AL EXT

Σκελετός	Χάλυβας και αλουμίνιο	
Αναρτήσεις	Μπροστά και πίσω	
Ταχύτητα	LA-MO-210001; LA-MO-210002; LA-MO-220013 Πεζός: ≤ 6km/h L1: ≤ 15km/h L2: ≤ 20km/h L3: ≤ 25km/h (μέγιστη ταχύτητα) * *σύμφωνα με τη χώρα κυκλοφορίας	LA-MO-220001; LA-MO-220002 Πεζός: ≤ 6km/h L1: ≤ 10km/h L2: ≤ 15km/h L3: ≤ 20km/h(μέγιστη ταχύτητα) * *σύμφωνα με τη χώρα κυκλοφορίας
Μέγιστη κλίση **	22%	
Φρένα	Δισκόφρενο μπροστά, δισκόφρενο και ηλεκτρονικό φρένο πίσω	
Ελαστικά	Μέγεθος: 90/65-6.5 Πίεση: 50 psi / 3.5 bar	
Μέγιστο φορτίο	120kg	
Οδηγός	Ελέγξτε την ισχύουσα νομοθεσία της χώρας σας	
Θερμοκρασία λειτουργίας	-0°C / 45°C	
Επίπεδο προστασίας	IPX4	
Χρόνος φόρτισης	περίπου 7 ώρες	
Αυτονομία**	έως 40km	

Ηλεκτρικό σύστημα

Ονομαστική ισχύς Κινητήρα	0.50kW; 500W Brushless
Μέγιστη ισχύς Κινητήρα	0.900kW; 900W
Οθόνη	ενσωματωμένο LED
Μπαταρία	48V 12.5Ah 600Wh
Προστασία χαμηλής τάσης	42V
Όριο ρεύματος	20A
KERS	Ναι
Φώτα	LED μπροστά και πίσω
Λειτουργικότητα	Bluetooth
Μέτρα	
Καθαρό βάρος	30.6Kg
Μικτό βάρος	38.75Kg

* Τηρείτε πάντα τον κώδικα οδικής κυκλοφορίας και τους ισχύοντες κανονισμούς της χώρας κυκλοφορίας.

** Διαφέρει ανάλογα με το βάρος του οδηγού, τις οδικές συνθήκες και τη θερμοκρασία.

General information

AL2

Σκελετός	Χάλυβας και αλουμίνιο	
Αναρτήσεις	Μπροστά και πίσω	
Ταχύτητα	LA-MO-220003 Πεζός: ≤ 6km/h L1: ≤ 15km/h L2: ≤ 20km/h L3: ≤ 25km/h (μέγιστη ταχύτητα) * *σύμφωνα με τη χώρα κυκλοφορίας	LA-MO-220004 Πεζός: ≤ 6km/h L1: ≤ 10km/h L2: ≤ 15km/h L3: ≤ 20km/h(μέγιστη ταχύτητα) * *σύμφωνα με τη χώρα κυκλοφορίας
Μέγιστη κλίση **	16%	
Φρένα	Μπροστινό φρένο με τύμπανο, πίσω ηλεκτρικό φρένο	
Ελαστικά	Μέγεθος: 10" X 2.125" με εσωτερικό σωλήνα Πίεση: 36 psi / 2.5 bar	
Μέγιστο φορτίο	120kg	
Οδηγός	Ελέγξτε την ισχύουσα νομοθεσία της χώρας σας	
Θερμοκρασία λειτουργίας	-0°C / +45°C	
Επίπεδο προστασίας	IPX5	
Χρόνος φόρτισης	περίπου 5 ώρες	
Αυτονομία**	έως 35 χιλιόμετρα	

Ηλεκτρικό σύστημα

Ονομαστική ισχύς Κινητήρα	0.35kW; 350W brushless
Μέγιστη ισχύς Κινητήρα	0.55kW; 550W
Οθόνη	Ενσωματωμένο LED
Μπαταρία	36V 8Ah 288Wh
Προστασία χαμηλής τάσης	31 + / - 0.5V
Όριο ρεύματος	17A
KERS	Ναι
Φώτα	LED μπροστά και πίσω
Λειτουργικότητα	Bluetooth με εφαρμογή
Μέτρα	
Καθαρό βάρος	19Kg
Μικτό βάρος	22Kg

* Τηρείτε πάντα τον κώδικα οδικής κυκλοφορίας και τους ισχύοντες κανονισμούς της χώρας κυκλοφορίας.

** Διαφέρει ανάλογα με το βάρος του οδηγού, τις οδικές συνθήκες και τη θερμοκρασία.

11. ΕΠΙΛΥΣΗ ΠΡΟΒΛΗΜΑΤΩΝ

Σφάλμα	Αιτία	Λύση
Ο κινητήρας δεν λειτουργεί	Ηλεκτρικό πρόβλημα, παρουσία κωδικού σφάλματος	Ζητήστε τεχνική υποστήριξη
Ο κινητήριος τροχός δεν περιστρέφεται	Πρόβλημα στα φρένα Ο κινητήρας έχει μπλοκάρει	Ρυθμίστε τα φρένα και, αν το πρόβλημα παραμένει, ζητήστε τεχνική υποστήριξη Ελέγξτε τη σωστή σύφιξη του τροχού, επαληθεύστε ότι ο τροχός περιστρέφεται χωρίς να ενεργοποιήσετε το όχημα. Αν το πρόβλημα παραμένει ζητήστε τεχνική υποστήριξη
Ο κινητήρας σβήνει ενώ λειτουργεί	Υπερθέρμανση του κινητήρα Παρουσία κωδικού σφάλματος	Σταματήστε το όχημα και περιμένετε μέχρι να κρυώσει Ζητήστε τεχνική υποστήριξη
Μετά τη φόρτιση, το προϊόν δεν ανάβει ή σβήνει μετά από λίγα km.	Κατεστραμμένη μπαταρία	Ζητήστε τεχνική υποστήριξη
Η μπαταρία δεν φορτίζεται ή το προϊόν δεν ενεργοποιείται	Προβλήματα στη σύνδεση Η μπαταρία δεν είναι συνδεδεμένη (μοντέλα με αποσπώμενη μπαταρία) Η μπαταρία είναι αποφορτισμένη Κατεστραμμένη μπαταρία Προβλήματα στον φορτιστή μπαταρίας	Ζητήστε τεχνική υποστήριξη Ελέγξτε αν το βύσμα τροφοδοσίας είναι συνδεδεμένο. Φορτίστε τη μπαταρία σε ποσοστό 100% Ζητήστε τεχνική υποστήριξη Αντικαταστήστε τον φορτιστή μπαταρίας

AL EXT / AL2

Πίνακας κωδικών σφάλματος

Κωδικός σφάλματος	Ορισμός
E1	Πρόβλημα συνδεσιμότητας κινητήρα
E2	Πρόβλημα MOS ή φάση κινητήρα σε βραχυκύκλωση
E3	Πρόβλημα στον αισθητήρα του φρένου
E4	Πρόβλημα ηλεκτρονικού συστήματος τιμονιού
E5	Προστασία χαμηλής τάσης
E6	Επικοινωνία αποτυχημένων οργάνων
E7	Προστασία υψηλής τάσης
E8 / E9	Πρόβλημα μονάδας ελέγχου/BMS

12. ΕΥΘΥΝΕΣ ΚΑΙ ΓΕΝΙΚΟΙ ΟΡΟΙ ΕΓΓΥΗΣΗΣ

Ο οδηγός αναλαμβάνει κάθε ευθύνη για κινδύνους που μπορεί να προκύψουν εάν δεν φοράει κράνος ή άλλον εξοπλισμό ατομικής προστασίας.

Ο οδηγός υποχρεούται να τηρεί τους ισχύοντες τοπικούς κανονισμούς αναφορικά με:

1. την ελάχιστη επιτρεπόμενη ηλικία του οδηγού,
2. τους περιορισμούς ως προς τον τύπο των οδών που επιτρέπεται να χρησιμοποιούν το προϊόν,
3. όλα τα υπόλοιπα κανονιστικά πλαίσια.

Ο οδηγός υποχρεούται επίσης να διατηρεί το προϊόν καθαρό και σε άριστη κατάσταση αποτελεσματικότητας και συντήρησης, να εκτελεί προσεκτικά τους ελέγχους ασφαλείας στο πλαίσιο των καθηκόντων του σύμφωνα με τις περιγραφές στις προηγούμενες ενότητες, να μην παραποιεί το προϊόν με οποιονδήποτε τρόπο και να διατηρεί όλα τα έγγραφα που σχετίζονται με τη συντήρηση.

Η εταιρεία δε φέρει και δεν αναλαμβάνει καμία ευθύνη για ζημιές που προκαλούνται σε αντικείμενα ή πρόσωπα σε περίπτωση που:

- το προϊόν χρησιμοποιείται με ακατάλληλο τρόπο ή με τρόπο που δεν συμμορφώνεται με όσα αναφέρονται στο εγχειρίδιο οδηγιών,
- το προϊόν, μετά την αγορά, παραποιείται ή τροποποιείται πλήρως ή σε κάποια από τα μέρη του.

Σε περίπτωση δυσλειτουργίας του προϊόντος για λόγους που δεν οφείλονται στη μη σωστή συμπεριφορά του οδηγού και σε περίπτωση που θέλετε να διαβάσετε τους γενικούς όρους της εγγύησης, επικοινωνήστε με τον πωλητή σας ή επισκεφθείτε τον ιστότοπο www.alemobility.com/en/

Εξαιρούνται πάντα από το πεδίο εφαρμογής της Νόμιμης Εγγύησης τα Προϊόντα με πιθανές βλάβες ή δυσλειτουργίες που οφείλονται σε παράγοντες που είναι τυχαίοι ή/και που δεν αποτελούν ευθύνη του Αγοραστή ή σε χρήση του Προϊόντος που δεν συμμορφώνεται με την προβλεπόμενη χρήση ή/και με όσα προβλέπονται στον τεχνικό φάκελο που συνοδεύει το Προϊόν, ή που οφείλονται στη μη ρύθμιση των μηχανικών μερών, στη φυσιολογική φθορά των αναλώσιμων υλικών ή σε λάθη συναρμολόγησης, ελλιπή συντήρηση ή/και χρήση του προϊόντος που δεν συμμορφώνεται με τις οδηγίες.

Για παράδειγμα, εξαιρούνται από τη Νόμιμη Εγγύηση των Προϊόντων:

- οι ζημιές που προκαλούνται από χτυπήματα, τυχαίες πτώσεις ή συγκρούσεις, διατρήσεις,
- ζημιές που προκαλούνται από μη κατάλληλη χρήση, έκθεση ή αποθήκευση (π.χ.: παρουσία βροχής ή/και λάσπης, έκθεση σε υγρασία ή πηγή υπερβολικής θερμότητας, επαφή με άμμο ή με άλλες ουσίες)
- ζημιές που προκαλούνται από μη κατάλληλη ρύθμιση για οδική κυκλοφορία ή/και συντήρηση μηχανικών μερών, μηχανικών δισκόφρενων, τιμονιού, ελαστικών, κτλ., καθώς και από λανθασμένη εγκατάσταση ή/και λανθασμένη συναρμολόγηση μερών ή/και εξαρτημάτων
- φυσιολογική φθορά των αναλώσιμων υλικών: μηχανικό δισκόφρενο (π.χ.: τακάκια, δαγκάνες, δίσκος, καλώδια), ελαστικά, πλατφόρμες, παρεμβύσματα, ρουλεμάν, φώτα και λαμπτήρες, σταντ στήριξης, λαβές, φτερά, ελαστικά στοιχεία (πλατφόρμα), καλωδιώσεις των συνδέσμων των καλωδίων, μάσκες και πρόσθετα, κτλ.,
- η μη σωστή συντήρηση ή/και μη σωστή χρήση της μπαταρίας του Προϊόντος,
- η παραποίηση ή/και παραμόρφωση μερών του Προϊόντος,
- η εσφαλμένη ή μη κατάλληλη συντήρηση ή τροποποίηση του Προϊόντος,
- η μη σωστή χρήση του Προϊόντος (π.χ.: υπερβολικό φορτίο, χρήση σε διαγωνισμούς ή/και για εμπορικές δραστηριότητες μίσθωσης),
- συντηρήσεις, επισκευές ή/και τεχνικές παρεμβάσεις στο Προϊόν οι οποίες εκτελούνται από μη εξουσιοδοτημένα άτομα,
- ζημιές στα Προϊόντα που προκαλούνται κατά τη μεταφορά, όταν αυτή αναλαμβάνεται από τον Αγοραστή,
- ζημιές ή/και ελαττώματα που προκύπτουν από τη χρήση μη γνήσιων ανταλλακτικών.

Καλείσθε να συμβουλευέστε την πιο πρόσφατη έκδοση των όρων εγγύησης η οποία είναι διαθέσιμη στον ιστότοπο www.alemobility.com/en/support/

ΠΡΟΣΟΧΗ

Επεξεργασία ηλεκτρικού και ηλεκτρονικού εξοπλισμού στο τέλος του κύκλου ζωής του (εφαρμόζεται σε όλες τις χώρες της Ευρωπαϊκής Ένωσης και σε άλλα ευρωπαϊκά συστήματα με μεθόδους διαχωρισμένης συλλογής)



Το σύμβολο αυτό επάνω στο προϊόν ή στη συσκευασία υποδεικνύει ότι το προϊόν δεν πρέπει να συγκαταλέγεται στα συνήθη οικιακά απορρίμματα, αλλά αντίθετα να παραδίδεται σε ειδικό κέντρο συλλογής για την ανακύκλωση ηλεκτρικού και ηλεκτρονικού εξοπλισμού (ΑΗΗΕ).

Επιβεβαιώνοντας ότι η απόρριψη αυτού του προϊόντος γίνεται σωστά, συμβάλλετε στην προστασία του περιβάλλοντος και της ανθρώπινης υγείας από πιθανές αρνητικές επιπτώσεις που μπορεί να προκαλούνται σε διαφορετική περίπτωση. Η ανακύκλωση των υλικών βοηθά στη διατήρηση των φυσικών πόρων.

Για περισσότερες λεπτομέρειες σχετικά με την ανακύκλωση και την απόρριψη αυτού του προϊόντος, επικοινωνήστε με την τοπική υπηρεσία διάθεσης αποβλήτων ή με το κατάστημα από όπου αγοράσατε το προϊόν.

Σε κάθε περίπτωση, η απόρριψη πρέπει να γίνεται σύμφωνα με τους κανονισμούς που ισχύουν στη χώρα αγοράς.

Συγκεκριμένα, οι καταναλωτές υποχρεούνται να μην απορρίπτουν τα ΑΗΗΕ ως αστικά απόβλητα, αλλά πρέπει να συμμετέχουν στη διαχωρισμένη συλλογή αυτού του τύπου αποβλήτων με δύο τρόπους παράδοσης:

- Στα Δημοτικά Σημεία Συλλογής (γνωστά και ως οικολογικές νησίδες ή νησίδες ανακύκλωσης), απευθείας ή μέσω των υπηρεσιών συλλογής των δημοτικών επιχειρήσεων, εφόσον υπάρχουν.
- Στα σημεία πώλησης νέου ηλεκτρικού και ηλεκτρονικού εξοπλισμού.

Σε αυτά, μπορείτε να παραδώσετε δωρεάν Ηλεκτρικό και Ηλεκτρονικό Εξοπλισμό μικρών διαστάσεων (με τη μεγαλύτερη πλευρά έως 25 εκ.), ενώ για τις πιο μεγάλες συσκευές ισχύει το σύστημα 1 προς 1, δηλαδή μπορείτε να παραδώσετε την παλιά σας συσκευή εφόσον αγοράζετε μια νέα με ίδιες λειτουργίες.

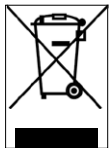
Επίσης, η μέθοδος 1 προς 1 εξασφαλίζεται πάντα κατά την αγορά καινούργιου ΗΗΕ εκ μέρους του καταναλωτή, ανεξαρτήτως του μεγέθους του ΑΗΗΕ.

Σε περίπτωση καταχρηστικής απόρριψης ηλεκτρικού και ηλεκτρονικού εξοπλισμού, ενδέχεται να επιβάλλονται οι προβλεπόμενες κυρώσεις της ισχύουσας νομοθεσίας αναφορικά με την προστασία του περιβάλλοντος (ιταλική νομοθεσία, απαιτείται έλεγχος των κανονισμών που ισχύουν στη χώρα χρήσης/απόρριψης του προϊόντος).

Εάν τα απόβλητα ηλεκτρικού και ηλεκτρονικού εξοπλισμού (ΑΗΗΕ) περιλαμβάνουν μπαταρίες ή συσσωρευτές, αυτά θα πρέπει να αφαιρούνται και να απορρίπτονται μέσω ειδικής διαχωρισμένης συλλογής αποβλήτων.

ΠΡΟΣΟΧΗ

Επεξεργασία χρησιμοποιημένων μπαταριών (εφαρμόζεται σε όλες τις χώρες της Ευρωπαϊκής Ένωσης και σε άλλα ευρωπαϊκά συστήματα με μεθόδους διαχωρισμένης συλλογής)



Το σύμβολο αυτό επάνω στο προϊόν ή στη συσκευασία υποδεικνύει ότι η μπαταρία δεν πρέπει να συγκαταλέγεται στα συνήθη οικιακά απορρίμματα. Σε ορισμένους τύπους μπαταριών το σύμβολο αυτό μπορεί να χρησιμοποιείται σε συνδυασμό με κάποιο χημικό σύμβολο.

Τα χημικά σύμβολα για τον Υδράργυρο (Hg) ή τον Μόλυβδο (Pb) προστίθενται εάν η μπαταρία περιέχει πάνω από 0,0005% υδράργυρο ή 0,004% μόλυβδο.

Επιβεβαιώνοντας ότι η απόρριψη των μπαταριών γίνεται σωστά, συμβάλλετε στην προστασία του περιβάλλοντος και της ανθρώπινης υγείας από πιθανές αρνητικές επιπτώσεις που μπορεί να προκαλούνται σε διαφορετική περίπτωση. Η ανακύκλωση των υλικών βοηθά στη διατήρηση των φυσικών πόρων. Εάν, για λόγους ασφάλειας, απόδοσης ή προστασίας δεδομένων, τα προϊόντα απαιτούν σταθερή σύνδεση σε εσωτερικό συσσωρευτή/μπαταρία, η αντικατάσταση θα πρέπει να γίνεται αποκλειστικά από εξειδικευμένο προσωπικό υποστήριξης.

Στο τέλος του κύκλου ζωής, παραδώστε το προϊόν σε ένα σημείο συλλογής που προορίζεται για την απόρριψη ηλεκτρικού και ηλεκτρονικού εξοπλισμού: με αυτόν τον τρόπο διασφαλίζεται και η σωστή απόρριψη της μπαταρίας που περιέχεται σε αυτό.

Για πιο λεπτομερείς πληροφορίες σχετικά με την απόρριψη της χρησιμοποιημένης μπαταρίας ή του προϊόντος, μπορείτε να επικοινωνήσετε με την τοπική υπηρεσία διάθεσης αποβλήτων ή με το κατάστημα από όπου αγοράσατε το προϊόν.

Σε κάθε περίπτωση, η απόρριψη πρέπει να γίνεται σύμφωνα με τους κανονισμούς που ισχύουν στη χώρα αγοράς.

Ta priročnik velja za naslednje električne skiroje:

AL EXT AL2

Navodila za uporabo

LA-MO-000001 rev. 2

Navodila so prevedena iz italijanskega izvirmika

Hvala, ker ste izbrali ta izdelek.

Za informacije, tehnično podporo, pomoč in pregled splošnih garancijskih pogojev kontaktirajte svojega prodajalca ali obiščite spletno mesto www.alemobility.com/en/support/

Kazalo

1. Varnostna navodila
2. Vsebina paketa in montaža
3. Pregled izdelka
4. Informacije o krmilnikih / Krmilna plošča
5. Vodnik za hitri začetek
6. Upogniti in prevažati
7. Avtonomija in zmogljivost
8. Skladiščenje, vzdrževanje in čiščenje
9. Konfiguracija aplikacije
10. Tehnični list
11. Odpravljanje težav
12. Odgovornost in splošni garancijski pogoji

1. VARNOSTNA NAVODILA



POZOR

POMEMBNO! Pred uporabo izdelka natančno preberite in upoštevajte naslednja navodila. Shranite ta priročnik za nadaljnjo uporabo ali za nove uporabnike.

Vzemite si čas in se naučite osnov prakse, da se izognete resnim nesrečam, ki se lahko zgodijo v prvih mesecih. Obrnite se na svojega prodajalca za ustrezno podporo glede pravilne uporabe izdelka ali za napatitev v ustrezno organizacijo za usposabljanje.

Podjetje zavrača kakršno koli neposredno ali posredno odgovornost, ki izhaja iz napačne uporabe izdelka, neupoštevanja cestnih predpisov in navodil v tem priročniku, nesreč in sporov, ki so posledica neupoštevanja predpisov in nezakonitih dejanj.

Ta izdelek se uporablja v rekreativne namene, uporabljati ga mora samo ena oseba in ne za prevoz potnikov, zato ga ne sme uporabljati več kot ena oseba hkrati.

V nobenem primeru ne spreminjajte namena uporabe vozila, ta izdelek ni primeren za akrobacije, tekmovanja, prevoz predmetov, vleko drugih vozil ali prikolic.

Električni skiro morate uporabljati previdno, pri čemer je treba vedno upoštevati **pravila** ki jih zahteva zakon o pravilih cestnega prometa države, v kateri vozite, da se izognete nevarnostim in čim bolj skrbite zase in za druge.



POZOR

Okvirne zahteve projekta vozila:

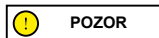
Model električnega skiroja	AL EXT Green	AL EXT Bronze	AL2
Priložena koda izdelka s smernimi kazalci	LA-MO-210001	LA-MO-220013	LA-MO-220003
	LA-MO-220002	LA-MO-220001	LA-MO-220004
MIN. teža (Kg)	30	30	30
MAKS. teža (kg)	120	120	120
MIN Starost *	14	14	14
Maks Starost *	65	65	65
Višina (cm) MIN	120	120	120
Višina (cm) MAKS	200	200	200

* Pred uporabo izdelka preverite in upoštevajte veljavne lokalne predpise v zvezi z najnižjo dovoljeno starostjo za voznika, omejitvami glede vrste voznikov, ki lahko uporabljajo izdelek, in uporabo te vrste izdelka.

Ponderirana raven zvočnega tlaka (hrupnost) emisije A na voznikovem ušesu je manjša od 70 dB (A).

Grafična oblika varnostnih opozoril

Za prepoznavanje varnostnih sporočil v tem priročniku bodo uporabljeni naslednji grafični opozorilni simboli. Imajo funkcijo pritegniti pozornost bralca/uporabnika z namenom pravilne in varne uporabe izdelka.



Bodite pozorni

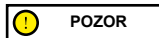
Poudarja pravila, ki jih je treba upoštevati, da se izognete poškodbam na izdelku in/ali da preprečite nastanek nevarnih situacij.



Preostala tveganja

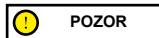
Poudarja prisotnost nevarnosti, ki povzročajo preostala tveganja, na katera mora biti uporabnik pozoren, da se izogne poškodbam ali materialni škodi.

Splošna opozorila



Pomembno si je zapomniti, da na javnem mestu ali na cesti, tudi če natančno upoštevate ta priročnik, niste imuni na poškodbe, ki jih povzročijo kršitve ali neprimerna dejanja do drugih vozil, ovir ali ljudi. Zloraba izdelka ali neupoštevanje navodil tega priročnika lahko povzroči resno škodo.

Ta izdelek je električno vozilo. Hitreje kot vozite, daljša je zavorna pot. Zaviranje v sili na spolzkih, blatnih, mokrih ali poledenelih cestah lahko povzroči vrtenje koles in izgubo ravnotežja. Ohranjati je treba ustrezno hitrost in varno razdaljo do drugih vozil ali pešcev. Pri vožnji po neznanih cestah bodite še posebej previdni. Med uporabo izdelka ne odpirajte stojala, obstaja nevarnost resne osebne poškodbe in poškodbe izdelka.



Na mokrih cestah se zavorna pot poveča in oprijem bistveno zmanjša v primerjavi s suhimi cestami! Vozite bolj previdno, upoštevajte razdalje!

Zaradi vaše varnosti vedno nosite: čelado, ščitnike za kolena in komolce, da se zaščitite pred padci in poškodbami med vožnjo izdelka. Ob izposoji izdelka naj voznik nadene varnostno opremo, poleg tega mu je potrebno pojasni, kako uporabljati vozilo. Da se izognete poškodbam, izdelka ne posojajte ljudem, ki ga ne znajo uporabljati. Pred uporabo izdelka vedno nosite čevlje.

Otroci se ne smejo igrati s skirojem ali katerim koli njegovim delom, prav tako jim ne sme biti dovoljeno izvajati opravil za čiščenje ali vzdrževanje.

Pri vožnji izdelka pazite, da ne prestrašite otrok in pešcev. Ko vozite za njimi, jih opozorite z zvoncem in upočasnite na najmanjšo hitrost 6 km/h.

Navodila in opozorila glede obnašanja pri vožnji

Pogoji	Primerna/predvidena uporaba	Nepravilna uporaba
Vozniki	Eno	Več ljudi, z otroki ali živalmi
Varnostna oprema	Čelada, ščitniki za kolena, ščitniki za komolce, odsevni telovnik	Brez opreme
Preverite pred vožnjo	<p>Pred vsako uporabo preverite zavore in njihovo obrabo, preverite tlak v pnevmatikah (priporočeno vrednost glejte na strani pnevmatike), obrabo koles, plin in stanje napoljenosti akumulatorja.</p> <p>Če opazite nenavadne zvoke ali kakršne koli nepravilnosti, izdelka ne uporabljajte in se obrnite na svojega prodajalca ali na službo za tehnično pomoč</p>	<p>Izdelka nikoli ne preverjajte pred vožnjo</p> <p>Ne uporabljajte izdelka ob prisotnosti hrupa in nepravilnosti</p>
Hodite, medtem ko porivate izdelek	<p>Ne pospešujte</p> <p>Porivajte izdelek na roke po prehodih za pešce</p> <p>V območjih za pešce, če niso opremljeni z načinom za pešce (6 km/h)</p> <p>Na prenaseljenih območjih</p>	<p>Pritisnite na plin</p> <p>Porivajte vozilo na roke po prehodih za pešce</p> <p>Porivajte vozilo na roke po območjih za pešce, če ni opremljeno z načinom za pešce (6 km/h)</p> <p>Porivajte vozilo na roke v prenatrpanih krajih</p>
Medtem ko miruje	Oseba, ki upravlja s tem izdelkom, mora imeti možnost enostavno postaviti obe nogi na tla, tako da drži kmilo na pravilni višini	<p>Ko nismo zmožni ohraniti da je izdelek stabilen in uravnotežen</p> <p>Med tekom ali mirovanjem sedite na izdelek</p>

Pogoji	Primerna/predvidena uporaba	Nepravilna uporaba
Vožnja v normalnih pogojih	Na krmilu ne visi noben predmet	Predmeti, ki visijo s krmila, povzročajo nestabilnost in lahko ovirajo pri manevriranju
	Vozite z obema rokama na krmilu Ne uporabljajte naprav, kot so telefoni, pametne ure, predvajalniki glasbe, slušalke	Vozite z eno roko ali brez rok Uporabljajte naprave, kot so telefoni, pametne ure, predvajalniki glasbe, slušalke
	Vozite z obema nogama na ploščadi udobno in varno	Vozite z eno nogo ali obema izven ploščadi Prepovedano je namestiti in koncentrirati težo na zadnji blatnik.
	Vodnik s čelado in zaščitno opremo	Vožnja brez čelade in zaščitne opreme
	Vozite po zlahka dostopnih, gladkih in kompaktnih cestah, izogibajte se gostom prometnih območij ali prenatrpanih območij: npr. namenska kolesarska steza, površine z gladkimi tlemi	Vožnja po avtocesti, ali po magistralah Vožnja po prometnih cestah Vožnja po pločnikih Vožnja po prenatrpanih območjih Vožnja po zelo razgibanih cestah Vožnja v bližini: grape, strmine, pristanišča, morja, jezera in reke
	Upoštevajte veljavne lokalne in cestnoprometne predpise	Neskladnost z veljavnimi predpisi in cestnoprometnimi predpisi
	Vedno se ozrite naprej in pazite na vse ovire, vozila in bližnje pešce	Med vožnjo se motite
	Spremenite smer in se prepričajte, da vas vidijo, upočasnite Vsekakor predvidevajte pot in zmerno hitrost ob spoštovanju cestnih pravil in najbolj ranljivih Vedno uporabljajte smerne kazalce, če so na izdelku	Nenadoma spremenite smer pri visoki hitrosti, ne da bi se prepričali, da vas vidijo Zaviranje in zavijanje hkrati naredi vozilo nestabilno Ne uporabljajte smernih svetilk
	Upočasnite, ko so pešci Uporabite način za pešce v območjih za pešce (6 km/h) Opozorite na svojo prisotnost z zvoncem	Pospešite ali vzdržujte konstantno hitrost v prisotnosti pešcev Vožnja brez uporabe načina za pešce v območjih za pešce (6 km/h) Ne opozarjajte na svojo prisotnost z zvoncem
Neenakomerne razmere na cesti: neravnine / stopnice / hrapava cestna površina	Vozite z zmerno hitrostjo Za boljšo blaženje udarcev pri prečkanju neravne površine rahlo upognite kolena.	Vožnja z veliko hitrostjo Pospešiti po izboklinah in vdolbinah, spuščati se po stopnicah, skakati čez ovire, voziti po pločnikih, voziti togo.

Pogoji	Primerna/predvidena uporaba	Nepravilna uporaba
Obnašanje: na ovinkih, navzdol, ob prisotnosti ovir, bližnjih vozil in pešcev	Držite se varne razdalje Nehajte pospeševati Zavirajte in upočasnite Vozite z zmerno hitrostjo in varno zavirajte Bodite pozorni na vrata in druge ovire v višini	Ne spoštujte varnostne razdalje Pospešite Vožnja z veliko hitrostjo, nenadno zaviranje Voziti pod visokimi ovirami
Pogoji vidljivosti	Vozite le, če je dovolj svetlobe za varno vožnjo. V primeru vožnje v neugodnih svetlobnih razmerah (od pol ure po sončnem zahodu, ves čas teme in tudi podnevi, če vremenske razmere onemogočajo vidljivost ceste, če se vozite skozi predore) ne pozabite vklopiti luči izdelka in nositi odsevni jopič ali naramnice.	Vozite v neugodnih svetlobnih razmerah z ugasnjenimi lučmi in brez uporabe odsevnega jopiča ali naramnic.
Vremenske razmere	Vožnja v optimalnih vremenskih razmerah (brez dežja)	Vožnja v neugodnih razmerah: v dežju, ko sneži, ob ledu ali blatu na cesti, močnem vetru, v primeru megle.
Parkiranje	Na posebnih območjih brez oviranja gibanja vozil in pešcev Na gladkih površinah, ki zagotavljajo stabilnost Izklopite izdelek in vedno uporabljajte napravo proti kraji Uporabite vgrajeno stojalo	Povsod, takon da ovirate gibanje vozil in pešcev Na neravnih površinah in brez zagotavljanja stabilnosti Izdelek pustite vklopljen, brez nadzora brez naprave proti kraji
Vadba ekstremnih športov/ akrobatike	NE	DA, nepravilna uporaba: Vožnja v bližini: grape, strmine, pristanišča, morja, jezera in reke Vožnja čez luže Dirkanje z drugimi vozili
Izdelek izpostavite močnim udarcem	NE	DA, nepravilna uporaba: metanje čez stvari ali ljudi, metanje s stopnic ali z vrha

Kaj storiti po padcu:

Preverite, ali ročica za plin deluje pravilno. To naredite tako, da večkrat pospešite in upočasnite.

Vedno preverite, ali zavore pravilno delujejo. Če želite to narediti, stopite z izdelka, potisnite izdelek naprej in zavirajte, da se prepričate, da se odziva na ukaze.

Preverite, ali so vsi sestavni deli vozila nameščeni in varno pritrjeni.

Preverite obrabo pnevmatik in tlak (priporočeno vrednost si oglejte na strani pnevmatike).


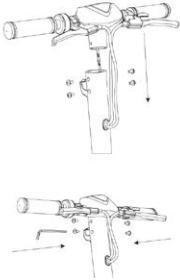

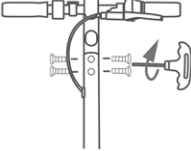
Preverite obrabo zavor in kablov.



Zavore se lahko med uporabo segrejejo. Po uporabi se jih ne dotikajte.

2. VSEBINA PAKETA IN MONTAŽA

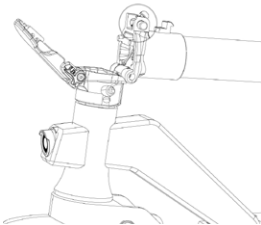
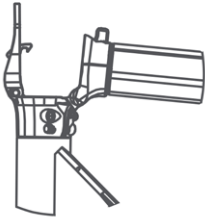
Sestavljen izdelek, krmilo je treba montirati z ustreznimi vijaki, ki so priloženi embalaži.

Model	Referenčna slika	V embalaži	Montaža krmila
AL EXT		<p>Dodatki:</p> <p>1x imbus ključ</p> <p>4x vijaki za krmilo</p> <p>1x polnilec akumulatorja</p>	
AL2		<p>Dodatki:</p> <p>1x imbusni ključ</p> <p>2x vijaki za krmilo</p> <p>1x polnilec baterije</p>	

Koraki

AL EXT / AL2

- Izdelek odstranite iz embalaže.
- Odprite krmilno gred in jo pritrdite z zaprtjem ročice zapornega mehanizma.
- Priključite napajalni kabel zaslona na glavno napeljavo (če je potrebno).
- Montirajte krmilo na krmilno gred (ne stisnite kablov).
- Vstavite in privijte vijake na gred s priloženim ključem.
- Namestite stojalo (če je potrebno).
- Nastavite zaporni mehanizem krmilne gredi** (po potrebi).
- Ob prvi uporabi izdelek napolnite do 100 %.

Model	Referenčna slika	*Nastavljanje zapornega mehanizma krmilne gredi
AL EXT		<p>V mehanizmu je vijak s šestilom.</p> <p>Če krmilna palica po zaprtju ni zelo stabilna, prilagodite vijak v mehanizmu tako, da ga po potrebi zategnete ali popustite, da povečate stabilnost krmilne palice.</p>
AL2		<p>Šestkotni vijak je v mehanizmu.</p> <p>Če je krmilo po zaprtju nestabilno, prilagodite vijak mehanizma tako, da ga privijete ali odvijete le toliko, da povečate stabilnost krmila.</p>



POZOR

Izdelek pravilno sestavite. V primeru, da med montažo zaznate kakršno koli proizvodno napako, nejasne prehode ali težave pri sami montaži ali pri nastavitvah, ustavite vozilo in se takoj obrnite na svojega prodajalca ali obiščite spletno stran www.alemobility.com/en/ za tehnično pomoč.

Ne uporabljajte dodatne opreme in/ali dodatnih delov, ki jih proizvajalec ni odobril.

Otroke hranite stran od plastičnih delov (vključno z embalažo) in majhnih delov, ki lahko povzročijo zadušitev.

Izdelek ali njegove dele je prepovedano spreminjati ali preoblikovati na kakršen koli način, saj bi to lahko poškodovalo učinkovitost, strukturo in povzročilo škodo. Če zaznate kakršno koli proizvodno napako ali nenavadne zvoke ali kakršne koli nepravilnosti, ustavite vozilo in se obrnite na svojega prodajalca ali obiščite spletno stran www.alemobility.com/en/ za tehnično pomoč.

3. PREGLED IZDELKA

Zaradi stalnega tehnološkega napredka si proizvajalec pridržuje pravico do spremembe izdelka brez predhodnega obvestila, ne da bi se ta priročnik samodejno posodabljal.

Za informacije in pregled revizij tega priročnika obiščite spletno stran www.alemobility.com/en/

AL EXT



1. Sprednji žaromet
2. Zavorna ročica
3. Kljuka
4. Zaklepni mehanizem
5. Sprednje kolo
6. Stojalo
7. Vrata za polnjenje
8. Podstavek za noge
9. Pritrdilna sponka
10. Zadnja luč

11. Zadnji blatnik
12. Zadnje pogonsko kolo
13. Zavorna čeljusti
14. Zvonec
15. Prikazovalnik
16. Dušilna loputa
17. Gumb za vklop/izklop
18. Stikalo za luč
19. Vrata USB

AL2



1. Kljuka
2. Zvonec
3. Ročica zavore
4. Zaklepni mehanizem
5. Žarometi
6. Bobnasta zavora
7. Stojalo
8. Podstavek za noge
9. Zadnje pogonsko kolo
10. Žarometi

11. Zadnji blatnik
12. Pritrdilna sponka
13. Vrata za polnjenje
14. Zaslon
15. Dušilna loputa

Polnjenje baterije







POZOR

Ob prvi uporabi izdelek napolnite do 100 %. Poskrbite, da so proizvod, polnilnik in polnilna vratca suhi.

Navodila

- Odprite opornik
- Ugasnite izdelek

Model	Referenčna slika	UPORABO
AL EXT	 <p>Vrata za polnjenje</p>	<ul style="list-style-type: none">• Uporabljajte samo priložen polnilnik.• Polnilnik najprej priključite v stensko vtičnico in šele nato v polnilno vtičnico.• Med polnjenjem električnega skiroja ne prižigajte. <p> POZOR</p> <p>Rdeča lučka na napajalniku bo zasvetila v zeleno barvo, ko bo postopek polnjenja končan.</p>
AL2	 <p>Vrata za polnjenje</p>	<ul style="list-style-type: none">• Uporabljajte samo priloženi polnilnik.• Polnilec najprej priključite v stensko vtičnico in šele nato v polnilno vtičnico.• Električnega skuterja med polnjenjem ne vklaplajte. <p> POZOR</p> <p>Rdeča lučka na napajalniku postane zelena, ko je postopek nalaganja končan.</p>

Za polnjenje tega izdelka uporabljajte SAMO priloženi polnilnik



POZOR

Model	Koda izdelka	Model polnilnika	Izhodna napetost	Čas polnjenja
AL EXT	LA-MO-210001	FCA136-546020	54.6V – 2A	Približno 7 ur
	LA-MO-220002			
	LA-MO-210002			
	LA-MO-220013			
	LA-MO-220001			
AL2	LA-MO-220003	HLT-180-4201500	42V – 1.5A	Približno 5 ur
	LA-MO-220004			

Uporaba druge vrste polnilnika lahko poškoduje izdelek ali privede do drugih možnih tveganj.

Izdelka nikoli ne polnite brez nadzora. Ne prižigajte izdelka med polnjenjem.

Po vsaki uporabi baterijo povsem napolnite, da podaljšate življenjsko dobo slednje. Izdelka ne polnite takoj po uporabi. Pred polnjenjem izdelek pustite ohlajati eno uro.

Izdelka se ne sme polniti dalj časa. Prekomerno polnjenje skrajša življenjsko dobo baterije in prinaša dodatna potencialna tveganja.

Priporočljivo je, da ne dopustite popolne izpraznitve, s tem preprečite poškodovanje baterije.

Škoda zaradi daljše odsotnosti polnjenja je nepopravljiva in omejena garancija je ne krije. Ko pride do škode, baterije ni mogoče ponovno napolniti (demontaža baterije s strani nekvalificiranega osebjaja je prepovedana, saj lahko povzroči električni udar, kratek stik ali celo večji varnostni incident). Če ste za določen čas odsotni, na primer za praznike, in napravo zaupate tretji osebi, jo pustite delno napolnjeno (20-50 % napolnjeno), nikoli ne napolnjeno v celoti.

Redno pregledujte polnilnik in kable polnilnika. Če je kabel polnilnika očitno poškodovan, ga ne uporabljajte, da se izognete nadaljnjim poškodbam in/ali tveganju, se obrnite na nas za zamenjavo.

Opozorila glede akumulatorja

Baterija je sestavljena iz litij-ionskih celic in kemičnih elementov, ki so nevarni za zdravje in okolje. Izdelka ne uporabljajte, če oddaja vonj, snovi ali prekomerno toploto. Izdelka ali baterije ne odvrzite med gospodinjske odpadke. Končni uporabnik je odgovoren za odstranjevanje električne in elektronske opreme ter baterij v skladu z vsemi veljavnimi predpisi.

Izogibajte se uporabi rabljenih, okvarjenih in/ali neoriginalnih baterij drugih modelov ali blagovnih znamk.



Baterije ne puščajte v bližini ognja ali virov toplote. Nevarnost požara in eksplozije.

Baterijo ne smete odpirati, razstavljati ali tolči, metati, preluknjati ali lepiti druge predmete nanjo.

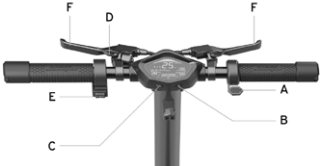
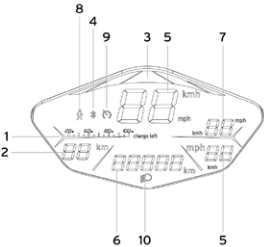
Ne dotikajte se snovi, ki iztekajo iz baterije, saj vsebuje nevarne snovi. Ne dovolite otrokom ali hišnim ljubljencem, da se dotaknejo baterije.

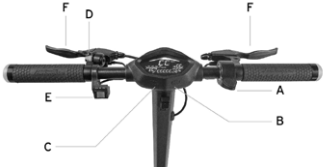
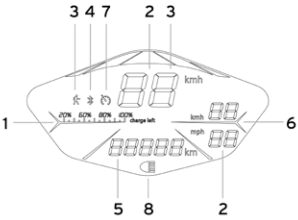
Baterije ne napolnite prekomerno in ne povzročajte kratkega stika. Nevarnost požara in eksplozije.

Baterije ne potaplajte ali izpostavljajte vodi, dežju ali drugim tekočim snovem. Baterije ne izpostavljajte neposredni sončni svetlobi, prekomerni vročini ali mrazu (na primer, ne puščajte izdelka ali baterije v avtomobilu dalj časa na neposredni sončni svetlobi), okolju, ki vsebuje eksplozivne pline ali plamene.




Baterije ne prenašajte in ne shranjujte skupaj s kovinskimi predmeti, kot so lasnice, ogrlice itd. Stik med kovinskimi predmeti in kontakti baterije lahko povzroči kratke stike, ki vodijo do telesnih poškodb ali smrti.

4. INFORMACIJE O KRMILNIKIH / KRMILNA PLOŠČA

Model		
	<p>A. Dovolj za plin: pritisnite navzdol, da pospešite.</p> <p>B. Gumb za vklop: z dolgim pritiskom vklopite ali izklopite električni skuter.</p> <p>Merilnik prevožene poti ODO/TRIP: trikrat na kratko pritisnite, da preklopite iz prikaza ODO na TRIP.</p> <p>C. Načini hitrosti: na kratko pritisnite, da spremenite stopnjo hitrosti.</p> <p>Luči: Dolgo pritisnite gumb, da vklopite ali izklopite luči.</p>	<p>D. Zvonec: enkrat pritisnite na ročico, da se sproži.</p> <p>E. Kazalniki smeri: Pritisnite stikalo v desno ali levo, da jih aktivirate in/ali deaktivirate.</p> <p>F. Zavorna ročica: pritisnite ročico, da zavrete.</p>
AL EXT	<ol style="list-style-type: none"> Stopnja napoljenosti baterije: stanje napoljenosti. Avtonomija: ocena preostale razdalje. Način hitrosti (vrstica LED): <ul style="list-style-type: none"> - Stopnja 1: zelena barva - Stopnja 2: oranžna barva - Raven 3: rdeča barva Bluetooth: na voljo je povezava s pametnim telefonom. Tahometer: trenutna hitrost električnega skuterja (km/h - mph). Merilnik prevožene poti ODO / TRIP: trikrat na kratko pritisnite, da preklopite s prikaza ODO na TRIP. AVG speed: povprečna hitrost. Način za pešce: pomoč pri potiskanju vozila z utripajočo lučko. Tempomat: vzdrževanje hitrosti. Vklopi se, ko nekaj sekund vzdržujete enako hitrost. Luči: svetlobni indikator osvetlitve. 	

Model		
		
AL2	<p>A. Dovolj za plin: pritisnite navzdol, da pospešite.</p> <p>B. Gumb za vklop: z dolgim pritiskom vklopite ali izklopite električni skuter.</p> <p>Merilnik prevožene poti ODO/TRIP: trikrat na kratko pritisnite, da preklopite iz prikaza ODO na TRIP.</p> <p>C. Načini hitrosti: na kratko pritisnite , da spremenite stopnjo hitrosti.</p> <p>Luči: Dolgo pritisnite gumb, da vklopite ali izklopite luči.</p>	<p>D. Zvonec: enkrat pritisnite na ročico, da se sproži.</p> <p>E. Kazalniki smeri: Pritisnite stikalo v desno ali levo, da jih aktivirate in/ali deaktivirate.</p> <p>F. Zavorna ročica: pritisnite ročico, da zavrete.</p>
	<ol style="list-style-type: none"> Stopnja napoljenosti baterije: stanje napoljenosti. Tahometer: trenutna hitrost električnega skuterja (km/h in mph). Načini hitrosti (TACHIMETER): <ul style="list-style-type: none"> - Stopnja 1: označena s številko 1 - Stopnja 2: označena s številko 2 - Stopnja 3: označena s številko 3 - Pešec: pomoč pri potiskanju vozila z utripajočo lučjo. Bluetooth: na voljo je povezava s pametnim telefonom. Števce prevoženih kilometrov ODO/ TRIP: skupna prevožena razdalja in razdalja posamezne seje. AVG Hitrost: povprečna hitrost. Tempomat: vzdrževanje hitrosti. Vklopi se, ko nekaj sekund vzdržujete enako hitrost. Luči: indikator osvetlitve. 	

Smerokazi

Model	
AL EXT AL2	 <p data-bbox="194 506 739 525">Smerne utripalke so nameščene na koncu krmila (desna in leva stran).</p> <p data-bbox="194 547 935 566">Smerni kazalci so potrebni za takojšnjo signalizacijo kakršne koli spremembe smeri med vožnjo.</p> <p data-bbox="194 627 348 646">Ukaz za pogon:</p>  <div data-bbox="644 634 847 681" style="border: 1px solid black; padding: 5px; display: inline-block;"> POZOR</div> <p data-bbox="644 707 935 746">Pred vsako uporabo izdelka preverite pravilno delovanje smernih kazalcev.</p>

5. VODNIK ZA HITRI ZAČETEK

- Ob prvi uporabi izdelek napolnite do 100 %.
- Preverite tlak v pnevmatikah (priporočeno vrednost glejte na strani pnevmatike). V primeru, da izdelek v prvih 3 mesecih uporabe ne doseže najmanj 60 % deklariranih km ali ne doseže največje hitrosti, je verjetno, da so se kolesa ponovno izpraznila, bo zato treba obnoviti tlak, kot je bilo navedeno.
- Preverite in prilagodite zavore.
- Vključite zaslon.
- Izdelek postavite na ravno površino.
- Z obema rokama trdno držite krmilo. Z eno nogo stopite na ploščo, z drugo pa se rahlo odrinte in pospešite.



POZOR

Funkcija ničelnega zagona: pospeševalnik se aktivira, ko hitrost napredovanja preseže 3 km/h. Zaradi varnosti je skiro sprva nastavljen tako, da se izogne stoječemu startu.

- Ko vozite izdelek, med zavijanjem nagnite telo v smeri vožnje in počasi zavrtite krmilo.
- Če želite ustaviti vozilo, spustite plin, pritisnite zavorno ročico.
- Preden stopite s skiroja, najprej popolnoma ustavite vozilo. Sestop z električnega skiroja v gibanju lahko povzroči poškodbe.
- Pred vsako uporabo preverite zavore in njihovo obrabo, preverite tlak v pnevmatikah (priporočeno vrednost glejte na strani pnevmatike), obrabo koles, plina in stanje napolnjenosti akumulatorja.

Nastavljanje položaja zavornih ročic

AL EXT / AL2

Nastavitev zavor

Položaj zavorne ročice je po potrebi mogoče nastaviti v točki A (glejte fotografijo)

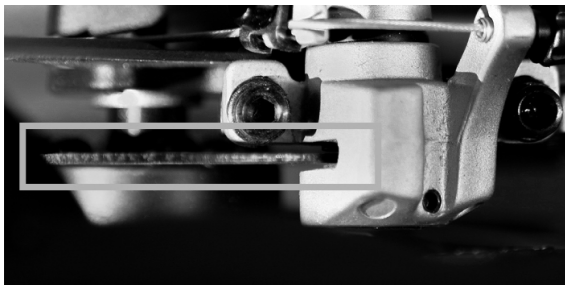
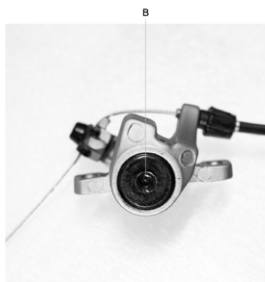
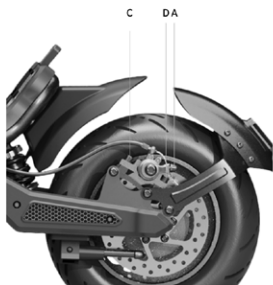


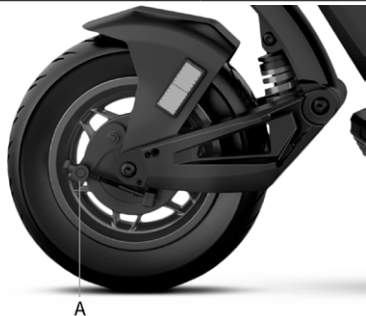
Nastavitev zavornih čeljusti

V primeru, da je zavora pretesna ali preveč ohlapna, s šesterkotnim ključem odvijte vijak (A), nato nastavite zavorni kabel (če je pretesen, zavorni kabel skrajšajte navzgor. Če je kabel preveč ohlapen, ga povlecite navzdol) in nato ponovno privijte vijak (A).

Če je tudi po izvedbi prvega koraka kabel ohlapna ali pretesna, bo morda treba nastaviti zavorno ploščico (fiksno), ki jo lahko nastavite skozi kolo z nasprotni strani. S pomočjo imbus ključa odmaknite zavorno ploščico (B) (v nasprotni smeri urinega kazalca) ali jo približajte (v smeri urinega kazalca) (glejte sliko). Preverite pravilnost poravnave med zavorno čeljustjo in kolutom. Z vijakoma C in D nastavite položaj /poravnavo koluta, če je potrebno.

Za zadnjo zavorno čeljust odvijte in odstranite vijaka C in D, nato odstranite zavorno čeljust z diska.



**Nastavitev bobnaste zavore:**

Če je zavora pretesna ali preohlapna, ukrepajte tako, da popustite ali zategnete vijak (A). Če je zavorna ročica tudi po prvem koraku premehkka ali pretežka, bo morda treba postopek ponoviti, dokler ne dosežete optimalne nastavitve.

6. UPOGNITI IN PREVAŽATI

Prepričajte se, da je električni skiro izklopjen. Z roko primite gred krmila, potegnite ročico, nagnite gred krmila proti podnožju in jo zaskočite.

AL EXT



Odpiranje:

Odklenitev stebila krmila: Vmes se lahko odklenete z ročico za sprostitve krmila: premaknite sponko za sprostitve krmila navzven, dvignite drog krmila, kolikor se da, in ga zaklenite s pritiskom na ročico navznoter. Vklon električnega skuterja.



Zaključek:

Izklopite električni skuter, potegnite varnostni kavelj navzgor in potegnite ročico navzven, potegnite steblo krmila navznoter, vstavite sponko v kavelj in zagotovite učinkovito zaklepanje.

Sponka za krmilo

**Odpiranje:**

Odklenite krmilno ročico z naslona za noge: pritisnite na sponko, da sprostite krmilno ročico, dvignite krmilno ročico, kolikor seže, in jo zaklenite s potiskom ročice zaklepnega mehanizma navznoter. Vključite električni skuter.

Ročica zaklepnega mehanizma

**Zaključek:**

Izklopite električni skuter, odklenite mehanizem za zaklepanje: pritisnite rdečo kljuko in potegnite ročico navzven (glejte sliko), potegnite krmilno palico navznoter in se pripravajte, da je dejansko zaklenjena.



Po tem, ko ste izdelek upognili, ga dvignite tako, da držite gred krmila z eno ali obema rokama.

**POZOR**

Pazite, da izdelek med transportom varno držite. Če niste prepričani, da lahko vzdržite težo izdelka, ne nadaljujte nositi izdelka v rokah. Če izdelek nenadoma pade, lahko povzroči resne poškodbe in se sam poškoduje.

7. AVTONOMIJA IN ZMOGLJIVOST

Največji doseg in zmogljivost vozila sta odvisna od več spremenljivk:

Tla: vožnja po gladkem pločniku zagotavlja večji doseg in zmogljivost kot vožnja po neravnih cestah in strminah.

Teža uporabnika: težji je uporabnik, krajši je doseg in zmogljivost vozila.

Temperatura: vožnja s skirojem v zelo hladnem ali obratno vročem okolju vpliva na doseg in zmogljivost vozila.

Hitrost in slog vožnje: gladka in enakomerna vožnja podaljša doseg. Nenehno pospeševanje, upočasnjevanje in manevriranje močno zmanjšajo doseg. Manjša hitrost podaljša doseg.

Vzdrževanje: pravočasno polnjenje, pravilno vzdrževanje in redne kontrole tlaka v pnevmatikah (glejte referenčno vrednost v razdelku 10) povečujejo avtonomijo in zagotavljajo konstantno delovanje skozi čas.

Stopnja napoljenosti baterije vpliva na zmogljivost, nižja kot je raven, nižja bo hitrost, zlasti v prisotnosti strmin.

8. SKLADIŠČENJE, VZDRŽEVANJE IN ČIŠČENJE

Če so na telesu skiroja madeži, jih obrišite z vlažno krpo. Če madeži vztrajajo, lahko uporabite krpo namočeno z blagim milom, ali s ščetko in nato obrišite z vlažno krpo. Če so na plastičnih delih praske, jih odstranite z brusnim papirjem ali drugim abrazivnim materialom. Izdelka ne čistite z alkoholom, bencinom, kerozinom ali drugimi jedkimi in hlapnimi kemičnimi topili, da se izognete resnim poškodbam. Izdelka ne umivajte z visokotlačnimi vodnimi curki. Med čiščenjem se prepričajte, da je skiro ugasnjen, polnilni kabel odklopljen in gumijast pokrovček zaprt, ker lahko puščanje vode povzroči električni udar ali druge resne težave. Vdor vode v baterijo lahko povzroči poškodbe notranjih vezij, nevarnost požara ali eksplozije. Če sumite, da je v baterijo vdrla voda, jo takoj prenehajte uporabljati in jo vrnite za pregled službi za pomoč strankam pri prodajalcu.

Ko izdelka ne uporabljate, ga hranite v suhem in hladnem prostoru. Ne hranite ga dalj časa na prostem ali v avtomobilu. Prekomerna sončna svetloba, pregrevanje in pretiran mraz pospešijo staranje pnevmatik in ogrozijo življenjsko dobo skiroja in akumulatorja. Ne izpostavljajte ga dežju ali vodi ter ga ne potapljajte in niti ne perite z vodo.

Redno preverjajte privitost različnih vijačnih elementov, zlasti kolesnih osi, zložljivega in transportnega sistema, krmilnega sistema, zavornega sistema, dobrega stanja ogrodja stroja, vilic in vzmetenja. Matice in vsi drugi samozatezni pritrdilni elementi lahko izgubijo svojo učinkovitost, zato je treba te komponente občasno preverjati in zategniti.

Tako kot vse mehanske komponente je tudi ta izdelek podvržen obrabi in hudim obremenitvam. Različni materiali in komponente se lahko na različne načine odzovejo na obrabo ali utrujenost zaradi stresa. Če je življenjska doba komponente presežena, se lahko nenadoma zlomi, kar povzroči poškodbe prevodnika. Vsaka oblika razpok, prask ali razbarvanja na zelo obremenjenih območjih pomeni, da je življenjska doba komponente dosežena in jo je treba zamenjati.

Preverite stanje obrabe pnevmatik: ne sme biti ureznin, razpok, tujkov, nenormalnih oteklin, pomanjkanja delov in drugih poškodb. Za tlak v pnevmatikah glejte vrednost v razdelku 10 tega priročnika.

Izdelka ne poskušajte razstaviti ali popraviti sami. Zamenjava vseh sestavnih delov električnega skiroja mora opraviti pooblaščen servis za tehnično pomoč, za več informacij pa se obrnite na svojega prodajalca ali obiščite spletno stran: www.alemobility.com/en/

9. KONFIGURACIJA APLIKACIJE

Naslednji so izdelki, opremljeni z Bluetooth-om, ki jih je mogoče povezati z aplikacijo AL e-Mobility: AL EXT, AL2.

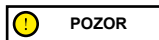
Z aplikacijo lahko izdelek upravljate neposredno s pametnim telefonom.

Za prenos in namestitve aplikacije preberite QR kodo. Če aplikacije ne najdete, priporočamo, da jo poiščete v referenčni storitvi za aplikacije.

Odprite aplikacijo in sledite navodilom v referenčni storitvi aplikacije.



Odprite aplikacijo in sledite navodilom v referenčni storitvi aplikacije.



Aplikacija lahko za svoje delovanje zahteva različna dovoljenja.

Različica aplikacije je bila verjetno posodobljena na storitvi za aplikacije. Priporočamo, da stalno preverjate posodobitve aplikacije zaradi novih funkcij in v svojo napravo vedno namestite najnovejšo izdajo aplikacije.

Naprave ne uporabljajte med vožnjo.

10. TEHNIČNI LIST

Splošne informacije

AL EXT

Nosilno ogrodje	Jeklo in aluminij	
Vzmetenje	Spređaj in zadaj	
Hitrost	LA-MO-210001; LA-MO-210002; LA-MO-220013 Pešec: $\leq 6\text{km/h}$ L1: $\leq 15\text{km/h}$ L2: $\leq 20\text{km/h}$ L3: $\leq 25\text{km/h}$ (najvišja hitrost) * *glede na državo obtoka	LA-MO-220001; LA-MO-220002 Pešec: $\leq 6\text{km/h}$ L1: $\leq 10\text{km/h}$ L2: $\leq 15\text{km/h}$ L3: $\leq 20\text{km/h}$ (najvišja hitrost) * *glede na državo obtoka
Maksimalni naklon **	22%	
Zavore	Spređnja kolutna zavora, kolutna zavora in zadnja elektronika	
Pnevmatike	Mera: 90/65-6.5 Tlak: 50 psi / 3.5 bar	
Največja obremenitev	120kg	
Voznik	Preverite veljavno zakonodajo v vaši državi	
Temperatura delovanja	-0°C / 45°C	
Stopnja zaščite	IPX4	
Čas polnjenja	Približno 7 ur	
Doseg**	do 40 km	

Električni sistem

Nazivna moč motorja	0.50kW; 500W brez krtačk
Največja moč motorja	0.900kW; 900W
Zaslon	LED lučka vgrajena
Baterija	48V 12.5Ah 600Wh
Nizkonapetostna zaščita	42V
Omejitev toka	20A
KERS	da
Luči	LED spređaj in zadaj
Funkcionalnost	Bluetooth
Ukrepi	
Neto teža	30.6Kg
Bruto teža	38.75Kg

* Vedno spoštujte cestnoprometne predpise in norme, ki veljajo v državi uporabe.

** In ki se lahko spreminjajo glede na težo voznika, razmere na cesti in na temperaturo.

Splošne informacije

AL2

Nosilno ogrodje	Jeklo in aluminij	
Vzmetenje	Spredaj in zadaj	
Hitrost	LA-MO-220003 Pešec: ≤ 6km/h L1: ≤ 15km/h L2: ≤ 20km/h L3: ≤ 25km/h (najvišja hitrost) * *glede na državo obtoka	LA-MO-220004 Pešec: ≤ 6km/h L1: ≤ 10km/h L2: ≤ 15km/h L3: ≤ 20km/h (najvišja hitrost) * *glede na državo obtoka
Maksimalni naklon **	16%	
Zavore	Sprednja bobnasta zavora, zadnja električna zavora	
Pnevmatike	Mera: 10" X 2.125" z notranjo cevjo Tlak: 36 psi / 2.5 bar	
Največja obremenitev	120kg	
Voznik	Preverite veljavno zakonodajo v vaši državi	
Temperatura delovanja	-0°C / +45°C	
Stopnja zaščite	IPX5	
Čas polnjenja	približno 5 ur	
Doseg**	do 35 km	

Električni sistem

Nazivna moč motorja	0.35kW; 350W brez krtačk
Največja moč motorja	0.55kW; 550W
Zaslon	Vgrajena dioda LED
Baterija	36V 8Ah 288Wh
Niskonapetostna zaščita	31 + / - 0.5V
Omejitev toka	17A
KERS	da
Luči	LED spredaj in zadaj
Funkcionalnost	Bluetooth z aplikacijo
Ukrepi	
Neto teža	19Kg
Bruto teža	22Kg

* Vedno spoštujte cestnoprometne predpise in norme, ki veljajo v državi uporabe.

** In ki se lahko spreminjajo glede na težo voznika, razmere na cesti in na temperaturo.

11. ODPRAVLJANJE TEŽAV

Napaka	Vzrok	Rešitev
Motor ne deluje	Težava z elektriko, pojavlja se koda napake	Zahtevajte tehnično pomoč
Pogonsko kolo se ne vrti	Težava z zavorama Motor je blokiran	Nastavite zavore, če se težava nadaljuje, zaprosite za tehnično pomoč Preverite pravilno zategnjenost kolesa, preverite, ali se kolo vrti brez zagona vozila. Če se težava nadaljuje, zaprosite za tehnično pomoč
Motor se med obratovanjem ugasne	Pregrevanje motorja Prikaz kode napake	Ustavite vozilo in počakajte, da se ohladi Zahtevajte tehnično pomoč
Po polnjenju se izdelek ne vklopi ali se izklopi po nekaj prevoženih kilometrih.	Poškodovana baterija	Zahtevajte tehnično pomoč
Baterija se ne polni ali se izdelek ne vklopi	Težave s povezavo Akumulator ni priključen (modeli z odstranljivim akumulatorjem) Baterija je prazna Poškodovana baterija Težave s polnilnikom	Zahtevajte tehnično pomoč Preverite, ali je priključek za napajanje povezan. Baterijo napolnite do 100% Zahtevajte tehnično pomoč Zamenjajte polnilnik

AL EXT / AL2

Tabela kod napak

Koda napake	Opredelitev
E1	Napaka v povezavi motorja
E2	Napaka MOS ali kratek stik v fazi motorja
E3	Napaka zavornega senzorja
E4	Napaka elektronike krmila
E5	Nizkonapetostna zaščita
E6	Sporočanje o nedelujočih instrumentih
E7	Visokonapetostna zaščita
E8 / E9	Napaka krmilne enote/BMS

12. ODGOVORNOST IN SPLOŠNI GARANCIJSKI POGOJI

Voznik prevzame vsa tveganja, povezana z neuporabo čelade ali druge zaščitne opreme.

Voznik je dolžan upoštevati veljavne lokalne predpise v zvezi z:

1. Najnižjo dovoljeno starostjo za voznika,
2. Omejitvami glede vrste voznikov, ki lahko uporabljajo vozilo
3. Vsemi drugimi zakonskimi predpisi

Voznik je tudi dolžan vzdrževati izdelek čist in v brezhibnem stanju učinkovitosti in vzdrževanja, skrbno izvajati varnostne preglede v okviru svoje pristojnosti, kot je opisano v prejšnjih razdelkih, ne posegati v izdelek na kakršen koli način in hraniti vse dokumentacijo v zvezi z vzdrževanjem.

Podjetje ne prevzema odgovornosti za povzročeno škodo in ni v nobenem primeru odgovorna za škodo, povzročeno na stvareh ali ljudem v primerih, ko:

- se izdelek uporablja nepravilno ali ne v skladu z navedenim v navodilih za uporabo;
- je izdelek po nakupu spremenjen ali pokvarjen v vseh ali samo nekaterih njegovih sestavnih delih.

V primeru okvare izdelka iz razlogov, ki jih ni mogoče pripisati nepravilnemu vedenju voznika in če želite prebrati splošne garancijske pogoje, se obrnite na svojega prodajalca ali obiščite spletno stran www.alemobility.com/en/

Vse napake ali okvare, ki nastanejo zaradi nenamernih dogodkov in/ali za katere je odgovoren kupec ali zaradi uporabe izdelka, ki ni v skladu s predvideno uporabo in/ali kot je določeno v dokumentaciji, so vedno izključene iz področja pravne Garancije za tehniko izdelkov, ki je pritrjena na izdelek, ali zaradi nenastavitve mehanskih delov, naravne obrabe materialov, ki so dotrajani ali posledica napak pri montaži, pomanjkanja vzdrževanja in/ali uporabe le-teh, ki niso v skladu z navodili.

Naslednje se na primer šteje za izključeno iz pravne garancije v zvezi z izdelki:

- škoda zaradi udarcev, nenamernih padcev ali trkov, predrtja pnevmatik;
- poškodbe, ki nastanejo zaradi uporabe, izpostavljenosti ali skladiščenja v neprimernem prostoru (npr. prisotnost dežja in/ali blata, izpostavljenost vlagi ali pretiranemu viru toplote, stik s peskom ali drugimi snovmi)
- poškodbe, ki nastanejo zaradi neprimerne opreme za vožnjo po cesti in/ali vzdrževanje mehanskih delov, mehanskih kolutnih zavor, krmila, pnevmatik itd.; nepravilna namestitvev in/ali nepravilna montaža delov in/ali komponent
- naravna obraba potrošnega materiala: mehanske kolutne zavore (npr. ploščice, čeljusti, diski, kabli), pnevmatike, podnožja, tesnila, ležaji, led luči in žarnice, stojalo, gumbi, blatniki, gumijasti deli (podnožje), priključki za kable, maske in nalepke itd.;
- nepravilno vzdrževanje in/ali nepravilna uporaba baterije izdelka;
- poseganje v in/ali vsiljevanje delov izdelka;
- nepravilno ali neustrezno vzdrževanje ali spreminjanje izdelka;
- nepravilna uporaba izdelka (npr.: prekomerna obremenitev, uporaba na tekmovanjih in/ali za komercialne dejavnosti najema ali izposoje);
- vzdrževanje, popravila in / ali tehnični posegi na izdelku, ki jih izvajajo nepooblaščen tretje osebe;
- poškodbe izdelkov, ki so posledica transporta, če ga izvede kupec;
- poškodbe in / ali okvare, ki izhajajo iz uporabe neoriginalnih nadomestnih delov.

Vabimo vas, da si ogledate najnovejšo različico garancijskih pogojev, ki so na voljo na spletnem mestu www.alemobility.com/en/support/



POZOR

Obravnava električnih ali elektronskih naprav ob koncu njihove življenjske dobe (velja v vseh državah Evropske unije in v drugih evropskih sistemih z ločenimi sistemi zbiranja odpadkov)



Ta simbol na izdelku ali na embalaži pomeni, da izdelka ne smemo šteti za običajen gospodinjinski odpadke, temveč bi ga morali dostaviti na ustrezno zbirno mesto za recikliranje električne in elektronske opreme (OEEO).

Če zagotovite pravilno odstranjevanje tega izdelka, boste pomagali preprečiti morebitne negativne posledice za okolje in zdravje, ki bi jih sicer lahko povzročilo njegovo neustrezno odstranjevanje. Recikliranje materialov pomaga ohranjati naravne vire.

Za podrobnejše informacije o recikliranju in odstranjevanju tega izdelka kontaktirajte lokalno službo za odstranjevanje odpadkov ali prodajalno, kjer je bilo vozilo kupljeno.

V vsakem primeru ga je treba odstraniti v skladu z veljavno zakonodajo v državi nakupa.

Potrošniki zlasti OEEO ne smejo odlagati med komunalne odpadke, temveč morajo sodelovati pri ločenem zbiranju tovrstnih odpadkov na dva načina:

Na občinskih zbirnih centrih (imenovanih tudi Eko parcele, ekološki otoki) neposredno ali prek zbirnih služb občinskih podjetij, kjer so na voljo;

Na prodajnih mestih, ki prodajajo nove električne in elektronske naprave.

Tu lahko brezplačno izročimo zelo majhno OEEO (z najdaljšo stranico krajšo od 25 cm), večje pa v načinu 1 na 1, torej z dostavo starega izdelka ob nakupu novega z enakimi funkcijami.

Poleg tega je način 1proti 1 med nakupom nove EEO s strani potrošnika vedno zagotovljen, ne glede na velikost OEEO.

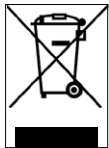
Nezakonito odlaganje električne ali elektronske opreme se lahko kaznuje s sankcijami, predvidenimi z veljavno zakonodajo o varovanju okolja (italijanska zakonodaja, treba je preveriti veljavne predpise v državi uporabe/ odstranjevanja sredstva).

Če OEEO vsebuje baterije ali akumulatorje, jih je treba odstraniti s posebnim ločenim zbiranjem odpadkov.



POZOR

Odstranjevanje izrabljenih baterij (velja v vseh državah Evropske unije in v drugih evropskih sistemih s sistemom ločenega zbiranja)



Ta simbol na izdelku ali embalaži označuje, da baterije-akumulatorja se ne sme obravnavati kot običajni gospodinjinski odpadke. Pri nekaterih vrstah baterij se ta simbol lahko uporablja v kombinaciji s kemijskim simbolom.

Kemični simboli za živo srebro (Hg) ali svinec (Pb) se dodajo, če baterije vsebuje več kot 0,0005 % živega srebra ali 0,004 % svinca.

Če zagotovite pravilno odstranjevanje baterij-akumulatorjev, boste pomagali preprečiti morebitne negativne posledice za okolje in zdravje, ki bi jih sicer lahko povzročilo njihovo neustrezno odstranjevanje. Recikliranje materialov pomaga ohranjati naravne vire. Pri izdelkih, ki zaradi varnosti, zmogljivosti ali zaščite podatkov zahtevajo neprekinjeno povezavo z notranjo baterijo/ akumulatorjem, lahko zamenjavo izvede samo kvalificirano servisno osebje.

Izdelek ob koncu življenjske dobe dostavite na zbirno mesto, primerno za odlaganje električne in elektronske opreme, kar bo zagotovilo, da bo tudi baterija v notranjosti pravilno odstranjena.

Za podrobnejše informacije o odstranjevanju izrabljene baterije-akumulatorja ali izdelka se lahko obrnete na lokalno službo za odstranjevanje odpadkov ali trgovino, kjer ste ga kupili.

V vsakem primeru ga je treba odstraniti v skladu z veljavno zakonodajo v državi nakupa.

Ovo uputstvo važi za sledeći električni trotnet:

AL EXT AL2

Uputstvo za upotrebu

LA-MO-000001 rev. 2

Uputstva prevedena sa originalnog italijanskog

Hvala vam što ste izabrali ovaj proizvod.

Za informacije, tehničku podršku, pomoć i da biste konsultovali opšte uslove garancije, kontaktirajte svog prodavca ili posetite sajt www.alemobility.com/en/support/

Sadržaj

1. Bezbednosna uputstva
2. Sadržaj pakovanja i montaža
3. Pregled proizvoda
4. Informacije o komandama / kontrolna ploča
5. Brzi vodič
6. Sklapanje i nošenje
7. Autonomija i performanse
8. Skladištenje, održavanje i čišćenje
9. Konfiguracija aplikacije
10. Tehnički list
11. Rešavanje problema
12. Odgovornost i opšti uslovi garancije

1. BEZBEDNOSNA UPUTSTVA



PAŽNJA

VAŽNO! Pre upotrebe proizvoda pažljivo pročitajte i sledite sledeća uputstva. Sačuvajte ovo uputstvo za buduću upotrebu ili nove korisnike.

Odvojite vreme da naučite osnove prakse kako biste izbegli bilo kakve ozbiljne incidente koji se mogu dogoditi u prvih nekoliko meseci. Obratite se svom prodavcu za odgovarajuću podršku u tome kako pravilno koristiti proizvod ili za upućivanje u odgovarajuću organizaciju za obuku.

Kompanija se odriče svake direktne ili indirektno odgovornosti koja proizilazi iz zloupotrebe proizvoda, neusaglašenosti kako sa propisima o putevima tako i sa uputstvima u ovom priručniku, nesrećama i sporovima uzrokovanim nepoštovanjem propisa i nezakonitim radnjama.

Ovaj proizvod se koristi u rekreativne svrhe, mora ga koristiti samo jedna osoba, a ne za prevoz putnika, stoga ga ne može koristiti više osoba u isto vreme.

Ni na koji način ne menjajte namenu upotrebe vozila, ovaj proizvod nije pogodan za akrobacije, takmičenja, transport predmeta, vuču drugih vozila ili dodataka.

Električni trotinet se mora koristiti oprezno, uvek poštujući **pravila** propisana Zakonom o saobraćaju zemlje u kojoj se koristi, kako biste izbegli opasnosti i maksimalno vodili računa o sebi i drugima.



PAŽNJA

Indikativni zahtevi projekta vozila:

Model električnog trotineta	AL EXT Green	AL EXT Bronze	AL2
Šifra proizvoda sa pokazateljima pravca	LA-MO-210001	LA-MO-220013	LA-MO-220003
	LA-MO-220002	LA-MO-220001	LA-MO-220004
MIN. težina (Kg)	30	30	30
MAKS. težina (Kg)	120	120	120
MIN starost *	14	14	14
MAX starost *	65	65	65
MIN. visina (cm)	120	120	120
MAKS. visina (cm)	200	200	200

* upotrebe proizvoda proverite lokalne propise koji su na snazi vezane za minimalnu starosnu dob vozača, za ograničenja tipa vozača koji mogu da koriste proizvod i samu upotrebu ove vrste proizvoda.

A-ponderisan nivo zvučnog pritiska (buka) emisije na uvo vozača je manji od 70 dB (A).

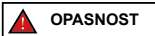
Grafički oblik bezbednosnih upozorenja

Za identifikaciju bezbednosnih poruka u ovom uputstvu, koriste se sledeći grafički simboli upozorenja. Imaju funkciju da privuku pažnju čitaoca/korisnika u cilju pravilne i bezbedne upotrebe proizvoda.



Obratiti pažnju

Ističe pravila koja se moraju poštovati kako bi se izbeglo oštećenje proizvoda i/ili sprečavanje nastanka opasnih situacija.



Preostali rizici

Ističe prisustvo opasnosti koje izazivaju preostale rizike na koje korisnik mora obratiti pažnju kako bi izbegao povrede ili materijalnu štetu.

Opšta upozorenja



Važno je imati na umu da kada ste na javnom mestu ili na putu, čak i ako se pridržavate ovog uputstva do kraja, niste imuni na povrede uzrokovane prekršajima ili neodgovarajućim radnjama preduzetim prema drugim vozilima, preprekama ili ljudima. Nepravilna upotreba proizvoda ili nepoštovanje uputstava u ovom priručniku mogu izazvati ozbiljna oštećenja.

Ovaj proizvod je električno vozilo. Što brže vozite, duži je put kočenja. Hitno kočenje na klizavim, blatnjavim, mokrim ili zaleđenim putevima može dovesti do okretanja točkova i gubitka ravnoteže. Moraju se održavati odgovarajuća brzina i bezbedna udaljenost od drugih vozila ili pešaka. Budite posebno oprezni kada vozite na nepoznatim putevima. Ne otvarajte postolje kada koristite proizvod, rizik od ozbiljnog ličnog oštećenja i oštećenja proizvoda.



Na mokrim putevima, put kočenja se povećava, a prijanjanje se značajno smanjuje u poređenju sa suvim putevima! Vozite opreznije, poštujujte razdaljine!

Radi vaše bezbednosti uvek nosite: kacigu, štitnike za kolena i laktove da biste se zaštitili od padova i povreda tokom vožnje proizvoda. Prilikom pozajmljivanja proizvoda, neka vozač stavi zaštitnu opremu i objasnite mu kako se koristi vozilo. Da biste izbegli povrede, ne pozajmljujte proizvod ljudima koji ne znaju kako da ga koriste. Pre upotrebe proizvoda uvek nosite cipele.

Deca ne smeju da se igraju s električnim trotinetom ili bilo kojim njegovim delom, niti im treba dozvoliti da vrše čišćenje ili održavanje.

Kada vozite proizvod, pazite da ne uplašite decu i pešake. Kada prolazite iza njih, upozorite ih zvoncem i usporite na minimalnu brzinu od 6 km/h.

Uputstva i upozorenja o ponašanju u vožnji

Uslovi	Odgovarajuća/predviđena upotreba	Nepravilna upotreba
Vozači	Jedan	Više osoba, sa decom ili životinjama
Sigurnosna oprema	Kaciga, štitnici za kolena, štitnici za laktove, reflektujući prsluk	Bez sigurnosne opreme
Provere pre vožnje	Pre svake upotrebe proverite kočnice i njihovu istrošenost, proverite pritisak u gumama (pogledajte preporučenu vrednost sa strane gume), istrošenost točkova, gasa, pokazivača pravca i stanje napunjenosti akumulatora. Ako primetite neuobičajene zvukove ili bilo kakve anomalije, nemojte koristiti proizvod i obratite se svom prodavcu ili ovlašćenoj Službi za tehničku pomoć	Nikada ne proveravajte proizvod pre vožnje Koristite proizvod u prisustvu buke i anomalija
Hodajte dok gurate proizvod	Ne ubrzavajte Gurajte dok hodate po pešačkim prelazima U pešačkim zonama ako nisu opremljene pešačkim režimom (6 km/h) U prenatrpanim područjima	Pritisnite gas Vodite vozilo na pešačkim prelazima Vodite vozilo u pešačkim zonama ako nije opremljeno pešačkim režimom (6 km/h) Vodite vozilo u prenatrpanim područjima
Dok miruje	Osoba koja koristi ovaj proizvod mora biti u mogućnosti da lako stavi obe noge na tlo držeći upravljač na pravilnoj visini	Nemogućnost održavanja proizvoda stabilnim i uravnoteženim Sedite na proizvodu dok se kreće ili stojite

Uslovi	Odgovarajuća/predviđena upotreba	Nepravilna upotreba
Vožnja u normalnim uslovima	Nijedan predmet ne sme da visi sa upravljača	Predmeti koji vise sa upravljača izazivaju nestabilnost i mogu vam smetati prilikom manevarisanja
	Vozite sa obe ruke na upravljaču Nemojte koristiti uređaje kao što su telefoni, pametni satovi, muzički plejeri, slušalice	Vožnja sa jednom rukom ili bez ruku Upotreba uređaja kao što su telefoni, pametni satovi, muzički plejeri, slušalice
	Vozite sa obe noge na platformi udobno i bezbedno	Vožnja sa jednim ili više stopala van platforme Zabranjeno je stavljati i koncentrisati težinu na zadnji branik.
	Vožnja sa kacigom i zaštitnom opremom	Vožnja bez kacige i zaštitne opreme
	Vozite po lako dostupnim, glatkim i kompaktnim putevima, izbegavajte oblasti sa gustim saobraćajem ili prenatrpane oblasti: npr. namenska biciklistička staza, površine sa glatkim podovima	Vožnja autoputem, putevima na velike udaljenosti Vožnja na prometnim putevima Vožnja po trotoarima Vožnja u prenaseljenim područjima Vožnja po veoma grubim putevima Vožnja u blizini: jaruga, strmina, luka, mora, jezera i reka
	Poštujte lokalne propise na snazi i saobraćajne propise	Nepoštovanje važećih propisa i saobraćajnih propisa
	Uvek gledajte napred i pazite na sve prepreke, vozila i pešake u blizini	Ne koncentrisanje na vožnju
	Promenite smer pazeći da vas vide, usporite U svakom slučaju, predvidite putanju i smanjite brzinu poštujući saobraćajna pravila i najugroženije učesnike u saobraćaju Uvek koristite pokazivače pravca ako su predviđeni na proizvodu	Iznenadna promena pravca velikom brzinom, a da niste sigurni da ste viđeni Istovremeno kočenje i skretanje u krivinama u čine vozilo nestabilnim Ne koristite pokazivače pravca
	Usporite u prisustvu pešaka Koristite pešački režim u pešačkim zonama (6 km/h) Upozorite na svoje prisustvo pomoću zvonca	Ubrzajte ili održavajte konstantnu brzinu u prisustvu pešaka Vožnja bez korišćenja pešačkog režima u pešačkim zonama (6 km/h) Ne upozoravajte na svoje prisustvo zvoncem
	Neravni uslovi na putu: veštačke izbočine/stepenice/ gruba površina puta	Vožnja umerenom brzinom Blago savijte kolena za bolju apsorpciju udara kada prelazite preko neravne površine.

Uslovi	Odgovarajuća/predviđena upotreba	Nepravilna upotreba
Ponašanje: pri skretanju, nizbrdici, u prisustvu prepreka, obližnjih vozila i pešaka	Držite bezbednu udaljenost Prestanite da ubrzavate Kočite i usporite Vozite umerenom brzinom i bezbedno kočite Obratite pažnju na vrata i druge prepreke u visini	Ne poštujućte sigurnosnu udaljenost Ubrzati Vožnja velikom brzinom, naglo kočenje Prolaz ispod visinskih prepreka
Uslovi vidljivosti	Vozite samo ako ima dovoljno svetla za bezbednu vožnju. U slučaju vožnje u nepovoljnim svetlosnim uslovima (od pola sata nakon zalaska sunca, tokom celog perioda mraka, a takođe i tokom dana, ako vremenski uslovi onemogućavaju vidljivost puta, ako prolazite kroz tunele) ne zaboravite da uključite proizvod svetli i nosite reflektujući prsluk ili naramenice.	Vožnja u nepovoljnim svetlosnim uslovima sa ugašenim svetlima i bez upotrebe reflektujućeg prsluka ili naramenica.
Vremenski uslovi	Vožnja u optimalnim vremenskim uslovima (bez kiše)	Vožnja u nepovoljnim uslovima: po kiši, kada pada sneg, u prisustvu leda ili blata na putu, jak vetar, u slučaju magle.
Parkirati	U posebnim zonama bez ometanja kretanja vozila i pešaka Na ravnim površinama, uz obezbeđivanje stabilnosti Isključite proizvod i uvek koristite uređaj protiv krađe Koristite isporučeni stativ	Bilo gde, ometajući kretanje vozila i pešaka Na neravnim površinama i bez obezbeđivanja stabilnosti Ostavljajući proizvod uključen, bez nadzora i bez uređaja protiv krađe
Bavljenje ekstremnim sportovima/akrobacijama	NE	DA, nepravilna upotreba: Vožnja u blizini: jaruga, strmina, luka, mora, jezera i reka Vožnja preko lokvi Utrkivanje sa drugim vozilima
Izlaganje proizvoda jakim udarima	NE	DA, nepravilna upotreba: Bacanje na stvari ili ljudi, bacanje sa stepenica ili odozgo

Šta uraditi posle pada:

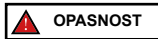
Proverite da li ručica gasa radi ispravno. Da biste to uradili, ubrzajte i usporite nekoliko puta.

Uvek proverite da li kočnice rade ispravno. Da biste to uradili, siđite sa proizvoda, gurnite proizvod napred i zakočite da biste bili sigurni da reaguje na komande.

Proverite da li su sve komponente vozila na svom mestu i dobro pričvršćene.

Proverite istrošenost i pritisak u gumama (pogledajte stranu gume za preporučenu vrednost).


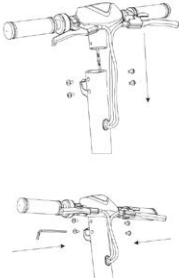

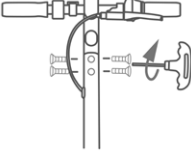
Proverite istrošenost kočnica i sajli.



Kočnice se mogu zagrejati za vreme upotrebe. Ne dirajte ih posle upotrebe.

2. SADRŽAJ PAKOVANJA I MONTAŽA

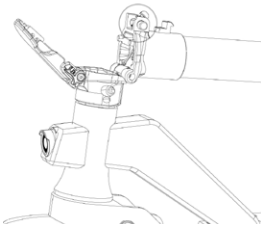
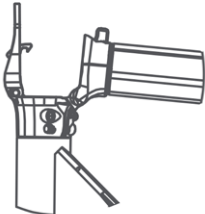
Sastavljeni proizvod, upravljač, treba montirati odgovarajućim zavrtnjima sadržanim u pakovanju.

Model	Referentna slika	U pakovanju	Montiranje upravljača
AL EXT		<p>Aksesuarlar:</p> <p>1k imbus ključ</p> <p>4k šrafovi za upravljač</p> <p>1k punjač baterija</p>	
AL2		<p>Aksesuarlar:</p> <p>1k imbus ključ</p> <p>2k šrafovi za upravljač</p> <p>1k punjač baterija</p>	

Koraci

AL EXT / AL2

- Izvadite proizvod iz pakovanja.
- Otvorite držač upravljača i učvrstite ga zatvaranjem poluge mehanizma za zaključavanje.
- Povežite kabl za napajanje ekrana na glavni kabl (ako je potrebno).
- Instalirajte upravljač na držač (nemojte gnječiti kablove).
- Stavite i zategnite zavrtnje na stubu sa isporučenim ključem.
- Instalirajte stalak (ako je potrebno).
- Podesite mehanizam za zaključavanje stuba upravljača* (ako je potrebno).
- Prilikom prve upotrebe, napunite proizvod 100%.

Model	Referentna slika	* Podešavanje mehanizma za zatvaranje stuba
AL EXT		<p>Unutar mehanizma nalazi se šestougaoni zavrtnj.</p> <p>Ako je držač upravljača nestabilan nakon zatvaranja, podesite vijak mehanizma tako što ćete zavrnuti ili odvrnuti samo toliko da povećate stabilnost vretena.</p>
AL2		<p>Unutar mehanizma se nalazi šestougaoni zavrtnj.</p> <p>Ako je držač upravljača nestabilan nakon zatvaranja, podesite zavrtnj mehanizma tako što ćete ga zavrnuti ili odvrnuti samo toliko da povećate stabilnost vretena.</p>

 **PAŽNJA**

Pravilno sastavite proizvod. U slučaju da tokom montaže otkrijete bilo kakav proizvodni nedostatak, nejasne korake ili poteškoće u samoj montaži ili u podešavanjima, nemojte voziti vozilo i kontaktirajte svog prodavca ili posetite sajt <https://www.alemobility.com/en/> da biste dobili tehničku pomoć.

Nemojte koristiti pribor i/ili dodatne delove koje nije odobrio proizvođač.

Držite decu dalje od plastičnih delova (uključujući materijale za pakovanje) i malih delova koji mogu izazvati gušenje.

Zabranjeno je modifikovati ili transformisati proizvod ili njegove delove na bilo koji način, to može oštetiti efikasnost, strukturu i prouzrokovati štetu. Ako otkrijete bilo kakav proizvodni nedostatak, ako otkrijete neobične zvukove ili bilo kakve anomalije, nemojte voziti vozilo i kontaktirajte svog prodavca ili posetite sajt www.alemobility.com/en/ da biste dobili tehničku pomoć.

3. PREGLED PROIZVODA

U cilju kontinuiranog tehnološkog razvoja, proizvođač zadržava pravo da modifikuje proizvod bez prethodne najave, bez automatskog ažuriranja ovog uputstva.

Za informacije i konsultacije sa revizijama ovog priručnika posetite sajt www.alemobility.com/en/

AL EXT



1. Prednje svetlo
2. Poluga kočnice
3. Kuka
4. Mehanizam za zatvaranje
5. Prednji točak
6. Stalak
7. Priključak za punjenje
8. Platforma
9. Kopča za zatvaranje
10. Zadnje svetlo

11. Zadnji blatobran
12. Zadnji pogonski točak
13. Čeljusti kočnice
14. Zvonce
15. Ekran
16. Akcelerator
17. Dugme UKLJ//ISKLJ
18. Dugme za svetla
19. USB priključak

AL2



1. Kuka
2. Zvonce
3. Poluga kočnice
4. Mehanizem za zatvaranje
5. Far
6. Doboš kočnica
7. Stalak
8. Platforma
9. Zadnji pogonski točak
10. Far

11. Zadnji blatobran
12. Kopča za zatvaranje
13. Priključak za punjenje
14. Ekran
15. Akcelerator

Punjenje baterije







PAŽNJA

Prilikom prve upotrebe, napunite proizvod do 100%. Uverite se da su proizvod, punjač i priključak za punjenje suvi.

Uputstva

- Otvorite stalak
- Isključite proizvod

Model	Referentna slika	UPUTSTVO
AL EXT		<ul style="list-style-type: none">• Koristite samo isporučeni punjač.• Uključite punjač najpre u zidnu utičnicu, a tek onda u utičnicu za punjenje.• Ne uključujte električni trotinet dok se puni. <div data-bbox="612 637 814 685"><p>PAŽNJA</p></div> <p>Crveno svetlo na punjaču će postati zeleno kada je punjenje završeno.</p>
AL2		<ul style="list-style-type: none">• Koristite samo isporučeni punjač.• Uključite punjač prvo u zidnu utičnicu, a tek onda u utičnicu za punjenje.• Ne uključujte električni skuter dok se puni. <div data-bbox="612 1093 814 1141"><p>PAŽNJA</p></div> <p>Crveno svetlo na napajanju će postati zeleno kada se operacija punjenja završi.</p>

Za punjenje ovog proizvoda koristite SAMO isporučeni punjač



PAŽNJA

Model	Šifra proizvoda	Model punjača	Izlazni napon	Vreme punjenja
AL EXT	LA-MO-210001	FCA136-546020	54.6V – 2A	Oko 7 sati
	LA-MO-220002			
	LA-MO-210002			
	LA-MO-220013			
	LA-MO-220001			
AL2	LA-MO-220003	HLT-180-4201500	42V – 1.5A	Oko 5 sati
	LA-MO-220004			

Upotreba druge vrste punjača može oštetiti proizvod ili stvoriti druge potencijalne rizike.

Nikada ne puniti proizvod bez nadzora dok se puni. Ne uključujte proizvod dok se puni.

Posle svake upotrebe, potpuno napunite bateriju kako biste produžili njen vek trajanja. Ne puniti proizvod odmah posle upotrebe. Ostavite proizvod da se ohladi sat vremena pre punjenja.

Proizvod ne treba puniti u dugim vremenskim periodima. Prekomerno punjenje skraćuje vek baterije i nosi dodatne potencijalne rizike.

Poželjno je da ne dozvolite potpuno pražnjenje vozila kako biste izbegli oštećenje akumulatora.

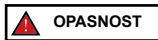
Oštećenja nastala zbog dugotrajne nenapunjenosti baterije nepovratna su i nisu pokrivena ograničenom garancijom. Nakon što dođe do oštećenja, baterija se ne može puniti (nekvalifikovano osoblje ne smije rastavljati bateriju jer to može dovesti do strujnog udara, kratkog spoja ili čak do velikih sigurnosnih incidenata). Ako ste odsutni na određeno vreme, na primer za praznike, a uređaj poverite trećoj strani, ostavite ga u delimično napunjenom stanju (20–50 % napunjenosti).

Redovno vizuelno proveravajte punjač i kablove punjača. Ako kabl punjača ima očigledna oštećenja, nemojte ga koristiti kako biste izbegli dalja oštećenja i/ili rizike, kontaktirajte nas zbog zamene.

Upozorenja o bateriji

Baterija se sastoji od litijum-jonskih ćelija i hemijskih elemenata opasnih po zdravlje i životnu sredinu. Nemojte koristiti proizvod ako emituje mirise, supstance ili se preterano zagreje. Ne bacajte proizvod ili bateriju zajedno sa kućnim otpadom. Krajnji korisnik je odgovoran za odlaganje električne i elektronske opreme i baterija u skladu sa svim važećim propisima.

Izbegavajte korišćenje istrošenih, neispravnih i/ili neoriginalnih baterija, drugih modela ili brendova.



Ne ostavljajte bateriju blizu izvora vatre ili izvora toplote. Opasnost od požara i eksplozije.

Ne otvarati ili rastavljati bateriju ili udarati, bacati, bušiti ili lepiti predmete na bateriju.

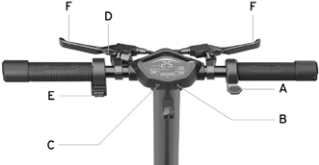
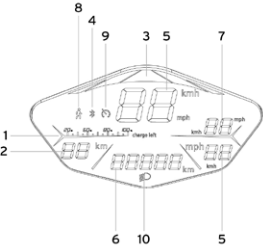
Ne dodirivati supstance koje cure iz baterije, jer sadrže opasne materije. Ne dozvoliti deci ili kućnim ljubimcima da dodiruju bateriju.

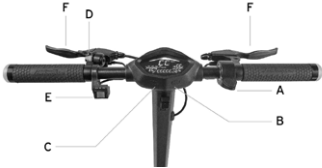
Nemojte prekomerno puniti, prazniti ili kratko spajati bateriju. Opasnost od požara i eksplozije.

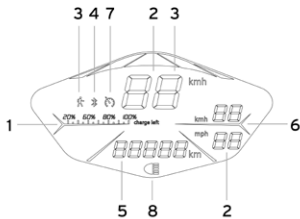
Nemojte uranjati ili izlagati bateriju vodi ili drugoj tečnosti. Ne izlažite bateriju direktnoj sunčevoj svetlosti, preteranoj toploti ili hladnoći (na primer, ne ostavljajte proizvod ili bateriju u automobilu na direktnoj sunčevoj svetlosti na duži vremenski period), okruženju koje sadrži eksplozivne gasove ili plamen.

Ne nosite ili čuvajte bateriju zajedno sa metalnim predmetima kao što su ukosnice, ogrlice itd. Kontakt između metalnih predmeta i kontakata baterije može izazvati kratke spojeve koji dovode do fizičkih povreda ili smrti.




4. INFORMACIJE O KOMANDAMA / KONTROLNA PLOČA

Model		
		
	<p>A. Gas: pritisnite dole da biste ubrzali.</p> <p>B. Dugme za napajanje: dugo pritisnite da biste uključili ili isključili električni skuter.</p> <p>Odometar ODO/TRIP: kratko pritisnite 3 puta da biste prešli sa ODO na TRIP ekran.</p> <p>C. Režimi brzine: pritisnite kratko da promenite nivo brzine.</p> <p>Svetla: Dugo pritisnite dugme da biste uključili ili isključili svetla.</p>	<p>D. Zvono: pritisnite ručicu jednom da biste njime upravljali.</p> <p>E. Pokazivači pravca: Pritisnite prekidač udesno ili ulevo da biste ih aktivirali i/ili deaktivirali.</p> <p>F. Poluga kočnice: zategnite ručicu da kočite.</p>
<p>AL EXT</p>	<ol style="list-style-type: none"> 1. Nivo baterije: preostalo stanje napunjenosti. 2. Autonomija: procena preostale udaljenosti. 3. Režim brzine (LED traka): <ul style="list-style-type: none"> - Nivo 1: zelena boja - Nivo 2: narandžasta boja - Nivo 3: crvena boja 4. Bluetooth: dostupna je veza sa pametnim telefonom. 5. Tahometar: trenutna brzina električnog skutera (km/h - mph). 6. Odometar ODO / TRIP: kratko pritisnite 3 puta da biste prešli sa ODO na TRIP prikaz. 7. AVG brzina: prosečna brzina. 8. Režim za pešake: pomoć pri guranju vozila sa trepćućim svetlom. 9. Tempomat: održavanje brzine. Aktivira se nakon zadržavanja iste brzine nekoliko sekundi. 10. Svetla: indikator osvetljenja. 	

Model		
		
AL2	<p>A. Gas: pritisnite dole da biste ubrzali.</p> <p>B. Dugme za napajanje: dugo pritisnite da biste uključili ili isključili električni skuter.</p> <p>Odometar ODO/TRIP: kratko pritisnite 3 puta da biste prešli sa ODO na TRIP ekran.</p> <p>C. Režimi brzine: pritisnite kratko da promenite nivo brzine.</p> <p>Svetla: Dugo pritisnite dugme da biste uključili ili isključili svetla.</p>	<p>D. Zvono: pritisnite ručicu jednom da biste njime upravljali.</p> <p>E. Pokazivači pravca: Pritisnite prekidač udesno ili ulevo da biste ih aktivirali i/ili deaktivirali.</p> <p>F. Poluga kočnice: zategnite ručicu da koč.</p>
	<p>1. Nivo baterije: preostalo stanje napunjenosti.</p> <p>2. Tahometar: trenutna brzina električnog skutera (km/h i mph)</p> <p>3. Režimi brzine (TACHIMETER):</p> <ul style="list-style-type: none"> - Nivo 1: Označeno brojem 1 - Nivo 2: označen brojem 2 - Nivo 3: označen brojem 3 - Pešak: Pomožite u guranju vozila sa trepćućim svetlom. <p>4. Bluetooth: dostupna je veza sa pametnim telefonom.</p> <p>5. Odometer ODO/TRIP: ukupna pređena udaljenost i udaljenost jedne sesije.</p> <p>6. AVG brzina: prosečna brzina.</p> <p>7. Tempomat: održavanje brzine. Aktivira se nakon zadržavanja iste brzine nekoliko sekundi.</p> <p>8. Svetla: indikator osvetljenja.</p>	



Pokazivači pravca

Model	
AL EXT AL2	 <p data-bbox="194 506 733 528">Pokazivači pravca se nalaze na kraju upravljača (desna i leva strana).</p> <p data-bbox="194 547 956 569">Pokazivači pravca su potrebni da blagovremeno signaliziraju svaku promenu pravca tokom vožnje.</p> <p data-bbox="194 627 425 649">Ručica za uključivanje:</p>  <div data-bbox="645 634 848 681" style="border: 1px solid black; padding: 5px; display: inline-block;"> PAŽNJA</div> <p data-bbox="645 707 974 748">Pre svake upotrebe proizvoda proverite da li pokazivači pravca rade ispravno.</p>

5. BRZI VODIČ

- Prilikom prve upotrebe, napunite proizvod do 100%.
- Proverite pritisak u gumama (pogledajte stranu gume za preporučenu vrednost). Ako proizvod nije prešao najmanje 60% navedenih kilometra ili postigao maksimalnu brzinu u prva 3 meseca korišćenja, verovatno je da su se točkovi izduvali, pa je potrebno da ih naduvate na navedeni pritisak.
- Proverite i podesite kočnice.
- Uključite ekran.
- Stavite proizvod na ravnu površinu.
- Čvrsto držite upravljač obema rukama. Jednom nogom zakoračite na oslonac za noge, a drugom se lagano pogurajte i ubrzajte.



PAŽNJA

Funkcija Zero Start: gas se uključuje kada je brzina kretanja preko 3 km/h.

Iz bezbednosnih razloga, proizvod inicijalno podešen tako da se izbegne njegovo pokretanje tokom mirovanja.

- Kada vozite proizvod, nagnite svoje telo u pravcu vožnje tokom skretanja i polako rotirajte upravljač.
- Da biste zaustavili proizvod, otpustite gas, pritisnite poluge kočnice.
- Da biste sišli, prvo zaustavite vozilo. Silazak s električnog skutera dok je u pokretu može da uzrokuje povrede.
- Pre svake upotrebe proverite kočnice i njihovu istrošenost, proverite pritisak u gumama (pogledajte preporučenu vrednost sa strane gume), istrošenost točkova, gasa i stanje napunjenosti akumulatora.

Podešavanje položaja poluga kočnica

AL EXT / AL2

Podešavanje kočnice

Položaj ručice kočnice može se podesiti ako je potrebno preko tačke A.
(vidi sliku)

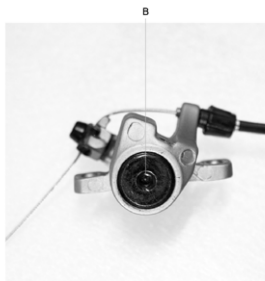
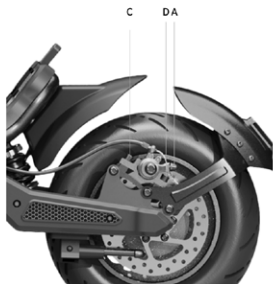


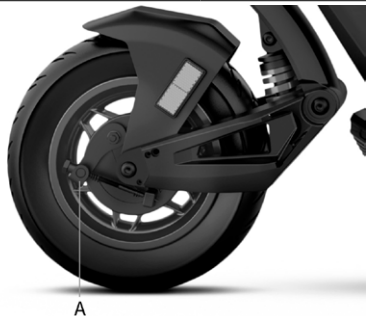
Podešavanje čeljusti kočnice

U slučaju da je kočnica previše stegnuta ili prelabava, otpustite vijak (A) pomoću šesterokutnog ključa, zatim namjestite kočioni kabel (skratite kočioni kabel prema gore ako je previše zategnut. Ako je kabl previše labav, povucite ga nadole), a zatim ponovo pritegnite zavrtanj (A).

Ako je previše labav ili previše zategnut i posle prvog koraka, možda je potrebno podesiti kočionu pločicu (fiksnu) koju možete podesiti kroz točak na suprotnoj strani. Pomoću šesterokutnog ključa pomerite kočionu pločicu (B) (u smeru suprotnom od kazaljke na satu) ili je približite (u smeru kazaljke na satu) (pogledajte sliku). Proverite pravilno poravnanje između čeljusti kočnice i diska. Pomoću vijaka C i D podesite položaj / poravnanje na disku ako je potrebno.

Za zadnju kočionu čeljust, odvrnite i uklonite zavrtnje C i D, a zatim uklonite kočionu čeljust sa diska.





Podešavanje doboš kočnice:

Ako je kočnica previše zategnuta ili previše labava, postupite tako što ćete olabaviti ili zategnuti zavrtnj (A). Ako je ručica kočnice previše mekana ili pretvrda čak i nakon prvog koraka, možda će biti potrebno ponoviti operaciju dok se ne postigne optimalno podešavanje.

6. SKLAPANJE I NOŠENJE

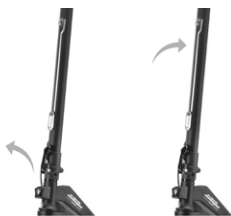
Uverite se da je električni trotnet isključen. Držite držač upravljača rukom, povucite ručicu, preklomite držač upravljača prema osloncu za noge i zakačite.

AL EXT



Otvaranje:

Otključavanje držača upravljača: Pomerite kopču za otpuštanje upravljača ka spolja, podignite držač upravljača do kraja i zaključajte ga guranjem poluge prema unutra. Uključite električni skuter.



Završni:

Isključite električni skuter, povucite sigurnosnu kuku nagore i povucite ručicu ka spolja, vratite držač upravljača prema unutra, umetnite kopču u kuku i osigurajte efikasno zaključavanje.

Klip za upravljač

**Otvaranje:**

Otključajte držač upravljača sa oslonca za noge: pritisnite nadole kopču da biste oslobodili upravljač, podignite držač upravljača do kraja i zaključajte ga guranjem poluge mehanizma za zaključavanje ka unutra. Uključite električni skuter.

Locking mechanism lever

**Završni:**

Isključite električni skuter, otključajte mehanizam za zaključavanje: pritisnite crvenu kuku i povucite ručicu ka spolja (vidi sliku), povucite držač upravljača prema unutra i uverite se da je zaista zaključan.



Posle sklapanja, podignite držeći držač upravljača jednom ili obema rukama.

**PAŽNJA**

Obavezno čvrsto držite proizvod za vreme transporta. Ako niste sigurni da li možete da držite težinu proizvoda, nemojte nastaviti transport sa podignutim proizvodom. Ako se naglo ispusti, proizvod može izazvati ozbiljne povrede i oštetiti se.

7. AUTONOMIJA I PERFORMANSE

Maksimalna autonomija i performanse vozila zavise od nekoliko varijabli:

Teren: vožnja po glatkom kolovozu rezultira većom autonomijom i boljim performansama od vožnje po neravnim putevima i brdima.

Težina korisnika: što je težina veća, kraći je domet i performanse vozila.

Temperatura: vožnja električnog trotineta u veoma hladnom ili toplom okruženju utiče na autonomiju i performanse.

Brzina i stil vožnje: glatka i konstantna brzina produžava autonomiju. Kontinuirano ubrzanje, usporavanje i manevrisanje u velikoj meri smanjuju domet. Manja brzina produžava pređenu udaljenost.

Održavanje: blagovremeno punjenje, pravilno održavanje i redovne provere pritiska u gumama (pogledajte referentnu vrednost u odeljku 10) povećavaju domet i obezbeđuju konstantne performanse tokom vremena.

Nivo napunjenosti baterije utiče na performanse, što je niži nivo, to će biti niže performanse brzine, posebno na brdima.

8. SKLADIŠTENJE, ODRŽAVANJE I ČIŠĆENJE

Ako na telu proizvoda postoje mrlje, obrišite ih vlažnom krpom. Ako mrlje ostanu, nanesite na njih neutralni sapun, očetkajte četkom, a zatim obrišite vlažnom krpom. Ako postoje ogrebotine na plastičnim komponentama, uklonite ih brusnim papirom ili drugim abrazivnim materijalom. Ne čistite proizvod alkoholom, benzinom, kerozinom ili drugim korozivnim i isparljivim hemijskim rastvaračima kako biste izbegli ozbiljna oštećenja. Ne perite proizvod mlazovima vode pod visokim pritiskom. Prilikom čišćenja proizvoda uverite se da je isključen, da je kabl za punjenje izvučen i da je gumena kapica zatvorena jer prodor vode može da izazove strujni udar ili druge ozbiljne probleme. Voda koja ulazi u bateriju može prouzrokovati oštećenje unutrašnjih kola i opasnost od požara ili eksplozije. Ako postoji bilo kakva sumnja da je voda možda ušla u bateriju, odmah prestanite da je koristite i vratite je u servis za tehničku pomoć ili kod vašeg prodavca na pregled.

Kada se proizvod ne koristi, čuvajte ga u zatvorenom prostoru na suvom i hladnom mestu. Nemojte ga čuvati na otvorenom ili u automobilu duže vreme. Prekomerna sunčeva svetlost, pregrevavanje i prekomerna hladnoća ubrzavaju starenje guma i skraćuju vek trajanja proizvoda i baterije. Ne izlažite ga kiši ili vodi niti ga potapajte u vodu da biste ga oprali.

Redovno proveravajte zategnutost različitih elemenata zavrtneva, posebno osovina točkova, sistema za preklapanje i transport, sistema upravljanja, kočionog sistema, dobrog stanja rama, viljuški i vešanja. Maticice i svi drugi samozatezni spojevi mogu izgubiti svoju efikasnost te ih je zbog toga potrebno periodično proveravati i zatezati.

Kao i sve mehaničke komponente, ovaj proizvod je takođe podložan habanju i velikom naprezanju. Različiti materijali i komponente mogu reagovati na zamor od habanja ili stresa na različite načine. Ako je vek trajanja neke komponente prekoračen, može se iznenada pokvariti, uzrokujući povredu vozača. Bilo kakav oblik pukotine, ogrebotine ili promene boje u oblastima pod velikim opterećenjem ukazuje na to da je vek trajanja komponente dostignut i da se mora zameniti.

Proverite stanje istrošenosti guma: ne sme biti posekotina, pukotina, stranih tela, abnormalnog naduvavanja, nedostatka delova i drugih oštećenja. Za pritisak u gumama pogledajte vrednost u odeljku 10 ovog uputstva za upotrebu.

Ne pokušavajte sami da rastavite ili popravite proizvod. Za zamenu svih komponenti skutera mora da obavi ovlašćena služba tehničke pomoći, da biste saznali više kontaktirajte svog prodavca ili posetite sajt:

www.alemobility.com/en/

9. KONFIGURACIJA APLIKACIJE

Slede proizvodi opremljeni Bluetooth-om i koji se mogu kombinovati sa aplikacijom AL e-Mobility: AL EXT, AL2.

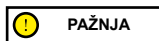
Aplikacija vam omogućava da kontrolišete proizvod direktno sa pametnog telefona.

Skenirajte QR KOD da biste preuzeli i instalirali aplikaciju. Ako aplikacija nije pronađena, preporučujemo da je potražite na vašoj referentnoj usluzi aplikacije.

Otvorite aplikaciju i pratite uputstva na usluzi referentne aplikacije.



Otvorite aplikaciju i pratite uputstva na usluzi referentne aplikacije.



Aplikacija može zahtevati različite dozvole neophodne za korišćenje i funkcionalnost same aplikacije.

Verzija aplikacije je možda ažurirana na vašoj aplikaciji. Preporučljivo je da stalno proveravate da li postoje ažuriranja aplikacije da biste iskoristili prednosti novih funkcija i da uvek instalirate najnoviju verziju aplikacije na svoj uređaj.

Nemojte koristiti vaš uređaj tokom vožnje.

10. TEHNIČKI LIST

Opšte informacije

AL EXT

Šasija	Čelik i aluminijum	
Vešanje	Prednje i zadnje	
Brzina	LA-MO-210001; LA-MO-210002; LA-MO-220013 Pešak: $\leq 6\text{km/h}$ L1: $\leq 15\text{km/h}$ L2: $\leq 20\text{km/h}$ L3: $\leq 25\text{km/h}$ (maksimalna brzina) * *prema zemlji prometa	LA-MO-220001; LA-MO-220002 Pešak: $\leq 6\text{km/h}$ L1: $\leq 10\text{km/h}$ L2: $\leq 15\text{km/h}$ L3: $\leq 20\text{km/h}$ (maksimalna brzina) * *prema zemlji prometa
Maksimalni nagib **	22%	
Kočnice	Prednja disk kočnica, zadnja disk i elektronska kočnica	
Pneumatici	Veličina: 90/65-6.5 Pritisak: 50 psi / 3.5 bar	
Maksimalno opterećenje	120kg	
Vozač	Proverite važeće zakonodavstvo u vašoj zemlji	
Radna temperatura	-0°C / 45°C	
Nivo zaštite	IPX4	
Vreme punjenja	oko 7 sati	
Autonomija**	do 40 km	

Električni sistem

Nazivna snaga motora	0.50kW; 500W bez četkica
Maksimalna snaga motora	0.900kW; 900W
Ekran	Integrisana LED
Baterija	48V 12.5Ah 600Wh
Zaštita od niskog napona	42V
Ograničenje struje	20A
KERS	da
Svetla	Prednja i zadnja LED dioda
Funkcionalnost	Bluetooth

Mepe

Neto težina	30.6Kg
Bruto težina	38.75Kg

* Uvek poštujujte saobraćajne propise i propise koji su na snazi u zemlji u kojoj se koristi.

** Podložno varijacijama u zavisnosti od težine vozača, uslova na putu i temperature.

Opšte informacije

AL2

Šasija	Čelik i aluminijum	
Vešanje	Napred i pozadi	
Brzina	LA-MO-220003 Pešak: ≤ 6km/h L1: ≤ 15km/h L2: ≤ 20km/h L3: ≤ 25km/h (maksimalna brzina) * *prema zemlji prometa	LA-MO-220004 Pešak: ≤ 6km/h L1: ≤ 10km/h L2: ≤ 15km/h L3: ≤ 20km/h(maksimalna brzina) * *prema zemlji prometa
Maksimalni nagib **	16%	
Kočnice	Prednja doboš kočnica, zadnja električna kočnica	
Pneumatici	Veličina: 10" X 2.125" sa unutrašnjom cevčicom Pritisak: 36 psi / 2.5 bar	
Maksimalno opterećenje	120kg	
Vozač	Proverite važeće zakonodavstvo u vašoj zemlji	
Radna temperatura	-0°C / +45°C	
Nivo zaštite	IPX5	
Vreme punjenja	oko 5 sati	
Autonomija**	do 35 km	

Električni sistem

Nazivna snaga motora	0.35kW; 350W bez četkica
Maksimalna snaga motora	0.55kW; 550W
Ekran	Integrisana LED
Baterija	36V 8Ah 288Wh
Zaštita od niskog napona	31 + / - 0.5V
Ograničenje struje	17A
KERS	da
Svetla	LED prednja i zadnja
Funkcionalnost	Bluetooth sa aplikacijom

Mepe

Neto težina	19Kg
Bruto težina	22Kg

* Uvek poštujte saobraćajne propise i propise koji su na snazi u zemlji u kojoj se koristi.

** Podložno varijacijama u zavisnosti od težine vozača, uslova na putu i temperature.

11. REŠAVANJE PROBLEMA

Greška	Uzrok	Rešenje
Motor ne radi	Električni problem, prisustvo koda greške	Zatražite tehničku pomoć
Pogonski točak se ne okreće	Problem sa kočnicom Motor je blokiran	Podesite kočnice, ako problem i dalje postoji, zatražite tehničku pomoć Proverite ispravnost zatezanja točka, proverite da li se točak okreće bez pokretanja vozila. Ako problem i dalje postoji, zatražite tehničku pomoć
Motor se zaustavlja dok radi	Pregrevanje motora Prisustvo šifre greške	Zaustavite vozilo i sačekajte da se ohladi Zatražite tehničku pomoć
Posle punjenja, proizvod se ne uključuje ili se isključuje nakon nekoliko km.	Oštećena baterija	Zatražite tehničku pomoć
Baterija se ne puni ili se proizvod ne uključuje	Problemi sa povezivanjem Baterija nije povezana (modeli sa uklonjivom baterijom) Baterija je prazna Oštećena baterija Problemi sa punjačem	Zatražite tehničku pomoć Proverite da li je konektor za napajanje povezan. Napunite bateriju do 100% Zatražite tehničku pomoć Zamenite punjač

AL EXT / AL2

Tabela kodova grešaka

Šifra greške	Definicija
E1	Greška u povezivanju motora
E2	Kvar MOS ili faza motora u kratkom spoju
E3	Greška senzora kočnice
E4	Elektronska greška na upravljaču
E5	Zaštita od niskog napona
E6	Komunikacija neispravne instrumentacije
E7	Zaštita od visokog napona
E8 / E9	Kvar upravljačke jedinice/BMS

12. ODGOVORNOST I OPŠTI USLOVI GARANCIJE

Vozač preuzima sve rizike vezane za neupotrebljavanje kacige i druge zaštitne opreme.

Vozač ima obavezu da poštuje lokalne propise koji su na snazi u vezi sa:

1. Minimalnom starosnom dobi za vozača,
2. Ograničenjima za tip vozača koji mogu da koriste proizvod
3. Svim ostalim regulatornim aspektima

Vozač je takođe dužan da održava proizvod čistim i u savršenom stanju efikasnosti i održavanja, da marljivo sprovedi bezbednosne provere pod svojom odgovornošću, kako je opisano u odeljku upozorenja i preporuke, da ne menja proizvod na bilo koji način i da čuva svu dokumentaciju u vezi sa održavanjem proizvoda.

Kompanija nije odgovorna za prouzrokovanu štetu i ni na koji način nije odgovorna za štetu nastalu na stvarima ili povrede nanesene ljudima u slučajevima:

- ako se proizvod koristi nepravilno ili nije u skladu sa uputstvima u uputstvu za upotrebu;
- posle kupovine promenjen ili izmenjen u svim ili nekim njegovim komponentama.

U slučaju kvara proizvoda iz razloga koji se ne mogu pripisati nepravilnom ponašanju vozača, obratite se centru za podršku ili posetite sajt www.alemobility.com/en/

Svi kvarovi ili kvarovi uzrokovani slučajnim događajima i/ili koji se mogu pripisati odgovornosti Kupca ili upotrebom Proizvoda koji nije u skladu sa njegovom namenom i/ili kako je navedeno u tehničkoj dokumentaciji priloženoj uz Proizvod, uvek su isključeni iz obima pravne garancije, ili zbog nepodešavanja mehaničkih delova, prirodnog habanja materijala koji su dotrajali ili uzrokovani greškama u montaži, neodržavanja i/ili korišćenja istih koje nije u skladu sa uputstvima.

Na primer, sledeće će se smatrati isključenim iz pravne garancije u vezi sa proizvodima:

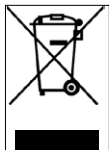
- uzrokovana udarima, slučajnim padovima ili sudarima, probijanjem;
- uzrokovana upotrebom, izlaganjem ili skladištenjem u neodgovarajućem okruženju (npr. prisustvo kiše i/ili blata, izlaganje vlazi ili prekomernom izvoru toplote, kontakt sa peskom ili drugim supstancama)
- nastala usled nepodešavanja za stavljanje na put i/ili održavanje mehaničkih delova, mehaničkih disk kočnica, upravljača, guma itd.; pogrešna montaža i/ili nepravilna montaža delova i/ili komponenti
- habanje potrošnih materijala: mehaničke disk kočnice (npr. pločice, čeljusti, diskovi, sajle), gume, podnožja, zaptivke, ležajevi, led svetla i sijalice, postolje, dugmad, blatobrani, gumeni delovi (podnožje), konektori kablova za ožičenje, maske i nalepnice itd.;
- nepravilno održavanje i/ili nepravilna upotreba baterije Proizvoda;
- neovlašćeno menjanje i/ili forsiranje delova proizvoda;
- netačno ili neadekvatno održavanje ili modifikacija proizvoda;
- upotreba Proizvoda (npr.: prekomerno opterećenje, korišćenje na takmičenjima i/ili za komercijalne aktivnosti iznajmljivanja ili iznajmljivanja);
- održavanje, popravke i/ili tehničke intervencije na Proizvodu koje vrše neovlašćena treća lica;
- oštećenje Proizvoda prouzrokovano transportom, ako ga izvrši Kupac;
- oštećenja i/ili kvarova nastalih upotrebom neoriginalnih rezervnih delova.

Pozivamo vas da pogledate najnoviju verziju uslova garancije koja je dostupna na sajtu www.alemobility.com/en/support/



PAŽNJA

Odlaganje električnih ili elektronskih uređaja na kraju njihovog životnog veka (primenljivo u svim zemljama Evropske unije i u drugim evropskim zemljama sa sistemima odvojenog prikupljanja)



Ovaj simbol na proizvodu ili na ambalaži označava da proizvod ne treba smatrati normalnim kućnim otpadom, već ga treba odnijeti na odgovarajuće sabirno mjesto za recikliranje električne i elektronske opreme (OEEO).

Pravilnim odlaganjem ovog proizvoda pomoći ćete u sprečavanju potencijalnih negativnih posledica po životnu sredinu i zdravlje ljudi koje bi inače mogle nastati usled neodgovarajućeg odlaganja. Recikliranje materijala pomaže u očuvanju prirodnih resursa.

Za detaljnije informacije o recikliranju ovog proizvoda kontaktirajte opštinsku kancelariju, lokalnu službu za odlaganje otpada ili prodavnicu u kojoj ste ga kupili.

U svakom slučaju, proizvod morate odložiti u skladu sa propisima koji su na snazi u zemlji kupovine.

Konkretno, potrošači ne smeju odlagati OEEO kao komunalni otpad, već ovu vrstu otpada moraju odlagati odvojeno, na dva moguća načina:

- U opštinskim sabirnim centrima (koji se nazivaju i eko parcele, ekološka ostrva), direktno ili putem usluga prikupljanja opštinskih preduzeća, gde su oni dostupni;
- Na prodajnim mestima nove električne i elektronske opreme.

Ovde se vrlo mala OEEO može ostaviti besplatno (sa najdužom stranom manjom od 25 cm), dok se veći predmeti mogu ostaviti na osnovu 1 na 1, odnosno možete ostaviti stari proizvod kada kupite novi sa istom funkcijom.

Pored toga, režim 1-na-1 je uvek zagarantovan tokom kupovine novog EEO od strane potrošača, bez obzira na veličinu OEEO.

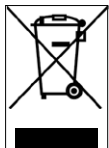
U slučaju nezakonitog odlaganja električne ili elektronske opreme, mogu se primeniti kazne predviđene važećim zakonodavstvom o zaštiti životne sredine (italijanski propisi; proverite propise koji su na snazi u zemlji upotrebe/odlaganja vozila).

Ako OEEO sadrži baterije ili akumulatore, one se moraju ukloniti i odložiti putem posebnog odvojenog sakupljanja otpada.



PAŽNJA

Tretiranje baterija (primenljivo u svim zemljama Evropske unije i u drugim evropskim sistemima sa sistemom odvojenog prikupljanja)



Ovaj simbol na proizvodu ili ambalaži označava da se baterija ne bi trebala smatrati normalnim kućnim otpadom. Na nekim vrstama baterija simbol se može koristiti u kombinaciji sa hemijskim simbolom.

Hemijski simboli za živu (Hg) ili olovo (Pb) dodaju se ako baterija sadrži više od 0,0005% žive ili 0,004% olova.

Pravilnim odlaganjem baterija pomoći ćete u sprečavanju potencijalnih negativnih posledica po životnu sredinu i zdravlje koje bi inače mogle biti uzrokovane neodgovarajućim rukovanjem otpadom. Recikliranje materijala pomaže u očuvanju prirodnih resursa. Tamo gde iz razloga bezbednosti, performansi ili zaštite podataka, proizvodi zahtevaju fiksnu vezu sa unutrašnjom baterijom/čeljom, to mora zameniti samo kvalifikovano osoblje.

Na kraju svog životnog veka isporučite proizvod na sabirno mesto pogodno za odlaganje električne i elektronske opreme, što će osigurati da se i unutrašnja baterija pravilno odlaže.

Za detaljnije informacije o recikliranju istrošene baterije ili proizvoda možete kontaktirati lokalnu službu za odlaganje otpada ili prodavnicu u kojoj ste ga kupili.

U svakom slučaju, proizvod morate odložiti u skladu sa propisima koji su na snazi u zemlji kupovine.

Това ръководство е валидно за следната електрическа тротинетка:

AL EXT AL2

Ръководство за употреба LA-MO-000001 rev. 2

Инструкции, преведени от оригиналния италиански език

Благодарим Ви, че закупихте този продукт.

За информация, техническа помощ, съдействие и за справка с общите условия на гаранция се свържете с вашия търговец или посетете сайта www.alemobility.com/en/support/

Съдържание

1. Инструкции за безопасност
2. Съдържание на опаковката и сглобяване
3. Панорамен изглед на продукта
4. Информация на командите / Контролен панел
5. Бързо упътване
6. Прегъване и транспортиране
7. Автономен и изпълнение
8. Съхранение, поддръжка и почистване
9. Конфигурация на приложението
10. Техническа листовка
11. Отстраняване на проблеми
12. Отговорност и общи условия на гаранцията

1. ИНСТРУКЦИИ ЗА БЕЗОПАСНОСТ



ВНИМАНИЕ

ВАЖНО! Прочетете и следвайте внимателно следните инструкции, преди да използвате продукта. Запазете това ръководство за бъдещи справки или нови потребители.

Отделете необходимото време да научите основите на практиката, за да се избегне голям инцидент, който може да възникне през първите няколко месеца. Свържете се с търговеца за да получите подходяща подкрепа за това, как да използвате продукта правилно или да бъдете насочени към подходяща организация за обучение.

Дружеството отхвърля всякаква пряка или непряка отговорност, произтичаща от лоша употреба на продукта, нарушения, както на правилата за движение по пътищата, така и на инструкциите в това ръководство, инциденти и спорове, в следствие на неспазване на разпоредбите и на незаконни действия.

Този продукт трябва да се използва за съответните цели, трябва да се използва от едно лице, а не за превоз на пътници, следователно не може да се използва от повече от едно лице едновременно.

Не променяйте по никакъв начин предназначението на превозното средство, този продукт не е подходящ за правене на каскади, състезания, транспортиране на предмети, теглене на други превозни средства или принадлежности.

Електрическата тротинетка трябва да се използва с повишено внимание, като винаги се спазват **правилата**, наложени от Кодекса за движение по пътищата на държавата на употреба, за да се избегнат опасностите и за да се положат максимални грижи за себе си и за другите.



ВНИМАНИЕ

Ориентировъчни изисквания по проект на превозното средство:

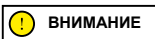
Модел на електрическата тротинетка	AL EXT Green	AL EXT Bronze	AL2
Кодът на продукта с включени стрелки	LA-MO-210001	LA-MO-220013	LA-MO-220003
	LA-MO-220002	LA-MO-220001	LA-MO-220004
		LA-MO-210002	
Тегло МИН. (Kg)	30	30	30
Тегло МАКС. (Kg)	120	120	120
Възраст МИН. *	14	14	14
Възраст МИН. *	65	65	65
Височина (cm) МИН.	120	120	120
Височина (cm) МАКС.	200	200	200

* Преди да използвате продукта, проверете и следвайте местните разпоредби, които са в сила във връзка с минималната позволена възраст на водача, ограниченията за вида на шофьорите, които могат да използват продукта и за самата употреба на самия вид продукт.

Нивото на звуково налягане на емисия (шум) по крива А към ухото на водача е по-малко от 70 dB(A).

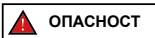
Графична форма на предупрежденията за безопасност

За идентифициране на съобщенията за безопасност в това ръководство ще се използват следните графични предупредителни символи. Те имат функцията да привличат вниманието на читателя / потребителя, с цел правилната и безопасна употреба на продукта.



Обърнете внимание

Подчертава правилата, които трябва да се спазват, за да се избегне увреждане на продукта и/или предотвратяване на възникването на опасни ситуации.



Остатъчни рискове

Подчертава наличието на опасности, които причиняват остатъчни рискове, на които потребителят трябва да обърне внимание, за да избегне нараняване или материални щети.

Предупреждения от общ характер



Важно е да се вземе под внимание, че когато се намирате на обществено място или на пътя, дори ако следвате стриктно това ръководство, не сте предпазени от наранявания, дължащи се на нарушения или неподходящи действия, предприети срещу други превозни средства, прелятствия или хора. Злоупотребата с продукта или неспазването на инструкциите в това ръководство може да причини сериозни щети.

Този продукт е електрическо превозно средство. Колкото по-бързо карате, толкова по-дълго става спиращото разстояние. Аварийното спиране по хлъзгави, кални, мокри или замръзани пътища може да доведе до подхлъзване на колелата и загуба на равновесие. Трябва да се поддържа подходяща скорост и безопасна дистанция от други превозни средства или пешеходци. Бъдете по-внимателни, когато шофирате по непознати пътища. Не отваряйте стойката, когато използвате продукта, съществува риск от сериозно нараняване и увреждане на продукта.



При мокри пътища спиращото разстояние се увеличава, а сцеплението намалява значително в сравнение с това на сухите пътища! Шофирайте по-внимателно, като спазвате разстоянията!

За ваша собствена безопасност, винаги носете: каска, наколенки и налакътници, за да се предпазите от падане и наранявания по време на шофиране на продукта. Когато заемате продукта, накарайте шофьора да носи обезопасително оборудване и обяснете как да използва превозното средство. За да избегнете нараняване, не заемайте продукта на хора, които не знаят как да го използват. Винаги носете обувки, преди да използвате продукта.

Деца не трябва да си играят с електрическата тротинетка или нейните части, нито да им бъде позволено да я почистват или поддържат.

Когато управлявате продукта, внимавайте да не изплашите деца и пешеходци. Когато минавате зад тях, ги предупреждавайте с помощта на звънеца и намалете скоростта, като използвате минималната скорост от 6 km/h.

Инструкции и предупреждения относно поведението при шофиране

Условия	Подходяща/предвидена употреба	Неправилна употреба
Водачи	Един	Повече хора, с деца или животни
Обезопасително оборудване	Каска, наколенки, калакътници, светлоотразителна жилетка	Няма оборудване
Проверки преди управление	<p>Преди всяка употреба, проверявайте спирачките и тяхното износване, проверявайте налягането на гумите (вижте страната на гумата за препоръчителната стойност), износването на колелата, ускорителя, стрелките, светлините и статуса на зареждане на батерията.</p> <p>Ако бъдат открити необичайни шумове или аномалии, не използвайте продукта и се свържете с вашия търговец или Упълномощена Служба за Техническа Поддръжка</p>	<p>Никога да не се проверява продуктът преди шофиране</p> <p>Използването на продукта при наличие на шумове и аномалии</p>
Вървене при бутане на продукта	<p>Не ускорявайте</p> <p>Бутането при вървене по пешеходни пътеки</p> <p>В зони за пешеходци, ако няма пешеходни пътеки (6 km/h)</p> <p>В пренаселени зони</p>	<p>Натиснете подаването на газ</p> <p>Шофиране на превозното средство на пешеходни пътеки</p> <p>Шофиране на превозното средство в зони за пешеходци, ако няма пешеходни пътеки (6 km/h)</p> <p>Шофиране на превозното средство в пренаселени зони</p>
От спряно положение	Лицето, което управлява този продукт, трябва да може лесно да подпира и двата крака на земята, като държи кормилото на правилна височина	<p>Неспособност да се поддържа продукта неподвижен и в равновесие</p> <p>Сядане върху продукта, когато работи или стои неподвижно</p>

Условия	Подходяща/предвидена употреба	Неправилна употреба
Управление при нормални условия	Няма предмет, висящи от кормилото	Предметите, висящи от кормилото, водят до нестабилност и могат да бъдат пречка по време на маневрите
	Шофирайте с двете ръце на кормилото Не използвайте устройства като телефони, смарт часовници, музикални плейъри, слушалки	Шофиране с една ръка или без ръце Използването на устройства като телефони, смарт часовници, музикални плейъри, слушалки
	Шофиране с двата крака на платформата удобно и безопасно	Шофиране с един или повече крака извън платформата Забранено е позиционирането и концентрирането на тежестта върху задния калник.
	Шофиране с каска и предпазни средства	Шофиране без каска и предпазни средства
	Шофирайте на леснодостъпни пътища, върху гладък и компактен терен, избягвайте зони с усилен трафик или пренаселени зони: пр. определена за целта велосипедна алея, повърхности с гладка настилка	Шофиране по магистрали, междуградски пътища Управление по натоварени пътища Шофиране по тротоари Шофиране в пренаселени зони Шофиране по много тежки пътища Шофиране в близост до: клисури, наклони, пристанища, море, езера и реки
	Спазвайте местните разпоредби и пътния кодекс	Неспазване на действащите разпоредби и на кодекса за движение по пътищата
	Винаги гледайте напред и обръщайте внимание на всички препятствия, превозни средства и пешеходци наблизо	Разсейване по време на шофиране
	Променяйте посоката, като се уверите, че ви виждат, като намалите скоростта Във всеки случай, предвидете траекторията и намалете скоростта, като спазвате кодекса за движение по пътищата и най-уязвимите Винаги използвайте индикатори за посока, ако са предвидени на продукта	Сменяна на посоката рязко с висока скорост, без да сте уверени, че ви виждат Спирането и завиването едновременно правят превозното средство нестабилно Не използване на индикатори за посока
Намаляване в присъствието на пешеходци Използване на пешеходен режим в пешеходни зони (6 Km/h) Предупредете за присъствието си с помощта на звънеца	Ускоряване или поддържане на постоянна скорост в присъствието на пешеходци Шофиране без използване на пешеходен режим в пешеходни зони (6 Km/h) Липса на предупреждение за присъствието ви, като не използвате звънеца	
Нередовни пътни условия: изкуствени неравности/ стъпала/неравна пътна настилка	Шофиране с умерена скорост Свийте леко коленете си за по-добро поемане на ударите, когато преминавате неравна повърхност.	Шофиране с висока скорост Ускоряване върху неравности и улици, слизане по стъпала, прескачане на препятствия, качване по тротоари, твърдо шофиране.

Условия	Подходяща/предвидена употреба	Неправилна употреба
Поведение: при завой, спускане, при наличие на препятствия, превозни средства и пешеходци наблизо	Спазвайте безопасна дистанция Спиране на ускоряването Спиране и забавяне Шофиране с умерена скорост и безопасно спиране Обърнете внимание на вратите и другите препятствия на височина	Не спазване на дистанцията за безопасност Ускоряване Шофиране с висока скорост, внезапно спиране Минаване под препятствия на височина
Условия на видимост	Шофиране, само ако има достатъчно светлина, за безопасно шофиране. В случай на шофиране в неблагоприятни условия на светлина (от половин час след залез слънце, през целия период на тъмнина и дори през деня, ако метеорологичните условия изключват видимостта на пътя, ако преминавате през тунели), не забравяйте да активирате светлините на продукта и да носите светлоотразително яке или тиранти.	Шофиране в неблагоприятни условия на светлина при изключени светлини и без използване на светлоотразителна жилетка или тиранти.
Метеорологични условия	Шофиране при оптимални метеорологични условия (без дъжд)	Шофиране при неблагоприятни условия: при дъжд, когато вали сняг, в присъствието на лед или кал по пътя, силен вятър, в случай на мъгла.
Паркиране	В специални зони, без да се затруднява движението на превозни средства и пешеходци Върху гладки повърхности, осигуряващи стабилност Изключете продукта и винаги използвайте устройство за аларма Използвайте предоставената стойка	Навсякъде, възпрепятствайки движението на превозни средства и пешеходци. Върху неравни повърхности и без осигуряване на стабилност Да се оставя продуктът включен, без надзор, без устройство за аларма
Да се практикуват екстремни спортове /каскади	НЕ	ДА, неправилна употреба: Шофиране в близост до: клисури, наклони, пристанища, море, езера и реки Шофиране в локви Състезания с други превозни средства
Да се подлага продукта на силни удари	НЕ	ДА, неправилна употреба: Да се хвърлят върху него неща или хора, да се хвърля от стъпала или от високо

Какво да направите след падане:

Проверете дали лостът на газта функционира правилно. За да направите това, ускорете и забавете няколко пъти.

Винаги проверявайте дали спирачките работят правилно. За да направите това, сплезте от продукта, избутайте продукта напред и натиснете спирачка, за да се уверите, че той отговаря на командите.

Уверете се, че всички компоненти на превозното средство са на място и са надеждно обезопасени.

Проверете износването и налягането на гумите (вижте страната на гумата за препоръчителната стойност).


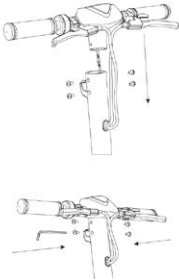

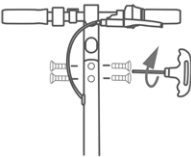
Проверете спирачките и кабелите за износване.



Спирачките могат да се нагреят по време на употреба. Не докосвайте след употреба.

2. СЪДЪРЖАНИЕ НА ОПАКОВКАТА И СГЛОБЯВАНЕ

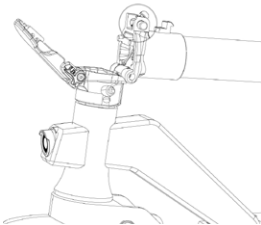
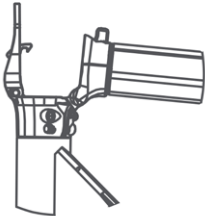
Сглобеният продукт, кормилото ще бъдат монтирани със съответните винтове, съдържащи се в опаковката.

Model	Reference picture	In the package	Handlebar assembly
AL EXT		<p>Акcesoари:</p> <p>1x шестостенен ключ</p> <p>4x винтове за кормилото</p> <p>1x Зарядно устройство за батерии</p>	
AL2		<p>Акcesoари:</p> <p>1x щурцов ключ</p> <p>2x винтове за кормилото</p> <p>1x зарядно устройство за батерии</p>	

Преминаване

AL EXT / AL2

- Извадете продукта от опаковката.
- Отворете колоната на кормилото и я закрепете, като затворите лоста на заключващия механизъм.
- Свържете захранващия кабел на дисплея към основното окабеляване (ако е необходимо).
- Инсталирайте кормилото на кормилната колона (не притискайте кабелите).
- Поставете и затегнете винтовете върху колоната с приложения в комплекта ключ.
- Инсталирайте стойката (ако е необходимо).
- Извършете регулирането на механизма за затваряне на колоната* (ако е необходимо).
- При първа употреба заредете продукта на 100%.

Модел	Референтна фигура	* Регулиране на механизма за затваряне на колоната
AL EXT		<p>Вътре в механизма има шестоъгълен винт.</p> <p>Ако кормилната колона на кормилото не е стабилна след затваряне, регулирайте винта на механизма, като завинтите или развинтите колкото е необходимо, за да се увеличи стабилността на кормилната колона.</p>
AL2		<p>Вътре в механизма е разположен шестоъгълен винт.</p> <p>Ако след затваряне на кормилото стеблото е нестабилно, регулирайте винта на механизма, като го завиеете или отвиете достатъчно, за да увеличите стабилността на стеблото.</p>

⚠ ВНИМАНИЕ

Сглобете продукта правилно. Ако при сглобяването бъдат открити фабрични дефекти, неясни проходи или затруднения при самото сглобяване или при настройките, не шофирайте превозното средство и се свържете с търговеца или посетете уебсайта www.alemobility.com/en/ за техническа помощ.

Не използвайте аксесоари и/или допълнителни части, които не са одобрени от производителя.

Дръжте децата далеч от пластмасови части (включително опаковъчни материали) и малки части, които могат да причинят задушаване.

Забранено е да променят или трансформират продукта или неговите части, по какъвто и да е начин, това може да увреди ефективността, структурата и да причини повреди. Ако забележите фабрични дефекти, необичайни шумове или аномалии, не шофирайте превозното средство и се свържете с търговеца или посетете www.alemobility.com/en/ за техническа помощ.

3. ПАНОРАМЕН ИЗГЛЕД НА ПРОДУКТА

С оглед на непрекъснатото технологично развитие, производителят си запазва правото да променя продукта без предизвестие, без това ръководство да се актуализира автоматично.

За информация и справка с ревизиите на това ръководство посетете уебсайта www.alemobility.com/en/

AL EXT



1. Предни фарове
2. Спирачен лост
3. Кука
4. Заклучващ механизъм
5. Предно колело
6. Стойка
7. Порт за зареждане
8. Подложка за крака
9. Клипс за закрепване
10. Задна светлина

11. Заден калник
12. Задно задвижващо колело
13. Спирачен супорт
14. Камбана
15. Дисплей
16. Дроселна клапа
17. Бутон за включване/изключване
18. Превключвател за осветлението
19. USB порт

AL2



1. Кука
2. Звънец
3. Спирачен лост
4. Заклучващ механизъм
5. Фарове
6. Барабанна спирачка
7. Стойка
8. Подложка за крака
9. Задно задвижващо колело
10. Фарове

11. Заден капник
12. Клипс за закрепване
13. Порт за зареждане
14. Дисплей
15. Дроселна клапа



Зареждане на батерията



При първата употреба заредете продукта на 100%. Уверете се, че продуктът, зарядното устройство и портът за зареждане са сухи.

Инструкции

- Отворете стойката
- Изключете продукта

Модел	Референтна фигура	ИНСТРУКЦИИ
AL EXT		<ul style="list-style-type: none">• Използвайте само предоставеното зарядно устройство.• Свържете зарядното устройство първо към стенния контакт и само след това към контакта за зареждане.• Не включвайте електрическата тротинетка докато се зарежда. <div data-bbox="612 681 814 729"></div> <p>Червената светлина на хранящото устройство ще премине в зелено, когато операцията по зареждане приключи.</p>
AL2		<ul style="list-style-type: none">• Използвайте само доставеното зарядно устройство.• Свържете зарядното устройство първо към стенния контакт и едва след това към контакта за зареждане.• Не включвайте електрическия скутер, докато той се зарежда. <div data-bbox="612 1137 814 1185"></div> <p>Червената светлина на храняването ще светне в зелено, когато операцията по зареждане приключи.</p>

Използвайте предоставеното зарядно устройство само за зареждане на този продукт



ВНИМАНИЕ

Модел	Код на продукта	Модел на зарядно устройство за батерии	Напрежение на изход	Време на зареждане
AL EXT	LA-MO-210001	FCA136-546020	54.6V – 2A	Около 7 часа
	LA-MO-220002			
	LA-MO-210002			
	LA-MO-220013			
	LA-MO-220001			
AL2	LA-MO-220003	HLT-180-4201500	42V – 1.5A	Около 5 часа
	LA-MO-220004			

Използването на друг тип зарядно устройство може да повреди продукта или да създаде други потенциални рискове.

Никога не зареждайте продукта без надзор. Не включвайте продукта, докато го зареждате.

След всяка употреба, зареждайте напълно батерията, за да удължите експлоатационния ѝ живот. Не презареждайте продукта веднага след употреба. Оставете продукта да се охлади за един час преди зареждане.

Продуктът не трябва да се зарежда за продължителни периоди. Презареждането намалява живота на батерията и носи допълнителни потенциални рискове.

Препоръчително е да не позволявате на превозното средство да се изтощи напълно, за да се предотврати повреда на батерията.

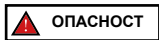
Щетите, причинени от липса на продължително зареждане, са необратими и не са обхванати от ограничената гаранция. След като повредата е настъпила, батерията не може да бъде презаредена (демонтажът на батерията от неквалифициран персонал е забранен, тъй като това може да доведе до токов удар, късо съединение или дори до големи инциденти, свързани с безопасността). Ако отсъствате за определен период, например за ваканция и се предоставя устройството на трети лица, оставете го в статус на частично зареждане (20-50% зареждане), не напълно заредено.

Извършвайте редовна визуална проверка на зарядното устройство и кабелите на зарядното устройство. Ако кабелът на зарядното устройство има видими повреди, не го използвайте, за да избегнете по-нататъшни повреди и/или рискове, моля, свържете се с нас за подмяна.

Предупреждения за батерията

Батерията се състои от литиево-йонни клетки и химични елементи, които са опасни за здравето и околната среда. Не използвайте продукта, ако той излъчва миризми, вещества или прекомерна топлина. Не изхвърляйте продукта или батерията заедно с битовите отпадъци. Крайният потребител носи отговорност за обезвреждането на електрическо и електронно оборудване и батерии в съответствие с всички приложими разпоредби.

Избягвайте използването на използвани, дефектни и/или неоригинални батерии от други модели или марки.



Не оставяйте батерията близо до огън или източници на топлина. Риск от пожар и експлозия.

Не отваряйте и не разглобявайте батерията, не удряйте, не хвърляйте, не пробивайте и не прикрепяйте предмети към батерията.

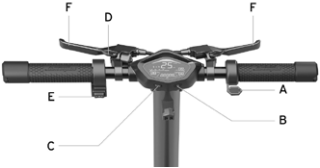
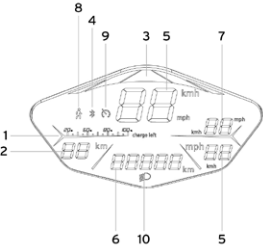
Не докосвайте никакви вещества, изтичащи от батерията, тъй като тя съдържа опасни вещества. Не позволявайте на деца или животни да докосват батерията.

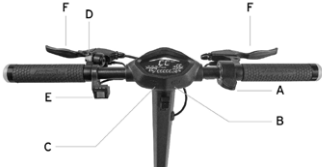
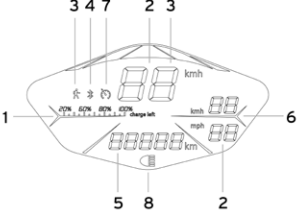
Не презареждайте и не поставяйте в късо съединение акумулатора. Риск от пожар и експлозия.

Не потапяйте и не излагайте батерията на вода, дъжд или други течни вещества. Не излагайте батерията на пряка слънчева светлина, на прекомерна топлина или студ (например, не оставяйте продукта или батерията в автомобил на пряка слънчева светлина за продължителен период от време), в среда, съдържаща експлозивни газове или пламъци.

Не транспортирайте и не съхранявайте батерията заедно с метални предмети като фиби, колиета и др. Контактът между метални предмети и контактите на батерията може да доведе до къси съединения, водещи до телесни повреди или смърт.

4. ИНФОРМАЦИЯ НА КОМАНДИТЕ / КОНТРОЛЕН ПАНЕЛ

Модел		
	<p>A. Дросел: натиснете надолу, за да ускорите.</p> <p>B. Бутон за захранване: натиснете продължително, за да включите или изключите електрическия скутер.</p> <p>Одометър ODO/TRIP: натиснете за кратко 3 пъти, за да превключите от индикация ODO към TRIP.</p> <p>C. Режими на скоростта: натиснете за кратко, за да промените нивото на скоростта.</p> <p>Светлини: Натиснете продължително бутона, за да включите или изключите светлините.</p>	<p>D. Звънец: натиснете лоста веднъж, за да го задействате.</p> <p>E. Индикатори за посока: Натиснете превключвателя надясно или наляво, за да ги активирате и/или деактивирате.</p> <p>F. Спирачен лост: Затегнете лоста, за да задействате спирачката.</p>
AL EXT	<ol style="list-style-type: none"> Ниво на батерията: остатъчно състояние на заряд. Автономност: оценка на оставащото разстояние. Режим на скоростта (светодиодна лента): <ul style="list-style-type: none"> - Ниво 1: зелен цвят - Ниво 2: оранжев цвят - Ниво 3: червен цвят Bluetooth: налична е връзка със смартфон. Тахометър: моментна скорост на електрическия скутер (km/h - mph). Одометър ODO / TRIP: натиснете за кратко 3 пъти, за да превключите от показване на ODO към TRIP. AVG speed: средна скорост. Режим за пешеходци: помага за бутане на автомобила с мигаща светлина. Круз контрол: поддържа на скоростта. Активира се след задържане на една и съща скорост в продължение на няколко секунди. Светлинни индикатори: светлинен индикатор за осветяване. 	

Модел		
AL2		
	<p>A. Дросел: натиснете надолу, за да ускорите.</p> <p>B. Бутон за захранване: натиснете продължително, за да включите или изключите електрическия скутер.</p> <p>Одометър ODO/TRIP: натиснете за кратко 3 пъти, за да превключите от индикация ODO към TRIP.</p> <p>C. Режими на скоростта: натиснете за кратко, за да промените нивото на скоростта.</p> <p>Светлини: Натиснете продължително бутона, за да включите или изключите светлините.</p>	<p>D. Звънец: натиснете лоста веднъж, за да го задействате.</p> <p>E. Индикатори за посока: Натиснете превключвателя надясно или наляво, за да ги активирате и/или деактивирате.</p> <p>F. Спирачен лост: Затегнете лоста, за да задействате спирачката.</p>
	<ol style="list-style-type: none"> Ниво на батерията: остатъчно състояние на заряд. Тахометър: моментна скорост на електрическия скутер (km/h и mph). Режими на скоростта (ТАХИМЕТЪР): <ul style="list-style-type: none"> - Ниво 1: обозначено с номер 1 - Ниво 2: обозначено с цифрата 2 - Ниво 3: обозначено с цифрата 3 Пешеходец: Помощ при бутане на превозното средство с мигаща светлина. Bluetooth: налична е връзка със смартфон. Контахилометри ODO/TRIP: общо изминато разстояние и разстояние за една сесия. AVG Скорост: средна скорост. Круз контрол (Круз контрол): поддържане на скоростта. Активира се след задържане на една и съща скорост в продължение на няколко секунди. Светлини: светлинният индикатор за осветяване. 	

Индикатори за посока

Model	
AL EXT AL2	 <p data-bbox="194 506 942 527">Индикаторите за посока са позиционирани в краищата на краищата на кормилото (дясна и лява страна).</p> <p data-bbox="194 547 947 586">Индикаторите за посока трябва незабавно да се задействат за всяка промяна в посоката на движение.</p> <p data-bbox="194 646 455 666">Команда за задействане:</p>  <div data-bbox="644 652 847 701" style="border: 1px solid black; padding: 5px; display: inline-block;"> ВНИМАНИЕ</div> <p data-bbox="644 729 961 787">Преди всяка употреба на продукта, проверете правилното функциониране на индикаторите за посока.</p>

5. БЪРЗО УПЪТВАНЕ

- При първата употреба заредете продукта на 100%.
- Проверете налягането на гумите (вижте страната на гумата за да узнаете препоръчителната стойност). В случай, че продуктът не достигне най-малко 60% от обявените километри или не достигне максималната скорост през първите три месеца на употреба, е вероятно колелата отново да са спаднали, поради което налягането трябва да бъде възстановено, както е посочено.
- Проверете и регулирайте спирачките.
- Включете дисплея.
- Позиционирайте продукта върху равна повърхност.
- Дръжте кормилото здраво с две ръце. Качете се на платформата с единия крак и използвайте другия, за да си дадете лек тласък и дайте газ.



ВНИМАНИЕ

Функция за Нулев старт: ускорителят започва да работи, когато скоростта на придвижване напред надвиши 3 km/h. От съображения за безопасност, продуктът първоначално е настроен да предотвратява тръгване от спряна позиция.

- По време на управление на продукта, наклоняйте тялото в посоката на движение по време на завой и бавно завъртайте кормилото.
- За да спрете продукта, отпуснете педала на газа и натиснете лоста на спирачката.
- За да слезете, първо спрете напълно превозното средство. Слизането от електрическата тротинетка в движение, може да доведе до нараняване.
- Преди всяко използване проверявайте спирачките и тяхното износване, проверявайте налягането на гумите (вижте страната на гумата за препоръчителната стойност), износването на колелата, ускорителя и статуса на зареждане на батерията.

Регулиране на позицията на спирачните лостове

AL EXT / AL2

Регулиране на спирачките

Възможно е да се регулира позицията на спирачния лост, ако имате нужда от него през точка А. (виж изображението)



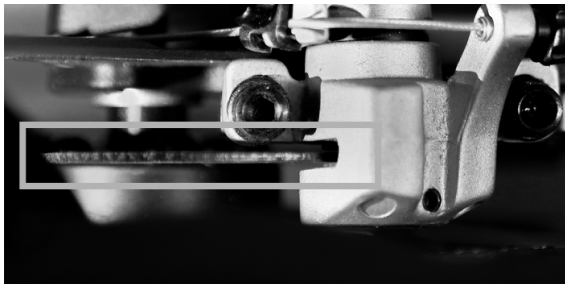
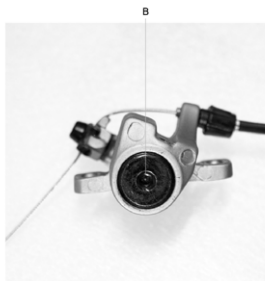
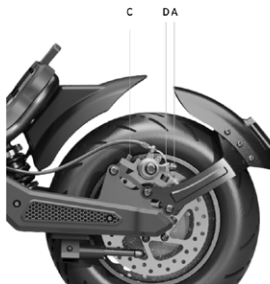
AL EXT

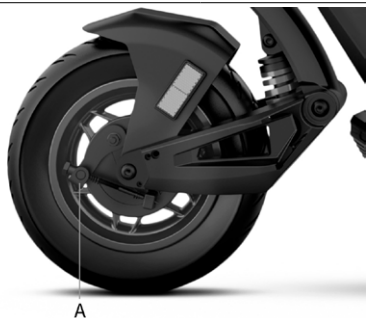
Регулиране на спирачна скоба

Ако спирачката е твърде стегната или твърде хлабава, използвайте шестостенния ключ, за да разхлабите винта (А), след което регулирайте спирачния кабел (скъсете спирачния кабел нагоре, ако е прекалено стегнат). Ако кабелът е твърде хлабав, издърпайте кабела надолу и след това отново затегнете винта (А).

Ако е твърде бавна или прекалено стегната, дори след първата стъпка, може да се наложи да се регулира накладката на спирачката (фиксирана), която можете да регулирате през колелото от противоположната страна. Използвайте шестоъгълния ключ, за да отдалечите (обратно на часовниковата стрелка) или да приближите (по посока на часовниковата стрелка) спирачната накладка (В) (виж изображението). Проверете правилното подравняване между спирачната скоба и диска. Използвайте винтовете С и D, за да регулирате позицията / подравняването на диска, ако е необходимо.

За задна спирачна скоба развинтете и отстранете винтовете С и D, след това отстранете спирачната скоба от диска.





Регулиране на барабанната спирачка:

Ако спирачката е прекалено затегната или прекалено хлабава, действайте, като разхлабите или затегнете винта (А). Ако спирачният лост е твърде мек или твърде твърд дори след изпълнение на първата стъпка, може да се наложи операцията да се повтори, докато се постигне оптимална настройка.

6. ПРЕГЪВАНЕ И ТРАНСПОРТИРАНЕ

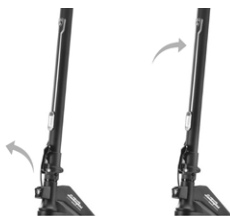
Уверете се, че електрическата тротинетка е изключена. Дръжте кормилната колона с ръка, издърпайте лоста, сгънете кормилната колона към платформата и закачете.

AL EXT



Откриване на:

Отключване на кормилото: Преместете щипката за освобождаване на кормилото навън, повдигнете кормилото на кормилото докрай и го застопорете, като натиснете лоста навътре. Включете електрическия скутер.



Закриване:

Изключете електрическия скутер, издърпайте предпазната кука нагоре и издърпайте лоста навън, вкарайте стеблото на кормилото навътре, поставете щипката в куката и осигурете ефективно заключване.

Клипс за кормилото

**Откриване на:**

Отключване на стеблото на кормилото от поставката за крака: натиснете надолу щипката, за да освободите кормилото, повдигнете стеблото на кормилото докрай и го застопорете, като натиснете лоста на заключващия механизъм навътре. Включете електрическия скутер.

Лост на заключващия механизъм

**Закриване:**

Изключете електрическия скутер, отключете заключващия механизъм: натиснете червената кукичка и издърпайте лоста навън (вижте снимката), вкарайте дръжката на кормилото навътре и се уверете, че тя действително е заключена.



След сгъване, повдигнете, като държите кормилната колона с едната или с двете си ръце.

**ВНИМАНИЕ**

Не забравяйте да държите продукта здраво по време на транспортиране. Ако не сте сигурни, че можете да поддържате теглото на продукта, не продължавайте да транспортирате продукта с вдигане. Ако продуктът внезапно падне, това може да доведе до сериозно нараняване и да се повреди.

7. АВТОНОМЕН И ИЗПЪЛНЕНИЕ

Максималната автономност и експлоатационните характеристики на превозното средство зависят от няколко променливи:

Терен: управлението по гладка настилка води до по-голяма автономност и ефективност, в сравнение с шофирането по неравни пътища и изкачването на наклони.

Тегло на потребител: колкото по-голямо е теглото, толкова по-малко автономност и ефективност ще има превозното средство.

Температура: каренето на електрическата тротинетка в много студена или гореща среда, влияе на автономията и ефективността.

Скорост и стил на шофиране: плавното и постоянно шофиране увеличава автономността. Непрекъснатите ускорения, забавяния и маневри значително намаляват автономията. По-ниската скорост разширява обхвата.

Поддръжка: навременното презареждане, правилната поддръжка и редовната проверка на налягането на гумите (виж референтната стойност в раздел 10) увеличават автономността и осигуряват постоянно поддържане на характеристиките с течение на времето.

Нивото на зареждане на батерията влияе на ефективността, колкото по-ниско е нивото, толкова по-ниска е ефективността на скоростта, особено при наличие на изкачването на наклони.

8. СЪХРАНЕНИЕ, ПОДДРЪЖКА И ПОЧИСТВАНЕ

Ако по тялото на продукта има петна, избършете ги с влажна кърпа. Ако петната не се отстраняват, нанесете върху тях неутрален сапун, изчеткайте с четка за зъби и след това избършете с влажна кърпа. Ако има драскотини по пластмасовите компоненти, използвайте шкурка или друг абразивен материал, за да ги отстраните. Не почиствайте продукта с алкохол, бензин, керосин или други корозивни и летливи химически разтворители, за да избегнете сериозни повреди. Не измивайте продукта с водна струя под високо налягане. При почистване се уверете, че продуктът е изключен, зареждащият кабел е изключен и гумената капачка е затворена, тъй като проникването на вода може да предизвика токов удар или други сериозни проблеми. Проникването на вода в батерията може да доведе до повреда на вътрешните вериги, риск от пожар или експлозия. Ако имате някакви съмнения, че има проникване на вода в батерията, незабавно спрете да използвате батерията и я върнете в отдел техническа поддръжка или на вашия търговец за проверка.

Когато продуктът не се използва, съхранявайте го на сухо и хладно място. Не го съхранявайте на открито или вътре в автомобил за продължителен период от време. Прекомерната слънчева светлина, прегряването и прекомерният студ ускоряват стареенето на гумите и компрометират полезния живот както на продукта, така и на батерията. Не я излагайте на дъжд или вода, нито я потапяйте и измивайте с вода.

Проверявайте редовно затягането на различните болтови елементи, по-специално на осите на колелата, системата за съгване и транспортиране, кормилната уредба, спирачната система, доброто състояние на рамката, вилите и амортизьорите. Гайките и всички други самозатягащи фиксиращи елементи, могат да загубят своята ефективност, следователно трябва периодично да се проверяват и затягат тези компоненти.

Както всички механични компоненти, този продукт също подлежи на износване и силни натоварвания. Различните материали и компоненти могат да реагират на износване или стрес от натоварване по различни начини. Ако експлоатационният живот на даден компонент е превишен, той може да се счупи внезапно, причинявайки нараняване на проводника. Всяка форма на пукнатина, драскотина или промяна на цвета в силно натоварени зони показва, че животът на компонента е достигнат и трябва да бъде заменен.

Проверете статуса на износване на гумите: не трябва да има разрези, пукнатини, чужди тела, необичайно подуване, липса на части и други повреди. За налягането в гумите вижте стойността в раздел 10 от настоящото ръководство за експлоатация.

Не се опитвайте да разглобите или ремонтирате продукта самостоятелно. Смяната на всички компоненти на електрическата тротинетка се извършва от оторизиран център за техническо обслужване, за по-подробна информация се свържете с търговеца или посетете сайта:

www.alemobility.com/en/

9. КОНФИГУРАЦИЯ НА ПРИЛОЖЕНИЕТО

По-долу списък на продукти, оборудвани с Bluetooth и които могат да бъдат свързани с приложението AL e-Mobility: AL EXT, AL2.

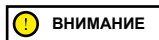
Приложението ви позволява да контролирате продукта директно от своя смартфон.

Сканирайте QR кода, за да изтеглите и инсталирате приложението. Ако приложението не е намерено, препоръчително е да го потърсите в библиотеката за приложения.

Отворете приложението и следвайте инструкциите на услугата във вашето приложение.



Отворете приложението и следвайте инструкциите на съответната услуга за приложения.



Приложението може да изисква различни разрешения, необходими за използването и функционалността на приложението.

Версията на приложението може да е актуализирана в услугата на вашето приложение. Препоръчително е постоянно да проверявате за актуализации на приложението, за да се възползвате от новите функции и винаги да инсталирате най-новото издание на приложението на устройството си.

Не използвайте вашето устройство, докато шофирате.

10. TECHNICAL DATA SHEET

Обща информация

AL EXT

Рама	Стомана и алуминий	
Окачвания	Преден и заден	
Скорост	LA-MO-210001; LA-MO-210002; LA-MO-220013 Пешеходец: ≤ 6km/h L1: ≤ 15km/h L2: ≤ 20km/h L3: ≤ 25km/h (макс. скорост) * *според страната на обращение	LA-MO-220001; LA-MO-220002 Пешеходец: ≤ 6km/h L1: ≤ 10km/h L2: ≤ 15km/h L3: ≤ 20km/h(макс. скорост) * *според страната на обращение
Максимален наклон **	22%	
Спирачки	Предна дискова спирачка, задна електронна и дискова спирачка	
Гуми	Мярка: 90/65-6.5 Налягане: 50 psi / 3.5 bar	
Максимално натоварване	120kg	
Водач	Проверете правилата, които са в сила във вашата държава	
Работна температура	-0°C / 45°C	
Ниво на защита	IPX4	
Време на зареждане	около 7 часа	
Автономия**	до 40 km	
Електрическа система		
Максимална мощност Мотор	0.50kW; 500W Безчетков	
Максимална мощност на Мотор	0.900kW; 900W	
Дисплей	Вграден LED индикатор	
Батерия	48V 12.5Ah 600Wh	
Защита ниско напрежение	42V	
Граница на ток	20A	
KERS	да	
Светлини	преден и заден LED индикатор	
Функционалност	Bluetooth	
Мерки		
Нето тегло	30.6Kg	
Брутно тегло	38.75Kg	

* Винаги спазвайте кодекса за движение по пътищата и правилата за движение, които са в сила в държавата на движение.

** Подлежи на промяна, в зависимост от теглото на водача, на пътните условия и на температурата.

Обща информация

AL2

Рама	Стомана и алуминий	
Окачвания	Отпред и отзад	
Скорост	LA-MO-220003 Пешеходец: ≤ 6km/h L1: ≤ 15km/h L2: ≤ 20km/h L3: ≤ 25km/h (макс. скорост) * *според страната на обращение	LA-MO-220004 Пешеходец: ≤ 6km/h L1: ≤ 10km/h L2: ≤ 15km/h L3: ≤ 20km/h(макс. скорост) * *според страната на обращение
Максимален наклон **	16%	
Спирачки	Предна барабанна спирачка, задна електрическа спирачка	
Гуми	Мярка: 10" X 2.125" с вътрешна тръба Налягане: 36 psi / 2.5 bar	
Максимално натоварване	120kg	
Водач	Проверете правилата, които са в сила във вашата държава	
Работна температура	-0°C / +45°C	
Ниво на защита	IPX5	
Време на зареждане	около 5 часа	
Автономия**	до 35 km	

Електрическа система

Максимална мощност Мотор	0.35kW; 350W Безчетков
Максимална мощност на Мотор	0.55kW; 550W
Дисплей	Вграден светодиод
Батерия	36V 8Ah 288Wh
Защита ниско напрежение	31 + / - 0.5V
Граница на ток	17A
KERS	да
Светлини	LED отпред и отзад
Функционалност	Bluetooth с приложение
Мерки	
Нето тегло	19Kg
Брутно тегло	22Kg

* Винаги спазвайте кодекса за движение по пътищата и правилата за движение, които са в сила в държавата на движение.

** Подлежи на промяна, в зависимост от теглото на водача, на пътните условия и на температурата.

11. ОТСТРАНЯВАНЕ НА ПРОБЛЕМИ

Грешка	Причина	Решение
Двигателят не работи	Електрически проблем, наличие на код за грешка	Искане за техническо обслужване
Задвижващото колело не се върти	Проблем на спирачките Моторът е блокиран	Регулирайте спирачките, ако проблемът продължава, потърсете техническа помощ Проверете правилното затягане на колелото, проверете дали колелото се върти, без да включвате превозното средство. Ако проблемът продължи, изискайте техническа намеса
Моторът се изключва, докато работи	Прегряване на мотора Наличие на код за грешка	Спрете превозното средство и изчакайте да се охлади Искане за техническо обслужване
След зареждане продуктът не се включва или изключва след няколко километра.	Повредена батерия	Искане за техническо обслужване
Батерията не се зарежда или продуктът не се включва	Проблеми при свързване Батерията не е свързана (модели с подвижна батерия) Батерията е изтощена Повредена батерия Проблеми със зарядното устройство	Искане за техническо обслужване Проверете дали захранващият конектор е свързан. Заредете батерията на 100% Искане за техническо обслужване Заменете зарядното устройство

AL EXT / AL2

Таблица кодове на грешка

Код на грешка	Определение
E1	Аномалия при свързване на мотора
E2	Аномалия MOS или фаза на мотор в късо съединение
E3	Грешка в датчика на спирачката
E4	Аномалия електроника на кормило
E5	Защита ниско напрежение
E6	Комуникация на повредени инструменти
E7	Защита високо напрежение
E8 / E9	Аномалия контролно устройство/BMS

12. ОТГОВОРНОСТ И ОБЩИ УСЛОВИЯ НА ГАРАНЦИЯТА

Водачът поема всички рискове, свързани с неизползването на каска и други защитни устройства.

Водачът има задължението да спазва действащите местни разпоредби по отношение на:

1. Минимална възраст, разрешена за водача,
2. Ограничения за типа водачи, които могат да използват продукта
3. Всички други аспекти, свързани с регламенти

Водачът е длъжен също така да поддържа продукта чист и в перфектно състояние на ефективност и поддръжка, да извършва внимателно проверките за безопасност на негова отговорност, както е описано в предходните раздели, да не подправя продукта по никакъв начин и да съхранява цялата документация, свързана с поддръжката.

Фирмата не носи отговорност за щети, причинени и не причинени и по никакъв начин не носи отговорност за щети, причинени на имущество или лица, в случаите, когато:

- продуктът се използва неправилно или не отговаря на инструкциите в ръководството за употреба;
- продуктът, след закупуване, е променен или подправен във всички или някои от неговите компоненти.

В случай на неизправност на продукта поради причини, които не се дължат на неправомерно поведение на водача и в случай, че желаете да се запознаете с общите условия на гаранцията, моля, свържете се с търговеца или посетете www.alemobility.com/en/

Винаги се изключват от обхвата на Правната гаранция на Продуктите, евентуални повреди или неизправности, причинени от случайни събития и/или дължащи се на отговорност на Купувача или от употреба на Продукта, която не съответства на предвидената употреба и/или на разпоредбите на техническата документация, приложена към Продукта, или поради липса на настройка на механичните части, естествено износване на носещите материали или причинени от грешки в сглобяването, липса на поддръжка и/или тяхната употреба, които не отговарят на инструкциите.

Например, трябва да се счита, че следните елементи са изключени от правната гаранция, свързана с Продуктите:

- щетите, причинени от сблъсъци, случайни падания или удари, пробиви;
- щетите, дължащи се на употреба, излагане или разполагане в неподходяща среда (напр. наличие на дъжд и/или кал, излагане на влажност или прекомерен източник на топлина, контакт с пясък или други вещества)
- щетите, причинени от липса на настройка за въвеждане в експлоатация и/или поддръжка на механични части, механични дискови спирачки, кормило, гуми и др.; неправилен монтаж и/или неправилно сглобяване на части и/или компоненти
- естественото износване на материали, подлежащи на износване: механични дискови спирачки (напр. подложки, клеци, дискове, кабели), гуми, платформи, улътнения, лагери, LED светлини и крушки, стойки, копчета, калници, гумени части (платформа), кабелни съединители, маски и лепила и др.;
- неправилна поддръжка и/или неправилно използване на акумулатора на Продукта;
- подправяне и/или форсиране на части от Продукта;
- поддръжка или неправилна модификация на Продукта;
- неправилното използване на Продукта (напр. прекомерно натоварване, използване в състезания и/или за търговски дейности по отдаване под наем или отдаване под наем);
- поддръжка, ремонт и/или технически интервенции върху Продукта, извършвани от неупълномощени трети лица;
- щети на Продуктите, произтичащи от транспортиране, ако се извършват от Купувача;
- щети и/или дефекти от употребата на неоригинални резервни части.

Моля, консултирайте последната версия на гаранционните условия, достъпна на сайта

www.alemobility.com/en/support/



ВНИМАНИЕ

Обработка на излязло от употреба електрическо или електронно оборудване (приложимо във всички държави от Европейския съюз и в други европейски системи със система за разделно събиране)



Този символ върху продукта или върху опаковката показва, че този продукт не трябва да се третира като домакински отпадък, а трябва да бъде предаден в съответния събирателен пункт за рециклиране на електрическо и електронно оборудване (RAEE).

Като се погрижите за правилното изхвърляне на този продукт, вие ще помогнете за предотвратяването на възможни негативни последици за околната среда и за здравето, които могат да настъпят в следствие на неподходящо изхвърляне. Рециклирането на материали спомага за опазването на природните ресурси.

За по-подробна информация относно рециклирането и изхвърлянето на този продукт се свържете с местната служба за изхвърляне на отпадъци или с търговския обект, където е закупен продукта.

Във всички случаи е необходимо да се извърши унищожаването в съответствие с действащите разпоредби в Държавата на покупката.

По-специално, потребителите са задължени да не изхвърлят електрическото и електронно оборудване като битови отпадъци, но трябва да участват в разделното събиране на този вид отпадъци чрез два метода на предаване:

- В общинските събирателни центрове (наричани още Еко-площадки, екологични острови), директно или чрез общинските събирателни служби, където има;
- В пунктовете за продажба на ново електрическо и електронно оборудване.

Тук могат да се предадат безплатно електрически-електронни уреди с малки размери (с най-дългата страна под 25 cm), докато тези с по-големи размери, могат да бъдат предадени в режим 1 към 1, следователно се предава старият продукт в момента на закупуването на нов със същите функции.

Освен това, режимът 1 към 1, винаги е гарантиран по време на закупуването от потребителя на ново електрическо или електронно оборудване, независимо от размера на оборудването.

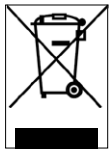
В случай на неправилно изхвърляне на електрическо или електронно оборудване, могат да се прилагат санкциите, предвидени от действащото законодателство в областта на опазването на околната среда (италианското законодателство, необходимо е да се проверят действащите разпоредби в страната на използване/ изхвърляне на превозното средство).

Когато електрическото или електронно оборудване съдържа батерии или акумулатори, те трябва да бъдат отстранени и да подлежат на специфично разделно събиране.



ВНИМАНИЕ

Обработка на изразходваните батерии (приложима във всички държави от Европейския съюз и в други европейски системи със система за разделно събиране)



Този символът върху продукта или върху неговата опаковка посочва, че продуктът не може да бъде считан за обикновен битов отпадък. При някои видове батерии, този символ може да се използва в комбинация с химичен символ.

Добавят се химически символи за живак (Hg) или олово (Pb), ако батерията съдържа повече от 0.0005% живак или 0.004% олово.

Като се погрижите за правилното изхвърляне на батериите, вие ще помогнете за предотвратяването на възможни негативни последици за околната среда и за здравето, които могат да настъпят в следствие на неподходящо изхвърляне. Рециклирането на материали спомага за опазването на природните ресурси. При продукти, които от съображения за безопасност, производителност или защита на данните изискват фиксирана връзка с вътрешна батерия/акумулатор, те трябва да бъдат заменени само от квалифициран обслужващ персонал.

Предайте продукта в края на срока му на годност в пунктове за събиране, подходящи за изхвърляне на електрическо и електронно оборудване: това гарантира, че батерията вътре също се третира правилно.

За по-подробна информация относно изхвърлянето на изразходената батерия или продукт, можете да се свържете с местната служба за обезвреждане на отпадъци или с търговския обект, където сте го закупили.

Във всички случаи е необходимо да се извърши унищожаването в съответствие с действащите разпоредби в Държавата на покупката.

يشير هذا الدليل إلى السكوتر الكهربائي التالي:

AL EXT

AL2

دليل المستخدم

2. مراجعة LA-MO-000001

التعليمات مترجمة من اللغة الأصلية الإيطالية

نشكرك على اختيارك هذا المنتج.

بشأن المعلومات والدعم الفني والمساعدة ومن أجل الإطلاع على الشروط الضمان العامة،
اتصل بالوكيل أو تفضل بزيارة الموقع الإلكتروني www.alemobility.com/en/support/

المحتويات

1. تعليمات السلامة
2. محتوى ات العبوة والتجميع
3. نظرة عامة على المنتج
4. معلومات الأوامر/لوحة التحكم
5. دليل سريع
6. الطي والحمل
7. المدى والأداء
8. التخزين والصيانة والتنظيف
9. تهيئة التطبيق
10. وثيقة البيانات الفنية
11. استكشاف الأعطال وتصليحها
12. المسؤولية وشروط الضمان العامة

1. تعليمات السلامة

احتياط



هام! اقرأ واتبع التعليمات بعناية قبل استخدام المنتج. حافظ على هذا الدليل للرجوع إليه مستقبلاً أو من أجل المستخدمين الجدد.

خذ الوقت اللازم لتعلم أساسيات الإجراء لتجنب الحوادث الشديدة التي قد تحدث في الأشهر الأولى. اتصل بالوكيل للحصول على نصائح بشأن كيفية استخدام الدراجة بطريقة صحيحة أو إرشادات بشأن الاتصال بمنظمة تدريب مناسبة.

لا تتحمل الشركة أية مسؤولية مباشرة أو غير مباشرة ناشئة عن سوء استخدام المنتج، أو عدم الالتزام بكل من قانون الطريق السريع وتعليمات في هذا الدليل، كما لا تتحمل أية مسؤولية عن الحوادث أو النزاعات الناشئة عن عدم الالتزام أو عن النشاط غير القانوني.

يجب استخدام هذا المنتج للأغراض الترفيهية، من قبل شخص واحد فقط وبدون ركاب، وبالتالي لا يجوز استخدامه من قبل أكثر من شخص في الوقت نفسه.

لا تُعدّل الاستخدام المقصود من المركبة بأي طريقة من الطرق. المنتج غير مناسب للألعاب المثيرة أو المسابقات أو نقل الأشياء أو قطر مركبات أو مقطورات أخرى.

يجب استخدام **السكريت الكهربائي** بعناية، مع الالتزام دائماً **بالقواعد** التي يفرضها قانون الطريق في البلد التي يُستخدم فيها، من أجل تجنب المواقف الخطرة ومن أجل اتخاذ العناية القصوى بنفسك وبالأخرين.

احتياط



متطلبات التصميم التوضيحي للمركبة:

AL2	AL EXT Bronze	AL EXT Green	موديل السكريت الكهربائي
LA-MO-220003 LA-MO-220004	LA-MO-220013 LA-MO-220001 LA-MO-210002	LA-MO-210001 LA-MO-220002	كود المنتج الذي يشمل إشارات الاتجاه
30	30	30	الحد الأدنى للوزن (كجم)
120	120	120	الحد الأقصى للوزن (كجم)
14	14	14	الحد الأدنى للعمر *
65	65	65	الحد الأقصى للعمر *
120	120	120	الحد الأدنى للارتفاع (سم)
200	200	200	الحد الأقصى للارتفاع (سم)

* قبل استخدام المنتج، اطّلع على اللوائح المحلية السارية بشأن الحد الأدنى للعمر المسموح به للقائد والقيود المتعلقة بنوع القائدين الذين يجوز لهم استخدام المنتج وبشأن استخدام المنتج نفسه واتباعها.

مستوى الضغط الصوتي (الضوضاء) المنبعث الموزون A على أذن القائد أقل من 70 ديسيبل (A).

الرموز التي تحدد تحذيرات السلامة

تُستخدم الرموز المرئية التالية من أجل تحديد رسائل السلامة في هذا الدليل. إنها تركز انتباه القارئ/المستخدم من أجل الاستخدام الصحيح والأمن للمنتج.



تَوْحُّ الانتباه

توضح القواعد المطلوب اتباعها لمنع إتلاف المنتج و/أو منع حدوث مواقف خطيرة من الوقوع.



المخاطر المتبقية

يوضح وجود أخطار والتي تولد مخاطر متبقية والتي يجب على المستخدم أن يولي الانتباه لها لتفادي الإصابة أو التلف المادي.

تحذيرات عامة



من المهم أن تضع في اعتبارك أنه عند تواجدك في مكان عام أو على الطريق، حتى إذا اتبعت هذا الدليل بالحرف الواحد، فإن القائد ليس محصناً ضد الإصابة الناتجة عن المخالفات أو الإجراءات غير المناسبة المتخذة تجاه مركبات أخرى أو عوائق أو أشخاص. قد يسبب سوء استخدام المنتج أو عدم الالتزام بالتعليمات الواردة في هذا الدليل في حدوث إصابة خطيرة.

هذا المنتج عبارة عن مركبة كهربائية. كلما زادت سرعة قيادتها، كلما طالت المسافة اللازمة للفرملة. يمكن أن تؤدي الفرملة الطارئة على الطرق الزلقة أو الموحلة أو المبللة أو المغطاة بالثلوج إلى انزلاق العجلات وفقدان التوازن. من الضروري الالتزام بسرعات مناسبة ومسافة آمنة من المركبات الأخرى أو المشاة. يجب إيلاء المزيد من الانتباه عند القيادة على الطرق غير المعروفة. لا تفتح الحامل أثناء استخدام المنتج، يمكن أن ينشأ خطر حدوث إصابة شخصية جسيمة أو تلف بالمنتج.



على الطرق المبللة، تزيد مساحة الفرملة ويقل الالتصاق بالأرض بالمقارنة بالطرق الجافة! قم بالقيادة بحذر أكبر، حافظ على مسافة آمنة!

من أجل سلامتك الشخصية، ارتدِ خوذة وواقيات الركبة واليرفوق لحماية نفسك من حالات السقوط ومن الإصابات أثناء قيادة المنتج. عندما تسمح للأخرين باستخدام المنتج، تأكد من ارتداء القائد لمعدات السلامة وشرح له تشغيل المركبة. من أجل تفادي الإصابة، لا تسمح لأشخاص آخرين باستخدام المنتج إذا كانوا يجهلون كيفية استخدامه. ارتدِ الحذاء قبل استخدام المنتج.

يجب ألا يلعب الأطفال بالسكوتر الكهربائي أو بأجزائه، ولا يجب أن يُسمح لهم بتنظيفه أو بإجراء عمليات الصيانة.

عند القيادة، يجب إيلاء اهتمام خاص إلى عدم إفزاز الأطفال والمشاة. عند تجاوزه من الخلف، حذرهم باستخدام الجرس وأبطئ السرعة باستخدام السرعة الصغرى البالغة 6 كم/ساعة.

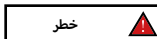
الشروط	الاستخدام المناسب/المقصود	استخدام غير مناسب
القائدون	واحد	عدة أشخاص، مع أطفال أو حيوانات
معدات السلامة	الخوذة، وإقي الركبة، وإقي المرفق، سترة عاكسة	بدون معدات سلامة
الفحص قبل القيادة	قبل كل استخدام، افحص الفرامل وابحث عن أي تآكل، افحص ضغط الإطارات (انظر إلى جانب الإطار للتعرف على القيمة الموصى بها)، تأكد من عدم تآكل العجلات، افحص المُسرِّع وإشارات الاتجاه والمصابيح وحالة شحن البطارية.	عدم فحص المنتج مطلقاً قبل القيادة
	إذا لاحظت ضوضاء غير معتادة أو أوجه خلل، لا تستخدم المنتج واتصل بالوكيل في منطقتك أو خدمة الدعم الفني المعتمدة	استخدام المنتج مع وجود ضوضاء وأوجه خلل
السير مع دفع المنتج	عدم الإسراع	الضغط على المُسرِّع
	الدفع أثناء السير على خطوط عبور المشاة	قيادة العربة على خطوط عبور المشاة
	في مناطق المشاة عندما لا تكون في وضع المشاة (6 كم/ساعة)	قيادة المركبة في مناطق المشاة عندما لا تكون في وضع المشاة (6 كم/ساعة)
	في المناطق شديدة الازدحام	قيادة المركبة في مناطق شديدة الازدحام
في وضع الوقوف	يجب أن يتمكن الشخص الذي يقود المنتج بإسناد كلتا قدميه على الأرض بسهولة مع الإمساك بالمقود على الارتفاع الصحيح	عدم القدرة على الحفاظ على المنتج ثابتاً ومتوازناً الجلوس على المنتج أثناء السير أو في وضع الوقوف

الشروط	الاستخدام المناسب/المقصد	استخدام غير مناسب
	عدم تعليق أشياء في المقود	تسبب الأشياء المعلقة بالمقود عدم الاستقرار وقد تمنع المناورة
	القيادة بكلتا يديك على المقود	القيادة بيدٍ واحد فقط أو بدون اليدين
	عدم استخدام أجهزة مثل الهواتف والساعات الذكية ومشغلات الموسيقى وساعات الرأس	استخدام أجهزة مثل الهواتف والساعات الذكية ومشغلات الموسيقى وساعات الرأس
	القيادة بكلتا القدمين على المنصة بطريقة مريحة وأمنة	القيادة بقدم واحدة أو بالقدمين خارج المنصة يُحظر وضع وتركيز الوزن على حاجز الطين الخلفي.
	القيادة بالخوذة وبمعدات الحماية	القيادة بدون الخوذة وبدون معدات الحماية
	القيادة على طرق يسهل الوصول إليها وناعمة ومكتنزة، تجنب المناطق ذات المرور الكثيف أو المناطق شديدة الازدحام؛ على سبيل المثال، المضمار المخصص للدراجات، الأسطح ذات الأرضية الناعمة	القيادة على الطرق السريعة، الطرق ذات المسافات الطويلة القيادة على الطرق المزدحمة القيادة على الأرصفة القيادة في المناطق شديدة الازدحام القيادة على الطرق الوعرة جداً القيادة بالقرب من: الوديان والجروف والموانئ والبحر والبحيرات والأنهار
القيادة في الظروف الطبيعية	الالتزام باللوائح المحلية السارية وقانون الطريق	عدم الالتزام باللوائح وقانون الطريق
	النظر دائماً إلى الأمام والاحتراس من جميع العقبات والمركبات والمشاة القريبين	الشرود أثناء القيادة
	تغيير الاتجاه، بعد التأكد من أن الغير قد شاهدك، مع الاعتدال بالسرعة	تغيير الاتجاه فجأة بسرعة عالية دون التأكد من أن الغير قد شاهدك
	الإطلاع مقدماً على المسار والاعتدال بالسرعة مع الالتزام بقانون الطريق واحترام الأشخاص الأكثر ضعفاً	الكبح والانعطاف في نفس الوقت يجعل المركبة غير مستقرة
	استخدام إشارات الاتجاه، إن توفرت على المنتج	عدم استخدام إشارات الاتجاه
	الإبطاء في وجود المشاة	الإسراع أو الحفاظ على السرعة ثابتة في وجود المشاة
	استخدام وضع المشاة في مناطق المشاة (6 كمر/ساعة)	القيادة بدون استخدام وضع المشاة في مناطق المشاة (6 كمر/ساعة)
	تحذير الآخرين عن تواجدك باستخدام الجرس	عدم تحذير الآخرين عن تواجدك باستخدام الجرس
	القيادة بسرعات معتدلة	القيادة بسرعة عالية
ظروف الطريق غير المنتظمة: مطبات صناعية/درج/أسطح الطريق وعرة	اثن ركبتيك قليلاً لامتصاص أفضل للصدمة عند عبور سطح غير مستوٍ.	الإسراع فوق المطبات أو الخنادق، النزول على الدرج، القفز فوق العوائق، الصعود على الأرصفة، القيادة على نحو خطير.

الشروط	الاستخدام المناسب/المقصود	استخدام غير مناسب
السلوك: في المنعطفات، في المنحدرات، عند التواجد بالقرب من العوائق والمركبات والمشاة	الحفاظ على مسافة أمنة	عدم الالتزام بالمسافات الأمنة
	التوقف عن الإسراع الكبح والإبطاء	الإسراع
	القيادة على سرعة معتدلة والفرملة بطريقة آمنة	القيادة بسرعة عالية، الكبح المفاجئ
	إيلاء الانتباه للأبواب والعقبات الأخرى المرتفعة	المرور تحت العقبات المرتفعة
ظروف الرؤية	قمر بالقيادة فقط في حالة وجود ضوء كافي للقيادة بأمان. عند القيادة في ظروف الإضاءة غير المواتية (من نصف ساعة بعد غروب الشمس، طوال فترة الظلام وأيضا أثناء النهار، إذا كانت الظروف الجوية تمنع رؤية الطريق أو إذا كنت تمر داخل أنفاق) تذكر تشغيل المصابيح الخاصة بالمنتج وارتداء سترة عاكسة أو أحزمة أو حمالات عاكسة.	القيادة في ظروف الإضاءة غير المواتية والمصابيح مطفأة مع عدم استخدام سترة عاكسة أو أحزمة أو حمالات عاكسة.
ظروف الطقس	القيادة في ظروف الطقس المثالية (بدون مطر)	القيادة في الظروف المعاكسة: تحت المطر، في حالة تساقط الثلج، في حالة وجود جليد أو طين في الشوارع، في حالة هبوب رياح قوية والضباب.
الرّكن	في المناطق المخصصة دون إعاقة حركة المركبات أو المشاة	في أي مكان، مع إعاقة حركة المركبات أو المشاة
	على الأسطح الملساء، مع التأكد من الحفاظ على الاستقرار	على أسطح غير مستوية وبدون التأكد من الاستقرار
	إطفاء المنتج واستخدام جهاز مضاد للسرقه استخدام الحامل الوارد	ترك المنتج قيد التشغيل، دون مراقبة وبدون جهاز مضاد للسرقه
الانخراط في الرياضات الخطرة/ الأكرويات	لا	نعم، استخدام مناسب: القيادة بالقرب من: الوديان والجروف والموائ والبحر والبحيرات والأنهار القيادة فوق البرك التسابق مع مركبات أخرى
إخضاع المنتج لصدمة قوية	لا	نعم، استخدام مناسب: القفز فوق الأشياء أو الأشخاص، القفز من على الدّرج أو من الأماكن العالية

ماذا تفعل بعد السقوط:

تأكد من أن ذراع المُسرّع يعمل بشكل صحيح. للقيام بذلك، قمر بالإسراع والإبطاء لأكثر من مرة. تأكد من أن الفرامل تعمل بشكل صحيح. للقيام بذلك، انزل عن المنتج، ادفع المنتج للأمام وقمر بالفرملة من أجل التأكد من أنه يستجيب للأوامر. تأكد من أن جميع مكونات المركبة في مكانها ومثبتة بطريقة آمنة. افحص تآكل وضغط الإطارات (انظر إلى جانب الإطار للتعرف على القيمة الموصى بها). تحقق من عدم تآكل الفرامل والكابلات.


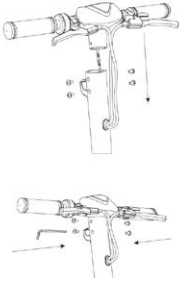

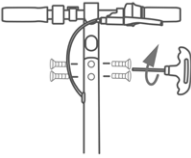


خطر

قد تصبح الفرامل ساخنة أثناء الاستخدام. لا تلمسها بعد الاستخدام.

2. محتوى اات العبوة والتجميع

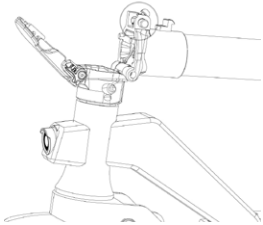
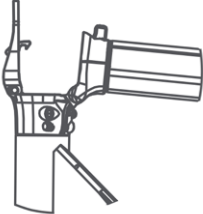
المنتج مُجمَّع، يجب تركيب المقود بواسطة المسامير الخاصة الموجودة في العبوة.

الموديل	الصورة المرجعية	في العبوة	تجمع المقود
AL EXT		<p>الملحقات:</p> <ul style="list-style-type: none"> × 1 مفتاح ألن × 4 مسامير المقود × 1 شاحن بطارية 	
AL2		<p>الملحقات:</p> <ul style="list-style-type: none"> × 1 مفتاح ألن × 2 مسامير المقود × 1 شاحن بطارية 	

الطريقة

AL EXT / AL2

- أخرج المنتج من عبوته.
- افتح ساق المقود وقرم بتثبيتته بواسطة غلق الرافعة الموجودة على آلية الغلق.
- قرم بتوصيل كابل الطاقة الخاص بالشاشة بالأسلاك الرئيسية (إذا لزم الأمر).
- ركب المقود على الساق (لا تسحق الكابلات).
- أدخل المسامير واربطها على الساق باستخدام المفتاح الوارد.
- ركب الحامل (إذا لزم الأمر).
- اضبط آلية القفل على الساق* (إذا لزم الأمر).
- عند الاستخدام الأول، اشحن المنتج بنسبة 100%.

* ضبط آلية قفل الساق	الصورة المرجعية	الموديل
<p>يوجد مسمار سداسي داخل الآلية. إذا لم يكن ساق المقود مستقرًا جدًا بعد الغلق، فاضبط المسامير الموجودة في الآلية، عن طريق ربطه أو إرخائه على النحو المطلوب لزيادة استقرار الساق.</p>		AL EXT
<p>يوجد مسمار سداسي داخل الآلية. إذا كان ساق المقود غير مستقر بعد الغلق، فاضبط المسامير الموجودة في الآلية عن طريق ربطه أو فكّه بما يكفي فقط لزيادة استقرار الساق.</p>		AL2

احتياط



قمر بتجميع المنتج بشكل صحيح. إذا تبين، أثناء التجميع، وجود أية عيوب في التصنيع أو أن الخطوات غير واضحة أو إذا واجهت صعوبات في التجميع نفسه أو في عمليات الضبط، لا تقم بقيادة المركبة واتصل بالوكيل أو تفضل بزيارة الموقع الإلكتروني www.alemobility.com/en/ لتلقي الدعم الفني.

لا تستخدم ملحقات و/أو أجزاء إضافية غير معتمدة من قبل الشركة المصنعة.

أبقي الأطفال بعيداً عن الأجزاء البلاستيكية (بما في ذلك مواد التغليف) والأجزاء الصغيرة التي يمكن أن تؤدي إلى الاختناق.

يُحظر تعديل أو تحويل المنتج أو أجزائه بأي طريقة من الطرق، قد يؤدي ذلك إلى الإضرار بالكفاءة والتقليل من سلامة الهيكل والتسبب في التلف. إذا تبين وجود أية عيوب بالتصنيع أو إذا اكتشفت ضوضاء غير معتادة أو أي خلل، لا تقم بقيادة المركبة واتصل بالوكيل أو تفضل بزيارة الموقع الإلكتروني www.alemobility.com/en/ لتلقي الدعم الفني.

3. نظرة عامة على المنتج

يهدف التطوير التكنولوجي المستمر، تحتفظ الشركة المصنعة بالحق في تعديل المنتج دون إشعار مسبق ودون أن يتم تحديث هذا الدليل أوتوماتيكياً.

لمزيد من المعلومات ومن أجل الإطلاع على تحديثات هذا الدليل تفضل زيارة www.alemobility.com/en/

AL EXT



11. حازر الطين الخلفي
12. عجلة الدفع الخلفية
13. كماشة الفرامل
14. الجرس
15. الشاشة
16. المسرّع
17. زر التشغيل/الإيقاف
18. مفتاح المصباح
19. منفذ USB

1. المصباح الأمامي
2. ذراع الفرامل
3. خطاف
4. آلية القفل
5. العجلة الأمامية
6. الحامل
7. منفذ الشحن
8. المنصة
9. مشبك التثبيت
10. المصباح الخلفي



- 11. حاجز الطين الخلفي
- 12. مشبك التثبيت
- 13. منفذ الشحن
- 14. الشاشة
- 15. المسرع

- 1. خطاف
- 2. الجرس
- 3. ذراع الفرامل
- 4. آلية القفل
- 5. المصباح الأمامي
- 6. فرامل أسطوانية
- 7. الحامل
- 8. المنصة
- 9. عجلة الدفع الخلفية
- 10. المصباح الأمامي



قبل استخدام المنتج لأول مرة، اشحن إلى 100%. تأكد من جفاف المنتج وشاحن البطارية ومنفذ الشحن.

التعليمات

- افتح الحامل

- أطفئ المنتج

الموديل	الصورة المرجعية	التعليمات
AL EXT		<ul style="list-style-type: none"> لا تستخدم إلا الشاحن المرفق. قم بتوصيل الشاحن أولاً بمقبس الحائط وبعد ذلك فقط بمقبس الشحن. لا تقم بتشغيل السكوتر الكهربائي أثناء الشحن. <div style="border: 1px solid black; padding: 5px; display: inline-block; margin-top: 10px;"> احتياط </div> <p>سيصبح الضوء الأحمر الموجود على الشاحن أخضر اللون عند اكتمال الشحن.</p>
AL2		<ul style="list-style-type: none"> لا تستخدم إلا الشاحن المرفق. قم بتوصيل الشاحن أولاً بمقبس الحائط وبعد ذلك فقط بمقبس الشحن. لا تقم بتشغيل السكوتر الكهربائي أثناء الشحن. <div style="border: 1px solid black; padding: 5px; display: inline-block; margin-top: 10px;"> احتياط </div> <p>سيصبح الضوء الأحمر الموجود على المغذي أخضر اللون عند اكتمال عملية التحميل.</p>



الموديل	كود المنتج	موديل شاحن البطارية	الجهد الكهربائي الخارج	وقت الشحن
AL EXT	LA-MO-210001	FCA136-546020	54.6 فولت - 2 أمبير	حوالي 7 ساعات
	LA-MO-220002			
	LA-MO-210002			
	LA-MO-220013			
	LA-MO-220001			
AL2	LA-MO-220003	HLT-180-4201500	42 فولت - 1.5 أمبير	حوالي 5 ساعات
	LA-MO-220004			

يمكن أن يتسبب استخدام شاحن من نوع آخر في تلف السكوتر أو التسبب في مخاطر أخرى محتملة.

لا تترك المنتج أبداً بدون مراقبة أثناء الشحن. لا تقم بتشغيل المنتج أثناء الشحن.

بعد كل استخدام، أعد شحن البطارية بالكامل من أجل إطالة العمر المفيد الخاص بها. لا تُعيد شحن المنتج فوراً بعد الاستخدام. اسمح للسكوتر ليبرد لمدة ساعة قبل إعادة الشحن.

يجب عدم شحن المنتج لفترات طويلة. يؤدي الشحن المفرط إلى التقليل من عمر البطارية ويؤدي إلى أضرار إضافية محتملة.

لا تسمح للمركبة بأن تفرغ بطارية المركبة تماماً من أجل تفادي إتلاف البطارية.

التلف الناتج عن ترك البطارية بدون شحن لفترة طويلة لا يمكن إصلاحه ولا يغطيه الضمان المحدود. بمجرد حدوث التلف، لا يمكن إعادة شحن البطارية (يُحظر تفكيك البطارية من قِبل عمالة غير مؤهلة، حيث قد يؤدي ذلك إلى حدوث صعقات كهربائية أو ماس كهربائي أو حتى حوادث كبيرة تمس السلامة). في حالة غياب المالك، على سبيل المثال لقضاء الأجازات، وتم إسناد الجهاز إلى الغير، اتركه في حالة شحن جزئي (20-50% من الشحن)، وليس مشحوناً بالكامل.

بصفة منتظمة قم بإجراء فحص بصري للشاحن وكابلات الشاحن. إذا ظهر ضرر واضح على كابل الشاحن، فلا تستخدمه لتجنب المزيد من الضرر و/أو المخاطر، يرجى الاتصال بنا لاستبداله.

تحذيرات بشأن البطارية

البطاريات مكونة من خلايا من أيونات الليثيوم وعناصر كيميائية خطيرة على الصحة والبيئة. لا تستخدم المنتج إذا كان يُصدر روائح أو مواد أو حرارة مفرطة. لا تتخلص من المنتج أو من البطارية مع المخلفات المنزلية. يتحمل المستخدم النهائي المسؤولية عن التخلص من الأجهزة الكهربائية والإلكترونية والبطاريات طبقاً لجميع اللوائح السارية.

تجنب استخدام البطاريات المستعملة و/أو المعيبة و/أو غير الأصلية أو الخاصة بموديلات أو علامات تجارية أخرى.



لا تترك البطارية بالقرب من النار أو مصادر الحرارة. خطر الحريق أو الانفجار.

لا تفتح البطارية ولا تفككها. لا تضرب البطارية أو تلقها أو تثقبها أو تلصق أشياء بها.

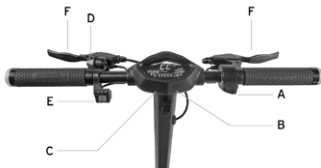
لا تلمس أية مواد تتسرب من البطارية، نظراً لأنها تعتبر مواداً خطيرة. لا تسمح للأطفال أو الحيوانات الأليفة بلمس البطارية.

لا تُفرط في شحن البطارية أو تُجري عليها دائرة قصيرة. خطر الحريق أو الانفجار.

لا تعمر البطارية أو تعرضها للماء أو للمطر أو لأية سوائل أخرى. لا تعرض البطارية لأشعة الشمس المباشرة أو الحرارة أو البرودة الشديدين (على سبيل المثال، لا تترك المنتج أو البطارية في سيارة تحت ضوء الشمس المباشر لفترة طويلة من الوقت) ولا تعرضها لبيئة تحتوي على غازات متفجرة أو أسنة اللهب.

لا تنقل البطارية ولا تخزنها مع أشياء معدنية مثل دبائيس الشعر والقلائد، الخ. قد يؤدي التلامس بين الأشياء المعدنية ونقاط التلامس بالبطارية إلى حدوث ماس كهربائي والذي يؤدي إلى إصابات جسدية أو الوفاة.

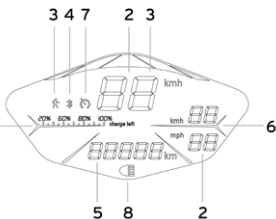
	الموديل
	
<p>D. الجرس: اضغط على الرافعة مرة واحدة لتشغيله.</p> <p>E. إشارات الاتجاه: اضغط على المفتاح إلى اليمين أو إلى اليسار لتنشيطها و/أو لتعطيلها.</p> <p>F. ذراع الفرامل: قم بشد الذراع من أجل الكبح.</p>	<p>A. المُسرع: اضغط عليه من أجل الإسراع.</p> <p>B. زر الطاقة: اضغط عليه بضغطة طويلة لتشغيل أو إطفاء السكوتر الكهربائي.</p> <p>C. أوضاع السرعة: اضغط عليه بضغطة قصيرة لتغيير مستوى السرعة.</p> <p>D. المصابيح: اضغط على الزر بضغطة طويلة لتشغيل أو إطفاء المصابيح.</p>
	<p>AL EXT</p> <ol style="list-style-type: none"> 1. مستوى البطارية: حالة الشحن المتبقية. 2. استقلالية البطارية: تقدير المسافة المتبقية. 3. وضع السرعة (شريط اليد): <ul style="list-style-type: none"> - المستوى 1: اللون الأخضر - المستوى 2: اللون البرتقالي - المستوى 3: اللون الأحمر 4. Bluetooth: اتصال الهاتف الذي متاح. 5. عداد السرعة: السرعة اللحظية للسكوتر الكهربائي (كم/ساعة - ميل بالساعة). 6. عداد المسافة / TRIP: اضغط بضغطة قصيرة 3 مرات للتبديل من عرض ODO إلى TRIP. 7. متوسط السرعة: متوسط السرعة. 8. وضع المشاة: يساعد على دفع المركبة مع ضوء وامض. 9. تثبيت السرعة: الحفاظ على السرعة. يتم تنشيطه بعد الحفاظ على نفس السرعة لبضع ثوانٍ. 10. المصابيح: إضاءة مصباح الإشارة.



- D. **الجرس:** اضغط على الرافعة مرة واحدة لتشغيله.
 E. **إشارات الاتجاه:** اضغط على المفتاح إلى اليمين أو إلى اليسار لتنشيطها و/أو لتعطيلها.
 F. **ذراع الفرامل:** قم بشد الذراع من أجل الكبح.

- A. **المُسرع:** اضغط عليه من أجل الإسراع.
 B. **زر الطاقة:** اضغط عليه بضغطة طويلة لتشغيل أو إطفاء السكوتر الكهربائي.
 C. **أوضاع السرعة:** اضغط عليه بضغطة قصيرة لتغيير مستوى السرعة.
المصابيح: اضغط على الزر بضغطة طويلة لتشغيل أو إطفاء المصابيح.

AL2



1. **مستوى البطارية:** حالة الشحن المتبقية.
2. **عداد السرعة:** السرعة اللحظية للسكوتر الكهربائي (كم/ساعة - ميل بالساعة)
3. **أوضاع السرعة (عداد السرعة):**
 - المستوى 1: يشار إليه بالرقم 1
 - المستوى 2: يشار إليه بالرقم 2
 - المستوى 3: يشار إليه بالرقم 3
4. **Bluetooth:** اتصال الهاتف الذي متاح.
5. **عداد الكيلومترات ODO/TRIP:** المسافة الإجمالية المقطوعة ومسافة الجلسة الواحدة.
6. **متوسط السرعة:** متوسط السرعة.
7. **تثبيت السرعة:** الحفاظ على السرعة. يتم تنشيطه بعد الحفاظ على نفس السرعة لبضع ثوان.
8. **المصابيح:** إضاءة مصباح الإشارة.



تُوضع إشارات الاتجاه عند طرفي المقود (الجانب الأيسر والأيمن).
 إشارات الاتجاه مطلوبة لتوفير تحذير مبكر لأي تغيير في الاتجاه أثناء القيادة.

AL EXT

AL2

التحكم في القيادة:



قبل كل استخدام للمنتج، تحقق من التشغيل
 الصحيح لإشارات الاتجاه.



5. دليل سريع

- قبل استخدام المنتج لأول مرة، اشحن إلى 100%.
- افحص ضغط الإطارات (انظر جانب الإطار للتعرف على القيمة الموصى بها). إذا لم يصل المنتج إلى نسبة 60% على الأقل من الكيلومترات المعلنة، أو السرعة القصوى خلال الـ 3 أشهر الأولى من الاستخدام، فربما تكون العجلات قد فرغت مجدداً من الهواء. في هذه الحالة، قم باستعادة الضغط على النحو المبين.
- افحص واضبط الفرامل.
- قم بتشغيل الشاشة.
- ضع المنتج على سطح مستوٍ.
- أمسك المقود بقوة بكلتا اليدين. اصعد على المنصة بقدم واحدة واستخدم الأخرى لإعطاء دفعة خفيفة لنفسك وتنفيذ التسريع.

احتياط



وظيفة البداية من الصفر: يتم تشغيل المُسرِّع بمجرد أن تتجاوز سرعة التقدم 3 كم/ساعة.

لدواعي السلامة، يتم ضبط المنتج مبدئياً لتجنب بدء التشغيل من وضع الوقوف.

- عند قيادة المنتج، قم بإمالة جسمك في اتجاه القيادة أثناء الانعطاف وأدر المقود ببطء.
- أوقف المنتج، حرر المُسرِّع واسحب ذراع الفرامل.
- من أجل النزول، أوقف المركبة أولاً. قد يؤدي النزول من على السكوتر الكهربائي أثناء الحركة إلى حدوث إصابة.
- قبل كل استخدام، افحص الفرامل بحثاً عن أي تآكل، افحص ضغط الإطارات (انظر إلى جانب الإطار للتعرف على القيمة الموصى بها)، تأكد من عدم تآكل العجلات، افحص المُسرِّع وحالة شحن البطارية.

ضبط موضع أذرع الفرامل

AL EXT / AL2



ضبط الفرامل

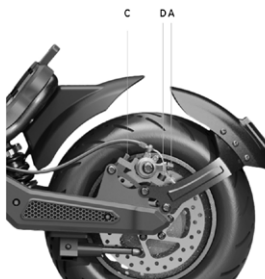
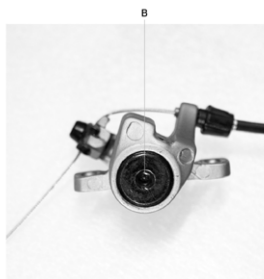
من الممكن ضبط موضع ذراع الفرملة إذا استدعت الضرورة ذلك باستخدام النقطة A. (انظر الشكل)

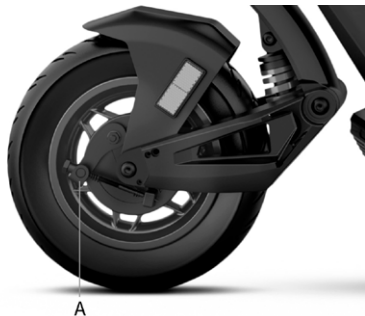
ضبط كمامة الفرامل



إذا كانت الفرامل مشدودة أكثر من اللازم أو مرتخية أكثر من اللازم، استخدم المفتاح السداسي لإرخاء المسمار (A)، ثم اضبط كابل الفرامل (قم بتقصير كابل الفرامل من الطرف العلوي إذا كانت الفرامل مشدودة أكثر من اللازم. إذا كان الكابل مرتخياً أكثر من اللازم، اسحب من الطرف السفلي)، ثم اربط المسمار (A) مرة أخرى. إذا تبين أن الكابل مرتخياً أكثر من اللازم أو مشدوداً أكثر من اللازم حتى بعد اتباع الخطوة الأولى، فقد يلزم ضبط وسادة الفرامل (الثابتة) بواسطة العجلة الموجودة على الجانب المقابل. استخدم المفتاح السداسي لإبعاد (عكس اتجاه عقارب الساعة) أو تقريب (في اتجاه عقارب الساعة) وسادة الفرامل (B) (انظر الصورة). تأكد من المحاذاة الصحيحة بين كمامة الفرامل والقرص. استخدم المسمارين C و D من أجل ضبط الوضع/المحاذاة على القرص، إن لزم الأمر.

بالنسبة لكمامة الفرملة الخلفية، قم بفك وإزالة المسمارين C و D، ثم أزل كمامة الفرملة من القرص.





ضبط الفرامل الأسطوانية:

إذا كانت الفرامل مشدودة أكثر من اللازم أو مرتخية أكثر من اللازم، اعمل عن طريق إرخاء أو شد المسمار (A). إذا كان ذراع الفرامل ليناً أكثر من اللازم أو صعباً أكثر من اللازم حتى بعد اتباع الخطوة الأولى، فقد يكون من الضروري تكرار العملية حتى الوصول إلى الضبط المثالي.

6. الطي والحمل

تأكد من إطفاء السكوتر الكهربائي. أمسك ساق المقود بيدك، اسحب الرافعة وقم بطي الساق نحو المنصة وثبته.

AL EXT



رافعة آلية القفل

**الغلق:**

أطفئ السكوتر الكهربائي، افتح قفل آلية القفل: اضغط على الخطاف الأحمر واسحب الرافعة نحو الخارج (انظر الصورة)، أحضر ساق المقود نحو الداخل وتأكد من قفلها بالفعل.

مشبك المقود

**الفتح:**

افتح قفل ساق المقود من المنصة: اضغط على المشبك نحو الأسفل لتحرير المقود، ارفع ساق المقود بقدر ما سيذهب وإقفله عن طريق دفع رافعة آلية القفل نحو الداخل. قم بتشغيل السكوتر الكهربائي.



بعد الطي، ارفعه عن طريق الإمساك بساق المقود بإحدى يديك أو بكلتئهما.

احتياط



تأكد من تثبيت المنتج أثناء النقل. إذا لم تكن قادراً على رفع المنتج، فلا تواصل نقل المنتج مرفوعاً. إذا سقط المنتج، فإنه قد يسبب إصابة شديدة وتلفيات.

يعتمد أقصى مدى وأداء للمركبة على عدد من المتغيرات:

التضاريس: تؤدي القيادة على طرق ملساء إلى زيادة المدى والأداء بالمقارنة بالقيادة على الطرق الوعرة والمرتفعات.

وزن المستخدم: كلما زاد الوزن، كلما انخفض مدى وأداء المركبة.

درجة الحرارة: تؤثر قيادة السكوتر الكهربائي في بيئة شديدة البرودة أو الحرارة على المدى والأداء.

السرعة ونمط القيادة: تزيد القيادة السلسة وعلى سرعة ثابتة من المدى. يؤدي التسارع والتباطؤ المستمرين والمناورات إلى تقليل المدى بشكل كبير. السرعة الأقل تطيل من المدى.

الصيانة: إن إعادة الشحن الفورية والصيانة الصحيحة والفحص المنتظم لضغط الإطارات (انظر القيمة المرجعية في القسم 10) تزيد من المدى وتضمن أداء ثابتاً مع مرور الوقت.

مستوى شحن البطارية يؤثر على الأداء - كلما انخفض مستوى الشحن كلما انخفضت السرعة، خاصةً على المرتفعات.

8. التخزين والصيانة والتنظيف

في حالة وجود بقع على جسم السكوتر، امسحها بقطعة قماش رطبة. إذا استمرت البقع، ضع عليها صابون محايد، أزلهاب فرشاة أسنان، ثم امسحها بقطعة قماش رطبة. في حالة وجود خدوش على المكونات البلاستيكية، استخدم ورق صنفرة أو مادة كاشطة أخرى لإزالتها. لا تنظف المنتج بالكحول أو البنزين أو البارافين أو أية مذيبات كيميائية أخرى مسببة للتآكل أو متطايرة لتفادي إتلافه بشكل جسيم. لا تغسل المنتج بخراطيم الماء ذات الضغط العالي. أثناء تنظيف السكوتر، تأكد من أنه مطفأ وأن كابل الشحن مفصول وأن السدادة المطاطية مغلقة، نظراً لأن تغلغل المياه قد يؤدي إلى حدوث صعقات كهربائية أو مشاكل خطيرة أخرى. يمكن أن يؤدي تغلغل المياه في البطارية إلى أضرار بالدوائر الداخلية أو خطر الحريق أو الانفجار. إذا ساورك الشك بشأن تغلغل المياه في البطارية، توقف فوراً عن استخدام البطارية وأعدّها إلى خدمة ما بعد البيع لدى الوكيل من أجل فحصها.

عند عدم استخدام المنتج، احفظه في مكان مغلق وجاف وبارد. لا تخزنه في الهواء الطلق أو داخل السيارة لفترة زمنية طويلة. يُسرّع ضوء الشمس المفرط والسخونة والبرودة الشديديتين من شيخوخة الإطارات والتأثير سلباً على العمر التشغيلي لكل من المنتج والبطارية. لا تُعرّض للمطر أو الماء ولا تعمره في الماء ولا تغسله بالماء.

افحص بانتظام ربط العناصر المربوطة بمسامير، وعلى وجه الخصوص محاور العجلات ونظام النني والنقل ونظام التوجيه ونظام الكبح وحالة الهيكل والشوكات ونظام التعليق. قد تفقد الصواميل وجميع أدوات التثبيت الأخرى ذاتية القفل كفاءتها. افحص واربط هذه المكونات بشكل دوري.

مثل جميع المكونات الميكانيكية، يخضع المنتج للتآكل والاهتراء. قد تتفاعل مواد ومكونات مختلفة مع التآكل أو الإجهاد بطرق مختلفة. إذا تم تجاوز العمر التشغيلي لأحد المكونات، فقد ينكسر فجأة، مما يتسبب في إلحاق إصابة بالفاقد. تشير الشقوق أو الخدوش أو التغيرات في اللون في المناطق الخاضعة لمستويات عالية من الإجهاد إلى أنه قد تم الوصول إلى نهاية عمر المكون ويجب استبداله.

افحص حالة الإطارات: يجب ألا توجد حالات قطع أو شقوق أو أجسام غريبة أو انتفاخ غير طبيعي أو نقص في الأجزاء أو تلفيات أخرى. بالنسبة لضغط الإطارات، يرجى الرجوع إلى القيمة الواردة في القسم 10 من دليل التعليمات هذا.

لا تحاول تفكيك أو إصلاح السكوتر من تلقاء نفسك. يجب تنفيذ استبدال جميع مكونات السكوتر الكهربائية بواسطة قسم خدمة الدعم الفني المعتمدة. لمزيد من المعلومات، اتصل بالوكيل أو تفضل بزيارة الموقع: www.alemobility.com/en/

9. تهيئة التطبيق

نذكر فيما يلي المنتجات المزودة بخاصية البلوتوث والتي يمكن إقرانها بالتطبيق AL e-Mobility: AL2, AL EXT.

يسمح التطبيق بالتحكم في المنتج مباشرةً من هاتفك الذي.

امسح ضوئياً رمز الاستجابة السريعة من أجل تنزيل وتثبيت التطبيق. إذا لم يتم العثور على التطبيق، ابحث عنه في متجر التطبيقات المرجعي الخاص بك.

افتح التطبيق واتبع التعليمات المقدمة.



افتح التطبيق واتبع التعليمات المقدمة.

احتياط



قد يتطلب التطبيق تصاريح مختلفة مطلوبة لاستخدام وتشغيل التطبيق نفسه.

ربما قد تم تحديث إصدار التطبيق بواسطة متجر التطبيقات الخاص بك. ننصح بالمتابعة المستمرة لما إن كانت قد توفرت أية تحديثات للتطبيق حتى تتمكن من استخدام المزايا الجديدة وتثبيت أحدث إصدار دائماً من التطبيق على جهازك.

لا تستخدم جهازك أثناء القيادة.

10. وثيقة البيانات الفنية

AL EXT		معلومات عامة
الصلب والألمونيوم		الهيكال
الامامي والخلفي		أنظمة التعليق
LA-MO-220001; LA-MO-220002	LA-MO-210001; LA-MO-210002; LA-MO-220013	السرعة
المشاة: ≥ 6 كم/ساعة L1: ≥ 10 كم/ساعة L2: ≥ 15 كم/ساعة L3: ≥ 20 كم/ساعة (السرعة القصوى) * * وفقاً لبلد السير	المشاة: ≥ 6 كم/ساعة L1: ≥ 15 كم/ساعة L2: ≥ 20 كم/ساعة L3: ≥ 25 كم/ساعة (السرعة القصوى) * * وفقاً لبلد السير	
62%		أقصى انحدار **
فرامل قرصية أمامية، فرامل قرصية خلفية وفرامل إلكترونية		الفرامل
الحجم: 6.5-65/90 الضغط: 50 رطل على البوصة المربعة/3.5 بار		الإطارات
120 كجم		الحمل الأقصى
اطلع على التشريع في بلدك		القائد
0°-مئوية / 45°مئوية		درجة حرارة التشغيل
IPX4		مستوى الحماية
حوالي 7 ساعات		وقت الشحن
حتى 40 كم		مدة البطارية**
النظام الكهربائي		
0.50 كيلواط؛ 500 واط محرك عديم المسفرات		القدرة المصنفة للمحرك
0.900 كيلواط؛ 900 واط		القدرة القصوى للمحرك
LED مدمجة		الشاشة
48 فولت 12.5 أمبير بالساعة 600 واط بالساعة		البطارية
42 فولت		حماية الجهد المنخفض
20 أمبير		حد التيار الكهربائي
نعم		KERS
LED أمامي وخلفي		المصابيح
Bluetooth		المزايا
مقاسات		
30.6 كجم		الوزن الصافي
38.75 كجم		الوزن القائم

* التزم دائماً بقانون الطريق واللوائح السارية في البلد الذي يُستخدم فيه السكوتر الكهربائي.
** تخضع لتغييرات بناءً على وزن القائد وظروف الطريق ودرجة الحرارة.

AL2		معلومات عامة
الصلب والألمونيوم		الهيكال
الأمامي والخلفي		أنظمة التعليق
LA-MO-220004	LA-MO-220003	السرعة
المشاة: ≥ 6 كم/ساعة	المشاة: ≥ 6 كم/ساعة	
L1: ≥ 10 كم/ساعة	L1: ≥ 15 كم/ساعة	
L2: ≥ 15 كم/ساعة	L2: ≥ 20 كم/ساعة	
L3: ≥ 20 كم/ساعة (السرعة القصوى) *	L3: ≥ 25 كم/ساعة (السرعة القصوى) *	
* وفقاً لبلد السير		
16%		أقصى انحدار **
فرامل أسطوانية أمامية، فرامل كهربائية خلفية		الفرامل
الحجم: 10 x 125 x 2.125" مع إطار داخلي الضغط: 36 رطل على البوصة المربعة/2.5 بار		الإطارات
120 كجم		الحمل الأقصى
اطلع على التشريع في بلدك		القائد
0-°مئوية / +45°مئوية		درجة حرارة التشغيل
IPX5		مستوى الحماية
حوالي 5 ساعات		وقت الشحن
حتى 35 كم		مدة البطارية**
النظام الكهربائي		
0.35 كيلواط؛ 350 واط محرك عديم المسفرات		القدرة المصنفة للمحرك
0.55 كيلواط؛ 550 واط		القدرة القصوى للمحرك
LED مدمجة		الشاشة
36 فولت 8 أمبير بالساعة 288 واط بالساعة		البطارية
31 + / - 0.5 فولت		حماية الجهد المنخفض
17 أمبير		حد التيار الكهربائي
نعم		KERS
LED أمامي وخلفي		المصابيح
بلوتوث مع التطبيق		المزايا
مقاسات		
19Kg		الوزن الصافي
22Kg		الوزن القائم

* التزم دائماً بقانون الطريق واللوائح السارية في البلد الذي يُستخدم فيه السكوتر الكهربائي.

** تخضع لتغييرات بناءً على وزن القائد وظروف الطريق ودرجة الحرارة.

11. استكشاف الأعطال وتصليحها

الخطأ	السبب	الحل
المحرك لا يعمل	مشكلة كهربائية، كود الخطأ موجود	اطلب الدعم الفني
عجلة الدفع لا تدور	مشاكل في الفرامل المحرك عالق	اضبط الفرامل، إذا استمرت المشكلة، اطلب الدعم الفني تأكد من الربط الصحيح للعجلة، تأكد من دوران العجلة دون بدء تشغيل المركبة. إذا استمرت المشكلة، اطلب الدعم الفني
ينطفئ المحرك أثناء تشغيله	ارتفاع حرارة المحرك وجود كود خطأ	أوقف المركبة وانتظر حتى تبرد اطلب الدعم الفني
بعد القيام بشحن المنتج، فإنه لا يعمل وينطفئ بعد بضعة كيلومترات.	البطارية تالفة	اطلب الدعم الفني
لا يتم شحن البطارية أو المنتج لا يعمل	مشاكل في التوصيل البطارية غير متصلة (الموديلات المزودة ببطارية قابلة للفك) البطارية فارغة البطارية تالفة مشاكل في شاحن البطارية	اطلب الدعم الفني تأكد مما إذا كان موصل الطاقة متصل. اشحن البطارية بنسبة 100% اطلب الدعم الفني استبدل شاحن البطارية

AL EXT / AL2

جدول أكواد الخطأ

كود الخطأ	التعريف
E1	عيب في توصيل المحرك
E2	عطل في MOS أو ماس كهربائي في طور من أطوار المحرك
E3	خلل في مستشعر الفرامل
E4	عيب في المقود الإلكتروني
E5	حماية الجهد المنخفض
E6	الاتصال بأجهزة قياس معيبة
E7	حماية الجهد العالي
E8 / E9	عيب في وحدة التحكم/BMS

12. المسؤولية وشروط الضمان العامة

يتحمل القائد كافة المسؤوليات عن أية إصابة عند عدم ارتداء خوذة أو معدات الحماية الأخرى.

يجب على القائد احترام اللوائح المحلية الحالية بشأن:

1. الحد الأدنى للعمر المسموح به للقائد
2. القيود المتعلقة بأنواع القائدين الذين يجوز لهم استخدام المنتج
3. جميع الجوانب التنظيمية الأخرى

يجب على القائد دائماً الحفاظ على المنتج نظيفاً وفي حالة مثالية من حيث الكفاءة والصيانة، وأن ينفذ بجديّة إجراء فحوصات السلامة الذي/التي يكون/تكون مسئول/مسئولة عنها على النحو الموصوف في القسم السابق، وعدم العبث بالمنتج بأي شكل من الأشكال والحفاظ على جميع وثائق الصيانة .

M.T. Distribution لن تتحمل المسؤولية عن أية تلفيات ناتجة ولن تتحمل المسؤولية بأي شكل من الأشكال عن التلفيات التي تلحق بالمتعلقات أو الأشخاص عند:

- استخدام المنتج بطريقة غير صحيحة أو بطريقة لا تمثل لتعليمات دليل المستخدم;

- بعد الشراء، تم تعديل المنتج أو العبث به في كل أو بعض من مكوناته.

إذا كان العطل الذي حدث في المنتج يرجع لأسباب لا تعزى إلى السلوك السيئ للقائد ومن أجل الرجوع إلى شروط الضمان العامة، اتصل بالوكيل أو تفضل بزيارة www.alemobility.com/en/

لا يغطي الضمان القانوني أبداً أية عيوب بالمنتج أو أعطال ناتجة عن أحداثٍ عرضيةٍ و/أو أحداثٍ تعزى إلى المشتري، أو نتيجة استخدام المنتج بشكل لا يتوافق مع الاستخدام المقصود منه و/أو بشكل لا يتوافق مع ما تنص عليه الوثائق الفنية المرفقة بالمنتج، أو نتيجة عدم ضبط الأجزاء الميكانيكية أو التآكل الطبيعي للمواد الاستهلاكية أو نتيجة أخطاء التجميع ونقص الصيانة و/أو نتيجة استخدام المنتج بشكل لا يتوافق مع التعليمات.

على سبيل المثال، يُستبعد كلٌ مما يلي من الضمان القانوني المتعلق بالمنتجات:

- التلف الناتج عن الصدمات أو السقوط العرضي أو الاصطدام أو الثقوب؛
- التلف الناتج عن الاستخدام في بيئة غير مناسبة أو التعرض لها أو التخزين بها (على سبيل المثال: وجود الأمطار و/أو الطين أو التعرض للرطوبة أو مصدر حرارة مفرطة أو التلامس مع الرمال أو مع مواد أخرى)
- التلف الناتج عن عدم الضبط للاستخدام على الطريق و/أو عدم صيانة الأجزاء الميكانيكية والمكايح القرصية الميكانيكية والمقود والإطارات، الخ؛ التركيب الخاطئ و/أو التجميع الخاطئ للأجزاء و/أو المكونات
- التآكل والاهتراء الطبيعيين للمواد الاستهلاكية: الفرامل القرصية الميكانيكية (مثل: الوسادات والكماشات والقرص والكابلات)، الإطارات، المنصات، الحشوات، الحامل، مصابيح الليد واللمبات، الحامل، المقابض، واقبات الطين، الأجزاء المطاطية (المنصة)، موصلات صغيرة الكابلات، الشبكات والملصقات، الخ؛
- الصيانة غير المناسبة و/أو الاستخدام غير المناسب لبطارية المنتج؛
- العبث بأجزاء من المنتج و/أو إجهادها؛
- الصيانة أو التعديل الخاطئين أو غير المناسبين للمنتج؛
- الاستخدام غير المناسب للمنتج (على سبيل المثال: الحمل الزائد والاستخدام في المسابقات و/أو في الأنشطة التجارية أو التاجر)؛
- عمليات الصيانة و/أو الإصلاح و/أو التدخلات الفنية على المنتج المنفذة من قِبل جهات خارجية غير مصرح لها؛
- التلف الذي يلحق بالمنتجات نتيجة النقل، إذا تم تنفيذه بمعرفة المشتري؛
- التلف و/أو العيوب الناتجة عن استخدام قطع غيار غير أصلية.

يرجى الرجوع إلى الإصدار الأحدث من شروط الضمان المتاحة على www.alemobility.com/en/support/

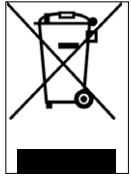


التخلص من الأجهزة الكهربائية أو الإلكترونية في نهاية عمرها (المطبق في جميع بلدان الاتحاد الأوروبي والأنظمة الأوروبية الأخرى التي تنفذ نظام الجمع المنفصل للنفايات)

يشير هذا الرمز الموجود على المنتج أو على العبوة إلى أنه يجب عدم اعتبار المنتج نفايات منزلية عادية، وإنما يجب تسليمه إلى مؤسسة معتمدة للتخلص من النفايات الناتجة من الأجهزة الكهربائية والإلكترونية (نفايات الأجهزة الكهربائية والإلكترونية).

تأكد من التخلص الصحيح من هذا المنتج من أجل المساعدة في الوقاية من العواقب السلبية المحتملة على البيئة والصحة والتي قد تنتج، إن لم تفعل، عن التخلص غير المناسب منه. ستساعد إعادة تدوير المواد في الحفاظ على الموارد الطبيعية.

لمزيد من المعلومات الأكثر تفصيلاً بشأن إعادة تدوير هذا المنتج والتخلص منه، اتصل بالخدمة المحلية للتخلص من النفايات أو نقطة البيع التي اشتريت المنتج منها.



في جميع الأحوال، يلزم تنفيذ التخلص وفقاً للتشريع الساري في بلد الشراء.

وعلى نحو أكثر تحديداً، يجب على المستهلكين عدم التخلص من نفايات الأجهزة الكهربائية والإلكترونية كنفايات حضرية، وإنما يتعين عليهم التخلص من هذا النوع من النفايات بشكل منفصل، عبر إحدى طريقتين ممكنتين:

- لدى مراكز الجمع البلدية (تسمى أيضاً مراكز الجمع البيئية أو مؤسسات إعادة التدوير)، مباشرة أو عبر خدمات الجمع التابعة للشركات البلدية، حينما توفرت؛
- لدى متاجر بيع الأجهزة الكهربائية والإلكترونية الجديدة.

يجوز هنا تسليم نفايات الأجهزة الكهربائية والإلكترونية ذات الأبعاد الصغيرة جداً (التي لا يتجاوز طول الجانب الأطول بها 25 سم) مجاناً، بينما يجوز تسليم المنتجات الأكبر حجماً بطريقة 1 مقابل 1، أي يمكنك تسليم المنتج القديم عند شراء واحد جديد ذي وظيفة مكافئة.

بالإضافة إلى ذلك، يتم ضمان طريقة 1 مقابل 1 دائماً أثناء شراء المستهلك لجهاز كهربائي وإلكتروني جديد، بغض النظر عن حجم مخلفات الأجهزة الكهربائية والإلكترونية.

في حالة التخلص غير المصرح به من الأجهزة الكهربائية أو الإلكترونية، قد يتم تطبيق العقوبات المنصوص عليها في التشريع البيئي الحالي (التشريع الإيطالي - اطلع على اللوائح السارية في بلد الاستخدام/التخلص من المركبة).

إذا كانت نفايات الأجهزة الكهربائية والإلكترونية تحتوي على بطاريات أو مراكمات الطاقة، فإنه يجب إزالتها وإخضاعها لجمع نوعي منفصل.

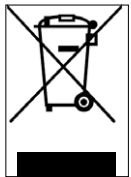


معالجة البطاريات المنتهية (تسري في جميع دول الاتحاد الأوروبي وفي أنظمة أوروبية أخرى تعمل بأنظمة الجمع المنفصل)

يشير هذا الرمز الوارد على المنتج أو على العبوة إلى أنه يجب عدم اعتبار حزمة البطارية نفايات منزلية عادية، في بعض أنواع البطاريات، قد يُستخدم هذا الرمز إلى جانب رمز كيميائي.

تم إضافة الرموز الكيميائية للزئبق (Hg) أو الرصاص (Pb) إذا كانت البطارية تحتوي على زئبق بنسبة أكثر من 0.0005% أو على رصاص بنسبة أكثر من 0.004%.

تأكد من التخلص الصحيح من البطاريات، من أجل المساعدة في الوقاية من العواقب السلبية المحتملة على البيئة والصحة والتي قد تنتج، إن لم تفعل، عن التخلص غير المناسب منها. ستساعد إعادة تدوير المواد في الحفاظ على الموارد الطبيعية. في حالة المنتجات التي تتطلب توصيلاً ثابتاً ببطارية داخلية، لدواعي السلامة أو الأداء أو حماية البيانات، فإنه لا يجب استبدال هذه البطارية إلا من قِبل عمالة الدعم الفني المؤهلة.



قم بتسليم المنتج في نهاية عمره إلى مراكز الجمع المناسبة للتخلص من الأجهزة الكهربائية والإلكترونية: يضمن هذا أن تتم معالجة البطارية الموجودة بداخله بشكل صحيح.

لمزيد من المعلومات الأكثر تفصيلاً بشأن التخلص من البطارية المنتهية، اتصل بالخدمة المحلية للتخلص من النفايات أو المتجر الذي اشتريت المنتج منه. في جميع الأحوال، يلزم تنفيذ التخلص وفقاً للتشريع الساري في بلد الشراء.

Bu kılavuz aşağıdaki elektrikli scooter modeli için geçerlidir:

AL EXT AL2

Kullanım kılavuzu LA-MO-000001 rev. 2

Talimatlar orijinal İtalyanca'dan çevrilmiştir

Bu ürünü tercih ettiğiniz için teşekkür ederiz.

Bilgi, teknik destek, servis almak ve genel garanti şartlarını danışmak için satıcınıza başvurun veya www.alemobility.com/en/support/ sitesini ziyaret edin

İçindekiler

1. Güvenlik talimatları
2. Ambalajın içindekiler ve montaj
3. Ürünün genel görünümü
4. Kumanda bilgileri / Kontrol paneli
5. Hızlı kılavuz
6. Katlayın ve taşıyın
7. Pilin ne kadar gideceği ve performans değerleri
8. Saklama, bakım ve temizlik
9. Uygulamayı yapılandırma
10. Teknik bilgi formu
11. Sorunların giderilmesi
12. Sorumluluk ve genel garanti şartları

1. GÜVENLİK TALİMATLARI



DİKKAT

ÖNEMLİ! Ürünü kullanmadan önce aşağıdaki güvenlik talimatlarını dikkatle okuyun ve uygulayın. İleride başvurmak veya yeni kullanıcılara vermek için bu kılavuzu saklayın.

İlk aylarda yaşanabilecek ciddi kazaları önlemek amacıyla kullanıma ilişkin temelleri öğrenmek için gereken süreyi kendinize tanıyın. Ürünün nasıl doğru kullanılacağı ve uygun eğitim kuruluşlarının nerelerde olduklarını öğrenmek amacıyla gereken desteği almak için satıcınızla iletişime geçin.

Ürünün kötü kullanılmasından, gerek karayolunda seyirle ilgili kurallara, gerekse bu kılavuzda verilen talimatlarla uyulmamasından kaynaklı ihlallerden, yönetmeliklere uygun hareket etmemekten ve yasadışı eylemlerden kaynaklı kazalar ve anlaşmazlıklarda şirket doğrudan veya dolaylı her türlü sorumluluğu reddeder.

Bu ürün eğlenme ve dinlenme amacıyla kullanılmak içindir, tek bir kişi tarafından kullanılmalı, yolcu taşımak için kullanılmamalıdır, bu nedenle aynı anda birden çok kişi tarafından kullanılamaz.

Aracın kullanım amacında hiçbir şekilde değişiklik yapmayın, bu ürün akrobasi, müsabaka, eşya taşıma, başka araçları veya römork çekmek için uygun değildir.

Tehtikleri önlemek ve gerek kendinizi, gerekse başkalarını en üst düzeyde korumak için bu **elektrikli scooter** sağduyulu bir şekilde, dolaşımında kullanıldığı ülkenin Karayolları Kanunlarında şart koşulan **kurallara** daima uyularak kullanılmalıdır.



DİKKAT

Araç tasarımının gösterge niteliğindeki gereksinimleri:

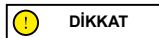
Elektrikli Scooter Modeli	AL EXT Green	AL EXT Bronze	AL2
Dönüş sinyalleri olan ürün kodu	LA-MO-210001	LA-MO-220013	LA-MO-220003
	LA-MO-220002	LA-MO-220001	LA-MO-220004
MIN Kilo (Kg)	30	30	30
MAKS Kilo (Kg)	120	120	120
MIN Yaş *	14	14	14
MAKS Yaş *	65	65	65
MIN Boy (cm)	120	120	120
MAKS Boy (cm)	200	200	200

* Ürünü kullanmadan önce, sürücü için izin verilen en düşük yaş, ürünü kullanabilecek sürücü tipine ilişkin kısıtlamalar ve bu ürün tipinin kullanımıyla ilgili yürürlükte olan yerel mevzuatı kontrol edin ve bu mevzuata uyun.

Sürücünün kulağına ulaşan A ağırlıklı yayılan ses basıncı seviyesi (gürültü) 70 dB(A) değerinin altındadır.

Güvenlik uyarılarının grafik işaretleri

Bu kılavuzda güvenlik mesajlarını ayırt etmek için aşağıdaki grafik bildirim simgeleri kullanılmıştır. Bu simgeler, ürünün doğru ve güvenli kullanımı konusunda okuyucunun / kullanıcının dikkatini çekmektedir.



Dikkat edin

Ürünün zarar görmesini ve/veya tehlikeli durumların ortaya çıkmasını önlemek için uyulması gereken kuralları vurgular.



Artık riskler

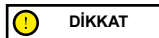
Yaralanmaları ve maddi hasarları önlemek için kullanıcının dikkat etmesi gereken artık risklere neden olan tehlikelerin varlığını vurgular.

Genel uyarılar



Kamuya açık bir yerde veya karayolunda bulunduğunuzda, bu kılavuzu harfi harfine uygulasanız dahi, diğer araçlar, engeller veya kişilerden kaynaklı ihlaller veya uygunsuz eylemlere karşı başışık olmadığınızı akıldan çıkarmamak önemlidir. Ürünün kötü şekilde kullanılması veya bu kılavuzda verilen talimatlara uyulmaması ciddi zararlar neden olabilir.

Bu ürün bir elektrikli araçtır. Ne kadar hızlı sürerseniz, fren mesafesi o kadar uzun olur. Kaygan, çamurlu, ıslak veya buzlu yollarda ani fren yapmak tekerleklerde kızaklamaya ve denge kaybına yol açabilir. Uygun bir hızda sürmek ve diğer araçlar ve yayalarla arada güvenli bir mesafe bırakmak gerekmektedir. Bilmediğiniz yollarda sürerken daha dikkatli olun. Ürünü kullanırken park ayağını açmayın, kişilerde ve üründe ağır hasar riski mevcuttur.



Islak yollarda frenleme mesafesi kuru yollara kıyasla daha da artar ve yol tutuşu kayda değer düzeyde azalır! Daha ihtiyatlı sürün, mesafelere dikkat edin!

Kendi güvenliğiniz için ürünü sürerken yaşanabilecek düşme veya yaralanmalara karşı korunmak amacıyla daima kask, dizlik ve dirseklik takın. Ürünü ödünç verdiğinizde sürücünün güvenlik ekipmanlarını giymesini sağlayın ve aracı nasıl kullanacağını açıklayın. Yaralanmaları önlemek için ürünü nasıl kullanılacağını bilmeyen kişilere ödünç vermeyin. Ürünü kullanmadan önce daima ayakkabı giyin.

Çocuklar elektrikli scooter veya aksesuarıyla oynamamalı, temizlik ve bakım işlemlerini yapmalarına izin verilmemelidir.

Ürünü sürerken çocukları ve yayaları ürkütmemeye dikkat edin. Bu kişilerin yanlarından geçerken zili kullanarak ikaz edin ve 6 km/s'lik en düşük hızı kullanarak yavaşlayın.

Sürüş davranışıyla ilgili talimat ve uyarılar

Koşullar	Onaylanan/öngörülen kullanım	Yanlış kullanım
Sürücüler	Tek kişi	Birden çok kişi, çocuklar ve hayvanlarla birlikte
Güvenlik ekipmanı	Kask, dizlik, dirseklik, yansıtıcı yelek	Ekipmansız
Sürüş öncesi kontrol	Her kullanımdan önce frenleri ve ne kadar yıprandıklarını kontrol etmek, lastiklerin basıncına bakmak (tavsiye edilen değeri öğrenmek için lastiğin yanağına bakın), tekerleklerin aşınma durumunu, gazı, dönüş sinyallerini, ışıkları ve akünün şarj durumunu kontrol etmek. Alışılmadık sesler duyduğunuzda veya herhangi bir sorun olduğunu fark ettiğinizde, ürünü kullanmamak ve satıcınızı veya Yetkili Teknik Servisi aramak	Sürüşten önce ürünü hiçbir zaman kontrol etmemek Gürültü ve sorun varken ürünü kullanmak
Ürünü iterek yürüme	Gaz vermemek Yaya geçitlerinden geçerken yürüyerek itmek Yürme hızı modu (6 km/s) yoksa, yayaların olduğu bölgelerde aracı itmek Aşırı kalabalık yerlerde aracı itmek	Gaz koluna basmak Aracı yaya geçitlerinden geçerken sürmek Yürme hızı modu (6 km/s) yoksa, yayaların olduğu bölgelerde aracı sürmek Aşırı kalabalık yerlerde aracı sürmek
Dururken	Bu ürünü süren kişinin, gidonu doğru bir yükseklikte tutarken her iki ayağını da yere kolayca basabilecek durumda olması	Ürünü durur ve dengeli halde tutamamak Seyir halinde veya dururken ürünü üzerine oturtmak

Koşular	Onaylanan/öngörülen kullanım	Yanlış kullanım
Normal koşullarda sürüş	Gidona asılı hiçbir eşya olmaması	Gidona asılı eşyaların dengesizliğe yol açması ve manevralar sırasında takılabilmesi
	Gidonu her iki elle birden tutarak sürmek Telefon, akıllı saat, müzik çalar, kulaklık gibi cihazları kullanmamak	Gidonu tek elle tutarak veya hiç tutmadan sürmek Telefon, akıllı saat, müzik çalar, kulaklık gibi cihazları kullanmak
	Her iki ayak da platformda rahat ve güvenli bir şekilde sürmek	Ayaklardan biri veya ikisi birden platformun dışındayken sürmek Arka çamurluğun üzerinde durmak veya ağırlığını vermek yasaktır.
	Kask ve koruyucu ekipman kullanarak sürmek	Kask ve koruyucu ekipman olmadan sürmek
	Trafiğin yoğun olduğu veya aşırı kalabalık yerlerden uzak durarak, kolay erişilebilen, düz ve sağlam yollarda sürmek: ör. özel bisiklet yolları, düz zeminli yüzeyler	Karayolunda, uzun mesafeli yollarda sürmek Trafikli yollarda sürmek Kaldırımlarda sürmek Aşırı kalabalık yerlerde sürmek Çok kaza olan yollarda sürmek Kanallar, kıyıları, köprüler, denizler, göller ve akarsuların yakınlarında sürmek Yürürlükteki mevzuata ve karayolları kanununa uymamak
	Yürürlükteki yerel mevzuata ve karayolları kanununa uymak	Yürürlükteki mevzuata ve karayolları kanununa uymamak
	Daima ileri bakmak ve yakınlardaki tüm engeller, araçlar ve yayalara dikkat etmek	Sürüş sırasında dikkati dağınık olmak
	Fark edildiğinden emin olduktan sonra, hızı azaltarak yön değiştirmek Her koşulda güzergahı önceden belirlemek ve karayolları kanununa ve kolay yaralanabilir olanlara saygı göstererek hızı azaltmak Üründe varsa, daima yön sinyallerini kullanmak	Fark edildiğinden emin olmadan, yüksek hızda aniden yön değiştirmek Aynı anda hem fren yapıp hem yön değiştirmek aracı dengesiz hale getirir Yön sinyallerini kullanmamak
Yayalar varken yavaşlamak Yaya bölgelerinde yürüme hızı modunu (6 Km/s) kullanmak Zili kullanarak orada bulunduğuına dair ikaz etmek	Yayalar varken hızlanmak veya hızı aynı tutmak Yaya bölgelerinde yürüme hızı modunu (6 Km/s) kullanmadan aracı sürmek Zili kullanarak orada bulunduğuına dair ikaz etmemek	
Düzensiz yol şartları: Yapay tümsekler / basamaklar / bozuk sath	Ortalama bir hızda sürmek Bozuk zeminde ilerlerken darbeleri daha iyi sönmülemek için dizleri hafifçe kırmak.	Yüksek hızda sürmek Tümsekler ve kanallarda hızlanma, basamaklardan inmek, engellerin üzerinden atlamak, kaldırımlara çıkmak, kaba şekilde sürmek.

Koşullar	Onaylanan/öngörülen kullanım	Yanlış kullanım
Virajlarda, yokuş aşağı inişte, yakınlarda engeller, taşıtlar ve yaylar varken davranış	Güvenli mesafeyi korumak Gazı kesmek Fren yapmak ve yavaşlamak Ortalama bir hızda sürmek ve güvenli şekilde fren yapmak Kapılara ve baş üstü engellere dikkat etmek	Güvenli mesafeye uymamak Gaz vermek Yüksek hızda sürmek, aniden fren yapmak Baş üstü engellerin altından geçmek
Görüş şartları	Güvenli şekilde sürebilecek biçimde yalnızca yeterli ışık varken sürmek. Işığın uygun olmadığı şartlarda (günbatımından yarım saat sonra, tüm gece boyunca ve hatta yoldaki görüşü engelleyen hava şartları olduğunda gündüzleri de, tünellerden geçerken) sürüş sırasında ürünün ışıklarını açmayı ve yansıtıcı yelek giymeyi veya bantlar takmayı unutmamak.	Işığın uygun olmadığı koşullarda, ışıklar kapalıyken ve yansıtıcı yelek veya bantlar takmadan sürmek.
Hava şartları	Meteorolojik açıdan en uygun (yağışsız) şartlarda sürüş	Olumsuz hava şartlarında, yağmur altında, kar yağarken, yolda buz veya çamur varken, güçlü rüzgarda, sis sırasında sürmek.
Park etme	Araç ve yay dolaşımını engellemeyecek şekilde özel alanlarda Düz zeminlere, aracın dengeli olduğundan emin olarak Ürün kapatmak ve daima hırsızlığı önleyici bir cihaz kullanmak Ürünle birlikte gelen park ayağını kullanmak	Araç ve yay dolaşımını engelleyecek şekilde herhangi bir yere Bozuk zeminlere ve aracın dengeli olduğundan emin olmadan Ürünü açık halde, hırsızlığı önleyici cihaz kullanmadan gözetimsiz bırakmak
Ekstrem sporlar / akrobasi	HAYIR	EVET, uygunsuz kullanım: Kanallar, kıyıları, köprüler, denizler, göller ve akarsuların yakınlarında sürmek Su birikintilerinde sürmek Başka araçlarla yarışmak
Ürünü sert darbelerle maruz bırakmak	HAYIR	EVET, uygunsuz kullanım: Eşyaların veya kişilerin üzerine sürmek, basamaklardan veya yüksek yerlerden atlamak

Düştükten sonra ne yapılacağı:

Gaz kolunun düzgün çalıştığından emin olun. Bunu yapmak için birkaç kez gazı açık kapatın.

Frenlerin düzgün çalıştığını daima kontrol edin. Bunu yapmak için üründen inin, ürünü ileri doğru itin ve komuta yanıt verip vermediğini görmek için fren yapın.

Aracın tüm bileşenlerinin yerli yerinde ve emniyetli şekilde sabitlenmiş olduğunu kontrol edin.

Lastiklerin aşınma durumunu ve basınçlarını kontrol edin (tavsiye edilen değeri öğrenmek için lastiğin yanağına bakın).


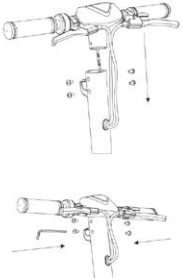

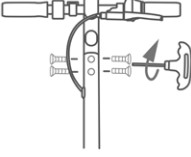
Frenler ve kablolarındaki aşınmayı kontrol edin.



Frenler kullanım sırasında ısınabilir. Kullandıktan sonra dokunmayın.

2. AMBALAJIN İÇİNDEKİLER VE MONTAJ

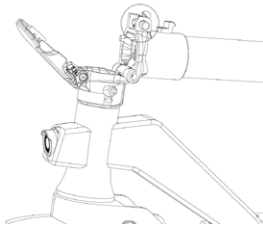
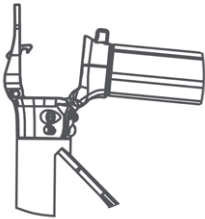
Ürün monte edilmiş haledir, gidonun ambalajda bulunan özel vidalarla takılması gerekecektir.

Model	Referans resim	Ambalajın içinde	Gidon montajı
AL EXT		Aksesuarlar: 1x Alyan anahtarı 4x Gidon vidaları 1x PİL şarj cihazı	
AL2		Aksesuarlar: 1x Alyan anahtarı 2x Gidon vidaları 1x PİL şarj cihazı	

Adımlar

AL EXT / AL2

- Ürünü ambalajından çıkarın.
- Gidonun direksiyon kolunu açın ve kapatma mekanizmasının kolunu kapatarak sabitleyin.
- Göstergenin besleme kablosunu ana kablo bağlantılarına bağlayın (gerekirse).
- Gidonu direksiyon kolunun üzerine monte edin (kabloların ezilmemelerine dikkat edin).
- Ürünle birlikte gelen anahtarla vidaları gidon kolunun üzerine geçirin ve sıkın.
- Park ayağını takın (gerekirse).
- Gidon kolunu kapatma mekanizmasının ayarını yapın* (gerekirse).
- İlk kullanımda ürünü %100 şarj edin.

Model	Referans resim	* Gidon kolu kapatma mekanizmasının ayarı
AL EXT		<p>Mekanizmanın içinde bir altıgen anahtar bulunur.</p> <p>Gidon kolunu kapattıktan sonra çok dengeli değilse, kolunun dengesini arttırmak için mekanizmanın vidasını yeterli oranda gevşeterek veya sıkarak ayarlayın.</p>
AL2		<p>Mekanizmanın içinde altıgen bir vida bulunur.</p> <p>Gidon gövdesi kapandıktan sonra dengesizse, gövdenin dengesini arttırmak için mekanizmanın vidasını yeterince vidalayarak veya sökerek ayarlayın.</p>



DİKKAT

Ürünü doğru şekilde monte edin. Montaj yaparken imalat hataları, anlaşılmayan adım açıklamaları olduğunu fark ederseniz veya montaj ya da ayarlamalar sırasında güçlük yaşarsanız, aracı sürmeyin ve teknik destek almak için satıcınızı arayın veya www.alemobility.com/en/ sitesini ziyaret edin.

Üretici tarafından onaylanmayan aksesuarları ve/veya parçaları kullanmayın.

Boğulmaya neden olabilecek plastik parçaları (ambalaj malzemeleri dahil) ve küçük parçaları çocukların erişemeyecekleri yerlerde saklayın.

Üründe veya parçalarında herhangi bir şekilde değişiklik veya tadilat yapmak yasaktır; böyle bir işlem verimi düşürebilir, yapıya zarar verebilir ve hasarlara neden olabilir. İmalat kusurları olduğunu fark ederseniz, alışılmadık gürültü veya sorunlarla karşılaşırsanız, aracı sürmeyin ve teknik destek almak için satıcınızı arayın www.alemobility.com/en/ adresini ziyaret edin.

3. ÜRÜNÜN GENEL GÖRÜNÜMÜ

Üretici firma, sürekli gerçekleşen teknik gelişmelerin ışığında ürünlerinde önceden bildirimde bulunmadan ve bu kılavuzu otomatik olarak güncellemeden üründe değişiklik yapma hakkını saklı tutar.

Bilgiler ve bu kılavuzun revizyonlarını görmek için www.alemobility.com/en/ sitesini ziyaret edin

AL EXT



1. Ön far
2. Fren kolu
3. Kanca
4. Kapatma mekanizması
5. Ön teker
6. Park ayağı
7. Şarj bağlantı noktası
8. Platform
9. Kapatma klipsi
10. Arka lamba

11. Arka çamurluk
12. Arka motorlu teker
13. Fren kaliperi
14. Zil
15. Gösterge
16. Gaz
17. AÇMA/KAPATMA düğmesi
18. Işık düğmesi
19. USB bağlantı noktası

AL2



1. Kanca
2. Zil
3. Fren kolu
4. Kapatma mekanizması
5. Far
6. Kampana fren
7. Park ayağı
8. Platform
9. Arka motorlu teker
10. Far

11. Arka çamurluk
12. Kapatma klipsi
13. Şarj bağlantı noktası
14. Gösterge
15. Gaz

Bataryanın şarj edilmesi







DİKKAT

İlk kullanımda ürünü %100 oranında şarj edin. Ürünün, batarya şarj cihazının ve şarj bağlantı noktasının kuru olduğundan emin olun.

Talimatlar

- Park ayağını açın
- Ürünü kapatın

Model	Referans resim	TALİMATLAR
AL EXT	 <p>Şarj bağlantı noktası</p>	<ul style="list-style-type: none">• Yalnızca ürünle birlikte gelen şarj cihazını kullanın.• Batarya şarj cihazını önce elektrik prizine, ardından şarj bağlantı noktasına bağlayın.• Şarj olurken elektrikli Scooter'ı çalıştırmayın. <p> DİKKAT</p> <p>Şarj işlemi tamamlandığında şarj cihazında bulunan kırmızı ışık yeşil renk alacaktır.</p>
AL2	 <p>Şarj bağlantı noktası</p>	<ul style="list-style-type: none">• Yalnızca birlikte verilen şarj cihazını kullanın.• Şarj cihazını önce duvar prizine ve ardından şarj prizine bağlayın.• Şarj olurken elektrikli scooter'ı açmayın. <p> DİKKAT</p> <p>Yükleme işlemi tamamlandığında güç kaynağı üzerindeki kırmızı ışık yeşile dönecektir.</p>

Bu ürünü şarj etmek için YALNIZCA ürünle birlikte gelen şarj cihazını kullanın



DİKKAT

Model	Ürün kodu	Şarj cihazı modeli	Çıkış gerilimi	Şarj süresi
AL EXT	LA-MO-210001	FCA136-546020	54.6V – 2A	Yaklaşık 7 saat
	LA-MO-220002			
	LA-MO-210002			
	LA-MO-220013			
	LA-MO-220001			
AL2	LA-MO-220003	HLT-180-4201500	42V – 1.5A	Yaklaşık 5 saat
	LA-MO-220004			

Başka tip şarj cihazı kullanmak ürüne zarar verebilir veya başka potansiyel riskler doğurabilir.

Gözetim altında olmadıkça ürünü asla şarj etmeyin. Şarj edilirken ürünü açmayın.

Faydalı ömrünü uzatmak için her kullanımdan sonra bataryayı tam şarj edin. Ürünü kullandıktan hemen sonra şarj etmeyin. Şarj etmeden önce ürünü bir saat kadar soğumaya bırakın.

Ürün gerekenden daha uzun süre şarj edilmemelidir. Fazla şarj etmek bataryanın ömrünü kısaltır ve başka potansiyel risklere yol açar.

Bataryanın zarar görmemesi için aracın şarjının tamamen tükenmesine izin vermemeniz tavsiye edilir.

Gerektiğinden daha uzun süre şarj etmekten kaynaklı hasar geri dönüşsüzdür ve sınırlı garanti kapsamında değildir. Hasar meydana geldiğinde batarya bir daha şarj edilemez (elektrik çarpmaları, kısa devre veya cihazın güvenliğinde ciddi sorunlara yol açabileceğinden bataryanın ehil olmayan kişilerce sökülmesi yasaktır). Örneğin tadillerde belirli bir süre kullanılmadığında ve üçüncü kişilere emanet edildiğinde tam şarjlı halde değil, kısmen şarj edilmiş (%20-%50 şarj) bırakın.

Şarj cihazını ve şarj kablolarını düzenli olarak gözle muayene edin. Şarj cihazının kablosunda bariz hasarlar varsa, başka hasarları ve/veya riskleri önlemek için şarj cihazını kullanmayın, değiştirilmesi için lütfen bizimle bağlantı kurun.

Bataryayla ilgili uyarılar

Batarya, sađlık ve çevre açısından tehlikeli olan lityum iyon hücrelerden ve kimyasal elemanlardan oluşur. Koku geliyorsa, maddeler çıkıyorsa veya aşırı ısınıyorsa ürünü kullanmayın. Ürünü veya bataryayı evsel atıklarla birlikte bertaraf etmeyin. Elektrikli ve elektronik cihazlar ile bataryaların yürürlükteki mevzuata tam uygun olarak bertarafından son kullanıcı sorumludur.

Kullanılmış, kusurlu ve/veya orijinal olmayan, başka model ve marka bataryaları kullanmayın.



Bataryayı ateşe veya ısı kaynaklarına yakın bırakmayın. Yangın ve patlama riski mevcuttur.

Bataryayı açmayın, sökmeyin, vurmeyin, fırlatmayın, delmeyin veya bataryaya cisimleri takmayın.

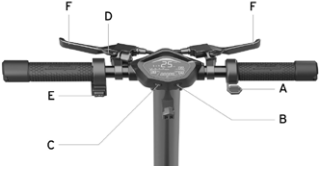
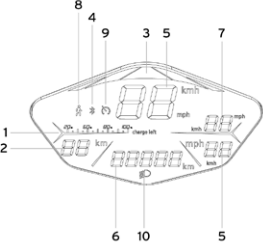
Tehlikeli maddeler içerdiğinden bataryadan dışarı sızabilecek maddelere dokunmayın. Çocukların veya hayvanların bataryaya temas etmelerine izin vermeyin.

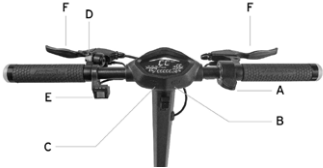
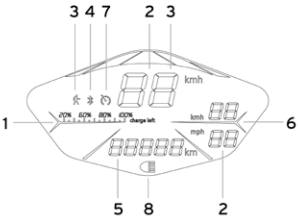
Bataryayı gereğinden fazla şarj etmeyin veya kısa devre yaptırmayın. Yangın ve patlama riski mevcuttur.

Bataryayı suya daldırmayın, suya, yağışa veya diğer sıvı maddelere maruz bırakmayın. Bataryayı doğrudan güneş ışığına, aşırı sıcak veya soğuşa (örneğin ürünü veya bataryayı doğrudan güneş ışığı altında bulunan bir aracın içinde uzun süre bırakmayın), patlayıcı gazlar veya alev içeren bir ortama maruz bırakmayın.



Bataryayı çatal, kolye, vb. gibi metal cisimlerle birlikte taşımayın veya saklamayın. Metal cisimlerle bataryanın kontakları arasında temas olması, bedensel hasarlara veya ölüme neden olabilen kısa devrelere yol açabilir.

4. KUMANDA BİLGİLERİ / KONTROL PANELİ

Model		
		
	<p>A. Gaz keleşbeđi: hızlanmak için aőađı basın.</p> <p>B. Güç düđmesi: elektrikli scooter'ı açmak veya kapatmak için uzun basın.</p> <p>Kilometre sayacı ODO/TRIP: ODO'dan TRIP ekranına geçmek için 3 kez kısaca basın.</p> <p>C. Hız modları: hız seviyesini deđiőtirmek için kısaca basın.</p> <p>Iőıklar: Iőıkları açmak veya kapatmak için düđmeye uzun basın.</p>	<p>D. Zil: Çalıőtırmak için kola bir kez basın.</p> <p>E. Yön göstergeleri: Bunları etkinleőtirmek ve/veya devre dıőı bırakmak için düđmeye sađa veya sola basın.</p> <p>F. Fren kolu: fren yapmak için kolu sıkın.</p>
<p>AL EXT</p>	<ol style="list-style-type: none"> Akü seviyesi: kalan Őarj durumu. Otonomi: kalan mesafenin tahmini. Hız modu (LED çubuk): <ul style="list-style-type: none"> - Seviye 1: yeőil renk - Seviye 2: turuncu renk - Seviye 3: kırmızı renk Bluetooth: akıllı telefon bađlantısı mevcuttur. Takometre: anlık hız elektrikli scooter (km/h - mph). Kilometre sayacı ODO / TRIP: ODO'dan TRIP ekranına geçmek için 3 kez kısaca basın. AVG hız: ortalama hız. Yaya modu: yanıp sönem ışık ile aracı itmeye yardımcı olur. Hız sabitleyici: hız bakımı. Aynı hızı birkaç saniye tuttuktan sonra etkinleőtirilir. Iőıklar: aydınlatma gösterge ışığı. 	

Model		
		
AL2	<p>A. Gaz keleşi: hızlanmak için aşığı basın.</p> <p>B. Güç düğmesi: elektrikli scooter'ı açmak veya kapatmak için uzun basın.</p> <p>Kilometre sayacı ODO/TRIP: ODO'dan TRIP ekranına geçmek için 3 kez kısaca basın.</p> <p>C. Hız modları: hız seviyesini deęiştirmek için kısaca basın.</p> <p>Işıklar: Işıkları açmak veya kapatmak için düğmeye uzun basın.</p>	<p>D. Zil: Çalıştırmak için kola bir kez basın.</p> <p>E. Yön göstergeleri: Bunları etkinleştirmek ve/veya devre dışı bırakmak için düğmeye saęa veya sola basın.</p> <p>F. Fren kolu: fren yapmak için kolu sıkın.</p>
	<ol style="list-style-type: none"> Akü seviyesi: kalan şarj durumu. Takometre: elektrikli scooter'ın anlık hızı (km/sa ve mph) Hız modları (TAKİMETRE): <ul style="list-style-type: none"> - Seviye 1: 1 numara ile gösterilir - Seviye 2: 2 rakamı ile gösterilir - Seviye 3: 3 rakamı ile gösterilir - Yaya: Yanıp sönen ışıkla aracı itmeye yardım edin. Bluetooth: akıllı telefon bağlantısı mevcut. Kilometre sayacı ODO/TRIP: kat edilen toplam mesafe ve tek seans mesafesi. AVG Hız: ortalama hız. Hız sabitleyici: hız sabitleme. Birkaç saniye boyunca aynı hızda kaldıktan sonra etkinleştirilir. Işıklar: aydınlatma gösterge ışığı. 	

Yön göstergeleri

Model	
<p>AL EXT</p> <p>AL2</p>	 <p>Gidonun uç kısımlarına (sağ ve sol tarafa) yerleştirilmiş dönüş sinyalleri bulunur.</p> <p>Dönüş sinyalleri sürüş sırasında herhangi bir dönüşü zamanında bildirmek için gereklidir.</p> <p>Çalıştırma kumandası:</p>  <p>⚠ DİKKAT</p> <p>Ürünü kullanmadan önce her defasında dönüş sinyallerinin doğru çalıştıklarını kontrol edin.</p>

5. HIZLI KILAVUZ

- İlk kullanımda ürünü %100 oranında şarj edin.
- Lastik basınçlarını kontrol edin (tavsiye edilen değerleri öğrenmek için lastik yanağına bakın). Ürünün beyan edilen Km değerinin en azından %60'ına veya ilk 3 ayda azami hıza ulaşamaması halinde lastikler inmiş olabilir, bu durumda gösterildiği gibi şişirilmeleri gerekir.
- Frenleri kontrol edip, ayarlarını yapın.
- Göstergeyi açın.
- Ürünü düz bir zemine park edin.
- Gidonu iki elinizle birden sıkıca tutun. Bir ayağınızla platforma basın ve diğerini hafifçe itmek ve hız kazanmak için kullanın.



DİKKAT

Zero Start Fonksiyonu: İlerleme hızı 3 km/s değerini aştığında gaz devreye girer.

Güvenlikle ilgili nedenlerden ötürü ürün ilk başta durur haldeyken çalışması önlenerek şekilde ayarlanmıştır.

- Ürünü kullanırken viraj almak için bedeninizi sürüş yaptığınız yönde yatırın ve gidonu yavaşça döndürün.
- Ürünü durdurmak için gazı bırakıp, fren koluna basın.
- Üzerinden inmek için önce aracı tamamen durdurun. Elektrikli scooter hareket halindeyken inmek yaralanmalara neden olabilir.
- Her kullanımdan önce frenleri ve ne kadar yıprandıklarını kontrol edin, lastiklerin basıncına bakın (tavsiye edilen değeri öğrenmek için lastiğin yanağına bakın), tekerleklerin aşınma durumunu dönüş sinyallerini, ışıkları ve akünün şarj durumunu kontrol edin.

Fren kollarının konum ayarı

AL EXT / AL2

Fren ayarı

A noktasını kullanarak fren kolunun konumunu ayarlayabilirsiniz. (görsele bakın)



Fren ayarı

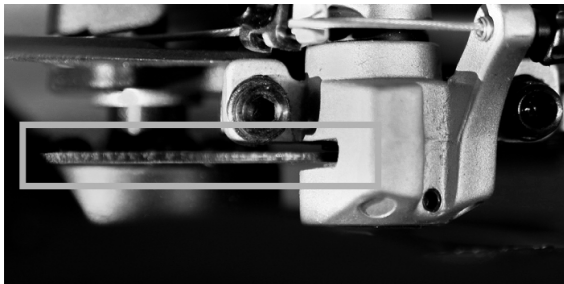
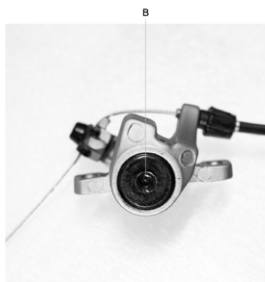
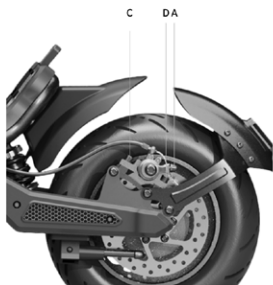
AL EXT

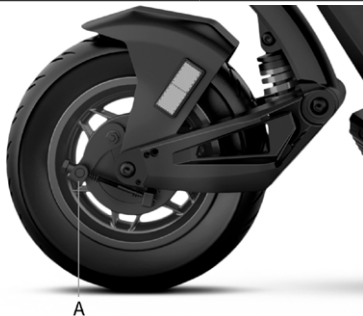
Fren kaliperinin ayarlanması

Frenin çok sıkı veya çok gevşek olması halinde vidayı (A) gevşetmek için altıgen anahtar kullanın, ardından fren kablosunu ayarlayın (çok sıkıysa fren kablosunu yukarı doğru kısaltın. Çok gevşekse fren kablosunu aşağı doğru çekin), ardından vidayı (A) yeniden sıkın.

Birinci adımı uyguladıktan sonra hala çok gevşek veya çok sıkıysa, fren balatalarının (sabit) ayarlanmaları gerekir; bu ayarı karşı taraftaki çarktan yapabilirsiniz. Fren balatasını (B) uzaklaştırmak (saat yönünün tersine) veya yakınlaştırmak (saat yönünde) için altıgen anahtar kullanın (resme bakın). Fren kaliperi ile diskinin doğru hizalandığını kontrol edin. Gerekirse disk üzerindeki konumu / hizalamayı ayarlamak için C ve D vidalarını kullanın.

Arka fren kaliperi için C ve D vidalarını söküp çıkarın, ardından disk fren kaliperini çıkarın.



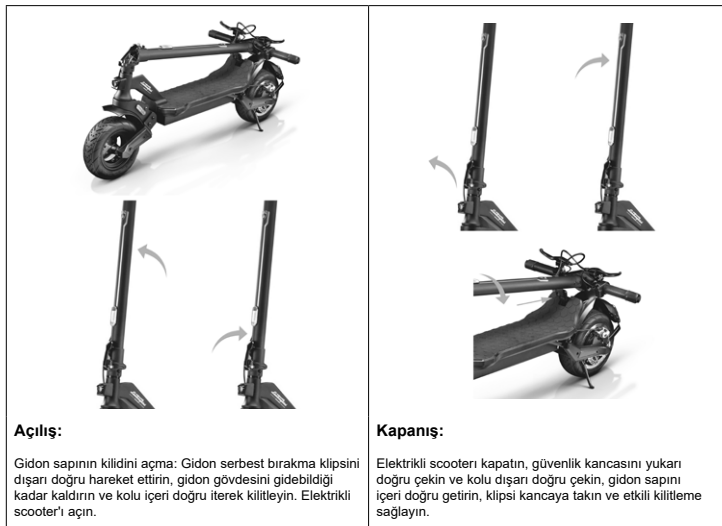
**Kampanalı frenin ayarlanması:**

Fren çok sıkı veya çok gevşekse, vidayı (A) gevşeterek veya sıkarak hareket edin. İlk adımı izledikten sonra bile fren kolu çok yumuşak veya çok sertse, optimum ayara ulaşılanaya kadar işlemi tekrarlamak gerekebilir.

6. KATLAYIN VE TAŞIYIN

Elektrikli Scooter'ın kapalı olduğundan emin olun. Gidon kolunu elinizle tutun, kolu çekin, gidonun kolunu platforma doğru katlayın ve yerine geçirin.

AL EXT



Gidon klipsi

**Açılış:**

Gidon gövdesini ayaklıktan ayırın; gidonu serbest bırakmak için klipsi aşağı bastırın, gidon gövdesini gidebildiği kadar kaldırın ve kilitleme mekanizmasının kolunu içeri doğru iterek kilitleyin. Elektrikli scooter'ı çalıştırın.

Kilitleme mekanizması kolu

**Kapanış:**

Elektrikli scooter'ı kapatın, kilitleme mekanizmasının kilidini açın: kırmızı kancaya basın ve kolu dışarı doğru çekin (resme bakın), gidon sapını içeri doğru getirin ve gerçekten kilitlendiğinden emin olun.



Katladıktan sonra gidon kolunu bir veya iki elinizle birden tutarak kaldırın.

**DİKKAT**

Taşırken ürünü sıkıca tuttuğunuzdan emin olun. Ürünün ağırlığını taşımaya devam edebileceğinizden emin değilseniz, ürünü kaldırılmış halde taşımaya devam etmeyin. Aniden bırakılırsa ürün düşerek ağır da olabilen yaralanmalara yol açabilir ve zarar görebilir.

7. PILIN NE KADAR GİDECEĞİ VE PERFORMANS DEĞERLERİ

Aracın şarjının ne kadar gittiği ve performansı çeşitli değişkenlere bağlıdır:

Arazi: Düz zeminde sürüş yapmak, şarjin bozuk yollarda ve yokuş yukarı sürüşte olduğundan daha uzun gitmesine ve daha yüksek performans elde etmeye olanak tanır.

Kullanıcının kilosuna: Kilo arttıkça şarj daha kısa gidecek, aracın performansı daha düşük olacaktır.

Sıcaklık: Elektrikli scooter'in çok soğuk veya çok sıcak ortamda sürülmesi şarjin ne kadar gideceğini ve performansını etkiler.

Sürüş hızı ve tarzı: Akışı ve sabit bir sürüş şarjin daha uzun süre gitmesini sağlar. Sürekli hızlanmak, yavaşlamak ve manevra yapmak şarjin çok çabuk bitmesine neden olur. Düşük hızlar şarjin daha uzun süre gitmesini sağlar.

Bakım: Zamanında şarj etmek, doğru bakım yapmak ve lastik basınçlarını düzenli kontrol etmek (10. bölümdeki referans değere bakın) şarjin daha uzun süre gitmesini ve performansın zaman içinde düşmemesini sağlar.

Bataryanın şarj seviyesi performans üzerinde etkilidir; şarj seviyesi ne kadar düşük olursa özellikle yokuş yukarı sürerken hız performansı o kadar düşer.

8. SAKLAMA, BAKIM VE TEMİZLİK

Ürün gövdesinde lekeler varsa, bunları nemli bir bezle temizleyin. İnatçı lekeler söz konusu olduğunda üzerine nitr deterjan uygulayın, bir fırçayla fırçalayın, ardından nemli bezle temizleyin. Plastik bileşenlerde çizikler varsa, zımpara kağıdı veya aşındırıcı başka bir malzemeyle bunları giderin. Ağır şekilde hasar görmesini önlemek için ürünü alkol, benzin, kerosen veya diğer korozyona yol açan ve uçucu kimyasal çözücülerini kullanarak temizlemeyin. Ürünü yüksek basınçlı su jeti kullanarak temizlemeyin. Su sızması elektrik çarpmalarına veya başka ağır sorunlara yol açabileceğinden, temizlik sırasında ürünü kapalı, şarj kablosunun ayrılmış ve lastik tapanın kapalı olduğundan emin olun. Bataryaya su sızması iç devrelerin hasar görmesine, yangın veya patlama riskine neden olabilir. Bataryaya su sızdığından şüpheleniyorsanız, bataryayı kullanmayı derhal bırakın ve kontrol edilmek üzere teknik servise veya satıcınıza gönderin.

Ürün kullanılmayacağı zaman kuru ve serin bir yerde kapalı olarak saklayın. Dış mekanda veya araba içinde uzun süre tutmayın. Aşırı güneş ışığı, aşırı ısınma ve aşırı soğuklar lastiklerin yaşlanmasını hızlandırır ve gerek ürünün, gerekse bataryanın faydalı ömrünü kısaltır. Yağışa veya suya maruz bırakmayın, suya daldırmayın ve suyla yıkamayın.

Çeşitli civatalı elemanların, özellikle tekerlek akslarının, katlama ve taşıma sisteminin, direksiyon sisteminin, fren sisteminin sıkılığını, şasi, çatallar ve süspansiyonların iyi durumda olduklarını düzenli aralıklarla kontrol edin. Somunlar ve kendine kendine sıkıştırma özellikli tüm diğer tespit sistemleri verimlerini yitirebilir, dolayısıyla bu bileşenlerin periyodik olarak kontrol edilmeleri ve sıkılmaları gerekir.

Tüm mekanik bileşenlerde olduğu gibi bu ürün de yıpranmaya ve güçlü gerilimlere maruz kalır. Malzemeler ve çeşitli bileşenler çeşitli şekillerde gerilimler nedeniyle yıpranabilir veya yorgunluk gösterebilir. Bileşenin faydalı ömrü aşılacak olursa, aniden kırılarak sürücünün yaralanmasına neden olabilir. Gerilime en çok maruz kalan bölgelerde herhangi bir çatlak, çizik veya renk değişimi söz konusu bileşenin ömrünün dolduğunu ve değiştirilmesi gerektiğini gösterir.

Lastiklerin aşınma durumlarını kontrol edin: Lastiklerde kesikler, çatlaklar, yabancı cisimler, anormal şişikler, parça eksikliği ve diğer hasarlar olmamalıdır. Lastiklerin basıncı için bu kullanım kılavuzunun 10. bölümünde verilen değere bakın.

Ürünü kendi başınıza sökmeye veya onarmaya kalkışmayın. Elektrikli scooter'in tüm bileşenleri yetkili teknik servis tarafından değiştirilmelidir, bu konuda daha fazla bilgi almak için satıcınızı arayın veya şu siteyi ziyaret edin: www.alemobility.com/en/

9. UYGULAMAYI YAPILANDIRMA

Bluetooth özelliğine sahip ve AL e-Mobility uygulamasıyla eşleştirilebilecek ürünler aşağıda verilmektedir: AL EXT, AL2.

Bu uygulama ürünü doğrudan kendi akıllı telefonunuzdan kontrol etmenize olanak tanır.

Uygulamayı indirmek ve yüklemek için KARE KODU taratın. Uygulamayı bulamıyorsanız, kendi uygulama hizmetinizden aramanızı tavsiye ederiz.

Uygulamayı açın ve kendi uygulama hizmetinizde verilen talimatları izleyin.



Uygulamayı açın ve kendi uygulama hizmetinizde verilen talimatları izleyin.



Uygulamanın kullanılabilmesi ve çalışabilmesi için çeşitli izinleri vermek gerekebilir.

Uygulama sürümü uygulama hizmetinizde güncellenebilir. Yeni özelliklerden yararlanmak için güncellemeleri sık sık kontrol etmeniz ve cihazınıza uygulamanın daima en son sürümünü yüklemeniz tavsiye edilir.

Sürüş sırasında cihazınızı kullanmayın.

10. TEKNİK BİLGİ FORMU

Genel bilgiler

AL EXT

Şasi	Çelik ve alüminyum	
Süspansiyonlar	Ön ve arka	
Hız	LA-MO-210001; LA-MO-210002; LA-MO-220013 Yürüme hızı: ≤ 6km/h L1: ≤ 15km/h L2: ≤ 20km/h L3: ≤ 25km/h (azami hız) * *dolaşımdaki ülkeye göre	LA-MO-220001; LA-MO-220002 Yürüme hızı: ≤ 6km/h L1: ≤ 10km/h L2: ≤ 15km/h L3: ≤ 20km/h(azami hız) * *dolaşımdaki ülkeye göre
Azami eğim **	22%	
Frenler	Ön disk fren, arka disk ve elektronik fren	
Lastikler	Ebat: 90/65-6.5 Basınç: 50 psi / 3.5 bar	
Azami yük	120kg	
Sürücü	Ülkenizde yürürlükte olan mevzuata bakın	
Çalışma sıcaklığı	-0°C / 45°C	
Koruma seviyesi	IPX4	
Şarj süresi	yaklaşık 7 saat	
Tam şarjda kat edeceği mesafe**	40km'ye kadar	

Electrical system

Rated power of motor	0.50kW; 500W Fırçasız
Maximum power of motor	0.900kW; 900W
Display	Bütünleşik LED
Battery	48V 12.5Ah 600Wh
Low voltage protection	42V
Current limit	20A
KERS	Evet
Lights	Ön ve arka LED
Features	Bluetooth
Önlemler	
Net weight	30.6Kg
Gross weight	38.75Kg

* Karayolları kanununa ve dolaşımın yapıldığı ülkede yürürlükte olan yönetmeliklere daima uygun hareket edin.

** Sürücünün ağırlığına, yol şartlarına ve sıcaklığa göre değişir.

Genel bilgiler

AL2

Şasi	Çelik ve alüminyum	
Süspansiyonlar	Ön ve arka	
Hız	LA-MO-220003 Yürüme hızı: ≤ 6km/h L1: ≤ 15km/h L2: ≤ 20km/h L3: ≤ 25km/h (azami hız) * *dolaşımdaki ülkeye göre	LA-MO-220004 Yürüme hızı: ≤ 6km/h L1: ≤ 10km/h L2: ≤ 15km/h L3: ≤ 20km/h(azami hız) * *dolaşımdaki ülkeye göre
Azami eğim **	16%	
Frenler	Ön kampana fren, arka elektrikli fren	
Lastikler	Ebat: 10" X 2.125" iç lastikli Basınç: 36 psi / 2.5 bar	
Azami yük	120kg	
Sürücü	Ülkenizde yürürlükte olan mevzuata bakın	
Çalışma sıcaklığı	-0°C / +45°C	
Koruma seviyesi	IPX5	
Şarj süresi	yaklaşık 5 saat	
Tam şarjda kat edeceği mesafe**	35 km'ye kadar	

Elektrik sistemi

Motorun anma gücü	0.35kW; 350W Fırçasız
Motorun azami gücü	0.55kW; 550W
Gösterge	Entegre LED
Batarya	36V 8Ah 288Wh
Düşük gerilim koruması	31 + / - 0.5V
Akım sınırı	17A
KERS	Evet
Işıklar	LED ön ve arka
Özellikler	Uygulama ile Bluetooth
Önlemler	
Net ağırlık	19Kg
Brüt ağırlık	22Kg

* Karayolları kanununa ve dolaşımın yapıldığı ülkede yürürlükte olan yönetmeliklere daima uygun hareket edin.

** Sürücünün ağırlığına, yol şartlarına ve sıcaklığa göre değişir.

11. SORUNLARIN GIDERİLMESİ

Hata	Nedeni	Çözümü
Motor çalışmıyor	Elektrik sorunu, hata kodu var	Teknik servisi arayın
Tahrik tekerleği dönmüyor	Frenlerde sorun var Motor kilittir	Frenleri ayarlayın, sorun devam ederse teknik servisi arayın Tekerleğin doğru sıklıkta olduklarını kontrol edin, tekerleğin araç çalıştırılmadan döndüğünü kontrol edin. Sorun devam ederse teknik servisi arayın
Motor çalışırken kapanıyor	Motorda aşırı ısınma var Hata kodu var	Aracı durdurun ve soğumasını bekleyin Teknik servisi arayın
Şarj edildikten sonra ürün açılmıyor veya birkaç km gittikten sonra kapanıyor.	Batarya hasar görmüş	Teknik servisi arayın
Batarya şarj tutmuyor veya ürün çalışmıyor	Bağlantı sorunları var Batarya bağlı değil (çıkarılabilen bataryalı modellerde) Batarya tükenmiş Batarya hasar görmüş Şarj cihazında sorunlar var	Teknik servisi arayın Güç konektörünün bağlı olduğundan emin olun. Bataryayı %100 dolana kadar şarj edin Teknik servisi arayın Şarj cihazını değiştirin

AL EXT / AL2

Hata kodu tablosu

Hata kodu	Tanım
E1	Motorda bağlantı sorunu
E2	MOS sorunu veya motor fazı kısa devre yapmış
E3	Fren sensörü sorunu
E4	Gidonda elektronik sorun
E5	Düşük gerilim koruması
E6	Arızalı enstrümantasyonun iletişimi
E7	Yüksek gerilim koruması
E8 / E9	Merkezi ünite/BMS sorunu

12. SORUMLULUK VE GENEL GARANTİ ŞARTLARI

Kask ve diğer koruyucu donanımları kullanmamaktan kaynaklı tüm riskler sürücüyeye aittir.

Şu konularda yürürlükteki yerel mevzuata uyma yükümlülüğü sürücüyeye aittir:

1. Sürücü için izin verilen en düşük yaş
2. Ürünü kullanabilecek sürücü tipiyle ilgili kısıtlamalar
3. Mevzuatta geçen tüm diğer konular

Sürücü ayrıca ürünün verimli çalışır ve bakımlı durumda ve temiz olarak tutmak, önceki bölümlerde açıklandığı gibi kendi yetki alanına giren güvenlik kontrollerini titizlikle yapmak, ürünü hiçbir şekilde kurcalamamak ve bakımla ilgili tüm belgeleri saklamakla sorumludur.

Aşağıdaki durumlarda eşyalar veya kişilere yönelik zararlarda şirket yanıt vermez ve bunlardan hiçbir şekilde sorumlu değildir:

- Ürünün talimat kılavuzunda belirtilenlere aykırı veya uygunsuz şekilde kullanılması.
- Satın alınmasının ardından üründe tadilat yapılması veya tamamının ya da bileşenlerinin bazılarının kurcalanması.

Ürünün sürücünün yanlış davranışlarına atfedilemeyen nedenlerden dolayı arızalanması halinde veya genel garanti şartlarına başvurmak istediğinizde satıcınızı aramanızı veya www.alemobility.com/en/ sitesini ziyaret etmenizi rica ederiz

Kazara meydana gelen ve/veya Alıcının sorumluluğuna atfedilebilen olaylardan ya da Ürünün kullanım amacına ve/veya Ürüne ekli teknik belgelerde belirtilenlere uygun kullanılmamasından veya mekanik aksamda ayar yapılmamasından, kolay yıpranabilen malzemelerdeki doğal yıpranmadan veya montaj hataları, bakımın ihmal edilmesi ve/veya ürünün talimatlara aykırı şekilde kullanılmasından kaynaklanan arıza veya bozulmalar hiçbir zaman Yasal Ürün Garantisi uygulama alanına girmez.

Örneğin, aşağıdakiler Ürüne ilgili Yasal Garantinin kapsamı dışında kabul edilir:

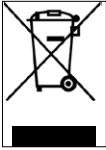
- Çarpma, düşme, kazalar veya çarpışmalardan kaynaklı hasarlar, delinmeler.
- Uygun olmayan ortamlarda (ör.: yağış ve/veya çamur varken, neme veya aşırı ısı kaynaklarına maruz kalacak şekilde, kum veya diğer maddelerle temas halinde) kullanımdan, maruziyetten veya depolamadan kaynaklı hasarlar
- Yola çıkabilmesi için gereken ayarların ve/veya mekanik aksamda, mekanik disk frenlerde, gidonda, lastiklerde, vb. bakım yapılmamasından, hatalı kurulumdan ve/veya parçalar ve/veya bileşenlerin hatalı montajından kaynaklı hasarlar
- Kolay yıpranabilen malzemelerdeki doğal yıpranma: Mekanik disk frenler (ör.: balatalar, kaliperler, disk, kablolar), lastikler, platform, contalar, rulmanlar, led ışıklar ve lambalar, park ayağı, gidon, çamurtuklar, lastik aksam (platform), kablo konektörlerinin kablo bağlantıları, çıkartmalar ve yapııştırıcılar, vb.
- Ürünün bakımının uygunsuz yapılması ve/veya bataryasının uygunsuz kullanılması.
- Ürünün parçalarının kurcalanması ve/veya zorlanması.
- Ürünün bakım veya parça değişikliği işlemlerinin yanlış veya yetersiz şekilde yapılması.
- Ürünün uygunsuz şekilde kullanılması (ör.: Aşırı yük, müsabakalarda ve/veya kar getiren ya da kiralama faaliyetlerinde kullanılması).
- Ürün üzerindeki bakım, onarım ve/veya müdahalelerin yetkili olmayan üçüncü taraflarca yapılması.
- Alıcı tarafından yapıldığında Üründe nakliye kaynaklı hasarların olması.
- Orijinal olmayan yedek parçaların kullanılmasından kaynaklı hasarlar ve/veya kusurlar.

Sizleri www.alemobility.com/en/support/ sitesinde bulunan garanti şartlarının en güncel haline başvurmaya davet ediyoruz



DİKKAT

Ömürlerini tamamlamış elektrikli ve elektronik cihazların işlenmesi (Avrupa Birliği ülkelerinin tümünde ve ayrı toplama sistemine sahip diğer Avrupa sistemlerinde geçerlidir)



Ürünün veya ambalajının üzerinde bulunan bu simge, ürünün normal evsel atık olarak kabul edilemeyeceği, bunun yerine atık elektrikli ve elektronik ekipmanın (AEEE) geri dönüştürülmesine özel bir toplama noktasına teslim edilmesi gerektiği anlamına gelir.

Bu ürünün doğru şekilde bertaraf edilmesini sağlayarak, uygunsuz şekilde bertaraf edilmesi halinde doğabilecek çevre ve sağlık üzerindeki potansiyel olumsuz sonuçları önlemeye katkıda bulunacaksınız. Malzemelerin geri dönüştürülmesi doğa kaynaklarının korunmasına yardımcı olur.

Bu ürünün geri dönüştürülmesi ve bertarafı konusunda atık bertarafına yönelik yerel hizmetlerle veya ürünü satın aldığınız satış noktasıyla iletişime geçin.

Her durumda bertarafın satın alındığı ülkede yürürlükte olan mevzuata göre yapılması gerekmektedir.

Özellikle tüketiciler AEEE'leri kentsel atıklarla birlikte bertaraf etmemek, bunun yerine iki şekilde teslim ederek bu tür atıkların ayrı toplanmasına katılmak zorundadırlar:

- Belediyeye ait Toplama Merkezlerinde (Çevreci alanlar, ekolojik bölümler olarak da anılır), doğrudan veya sunulduğu yerlerde belediyenin toplama hizmetleri aracılığıyla.
- Yeni elektrikli ve elektronik cihazların satış noktalarında.

Burada küçük ebatlı (en uzun kenarı 25 cm'nin altında) olan AEEE ürünlerini ücretsiz teslim edebilirken, daha büyük boyutlu ürünlerde 1'e karşılık 1 şeklinde, yani eşdeğer işlevlere sahip yenisini satın alırken eskisini teslim edebilirsiniz.

Ayrıca 1'e karşılık 1 yöntemi, AEEE ürününün boyutundan bağımsız olarak yeni EEE ürününün tüketici tarafından alındığı sırada daima mevcuttur.

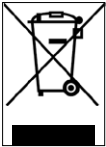
Elektrikli veya elektronik ekipmanın istismara dönük şekilde bertaraf edilmesi çevrenin korunması konusunda yürürlükte olan mevzuatta öngörülen yaptırımların uygulanmasına neden olabilir (İtalyan mevzuatında durum bu şekildedir, aracın kullanıldığı/bertaraf edildiği ülkede bulunabilecek mevzuatın kontrol edilmesi gerekmektedir).

AEEE ürünlerde pil veya akü varsa, bunlar çıkarılmalı ve özel ayrı toplamaya tabi tutulmalıdır.



DİKKAT

Tükenmiş pillerin işlenmesi (Avrupa Birliği ülkelerinin tümünde ve ayrı toplama sistemine sahip diğer Avrupa sistemlerinde geçerlidir)



Ürünün veya ambalajının üzerinde bulunan bu simge, pilin normal evsel atık olarak kabul edilemeyeceğini bildirir. Bazı pil tiplerinde bu simge kimyasal simgesiyle birlikte kullanılabilir.

Pil %0,0005'ten fazla cıva veya %0,004'ten fazla kurşun içeriyorsa, Cıva (Hg) veya Kurşun (Pb) kimyasal simgeleri de eklenir.

Bu pillerin ve akülerin doğru şekilde bertaraf edilmesini sağlayarak, uygunsuz şekilde bertaraf edilmesi halinde doğabilecek çevre ve sağlık üzerindeki potansiyel olumsuz sonuçları önlemeye katkıda bulunacaksınız. Malzemelerin geri dönüştürülmesi doğa kaynaklarının korunmasına yardımcı olur. Güvenlik, performans ve verilerin korunması nedeniyle ürünlerin bir dahili pile/ aküye sabit bağlantı gerektirdiği durumlarda bu yalnızca ehil teknik servis personeli tarafından değiştirilebilir.

Ömrünü tamamladığında ürünü elektrikli ve elektronik ekipman bertarafına uygun toplama noktalarna teslim edin: Bu aynı zamanda içindeki pilin de doğru şekilde işleme tabi tutulmasını sağlayacaktır.

Bu tükenen pillerin ve akülerin veya ürünün geri dönüştürülmesi ve bertarafı konusunda atık bertarafına yönelik yerel hizmetlerle veya ürünü satın aldığınız satış noktasıyla iletişime geçebilirsiniz.

Her durumda bertarafın satın alındığı ülkede yürürlükte olan mevzuata göre yapılması gerekmektedir.

Ovaj priručnik vrijedi za sljedeći električni skuter:

AL EXT AL2

**Priručnik za uporabu
LA-MO-000001 rev. 2**

Upute prevedene s izvornog talijanskog

Hvala što ste odabrali ovaj proizvod.

Za informacije, tehničku podršku, pomoć i konzultacije s općim uvjetima jamstva obratite se svom prodavaču ili posjetite web stranicu www.alemobility.com/en/support/

Za rezervne dijelove posjetite www.urbanemobility.com

Indeks

1. Sigurnosne upute
2. Sadržaj pakiranja i postavljanje
3. Pregled proizvoda
4. Informacije o komandama / Upravljačka ploča
5. Brzi vodič
6. Presavijanje i nošenje
7. Domet i izvedbe
8. Čuvanje, održavanje i čišćenje
9. Konfiguracija aplikacije
10. Tehnički list
11. Rješavanje problema
12. Odgovornost i opći uvjeti jamstva

1. SIGURNOSNE UPUTE

POZORNOST

VAŽNO! Pozorno pročitate i slijedite sljedeće upute prije uporabe proizvoda. Sačuvajte ovaj priručnik za dalje potrebe ili nove korisnike.

Odvojite vrijeme da naučite osnove prakse kako biste izbjegli ozbiljne nesreće koji se mogu dogoditi u prvih nekoliko mjeseci. Obratite se prodavaču za pomoć u vezi s ispravnim rabljenjem proizvoda ili za preporuku odgovarajućoj organizaciji za obuku.

Tvrtka odbija bilo kakvu izravnu ili neizravnu odgovornost koja proizlazi iz zlorababe proizvoda, nepridržavanja cestovnih propisa i uputa u ovom priručniku, nesreća i sporova uzrokovanih nepoštivanjem propisa i nezakonitim radnjama.

Ovaj proizvod je namijenjen samo za rekreaciju, namijenjen je samo jednoj osobi, a ne za prijevoz putnika, stoga ga ne može koristiti više od jedne osobe u isto vrijeme.

Nemojte ni na koji način mijenjati svrhu rabljenja vozila, ovaj proizvod nije prikladan za vratolomije, natjecanja, prijevoz predmeta, vuču drugih vozila ili dodataka.

Il **Električni skuter** d morate koristiti s oprezom, uvijek poštujući **pravila** propisanih Zakonom o autocestama zemlje u kojoj prometujete, kako biste izbjegli opasnosti i vodili najveću brigu o sebi i drugima.

POZORNOST

Requisiti indicativi di progetto veicolo:

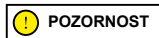
Model električnog skutera	AL EXT Green	AL EXT Bronze	AL2
Kod proizvoda sa uključenim strelicama	LA-MO-210001	LA-MO-220013	LA-MO-220003
	LA-MO-220002	LA-MO-220001	LA-MO-220004
		LA-MO-210002	
MIN težina (kg)	30	30	30
MAKSIMALNA težina (kg)	120	120	120
MIN dob *	14	14	14
MAX dob *	65	65	65
Visina (cm) MIN	120	120	120
Visina (cm) MAX	200	200	200

* Prije uporabe proizvoda provjerite i pridržavajte se važećih lokalnih propisa u vezi s minimalnom dopuštenom dobi za vozača, ograničenja u vezi s vrstom vozača koji mogu koristiti proizvod i samom uporabom ove vrste proizvoda.

A-ponderirana razina zvučnog tlaka (buke) emisije u uhu vozača je ispod 70 dB(A).

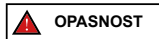
Grafički oblik sigurnosnih upozorenja

Za prepoznavanje sigurnosnih poruka u ovom priručniku koristit će se sljedeći grafički signalni simboli. Imaju funkciju privlačenja pozornosti čitatelja/korisnika u svrhu ispravne i sigurne uporabe proizvoda.



Obratite pozornost

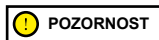
Naglašava pravila koja treba poštovati kako biste izbjegli oštećenje proizvoda i/ili spriječili pojavu opasnih situacija.



Ostali rizici

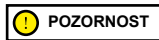
Ističe nazočnost opasnosti koje uzrokuju preostale rizike na koje korisnik mora obratiti pozornost kako bi izbjegao ozljede ili materijalnu štetu.

Opće obavijesti



Važno je imati na umu da kada ste na javnom mjestu ili na cesti, čak i ako doslovce slijedite ovaj priručnik, niste imuni na ozljede uzrokovane prekršajima ili neprikladnim radnjama poduzetim s drugim vozilima, preprekama ili ljudima. Pogrešna uporaba proizvoda ili nepoštivanje uputa u ovom priručniku može uzrokovati ozbiljnu štetu.

Ovaj proizvod je električno vozilo. Što brže vozite, dulji je put kočenja. Naglo kočenje na skliskim, blatnim, mokrim ili zaleđenim cestama može uzrokovati okretanje kotača i gubitak ravnoteže. Morate održavati odgovarajuću brzinu i siguran razmak od drugih vozila ili pješaka. Budite posebice oprezni kada vozite po nepoznatim cestama. Nemojte otvarati postolje dok koristite proizvod, opasnost od ozbiljnih osobnih ozljeda i oštećenja proizvoda.



Na mokrim cestama put kočenja se povećava, a prianjanje značajno smanjuje u usporedbi sa suhim cestama! Vozite opreznije, poštujujte udaljenosti!

Radi vlastite sigurnosti uvijek nosite: kacigu, štitnike za koljena i laktove kako biste se zaštitili od padova i ozljeda tijekom vožnje proizvoda. Prigodom posudbe proizvoda neka vozač obuče sigurnosnu opremu i objasni mu kako upravljati vozilom. Kako biste izbjegli ozljede, nemojte posuđivati proizvod osobama koje ga ne znaju koristiti. Prije uporabe proizvoda uvijek nosite cipele.

Djeca se ne smiju igrati s električnim skuterom ili bilo kojim njegovim dijelom, niti im se smije dopustiti da ga čiste ili održavaju.

Prigodom vožnje proizvodom pazite da ne prestrašite djecu i pješake. Kada prolazite iza njih, upozorite ih zvonom i usporite minimalnom brzinom od 6 km/h.

Upute za vožnju i upozorenja

Uvjeti	Odgovarajuća/ predviđena uporaba	Neodgovarajuća uporaba
vozači	Jedan	Više ljudi, s djecom ili životinjama
Sigurnosna oprema	Kaciga, štitnici za koljena, štitnici za laktove, reflektirajuća jakna	Nema opreme
Kontrola prije vožnje	<p>Prije svake uporabe provjerite kočnice i njihovu istrošenost, provjerite tlak u gumama (pogledajte bočnu stranu gume za preporučanu vrijednost), istrošenost kotača, akcelerator, indikatore, svjetla i stanje napunjenosti baterije.</p> <p>Ako primijetite neobične zvukove ili bilo kakvu anomaliju, nemojte koristiti proizvod i obratite se svom trgovcu ili ovlaštenom servisu za tehničku pomoć</p>	<p>Nikada ne provjeravajte proizvod prije vožnje</p> <p>Koristite proizvod u nazočnosti buke i anomalija</p>
Hodati gurajući proizvod	<p>Nemojte ubrzavati</p> <p>Gurati dok hodate na pješačkim prijelazima</p> <p>U pješačkim zonama bez načina rada za pješake (6 km/h)</p> <p>U prenapučenim područjima</p>	<p>Pritisnite akcelerator</p> <p>Voziti vozilom na pješačkim prijelazima</p> <p>Vožnja vozila u pješačkim zonama ako nije opremljeno načinom za pješake (6 km/h)</p> <p>Vožnja vozila u prepunim mjestima</p>
Iz stacionarnog	Osoba koja vozi ovaj proizvod mora moći lako postaviti obje noge na tlo držeći upravljač na ispravnoj visini	<p>Nemogućnost održavanja proizvoda stabilnim i uravnoteženim</p> <p>Sjediti na proizvodu dok radi ili miruje</p>

Uvjeti	Odgovarajuća/ predviđena uporaba	Neodgovarajuća uporaba
Vozite u normalnim uvjetima	Nema predmeta koji vise s upravljača	Predmeti koji vise s upravljača uzrokuju nestabilnost i mogu smetati tijekom manevara
	Vozite se s obje ruke na upravljaču Ne koristite uređaje poput telefona, pametnih satova, glazbenih uređaja za reprodukciju, slušalice	Vozite jednom rukom ili bez ruku Koristite uređaje kao što su telefoni, pametni satovi, glazbeni uređaji za reprodukciju, slušalice
	Vozite se s obje noge udobno i sigurno preko oslonca za noge	Vožnja s jednom ili više nogu izvan oslonca za noge Zabranjeno je stavljati i koncentrirati težinu na stražnji blatobran.
	Vožnja s kacigom i zaštitnom opremom	Vožnja bez kacige i zaštitne opreme
	Vozite lako raspoloživim, glatkim i čvrstim cestama, izbjegavajte područja s gustim prometom ili prenapučena područja: Primjerice namjenska biciklistička staza, površine s glatkim kolnikom Poštujte lokalne propise koji su na snazi i prometne propise	Vožnja autocestom, međugradskim cestama Vožnja prometnim cestama Vožnja nogostupima Vožnja u prepunim područjima Vožnja po vrlo lošim cestama Vožnja u blizini: usjeka, strmina, luka, mora, jezera i rijeka Nepoštivanje važećih propisa i zakona o autocestama
	Uvijek gledajte naprijed i budite svjesni svih prepreka, vozila i pješaka u blizini	Ometanja tijekom vožnje
	Promijenite smjer pazeći da vas vide, usporite U svakom slučaju, predvidite putanju i umjereno vozite uz poštivanje pravila autoceste i najugroženijih Uvijek koristite pokazivače smjera ako se nalaze na proizvodu	Iznenadno mijenjanje smjera velikom brzinom, a da niste sigurni da vas vide Istodobno kočenje i skretanje čini vozilo nestabilnim Nemojte koristiti pokazivače smjera
	Usporite u nazočnosti pješaka Koristite način rada za pješake u pješačkim zonama (6 km/h) Na svoju nazočnost upozorite zvonom	Ubrzavati ili održavati brzinu u nazočnosti pješaka Vožnja bez rabljenja pješačkog načina rada u pješačkim zonama (6km/h) Ne upozoravanje na svoju nazočnost zvončetom
Neravni uvjeti na cesti: ležeći policajci /stepenice/neravna površina ceste	Vozite umjerenom brzinom Lagano savijte koljena radi bolje amortizacije udarca pri prelasku neravne površine.	Vožnja pri velikoj brzini Ubrzavanje preko ležećih policajaca i neravnina, spuštanje niz stepenice, preskakanje prepreka, penjanje po rubnicima, vožnja ukočeno.

Uvjeti	Odgovarajuća/ predviđena uporaba	Neodgovarajuća uporaba
Ponašanje: u zavojima, nizbrdici, u nazočnosti prepreka, vozila u blizini i pješaka	Držite se na sigurnoj udaljenosti Zaustavite prebrzu vožnju Kočite i usporite Vozite umjerenom brzinom i sigurno kočite Pripazite na vrata i druge visinske prepreke	Ne poštujete sigurnosnu udaljenost Ubrzati Vožnja velikom brzinom, naglo kočenje Proći ispod prepreka u visini
Uvjeti vidljivosti	Vozite samo ako ima dovoljno svjetla za sigurnu vožnju. Kada vozite u nepovoljnim svjetlosnim uvjetima (od pola sata nakon zalaska sunca, tijekom cijelog razdoblja mraka, a također i tijekom dana, ako atmosferski uvjeti onemogućuju preglednost ceste, ako prolazite kroz tunele) ne zaboravite uključiti svjetla proizvoda i nosite reflektirajući prsluk ili naramenice.	Vožnja u nepovoljnim svjetlosnim uvjetima s ugašenim svjetlima i bez rabljenja reflektirajuće jakne ili naramenica.
Vremenski uvjeti	Vožnja po optimalnim vremenskim uvjetima (bez kiše)	Vožnja u nepovoljnim uvjetima: po kiši, snijegu, ledu ili blatu na cesti, jakom vjetru, magli.
Parkirati	Na određenim područjima bez ometanja cirkulacije vozila i pješaka Na glatkim površinama, osiguravajući stabilnost Isključite proizvod i uvijek koristite uređaj protiv krađe Koristite isporučeni tronožac	Posvuda, blokiranjem kretanja vozila i pješaka Na neravnim površinama i bez osiguravanja stabilnosti Ostaviti proizvod uključen, bez nadzora bez uređaja protiv krađe
Baviti se ekstremnim sportovima / vratolomijama	NE	DA, neodgovarajuća uporaba: Vožnja u blizini: usjeka, strmina, luka, mora, jezera i rijeka Voziti preko lokvi Trkati se s drugim vozilima
Izložiti proizvod jakim udarcima	NE	DA, neodgovarajuća uporaba: Bacanje preko stvari ili ljudi, bacanje sa stepenica ili odozgo

Što učiniti nakon pada:

Provjerite radi li poluga akceleratora ispravno. Da biste to učinili, nekoliko puta ubrzajte i usporite.

Uvijek provjerite rade li kočnice ispravno. Da biste to učinili, sidite s proizvoda, gumite proizvod naprijed i zakočite kako biste bili sigurni da reagira na vaše komande.

Provjerite jesu li sve komponente vozila na mjestu i dobro pričvršćene.


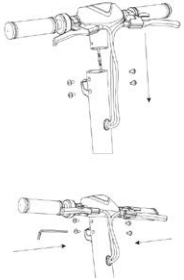

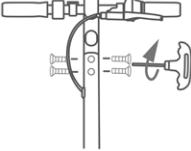
Provjerite istrošenost i tlak u gumama (pogledajte bočnu stranu gume za preporučanu vrijednost). Provjerite istrošenost kočnica i sajli.



Kočnice se mogu zagrijati tijekom uporabe. Nemojte dirati nakon uporabe.

2. SADRŽAJ PAKIRANJA I POSTAVLJANJE

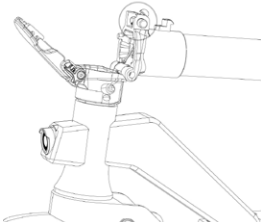
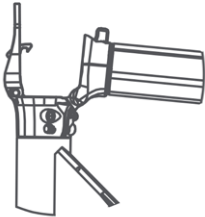
Kad se proizvod sastavi, upravljač će biti instaliran s odgovarajućim vijcima koji se nalaze u pakiranju.

Model	Referentna slika	U pakiranju	Sklopavanje upravljača
AL EXT		<p>Pribor:</p> <p>1x inbus ključ</p> <p>4x vijka za upravljač</p> <p>1x punjač</p>	
AL2		<p>Pribor:</p> <p>1x inbus ključ</p> <p>2x vijka za upravljač</p> <p>1x punjač</p>	

Pješaci:

AL EXT / AL2

- Izvadite proizvod iz pakiranja.
- Otvorite polugu upravljača i učvrstite je zatvaranjem poluge sklopivog mehanizma.
- Spojite kabel za napajanje zaslona na glavni kabelski svežanj (ako je potrebno).
- Ugradite upravljač na polugu (nemojte stegnuti kablove).
- Umetnite i zategnite vijke na stupu upravljača s priloženim ključem.
- Postavite postolje (ako je potrebno).
- Podesite mehanizam za zaključavanje stuba upravljača ** (ako je potrebno).
- Prigodom prve uporabe napunite proizvod do 100%.

Model	Referentna slika	* Podešavanje mehanizma za zatvaranje stuba
AL EXT		<p>Unutar mehanizma nalazi se heksagonalni vijak.</p> <p>Ako se ručka upravljača čini nestabilnom nakon sklapanja, podesite vijak mehanizma tako da ga zavrnete unutra ili van dovoljno da povećate stabilnost ručke.</p>
AL2		<p>Unutar mehanizma nalazi se heksagonalni vijak.</p> <p>Ako se ručka upravljača čini nestabilnom nakon sklapanja, podesite vijak mehanizma tako da ga zavrnete unutra ili van dovoljno da povećate stabilnost ručke.</p>

! POZORNOST

Ispravno sastavite proizvod. U slučaju da tijekom postavljanja primijetite bilo kakve nedostatke u proizvodnji, nejasne korake ili poteškoće u samom postavljanju ili prilagodbama, nemojte voziti vozilo i obratite se svom prodavaču ili posjetite web stranicu www.alemobility.com/en/to/ za primanje tehničke pomoći.

Nemojte koristiti pribor i/ili dodatne dijelove koje nije odobrio proizvođač.

Držite djecu podalje od plastičnih dijelova (uključujući materijale za pakiranje) i malih dijelova koji mogu uzrokovati gušenje.

Zabranjeno je modificirati ili transformirati proizvod ili njegove dijelove na bilo koji način, to bi moglo oštetiti učinkovitost, strukturu i uzrokovati štetu. Ako primijetite bilo kakve nedostatke u proizvodnji, neuobičajene zvukove ili anomalije, nemojte voziti vozilo i kontaktirajte svog prodavača ili posjetite web stranicu www.alemobility.com/en/ za tehničku pomoć.

3. PANORAMA PROIZVODA

S ciljem kontinuiranog tehnološkog razvoja, proizvođač zadržava pravo izmjene proizvoda bez prethodne najave, bez automatskog ažuriranja ovog priručnika.

Za informacije i konsultacije s revizijama ovog priručnika posetite internet stranicu www.alemobility.com/en/

AL EXT



1. Prednje svjetlo
2. Poluga kočnice
3. Kuka
4. Mehanizam za zaključavanje
5. Prednji kotač
6. Stalak
7. Priklučak za punjenje
8. Oslonac za noge
9. Spojnica za zatvaranje
10. Stražnje svjetlo

11. Stražnji blatobran
12. Stražnji kotač motora
13. Čeljust kočnice
14. Zvonce
15. Prikaz
16. Akcelerator
17. Gumb za PALJENJE/ GAŠENJE
18. Gumb za svjetla
19. Ulaz USB

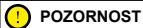
AL2



1. Kuka
2. Zvonce
3. Poluga kočnice
4. Mehanizam za zaključavanje
5. Prijektor
6. Bubanj kočnica
7. Stalac
8. Oslonac za noge
9. Stražnji kotač motora
10. Glavno svjetlo

11. Stražnji blatobran
12. Spojnica za zatvaranje
13. Priključak za punjenje
14. Prikaz
15. Akcelerator



Punjenje baterije



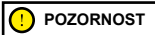
Prigodom prve uporabe napunite proizvod do 100%. Provjerite jesu li proizvod, punjač i priključak za punjenje suhi.

Upute

- Otvorite postolje
- Ugasite proizvod

Model	Referentna slika	UPUTE
AL EXT		<ul style="list-style-type: none">• Koristite samo isporučeni punjač.• Punjač prvo priključite u zidnu utičnicu, a tek onda u utičnicu za punjenje.• Ne uključujte električni skuter dok se puni. <div data-bbox="611 637 814 685"></div> <p>Crveno svjetlo na napajanju postat će zeleno kada se operacija punjenja završi.</p>
AL2		<ul style="list-style-type: none">• Koristite samo isporučeni punjač.• Prvo priključite u zidnu utičnicu, a tek onda u utičnicu za punjenje.• Ne uključujte električni skuter dok se puni. <div data-bbox="611 1093 814 1141"></div> <p>Crveno svjetlo na napajanju postat će zeleno kada se operacija punjenja završi.</p>

Za ponovno punjenje ovog proizvoda koristite SAMO isporučeni punjač



Model	Kod proizvoda	Model punjača	Napon izlaza	Vrijeme punjenja
AL EXT	LA-MO-210001	FCA136-546020	54.6V – 2A	Oko 7 sati
	LA-MO-220002			
	LA-MO-210002			
	LA-MO-220013			
	LA-MO-220001			
AL2	LA-MO-220003	HLT-180-4201500	42V – 1.5A	Oko 5 sati
	LA-MO-220004			

Rabljenje bilo koje druge vrste punjača može oštetiti proizvod ili predstavljati druge potencijalne rizike. Nikada ne puniti proizvod bez nadzora. Ne uključujte proizvod tijekom punjenja.

Nakon svake uporabe potpuno napunite bateriju kako biste produljili njezin vijek trajanja. Ne puniti proizvod odmah nakon uporabe. Ostavite proizvod da se ohladi jedan sat prije ponovnog punjenja.

Proizvod se ne smije puniti dulje vrijeme. Prekomjerno punjenje skraćuje vijek trajanja baterije i nosi dodatne potencijalne rizike.

Preporučljivo je ne dopustiti da se vozilo potpuno isprazni kako biste izbjegli oštećenje baterije.

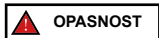
Šteta uzrokovana produljenim izostankom punjenja nepovratna je i nije pokrivena ograničenim jamstvom. Nakon što dođe do oštećenja, baterija se ne može ponovno puniti (zabranjeno je rastavljanje baterije od strane ne kvalificiranog osoblja, jer to može uzrokovati strujni udar, kratki spoj ili čak veće sigurnosne incidente). Ako ste neko vrijeme odsutni, primjerice na odmoru, i povjeravate uređaj nekome drugome, ostavite ga u djelomično napunjenom stanju (20-50% napunjenosti), a ne do kraja.

Redovito provodite vizualni pregled punjača i kabela punjača. Ako je kabel punjača očito oštećen, nemojte ga koristiti kako biste izbjegli daljnje oštećenje i/ili rizik, kontaktirajte nas radi zamjene.

Obavijesti o bateriji

Baterija se sastoji od litij-ionskih ćelija i kemijskih elemenata koji su opasni za zdravlje i okoliš. Nemojte koristiti proizvod ako emitira mirise, tvari ili pretjeranu toplinu. Nemojte odlagati proizvod ili bateriju s kućnim otpadom. Krajnji korisnik je odgovoran za zbrinjavanje električne i elektroničke opreme i baterija sukladno svim važećim propisima.

Izbjegavajte uporabu rabljenih, neispravnih i/ili neoriginalnih baterija drugih modela ili marki.



Ne ostavljajte bateriju u blizini vatre ili izvora topline. Rizik od požara i eksplozije.

Nemojte otvarati ili rastavljati bateriju ili udarati, bacati, bušiti ili pričvršćivati predmete na bateriju.

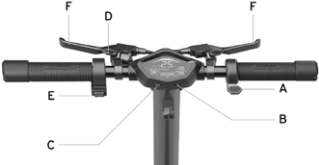
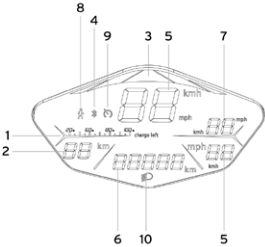
Ne dirajte tvari koje su iscurile iz baterije jer sadrže opasne tvari. Ne dopustite djeci ili kućnim ljubimcima da dodiruju bateriju.

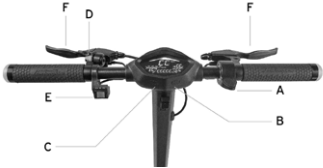
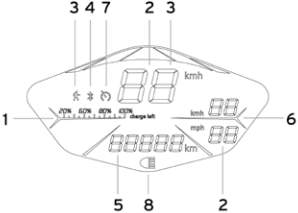
Nemojte prepuniti bateriju ili ju podvrgavati kratkom spoju. Rizik od požara i eksplozije.

Nemojte uranjati niti izlagati bateriju vodi, kiši ili drugim tekućinama. Ne izlažite bateriju izravnoj sunčevoj svjetlosti, pretjeranoj toplini ili hladnoći (na primjer, ne ostavljajte proizvod ili bateriju u automobilu na izravnoj sunčevoj svjetlosti dulje vrijeme), okruženju koje sadrži eksplozivne plinove ili plamen.




Ne nosite ili čuvajte bateriju zajedno s metalnim predmetima kao što su ukosnice, ogrlice itd. Kontakt između metalnih predmeta i kontakata baterije može izazvati kratke spojeve koji dovode do fizičkih ozljeda ili smrti.

4. INFORMACIJE O KOMANDAMA / UPRAVLJAČKOJ PLOČI

Model		
		
	<p>A. Akcelerator: pritisnite prema dolje za ubrzanje.</p> <p>B. Tipka za napajanje: dugo pritisnite za uključivanje ili isključivanje električnog skutera.</p> <p>Odometar ODO/TRIP: Kratko pritisnite 3 puta za prebacivanje između prikaza ODO i TRIP.</p> <p>C. Način brzine: pritisnite kratko za promjenu razine brzine.</p> <p>Svjetla: dugo pritisnite gumb za uključivanje ili isključivanje svjetla.</p>	<p>D. Zvonce: pritisnite 1 put ručicu za njegovo pokretanje.</p> <p>E. Pokazivači smjera: Pritisnite prekidač desno ili lijevo za njihovo aktiviranje ili deaktiviranje.</p> <p>F. Poluga kočnice: stisnite ručicu za kočenje.</p>
AL EXT	<ol style="list-style-type: none"> Razina baterije: stanje preostale napunjenosti. Dometa: procjena preostale udaljenosti. Brzi način (LED traka): <ul style="list-style-type: none"> - Razina 1: zelena boja - Razina 2: narančasta boja - Razina 3: crvena boja Bluetooth: povezivanje putem pametnog telefona je raspoloživo. Brznomjer: trenutna brzina električnog skutera (km/h – mph). Odometar ODO/TRIP: Kratko pritisnite 3 puta za prebacivanje između prikaza ODO i TRIP. AVG brzina: srednja brzina. Način rada za pješake: pomoć pri guranju vozila pomoću bljeskajućeg svjetla. Tempomat: održavanje brzine. Aktivira se nakon održavanja iste brzine nekoliko sekundi. Svjetla: lampica za paljenje svjetala. 	

Model		
		
AL2	<p>A. Akcelerator: pritisnite prema dolje za ubrzanje.</p> <p>B. Tipka za napajanje: dugo pritisnite za uključivanje ili isključivanje električnog skutera.</p> <p>Odometar ODO/TRIP: Kratko pritisnite 3 puta za prebacivanje između prikaza ODO i TRIP.</p> <p>C. Način brzine: pritisnite kratko za promjenu razine brzine.</p> <p>Svjetla: dugo pritisnite gumb za uključivanje ili isključivanje svjetla.</p>	<p>D. Zvonce: pritisnite 1 put ručicu za njegovo pokretanje.</p> <p>E. Pokazivači smjera: Pritisnite prekidač desno ili lijevo za njihovo aktiviranje ili deaktiviranje.</p> <p>F. Poluga kočnice: stisnite ručicu za kočenje.</p>
	<ol style="list-style-type: none"> Razina baterije: stanje preostale napunjenosti. Brzinomjer: trenutna brzina električnog skutera (km/h e mph) Način rada brzine (BRZINOMJER): <ul style="list-style-type: none"> - Razina 1: Naznačeno brojem 1 - Razina 2: označena brojem 2 - Razina 3: označena brojem 3 - Pješak: pomažem gurati vozilo s treptavim svjetlom. Bluetooth: povezivanje putem pametnog telefona je raspoloživo. Odometar ODO/TRIP: ukupna prijeđena udaljenost i udaljenost jedne sesije. AVG brzina: srednja brzina. Tempomat: održavanje brzine. Aktivira se nakon održavanja iste brzine nekoliko sekundi. Svjetla: lampica za paljenje svjetla. 	

Pokazivači smjera

Model	
AL EXT AL2	 <p data-bbox="194 506 740 528">Pokazivači smjera nalaze se na kraju upravljača (desna i lijeva strana).</p> <p data-bbox="194 546 937 567">Pokazivači smjera potrebni su za promptno signaliziranje svake promjene smjera tijekom vožnje.</p> <p data-bbox="194 626 378 647">Komanda pogona:</p>  <div data-bbox="644 633 847 681"> POZORNOST</div> <p data-bbox="644 706 958 749">Prije svake uporabe proizvoda provjerite ispravnost rada pokazivača smjera.</p>

5. BRZI VODIČ

- Prigodom prve uporabe napunite proizvod do 100%.
- Provjerite tlak u gumi (pogledajte bočnu stranu gume za preporučanu vrijednost). U slučaju da proizvod ne postigne najmanje 60% deklariranih km ili ne postigne maksimalnu brzinu u prva 3 mjeseca rabljenja, vjerojatno je da su se kotači ponovno ispuhali, stoga će biti potrebno obnoviti tlak kako je naznačeno.
- Provjerite i namjestite kočnice.
- Uključite zaslon.
- Stavite proizvod na ravnu površinu.
- Čvrsto držite bučicu objema rukama. Stanite na oslonac za noge jednom nogom, a drugom se lagano pogurajte i ubrzajte.

POZORNOST

Funkcija Zero Start: akcelerator počinje raditi kada brzina naprijed prijeđe 3 km/h.
Iz sigurnosnih razloga, proizvod je inicijalno postavljen da spriječi pokretanje iz mjesta.

- Kada vozite proizvod, nagnite svoje tijelo u smjeru vožnje prigodom okretanja i polako okrećite upravljač.
- Da biste zaustavili proizvod, otpustite akcelerator, pritisnite poluge kočnice.
- Da biste sišli, prvo zaustavite vozilo. Silazak s električnog skutera dok je u pokretu može da uzrokuje povrede.
- Prije svake uporabe provjerite kočnice i njihovu istrošenost, provjerite tlak u gumama (pogledajte bočnu stranu gume za preporučanu vrijednost), istrošenost kotača, akcelerator i napunjenost akumulatora.

Podešavanje položaja poluga kočnica

AL EXT / AL2

Podešavanje kočnica

Položaj ručice kočnica može se podesiti ako je potrebno preko tačke A (vidi sliku)

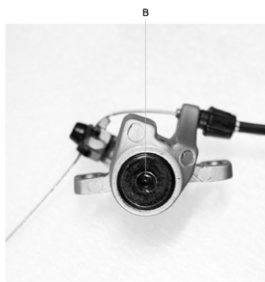
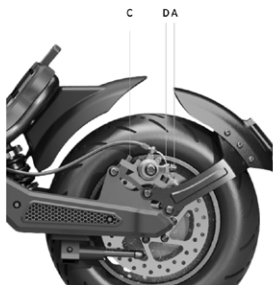


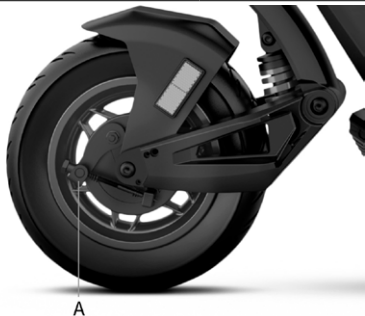
Podešavanje čeljusti kočnice

U slučaju da je kočnica prečvrsta ili prelabava, heksagonalnim ključem otpustite vijak (A), zatim podesite sajlu kočnice (skratite sajlu kočnice prema gore ako je prečvrsta). Ako je kabel previše labav, povucite ga prema dolje) i zatim ponovno zategnite vijak (A).

Ako se čini prelabavim ili pretijesnim čak i nakon prvog koraka, možda će biti potrebno prilagoditi pločicu kočnice (fiksnu) koju možete podesiti pomoću kotačića na suprotnoj strani. Pomoću heksagonalnog ključa pomaknite kočionu pločicu (B) dalje (u smjeru suprotnom od kazaljke na satu) ili prema njoj (u smjeru kazaljke na satu) (vidi sliku). Provjerite ispravno poravnanje između čeljusti kočnice i diska. Koristite vijke C i D za podešavanje položaja/poravnanja na disku ako je potrebno.

Za čeljust stražnje kočnice, otpustite i uklonite vijke C i D, zatim uklonite čeljusti kočnice s diska.



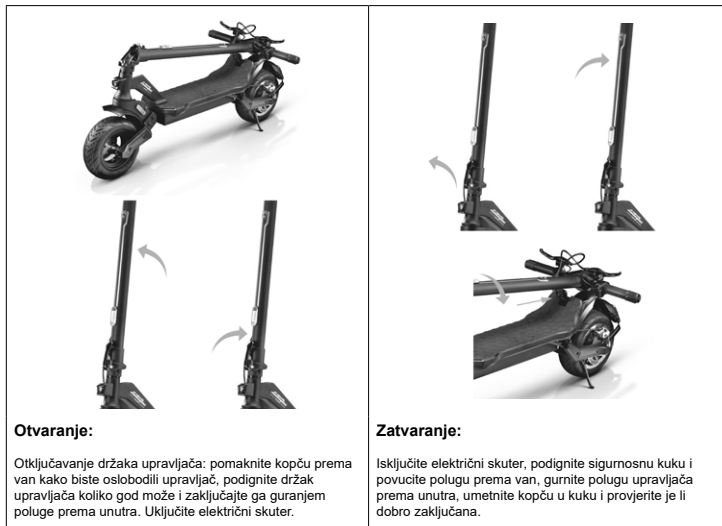
**Poděšavanje bubanj kočnice:**

Ako je kočnica prečvrsta ili prelabava, otpustite ili zategnite vijak (A). Ako se poluga kočnice čini premekanom ili pretvrdom čak i nakon prvog koraka, možda će biti potrebno ponoviti postupak dok se ne postigne optimalna postavka.

6. PRESAVIJANJE I NOŠENJE

Provjerite je li električni skuter isključen. Jednom rukom držite polugu upravljača, povucite ručicu, preklopite polugu prema osloncu za noge i učvrstite.

AL EXT



Stezaljke za upravljač

**Otvaranje:**

Otključavanje osovine upravljača od oslonca za noge: pritisnite kopču kako biste otpustili upravljač, podignite osovinu upravljača do graničnika i zaključajte je guranjem poluge mehanizma za zaključavanje prema unutra. Uključite električni skuter.

Mehanizam za zaključavanje poluge

**Zatvaranje:**

Isključite električni skuter, otključajte mehanizam za zaključavanje: pritisnite crvenu kuku i povucite polugu prema van (vidi sliku), gurnite polugu upravljača prema unutra i provjerite je li učinkovito zaključana.



Nakon sklapanja, podignite držeći polugu upravljača jednom ili objema rukama.

**POZORNOST**

Pazite da čvrsto držite proizvod tijekom transporta. Ako niste sigurni da možete održati težinu proizvoda, nemojte nastaviti transport s podignutim proizvodom. Ako iznenada padne, proizvod može izazvati ozbiljne ozljede i oštetiti se.

7. DOMET I IZVEDBE

Maksimalni domet i izvedbe vozila ovise o nekoliko varijabli:

Teren: Vožnja po glatkom kolniku rezultira većim dometom i izvedbama nego vožnja po neravnim cestama i brdima.

Težina korisnika: što je veća težina, manji je domet i izvedbe vozila.

Temperatura: vožnja električnog skutera u vrlo hladnom ili vrućem okruženju utječe na domet i izvedbe.

Brzina i stil vožnje: glatka i stalna vožnja produljuje domet. Kontinuirana ubrzanja, usporavanja i manevri uvelike smanjuju domet. Niža brzina proširuje domet.

Održavanje: blagovremeno punjenje, pravilno održavanje i redovne provjere pritiska u gumama (pogledajte referentnu vrijednost u odjeljku 10) povećavaju domet i osiguravaju konstantne izvedbe tijekom vremena.

Razina punjenja baterije utječe na izvedbu, što je niža razina, to će biti niža izvedba brzine, posebice kada se penje na brda.

8. ČUVANJE, ODRŽAVANJE I ČIŠĆENJE

Ako na tijelu proizvoda ima mrlja, obrišite ih vlažnom krpom. Ako mrlje i dalje postoje, nanesite na njih blagi sapun, iščetkajte ih malom četkom, a zatim obrišite vlažnom krpom. Ako na plastičnim dijelovima ima ogrebotina, uklonite ih brusnim papirom ili drugim abrazivnim materijalom. Ne čistite proizvod alkoholom, benzinom, kerozinom ili drugim korozivnim i hlapljivim kemijskim otapalima kako biste izbjegli ozbiljno oštećenje proizvoda. Ne perite proizvod mlazom vode pod visokim tlakom. Tijekom čišćenja provjerite je li proizvod isključen, kabel za punjenje isključen i gumeni poklopac zatvoren jer prodiranje vode može uzrokovati strujni udar ili druge ozbiljne probleme. Prodiranje vode u bateriju može uzrokovati oštećenje unutarnjih strujnih krugova, opasnost od požara ili eksplozije. Ako posumnjate da je voda ušla u bateriju odmah prestanite s njenom uporabom i odnesite je u službu nakon prodaje kod svog prodavača radi provjere.

Kada se proizvod ne koristi, držite ga u zatvorenom prostoru na suhom i hladnom mjestu. Nemojte ga držati na otvorenom ili u automobilu dulje vrijeme. Pretjerana sunčeva svjetlost, pregrijavanje i pretjerana hladnoća ubrzavaju starenje guma i ugrožavaju vijek trajanja i proizvoda i baterije. Nemojte ga izlagati kiši ili vodi, niti ga uranjati i prati vodom.

Redovito provjeravajte zategnutost raznih vijčanih elemenata, posebice osovina kotača, sklopivog i transportnog sustava, upravljačkog sustava, kočionog sustava, dobro stanje okvira, vilica i ovjesa. Matice i svi ostali samozatezni elementi mogu izgubiti svoju učinkovitost, stoga je potrebno povremeno provjeriti i zategnuti te komponente.

Kao i sve mehaničke komponente, ovaj je proizvod također podložan habanju i velikom opterećenju. Različiti materijali i komponente mogu na različite načine reagirati na trošenje ili zamor od naprezanja. Ako je vijek trajanja neke komponente prekoračen, može iznenada puknuti, uzrokujući ozljedu vozača. Bilo kakav oblik pukotine, ogrebotine ili promjene boje na područjima pod velikim opterećenjem ukazuje na to da je životni vijek komponente istekao i da se mora zamijeniti.

Provjerite stanje istrošenosti guma: ne smije biti posjekotina, pukotina, stranih tijela, abnormalnih otekline, dijelova koji nedostaju i drugih oštećenja. Za tlak u gumama pogledajte vrijednost u odjeljku 10 ovog priručnika s uputama.

Ne pokušavajte sami rastaviti ili popraviti proizvod. Zamjenu svih komponenti električnog skutera mora izvršiti ovlašteni servis za tehničku pomoć, a za više informacija kontaktirajte svog prodavača ili posjetite web stranicu:

www.alemobility.com/en/

9. KONFIGURIRANJE APLIKACIJE

Ispod su proizvodi opremljeni Bluetoothom i koji se mogu kombinirati s aplikacijom AL e-Mobility: AL EXT, AL2.

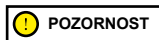
Aplikacija vam omogućuje upravljanje proizvodom izravno s vašeg pametnog telefona.

Skenirajte QR KOD kako biste preuzeli i instalirali aplikaciju. Ako aplikacija nije pronađena, preporučljivo je da je potražite na svojoj referentnoj usluzi aplikacija.

Otvorite aplikaciju i slijedite upute na referentnoj usluzi aplikacije.



Otvorite aplikaciju i slijedite upute na referentnoj usluzi aplikacije.



Aplikacija može zahtijevati različita dopuštenja potrebna za rabljenje i funkcionalnost same aplikacije.

Inačica aplikacije je možda ažurirana na vašoj usluzi aplikacija. Preporučamo da stalno provjeravate ažuriranja aplikacija kako biste iskoristili prednosti novih značajki i da uvijek instalirate najnovije izdanje aplikacije na svoj uređaj.

Ne koristite uređaj tijekom vožnje.

10. TEHNIČKI LIST

Generičke informacije

AL EXT

Okvir	Čelik i aluminij												
Ovjesi	Prednji i stražnji												
Brzina	<table border="1"> <tr> <td>LA-MO-210001; LA-MO-210002; LA-MO-220013</td> <td>LA-MO-220001; LA-MO-220002</td> </tr> <tr> <td>Pješak: ≤ 6km/h</td> <td>Pješak: ≤ 6km/h</td> </tr> <tr> <td>L1: ≤ 15km/h</td> <td>L1: ≤ 10km/h</td> </tr> <tr> <td>L2: ≤ 20km/h</td> <td>L2: ≤ 15km/h</td> </tr> <tr> <td>L3: ≤ 25km/h (maksimalna brzina) *</td> <td>L3: ≤ 20km/h (maksimalna brzina) *</td> </tr> <tr> <td>*prema zemlji prometa</td> <td>*prema zemlji prometa</td> </tr> </table>	LA-MO-210001; LA-MO-210002; LA-MO-220013	LA-MO-220001; LA-MO-220002	Pješak: ≤ 6km/h	Pješak: ≤ 6km/h	L1: ≤ 15km/h	L1: ≤ 10km/h	L2: ≤ 20km/h	L2: ≤ 15km/h	L3: ≤ 25km/h (maksimalna brzina) *	L3: ≤ 20km/h (maksimalna brzina) *	*prema zemlji prometa	*prema zemlji prometa
LA-MO-210001; LA-MO-210002; LA-MO-220013	LA-MO-220001; LA-MO-220002												
Pješak: ≤ 6km/h	Pješak: ≤ 6km/h												
L1: ≤ 15km/h	L1: ≤ 10km/h												
L2: ≤ 20km/h	L2: ≤ 15km/h												
L3: ≤ 25km/h (maksimalna brzina) *	L3: ≤ 20km/h (maksimalna brzina) *												
*prema zemlji prometa	*prema zemlji prometa												
Maksimalni nagib **	22%												
Kočnice	Prednja disk kočnica, stražnja disk kočnica i elektronska kočnica												
Pneumatika	Mjera: 90/65-6.5 Tlak: 50 psi / 3.5 bar												
Maksimalno opterećenje	120kg												
Vozač	Provjerite zakone koji su na snazi u vašoj zemlji												
Radna temperatura	-0°C / 45°C												
Razina zaštite	IPX4												
Vrijeme punjenja	Oko 7 sati												
Autonomia**	do 40km												
Električni sustav													
Nazivna snaga motora	0.50kW; 500W Bez četke												
Maksimalna snaga motora	0.900kW; 900W												
Prikaz	Integrirana LED												
Baterija	48V 12.5Ah 600Wh												
Zaštita od niskog napona	42V												
Ograničenje struje	20A												
KERS	Da												
Svjetla	Prednja i stražnja LED												
Funkcionalnost	Bluetooth												
Mjere													
Neto težina	30.6Kg												
Bruto težina	38.75Kg												

* Uvijek poštujujte prometne propise i propise koji su na snazi u zemlji u kojoj prometujete.

** Podložno varijacijama ovisno o težini vozača, uvjetima na cesti i temperaturi.

Generičke informacije

AL2

Okvir	Čelik i aluminij	
Ovjesi	Prednji i stražnji	
Brzina	LA-MO-220003 Pješak: ≤ 6km/h L1: ≤ 15km/h L2: ≤ 20km/h L3: ≤ 25km/h (maksimalna brzina) * *prema zemlji prometa	LA-MO-220004 Pješak: ≤ 6km/h L1: ≤ 10km/h L2: ≤ 15km/h L3: ≤ 20km/h (maksimalna brzina) * *prema zemlji prometa
Maksimalni nagib **	16%	
Kočnice	Prednja doboš kočnica, stražnja električna kočnica	
Pneumatika	Mjera: 10" X 2.125" Tlak u mjehuru: 36 psi / 2.5 bar	
Maksimalno opterećenje	120kg	
Vozač	Provjerite zakone koji su na snazi u vašoj zemlji	
Radna temperatura	-0°C / +45°C	
Razina zaštite	IPX5	
Vrijeme punjenja	Oko 5 sati	
Autonomia**	do 35km	
Električni sustav		
Nazivna snaga motora	0.35kW; 350W Bez četke	
Maksimalna snaga motora	0.55kW; 550W	
Prikaz	Integrirana LED	
Baterija	36V 8Ah 288Wh	
Zaštita od niskog napona	31 + / - 0.5V	
Ograničenje struje	17A	
KERS	Da	
Svjetla	Prednja i stražnja LED	
Funkcionalnost	Bluetooth s aplikacijom	
Mjere		
Neto težina	19Kg	
Bruto težina	22Kg	

* Uvijek poštujujte prometne propise i propise koji su na snazi u zemlji u kojoj prometujete.

** Podložno varijacijama ovisno o težini vozača, uvjetima na cesti i temperaturi.

11. RJEŠENJA PROBLEMA

Pogreška	Uzrok	Rješenje
Motor ne radi	Električni problem, postoji kod pogreške	Zatražite tehničku pomoć
Pogonski kotač se ne okreće	Problem u kočnicama Motor je blokiran	Podesite kočnice, ako se problem nastavi, zatražite tehničku pomoć Provjerite je li kotač dobro zategnut, provjerite okreće li se kotač bez paljenja vozila. Ako se problem nastavi zatražite tehničku pomoć
Motor se gasi dok radi	Pregrijavanje motora Nazočnost koda pogreške	Zaustavite vozilo i pričekajte da se ohladi Zatražite tehničku pomoć
Nakon punjenja, proizvod se ne pali ili se gasi nakon nekoliko km.	Oštećena baterija	Zatražite tehničku pomoć
Baterija se ne puni ili se proizvod ne uključuje	Problemi s vezom Baterija nije spojena (modeli s uklonjivom baterijom) Baterija je prazna Baterija oštećena Problem s punjačem	Zatražite tehničku pomoć Provjerite je li priključak za napajanje priključen. Napunite bateriju do 100% Zatražite tehničku pomoć Zamijenite punjač

AL EXT / AL2

Tablica kodova pogrešaka

Kod pogreške	Definicija
E1	Pogreška u povezivanju motora
E2	Kvar MOS-a ili kratko spojena faza motora
E3	Kvar osjetnika kočnice
E4	Elektronička pogreška upravljača
E5	Zaštita od niskog napona
E6	Komunikacija instrumenta nije uspjela
E7	Zaštita od visokog napona
E8 / E9	Kvar upravljačke jedinice/BMS-a

12. UVJETI ODGOVORNOSTI I JAMSTVA

Vozač preuzima sve rizike povezane s nerabljenjem kacige i druge zaštitne opreme.

Vozač je obavezan pridržavati se važećih lokalnih propisa koji se odnose na:

1. Minimalnu dob dopuštenu za vozača,
2. Ograničenja za tip vozača koji mogu da koriste proizvod
3. Na sve ostale regulatorne aspekte

Vozač je, također, obavezan održavati proizvod čistim i u savršenom stanju učinkovitosti i održavanja, marljivo provoditi sigurnosne provjere za koje je odgovoran kao što je opisano u prethodnim odjeljcima, ne remetiti proizvod ni na koji način i čuvati svu dokumentaciju vezanu uz održavanje.

Tvrtka nije odgovorna za nastalu štetu i ni na koji način nije odgovorna za štetu nanесenu stvarima ili osobama u slučajevima kada:

- se proizvod koristi nepropisno ili nije sukladno uputama u uputama za uporabu;
- je proizvod, nakon kupnje, izmijenjen ili neovlašteno u svim ili nekim njegovim komponentama.

U slučaju kvara proizvoda iz razloga koji se ne mogu pripisati nepravilnom ponašanju vozača, obratite se centru za podršku ili posjetite stranicu www.alemobility.com/en/

Svi kvarovi ili kvarovi uzrokovani slučajnim događajima i/ili koji se mogu pripisati odgovornosti klijenta ili uporabom proizvoda koja nije sukladna njegovom namjenom i/ili kako je navedeno u dokumentaciji uvijek su isključeni iz opsega Pravnog jamstva Proizvoda, tehnike priključene na proizvod, ili zbog neuspjeha podešavanja mehaničkih dijelova, prirodnog trošenja potrošnog materijala ili uzrokovanog pogreškama pri sklapanju, nedostatkom održavanja i/ili uporabom istih koji nisu sukladni uputama.

Na primjer, sljedeće se treba smatrati izuzetima iz Pravnog jamstva koje se odnosi na proizvode:

- oštećenja uzrokovana udarima, slučajnim padovima ili sudarima, probijanjem;
- oštećenja uzrokovana uporabom, izlaganjem ili pohranom u neodgovarajućem okruženju (primjerice nazočnost kiše i/ili blata, izlaganje vlazi ili prekomernom izvoru toplote, kontakt s pijeskom ili drugim supstancama)
- oštećenja nastala usljed nepodešavanja za stavljanje na put i/ili održavanje mehaničkih dijelova, mehaničkih disk kočnica, upravljača, guma itd.; pogrešno postavljanje i/ili nepravilno postavljanje dijelova i/ili komponenti
- trošenje potrošnih materijala: mehaničke disk kočnice (primjerice pločice, čeljusti, diskovi, sajle), gume, podnožja, zaptivke, ležajevi, led svjetla i sijalice, postolje, gumbi, blatobrani, gumeni dijelovi (oslonac za noge), konektori kablova za ožičenje, maske i naljepnice itd.;
- nepravilno održavanje i/ili nepravilna uporaba baterije proizvoda;
- neovlašteno mijenjanje i/ili forsiranje dijelova proizvoda;
- netočno ili neadekvatno održavanje ili modifikacija proizvoda;
- uporaba Proizvoda (primjerice: prekomjerno opterećenje, korištenje na takmičenjima i/ili za komercijalne aktivnosti iznajmljivanja ili iznajmljivanja);
- održavanje, popravke i/ili tehničke intervencije na Proizvodu koje vrše neovlaštene treće osobe;
- oštećenje Proizvoda prouzrokovano transportom, ako ga izvrši Kupac;
- oštećenja i/ili kvarova nastalih uporabom neoriginalnih rezervnih dijelova.

Pozivamo vas da pogledate najnoviju inačicu jamstvenih uvjeta raspoloživih na stranici www.alemobility.com/en/support/



Obrada električnog ili elektroničkog uređaja na kraju njegovog životnog vijeka (primjenjivo u svim zemljama Europske unije i drugim europskim sustavima s posebnim sustavima za prikupljanje)



Ovaj simbol na proizvodu ili pakiranju označava da se s proizvodom ne smije postupati kao s uobičajenim kućnim otpadom, već ga treba predati na odgovarajuće sabirno mjesto za recikliranje električne i elektroničke opreme (WEEE).

Provjerite je li ovaj proizvod pravilno zbrinut kako biste spriječili moguće negativne posljedice za okoliš i ljudsko zdravlje, koje bi inače mogle biti uzrokovane neprikladnim zbrinjavanjem ovog proizvoda.

Recikliranje materijala pomaže u očuvanju prirodnih resursa.

Za detaljnije informacije o recikliranju i odlaganju ovog proizvoda obratite se lokalnoj službi za zbrinjavanje otpada ili prodajnom mjestu gdje ste ga kupili.

U svakom slučaju, zbrinjavanje se mora provesti sukladno važećim zakonima u zemlji kupnje.

Konkretno, potrošači su obvezni ne odlagati WEEE kao komunalni otpad, već moraju sudjelovati u odvojenom prikupljanju ove vrste otpada na dva načina dostave:

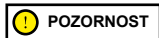
- U općinskim sabirnim centrima (također zvanim Eko-parcele, ekološki otoci), izravno ili preko sabirnih službi komunalnih poduzeća, gdje su one raspoložive;
- Na prodajnim mjestima nove električne i elektroničke opreme.

Ovdje, veoma male stavke vrste WEEE (čija je najdulja strana manja od 25 cm) mogu se ostaviti besplatno dok se veće mogu ostaviti na temelju 1-za-1, tj. možete ostaviti staru stavku kada kupite novu koja ima istu funkciju.

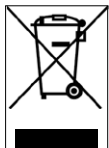
Nadalje, metoda 1 na 1 uvijek je zajamčena prigodom kupnje novog EEE od strane potrošača, bez obzira na veličinu WEEE.

U slučaju nelegalnog odlaganja električne ili elektroničke opreme, moguće je primjenjivati kazne koje su date trenutačnim zakonodavstvom o zaštiti okoliša (talijanska uredba; provjerite uredbu na snazi u zemlji uporabe/ odlaganja vozila).

Ako WEEE sadrži baterije ili akumulatore, oni se moraju ukloniti i podvrgnuti posebnom diferenciranom prikupljanju.



Postupanje s istrošenim baterijama (primjenjivo u svim zemljama Europske unije i drugim europskim sustavima s posebnim sustavima za prikupljanje)



Ovaj simbol na proizvodu ili pakiranju pokazuje da se pakiranje ne treba tretirati kao normalni kućni otpad. Na nekim vrstama baterija ovaj se simbol može koristiti u kombinaciji s kemijskim simbolom.

Kemijski simboli za živu (Hg) ili olovo (Pb) dodaju se ako baterija sadrži više od 0,0005% žive ili 0,004% olova.

Osiguravanjem da se baterije odlažu ispravno pomoći ćete u sprječavanju mogućih negativnih posljedica po okoliš i ljudsko zdravlje koje, inače, mogu biti uzrokovane neodgovarajućim odlaganjem. Recikliranje materijala pomaže u očuvanju prirodnih resursa. U slučaju proizvoda koji zbog sigurnosti, izvedbi ili zaštite podataka zahtijevaju stalnu vezu s unutarnjom ćelijom/baterijom, treba je zamijeniti samo kvalificirano servisno osoblje.

Proizvod na kraju njegovog životnog vijeka odnesite na sabirna mjesta prikladna za odlaganje električne i elektroničke opreme: to osigurava da se i baterija unutar nje ispravno postupa.

Za detaljnije informacije o zbrinjavanju istrošenih baterija ili proizvoda, možete se obratiti lokalnoj službi za zbrinjavanje otpada ili prodajnom mjestu gdje ste ga kupili.

U svakom slučaju, zbrinjavanje se mora provesti sukladno važećim zakonima u zemlji kupnje.

Acest manual se referă la următoarea trotinetă electrică:

AL EXT AL2

Manual de utilizare
LA-MO-000001 rev. 2

Instrucțiuni traduse inițial din limba italiană

Vă mulțumim că ați ales acest produs.

Pentru informații, suport tehnic, asistență și pentru consultarea termenilor generali de garanție, vă rugăm să vă contactați distribuitorul sau să vizitați site-ul www.alemobility.com/en/support/

Cuprins

1. Instrucțiuni de siguranță
2. Conținutul pachetului și modul de asamblare
3. Prezentarea produsului
4. Informații cu privire la comenzi/Panou de control
5. Ghid rapid
6. Pliere și transport
7. Autonomie și performanță
8. Depozitare, întreținere și curățare
9. Configurare aplicație
10. Fișă tehnică
11. Probleme și soluții
12. Condiții generale de răspundere și garanție

1. INSTRUCȚIUNI DE SIGURANȚĂ



ATENȚIE

IMPORTANT! Citiți și urmați cu atenție următoarele instrucțiuni înainte de a utiliza produsul. Păstrați acest manual pentru consultări ulterioare sau pentru utilizatorii noi.

Acordați-vă suficient timp pentru a învăța elementele de bază pentru utilizare pentru a evita eventualele incidente grave care ar putea avea loc în primele luni. Contactați-vă distribuitorul pentru sfaturi despre cum să utilizați corect trotineta sau indicații cu privire la contactarea unei organizații de instruire potrivite.

Societatea își declină orice responsabilitate directă sau indirectă care decurge din utilizarea greșită a produsului, nerespectarea atât a legislației rutiere, cât și a instrucțiunilor din acest manual, a accidentelor sau a litigiilor cauzate de nerespectarea reglementărilor sau ca urmare a acțiunilor ilegale.

Acest produs trebuie utilizat în scopuri recreative, de către o singură persoană și fără pasageri; prin urmare, nu poate fi folosită de mai multe persoane în același timp.

Nu schimbați în niciun fel scopul de utilizare a vehiculului. Acest produs nu este potrivit pentru cascadorii, competiții, transport de obiecte, tractarea altor vehicule sau atașamente.

Trotineta electrică trebuie utilizată cu prudență, respectând întotdeauna **reguliile** impuse de Codul Rutier al țării de folosire, pentru a evita situațiile periculoase și pentru a nu periclită siguranța dumneavoastră sau a altora.



ATENȚIE

Requisiti indicativi di progetto veicolo:

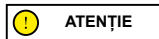
Trotinetă electrică model	AL EXT Green	AL EXT Bronze	AL2
Cod produs cu sisteme de semnalizare incluse	LA-MO-210001	LA-MO-220013	LA-MO-220003
	LA-MO-220002	LA-MO-220001	LA-MO-220004
		LA-MO-210002	
Greutate MIN (Kg)	30	30	30
Greutate MAX (Kg)	120	120	120
Vârsta MIN *	14	14	14
Vârsta MAX *	65	65	65
Înălțimea MIN (cm)	120	120	120
Înălțimea MAX (cm)	200	200	200

* Înainte de a utiliza produsul, verificați și respectați reglementările locale în ceea ce privește vârsta minimă permisă pentru conducător, restricțiile privind tipul de conducători care pot folosi produsul și cu privire la utilizarea produsului în sine.

Nivelul de presiune sonoră (zgomot) de emisie ponderat A la urechea conducătorului este sub 70 dB(A).

Simboluri care identifică avertismentele de siguranță

Următoarele simboluri vizuale sunt utilizate pentru a identifica mesajele de siguranță în acest manual. Acestea atrag atenția cititorului/utilizatorului asupra utilizării corecte și sigure a produsului.



Fiți foarte atenți

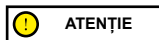
Evidențiază regulile de respectat pentru evitarea deteriorării produsului și/sau pentru prevenirea apariției unor situații periculoase.



Riscuri reziduale

Evidențiază prezența pericolelor care provoacă riscuri reziduale și cărora utilizatorul trebuie să le acorde atenție pentru a evita producerea de răni sau pagube materiale.

Avertismente generale



Este important să țineți cont de faptul că atunci când vă aflați într-un loc public sau pe stradă, chiar dacă respectați acest manual ad literam, nu sunteți protejat complet împotriva leziunilor cauzate de nerespectarea sau acțiunile necorespunzătoare întreprinse cu alte vehicule, obstacole sau persoane. Utilizarea greșită a produsului sau nerespectarea instrucțiunilor din acest manual poate cauza daune grave.

Acest produs este un vehicul electric. Cu cât conduceți mai repede, cu atât distanța de frânare se prelungește. Frânarea de urgență pe drumurile alunecoase, noroioase, umede sau înghețate poate duce la derapajul roților și la pierderea echilibrului. Este necesar să mențineți o viteză adecvată și o distanță sigură față de alte vehicule sau pietoni. Fiți foarte atenți când conduceți pe drumuri pe care nu le cunoașteți. Nu deschideți suportul când utilizați produsul, întrucât există un risc de rănire corporală gravă și de deteriorare a produsului.



Pe un carosabil umed, distanța de frânare crește și aderența scade semnificativ față de carosabilele uscate! Conduceți cu foarte mare atenție, respectând distanța!

Pentru siguranța dumneavoastră, purtați întotdeauna cască, genunchiere și cotiere pentru a vă proteja de căderi și răni în timp ce conduceți trotineta. Când împrumutați produsul, solicitați conducătorului să folosească echipamentul de siguranță și explicați-i cum să manevreze vehiculul. Pentru a evita rănirea, nu împrumutați produsul persoanelor care nu știu să-l folosească. Purtați întotdeauna încălțăminte înainte de a începe să utilizați produsul.

Copiii nu trebuie să se joace cu trotineta sau cu oricare dintre componentele acesteia și nici nu trebuie să li se permită să o curețe sau să o întrețină.

Când conduceți produsul, aveți grijă să nu speriați copiii și pietonii. Când treceți prin spatel lor, avertizați-i folosind claxonul și încetiniți până la viteza minimă de 6 km/h.

Instrucțiuni și avertismente privind modul de conducere

Condiții	Utilizare adecvată/prevăzută	Utilizare necorespunzătoare
Conducători	Unul	Mai multe persoane, cu copii sau animale
Echipament de siguranță	Cască, genunchiere, cotiere, jachetă reflectorizantă	Niciun echipament de siguranță
Verificare înainte de conducere	Înainte de fiecare utilizare, verificați frânele și uzura acestora, verificați presiunea în roți (a se vedea lateralul roții pentru valoarea recomandată), uzura roților, accelerația, indicatoarele stânga-dreapta, luminile și starea de încărcare a bateriei. Dacă sunt detectate zgomote sau anomalii neobișnuite, nu utilizați produsul și contactați-vă distribuitorul sau serviciul de asistență tehnică autorizat	Nu verificați niciodată produsul înainte de folosire Utilizați produsul în prezența zgomotului și a anomaliilor
Mergeți în timp ce împingeți produsul	Nu accelerați Împingeți în timp ce mergeți pe trecerile de pietoni În zonele pietonale, fără regim pietonal (6 km/h) În zonele supraaglomerate	Apăsând accelerația Conduceți vehiculul pe trecerile de pietoni Conduceți vehiculul în zonele pietonale când acesta nu se află în modul pietonal (6 km/h) Conduceți vehiculul în zonele supraaglomerate
Da fermo	La persona che conduce questo prodotto deve essere in grado di appoggiare facilmente entrambi i piedi per terra impugnando il manubrio ad una corretta altezza	Non essere in grado di mantenere fermo ed in equilibrio il prodotto Sedersi sul prodotto in marcia o da fermo

Condiții	Utilizare adecvată/prevăzută	Utilizare necorespunzătoare
Conducere în condiții normale	Nu atârnați de ghidon obiecte	Obiectele care atârână de ghidon cauzează instabilitate și pot crea dificultăți la realizarea manevrelor
	Conduceți cu ambele mâini pe ghidon Nu utilizați dispozitive precum telefoane, ceasuri inteligente, playere muzicale, căști	Conduceți cu o mână sau fără să folosiți mâinile Utilizați dispozitive precum telefoane, ceasuri inteligente, playere muzicale, căști
	Conduceți cu ambele picioare așezate confortabil și în siguranță peste suport	Conduceți cu unul sau cu ambele picioare în afara suportului pentru picioare Este interzisă poziționarea și concentrarea greutății pe apărătoarea de protecție din spate.
	Conduceți folosind casca și echipamentul de protecție	Conduceți fără cască și echipament de protecție
	Conduceți pe drumuri ușor accesibile, drepte și ferme și evitați zonele cu trafic intens sau zonele supraaglomerate: de exemplu, piste de biciclete dedicate, suprafețe cu pavaj drept	Conduceți pe autostrade, drumuri pe distanțe lungi Conduceți pe drumuri aglomerate, pe trotuare Conduceți în zonele aglomerate, pe străzile foarte accidentate Conduceți în apropierea: râpelor, taluzurilor, porturilor, mărilor, lacurilor și a râurilor
	Respectați reglementările locale în vigoare și codul rutier	Nu respectați reglementările în vigoare și codul rutier
	Priviți întotdeauna în față și fiți atenți la toate obstacolele, vehiculele și pietonii din apropiere	Lăsați-vă distrași în timp ce conduceți
	Schimbați direcția, asigurându-vă că sunteți văzuți, în timp ce adaptați viteza Anticipați traiectoria și adaptați-vă viteza, respectând codul rutier și pe cei mai vulnerabili Utilizați indicatoarele de direcție dacă sunt prevăzute pe produs	Schimbați direcția brusc și la viteză ridicată, fără să vă asigurați că sunteți văzuți Frânarea și virajul în același timp fac vehiculul instabil Fără folosirea semnalizatorului de schimbare a direcției
Încetiniți în prezența pietonilor Utilizați modul pietonal în zonele pietonale (6 km/h) Faceți-vă simțită prezența prin folosirea claxonului	Acceleerați sau mențineți viteza constantă în prezența pietonilor Conduceți fără să utilizați modul pietonal în zonele pietonale (6 km/h) Nu avertizați folosind claxonul	
Condiții de drum accidentat: denivelări artificiale/trepte/suprafață accidentată a drumului	Conduceți cu viteză moderată Îndoiiți ușor genunchii pentru o mai bună absorbție a șocurilor atunci când traversați o suprafață neuniformă.	Conduceți cu viteză ridicată Acceleerați peste denivelări și bumpere, coborâți treptele, săriți peste obstacole, urcați pe borduri, conduceți dur.

Condiții	Utilizare adecvată/prevăzută	Utilizare necorespunzătoare
Comportament: în curbă, la coborâre, în prezența obstacolelor, a vehiculelor și a pietonilor în apropiere	Păstrați o distanță de siguranță, Nu mai accelerați, frânați și încetiniți Conduceți cu viteză moderată și frânați într-un mod sigur Fiți atenți la uși și la alte obstacole înalte	Nu respectați distanța de siguranță accelerați Conduceți cu viteză ridicată, frânați brusc treceți pe sub obstacole aflate la înălțime
Condiții de vizibilitate	Conduceți numai dacă există suficiență lumină pentru a conduce în siguranță. În cazul conducerii în condiții de luminozitate nefavorabile (după o jumătate de oră de la apusul soarelui, pe toată perioada cât este întuneric și, de asemenea, în timpul zilei, în cazul în care condițiile atmosferice împiedică vizibilitatea drumului, dacă treceți prin tuneluri), amintiți-vă să aprindeți luminile trotinetei și să purtați o vestă, centuri sau bretele reflectorizante.	Conduceți în condiții de lumină nefavorabile cu luminile stinse și fără a folosi o jachetă, curele sau bretele reflectorizante.
Condiții meteorologice	Conduceți în condiții meteorologice optime (fără ploaie)	Conduceți în condiții nefavorabile: pe ploaie, când ninge, când este gheață sau noroi pe drum, vânt puternic, ceață.
Parcați	În zone specifice, fără a împiedica circulația vehiculelor sau a pietonilor Pe suprafețe netede, asigurându-vă de stabilitatea produsului Opriti produsul și folosiți întotdeauna un dispozitiv antifurt Utilizați cricul fumizat	Oriunde, blocând circulația vehiculelor sau a pietonilor Pe suprafețe denivelate și fără a vă asigura de stabilitatea produsului Lăsați produsul pornit, nesupravegheat, fără un dispozitiv antifurt
Practicați sporturi extreme/cascadorii	NU	DA, folosire imprudentă: Conduceți în apropierea: râpelor, taluzurilor, porturilor, mărilor, lacurilor și a râurilor Conduceți peste bălți, concurați cu alte vehicule
Supuneți produsul la impacturi puternice	NU	DA, folosire imprudentă: Săriți peste lucruri sau persoane, de pe scări sau de sus

Ce să faceți după o cădere:

Verificați dacă maneta de accelerație funcționează corect. Pentru a face acest lucru, accelerați și decelerați de mai multe ori.

Verificați întotdeauna dacă frânele funcționează corect. Pentru a face acest lucru, coborâți de pe trotinetă, împingeți-o înainte și frânați pentru a vă asigura că răspunde la comenzile dumneavoastră.

Verificați dacă toate componentele vehiculului sunt la locul lor și fixate bine.

Verificați uzura și presiunea roților (a se vedea partea laterală a roții pentru valoarea recomandată).


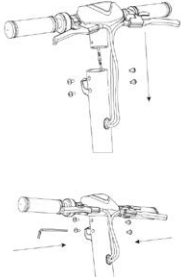

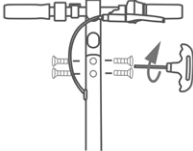
Verificați uzura frânelor și a cablurilor



Frânele pot deveni fierbinți în timpul utilizării. Nu le atingeți imediat după utilizare

2. CONȚINUTUL PACHETULUI ȘI MODUL DE ASAMBLARE

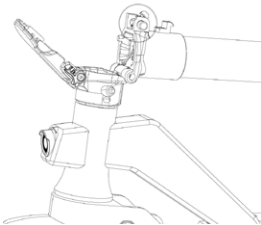
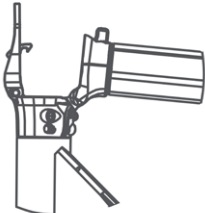
Produs asamblat; ghidonul se va instala cu șuruburile corespunzătoare conținute în pachet.

Model	Imagine de referință	În pachet	Montaj ghidon
AL EXT		<p>Accesori:</p> <p>1x cheie Allen</p> <p>4x șuruburi pentru ghidon</p> <p>1x încărcător de baterie</p>	
AL2		<p>Accesori:</p> <p>1x cheie Allen</p> <p>2x șuruburi pentru ghidon</p> <p>1x încărcător de baterie</p>	

Metodă:

AL EXT / AL2

- Scoateți articolul din ambalaj.
- Deschideți tija ghidonului și asigurați-o prin închiderea pârghiei de pe mecanismul de închidere.
- Conectați cablul de alimentare al afișajului la cablul principal (dacă este necesar).
- Montați ghidonul pe tijă (aveți grijă să nu striviți cablurile).
- Introduceți și strângeți șuruburile de pe tijă, folosind cheia furnizată.
- Montați suportul (dacă este necesar).
- Reglați mecanismul de blocare pe tijă* (dacă este necesar).
- La prima utilizare, încărcați produsul 100%.

Model	Imagine de referință	* Reglarea mecanismului de blocare a tijei
AL EXT		<p>Există un șurub hexagonal în interiorul mecanismului.</p> <p>Dacă tija ghidonului nu este foarte stabilă după închidere, reglați șurubul din mecanism, prin strângerea sau slăbirea acestuia, în funcție de necesitate, pentru a crește stabilitatea tijei.</p>
AL2		<p>Există un șurub hexagonal în interiorul mecanismului.</p> <p>Dacă tija ghidonului este instabilă după închidere, reglați șurubul mecanismului prin strângerea sau slăbirea acestuia doar cât să crească stabilitatea tijei.</p>

ATENȚIE

Asamblați corect produsul. Dacă în timpul asamblării sunt întâmpinate eventuale defecte din fabrică, pași neclari sau dificultăți de asamblare sau de reglare, nu conduceți vehiculul și contactați-vă distribuitorul sau vizitați site-ul www.alemobility.com/en/ pentru suport tehnic.

Nu utilizați accesorii și/sau piese suplimentare care nu sunt aprobate de producător.

Piese din plastic (inclusiv materialele de ambalare) și piesele mici nu trebuie lăsate la îndemâna copiilor, întrucât pot provoca sufocare.

Este interzisă modificarea sau transformarea articolului sau a oricăror componente ale acestuia în orice mod, deoarece aceasta poate afecta eficiența, poate reduce integritatea structurală și poate cauza daune. În cazul în care detectați oricare alte defecte din fabrică, zgomote neobișnuite sau defecțiuni, nu conduceți vehiculul și contactați-vă distribuitorul sau vizitați site-ul www.alemobility.com/en/ pentru suport tehnic.

3. PREZENTAREA PRODUSULUI

În interesul dezvoltării tehnologice, producătorul își rezervă dreptul de a modifica articolul fără notificare prealabilă, iar acest manual nu va fi actualizat automat.

Pentru informații și pentru a vizualiza actualizările acestui manual, vizitați site-ul www.alemobility.com/en/

AL EXT



1. Sistem iluminat față
2. Manetă de frână
3. Cârlig
4. Mecanism de blocare
5. Roată față
6. Suport
7. Port de încărcare
8. Suport pentru picioare
9. Clemă de fixare
10. Sistem iluminat spate

11. Apărătoare de noroi spate
12. Roată de acționare spate
13. Plăcuță de frână
14. Claxon
15. Afișaj
16. Manetă de accelerație
17. Buton ON/OFF
18. Comutator
19. Port USB

AL2



1. Cârlig
2. Claxon
3. Manetă de frână
4. Mecanism de blocare
5. Bec semnalizator
6. Frână cu tambur
7. Suport
8. Suport pentru picioare
9. Roată de acționare spate
10. Bec semnalizator

11. Apărătoare de noroi spate
12. Clemă de fixare
13. Port de încărcare
14. Afișaj
15. Manetă de accelerație

Alimentare baterie







ATENȚIE

La prima utilizare, încărcați produsul la 100%. Asigurați-vă că produsul, încărcătorul și portul de încărcare sunt uscate.

Instrucțiuni

- Deschideți cricul
- Oprii produsul

Model	Imagine de referință	INSTRUCȚIUNI
AL EXT		<ul style="list-style-type: none">• Utilizați numai produsele furnizate.• Conectați încărcătorul mai întâi la priza de perete și abia apoi la priza de încărcare.• Nu porniți trotineta electrică în timp ce aceasta se încarcă. <div data-bbox="612 634 814 681">ATENȚIE</div> <p>Lumina roșie de pe încărcător va deveni verde atunci când încărcarea este completă.</p>
AL2		<ul style="list-style-type: none">• Folosiți numai încărcătorul furnizat.• Conectați încărcătorul mai întâi la priza de perete și abia apoi la priza de încărcare.• Nu porniți trotineta electrică în timp ce aceasta se încarcă. <div data-bbox="612 1078 814 1125">ATENȚIE</div> <p>Lumina roșie de pe sursa de alimentare se va schimba în verde atunci când operațiunea de încărcare este finalizată.</p>

Pentru a reîncărca articolul, utilizați NUMAI încărcătorul de baterie furnizat



ATENȚIE

Model	Cod produs	Model încărcător baterie	Tensiune de ieșire	Timp de încărcare
AL EXT	LA-MO-210001	FCA136-546020	54.6V – 2A	Circa 7 ore
	LA-MO-220002			
	LA-MO-210002			
	LA-MO-220013			
	LA-MO-220001			
AL2	LA-MO-220003	HLT-180-4201500	42V – 1.5A	Circa 5 ore
	LA-MO-220004			

Utilizarea oricărui alt tip de încărcător poate deteriora trotineta sau poate prezenta alte riscuri potențiale.

Nu lăsați niciodată produsul nesupravegheat în timpul încărcării. Nu porniți produsul în timpul încărcării.

După fiecare utilizare, reîncărcați complet bateria pentru a prelungi durata de viață a acesteia. Nu reîncărcați produsul imediat după utilizare. Lăsați trotineta să se răcească timp de o oră înainte de reîncărcare.

Produsul nu trebuie încărcat perioade lungi. Supraîncărcarea scurtează durata de viață a bateriei și implică riscuri potențiale suplimentare.

Se recomandă să nu lăsați vehiculul să se descarce complet pentru a evita deteriorarea bateriei.

Daunele cauzate de absența prelungită a încărcării sunt ireversibile și nu sunt acoperite de garanția limitată. Odată survenită dauna, bateria nu poate fi reîncărcată (dezasamblarea bateriei de către personalul necalificat este interzisă, deoarece există riscul de electrocutare, scurtcircuit sau chiar incidente majore de siguranță). Dacă sunteți plecat mai mult timp, de exemplu în vacanță, și încredințați dispozitivul altcuiva, lăsați-l parțial încărcat (încărcare 20-50%), nu încărcat complet.

Efectuați în mod regulat inspecția vizuală a încărcătorului și a cablurilor încărcătorului. În cazul în care cablul de încărcare prezintă deteriorări evidente, nu-l utilizați pentru a evita alte daune și/sau riscuri; vă rugăm să ne contactați pentru înlocuire.

Avertismente privind bateria

Bateria este alcătuită din celule pe bază de litiu-ion și elemente chimice care sunt periculoase pentru sănătate și mediu. Nu utilizați produsul dacă emană mirosuri, substanțe sau căldură excesivă. Nu aruncați produsul sau bateria împreună cu deșeurile menajere. Utilizatorul final este responsabil pentru eliminarea echipamentelor electrice și electronice și a bateriilor în conformitate cu toate reglementările aplicabile.

Evitați utilizarea bateriilor uzate, defecte și/sau neoriginale, a altor modele sau mărci.



Nu lăsați bateria în apropierea surselor de foc sau de căldură. Risc de incendiu și explozie.

Nu deschideți sau demontați bateria. Nu loviți, aruncați sau perforați bateria, nici nu atașați obiecte de aceasta.

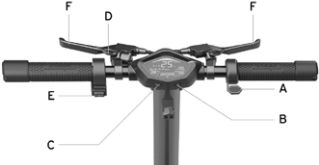
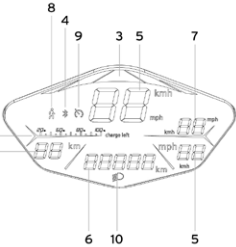
Nu atingeți eventualele substanțe scurse din baterie, deoarece sunt periculoase. Nu lăsați copii sau animalele de companie să atingă bateria.

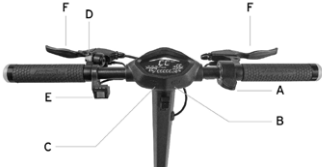
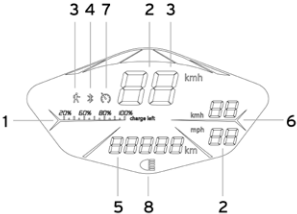
Nu supraîncărcați sau scurtcircuitați bateria. Risc de incendiu și explozie.

Nu scufundați și nu expuneți bateria la apă, ploaie sau alte lichide. Nu expuneți bateria la lumina directă a soarelui, la căldură excesivă sau la frig (de exemplu, nu lăsați produsul sau bateria într-o mașină sub lumina directă a soarelui pentru o perioadă lungă de timp), într-un mediu care conține gaze explozive sau flăcări.

Nu transportați și nu depozitați bateria împreună cu obiecte metalice precum agrafe de păr, coliere etc. Contactul dintre obiectele metalice și contactele bateriei poate cauza scurtcircuite care duc la vătămare corporală sau deces.

4. INFORMAȚII CU PRIVIRE LA COMENZII/PANOU DE CONTROL

Model		
		
	<p>A. Manetă de accelerație: apăsați în jos pentru a accelera.</p> <p>B. Buton ON-OFF: apăsați lung pentru a porni sau opri trotineta electrică.</p> <p>Odometru ODO/TRIP: apăsați scurt de 3 ori pentru a comuta de la afișarea ODO la TRIP.</p> <p>C. Moduri de viteză: apăsați scurt pentru a schimba viteza.</p> <p>Lumini: Țineți apăsat mai mult timp butonul pentru a aprinde sau stinge luminile.</p>	<p>D. Claxon: apăsați maneta o dată pentru acționare..</p> <p>E. Indicatori de direcție: Apăsați comutatorul spre dreapta sau spre stânga pentru a-i activa și/sau dezactiva.</p> <p>F. Manetă de frână: strângeți maneta pentru a frâna.</p>
AL EXT	<div style="display: flex; justify-content: space-between;"> <div data-bbox="174 754 542 1268" style="width: 48%;"> <ol style="list-style-type: none"> 1. Nivel baterie: stare de încărcare reziduală. 2. Autonomie: estimarea distanței rămase. 3. Mod viteză (bară LED): <ul style="list-style-type: none"> - Nivel 1: culoare verde - Nivel 2: culoare portocalie - Nivel 3: culoare roșie 4. Bluetooth: conexiune smartphone disponibilă. 5. Tahometru: trotineta electrică cu viteză instantanee (km/h - mph). 6. Odometru ODO/TRIP: apăsați scurt de 3 ori pentru a comuta de la afișarea ODO la TRIP. 7. Viteză AVG: viteză medie. 8. Mod pietonal: ajută la împingerea vehiculului cu lumină intermitentă. 9. Cruise control: menținerea vitezei. Se activează după ce menține aceeași viteză timp de câteva secunde. 10. Lumini: indicator luminos de semnalizare. </div> <div data-bbox="591 841 936 1161" style="width: 48%; text-align: center;">  </div> </div>	

Model		
		
AL2	<p>A. Manetă de accelerație: apăsați în jos pentru a accelera.</p> <p>B. Buton ON-OFF: apăsați lung pentru a porni sau opri trotineta electrică.</p> <p>Odometru ODO/TRIP: apăsați scurt de 3 ori pentru a comuta de la afișarea ODO la TRIP.</p> <p>C. Moduri de viteză: apăsați scurt pentru a schimba viteza.</p> <p>Lumini: Țineți apăsat mai mult timp butonul pentru a aprinde sau stinge luminile.</p>	<p>D. Claxon: apăsați maneta o dată pentru acționare.</p> <p>E. Indicatori de direcție: Apăsați comutatorul spre dreapta sau spre stânga pentru a-i activa și/sau dezactiva.</p> <p>F. Manetă de frână: strângeți maneta pentru a frâna.</p>
	<p>1. Nivel baterie: stare de încărcare reziduală.</p> <p>2. Tahometru: trotineta electrică cu viteză instantanee (km/h și mph)</p> <p>3. Moduri de viteză (TAHOMETRU):</p> <ul style="list-style-type: none"> - Nivel 1: Indicat prin cifra 1 - Nivel 2: indicat prin cifra 2 - Nivel 3: indicat prin cifra 3 - Mod pietonal: Ajută la împingerea vehiculului cu lumină intermitentă. <p>4. Bluetooth: conexiune smartphone disponibilă.</p> <p>5. Odometru ODO/TRIP: distanța totală parcursă și distanța unei singure excursii.</p> <p>6. Viteză AVG: viteză medie.</p> <p>7. Cruise control: menținerea vitezei. Se activează după ce menține aceeași viteză timp de câteva secunde.</p> <p>8. Lumini: indicator luminos de semnalizare.</p> 	

Indicatori de direcție

Model	
AL EXT AL2	 <p data-bbox="194 506 930 546">La modelele unde sunt prezente, indicatoarele de direcție sunt poziționate la capătul ghidonului (partea dreaptă și stânga).</p> <p data-bbox="194 570 930 610">Indicatoarele de direcție sunt necesare pentru a semnaliza prompt orice schimbare de direcție în timpul conducerii.</p> <p data-bbox="194 671 367 690">Unitate de acționare:</p>  <div data-bbox="644 675 847 722" style="border: 1px solid black; padding: 5px;"> ATENȚIE</div> <p data-bbox="644 748 951 809">Înainte de fiecare utilizare a produsului, verificați funcționarea corectă a indicatoarelor de direcție.</p>

5. GHID RAPID

- La prima utilizare, încărcăți produsul la 100%.
- Verificați presiunea în roți (a se vedea partea laterală a roții pentru valoarea recomandată). În cazul în care produsul nu atinge cel puțin 60% din km declarați sau nu atinge viteza maximă în primele 3 luni de utilizare, este probabil ca roțile să se fi dezumflat din nou. Prin urmare, va fi necesar să restabiliți presiunea indicată.
- Verificați și reglați frânele.
- Porniți afișajul.
- Așezați produsul pe o suprafață plană.
- Țineți ferm ghidonul cu ambele mâini. Pășiți pe platformă cu un picior și folosiți-l pe celălalt pentru a împinge ușor trotineta și pentru a accelera.



ATENȚIE

Funcție Zero Start: accelerația intră în funcțiune odată ce viteza înainte depășește 3 km/h.

Din motive de siguranță, produsul este setat inițial pentru a preveni pornirea din starea oprit.

- Când conduceți trotineta, înclinați-vă corpul în direcția de deplasare atunci când virați și rotiți încet ghidonul.
- Pentru a opri trotineta, eliberați accelerația și apăsați maneta de frână.
- Pentru a coborî, mai întâi opriți complet trotineta. Coborârea de pe trotineta aflată în mișcare poate provoca vătămări.
- Înainte de fiecare utilizare, verificați frânele și uzura acestora, verificați presiunea în roți (a se vedea lateralul roții pentru valoarea recomandată), uzura roților, accelerația și nivelul de încărcare al bateriei..

Reglarea poziției manetelor de frână AL

AL EXT / AL2

Reglarea manetei de frână

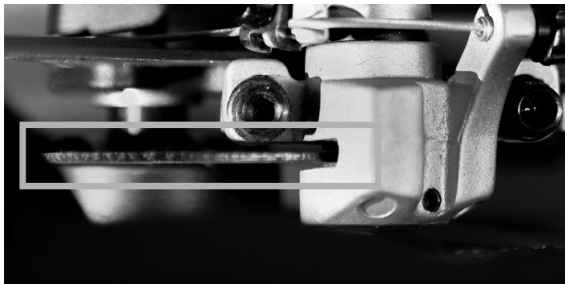
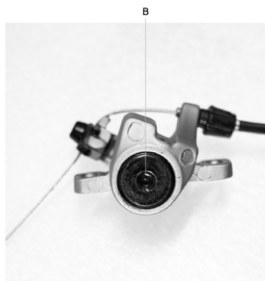
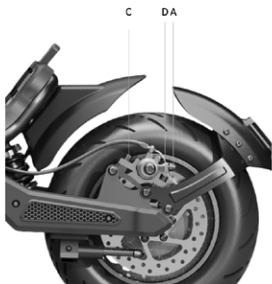
Poziția manetei de frână se poate regla, dacă este necesar, prin intermediul punctului A. (a se vedea imaginea)

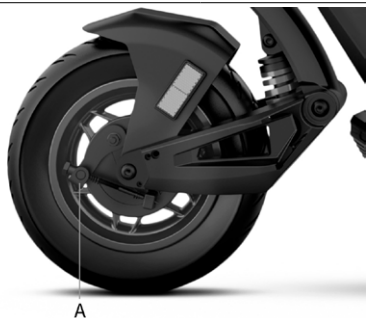


Reglarea sistemului de prindere a frânei

În cazul în care frâna este prea strânsă sau prea slăbită, folosiți cheia hexagonală pentru a slăbi piulița (A), apoi reglați cablul de frână (trageți cablul de frână în sus dacă este prea strâns. Dacă este prea slăbit, trageți cablul de frână în jos) și apoi strângeți din nou piulița (A). În cazul în care cablul este prea slăbit sau prea strâns, chiar și după ce ați urmat primul pas, ar putea fi necesar să reglați plăcuța de frână (fixă), pe care o puteți regla prin intermediul roții din partea opusă. Folosiți cheia hexagonală pentru a îndepărta (în sens anti-orar) sau apropia (în sens orar) plăcuța (B) (a se vedea imaginea). Verificați alinierea corectă dintre sistemul de prindere al frânei și disc. Utilizați șuruburile C și D pentru a regla poziția/alinierea pe disc, dacă este necesar.

Pentru sistemul de prindere al frânei în partea din spate, slăbiți și îndepărtați șuruburile C și D, apoi îndepărtați sistemul de frânare de pe disc.



**Ajustarea frânei cu tambur:**

Dacă frâna este prea strânsă sau prea slăbită, acționați prin slăbirea sau strângerea șurubului (A). Dacă maneta de frână este prea moale sau prea tare, chiar și după ce ați urmat primul pas, poate fi necesar să repetați operațiunea până când se ajunge la o setare optimă.

6. PLIERE ȘI TRANSPORT

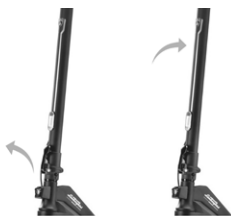
Asigurați-vă că trotineta electrică este oprită. Țineți tija ghidonului cu o mână, trageți de manetă, pliați tija ghidonului spre suportul pentru picioare și cuplați.

AL EXT



Deschidere:

Deblocați tija ghidonului: Apăsați pe clemă pentru a elibera ghidonul, ridicați tija ghidonului până la oprire și blocați-o împingând maneta spre interior. Porniți trotineta electrică.



Închidere:

Opriti trotineta electrică, trageți cârligul de siguranță în sus și trageți maneta spre exterior, aduceți tija ghidonului spre interior, introduceți clemă în cârlig și asigurați-vă că este blocată corect.

Clemă ghidon

**Deschidere:**

Deblocați tija ghidonului de la suportul pentru picioare: apăsați pe clemă pentru a elibera ghidonul, ridicați tija ghidonului până la oprire și blocați-o împingând mecanismul de blocare spre interior. Porniți trotineta electrică.

Blocarea manetei mecanismului

**Închidere:**

Opriti trotineta electrică, deblocați mecanismul de închidere: apăsați cârligul roșu și trageți maneta spre exterior (a se vedea imaginea), aduceți tija ghidonului spre interior și asigurați-vă că este blocată corect.



După pliere, ridicați-o, ținând tija ghidonului cu una sau ambele mâini.

**ATENȚIE**

Asigurați-vă că produsul se află în siguranță în timpul transportului. Dacă produsul nu poate fi ridicat, nu continuați transportul cu produsul ridicat. Dacă este lăsat să cadă brusc, produsul poate provoca răni grave și se poate deteriora.

7. AUTONOMIE ȘI PERFORMANȚĂ

Autonomia maximă și performanța vehiculului depind de mai multe variabile:

Terenul: conducerea pe suprafețe cu pavaj drept are ca rezultat o autonomie și performanță mai mari decât conducerea pe drumuri accidentate și în pantă.

Greutatea utilizatorului: cu cât greutatea este mai mare, cu atât autonomia și performanța vehiculului sunt mai mici.

Temperatura: mersul cu trotineta într-un mediu foarte rece sau foarte cald afectează autonomia și performanța acesteia.

Viteza și stilul de condus: condusul lin și constant vor prelungi autonomia trotinetei. Accelerațiile, decelerațiile și manevrele continue reduc foarte mult autonomia. Viteza mai mică va prelungi autonomia bateriei.

Întreținere: reîncărcarea la timp, întreținerea corectă și verificările regulate ale presiunii în roți (a se vedea valoarea de referință la secțiunea 10) măresc autonomia și asigură o performanță constantă în timp.

Nivelul de încărcare a bateriei afectează performanța – cu cât nivelul este mai scăzut, cu atât va fi mai redusă performanța vitezei, mai ales în prezența pantelor.

8. DEPOZITARE, ÎNTREȚINERE ȘI CURĂȚARE

Dacă există pete pe corpul produsului, ștergeți-le cu o cârpă umedă. Dacă petele persistă, aplicați pe ele un săpun neutru, curățați-le cu o periuță, apoi ștergeți cu o cârpă umedă. Dacă există zgârieturi pe componentele din plastic, utilizați hârtie abrazivă sau alt material abraziv pentru a le îndepărta. Nu curățați produsul cu alcool, benzină, kerosen sau alți solvenți chimici corozivi și volatili pentru a evita deteriorarea gravă a produsului. Nu spălați produsul cu jeturi de apă la presiune înaltă. Când curățați, asigurați-vă că produsul este oprit, cablul de încărcare deconectat și capacul de cauciuc închis, deoarece infiltrarea apei poate cauza electrocutare sau alte probleme grave. Infiltrarea apei în baterie poate cauza deteriorarea circuitelor interne și poate prezenta risc de incendiu sau explozie. Dacă bănuieți că a pătruns apă în baterie, opriți imediat utilizarea bateriei și returnați-o la serviciul post-vânzare sau la distribuitor pentru inspecție.

Când produsul nu este folosit, păstrați-l pliat, într-un loc uscat și răcoros. A nu se depozita în aer liber sau în interiorul mașinii pentru o perioadă lungă de timp. Lumina excesivă a soarelui, supraîncălzirea și frigul excesiv accelerează îmbătrânirea roților și compromit durata de viață utilă atât a produsului, cât și a bateriei. Produsul nu trebuie expus la ploaie sau la apă și nu trebuie scufundat în și spălat cu apă.

Verificați regulat strângerea diferitelor elemente cu șuruburi, în special axurile roților, sistemul de pliere și transport, sistemul de direcție, sistemul de frânare, starea bună a cadrului, furcilor și a suspensiilor. Piulițele și toate celelalte elemente de fixare cu autostrângere își pot pierde eficiența în timp. De aceea, este necesară verificarea și strângerea periodică a acestor componente.

De asemenea, la fel ca toate componentele mecanice, acest produs este supus uzurii și solicitărilor puternice. Diferitele materiale și componente pot reacționa diferit la uzură sau la „oboseală” ca urmare a solicitărilor. Dacă durata de viață utilă a unei componente este depășită, aceasta se poate rupe brusc, provocând rănirea conducătorului. Orice formă de fisură, zgârietură sau decolorare în zonele foarte solicitate indică faptul că durata de viață a componentei a fost atinsă și trebuie înlocuită.

Verificați starea de uzură a anvelopelor: nu trebuie să existe tăieturi, fisuri, corpuri străine, umflături anormale, piese lipsă și alte deteriorări. Pentru presiunea în roți, consultați valoarea de la secțiunea 10 a acestui manual de instrucțiuni.

Nu încercați să dezamblați sau să reparați singuri produsul. Înlocuirea tuturor componentelor trotinetei trebuie efectuată de către serviciul de asistență tehnică autorizat. Pentru mai multe informații, vă rugăm să vă contactați distribuitorul sau să vizitați site-ul: www.alemobility.com/en/

9. CONFIGURARE APLICAȚIE

Produsele care sunt echipate cu Bluetooth și care pot fi asociate cu aplicația AL e-Mobility sunt enumerate mai jos: AL EXT, AL2. Aplicația vă permite să controlați produsul direct de pe smartphone.

Scanați codul QR pentru a descărca și instala aplicația. Dacă nu găsiți aplicația, se recomandă să o căutați în serviciul aplicației de referință. Deschideți aplicația și urmați instrucțiunile furnizate .



Deschideți aplicația și urmați instrucțiunile indicate.



Aplicația ar putea solicita diverse permisiuni necesare pentru utilizarea și funcționalitatea aplicației în sine.

Este posibil ca versiunea aplicației să fi fost actualizată în serviciul dumneavoastră de aplicații. Vă recomandăm să verificați în mod constant actualizările aplicației pentru a profita de noile funcții și a instala întotdeauna cea mai recentă versiune a aplicației pe dispozitiv.

Nu folosiți dispozitivul în timp ce conduceți.

10. FIȘĂ DATE TEHNICE

Informazioni generiche

AL EXT

Cadru	Oțel și aluminiu	
Suspensii	Față și spate	
Viteză	LA-MO-210001; LA-MO-210002; LA-MO-220013 Mod pietonal: ≤ 6km/h L1: ≤ 15km/h L2: ≤ 20km/h L3: ≤ 25km/h (viteză max) * *În funcție de țara de circulație	LA-MO-220001; LA-MO-220002 Mod pietonal: ≤ 6km/h L1: ≤ 10km/h L2: ≤ 15km/h L3: ≤ 20km/h (viteză max) * *În funcție de țara de circulație
Pantă maximă **	22%	
Frâne	Frână pe disc față, frână pe disc spate și frână electronică	
Roți	Mărime: 90/65-6,5 Presiune: 50 psi / 3,5 bari	
Capacitate maximă	120kg	
Conducător	Verificați legislația din țara dumneavoastră	
Temperatura de funcționare	-0°C / 45°C	
Nivel de protecție	IPX4	
Timp de încărcare	aproximativ 7 ore	
Autonomie**	până la 40km	
Sistem electric		
Puterea nominală a motorului	0.50kW; 500W fără perii	
Puterea maximă a motorului	0.900kW; 900W	
Afișaj	LED integrat	
Baterie	48V 12.5Ah 600Wh	
Protecție de joasă tensiune	42V	
Limită curent	20A	
KERS	da	
Lumini	LED față și spate	
Caracteristici	Bluetooth	
Măsurii		
Greutate netă	30.6Kg	
Greutate brută	38.75Kg	

* Respectați întotdeauna codul rutier și reglementările în vigoare din țara de circulație.

** În funcție de variațiile privind greutatea conducătorului, condițiile de drum și temperatură.

Informații generale

AL2

Cadru	Oțel și aluminiu	
Suspensii	Față și spate	
Viteză	LA-MO-220003 Mod pietonal: ≤ 6km/h L1: ≤ 15km/h L2: ≤ 20km/h L3: ≤ 25km/h (viteză max) * *în funcție de țara de circulație	LA-MO-220004 Mod pietonal: ≤ 6km/h L1: ≤ 10km/h L2: ≤ 15km/h L3: ≤ 20km/h(viteză max) * *în funcție de țara de circulație
Pantă maximă **	16%	
Frâne	Frână cu tambur față, frână electrică spate	
Roți	Mărime: 10" X 2,125" cu tub interior, Presiune: 36 psi / 2,5 bari	
Capacitate maximă	120kg	
Conducător	Verificați legislația din țara dumneavoastră	
Temperatura de funcționare	-0°C / +45°C	
Nivel de protecție	IPX5	
Timp de încărcare	aproximativ 5 ore	
Autonomie**	până la 35km	
Sistem electric		
Puterea nominală a motorului	0.35kW; 350W fără perii	
Puterea maximă a motorului	0.55kW; 550W	
Afișaj	LED integrat	
Baterie	36V 8Ah 288Wh	
Protecție de joasă tensiune	31 + / - 0.5V	
Limită curent	17A	
KERS	da	
Lumini	LED față și spate	
Caracteristici	Bluetooth cu aplicație	
Măsuri		
Greutate netă	19Kg	
Greutate brută	22Kg	

* Respectați întotdeauna codul rutier și reglementările în vigoare din țara de circulație.

** În funcție de variațiile privind greutatea conducătorului, condițiile de drum și temperatură.

11. DEFECȚIUNI TEHNICE

Errore	Causa	Soluziune
Motorul nu funcționează	Problemă electrică, cod de eroare prezent	Solicitați asistență tehnică
Roata de acționare nu se rotește	Probleme la sistemul de frânare Motorul este blocat	Reglați frânele; dacă problema persistă, solicitați asistență tehnică Verificați dacă roata este strânsă corect și dacă se rotește fără a porni vehiculul. Dacă problema persistă, solicitați asistență tehnică
Motorul se oprește în timp ce se află în funcțiune	Supraîncălzirea motorului Prezență cod de eroare	Opriti vehiculul și așteptați să se răcească Solicitați asistență tehnică
După încărcare, produsul nu pornește sau se oprește după câțiva km.	Baterie deteriorată	Solicitați asistență tehnică
Bateria nu se încarcă sau produsul nu pornește	Probleme de conectare Bateria nu este conectată (modele cu baterie detașabilă) La batteria è scarica Batteria danneggiata Problemi al caricabatterie	Solicitați asistență tehnică Verificați dacă conectorul de alimentare este cuplat. Încărcați bateria la 100%. Solicitați asistență tehnică Înlocuiți încărcătorul

AL EXT / AL2

Tabella codici errore

Codice errore	Definizione
E1	Funcționare defectuoasă motor
E2	Funcționare defectuoasă MOS sau scurtcircuit fază motor
E3	Defecțiune a senzorului de frânare
E4	Defecțiune a ghidonului electronic
E5	Protecție de joasă tensiune
E6	Comunicarea instrumentelor defectuoase
E7	Protecție la tensiune înaltă
E8 / E9	Defecțiune unitatea de control/BMS

12. CONDIȚII GENERALE DE RĂSPUNDERE ȘI GARANȚIE

Conducătorul își asumă toate riscurile asociate cu neutilizarea unei căști sau a altor echipamente de protecție.

Conducătorul este obligat să respecte reglementările locale în vigoare în legatură cu:

1. Vârsta minimă permisă pentru conducător
2. Restricțiile privind tipul de conducători care pot folosi produsul
3. Toate celelalte aspecte privind reglementarea

Conducătorul este, de asemenea, obligat să păstreze produsul curat și într-o stare perfectă de eficiență și întreținere, să efectueze cu diligență verificările de siguranță de care este responsabil, astfel cum este descris în secțiunile anterioare, să nu modifice produsul în vreun fel și să păstreze toată documentația cu privire la întreținere.

Societatea nu este responsabilă pentru daunele cauzate și nu este în niciun fel responsabilă pentru daunele cauzate lucrurilor sau persoanelor în situațiile în care:

- produsul este utilizat necorespunzător sau fără respectarea instrucțiunilor din manualul de instrucțiuni;
- după achiziționare, produsul este modificat sau folosit necorespunzător în toate sau o parte dintre componentele sale.

În cazul unei defecțiuni a produsului din motive care nu pot fi atribuite unui comportament incorect al conducătorului și în cazul în care doriți să consultați termenii generali de garanție, vă rugăm să contactați distribuitorul propriu sau să vizitați site-ul web www.alemobility.com/en/

Sunt întotdeauna excluse din domeniul de aplicare al garanției legale a produselor orice defecțiuni sau utilizări necorespunzătoare cauzate de evenimente accidentale și/sau care pot fi atribuite responsabilității Cumpărătorului sau utilizării produsului care nu respectă utilizarea prevăzută și/sau indicațiile menționate în documentația tehnică atașată produsului, sau ca urmare a neregării pieselor mecanice, uzurii naturale a materialelor consumabile sau cauzate de erori de asamblare, lipsa întreținerii și/sau folosirea acestuia fără respectarea instrucțiunilor.

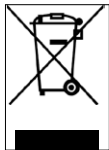
De exemplu, următoarele sunt considerate ca fiind excluse din garanția legală în ceea ce privește produsele:

- daunele cauzate de loviri, căderi sau ciocniri accidentale, înțepături;
- daunele cauzate de utilizare, expunere sau depozitare într-un mediu neadecvat (ex: prezența ploii și/sau a noroiului, expunerea la umiditate sau căldură excesivă, contact cu nisip sau alte substanțe)
- daunele cauzate de neregarea pieselor mecanice, a frânelor mecanice cu disc, ghidon, anvelope etc. pentru drum și/ sau întreținere; instalarea incorectă și/sau asamblarea incorectă a pieselor și/sau a componentelor
- uzura naturală a materialelor consumabile: frână cu disc mecanică (ex: plăcuțe, sisteme de prindere, disc, cabluri), anvelope, suport pentru picioare, garnituri, rulmenți, lumini și becuri LED, cric, butoane, apărători de siguranță, piese din cauciuc (suport pentru picioare), cablajul conectorilor cablurilor, măști și autocolante etc;
- întreținerea necorespunzătoare și/sau utilizarea necorespunzătoare a bateriei produsului;
- manipularea și/sau forțarea unor părți ale produsului;
- întreținerea sau modificarea incorectă ori inadecvată a produsului;
- utilizarea necorespunzătoare a produsului (de exemplu: supraîncărcare, utilizare în competiții și/sau pentru activități comerciale de închiriere);
- întreținerea, reparațiile și/sau intervențiile tehnice asupra produsului, efectuate de terți neautorizați;
- daunele asupra produselor, rezultate din transport, acolo unde sunt efectuate în sarcina cumpărătorului;
- daunele și/sau defectele rezultate din utilizarea pieselor de schimb neoriginale.

Vă invităm să consultați cea mai nouă versiune a termenilor de garanție disponibilă pe site-ul www.alemobility.com/en/support/



Modul de tratare a dispozitivului electric sau electronic la sfârșitul duratei de viață (aplicabil în toate țările Uniunii Europene și în alte sisteme europene cu sistem de colectare separată)



Acest simbol de pe produs sau de pe ambalajul acestuia indică faptul că produsul nu trebuie tratat ca deșeu menajer normal, ci trebuie, în schimb, predat la un punct de colectare adecvat pentru reciclarea echipamentelor electrice și electronice (DEEE).

Asigurați-vă că acest produs este eliminat corect pentru a contribui la prevenirea potențialelor consecințe negative asupra mediului și a sănătății umane, care altfel ar putea fi cauzate de manipularea necorespunzătoare a resturilor acestui produs. Reciclarea materialelor ajută la conservarea resurselor naturale.

Pentru informații mai detaliate cu privire la reciclarea și eliminarea acestui produs, vă rugăm să contactați serviciul local de eliminare a deșeurilor sau punctul de vânzare de unde l-ați achiziționat.

În orice caz, eliminarea trebuie efectuată în conformitate cu legislația în vigoare din țara de achiziție.

În special, consumatorii sunt obligați să nu elimine DEEE ca deșeuri municipale, ci trebuie să participe la colectarea separată a acestui tip de deșeuri prin două modalități de livrare:

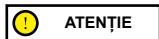
- La Centrele de colectare municipale (numite și suprafețe Eco de evacuare a deșeurilor, insule ecologice), direct sau prin serviciile de colectare ale companiilor municipale, acolo unde acestea sunt disponibile;
- La punctele de vânzare pentru echipamente electrice și electronice noi.

Aici puteți lăsa gratuit DEEE de mici dimensiuni (cu cea mai lungă latură mai mică de 25 cm), în timp ce produsele mai mari pot fi livrate de tip 1 la 1, adică prin livrarea produsului vechi atunci când cumpărați unul nou cu funcții similare.

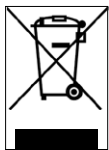
În plus, metoda 1 la 1 este întotdeauna garantată în timpul achiziționării de către consumator a unui EEE nou, indiferent de dimensiunea DEEE.

În cazul aruncării ilegale a echipamentelor electrice sau electronice, pot fi aplicate sancțiunile prevăzute de legislația în vigoare privind protecția mediului (legislația italiană - este necesară verificarea reglementărilor în vigoare din țara de utilizare/eliminare a vehiculului).

Dacă DEEE conțin baterii sau acumulatori, acestea trebuie îndepărtate și supuse unei colectări diferențiate specifice.



Tratarea bateriilor epuizate (aplicabilă în toate țările Uniunii Europene și în alte sisteme europene cu sistem de colectare separată)



Acest simbol de pe produs sau de pe ambalajul acestuia indică faptul că bateria nu trebuie tratată ca deșeu menajer obișnuit. La unele tipuri de baterii, acest simbol poate fi utilizat în combinație cu un simbol chimic.

Simbolurile chimice pentru mercur (Hg) sau plumb (Pb) sunt adăugate dacă bateria conține mai mult de 0,0005% mercur sau 0,004% plumb.

Asigurându-vă că bateriile sunt eliminate corect, veți contribui la prevenirea potențialelor consecințe negative asupra mediului și sănătății umane, care altfel ar putea fi cauzate de manipularea necorespunzătoare a deșeurilor. Reciclarea materialelor ajută la conservarea resurselor naturale. În cazul produselor care, din motive de siguranță, performanță sau protecția datelor, necesită o conexiune permanentă la o baterie internă, aceasta trebuie înlocuită numai de către personalul de asistență calificat.

Lăsați produsul la sfârșitul duratei de viață la punctele de colectare potrivite pentru eliminarea echipamentelor electrice și electronice: astfel, veți fi siguri că și bateria din interior este, de asemenea, tratată corect.

Pentru informații mai detaliate despre eliminarea bateriilor uzate sau a produsului, puteți contacta serviciul local de eliminare a deșeurilor sau punctul de vânzare de unde l-ați achiziționat.

În orice caz, eliminarea trebuie efectuată în conformitate cu legislația în vigoare din țara de achiziție.



EC Declaration of Conformity

according to the EC Machinery Directive 2006/42/EC, Annex II 1.A.

PLATUM by M.T. Distribution S.R.L

Address: Via Bargellino 10 c/d, 40012 Calderara di Reno (BO), Italy

This declaration of conformity is issued under the sole responsibility of the Manufacturer

Product Brand: Automobili Lamborghini

Product Model: ALext

Description of product: Electric Scooter

Serial identification number(s) : ALFM0XXX0XXXXX

The object of the declaration described above fulfils all the relevant provisions of the following Directives:

2006/42/EC Machinery Directive

2014/53/EU Radio Equipment Directive on the harmonization of the laws of the Member States relating to the making available on the market of radio equipment.

2011/65/EU RoHS on the restriction of the use of certain hazardous substances in electrical and electronic equipment

Applicable harmonized standard(s):

EN 300 328 V2.2.2

EN 301 489-1 V1.9.2

EN 62479:2010

EN 62368-1:2014 +AC:2015

EN IEC 63000:2018

Other standard or technical specifications applied

EN 17128:2020

ETSI EN 301 489-17 V3.2.4

Manufacturer: CXM Jiangsu Technology Co., Ltd.

Address: No.1 Building, Biangu Road, Biancang Town, Tinghu, Yancheng, Jiangsu, China

Date: 02/06/2022

PLATUM.COM

HEADQUARTERS: VIA BARGELLINO 10 C/D - 40012 CALDERARA DI RENO (BO)

SALES OFFICE: VIA PARACELSO 24, PALAZZO CASSIOPEA 2 - 20864 AGRATE BRIANZA (MB)

MARCHIO REGISTRATO DI M.T. DISTRIBUTION SRL P. IVA 04177060375 CF 01119840377 REA BO-238546



Authorized Representative in the EU:

MT DISTRIBUTION S.R.L
Via Bargellino 10, 40012, Calderara di Reno (BO), Italy

Technical file available from EU headquarter

Declaration Place: Bologna, Italy

Authorized person - First name and surname: Alessandro Summa
Position: CEO

M.T. DISTRIBUTION SRL
Via Bargellino, 10/b/c
40012 CALDERARA DI RENO (BO)
Ced. Fisc. 0119840377
Partita IVA 0119840377


NOTE:

This declaration of conformity is only applicable to Electric Scooter sold in countries that follow the CE marking directives.

PLATUM.COM

HEADQUARTERS: VIA BARGELLINO 10 C/D - 40012 CALDERARA DI RENO (BO)

SALES OFFICE: VIA PARACELSO 24, PALAZZO CASSIOPEA 2 - 20864 AGRATE BRIANZA (MB)

MARCHIO REGISTRATO DI M.T. DISTRIBUTION SRL P. IVA 04177060375 CF 0119840377 REA BO-236546



EC Declaration of Conformity

according to the EC Machinery Directive 2006/42/EC, Annex II 1.A.

PLATUM by M.T. Distribution S.R.L

Address: Via Bargellino 10 c/d, 40012 Calderara di Reno (BO), Italy

This declaration of conformity is issued under the sole responsibility of the Manufacturer

Product Brand: Automobili Lamborghini

Product Model: AL2

Description of product: Electric Scooter

Serial identification number(s) : ALMN0XXX0XXXXX

The object of the declaration described above fulfils all the relevant provisions of the following Directives:

2006/42/EC Machinery Directive

2014/53/EU Radio Equipment Directive on the harmonization of the laws of the Member States relating to the making available on the market of radio equipment.

2011/65/EU RoHS on the restriction of the use of certain hazardous substances in electrical and electronic equipment

Applicable harmonized standard(s):

EN 300 328 V2.2.2

EN 301 489-1 V1.9.2

EN 62479:2010

EN 62368-1:2014 +AC:2015

EN IEC 63000:2018

Other standard or technical specifications applied

EN 17128:2020

ETSI EN 301 489-17 V3.2.4

Manufacturer: SICHUAN AEE AVIATION TECHNOLOGY CO., LTD.

Address: Room 812, enterprise service center, No.17, section 3, west section of Changjiang North Road, Lingang Economic Development Zone, Yibin City, SICHUAN, P.R.C

Date: 01/03/2023

PLATUM.COM

HEADQUARTERS: VIA BARGELLINO 10 C/D - 40012 CALDERARA DI RENO (BO)

SALES OFFICE: VIA PARACELSO 24, PALAZZO CASSIOPEA 2 - 20864 AGRATE BRIANZA (MB)

MARCHIO REGISTRATO DI M.T. DISTRIBUTION SRL P. IVA 04177060375 CF 01119840377 REA BO-236546



Authorized Representative in the EU:

MT DISTRIBUTION S.R.L
Via Bargellino 10, 40012, Calderara di Reno (BO), Italy

Technical file available from EU headquarter

Declaration Place: Bologna, Italy

Authorized person - First name and surname: Alessandro Summa
Position: CEO

M.T. DISTRIBUTION SRL
Via Bargellino, 10/b/c
40012 CALDERARA DI RENO (BO)
Ced. Fisc. 0119840377
Partita IVA 0119840377


NOTE:

This declaration of conformity is only applicable to Electric Scooter sold in countries that follow the CE marking directives.

PLATUM.COM

HEADQUARTERS: VIA BARGELLINO 10 C/D - 40012 CALDERARA DI RENO(BO)

SALES OFFICE: VIA PARACELSO 24, PALAZZO CASSIOPEA 2 - 20864 AGRATE BRIANZA (MB)

MARCHIO REGISTRATO DI M.T. DISTRIBUTION SRL P. IVA 04177060375 CF 0119840377 REA BO-236546

automobili
Lamborghini



PLATUM
Shaping urban e-mobility

Imported and distributed by
M.T. Distribution Srl
via Bargellino 10 c/d, 40012,
Calderara di Reno, (BO) Italy
www.platum.com

The "Automobili Lamborghini" and "Automobili Lamborghini Bull and Shield" trademarks, copyrights, designs and models are used under license from Automobili Lamborghini S.p.A, Italy.

Errors and omissions excepted