

**Instructions for use**  
**Gebrauchsanweisung**  
**Mode d'emploi**  
**Gebruiksaanwijzing**  
**Istruzioni per l'uso**  
**Instrucciones de uso**



**Navodila za uporabo**  
**Návod na používanie**  
**Használati útmutató**  
**Upute za uporabu**  
**Návod k obsluze**





<b>ENGLISH</b>	Instructions for use	Page 4
<b>DEUTSCH</b>	Gebrauchsanweisung	Seite 17
<b>FRANÇAIS</b>	Directives d'utilisation	Page 30
<b>NEDERLANDS</b>	Gebruiksaanwijzing	Pagina 43
<b>ITALIANO</b>	Istruzioni per l'uso	Pagina 56
<b>ESPAÑOL</b>	Instrucciones de uso	Página 69
<b>SLOVENŠČINA</b>	Navodila za uporabo	Stran 82
<b>SLOVENSKY</b>	Návod na používanie	Strana 95
<b>MAGYAR</b>	Használati útmutató	108 oldal
<b>HRVATSKI</b>	Upute za uporabu	Stranica 121
<b>ČESKY</b>	Návod k obsluze	Strana 134

# SAFETY INSTRUCTIONS

## IMPORTANT TO BE READ AND OBSERVED

Before using the appliance, read these safety instructions. Keep them nearby for future reference.

These instructions and the appliance itself provide important safety warnings, to be observed at all times. The manufacturer declines any liability for failure to observe these safety instructions, for inappropriate use of the appliance or incorrect setting of controls.

⚠ Very young children (0-3 years) should be kept away from the appliance. Young children (3-8 years) should be kept away from the appliance unless continuously supervised. Children from 8 years old and above and persons with reduced physical, sensory or mental capabilities or lack of experience and knowledge can use this appliance only if they are supervised or have been given instructions on safe use and understand the hazards involved. Children must not play with the appliance. Cleaning and user maintenance must not be carried out by children without supervision.

Children aged from 3 to 8 years are allowed to load and unload refrigerating appliances.

### PERMITTED USE

⚠ CAUTION: The appliance is not intended to be operated by means of an external switching device, such as a timer, or separate remote controlled system.

⚠ This appliance is intended to be used in household and similar

applications such as: staff kitchen areas in shops, offices and other working environments; farm houses; by clients in hotels, motels, bed & breakfast and other residential environments.

⚠ This appliance is not for professional use. Do not use the appliance outdoors.

⚠ The bulb used inside the appliance is specifically designed for domestic appliances and is not suitable for general room lighting within the home (EC Regulation 244/2009).

⚠ The appliance is designed for operation in places where the ambient temperature comes within the following ranges, according to the climatic class given on the rating plate. The appliance may not work properly if it is left for a long time at a temperature outside the specified range.

Climatic class ambient temperatures:

SN: From 10°C to 32°C ;

N: From 16°C to 32°C ;

ST: From 16°C to 38°C ;

T: From 16°C to 43°C

⚠ This appliance does not contain CFCs. The refrigerant circuit contains R600a (HC). Appliances with Isobutane (R600a): isobutane is a natural gas without environmental impact, but is flammable.

Therefore, make sure the refrigerant circuit pipes are not damaged, especially when emptying the refrigerant circuit.

⚠ WARNING: Do not damage the appliance refrigerant circuit pipes.

⚠️ **WARNING:** Keep ventilation openings, in the appliance enclosure or in the built-in structure, clear of obstruction.

⚠️ **WARNING:** Do not use mechanical, electric or chemical means other than those recommended by the Manufacturer to speed up the defrost process.

⚠️ **WARNING:** Do not use or place electrical devices inside the appliance compartments if they are not of the type expressly authorised by the Manufacturer.

⚠️ **WARNING:** Ice makers and/or water dispensers not directly connected to the water supply must be filled with potable water only.

⚠️ **WARNING:** Automatic ice-makers and/or water dispensers must be connected to a water supply that delivers potable water only, with mains water pressure between 0.17 and 0.81 MPa (1.7 and 8.1 bar).

⚠️ Do not store explosive substances such as aerosol cans and do not place or use gasoline or other flammable materials in or near the appliance.

⚠️ Do not swallow the contents (non-toxic) of the ice packs (provided with some models). Do not eat ice cubes or ice lollies immediately after taking them out of the freezer since they may cause cold burns.

⚠️ For products designed to use an air filter inside an accessible fan cover, the filter must always be in position when the refrigerator is in function.

⚠️ Do not store glass containers with liquids in the freezer compartment since they may break.

Do not obstruct the fan (if included) with food items.

After placing the food check that the door of compartments closes properly, especially the freezer door.

⚠️ Damaged gaskets must be replaced as soon as possible.

⚠️ Use the refrigerator compartment only for storing fresh food and the freezer compartment only for storing frozen food, freezing fresh food and making ice cubes.

⚠️ Avoid storing unwrapped food in direct contact with internal surfaces of the refrigerator or freezer compartments.

Appliances could have special compartments (Fresh Food Compartment, Zero Degree Box,...).

Unless differently specified in the specific booklet of product, they can be removed, maintaining equivalent performances.

⚠️ C-Pentane is used as blowing agent in the insulation foam and it is a flammable gas.

The most appropriate compartments of the appliance where specific types of food are to be stored, taking into account different temperature distribution in different compartments in the appliance, are as follows:

- Refrigerator compartment:

1) Upper area of the refrigerator compartment & door - temperature zone: Store tropical fruit, cans, drinks, eggs, sauces, pickles, butter, jam

2) Middle area of the refrigerator compartment - cool zone: Store cheese, milk, dairy food, deli food, yoghurt

3) Lower area of the refrigerator

compartment - coldest zone: Store cold cuts, desserts, meat and fish, cheesecake, fresh pasta, sour cream, pesto/salsa, home-cooked food, pastry cream, pudding and cream cheese

4) Fruit & vegetable drawer at the bottom of the refrigerator compartment: Store vegetables and fruits (excluding tropical fruits)

5) Chiller compartment: Only store meat and fish in the coldest drawer - Freezer compartment:

4 star zone (\*\*\*\*) compartment is suitable for freezing foodstuffs from ambient temperature and for storing frozen food as the temperature is evenly distributed throughout the entire compartment.

Purchased frozen food has the storage expiration date stated on the packaging. This date takes into account the type of food being stored and therefore this date should be respected. Fresh food should be stored for the following time periods: 1-3 months for cheese, shellfish, ice cream, ham/sausage, milk, fresh liquids; 4 months for steak or chops (beef, lamb, pork); 6 months for butter or margarine, poultry (chicken, turkey);

8-12 months for fruits (except citrus), roast meat (beef, pork, lamb), vegetables. Expiration dates on the packaging of foods in the 2-star zone must be respected.

To avoid food contamination, please observe the following:

– Opening the door for long periods can cause a significant increase of the temperature in the compartments of the appliance.

– Regularly clean surfaces that may come into contact with food and accessible drainage systems.

– Clean water tanks if they have not been used for 48 h; flush the water system connected to a water supply if water has not been drawn for 5 days.

– Store raw meat and fish in suitable containers in the refrigerator, so that it does not come into contact with or drip onto other food.

– Two-star frozen food compartments are suitable for storing pre-frozen food, storing or making ice cream and ice cubes.

– Do not freeze fresh food in one, two or three-star compartments.

– If the refrigerating appliance is left empty for long periods, switch off, defrost, clean, dry, and leave the door open to prevent mould developing inside the appliance.

## INSTALLATION

⚠ The appliance must be handled and installed by two or more persons - risk of injury. Use protective gloves to unpack and install - risk of cuts.

⚠ Installation, including water supply (if any), electrical connections and repairs must be carried out by a qualified technician. Do not repair or replace any part of the appliance unless specifically stated in the user manual. Keep children away from the installation site. After unpacking the appliance, make sure that it has not been damaged during transport. In the event of problems, contact the dealer or your nearest Aftersales Service. Once installed, packaging waste (plastic, styrofoam parts etc.) must be stored out of reach of

children - risk of suffocation. The appliance must be disconnected from the power supply before any installation operation - risk of electric shock.

During installation, make sure the appliance does not damage the power cable - risk of fire or electric shock. Only activate the appliance when the installation has been completed.

⚠ Be careful not to damage the floors (e.g. parquet) when moving the appliance. Install the appliance on a floor or support strong enough to take its weight and in a place suitable for its size and use. Make sure the appliance is not near a heat source and that the four feet are stable and resting on the floor, adjusting them as required, and check that the appliance is perfectly level using a spirit level. Wait at least two hours before switching the appliance on, to ensure that the refrigerant circuit is fully efficient.

⚠ **WARNING:** When positioning the appliance, ensure the supply cord is not trapped or damaged.

⚠ **WARNING:** To avoid a hazard due to instability, positioning or fixing of the appliance must be done in accordance with the manufacturer instructions.

It's forbidden to place the refrigerator in such way that the metal hose of gas stove, metal gas or water pipes, or electrical wires are in contact with the refrigerator back wall (condenser coil).

All dimensions and spacing needed for installation of the appliance are in the Installation Instruction booklet. Please remove the power cord from

condenser hook during installation before connecting product to power supply.

## **ELECTRICAL WARNINGS**

⚠ It must be possible to disconnect the appliance from the power supply by unplugging it if plug is accessible, or by a multi-pole switch installed upstream of the socket in accordance with the wiring rules and the appliance must be earthed in conformity with national electrical safety standards.

⚠ Do not use extension leads, multiple sockets or adapters. The electrical components must not be accessible to the user after installation. Do not use the appliance when you are wet or barefoot.

Do not operate this appliance if it has a damaged power cable or plug, if it is not working properly, or if it has been damaged or dropped.

⚠ If the supply cord is damaged, it must be replaced with an identical one by the manufacturer, its service agent or similarly qualified persons in order to avoid a hazard - risk of electric shock.

⚠ **WARNING:** Do not locate multiple portable socket-outlets or portable power supplies at the rear of the appliance.


## **CLEANING AND MAINTENANCE**

⚠ **WARNING:** Ensure that the appliance is switched off and disconnected from the power supply before performing any maintenance operation; never use steam cleaning equipment - risk of electric shock.

⚠ Do not use abrasive or harsh cleaners such as window sprays,

scouring cleansers, flammable fluids, cleaning waxes, concentrated detergents, bleaches or cleansers containing petroleum products on plastic parts, interior and door liners or gaskets. Do not use paper towels, scouring pads, or other harsh cleaning tools.

## **DISPOSAL OF PACKAGING MATERIALS**

The packaging material is 100% recyclable and is marked with the recycle symbol . The various parts of the packaging must therefore be disposed of responsibly and in full compliance with local authority regulations governing waste disposal.


## **DISPOSAL OF HOUSEHOLD APPLIANCES**

This appliance is manufactured with recyclable or reusable materials.

Dispose of it in accordance with local waste disposal regulations.

For further information on the treatment, recovery and recycling of household electrical appliances, contact your local authority, the collection service for household waste or the store where you purchased the appliance. This appliance is marked in compliance with European Directive 2012/19/EU, Waste Electrical and Electronic Equipment (WEEE).

By ensuring this product is disposed of correctly, you will help prevent negative consequences for the environment and human health.

The symbol  on the product or on the accompanying documentation indicates that it should not be treated as domestic waste but must be taken to an appropriate collection centre for the recycling of electrical and electronic equipment.

## **ENERGY SAVING TIPS**

To guarantee adequate ventilation follow installation instructions.

Insufficient ventilation at the back of the product increases energy consumption and decreases cooling efficiency.

Frequent door opening might cause an increase in Energy Consumption.

The internal temperature of the appliance and the Energy Consumption may be affected also by the

ambient temperature, as well as location of the appliance. Temperature setting should take into consideration these factors. Reduce door opening to minimum.

When thawing frozen food, place it in the refrigerator. The low temperature of the frozen products cools the food in the refrigerator. Allow warm food and drinks to cool down before placing in the appliance.

Positioning of the shelves in the refrigerator has no impact on the efficient usage of energy. Food should be placed on the shelves in such way to ensure proper air circulation (food should not touch each other and distance between food and rear wall should be kept).

You can increase storage capacity of frozen food by removing baskets and, if present, Stop Frost shelf.

Do not worry about noises coming from the compressor which are normal operation noises.



# HOW TO OPERATE THE REFRIGERATOR COMPARTMENT

This appliance is a fridge with a **★\*\*\*** stars refrigerator compartment.

**The refrigerator compartment defrosts completely automatically.**

The fridge works at a temperature range between +16°C and +38°C. Best performance is achieved at a temperature range between +16°C e +32°C.

## Starting up the fridge

Insert the plug into the socket.

The thermostat allows to adjust the temperature of both compartments: refrigerator and freezer.

## How to adjust the compartments' temperature:

1. To ensure proper functioning and best food storage, **we recommend to adjust the thermostat according to the indications found in the product data sheet included.**
2. If you wish to change the temperature in the refrigerator compartment, turn the thermostat knob to the:
  - **lowest/MIN** numbers to make the compartment do temperature **WARMER**;
  - **highest/MAX** numbers to make the temperature **COLDER**.

Thermostat on ● : the appliance's functions and illumination are interrupted.

## Note:

Ambient temperature, how often the doors are opened and the position of the appliance may affect its internal temperatures. The thermostat knob should be adjusted according to these factors.

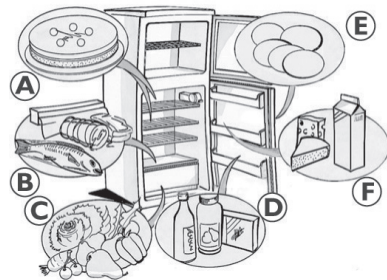
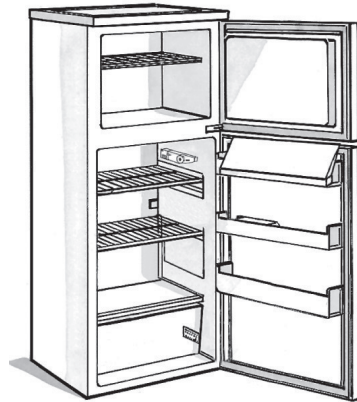
## How to store food in the refrigerator compartment

Place the food as shown in the side figure.

- A.** Cooked food
- B.** Fish, meat
- C.** Fruit and vegetables
- D.** Bottles
- E.** Eggs
- F.** Butter, dairy products, cheese

## Notes:

- The distance between the shelves and the inside rear panel ensures free air circulation.
- Food should not touch the inside rear panel of the refrigerator compartment.
- Do not place food that is still warm in the compartments.
- Keep liquids in closed containers.
- Storing vegetables with a high water content can cause condensation to form in the lower drawer: this does not affect the correct functioning of the appliance.



# HOW TO OPERATE THE FREEZER COMPARTMENT

The freezer compartment has **\*\*\*** stars.

Frozen food can be stored in it until the date indicated on the packaging. Additionally, fresh food can be frozen by storing it under the grill, at the lowest level, and placing food that is already frozen in the upper part of the compartment, in order to avoid it touching food that is still unfrozen.

The quantity of fresh food that can be frozen in 24 hours is written on the rating plate.

## Important:

Before freezing, wrap and seal fresh food in:

- Aluminium foil, cling film, air- and water-tight plastic bags, polythene containers with lids or freezer containers suitable for freezing food.
- The freezer compartment keeps a temperature appropriate to food storage even in the event of an electricity failure.

In the event of such occurrence, is nonetheless advised not to open the compartment door.

## Important:

See side table for storage months for home frozen food.

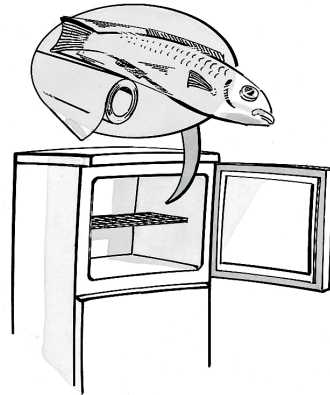
When purchasing frozen food products please make sure that:

- Its packaging or the package are intact, as otherwise the product might deteriorate. If the package is swollen or shows damp patches, it may not have been stored under optimal conditions and defrosting may have already begun.
- When shopping, buy frozen foods at the end of your trip and transport them in a thermally insulated cool bag.
- Once at home, immediately place the frozen food in the freezer compartment.
- Do not refreeze partially thawed food. Consume it within 24 hours.
- Avoid or keep temperature variations to a minimum. Respect the best-before date on the package.
- Always observe the storage information on the package.

## Making ice cubes

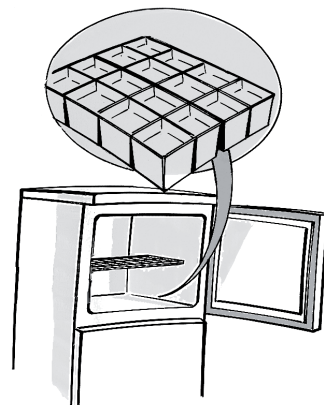
- Fill 3/4 of the ice tray with water and place it in the freezer compartment.

If the tray sticks to the compartment floor, do not use sharp or pointed objects to remove it.



## MONTHS FOOD

MONTHS	FOOD
1-3	
4-7	
8-12	



# HOW TO DEFROST AND CLEAN THE FREEZER COMPARTMENT

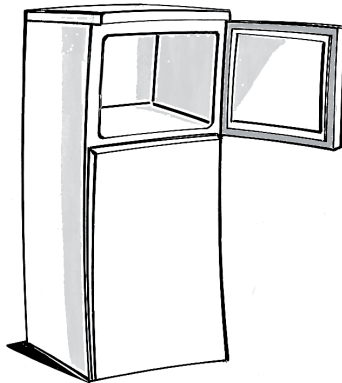
We recommend defrosting the freezer compartment once or twice a year, or when the ice on the sides reaches a thickness of about 3 mm. It is advised to defrost the freezer compartment when it is almost empty.

1. Open the door and remove all food products, wrap them together tightly in newspaper and place them in a cool place or in a thermally insulated cool bag.
2. Disconnect the appliance from the power supply.
3. Leave the freezer door open to allow the ice to melt.
4. Remove the water from defrosting collected at the bottom of the compartment.
5. Clean the inside with a wet sponge, using warm water and a mild detergent.

**Do not use abrasives.**

6. Rinse and dry thoroughly.

**Note:** In order to avoid permanent damage to the compartment's interior, do not use pointed or sharp metal instruments to remove frost and do not heat up the compartment.



# HOW TO CLEAN THE REFRIGERATOR COMPARTMENT

**Clean the refrigerator compartment regularly. The refrigerator compartment defrosts completely automatically.**

The occasional presence of drops of water on the inside rear panel of the refrigerator compartment is a sign of the automatic defrosting phase.

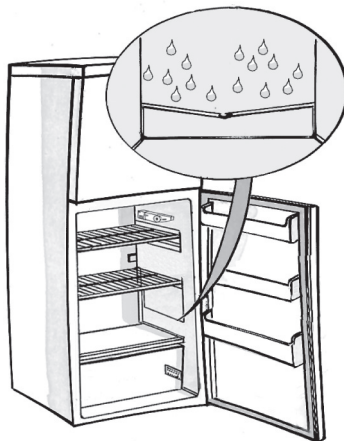
The water from defrosting is channelled into a drain and then collected in a container, where it evaporates.

Clean the drain hole that collects water from defrosting regularly.

Disconnect the appliance from the power supply before cleaning.

- Use a wet sponge with warm water and/or a mild detergent.
- Wipe dry with a soft cloth.

**Do not use abrasives.**



# CLEANING AND MAINTENANCE

## Built-in components

- Regularly clean the ventilation grilles with a vacuum cleaner or a brush (see figure A).
- Clean the outside with a soft cloth.

## Free-standing components

- Regularly clean the condenser placed in the rear of the appliance with a vacuum cleaner or a brush (see figure B).

## Long absences

1. Empty the refrigerator and freezer compartments.
2. Disconnect the appliance from the power supply.
3. Defrost the freezer compartment and dry both compartments.
4. Leave the doors open to prevent bad odours forming.

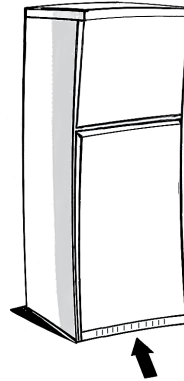


Fig. A

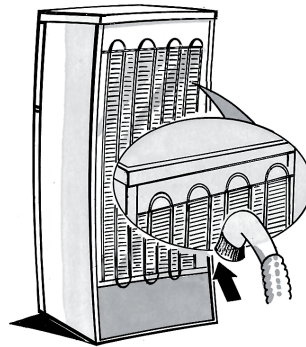


Fig. B

# TROUBLESHOOTING GUIDE

## 1. The appliance is not working.

- Is there a power failure?
- Is the plug properly inserted in the socket?
- Is the bipolar mains switch inserted?
- Are the household electrical system protection devices working properly?
- Is the power cable broken?
- Is the thermostat on the ● (Stop) position?

## 2. The temperature inside the compartments is not cold enough.

- Is the door properly closed?
- Is the appliance placed near a heat source?
- Is the thermostat set on the correct position?
- Is anything blocking air circulation in the ventilation grilles?

## 3. The temperature of the refrigerator compartment is too cold.

- Is the thermostat set on the correct position?

## 4. There is water at the bottom of the refrigerator compartment.

- Is the defrost water drain blocked?

## 5. The interior light does not work.

First check point 1, then:

- Disconnect the appliance from the power supply.  
To learn how to reach the light bulb, see instructions and drawing in the table included.
- Replace the light bulb, ensuring that the replacement is within the same power range or maximum wattage, as specified near the light holder.

## 6. Excessive frost formation in the freezer compartment

- Is the door properly closed?
- Is food preventing the door from closing properly?

## Notes:

- **The front edge of the refrigerator is warm: this is not a defect, it is meant to prevent condensation forming.**
- **Gurgling sounds and expansion noises come from the refrigerating system and are normal.**

# TROUBLESHOOTING GUIDE

## Before calling the After-Sales Service:

1. See if you can solve the problem yourself (see “Troubleshooting guide”).
2. Restart the appliance to check if the problem has been solved.  
If not, disconnect the appliance again and repeat the procedure after one hour.
3. If the problem persists after this course of action, contact after-sales service.

## Specify:

- the nature of the problem,
- the model,
- the Service number (the number that you find after the word "SERVICE" on the rating plate placed inside the appliance),
- your full address,
- your telephone number and area code.

**SERVICE** 0000 000 00000



## Note:

**Reversing the doors of the appliance, if carried out by the Technical Assistance Service, is not considered as a warranty claim.**

# INSTALLATION

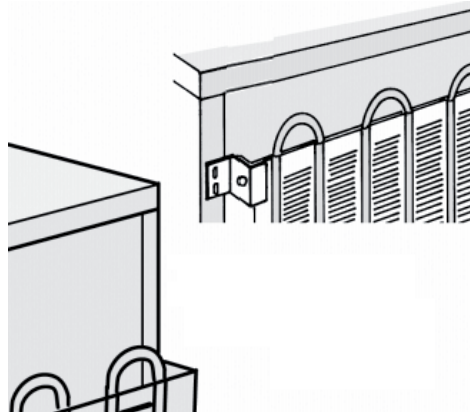
- Install the appliance away from heat sources.
- Place the appliance in a well-ventilated, dry space.
- Do not obstruct the ventilation space above and below the appliance.
- Clean the inside (see “How to clean the refrigerator compartment” chapter).
- Fit all accessories included.

## Connecting the electricity supply

- **Electrical connections must be made in accordance with local regulations.**
- Information relating to power supply and consumption can be found on the plate located on the side of the fruit and vegetable drawers.
- **Regulations require the appliance to be earthed. The manufacturer declines all liability for injury to persons or animals and for damage to property resulting from failure to observe the above procedures and reminders.**
- If the plug and the socket are not compatible, ask a qualified technician to substitute the plug.
- Do not use extension cables or multi-plug adaptors.

## Disconnecting the appliance from the electricity supply

- Unplug the appliance or use the bipolar mains switch above the plug to disconnect it.



# REVERSIBLE DOORS



**Warning:**

Before changing the direction in which the doors open, ensure that the appliance is not connected to the power supply and that a second person is present and ready to help, as the refrigerator is heavy and must be in a tilted position.

**RISK OF INJURY!**

- Remove the screws to take off the hinge (Fig. 1, no. 1 and 2), remove the upper compartment door and place it in a safe location.
- To remove the lower door, loosen the screws of the central support hinge and take it off. (Fig. 1, no. 3 and 4)
- Lift the lower door from the hinge pin (Fig. 1, no. 5) and place it in a safe location.
- Fit the lower stop pin, unscrewing it from the right side and screwing it back on the left side.
- Place the refrigerator upright.
- Remove the left hinge covers from both doors (upper and lower) and fit them on the opposite side of each respective door.
- Place the refrigerator's door on the lower stop pin, turn the central hinge by 180°, push it in the door's upper hole and fasten the hinge.
- Fit the upper compartment door back on and fasten it to the upper hinge support.
- Before tightening all screws, check that the doors have been installed correctly.

Before reconnecting the refrigerator to the power supply, check once more that all screws are tight, that the doors have been installed correctly, and that the refrigerator is in an upright position and placed steadily on the floor.

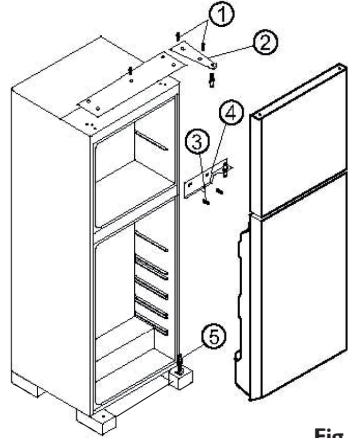


Fig. 1

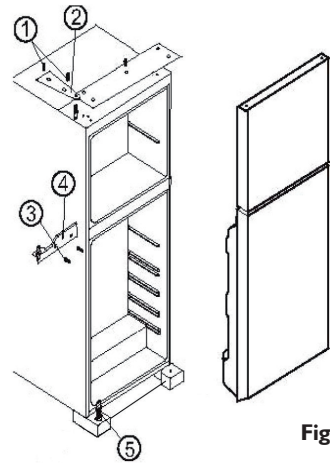


Fig. 2

**Flush-mounted installation**

Dimensions of cabinet and appliance (Fig. 3)

**Height:** 1445 - 1450 mm

**Width:** 560 mm

**Depth:** 550 mm

To ensure sufficient ventilation, observe the indications shown in the figure.

The cabinet must be equipped with incoming and outgoing forced ventilation. (Fig. 3 and 4)

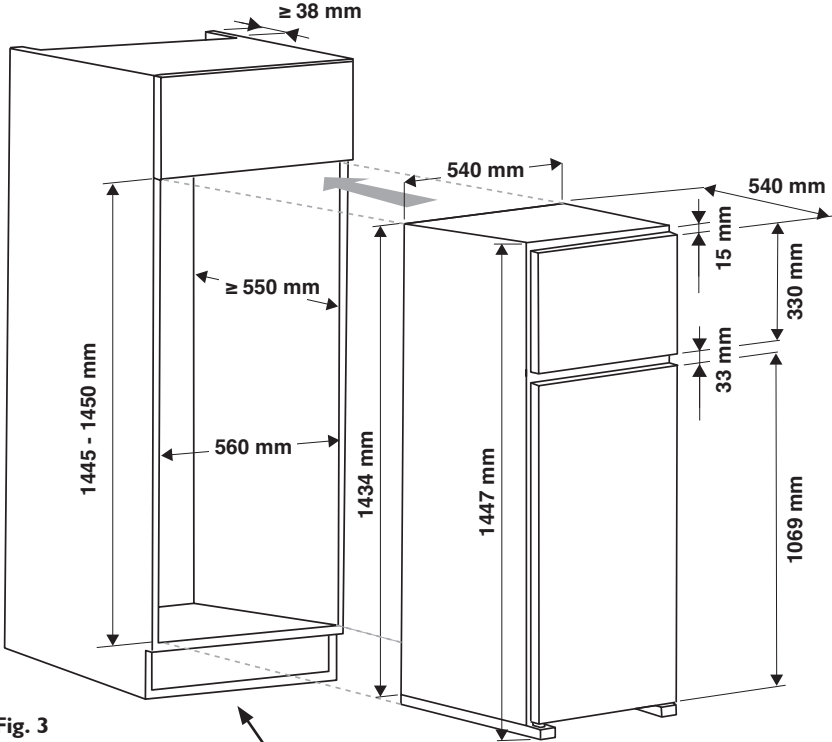


Fig. 3

ventilation grill: minimum 200 cm<sup>2</sup>

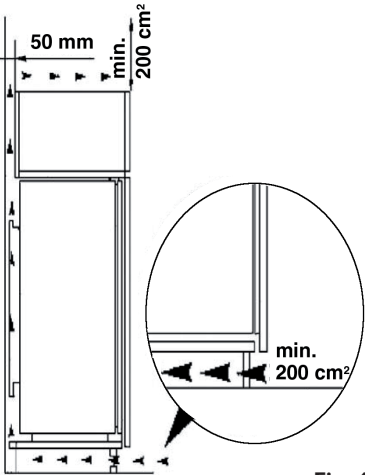
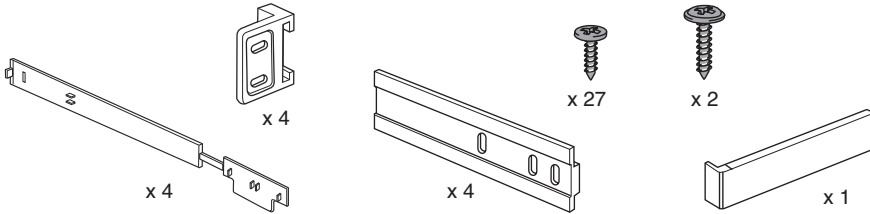


Fig. 4

## Installation KIT



### Sliding door installation

Push the appliance into the cabinet's compartment with care (**Fig. 5**) until you reach stop strip "A". You will find the material required for the installation inside the appliance.

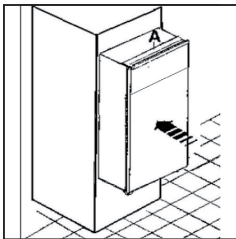


Fig. 5

Open the appliance's door and push in the opposite direction to the hinge (**Fig. 6**). Fasten the appliance with 4 screws, 2 screws on the upper faceplate and 2 on the side corner brace opposite the central hinge.

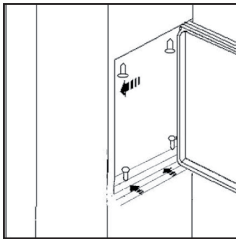


Fig. 6

Place runner "A" as per the indications found (**Fig. 7**) on the inside of the cabinet's door and mark the place where the screws should be inserted. Bore holes for the screws. Fasten the runner.

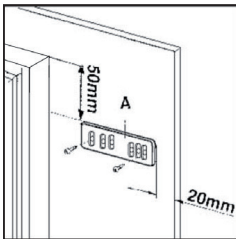


Fig. 7

Open the door of the appliance and of the cabinet at 90°. Place corner brace "B" (**Fig. 8**) against the

runner "A". Ensure that the cabinet's door adheres well to the appliance's door and mark where the middle openings are, as shown in the figure (**Fig. 8**). Remove corner brace "B" and bore holes for the screws with a 2 mm Ø drill bit. Place the corner brace against the runner again and fasten it with the screws provided.

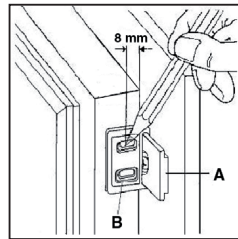


Fig. 8

If you need to adjust the cabinet's door, use the lengthwise slot opening in corner brace "B" (**Fig. 9**).

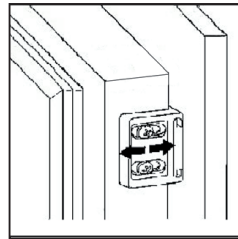


Fig. 9

Depending on the model, press the cover "D" provided on corner brace "B".

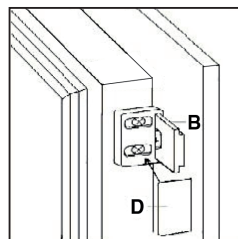


Fig. 10

The freezer compartment door is installed with 1 swing door hinge, while the refrigerator's door requires 2 hinges of this same type.



# SICHERHEITSHINWEISE

## DIESE MÜSSEN DURCHGELESEN UND BEACHTET WERDEN

Diese Sicherheitsanweisungen vor dem Gebrauch durchlesen. Diese Anweisungen zum Nachschlagen leicht zugänglich aufbewahren.

In diesen Anweisungen sowie auf dem Gerät selbst werden wichtige Sicherheitshinweise angegeben, die durchgelesen und stets beachtet werden müssen. Der Hersteller übernimmt keine Haftung für die Nichtbeachtung dieser Sicherheitshinweise, für unsachgemäße Verwendung des Gerätes oder falsche Bedienungseinstellung.

⚠ Babys und Kleinkinder (0-3 Jahre) müssen vom Gerät fern gehalten werden. Jüngere Kinder (3-8 Jahre) müssen vom Gerät ferngehalten werden, es sei denn, sie werden ständig beaufsichtigt. Dieses Gerät darf von Kindern ab 8 Jahren sowie Personen mit herabgesetzten physischen, sensorischen oder geistigen Fähigkeiten und Mangel an Erfahrung und Kenntnissen nur unter Aufsicht oder nach ausreichender Einweisung durch eine für ihre Sicherheit verantwortliche Person verwendet werden. Kinder dürfen nicht mit dem Gerät spielen. Die Reinigung und Pflege des Geräts darf von Kindern nicht ohne Aufsicht durchgeführt werden. Kinder im Alter von 3 bis 8 Jahren dürfen Kühlgeräte beladen und entladen.

### ZULÄSSIGE NUTZUNG

⚠ **VORSICHT:** Das Gerät ist nicht für den Betrieb mit einer externen Schaltvorrichtung, z. B. einem Timer oder einer separaten Fernbedienung, ausgelegt.

⚠ Dieses Gerät ist für Haushaltsanwendungen und ähnliche

Anwendungen konzipiert, zum Beispiel: Mitarbeiterküchen im Einzelhandel, in Büros oder in anderen Arbeitsbereichen; Gutshäuser; für Gäste in Hotels, Motels, bed & breakfast Wohneinrichtungen.

⚠ Dieses Gerät eignet sich nicht für den professionellen Einsatz. Das Gerät ist nicht für die Benutzung im Freien geeignet.

⚠ Die im Gerät verwendete Lampe ist speziell für Elektrogeräte konzipiert und ist nicht für die Beleuchtung von Räumen geeignet (EU-Verordnung 244/2009).

⚠ Das Gerät ist für den Einsatz in Räumen mit nachstehenden Umgebungstemperaturbereichen ausgelegt, die ihrerseits von der Klimaklasse auf dem Typenschild abhängig sind. Wird der vorgegebene Temperaturbereich für das Gerät für einen längeren Zeitraum unter- oder überschritten, kann es zu Funktionsstörungen kommen.

Klimaklasse Umgebungstemperaturen:

SN: Von 10 °C bis 32 °C;

N: Von 16 °C bis 32 °C

ST: Von 16 °C bis 38 °C;

T: Von 16 °C bis 43 °C

⚠ Dieses Gerät ist FCKW-frei. Der Kältemittelkreislauf enthält R600a (HC). Hinweis zu Geräten mit Isobutan (R600a): Isobutan ist ein umweltverträgliches, natürliches Gas, es ist jedoch leicht entflammbar. Aus diesem Grund sicherstellen, dass die Leitungen des Kühlmittelkreislaufs nicht beschädigt sind, insbesondere beim Entleeren des Kühlmittelkreislaufs.

⚠ **WARNUNG:** Beschädigen Sie auf keinen Fall die Leitungen des

Kältemittelkreises.

⚠️ **WARNUNG:** Lüftungsöffnungen in der Geräteverkleidung oder im Einbaumöbel sind von Behinderungen frei zu halten.

⚠️ **WARNUNG:** Zum Beschleunigen des Abtauvorganges niemals zu anderen mechanischen, elektrischen oder chemischen Hilfsmitteln greifen als zu den vom Hersteller empfohlenen.

⚠️ **WARNUNG:** Verwenden Sie keine elektrischen Geräte in den Fächern des Gerätes, wenn deren Einsatz nicht explizit vom Hersteller zugelassen worden ist.

⚠️ **WARNUNG:** Eisbereiter und/oder Wasserspender, die nicht direkt mit der Wasserleitung verbunden sind, dürfen nur mit Trinkwasser befüllt werden.

⚠️ **WARNUNG:** Automatische Eisbereiter und/oder Wasserspender müssen an eine Wasserleitung angeschlossen werden, die nur Trinkwasser mit einem Wasserleitungsdruck zwischen 0,17 und 0,81 MPa (1,7 und 8,1 bar) liefert.

⚠️ Bewahren Sie keine explosionsgefährdeten Stoffe wie Spraydosen im oder in der Nähe des Gerätes auf. Das gleiche gilt für Benzin und sonstige entflammbare Stoffe und deren Verwendung.

⚠️ Die in den Kühlakkus (bei manchen Modellen vorhanden) enthaltene (ungiftige) Flüssigkeit darf nicht verschluckt werden. Verzehren Sie Eiswürfel oder Wassereis nicht unmittelbar nach der Entnahme aus dem Gefrierfach, da sie Kälteverbrennungen hervorrufen können.

⚠️ Bei Produkten, die für den Gebrauch eines Luftfilters hinter einer zugänglichen Lüfterabdeckung ausgelegt sind, muss der Filter bei laufendem Kühlschrank stets eingesetzt sein.

⚠️ Bewahren Sie keine Glasbehälter mit

Flüssigkeiten im Gefrierfach, sie könnten zerbrechen.

Blockieren Sie das Gebläse (falls inbegriffen) nicht mit Lebensmitteln.

Prüfen Sie nach dem Ablegen von Lebensmitteln, ob die Tür der Fächer korrekt schließt, besonders die Tür des Gefrierfachs.

⚠️ Beschädigte Dichtungen müssen so schnell wie möglich ausgetauscht werden.

⚠️ Verwenden Sie das Kühlfach nur zur Aufbewahrung von frischen Lebensmitteln und das Gefrierfach nur zur Aufbewahrung von gefrorenen Lebensmitteln, zum Einfrieren von frischen Lebensmitteln und zur Herstellung von Eiswürfeln.

⚠️ Unverpackte Lebensmittel so lagern, dass sie nicht mit den Innenwänden des Kühl- bzw. Gefrierfachs in Berührung kommen.

Möglicherweise verfügt das Gerät über Sonderfächer (Frischefach, Null-Grad-Box, ...).

Falls nicht anderweitig in der Anleitung des Gerätes anders angegeben, können diese für eine gleichmäßige Funktion im gesamten Gerät herausgenommen werden.

⚠️ Das brennbare Gas C-Pentan wird als Treibmittel im Isolierschaum eingesetzt.

Folgende Fächer des Gerätes eignen sich am besten zur Aufbewahrung verschiedener Arten von Lebensmitteln, unter Berücksichtigung der unterschiedlichen Temperaturverteilung in verschiedenen Fächern des Geräts:

- Kühlschrankfach:

1) Oberer Bereich des Kühlschrankfachs und Tür - Temperaturbereich: Zur Aufbewahrung von tropischen Früchten,

Dosen, Getränken, Eiern, Soßen, Gewürzgerichten, Butter, Marmelade

2) Mittlerer Bereich des Kühlschranks  
- kühler Bereich: Zur Aufbewahrung von Käse, Milch, Milchprodukten, Feinkost, Joghurt

3) Unterer Bereich des Kühlschranks  
- kältester Bereich: Zur Aufbewahrung von Aufschnitt, Desserts, Fleisch und Fisch, Käsekuchen, frischen Nudeln, saurer Sahne, Pesto/Salsa, selbstgemachtem Essen, Sahne, Pudding und Frischkäse

4) Obst- und Gemüsefach unten im Kühlschrank: Zur Aufbewahrung von Obst und Gemüse (außer tropische Früchte)

5) Kühlfach: Nur Fleisch und Fisch im kältesten Fach aufbewahren - Gefrierfach:

4 Sterne (\*\*\*\*) Gefrierfach eignet sich zum Einfrieren von Lebensmitteln ausgehend von Raumtemperatur und zum Lagern von Tiefkühlkost, da die Temperatur im gesamten Fach gleichmäßig verteilt ist.

Bei gekaufter Tiefkühlkost ist das Haltbarkeitsdatum auf der Verpackung angegeben. Bei diesem Datum wird die Art des gelagerten Lebensmittels berücksichtigt und daher sollte dieses Datum eingehalten werden. Frische Lebensmittel sollten für folgender Zeiträume gelagert werden: 1-3 Monate für Käse, Krustentiere, Eiscreme, Schinken/Würste, Milch, frische Flüssigkeiten; 4 Monate für Steaks oder Koteletts (Rind, Lamm, Schwein); 6 Monate für Butter oder Margarine, Geflügel (Hähnchen, Pute);

8-12 Monate bei Obst (ausgenommen Zitrusfrüchte), Braten (Rind, Schwein, Lamm), Gemüse. Haltbarkeitszeiten auf der Verpackung von Lebensmitteln im 2-Stern-Fach müssen eingehalten werden.

Beachten Sie zur Vermeidung von Lebensmittelverunreinigungen folgende Regeln:

– Das Öffnen der Tür für längere Zeit kann zu einer deutlichen Temperaturerhöhung in den Fächern des Kühlgeräts führen.

– Reinigen Sie Oberflächen, die mit Lebensmitteln und Abwassersystemen in Kontakt kommen können, regelmäßig.

– Reinigen Sie Wasserbehälter, wenn sie 48 Stunden lang nicht benutzt wurden; spülen Sie das mit der Wasserversorgung verbundene Wassersystem, wenn seit 5 Tagen kein Wasser entnommen wurde.

– Bewahren Sie rohes Fleisch und Fisch in geeigneten Behältern im Kühlschrank auf, damit es nicht mit anderen Lebensmitteln in Kontakt kommt oder auf sie tropft.

– Zwei-Sterne-Gefrierfächer eignen sich zur Aufbewahrung von tiefgekühlten Lebensmitteln, zur Aufbewahrung oder Herstellung von Speiseeis und Eiswürfeln.

– Frieren Sie frische Lebensmittel nicht in Ein-, Zwei- oder Drei-Sterne-Gefrierfächern ein.

– Wenn das Kühlgerät lange leer steht, schalten Sie es aus, tauen Sie es ab, reinigen und trocknen Sie es und lassen Sie die Tür offen, um zu verhindern, dass sich im Inneren des Geräts Schimmel bildet.

## INSTALLATION

⚠ Das Gerät muss von zwei oder mehr Personen gehandhabt und aufgestellt werden – Verletzungsgefahr. Schutzhandschuhe zum Auspacken und zur Installation verwenden - Risiko von Schnittverletzungen.

⚠ Die Installation, einschließlich der Wasserversorgung (falls vorhanden) und elektrische Anschlüsse und Reparaturen

müssen von einem qualifizierten Techniker durchgeführt werden. Das Gerät nicht selbst reparieren und keine Teile austauschen, wenn dies von der Bedienungsanleitung nicht ausdrücklich vorgesehen ist. Kinder vom Installationsort fernhalten. Prüfen Sie das Gerät nach dem Auspacken auf Transportschäden. Bei Problemen wenden Sie sich bitte an Ihren Händler oder an den nächsten Kundendienst. Nach der Installation müssen Verpackungsabfälle (Kunststoff, Styroporteile usw.) außerhalb der Reichweite von Kindern aufbewahrt werden - Erstickungsgefahr. Das Gerät vor Installationsarbeiten von der Stromversorgung trennen - Stromschlaggefahr.

Während der Installation sicherstellen, das Netzkabel nicht mit dem Gerät selbst zu beschädigen - Brand- oder Stromschlaggefahr. Das Gerät erst starten, wenn die Installationsarbeiten abgeschlossen sind.

⚠ Achten Sie beim Bewegen des Gerätes darauf, den Boden (z. B. Parkett) nicht zu beschädigen. Stellen Sie das Gerät auf dem Boden oder einer für sein Gewicht ausreichend starken Halterung auf. Der Ort sollte der Größe und der Nutzung des Geräts entsprechen. Sicherstellen, dass sich das Gerät nicht in der Nähe einer Wärmequelle befindet und dass die vier Füße fest auf dem Boden aufliegen. Die Füße entsprechend einstellen und mit einer Wasserwaage kontrollieren, dass das Gerät vollkommen eben und standfest ist. Warten Sie mindestens zwei Stunden, bevor Sie das Gerät einschalten, um sicherzustellen, dass der Kältemittelkreislauf einwandfrei funktioniert.

⚠ **WARNUNG:** Stellen Sie beim Aufstellen des Geräts sicher, dass das

Netzkabel nicht eingeklemmt oder beschädigt wird.

⚠ **WARNUNG:** Um Gefahren aufgrund von Instabilität zu verhindern, muss das Gerät gemäß Herstelleranweisungen platziert oder befestigt werden.

Der Kühlschrank darf nicht so aufgestellt werden, dass das Metallrohr eines Gasherdes, Metall- bzw. Wasserrohre oder elektrische Verkabelungen mit der Rückwand des Gerätes in Berührung kommen (oder mit der Kondensatorschlange).

Alle Abmessungen und Abstandsflächen die für die Installation des Gerätes erforderlich sind, befinden sich in dem Installationshandbuch.

Entfernen Sie bitte das Netzkabel während der Installation vom Kondensatorhaken, bevor Sie das Gerät an die Stromversorgung anschließen.

## **HINWEISE ZUR ELEKTRIK**

⚠ Es muss gemäß den Verdrahtungsregeln möglich sein, den Netzstecker des Gerätes zu ziehen, oder es mit einem Trennschalter, welcher der Steckdose vorgeschaltet ist, auszuschalten. Das Gerät muss im Einklang mit den nationalen elektrischen Sicherheitsbestimmungen geerdet sein.

⚠ Verwenden Sie keine Verlängerungskabel, Mehrfachstecker oder Adapter. Nach der Installation dürfen Strom führende Teile für den Benutzer nicht mehr zugänglich sein. Das Gerät nicht bedienen, wenn Sie nasse Hände haben oder barfuß sind.

Das Gerät nicht verwenden, wenn das Netzkabel oder der Stecker beschädigt sind, wenn es nicht einwandfrei funktioniert, wenn es heruntergefallen ist oder in irgendeiner Weise beschädigt wurde.

⚠ Wenn das Netzkabel beschädigt ist, muss es aus Sicherheitsgründen vom Hersteller, von seinem Kundendienstvertreter oder einer ähnlich qualifizierten Fachkraft mit einem identischen Kabel ersetzt werden - Stromschlaggefahr.


⚠ **WARNUNG:** Bringen Sie keine Mehrfachstecker oder tragbare Stromversorgungsgeräte an der Geräterückseite an.

## REINIGUNG UND PFLEGE

⚠ **WARNUNG:** Vor dem Durchführen von Wartungsarbeiten ist sicherzustellen, dass das Gerät ausgeschaltet und von der Stromversorgung getrennt ist. Verwenden Sie niemals Dampfreiniger - Stromschlaggefahr.

⚠ Verwenden Sie keine Scheuermittel wie Fensterspray, Entfetter, entzündbare Flüssigkeiten, Reinigungspaste, konzentrierte Reinigungsmittel, Bleichmittel oder benzinhaltige Reinigungsmittel auf Kunststoffteilen, Innen- oder Türablagen oder Dichtungen. Benutzen Sie keine Papiertücher, Topfreiniger oder scharfen Gegenstände.


## ENTSORGUNG VON VERPACKUNGSMATERIALIEN

Das Verpackungsmaterial ist zu 100 % wiederverwertbar und trägt das Recycling-Symbol . Werfen Sie das Verpackungsmaterial deshalb nicht einfach fort, sondern entsorgen Sie es gemäß den geltenden örtlichen Vorschriften.

## ENTSORGUNG VON HAUSHALTSGERÄTEN

Dieses Gerät wurde aus recycelbaren oder wiederverwendbaren Werkstoffen hergestellt. Entsorgen Sie das Gerät im Einklang mit den lokalen Vorschriften zur Abfallbeseitigung. Genauere Informationen zu Behandlung, Entsorgung und Recycling von elektrischen Haushaltsgeräten erhalten Sie bei Ihrer örtlichen Behörde, der Müllabfuhr oder dem Händler, bei dem Sie das Gerät gekauft haben. Dieses Gerät ist gemäß der Europäischen

Richtlinie 2012/19/EU für Elektro- und Elektronik-Altgeräte (WEEE) gekennzeichnet. Durch Ihren Beitrag zur korrekten Entsorgung dieses Produkts schützen Sie die Umwelt und die Gesundheit Ihrer Mitmenschen.

Das Symbol  auf dem Gerät bzw. auf dem beiliegenden Informationsmaterial weist darauf hin, dass dieses Gerät kein normaler Haushaltsabfall ist, sondern in einer entsprechenden Sammelstelle für Elektro- und Elektronik-Altgeräte entsorgt werden muss.

## ENERGIESPARTIPPS

Befolgen Sie die Aufstellenweisungen, um angemessene Belüftung sicherzustellen.

Eine unzureichende Belüftung hinten am Gerät erhöht den Energieverbrauch und verringert die Kühlkapazität. Häufiges Öffnen der Tür kann zu einem erhöhten Energieverbrauch führen.

Die Innentemperatur des Gerätes und der Energieverbrauch können sowohl von der Umgebungstemperatur als auch vom Standort des Gerätes beeinflusst werden. Bei der Temperatureinstellung sind diese Faktoren zu berücksichtigen. Öffnen Sie die Tür so wenig wie notwendig.

Platzieren Sie Lebensmittel zum Auftauen im Kühlschrank. Die niedrige Temperatur der gefrorenen Lebensmittel kühlt das Essen im Kühlschrank. Lassen Sie warme Speisen und Getränke abkühlen, bevor Sie diese im Gerät platzieren.

Die Position der Ablageflächen im Kühlschrank hat keinen Einfluss auf den effizienten Energieverbrauch. Lebensmittel müssen so auf den Ablageflächen platziert werden, dass eine korrekte Luftzirkulation sichergestellt wird (Lebensmittel dürfen sich nicht berühren und zwischen Lebensmitteln und Rückwand muss Abstand gehalten werden).

Sie können die Lagerkapazität der gefrorenen Lebensmittel durch Entnahme der Körbe und, wenn vorhanden, der Stop-Frost-Ablage, erhöhen.

Es gibt keinen Grund zur Beunruhigung im Falle von Geräuschen durch den Kompressor; diese sind normale Betriebsgeräusche.

# FUNKTION DES KÜHLSCHRANKFACHS

Bei diesem Gerät handelt es sich um einen Kühlschrank mit Gefrierfach mit **\*\*\*** Sternen.

## Das Kühlfach taut vollautomatisch ab.

Der Kühlschrank kann bei Umgebungstemperaturen zwischen +16 °C und +38 °C betrieben werden. Optimale Leistungen erbringt er zwischen +16 °C und +32 °C.

## Inbetriebnahme des Kühlschranks

Schließen Sie den Netzstecker an.

Der Thermostat regelt die Temperatur der beiden Fächer: Kühlschrank und Gefrierfach.

## Temperatureinstellung der Fächer:

1. Für einen ordnungsgemäßen Betrieb und eine optimale Konservierung der Nahrungsmittel **empfehlen wir, den Thermostat gemäß den Anweisungen des Produktdatenblatts zu regeln.**
2. Drehen Sie den Einstellknopf des Thermostats, um die Temperatur des Kühlschrankfachs zu ändern:
  - drehen Sie ihn auf die **niedrigen Zahlen/MIN**, wenn Sie eine **WÄRMERE** Temperatur im Fach wünschen;
  - drehen Sie ihn auf die **höheren Zahlen/MAX**, wenn Sie eine **KÄLTERE** Temperatur im Fach wünschen.

Thermostat auf ● : Die Funktionen des Geräts und die Beleuchtung sind nicht verfügbar.

## Hinweis:

Umgebungstemperatur, Häufigkeit der Türöffnung und Aufstellungsort des Geräts können Auswirkungen auf die Innentemperaturen haben. Die Positionen des Thermostat-Einstellknopfes müssen nach Maßgabe dieser Faktoren variieren.

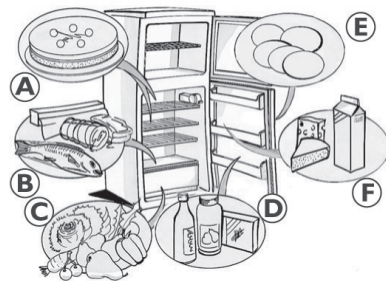
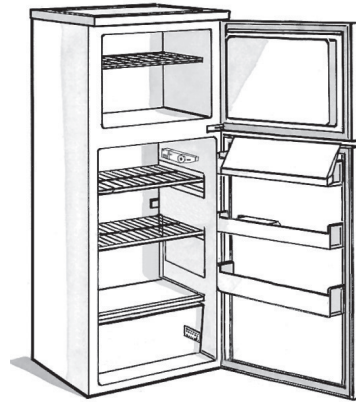
## Aufbewahrung der Nahrungsmittel im Kühlschrankfach

Die Lebensmittel wie in der nebenstehenden Abbildung verstauen.

- A. Gekochte Lebensmittel
- B. Fisch, Fleisch
- C. Obst und Gemüse
- D. Flaschen
- E. Eier
- F. Butter, Milchprodukte, Käse

## Hinweise:

- Der Abstand zwischen den Ablageflächen und die hintere Kühlschrank-Innenwand ermöglicht eine freie Luftzirkulation.
- Achten Sie beim Verstauen der Lebensmittel darauf, dass diese die hintere Wand im Kühlschrankfach nicht berühren.
- Stellen Sie keine warme Lebensmittel in die Fächer.
- Bewahren Sie Flüssigkeiten in geschlossenen Behältern auf.
- Die Konservierung von Gemüse mit hohem Wassergehalt könnte zur Kondensatbildung in der unteren Schublade führen: Dies beeinträchtigt nicht den ordnungsgemäßen Betrieb des Geräts.



# FUNKTION DES GEFRIERFACHS

Das Gefrierfach ist mit **\*\*\*\*** Sternen gekennzeichnet.

In diesem Fach können tiefgekühlte Lebensmittel für die auf der Verpackung angegebene Dauer aufbewahrt werden. Ferner können frische Lebensmittel unter dem Gitter auf der untersten Ablage aufbewahrt werden, während bereits tiefgekühlte Lebensmittel im oberen Bereich des Fachs zu verstauen sind, damit sie nicht mit den tiefzukühlenden Lebensmitteln in Kontakt kommen.

Die Menge an Lebensmitteln, die pro 24 Stunden eingefroren werden kann, ist auf dem Typenschild angegeben.

## Wichtig:

Vor dem Einfrieren frische Lebensmittel unter Verwendung von Folgendem verpacken:

- Alufolie, Frischhaltefolie, luft- und wasserdichte Kunststoffbeutel, Polyethylenbehälter mit Deckeln oder Gefrierbehälter, die zum Einfrieren von Lebensmitteln geeignet sind.
- Auch bei einem Stromausfall ist das Gefrierfach in der Lage, die zur Konservierung der Speisen benötigte Temperatur aufrechtzuerhalten.

Während dieser Zeit sollte die Tür des Fachs jedoch nicht geöffnet werden.

## Wichtig:

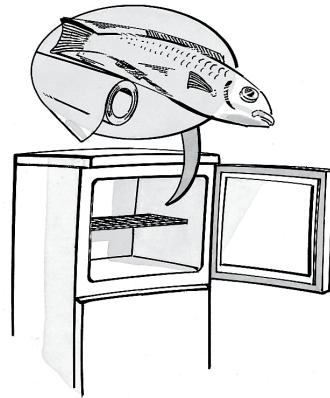
Bei der Lagerung von tiefgekühlten frischen Lebensmitteln sind die Monate der anbei aufgeführten Tabelle zu beachten.

## Beachten Sie Folgendes beim Kauf von Tiefkühlkost:

- Beutel oder Verpackung müssen einwandfrei sein, weil Lebensmittel verderblich sind. Ist die Verpackung aufgebläht oder feucht, wurde sie nicht unter optimalen Bedingungen gelagert und die Lebensmittel könnten bereits angetaut sein.
- Greifen Sie nach tiefgekühlten Lebensmitteln am Ende Ihres Einkaufs und transportieren Sie sie in einer Isoliertasche.
- Verstauen Sie tiefgekühlte Lebensmittel im Gefrierfach, sobald Sie zuhause sind.
- Teilweise aufgetaute Lebensmittel müssen innerhalb von 24 Stunden verzehrt und dürfen nicht erneut tiefgekühlt werden.
- Vermeiden Sie Temperaturschwankungen oder beschränken Sie sie auf ein Minimum. Beachten Sie das aufgedruckte Mindesthaltbarkeitsdatum.
- Beachten Sie stets die auf der Verpackung vorhandenen Anweisungen zur Lagerung von Lebensmitteln.

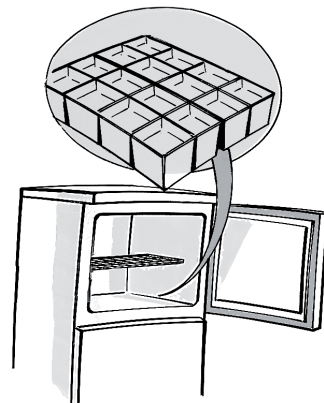
## Herstellung von Eiswürfeln

- Die Eiswürfelschale zu  $\frac{3}{4}$  mit Wasser füllen und auf den Boden des Gefrierfachs stellen. Falls die Schale auf dem Boden des Fachs festfriert, verwenden Sie zum Lösen keine spitzen oder scharfen Gegenstände.



## MONATE SPEISE

MONATE	SPEISE
1-3	
4-7	
8-12	



# ABTAUEN UND REINIGEN DES GEFRIERFACHS

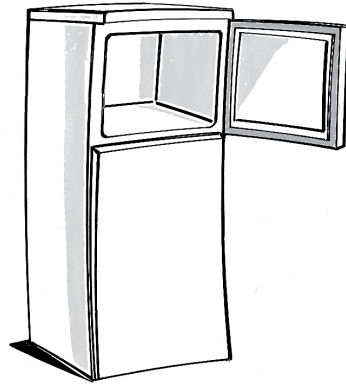
Wir empfehlen, das Gefrierfach ein- oder zweimal jährlich bzw. wenn sich an den Wänden eine 3 mm dicke Eisschicht gebildet hat, abzutauen. Es empfiehlt sich, die Abtauung durchzuführen, wenn wenig Tiefkühlkost gelagert ist.

1. Öffnen Sie die Tür, entnehmen Sie alle Lebensmittel, wickeln Sie sie eng aneinander in Zeitungspapier ein und bewahren Sie sie an einem kühlen Ort oder in einer Kühltasche auf.
2. Trennen Sie das Gerät von der Stromversorgung.
3. Lassen Sie die Tür offen, damit die Eisschicht an den Gefrierfachwänden abtauen kann.
4. Entfernen Sie das Tauwasser am Boden des Gefrierfachs.
5. Reinigen Sie das Innere des Gefrierfachs mit einem Schwamm und einer Lösung aus lauwarmem Wasser und mildem Reinigungsmittel.

**Verwenden Sie keine Scheuermittel.**

6. Spülen und trocknen Sie das Fach sorgfältig ab.

**Hinweis: Um das Gefrierfach nicht irreparabel zu beschädigen, verwenden Sie zum Entfernen der Eisschicht keine spitzen oder scharfen Metallgegenstände und erwärmen Sie das Fach nicht künstlich.**



# REINIGUNG DES KÜHLSCHRANKFACHS

Reinigen Sie das Kühlschrankfach regelmäßig. Das Kühlfach taut vollautomatisch ab.

Gelegentlich bilden sich an der Innenrückwand des Kühlschrankfachs Wassertropfen, wenn die automatische Abtauphase durchgeführt wird.

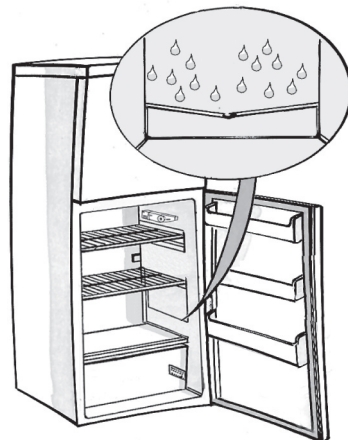
Das Tauwasser läuft automatisch durch eine Abflussöffnung in einen Behälter, in dem es verdampft.

Säubern Sie regelmäßig das Innere der Abflussöffnung für das Tauwasser.

Trennen Sie das Gerät von der Stromversorgung, bevor Sie eine Reinigungsarbeit ausführen.

- Verwenden Sie einen mit lauwarmem Wasser und/oder einem milden Reinigungsmittel befeuchteten Schwamm.
- Spülen Sie und Trocknen Sie das Fach mit einem weichen Tuch.

**Verwenden Sie keine Scheuermittel.**





# REINIGUNG UND PFLEGE

## Für Einbauprodukte

- Reinigen Sie die Belüftungsgitter regelmäßig mit einem Staubsauger oder einer Bürste (siehe Abbildung **A**).
- Reinigen Sie die Außenseite mit einem weichen Tuch.

## Freistehende Geräte

- Reinigen Sie den Kondensator auf der Geräterückseite regelmäßig mit einem Staubsauger oder einer Bürste (siehe Abbildung **B**).

## Lange Abwesenheit

1. Entleeren Sie das Kühlschrank- und das Gefrierfach.
2. Trennen Sie das Gerät von der Stromversorgung.
3. Tauen Sie das Gefrierfach ab, reinigen Sie und Trocknen Sie beide Fächer.
4. Lassen Sie die Türen offen, um unangenehme Gerüche zu vermeiden.

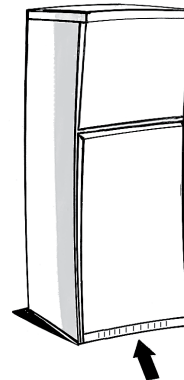


Abb. A

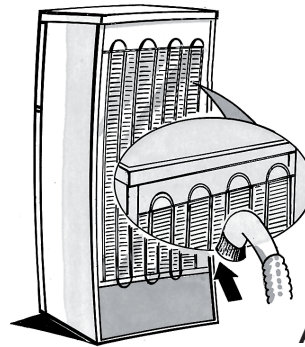


Abb. B

# ANLEITUNG ZUR FEHLERSUCHE

## 1. Das Gerät funktioniert nicht.

- Liegt ein Stromausfall vor?
- Ist der Stecker richtig mit der Steckdose verbunden?
- Ist der der Steckdose vorgeschaltete Zweipolschalter eingeschaltet?
- Funktionieren die Schutzvorrichtungen der Heimelektrik einwandfrei?
- Ist das Netzkabel beschädigt?
- Ist der Thermostat in der Position ● (Stop)?

## 2. Die Innentemperatur der Fächer ist nicht kalt genug.

- Ist die Tür richtig geschlossen?
- Wurde das Gerät in der Nähe einer Wärmequelle installiert?
- Ist der Thermostat in der richtigen Position?
- Wird die Luftzirkulation durch die Lüftungsgitter behindert?

## 3. Die Temperatur des Kühlschrankfachs ist zu niedrig.

- Ist der Thermostat in der richtigen Position?

## 4. Wasser liegt auf dem Boden des Kühlschrankfachs.

- Der Tauwasserabfluss ist verstopft?

## 5. Die Innenbeleuchtung funktioniert nicht.

Prüfen Sie zuerst Punkt 1, dann:

- Trennen Sie das Gerät vom Stromnetz. Befolgen Sie die Anweisungen und die Abbildung der beigelegten Tabelle, um zur Lampe Zugriff zu erhalten.
- Ersetzen Sie die Lampe durch eine mit gleicher Leistung oder einer Lampe mit der in Watt ausgedrückten Höchstleistung, die im Bereich der Lampenfassung angegeben ist

## 6. Übermäßige Reifbildung im Gefrierfach

- Wurde die Tür richtig geschlossen?
- Behindern Lebensmittel die Türschließung?

## Hinweise:

- Bei der Erwärmung des vorderen Kühlschrankrands handelt es sich nicht um einen Fehler, sondern um eine Funktion zur Verhinderung von Kondensatbildung.
- Vom Kältekreis stammende Gluckgeräusche und Ausdehnungszischen sind als normal zu betrachten.

# ANLEITUNG ZUR FEHLERSUCHE

## Bevor Sie den Kundenservice kontaktieren:

1. Versuchen Sie zuerst, die Störung selber zu beheben (siehe "Anleitung zur Fehlersuche").
2. Starten Sie das Gerät erneut, um zu prüfen, ob das Problem gelöst wurde.  
Trennen Sie andernfalls die Spannungsversorgung des Geräts erneut wiederholen Sie den Vorgang nach etwa einer Stunde.
3. Wenden Sie sich an den Kundendienst, falls die Störung weiterhin vorliegt.

## Sie benötigen dabei folgenden Angaben:

- Eine kurze Beschreibung der Störung;
- Modell,
- Servicenummer (die Zahl nach dem Wort SERVICE auf dem Typenschild im Gerät)
- Ihre vollständige Anschrift,
- Ihre Telefonnummer mit Vorwahl.



## Hinweis:

**Ein Türanschlagwechsel des Geräts stellt keine Garantiarbeit dar, falls diese durch den technischen Kundendienst durchgeführt wird.**

# INSTALLATION

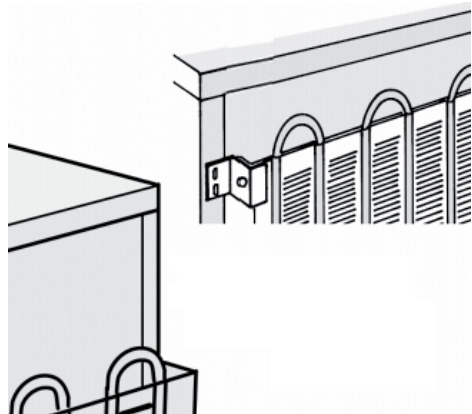
- Installieren Sie das Gerät fern von Wärmequellen.
- Stellen Sie es an einem trockenen und gut belüfteten Ort auf.
- Behindern Sie nicht die Luftzirkulation im oberen und im unteren Bereich.
- Reinigen Sie das Geräteinnere (siehe Kapitel "Reinigung des Kühlschranks").
- Montieren Sie das mitgelieferte Zubehör.

## Elektrischer Anschluss

- **Die elektrischen Anschlüsse müssen den örtlichen Vorschriften entsprechen.**
- Spannung und Stromaufnahme sind auf dem Typenschild neben dem Obst- und Gemüsefach aufgeführt.
- **Die Erdung des Geräts ist gesetzlich vorgeschrieben. Der Hersteller haftet nicht für Verletzungen von Personen oder Tieren und für Sachschäden durch Missachten der oben genannten Vorschriften.**
- Stimmen Stecker und Steckdose nicht überein, lassen sie die Steckdose durch einen Fachmann austauschen.
- Verwenden Sie keine Verlängerungen oder Mehrfachadapter.

## Elektrische Abschaltung

- Die elektrische Abschaltung muss durch Ziehen des Netzsteckers oder durch einen der Steckdose vorgeschalteten Zweipolschalter möglich sein.



# TÜRANSCHLAGWECHSEL



## Warnung::

Stellen Sie vor einem Türanschlagwechsel sicher, dass das Gerät vom Stromnetz getrennt ist und führen Sie den Vorgang mit einer anderen Person aus, da der Kühlschrank schwer ist und geneigt werden muss.

## UNFALLGEFAHR!

- Drehen Sie die Schrauben aus, um das Scharnier auszubauen (Abb. 1, Nr. 1 und 2), bauen Sie die Tür des oberen Fachs aus und legen Sie sie an einem sicheren Ort ab.
- Lockern Sie die Befestigungsschrauben der unteren Tür und bauen sie die mittlere Halterung aus. (Abb. 1, Nr. 3 und 4)
- Heben Sie anschließend die untere Tür am Scharnierzapfen an (Abb. 1, Nr. 5), bauen Sie sie aus und stellen Sie sie an einem sicheren Ort ab.
- Montieren Sie den unteren Anschlagzapfen, dazu schrauben Sie ihn auf der rechten Seite ab und auf der linken Seite wieder an.
- Stellen Sie den Kühlschrank wieder senkrecht auf.
- Nehmen Sie die Scharnierabdeckungen beider Türen auf der linken Seite ab (oben und unten) und verbinden Sie sie auf der gegenüberliegenden Seite der jeweiligen Tür.
- Positionieren Sie nun die Kühlschranktür auf dem unteren Anschlagzapfen, drehen Sie das mittlere Scharnier um 180°, drücken Sie es in die obere Bohrung der Tür und schrauben Sie das Scharnier an.
- Montieren Sie die Tür des oberen Fachs und befestigen Sie sie an der oberen Halterung.
- Prüfen Sie die Türen auf korrekte Montage, bevor Sie alle Schrauben anziehen.

Bevor Sie den Kühlschrank wieder am Stromnetz verbinden, prüfen Sie die Schrauben erneut auf festen Anzug und die Türen auf korrekte Montage, kontrollieren Sie auch, ob der Kühlschrank senkrecht und stabil auf dem Boden steht.

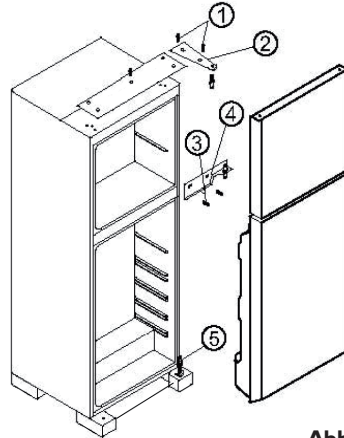


Abb 1

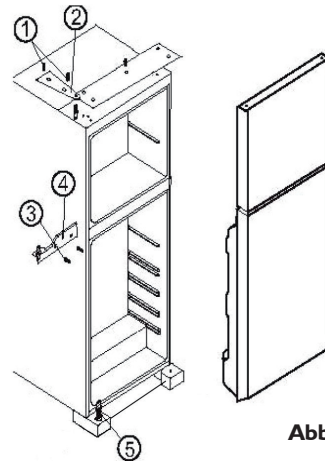


Abb. 2

### Einbaumontage

Abmessungen des Fachs und des Geräts (**Abb. 3**)

**Höhe:** 1445 - 1450 mm

**Breite:** 560 mm

**Tiefe:** 550 mm

Beachten Sie die Anweisungen der Abbildung, um eine ausreichende Luftzirkulation zu gewährleisten. Der Umbauschrank muss mit einer Zwangsbe- und -entlüftung versehen sein. (**Abb. 3 und 4**)

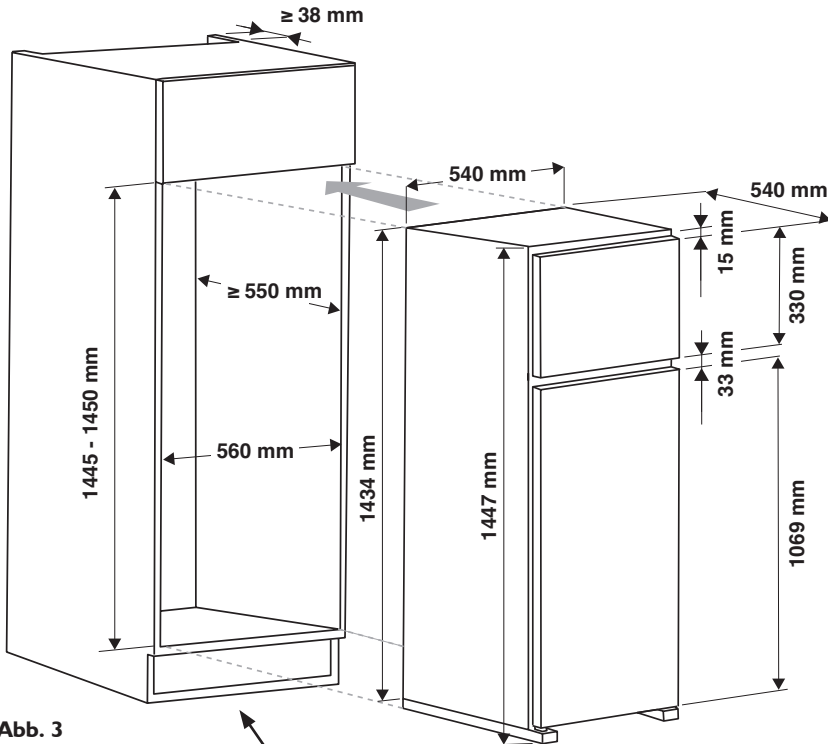


Abb. 3

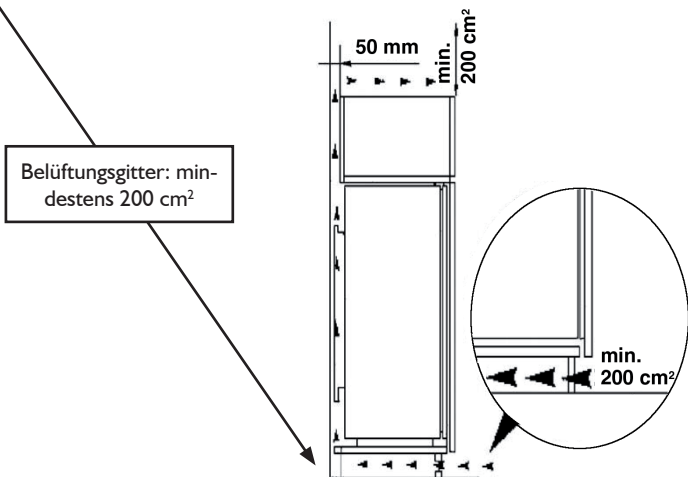
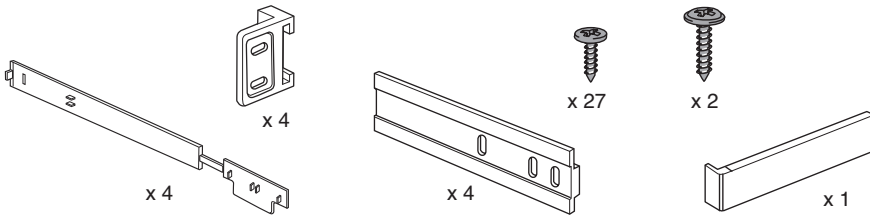


Abb. 4

## Installation Kit



### Montage einer Schlepptüre

Schieben Sie das Gerät sorgfältig in den Umbauschrank (Abb. 5) bis zum Anschlagstrich "A". Sie finden das für die Installation des Geräts benötigte Material im Produkt.

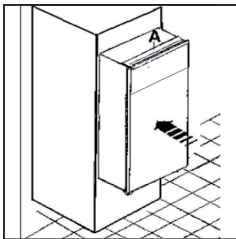


Abb. 5

Öffnen Sie die Kühlschranktür und schieben Sie das Scharnier zur gegenüberliegenden Seite (Abb. 6). Befestigen Sie das Gerät mit 4 Schrauben, 2 am oberen Frontteil und 2 am seitlichen Winkel auf der entgegengesetzten Seite des mittleren Scharniers.

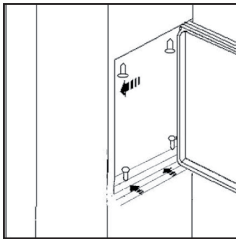


Abb. 6

Bringen Sie die Führung "A" unter Beachtung der angegebenen Maße (Abb. 7) an der inneren Türseite des Umbauschranks an und markieren Sie die Position der Befestigungsschrauben. Bohren Sie die Schraubenlöcher. Schrauben Sie die Führung an.

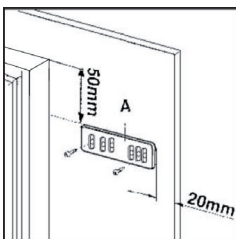


Abb. 7

Öffnen Sie die Tür des Geräts und des Umbauschranks um 90°. Drücken Sie den Winkel

"B" (Abb. 8) gegen die Führung "A". Sorgen Sie dafür, dass die Türen des Umbauschranks und des Geräts eng beieinander liegen, und markieren Sie die Position der mittleren Löcher wie in der (Abb. 8) dargestellt.

Nehmen Sie den Winkel "B" ab und bohren Sie die Schraubenlöcher mit einer Bohrspitze zu 2 mm Ø. Drücken Sie den Winkel erneut auf die Führung und befestigen Sie sie mit den mitgelieferten Schrauben.

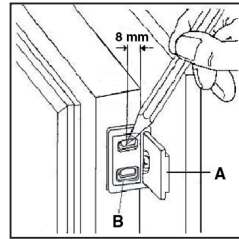


Abb. 8

Zur Einstellung der Tür des Umbauschranks verwenden Sie den Längsschlitz im Winkel "B" (Abb. 9)

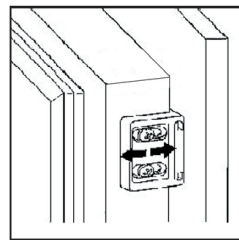


Abb. 9

Pressen Sie den je nach Modell mitgelieferten Deckel "D" auf den Winkel "B".

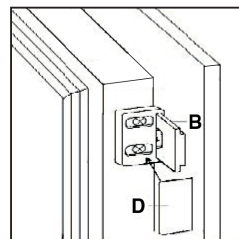


Abb. 10

Die Tür des Gefrierfachs wird mit einem Scharnier pro Flügeltür montiert, während die Kühlschranktür mindestens zwei baugleiche Scharniere benötigt.

# CONSIGNES DE SÉCURITÉ

## IMPORTANT - À LIRE ET À RESPECTER

Avant d'utiliser l'appareil, lire attentivement les consignes de sécurité. Conservez-les à portée pour consultation ultérieure.

Ces instructions et l'appareil lui-même fournissent d'importantes consignes de sécurité qui doivent être respectées à tout moment. Le fabricant décline toute responsabilité en cas de non-respect des présentes consignes de sécurité, pour une utilisation inadaptée de l'appareil ou un réglage incorrect des commandes.

⚠ Les enfants en bas âge (0-3 ans) doivent être tenus à l'écart de l'appareil. Les jeunes enfants (3-8 ans) doivent être tenus à l'écart de l'appareil sauf s'ils se trouvent sous surveillance constante. Les enfants âgés de 8 ans et plus, ainsi que les personnes présentant des capacités physiques, sensorielles ou mentales réduites, ou ne possédant ni l'expérience ni les connaissances requises, peuvent utiliser cet appareil seulement s'ils sont supervisés, ou si une personne responsable leur a expliqué l'utilisation sécuritaire et les dangers potentiels de l'appareil. Ne laissez pas les enfants jouer avec l'appareil. Les enfants ne doivent pas nettoyer, ni procéder à l'entretien de l'appareil sans surveillance.

Les enfants âgés de 3 à 8 ans sont autorisés à charger et décharger les appareils de réfrigération.

### UTILISATION AUTORISÉE

⚠ MISE EN GARDE : Cet appareil n'est pas conçu pour fonctionner à l'aide d'un dispositif de commutation externe, comme une minuterie ou un système de télécommande.

⚠ Cet appareil est destiné à un usage domestique et peut aussi être utilisé

dans les endroits suivants : cuisines pour le personnel dans les magasins, bureaux et autres environnements de travail ; dans les fermes ; par des clients dans des hôtels, motels, bed & breakfast et autres environnements résidentiels.

⚠ Cet appareil n'est pas conçu pour un usage professionnel. N'utilisez pas l'appareil en extérieur.

⚠ L'ampoule utilisée dans l'appareil est spécialement conçue pour des appareils ménagers et ne convient pas à l'éclairage général d'une pièce au domicile (réglementation CE 244/2009).

⚠ L'appareil est conçu pour fonctionner à des endroits où la température ambiante se trouve dans les plages suivantes, en fonction de la classe climatique indiquée sur la plaque signalétique. L'appareil risque de ne pas fonctionner correctement s'il reste pendant une longue période à une température supérieure ou inférieure à la plage prévue.

Températures ambiantes classe climatique :

SN : De 10°C à 32°C ;

N : De 16°C à 32°C

ST : De 16°C à 38°C ;

T : De 16°C à 43°C

⚠ Cet appareil ne contient pas de chlorofluorocarbures. Le circuit de réfrigérant contient du R600a (HC). Appareils avec isobutane (R600a) : l'isobutane est un gaz naturel qui n'est pas nuisible à l'environnement, mais il est inflammable.

Par conséquent, assurez-vous que les tuyaux du circuit réfrigérant ne sont pas endommagés, surtout lorsque vous videz le circuit réfrigérant.

⚠ AVERTISSEMENT : N'endommagez pas les tuyaux du circuit de

refroidissement de l'appareil.

⚠ AVERTISSEMENT : Veillez à ce que les ouvertures de ventilation, dans l'enceinte de l'appareil ou dans la structure intégrée, soient dénuées d'obstructions.

⚠ AVERTISSEMENT : N'utilisez pas des moyens mécaniques, électriques ou chimiques différents de ceux recommandés par le fabricant pour accélérer le processus de décongélation.

⚠ AVERTISSEMENT : N'utilisez pas ou ne placez pas les dispositifs électriques à l'intérieur des compartiments de l'appareil s'ils ne sont pas du type expressément autorisé par le fabricant.

⚠ AVERTISSEMENT : Les machines à glaçons et/ou les distributeurs d'eau non directement raccordés à l'arrivée d'eau doivent être remplis uniquement avec de l'eau potable.

⚠ AVERTISSEMENT : Les distributeurs automatiques de glaçons et/ou d'eau doivent être raccordés à une alimentation en eau potable uniquement, avec une pression d'eau principale comprise entre 0,17 et 0,81 MPa (1,7 et 8,1 bars).

⚠ Ne stockez pas les substances explosives comme les aérosols et ne placez pas ou n'utilisez pas d'essence ou d'autres matériaux inflammables dans ou près de l'appareil.

⚠ N'avez pas le contenu (non toxique) des sacs de glace (dans certains modèles). Ne mangez pas de glaçons ou de bâtonnets glacés immédiatement après les avoir sortis du congélateur; ils pourraient provoquer des brûlures par le gel.

⚠ Pour les produits conçus pour utiliser un filtre à air à l'intérieur d'un couvercle de ventilateur accessible, le filtre doit toujours être en place lorsque le réfrigérateur est en marche.

⚠ Ne stockez pas de récipients en verre avec des liquides dans le compartiment congélateur ; ils pourraient se briser.

N'obstruez pas le ventilateur (si disponible) avec des aliments.

Après avoir placé les aliments, vérifiez que la porte des compartiments ferme correctement, en particulier la porte du congélateur.

⚠ Les joints endommagés doivent être remplacés dès que possible.

⚠ Utilisez le compartiment réfrigérateur uniquement pour stocker les aliments frais et le compartiment congélateur uniquement pour stocker les aliments surgelés, congeler les aliments frais et faire des glaçons.

⚠ Évitez de mettre des aliments non emballés directement en contact avec les surfaces intérieures du compartiment réfrigérateur ou du compartiment congélateur.

Les appareils peuvent être équipés de compartiments spéciaux (compartiment fraîcheur, compartiment « Zéro degré »,...).

Sauf spécification différente dans la brochure du produit, ils peuvent être retirés tout en maintenant des performances équivalentes.

⚠ Du c-pentane est utilisé en tant qu'agent gonflant dans la mousse d'isolation et est un gaz inflammable.

Les compartiments de l'appareil les plus appropriés dans lesquels des types spécifiques d'aliments doivent être conservés, en tenant compte de la répartition différente de la température dans les différents compartiments de l'appareil, sont les suivants:

- Compartiment réfrigérateur :  
1) Zone supérieure de la porte du compartiment du réfrigérateur - zone de

température : Conservez fruits tropicaux, canettes, boissons, œufs, sauces, cornichons, beurre, confiture

2) Zone centrale du compartiment du réfrigérateur - zone froide : Conservez fromage, lait, produits laitiers, charcuterie, yaourt

3) Zone inférieure du compartiment du réfrigérateur - zone plus froide : Conservez charcuterie, desserts, viande et poisson, cheesecake, pâtes fraîches, crème fraîche, pesto/salsa, plats faits maison, crème pâtissière, pudding et fromage à la crème

4) Bac à fruits et légumes en bas du compartiment du réfrigérateur : Conservez fruits et légumes (fruits tropicaux exceptés)

5) Compartiment de refroidissement : Conservez uniquement viande et poisson dans le bac le plus froid - Compartiment congélateur :

Le compartiment 4 étoiles (\*\*\*\*) convient pour congeler des aliments à la température ambiante et pour conserver des aliments surgelés car la température est uniformément répartie dans tout le compartiment.

Les produits surgelés achetés ont la date d'échéance indiquée sur l'emballage.

Cette date prend en compte le type de nourriture conservé et doit donc être respectée. Les aliments frais doivent être conservés pendant les périodes suivantes : 1-3 mois pour fromage, fruits de mer, glace, jambon/saucisse, lait, liquides frais; 4 mois pour steak ou côtelettes (bœuf, agneau porc); 6 mois pour beurre ou margarine, volaille (poulet, dinde);

8-12 mois pour fruits (agrumes exceptés), rôti (bœuf, porc, agneau), légumes. Les dates d'échéance figurant sur l'emballage des aliments dans la zone 2 étoiles doivent être respectées.

Pour éviter la contamination des aliments, veuillez respecter les points suivants :

– L'ouverture prolongée de la porte peut entraîner une augmentation importante de la température dans les compartiments de l'appareil.

– Nettoyez régulièrement les surfaces pouvant entrer en contact avec les aliments et les systèmes de drainage accessibles.

– Nettoyez les réservoirs d'eau s'ils n'ont pas été utilisés pendant 48 h; rincez le système d'alimentation en eau raccordé à une source d'eau si l'eau n'a pas été aspirée pendant 5 jours.

– Conservez viande et poisson crus dans des récipients appropriés au réfrigérateur, de manière à ce qu'ils n'entrent pas en contact ou coulent sur d'autres aliments.

– Les compartiments deux étoiles pour aliments congelés conviennent à la conservation d'aliments pré-congelés, à la conservation ou à la fabrication de glace et de glaçons.

– Ne congelez pas les aliments frais dans des compartiments à une, deux ou trois étoiles.

– Si l'appareil de réfrigération reste vide pendant de longues périodes, éteignez, décongelez, nettoyez, séchez et laissez la porte ouverte pour éviter la formation de moisissure à l'intérieur de l'appareil.

## INSTALLATION

⚠ Deux personnes minimum sont nécessaires pour déplacer et installer l'appareil - risque de blessure. Utilisez des gants de protection pour le déballage et l'installation de l'appareil - vous risquez de vous couper.

⚠ L'installation, y compris l'alimentation en eau (éventuelle), les raccordements



électriques et les réparations doivent être réalisés par un technicien qualifié. Ne pas réparer ou remplacer de parties de l'appareil sauf si cela est spécifiquement indiqué dans le manuel de l'utilisateur. Maintenir les enfants éloignés du site d'installation. Après avoir déballé l'appareil, assurez-vous qu'il n'a pas été endommagé pendant le transport. En cas de problèmes, contactez le distributeur ou votre service après-vente le plus proche. Une fois installé, les déchets de l'emballage (plastiques, pièces en polystyrène, etc) doivent être stockés hors de portée des enfants - risque d'étouffement. L'appareil doit être débranché de l'alimentation électrique avant toute opération d'installation - risque de choc électrique.

Pendant l'installation, assurez-vous que l'appareil n'endommage pas le câble électrique - risque d'incendie ou de choc électrique. Allumez l'appareil uniquement lorsque l'installation est terminée.

⚠ Prenez garde à ne pas endommager les sols (p. ex., les parquets) lorsque vous déplacez l'appareil. Installez l'appareil sur un sol ou des supports suffisamment résistants pour supporter son poids et dans un endroit adapté à sa taille et à son utilisation. Lors de l'installation de l'appareil, assurez-vous qu'il n'est pas placé près d'une source de chaleur et que les quatre pieds sont stables et reposent sur le sol, en les réglant au besoin. Assurez-vous aussi que l'appareil est parfaitement de niveau en utilisant un niveau à bulle. Attendez au moins deux heures avant de brancher l'appareil pour s'assurer que le circuit de réfrigération atteint son efficacité maximum.

⚠ **AVERTISSEMENT** : Lors de la mise en place de l'appareil, assurez-vous que le câble d'alimentation n'est pas coincé

ou endommagé.

⚠ **AVERTISSEMENT** : pour éviter tout danger dû à l'instabilité, le positionnement ou le montage de l'appareil doit être effectué conformément aux instructions du fabricant.

Il est interdit de placer le réfrigérateur de façon à que le tuyau métallique de la cuisinière à gaz, les conduites métalliques d'eau ou de gaz, ou les fils électriques soient en contact avec la paroi arrière du réfrigérateur (serpentin du condensateur).

Toutes les dimensions et espacements nécessaires pour l'installation de l'appareil sont indiqués dans la brochure d'instructions pour l'installation.

Retirez le fil d'alimentation du crochet du condensateur lors de l'installation avant de connecter le produit à l'alimentation électrique.

## **AVERTISSEMENTS ÉLECTRIQUES**

⚠ Il doit être possible de débrancher l'appareil de l'alimentation électrique en retirant la fiche de la prise de courant si elle est accessible ou à l'aide d'un interrupteur multipolaire en amont de la prise de courant, conformément aux normes de sécurité électrique nationales.

⚠ N'utilisez pas de rallonge, de prises multiples ou d'adaptateurs. Les composants électriques ne doivent pas être accessibles à l'utilisateur après l'installation. N'utilisez pas l'appareil lorsque vous êtes mouillés ou pieds nus.

Ne faites pas fonctionner cet appareil s'il présente un câble ou une prise électrique endommagés, s'il ne fonctionne pas correctement ou s'il a été endommagé ou s'il est tombé.

⚠ Si le câble d'alimentation est endommagé, il doit être remplacé avec un câble identique par le fabricant, un

représentant du Service Après-vente, ou par toute autre personne qualifiée - vous pourriez vous électrocuter.


**⚠ AVERTISSEMENT :** Ne placez pas les prises portables multiples ou les alimentations électriques portables à l'arrière de l'appareil.

## **NETTOYAGE ET ENTRETIEN**

**⚠ AVERTISSEMENT :** Assurez-vous que l'appareil est éteint et débranché du réseau électrique avant d'effectuer l'entretien : risque de choc électrique. N'utilisez jamais un appareil de nettoyage à vapeur : risque de choc électrique.

**⚠** N'utilisez pas de nettoyeurs abrasifs ou rugueux comme les vaporisateurs pour fenêtre, nettoyeurs, liquides inflammables, nettoyant pour cire, détergents concentrés, désinfectants et nettoyeurs contenant des produits pétroliers ou des particules de plastique à l'intérieur et sur le contour et les joints de la porte. N'utilisez pas d'essuie-tout, de tampons à récuser, ou autres outils de nettoyage rugueux.

## **ÉLIMINATION DES MATÉRIAUX D'EMBALLAGE**

Les matériaux d'emballage sont entièrement recyclables comme l'indique le symbole de recyclage . Les différentes parties de l'emballage doivent donc être jetées de manière responsable et en totale conformité avec les réglementations des autorités locales régissant la mise au rebut des déchets.

## **MISE AU REBUT DES APPAREILS ÉLECTROMÉNAGERS**


Cet appareil est fabriqué à partir de matériaux recyclables ou réutilisables.

Mettez-le au rebut en vous conformant aux réglementations locales en matière d'élimination des déchets.

Pour plus d'informations sur le traitement, la récupération et le recyclage des appareils électriques domestiques, contactez vos autorités locales, le service de collecte pour les déchets domestiques ou

le magasin où vous avez acheté l'appareil. Cet appareil est marqué conformément à la Directive européenne 2012/19/EU, Déchets d'équipements électriques et électroniques (WEEE).

En vous assurant que l'appareil est mis au rebut correctement, vous pouvez aider à éviter d'éventuelles conséquences négatives sur l'environnement et la santé humaine.

Le symbole  sur le produit ou sur la documentation qui l'accompagne indique qu'il ne doit pas être traité comme un déchet domestique, mais doit être remis à un centre de collecte spécialisé pour le recyclage des appareils électriques et électroniques.

## **CONSEILS RELATIFS À L'ÉCONOMIE D'ÉNERGIE**

Pour garantir une ventilation adéquate, suivez les instructions d'installation.

Une aération insuffisante à l'arrière du produit augmente la consommation d'énergie et réduit l'efficacité du refroidissement.

L'ouverture fréquente de la porte peut augmenter la consommation d'énergie.

La température interne de l'appareil et la consommation d'énergie peuvent être affectées par la température ambiante et l'endroit où l'appareil est installé. Le réglage de la température doit toujours prendre ces facteurs en compte. Évitez le plus possible d'ouvrir les portes.

Lors de la décongélation des produits surgelés, placez-les dans le réfrigérateur. La basse température des produits surgelés refroidit les aliments dans le réfrigérateur.

Laissez refroidir les aliments et boissons chaudes avant de les placer dans l'appareil.

Le positionnement des tablettes dans le réfrigérateur n'affecte pas l'utilisation efficace de l'énergie. Les aliments doivent être placés sur les tablettes de sorte à assurer une bonne circulation de l'air (les aliments ne doivent pas être en contact les uns avec les autres et une certaine distance entre les aliments et la paroi arrière doit être maintenue).

Vous pouvez augmenter la capacité de stockage des aliments congelés en enlevant des paniers et si elle est présente, l'étagère Antigivre.

Ne vous inquiétez pas des bruits provenant du compresseur qui sont des bruits de fonctionnement normaux.

# COMMENT FAIRE FONCTIONNER LE COMPARTIMENT RÉFRIGÉRATEUR

Cet appareil est un réfrigérateur avec un compartiment réfrigérateur **\*\*\*** étoiles.

**Le compartiment réfrigérateur au complet se dégivre automatiquement.**

Le réfrigérateur fonctionne à une plage de température comprise entre +16°C et +38°C. Les meilleures performances sont atteintes à une plage de température comprise entre +16°C et +32°C.

## Démarrage du réfrigérateur

Branchez l'appareil.

Le thermostat permet d'ajuster la température des deux compartiments : réfrigérateur et congélateur.

## Comment régler la température des compartiments :

1. Pour assurer un fonctionnement correct et une meilleure conservation des aliments, **nous vous recommandons de régler le thermostat selon les indications trouvées dans la fiche de données de produit incluse.**
2. Si vous souhaitez modifier la température du compartiment réfrigérateur, tournez le bouton du thermostat sur :
  - les chiffres **les plus bas/MIN** pour que la température du compartiment soit **PLUS CHAUDE** ;
  - les chiffres **les plus élevés/MAX** pour que la température du compartiment soit **PLUS FROIDE.**

Thermostat sur ● : les fonctions de l'appareil et l'éclairage sont interrompues.

## Remarque :

la température ambiante, la fréquence d'ouverture des portes et la position de l'appareil peuvent affecter sa température intérieure. Le bouton du thermostat doit être réglé selon ces facteurs.

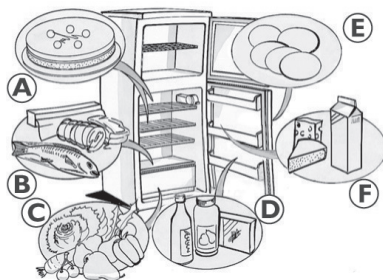
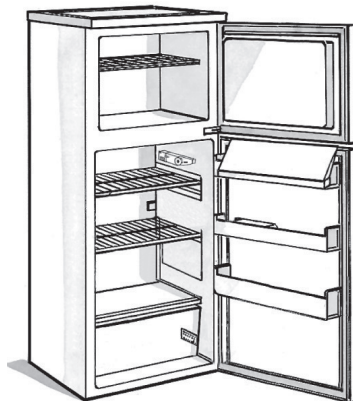
## Comment stocker des aliments dans le compartiment réfrigérateur

Placez les aliments comme indiqué sur la figure ci-contre.

- A.** Aliments cuits
- B.** Poisson, viande
- C.** Fruits et légumes
- D.** Bouteilles
- E.** Œufs
- F.** Beurre, produits laitiers, fromage

## Remarques :

- La distance entre les tablettes et le panneau arrière intérieur assure une circulation libre de l'air.
- Les aliments ne doivent pas toucher le panneau arrière intérieur du compartiment réfrigérateur.
- Ne placez pas d'aliments encore chauds dans les compartiments.
- Gardez les liquides dans des récipients fermés.
- La conservation de légumes avec une teneur en eau élevée peut provoquer la formation de condensation dans le bac inférieur : cela n'affecte pas le fonctionnement correct de l'appareil.



# COMMENT FAIRE FONCTIONNER LE COMPARTIMENT CONGÉLATEUR

Le compartiment congélateur a **\*\*\*** étoiles.  
 Les aliments congelés peuvent être stockés à l'intérieur jusqu'à la date indiquée sur l'emballage. En outre, les aliments frais peuvent être congelés en les stockant sous la grille, au niveau le plus bas, et en plaçant les aliments déjà congelés dans la partie supérieure du compartiment, afin d'éviter de toucher des aliments qui ne sont toujours congelés. La quantité d'aliments frais pouvant être congelés en 24 heures est inscrite sur la plaque signalétique.

## Important :

Avant la congélation, emballez et scellez les aliments frais dans :

- Du papier aluminium, du film étirable, des sacs sous vide, des récipients en polyéthylène avec couvercle ou des récipients de congélation adaptés à la congélation d'aliments frais..
- Le compartiment congélateur maintient une température adaptée à la conservation des aliments même en cas de panne d'électricité.  
 Si cela se produit, il est toutefois conseillé de ne pas ouvrir la porte du compartiment.

## Important :

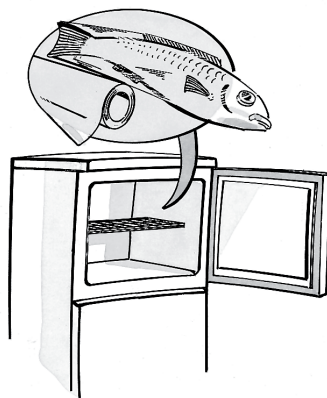
**Voir le tableau ci-contre pour connaître la durée de conservation en mois pour les aliments congelés à la maison.**

**Lors de l'achat de produits alimentaires congelés, assurez-vous que :**

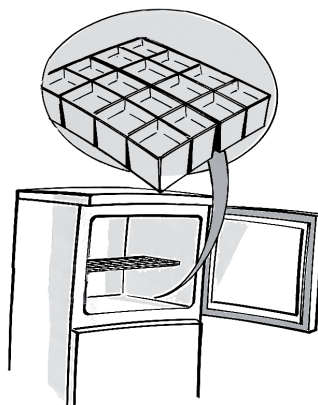
- leur emballage est intact, car autrement le produit pourrait être endommagé. Si l'emballage est gonflé ou présente des taches humides, il se peut que le produit n'ait pas été conservé dans des conditions optimales et que la décongélation ait déjà commencé.
- Lorsque vous faites vos courses, achetez les produits congelés à la fin et transportez-les dans un sac isotherme.
- Une fois à la maison, placez immédiatement les produits surgelés dans le congélateur.
- Ne recongelez pas des aliments partiellement décongelés. Consommez-les dans les 24 heures.
- Évitez ou réduisez les variations de température au minimum. Respectez les dates de péremption figurant sur les emballages.
- Respectez toujours les informations de conservation sur l'emballage.

## Réalisation de glaçons

- Remplissez le bac à glaçons au 2/3 d'eau et replacez-le dans le compartiment congélateur.  
 Si le plateau colle au plancher du compartiment, n'utilisez pas d'objets pointus ou acérés pour l'enlever.



MOIS	ALIMENTS
1-3	
4-7	
8-12	



# COMMENT DÉGIVRER ET NETTOYER LE COMPARTIMENT CONGÉLATEUR

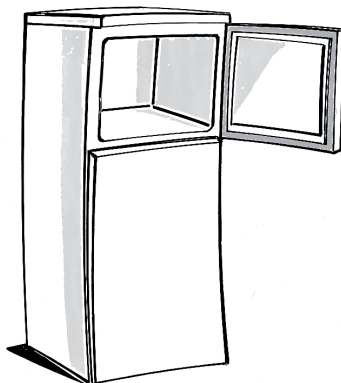
Nous recommandons de dégivrer le compartiment congélateur une fois ou deux fois par an, ou quand la glace sur les côtés atteint une épaisseur d'environ 3 mm. Il est conseillé de dégivrer le compartiment congélateur lorsqu'il est presque vide.

1. Ouvrez la porte et enlevez tous les produits alimentaires, enveloppez-les étroitement dans du papier journal et placez-les dans un endroit froid ou dans une glacière.
2. Débranchez l'appareil de l'alimentation électrique.
3. Laissez la porte du congélateur ouverte pour faire fondre la glace.
4. Éliminez l'eau résultant du dégivrage collectée dans le bas du compartiment.
5. Nettoyez l'intérieur avec une éponge humide, en utilisant de l'eau tiède et un détergent doux.

**N'utilisez pas d'abrasifs.**

6. Rincez et séchez soigneusement.

**Remarque : Afin d'éviter d'endommager de manière permanente l'intérieur du compartiment, n'utilisez pas d'instruments métalliques pointus ou acérés pour retirer le givre et ne chauffez pas le compartiment.**



# COMMENT NETTOYER LE COMPARTIMENT RÉFRIGÉRATEUR

**Nettoyez le compartiment réfrigérateur régulièrement. Le compartiment réfrigérateur au complet se dégivre automatiquement.**

La présence occasionnelle de gouttes d'eau sur le panneau arrière interne du compartiment est un signe que le dégivrage automatique fonctionne.

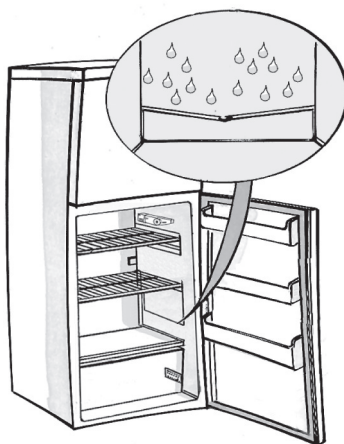
L'eau de dégivrage est acheminée jusqu'au drain où elle est récupérée dans un récipient avant de s'évaporer.

Nettoyez l'orifice d'évacuation qui collecte l'eau du dégivrage régulièrement.

Débranchez l'appareil de l'alimentation électrique avant de le nettoyer.

- Utilisez une éponge humide avec de l'eau tiède et/ou un détergent doux.
- Essuyez avec un chiffon doux.

**N'utilisez pas d'abrasifs.**



# NETTOYAGE ET ENTRETIEN

## Composants intégrés

- Nettoyez régulièrement les grilles de ventilation avec un aspirateur ou une brosse (voir figure **A**).
- Nettoyez l'extérieur avec un chiffon doux.

## Composants autonomes

- Nettoyez régulièrement le condenseur placé à l'arrière de l'appareil avec un aspirateur ou une brosse (voir figure **B**).

## Longues absences

1. Videz les compartiments du réfrigérateur et du congélateur.
2. Débranchez l'appareil de l'alimentation électrique.
3. Dégivrez le compartiment congélateur et séchez les deux compartiments.
4. Laissez les portes ouvertes pour éviter la formation de mauvaises odeurs.

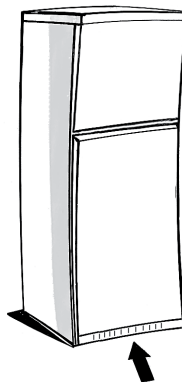


Fig. A

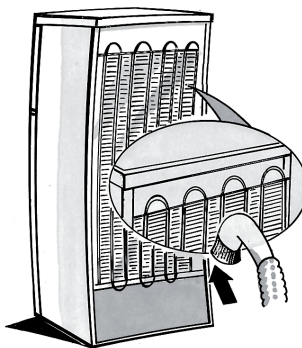


Fig. B

# GUIDE DE DÉPANNAGE

## 1. L'appareil ne fonctionne pas.

- Y a-t-il une coupure de courant ?
- La fiche est-elle correctement insérée dans la prise ?
- L'interrupteur secteur bipolaire est-il enclenché ?
- Les dispositifs de protection de l'installation électrique du foyer fonctionnent-ils correctement ?
- Le câble électrique est-il cassé ?
- Le thermostat est-il en position ● (Stop) ?

## 2. La température à l'intérieur des compartiments n'est pas assez basse.

- La porte est-elle bien fermée ?
- L'appareil se trouve-t-il à proximité d'une source de chaleur ?
- Le thermostat est-il dans la bonne position ?
- Y-a-t-il quoi que ce soit qui bloque la circulation d'air dans les grilles de ventilation ?

## 3. La température du compartiment réfrigérateur est trop froide.

- Le thermostat est-il dans la bonne position ?

## 4. Il y a de l'eau au fond du compartiment réfrigérateur.

- L'orifice de vidange d'eau de dégivrage est-il bloqué ?

## 5. L'éclairage intérieur ne fonctionne pas.

En premier, vérifiez le point 1, ensuite :

- Débranchez l'appareil de l'alimentation électrique. Pour savoir comment atteindre l'ampoule électrique, consultez les instructions et le dessin dans le tableau joint.
- Remplacez l'ampoule électrique, en vous assurant qu'il s'agit d'une ampoule de même plage de puissance ou de même puissance maximale, comme spécifié près de la douille.

## 6. Formation excessive de givre dans le compartiment congélateur

- La porte est-elle bien fermée ?
- Des aliments empêchent-ils la porte de se fermer correctement ?

## Remarques :

- **Le bord avant du réfrigérateur est chaud : ce n'est pas un défaut, cela permet d'éviter la formation de condensation.**
- **Des sons de gargouillement et des bruits de dilatation proviennent du système de réfrigération et sont normaux.**

# GUIDE DE DÉPANNAGE

## Avant de contacter le Service après-vente :

1. Vérifiez si vous pouvez résoudre le problème vous-même (voir « Guide de dépannage »).
2. Redémarrez l'appareil pour voir si le problème se résout de lui-même.  
Si ce n'est pas le cas, débranchez l'appareil de nouveau et répétez la procédure après une heure.
3. Si l'anomalie persiste après avoir procédé comme indiqué ci-dessus, contactez le Service Après-Vente.

## Précisez :

- le type de panne ,
- le modèle
- le numéro de service (le numéro qui suit le mot SERVICE sur l'étiquette signalétique situé à l'intérieur de l'appareil),
- votre adresse complète,
- votre numéro de téléphone avec l'indicatif

régional.



## Remarque :

**L'inversion de l'ouverture des portes, si elle est effectuée par le Service d'assistance technique, n'est pas considérée comme une réclamation sous garantie.**

# INSTALLATION

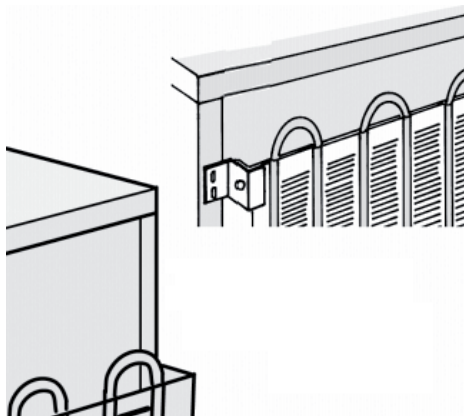
- Installez l'appareil loin des sources de chaleur.
- Placez l'appareil dans un endroit sec et bien ventilé.
- N'obstruez pas l'espace de ventilation au-dessus et en dessous de l'appareil.
- Nettoyez l'intérieur (voir le chapitre « Comment nettoyer le compartiment réfrigérateur »).
- Installez tous les accessoires inclus.

## Branchement de l'alimentation électrique

- **Les raccordements électriques doivent être conformes aux normes locales.**
- Vous trouverez des informations concernant l'alimentation électrique et la consommation sur la plaque située sur le côté du bac de fruits et légumes.
- **La mise à la terre de l'appareil est obligatoire. Le fabricant ne pourra être tenu pour responsable en cas de dommages éventuels subis par des personnes, des animaux ou des biens, résultant du non-respect des consignes mentionnées ci-dessus.**
- Si la prise et la douille ne sont pas compatibles, demandez à un technicien qualifié de remplacer la prise.
- N'utilisez pas de câbles de rallonge ou d'adaptateurs multiprise.

## Débranchez l'appareil de l'alimentation électrique

- Débranchez l'appareil ou utilisez l'interrupteur de secteur bipolaire au-dessus de la prise pour le débrancher.



# PORTES RÉVERSIBLES



## Avertissement :

Avant de changer le sens d'ouverture des portes, assurez-vous que l'appareil n'est pas branché à l'alimentation électrique et qu'une seconde personne est présente et prête à vous aider, car le réfrigérateur est lourd et doit être en position inclinée.

## RISQUE DE BLESSURE !

- Enlevez les vis pour sortir la charnière (Fig. 1, n° 1 et 2), enlevez la porte du compartiment supérieur et placez-la dans un endroit sûr.
- Pour enlever la porte inférieure, desserrez les vis de la charnière de support centrale et enlevez-la. (Fig. 1, n° 3 et 4)
- Levez la porte inférieure de la broche de charnière (Fig. 1, n° 5) placez-la dans un endroit sûr.
- Installez la broche de butée inférieure, en la dévissant du côté droit et en la revissant sur le côté gauche.
- Placez le réfrigérateur verticalement.
- Enlevez les capots de charnière gauche des deux portes (supérieure et inférieure) et installez-le sur le côté opposé de chaque porte respective.
- Placez la porte du réfrigérateur sur la broche de butée inférieure, tournez la charnière centrale de 180°, poussez-la dans le trou supérieur de la porte et fixez la charnière.
- Remettez la porte du compartiment supérieur et fixez-la sur le support de la charnière supérieure.
- Avant de serrer toutes les vis, vérifiez que les portes ont été installées correctement.

Avant de rebrancher le réfrigérateur à l'alimentation électrique, vérifiez encore une fois que toutes les vis sont serrées, que les portes ont été installées correctement, et que le réfrigérateur est dans la position verticale et placé fermement au sol.

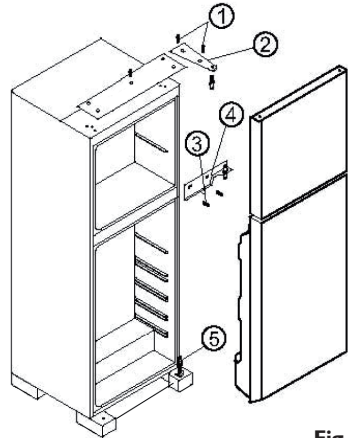


Fig. 1

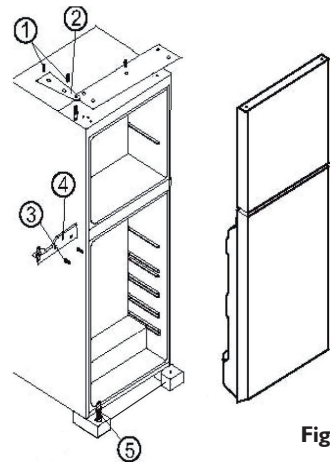


Fig. 2



**Installation à montage à ras**

Dimensions de l'armoire et de l'appareil (Fig. 3)

**Hauteur :** 1445 - 1450 mm

**Largeur :** 560 mm

**Profondeur :** 550 mm

Pour assurer une ventilation suffisante, observez les indications sur la figure.

L'armoire doit être équipée d'une ventilation forcée en entrée et en sortie. (Fig. 3 et 4)

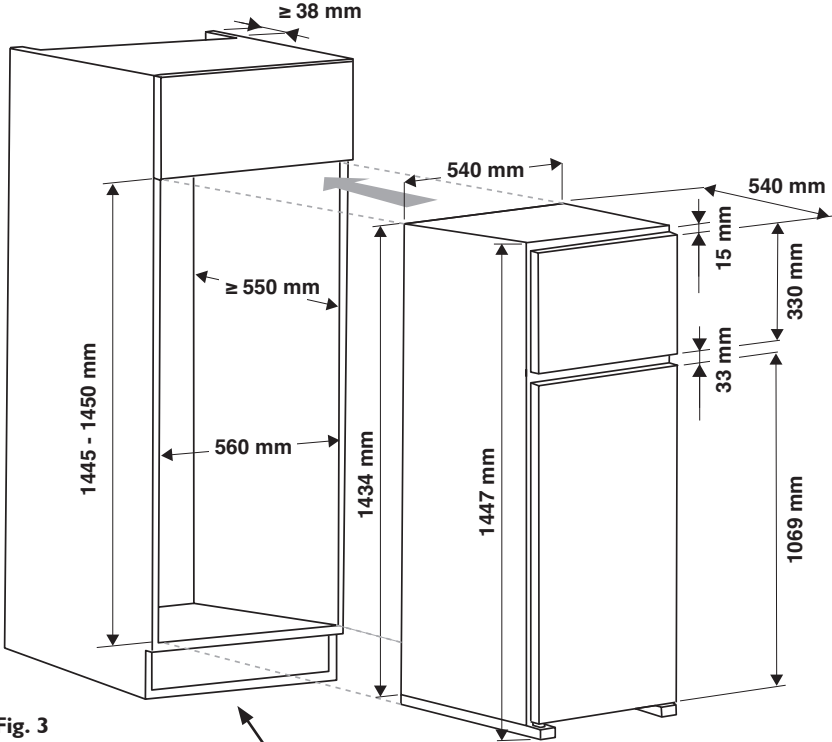


Fig. 3

grille de ventilation :  
minimum 200 cm<sup>2</sup>

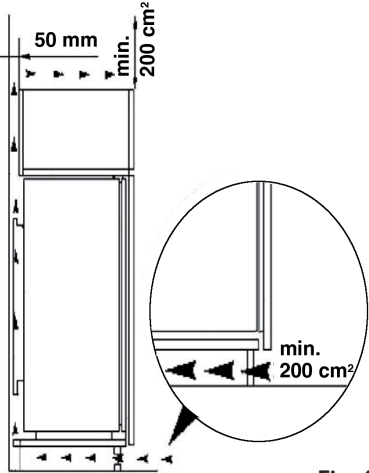
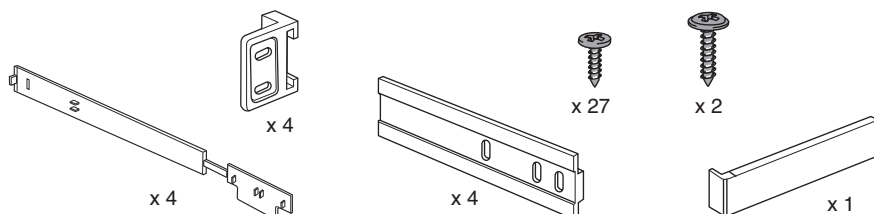


Fig. 4

## KIT d'installation



### Installation de la porte coulissante

Poussez l'appareil dans le compartiment de l'armoire avec soin (Fig. 5) jusqu'à ce que vous atteigniez la bande de butée « A ». Vous trouverez le matériel requis pour l'installation à l'intérieur de l'appareil.

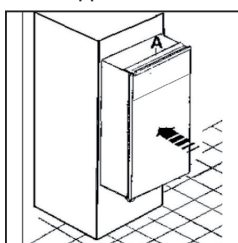


Fig. 5

Ouvrez la porte de l'appareil et poussez dans la direction opposée à la charnière (Fig. 6). Fixez l'appareil avec 4 vis, 2 vis sur la plaque de façade supérieure et 2 sur le support d'angle opposé à la charnière centrale.

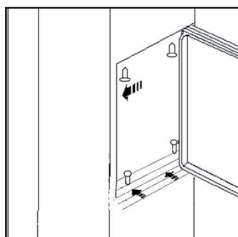


Fig. 6

Placez le patin « A » conformément aux indications trouvées (Fig. 7) à l'intérieur de la porte de l'armoire et marquez l'endroit où les vis doivent être insérées. Alésez les trous pour les vis. Fixez le patin.

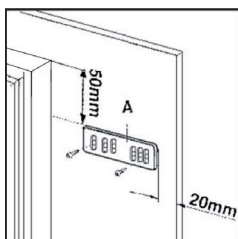


Fig. 7

Ouvrez la porte de l'appareil et de l'armoire à 90°. Placez le support d'angle « B » (Fig. 8) contre le

patin « A ». Assurez-vous que la porte de l'armoire adhère bien à la porte de l'appareil et marquez l'endroit où se trouvent les ouvertures centrales, comme indiqué sur la figure (Fig. 8).

Enlevez le support d'angle « B » et les trous d'alésage pour les vis avec un foret de 2 mm de diamètre. Placez à nouveau le support d'angle contre le patin et fixez-le avec les vis fournies.

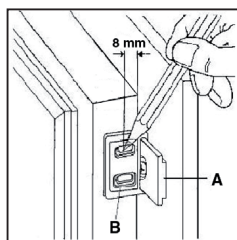


Fig. 8

Si vous avez besoin de régler la porte de l'armoire, utilisez l'ouverture de fente dans le sens de la longueur dans le support d'angle « B » (Fig. 9).

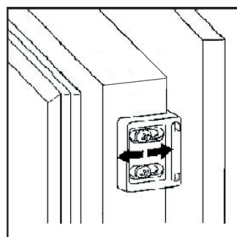


Fig. 9

En fonction du modèle, appuyez sur le capot « D » fourni sur le support d'angle « B ».

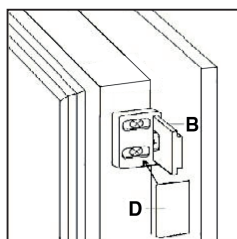


Fig. 10

La porte du compartiment congélateur est installée avec 1 charnière de porte oscillante, tandis que la porte du réfrigérateur nécessite 2 charnières de ce même type.

# VEILIGHEIDSVOORSCHRIFTEN

## BELANGRIJK MOET WORDEN GELEZEN EN IN ACHT GENOMEN

Lees voordat u het apparaat gaat gebruiken deze veiligheidsinstructies. Houd ze binnen handbereik voor latere raadpleging.

Deze instructies en het apparaat zelf zijn voorzien van belangrijke veiligheidsaanwijzingen, die te allen tijde moeten worden opgevolgd. De fabrikant kan niet aansprakelijk gesteld worden voor schade die het gevolg is van het niet opvolgen van deze veiligheidsinstructies, oneigenlijk gebruik of een foute programmering van de regelknoppen.

⚠ Kleine kinderen (0-3 jaar) moeten uit de buurt van het apparaat gehouden worden. Jonge kinderen (3-8 jaar) moeten uit de buurt van het apparaat gehouden worden, tenzij ze constant onder toezicht staan. Kinderen vanaf 8 jaar en personen met verminderde fysieke, sensorische of mentale vermogens of gebrek aan ervaring en kennis, mogen dit apparaat gebruiken indien ze onder toezicht staan of instructies hebben ontvangen over veilig gebruik en de mogelijke gevaren ervan begrijpen. Kinderen mogen niet spelen met het apparaat. De reiniging en het onderhoud mogen niet door kinderen worden uitgevoerd zonder toezicht. Kinderen van 3 tot 8 jaar mogen etenswaren uit de koelapparatuur halen en er in leggen.

### TOEGESTAAN GEBRUIK

⚠ **VOORZICHTIG:** Het apparaat is niet geschikt voor inwerkingstelling met een externe schakelaar zoals een timer, of een afzonderlijk systeem met afstandsbediening.

⚠ Dit apparaat is bedoeld voor gebruik in huishoudelijke en

vergelijkbare toepassingen zoals : personeelskeukens in winkels, kantoren en overige werkomgevingen; in landbouwbedrijven; door klanten in hotels, motels, bed & breakfast en andere verblijfsomgevingen.

⚠ Dit apparaat is niet voor professioneel gebruik bedoeld. Gebruik het apparaat niet buiten.

⚠ De lamp die in het apparaat wordt gebruikt is specifiek ontworpen voor huishoudapparaten en is niet geschikt voor ruimteverlichting (EC Richtlijn Nr. 244/2009).

⚠ Het apparaat is bedoeld voor gebruik op plaatsen waar de temperatuur binnen het volgende bereik komt, conform de klimaatklasse op het typeplaatje. Mogelijk werkt het apparaat niet correct indien het lange tijd op een temperatuur buiten het aangegeven bereik wordt gebruikt.

Omgevingstemperaturen van klimaatklasse:

SN: van 10°C tot 32°C;

N: van 16°C tot 32°C

ST: van 16°C tot 38°C;

T: van 16°C tot 43°C

⚠ Dit apparaat bevat geen CFK. Het koelcircuit bevat R600a (HC). Apparaten met Isobutaan (R600a): isobutaan is een natuurlijk gas dat geen schadelijke invloed heeft op het milieu, maar wel ontvlambaar is. Zorg er daarom voor dat de koelcircuitleidingen niet beschadigd raken, vooral wanneer het koelcircuit geleidigd wordt.

⚠ **WAARSCHUWING:** Beschadig de koelcircuitleidingen van het apparaat niet.

⚠ WAARSCHUWING: Houd de ventilatieopeningen in de behuizing van het apparaat of in de ingebouwde structuur vrij van obstakels.

⚠ WAARSCHUWING: Gebruik geen mechanische, elektrische of chemische middelen behalve de middelen aanbevolen door de fabrikant om het ontdooiproces te versnellen.

⚠ WAARSCHUWING: Gebruik of plaats geen elektrische apparaten binnenin de apparaatcompartimenten indien deze niet het type zijn dat uitdrukkelijk is goedgekeurd door de Fabrikant.

⚠ WAARSCHUWING: Ijsmakers en/of waterdispensers die niet rechtstreeks op het waterleidingnet zijn aangesloten, mogen uitsluitend met drinkwater worden gevuld.

⚠ WAARSCHUWING: Automatische ijsmakers en/of waterdispensers moeten worden aangesloten op een waterleidingnet dat uitsluitend drinkwater levert, met een waterdruk tussen 0,17 en 0,81 MPa (1,7 en 8,1 bar).

⚠ Geen ontplofbare stoffen zoals spuitbussen opslaan en geen benzine of andere brandbare materialen gebruiken in of in de buurt van het apparaat.

⚠ Slik de (niet-giftige) vloeistof uit de vrieselementen niet in (bij enkele modellen). Eet geen ijsblokjes of waterijsjes die net uit de vriezer komen, aangezien deze vriesbrandwonden kunnen veroorzaken.

⚠ Bij producten ontworpen voor gebruik met een luchtfilter in een toegankelijke ventilatorafdekking, moet het filter altijd zijn aangebracht wanneer de koelkast in bedrijf is.

⚠ Bewaar geen glazen containers met vloeistoffen in het diepvriezercompartiment omdat ze

kunnen breken.

Blokkeer de ventilator (indien aanwezig) niet met levensmiddelen.

Controleer nadat u levensmiddelen in het apparaat heeft geplaatst of de deuren van de vakken goed zijn gesloten, met name de deur van het vriesvak.

⚠ Een beschadigde afdichting dient zo snel mogelijk vervangen te worden.

⚠ Gebruik het koelkastcompartiment uitsluitend voor het bewaren van vers voedsel en het diepvriezercompartiment uitsluitend voor het bewaren van bevroren voedsel, het invriezen van vers voedsel en het maken van ijsblokjes.

⚠ Vermijd het bewaren van onverpakt voedsel in direct contact met interne oppervlakken van de koelkast- of diepvriezercompartimenten.

Apparaten kunnen over speciale compartimenten beschikken (vak voor verse etenswaar, nul graden-vak,...).

Indien niet anders gespecificeerd in de productbeschrijving, kunnen deze compartimenten verwijderd worden zonder dat hierdoor de prestaties veranderen.

⚠ C-pentaaan wordt gebruikt als blaasmiddel in het isolatieschuim en is een licht ontvlambaar gas.

Rekening houdend met de temperatuursverschillen in de verschillende koelkastcompartimenten, kunnen etenswaren het beste als volgt worden bewaard:

- Koelkastcompartiment:

1) Bovenste gedeelte van het koelkastcompartiment en deurtemperatuurzone: Bewaar tropisch fruit, blikjes, drankjes, eieren, sauzen, augurken, boter, jam

2) Middengedeelte van het koelkast-

compartiment - koude zone: Bewaar kaas, melk, zuivelproducten, delicatessen, yoghurt

3) Onderste gedeelte van het koelkastcompartiment - koelste zone: Bewaar vleeswaren, desserts, vlees en vis, cheesecake, verse pasta, zure room, pesto/salsa, zelfgemaakte gerechten, banketbakkersroom, pudding en roomkaas

4) Fruit- en groentelade onderin het koelkastcompartiment: Bewaar groenten en fruit (geen tropisch fruit)

5) Koelcompartiment: Bewaar vlees en vis alleen in deze koudste lade - Diepvriescompartiment:

De zone met 4 sterren (\*\*\*\*) is geschikt voor het invriezen van levensmiddelen op omgevingstemperatuur en voor het bewaren van ingevroren etenswaren, aangezien de temperatuur gelijkmatig is verdeeld over het hele compartiment.

De houdbaarheidsdatum van gekochte diepvriesproducten staat op de verpakking vermeld. Deze datum houdt rekening met het type voedsel dat wordt bewaard, en moet daarom worden aangehouden. Verse etenswaren kunnen worden bewaard voor de onderstaande periodes: 1-3 maanden voor kaas, schaaldieren, ijs, ham/worst, melk, verse vloeistoffen; 4 maanden voor biefstuk of koteletten (rund, lam, varken); 6 maanden voor boter of margarine en gevogelte (kip, kalkoen);

8-12 maanden voor fruit (behalve citrusvruchten), gebraden vlees (rund, varken, lam), groenten. De houdbaarheidsdatum op de verpakking van etenswaren in de 2-sterrenzone moeten worden aangehouden.

Houd rekening met de volgende punten om voedselbesmetting te voorkomen:

– Het langdurig openen van de deur kan de temperatuur in de compartimenten

van het apparaat aanzienlijk verhogen.

– Reinig regelmatig oppervlakken die in contact kunnen komen met etenswaren, evenals toegankelijke afvoersystemen.

– Reinig watertanks als ze 48 uur niet zijn gebruikt; spoel het watersysteem dat is aangesloten op een watertoevoer als er gedurende 5 dagen geen water is gebruikt.

– Bewaar rauw vlees en rauwe vis in geschikte bewaarbakken in de koelkast, om contact met (of druppelen op) andere etenswaren te voorkomen.

– Vriescompartimenten met twee sterren zijn geschikt voor het bewaren van reeds ingevroren voedsel en voor het bewaren of maken van ijs en ijsblokjes.

– Vries geen verse etenswaren in compartimenten met één, twee of drie sterren.

– Als het koelapparaat gedurende lange perioden leeg blijft, schakel het dan uit, ontdooi het, maak het schoon, laat het drogen en laat de deur open om te voorkomen dat zich schimmel in het apparaat vormt.

## INSTALLATIE

⚠ Het apparaat moet verplaatst en geïnstalleerd worden door twee of meer personen - gevaar voor letsel. Gebruik beschermende handschoenen om uit te pakken en te installeren - risico voor snijwonden.

⚠ Laat de installatie, m.i.v. de aansluiting op het waternet (indien van toepassing) en de elektrische aansluitingen en reparaties door een gekwalificeerd technicus verrichten. Repareer of vervang geen enkel onderdeel van het apparaat, behalve als dit expliciet aangegeven wordt in de gebruikershandleiding. Houd

kinderen ver van de installatieplaats. Controleer na het uitpakken van het apparaat of het tijdens het transport geen beschadigingen heeft opgelopen. Neem in geval van twijfel contact op met uw leverancier of de dichtstbijzijnde Whirlpool Consumentenservice. Na de installatie moet het verpakkingsmateriaal (plastic, piepschuim enz.) buiten het bereik van kinderen bewaard worden - risico voor verstikking. Het apparaat moet worden losgekoppeld van het elektriciteitsnet voordat u installatiewerkzaamheden uitvoert - risico voor elektrocutie.

Tijdens de installatie dient u ervoor te zorgen dat het apparaat de voedingskabel niet beschadigt - risico voor brand of elektrocutie. Activeer het apparaat alleen wanneer de installatie helemaal uitgevoerd is.

⚠️ Zorg dat u de vloer (bijv. parket) niet beschadigt tijdens het verplaatsen van het apparaat. Installeer het apparaat op een vloer of steun die sterk genoeg is om het gewicht te kunnen hebben, en op een plaats die geschikt is voor grootte en gebruik. Controleer of het apparaat niet vlak naast een warmtebron staat en of de vier pootjes stevig op de vloer rusten, stel ze naar wens af en controleer of het apparaat exact horizontaal staat en gebruik hiervoor een waterpas. Wacht minstens twee uur alvorens het apparaat in te schakelen, om zeker te stellen dat het koelcircuit volledig efficiënt is.

⚠️ **WAARSCHUWING:** Zorg er bij het plaatsen van het apparaat voor dat de voedings snoer niet geklemd zit of beschadigd is.

⚠️ **WAARSCHUWING:** Om gevaar als gevolg van instabiliteit te voorkomen, moet de positionering of bevestiging van het apparaat worden uitgevoerd volgens de instructies van de fabrikant.

Het is verboden de koelkast dusdanig te plaatsen dat de metalen slang van de gaskachel, metalen gas- of waterleidingen of elektrische draden in contact komen met de achterwand van de koelkast (condensatorspoel).

De ruimte die nodig is voor de installatie van het apparaat is aangegeven in de handleiding.

Verwijder het netsnoer van de condensatorhaak tijdens de installatie voordat u het product op de voeding aansluit.

## **ELEKTRISCHE WAARSCHUWINGEN**

⚠️ Het moet mogelijk zijn het apparaat van het elektriciteitsnet af te koppelen door de stekker uit het stopcontact te halen of via een meerpolige netschakelaar die bovenstrooms van het stopcontact is geplaatst conform de bedradingsvoorschriften en het apparaat dient geaard te zijn conform de nationale veiligheidsnormen voor elektriciteit.

⚠️ Gebruik geen verlengsnoeren, meervoudige stopcontacten of adapters. Als de installatie voltooid is, mogen de elektrische onderdelen niet meer toegankelijk zijn voor de gebruiker. Gebruik het apparaat niet wanneer u natte voeten hebt of blootsvoets bent.

Gebruik het apparaat niet als de stroomkabel of de stekker beschadigd is, als het apparaat niet goed werkt of als het beschadigd of gevallen is.

⚠️ Als het netsnoer beschadigd is, moet het vervangen worden door de fabrikant, een servicevertegenwoordiger of gekwalificeerd personeel om risico's te voorkomen - risico voor elektrocutie.

⚠️ **WAARSCHUWING:** Meerdere draagbare stopcontacten of draagbare


voedingen mogen niet aan de achterkant van het apparaat worden geplaatst.

## REINIGING EN ONDERHOUD

**⚠ WAARSCHUWING:** Zorg ervoor dat het apparaat uitgeschakeld en losgekoppeld is van het elektriciteitsnet alvorens onderhoud uit te voeren; gebruik geen stoomreinigers - risico van elektrocutie.


**⚠ Gebruik op kunststof onderdelen, binnen- en deurranden of afdichtingen geen schurende of agressieve schoonmaakmiddelen zoals ruitenprays, schurende reinigingsmiddelen, brandbare vloeistoffen, schoonmaakwassen, geconcentreerde schoonmaakmiddelen, bleekmiddelen en reinigingsmiddelen die aardolieproducten bevatten. Gebruik geen papieren handdoeken, schuursponsjes of ander hard schoonmaakmateriaal.**

## VERWERKING VAN DE VERPAKKING

De verpakking kan 100% gerecycled worden, zoals door het recyclingssymbool wordt aangegeven . De diverse onderdelen van de verpakking moeten op verantwoordelijk wijze afgevoerd worden volgens de plaatselijke voorschriften voor de verwerking van het afval.

## AFDANKEN VAN HUISHOUDELIJKE APPARATUUR

Dit apparaat is vervaardigd van recyclebaar of herbruikbaar materiaal. Dank het apparaat af in overeenstemming met plaatselijke milieuvorschriften voor afvalverwerking. Voor meer informatie over behandeling, terugwinning en recycling van huishoudelijke apparaten kunt u contact opnemen met uw plaatselijke instantie, de vuilnisophaaldienst of de winkel waar u dit apparaat hebt gekocht. Dit apparaat is voorzien van het merkteken volgens de Europese Richtlijn 2012/19/EU inzake Afgedankte elektrische en elektronische apparaten (AEEA).

Door ervoor te zorgen dat dit product correct wordt afgedankt, helpt u mogelijke schadelijke gevolgen voor het milieu en de gezondheid te voorkomen. Het symbool  op het product of op de begeleidende documentatie geeft aan dat dit apparaat niet als huishoudelijk afval behandeld mag worden, maar dat het ingeleverd moet worden bij een speciaal inzamelingscentrum voor de recycling van elektrische en elektronische apparatuur.

## TIPS OM ENERGIE TE BESPAREN

Volg de installatie-instructies om voldoende ventilatie te garanderen.

Door onvoldoende ventilatie aan de achterzijde van het product neemt het energieverbruik toe en neemt de koefficiëntie af.

Wanneer de deur vaak wordt geopend kan dit leiden tot een verhoogd Energieverbruik.

De interne temperatuur van het apparaat en het Energieverbruik worden beïnvloed door de omgevingstemperatuur en de plaats waar het apparaat opgesteld is. Bij het instellen van de temperatuur moet rekening gehouden worden met deze factoren. Beperk het openen van deuren tot een minimum.

Plaats diepgevroren etenswaren die u wilt ontdooien in de koelkast. De lage temperatuur van de diepgevroren etenswaar koelt de etenswaar in de koelkast.

Laat warme gerechten en dranken eerst afkoelen voordat ze in het apparaat geplaatst worden.

De positionering van de platen in de koelkast heeft geen invloed op het efficiënte energiegebruik. De etenswaar dient zodanig op de platen geplaatst te worden om voor voldoende luchtcirculatie te zorgen (de verschillende etenswaar dient elkaar niet te raken en de afstand tussen de etenswaar en de achterwand moet behouden blijven).

U kunt de opslagcapaciteit voor ingevroren etenswaar vergroten door opslagmanden en, indien aanwezig, de Stop Frost-plaat te verwijderen. Wees niet verontrust over geluiden die van de compressor komen want dat zijn de normale geluiden van werking.

# BEDIENING VAN HET KOELKASTCOMPARTIMENT

Dit apparaat is een koelkast met een koelkastcompartiment met **\*\*\*** sterren.

**Het ontdooien van het koelkastcompartiment vindt geheel automatisch plaats.**

De koelkast werkt bij temperaturen tussen +16 °C en +38 °C. De beste prestaties worden bereikt bij temperaturen tussen +16 °C en +32 °C.

## De koelkast opstarten

Steek de stekker in het stopcontact.

Met de thermostaat kan de temperatuur van beide compartimenten worden aangepast: koelkast en vriezer.

## Aanpassen van de temperatuur van de compartimenten:

1. Voor een optimale werking en opslag van levensmiddelen, **raden we aan om de thermostaat aan te passen volgens de aanwijzingen in het meegeleverde productinformatieblad.**
2. Als u de temperatuur in het koelkastcompartiment wilt wijzigen, draait u de thermostaatknop naar:
  - **laagste instelling/MIN** voor **HOGERE temperaturen**;
  - **hoogste instelling/MAX** voor **LAGERE temperaturen**.

Thermostaat op ● : de functies en de verlichting van het apparaat zijn onderbroken.

## Opmerking:

De omgevingstemperatuur, hoe vaak de deuren worden geopend en de positie van het apparaat kunnen de binnentemperatuur beïnvloeden. De thermostaatknop moet aan deze factoren worden aangepast.

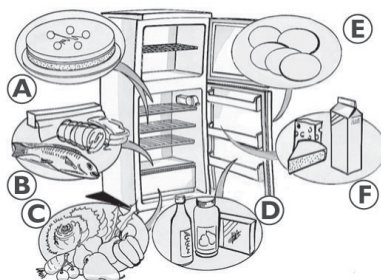
## Levensmiddelen in het koelkastcompartiment bewaren

Plaats de levensmiddelen zoals weergegeven in de afbeelding aan de zijkant.

- A.** Reeds bereide gerechten
- B.** Vis, vlees
- C.** Fruit en groenten
- D.** Flessen
- E.** Eieren
- F.** Boter, zuivelproducten, kaas

## Opmerkingen:

- De afstand tussen de schappen en de achterwand aan de binnenzijde zorgt dat de lucht vrij kan circuleren.
- Levensmiddelen mogen de binnenkant van de achterwand van het koelkastcompartiment niet raken.
- Plaats geen warme levensmiddelen in de compartimenten.
- Bewaar vloeistoffen in afgesloten houders.
- Het bewaren van groenten met een hoog watergehalte kan condensatie in de onderste lade veroorzaken. Dit heeft geen invloed op de werking van het apparaat.





# BEDIENING VAN HET DIEPVRIES-COMPARTMENT

Het diepvriescompartiment heeft **\*\*\*** sterren. Bevroren etenswaar kan erin worden bewaard tot de datum die op de verpakking staat vermeld. Bovendien kunnen verse levensmiddelen worden ingevroren. Plaats deze onderin het diepvriescompartiment om ze in te vriezen en vervolgens in het bovenste deel van het compartiment als ze zijn ingevroren. Op die manier is er geen contact tussen verse en ingevroren levensmiddelen.

De hoeveelheid verse etenswaar die in 24 uur kan worden ingevroren, staat aangegeven op het typeplaatje.

## Belangrijk:

Alvorens verse levensmiddelen in te vriezen dient u het te wikkelen en verzegelen in:

- Aluminiumfolie, plastic folie, lucht- en waterdichte plastic zakken, polytheen bakjes met deksel of diepvriesbakjes die geschikt zijn voor het invriezen van levensmiddelen.
- Het diepvriescompartiment behoudt ook bij een stroomstoring een temperatuur die geschikt is voor het bewaren van levensmiddelen.  
Bij een stroomstoring is het raadzaam om de deur van het diepvriescompartiment gesloten te houden.

## Belangrijk:

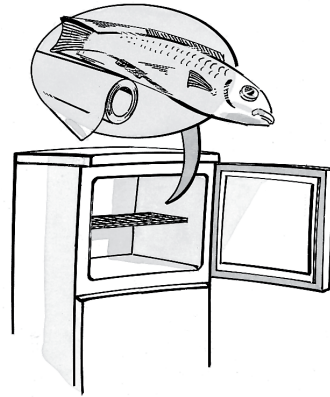
Zie de tabel aan de zijkant voor het aantal manden dat thuis ingevroren levensmiddelen kunnen worden bewaard.

Let er bij het kopen van diepvriesproducten op dat:

- De verpakking intact is, anders kan het product bederven. Als de verpakking bol staat of vochtplekken heeft, is het product mogelijk niet onder optimale omstandigheden bewaard en is het aan het ontdooien.
- Koop tijdens het winkelen bevroren voedsel aan het einde van uw trip en vervoer het in een thermisch geïsoleerde koeltas.
- Leg bij thuiskomst de bevroren levensmiddelen onmiddellijk in het diepvriescompartiment.
- Vries gedeeltelijk ontdooid levensmiddelen niet opnieuw in. Eet ze binnen 24 uur op.
- Vermijd temperatuurschommelingen of beperk ze tot een minimum. Respecteer de vervaldatum op de verpakking.
- Houd steeds rekening met de opslaginformatie op de verpakking.

## Ijsblokjes maken

- Vul de ijsbak voor 3/4 met water en plaats deze in het diepvriescompartiment.  
Als de ijsbak aan het compartiment is vastgevroren, gebruik dan geen scherpe of puntige voorwerpen om hem te verwijderen.



## MAANDEN GERECHT

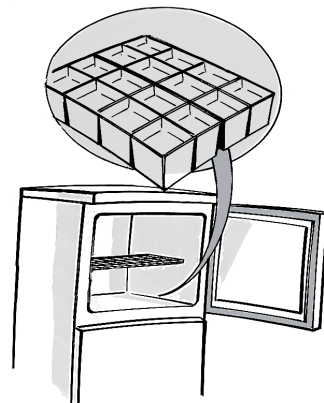
1-3



4-7



8-12



# ONTDOOIEN EN REINIGEN VAN HET DIEP-VRIESCOMPARTIMENT

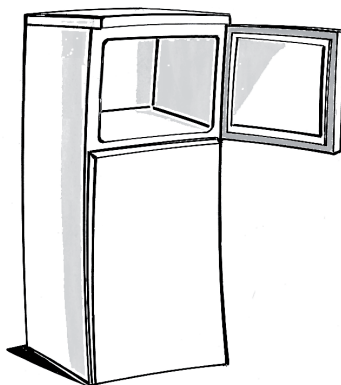
We raden aan om het diepvriescompartiment een of twee keer per jaar te ontdooien, of wanneer het ijs aan de zijkanten een dikte van ongeveer 3 mm heeft bereikt. Het is raadzaam om het diepvriescompartiment te ontdooien als het bijna leeg is.

1. Open de deur en verwijder alle etenswaren. Wikkel ze stevig samen in krantenpapier en plaats ze op een koude plaats of in een koeltas.
2. Koppel het apparaat los van de netvoeding.
3. Laat de deur van de vriezer open zodat het ijs kan smelten.
4. Verwijder het dooiwater dat zich op de bodem van het compartiment heeft verzameld.
5. Maak de binnenkant schoon met een spons met warm water en een mild schoonmaakmiddel.

**Gebruik geen schuurmiddelen.**

6. Goed afspoelen en afdrogen.

**Opmerking: Gebruik geen puntige of scherpe metalen instrumenten om ijs te verwijderen en verwarm het compartiment niet. Dit kan blijvende schade aan de binnenkant van het compartiment veroorzaken.**



# REINIGEN VAN HET KOELKASTCOMPARTIMENT

**Maak het koelkastcompartiment regelmatig schoon. Het ontdooien van het koelkastcompartiment vindt geheel automatisch plaats.**

Er kunnen af en toe waterdruppels op de achterwand aan de binnenkant van het koelkastcompartiment verschijnen tijdens de automatische ontdooifase.

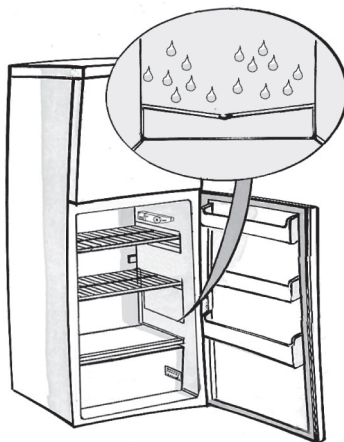
Het dooiwater loopt weg via een afvoeropening in een opvangbak, waar het verdampt.

Maak de afvoeropening voor dooiwater regelmatig schoon.

Haal de stekker van het apparaat vóór het reinigen uit het stopcontact.

- Gebruik een spons met warm water en/of een mild schoonmaakmiddel.
- Droog af met een zachte doek.

**Gebruik geen schuurmiddelen.**



# REINIGING EN ONDERHOUD

## Ingebouwde onderdelen

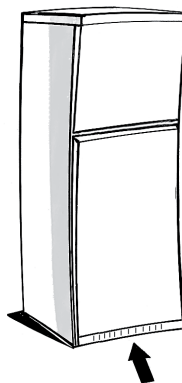
- Reinig regelmatig de ventilatieroosters met een stofzuiger of een borstel (zie afbeelding A).
- Reinig de buitenkant met een zachte doek.

## Losse onderdelen

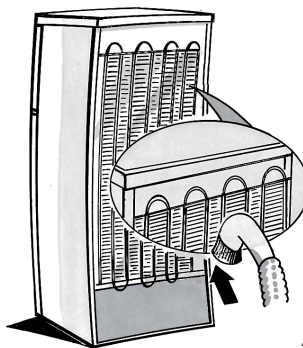
- Reinig regelmatig de condensator aan de achterkant van het apparaat met een stofzuiger of een borstel (zie afbeelding B).

## Lange afwezigheid

1. Maak de koelkast en de diepvriescompartimenten leeg.
2. Koppel het apparaat los van de netvoeding.
3. Ontdooi het diepvriescompartiment en droog beide compartimenten.
4. Laat de deuren open om stank te voorkomen.



Afb. A



Afb. B

# OPSPOREN VAN STORINGEN

## 1. Het apparaat werkt niet.

- Is de stroom uitgevallen?
- Zit de stekker goed in het stopcontact?
- Staat de hoofdschakelaar aan?
- Werken de beveiligingen voor huishoudelijke elektrische systemen normaal?
- Is de stroomkabel kapot?
- Staat de thermostaat op ● (stop)?

## 2. De temperatuur binnenin de compartimenten is niet laag genoeg.

- Is de deur goed gesloten?
- Staat het apparaat in de buurt van een warmtebron?
- Staat de thermostaat op de juiste stand?
- Wordt de luchtcirculatie door de ventilatieroosters geblokkeerd?

## 3. De temperatuur van het koelvak is te laag.

- Staat de thermostaat op de juiste stand?

## 4. Er ligt water onderin het koelkastcompartiment.

- De afvoer voor dooiwater is geblokkeerd?

## 5. De binnenverlichting doet het niet.

Controleer eerst de aanwijzingen onder punt 1.

Vervolgens:

- Haal de stekker van het apparaat uit het stopcontact. Zie de aanwijzingen en de tekening in de bijgeleverde tabel voor het vervangen van de lamp.
- Vervang de lamp door een nieuwe lamp met hetzelfde vermogen of in ieder geval niet hoger dan het maximale wattage dat bij de fitting is vermeld.

## 6. Overmatige ijsvorming in het diepvriescompartiment

- Is de deur goed gesloten?
- Kan de deur niet goed dicht door etenswaren in het diepvriescompartiment?

## Opmerkingen:

- **De voorste rand van de koelkast is warm. Dit is geen defect maar een mechanisme om condensvorming te voorkomen.**
- **Er kunnen geluiden van luchtbellen en uitzetting uit het koelsysteem komen. Dit is normaal.**

# OPSPOREN VAN STORINGEN

**SERVICE** 0000 000 00000



## Voordat u de Klantenservice belt:

1. Kijk of u het probleem zelf kunt oplossen (zie "Handleiding voor probleemoplossing").
2. Start het apparaat opnieuw om te controleren of de storing verholpen is.  
Indien dit niet het geval is, ontkoppelt u het apparaat van het elektriciteitsnet en voert u de procedure na een uur nogmaals uit.
3. Als het probleem niet is verholpen, neemt u contact op met de klantenservice.

## Vermeld het volgende:

- de aard van de storing,
- het model,
- het servicenummer (het nummer na het woord "SERVICE" op het typeplaatje aan de binnenkant van het apparaat),
- uw volledige adres;
- uw telefoonnummer en zonecode.

## Opmerking:

**Het omkeren van de deuren van het apparaat, indien uitgevoerd door het Technische Servicecentrum, wordt niet beschouwd als een garantieclaim.**

# INSTALLATIE

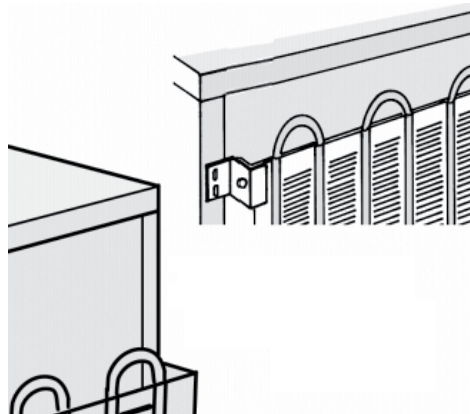
- Installeer het apparaat uit de buurt van warmtebronnen.
- Plaats het apparaat in een droge, goed geventileerde ruimte.
- Blokkeer de ventilatieruimte boven en onder het apparaat niet.
- Reinig de binnenkant (zie het hoofdstuk "Reinigen van het koelkastcompartiment").
- Monteer alle meegeleverde accessoires.

## Aansluiten op de stroomvoorziening

- **Houd u aan de plaatselijke voorschriften voor elektrische aansluitingen.**
- Informatie met betrekking tot stroomvoorziening en verbruik vindt u op het plaatje aan de zijkant van de groente- en fruitlade.
- **Het is wettelijk verplicht om het apparaat te aarden. De fabrikant aanvaardt geen enkele aansprakelijkheid voor eventueel letsel aan personen, dieren of voor schade aan voorwerpen die veroorzaakt is door het niet in acht nemen van deze voorschriften.**
- Als de stekker niet in het stopcontact past, vraag dan een gekwalificeerde technicus om de stekker te vervangen.
- Gebruik geen verlengsnoeren of verdeelstekkers.

## Het apparaat loskoppelen van het stroomnet

- Haal de stekker uit het stopcontact of gebruik de hoofdschakelaar boven de stekker om het apparaat van de stroom te halen.



# OMKEERBARE DEUREN



## Waarschuwing:

Haal het apparaat van de stroom en zorg dat er een tweede persoon aanwezig is voordat u de deuren omkeert. De koelkast is zwaar en moet worden gekanteld.

## KANS OP VERWONDING!

- Verwijder de schroeven om het scharnier te verwijderen (afb. 1, nr. 1 en 2), verwijder de deur van het bovenste compartiment en zet deze op een veilige plaats.
- Draai de schroeven van het scharnier tussen de twee deuren los en verwijder de scharnier. (afb. 1, nr. 3 en 4)
- Til de onderste deur van de scharnierpen (afb. 1, nr. 5) en zet deze op een veilige plaats.
- Monteer de onderste aanslagpen door deze aan de rechterkant los te schroeven en aan de linkerkant weer vast te schroeven.
- Zet de koelkast rechtop.
- Verwijder de afdekkingen van de linker scharnier van beide deuren (boven en onder) en monteer ze aan de andere zijde van beide deuren.
- Plaats de koelkastdeur op de onderste aanslagpen, draai het middelste scharnier 180°, druk deze in het bovenste gat van de deur en zet het scharnier vast.
- Plaats de deur van het bovenste compartiment terug en bevestig deze aan de bovenste scharniersteun.
- Controleer voordat u alle schroeven vastdraait of de deuren correct zijn geïnstalleerd.

Controleer voordat u de koelkast weer aansluit op de stroomvoorziening of alle schroeven goed vastzitten, of de deuren correct zijn geïnstalleerd en of de koelkast rechtop en stevig op de vloer staat.

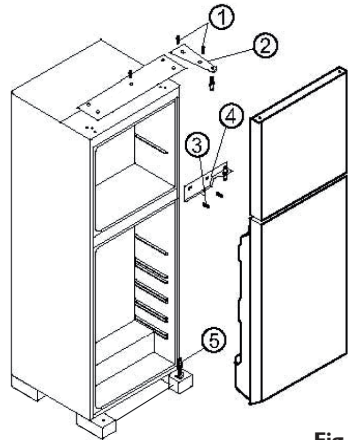


Fig. 1

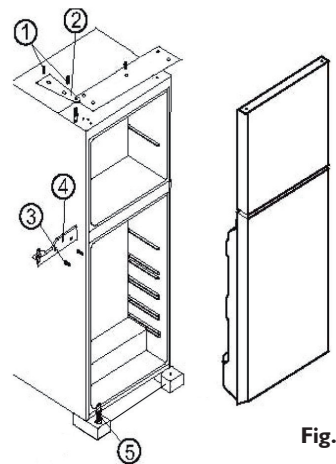


Fig. 2

## Inbouw

Afmetingen van apparaat en kast (afb. 3)

**Hoogte:** 1445 - 1450 mm

**Breedte:** 560 mm

**Diepte:** 550 mm

Houd u aan de aanwijzingen in de afbeelding om voor voldoende ventilatie te zorgen.

De kast moet voorzien zijn van inkomende en uitgaande geforceerde ventilatie. (afb. 3 en 4)

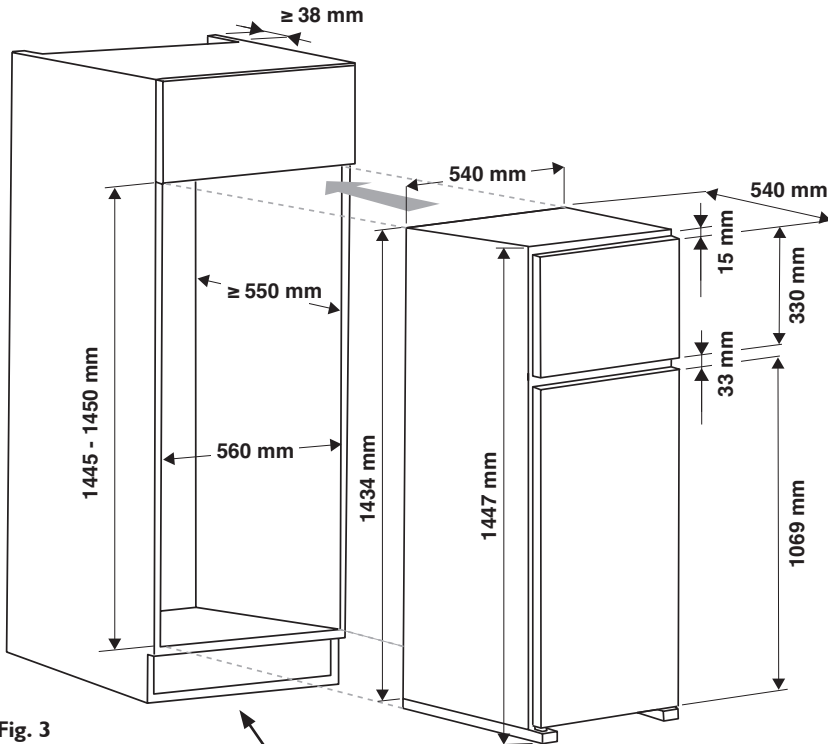


Fig. 3

ventilatie-rooster: minimaal 200 cm<sup>2</sup>

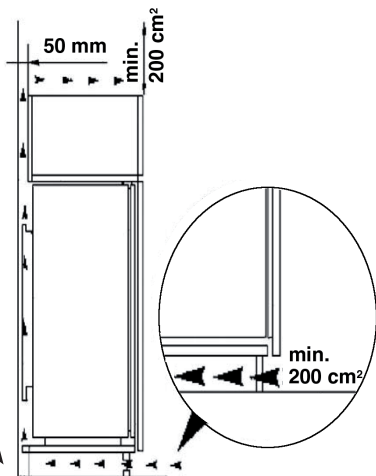
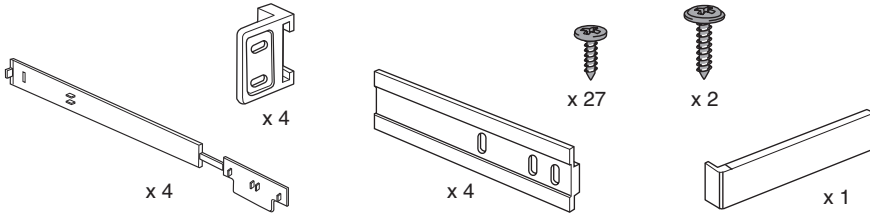


Fig. 4

## Installatiekit



### Installatie schuifdeur

Duw het apparaat voorzichtig in het kastcompartiment (afb. 5) tot aan de aanslagstrip "A". U vindt het materiaal dat nodig is voor de installatie in het apparaat.

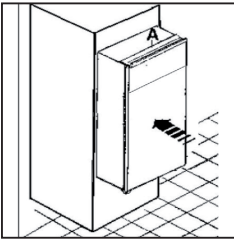


Fig. 5

Open de deur van het apparaat en duw in tegengestelde richting van het scharnier (afb. 6). Bevestig het apparaat met 4 schroeven, 2 schroeven op de bovenste frontplaat en 2 op de zijhoekbeugel tegenover het middenscharnier.

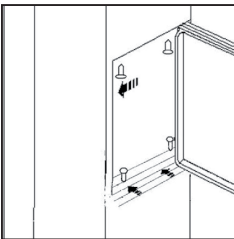


Fig. 6

Plaats de geleider "A" volgens de aanwijzingen (afb. 7) aan de binnenkant van de kastdeur en markeer de plaats waar de schroeven moeten worden geplaatst. Boor gaten voor de schroeven. Bevestig de geleider.

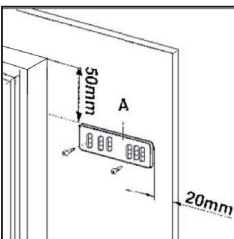


Fig. 7

Open de deur van het apparaat en van de kast in een hoek van 90°. Plaats hoekbeugel "B" (afb. 8)

tegen de geleider "A". Zorg ervoor dat de deur van de kast goed aansluit op de deur van het apparaat en markeer de plaats van de middelste openingen, zoals weergegeven in de afbeelding (afb. 8).

Verwijder hoekbeugel "B" en boor de gaten voor de schroeven met een boor van  $\varnothing 2$  mm. Plaats de hoekbeugel weer tegen de geleider en zet deze vast met de meegeleverde schroeven.

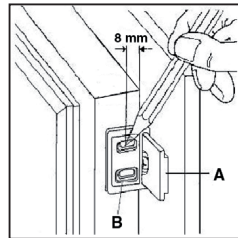


Fig. 8

Als u de deur van de kast moet bijstellen, gebruik dan de sleufopening in de lengterichting in hoekbeugel "B" (afb. 9).

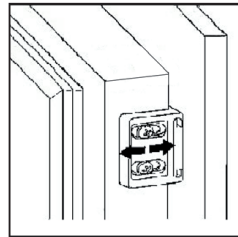


Fig. 9

Druk, afhankelijk van het model, de meegeleverde afdekking "D" op hoekbeugel "B".

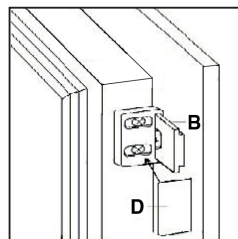


Fig. 10

De deur van het diepvriescompartiment wordt geïnstalleerd met 1 draaieurscharnier, de deur van het koelkastcompartiment met 2 scharnieren van hetzelfde type.

# NORME DI SICUREZZA

## IMPORTANTE: DA LEGGERE E OSSERVARE

Prima di utilizzare l'apparecchio, leggere le seguenti norme di sicurezza. Conservarle per eventuali consultazioni successive.

Questo manuale e l'apparecchio sono corredati da importanti avvertenze di sicurezza, da leggere e rispettare sempre. Il fabbricante declina qualsiasi responsabilità che derivi dalla mancata osservanza delle presenti istruzioni di sicurezza, da usi impropri dell'apparecchio o da errate impostazioni dei comandi.

⚠ Tenere l'apparecchio fuori dalla portata dei bambini di età inferiore a 3 anni. Tenere i bambini di età inferiore agli 8 anni a debita distanza dall'apparecchio, a meno che non siano costantemente sorvegliati. L'uso di questo apparecchio da parte di bambini di età superiore agli 8 anni, di persone con ridotte capacità fisiche, sensoriali o mentali o di persone sprovviste di esperienza e conoscenze adeguate è consentito solo con un'adeguata sorveglianza, o se tali persone siano state istruite sull'utilizzo sicuro dell'apparecchio e siano consapevoli dei rischi. Vietare ai bambini di giocare con l'apparecchio. La pulizia e la manutenzione ordinaria non devono essere effettuate da bambini senza la supervisione di un adulto.

Ai bambini di età compresa tra i 3 e gli 8 anni è consentito caricare e scaricare apparecchi refrigeranti.

### USO CONSENTITO

⚠ ATTENZIONE: l'apparecchio non è destinato ad essere messo in funzione mediante un dispositivo di commutazione esterno, ad esempio un temporizzatore, o attraverso un sistema di comando a distanza

separato.

⚠ L'apparecchio è destinato all'uso domestico e ad applicazioni analoghe, quali: aree di cucina per il personale di negozi, uffici e altri contesti lavorativi; agriturismi; camere di hotel, motel, bed & breakfast e altri ambienti residenziali.

⚠ Questo apparecchio non è destinato all'uso professionale. Non utilizzare l'apparecchio all'aperto.

⚠ La lampadina utilizzata nell'apparecchio è progettata specificatamente per gli elettrodomestici e non è adatta per l'illuminazione domestica (Regolamento CE N. 244/2009).

⚠ L'apparecchio è predisposto per operare in ambienti in cui la temperatura sia compresa nei seguenti intervalli, a seconda della classe climatica riportata sulla targhetta. L'apparecchio potrebbe non funzionare correttamente se lasciato per un lungo periodo ad una temperatura superiore o inferiore all'intervallo previsto.

Temperature ambiente delle classi climatiche:

SN: da 10°C a 32°C ;

N: da 16°C a 32°C

ST: da 16°C a 38°C ;

T: da 16°C a 43°C

⚠ Questo apparecchio non contiene CFC. Il circuito refrigerante contiene R600a (HC). Apparecchi con isobutano (R600a): l'isobutano è un gas naturale senza effetti nocivi sull'ambiente, tuttavia è infiammabile.

È perciò indispensabile assicurarsi che i tubi del circuito refrigerante non siano danneggiati, in particolare durante lo svuotamento



del circuito refrigerante.

⚠ **AVVERTENZA** : Non danneggiare i tubi del circuito refrigerante dell'apparecchio.

⚠ **AVVERTENZA** : Mantenere libere da ostruzioni le aperture di ventilazione nello spazio circostante l'apparecchio o nella nicchia di incasso.

⚠ **AVVERTENZA** : Non usare dispositivi meccanici, elettrici o chimici diversi da quelli raccomandati dal produttore per accelerare il processo di sbrinamento.

⚠ **AVVERTENZA** : Non usare o introdurre apparecchiature elettriche all'interno dei compartimenti dell'apparecchio se queste non sono del tipo espressamente autorizzato dal produttore.

⚠ **AVVERTENZA**: i produttori di ghiaccio e/o i distributori d'acqua non direttamente collegati all'alimentazione idrica devono essere riempiti unicamente con acqua potabile.

⚠ **AVVERTENZA**: I produttori di ghiaccio e/o distributori d'acqua devono essere collegati a un condotto di alimentazione che fornisca soltanto acqua potabile, con una pressione dell'acqua compresa tra 0,17 e 0,81 MPa (1,7 e 8,1 bar).

⚠ Non riporre sostanze esplosive, come bombolette spray, e non conservare o utilizzare benzina o altri materiali infiammabili all'interno o in prossimità dell'apparecchio.

⚠ Non ingerire il liquido (atossico) contenuto negli accumulatori di freddo (presenti in alcuni modelli). Non mangiare cubetti di ghiaccio o ghiaccioli subito dopo averli tolti dal congelatore poiché potrebbero causare bruciature da freddo.

⚠ Per i prodotti che prevedono l'uso di un filtro aria all'interno di un coperchio ventola accessibile, il filtro

deve essere sempre in posizione quando il frigorifero è in funzione.

⚠ Non conservare nel comparto congelatore alimenti liquidi contenuti all'interno di contenitori di vetro, perché potrebbero rompersi.

Non ostruire la ventola (se presente) con gli alimenti.

Dopo avere introdotto gli alimenti, assicurarsi che le porte dei compartimenti si chiudano bene, in particolare la porta del comparto congelatore.

⚠ Sostituire il prima possibile le guarnizioni danneggiate.

⚠ Utilizzare il comparto frigorifero solo per la conservazione di alimenti freschi e il comparto congelatore solo per la conservazione di alimenti congelati, per la congelazione di alimenti freschi e per la produzione di cubetti di ghiaccio.

⚠ Non conservare alimenti senza confezione a contatto diretto con le superfici interne del frigorifero o del congelatore.

Gli apparecchi possono essere dotati di compartimenti speciali (compartimento cibi freschi, comparto zero gradi, ecc.).

Se non indicato diversamente nel libretto del prodotto, questi compartimenti possono essere rimossi mantenendo prestazioni equivalenti.

⚠ Il c-pentano è utilizzato come agente dilatante nella schiuma isolante ed è un gas infiammabile.

Di seguito sono descritti i compartimenti dell'apparecchio più adatti per la conservazione di specifici tipi di alimenti tenendo conto della diversa distribuzione delle temperature:

- Compartimento frigorifero:

1) Area superiore del comparto frigorifero e porta – zona temperata: Conservazione di frutta tropicale, lattine, bevande, uova, salse, sottacei, burro, conserve

2) Area centrale del comparto frigorifero – zona fredda: Conservazione di formaggi, latte, latticini, piatti pronti, yogurt

3) Area inferiore del comparto frigorifero – zona più fredda: Conservazione di affettati, dessert, carne, pesce, semifreddi, pasta fresca, panna acida, pesto/sughi, cibi fatti in casa, creme per dolci, budini e formaggi a pasta molle

4) Cassetto frutta e verdura nella parte bassa del comparto frigorifero: Conservazione di frutta e verdura (esclusi i frutti tropicali)

5) Comparto refrigerante: Il cassetto più freddo è indicato solo per la conservazione di carne e pesce – Comparto congelatore:

Il comparto a 4 stelle (\*\*\*\*) è adatto per congelare gli alimenti che si trovano a temperatura ambiente e per conservare i surgelati, perché la temperatura è distribuita in modo uniforme nell'intero comparto.

I surgelati acquistati hanno la data di scadenza stampata sulla confezione. Questa data tiene conto del tipo di alimento e deve essere perciò rispettata. Le durate di conservazione consigliate per gli alimenti freschi sono le seguenti: 1-3 mesi per formaggi, crostacei, gelati, salumi, latte, liquidi freschi; 4 mesi per bistecche o tagli di carne (manzo, agnello, suino); 6 mesi per burro o margarina, pollame (pollo, tacchino);

8-12 mesi per frutta (esclusi gli agrumi), arrostiti di carne (manzo, suino, agnello), verdure. Le date di scadenza riportate sulle confezioni degli alimenti conservati nella zona a 2 stelle devono essere obbligatoriamente rispettate.

Per evitare la contaminazione degli alimenti, osservare le seguenti indicazioni:

– L'apertura prolungata della porta può causare un considerevole aumento della temperatura nei compartimenti dell'apparecchio.

– Pulire periodicamente le superfici che possono entrare a contatto con gli alimenti e i sistemi di scarico accessibili.

– Pulire i serbatoi dell'acqua se non vengono usati per 48 ore; se l'acqua non viene prelevata per 5 giorni, sciacquare completamente il sistema collegato alla rete idrica.

– Conservare in frigorifero la carne e il pesce crudi in recipienti adatti, in modo che non entrino a contatto con gli altri alimenti e non perdano liquidi.

– I compartimenti per surgelati con due stelle sono adatti per la conservazione degli alimenti pre-congelati, la conservazione o la produzione di gelato e la produzione di cubetti di ghiaccio.

– Non congelare gli alimenti freschi nei compartimenti a una, due o tre stelle.

– Se l'apparecchio refrigerante deve essere lasciato vuoto a lungo, si raccomanda di spegnere, sbrinare, pulire e asciugare l'apparecchio e di lasciare la porta aperta per impedire la formazione di muffe.

## INSTALLAZIONE

⚠ Per evitare il rischio di lesioni personali, le operazioni di movimentazione e installazione dell'apparecchio devono essere eseguite da almeno due persone. Per evitare rischi di taglio, utilizzare guanti protettivi per le operazioni di disimballaggio e installazione.

⚠ Le operazioni di installazione, compresi gli eventuali allacci alla rete idrica, i collegamenti elettrici e gli interventi di riparazione devono essere eseguiti da personale qualificato. Non riparare né sostituire

alcuna parte dell'apparecchio a meno che ciò non sia espressamente indicato nel manuale d'uso. Tenere i bambini a distanza dal luogo di installazione. Dopo aver disimballato l'apparecchio, assicurarsi che non sia stato danneggiato durante il trasporto. In caso di problemi, contattare il rivenditore o il Servizio Assistenza più vicino. A installazione completata, conservare il materiale di imballaggio (parti in plastica, polistirolo, ecc.) fuori della portata dei bambini per evitare potenziali rischi di soffocamento. Per evitare rischi di scosse elettriche, prima di procedere all'installazione scollegare l'apparecchio dalla rete elettrica.

Durante l'installazione, accertarsi che l'apparecchio non possa danneggiare il cavo di alimentazione e causare così rischi di scosse elettriche. Attivare l'apparecchio solo dopo avere completato la procedura di installazione.

⚠ Nello spostare l'apparecchio, fare attenzione a non danneggiare i pavimenti (es. parquet). Installare l'apparecchio su un pavimento in grado di sostenerne il peso e in un ambiente adatto alle sue dimensioni e al suo utilizzo. Controllare che l'apparecchio non sia vicino a una fonte di calore e che i quattro piedini siano stabili e bene in appoggio sul pavimento, regolandoli se necessario; controllare inoltre che l'apparecchio sia perfettamente in piano usando una livella a bolla d'aria. Attendere almeno due ore prima di attivare l'apparecchio, per dare modo al circuito refrigerante di essere perfettamente efficiente.

⚠ **AVVERTENZA:** Quando si posiziona l'apparecchio, fare attenzione a non incastrare o danneggiare il cavo di alimentazione.

⚠ **AVVERTENZA:** per evitare pericoli

dovuti all'instabilità dell'apparecchio, posizionarlo o fissarlo attenendosi alle istruzioni del produttore.

È vietato posizionare il frigorifero in modo che la sua parete posteriore (bobina del condensatore) entri a contatto con il tubo metallico di un piano di cottura a gas, con le tubazioni metalliche del gas o dell'acqua o con cavi elettrici.

Le dimensioni e le distanze da rispettare per l'installazione dell'apparecchio sono riportate nelle istruzioni di installazione.

Durante l'installazione, staccare il cavo di alimentazione dal gancio del condensatore prima di collegare il prodotto alla rete elettrica.

## **AVVERTENZE ELETTRICHE**

⚠ Deve essere possibile scollegare l'apparecchio dalla rete elettrica disinserendo la spina, se questa è accessibile, o tramite un interruttore multipolare installato a monte della presa nel rispetto dei regolamenti elettrici vigenti; inoltre, l'apparecchio deve essere messo a terra in conformità alle norme di sicurezza elettrica nazionali.

⚠ Non utilizzare cavi di prolunga, prese multiple o adattatori. Una volta terminata l'installazione, i componenti elettrici non dovranno più essere accessibili. Non utilizzare l'apparecchio quando si è bagnati oppure a piedi nudi.

Non accendere l'apparecchio se il cavo di alimentazione o la spina sono danneggiati, se si osservano anomalie di funzionamento o se l'apparecchio è caduto o è stato danneggiato.

⚠ Se il cavo di alimentazione è danneggiato, deve essere sostituito con uno dello stesso tipo dal produttore, da un centro di assistenza autorizzato o da un tecnico qualificato per evitare situazioni di pericolo o

rischi di scosse elettriche.


**⚠ AVVERTENZA:** Non disporre prese multiple o alimentatori portatili sul retro dell'apparecchio.

## **PULIZIA E MANUTENZIONE**

**⚠ AVVERTENZA:** Per evitare rischi di folgorazione, prima di qualsiasi intervento di manutenzione accertarsi che l'apparecchio sia spento e scollegato dall'alimentazione elettrica; non usare in nessun caso pulitrici a getto di vapore.


**⚠** non usare detersivi abrasivi o aggressivi quali ad esempio spray per i vetri, creme abrasive, liquidi infiammabili, cere per pulizia, detersivi concentrati, sbiancanti o detersivi contenenti prodotti derivati dal petrolio sulle parti in plastica, gli interni, i rivestimenti delle porte o le guarnizioni. Non utilizzare carta da cucina, spugnette abrasive o altri strumenti di pulizia aggressivi.

## **SMALTIMENTO DEL MATERIALE DI IMBALLAGGIO**

Il materiale di imballaggio è riciclabile al 100% ed è contrassegnato dal simbolo del riciclo . Le varie parti dell'imballaggio devono pertanto essere smaltite responsabilmente e in stretta osservanza delle norme stabilite dalle autorità locali.

## **SMALTIMENTO DEGLI ELETTRODOMESTICI**

Questo apparecchio è stato fabbricato con materiale riciclabile o riutilizzabile. Smaltire il prodotto rispettando le normative locali in materia. Per ulteriori informazioni sul trattamento, il recupero e il riciclaggio degli elettrodomestici, contattare l'ufficio locale competente, il servizio di raccolta dei rifiuti domestici o il negozio presso il quale il prodotto è stato acquistato. Questo apparecchio è contrassegnato in conformità alla Direttiva Europea 2012/19/UE sui rifiuti di apparecchiature elettriche ed elettroniche (RAEE). Provvedendo al corretto smaltimento del prodotto si contribuirà ad evitare potenziali conseguenze negative sull'ambiente e sulla salute umana.

Il simbolo  sul prodotto o sulla documentazione di accompagnamento indica che questo prodotto non deve essere trattato come rifiuto domestico, ma deve essere consegnato presso l'adeguato punto di raccolta per il riciclaggio di apparecchiature elettriche ed elettroniche.

## **CONSIGLI PER IL RISPARMIO ENERGETICO**

Per garantire un'adeguata ventilazione, seguire le istruzioni di installazione.

Una ventilazione insufficiente sul retro dell'apparecchio provoca un aumento del consumo energetico e una riduzione dell'efficienza del raffreddamento.

L'apertura frequente delle porte può causare un aumento del consumo di energia.

La temperatura interna dell'apparecchio e il consumo energetico possono variare anche in funzione della temperatura ambiente e del luogo di installazione. Questi fattori devono essere presi in considerazione quando si imposta il termostato. Ridurre l'apertura delle porte allo stretto necessario.

Per scongelare prodotti surgelati, collocarli nel comparto frigorifero. La bassa temperatura dei prodotti surgelati raffredda gli alimenti nel comparto frigorifero.

Fare raffreddare alimenti e bevande calde prima di introdurli nell'apparecchio.

Il posizionamento dei ripiani nel frigorifero non ha effetto sull'utilizzo efficiente dell'energia. Collocare gli alimenti sui ripiani in maniera da assicurare un'adeguata circolazione dell'aria (gli alimenti non devono essere a contatto tra di loro e non devono essere a contatto con la parete posteriore).

Si può aumentare la capacità dell'area di conservazione di alimenti surgelati togliendo i cestelli e, se presente, il ripiano Stop Frost.

I rumori provenienti dal compressore sono da considerarsi come normali rumori di funzionamento.

# COME FAR FUNZIONARE IL COMPARTO FRIGORIFERO

Quest'apparecchio è un frigorifero con comparto congelatore a **✳️\*\*\*** stelle.

## Lo sbrinamento del comparto frigorifero è completamente automatico.

Il frigorifero può funzionare a temperatura ambiente tra +16°C e +38°C. Le prestazioni ottimali si ottengono con temperature comprese tra +16°C e +32°C.

## Messa in funzione del frigorifero

Inserire la spina nella presa di corrente.

Il termostato permette di regolare la temperatura di entrambi i comparti: frigorifero e congelatore.

## Come regolare la temperatura dei comparti:

1. Per un corretto funzionamento e per la migliore conservazione degli alimenti, **consigliamo di regolare il termostato secondo le indicazioni riportate sulla scheda prodotto allegata.**
2. Qualora si desideri variare la temperatura nel comparto frigorifero, ruotare la manopola di regolazione del termostato:
  - sui numeri **più bassi/MIN** se volete che la temperatura all'interno del comparto sia **MENO FREDDA**;
  - sui numeri **più alti/MAX** per avere una temperatura **PIÙ FREDDA**.

Termostato su ● : le funzioni dell'apparecchio e l'illuminazione sono interrotte.

## Nota:

La temperatura ambiente, la frequenza di apertura delle porte e la posizione dell'apparecchio possono influenzare le temperature interne. Le posizioni della manopola termostato devono variare in funzione di questi fattori.

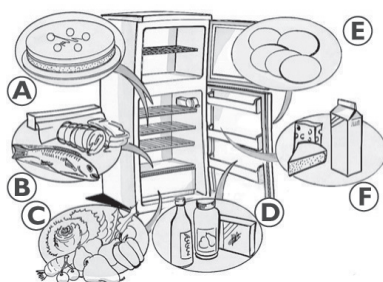
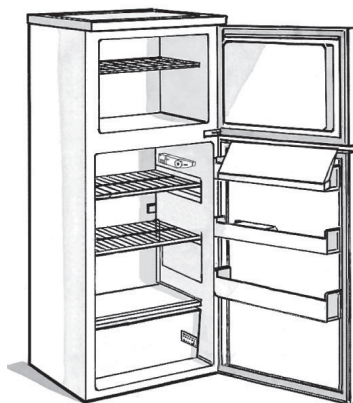
## Come conservare gli alimenti nel comparto frigorifero

Caricare gli alimenti come illustrato nella figura a fianco.

- A. alimenti cucinati
- B. Pesce, carni
- C. Frutta e verdura
- D. Bottiglie
- E. Uova
- F. Burro, latticini, formaggi

## Note:

- La distanza fra i ripiani e la parete posteriore interna del frigorifero assicura la libera circolazione dell'aria.
- Non disporre gli alimenti a diretto contatto con la parete posteriore del comparto frigorifero.
- Non porre alimenti ancora caldi nei comparti.
- Conservare i liquidi in contenitori chiusi.
- La conservazione di verdure ad alto contenuto di acqua può provocare la formazione di condensa nel cassetto inferiore: ciò non pregiudica il corretto funzionamento dell'apparecchio.



# COME FAR FUNZIONARE IL COMPARTO CONGELATORE

Il comparto congelatore è a **\*\*\*\*** stelle.

Vi si possono conservare gli alimenti surgelati per il periodo indicato sulla confezione. Inoltre si possono congelare gli alimenti freschi posizionandoli sotto la griglia, al livello più basso, mettendo gli alimenti già surgelati sulla zona superiore della cella, in modo tale che non vengano a contatto con gli alimenti ancora da congelare.

La quantità degli alimenti freschi che è possibile congelare in 24 ore è riportata sulla targhetta matricola.

## Importante:

Avvolgere e sigillare l'alimento fresco da congelare in:

- fogli di alluminio, pellicola trasparente, sacchetti impermeabili e a tenuta d'aria in plastica, contenitori di polietilene con coperchi, contenitori da congelatore purché idonei per il congelamento degli alimenti.
- Il comparto congelatore è in grado di mantenere la temperatura appropriata per la conservazione degli alimenti, anche in caso di interruzione di energia elettrica. Si consiglia comunque, durante tale periodo, di evitare di aprire la porta del comparto.

## Importante:

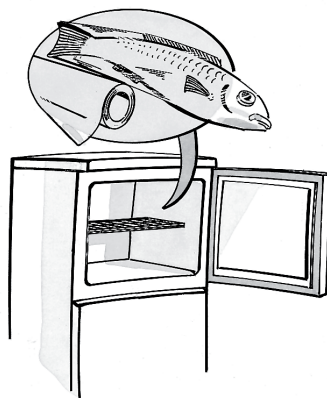
Per i mesi di conservazione degli alimenti freschi congelati, attenersi alla tabella qui riportata.

Al momento dell'acquisto di alimenti surgelati, accertarsi che:

- L'imballo o il pacchetto siano intatti, poiché l'alimento può deteriorarsi. Se un pacchetto è gonfio o presenta delle macchie di umido, non è stato conservato nelle condizioni ottimali e può avere subito un inizio di scongelamento.
- Acquistare gli alimenti surgelati per ultimi e usare borse termiche per il trasporto.
- Appena a casa riporre immediatamente gli alimenti surgelati nel comparto congelatore.
- Non ricongelare gli alimenti parzialmente scongelati. Consumarli entro 24 ore.
- Evitare o ridurre al minimo le variazioni di temperatura. Rispettare la data di scadenza riportata sulla confezione.
- Seguire sempre le istruzioni sulla confezione per la conservazione degli alimenti surgelati.

## Produzione dei cubetti di ghiaccio

- Riempire la vaschetta del ghiaccio per 3/4 di acqua e riporla sul fondo del comparto congelatore. Se la vaschetta si è attaccata al fondo del comparto non usare attrezzi appuntiti o taglienti per rimuoverla.



MESI

CIBI

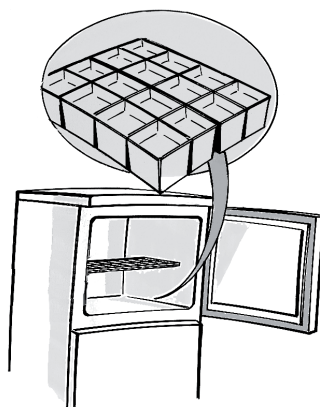
1-3



4-7



8-12



# COME SBRINARE E PULIRE IL COMPARTO CONGELATORE

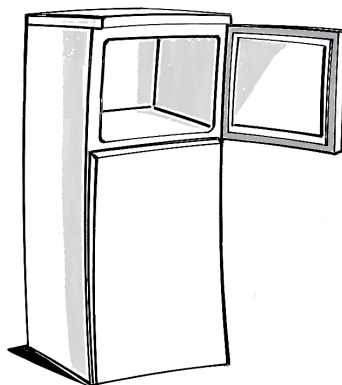
Sugeriamo di sbrinare il comparto congelatore 1 o 2 volte l'anno o quando la formazione di ghiaccio sulle pareti raggiunge i 3 mm di spessore. Si consiglia di effettuare lo sbrinamento quando le scorte sono minime.

1. Aprire la porta e rimuovere tutti gli alimenti avvolgendoli in fogli di giornale a stretto contatto fra loro e riporli in un luogo molto fresco o in una borsa termica.
2. Disinserire l'apparecchio dalla rete elettrica.
3. Lasciare aperta la porta del congelatore per permettere lo scioglimento del ghiaccio sulle pareti della cella.
4. Rimuovere l'acqua di sbrinamento depositata sul fondo del comparto.
5. Pulire l'interno con una spugna inumidita in una soluzione di acqua tiepida e detergente neutro.

**Non utilizzare sostanze abrasive.**

6. Risciacquare e asciugare con cura.

**Nota:** Al fine di evitare danni irreparabili alla cella, non usare utensili appuntiti o taglienti metallici per togliere la brina e non riscaldare artificialmente la cella.



# COME PULIRE IL COMPARTO FRIGORIFERO

**Pulire periodicamente il comparto frigorifero.**

**Lo sbrinamento del comparto frigorifero è completamente automatico.**

La presenza periodica di goccioline d'acqua sulla parete posteriore interna del comparto frigorifero evidenzia la fase di sbrinamento automatico.

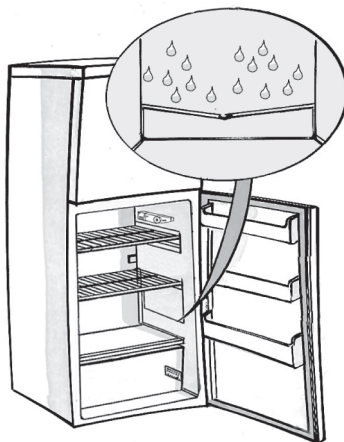
L'acqua di sbrinamento viene convogliata in un foro di drenaggio, quindi raccolta in un contenitore ove evapora.

Pulire regolarmente l'interno del foro di drenaggio dell'acqua di sbrinamento.

Prima procedere a qualsiasi operazione di pulizia, disinserire l'apparecchio dalla rete elettrica.

- Usare una spugna inumidita in acqua tiepida e/o detergente neutro.
- Risciacquare ed asciugare con un panno morbido.

**Non utilizzare sostanze abrasive.**



# PULIZIA E MANUTENZIONE

## Per prodotti ad incasso

- Pulire periodicamente le griglie di ventilazione con un aspirapolvere o una spazzola (vedere figura **A**).
- Pulire l'esterno con un panno morbido.

## Apparecchi a libera installazione

- Pulire periodicamente il condensatore situato nella parte posteriore del prodotto con un aspirapolvere o una spazzola (vedere figura **B**).

## Assenze prolungate

1. Vuotare i compartimenti frigorifero e congelatore.
2. Disinserire l'apparecchio dalla rete elettrica.
3. Sbrinare il comparto congelatore, pulire ed asciugare entrambi i compartimenti.
4. Lasciare aperte le porte per impedire la formazione di cattivi odori.

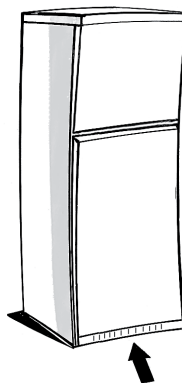


Fig. A

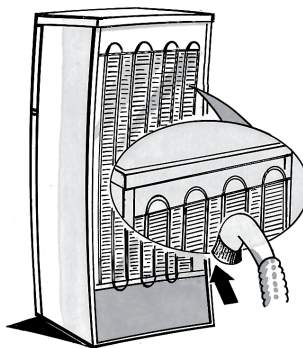


Fig. B

# GUIDA ALLA RICERCA GUASTI

## 1. L'apparecchio non funziona.

- Si è verificata un'interruzione di corrente?
- La spina è ben inserita nella presa di corrente?
- L'interruttore bipolare di rete è inserito?
- Le protezioni dell'impianto elettrico dell'abitazione sono correttamente funzionanti?
- Il cavo di alimentazione è rotto?
- Il termostato è sulla posizione ● (Stop)?

## 2. La temperatura all'interno dei compartimenti non è sufficientemente fredda.

- La porta è stata chiusa correttamente?
- L'apparecchio è posizionato vicino a una fonte di calore?
- Il termostato è sulla posizione corretta?
- La circolazione dell'aria attraverso le griglie di ventilazione è ostruita?

## 3. La temperatura all'interno del comparto frigorifero è troppo fredda.

- Il termostato è sulla posizione corretta?

## 4. C'è acqua sul fondo del comparto frigorifero.

- Lo scarico dell'acqua di sbrinamento è otturato?

## 5. La luce interna non funziona.

Controllare prima il punto 1, poi:

- Disinserire l'apparecchio dalla rete elettrica. Per accedere alla lampadina, vedi istruzioni e disegno sulla tabella allegata.
- Sostituire la lampadina con una di uguale potenza o della potenza massima in watt, specificata in prossimità del portalampada.

## 6. Eccessiva formazione di brina nel comparto congelatore

- La porta è stata chiusa correttamente?
- I cibi ostruiscono la chiusura della porta?

### Note:

- **Il fatto che il bordo anteriore del frigorifero sia caldo non è un difetto, ma previene la formazione di condensa.**
- **Rumori di gorgoglio e soffi di espansioni, derivanti dal circuito refrigerante, sono da considerarsi normali.**



# GUIDA ALLA RICERCA GUASTI

## Prima di contattare il Servizio Assistenza:

1. Verificare se è possibile risolvere in autonomia il problema (vedere “Guida alla ricerca guasti”).
2. Riavviare l'apparecchio per accertarsi che l'inconveniente sia stato ovviato.  
Se il risultato è negativo, disinserire nuovamente l'apparecchio e ripetere l'operazione dopo un'ora.
3. Se il problema persiste, contattare il Servizio Assistenza.

## Comunicare:

- il tipo di guasto,
- il modello,
- il codice di assistenza (il numero che si trova dopo la parola SERVICE, sulla targhetta matricola posta all'interno dell'apparecchio),
- il proprio indirizzo completo,
- il proprio numero telefonico, completo di prefisso.

**SERVICE** 0000 000 00000



## Nota:

**La reversibilità delle porte dell'apparecchio, se effettuata dal Servizio Assistenza Tecnica non è considerato intervento di garanzia.**

# INSTALLAZIONE

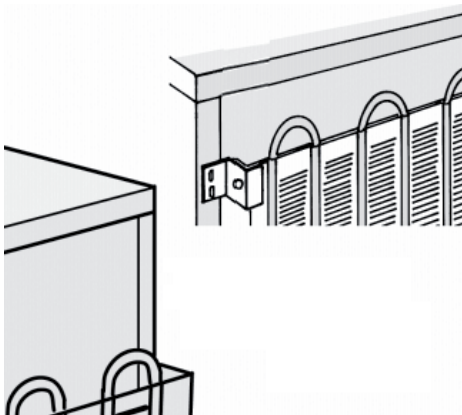
- Installare l'apparecchio lontano da fonti di calore.
- Posizionarlo in luogo asciutto e ben ventilato.
- Non ostruire lo spazio di aerazione superiore e inferiore.
- Pulire l'interno (riferirsi al capitolo “Come pulire il comparto frigorifero”).
- Montare gli accessori a corredo.

## Collegamento elettrico

- **I collegamenti elettrici devono essere conformi alle normative locali.**
- I dati relativi alla tensione e alla potenza assorbita sono riportati sulla targhetta matricola, posta a lato dei cassette frutta e verdura.
- **La messa a terra dell'apparecchio è obbligatoria a termini di legge. Il fabbricante declina ogni responsabilità per eventuali danni subiti da persone, animali o cose, derivanti dalla mancata osservanza delle norme sopra indicate.**
- Se la spina e la presa non sono dello stesso tipo, far sostituire la presa da un tecnico qualificato.
- Non usare prolunghes o adattatori multipli.

## Scollegamento elettrico

- Lo scollegamento elettrico deve essere possibile o disinserendo la spina o tramite un interruttore bipolare di rete posto a monte della presa.



# REVERSIBILITÀ PORTE



## Avvertenza:

Prima di modificare il verso di apertura della porta, accertare che l'apparecchio non sia collegato alla rete elettrica e che sia presente una seconda persona di aiuto, perché il frigorifero è pesante e deve essere inclinato.

## PERICOLO DI INFORTUNIO!

- Rimuovere la cerniera togliendo le viti (Fig. 1, n. 1 e 2), rimuovere la porta del comparto superiore e collocarla in un luogo sicuro.
- Per la porta inferiore, rimuovere il supporto centrale allentando le viti di fissaggio. (Fig. 1, n. 3 e 4)
- Sollevare quindi la porta inferiore dal perno della cerniera (Fig. 1, n. 5) e riporla in un luogo sicuro.
- Montare il perno di arresto inferiore, svitandolo dal lato destro e riavvitandolo su quello sinistro.
- Mettere il frigorifero nuovamente in posizione verticale.
- Rimuovere i copricerniera a sinistra di entrambe le porte (sopra e sotto) ed inserirli sul lato opposto della rispettiva porta.
- Sistemare ora la porta del frigorifero sul perno di arresto inferiore, girare la cerniera centrale di 180°, premerla nel foro superiore della porta ed avvitare la cerniera.
- Rimontare la porta del comparto superiore e fissarla al supporto superiore.
- Prima di stringere tutte le viti, controllare la corretta installazione delle porte.

Prima di collegare nuovamente il frigorifero, verificare ancora una volta che tutte le viti siano state avvitate, che le porte siano montate correttamente e che il frigorifero sia verticale e ben posizionato sul pavimento.

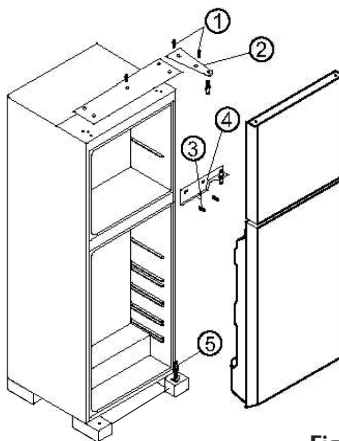


Fig. 1

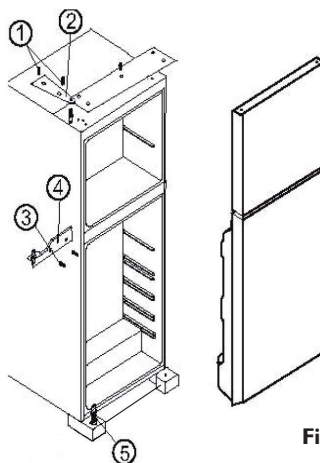


Fig.2

### Montaggio a incasso

Dimensioni del vano e dell'apparecchio (Fig. 3)

**Altezza:** 1445 - 1450 mm

**Larghezza:** 560 mm

**Profondità:** 550 mm

Per assicurare una sufficiente areazione, osservare le indicazioni riportate in figura. Il mobile deve essere dotato di areazione forzata in ingresso ed uscita. (Fig. 3 e 4)

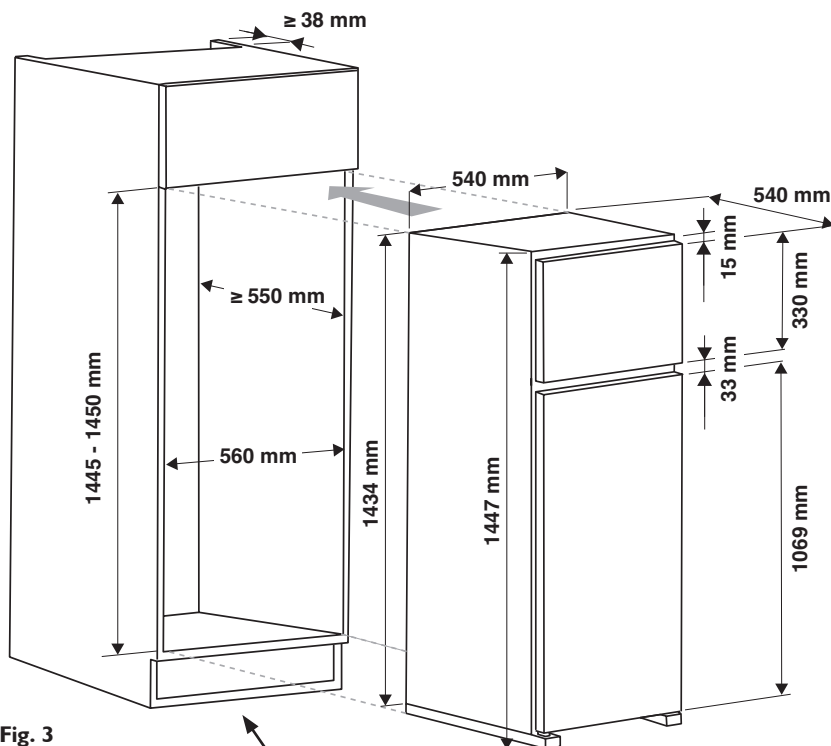


Fig. 3

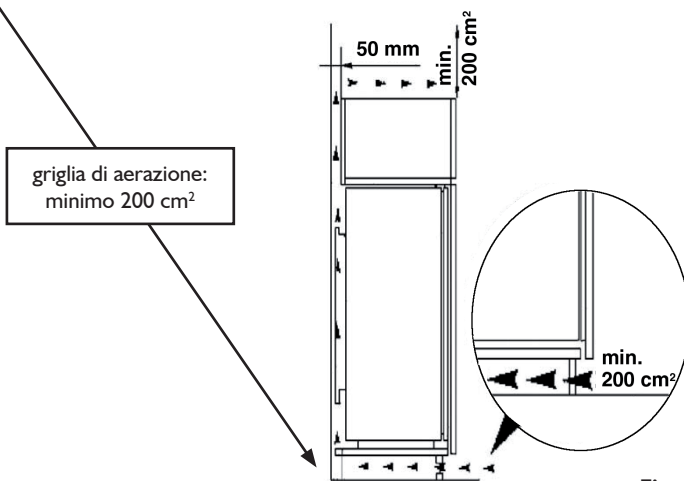
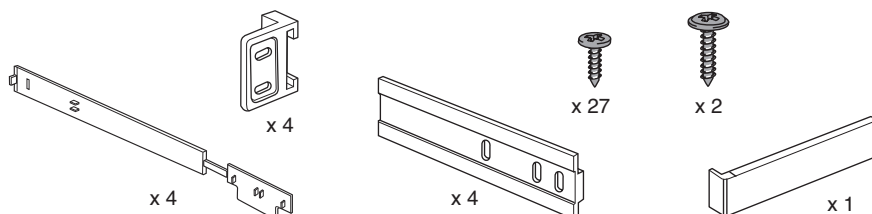


Fig. 4

## KIT di installazione



### Montaggio porta a trascinamento

Spingere l'apparecchio con cautela nel vano del mobile (**Fig. 5**) fino alla striscia di arresto "A". Il materiale necessario all'installazione lo trovate all'interno del prodotto.

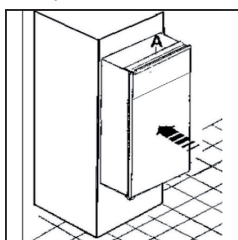


Fig. 5

Aprire la porta dell'apparecchio e spingere verso il lato opposto alla cerniera (**Fig. 6**). Fissare l'apparecchio con 4 viti, 2 viti al frontalino superiore e 2 alla squadretta laterale opposta alla cerniera centrale.

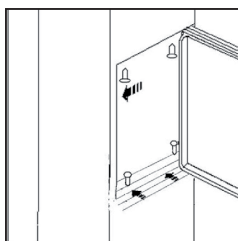


Fig. 6

Collocare la guida "A" secondo le quote indicate (**Fig. 7**) sul lato interno della porta del mobile e contrassegnare la posizione delle viti di fissaggio. Eseguire quindi i fori per le viti. Avvitare la guida.

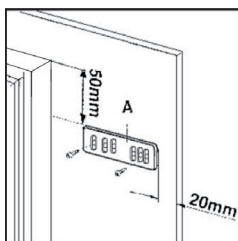


Fig. 7

Aprire la porta dell'apparecchio e del mobile di 90°. Spingere la squadretta "B" (**Fig. 8**) sulla guida "A".

Fare aderire bene la porta del mobile e quella dell'apparecchio e contrassegnare la posizione dei fori al centro, come indicato in figura (**Fig. 8**). Rimuovere la squadretta "B" ed eseguire i fori per le viti con una punta da 2 mm Ø. Spingere nuovamente la squadretta sulla guida e fissarla con le viti fornite.

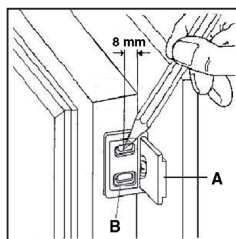


Fig. 8

Se è necessario regolare la porta del mobile, utilizzare lo slot longitudinale nella squadretta "B" (**Fig. 9**).

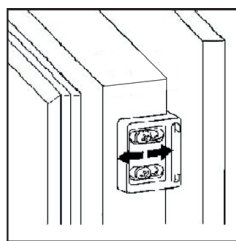


Fig. 9

Inserire a pressione il coperchio in dotazione "D", a seconda del modello, sulla squadretta "B".

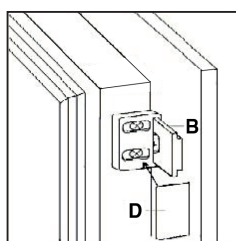


Fig. 10

La porta del comparto congelatore viene montata con 1 cerniera per porta a battente, mentre per la porta del frigorifero sono necessarie 2 cerniere di questo tipo.

# INSTRUCCIONES DE SEGURIDAD

ES IMPORTANTE QUE LEA Y SIGA LAS SIGUIENTES INSTRUCCIONES

Antes de usar el aparato, lea atentamente estas instrucciones de seguridad. Téngalas a mano para consultarlas más adelante.

Tanto estas instrucciones como el aparato contienen importantes advertencias de seguridad que deben respetarse en todo momento. El fabricante declina cualquier responsabilidad derivada del incumplimiento de estas instrucciones de seguridad, del uso indebido del aparato o del ajuste incorrecto de los mandos.

⚠ Mantenga a los niños menores de 3 años alejados del aparato. Los niños pequeños (3-8 años) deben mantenerse alejados del aparato, a menos que estén bajo vigilancia constante. Tanto los niños a partir de 8 años como las personas cuyas capacidades físicas, sensoriales o mentales estén disminuidas o que carezcan de la experiencia y conocimientos necesarios pueden utilizar este aparato si reciben la supervisión o las instrucciones necesarias para utilizarlo de forma segura y comprenden los riesgos a los que se exponen. Los niños no deben jugar con el aparato. Los niños no deben realizar tareas de limpieza o de mantenimiento sin supervisión.

Se permite a los niños de entre 3 y 8 años cargar y descargar los aparatos de refrigeración.

## USO PERMITIDO

⚠ PRECAUCIÓN: El aparato no está destinado a ponerse en funcionamiento por medio de un dispositivo de encendido externo, como un temporizador, o de un sistema de control remoto independiente.

⚠ Este electrodoméstico está destinado a un uso en ambientes domésticos o similares: áreas de cocina en oficinas, tiendas y otros entornos laborales; granjas; por los clientes de hoteles, moteles, bed & breakfast y otros entornos residenciales.

⚠ Este aparato no es para uso profesional. No utilice este aparato al aire libre.

⚠ La bombilla que se usa dentro del electrodoméstico está diseñada específicamente para electrodomésticos y no es adecuada para la iluminación general de habitaciones en una vivienda (Normativa CE 244/2009).

⚠ El aparato puede funcionar en sitios en los que la temperatura esté dentro de los límites siguientes, según la clase climática indicada en la placa de características. El aparato podría no funcionar correctamente si se deja durante bastante tiempo a una temperatura distinta de los límites especificados.

Temperaturas ambiente de clase climática:

SN: 10°C a 32°C

N: 16°C a 32°C

ST: 16°C a 38°C

T: 16°C a 43°C

⚠ Este aparato no contiene CFC. El circuito de refrigeración contiene R600a (HC). Aparatos con isobutano (R600a): el isobutano es un gas natural sin impacto medioambiental, pero que resulta inflamable. Por este motivo, compruebe que las tuberías del circuito de refrigeración no estén dañadas, especialmente cuando vacíe el circuito de refrigeración.

⚠️ **ADVERTENCIA:** No dañe las tuberías del circuito de refrigeración del electrodoméstico.

⚠️ **ADVERTENCIA:** Mantenga despejadas las orificios de ventilación del aparato o la estructura.

⚠️ **ADVERTENCIA:** No use medios mecánicos, eléctricos o químicos, excepto los indicados por el fabricante, para acelerar el proceso de descongelación.

⚠️ **ADVERTENCIA:** No use ni coloque dispositivos eléctricos dentro de los compartimentos del electrodoméstico, salvo que se trate de aquellos autorizados expresamente por el fabricante.

⚠️ **ADVERTENCIA:** Las máquinas de hielo o los dispensadores de agua que no estén conectados directamente a la toma de agua deben llenarse solamente con agua potable.

⚠️ **ADVERTENCIA:** Los productores automáticos de hielo y los dispensadores de agua deben estar conectados a una toma de agua que solo suministre agua potable con una presión del agua comprendida entre 0,17 y 0,81 MPa (1,7 y 8,1 bar).

⚠️ No almacene sustancias explosivas, como aerosoles, ni coloque ni utilice gasolina u otros materiales inflamables encima o cerca del electrodoméstico:

⚠️ No ingiera el contenido (no es tóxico) de los acumuladores de frío (suministrado con algunos modelos). No coma cubitos de hielo ni polos inmediatamente después de sacarlos del congelador, ya que pueden provocar quemaduras por frío.

⚠️ Para los productos diseñados para funcionar con un filtro de aire integrados en una cubierta del ventilador accesible, el filtro debe estar siempre bien colocado si el frigorífico

está en funcionamiento.

⚠️ No guarde recipientes de cristal con líquidos en el compartimento del congelador ya que podrían romperse. No obstruya el ventilador (si se incluye) con los alimentos.

Después de colocar los alimentos compruebe que las puertas de los compartimentos cierran correctamente, especialmente la puerta del congelador.

⚠️ Las juntas dañadas deben sustituirse lo antes posible.

⚠️ Utilice el compartimento frigorífico solamente para conservar alimentos frescos y el compartimento congelador solamente para conservar alimentos congelados, congelar alimentos frescos y hacer cubitos de hielo.

⚠️ Envuelva los alimentos para guardarlos; de este modo se evita que entren en contacto directo con las superficies interiores del frigorífico o del congelador.

Los aparatos podrían incluir compartimentos especiales (compartimento de alimentos frescos, compartimento de cero grados,...).

Si no se especifica lo contrario en el folleto específico del producto pueden retirarse, manteniendo rendimientos equivalentes.

⚠️ El pentano C se utiliza como agente expansor en la espuma aislante y es un gas inflamable.

Estos son los compartimentos más apropiados del aparato en los que conservar los alimentos teniendo en cuenta la distinta distribución de temperatura en cada compartimento del aparato:

- Compartimento del frigorífico:  
1) Zona superior del compartimento del frigorífico y puerta: zona de temperatura: Para conservar frutas tropicales,

latas, bebidas, huevos, salsas, encurtidos, mantequilla y mermelada

2) Zona media del compartimento del frigorífico: zona fría: Para conservar queso, leche, productos lácteos, delicatessen y yogures

3) Zona inferior del compartimento del frigorífico: zona más fría: Para almacenar fiambres, postres, carne y pescado, tartas de queso, pasta fresca, natas agrias, pesto/salsas, comidas caseras cocinadas, pastas, pudines y quesos cremosos

4) Cajón para frutas y verduras en la parte inferior del compartimento del frigorífico: Para conservar frutas y verduras (excepto frutas tropicales)

5) Compartimento abatidor: Para conservar solamente carne y pescado en el cajón más frío - Compartimento del congelador:

El compartimento de la zona de 4 estrellas (\*\*\*\*) es apto para congelar alimentos que están a temperatura ambiente y para conservar alimentos congelados, ya que la temperatura se distribuye de manera uniforme por todo el compartimento.

Los alimentos que se compran congelados tienen la fecha de caducidad indicada en el envase. Esta fecha tiene en cuenta el tipo de alimento que se conserva y, por tanto, se debe respetar. Los alimentos frescos deben conservarse durante los siguientes periodos de tiempo: 1-3 meses para los quesos, moluscos, helados, jamón/ embutidos, leche y líquidos frescos; 4 meses para los filetes o costillas (ternera, cordero, cerdo); 6 meses para la mantequilla o margarina y las aves (pollo, pavo);

8-12 meses para las frutas (excepto los cítricos), la carne asada (ternera, cerdo, cordero) y las verduras. Deben

respetarse las fechas de caducidad de los envases de los alimentos en la zona de 2 estrellas.

Para evitar la contaminación de los alimentos, cumpla siempre lo siguiente:

- Abrir la puerta durante largos periodos puede aumentar considerablemente la temperatura en los compartimentos del aparato.
- Limpie regularmente las superficies que pueden entrar en contacto con los alimentos y los sistemas de drenaje accesibles.
- Limpie los depósitos de agua si estos no se han utilizado durante 48 h; descargue el sistema de agua conectado a un suministro de agua si no se descarga agua durante 5 días.
- Conserve la carne y el pescado crudos en recipientes aptos en el frigorífico de modo que no entren en contacto con otros alimentos ni goteen sobre ellos.
- Los compartimentos de alimentos congelados de dos estrellas son aptos para conservar alimentos precongelados y para almacenar o hacer helado y cubitos de hielo.
- No congele alimentos frescos en los compartimentos de una, dos o tres estrellas.

– Si el aparato de refrigeración se deja vacío durante largos periodos, apáguelo, descongélelo, límpielo, séquelo y deje abierta la puerta para evitar que se forme moho dentro del aparato.

## INSTALACIÓN

⚠ La manipulación e instalación del aparato la deben realizar dos o más personas, ya que hay riesgo de lesiones. Utilice guantes de protección para el desembalaje y la instalación, ya que hay riesgo de cortes.

⚠ La instalación, incluido el suministro

de agua (si lo hay), las conexiones eléctricas y las reparaciones, deben ser realizadas por un técnico cualificado. No realice reparaciones ni sustituciones de partes del aparato no indicadas específicamente en el manual del usuario. Mantenga a los niños alejados del lugar de instalación. Tras desembalar el aparato, compruebe que no se haya dañado durante el transporte. Si observa algún problema, contacte con el distribuidor o el Servicio Postventa más cercano. Una vez instalado el aparato, mantenga los restos de embalaje (plásticos, piezas de poliestireno extruido, etc.) fuera del alcance de los niños, ya que hay riesgo de asfixia. El aparato debe desconectarse del suministro eléctrico antes de efectuar cualquier operación de instalación; hay riesgo de descarga eléctrica.

Durante la instalación, compruebe que el aparato no dañe el cable de alimentación; hay riesgo de descarga eléctrica. No active el aparato hasta haberlo instalado por completo.

⚠ Tenga cuidado de no dañar el piso (por ejemplo, parquet) al mover el aparato. Instale el aparato sobre una superficie o soporte capaz de soportar su peso y en un lugar adecuado a su tamaño y uso. Asegúrese de que el aparato no esté cerca de una fuente de calor y de que las cuatro patas sean estables y descansen sobre el suelo, ajústelas si es necesario y, a continuación, compruebe si el aparato está perfectamente nivelado usando un nivel de burbuja. Espere al menos dos horas antes de encender el aparato para garantizar que el circuito de refrigerante funciona correctamente.

⚠ **ADVERTENCIA:** Cuando coloque el aparato, asegúrese de que el cable de alimentación no esté atrapado o dañado.

⚠ **ADVERTENCIA:** Para evitar accidentes debido a la inestabilidad, el posicionamiento o la fijación del aparato deben realizarse según las instrucciones del fabricante.

Está prohibido colocar el frigorífico de tal modo que el conducto metálico de la cocina de gas, o los conductos del gas o el agua o de los cables eléctricos estén en contacto con la parte trasera del frigorífico (serpentin del condensador).

Todas las dimensiones y las separaciones necesarias para la instalación del aparato se encuentran en la guía de instrucciones de instalación.

Retire el cable de alimentación del gancho del condensador durante la instalación antes de conectar el producto al suministro eléctrico.

## **ADVERTENCIAS DE ELECTRICIDAD**

⚠ Debe ser posible desconectar el aparato de la alimentación eléctrica desenchufándolo si el enchufe es accesible o mediante un interruptor omnipolar instalado antes del enchufe, de conformidad con las normativas de cableado y el aparato debe conectarse a una toma de tierra de acuerdo con las normativas de seguridad vigentes en materia de electricidad.

⚠ No utilice alargadores, regletas ni adaptadores. Una vez terminada la instalación, los componentes eléctricos no deberán quedar accesibles para el usuario. No utilice el aparato si está mojado o va descalzo.

No use este aparato si tiene un cable o un enchufe de red dañado, si no funciona bien, o si se ha dañado o se ha caído.

⚠ Si el cable de alimentación está dañado, sólo debe sustituirlo por otro idéntico por el fabricante, personal cualificado del servicio de asistencia



técnica del fabricante o similar para evitar daños; hay riesgo de descarga eléctrica.


**⚠ ADVERTENCIA:** No coloque varias tomas de corriente portátiles o suministros eléctricos en la parte trasera del aparato.

## LIMPIEZA Y MANTENIMIENTO

**⚠ ADVERTENCIA:** Asegúrese de que el aparato esté apagado y desconectado del suministro eléctrico antes de realizar cualquier operación de mantenimiento; no utilice aparatos de limpieza con vapor, hay riesgo de descarga eléctrica.

**⚠** No use limpiadores abrasivos o agresivos como limpiacristales, polvos limpiadores, fluidos inflamables, ceras limpiadoras, detergentes concentrados, lejías o limpiadores con derivados del petróleo para las partes de plástico, los revestimientos interiores y de la puerta o las juntas. No use papel de cocina, estropajos metálicos u otras herramientas de limpieza agresivas.

## ELIMINACIÓN DEL MATERIAL DE EMBALAJE

El material de embalaje es 100% reciclable y está marcado con el símbolo de reciclaje . Por lo tanto, deberá desechar las diferentes piezas del embalaje de forma responsable, respetando siempre las normas locales sobre eliminación de residuos.

## ELIMINACIÓN DE LOS ELECTRODOMÉSTICOS


Este aparato ha sido fabricado con material reciclable o reutilizable.

Debe desecharse de acuerdo con la normativa local al respecto.

Para obtener información más detallada sobre el tratamiento, recuperación y reciclaje de electrodomésticos, póngase en contacto con las autoridades locales, con el servicio de recogida de residuos domésticos, o con la tienda en la que adquirió el aparato. Este aparato lleva la marca CE de conformidad con la Directiva Europea 2012/19/UE

sobre residuos de aparatos eléctricos y electrónicos (RAEE).

La correcta eliminación de este producto evita consecuencias negativas para el medio ambiente y la salud.

El símbolo  que se incluye en el aparato o en la documentación que lo acompaña indica que no debe tratarse como un residuo doméstico, sino que debe entregarse en un punto de recogida adecuado para el reciclado de aparatos eléctricos y electrónicos.

## CONSEJOS PARA AHORRAR ENERGÍA

Para garantizar una ventilación adecuada, siga las instrucciones de instalación.

Una ventilación insuficiente en la parte trasera del electrodoméstico incrementa el consumo de energía y reduce la eficiencia de la refrigeración.

La abertura frecuente de la puerta puede provocar un aumento del consumo de energía.

La temperatura interior del aparato y el consumo de energía también pueden depender de la temperatura ambiente y de la ubicación del aparato. Cuando ajuste la temperatura, tenga en cuenta todos estos factores. Reduzca al mínimo el tiempo que la puerta permanece abierta.

Para descongelar alimentos, colóquelos en el frigorífico. La baja temperatura de los productos congelados enfría los alimentos del frigorífico.

Deje enfriar los alimentos y las bebidas antes de introducirlos en el aparato.

La posición de los estantes en el frigorífico no tiene efecto en la eficiencia energética. Los alimentos deben colocarse en los estantes de forma que se asegure una adecuada circulación de aire (los alimentos no deben tocarse entre sí y deben estar separados de la pared posterior).

Puede aumentar la capacidad de almacenamiento de comida congelada retirando cestas o el estante Stop Frost, si lo hay.

No se preocupe por los sonidos procedentes del compresor, que son sonidos de funcionamiento normales.

# CÓMO UTILIZAR EL COMPARTIMENTO DEL FRIGORÍFICO

Este aparato es un frigorífico con un compartimento refrigerador de **\*\*\*** estrellas.

**La descongelación del compartimento frigorífico es totalmente automática.**

El frigorífico funciona en un rango de temperaturas de entre +16 °C y +38 °C. El rendimiento óptimo se obtiene en un rango de temperaturas de entre +16 °C y +32 °C.

## Encendido del frigorífico

Introduzca el enchufe en la toma.

El termostato permite ajustar la temperatura de ambos compartimentos: frigorífico y congelador.

## Cómo ajustar la temperatura de los compartimentos:

1. Para garantizar el funcionamiento adecuado y la mejor conservación de los alimentos, **recomendamos ajustar el termostato según las indicaciones que se encuentran en la ficha de datos incluida con el producto.**
2. Si desea cambiar la temperatura del compartimento del frigorífico, gire el selector del termostato hacia los números:
  - **más bajo/MÍN** para que la temperatura del compartimento sea **MÁS CÁLIDA**;
  - **más alto/MÁX** para que la temperatura sea **MÁS FRÍA**.

Termostato encendido ● : las funciones y la iluminación del aparato se interrumpen.

## Nota:

La temperatura ambiente, la frecuencia con la que se abran las puertas y la ubicación del aparato pueden afectar a las temperaturas internas. El selector del termostato debe ajustarse de acuerdo con estos factores.

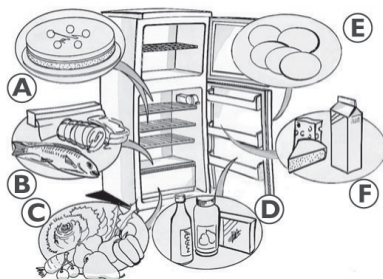
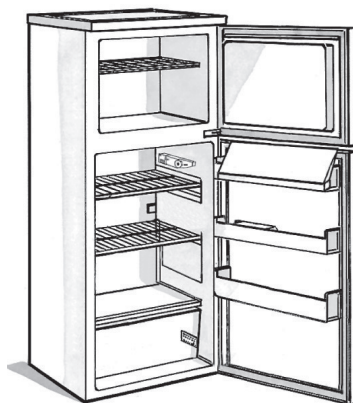
## Como almacenar los alimentos en el compartimento del frigorífico

Coloque los alimentos según se muestra en la figura lateral.

- A.** Alimentos cocinados
- B.** Pescado, carne
- C.** Frutas y verduras
- D.** Botellas
- E.** Huevos
- F.** Mantequilla, lácteos, queso

## Notas:

- La distancia entre los estantes y el panel trasero interior garantiza la libre circulación del aire.
- Los alimentos no deben tocar el panel trasero interior del compartimento del frigorífico.
- No introduzca alimentos que todavía estén calientes en los compartimentos.
- Guarde los líquidos en recipientes cerrados.
- Almacenar verduras con alto contenido de agua puede provocar la formación de condensado en el cajón inferior: esto no afecta al funcionamiento correcto del aparato.



# CÓMO UTILIZAR EL COMPARTI- MENTO DEL CONGELADOR

El compartimento del congelador tiene **✱\*\*\*** estrellas.

Los alimentos congelados se pueden almacenar hasta la fecha indicada en el envase. Además, los alimentos frescos se pueden congelar almacenándolos debajo de la rejilla, en el nivel más bajo, y colocando la comida que ya está congelada en la parte superior del compartimento para evitar que toque la comida que todavía no lo está.

La cantidad de alimentos frescos que es posible congelar en 24 horas se indica en la placa de características.

## Importante:

Antes de congelar alimentos frescos, envuélvalos para que queden bien cerrados con:

- Papel de aluminio, film transparente, bolsas de plástico herméticas, recipientes de polietileno con tapa o recipientes adecuados para congelar alimentos.
- El compartimento del congelador mantiene una temperatura apropiada para almacenar alimentos incluso en caso de fallo de la electricidad. Si esto ocurre, de todos modos no se recomienda abrir la puerta del compartimento.

## Importante:

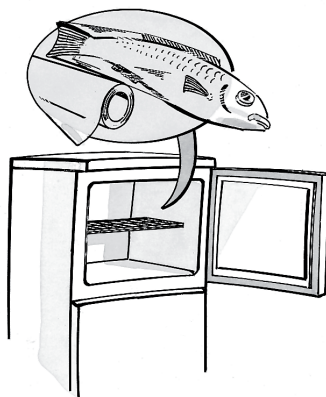
Consulte la tabla lateral para conocer los meses de almacenamiento de los alimentos congelados en casa.

Cuando compre alimentos congelados, asegúrese de que:

- El envoltorio o envase esté intacto, de lo contrario el producto podría deteriorarse. Si el envase está hinchado o presenta manchas de humedad, puede que no estuviera conservado en condiciones óptimas y que el proceso de descongelación ya haya comenzado.
- Cuando haga la compra, deje para el final los alimentos congelados y utilice una bolsa térmica para transportarlos.
- Cuando llegue a casa, coloque inmediatamente los alimentos congelados en el compartimento del congelador.
- No vuelva a congelar la comida parcialmente descongelada. Consúmla en un plazo de 24 horas.
- Evite o mantenga al mínimo las variaciones de temperatura. Respete la fecha de caducidad del envase.
- Tenga siempre en cuenta la información de conservación indicada en el envase.

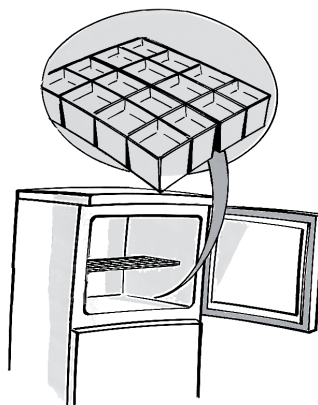
## Hacer cubitos de hielo

- Llene con agua 3/4 de la bandeja para hielo y colóquela en el compartimento del congelador. Si la bandeja se pega al suelo del compartimento, no utilice objetos afilados o puntiagudos para sacarla.



## MESES ALIMENTOS

MESES	ALIMENTOS
1-3	
4-7	
8-12	



# CÓMO DESCONGELAR Y LIMPIAR EL COMPARTIMENTO DEL CONGELADOR

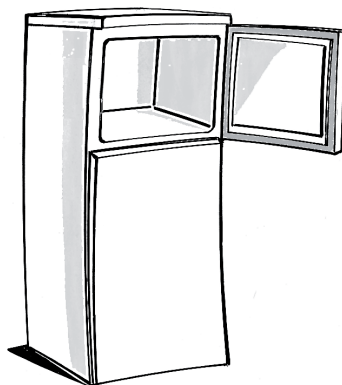
Recomendamos descongelar el compartimento del congelador una o dos veces al año, o bien cuando el hielo de los laterales alcance un grosor de unos 3 mm. Se recomienda descongelar el compartimento del congelador cuando esté casi vacío.

1. Abra la puerta y retire todos los alimentos, envuélvalos juntos y bien apretados en papel de periódico y colóquelos en un lugar frío o en una bolsa térmica.
2. Desconecte el aparato de la red eléctrica.
3. Deje abierta la puerta del congelador para que se derrita el hielo.
4. Saque el agua de descongelación recogida en la parte inferior del compartimento.
5. Limpie el interior con una esponja húmeda usando agua templada y un detergente suave.

**No utilice abrasivos.**

6. Aclare y seque con cuidado.

**Nota: Con el fin de evitar dañar permanentemente el interior del compartimento, no utilice instrumentos metálicos puntiagudos o afilados para eliminar la escarcha y no caliente el compartimento.**



# CÓMO LIMPIAR EL COMPARTIMENTO DEL FRIGORÍFICO

Limpie el compartimento del frigorífico regularmente. La descongelación del compartimento frigorífico es totalmente automática.

La presencia ocasional de gotas de agua en el panel trasero interno del compartimento del frigorífico indica que se está produciendo la fase de descongelación automática.

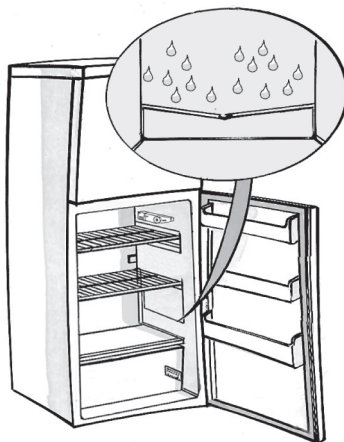
El agua de la descongelación pasa a un orificio de desagüe y después a un recipiente, donde se evapora.

Limpie regularmente el orificio de desagüe que recoge el agua de la descongelación.

Desconecte el aparato de la fuente de alimentación antes de limpiarlo.

- Utilice una esponja húmeda con agua templada y/o detergente suave.
- Séquelo con un paño suave.

**No utilice abrasivos.**



# LIMPIEZA Y MANTENIMIENTO

## Componentes integrados

- Limpie regularmente las rejillas de ventilación con una aspiradora o un cepillo (consulte la figura **A**).
- Limpie el exterior con un paño suave.

## Componentes sin fijar

- Limpie regularmente el condensador situado en la parte trasera del aparato con una aspiradora o un cepillo (consulte la figura **B**).

## Largas ausencias

1. Vacíe el compartimento del frigorífico y el congelador.
2. Desconecte el aparato de la red eléctrica.
3. Descongele el compartimento del congelador y seque ambos compartimentos.
4. Deje las puertas abiertas para evitar la formación de malos olores.

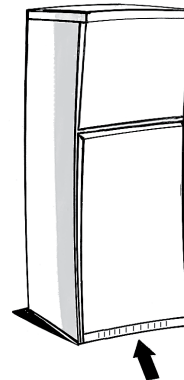


Fig. A

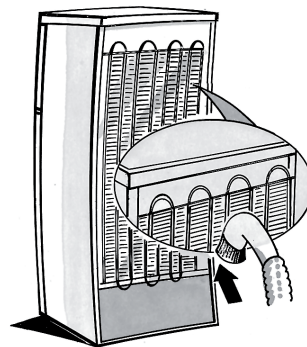


Fig. B

# GUÍA PARA LA SOLUCIÓN DE PROBLEMAS

## 1. El aparato no funciona.

- ¿Se ha interrumpido el suministro eléctrico?
- ¿Está bien colocado el enchufe?
- ¿Está introducido el interruptor de alimentación bipolar?
- ¿Funcionan correctamente los dispositivos de protección del sistema eléctrico doméstico?
- ¿Está roto el cable de alimentación?
- ¿El termostato está en la posición ● (Parada)?

## 2. La temperatura de los compartimentos no es suficientemente fría.

- ¿La puerta está bien cerrada?
- ¿Está el electrodoméstico cerca de una fuente de calor?
- ¿El termostato está ajustado en la posición correcta?
- ¿Hay algo que obstruya la circulación de aire en las rejillas de ventilación?

## 3. La temperatura en el compartimento frigorífico es demasiado fría.

- ¿El termostato está ajustado en la posición correcta?

## 4. Hay agua en la parte inferior del compartimento del frigorífico.

- ¿Está obstruido el desagüe para el agua de

descongelación?

## 5. La luz interior no funciona.

Primero compruebe el punto 1, a continuación:

- Desconectar el aparato de la red eléctrica. Para averiguar cómo acceder a la bombilla de la luz, consulte las instrucciones y la ilustración de la tabla incluida.
- Sustituya la bombilla asegurándose de que el recambio tenga el mismo rango de potencia o no exceda del máximo de vatios indicado junto al soporte de la bombilla.

## 6. Formación excesiva de escarcha en el compartimento del congelador

- ¿La puerta está bien cerrada?
- ¿Los alimentos impiden que la puerta se cierre correctamente?

## Notas:

- **El borde frontal del frigorífico está caliente: esto no es un defecto, sirve para evitar la formación de condensación.**
- **Los sonidos de gorgoteo y ruidos de expansión proceden del sistema de refrigeración y son normales.**

# GUÍA PARA LA SOLUCIÓN DE PROBLEMAS

## Antes de llamar al Servicio Postventa :

1. Compruebe si puede solucionar el problema (consulte el apartado «Guía de solución de problemas»).
2. Vuelva a poner en marcha el aparato para comprobar si se ha solucionado el problema. En caso contrario, vuelva a desconectar el aparato y repita el procedimiento después de una hora.
3. Si el problema continúa, póngase en contacto con el Servicio Postventa.

## Especifique:

- el tipo de problema,
- el modelo,
- el número de Servicio (aparece a continuación de la palabra «SERVICE» en la placa de datos técnicos situada en el interior del aparato),
- su dirección completa,
- su número de teléfono y código postal.

**SERVICE** 0000 000 00000



## Nota:

**La intervención del Servicio de Asistencia Técnica para cambiar el lado de apertura de la puerta del aparato no está cubierta por la garantía.**

## INSTALACIÓN

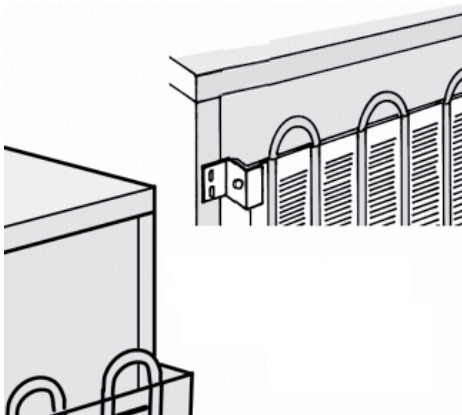
- Instale el aparato lejos de fuentes de calor.
- Coloque el aparato en un ambiente seco y bien ventilado.
- No obstruya el espacio de ventilación por encima y por debajo del aparato.
- Limpie el interior (consulte el capítulo «Cómo limpiar el compartimento del frigorífico»).
- Monte todos los accesorios incluidos.

## Conexión al suministro eléctrico

- **Las conexiones eléctricas deben ser conformes a la normativa local.**
- Puede encontrar la información relacionada con el suministro y el consumo eléctrico en la placa situada en el lateral de los cajones de frutas y verduras.
- **La toma de tierra del aparato es obligatoria por ley. El fabricante declina cualquier responsabilidad por los daños sufridos por personas, animales o cosas debidos al incumplimiento de las normas vigentes.**
- Si el enchufe y la toma no son compatibles, solicite a un técnico cualificado que sustituya el enchufe.
- No utilice cables de extensión ni adaptadores de múltiples enchufes.

## Desconexión del aparato del suministro eléctrico

- Desenchufe el aparato o utilice el interruptor de alimentación bipolar encima del enchufe para desconectarlo.



# PUERTAS REVERSIBLES



## Advertencia:

Antes de cambiar la dirección de apertura de las puertas, asegúrese de que el aparato no esté conectado al suministro eléctrico y de que haya una segunda persona para ayudarle, ya que el frigorífico es pesado y debe colocarse en posición inclinada.

## ¡RIESGO DE LESIONES!

- Retire los tornillos para sacar la bisagra (Fig. 1, n.º 1 y 2), retire la puerta del compartimento superior y colóquela en un lugar seguro.
- Para retirar la puerta inferior, afloje los tornillos de la bisagra de soporte central y sáquela. (Fig. 1, n.º 3 y 4)
- Levante la puerta inferior desde el pasador de la bisagra (Fig. 1, n.º 5) y colóquela en un lugar seguro.
- Coloque el tope inferior desatornillándolo del lado derecho y atornillándolo en el lado izquierdo.
- Coloque el frigorífico en posición vertical.
- Retire las tapas de la bisagra izquierda de ambas puertas (superior e inferior) y móntelas en el lado opuesto de cada puerta respectiva.
- Coloque la puerta del frigorífico en el tope inferior, gire la bisagra central 180°, introdúzcala en el orificio superior de la puerta y apriete la bisagra.
- Vuelva a colocar la puerta del compartimento superior y atorníllela en el soporte de la bisagra superior.
- Antes de apretar todos los tornillos, compruebe que las puertas estén correctamente instaladas.

Antes de volver a conectar el frigorífico al suministro eléctrico, vuelva a comprobar que todos los tornillos estén apretados, que las puertas estén correctamente instaladas y que el frigorífico esté en posición vertical y firmemente apoyado en el suelo.

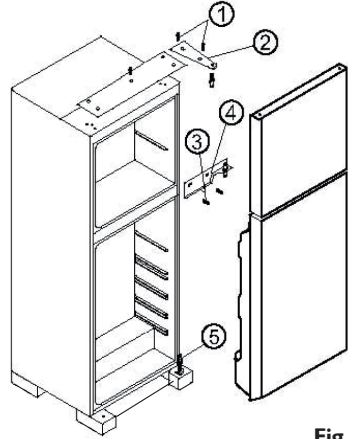


Fig. 1

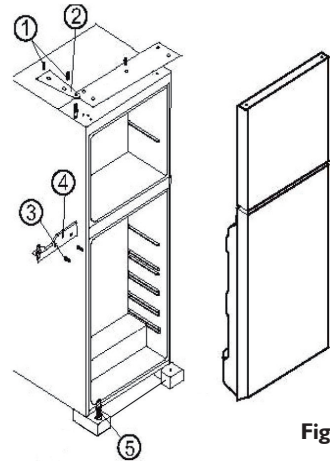


Fig. 2

**Instalación de montaje encastrado**

Dimensiones del armario y del aparato (Fig. 3)

**Alto:** 1445 - 1450 mm

**Ancho:** 560 mm

**Fondo:** 550 mm

Para garantizar una ventilación adecuada, siga las indicaciones que se muestran en la figura. El armario debe tener una ventilación forzada entrante y saliente. (Fig. 3 y 4)

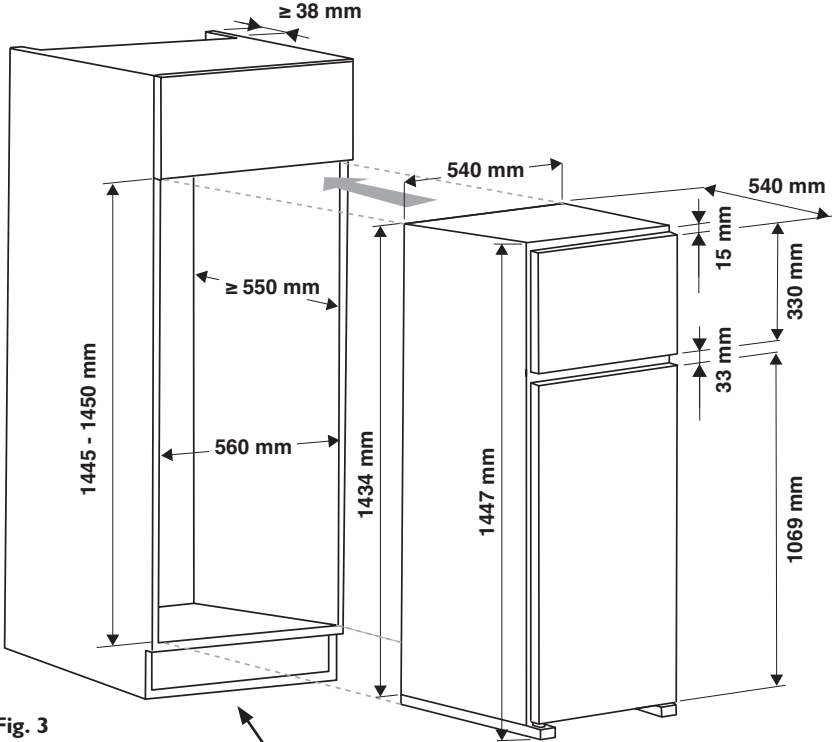


Fig. 3

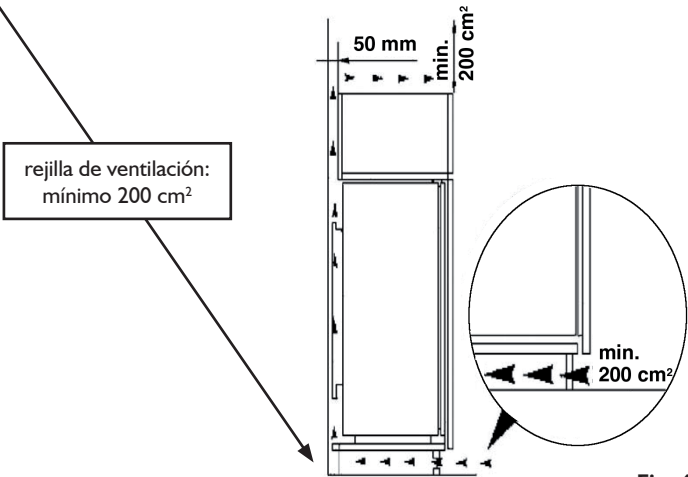
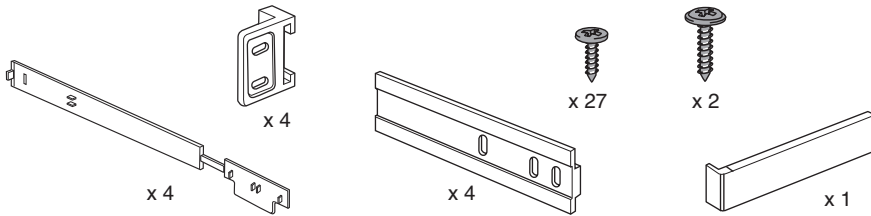


Fig. 4



## KIT de instalación



### Instalación de puerta deslizante

Empuje el aparato hacia el interior del compartimento del armario con cuidado (**Fig. 5**) hasta que llegue a la cinta de tope «A». Encontrará el material requerido para la instalación dentro del aparato.

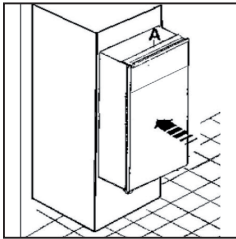


Fig. 5

Abra la puerta del aparato y empuje en la dirección opuesta a la bisagra (**Fig. 6**). Fije el aparato con cuatro tornillos, dos tornillos en la placa frontal superior y otros dos en el soporte de la esquina lateral frente a la bisagra central.

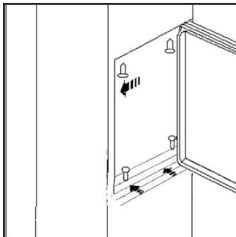


Fig. 6

Coloque la guía «A» según las indicaciones encontradas (**Fig. 7**) en el interior de la puerta del armario y marque el lugar en el que deben introducirse los tornillos. Haga orificios para los tornillos. Fije la guía.

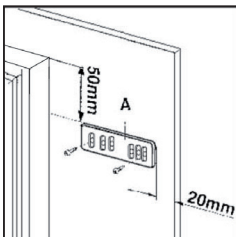


Fig. 7

Abra la puerta del aparato y del armario 90°. Coloque el soporte de la esquina «B» (**Fig. 8**)

frente a la guía «A». Asegúrese de que la puerta del armario se adhiera bien a la puerta del aparato y marque el lugar donde se encuentran las aberturas centrales según se muestra en la figura (**Fig. 8**). Retire el soporte de la esquina «B» y haga orificios para los tornillos con una broca de 2 mm Ø. Coloque el soporte de la esquina de nuevo frente a la guía y fíjela con los tornillos suministrados.

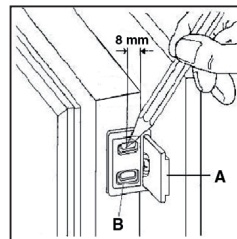


Fig. 8

Si necesita ajustar la puerta del armario, utilice la apertura del hueco longitudinal del soporte de la esquina «B» (**Fig. 9**).

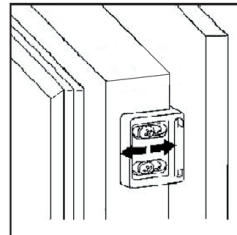


Fig. 9

En función del modelo, presione la cubierta «D» suministrada en el soporte de la esquina «B».

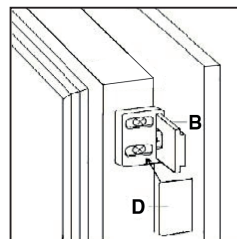


Fig. 10

La puerta del compartimento del congelador está instalada con una bisagra de puerta batiente, mientras que la puerta del frigorífico requiere dos bisagras del mismo tipo.

# VARNOSTNA NAVODILA

## POMEMBNE INFORMACIJE, KI JIH MORATE PREBRATI IN UPOŠTEVATI

Pred uporabo aparata preberite varnostna navodila. Navodila za prihodnjo uporabo hranite na dosegu roke.

V navodilih za uporabo in na aparatu so pomembna varnostna navodila, ki jih mora uporabnik prebrati in vedno upoštevati. Proizvajalec ne prevzema odgovornosti v primeru neupoštevanja varnostnih navodil, nepravilne uporabe aparata ali napačne nastavitve upravljalnih elementov.

⚠ Zelo majhni otroci (0–3 let) naj se ne približujejo aparatu. Majhni otroci (3–8 let) naj se aparatu ne približujejo, če niso pod neprestanim nadzorom. Otroci, stari 8 let ali več, in osebe z omejenimi telesnimi, čutnimi ali razumskimi sposobnostmi oz. osebe, ki nimajo izkušenj in znanja, lahko aparat uporabljajo le, če so pod nadzorom oz. če so bili poučeni o varni uporabi aparata in se zavedajo morebitnih nevarnosti. Otroci se z aparatom ne smejo igrati. Otroci brez nadzora ne smejo čistiti ali vzdrževati aparata.

Otroci od 3–8 let lahko izdelke pospravljajo v hladilnik in iz njega.

### DOVOLJENA UPORABA

⚠ POZOR: ta aparat ni namenjen delovanju z zunanjimi upravljalnimi napravami, kot je časovnik ali ločen daljinski upravljalnik.

⚠ Aparat je namenjen uporabi v gospodinjstvu in temu podobnim načinom uporabe, kot so: kuhinje za osebe v trgovinah, pisarnah in drugih

delovnih okoljih, kmetije, hoteli, moteli in druga stanovanjska okolja.

⚠ Aparat ni namenjen profesionalni uporabi. Aparata ne uporabljajte na prostem.

⚠ Žarnica v aparatu je posebej zasnovana za gospodinjske aparate in ni primerna za razsvetljavo prostorov v gospodinjstvih (uredba Komisije (ES) 244/2009).

⚠ Aparat je zasnovan za delovanje v prostorih, kjer je temperatura znotraj naslednjih temperaturnih območij.

Na napisni ploščici je napisan klimatski razred aparata. Aparat morda ne bo deloval pravilno, če ga dlje časa pustite na temperaturi, ki je zunaj predpisane območja.

Klimatski razred temperature okolja:

SN: 10 °C do 32 °C

N: 16 °C do 32 °C

ST: 16 °C do 38 °C

T: 16 °C do 43 °C

⚠ Aparat ne vsebuje klorofluorogljikovodikov (CFC).

Hladilni krogotok vsebuje R600a (HC). Aparati z izobutanom (R600a): izobutan je naraven plin, ki ne škoduje okolju, vendar je vnetljiv.

Zato se morate obvezno prepričati, da cevi hladilnega sistema niso poškodovane, še posebej takrat, ko sistem praznite.

⚠ OPOZORILO: ne poškodujte cevi hladilnega krogotoka.

⚠ OPOZORILO: prezračevalne odprtine na ohišju aparata ali vgradni konstrukciji ne smejo biti prekrite.

⚠ OPOZORILO: za pospešitev postopka odmrzovanja uporabljajte

mehanska, električna ali kemična sredstva, ki jih priporoča proizvajalec.

⚠ OPOZORILO: v notranjosti aparata ne uporabljajte oz. ne postavljajte električnih naprav, če jih izrecno ne odobri proizvajalec.

⚠ OPOZORILO: ledomate in/ali vodomate brez neposredne povezave z vodovodnim omrežjem polnite izključno s pitno vodo.

⚠ OPOZORILO: samodejni ledomati in/ali vodomati morajo biti priključeni na vodovodni sistem, ki dovaja pitno vodo z vodnim tlakom med 0,17 in 0,81 MPa (1,7 in 8,1 bar).

⚠ V aparatu ali njegovi bližini ne shranjujte eksplozivnih snovi, kot so pločevinke z razpršili. Na teh mestih prav tako ne uporabljajte oz. nanje ne postavljajte bencina ali drugih vnetljivih snovi.

⚠ Ne zaužijte (nestrupene) vsebine hladilnih vložkov (pri nekaterih modelih). Ledenih kock in sladoleda ne zaužijte takoj, ko jih vzamete iz zamrzovalnega prostora, saj lahko povzročijo ozeblino.

⚠ Pri izdelkih, ki so zasnovani za uporabo zračnega filtra v pokrovu ventilatorja, mora biti filter med delovanjem aparata vedno nameščen.

⚠ V zamrzovalnem prostoru ne shranjujte tekočin v steklenih posodah, saj lahko počijo.

Ventilatorja (če je priložen) ne prekrivajte z živili.

Ko v aparat postavite živila, preverite, ali je mogoče pravilno zapreti vrata posameznih prostorov, še posebej vrata zamrzovalnega prostora.

⚠ Poškodovana tesnila zamenjajte v

najkrajšem možnem času.

⚠ Hladilni prostor uporabljajte samo za shranjevanje svežih živil, zamrzovalni prostor pa za shranjevanje zamrznjenih živil, zamrzovanih svežih živil in izdelavo ledenih kock.

⚠ Živil, ki niso embalirana, ne shranjujte tako, da niso v neposrednem stiku z notranjimi površinami hladilnega ali zamrzovalnega prostora.

Aparati so lahko opremljeni s posebnimi predali za shranjevanje živil (predal za svežo hrano, predal z nič stopinjami, ...).

Če v ustreznem priročniku o izdelku ni navedeno drugače, lahko te predale odstranite, kar ne vpliva na zmogljivost aparata.

⚠ Ciklopentan je vnetljiv plin in se uporablja kot penilec v izolacijski peni.

Glede na različno temperaturo v posameznih predelih aparata so naslednji prostori najprimernejši za shranjevanje spodaj navedenih vrst živil:

– Hladilni prostor:

1) Zgornji del hladilnega prostora in vrata – temperaturno območje: primeren za shranjevanje tropskega sadja, pločevink, pijače, jajc, omak, kislih kumaric, masla in marmelad

2) Sredinski del hladilnega prostora – hladno območje: primeren za shranjevanje sira, mleka, mlečnih in delikatesnih izdelkov in jogurta

3) Spodnji del hladilnega prostora – najhladnejše območje: primeren za shranjevanje narezkov, sladice, mesa in rib, skutinega kolača, svežih testenin, kisle smetane, pesta, para-

dižnikove omake, doma pripravljene hrane, slašičarske kreme, pudinga in kremnega sira

4) Predal za shranjevanje sadja in zelenjave na dnu hladilnega prostora: primeren za shranjevanje sadja in zelenjave (razen tropskega sadja)

5) Ohlajevalni prostor: Najhladnejši predal je primeren zgolj za shranjevanje mesa in rib - Zamrzovalni prostor:

Območje s štirimi zvezdicami (\*\*\*\*) je primerno za zamrzovanje živil s sobno temperaturo in shranjevanje zmrznjenih živil, saj je temperatura v celotnem prostoru enakomerna.

Kupljeni zmrznjeni izdelki imajo rok trajanja odtisnjen na embalaži. Rok je določen glede na vrsto hrane v embalaži in ga je zato treba upoštevati. Pri shranjevanju sveže hrane je priporočljivo, da upoštevate naslednje roke trajanja: 1–3 mesece za sir, lupinarje, sladoled, šunko/klobasice, mleko in sveže tekočine; 4 mesece za zrezke ali kotlete (govedina, jagnjetina, svinjina); 6 mesecev za maslo ali margarino in perutnino (piščančje in puranje meso);

8–12 mesecev za sadje (razen agrumov), pečenke (govedina, jagnjetina, svinjina) in zelenjavo. Upoštevajte rok trajanja, ki je odtisnjen na embalaži živil, shranjenih v prostoru z dvema zvezdicama.

Prosimo, da v izogib okužbam hrane upoštevate naslednja priporočila:

– Daljše odpiranje vrat lahko povzroči znatno povišanje temperature v notranjosti aparata.

– Redno čistite površine, ki lahko pridejo v stik s hrano, in dosegljive

dele drenažnega sistema.

– Če zbiralniki za vodo niso bili uporabljeni 48 ur, jih očistite; če vode niste točili 5 dni, sperite vodni sistem, ki je povezan na vodni vir.

– Surovo meso in ribe shranjujte v primernih posodah v hladilniku in s tem preprečite, da bi izdelki prišli v stik z drugo hrano ali da bi po njej kapljala njihova tekočina.

– Prostori v zamrzovalniku z dvema zvezdicama so primerni za shranjevanje predhodno zmrznjenih živil ter za shranjevanje ali pripravo sladoleda in kock ledu.

– Sveže hrane ne zmrzujte v predelih z eno, dvema ali tremi zvezdicami.

– Če hladilnik pustite prazen dlje časa, ga izključite za napajanja, odmrznite, očistite in pustite, da se posuši. Vrata hladilnika nato pustite odprta in s tem preprečite nastajanje plesni v aparatu.

## NAMESTITEV

⚠ Za premikanje in namestitev aparata sta potrebni najmanj dve osebi – nevarnost poškodb. Za odstranjevanje embalaže in namestitev uporabite rokavice – nevarnost ureznin.

⚠ Namestitev aparata, vključno z dovodom vode (če je ta prisoten) in električnimi priključki, ter popravila smejo izvajati samo usposobljeni tehniki. Ne popravljajte ali zamenjujte delov aparata, razen če to ni izrecno navedeno v uporabniškem priročniku. Otroci se mestu namestitve ne smejo približati. Ko aparat odstranite iz embalaže, se prepričajte, da med prevozom ni bil poškodovan. V primeru težav se obrnite na prodajalca ali na najbližji

servisni center. Ko aparat namestite, ostanke embalaže (plastika, dele iz stiropora itd.) shranite izven dosega otrok – nevarnost zadušitve. Preden aparat namestite, ga odklopite z električnega omrežja – nevarnost električnega udara.

Med namestitvijo pazite, da aparat ne poškoduje napajalnega kabla – nevarnost požara ali električnega udara. Aparat vključite šele, ko je namestitev končana.

⚠ Pazite, da med premikanjem aparata ne poškodujete tal (npr. parketa). Aparat namestite na tla ali podstavek, ki je dovolj močan za njeno težo, ter v položaj, ki ustreza velikosti in uporabi aparata. Aparat ne sme biti blizu vira toplote, vse štiri noge pa morajo trdno stati na tleh; po potrebi jih lahko prilagodite. S pomočjo vodne tehničnice preverite, ali je aparat popolnoma uravnan. Pred vklopom aparata počakajte najmanj dve uri, da zagotovite polno zmogljivost hladilnega krogotoka.

⚠ **OPOZORILO:** Pri nameščanju aparata bodite pozorni, da ne stisnete ali poškodujete napajalnega kabla.

⚠ **OPOZORILO:** Da preprečite nevarnosti zaradi nestabilnosti, je treba aparat namestiti in pričvrstiti v skladu z navodili proizvajalca.

Hladilnika ni dovoljeno namestiti tako, da so kovinska cev plinskega štedilnika, kovinska plinska ali vodovodna cev oz. električni kabli v stiku s hrbtno stranjo hladilnika (kondenzator).

Dimenzije in razmaki, potrebni za namestitev aparata, so na voljo v navodilih za namestitev.

Med namestitvijo napajalni kabel odstranite s kavlja kondenzatorja,

preden aparat priključite na električno omrežje.

## **OPOZORILO GLEDE ELEKTRIČNEGA TOKA**

⚠ Prekinitev napajanja aparata mora biti mogoča z izklopom vtiča, če je ta na dosegu roke, ali z večpolnim stikalom, ki je v skladu s predpisi za ožičenje nameščeno na vodu med vtičnico in aparatom. Aparat mora biti prav tako ozemljen v skladu z državnimi standardi glede električne varnosti.

⚠ Prepovedana je uporaba podaljškov, razdelilnih vtičnic in adapterjev. Električne komponente po namestitvi aparata uporabnikom ne smejo biti dostopne. Aparata ne uporabljajte, kadar ste mokri ali bos.

Aparata ne uporabljajte, če ima poškodovan električni kabel ali vtič, če ne deluje pravilno oziroma če je bil poškodovan ali je padel.

⚠ Če je napajalni kabel poškodovan, ga lahko z enakim kablom nadomesti le proizvajalec, njegov serviser ali podobno usposobljena oseba, da tako ne pride do nevarnosti – tveganje za električni udar.

⚠ **OPOZORILO:** Na zadnjo stran aparata ne namestite več razdelilnih kablov ali podaljškov.


## **ČIŠČENJE IN VZDRŽEVANJE**

⚠ **OPOZORILO:** Aparat morate pred vzdrževalnimi deli izklopiti in izključiti z električnega napajanja; ne uporabljajte parnih čistilcev – nevarnost električnega udara.

⚠ Na plastičnih delih, notranjih obrobah in obrobah vrat ali vtičnicah ne uporabite abrazivnih ali agresivnih čistilnih snovi, kot so razpršila za okna, močna čistila,

vnetljive tekočine, čistilne voske, koncentrirane detergente, belila ali čistila, ki vsebujejo petrolej. Ne uporabljajte papirnatih brisač, krp za drgnjenje in drugih agresivnih sredstev.

## ODSTRANJEVANJE EMBALAŽE

Embalažo je mogoče 100 % reciklirati in je označena s simbolom za recikliranje . Dele embalaže zato odvrzite odgovorno in v skladu s predpisi pristojnih služb, ki urejajo odlaganje odpadkov.


## ODSTRANJEVANJE GOSPODINJSKIH APARATOV

Aparat je izdelan iz materialov, ki jih je mogoče reciklirati ali ponovno uporabiti.

Aparat odstranite v skladu z veljavnimi lokalnimi predpisi.

Dodatne informacije o odstranjevanju in recikliranju električnih gospodinjstev aparatov lahko dobite na pristojnem občinskem uradu, pri komunalni službi ali v trgovini, kjer ste aparat kupili. Aparat je označen v skladu z evropsko Direktivo 2012/19/EU o odpadni električni in elektronski opremi (OEEO).

Aparat odstranite na ustrezen način, saj lahko s tem preprečite škodljive posledice za okolje in zdravje ljudi.

Simbol  na izdelku ali priloženi dokumentaciji pomeni, da je aparat prepovedano odlagati med komunalne odpadke. Oddati ga je treba v zbirnem centru za recikliranje električne in elektronske opreme.

## NASVETI ZA VARČEVANJE Z ENERGIJO

Upoštevajte navodila za namestitev, da zagotovite zadostno prezračevanje.

Nezadostna ventilacija na zadnji strani izdelka poveča porabo energije in zmanjša hladilno učinkovitost aparata.

Pogosto odpiranje vrat lahko povzroči povečanje porabe energije.

Na notranjo temperaturo aparata in porabo energije lahko vplivata temperatura ozračja in mesto namestitve aparata. Pri nastavitvi temperature upoštevajte te dejavnike. Čim manj odpirajte vrata.

Ko želite zamrznjeno hrano odtajati, jo položite v hladilni prostor. Nizka temperatura zamrznjenih izdelkov ohlaja druga živila v hladilniku.

Topla hrana in pijača naj se ohladita, preden ju postavite v aparat.

Položaji polic v hladilniku ne vplivajo na varčno porabo električne energije. Živila na police zložite tako, da zagotovite ustrezno kroženje zraka (živila se ne smejo dotikati med seboj, med živili in zadnjo steno mora biti zadostna razdalja).

Prostor za shranjevanje zamrznjene hrane lahko povečate tako, da odstranite košare in polico Stop Frost (če je na voljo).

Povsem običajno je, da kompresor med delovanjem oddaja zvoke. To ni razlog za skrb.

# UPORABA HLADILNEGA PROSTORA

Ta aparat je hladilnik z zamrzovalnim prostorom s **\* \*\* \*** zvezdicami.

## Hladilni prostor odmrzuje popolnoma samodejno.

Hladilnik deluje v temperaturnem območju med +16 °C in +38 °C. Najboljše delovanje se doseže v temperaturnem območju med +16 °C in +32 °C.

## Vklop hladilnika

Vtaknite vtič v vtičnico.

Termostat omogoča nastavitve temperature obeh prostorov: hladilnega in zamrzovalnega prostora.

## Kako nastavimo temperaturo prostorov:

1. Zaradi zagotavljanja pravilnega delovanja in optimalnega shranjevanja živil **priporočamo, da termostat nastavite v skladu z nasveti na priloženem listu s podatki izdelka.**
2. Če želite spremeniti temperaturo v hladilnem prostoru, zavrtite vrtljivi gumb termostata na:
  - **najnižjo/MIN** številko, da bo v hladilnem prostoru **TOPLEJE**;
  - **najvišjo/MAX** številko, da bo v hladilnem prostoru **HLADNEJE**.

Termostat na ● : delovanje aparata in osvetlitev sta izklopljena.

## Opomba:

Temperatura okolice, pogostost odpiranja vrat in položaj aparata lahko vplivajo na temperature v njegovi notranjosti. Vrtljivi gumb termostata nastavite v skladu s temi dejavniki.

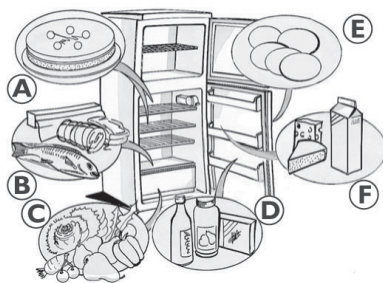
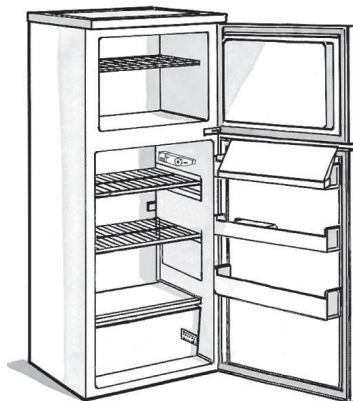
## Shranjevanje živil v hladilnem prostoru

Živila razporedite tako, kot je prikazano na sliki ob strani.

- A. Kuhana hrana
- B. Ribe, meso
- C. Sadje in zelenjava
- D. Steklenice
- E. Jajca
- F. Maslo, mlečni izdelki, sir

## Opombe:

- Razdalja med policami in zadnjimi notranjimi ploščami zagotavlja prosto kroženje zraka.
- Živila naj se ne dotikajo zadnje notranje plošče v hladilnem prostoru.
- V aparat ne postavljajte hrane, ki je še topla.
- Tekočine shranjujte v zaprtih posodah.
- Shranjevanje zelenjave, ki vsebuje visok delež vode, lahko povzroči nabiranje kondenzata v spodnjem predalu: to ne vpliva na pravilno delovanje aparata.



# UPORABA ZAMRZOVALNEGA PROSTORA

Zamrzovalni prostor ima **\*\*\*** zvezdic.

V njem lahko zmrznjeno hrano shranjujete do datuma, navedenega na embalaži. Poleg tega lahko v njem zamrzujete svežo hrano tak, da jo shranite pod rešetko, na najnižjem nivoju, že zamrznjeno hrano pa postavite v zgornji del prostora, da preprečite stik z živili, ki še niso zamrznjena.

Količina svežih živil, ki jih je mogoče zamrzniti v 24 urah, je navedena na tablici s štejsko številko.

## Pomembno:

Sveža živila, ki jih želite zamrzniti, zavijte in dobro zaprite v:

- aluminijasto ali plastično folijo, nepredušne in nepremočljive plastične vrečke, posode iz polietilena s pokrovi ali posebno posodo za zamrzovanje hrane.
- Zamrzovalni prostor tudi v primeru izpada električne energije ohranja temperaturo, primerno za shranjevanje živil.

Vendar je v takšnem primeru kljub vsemu priporočljivo, da ne odpirate vrat zamrzovalnega prostora.

## Pomembno:

Glejte tabelo ob strani za število mesecev shranjevanja živil, ki jih zamrznete doma.

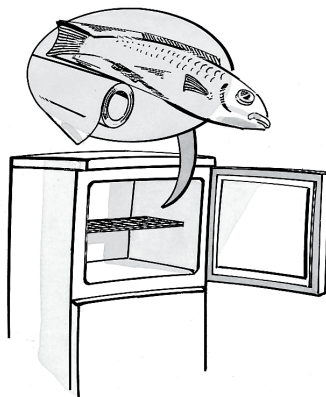
Pri nakupu zamrznjenih živil se prepričajte, da:

- je embalaža oziroma ovitek nepoškodovan, ker se sicer kakovost izdelka lahko poslabša. Če je embalaža napihnjena ali na nekaterih mestih vlažna, to pomeni, da živilo ni bilo shranjeno v optimalnih razmerah in da se je morda deloma odtajalo.
- Zamrznjeno hrano kupujte na koncu nakupovanja in jo prenašajte v toplotno izolirani hladilni vreči.
- Zamrznjeno hrano doma čim prej postavite v zamrzovalni prostor.
- Delno odmrznjenega živila ne zamrzujte ponovno. Porabite ga v 24 urah.
- Preprečite spremembe temperature ali jih kar se da zmanjšajte. Upoštevajte rok trajanja, naveden na embalaži.
- Vedno upoštevajte navodila za shranjevanje zamrznjenih živil na embalaži.

## Priprava ledenih kock

- V posodo za ledene kocke do 3/4 nalijte vodo in jo postavite v zamrzovalni prostor.

Če se posoda prilepi na dno prostora, ne uporabljajte ostrih ali koničastih predmetov za to, da jo odstranite.



## ŠT. MESECEV ŽIVILO

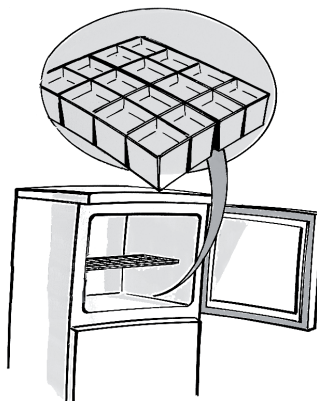
1-3



4-7



8-12





# ODMRZOVANJE IN ČIŠČENJE ZAMRZOVALNEGA PROSTORA

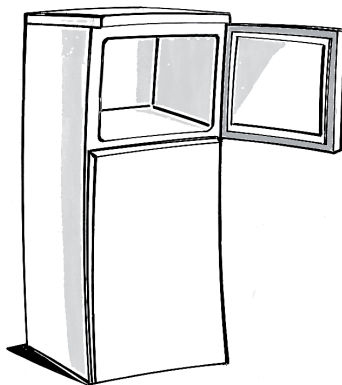
Priporočamo, da zamrzovalni prostor odmrznete enkrat ali dvakrat na leto ali kadar led na stranicah doseže debelino okoli 3 mm. Priporočljivo je, da zamrzovalni prostor odmrznete, ko je skoraj prazen.

1. Odprite vrata in odstranite vsa živila, vsa skupaj tesno zavijte v časopisni papir in jih položite v hladen prostor ali v izolirno vrečko.
2. Aparat izklopite iz napajanja.
3. Vrata pustite odprta, da omogočite taljenje ledu.
4. Odstranite vodo, ki se je ob tajanju ledu nabrala na dnu prostora.
5. Notranjost očistite z mokro gobo, toplo vodo in detergentom.

**Ne uporabljajte abrazivnih čistil.**

6. Skrbno ga izperite in osušite.

**Opomba:** • Za odstranjevanje ledu ne uporabljajte ostrih kovinskih predmetov, da ne povzročite nepopravljivih poškodb notranjosti aparata, prav tako prostora tudi ne ogrevajte.



# ČIŠČENJE HLADILNEGA PROSTORA

**Redno čistite hladilni prostor.**

**Hladilni prostor odmrzuje popolnoma samodejno.**

Občasna prisotnost vodnih kapljic na zadnji plošči v notranjosti hladilnega prostora kaže, da je samodejno odmrzovanje v teku.

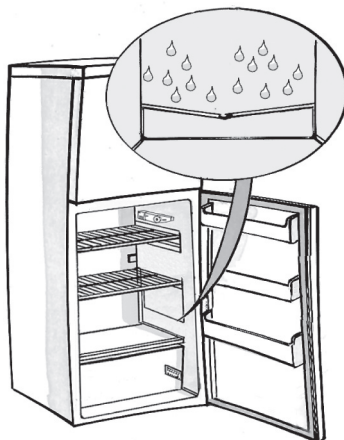
Voda, ki nastane med odmrzovanjem, bo odtekla v odtok in naprej v posodo, iz katere bo izhlapela.

Redno čistite odtočno odprtino, v katero odteka voda od odmrzovanja.

Pred čiščenjem aparat izklopite iz napajanja.

- Uporabite mokro gobo s toplo vodo in/ali blag detergent.
- Z mehko krpo obrišite do suhega.

**Ne uporabljajte abrazivnih čistil.**



# ČIŠČENJE IN VZDRŽEVANJE

## Vgrajene komponente

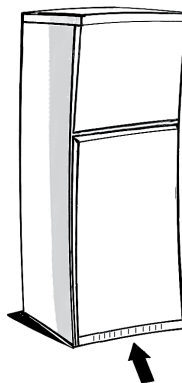
- Redno s sesalnikom za prah ali ščetko čistite prezračevalne odprtine (glejte sliko **A**).
- Zunanost čistite z mehko krpo.

## Prostostoječe komponente

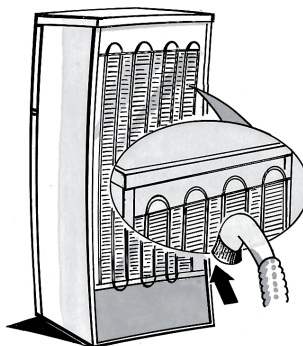
- Redno s sesalnikom za prah ali ščetko čistite kondenzator na zadnji strani aparata (glejte sliko **B**).

## Daljša odsotnost

1. Izpraznite hladilni in zamrzovalni prostor.
2. Aparat izklopite iz napajanja.
3. Odmrznite zamrzovalni prostor in osušite oba prostora.
4. Vrata pustite odprta, da preprečite nastanek neprijetnih vonjav.



SI. A



SI. B

# NAVODILA ZA ODPRAVLJANJE TEŽAV

## 1. Aparat ne deluje.

- Ali je prišlo do izpada električne napetosti?
- Ali je vtič pravilno vtaknjen v vtičnico?
- Ali je dvopolni omrežni vtič vstavljen?
- Ali naprave za zaščito gospodinjanskega električnega sistema pravilno delujejo?
- Ali je napajalni kabel poškodovan?
- Ali je termostat v položaju ● (Stop)?

## 2. Temperatura v predalih ni dovolj nizka.

- Ali so vrata pravilno zaprta?
- Ali je aparat postavljen v bližini vira toplote?
- Ali je termostat v pravilnem položaju?
- Ali je kroženje zraka skozi prezračevalne rešetke ovirano?

## 3. Temperatura v hladilnem prostoru je prehladna.

- Ali je termostat v pravilnem položaju?

## 4. Na dnu hladilnika je voda.

- Je odprtina za odtok odtaljene vode zamašena?

## 5. Luč v notranjosti ne deluje.

Najprej preverite točko 1, nato:

- Aparat izklopite iz napajanja.

Za informacije o dostopu do žarnice glejte navodila in risbo v priloženi tabeli.

- Zamenjajte žarnico, pri tem pa zagotovite, da je nova žarnica v istem območju moči ali da ima enako največjo moč, kot je navedena v bližini držala luči.

## 6. Čezmerno nabiranje ledu v zamrzovalnem prostoru

- Ali so vrata pravilno zaprta?
- Ali živila preprečujejo pravilno zapiranje vrat?

## Opombe:

- **Sprednji rob hladilnika je topel: to ni napaka, namen je preprečevanje nabiranja kondenzata.**
- **Zvoki klokotanja, šumenja in brnenja, ki se slišijo iz hladilnega sistema, so normalni.**

# NAVODILA ZA ODPRAVLJANJE TEŽAV

## Preden pokličete servisno službo:

1. Preverite, ali lahko težavo odpravite sami (glejte "Navodila za odpravljanje težav").
2. Ponovno vklopite aparat, da preverite, ali je težava odpravljena.  
Če ni odpravljena, aparat ponovno izklopite in ponovite postopek eno uro pozneje.
3. Če težava ne izgine, se obrnite na servisno službo.

## Navedite:

- Opis težave
- model,
- servisno številko (številko najdete za besedo "SERVICE" na tipski ploščici v notranjosti aparata),
- Svoj točni naslov,
- Svojo telefonsko številko in območno kodo.

**SERVICE** 0000 000 00000



## Opomba:

**Sprememba smeri odpiranja vrat aparata, ki jih opravi služba za tehnično pomoč, ni garancijski zahtevak.**

## NAMESTITEV

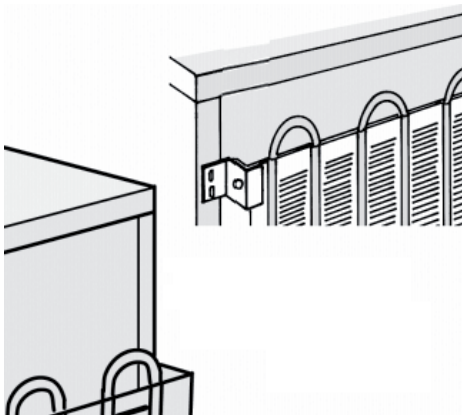
- Aparata ne nameščajte v bližini virov toplote.
- Izdelek postavite v dobro prezračen suh prostor.
- Prostor za prezračevanje nad aparatom in pod njim ne sme biti oviran.
- Očistite notranjost (glejte poglavje "Čiščenje hladilnega prostora").
- Namestite ves priloženi pribor.

## Priključitev na električno omrežje

- **Električne povezave morajo ustrezati veljavnim predpisom.**
- Informacije v zvezi z napajanjem in porabo najdete na ploščici ob strani predalov za sadje in zelenjavo.
- **Zakon predpisuje obvezno ozemljitev aparata. Proizvajalec zavrača vsakršno odgovornost za morebitno škodo, ki bi jo utrpeli osebe, živali ali stvari in bi nastala zaradi neupoštevanja navedenih predpisov.**
- Če vtič in vtičnica nista združljiva, prosite usposobljenega električarja, da zamenja vtič.
- Ne uporabljajte podaljškov ali adapterjev z več vtičnicami.

## Odklop aparata iz električnega napajanja

- Odklopite aparat ali za odklop uporabite dvopolno omrežno stikalo nad vtičakom.



# MOŽNOST ODPIRANJA VRAT V OBE SMERI



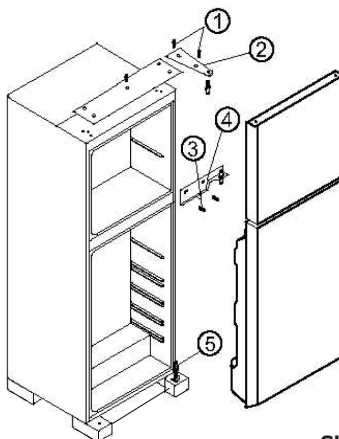
## Opozorilo:

Preden spremenite smer odpiranja vrat se prepričajte, da aparat ni priključen na električno napajanje in da je prisotna še ena oseba, ki vam lahko pomaga, ker je hladilnik težak in mora biti v nagnjenem položaju.

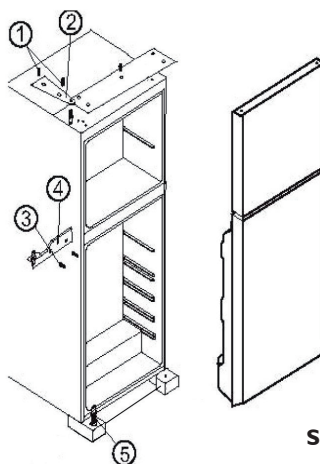
## NEVARNOST POŠKODB!

- Odstranite vijake, da snamete tečaj (Sl. 1, št. 1 in 2), odstranite vrata zgornjega prostora in jih postavite na varno mesto.
- Za odstranitev spodnjih vrat odvijte vijake srednjega opornega tečaja in ga snemite. (Sl. 1, št. 3 in 4)
- Spodnja vrata dvignite z zatiča ležaja (Sl. 1, št. 5) in jih postavite na varno mesto.
- Namestite spodnji omejitveni zatič tako, da ga odvijete z desne strani in ga namestite na levo stran.
- Hladilnik postavite pokonci.
- Odstranite pokrove tečajev z obeh vrat (zgornjih in spodnjih) in jih namestite na nasprotno stran ustreznih vrat.
- Vrata hladilnika postavite na spodnji omejevalni zatič, srednji tečaj zavrtite za 180°, ga potisnite na zgornjo luknjo vrat in pritrdite tečaj.
- Vrata zgornjega prostora namestite nazaj in jih pritrdite na nosilec zgornjega tečaja.
- Preden privijete vijake, se prepričajte, da so vrata pravilno nameščena.

Preden hladilnik priključite na električno omrežje, ponovno preverite, ali so vsi vijaki trdno priviti, ali so vrata pravilno nameščena, ali je hladilnik v pokončnem položaju in ali je stabilno postavljen na tla.



SI. 1



SI. 2

### Namestitev v liniji

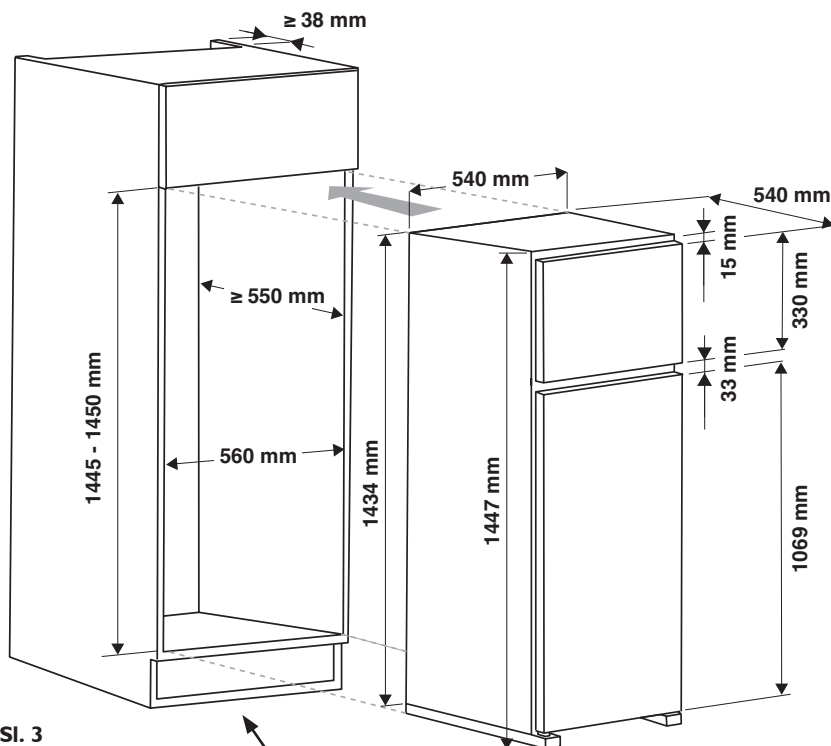
Dimenzije omarice in aparata (sl. 3)

**Višina:** 1445 - 1450 mm

**Širina:** 560 mm

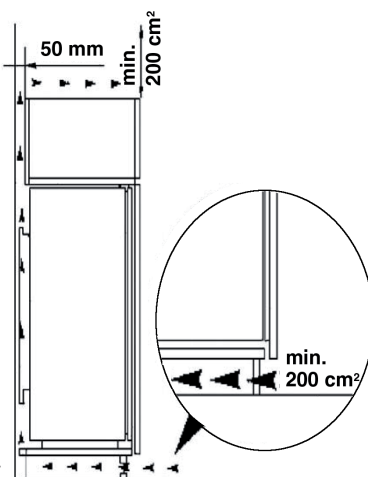
**Globina:** 550 mm

Zaradi zagotavljanja zadostnega prezračevanja upoštevajte navodila, prikazana na sliki. Omarica mora biti opremljena z vstopnim in izstopnim prisilnim zračenjem. (Sl. 3 in 4)



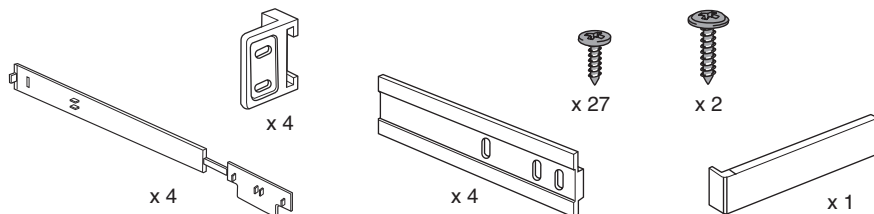
Sl. 3

prezračevalna rešetka:  
najmanj 200 cm<sup>2</sup>



Sl. 4

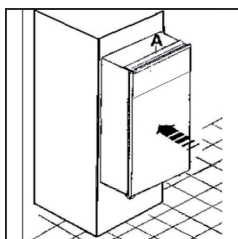
## KOMPLET za namestitev



### Namestitev z drsnimi vrati

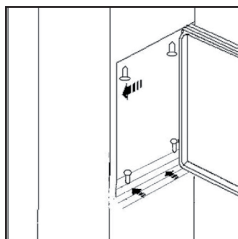
Aparat previdno potisnite v omarico (sl. 5), dokler ne doseže omejevalnega traku "A".

Material, potreben za namestitev, najdete v notranjosti aparata.



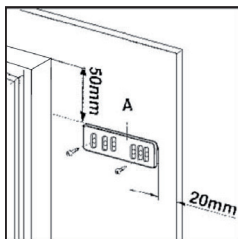
Sl. 5

Odprite vrata aparata in jih potisnite v nasprotni smeri od tečaja (sl. 6). Aparat pritrdite s štirimi vijaki, dvema vijakoma na zgornji sprednji plošči in dvema na stranskem kotnem nosilcu nasproti srednjega tečaja.



Sl. 6

Položite drsnik "A" na notranjo stran vrat omarice v skladu navodili na (sl. 7) in označite točke, kjer je treba vstaviti vijake. Izvrtajte luknje za vijake. Pritrdite drsnik.

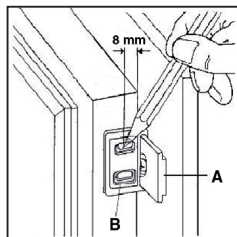


Sl. 7

Odprite vrata aparata in omarice pod kotom 90°. Kotni nosilec "B" (sl. 8) naslonite na drsnik "A".

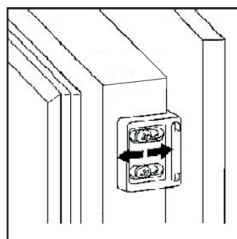
Zagotovite, da se vrata omarice dobro držijo vrat aparata, in označite, kje so srednje odprtine, kot je prikazano na sliki (sl. 8).

Odstranite kotni nosilec "B" in izvrtajte luknje za vijake s svedom s premerom 2 mm. Ponovno namestite kotni nosilec na drsnik in ga pritrdite s priloženimi vijaki.



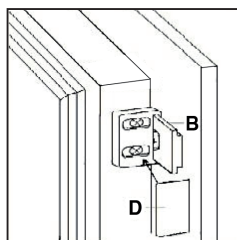
Sl. 8

Če morate nastaviti vrata omarice, uporabite vzdolžno odprtino v kotnem nosilcu "B" (sl. 9).



Sl. 9

Odvisno od modela pritisnite priloženo prekrivalo "D" na kotni nosilec "B".



Sl. 10

Vrata zamrzovalnega prostora so nameščena z enim tečajem, vrata hladilnika pa zahtevajo dva tečaja istega tipa.

# BEZPEČNOSTNÉ POKYNY

## DÔLEŽITÉ! PREČÍTAJTE SI A DODRŽIAVAJTE

Pred použitím spotrebiča si prečítajte tieto bezpečnostné pokyny. Uchovajte ich poruke pre budúce použitie.

V týchto pokynoch a na samotnom spotrebiči sú uvedené dôležité upozornenia týkajúce sa bezpečnosti, ktoré treba vždy dodržiavať. Výrobca odmieta zodpovednosť v prípade nedodržania týchto bezpečnostných pokynov, nenáležitého používania spotrebiča alebo nesprávneho nastavenia ovládania.

⚠ Veľmi malé deti (0 – 3 roky) by sa nemali zdržiavať v okolí spotrebiča. Malé deti (3 – 8 rokov) nepúšťajte k spotrebiču bez dozoru. Deti od 8 rokov a osoby so zníženými fyzickými, zmyslovými a mentálnymi schopnosťami alebo s nedostatkom skúseností a znalostí môžu používať tento spotrebič len v prípade, ak sú pod dozorom alebo dostali pokyny týkajúce sa používania spotrebiča bezpečným spôsobom a chápu hroziace nebezpečenstvá. Deti sa so spotrebičom nesmú hrať. Čistenie a údržbu nesmú vykonávať deti bez dozoru.

Deti vo veku 3 až 8 rokov môžu nakladať a vykladať chladiace spotrebiče.

### POVOLENÉ POUŽÍVANIE

⚠ **UPOZORNENIE:** Spotrebič nie je určený na ovládanie prostredníctvom externého prepínacieho zariadenia, ako je časovač, ani samostatným diaľkovým ovládačom.

⚠ Tento spotrebič je určený na

použitie v domácnosti alebo na podobné účely ako napr.: v oblastiach kuchyniek pre personál v dielňach, kanceláriách a iných pracovných prostrediach; na farmách; pre hostí v hoteloch, motelloch alebo iných ubytovacích zariadeniach.

⚠ Tento spotrebič nie je určený na profesionálne používanie. Spotrebič nepoužívajte vonku.

⚠ Žiarovka používaná vnútri spotrebiča je špeciálne určená pre domáce spotrebiče a nie je vhodná na bežné osvetľovanie miestností v domácnosti (nariadenie ES 244/2009).

⚠ Spotrebič je určený na používanie na miestach, kde teplota dosahuje nasledujúce rozsahy, v súlade s klimatickou triedou uvedenou na údajovom štítku. Spotrebič nemusí fungovať správne, ak sa pridlho ponechá pri teplote mimo špecifikovaného rozsahu.

Teplota prostredia podľa klimatických tried:

SN: 10 °C až 32 °C

N: 16 °C až 32 °C

ST: 16 °C až 38 °C

T: 16 °C až 43 °C

⚠ Tento spotrebič neobsahuje látky CFC. Chladiaci okruh obsahuje R600a (HC). Spotrebiče s izobutánom (R600a): izobután je prírodný plyn bez negatívnych účinkov na životné prostredie; je však horľavý.

Preto dávajte pozor, aby sa potrubiá chladiaceho okruhu nepoškodili, najmä pri vyprázdňovaní chladiaceho okruhu.

⚠ UPOZORNENIE: Nepoškodzuje rúrky chladiaceho okruhu spotrebiča.

⚠ UPOZORNENIE: Vetracie otvory na ochrannom kryte spotrebiča alebo pri zabudovanom spotrebiči nesmú byť ničím zakryté.

⚠ UPOZORNENIE: Na zrýchlenie procesu odmrázovania nepoužívajte mechanické, elektrické ani chemické prostriedky nad rámec tých, ktoré odporúča výrobca.

⚠ UPOZORNENIE: Nepoužívajte ani neumiestňujte elektrické zariadenia do vnútra priečinkov spotrebiča, pokiaľ nejde o typ, ktorý výslovne povolil výrobca.

⚠ UPOZORNENIE: pomôcky na tvorbu ľadu a výdajníky vody, ktoré nie sú priamo pripojené k vodovodu, sa musia plniť výlučne pitnou vodou.

⚠ UPOZORNENIE: Automatické výrobníky ľadu a/alebo dávkovače vody musíte pripojiť výhradne k vodovodu s pitnou vodou, s tlakom v potrubí medzi 0,17 a 0,81 MPa (1,7 a 8,1 bar).

⚠ V blízkosti spotrebiča neskladujte výbušné látky, ako sú aerosolové nádoby a na spotrebič nikdy nekladte ani v jeho blízkosti nepoužívajte benzín alebo iné horľavé látky.

⚠ Neprehltávajte obsah (netoxický) chladiacich vložiek (dodávaných k niektorým modelom). Nekonzumujte kocky ľadu ani ľadové lízanky bezprostredne po vytiahnutí z mrazničky, pretože vám môžu spôsobiť omrzliny.

⚠ V prípade produktov využívajúcich vzduchový filter vnútri prístupného krytu ventilátora bude počas prevádzky chladičky filter

vždy nainštalovaný.

⚠ V priestore mrazničky neuchovávajúte sklenené nádoby s tekutinami, pretože môžu prasknúť.

Ventilátor (ak je súčasťou výbavy) neblokuje potravinami.

Po vložení potravín skontrolujte, či sa dvierka priestorov správne zatvárajú. Platí to najmä o dvierkach mrazničky.

⚠ Poškodené tesnenie je potrebné vymeniť čo najskôr.

⚠ Chladiaci priestor využívajte len na uskladnenie čerstvých potravín a mraziaci priestor výlučne na uchovávanie mrazených potravín, mrazenie čerstvých potravín a výrobu ľadu.

⚠ Neskladujte nezabalené potraviny v priamom kontakte s vnútornými povrchmi chladiaceho alebo mraziaceho priestoru.

Spotrebiče sú vybavené špeciálnymi priečinkami (priečinok na čerstvé potraviny, nula stupňová skrinka...).

Pokiaľ nie je v konkrétnej brožúrke k spotrebiču uvedené inak, možno ich vybrať, pričom sa výkon nezmení.

⚠ C-pentán sa používa ako nadúvadlo v izolačnej pene a ide o horľavý plyn.

Najvhodnejšie priehradky spotrebiča, kde sa majú uskladňovať konkrétne typy potravín s ohľadom na rôzne rozloženie teploty v rôznych priehradkách spotrebiča sú nasledovné:

- Priestor chladičky:

1) Vrchná časť priestoru chladičky a dverí – teplotná zóna: uskladnenie tropického ovocia, konzerv, nápojov,



vajec, omáčok, nakladanej zeleniny, masla, džemu.

2) Stredná časť priehradky chladničky – chladná zóna: uskladnenie syra, mlieka, mliekárenských produktov, lahôdkárskych produktov, jogurtu.

3) Spodná časť priehradky chladničky – najchladnejšia zóna: uskladnenie studených nárezov, dezertov, mäsa a rýb, tvarohových zákuskov, čerstvých cestovín, kyslej smotany, pesta/salsy, domácich varených jedál, krémov do zákuskov, pudingov a mäkkých syrov.

4) Zásuvka na ovocie a zeleninu naspodku chladiaceho priestoru: Uskladnenie ovocia a zeleniny (okrem tropického ovocia).

5) Chladiaca priehradka: V najstudenšej zásuvke skladujte iba mäso a ryby – Priehradka mrazničky:

Priehradka zóny so 4 hviezdčkami (\*\*\*\*) je vhodná na mrazenie potravín od teploty okolia a na uskladnenie mrazených potravín, pretože teplota je rovnomerne rozložená v celej priehradke.

Kúpené mrazené potraviny majú dobu uskladnenia uvedenú na obale. Tento dátum berie do úvahy typ uskladnenej potraviny, a preto ho treba dodržiavať. Čerstvé potraviny by mali byť uskladnené na nasledujúci čas: 1 – 3 mesiace syr, mäkkýše, zmrzlina, šunka/ klobása, mlieko, čerstvé tekutiny; 4 mesiace rezne alebo kotlety (hovädzie, jahňacie, bravčové); 6 mesiacov maslo alebo margarín, hydina (kurča, morka);

8 – 12 mesiacov ovocie (okrem citrusov), pečené mäso (hovädzie, jahňacie, bravčové), zelenina.

Dátumy trvanlivosti na balení potravín v 2-hviezdičkovej zóne sa musia dodržiavať.

Aby nedošlo ku kontaminácii potravín, dodržujte nasledujúce odporúčania:

– Otváranie dverí na dlhší čas môže spôsobiť značný nárast teploty v priehradkách spotrebiča.

– Pravidelne čistite povrchy, ktoré sa dotýkajú potravín, a prístupné odtokové systémy.

– Čistite nádrže na vodu, ak neboli použité 48 hodín; prepláchnite systém prívodu vody pripojený na vodovod, ak sa 5 dní nečerpala voda.

– Surové mäso a ryby skladujte v chladničke vo vhodných nádobách, aby nedošli do kontaktu s inými potravinami a nekvapkalo z nich na ne.

– Priehradky na mrazené potraviny s dvoma hviezdčkami sú vhodné na skladovanie vopred zmrazeného jedla, uskladnenie alebo výrobu zmrzliny a kociek ľadu.

– Čerstvé potraviny nemrazte v priehradkách s jednou, dvoma alebo tromi hviezdčkami.

– Ak necháte chladiaci spotrebič na dlhší čas prázdny, vypnite ho, odmrazte, vyčistite, vyutierajte a nechajte dvere otvorené, aby sa v ňom netvorila pleseň.

## INŠTALÁCIA

⚠ So spotrebičom musia manipulovať a inštalovať ho minimálne dve osoby – riziko zranenia. Pri vybaľovaní a inštalovaní používajte ochranné rukavice – nebezpečenstvo porezania.

⚠ Inštalačné práce, vrátane

prívodu vody (ak je), elektrického zapojenia a opráv musí vykonávať kvalifikovaný technik. Nikdy neopravujte ani nevymieňajte žiadnu časť spotrebiča, ak to nie je uvedené v návode na používanie. Nepúšťajte deti k miestu inštalácie. Po vybalení spotrebiča sa uistite, že sa počas prepravy nepoškodil. V prípade problémov sa obráťte na predajcu alebo najbližší popredajný servis. Po inštalácii treba odpad z balenia (plasty, kusy polystyrénu a pod.) uložiť mimo dosahu detí – nebezpečenstvo udusenía. Pred vykonávaním inštaláčnych prác musíte spotrebič odpojiť od elektrického napájania – nebezpečenstvo zásahu elektrickým prúdom.

Počas inštalácie dávajte pozor, aby ste spotrebičom nepoškodili napájací kábel – riziko vzniku požiaru alebo zásahu elektrickým prúdom. Spotrebič zapnite až po úplnom dokončení inštalácie.

⚠ Pri premiestňovaní spotrebiča dávajte pozor, aby ste nepoškodili podlahu (napr. parkety). Spotrebič inštalujte na podlahu alebo podklad, ktorý je dostatočne pevný, aby uniesol jeho hmotnosť, na mieste vhodnom vzhľadom na veľkosť a použitie spotrebiča. Pri inštalovaní spotrebiča dbajte, aby nebol v blízkosti zdroja tepla a aby boli všetky štyri nožičky stabilné a pevne dosadali na podlahu, v prípade potreby ich nastavte a pomocou vodováhy skontrolujte, či je spotrebič v dokonale vodorovnej polohe. Kým zapnete spotrebič, počkajte aspoň dve hodiny, čím sa zaistí plná efektivita rozvodov chladiva.

⚠ **UPOZORNENIE:** Pri umiestňovaní spotrebiča dávajte

pozor, aby sa niekde nezasekol alebo nepoškodil napájací kábel.

⚠ **UPOZORNENIE:** ak sa má zabrániť rizikám z dôvodu nestability, umiestnenie alebo upevnenie spotrebiča sa musí vykonať podľa pokynov výrobcu.

Je zakázané umiestňovať chladničku tak, aby sa kovová hadica plynového sporáka, kovové plynové alebo vodovodné potrubie alebo elektrické drôty dotýkali zadnej steny chladničky (had kondenzátora).

Všetky rozmery a vzdialenosti potrebné na inštaláciu spotrebiča nájdete v brožúrke s návodom na inštaláciu.

Počas inštalácie, prv než zapojíte spotrebič do siete, zveste napájací kábel z háčika na kondenzátore.

## **ELEKTRICKÉ UPOZORNENIA**

⚠ Spotrebič sa musí dať odpojiť od napájania buď vyťahnutím zástrčky, pokiaľ je ľahko dostupná, alebo prostredníctvom prístupného viacpólového prepínača nainštalovaného pred zásuvkou podľa pravidiel pre elektrické vedenia a spotrebič musí byť uzemnený v súlade s národnými bezpečnostnými normami pre elektrotechniku.

⚠ Nepoužívajte predlžovacie káble, rozdvójky ani adaptéry. Po inštalácii spotrebiča nesmú byť jeho elektrické časti prístupné používateľom. Nepoužívajte spotrebič, keď ste mokří alebo naboso.

Spotrebič neuvádzajte do činnosti, ak je poškodený napájací kábel alebo zástrčka, ak nepracuje správne, ak je poškodený alebo ak spadol.

⚠ Ak je poškodený napájací elektrický kábel, musí ho výrobca, jeho autorizovaný servis alebo podobne kvalifikovaná osoba nahradiť rovnakým káblom, aby sa predišlo nebezpečenstvu zásahu elektrickým prúdom.


⚠ **UPOZORNENIE:** Na zadnú stranu spotrebiča neumiestňujte prenosné viacnásobné zásuvky alebo prenosné zdroje napájania.

## ČISTENIE A ÚDRŽBA

⚠ **UPOZORNENIE:** Pred vykonávaním údržby zabezpečte, aby bol spotrebič vypnutý alebo odpojený od elektrického napájania; nikdy nepoužívajte zariadenie na čistenie parou – nebezpečenstvo zásahu elektrickým prúdom.


⚠ Nepoužívajte abrazívne alebo drsné čistiace prostriedky, ako sú spreje na okná, odmasťovacie čistiace prostriedky, horľavé kvapaliny, čistiace vosky, koncentrované čistiace prostriedky, bieliadlá ani čistiace prostriedky obsahujúce ropné produkty na plastové časti, interiér a tesnenia dvierok. Nepoužívajte papierové utierky, drsné čistiace hubky ani nijaké drsné nástroje na čistenie.


## LIKVIDÁCIA OBALOVÝCH MATERIÁLOV

Všetky obalové materiály sa môžu na 100 % recyklovať a sú označené symbolom recyklácie . Rôzne časti obalu likvidujte zodpovedne, v úplnom súlade s platnými predpismi miestnych orgánov, ktorými sa riadi likvidácia odpadov.

## LIKVIDÁCIA DOMÁCIH SPOTREBIČOV

Tento spotrebič je vyrobený z recyklovateľných a znovu použiteľných materiálov. Zlikvidujte ho v súlade s miestnymi predpismi o likvidácii odpadov.

Podrobnejšie informácie o zaobchádzaní, obnove a recyklácii domácich spotrebičov dostanete na miestnom úrade, v zberných surovinách alebo v obchode, kde ste spotrebič kúpili. Tento spotrebič je označený v súlade s Európskou smernicou 2012/19/ES o likvidácii elektrických a elektronických zariadení (OEEZ). Zabezpečením, že tento výrobok bude zlikvidovaný správnym spôsobom, pomôžete predchádzať potenciálnym negatívnym dopadom na životné prostredie a ľudské zdravie. 

Symbol  na spotrebiči alebo v sprievodných dokumentoch znamená, že s týmto výrobkom sa nesmie zaobchádzať ako s domovým odpadom, ale treba ho odovzdať v zbernom stredisku na recykláciu elektrických a elektronických zariadení.

## RADY NA ÚSPORU ELEKTRICKEJ ENERGIE

Dodržiavajte inštaláčne pokyny, aby ste zaistili náležité vetranie.

Nedostatočné vetranie za výrobkom zvyšuje spotrebu energie a znižuje účinnosť chladenia. Časté otváranie dvier môže spôsobiť zvýšenú spotrebu energie.

Vnútna teplota spotrebiča a spotreba energie môžu byť ovplyvnené aj okolitou teplotou a miestom, kde sa spotrebič nachádza. Teplotu treba nastaviť vzhľadom na tieto faktory.

Otváranie dverí obmedzte na minimum.

Pri roztápaní vložte mrazené potraviny do chladničky. Nízka teplota zmrazených potravín ochladí jedlo v chladničke.

Pred vložením potravín do spotrebiča ich nechajte vychladnúť.

Poloha políc v chladničke nemá vplyv na úsporu energie. Potraviny kladte na police tak, aby sa zabezpečila adekvátna cirkulácia vzduchu (potraviny by sa nemali navzájom dotýkať a mal by byť priestor medzi nimi a zadnou stenou). Skladovaciu kapacitu na mrazené potraviny môžete zväčšiť vybratím košov, prípadne poličky Stop Frost, ak je vo výbave.

Nemusíte si robiť starosti kvôli zvukom vychádzajúcim z kompresora, sú to normálne prevádzkové zvuky.

# AKO POUŽÍVAŤ CHLADIACI PRIESTOR

Tento spotrebič je chladnička s **\*\*\*** hviezdíčkovým chladiacim priestorom.

## Chladnička sa rozmrazuje úplne automaticky.

Chladnička pracuje pri teplote medzi  $+16\text{ }^{\circ}\text{C}$  a  $+38\text{ }^{\circ}\text{C}$ . Najlepší výkon dosiahne pri teplote v rozsahu medzi  $+16\text{ }^{\circ}\text{C}$  a  $+32\text{ }^{\circ}\text{C}$ .

## Spustenie chladničky

Zastrčte zástrčku do zásuvky.

Termostat umožňuje nastaviť teplotu oboch priehradiek: chladiacej i mraziacej.

## Ako nastaviť teplotu priehradiek:

1. Na zabezpečenie správneho fungovania a najlepšieho uskladnenia potravín **odporúčame nastaviť termostat podľa údajov uvedených v priloženom technickom liste výrobu.**
2. Ak si želáte zmeniť teplotu v chladiacom priestore, otočte gombíkom termostatu na:
  - **najnižšie/MIN** čísla, aby bolo v priehradke **TEPLEJŠIE**;
  - **najvyššie/MAX** čísla, aby bolo v priehradke **CHLADNEJŠIE**.

Termostat na **●**: funkcie spotrebiča a osvetlenie sú prerušené.

## Poznámka:

Teplota okolia, frekvencia otvárania dvierok a umiestnenie spotrebiča môžu ovplyvniť teplotu v jeho vnútri. Gombík termostatu treba upraviť podľa týchto faktorov.

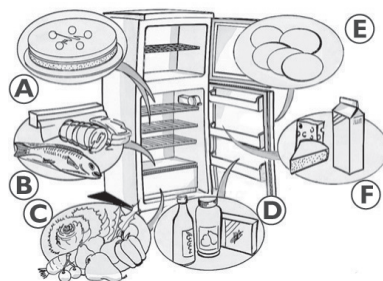
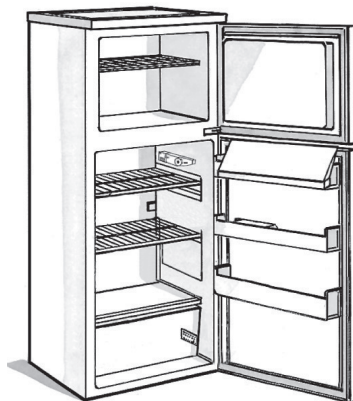
## Ako skladovať potraviny v chladiacom priestore

Potraviny uložte, ako je zobrazené na obrázku naboku.

- A** Varené jedlá
- B** Ryby, mäso
- C** Ovocie a zelenina
- D** Fláše
- E** Vajcia
- F** Maslo, mliečne výrobky, syry

## Poznámky:

- Medzera medzi policami a vnútorným zadným panelom zabezpečuje voľnú cirkuláciu vzduchu.
- Potraviny by sa nemali dotýkať vnútorného zadného panelu chladiaceho priestoru.
- Nedávajte to spotrebiča jedlo, ktoré je ešte teplé.
- Tekutiny skladujte v uzavretých nádobách.
- Skladovanie zeleniny s vysokým obsahom vody môže spôsobiť tvorbu kondenzácie v spodnej zásuvke: neovplyvňuje to však správne fungovanie spotrebiča.



# AKO POUŽÍVAŤ MRAZIACI PRIESTOR

Mraziaca priehradka má **\*\*\*** hviezdičky. Mrazené potraviny v nej možno skladovať až do dátumu uvedeného na obale. Okrem toho čerstvé potraviny možno zamraziť uskladnením pod mriežkou na najnižšej úrovni a uložením už zmrazených potravín do hornej časti priehradky, aby sa nedotýkali potravín, ktoré ešte nie sú zmrazené.

Množstvo čerstvých potravín, ktoré možno za 24 hodín zmraziť, je napísané na štítku.

## Dôležité:

Pred zmrazovaním zabaľte a utesnite čerstvé potraviny do:

- alobalu, príľnavej fólie, vodotesných a vzduchotesných plastových vreciek, polyetylénových nádobiek s vekami alebo nádobiek určených do mrazničky, ktoré sú vhodné na mrazenie potravín.
- Priehradka mrazničky udržuje teplotu vhodnú na uskladnenie potravín aj v prípade výpadku elektrického prúdu.  
V takom prípade sa však napriek tomu odporúča neotvárať dvere spotrebiča.

## Dôležité:

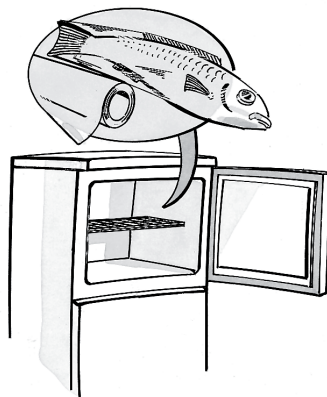
V tabuľke naboku si môžete pozrieť, koľko mesiacov sa majú skladovať doma zamrazené potraviny.

Pri nákupe mrazených výrobkov sa presvedčte, či:

- ich balenie alebo obal je nedotknutý, pretože inak by sa mohli pokaziť. Ak je balenie vyduté alebo sú jeho časti vlhké, potravina nemusela byť uskladnená v optimálnych podmienkach a mohol už začať proces jej rozmrazovania.
- Zmrazené potraviny nakupujte až ako posledné a prenášajte ich v tepelne izolovaných taškách.
- Po príchode domov mrazené potraviny dajte ihneď do mrazničky.
- Čiastočne rozmrazené potraviny už znova nezmrázajte. Spotrebujte ich do 24 hodín.
- Snažte sa nevystavovať potraviny zmenám teploty. Dodržiavajte dátum spotreby na obale.
- Vždy dodržiavajte informácie o náležitom uskladnení na obale.

## Výroba ľadových kociek

- Naplňte vodou 3/4 zásobníka ľadu a vložte ho späť do mrazničky.  
Ak sa zásobník prilepí na dno priehradky, nepoužívajte na jeho odlepenie ostré alebo špicaté predmety.



## MESIACE POTRAVINY

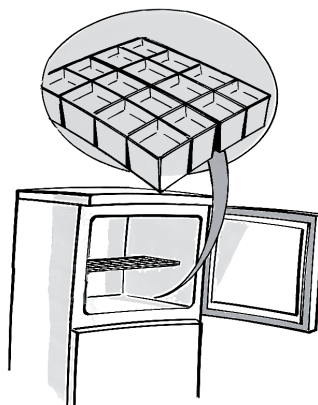
1-3



4-7



8-12



# AKO ROZMRAZOVAŤ A ČISTIŤ PRIEHRADKU MRAZNIČKY

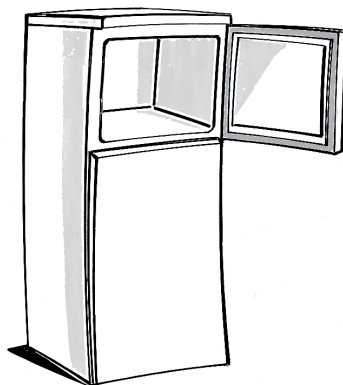
Odporúčame rozmrazovať priehradku mrazničky raz či dva razy do roka alebo keď ľad na bokoch dosahuje hrúbku asi 3 mm. Najlepšie je rozmrazovať priehradku mrazničky, keď je takmer prázdna.

1. Otvorte dvere a vyberte všetky potraviny, zľahka ich zabaľte do novin a odložte na chladné miesto alebo do termoizolačnej chladiacej tašky.
2. Odpojte spotrebič od elektrického napájania.
3. Dvere mrazničky nechajte otvorené, aby sa ľad mohol roztopiť.
4. Odstráňte vodu z rozmrazovania, ktorá sa zhromažďuje na dne priehradky.
5. Vnútro vyčistite vlhkou špongiou a teplou vodou s jemným čistiacim prostriedkom.

**Nepoužívajte abrazívne čistiace prostriedky.**

6. Starostlivo opláchnite a osušte.

**Poznámka: Ak sa má predísť trvalému poškodeniu interiéru spotrebiča, na odstraňovanie námrazy nepoužívajte špicaté alebo ostré kovové nástroje a priehradku nezohrievajte.**



# AKO ČISTIŤ CHLADIACI PRIESTOR

**Priehradku chladničky pravidelne čistite.**

**Chladnička sa rozmrazuje úplne automaticky.**

Ojedinelá prítomnosť kvapiek vody na zadnej stene vnútornej časti chladničky sú znakom toho, že prebieha fáza automatického odmravovania.

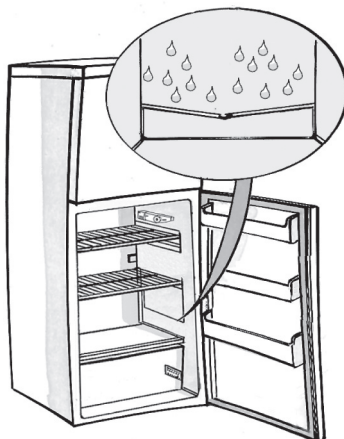
Rozmrazená voda odteká do odtokového otvoru a hromadí sa v nádržke, odkiaľ sa odparuje.

Pravidelne čistite odtokový otvor, cez ktorý odteká voda z odmravovania.

Pred čistením spotrebič odpojte z elektrickej zásuvky.

- Použite špongiu namočenú v teplej vode, prípadne jemný čistiaci prostriedok.
- Suchou utierkou utrite dosucha.

**Nepoužívajte abrazívne čistiace prostriedky.**



# ČISTENIE A ÚDRŽBA

## Vstavané komponenty

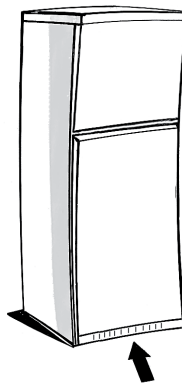
- Vysávačom alebo kefou pravidelne čistite vetracie mriežky (pozri obr. A).
- Vonkajšie časti čistite mäkkou handričkou.

## Voľne stojace komponenty

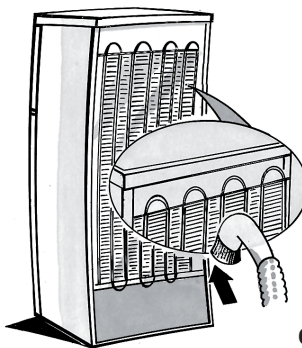
- Vysávačom alebo kefou pravidelne čistite kondenzátor v zadnej časti spotrebiča (pozri obr. B).

## Dlhá neprítomnosť

1. Vyprázdnite chladiaci aj mraziaci priestor.
2. Odpojte spotrebič od elektrického napájania.
3. Odmrazte priehradku mrazničky a obe priehradky vyutierajte.
4. Dvere nechajte otvorené, aby ste zabránili tvorbe zápachu.



Obr. A



Obr. B

# PRÍRUČKA NA RIEŠENIE PROBLÉMOV

## 1. Spotrebič nefunguje.

- Nastal výpadok prúdu?
- Je zástrčka správne zastrčená do elektrickej zásuvky?
- Je vložený dvojpólový sieťový vypínač?
- Správne fungujú zariadenia na ochranu elektrického systému v domácnosti?
- Nie je zlomený napájací kábel?
- Je termostat v polohe ●(Stop)?

## 2. Teplota vo vnútri priechinkov nie je dostatočne nízka.

- Sú dvere správne zatvorené?
- Nachádza sa spotrebič v blízkosti tepelného zdroja?
- Je termostat nastavený do správnej polohy?
- Neblokuje niečo cirkuláciu vzduchu cez vetracie mriežky?

## 3. Teplota v chladiacom priestore je príliš nízka.

- Je termostat nastavený do správnej polohy?
- ## 4. Na dne priehradky chladničky je voda.
- Nie je odtok na rozmrazenú vodu upchatý?

## 5. Vnútorne svetlo nefunguje.

Najprv skontrolujte bod 1, potom:

- Odpojte spotrebič od elektrického napájania. V pokynoch a na nákrese v priloženej tabuľke nájdete, ako sa dostať k žiarovke.
- Vymeňte žiarovku za novú s rovnakým výkonom alebo maximálnou hodnotou vo wattoch, ako je uvedené pri držiaku žiarovky.

## 6. Tvorba nadmerného množstva ľadu v mraziacom priestore

- Sú dvere správne zatvorené?
- Nezabraňujú potraviny správne zatvoreniu dverí?

## Poznámky:

- **Predný okraj chladničky je teplý: Nejde o poruchu, má to zabrániť tvorbe kondenzácie.**
- **Z chladiaceho systému vychádzajú klopotavé zvuky a hluk, ktoré sú normálne.**

# PRÍRUČKA NA RIEŠENIE PROBLÉMOV

**SERVICE** 0000 000 00000



## Predtým, než zavoláte popredajný servis:

1. Presvedčte sa, či problém nedokážete vyriešiť sami (pozri Návod na odstraňovanie porúch).
2. Reštartujte spotrebič a skúste, či sa problém nevyriešil.  
Ak sa nevyriešil, spotrebič odpojte a postup opakujte o hodinu neskôr.
3. Ak problém pretrváva aj naďalej, zavolajte servis.

## Uved'te:

- charakter problému,
- model,
- servisné číslo (číslo, ktoré nasleduje po slove SERVICE na výrobnom štítku vnútri spotrebiča)
- vašu úplnú adresu,
- vaše telefónne číslo s predvoľbou.

## Poznámka:

**Obrátenie dverí spotrebiča vykonané službou technickej pomoci sa za reklamáciu nepovažuje.**

## INŠTALÁCIA

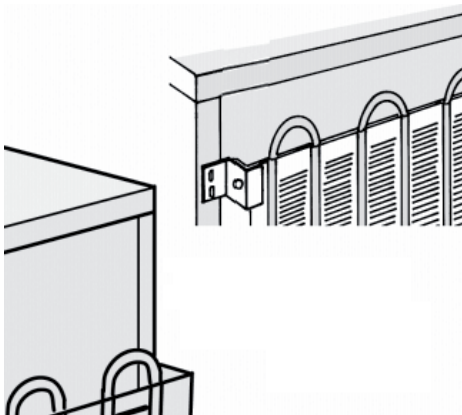
- Spotrebič neinštalujte v blízkosti zdrojov tepla.
- Spotrebič umiestnite na suché, dobre vetrané miesto.
- Nezakrývajte vetrací priestor nad a pod spotrebičom.
- Vyčistite vnútro (pozri kapitolu Ako čistiť chladiaci priestor).
- Pripevnite všetko priložené príslušenstvo.

## Pripojenie napájania

- **Elektrické zapojenie musí zodpovedať požiadavkám platných noriem STN.**
- Informácie týkajúce sa napájania a spotreby nájdete na štítku naboku zásuvky na ovocie a zeleninu.
- **Podľa platných noriem musí byť spotrebič uzemnený. Výrobca odmieta akúkoľvek zodpovednosť za úraz osôb alebo zvierat a za škody na majetku spôsobené nedodrzaním vyššie uvedených požiadaviek.**
- Ak zástrčka a zásuvka nie sú kompatibilné, požiadajte kvalifikovaného technika o výmenu zástrčky.
- Nepoužívajte predlžovačky ani adaptéry s viacerými zásuvkami.

## Odpojenie spotrebiča od napájania

- Vytiahnite zástrčku z elektrickej zásuvky alebo spotrebič odpojte pomocou dvojpolového sieťového vypínača.





# OBOJSTRANNÉ DVERE



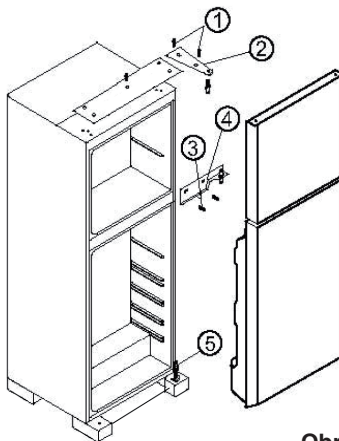
## Upozornenie:

Pred zmenou smeru otvárania dverí sa presvedčte, že spotrebič nie je pripojený k elektrickej sieti, a zabezpečte si pomocníka, pretože chladnička je ťažká a musí byť v naklonenej polohe.

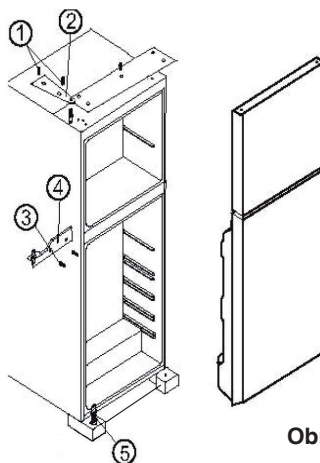
## RIZIKO ZRANENIA!

- Odstráňte skrutky, aby ste mohli vybrať pánt. (**Obr. 1, č. 1 a 2**), odložte dvere hornej priehradky a uložte ich na bezpečné miesto.
- Pre odstránenie spodných dverí uvoľnite skrutky stredného oporného pántu a vyberte ho. (**Obr. 1, č. 3 a 4**)
- Zdvihnite spodné dvere z kolíka pántu (**Obr. 1, č. 5**) a uložte ich na bezpečné miesto.
- Namontujte spodný dorazový kolík, ktorý odskrutkujete z pravej strany a naskrutkujete na ľavú stranu.
- Postavte chladničku rovno.
- Vyberte kryty ľavých pántov z oboch dverí (horných aj spodných) a namontujte ich na opačnú stranu každých dverí.
- Nasad'te dvere chladničky na spodný dorazový kolík, otočte stredný pánt o 180°, zatlačte ho do horného otvoru na dverách a pripevnite pánt.
- Nasad'te znova dvere hornej priehradky a pripevnite ich k opore horného pántu.
- Pred utiahnutím všetkých skrutiek skontrolujte, či sú dvere nainštalované správne.

Pred pripojením chladničky k elektrickej sieti ešte raz skontrolujte, či sú všetky skrutky utiahnuté, či sú dvere nainštalované správne a či chladnička stojí rovno a stabilne.



Obr. 1



Obr. 2

## Inštalácia zabudovaného spotrebiča

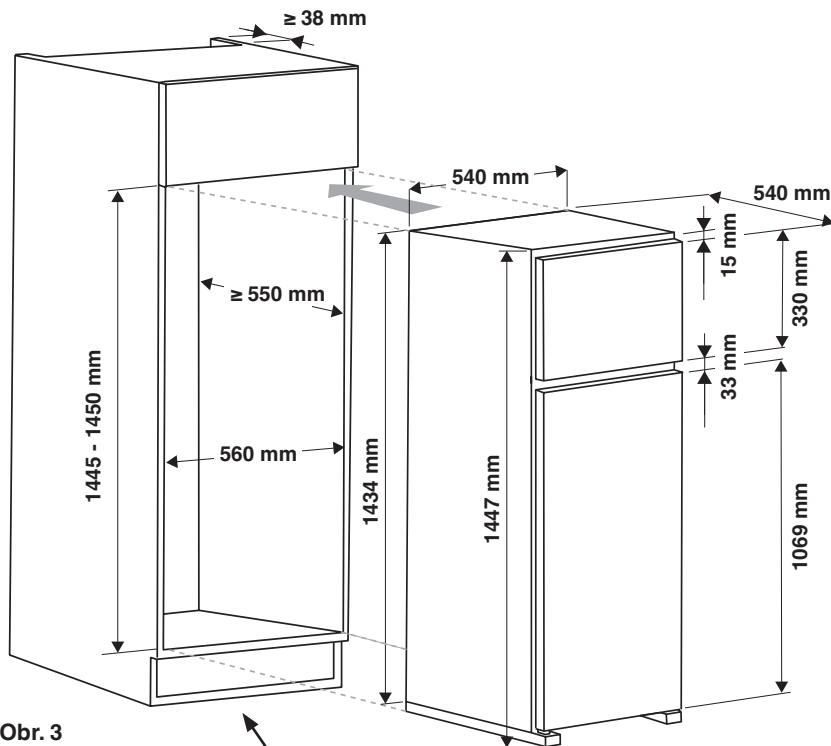
Rozmery skrinky a spotrebiča (Obr. 3)

**Výška:** 1 445 – 1 450 mm

**Šírka:** 560 mm

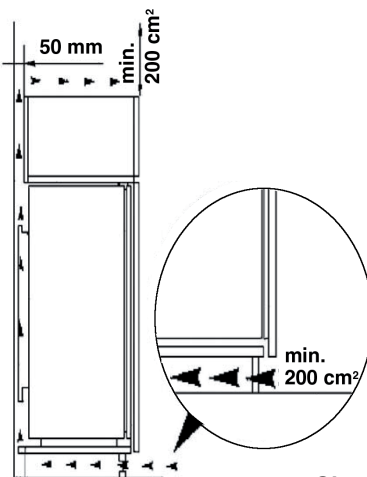
**Hĺbka:** 550 mm

Na zabezpečenie dostatočného vetrania dodržujte údaje uvedené na obrázku. Skrinka musí byť vybavená núteným vetraním s prívodom a odvodom. (Obr. 3 a 4)



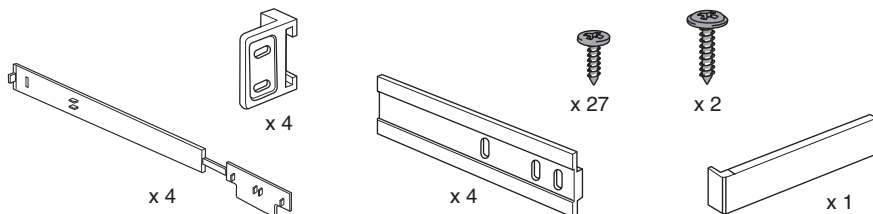
Obr. 3

vetracia mriežka: min.  
málne 200 cm<sup>2</sup>



Obr. 4

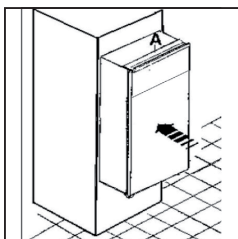
## Súprava na inštaláciu



### Inštalácia posuvných dverí

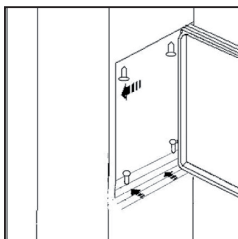
Opatrne spotrebič zasuňte do skrinky (**Obr. 5**) až po dorazový pásik "A".

Materiál potrebný na inštaláciu nájdete vnútri spotrebiča.



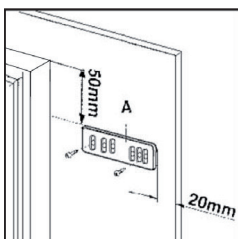
Obr. 5

Otvorte dvere spotrebiča a potlačte opačným smerom k pántu (**Obr. 6**). Pripevnite spotrebič 4 skrutkami, 2 na hornom prednom kryte a 2 na bočnej rožnej konzole oproti stredovému pántu.



Obr. 6

Priložte bežec **A** podľa zobrazenia (**Obr. 7**) na vnútornú stranu dverí skrinky a označte miesto, kde by mali byť skrutky. Vyvrtajte otvory na skrutky. Pripevnite bežec.

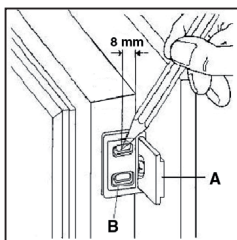


Obr. 7

Otvorte dvere spotrebiča a skrinky do 90° uhla. Priložte rožnú konzolu **B** (**Obr. 8**) k bežcu **A**. Dbajte, aby dvere skrinky dobre priliehali

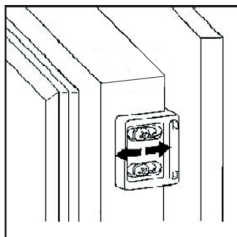
k dverám spotrebiča, a označte stredné otvory, ako je znázornené na obrázku (**Obr. 8**).

Odložte rožnú konzolu **B** a vyvrtajte otvory na skrutky s priemerom 2 mm. Znova priložte bočnú konzolu k bežcu a pripevnite pomocou priložených skrutiek.



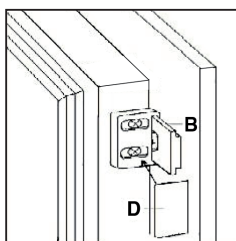
Obr. 8

Ak potrebujete dvere skrinky upraviť, použite pozdĺžny otvor v rožnej konzole **B** (**Obr. 9**).



Obr. 9

V závislosti od modelu prítlačte priložený kryt **D** na rožnú konzolu **B**.



Obr. 10

Dvere mraziacej priehradky sú nainštalované s jedným výkyvným pántom, zatiaľ čo na dverách chladničky sú potrebné 2 pánty toho istého typu.

# BIZTONSÁGI UTASÍTÁSOK

## OLVASSA EL ÉS TARTSA BE

A készülék használata előtt olvassa el az alábbi biztonsági útmutatót. Orizzza meg a későbbi felhasználás érdekében.

A kézikönyvben és a készüléken található fontos biztonsági figyelmeztetéseket mindig olvassa el és tartsa be. A gyártó nem vállal felelősséget a biztonsági utasítások figyelmen kívül hagyásából, a készülék nem rendeltetésszerű használatából vagy a készülék kezelőszerveinek helytelen beállításából eredő károkért.

⚠ Kisgyermeket (0–3 év között) ne engedjen a készülék közelébe. Gyermek (3–8 év között) kizárólag felügyelet mellett tartózkodhat a készülék közelében. 8 éves vagy idősebb gyermekek, valamint testi, érzékszervi vagy szellemi fogyatékkal élő, illetve tapasztalat vagy ismeretek hiányában hozzá nem értő személyek a készüléket kizárólag felügyelet mellett vagy a biztonságos használatra vonatkozó tájékoztatást követően és a fennálló kockázatok megértése után használhatják. Ne engedje, hogy a gyermekek játsszanak a készülékkel. Gyermek csak felügyelet mellett végezhetnek tisztítási és felhasználói karbantartási műveleteket a készüléken.

A 3 és 8 év közötti gyermekek feltölthetik és kiüríthetik a hűtőszekrényeket.

## RENDELTESSZERŰ HASZNÁLAT

⚠ VIGYÁZAT: Kialakításából adódóan a készülék működtetése nem lehetséges külső időzítő szerkezettel vagy külön

távírányítóval.

⚠ A készüléket háztartási és hasonló célokra tervezték, mint például: műhely, iroda és más munkakörnyezet személyzeti konyhája; nyaraló; szálloda, motel, szálláshely és egyéb lakókönyezet.

⚠ A készüléket nem ipari felhasználásra tervezték. Ne használja a készüléket kültéren.

⚠ A készülékben lévő izzót kifejezetten háztartási gépekhez tervezték, ezért otthoni helyiségek általános megvilágítására nem alkalmas (244/2009/EK rendelet).

⚠ A készüléket az alábbi hőmérsékleti tartományok közül abban a klímaosztályban kell üzemeltetni, amelynek jelzése a készülék adattábláján fel van tüntetve. Előfordulhat, hogy a készülék nem működik megfelelően, ha hosszabb időn át az előírt tartományon kívüli hőmérsékleten üzemelteti.

Klímaosztály környezeti hőmérséklet:

SN: 10 °C és 32 °C között

N: 16 °C és 32 °C között

ST: 16 °C és 38 °C között

T: 16 °C és 43 °C között

⚠ Ez a készülék nem tartalmaz CFC-eket. A hűtőkör R600a (HC) hűtőközeget tartalmaz. Izobutánt (R600a) alkalmazó készülékek: Az izobután olyan földgáz, amely nem károsítja a környezetet, viszont gyúlékony. Ezért, különösen a hűtőkör ürítésekor, győződjön meg arról, hogy nem sérültek-e a hűtőkör csövei.

⚠ FIGYELEM: Tilos a készülék hűtőkörének csöveit megrongálni.

⚠ FIGYELEM: Hagyja szabadon a készülék házán és a beépített részeken lévő nyílásokat.

⚠ FIGYELEM: A leolvasztás felgyorsítása érdekében kizárólag a gyártó ajánlásait kövesse, és ne alkalmazzon egyéb mechanikus, elektromos vagy vegyi módszereket.

⚠ FIGYELEM: Ne tegyen a készülékbe a gyártó által ajánlottaktól eltérő típusú elektromos berendezéseket, illetve ne használjon ilyeneket.

⚠ FIGYELEM: A vízhálózatba közvetlenül nem bekötött jégkockakészítőket és/vagy vízadagolókat kizárólag ivóvízzel szabad feltölteni.

⚠ FIGYELEM: Az automata jégkockakészítőt és/vagy vízadagolót kizárólag olyan ivóvízhálózatra szabad csatlakoztatni, amelynek nyomása a 0,17 és 0,81 MPa (1,7 és 8,1 bar) közötti tartományba esik.

⚠ Ne tároljon robbanásveszélyes anyagokat (pl. aeroszolos flakont) a készülékben vagy annak közelében. Ne tegyen benzint vagy egyéb gyúlékony anyagot a készülékbe vagy annak közelébe, illetve ne használjon hasonlókat a készülékben vagy annak közelében.

⚠ Ne nyelje le a jégakkuban lévő (nem mérgező) folyadékot (bizonyos modelleknél elérhető). Miután a jégkockákat vagy a jégkrémet kivette a készülékből, ne fogyassza el azonnal, mert fagyási sérüléseket szenvedhet.

⚠ Ha a készülék ventilátorának burkolata alá levegőszűrőt kell helyezni, a szűrőnek a készülék használata közben mindig a helyén kell lennie.

⚠ A fagyasztótérben ne tároljon folyadékot üvegedényben, az

ugyanis széttörhet.

A ventilátort (ha van) ne takarja el élelmiszerekkel.

Az élelmiszerek behelyezése után győződjön meg arról, hogy a hűtőszekrény ajtajai – különösen a fagyasztó ajtaja – megfelelően be vannak zárva.

⚠ A sérült tömitéseket a lehető leghamarabb ki kell cserélni.

⚠ A hűtőtérrel kizárólag friss élelmiszerek tárolására, a fagyasztótérrel pedig mélyhűtött ételek tárolására, friss ételek lefagyasztására és jégkockakészítésre használja.

⚠ A nem csomagolt élelmiszereket úgy helyezze el, hogy azok ne érjenek hozzá a hűtőtér/fagyasztótér falához.

A készülékek speciális rekeszekkel vannak kialakítva (pl. friss élelmiszereket tároló rekesz, zero hőmérsékletű rekesz stb.).

Ha a készülékhez kapott tájékoztató másként nem rendelkezik, a rekeszek eltávolíthatók anélkül, hogy a teljesítmény csökkenne.

⚠ A C-pentán gyúlékony gáz, amelyet habosítóanyagként használnak a szigetelőhabhoz.

A készülék legalkalmasabb rekeszei, amelyekben bizonyos ételtípusok tárolhatók, figyelembe véve a készülék különböző rekeszeinek eltérő hőeloszlását, a következők:

- Hűtőtér:

1) A hűtőtér felső része és az ajtó – temperált zóna: Déligyümölcs, konzerv, italok, tojás, szósz, savanyúság, vaj, lekvár tárolásához ajánlott

2) A hűtőtér középső része - hűvös zóna: Sajt, tej, tejtermékek, csemegeáruk, joghurt tárolásához ajánlott

3) A hűtőtér alsó része - leghide-

gebb zóna: Felvágott, desszert, hús és hal, sajtorta, friss tészta, tejföl, pesto/szószt, otthon készített ételek, desszertkrém, puding és krémsajt tárolására

4) Zöldséges és gyümölcsös rekesz a hűtőtér alsó részén: Zöldségek és gyümölcsök (kivéve déligyümölcsök) tárolásához ajánlott

5) Sokkoló rekesz: A leghidegebb fiókban csak húst és halat tároljon – Fagyasztótér:

A négycsillagos zóna (\*\*\*\*) rekesz szobahőmérsékletű élelmiszerek lefagyasztására és fagyasztott élelmiszer tárolására alkalmas, mivel a hőmérséklet egyenletesen oszlik el az egész rekeszben.

A megvásárolt fagyasztott élelmiszer csomagolásán megtalálható a lejárat dátum. Ezt a dátumot a tárolni kívánt élelmiszer fajtája alapján határozzák meg, ezért mindenképpen figyelembe kell venni a tárolás során. A friss élelmiszereket a következő időtartamokra lehet tárolni: 1–3 hónap: sajt, rákfélék, fagylat, sonka/ kolbász, tej, friss folyadékok; 4 hónap: hússzeletek (marha, bány, sertés); 6 hónap: vaj vagy margarin, szárnyas (csirke, pulyka);

8–12 hónap: gyümölcs (kivéve citrusfélék), sült hús (marha, bány, sertés), zöldség. A kétcsillagos zónában lévő élelmiszerek csomagolásán szereplő lejárat dátumot is figyelembe kell venni.

Az élelmiszereke megromlásának elkerülése érdekében vegye figyelembe a következőket:

– Ha hosszabb időre kinyitja az ajtót, az jelentősen megnövelheti a készülék rekeszeiben uralkodó hőmérsékletet.

– Rendszeresen tisztítsa meg azokat a felületeket, amelyek

érintkezhetnek az élelmiszerekkel, illetve a hozzáférhető lefolyórendszereket.

– Tisztítsa meg a víztartályokat, ha azokat 48 órája nem használta; illetve öblítse át a vízellátáshoz csatlakoztatott vízrendszert, ha nem vett belőle vizet 5 napon keresztül.

– A nyers húst és halat megfelelő edényekben tárolja a hűtőszekrényben, hogy ne érintkezzen más élelmiszerekkel és ne is csepeghessen azokra.

– A fagyasztott élelmiszer kétcsillagos rekeszei előfagyasztott élelmiszerek tárolására, illetve fagylalt és jégkockák tárolására vagy készítésére alkalmasak.

– Ne fagyasszon le friss élelmiszereket egy-, két- vagy háromcsillagos rekeszekben.

– Ha a hűtőszekrényt hosszabb ideig üresen hagyja, akkor kapcsolja ki, olvassa le, tisztítsa ki, szárítsa meg és hagyja nyitva az ajtaját, hogy megakadályozza a penészképződést a készülék belsejében.

## ÜZEMBE HELYEZÉS

⚠ A készülék mozgatását és üzembe helyezését a sérülésveszély csökkentése érdekében két vagy több személy végezze. Viseljen védőkesztyűt a készülék kicsomagolása és üzembe helyezése során, nehogy megvágja magát.

⚠ A beszerelést – a vízbekötést is beleértve (amennyiben szükséges) –, az elektromos csatlakoztatást és a javítási munkálatokat megfelelő képesítéssel rendelkező szakembernek kell elvégeznie. Csak akkor javítsa meg vagy cserélje ki a készülék egyes alkatrészeit, ha az adott művelet szerepel a

felhasználói kézikönyvben. Ne engedje a gyermekeket abba a helyiségbe, ahol az üzembe helyezést végzi. A kicsomagolás után ellenőrizze, hogy a készülék nem sérült-e meg a szállítás során. Probléma esetén vegye fel a kapcsolatot a kereskedővel vagy a legközelebbi vevőszolgálattal. Üzembe helyezés után a csomagolóanyagokat (műanyag, habzivacs stb.) a fulladásveszély miatt olyan helyen tárolja, ahol gyermekek nem férhetnek hozzá. Az áramütés elkerülése érdekében az üzembhelyezési műveletek előtt húzza ki a készülék hálózati csatlakozóját.

Az áramütés és a tűzveszély elkerülése érdekében az üzembe helyezés során győződjön meg arról, hogy a készülék miatt nem sérül-e a hálózati tápkábel. A készüléket csak a megfelelő üzembe helyezést követően kapcsolja be.

⚠ A készülék mozgatása közben ügyeljen a padló (pl. parketta) épségére. A készüléket olyan helyiségben helyezze el, ahol a padló vagy az emelvény elbírja a készülék súlyát, és amely megfelel a készülék méretének és rendeltetésének. Az üzembe helyezés során ügyeljen arra, hogy a készülék ne legyen hőforrás közelében, mind a négy lába stabilan álljon a padlón, és szükség esetén állítsa be azokat. Vízmérték segítségével ellenőrizze, hogy a készülék tökéletesen vízszintesen áll-e. A készülék bekapcsolása előtt várjon legalább két órát, hogy a hűtőrendszer tökéletes határfokkal működjön.

⚠ **FIGYELEM:** A készülék elhelyezésekor ügyeljen arra, hogy a tápkábel ne szoruljon be és ne sérüljön meg.

⚠ **FIGYELEM:** Az instabilitásból, rossz elhelyezésből vagy hibás beszerelésből származó veszélyek elkerülése érdekében a készülék beüzemelését és javítását a gyártó utasításával összhangban kell elvégezni.

Tilos a hűtőt úgy elhelyezni, hogy a készülék hátához (a hűtőcsövekhez) a gáztűzhely fémcsőve, fém gázcső, vízvezetékcső vagy elektromos vezetékek érjenek hozzá.

A készülék üzembe helyezésekor betartandó méretek és távolságok az üzembhelyezési útmutatóban található.

Beszerelés közben távolítsa el a tápkábel a kondenzátor rögzítőjéből, mielőtt csatlakoztatná a terméket a tápellátáshoz.

## **ELEKTROMOS ÁRAMMAL KAPCSOLATOS FIGYELMEZTETÉSEK**

⚠ Biztosítani kell, hogy a készüléket le lehessen választani az elektromos hálózatról a csatlakozó kihúzásával vagy a vezetékezési szabályoknak megfelelően az aljzat és a készülék közé szerelt többpólusú megszakítóval. A készüléket az adott országban érvényes elektromos biztonsági előírásoknak megfelelően földelni kell.

⚠ Ne használjon hosszabbítót, többcsatlakozós dugaljat vagy adaptert. Beszerelés után az elektromos alkatrészeknek hozzáférhetetlennek kell lenniük a felhasználó számára. Ne használja a készüléket meztláb, és ne nyúljon hozzá nedves kézzel.

Ne használja a készüléket, ha a tápkábel vagy a csatlakozódugó sérült, illetve ha a készülék nem működik megfelelően, megsérült vagy leejtették.

⚠ Ha a hálózati kábel megsérül, az áramütés kockázatának elkerülése érdekében azt a gyártóval, annak szervizképviselőjével vagy egy hasonlóan képzett szakemberrel kell ugyanolyan kábelre kicseréltetni.


⚠ **FIGYELEM:** Ne helyezzen elosztókat és hordozható tápellátást a készülék hátához.

## **TISZTÍTÁS ÉS KARBANTARTÁS**

⚠ **FIGYELEM:** Bármilyen karbantartási művelet előtt győződjön meg arról, hogy a készüléket kikapcsolta és kihúzta a konnektorból; Az áramütés elkerülése érdekében soha ne használjon gőznyomással működő tisztítókészüléket.

⚠ Ne használjon maró hatású vagy erős tisztítószeret, például ablaktisztító sprayt, súrolószert, gyúlékony folyadékot, ápolóviaszt, mosogatószer-koncentrátumot vagy kőolajszármazékokat a készülék műanyag részein, belsejében, illetve az ajtó tömítésein. Ne használjon papírtöröltőt, dörzsszivacsot vagy más durva tisztítóeszközt.

## **A CSOMAGOLÓANYAGOK HULLADÉKKEZELÉSE**

A csomagolóanyag 100%-ban újrahasznosítható, és el van látva az újrahasznosítás jelével . Ezért a csomagolás különböző részeit felelősen és környezettudatosan, a helyi előírásoknak megfelelően kell hulladékként elhelyezni.

## **HÁZTARTÁSI GÉPEK HULLADÉKKÉNT TÖRTÉNŐ ELHELYEZÉSE**


Ez a készülék újrahasznosítható vagy újrafelhasználható anyagok felhasználásával készült.

Leselejtevések a helyi hulladék-elhelyezési szabályokkal összhangban járjon el.

Az elektromos háztartási készülékek kezelésére, hasznosítására és újrafeldolgozására vonatkozó további információkért forduljon az illetékes

helyi hatósághoz, a háztartási hulladékok begyűjtését végző vállalathoz vagy az üzlethez, ahol a készüléket vásárolta. Ez a készülék az elektromos és elektronikus berendezések hulladékaikról szóló 2012/19/EU irányelv szerinti jelölésekkel rendelkezik.

A hulladékká vált termék szabályszerű elhelyezésével Ön segít elkerülni a környezettel és az emberi egészséggel kapcsolatos negatív következményeket.

A terméken vagy a kísérő dokumentációban lévő  szimbólum azt jelzi, hogy ezt a terméket nem szabad háztartási hulladékként kezelni, hanem el kell szállítani az elektromos és elektronikus berendezések újrahasznosítását végző megfelelő gyűjtőpontra.

## **ENERGIATAKARÉKOSSÁGI TANÁCSOK**

A megfelelő szellőzés biztosítása érdekében kövesse a beszerelési utasításokat.

Ha a készülék hátoldalánál nem megfelelő a szellőzés, nő az energiafogyasztás, és csökken a hűtési hatékonyság.

A gyakori ajtónyitás az energiafogyasztás növekedéséhez vezethet.

A készülék belső hőmérsékletét és energiafogyasztását a külső hőmérséklet és a készülék helye is befolyásolhatja. A hőmérséklet beállításánál ezeket a tényezőket figyelembe kell venni. Minél kevesebbszer nyissa ki az ajtót. Kiolvasztáskor tegye a fagyasztott élelmiszereket a hűtőtérbe. A fagyasztott élelmiszerek alacsony hőmérséklete lehűti a hűtőtérben lévő élelmiszereket.

Várja meg, amíg a meleg élelmiszerek és italok lehűlnek, mielőtt betenné őket a hűtőszekrénybe. A hűtőszekrényben lévő polcok elrendezése nem befolyásolja a hatékony energiafelhasználást. Az élelmiszereket úgy kell elhelyezni a polcokon, hogy a levegőzés megfelelő legyen (ügyeljen arra, hogy az élelmiszerek ne érjenek egymáshoz, és tartson megfelelő távolságot az élelmiszerek, illetve a készülék hátlapja között).

A fagyasztott élelmiszerek tárolási kapacitásának növelése érdekében a kosarak és a jégtelenítő polc (ha van) eltávolíthatók. A kompresszor által keltett zajok a normális működés részei.



# A HŰTŐTÉR ÜZEMELTETÉSE

Ez a készülék egy **\*\*\*** csillagos hűtőrekeszsel rendelkező hűtő.

**A hűtőtér jégtelenítése teljesen automatikusan történik.**

A hűtő +16 °C és +38 °C közötti hőmérsékleten működik. A legjobb teljesítmény a +16 °C és +32 °C közötti tartományban érhető el.

## A hűtő elindítása

Csatlakoztassa a dugót a hálózati aljzatba.

A hőmérséklet-szabályozóval állítható a következő két rekesz hőmérséklete: hűtő és fagyasztó.

## A rekeszek hőmérsékletének beállítása:

1. A megfelelő működés és az élelmiszerek tökéletes tárolásának biztosítása érdekében **javasoljuk, hogy a hőmérséklet-szabályozót a termék mellékelt adatlapján szereplő utasításoknak megfelelően használja.**
2. Ha módosítani kívánja a hűtőrekesz hőmérsékletét, állítsa a hőmérséklet-szabályozó gombot a következő helyzetbe:
  - **legalacsonyabb/MIN** értékek: **MELEGEBB** rekeszhez;
  - **legmagasabb/MAX** értékek: **HIDEGEBB** rekeszhez.

Hőmérséklet-szabályozó a ● helyzetbe állítva: a készülék funkciói és világítása ki van kapcsolva.

## Megjegyzés:

A külső hőmérséklet, az ajtónyitások gyakorisága és a készülék elhelyezése befolyásolhatja a belső hőmérsékletet. A hőmérséklet-szabályozó beállításakor vegye figyelembe ezeket a tényezőket.

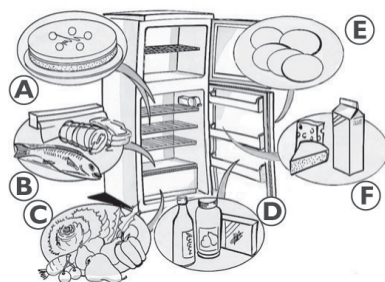
## Élelmiszer tárolása a hűtőrekeszben

Helyezze be az élelmiszert az oldalsó ábrán látható módon.

- A. Főtt étel
- B. Hal, hús
- C. Zöldség, gyümölcs
- D. Üvegek
- E. Tojás
- F. Vaj, tejtermék, sajt

## Megjegyzések:

- A polcok és a belső hátsó panel közötti távolság a levegő szabad áramlását biztosítja.
- Az élelmiszer nem érhet hozzá a hűtőrekesz belső hátsó paneljéhez.
- Ne tegyen a rekeszekbe még meleg élelmiszert.
- A folyadékokat zárt edényben tárolja.
- A magas víztartalmú zöldségek párasodást okozhatnak az alsó fiókban: ez nincs hatással a készülék megfelelő működésére.



# A FAGYASZTÓTÉR HASZNÁLATA

A fagyasztótér **\*\*\*** csillaggal rendelkezik. A fagyasztott élelmiszer a csomagoláson jelzett dátumig tárolható a készülékben. Emellett friss élelmiszer is fagyasztható a rács alatt, a legalacsonyabb szinten. Ekkor a már fagyasztott élelmiszereket a rekesz felső részére kell helyezni, így elkerülhető, hogy a még nem fagyasztott ételekhez érjenek.

A 24 óra alatt lefagyasztható élelmiszer mennyisége az adattáblán látható.

## Fontos megjegyzés:

Fagyasztás előtt csomagolja be, és zárja le az élelmiszereket a következőkbe:

- Alufólia, folpack, lég- és vízmentesen záródó műanyag zacskó, fedővel ellátott polietilén tárolóedény, friss élelmiszerek fagyasztásához megfelelő fagyasztóedény.
- A fagyasztótérben áramkimaradás esetén is megfelelő a hőmérséklet az élelmiszerek tárolásához. Ennek ellenére ilyen esetben javasoljuk, hogy ne nyissa ki a rekesz ajtaját.

## Fontos megjegyzés:

**Az otthon lefagyasztott élelmiszerek tárolási idejéhez (hónap) lásd az oldalsó táblázatot.**

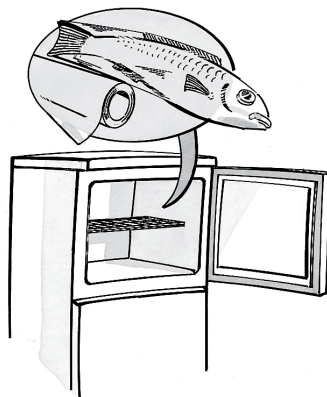
**Fagyasztott élelmiszer vásárlásakor ügyeljen a következőkre:**

- A csomagolása legyen sértetlen, ellenkező esetben előfordulhat, hogy a termék romlott. Ha a csomagolás felpuffadt, vagy azon nedvességfoltok láthatók, előfordulhat, hogy a tárolás nem megfelelő körülmények között történt, és az élelmiszer már elkezdett kiolvadni.
- A fagyasztott élelmiszereket a vásárlás végén vegye meg, és hőszigetelt hűtőtáskában szállítsa.
- › Amint hazaér, azonnal tegye be a fagyasztott élelmiszert a fagyasztórekeszbe.
- A részben kiolvadt élelmiszert ne fagyassza le újra, hanem fogyassza el 24 órán belül.
- Kerülje vagy csökkentse minimálisra a hőmérséklet-változásokat. Tartsa be a csomagoláson feltüntetett szavatossági időt.
- Mindig tartsa be a csomagoláson feltüntetett tárolási utasításokat.

## Jégkockakészítés

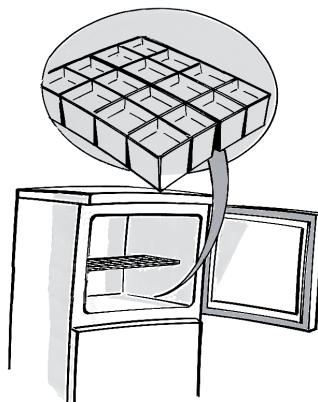
- Öntsön vizet a jégkockatartóba annak 3/4-éig, majd helyezze azt a fagyasztótérbe.

Ha a tartó hozzáragadt a rekesz aljához, eltávolításához ne használjon éles vagy hegyes tárgyat.



## HÓNAP ÉTEL

1-3	
4-7	
8-12	



# A FAGYASZTÓTÉR LEOLVASZTÁSA ÉS TISZTÍTÁSA

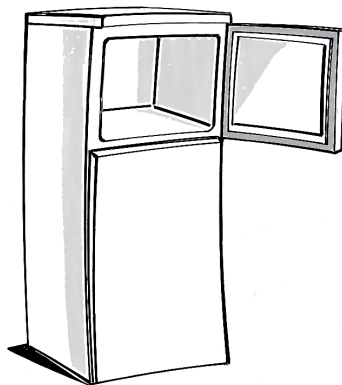
Javasoljuk, hogy évente egyszer vagy kétszer, illetve ha az oldalain képződött jégréteg már kb. 3 mm vastag, olvassza le a fagyasztóteret. Javasoljuk, hogy a leolvasztást akkorra időzítse, amikor a fagyasztórekesz szinte teljesen kiürült.

1. Nyissa ki az ajtót, és vegyen ki minden élelmiszert. Csomagolja őket szorosan egymáshoz újságpapírba, majd helyezze őket hűvös helyre vagy hűtőtáskába.
2. Válassza le a készüléket az áramforrásról.
3. Hagyja nyitva a fagyasztó ajtaját, hogy a jég leolvadjon.
4. Távolítsa el az olvadás közben a rekesz alján összegyűlt vizet.
5. Tisztítsa meg a rekesz belsejét nedves szivaccsal (használjon meleg vizet és kímélő mosószert).

**Ne használjon súroló hatású szert.**

6. Öblítse át, majd törölje szárazra.

**Megjegyzés: A rekesz belsejében okozott maradandó kár elkerülése érdekében ne használjon hegyes vagy éles fémeszközt a jég eltávolításához, valamint ne melegítse fel a rekeszt.**



# A HŰTŐTÉR TISZTÍTÁSA

**Rendszeresen tisztítsa meg a hűtőteret.**

**A hűtőtér jégtelenítése teljesen automatikusan történik.**

A hűtőtér belső hátsó paneljén időnként megjelenő vízcseppek az automatikus jégtelenítés közben keletkeznek.

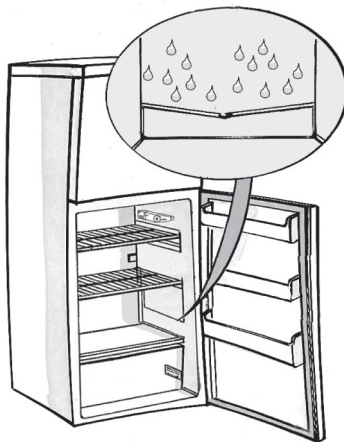
A leolvasztáskor keletkező víz automatikusan egy leeresztőnyílásba, majd onnan egy edénybe folyik, amelyből elpárolog.

Rendszeresen tisztítsa meg a leolvasztott víz összegyűjtésére szolgáló leeresztőnyílást.

Tisztítás előtt válassza le a készüléket az elektromos hálózatról.

- Használjon nedves szivacsot (meleg vizet és/vagy kímélő mosószert).
- Törölje szárazra puha ronggyal.

**Ne használjon súroló hatású szert.**



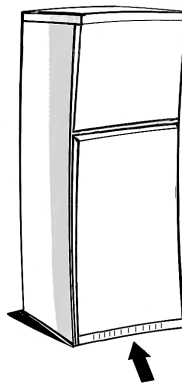
# TISZTÍTÁS ÉS KARBANTARTÁS

## Beépített elemek

- Rendszeresen tisztítsa meg a szellőzőrácsokat porszívóval vagy kefével (lásd az **A** ábrát).
- Tisztítsa meg a készülék külsejét puha ronggyal.

## Nem beépített elemek

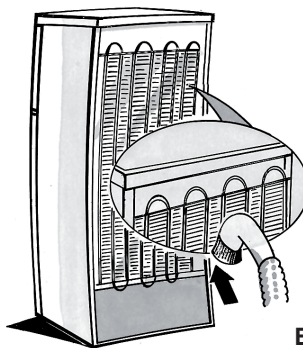
- Rendszeresen tisztítsa meg a készülék hátulján található kondenzátort porszívó vagy kefe segítségével (lásd a **B** ábrát).



A ábra

## Hosszabb távollét

1. Üritse ki a hűtő- és fagyasztórekeszt.
2. Válassza le a készüléket az áramforrásról.
3. Olvassa le a fagyasztóteret, és szárítsa meg mindkét rekeszt.
4. A kellemetlen szagok elkerülése érdekében hagyja nyitva az ajtókat.



B ábra

# HIBAEELHÁRÍTÁSI ÚTMUTATÓ

## 1. A készülék nem működik.

- Áramkimaradás van?
- A hálózati csatlakozó megfelelően van bedugva a konnektorba?
- Be van helyezve a kétpólusú hálózati megszakító?
- Megfelelően működnek az otthoni elektromos rendszer védelmét szolgáló eszközök?
- Meghibásodott a hálózati kábel?
- A hőmérséklet-szabályozó ●(Kikapcsolt) helyzetben van?

## 2. A készülék belsejének hőmérséklete nem elég alacsony.

- Megfelelően be van csukva az ajtó?
- A készülék hőforrás közelében található?
- A hőmérséklet-szabályozó a megfelelő helyzetben van?
- Valami elzárja a levegő keringésének útját a szellőzőrácsoknál?

## 3. A hűtőtér hőmérséklete túl alacsony.

- A hőmérséklet-szabályozó a megfelelő helyzetben van?

## 4. Víz található a hűtőtér alján.

- Az olvadékvíz-elvezető eltömődött?

## 5. Nem működik a belső világítás.

Először ellenőrizze az 1. pontot, majd:

- Válassza le a készüléket az áramforrásról. Az izzó elérésének módjához lásd a mellékelt táblázatban található útmutatót és ábrákat.
- Cserélje ki az izzót. Ügyeljen arra, hogy a teljesítmény vagy a maximális feszültség megegyezzen az izzótartó közelében jelzett értékkel.

## 6. Túlzott jégképződés a fagyasztótérben

- Megfelelően be van csukva az ajtó?
- Az élelmiszer akadályozza az ajtó megfelelő záródását?

## Megjegyzések:

- **A hűtő elülső széle meleg; ez nem hiba, hanem a párasodás megelőzésére szolgál.**
- **A hűtőrendszerből hallatszó csörgedező hang és tágulásra utaló zaj normális jelenség.**

# HIBAE LHÁRÍTÁSI ÚTMUTATÓ

## Mielőtt a vevőszolgálathoz fordulna:

1. Próbálja meg önállóan megoldani a problémát (lásd a hibaelhárítási útmutatót).
2. Indítsa újra a készüléket, és ellenőrizze, hogy a probléma megoldódott-e.  
Ha nem, kapcsolja ki ismét a készüléket, és ismétlje meg az eljárást egy óra múlva.
3. Ha a probléma a műveletek elvégzése után is fennáll, hívja a vevőszolgálatot.

## Adja meg az alábbiakat:

- a hiba jellege,
- modell,
- szervizszám (a készülék belsejében lévő adattáblán a „SERVICE” szó után található szám),
- az Ön teljes címe,
- az Ön telefonszáma (körzetszámmal együtt).

**SERVICE** 0000 000 00000



## Megjegyzés:

**Az ajtók nyílásirányának megfordítása nem tekinthető szavatossági igény érvényesítésének, ha a műszaki ügyfélszolgálat hajtotta végre.**

# ÜZEMBE HELYEZÉS

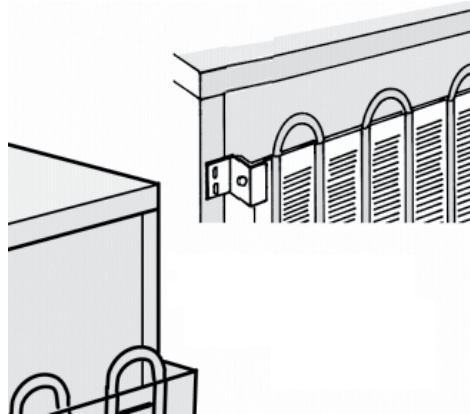
- A készüléket hőforrástól távol helyezze üzembe.
- A készüléket száraz és jól szellőző helyiségben helyezze el.
- Ne takarja le a készülék feletti és alatti, szellőzésre szolgáló teret.
- Tisztítsa meg a készülék belsejét (lásd „A hűtőtér tisztítása” részt).
- Szerelje be az összes mellékelt tartozékot.

## Elektromos csatlakoztatás

- **Az elektromos csatlakoztatásoknak meg kell felelniük a helyi előírásoknak.**
- Az elektromos hálózatra és fogyasztásra vonatkozó adatok a zöldség- és gyümölcstároló fiókok oldalán lévő táblán található.
- **Az előírásoknak megfelelően a készüléket földelni kell. A gyártó semmilyen felelősséget nem vállal a személyekben, állatokban vagy vagyontárgyakban bekövetkezett azon károkért, amelyek oka a fenti szabályok betartásának elmulasztása.**
- Ha a hálózati csatlakozó és az aljzat egymással nem kompatibilis, a csatlakozót szakemberrel cseréltetni kell.
- Ne használjon hosszabbítót vagy többcsatlakozós adaptert.

## A készülék leválasztása az elektromos hálózatról

- Húzza ki a készülék csatlakozóját, vagy használja a csatlakozó feletti kétpólusú megszakítót a lecsatlakoztatáshoz.



# MEGFORDÍTHATÓ AJTÓK



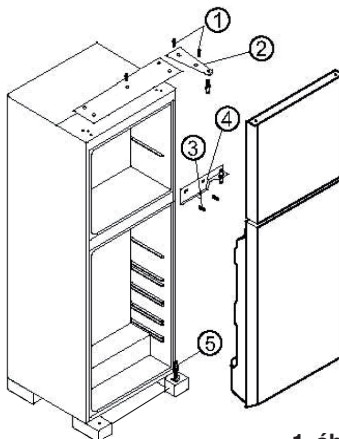
## Figyelem:

Az ajtónyitás irányának módosítása előtt ellenőrizze, hogy a készülék biztosan nem csatlakozik az elektromos hálózatra, valamint szükség lesz egy segítőre is, a hűtő ugyanis nehéz, és meg kell dönteni.

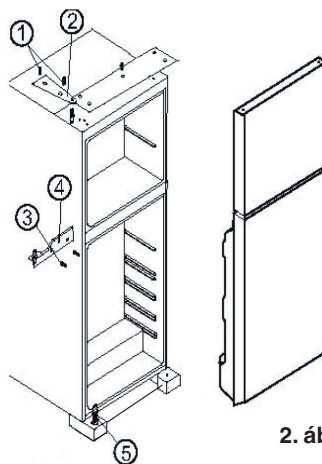
## SÉRÜLÉSVESZÉLY!

- Szerelje ki a csavarokat a zsanér levételéhez (1. ábra, 1. és 2. jelölés), vegye ki a felső rekesz ajtaját, és tegye egy biztonságos helyre.
- Az alsó ajtó levételéhez lazítsa meg a középső rögzítőzsanér csavarjait, majd vegye le a zsanért. (1. ábra, 3. és 4. jelölés)
- Emelje le az alsó ajtót a zsanérpántról (1. ábra, 5. jelölés), és tegye biztonságos helyre.
- Szerelje be az alsó ütközőcsapot: csavarozza ki a jobb oldalról, és csavarozza be a bal oldalra.
- Állítsa a hűtőt álló helyzetbe.
- Vegye le a bal oldali zsanértakaró elemet mindkét (az alsó és a felső) ajtóról és szerelje fel azokat a megfelelő ajtó ellenkező oldalára.
- Helyezze a hűtőajtót az alsó ütközőcsapra, forgassa el a középső zsanért 180°-kal, nyomja azt az ajtón lévő felső nyílásba, majd rögzítse a zsanért.
- Szerelje vissza a felső rekesz ajtaját, majd rögzítse azt a felső zsanértartó elemhez.
- Az összes csavar meghúzása előtt ellenőrizze, hogy az ajtók felszerelése megfelelően történt-e.

Mielőtt ismét csatlakoztatná a hűtőt az áramforráshoz, ellenőrizze még egyszer a csavarok meghúzását, az ajtók beszerelését, illetve azt, hogy a hűtő álló helyzetben van-e, és stabilan áll-e a padlón.



1. ábra



2. ábra

### Munkalapba süllyesztett változat

A konyhaszekrény és a készülék mérete (3. ábra)

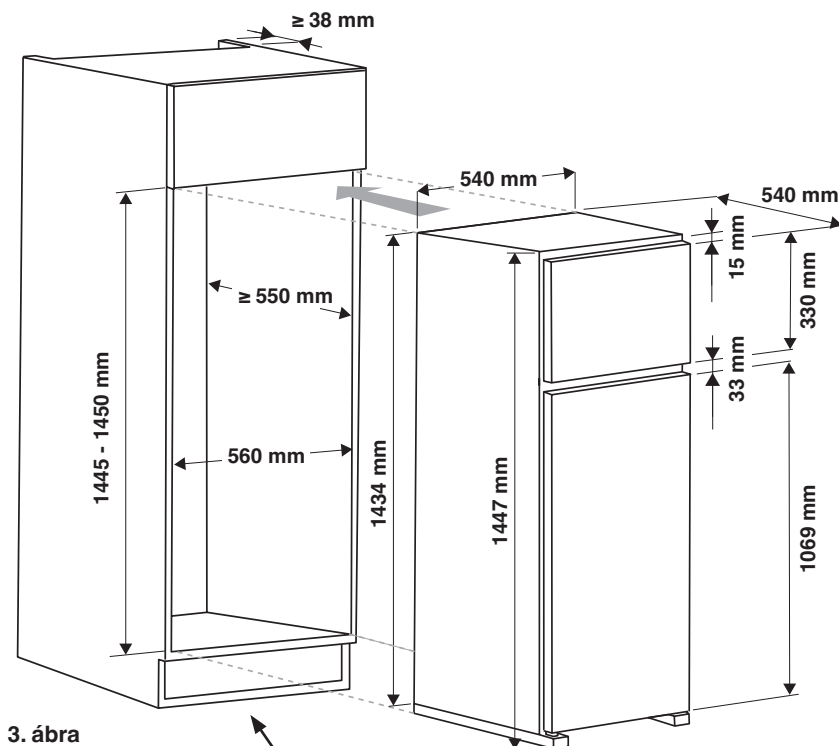
**Magasság:** 1445–1450 mm

**Szélesség:** 560 mm

**Mélység:** 550 mm

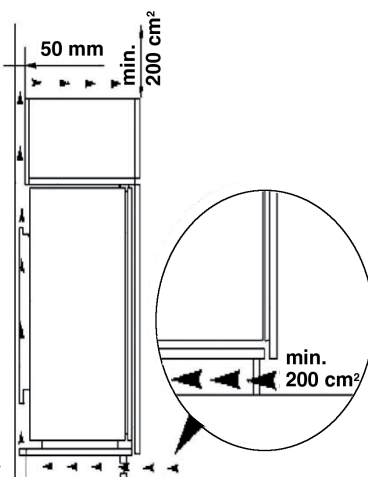
A megfelelő szellőzés biztosítása érdekében lásd az ábrán szereplő utasításokat.

A konyhaszekrénynek be- és kimenő mesterséges szellőztetéssel kell rendelkeznie. (3. és 4. ábra)



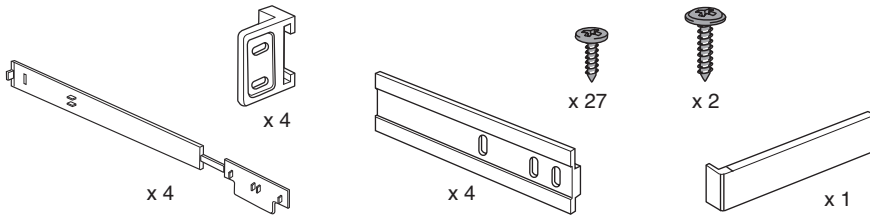
3. ábra

szellőzőrács: min. 200 cm<sup>2</sup>



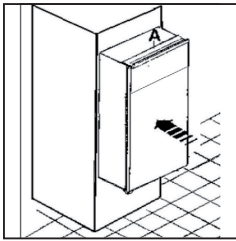
4. ábra

## Beszereleési KÉSZLET



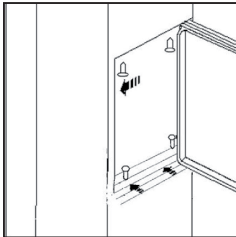
### Tolóajtó beszerelése

Óvatosan tolja a készüléket a konyhaszekrényen lévő nyílásba (5. ábra), amíg el nem éri a határt jelző „A” vonalat. A beszereléshez szükséges anyagok a készülékben találhatóak.



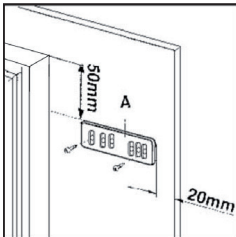
5. ábra

Nyissa ki a készülék ajtaját, és tolja azt a zsanérral ellentétes irányba (6. ábra). Rögzítse a készüléket 4 csavarral: 2 csavar a felső lemezre, 2 csavar a középső zsanérral szemben lévő oldalsó sarokpántra kerül.



6. ábra

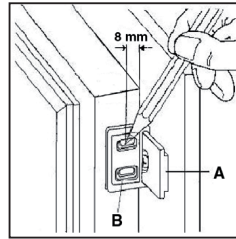
Helyezze el az „A” sínt a konyhaszekrény ajtajának belső oldalán lévő jelzések szerint (7. ábra), és jelölje be a csavarok helyét. Fúrja ki a csavarok helyét. Rögzítse a sínt.



7. ábra

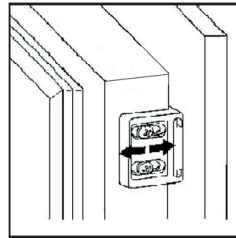
Nyissa ki a készülék és a konyhaszekrény ajtaját 90°-ban. Helyezze a „B” sarokpántot (8.

ábra) az „A” sínbe. Ellenőrizze, hogy a konyhaszekrény ajtaja megfelelően csatlakozik-e a készülék ajtajához, és jelölje be a középső nyílások helyét az ábra szerint (8. ábra). Vegye ki a „B” sarokpántot, és fúrjon lyukakat a csavaroknak egy 2 mm átmérőjű fúrófejjel. Helyezze a sarokpántot ismét a sínbe, majd rögzítse azt a mellékelt csavarokkal.



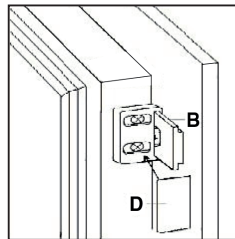
8. ábra

Ha módosítani kell a konyhaszekrény ajtajának helyzetét, használja a „B” sarokpánt hosszanti nyílását (9. ábra).



9. ábra

Modelltől függően nyomja a mellékelt „D” takaróelemet a „B” sarokpántra.



10. ábra

A fagyasztótér ajtaja 1 lengőajtó-zsanérral van felszerelve, míg a hűtő ajtajához 2 zsanér szükséges ugyanebből a típusból.



# SIGURNOSNE UPUTE

## OBAVEZNO PROČITAJTE I PRIDRŽAVAJTE SE

Prije upotrebe uređaja pročitajte ove sigurnosne upute. Sačuvajte ih za buduću referencu.

Ovaj priručnik i sam uređaj sadrže važna sigurnosna upozorenja kojih se morate stalno pridržavati. Proizvođač otklanja svaku odgovornost u slučaju nepoštivanja sigurnosnih uputa, za neprikladno korištenje ili za pogrešno podešavanje komandi.

⚠ Vrlo maloj djeci (0 – 3 godina) ne dopuštajte pristup uređaju. Maloj djeci (3 – 8 godina) ne dopuštajte pristup uređaju ako nisu pod nadzorom. Djeca starija od 8 godina i osobe smanjenih fizičkih, osjetilnih i mentalnih sposobnosti ili osobe bez dovoljnog iskustva i znanja mogu koristiti uređaj samo ako su pod nadzorom ili su dobili upute o sigurnom rukovanju uređajem te ako razumiju potencijalne opasnosti. Djeca se ne smiju igrati s uređajem. Djeca ne smiju čistiti niti održavati uređaj bez nadzora.

Djeci u dobi do 3 do 8 godina dopušteno je stavljati namirnice i vaditi iz rashladnih uređaja.

### DOZVOLJENI RASPON UPOTREBE

⚠ **OPREZ:** Uređaj nije namijenjen za rad pomoću vanjskog uređaja za uključivanje kao što je mjerač vremena ili odvojeni sustav daljinskog upravljanja.

⚠ Ovaj uređaj namijenjen je upotrebi u kućanstvima i na sličnim mjestima, kao što su: kuhinje za osoblje u trgovinama, uredi i druge objekti

u kojima se radi; seoske kuće; za goste u hotelima, motelima ili sličnim smještajnim jedinicama.

⚠ Ovaj uređaj nije namijenjen za profesionalnu upotrebu. Nemojte koristiti ovaj uređaj na otvorenom prostoru.

⚠ Žarulja koja se nalazi u uređaju posebno je namijenjena za kućanske uređaje i nije prikladna za rasvjetu u kućanstvu (Uredba EZ 244/2009).

⚠ Predviđeno je da uređaj radi na mjestima s temperaturom unutar raspona navedenog u nastavku, prema klimatskom razredu označenom na nazivnoj pločici. Uređaj možda neće ispravno raditi ako ga ostavite duže vrijeme na temperaturi izvan navedenog raspona.

Klimatske klase temperatura okoline:

SN: 10 °C do 32 °C

N: 16 °C do 32 °C

ST: 16 °C do 38 °C

T: 16 °C do 43 °C

⚠ Ovaj kućanski aparat ne sadrži kloroflorouglikje (CFC). Sustav hlađenja sadrži R600a (HC). Uređaji s izobutanom (R600a): izobutan je prirodni plin koji ne utječe negativno na okoliš, ali je zapaljiv.

Zbog toga provjerite da cijevi rashladnog sustava nisu oštećene posebice prilikom pražnjenja sustava.

⚠ **UPOZORENJE:** Nemojte oštetiti cijevi rashladnog sustava uređaja.

⚠ **UPOZORENJE:** Pazite da nema zapreka na ventilacijskom otvoru na kućištu uređaja ili ugradbenom

elementu.

⚠ UPOZORENJE: Ne upotrebljavajte mehanička, električna ili kemijska sredstva za ubrzavanje postupka odleđivanja, osim onih koje preporučuje proizvođač.

⚠ UPOZORENJE: Ne upotrebljavajte električne uređaje i ne stavljajte ih u odjeljke uređaja osim ako ih proizvođač nije izričito dozvolio.

⚠ UPOZORENJE: ledomati i/ili uređaji za vodu koji nisu izravno spojeni na dovod vode moraju se puniti samo pitkom vodom.

⚠ UPOZORENJE: Automatski ledomati i/ili uređaji za vodu moraju biti spojeni na dovod vode koji daje samo pitku vodu, a kojemu je vrijednost tlaka vode između 0,17 i 0,81 MPa (1,7 i 8,1 bara).

⚠ Eksplozivne tvari kao što su spremnici raspršivača ne pohranjujte i ne upotrebljavajte benzin ili druge zapaljive tvari u uređaju ili u njegovoj blizini.

⚠ Ne gutajte sadržaj (nije otrovan) vrećica za led (isporučuje se s određenim modelima). Ne jedite kocke leda ili ledene lizalice odmah nakon vađenja iz zamrzivača jer mogu izazvati smrzotine.

⚠ Na proizvodima napravljenima tako da upotrebljavaju filter za zrak unutar dostupnog poklopca ventilatora filter uvijek mora biti u položaju za rad kada hladnjak radi.

⚠ Staklene spremnike s tekućinom ne stavljajte u zamrzivač jer se mogu razbiti.

Ventilator (ako je uređaj opremljen) ne zaklanjajte namirnicama.

Nakon spremanja namirnica provjerite zatvaraju li se ispravno vrata odjeljaka, posebice vrata zamrzivača.

⚠ Oštećene brtve potrebno je što prije zamijeniti.

⚠ Odjeljak hladnjaka upotrebljavajte samo za čuvanje svježih hrane, a odjeljak zamrzivača samo za čuvanje zamrznute hrane, zamrzavanje svježih hrane i izradu kocki leda.

⚠ Izbjegavajte čuvanje neomotane hrane u izravnom dodiru s unutarnjim površinama odjeljaka hladnjaka ili zamrzivača.

Uređaji mogu imati posebne odjeljke (odjeljak sa svježom hranom, kutija od nula stupnjeva...).

U slučaju da nije drugačije navedeno u knjižici proizvoda, oni se mogu ukloniti održavajući jednaku učinkovitost.

⚠ C-pentan koristi se kao raspršujuće sredstvo u izolacijskoj pjeni i spada u zapaljive plinove.

Najprikladniji odjeljci uređaja za odlaganje posebnih vrsta namirnica, uzimajući u obzir različitu raspodjelu temperature u različitim odjeljcima uređaja su sljedeći:

– Hladnjak:

1) Gornje područje hladnjaka i vrata – područje temperature: Spremite tropsko voće, limenke, napitke, jaja, umake, ukiseljeno povrće, maslac, pekmez

2) Srednje područje hladnjaka – hladno područje: Spremite sir, mlijeko, mliječne proizvode, delicatese, jogurt

3) Donje područje hladnjaka – najhladnije područje: Spremite hladne nereske, deserte, meso i

ribu, tortu od sira, svježu tjesteninu, kiselo vrhnje, umake pesto/salsa, jela spremljena kod kuće, kremu za kolače, pudinge i krem sir

4) Ladica za voće i povrće na dnu hladnjaka: Spremite povrće i vode (osim tropskog voća)

5) Hladniji odjeljak: U najhladniju ladicu spremajte isključivo meso i ribu – Zamrzivač:

Područje s 4 zvjezdice (\*\*\*\*)

prikladno je za zamrzavanje namirnica koje se nalaze na temperaturi okoline i za odlaganje zamrznutih namirnica jer je temperatura ravnomjerno raspodijeljena u cijelom odjeljku.

Kupljene zamrznute namirnice imaju rok trajanja naveden na pakiranju.

Taj datum uzima u obzir vrstu spremljene namirnice i zato ga se treba pridržavati. Svježe namirnice treba spremati na sljedeća razdoblja: 1 – 3 mjeseca za sir, morske plodove, sladoled, šunku/kobasice, mlijeko, svježe tekućine; 4 mjeseca za odreske ili kotlete (junetina, janjetina, svinjetina); 6 mjeseci za maslac ili margarin, perad (piletina, puretina);

8 – 12 mjeseci za voće (osim citrusa), meso za pečenke (junetina, svinjetina, janjetina), povrće. Treba se pridržavati datuma isteka roka trajanja na pakiranjima namirnica u području s 2 zvjezdice.

Da biste izbjegli kontaminaciju namirnica pridržavajte se sljedećeg:

– Dulje držanje otvorenih vrata može dovesti do značajnog rasta temperature u odjeljcima uređaja.

– Redovito čistite površine koje bi mogle doći u doticaj s namirnicama i dostupnim sustavima odvodima.

– Očistite spremnike za vodu ako se nisu upotrebljavali 48 h; isperite sustav vode spojen na dovod vode ako voda nije ispuštena 5 dana.

– Sirove namirnice i ribu spremajte u odgovarajuće spremnike u hladnjaku tako da ne dolaze u doticaj s drugim namirnicama i ne kapaju po njima.

– Odjeljci zamrzivača s dvije zvjezdice prikladni su za odlaganje unaprijed zamrznutih namirnica, spremanje ili pripremu sladoleda i kockica leda.

– Svježe namirnice nemojte zamrzavati u odjeljcima s jednom, dvije ili tri zvjezdice.

– Ako se rashladni uređaj dulje vrijeme ostavlja prazan, isključite ga, odmrznite, očistite, osušite i ostavite vrata otvorena da bi se spriječio razvoj plijesni u unutrašnjosti.

## POSTAVLJANJE

⚠ Pri postavljanju, uređajem moraju rukovati dvije ili više osoba: opasnost od ozljeda. Za raspakiranje i postavljanje uređaja upotrijebite zaštitne rukavice: opasnost od porezotina.

⚠ Postavljanje, uključujući dovod vode (ako je uređaj opremljen) i električne priključke te popravke smije obavljati samo kvalificirani tehničar. Nemojte popravljati ni zamjenjivati bilo koji dio uređaja, osim ako to nije izričito navedeno u korisničkom priručniku. Djeci ne dozvoljavajte približavanje mjestu postavljanja. Nakon uklanjanja ambalaže s proizvoda, provjerite da tijekom transporta nije došlo do oštećenja. U slučaju problema obratite se distributeru ili najbližem postprodajnom servisu. Nakon

postavljanja otpadni materijal pakiranja (plastiku, dijelove od stiropora itd.) odložite van dohvata djece: opasnost od gušenja. Uređaj se prije postavljanja mora isključiti iz napajanja: opasnost od električnog udara.

Pazite da za vrijeme postavljanja uređaj ne oštetiti električni kabel: opasnost od požara ili električnog udara. Uređaj uključite tek kada završi postupak postavljanja.

⚠ Pazite da ne oštetite pod (npr. parket) pri pomicanju uređaja. Postavite uređaj na pod ili podlogu dovoljno čvrstu da može podnijeti njegovu težinu te na mjestu prikladnom njegovoj veličini i načinu upotrebe. Prilikom postavljanja uređaja provjerite jesu li sve četiri nožice stabilne te da stoje na podu, podešavajući ih ako je potrebno, a zatim pomoću libele provjerite je li uređaj savršeno poravnat. Pričekajte najmanje dva sata prije nego što uključite uređaj da biste bili sigurni da je rashladni krug u punoj funkciji.

⚠ **UPOZORENJE:** Prilikom postavljanja uređaja pazite da kabel za napajanje nije zaglavljen ili oštećen.

⚠ **UPOZORENJE:** da bi se izbjegla opasnost zbog nestabilnosti, smještanje ili fiksiranje uređaja mora se obaviti u skladu s uputama proizvođača.

Hladnjak je zabranjeno postaviti tako da metalna cijev plinskog štednjaka, metalne cijevi plina ili vode ili električnim kabeli dolaze u kontakt sa stražnjom stijenkom hladnjaka (zavojnica kondenzatora).

Sve dimenzije i prostor potreban za postavljanje uređaja navedeni su u knjižici s uputama za postavljanje.

Uklonite kabel napajanja s kuke kondenzator tijekom postavljanja, a prije priključivanja uređaja na napajanje.

## **ELEKTRIČNA UPOZORENJA**

⚠ Mora postojati mogućnost isključivanja uređaja iz struje uklanjanjem priključka ako je on dostupan ili to treba učiniti pomoću dostupne sklopke s više polova instalirane uz utičnicu u skladu s pravilima ožičenja i uređaj mora biti uzemljen u skladu s nacionalnim sigurnosnim standardima za električnu struju.

⚠ Nemojte upotrebljavati produžne kabele, višestruke utičnice ili adaptere. Nakon postavljanja električni dijelovi ne smiju biti dostupni korisniku. Uređaj ne upotrebljavajte kada ste mokri ili bosi.

Uređaj ne upotrebljavate ako su njegov dovodni kabel ili utikač oštećeni, ako ne radi ispravno ili ako je oštećen ili je pao na tlo.

⚠ Ako je kabel za napajanje oštećen, istim ga mora zamijeniti proizvođač, ovlaštenu servisera ili osobe sličnih kvalifikacija kako biste izbjegli opasne situacije: opasnost od strujnog udara.


⚠ **UPOZORENJE:** Višestruke prijenosne utičnice – izlaze ili prijenosna napajanja nemojte postavljati na stražnji dio uređaja.

## **ČIŠĆENJE I ODRŽAVANJE**

⚠ **UPOZORENJE:** Provjerite je li uređaj isključen ili odspojen iz napajanja prije obavljanja bilo kojeg zahvata održavanja; nikada ne upotrebljavajte uređaje za čišćenje parom: opasnost od električnog udara.

⚠️ **Abrazivna ili oštra sredstva za čišćenje kao što su raspršivači za čišćenje stakla, sredstva za ribanje, zapaljive tekućine, voskove za čišćenje, koncentrirane deterdžente, izbjeljivače ili sredstva za čišćenje koja sadrže petrolej ne upotrebljavajte na plastičnim dijelovima, unutarnjim vodilicama ili vodilicama vrata ni na brtvama. Ne upotrebljavajte papirnate ručnike, jastučice za ribanje ili oštra sredstva za čišćenje.**

## **ODLAGANJE AMBALAŽNOG MATERIJALA**


Ambalažni materijal može se u potpunosti reciklirati i označen je simbolom recikliranja . Različiti dijelovi ambalaže moraju se zbrinuti na odgovarajući način i u skladu s lokalnom zakonskim propisima za odlaganje otpada.

## **ODLAGANJE KUĆANSKIH UREĐAJA**

Ovaj uređaj proizveden je od materijala koje se može reciklirati ili ponovno iskoristiti.

Odložite ga na otpad u skladu s lokalnim propisima o odlaganju otpada.

Radi detaljnijih informacija o postupanju, uporabi i recikliranju električnih kućanskih aparata, obratite se nadležnom mjesnom uredu, službi za skupljanje komunalnog otpada ili trgovini u kojoj ste uređaj kupili. Ovaj uređaj je označen sukladno europskoj direktivi 2012/19/EU o električnom i elektroničkom otpadu (OEEO). Osigurajte li ispravno odlaganje tog proizvoda, pomoći ćete u sprječavanju mogućih negativnih posljedica za okoliš i zdravlje ljudi.

Simbol  na uređaju ili na popratnoj dokumentaciji označava da se ovaj proizvod ne smije odlagati kao nerazvrstani komunalni otpad, nego ga treba odnijeti na sakupljalište za obradu električnog i elektroničkog otpada.

## **SAVJETI ZA UŠTEDU ENERGIJE**

Kako bi se zajamčila odgovarajuća ventilacija slijedite upute za postavljanje.

Nezadovoljavajuća ventilacija na stražnjem dijelu proizvoda povećava potrošnju energije i smanjuje učinkovitost hlađenja.

Često otvaranje vrata može dovesti do veće potrošnje energije.

Na temperaturu u unutrašnjosti uređaja i potrošnju energije mogu utjecati temperatura okoline kao i položaj uređaja. Pri postavljanju temperature valja uzeti u obzir te čimbenike.

Otvaranje vrata smanjite na minimum.

Prilikom otapanja zamrznute hrane stavite je u hladnjak. Niska temperatura zamrznutih proizvoda hladi hranu u hladnjaku.

Topla jela i pića ostavite da se ohlade prije stavljanja u uređaj.

Položaj police unutar hladnjaka ne utječe na učinkovitost upotrebe energije. Hrana bi se na police trebala stavljati na način koji osigurava pravilnu cirkulaciju zraka (hrana se ne bi smjela međusobno dodirivati, a trebao bi i postojati razmak između hrane i stražnje stijenke).

Kapacitet pohranjivanja zamrznute hrane možete povećati uklanjanjem košara te, ako je prisutna, police za sprječavanje nakupljanja leda.

Nemojte brinuti zbog buke koju stvara kompresor jer su to normalni zvukovi rada.

# KAKO STAVITI U RAD HLADNJAK

Ovaj je uređaj hladnjak s odjeljkom hladnjaka s **\*\*\*\*** zvjezdica.

**Odjeljak hladnjaka odleđuje se potpuno automatski.**

Hladnjak radi za rasponu temperature između +16 °C i +38 °C. Najbolja učinkovitost postiže se u rasponu temperature između +16 °C i +32 °C.

## Pokretanje hladnjaka

Uključite utikač u električnu utičnicu.

Termostat omogućuje podešavanje temperature u oba odjeljka: hladnjaku i zamrzivaču.

## Podešavanje temperature odjeljaka:

1. Da biste osigurali ispravan rad i najbolje čuvanje namirnica, **preporučujemo da termostat namjestite u skladu s uputama koje se nalaze na priloženim podacima o uređaju.**
2. Ako želite promijeniti temperaturu hladnjaka, gumb termostata okrenite na:
  - **najniže/MIN** brojeve da biste temperaturu odjeljka postavili na **TOPLIJE**;
  - **najviše/MAX** brojeve da biste temperaturu postavili na **HLADNIJE**.

Termostat u položaju ● : rad i osvjetljenje uređaja prekinuti su.

## Napomena:

Temperatura okoline, učestalost otvaranja vrata u položaj uređaja mogu utjecati na temperature u unutrašnjosti. Gumb termostata potrebno je namjestiti u skladu s tim faktorima.

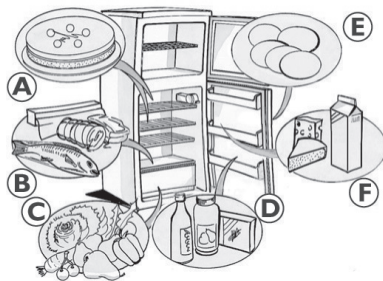
## Način odlaganja namirnica u hladnjak

Namirnice odložite na način prikazan na slici pored.

- A.** Kuhane namirnice
- B.** Riba, meso
- C.** Voće i povrće
- D.** Boce
- E.** Jaja
- F.** Maslac, mliječni proizvodi, sir

## Napomene:

- Razmak između polica i unutarnje stražnje stijenke osigurava slobodno kruženje zraka.
- Namirnice ne smiju dodirivati unutarnju stražnju stjenku hladnjaka.
- U odjeljke nemojte stavljati još tople namirnice.
- Tekućine čuvajte u zatvorenim posudama.
- Spremanje povrća s većim udjelom vode može dovesti do kondenzacije u donjoj ladici: to ne utječe na ispravan rad uređaja.



# NAČIN POKRETANJA ZAMRZIVAČA

Zamrzivač ima **\*\*\*** zvjezdice.

Zamrznute namirnice mogu se čuvati do datuma navedenog na pakiranju. Dodatno, svježe se namirnice mogu zamrznuti tako da se sprema ispod rešetke, na najnižu razinu, a da već zamrznute namirnice stavite u gornji dio odjeljka da bi se izbjegao doticaj s namirnicama koje još nisu zamrznute.

Količina svježe hrane koju se može zalediti za 24 sata navedena je na nazivnoj pločici.

## Važno:

Prije zamrzavanja svježe namirnice omotajte i hermetički zatvorite u:

- aluminijsku foliju, plastičnu foliju, nepropusne plastične vrećice, polietilenske posude s poklopcima, posude za stavljanje hrane u zamrzivač prikladne za zamrzavanje namirnica.
- Zamrzivač održava temperaturu prikladnu za čuvanje namirnica čak i u slučaju nestanka struje. U takvom se slučaju ipak preporučuje da ne otvarate vrata odjeljka.

## Važno:

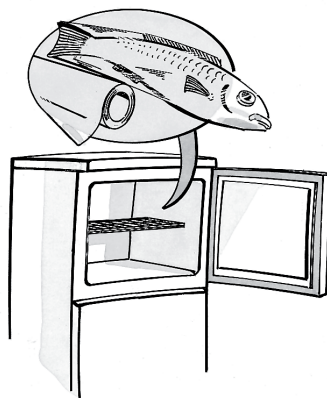
Pogledajte tablicu sa strane s mjesecima čuvanja namirnica zamrznutih kod kuće.

Prilikom kupovine smrznutih proizvoda provjerite da je:

- pakiranje neoštećeno jer bi se u protivnom proizvod mogao pokvariti. Ako je pakiranje napuhano ili se vide vlažne mrlje, to znači da proizvod nije čuvan u najpovoljnijim uvjetima i moguće je da je odmrzavanje već započelo.
- Prilikom kupovine zamrznute namirnice uvijek kupujte na kraju kupovine i prevezite ih u toplinski izoliranim vrećicama.
- Čim stignete kući zamrznute namirnice odmah stavite u zamrzivač.
- Nemojte ponovno zamrzavati namirnice koje su već djelomično otopljene. Konzumirajte ih u roku od 24 sata.
- Promjene temperature izbjegavajte ili smanjite na minimum. Poštujte datum roka trajnosti koji se nalazi na pakiranju.
- Uvijek se pridržavajte upute o čuvanju navedenih na pakiranju.

## Pravljenje kockica leda

- Napunite posudu za led vodom do 3/4 i stavite je u zamrzivač. Ako se ladica zaljepi za dno odjeljka, nemojte je vaditi s pomoću oštrog ili šiljatog predmeta.



## MJESECI NAMIRNICA

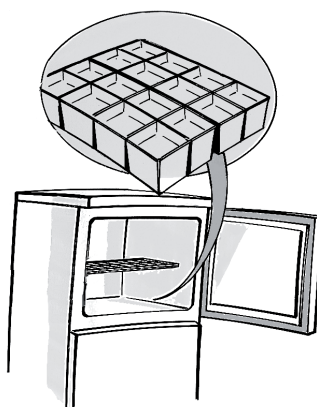
1-3



4-7



8-12



# NAČIN ODMRZAVANJA I ČIŠĆENJA ZAMRZIVAČA

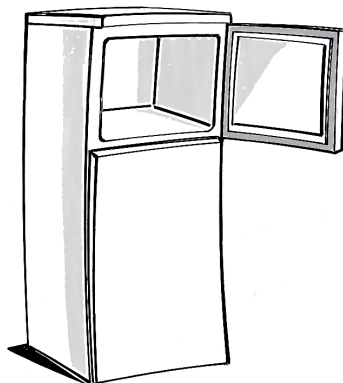
Preporučujemo da zamrzivač jednom ili dva puta godišnje odmrznete ili kada je debljina leda na stranicama oko 3 mm. Zamrzivač se preporučuje odmrzavati kada je gotovo prazan.

1. Otvorite vrata i izvadite sve namirnice, čvrsto ih zajedno umotajte u novinski papir i stavite na hladno mjesto ili toplinski izoliranu torbu za hlađenje.
2. Iskopčajte aparat iz struje.
3. Ostavite vrata zamrzivača otvorena da bi se led otopio.
4. Uklonite vodu odmrzavanja koja se nakupila na dnu odjeljka.
5. Unutrašnjost očistite vlažnom spužvom, toplom vodom i blagim deterdžentom.

**Nemojte upotrebljavati abrazivna sredstva.**

6. Isperite i pažljivo osušite.

**Napomena:** Radi izbjegavanja trajnog oštećenja unutrašnjosti uređaja za uklanjanje leda ne upotrebljavajte šiljaste ili oštre metalne predmete i nemojte zagrijavati odjeljak.



# NAČIN ČIŠĆENJA HLADNJAKA

**Redovito čistite hladnjak.**

**Odjeljak hladnjaka odleđuje se potpuno automatski.**

Povremena pojava kapljica vode na unutarnjoj stražnjoj stijenci hladnjaka znak je automatske faze odleđivanja.

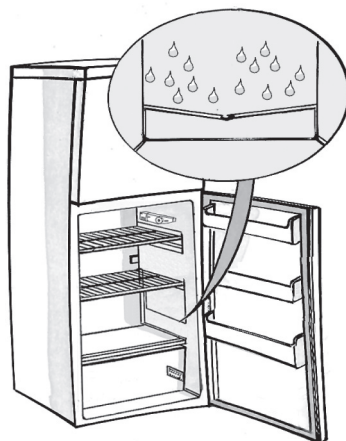
Odleđena voda kanalicom se provodi do odvoda i potom sakuplja u spremniku iz kojeg isparava.

Redovito čistite otvor odvoda u koji se skuplja odleđena voda.

Uređaj iskopčajte iz električnog napajanja prije čišćenja.

- Upotrijebite vlažnu spužvu s toplom vodom i/ili blagim deterdžentom.
- Osušite mekom krpom.

**Nemojte upotrebljavati abrazivna sredstva.**





# ČIŠĆENJE I ODRŽAVANJE

## Ugrađeni sastavni dijelovi

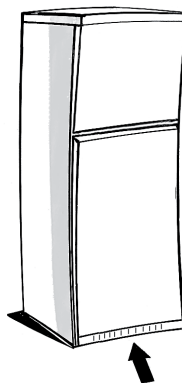
- Rešetke za ventilaciju redovito čistite usisivačem ili četkom (pogledajte sliku **A**).
- Vanjski dio čistite mekom krpom.

## Samostojeći sastavni dijelovi

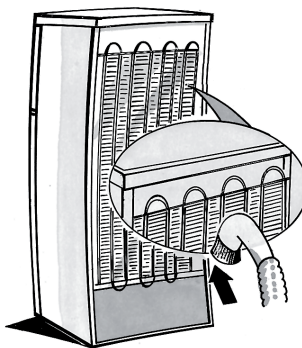
- Kondenzator na stražnjem dijelu uređaja redovito čistite usisivačem ili četkom (pogledajte sliku **B**).

## Razdoblje dulje odsutnosti

1. Ispraznite hladnjak i zamrzivač.
2. Iskopčajte aparat iz struje.
3. Odmrznite zamrzivač i osušite oba odjeljka.
4. Vrata ostavite otvorena da biste spriječili nastanak neugodnih mirisa.



SI. A



SI. B

# VODIČ ZA RJEŠAVANJE PROBLEMA

## 1. Kućanski uređaj ne radi.

- Je li nestalo struje ?
- Je li utikač pravilno umetnut u utičnicu?
- Je li umetnuta bipolarni mrežni utikač?
- Rade li ispravno uređaji za zaštitu električnog sustava u domaćinstvu?
- Je li kabel za napajanje oštećen?
- Je li termostat u položaju ● (Stop)?

## 2. Temperatura unutar odjeljaka nije dovoljno hladna.

- Jesu li vrata pravilno zatvorena?
- Nalazi li se uređaj u blizini izvora topline?
- Je li termostat postavljen u ispravan položaj?
- Blokira li išta cirkulaciju zraka na rešetkama za ventilaciju?

## 3. Temperatura hladnjaka je preniska.

- Je li termostat postavljen u ispravan položaj?

## 4. Voda se nakuplja na dnu odjeljka hladnjaka.

- Je li blokiran odvod vode odleđivanja?

## 5. Svjetlo u unutrašnjosti ne radi.

Najprije provjerite točku 1, a zatim:

- Iskopčajte aparat iz struje. Način pristupa žarulji pogledajte u uputama i na crtežu u priloženoj tablici.
- Zamijenite žarulju osiguravajući da se zamjena obavi unutar istog raspona snage ili pri maksimalnoj snazi kako je navedeno pored držača svjetla.

## 6. Prevelika količina nakupljenog leda u zamrzivaču

- Jesu li vrata pravilno zatvorena?
- Onemogućuju li namirnice pravilno zatvaranje vrata?

## Napomene:

- **Prednji rub hladnjaka je topao: to nije kvar, to je napravljeno da bi se spriječio nastanak kondenzacije.**
- **Grgljanje i zvuk širenja dolaze iz rashladnog ustava i uobičajeni su.**

# VODIČ ZA RJEŠAVANJE PROBLEMA

## Prije poziva Postprodajnom servisu:

1. Provjerite možete li sami riješiti problem (pogledajte "Vodič za rješavanje problema").
2. Ponovno pokrenite uređaj i provjerite pojavljuje li se problem i dalje.  
Ako je problem uklonjen, isključite uređaj i ponovite ovaj postupak za jedan sat.
3. Ako i nakon ovih postupaka problem nije uklonjen, obratite se postprodajnom servisu.

## Navedite:

- vrstu problema,
- model,
- servisni broj (broj iza riječi "SERVICE" na nazivnoj pločici unutar uređaja),
- svoju punu adresu,
- broj telefona i pozivni broj.

**SERVICE** 0000 000 00000



## Napomena:

**Okretanje vrata uređaja na drugu stranu (ako to izvrši Odjel za tehničku podršku) nije temelj za primjenu jamstvenih uvjeta.**

## POSTAVLJANJE

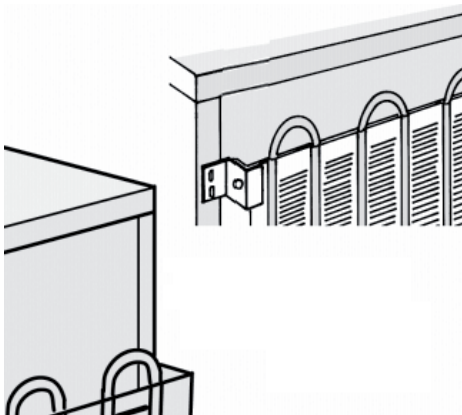
- Uređaj postavite dalje od izvora topline.
- Uređaj postavite na suho mjesto s dobrom ventilacijom.
- Nemojte zaklanjati područje ventilacije iznad i ispod uređaja.
- Očistite unutrašnjost (pogledajte poglavlje "Način čišćenja hladnjaka").
- Postavite sav priloženi dodatni pribor.

## Priključivanje električnog napajanja

- **Električni priključci moraju biti usklađeni s lokalnim propisima.**
- Informacije koje se odnose na napajanje i potrošnju nalaze se na pločici na strani ladica za voće i povrće.
- **Zakonskim propisima utvrđeno je obavezno uzemljenje uređaja. Proizvođač ne prihvaća nikakvu odgovornost za ozljede osoba ili životinja ni za oštećenja imovine zbog nepridržavanja prethodno navedenih postupaka i napomena.**
- Ako utikač i utičnica nisu kompatibilni, zamolite kvalificiranog tehničara da zamijeni utikač.
- Nemojte upotrebljavati produžne kabele ili adaptere s više utikača.

## Odspojite uređaj iz električnog napajanja

- Iskopčajte uređaj ili upotrijebite bipolarni mrežni utikač iznad utikača da biste ga odsvojili.



# VRATA KOJIMA SE MOŽE PROMIJENITI SMJER OTVARANJA



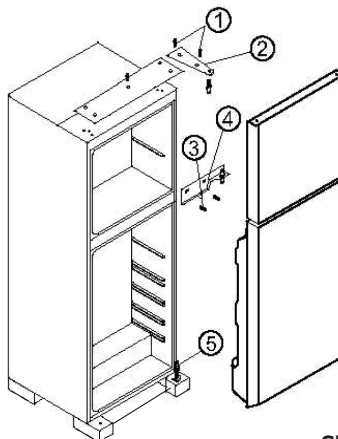
## Upozorenje:

Prije promjene smjera otvaranja vrata, provjerite da uređaj nije priključen na napajanje i da je prisutna još jedna osoba koja može pomoći jer je hladnjak težak i mora se nagnuti u položaj.

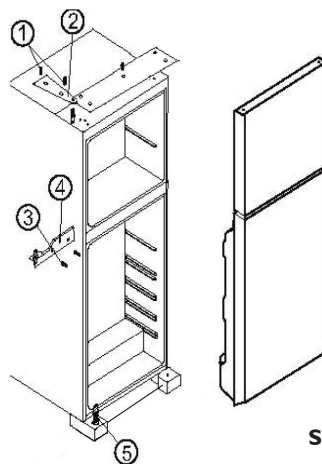
## OPASNOST OD OZLJEDE!

- Skinite vijke da biste skinuli šarku (sl. 1, br. 1 i 2), skinite vrata gornjeg dijela i stavite ih na sigurno.
- Donja vrata skinite tako da otpustite vijke središnje potporne šarke i skinite je. (sl. 1, br. 3 i 4)
- Podignite donja vrata sa zatika šarke (sl. 1, br. 5) i stavite ih na sigurno.
- Podignite donji zaustavni zatik, odvijte ga na desnoj strani i ponovno zavijte na lijevoj strani.
- Hladnjak stavite u uspravan položaj.
- Skinite pokrove lijeve šarke s obaju vrata (donjih i gornjih) i postavite ih na suprotnu stranu na pripadajuća vrata.
- Postavite vrata hladnjaka na donji zaustavni zatik, okrenite središnju šarku za 180°, gurnite ju u gornji otvor vrata i pričvrstite šarku.
- Ponovno postavite vrata gornjeg odjeljka i pričvrstite ih na nosač gornje šarke.
- Prije no što pritegnete sve vijke, provjerite jesu li vrata pravilno postavljena.

Prije ponovnog priključivanja hladnjaka na napajanje, još jednom provjerite jesu li svi vijci pritegnuti, vrata pravilno postavljena i hladnjak u uspravnom položaju te stoji li čvrsto na tlu.



SI. 1



SI. 2

### Upuštena montaža

Dimenzije ormarića i uređaja (sl. 3)

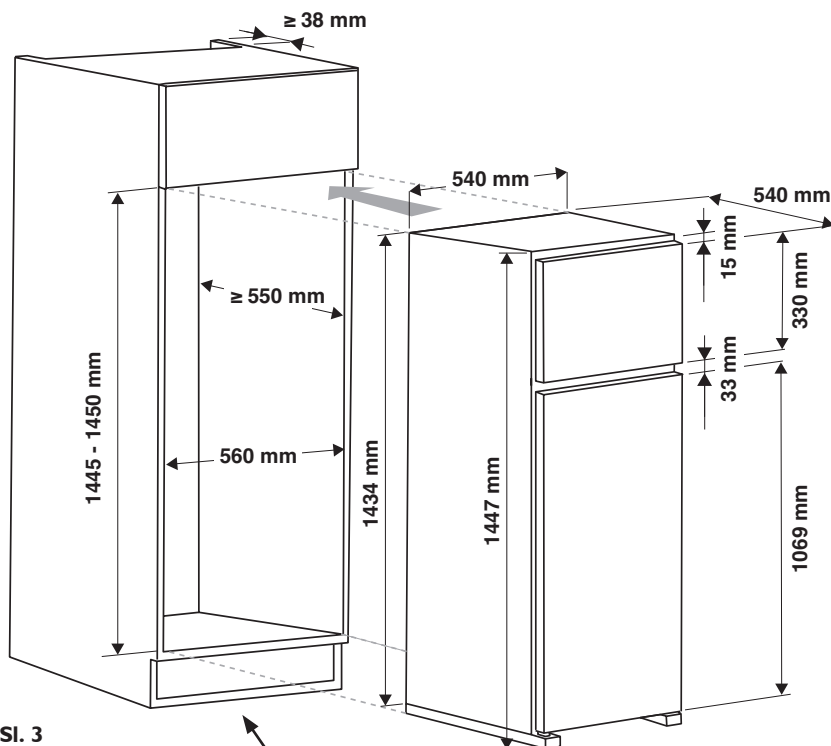
**Visina:** 1445 – 1450 mm

**Širina:** 560 mm

**Dubina:** 550 mm

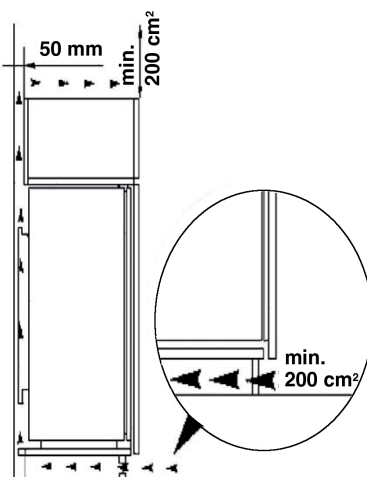
Pridržavajte se uputa na slici da biste osigurali dovoljnu ventilaciju.

Ormarić mora biti opremljen ulaznom i izlaznom prinudnom ventilacijom. (Sl. 3 i 4)



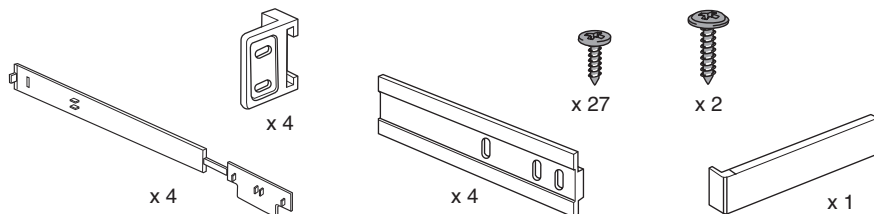
Sl. 3

ventilacijska rešetka:  
minimalno 200 cm<sup>2</sup>



Sl. 4

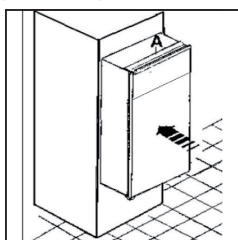
## KOMPLET za postavljanje



### Postavljanje kliznih vrata

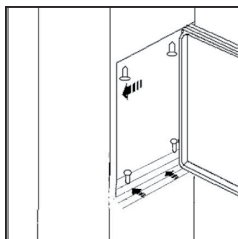
Pažljivo gurnite uređaj u ormarić (sl. 5) sve dok ne dođe do zaustavne trake "A".

Materijal potreban za postavljanje nalazi se u unutrašnjosti uređaja.



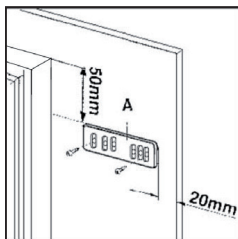
Sl. 5

Otvorite vrata uređaja i gurnite ih u suprotnom smjeru do šarke (sl. 6). Uređaj pričvrstite s pomoću 4 vijka, 2 vijka na gornjoj prednjoj ploči i 2 na kutnom bočnom podupiraču nasuprot središnjoj šarki.



Sl. 6

Vodilicu "A" postavite prema uputama koje se nalaze (sl. 7) na unutarnjoj strani vrata ormarića i označite mjesto gdje bi se morali umetnuti vijci. Probušite otvore za vijke. Učvrstite vodilicu.

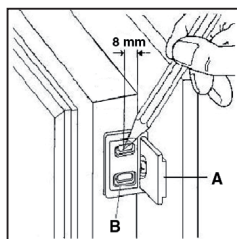


Sl. 7

Vrata uređaja i ormarića otvorite pod kutom od 90°. Postavite kutni podupirač "B" (sl. 8) na vodilicu

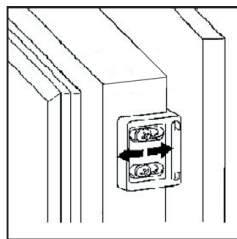
"A". Provjerite prijanaju li dobro vrata ormarića na vrata uređaja o označite mjesto srednjih otvora kako je prikazano na slici (sl. 8).

Skinite kutni podupirač "B" i probušite otvore za vijke s pomoću svrdla od 2 mm. Kutni podupirač ponovno postavite na vodilicu i pričvrstite ga isporučenim vijcima.



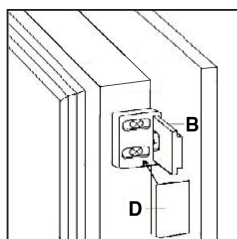
Sl. 8

Ako morate prilagoditi vrata ormarića, upotrijebite otvor otora pod duljini na kutnom podupiraču "B" (sl. 9).



Sl. 9

Ovisno o modelu, pritisnite pokrov "D" koji se nalazi na kutnom podupiraču "B".



Sl. 10

Vrata zamrzivača postavljena su s 1 okretnom šarkom vrata, a za vrata hladnjaka potrebne su 2 šarke iste vrste.

# BEZPEČNOSTNÍ POKYNY

## JE DŮLEŽITÉ SI JE DŮKLADNĚ PŘEČÍST A ŘÍDIT SE JIMI

Před použitím spotřebiče si přečtěte tento návod k použití. Uchovejte si jej pro pozdější použití.

V tomto návodu a na samotném spotřebiči jsou uvedena důležitá bezpečnostní upozornění, která je nutné si přečíst a řídit se jimi. Výrobce se zříká jakékoli odpovědnosti za nedodržení těchto bezpečnostních pokynů, nevhodné používání spotřebiče nebo nesprávné nastavení ovladačů.

⚠ Velmi malé děti (0–3 roky) by se neměly pohybovat v blízkosti spotřebiče. Malé děti (3–8 let) by se neměly ke spotřebiči přibližovat, pokud nejsou pod dozorem. Děti starší 8 let a osoby s fyzickým, smyslovým či duševním postižením nebo bez patřičných zkušeností a znalostí mohou tento spotřebič používat pouze pod dohledem nebo tehdy, pokud obdržely informace o bezpečném použití spotřebiče a rozumějí rizikům, která s jeho používáním souvisejí. Nedovolte dětem, aby si se spotřebičem hrály. Nedovolte dětem, aby bez dohledu prováděly čištění a běžnou údržbu spotřebiče. Děti od 3 do 8 let mohou dávat a vyndávat věci z chladicích spotřebičů.

### POVOLENÉ POUŽITÍ

⚠ **UPOZORNĚNÍ:** Tento spotřebič není určen k ovládání pomocí externího spínacího zařízení, jako je časovač, či samostatného systému dálkového ovládání.

⚠ Tento spotřebič je určen k použití v domácnostech

a zařízeních, jako jsou: kuchyňské kouty pro zaměstnance v obchodech, kancelářích a na jiných pracovištích; statky; klienty hotelů, motelů, zařízení typu „bed & breakfast“ a jiných rezidenčních prostředích.

⚠ Tento spotřebič není určen pro profesionální použití. Spotřebič nepoužívejte venku.

⚠ Žárovka použitá uvnitř spotřebiče je speciálně navržena pro domácí spotřebiče a není vhodná pro běžné osvětlení místnosti v domácnosti (nařízení ES 244/2009).

⚠ Spotřebič je určen k provozu v prostředí, ve kterém se teplota pohybuje v následujícím rozmezí v závislosti na klimatické třídě uvedené na výrobním štítku. Při dlouhodobém ponechání spotřebiče v nižší či vyšší teplotě nemusí spotřebič správně fungovat.

Teploty prostředí pro klimatickou třídu:

SN: Od 10 °C do 32 °C;

N: Od 16 °C do 32 °C

ST: Od 16 °C do 38 °C;

T: Od 16 °C do 43 °C

⚠ Tento spotřebič neobsahuje CFC. Chladicí okruh obsahuje látku R600a (HC). Spotřebiče obsahující isobutan (R600a): isobutan je přírodní plyn bez škodlivých účinků na životní prostředí, který je nicméně hořlavý.

Je tedy třeba se přesvědčit, že nedošlo k poškození trubek chladicího okruhu, zvláště při vypouštění chladicí kapaliny.

⚠ VAROVÁNÍ: Nepoškozujte potrubí chladicího okruhu kapaliny.

⚠ VAROVÁNÍ: Větrací otvory v plášti spotřebiče nebo ve vestavěné konstrukci nesmí být zakryty.

⚠ VAROVÁNÍ: Neurychlujte odmrazování jinými mechanickými, elektrickými a chemickými postupy, než jaké doporučuje výrobce.

⚠ VAROVÁNÍ: Do oddílů spotřebiče neumísťujte ani v nich nepoužívejte elektrické přístroje, které nejsou výslovně schváleny výrobcem.

⚠ VAROVÁNÍ: Výrobníky ledu a dávkovače vody, které nejsou přímo připojeny k přívodu vody, musí být plněny pouze pitnou vodou.

⚠ VAROVÁNÍ: Automatické tvořiče ledu a/nebo nádobky na vodu musí být připojeny výhradně k přívodu pitné vody s tlakem v rozmezí 0,17 až 0,81 MPa (1,7 až 8,1 bar).

⚠ Neumisťujte do zařízení nebo v jeho blízkosti výbušné látky, jako jsou např. plechovky s aerosoly, a neskladujte ani nemanipulujte zde s benzínem či jinými hořlavými materiály.

⚠ Je-li váš model vybaven chladicími vložkami, nepijte kapalinu, která je v nich obsažena (není toxická). Nejezte ledové kostky nebo ledová lízátká ihned po vyjmutí z mrazničky, mohly by vám způsobit omrzliny v ústech.

⚠ Je-li výrobek určen k použití se vzduchovým filtrem v přístupném krytu ventilátoru, musí být filtr vložen vždy, když je chladnička zapnutá.

⚠ Do mrazničky neumísťujte

skleněné nádoby s tekutinami, protože by mohly prasknout.

Nezakrývejte ventilátor (je-li jím spotřebič vybaven) potravinami.

Po vložení potravin do spotřebiče zkontrolujte, zda jste správně zavřeli dvířka, zejména pak dvířka mrazničky.

⚠ Poškozená těsnění je nutné co nejdříve vyměnit.

⚠ Chladicí oddíl používejte pouze k uchování čerstvých potravin a mrazicí oddíl pouze k uchování zmrazených potravin, zmrazování čerstvých potravin a k výrobě ledových kostek.

⚠ Vyvarujte se skladování nezabalených potravin v přímém kontaktu s vnitřními povrchy chladničky nebo mrazničky.

Spotřebiče mohou obsahovat speciální přihrádky (přihrádka na čerstvé potraviny, přihrádka s nulovou teplotou, ...).

Není-li v příručce ke konkrétnímu výrobku uvedeno jinak, tyto přihrádky je možné vyjmout, aniž by to mělo vliv na výkon spotřebiče.

⚠ Plyn cyklopentan se používá jako nadouvadlo v izolační pěně a je hořlavý.

Nejvhodnější oddíly spotřebiče pro skladování různých druhů potravin s ohledem na distribuci tepla v oddílech spotřebiče jsou následující:

- Chladicí oddíl:

1) Horní část chladicího oddílu a dvířka – zóna: Zde skladujte tropické ovoce, plechovky, nápoje, vejce, omáčky, kyselé okurky, máslo, džemy

2) Střední část chladicího oddílu - chladná zóna: Zde skladujte sýry,

mléko, mléčné výrobky, lahůdky, jogurty

3) Dolní část chladicího oddílu - nejchladnější zóna: Zde skladujte šunky a salámy, dezerty, masa a ryby, tvarohové dorty, čerstvé těstoviny, zakysanou smetanu, pesto a salsy, jídlo vařené doma, moučníky typu custard, pudinky a smetanové sýry

4) Zásuvka na ovoce a zeleninu v dolní části chladničky: Skladujte zde zeleninu a ovoce (kromě tropického ovoce)

5) Chladicí oddíl „Chiller“:

V nejchladnější zásuvce skladujte pouze masa a ryby – Mrazicí oddíl: Oddíl se čtyřmi hvězdičkami (\*\*\*\*) je vhodný pro zmrazování potravin z pokojové teploty a pro skladování mražených potravin, jelikož je zde teplota rovnoměrně distribuovaná napříč celým oddílem.

Koupené mražené potraviny mají skladovací datum expirace uvedené na obalu. Toto datum bere v potaz typ potraviny a její vhodnou dobu skladování, a tudíž by se mělo dodržovat. Čerstvé potraviny by se měly ukládat následovně: sýry, měkkýše, zmrzlina, šunky/ klobásy, mléko, čerstvé tekutiny po dobu 1-3 měsíce; steaky a kotlety (hovězí, jehněčí, vepřové) 4 měsíce; máslo a rostlinný tuk, drůbež (kuře, krůtí maso) 6 měsíců; ovoce (kromě citrusů), pečené maso (hovězí, vepřové, jehněčí), zeleninu po dobu 8-12 měsíců. V oddílu se 2 hvězdičkami je třeba dodržovat datum expirace uvedené na balení potravin.

Dbejte následujících opatření k zamezení kontaminace potravin:

– Dveře otevřené dlouhou dobu

mohou způsobit zvýšení teploty uvnitř oddílů spotřebiče.

– Pravidelně čistěte povrchy, které mají kontakt s potravinami a také přístupné odtokové systémy.

– Vypláchněte a vyčistěte zásobníky vody, pokud nebyly používány déle než 48 hodin; propláchněte vodní systém napojený na přívod vody, pokud jste vodu nečerpali déle než 5 dní.

– Skladujte syrová masa a ryby v chladničce ve vhodných kontejnerech, aby se nedotýkaly jiných potravin a aby na ně nekapaly.

– Oddíly na mražené potraviny se 2 hvězdičkami jsou vhodné pro skladování předem mražených potravin, skladování a vyrábění zmrzliny a ledových kostek.

– Nezmrazujte čerstvé jídlo v oddílech s 1, 2 či 3 hvězdičkami.

– Pokud je chladnička delší dobu prázdná, vypněte ji, umyjte, osušte a nechte její dvířka otevřená k zamezení růstu plísní uvnitř spotřebiče.

## INSTALACE

⚠ Stěhování a instalace spotřebiče vyžaduje minimálně dvě osoby – nebezpečí zranění. Při rozbalování a instalaci používejte ochranné rukavice – nebezpečí pořezání.

⚠ Instalaci, včetně případného připojení k přívodu vody a elektřiny (jsou-li zapotřebí), a opravy musí provádět kvalifikovaný technik. Neopravujte ani nevyměňujte žádnou část spotřebiče, pokud to není výslovně uvedeno v návodu k použití. Nedovolte dětem, aby se přibližovaly k místu instalace. Po vybalení spotřebiče se přesvědčte,



že nebyl při dopravě poškozen. V případě problémů se obraťte na prodejce nebo na nejbližší servisní středisko. Po instalaci musí být obalový materiál (plasty, polystyrenová pěna atd.) uložen mimo dosah dětí – nebezpečí udušení. Před zahájením instalace je nutné spotřebič odpojit od elektrické sítě – nebezpečí úrazu elektrickým proudem.

Během instalace se ujistěte, že spotřebič nepoškozuje napájecí kabel – nebezpečí požáru a úrazu elektrickým proudem. Spotřebič nezapínejte, dokud nebyla ukončena instalace.

⚠ Při přemísťování spotřebiče dejte pozor, abyste nepoškodili podlahy (např. parkety). Spotřebič umístěte na podlahu či podložku, která unese jeho hmotnost, na místo vhodné s ohledem na velikost a způsob použití spotřebiče. Přesvědčte se, že spotřebič není umístěn do blízkosti zdroje tepla a že všechny čtyři nožky stojí pevně na zemi. Podle potřeby nožky nastavte a pomocí vodováhy zkontrolujte, zda je spotřebič dokonale vodorovný. Doporučujeme vám, abyste se zapojením spotřebiče počkali nejméně dvě hodiny, aby chladicí okruh mohl dokonale fungovat.

⚠ **VAROVÁNÍ:** Při umísťování spotřebiče na místo určení se ujistěte, že napájecí kabel není někde zachycen nebo zda nedošlo k jeho poškození.

⚠ **VAROVÁNÍ:** Aby se předešlo nebezpečí v důsledku nestability, musí být spotřebič umístěn nebo upevněn v souladu s pokyny výrobce.

Je zakázáno umísťovat chladničku

tak, aby se kovová hadice plynového sporáku, kovové plynové nebo vodní potrubí nebo elektrické vedení dotýkaly zadní stěny chladničky (výparník).

Všechny rozměry a vzdálenosti potřebné za účelem instalace spotřebiče jsou uvedeny v návodu k instalaci.

Při montáži sundejte napájecí kabel z kondenzačního háčku, než spotřebič zapojíte do zásuvky.

## **UPOZORNĚNÍ NA PŘERUŠENÍ DODÁVKY ELEKTRICKÉ ENERGIE**

⚠ V souladu s národními bezpečnostními normami týkajícími se elektrických zařízení musí být možné odpojit spotřebič z elektrické sítě vytažením zástrčky, pokud je zástrčka přístupná, popřípadě, v souladu s pravidly pro zapojování, prostřednictvím vícepólového vypínače umístěného před zásuvkou a spotřebič musí být uzemněn.

⚠ Nepoužívejte prodlužovací kabely, sdružené zásuvky nebo adaptéry. Po provedení instalace nesmí být elektrické prvky spotřebiče pro uživatele přístupné. Nepoužívejte spotřebič, pokud jste mokří nebo naboso.

Tento spotřebič nezapínejte, pokud je poškozen napájecí síťový kabel či zástrčka, pokud správně nefunguje nebo byl poškozen či spadl.

⚠ Jestliže je poškozený přívodní kabel, za identický ho smí vyměnit pouze výrobce, servisní technik nebo osoba s obdobnou kvalifikací, jinak by mohlo dojít k úrazu – riziko elektrického šoku.


**⚠ VAROVÁNÍ:** Zezadu spotřebiče neumisťujte přenosné vícezásuvkové prodlužovací příklady nebo přenosné napájecí zdroje.

## ČIŠTĚNÍ A ÚDRŽBA

**⚠ VAROVÁNÍ:** Než zahájíte jakoukoli údržbovou operaci, ujistěte se, že je spotřebič vypnutý a odpojený od zdroje napájení; nikdy nepoužívejte parní čistič – riziko elektrického šoku.

**⚠** Na plastové části, vnitřek spotřebiče a obložení dvířek či těsnění nepoužívejte abrazivní nebo nešetrné čisticí prostředky, jako jsou např. spreje na okna, žíravé odmašťovací přípravky, hořlavé kapaliny, čisticí vosky, koncentrované čisticí prostředky, bělidla nebo čističe obsahující ropné látky. K čištění nepoužívejte papírové utěrky, abrazivní houbičky nebo jiné nešetrné nástroje.

## LIKVIDACE OBALOVÉHO MATERIÁLU

Obal je ze 100% recyklovatelného materiálu a je označen recyklačním znakem .

Jednotlivé části obalového materiálu proto zlikvidujte odpovědně podle platných místních předpisů upravujících nakládání s odpady.


## LIKVIDACE DOMÁCÍCH ELEKTROSPOTŘEBIČŮ

Tento spotřebič byl vyroben z recyklovatelných nebo opakovaně použitelných materiálů.

Zlikvidujte jej podle místních předpisů pro likvidaci odpadu.

Další informace o likvidaci, renovaci a recyklaci elektrických spotřebičů získáte na místním úřadě, ve středisku pro sběr domácího odpadu nebo v obchodě, kde jste spotřebič zakoupili. Tento spotřebič je označen v souladu s evropskou směrnicí 2012/19/EU o odpadních elektrických a elektronických zařízeních (OEEZ).

Zajištěním správné likvidace tohoto výrobku pomůžete zabránit negativním vlivům na životní prostředí a lidské zdraví.

Symbol  na výrobku nebo příslušných dokladech udává, že tento výrobek nesmí být likvidován spolu s domácím odpadem, ale je nutné ho odevzdat do příslušného sběrného střediska k recyklaci elektrických a elektronických zařízení.

## RADY K ÚSPORĚ ELEKTRICKÉ ENERGIE

Pro zajištění adekvátní ventilace dodržujte pokyny k instalaci spotřebiče.

Nedostatečné větrání na zadní straně spotřebiče zvyšuje spotřebu energie a snižuje účinnost chlazení.

Časté otevírání dvířek může zvýšit spotřebu energie.

Na teplotu uvnitř spotřebiče a spotřebu energie může mít vliv i pokojová teplota a umístění spotřebiče. Při nastavení teploty musíte brát tyto faktory v úvahu. Omezte otevírání dveří na minimum.

Při rozmrazování umístěte potraviny do chladničky. Nízká teplota zmrazených výrobků pomáhá chladit potraviny v chladničce.

Před vložením do spotřebiče nechte teplá jídla a nápoje vychladnout.

Umístění polic v chladničce nemá žádný vliv na efektivitu využití energie. Potraviny by měly být na policích uloženy takovým způsobem, aby byla zajištěna patřičná cirkulace vzduchu (potraviny by se neměly navzájem dotýkat a mezi potravinami a zadní stěnou by měl být dostatečný volný prostor).

Úložnou kapacitu pro mražené potraviny můžete zvýšit tak, že odstraníte koše a přihrádku „Stop Frost“, je-li u modelu.

Nenechte se znepokojovat hlukem kompresoru. Jedná se o běžný provozní zvuk.

# JAK POUŽÍVAT CHLADICÍ ODDÍL

Toto zařízení je chladnička s **\*\*\*** chladicím oddílem.

**Odmrazování chladničky probíhá zcela automaticky.**

Teplota v chladničce se pohybuje mezi +16 °C a +38 °C. Nejvyšší výkon je dosažen při teplotním rozsahu +16 °C až +32 °C.

## Uvedení chladničky do provozu

Zasuňte zástrčku do zásuvky.

Termostat zajišťuje řízení teploty v obou oddílech: chladnička a mraznička.

## Jak nastavit teplotu v oddílech:

1. Pro zajištění správné funkce a nejlepšího uchování potravin **doporučujeme nastavit termostat podle údajů na dodaném produktovém štítku.**
2. Pokud chcete změnit teplotu v oddílu chladničky, otočte kolečko termostatu na:
  - čísla **nejnižší teplota/MIN** pro nastavení **VYŠŠÍ TEPLoty**;
  - čísla **highest/MAX** pro nastavení **NIŽŠÍ TEPLoty**.

Termostat v Poloze ●: funkce a osvětlení zařízení jsou pozastaveny.

## Poznámka:

Teplota v místnosti, frekvence otevírání dvířek a umístění spotřebiče mohou ovlivnit teplotu uvnitř chladničky. Kolečko termostatu je nutné nastavit s ohledem na tyto faktory.

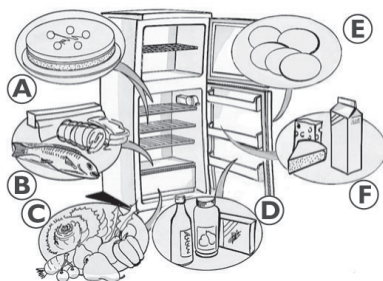
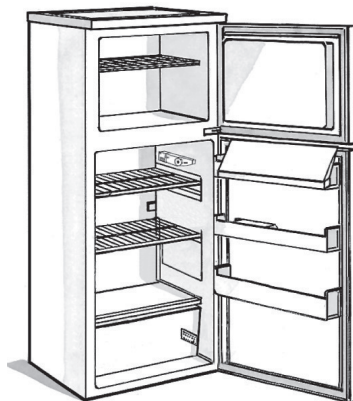
## Jak uchovávat potraviny v chladicím oddílu

Potraviny ukládejte tak, jak je znázorněno na postranním obrázku.

- A. Vařená jídla
- B. Ryby, maso
- C. Ovoce a zelenina
- D. Láhve
- E. Vejce
- F. Máslo, mléčné výrobky, sýry

## Poznámka:

- Účelem mezery mezi poličkami a zadním vnitřním panelem je zajistit volné proudění vzduchu.
- Potraviny by se uvnitř chladicího oddílu neměly dotýkat zadního vnitřního panelu.
- Do oddílů nekládejte jídlo, které je stále teplé.
- Tekutiny uchovávejte v uzavřených nádobách.
- Uchovávání zeleniny s vysokým obsahem vody může způsobit kondenzaci vlhkosti ve spodní zásuvce: správné funkci chladničky to nevedí.



# JAK POUŽÍVAT MRAZICÍ ODDÍL

Mrazicí oddíl je klasifikován **\*\*\*** hvězdičkami. Zmražené potraviny v něm lze skladovat do data uvedeného na jejich obalu. Dodatečně v něm lze na nejnižší úrovni skladovat čerstvé potraviny pod mřížkou. Do horní přihrádky vkládejte již zmražené potraviny tak, aby se nedotýkaly potravin, které se dosud nezmrazily.

Množství čerstvých potravin, které lze zamrazit během 24 hodin, je uvedeno na výrobním štítku.

## Důležité:

Zabalte a zapečete čerstvé potraviny ke zmrazení do:

- alobalu, potravinové fólie, vzduchotěsných a vodotěsných plastových sáčků, polyetylenových nádob s víčky nebo mrazírenských nádob vhodných k zamrazení potravin.
- Mrazicí oddíl udržuje teplotu vhodnou pro uchovávání potravin i v případě výpadku elektrického proudu. V takovémto případě vám nicméně doporučujeme neotvírat dvířka tohoto oddílu.

## Důležité:

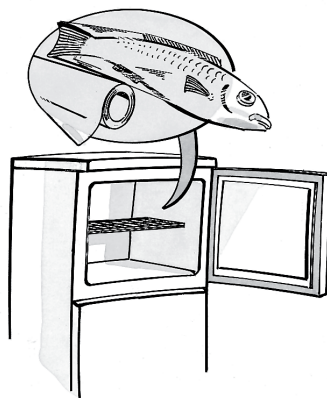
**Ohledně počtu měsíců uchovávání zmražených domácích potravin viz tabulku na straně.**

**Při nákupu zmražených produktů prosím zkontrolujte, zda:**

- Je jeho obal neporušený – jinak by se produkt mohl zkazit. Je-li obal nafouklý nebo jsou-li na něm mokré skvrny, výrobek nebyl skladován v optimálních podmínkách a může již být částečně rozmrzlý.
- Mražené potraviny vybírejte během nákupu jako poslední položku a přepravujte je ve speciální tepelně izolované tašce.
- Po návratu domů vložte mražené potraviny okamžitě do mrazicího oddílu.
- Částečně rozmražené potraviny již znovu nezmrazujte. Spotřebujte je do 24 hodin.
- Snažte se zabránit změnám teploty nebo je co nejvíce omezte. Řiďte se dobou trvanlivosti uvedenou na obalu.
- Vždy dodržujte pokyny k uchovávání potravin uvedené na obalu.

## Výroba kostek ledu

- Táč na ledové kostky naplňte do 3/4 vodou a vložte jej zpět do mrazicího oddílu. Pokud se táč přilepí na dno oddílu, nepoužívejte pro jeho uvolnění ostré nebo špičaté předměty.



## MĚSÍCE POKRM

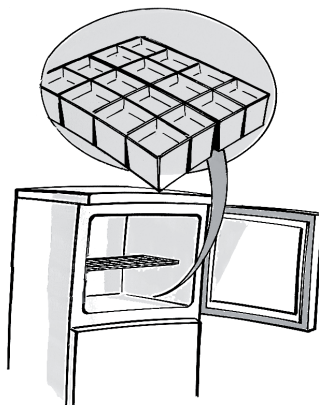
1-3



4-7



8-12



# JAK ODMRAZIT A VYČISTIT MRAZICÍ ODDÍL

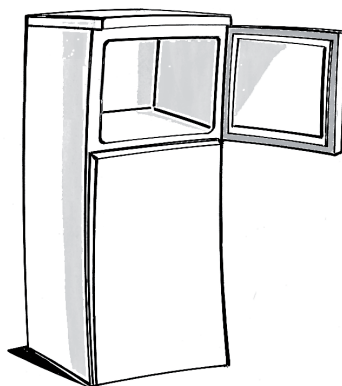
Mrazicí oddíl doporučujeme odmrazit jednou nebo dvakrát do roka, nebo pokud led po stranách dosáhne tloušťky cca 3 mm. Mrazicí oddíl vám doporučujeme odmrazit ve chvíli, kdy je téměř prázdný.

1. Otevřete dvířka a vyjměte všechny potraviny, zabalte je do novinového papíru a umístěte je na chladné místo nebo do tepelně izolované tašky.
2. Spotřebič odpojte od elektrické sítě.
3. Dveře mrazničky nechte otevřené, aby námraza mohla roztát.
4. Odstraňte rozmrazenou vodu hromadící se na dně oddílu.
5. Vyčistěte vnitřní stranu vlhkou houbou pomocí teplé vody a jemného čisticího prostředku.

**Nepoužívejte abrazivní prostředky.**

6. Důkladně opláchněte a osušte.

**Poznámka: Aby nedošlo k trvalému poškození vnitřku oddílu, neodstraňujte led špičatými nebo ostrými kovovými nástroji a oddíl nezahřívejte.**



# JAK ČISTIT CHLADICÍ ODDÍL

**Chladicí oddíl pravidelně čistěte.**

**Odmrazování chladničky probíhá zcela automaticky.**

O zahájení automatické fáze rozmrazování svědčí příležitostný výskyt kapek vody na vnitřní zadní stěně chladicího oddílu.

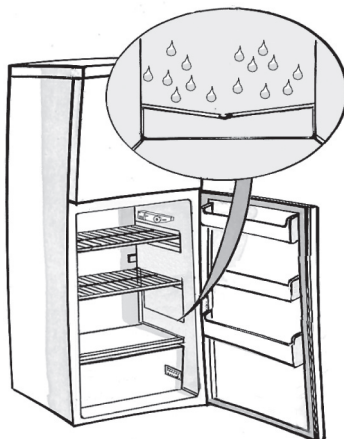
Rozmrazená voda stéká do odtoku a shromažďuje se v nádobě, odkud se vypařuje.

Odtok, ve kterém se hromadí rozmrazená voda, pravidelně čistěte.

Před čišťením odpojte zařízení od elektrického napájení.

- Použijte houbu navlhčenou teplou vodou a/nebo jemný čisticí přípravek.
- Pak ho měkkou utěrkou vytřete do sucha.

**Nepoužívejte abrazivní prostředky.**



# ČIŠTĚNÍ A ÚDRŽBA

## Vestavěné součásti

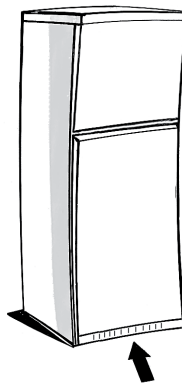
- Větrací mřížky pravidelně čistěte vysavačem nebo kartáčem (viz obrázek A).
- Vnější plochy čistěte měkkým hadříkem.

## Volně stojící součásti

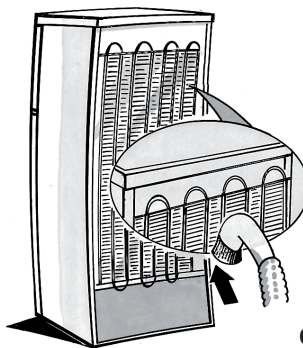
- Kondenzátor umístěný na zadní straně zařízení pravidelně čistěte vysavačem nebo kartáčem (viz obrázek B).

## V případě, že jste dlouho mimo domov

1. Vyprázdněte chladicí a mrazicí oddíl.
2. Spotřebič odpojte od elektrické sítě.
3. Odmrazte mrazicí oddíl a oba oddíly vysušte.
4. Nechte dvířka otevřená, aby uvnitř nevznikal zápach.



Obr. A



Obr. B

# ODSTRAŇOVÁNÍ PORUCH

## 1. Spotřebič nefunguje.

- Nedošlo k výpadku napájení?
- Je zástrčka správně zasunutá do zásuvky?
- Je dvoupólový hlavní vypínač stisknutý?
- Pracují zařízení pro ochranu elektrického systému domácnosti správně?
- Není napájecí kabel poškozený?
- Není termostat v poloze ●(Stop)?

## 2. Teplota uvnitř oddílů není dostatečně nízká.

- Jsou dvířka správně zavřená?
- Nestojí spotřebič v blízkosti zdroje tepla?
- Je termostat ve správné poloze?
- Nebrání nic proudění vzduchu větracími mřížkami?

## 3. Teplota uvnitř chladicího oddílu je příliš nízká.

- Je termostat ve správné poloze?

## 4. Na dně chladicího oddílu je voda.

- Není odpadní kanálek na rozmrazenou vodu ucpaný?

## 5. Vnitřní osvětlení nefunguje.

Nejdříve proveďte kontroly uvedené v bodě 1 a poté:

- Odpojte spotřebič od elektrické sítě. Instrukce, jak se dostat k žárovce osvětlení, naleznete v pokynech a nákresech v tabulce.
- Vyměňte žárovku osvětlení, zkontrolujte, zda zdiřka obsahuje stejné údaje o napětí a maximálním výkonu, jako jsou uvedeny na objímce žárovky.

## 6. Nadměrný vznik námrazy v mrazicím oddílu

- Jsou dvířka správně zavřená?
- Nebrání potraviny správnému dovření dvířek?

## Poznámka:

- **Přední okraj chladnice je teplý: nejedná se o závadu, je to normální jev bránící vzniku kondenzace.**
- **Zvuky bublání a dilatace ozývající se z chladicího systému jsou normální.**

# ODSTRAŇOVÁNÍ PORUCH

**SERVICE** 0000 000 00000



**Než zavoláte do Servisního střediska poprodejních služeb:**

1. Ověřte, zda nemůžete vyřešit problém sami (viz „Průvodce odstraňováním poruch“).
2. Spotřebič restartujte a ověřte, zda nedošlo k vyřešení problému.  
Pokud ne, spotřebič opět vypojte a postup za hodinu zopakujte.
3. V případě stále trvajících poruch zavolejte na zákaznickou linku poprodejních služeb.

**Sdělte:**

- charakter poruchy,
- model,
- servisní číslo (číslo uvedené za slovem „SERVICE“ na typovém štítku uvnitř spotřebiče),
- svou úplnou adresu,
- své telefonní číslo s předvolbou.

**Poznámka:**

**Obrácení dveří spotřebiče, pokud je provedeno službou technické pomoci, není považováno za reklamaci.**

## INSTALACE

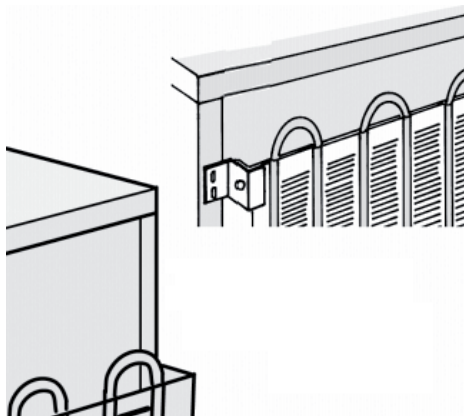
- zařízení instalujte v dostatečné vzdálenosti od zdrojů tepla.
- Spotřebič umísťte na suché a dobře větrané místo.
- Nezahrazujte prostor pro větrání nad a pod zařízením.
- Vyčistěte vnitřní prostor (viz kapitolu „Jak čistit chladicí oddíl“).
- Nasaďte všechno dodané příslušenství.

**Připojení zdroje elektrického proudu**

- **Připojení k síti musí být provedeno v souladu s platnými předpisy.**
- Informace týkající se zdroje napětí a spotřeby najdete na štítku umístěném na straně zásuvky na ovoce a zeleninu.
- **Uzemnění spotřebiče je podle zákona povinné. Výrobce odmítá jakoukoli odpovědnost za případná zranění osob, zvířat nebo poškození věcí způsobené nedodržáním výše uvedených předpisů.**
- Pokud zásuvka a zástrčka nejsou kompatibilní, obraťte se ohledně výměny zástrčky na kvalifikovaného technického pracovníka.
- Nepoužívejte prodlužovačky nebo vícezásuvkové adaptéry.

**Odpojení zařízení od zdroje elektrického proudu**

- Odpojte zařízení nebo pro odpojení použijte dvoupólový hlavní vypínač nad zástrčkou.



# OBOUSTRANNÁ DVÍŘKA



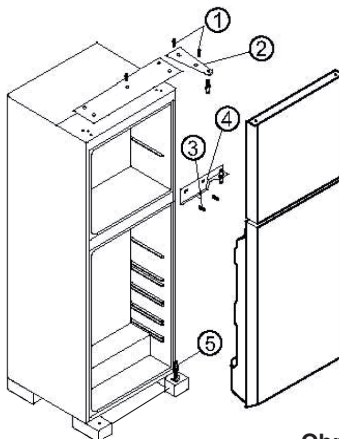
## Varování:

Než změníte směr otevírání dvířek, zkontrolujte, zda není zařízení připojené k elektrickému proudu a že je přítomna druhá osoba, aby vám pomohla. Chladnička je totiž těžká a bude třeba ji naklonit.

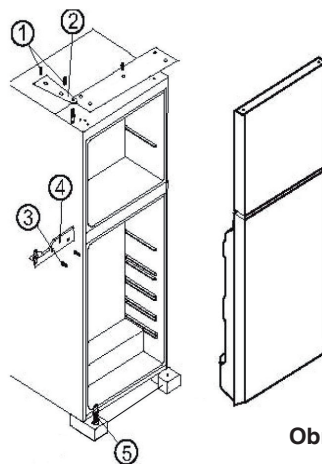
## RIZIKO PORANĚNÍ!

- Vyšroubujte šrouby a sejměte závěs (Obr. 1, č. 1 a 2), sejměte dvířka horního oddílu a odložte je na bezpečné místo.
- Pro sejmутí spodních dvířek povolte šrouby na středovém držáku závěsu a sejměte je. (Obr. 1, č. 3 a 4)
- Nadzvedněte spodní dvířka ze závěsného čepu (Obr. 1, č. 5) a odložte je na bezpečné místo.
- Nasad'te spodní dorazový čep; nejdříve jej vyšroubujte z pravé strany a poté jej našroubujte na levou stranu.
- Narovnejte chladničku.
- Sejměte levé kryty závěsů z obou dvířek (horních a spodních) a nasad'te je na opačnou stranu příslušných dvířek.
- Nasad'te dvířka chladničky na spodní dorazový čep, otočte prostřední závěs o 180°, zatlačte je do horního otvoru dvířek a upevněte závěs.
- Nasad'te dvířka horního oddílu zpět a připevněte je k držáku horního závěsu.
- Než utáhnete všechny šrouby, zkontrolujte, zda jsou dvířka správně nasazená.

Než připojíte chladničku k elektrickému proudu, ještě jednou zkontrolujte, zda jsou všechny šrouby utažené, zda byla dvířka správně nasazená a zda chladnička stojí ve svislé poloze a její poloha na podlaze je stabilní.



Obr. 1



Obr. 2



## Vestavěné instalace

Rozměry skříňky a zařízení (obr. 3)

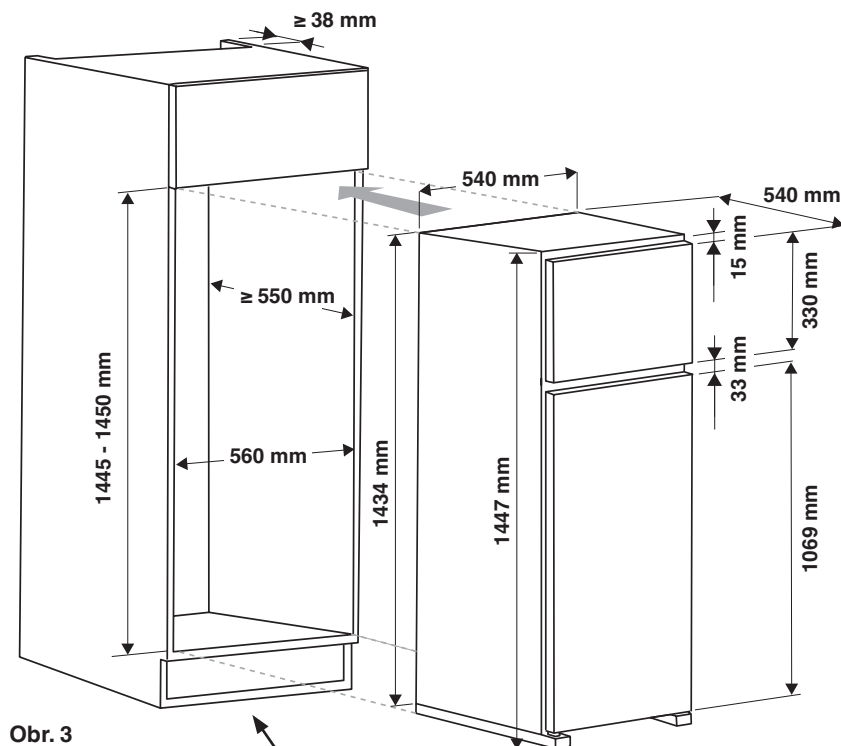
**Výška:** 1 445–1 450 mm

**Šířka:** 560 mm

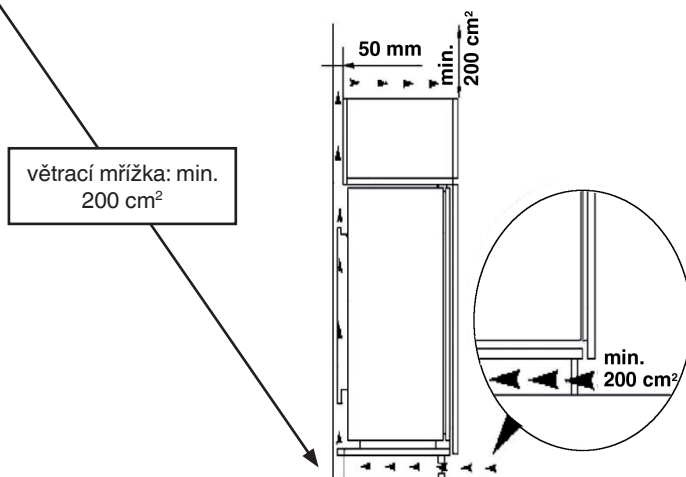
**Hloubka:** 550 mm

Pro zajištění dostatečné ventilace dodržte instrukce uvedené na obrázku.

Skříňka musí být opatřena umělou ventilací jak směrem dovnitř, tak směrem ven. (Obr. 3 a 4)

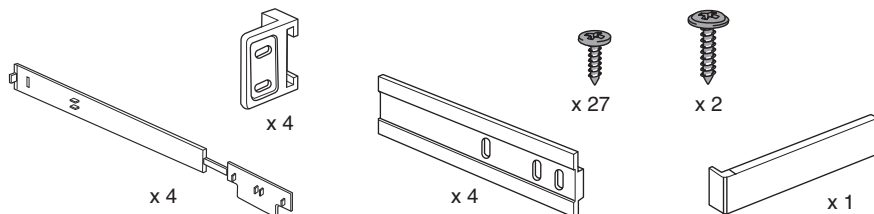


Obr. 3



Obr. 4

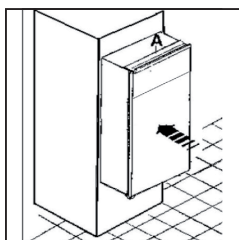
## Instalační SADA



### Montáž posuvných dvířek

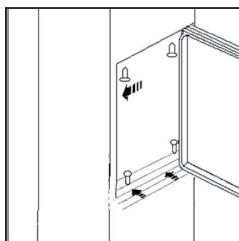
Zařízení opatrně vsuňte do skříňky (**obr. 5**) až ke krajní liště „A“.

Materiál potřebný pro instalaci najdete uvnitř zařízení.



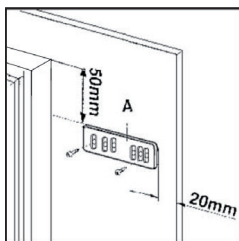
Obr. 5

Otevřete dvířka zařízení a zatlačte je v opačném směru do závěsu (**obr. 6**). Utáhněte zařízení pomocí 4 šroubů, 2 šrouby na horní čelní panel a 2 na postranní rohovou podpěru naproti prostřednímu závěsu.



Obr. 6

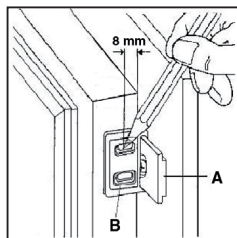
Umístěte lištu „A“ podle instrukcí (**obr. 7**) na vnitřní stranu dvířek skříňky a označte si body pro namontování šroubů. Vyrtejte si otvory pro šrouby. Upevněte lištu.



Obr. 7

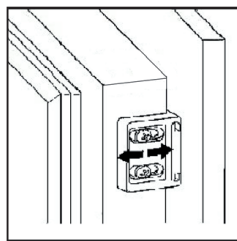
Otevřete dvířka zařízení a skříňky o 90°. Umístěte kovovou rohovou výztuhu „B“ (**obr. 8**)

proti liště „A“. Zkontrolujte, zda dvířka skříňky přiléhají k dvířkům zařízení a vyznačte si místa pro střední otvory podle obrázku (**obr. 8**). Sejměte rohovou výztuhu „B“ a vyvrtejte otvory pro šrouby pomocí vrtáku Ø 2 mm. Umístěte rohovou výztuhu zpět proti liště a upevněte ji pomocí dodaných šroubů.



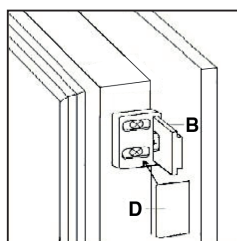
Obr. 8

Pokud potřebujete upravit polohu dvířek skříňky, použijte podélný otvor v rohové výztuze „B“ (**obr. 9**).



Obr. 9

U některých modelů stiskněte kryt „D“ na rohové výztuze „B“.



Obr. 10

Dvířka mrazicího oddílu jsou opatřena 1 posuvným závěsem, dvířka chladicího oddílu vyžadují 2 posuvné závěsy stejného typu.





400011132846

