



User Manual

Refrigerator-Freezer

HSR3918ENP*

HSR3918EWP*

HSR3918FNP*

***=W,B,L,G,N**

GB

Haier



EN WARNING: Risk of fire/flammable material.

The symbol indicates there is a risk of fire since flammable materials are used. Take care to avoid causing a fire by igniting flammable material.

DE WARNUNG: Brandgefahr/ brennbares Material.

Das Symbol weist auf Brandgefahr hin, da brennbare Materialien verwendet werden. Verhindern Sie die Entstehung von Bränden, die durch entflammbare Materialien verursacht werden.

FR ATTENTION: Risque d'incendie ou de mati ères inflammables.

Le symbole montre qu'il y'a le risque de matériaux inflammables sont utilisés. Prendre soin d'éviter de provoquer un incendie en ingérant des matières inflammables.

IT ATTENZIONE: Rischio di incendio/materiale infiammabile.

Il simbolo indica il rischio di incendio nel caso di utilizzo di materiali infiammabili. Fare attenzione ed evitare l'insorgere di Incendi a causa della caombustione di materiali infiammabili.

ES ADVERTENCIA: Riesgo de incendio o material inflamable.

El símbolo indica que existe riesgo de incendio, dado que se utilizan materiales inflamables. Se debe procurar evitar incendios mediante la combustión de materiales inflamables.

PT ADVERTÊNCIA: Risco de incêndio/material inflamável.

O símbolo indica que existe um risco de incendio uma vez que são usados materiais inflamáveis. Ter cuidado para evitar provocar um incendio por acender material inflamável.

NL WAARSCHUWING: Brandrisico / brandbaar materiaal.

Het systeem geeft aan dat er een brandrisico bestaat aangezien brandbaar materiaal wordt gebruikt. Zorg ervoor dat er geen brand wordt veroorzaakt door brandbaar materiaal te ont steken.

PL OSTRZEŻENIE: Ryzyko pożaru/materiał łatwopalny.

Symbol wskazuje, że istnieje ryzyko pożaru, ponieważ używane są materiały łatwopalne. Dbaj o to, aby uniknąć pożaru poprzez zapale nie łatwopalnego materiału.

RO AVERTISMENT: Risc de incendiu/material inflamabil.

Simbolul indică că există risc de incendiu deoarece sunt folosite materiale inflamabile. Aveți grijă și evitați incendiile aprinzând materiale inflamabile

CZ VAROVÁNÍ: Nebezpečí Požáru/ Hořlavého Materiálu.

Symbol označuje riziko požáru, protože byly použity hořlavé materiály. Dbejte na to, aby nedošlo ke vzniku požáru zapálením hořlavého materiálu.

HU FIGYELEM: Tűz / gyúlékony anyag veszélye.

A szimbólum azt jelzi, hogy tűzveszély áll fenn, mivel gyúlékony anyagokat használnak. Ügyeljen arra, hogy ne tegyen rá tűzveszélyes gyúlékony anyagot.

EL ΠΡΟΣΟΧΗ: Κίνδυνος φωτιάς/εύφλεκτο υλικό.

Το σύμβολο υποδεικνύει ότι υπάρχει κίνδυνος φωτιάς επειδή χρησιμοποιούνται εύφλεκτα υλικά. Προσέχετε να αποφεύγετε την πρόκληση φωτιάς από ανάφλεξη εύφλεκτου υλικού.

BG ПРЕДУПРЕЖДЕНИЕ: Опасност от пожар/запалим материал.

Символът показва, че съществува опасност от пожар, тъй като се използват запалими материали. Внимавайте да не предизвикате пожар чрез подпалване на запалим материал.

SR UPOZORENJE: Rizik od vatre / zapaljivog materijala.

Simbol označava da postoji opasnost od požara jer se koriste zapaljivi materijali. Vodite računa da izbegnete izazivanje požara paljenjem zapaljivog materijala.

SL OPOZORILO: Nevarnost požara/vnetljiv material.

Simbol označuje nevarnost požara, saj se uporabljajo vnetljivi materiali. Pazite, da ne povzročite požara z vžigom vnetljivega materiala.

HR UPOZORENJE: Rizik od požara / zapaljivog materijala.

Simbol označava opasnost od požara jer se upotrebljavaju zapaljivi materijali. Pazite da ne prouzročite požar paljenjem zapaljivog materijala.

Thank you for purchasing a Haier Product.

Please read these instructions carefully before using this appliance. The instructions contain important information which will help you get the best out of the appliance and ensure safe and proper installation, use and maintenance.

Keep this manual in a convenient place so you can always refer to it for the safe and proper use of the appliance.

If you sell the appliance, give it away, or leave it behind when you move house, make sure you also pass this manual so that the new owner can become familiar with the appliance and safety warnings.

Legend

Warning – Important Safety information



General information and tips



Environmental information



Disposal

Help protect the environment and human health. Put the packaging in applicable containers to recycle it. Help to recycle waste of electrical and electronic appliances. Do not dispose appliances marked with this symbol with the household waste. Return the product to your local recycling facility or contact your municipal office.



WARNING!

Risk of injury or suffocation!

Refrigerants and gases must be disposed of professionally. Ensure that the tubing of the refrigerant circuit is not damaged before being properly disposed of. Disconnect the appliance from the mains supply. Cut off the mains cable and dispose of it. Remove the trays and drawers as well as the door catch and seals, to prevent children and pets to get closed in the appliance.

Old appliances still have some residual value. An environmentally friendly method of disposal will ensure that valuable raw materials can be recovered and used again.

Cyclopentane, a flammable substance not harmful to ozone, is used as an expander for the insulating foam.

By ensuring this product is disposed of correctly, you will help prevent potential negative consequences for the environment and human health, which could otherwise be caused.

For more detailed information about recycling of this product, please contact your local council, your household waste disposal service or the shop where you purchased the product, handled by the professionals.

1- Safety information.....	6
2- Intended use	10
3- Product description	11
4- Control panel.....	13
5- Use.....	14
6- Energy saving tips	22
7- Equipment	23
8- Care and cleaning	25
9- Trouble shooting	28
10- Installation.....	31
11- Technical data	35
12- Customer service.....	37

Before switching on the appliance for the first time read the following safety hints!:



WARNING!

Before first use

- ▶ Make sure there is no transport damage.
- ▶ Remove all packaging and keep out of children's reach.
- ▶ Wait at least two hours before installing the appliance in order to ensure the refrigerant circuit is fully efficient.
- ▶ Handle the appliance always with at least two persons because it is heavy.

Installation

- ▶ The appliance should be placed in a well-ventilated place. Ensure a space of at least 20 cm above and 10 cm around the appliance.
- ▶ Never place the appliance in a damp area or location where it might be splashed with water. Clean and dry water splashes and stains with a soft clean cloth.
- ▶ Do not install the appliance in direct sunlight or in the near of heat sources (e.g. stoves, heaters).
- ▶ Install and level the appliance in an area suitable for its size and use.
- ▶ Keep ventilation openings in the appliance or in the in-built structure clear of obstruction.
- ▶ Make sure that the electrical information on the rating plate agrees with the power supply. If it does not, contact an electrician.
- ▶ The appliance is operated by a 220-240 VAC/50 Hz power supply. Abnormal voltage fluctuation may cause the appliance to fail to start, or damage to the temperature control or compressor, or there may be an abnormal noise when operating. In such case, an automatic regulator shall be mounted.
- ▶ Use a separate earthed socket for the power supply which is easy accessible. The appliance must be earthed.
- ▶ **Only for UK:** The appliance's power cable is fitted with 3-cord (grounding) plug that fits a standard 3-cord (grounded) socket. Never cut off or dismount the third pin (grounding). After the appliance is installed, the plug should be accessible.
- ▶ Do not use multi-plug adapters and extension cables.
- ▶ Ensure that the power cable is not trapped by the appliance. Do not step on the power cable.
- ▶ Do not damage the refrigerant circuit.
- ▶ Do not locate multiple portable socket-outlets or portable power supplies at the rear of the appliance.

**WARNING!****Daily use**

- ▶ This appliance can be used by children aged from 8 years and above and persons with reduced physical, sensory or mental capabilities or lack of experience and knowledge if they have been given supervision or instruction concerning use of the appliance in a safe way and understand the hazards involved.
- ▶ Children aged from 3 to 8 years are allowed to load and unload refrigerating appliances, but not allowed to clean and install the refrigerating appliances.
- ▶ Keep away children under 3 years of age from the appliance unless they are constantly supervised.
- ▶ Cleaning and user maintenance shall not be made by children without supervision.
- ▶ Children shall not play with the appliance.
- ▶ The appliance must be positioned so that the plug is accessible.
- ▶ If cool gas or other inflammable gas is leaking in the vicinity of the appliance, turn off the valve of the leaking gas, open the doors and windows and do not unplug a plug in the power cable of the appliance or any other appliance.
- ▶ Notice that the appliance is set for operation at a specific ambient range between 10 and 38°C. The appliance may not work properly if it is left for a long period at a temperature above or below the indicated range.
- ▶ Do not place unstable articles (heavy objects, containers filled with water) on top of the appliance, avoid personal injury caused by falling or electric shock caused by contact with water.
- ▶ Do not pull on the door shelves. The door may be pulled slant, the bottle rack, may be pulled away, or the appliance may topple.
- ▶ Open and close the doors only with the handles. The gap between the doors and between the doors and the cabinet is very narrow. Do not extend your hands in these areas to avoid pinching your fingers. Open or close the doors only when there are no children standing within the range of door movement.
- ▶ Do not store or use inflammable, explosive or corrosive materials in the appliance or in the vicinity.
- ▶ Do not store medicines, bacteria or chemical agents in the appliance. This appliance is a household appliance. It is not recommended to store materials that require strict temperatures.
- ▶ Never store liquids in bottles or cans (besides high percentage spirits) especially carbonated beverages in the freezer, as these will burst during freezing.



WARNING!

Daily use

- ▶ Check the condition of food if a warming in the freezer has taken place.
- ▶ Do not set unnecessarily low temperature in the refrigerator compartment. Minus temperatures may occur at high settings. Attention: Bottles can burst.
- ▶ Do not touch frozen goods with wet hands (wear gloves). Especially do not eat ice lollies immediately after removal from the freezer compartment. There is the risk to freeze or the formation of frost blisters. FIRST aid: keep immediately under running cold water. Do not pull away!
- ▶ Do not touch the inside surface of the freezer storage compartment when in operation, especially with wet hands, as your hands may freeze onto the surface.
- ▶ Unplug the appliance in the event of a power interruption or before cleaning. Allow at least 5 minutes before restarting the appliance, as frequent starting may damage the compressor.
- ▶ Do not use electrical devices inside the food storage compartments of the appliance, unless they are of the type recommended by the manufacturer.
- ▶ Only use drinking water with models with water dispenser.

Maintenance / cleaning

- ▶ Make sure children are supervised if they carry out cleaning and maintenance.
- ▶ Disconnect the appliance from the electrical supply before undertaking any routine maintenance. Allow at least 5 minutes before restarting the appliance, as frequent starting may damage the compressor.
- ▶ Hold the plug, not the cable, when unplugging the appliance.
- ▶ Do not scrape off frost and ice with sharp objects. Do not use sprays, electric heaters like heater, hair dryer, steam cleaners or other sources of heat in order to avoid damage to the plastic parts.
- ▶ Do not use mechanical devices or other means to accelerate the defrosting process, other than those recommended by the manufacturer.
- ▶ Do not clean the appliance with hard brushes, wire brushes, detergent powder, petrol, amyl acetate, acetone and similar organic solutions, acid or alkaline solutions. Please clean with special re-frigerator detergent to avoid damage.
- ▶ Eventually use warm water and baking soda solution-about a tablespoon of baking soda to a liter/quart of water. Rinse

thoroughly with water and wipe dry. Do not use cleaning powders or other abrasive cleaners. Do not wash removable parts in a dishwasher



WARNING!

Maintenance / cleaning

- ▶ If the supply cord is damaged, it must be replaced by the manufacturer, its service agent or similarly qualified persons in order to avoid a hazard.
- ▶ Do not try to repair, disassemble or modify the appliance by yourself. In case of repair please contact our customer service.
- ▶ If the illuminating lamps are damaged, it must be replaced by the manufacturer, its service agent or similarly qualified persons in order to avoid a hazard.
- ▶ Eliminate the dust on the back of the unit at least once in the year to avoid hazard by fire, as well as increased energy consumption.
- ▶ Do not spray or flush the appliance during cleaning.
- ▶ Do not use water spray or steam to clean the appliance.
- ▶ Do not clean the cold glass shelves with hot water. Sudden temperature change may cause the glass to break.
- ▶ If you leave your appliance out of use for an extended period, leave it open to prevent odour and unpleasant smells building up inside.

Refrigerant gas information



WARNING!

The appliance contains the flammable refrigerant ISOBUTANE (R600a). Make sure the refrigerant circuit is not damaged during transportation or installation. Leaking refrigerant may cause eye injuries or ignite. If a damage has occurred, keep away open fire sources, thoroughly ventilate the room, do not plug or unplug the power cords of the appliance or any other appliance. Inform the customer service.

In case of eyes get into contact with the refrigerant, rinse immediately it under running water and call immediately the eye specialist.

WARNING: The refrigeration system is under high pressure. Do not tamper with it. Since the flammable refrigerants are used, please, install, handle and service the appliance strictly according to the instruction and contact the professional agent or our after-sales service to dispose of the appliance.


2.1 Intended use

This appliance is intended to be used in household and similar applications such as

- staff kitchen areas in shops, offices and other working environments;
 - farm houses and by clients in hotels, motels and other residential type environments;
 - bed and breakfast type environments;
 - catering and similar non-retail applications.
- If the appliance is not used for an extended period of time, and you will use only the Holiday-function or the fridge off function for the refrigerator/freezer:
- Take out the food.
 - Unplug the power cord.
 - Empty and clean the watertank.
 - Clean the appliance as described above.
 - Keep the doors open to prevent the creation of bad odours inside.
- To ensure the safe preservation of foodstuffs or wine, please comply with this instruction to use.
- To avoid contamination of food (not valid for the wine cellar), please respect the following instructions:
- Opening the door for long periods can cause a significant increase of the temperature in the compartments of the appliance.
 - Clean regularly surfaces that can come in contact with food and accessible drainage systems.
 - Clean water tanks if they have not been used for 48 h; flush the water system connected to a water supply if water has not been drawn for 5 days.
 - Store raw meat and fish in suitable containers in the refrigerator/freezer, so that it is not in contact with or drip onto other food. To ensure the safe preservation of foodstuffs, instant food and raw meat / fish shall be stored separately.
 - Two-star frozen-food compartments are suitable for storing pre-frozen food, storing or making ice cream and making ice cubes.
 - One-, two- and three-star compartments are not suitable for the freezing of fresh food.
 - If the refrigerating appliance is left empty for long periods, switch off, defrost, clean, dry, and leave the door open to prevent mould developing within the appliance.
- The details on the most appropriate part in the compartment of the appliance where specific types of food shall be stored, considering the distribution of temperature that can be present in the different compartments of the appliance are in the part of the other manual.

Disposal



The  symbol on the product or on its packaging indicates that this product may not be treated as household waste. Instead it shall be handed over to the applicable collection point for the recycling of electrical and electronic equipment. By ensuring this product is disposed of correctly, you will help prevent potential negative consequences for the environment and human health, which could otherwise be caused by inappropriate waste handling of this product. For more detailed information about recycling of this product, please contact your local city office, your household waste disposal service or the shop where you purchased the product.

Since the flammable insulation blowing gases are used, please contact the professional agent or our after-sale service to dispose of the appliance.

WARNING!

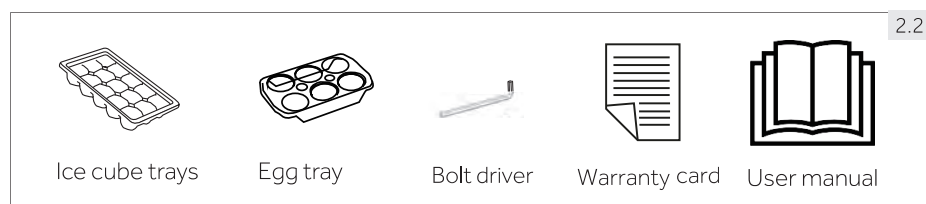
Risk of injury of suffocation!

Refrigerants and gases must be disposed of professionally. Ensure that the tubing of the refrigerant circuit is not damaged before being properly disposed of. Disconnect the appliance from the mains supply. Cut off the mains cable and dispose of it. Remove the trays and drawers as well as the door catch and seals to prevent children and pets to get closed in the appliance.

Changes or modifications to the device are not allowed. Unintended use may cause hazards and loss of warranty claims.

2.2 Accessories

Check the accessories and literature in accordance with this list (Fig. 2.2):



3- Product description

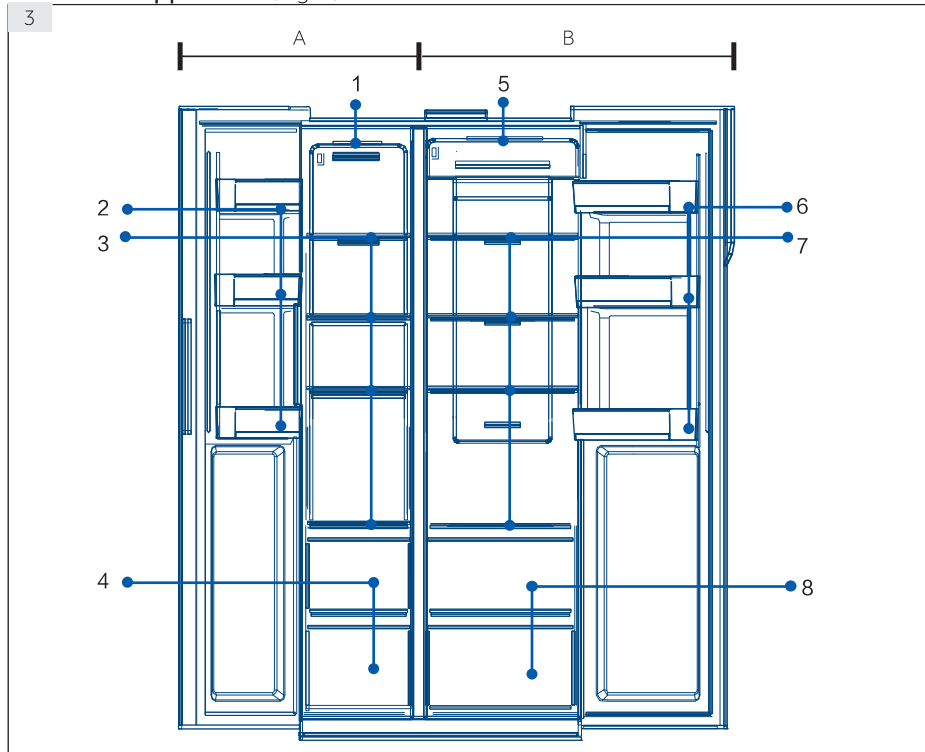
GB



Notice

Due to technical changes and different models, some of the illustrations in this manual may differ from your model.

Pictures of appliances (Fig. 3)



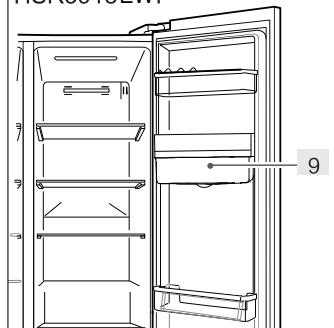
A: Freezer compartment

- 1 Ceiling lamp
- 2 Door rack/bottle holder
- 3 Freezer Shelves
- 4 Freezer Box

B: Fridge compartment

- 5 Ceiling lamp
- 6 Door rack/bottle holder
- 7 Fridge Shelves
- 8 Fridge Box
- 9 Water tank

HSR3918EWP*



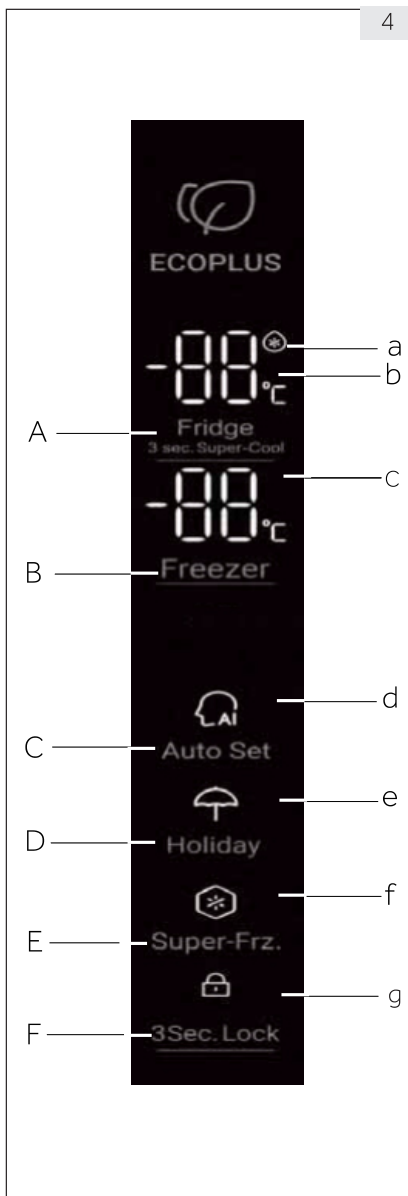
Control panel (Fig. 4)

Keys:

- A Fridge selector
- B Freezer selector
- C Auto Set mode
- D Holiday mode
- E Super-Freeze mode
- F Panel lock selector

Indicators:

- a Super-Cool mode
- b Fridge Temperature
- c Freezer Temperature
- d Auto Set mode
- e Holiday mode
- f Super-Freeze mode
- g Panel lock



5.1. First Use

When the refrigerator first connects with power, the display is on. The default temperature for fridge compartment is 4°C, and freezer is -18°C. The intelligence function light is on.

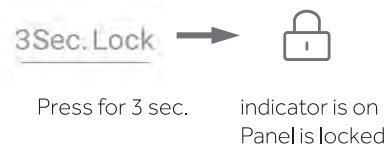
5.2. Lock/ Unlock Panel

Automatic Lock:

When the fridge door and the freezer door are closed, and there is no operation on any button for 30s, the panel light will automatically turn off, and the panel is locked.

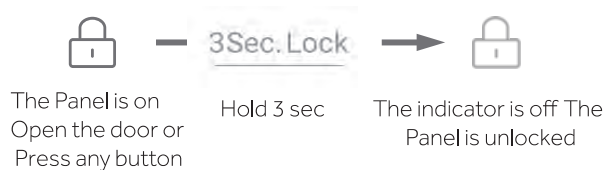
Manual Lock:

When the panel is unlocked, press the Lock button for 3 seconds, and the buzzer make a buzzing sound, the lock indicator is on, and then the display is locked.



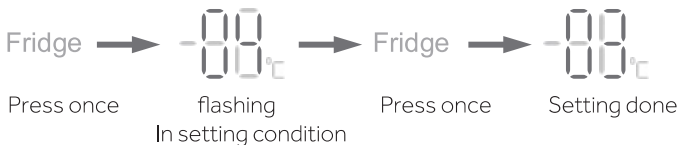
Unlock:

When the panel is off, open any door of the refrigerator or touch any button on the control panel, the panel will light up. At this time, the panel is locked. Press the lock function button for 3 seconds, the buzzer will sound, the lock indicator is off and the panel is unlocked.



5.3. Adjust the temperature for fridge

- When the control panel is unlocked, press the "Fridge selector", and the buzzer sounds, Fridge temperature indicator flashes. Now the fridge temperature can be set.
- Then every press of the fridge selector, the buzzer sounds, and the setting downshifts by 1. The shift sequence is in a continuous loop as "4°C / 3°C / 2°C / 1°C / 9°C / 8°C / 7°C / 6°C / 5°C / 4°C"

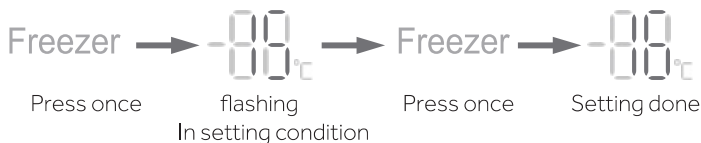


Notice

- The appliance is preset to the recommended temperature of 4°C (refrigerator) and -18°C (freezer). Under normal ambient conditions you do not need set a temperature.

5.4. Adjust the temperature for freezer

1. When the control panel is unlocked, press the "Freezer selector", and the buzzer sounds, Freezer temperature indicator flashes. Now the freezer temperature can be set.
2. Then every press of the freezer selector, the buzzer sounds, and the temperature downshifts by 1. The shift sequence is in a continuous loop as "-18°C/-19°C/-20°C/-21°C/-22°C/-23°C/-24°C/-14°C/-15°C/-16°C/-17°C/-18°C".

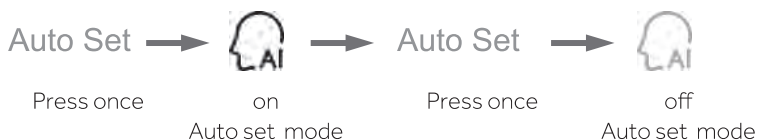


Notice

- ▶ The temperature is set, if no button is pressed in 5 seconds, the temperature will be automatically confirmed and saved.

5.5. Auto set

1. When the control panel is unlocked, press the "Auto set mode selector", and the buzzer sounds. Auto set mode indicator is on. Auto set mode starts.
2. When Auto set mode indicator is on, press the Auto set mode selector, and the buzzer sounds, the Auto set mode indicator is off, and Auto set mode closes.



Notice

- ▶ When the Auto set mode is on, the fridge temperature and the freezer temperature can not be selected. When the fridge selector or the freezer selector is pressed, Auto set mode indicator flashes with sounds reminding that the operation is not allowed. With the Auto set mode, if the fast cool, fast freeze or holiday function is selected, the Auto set mode is off, and Auto set mode automatically closes.

5.6. Holiday mode

Holiday mode is designed for the situation that the refrigerator will not be used for long time. When the holiday mode is on, the freezer temperature can be selected, while the fridge temperature is automatically set as 17°C, which avoids any odor due to high temperature in fridge compartment, and also saves energy consumption.

1. When the control panel is unlocked, press the "Holiday mode selector", and the buzzer sounds, Holiday Function indicator is on. Holiday mode starts.
2. When Holiday mode indicator is on, press the Holiday Function selector, and the buzzer sounds, the Holiday mode indicator is off, and Holiday mode closes.



Notice

- ▶ When the Holiday mode is on, the fridge temperature can not be selected. When the fridge selector is pressed, Holiday mode indicator flashes with sounds reminding that the operation is not allowed. Before the holiday mode is selected, please empty the fridge compartment to avoid any food deterioration. With the holiday mode on, the intelligence function and fast cool can not be simultaneously selected. If intelligence mode or fast cool is selected, the holiday mode indicator is off and the function automatically closes.

5.7. Super-Cool mode

1. When the control panel is unlocked, press the "Fridge selector" for 3 seconds, and the buzzer make a buzzing sound, super cool indicator illuminates. Super-cool starts.
2. When super-cool indicator on, press the fridge selector for 3s, the buzzer make a sound, the super-cool indicator is off. Super cool mode closes
3. When the super-cool mode is on, the refrigerator will automatically switch to the super-cool mode off state after the super-cool mode reaches the set condition. If you want to exit manually, you can press the fridge selector for 3s to turn off the super-cool mode.



Notice

- ▶ With the super-cool function on, the Fuzzy mode and holiday mode can not be simultaneously selected. If Fuzzy mode or holiday mode is selected, the super-cool indicator is off and the super-cool automatically closes.

5.8. Super-Freeze Mode

1. When the control panel is unlocked, press the Super-freeze selector, and the buzzer sounds, the Super-freeze indicator illuminates. Super-freeze mode starts.
2. With Super-freeze indicator on, press the Super-freeze selector, the buzzer sounds, the Super-freeze indicator is off. Super-freeze mode closes.
3. When the Super-freeze mode is on, the refrigerator will automatically switch to the Super-freeze mode off state after the Super-freeze mode reaches the set condition. If you want to exit manually, you can press the Super-freeze selector for 3s to turn off the Super freeze mode.



Notice

- ▶ Super-freeze mode is designed to sustain the nutrients of the food in the freezer compartment, and the food is frozen within shortest time. If a large amount of food is to be frozen at one time, it is recommended to set the Super-freeze mode 24 hours in advance to reach to a lower temperature in the freezer compartment before the food is put in. Under this condition, the freezing speed in the freezer compartment is increased, and the food can be quickly frozen, thereby effectively locking the nutrition of the food and facilitating storage.
In the Super freeze condition, if you want to choose the intelligence function, the Super freeze indicator is off, and the Super-freeze mode closes automatically.

5.9. Open door alarm

When the door opening time is too long or the door is not closed, the refrigerator will emit a drip alarm every time and then to remind you to close the door in time.

5.10. Energy-saving of control panel

No operation on the control panel for 30 seconds, the panel will be automatically off and enter into the locked state, which can save power. When the lock function button is pressed or any door is opened, the control panel will be illuminated.

5.11. Power failure memory function

When the refrigerator is powered off, the momentary working state of the power failure is memorized. After the power is connected again, the refrigerator continues to work according to the shift and functional status set before the power failure.

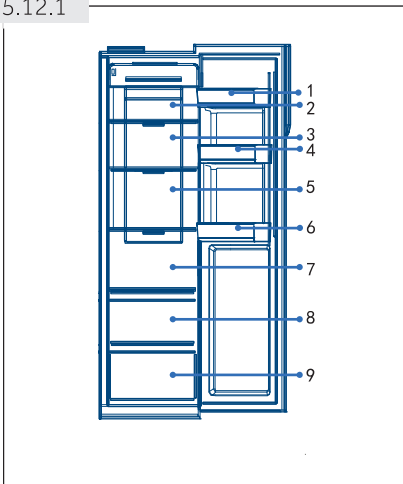
Attention: The lock function is not memorized. After the refrigerator is powered on again, the control panel starts self-checking, the lock function indicator is off, and the refrigerator is unlocked.

5.12 Tips on storing fresh food

5.12.1 Storing into the fridge compartment

- ▶ Keep your fridge temperature below 5°C.
- ▶ Hot food must be cooled to room temperature before storing in the appliance.
- ▶ Foods stored in the fridge should be washed and dried before storing
- ▶ Food to be stored should be properly sealed to avoid odour or taste alterations.
- ▶ Do not store excessive quantities of food. Leave spaces between foods to allow cold air flowing around them, for a better and more homogeneous cooling.
- ▶ Foods eaten daily should be stored at the front of the shelf.
- ▶ Leave a gap between foods and the inner walls, allowing air flowing. In special way don't store foods against the rear wall: foods could freeze against rear wall. Avoid direct contact of food (especially oily or acidic food) with the inner liner, as oil/acid can erode the inner liner. Clean away oily/acid dirt whenever it is found.
- ▶ Defreeze frozen food in the fridge storage compartment. This way, you can use the frozen food to decrease the temperature in the compartment and save energy.
- ▶ The ageing process of fruit and vegetables such as courgettes, melons, papaya, banana, pineapple, etc. can be accelerated in the fridge. Therefore, it is not advisable to store them in the fridge. However, the ripening of strongly green fruits can be promoted for a certain period. Onions, garlic, ginger and other root vegetables should also be stored at room temperature.
- ▶ Unpleasant odours inside the fridge are a sign that something has spilled and cleaning is required. See CARE AND CLEANING.
- ▶ Different foods should be placed in different areas according to their properties (Fig. 5.12.1):

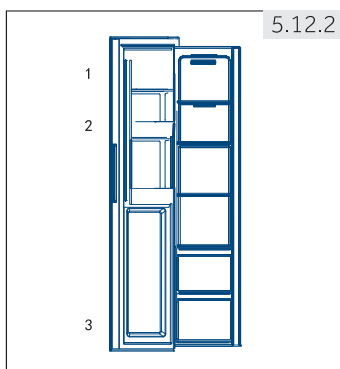
5.12.1



- 1 Butter, cheese, etc.
- 2 Pickled foods, canned food, etc.
- 3 Pickled foods, canned food, etc.
- 4 Cans, canned food, spices, etc.
- 5 Meat products, snack foods, etc.
- 6 Drinks and bottled foods.
- 7 Pasta, canned food, milk, tofu, dairy etc.
- 8 Fruits, vegetables, salad, etc
- 9 Cooked meat,sausages,etc

5.12.2 Storage into the freezer compartment

- ▶ Keep the freezer temperature at -18°C.
- ▶ 24 hours before freezing switch on the Super-Freeze function; -for small quantities of food 4-6 hours are sufficient.
- ▶ Hot food must be cooled to room temperature before storing in the freezer compartment.
- ▶ Food cut into small portions will freeze faster and be easier to defrost and cook. The recommended weight for each portion is less than 2.5 kg
- ▶ It is better to pack food before putting it into the freezer. The outside of the packaging must be dry to avoid bags sticking together. Packaging materials should be odour-free, airtight, non-poisonous and nontoxic.
- ▶ In order to avoid expiration of storage periods, please note the freezing date, time limit and name of the food on the packaging according to the storage periods of different foods.
- ▶ **WARNING!** Acid, alkali and salt etc. could erode the internal surface of the freezer. Do not place the food having these substances (e.g. sea fish) directly on the internal surface. Salt water in the freezer should be cleaned up immediately.
- ▶ Do not exceed the food storage times recommended by the manufacturers. Only take the required amount of food out of the freezer.
- ▶ Different foods should be placed in different areas according to their properties (Fig. 5.12.2):



- 1 Less weighty items, such as ice cream, vegetables, bread etc.
- 2 Beverage without high alcohol and temporary storage of spirits with a high alcohol content, small parts like Pizza or herbs.
- 3 Large/heavier portions of food, such as meats joints for roasting



Notice: Storage

- ▶ Please keep the distance more than 10 mm between the food placed and the sensor to ensure the cooling effect.
- ▶ Please keep the lowest drawer when the appliance working in order to ensure the cooling effect.
- ▶ The food with ice (like ice cream etc.) should be stored inside the freezer compartment instead of on the bottle holder, for the temperature changes at bottle holder caused by door opening and closing may thaw the food.
- ▶ Consume defrosted food quickly. Defrosted food cannot be re-frozen unless it is first cooked, otherwise it may be less edible.
- ▶ Do not load excessive quantities of fresh food in the freezer compartment. Refer to the freezing capacity of the freezer – See TECHNICAL DATA or data at the type plate.
- ▶ Food can be stored in the freezer at a temperature of at least -18°C for 2 to 12 months, depending on its properties (e.g., meat: 3-12 months, vegetables: 6-12 months)
- ▶ When freezing fresh food, avoid bringing it in contact with already frozen food. Risk of thawing!
- ▶ Defreeze frozen food in the fridge. This way, you can use the frozen food to decrease the temperature in the compartment and save energy.

5.12.3 When storing commercially frozen foods, please follow these guidelines:

- ▶ Always follow manufacturers' guidelines for the length of time you should store food for. Do not exceed these guidelines!
- ▶ Try to keep the length of time between purchase and storage as short as possible to preserve food quality.
- ▶ Buy frozen foods, which have been stored at a temperature of -18 °C or below.
- ▶ Avoid buying food which has ice or frost on the packaging – This indicates that the products might have been partially defrosted and refrozen at some point – temperature rises affect the quality of food.

5.13 Water dispenser (HSR3918EWP*)

With the water dispenser cool drinking water can be tapped.

The water tank should be cleaned before first use (see CARE AND CLEANING).

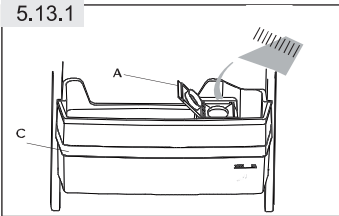
5.13.1 Filling the water tank



WARNING!

Use drinking water only.

5.13.1



1. Ensure that the water tank is properly inserted (see EQUIPMENT)
2. Open the cap (A) and pour fresh drinking water into the water tank (Fig. 5.13.1)
3. Fill water only up to the mark (2.5 l); as it could overflow when the door opens and closes.
4. Close the cap (A) completely.

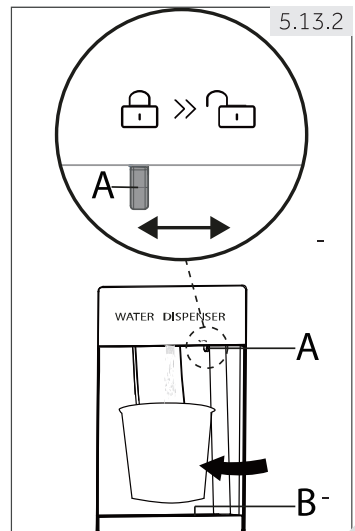


Notice: Water dispenser

- ▶ Before refilling dispose residual water and clean the water tank.
- ▶ When you don't need water for a long time, please empty the water tank and insert the cleaned tank.
- ▶ The cover (C) on the water tank (Fig. 5.13.1) is additionally used to save energy. If you do not want to get water from the water dispenser for a long period, please still install the cover because of better insulating and saving energy.

5.13.2 Getting water from the dispenser

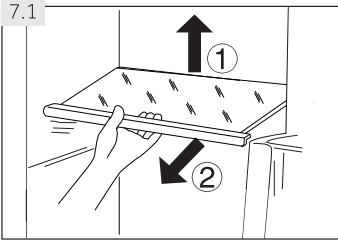
1. Ensure the lock (A) is moved to "Unlock" (Fig. 5.13.2).
2. Place a glass underneath the water outlet.
3. Push it gently against the water dispenser lever with your glass.
Make sure the glass is in line with the dispenser to prevent the water from splashing out.
4. Water in the tray (B) should be removed in time, as it could overflow when the door opens and closes.
5. Slide the lock (A) to position "Lock"





Energy saving tips

- ▶ Make sure the appliance is properly ventilated (see INSTALLATION).
- ▶ Do not install the appliance in direct sunlight or in the near of heat sources (e.g. stoves, heaters).
- ▶ Avoid unnecessarily low temperature in the appliance. The energy consumption increases the lower the temperature in the appliance is set.
- ▶ Functions like Super-Cool or Super-Freeze consume more energy.
- ▶ Allow warm food to cool down before placing it in the appliance.
- ▶ Open the appliance door as little and as briefly as possible.
- ▶ Do not overfill the appliance to avoid obstructing the air flow.
- ▶ Avoid air within the food packaging.
- ▶ Keep door seals clean so that the door always closes correctly.
- ▶ Defreeze frozen food in the fridge storage compartment.



7.1 Adjustable shelves

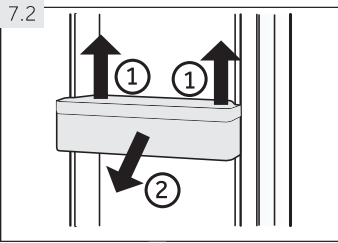
The height of the shelves can be adjusted to fit your storage needs.

1. To relocate a shelf, remove it first by uplifting its hind edge (1) and pulling it out (2) (Fig. 7.1).
2. To reinstall it, put it on the lugs on both sides and push it to the most rearward position until the rear of the shelf is fixed inside the slots in the sides



Notice: Shelves

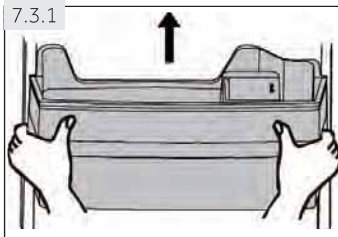
Ensure that all ends of a shelf are level.



7.2 Removable door racks/bottle holder

The door racks/bottle holder can be removed for cleaning:

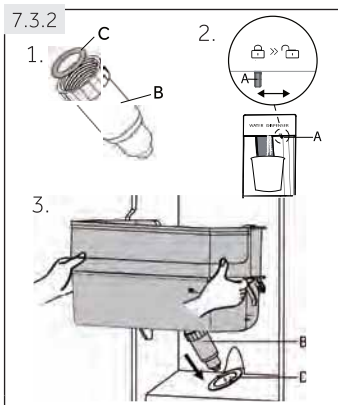
1. Place hands on each side of the rack/holder and lift it upwards (1) (Fig. 7.2).
2. Pull the door rack/bottle holder out (2).
3. In order to insert the door rack/bottle holder, the above steps are carried out in reverse order.



7.3 Water tank (HSR3918EWP*)

7.3.1 Remove water tank

The water tank can be removed and reinstalled for cleaning in the same way as the door racks (Fig. 7.3.1).



7.3.2 Insert water tank

1. Make sure the dispenser spout (B) is firmly screwed to the water tank and the white O-ring (C) is in position (Fig. 7.3.2-1).
2. Slide the lock (A) to position "Lock" (Fig. 7.3.2-2.)
3. Place the water tank in the position that the dispenser spout (B) fits into the opening of the door (D) (Fig. 7.3.2-3.).



Notice: Water tank

- ▶ If the water tank is not properly inserted, water can drip from the connection.
- ▶ Do not use excessive force when removing or installing the water tank, to avoid damaging the tank.

7.4 Bottle holder- freezer compartment

The bottle holders of the freezer compartment are intended for temporary storage of spirits with a high alcohol content. Beverage without high alcohol should be cooled in the fridge.

Additionally you can store small parts in the bottle holders.



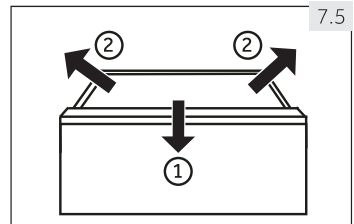
WARNING!

Bottles and cans may burst! Set a timer that will remind you to remove bottles/cans without high alcohol content..

7.5 Removable drawer

To remove the drawer out of the fridge or freezer compartment pull out to the maximum extent (1), lift and remove (2) (Fig. 7.5).

In order to insert the drawer, the above steps are carried out in reverse order.



7.6 The Light

The LED interior light comes on when the door is opened. The performance of the lights is not affected by any of the appliances other settings.

**WARNING!**

Disconnect the appliance from the power supply before cleaning.

8.1 Cleaning

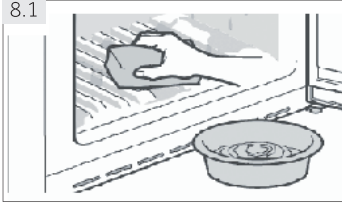
Clean the appliance when only little or no food is stored.

The appliance should be cleaned every four weeks for good maintenance and to prevent bad stored food odors.

**WARNING!**

- ▶ Do not clean the appliance with hard brushes, wire brushes, detergent powder, petrol, amyl acetate, acetone and similar organic solutions, acid or alkaline solutions. Please clean with special fridge detergent to avoid damage.
- ▶ Do not spray or flush the appliance during cleaning.
- ▶ Do not use water spray or steam to clean the appliance.
- ▶ Do not clean the cold glass shelves with hot water. Sudden temperature change may cause the glass to break .
- ▶ Do not touch the inside surface of the freezer storage compartment, especially with wet hands, as your hands may freeze onto the surface.
- ▶ In case of heating check the condition of frozen goods.

8.1




- ▶ Always keep the door gasket clean.
- ▶ Clean the inside and housing of the appliance with a sponge dampened in warm water and neutral detergent (Fig. 8.1).

1. Please scrub the interior and exterior of the refrigerator, including door sealing, door rack, glass shelves, boxse and so on, with a soft towel or sponge dipped in warm water (you may add neu-tral detergent into the warm water).
 2. If there is liquid spilled, remove all the contaminated parts, directly rinse with the flow water, dry and place it back into the fridge.
 3. If there is spilled cream (such as the cream, melting ice cream), please remove all the contaminated parts, put into the warm water with about 40 °C for some time, then rinse with the flow water, dry and place it back into the fridge.
 4. In case some small part or component gets stucked inside of the fridge (between shelves or drawers), use small soft brush to release it. If you could not reach the part, please contact Haier service.
- ▶ Rinse and dry with soft cloth.
 - ▶ Do not clean any of the parts of the appliance in a dishwasher.
 - ▶ Allow at least 5 minutes before restarting the appliance as frequent starting may damage the compressor.

Defrosting

The defrosting of the refrigerator and the freezer compartment are done automatically; no manual operation is needed.

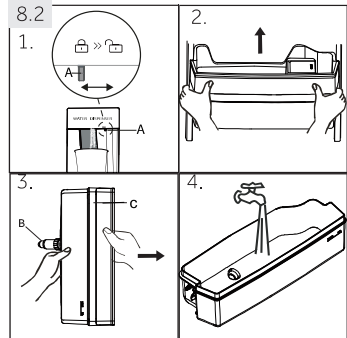
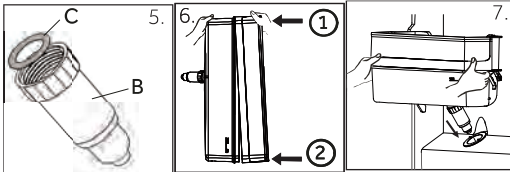
8.2 Cleaning the water tank (Fig. 8.2) (HSR3918EWP*)

1. Slide the lock (A) to position  "Lock".

8- Care and cleaning

GB

2. Take off the water tank out of the appliance.
3. Remove the cover (C) and unscrew the dispenser spout (B) gently.
4. Clean the water tank and the dispenser spout with warm running water and liquid dishwashing detergent. Make sure all soap is rinsed off.
5. Mount the dispenser spout (B) and take care that it is firmly screwed to the water tank and the white O-ring (C) is in position.
6. Press the cover to combine it with one side of the water tank and then the other side, check water tank and cover is assembled completely.
7. Replace the tank inside the appliance. Make sure the dispenser spout is correctly inserted into the hole of the door.



8.3 Replacing the LED-lamps



WARNING!

Do not replace the LED lamp yourself, it must only be replaced by either the manufacturer or the authorised service agent.

The lamps adopts LED as its light source, featuring low energy consumption and long service life. If there is any abnormality, please contact the customer service. See CUSTOMER SERVICE.

Parameters of the lamps: : 12 V max 3 W.

8.4 Non-use for a longer period

If the appliance is not used for an extended period of time, and you will not use the Holiday-function for the fridge:

- ▶ Take out the food.
- ▶ Empty and clean the water tank.
- ▶ Unplug the power cord.
- ▶ Clean the appliance as described above.
- ▶ Keep the doors open to prevent the creation of bad odours inside.



Notice: Switch off

Turn the appliance off only if strictly necessary.

8.5 Moving the appliance

1. Remove all food and unplug the appliance.
2. Secure shelves and other moveable parts in the fridge and the freezer with adhesive tape.
3. Do not tilt the appliance more than 45° to avoid damaging the refrigerating system.



WARNING!

- ▶ Do not lift the appliance by its handles.
- ▶ Never place the appliance horizontally on the ground.

Many occurring problems could be solved by yourself without specific expertise. In case of a problem please check all shown possibilities and follow below instructions before you contact an after sales service. See CUSTOMER SERVICE.



WARNING!

- ▶ Before maintenance, deactivate the appliance and disconnect the mains plug from the mains socket.
- ▶ Electrical equipment should be serviced only by qualified electrical experts, because improper repairs can cause considerable consequential damages.
- ▶ A damaged supply should only be replaced by the manufacturer, its service agent or similarly qualified persons in order to avoid a hazard.

9.1 Troubleshooting table

Problem	Possible Cause	Possible Solution
The compressor does not work.	<ul style="list-style-type: none"> • Mains plug is not connected in the mains socket. • The appliance is in the defrosting cycle. 	<ul style="list-style-type: none"> • Connect the mains plug. • This is normal for an automatic defrosting.
The appliance runs frequently or runs for a too long period of time.	<ul style="list-style-type: none"> • The indoor or outdoor temperature is too high. • The appliance has been off power for a period of time. • A door of the appliance is not tightly closed. • The door has been opened too frequently or for too long. • The temperature setting for the freezer compartment is too low. • The door gasket is dirty, worn, cracked or mismatched. • The required air circulation is not guaranteed. 	<ul style="list-style-type: none"> • In this case, it is normal for the appliance to run longer. • Normally, it takes 8 to 12 hours for the appliance to cool down completely. • Close the door and ensure the appliance is located on a level ground and there is no food or container jarring the door. • Do not open the door too frequently. • Set the temperature higher until a satisfactory refrigerator temperature is obtained. It takes 24 hours for the refrigerator temperature to become stable. • Clean the door gasket or replace them by the customer service. • Ensure adequate ventilation.
The inside of the fridge is dirty and/ or smells.	<ul style="list-style-type: none"> • The inside of the fridge needs cleaning. • Food of strong odour is stored in the fridge. 	<ul style="list-style-type: none"> • Clean the inside of the fridge. • Wrap the food thoroughly.

9- Troubleshooting

GB

Problem	Possible Cause	Possible Solution
It is not cold enough inside the appliance.	<ul style="list-style-type: none"> The temperature is set too high. Too warm goods has been stored. Too much food has been stored at one time. The goods are too close to each other. A door of the appliance is not tightly closed. The door has been opened too frequently or for too long. 	<ul style="list-style-type: none"> Reset the temperature. Always cool down goods before storing them. Always store small quantities of food. Leave a gap between several foods allowing air flowing. Close the door. Do not open the door too frequently.
It is too cold inside the appliance.	<ul style="list-style-type: none"> The temperature is set too low. The Super-Cool / Super-Freeze function is activated or is running too long. 	<ul style="list-style-type: none"> Reset the temperature. Switch off the Super-Cool / Super-Freeze function.
Moisture formation on the inside of the fridge compartment.	<ul style="list-style-type: none"> The climate is too warm and too damp. A door of the appliance is not tightly closed. The door has been opened too frequently or for too long. Food containers or liquids are left open. 	<ul style="list-style-type: none"> Increase the temperature. Close the door. Do not open the door too frequently. Let hot foods cool to room temperature and cover foods and liquids.
Moisture accumulates on the fridges outside surface or between the doors.	<ul style="list-style-type: none"> The climate is too warm and too damp. The door is not closed tightly. The cold air in the appliance and the warm air outside it condensates. 	<ul style="list-style-type: none"> This is normal in damp climate and will change when the humidity decreases. Ensure that the door is tightly shut.
Strong ice and frost in the freezer compartment.	<ul style="list-style-type: none"> The goods were not adequately packaged. A door/drawer of the appliance is not tightly closed. The door has been opened too frequently or for too long. The door gasket is dirty, worn, cracked or mismatched. Something on the inside prevents the door to close properly. 	<ul style="list-style-type: none"> Always pack the goods well. Close the door/drawer. Do not open the door too frequently. Clean the door gasket or replace them by new ones. Reposition the shelves, door racks, or internal containers to allow the door to close.
The appliance makes abnormal sounds.	<ul style="list-style-type: none"> The appliance is not located on level ground. The appliance touches some object around it. 	<ul style="list-style-type: none"> Adjust the feet to level the appliance. Remove objects around the appliance.

Problem	Possible Cause	Possible Solution
A slight sound is to be heard similar to that of flowing water.	<ul style="list-style-type: none"> This is normal. 	<ul style="list-style-type: none"> -
You will hear an alarm beep.	<ul style="list-style-type: none"> The door is open. 	<ul style="list-style-type: none"> Close the door.
You will hear a faint hum.	<ul style="list-style-type: none"> The anti-condensation system is working. 	<ul style="list-style-type: none"> This prevents condensation and is normal.
The interior lighting or cooling system does not work.	<ul style="list-style-type: none"> Mains plug is not connected in the mains socket. The power supply is not intact. The LED-lamp is out of order. 	<ul style="list-style-type: none"> Connect the mains plug. Check the electrical supply to the room. Call the local electricity company! Please call the service for changing the lamp.
The sides of the cabinet and door strip get warm.	<ul style="list-style-type: none"> This is normal. 	<ul style="list-style-type: none"> -
No water is coming out of the water dispenser spout	<ul style="list-style-type: none"> Lock is not deactivated. 	<ul style="list-style-type: none"> Deactivate the lock.

9.2 Power interruption

In the event of a power cut, food should remain safely cold for about 5 hours. Follow these tips during a prolonged power interruption, especially in summer:

- ▶ Open the door/drawer as few times as possible.
- ▶ Do not put additional food into the appliance during a power interruption.
- ▶ If prior notice of a power interruption is given and the interruption duration is longer than 5 hours, make some ice and put it in a container in the top of the fridge compartment.
- ▶ An inspection of the goods is required immediately after the interruption.
- ▶ As temperature in the fridge will rise during a power interruption or other failure, the storage period and edible quality of food will be reduced. Any food that defrosts should be either consumed, or cooked and refrozen (where suitable) soon afterwards in order to prevent health risks.



Notice: Memory function during power interruption

After restoration of power the appliance continues with the settings that were set before the power failure.

10.1 Unpacking

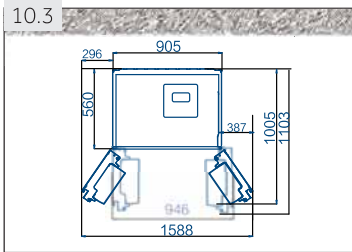


WARNING!

- ▶ The appliance is heavy. Always handle with at least two persons.
- ▶ Keep all packaging materials out of children's reach and dispose them in an environmentally friendly manner.
- ▶ Take the appliance out of the packaging.
- ▶ Remove all packaging materials including the transparent protective film.

10.2 Environmental conditions

The room temperature should always be between 16° C and 43° C, since it can influence the temperature inside the appliance and its energy consumption. Do not install the appliance near other heat-emitting appliances (ovens, fridges) without isolation.

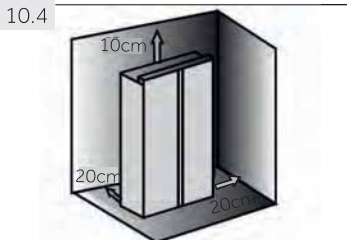


10.3 Space requirement

Required space when door is opened (Fig. 10.3):

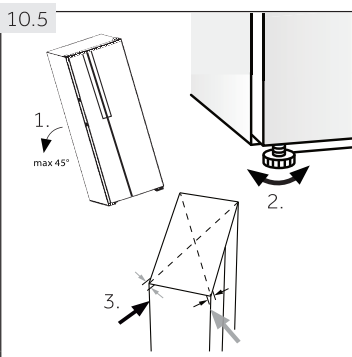
Appliance width: 1588mm

Appliance depth: 1103mm



10.4 Ventilaton cross-section

To achieve sufficient ventilation of the appliance for safety reasons, the information of the required ventilation cross sections must be observed (Fig. 10.4)..



10.5 Aligning the appliance

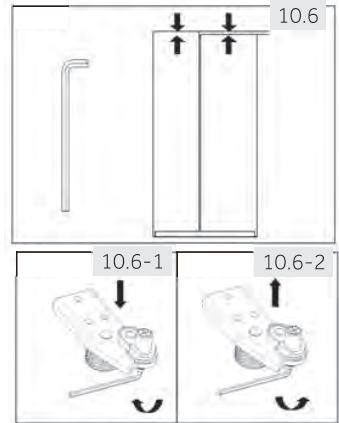
The appliance should be placed on a flat and solid surface.

1. Tilt the appliance slightly backwards (Fig. 10.5).
2. Set the feet to the desired level.
 - Make sure the distance to the wall on the hinge sides is at least 5 cm.
3. The stability can be checked by alternately bumping on the diagonals. The slightly swaying should be the same in both directions. Otherwise the frame can warp; possibly leaking door seals are the result. A low tendency to the rear facilitates the closing of the doors.

10.6 Fine tuning of the doors

If the doors are still not in one level after levelling the doors by the feet, this mismatch can be remedied by turning the hinge lifting shaft at the right bottom corner of refrigerating door with a spanner (Fig. 10.6)

- ▶ Clockwise turn lifting shaft with spanner to lower door height (Fig. 10.6-1).
- ▶ Anticlockwise turn lifting shaft with spanner to lift door height (Fig. 10.6-2).

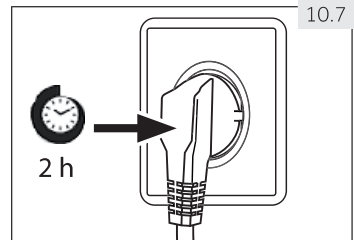


WARNING!

Do not adjust the hinge lifting shaft excessively to a height which might cause the shaft to leave its original locked position. (Adjustable height range: 3 mm)

10.7 Waiting time

To the maintenance-free lubrication oil is located in the capsule of the compressor. This oil can get through the closed pipe system during slanting transport. Before connecting the appliance to the power supply you have to wait at least 2 hours (Fig.10.7) so that the oil runs back into the capsule.



10.8 Electrical connection

Before each connection check if:

- ▶ power supply, socket and fusing are appropriate to the rating plate.
- ▶ the power socket is earthed and no multi-plug or extension.
- ▶ the power plug and socket are strictly according.

Connect the plug to a properly installed household socket.



WARNING!

To avoid risks a damaged power cord must be replaced by the customer service (see warranty card).

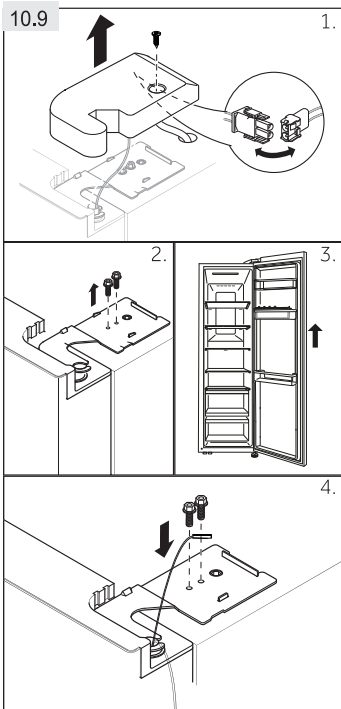
10.9 Removing and installing the doors and installation instructions below (Fig. 10.9).

In the event that you need to remove the appliance doors, please follow the door removal and installation instructions below (Fig. 10.9)



WARNING!

- ▶ Before any operation, deactivate the appliance and disconnect the mains plug from the mains socket.
- ▶ The appliance is heavy. Always handle with at least two persons.
- ▶ Do not tilt the appliance more than 45° or place it horizontally on the ground




1. Undo the hinge cover screw and remove the cover. Release the cable connector.
2. Undo the screws holding the upper hinge in position and then remove the hinge.
3. Lift the fridge compartment door to remove it.
4. Refit the door by reversing the removal steps. Ensure that the grounding cable will be fixed by the screw.



Notice: Fridge door

The pictures show the removing of the fridge compartment door. For the freezer door please use the corresponding parts on the other side

11.1 Product fiche according to regulation EU No. 1060/2010

Trade mark	Haier
Model identifier	HSR3918FNP*
Category of the model	Refrigerator-freezer
Energy efficiency class	A+
Annual energy consumption (kWh/year) ¹⁾	399
Storage volume cooling (L)	337
Storage volume freezing (L) ****	167
Star rating	
Temperature of other compartments > 14°C	Non applicable
Frostfree system	Yes
Temperature rise time (h)	5
Freezing capacity(kg/24h)	10
Climate class This appliance is intended to be used at an ambient temperature between 10 °C and 43°C.	SN-N-ST-T
Airborne acoustical noise emissions (db(A) re 1pW)	38
Construction type	Freestanding

based on standard test results for 24 hours. Actual energy consumption will depend on how the appliance is used and where it is located.

11.1.1 Additional technical data

Voltage / Frequency	220-240V ~/ 50Hz
Input power (W)	200
Main fuse (A)	15
Coolant	R600a
Dimensions (H/W/D in mm)	1775/908/647

11.1.2 Standards and directives

This product meets the requirements of all applicable EC directives with the corresponding harmonised standards, which provide for CE marking.

12- Customer service

GB

We recommend our Haier Customer Service and the use of original spare parts.
If you have a problem with your appliance, please first check section TROUBLESHOOTING.

If you cannot find a solution there, please contact

- ▶ your local dealer or
- ▶ the Service & Support area at www.haier.com where you can find telephone numbers and FAQs and where you can activate the service claim.

To contact our Service, ensure that you have the following data available.
The information can be found on the rating plate.

Model _____ Serial No. _____

Also check the Warranty Card supplied with the product in case of warranty.

Haier



0060524101F



Bedienungsanleitung

Kühlschrank - Gefrierschrank

HSR3918ENP*

HSR3918EWP*

HSR3918FNP*

***=W,B,L,G,N**

DE

Haier

Vielen Dank für den Kauf eines Haier-Produktes.

Bitte lesen Sie diese Anleitung sorgfältig durch, bevor Sie dieses Gerät benutzen. Die Anleitung enthält wichtige Informationen, die Ihnen helfen, das Gerät optimal zu nutzen und eine sichere und ordnungsgemäße Installation, Nutzung und Wartung zu gewährleisten.

Bewahren Sie dieses Handbuch an einem geeigneten Ort auf, damit Sie für den sicheren und ordnungsgemäßen Gebrauch des Geräts immer darin nachschlagen können.

Wenn Sie das Gerät verkaufen, verschenken oder bei einem Umzug zurücklassen, geben Sie unbedingt auch dieses Handbuch mit, damit sich der neue Besitzer mit dem Gerät und den Sicherheitshinweisen vertraut machen kann.

Zeichenerklärung

Warnung- Wichtige Sicherheitsinformationen



Allgemeine Informationen und Tipps



Umweltinformationen



Entsorgung

Helfen Sie mit, die Umwelt und die menschliche Gesundheit zu schützen. Entsorgen Sie die Verpackung in einem geeigneten Sammelbehälter zur Wiederverwertung. Helfen Sie mit, die Reste von elektrischen und elektronischen Geräten zu recyceln. Mit diesem Symbol gekennzeichnete Geräte dürfen nicht über den Hausmüll entsorgt werden. Bringen Sie das Produkt zu Ihrer örtlichen Recycling-Stelle zurück oder wenden Sie sich an die zuständige Behörde.



WARNUNG!

Verletzungs- oder Erstickengefahr!

Kältemittel und Gase müssen fachgerecht entsorgt werden. Vergewissern Sie sich, dass die Leitungen des Kältemittelkreislaufs nicht beschädigt sind, bevor Sie das Gerät ordnungsgemäß entsorgen. Trennen Sie das Gerät von der Netzspannung ab. Trennen Sie das Netzkabel ab und entsorgen Sie es. Entfernen Sie die Fächer und Schubladen sowie die Türverriegelung und die Dichtungen, um zu verhindern, dass Kinder und Haustiere im Gerät eingeschlossen werden.

Alte Geräte haben noch einen gewissen Restwert. Durch ein umweltfreundliches Entsorgungsverfahren wird sichergestellt, dass wertvolle Rohstoffe wieder gewonnen und verwendet werden.

Cyclopentan, ein brennbarer, nicht ozonschädlicher Stoff, wird als Treibmittel für den Isolierschaum verwendet.

Indem Sie sicherstellen, dass dieses Produkt korrekt entsorgt wird, tragen Sie dazu bei, potenzielle negative Folgen für die Umwelt und die menschliche Gesundheit zu vermeiden.

Ausführlichere Informationen über das Recycling dieses Produkts erhalten Sie bei der zuständigen Behörden, dem Abfallbeseitigungsdienstleister oder in dem Geschäft, in dem Sie das Produkt gekauft haben.

1- Sicherheitshinweise.....	4
2- Bestimmungsgemäßer Gebrauch.....	8
3- Produktbeschreibung	10
4- Bedienfeld.....	11
5- Verwendung.....	12
6- Tipps zum Energiesparen	20
7- Ausrüstung.....	21
8- Pflege und Reinigung	23
9- Fehlerbehebung	26
10- Installation	30
11- Technische Daten.....	34
12- Kundenservice	35

Lesen Sie vor dem ersten Einschalten des Gerätes die folgenden Sicherheitshinweise!



WARNUNG!

Vor dem erstmaligen Gebrauch

- ▶ Stellen Sie sicher, dass keine Transportschäden vorliegen.
- ▶ Entfernen Sie alle Verpackungen und bewahren Sie sie außerhalb der Reichweite von Kindern auf.
- ▶ Warten Sie mindestens zwei Stunden vor der Installation des Geräts, um sicherzustellen, dass der Kältemittelkreislauf voll effizient ist.
- ▶ Bewegen Sie das Gerät immer mit mindestens zwei Personen, da es schwer ist.

Montage

- ▶ Das Gerät sollte an einem gut belüfteten Ort aufgestellt werden. Achten Sie auf einen Abstand von mindestens 20 cm über und 10 cm um das Gerät herum.
- ▶ Stellen Sie das Gerät niemals in einem feuchten Raum oder an einem Ort auf, wo es Wasserspritzern ausgesetzt sein könnte. Beseitigen und trocknen Sie Wasserspritzer und Flecken mit einem weichen, sauberen Tuch.
- ▶ Installieren Sie das Gerät nicht in direktem Sonnenlicht oder in der Nähe von Wärmequellen (z. B. Öfen, Heizungen).
- ▶ Installieren und nivellieren Sie das Gerät in einem Bereich, der für seine Größe und Verwendung geeignet ist.
- ▶ Halten Sie die Lüftungsöffnungen im Gerät oder in der Innenstruktur frei durchgängig.
- ▶ Stellen Sie sicher, dass die elektrischen Angaben auf dem Typenschild mit der Stromversorgung übereinstimmen. Wenn dies nicht der Fall ist, wenden Sie sich an einen Elektriker.
- ▶ Das Gerät wird mit einer Stromversorgung von 220-240 VAC/50 Hz betrieben. Eine anormale Spannungsschwankung kann dazu führen, dass das Gerät nicht anspringt, die Temperaturregelung oder der Kompressor beschädigt werden oder ein ungewöhnliches Betriebsgeräusch auftritt. In diesem Fall ist ein automatischer Regler zu montieren.
- ▶ Verwenden Sie für die Stromversorgung eine separate, leicht zugängliche Schutzkontaktsteckdose. Das Gerät muss geerdet werden.
- ▶ **Nur für Großbritannien:** Das Netzkabel des Geräts ist mit einem 3-adrigen (geerdeten) Stecker ausgestattet, der in eine normale 3-adrige (geerdete) Steckdose passt. Schneiden Sie niemals den dritten Stift ab oder demontieren Sie ihn (Erdung). Nachdem das Gerät installiert ist, sollte der Stecker zugänglich sein.
- ▶ Verwenden Sie keine Multistecker-Adapter und Verlängerungskabel.
- ▶ Stellen Sie sicher, dass das Stromkabel nicht vom Gerät eingeklemmt wird. Treten Sie nicht auf das Stromkabel.
- ▶ Beschädigen Sie keinesfalls den Kühlkreislauf.
- ▶ **Es dürfen keine Mehrfachsteckdosen oder tragbare Netzteile auf der Rückseite des Geräts positioniert werden.**



WARNUNG!

Täglicher Gebrauch

- ▶ Dieses Gerät darf von Kindern ab 8 Jahren und Personen mit eingeschränkten körperlichen, sensorischen oder geistigen Fähigkeiten oder ohne Erfahrung und Wissen nur benutzt werden, wenn sie beaufsichtigt werden oder Anweisungen für den sicheren Gebrauch des Geräts erhalten und die damit verbundenen Gefahren verstanden haben.
- ▶ Kinder im Alter von 3 bis 8 Jahren dürfen Kühlgeräte be- und entladen, nicht aber die Kühlgeräte reinigen und installieren.
- ▶ Halten Sie Kinder unter 3 Jahren von dem Gerät fern, wenn sie nicht ständig beaufsichtigt werden.
- ▶ Kinder dürfen das Gerät nur unter Beaufsichtigung reinigen und instand halten.
- ▶ Kinder dürfen keinesfalls mit dem Gerät spielen.
- ▶ **Das Gerät muss so aufgestellt werden, dass der Stecker zugänglich ist.**
- ▶ Falls in der Nähe des Gerätes Kühlgas oder ein anderes brennbares Gas austritt, schließen Sie das Ventil des austretenden Gases und öffnen Türen und Fenster. Ziehen Sie weder den Stecker dieses Gerätes oder eines anderen Gerätes ab.
- ▶ Beachten Sie, dass das Gerät für den Betrieb in **einem bestimmten Temperaturbereich zwischen 10 °C und 38 °C** eingerichtet ist. Das Gerät funktioniert möglicherweise nicht richtig, wenn es über einen längeren Zeitraum einer Temperatur über oder unter dem angegebenen Bereich ausgesetzt ist.
- ▶ Stellen Sie keine instabilen Gegenstände (schwere Gegenstände, **mit Wasser gefüllte Behälter**) auf das Gerät. **So vermeiden Sie Verletzungen** durch Herunterfallen oder elektrische Schläge infolge von Wasserkontakt.
- ▶ Ziehen Sie nicht an den Türfächern. Die Tür könnte sich neigen, das Flaschenregal könnte weggezogen werden oder das Gerät könnte umkippen.
- ▶ Öffnen und schließen Sie die Türen nur mit den Griffen. Der Spalt zwischen den Türen und zwischen Türen und Schrank ist sehr schmal. Halten Sie Ihre Hände nicht in diese Bereiche, um zu verhindern, dass Ihre Finger eingeklemmt werden. Öffnen oder schließen Sie die Türen nur dann, wenn sich keine Kinder im Türöffnungsbereich befinden.
- ▶ Lagern oder verwenden Sie keine brennbaren, explosiven oder korrosiven Materialien im Gerät oder in dessen Nähe.
- ▶ Lagern Sie keine Medikamente, Bakterien oder chemische Stoffe im Gerät. Dieses Gerät ist ein Haushaltsgerät. Es sollten keine Materialien gelagert werden, die exakte Temperaturen erfordern.
- ▶ Lagern Sie niemals Flüssigkeiten in Flaschen oder Dosen (außer hochprozentigen Spirituosen), insbesondere kohlenensäurehaltige Getränke, in der Tiefkühltruhe, da diese beim Einfrieren platzen.

**WARNUNG!****Täglicher Gebrauch**

- ▶ Überprüfen Sie den Zustand der Lebensmittel, wenn eine Erwärmung im Gefrierfach stattgefunden hat.
- ▶ Stellen Sie keine unnötig niedrige Temperatur im Kühlfach ein. Bei hohen Einstellungen können Minustemperaturen auftreten. Achtung: Flaschen können platzen.
- ▶ Gefriergut nicht mit nassen Händen berühren (Handschuhe tragen). Essen Sie insbesondere keine Eis am Stiel direkt nach der Entnahme aus dem Gefrierfach. Es besteht die Gefahr von Gefrierverletzungen. ERSTE HILFE: Sofort unter fließend kaltes Wasser halten. Nicht wegziehen!
- ▶ Berühren Sie während des Betriebs nicht die Innenfläche des Gefrierfachs, insbesondere nicht mit nassen Händen, weil Ihre Hände an der Oberfläche festfrieren könnten.
- ▶ Ziehen Sie bei einem Stromausfall oder vor dem Reinigen den Netzstecker. Warten Sie vor der Wiederinbetriebnahme des Geräts mindestens 5 Minuten, da ein zu häufiges Starten den Kompressor beschädigen kann.
- ▶ Verwenden Sie – abgesehen von der herstellereitigen Empfehlung – keine elektrischen Geräte in den Lebensmittel-Aufbewahrungsfächern des Geräts.
- ▶ Verwenden Sie Trinkwasser nur bei Modellen mit Wasserspender.

Wartung/Reinigung.

- ▶ Stellen Sie sicher, dass Kinder bei der Reinigung und Wartung beaufsichtigt werden.
- ▶ Trennen Sie das Gerät von der Stromversorgung ab, bevor Sie routinemäßige Wartungsarbeiten durchführen. Warten Sie vor der Wiederinbetriebnahme des Geräts mindestens 5 Minuten, da ein zu häufiges Starten den Kompressor beschädigen kann.
- ▶ Fassen Sie zum Abtrennen des Netzkabels immer am Stecker an; ziehen Sie nie am Kabel.
- ▶ Frost und Eis nicht mit scharfen Gegenständen abkratzen. Verwenden Sie keine Sprays, Elektroheizungen, Haartrockner, Dampfreiniger oder andere Wärmequellen, um Schäden an den Kunststoffteilen zu vermeiden.
- ▶ Benutzen Sie außer den vom Hersteller empfohlenen Mitteln keine mechanischen Geräte oder andere Hilfsmittel, um den Abtauvorgang zu beschleunigen.
- ▶ **Reinigen Sie das Gerät nicht mit harten Bürsten, Drahtbürsten, Reinigungsmittelpulver, Benzin, Amylacetat, Aceton und ähnlichen organischen Lösungen, Säuren oder Laugen. Bitte mit einem speziellen Reinigungsmittel für Kühlschränke reinigen, um Schäden zu vermeiden.**
- ▶ **Verwenden Sie gelegentlich warmes Wasser und Backpulverlösung – etwa einen Esslöffel Backpulver auf einen Liter/Quartal Wasser. Gründlich mit Wasser abspülen und trocken wischen. Verwenden Sie keine Reinigungspulver oder andere scheuernde Reinigungsmittel. Waschen Sie abnehmbare Teile nicht in der Spülmaschine.**



WARNUNG!

Wartung / Reinigung

- ▶ Ein beschädigtes Netzkabel muss vom Hersteller, dem zugelassenen Kundendienst oder ähnlichem Fachpersonal ausgewechselt werden, um Gefahren vorzubeugen.
- ▶ Versuchen Sie nicht, das Gerät selbst zu reparieren, zu demontieren oder zu modifizieren. Im Falle einer Reparatur wenden Sie sich bitte an unseren Kundendienst.
- ▶ Wenn die Beleuchtungslampen beschädigt sind, müssen sie vom Hersteller, seinem Servicevertreter oder ähnlichem Fachpersonal ersetzt werden, um eine Gefährdung zu vermeiden.
- ▶ Beseitigen Sie mindestens einmal im Jahr Staubansammlungen auf der Rückseite des Gerätes, um Brandgefahren und einen erhöhten Energieverbrauch zu vermeiden.
- ▶ Besprühen oder spülen Sie das Gerät während der Reinigung nicht.
- ▶ Verwenden Sie zur Reinigung des Geräts weder Wassersprühstrahl noch Dampf.
- ▶ Reinigen Sie die kalten Glasböden nicht mit heißem Wasser. Plötzliche Temperaturänderungen können zum Bruch des Glases führen.
- ▶ Wenn Sie Ihr Gerät für längere Zeit nicht benutzen, lassen Sie es offenstehen, um zu verhindern, dass sich im Inneren unangenehme Gerüche bilden.

Informationen zum Kältemittelgas



WARNUNG!

Das Gerät enthält das brennbare Kältemittel ISOBUTAN (R600a). Achten Sie darauf, dass der Kältemittelkreislauf während des Transports oder der Installation nicht beschädigt wird. Auslaufendes Kältemittel kann zu Augenverletzungen oder zur Entzündung führen. Wenn ein Schaden aufgetreten ist, halten Sie offene Feuerquellen fern, lüften Sie den Raum gründlich, stecken Sie weder das Netzkabel dieses noch eines anderen Geräts ein oder aus. Informieren Sie den Kundenservice.

Falls die Augen mit dem Kältemittel in Kontakt kommen, spülen Sie sie sofort unter fließendem Wasser aus und kontaktieren den Augenarzt.

WARNUNG: Das Kühlsystem steht unter hohem Druck. Nehmen Sie keine Veränderungen daran vor. Da brennbare Kältemittel verwendet werden, installieren, behandeln und warten Sie das Gerät bitte strikt nach den Anweisungen. Wenden Sie sich an den Fachhändler oder unseren Kundendienst, um das Gerät zu entsorgen.

2.1 Bestimmungsgemäßer Gebrauch

Dieses Gerät ist für den Einsatz im Haushalt und ähnliche Anwendungen vorgesehen, z. B.:

- Personalküchen in Geschäften, Büros und anderen Arbeitsumgebungen;
 - Bauernhäuser sowie Kunden in Hotels, Motels und anderen Wohnumgebungen;
 - Bed & Breakfast;
 - Catering und ähnliche Anwendungen außerhalb des Einzelhandels.
- Wenn das Gerät über einen längeren Zeitraum nicht benutzt wird und Sie nur die Urlaubsfunktion oder die Funktion „Kühlschrank aus“ für den Kühl-/Gefrierschrank verwenden:
- Nehmen Sie das Essen heraus
 - Ziehen Sie den Netzstecker
 - Leeren und reinigen Sie den Wassertank
 - Reinigen Sie das Gerät wie oben beschrieben
 - Halten Sie die Türen offen, um die Entstehung unangenehmer Gerüche im Inneren zu verhindern
- Um die sichere Lagerung von Lebensmitteln oder Wein zu gewährleisten, halten Sie sich bitte an diese Gebrauchsanweisung.
- Um eine Kontamination von Lebensmitteln zu vermeiden (gilt nicht für den Weinkeller), beachten Sie bitte die folgenden Hinweise:
- Ein längeres Öffnen der Tür kann zu einem erheblichen Temperaturanstieg in den Fächern des Gerätes führen.
 - Reinigen Sie regelmäßig Oberflächen, die mit Lebensmitteln in Berührung kommen können, sowie zugängliche Drainagesysteme.
 - Reinigen Sie die Wasserbehälter, falls sie 48 Stunden lang nicht benutzt wurden; spülen Sie das an einer Wasserleitung angeschlossene Wassersystem durch, falls 5 Tage lang kein Wasser eingespeist wurde.
 - Lagern Sie rohes Fleisch und Fisch in geeigneten Behältern im Kühl-/Gefrierschrank, damit sie nicht mit anderen Lebensmitteln in Kontakt kommen oder auf diese tropfen. Um die sichere Lagerung von Lebensmitteln zu gewährleisten, müssen Fertiggerichte und rohes Fleisch/Fisch getrennt gelagert werden.
 - Zwei-Sterne-Tiefkühlfächer eignen sich für die Lagerung von vorgefrorenen Lebensmitteln, die Lagerung oder Herstellung von Eiscreme und die Herstellung von Eiswürfeln.
 - Ein-, Zwei- und Drei-Sterne-Fächer sind nicht für das Einfrieren von frischen Lebensmitteln geeignet.
 - Falls das Kühlgerät über einen längeren Zeitraum leer bleibt, schalten Sie es aus, tauen es ab, reinigen und trocknen es, und lassen dann die Tür offen, um Schimmelbildung im Gerät zu vermeiden.
- Einzelheiten zu dem am besten geeigneten Bereich, in dem bestimmte Arten von Lebensmitteln unter Berücksichtigung der jeweiligen Temperaturverteilung gelagert werden sollten, finden Sie im anderen Handbucheil.

Entsorgung

Das Symbol auf dem Produkt oder seiner Verpackung weist darauf hin, dass dieses Produkt nicht als Haushaltsabfall behandelt werden darf. Bringen Sie es stattdessen zu einer dafür vorgesehenen Sammelstelle für die Wiederaufbereitung von Elektro- und Elektronikartikeln. Indem Sie sicherstellen, dass dieses Produkt korrekt entsorgt wird, tragen Sie dazu bei, potenzielle negative Folgen für die Umwelt und die menschliche Gesundheit zu vermeiden. Weitergehende Informationen zur Behandlung, Rückgewinnung und Wiederaufbereitung erhalten Sie bei den zuständigen Behörden, dem Abfallbeseitigungsdienstleister oder der Verkaufsstelle.

Da brennbare Treibmittel zur Isolierung verwendet werden, wenden Sie sich bitte an den Fachhändler oder unseren Kundendienst, um das Gerät zu entsorgen.



WARNUNG!

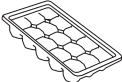
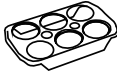



Verletzungsgefahr durch Ersticken!

Kältemittel und Gase müssen fachgerecht entsorgt werden. Achten Sie darauf, dass die Leitungen des Kältemittelkreislaufs unbeschädigt sind, bevor sie ordnungsgemäß entsorgt werden. Trennen Sie das Gerät vom Netz ab. Trennen Sie das Netzkabel ab und entsorgen Sie es. Entfernen Sie sowohl die Fächer und Schubladen als auch die Türverriegelung und die Dichtungen, um zu verhindern, dass Kinder und Haustiere im Gerät eingeschlossen werden.

Änderungen oder Modifikationen am Gerät sind nicht zulässig. Die nicht bestimmungsgemäße Benutzung kann zu Gefahren sowie zum Verlust von Garantieansprüchen führen.

2.2 Zubehör

Überprüfen Sie das Zubehör und die Unterlagen entsprechend dieser Liste (Abb. 2.2):

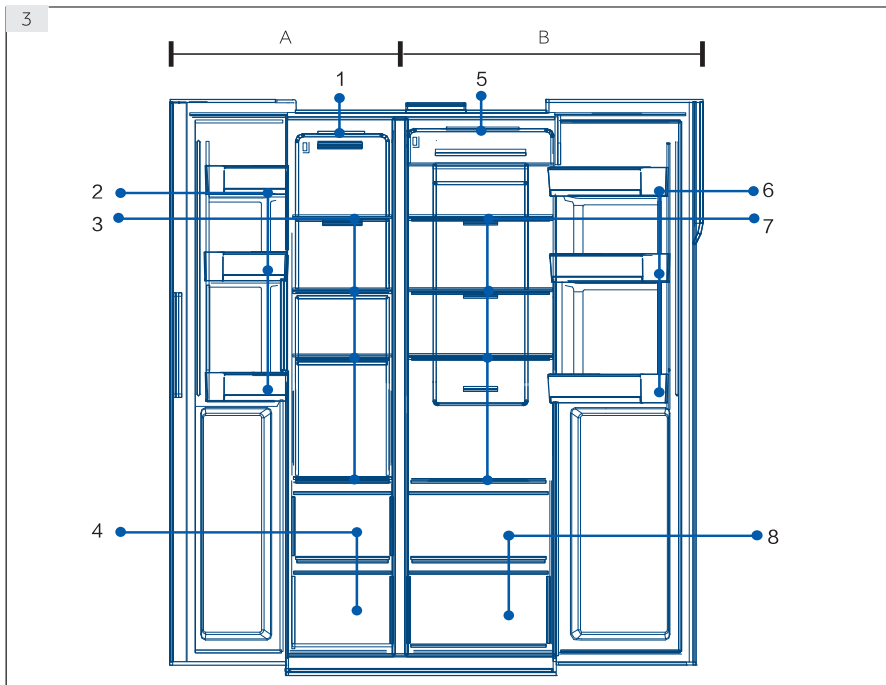
				
Eiswürfelschalen	Eierablage	Inbusschlüssel	Garantiekarte	Benutzerhandbuch

2.2

i Hinweis

Aufgrund technischer Änderungen und unterschiedlicher Modelle können einige der Abbildungen in diesem Handbuch von Ihrem Modell abweichen.

Bilder von Geräten (Abb. 3)



A: Gefrierfach

- 1 Deckenleuchte
- 2 Türablage/
Flaschenhalter
- 3 Tiefkühlfächer
- 4 Gefrierfach

B: Kühlschrankfach

- 5 Deckenleuchte
- 6 Türablage/
Flaschenhalter
- 7 Kühlfächer
- 8 Kühlfach
- 9 Wassertank



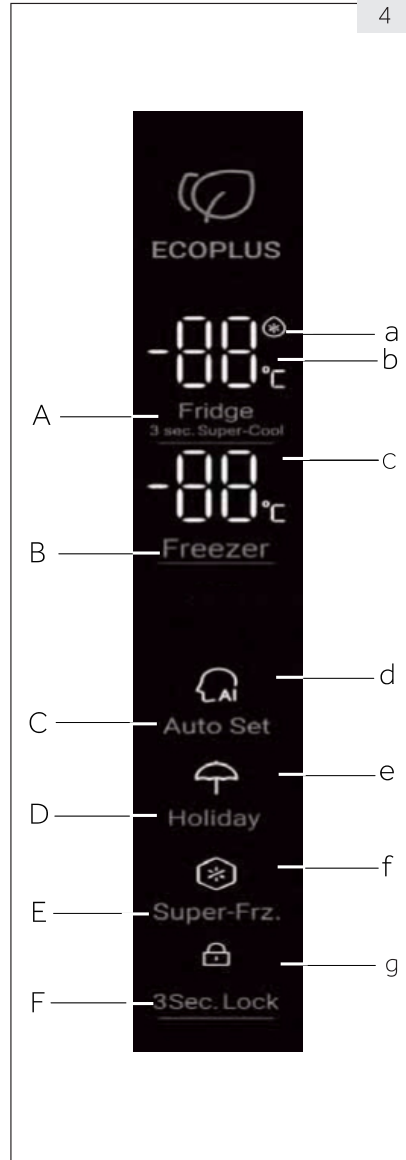
Bedienfeld (Abb. 4)

Tasten:

- A Kühlschranks-Wählschalter
- B Gefrierschrank-Wählschalter
- C Fuzzy-Modus
- D Urlaubsmodus
- E Super-Freeze-Modus
- F Wählschalter für Bedienfeldsperre

Anzeigen:

- a Super-Cool-Modus
- b Kühlschranktemperatur
- c Gefrierfachtemperatur
- d Fuzzy-Modus
- e Urlaubsmodus
- f Super-Freeze-Modus
- g Bedienfeldsperre



5.1 Erstinbetriebnahme

Wenn der Kühlschrank zum ersten Mal an die Stromversorgung angeschlossen wird, schaltet sich das Display ein. Die voreingestellte Temperatur für das Kühlfach beträgt 4 °C für das Gefrierfach -18 °C. Die Intelligenzfunktionslampe ist an.

5.2 Bedienfeld sperren/entsperren

Automatische Sperre:

Wenn die Kühlschranktür und die Gefriertür geschlossen sind und 30 Sekunden lang keine Taste betätigt wird, schaltet sich die Beleuchtung des Bedienfelds automatisch aus und das Bedienfeld ist verriegelt.

Manuelle Sperre:

Drücken Sie bei entriegeltem Bedienfeld die Sperrtaste 3 Sekunden lang, bis ein Summton ertönt; die Sperranzeige leuchtet auf, und das Display ist gesperrt.

3Sec.Lock



3 Sekunden
lang drücken

Anzeige an
Bedienfeld gesperrt

Entsperren:

Öffnen Sie bei ausgeschaltetem Bedienfeld eine beliebige Tür des Kühlschranks oder drücken Sie eine beliebige Taste auf dem Bedienfeld, um es zu aktivieren. In diesem Moment ist das Bedienfeld gesperrt. Drücken Sie die Sperrfunktionstaste 3 Sekunden lang, bis der Summton ertönt; die Sperranzeige erlischt und das Bedienfeld ist entsperrt.



3Sec.Lock



Das Bedienfeld
ist eingeschaltet;
Tür öffnen oder
eine beliebige
Taste drücken

3 Sekunden
warten

Anzeige erlischt
Bedienfeld ist entriegelt

5.3 Kühlschranktemperatur einstellen

1. Wenn das Bedienfeld entriegelt ist, drücken Sie den „Kühlschrank-Wählschalter“; der Summton ertönt und die Kühlschranktemperaturanzeige blinkt. Jetzt kann die Kühlschranktemperatur eingestellt werden.
2. Bei jedem Druck auf den Wählschalter des Kühlschranks gibt es einen Summton und die Einstellung wird um 1 verringert. Die Schaltsequenz hat folgenden kontinuierlichen Verlauf: „4 °C / 3 °C / 2 °C / 1 °C / 9 °C / 8 °C / 7 °C / 6 °C / 5 °C / 4 °C“

Fridge



00 °C



Fridge



00 °C

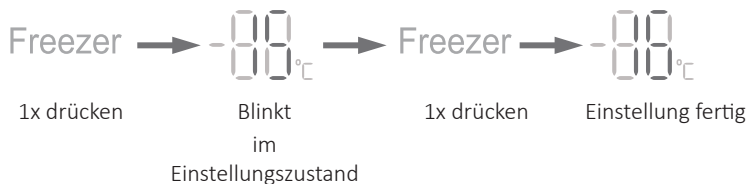
1x drücken Blinkt 1x drücken Einstellung fertig
 Im Einstellungszu-
 stand

i Hinweis

- Das Gerät ist auf die empfohlene Temperatur von 4 °C (Kühlschrank) und - 18 °C (Gefrierschrank) voreingestellt. Unter normalen Umgebungsbedingungen brauchen Sie keine Temperatur einzustellen.

5.4 Gefrierschranktemperatur einstellen

1. Wenn das Bedienfeld entriegelt ist, drücken Sie den „Gefrierschrank-Wählschalter“; der Summer ertönt und die Gefrierschranktemperaturanzeige blinkt. Jetzt kann die Gefriertemperatur eingestellt werden.
2. Bei jedem Drücken des Gefrierfach-Wählschalters gibt es einen Summton und die Temperatur verringert sich um 1. Die Schaltsequenz hat folgenden kontinuierlichen Verlauf: „-18 °C/-19 °C/-20 °C/-21 °C/-22 °C/-23 °C/-24 °C/-14 °C/-15 °C/-16 °C /-17 °C /-18 °C“.



i Hinweis

- Falls innerhalb von 5 Sekunden nach dem Einstellen der Temperatur keine Taste gedrückt wird, wird die Temperatur automatisch bestätigt und gespeichert.

5.5 Automatische Einstellung

1. Wenn das Bedienfeld entriegelt ist, drücken Sie den „Fuzzy-Modus-Wählschalter“; der Summer ertönt und die Fuzzy-Modus-Anzeige leuchtet. Der Fuzzy-Modus beginnt.
2. Wenn die Anzeige für den Fuzzy-Modus eingeschaltet ist, drücken Sie den Wählschalter für den Fuzzy-Modus; der Summer ertönt, die Anzeige für den Fuzzy-Modus erlischt, und der Fuzzy-Modus wird beendet.



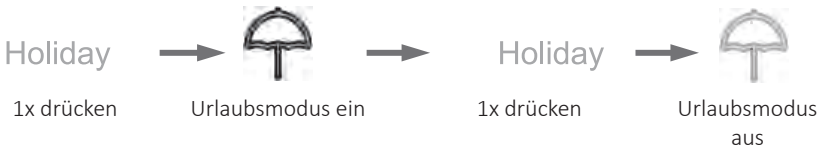
i Hinweis

- ▶ Wenn der Fuzzy-Modus eingeschaltet ist, können die Kühl- und Gefriertemperatur nicht gewählt werden. Wenn der Wählschalter für den Kühl- oder Gefrierschrank betätigt wird, blinkt die Anzeige für den Fuzzy-Modus und weist akustisch darauf hin, dass der Vorgang nicht zulässig ist. Falls im Fuzzy-Modus die Funktion „Schnellkühlen“, „Schnellgefrieren“ oder „Urlaub“ gewählt wird, schaltet sich der Fuzzy-Modus aus und wird automatisch beendet.

5.6 Urlaubsmodus

Der Urlaubsmodus ist für den Fall vorgesehen, dass der Kühlschrank für längere Zeit nicht benutzt wird. Wenn der Urlaubsmodus eingeschaltet ist, kann die Gefriertemperatur gewählt werden. Dabei wird die Kühlschranktemperatur automatisch auf 17 °C eingestellt, wodurch jegliche Geruchsbildung aufgrund hoher Temperaturen im Kühlfach vermieden und auch der Energieverbrauch gesenkt wird.

1. Wenn Sie bei entriegeltem Bedienfeld den „Urlaubsmodus-Wählschalter“ drücken, ertönt ein Summton und die Urlaubsfunktionsanzeige leuchtet. Der Urlaubsmodus ist aktiviert.
2. Drücken Sie bei aktivierter Urlaubsmodus-Anzeige den Wählschalter für die Urlaubsfunktion. Daraufhin ertönt ein Summton, die Anzeige für den Urlaubsmodus erlischt, und der Urlaubsmodus wird beendet.



i Hinweis

- ▶ Wenn der Urlaubsmodus eingeschaltet ist, kann die Kühlschranktemperatur nicht gewählt werden. Wenn der Wählschalter des Kühlschranks gedrückt wird, blinkt die Anzeige für den Urlaubsmodus und weist akustisch darauf hin, dass der Vorgang nicht zulässig ist. Bevor der Urlaubsmodus gewählt wird, leeren Sie bitte das Kühlfach, damit keine Lebensmittel verderben. Bei eingeschaltetem Urlaubsmodus können die Intelligenzfunktion und die Schnellkühlung nicht gleichzeitig ausgewählt werden. Wenn der Intelligenzmodus oder die Schnellkühlung ausgewählt ist, erlischt die Anzeige für den Urlaubsmodus und die Funktion wird automatisch deaktiviert.

5.7 Super-Cool-Modus

1. Drücken Sie bei entriegeltem Bedienfeld den „Kühlschrank-Wählschalter“ 3 Sekunden lang, bis ein Summton ertönt und die Anzeige „Super Cool“ aufleuchtet. Der Super-Cool-Modus ist aktiviert.
2. Drücken Sie bei eingeschalteter Super-Cool-Anzeige 3 Sekunden lang den Wählschalter des Kühlschranks, bis der Summton ertönt und die Super-Cool-Anzeige erlischt. Der Super-Cool-Modus wird deaktiviert.

- Der Kühlschrank schaltet den Super-Cool-Modus automatisch aus, sobald der vorgegebene Zustand erreicht ist. Um den Modus manuell zu beenden, drücken Sie den Kühlschrank-Wählschalter 3 Sekunden lang.



i Hinweis

- Bei eingeschalteter Super-Cool-Funktion können der Fuzzy-Modus und der Urlaubsmodus nicht gleichzeitig ausgewählt werden. Wenn der Fuzzy-Modus oder der Urlaubsmodus ausgewählt wird, erlischt die Super-Cool-Anzeige und die Funktion wird automatisch deaktiviert.

5.8 Super-Freeze-Modus

- Drücken Sie bei entriegeltem Bedienfeld den Super-Freeze-Wählschalter, bis ein Summton ertönt und die Super-Freeze-Anzeige aufleuchtet. Der Super-Freeze-Modus ist aktiviert.
- Drücken Sie bei eingeschalteter Super-Freeze-Anzeige den Super-Freeze-Wählschalter, bis der Summton ertönt und die Super-Freeze-Anzeige erlischt. Der Super-Freeze-Modus ist deaktiviert.
- Der Kühlschrank schaltet den Super-Freeze-Modus automatisch aus, sobald der vorgegebene Zustand erreicht ist. Um den Modus manuell zu beenden, drücken Sie den Kühlschrank-Wählschalter 3 Sekunden lang.



i Hinweis

- Der Super-Freeze-Modus ist dafür vorgesehen, die Nährstoffe der Lebensmittel im Gefrierfach zu erhalten und die Lebensmittel innerhalb kürzester Zeit einzufrieren. Wenn eine große Menge an Lebensmitteln auf einmal eingefroren werden soll, empfiehlt es sich, den Super-Freeze-Modus 24 Stunden im Voraus einzustellen, um im Gefrierfach eine niedrigere Temperatur zu erreichen, bevor die Lebensmittel eingelegt werden. Dadurch wird die Gefriereschwindigkeit im Gefrierfach erhöht, die Lebensmittel können schneller eingefroren werden, die Nährstoffe in den Lebensmitteln bleiben erhalten und die Lagerung wird erleichtert.
Wenn Sie im Super-Freeze-Modus die Intelligenzfunktion wählen, erlischt die Super-Freeze-Anzeige und der Modus wird automatisch deaktiviert.

5.9 Alarm bei offener Tür

Wenn die Öffnungszeit der Tür zu lang ist oder die Tür nicht geschlossen ist, gibt der Kühlschrank jedes Mal einen akustischen Alarm als Hinweis darauf ab, dass die Tür geschlossen werden sollte.

5.10 Energieeinsparfunktion des Bedienfeldes

Erfolgt 30 Sekunden lang kein Vorgang am Bedienfeld, wird es automatisch deaktiviert und gesperrt, um Strom zu sparen. Wird die Verriegelungsfunktionstaste gedrückt oder eine beliebige Tür geöffnet, leuchtet das Bedienfeld wieder auf.

5.11 Stromausfall-Speicherfunktion

Falls sich der Kühlschrank aufgrund eines Stromausfalls ausschaltet, wird der aktuelle Betriebszustand gespeichert. Nach Wiederherstellung der Stromversorgung setzt der Kühlschrank den zuvor eingestellten Betriebsmodus wieder fort.

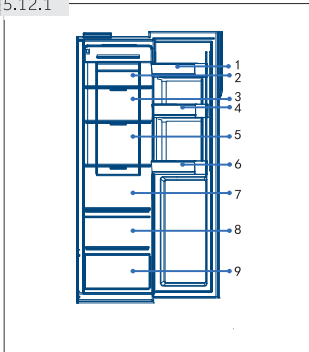
Achtung: Die Sperrfunktion wird nicht gespeichert. Nachdem der Kühlschrank wieder eingeschaltet ist, beginnt das Bedienfeld mit der Selbstprüfung. Die Anzeige der Sperrfunktion erlischt und der Kühlschrank wird entriegelt.

5.12 Tipps zur Lagerung frischer Lebensmittel

5.12.1 Aufbewahrung im Kühlfach

- ▶ Halten Sie die Temperatur Ihres Kühlschranks unter 5 °C.
- ▶ Heiße Lebensmittel müssen vor der Lagerung im Gerät auf Raumtemperatur abgekühlt werden.
- ▶ Im Kühlschrank gelagerte Lebensmittel sollten vor der Lagerung gewaschen und getrocknet werden.
- ▶ Die zu lagernden Lebensmittel sollten ordnungsgemäß versiegelt werden, um Geruchs- und Geschmacksveränderungen zu vermeiden.
- ▶ Lagern Sie keine übermäßigen Mengen von Lebensmitteln. Lassen Sie Zwischenräume zwischen den Lebensmitteln, damit kalte Luft um sie herumströmen kann, um eine bessere und homogenere Kühlung zu erreichen.
- ▶ Lebensmittel, die täglich verzehrt werden, sollten vorn im Kühlschrankfach abgelegt werden
- ▶ Lassen Sie einen Spalt zwischen den Lebensmitteln und den Innenwänden, damit die Luft zirkulieren kann. Lagern Sie die Lebensmittel auf keinen Fall an der Rückwand: Lebensmittel könnten an der Rückwand festfrieren. Vermeiden Sie den direkten Kontakt von Lebensmitteln (insbesondere von öligen oder sauren Lebensmitteln) mit der Innenwand, da Öl/Säure die Beschichtung beschädigen kann. Entfernen Sie eventuell vorhandene ölige/saure Rückstände.
- ▶ Tauen Sie Tiefkühlkost in einem der Kühlschrankfächer auf. Auf diese Weise können Sie die Tiefkühlkost nutzen, um die Temperatur im Fach zu senken und Energie zu sparen.
- ▶ Der Alterungsprozess von Obst und Gemüse wie Zucchini, Melonen, Papaya, Banane, Ananas usw. kann sich im Kühlschrank beschleunigen. Daher ist es nicht ratsam, sie im Kühlschrank aufzubewahren. Die Reifung stark grüner Früchte kann jedoch für eine gewisse Zeit gefördert werden. Zwiebeln, Knoblauch, Ingwer und andere Wurzelgemüse sollten ebenfalls bei Raumtemperatur gelagert werden.
- ▶ Unangenehme Gerüche im Inneren des Kühlschranks sind ein Zeichen dafür, dass etwas verschüttet wurde und eine Reinigung erforderlich ist. Siehe PFLEGE UND REINIGUNG.
- ▶ Verschiedene Lebensmittel sollten je nach ihren Eigenschaften in verschiedenen Bereichen platziert werden (Abb. 5.12.1/5.12.2):

5.12.1

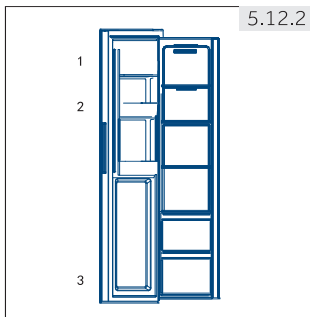


1. Butter, Käse usw.
2. Eingelegte Lebensmittel, Konserven usw.
3. Eingelegte Lebensmittel, Konserven usw.
4. Dosen, Konserven, Gewürze usw.
5. Fleischprodukte, Snacks usw.
6. Getränke und Lebensmittel in Flaschen
7. Teigwaren, Konserven, Milch, Tofu, Milchprodukte usw.
8. Obst, Gemüse, Salat usw.
9. Gekochtes Fleisch, Wurstwaren usw.

5.12.2 Lagerung im Gefrierfach

- ▶ Halten Sie die Gefriertemperatur bei -18 °C.
- ▶ Schalten 24 Stunden vor dem Einfrieren die Super-Freeze-Funktion ein:- für kleine Mengen an Lebensmitteln sind 4-6 Stunden ausreichend.
- ▶ Warme Speisen müssen vor der Lagerung im Gefrierfach auf Raumtemperatur abgekühlt werden.
- ▶ In kleine Portionen geschnittene Lebensmittel frieren schneller ein und lassen sich leichter auftauen und kochen. Das empfohlene Gewicht für jede Portion beträgt weniger als 2,5 kg
- ▶ Lebensmittel sollten verpackt werden, bevor sie das Gefrierfach gelegt werden. Die Außenseite der Verpackung muss trocken sein, um ein Zusammenkleben der Gefrierbeutel zu vermeiden. Verpackungsmaterialien sollten geruchsfrei, luftdicht, ungiftig und nicht toxisch sein.
- ▶ Um eine Überschreitung der Lagerfristen zu vermeiden, notieren Sie bitte das Einfrierdatum, das Zeitlimit und die Bezeichnung des Lebensmittels auf der Verpackung entsprechend der jeweiligen Lagerdauer.
- ▶ **WARNUNG!** Säuren, Laugen, Salze usw. könnten die Innenflächen des Gefrierschranks beschädigen. Legen Sie Lebensmittel mit solchen Substanzen (z. B. Seefische) nicht direkt auf die Innenfläche. Salzwasser im Gefrierfach sollte sofort beseitigt werden.
- ▶ Überschreiten Sie nicht die von den Herstellern empfohlenen Lagerzeiten für Lebensmittel. Nehmen Sie nur die erforderliche Menge an Lebensmitteln aus dem Gefrierfach.
- ▶ Unterschiedliche Lebensmittel sollten je nach ihren Eigenschaften in verschiedenen Bereichen abgelegt werden (Abb. 5.12.2):

5.12.2



1. Weniger schwere Gegenstände wie Eis, Gemüse, Brot usw.
2. Getränke ohne hohen Alkoholgehalt sowie die vorübergehende Lagerung von Spirituosen mit hohem Alkoholgehalt, Kleinteilen (z. B. Pizza oder Kräuter).
3. Große/schwerere Portionen von Lebensmitteln wie Braten usw.



Hinweis: Aufbewahrung

- ▶ Achten Sie bitte auf einen Abstand von mehr als 10 mm zwischen Lebensmittel und Sensor, um den Kühleffekt zu gewährleisten.
- ▶ Lassen Sie während des Betriebs die unterste Schublade bitte im Gerät, um den Kühleffekt zu gewährleisten.
- ▶ Lebensmittel mit Eis (z. B. Eiscreme usw.) sollten im Gefrierfach statt auf dem Flaschenhalter aufbewahrt werden, weil durch das Öffnen und Schließen der Tür verursachte Temperaturänderungen am Flaschenhalter die Lebensmittel auftauen könnten.
- ▶ Verzehren Sie aufgetaute Lebensmittel möglichst schnell. Aufgetaute Lebensmittel dürfen nur dann wieder eingefroren werden, nachdem sie zuvor gegart wurden, weil sie andernfalls ungenießbar sein könnten.
- ▶ Überladen Sie das Gefrierfach nicht mit übermäßigen Mengen frischer Lebensmittel. Beachten Sie die Gefrierleistung des Gefrierschranks – siehe TECHNISCHE DATEN oder Daten auf dem Typenschild.
- ▶ Lebensmittel können je nach ihren Eigenschaften (z. B. Fleisch) bei einer Temperatur von mindestens -18 °C für 2 bis 12 Monate im Gefrierschrank gelagert werden: 3-12 Monate, Gemüse: 6-12 Monate
- ▶ Vermeiden Sie beim Einfrieren von frischen Lebensmitteln den Kontakt mit bereits gefrorenen Lebensmitteln. Gefahr des Auftauens!
- ▶ Gefriergut im Kühlschrank auftauen. Auf diese Weise können Sie die Tiefkühlkost dazu nutzen, die Temperatur im Fach zu senken und Energie zu sparen.

5.12.3 Bitte beachten Sie bei der Lagerung von TK-Lebensmitteln die folgenden Richtlinien:

- ▶ Beachten Sie immer die herstellereitigen Fristen hinsichtlich der Lagerungsdauer von Lebensmitteln. Überschreiten Sie diese Fristen nicht!
- ▶ Versuchen Sie, die Zeit zwischen Kauf und Lagerung so kurz wie möglich zu halten, um die Qualität der Lebensmittel zu erhalten.
- ▶ Kaufen Sie Tiefkühlkost, die bei einer Temperatur von -18 °C oder darunter gelagert wurde.
- ▶ Vermeiden Sie den Kauf von Lebensmitteln, die Eis oder Frost auf der Verpackung haben. Dies deutet darauf hin, dass ein Produkt angetaut gewesen sein könnte und sich dieser kurzzeitige Temperaturanstieg auf dessen Qualität ausgewirkt haben könnte.

5.13 Wasserspender (HSR3918EWP*)

Mit dem Wasserspender kann kühles Trinkwasser gezapft werden.

Der Wassertank sollte vor dem ersten Gebrauch gereinigt werden (siehe PFLEGE UND REINIGUNG).

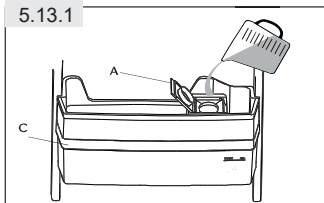
5.13.1 Füllen des Wassertanks



WARNUNG!

Verwenden Sie ausschließlich Trinkwasser.

5.13.1



1. Stellen Sie sicher, dass der Wassertank richtig eingesetzt ist (siehe AUSRÜSTUNG)
2. Öffnen Sie den Deckel (A) und gießen Sie frisches Trinkwasser in den Wassertank (Abb. 5.13.1)
3. Wasser nur bis zur Markierung (2,5 l) einfüllen, da es beim Öffnen und Schließen der Tür überlaufen könnte.
4. Schließen Sie den Deckel (A) vollständig.

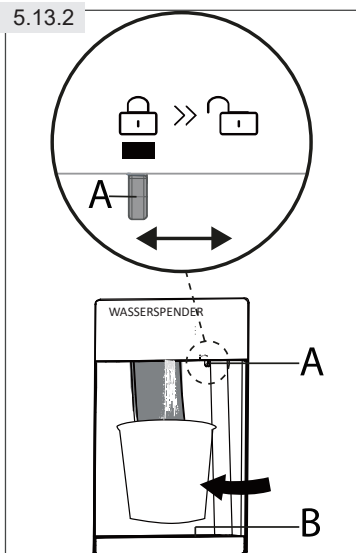


Hinweis: Wasserspender

- ▶ Entsorgen Sie vor dem Nachfüllen das Restwasser und reinigen Sie den Wassertank.
- ▶ Wenn Sie für längere Zeit kein Wasser benötigen, leeren Sie bitte den Wassertank und setzen Sie den gereinigten Tank ein.
- ▶ **Die Abdeckung (C) des Wassertanks (Abb. 5.13.1) dient zusätzlich zur Energieeinsparung.** Auch wenn Sie längere Zeit kein Wasser aus dem Wasserspender entnehmen möchten, sollten Sie trotzdem die Abdeckung anbringen, da diese besser isoliert und energiesparend ist.

5.13.2 Wasser aus dem Spender entnehmen

5.13.2

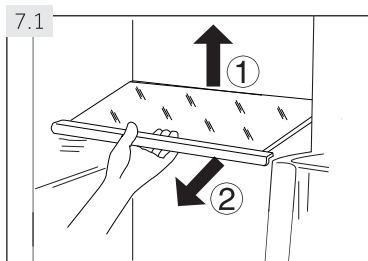


1. Vergewissern Sie sich, dass die Sperre (A) auf „Entsperren“ gestellt ist (Abb. 5.13.2).
2. Stellen Sie ein Glas unter den Wasserauslass.
3. Drücken Sie mit Ihrem Glas leicht gegen den Wasserspenderhebel.
Achten Sie darauf, dass das Glas korrekt mit dem Spender ausgerichtet ist, damit kein Wasser herausspritzt.
4. Das Wasser in der Schale (B) sollte rechtzeitig entfernt werden, da es beim Öffnen und Schließen der Tür überlaufen könnte.
5. Schieben Sie die Sperre (A) in die Position „Sperren“.



Energiespartipps

- ▶ Stellen Sie sicher, dass das Gerät richtig belüftet wird (siehe INSTALLATION).
- ▶ Installieren Sie das Gerät nicht in direktem Sonnenlicht oder in der Nähe von Wärmequellen (z. B. Öfen, Heizungen).
- ▶ Vermeiden Sie unnötig niedrige Temperaturen im Gerät. Der Energieverbrauch steigt, je niedriger die Temperatur im Gerät eingestellt wird.
- ▶ Funktionen wie Super-Cool oder Super-Freeze verbrauchen mehr Energie.
- ▶ Lassen Sie warme Speisen vor dem Einlegen in das Gerät abkühlen.
- ▶ Öffnen Sie die Gerätetür so wenig und so kurz wie möglich.
- ▶ Überfüllen Sie das Gerät nicht, um die Luftzirkulation nicht zu behindern.
- ▶ Vermeiden Sie Luft innerhalb der Lebensmittelverpackung.
- ▶ Halten Sie die Türdichtungen sauber, damit die Tür immer richtig schließt.
- ▶ Tauen Sie Tiefkühlkost in einem der Kühlschranksfächer auf.



7.1 Verstellbare Einlegeböden

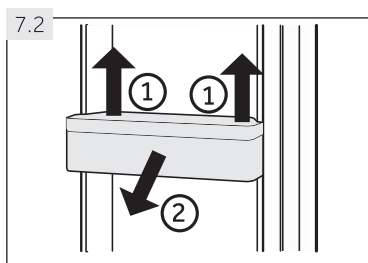
Sie können die Höhe der Einlegeböden an Ihre Erfordernisse anpassen.

1. Um einen Einlegeboden zu versetzen, heben Sie ihn zunächst an seiner Hinterkante an (1) und ziehen ihn dann heraus (2) (Abb. 7.1).
2. Um ihn wieder einzusetzen, legen Sie ihn auf den beidseitigen Vorsprüngen ab und schieben ihn dann in die hinterste Position, bis die Rückseite des Regalbodens in den seitlichen Schlitz einrastet.



Hinweis: Regalböden

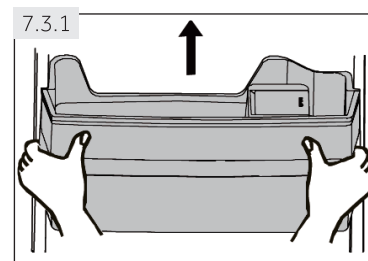
Achten Sie darauf, dass alle Enden eines Regalbodens höhengleich sind.



7.2 Herausnehmbare Türablagen/ Flaschenhalter

Die Türablagen/Flaschenhalter können zur Reinigung entfernt werden:

1. Fassen Sie die Ablage/Halterung auf beiden Seiten an und heben Sie sie an (1) (Abb. 7.2).
2. Ziehen Sie die Türablage/Flaschenhalterung heraus (2).
3. Zum Einsetzen der Türablage/Flaschenhalterung führen Sie die Schritte oben in umgekehrter Reihenfolge aus.




7.3 Wassertank(HSR3918EWP*)

7.3.1 Wassertank entfernen

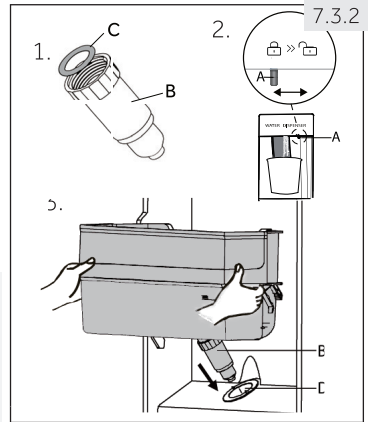
Der Wassertank kann zur Reinigung auf die gleiche Weise wie die Türablagen herausgenommen und wieder eingesetzt werden (Abb. 7.3.1).

7.3.2 Wassertank einsetzen

1. Vergewissern Sie sich, dass der Spenderauslauf (B) fest mit dem Wasserbehälter verschraubt und der weiße O-Ring (C) in Position ist (Abb. 7.3.2-1.).
2. Schieben Sie die Verriegelung (A) in die Position  „Verriegeln“ (Abb. 7.3.2-2.)
3. Bringen Sie den Wassertank so an, dass der Spenderauslauf (B) in die Öffnung der Tür (D) passt (Abb. 7.3.2-3.).

Hinweis: Wassertank

- ▶ Wenn der Wassertank nicht richtig eingesetzt ist, kann Wasser aus dem Anschluss tropfen.
- ▶ Wenden Sie beim Aus- und Einbau des Wassertanks keine übermäßige Kraft an, um eine Beschädigung des Tanks zu vermeiden.



7.4 Flaschenhalter – Gefrierfach

Die Flaschenhalter des Gefrierfachs sind für die vorübergehende Lagerung von Spirituosen mit hohem Alkoholgehalt vorgesehen. Getränke ohne hohen Alkoholgehalt sollten im Kühlschrank gekühlt werden.

Zusätzlich können Sie Kleinteile in den Flaschenhaltern aufbewahren.



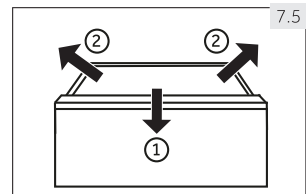
WARNUNG!

Flaschen und Dosen können platzen! Lassen Sie sich von Zeitschaltuhr daran erinnern, Flaschen/Dosen ohne hohen Alkoholgehalt wieder herauszunehmen.

7.5 Herausnehmbare Schublade

Um die Schublade aus dem Kühl- oder Gefrierfach zu entnehmen, ziehen Sie sie bis zum Anschlag heraus (1), heben sie an und nehmen sie dann heraus (2) (Abb. 7.5).

Um die Schublade einzusetzen, werden die oben genannten Schritte in umgekehrter Reihenfolge durchgeführt.



7.6 Beleuchtung

Die LED-Innenbeleuchtung geht an, wenn die Tür geöffnet wird. Die Beleuchtungsleistung wird durch keine der Geräteeinstellungen beeinflusst.



WARNUNG!

Trennen Sie das Gerät vor dem Reinigen von der Stromversorgung ab.

8.1 Reinigung

Reinigen Sie das Gerät, wenn nur wenige oder keine Lebensmittel gelagert werden. Das Gerät sollte alle vier Wochen gereinigt werden, um einen guten Wartungszustand aufrechtzuerhalten und schlechte Gerüche von gelagerten Lebensmitteln zu vermeiden.

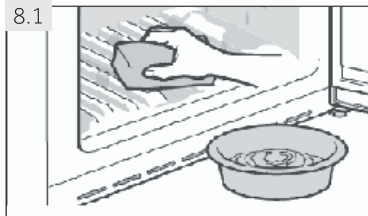


WARNUNG!

Reinigen Sie das Gerät nicht mit harten Bürsten, Drahtbürsten, Reinigungsmittelpulver, Benzin, Amylacetat, Aceton und ähnlichen organischen Lösungen, Säuren oder Laugen. Bitte verwenden Sie einen speziellen Kühlschrankreiniger, um Schäden zu vermeiden.

- ▶ Besprühen oder spülen Sie das Gerät während der Reinigung nicht.
- ▶ Verwenden Sie zur Reinigung des Geräts weder Wassersprühstrahl noch Dampf.
- ▶ Reinigen Sie die kalten Glasböden nicht mit heißem Wasser. Plötzliche Temperaturänderungen können zum Bruch des Glases führen.
- ▶ Berühren Sie während des Betriebs nicht die Innenfläche des Gefrierfachs, insbesondere nicht mit nassen Händen, weil Ihre Hände an der Oberfläche festfrieren könnten.
- ▶ Im Falle einer Erwärmung ist der Zustand tiefgefrorener Waren zu überprüfen.

8.1



- ▶ Halten Sie die Türdichtung immer sauber.
- ▶ Reinigen Sie das Innere und das Gehäuse des Geräts mit einem in warmem Wasser und neutralem Reinigungsmittel angefeuchteten Schwamm (Abb. 8.1).


1. Bitte reinigen Sie das Innere und Äußere des Kühlschranks, einschließlich Türdichtung, Türablagen, Glaseinlegeböden, Fächer usw., mit einem weichen Tuch oder Schwamm und warmem Wasser (ggf. mit einem neutralen Reinigungsmittel).
2. Falls Flüssigkeit verschüttet wurde, entfernen Sie alle betroffenen Teile, spülen sie unter fließendem Wasser ab, trocknen sie und legen sie wieder in den Kühlschrank.
3. Falls fettthaltige Lebensmittel verschüttet wurden (z. B. Sahne, schmelzende Eiscreme), entfernen Sie bitte alle betroffenen Teile, legen sie für einige Zeit in etwa 40 °C warmes Wasser, spülen sie dann unter fließendem Wasser ab, trocknen sie und legen sie wieder in den Kühlschrank.
4. Sollten sich Kleinteile im Inneren des Kühlschranks (zwischen Einlegeböden oder Schubladen) verfangen, nehmen Sie eine kleine weiche Bürste, um sie zu lösen. Falls Sie das Teil nicht erreichen konnten, wenden Sie sich bitte an den Haier-Service.

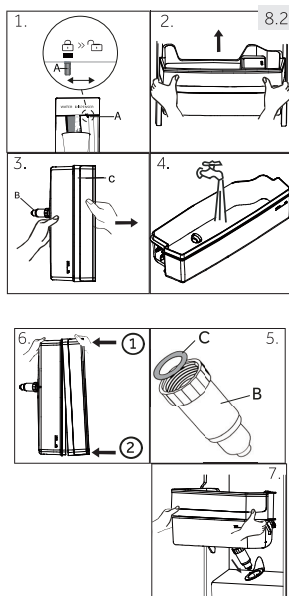
- ▶ Spülen Sie anschließend nach und trocknen Sie alles mit einem weichen Tuch.
- ▶ Reinigen Sie keine Teile des Geräts in der Spülmaschine.
- ▶ Warten Sie vor der Wiederinbetriebnahme des Geräts mindestens 5 Minuten, da ein zu häufiges Starten den Kompressor beschädigen kann.

Abtauen

Das Kühl- und Gefrierfach wird automatisch abgetaut; ein manueller Eingriff ist nicht erforderlich.

8.2 Reinigung des Wassertanks (Abb. 8.2)(HSR3918EWP*)

1. Schieben Sie die Sperre (A) in die Position  „Sperren“.
2. Nehmen Sie den Wassertank aus dem Gerät heraus.
3. Entfernen Sie die Abdeckung (C) und schrauben Sie den Spenderauslauf (B) vorsichtig ab.
4. Reinigen Sie den Wassertank und den Auslauf des Spenders unter fließend warmem Wasser und flüssigem Geschirrspülmittel. Achten Sie darauf, dass alle Seifenreste abgespült werden.
5. Montieren Sie den Spenderauslauf (B) und achten Sie darauf, dass er fest mit dem Wassertank verschraubt und der weiße O-Ring (C) in Position ist.
6. Bringen Sie den Deckel erst auf der einen und dann auf anderen Seite am Wassertank an. Prüfen Sie, ob Wassertank und Deckel korrekt montiert sind.
7. Setzen Sie den Tank wieder in das Gerät ein. Vergewissern Sie sich, dass der Spenderauslauf korrekt in das Türloch eingesetzt ist.



8.3 Austauschen der LED-Lampe



WARNUNG!

Ersetzen Sie das LED-Leuchtmittel nicht selbst, sondern wenden Sie sich an den Hersteller oder einen autorisierten Fachbetrieb.

Die Lampe hat ein LED-Leuchtmittel, das sich durch niedrigen Energieverbrauch und lange Lebensdauer auszeichnet. Bei Unregelmäßigkeiten wenden Sie sich bitte an den Kundendienst. Siehe KUNDENSERVICE.

Technische Daten der Lampen: 12 V, max. 3 W

8.4 Längerfristige Außerbetriebnahme

Falls das Gerät längere Zeit nicht benutzt wird und die Urlaubsfunktion für den Kühlschrank deaktiviert bleibt:

- ▶ Nehmen Sie das Essen heraus.

- ▶ Leeren und reinigen Sie den Wassertank.
- ▶ Ziehen Sie den Netzstecker.
- ▶ Reinigen Sie das Gerät wie oben beschrieben.
- ▶ Lassen Sie die Türen offen, um die Entstehung von schlechten Gerüchen im Inneren zu verhindern.



Hinweis: Ausschalten

Schalten Sie das Gerät nur aus, wenn es unbedingt notwendig ist.

8.5 Transport des Geräts

1. Entfernen Sie alle Lebensmittel und ziehen Sie den Netzstecker.
2. Fixieren Sie Einlegeböden und andere bewegliche Teile im Kühl- und Gefrierschrank mit Klebeband.
3. Kippen Sie das Gerät nicht mehr als 45°, um eine Beschädigung des Kühlsystems zu vermeiden.



WARNUNG!

Heben Sie das Gerät nicht an den Griffen an.

- ▶ Legen Sie das Gerät niemals horizontal auf dem Boden ab.

Viele auftretende Probleme können ohne spezielle Fachkenntnisse selbst behoben werden. Im Falle eines Problems prüfen Sie bitte alle aufgezeigten Möglichkeiten und befolgen die untenstehenden Anweisungen, bevor Sie sich an einen Kundendienst wenden. Siehe KUNDENSERVICE.

**WARNUNG!**

Schalten Sie das Gerät vor der Wartung aus und ziehen Sie den Netzstecker aus der Steckdose.

- ▶ Elektrische Geräte sollten nur von qualifizierten Elektrofachleuten gewartet werden, da unsachgemäße Reparaturen erhebliche Folgeschäden verursachen können.
- ▶ Ein defektes Gerät darf nur durch den Hersteller, dessen Servicevertreter oder ähnlich qualifizierten Personen ersetzt werden, um eine Gefährdung zu vermeiden.

Problem	Mögliche Ursache	Mögliche Lösung
Der Kompressor funktioniert nicht.	<ul style="list-style-type: none"> • Der Netzstecker ist nicht an der Steckdose angeschlossen. • Das Gerät befindet sich im Abtauzyklus. 	<ul style="list-style-type: none"> • Schließen Sie den Netzstecker an. • Dies ist normal bei einer automatischen Abtaufunktion.
Das Gerät geht häufig oder für zu lange Zeit an.	<ul style="list-style-type: none"> • Die Innen- oder Außentemperatur ist zu hoch. • Das Gerät war eine Zeit lang ausgeschaltet. • Eine Tür des Gerätes ist nicht fest geschlossen. • Die Tür wurde zu oft oder zu lange geöffnet. • Die Temperatureinstellung für das Gefrierfach ist zu niedrig. • Die Türdichtung ist verschmutzt, verschlissen, gerissen oder nicht richtig eingesetzt. • Die erforderliche Luftzirkulation ist nicht gewährleistet. 	<ul style="list-style-type: none"> • In diesem Fall ist es normal, dass das Gerät länger läuft. • Normalerweise dauert es 8 bis 12 Stunden, bis das Gerät vollständig abgekühlt ist. • Schließen Sie die Tür und vergewissern Sie sich, dass das Gerät auf einem ebenen Boden steht und keine Lebensmittel oder Behälter gegen die Tür stoßen. • Öffnen Sie die Tür nicht zu oft. • Stellen Sie die Temperatur höher ein, bis eine zufriedenstellende Kühlschranktemperatur erreicht ist. Es dauert 24 Stunden, bis die Temperatur im Kühlschrank stabil ist. • Reinigen Sie die Türdichtung oder lassen Sie sie vom Kundendienst ersetzen. • Sorgen Sie für eine ausreichende Belüftung.

Problem	Mögliche Ursache	Mögliche Lösung
Das Innere des Kühlschranks ist verschmutzt und/oder riecht.	<ul style="list-style-type: none"> • Das Innere des Kühlschranks muss gereinigt werden. • Stark riechende Lebensmittel werden im Kühlschrank aufbewahrt. 	<ul style="list-style-type: none"> • Reinigen Sie das Innere des Kühlschranks. • Wickeln Sie das Essen gründlich ein.
Es ist nicht kalt genug im Inneren des Geräts.	<ul style="list-style-type: none"> • Die Temperatur ist zu hoch eingestellt. • Es wurden zu warme Waren gelagert. • Es wurden zu viele Lebensmittel auf einmal gelagert. • Die Waren liegen zu nahe beieinander. • Eine Tür des Gerätes ist nicht fest geschlossen. • Die Tür wurde zu oft oder zu lange geöffnet. 	<ul style="list-style-type: none"> • Setzen Sie die Temperatur zurück. • Kühlen Sie die Waren vor der Lagerung immer ab. • Lagern Sie immer kleine Mengen von Lebensmitteln. • Lassen Sie Platz zwischen den Lebensmitteln, damit Luft zirkulieren kann. • Schließen Sie die Tür. • Öffnen Sie die Tür nicht zu oft.
Es ist zu kalt im Inneren des Geräts.	<ul style="list-style-type: none"> • Die Temperatur ist zu niedrig eingestellt. • Die Super-Cool/Super-Freeze-Funktion ist aktiviert oder läuft zu lange. 	<ul style="list-style-type: none"> • Passen Sie die Temperatur an. • Schalten Sie die Funktion Super-Cool / Super-Freeze aus.
Feuchtigkeitsbildung auf der Innenseite des Kühlfachs.	<ul style="list-style-type: none"> • Das Klima ist zu warm und zu feucht. • Eine Tür des Gerätes ist nicht fest geschlossen. • Die Tür wurde zu oft oder zu lange geöffnet. • Lebensmittelbehälter oder Flüssigkeiten werden offen gelassen. 	<ul style="list-style-type: none"> • Erhöhen Sie die Temperatur. • Schließen Sie die Tür. • Öffnen Sie die Tür nicht zu oft. • Lassen Sie heiße Lebensmittel auf Raumtemperatur abkühlen und decken Sie Lebensmittel und Flüssigkeiten ab.
Auf der Außenseite der Kühlschränke oder zwischen den Türen sammelt sich Feuchtigkeit an.	<ul style="list-style-type: none"> • Das Klima ist zu warm und zu feucht. • Die Tür ist nicht fest verschlossen. Die kalte Luft im Gerät und die warme Luft außerhalb des Gerätes kondensiert. 	<ul style="list-style-type: none"> • Dies ist in feuchtem Klima normal und ändert sich, wenn die Luftfeuchtigkeit abnimmt. • Stellen Sie sicher, dass die Tür fest geschlossen ist.

Problem	Mögliche Ursache	Mögliche Lösung
Starke Eis- und Frostbildung im Gefrierfach.	<ul style="list-style-type: none"> Die Waren waren nicht angemessen verpackt. Eine Tür/Schublade des Geräts ist nicht fest geschlossen. Die Tür wurde zu oft oder zu lange geöffnet. Die Türdichtung ist verschmutzt, verschlissen, gerissen oder nicht richtig eingesetzt. Etwas auf der Innenseite verhindert, dass sich die Tür richtig schließt. 	<ul style="list-style-type: none"> Verpacken Sie die Waren immer gut. Schließen Sie die Tür/Schublade. Öffnen Sie die Tür nicht zu oft. Reinigen Sie die Türdichtung oder ersetzen Sie sie durch eine neue. Positionieren Sie die Einlegeböden, Türablagen oder Innenbehälter neu, damit sich die Tür schließen lässt.
Das Gerät macht ungewöhnliche Geräusche.	<ul style="list-style-type: none"> Das Gerät wurde auf einer unebenen Fläche aufgestellt. Das Gerät kommt mit einem Gegenstand in Berührung. 	<ul style="list-style-type: none"> Stellen Sie die Füße ein, um das Gerät auszurichten. Entfernen Sie Gegenstände um das Gerät herum.
Es ist ein leises Geräusch wie von fließendem Wasser zu hören.	<ul style="list-style-type: none"> Das ist normal. 	<ul style="list-style-type: none"> –
Sie hören einen Alarmton.	<ul style="list-style-type: none"> Die Tür ist offen. 	<ul style="list-style-type: none"> Schließen Sie die Tür.
Sie hören ein schwaches Summen.	<ul style="list-style-type: none"> Das Antikondensationssystem ist in Betrieb. 	<ul style="list-style-type: none"> Dies verhindert Kondensation und ist normal.
Die Innenbeleuchtung oder das Kühlsystem funktioniert nicht.	<ul style="list-style-type: none"> Der Netzstecker ist nicht an der Steckdose angeschlossen. Die Stromversorgung ist nicht intakt. Die LED-Lampe ist defekt. 	<ul style="list-style-type: none"> Schließen Sie den Netzstecker an. Überprüfen Sie die elektrische Stromversorgung des Raumes. Wenden Sie sich an den zuständigen Energieversorger! Lassen Sie die Lampe von einem Fachbetrieb auswechseln.
Die Seiten des Schrankes und der Türleiste werden warm.	<ul style="list-style-type: none"> Das ist normal. 	<ul style="list-style-type: none"> –
Es kommt kein Wasser aus dem Auslauf des Wasserspenders	<ul style="list-style-type: none"> Die Sperre ist nicht deaktiviert. 	<ul style="list-style-type: none"> Deaktivieren Sie die Sperre.

9.2 Stromausfall

Bei einem Stromausfall sollten die Lebensmittel etwa 5 Stunden lang sicher kalt bleiben.

Befolgen Sie diese Tipps bei einer längeren Stromunterbrechung, insbesondere im Sommer:

- ▶ Öffnen Sie die Tür/Schublade so wenig wie möglich.
- ▶ Legen Sie während einer Stromunterbrechung keine zusätzlichen Lebensmittel in das Gerät.
- ▶ Sollte eine Stromunterbrechung vorher angekündigt werden und länger als 5 Stunden dauern, bereiten Sie etwas Eis zu und legen Sie es in einen Behälter oben ins Kühlfach.
- ▶ Im Anschluss an einen Stromausfall müssen die Waren sofort kontrolliert werden.
- ▶ Da die Temperatur im Kühlschrank bei einer Stromunterbrechung oder einem anderen Ausfall ansteigt, wirkt sich dies auf die Lagerdauer und genießbarkeit der Lebensmittelaus. Alle aufgetauten Lebensmittel sollten entweder verzehrt oder gegart und anschließend (sofern möglich) wieder eingefroren werden, um Gesundheitsrisiken zu vermeiden.



Hinweis: Speicherfunktion bei Stromunterbrechung

Nach Wiederherstellung der Stromversorgung fährt das Gerät mit den Einstellungen fort, die vor dem Stromausfall eingestellt wurden.

10.1 Auspacken



WARNUNG!

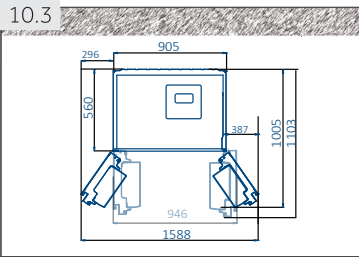
- ▶ Das Gerät ist schwer. Immer mit mindestens zwei Personen bewegen.
- ▶ Bewahren Sie alle Verpackungsmaterialien außerhalb der Reichweite von Kindern auf und entsorgen Sie sie auf umweltfreundliche Weise.

- ▶ Nehmen Sie das Gerät aus der Verpackung.
- ▶ Entfernen Sie alle Verpackungsmaterialien, einschließlich der transparenten Schutzfolie.

10.2 Umgebungsbedingungen

Die Raumtemperatur sollte immer zwischen 16 °C und 43 °C liegen, da sie die Temperatur im Inneren des Geräts und dessen Energieverbrauch beeinflussen kann. Installieren Sie das Gerät nicht ohne Isolierung in der Nähe anderer wärmeabgebender Geräte (Öfen, Kühlschränke).

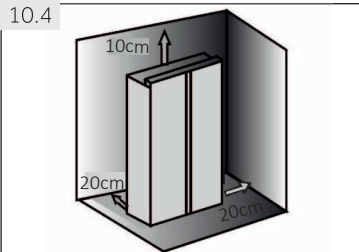
10.3



10.3 Platzbedarf

Platzbedarf beim Öffnen der Tür (Abb. 10.3): Breite des Geräts: 1588 mm Gerätetiefe: 1103 mm

10.4



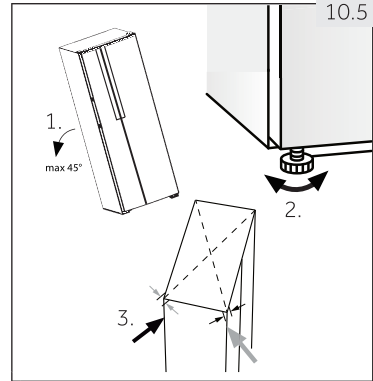
10.4 Lüftungsquerschnitt

Um aus Sicherheitsgründen eine ausreichende Belüftung des Gerätes zu erreichen, sind die Angaben der erforderlichen Lüftungsquerschnitte zu beachten (Abb. 10.4).

10.5 Ausrichten des Geräts

Das Gerät sollte auf einer flachen und robusten Fläche aufgestellt werden.

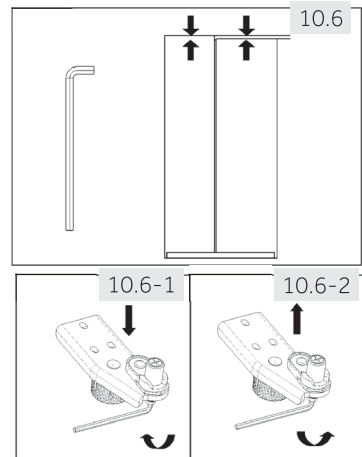
1. Kippen Sie das Gerät leicht nach hinten (Abb. 10.5).
2. Stellen Sie die FüÙe auf die gewünschte Höhe ein. Achten Sie darauf, dass der Abstand zur Wand an den Scharnierseiten mindestens 5 cm beträgt.
3. Die Stabilität kann durch abwechselndes AnstoÙen an den Diagonalen überprüft werden. Das leichte Schwanken sollte in beiden Richtungen gleich sein. Andernfalls kann sich der Rahmen verziehen und die Funktionsfähigkeit der Türdichtungen beeinträchtigt werden. Eine geringe Neigung nach hinten erleichtert das Schließen der Türen.



10.6 Feinabstimmung der Türen

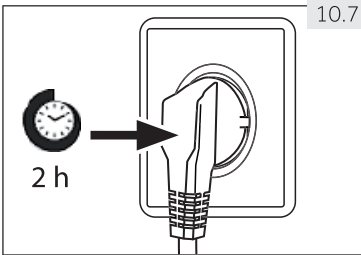
Wenn sich die Türen nach dem Nivellieren mit den FüÙen immer noch nicht in einer Ebene befinden, kann diese Fehlanpassung durch Drehen der Scharnierwelle an der rechten unteren Ecke der Kühlschranktür mit einem Inbusschlüssel behoben werden (Abb. 10.6)

- Drehen Sie die Welle mit dem Schlüssel im Uhrzeigersinn, um die Tür abzusenken (Abb. 10.6-1).
- Drehen Sie die Welle mit dem Schlüssel gegen den Uhrzeigersinn, um die Tür anzuheben (Abb. 10.6-2).



WARNUNG!

Stellen Sie die Scharnierwelle nicht zu hoch ein, um zu verhindern, dass sie ihre ursprüngliche Verriegelungsstellung verlässt. (Einstellbarer Höhenbereich: 3 mm)



10.7 Wartezeit

Zur wartungsfreien Schmierung befindet sich Öl in der Kapsel des Kompressors. Dieses Öl kann bei einem Schrägtransport in das geschlossene Leitungssystem gelangen. Vor dem Anschluss des Geräts an die Stromversorgung müssen Sie mindestens 2 Stunden warten (Abb. 10.7), damit das Öl wieder in die Kapsel zurückläuft.

10.8 Elektrischer Anschluss

Prüfen Sie vor jedem Anschluss, dass:

- ▶ Steckdose und Sicherung den Angaben auf dem Typenschild entsprechen
- ▶ die Steckdose geerdet ist und keine Mehrfachsteckdose oder Verlängerung verwendet wird
- ▶ Netzstecker und Steckdose den Vorgaben entsprechen

Schließen Sie den Stecker an eine ordnungsgemäß installierte Haushaltssteckdose an.



WARNUNG!

Um Risiken zu vermeiden, muss ein beschädigtes Netzkabel durch den Kundendienst ersetzt werden (siehe Garantiekarte).

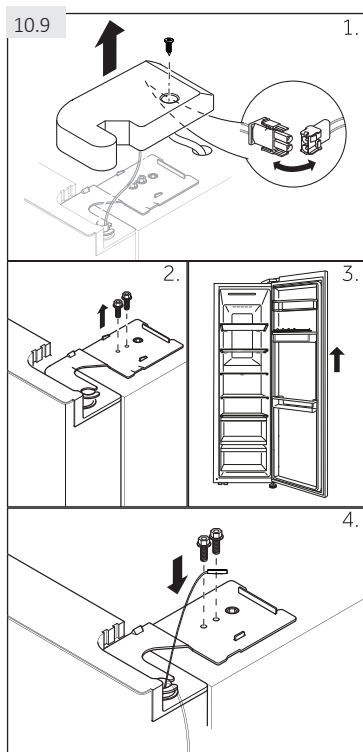
10.9 Aus- und Einbau der Türen

Falls Sie die Gerätetüren entfernen müssen, befolgen Sie bitte die folgenden Demontage- und Montageanweisungen (Abb. 10.9)



WARNUNG!

- ▶ Schalten Sie das Gerät vor jeder Handhabung aus und ziehen Sie den Netzstecker aus der Steckdose.
- ▶ Das Gerät ist schwer. Immer mit mindestens zwei Personen bewegen.
- ▶ Kippen Sie das Gerät um nicht mehr als 45° und legen Sie es nicht horizontal auf dem Boden ab.



1. Lösen Sie die Schraube der Scharnierabdeckung und entfernen Sie sie die Abdeckung. Lösen Sie den Kabelanschluss.
2. Lösen Sie die Schrauben, die das obere Scharnier in Position halten, und entfernen Sie dann das Scharnier.
3. Heben Sie die Kühlschranktür an, um sie zu entfernen.
4. Bringen Sie die Tür wieder an, indem Sie die Demontageschritte umgekehrt ausführen. Stellen Sie sicher, dass das Erdungskabel mit der Schraube befestigt wird.



Hinweis: Kühlschranktür

Die Bilder zeigen das Entfernen der Kühlfachtür. Für die Gefriertür verwenden Sie bitte die entsprechenden Teile auf der anderen Seite

11.1 Produktdatenblatt gemäß Verordnung EU Nr. 1060/2010

Markenzeichen	Haier		
Modellbezeichnung	HSR3918FNP*	HSR3918ENP*	HSR3918EWP*
Modellkategorie	Kühl-/Gefriergerät		
Energieeffizienzklasse	A+		
Jährlicher Energieverbrauch (kWh/Jahr)	399		
Kühlagervolumen (L)	337		
Gefrieragervolumen (L) ****	167		
Sterne-Standard	* ** *		
Temperatur der anderen Fächer >14 °C	Nicht zutreffend		
Frostfreies System	Ja		
Temperaturanstiegszeit (h)	5		
Gefrierkapazität (kg/24 h)	10		
Klimaklasse	SN-N-ST		
Dieses Gerät ist für den Einsatz bei einer Umgebungstemperatur zwischen 10 °C und 43 °C vorgesehen.			
Luftschallemissionen (db(A) re 1pW)	38		
Bauweise	Freistehend		

Basierend auf Standardtestergebnissen für 24 Stunden. Der tatsächliche Energieverbrauch hängt davon ab, wie und wo das Gerät eingesetzt wird.

11.1.1 Zusätzliche technische Daten

Spannung / Frequenz	220-240 V / 50 Hz
Eingangsleistung (W)	200
Hauptsicherung (A)	15
Kühlmittel	R600a
Abmessungen (H/B/T in mm)	1775/908/647

11.1.2 Normen und Richtlinien

Dieses Produkt erfüllt die Anforderungen aller anwendbaren EG-Richtlinien mit den entsprechenden harmonisierten Normen, die eine CE-Kennzeichnung vorsehen.

Wir empfehlen unseren Haier-Kundendienst sowie die Verwendung von Original-Ersatzteilen. Wenn Sie ein Problem mit Ihrem Gerät haben, prüfen Sie bitte zuerst den Abschnitt STÖRUNGEN.

Falls Sie dort keine Lösung finden, wenden Sie sich bitte an

- ▶ die Verkaufsstelle oder
- ▶ den Service- und Supportbereich auf www.haier.com, wo Sie Telefonnummern und FAQs finden und den Serviceanspruch aktivieren können.

Um unseren Service zu kontaktieren, stellen Sie sicher, dass Sie die folgenden Daten zur Verfügung haben.

Die Informationen sind auf dem Typenschild zu finden.

Modell _____ Seriennr. _____

Bei einem Garantiefall prüfen Sie auch die mit dem Produkt gelieferte Garantiekarte.



Haier



0060528721



Manual do utilizador

Frigorífico - Congelador

HSR3918ENP*

HSR3918EWP*

HSR3918FNP*

***=W,B,L,G,N**

PT

Haier

Obrigado por comprar um produto Haier.

Leia estas instruções atentamente antes de instalar ou usar este aparelho. As instruções contêm informações importantes que o ajudarão a tirar o melhor partido do aparelho e a garantir uma instalação, utilização e manutenção seguras e adequadas.

Guarde este manual num local conveniente para que possa sempre consultá-lo para o uso seguro e adequado do aparelho.

Se vender, doar ou deixar o aparelho quando mudar de casa, assegure-se de que também deixa este manual para que o novo proprietário se possa familiarizar com o aparelho e com os avisos de segurança.

Legenda

Aviso- Informação Importante de Segurança



Informação geral e dicas



Informação ambiental;



Eliminação

Ajude a proteger o ambiente e a saúde humana Coloque as embalagens nos contentores adequados para reciclar. Ajude a reciclar resíduos de aparelhos elétricos e eletrónicos. Não elimine os aparelhos assinalados com este símbolo juntamente com o lixo doméstico. Devolva o produto à sua unidade de reciclagem local ou entre em contacto com o departamento municipal.



AVISO!

Risco de ferimentos ou de asfixia!

Refrigerantes e gases devem ser eliminados de forma profissional. Certifique-se de que a tubagem do circuito de refrigeração não é danificada antes de ser devidamente eliminada. Desligue o aparelho da rede elétrica. Corte o cabo de alimentação e elimine-o. Retire as bandejas e gavetas, assim como o fecho das portas e os vedantes, para evitar que crianças e animais de estimação fiquem fechados no aparelho.

Os aparelhos antigos ainda têm algum valor residual. Um método de eliminação amigo do ambiente irá garantir que matérias-primas valiosas possam ser recuperadas e utilizadas novamente.

O ciclopentano, uma substância inflamável não prejudicial ao ozono, é utilizado como expansor para a espuma isolante.

Ao assegurar que este produto é eliminado corretamente, ajuda a prevenir potenciais consequências negativas para o ambiente e para a saúde humana, que de outra forma poderiam ser causadas.

Para informações mais detalhadas sobre a reciclagem deste produto, contacte o seu município local, o serviço de eliminação de resíduos domésticos ou o local onde adquiriu o produto, manuseado por profissionais.

1- Informação de Segurança.....	4
2- Utilização prevista	8
3- Descrição do produto.....	10
4- Painel de controlo.....	11
5- Uso.....	12
6- Dicas para poupança de energia.....	20
7- Equipamento	21
8- Cuidados e limpeza.....	24
9-Resolução de problemas.....	27
10- Instalação.....	31
11- Dados Técnicos	34
12- Serviço ao cliente	35

Antes de ligar o aparelho pela primeira vez, leia as seguintes informações de segurança!



AVISO!

Antes da primeira utilização

- ▶ Assegure-se de que não existem danos causados pelo transporte.
- ▶ Remova todas as embalagens e mantenha-as fora do alcance das crianças.
- ▶ Aguarde pelo menos duas horas antes de instalar o aparelho para garantir que o circuito de refrigerante está totalmente eficiente.
- ▶ O aparelho é pesado, pelo que deve ser manuseado por, pelo menos, duas pessoas.

Instalação

- ▶ O aparelho deve ser colocado num local bem ventilado. Garanta um espaço de pelo menos 20 cm por cima de 10 cm em volta do aparelho.
- ▶ Nunca coloque o aparelho numa área húmida ou num local onde possa ser salpicado com água. Limpe e seque salpicos de água e manchas com um pano macio e limpo.
- ▶ Não instale o aparelho sob luz solar direta ou na proximidade de fontes de calor (por exemplo, fogões de sala, aquecedores).
- ▶ Instale e nivele o aparelho numa área adequada ao seu tamanho e utilização.
- ▶ Mantenha as aberturas de ventilação no aparelho ou na estrutura embutida, livres de obstruções.
- ▶ Certifique-se de que as informações elétricas na placa de características estão de acordo com a rede de alimentação. Se não estiverem, contacte um electricista.
- ▶ O aparelho é operado por uma rede de alimentação de 220-240 VCA/50 Hz. A flutuação anormal da tensão pode fazer com que o aparelho não funcione, ou danifique o controlo de temperatura ou o compressor, ou pode fazer ocorrer um ruído anormal durante o funcionamento. Nesse caso, deve ser montado um regulador automático.
- ▶ Use uma tomada de ligação à terra separada para a rede de alimentação, que seja de fácil acesso. O aparelho deve ser ligado à terra.
- ▶ **Apenas para o RU:** O cabo de alimentação do aparelho está equipado com uma ficha de 3 fios (ligação à terra) que cabe numa tomada padrão de 3 fios (ligação à terra). Nunca corte ou desmonte o terceiro pino (ligação à terra). Após a instalação do aparelho, a ficha deve ficar acessível.
- ▶ Não utilize adaptadores multi-fichas e cabos de extensão.
- ▶ Certifique-se de que o cabo de alimentação não fica preso pelo aparelho. Não pise o cabo de alimentação.
- ▶ Não danifique o circuito do refrigerante.
- ▶ **Não coloque diversas tomadas portáteis ou fontes de alimentação portáteis na parte traseira do aparelho.**



AVISO!

Uso diário

- ▶ Este equipamento pode ser usado por crianças a partir dos 8 anos de idade e por pessoas com incapacidade física, sensorial ou mental, ou sem experiência e conhecimentos para o fazer, desde que supervisionadas ou devidamente orientadas relativamente ao uso seguro do equipamento e sobre os perigos envolvidos.
- ▶ Crianças com idades entre os 3 e os 8 anos podem carregar e descarregar aparelhos de refrigeração, mas não estão autorizadas a limpar e instalar aparelhos de refrigeração.
- ▶ Mantenha as crianças com menos de 3 anos afastadas do aparelho, exceto se forem constantemente supervisionadas.
- ▶ A limpeza e a manutenção não deve ser realizada por crianças sem a supervisão de um adulto.
- ▶ As crianças não podem brincar com o equipamento.
- ▶ **O aparelho deve ser posicionado de modo a que a ficha fique acessível.**
- ▶ Se ocorrer fuga de gás frio ou de outro gás inflamável nas proximidades do aparelho, desligue a válvula do gás com fuga, abra as portas e as janelas e não desligue a ficha do cabo de alimentação do aparelho ou de qualquer outro aparelho.
- ▶ Não esquecer que o aparelho está ajustado para operação a **uma gama de ambiente específica entre 10 e 38 °C**. O aparelho pode não funcionar corretamente se for deixado durante longos períodos a uma temperatura acima ou abaixo da faixa indicada.
- ▶ Não coloque artigos instáveis (objetos pesados, recipientes **cheios de água**) **em cima do aparelho, evite ferimentos pessoais** causados por quedas ou choques elétricos provocados pelo contacto com a água.
- ▶ Não puxe pelas prateleiras da porta. A porta pode ser puxada inclinada, o suporte de garrafas pode ser puxado ou o aparelho pode tombar.
- ▶ Abra e feche as portas apenas com os puxadores. O espaço entre as portas e entre as portas e o armário é muito estreito. Não coloque as mãos nestes espaços para evitar trilhar os dedos. Abra ou feche as portas apenas quando não estiverem crianças ao alcance do movimento da porta.
- ▶ Não armazene ou utilize materiais inflamáveis, explosivos ou corrosivos no aparelho ou nas suas proximidades.
- ▶ Não armazene medicamentos, bactérias ou agentes químicos no aparelho Este aparelho é um eletrodoméstico. Não é recomendado o armazenamento de materiais que exijam temperaturas rigorosas.
- ▶ Nunca guarde líquidos em garrafas ou latas (além de bebidas com alto teor de álcool) especialmente bebidas gaseificadas no congelador, pois estas rebentam durante o congelamento.

**AVISO!****Uso diário**

- ▶ Verifique o estado dos alimentos se ocorreu algum aquecimento no congelador.
- ▶ Não coloque a temperatura baixa no compartimento frigorífico sem necessidade. Podem ocorrer temperaturas negativas em configurações altas. Atenção: As garrafas podem rebentar.
- ▶ Não toque em produtos congelados com as mãos molhadas (use luvas). Não deve comer gelados imediatamente após serem retirados do compartimento do congelador. Existe risco de congelamento ou de formação de bolhas de gelo. PRIMEIROS SOCORROS: colocar as mãos imediatamente debaixo de água fria corrente. Não se afaste!
- ▶ Não toque na superfície interna do compartimento congelador durante o funcionamento, especialmente com as mãos molhadas, pois as suas mãos podem congelar na superfície.
- ▶ Desligue o aparelho da tomada no caso de uma interrupção de energia ou antes da limpeza. Aguarde pelo menos 5 minutos antes de reiniciar o aparelho, porque os reinícios frequentes podem danificar o compressor.
- ▶ Não use aparelhos elétricos dentro dos compartimentos de armazenamento de alimentos do aparelho, exceto se forem do tipo recomendado pelo fabricante.
- ▶ Use apenas água potável nos modelos com dispensador de água.

Manutenção / limpeza

- ▶ Certif44268ique-se de que as crianças são supervisionadas se realizarem a limpeza e a manutenção.
- ▶ Desligue o aparelho da alimentação elétrica antes de realizar qualquer manutenção de rotina. Aguarde pelo menos 5 minutos antes de reiniciar o aparelho, porque os reinícios frequentes podem danificar o compressor.
- ▶ Ao desligar o dispositivo, puxe pela ficha e não pelo cabo. .
- ▶ Não raspe gelo com objetos pontiagudos. Não use sprays, aquecedores elétricos, secadores de cabelo, equipamento de limpeza a vapor ou outras fontes de calor, para evitar danificar as partes plásticas.
- ▶ Não usar dispositivos mecânicos ou outros meios para acelerar o processo de descongelação, além dos recomendados pelo fabricante.
- ▶ **Não limpe o aparelho com escovas duras, escovas de arame, detergentes em pó, combustíveis, acetato de amilo, acetona e soluções orgânicas semelhantes, soluções ácidas ou alcalinas. Limpe com detergente especial para frigoríficos para evitar danos.**
- ▶ **Use água morna e solução de bicarbonato de sódio - cerca de uma colher de sopa de bicarbonato de sódio para um litro/quarto de água. Enxague bem com água e seque. Não utilize detergentes em pó ou outros produtos de limpeza abrasivos. Não lave as peças amovíveis na máquina de lavar louça.**



AVISO!

Manutenção / limpeza

- ▶ Se o cabo de alimentação estiver danificado, deve ser substituído pelo fabricante, pelo seu agente de serviço ou por pessoas qualificadas, para evitar perigo.
- ▶ Não tente reparar, desmontar ou modificar o aparelho sozinho. Em caso de reparação, entre em contacto com o nosso serviço ao cliente.
- ▶ Para evitar perigo, se as lâmpadas de iluminação estiverem danificadas, devem ser substituídas pelo fabricante, pelo seu agente de serviço ou por pessoas qualificadas.
- ▶ Elimine a poeira na parte de trás da unidade pelo menos uma vez por ano para evitar riscos de incêndio, assim como o aumento do consumo de energia.
- ▶ Não pulverize ou lave o aparelho durante a limpeza.
- ▶ Não use spray de água ou vapor para limpar o aparelho.
- ▶ Não limpe as prateleiras de vidro frias com água quente. As mudanças bruscas de temperatura podem fazer o vidro partir.
- ▶ Se deixar o seu aparelho fora de uso durante um longo período, deixe-o aberto para evitar que se acumulem no seu interior odores e maus cheiros.

Informações sobre gás refrigerante



AVISO!

O aparelho contém o refrigerante inflamável ISOBUTANE (R600a). Certifique-se de que o circuito de refrigeração não é danificado durante o transporte ou instalação. A fuga de refrigerante pode causar lesões oculares ou ignição. Se tiver ocorrido algum dano, afaste-se das fontes abertas de incêndio, ventile bem a sala, não ligue ou desligue os cabos de alimentação do aparelho ou de qualquer outro aparelho. Informe o serviço ao cliente.

No caso dos olhos entrarem em contacto com o líquido refrigerante, enxague imediatamente com água corrente e consulte imediatamente o oftalmologista.

AVISO: O sistema de refrigeração encontra-se sob alta pressão. Não faça alterações. Uma vez que são usados refrigerantes inflamáveis, instale, manuseie e realize a manutenção do aparelho estritamente de acordo com as instruções fornecidas e entre em contacto com o agente profissional ou com o nosso serviço pós-venda para eliminar o aparelho.

2.1 Utilização prevista

Este aparelho destina-se a ser utilizado em aplicações domésticas e similares, tais como:

- cozinhas para pessoal em lojas, escritórios e outros ambientes de trabalho;
 - clientes em hotéis, motéis e outros ambientes tipo residenciais;
 - alojamentos do tipo “bed and breakfast”;
 - catering e aplicações não comerciais similares.
- ▶ Se o aparelho não for utilizado durante um longo período de tempo, e ser utilizada apenas a função Férias ou a função Frigorífico desligado para o frigorífico/congelador:
- Retire os alimentos.
 - Desligue o cabo de alimentação.
 - Esvazie e limpe o dispensador de água.
 - Limpe o aparelho como descrito acima.
 - Mantenha as portas abertas para evitar a criação de maus cheiros no interior.
- ▶ Para garantir a preservação segura de alimentos ou vinho, cumpra com estas instruções para uso.
- ▶ Para evitar a contaminação dos alimentos (não válido para vinhos de adega), respeite as seguintes instruções:
- A abertura da porta durante longos períodos pode causar um aumento significativo da temperatura nos compartimentos do aparelho.
 - Limpe regularmente as superfícies que possam entrar em contacto com alimentos e sistemas de drenagem acessíveis.
 - Limpe os tanques de água limpa, se não forem usados durante 48 horas; lave o sistema de água ligado ao fornecimento de água se a água não for extraída durante 5 dias.
 - Guarde carne e peixe crus em recipientes adequados no frigorífico/congelador, que não fiquem em contacto ou que pinguem sobre outros alimentos. Para garantir a conservação segura dos alimentos, os alimentos instantâneos e a carne/peixe crus devem ser guardados separadamente.
 - Os compartimentos de alimentos congelados de duas estrelas são adequados para alimentos pré-congelados, armazenar ou fazer gelados e cubos de gelo.
 - Os compartimentos de uma, duas e três estrelas não são adequados para congelar alimentos frescos.
 - Se o aparelho de refrigeração ficar vazio durante longos períodos, deve desligar, descongelar, limpar, secar o mesmo e deixar a porta aberta para evitar o desenvolvimento do bolor no interior.
- ▶ Os detalhes sobre a parte mais adequada no compartimento do aparelho, onde os tipos específicos de alimentos devem ser guardados, considerando a distribuição da temperatura que pode estar presente nos diferentes compartimentos do aparelho encontram-se na parte do outro manual.

Eliminação

O símbolo no produto ou na sua embalagem indica que este produto não pode ser tratado como resíduo doméstico. Em vez disso deve ser levado para o ponto de recolha apropriado para a reciclagem de equipamento elétrico e eletrónico. Ao assegurar que este produto é eliminado corretamente, ajuda a prevenir potenciais consequências negativas para o ambiente e para a saúde humana, que podem ser causadas pela eliminação incorreta deste produto. Para mais informações sobre a reciclagem deste produto, contacte o departamento do município local, o serviço de eliminação de resíduos domésticos ou o local onde adquiriu o produto.

Dado que são usados gases de isolamento inflamáveis, entre em contacto com o agente profissional ou com o nosso serviço pós-venda para eliminar o aparelho.



AVISO!

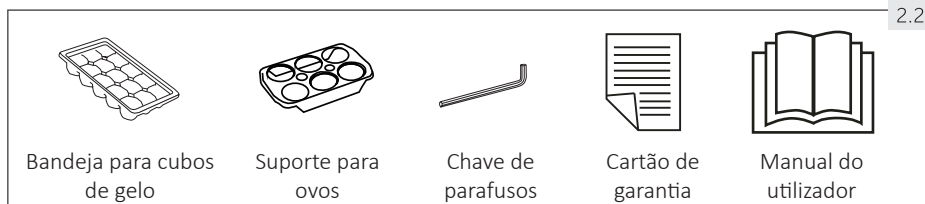
Risco de ferimentos ou de asfixia!

Refrigerantes e gases devem ser eliminados de forma profissional. Certifique-se de que a tubagem do circuito de refrigeração não está danificada antes de eliminar o aparelho adequadamente. Desligue o aparelho da rede de alimentação. Corte o cabo de alimentação e elimine-o. Retire as bandejas e gavetas, assim como o fecho das portas e as vedações para evitar que crianças e animais de estimação se fechem no aparelho.

Não são permitidas alterações ou modificações no dispositivo. O uso não intencional pode causar perigos e perda de garantias.

2.2 Acessórios

Verifique os acessórios e a literatura de acordo com esta lista (Fig. 2.2):

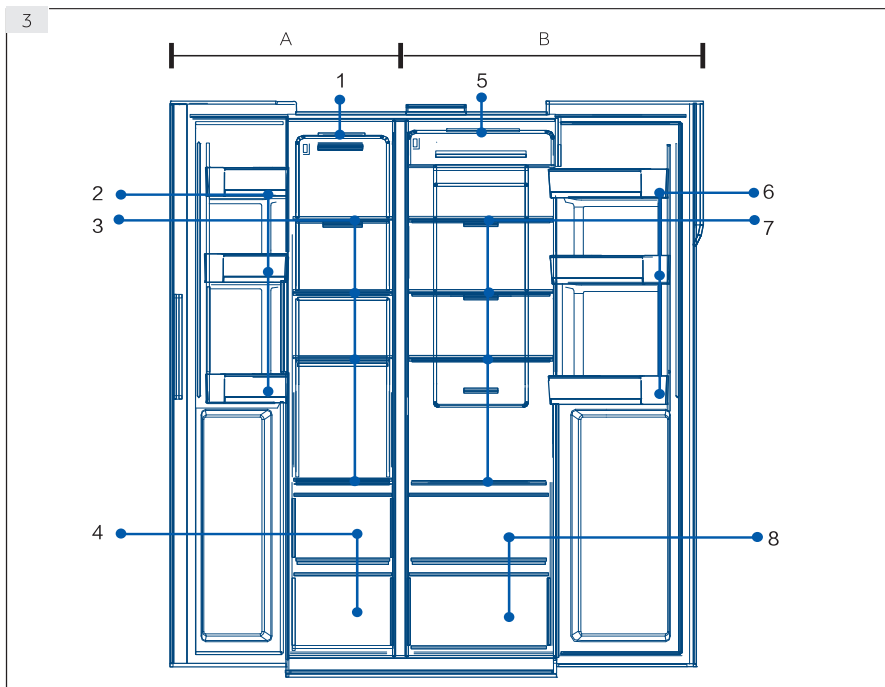


2.2

i **Aviso**

Devido a alterações técnicas e modelos diferentes, algumas das ilustrações deste manual podem diferir do seu modelo.

Fotos de aparelhos (Fig. 3)

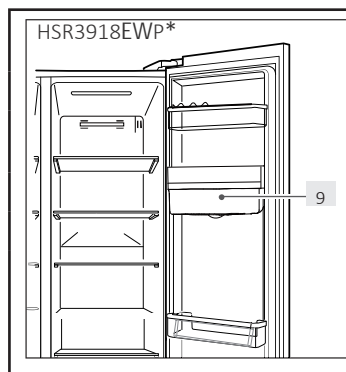


A: Compartimento congelador

1. Lâmpada de teto
2. Prateleiras da porta/ suporte de garrafas
3. Prateleiras congelador
4. Caixa Congeladora

B: Compartimento frigorífico

5. Lâmpada de teto
6. Prateleiras da porta/ suporte de garrafas
7. Prateleiras frigorífico
8. Caixa Frigorífico
9. Dispensador de água



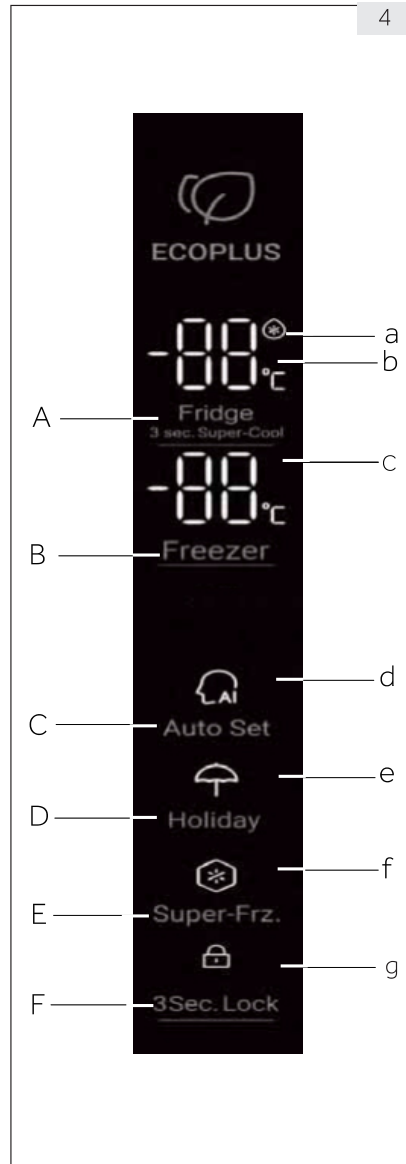
Painel de controlo (Fig. 4)

Teclas:

- A Seletor frigorífico
- B Seletor de congelador
- C Modo Fuzzy
- D Modo Férias
- E Modo de super-Freeze
- F Seletor bloqueio do painel

Indicadores:

- a Modo Super-Cool
- b Frigorífico Temperatura
- c Temperatura Congelador
- d Modo Fuzzy
- e Modo Férias
- f Modo Super-Freeze
- g Bloqueio do painel



5.1. Primeira utilização

Quando o frigorífico é alimentado pela primeira vez com energia, o visor é ligado. A temperatura padrão do compartimento frigorífico é de 4 °C, e o congelador é de -18 °C. A luz da função inteligente está acesa.

5.2. Bloquear/desbloquear painel

Bloqueio automático:

Quando a porta do frigorífico e a porta do congelador estão fechadas, e não há nenhuma operação em nenhum botão durante 30s, a luz do painel desliga-se automaticamente e o painel é bloqueado.

Bloqueio manual:

Quando o painel está desbloqueado, pressione o botão Lock durante 3 segundos e a campainha emitirá um som de zumbido, o indicador de lock está ligado e, de seguida, o visor é bloqueado.



Pressionar
durante
3 segundos

O indicador está ligado
O painel está bloqueado

Desbloquear:

Quando o painel está desligado, abra qualquer porta do frigorífico ou toque em qualquer botão do painel de controlo, o painel acende. Neste momento, o painel está bloqueado. Pressione o botão de função de bloqueio durante 3 segundos, a campainha toca, o indicador de bloqueio está desligado e o painel está desbloqueado.



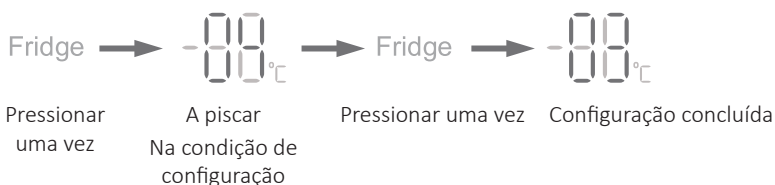
O painel está
ligado
Abra a porta ou
pressione um
dos botões

Mantenha
durante
3 seg.

O indicador é desligado
O painel é desbloqueado

5.3. Ajuste a temperatura do frigorífico

1. Quando o painel de controlo é desbloqueado, pressione o “Seletor de frigorífico”, e a campainha toca, o indicador de temperatura do Frigorífico pisca. Agora a temperatura do frigorífico pode ser ajustada.
2. De seguida, a cada pressão do seletor do frigorífico, a campainha soa, e a configuração diminui em 1. A sequência de deslocação está em loop contínuo como “4 °C / 3 °C / 2 °C / 1 °C / 9 °C / 8 °C / 7 °C / 6 °C / 5 °C / 4 °C”

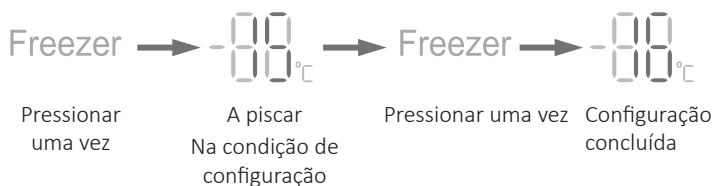


i **Aviso**

- ▶ O aparelho está predefinido para a temperatura recomendada de 4 °C (frigorífico) e -18 °C (congelador). Em condições ambientais normais, não é necessário definir uma temperatura.

5.4. Ajuste a temperatura do congelador

1. Quando o painel de controlo estiver desbloqueado, pressione o “Seletor do Congelador”, e a campainha toca, o indicador de temperatura do congelador pisca. Agora a temperatura do congelador pode ser ajustada.
2. De seguida cada pressão do seletor do congelador, a campainha toca, e a temperatura diminui em 1. A sequência de deslocação está em loop contínuo como “-18 °C/-19 °C/-20 °C/-21 °C/-22 °C/-23 °C/-24 °C/-14 °C/-15 °C/-16 °C/-17 °C/-18 °C”.

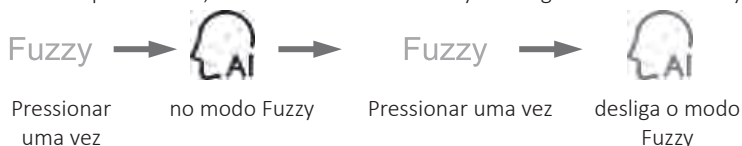


i **Aviso**

- ▶ A temperatura é definida, se nenhum botão for pressionado durante 5 segundos, a temperatura será automaticamente confirmada e guardada.

5.5. Definir automaticamente

1. Quando o painel de controlo estiver desbloqueado, pressione “Seletor Modo Fuzzy”, e a campainha toca e o indicador do modo Fuzzy é ligado. O modo Fuzzy começa.
2. Quando o indicador do modo Fuzzy está ligado, pressione o seletor do modo Fuzzy e a campainha toca, o indicador do modo Fuzzy é desligado e o modo Fuzzy encerra.



Aviso

- ▶ Quando o modo Fuzzy está ligado, a temperatura do frigorífico e a temperatura do congelador não podem ser selecionadas. Quando o seletor do frigorífico ou o seletor do congelador é pressionado, o indicador do modo Fuzzy pisca com sons, não esquecendo que a operação não é permitida. Com o modo Fuzzy, se a função de refrigeração rápida, congelamento rápida ou Férias for selecionada, o modo Fuzzy é desligado, e o modo Fuzzy encerra automaticamente.

5.6. Modo Férias

O modo de Férias é desenhado para a situação em que o refrigerador não será usado durante muito tempo. Quando o modo de férias está ligado, a temperatura do congelador pode ser selecionada, enquanto a temperatura do frigorífico é automaticamente definida para 17 °C, o que evita qualquer odor devido à alta temperatura no compartimento frigorífico, e também poupa no consumo de energia.

1. Quando o painel de controlo está desbloqueado, pressione o “Seletor de modo Férias”, e a campainha toca, o indicador de função de Férias é ligado. O modo Férias começa.
2. Quando o indicador do modo Férias está ligado, pressione o seletor de função Férias, e a campainha toca, o indicador do modo Férias é desligado, e o modo Férias encerra.

Holiday



em modo férias



Holiday



desliga o modo férias

Pressionar uma vez

Pressionar uma vez

Aviso

- ▶ Quando o modo de Férias está ligado, a temperatura do frigorífico não pode ser selecionada. Quando o seletor do frigorífico é pressionado, o indicador do modo Férias pisca com sons que lembram que a operação não é permitida. Antes de selecionar o modo de férias, esvazie o compartimento frigorífico para evitar qualquer deterioração de alimentos. Com o modo de Férias ligado, a função inteligente e refrigeração rápida não podem ser selecionadas em simultaneamente. Se for selecionado o modo inteligente ou de refrigeração rápida, o indicador do modo Férias é desligado e a função encerra automaticamente.

5.7. Modo Super-Cool

1. Quando o painel de controlo está desbloqueado, pressione o “Seletor Frigorífico” durante 3 segundos, e a campainha emite um som, o indicador super frio acende. O modo super-cool inicia.
2. Quando o indicador super-cool é ligado, pressione o seletor do frigorífico durante 3s, a campainha toca, o indicador de super-cool é desligado. O modo super-cool encerra.
3. Quando o modo super-cool está ligado, o refrigerador mudará automaticamente para

o modo super-cool desligado depois do modo super-cool alcançar a condição definida. Se quiser sair manualmente, pode pressionar o seletor do refrigerador durante 3s para desligar o modo super-cool.



Aviso

- ▶ Com a função super-cool ligada, o modo Fuzzy e o modo Férias não podem ser selecionados em simultâneo. Se o modo Fuzzy ou modo Férias estiver selecionado, o indicador super-cool é desligado e encerra automaticamente.

5.8. Modo Super-Freeze

1. Quando o painel de controlo estiver desbloqueado, pressione o “Seletor Super-freeze”, e a campainha toca, o indicador de Super-freeze pisca. Modo Super-Freeze.
2. Com o indicador de Super-freeze ligado, pressione o seletor de Super-freeze, a campainha toca, o indicador de Super-freeze é desligado. O modo Super-freeze encerra.
3. Quando o modo Super-freeze está ligado, o frigorífico muda automaticamente para o estado de Super-freeze depois de o modo Super-freeze atingir a condição definida. Se quiser sair manualmente, pode pressionar o seletor de Super-freeze durante 3s para desligar o modo Super-freeze.



Aviso

- ▶ O modo Super-freeze foi desenhado para sustentar os nutrientes dos alimentos no compartimento de congelamento, e os alimentos são congelados no menor tempo possível. Se for necessário congelar uma grande quantidade de alimentos em simultâneo, é recomendável configurar o modo Super-freeze com 24 horas de antecedência para atingir uma temperatura mais baixa no compartimento de congelamento antes de os alimentos serem colocados no congelador. Nesta condição, a velocidade de congelamento no compartimento do congelador é aumentada e os alimentos podem ser rapidamente congelados, bloqueando assim eficazmente os nutrientes dos alimentos e facilitando o seu armazenamento.

Na condição de Super-freeze, se quiser escolher a função inteligente, o indicador de Super-freeze é desligado, e o modo Super-freeze encerra automaticamente.

5.9. Alarme de porta aberta

Quando o tempo de abertura da porta é muito longo ou a porta não é fechada, o frigorífico emite sempre um alarme sonoro para o lembrar de fechar a porta a tempo.

5.10. Poupança de energia do painel de controlo

Se o painel de controlo estiver sem operação durante 30 segundos, é automaticamente desligado e entra no estado bloqueado, o que pode poupar energia. Quando o botão da função de bloqueio é pressionado ou qualquer porta é aberta, o painel de controlo é iluminado.

5.11. Função de memória da falha de energia

Quando o refrigerador é desligado, o estado de funcionamento no momento da falha de energia é memorizado. Depois da energia ser ligada novamente, o frigorífico continua a funcionar de acordo com a alteração e o estado funcional definido antes da falha de energia.

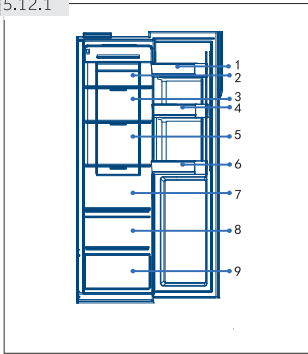
Atenção: A função de bloqueio não é memorizada. Depois de o frigorífico ser novamente ligado, o painel de controlo inicia a auto verificação, o indicador da função de bloqueio é desligado e o frigorífico é desbloqueado.

5.12. Informações sobre armazenamento de alimentos frescos

5.12.1 Armazenamento no compartimento frigorífico

- ▶ Mantenha a temperatura do seu frigorífico abaixo dos 5 °C.
- ▶ Os alimentos quentes devem ser arrefecidos até à temperatura ambiente antes de serem armazenados no aparelho.
- ▶ Os alimentos armazenados no frigorífico devem ser lavados e secos antes de serem armazenados
- ▶ Os alimentos a armazenar devem ser devidamente selados para evitar alterações de odor ou de sabor.
- ▶ Não armazene quantidades excessivas de alimentos. Deixe espaços entre os alimentos para permitir que o ar frio circule em volta, para um arrefecimento melhor e mais homogéneo.
- ▶ Os alimentos consumidos diariamente devem ser armazenados na parte da frente da prateleira
- ▶ Deixe um espaço entre os alimentos e as paredes interiores, para deixar o ar fluir. Não guarde alimentos contra a parede traseira: os alimentos podem congelar contra a parede traseira. Evite o contacto direto de alimentos (especialmente alimentos gordurosos ou ácidos) com o forro interior, pois o óleo/ácido pode provocar erosão do forro interior. Limpe a sujidade oleosa/ácida sempre que for encontrada.
- ▶ Descongele os alimentos congelados no compartimento de armazenamento do frigorífico. Desta forma, pode usar os alimentos congelados para diminuir a temperatura no compartimento e poupar energia.
- ▶ O processo de envelhecimento de frutas e legumes como curgetes, melões, papaia, banana, ananás, etc., pode ser acelerado no frigorífico. Por isso, não é aconselhável armazená-las no frigorífico. No entanto, o amadurecimento de frutos muito verdes pode ser acelerado durante um certo período. Cebolas, alho, gengibre e outros vegetais de raiz também devem ser armazenados à temperatura ambiente.
- ▶ Os odores desagradáveis no interior do frigorífico são um sinal de que algo foi derramado e que é necessário realizar uma limpeza. Consulte CUIDADOS E LIMPEZA.
- ▶ Alimentos diferentes devem ser colocados em áreas diferentes de acordo com as suas propriedades (Fig. 5.12.1/5.12.2):

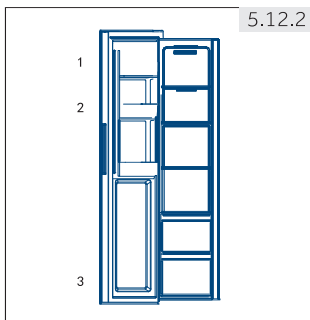
5.12.1



1. Manteiga, queijo, etc.
2. Alimentos em conserva, enlatados, etc.
3. Alimentos em conserva, enlatados, etc.
4. Latas, comida enlatada, especiarias, etc.
5. Produtos à base de carne, lanches, etc.
6. Bebidas e alimentos engarrafados.
7. Massas alimentares, conservas, leite, tofu, laticínios, etc.
8. Frutas, legumes, salada, etc
9. Carne cozinhada, salsichas, etc

5.12.2 Armazenamento no compartimento congelador

- ▶ Mantenha a temperatura do congelador a -18 °C.
- ▶ 24 horas antes de congelar, ligue a função Super-Freezer: - para pequenas quantidades de alimentos 4-6 horas são suficientes.
- ▶ Os alimentos quentes devem ser arrefecidos à temperatura ambiente antes de serem armazenados no compartimento congelador.
- ▶ Os alimentos cortados em pequenas porções irão congelar mais rapidamente e serão mais fáceis de descongelar e cozinhar. O peso recomendado para cada porção é inferior a 2,5 kg
- ▶ É melhor embalar os alimentos antes de os colocar no congelador. O exterior da embalagem deve estar seco para evitar que os sacos colem. Os materiais de embalagem devem ser inodoros, herméticos, não venenosos e não tóxicos.
- ▶ Para evitar a expiração dos períodos de armazenamento, anote a data de congelamento, o prazo e o nome do alimento na embalagem de acordo com os períodos de armazenamento dos diferentes alimentos.
- ▶ **AVISO!** Ácido, alcali, sal, etc. podem corroer a superfície interna do congelador. Não coloque os alimentos que contenham estas substâncias (por exemplo, peixes marinhos) diretamente na superfície interior. A água salgada no congelador deve ser limpa imediatamente.
- ▶ Não exceder os tempos de armazenamento dos alimentos recomendados pelos fabricantes. Retire do congelador apenas a quantidade necessária de alimentos.
- ▶ Alimentos diferentes devem ser colocados em áreas diferentes de acordo com as suas propriedades (Fig. 5.12.2):



5.12.2

1. Produtos menos pesados, tais como gelados, legumes, pão, etc.
2. Bebidas sem alto teor alcoólico e armazenamento temporário de bebidas espirituosas com alto teor alcoólico, peças pequenas como Pizza ou ervas.
3. Porções grandes/pesadas de alimentos, tais como peças de carne para assar

**Aviso: Armazenamento**

- ▶ Mantenha a distância superior a 10 mm entre os alimentos colocados e o sensor para garantir o efeito de refrigeração.
- ▶ Mantenha a gaveta mais baixa quando o aparelho estiver a funcionar, para garantir o efeito de refrigeração.
- ▶ Os alimentos com gelo (como gelados, etc.) devem ser guardados dentro do congelador em vez de no suporte de garrafas, pois as alterações de temperatura no suporte de garrafas causadas pela abertura e fecho das portas podem descongelar os alimentos.
- ▶ Consuma alimentos descongelados rapidamente. Os alimentos descongelados não podem ser novamente congelados exceto se forem cozinhados pela primeira vez, ou podem ficar estragados.
- ▶ Não coloque quantidades excessivas de alimentos frescos no compartimento congelador. Consulte a capacidade do congelador em DADOS TÉCNICOS ou os dados na placa de características.
- ▶ Os alimentos podem ser armazenados no congelador a uma temperatura de pelo menos $-18\text{ }^{\circ}\text{C}$ durante 2 a 12 meses, dependendo das suas propriedades (por exemplo, a carne): 3-12 meses, vegetais: 6-12 meses)
- ▶ Ao congelar alimentos frescos, evite colocá-los em contacto com alimentos já congelados. Risco de descongelamento!
- ▶ Descongele os alimentos congelados no frigorífico. Desta forma, pode usar os alimentos congelados para diminuir a temperatura no frigorífico e poupar energia.

5.12.3 Ao armazenar alimentos comercialmente congelados, siga estas orientações:

- ▶ Cumpra sempre as diretrizes dos fabricantes relativamente ao período de tempo que pode armazenar os alimentos. Não ultrapassa estas instruções!
- ▶ Tente manter o período de tempo entre a compra e o armazenamento o mais curto quanto possível para preservar a qualidade dos alimentos.
- ▶ Compre alimentos congelados, que tenham sido armazenados a uma temperatura de $-18\text{ }^{\circ}\text{C}$ ou menos.
- ▶ Evite comprar alimentos que contenham gelo ou com a embalagem congelada- Isto indica que os produtos podem ter sido parcialmente descongelados e congelados novamente o que pode provocar o aumento da temperatura e afetara qualidade dos alimentos.

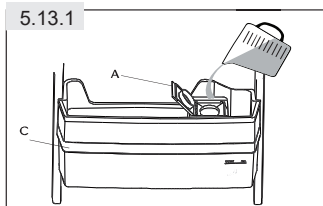
5.13 Dispensador de água(HSR3918EWP*)

Com o dispensador de água, a água fria pode ser da torneira.

O dispensador de água deve ser limpo antes da primeira utilização (ver CUIDADO E LIMPEZA).

5.13.1 Encher o dispensador de água**AVISO!**

Use apenas água potável.

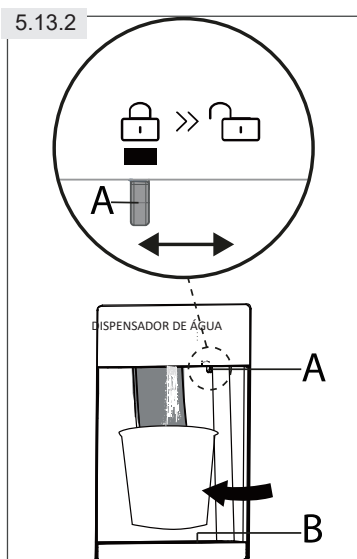


1. Certifique-se de que o dispensador de água está corretamente colocado (ver EQUIPAMENTO)
2. Abra a tampa (A) e despeje água potável fresca no dispensador de água (Fig. 5.13.1)
3. Encha com água até à marca (2,5 l) para não transbordar quando a porta se abre e fecha.
4. Feche completamente a tampa (A).

i **Aviso: Dispensador de água**

- ▶ Antes de voltar a encher, elimine a água residual e limpe o dispensador de água.
- ▶ Quando não precisar de água durante muito tempo, esvazie o dispensador de água e coloque um dispensador limpo.
- ▶ **A tampa (C) do dispensador de água (Fig. 5.13.1) é adicionalmente utilizada para poupar energia.** Se não quiser obter água do dispensador de água durante um longo período, instale a tampa para melhor isolamento e poupança de energia.

5.13.2 Retirar água do dispensador

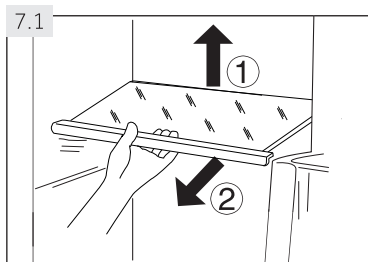


1. Certifique-se de que o bloqueio (A) é movido para "Unlock" (Fig. 5.13.2).
2. Coloque um copo por baixo da saída de água.
3. Empurre-o suavemente contra a alavanca do dispensador com o seu copo. Certifique-se de que o copo está alinhado com o dispensador para evitar salpicos.
4. A água na bandeja (B) deve ser sempre removida, pois pode transbordar quando a porta abre e fecha.
5. Deslize o bloqueio (A) para a posição "Lock"



Poupança de energia

- ▶ Confirme se o aparelho está bem ventilado (consulte INSTALAÇÃO).
- ▶ Não instale o aparelho sob luz solar direta ou na proximidade de fontes de calor (por exemplo, fogões de sala, aquecedores).
- ▶ Evite temperaturas desnecessariamente baixas no aparelho. Quanto mais baixa for a temperatura no aparelho mais alto é o consumo de energia.
- ▶ Funções como Super-Cool ou Super-Freeze consomem mais energia.
- ▶ Deixe os alimentos pré-cozinhados arrefecer antes de os colocar no aparelho.
- ▶ Abra a porta do aparelho o mínimo de vezes possível e o mais breve possível.
- ▶ Não encha demasiado o aparelho para evitar obstruir o fluxo de ar.
- ▶ Evite o ar dentro da embalagem dos alimentos.
- ▶ Mantenha os vedantes das portas limpos para que a porta feche sempre corretamente.
- ▶ Descongele os alimentos congelados no compartimento de armazenamento do frigorífico.



7.1 Prateleiras reguláveis

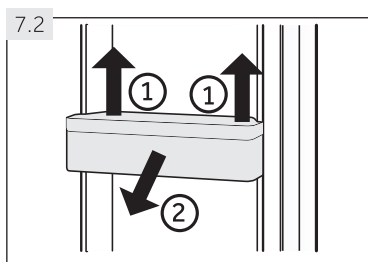
A altura das prateleiras pode ser ajustada de acordo com as necessidades de armazenamento.

1. Para recolocar uma prateleira, remova-a primeiro levantando o rebordo traseiro (1) e puxando-a para fora (2) (Fig. 7.1).
2. Para a reinstalar, coloque-a sobre os olhais de ambos os lados e empurre-a para a posição mais traseira até que a parte de trás da prateleira esteja fixada no interior das ranhuras laterais.



Aviso: Prateleiras

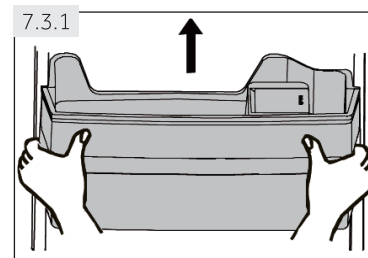
Certifique-se de que todas as extremidades de uma prateleira estão niveladas.



7.2 Prateleiras/suporte de garrafas amovíveis da porta

As prateleiras/suporte de garrafas da porta podem ser retirados para limpeza:

1. Coloque as mãos em cada lado da prateleira e levante-a para cima (1) (Fig. 7.2).
2. Puxe a prateleira/suporte de garrafas da porta para fora (2).
3. Para colocar a prateleira/suporte de garrafas da porta, os passos acima são executados pela ordem inversa.




7.3 Dispensador de água(HSR3918EWP*)

7.3.1 Retirar o dispensador de água

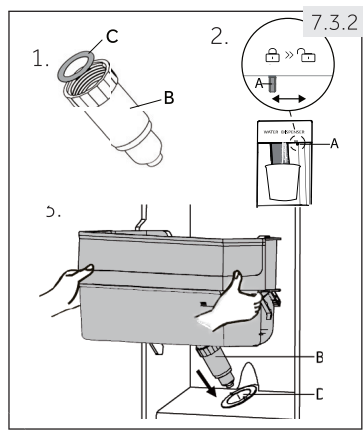
O dispensador de água pode ser removido e reinstalado para limpeza da mesma forma que as prateleiras das portas (Fig. 7.3.1).

7.3.2 Inserir o dispensador de água

1. Certifique-se que o bico distribuidor (B) está firmemente aparafusado ao dispensador de água e que o anel branco 0 (C) está na posição correta (Fig. 7.3.2-1.).
2. Deslize o bloqueio (A) para a posição “Lock 

Aviso: Dispensador para água

- ▶ Se o dispensador de água não estiver devidamente inserido, a água pode pingar da ligação.
- ▶ Não utilize força excessiva ao remover ou inserir o dispensador de água, para evitar danificar o dispensador.



7.4 Suporte de garrafas - compartimento congelador

Os suportes das garrafas do compartimento de congelamento destinam-se ao armazenamento temporário de bebidas espirituosas com elevado teor alcoólico. As bebidas sem álcool devem ser refrigeradas no frigorífico.

Além disso, pode armazenar pequenas peças nos suportes de garrafas.



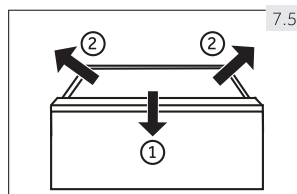
AVISO!

Garrafas e latas podem rebentar! Defina um temporizador que o lembrará de retirar garrafas/latas sem alto teor de álcool.

7.5 Gavetas removíveis

Para retirar a gaveta do frigorífico ou do congelador, puxe até à extensão máxima (1), levante e retire (2) (Fig. 7.5).

Para colocar a gaveta, os passos acima são executados pela ordem inversa.



7.6 Lâmpada

A lâmpada LED interior acende quando a porta é aberta. O rendimento das lâmpadas não é afetado por nenhum ajuste de outros aparelhos.



AVISO!

Desligue o aparelho da rede de alimentação antes de limpar.

8.1 Limpeza

Limpe o aparelho quando tiver poucos ou nenhuns alimentos armazenados.

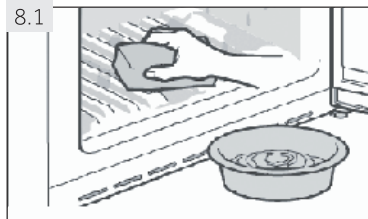
O aparelho deve ser limpo a cada quatro semanas para uma boa manutenção e para evitar maus odores dos alimentos armazenados.



AVISO!

Não limpe o aparelho com escovas duras, escovas de arame, detergentes em pó, combustíveis, acetato de amilo, acetona e soluções orgânicas semelhantes, soluções ácidas ou alcalinas. Limpe com detergente especial para frigorífico para evitar danos.

- ▶ Não pulverize ou lave o aparelho durante a limpeza.
- ▶ Não use spray de água ou vapor para limpar o aparelho.
- ▶ Não limpe as prateleiras de vidro frias com água quente. As mudanças bruscas de temperatura podem fazer o vidro partir.
- ▶ Não toque na superfície interior do compartimento congelador, especialmente com as mãos molhadas, para não congelar a superfície.
- ▶ Em caso de aquecimento, verifique o estado dos produtos congelados.



- ▶ Mantenha a junta da porta sempre limpa
- ▶ Limpe o interior e o armário do aparelho com uma esponja humedecida em água morna e detergente neutro (Fig. 8.1).


1. Esfregue o interior e o exterior do frigorífico, incluindo o vedante das portas, prateleiras das portas, prateleiras de vidro, caixas, etc., com um pano ou esponja macia mergulhada em água morna (pode adicionar detergente neutro à água morna).
2. Se houver líquido derramado, retire todas as partes contaminadas, enxague diretamente com água corrente, seque e coloque novamente no frigorífico.
3. Se houver creme derramado (como creme, gelado derretido), remova todas as partes contaminadas, coloque em água morna a cerca de 40 °C durante algum tempo, depois enxague com água corrente, seque e coloque novamente no frigorífico. -
4. No caso de alguma peça ou componente pequena ficar preso no interior do frigorífico (entre as prateleiras ou as gavetas), use uma pequena escova macia para a soltar. Se não conseguir chegar à peça, entre em contacto com o serviço da Haier.

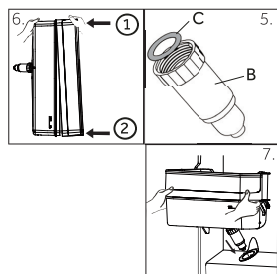
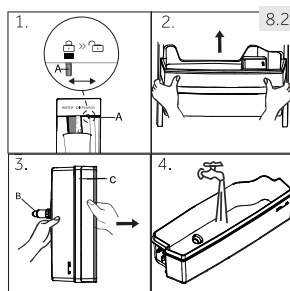
- ▶ Enxague e seque com um pano suave.
- ▶ Não limpe nenhuma das partes do aparelho na máquina de lavar louça.
- ▶ Aguarde durante 5 minutos antes de reiniciar o aparelho, porque os reinícios frequentes podem danificar o compressor.

Descongelação

A descongelação do frigorífico e do congelador é realizada automaticamente; não é necessária qualquer operação manual.

8.2 Limpeza do dispensador de água (Fig. 8.2)(HSR3918EWP*)

1. Deslize o bloqueio (A) para a posição "Lock ".
2. Retire o dispensador de água do aparelho.
3. Retire a tampa (C) e desenrosque suavemente o bico dispensador (B).
4. Limpe o dispensador de água e o bico dispensador com água quente corrente e detergente líquido para lavagem de louça. Assegure-se de que todo o detergente foi enxaguado.
5. Monte o bico dispensador (B) e certifique-se de que está firmemente aparafusado ao dispensador de água e que o O-ring branco (C) está em posição.
6. Pressione a tampa para a combinar com um lado do dispensador de água e depois, do outro lado, verifique se o dispensador de água e a tampa estão bem montados.
7. Substitua o dispensador no interior do aparelho. Certifique-se de que o bico dispensador está corretamente inserido no orifício da porta.



8.3 Substituição da lâmpada LED



AVISO!

Não substitua a lâmpada LED; esta só pode ser substituída pelo fabricante ou pelo agente de serviço autorizado.

A lâmpada adota LED como fonte de luz e apresenta baixo consumo de energia e longa duração de vida útil: Se ocorrer alguma avaria, entre em contacto com o atendimento ao cliente para a substituir. Consulte SERVIÇO AO CLIENTE.

Parâmetros das lâmpadas: :12 V max. 3 W.

8.4 Não utilização durante um período mais longo

Se o aparelho não for utilizado durante um longo período de tempo, e não for usada a função Férias para o frigorífico:

- ▶ Retire os alimentos.
- ▶ Esvazie e limpe o dispensador de água.
- ▶ Desconecte o cabo de alimentação.
- ▶ Limpe o aparelho como descrito acima.
- ▶ Mantenha as portas abertas para evitar a criação de maus cheiros no interior.



Aviso: Desligar

Desligue o aparelho apenas se for estritamente necessário.

8.5 Movimentar o aparelho

1. Retire todos os alimentos e desligue o aparelho da tomada.
2. Fixe as prateleiras e outras partes móveis no frigorífico e no congelador com fita adesiva.
3. Não incline o aparelho mais do que 45° para evitar danificar o sistema de refrigeração.



AVISO!

Não levante o aparelho pelos seus puxadores.

- ▶ Não coloque o aparelho horizontalmente no chão.

Muitos problemas que ocorrem podem ser resolvidos sem conhecimentos específicos. Em caso de um problema, verifique todas as possibilidades apresentadas e cumpra as instruções abaixo antes de contactar um serviço pós-venda. Consulte SERVIÇO AO CLIENTE.

**AVISO!**

Antes da manutenção, desligue o aparelho e retire a ficha da alimentação da tomada elétrica.

- ▶ Os equipamentos elétricos só devem ser reparados por peritos elétricos qualificados, porque reparações incorretas podem causar danos consideráveis.
- ▶ Se o cabo de alimentação estiver danificado, deve ser substituído pelo fabricante, pelo seu agente de serviço ou por pessoas qualificadas, para evitar perigo.

Problema	Possível Causa	Possível solução
O compressor faz a rede.	<ul style="list-style-type: none"> • Se a ficha não está ligada à tomada de corrente elétrica. • O aparelho está no ciclo de descongelamento. 	<ul style="list-style-type: none"> • Ligue a ficha de alimentação. • Isto é normal para uma descongelação automática.
O aparelho funciona com frequência ou funciona por um período de tempo muito longo.	<ul style="list-style-type: none"> • A temperatura interior ou exterior é demasiado elevada. • O aparelho esteve fora de serviço durante um período de tempo. • Uma das portas não está bem fechada. • A porta foi aberta com muita frequência ou durante demasiado tempo. • O ajuste da temperatura para o compartimento do congelador é muito baixo. • A junta da porta está suja, gasta, rachada ou desajustada. • A circulação de ar necessária não é garantida. 	<ul style="list-style-type: none"> • Neste caso, é normal que o aparelho funcione durante mais tempo. • Normalmente, demora 8 a 12 horas para que o aparelho arrefeça completamente. • Feche a porta e certifique-se que o aparelho se encontra num terreno plano e que não há alimentos nem frascos a impedir de fechar a porta. • Não abra as portas com frequência. • Ajuste a temperatura para mais alto até obter uma temperatura satisfatória no frigorífico. A temperatura do frigorífico demora 24 horas até ficar estável. • Limpe a junta da porta ou mande-a substituir pelo serviço ao cliente. • Garanta a ventilação adequada.

Problema	Possível Causa	Possível solução
O interior do frigorífico está sujo e/ou com mau cheiro.	<ul style="list-style-type: none"> • O interior do frigorífico deve ser limpo. • Os alimentos de cheiro forte são armazenados no frigorífico. 	<ul style="list-style-type: none"> • Limpe o interior do frigorífico. • Acondicione bem os alimentos.
Não está frio o suficiente no interior do aparelho.	<ul style="list-style-type: none"> • A temperatura está excessivamente alta. • Foram guardados alimentos demasiados quentes. • Foram guardados muitos alimentos ao mesmo tempo. • Os alimentos estão muito perto uns dos outros. • Uma das portas não está bem fechada. • A porta foi aberta com muita frequência ou durante demasiado tempo. 	<ul style="list-style-type: none"> • Redefina a temperatura. • Arrefeça sempre os alimentos antes de os armazenar. • Armazene sempre pequenas quantidades de alimentos. • Deixe um espaço entre os vários alimentos permitindo o fluxo de ar. • Feche a porta. • Não abra as portas com frequência.
Está muito frio o interior do aparelho.	<ul style="list-style-type: none"> • A temperatura está excessivamente baixa. • A função Super-Cool/Super-Freeze está ativada ou está a funcionar há muito tempo. 	<ul style="list-style-type: none"> • Redefina a temperatura. • Desligue a função Super-Cool / Super-Freeze.
Formação de humidade no interior do compartimento frigorífico.	<ul style="list-style-type: none"> • O ambiente é muito quente e muito húmido. • Uma das portas não está bem fechada. • A porta foi aberta com muita frequência ou durante demasiado tempo. • Os contentores para alimentos ou líquidos são deixados abertos. 	<ul style="list-style-type: none"> • Aumente a temperatura. • Feche a porta. • Não abra as portas com frequência. • Deixe os alimentos quentes arrefecer até à temperatura ambiente antes de os colocar no interior do congelador.
A humidade acumula-se na superfície exterior dos frigoríficos ou entre as portas.	<ul style="list-style-type: none"> • O ambiente é muito quente e muito húmido. • A porta não está bem fechada. O ar frio no aparelho e o ar quente no exterior condensam. 	<ul style="list-style-type: none"> • Isto é normal em climas húmidos e vai mudar quando a humidade diminuir. • Assegure que a porta está bem fechada.

Problema	Possível Causa	Possível solução
Muito gelo no compartimento do congelador.	<ul style="list-style-type: none"> Os alimentos não foram adequadamente embalados. Uma das portas/gaveta não está bem fechada. A porta foi aberta com muita frequência ou durante demasiado tempo. A junta da porta está suja, gasta, rachada ou desajustada. Algo no interior impede a porta de fechar corretamente. 	<ul style="list-style-type: none"> Acondicione sempre bem os alimentos. Feche a porta/gaveta. Não abra as portas com frequência. Limpe a junta da porta ou substitua-a por uma nova. Reposicione as prateleiras, as prateleiras das portas ou os contentores interiores para permitir que a porta feche.
O aparelho faz ruídos anormais.	<ul style="list-style-type: none"> O aparelho não está localizado em terreno plano. O aparelho toca algum objeto à sua volta. 	<ul style="list-style-type: none"> Ajuste os pés para nivelar o aparelho. Remova objetos em volta do aparelho.
É ouvido um som leve semelhante ao da água corrente.	<ul style="list-style-type: none"> Isto é normal. 	<ul style="list-style-type: none"> –
Ouve um bip de alarme.	<ul style="list-style-type: none"> A porta está aberta. 	<ul style="list-style-type: none"> Feche a porta.
Ouve um zumbido leve.	<ul style="list-style-type: none"> O sistema anti-condensação está a funcionar. 	<ul style="list-style-type: none"> Isto evita a condensação e é normal.
A iluminação interior ou o sistema de refrigeração faz rede.	<ul style="list-style-type: none"> Se a ficha não está ligada à tomada de corrente elétrica. A alimentação não está intacta. Se a lâmpada LED está fundida. 	<ul style="list-style-type: none"> Ligue a ficha de alimentação. Verifique a alimentação elétrica da sala. Ligue para a companhia de eletricidade local! Ligue para o serviço para substituir a lâmpada.
Os lados do armário e a tira da porta aquecem.	<ul style="list-style-type: none"> Isto é normal. 	<ul style="list-style-type: none"> –
Não está a sair água do bico dispensador de água	<ul style="list-style-type: none"> O bloqueio não está desativado. 	<ul style="list-style-type: none"> Desative o bloqueio.

9.2 Interrupção de energia

No caso de um corte de energia, os alimentos devem permanecer frios em segurança durante cerca de 5 horas. Cumpra estas indicações durante uma interrupção prolongada da energia elétrica, especialmente no verão:

- ▶ Abra a porta/gaveta o menor número de vezes possível.
- ▶ Não coloque alimentos adicionais no aparelho durante uma interrupção de energia.
- ▶ Se for recebida uma notificação prévia de interrupção de energia e a duração da mesma for superior a 5 horas, faça gelo e coloque-o num recipiente na parte superior do compartimento frigorífico.
- ▶ É necessária uma inspeção dos alimentos imediatamente após a interrupção.
- ▶ Como a temperatura no frigorífico irá subir durante a interrupção de energia ou outra falha, o período de armazenamento e a qualidade dos alimentos será reduzida. Qualquer alimento que descongele deve ser consumido, ou cozinhado e congelado novamente (quando apropriado) imediatamente para evitar riscos para a saúde.



Aviso: Função de memória depois da interrupção de energia

Após o restabelecimento da energia, o aparelho continua com as configurações que foram definidas antes da falha de energia.

10.1 Desembalagem



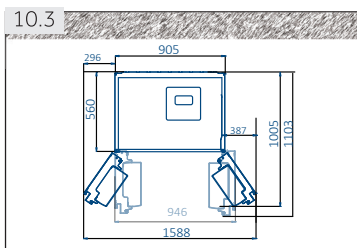
AVISO!

- ▶ O aparelho é pesado. Movimentar o aparelho sempre com pelo menos duas pessoas.
- ▶ Mantenha todos os materiais de embalagem fora do alcance das crianças e elimine-os da forma ambientalmente correta.

- ▶ Retire o aparelho da embalagem.
- ▶ Remova todos os materiais de embalagem, incluindo a película protetora transparente.

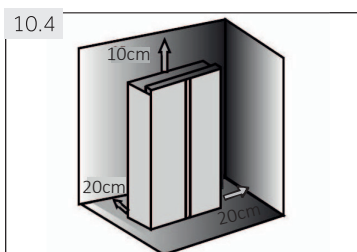
10.2 Condições ambientais

A temperatura ambiente deve estar sempre entre 16 °C e 43 °C, pois pode influenciar a temperatura no interior do aparelho e o seu consumo energético. Não instale o aparelho próximo de outros aparelhos emissores de calor (fornos, frigoríficos) sem isolamento.



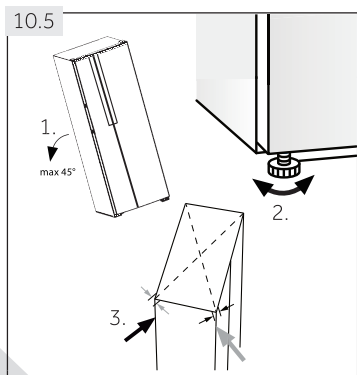
10.3 Requisitos de espaço

Espaço necessário quando a porta é aberta (Fig. 10.3):
Largura do aparelho: 1588 mm
Profundidade do aparelho: 1103 mm



10.4 Secção transversal da ventilação

Para obter uma ventilação suficiente do aparelho por razões de segurança, devem ser observadas as informações das secções transversais de ventilação (Fig. 10.4).



10.5 Alinhar o aparelho

O aparelho deve ser colocado sobre uma superfície plana e sólida.

1. Incline o aparelho ligeiramente para trás (Fig. 10.5).
2. Coloque os pés no nível pretendido.

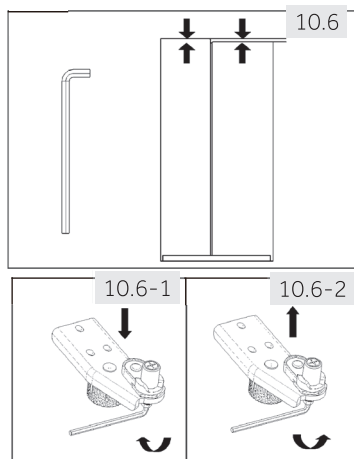
Certifique-se de que a distância até à parede nos lados da dobradiça é de pelo menos 5 cm.

3. A estabilidade pode ser verificada batendo alternadamente nas diagonais. A oscilação ligeira deve ser a mesma em ambas as direções. Caso contrário, o quadro pode deformar; o resultado é uma possível fuga do vedante da porta. Uma baixa tendência para a retaguarda facilita o encerramento das portas.

10.6 Ajuste fino das portas

Se as portas ainda não estiverem niveladas depois de ter nivelado os pés, este desajuste pode ser ajustado rodando o eixo de elevação da dobradiça no canto inferior direito da porta de refrigeração com uma chave (Fig. 10.6)

- ▶ Rode o eixo de elevação para a direita com chave para descer a altura da porta (Fig. 10.6-1).
- ▶ Rode o eixo de elevação com chave para a esquerda para levantar a porta (Fig. 10.6-2).

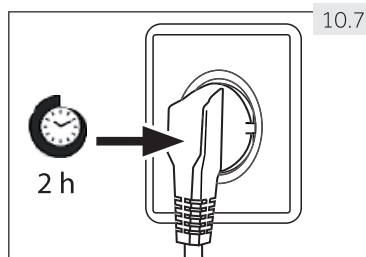


AVISO!

Não ajuste o eixo de elevação da dobradiça excessivamente para uma altura que possa fazer com que o eixo deixe a sua posição original bloqueada. (Faixa de altura ajustável: 3 mm)

10.7 Tempo de espera

O óleo de lubrificação livre de manutenção está localizado na cápsula do compressor. Este óleo pode passar através do sistema fechado de tubos durante o transporte inclinado. Antes de ligar o aparelho à alimentação deve esperar pelo menos 2 horas (Fig. 10.7) para que o óleo volte a entrar na cápsula.



10.8 Ligação elétrica

Antes de cada ligação verificar se:

- ▶ A tomada de alimentação e o fusível são apropriados para a placa de características.
- ▶ A tomada está ligada à terra e não tem multi-fichas ou extensão.
- ▶ A ficha e a tomada estão estritamente de acordo.

Ligue a ficha a uma tomada doméstica devidamente instalada.

**AVISO!**

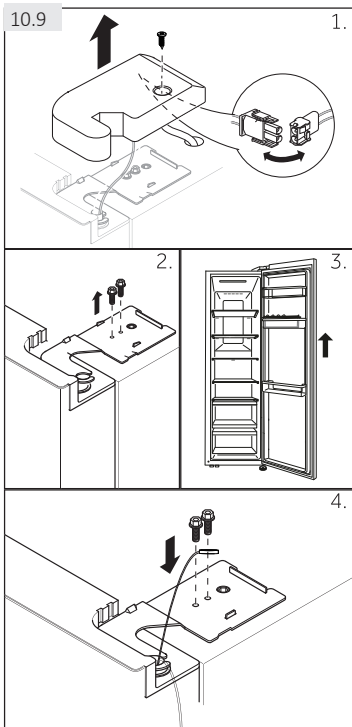
Para evitar riscos, um cabo de alimentação danificado deve ser substituído pelo serviço ao cliente (ver cartão de garantia).

10.9 Remoção e instalação das portas

Caso seja necessário remover as portas do aparelho, siga as instruções de remoção e instalação abaixo (Fig. 10.9)

**AVISO!**

- ▶ Antes da operação, desligue o aparelho e retire a ficha da alimentação da tomada elétrica.
- ▶ O aparelho é pesado. Movimentar o aparelho sempre com pelo menos duas pessoas.
- ▶ Não incline o aparelho mais de 45° ou coloque-o horizontalmente no chão




1. Desaperte o parafuso da tampa da dobradiça e retire a tampa. Liberte o conector do cabo.
2. Desaperte os parafusos que seguram a dobradiça superior e retire a dobradiça.
3. Levante a porta do compartimento frigorífico para a retirar.
4. Volte a montar a porta invertendo as etapas de remoção. Certifique-se de que o cabo de ligação à terra será fixado pelo parafuso.



Aviso: Porta do frigorífico

As fotos mostram a remoção da porta do compartimento frigorífico. Para a porta do congelador, utilize as peças correspondentes do outro lado


11.1 Ficha de produto de acordo com o regulamento EU Nr. 1060/2010

Marcas	Haier
Identificador do modelo	HSR3918FNP*
Categoria do modelo	Frigorífico-congelador
Classe de eficiência energética	A+
Consumo de energia anual (kWh/ano)	399
Refrigeração do volume de armazenamento (L)	337
Congelamento do volume de armazenamento (L) ****	167
Classificação por estrelas	
Temperatura dos outros compartimentos > 14 °C	Não aplicável
Sistema Fostfree	Sim
Tempo de aumento da temperatura (h)	5
Capacidade de congelamento (kg/24h)	10
Classe climática	SN-N-ST-T
Este aparelho destina-se a ser utilizado a uma temperatura ambiente entre os 10 °C e os 43 °C.	
Emissões de ruído acústico no ar (db(A) re 1pW)	38
Tipo de construção	Independente

Com base nos resultados dos testes padrão durante 24 horas. O consumo real de energia dependerá de como o aparelho é usado e de onde está localizado.

11.1.1 Dados técnicos adicionais

Tensão/Frequência	220-240V-/ 50Hz
Tensão de entrada (W)	200
Fusível principal (A)	15
Líquido refrigerante	R600a
Dimensões (A/L/P em mm)	1775/908/647

11.1.2 Normas e diretivas 

Este produto cumpre os requisitos de todas as diretivas CE aplicáveis com as normas harmonizadas correspondentes, que preveem a marcação CE.

Recomendamos no osso Serviço de Atendimento ao Cliente Haier e o uso de peças sobresselentes originais.

Se tiver algum problema com o seu aparelho, verifique primeiro a secção RESOLUÇÃO DE PROBLEMAS.

Se não encontrar uma solução entre em contacto com o

- ▶ seu revendedor local ou
- ▶ com a área de Serviço & Suporte em www.haier.com onde pode encontrar números de telefone e FAQs e onde pode ativar a reclamação do serviço.

Para contactar o nosso Serviço, certifique-se de que tem disponíveis os seguintes dados.

A informação pode ser encontrada na placa de características.

Modelo _____ Nº. de série _____

Em caso de garantia, verifique também o Cartão de Garantia fornecido com o produto. .



Haier



0060528721



Gebruikershandleiding

Koelkast- diepvriezer

HSR3918ENP*

HSR3918EWP*

HSR3918FNP*

***=W,B,L,G,N**

NL

Haier

Dank u voor uw aankoop van dit Haier product.

Lees deze handleiding grondig voor u het apparaat in gebruik neemt. De handleiding bevat belangrijke informatie die u zal helpen uw apparaat optimaal te gebruiken en het veilig en correct te installeren, gebruiken en onderhouden.

Bewaar deze handleiding zodat u hem steeds kunt raadplegen voor het veilig en correct gebruik van het apparaat.

Als u het apparaat verkoopt, wegschenkt, of achterlaat wanneer u verhuist, moet u deze handleiding ook meegeven zodat de nieuwe eigenaar vertrouwd kan raken met het apparaat en de veiligheidswaarschuwingen.

Legenda

Waarschuwing- Belangrijke veiligheidsinformatie



Algemene informatie en tips



Milieu-informatie



Verwijdering

Help het milieu en de gezondheid te beschermen. Plaats de verpakking in de geschikte containers om het te recyclen. Help afval van elektrische en elektronische apparaten recyclen. Gooi apparaten die voorzien zijn van dit symbool niet weg met huishoudelijk afval.

Retourneer het product naar uw lokale instelling of neem contact op met uw gemeentelijk kantoor.



WAARSCHUWING!

Risico op letsels of verstikking!

Koelmiddelen en gassen moeten door professionals worden verwijderd. Zorg ervoor dat de leiding van het koelcircuit niet beschadigd is voor het correct verwijderd wordt. Koppel het apparaat los van het stroomnet. Snijd het netsnoer door en verwijder het. Verwijder de laden, de sleuven en de scharnieren en afdichtingen om te vermijden dat kinderen of huisdieren in het apparaat vastgeklemd kunnen raken.

Oude apparaten hebben nog wat restwaarde. Een milieuvriendelijke verwijderingsmethode zorgt ervoor dat waardevolle grondstoffen kunnen worden teruggewonnen en opnieuw gebruikt.

Cyclopentaan, een brandbare stof die niet schadelijk is voor ozon, wordt gebruikt voor expansie van het isolatieschuim.

Door ervoor te zorgen dat dit product correct wordt afgevoerd, helpt u mogelijke negatieve gevolgen voor het milieu en de volksgezondheid te voorkomen, die anders veroorzaakt kunnen worden.

Neem voor meer informatie over de recycling van dit product contact op met uw plaatselijke gemeente, uw vuilnisophalddienst of de winkel waar u het product heeft gekocht, en die door vakmensen wordt behandeld.

1- Veiligheidswaarschuwingen	4
2- Beoogd gebruik.....	8
3- Productbeschrijving.....	10
4- Bedieningspaneel	11
5- Gebruik	12
6- Tips voor energiebesparing	20
7- Apparatuur	21
8- Onderhoud en reiniging	23
9- Problemen oplossen.....	26
10- Installatie	30
11- Technische specificaties	34
12- Klantendienst.....	35

Lees de volgende veiligheidswaarschuwingen voordat u het apparaat voor de eerste keer inschakelt!



WAARSCHUWING!

Voor de eerste ingebruikname

- ▶ Zorg ervoor dat er geen schade is opgetreden tijdens het transport.
- ▶ Verwijder alle verpakking en buiten de buurt van kinderen bewaren.
- ▶ Wacht minimum twee uur voor u het apparaat monteert om zeker te zijn dat het koelcircuit correct en efficiënt werkt.
- ▶ Het apparaat moet altijd door minimum twee personen worden gedragen omdat het zo zwaar is.

Installatie

- ▶ Het apparaat moet in een goed geventileerde locatie worden geplaatst. Zorg ervoor dat er minimum 20 cm boven en 10 cm rond het apparaat wordt gelaten.
- ▶ Plaats het apparaat nooit in een vochtige locatie waar de kans bestaat dat water op de koelkast spat. Reinig en droog waterspatten en vlekken met een zachte, schone doek.
- ▶ U mag het apparaat niet installeren in direct zonlicht of in de buurt van warmtebronnen (bijv. fornuizen, verwarming).
- ▶ Installeer en niveleer het apparaat in een ruimte die geschikt is voor de afmetingen en de toepassing van het apparaat.
- ▶ Houd de ventilatieopeningen in het apparaat of de ingebouwde structuur vrij van belemmeringen.
- ▶ Zorg ervoor dat de elektrische informatie op het typeplaatje overeenstemt met de stroomtoevoer. Zo niet moet u contact opnemen met een elektricien.
- ▶ Het apparaat werkt met een voeding van 220-240 VAC/50 Hz. Abnormale spanningsschommelingen kunnen ertoe leiden dat het apparaat niet start, of de temperatuurcontrole of de compressor beschadigen, of er kan abnormaal lawaai ontstaan tijdens de werking. In een dergelijk geval wordt een automatische regelaar gemonteerd.
- ▶ Gebruik een afzonderlijke aardgeleider voor de voeding die eenvoudig toegankelijk moet zijn. Het apparaat moet geaard zijn.
- ▶ **Alleen voor het VK:** Het netsnoer van het apparaat is uitgerust met een driepolige stekker (aarding) die past in een driepolige (geaarde) stekker. Snij de derde pin (aarding) nooit weg of demonteer ze niet. De stekker moet ook na de installatie toegankelijk zijn.
- ▶ Gebruik geen multi-stekker adapters of verlengsnoeren.
- ▶ Zorg ervoor dat het netsnoer niet geklemd zit onder de koelkast. Ga niet op het netsnoer staan.
- ▶ Beschadig het koelmiddelcircuit niet.
- ▶ **Plaats geen meervoudige stopcontacten of draagbare voedingen aan de achterzijde van het apparaat.**



WAARSCHUWING!

Dagelijks gebruik

- ▶ Dit apparaat mag gebruikt worden door kinderen ouder dan 8 jaar en personen met een lichamelijke, zintuiglijke of verstandelijke beperking of gebrek aan ervaring en kennis als zij in de gaten gehouden worden of aanwijzingen hebben gekregen over hoe zij het apparaat op veilige wijze kunnen gebruiken en als zij de bijbehorende gevaren begrijpen.
- ▶ Kinderen van 3 tot en met 8 jaar mogen levensmiddelen in koelkasten zetten en eruit halen, maar mogen koelkasten niet reinigen en installeren.
- ▶ Houd het apparaat uit de buurt van kinderen jonger dan 3 jaar oud tenzij ze onder constant toezicht staan.
- ▶ Reiniging en onderhoudswerkzaamheden mogen niet door kinderen uitgevoerd worden als zij niet onder toezicht staan.
- ▶ Kinderen mogen niet met het apparaat spelen.
- ▶ **Het apparaat moet zo worden geplaatst dat de stekker toegankelijk is.**
- ▶ Als er een koelgas of ander ontvlambaar gaslek ontstaat in de buurt van het apparaat, moet u de klep van het lekkend gas sluiten, de deuren en ramen openen en de stekker niet verwijderen of niet in het stopcontact steken.
- ▶ Denk eraan dat het apparaat ingesteld is voor een werking binnen **een specifiek temperatuurbereik tussen 10 en 38 °C**. Het apparaat werkt mogelijk niet als het gedurende een langere periode aan hogere of lagere temperatuur wordt ingesteld.
- ▶ Plaats geen onstabiele voorwerpen (zware voorwerpen, containers **gevuld met water**) op **het apparaat, om persoonlijke letsels**

te vermijden door het vallen of door elektrische schokken door het contact met water.

- ▶ Trek niet aan de deurladen. De deur kan scheef getrokken worden, het flessenrek kan weg worden getrokken, of het apparaat kan omver kantelen.
- ▶ Open en sluit de deuren enkel bij de handvaten. De opening tussen de deuren en de kast is bijzonder nauw. Voer uw handen niet in deze zones om te vermijden dat uw vingers geklemd zouden raken. Zorg ervoor dat niemand in de weg staat wanneer u de deur van de koelkast opent of sluit
- ▶ Berg geen ontvlambaar, explosief of corrosief materiaal op in het apparaat of in de buurt ervan.
- ▶ Bewaar geen medicijnen, bacteriën of chemische stoffen in het apparaat. Dit apparaat is een huishoudelijk apparaat. Het wordt niet aanbevolen om materialen op te slaan die strikte temperaturen vereisen.
- ▶ Berg geen vloeistoffen op in flessen of blikjes (met uitzondering van drank met een hoog alcoholpercentage), in het bijzonder koolzuurhoudende drank, op in het vriesvak want deze kunnen barsten tijdens het invriezen.

**WAARSCHUWING!****Dagelijks gebruik**

- ▶ Controleer de toestand van het voedsel als er een opwarming in de vriezer heeft plaatsgevonden.
- ▶ Stel geen nodeloos lage temperatuur in voor het koelvak. Negatieve temperaturen kunnen optreden bij hoge instellingen. Let op: Flessen kunnen barsten.
- ▶ Raak geen ingevroren etenswaren aan met natte handen (draag handschoenen). Eet vooral geen ijslolly's direct na verwijdering uit het vriesvak. Het risico bestaat dat u uw tong bevriest of vorstblaren gevormd worden. EHBO: onmiddellijk onder stromend water houden. Niet wegtrekken!
- ▶ Raak de binnenzijde van vriesvak niet aan als het in werking is, in het bijzonder als uw handen nat zijn, want uw handen kunnen vastvriezen aan het oppervlak.
- ▶ Haal de stekker uit het stopcontact in geval van een stroomonderbreking of voor het reinigen. Wacht minstens 5 minuten alvorens het apparaat weer te starten, want veelvuldig opstarten kan schadelijk zijn voor de compressor.
- ▶ Gebruik geen elektrische apparaten in de opbergvakken voor etenswaren van het apparaat, tenzij ze van het type zijn dat wordt aanbevolen door de fabrikant.
- ▶ Gebruik alleen drinkwater bij modellen met waterdispenser.

Onderhoud en reiniging.

- ▶ Zorg dat kinderen onder toezicht staan wanneer ze het apparaat schoonmaken of onderhouden.
- ▶ Koppel de elektrische voeding van het apparaat af voordat er routineonderhoud wordt gepleegd. Wacht minstens 5 minuten alvorens het apparaat weer te starten, want veelvuldig opstarten kan schadelijk zijn voor de compressor.
- ▶ Trek aan de stekker, niet aan het snoer wanneer u de stekker van het apparaat uit het stopcontact haalt.
- ▶ Schraap aanslag en ijs niet weg met scherpe voorwerpen. Gebruik geen sprays, elektrische verwarmingen, haardrogers, stoomreinigers of andere hittebronnen, om schade aan de kunststof onderdelen te vermijden.
- ▶ Gebruik geen mechanische apparaten of andere middelen om het ontdooien te versnellen, behalve degene die worden aanbevolen door de fabrikant.
- ▶ **Maak het apparaat niet schoon met harde borstels, draadborstels, schoonmaakpoeder, benzine, amylacetaat, aceton en dergelijke organische oplossingen, zure of basische oplossingen. Gebruik een speciaal reinigingsmiddel voor koelkasten om schade te vermijden.**
- ▶ **Gebruik eventueel warm water met natriumbicarbonaat - ongeveer een eetlepel natriumbicarbonaat per liter water. Spoel grondig met water en veeg droog. Gebruik geen reinigingspoeders of andere schurende middelen. Was geen afneembare onderdelen in een vaatwasser.**



WAARSCHUWING!

Onderhoud / reiniging

- ▶ Als het netsnoer beschadigd is, moet het worden vervangen door de fabrikant, zijn servicevertegenwoordiger of ander bevoegd personeel om gevaarlijke situaties te voorkomen.
- ▶ Probeer niet om het apparaat zelf te repareren, uit elkaar te halen of te wijzigen. Neem voor reparaties contact op met de klantenservice.
- ▶ Als de lampen beschadigd zijn, moeten ze worden vervangen door de fabrikant, zijn servicevertegenwoordiger of andere bevoegde personen om gevaarlijke situaties te voorkomen.
- ▶ Neem stof op de achterkant van het apparaat minstens eenmaal per jaar weg, om brandgevaar en een verhoogd energieverbruik te voorkomen.
- ▶ Spuit of spoel het apparaat niet uit bij het schoonmaken.
- ▶ Gebruik geen waterspray of stoom om het apparaat schoon te maken.
- ▶ Maak de koude glazen schappen niet schoon met heet water. Door het plotselinge temperatuurverschil zou het glas kunnen breken.
- ▶ Als u uw apparaat voor langere tijd buiten gebruik laat, laat het dan open om te voorkomen dat er zich binnenin een onaangename geur ontwikkelt.

Informatie over koelgas



WAARSCHUWING!

Het apparaat bevat het ontvlambare koelmiddel ISOBUTHAAN (R600a). Zorg ervoor dat het koelcircuit niet beschadigd is tijdens het transport of de installatie. Lekkend koelmiddel kan letsels veroorzaken aan de ogen of ontvlammen. Als er schade optreedt, moet u het uit de buurt van open vlammen houden, de ruimte grondig ventileren, de netsnoeren niet verwijderen uit of invoeren in stopcontact. Licht de klantendienst in.

Als uw ogen in contact komen met het koelmiddel moet u onmiddellijk spoelen in stromend water en onmiddellijk contact opnemen met uw oogspecialist.

WAARSCHUWING: Het koelsysteem staat onder hoge druk. Knoi er niet mee. Aangezien er ontvlambare koelmiddelen zijn gebruikt, moet het apparaat beslist worden geïnstalleerd, gehanteerd en verzorgd overeenkomstig de instructies. Neem contact op met een vakman of onze klantenservice wanneer het apparaat als afval moet worden afgevoerd.

2.1 Beoogd gebruik

Dit apparaat is bedoeld voor huishoudelijk gebruik en soortgelijke toepassingen zoals:

- de personeelskeuken in winkels, kantoren en andere werkomgevingen;
 - landbouwbedrijven en klanten in hotels, motels en andere woonomgevingen;
 - B&B's;
 - catering- en soortgelijke non-retail-toepassingen.
- Als het apparaat gedurende langere tijd niet wordt gebruikt, en u gebruikt alleen de vakantiefunctie of de koelkast uit-functie voor de koelkast/vriezer:
- Verwijder de etenswaren.
 - Koppel het netsnoer los.
 - Maak het waterreservoir leeg en schoon.
 - Reinig het apparaat zoals hierboven beschreven.
 - Houd de deuren open om het ontstaan van onaangename geuren te voorkomen.
- Neem deze instructies in acht om te verzekeren dat levensmiddelen of wijn veilig worden geconserveerd.
- Om besmetting van voedsel te voorkomen (niet geldig voor de wijnkoeler), moet u de volgende instructies in acht nemen:
- Het langdurig openen van de deur kan leiden tot een aanzienlijke verhoging van de temperatuur in de compartimenten van het apparaat.
 - Reinig regelmatig oppervlakken die in contact kunnen komen met levensmiddelen en toegankelijke afvoersystemen.
 - Reinig waterreservoirs als ze 48 uur niet zijn gebruikt; spoel de waterinstallatie door als er gedurende 5 dagen geen water is aangezogen.
 - Bewaar rauw vlees en vis in geschikte bakken in de koelkast/vriezer, zodat ze niet in aanraking komen met, of druipen op, andere levensmiddelen. Om de veilige bewaring van levensmiddelen te garanderen, moeten instant voedsel en rauw vlees/vis apart worden bewaard.
 - Vriesvakken met twee sterren zijn geschikt voor het bewaren van ingevroren voedsel, het bewaren of maken van ijs en het maken van ijsblokjes.
 - Vriesvakken met één, twee of drie sterren zijn niet geschikt voor het invriezen van vers voedsel.
 - Als de koelkast gedurende lange tijd leeg is, moet u deze uitschakelen, ontdooien, reinigen, drogen en de deur open laten om schimmelvorming in het apparaat te voorkomen.
- De gegevens over het meeste geschikte deel in het compartiment van het apparaat waar bepaalde types levensmiddelen moeten worden bewaard, naar gelang de temperatuur van de verschillende compartimenten, zijn te vinden in het gedeelte van de andere handleiding.

Verwijdering

Dit symbool op het product of op de verpakking ervan geeft aan dat dit product niet behandeld mag worden als huishoudelijk afval. In plaats daarvan moet het naar het geschikte inzamelpunt worden gebracht voor de recycling van elektrische en elektronische apparatuur. Door ervoor te zorgen dat dit product correct wordt afgevoerd, helpt u mogelijke negatieve gevolgen voor het milieu en de volksgezondheid te voorkomen, die anders veroorzaakt kunnen worden als dit product op de verkeerde manier als afval wordt verwerkt. Neem voor meer gedetailleerde informatie over de recycling van dit product contact op met uw plaatselijke gemeente, uw vuilnisophaaldienst of de winkel waar u het product heeft gekocht.

Aangezien er ontvlambare blaasgassen zijn gebruikt voor de isolatie, gelieve contact op te nemen met een vakman of onze klantenservice wanneer het apparaat als afval moet worden afgevoerd.



WAARSCHUWING!

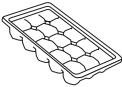
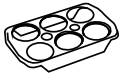



Risico op letsels of verstikking!

Koelmiddelen en gassen moeten door professionals worden verwijderd. Zorg ervoor dat de leiding van het koelcircuit niet beschadigd is voor het correct verwijderd wordt. Koppel het apparaat los van het net. Snijd het netsnoer door en verwijder het. Verwijder de laden, de sleuven en de scharnieren en afdichtingen om te vermijden dat kinderen of huisdieren in het apparaat vastgeklemd kunnen raken.

Wijzigingen of aanpassingen aan het apparaat zijn niet toegestaan. Onbedoeld gebruik kan leiden tot risico's en verlies van garantieclaims.

2.2 Accessoires

Controleer de accessoires en literatuur op basis van de onderstaande lijst (Afb. 2.2):

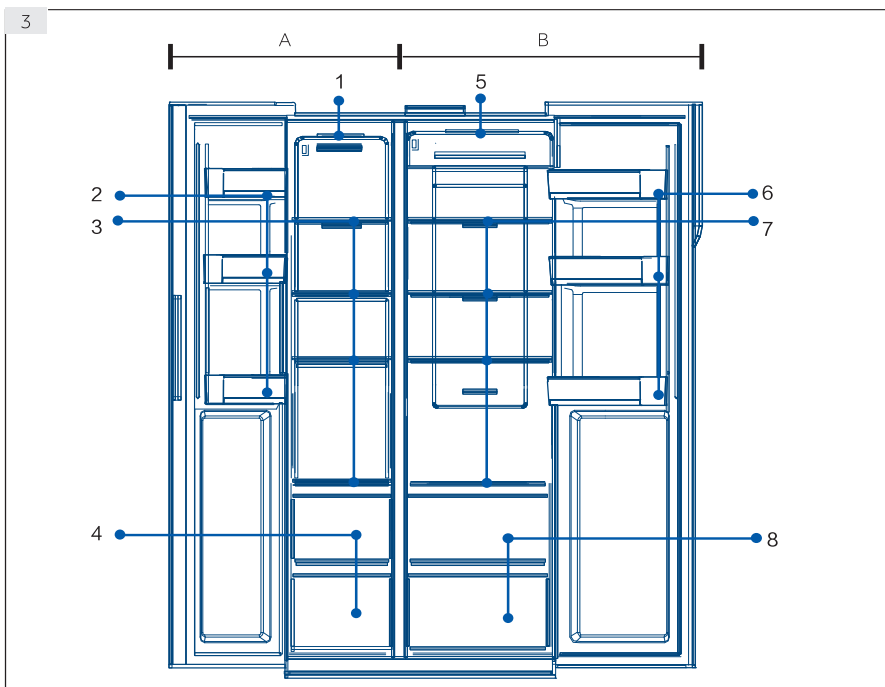
				
Ijsblokjesbakjes	Eierhouder	Inbussleutel	Garantiekaart	Gebruikers-handleiding

2.2

i Opmerking

Omwille van technische wijzigingen en uiteenlopende modellen kunnen de illustraties in deze handleiding verschillen van uw model.

Afbeeldingen van apparaten (Afb. 3)

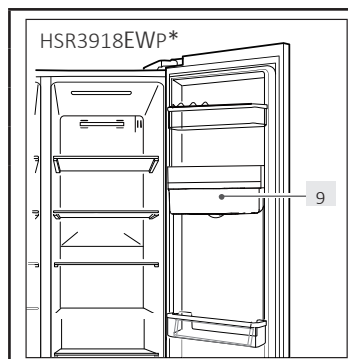


A: Vriesvak

- 1 Plafondlamp
- 2 Deurrek/fleshouder
- 3 Vriezerschappen
- 4 Vriesbox

B: Koelvak

- 5 Plafondlamp
- 6 Deurrek/fleshouder
- 7 Koelkastschappen
- 8 Koelbox
- 9 Waterreservoir



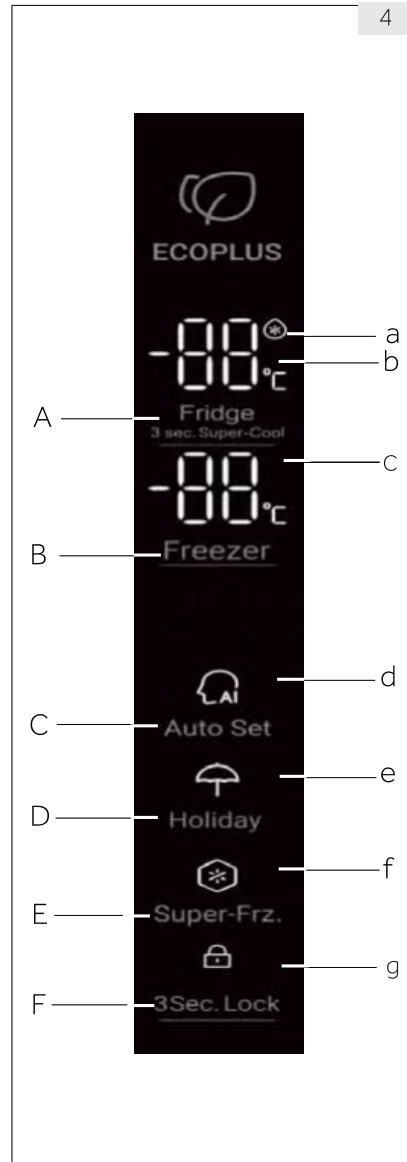
Bedieningspaneel (Afb. 4)

Toetsen:

- A Koelkast selectieschakelaar
- B Diepvriezer selectieschakelaar
- C Fuzzy modus
- D Vakantiemodus
- E Super-Freeze functie
- F Paneelvergrendeling

Indicatoren:

- a Super-Cool modus
- b Temperatuur koelkast
- c Temperatuur vriezer
- d Fuzzy modus en Vakantiefunctie
- g Super-Freeze modus en Paneelvergrendeling



5.1 Eerste gebruik

Wanneer de koelkast voor het eerst wordt aangesloten op de stroomvoorziening, staat het display aan. De temperatuur van de koelkast en diepvriezer worden automatisch ingesteld op 4 °C en -18 °C respectievelijk. De intelligence-functie is aan.

5.2 Vergrendeling/ontgrendeling paneel

Automatische vergrendeling:

Wanneer de deur van de koelkast en de vriezer gesloten zijn en er gedurende 30 jaar geen enkele knop bediend wordt, gaat het lampje van het paneel automatisch uit en wordt het paneel vergrendeld.

Handmatige vergrendeling:

Als het paneel is ontgrendeld, druk dan 3 seconden op de vergrendelknop en de zoemer maakt een zoemend geluid, de vergrendelindicator is aan en dan is het display vergrendeld.



Druk
gedurende
3 sec. op

Indicator staat aan
Paneel is
vergrendeld

Ontgrendelen:

Als het paneel is uitgeschakeld, open een deur van de koelkast of druk op een knop op het bedieningspaneel, waarna het paneel zal oplichten. Nu is het paneel vergrendeld. Druk 3 seconden op de knop voor de vergrendelingsfunctie, de zoemer weerklinkt, de vergrendelingsindicator is uit en het paneel is ontgrendeld.



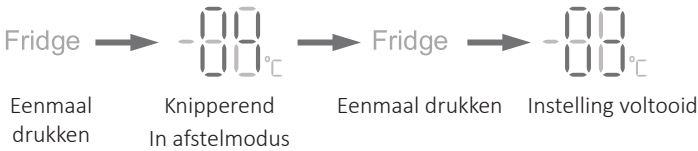
Het paneel staat
aan Open de
deur of druk op
een willekeurige
knop

Houd 3 sec.
ingedrukt.

De indicator is uit
Het paneel is ontgrendeld

5.3 De temperatuur voor de koelkast aanpassen

1. Wanneer het bedieningspaneel is ontgrendeld, drukt u op de selectieschakelaar van de koelkast, hierna weerklinkt een geluidssignaal en knippert de indicator voor de temperatuur van de koelkast. Nu kan de temperatuur van de koelkast worden ingesteld.
2. Vervolgens klinkt bij elke druk op de selectieschakelaar van de koelkast een geluidssignaal en wordt de instelling met 1 stap geschakeld. De schakelsequentie is in een continue loop, d.w.z. "4 °C / 3 °C / 2 °C / 1 °C / 9 °C / 8 °C / 7 °C / 6 °C / 5 °C / 4 °C"

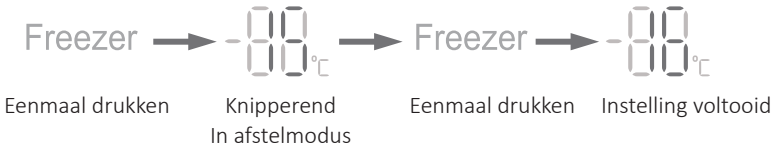


i Opmerking

- ▶ Het apparaat is vooraf ingesteld op de aanbevolen temperatuur van 4 °C (koelkast) en - 18 °C (vriezer). Onder normale omgevingsomstandigheden hoeft u geen andere temperatuur in te stellen.

5.4 De temperatuur van de diepvriezer instellen

1. Wanneer het bedieningspaneel is ontgrendeld, drukt u op de keuzeschakelaar van de vriezer, hierna weerklinkt een geluidssignaal en knippert de temperatuurindicator van de vriezer. Nu kan de vriestemperatuur worden ingesteld.
2. Vervolgens klinkt bij elke druk op de selectieschakelaar van de vriezer een geluidssignaal en wordt de instelling met 1 stap geschakeld. De schakelsequentie is in een continue loop, d.w.z. "-18 °C/-19 °C/-20 °C/-21 °C/-22 °C/-23 °C/-24 °C/-14 °C/-15 °C/-16 °C/-17 °C/-18 °C".

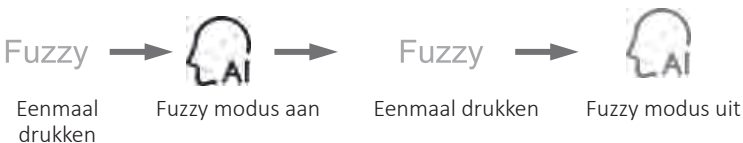


i Opmerking

- ▶ De temperatuur wordt ingesteld, als er in 5 seconden geen knop wordt ingedrukt, wordt de temperatuur automatisch bevestigd en opgeslagen.

5.5 Auto set

1. Wanneer het bedieningspaneel is ontgrendeld, drukt u op de "Fuzzy modus" keuzeschakelaar, de zoemer weerklinkt en de "Fuzzy modus" indicator gaat aan. Fuzzy modus start.
2. Wanneer de "Fuzzy modus" indicator is ingeschakeld, drukt u op de "Fuzzy modus" keuzeschakelaar, en de zoemer weerklinkt, de "Fuzzy-modus" indicator is uitgeschakeld en de Fuzzy modus wordt afgesloten.



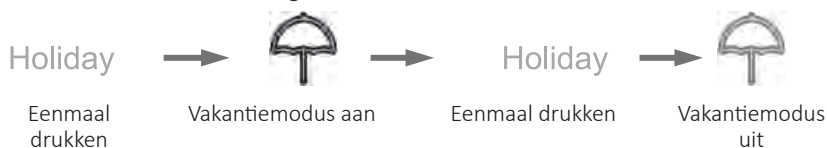
i Opmerking

- ▶ Wanneer de Fuzzy modus is ingeschakeld, kunnen de temperatuur van de koelkast en de vriezer niet worden geselecteerd. Wanneer de keuzeschakelaar van de koelkast of de vriezer wordt ingedrukt, knippert de Fuzzy modus-indicator met geluiden die eraan herinneren dat de handeling niet is toegestaan. Als in de Fuzzy-modus de functie snel afkoelen, snel bevroren of vakantie is geselecteerd, is de Fuzzy-modus uitgeschakeld en sluit de Fuzzy-modus automatisch.

5.6 Vakantiefunctie

De vakantiefunctie is ontworpen voor wanneer de koelkast gedurende lange tijd niet zal worden gebruikt. Als de vakantiefunctie is ingeschakeld, kan de vriestemperatuur worden gekozen, terwijl de temperatuur van de koelkast automatisch wordt ingesteld op 17 °C, waardoor elke geur als gevolg van de hoge temperatuur in het koelvak wordt vermeden en ook het energieverbruik wordt bespaard.

1. Wanneer het bedieningspaneel is ontgrendeld, drukt u op de keuzeschakelaar vakantiefunctie, en de zoemer weerklinkt, de vakantiefunctie-indicator gaat aan. De vakantiefunctie start.
2. Wanneer de indicator van de vakantiestand is ingeschakeld, drukt u op de vakantiefunctie keuzeschakelaar en weerklinkt de zoemer, de indicator van de vakantiestand is uitgeschakeld en de vakantiestand wordt afgesloten.



i Opmerking

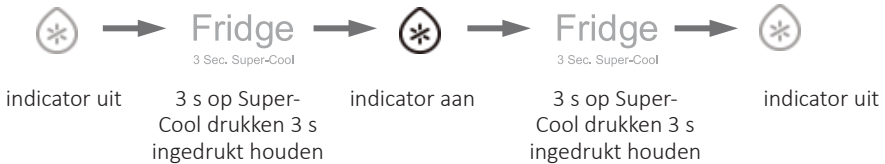
- ▶ Als de vakantiemodus is ingeschakeld, kan de temperatuur van de koelkast niet worden geselecteerd. Wanneer de keuzeschakelaar van de koelkast wordt ingedrukt, knippert de Vakantiemodus indicator met geluiden die eraan herinneren dat de handeling niet is toegestaan.

Maak het koelkastcompartiment leeg voordat u de vakantiemodus selecteert, om te voorkomen dat het voedsel wordt bedorven. Met de vakantiemodus aan kan de "intelligente" functie en de snelle afkoeling niet tegelijkertijd worden geselecteerd. Als de intelligente modus of snelle afkoeling is geselecteerd, is de indicator voor de vakantiemodus uitgeschakeld en sluit de functie automatisch.

5.7 Super-Cool functie

1. Wanneer het bedieningspaneel is ontgrendeld, druk dan 3 seconden op de keuzeschakelaar van de koelkast, en de zoemer maakt een zoemend geluid, de 'Super Cool' indicator gaat branden. Super-Cool start.
2. Wanneer de 'Super Cool' indicator aan is, druk dan op de keuzeschakelaar van de koelkast voor 3s, de zoemer weerklinkt, de 'Super Cool' indicator gaat uit. Super-Cool stopt.

3. Wanneer de Super-Cool modus is ingeschakeld, schakelt de koelkast automatisch deze modus uit nadat de Super-Cool modus de ingestelde toestand heeft bereikt. Als u handmatig wilt afsluiten, kunt u de keuzeschakelaar van de koelkast voor 3 s indrukken om de Super-Cool modus uit te schakelen.

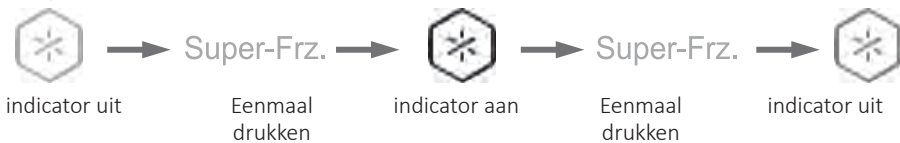


Opmerking

- ▶ Met de Super-Cool functie aan kan de Fuzzy-modus en de vakantiemodus niet tegelijkertijd worden geselecteerd. Als de Fuzzy-modus of vakantiemodus is geselecteerd, is de Super-Cool indicator uitgeschakeld en sluit de Super-Cool modus automatisch.

5.8 Super-Freeze functie

1. Wanneer het bedieningspaneel is ontgrendeld, drukt u op de Super Freeze-knop en weerklinkt de zoemer, de Super Freeze-indicator gaat branden. Super-Freeze modus start.
2. Met de Super Freeze-indicator aan, druk op de Super Freeze-knop, de zoemer weerklinkt, de Super Freeze-indicator is uitgeschakeld. Super Freeze modus sluit.
3. Als de Super Freeze modus is ingeschakeld, schakelt de koelkast automatisch naar de Super Freeze-modus uit nadat de Super Freeze-modus de ingestelde toestand heeft bereikt. Als u handmatig wilt afsluiten, kunt u de Super Freeze keuzeschakelaar voor 3 s indrukken om de Super Freeze modus uit te schakelen.



Opmerking

- ▶ De Super freeze functie versnelt het invriezen van verse etenswaren en beschermt de al bewaarde etenswaren tegen ongewenst opwarmen. Als een grote hoeveelheid etenswaren in één keer in te vriezen, is het aan te raden om de Super Freeze modus 24 uur van tevoren in te stellen om een lagere temperatuur in het vriesvak te bereiken voordat de etenswaren worden ingevroren. Zo wordt de vriessnelheid in het vriesvak verhoogd en kan het voedsel snel worden ingevroren, waardoor de etenswaren effectief wordt afgesloten en de opslag wordt vergemakkelijkt. Als u in de Super freeze conditie de intelligence-functie wilt kiezen, gaat de Super freeze indicator uit wordt de Super-freeze-modus automatisch afgesloten.

5.9 Alarm “deur open”

Wanneer de deuropeningstijd te lang is of de deur niet gesloten is, zal de koelkast elke keer een kort alarm afgeven en u er dan aan herinneren om de deur op tijd te sluiten.

5.10 Energiebesparing van het bedieningspaneel

30 seconden na de laatste bediening op het bedieningspaneel wordt het paneel automatisch uitgeschakeld en vergrendeld, wat stroom kan besparen. Wanneer de knop voor de vergrendelingsfunctie wordt ingedrukt of een deur wordt geopend, wordt het bedieningspaneel verlicht.

5.11 Uitschakelgeheugenfunctie

Wanneer de koelkast wordt uitgeschakeld, wordt de kortstondige werkingstoestand van de stroomuitval in het geheugen opgeslagen. Nadat de stroom weer is hersteld, blijft de koelkast werken volgens het programma en de functiestatus die vóór de stroomuitval was ingesteld.

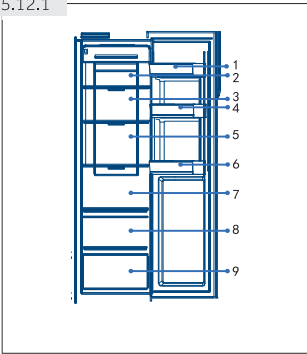
Let op: De vergrendelingsfunctie wordt niet opgeslagen. Nadat de koelkast weer is ingeschakeld, begint het bedieningspaneel met de zelfdiagnose, het controlelampje van de vergrendelingsfunctie is uitgeschakeld en de koelkast is ontgrendeld.

5.12 Tips om verse etenswaren te bewaren

5.12.1 Opslaan in het koelvak

- ▶ Houd de temperatuur van uw koelkast onder 5 °C.
- ▶ Warme etenswaren moeten worden afgekoeld tot kamertemperatuur voor u ze bewaart in het apparaat.
- ▶ Etenswaren die in de koelkast worden bewaard moeten gewassen en gedroogd worden voor u ze opbergt
- ▶ De etenswaren die u wilt bewaren moeten correct worden afgedicht om geurtjes en wijzigingen in de smaak te vermijden.
- ▶ Bewaar geen al te grote hoeveelheden etenswaren. U moet ruimte tussen de etenswaren laten zodat de koude lucht kan circuleren voor een beteren en meer homogene koeling.
- ▶ De etenswaren die u dagelijks eet, moeten vooraan op de lade worden bewaard
- ▶ Laat een opening tussen etenswaren en de interne wanden om lucht te laten circuleren. Plaats zeker geen etenswaren tegen de achterwand: etenswaren kunnen bevriezen tegen de achterwand. Vermijd direct contact van de etenswaren (in het bijzonder olieachtige of zure etenswaren) met de interne voering want olie/zuur kan de interne voering eroderen. Verwijder olie/zuurresten als u ze opmerkt.
- ▶ Ontdooi de ingevroren etenswaren in het koelvak. Zo kunt u de diepvriesproducten gebruiken om de temperatuur in het compartiment te verlagen en energie te besparen.
- ▶ Het rijpingsproces van fruit en groenten zoals courgettes, meloenen, papaja, bananen, ananas, etc. kan worden versneld in de koelkast. Om die reden is het niet aanbevolen ze in de koelkast te bewaren. Hoewel, het rijpen van groen fruit kan gedurende een bepaalde periode worden bevorderd. Uien, look, gember en andere wortelgroenten moeten ook bij kamertemperatuur worden bewaard.
- ▶ Onaangename geurtjes in de koelkast zijn een teken dat er iets gemorst is en dat ze moet gereinigd worden. Zie ONDERHOUD EN REINIGING.
- ▶ Andere etenswaren moeten in andere plaatsen worden bewaard, naargelang hun eigenschappen (Afb. 5.12.1/5.12.2):

5.12.1

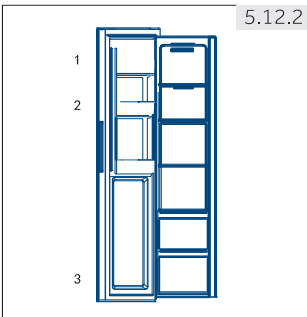


- 1 Boter, kaas, eieren, kruiden, etc.
- 2 Gepekelde etenswaren, etenswaren in blik, etc.
- 3 Gepekelde etenswaren, etenswaren in blik, etc.
- 4 Blikjes, conserven, specerijen, etc.
- 5 Vleesproducten, snacks, enz.
- 6 Dranken en gebottelde voedingsmiddelen.
- 7 Pasta, etenswaren in blik, melk, tofu, zuivel, etc.
- 8 Fruit, groenten, salade, etc.
- 9 Gekookt vlees, worstjes, etc.

5.12.2 Bewaring in het vriesvak

- ▶ Handhaaf de temperatuur in het vriesvak op -18 °C.
- ▶ 24 uur voor het invriezen, moet u de Super freeze functie inschakelen; voor kleine hoeveelheden etenswaren is 4-6 uur voldoende.
- ▶ Warme etenswaren moeten worden afgekoeld tot kamertemperatuur voor u het opbergt in het vriesvak.
- ▶ Etenswaren die in kleine porties verdeeld zijn, zullen sneller invriezen en eenvoudiger zijn om te ontdooien en te bereiden. Het aanbevolen gewicht voor elke portie is minder dan 2,5kg
- ▶ Het is beter etenswaren te verpakken voor u ze in het vriesvak plaatst. De buitenzijde van de verpakking moet droog zijn om te voorkomen dat ze aan elkaar zouden plakken. Verpakkingsmateriaal moet vrij zijn van geurtjes en luchtdicht of niet-giftig zijn.
- ▶ Om te voorkomen dat de bewaarperiodes verstrijken, moet u de invriesdatum, tijdslimiet en de naam van de etenswaren noteren op de verpakking in overeenstemming met de bewaarperiodes van verschillende etenswaren
- ▶ **WAARSCHUWING!** Zuur, basen, zout, etc. kunnen de interne oppervlakte van de diepvriezer beschadigen. Plaats geen etenswaren met deze stoffen (bijv. zeevis) rechtstreeks op de interne wand. Zoutwater in de diepvriezer moet onmiddellijk worden gereinigd.
- ▶ U mag de opslagduur van de etenswaren die wordt aanbevolen door de fabrikanten niet overschrijden. Verwijder uitsluitend de vereiste hoeveelheid etenswaren uit de diepvriezer.
- ▶ Andere etenswaren moeten in andere plaatsen worden bewaard, naargelang hun eigenschappen (Afb. 5.12.2):

5.12.2



- 1 Minder zware artikelen, zoals ijs, groenten, brood enz.
- 2 Drank zonder hoog alcoholgehalte en tijdelijke opslag van gedistilleerde dranken met een hoog alcoholgehalte, kleine onderdelen zoals pizza of kruiden.
- 3 Grote/zwaardere porties voedsel, zoals vleesgewrichten om te roosteren

**Opmerking: Opslag**

- ▶ Houd de afstand tussen het geplaatste voedsel en de sensor meer dan 10 mm aan om het koeleffect te garanderen.
 - ▶ Bewaar de onderste lade als het apparaat werkt om het koeleffect te garanderen.
 - ▶ Voedsel met ijs (zoals ijs enz.) moet in het vriesvak worden bewaard in plaats van op de flessenhouder, want de temperatuurveranderingen op de flessenhouder als gevolg van het openen en sluiten van de deur kunnen het voedsel doen ontdooien.
- ▶ Verbruik de ontdooide etenswaren in een korte periode. Ontdooide etenswaren mogen niet opnieuw worden ingevroren als ze bereid werden.
 - ▶ Plaats geen overdreven hoeveelheden verse etenswaren in het vriesvak. Raadpleeg de capaciteit van de diepvriezer - Zie TECHNISCHE GEGEVENS of gegevens op het typeplaatje.
 - ▶ Etenswaren kunnen in het vriesvak worden bewaard aan een temperatuur van minimum -18 °C gedurende 2 tot 12 maanden, afhankelijk van de eigenschappen (bijv. vlees: 3-12 maanden, groenten: 6-12 maanden)
 - ▶ Wanneer u verse etenswaren invriest, moet u contact vermijden met al ingevroren etenswaren. Risico op ontdooien!
 - ▶ Diepvriesvoedsel in de koelkast ontdooien. Zo kunt u de diepvriesproducten gebruiken om de temperatuur in het compartiment te verlagen en energie te besparen.

5.12.3 Wanneer u commercieel ingevroren etenswaren wilt bewaren, moet u de volgende richtlijnen volgen:

- ▶ Volg altijd de richtlijnen van de producent met betrekking tot de bewaartijden van de etenswaren. Respecteer deze richtlijnen!
- ▶ Probeer de tijdsduur tussen de aankoop en het opbergen zo kort mogelijk te houden om de kwaliteit te handhaven.
- ▶ Koop ingevroren etenswaren die werden bewaard aan een temperatuur van -18 °C of lager.
- ▶ Vermijd etenswaren te kopen met ijs of vorst op de verpakking- Dit wijst erop dat de producten op zeker moment gedeeltelijk ontdooit en opnieuw ingevroren werden- temperatuurstijgingen beïnvloeden de kwaliteit van de etenswaren.

5.13 Waterdispenser(HSR3918EWP*)

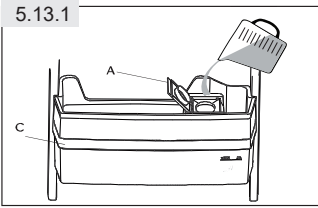
Met de waterdispenser kan koel drinkwater worden afgetapt.

Het waterreservoir moet voor het eerste gebruik worden gereinigd (zie ONDERHOUD EN REINIGING).

5.13.1 Het waterreservoir vullen**WAARSCHUWING!**

Gebruik alleen drinkwater.

5.13.1



1. Zorg ervoor dat het waterreservoir op de juiste wijze is geplaatst (zie APPARATUUR)
2. Open de dop (A) en giet vers drinkwater in het waterreservoir (Afb. 5.13.1)
3. Vul het water slechts tot aan de markering (2,5 l), zo niet kan het overstromen wanneer de deur opent en sluit.
4. Sluit de dop (A) volledig.

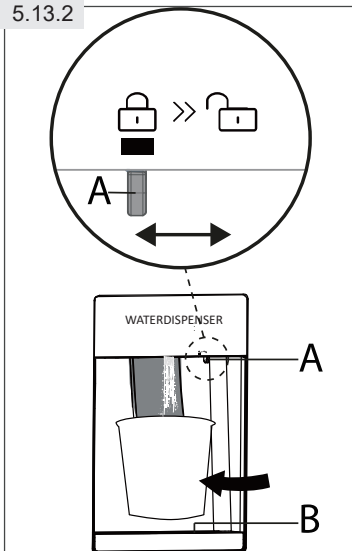




Opmerking: Waterdispenser

- ▶ Voor u bijvult moet u het resterende water verwijderen en het waterreservoir reinigen.
- ▶ Als u gedurende een lange periode geen water nodig hebt, moet u het waterreservoir leegmaken en het gereinigde reservoir invoeren.
- ▶ **Het deksel (C) van het waterreservoir (Afb. 5.13.1) wordt ook gebruikt om energie te besparen.** Als u gedurende een lange periode geen water wilt uit de waterdispenser, moet u het deksel aanbrengen voor een betere isolatie en om energie te besparen.

5.13.2 Drinkwater aftappen

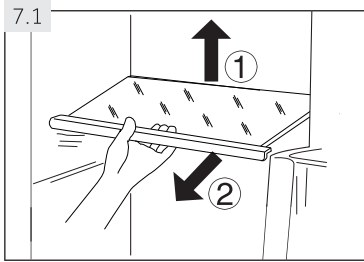
5.13.2



1. Zorg ervoor dat het slot (A) in de stand  "Ontgrendeld" staat (Afb. 5.13.2).
2. Plaats een glas onder de wateruitlaat.
3. Druk voorzichtig tegen de hendel van de waterdispenser met uw glas.
Lijn uw glas uit met de waterdispenser om geen water te morsen.
4. Het water in de bak (B) moet op tijd worden verwijderd, omdat het bij het openen en sluiten van de deur kan overlopen.
5. Schuif het slot (A) in de stand  "Vergrendeld".

**Tips voor energiebesparing**

- ▶ Zorg ervoor dat het apparaat correct geventileerd is (zie INSTALLATIE).
- ▶ U mag het apparaat niet installeren in direct zonlicht of in de buurt van warmtebronnen (bijv. fornuizen, verwarming).
- ▶ Vermijd onnodig lage temperaturen in het apparaat. Het energieverbruik verhoogt hoe lager de temperatuur van het apparaat wordt ingesteld.
- ▶ Functies zoals Super-Cool of Super-Freeze verbruiken meer energie.
- ▶ Laat warme etenswaren afkoelen voor u ze in het apparaat plaatst.
- ▶ Open de deur van het apparaat zo weinig en zo kort mogelijk.
- ▶ Vul het apparaat niet te veel op zodat u de luchtstroom niet belemmert.
- ▶ Vermijd lucht in de verpakking van de etenswaren.
- ▶ Houd de afdichtingen van de deuren schoon zodat de deur altijd correct sluit.
- ▶ Ontdooi de ingevroren etenswaren in het koelvak.



7.1 Instelbare planken

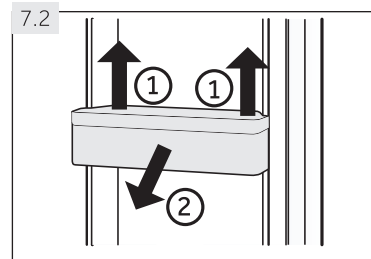
De hoogte van de laden kan worden aangepast naargelang uw bewaarbehoeften.

1. Om een lade te verplaatsen, moet u ze eerst verwijderen door de achterzijde omhoog op te tillen (1) en het te verwijderen (2) (Afb. 7.1).
2. Om ze opnieuw aan te brengen, plaatst u ze op de beugels op beide zijden en duwt u ze volledig naar achter tot de achterzijde van de lade in de sleuven aan de zijkant.



Opmerking: Planken

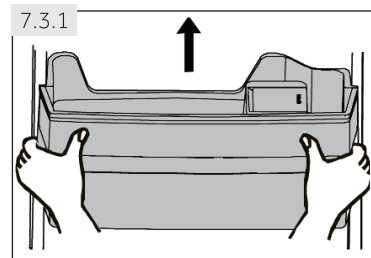
Zorg ervoor dat alle uiteinden van een plank waterpas staan.



7.2 Verwijderbare deurrekken/fleshouder

De deurrekken/fleshouders kunnen worden verwijderd om te worden gereinigd:

1. Plaats de handen aan beide zijden van het rek/houder en til deze omhoog (1) (Afb. 7.2).
2. Trek de deurrek/fleshouder uit (2).
3. Voor het plaatsen van de deurrek/fleshouder worden de bovenstaande stappen in omgekeerde volgorde uitgevoerd.




7.3 Waterreservoir(HSR3918EWP*)

7.3.1 Waterreservoir verwijderen

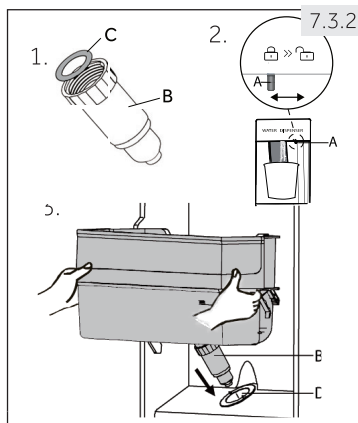
Het waterreservoir kan worden verwijderd en opnieuw worden geïnstalleerd voor de reiniging op dezelfde manier als de deurrekken (Afb. 7.3.1).

7.3.2 Waterreservoir plaatsen

1. Zorg ervoor dat de uitloop van de dispenser (B) stevig op het waterreservoir is geschroefd en dat de witte O-ring (C) in positie is (Afb. 7.3.2-1.).
2. Schuif het slot (A) in de stand  "Vergrendeld" (Afb. 7.3.2-2)
3. Plaats het waterreservoir in de positie zodat de wateruitlaat (B) in de opening van de deur past (Afb. 7.3.2-3.).

Opmerking: Waterreservoir

- ▶ Als het waterreservoir niet correct ingevoerd is, kan er water uit de verbinding druppelen.
- ▶ Gebruik geen overmatige kracht tijdens het verwijderen en het plaatsen van het waterreservoir om schade aan het reservoir te voorkomen.



7.4 Flessenhouder-vriesvak

De flessenhouders van het vriesvak zijn bedoeld voor de tijdelijke opslag van gedistilleerde dranken met een hoog alcoholgehalte. Drank zonder hoog alcoholgehalte moet worden gekoeld in de koelkast.

Daarnaast kunt u kleine onderdelen in de flessenhouders opbergen.



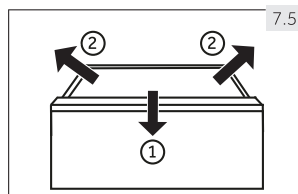
WAARSCHUWING!

Flessen en blikken kunnen barsten! Stel een timer in die u eraan herinnert om flessen/blikjes zonder hoog alcoholgehalte te verwijderen.

7.5 Verwijderbare lade

Om de lade uit de koelkast of het vriesvak te verwijderen, trekt u deze volledig uit (1), tilt u de lade op en verwijdert u deze (2) (Afb. 7.5).

Voor het plaatsen van de lade worden de bovenstaande stappen in omgekeerde volgorde uitgevoerd.



7.6 Verlichting

Het interne LED-licht schakelt in wanneer de deur geopend is. De prestatie van de lichten wordt niet beïnvloed door de instellingen van andere apparaten.



WAARSCHUWING!

Koppel het apparaat los van het net voor de reiniging.

8.1 Reiniging

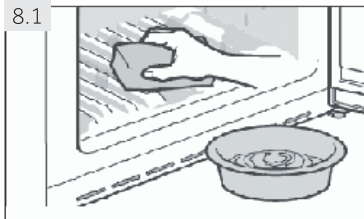
Reinig het apparaat als er slechts een kleine hoeveelheid of geen etenswaren opgeborgen zijn. Het apparaat moet elke vier weken worden gereinigd voor een goed onderhoud en om de geurtjes van slecht opgeslagen etenswaren te voorkomen



WAARSCHUWING!

Maak het apparaat niet schoon met harde borstels, draadborstels, schoonmaakpoeder, benzine, amylacetaat, aceton en dergelijke organische oplossingen, zure of basische oplossingen. Gebruik een speciaal reinigingsmiddel voor koelkasten om schade te vermijden.

- ▶ Spuit of spoel het apparaat niet uit bij het schoonmaken.
- ▶ Gebruik geen waterspray of stoom om het apparaat schoon te maken.
- ▶ Maak de koude glazen schappen niet schoon met heet water. Door het plotselinge temperatuurverschil zou het glas kunnen breken.
- ▶ Raak de binnenzijde van vriesvak niet aan als het in werking is, in het bijzonder als uw handen nat zijn, want uw handen kunnen vastvriezen aan het oppervlak.
- ▶ Bij opwarming moet u de toestand van ingevroren etenswaren controleren.



- ▶ Houd de pakking van de deur altijd schoon.
- ▶ Reinig de binnenzijde en de behuizing van het apparaat met een spons in warm water en een neutraal reinigingsmiddel (Afb. 8.1).

1. Schrob de binnen- en buitenkant van de koelkast, inclusief deursluiting, deurrek, glazen leggers, box en dergelijke, met een zachte handdoek of spons gedompeld in warm water (u kunt een neutraal reinigingsmiddel in het warme water toevoegen).
2. Als er vloeistof is gemorst, verwijder dan alle verontreinigde delen, spoel ze direct af met leidingwater, droog ze af en plaats ze terug in de koelkast.
3. Als er gemorste room is (zoals de room, smeltend ijs), verwijder dan alle verontreinigde delen, doe ze enige tijd in het warme water bij ongeveer 40 °C, spoel ze af met leidingwater, droog ze af en zet ze terug in de koelkast.
4. Als er een klein deel of onderdeel vast komt te zitten in de koelkast (tussen planken of laden), gebruik dan een kleine zachte borstel om het los te maken. Als u het onderdeel niet kunt bereiken, neem dan contact op met Haier service.

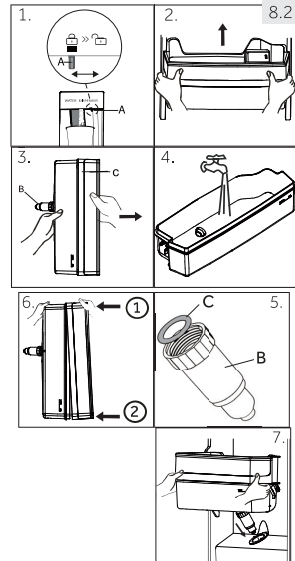
- ▶ Spoel en droog met een zachte doek.
- ▶ Reinig de accessoires enkel met warm water en een zacht, neutraal wasmiddel.
- ▶ Laat het apparaat minimum 5 minuten rusten voor u het apparaat herstart want dit kan de compressor beschadigen.

Ontdoeien

De koelkast en diepvriezer ontdooien automatisch; er is geen handmatige bewerking nodig.

8.2 Het waterreservoir reinigen (Afb. 8.2) (HSR3918EWP*)

1. Schuif het slot (A) in de stand  "Vergrendeld".
2. Haal het waterreservoir uit het apparaat.
3. Verwijder het deksel (C) en draai de wateruitlaat (B) voorzichtig los.
4. Maak het waterreservoir en de wateruitlaat schoon met warm stromend water en vloeibaar vaatwasmiddel. Zorg ervoor dat alle zeep is afgespoeld.
5. Monteer de wateruitlaat (B) en zorg ervoor dat deze stevig op het waterreservoir is geschroefd en dat de witte O-ring (C) op zijn plaats zit.
6. Druk op het deksel om het te combineren met een zijde van het waterreservoir en dan de andere zijde, controleer of het waterreservoir en het deksel volledig gemonteerd zijn.
7. Vervang het reservoir in het apparaat. Zorg ervoor dat de wateruitlaat correct in het gat van de deur is gestoken.



8.3 De LED-lampen vervangen



WAARSCHUWING!

U mag de LED-lamp niet zelf vervangen. Ze mag enkel worden vervangen door de fabrikant of de geautoriseerde service agent.

Als lichtbron van de lamp wordt een led gebruikt vanwege het lage energieverbruik en de lange levensduur. Neem bij problemen contact op met de klantendienst. Zie KLANTENDIENST.

Parameters van de lampen: :12 V max. 3 W.

8.4 Niet gebruik gedurende een lange periode

Als het apparaat gedurende een lange periode niet zal worden gebruikt en u gebruikt de vakantiefunctie van de koelkast niet:

- ▶ Verwijder de etenswaren.
- ▶ Maak het waterreservoir leeg en schoon.
- ▶ Koppel het netsnoer los.
- ▶ Reinig het apparaat zoals hierboven beschreven.
- ▶ Houd de deuren open om het ontstaan van onaangename geuren te voorkomen.



Opmerking: Uitschakelen

Schakel het apparaat alleen uit als dat strikt noodzakelijk is.

8.5 Het apparaat verplaatsen

1. Verwijder alle etenswaren en trek de stekker uit het stopcontact.
2. Beveilig de laden en andere bewegende onderdelen in de koelkast en de diepvriezer met plakband.
3. U mag de koelkast niet meer dan 45° kantelen om schade aan het koelsysteem te vermijden.



WAARSCHUWING!

U mag het apparaat niet bij de handvaten dragen.

- ▶ Plaats het apparaat nooit horizontaal op de grond.

Veel van de voorkomende problemen kunt u zelf oplossen zonder specifieke expertise. In het geval van een probleem moet u alle weergegeven mogelijkheden controleren en de onderstaande instructies volgen voor u contact opneemt met de dienst na verkoop. Zie KLANTENDIENST.



WAARSCHUWING!

Voor ieder onderhoud moet u het apparaat uitschakelen en de stekker verwijderen uit het stopcontact.

- ▶ Elektrische apparaten mogen uitsluitend door gekwalificeerde elektrische experts worden onderhouden. Incorrecte reparaties kunnen aanzienlijke gevolgschade veroorzaken.
- ▶ Als het netsnoer beschadigd is, moet het worden vervangen door de fabrikant, zijn onderhoudsdienst of dergelijk gekwalificeerde personen om ieder risico uit te sluiten.

Probleem	Mogelijke oorzaak	Mogelijke Oplossing
De compressor werkt niet.	<ul style="list-style-type: none"> • De stekker zit niet goed in het stopcontact. • Het apparaat is ingesteld in de ontdooicyclus. 	<ul style="list-style-type: none"> • Doe de stekker in het stopcontact. • Dit is normaal voor een automatische ontdooiing.
Het apparaat slaat veelvuldig aan of werkt te lange tijd.	<ul style="list-style-type: none"> • De interne en externe temperatuur is te hoog. • Het apparaat is al een tijdje niet meer in gebruik. • Een deur van het apparaat is niet goed gesloten. • De deur/lade is te vaak of te lang geopend. • De temperatuurinstelling van het vriesvak is te laag. • De pakking van de deur is vuil, versleten, gebarsten of stemmen niet overeen. • De vereiste luchtcirculatie is niet gegarandeerd. 	<ul style="list-style-type: none"> • In dit geval is het normaal dat het apparaat langer werkt. • Normaal gesproken duurt het 8 tot 12 uur voordat het apparaat volledig is afgekoeld. • Sluit de deur/lade en zorg ervoor dat het apparaat op een vlakke ondergrond is geplaatst en dat er geen etenswaren of container de deur blokkeert. • Open de deur/lade niet te vaak. • Stel de temperatuur hoger in tot de geschikte koelkasttemperatuur bereikt is. Het duurt 24 uur tot de koelkasttemperatuur volledig stabiel wordt. • Reinig de deurpakking of laat deze vervangen deze door de klantendienst. • Zorg voor voldoende ventilatie.

Probleem	Mogelijke oorzaak	Mogelijke Oplossing
De binnenkant van de koelkast is vuil en/of stinkt.	<ul style="list-style-type: none"> • De binnenkant van de koelkast moet worden schoongemaakt. • Voedsel met een sterke geur wordt in de koelkast bewaard. 	<ul style="list-style-type: none"> • Maak de binnenkant van de koelkast schoon. • Verpak het eten goed.
Het is niet koud genoeg in het apparaat.	<ul style="list-style-type: none"> • De temperatuur is te hoog ingesteld. • Er zijn te warme etenswaren opgeslagen. • Er is te veel voedsel tegelijk in het apparaat geplaatst om te kunnen koelen. • De etenswaren zijn te dicht bij elkaar geplaatst. • Een deur van het apparaat is niet goed gesloten. • De deur/lade is te vaak of te lang geopend. 	<ul style="list-style-type: none"> • Stel de temperatuur opnieuw in. • Koel de etenswaren altijd af voordat u ze opbergt. • Bewaar altijd kleine hoeveelheden etenswaren. • Laat wat ruimte vrij tussen de verschillende etenswaren, zodat de lucht kan stromen. • Sluit de deur. • Open de deur/lade niet te vaak.
Het is te koud in het apparaat.	<ul style="list-style-type: none"> • De temperatuur is te laag ingesteld. • De Super-Cool/Super-Freeze functie is geactiveerd of loopt te lang. 	<ul style="list-style-type: none"> • Stel de temperatuur opnieuw in. • Schakel de Super-Cool / Super-Freeze functie uit.
Vochtvorming op de binnenzijde van het koelvak.	<ul style="list-style-type: none"> • Het klimaat is te warm en te vochtig. • Een deur van het apparaat is niet goed gesloten. • De deur/lade is te vaak of te lang geopend. • Voedselcontainers of vloeistoffen zijn open gelaten. 	<ul style="list-style-type: none"> • Verhoog de temperatuur. • Sluit de deur. • Open de deur/lade niet te vaak. • Laat warme etenswaren afkoelen tot kamertemperatuur en dek de etenswaren en vloeistoffen af.
Vocht accumuleert op de buitenzijde van de koelkast of tussen de deuren.	<ul style="list-style-type: none"> • Het klimaat is te warm en te vochtig. • De deur is niet goed gesloten. De koude lucht in het apparaat en de warme lucht daarbuiten condenseert. 	<ul style="list-style-type: none"> • Dit is normaal in een vochtig klimaat en zal veranderen als de luchtvochtigheid afneemt. • Zorg ervoor dat de deur goed gesloten is.

Probleem	Mogelijke oorzaak	Mogelijke Oplossing
Veel ijs en vorst in het vriesvak.	<ul style="list-style-type: none"> • De etenswaren zijn niet voldoende verpakt. • Een deur/lade van het apparaat is niet goed gesloten. • De deur/lade is te vaak of te lang geopend. • De pakking van de deur is vuil, versleten, gebarsten of stemmen niet overeen. • Er is iets in de koelkast dat de deur/lade belemmert correct te sluiten 	<ul style="list-style-type: none"> • Pak de etenswaren altijd goed in. • Sluit de deur/lade. • Open de deur/lade niet te vaak. • Maak de deurpakking schoon of vervang deze door nieuwe exemplaren. • Breng de laden, deurrekken of interne containers opnieuw aan zodat de deur/lade kan sluiten.
Het apparaat maakt abnormaal geluid.	<ul style="list-style-type: none"> • Het apparaat bevindt zich niet op een vlakke ondergrond. • Het apparaat raakt een voorwerp in de omgeving. 	<ul style="list-style-type: none"> • Stel de voeten af om het apparaat waterpas te stellen. • Verwijder voorwerpen rondom het apparaat.
Er is een zacht geluid te horen dat vergelijkbaar is met dat van stromend water.	<ul style="list-style-type: none"> • Dit is normaal. 	<ul style="list-style-type: none"> • –
U hoort een alarmsignaal.	<ul style="list-style-type: none"> • De deur is open. 	<ul style="list-style-type: none"> • Sluit de deur.
U hoort een zacht gezoem.	<ul style="list-style-type: none"> • Het anticondenssysteem werkt. 	<ul style="list-style-type: none"> • Dit voorkomt condensatie en is normaal.
De binnenverlichting of het koelsysteem werkt niet.	<ul style="list-style-type: none"> • De stekker zit niet goed in het stopcontact. • De stroomvoorziening is niet intact. • De ledlamp is defect. 	<ul style="list-style-type: none"> • Doe de stekker in het stopcontact. • Controleer de elektrische voeding van de kamer. Raadpleeg uw nutsbedrijf! • Bel de service voor het vervangen van de lamp.
De zijkanten van de kast en de deurstrip worden warm.	<ul style="list-style-type: none"> • Dit is normaal. 	<ul style="list-style-type: none"> • –
Er komt geen water uit de uitloop van de waterdispenser	<ul style="list-style-type: none"> • Het slot is niet gedeactiveerd. 	<ul style="list-style-type: none"> • Schakel het slot uit.

9.2 Stroomonderbreking

In het geval van een stroompanne zullen de etenswaren ongeveer 5 uur koud blijven. Volg deze tips tijdens een langdurige stroomonderbreking, in het bijzonder in de zomer:

- ▶ Open de deur/lade zo weinig mogelijk.
- ▶ Doe geen extra voedsel in het apparaat tijdens een stroomonderbreking.
- ▶ Als een stroomonderbreking vooraf wordt aangekondigd en de onderbreking langer dan 5 uur zal duren, kunt u op voorhand ijs maken en het in een container plaatsen boven in het koelvak.
- ▶ Na de onderbreking moeten de etenswaren onmiddellijk worden geïnspecteerd.
- ▶ Aangezien de temperatuur in de koelkast zal stijgen tijdens een stroomonderbreking of een andere panne zal de bewaartijd en de kwaliteit van de etenswaren verminderen. Alle etenswaren die ontdooien snel moeten worden verbruikt of bereid en opnieuw ingevroren (indien geschikt) om gezondheidsrisico's te voorkomen.



Opmerking: Geheugenfunctie tijdens stroomuitval

Na het herstel van de stroomtoevoer gaat het apparaat verder met de instellingen die voor de stroomuitval waren ingesteld.

10.1 Uitpakken

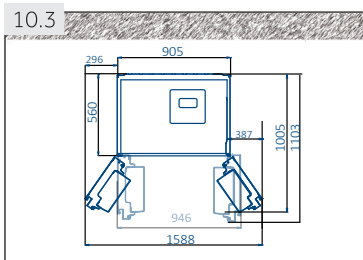


WAARSCHUWING!

- ▶ Het apparaat is zwaar. Draag het altijd met twee personen.
- ▶ Houd alle verpakkingsmaterialen buiten het bereik van kinderen en gooi ze op een milieuvriendelijke manier weg.
- ▶ Haal het apparaat uit de verpakking.
- ▶ Verwijder alle verpakkingsmaterialen, inclusief de transparante beschermfolie.

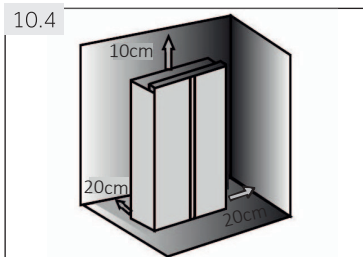
10.2 Milieumomstandigheden

De kamertemperatuur moet altijd tussen 16 °C en 43 °C zijn, omdat deze de temperatuur in het apparaat en het energieverbruik kan beïnvloeden. Installeer het apparaat niet in de buurt van andere warmtebronnen (ovens, koelkasten) zonder isolatie.



10.3 Vereiste ruimte

Benodigde ruimte bij het openen van de deur (Afb. 10.3): Breedte apparaat: 1588Mm Diepte toestel: 1103 mm



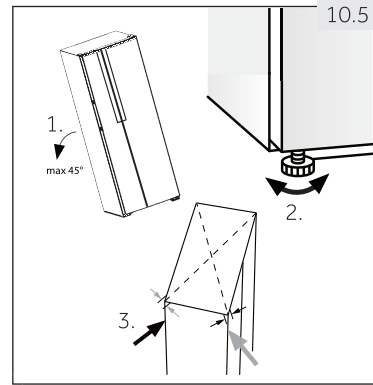
10.4 Ventilatie ruimte

Om het apparaat voldoende te ventileren moet om veiligheidsredenen de informatie van de vereiste ventilatie ruimte worden nageleefd (Afb. 10.4).

10.5 Het apparaat uitlijnen

Het apparaat moet op een vlakke en stevige ondergrond worden geplaatst.

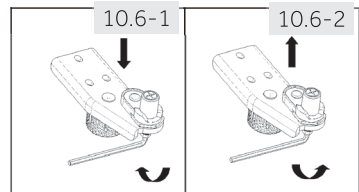
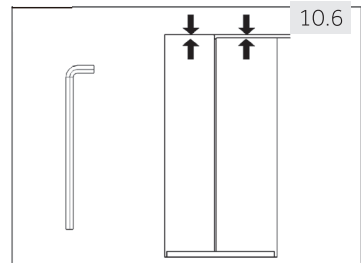
1. Kantel het apparaat iets naar achteren (Afb. 10.5).
2. Stel de voeten in op het gewenste niveau.
Zorg ervoor dat de afstand tot de muur aan de scharnierzijde minimaal 5 cm is.
3. De stabiliteit kan worden gecontroleerd door zachtjes te kloppen op de diagonale hoeken. De lichte bewegingen moeten hetzelfde zijn in beide richtingen. Zo niet kan het kader vervormen; dit kan resulteren in lekken in de deurpakkingen. Een lage tendens naar achter vereenvoudigt het sluiten van de deur.



10.6 Fijnafstelling van de deuren

Als de deuren na het nivelleren van de deuren met de voeten nog steeds niet op één niveau staan, kan dit worden verholpen door de scharnierende liftschacht rechtsonderaan de koeldeur met een moersleutel te verstellen (Afb. 10.6)

- Draai de hefjas rechtsom met een sleutel om de deurhoogte te verlagen (Afb. 10.6-1).
- Draai linksom met sleutel om de deurhoogte te verhogen (Afb. 10.6-2).

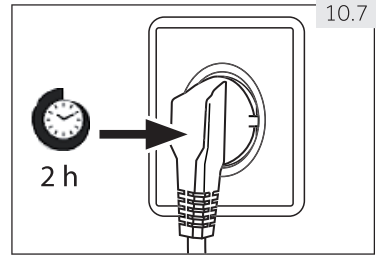


WAARSCHUWING!

Stel de hefjas van het scharnier niet te hoog in, zoniet kan de as uit zijn oorspronkelijke vergrendelde positie komen. (Instelbaar hoogtebereik: 3 mm)

10.7 Wachtijd

De onderhoudsvrije smeeroilie bevindt zich in de capsule van de compressor. Deze olie kan doorheen de afgesloten leidingen stromen als het apparaat gekanteld wordt tijdens transport. Voor u het apparaat aansluit op het elektrisch net moet u 2 uur wachten (Afb. 10.7) zodat de olie in de capsule kan stromen



10.8 Elektrische aansluiting

Controleer voor elke aansluiting of:

- ▶ het elektrisch net, stopcontact en de zekeringen overeenstemmen met de informatie op het typeplaatje.
- ▶ het stopcontact is geaard en er is geen multistekker of verlengsnoer is.
- ▶ de stekker en het stopcontact overeenstemmen.

Steek de stekker in een goed geïnstalleerd stopcontact.



WAARSCHUWING!

Om risico's te vermijden, moet een beschadigd netsnoer worden vervangen door de klantendienst (zie garantiekaart).

10.9 Deuren verwijderen en installeren

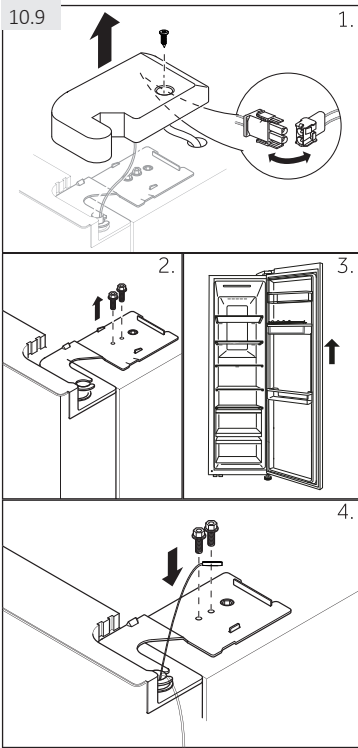
Als u de deuren van het apparaat moet verwijderen, volg de onderstaande instructies voor het verwijderen en installeren van de deur (Afb. 10.9)



WAARSCHUWING!

- ▶ Voor iedere handeling moet u het apparaat uitschakelen en de stekker verwijderen uit het stopcontact.
- ▶ Het apparaat is zwaar. Draag het altijd met twee personen.
- ▶ Kantel het apparaat niet meer dan 45° en plaats het niet horizontaal op de grond

10.9



1. Maak de schroef van de scharnierafdekking los en verwijder de scharnierafdekking. Ontkoppel het netsnoer.

2. Maak de schroeven los van het bovenste scharnier en verwijder het scharnier.

3. Til de deur van het koelvak op om deze te verwijderen.


4. Plaats de deur terug in de omgekeerde volgorde van demontage. Zorg ervoor dat de aardingskabel met de schroef wordt vastgezet.



Opmerking: Koelkastdeur

De foto's tonen het verwijderen van de deur van het koelvak. Gebruik voor de vriezerdeur de betreffende onderdelen aan de andere kant

11.1 Productfiche conform EU-norm Nr. 1060/2010

Merken	Haier
Model	HSR3918FNP*
Categorie van het model	Koelkast-diepvriezer
Energie-efficiëntieklasse	A+
Jaarlijks energieverbruik (kWh/jaar)	399
Opslagvolume koelen (L)	337
Opslagvolume invriezen (L) ****	167
Sterclassificatie	
Temperatuur van andere vakken > 14 °C	Niet toepasselijk
Vorstvrij systeem	Ja
Temperatuurstijgingstijd (u)	5
Vriesvermogen (kg/24h)	10
Klimaatklasse	SN-N-ST-T
Dit apparaat is bedoeld om te worden gebruikt bij een omgevingstemperatuur tussen de 10 °C en 43 °C.	
Geluidsemissies in de lucht (db(A) re lpW)	38
Constructietype	Vrijstaand

gebaseerd op standaard testresultaten gedurende 24 uur. Het werkelijke energieverbruik hangt af van hoe het apparaat wordt gebruikt en waar het staat.

11.1.1 Bijkomende technische gegevens

Spanning / Frequentie	220-240V-/ 50Hz
Ingangsvermogen (W)	200
Hoofdzekering (A)	15
Koelvloeistof	R600a
Afmetingen (H/B/D in mm)	1775/908/647

11.1.2 Normen en richtlijnen 

Dit product voldoet aan de eisen van alle toepasselijke EG-richtlijnen met de bijbehorende geharmoniseerde normen, die voorzien in een CE-markering.

Wij adviseren onze Haier klantendienst en het gebruik van originele onderdelen.

Als u een probleem hebt met uw toestel, controleer dan eerst het hoofdstuk **PROBLEMEN OPLOSSEN**.

Als u daar geen oplossing kunt vinden, neem dan contact op met

- ▶ uw lokale dealer of
- ▶ het gedeelte Dienst en hulp (Service & Support) gedeelte op www.haier.com waar u telefoonnummers en FAQ's kunt vinden en waar u de serviceclaim kunt activeren.

Om contact op te nemen met onze service, dient u ervoor te zorgen dat u de volgende gegevens heeft.

Deze informatie is te vinden op het typeplaatje.

Model _____ Serienr. _____

Controleer ook de meegeleverde garantiekaart in geval van garantie.



Haier



0060528721



Manualul utilizatorului

Combină frigorifică

HSR3918ENP*

HSR3918EWP*

HSR3918FNP*

***=W,B,L,G,N**

RO

Haier

Vă mulțumim că ați achiziționat un produs Haier.

Citiți aceste instrucțiuni cu atenție înainte de a utiliza acest aparat. Instrucțiunile conțin informații importante care vă vor ajuta să folosiți aparatul la capacitate maximă și să asigurați instalarea, utilizarea și întreținerea sigure și corespunzătoare.

Păstrați manualul de față la îndemână astfel încât să îl puteți consulta pentru utilizarea sigură și corectă a aparatului.

Dacă vindeți, oferiți sau lăsați aparatul în vechea locuință când vă mutați, asigurați-vă că lăsați și manualul de utilizare, astfel încât noul proprietar să se poată familiariza cu aparatul și cu avertismentele de siguranță.

Legendă

Avertizare - Informații importante legate de siguranță



Informații și sfaturi generale



Informații legate de mediu



Eliminare

Ajutați la protejarea mediului și sănătății omului. Puneți ambalajul în containerele corespunzătoare în vederea reciclării. Ajutați la reciclarea deșeurilor de aparate electrice și electronice. Nu aruncați electronicele marcate cu acest simbol în același loc cu deșeurile menajere. Returnați produsul la centrul local de reciclare sau contactați agenția municipală.



AVERTIZARE!

Risc de vătămare sau sufocare!

Agenții de refrigerare și gazele trebuie eliminate profesionist. Asigurați-vă că tubulatura circuitului refrigerant nu este deteriorată înainte de eliminarea corespunzătoare a acesteia. Deconectați aparatul de la rețeaua de curent. Tăiați cablul de alimentare de la rețeaua de curent și eliminați-l. Scoateți tăvile și sertarele, dar și opritorul și garniturile ușii, pentru a preveni închiderea copiilor și a animalelor în aparat.

Aparatele vechi au încă o anumită valoare reziduală. O metodă ecologică de eliminare se va asigura că materiile prime valoroase pot fi recuperate și reutilizate.

Ciclopentanul, o substanță inflamabilă care nu dăunează ozonului, este folosit ca expandor pentru puma de izolare.

Asigurându-vă că acest produs este eliminat corect, veți ajuta la prevenirea potențialelor consecințe negative pentru mediu și sănătatea umană.

Pentru informații detaliate privind reciclarea acestui produs, vă rugăm să vă contactați consiliul local, serviciul dvs. de eliminare a deșeurilor sau magazinul de unde ați achiziționat produsul, administrat de specialiști.

1- Informații de siguranță.....	6
2- Destinația utilizării.....	10
3- Descrierea produsului.....	12
4- Panou de comenzi.....	12
5- Utilizarea.....	14
6- Sfaturi de economisire a energiei.....	22
7- Echipament.....	23
8- Îngrijire și curățare.....	25
9- Depanare.....	26
10- Instalare.....	30
11- Date tehnice.....	33
12- Serviciul pentru clienți.....	34

Înainte de pornirea aparatului pentru prima dată, citiți următoarele sfaturi legate de siguranță:



AVERTIZARE!

Înainte de prima utilizare

- ▶ Asigurați-vă că nu există deteriorări provocate de transport.
- ▶ Eliminați toate ambalajele și păstrați-le la distanță de copii.
- ▶ Așteptați cel puțin două ore înainte de a instala aparatul pentru a lăsa timp circuitului refrigerant să devină perfect eficient.
- ▶ Manevrați întotdeauna dispozitivul cu cel puțin încă două persoane, pentru că este greu.

Instalare

- ▶ Aparatul trebuie amplasat într-un loc bine ventilat. Asigurați un spațiu de cel puțin 20 cm deasupra aparatului și 10 cm în jurul acestuia.
- ▶ Nu amplasați niciodată aparatul într-o zonă cu umezeală sau într-un loc în care acesta poate fi stropit cu apă. Curățați și uscați stropiturile de apă și petele cu o cârpă curată, moale.
- ▶ Nu instalați aparatul în lumina directă a soarelui sau în apropierea surselor de căldură (de ex., cuptoare, radiatoare).
- ▶ Instalați și poziționați dispozitivul într-o zonă potrivită dimensiunilor și destinației sale.
- ▶ Mențineți fantele de aerisire ale aparatului sau încorporate în structură fără obstrucțiuni.
- ▶ Asigurați-vă că informațiile electrice de pe plăcuța cu date tehnice se potrivesc cu sursa de electricitate. Dacă nu se potrivesc, contactați un electrician.
- ▶ Dispozitivul este operat de o sursă de electricitate de 220-240 V c.a./ 50 Hz. Fluctuațiile anormale de tensiune pot face dispozitivul să nu pornească sau pot deteriora controlul temperaturii sau compresorul sau pot provoca un zgomot anormal în timpul utilizării. În acest caz, ar trebui să fie montat un regulator automat.
- ▶ Folosiți o priză separată cu împământare pentru alimentarea cu energie electrică, care să fie ușor accesibilă. Aparatul trebuie legat la împământare.
- ▶ **Doar pentru Regatul Unit:** Cablul de alimentare al dispozitivului este prevăzut cu ștecăr cu 3 piciorușe (împământare) care se potrivește cu o priză standard cu 3 găuri (împământată). Nu demontați sau nu tăiați niciodată cel de-al treilea picioruș (împământarea). După instalarea dispozitivului, ștecărul ar trebui să fie accesibil.
- ▶ Nu utilizați adaptoare cu ștecăre multiple și prelungitoare.
- ▶ Evitați prinderea cablului de alimentare în aparat. Nu călcați pe cablul de alimentare.
- ▶ Nu deteriorați circuitul refrigerant.
- ▶ Nu amplasați prizele portabile multiple sau alimentările portabile în spatele aparatului.

**AVERTIZARE!****Utilizarea cotidiană**

- ▶ Acest aparat poate fi utilizat de către copiii cu vârste de minim 8 ani și de către persoanele cu abilități fizice, senzoriale sau mentale reduse sau cu lipsă de experiență sau cunoștințe, cu condiția să fie supravegheate sau instruite corespunzător privind modul de utilizare a acestui aparat în siguranță și să înțeleagă pericolele implicate.
- ▶ Copiilor cu vârsta cuprinsă între 3 și 8 ani pot încărca și descărca aparate frigorifice, dar nu li se permite să curețe și să instaleze aparatele frigorifice.
- ▶ Țineți copiii mai mici de 3 ani la distanță de aparat, cu excepția cazului în care aceștia sunt supravegheați constant.
- ▶ Curățarea și întreținerea de către utilizator nu vor fi efectuate de copii fără supraveghere.
- ▶ Copiii nu se vor juca cu aparatul.
- ▶ Aparatul trebuie poziționat astfel încât ștecherul să fie accesibil.
- ▶ În cazul scurgerii gazului de răcire sau a altor gaze inflamabile în vecinătatea aparatului, închideți valva gazului care curge, deschideți ușile și ferestrele și nu deconectați niciun ștecăr al cablului de alimentare al aparatului sau al oricărui alt aparat.
- ▶ Rețineți faptul că aparatul este setat pentru funcționarea într-un interval specific de temperaturi ambientale, cuprins între 10 °C și 38 °C. Este posibil ca aparatul să nu funcționeze corespunzător dacă este lăsat o perioadă lungă de timp la o temperatură peste sau sub intervalul indicat.
- ▶ Nu puneți articole instabile (obiecte grele, recipiente umplute cu apă) deasupra aparatului, pentru a evita vătămarea cauzată de cădere sau de electrocutarea cauzată de contactul cu apa.
- ▶ Nu trageți de rafturile ușii. În caz contrar, ușa poate fi înclinată, raftul pentru sticle poate ieși sau aparatul se poate răsturna.
- ▶ Deschideți și închideți ușile numai cu ajutorul mânerelor. Spațiul liber dintre uși și dintre uși și dulap este foarte îngust. Nu întindeți mâinile în zonele respective, pentru a evita ciupirea degetelor. Deschideți sau închideți ușile numai atunci când nu se află niciun copil în raza de deplasare a ușii.
- ▶ Nu depozitați materiale inflamabile, explozive sau corozive în aparat sau în vecinătatea acestuia.
- ▶ Nu depozitați medicamente, bacterii sau agenți chimici în dispozitiv. Acest dispozitiv este un aparat electrocasnic. Nu este recomandat pentru depozitarea materialelor care necesită temperaturi stricte.
- ▶ Nu depozitați niciodată în congelator lichide în sticle sau doze (cu excepția băuturilor cu conținut ridicat de alcool), în special băuturi carbogazoase, deoarece acestea se vor sparge în timpul înghețării.



AVERTIZARE!

Utilizarea cotidiană

- ▶ Verificați starea alimentelor în cazul în care a avut loc încălzirea congelatorului.
- ▶ Nu setați o temperatură nenecesar de joasă în compartimentul frigiderului. În cazul setărilor ridicate, pot apărea temperaturi sub punctul de îngheț. Atenție: Sticlele se pot sparge.
- ▶ Nu atingeți produsele înghețate cu mâinile ude (purtați mănuși). În special, nu consumați înghețată pe băț imediat după scoaterea din compartimentul congelatorului. Există riscul de îngheț sau de formare a leziunilor provocate de îngheț. PRIMUL ajutor: puneți imediat sub jet de apă rece. Nu trageți!
- ▶ Nu atingeți suprafața interioară a compartimentului de depozitare al congelatorului atunci când este în funcțiune, în special cu mâinile ude, deoarece mâinile pot îngheța pe suprafață.
- ▶ Deconectați aparatul de la energia electrică în cazul unei pene de curent sau înainte de curățare. Așteptați cel puțin 5 minute înainte de repornirea aparatului, deoarece pornirea frecventă poate deteriora compresorul.
- ▶ Nu utilizați dispozitive electrice în interiorul compartimentelor de depozitare a alimentelor ale aparatului decât dacă acestea sunt de tipul recomandat de către producător.
- ▶ Utilizați numai apă potabilă pentru modelele cu dozator de apă.

Întreținere/curățare

- ▶ Asigurați-vă că supravegheați copiii dacă aceștia se ocupă de curățare și întreținere.
- ▶ Deconectați aparatul de la rețeaua de alimentare înainte de efectuarea întreținerii de rutină. Așteptați cel puțin 5 minute înainte de repornirea aparatului, deoarece pornirea frecventă poate deteriora compresorul.
- ▶ Țineți de ștecăr, nu de cablu, atunci când deconectați aparatul.
- ▶ Nu răzuți gheața cu obiecte ascuțite. Nu folosiți pulverizatoare, dispozitive electrice de încălzire precum radiatoare, uscătoare de păr, aparate de curățat cu abur sau alte surse de căldură, pentru a evita deteriorarea pieselor din plastic.
- ▶ Nu utilizați dispozitive mecanice sau alte mijloace de a accelera procesul de decongelare, diferite de cele recomandate de producător.
- ▶ Nu curățați aparatul cu perii aspre, cu perii de sârmă, cu detergent pulbere, benzină, acetat de amil, acetonă sau soluții organice similare, soluții acide sau alcaline. Curățați cu detergent special pentru frigider pentru a evita deteriorările.
- ▶ Puteți utiliza apă caldă și soluție de bicarbonat de sodiu – aproximativ o lingură de bicarbonat de sodiu la un litru de apă. Clătiți cu apă și ștergeți.

Nu folosiți pulberi de curățare sau alte produse de curățare abrazive. Nu spălați piesele detașabile în mașina de spălat vase



AVERTIZARE!

Întreținere/curățare

- ▶ Dacă cablul de alimentare este deteriorat, acesta trebuie înlocuit de către producător, sau agentul său de service sau persoane calificate similare, pentru a evita orice pericol.
- ▶ Nu încercați să reparați, să dezamblați sau să modificați dispozitivul de unul singur. În cazul în care este necesară o reparație, vă rugăm să contactați serviciul de relații cu clienții.
- ▶ Dacă becurile de iluminare sunt deteriorate, acestea trebuie înlocuite de către producător sau de agentul de service sau de persoane calificate, pentru a evita orice pericol.
- ▶ Eliminați praful din spatele unității cel puțin o dată pe an, pentru a evita riscul de incendiu, dar și consumul mărit de energie.
- ▶ Nu pulverizați și nu spălați aparatul în timpul curățării.
- ▶ Nu folosiți pulverizarea cu apă sau aburi de apă în timpul curățării aparatului.
- ▶ Nu curățați rafturile reci din sticlă cu apă fierbinte. Schimbarea bruscă de temperatură poate face ca sticla să se spargă.
- ▶ Dacă nu veți utiliza aparatul pentru o perioadă îndelungată, lăsați-l deschis pentru a preveni apariția mirosurilor și mirosurilor neplăcute în interior.

Informații privind gazul refrigerant



AVERTIZARE!

Aparatul conține agentul refrigerant inflamabil IZOBUTAN (R600a). Asigurați-vă că circuitul refrigerant nu este deteriorat în timpul transportării sau instalării. Scurgerile de agent refrigerant pot cauza vătămări ale ochilor sau se pot aprinde. Dacă s-a produs o deteriorare a aparatului, țineți la distanță de sursele de flăcări deschise, ventilați bine camera, nu conectați și nu deconectați cablurile de alimentare ale aparatului sau ale oricărui alt aparat. Informați serviciul de asistență pentru clienți.

În cazul în care agentul refrigerant intră în contact cu ochii, spălați imediat în jet de apă și contactați imediat un specialist oftalmolog.


AVERTIZARE: Sistemul de refrigerare este sub presiune ridicată. Nu-l manipulați. Deoarece se utilizează agenți frigorifici inflamabili, vă rugăm să instalați, să manipulați, și efectuați operațiuni de service asupra aparatului strict urmând instrucțiunile și să contactați agentul profesional sau serviciul nostru post-vânzare pentru a elimina aparatul.

2.1 Destinația utilizării

Acest aparat este destinat utilizării casnice și utilizărilor asemănătoare, cum ar fi:

- în zona de bucătărie pentru personalul din magazine, în birouri sau alte medii de lucru;
 - ferme și clienții din hoteluri, moteluri și alte tipuri de medii rezidențiale;
 - mediile pensiunilor;
 - aplicații de catering și alte aplicații non-retail similare.
- Dacă aparatul nu este utilizat pe o perioadă extinsă de timp și nu veți folosi funcția Vacanță pentru frigider/congelator:
- Scoateți alimentele.
 - Deconectați cablul de alimentare.
 - Goliți și curățați rezervoarele de apă.
 - Curățați aparatul conform descrierii de mai sus.
 - Țineți ușile deschise pentru a preveni apariția mirosurilor neplăcute în interior.
- Pentru a asigura conservarea în condiții de siguranță a produselor alimentare sau a vinului, vă rugăm să respectați aceste instrucțiuni de utilizare.
- Pentru a evita contaminarea alimentelor (nu se aplică pentru crame), vă rugăm să respectați următoarele instrucțiuni:
- Deschiderea ușii pentru perioade lungi de timp poate provoca o creștere semnificativă a temperaturii în compartimentele aparatului.
 - Curățați regulat suprafețele care pot intra în contact cu alimente și sisteme de drenaj accesibile.
 - Curățați rezervoarele de apă dacă nu au fost utilizate timp de 48 de ore; spălați sistemul de apă conectat la o sursă de alimentare în cazul în care apa nu a circulat timp de 5 zile.
 - Păstrați carnea crudă și peștele în recipiente adecvate în frigider/congelator, astfel încât să nu fie în contact cu alte alimente sau să nu picure pe alte alimente. Pentru a asigura conservarea în condiții de siguranță a produselor alimentare, alimentele instant și carnea/peștele proaspăt se depozitează separat.
 - Compartimentele de două stele pentru alimente congelate sunt potrivite pentru depozitarea alimentelor congelate, depozitarea sau pregătirea înghețatei și pregătirea cuburilor de gheață.
 - Compartimentele de una, două și trei stele nu sunt potrivite pentru înghețarea alimentelor proaspete.
 - Dacă aparatul frigorific este lăsat gol pentru perioade lungi de timp, opriți, dezghețați, curățați, uscați și lăsați ușa deschisă pentru a preveni apariția mucegaiului în interiorul aparatului.
- Detaliile privind compartimentul specific cel mai potrivit pentru depozitarea diferitelor tipuri de alimente, având în vedere distribuția temperaturii care variază în funcție de compartiment, sunt incluse în celălalt manual.

Eliminare

Simbolul  de pe produs sau de pe ambalaj indică faptul că este posibil ca produsul să nu fie considerat deșeu menajer. Acesta trebuie dus, în schimb, la un punct de colectare adecvat pentru reciclarea echipamentelor electrice și electronice. Asigurându-vă că acest produs este eliminat corect, veți ajuta la prevenirea potențialelor consecințe negative pentru mediu și sănătatea umană, care s-ar putea produce prin eliminarea incorectă a acestui produs. Pentru informații detaliate privind reciclarea acestui produs, vă rugăm să contactați autoritățile locale, serviciile locale care se ocupă cu eliminarea deșeurilor sau magazinul de unde ați achiziționat produsul.

Deoarece se utilizează gazele inflamabile de gonflare a izolației, vă rugăm să contactați agentul profesional sau serviciul nostru post-vânzări pentru a elimina aparatul.

AVERTIZARE!**Risc de vătămare sau sufocare!**

Agenții de refrigerare și gazele trebuie eliminate profesionist. Asigurați-vă că tubulatura circuitului refrigerant nu este deteriorată înainte de eliminarea corespunzătoare a acesteia. Deconectați aparatul de la rețeaua de curent. Tăiați cablul de alimentare de la rețeaua de curent și eliminați-l. Scoateți tăvile și sertarele, dar și opritorul și garniturile ușii, pentru a preveni închiderea copiilor și a animalelor în aparat.

Nu este permisă aducerea schimbărilor sau modificărilor dispozitivului. Utilizarea necorespunzătoare poate duce la apariția pericolelor și la pierderea garanției.

2.2 Accesorii

Verificați accesoriile și documentația în conformitate cu această listă (fig. 2.2):

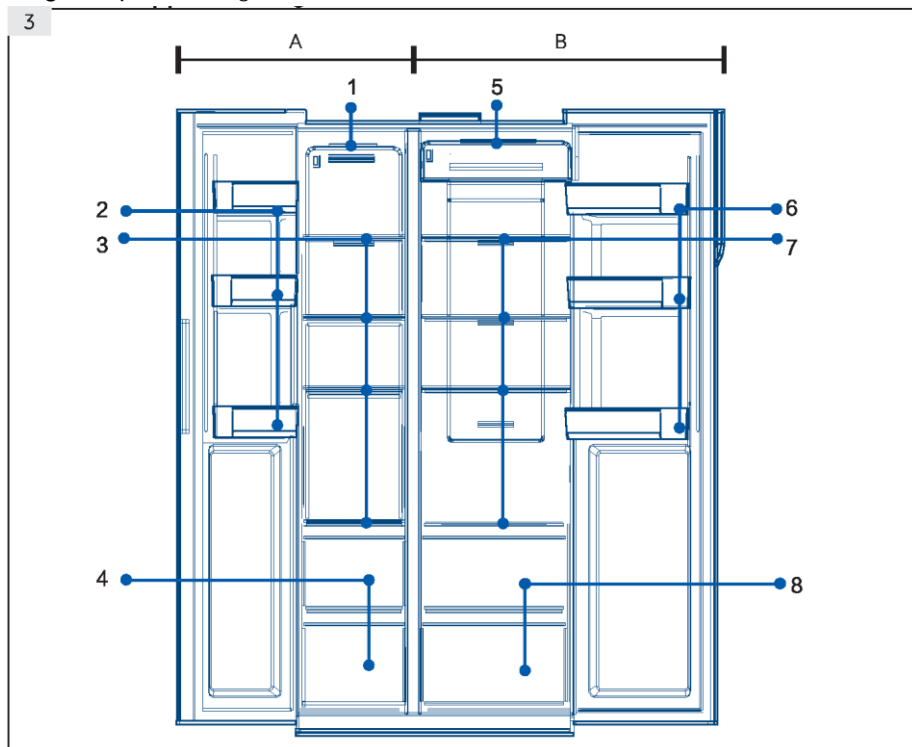


2.2

i Notificare

Ca urmare a modificărilor tehnice și a diferitelor modele, unele ilustrații din acest manual pot diferi de modelul dvs.

Imaginea aparatului (fig. 3)



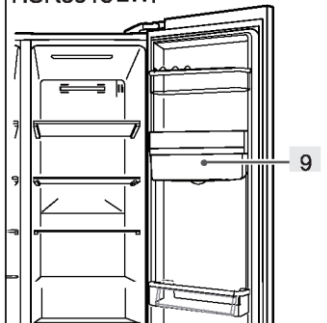
A: Compartiment congelator

- 1 Bec de tavan
- 2 Raft ușă/suport pentru sticle
- 3 Rafturi frigorifice
- 4 Cutie frigorifică

B: Compartiment frigider

- 5 Bec de tavan
- 6 Raft ușă/suport pentru sticle
- 7 Rafturi frigider
- 8 Cutie frigider
- 9 Rezervor de apă

HSR3918EWP*



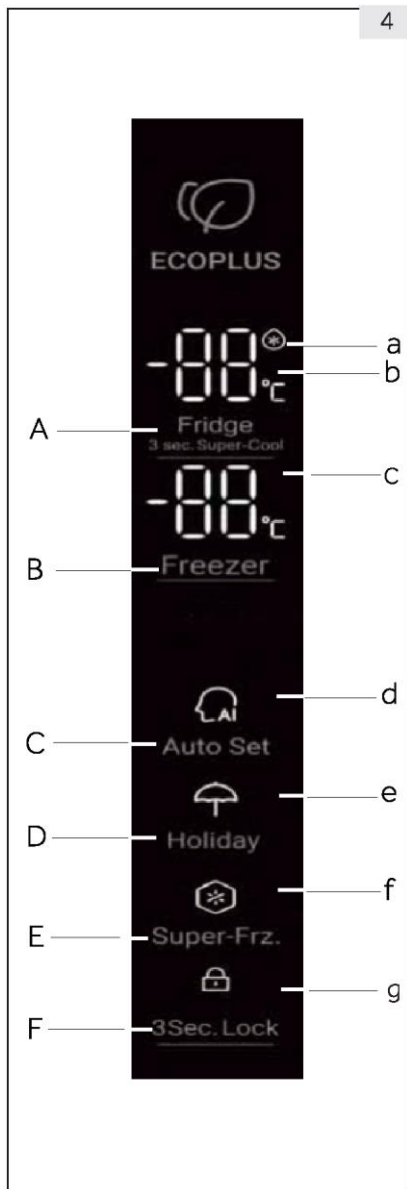
Panou de comenzi (fig. 4)

Taste:

- A Selector frigider
- B Selector congelator
- C Modul de Setare automată
- D Modul Vacanță
- E Modul Congelare rapidă
- F Selector blocarea panoului

Indicatori:

- a Modul Răcire rapidă
- b Temperatura frigiderului
- c Temperatura congelatorului
- d Modul de Setare automată
- e Modul Vacanță
- f Modul Congelare rapidă
- g Blocare panou



5.1 Prima utilizare

Când frigiderul este conectat la sursa de alimentare pentru prima dată, afișajul pornește. Temperatura implicită pentru compartimentul frigiderului este de 4 °C, iar congelatorul este de -18 °C. Lumina funcției inteligente este aprinsă.

5.2 Blocare/deblocare panou

Blocare automată:

Când ușa frigiderului și ușa congelatorului sunt închise și când niciun buton este apăsat timp de 30 de secunde, lumina panoului se va stinge automat, iar panoul se blochează.

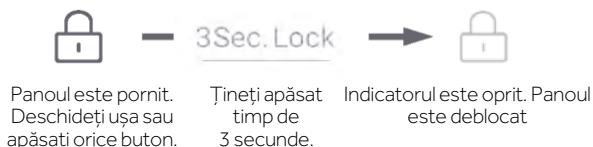
Blocare manuală:

Când panoul este deblocat, apăsați butonul Blocare timp de 3 secunde, iar soneria va emite un semnal sonor asemănător unui zumzet, indicatorul de blocare pornește, iar ecranul se blochează.



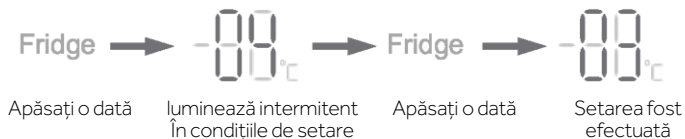
Deblocare:

Când panoul este oprit, deschideți orice ușă a frigiderului sau atingeți orice buton de pe panoul de comenzi, iar panoul se va activa. În acest moment, panoul este blocat. Apăsați butonul funcției de blocare timp de 3 secunde, soneria va suna, indicatorul de blocare se va opri, iar panoul se va debloca.



5.3 Ajustarea temperaturii frigiderului

1. Atunci când panoul de comenzi este deblocat, apăsați „Selectorul frigiderului”, va fi emis un semnal sonor. Indicatorul de temperatură al frigiderului luminează intermitent. Acum puteți seta temperatura frigiderului.
2. Apoi, prin fiecare apăsare a selectorului frigiderului, soneria va suna, iar temperatura va scădea cu 1. Secvența de schimbare este într-un ciclu continuu ca „4 °C / 3 °C / 2 °C / 1 °C / 9 °C / 8 °C / 7 °C / 6 °C / 5 °C / 4 °C”



Notificare

► Aparatul este presetat la temperatura recomandată de 4 °C (frigider) și -18 °C (congelator). În condiții de temperaturi ambientale normale nu este necesară setarea unei temperaturi.

5.4 Ajustarea temperaturii congelatorului

1. Atunci când panoul de comenzi este deblocat, apăsați „Selectorul congelatorului”. Va fi emis semnalul sonor, iar indicatorul de temperatură al congelatorului luminează intermitent. Acum temperatura congelatorului poate fi setată.

2. Apoi, prin fiecare apăsare a selectorului congelatorului va fi emis un semnal sonor, iar temperatura va scădea cu 1 grad. Secvența de schimbare este într-un ciclu continuu ca „-18 °C/ -19 °C/ -20 °C/ -21 °C/ -22 °C/ -23 °C/ -24 °C/ -14 °C/ -15 °C/ -16 °C/ -17 °C/ -18 °C”.



Notificare

- Temperatura este setată. Dacă nu se apasă niciun buton în decursul a 5 secunde, temperatura va fi confirmată și salvată automat.

5.5 Setarea automată

1. Când panoul de comenzi este deblocat, apăsați „Selectorul modului de setare automată”, iar indicatorul modului de setare automată a soneriei este activat. Modul de setare automată pornește.

2. Atunci când indicatorul modului de setare automată este activat, apăsați selectorul modului de setare automată. Soneria va suna, indicatorul modului de setare automată se va dezactiva și modul setarea automată se va închide.



Notificare

- Când modul de setare automată este pornit, temperatura frigiderului și temperatura congelatorului nu pot fi selectate. Când selectorul frigiderului sau selectorul congelatorului este apăsat, indicatorul modului de setare automată luminează intermitent și emite semnale sonore care vă reamintesc că operația nu este permisă. Cu modul de setare automată, dacă este selectată funcția răcire rapidă, congelare rapidă sau modul vacanță, modul de setare automată se va dezactiva și se va închide automat.

5.6 Modul Vacanță

Modul Vacanță este conceput pentru situația în care frigiderul nu va fi utilizat o perioadă îndelungată. Când modul Vacanță este pornit, temperatura congelatorului poate fi selectată, în timp ce temperatura frigiderului este setată automat la 17 °C, ceea ce previne formarea mirosurilor neplăcute din cauza temperaturii ridicate din compartimentul frigiderului, și, de asemenea, economisește consumul de energie.

1. Când panoul de comenzi este deblocat, apăsați „Selectorul modului Vacanță”. Va fi emis un semnal sonor, iar indicatorul Funcție Vacanță va porni. Modul Vacanță pornește.
2. Când indicatorul modului Vacanță este activat, apăsați selectorul funcției Vacanță. După semnalul sonor, indicatorul modului Vacanță se va dezactiva, iar modul Vacanță se închide.

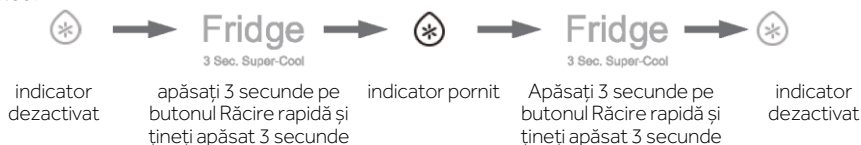


Notificare

- Când modul Vacanță este activat, temperatura frigiderului nu poate fi selectată. Când selectorul modului Vacanță este apăsat, indicatorul modului Vacanță luminează intermitent și emite semnale sonore care vă reamintesc că operația nu este permisă. Înainte de a selecta modul Vacanță, vă rugăm să goliți compartimentul frigiderului pentru a evita degradarea alimentelor. Atunci când modul Vacanță este pornit, funcția inteligentă și răcire rapidă nu pot fi selectate simultan. Dacă este selectat modul inteligent sau răcire rapidă, indicatorul modului Vacanță este dezactivat, iar funcția se închide automat.

5.7 Modul Răcire rapidă

1. Când panoul de comenzi este deblocat, apăsați „Selectorul frigiderului” timp de 3 secunde. Soneria va emite un semnal sonor asemănător unui zumzet, iar indicatorul răcire rapidă se va activa. Funcția Răcire rapidă pornește.
2. Când indicatorul Răcire rapidă este pornit, apăsați selectorul frigiderului timp de 3 secunde, soneria va emite un sunet, iar indicatorul răcire rapidă se oprește. Modul Răcire rapidă se închide.
3. Atunci când modul Răcire rapidă este pornit, frigiderul va trece automat la starea de oprire a modului Răcire rapidă după ce modul Răcire rapidă ajunge la starea stabilită. Dacă doriți să ieșiți manual, puteți apăsa selectorul frigiderului timp de 3 secunde pentru a dezactiva modul Răcire rapidă.



Notificare

- Atunci când funcția Răcire rapidă este activată, modul Fuzzy și modul Vacanță nu pot fi selectate simultan. Dacă este selectat modul Fuzzy sau modul Vacanță, indicatorul Răcire rapidă este oprit și Răcirea rapidă se va închide automat.

5.8 Modul Congelare rapidă

1. Atunci când panoul de comenzi este deblocat, apăsați „Selectorul congelare rapidă”. După semnalul sonor indicatorul congelare rapidă se activează. Modul Congelare rapidă pornește.
2. Atunci când indicatorul congelare rapidă activat, apăsați selectorul congelare rapidă. După semnalul sonor indicatorul congelare rapidă se activează. Modul Congelare rapidă se oprește.
3. Atunci când modul Congelare rapidă este pornit, frigiderul va trece automat la starea de oprire a modului Congelare rapidă după ce modul Congelare rapidă ajunge la starea stabilă. Dacă doriți să ieșiți manual, puteți apăsa selectorul Congelare rapidă timp de 3 secunde pentru a dezactiva modul Congelare rapidă.



Notificare

- Modul Congelare rapidă este conceput pentru a conserva elementele nutritive ale alimentelor din compartimentul frigorific, iar alimentele sunt congelate în cel mai scurt timp. În cazul în care o cantitate mare de alimente urmează să fie congelată în același timp este recomandat să setați modul Congelare rapidă cu 24 de ore înainte pentru a ajunge la o temperatură mai scăzută în compartimentul congelator înainte de a depozita alimentele. În această condiție, viteza de congelare în compartimentul congelator este mai mare, iar alimentele pot fi congelate rapid, păstrând în mod eficient elementele nutritive ale alimentelor și facilitând depozitarea. În starea Congelare rapidă, dacă doriți să alegeți funcția inteligentă, indicatorul Congelare rapidă se va dezactiva, iar modul Congelare rapidă se închide automat.

5.9 Alarmă de ușă deschisă

Când ușa a rămas deschisă prea mult timp sau când ușa nu este închisă, frigiderul va emite o alarmă de picurare de fiecare dată pentru a vă reaminti să închideți ușa la timp.

5.10 Economisirea energiei panoului de comenzi

Dacă nu se efectuează nicio operație pe panoul de comenzi timp de 30 de secunde, panoul se va opri automat și va intra în starea de blocare, care permite economisirea energiei. Când butonul funcției de blocare este apăsat sau una din uși este deschisă, panoul de comenzi se va activa.

5.11 Funcția de memorie pană de curent

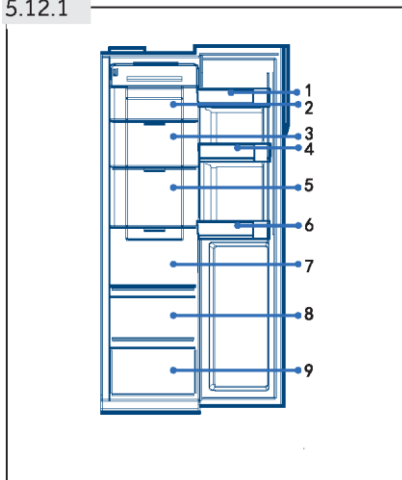
Când frigiderul este oprit, starea de funcționare la momentul întreruperii curentului este memorată. După ce alimentarea pornește din nou, frigiderul continuă să funcționeze în funcție de ciclul și starea de funcționare setată înainte de întreruperea energiei electrice. **Atenție:** Funcția de blocare nu este memorată. După ce frigiderul pornește din nou, panoul de comenzi începe auto-verificarea, indicatorul funcției de blocare se oprește, iar frigiderul este deblocat.

5.12 Sfaturi legate de depozitarea alimentelor proaspete

5.12.1 Depozitarea în compartimentul frigiderului

- ▶ Mențineți temperatura frigiderului sub 5 °C.
- ▶ Alimentele fierbinți trebuie răcite la temperatura camerei înainte de a fi depozitate în aparat.
- ▶ Alimentele depozitate în frigider trebuie spălate și uscate înainte de depozitare
- ▶ Alimentele care vor fi depozitate trebuie sigilate corespunzător pentru a evita modificarea mirosului sau a gustului.
- ▶ Nu depozitați cantități excesive de alimente. Lăsați spații între alimente pentru a permite trecerea fluxului de aer rece în jurul acestora, pentru o răcire mai bună și mai omogenă.
- ▶ Alimentele consumate zilnic trebuie depozitate în partea din față a raftului.
- ▶ Lăsați un spațiu între alimente și pereții interior, pentru a permite trecerea aerului. În special, nu depozitați alimente lipite de perețele din spate: alimentele pot îngheța pe perețele din spate. Evitați contactul direct dintre alimente (în special alimentele uleioase sau acide) și căptușeala interioară, deoarece uleiul/acidul poate eroda căptușeala interioară. Curățați reziduurile de ulei/acid atunci când le depistați.
- ▶ Decongețați alimentele congelate în compartimentul de depozitare al frigiderului. În acest fel, puteți utiliza alimentele congelate pentru a reduce temperatura din compartiment și pentru a economisi energie.
- ▶ Procesul de îmbătrânire a fructelor și legumelor precum dovlecei, pepene, papaya, banane, ananas etc. poate fi accelerat în frigider. Prin urmare, nu este recomandată depozitarea lor în frigider. Totuși, coacerea fructelor foarte verzi poate fi accelerată pentru o anumită perioadă. Și ceapa, usturoiul, ghimbirul și alte legume rădăcinoase trebuie depozitate la temperatura camerei.
- ▶ Mirosurile neplăcute din interiorul frigiderului reprezintă un semn că ceva s-a vărsat și este necesară curățarea. Consultați secțiunea ÎNGRIJIRE ȘI CURĂȚARE.
- ▶ Alimentele diferite trebuie amplasate în zone diferite, în funcție de proprietățile acestora (fig. 5.12.1)

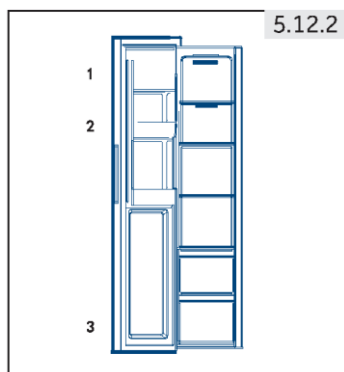
5.12.1



- 1 Unt, brânză etc.
- 2 Alimente murate, alimente în conserve etc.
- 3 Alimente murate, alimente în conserve etc.
- 4 Conserve, alimente în conserve, condimente etc.
- 5 Produse din carne, gustări etc.
- 6 Băuturi și alimente în sticle.
- 7 Paste, alimente în conserve, lapte, tofu, lactate etc.
- 8 Fructe, legume, salată etc.
- 9 Carne gătită, cărnați etc.

5.12.2 Depozitarea în compartimentul congelatorului

- ▶ Mențineți temperatura congelatorului la $-18\text{ }^{\circ}\text{C}$.
- ▶ Cu 24 de ore înainte de congelare porniți funcția Congelare rapidă: -pentru cantități mici de alimente sunt suficiente 4-6 ore.
- ▶ Alimentele fierbinți trebuie răcite la temperatura camerei înainte de a fi depozitate în compartimentul congelatorului.
- ▶ Alimentele tăiate în bucăți mici vor congela mai repede și vor fi mai ușor de decongelat și gătit. Greutatea recomandată pentru fiecare bucată este de sub 2,5 kg.
- ▶ Este recomandată ambalarea alimentelor înainte de amplasarea lor în congelator. Exteriorul ambalajului trebuie să fie uscat pentru a evita lipirea pungilor între ele. Materialele folosite pentru ambalare trebuie să nu aibă miros, să fie etanșe, să nu fie otrăvitoare sau toxice.
- ▶ Pentru a evita expirarea perioadelor de depozitare, notați data congelării, limita în timp și denumirea alimentelor pe ambalaj în funcție de perioadele de depozitare ale diferitelor alimente.
- ▶ **AVERTIZARE:** Produsele acide, alcaline și sarea etc. pot eroda suprafața interioară a congelatorului. Nu puneți alimentele care conțin aceste substanțe (de exemplu, pește marin) direct pe suprafața interioară. Apa sărată din interiorul congelatorului trebuie curățată imediat.
- ▶ Nu depășiți perioadele de depozitare a alimentelor recomandate de producători. Scoateți din congelator numai cantitatea necesară de alimente.
- ▶ Alimentele diferite trebuie amplasate în zone diferite, în funcție de proprietățile acestora (fig. 5.12.2)



- 1 Articole ușoare, precum înghețată, legume, pâine etc.
- 2 Băuturi fără conținut ridicat de alcool și depozitarea temporară a băuturilor spirtoase cu un conținut ridicat de alcool, părți mici, cum ar fi Pizza sau ierburi aromatice.
- 3 Porții mari/mai grele de alimente precum cotletele pentru grătar



Notificare: Depozitare

- ▶ Vă rugăm să păstrați distanța mai mare de 10 mm între alimentele stocate și senzor pentru a asigura efectul de răcire.
- ▶ Vă rugăm să păstrați sertarul cel mai mic atunci când aparatul funcționează pentru a asigura efectul de răcire.
- ▶ Alimentele cu gheață (cum ar fi înghețata etc.) trebuie depozitate în interiorul compartimentului frigorific în loc de pe suportul pentru sticle, pentru ca schimbările de temperatură de pe suportul pentru sticle provocate de deschiderea și închiderea ușii să dezghețe alimentele.
- ▶ Consumați alimentele decongelate în scurt timp. Alimentele decongelate nu pot fi recongelate decât dacă sunt gătite, mai întâi. În caz contrar, acestea pot fi mai puțin comestibile.
- ▶ Nu încărcați cantități excesive de alimente proaspete în compartimentul congelatorului. Consultați capacitatea de congelare a congelatorului - Vedeti DATELE TEHNICE sau datele de pe plăcuța de identificare.
- ▶ Alimentele pot fi depozitate în congelator la o temperatură de cel puțin -18°C timp de 2-12 luni, în funcție de proprietăți (de ex. carnea: 3-12 luni, legumele: 6-12 luni)
- ▶ Atunci când congelați alimente proaspete, evitați contactul dintre acestea și alimentele deja congelate. Risc de decongelare!
- ▶ Decongelați alimentele congelate în frigider. În acest fel, puteți utiliza alimentele congelate pentru a reduce temperatura din compartiment și pentru a economisi energie.

5.12.3 În cazul depozitării alimentelor congelate comercial, urmați următoarele indicații:

- ▶ Urmați întotdeauna instrucțiunile producătorilor privind durata de timp în care puteți depozita alimentele. Nu depășiți aceste indicații!
- ▶ Încercați să păstrați durata de timp dintre cumpărare și depozitare cât mai mică posibil pentru a menține calitatea alimentelor.
- ▶ Cumpărați alimente congelate care au fost depozitate la o temperatură de -18 °C sau mai joasă.
- ▶ Evitați să cumpărați alimente care au gheață pe ambalaj - acest lucru indică faptul că produsele pot să fi fost decongelate parțial și recongelate într-un anumit moment; creșterile de temperatură afectează calitatea alimentelor.

5.13 Dozator de apă (HSR3918 EWP*)

Cu ajutorul dozatorului de apă poate fi asigurată apă potabilă rece.

Rezervorul de apă trebuie curățat înainte de prima utilizare (consultați secțiunea ÎNGRIJIRE ȘI CURĂȚARE). 5.13.1

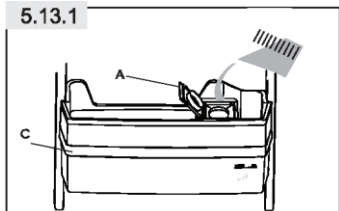
5.13.1 Umplerea rezervorului de apă



AVERTIZARE!

Folosiți doar apă potabilă.

5.13.1



1. Asigurați-vă că rezervorul de apă este introdus corect (consultați secțiunea ECHIPAMENT)
2. Deschideți capacul (A) și turnați apă potabilă proaspătă în rezervorul de apă (Fig.5.13.1)
3. Umpleți cu apă numai până la marcaj (2,5 l); în caz contrar, apa se poate revărsa la deschiderea și închiderea ușii.
4. Închideți complet capacul (A).

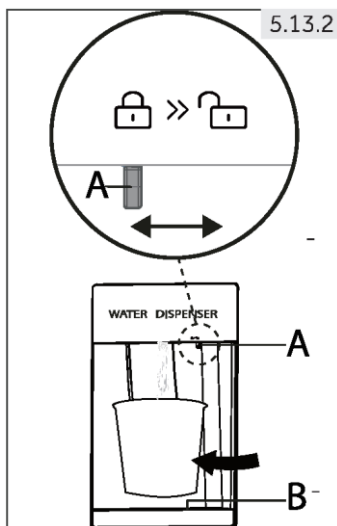


Notificare: Dozator de apă

- ▶ Înainte de reumplere, eliminați apa reziduală și curățați rezervorul de apă.
- ▶ Atunci când nu aveți nevoie de apă pentru o perioadă lungă de timp, goliți rezervorul de apă și introduceți rezervorul curățat.
- ▶ Capacul (C) rezervorului de apă (fig. 5.13.1) este utilizat și pentru economisirea energiei. Dacă nu doriți să folosiți apă de la dozatorul de apă pentru o perioadă lungă de timp, montați, totuși, capacul, deoarece acesta ajută la izolare și la economisirea energiei.

5.13.2 Obținerea apei de la dozator

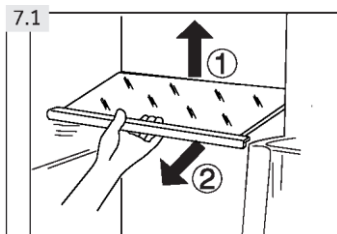
1. Asigurați-vă că încuietorea (A) se află în poziția „Deblocare” (fig. 5.13.2).
2. Puneți un pahar sub orificiul de ieșire a apei.
3. Împingeți ușor cu paharul pe mânerul dozatorului de apă.
Asigurați-vă că paharul este aliniat cu dozatorul pentru a preveni stropirea cu apă.
4. Apa din tavă (B) trebuie îndepărtată la timp, deoarece s-ar putea scurge când ușa se deschide și se închide.
5. Glisați încuietorea (A) în poziția „Blocare”





Sfaturi de economisire a energiei

- ▶ Asigurați-vă că aparatul este ventilat corespunzător (consultați secțiunea INSTALARE).
- ▶ Nu instalați aparatul în lumina directă a soarelui sau în apropierea surselor de căldură (de ex., cuptoare, radiatoare).
- ▶ Evitați setarea temperaturilor neneceșar de scăzute în aparat. Consumul de energie crește odată cu scăderea temperaturii setate în aparat.
- ▶ Funcțiile precum Răcire rapidă (SUPER-COOL) sau Congelare rapidă (SUPER-FREEZE) consumă mai multă energie.
- ▶ Lăsați alimentele calde să se răcească înainte de a le amplasa în aparat.
- ▶ Deschideți ușa aparatului cât mai puțin și pentru o perioadă cât mai scurtă posibil.
- ▶ Nu umpleți excesiv aparatul, pentru a evita obstrucționarea fluxului de aer.
- ▶ Evitați prezența aerului în ambalajul alimentelor.
- ▶ Mențineți garniturile ușii curate astfel încât ușa să se închidă corect întotdeauna.
- ▶ Decongelați alimentele congelate în compartimentul de depozitare al frigiderului.



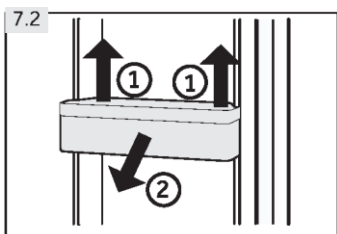
7.1 Rafturi ajustabile

Înălțimea rafturilor poate fi ajustată pentru a se potrivi nevoilor dvs. de depozitare.

1. Pentru re poziționarea unui raft, scoateți-l mai întâi prin ridicarea marginii din spate (1) și tragerea în afară (2) (fig. 7.1).
2. Pentru montarea la loc, așezați-l pe canalele de pe ambele părți și împingeți-l în cea mai din spate poziție, până când partea din spate a raftului este fixată în interiorul fantelor laterale.

i Notificare: Rafturile

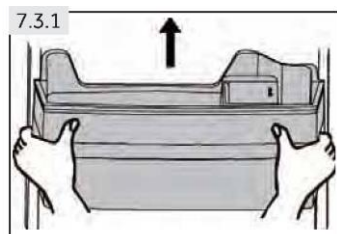
Asigurați-vă că toate capetele unui raft sunt drepte.



7.2 Rafturi de ușă detașabile/suport pentru sticle

Rafturile de ușă/suportul pentru sticle pot fi demontate pentru a fi curățate:

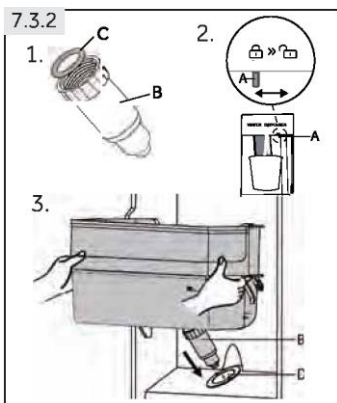
1. Puneți mâinile pe fiecare parte a raftului/suportului, ridicați-l (1) (fig. 7.2).
2. Scoateți raftul de ușă/suportul pentru sticle (2).
3. Pentru introducerea raftului de ușă/suportul pentru sticle urmați pașii de mai sus în ordine inversă.



7.3 Rezervor de apă (HSR3918EWP*)

7.3.1 Demontarea rezervorului de apă

Rezervorul de apă poate fi demontat pentru curățare și montat la loc în același mod ca rafturile de ușă (fig. 7.3.1).



7.3.2 Introducerea rezervorului de apă

1. Asigurați-vă că dozatorul (B) este bine înșurubat pe rezervorul de apă și că garnitura inelară albă (C) este în poziția sa (Fig. 7.3.2-1.).
2. Glišați încuietoarea (A) în poziția „Blocare” (Fig. 7.3.2-2.)
3. Amplasați rezervorul de apă în poziția în care dozatorul (B) se potrivește în deschiderea ușii (D) (Fig. 7.3.2-3.).

i Notificare: Rezervor de apă

- ▶ Dacă rezervorul de apă nu este introdus corespunzător, apa poate curge pe la racord.
- ▶ Nu aplicați o forță excesivă atunci când scoateți sau montați la loc rezervorul de apă, pentru a evita deteriorarea acestuia.

7.4 Suportul pentru sticle – compartimentul congelator

Suporturile pentru sticle ale compartimentului congelator sunt destinate depozitării temporare a băuturilor spirtoase cu un conținut ridicat de alcool. Băuturile fără un conținut ridicat de alcool trebuie răcite în frigider.

În plus, puteți stoca piese mici pe suporturile pentru sticle.



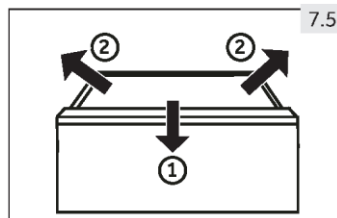
AVERTIZARE!

Sticlele și dozele pot exploda! Setează un cronometru care vă va reaminti să eliminați sticlele/dozele fără conținut ridicat de alcool.

7.5 Sertar demontabil

Pentru a scoate sertarul din compartimentul frigider sau congelator, trageți sertarul maxim în afară (1), ridicați-l și scoateți-l (2) (fig. 7.5).

Pentru introducerea sertarului urmați pașii de mai sus în ordine inversă.



7.6 Lumina

Lumina de la ledul interior se aprinde la deschiderea ușii. Performanța luminilor nu este afectată de nicio altă setare a aparatului.

**AVERTIZARE!**

Deconectați aparatul de la rețeaua de alimentare înainte de curățare.

8.1 Curățare

Curățați aparatul atunci când sunt depozitate puține alimente sau când acesta este gol. Aparatul trebuie curățat o dată la patru săptămâni pentru o întreținere corectă și pentru a preveni mirosurile neplăcute cauzate de mâncarea depozitată.

**AVERTIZARE!**

- ▶ Nu curățați aparatul cu perii aspre, cu perii de sârmă, cu detergent pulbere, benzină, acetat de amil, acetonă sau soluții organice similare, soluții acide sau alcaline. Curățați cu detergent special pentru frigider pentru a evita deteriorările.
- ▶ Nu pulverizați și nu spălați aparatul în timpul curățării.
- ▶ Nu folosiți pulverizarea cu apă sau aburi de apă în timpul curățării aparatului.
- ▶ Nu curățați rafturile reci din sticlă cu apă fierbinte. Schimbarea bruscă de temperatură poate face ca sticla să se spargă.
- ▶ Nu atingeți suprafața interioară a compartimentului de depozitare al congelatorului, în special cu mâinile ude, deoarece mâinile pot îngheța pe suprafață.
- ▶ În cazul încălzirii, verificați starea produselor congelate.

8.1




- ▶ Asigurați întotdeauna curățenia garniturii ușii.
- ▶ Curățați interiorul și carcasa aparatului cu un burete înmuiat în apă caldă și detergent neutru (fig. 8.1).

1. Este indicat să ștergeți interiorul și exteriorul frigiderului, inclusiv garniturile ușilor, raftul de pe uși, rafturile din sticlă, cutiile și celelalte elemente, cu un prosop moale sau cu un burete înmuiat în apă caldă (puteți adăuga detergent neutru în apa caldă).
2. Dacă se varsă lichid, îndepărtați toate părțile contaminate, clătiți direct cu jet de apă, uscați-le și puneți-le înapoi în frigider.
3. Dacă se varsă alimente cu consistență cremoasă (cum ar fi smântâna, înghețata topită), vă rugăm să îndepărtați toate părțile contaminate, puneți-le în apă caldă la aproximativ 40°C pentru o perioadă de timp, apoi clătiți-le cu jet de apă, uscați-le și puneți-le înapoi în frigider.
4. În cazul în care o parte mică sau o componentă este blocată în interiorul frigiderului (între rafturi sau sertare), utilizați o perie mică și moale pentru a o elibera. Dacă nu ați putut ajunge la piesa respectivă, vă rugăm să contactați serviciul Haier.
 - ▶ Clătiți și uscați cu o cârpă moale.
 - ▶ Nu curățați nicio parte a aparatului în mașina de spălat vase.
 - ▶ Așteptați cel puțin 5 minute înainte de repornirea aparatului, deoarece pornirea frecventă poate deteriora compresorul.

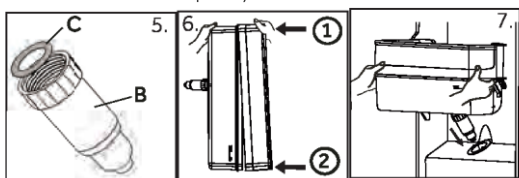
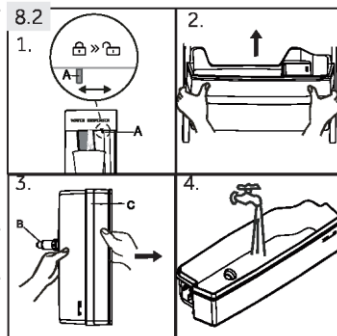
Decongelarea

Decongelarea compartimentului frigiderului și congelatorului au loc automat, nefiind necesară intervenția manuală.

8.2 Curățarea rezervorului de apă (Fig. 8.2) (HSR3918EWP*)

1. Glisați încuietorea (A) în poziția  „Blocare”.
2. Scoateți rezervorul de apă din aparat.

3. Scoateți capacul (C) și deșurubați ușor gura de scurgere a dozatorului (B).
4. Curățați rezervorul de apă și robinetul de dozare cu apă caldă și detergent lichid pentru vase. Asigurați-vă că săpunul este complet îndepărtat prin clătire.
5. Montați robinetul dozatorului (B) și aveți grijă ca acesta să fie bine înșurubat pe rezervorul de apă și ca garnitura inelară albă (C) să fie în poziția corespunzătoare.
6. Apăsăți capacul pentru a-l fixa pe una dintre părțile rezervorului de apă și apoi pe cealaltă parte, verificați dacă rezervorul de apă și capacul sunt asamblate complet.
7. Înlocuiți rezervorul din interiorul aparatului. Asigurați-vă că robinetul dozatorului este introdus corect în orificiul de pe ușă.



8.3 Înlocuirea becului LED



AVERTIZARE!

Nu înlocuiți becul LED de unul singur. Acesta trebuie înlocuit de producător sau de un agent de service autorizat

Becul are un LED ca sursă de lumină a acestuia au un consum redus de energie și o durată mare de viață. În cazul în care există anomalități, contactați serviciul pentru clienți. Consultați secțiunea **SERVICIU PENTRU CLIEŢI**.

Parametrii becurilor: 12 V max. 3 W.

8.4 Neutilizare pentru o perioadă lungă de timp

Dacă aparatul nu este utilizat pe o perioadă extinsă de timp și nu veți folosi funcția Vacanță pentru frigider:

- ▶ Scoateți alimentele.
- ▶ Goliți și curățați rezervorul de apă.
- ▶ Deconectați cablul de alimentare.
- ▶ Curățați aparatul conform descrierii de mai sus.
- ▶ Țineți ușile congelatorului deschise pentru a preveni apariția mirosurilor neplăcute în interior.



Notificare: Oprire

Opriiți aparatul numai dacă este strict necesar.

8.5 Mutarea aparatului

1. Scoateți toate alimentele și deconectați aparatul.
2. Securizați rafturile și restul părților mobile din frigider și congelator cu bandă adezivă.
3. Nu înclinați aparatul la mai mult de 45°, pentru a evita deteriorarea sistemului refrigerant.

**AVERTIZARE!**

- ▶ Nu ridicați aparatul de mână.
- ▶ Nu poziționați niciodată aparatul orizontal pe sol.

Multe probleme care pot apărea pot fi rezolvate de dvs., fără cunoștințe specifice. În cazul unei probleme verificați toate posibilitățile afișate și urmați instrucțiunile de mai jos înainte de a apela la un serviciu post-vânzare. Consultați secțiunea **SERVICIU PENTRU CLIEŢI**.

**AVERTIZARE!**

- ▶ Înainte de întreținere, dezactivați aparatul și deconectați ștecărul de la rețeaua de alimentare.
- ▶ Echipamentele electrice trebuie depanate numai de către specialiști calificați în domeniul electric, deoarece reparațiile necorespunzătoare pot provoca daune indirecte considerabile.
- ▶ Un articol furnizat deteriorat trebuie înlocuit numai de către producător, agentul său de service sau persoane calificate similare, pentru a evita orice pericol.

9.1 Tabel de depanare

Problemă	Cauză posibilă	Soluție posibilă
Compresorul nu funcționează.	<ul style="list-style-type: none"> • Ștecărul de alimentare nu este conectat la priza de alimentare. • Aparatul este în ciclul de decongelare. 	<ul style="list-style-type: none"> • Conectați ștecărul de alimentare. • Acest lucru este normal în cazul unei decongelări automate.
Aparatul pornește frecvent sau pentru o perioadă prea mare de timp.	<ul style="list-style-type: none"> • Temperatura interioară sau exterioară este prea ridicată. • Aparatul a fost deconectat de la energia electrică pentru o perioadă de timp. • O ușă a aparatului nu este închisă etanș. • Ușa a fost deschisă prea des sau pentru o perioadă prea lungă de timp. • Setarea temperaturii pentru compartimentul congelatorului este prea joasă. • Garnitura ușii este murdară, uzată, crăpată sau așezată incorect. • Circulația necesară a aerului nu este garantată. 	<ul style="list-style-type: none"> • În acest caz, este normal ca aparatul să funcționeze mai mult timp. • În mod normal, durează între 8 și 12 ore ca aparatul să se răcească complet. • Închideți ușa și asigurați-vă că aparatul este amplasat pe o suprafață dreaptă și că nu există vreun aliment sau recipient care să blocheze ușa. • Nu deschideți ușa prea des. • Setati temperatura la un valoare mai ridicată până când este obținută o temperatură satisfăcătoare a frigiderului. Durează 24 de ore ca temperatura frigiderului să se stabilizeze. • Curățați garnitura ușii sau înlocuiți-o apelând serviciul pentru clienți. • Asigurați o ventilație adecvată.
Interiorul frigiderului este murdar și/sau miroase.	<ul style="list-style-type: none"> • Interiorul frigiderului necesită curățare. • Sunt depozitate alimente cu miros puternic în frigider. 	<ul style="list-style-type: none"> • Curățați interiorul frigiderului. • Ambalați bine alimentele.

Problemă	Cauză posibilă	Soluție posibilă
În interiorul aparatului nu este suficient de rece.	<ul style="list-style-type: none"> • Temperatura setată este prea ridicată. • Au fost depozitate alimente prea calde. • Au fost depozitate prea multe alimente în același timp. • Produsele sunt prea apropiate între ele. • O ușă a aparatului nu este închisă etanș. • Ușa a fost deschisă prea des sau pentru o perioadă prea lungă de timp. 	<ul style="list-style-type: none"> • Resetați temperatura. • Răciți întotdeauna produsele înainte de a le depozita. • Depozitați întotdeauna cantități mici de alimente. • Lăsați un spațiu liber între mai multe alimente pentru a permite trecerea aerului. • Închideți ușa. • Nu deschideți ușa prea des.
În interiorul aparatului este prea rece.	<ul style="list-style-type: none"> • Temperatura setată este prea joasă. • Funcția Super-Cool (răcire rapidă) /Super-Freeze (congelare rapidă) este activată sau este activă de prea mult timp. 	<ul style="list-style-type: none"> • Resetați temperatura. • Opriți funcția Super-Cool (răcire rapidă) /Super-Freeze (congelare rapidă).
Se formează umezeală în interiorul compartimentului frigiderului.	<ul style="list-style-type: none"> • Climatul este prea călduros și prea umed. • O ușă a aparatului nu este închisă etanș. • Ușa a fost deschisă prea des sau pentru o perioadă prea lungă de timp. • Recipientele cu alimente sau lichide sunt lăsate deschise. 	<ul style="list-style-type: none"> • Creșteți temperatura. • Închideți ușa. • Nu deschideți ușa prea des. • Lăsați alimentele fierbinți să se răcească la temperatura camerei și acoperiți alimentele și lichidele.
Umezeala se acumulează pe suprafața exterioră a frigiderului sau între uși.	<ul style="list-style-type: none"> • Climatul este prea călduros și prea umed. • Ușa nu este închisă etanș. Aerul rece din aparat și aerul cald din exterior formează condens. 	<ul style="list-style-type: none"> • Acest lucru este normal într-un climat umed și se va modifica atunci când umiditatea va scădea. • Asigurați-vă că ușa este închisă etanș.
Gheață solidă în compartimentul congelatorului.	<ul style="list-style-type: none"> • Produsele nu au fost ambalate corespunzător. • O ușă/un sertar al aparatului nu este închis etanș. • Ușa a fost deschisă prea des sau pentru o perioadă prea lungă de timp. • Garnitura ușii este murdară, uzată, crăpată sau așezată încorect. • Ceva din interior împiedică închiderea corespunzătoare a ușii. 	<ul style="list-style-type: none"> • Ambalați întotdeauna bine produsele. • Închideți ușa/sertarul. • Nu deschideți ușa prea des. • Curățați garnitura ușii sau înlocuiți-o cu una nouă. • Repoziționați rafturile, rafturile de ușă sau recipientele interne pentru a permite închiderea ușii.
Aparatul emite sunete anormale.	<ul style="list-style-type: none"> • Aparatul nu se află pe o suprafață dreaptă. • Aparatul atinge unele obiecte din jurul acestuia. 	<ul style="list-style-type: none"> • Reglați suportul pentru nivelarea aparatului. • Îndepărtați obiectele din jurul aparatului.

Problemă	Cauză posibilă	Soluție posibilă
Se aude un sunet similar cu cel al apei care curge.	<ul style="list-style-type: none"> Acest lucru este normal. 	<ul style="list-style-type: none"> -
Veți auzi o alarmă cu un bip sonor.	<ul style="list-style-type: none"> Ușa este deschisă. 	<ul style="list-style-type: none"> Închideți ușa.
Veți auzi un zumzet slab. Iluminarea interioară sau sistemul de răcire nu funcționează.	<ul style="list-style-type: none"> Sistemul anti-condens este în funcțiune. Ștecărul de alimentare nu este conectat la priza de alimentare. Sursa de alimentare nu este intactă. Becul cu led este defect. 	<ul style="list-style-type: none"> Acesta împiedică formarea condensului și este normal. Conectați ștecărul de alimentare. Verificați sursa de alimentare cu energie electrică din cameră. Contactați compania locală de electricitate! Contactați serviciul de depanare pentru înlocuirea becului.
Lateralele dulapului și garnitura ușii se încălzesc.	<ul style="list-style-type: none"> Acest lucru este normal. 	<ul style="list-style-type: none"> -
Nu curge apă din robinetul dozatorului de apă	<ul style="list-style-type: none"> Încuietoarea nu este dezactivată. 	<ul style="list-style-type: none"> Dezactivați încuietoarea.

9.2 Pană de curent

În cazul unei pene de curent, alimentele ar trebui să rămână reci timp de aproximativ 5 ore. Urmați aceste

sfaturi în cazul unei întreruperi de curent prelungite, în special pe timpul verii:

- ▶ Deschideți ușa/sertarul de cât mai puține ori posibil.
- ▶ Nu puneți alimente adiționale în aparat în timpul unei pene de curent.
- ▶ În cazul în care știți că se va produce o întrerupere de curent, iar durata acesteia va fi mai mare de 5 ore, faceți cuburi de gheață și puneți-le într-un recipient în partea de sus a compartimentului frigiderului.
- ▶ Imediat după întreruperea energiei electrice este necesară inspectarea produselor.
- ▶ Dat fiind faptul că temperatura din frigider va crește în timpul unei pene de curent sau în cazul alte defecțiuni, perioada de depozitare și calitatea alimentelor comestibile vor fi reduse. Alimentele care se decongează trebuie consumate sau găsite și recongelate (unde este cazul) cât mai curând după aceea, pentru a preveni apariția riscurilor pentru sănătate.



Notificare: Funcția de memorare în timpul penei de curent

După restabilirea alimentării cu energie electrică, aparatul continuă să funcționeze cu setările stabilite înaintea penei de curent.

10.1 Despachetare



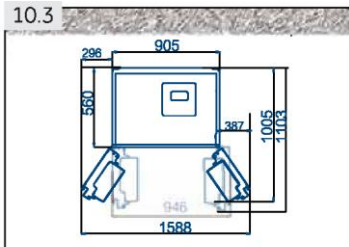
AVERTIZARE!

- ▶ Aparatul este greu. Manipulați-l întotdeauna cu cel puțin două persoane.
- ▶ Țineți toate materialele de ambalare la distanță de copii și eliminați-le într-un mod ecologic.
- ▶ Scoateți aparatul din ambalaj.
- ▶ Îndepărtați toate materialele de ambalare, inclusiv pelicula transparentă de protecție.

10.2 Condiții ambientale

Temperatura camerei trebuie să fie cuprinsă întotdeauna între 16 °C și 43 °C, deoarece poate influența temperatura din interiorul aparatului și consumul de energie al acestuia. Nu instalați aparatul în apropierea altor aparate care emit căldură (cuptoare, frigidere) fără izolare.

10.3



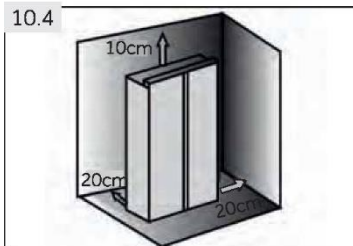
10.3 Cerințe legate de spațiu

Spațiul necesar atunci când ușa este deschisă (fig. 10.3):

Lățimea aparatului: 1588mm

Adâncimea aparatului: 1103mm

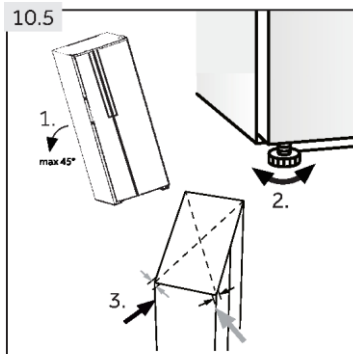
10.4



10.4 Secțiune transversală ventilare

Pentru a obține o ventilare suficientă a aparatului din motive de siguranță, trebuie respectate informațiile legate de secțiunile transversale ale ventilării necesare (fig. 10.4)

10.5



10.5 Alinierea aparatului

Aparatul trebuie amplasat pe o suprafață dreaptă și solidă.

1. Înclinați aparatul ușor în spate (fig. 10.5).
2. Reglați picioarele la nivelul dorit.

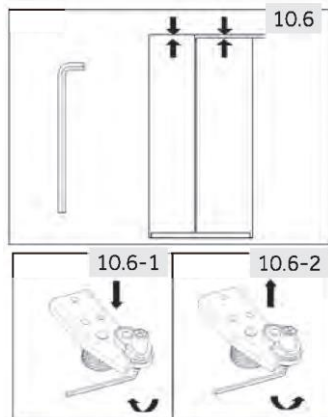
Asigurați-vă că distanța până la peretele de pe partea balamalei este de cel puțin 5 cm.

3. Stabilitatea poate fi verificată împingând alternativ pe diagonală. Balansarea ușoară trebuie să fie aceeași în ambele direcții. În caz contrar, cadrul se poate încovoia; drept rezultat pot apărea pierderi pe la garniturile ușii. Înclinarea ușoară spre spate favorizează închiderea ușilor.

10.6 Reglarea fină a ușilor

În cazul în care ușile nu sunt încă la același nivel după ajustarea picioarelor ușilor, acest decalaj poate fi remediat prin rotirea arborelui de ridicare al balamalei în colțul din dreapta jos al ușii frigorifice cu o cheie (Fig. 10.6)

- ▶ Rotiți arborele de ridicare în sensul acelor de ceasornic cu o cheie pentru a coborî ușa (Fig. 10.6-1).
- ▶ Rotiți arborele de ridicare în sensul invers acelor de ceasornic cu o cheie pentru a ridica ușa (Fig. 10.6-2).

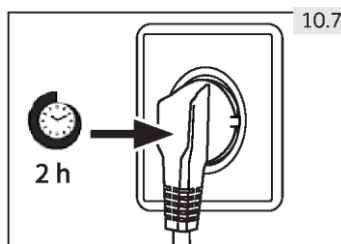


AVERTIZARE!

Nu reglați excesiv arborele de ridicare al balamalei la o înălțime care ar putea determina ca arborele să iasă din poziția inițială blocată. (Interval de înălțime reglabil: 3 mm)

10.7 Timpul de așteptare

Uleiul de ungere fără întreținere este amplasat în capsula compresorului. Uleiul respectiv poate trece prin sistemul cu țevi închis în timpul transportării înclinată. Înainte de conectarea aparatului la rețeaua de alimentare, trebuie să așteptați cel puțin 2 ore (fig. 10.7) pentru ca uleiul să curgă înapoi în capsulă.



10.8 Conexiunea electrică

Înainte de fiecare conexiune verificați dacă:

- ▶ sursa de alimentare, priza și siguranța sunt conforme cu plăcuța cu date tehnice.
- ▶ priza de alimentare este legată la împământare și nu este de tip prize multiple sau prelungitor.
- ▶ ștecărul și priza de alimentare sunt strict conforme.

Conectați ștecărul la o priză de la domiciliu instalată corespunzător.



AVERTIZARE!

Pentru evitarea riscurilor, cablul de alimentare deteriorat trebuie înlocuit prin serviciul pentru clienți (consultați fișa de garanție).

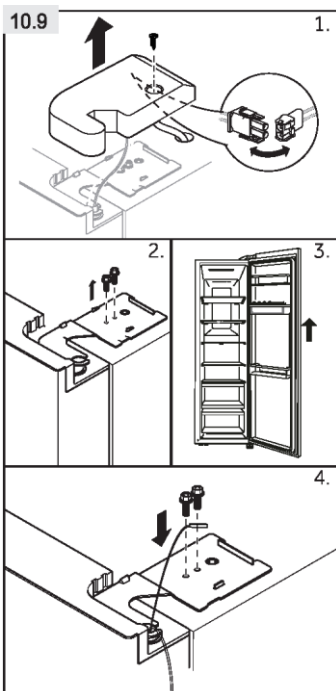
10.9 Demontarea și montarea ușilor și instrucțiunile de instalare de mai jos (Fig. 10.9).

În cazul în care trebuie să demontați ușile aparatului, vă rugăm să urmați instrucțiunile de montare și demontare a ușilor prezentate mai jos (Fig.10.9)



AVERTIZARE!

- ▶ Înainte de efectuarea oricărei operațiuni, dezactivați aparatul și deconectați ștecărul de la rețeaua de alimentare.
- ▶ Aparatul este greu. Manipulați-l întotdeauna cu cel puțin două persoane.
- ▶ Nu înclinați aparatul la mai mult de 45° și nu-l așezați orizontal pe pământ




1. Deșurubați șurubul de pe capacul balamalei și scoateți capacul. Eliberați conectorul cablului.
2. Deșurubați șuruburile care fixează balamaua superioară în poziție și apoi scoateți balamaua.
3. Ridicați ușa compartimentului frigiderului pentru a o demonta.
4. Montați din nou ușa urmând procesul invers. Asigurați-vă că cablul de împământare va fi fixat de șurub.



Notificare: Ușa frigiderului

În imagini este ilustrată demontarea ușii compartimentului frigiderului. Pentru ușa congelatorului, vă rugăm să folosiți părțile corespunzătoare de pe cealaltă parte


11.1 Fișa de produs conform reglementării UE nr. 1060/2010

Marcă comercială	Haier
Identificatorul de model	HSR3918FNP*
Categoria modelului	Combină frigorifică
Clasa de eficiență energetică	A+
Consumul anual de energie (kWh/an) ¹⁾	399
Volum depozitare de răcire (l)	337
Volum depozitare de congelare (l) ****	167
Clasificarea prin stele	
Temperatura altor compartimente > 14 °C	Nu se aplică
Sistem fără îngheț	Da
Timpu necesar creșterii temperaturii (h)	5
Capacitatea de congelare (kg/24 h)	10
Clasa de climat Acest aparat este proiectat pentru utilizarea la temperaturi ambientale cuprinse între 10 °C și 43 °C.	SN-N-ST-T
Emisii de zgomote acustice aeropurtate (dB(A) re 1pW)	38
Tipul constructiv	De sine stătător

pe baza rezultatelor testului standard timp de 24 de ore. Consumul efectiv de energie va depinde de modul de utilizare a aparatului și de amplasarea acestuia.

11.1.1 Date tehnice suplimentare

Tensiune/Frecvență	220-240V~/ 50Hz
Puterea de intrare (W)	200
Siguranța principală (A)	15
Răcire	R600a
Dimensiuni (Î/L/A în mm)	1775/908/647

11.1.2 Standarde și directive 

Acest produs respectă cerințele tuturor directivelor CE aplicabile, cu standardele corespondente armonizate, care asigură marcajul CE.

Vă recomandăm să apelați la serviciul pentru clienți Haier și să utilizați piese de schimb originale.

Dacă aveți o problemă cu aparatul, consultați mai întâi secțiunea DEPANARE.

Dacă nu găsiți nicio soluție acolo, vă rugăm să contactați

- ▶ distribuitorul local sau
- ▶ secțiunea pentru Service și Asistență la www.haier.com unde puteți găsi numerele de telefon și întrebările frecvente, precum și locul în care puteți activa cererea de servicii.

Pentru contactarea Serviciului nostru, asigurați-vă că dețineți următoarele date. Informațiile pot fi găsite pe plăcuța cu date tehnice.

Model _____ Nr. serie _____

De asemenea, verificați și fișa de garanție furnizată cu produsul, în cazul garanției.

Haier



0060524101F



Ръководство за потребителя

Хладилник с фризер

HSR3918ENP*

HSR3918EWP*

HSR3918FNP*

***=W,B,L,G,N**

BG

Haier

Благодарим ви, че закупихте продукт Haier.

Моля, прочетете внимателно инструкциите, преди да използвате този уред. Инструкциите съдържат важна информация, която ще ви помогне да получите най-доброто от уреда и да осигурите безопасно и правилно монтиране, употреба и поддръжка.

Съхранявайте това ръководство на удобно място, за да можете по всяко време да правите справка с него за безопасно и правилно използване на уреда.

Ако продавате, подарявате или оставяте уреда, когато се местите, уверете се, че сте предали и това ръководство, за да може новият собственик да се запознае с уреда и предупрежденията за безопасност.

Легенда

Предупреждение – Важна информация за безопасност



Обща информация и съвети



Информация за околната среда



Изхвърляне

Помогнете за опазването на околната среда и човешкото здраве. Поставете опаковката в подходящи контейнери, за да бъде рециклирана. Помогнете за рециклирането на отпадъци от електрически и електронни уреди. Уреди, обозначени с този символ, не трябва да бъдат изхвърляни заедно с битовите отпадъци. Върнете продукта в местното съоръжение за рециклиране или се свържете с общинската служба.



ПРЕДУПРЕЖДЕНИЕ!

Опасност от нараняване или задушаване!

Хладилните агенти и газовете трябва да се изхвърлят компетентно. Преди да изхвърлите по подходящия начин, се уверете, че тръбите на охладителната верига не са повредени. Изключете уреда от захранването. Отрежете захранващия кабел и го изхвърлете. Извадете тавите и чекмеджетата, както и фиксатора и уплътненията на вратата, за да предотвратите затварянето на деца и домашни любимци в уреда.

Старите уреди все още имат някаква остатъчна стойност. Екологосъобразен метод за изхвърляне ще гарантира, че ценните суровини могат да бъдат възстановени и използвани отново.

Циклопентанът, запалимо вещество, което не е вредно за озоновия слой, се използва като разширител за изолационната пяна.

Като гарантират правилното изхвърляне на продукта, ще помогнете за предотвратяване на потенциални отрицателни последици за околната среда и човешкото здраве, които в противен случай биха могли да бъдат причинени.

За по-подробна информация относно рециклирането на този продукт, моля, свържете се с вашата община, с местната служба по изхвърляне на битови отпадъци или с магазина, от който сте закупили продукта, за да бъде поет от компетентни лица.

1 – Информация за безопасност	4
2 – Предназначение	8
3 – Описание на продукта	10
4 – Панел за управление	11
5 – Употреба	12
6 – Съвети за пестене на енергия	20
7 – Оборудване	21
8 – Грижа и почистване	23
9 – Отстраняване на неизправности	25
10 – Монтиране	28
11 – Технически данни	31
12 – Обслужване на клиенти	32

Преди да включите уреда за първи път, прочетете следните съвети за безопасност!



ПРЕДУПРЕЖДЕНИЕ!

Преди първоначална употреба

- ▶ Уверете се, че няма транспортни повреди.
- ▶ Отстранете всички опаковки и ги поставете на недостъпно за деца място.
- ▶ Изчакайте поне два часа преди монтирането на уреда, за да сте сигурни, че охладителната верига е напълно ефективна.
- ▶ Уредът трябва да се мести винаги поне от двама души, защото е тежък.

Монтиране

- ▶ Уредът трябва да бъде поставен на добре проветриво място. Осигурете пространство от поне 20 см над уреда и 10 см около уреда.
- ▶ Никога не поставяйте уреда на влажно място или на място, където има опасност да бъде пръскан с вода. Почиствайте и изсушавайте пръски вода и петна с мека чиста кърпа.
- ▶ Не поставяйте уреда на пряка слънчева светлина или в близост до източници на топлина (напр. печки, нагреватели).
- ▶ Поставете и нивелирайте уреда в зона, подходяща за неговия размер и употреба.
- ▶ Поддържайте вентилационните отвори на уреда или на вградената конструкция свободни от препятствия.
- ▶ Уверете се, че информацията за електрическата инсталация на табелката с данни съответства на захранването. Ако не е така, свържете се с електротехник.
- ▶ Уредът работи при захранване 220 – 240 VAC/50 Hz. Необичайните флуктуации в захранващото напрежение могат да доведат до неуспешно стартиране на уреда, да повредят управлението на температурата или компресора или да причинят необичаен шум при работа. В такъв случай се монтира автоматичен регулатор.
- ▶ Използвайте отделен заземен контакт за захранването, който е леснодостъпен. Уредът трябва да е заземен.
- ▶ **Само за Обединеното кралство:** Захранващият кабел на уреда е снабден с троен (заземяващ) щепсел, който отговаря на стандартен троен (заземен) контакт. Никога не отрязвайте или демонтирайте третия щифт (заземяване). След поставянето на уреда трябва да има достъп до щепсела.
- ▶ Не използвайте разклонители и удължители.
- ▶ Уверете се, че захранващият кабел не е заклепен под уреда. Не стъпвайте върху захранващия кабел.
- ▶ Не повреждайте охладителната верига.
- ▶ Не разполагайте преносими разклонители или преносими източници на захранване в задната част на уреда.

**ПРЕДУПРЕЖДЕНИЕ!****Ежедневна употреба**

- ▶ Този уред може да се използва от деца над 8-годишна възраст и от лица с намалени физически, сетивни или умствени способности или липса на опит и познания, ако се наблюдават или са инструктирани за използването на уреда по безопасен начин и разбират свързаните с това опасности.
- ▶ Деца на възраст от 3 до 8 години могат да зареждат и разтоварват хладилни уреди, но не могат да ги почистват и монтират.
- ▶ Деца под 3-годишна възраст трябва да се пазят далеч от уреда, с изключение на случаите, когато са под постоянен надзор.
- ▶ Почистването и потребителската поддръжка на уреда не бива да се извършва от деца без надзор.
- ▶ Децата не бива да използват уреда за игра.
- ▶ Уредът трябва да е разположен така, че щепселът да е достъпен.
- ▶ Ако в близост до уреда изтича охладителен газ или друг запалим газ, изключете вентила на изтичащия газ, отворете вратите и прозорците и не включвайте и не изключвайте захранващите кабели на уреда или на друг уред.
- ▶ Обърнете внимание, че уредът е настроен за работа в определен диапазон на температурата на околната среда между 10 и 38°C. Уредът може да не работи правилно, ако е оставен за дълъг период при температура над или под посочения диапазон.
- ▶ Не поставяйте нестабилни предмети (тежки предмети, съдове, пълни с вода) върху уреда, за да избегнете нараняване, причинено от падане или токов удар при контакт с вода.
- ▶ Не дърпайте рафтовете на вратата. Вратата може да бъде издърпана под наклон, поставката за бутилка може да бъде изтеглена или уредът може да се събори.
- ▶ Отваряйте и затваряйте вратите само посредством дръжките. Пролуката между вратите и между вратите и шкафа е много тясна. Не поставяйте ръцете си в тези зони, за да избегнете прищипване на пръстите. Отваряйте или затваряйте вратите само когато в обсега на движението на няма деца.
- ▶ Не съхранявайте и не използвайте запалими, експлозивни или корозивни материали в уреда или в близост до него.
- ▶ Не съхранявайте лекарства, бактерии или химически агенти в уреда. Това е домакински уред. Не се препоръчва да съхранявате материали, които изискват строги температури.
- ▶ Никога във фризера не съхранявайте течности в бутилки или консерви (освен високоалкохолни спиртни напитки), особено газирани напитки, тъй като те ще се спукат по време на замразяването.

**ПРЕДУПРЕЖДЕНИЕ!****Ежедневна употреба**

- ▶ Проверете състоянието на храната, ако във фризера е настъпило затопляне.
- ▶ Не задавайте излишно ниска температура в отделението на хладилника. При високи настройки могат да възникнат минусови температури. Внимание: Бутилките могат да се пръснат.
- ▶ Не докосвайте замразени продукти с мокри ръце (носете ръкавици). В никакъв случай не яжте ледени близалки веднага след изваждането им от фризерната част. Съществува риск от замръзване или образуване на мехури. **ПЪРВА ПОМОЩ:** незабавно поставете под течаща студена вода. Не дърпайте!
- ▶ Не докосвайте вътрешната повърхност на отделението за съхранение на фризера, когато уредът работи, особено с мокри ръце, тъй като ръцете ви могат да замръзнат върху повърхността.
- ▶ Изключете уреда от електрическата мрежа в случай на прекъсване на захранването или преди почистване. Изчакайте поне 5 минути, преди да включите отново уреда, тъй като честото стартиране може да повреди компресора.
- ▶ Не използвайте електрически уреди в отделенията за съхранение на храна на уреда, освен ако не са от вид, препоръчан от производителя.
- ▶ Използвайте само питейна вода при моделите с диспенсър за вода.

Поддръжка / почистване

- ▶ Ако деца извършват почистване и поддръжка, се уверете, че са под надзор.
- ▶ Изключете уреда от електрическото захранване, преди да предприемете каквато и да е рутинна поддръжка. Изчакайте поне 5 минути, преди да включите отново уреда, тъй като честото стартиране може да повреди компресора.
- ▶ При изключване на уреда хващайте щепсела, а не кабела.
- ▶ Не стържете скреж и лед с остри предмети. Не използвайте спрейове, електрически нагреватели като сешоари, парочистачки или други източници на топлина, за да се избегне повреда на пластмасовите части.
- ▶ Не използвайте механични устройства или други средства за ускоряване процеса на размразяване, различни от препоръчаните от производителя.
- ▶ Не почиствайте уреда с твърди четки, телени четки, прахообразни препарати, бензин, амилацетат, ацетон и подобни органични разтвори, киселинни или алкални разтвори. Моля, почиствайте със специален препарат за хладилник, за да избегнете повреди.
- ▶ В краен случай използвайте топла вода и разтвор на сода за хляб – около супена лъжица сода за хляб на литър вода. Изплакнете обилно с вода и подсушете. Не използвайте почистващи прахове или други абразивни почистващи препарати. Не мийте разглобяващите се части в съдомиялна машина.

**ПРЕДУПРЕЖДЕНИЕ!****Поддръжка / почистване**

- ▶ Ако захранващият кабел е повреден, трябва да бъде заменен от производителя, неговия обслужващ агент или лице с подобна квалификация, за да се избегне евентуална опасност.
- ▶ Не се опитвайте сами да ремонтирате, разглобявате или модифицирате уреда. При необходимост от ремонт се свържете с нашия отдел за обслужване на клиенти.
- ▶ Ако осветителните лампи са повредени, трябва да бъдат заменени от производителя, неговия обслужващ агент или лице с подобна квалификация, за да се избегне евентуална опасност.
- ▶ Отстранявайте прахта по гърба на уреда поне веднъж годишно, за да се избегне пожар, както и повишен разход на енергия.
- ▶ Не пръскайте и не плискайте уреда по време на почистване.
- ▶ Не използвайте водна струя или пара за почистване на уреда.
- ▶ Не почиствайте студените стъклени рафтове с гореща вода. Рязката температурна разлика може да доведе до спукване на стъклото.
- ▶ Ако уредът няма да се използва за продължителен период от време, оставете го отворен, за да предотвратите натрупването на неприятни миризми отвътре.

Информация за хладилен газ**ПРЕДУПРЕЖДЕНИЕ!**

Уредът съдържа запалим хладилен агент ISOBUTANE (R600a). Уверете се, че охладителната верига не е била повредена по време на транспортиране или монтаж. Течът на хладилен агент може да причини нараняване на очите или възпламеняване. При възникване на повреда се пазете от открити източниците на огън, проветрете добре помещението, не включвайте и не изключвайте захранващите кабели на уреда или на друг уред. Информирайте центъра за обслужване на клиенти.

В случай че хладилен агент попадне в очите, изплакнете веднага с течаща вода и незабавно се свържете с офталмолог.

ПРЕДУПРЕЖДЕНИЕ: Охладителната система е под високо налягане. Не се опитвайте да я манипулирате. Поради използването на запалими хладилни агенти, моля, монтирайте, манипулирайте и обслужвайте уреда стриктно в съответствие с инструкциите и се свържете с професионален представител или с нашия отдел за следпродажбено обслужване, за да изхвърлите уреда.

2.1 Предвидена употреба


Този уред е предназначен да бъде използван за битови нужди и подобни приложения като

- кухненски боксове за персонала в магазини, офиси и други работни среди;
 - къщи за гости, хотели, мотели и други подобни обекти;
 - други заведения за настаняване и изхранване;
 - кетъринг и подобни приложения за нетърговски цели.
- Ако уредът не се използва продължително време и ще използвате само функцията за „Holiday“ или функцията за изключване на хладилника/фризера:
- Извадете храната.
 - Изключете захранващия кабел.
 - Изпразнете и почистете резервоара за вода.
 - Почистете уреда, както е описано по-горе.
 - Оставете вратите отворени, за да се предотврати развитието на неприятни миризми вътре.
- За да осигурите безопасното запазване на храните или виното, моля, спазвайте тези инструкции за употреба.
- За да се избегне замърсяване на храната (не важи за витрината за вино), моля, спазвайте следните указания:
- Отварянето на вратата за дълги периоди може да доведе до значително повишаване на температурата в отделенията на уреда.
 - Почиствайте редовно повърхностите, които могат да влязат в контакт с храна, и достъпните дренажни системи.
 - Почиствайте резервоарите за вода, ако не са били използвани в продължение на 48 часа; промивайте водната система, свързана към водопровод, ако водата не е източена в продължение на 5 дни.
 - Сурово месо и риба се съхраняват в подходящи съдове в хладилника/фризера, така че да не влизат в контакт с други храни или да не капят върху други храни. За да се осигури безопасното съхраняване на храните, полуфабрикатите и суровото месо/риба се съхраняват отделно.
 - Отделенията, отбелязани с две звездички, са подходящи за съхранение на предварително замразени храни, съхранение или правене на сладолед и правене на кубчета лед.
 - Отделенията с една, две и три звездички не са подходящи за замразяване на пресни храни.
 - В случай че хладилният уред се оставя празен за дълги периоди, го изключете, размразете, почистете, подсушете и оставете вратата отворена, за да предотвратите появата на плесен в уреда.
- Подробностите за най-подходящата част в уреда, където се съхраняват определени видове храни спрямо разпределението

на температурата в различните отделения на уреда, са в частта от другото ръководство.

Изхвърляне



Символът  върху продукта или върху опаковката му показва, че този продукт не може да се третира като битов отпадък. Затова той трябва да бъде предаден в съответния пункт за събиране на електрическо и електронно оборудване за рециклиране. Като гарантирате правилното изхвърляне на продукта, ще помогнете за предотвратяване на потенциални отрицателни последици за околната среда и човешкото здраве, които в противен случай биха могли да бъдат причинени от неправилното изхвърляне на продукта. За по-подробна информация относно рециклирането на този продукт, моля, свържете се с вашата община, с местната служба по изхвърляне на битови отпадъци или с магазина, от който сте закупили продукта.

Тъй като се използват запалими изолационни газове, моля, свържете се с професионален представител или с нашия отдел за следпродажбено обслужване, за да изхвърлите уреда.

ПРЕДУПРЕЖДЕНИЕ!

Опасност от нараняване или задушаване!

Хладилните агенти и газовете трябва да се изхвърлят компетентно. Преди да изхвърлите по подходящия начин, се уверете, че тръбите на верига не са повредени. Изключете уреда от захранването. Отрежете захранващия кабел и го изхвърлете. Извадете тавите и чекмеджетата, както и фиксатора и уплътненията на вратата, за да предотвратите затварянето на деца и домашни любимци в уреда.

Не се разрешават промени или модификации на устройството. Използването не по предназначение може да доведе до опасности и загуба на гаранционно покритие.

2.2 Аксесоари

Проверете аксесоарите и книжните материали в съответствие с този списък (фиг. 2.2):

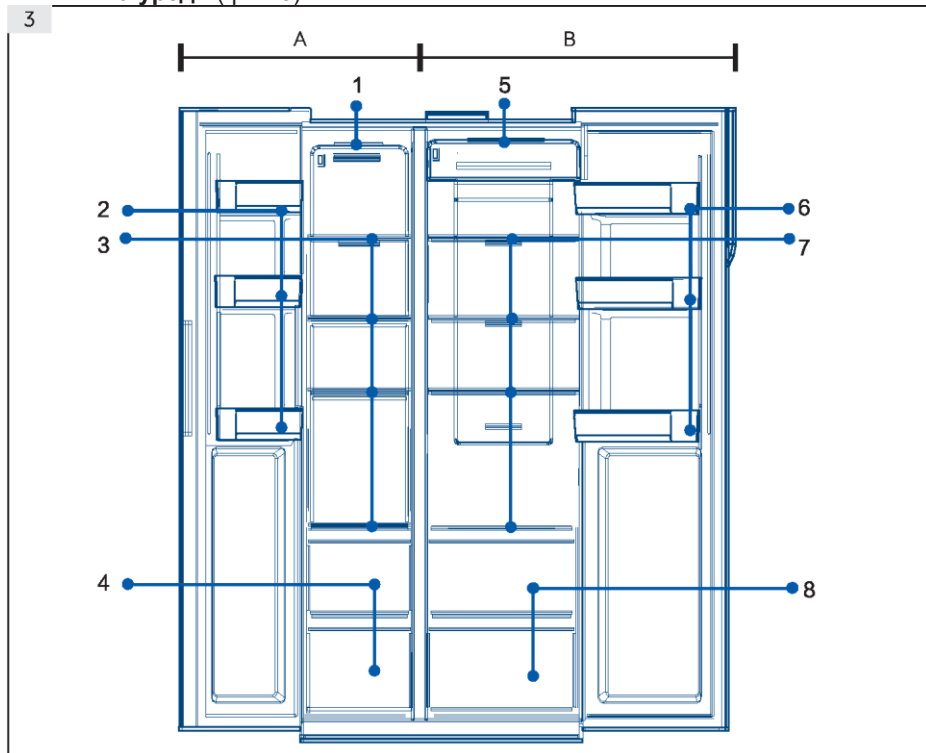


2.2

i Предупреждение

Поради технически промени и наличие на различни модели, някои от илюстрациите в това ръководство може да се различават от вашия модел.

Снимки на уреди (фиг. 3)

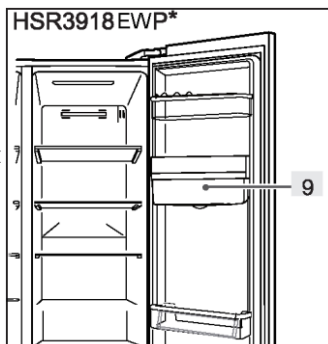


A: Фризерна част

- 1 Горна лампа
- 2 Рафт за врата/държач за бутилки
- 3 Рафтове за фризер
- 4 Фризерен шкаф

B: Хладилна част

- 5 Горна лампа
- 6 Рафт за врата/държач за бутилки
- 7 Рафтове за хладилник
- 8 Шкаф за хладилник
- 9 Резервоар за вода

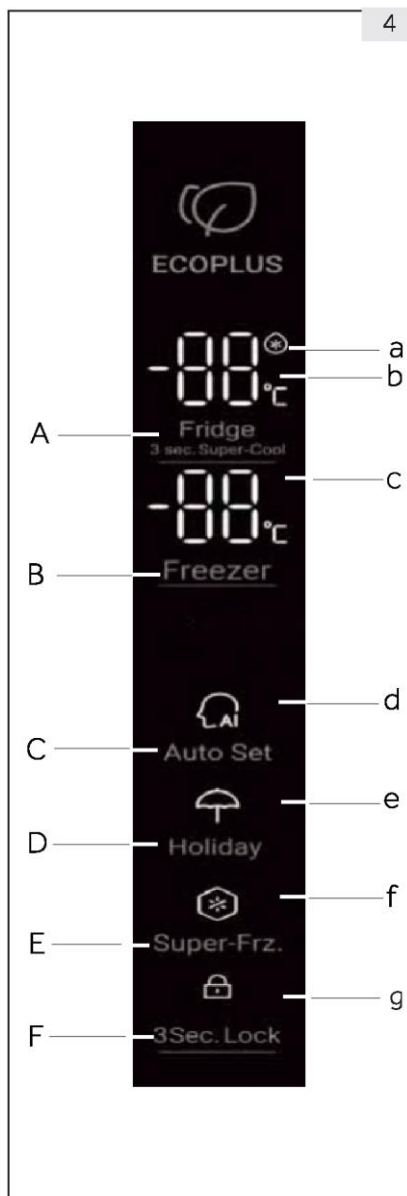


Панел за управление (фиг. 4)**Ключове:**

- A Селектор за хладилник
- B Селектор за фризер
- C Режим за автоматична настройка
- D Ваканционен режим „Holiday“
- E Режим „Super-Freeze“
- F Селектор за заключване на панела

Показатели:

- a Режим „Super-Cool“
- b Температура на хладилника
- c Температура на фризера
- d Режим за автоматична настройка
- e Ваканционен режим „Holiday“
- f Режим „Super-Freeze“
- g Заключване на панела



5.1 Първоначална употреба

Когато хладилникът се свърже за първи път със захранване, дисплеят е включен. Температурата по подразбиране за хладилната част е 4°C, а за фризерната част е -18°C. Интелигентният светлинен индикатор е включен.

5.2 Заклучване/отключване на панела

Автоматично заключване:

Когато вратата на хладилника и вратата на фризера са затворени и няма активност на бутоните в продължение на 30 сек, светлинният индикатор на панела автоматично ще се изключи, а панелът ще се заключи.

Ръчно заключване:

Когато панелът е отключен, натиснете бутона за заключване за 3 секунди – зумерът прозвучава, индикаторът за заключване се включва и след това дисплеят се заключва.



Натиснете за 3 сек.

Индикаторът е включен, панелът е заключен

Отключване:

Когато панелът е изключен, отворете вратата на хладилника или докоснете произволен бутон на контролния панел – панелът ще светне. По това време панелът е заключен. Натиснете бутона за заключване за 3 секунди, зумерът ще прозвучи, индикаторът за заключване ще се изключи и панелът ще се отключи.



Панелът е включен, отворете вратата или натиснете произволен бутон

Задръжте за 3 сек

Индикаторът е изключен, панелът е отключен

5.3 Регулиране на температурата на хладилника

- Когато контролният панел е отключен, натиснете „Селектор за хладилник“ и зумерът ще прозвучи, а индикаторът за температура на хладилника ще замига. Сега температурата на хладилника може да бъде настроена.
- След това при всяко натискане на селектора на хладилника зумерът прозвучава и настройката се понижава с 1. Последователността на превключване е в непрекъснат цикъл – „4°C / 3°C / 2°C / 1°C / 9°C / 8°C / 7°C / 6°C / 5°C / 4°C“



Натиснете веднъж

Мига в състояние на настройка

Натиснете веднъж

Настройката е готова



Предупреждение

► Уредът е предварително настроен на препоръчителната температура от 4°C (хладилник) и -18°C (фризер). При нормални условия на околната среда не е необходимо да задавате температура.

5.4 Регулиране на температурата на фризера

1. Когато контролният панел е отключен, натиснете „Селектор за фризер“ и зумерът ще прозвучи, а индикаторът за температура на фризера ще замига. Сега температурата на фризера може да бъде настроена.
2. След това с всяко натискане на селектора на фризера зумерът прозвучава и температурата се понижава с 1. Последователността на превключване е в непрекъснат цикъл – „-18°C / -19°C / -20°C / -21°C / -22°C / -23°C / -24°C / -14°C / -15°C / -16°C / -17°C / -18°C“.



Предупреждение

- Температурата е зададена. Ако в продължение на 5 секунди не бъде натиснат бутон, температурата ще бъде автоматично потвърдена и запаметена.

5.5 Автоматична настройка

1. Когато контролният панел е отключен, натиснете „Селектор за автоматично зададен режим“ и зумерът ще прозвучи, а индикаторът за автоматично зададен режим ще замига. Режимът за автоматична настройка се стартира.
2. Когато индикаторът за автоматично зададен режим е включен, натиснете селектора за автоматично задаване на режим и зумерът ще прозвучи, а индикаторът за автоматично зададен режим се изключва и режимът за автоматична настройка се затваря.



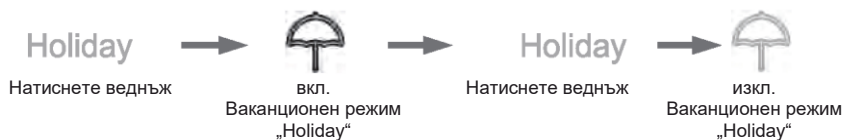
Предупреждение

- Когато режимът за автоматична настройка е включен, температурата на хладилника и температурата на фризера не могат да се избират. Когато селекторът за хладилник или селекторът на фризера са натиснати, индикаторът за автоматична настройка започва да мига, издавайки звуци, за да напомни, че операцията не е разрешена. При режим за автоматична настройка, ако се избере функцията за бързо охлаждане, бързо замразяване или „Holiday“ режим, автоматично настроените модели и автоматично зададената настройка се затварят автоматично.

5.6 Ваканционен режим „Holiday“

„Holiday“ режим е предназначен за ситуации, при които хладилникът няма да се използва продължително време. Когато „Holiday“ режим е включен, температурата на фризера може да бъде избрана, докато температурата на хладилника се настройва автоматично на 17°C, което предотвратява миризмата, дължаща се на висока температура в хладилното отделение, и също така спестява консумация на енергия.

1. Когато контролният панел е отключен, натиснете „Селектор за Holiday режим“ и зумерът ще прозвучи, а индикаторът на функцията „Holiday“ ще се включи. Стартира се „Holiday“ режим.
2. Когато индикаторът за „Holiday“ режим е включен, натиснете селектора на функцията „Holiday“ – зумерът ще прозвучи, а индикаторът за „Holiday“ режим се изключва и „Holiday“ режим се затваря.



Предупреждение

- Когато „Holiday“ режим е включен, температурата на хладилника не може да бъде избрана. Когато селекторът на хладилника е натиснат, индикаторът за „Holiday“ режим започва да мига, издавайки звуци, за да напомни, че операцията не е разрешена.

Преди да изберете „Holiday“ режим, моля, изпразнете хладилната част, за да избегнете развалянето на храната. При включен „Holiday“ режим функциите за интелигентен режим и за бързо охлаждане не могат да бъдат избрани едновременно. Ако е избран интелигентен режим или бързо охлаждане, индикаторът за „Holiday“ режим се изключва и функцията автоматично се затваря.

5.7 Режим за супер охлаждане „Super-Cool“

1. Когато контролният панел е отключен, натиснете „Селектор за хладилник“ за 3 секунди, зумерът ще прозвучи, а индикаторът за „super cool“ ще светне. Стартира се функция „Super-Cool“.
2. Когато индикаторът за „super-cool“ е включен, натиснете селектора за хладилник за 3 сек, зумерът ще прозвучи, а индикаторът за „super-cool“ се изключва. Режимът „super cool“ се затваря
3. Когато режимът „super-cool“ е включен, хладилникът автоматично ще го изключи, след като режимът достигне зададеното състояние. Ако искате да излезете ръчно, можете да натиснете селектора на хладилника за 3 сек, за да изключите режима „super-cool“.



Предупреждение

- При включена функция за „super-cool“, режимът „Fuzzy“ и „Holiday“ режим не могат да бъдат избрани едновременно. Ако е избран режим „Fuzzy“ или „Holiday“ режим, индикаторът за „super-cool“ се изключва и функцията „super-cool“ автоматично се затваря.

5.8 Режим за супер замразяване „Super-Freeze“

1. Когато контролният панел е отключен, натиснете селектора „Super-freeze“ – зумерът прозвучава, а индикаторът „Super-freeze“ светва. Стартира се режимът за „Super-freeze“.
2. При включен индикатор „Super-freeze“, натиснете селектора „Super-freeze“ – зумерът прозвучава, а индикаторът „Super-freeze“ се изключва. Режимът на „Super-freeze“ се затваря.
3. Когато режимът „Super-freeze“ е включен, хладилникът автоматично ще го изключи, след като режимът достигне зададеното състояние. Ако искате да излезете ръчно, можете да натиснете селектора „Super-freeze“ за 3 сек, за да изключите режима.



индикаторът
е изключен



Super-Frz.

Натиснете веднъж



индикаторът
е включен



Super-Frz.

Натиснете веднъж



индикаторът
е изключен



Предупреждение

- ▶ Режимът Super-freeze е предназначен да поддържа хранителните вещества на храната във фризерната част, а храната се замразява в най-кратки срокове. Ако едновременно трябва да се замрази голямо количество храна, препоръчително е да зададете режим „Super-freeze“ 24 часа предварително, за да може температурата във фризерното отделение да се понижи преди поставянето на храната. При тези условия скоростта на замръзване във фризерното отделение се увеличава и храната може бързо да се замрази, като по този начин ефективно съхранява хранителните си вещества и улеснява съхранението.
- Ако искате да изберете интелигентна функция в състояние „Super-Freeze“, индикаторът „Super-Freeze“ се изключва и режимът „Super-Freeze“ се затваря автоматично.

5.9 Аларма за отворена врата

Всеки път, когато вратата е отворена за прекалено дълго време или не е затворена, хладилникът издава аларма, за да ви напомни да затворите вратата своевременно.

5.10 Икономия на енергия на контролния панел

При неактивност на контролния панел за 30 секунди, панелът автоматично ще се изключи и ще влезе в заключено състояние, което може да спести енергия. Когато натиснете бутона за заключване или отворите някоя врата, контролният панел ще светне.

5.11 Функция за запаметяване при прекъсване на захранването

Когато хладилникът е изключен, моментното работно състояние при прекъсването на захранването се запаметява. След като захранването се поднови, хладилникът продължава да работи в съответствие със смяната и функционалното състояние, зададени преди спиране на тока.

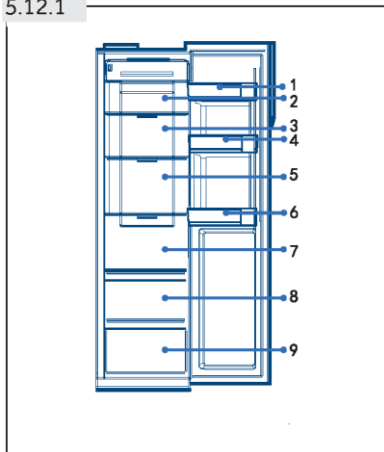
Внимание: Функцията за заключване не се запаметява. След като хладилникът отново се включи, контролният панел започва самопроверка, индикаторът за заключване изгасва и хладилникът се отключва.

5.12 Съвети за съхранение на прясна храна

5.12.1 Съхранение в хладилната част

- ▶ Поддържайте температурата на хладилника си под 5°C.
- ▶ Горещата храна трябва да изстине до стайна температура, преди да бъде съхранявана в уреда.
- ▶ Съхраняваната в хладилника храна трябва да бъде измита и подсушена.
- ▶ Храната, която ще се съхранява, трябва да бъде затворена правилно, за да се избегнат промени на аромата или вкуса.
- ▶ Не съхранявайте прекомерни количества храна. Оставете пространства между храните, за да може около тях да преминава студен въздух, което осигурява по-добро и равномерно охлаждане.
- ▶ Храни, консумирани ежедневно, трябва да се съхраняват в предната част на рафта.
- ▶ Оставете разстояние между храните и вътрешните стени, за да може да преминава въздух. По-специално избягвайте да допирате храните, които съхранявате, до задната стена, тъй като могат да залепнат за стената. Избягвайте директен контакт на храната (особено мазна или киселинна храна) с вътрешната облицовка, тъй като е възможно тя да бъде разядена от мазнина или киселина. Когато откриете мазна/киселинна мръсотия, я почиствайте веднага.
- ▶ Размразявайте замразените храни в отделението за съхранение на хладилника. По този начин можете да използвате замразените храни, за да намалите температурата в отделението и да спестите енергия.
- ▶ Процесът на стареене на плодове и зеленчуци като тиквички, пъпеши, папая, банан, ананас и др. може да се ускори в хладилника. Следователно не е препоръчително да ги съхранявате в хладилника. Узряването на много зелени плодове обаче може да бъде стимулирано за определен период. Лук, чесън, джинджифил и други кореноплодни зеленчуци трябва да се съхраняват при стайна температура.
- ▶ Неприятните миризми в хладилника сигнализират, че нещо се е разляло и е необходимо почистване. Вижте ГРИЖА И ПОЧИСТВАНЕ.
- ▶ Различните храни трябва да се поставят в различни зони според техните свойства (фиг. 5.12.1):

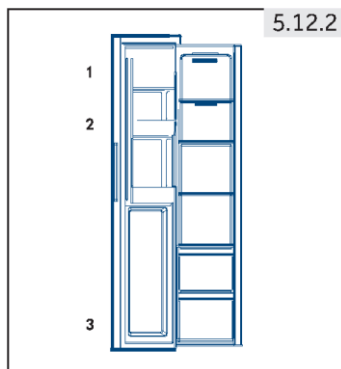
5.12.1



- 1 Масло, сирене и др.
- 2 Мариновани храни, консервирани храни и др.
- 3 Мариновани храни, консервирани храни и др.
- 4 Консерви, консервирани храни, подправки и др.
- 5 Месни продукти, полуфабрикати и др.
- 6 Напитки и бутилирани храни.
- 7 Паста, консервирани храни, мляко, тофу, млечни продукти и др.
- 8 Плодове, зеленчуци, салата и др.
- 9 Сготвено месо, колбаси и др.

5.12.2 Съхранение във фризерната част

- ▶ Поддържайте температурата на фризера на -18°C .
- ▶ 24 часа преди замразяване включете функцията „Super-Freeze“; за малки количества храна са достатъчни 4–6 часа.
- ▶ Горещата храна трябва да изстине до стайна температура, преди да бъде съхранявана във фризера.
- ▶ Храна, нарязана на малки порции, ще замръзне по-бързо и ще бъде по-лесна за размразяване и готвене. Препоръчителното тегло за всяка порция е под 2,5 кг.
- ▶ Най-добре е храната да бъде опакована, преди да я поставите във фризера. Външната страна на опаковката трябва да е суха, за да се избегне слепване на торбички. Опаковъчните материали трябва да са без мирис, херметически затворени, да не съдържат отрови и токсини.
- ▶ За да се избегне изтичането на сроковете за съхранение, моля, обърнете внимание на датата на замразяване, срока и името на храната върху опаковката според сроковете за съхранение на различни храни.
- ▶ **ПРЕДУПРЕЖДЕНИЕ!** Киселина, алкали, сол и др. могат да разядат вътрешната повърхност на фризера. Не поставяйте храна с тези вещества (напр. морски риби) директно върху вътрешната повърхност. Солената вода във фризера трябва да се почисти незабавно.
- ▶ Не надхвърляйте времето за съхранение на храните, препоръчвано от производителите. Изваждайте само необходимото количество храна от фризера.
- ▶ Различните храни трябва да се поставят в различни зони според техните свойства (фиг. 5.12.2):



- 1 По-малко тежки предмети, като сладолед, зеленчуци, хляб и др.
- 2 Нискоалкохолни напитки и временно съхранение на спиртни напитки с високо съдържание на алкохол, малки парчета храна като пица или билки.
- 3 Големи/по-тежки порции храна като парчета месо за печене

i **Предупреждение: Съхранение**

- ▶ Моля, оставайте разстоянието повече от 10 мм между поставената храна и сензора, за да осигурите охлаждащ ефект.
- ▶ Моля, запазете най-ниското чекмедже, когато уредът работи, за да се осигури охлаждащ ефект.
- ▶ Храната с лед (като сладолед и др.) трябва да се съхранява във фризерното отделение, а не върху държача за бутилки, тъй като храната може да се размрази от температурните промени, причинени от отварянето и затварянето на вратата.
- ▶ Консумирайте размразените храни бързо. Размразената храна не може да бъде замразявана повторно, освен ако преди това не бъде сготвена, в противен случай ще загуби качествата си.
- ▶ Не нареждайте прекомерни количества прясна храна във фризера. Вижте капацитета на замразяване на фризера – вижте ТЕХНИЧЕСКИ ДАННИ или данните на типовата табелка.
- ▶ Храна може да бъде съхранявана във фризера при температура от поне -18°C за срок от 2 до 12 месеца в зависимост от характеристиките ѝ (напр. месо: 3–12 месеца, зеленчуци: 6–12 месеца)
- ▶ Когато замразявате пресни храни, избягвайте да ги допирате до вече замразени храни. Риск от размразяване!
- ▶ Размразявайте замразените храни в хладилника. По този начин можете да използвате замразените храни, за да намалите температурата в отделениято и да спестите енергия.

5.12.3 Когато съхранявате търговски замразени продукти, моля, следвайте тези указания:

- ▶ Винаги следвайте указанията на производителя за допустимата продължителност на съхранение на храната. Не пренебрегвайте тези указания!
- ▶ Опитайте се да съхранявате храната след покупката ѝ възможно най-кратко, за да се запази нейното качество.
- ▶ Купувайте замразени храни, които са били съхранявани при температура от -18°C или по-ниска.
- ▶ Избягвайте да купувате храна, която има лед или замръзване върху опаковката – това показва, че продуктите може да са били частично размразени и отново замразени. Повишаването на температурата се отразява на качеството на храната.

5.13 Диспенсър за вода (HSR3918EWP*)

С диспенсъра за вода може да се налива студена питейна вода.

Резервоарът за вода трябва да се почисти преди първата употреба (вижте ГРИЖА И ПОЧИСТВАНЕ).

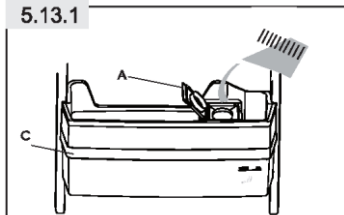
5.13.1 Пълнене на резервоара за вода



ПРЕДУПРЕЖДЕНИЕ!

Използвайте само питейна вода.

5.13.1



1. Уверете се, че резервоарът за вода е поставен правилно (вижте ОБОРУДВАНЕ)
2. Отворете капачката (A) и налейте прясна питейна вода в резервоара (Фиг. 5.13.1).
3. Пълнете вода само до маркировката (2,5 л), тъй като може да прелее, когато вратата се отваря и затваря.
4. Затворете плътно капачката (A).



Предупреждение: Диспенсър за вода

- ▶ Преди презареждане изхвърляйте остатъчната вода и почиствайте резервоара.
- ▶ Когато продължително време не се нуждаете от вода, моля, изпразнете резервоара за вода и го поставете почистен.
- ▶ Капакът (C) на резервоара за вода (Фиг. 5.13.1) се използва допълнително за пестене на енергия. Ако не искате да използвате диспенсъра за вода за дълъг период, все пак поставете капака поради по-добра изолация и спестяване на енергия.

5.13.2 Наливане на вода от диспенсъра

1. Уверете се, че ключалката (A) е преместена към „Отключване“ (фиг. 5.13.2).

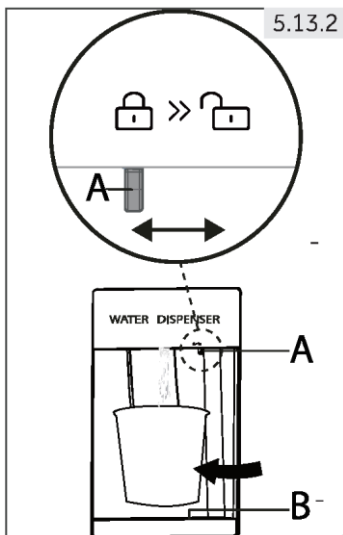
2. Поставете чаша под изхода за вода.

3. Натиснете леко с чашата към лоста за вода на диспенсъра.

Уверете се, че чашата е на една линия с диспенсъра, за да предотвратите изпръскването на вода.

4. Водата трябва да се отстранява навреме от тавата (B), тъй като може да прелее при отварянето и затварянето на вратата.

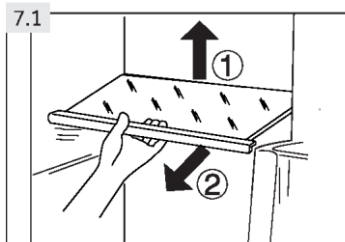
5. Плъзнете ключалката (A) до положение „Заклучване“.



5.13.2

**Съвети за пестене на енергия**

- ▶ Уверете се, че уредът е вентилиран правилно (вижте МОНТАЖ).
- ▶ Не поставяйте уреда на пряка слънчева светлина или в близост до източници на топлина (напр. печки, нагреватели).
- ▶ Избягвайте ненужно ниска температура в уреда. Консумацията на енергия се увеличава, колкото по-ниска е температурата в уреда.
- ▶ Функции като „Super-Cool“ или „Super-Freeze“ консумират повече енергия.
- ▶ Оставете топлата храна да се охлади, преди да я поставите в уреда.
- ▶ Отваряйте вратата на уреда възможно най-малко и за кратко.
- ▶ Не препълвайте уреда, за да не се нарушава циркулирането на въздушния поток.
- ▶ Препоръчително е в опаковката на храните да няма въздух.
- ▶ Поддържайте уплътненията на вратите чисти, така че вратата винаги да се затваря правилно.
- ▶ Размразявайте замразените храни в отделението за съхранение на хладилника.



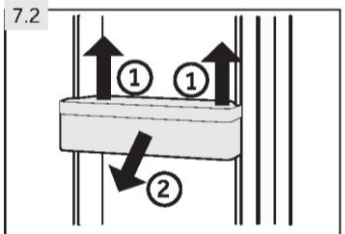
7.1 Регулируеми рафтове

Височината на рафтовете може да се регулира според вашите нужди за съхранение.

1. За да преместите рафт, първо го извадете, като повдигнете задния му ръб (1) и го издърпате навън (2) (фиг. 7.1).
2. За да го поставите отново, сложете го на държачите от двете страни и го избутайте в най-задно положение, докато задната част на рафта се фиксира в отворите отстрани.

i Предупреждение: Рафтове

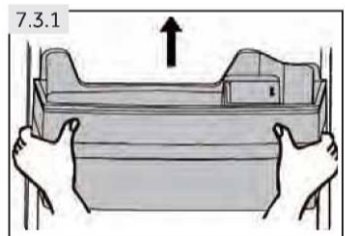
Уверете се, че всички краища на рафта са подравнени.



7.2 Подвижни рафтове за врата/държач за бутилки

Рафтовете/държачът за бутилки на вратата могат да се свалят за почистване:

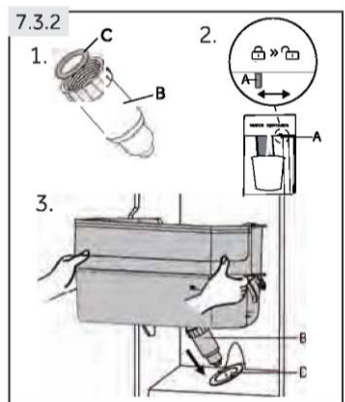
1. Хванете с ръцете рафта/държача от двете страни и го повдигнете нагоре (1) (фиг. 7.2).
2. Издърпайте рафта за врата/държача за бутилки (2).
3. За да поставите рафта за врата/държача за бутилки на вратата, горните стъпки се извършват в обратен ред.




7.3 Резервоар за вода (HSR3918EWP*)

7.3.1 Сваляне на резервоара за вода

Резервоарът за вода може да се вади и да се поставя отново, когато искате да го почиствате, по същия начин като рафтовете на вратата (фиг. 7.3.1).



7.3.2 Поставяне на резервоар за вода

1. Уверете се, че накрайникът на диспенсера (B) е плътно завинтен към резервоара за вода и че белият О-пръстен (C) е в положение (фиг. 7.3.2-1).
2. Плъзнете ключалката (A) до позиция  „Заклучване“ (фиг. 7.3.2-2).
3. Поставете резервоара за вода в положение, в което накрайникът на диспенсера (B) влиза в отвора на вратата (D) (фиг. 7.3.2-3).

i Предупреждение: Резервоар за вода

- ▶ Ако резервоарът за вода не е поставен правилно, от връзката може да капе вода.
- ▶ Не използвайте прекомерна сила при отстраняване или поставяне на резервоара за вода, за да не го повредите.

7.4 Държач за бутилка – фризерна част

Държачите за бутилки на фризерната камера са предназначени за временно съхранение на спиртни напитки с високо алкохолно съдържание. Напитки без висок алкохолен градус трябва да се охлаждат в хладилника.

Освен това в държачите за бутилки можете да съхранявате малки продукти.



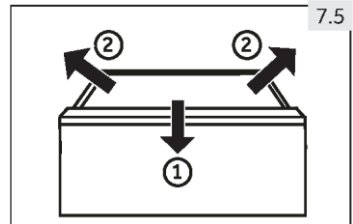
ПРЕДУПРЕЖДЕНИЕ!

Бутилките и консервите могат да гръмнат! Настройте таймер, който да ви напомня да извадите бутилки/кутии без високо съдържание на алкохол.

7.5 Подвижно чекмедже

За да извадите чекмеджето от хладилника или фризерното отделение, издърпайте максимално (1), повдигнете и извадете (2) (фиг. 7.5).

За да поставите чекмеджето, извършете горните стъпки в обратен ред.



7.6 Светлина

При отваряне на вратата в уреда се включва светодиодно осветление. Работата на светлините не се влияе от никаква друга настройка на уреда.

**ПРЕДУПРЕЖДЕНИЕ!**

Изключвайте уреда от захранването преди почистване.

8.1 Почистване

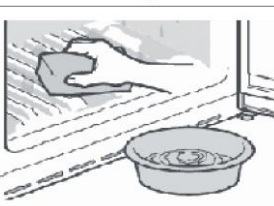
Почистете уреда, когато в него се съхранява малко или никаква храна.

Уредът трябва да бъде почистван на всеки четири седмици за добра поддръжка и за предотвратяване на лоши миризми от съхраняваните храни.

**ПРЕДУПРЕЖДЕНИЕ!**

- ▶ Не почиствайте уреда с твърди четки, телени четки, прахообразни препарати, бензин, амилацетат, ацетон и подобни органични разтвори, киселинни или алкални разтвори. Моля, почиствайте със специален препарат за хладилник, за да избегнете повреди.
- ▶ Не пръскайте и не плискайте уреда по време на почистване.
- ▶ Не използвайте водна струя или пара за почистване на уреда.
- ▶ Не почиствайте студените стъклени рафтове с гореща вода. Рязката температурна разлика може да доведе до спукване на стъклото.
- ▶ Не докосвайте вътрешната повърхност на отделението за съхранение на фризера, особено с мокри ръце, тъй като ръцете ви могат да замръзнат върху повърхността.
- ▶ В случай на нагриване проверете състоянието на замразените стоки.

8.1




- ▶ Винаги поддържайте уплътнението на вратата чисто.
- ▶ Почиствайте вътрешността и корпуса на уреда с влажна гъба с топла вода и неутрален препарат (фиг. 8.1).

1. Моля, търкайте вътрешната и външната част на хладилника, включително уплътненията на вратата, рафта за врата, стъклените рафтове, кутиите и т.н., с мека кърпа или гъба, потопена в топла вода (може да добавите неутрален препарат в топлата вода).
 2. Ако има разлята течност, отстранете всички замърсени части, изплакнете директно с течащата вода, подсушете и ги поставете обратно в хладилника.
 3. Ако има разлята сметана, крем или разтапящ се сладолед, моля, отстранете всички замърсени части, поставете ги за известно време в топла вода с температура около 40°C, след това изплакнете с течаща вода, подсушете и ги поставете обратно в хладилника.
 4. В случай че малка част или компонент заседне вътре в хладилника (между рафтовете или чекмеджетата), използвайте малка мека четка, за да го отстраните. Ако не можете да стигнете до частта, моля, свържете се с обслужващия център на Haier.
- ▶ Изплакнете и подсушете с мека кърпа.
 - ▶ Не почиствайте никоя от частите на уреда в миялна машина.
 - ▶ Изчакайте поне 5 минути, преди да включите отново уреда, тъй като честото стартиране може да повреди компресора.

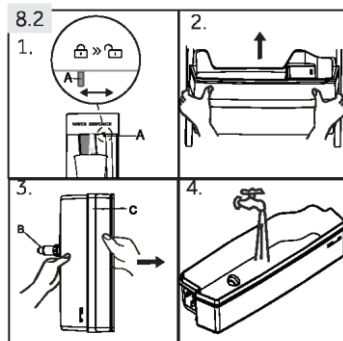
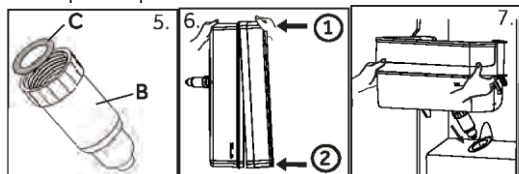
Размразяване

Размразяването на хладилното и фризерното отделение се извършва автоматично: не е необходимо ръчно управление.

8.2 Почистване на резервоара за вода (фиг. 8.2) (HSR3918EWP*)

1. Плъзнете ключалката (A) до положение  „Заклучване“.

2. Извадете резервоара за вода от уреда.
3. Отстранете капака (C) и развийте внимателно накрайника на диспенсъра (B).
4. Почистете резервоара за вода и накрайника на диспенсъра с топла течаща вода и течен препарат за миене на съдове. Уверете се, че целият сапун е изплакнат.
5. Поставете накрайника на диспенсъра (B), старателно го затегнете към резервоара за вода и се уверете, че белият O-пръстен (C) е на място.
6. Натиснете капака, за да го нагласите към едната страна на резервоара, а след това и към другата, и проверете дали резервоарът за вода и капакът са напълно сглобени.
7. Поставете отново резервоара в уреда. Уверете се, че накрайникът на диспенсъра е поставен правилно в отвора на вратата.



8.3 Смяна на LED лампите



ПРЕДУПРЕЖДЕНИЕ!

Не сменяйте сами LED лампата, тя трябва да бъде заменена само от производителя или от упълномощен сервизен представител.

Лампите са светодиодни, отличаващи се с ниска консумация на енергия и дълъг експлоатационен живот. В случай на аномалии, моля, свържете се с отдела за обслужване на клиенти. Вижте ОБСЛУЖВАНЕ НА КЛИЕНТИ.

Параметри на лампите: 12 V макс. 3 W.

8.4 Неизползване за дълъг период от време

Ако уредът не се използва за продължителен период от време и няма да използвате функцията за „Holiday“ за хладилника:

- ▶ Извадете храната.
- ▶ Изпразнете и почистете резервоара за вода.
- ▶ Изключете захранващия кабел.
- ▶ Почистете уреда, както е описано по-горе.
- ▶ Оставете вратите отворени, за да се предотврати развитието на неприятни миризми вътре.



Предупреждение: Изключване

Изключете уреда само ако е абсолютно необходимо.

8.5 Преместване на уреда

1. Извадете цялата храна и изключете уреда от контакта.
2. Подсигурете срещу нежелано движение рафтовете и другите подвижни части в хладилника и във фризера с тиксо.
3. Не наклонявайте уреда на повече от 45°, за да избегнете повреда на охладителната система.

**ПРЕДУПРЕЖДЕНИЕ!**

- ▶ Не вдигайте уреда за држките му.
- ▶ Никога не поставяйте уреда в хоризонтално положение върху земята.

Много от възникналите проблеми могат да бъдат решени от вас самите без никакви специфични умения. В случай на проблем, моля, проверете всички показани възможности и следвайте инструкциите по-долу, преди да се свържете с отдела за следпродажбено обслужване. Вижте ОБСЛУЖВАНЕ НА КЛИЕНТИ.

**ПРЕДУПРЕЖДЕНИЕ!**

- ▶ Преди извършване на поддръжка изключете уреда и извадете щепсела от контакта.
- ▶ Електрическото оборудване трябва да се обслужва само от квалифицирани експерти, тъй като неправилният ремонт може да причини значителни последващи щети.
- ▶ Повреда в захранващия кабел може да бъде отстранена от производителя, неговия обслужващ агент или лице с подобна квалификация, за да се избегне евентуална опасност.

9.1 Таблица за отстраняване на неизправности

Проблем	Вероятна причина	Възможно решение
Компресорът не работи.	<ul style="list-style-type: none"> • Щепселът не е включен в електрически контакт. • Уредът е в цикъл на размразяване. 	<ul style="list-style-type: none"> • Включете щепсела. • Това е нормално за автоматично размразяване.
Уредът се включва често или работи прекомерно дълго време.	<ul style="list-style-type: none"> • Вътрешната или външната температура е твърде висока. • Уредът е бил изключен за продължително време. • Вратата на уреда не е затворена плътно. • Вратата е била отворена твърде често или за прекалено дълго време. • Температурата на фризерното отделение е настроена на твърде ниски стойности. • Уплътнението на вратата е замърсено, износено, напукано или разместено. • Необходимата циркулация на въздуха е възпрепятствана. 	<ul style="list-style-type: none"> • В този случай е нормално уредът да работи по-дълго. • Обикновено са необходими от 8 до 12 часа, за да се охлади уредът напълно. • Затворете вратата и се уверете, че уредът се намира върху нивелирана повърхност, както и че затварянето на вратата не е възпрепятствано от храна или кутия. • Не отваряйте вратата твърде често. • Задайте по-висока температура, докато в хладилника се получи задоволителна температура. Отнема 24 часа, за да стане температурата в хладилника стабилна. • Почистете уплътненията на вратата или ги сменете с помощта на отдела за обслужване на клиенти. • Осигурете подходяща вентилация.
Вътрешността на хладилника е мръсна и/или с лош мирис.	<ul style="list-style-type: none"> • Вътрешността на хладилника трябва да бъде почистена. • В хладилника се съхранява храна със силен мирис. 	<ul style="list-style-type: none"> • Почистете вътрешността на хладилника. • Опаковайте добре храната.

Проблем	Вероятна причина	Възможно решение
В уреда не е достатъчно студено.	<ul style="list-style-type: none"> Зададена е прекалено висока температура. Съхранявани са твърде топли стоки. Съхранявано е прекалено голямо количество храна наведнъж. Храните са поставени прекалено близо една до друга. Вратата на уреда не е затворена плътно. Вратата е била отваряна твърде често или за прекалено дълго време. 	<ul style="list-style-type: none"> Върнете първоначалната настройка на температурата. Винаги оставайте храните да изстинат, преди да ги приберете. Винаги съхранявайте малки количества храна. Оставайте празно място между храните, за да осигурите възможност на въздуха да циркулира. Затворете вратата. Не отваряйте вратата твърде често.
Вътре в уреда е твърде студено.	<ul style="list-style-type: none"> Зададена е прекалено ниска температура. Активирана е функцията Super-Cool/Super-Freeze или работи прекалено дълго време. 	<ul style="list-style-type: none"> Върнете първоначалната настройка на температурата. Изключете функцията Super-Cool/Super-Freeze.
Във вътрешността на хладилното отделение се формира конденз.	<ul style="list-style-type: none"> Климатът е твърде топъл и твърде влажен. Вратата на уреда не е затворена плътно. Вратата е била отваряна твърде често или за прекалено дълго време. Кутии с храна или течности са оставени отворени. 	<ul style="list-style-type: none"> Увеличете температурата. Затворете вратата. Не отваряйте вратата твърде често. Оставете горещите храни да изстинат до стайна температура и покривайте храните и течностите.
По повърхността на хладилника от външната страна или между вратите се образува конденз.	<ul style="list-style-type: none"> Климатът е твърде топъл и твърде влажен. Вратата не е затворена плътно. Студеният въздух в уреда и топлият въздух извън него образуват конденз. 	<ul style="list-style-type: none"> Това е нормално при влажен климат и ще се промени, когато влажността намалее. Уверете се, че вратата е затворена плътно.
Много лед и скреж във фризера.	<ul style="list-style-type: none"> Храните не са опаковани адекватно. Врата/чекмедже на уреда не е затворена/о плътно. Вратата е била отваряна твърде често или за прекалено дълго време. Уплътнението на вратата е замърсено, износено, напукано или разместено. Нещо от вътрешната страна пречи на вратата да се затвори правилно. 	<ul style="list-style-type: none"> Винаги опаковайте храните добре. Затворете вратата/чекмеджето. Не отваряйте вратата твърде често. Почистете уплътненията на вратата или ги сменете с нови. Преместете рафтовете, стелажите на вратите или вътрешните контейнери, за да позволите на вратата да се затвори.
Уредът издава необичайни звуци.	<ul style="list-style-type: none"> Уредът не е разположен на равен терен. Уредът докосва някакъв предмет около него. 	<ul style="list-style-type: none"> Регулирайте крачетата, за да нивелирате уреда. Отстранете предметите около уреда.

Проблем	Вероятна причина	Възможно решение
Трябва да се чуе лек звук, наподобяващ звука от течаща вода.	<ul style="list-style-type: none"> Това е нормално. 	<ul style="list-style-type: none"> -
Ще чуете звуков сигнал.	<ul style="list-style-type: none"> Вратата е отворена. 	<ul style="list-style-type: none"> Затворете вратата.
Ще чуете слабо бръмчене.	<ul style="list-style-type: none"> Системата против конденз работи. 	<ul style="list-style-type: none"> Това предотвратява конденза и е нормално.
Вътрешната светлинна или охлаждателна система не работи.	<ul style="list-style-type: none"> Щепселът не е включен в електрическия контакт. Захранването не е цялостно. LED лампата е повредена. 	<ul style="list-style-type: none"> Включете щепсела. Проверете електрическото захранване на помещението. Обадете се на местната електрическа компания! Моля, обадете се на обслужващ център за смяна на лампата.
Страните на шкафа и лентата на вратата се затоплят.	<ul style="list-style-type: none"> Това е нормално. 	<ul style="list-style-type: none"> -
От крайника на диспенсъра не излиза вода	<ul style="list-style-type: none"> Заклучването не е деактивирано. 	<ul style="list-style-type: none"> Деактивирайте заключването.

9.2 Прекъсване на електрозахранването

При прекъсване на електрозахранването храната би трябвало да остане студена в продължение на около 5 часа. Следвайте следните съвети по време на продължително прекъсване на електрозахранването, особено през лятото:

- ▶ Отваряйте вратата/чекмеджето възможно най-рядко.
- ▶ Не поставяйте друга храна в уреда по време на прекъсването на електрозахранването.
- ▶ Ако е дадено предварително известие за прекъсване на електрозахранването и продължителността на прекъсването надвишава 5 часа, направете малко лед и го поставете в кутия в горната част на отделението на хладилника.
- ▶ Необходима е проверка на храните веднага след прекъсването.
- ▶ Тъй като температурата в хладилника ще се повиши по време на прекъсване на захранването или при друга повреда, периодът на съхранение и хранителната годност на храната ще бъдат намалени. Всички храни, които се размразят, трябва или да бъдат консумирани, или сготвени и замразени отново в най-кратък срок (когато това е подходящо), за да се предотвратят възможни рискове за здравето.



Предупреждение: Функция за запаметяване при прекъсване на електрозахранването

След възстановяване на захранването уредът продължава с настройките, зададени преди спиране на тока.

10.1 Разопаковане



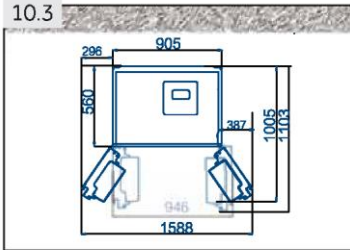
ПРЕДУПРЕЖДЕНИЕ!

- ▶ Уредът е тежък. Винаги при преместването му трябва да участват поне двама души.
- ▶ Пазете всички опаковъчни материали на място, недостъпно за деца, и ги изхвърлете по екологосъобразен начин.
- ▶ Разопакувайте уреда.
- ▶ Отстранете всички опаковъчни материали, включително прозрачното защитно фолио.

10.2 Условия на обкръжаващата среда

Температурата в помещението винаги трябва да бъде между 16°C и 43°C, тъй като това може да повлияе на температурата вътре в уреда и консумацията на енергия. Не поставяйте уреда близо до други излъчващи топлина уреди (фурни, хладилници) без изолация.

10.3



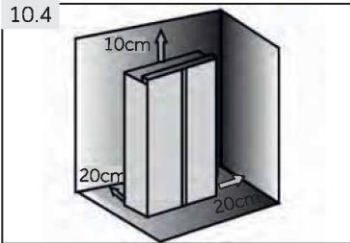
10.3 Изискване за пространство

Необходимо пространство при отваряне на вратата (фиг. 10.3):

Широчина на уреда: 1588 мм

Дълбочина на уреда: 1103 мм

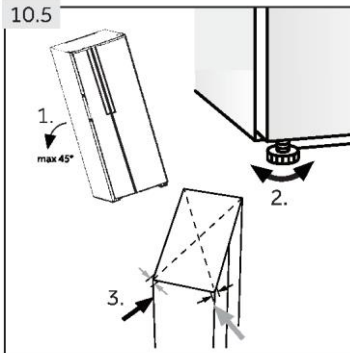
10.4



10.4 Вентилационно сечение

За да се постигне достатъчна вентилация на уреда от съображения за безопасност, трябва да се спазва информацията за необходимите напречни сечения на вентилацията (фиг. 10.4).

10.5



10.5 Подравняване на уреда

Уредът трябва да бъде поставен на равна и твърда повърхност.

1. Наклонете уреда леко назад (фиг. 10.5).
2. Нагласете краката до желаното ниво.

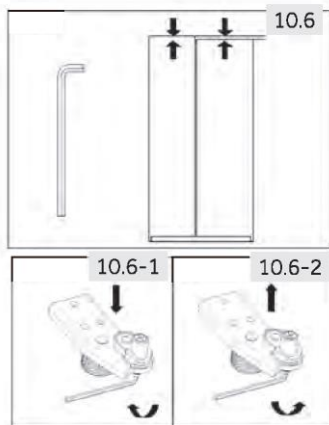
Уверете се, че разстоянието до стената от страните на пантите е поне 5 см.

3. Стабилността може да се провери чрез последователно удряне по диагоналите. И в двете посоки трябва да се получава еднакво леко люлеене. В противен случай рамката може да се изкриви, в резултат на което уплътненията на вратата няма да прилепват плътно. Лекият наклон назад улеснява затварянето на вратите.

10.6 Фина настройка на вратите

Ако след подравняването на краката вратите все още не са на едно ниво, това несъответствие може да се отстрани чрез завъртане на шарнирния повдигащ вал в долния десен ъгъл на хладилната врата с гаечен ключ (фиг. 10.6).

- ▶ Завъртете повдигащия вал по часовниковата стрелка с гаечен ключ, за да намалите височината на вратата (фиг. 10.6-1).
- ▶ Завъртете повдигащия вал обратно на часовниковата стрелка с гаечен ключ, за да увеличите височината на вратата (фиг. 10.6-2).

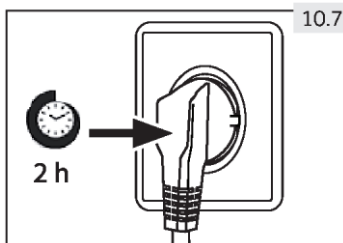


ПРЕДУПРЕЖДЕНИЕ!

Не регулирайте повдигащия вал прекалено много, тъй като прекомерното му повдигане може да го изкара от застопорената му позиция. (Регулируем диапазон на височината: 3 мм)

10.7 Време на изчакване

Смазочното масло, което не се нуждае от поддръжка, се намира в капсулата на компресора. Това масло може да се разтече из затворената система на тръбата, когато уредът се пренесе в наклонено положение. Преди да свържете уреда към захранването, трябва да изчакате поне 2 часа (фиг. 10.7), за да може маслото да се върне обратно в капсулата.



10.8 Електрическа връзка

Преди всяко свързване проверявайте дали:

- ▶ захранването, контактът и предпазителите са подходящи според табелката с данни.
- ▶ електрическият контакт е заземен и няма включен разклонител или удължител.
- ▶ щепселът и контактът са в пълно съответствие.

Свържете щепсела към правилно инсталиран контакт с битово предназначение.



ПРЕДУПРЕЖДЕНИЕ!

За да се избегнат рискове, повреден захранващ кабел трябва да се заменя от сервизния отдел (вижте гаранционната карта).

- 10.9 Сваляне и поставяне на вратите** и инструкции за монтаж по-долу (фиг. 10.9). В случай че се налага да свалите вратите на уреда, моля, следвайте инструкциите за сваляне и поставяне на вратите по-долу (фиг. 10.9).



ПРЕДУПРЕЖДЕНИЕ!

- ▶ Преди всяка операция изключете уреда и извадете щепсела от контакта.
- ▶ Уредът е тежък. Винаги при преместването му трябва да участват поне двама души.
- ▶ Не наклоняйте уреда повече от 45° и не го поставяйте в хоризонтално положение върху земята.

- 10.9**
-
- 1.** Развийте винта на капака на пантата и свалете капака. Освободете кабелния щепсел.
-
- 2.** Развийте винтовете, които държат горната панта в положение, и след това извадете пантата.
-
- 3.** Повдигнете вратата на хладилната част, за да я извадите.
-
- 4.** Поставете отново вратата, като изпълните стъпките в обратен ред. Уверете се, че кабелът за заземяване ще бъде фиксиран от винта.



Предупреждение: Врата на хладилника

Изображенията показват отстраняването на вратата на хладилното отделение. За вратата на фризера, моля, използвайте съответните части от другата страна

11.1 Функции на продукта съгласно регламент (ЕС) № 1060/2010

Търговска марка	Haier
Идентификатор на модела	HSR3918FNP*
Категория на модела	Хладилник с фризер
Клас на енергийна ефективност	A+
Годишно потребление на енергия (kWh/година) ¹⁾	399
Обем за съхранение на хладилната част (л)	337
Обем за съхранение на фризерната част (л) ****	167
Оценка със звезди	
Температура на другите отделения > 14°C	Не е приложимо
Система без скреж	Да
Време на покачване на температурата (ч)	5
Капацитет на замразяване (кг/24 ч)	10
Климатичен клас Уредът е предназначен за използване при температура на околната среда между 10°C и 43°C.	SN-N-ST-T
Въздушни шумови емисии (db(A) re 1pW)	38
Тип конструкция	Свободно стоящ

въз основа на стандартните резултати от теста за 24 часа. Реалното потребление на енергия ще зависи от начина на използване на уреда и неговото местоположение.

11.1.1 Допълнителни технически данни

Напрежение / Честота	220-240V ~ / 50Hz
Входна мощност (W)	200
Главен предпазител (A)	15
Охладител	R600a
Размери (В/Ш/Д в мм)	1775/908/647

11.1.2 Стандарти и директиви 

Този продукт отговаря на изискванията на всички приложими директиви на ЕО със съответстващите хармонизирани стандарти, които предвиждат маркировка „CE“.

Препоръчваме използването на клиентско обслужване от Haier и оригинални резервни части.

Ако имате проблем с вашия уред, първо проверете раздела **ОТСТРАНЯВАНЕ НА НЕИЗПРАВНОСТИ**.

Ако не можете да намерите решение там, моля, свържете се с

- ▶ вашия местен търговец или
- ▶ в частта „Помощно обслужване“ на www.haier.com, където можете да намерите телефонни номера и често задавани въпроси и където можете да активирате заявката за услуга.

За да се свържете с нашия отдел „Обслужване“, уверете се, че разполагате със следните данни.

Информацията може да бъде намерена на табелката с данни.

Модел _____ Серийн № _____

Също така проверете предоставената с продукта гаранционна карта, в случай на гаранция.

Haier



0060524101F



Manuale d'uso

Frigorifero - Freezer

HSR3918ENP*

HSR3918EWP*

HSR3918FNP*

***=W,B,L,G,N**

IT

Haier

Vi ringraziamo per aver scelto un prodotto Haier.

Leggete attentamente le istruzioni prima di utilizzare questo elettrodomestico. Le istruzioni contengono informazioni importanti che vi aiuteranno ad ottenere il meglio dall'elettrodomestico e a garantire un'installazione, un uso e una manutenzione sicuri e corretti. Conservate il presente manuale in un luogo comodo, in modo da poterlo sempre consultare per un uso sicuro e corretto dell'elettrodomestico.

Se vendete l'elettrodomestico, lo date via, o lo lasciate quando traslocate, assicuratevi di passare anche questo manuale in modo che il nuovo proprietario possa familiarizzare con l'elettrodomestico e con le avvertenze di sicurezza.

Legenda

Avvertenza- Informazioni importanti di sicurezza



Informazioni generali e consigli



Informazioni ambientali



Smaltimento

Contribuire a proteggere l'ambiente e la salute umana. Mettere l'imballaggio in contenitori appositi per riciclarlo. Contribuire a riciclare i rifiuti di apparecchiature elettriche ed elettroniche. Non smaltire gli elettrodomestici contrassegnati con questo simbolo insieme ai rifiuti domestici. Restituire il prodotto al vostro impianto di riciclaggio locale o contattate il vostro ufficio comunale.



AVVERTENZA!

Pericolo di lesioni o soffocamento!

I refrigeranti e i gas devono essere smaltiti in modo professionale. Assicurarsi che la tubazione del circuito frigorifero non sia danneggiata prima di essere smaltita correttamente. Scollegare l'elettrodomestico dalla rete elettrica. Tagliare il cavo di alimentazione e smaltirlo. Rimuovere i ripiani e i cassetti, nonché la serratura della porta e le guarnizioni, per evitare che bambini e animali domestici si chiudano nell'elettrodomestico.

I vecchi elettrodomestici hanno ancora un certo valore residuo. Un metodo di smaltimento rispettoso dell'ambiente garantirà che le preziose materie prime possano essere recuperate e riutilizzate.

Il ciclopentano, una sostanza infiammabile non dannosa per l'ozono, viene utilizzato come espansore per la schiuma isolante.

Il corretto smaltimento di questo prodotto permette di evitare possibili danni all'ambiente e alla salute dell'uomo, che potrebbero essere provocati altrimenti.

Per informazioni più dettagliate relative al riciclaggio di questo prodotto, si consiglia di contattare il proprio ufficio comunale, il proprio servizio di smaltimento rifiuti domestici o l'esercente presso il quale è stato acquistato il prodotto, gestito da professionisti.

1- Informazioni di sicurezza	4
2- Destinazione d'uso	8
3- Descrizione del prodotto	10
4- Pannello di controllo.....	11
5- Utilizzo	12
6- Accorgimenti per il risparmio- energetico	20
7- Apparecchiature	21
8- Cura e pulizia	23
9- Qualcosa non funziona?	26
10- Installazione	30
11- Dati tecnici.....	34
12- Servizio clienti.....	35

Prima di accendere l'elettrodomestico per la prima volta leggere le seguenti avvertenze di sicurezza:



AVVERTENZA!

Attività preliminari al primo utilizzo

- ▶ Controllare che non sussistano danni dovuti al trasporto.
- ▶ Rimuovere tutti gli imballaggi e tenerli lontano dalla portata dei bambini.
- ▶ Attendere almeno due ore prima di installare l'elettrodomestico per garantire la piena efficienza del circuito frigorifero.
- ▶ Maneggiare l'elettrodomestico sempre con almeno due persone perché è pesante.

Installazione

- ▶ L'elettrodomestico deve essere collocato in un luogo ben ventilato. Assicurare uno spazio di almeno 20 cm sopra e 10 cm intorno all'elettrodomestico.
- ▶ Non collocare mai l'elettrodomestico in un'area umida o in un luogo dove potrebbe essere spruzzato con acqua. Pulire e asciugare gli schizzi di acqua e le macchie con un panno morbido e pulito.
- ▶ Non installare l'elettrodomestico alla luce diretta del sole o in prossimità di fonti di calore (ad esempio stufe, riscaldatori).
- ▶ Installare e livellare l'elettrodomestico in un'area adatta alle sue dimensioni e al suo utilizzo.
- ▶ Mantenere le aperture di ventilazione nell'elettrodomestico o nella struttura nella quale è incassato libere da qualsiasi ostruzione.
- ▶ Assicurarsi che le informazioni elettriche sulla targhetta corrispondano all'alimentazione elettrica. In caso contrario, contattare un elettricista.
- ▶ L'elettrodomestico è azionato da un'alimentazione di 220-240 VCA/50 Hz. Fluttuazioni di tensione anomale possono causare il mancato avvio dell'elettrodomestico, o danneggiare il controllo della temperatura o il compressore, o ci può essere un rumore anomalo durante il funzionamento. In tal caso, deve essere montato un regolatore automatico.
- ▶ Utilizzare una presa separata con messa a terra per l'alimentazione elettrica, che deve essere facilmente accessibile. L'elettrodomestico deve essere messo a terra.
- ▶ **Solo per il Regno Unito:** Il cavo di alimentazione dell'elettrodomestico è dotato di una spina a 3 fili (messa a terra) che si adatta ad una presa standard a 3 fili (messa a terra). Non tagliare o smontare mai il terzo perno (messa a terra). Dopo l'installazione dell'elettrodomestico, la spina deve essere accessibile.
- ▶ Non utilizzare adattatori multipli e cavi di prolunga.
- ▶ Assicurarsi che il cavo di alimentazione non sia intrappolato dall'elettrodomestico. Non calpestare il cavo di alimentazione.
- ▶ Non danneggiare il circuito del refrigerante.
- ▶ **Non posizionare prese portatili multiple o alimentazioni di potenza portatili nella parte posteriore dell'elettrodomestico.**



AVVERTENZA!

Uso quotidiano

- ▶ L'elettrodomestico può essere utilizzato da bambini di età superiore a 8 anni e da persone con ridotte capacità fisiche, sensoriali o mentali, oppure prive di esperienza e conoscenza, se supervisionate o istruite riguardo all'uso dell'elettrodomestico in sicurezza, e se comprendono i rischi che derivano dall'uso dello stesso.
- ▶ I bambini di età compresa tra i 3 e gli 8 anni sono autorizzati a riempire e svuotare gli elettrodomestici di refrigerazione, ma non sono autorizzati a pulire e montare tali elettrodomestici.
- ▶ Tenere lontani dall'elettrodomestico i bambini di età inferiore ai 3 anni se non continuamente sorvegliati.
- ▶ La pulizia e la manutenzione da parte dell'utente non possono essere effettuate da bambini senza supervisione.
- ▶ I bambini non devono giocare con l'elettrodomestico.
- ▶ **L'elettrodomestico deve essere posizionato in modo che la spina sia accessibile.**
- ▶ In caso di perdite di gas refrigerante o di altri gas infiammabili nelle vicinanze dell'elettrodomestico, spegnere la valvola del gas che perde, aprire le porte e le finestre e non staccare la spina del cavo di alimentazione dell'elettrodomestico o di qualsiasi altro elettrodomestico.
- ▶ Si noti che l'elettrodomestico è impostato per il funzionamento in **un determinato intervallo di temperatura ambiente compreso tra 10 e 38 °C**. L'elettrodomestico potrebbe non funzionare correttamente se lasciato per un lungo periodo ad una temperatura superiore o inferiore all'intervallo indicato.
- ▶ Non collocare articoli instabili (oggetti pesanti, contenitori **pieni d'acqua**) **sopra l'elettrodomestico, evitare lesioni personali** causate da cadute o scosse elettriche causate dal contatto con l'acqua.
- ▶ Non tirare i ripiani della porta. Lo sportello può inclinarsi, il portabottiglie può fuoriuscire o l'elettrodomestico può cadere.
- ▶ Aprire e chiudere le porte solo usando le maniglie. La distanza tra gli sportelli e tra gli sportelli e l'armadio è molto stretta. Non allungare le mani in queste zone per evitare di schiacciarsi le dita. Aprire o chiudere le porte solo quando non ci sono bambini in piedi nel raggio di movimento della porta.
- ▶ Non conservare o utilizzare materiali infiammabili, esplosivi o corrosivi nell'elettrodomestico o nelle vicinanze.
- ▶ Non riporre medicine, batteri o agenti chimici nell'elettrodomestico. Questo elettrodomestico è destinato alla refrigerazione in ambiente domestico. Si sconsiglia di conservare materiali che richiedono temperature precise.
- ▶ Non conservare mai nel freezer liquidi in bottiglia o lattina (a parte liquori ad alta gradazione alcolica), specialmente le bevande gassate, poiché potrebbero scoppiare durante il congelamento.

**AVVERTENZA!****Uso quotidiano**

- ▶ Controllare le condizioni degli alimenti se si è verificato un riscaldamento nel freezer.
- ▶ Non impostare una temperatura inutilmente bassa nel vano frigorifero. In caso di impostazioni elevate si possono raggiungere temperature inferiori. Attenzione: Le bottiglie possono scoppiare.
- ▶ Non toccare i prodotti congelati con le mani bagnate (indossare guanti). Soprattutto non mangiare i ghiaccioli subito dopo averli tolti dal vano freezer. C'è il rischio di congelamento o la formazione di vesciche dovute al gelo. PRIMO soccorso: tenere immediatamente sotto acqua fredda corrente. Non tirare!
- ▶ Non toccare la superficie interna del vano di conservazione del freezer durante il funzionamento, soprattutto con le mani bagnate, poiché le mani potrebbero congelare sulla superficie.
- ▶ Scollegare l'elettrodomestico in caso di interruzione di corrente o prima della pulizia. Attendere almeno 5 minuti prima di riavviare l'elettrodomestico, poiché un avviamento frequente può danneggiare il compressore.
- ▶ Non usare dispositivi elettrici all'interno degli scomparti per la conservazione degli alimenti dell'elettrodomestico, se questi non sono del tipo consigliato dal produttore.
- ▶ Utilizzare acqua potabile solo con i modelli dotati di erogatore acqua.

Manutenzione/pulizia.

- ▶ Assicuratevi che i bambini siano sorvegliati se effettuano la pulizia e la manutenzione.
- ▶ Scollegare l'elettrodomestico dalla rete elettrica prima di effettuare qualsiasi manutenzione ordinaria. Attendere almeno 5 minuti prima di riavviare l'elettrodomestico, poiché un avviamento frequente può danneggiare il compressore.
- ▶ Tenere la spina, non il cavo, quando si scollega l'elettrodomestico.
- ▶ Non raschiare via la brina e il ghiaccio con oggetti appuntiti. Non utilizzare spray, riscaldatori elettrici come riscaldatore, asciugacapelli, pulitrici a vapore o altre fonti di calore per evitare di danneggiare le parti in plastica.
- ▶ Non usare dispositivi meccanici o altri strumenti artificiali per accelerare il processo di sbrinamento, diversi da quelli consigliati dal produttore.
- ▶ **Non pulire l'elettrodomestico con spazzole rigide, spazzole metalliche, polvere detergente, benzina, acetato di amile, acetone e soluzioni organiche simili, soluzioni acide o alcaline. Pulire con un detersivo speciale per frigorifero per evitare danni.**
- ▶ **Se necessario utilizzare acqua calda e soluzione di bicarbonato di sodio - circa un cucchiaino di bicarbonato di sodio in un litro/un quarto di acqua. Risciacquare accuratamente con acqua e asciugare. Non utilizzare polveri detersivi o altri detersivi abrasivi. Non lavare in lavastoviglie i componenti rimovibili.**



AVVERTENZA!

Manutenzione/pulizia

- ▶ Se il cavo di alimentazione dell'elettrodomestico dovesse essere danneggiato, farlo sostituire dal produttore, dal suo servizio tecnico o da un tecnico qualificato, per evitare rischi.
- ▶ Non cercare di riparare, smontare o modificare l'elettrodomestico da soli. In caso di riparazione si prega di contattare il nostro servizio clienti.
- ▶ Se le lampade di illuminazione sono danneggiate, farle sostituire dal produttore, dal suo servizio tecnico o da un tecnico qualificato, per evitare rischi.
- ▶ Eliminare la polvere sul retro dell'unità almeno una volta all'anno per evitare il pericolo di incendio, nonché l'aumento del consumo energetico.
- ▶ Non spruzzare o risciacquare l'elettrodomestico durante la pulizia.
- ▶ Non utilizzare getti d'acqua o di vapore per pulire l'elettrodomestico.
- ▶ Non pulire i ripiani di vetro freddi con acqua calda. Un improvviso cambiamento di temperatura può provocare la rottura del vetro.
- ▶ Se lasciate il vostro elettrodomestico fuori uso per un periodo prolungato, lasciatelo aperto per evitare che all'interno si formino odori sgradevoli.

Informazioni sui gas refrigeranti



AVVERTENZA!

L'elettrodomestico contiene il refrigerante infiammabile ISOBUTANO (R600a). Assicurarsi che il circuito del refrigerante non venga danneggiato durante il trasporto o il montaggio. La perdita di refrigerante può causare lesioni oculari o incendi. Se si è verificato un danno, tenere lontane le fonti di incendio libere, ventilare accuratamente il locale, non collegare o scollegare i cavi di alimentazione dell'elettrodomestico o di qualsiasi altro dispositivo. Informare il servizio clienti.

In caso di contatto con gli occhi, sciacquare immediatamente il refrigerante sotto l'acqua corrente e contattare immediatamente un oculista.

AVVERTENZA: Il sistema di refrigerazione è sotto alta pressione. Non manometterlo. Poiché sono utilizzati refrigeranti infiammabili, si prega di installare, maneggiare e sottoporre a manutenzione l'elettrodomestico rigorosamente secondo le istruzioni e di contattare l'agente professionale o il nostro servizio post-vendita per lo smaltimento dell'elettrodomestico stesso.

2.1 Destinazione d'uso

Questo elettrodomestico è destinato ad essere utilizzato in applicazioni domestiche e simili, come ad esempio

- in cucine per il personale in negozi, uffici e altri ambienti di lavoro;
 - in agriturismo e dai clienti negli alberghi, nei motel e in altri ambienti di tipo residenziale;
 - in ambienti di tipo bed and breakfast;
 - i servizi catering e applicazioni simili non per la vendita al dettaglio.
- Se l'elettrodomestico non viene utilizzato per un periodo di tempo prolungato, e si utilizzerà solo la funzione Holiday o la funzione frigorifero spento per il frigorifero/freezer:
- Togliere gli alimenti.
 - Staccare il cavo di alimentazione elettrica dall'impianto elettrico.
 - Svuotare e pulire il serbatoio dell'acqua.
 - Pulire l'elettrodomestico come descritto in precedenza.
 - Tenere le porte aperte per evitare la formazione di cattivi odori all'interno.
- Per garantire la conservazione sicura dei prodotti alimentari o del vino, rispettare le presenti istruzioni per l'uso.
- Per evitare la contaminazione degli alimenti (non valido per la cantinetta per vino), si prega di rispettare le seguenti istruzioni:
- L'apertura prolungata della porta può causare un significativo aumento della temperatura nei vani dell'elettrodomestico.
 - Pulire regolarmente le superfici che possono venire a contatto con gli alimenti e i sistemi di scarico accessibili.
 - Pulire le vaschette dell'acqua se non sono state utilizzate per 48 ore; sciacquare l'impianto idrico collegato alla rete idrica se l'acqua non è stata prelevata per 5 giorni.
 - Conservare la carne e il pesce crudo in appositi contenitori in frigorifero/freezer, in modo che non vengano a contatto con altri alimenti o che non gocciolino su di essi. Per garantire la conservazione sicura degli alimenti, gli alimenti istantanei e la carne/il pesce crudo devono essere conservati separatamente.
 - Gli scomparti per surgelati a due stelle sono adatti alla conservazione di alimenti precongelati, alla conservazione o alla preparazione di gelati e alla produzione di cubetti di ghiaccio.
 - Gli scomparti a una, due e tre stelle non sono adatti al congelamento di alimenti freschi.
 - Se il frigorifero viene lasciato vuoto per lunghi periodi di tempo, spegnerlo, sbrinarlo, pulirlo, asciugarlo e lasciare la porta aperta per evitare che si formi muffa all'interno.
- I dettagli sulla parte più appropriata nello scomparto dell'elettrodomestico in cui devono essere conservati specifici tipi di alimenti, considerando la distribuzione della temperatura che può essere presente nei diversi scomparti dell'elettrodomestico, sono nella parte dell'altro manuale.

Smaltimento

Il simbolo sul prodotto o sul relativo imballaggio indica che questo prodotto non può essere trattato come rifiuto domestico. Deve invece essere consegnato ad un punto di raccolta appropriato per il riciclo di dispositivi elettrici ed elettronici. Il corretto smaltimento di questo prodotto permette di evitare possibili danni all'ambiente e alla salute dell'uomo, che altrimenti potrebbero essere provocati dallo smaltimento inappropriato del prodotto. Per informazioni più dettagliate relative al riciclaggio di questo prodotto, si consiglia di contattare il proprio ufficio comunale, il proprio servizio di smaltimento rifiuti domestici o l' esercente presso il quale è stato acquistato il prodotto.

Poiché vengono utilizzati gas ad espansione infiammabili per l'isolamento, si prega di contattare l'agente professionale o il nostro servizio post-vendita per lo smaltimento dell'elettrodomestico.



AVVERTENZA!

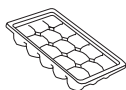
Pericolo di lesioni o soffocamento!

I refrigeranti e i gas devono essere smaltiti in modo professionale. Assicurarsi che la tubazione del circuito frigorifero non sia danneggiata prima di essere smaltita correttamente. Staccare l'elettrodomestico dalla rete elettrica. Tagliare il cavo di alimentazione e smaltirlo. Rimuovere i ripiani e i cassetti, nonché la serratura della porta e le guarnizioni, per evitare che bambini e animali domestici rimangano chiusi all'interno dell'elettrodomestico.

Non sono consentiti cambiamenti o modifiche all'elettrodomestico. L'uso diverso da quanto previsto può causare pericoli e la perdita dei diritti di garanzia.

2.2 Accessori

Controllare gli accessori e la documentazione secondo questa lista (Fig. 2.2):



Vaschette
per ghiaccio



Porta uova



Chiave
per bulloni



Scheda di
garanzia



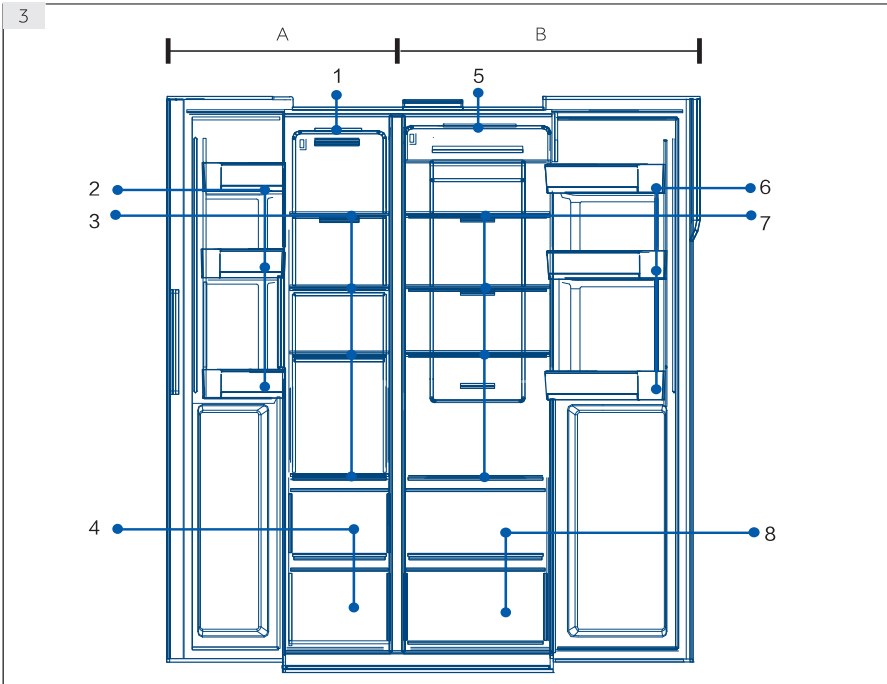
Manuale
d'uso

2.2

i Avvertenza

A causa di modifiche tecniche e modelli diversi, alcune delle illustrazioni di questo manuale possono differire dal modello in vostro possesso.

Immagine di elettrodomestici (Fig. 3)

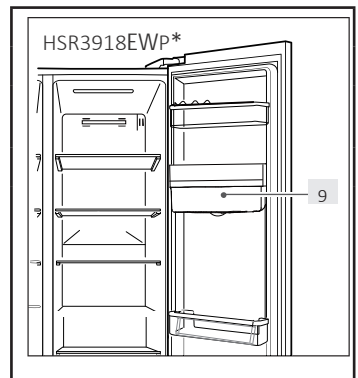


A: Cella congelatore

- 1 Lampada da soffitto
- 2 Ripiano della porta/ portabottiglie
- 3 Ripiani freezer
- 4 Cassetto freezer

B: Vano frigo

- 5 Lampada da soffitto
- 6 Ripiano della porta/ portabottiglie
- 7 Ripiani frigorifero
- 8 Cassetto frigorifero
- 9 Vaschetta acqua



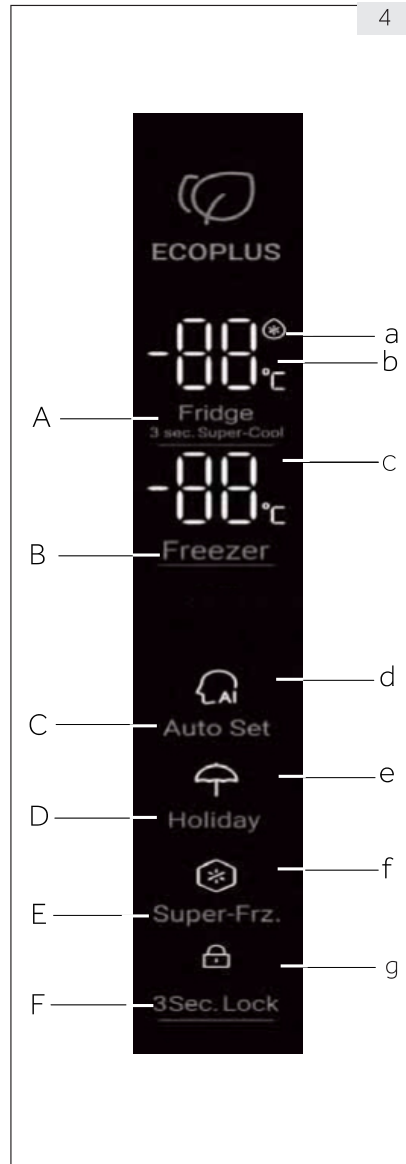
Pannello di controllo (Fig. 4)

Tasti:

- A Selettore frigorifero
- B Selettore freezer
- C Modalità Fuzzy
- D Modalità Holiday
- E Modalità Super-Freezing
- F Selettore blocco pannello

Indicatori:

- a Modalità Super-Cooling
- b Temperatura frigorifero
- c Temperatura freezer
- d Modalità Fuzzy
- e Modalità Holiday
- f Modalità Super-Freezing
- g Blocco pannello



5.1. Primo utilizzo

Quando il frigorifero si collega per la prima volta alla corrente, il display è acceso. La temperatura predefinita per il vano del frigorifero è di 4 °C, mentre il freezer è a -18 °C. La spia indicatrice della funzione intelligente è accesa.

5.2. Blocco/sblocco del pannello

Blocco automatico:

Quando la porta del frigorifero e quella del freezer sono chiuse, e non vi è alcuna operazione su un pulsante per 30 secondi, la spia indicatrice sul pannello si spegne automaticamente, e il pannello è bloccato.

Blocco manuale:

Quando il pannello è sbloccato, premere il pulsante Lock per 3 secondi: il cicalino emette un ronzio, l'indicatore di blocco è acceso e il display è bloccato.



Premere per 3 secondi

L'indicatore è acceso
Il pannello è bloccato

Sblocco:

Quando il pannello è spento, aprire qualsiasi porta del frigorifero o toccare qualsiasi pulsante del pannello di controllo, il pannello si accenderà. In questo momento, il pannello è bloccato. Premere il pulsante della funzione di blocco per 3 secondi, il cicalino si attiverà, l'indicatore di blocco è spento e il pannello è sbloccato.



Il pannello è acceso.
Aprire la porta o premere un pulsante qualsiasi

Mantenerlo per 3 secondi.

L'indicatore è spento
Il pannello è sbloccato

5.3. Regolazione della temperatura del frigorifero

- Quando il pannello di controllo è sbloccato, premere il "Selettore del frigorifero": il cicalino suona, l'indicatore della temperatura del frigorifero lampeggia. A questo punto è possibile impostare la temperatura del frigorifero.
- Poi, ad ogni pressione del selettore del frigorifero, il cicalino si attiva e l'impostazione diminuisce di 1. La sequenza di spostamento è in un ciclo continuo come "4 °C / 3 °C / 2 °C / 1 °C / 9 °C / 8 °C / 7 °C / 6 °C / 5 °C / 4 °C"



Avvertenza

- L'elettrodomestico è preimpostato alla temperatura consigliata di 4 °C (frigorifero) e -18 °C (freezer). In condizioni ambientali normali non è necessario impostare una temperatura.

5.4. Regolazione della temperatura del freezer

1. Quando il pannello di controllo è sbloccato, premere il “Selettore freezer”: il cicalino suona, l'indicatore della temperatura del freezer lampeggia. A questo punto è possibile impostare la temperatura del freezer.
2. Poi, ad ogni pressione del selettore del freezer, il cicalino suona, e la temperatura si abbassa di 1. La sequenza di spostamento è in un ciclo continuo come “-18 °C/-19 °C/-20 °C/-21 °C/-22 °C/-23 °C/-24 °C/-14 °C/-15 °C/-16 °C/-17 °C/-18 °C”.

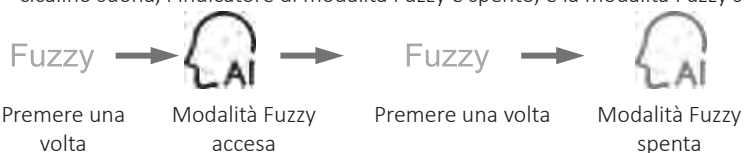


Avvertenza

- La temperatura è impostata, se non si preme alcun pulsante entro 5 secondi, la temperatura viene automaticamente confermata e salvata.

5.5. Impostazione automatica

1. Quando il pannello di controllo è sbloccato, premere il “Selettore modalità Fuzzy”: il cicalino suona, l'indicatore della modalità Fuzzy si accende. Si avvia la modalità Fuzzy.
2. Quando l'indicatore di modalità Fuzzy è acceso, premere il selettore di modalità Fuzzy e, il cicalino suona, l'indicatore di modalità Fuzzy è spento, e la modalità Fuzzy si chiude.





Avvertenza

- ▶ Quando la modalità Fuzzy è attiva, la temperatura del frigorifero e la temperatura del freezer non possono essere selezionate. Quando si preme il selettore del frigorifero o il selettore del freezer, l'indicatore di modalità Fuzzy lampeggia emettendo suoni per ricordare che l'operazione non è consentita. In modalità Fuzzy, se viene selezionata la funzione di Fast-Cooling, Fast-Freezing o Holiday, la modalità Fuzzy viene disattivata e si chiude automaticamente.

5.6. Modalità Holiday

La modalità Holiday è progettata per la situazione in cui non si intende utilizzare il frigorifero per un lungo periodo di tempo. Quando la modalità Holiday è attiva, è possibile selezionare la temperatura del freezer, mentre la temperatura del frigorifero è impostata automaticamente a 17 °C, il che evita qualsiasi odore dovuto all'alta temperatura del vano frigorifero e consente inoltre di risparmiare sui consumi energetici.

1. Quando il pannello di controllo è sbloccato, premere il "selettore modalità Holiday": il cicalino suona, l'indicatore della Funzione Holiday si accende. Si avvia la modalità Holiday.
2. Quando l'indicatore di modalità Holiday è acceso, premere il selettore di modalità Funzione Holiday, il cicalino suona, l'indicatore di modalità Holiday è spento, e la modalità Holiday si chiude.



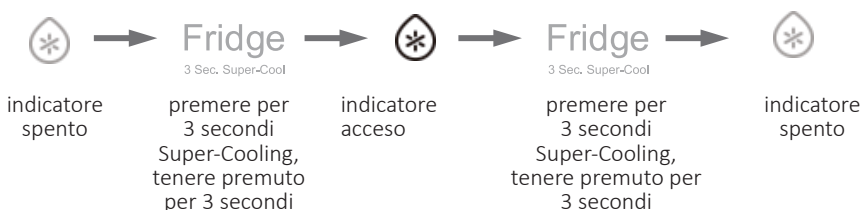
Avvertenza

- ▶ Quando la modalità Holiday è attiva, la temperatura del frigorifero non può essere selezionata. Quando si preme il selettore del frigorifero, l'indicatore di modalità Holiday lampeggia emettendo suoni per ricordare che l'operazione non è consentita. Prima di selezionare la modalità Holiday, si prega di svuotare il vano del frigorifero per evitare il deterioramento degli alimenti. Con la modalità Holiday attivata, non è possibile selezionare contemporaneamente la funzione intelligente e Fast-Cooling. Se si seleziona la modalità intelligente o il Fast-Cooling, l'indicatore della modalità Holiday si spegne e la funzione si chiude automaticamente.

5.7. Modalità Super-Cooling

1. Quando il pannello di controllo è sbloccato, premere il "selettore del Frigorifero" per 3 secondi: il cicalino suona, l'indicatore del Super-Cooling lampeggia. Avvio Super-Cooling.
2. Quando l'indicatore Super-Cooling è acceso, premere il selettore del frigorifero per 3 secondi, il cicalino emette un suono, l'indicatore Super-Cooling è spento. La modalità Super-Cooling si chiude.

3. Quando la modalità Super-Cooling è accesa, il frigorifero passa automaticamente allo stato di Super-Cooling spento dopo che la modalità Super-Cooling ha raggiunto la condizione impostata. Se si desidera uscire manualmente, è possibile premere il selettore del frigorifero per 3 secondi per disattivare la modalità Super-Cooling.



i Avvertenza

- ▶ Con la funzione Super-Cooling attivata, non è possibile selezionare contemporaneamente la modalità Fuzzy e la modalità Holiday. Se si seleziona la modalità Fuzzy o la modalità Holiday, l'indicatore della modalità Super-Cooling si spegne e il Super-Cooling si chiude automaticamente.

5.8. Modalità Super-Freezing

1. Quando il pannello di controllo è sbloccato, premere il "selettore Super-Freezing": il cicalino suona, l'indicatore del Super-Freezing si accende. La modalità Super-Freezing si avvia.
2. Con l'indicatore Super-Freezing acceso, premere il selettore Super-Freezing, il cicalino suona, l'indicatore Super-Freezing si spegne. La modalità Super-Freezing si chiude.
3. Quando la modalità Super-Freezing è accesa, il frigorifero passa automaticamente allo stato di Super-Freezing spento dopo che la modalità Super-Freezing ha raggiunto la condizione impostata. Se si desidera uscire manualmente, è possibile premere il selettore del Super-Freezing per 3 secondi per disattivare la modalità Super-Freezing.



i Avvertenza

- ▶ La modalità Super-Freezing è progettata per mantenere le sostanze nutritive degli alimenti nel vano freezer; gli alimenti vengono congelati nel minor tempo possibile. Se si deve congelare una grande quantità di alimenti in una sola volta, si raccomanda di impostare la modalità Super-Freezing con 24 ore di anticipo per raggiungere una temperatura più bassa nel vano freezer prima di introdurre gli alimenti. In queste condizioni, la velocità di congelamento nel vano freezer aumenta e gli alimenti possono essere congelati rapidamente, bloccando così efficacemente il deterioramento delle sostanze nutritive degli alimenti e facilitandone la conservazione. Nella condizione Super-Freezing, se si sceglie la funzione intelligente, l'indicatore Super-Freezing si spegne e la modalità Super-Freezing si chiude automaticamente.

5.9. Allarme di apertura porta

Quando il tempo di apertura della porta è troppo lungo o la porta non è chiusa, il frigorifero emette ogni volta un allarme gocciolamento e serve anche a ricordare di chiudere la porta in tempo.

5.10. Risparmio energetico del pannello di controllo

Nessuna operazione sul pannello di controllo per 30 secondi, il pannello si spegne automaticamente ed entra nello stato di blocco, che può far risparmiare energia. Quando si preme il pulsante della funzione di blocco o si apre una qualsiasi porta, il pannello di controllo si accende.

5.11. Funzione di memoria in caso di interruzione dell'alimentazione

Quando il frigorifero è spento, viene memorizzato lo stato di funzionamento momentaneo dell'interruzione di corrente. Dopo che l'alimentazione è stata ripristinata, il frigorifero continua a funzionare secondo la fase e lo stato operativo impostato prima dell'interruzione dell'alimentazione.

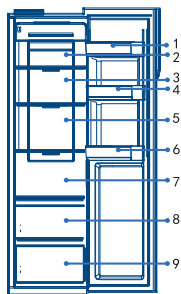
Attenzione: La funzione di blocco non è memorizzata. Dopo che il frigorifero è stato riacceso, il pannello di controllo inizia l'autodiagnosi, l'indicatore della funzione di blocco è spento e il frigorifero è sbloccato.

5.12. Suggerimenti per la conservazione degli alimenti freschi

5.12.1 Conservazione nel vano frigorifero

- ▶ Mantenere la temperatura del frigorifero al di sotto dei 5 °C.
- ▶ Gli alimenti caldi devono essere raffreddati a temperatura ambiente prima di essere conservati nell'elettrodomestico.
- ▶ Gli alimenti conservati in frigorifero devono essere lavati e asciugati prima di essere introdotti
- ▶ Gli alimenti da conservare devono essere adeguatamente sigillati per evitare alterazioni dell'odore o del sapore.
- ▶ Non conservare quantità eccessive di alimenti. Lasciare degli spazi tra gli alimenti per consentire il passaggio di aria fredda intorno ad essi, per un raffreddamento migliore e più omogeneo.
- ▶ Gli alimenti consumati quotidianamente devono essere conservati nella parte anteriore del ripiano
- ▶ Lasciare un vuoto tra gli alimenti e le pareti interne, permettendo il passaggio dell'aria. In modo particolare, non conservare gli alimenti contro la parete posteriore: gli alimenti potrebbero congelarsi contro la parete posteriore. Evitare il contatto diretto degli alimenti (soprattutto quelli oleosi o acidi) con il rivestimento interno, poiché l'olio/acido può erodere il rivestimento stesso. Pulire lo sporco oleoso/acido ogni volta che lo si trova.
- ▶ Scongelare i cibi surgelati nel vano del frigorifero. In questo modo, è possibile utilizzare i cibi surgelati per abbassare la temperatura nel vano e risparmiare energia.
- ▶ Il processo di invecchiamento di frutta e verdura come zucchine, meloni, papaia, banane, ananas, ecc. può essere accelerato in frigorifero. Pertanto, non è consigliabile conservarli in frigorifero. Tuttavia, la maturazione di frutti fortemente acerbi può essere promossa per un certo periodo. Anche le cipolle, l'aglio, lo zenzero e altre verdure a radice devono essere conservate a temperatura ambiente.
- ▶ Gli odori sgradevoli all'interno del frigorifero sono il segno che qualcosa si è rovesciato e che è necessario pulirlo. Vedere CURA E PULIZIA.
- ▶ I diversi alimenti devono essere collocati in aree diverse a seconda delle loro proprietà (Fig. 5.12.1/5.12.2):

5.12.1

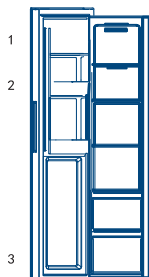


1. Burro, formaggio, ecc.
2. Sottaceti, cibi in scatola, ecc.
3. Sottaceti, cibi in scatola, ecc.
4. Lattine, cibi in scatola, spezie, ecc.
5. Prodotti a base di carne, snack, ecc.
6. Bevande e liquidi.
7. Pasta, cibi in scatola, latte, tofu, latticini, ecc.
8. Frutta, verdura, insalata, ecc.
9. Carne cotta, salsicce, ecc.

5.12.2 Conservazione nel vano freezer

- ▶ Mantenere la temperatura del freezer a -18 °C.
- ▶ 24 ore prima del congelamento attivare la funzione Super-Freezing: - per piccole quantità di alimenti sono sufficienti 4-6 ore.
- ▶ Gli alimenti caldi devono essere raffreddati a temperatura ambiente prima di essere conservati nel vano freezer.
- ▶ Gli alimenti tagliati in piccole porzioni si congeleranno più velocemente e saranno più facili da scongelare e cucinare. Il peso consigliato per ogni porzione è inferiore a 2,5 kg
- ▶ È meglio confezionare il cibo prima di metterlo in freezer. L'esterno dell'imballaggio deve essere asciutto per evitare che i sacchetti si attacchino uno all'altro. I materiali di imballaggio devono essere inodori, ermetici, non velenosi e atossici.
- ▶ Per evitare la scadenza dei periodi di conservazione, si prega di annotare sulla confezione la data di congelamento, il limite di tempo e il nome dell'alimento in base ai periodi di conservazione dei diversi alimenti.
- ▶ **AVVERTENZA!** Acido, alcali e sale potrebbero erodere la superficie interna del freezer. Non collocare gli alimenti che contengono queste sostanze (ad esempio pesci di mare) direttamente sulla superficie interna. L'acqua salata nel freezer deve essere pulita immediatamente.
- ▶ Non superare i tempi di conservazione degli alimenti consigliati dai produttori. Togliere dal freezer solo la quantità di alimenti necessaria.
- ▶ I diversi alimenti devono essere collocati in aree diverse a seconda delle loro proprietà (Fig. 5.12.2):

5.12.2



1. Articoli più leggeri, come gelati, verdure, pane, ecc.
2. Bevande a bassa gradazione alcolica e liquori ad alta gradazione alcolica per una conservazione temporanea, piccole parti come la pizza o le erbe.
3. Porzioni grandi/più pesanti di cibo, come le carni da arrostire



Avvertenza: Conservazione

- ▶ Mantenere una distanza superiore a 10 mm tra l'alimento e il sensore per garantire l'effetto di raffreddamento.
- ▶ Si prega di tenere il cassetto più basso quando l'elettrodomestico è in funzione per garantire l'effetto di raffreddamento.
- ▶ Gli alimenti con ghiaccio (come il gelato, ecc.) devono essere conservati all'interno del vano del freezer invece che sul portabottiglie, poiché le variazioni di temperatura del portabottiglie causate dall'apertura e dalla chiusura della porta possono scongelare gli alimenti.
- ▶ Consumare rapidamente gli alimenti scongelati. Gli alimenti scongelati non possono essere ricongelati se non sono prima cotti, altrimenti possono risultare non commestibili.
- ▶ Non introdurre quantità eccessive di alimenti freschi nel vano del freezer. Fare riferimento alla capacità di congelamento del freezer - Vedere DATI TECNICI o dati sulla targhetta.
- ▶ Gli alimenti possono essere conservati nel freezer ad una temperatura di almeno -18 °C per un periodo di 2-12 mesi, a seconda delle loro proprietà (ad esempio, la carne: 3-12 mesi, le verdure: 6-12 mesi)
- ▶ Quando si congelano gli alimenti freschi, evitare di metterli a contatto con alimenti già congelati. Rischio di scongelamento!
- ▶ Scongelare i cibi surgelati nel frigorifero. In questo modo, è possibile utilizzare i cibi surgelati per abbassare la temperatura nel vano e risparmiare energia.

5.12.3 Quando si conservano alimenti surgelati in commercio, si prega di rispettare le seguenti linee guida:

- ▶ Seguire sempre le linee guida del produttore per il periodo di tempo per il quale si devono conservare gli alimenti. Non superare i limiti posti da queste linee guida!
- ▶ Cercare di mantenere il più breve possibile il tempo che intercorre tra l'acquisto e la conservazione per preservare la qualità degli alimenti.
- ▶ Acquistare alimenti surgelati che sono stati conservati ad una temperatura di -18 °C o inferiore.
- ▶ Evitare l'acquisto di alimenti con ghiaccio o brina sulla confezione. Ciò indica che i prodotti potrebbero essere stati parzialmente scongelati e ricongelati in una certa fase. L'aumento della temperatura influisce sulla qualità degli alimenti.

5.13 Erogatore acqua(HSR3918EWP*)

Con l'erogatore acqua si può prelevare acqua potabile fredda.

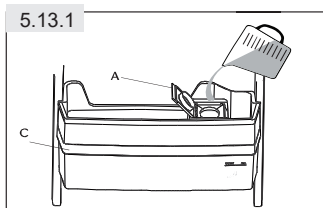
Il serbatoio dell'acqua deve essere pulito prima del primo utilizzo (vedere CURA E PULIZIA).

5.13.1 Riempimento del serbatoio dell'acqua



AVVERTENZA!

Utilizzare solo acqua potabile.



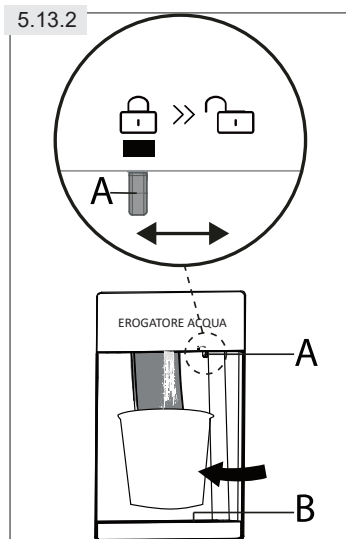
1. Assicurarsi che il serbatoio dell'acqua sia inserito correttamente (vedi APPARECCHIATURE)
2. Aprire il tappo (A) e versare acqua potabile fresca nel serbatoio dell'acqua (Fig. 5.13.1)
3. Riempire di acqua solo fino al segno (2,5 l); poiché potrebbe traboccare quando si apre e si chiude la porta.
4. Chiudere completamente il tappo (A).



Avvertenza: Erogatore acqua

- ▶ Prima del riempimento, smaltire l'acqua residua e pulire il serbatoio dell'acqua.
- ▶ Quando non si ha bisogno di acqua per un lungo periodo di tempo, svuotare il serbatoio dell'acqua e inserire il serbatoio pulito.
- ▶ **Il coperchio (C) sul serbatoio dell'acqua (Fig. 5.13.1) viene utilizzato in aggiunta per risparmiare energia.** Se non si desidera ottenere acqua dall'erogatore per un lungo periodo di tempo, mettere comunque il coperchio per un migliore isolamento e un risparmio energetico.

5.13.2 Prelevare l'acqua dall'erogatore

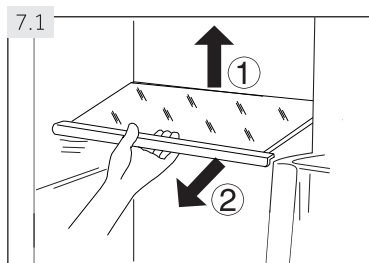


1. Assicuratevi che il blocco (A) sia spostato su "Sbloccare" (Fig. 5.13.2).
2. Mettere un bicchiere sotto l'uscita dell'acqua.
3. Spingerlo delicatamente contro la leva dell'erogatore acqua con il bicchiere. Assicurarsi che il bicchiere sia allineato con l'erogatore per evitare che l'acqua schizzi fuori.
4. L'acqua nella vaschetta (B) deve essere rimossa in tempo perché potrebbe traboccare quando lo sportello si apre e si chiude.
5. Far scorrere la serratura (A) nella posizione "Lock"



Accorgimenti per il risparmio energetico

- ▶ Accertarsi che l'elettrodomestico sia adeguatamente ventilato (vedere INSTALLAZIONE).
- ▶ Non installare l'elettrodomestico alla luce diretta del sole o in prossimità di fonti di calore (ad esempio stufe, riscaldatori).
- ▶ Evitare che la temperatura dell'apparecchio sia inutilmente bassa. Il consumo di energia aumenta quanto più bassa è la temperatura impostata nell'elettrodomestico.
- ▶ Funzioni come Super-Cooling o Super-Freezing consumano più energia.
- ▶ Lasciare raffreddare gli alimenti caldi prima di metterli nell'elettrodomestico.
- ▶ Aprire lo sportello dell'elettrodomestico il meno possibile e tenerlo aperto il più breve tempo possibile.
- ▶ Non riempire eccessivamente l'elettrodomestico per evitare di ostruire il flusso d'aria.
- ▶ Evitare l'aria all'interno dell'imballaggio alimentare.
- ▶ Mantenere le guarnizioni della porta pulite in modo che la porta si chiuda sempre correttamente.
- ▶ Scongelare i cibi surgelati nel vano del frigorifero.



7.1 Ripiani regolabili

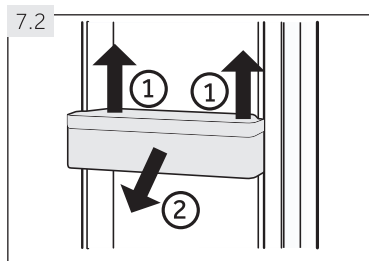
L'altezza dei ripiani può essere regolata in base alle vostre esigenze di conservazione.

1. Per riposizionare un ripiano, rimuoverlo prima sollevandone il bordo posteriore (1) ed estraendolo (2) (Fig. 7.1).
2. Per reinstallarlo, posizionarlo sulle alette su entrambi i lati e spingerlo nella posizione più arretrata fino a fissare la parte posteriore del ripiano all'interno delle fessure dei lati.



Avvertenza: Ripiani

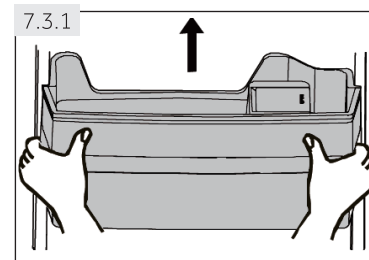
Assicurarsi che tutte le estremità di un ripiano siano livellate.



7.2 Ripiani della porta/portabottiglie rimovibili

Tutti i ripiani della porta e i portabottiglie possono essere estratti per la pulizia:

1. Mettere le mani su ogni lato del ripiano/portabottiglie e sollevarlo verso l'alto (1) (Fig. 7.2).
2. Estrarre il ripiano della porta/portabottiglie (2).
3. Per l'inserimento del ripiano della porta/portabottiglie, le fasi sopra descritte vengono eseguite in ordine inverso.




7.3 Vaschetta acqua(HSR3918EWP*)

7.3.1 Togliere la vaschetta dell'acqua

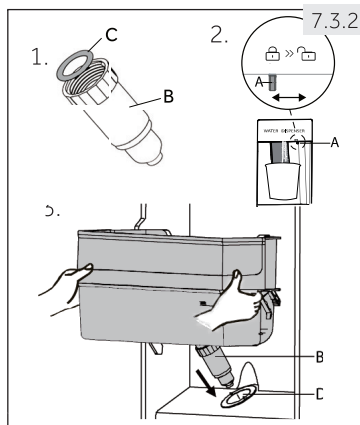
La vaschetta dell'acqua può essere rimossa e rimontata per la pulizia allo stesso modo dei ripiani della porta (Fig. 7.3.1).

7.3.2 Introduzione della vaschetta dell'acqua

1. Assicurarsi che il beccuccio erogatore (B) sia saldamente avvitato alla vaschetta dell'acqua e che l'O-ring bianco (C) sia in posizione (Fig. 7.3.2-1.).
2. Far scorrere la serratura (A) nella posizione  "Lock" (Fig. 7.3.2-2.).
3. Posizionare la vaschetta dell'acqua nella posizione in cui il beccuccio erogatore (B) si inserisce nell'apertura dello sportello (D) (Fig. 7.3.2-3.).

Avvertenza: Vaschetta acqua

- ▶ Se la vaschetta dell'acqua non è inserita correttamente, l'acqua può gocciolare dal collegamento.
- ▶ Non usare una forza eccessiva quando si toglie o inserisce la vaschetta dell'acqua, per evitare di danneggiarla.



7.4 Portabottiglie - vano freezer

I portabottiglie del vano freezer sono destinati alla conservazione temporanea di liquori ad alto contenuto di alcool. Le bevande a bassa gradazione alcolica devono essere raffreddate in frigorifero.

Inoltre è possibile conservare piccole parti nei portabottiglie.



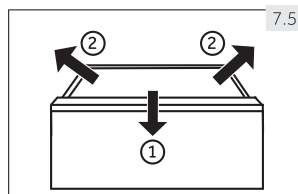
AVVERTENZA!

Bottiglie e lattine possono scoppiare! Impostare un timer che vi ricorderà di rimuovere le bottiglie/lattine a bassa gradazione alcolica..

7.5 Cassetto estraibile

Per estrarre il cassetto dal frigorifero o dal freezer, estrarlo al massimo (1), sollevarlo e toglierlo (2) (Fig. 7.5).

Per l'inserimento del cassetto, le fasi sopra descritte vengono eseguite in ordine inverso.



7.6 Luce

La luce interna a LED entra in funzione quando viene aperta la porta. Le prestazioni delle luci non sono influenzate da altre impostazioni degli elettrodomestici.

**AVVERTENZA!**

Disinserire l'alimentazione elettrica all'elettrodomestico prima di effettuare la pulizia.

8.1 Pulizia

Pulire l'elettrodomestico quando si conservano pochi alimenti o quando è vuoto.

L'elettrodomestico dovrebbe essere pulito ogni quattro settimane per una buona manutenzione e per evitare cattivi odori di alimenti conservati.

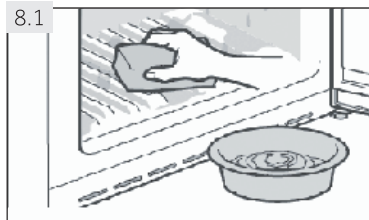
**AVVERTENZA!**

Non pulire l'elettrodomestico con spazzole rigide, spazzole metalliche, polvere detergente, benzina, acetato di amile, acetone e soluzioni organiche simili, soluzioni acide o alcaline.

Pulire con un detersivo speciale per frigorifero per evitare danni.

- ▶ Non spruzzare o risciacquare l'elettrodomestico durante la pulizia.
- ▶ Non utilizzare getti d'acqua o di vapore per pulire l'elettrodomestico.
- ▶ Non pulire i ripiani di vetro freddi con acqua calda. Un improvviso cambiamento di temperatura può provocare la rottura del vetro.
- ▶ Non toccare la superficie interna del vano di conservazione del freezer, soprattutto con le mani bagnate, poiché le mani potrebbero congelare sulla superficie.
- ▶ In caso di riscaldamento controllare lo stato dei prodotti congelati.

8.1



- ▶ Tenere sempre pulita la guarnizione della porta.
- ▶ Pulire l'interno e l'alloggiamento dell'elettrodomestico con una spugna inumidita in acqua calda e detergente neutro (Fig. 8.1).

1. Strofinare l'interno e l'esterno del frigorifero, compresa la guarnizione della porta, il ripiano della porta, i ripiani in vetro, i contenitori, ecc., con un asciugamano morbido o una spugna immersa in acqua calda (si può aggiungere del detersivo neutro nell'acqua calda).
2. In caso di fuoriuscita di liquido, rimuovere tutte le parti contaminate, sciacquare direttamente con acqua corrente, asciugare e rimettere in frigorifero.
3. Se c'è della panna versata (come la panna, gelato che si scioglie), togliete tutte le parti contaminate, mettetele in acqua calda a circa 40 °C per un po' di tempo, poi sciacquatele con acqua corrente, asciugatele e rimettetele in frigorifero.
4. Nel caso in cui qualche piccolo pezzo o componente rimanga incastrato all'interno del frigorifero (tra i ripiani o i cassetti), utilizzare una piccola spazzola morbida per liberarli. Se non riuscite a raggiungere il pezzo, contattate il servizio Haier.


- ▶ Risciacquare e asciugare con uno panno morbido.
- ▶ Non pulire nessuna parte dell'elettrodomestico in lavastoviglie.
- ▶ Attendere almeno 5 minuti prima di riavviare l'elettrodomestico poiché un avviamento frequente può danneggiare il compressore.

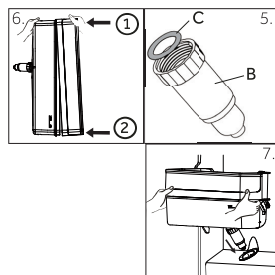
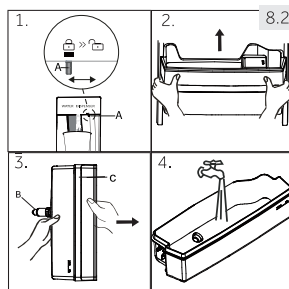
Sbrinamento

Lo sbrinamento del frigorifero e del freezer avviene automaticamente; non è necessaria alcuna operazione manuale.

8.2 Pulizia della vaschetta dell'acqua

(Fig. 8.2) (HSR3918EWP*)

1. Far scorrere la serratura (A) nella posizione  "Lock".
2. Togliere la vaschetta dell'acqua dall'elettrodomestico.
3. Rimuovere il coperchio (C) e svitare delicatamente il beccuccio erogatore (B).
4. Pulire la vaschetta dell'acqua e il beccuccio erogatore con acqua corrente calda e detersivo liquido per piatti. Accertarsi di eliminare tutto il detersivo.
5. Montare il beccuccio erogatore (B) e fare attenzione che sia saldamente avvitato alla vaschetta dell'acqua e che l'O-ring bianco (C) sia in posizione.
6. Premere il coperchio per combinarlo con un lato della vaschetta dell'acqua e poi l'altro lato; controllare che la vaschetta dell'acqua e il coperchio siano montati completamente.
7. Inserire la vaschetta all'interno dell'elettrodomestico. Accertarsi che il beccuccio erogatore sia inserito correttamente nell'apertura della porta.



8.3 Sostituzione della lampada a LED



AVVERTENZA!

Non sostituire la lampada a LED da soli, deve essere sostituita solo dal produttore o dal servizio di assistenza autorizzato.

La lampada adotta il LED come sorgente luminosa, con basso consumo energetico e lunga durata. In caso di anomalia, si prega di contattare il servizio clienti. Vedere SERVIZIO CLIENTI.

Parametri delle lampade: 12 V max. 3 W.

8.4 Non utilizzo per un periodo più lungo

Se l'elettrodomestico non viene utilizzato per un periodo di tempo prolungato, e se non si utilizzerà la funzione Holiday per il frigorifero:

- ▶ Togliere gli alimenti.
- ▶ Svuotare e pulire la vaschetta dell'acqua.
- ▶ Staccare il cavo di alimentazione elettrica dall'impianto elettrico.
- ▶ Pulire l'elettrodomestico come descritto in precedenza.
- ▶ Tenere le porte aperte per evitare la formazione di cattivi odori all'interno.



Avvertenza: Spegnimento

Spegnere l'elettrodomestico solo se strettamente necessario.

8.5 Spostamento dell'elettrodomestico

1. Togliere tutti gli alimenti e staccare l'elettrodomestico.
2. Fissare gli scaffali e le altre parti mobili nel frigorifero e nel freezer con nastro adesivo.
3. Non inclinare l'elettrodomestico più di 45° per evitare di danneggiare il sistema di refrigerazione.



AVVERTENZA!

Non sollevare l'elettrodomestico per le maniglie.

- ▶ Non posizionare mai l'elettrodomestico orizzontalmente a terra.

Molti dei problemi che si verificano possono essere risolti da soli senza una competenza specifica. In caso di problemi, verificare tutte le possibilità illustrate e seguire le seguenti istruzioni prima di contattare un servizio post-vendita. Vedere SERVIZIO CLIENTI.



AVVERTENZA!

Prima della manutenzione, disattivare l'elettrodomestico e togliere la spina dalla presa di alimentazione.

- ▶ La manutenzione delle apparecchiature elettriche deve essere eseguita solo da esperti elettrici qualificati, perché riparazioni improprie possono causare notevoli danni conseguenti.
- ▶ Un cavo di alimentazione danneggiato deve essere sostituito unicamente dal produttore, dal suo servizio tecnico o da un tecnico qualificato, per evitare rischi.

Problema	Possibile causa	Possibile soluzione
Il compressore non funziona.	<ul style="list-style-type: none"> • La spina di rete non è collegata alla presa di corrente. • L'elettrodomestico è nel ciclo di sbrinamento. 	<ul style="list-style-type: none"> • Collegare la spina di alimentazione di rete. • Questo è normale per uno sbrinamento automatico.
L'elettrodomestico funziona frequentemente o funziona per un periodo di tempo troppo lungo.	<ul style="list-style-type: none"> • La temperatura interna o esterna è troppo elevata. • L'elettrodomestico è rimasto spento per un certo periodo di tempo. • Una porta dell'elettrodomestico non è ben chiusa. • L'apertura della porta è troppo frequente o troppo prolungata. • L'impostazione della temperatura del vano freezer è troppo bassa. • La guarnizione della porta è sporca, consumata, rotta o fuori sede. • La necessaria circolazione dell'aria non è garantita. 	<ul style="list-style-type: none"> • In questo caso è normale che l'elettrodomestico funzioni più a lungo. • Normalmente ci vogliono dalle 8 alle 12 ore perché l'elettrodomestico si raffreddi completamente. • Chiudere la porta e assicurarsi che l'elettrodomestico sia posizionato su un terreno piano e che non vi siano alimenti o contenitori che ostacolano la chiusura della porta. • Non aprire la porta con troppa frequenza. • Impostare la temperatura più alta fino ad ottenere una temperatura soddisfacente del frigorifero. Ci vogliono 24 ore perché la temperatura del frigorifero diventi stabile. • Pulire la guarnizione della porta o farla sostituire dal servizio clienti. • Garantire una ventilazione adeguata.

Problema	Possibile causa	Possibile soluzione
L'interno del frigorifero è sporco e/o emette cattivi odori.	<ul style="list-style-type: none"> • L'interno del frigorifero ha bisogno di essere pulito. • Alimenti che rilasciano un forte odore conservati nel frigorifero. 	<ul style="list-style-type: none"> • Pulire l'interno del frigorifero. • Avvolgere bene gli alimenti.
Non fa abbastanza freddo all'interno dell'elettrodomestico.	<ul style="list-style-type: none"> • La temperatura è impostata su valori troppo elevati. • Sono stati introdotti alimenti troppo caldi. • Sono stati introdotti troppi alimenti in una sola volta. • Gli alimenti sono troppo vicini gli uni agli altri. • Una porta dell'elettrodomestico non è ben chiusa. • L'apertura della porta è troppo frequente o troppo prolungata. 	<ul style="list-style-type: none"> • Ripristinare la temperatura. • Raffreddare sempre gli alimenti prima di introdurli. • Conservare sempre piccole quantità di alimenti. • Lasciare uno spazio vuoto tra i diversi alimenti permettendo un flusso d'aria. • Chiudere la porta. • Non aprire la porta con troppa frequenza.
È troppo freddo all'interno dell'elettrodomestico.	<ul style="list-style-type: none"> • La temperatura è stata impostata su valori troppo bassi. • La funzione Super-Cooling/Super-Freezing è attivata o dura da troppo tempo. 	<ul style="list-style-type: none"> • Ripristinare la temperatura. • Disattivare la funzione Super-Cooling/Super-Freezing.
Formazione di acqua sul fondo del vano frigorifero.	<ul style="list-style-type: none"> • Il clima è troppo caldo e troppo umido. • Una porta dell'elettrodomestico non è ben chiusa. • L'apertura della porta è troppo frequente o troppo prolungata. • I contenitori per alimenti o i liquidi vengono lasciati aperti. 	<ul style="list-style-type: none"> • Aumentare la temperatura. • Chiudere la porta. • Non aprire la porta con troppa frequenza. • Lasciare raffreddare gli alimenti caldi a temperatura ambiente; coprire alimenti e liquidi.
L'umidità si accumula sulla superficie esterna del frigorifero o tra le porte.	<ul style="list-style-type: none"> • Il clima è troppo caldo e troppo umido. • La porta è chiusa male. L'aria fredda all'interno dell'elettrodomestico e l'aria calda all'esterno condensano. 	<ul style="list-style-type: none"> • Questo è normale in un clima umido e cambierà quando l'umidità diminuisce. • Assicurarsi che la porta sia chiusa bene.

Problema	Possibile causa	Possibile soluzione
Ghiaccio forte e brina nel vano freezer.	• Gli alimenti non sono stati adeguatamente imballati.	• Imballare sempre bene gli alimenti.
	• Una porta/cassetto dell'elettrodomestico non è ben chiusa/o.	• Chiudere la porta/il cassetto.
	• L'apertura della porta è troppo frequente o troppo prolungata.	• Non aprire la porta con troppa frequenza.
	• La guarnizione della porta è sporca, consumata, rotta o fuori sede.	• Pulire la guarnizione della porta o farla sostituire dal guarnizioni nuove.
	• Qualcosa all'interno impedisce alla porta di chiudersi correttamente.	• Riposizionare i ripiani, i ripiani delle porte o i contenitori interni per consentire la chiusura della porta.
L'elettrodomestico è insolitamente rumoroso.	• L'elettrodomestico non si trova su un terreno pianeggiante.	• Regolare i piedini per livellare l'elettrodomestico.
	• L'elettrodomestico tocca uno degli oggetti che si trovano intorno.	• Togliere gli oggetti intorno all'elettrodomestico.
Si sente un leggero suono simile a quello dell'acqua che scorre.	• Questo è normale.	• –
Sentirete un segnale acustico di allarme.	• La porta è aperta.	• Chiudere la porta.
Sentirete un debole ronzio.	• Il sistema anticondensa si è attivato.	• Serve per prevenire la condensazione ed è normale.
Il sistema di illuminazione interna o di raffreddamento non funziona.	• La spina di rete non è collegata alla presa di corrente.	• Collegare la spina di alimentazione di rete.
	• L'alimentazione non è intatta.	• Controllare l'alimentazione elettrica della stanza. Chiamare l'azienda elettrica locale!
	• La lampada a LED è guasta.	• Chiamare il servizio di assistenza per la sostituzione della lampada.
I lati dell'armadio e la striscia della porta si riscaldano.	• Questo è normale.	• –

Problema	Possibile causa	Possibile soluzione
Non esce acqua dal beccuccio erogatore dell'acqua	<ul style="list-style-type: none"> • Il blocco non è disattivato. 	<ul style="list-style-type: none"> • Disattivare il blocco.

9.2 Interruzione di corrente

In caso di interruzione di corrente, gli alimenti devono rimanere freddi per circa 5 ore. Seguire questi consigli durante un'interruzione prolungata della corrente, soprattutto in estate:

- ▶ Aprire la porta/il cassetto il meno possibile.
- ▶ Non mettere altri alimenti nell'elettrodomestico durante un'interruzione di corrente.
- ▶ Se viene dato preavviso di un'interruzione di corrente e la durata dell'interruzione è superiore a 5 ore, fare del ghiaccio e metterlo in un contenitore nella parte superiore del vano frigorifero.
- ▶ Subito dopo l'interruzione è necessaria un'ispezione degli alimenti.
- ▶ Poiché la temperatura nel frigorifero aumenterà durante un'interruzione di corrente o un altro guasto, il periodo di conservazione e la qualità degli alimenti commestibili si ridurrà. Gli alimenti che si scongelano devono essere consumati, o cotti e ricongelati (ove opportuno) subito dopo per evitare rischi per la salute.



Avvertenza: Funzione di memoria durante l'interruzione dell'alimentazione

Dopo il ripristino della corrente l'elettrodomestico continua con le impostazioni che erano state effettuate prima della mancanza di corrente.

10.1 Disimballaggio

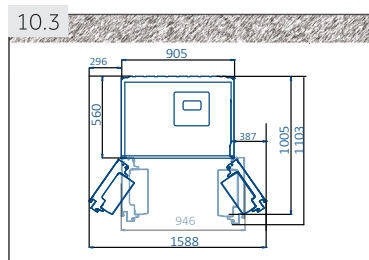


AVVERTENZA!

- ▶ L'elettrodomestico è pesante. Maneggiare sempre con almeno due persone.
 - ▶ Tenere tutti i materiali di imballaggio fuori dalla portata dei bambini e smaltirli nel rispetto dell'ambiente.
- ▶ Estrarre l'elettrodomestico dall'imballaggio.
 - ▶ Rimuovere tutti i materiali di imballaggio, compresa la pellicola protettiva trasparente.

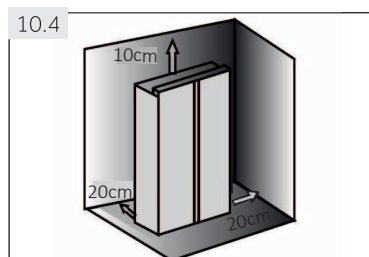
10.2 Condizioni ambientali

La temperatura ambiente deve essere sempre compresa tra 16 °C e 43 °C, poiché può influenzare la temperatura all'interno dell'elettrodomestico e il suo consumo energetico. Non installare l'elettrodomestico vicino ad altri elettrodomestici che emettono calore (forni, frigoriferi) senza isolamento.



10.3 Requisiti di spazio

Spazio necessario all'apertura della porta (Fig. 10.3):
Larghezza dell'elettrodomestico: 1588 mm
Profondità dell'elettrodomestico: 1103 mm



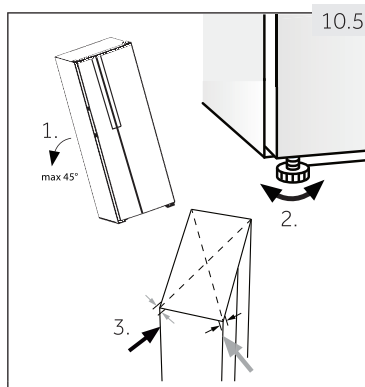
10.4 Sezione trasversale di ventilazione

Per ottenere una sufficiente ventilazione dell'elettrodomestico per motivi di sicurezza, è necessario rispettare le indicazioni relative alle sezioni di ventilazione necessarie (Fig. 10.4).

10.5 Allineamento dell'elettrodomestico

L'elettrodomestico deve essere collocato su una superficie piano e solida.

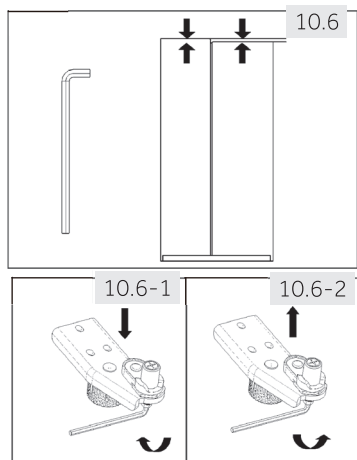
1. Inclinare leggermente l'elettrodomestico all'indietro (Fig. 10.5).
2. Regolare i piedini al livello desiderato.
Assicurarsi che la distanza dalla parete sui lati della cerniera sia di almeno 5 cm.
3. La stabilità può essere verificata battendo alternativamente sulle diagonali. Il lieve ondeggiamento dovrebbe essere lo stesso in entrambe le direzioni. Altrimenti il telaio può deformarsi; il risultato sono possibili perdite dalle guarnizioni della porta. Una leggera tendenza verso la parte posteriore facilita la chiusura delle porte.



10.6 Messa a punto delle porte

Se le porte non sono ancora su un unico livello dopo averle livellate con i piedini, questo disallineamento può essere corretto ruotando con una chiave l'albero di sollevamento della cerniera nell'angolo inferiore destro della porta del frigorifero (Fig. 10.6).

- ▶ Ruotare in senso orario l'albero di sollevamento con la chiave per abbassare l'altezza della porta (Fig. 10.6-1).
- ▶ Ruotare in senso antiorario l'albero di sollevamento con la chiave per sollevare l'altezza della porta (Fig. 10.6-2).

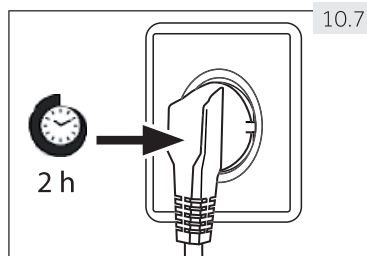


AVVERTENZA!

Non regolare l'albero di sollevamento della cerniera ad un'altezza eccessiva che potrebbe far sì che l'albero lasci la sua posizione originale bloccata. (Intervallo di altezza regolabile: 3 mm)

10.7 Tempo di attesa

L'olio di lubrificazione esente da manutenzione si trova nella capsula del compressore. Questo olio può penetrare attraverso il sistema di tubazioni chiuse durante il trasporto inclinato. Prima di collegare l'elettrodomestico all'alimentazione elettrica bisogna attendere almeno 2 ore (Fig. 10.7) in modo che l'olio ritorni nella capsula.



10.8 Collegamento elettrico

Prima di ogni collegamento controllare se:

- ▶ la presa di alimentazione e i fusibili corrispondono alla targhetta.
- ▶ la presa di corrente è messa a terra e non vi sono prese multiple o prolunghe.
- ▶ la spina e la presa di corrente sono rigorosamente conformi.

Collegare la spina ad una presa domestica installata correttamente.



AVVERTENZA!

Per evitare rischi, un cavo di alimentazione danneggiato deve essere sostituito dal servizio clienti (vedere scheda di garanzia).

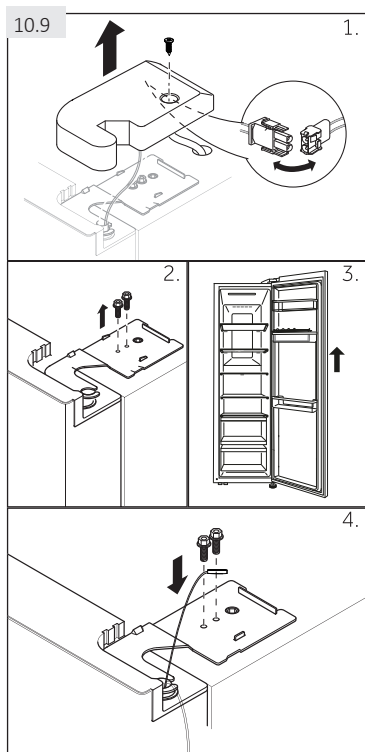
10.9 Smontaggio e montaggio della porta

Nel caso in cui sia necessario rimuovere le porte dell'elettrodomestico, rispettare le seguenti istruzioni per lo smontaggio e il montaggio delle porte (Fig. 10.9)



AVVERTENZA!

- ▶ Prima qualsiasi operazione, disattivare l'elettrodomestico e togliere la spina dalla presa di alimentazione.
- ▶ L'elettrodomestico è pesante. Maneggiare sempre con almeno due persone.
- ▶ Non inclinare l'apparecchio più di 45° e non posizionarlo orizzontalmente a terra



1. Svitare la vite del coperchio della cerniera e togliere il coperchio. Sganciare il connettore del cavo.
2. Svitare le viti che tengono in posizione la cerniera superiore e quindi togliere la cerniera.
3. Sollevare lo sportello del vano frigorifero per toglierlo.
4. Rimontare la porta invertendo le fasi di rimozione. Assicurarsi che il cavo di messa a terra sia fissato con la vite.



Avvertenza: Porta frigorifero

Le immagini mostrano la rimozione della porta del vano frigorifero. Per la porta del freezer utilizzare le parti corrispondenti sull'altro lato.

11.1 Scheda prodotto secondo il regolamento UE n. 1060/2010

Marchio	Haier
Identificatore del modello	HSR3918FNP *
Categoria del modello	Frigorifero-Freezer
Classe di efficienza energetica	A+
Consumo annuo di energia (kWh)	399
Volume di conservazione- raffreddamento (l)	337
Volume di conservazione- congelamento (l) ****	167
Valutazione a stelle	✱ ***
Temperatura degli altri vani > 14 °C	Non applicabile
Sistema Frostfree	Si
Tempo di aumento della temperatura (h)	5
Capacità di congelamento (kg/ 24 h)	10
Classe climatica Questo elettrodomestico è destinato ad essere utilizzato ad una temperatura ambiente compresa tra 10 °C e 43 °C.	SN-N-ST-T
Emissioni di rumore aereo (db(A) re 1pW)	38
Tipo di costruzione	Libera installazione

Sulla base dei risultati di test standard per 24 ore. Il consumo effettivo di energia dipenderà da come l'elettrodomestico viene utilizzato e da dove si trova.

11.1.1 Dati tecnici aggiuntivi

Tensione/Frequenza	220-240 V-/50 Hz
Potenza in ingresso (W)	200
Fusibile principale (A)	15
Refrigerante	R600a
Dimensioni (A/L/P in mm)	1775/908/647

11.1.2 Norme e direttive

Questo prodotto soddisfa i requisiti di tutte le direttive CE applicabili con le corrispondenti norme armonizzate, che prevedono la marcatura CE.

Raccomandiamo il nostro Servizio Clienti Haier e l'utilizzo di pezzi di ricambio originali.

Se avete un problema con il vostro elettrodomestico, controllate prima la sezione "QUALCOSA NON FUNZIONA?"

Se non riuscite a trovare una soluzione, contattate

- ▶ il vostro rivenditore locale o
- ▶ l'area Service & Support all'indirizzo www.haier.com dove si possono trovare numeri di telefono e FAQ e dove è possibile attivare la segnalazione di assistenza.

Per contattare il nostro Servizio, assicuratevi di avere a disposizione i seguenti dati.

Le informazioni si trovano sulla targhetta.

Modello _____ Numero di serie _____

Controllare anche la Scheda di Garanzia fornita con il prodotto in caso di garanzia.



Haier



0060528721



Návod k obsluze

Chladnička/mraznička

HSR3918ENP*

HSR3918EWP*

HSR3918FNP*

***=W,B,L,G,N**

CZ

Haier

Děkujeme vám za zakoupení výrobku Haier.

Před použitím spotřebiče si laskavě pečlivě přečtěte tyto pokyny. Pokyny obsahují důležité informace, které vám pomohou ze spotřebiče vytěžit maximum a zajistí bezpečnou a správnou instalaci, používání a údržbu.

Tento návod k obsluze uschovejte na vhodném místě, abyste si jej mohli kdykoli prohlédnout pro bezpečné a správné používání spotřebiče.

Pokud spotřebič prodáváte, darujete nebo ho při stěhování ponecháte na starém místě, zajistěte se, abyste také zanechali tento návod k obsluze, aby se nový majitel mohl seznámit se spotřebičem a bezpečnostními upozorněními.

Legenda

Varování – důležité bezpečnostní informace



Obecné informace a rady



Informace o životním prostředí



Likvidace

Pomozte chránit životní prostředí a lidské zdraví. Obal vložte do příslušných obalů a recyklujte jej. Pomozte recyklovat odpad z elektrických a elektronických spotřebičů. Spotřebiče označené tímto symbolem nevyhazujte s domácím odpadem. Vraťte výrobek do místního recyklačního zařízení nebo se obraťte na obecní úřad.



VAROVÁNÍ!

Nebezpečí zranění nebo udušení!

Chladiva a plyny musí být odborně zlikvidovány. Před řádnou likvidací se ujistěte, že hadička chladičového okruhu není poškozena. Odpojte spotřebič od elektrické sítě. Odřízněte síťový kabel a zlikvidujte jej. Vyjměte zásobníky a zásuvky, jakož i západku dvířek a těsnění, abyste zabránili zavření dětí a domácích zvířat ve spotřebiči.

Staré spotřebiče mají stále určitou zbytkovou hodnotu. Ekologický způsob likvidace zajistí, že cenné suroviny budou moci být znovu získány a použity.

Cyklopentan, hořlavá látka, která není škodlivá pro ozon, se používá jako expandér pro izolační pěnu.

Zajištěním správné likvidace tohoto produktu pomůžete zabránit možným negativním důsledkům na životní prostředí a lidské zdraví, k nimž by jinak došlo.

Podrobnější informace o recyklaci tohoto výrobku získáte na místním obecním úřadu, středisku pro likvidaci domovního odpadu nebo v obchodě, kde jste tento výrobek zakoupili.

1- Bezpečnostní informace	4
2- Zamýšlené použití	8
3- Popis produktu.....	10
4- Ovládací panel	11
5- Použití	12
6- Rady k úspoře energie	20
7- Vybavení.....	21
8- Péče a čištění	23
9- Odstraňování problémů.....	26
10- Instalace.....	29
11- Technické údaje	33
12- Zákaznický servis.....	34

Před prvním zapnutím spotřebiče si přečtěte následující bezpečnostní pokyny:



VAROVÁNÍ!

Před prvním použitím

- ▶ Ujistěte se, že při přepravě nevznikla žádná poškození.
- ▶ Odstraňte všechny obaly a uchovávejte je mimo dosah dětí.
- ▶ Před instalací spotřebiče počkejte alespoň dvě hodiny, abyste zajistili plnou účinnost chladicího okruhu.
- ▶ Se spotřebičem manipulujte vždy s nejméně dvěma osobami, protože je těžký.

Instalace

- ▶ Spotřebič by měl být umístěn na dobře větraném místě. Zajistěte prostor nejméně 20 cm nad spotřebičem a 10 cm kolem něj.
- ▶ Nikdy neumísťujte spotřebič do vlhkého prostředí nebo na místo, kde by mohl být postříkán vodou. Vyčistěte a osušte postříky vody a skvrny měkkým čistým hadříkem.
- ▶ Spotřebič neinstalujte na přímé sluneční světlo nebo v blízkosti zdrojů tepla (např. kamna, topná tělesa).
- ▶ Spotřebič nainstalujte a vyrovnejte v prostoru vhodném pro jeho velikost a použití.
- ▶ Udržujte větrací otvory na spotřebiči nebo vestavěné konstrukci bez překážek.
- ▶ Ujistěte se, že elektrické informace na jmenovitém štítku odpovídají zdroji napájení. Pokud tomu tak není, obraťte se na elektrikáře.
- ▶ Spotřebič je napájen napájecím zdrojem 220-240 V střídavého proudu/50 Hz. Abnormální kolísání napětí může způsobit spuštění spotřebiče, poškození regulátoru teploty nebo kompresoru, nebo může dojít k abnormálnímu hluku při provozu. V takovém případě musí být namontován automatický regulátor.
- ▶ Pro snadný přístup ke zdroji napájení použijte samostatnou uzemněnou zásuvku. Spotřebič musí být uzemněn.
- ▶ **Pouze pro Spojené království:** Napájecí kabel spotřebiče je vybaven 3vodičovou (uzemňovací) zástrčkou, která odpovídá standardní 3vodičové (uzemněné) zásuvce. Nikdy neodřízněte ani neodpojujte třetí kolík (uzemnění). Po instalaci spotřebiče by měla být zástrčka přístupná.
- ▶ Nepoužívejte adaptéry a prodlužovací kabely s více zásuvkami.
- ▶ Ujistěte se, že napájecí kabel není zachycen spotřebičem. Nešlapejte na napájecí kabel.
- ▶ Nesmí dojít k poškození chladicího okruhu.
- ▶ **V zadní části spotřebiče neumísťujte vícenásobné přenosné prodlužovací zásuvky ani přenosné napájecí zdroje.**



VAROVÁNÍ!

Denní používání

- ▶ Tento spotřebič smějí používat děti starší 8 let a osoby se sníženými fyzickými, smyslovými nebo duševními schopnostmi nebo bez patřičných zkušeností a znalostí, pokud jsou pod dohledem osoby odpovědné za jejich bezpečnost, případně byly poučeny o bezpečném používání spotřebiče a rozumějí možným nebezpečím.
- ▶ Vkládat potraviny do chladicího spotřebiče a vyjímat je ven mohou děti ve věku od 3 do 8 let, ale nesmí čistit a instalovat chladicí spotřebiče.
- ▶ Udržujte spotřebič mimo dosah dětí do 3 let, pokud nejsou pod neustálým dohledem.
- ▶ Děti nesmějí bez dozoru dospělých spotřebič čistit, ani provádět činnosti údržby.
- ▶ Děti si se spotřebičem nesmějí hrát.
- ▶ **Spotřebič musí být umístěn tak, aby byla zástrčka přístupná.**
- ▶ Pokud v blízkosti spotřebiče uniká chladicí plyn nebo jiný hořlavý plyn, vypněte ventil unikajícího plynu, otevřete dveře a okna a neodpojujte zástrčku napájecího kabelu spotřebiče nebo jiného spotřebiče.
- ▶ Všimněte si, že spotřebič je nastaven pro provoz **ve specifickém rozmezí teplot okolního prostředí mezi 10 °C a 38 °C**. Spotřebič nemusí správně fungovat, pokud byl delší dobu ponechán při teplotě vyšší nebo nižší, než je uvedený rozsah.
- ▶ Na **spotřebič nepokládejte nestabilní předměty (těžké předměty, nádoby naplněné vodou), vyhněte se zranění osob** způsobenému jejich pádem nebo úrazem elektrickým proudem po kontaktu s vodou.
- ▶ Netahejte za poličky dvířek. Dvířka mohou být vytažena šikmo, stojan na lahve může být vytažen ven, nebo se spotřebič může převrátit.
- ▶ Dveře otevírejte a zavírejte pouze pomocí madel. Mezera mezi dvířky a mezi dvířky a skříň je velmi úzká. Nevkládejte ruce do těchto oblastí, aby nedošlo k sevření prstů. Dvířka otevírejte nebo zavírejte, pouze pokud v dosahu pohybu dvířek nestojí žádné děti.
- ▶ Neskladujte ani nepoužívejte hořlavé, výbušné nebo korozivní materiály ve spotřebiči nebo v jeho blízkosti.
- ▶ Neuchovávejte léky, bakterie nebo chemické látky ve spotřebiči. Tento spotřebič je domácí spotřebič. Nedoporučuje se skladovat materiály, které vyžadují přesně vymezené teploty.
- ▶ V mrazničce nikdy neskladujte tekutiny v lahvích nebo plechovkách (kromě lihovin s vysokým obsahem alkoholu), zejména sycené nápoje, protože během zmrazování prasknou.

**VAROVÁNÍ!****Denní používání**

- ▶ Zkontrolujte stav potravin, pokud došlo ke zvýšení teploty v mrazáku.
- ▶ V chladničce nenastavujte zbytečně nízkou teplotu. Při vysokých nastaveních může dojít k minusovým teplotám. Pozor: Láhve mohou prasknout.
- ▶ Nedotýkejte se zmrazeného zboží mokřýma rukama (noste rukavice). Zejména nejezte zmrzliny bezprostředně po vyjmutí z oddílu mrazničky. Hrozí nebezpečí zamrznutí nebo tvorby puchýřů. PRVNÍ pomoc: udržujte okamžitě pod tekoucí studenou vodou. Nevytahujte!
- ▶ Během provozu se nedotýkejte vnitřního povrchu mrazicího oddílu, zejména mokřýma rukama, protože vaše ruce mohou přimrznout na povrchu.
- ▶ V případě výpadku napájení nebo před čištěním spotřebič odpojte. Před opětovným spuštěním spotřebiče počkejte nejméně 5 minut, protože časté spouštění může poškodit kompresor.
- ▶ Nepoužívejte elektrická zařízení v odkládacích prostorách spotřebiče, pokud nejsou typu doporučeného výrobcem.
- ▶ Pitnou vodu používejte pouze u modelů s dávkovačem vody.

Údržba / čištění

- ▶ Pokud čištění a údržbu provádějí děti, ujistěte se, že jsou pod dozorem.
- ▶ Před prováděním jakékoli běžné údržby odpojte spotřebič od elektrické sítě. Před opětovným spuštěním spotřebiče počkejte nejméně 5 minut, protože časté spouštění může poškodit kompresor.
- ▶ Při odpojování spotřebiče držte zástrčku, nikoli kabel.
- ▶ Neseškrabávejte námrazu a led ostrými předměty. Nepoužívejte spreje, elektrické ohřívače, jako je topení, vysoušeč vlasů, parní čističe ani jiné zdroje tepla, aby nedošlo k poškození plastových dílů.
- ▶ Nepoužívejte mechanické nástroje nebo jiné prostředky k urychlení procesu odmrazování, pokud nejsou doporučeny výrobcem.
- ▶ **Nečistěte spotřebič tvrdými kartáči, drátěnými kartáči, čisticími prášky, organickými roztoky jako například benzínem, amylacetátem, acetonem a podobně, kyselými nebo alkalickými roztoky. Čištění provádějte pomocí speciálního mycího prostředku na chladničky, aby se předešlo poškození.**
- ▶ **Nakonec použijte teplou vodu a roztok jedlé sody – asi lžici jedlé sody na litr/čtvrt vody. Důkladně opláchněte teplou vodou a otřete dosucha. Nepoužívejte čisticí prášky nebo jiné abrazivní čisticí prostředky. Nemyjte odnímatelné části v myčce nádobí.**



VAROVÁNÍ!

Údržba / čištění

- ▶ Jestliže je poškozený napájecí kabel, smí ho vyměnit pouze výrobce, servisní technik nebo osoba s podobnou příslušnou kvalifikací, jinak by mohlo dojít k úrazu.
- ▶ Nepokoušejte se spotřebič opravovat, rozebírat ani upravovat sami. V případě, že je nutná oprava, obraťte se na náš zákaznický servis.
- ▶ Jestliže jsou lampy osvětlení poškozené, smí je vyměnit pouze výrobce, jeho servisní technik nebo osoby s podobnou příslušnou kvalifikací, jinak by mohlo dojít k úrazu.
- ▶ Alespoň jednou za rok odstraňte prach na zadní straně jednotky, aby se předešlo nebezpečí požáru a zvýšené spotřebě energie.
- ▶ Spotřebič během čištění nepostříkujte ani nevyplachujte.
- ▶ Při čištění spotřebiče nepoužívejte vodní sprej ani páru.
- ▶ Chladné skleněné police nečistěte horkou vodou. Náhlá změna teploty může způsobit rozbití skla.
- ▶ Ponecháte-li spotřebič delší dobu mimo provoz, nechte jej otevřený, aby se uvnitř nevytvářel zápach a nepříjemné pachy.

Informace o chladicím plynu



VAROVÁNÍ!

Spotřebič obsahuje hořlavé chladivo ISOBUTAN (R600a). Ujistěte se, že během přepravy nebo instalace nedošlo k poškození chladicího okruhu. Únik chladiva může způsobit poranění očí nebo vznícení. Pokud dojde k poškození, držte se dále od otevřeného ohně, důkladně větrejte místnost, nezapojte ani neodpojte napájecí kabely spotřebiče nebo jiného spotřebiče. Informujte zákaznický servis.

V případě kontaktu očí s chladivem jej okamžitě vypláchněte pod tekoucí vodou a zavolejte očního lékaře.

VAROVÁNÍ: Chladicí systém je pod vysokým tlakem. Do spotřebiče nikdy nezasahujte. Vzhledem k tomu, že spotřebič používá hořlavá chladiva, provádějte instalaci, manipulaci a servis přísně v souladu s návodem a v případě likvidace spotřebiče se obraťte na odborníka nebo na náš poprodejní servis.

2.1 Zamýšlené použití

Spotřebič je určen k použití v domácnosti a v podobných prostředích, například

- v kuchyňských prostorách pro zaměstnance v obchodech, kancelářích a jiných pracovních prostředích;
 - v zemědělských domech a místnostech klientů v hotelech, motelech a jiných obytných prostředích;
 - v prostředích pro nocleh se snídaní;
 - ve stravovacích a podobných zařízeních mimo maloobchod.
- Pokud se spotřebič delší dobu nepoužívá a pro chladničku/mrazničku budete používat pouze funkci Dovolena nebo funkci vypnutí ledničky:
- Vydejte jídlo.
 - Odpojte napájecí kabel.
 - Vyprázdněte a vyčistěte nádržku na vodu.
 - Vyčistěte spotřebič, jak je popsáno výše.
 - Ponechte dvířka otevřená, abyste zabránili vytváření nepříjemných pachů uvnitř.
- Pro zajištění bezpečného uchování potravin nebo vína dodržujte prosím tento návod k použití.
- Aby nedošlo ke kontaminaci potravin (neplatí pro vinný sklep), dodržujte prosím následující pokyny:
- Otevírání dvířek na dlouhou dobu může v oddílech spotřebiče způsobit výrazné zvýšení teploty.
 - Pravidelně čistěte povrchy, které mohou přijít do styku s potravinami, a přístupné odvodňovací systémy.
 - Vyčistěte nádržky, pokud nebyly používány po dobu 48 hodin; pokud nebyla voda odebrána po dobu 5 dnů, propláchněte vodní systém připojený k přívodu vody.
- Syrové maso a ryby skladujte ve vhodných nádobách v chladničce/mrazničce tak, aby nepřicházely do kontaktu s jinými potravinami nebo aby z nich nekapalo na jiné potraviny. Pro zajištění bezpečného uchování potravin se instantní potraviny a syrové maso/ryby skladují odděleně.
- Dvouhvězdičkové oddíly pro zmrazené potraviny jsou vhodné pro skladování předem zmrazených potravin, skladování nebo výrobu zmrzliny a výrobu kostek ledu.
 - Jednohvězdičkové, dvouhvězdičkové a tříhvězdičkové prostory nejsou vhodné pro zmrazování čerstvých potravin.
 - Pokud je chladicí spotřebič po delší dobu ponechán prázdný, vypněte jej, odmrzte, vyčistěte, vysušte a nechte dvířka otevřená, aby se zabránilo tvorbě plísní uvnitř spotřebiče.
- V následující části jsou uvedeny podrobnosti o nevhodnějším oddílu v prostoru spotřebiče, kde by se měly skladovat určité druhy potravin, s přihlédnutím k možnému rozložení teplot v různých oddílech spotřebiče, jsou uvedeny v části dalšího návodu k obsluze.

Likvidace

Symbol na obalu a jeho balení udává, že tento výrobek nepatří do domácího odpadu. Místo toho je nutné jej odvézt do příslušného sběrného místa pro recyklaci elektrického a elektronického zařízení. Zajištěním správné likvidace tohoto výrobku pomůžete zabránit případným negativním důsledkům na životní prostředí a lidské zdraví, k nimž by jinak došlo nevhodnou likvidací tohoto výrobku. Podrobnější informace o recyklaci tohoto výrobku získáte na místním obecním úřadu, středisku pro likvidaci domovního odpadu nebo v obchodě, kde jste tento výrobek zakoupili.

Vzhledem k tomu, že spotřebič používá hořlavé izolační ventilační plyny, v případě likvidace spotřebiče se obraťte na odborníka nebo na náš poprodejní servis.



VAROVÁNÍ!

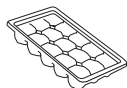
Nebezpečí udušení!

Chladiva a plyny musí být odborně zlikvidovány. Před řádnou likvidací se ujistěte, že hadička chladičím okruhu není poškozena. Odpojte spotřebič od elektrické sítě. Odřízněte síťový kabel a zlikvidujte jej. Vyjměte zásobníky a zásuvky, jakož i západku dvířek a těsnění, abyste zabránili zavření dětí a domácích zvířat ve spotřebiči.

Změny nebo úpravy zařízení nejsou povoleny. Nezamýšlené použití může způsobit nebezpečí a ztrátu práv na reklamace ze záruky.

2.2 Příslušenství

Zkontrolujte příslušenství a literaturu podle tohoto seznamu (obr. 2.2):



Misky na kostky ledu



Zásobník na vejce



Imbusový klíč



Záruční list



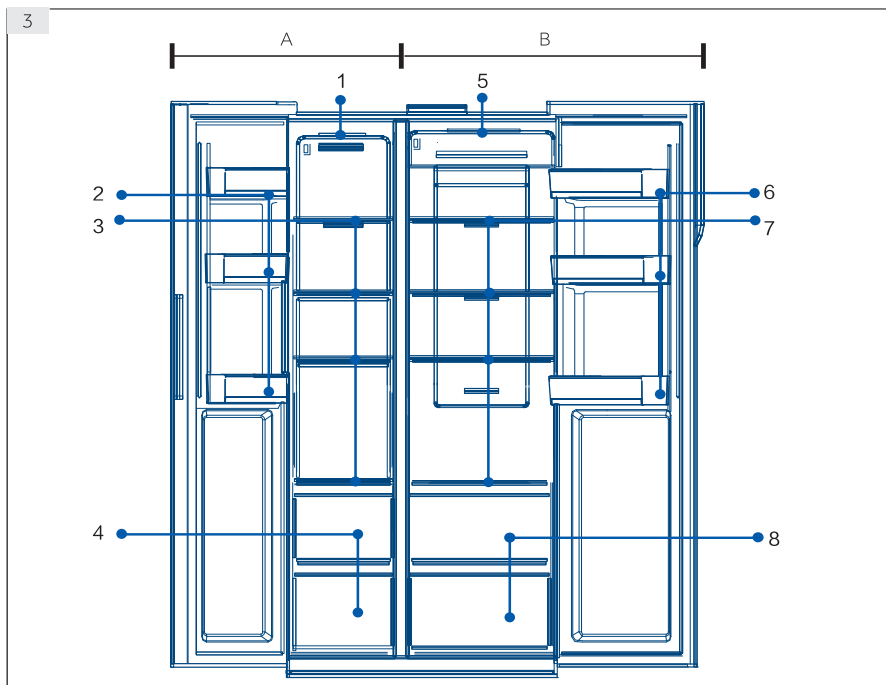
Návod k obsluze

2.2

i Upozornění

Kvůli technickým změnám a různým modelům se některé ilustrace v tomto návodu mohou lišit od vašeho modelu.

Obrázky spotřebičů (obr. 3)

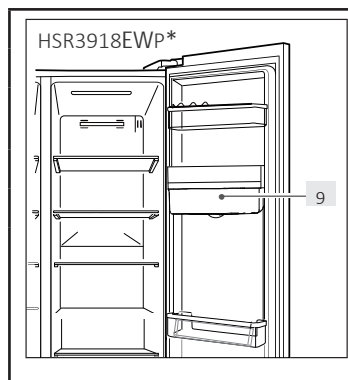


A: Oddíl mrazničky

- 1 Stropní lampa
- 2 Stojan do dvířek/držák na lahve
- 3 Police mrazničky
- 4 Příhrádka mrazničky

B: Oddíl chladničky

- 5 Stropní lampa
- 6 Stojan do dvířek/držák na lahve
- 7 Police ledničky
- 8 Příhrádka ledničky
- 9 Nádržka na vodu



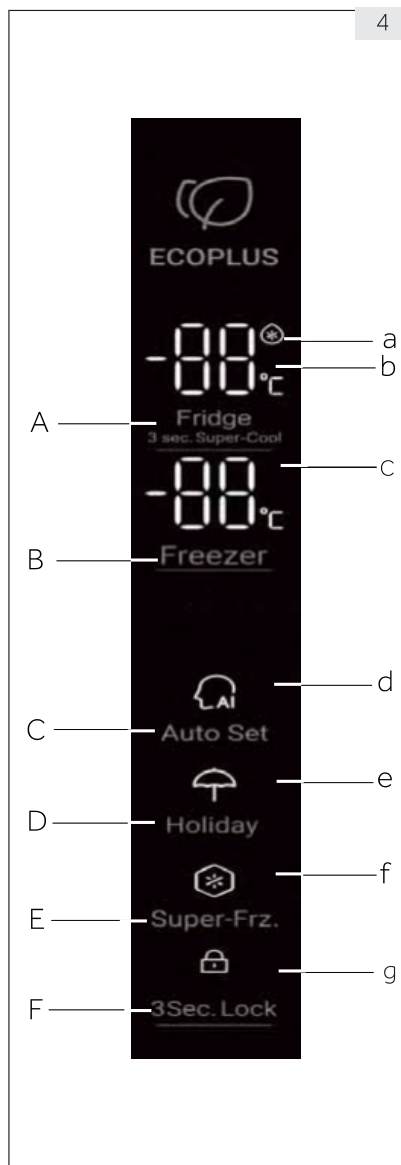
Ovládací panel (obr. 4)

Tlačítka:

- A Volič ledničky
- B Volič mrazničky
- C Režim Fuzzy
- D Režim Dovolená
- E Režim Super mrazení
- F Přepínač uzamknutí panelu

Ukazatele:

- a Režim Super chlazení
- b Teplota ledničky
- c Teplota mrazničky
- d Režim Fuzzy
- e Dovolená
- f Režim Super mrazení
- g Zámek panelu



5.1 První použití

Když se chladnička poprvé připojí k napájení, displej je zapnutý. Výchozí teplota oddílu chladničky je 4 °C a mrazničky -18 °C. Kontrolka funkce inteligence svítí.

5.2 Uzamknout/odemknout panel

Automatické uzamknutí:

Když jsou dvířka ledničky a mrazničky zavřená a po dobu 30 sekund se nepoužije žádné tlačítko, kontrolka panelu se automaticky vypne a panel se uzamkne.

Manuální uzamknutí:

Když je panel odemčený, stiskněte tlačítko Zamknout na 3 sekundy a bzučák vydá bzučivý zvuk, indikátor zámku svítí a displej je uzamčen.



Stiskněte na 3 sekundy

Indikátor svítí
Panel je uzamčený

Odemknutí:

Když je panel vypnutý, otevřete jakékoli dvířka chladničky nebo se dotkněte jakéhokoli tlačítka na ovládacím panelu a panel se rozsvítí. V tuto chvíli je panel uzamčen. Stiskněte funkční tlačítko zámku na 3 sekundy, zazní bzučák, indikátor zámku je vypnutý a panel je odemčen.



Panel je zapnutý.
Otevřete dvířka nebo stiskněte jakékoli tlačítko

Držte 3 s.

Indikátor nesvítí
Panel je odemčený

5.3 Nastavení teploty ledničky

- Když je ovládací panel odemčen, stiskněte „Volič chladničky“ a zazní bzučák, indikátor teploty ledničky bliká. Nyní lze nastavit teplotu ledničky.
- Poté se při každém stisknutí voliče ledničky ozve bzučák a nastavení se sníží o 1. Sekvence přepínání je v souvislé smyčce jako „4 °C/3 °C/2 °C/1 °C/9 °C/8 °C/7 °C/6 °C/5 °C/4 °C“



Stiskněte jednou

Blikání
Ve stavu nastavení

Stiskněte jednou

Nastavení bylo dokončeno

i Upozornění

- ▶ Spotřebič je nastaven na doporučenou teplotu 4 °C (chladnička) a- 18 °C (mraznička). Za normálních okolních podmínek není třeba nastavovat teplotu.

5.4 Nastavení teploty mrazničky

1. Když je ovládací panel odemčen, stiskněte tlačítko „Volič chladničky“ a zazní bzučák, indikátor teploty mrazničky bliká. Nyní lze nastavit teplotu mrazničky.
2. Poté se při každém stisknutí voliče mrazničky ozve bzučák a nastavení se sníží o 1. Sekvence přepínání je v souvislé smyčce jako „-18 °C/-19 °C/-20 °C/-21 °C/-22 °C/-23 °C/-24 °C/-14 °C/-15 °C/-16 °C/-17 °C/-18 °C“.

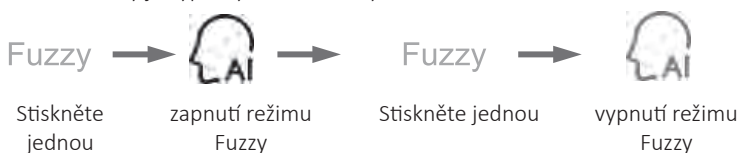


i Upozornění

- ▶ Teplota je nastavena, pokud během 5 sekund nezmáčknete žádné tlačítko, teplota se automaticky potvrdí a uloží.

5.5 Automatické nastavení

1. Když je ovládací panel odemčen, stiskněte „Volič režimu Fuzzy“ a zazní bzučák. Indikátor režimu Fuzzy svítí. Spustí se režim Fuzzy.
2. Je-li indikátor režimu Fuzzy zapnutý, stiskněte volič režimu Fuzzy a zazní bzučák, indikátor režimu Fuzzy je vypnutý a režim Fuzzy se uzavře.



i Upozornění

- ▶ Je-li režim Fuzzy zapnutý, nelze zvolit teplotu ledničky a teplotu mrazničky. Po stisknutí voliče ledničky nebo mrazničky bliká kontrolka režimu Fuzzy se zvukem připomínajícím, že operace není povolena. Je-li v režimu Fuzzy vybrána funkce rychlého chlazení, rychlého zmrazení nebo dovolené, režim Fuzzy je vypnutý a režim Fuzzy se automaticky uzavře.

5.6 Režim Dovolená

Režim Dovolená je navržen pro situaci, že chladnička nebude delší dobu používána. Je-li režim Dovolená zapnutý, lze zvolit teplotu mrazničky, zatímco teplota ledničky je automaticky nastavena na 17 °C, což zabraňuje zápachu způsobenému vysokou teplotou v oddílu chladničky a také šetří spotřebu energie.

1. Když je ovládací panel odemčen, stiskněte „Volič režimu Dovolená“ a zazní bzučák, svítí indikátor funkce Dovolená. Spustí se režim Dovolená.
2. Když svítí kontrolka režimu Dovolená, stiskněte volič funkce Dovolená a zazní bzučák, indikátor režimu Dovolená zhasne a režim Dovolená se uzavře.



Upozornění

- ▶ Je-li zapnut režim Dovolená, nelze zvolit teplotu ledničky. Po stisknutí voliče ledničky bliká indikátor režimu Dovolená se zvukem připomínajícím, že operace není povolena. Před volbou režimu Dovolená vyprázdněte ledničku, aby nedošlo ke zhoršení stavu potravin. Při zapnutém režimu Dovolená nelze současně zvolit funkci inteligence a rychlé chlazení. Je-li zvolen režim inteligence nebo rychlé chlazení, indikátor režimu Dovolená je vypnutý a funkce se automaticky uzavře.

5.7 Režim Super chlazení

1. Když je ovládací panel odemčen, stiskněte na 3 sekundy tlačítko „Volič ledničky“ a zazní bzučák, rozsvítí se indikátor Super chlazení. Super chlazení se spustí.
2. Když se rozsvítí indikátor super chlazení, stiskněte volič ledničky po dobu 3 sekund, zazní bzučák a indikátor Super chlazení je vypnutý. Režim Super chlazení se zavře
3. Po zapnutí režimu Super chlazení se chladnička automaticky přepne do stavu vypnutí režimu Super chlazení poté, co režim Super chlazení dosáhne nastaveného stavu. Chcete-li režim Super chlazení vypnout ručně, stiskněte na 3 sekundy volič ledničky.

Indikátor je vypnutý



**Upozornění**

- ▶ Při zapnutí funkci Super chlazení nelze současně vybrat režim Fuzzy a režim Dovolená. Je-li vybrán režim Fuzzy nebo režim Dovolená, indikátor superchlazení je vypnutý a Super chlazení se automaticky zavře.

5.8 Režim Super mrazení

1. Když je ovládací panel odemčen, stiskněte přepínač Super mrazení a zazní bzučák, rozsvítí se kontrolka Super mrazení. Spustí se režim Super mrazení.
2. Při zapnutém indikátoru Super mrazení stiskněte volič Super mrazení, zazní bzučák a indikátor Super mrazení je vypnutý. Režim Super mrazení se zavře.
3. Je-li zapnut režim Super mrazení, chladnička se automaticky přepne do vypnutého režimu Super mrazení poté, co režim Super mrazení dosáhne nastaveného stavu. Chcete-li režim Super mrazení vypnout ručně, stiskněte přepínač Super mrazení na dobu 3 sekund.



indikátor je
vypnutý



Super-Frz.



indikátor svítí



Super-Frz.



indikátor je
vypnutý

**Upozornění**

- ▶ Režim Super mrazení je navržen tak, aby zachoval živiny v potravinách v oddílu mrazničky a potraviny byly zmrazeny v co nejkratší době. Pokud má být zmrazeno velké množství potravin najednou, doporučuje se 24 hodin předem nastavit režim Super mrazení, aby se v oddílu mrazničky dosáhlo nižší teploty, než je potravina vložena do oddílu mrazničky. Za těchto podmínek se zvyšuje rychlost zmrazování v oddílu mrazničky a potraviny lze rychle zmrazit, čímž se účinně zajistí výživa potravin a usnadní se skladování. Chcete-li v režimu Super mrazení zvolit funkci inteligence, indikátor Super mrazení je vypnutý a režim Super mrazení se automaticky uzavře.

5.9 Alarm otevřených dvířek

Pokud je doba otevření dvířek příliš dlouhá nebo dvířka nejsou zavřená, chladnička pokaždé spustí alarm kapání a připomene vám, abyste dvířka včas zavřeli.

5.10 Úspora energie na ovládacím panelu

V případě žádné operace na ovládacím panelu po dobu 30 sekund se panel automaticky vypne a přejde do stavu uzamčení, což může ušetřit energii. Po stisknutí tlačítka funkce uzamčení nebo otevření jakýchkoli dvířek se ovládací panel rozsvítí.

5.11 Funkce paměti výpadku napájení

Když se chladnička vypne, uloží se okamžitý provozní stav výpadku napájení. Po opětovném připojení napájení chladnička nadále pracuje v souladu se stavem přepínání a funkcí nastaveným před výpadkem napájení.

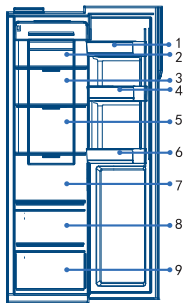
Pozor: Funkce uzamčení se neukládá v paměti. Po opětovném zapnutí chladničky začne ovládací panel provádět vlastní kontrolu, indikátor funkce uzamčení zhasne a chladnička se odemkne.

5.12 Tipy na skladování čerstvých potravin

5.12.1 Uložení v oddílu ledničky

- ▶ Udržujte teplotu ledničky pod 5 °C.
- ▶ Teplé potraviny musí být před uložením do spotřebiče ochlazený na pokojovou teplotu.
- ▶ Potraviny skladované v ledničce je třeba před uskladněním umýt a vysušit
- ▶ Potraviny, které mají být skladovány, by měly být řádně uzavřeny, aby se zabránilo zápachu nebo změnám chuti.
- ▶ Neskladujte nadměrné množství potravin. Pro lepší a homogennější chlazení ponechte prostor mezi potravinami, aby kolem nich proudil studený vzduch.
- ▶ Potraviny, které se konzumují každý den, by měly být skladovány v přední části police
- ▶ Ponechte mezeru mezi potravinami a vnitřními stěnami, aby mohl proudit vzduch. Zvláště neukládejte potraviny tak, aby byly v kontaktu se zadní stěnou: potraviny v kontaktu se zadní stěnou by mohly zamrznout. Zabraňte přímému kontaktu potravin (zejména mastných nebo kyselých potravin) s vnitřním pláštěm, protože olej/kyselina může vnitřní plášť narušit. Při každém zjištění očistěte mastné/kyselé nečistoty.
- ▶ Mražené potraviny rozmrazte v oddílu ledničky. Tímto způsobem můžete mražené potraviny použít ke snížení teploty v oddílu a úspoře energie.
- ▶ Proces zrání ovoce a zeleniny, jako jsou cukety, melouny, papája, banány, ananas atd., může být urychlen v lednici. Proto se nedoporučuje uchovávat je v ledničce. Zrání silně zeleného ovoce však může být po určitou dobu podporováno. Cibule, česnek, zázvor a jiná kořenová zelenina by také měly být skladovány při pokojové teplotě.
- ▶ Nepříjemné zápachy uvnitř ledničky jsou známkou rozlití, a že je potřeba čištění. Viz ČIŠTĚNÍ A ÚDRŽBA.
- ▶ Různé potraviny by měly být umístěny na různých místech podle jejich vlastností (obr. 5.12.1/5.12.2):

5.12.1

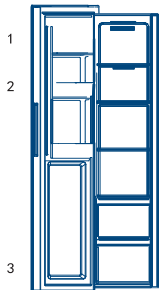


- 1 Máslo, sýr atd.
- 2 Nakládané potraviny, konzervované potraviny atd.
- 3 Nakládané potraviny, konzervované potraviny atd.
- 4 Plechovky, konzervy, koření atd.
- 5 Masné výrobky, drobné občerstvení atd.
- 6 Nápoje a balené potraviny.
- 7 Těstoviny, konzervy, mléko, tofu, mléčné výrobky atd.
- 8 Ovoce, zelenina, salát atd.
- 9 Vařené maso, klobásy atd.

5.12.2 Uložení v oddílu mrazničky

- ▶ Udržujte teplotu mrazničky na -18 °C.
- ▶ 24 hodin před zmrazením zapněte funkci Super mrazení: -pro malá množství potravin postačuje 4-6 hodin.
- ▶ Teplé potraviny musí být před uložením v oddílu mrazničky ochlazeny na pokojovou teplotu.
- ▶ Potraviny rozřezané na malé porce zamrznou rychleji a snadněji se rozmrazují a vaří. Doporučená hmotnost pro každou porci je menší než 2,5 kg
- ▶ Před vložením do mrazničky je lepší potraviny zabalit. Vnější strana obalu musí být suchá, aby se vaky neslepily. Obalové materiály by měly být bez zápachu, vzduchotěsné, nejedovaté a netoxické.
- ▶ Aby nedocházelo k uplynutí doby skladování, poznamenejte na obalu datum zmrazení, lhůtu a název potraviny podle doby skladování různých potravin.
- ▶ **VAROVÁNÍ!** Kyselina, zásada, sůl atd. mohou narušit vnitřní povrch mrazničky. Nepokládejte potraviny obsahující tyto látky (např. mořské ryby) přímo na vnitřní povrch. Slaná voda v mrazáku by měla být okamžitě vyčištěna.
- ▶ Nepřekračujte dobu skladování potravin doporučenou výrobcem. Vyměňte z mrazničky pouze požadované množství potravin.
- ▶ Různé potraviny by měly být umístěny na různých místech podle jejich vlastností (obr. 5.12.2):

5.12.2



- 1 Lehčí položky, jako je zmrzlina, zelenina, chléb atd.
- 2 Nápoje bez vysokého obsahu alkoholu a dočasné skladování lihovin s vysokým obsahem alkoholu, malé kusky jako pizza nebo bylinky.
- 3 Velké/těžší porce potravin, jako jsou kusy masa k pečení

**Poznámka: Skladování**

- ▶ Udržujte prosím vzdálenost mezi umístěnými potravinami a senzorem větší než 10 mm, abyste zajistili chladicí účinek.
- ▶ Pokud spotřebič pracuje, ponechte prosím nejnižší zásuvku, aby byl zajištěn chladicí účinek.
- ▶ Potraviny s ledem (jako je zmrzlina atd.) by měly být skladovány v oddílu mrazničky namísto na držáku lahve, protože změny teploty v držáku lahve způsobené otevřením a zavřením dvířek mohou potraviny rozmrazit.
- ▶ Rozmražené potraviny rychle zkonzumujte. Rozmražené potraviny nemohou být znovu zmrazeny, pokud nejsou nejprve tepelně upraveny, jinak poté nemusí být jedlé.
- ▶ Do oddílu mrazničky nekládejte nadměrné množství čerstvých potravin. Viz mrazicí kapacita mrazničky – viz TECHNICKÉ ÚDAJE nebo údaje na typovém štítku.
- ▶ Potraviny mohou být skladovány v mrazničce při teplotě nejméně -18 °C po dobu 2 až 12 měsíců v závislosti na jejich vlastnostech (např. maso: 3-12 měsíců, zelenina: 6–12 měsíců)
- ▶ Při zmrazování čerstvých potravin se vyvarujte kontaktu s již zmrazenými potravinami. Riziko rozmrazení!
- ▶ Mražené potraviny rozmrazte v ledničce. Tímto způsobem můžete mražené potraviny použít ke snížení teploty v oddílu a úspoře energie.

5.12.3 Při skladování komerčně zmrazených potravin postupujte podle těchto pokynů:

- ▶ Vždy dodržujte pokyny výrobce týkající se doby, po kterou byste měli potraviny uchovávat. Nepřekračujte tyto pokyny!
- ▶ Snažte se, aby doba mezi nákupem a skladováním byla co nejkratší, aby byla zachována kvalita potravin.
- ▶ Nakupujte mražené potraviny, které byly skladovány při teplotě -18 °C nebo nižší.
- ▶ Vyhněte se nákupu potravin s ledem nebo námrazou na obalu – to naznačuje, že produkty mohly být částečně rozmrazeny a znovu zmrazeny při určitém zvýšení teploty, což má vliv na kvalitu potravin.

5.13 Dávkovač vody(HSR3918EWP*)

Pomocí dávkovače vody lze čerpat studenou pitnou vodu.

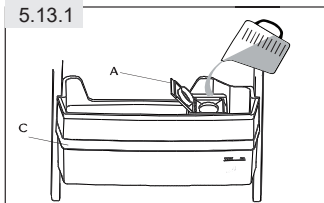
Nádržka na vodu by měla být před prvním použitím vyčištěna (viz PÉČE A ČIŠTĚNÍ).

5.13.1 Plnění nádržky na vodu

**VAROVÁNÍ!**

Používejte pouze pitnou vodu.

5.13.1





1. Ujistěte se, že je nádržka na vodu správně zasunuta (viz VYBAVENÍ)
2. Otevřete víčko (A) a nalijte čerstvou pitnou vodu do nádržky na vodu (Obr. 5.13.1)
3. Doplněte vodu pouze po značku (2,5 l), protože by mohla přetéct, jakmile se dvířka otevřou a zavřou.
4. Uzavřete víčko (A) úplně.

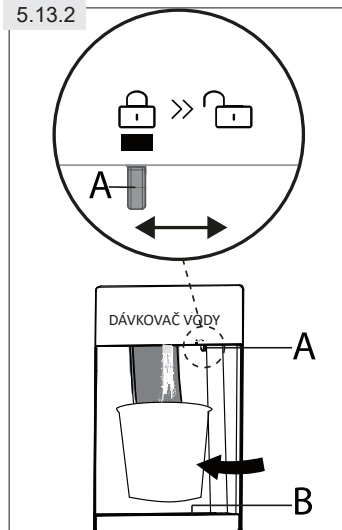
**Poznámka: Dávkovač vody**

- ▶ Před opětovným naplněním zlikvidujte zbytkovou vodu a vyčistěte nádržku na vodu.
- ▶ Pokud nepotřebujete vodu po dlouhou dobu, vyprázdněte nádrž na vodu a vložte vyčištěnou nádržku.
- ▶ **Víčko (C) na nádržce na vodu (obr. 5.13.1) se navíc používá k úspoře energie.** Pokud nepotřebujete vodu z dávkovače vody po delší dobu, nainstalujte víčko kvůli lepší izolaci a úspoře energie.

5.13.2 Odběr vody z dávkovače

1. Ujistěte se, že zámek (A) je přesunut  do polohy „Odemknout“ (obr. 5.13.2).
2. Umístěte sklenici pod vývod vody.
3. Jemně zatlačte sklenici na páčku dávkovače vody.
Ujistěte se, že sklo je v jedné rovině s dávkovačem, aby nedošlo k vystříknutí vody.
4. Voda na podnose (B) by měla být včas odstraněna, protože by mohla přetékat při otevření a zavření dvířek.
5. Posuňte zámek (A) do polohy  „Zamknout“

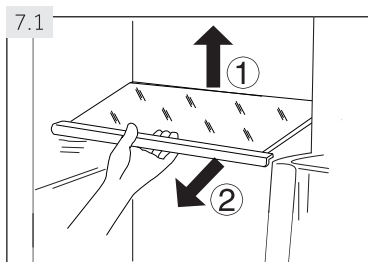
5.13.2





Rady k úspoře energie

- ▶ Ujistěte se, že je spotřebič řádně větrán (viz INSTALACE).
- ▶ Spotřebič neinstalujte na přímé sluneční světlo nebo v blízkosti zdrojů tepla (např. kamna, topná tělesa).
- ▶ Vyvarujte se zbytečně nízké teplotě ve spotřebiči. Spotřeba energie se zvyšuje, čím nižší je ve spotřebiči teplota nastavena.
- ▶ Funkce jako Super chlazení nebo Super mrazení spotřebovávají více energie.
- ▶ Před vložením do spotřebiče nechte teplé potraviny vychladnout.
- ▶ Dvířka spotřebiče otevřete co nejméně a co nejkratší.
- ▶ Nepřepíňujte spotřebič, aby nedošlo k zablokování průtoku vzduchu.
- ▶ Zabraňte vniknutí vzduchu do obalu potravin.
- ▶ Udržujte těsnění dvířek čistá, aby se dvířka vždy správně zavřela.
- ▶ Mražené potraviny rozmrazte v oddílu ledničky.



7.1 Nastavitelné police

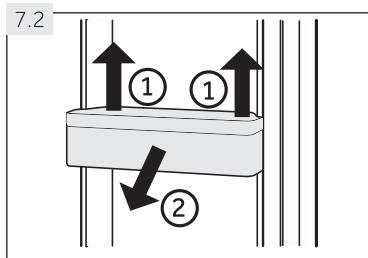
Výšku polic lze nastavit tak, aby odpovídala vašim potřebám při skladování.

1. Chcete-li polici přemístit, vyjměte ji nejprve zvednutím zadního okraje (1) a vytažením (2) (obr. 7.1).
2. Chcete-li ji znovu nainstalovat, položte ji na výstupky na obou stranách a zatlačte ji do nejzadnější polohy, dokud nebude zadní část police upevněna v otvorech po stranách.



Poznámka: Police

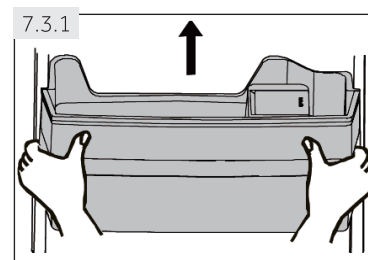
Zajistěte, aby všechny konce police byly ve vodorovné poloze.



7.2 Odnímatelné stojany dvířek/držák na lahve

Stojany dvířek/držák na lahve lze vyjmout pro čištění:

1. Položte ruce na obě strany stojanu/držáku a zvedněte jej nahoru (1) (obr. 7.2).
2. Vytáhněte stojan dvířek/držák na lahve (2).
3. Pro vložení stojanu dvířek/držáku na lahve se výše uvedené kroky provádějí v opačném pořadí.




7.3 Nádržka na vodu(HSR3918EWP*)

7.3.1 Odstranění nádržky na vodu

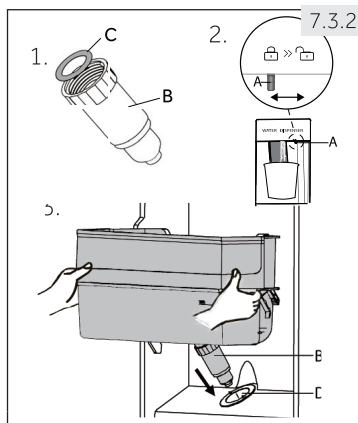
Nádržku na vodu lze vyjmout a znovu nainstalovat pro čištění stejným způsobem jako stojany dvířek (obr. 7.3.1).

7.3.2 Vložení nádržky na vodu

1. Ujistěte se, že hrdlo dávkovače (B) je pevně přišroubováno k nádržce na vodu a bílý O-kroužek (C) je ve správné poloze (obr. 7.3.2-1.).
2. Posuňte zámek (A) do polohy  „Zamknout“ (obr. 7.3.2-2.).
3. Nádržku na vodu umístěte do polohy, v níž hrdlo dávkovače (B) zapadne do otvoru dvířek (D) (obr.7.3.2-3.).

Poznámka: Nádržka na vodu

- ▶ Nemí-li nádržka na vodu správně zasunuta, může z připojení kapat voda.
- ▶ Při demontáži nebo instalaci nádržky na vodu nepoužívejte nadměrnou sílu, aby nedošlo k jejímu poškození.



7.4 Držák na lahve – oddíl mrazničky

Držáky na lahve v oddílu mrazničky jsou určeny pro dočasné skladování lihovin s vysokým obsahem alkoholu. Nápoj bez vysokého obsahu alkoholu by měl být chlazen v ledničce. V držácích na lahve navíc lze uložit malé položky.



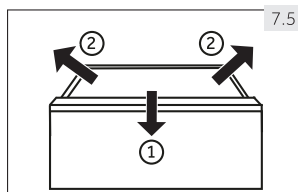
VAROVÁNÍ!

Láhve a plechovky mohou prasknout! Nastavte časovač, který vám připomene vyjmout lahve/plechovky bez vysokého obsahu alkoholu.

7.5 Odnímatelná zásuvka

Chcete-li zásuvku vyjmout z ledničky nebo oddílu mrazničky, vytáhněte ji na maximum (1), zvedněte a vyjměte ji (2) (obr. 7.5).

Pro zasunutí zásuvky se výše uvedené kroky provádějí v opačném pořadí.



7.6 Osvětlení

Při otevření dvířek se rozsvítí LED osvětlení interiéru. Výkon osvětlení není ovlivněn žádným jiným nastavením spotřebiče.



VAROVÁNÍ!

Před čištěním spotřebič odpojte od napájecího zdroje.

8.1 Čištění

Spotřebič vyčistěte, pokud skladujete jen málo potravin nebo žádné potraviny.

Spotřebič by měl být čistěn každé čtyři týdny, aby byla zajištěna dobrá údržba a aby se zabránilo špatnému zápachu skladovaných potravin.

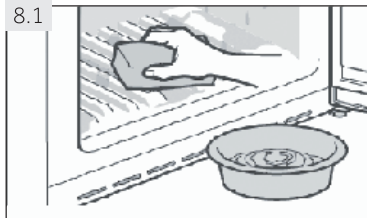


VAROVÁNÍ!

Nečistěte spotřebič tvrdými kartáči, drátěnými kartáči, čistícími prášky, organickými roztoky jako například benzínem, amylacetátem, acetonem a podobně, kyselými nebo alkalickými roztoky. Čištění provádějte pomocí speciálního mycího prostředku na ledničky, aby se předešlo poškození.

- ▶ Spotřebič během čištění nepostříkujte ani nevyplachujte.
- ▶ Při čištění spotřebiče nepoužívejte vodní sprej ani páru.
- ▶ Chladné skleněné police nečistěte horkou vodou. Náhlá změna teploty může způsobit rozbití skla.
- ▶ Nedotýkejte se vnitřního povrchu mrazicího oddílu, zejména mokřýma rukama, protože vaše ruce mohou přimrznout na povrchu.
- ▶ V případě zahřívání zkontrolujte stav zmrazeného zboží.

8.1



- ▶ Vždy udržujte těsnění dvířek čisté.
- ▶ Vnitřní část a plášť spotřebiče očistěte houbou navlhčenou v teplé vodě s neutrálním čistícím prostředkem (obr. 8.1).

1. Vnitřní i vnější část chladničky, včetně těsnění dvířek, stojanu na dvířka, skleněných polic, přihrádek atd., otřete měkkou utěrkou nebo houbou namočenou v teplé vodě (do teplé vody můžete přidat neutrální čistící prostředek).
2. Pokud dojde k rozlítí kapaliny, odstraňte všechny kontaminované části, přímo je opláchněte tekoucí vodou, osušte a vložte je zpět do ledničky.
3. Pokud dojde k rozlítí smetany (jako je smetana, tající zmrzlina), vyjměte všechny kontaminované části, vložte je na nějakou dobu do teplé vody o teplotě přibližně 40 °C, poté je opláchněte tekoucí vodou, osušte a vložte zpět do lednice.
4. V případě, že se v ledničce zasekne některá malá součást nebo komponent (mezi poličkami nebo zásuvkami), použijte malý měkký kartáček, abyste ji uvolnili. Pokud jste se k součásti


nedostali, obraťte se prosím na servis Haier.

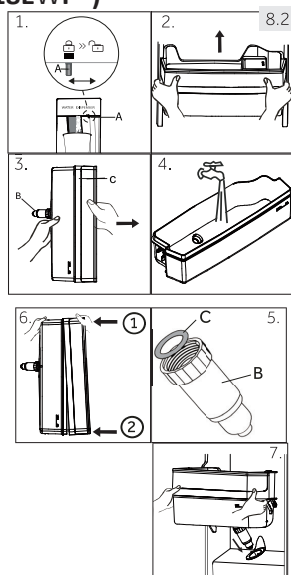
- ▶ Opláchněte a osušte měkkým hadříkem.
- ▶ Žádné části spotřebiče nečistěte v myčce nádobí.
- ▶ Před opětovným spuštěním spotřebiče počkejte nejméně 5 minut, protože časté spuštění může poškodit kompresor.

Odmrazování

Rozmrazování chladničky a oddílu mrazničky se provádí automaticky, není nutný manuální provoz.

8.2 Čištění nádržky na vodu (obr. 8.2) (HSR3918EWP*)

1. Posuňte zámek (A) do polohy  „Zamknout“.
2. Vyměňte nádržku na vodu ze spotřebiče.
3. Demontujte víčko (C) a opatrně odšroubujte hrdlo dávkovače (B).
4. Nádržku na vodu a dávkovač vyčistěte teplou tekoucí vodou a tekutým mycím prostředkem na nádobí. Ujistěte se, že je všechno mýdlo opláchnuto.
5. Namontujte hrdlo dávkovače (B) a ujistěte se, že je pevně přišroubováno k nádržce na vodu a bílý O-kroužek (C) je ve správné poloze.
6. Stiskněte víčko, abyste jej spojili s jednou stranou nádržky na vodu a pak s druhou stranou, zkontrolujte, zda jsou nádržka na vodu a víčko kompletně smontovány.
7. Vyměňte nádrž uvnitř spotřebiče. Zkontrolujte, zda je hrdlo dávkovače správně zasunuto do otvoru dvířek.



8.3 Výměna LED lampy



VAROVÁNÍ!

LED lampu nevyměňujte sami, může ji vyměnit pouze výrobce nebo autorizovaný servisní zástupce.

Lampy používají jako světelný zdroj LED diodu s nízkou spotřebou energie a dlouhou životností. V případě jakýchkoli potíží se obraťte na zákaznický servis. Viz ZÁKAZNICKÝ SERVIS.

Parametry lamp: :12 V, max. 3 W.

8.4 Vypnutí na delší dobu

Pokud spotřebič není používán delší dobu a nebudete používat funkci Dovolena pro ledničku:

- ▶ Vyndejte jídlo.
- ▶ Vyprázdněte a vyčistěte nádržku na vodu.
- ▶ Odpojte napájecí kabel.
- ▶ Vyčistěte spotřebič, jak je popsáno výše.
- ▶ Ponechte dvířka otevřená, abyste zabránili vytváření nepříjemných pachů uvnitř.



Poznámka: Vypnutí

Spotřebič vypněte pouze v nezbytně nutných případech.

8.5 Přesun spotřebiče

1. Vyjměte ze spotřebiče veškeré potraviny a odpojte jej.
2. Zajistěte poličky a další pohyblivé části v lednici a mrazničce lepicí páskou.
3. Nenakloňte spotřebič o více než 45°, aby nedošlo k poškození chladicího systému.



VAROVÁNÍ!

Nezvedejte spotřebič za madla.

- ▶ Spotřebič nikdy neumísťujte vodorovně na zem.

Mnoho vyskytujících se problémů můžete vyřešit sami bez konkrétních odborných znalostí. V případě problému zkontrolujte prosím všechny zobrazené možnosti a před kontaktováním prodejeního servisu postupujte podle níže uvedených pokynů. Viz ZÁKAZNICKÝ SERVIS.



VAROVÁNÍ!

Před údržbou spotřebič deaktivujte a odpojte síťovou zástrčku od síťové zásuvky.

- ▶ Elektrická zařízení by měla být servisována pouze kvalifikovanými elektrotechnickými odborníky, protože nesprávné opravy mohou způsobit značné následné škody.
- ▶ Poškozený napájecí kabel smí vyměnit pouze výrobce, servisní technik nebo osoba s podobnou příslušnou kvalifikací, jinak by mohlo dojít k úrazu.

Problém	Možná příčina	Možné řešení
Kompresor nefunguje.	<ul style="list-style-type: none"> • V síťové zásuvce není připojena síťová zástrčka. • Spotřebič je v cyklu rozmrazování. 	<ul style="list-style-type: none"> • Připojte síťovou zástrčku. • U automatického rozmrazování je to běžné.
Spotřebič běží často nebo příliš dlouhou dobu.	<ul style="list-style-type: none"> • Vnitřní nebo venkovní teplota je příliš vysoká. • Spotřebič je po určitou dobu vypnutý. • Dvířka spotřebiče nejsou těsně uzavřena. • Dvířka byla otevírána příliš často nebo na příliš dlouhou dobu. • Nastavení teploty oddílu mrazničky je příliš nízké. • Těsnění dvířek je špinavé, opotřebované, prasklé nebo mimo polohy. • Požadovaná cirkulace vzduchu není zaručena. 	<ul style="list-style-type: none"> • V tomto případě je běžné, aby spotřebič pracoval déle. • Obvykle trvá 8 až 12 hodin, než se spotřebič zcela zchladí. • Zavřete dvířka a ujistěte se, že je spotřebič umístěn na rovné zemi a že na dvířkách nejsou žádné potraviny ani nádoby. • Neotvírejte dvířka příliš často. • Nastavte vyšší teplotu, dokud nedosáhnete uspokojivé teploty chladničky. Trvá 24 hodin, než se teplota chladničky ustálí. • Vyčistěte těsnění dvířek nebo jej nechte vyměnit u zákaznického servisu. • Zajistěte dostatečnou ventilaci.
Vnitřní strana ledničky je špinavá a/nebo smrdí.	<ul style="list-style-type: none"> • Vnitřní část ledničky potřebuje vyčistit. • V ledničce jsou skladovány potraviny se silným zápachem. 	<ul style="list-style-type: none"> • Vyčistěte vnitřek ledničky. • Potraviny pečlivě zabalte.

Problém	Možná příčina	Možné řešení
V spotřebiči není dostatečný chlad.	<ul style="list-style-type: none"> • Teplota je nastavena příliš vysoko. • Bylo uloženo příliš teplé zboží. • Najednou bylo uloženo příliš mnoho potravin. • Zboží je příliš blízko sebe. • Dvířka spotřebiče nejsou těsně uzavřena. • Dvířka byla otevírána příliš často nebo na příliš dlouhou dobu. 	<ul style="list-style-type: none"> • Resetujte teplotu. • Před uskladněním zboží vždy ochladte. • Vždy skladujte malé množství potravin. • Ponechte mezeru mezi několika potravinami umožňující proudění vzduchu. • Zavřete dvířka. • Neotvírejte dvířka příliš často.
V spotřebiči je příliš chladno.	<ul style="list-style-type: none"> • Teplota je nastavena příliš nízko. • Funkce Super chlazení/Super mrazení je aktivována nebo běží příliš dlouho. 	<ul style="list-style-type: none"> • Resetujte teplotu. • Vypněte funkci Super chlazení/Super mrazení.
Uvnitř oddílu ledničky se tvoří vlhkost.	<ul style="list-style-type: none"> • Klima je příliš teplé a vlhké. • Dvířka spotřebiče nejsou těsně uzavřena. • Dvířka byla otevírána příliš často nebo na příliš dlouhou dobu. • Nádobý na potraviny nebo tekutiny jsou skladovány otevřené. 	<ul style="list-style-type: none"> • Zvyšte teplotu. • Zavřete dvířka. • Neotvírejte dvířka příliš často. • Nechte horké potraviny vychladnout na pokojovou teplotu a zakryjte potraviny a tekutiny.
Vlhkost se hromadí na vnějším povrchu ledniček nebo mezi dvířky.	<ul style="list-style-type: none"> • Klima je příliš teplé a vlhké. • Dvířka nejsou těsně zavřená. Chladný vzduch ve spotřebiči a teplý vzduch venku kondenzují. 	<ul style="list-style-type: none"> • To je běžné ve vlhkém podnebí a změní se to, když vlhkost klesne. • Ujistěte se, že jsou dvířka pevně zavřená.
Silný led a námraza v oddílu mrazničky.	<ul style="list-style-type: none"> • Zboží nebylo dostatečně zabaleno. • Dvířka/zásuvka spotřebiče nejsou těsně uzavřené. • Dvířka byla otevírána příliš často nebo na příliš dlouhou dobu. • Těsnění dvířek je špinavé, opotřebené, prasklé nebo mimo polohy. • Nějaký předmět uvnitř brání správnému zavření dvířek. 	<ul style="list-style-type: none"> • Vždy dobře zabalte zboží. • Zavřete dvířka/zásuvku. • Neotvírejte dvířka příliš často. • Vyčistěte těsnění dvířek nebo je vyměňte za nové. • Umístěte regály, stojany na dvířka nebo vnitřní nádoby tak, aby se dvířka mohla zavřít.

Problém	Možná příčina	Možné řešení
Spotřebič vydává abnormální zvuky.	<ul style="list-style-type: none"> Spotřebič není položen na rovném povrchu. Spotřebič se dotýká nějakého předmětu v blízkosti. 	<ul style="list-style-type: none"> Nastavte nožičky pro vyrovnání spotřebiče. Odstraňte předměty kolem spotřebiče.
Je třeba slyšet slabý zvuk podobný zvuku tekoucí vody.	<ul style="list-style-type: none"> To je běžné. 	<ul style="list-style-type: none"> –
Uslyšíte pípnutí alarmu.	<ul style="list-style-type: none"> Dvířka jsou otevřená. 	<ul style="list-style-type: none"> Zavřete dvířka.
Uslyšíte slabé hučení.	<ul style="list-style-type: none"> Antikondenzační systém funguje. 	<ul style="list-style-type: none"> Zabraňuje kondenzaci a je to běžné.
Vnitřní osvětlení nebo chladicí systém nefungují.	<ul style="list-style-type: none"> V síťové zásuvce není připojena síťová zástrčka. Napájení je poškozené. LED lampa je mimo provoz. 	<ul style="list-style-type: none"> Připojte síťovou zástrčku. Zkontrolujte napájení místnosti. Zavolejte místnímu dodavateli elektrické energie! Chcete-li vyměnit lampu, zavolejte na servisní oddělení.
Boky skříňe a lišty dvířek se zahřívají.	<ul style="list-style-type: none"> To je běžné. 	<ul style="list-style-type: none"> –
Z hrdla dávkovače vody nevytéká žádná voda	<ul style="list-style-type: none"> Zámek není deaktivován. 	<ul style="list-style-type: none"> Deaktivujte zámek.

9.2 Přerušení napájení

V případě výpadku proudu by potraviny měly zůstat bezpečně studené po dobu přibližně 5 hodin. Při dlouhodobém výpadku proudu postupujte podle těchto rad, zejména v létě:

- ▶ Dvířka/zásuvku otevírejte co nejméně.
- ▶ Během výpadku napájení do spotřebiče nevkládejte další potraviny.
- ▶ Pokud budete předem informováni o přerušení napájení a doba přerušení je delší než 5 hodin, připravte trochu ledu a vložte jej do nádoby v horní části oddílu chladničky.
- ▶ Bezprostředně po přerušení se vyžaduje zkontrolovat zboží.
- ▶ Vzhledem k tomu, že teplota v ledničce se během výpadku proudu nebo jiné poruchy zvýší, doba skladování a jedlá kvalita potravin se zkrátí. Veškeré potraviny, které rozmrazujete, by měly být buď zkonsumovány, nebo uvařeny a brzy poté znovu zmrazeny (je-li to vhodné), aby se předešlo zdravotním rizikům.



Poznámka: Funkce paměti při výpadku napájení

Po obnovení napájení spotřebič pokračuje s nastaveními, která byla nastavena před výpadkem napájení.

10.1 Vybalení



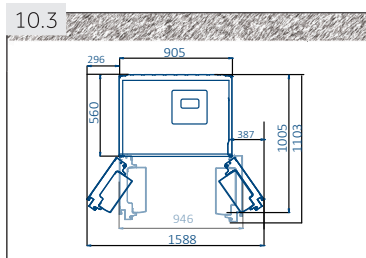
VAROVÁNÍ!

- ▶ Spotřebič je těžký. Vždy s ním manipulujte s nejméně dvěma osobami.
- ▶ Uchovejte všechny obalové materiály mimo dosah dětí a likvidujte je způsobem šetrným k životnímu prostředí.

- ▶ Vyměte spotřebič z obalu.
- ▶ Odstraňte všechny obalové materiály včetně průhledné ochranné fólie.

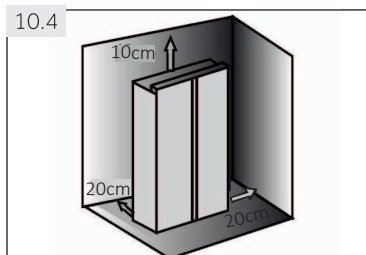
10.2 Okolní podmínky

Teplota v místnosti by měla být vždy mezi 16 °C a 43 °C, protože může ovlivnit teplotu uvnitř spotřebiče a jeho spotřebu energie. Spotřebič neinstalujte v blízkosti jiných tepelných spotřebičů (troub, ledničky) bez izolace.



10.3 Požadavek na prostor

Požadovaný prostor při otevření dvířek (obr. 10.3): Šířka spotřebiče: 1588 mm Hloubka spotřebiče: 1103 mm



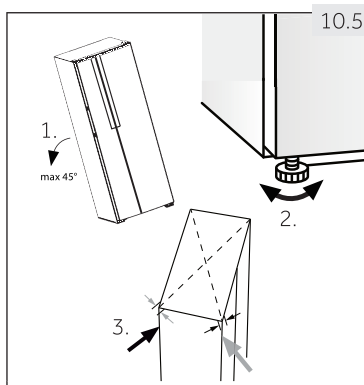
10.4 Průřezové míry pro větrání

Aby bylo z bezpečnostních důvodů, dosaženo dostatečné větrání spotřebiče musí být dodrženy informace o požadovaných průřezových mírách pro větrání (obr. 10.4).

10.5 Zarovnání spotřebiče

Spotřebič by měl být umístěn na rovném a pevném povrchu.

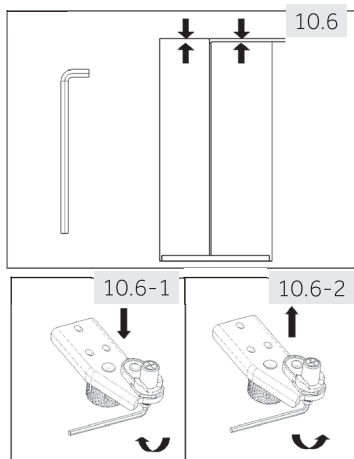
1. Spotřebič mírně nakloňte dozadu (obr. 10.5).
2. Nastavte nožičky na požadovanou úroveň.
Ujistěte se, že vzdálenost od stěny na stranách pantů je nejméně 5 cm.
3. Stabilitu lze kontrolovat střídavým nárazem na úhlopříčky. Mírné kývání by mělo být stejné v obou směrech. V opačném případě se rám může deformovat; výsledkem může být případný únik přes těsnění dvířek. Mírné naklonění dozadu usnadňuje zavírání dvířek.



10.6 Jemné doladění dvířek

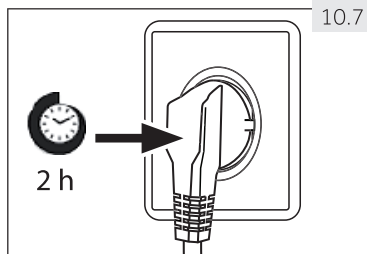
Pokud dvířka po jejich vyrovnaní pomocí nožiček stále nejsou v jedné rovině, lze tento nesoulad napravit otočením hřídele pro zvedání pantů v pravém spodním rohu chladicích dvířek pomocí klíče (obr. 10.6)

- ▶ Otočte hřídel pro zvedání klíčem ve směru hodinových ručiček do dolní výšky dvířek (obr. 10.6-1).
- ▶ Otočte hřídel pro zvedání proti směru hodinových ručiček pomocí klíče pro zdvižení výšky dvířek (obr. 10.6-2).



VAROVÁNÍ!

Nenastavujte hřídel pro zvedání pantu nadměrně do výšky, která by mohla způsobit, že hřídel opustí svou původní zajištěnou polohu. (Nastavitelný výškový rozsah: 3 mm)



10.7

10.7 Čekací doba

Bezúdržbový mazací olej je umístěn v kapsli kompresoru. Tento olej může vytéct do uzavřeného potrubního systému během přepravy v šikmé poloze. Před připojením spotřebiče ke zdroji napájení musíte počkat alespoň 2 hodiny (obr. 10.7), aby olej stékal zpět do kapsle.

10.8 Elektrické připojení Před každým připojením zkontrolujte, zda:

- ▶ zásuvka napájení a pojistky odpovídají jmenovitému štítku.
- ▶ napájecí zásuvka je uzemněna a není v ní žádný adaptér a prodlužovací kabel s více zásuvkami.
- ▶ zástrčka a zásuvka jsou přesně podle standardů.

Připojte zástrčku do správně nainstalované zásuvky pro domácnost.



VAROVÁNÍ!

Aby se předešlo rizikům, musí být poškozený napájecí kabel vyměněn zákaznickým servisem (viz záruční list).

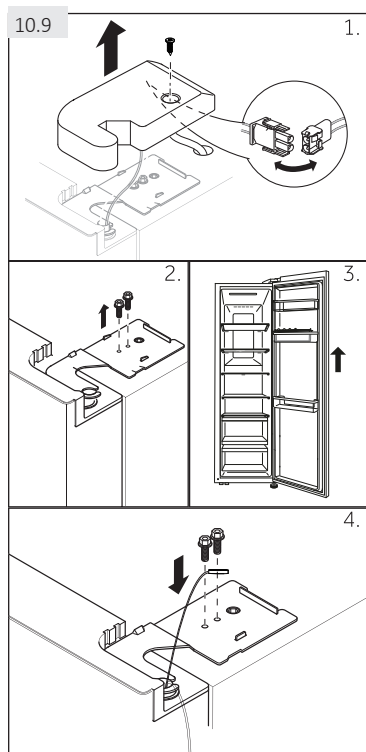
10.9 Demontáž a montáž dvířek

V případě nutnosti demontáže dvířek spotřebiče postupujte podle níže uvedených pokynů pro demontáž a instalaci dvířek (obr. 10.9)



VAROVÁNÍ!

- ▶ Před každým provozem spotřebič deaktivujte a odpojte síťovou zástrčku od síťové zásuvky.
- ▶ Spotřebič je těžký. Vždy s ním manipulujte s nejméně dvěma osobami.
- ▶ Spotřebič nenaklánějte o více než 45° ani jej neumísťujte vodorovně na zem



1. Odšroubujte šroub krytu pantu a sejměte kryt. Uvolněte konektor kabelu.

2. Odšroubujte šrouby, které drží horní pant ve správné poloze, a poté pant demontujte.

3. Zvedněte dvířka oddílu ledničky a vyjměte je.


4. Dveře namontujte zpátky obráceným postupem demontáže. Zajistěte, aby byl uzemňovací kabel upevněn šroubem.



Poznámka: Dvířka ledničky

Na obrázcích je znázorněna demontáž dvířek oddílu chladničky. Pro dvířka mrazničky použijte odpovídající díly na druhé straně

11.1 Výrobní list podle nařízení EU č. 1060/2010

Ochranná známka	Haier
Identifikátor modelu	HSR3918FNP*
Kategorie modelu	Chladnička-mraznička
Třída energetické účinnosti	A+
Roční spotřeba energie (kWh/rok)	399
Chlazení skladovacího objemu (L)	337
Zmrazení skladovacího objemu (L) ****	167
Hodnocení hvězdičkami	
Teplota ostatních oddílů > 14 °C	Nepoužije se
Beznámrazový systém	Ano
Doba nárůstu teploty (h)	5
Zmrazovací kapacita (kg / 24h)	10
Klimatická třída Tento spotřebič je určen k použití při okolní teplotě mezi 10 °C a 43 °C.	SN-N-ST-T
Emise akustického hluku ve vzduchu (db(A) re 1pW)	38
Typ výstavby	Volně stojící

Na základě výsledků standardních testů po dobu 24 hodin. Skutečná spotřeba energie bude záviset na tom, jak je spotřebič používán a kde je umístěn.

11.1.1 Dodatečné technické údaje

Napětí/kmitočet	220–240V-/ 50Hz
Příkon (W)	200
Hlavní pojistka (A)	15
Chladicí kapalina	R600a
Rozměry (V/Š/H v mm)	1775/908/647

11.1.2 Normy a směrnice

Tento výrobek splňuje požadavky všech použitelných směrnic ES s odpovídajícími harmonizovanými normami, které stanoví označení CE.

Doporučujeme náš zákaznický servis Haier a použití originálních náhradních dílů.

Pokud máte problém se spotřebičem, nejprve zkontrolujte sekci ODSTRAŇOVÁNÍ PROBLÉMŮ.

Pokud tam nemůžete najít řešení, kontaktujte

- ▶ místního prodejce nebo
- ▶ oblastní oddělení servisu a podpory na www.haier.com, kde najdete telefonní čísla, často kladené otázky a kde můžete aktivovat nárok na službu.

Chcete-li kontaktovat náš servis, ujistěte se, že máte k dispozici následující údaje.

Informace naleznete na typovém štítku.

Model _____ Sériové č. _____

V případě záruky zkontrolujte také záruční list dodaný s výrobkem.



Haier



0060528721



Instrukcja obsługi

Chłodziarko-zamrażarka

HSR3918ENP*

HSR3918EWP*

HSR3918FNP*

***=W,B,L,G,N**

PL

Haier

Dziękujemy za zakup produktu firmy Haier.

Przed użyciem tego urządzenia należy przeczytać uważnie poniższe instrukcje. Instrukcja ta zawiera ważne informacje, które pomogą użytkownikowi jak najlepiej korzystać z tego urządzenia i zapewnią bezpieczną oraz prawidłową jego instalację, użytkowanie i konserwację. Niniejszą instrukcję należy przechowywać w dogodnym miejscu, aby zawsze móc z niej szybko skorzystać w celu bezpiecznego i właściwego użytkowania urządzenia.

Jeśli zamierza się sprzedać urządzenie, oddać je lub zostawić w domu po przeprowadzce, należy się upewnić się, że przekazano również niniejszą instrukcję, aby nowy właściciel mógł zapoznać się z urządzeniem i ostrzeżeniami dotyczącymi bezpieczeństwa.

Objaśnienie

Ostrzeżenie – Ważne informacje dotyczące bezpieczeństwa



Informacje ogólne i porady



Informacje dotyczące środowiska



Utylizacja

Należy chronić środowisko i dbać o zdrowie ludzkie. Opakowanie należy umieścić w odpowiednich pojemnikach w celu poddania go recyklingowi. Przyczynić się do recyklingu odpadów urządzeń elektrycznych i elektronicznych. Urządzeń oznaczonych tym symbolem nie należy wyrzucać razem z odpadami domowymi. Zwrócić produkt do lokalnego punktu recyklingu odpadów lub skontaktować się z urzędem miejskim.



OSTRZEŻENIE!

Ryzyko obrażeń lub uduszenia!

Czynniki chłodnicze i gazy muszą być utylizowane w sposób profesjonalny. Przed prawidłową utylizacją należy upewnić się, że przewody obwodu czynnika chłodniczego nie są uszkodzone. Odłącz urządzenie od sieci elektrycznej. Odciąć kabel sieciowy i wyrzucić go. Wyjąć półki i szuflady, a także zatrzaski i uszczelki drzwiczek, aby uniemożliwić dzieciom i zwierzętom zamknięcie się w urządzeniu.

Stare urządzenia nadal mają pewną wartość rezydualną. Przyjazna dla środowiska metoda utylizacji zapewni, że cenne surowce będą mogły być odzyskiwane i ponownie wykorzystywane. Cyklopentan, nieszkodliwa dla ozonu substancja palna, jest stosowany jako ekspander do pianki izolacyjnej.

Zapewniając, że produkt ten jest utylizowany w prawidłowy sposób, można się przyczynić do zapobiegania potencjalnie negatywnym konsekwencjom dla środowiska i zdrowia ludzkiego, jakie mogłyby mieć miejsce.

W celu uzyskania szczegółowych informacji na temat recyklingu tego produktu należy się skontaktować z lokalnym odbiorcą odpadów domowych lub prowadzonym przez profesjonalistów sklepem, w którym zakupiono ten produkt.

1- Informacje dotyczące bezpieczeństwa.....	4
2- Przewidziane zastosowanie	8
3- Opis produktu	10
4- Panel sterowania	11
5- Obsługa	12
6- Wskazówki dotyczące oszczędzania energii	20
7- Wyposażenie.....	21
8- Dbłość i czyszczenie	23
9- Rozwiązywanie problemów	26
10- Instalacja	30
11- Dane techniczne	34
12- Obsługa klienta	35

Przed pierwszym włączeniem urządzenia należy zapoznać się z poniższymi wskazówkami dotyczącymi bezpieczeństwa:



OSTRZEŻENIE!

Przed pierwszym użyciem

- ▶ Upewnić się, że urządzenie nie uległo uszkodzeniu w transporcie.
- ▶ Usunąć całe opakowanie i trzymać je z dala od dzieci.
- ▶ Aby zapewnić pełną wydajność obiegu czynnika chłodniczego, należy odczekać co najmniej dwie godziny przed instalacją urządzenia.
- ▶ Urządzenie powinny przenosić zawsze co najmniej dwie osoby, ponieważ jest ono ciężkie.

Instalacja

- ▶ Urządzenie to należy umieścić w dobrze wentylowanym miejscu. Należy zapewnić przestrzeń co najmniej 20 cm powyżej i 10 cm wokół urządzenia.
- ▶ Nigdy nie należy umieszczać urządzenia w wilgotnym miejscu lub w miejscu, w którym mogłoby zostać zachłapane wodą. Rozbryzgi wody oraz plamy należy wyczyścić za pomocą miękkiej, czystej szmatki.
- ▶ Nie należy instalować urządzenia w miejscu o bezpośrednim działaniu promieni słońca lub w pobliżu źródeł ciepła (np. pieców, grzejników).
- ▶ Zainstalować i wypoziomować urządzenie w miejscu odpowiednim do jego wielkości i przeznaczenia.
- ▶ Nie zasłaniać otworów wentylacyjnych w urządzeniu lub w szafce, w której jest ono umieszczane.
- ▶ Należy upewnić się, że informacje elektryczne na tabliczce znamionowej są zgodne z parametrami źródła zasilania. Jeśli tak nie jest, należy się skontaktować z elektrykiem.
- ▶ Urządzenie jest zasilane z sieci o napięciu 220 – 240 V AC/50 Hz. Nietypowe wahania napięcia mogą spowodować nieuruchomienie się urządzenia, uszkodzenie układu regulacji temperatury lub sprężarki, a także nietypowy hałas podczas jego pracy. W takim przypadku należy zamontować automatyczny regulator.
- ▶ Do zasilania należy użyć osobnego, łatwo dostępnego gniazdka z uziemieniem. Urządzenie musi być uziemione.
- ▶ **Dotyczy tylko Wielkiej Brytanii:** Kabel zasilający urządzenia jest wyposażony we wtyczkę 3-przewodową (z uziemieniem), która pasuje do standardowego gniazda 3-przewodowego (z uziemieniem). Nigdy nie należy odcinać ani demontować trzeciego bolca (uziemienia). Po zainstalowaniu urządzenia wtyczka powinna być dostępna.
- ▶ Nie należy używać adapterów wielowtykowych i przedłużaczy.
- ▶ Upewnij się, że kabel zasilający nie jest przynięciony przez urządzenie. Nie stawaj na kabel zasilający.
- ▶ Nie należy dopuścić do uszkodzenia obwodu czynnika chłodniczego.
- ▶ **Nie umieszczać przedłużaczy z kilkoma gniazdami lub przenośnych zasilaczy przy tylnej części urządzenia.**



OSTRZEŻENIE!

Codzienne użytkowanie

- ▶ Urządzenie to może być obsługiwane przez dzieci powyżej 8 roku życia oraz osoby o ograniczonej zdolności fizycznej, czuciowej lub psychicznej bądź nieposiadające doświadczenia i wiedzy, jeśli są one pod nadzorem lub poinstruowano je w zakresie bezpiecznej obsługi urządzenia i zrozumiąły one potencjalne zagrożenia.
- ▶ Dzieciom w wieku od 3 do 8 lat zezwala się na załadunek i rozładunek urządzeń chłodniczych, ale nie zezwala się im na ich czyszczenie czy instalację.
- ▶ Trzymać z dala od urządzenia dzieci poniżej 3. roku życia, chyba że są one stale nadzorowane.
- ▶ Czyszczenie i konserwacja urządzenia nie powinny być przeprowadzane przez dzieci bez nadzoru.
- ▶ Nie zezwalać dzieciom na zabawę z urządzeniem.
- ▶ **Urządzenie należy ustawić tak, aby wtyczka była dostępna.**
- ▶ Jeżeli w pobliżu urządzenia wydobywa się zimny gaz lub inny łatwopalny gaz, należy wyłączyć zawór wydostającego się gazu, otworzyć drzwi i okna oraz nie wyciągać wtyczki z przewodu zasilającego urządzenia lub innego urządzenia.
- ▶ Zwrócić uwagę, że urządzenie jest ustawione do pracy w **określonym zakresie temperatur otoczenia od 10 do 38 °C**. Urządzenie może nie działać prawidłowo, jeśli jest pozostawione na dłuższy czas w temperaturze powyżej lub poniżej wskazanego zakresu.
- ▶ Nie należy umieszczać na urządzeniu przedmiotów niestabilnych (ciężkich przedmiotów, pojemników **wypełnionych wodą**), **unikać obrażeń** ciała spowodowanych upadkiem lub porażeniem prądem elektrycznym w wyniku kontaktu z wodą.
- ▶ Nie ciągnąć za półki w drzwiczkach. Drzwiczki mogą być ulec przestawieniu, stojak na butelki może zostać odciągnięty lub urządzenie może się przewrócić.
- ▶ Drzwiczki należy otwierać i zamykać tylko za pomocą klamek. Szczelina między drzwiczkami oraz między drzwiczkami a szafką jest bardzo wąska. Nie należy wkładać rąk w te miejsca, aby nie ścisnąć palców. Drzwiczki można otwierać lub zamykać tylko wtedy, gdy w zasięgu ich ruchu nie ma dzieci.
- ▶ Nie należy przechowywać ani używać materiałów łatwopalnych, wybuchowych lub żrących w urządzeniu lub w jego pobliżu.
- ▶ Nie przechowywać w urządzeniu leków, środków chemicznych lub powodujących bakterii. To urządzenie jest urządzeniem gospodarstwa domowego. Nie zaleca się przechowywania w nim materiałów, które wymagają ściśle określonej temperatury.
- ▶ Nigdy nie przechowywać płynów w butelkach lub puszkach (oprócz alkoholi wysokoprocentowych), zwłaszcza napojów gazowanych w zamrażarce, ponieważ wybuchają one podczas zamrażania.

**OSTRZEŻENIE!****Codzienne użytkowanie**

- ▶ Sprawdzić stan żywności, jeśli doszło do zwiększenia temperatury w zamrażarce.
- ▶ Nie należy ustawiać niepotrzebnie niskiej temperatury w komorze chłodziarki. Przy wysokich ustawieniach mogą występować temperatury minusowe. Uwaga: butelki mogą wybuchnąć.
- ▶ Nie należy dotykać zamrożonych towarów mokrymi dłońmi (zakładać rękawice). W szczególności nie należy jeść lizaków lodowych bezpośrednio po wyjęciu z zamrażarki. Istnieje ryzyko ich przemarznięcia lub powstania odmrożeń. **PIERWSZA POMOC:** natychmiast przepłukać pod bieżącą zimną wodą. Nie odciągaj na siłę!
- ▶ Podczas działania urządzenia nie należy dotykać wewnętrznej powierzchni zamrażarki, zwłaszcza mokrymi rękoma, ponieważ ręce mogą przemarznąć do tej powierzchni.
- ▶ Odłączyć urządzenie w przypadku przerwy w dostawie prądu lub przed czyszczeniem go. Odczekać co najmniej 5 minut przed ponownym uruchomieniem urządzenia, ponieważ częste uruchamianie go może uszkodzić sprężarkę.
- ▶ Nie używać urządzeń elektrycznych wewnątrz komór urządzenia do przechowywania żywności, o ile nie są to urządzenia zalecane przez producenta.
- ▶ W przypadku modeli z dozownikiem wody używać tylko wody pitnej.

Konserwacja/czyszczenie

- ▶ Upewnić się, że dzieci są pod nadzorem, jeśli przeprowadzają czyszczenie i konserwację.
- ▶ Przed przystąpieniem do rutynowej konserwacji należy odłączyć urządzenie od zasilania elektrycznego. Odczekać co najmniej 5 minut przed ponownym uruchomieniem urządzenia, ponieważ częste uruchamianie go może uszkodzić sprężarkę.
- ▶ Podczas odłączania urządzenia należy trzymać za jego wtyczkę, a nie za kabel.
- ▶ Nie wolno zeszkrobywać mrozu i lodu ostrymi przedmiotami. Aby uniknąć uszkodzenia plastikowych części, nie należy używać sprayów, grzejników elektrycznych czy suszarek do włosów ani urządzeń czyszczących parą czy innych źródeł ciepła.
- ▶ Nie używać urządzeń mechanicznych ani innych środków do przyspieszania procesu rozmrażania, o ile nie są one zalecane przez producenta.
- ▶ **Nie należy czyścić urządzenia twardymi szczotkami, szczotkami drucianymi, proszkiem do prania, benzyną, octanem amyłu, acetonem i podobnymi roztworami organicznymi, kwasowymi lub alkalicznymi. Aby uniknąć uszkodzeń, należy je czyścić specjalnym detergentem do lodówek.**
- ▶ **Najlepiej użyć ciepłej wody i roztworu sody oczyszczonej – mniej więcej jedną łyżkę stołową sody oczyszczonej na litr/kwartę wody. Przepłukać obficie wodą i wytrzeć do sucha. Nie należy używać proszków czyszczących ani innych środków czyszczących o właściwościach ściernych. Nie myć zdejmowanych części w zmywarce do naczyń.**



OSTRZEŻENIE!

Konserwacja/czyszczenie

- ▶ W razie uszkodzenia kabla zasilającego powinien go wymienić producent, serwisant lub inna wykwalifikowana osoba, aby uniknąć zagrożenia.
- ▶ Nie próbować naprawiać, demontować ani modyfikować urządzenia na własną rękę. W razie potrzeby dokonania naprawy należy się skontaktować z naszą obsługą klientów.
- ▶ W razie uszkodzenia żarówek oświetlenia powinien je wymienić producent, serwisant lub inna wykwalifikowana osoba, aby uniknąć zagrożenia.
- ▶ Przynajmniej raz w roku należy usunąć kurz z tyłu urządzenia, aby uniknąć zagrożenia pożarem, a także zwiększonego zużycia energii.
- ▶ Nie spryskiwać ani nie sflukować urządzenia podczas czyszczenia.
- ▶ Do czyszczenia urządzenia nie należy używać strumienia wody ani pary wodnej.
- ▶ Nie czyścić zimnych szklanych półek gorącą wodą. Nagła zmiana temperatury może spowodować pęknięcie szyby.
- ▶ Jeśli urządzenie nie będzie używane przez dłuższy czas, należy pozostawić je otwarte, aby zapobiec gromadzeniu się w nim nieprzyjemnych zapachów.

Informacje o czynniku chłodniczym



OSTRZEŻENIE!

Urządzenie zawiera palny czynnik chłodniczy – IZOBUTAN (R600a). Upewnij się, że obieg czynnika chłodniczego nie został uszkodzony podczas transportu lub montażu. Wyciekający czynnik chłodniczy może spowodować obrażenia oczu lub zapalić się. Jeśli doszło do uszkodzenia, należy unikać otwartych źródeł ognia, dokładnie przewietrzyć pomieszczenie, nie podłączać ani nie odłączać przewodów zasilających urządzenia lub innego urządzenia. Poinformować obsługę klientów.

W przypadku przedostania się czynnika chłodniczego do oczu należy natychmiast przepłukać je pod bieżącą wodą i wezwać okulistę.

OSTRZEŻENIE: układ chłodniczy znajduje się pod wysokim ciśnieniem. Nie manipulować urządzeniem. Ponieważ w urządzeniu stosowane są palne czynniki chłodnicze, należy zainstalować, obsługiwać i serwisować je ściśle według instrukcji obsługi oraz skontaktować się z profesjonalnym przedstawicielem lub naszym działem obsługi posprzedażnej w celu dokonania utylizacji urządzenia.

2.1 Przewidziane zastosowanie

To urządzenie jest przeznaczone do użytku w gospodarstwach domowych i podobnych zastosowaniach, takich jak:

- kuchnie dla personelu w sklepach, biurach i innych środowiskach roboczych;
 - w gospodarstwach rolnych; przez klientów w hotelach, motelach i innych środowiskach mieszkalnych;
 - w środowiskach typu „bed and breakfast”;
 - w ramach usług cateringowych i podobnych zastosowań niezwiązanych ze sprzedażą detaliczną.
- Jeśli urządzenie nie będzie używane przez dłuższy czas, a użytkownik będzie korzystał z niego tylko w ramach funkcji Holiday lub funkcji wyłączonej chłodziarki/zamrażarki, należy:
- wyjąć żywność;
 - odłączyć kabel zasilający;
 - opróżnić i wyczyścić zbiornik na wodę;
 - wyczyścić urządzenie w sposób opisany powyżej;
 - drzwiczki powinny być otwarte, aby zapobiec powstawaniu przykrych zapachów wewnątrz.
- Aby zapewnić bezpieczne przechowywanie środków spożywczych lub wina, należy przestrzegać niniejszej instrukcji obsługi.
- Aby uniknąć zanieczyszczenia żywności (nie dotyczy piwniczek z winem), należy przestrzegać poniższych instrukcji:
- Pozostawienie na dłużej otwartych drzwiczek może spowodować wzrost temperatury w komorach urządzenia.
 - Czyścić regularnie powierzchnie, które mogą mieć kontakt z żywnością i dostępnymi systemami odprowadzania wody.
 - Wyczyścić zbiorniki na wodę, jeśli nie były one używane przez 48 godzin; przepłukać system wodny podłączony do zasilania urządzenia, jeśli woda nie była pobierana przez 5 dni.
 - Umieszczać surowe mięso i ryby w odpowiednich pojemnikach w chłodziarce/zamrażarce, aby nie miały one kontaktu z inną żywnością ani nie skapywały na nią żadne płyny. W celu zapewnienia bezpiecznego przechowywania produktów żywnościowych, potrawy błyskawiczne i surowe mięso/ryby należy przechowywać oddzielnie.
 - Szuflady na zamrożoną żywność, oznaczone dwoma gwiazdkami, przeznaczone są do przechowywania wstępnie zamrożonej żywności, przechowywania lub wytwarzania lodów i kostek lodu.
 - Szuflady z jedną, dwoma lub trzema gwiazdkami nie nadają się do zamrażania świeżej żywności.
 - Jeśli urządzenie chłodzące zostanie pozostawione puste przez dłuższy czas, należy je wyłączyć, rozmrozić, wyczyścić, wysuszyć i pozostawić drzwiczki otwarte, aby uniknąć rozwoju w urządzeniu pleśni.
- Szczegółowe informacje na temat najbardziej odpowiedniej części komory urządzenia, w której powinny być przechowywane określone rodzaje żywności, z uwzględnieniem różnych temperatur, jakie mogą występować w różnych miejscach urządzenia, znajdują się w części innej instrukcji.

Utylizacja

Ten symbol na produkcie lub na jego opakowaniu oznacza, że nie należy go traktować tak samo jak odpady domowe. Należy go przekazać odpowiedniemu punktowi zbiórki odpadów w celu poddania recyklingowi wyposażenia elektrycznego i elektronicznego. Zapewniając, że produkt ten jest utylizowany w prawidłowy sposób, można się przyczynić do zapobiegania potencjalnie negatywnym konsekwencjom dla środowiska i zdrowia ludzkiego, jakie mogłyby mieć miejsce w przypadku nieodpowiedniego posługiwania się odpadami produktu. W celu uzyskania bardziej szczegółowych informacji na temat recyklingu tego produktu należy skontaktować się z lokalnym urzędem miasta, służbami utylizującymi odpady domowe lub sklepem, w którym produkt został zakupiony.

W związku z tym, że stosowane są w nim palne gazy izolacyjne, prosimy o kontakt z profesjonalnym przedstawicielem lub naszym działem obsługi posprzedażnej. W celu pozbycia się urządzenia.



OSTRZEŻENIE!

Ryzyko obrażeń lub uduszenia!

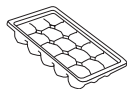
Czynniki chłodnicze i gazy muszą być utylizowane w sposób profesjonalny. Przed prawidłową utylizacją urządzenia należy upewnić się, że przewody obwodu czynnika chłodniczego nie są uszkodzone. Odłączyć urządzenie od zasilania. Odciąć kabel sieciowy i wyrzucić go. Wyjąć półki i szuflady, a także zatrzaski i uszczelki drzwiczek, aby uniemożliwić dzieciom i zwierzętom zamknięcie się w urządzeniu.

Zmiany lub modyfikacje urządzenia są niedozwolone. Niezamierzone użycie może spowodować zagrożenie i brak możliwości składania roszczeń gwarancyjnych.

2.2 Akcesoria

Sprawdzić akcesoria i dokumentację zgodnie z tą listą (Rys. 2.2):

2.2



Tacki na kostki lodu



Tacka na jajka



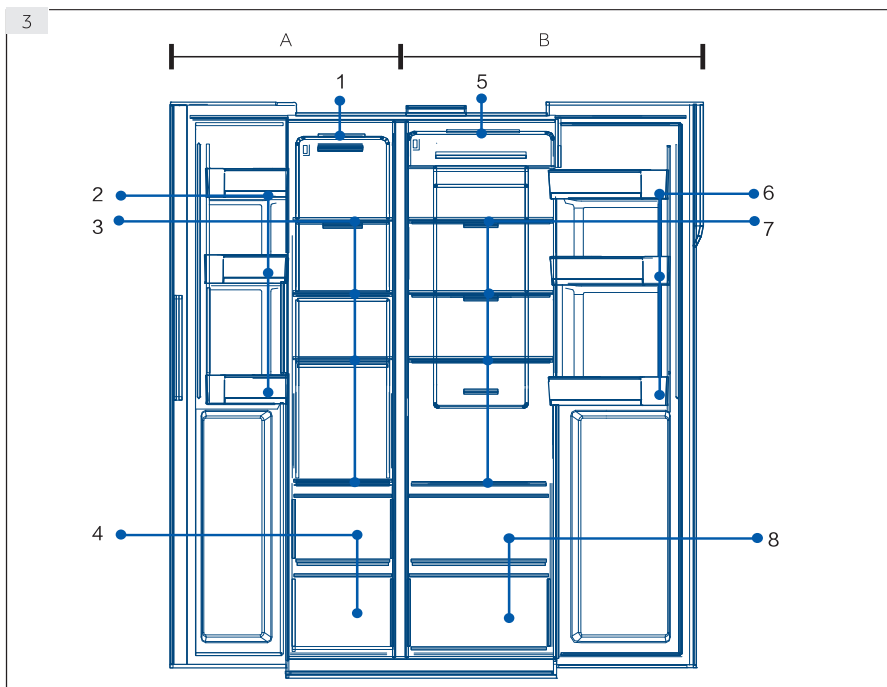
Klucz do śrub

Karta
gwarancyjnaInstrukcja
obsługi

i Uwaga

Ze względu na zmiany techniczne i różne modele niektóre z ilustracji zamieszczone w niniejszej instrukcji mogą nie dotyczyć modelu posiadanego przez użytkownika.

Zdjęcia urządzeń (Rys. 3)

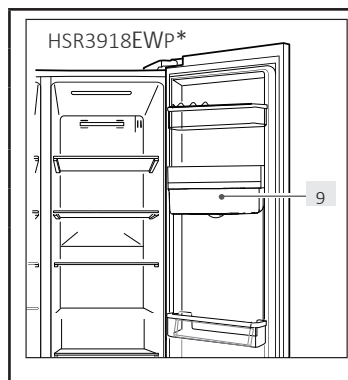


A: Komora zamrażarki

- 1 Lampka górna
- 2 Półka w drzwiczkach/
uchwyt na butelki
- 3 Półki zamrażarki
- 4 Szuflada zamrażarki

B: Komora lodówki

- 1 Lampka górna
- 6 Półka w drzwiczkach/
uchwyt na butelki
- 7 Półki lodówki
- 8 Szuflada lodówki
- 9 Zbiornik na wodę



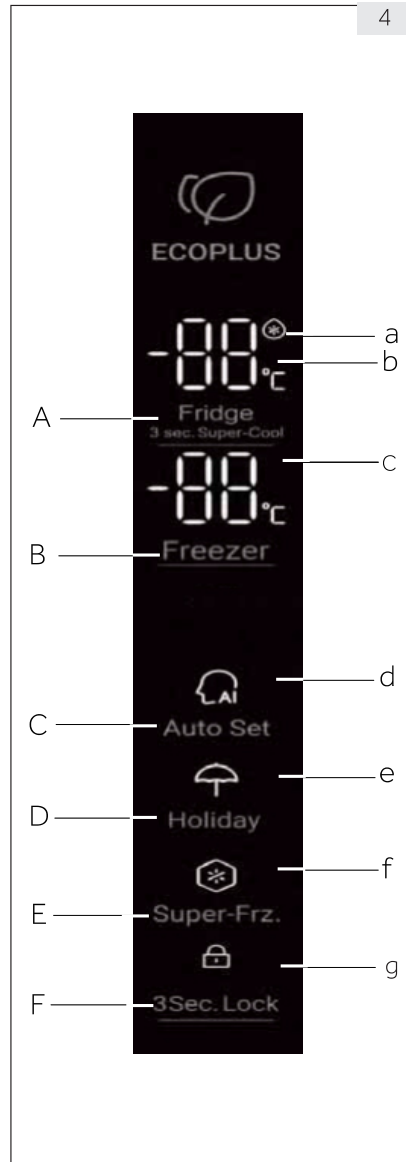
Panel sterowania (Rys. 4)

Przyciski:

- A Przełącznik lodówki
- B Przełącznik zamrażarki
- C Tryb Fuzzy
- D Tryb Holiday
- E Tryb Super-Freeze
- F Przełącznik blokady panelu

Wskaźniki:

- a Tryb Super-Cool
- b Temperatura lodówki
- c Temperatura zamrażarki
- d Tryb Fuzzy i tryb Holiday
- g Tryb Super-Freeze g Blokada panelu



5.1 Pierwsze użycie

Przy pierwszym podłączeniu chłodziarki do zasilania wyświetlacz zaświeca się. Domyślna temperatura w lodówce wynosi 4 °C, a w zamrażarce -18 °C. Zaświeca się kontrolka funkcji Intelligence.

5.2 Blokowanie/odblokowywanie panelu

Blokada automatyczna:

Gdy drzwiczki lodówki i drzwiczki zamrażarki są zamknięte i żaden przycisk nie zostaje użyty przez 30 s, podświetlenie panelu gaśnie automatycznie i panel zostaje zablokowany.

Blokada ręczna:

Po odblokowaniu panelu nacisnąć na 3 sekundy przycisk Lock. Uruchomi się brzęczyk, wskaźnik blokady zaświeci się, po czym wyświetlacz zostanie zablokowany.

3Sec.Lock



Nacisnąć na
3 sekundy

Wskaźnik jest włączony
Panel jest zablokowany

Odblokowywanie:

Gdy panel jest wyłączony, otworzyć dowolne drzwiczki chłodziarki lub dotknąć dowolnego przycisku na panelu sterowania, panel zaświeci się. W tym momencie panel jest zablokowany. Nacisnąć przycisk funkcji blokady na 3 sekundy, rozlegnie się dźwięk brzęczyka, wskaźnik blokady będzie wyłączony, a panel zostanie odblokowany.



3Sec.Lock



Panel jest
włączony Otworzyć
drzwiczki lub
nacisnąć dowolny
przycisk

Przytrzymać
przez
3 sekundy

Wskaźnik jest wyłączony
Panel jest odblokowany

5.3 Regulacja temperatury w lodówce

1. Gdy panel sterowania jest odblokowany, nacisnąć «przełącznik lodówki». Rozlega się dźwięk brzęczyka, miga wskaźnik temperatury lodówki. Teraz można ustawić temperaturę w lodówce.
2. Następnie przy każdorazowym naciśnięciu przełącznika lodówki słychać brzęczyk i następuje zmiana ustawień o 1 niżej. Kolejność zmian w pętli ciągłej wygląda następująco: 4 °C/3 °C/2 °C/1 °C/9 °C/8 °C/7 °C/6 °C/5 °C/4 °C.

Fridge



Fridge



Nacisnąć
przycisk
jeden raz

Miga
W trybie
ustawiania

Nacisnąć przycisk
jeden raz

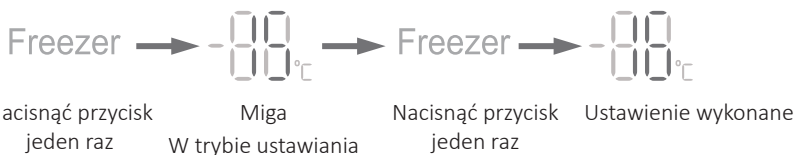
Ustawienie wykonane

Uwaga

- Urządzenie jest ustawione na zalecaną temperaturę 4 °C (chłodziarka) i- 18 °C (zamrażarka). W normalnych warunkach otoczenia nie ma potrzeby ustawiania temperatury.

5.4 Regulacja temperatury zamrażarki

1. Gdy panel sterowania jest odblokowany, naciśnięcie «przełącznik lodówki». Rozlega się dźwięk brzęczyka, miga wskaźnik temperatury zamrażarki. Teraz można ustawić temperaturę zamrażarki.
2. Następnie przy każdorazowym naciśnięciu przełącznika zamrażarki brzęczyk wydaje dźwięk, a temperatura zmienia się o 1 stopień w dół. Kolejność zmian w pętli ciągłej wygląda następująco: -18 °C/-19 °C/-20 °C/-21 °C/-22 °C/-23 °C/-24 °C/-14 °C/-15 °C/-16 °C/-17 °C/-18 °C.

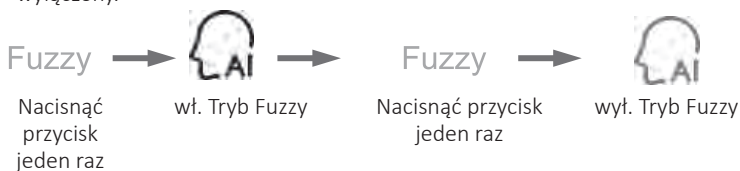


Uwaga

- Temperatura zostaje ustawiona, jeżeli w ciągu 5 sekund nie zostanie naciśnięty żaden przycisk. Temperatura zostanie automatycznie potwierdzona i zapisana.

5.5 Ustawianie automatyczne

1. Gdy panel sterowania jest odblokowany, naciśnięcie «przełącznik trybu Fuzzy». Rozlega się dźwięk brzęczyka i zaświecony jest wskaźnik trybu Fuzzy. Uruchamia się tryb Fuzzy.
2. Gdy wskaźnik trybu Fuzzy jest zaświecony, należy naciśnięcie przełącznik trybu Fuzzy, wówczas rozlegnie się dźwięk brzęczyka, wskaźnik trybu Fuzzy zostanie wyłączony i tryb ten zostanie wyłączony.



Uwaga

- Gdy włączony jest tryb Fuzzy, nie można wybrać temperatury lodówki i temperatury zamrażarki. Po naciśnięciu przełącznika lodówki lub przełącznika zamrażarki wskaźnik trybu Fuzzy i emitowane są dźwięki przypominające, że operacja jest niedozwolona. Jeśli w trybie Fuzzy zostaje wybrana funkcja szybkiego chłodzenia, szybkiego zamrażania lub tryb Holiday, następuje automatyczne wyłączenie trybu Fuzzy.

5.6 Tryb Holiday

Tryb Holiday jest przeznaczony do sytuacji, w których chłodziarka nie będzie używana przez dłuższy czas. Gdy włączony jest tryb Holiday, można wybrać temperaturę zamrażarki, natomiast temperatura w lodówce jest automatycznie ustawiana na 17 °C, co pozwala na uniknięcie nieprzyjemnych zapachów z powodu wysokiej temperatury w komorze lodówki, a także oszczędza zużycie energii.

1. Gdy panel sterowania jest odblokowany, nacisnąć «przełącznik trybu Holiday». Rozlega się dźwięk brzęczyka i zaświecony jest wskaźnik trybu Holiday. Rozpoczyna się tryb Holiday.
2. Gdy wskaźnik trybu Holiday jest zaświecony, należy nacisnąć przełącznik funkcji Holiday, wówczas rozlegnie się dźwięk brzęczyka, wskaźnik trybu Holiday zostanie wyłączony i tryb ten zostanie wyłączony.

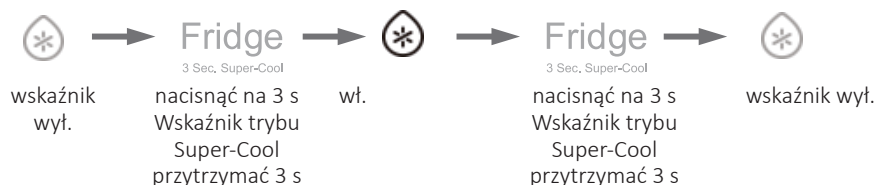


i Uwaga

- ▶ Gdy włączony jest tryb Holiday, nie można wybrać temperatury lodówki. Po naciśnięciu przełącznika lodówki wskaźnik trybu Holiday miga i emitowane są dźwięki przypominające, że operacja jest niedozwolona. Przed wyborem trybu Holiday należy opróżnić komorę lodówki, aby uniknąć pogorszenia jakości żywności. Przy włączonym trybie Holiday nie można jednocześnie wybrać funkcji Intelligence i szybkiego chłodzenia. W przypadku wybrania trybu Intelligence lub szybkiego chłodzenia wskaźnik trybu Holiday jest wyłączony i funkcja ta automatycznie wyłącza się.

5.7 Tryb Super-Cool

1. Gdy panel sterowania jest odblokowany, nacisnąć «przełącznik lodówki» na 3 sekundy. Rozlega się dźwięk brzęczyka i świeci się wskaźnik trybu Super-Cool. Tryb Super-Cool uruchamia się.
2. Gdy wskaźnik trybu Super-Cool jest włączony, nacisnąć przełącznik lodówki na 3 s. Brzęczyk wyda dźwięk i wskaźnik trybu Super-Cool zostanie wyłączony. Tryb Super-Cool wyłącza się.
3. Gdy włączony jest tryb Super-Cool, chłodziarka automatycznie przełączy się w stan wyłączenia trybu Super-Cool po osiągnięciu ustawionych warunków. Jeśli zamierza się wyjść z niego ręcznie, można nacisnąć przełącznik lodówki na 3 s, aby wyłączyć tryb Super-Cool.



Uwaga

- ▶ Przy włączonej funkcji Super-Cool nie można jednocześnie wybrać trybu Fuzzy i trybu Holiday. W przypadku wybrania trybu Fuzzy lub trybu Holiday wskaźnik trybu Super-Cool jest wyłączony i tryb Super-Cool automatycznie wyłącza się.

5.8 Tryb Super-Freeze

1. Gdy panel sterowania jest odblokowany, nacisnąć przełącznik trybu Super-freeze. Rozlega się dźwięk brzęczyka i miga wskaźnik trybu Super-freeze. Uruchamia się tryb Super-freeze.
2. Gdy wskaźnik trybu Super-freeze jest włączony, nacisnąć przełącznik trybu Super-freeze. Rozlega się dźwięk brzęczyka i wskaźnik trybu Super-freeze jest wyłączony. Tryb Super-freeze wyłącza się.
3. Gdy włączony jest tryb Super-freeze, chłodziarka automatycznie przełącza się w stan wyłączenia trybu Super-freeze po osiągnięciu ustawionych warunków. Jeśli zamierza się wyjść z niego ręcznie, można nacisnąć przełącznik trybu Super-freeze na 3 s, aby wyłączyć tryb Super-freeze.



Uwaga

- ▶ Tryb Super-freeze opracowano w celu utrzymywania składników odżywczych żywności w komorze zamrażarki i żywność ulega zamrożeniu w możliwie jak najkrótszym czasie. Jeżeli duża ilość żywności ma być zamrożona na raz, zaleca się ustawić tryb Super-freeze 24 godziny wcześniej, aby osiągnąć niższą temperaturę w komorze zamrażarki przed umieszczeniem w niej żywności. Wówczas prędkość zamrażania w komorze zamrażarki zwiększa się, a żywność może zostać szybko zamrożona, skutecznie blokując składniki odżywcze żywności i ułatwiając jej przechowywanie. W trybie Super-freeze, jeśli zamierza się wybrać funkcję Intelligence, wskaźnik trybu Super-freeze jest wyłączony i tryb Super-freeze wyłącza się automatycznie.

5.9 Alarm otwartych drzwiczek

Gdy czas otwarcia drzwiczek jest zbyt długi lub drzwiczki nie są zamknięte, chłodziarka za każdym razem emituje alarm, który ma przypomnieć o konieczności zamknięcia drzwiczek.

5.10 Oszczędność energii panelu sterowania

Jeśli panel sterowania nie będzie używany przez 30 sekund, zostanie on automatycznie wyłączony i nastąpi przejście do trybu zablokowania, który pozwala na oszczędzanie energii. Po naciśnięciu przycisku funkcji blokady lub otwarciu dowolnych drzwiczek panel sterowania zostanie podświetlony.

5.11 Awaria zasilania – funkcja pamięci

Gdy chłodziarka jest wyłączona, następuje zapisanie w pamięci chwilowego stanu roboczego awarii zasilania. Po ponownym podłączeniu zasilania chłodziarka kontynuuje działanie zgodnie z trybem i stanem funkcjonalnym ustawionym przed awarią zasilania.

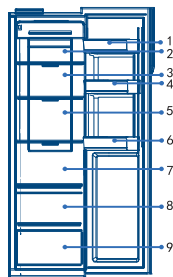
Uwaga: funkcja blokady nie jest zapamiętywana. Po ponownym włączeniu chłodziarki panel sterowania rozpoczyna autodiagnostykę, wskaźnik funkcji blokady jest wyłączony, a chłodziarka jest odblokowana.

5.12 Wskazówki dotyczące przechowywania świeżej żywności

5.12.1 Przechowywanie w komorze lodówki

- ▶ Utrzymywać temperaturę w lodówce poniżej 5 °C.
- ▶ Gorąca żywność musi być schładzana do temperatury pokojowej przed umieszczeniem jej w urządzeniu.
- ▶ Żywność, którą zamierza się przechować w lodówce, powinna zostać umyta i wysuszona przed umieszczeniem jej w niej.
- ▶ Żywność przeznaczona do przechowywania powinna być odpowiednio zamknięta, aby uniknąć zmian zapachu lub smaku.
- ▶ Nie należy przechowywać nadmiernej ilości żywności. Należy pozostawić odstępy pomiędzy żywnością, aby umożliwić przepływ zimnego powietrza wokół niej, co zapewni lepsze i bardziej jednorodne chłodzenie.
- ▶ Żywność spożywana codziennie powinna być przechowywana na przedniej części półki.
- ▶ Pozostawić szczelinę między żywnością a ścianami wewnętrznymi, umożliwiając przepływ powietrza. Najlepiej nie przechowywać żywności pod tylną ścianą: żywność może tam zamarznąć. Unikaj bezpośredniego kontaktu żywności (zwłaszcza tłustych lub kwaśnych produktów spożywczych) z poszyciem wewnętrznym, ponieważ olej/kwas może powodować jego niszczenie. Zanieczyszczenia oleiste/kwaśne należy usuwać zawsze tuż po zauważeniu ich.
- ▶ Rozmrażać zamrożoną żywność w komorze lodówki. W ten sposób można wykorzystać zamrożoną żywność do obniżenia temperatury w komorze i zaoszczędzić energię.
- ▶ Proces dojrzewania owoców i warzyw, takich jak cukinia, melon, papaja, banan, ananas itp. może przyspieszyć w lodówce. Dlatego nie zaleca się przechowywania ich w lodówce. Przez pewien czas można pozwolić na dojrzewanie silnie zielonych owoców. Cebula, czosnek, imbir i inne warzywa korzeniowe również powinny być przechowywane w temperaturze pokojowej.
- ▶ Nieprzyjemne zapachy wewnątrz lodówki są oznaką tego, że coś się rozlało i konieczne jest czyszczenie. Patrz DBAŁOŚĆ I CZYSZCZENIE.
- ▶ Różne rodzaje żywności powinny być umieszczane w różnych miejscach w zależności od ich właściwości (Rys. 5.12.1/5.12.2):

5.12.1

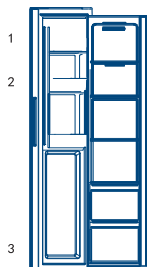


- 1 Masło, ser itp.
- 2 Żywność marynowana, konserwy itp.
- 3 Żywność marynowana, konserwy itp.
- 4 Puszki, żywność w puszkach, przyprawy itp.
- 5 Produkty mięsne, przekąski itp.
- 6 Drinki i żywność butelkowana.
- 7 Makarony, żywność w puszkach, mleko, tofu, nabiał itp.
- 8 Owoce, warzywa, sałatki itp.
- 9 Gotowane mięso, kielbasy itp.

5.12.2 Przechowywanie w komorze zamrażarki

- ▶ Utrzymywać temperaturę zamrażarki na poziomie - 18 °C.
- ▶ 24 godziny przed zamrażaniem włączyć funkcję Super-Freeze: w przypadku małych ilości jedzenia wystarczy od 4 do 6 godzin.
- ▶ Gorąca żywność musi być schładzana do temperatury pokojowej przed umieszczeniem jej w komorze zamrażarki.
- ▶ Potrawy pokrojone na małe porcje szybciej zamarzają i łatwiej je rozmrozić oraz ugotować. Zalecana waga dla każdej porcji to mniej niż 2,5 kg.
- ▶ Lepiej jest zapakować żywność przed włożeniem jej do zamrażarki. Zewnętrzna strona opakowania musi być sucha, aby uniknąć sklejania się worków. Materiały opakowaniowe powinny być bezwonne, hermetyczne, nietrujące i nietoksyczne.
- ▶ Aby uniknąć upływu okresów przechowywania, należy odnotować datę zamrożenia, limit czasu i nazwę artykułu spożywczego na opakowaniu w zależności od okresów przechowywania przewidzianych dla różnych artykułów spożywczych.
- ▶ **OSTRZEŻENIE!** Kwasy, zasady, sól itp. mogą uszkadzać wewnętrzną powierzchnię zamrażarki. Nie należy umieszczać pożywienia zawierającego te substancje (np. ryb morskich) bezpośrednio na wewnętrznej powierzchni. Stłona woda w zamrażarce powinna być natychmiast usunięta.
- ▶ Nie należy przekraczać czasów przechowywania żywności zalecanych przez producentów. Pobierać z zamrażarki tylko wymaganą ilość żywności.
- ▶ Różne rodzaje żywności powinny być umieszczane w różnych miejscach w zależności od ich właściwości (Rys. 5.12.2):

5.12.2



- 1 Lżejsze artykuły, takie jak lody, warzywa, chleb itp.
- 2 Napoje bez wysokiej zawartości alkoholu i tymczasowe przechowywanie napojów spirytusowych o wysokiej zawartości alkoholu, niewielkie elementy, jak kawałki pizzy czy ziola.
- 3 Duże/cięższe porcje żywności, takie jak wołowina do pieczenia

**Uwaga: przechowywanie**

- ▶ Aby zapewnić efekt chłodzenia, należy zachować odległość większą niż 10 mm między żywnością a czujnikiem.
- ▶ Podczas pracy urządzenia należy zachować w nim najniższą szufladę, aby zapewnić odpowiedni efekt chłodzenia.
- ▶ Żywność z lodem (jak lody itp.) powinna być przechowywana wewnątrz komory zamrażarki, a nie na uchwycie na butelki, ponieważ zmiany temperatury przy uchwycie na butelki, powodowane przez otwieranie i zamykanie drzwiczek, mogą rozmrozić jedzenie.
- ▶ Szybko spożyć rozmrożone jedzenie. Rozmrożona żywność nie może zostać ponownie zamrożona, chyba że najpierw zostanie ugotowana, w przeciwnym razie może nie nadawać się do spożycia.
- ▶ Nie należy ładować nadmiernych ilości świeżej żywności do komory zamrażarki. Należy zapoznać się z danymi dot. wydajności zamrażarki – patrz DANE TECHNICZNE lub dane na tabliczce znamionowej.
- ▶ Żywność może być przechowywana w zamrażarce w temperaturze co najmniej -18 °C przez 2 do 12 miesięcy, w zależności od jej właściwości (np. mięso: 3 – 12 miesięcy, warzywa: 6 – 12 miesięcy).
- ▶ Podczas zamrażania świeżej żywności należy unikać kontaktu z już zamrożoną żywnością. Niebezpieczeństwo rozmrożenia!
- ▶ Rozmrażać mrożonki w lodówce. W ten sposób można wykorzystać zamrożoną żywność do obniżenia temperatury w komorze i zaoszczędzić energię.

5.12.3 Przy przechowywaniu mrozonek w celach handlowych należy stosować się do niniejszych wytycznych:

- ▶ Należy zawsze stosować się do wytycznych producentów dotyczących czasu przechowywania żywności. Nie przekraczać tych wytycznych!
- ▶ Starać się, aby czas między zakupem a przechowywaniem był jak najkrótszy, aby zachować jakość żywności.
- ▶ Kupować mrożonki, które były przechowywane w temperaturze -18 °C lub niższej.
- ▶ Unikać kupowania żywności, na której opakowaniu znajduje się lód lub szron. Jest to oznaka tego, że produkty mogły zostać częściowo rozmrożone i ponownie zamrożone w pewnym momencie. Wzrost temperatury wpływa na jakość żywności.

5.13 Dystrybutor wody (HSR3918EWP*)

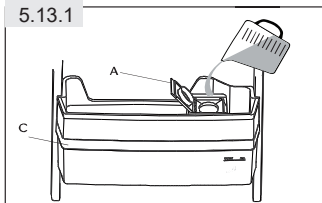
Za pomocą dystrybutora wody można pobierać chłodną wodę pitną.

Zbiornik na wodę należy wyczyścić przed pierwszym użyciem (patrz DBAŁOŚĆ I CZYSZCZENIE.).

5.13.1 Napełnianie zbiornika na wodę**OSTRZEŻENIE!**

Używać tylko wody pitnej.

5.13.1



1. Upewnić się, że zbiornik na wodę jest prawidłowo włożony (patrz WYPOSAŻENIE).
2. Otworzyć korek (A) i wlać świeżą wodę pitną do zbiornika na wodę (Rys. 5.13.1).
3. Napełnić wodą tylko do wskaźnika (2,5 l), ponieważ woda mogłaby się wylewać przy otwieraniu i zamykaniu drzwiczek.
4. Zamknąć całkowicie korek (A).

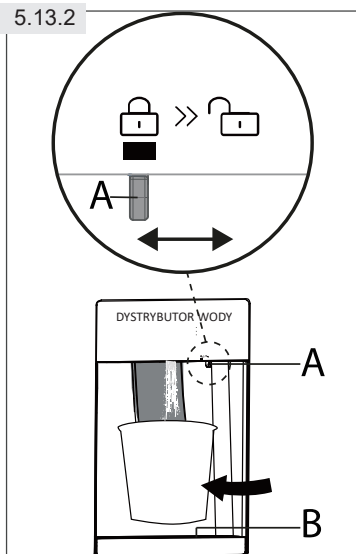




Uwaga: dystrybutor wody

- ▶ Przed ponownym napełnieniem wylać pozostałość wody i wyczyścić zbiornik na wodę.
- ▶ Jeśli nie zamierza się korzystać z dystrybutora wody przez dłuższy czas, należy opróżnić zbiornik na wodę i włożyć na miejsce oczyszczony zbiornik.
- ▶ **Pokrywa (C) na zbiorniku na wodę (Rys. 5.13.1) jest dodatkowo używana do oszczędzania energii.** Jeśli nie zamierza się korzystać z dystrybutora wody przez dłuższy czas, należy zainstalować tę pokrywę ze względu na lepszą izolację i oszczędność energii.

5.13.2 Pobieranie wody z urządzenia

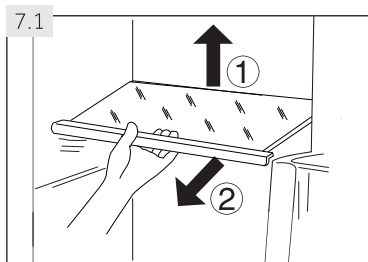
5.13.2



1. Upewnić się, że blokada (A) jest ustawiona w położeniu  «odblokowanym» (Rys. 5.13.2).
2. Umieścić szklankę pod wylotem wody.
3. Nacisnąć delikatnie szklanką na dźwignię dystrybutora wody.
Upewnić się, że szklanka znajduje się w jednej linii z dystrybutorem, aby zapobiec rozbryzgom wody.
4. Woda w tacce (B) powinna być usuwana w odpowiednim czasie, ponieważ może się wylewać podczas otwierania i zamykania drzwiczek.
5. Przesunąć blokadę (A) do pozycji «zablokowanej» .

**Wskazówki dotyczące oszczędzania energii**

- ▶ Upewnić się, że urządzenie jest właściwie wentylowane (patrz INSTALACJA).
- ▶ Nie należy instalować urządzenia w miejscu o bezpośrednim działaniu promieni słońca lub w pobliżu źródeł ciepła (np. pieców, grzejników).
- ▶ Unikać niepotrzebnie niskiej temperatury w urządzeniu. Zużycie energii zwiększa się im niższa jest ustawiona temperatura w urządzeniu.
- ▶ Funkcje takie jak Super-Cool lub Super-Freeze zużywają więcej energii.
- ▶ Ciepłą żywność należy schłodzić przed umieszczeniem jej w urządzeniu.
- ▶ Drzwiczki urządzenia otwierać jak najrzadziej i pozostawiać otwarte jak najkrócej.
- ▶ Nie należy przepelniać urządzenia, aby nie utrudniać przepływu powietrza.
- ▶ Unikać powietrza wewnątrz opakowań z żywnością.
- ▶ Uszczelki drzwiczek należy utrzymywać w czystości, aby zawsze zamykały się prawidłowo.
- ▶ Rozmrażać zamrożoną żywność w komorze lodówki.



7.1 Półki regulowane

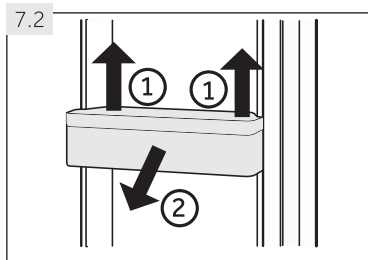
Wysokość półek można dostosować do własnych potrzeb.

1. W celu zmienienia pozycji półki należy ją najpierw wyjąć, podnosząc jej tylną krawędź (1) i wyciągając na zewnątrz (2) (Rys. 7.1).
2. Aby ponownie zamontować półkę, należy nałożyć ją na uchwyty po obu stronach i włożyć do najbardziej wysuniętej do tyłu pozycji, aż tylna część półki zostanie zamocowana wewnątrz szczeliny po bokach.



Uwaga: półki

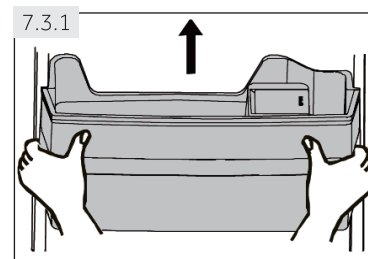
Upewnić się, że wszystkie końce półki są równe.



7.2 Wyjmowane półki w drzwiczkach/uchwyt na butelki

Półki w drzwiczkach/uchwyty na butelki można wyjąć do czyszczenia:

1. Umieścić ręce po obu stronach półki/uchwyty i podnieść do góry (1) (Rys. 7.2).
2. Wyciągnąć półkę/uchwyt na butelki (2).
3. W celu włożenia półki w drzwiczkach/uchwyty na butelki powyższe czynności należy wykonać w odwrotnej kolejności.




7,3 Zbiornik na wodę (HSR3918EWP*)

7.3.1 Wyjmowanie zbiornika na wodę

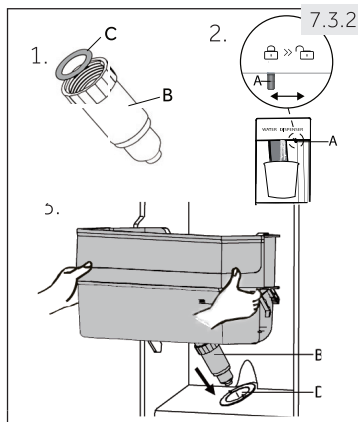
Zbiornik na wodę można wyjąć i ponownie zamontować w celu wyczyszczenia go w taki sam sposób, jak półki w drzwiczkach (Rys. 7.3.1).

7.3.2 Wkładanie zbiornika na wodę

1. Upewnić się, że wylewka dozownika (B) jest mocno przykręcona do zbiornika na wodę, a biały pierścień o-ring (C) znajduje się w pozycji (Rys. 7.3.2-1.).
2. Przesunąć blokadę (A) do pozycji «zablokowanej»  (Rys. 7.3.2-2).
3. Umieścić zbiornik na wodę w pozycji, w której wylewka dozownika (B) mieści się w otworze w drzwiczkach (D) (Rys. 7.3.2-3.).

Uwaga: zbiornik na wodę

- ▶ Jeśli zbiornik na wodę nie jest prawidłowo włożony, woda może kapać z przyłącza.
- ▶ Nie należy używać nadmiernej siły przy wyjmowaniu lub wkładaniu zbiornika na wodę, aby uniknąć jego uszkodzenia.



7.4 Uchwyt na butelki – komora zamrażarki

Uchwyty na butelki w komorze zamrażarki są przeznaczone do tymczasowego przechowywania napojów spirytusowych o wysokiej zawartości alkoholu. Napój bez wysokiej zawartości alkoholu powinien być schładzany w lodówce.

Ponadto w uchwytach na butelki można przechowywać niewielkie porcje żywności.



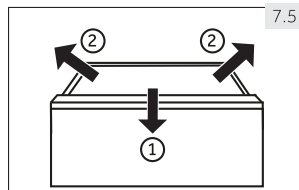
OSTRZEŻENIE!

Butelki i puszki mogą wybuchnąć! Ustawić minutnik, który przypomni o wyjęciu butelek/puszek bez wysokiej zawartości alkoholu...

7.5 Wyjmowana szuflada

Aby wyjąć szufladę z lodówki lub zamrażarki, należy wysunąć ją maksymalnie (1), podnieść i wyjąć (2) (Rys. 7.5).

W celu włożenia szuflady powyższe czynności należy wykonać w odwrotnej kolejności.



7.6 Oświetlenie

Po otwarciu drzwiczek zaświeca się wewnętrzne oświetlenie LED. Na działanie oświetlenia nie ma wpływu żadne z innych ustawień urządzeń.



OSTRZEŻENIE!

Przed czyszczeniem należy odłączyć urządzenie od zasilania

8.1 Czyszczenie

Urządzenie należy czyścić, gdy nie przechowuje się w nim żywności lub jej ilość jest niewielka. Urządzenie powinno być czyszczone co cztery tygodnie, aby zapewnić dobrą konserwację i uniknąć nieprzyjemnych zapachów przechowywanej żywności.

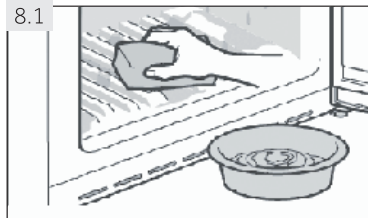


OSTRZEŻENIE!

Nie należy czyścić urządzenia twardymi szczotkami, szczotkami drucianymi, proszkiem do prania, benzyną, octanem amylu, acetonem i podobnymi roztworami organicznymi, kwasowymi lub alkalicznymi. Aby uniknąć uszkodzeń, należy je czyścić specjalnym detergentem do lodówek.

- ▶ Nie spryskiwać ani nie spłukiwać urządzenia podczas czyszczenia.
- ▶ Do czyszczenia urządzenia nie należy używać strumienia wody ani pary wodnej.
- ▶ Nie czyścić zimnych szklanych półek gorącą wodą. Nagła zmiana temperatury może spowodować pęknięcie szyby.
- ▶ Podczas działania urządzenia nie należy dotykać wewnętrznej powierzchni zamrażarki, zwłaszcza mokrymi rękoma, ponieważ ręce mogą przymarznąć do tej powierzchni.
- ▶ W przypadku ogrzewania pomieszczenia należy sprawdzić stan zamrożonych artykułów.

8.1



- ▶ Zawsze utrzymywać w czystości uszczelkę drzwi.
- ▶ Wyczyścić wnętrze i obudowę urządzenia za pomocą gąbki zwilżonej w ciepłej wodzie z neutralnym detergentem (Rys. 8.1).


1. Przetrzeć wnętrze i zewnętrzną część lodówki, w tym uszczelkę drzwiczek, półki w drzwiczkach, półki szklane, szuflady itp., miękkim ręcznikiem lub gąbką zanurzoną w ciepłej wodzie (można dodać neutralny detergent do ciepłej wody).
2. W przypadku rozlania się cieczy należy wyjąć wszystkie zabrudzone części, bezpośrednio przepłukać wodą, osuszyć i umieścić z powrotem w lodówce.
3. W przypadku rozlania śmietany albo roztopienia się lodów należy usunąć wszystkie zanieczyszczone części, włożyć na pewien czas do ciepłej wody o temperaturze około 40 °C, a następnie spłukać pod bieżącą wodą, osuszyć i włożyć z powrotem do lodówki.
4. W przypadku, gdy mała część lub element utknie wewnątrz lodówki (pomiędzy półkami lub szufladami), należy użyć małej, miękkiej szczotki, aby ją wydostać. Jeśli nie uda się dostać do takiej części, należy się skontaktować z serwisem firmy Haier.

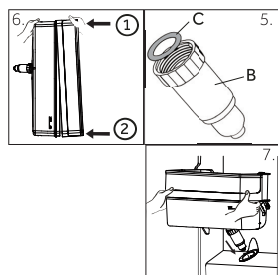
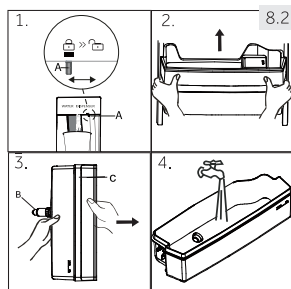
- ▶ Spłukać i osuszyć miękką szmatką.
- ▶ Nie należy czyścić żadnych części urządzenia w zmywarce do naczyń.
- ▶ Odczekać co najmniej 5 minut przed ponownym uruchomieniu urządzenia ponieważ częste uruchamianie go może uszkodzić sprężarkę.

Rozmrażanie

Rozmrażanie chłodziarki i komory zamrażarki odbywa się automatycznie; nie jest wymagana ręczna obsługa.

8.2 Czyszczenie zbiornika na wodę (Rys. 8.2) (HSR3918EWP*)

1. Przesunąć blokadę (A) do pozycji «zablokowanej» .
2. Wyjąć zbiornik na wodę z urządzenia.
3. Zdjąć pokrywę (C) i delikatnie odkręcić wylewkę dystrybutora (B).
4. Wyczyścić zbiornik na wodę i wylewkę dystrybutora ciepłą, bieżącą wodą i płynem do mycia naczyń. Upewnić się, że cały detergent został zmyty.
5. Zamontować wylewkę dystrybutora (B) i upewnić się, że jest ona mocno przykręcona do zbiornika na wodę i biały o-ring (C) jest na swoim miejscu.
6. Nacisnąć pokrywę, aby połączyć ją z jedną stroną zbiornika na wodę, a następnie z drugą stroną, sprawdzić, czy zbiornik na wodę i pokrywa są całkowicie zmontowane.
7. Wymienić zbiornik wewnątrz urządzenia. Upewnić się, że wylewka dystrybutora jest prawidłowo włożona do otworu w drzwiczkach.



8.3 Wymiana oświetlenia LED



OSTRZEŻENIE!

Nie wolno samodzielnie wymieniać oświetlenia LED. Może je wymienić tylko producent lub autoryzowany serwis.

Jako źródło światła w urządzeniu zastosowano diody LED charakteryzujące się niskim zużyciem energii i długą żywotnością. W przypadku wystąpienia jakichkolwiek nieprawidłowości prosimy o kontakt z działem obsługi klienta. Patrz OBSŁUGA KLIENTA.

Parametry oświetlenia: 12 V maks. 3 W.

8.4 Nieużywanie przez dłuższy okres

Jeśli urządzenie nie będzie używane przez dłuższy okres i użytkownik nie skorzysta z funkcji Holiday dla lodówki, należy:

- ▶ wyjąć żywność;
- ▶ opróżnić i wyczyścić zbiornik na wodę;
- ▶ wyjąć wtyczkę z gniazdka sieciowego;
- ▶ wyczyścić urządzenie w sposób opisany powyżej;
- ▶ drzwiczki powinny być otwarte, aby zapobiec powstawaniu przykrych zapachów wewnątrz.



Uwaga: wyłączenie

Wyłączać urządzenie tylko w razie absolutnej konieczności.

8.5 Przenoszenie urządzenia

1. Wyjąć całą żywność i odłączyć urządzenie.
2. Zabezpieczyć taśmą samoprzylepną półki i inne ruchome części w lodówce i zamrażarce.
3. Nie przechylać urządzenia o więcej niż 45°, aby uniknąć uszkodzenia układu chłodzenia.



OSTRZEŻENIE!

Nie należy podnosić urządzenia za uchwyty.

- ▶ Nigdy nie należy ustawiać urządzenia poziomo na ziemi.

Wiele pojawiających się problemów można rozwiązać samodzielnie bez specjalistycznej wiedzy. W przypadku wystąpienia problemu należy sprawdzić wszystkie przedstawione możliwości i postępować zgodnie z poniższymi instrukcjami przed ewentualnym skontaktowaniem się z działem obsługi posprzedażnej. Patrz OBSŁUGA KLIENTA.



OSTRZEŻENIE!

Przed wykonaniem konserwacji należy odłączyć urządzenie od zasilania elektrycznego, wyjmując wtyczkę z gniazdka.

- ▶ Urządzenia elektryczne powinny być serwisowane wyłącznie przez wykwalifikowanych elektryków, ponieważ nieprawidłowe naprawy mogą spowodować znaczne szkody następcze.
- ▶ W razie uszkodzenia układu zasilania powinien go wymienić producent, wyznaczony przez niego serwisant lub inna wykwalifikowana osoba, aby uniknąć zagrożenia.

Problem	Możliwa przyczyna	Możliwe rozwiązanie
Sprężarka nie działa.	<ul style="list-style-type: none"> • Wtyczka przewodu zasilającego nie jest podłączona do gniazdka. • Urządzenie znajduje się w cyklu rozmrażania. 	<ul style="list-style-type: none"> • Podłączyć wtyczkę zasilania elektrycznego. • Jest to normalne w przypadku rozmrażania automatycznego.
Urządzenie działa często lub działa zbyt długo.	<ul style="list-style-type: none"> • Temperatura wewnętrzna lub zewnętrzna jest zbyt wysoka. • Urządzenie było odłączone od zasilania przez pewien czas. • Drzwiczki urządzenia nie są szczelnie zamknięte. • Drzwiczki były otwierane zbyt często lub zbyt długo. • Ustawienie temperatury w komorze zamrażarki jest zbyt niskie. • Uszczelka drzwiczek jest zabrudzona, zużyta, pęknięta lub źle dopasowana. • Wymagana cyrkulacja powietrza nie jest zagwarantowana. 	<ul style="list-style-type: none"> • W takiej sytuacji normalne jest, że urządzenie działa dłużej. • Na ogół całkowite ostygnięcie urządzenia trwa od 8 do 12 godzin. • Zamknąć drzwi i upewnić się, że urządzenie znajduje się na równym podłożu i żadna żywność ani pojemnik z jedzeniem nie blokuje drzwiczek. • Nie otwierać drzwiczek zbyt często. • Ustawić wyższą temperaturę, aż do uzyskania zadowalającej temperatury lodówki. Chłodziarka potrzebuje na ustabilizowanie się temperatury 24 godziny. • Wyczyścić uszczelkę drzwiczek lub zlecić jej wymianę na nową przez dział obsługi klienta. • Zapewnić odpowiednią wentylację.

Problem	Możliwa przyczyna	Możliwe rozwiązanie
Wnętrze lodówki jest zabrudzone i/lub nieładnie pachnie.	<ul style="list-style-type: none"> • Wnętrze lodówki wymaga czyszczenia. • W lodówce przechowywana jest żywność o silnym zapachu. 	<ul style="list-style-type: none"> • Wyczyścić wnętrze lodówki. • Dokładnie zapakować żywność.
Wewnątrz urządzenia nie jest wystarczająco zimno.	<ul style="list-style-type: none"> • Ustawiona jest zbyt wysoka temperatura. • Załadowano zbyt ciepły towar. • Zbyt duża ilość żywności została umieszczona w lodówce w tym samym czasie. • Towar jest zbyt blisko siebie. • Drzwiczki urządzenia nie są szczelnie zamknięte. • Drzwiczki były otwierane zbyt często lub zbyt długo. 	<ul style="list-style-type: none"> • Przywrócić prawidłową temperaturę. • Zawsze schłodzić towar przed włożeniem go do lodówki. • Zawsze przechowywać małe ilości żywności. • Pozostawić szczelinę pomiędzy różną żywnością, umożliwiając przepływ powietrza. • Zamknąć drzwiczki. • Nie otwierać drzwiczek zbyt często.
Wewnątrz urządzenia jest zbyt zimno.	<ul style="list-style-type: none"> • Ustawiona jest zbyt niska temperatura. • Funkcja Super-Cool/Super-Freeze jest aktywna lub działa zbyt długo. 	<ul style="list-style-type: none"> • Przywrócić prawidłową temperaturę. • Wyłączyć funkcję Super-Cool/Super-Freeze.
Tworzenie się wilgoci po wewnętrznej stronie komory lodówki.	<ul style="list-style-type: none"> • Klimat jest zbyt ciepły i zbyt wilgotny. • Drzwiczki urządzenia nie są szczelnie zamknięte. • Drzwiczki były otwierane zbyt często lub zbyt długo. • Pojemniki z żywnością lub płynami pozostawiono otwarte. 	<ul style="list-style-type: none"> • Zwiększyć temperaturę. • Zamknąć drzwiczki. • Nie otwierać drzwiczek zbyt często. • Pozwolić gorącej żywności schłodzić się do temperatury pokojowej i przykryć żywność oraz płyny.
Wilgoć gromadzi się na zewnętrznej powierzchni lodówki lub pomiędzy drzwiczkami.	<ul style="list-style-type: none"> • Klimat jest zbyt ciepły i zbyt wilgotny. • Drzwiczki nie są szczelnie zamknięte. Zimne powietrze w urządzeniu i ciepłe powietrze na zewnątrz powodują powstawanie skroplin. 	<ul style="list-style-type: none"> • Jest to normalne w wilgotnym klimacie i zmienia się, gdy wilgotność spada. • Upewnić się, że drzwiczki są szczelnie zamknięte.

Problem	Możliwa przyczyna	Możliwe rozwiązanie
Dużo lodu i szronu w komorze zamrażarki.	<ul style="list-style-type: none"> • Artykuły nie były odpowiednio zapakowane. • Drzwiczki/szuflada urządzenia nie są szczelnie zamknięte. • Drzwiczki były otwierane zbyt często lub zbyt długo. • Uszczelka drzwiczek jest zabrudzona, zużyta, pęknięta lub źle dopasowana. • Coś w środku uniemożliwia prawidłowe zamknięcie drzwiczek. 	<ul style="list-style-type: none"> • Zawsze dobrze pakować towar. • Zamknąć drzwiczki/szufladę. • Nie otwierać drzwiczek zbyt często. • Wyczyścić uszczelkę drzwiczek lub wymienić ją na nową. • Przesunąć półki, półki w drzwiczkach lub pojemniki wewnętrzne, aby umożliwić zamknięcie drzwiczek.
Urządzenie wydaje nietypowe dźwięki.	<ul style="list-style-type: none"> • Urządzenie nie znajduje się na równej powierzchni. • Urządzenie dotyka jakiegoś sąsiadującego z nim przedmiotu. 	<ul style="list-style-type: none"> • Wyregulować nóżki, aby wypoziomować urządzenie. • Usunąć przedmioty wokół urządzenia.
Może być słyszalny delikatny dźwięk podobny do dźwięku płynącej wody.	<ul style="list-style-type: none"> • Jest to zjawisko normalne. 	<ul style="list-style-type: none"> • –
Słychać sygnał alarmowy.	<ul style="list-style-type: none"> • Drzwiczki są otwarte. 	<ul style="list-style-type: none"> • Zamknąć drzwiczki.
Słychać delikatny szum.	<ul style="list-style-type: none"> • System antykondensacyjny działa. 	<ul style="list-style-type: none"> • Zapobiega to kondensacji i jest to normalne.
Oświetlenie wewnętrzne lub układ chłodzenia nie działa.	<ul style="list-style-type: none"> • Wtyczka przewodu zasilającego nie jest podłączona do gniazdka. • Zasilanie nie jest nienaruszone. • Oświetlenie LED nie działa. 	<ul style="list-style-type: none"> • Podłączyć wtyczkę zasilania elektrycznego. • Sprawdzić zasilanie elektryczne w pomieszczeniu. Skontaktować się z lokalnym dostawcą energii elektrycznej! • Skontaktować się z serwisem w celu dokonania wymiany oświetlenia.
Boki szafki i listwa drzwiowa nagrzewają się.	<ul style="list-style-type: none"> • Jest to zjawisko normalne. 	<ul style="list-style-type: none"> • –
Z wylewki dystrybutora wody nie wypływa woda.	<ul style="list-style-type: none"> • Blokada nie została wyłączona. 	<ul style="list-style-type: none"> • Wyłączyć blokadę.

9.2 Przerwa w dostawie energii elektrycznej

W przypadku przerwy w dostawie energii elektrycznej żywność powinna być bezpiecznie schłodzona przez około 5 godzin. Postępować zgodnie z tymi wskazówkami podczas dłuższej przerwy w dostawie energii elektrycznej, szczególnie w lecie:

- ▶ Otwierać drzwiczki/szufladę możliwie jak najrzadziej.
- ▶ Podczas przerwy w dostawie energii elektrycznej nie należy wkładać do urządzenia dodatkowej żywności.
- ▶ W przypadku wcześniejszego powiadomienia o przerwie w dostawie energii elektrycznej, gdy przerwa ma trwać dłużej niż 5 godzin, należy przygotować trochę lodu i włożyć go do pojemnika w górnej części komory lodówki.
- ▶ Bezpośrednio po przywróceniu zasilania konieczne jest sprawdzenie towaru.
- ▶ Ponieważ temperatura w lodówce wzrośnie podczas przerwy w dostawie energii elektrycznej lub innej awarii, okres przechowywania zostanie skrócony, a jakość żywności ulegnie zmniejszeniu. Aby zapobiec zagrożeniom dla zdrowia, żywność, która ulega rozmrożeniu, powinna zostać wkrótce spożyta lub ugotowana i zamrożona (w stosownych przypadkach).



Uwaga: funkcja zapamiętywania ustawień podczas przerwy w dostawie energii elektrycznej

Po przywróceniu zasilania urządzenie kontynuuje pracę z ustawieniami, które zostały wprowadzone przed awarią zasilania.

10.1 Rozpakowywanie

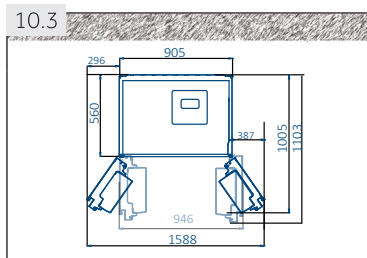


OSTRZEŻENIE!

- ▶ Urządzenie jest ciężkie. Zawsze powinny je przenosić co najmniej dwie osoby.
- ▶ Wszystkie materiały opakowaniowe należy przechowywać w miejscu niedostępnym dla dzieci i utylizować je w sposób przyjazny dla środowiska.
- ▶ Wyjąć urządzenie z opakowania.
- ▶ Usunąć wszystkie materiały opakowaniowe łącznie z przezroczystą folią ochronną.

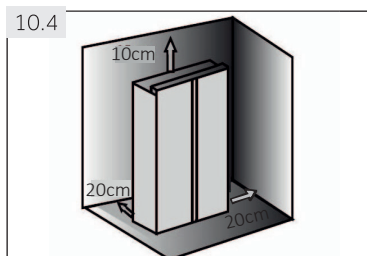
10.2 Warunki otoczenia

Temperatura w pomieszczeniu powinna zawsze wynosić od 16 °C do 43 °C, ponieważ może ona wpływać na temperaturę wewnątrz urządzenia i jego zużycie energii. Nie należy instalować urządzenia w pobliżu innych urządzeń emitujących ciepło (piekarników, lodówek) bez odpowiedniej izolacji.



10.3 Wymagania dotyczące przestrzeni

Wymagane miejsce przy otwartych drzwiach
(Rys. 10.3): Szerokość urządzenia: 1588 mm Głębokość urządzenia: 1103 mm



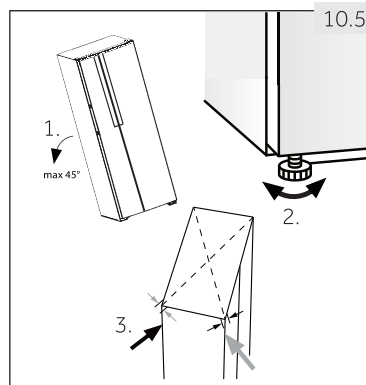
10.4 Przekrój poprzeczny wentylacji

Aby osiągnąć wystarczającą wentylację urządzenia ze względów bezpieczeństwa, należy przestrzegać informacji o wymaganych przekrojach wentylacji (Rys. 10.4).

10.5 Poziomowanie urządzenia

Urządzenie powinno być umieszczone na płaskiej i solidnej powierzchni.

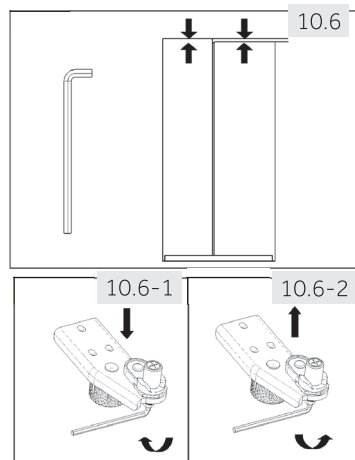
1. Przechylić urządzenie lekko do tyłu (Rys. 10.5).
2. Ustawić nóżki na żądanym poziomie.
Upewnić się, że odległość od ściany po stronie zawiasów wynosi co najmniej 5 cm.
3. Stabilność można sprawdzić poprzez naprzemienne uderzanie o przekątną. Lekkie kołysanie się powinno być takie samo w obu kierunkach. W przeciwnym razie rama może się wypaczyć; skutkiem tego są ewentualne nieszczelne uszczelki drzwi. Delikatne nachylenie na tył ułatwia zamykanie drzwiczek.



10.6 Precyzyjna regulacja drzwiczek

Jeśli po wypoziomowaniu drzwiczek za pomocą nóżek drzwiczki nie znajdują się jeszcze na jednym poziomie, niedopasowanie takie można usunąć, obracając kluczem (Rys. 10.6) wałek podnośnika zawiasu w prawym dolnym rogu drzwiczek.

- ▶ Wałek podnośnika obracać kluczem zgodnie z ruchem wskazówek zegara w celu obniżenia wysokości drzwi (Rys. 10.6-1).
- ▶ Obracać wałek podnoszący w kierunku przeciwnym do ruchu wskazówek zegara w celu podniesienia drzwiczek na odpowiednią wysokość (Rys. 10.6-2).

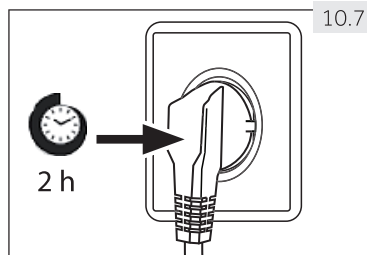


OSTRZEŻENIE!

Nie należy nadmiernie regulować wałka podnośnika zawiasów do wysokości, która mogłaby spowodować pozostawienie go w oryginalnej pozycji zablokowanej. (Zakres regulacji wysokości: 3 mm)

10.7 Czas oczekiwania

Bezobsługowy olej smarowy znajduje się w obudowie sprężarki. Olej ten może przeniknąć przez zamknięty system rurek podczas transportu w pozycji przechylonej. Przed podłączeniem urządzenia do zasilania należy odczekać co najmniej 2 godziny (Rys. 10.7), aby olej spłynął z powrotem do obudowy.



10.8 Przyłącze elektryczne

Przed każdym podłączeniem sprawdzić, czy:

- ▶ gniazdko zasilające i bezpiecznik są zgodne z danymi podanymi na tabliczce znamionowej;
- ▶ gniazdko zasilające jest uziemione i nie posiada wielu wtyczek ani przedłużaczy;
- ▶ wtyczka i gniazdko zasilające pasują do siebie;

podłączyć wtyczkę do prawidłowo zainstalowanego gniazdka domowego.



OSTRZEŻENIE!

Aby uniknąć zagrożeń, uszkodzony przewód zasilający musi zostać wymieniony przez serwis (patrz karta gwarancyjna).

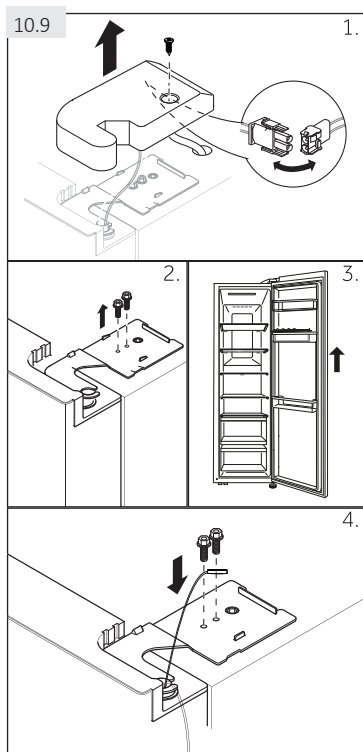
10.9 Wymontowywanie i montowanie drzwiczek

W przypadku konieczności wymontowania drzwiczek urządzenia należy postępować zgodnie z poniższą instrukcją wymontowywania i montowania drzwiczek (Rys. 10.9)



OSTRZEŻENIE!

- ▶ Przed każdą operacją należy wyłączyć urządzenie i wyjąć wtyczkę z gniazdka sieciowego.
- ▶ Urządzenie jest ciężkie. Zawsze powinny je przenosić co najmniej dwie osoby.
- ▶ Nie przechylać urządzenia pod kątem większym niż 45° lub ustawić je poziomo na podłodze.



1. Odkręć śrubę pokrywę zawiasu i wyjąć pokrywę. Odłączyć złącze przewodu.

2. Odkręć śruby mocujące górny zawias na swoim miejscu, a następnie wyjąć zawias.
3. Podnieść drzwiczki komory lodówki, aby je wyjąć.


4. Zamontować drzwiczki na miejsce, wykonując czynności do tych wykonanych przy wymontowywaniu. Upewnić się, że kabel uziemiający zostanie zamocowany za pomocą śruby.



Uwaga: drzwiczki lodówki

Na ilustracjach przedstawiono wymontowywanie drzwiczek komory lodówki. W przypadku drzwiczek zamrażarki należy użyć odpowiednich części po drugiej stronie.

11.1 Karta produktu zgodnie z rozporządzeniem UE nr 1060/2010

Znak towarowy	Haier
Identyfikator modelu	HSR3918FNP*
Kategoria modelu	Chłodziarko-zamrażarka
Klasa efektywności energetycznej	A+
Roczne zużycie energii (kWh/rok)	399
Pojemność przechowywania- chłodzenie (L)	337
Pojemność przechowywania- zamrażanie (L) ****	167
Ocena wg gwiazdek	
Temperatura w innych komorach > 14 °C	Nie dotyczy
System Frostfree	Tak
Czas wzrostu temperatury (h)	5
Pojemność zamrażalnicza (kg/24 h)	10
Klasa klimatyczna	SN-N-ST-T
Urządzenie to jest przeznaczone do pracy w temperaturze otoczenia pomiędzy 10 °C a 43 °C.	
Poziom emitowanego hałasu (db(A) re lpW)	38
Typ konstrukcji	Wolnostojąca

Na podstawie standardowych wyników testów przez 24 godziny. Rzeczywiste zużycie będzie zależeć od sposobu użytkowania urządzenia i jego lokalizacji.

11.1.1 Dodatkowe dane techniczne

Napięcie/Częstotliwość	220 – 240 V/50 Hz
Moc wejściowa (W)	200
Bezpiecznik główny (A)	15
Czynnik chłodniczy	R600a
Wymiary (wys./szer./gł., w mm)	1775/908/647

11.1.2 Normy i dyrektywy

Produkt ten spełnia wymagania wszystkich obowiązujących dyrektyw WE wraz z odpowiednimi zharmonizowanymi normami, które przewidują oznakowanie CE.

Polecamy nasz dział obsługi klienta firmy Haier i stosowanie oryginalnych części zamiennych. W razie problemu z urządzeniem należy najpierw zapoznać się z punktem ROZWIĄZYWANIE PROBLEMÓW.

Jeśli nie można tam znaleźć rozwiązania, prosimy o kontakt z

- ▶ lokalnym dystrybutorem lub
- ▶ zapoznanie się z sekcją Serwis i Wsparcie na stronie www.haier.com, gdzie można znaleźć numery telefonów i najczęściej zadawane pytania oraz gdzie można przesłać zgłoszenie serwisowe.

Aby skontaktować się z naszym serwisem, należy dysponować poniższymi danymi.

Informacje znajdują się na tabliczce znamionowej.

Model _____ Nr seryjny _____

W przypadku gwarancji należy również sprawdzić dostarczoną wraz z produktem Kartę Gwarancyjną.



Haier



0060528721



Εγχειρίδιο Χρήσης

Ψυγειοκαταψύκτης

HSR3918ENP*

HSR3918EWP*

HSR3918FNP*

***=W,B,L,G,N**

GR

Haier

Σας ευχαριστούμε για την αγορά αυτού του προϊόντος Haier.

Διαβάστε προσεκτικά τις παρούσες οδηγίες πριν να χρησιμοποιήσετε τη συσκευή. Οι οδηγίες περιέχουν σημαντικές πληροφορίες που θα σας βοηθήσουν να αξιοποιήσετε στο έπακρο τη συσκευή σας και να διασφαλίσετε την ασφάλή και σωστή εγκατάσταση, χρήση και συντήρησή της. Φυλάξτε αυτό το εγχειρίδιο σε θέση που να σας επιτρέπει να το συμβουλευέστε εύκολα για την ασφάλή και σωστή χρήση της συσκευής.

Αν πρόκειται να πουλήσετε, να χαρίσετε ή να αφήσετε πίσω σας τη συσκευή όταν μετακομίσετε, πρέπει να παραδώσετε μαζί και το παρόν εγχειρίδιο, ώστε ο νέος ιδιοκτήτης να εξοικειωθεί με τη συσκευή και τις προειδοποιήσεις ασφαλείας.

Υπόμνημα

Προειδοποίηση- Σημαντική υπόδειξη ασφαλείας



Γενικές πληροφορίες και συμβουλές



Πληροφορίες για το περιβάλλον



Απόρριψη

Προστατέψτε το περιβάλλον και την ανθρώπινη υγεία. Απορρίψτε τα υλικά συσκευασίας στους κατάλληλους κάδους ανακύκλωσης. Βοηθήστε στην ανακύκλωση των αποβλήτων ηλεκτρικών και ηλεκτρονικών συσκευών. Μην απορρίπτετε συσκευές που φέρουν αυτό το σύμβολο μαζί με τα οικιακά απορρίμματα. Επιστρέψτε το προϊόν στην τοπική σας μονάδα ανακύκλωσης ή επικοινωνήστε με τη δημοτική αρχή.



ΠΡΟΕΙΔΟΠΟΙΗΣΗ!

Κίνδυνος τραυματισμού ή ασφυξίας!

Τα ψυκτικά μέσα και τα αέρια πρέπει να απορρίπτονται από εξειδικευμένο τεχνικό προσωπικό. Πριν από την κατάλληλη απόρριψη σιγουρευτείτε ότι οι σωληνώσεις του ψυκτικού κυκλώματος δεν έχουν υποστεί βλάβη. Αποσυνδέστε τη συσκευή από την παροχή ρεύματος. Κόψτε το καλώδιο τροφοδοσίας και απορρίψτε το. Αφαιρέστε τα ράφια και τα συρτάρια, καθώς και το κλείστρο και το λάστιχο της πόρτας, ώστε να αποτραπεί ο εγκλωβισμός παιδιών και κατοικίδιων ζώων στη συσκευή.

Οι παλιές συσκευές εξακολουθούν να έχουν κάποια υπολειμματική αξία. Ένας φιλικός προς το περιβάλλον τρόπος απόρριψης θα εξασφαλίσει την ανάκτηση και την επαναχρησιμοποίηση πολύτιμων πρώτων υλών.

Για τη διαστολή του μονωτικού αφρού χρησιμοποιείται κυκλοπεντάνιο, μια εύφλεκτη ουσία που δεν βλάπτει το όζον.

Εξασφαλίζοντας τη σωστή απόρριψη αυτού του προϊόντος, θα βοηθήσετε στην πρόληψη πιθανών αρνητικών επιπτώσεων για το περιβάλλον και την ανθρώπινη υγεία, που θα μπορούσαν να προκληθούν σε αντίθετη περίπτωση.

Για αναλυτικές πληροφορίες σχετικά με την ανακύκλωση αυτού του προϊόντος, σας παρακαλούμε να επικοινωνήσετε με τον δήμο σας, τη διεύθυνση διαχείρισης οικιακών απορριμμάτων ή το κατάστημα από όπου αγοράσατε το προϊόν με εξειδικευμένο τεχνικό προσωπικό.

1- Πληροφορίες ασφαλείας	4
2- Προβλεπόμενη χρήση	8
3- Περιγραφή του προϊόντος.....	10
4- Οθόνη ελέγχου	11
5- Χρήση.....	12
6- Συμβουλές εξοικονόμησης ενέργειας.....	20
7- Εξαρτήματα.....	21
8- Φροντίδα και καθαρισμα	23
9- Αντιμετώπιση προβλημάτων.....	26
10- Εγκατάσταση	30
11- Τεχνικά στοιχεία	34
12- Εξυπηρέτηση πελατών	35

Πριν θέσετε τη συσκευή σε λειτουργία για πρώτη φορά, διαβάστε τις παρακάτω υποδείξεις ασφαλείας!:



ΠΡΟΕΙΔΟΠΟΙΗΣΗ!

Πριν από την πρώτη χρήση

- ▶ Βεβαιωθείτε ότι η συσκευή δεν έχει υποστεί ζημιά κατά τη μεταφορά.
- ▶ Αφαιρέστε όλα τα υλικά της συσκευασίας και φυλάξτε τα μακριά από παιδιά.
- ▶ Περιμένετε τουλάχιστον δύο ώρες πριν να εγκαταστήσετε τη συσκευή για να εξασφαλίσετε τη σωστή λειτουργία του ψυκτικού κυκλώματος.
- ▶ Χρειάζονται τουλάχιστον δύο άτομα για την μετακίνηση της συσκευής επειδή είναι βαριά.

Εγκατάσταση

- ▶ Η συσκευή πρέπει να τοποθετείται σε καλά αεριζόμενο χώρο. Βεβαιωθείτε ότι υπάρχει χώρος τουλάχιστον 20 cm πάνω και 10 cm γύρω από τη συσκευή.
- ▶ Μην τοποθετείτε ποτέ τη συσκευή σε υγρή περιοχή ή σε σημείο όπου μπορεί να πιτσιλιστεί με νερό. Καθαρίστε και στεγνώστε τις πιτσιλιές νερού και λεκέδες με ένα μαλακό καθαρό πανί.
- ▶ Μην εγκαθιστάτε τη συσκευή σε θέση όπου εκτίθεται σε άμεσο ηλιακό φως ή κοντά σε πηγές θερμότητας (π.χ. ηλεκτρική κουζίνα, συσκευές θέρμανσης).
- ▶ Εγκαταστήστε και ευθυγραμμίστε τη συσκευή σε χώρο κατάλληλο για το μέγεθος και τη χρήση της.
- ▶ Διατηρήστε ελεύθερα και χωρίς εμπόδια τα ανοίγματα εξαερισμού που υπάρχουν στον χώρο της συσκευής ή στην κατασκευή εντοιχισμού.
- ▶ Βεβαιωθείτε ότι η τάση και η συχνότητα που αναγράφονται στην πινακίδα τεχνικών χαρακτηριστικών αντιστοιχούν στα χαρακτηριστικά της παροχής ρεύματός σας. Σε αντίθετη περίπτωση, επικοινωνήστε με έναν ηλεκτρολόγο.
- ▶ Η συσκευή λειτουργεί με παροχή ηλεκτρικού ρεύματος 220-240 VAC/50 Hz. Μη φυσιολογικές διακυμάνσεις της τάσης μπορεί να προκαλέσουν αδυναμία έναρξης λειτουργίας της συσκευής ή βλάβη στο σύστημα ελέγχου της θερμοκρασίας ή στον συμπιεστή, ή μπορεί να υπάρξει μη φυσιολογικός θόρυβος κατά τη λειτουργία. Στην περίπτωση αυτή, πρέπει να εγκατασταθεί αυτόματος ρυθμιστής.
- ▶ Χρησιμοποιήστε μια ξεχωριστή, εύκολα προσβάσιμη, γειωμένη πρίζα για την παροχή ρεύματος. Η συσκευή πρέπει να είναι γειωμένη.
- ▶ **Μόνο για το Ηνωμένο Βασίλειο:** Το καλώδιο τροφοδοσίας της συσκευής είναι εφοδιασμένο με φics (γείωσης) 3 αγωγών που ταιριάζει με μια τυπική (γειωμένη) πρίζα 3 αγωγών. Ποτέ μην κόβετε ή αποσυναρμολογείτε το τρίτο βύσμα (γείωση). Μετά την εγκατάσταση της συσκευής, το φics πρέπει να είναι προσβάσιμο.
- ▶ Μην χρησιμοποιείτε πολύπριζα και καλώδια προέκτασης.
- ▶ Βεβαιωθείτε ότι το καλώδιο τροφοδοσίας δεν έχει παγιδευτεί κάτω από τη συσκευή. Μην πατάτε το καλώδιο τροφοδοσίας.
- ▶ Μην προκαλείτε ζημιά στο ψυκτικό κύκλωμα.
- ▶ **Μην τοποθετείτε πολλαπλές φορητές πρίζες ή φορητές συσκευές παροχής ενέργειας στο πίσω μέρος της συσκευής.**



ΠΡΟΕΙΔΟΠΟΙΗΣΗ!

Καθημερινή χρήση

- ▶ Αυτή η συσκευή μπορεί να χρησιμοποιηθεί από παιδιά ηλικίας από 8 ετών και άνω και από άτομα με μειωμένες σωματικές, αισθητηριακές ή διανοητικές ικανότητες ή με έλλειψη εμπειρίας και γνώσης εάν είναι υπό επίβλεψη ή εάν τους έχουν δοθεί οδηγίες αναφορικά με την ασφαλή χρήση της συσκευής και έχουν κατανοήσει τους ενεχόμενους κινδύνους.
- ▶ Τα παιδιά ηλικίας από 3 έως 8 ετών επιτρέπεται να τοποθετούν και να αφαιρούν πράγματα από τις συσκευές ψύξης, αλλά δεν επιτρέπεται να τις καθαρίζουν και να τις εγκαθιστούν.
- ▶ Κρατήστε τα παιδιά κάτω των 3 ετών μακριά από τη συσκευή εκτός εάν βρίσκονται υπό συνεχή επίβλεψη.
- ▶ Το καθάρισμα και η συντήρηση από τον χρήστη δεν θα πρέπει να γίνεται από παιδιά χωρίς επίβλεψη.
- ▶ Τα παιδιά δεν πρέπει να παίζουν με την συσκευή.
- ▶ **Η συσκευή πρέπει να είναι τοποθετημένη έτσι ώστε το φιν να είναι προσβάσιμο.**
- ▶ Σε περίπτωση διαρροής ψυκτικού αερίου ή άλλου εύφλεκτου αερίου κοντά στη συσκευή, κλείστε τη βαλβίδα του αερίου που διαρρέει, ανοίξτε τις πόρτες και τα παράθυρα και μην συνδέετε στην πρίζα ή αποσυνδέετε από την πρίζα το καλώδιο τροφοδοσίας της συσκευής ή οποιασδήποτε άλλης συσκευής.
- ▶ Έχετε υπόψη σας ότι η συσκευή έχει ρυθμιστεί για λειτουργία **σε συγκεκριμένο εύρος θερμοκρασίας περιβάλλοντος μεταξύ 10 και 38 °C**. Η συσκευή μπορεί να μη λειτουργεί σωστά αν παραμείνει για μεγάλο χρονικό διάστημα σε θερμοκρασία μεγαλύτερη ή μικρότερη από το ενδεικνυόμενο εύρος θερμοκρασίας.
- ▶ Μην τοποθετείτε ασταθή αντικείμενα (βαριά αντικείμενα, δοχεία **γεμάτα με νερό**) **πάνω στη συσκευή, για να αποφύγετε τραυματισμούς** λόγω πτώσης ή ηλεκτροπληξία λόγω επαφής με το νερό.
- ▶ Μην κρεμιέστε από τα ράφια της πόρτας. Η πόρτα μπορεί να στραβώσει, το ράφι για τα μπουκάλια μπορεί να φύγει από τη θέση του και η συσκευή μπορεί να ανατραπεί.
- ▶ Ανοίγετε και κλείνετε τις πόρτες μόνο από τις χειρολαβές. Το κενό ανάμεσα στις πόρτες και ανάμεσα στις πόρτες και στον ψύκτη είναι πολύ μικρό. Μην βάζετε τα χέρια σας σε αυτά τα σημεία για να αποφύγετε τον τραυματισμό των δακτύλων σας. Ανοίγετε ή κλείνετε τις πόρτες μόνο όταν δεν υπάρχουν παιδιά που να στέκονται εντός του εύρους κίνησης της πόρτας.
- ▶ Μην αποθηκεύετε ή χρησιμοποιείτε εύφλεκτα, εκρηκτικά ή διαβρωτικά υλικά μέσα στη συσκευή ή κοντά σε αυτήν.
- ▶ Μην αποθηκεύετε φάρμακα, βακτήρια ή χημικές ουσίες στη συσκευή. Αυτή η συσκευή είναι οικιακή. Δεν συνιστάται η αποθήκευση υλικών που απαιτούν ακριβείς θερμοκρασίες.
- ▶ Ποτέ μην αποθηκεύετε στην κατάψυξη υγρά σε μπουκάλια ή σε μεταλλικά κουτάκια αλουμινίου, ειδικά ανθρακούχα ποτά (εκτός από οιοπνευματώδη ποτά υψηλής περιεκτικότητας σε αλκοόλ), καθώς μπορεί να προκληθεί έκρηξη κατά τη διάρκεια της κατάψυξης.



ΠΡΟΕΙΔΟΠΟΙΗΣΗ!

Καθημερινή χρήση

- ▶ Ελέγξτε την κατάσταση των τροφίμων εάν έχει αυξηθεί η θερμοκρασία στην κατάψυξη.
- ▶ Μην ρυθμίζετε άσκοπα το ψυγείο σε πολύ χαμηλή θερμοκρασία. Σε πολύ υψηλές ρυθμίσεις μπορεί να εμφανιστούν θερμοκρασίες υπό το μηδέν. Προσοχή: τα μπουκάλια μπορεί να σκάσουν.
- ▶ Μην αγγίζετε κατεψυγμένα προϊόντα με βρεγμένα χέρια (φορέστε γάντια). Ειδικά μην βάζετε στο στόμα σας παγωτό τύπου γρανίτας αμέσως μετά την αφαίρεσή του από την κατάψυξη. Υπάρχει κίνδυνος τραυματισμού ή εγκαύματος. ΠΡΩΤΕΣ βοήθειες: Ρίξτε αμέσως τρεχούμενο κρύο νερό. Μην προσπαθήσετε να απομακρυνθείτε!
- ▶ Μην αγγίζετε την εσωτερική επιφάνεια της κατάψυξης όταν είναι σε λειτουργία, ειδικά με βρεγμένα χέρια, καθώς τα χέρια σας μπορεί να παγώσουν κολλώντας στην επιφάνεια.
- ▶ Αποσυνδέστε τη συσκευή σε περίπτωση διακοπής ρεύματος ή πριν από τον καθαρισμό. Αφήστε να περάσουν τουλάχιστον 5 λεπτά πριν από την επανενεργοποίηση της συσκευής, καθώς η γρήγορη ενεργοποίηση μπορεί να προκαλέσει βλάβη στον συμπιεστή.
- ▶ Μην χρησιμοποιείτε ηλεκτρικές συσκευές μέσα στον χώρο αποθήκευσης τροφίμων της συσκευής, εκτός εάν αυτές αναφέρονται ως κατάλληλες για τον σκοπό αυτό από τον κατασκευαστή.
- ▶ Χρησιμοποιείτε μόνο πόσιμο νερό στα μοντέλα με διανομέα νερού.

Συντήρηση/καθάρισμα

- ▶ Βεβαιωθείτε ότι τα παιδιά επιβλέπονται εάν εκτελούν καθαρίσμα και συντήρηση.
- ▶ Αποσυνδέστε τη συσκευή από την παροχή ηλεκτρικού ρεύματος πριν να πραγματοποιήσετε οποιαδήποτε συντήρηση ρουτίνας. Αφήστε να περάσουν τουλάχιστον 5 λεπτά πριν από την επανενεργοποίηση της συσκευής, καθώς η γρήγορη ενεργοποίηση μπορεί να προκαλέσει βλάβη στον συμπιεστή.
- ▶ Κρατήστε το φιλτράρισμα, όχι το καλώδιο, όταν αποσυνδέετε τη συσκευή.
- ▶ Μην χρησιμοποιείτε αιχμηρά αντικείμενα για να αφαιρέσετε τον πάγο. Μην χρησιμοποιείτε σπρέι, ηλεκτρικές συσκευές θέρμανσης όπως θερμάστρες, πιστολάκια μαλλιών, ατμοκαθαριστές ή άλλες πηγές θερμότητας για να αποφύγετε την πρόκληση ζημιάς στα πλαστικά μέρη.
- ▶ Μην χρησιμοποιείτε μηχανικές συσκευές ή άλλο εξοπλισμό για να επιταχύνετε την διαδικασία απόψυξης, εκτός από εκείνα που συνιστώνται από τον κατασκευαστή.
- ▶ **Μην καθαρίζετε τη συσκευή με σκληρές βούρτσες, συρματινές βούρτσες, απορρυπαντικό σε σκόνη, βενζίνη, οξικό αμυλεστέρα, ασετόν και παρόμοια οργανικά διαλύματα, όξινα ή αλκαλικά. Να καθαρίζετε με ειδικά καθαριστικά για ψυγεία για να αποφύγετε βλάβες.**
- ▶ **Μπορείτε να χρησιμοποιήσετε ένα διάλυμα ζεστού νερού και μαγειρικής σόδας, περίπου μια κουταλιά της σούπας μαγειρικής σόδας σε ένα λίτρο νερού. Ξεπλύνετε προσεκτικά με νερό και στεγνώστε με ένα πανί. Μην χρησιμοποιείτε σκόνες καθαρισμού ή άλλα διαβρωτικά καθαριστικά. Μην πλένετε τα εξαρτήματα της συσκευής σε πλυντήριο πιάτων.**



ΠΡΟΕΙΔΟΠΟΙΗΣΗ!

Συντήρηση/καθάρισμα

- ▶ Σε περίπτωση βλάβης του καλωδίου τροφοδοσίας, πρέπει να αντικατασταθεί από τον κατασκευαστή, τον εξουσιοδοτημένο τεχνικό ή άτομα με παρόμοια τεχνική κατάρτιση έτσι ώστε να αποφευχθεί οποιοσδήποτε κίνδυνος.
- ▶ Μην επιχειρήσετε να επισκευάσετε, να αποσυναρμολογήσετε ή να τροποποιήσετε τη συσκευή μόνοι σας. Σε περίπτωση ανάγκης επισκευής, σας παρακαλούμε να επικοινωνήσετε με την εξυπηρέτηση πελατών μας.
- ▶ Σε περίπτωση βλάβης των λαμπτήρων, πρέπει να αντικατασταθούν από τον κατασκευαστή, τον εξουσιοδοτημένο τεχνικό ή άτομα με παρόμοια τεχνική κατάρτιση έτσι ώστε να αποφευχθεί οποιοσδήποτε κίνδυνος.
- ▶ Απομακρύνετε τη σκόνη στο πίσω μέρος της μονάδας τουλάχιστον μία φορά το χρόνο για να αποφύγετε τον κίνδυνο πυρκαγιάς, καθώς και την αυξημένη κατανάλωση ενέργειας.
- ▶ Μην ψεκάζετε και μην ξεπλένετε τη συσκευή κατά τη διάρκεια του καθαρισμού.
- ▶ Μην ψεκάζετε με νερό ή ατμό για να καθαρίσετε τη συσκευή.
- ▶ Μην καθαρίζετε τα κρύα γυάλινα ράφια με ζεστό νερό. Η απότομη αλλαγή της θερμοκρασίας μπορεί να προκαλέσει θραύση του γυαλιού.
- ▶ Αν αφήσετε τη συσκευή σας εκτός λειτουργίας για μεγάλο χρονικό διάστημα, αφήστε την πόρτα ανοιχτή για να αποφύγετε τη δημιουργία δυσάρεστων οσμών στο εσωτερικό της.

Πληροφορίες για το ψυκτικό αέριο



ΠΡΟΕΙΔΟΠΟΙΗΣΗ!

Η συσκευή περιέχει το εύφλεκτο ψυκτικό υγρό ΙΣΟΒΟΥΤΑΝΙΟ (R600a). Βεβαιωθείτε ότι το ψυκτικό κύκλωμα δεν έχει υποστεί ζημιά κατά τη μεταφορά ή την εγκατάσταση. Η διαρροή ψυκτικού μέσου μπορεί να προκαλέσει τραυματισμούς στα μάτια ή πυρκαγιά. Σε περίπτωση βλάβης, κρατήστε τη συσκευή μακριά από πηγές ανάφλεξης, αερίστε καλά το δωμάτιο, μην συνδέετε ή αποσυνδέετε τα καλώδια τροφοδοσίας της συσκευής ή οποιασδήποτε άλλης συσκευής. Ενημερώστε την εξυπηρέτηση πελατών.

Σε περίπτωση επαφής του ψυκτικού υγρού με τα μάτια, ξεπλύνετε αμέσως με τρεχούμενο νερό και ζητήστε αμέσως τη συμβουλή ενός οφθαλμιάτρου.

ΠΡΟΕΙΔΟΠΟΙΗΣΗ: Το σύστημα ψύξης είναι υπό υψηλή πίεση. Μην το πειράζετε. Εφόσον χρησιμοποιούνται εύφλεκτα ψυκτικά μέσα, σας παρακαλούμε να εγκαταστήσετε, να χειρίζεστε και να επισκευάζετε τη συσκευή αυστηρά σύμφωνα με τις οδηγίες και να επικοινωνήσετε με τον εξουσιοδοτημένο αντιπρόσωπο ή την υπηρεσία εξυπηρέτησης μετά την πώληση για την απόρριψη της συσκευής.

2.1 Προβλεπόμενη χρήση

Αυτή η συσκευή προορίζεται για οικιακή χρήση ή για χρήση σε παρόμοια περιβάλλοντα όπως

- σε χώρους κουζίνας του προσωπικού σε καταστήματα, γραφεία και άλλα εργασιακά περιβάλλοντα,
 - σε αγροικίες και από τους πελάτες ξενοδοχείων, μοτέλ ή άλλων ειδών κατοικιών,
 - σε περιβάλλοντα τύπου μικρών ξενοδοχείων (bed and breakfast),
 - σε χώρους επιχειρήσεων τροφοδοσίας και σε παρόμοιες εφαρμογές μη-λιανικής πώλησης
- Εάν η συσκευή δεν χρησιμοποιηθεί για μεγάλο χρονικό διάστημα και πρόκειται να χρησιμοποιήσετε μόνο τη λειτουργία Holiday ή τη λειτουργία fridge off (ψυγείο εκτός λειτουργίας) για το ψυγείο/κατάψυξη:
- Αφαιρέστε τα τρόφιμα.
 - Αποσυνδέστε το καλώδιο τροφοδοσίας.
 - Αδειάστε και καθαρίστε το δοχείο νερού.
 - Καθαρίστε τη συσκευή όπως περιγράφεται παραπάνω.
 - Κρατήστε τις πόρτες ανοιχτές για να αποφύγετε τη δημιουργία δυσάρεστων οσμών στο εσωτερικό.
- Για να διασφαλίσετε την ασφαλή συντήρηση των τροφίμων ή του κρασιού, ακολουθήστε τις παρούσες οδηγίες χρήσης.
- Για να αποφύγετε τη μόλυνση των τροφίμων (δεν ισχύει για τον ψύκτη κρασιών), ακολουθήστε τις ακόλουθες οδηγίες:
- Το άνοιγμα της πόρτας για μεγάλα χρονικά διαστήματα μπορεί να προκαλέσει σημαντική αύξηση της θερμοκρασίας στο εσωτερικό της συσκευής.
 - Καθαρίστε τακτικά τις επιφάνειες που μπορούν να έρθουν σε επαφή με τα τρόφιμα και τα προσβάσιμα συστήματα αποστράγγισης.
 - Καθαρίστε τα δοχεία νερού εάν δεν έχουν χρησιμοποιηθεί για 48 ώρες. Ξεπλύνετε το σύστημα του νερού που είναι συνδεδεμένο με την παροχή νερού εάν δεν έχει γίνει διανομή νερού για 5 ημέρες.
 - Αποθηκεύστε το ωμό κρέας και τα ψάρια σε κατάλληλα δοχεία στο ψυγείο/κατάψυξη, έτσι ώστε να μην έρχονται σε επαφή ή να μην στάζουν επάνω σε άλλα τρόφιμα. Για να εξασφαλιστεί η ασφαλής συντήρηση των τροφίμων, τα έτοιμα τρόφιμα και το ωμό κρέας/ψάρι πρέπει να αποθηκεύονται χωριστά.
 - Οι χώροι αποθήκευσης κατεψυγμένων τροφίμων δύο αστεριών είναι κατάλληλοι για αποθήκευση ήδη κατεψυγμένων τροφίμων, την αποθήκευση ή την παρασκευή παγωτού και την κατασκευή παγοκύβων.
 - Οι χώροι αποθήκευσης ενός, δύο και τριών αστεριών δεν είναι κατάλληλοι για την κατάψυξη νωπών τροφίμων.
 - Εάν το ψυγείο παραμείνει άδειο για μεγάλο χρονικό διάστημα, σβήστε το, ξεπαγώστε το, καθαρίστε το, στεγνώστε το και αφήστε την πόρτα ανοικτή για να αποφύγετε την ανάπτυξη μούχλας μέσα στη συσκευή.
- Οι λεπτομέρειες σχετικά με τον καταλληλότερο χώρο αποθήκευσης για συγκεκριμένα είδη τροφίμων στη συσκευή, λαμβανομένης υπόψη της κατανομής της θερμοκρασίας στους διάφορους χώρους της συσκευής, περιλαμβάνονται στο άλλο εγχειρίδιο.

Απόρριψη

Αυτό το σύμβολο επάνω στο προϊόν ή στην συσκευασία του υποδεικνύει ότι το αυτό προϊόν δεν θα πρέπει να αντιμετωπίζεται σαν οικιακό απόρριμμα. Αντίθετα, θα πρέπει να μεταφέρεται στο κατάλληλο σημείο συλλογής για την ανακύκλωση ηλεκτρικού και ηλεκτρονικού εξοπλισμού. Εξασφαλίζοντας τη σωστή απόρριψη αυτού του προϊόντος, θα βοηθήσετε στην πρόληψη πιθανών αρνητικών επιπτώσεων για το περιβάλλον και την ανθρώπινη υγεία, οι οποίες θα μπορούσαν σε αντίθετη περίπτωση να προκληθούν από την ακατάλληλη διαχείριση απόρριψης αυτού του προϊόντος. Για αναλυτικές πληροφορίες σχετικά με την ανακύκλωση αυτού του προϊόντος, σας παρακαλούμε να επικοινωνήσετε με τον δήμο σας, τη διεύθυνση διαχείρισης οικιακών απορριμμάτων ή το κατάστημα από όπου αγοράσατε το προϊόν.

Εφόσον χρησιμοποιούνται εύφλεκτα αέρια ως διογκωτικά μέσα της μόνωσης, επικοινωνήστε με τον εξουσιοδοτημένο αντιπρόσωπο ή με την υπηρεσία εξυπηρέτησης μετά την πώληση για να απορρίψετε τη συσκευή.



ΠΡΟΕΙΔΟΠΟΙΗΣΗ!

Κίνδυνος τραυματισμού ή ασφυξίας!

Τα ψυκτικά μέσα και τα αέρια πρέπει να απορρίπτονται από εξειδικευμένο τεχνικό προσωπικό. Πριν την κατάλληλη απόρριψη σιγουρευτείτε ότι οι σωληνώσεις του ψυκτικού κυκλώματος δεν έχουν υποστεί βλάβη. Αποσυνδέστε τη συσκευή από την παροχή ρεύματος. Κόψτε το καλώδιο τροφοδοσίας και απορρίψτε το. Αφαιρέστε τα ράφια και τα συρτάρια, καθώς και το κλείστρο και το λάστιχο της πόρτας, ώστε να αποτραπεί ο εγκλωβισμός παιδιών και κατοικίδιων ζώων στη συσκευή.

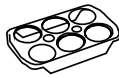
Δεν επιτρέπονται αλλαγές ή τροποποιήσεις στη συσκευή. Η μη προβλεπόμενη χρήση μπορεί να επιφέρει κινδύνους και απώλεια των αξιώσεων εγγύησης.

2.2 Εξαρτήματα

Ελέγξτε τα εξαρτήματα και το κείμενο σύμφωνα με αυτόν τον κατάλογο (Εικ. 2.2):



Παγοθήκη



Αυγοθήκη



Κλειδί άλεν



Κάρτα
εγγύησης



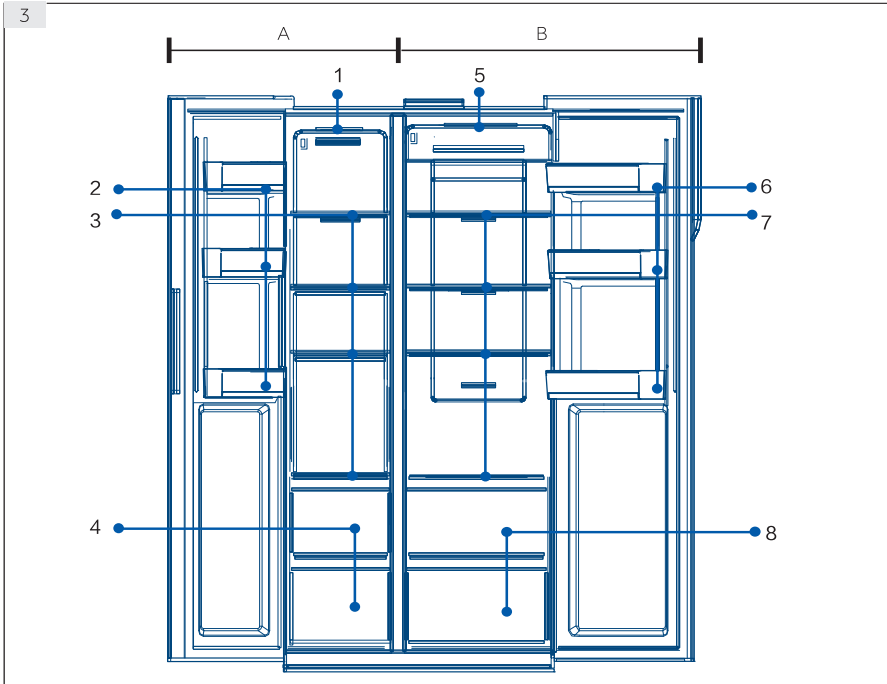
Εγχειρίδιο
χρήσης

2.2

i Προσοχή

Λόγω τεχνικών αλλαγών και διαφορετικών μοντέλων, ορισμένες από τις εικόνες σε αυτό το εγχειρίδιο ενδέχεται να διαφέρουν από το μοντέλο σας.

Εικόνα συσκευής (Εικ. 3)

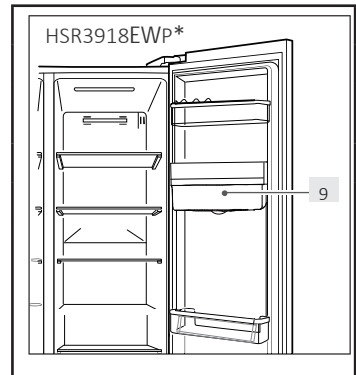


A: Κατάψυξη

- 1 Λάμπα οροφής
- 2 Βαθύ ράφι πόρτας/θήκη για μπουκάλια
- 3 Ράφια κατάψυξης
- 4 Συρτάρι κατάψυξης

B: Ψυγείο

- 1 Λάμπα οροφής
- 6 Βαθύ ράφι πόρτας/θήκη για μπουκάλια
- 7 Ράφια ψυγείου
- 8 Συρτάρι ψυγείου
- 9 Δοχείο νερού



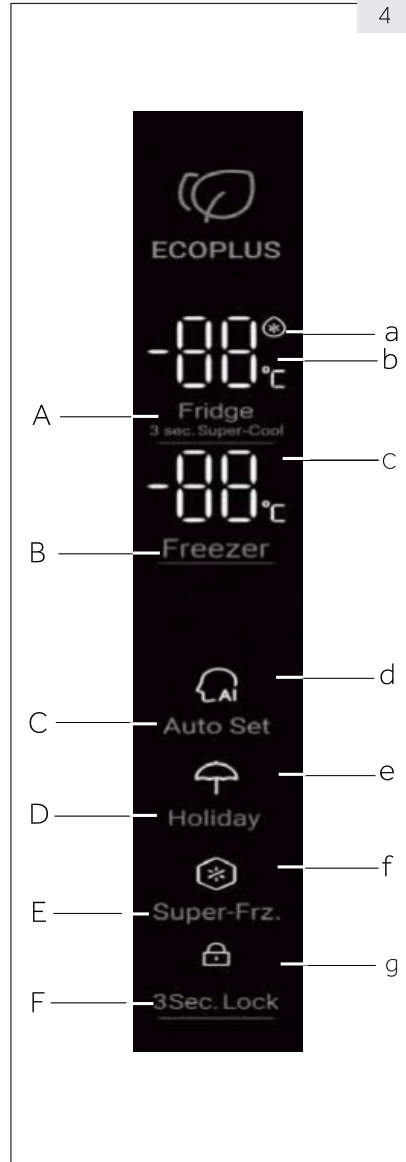
Οθόνη ελέγχου (Εικ. 4)

Κουμπιά:

- A Ρύθμιση θερμοκρασίας ψυγείου
- B Ρύθμιση θερμοκρασίας κατάψυξης
- C Λειτουργία Fuzzy
- D Λειτουργία Holiday
- E Λειτουργία Super-Freeze
- F Επιλογή κλειδώματος οθόνης (Lock)

Ενδείξεις:

- a Λειτουργία Super-Cool
- b Θερμοκρασία ψυγείου
- c Θερμοκρασία κατάψυξης
- d Λειτουργία Fuzzy
- e Λειτουργία Holiday
- f Λειτουργία Super-Freeze
- g Κλείδωμα οθόνης



5.1 Πρώτη χρήση

Όταν το ψυγείο συνδεθεί για πρώτη φορά στο ρεύμα, η οθόνη ανάβει. Η προεπιλεγμένη θερμοκρασία για το ψυγείο είναι 4 °C και για την κατάψυξη είναι -18 °C. Η ένδειξη της λειτουργίας Intelligence ανάβει.

5.2 Κλείδωμα/Ξεκλείδωμα οθόνης

Αυτόματο κλείδωμα:

Όταν η πόρτα του ψυγείου και η πόρτα του καταψύκτη είναι κλειστές και δεν χρησιμοποιηθεί κανένα κουμπί για 30 δευτερόλεπτα, το φως της οθόνης σβήνει αυτόματα και η οθόνη κλειδώνει.

Μη αυτόματο κλείδωμα:

Όταν η οθόνη είναι ξεκλειδωτή, πιέστε το κουμπί Lock για 3 δευτερόλεπτα. Ακούγεται ένας χαρακτηριστικός ήχος, η ένδειξη κλειδώματος ανάβει και στη συνέχεια η οθόνη κλειδώνει.



Πατήστε για
3 δευτερόλεπτα

Η ένδειξη ανάβει
Η οθόνη κλειδώνει

Ξεκλείδωμα:

Όταν η οθόνη είναι σβηστή, ανοίξτε κάποια πόρτα του ψυγείου ή αγγίξτε οποιοδήποτε κουμπί της οθόνης ελέγχου και η οθόνη θα ανάψει. Αυτήν τη στιγμή, η οθόνη είναι κλειδωμένη. Πατήστε το κουμπί της λειτουργίας κλειδώματος για 3 δευτερόλεπτα. Ακούγεται ένας χαρακτηριστικός ήχος, η ένδειξη κλειδώματος σβήνει και η οθόνη ξεκλειδώνει.



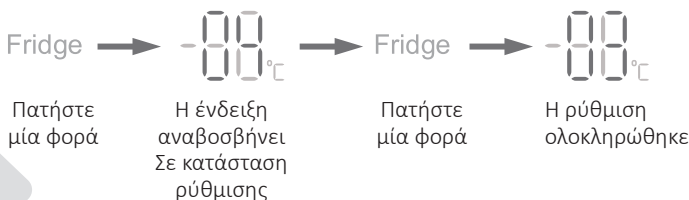
Η οθόνη είναι
αναμμένη.
Ανοίξτε την
πόρτα ή πατήστε
οποιοδήποτε
κουμπί

Πατήστε για
3 δευτερό-
λεπτα.

Η ένδειξη σβήνει
Η οθόνη ξεκλειδώνει

5.3 Ρύθμιση της θερμοκρασίας του ψυγείου

1. Όταν η οθόνη ελέγχου είναι ξεκλειδωτή, πατήστε το κουμπί «Ρύθμιση θερμοκρασίας ψυγείου». Ακούγεται ο χαρακτηριστικός ήχος και η ένδειξη θερμοκρασίας του ψυγείου αναβοσβήνει. Τώρα μπορεί να ρυθμιστεί η θερμοκρασία του ψυγείου.
2. Στη συνέχεια, σε κάθε πάτημα του κουμπιού της ρύθμισης της θερμοκρασίας του ψυγείου, ακούγεται ο χαρακτηριστικός ήχος και η θερμοκρασία χαμηλώνει κατά 1 βαθμό. Η ακολουθία των διαθέσιμων θερμοκρασιών είναι «4 °C / 3 °C / 2 °C / 1 °C / 9 °C / 8 °C / 7 °C / 6 °C / 5 °C / 4 °C»

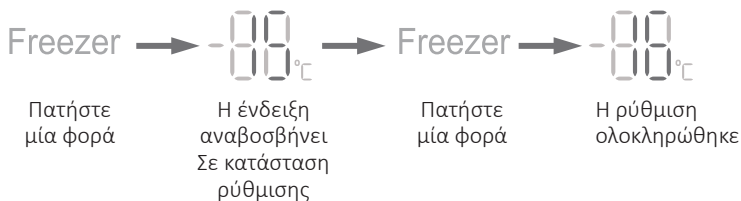


i Προσοχή

- ▶ Η συσκευή έχει ρυθμιστεί στη συνιστώμενη θερμοκρασία των 4 °C (ψυγείο) και -18 °C (κατάψυξη). Σε κανονικές συνθήκες θερμοκρασίας περιβάλλοντος δεν χρειάζεται να ρυθμίσετε τη θερμοκρασία.

5.4 Ρύθμιση της θερμοκρασίας της κατάψυξης

1. Όταν η οθόνη ελέγχου είναι ξεκλειδωτή, πατήστε το κουμπί «Ρύθμιση θερμοκρασίας κατάψυξης». Ακούγεται ο χαρακτηριστικός ήχος και η ένδειξη της θερμοκρασίας της κατάψυξης αναβοσβήνει. Τώρα μπορεί να ρυθμιστεί η θερμοκρασία της κατάψυξης.
2. Στη συνέχεια, σε κάθε πάτημα του κουμπιού της ρύθμισης της θερμοκρασίας της κατάψυξης, ακούγεται ο χαρακτηριστικός ήχος και η θερμοκρασία χαμηλώνει κατά 1 βαθμό. Η ακολουθία των διαθέσιμων θερμοκρασιών είναι «-18 °C/-19 °C/-20 °C/-21 °C/-22 °C/-23 °C/-24 °C/-14 °C/-15 °C/-16 °C/-17 °C/-18 °C».



i Προσοχή

- ▶ Η θερμοκρασία ρυθμίζεται εάν δεν πατήσετε κανένα κουμπί για 5 δευτερόλεπτα. Η θερμοκρασία επιβεβαιώνεται και αποθηκεύεται αυτόματα.

5.5 Αυτόματη ρύθμιση

1. Όταν η οθόνη ελέγχου είναι ξεκλειδωτή, πατήστε το κουμπί «Λειτουργία Fuzzy». Ακούγεται ο χαρακτηριστικός ήχος και ανάβει η ένδειξη της λειτουργίας Fuzzy. Η λειτουργία Fuzzy ενεργοποιείται.
2. Όταν η ένδειξη της λειτουργίας Fuzzy είναι αναμμένη, πατήστε το κουμπί της λειτουργίας Fuzzy. Ακούγεται ο χαρακτηριστικός ήχος, η ένδειξη της λειτουργίας Fuzzy σβήνει και η λειτουργία Fuzzy απενεργοποιείται.



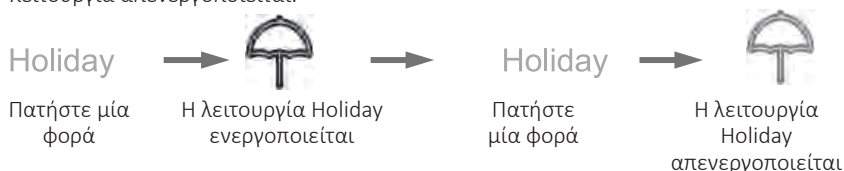
i Προσοχή

- ▶ Όταν η λειτουργία Fuzzy είναι ενεργοποιημένη, δεν είναι δυνατή η ρύθμιση της θερμοκρασίας του ψυγείου και της κατάψυξης. Όταν πατηθεί το κουμπί της ρύθμισης της θερμοκρασίας του ψυγείου ή της κατάψυξης, η ένδειξη της λειτουργίας Fuzzy αναβοσβήνει με προειδοποιητικούς ήχους που υπενθυμίζουν ότι αυτό δεν επιτρέπεται. Με τη λειτουργία Fuzzy, εάν επιλεγούν οι λειτουργίες Fast-Cool, Fast-Freeze ή Holiday, η λειτουργία Fuzzy απενεργοποιείται αυτόματα.

5.6 Λειτουργία Holiday

Η λειτουργία Holiday έχει σχεδιαστεί για την περίπτωση που το ψυγείο δεν θα χρησιμοποιηθεί για μεγάλο χρονικό διάστημα. Όταν είναι ενεργοποιημένη η λειτουργία Holiday, η θερμοκρασία της κατάψυξης μπορεί να ρυθμιστεί, ενώ η θερμοκρασία του ψυγείου ρυθμίζεται αυτόματα στους 17 °C, γεγονός που αποτρέπει τη δημιουργία δυσάρεστων οσμών λόγω υψηλής θερμοκρασίας στο ψυγείο και εξοικονομεί επίσης ενέργεια.

1. Όταν η οθόνη ελέγχου είναι ξεκλειδωτή, πατήστε το κουμπί «Λειτουργία Holiday». Ακούγεται ο χαρακτηριστικός ήχος και ανάβει η ένδειξη της λειτουργίας Holiday. Η λειτουργία Holiday ενεργοποιείται.
2. Όταν η ένδειξη της λειτουργίας Holiday είναι αναμμένη, πατήστε το κουμπί της λειτουργίας Holiday. Ακούγεται ο χαρακτηριστικός ήχος, η ένδειξη της λειτουργίας Holiday σβήνει και η λειτουργία απενεργοποιείται.

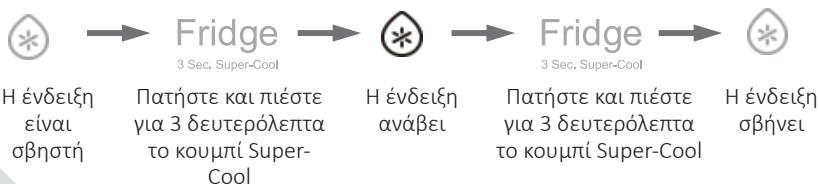


i Προσοχή

- ▶ Όταν η λειτουργία Holiday είναι ενεργοποιημένη, δεν είναι δυνατή η ρύθμιση της θερμοκρασίας του ψυγείου. Όταν πατηθεί το κουμπί ρύθμισης της θερμοκρασίας του ψυγείου, η ένδειξη της λειτουργίας Holiday αναβοσβήνει με προειδοποιητικούς ήχους που υπενθυμίζουν ότι αυτό δεν επιτρέπεται. Πριν επιλέξετε τη λειτουργία Holiday, αδειάστε το ψυγείο για να αποφύγετε τυχόν αλλοίωση των τροφών. Με ενεργοποιημένη τη λειτουργία Holiday, δεν μπορούν να επιλεγούν ταυτόχρονα η λειτουργία Intelligence και η λειτουργία Fast-Cool. Αν επιλεγεί η λειτουργία Intelligence ή η λειτουργία Fast-Cool, η ένδειξη της λειτουργίας Holiday σβήνει και η λειτουργία απενεργοποιείται αυτόματα.

5.7 Λειτουργία Super-Cool

1. Όταν η οθόνη ελέγχου είναι ξεκλειδωτή, πατήστε το κουμπί «Ρύθμιση θερμοκρασίας ψυγείου» για 3 δευτερόλεπτα. Ακούγεται ο χαρακτηριστικός ήχος και η ένδειξη της λειτουργίας Super-Cool ανάβει. Η λειτουργία Super-Cool ενεργοποιείται.
2. Όταν η ένδειξη Super-Cool είναι αναμμένη, πατήστε το κουμπί «Ρύθμιση θερμοκρασίας ψυγείου» για 3 δευτερόλεπτα. Ακούγεται ο χαρακτηριστικός ήχος και η ένδειξη της λειτουργίας Super-Cool σβήνει. Η λειτουργία Super-Cool απενεργοποιείται.
3. Όταν η λειτουργία Super-Cool είναι ενεργοποιημένη, το ψυγείο θα την απενεργοποιήσει αυτόματα όταν φτάσει στην καθορισμένη θερμοκρασία. Αν θέλετε να την απενεργοποιήσετε χειροκίνητα, μπορείτε να πιέσετε το κουμπί Super-Cool για 3 δευτερόλεπτα.



i Προσοχή

- ▶ Με τη λειτουργία Super-Cool ενεργοποιημένη, δεν είναι δυνατή η ταυτόχρονη επιλογή της λειτουργίας Fuzzy και της λειτουργίας Holiday. Εάν είναι επιλεγμένη η λειτουργία Fuzzy ή η λειτουργία Holiday, η ένδειξη Super-Cool σβήνει και η λειτουργία Super-Cool απενεργοποιείται αυτόματα.

5.8 Λειτουργία Super-Freeze

1. Όταν η οθόνη ελέγχου είναι ξεκλειδωτή, πατήστε το κουμπί Super-Freeze. Ακούγεται ο χαρακτηριστικός ήχος και η ένδειξη Super-Freeze ανάβει. Η λειτουργία Super-Freeze ενεργοποιείται.
2. Με την ένδειξη Super-Freeze αναμμμένη, πατήστε το κουμπί Super-Freeze. Ακούγεται ο χαρακτηριστικός ήχος και η ένδειξη Super-Freeze σβήνει. Η λειτουργία Super-Freeze απενεργοποιείται.
3. Όταν η λειτουργία Super-Freeze είναι ενεργοποιημένη, το ψυγείο θα την απενεργοποιήσει αυτόματα όταν φτάσει στην καθορισμένη θερμοκρασία. Αν θέλετε να την απενεργοποιήσετε χειροκίνητα, μπορείτε να πιάσετε το κουμπί Super-Freeze για 3 δευτερόλεπτα.



i Προσοχή

- ▶ Η λειτουργία Super-Freeze έχει σχεδιαστεί για να διατηρεί τα θρεπτικά συστατικά των τροφίμων στην κατάψυξη και τα τρόφιμα καταψύχονται στον μικρότερο δυνατό χρόνο. Εάν πρόκειται να καταψυχθεί ταυτόχρονα μια μεγάλη ποσότητα τροφίμων, συνιστάται να ενεργοποιήσετε τη λειτουργία Super-Freeze 24 ώρες νωρίτερα για να χαμηλώσει η θερμοκρασία πριν από την τοποθέτηση των τροφίμων στην κατάψυξη. Σε αυτήν την περίπτωση, η ταχύτητα κατάψυξης αυξάνεται και τα τρόφιμα μπορούν να καταψυχθούν γρήγορα, διατηρώντας έτσι αποτελεσματικά τα θρεπτικά συστατικά τους και διευκολύνοντας την αποθήκευσή τους.
- Όταν είναι ενεργοποιημένη η λειτουργία Super-Freeze, εάν θέλετε να επιλέξετε τη λειτουργία Intelligence, η ένδειξη Super-Freeze σβήνει και η λειτουργία Super-Freeze απενεργοποιείται αυτόματα.

5.9 Προειδοποίηση ανοιχτής πόρτας

Όταν κρατάτε ανοιχτή την πόρτα για παρατεταμένα διαστήματα ή η πόρτα δεν είναι κλειστή, το ψυγείο θα εκπέμψει έναν διακοπτόμενο προειδοποιητικό ήχο κάθε φορά και κατόπιν συνεχόμενο για να σας υπενθυμίξει να κλείνετε την πόρτα εγκαίρως.

5.10 Εξοικονόμηση ενέργειας της οθόνης ελέγχου

Η οθόνη ελέγχου σβήνει και κλειδώνεται αυτόματα μετά από 30 δευτερόλεπτα αδράνειας, για εξοικονόμηση ενέργειας. Όταν πατηθεί το κουμπί της λειτουργίας κλειδώματος ή ανοίξει οποιαδήποτε πόρτα, η οθόνη ελέγχου ανάβει.

5.11 Λειτουργία μνήμης διακοπής ρεύματος

Όταν το ψυγείο αποσυνδέεται από το ρεύμα, απομνημονεύεται η στιγμιαία κατάσταση λειτουργίας της διακοπής ρεύματος. Αφού συνδεθεί ξανά στο ρεύμα, το ψυγείο συνεχίζει να λειτουργεί σύμφωνα με τη θερμοκρασία και τη λειτουργική κατάσταση που είχε ρυθμιστεί πριν από τη διακοπή ρεύματος.

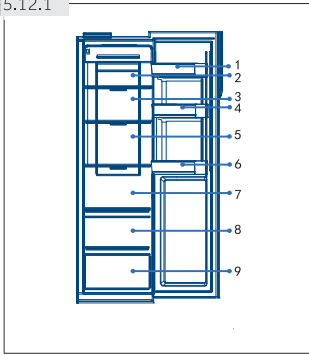
Προσοχή: Η λειτουργία κλειδώματος δεν απομνημονεύεται. Μετά την επανασύνδεση του ψυγείου στο ρεύμα, η οθόνη ελέγχου διενεργεί αυτοέλεγχο, η ένδειξη της λειτουργίας κλειδώματος σβήνει και το ψυγείο ξεκλειδώνεται.

5.12 Συμβουλές για την αποθήκευση φρέσκων τροφίμων

5.12.1 Αποθήκευση στο ψυγείο

- ▶ Διατηρείτε τη θερμοκρασία του ψυγείου σας μικρότερη από 5 °C.
- ▶ Τα ζεστά τρόφιμα πρέπει να κρυώνουν σε θερμοκρασία δωματίου πριν αποθηκευτούν στη συσκευή.
- ▶ Τα τρόφιμα που αποθηκεύονται στο ψυγείο πρέπει να πλένονται και να στεγνώνονται πριν από την αποθήκευση.
- ▶ Τα τρόφιμα που πρόκειται να αποθηκευτούν θα πρέπει να συσκευάζονται κατάλληλα ώστε να αποφεύγονται αλλοιώσεις της οσμής ή της γεύσης.
- ▶ Μην αποθηκεύετε υπερβολικές ποσότητες τροφής. Αφήστε χώρο ανάμεσα στα τρόφιμα για τη σωστή κυκλοφορία του κρύου αέρα, για καλύτερη και πιο ομοιογενή ψύξη.
- ▶ Τα τρόφιμα που καταναλώνονται καθημερινά πρέπει να αποθηκεύονται στο μπροστινό μέρος των ραφιών.
- ▶ Αφήστε ένα κενό ανάμεσα στα τρόφιμα και στα εσωτερικά τοιχώματα, επιτρέποντας την κυκλοφορία του αέρα. Κυρίως, μην αποθηκεύετε τρόφιμα με τρόπο ώστε να ακουμπούν στο πίσω τοίχωμα για να μην παγώσουν. Αποφύγετε την άμεση επαφή των τροφίμων (ιδιαίτερα των λιπαρών ή των όξινων τροφίμων) με την εσωτερική επιφάνεια, καθώς το λάδι/οξύ μπορεί να διαβρώσει την εσωτερική επένδυση της συσκευής. Καθαρίστε αμέσως τους λιπαρούς/όξινους λεκέδες.
- ▶ Αποψύξτε τα κατεψυγμένα τρόφιμα στο ψυγείο. Με αυτόν τον τρόπο, μπορείτε να χρησιμοποιήσετε τα κατεψυγμένα τρόφιμα για να μειώσετε τη θερμοκρασία στο ψυγείο και να εξοικονομήσετε ενέργεια.
- ▶ Η διαδικασία ωρίμανσης φρούτων και λαχανικών όπως είναι τα κολοκυθάκια, τα πεπόνια, η παπάγια, οι μπανάνες, ο ανανάς κ.λπ. μπορεί να επιταχυνθεί στο ψυγείο. Συνεπώς, δεν συνιστάται η φύλαξή τους στο ψυγείο. Ωστόσο, η ωρίμανση έντονα πράσινων φρούτων μπορεί να επιταχυνθεί για ορισμένο χρονικό διάστημα. Κρεμμύδια, σκόρδο, τζίντζερ και άλλα ριζώδη λαχανικά θα πρέπει επίσης να αποθηκεύονται σε θερμοκρασία δωματίου.
- ▶ Οι δυσάρεστες οσμές στο εσωτερικό του ψυγείου αποτελούν ένδειξη ότι κάτι έχει χυθεί και ότι χρειάζεται καθάρισμα. Δείτε ΦΡΟΝΤΙΔΑ ΚΑΙ ΚΑΘΑΡΙΣΜΟΣ
- ▶ Τα διάφορα τρόφιμα πρέπει να τοποθετούνται σε διαφορετικούς χώρους ανάλογα με τις ιδιότητές τους (Εικ. 5.12.1/5.12.2):

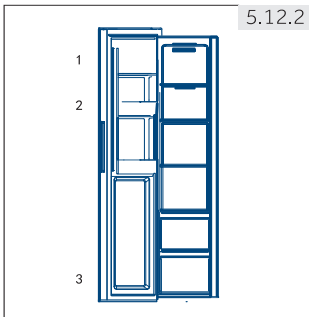
5.12.1



- 1 Βούτυρο, τυρί, κ.λπ.
- 2 Τροφές τουρσί, κονσερβοποιημένες τροφές, κ.λπ.
- 3 Τροφές τουρσί, κονσερβοποιημένες τροφές, κ.λπ.
- 4 Τροφές σε κουτάκια αλουμινίου, κονσερβοποιημένες τροφές, μπαχαρικά, κ.λπ.
- 5 Προϊόντα κρέατος, σνακ, κ.λπ.
- 6 Ποτά και εμφιαλωμένα τρόφιμα.
- 7 Ζυμαρικά, κονσερβοποιημένα τρόφιμα, γάλα, τόφου, γαλακτοκομικά κ.λπ.
- 8 Φρούτα, λαχανικά, σαλάτες κ.λπ.
- 9 Μαγειρεμένο κρέας, λουκάνικα κ.λπ.

5.12.2 Αποθήκευση στην κατάψυξη

- ▶ Διατηρείτε τη θερμοκρασία της κατάψυξης στους -18°C .
- ▶ 24 ώρες πριν από την αποθήκευση στην κατάψυξη ενεργοποιήστε τη λειτουργία Super-Freeze: για μικρές ποσότητες τροφίμων, 4-6 ώρες είναι αρκετές.
- ▶ Τα ζεστά τρόφιμα πρέπει να κρύνουν σε θερμοκρασία δωματίου πριν αποθηκευτούν στην κατάψυξη.
- ▶ Τα τρόφιμα που κόβονται σε μικρές μερίδες καταψύχονται γρηγορότερα και είναι ευκολότερο να ξεπαγώσουν και να μαγειρευτούν. Το συνιστώμενο βάρος για κάθε μερίδα είναι μικρότερο από 2,5 kg.
- ▶ Συνιστάται να συσκευάζετε τα τρόφιμα σε σακούλες τροφίμων πριν τα βάλετε στην κατάψυξη. Το εξωτερικό της συσκευασίας πρέπει να είναι στεγνό για να μην κολλάνε οι σακούλες τροφίμων μεταξύ τους. Τα υλικά της συσκευασίας των τροφίμων πρέπει να είναι άοσμα, αεροστεγή, μη δηλητηριώδη και μη τοξικά.
- ▶ Για να αποφευχθεί η αποθήκευση των τροφίμων πέραν των ενδεδειγμένων χρόνων, σημειώστε την ημερομηνία κατάψυξης, την ημερομηνία λήξης και την ονομασία του τροφίμου στη συσκευασία ανάλογα με τους χρόνους αποθήκευσης των διαφόρων τροφίμων.
- ▶ **ΠΡΟΕΙΔΟΠΟΙΗΣΗ!** Τα οξέα, τα αλκάλια, το αλάτι κ.λπ. θα μπορούσαν να διαβρώσουν την εσωτερική επιφάνεια της κατάψυξης. Μην τοποθετείτε τρόφιμα που περιέχουν αυτές τις ουσίες (π.χ. θαλασσινά ψάρια) απευθείας στην εσωτερική επιφάνεια. Το αλμυρό νερό στην κατάψυξη πρέπει να καθαρίζεται αμέσως.
- ▶ Μην υπερβαίνετε τους χρόνους φύλαξης των τροφίμων που συνιστώνται από τους κατασκευαστές. Βγάλτε μόνο την απαιτούμενη ποσότητα τροφής από την κατάψυξη.
- ▶ Τα διάφορα τρόφιμα πρέπει να τοποθετούνται σε διαφορετικούς χώρους ανάλογα με τις ιδιότητές τους (Εικ. 5.12.2):



5.12.2

- 1 Λιγότερο βαριά τρόφιμα, όπως παγωτό, λαχανικά, ψωμί κ.λπ.
- 2 Ποτά χαμηλής περιεκτικότητας σε αλκοόλ και προσωρινή αποθήκευση οινοπνευματωδών ποτών υψηλής περιεκτικότητας σε αλκοόλ, μικρού μεγέθους τρόφιμα όπως πίτσα ή βότανα.
- 3 Μεγάλες/βαρύτερες μερίδες τροφίμων, όπως μεγάλα κομμάτια κρέατος για ψήσιμο



Προσοχή: Αποθήκευση

- ▶ Διατηρείτε μια απόσταση μεγαλύτερη από 10 mm μεταξύ του αποθηκευμένου τροφίμου και του αισθητήρα για να διασφαλίσετε τη σωστή κατάψυξη.
- ▶ Μην αφαιρείτε το χαμηλότερο συρτάρι όταν η συσκευή λειτουργεί για να διασφαλίσετε τη σωστή κατάψυξη.
- ▶ Τα παγωμένα τρόφιμα (όπως το παγωτό κ.λπ.) θα πρέπει να αποθηκεύονται μέσα στην κατάψυξη αντί για τη θήκη μπουκαλιών, διότι οι αλλαγές της θερμοκρασίας στη θήκη των μπουκαλιών που προκαλούνται από το άνοιγμα και το κλείσιμο της πόρτας μπορεί να αποψύξουν τα τρόφιμα.
- ▶ Καταναλώστε γρήγορα τα αποψυγμένα τρόφιμα. Τα αποψυγμένα τρόφιμα δεν μπορούν να καταψυχθούν εκ νέου αν δεν μαγειρευτούν πρώτα, διαφορετικά δεν θα είναι βρώσιμα.
- ▶ Μην αποθηκεύετε υπερβολικές ποσότητες φρέσκων τροφίμων στην κατάψυξη. Ανατρέξτε στη χωρητικότητα της κατάψυξης. Δείτε τα ΤΕΧΝΙΚΑ ΣΤΟΙΧΕΙΑ ή τα στοιχεία στην πινακίδα των τεχνικών χαρακτηριστικών.
- ▶ Τα τρόφιμα μπορούν να αποθηκευτούν στην κατάψυξη σε θερμοκρασία τουλάχιστον -18°C για 2 έως 12 μήνες, ανάλογα με τις ιδιότητές τους (π.χ. κρέας: 3-12 μήνες, λαχανικά: 6-12 μήνες)
- ▶ Κατά την κατάψυξη φρέσκων τροφίμων, αποφύγετε την επαφή τους με ήδη κατεψυγμένα τρόφιμα. Κίνδυνος απόψυξης!
- ▶ Αποψύξτε τα κατεψυγμένα τρόφιμα στο ψυγείο. Με αυτόν τον τρόπο, μπορείτε να χρησιμοποιήσετε τα κατεψυγμένα τρόφιμα για να μειώσετε τη θερμοκρασία στο ψυγείο και να εξοικονομήσετε ενέργεια.

5.12.3 Κατά την αποθήκευση έτοιμων κατεψυγμένων τροφίμων, ακολουθήστε τις ακόλουθες οδηγίες:

- ▶ Να ακολουθείτε πάντα τις οδηγίες των κατασκευαστών για το χρονικό διάστημα για το οποίο θα πρέπει να αποθηκεύετε τα τρόφιμα. Μην υπερβαίνετε τους χρόνους αυτών των οδηγιών!
- ▶ Προσπαθήστε να διατηρείτε το χρονικό διάστημα μεταξύ της αγοράς και της αποθήκευσης όσο το δυνατόν πιο σύντομο για να διατηρήσετε την ποιότητα των τροφίμων.
- ▶ Αγοράστε κατεψυγμένα τρόφιμα, τα οποία έχουν αποθηκευτεί σε θερμοκρασία -18°C ή χαμηλότερη.
- ▶ Αποφύγετε την αγορά τροφίμων με πάγο ή παγετό στη συσκευασία. Αυτό σημαίνει ότι τα προϊόντα μπορεί να έχουν υποστεί μερική απόψυξη και να έχουν καταψυχθεί εκ νέου κάποια στιγμή. Η αύξηση της θερμοκρασίας επηρεάζει την ποιότητα των τροφίμων.

5.13 Διανομέας νερού (HSR3918EWP*)

Με τον διανομέα νερού μπορείτε να έχετε δροσερό πόσιμο νερό.

Το δοχείο νερού πρέπει να καθαρίζεται πριν από την πρώτη χρήση (δείτε ΦΡΟΝΤΙΔΑ ΚΑΙ ΚΑΘΑΡΙΣΜΑ).

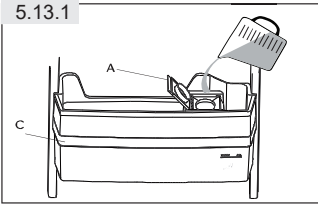
5.13.1 Πλήρωση του δοχείου νερού



ΠΡΟΕΙΔΟΠΟΙΗΣΗ!

Χρησιμοποιήστε μόνο πόσιμο νερό.

5.13.1



1. Βεβαιωθείτε ότι το δοχείο νερού έχει τοποθετηθεί σωστά (δείτε ΕΞΑΡΤΗΜΑΤΑ)
2. Ανοίξτε το πώμα (A) και ρίξτε φρέσκο πόσιμο νερό στο δοχείο νερού (Εικ.5.13.1)
3. Γεμίστε νερό μόνο μέχρι τη χαραγή (2,5 λίτρα), καθώς το δοχείο θα μπορούσε να υπερχειλίσει όταν η πόρτα ανοίγει και κλείνει.
4. Κλείστε τελείως το πώμα (A).

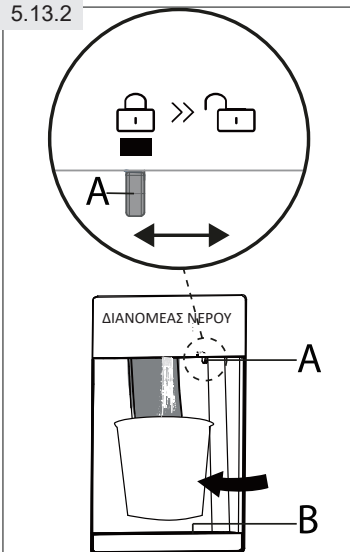


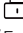

Προσοχή: Διανομέας νερού

- ▶ Πριν από την επαναπλήρωση απορρίψτε τα υπολείμματα νερού και καθαρίστε το δοχείο νερού.
- ▶ Όταν δεν χρειάζεστε νερό για μεγάλο χρονικό διάστημα, αδειάστε το δοχείο νερού και επανατοποθετήστε το καθαρό δοχείο.
- ▶ **Το κάλυμμα (C) του δοχείου νερού (Εικ.5.13.1) χρησιμοποιείται επιπλέον για εξοικονόμηση ενέργειας.** Εάν δεν θέλετε να χρησιμοποιήσετε τον διανομέα για μεγάλο χρονικό διάστημα, μην αφαιρείτε το κάλυμμα γιατί προσφέρει καλύτερη μόνωση και εξοικονόμηση ενέργειας.

5.13.2 Λήψη νερού από τον διανομέα

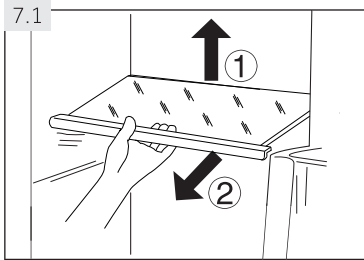
5.13.2



1. Βεβαιωθείτε ότι η ασφάλεια (A) έχει μετακινηθεί  στη θέση ξεκλειδώματος «Unlock» (Εικ. 5.13.2).
2. Τοποθετήστε ένα ποτήρι κάτω από το στόμιο.
3. Σπρώξτε απαλά το ποτήρι σας πάνω στο μοχλό διανομής νερού.
Βεβαιωθείτε ότι το ποτήρι είναι ευθυγραμμισμένο με το στόμιο για να αποτρέψετε το πιτσίσισμα του νερού.
4. Το νερό στο δίσκο (B) πρέπει να αφαιρείται εγκαίρως, καθώς μπορεί να υπερχειλίσει όταν η πόρτα ανοίγει και κλείνει.
5. Σύρετε την ασφάλεια (A) στη  θέση κλειδώματος «Lock»

**Συμβουλές εξοικονόμησης ενέργειας**

- ▶ Βεβαιωθείτε ότι η συσκευή αερίζεται σωστά (δείτε ΕΓΚΑΤΑΣΤΑΣΗ).
- ▶ Μην εγκαθιστάτε τη συσκευή σε θέση όπου εκτίθεται σε άμεσο ηλιακό φως ή κοντά σε πηγές θερμότητας (π.χ. ηλεκτρική κουζίνα, συσκευές θέρμανσης).
- ▶ Αποφύγετε την άσκοπα χαμηλή θερμοκρασία στη συσκευή. Η κατανάλωση ενέργειας αυξάνεται όσο χαμηλότερη είναι η θερμοκρασία στη συσκευή.
- ▶ Λειτουργίες όπως η Super-Cool ή η Super-Freeze καταναλώνουν περισσότερη ενέργεια.
- ▶ Αφήνετε το ζεστό φαγητό να κρυώσει πριν το τοποθετήσετε στη συσκευή.
- ▶ Ανοίγετε την πόρτα της συσκευής όσο το δυνατόν λιγότερο και όσο το δυνατόν συντομότερα.
- ▶ Μην γεμίζετε υπερβολικά τη συσκευή για να αποφύγετε την παρεμπόδιση της κυκλοφορίας του αέρα.
- ▶ Αποφύγετε τον αέρα μέσα στις συσκευασίες των τροφίμων.
- ▶ Διατηρείτε τα λάστιχα της πόρτας καθαρά έτσι ώστε η πόρτα να κλείνει πάντα σωστά.
- ▶ Αποψύξτε τα κατεψυγμένα τρόφιμα στο ψυγείο.



7.1 Ρυθμιζόμενα ράφια

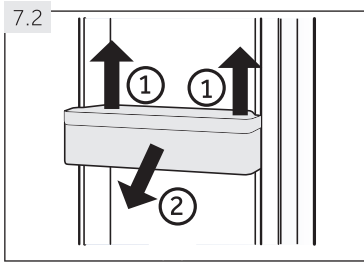
Το ύψος των ραφιών μπορεί να ρυθμιστεί ώστε να ταιριάζει στις ανάγκες σας αποθήκευσης.

1. Για να μετακινήσετε ένα ράφι, αφαιρέστε το ανασηκώνοντας πρώτα το πίσω άκρο του (1) και τραβώντας το προς τα έξω (2) (Εικ. 7.1).
2. Για να το επανατοποθετήσετε στη θέση του, βάλτε το στις προεξοχές και στις δύο πλευρές και ωθήστε το στην πιο πίσω θέση μέχρι το πίσω μέρος του ραφιού να στερεωθεί μέσα στις εγκοπές στα πλάγια.



Προσοχή: Ράφια

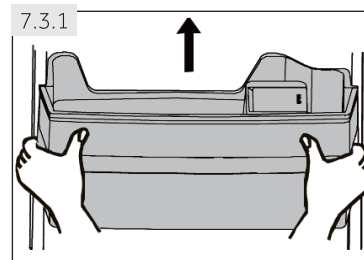
Βεβαιωθείτε ότι όλα τα άκρα των ραφιών είναι επίπεδα.



7.2 Αφαιρούμενα ράφια πόρτας/θήκες μπουκαλιών

Τα βαθιά ράφια πόρτας/θήκες μπουκαλιών μπορούν να αφαιρεθούν για καθάρισμα:

1. Τοποθετήστε τα χέρια σε κάθε πλευρά του ραφιού/θήκης και τραβήξτε το προς τα πάνω (1) (Εικ. 7.2).
2. Αφαιρέστε το ράφι της πόρτας/τη θήκη μπουκαλιών από το ψυγείο. (2).
3. Για να τοποθετήσετε το ράφι της πόρτας/θήκη μπουκαλιών, εκτελέστε τα παραπάνω βήματα με αντίστροφη σειρά.



7.3 Δοχείο νερού (HSR3918EWP*)

7.3.1 Αφαίρεση του δοχείου νερού

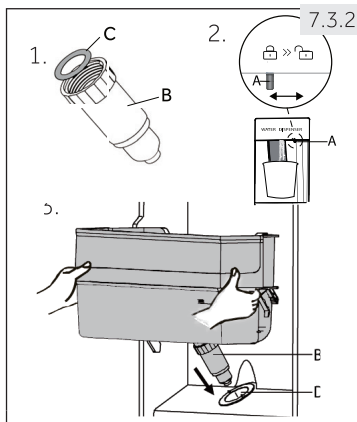
Το δοχείο νερού μπορεί να αφαιρεθεί και να επανατοποθετηθεί για καθάρισμα με τον ίδιο τρόπο όπως τα ράφια της πόρτας (Εικ. 7.3.1).

7.3.2 Τοποθέτηση του δοχείου νερού

1. Βεβαιωθείτε ότι το στόμιο του διανομέα (B) έχει βιδωθεί σταθερά στο δοχείο νερού και ότι ο λευκός δακτύλιος O (C) είναι στη θέση του (Εικ. 7.3.2-1.).
2. Σύρετε την ασφάλεια (A) στη θέση κλειδώματος «Lock» (Εικ. 7.3.2-2.)
3. Τοποθετήστε το δοχείο νερού στη θέση όπου το στόμιο του διανομέα (B) αντιστοιχεί στο άνοιγμα της πόρτας (D) (Εικ.7.3.2-3.).

Προσοχή: Δοχείο νερού

- ▶ Εάν το δοχείο νερού δεν είναι σωστά τοποθετημένο, μπορεί να στάξει νερό από τη σύνδεση.
- ▶ Μην ασκείτε υπερβολική δύναμη όταν αφαιρείτε ή εγκαθιστάτε το δοχείο νερού, για να αποφύγετε τη πρόκληση βλάβης στο δοχείο.



7.4 Θήκη για μπουκάλια - κατάψυξη

Οι θήκες για μπουκάλια της κατάψυξης προορίζονται για την προσωρινή αποθήκευση οινόπνευματων ποτών υψηλής περιεκτικότητας σε αλκοόλ. Τα ποτά χαμηλής περιεκτικότητας σε αλκοόλ πρέπει να αποθηκεύονται στο ψυγείο. Επιπλέον, μπορείτε να αποθηκεύσετε μικρά τρόφιμα στις θήκες μπουκαλιών.

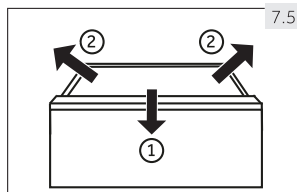


ΠΡΟΕΙΔΟΠΟΙΗΣΗ!

Μπουκάλια και κουτάκια αλουμινίου μπορεί να σκάσουν! Χρησιμοποιείτε ένα χρονόμετρο που θα σας υπενθυμίσει να αφαιρέσετε μπουκάλια/κουτάκια αλουμινίου με ποτά χαμηλής περιεκτικότητας σε αλκοόλ.

7.5 Αποσπώμενο συρτάρι

Για να αφαιρέσετε το συρτάρι από το ψυγείο ή την κατάψυξη τραβήξτε το τελείως προς τα έξω (1), ανασηκώστε το και αφαιρέστε το (2) (Εικ. 7.5). Για την τοποθέτηση του συρταριού, εκτελέστε με αντίστροφη σειρά τα παραπάνω βήματα.



7.6 Φωτισμός

Ο εσωτερικός φωτισμός LED ανάβει όταν ανοίγει η πόρτα. Η απόδοση των λαμπτήρων δεν επηρεάζεται από καμία άλλη ρύθμιση της συσκευής.

**ΠΡΟΕΙΔΟΠΟΙΗΣΗ!**

Αποσυνδέστε τη συσκευή από την παροχή ρεύματος πριν από το καθαρισμό.

8.1 Καθάρισμα

Καθαρίστε τη συσκευή όταν είναι αποθηκευμένα ελάχιστα ή καθόλου τρόφιμα.

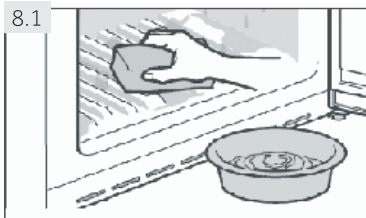
Η συσκευή πρέπει να καθαρίζεται κάθε τέσσερις εβδομάδες για καλή συντήρηση και για την πρόληψη δυσάρεστων οσμών από τα αποθηκευμένα τρόφιμα.

**ΠΡΟΕΙΔΟΠΟΙΗΣΗ!**

Μην καθαρίζετε τη συσκευή με σκληρές βούρτσες, συρμάτινες βούρτσες, απορρυπαντικό σε σκόνη, βενζίνη, οξικό αμυλεστέρα, ασετόν και παρόμοια οργανικά διαλύματα, όξινα ή αλκαλικά. Να καθαρίζετε με ειδικά καθαριστικά για ψυγεία για να αποφύγετε βλάβες.

- ▶ Μην ψεκάζετε και μην ξεπλένετε τη συσκευή κατά τη διάρκεια του καθαρισμού.
- ▶ Μην ψεκάζετε με νερό ή ατμό για να καθαρίσετε τη συσκευή.
- ▶ Μην καθαρίζετε τα κρύα γυάλινα ράφια με ζεστό νερό. Η απότομη αλλαγή της θερμοκρασίας μπορεί να προκαλέσει θραύση του γυαλιού.
- ▶ Μην αγγίζετε την εσωτερική επιφάνεια του καταψύκτη, ειδικά με βρεγμένα χέρια, καθώς τα χέρια σας μπορεί να παγώσουν κολλώντας στην επιφάνεια.
- ▶ Σε περίπτωση ανόδου της θερμοκρασίας να ελέγχετε την κατάσταση των κατεψυγμένων τροφίμων.

8.1



- ▶ Διατηρείτε πάντα το λάστιχο της πόρτας καθαρό.
- ▶ Καθαρίστε το εσωτερικό και το περίβλημα της συσκευής με σφουγγάρι βουτηγμένο σε ζεστό νερό και ουδέτερο απορρυπαντικό (Εικ. 8.1).

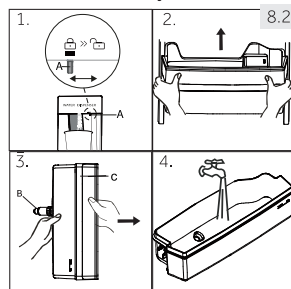
1. Τρίψτε το εσωτερικό και το εξωτερικό του ψυγείου, συμπεριλαμβανομένου του λάστιχου της πόρτας, τις θήκες της πόρτας, τα γυάλινα ράφια, το συρτάρι κ.λπ. με μια μαλακή πετσέτα ή ένα σφουγγάρι βουτηγμένο σε ζεστό νερό (μπορείτε να προσθέσετε ουδέτερο απορρυπαντικό στο ζεστό νερό).
2. Εάν χυθεί κάποιο υγρό, αφαιρέστε όλα τα μέρη που έχουν λερωθεί, ξεπλένετε απευθείας με τρεχούμενο νερό, στεγνώστε και τοποθετήστε τα ξανά στο ψυγείο.
3. Εάν χυθεί κρέμα (όπως κρέμα, λιωμένο παγωτό), αφαιρέστε όλα τα λερωμένα μέρη, τοποθετήστε τα στο ζεστό νερό σε θερμοκρασία περίπου 40 °C για λίγο, στη συνέχεια ξεπλένετε με τρεχούμενο νερό, στεγνώστε τα και τοποθετήστε τα πίσω στο ψυγείο.
4. Σε περίπτωση που κάποιο μικρό μέρος ή εξάρτημα κολλήσει στο εσωτερικό του ψυγείου (μεταξύ των ραφιών ή των συρταριών), χρησιμοποιήστε μια μικρή μαλακή βούρτσα για να το απελευθερώσετε. Εάν δεν μπορείτε να φτάσετε το εξάρτημα, επικοινωνήστε με την τεχνική υποστήριξη της Haier.
 - ▶ Ξεπλένετε και στεγνώστε με μαλακό πανί.
 - ▶ Μην καθαρίζετε κανένα από τα μέρη της συσκευής στο πλυντήριο πιάτων.
 - ▶ Αφήστε να περάσουν τουλάχιστον 5 λεπτά πριν από την επανενεργοποίηση της συσκευής, καθώς η γρήγορη ενεργοποίηση μπορεί να προκαλέσει βλάβη στον συμπίεστή.

Απόψυξη

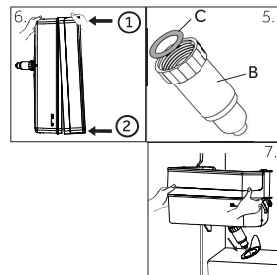
Η απόψυξη του ψυγείου και της κατάψυξης γίνεται αυτόματα. Δεν απαιτείται να γίνεται χειροκίνητα.

8.2 Καθαρισμός του δοχείου νερού (Εικ. 8.2) (HSR3918EWP*)

1. Σύρετε την ασφάλεια (A) στη θέση «Lock» (Κλειδωμά).
2. Αφαιρέστε το δοχείο νερού από τη συσκευή.
3. Αφαιρέστε το κάλυμμα (C) και ξεβιδώστε απαλά το στόμιο του διανομέα (B).
4. Καθαρίστε το δοχείο νερού και το στόμιο του διανομέα με ζεστό τρεχούμενο νερό και υγρό απορρυπαντικό πιάτων. Βεβαιωθείτε ότι έχει ξεπλυθεί όλο το σαπούνι.



5. Τοποθετήστε το στόμιο του διανομέα (B) και βεβαιωθείτε ότι έχει βιδωθεί καλά στο δοχείο νερού και ότι ο λευκός δακτύλιος O (C) είναι στη θέση του.
6. Πιέστε το κάλυμμα για να κλείσετε τη μία πλευρά του δοχείου νερού και στη συνέχεια την άλλη πλευρά και ελέγξτε ότι το δοχείο νερού και το κάλυμμα έχουν συναρμολογηθεί πλήρως.
7. Τοποθετήστε το δοχείο στο εσωτερικό της συσκευής. Βεβαιωθείτε ότι το στόμιο του διανομέα έχει τοποθετηθεί σωστά στο άνοιγμα της πόρτας.



8.3 Αντικατάσταση του λαμπτήρα LED



ΠΡΟΕΙΔΟΠΟΙΗΣΗ!

Μην αντικαθιστάτε τον λαμπτήρα LED μόνοι σας, πρέπει να αντικαθίσταται μόνο από τον κατασκευαστή ή τον εξουσιοδοτημένο αντιπρόσωπο τεχνικής υποστήριξης.

Ως πηγή φωτός χρησιμοποιούνται λαμπτήρες LED χαμηλής κατανάλωσης ενέργειας και μεγάλης διάρκειας ζωής. Εάν υπάρχει οποιαδήποτε πρόβλημα, επικοινωνήστε με την εξυπηρέτηση πελατών. Δείτε ΕΞΥΠΗΡΕΤΗΣΗ ΠΕΛΑΤΩΝ.

Τεχνικά χαρακτηριστικά λαμπτήρων: 12 V max. 3 W.

8.4 Διακοπή χρήσης για μεγαλύτερο χρονικό διάστημα

Εάν η συσκευή δεν πρόκειται να χρησιμοποιηθεί για μεγάλο χρονικό διάστημα και δεν χρησιμοποιήσετε τη λειτουργία Holiday για το ψυγείο:

- ▶ Αφαιρέστε τα τρόφιμα.
- ▶ Αδειάστε και καθαρίστε το δοχείο νερού.
- ▶ Αποσυνδέστε το καλώδιο τροφοδοσίας.
- ▶ Καθαρίστε τη συσκευή όπως περιγράφεται παραπάνω.
- ▶ Κρατήστε τις πόρτες ανοιχτές για να αποφύγετε τη δημιουργία δυσάρεστων οσμών στο εσωτερικό.



Προσοχή: Απενεργοποίηση

Απενεργοποιήστε τη συσκευή μόνο εάν είναι απολύτως απαραίτητο.

8.5 Μετακίνηση της συσκευής

1. Αφαιρέστε όλα τα τρόφιμα και αποσυνδέστε τη συσκευή από την πρίζα.
2. Σταθεροποιήστε τα ράφια και τα άλλα κινητά μέρη του ψυγείου και της κατάψυξης με κολλητική ταινία.
3. Μην γέρνετε τη συσκευή περισσότερο από 45° για να αποφύγετε την πρόκληση βλάβης στο σύστημα ψύξης.



ΠΡΟΕΙΔΟΠΟΙΗΣΗ!

Μην ανασηκώνετε τη συσκευή από τις χειρολαβές της.

- ▶ Μην τοποθετείτε ποτέ τη συσκευή οριζόντια στο έδαφος.

Πολλά από τα προβλήματα που προκύπτουν μπορούν να επιλυθούν από εσάς χωρίς ειδικές τεχνικές γνώσεις. Σε περίπτωση προβλήματος, ανατρέξτε στις πιθανές λύσεις και ακολουθήστε τις παρακάτω οδηγίες πριν να επικοινωνήσετε με την τεχνική υποστήριξη εξυπηρέτησης μετά την πώληση. Δείτε ΕΞΥΠΗΡΕΤΗΣΗ ΠΕΛΑΤΩΝ



ΠΡΟΕΙΔΟΠΟΙΗΣΗ!

Πριν από τη συντήρηση, απενεργοποιήστε τη συσκευή και αποσυνδέστε το καλώδιο τροφοδοσίας από την πρίζα.

- ▶ Ο ηλεκτρολογικός εξοπλισμός πρέπει να συντηρείται μόνο από ειδικευμένους ηλεκτρολόγους, διότι οι ακατάλληλες επισκευές μπορούν να προκαλέσουν σημαντικές βλάβες.
- ▶ Σε περίπτωση βλάβης της παροχής, πρέπει να αντικατασταθεί από τον κατασκευαστή, τον εξουσιοδοτημένο τεχνικό ή άτομα με παρόμοια τεχνική κατάρτιση έτσι ώστε να αποφευχθεί οποιοσδήποτε κίνδυνος.

Πρόβλημα	Πιθανή αιτία	Πιθανή λύση
Ο συμπιεστής δεν λειτουργεί.	<ul style="list-style-type: none"> • Το καλώδιο τροφοδοσίας δεν είναι συνδεδεμένο στην πρίζα. • Η συσκευή κάνει απόψυξη. 	<ul style="list-style-type: none"> • Συνδέστε το καλώδιο στην πρίζα. • Αυτό είναι φυσιολογικό για τα ψυγεία με αυτόματη λειτουργία απόψυξης.
Η συσκευή λειτουργεί συνέχεια ή λειτουργεί για πολύ μεγάλο χρονικό διάστημα.	<ul style="list-style-type: none"> • Η εσωτερική ή εξωτερική θερμοκρασία είναι πολύ υψηλή. • Η συσκευή ήταν εκτός λειτουργίας για κάποιο χρονικό διάστημα. • Η πόρτα της συσκευής δεν είναι καλά κλειστή. • Η πόρτα ανοίγει πολύ συχνά ή για πολλή ώρα. • Η ρύθμιση θερμοκρασίας για την κατάψυξη είναι πολύ χαμηλή. • Το λάστιχο της πόρτας είναι βρώμικο, φθαρμένο, σχισμένο ή ασύμβατο. • Δεν εξασφαλίζεται η απαιτούμενη κυκλοφορία του αέρα. 	<ul style="list-style-type: none"> • Σε αυτή την περίπτωση, είναι φυσιολογικό η συσκευή να λειτουργεί περισσότερο. • Κανονικά, η συσκευή χρειάζεται 8 έως 12 ώρες για να ψυχθεί πλήρως. • Κλείστε την πόρτα και βεβαιωθείτε ότι η συσκευή βρίσκεται σε επίπεδο έδαφος και ότι δεν υπάρχουν τρόφιμα ή δοχεία που φράζουν την πόρτα. • Μην ανοίγετε την πόρτα πολύ συχνά. • Ρυθμίστε τη θερμοκρασία υψηλότερα μέχρι να επιτευχθεί ικανοποιητική θερμοκρασία ψύξης. Χρειάζονται 24 ώρες για να σταθεροποιηθεί η θερμοκρασία του ψυγείου. • Καθαρίστε το λάστιχο της πόρτας ή αντικαταστήστε το με καινούργιο. • Βεβαιωθείτε ότι υπάρχει επαρκής εξαερισμός.

Πρόβλημα	Πιθανή αιτία	Πιθανή λύση
Το εσωτερικό του ψυγείου είναι βρώμικο και/ή μυρίζει.	<ul style="list-style-type: none"> • Το εσωτερικό του ψυγείου χρειάζεται καθάρισμα. • Έχουν αποθηκευτεί τρόφιμα με έντονη οσμή. 	<ul style="list-style-type: none"> • Καθαρίστε το εσωτερικό του ψυγείου. • Συσκευάστε αεροστεγώς τα τρόφιμα.
Η θερμοκρασία μέσα στη συσκευή δεν είναι αρκετά χαμηλή.	<ul style="list-style-type: none"> • Η θερμοκρασία είναι ρυθμισμένη πολύ ψηλά. • Έχουν αποθηκευτεί πολύ ζεστά τρόφιμα. • Έχουν αποθηκευτεί πάρα πολλά τρόφιμα ταυτόχρονα. • Τα τρόφιμα είναι πολύ κοντά το ένα στο άλλο. • Κάποια πόρτα της συσκευής δεν είναι καλά κλειστή. • Η πόρτα ανοίγει πολύ συχνά ή για πολλή ώρα. 	<ul style="list-style-type: none"> • Ρυθμίστε τη θερμοκρασία. • Τα προϊόντα πρέπει να είναι σε θερμοκρασία δωματίου πριν τα αποθηκεύσετε. • Αποθηκεύετε πάντα μικρές ποσότητες τροφίμων. • Αφήστε ένα κενό μεταξύ των τροφίμων επιτρέποντας την κυκλοφορία του αέρα. • Κλείστε την πόρτα. • Μην ανοίγετε την πόρτα πολύ συχνά.
Η θερμοκρασία μέσα στη συσκευή είναι πολύ χαμηλή.	<ul style="list-style-type: none"> • Η θερμοκρασία είναι ρυθμισμένη πολύ χαμηλά. • Η λειτουργία Super-Cool/Super-Freeze είναι ενεργοποιημένη ή λειτουργεί για πολύ μεγάλο χρονικό διάστημα. 	<ul style="list-style-type: none"> • Ρυθμίστε τη θερμοκρασία. • Απενεργοποιήστε τη λειτουργία Super-Cool/Super-Freeze.
Σχηματισμός υγρασίας στο εσωτερικό του ψυγείου.	<ul style="list-style-type: none"> • Το κλίμα είναι πολύ ζεστό και πολύ υγρό. • Κάποια πόρτα της συσκευής δεν είναι καλά κλειστή. • Η πόρτα ανοίγει πολύ συχνά ή για πολλή ώρα. • Έχουν μείνει ανοιχτά κάποια δοχεία τροφίμων ή υγρών. 	<ul style="list-style-type: none"> • Αυξήστε τη θερμοκρασία. • Κλείστε την πόρτα. • Μην ανοίγετε την πόρτα πολύ συχνά. • Αφήστε τα ζεστά τρόφιμα να κρυώσουν σε θερμοκρασία δωματίου και κλείστε τα δοχεία των τροφίμων και των υγρών.
Σχηματισμός υγρασίας στην εξωτερική επιφάνεια του ψυγείου ή ανάμεσα στις πόρτες.	<ul style="list-style-type: none"> • Το κλίμα είναι πολύ ζεστό και πολύ υγρό. • Η πόρτα δεν έχει κλείσει σωστά. Η διαφορά θερμοκρασίας μεταξύ του κρύου αέρα στο εσωτερικό της συσκευής και του ζεστού στο εξωτερικό προκαλεί υγραποίηση. 	<ul style="list-style-type: none"> • Αυτό είναι φυσιολογικό σε υγρά κλίματα και θα διορθωθεί όταν η μειωθεί η υγρασία. • Βεβαιωθείτε ότι η πόρτα είναι καλά κλειστή.

Πρόβλημα	Πιθανή αιτία	Πιθανή λύση
Έντονος σχηματισμός πάγου στην κατάψυξη.	<ul style="list-style-type: none"> • Τα τρόφιμα δεν ήταν καλά συσκευασμένα. • Η πόρτα/το συρτάρι της συσκευής δεν είναι καλά κλειστά. • Η πόρτα ανοίγει πολύ συχνά ή για πολλή ώρα. • Το λάστιχο της πόρτας είναι βρώμικο, φθαρμένο, σχισμένο ή ασύμβατο. • Κάτι στο εσωτερικό εμποδίζει την πόρτα να κλείσει σωστά. 	<ul style="list-style-type: none"> • Πάντα να συσκευάζετε καλά τα τρόφιμα. • Κλείστε την πόρτα/το συρτάρι. • Μην ανοίγετε την πόρτα πολύ συχνά. • Καθαρίστε το λάστιχο της πόρτας ή αντικαταστήστε το με καινούργιο. • Επανατοποθετήστε τα ράφια, τις θήκες της πόρτας ή τα συρτάρια για να επιτρέψετε στην πόρτα να κλείσει.
Η συσκευή παράγει αφύσικους ήχους.	<ul style="list-style-type: none"> • Η συσκευή δεν βρίσκεται τοποθετημένη σε επίπεδο έδαφος. • Η συσκευή αγγίζει κάποιο αντικείμενο γύρω της. 	<ul style="list-style-type: none"> • Ρυθμίστε τα πόδια για να ευθυγραμμίσετε τη συσκευή. • Αφαιρέστε τα αντικείμενα γύρω από τη συσκευή.
Ακούγεται ένας ελαφρύς ήχος παρόμοιος με αυτόν του ρέοντος νερού.	<ul style="list-style-type: none"> • Αυτό είναι φυσιολογικό. 	<ul style="list-style-type: none"> • –
Ακούγεται ένας προειδοποιητικός ήχος.	<ul style="list-style-type: none"> • Η πόρτα είναι ανοιχτή. 	<ul style="list-style-type: none"> • Κλείστε την πόρτα.
Ακούγεται ένας αχνός βόμβος.	<ul style="list-style-type: none"> • Λειτουργεί το σύστημα αντιυγραποίησης. 	<ul style="list-style-type: none"> • Αυτό αποτρέπει την υγραποίηση του αέρα και είναι φυσιολογικό.
Το εσωτερικό σύστημα φωτισμού ή ψύξης δεν λειτουργεί.	<ul style="list-style-type: none"> • Το καλώδιο τροφοδοσίας δεν είναι συνδεδεμένο στην πρίζα. • Η παροχή ρεύματος δεν είναι σωστή. • Ο λαμπτήρας LED δεν ανάβει. 	<ul style="list-style-type: none"> • Συνδέστε το καλώδιο στην πρίζα. • Ελέγξτε την παροχή ηλεκτρικού ρεύματος στο δωμάτιο. Καλέστε την τοπική εταιρεία ηλεκτρισμού! • Καλέστε την τεχνική υποστήριξη για την αλλαγή της λάμπας.
Οι πλευρές του ψυγείου και της πόρτας θερμαίνονται.	<ul style="list-style-type: none"> • Αυτό είναι φυσιολογικό. 	<ul style="list-style-type: none"> • –
Δεν βγαίνει νερό από το στόμιο του διανομέα νερού.	<ul style="list-style-type: none"> • Δεν έχει απενεργοποιηθεί η ασφάλεια. 	<ul style="list-style-type: none"> • Απενεργοποιήστε την ασφάλεια.

9.2 Διακοπή ρεύματος

Σε περίπτωση διακοπής ρεύματος, τα τρόφιμα θα παραμείνουν ασφαλώς κρύα για περίπου 5 ώρες. Ακολουθήστε αυτές τις συμβουλές κατά τη διάρκεια μιας παρατεταμένης διακοπής ρεύματος, ειδικά το καλοκαίρι:

- ▶ Ανοίξτε την πόρτα/συρτάρι όσο το δυνατόν λιγότερες φορές.
- ▶ Μην προσθέτετε επιπλέον φαγητό στη συσκευή κατά τη διάρκεια της διακοπής ρεύματος.
- ▶ Εάν δοθεί προειδοποίηση για τη διακοπή ρεύματος και η διάρκεια της διακοπής είναι μεγαλύτερη από 5 ώρες, ετοιμάστε λίγο πάγο και τοποθετήστε τον σε ένα δοχείο στο επάνω μέρος του ψυγείου.
- ▶ Αμέσως μετά τη διακοπή πρέπει να ελέγξετε τα τρόφιμα.
- ▶ Καθώς η θερμοκρασία στο ψυγείο θα αυξηθεί κατά τη διάρκεια διακοπής ρεύματος ή άλλης βλάβης, η χρονική περίοδος αποθήκευσης και η ποιότητα των τροφίμων θα μειωθούν. Κάθε τρόφιμο που αποψύχεται πρέπει είτε να καταναλώνεται άμεσα, είτε να μαγειρεύεται και να καταψύχεται εκ νέου (κατά περίπτωση) αμέσως μετά, προκειμένου να προλαμβάνονται κίνδυνοι για την υγεία.



Προσοχή: Λειτουργία μνήμης κατά τη διακοπή ρεύματος

Μετά την αποκατάσταση της παροχής ρεύματος, η συσκευή συνεχίζει να λειτουργεί με τις ρυθμίσεις που είχαν γίνει πριν από τη διακοπή ρεύματος.

10.1 Αφαίρεση συσκευασίας



ΠΡΟΕΙΔΟΠΟΙΗΣΗ!

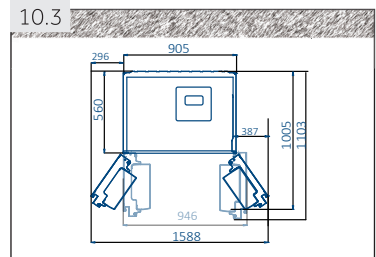
- ▶ Η συσκευή είναι βαριά. Πάντα να μετακινείται από τουλάχιστον δύο άτομα.
- ▶ Κρατήστε όλα τα υλικά συσκευασίας μακριά από παιδιά και απορρίψτε τα με φιλικό προς το περιβάλλον τρόπο.
- ▶ Βγάλτε τη συσκευή από τη συσκευασία.
- ▶ Αφαιρέστε όλα τα υλικά συσκευασίας, συμπεριλαμβανομένης της διαφανούς προστατευτικής μεμβράνης.

10.2 Περιβαλλοντικές συνθήκες

Η θερμοκρασία δωματίου πρέπει πάντα να κυμαίνεται μεταξύ 16 °C και 43 °C, καθώς μπορεί να επηρεάσει τη θερμοκρασία στο εσωτερικό της συσκευής και την κατανάλωση ενέργειας. Μην τοποθετείτε τη συσκευή κοντά σε άλλες συσκευές που εκπέμπουν θερμότητα (φούρνους, ψυγεία) χωρίς μόνωση.

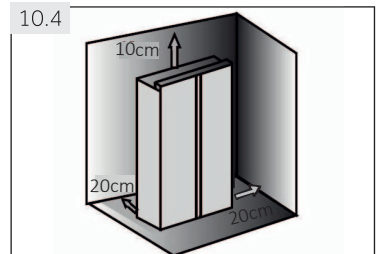
10.3 Απαιτούμενος χώρος

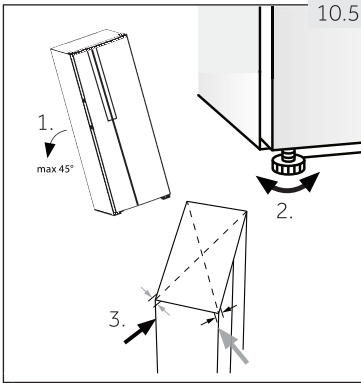
Απαιτούμενος χώρος όταν ανοίγει η πόρτα (Εικ. 10.3):
 Πλάτος συσκευής: 1588 mm
 Βάθος συσκευής: 1103 mm



10.4 Διατομές εξαερισμού

Για να επιτευχθεί επαρκής εξαερισμός της συσκευής για λόγους ασφαλείας, πρέπει να τηρούνται οι πληροφορίες των απαιτούμενων διατομών εξαερισμού (Εικ. 10.4).

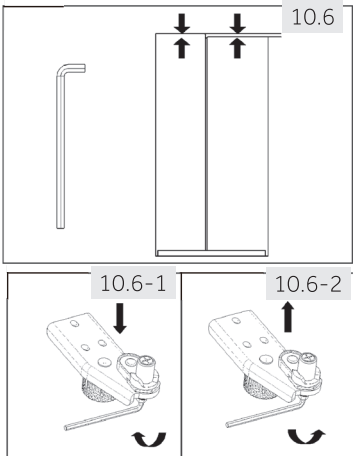




10.5 Ευθυγράμμιση της συσκευής

Η συσκευή πρέπει να τοποθετείται σε επίπεδη και στερεή επιφάνεια.

1. Γείρετε τη συσκευή ελαφρώς προς τα πίσω (Εικ. 10.5).
2. Ρυθμίστε τα πόδια στο επιθυμητό ύψος. Βεβαιωθείτε ότι η απόσταση από τον τοίχο στις πλευρές των μεντεσέδων είναι τουλάχιστον 5 cm.
3. Η ευστάθεια μπορεί να ελεγχθεί κουνώντας εναλλάξ τη συσκευή διαγώνια. Η ελαφριά ταλάντωση πρέπει να είναι η ίδια και προς τις δύο κατευθύνσεις. Διαφορετικά, ο σκελετός μπορεί να στραβώσει. Το αποτέλεσμα θα είναι πιθανές διαρροές από το λάστιχο της πόρτας. Μια ελαφριά κλίση προς τα πίσω διευκολύνει το κλείσιμο των πορτών.



10.6 Ευθυγράμμιση πορτών

Εάν οι πόρτες εξακολουθούν να μην βρίσκονται στο ίδιο επίπεδο μετά την ευθυγράμμιση των πορτών από τα πόδια, αυτή η αναντιστοιχία μπορεί να διορθωθεί στρέφοντας τον άξονα ανύψωσης του μεντεσέ στη δεξιά κάτω γωνία της πόρτας του ψυγείου με ένα κλειδί (Εικ. 10.6)

- ▶ Στρίψτε δεξιόστροφα τον άξονα ανύψωσης με το κλειδί για να χαμηλώσει το ύψος της πόρτας (Εικ. 10.6-1).
- ▶ Στρίψτε αριστερόστροφα με το κλειδί για να ανυψωθεί το ύψος της πόρτας Εικ. 10.6-2).

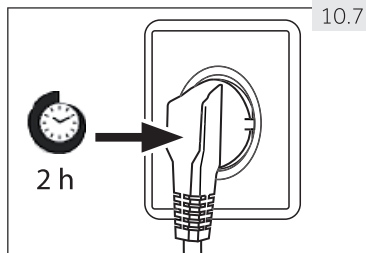


ΠΡΟΕΙΔΟΠΟΙΗΣΗ!

Μην ρυθμίζετε υπερβολικά τον άξονα ανύψωσης του μεντεσέ σε ύψος που θα μπορούσε να προκαλέσει την μετακίνηση του άξονα από την αρχική σταθερή θέση του. (Εύρος ρυθμιζόμενου ύψους: 3 mm)

10.7 Χρόνος αναμονής

Το λάδι λίπανσης βρίσκεται στην κάψουλα του συμπιεστή και δεν χρειάζεται συντήρηση. Αυτό το λάδι μπορεί να περάσει μέσα από το κλειστό σύστημα σωλήνων κατά τη διάρκεια μιας κεκλιμένης μεταφοράς. Πριν να συνδέσετε τη συσκευή με την παροχή ρεύματος, πρέπει να περιμένετε τουλάχιστον 2 ώρες (Εικ.10.7) έτσι ώστε το λάδι να επιστρέψει πίσω στην κάψουλα.



10.7

10.8 Ηλεκτρική σύνδεση. Πριν από κάθε σύνδεση ελέγξτε εάν:

- ▶ η πρίζα τροφοδοσίας και η ασφάλεια είναι κατάλληλα σύμφωνα με την πινακίδα των τεχνικών χαρακτηριστικών της συσκευής.
 - ▶ η πρίζα είναι γειωμένη και δεν υπάρχουν πολύπριζα ή προεκτάσεις.
 - ▶ το καλώδιο τροφοδοσίας και η πρίζα είναι αυστηρά συμβατά.
- Συνδέστε το καλώδιο σε μια σωστά εγκατεστημένη πρίζα σπιτιού.



ΠΡΟΕΙΔΟΠΟΙΗΣΗ!

Για την αποφυγή κινδύνων, το καλώδιο τροφοδοσίας που έχει υποστεί βλάβη πρέπει να αντικατασταθεί από την υπηρεσία εξυπηρέτησης πελατών (βλ. κάρτα εγγύησης).

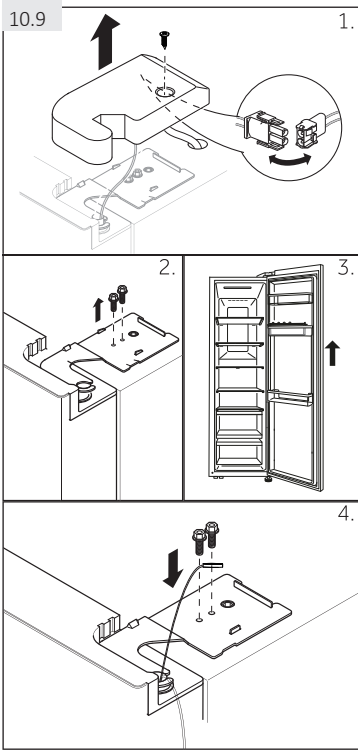
10.9 Αφαίρεση και τοποθέτηση των πορτών

Σε περίπτωση που χρειαστεί να αφαιρέσετε τις πόρτες της συσκευής, ακολουθήστε τις παρακάτω οδηγίες αφαίρεσης και τοποθέτησης (Εικ.10.9).



ΠΡΟΕΙΔΟΠΟΙΗΣΗ!

- ▶ Πριν από οποιαδήποτε ενέργεια, απενεργοποιήστε τη συσκευή και αποσυνδέστε το καλώδιο τροφοδοσίας από την πρίζα.
- ▶ Η συσκευή είναι βαριά. Πάντα να μετακινείται από τουλάχιστον δύο άτομα.
- ▶ Μην γέρνετε τη συσκευή περισσότερο από 45° και μην την τοποθετείτε σε οριζόντια θέση στο έδαφος.



1. Ξεβιδώστε της τέσσερις βίδες του καλύμματος του μεντεσέ και αφαιρέστε το κάλυμμα. Απελευθερώστε τον σύνδεσμο του καλωδίου.
2. Ξεβιδώστε τις βίδες που κρατούν τον επάνω μεντεσέ στη θέση του και στη συνέχεια αφαιρέστε τον μεντεσέ.
3. Σηκώστε την πόρτα του ψυγείου για να την αφαιρέσετε.
4. Επανατοποθετήστε την πόρτα ακολουθώντας με αντίστροφη σειρά τα βήματα για την αφαίρεση. Βεβαιωθείτε ότι το καλώδιο γείωσης στερεώνεται με το κατσαβίδι.

i Προσοχή: Πόρτα ψυγείου

Οι εικόνες δείχνουν την αφαίρεση της πόρτας του ψυγείου. Για την πόρτα της κατάψυξης παρακαλούμε χρησιμοποιήστε τα αντίστοιχα μέρη στην άλλη πλευρά.

11.1 Δελτίο προϊόντος σύμφωνα με τον κανονισμό ΕΕ αριθ. 1060/2010

Εμπορικό σήμα	Haier
Κωδικός Μοντέλου	HSR3918FNP*
Κατηγορία μοντέλου	Ψυγειοκαταψύκτης
Ενεργειακή κλάση	A+
Ετήσια κατανάλωση ενέργειας (kWh/έτος)	399
Όγκος αποθήκευσης ψύξης (L)	337
Όγκος αποθήκευσης κατάψυξης (L) ****	167
Αξιολόγηση με αστέρια	* ** *
Θερμοκρασία άλλων χώρων > 14 °C	Δεν ισχύει.
Τεχνολογία Frostfree	Ναι
Χρόνος επίτευξης της θερμοκρασίας (ώρες)	5
Χωρητικότητα κατάψυξης (kg/24 ώρες)	10
Κλιματική κατηγορία Η συσκευή αυτή προορίζεται για χρήση σε θερμοκρασία περιβάλλοντος μεταξύ 10 °C και 43 °C.	SN-N-ST-T
Εκπομπές αερόφερτου θορύβου 53 dB(A) re 1pW).	38
Είδος	Ελεύθερης εγκατάστασης

Σύμφωνα με αποτελέσματα σύνηθων δοκιμών για 24 ώρες. Η πραγματική κατανάλωση ενέργειας εξαρτάται από τον τρόπο χρήσης της συσκευής και τον χώρο εγκατάστασής της.

11.1.1 Πρόσθετα τεχνικά στοιχεία

Τάση/Συχνότητα	220-240V-/ 50Hz
Ισχύς εισόδου (W)	200
Κύρια ασφάλεια (A)	15
Ψυκτικό μέσο	R600a
Διαστάσεις (ΥxΠxΒ σε mm)	1775/908/647

11.1.2 Πρότυπα και οδηγίες 

Το προϊόν αυτό πληροί τις απαιτήσεις όλων των ισχυουσών κοινοτικών οδηγιών με τα αντίστοιχα εναρμονισμένα πρότυπα, τα οποία προβλέπουν τη σήμανση CE.

Συνιστούμε την εξυπηρέτηση πελατών της Haier και τη χρήση γνήσιων ανταλλακτικών. Αν αντιμετωπίζετε κάποιο πρόβλημα με τη συσκευή σας, ελέγξτε πρώτα την ενότητα **ΑΝΤΙΜΕΤΩΠΙΣΗ ΠΡΟΒΛΗΜΑΤΩΝ**.

Εάν δεν μπορείτε να βρείτε εκεί τη λύση, επικοινωνήστε με

- ▶ τον τοπικό σας αντιπρόσωπο ή
- ▶ την τεχνική υποστήριξη στον ιστότοπο www.haier.com, όπου μπορείτε να βρείτε αριθμούς τηλεφώνου και συχνές ερωτήσεις και όπου μπορείτε να ζητήσετε ένα σέρβις.

Πριν να επικοινωνήσετε με την εξυπηρέτηση πελατών μας, βεβαιωθείτε ότι έχετε διαθέσιμα τα ακόλουθα στοιχεία.

Οι πληροφορίες αυτές βρίσκονται στην πινακίδα τεχνικών χαρακτηριστικών.

Μοντέλο _____ Σειριακός αριθμός _____

Ελέγξτε επίσης την Κάρτα Εγγύησης που παρέχεται με το προϊόν σε περίπτωση που η συσκευή σας καλύπτεται από την εγγύηση.



Haier



0060528721



Manual del usuario

Frigorífico - Congelador

HSR3918ENP*

HSR3918EWP*

HSR3918FNP*

***=W,B,L,G,N**

ES

Haier

Gracias por comprar un producto Haier.

Lea estas instrucciones atentamente antes utilizar el electrodoméstico. Las instrucciones contienen información importante que le ayudará a sacar el máximo provecho del aparato y a garantizar una instalación, uso y mantenimiento seguros y adecuados.

Guarde este manual en un lugar conveniente para poder consultarlo en todo momento para el uso seguro y adecuado del aparato.

Si vende el aparato, lo regala o lo deja cuando se muda, asegúrese de pasar también este manual para que el nuevo propietario se familiarice con el aparato y las advertencias de seguridad.

Legenda

Advertencia- Información importante de seguridad



Información general y consejos



Información medioambiental



Eliminación

Ayude a proteger el medio ambiente y la salud humana. Deseche el embalaje en contenedores adecuados de para que se recicle. Ayude a reciclar los residuos de los aparatos eléctricos y electrónicos. No tire los electrodomésticos marcados con este símbolo a la basura doméstica. Lleve el producto a una planta de reciclaje local o contacte con la oficina municipal.



ADVERTENCIA:

¡Peligro de lesiones o asfixia!

Los refrigerantes y los gases deben ser eliminados profesionalmente. Asegúrese de que los tubos del circuito de refrigerante no estén dañados antes de desecharlos correctamente. Desconecte el aparato de la red eléctrica. Corte el cable eléctrico y deséchelo. Quite las bandejas y los cajones, así como el pestillo de la puerta y los burletes, para evitar que los niños y los animales domésticos queden encerrados en el aparato.

Los viejos aparatos todavía tienen algún valor residual. Un método de eliminación respetuoso con el medio ambiente garantizará que las valiosas materias primas puedan recuperarse y utilizarse de nuevo.

El ciclopentano, una sustancia inflamable no dañina para el ozono, se utiliza como expansor de la espuma aislante.

Al asegurarse de desechar este producto de forma correcta, estará contribuyendo a evitar las consecuencias negativas para el medio ambiente y la salud humana que, de lo contrario, podrían producirse.

Para obtener información detallada sobre el reciclaje de este producto, póngase en contacto con el servicio de recogida de basuras local o con el establecimiento donde lo adquirió, que gestionan profesionales.

1- Información de seguridad	4
2- Uso previsto	8
3- Descripción del producto	10
4- Panel de control.....	11
5- Uso	12
6- Consejos para ahorrar energía	20
7- Equipo.....	21
8- Cuidado y limpieza.....	23
9- Resolución de problemas	26
10- Instalación.....	30
11- Datos técnicos	34
12- Servicio de atención al cliente	35

Antes de encender el aparato por primera vez, lea las siguientes indicaciones de seguridad:



ADVERTENCIA:

Antes del primer uso

- ▶ Asegúrese de que no se hayan ocasionado daños durante el transporte.
- ▶ Retire todo el embalaje y manténgalo fuera del alcance de los niños.
- ▶ Espere por lo menos dos horas antes de instalar el aparato para asegurarse de que el circuito de refrigerante este totalmente operativo.
- ▶ Manipule el aparato siempre con al menos dos personas porque es pesado.

Instalación

- ▶ El aparato debe colocarse en un lugar bien ventilado. Asegúrese de que haya un espacio de al menos 20 cm por encima y de 10 cm alrededor del aparato.
- ▶ Nunca coloque el aparato en un área húmeda o en un lugar donde pueda salpicar agua. Limpie y seque el agua que salpique y las manchas con un paño suave y limpio.
- ▶ No instale el aparato bajo la luz directa del sol o cerca de fuentes de calor (por ejemplo, estufas, calentadores).
- ▶ Instale y nivele el aparato en un área adecuada para su tamaño y uso.
- ▶ Mantenga despejadas las ranuras de ventilación del aparato o de la estructura integrada.
- ▶ Asegúrese de que la información eléctrica de la placa de características concuerde con la fuente de alimentación. Si no es así, contacte con un electricista.
- ▶ El aparato funciona con una fuente de alimentación de 220-240 V CA/50 Hz. Una fluctuación anormal del voltaje puede hacer que el aparato no se ponga en marcha, que se dañe el control de temperatura o el compresor, o que haya un ruido anormal al funcionar. En tal caso, se montará un regulador automático.
- ▶ Utilice un enchufe con toma de tierra separado para el suministro de electricidad que sea de fácil acceso. El electrodoméstico debe tener conexión a tierra.
- ▶ **Solo para el Reino Unido:** El cable de alimentación del aparato está equipado con un conector de 3 clavijas (con conexión a tierra) que se introduce en un enchufe estándar de 3 clavijas (con conexión a tierra). Nunca corte o desmonte la tercera clavija (conexión a tierra). Una vez instalado el aparato, el enchufe debe ser accesible.

No utilice adaptadores multienchufe y cables de extensión.

Asegúrese de que el cable de alimentación no quede atrapado por el aparato. No pise el cable de alimentación.

No dañe el circuito de refrigerante.

No coloque tomas de corriente múltiples portátiles o fuentes de alimentación portátiles en la parte posterior del electrodoméstico.



ADVERTENCIA:

Uso diario

- ▶ Pueden utilizarlo niños a partir de 8 años de edad y personas con facultades físicas, sensoriales o mentales reducidas, o con falta de experiencia y conocimiento, si lo emplean bajo supervisión o se les instruye acerca de la seguridad del producto y entienden los riesgos que comporta.
- ▶ Los niños de 3 a 8 años de edad solo pueden ayudar a cargar y descargar los productos del frigorífico, pero no se les permite limpiar e instalar el aparato.
- ▶ Mantenga alejados a los niños menores de 3 años del aparato, a menos que sean supervisados constantemente.
- ▶ Los niños no deben limpiar ni mantener el producto sin supervisión.
- ▶ Los niños no deben jugar con el electrodoméstico.
- ▶ **El aparato debe estar colocado de forma que el enchufe quede accesible.**
- ▶ Si hay una fuga de gas frío u otro gas inflamable en las proximidades del aparato, cierre la válvula del gas que se está escapando, abra las puertas y ventanas y no desenchufe el cable de alimentación del aparato o de cualquier otro aparato.
- ▶ Observe que el aparato está configurado para funcionar en **un rango ambiental específico entre 10 y 38 °C**. Es posible que el aparato no funcione correctamente si se deja durante un largo periodo a una temperatura superior o inferior a la indicada.
- ▶ No coloque artículos inestables (objetos pesados, recipientes llenos **de agua**) **encima del aparato; evite las lesiones personales** causadas por caídas o descargas eléctricas causadas por el contacto con el agua.
- ▶ No tire de los estantes de la puerta. La puerta se puede inclinar, el portabotellas se puede salir o el aparato se puede caer.
- ▶ Abra y cierre las puertas solo con los tiradores. El espacio entre las puertas y entre las puertas y el armario es muy estrecho. No extienda sus manos en estas áreas para evitar pellizcarse los dedos. Abra o cierre las puertas solo cuando no haya niños en el rango de movimiento de la puerta.
- ▶ No guarde ni utilice materiales inflamables, explosivos o corrosivos en el aparato o en sus alrededores.
- ▶ No guarde medicinas ni agentes bacterianos o químicos en el electrodoméstico. Este aparato es un electrodoméstico. No se recomienda almacenar materiales que requieran temperaturas estrictas.
- ▶ Nunca almacene líquidos en botellas o latas (además de bebidas alcohólicas de alto porcentaje), especialmente bebidas gaseosas en el congelador, ya que estas reventarán durante la congelación.

**ADVERTENCIA:****Uso diario**

- ▶ Compruebe el estado de la comida si se ha producido un calentamiento en el congelador.
- ▶ No programe una temperatura innecesariamente baja en el compartimento del frigorífico. Pueden producirse temperaturas negativas con valores altos. Atención: Las botellas pueden reventar.
- ▶ No toque los productos congelados con las manos mojadas (use guantes). En especial, no coma polos de hielo inmediatamente después de sacarlos del congelador. Existe el riesgo de congelación o de formación de ampollas. **PRIMEROS AUXILIOS:** ponga inmediatamente la zona afectada bajo agua fría corriente. ¡No lo arranque con fuerza!
- ▶ No toque la superficie interior del compartimento de almacenamiento del congelador cuando esté en funcionamiento, especialmente con las manos húmedas, ya que las manos pueden congelarse en la superficie.
- ▶ Desenchufe el aparato en caso de interrupción de la electricidad o antes de limpiarlo. Espere al menos 5 minutos antes de reiniciarlo, ya que un arranque frecuente podría dañar el compresor.
- ▶ No utilice aparatos eléctricos dentro de los compartimentos para la conservación de alimentos del electrodoméstico, a menos que sean del tipo que recomienda el fabricante.
- ▶ Utilice agua potable solamente con modelos con dispensador de agua.

Mantenimiento/limpieza.

- ▶ Asegúrese de que los niños estén supervisados cuando se llevan a cabo operaciones de limpieza y mantenimiento.
- ▶ Desconecte el electrodoméstico del suministro eléctrico antes de realizar cualquier mantenimiento de rutina. Espere al menos 5 minutos antes de reiniciarlo, ya que un arranque frecuente podría dañar el compresor.
- ▶ Sujete el conector en lugar del cable para desenchufar el aparato.
- ▶ No quite el hielo o la escarcha con objetos afilados. No utilice aerosoles ni calentadores eléctricos, como calefactores, secadores de pelo, limpiadores de vapor u otras fuentes de calor para evitar dañar las piezas de plástico.
- ▶ No utilice aparatos mecánicos ni otros medios para acelerar el proceso de descongelación y siga las recomendaciones del fabricante.
- ▶ **No limpie el electrodoméstico con cepillos duros, cepillos de alambre, detergente en polvo, gasolina, acetato de pentilo, acetona u otras soluciones orgánicas similares, soluciones ácidas o alcalinas. Utilice un detergente especial para frigoríficos para evitar daños.**
- ▶ **Eventualmente use agua caliente y una solución de bicarbonato de sodio (alrededor de una cucharada de bicarbonato de sodio por un litro/cuarto de litro de agua). Enjuague bien con agua y seque. No utilice limpiadores en polvo u otros limpiadores abrasivos. No lave las partes desmontables en el lavavajillas.**



ADVERTENCIA:

Mantenimiento/limpieza

- ▶ Para evitar riesgos, el fabricante, su representante de servicio o cualquier otra persona cualificada deben cambiar los cables de alimentación que estén dañados.
- ▶ No intente reparar, desmontar o modificar el electrodoméstico usted mismo. En caso de necesitar una reparación, póngase en contacto con nuestro servicio de atención al cliente.
- ▶ Para evitar riesgos, el fabricante, su representante de servicio o cualquier otra persona cualificada deben cambiar las luces que estén dañadas.
- ▶ Elimine el polvo de la parte posterior de la unidad al menos una vez al año para evitar el riesgo de incendio, así como un mayor consumo de energía.
- ▶ No rocíe ni lave el electrodoméstico durante las operaciones de limpieza.
- ▶ No utilice agua pulverizada o vapor para limpiar el electrodoméstico.
- ▶ No limpie los estantes de vidrio que estén fríos con agua caliente. Un cambio repentino de temperatura puede hacer que el vidrio se rompa.
- ▶ Si pone el aparato fuera de uso por un periodo prolongado, déjelo abierto para evitar que se acumulen en su interior olores desagradables.

Información sobre el gas refrigerante



ADVERTENCIA:

El aparato contiene el refrigerante inflamable ISOBUTANO (R600a). Asegúrese de que el circuito de refrigerante no se dañe durante el transporte o la instalación. La fuga de refrigerante puede causar lesiones en los ojos o incendios. Si se ha producido un daño, mantenga alejadas las llamas vivas, ventile completamente la habitación y no enchufe ni desenchufe los cables de alimentación del aparato o de cualquier otro aparato. Informe al servicio de atención al cliente.

En caso de que los ojos entren en contacto con el refrigerante, enjuáguelos inmediatamente con agua corriente y llame inmediatamente al oftalmólogo.

ATENCIÓN: El sistema de refrigeración está sometido a alta presión. No lo manipule. Dado que se utilizan líquidos de refrigeración inflamables, instale, manipule y realice el mantenimiento del electrodoméstico de acuerdo con las instrucciones; póngase en contacto con un profesional o con nuestro servicio de posventa para proceder a su retirada.

2.1 Uso previsto

Este electrodoméstico está diseñado para su uso en el hogar y en aplicaciones parecidas, como:

- zonas de cocina para empleados en negocios, oficinas y otros entornos laborales;
 - granjas y clientes de hoteles, moteles y otros establecimientos de tipo residencial;
 - otros establecimientos de hospedaje;
 - servicios de catering y otras aplicaciones similares no minoristas.
- Si el aparato no se utiliza durante un periodo prolongado de tiempo, y solo se utilizará la función de vacaciones o la función de apagado del frigorífico/congelador:
- Saque todos los alimentos.
 - Desconecte el cable de alimentación.
 - Vacíe y limpie el depósito de agua.
 - Limpie el aparato como se describe arriba.
 - Mantenga las puertas abiertas para evitar la formación de malos olores en el interior.
- Para garantizar una conservación segura de los alimentos o el vino, siga estas instrucciones de uso.
- Para evitar la contaminación de los alimentos (no válido para la bodega), respete las siguientes instrucciones:
- Abrir la puerta durante un tiempo prolongado puede provocar un aumento significativo de la temperatura en los compartimentos del electrodoméstico.
 - Limpie regularmente las superficies que puedan entrar en contacto con alimentos y sistemas de desagüe accesibles.
 - Limpie los depósitos de agua si no se han utilizado durante 48 horas. Enjuague el sistema de agua conectado al suministro de agua si no se ha extraído agua durante 5 días.
 - Guarde la carne y el pescado crudos en recipientes adecuados en el frigorífico/congelador para evitar que entren en contacto con otros alimentos o goteen sobre ellos. Para garantizar la conservación segura de los alimentos, los alimentos instantáneos y la carne y el pescado crudos se guardarán por separado.
 - Los compartimentos para alimentos congelados con dos estrellas están pensados para guardar alimentos precongelados y guardar o hacer helados y cubitos de hielo.
 - Los compartimentos con una, dos y tres estrellas no son aptos para congelar alimentos frescos.
 - Para evitar la aparición de moho, el electrodoméstico se debe apagar, descongelar, limpiar y secar, además de dejar la puerta abierta, cuando vaya a permanecer vacío durante largos periodos de tiempo.
- En la tabla siguiente se muestran los detalles sobre qué parte del compartimento del electrodoméstico es apropiada para cada tipo de alimento, teniendo en cuenta la distribución de la temperatura en cada uno.

Eliminación

La aparición del símbolo en el producto o en su envase indica que no puede tratarse como residuo doméstico. Debe llevarse a un punto de recogida de residuos adecuado para reciclaje de aparatos eléctricos y electrónicos. Al asegurarse de desechar este electrodoméstico de forma correcta, estará contribuyendo a evitar las posibles consecuencias negativas para el medio ambiente y la salud humana que ocasionaría el tratamiento inadecuado de los residuos de este producto. Para obtener información detallada sobre el reciclaje de este producto, póngase en contacto con el servicio de recogida de basuras municipal o el establecimiento donde lo adquirió.

Dado que se utilizan gases de aislamiento inflamables, póngase en contacto con un profesional o con nuestro servicio de posventa para deshacerse del electrodoméstico.



ADVERTENCIA:

¡Peligro de lesiones por asfixia!

Los refrigerantes y los gases deben ser eliminados profesionalmente. Asegúrese de que los tubos del circuito de refrigerante no estén dañados antes de desecharlos correctamente. Desconecte el aparato de la red eléctrica. Corte el cable eléctrico y deséchelo. Quite las bandejas y los cajones, así como el pestillo de la puerta y los burletes, para evitar que los niños y los animales domésticos queden encerrados en el aparato.

No se permiten cambios o modificaciones en el dispositivo. El uso no intencionado puede causar peligros y la pérdida de reclamaciones de garantía.

2.2 Accesorios

Revise los accesorios y los documentos de acuerdo con esta lista (Fig. 2.2):

2.2



Bandejas
cubiteras



Bandeja
de huevos



Conducto
de pernos



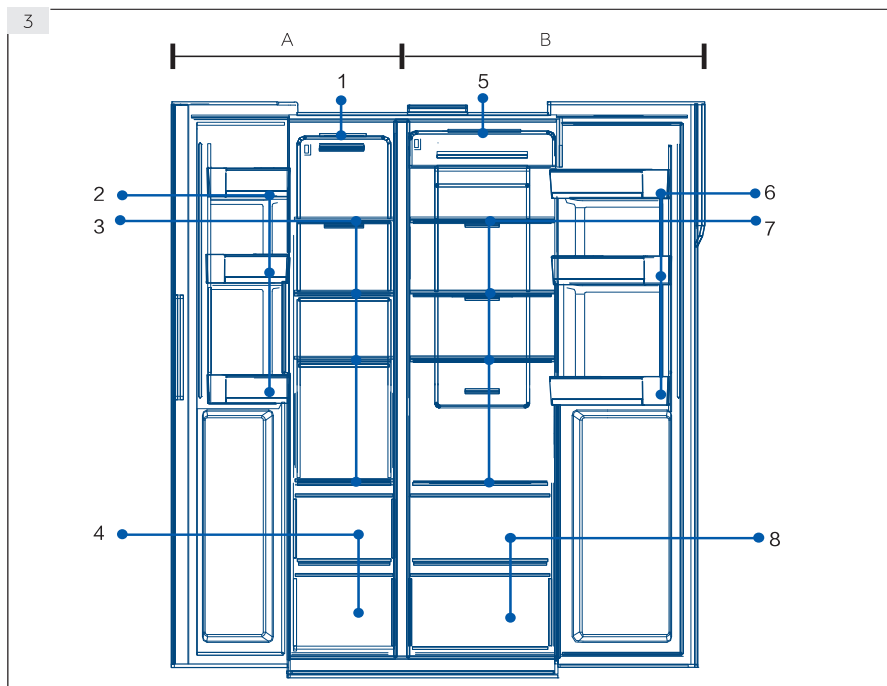
Certificado
de garantía



Manual
del usuario

**Nota:**

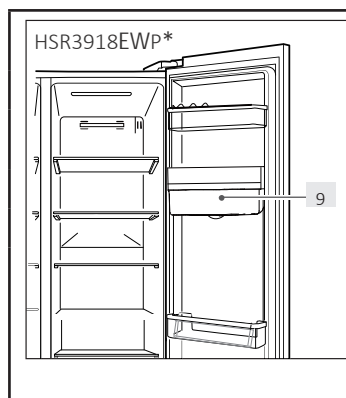
Debido a los cambios técnicos y a los diferentes modelos, algunas de las ilustraciones de este manual pueden diferir de su modelo.

Fotos de aparatos (Fig. 3)**A: Compartimento del congelador**

- 1 Luz de techo
- 2 Estante de puerta/ portabotellas
- 3 Estantes de congelador
- 4 Caja de congelador

B: Compartimento del frigorífico

- 5 Luz de techo
- 6 Estante de puerta/ portabotellas
- 7 Estantes de frigorífico
- 8 Caja de frigorífico
- 9 Depósito de agua



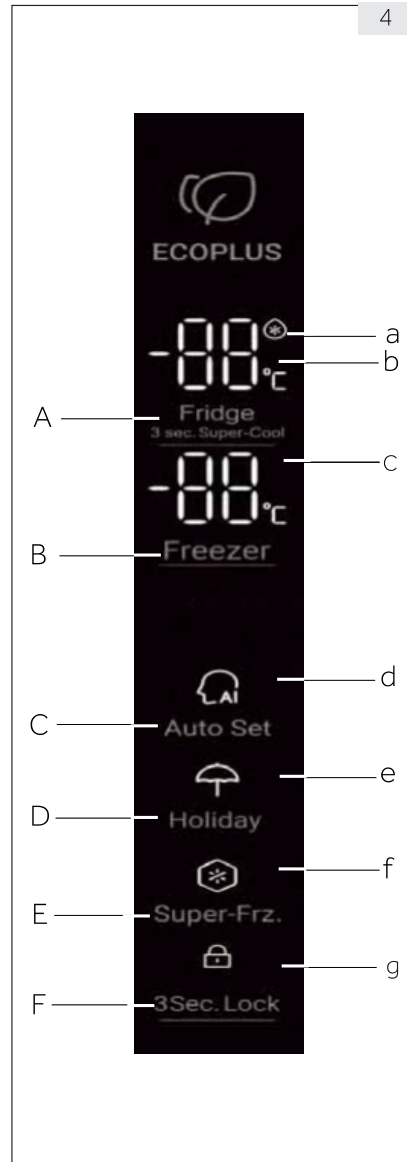
Panel de control (Fig. 4)

Teclas:

- A Selector de frigorífico
- B Selector de congelador
- C Modo difuso
- D Modo vacaciones
- E Modo de supercongelación
- F Selector de bloqueo del panel

Indicadores:

- a Modo de superenfriamiento
- b Temperatura de frigorífico
- c Temperatura de congelador
- d Modo difuso
- e modo de vacaciones
- f Modo de superenfriamiento
- g Bloqueo del panel



5.1 Primer uso

Cuando el frigorífico se conecta por primera vez a la corriente, la pantalla se enciende. La temperatura por defecto del compartimento del frigorífico es de 4 °C, y la del congelador de -18 °C. La luz de la función de inteligencia está encendida.

5.2 Bloqueo/desbloqueo del panel

Bloqueo automático:

Cuando la puerta del frigorífico y la del congelador están cerradas, y no se utiliza ningún botón durante 30 segundos, la luz del panel se apaga automáticamente y el panel se bloquea.

Bloqueo manual:

Cuando se desbloquee el panel, pulse el botón de bloqueo durante 3 segundos; el zumbador hará un sonido de zumbido, el indicador de bloqueo se encenderá y la pantalla se bloqueará.

3Sec.Lock



Pulse durante
3 segundos.

El indicador se
enciende.
El panel se bloquea.

Desbloqueo:

Cuando el panel está apagado, abra cualquier puerta del frigorífico o toca cualquier botón del panel de control, el panel se ilumina. En este momento, el panel está bloqueado. Pulse el botón de la función de bloqueo durante 3 segundos; sonará el timbre, el indicador de bloqueo estará apagado y el panel se desbloqueará.



3Sec.Lock



El panel está
activo. Abra la
puerta o pulse
cualquier botón.

Espere 3
segundos.

El indicador se apaga.
El panel se desbloquea.

5.3 Ajuste de la temperatura del frigorífico

1. Cuando el panel de control se desbloquee, pulse el "Selector del frigorífico"; el zumbador sonará y el indicador de la temperatura del frigorífico parpadeará. Ahora la temperatura del frigorífico puede ajustarse.
2. Cada vez que se pulsa el selector del frigorífico, suena el zumbador y el ajuste se cambia en 1. La secuencia de cambio es un bucle continuo como «4 °C / 3 °C / 2 °C / 1 °C / 9 °C / 8 °C / 7 °C / 6 °C / 5 °C / 4 °C»

Fridge



Fridge



Pulse una
vez

Parpadeante
En condiciones de ajuste

Pulse una vez

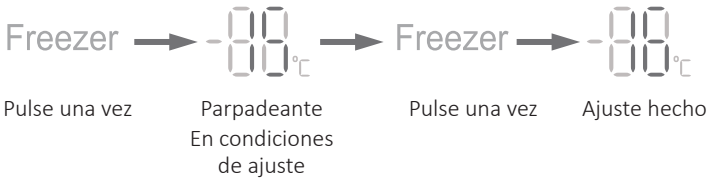
Ajuste hecho

i Nota:

- ▶ El aparato está preajustado en la temperatura recomendada de 4 °C (frigorífico) y -18 °C (congelador). En condiciones ambientales normales no es necesario fijar una temperatura.

5.4. Ajuste de la temperatura del congelador

1. Cuando el panel de control se desbloquee, pulse el “Selector del congelador”; el zumbador sonará y el indicador de la temperatura del congelador parpadeará. Ahora se puede programar la temperatura del congelador.
2. Cada vez que se pulsa el selector del congelador, suena el zumbador y la temperatura desciende en 1. La secuencia de cambio es un bucle continuo como «-18 °C/-19 °C/-20 °C/-21 °C/-22 °C/-23 °C/-24 °C/-14 °C/-15 °C/-16 °C/-17 °C/-18 °C».

**i Nota:**

- ▶ La temperatura está programada. Si no se pulsa ningún botón en 5 segundos, la temperatura se confirmará y se guardará automáticamente.

5.5 Ajuste automático

1. Cuando el panel de control se desbloquee, pulse el “Selector de modo difuso”; el zumbador sonará y el indicador del modo difuso se encenderá. Comienza el modo difuso.
2. Cuando el indicador de modo difuso esté activado, pulse el selector de modo difuso; el zumbador sonará, el indicador de modo difuso se apagará y el modo difuso se cerrará.

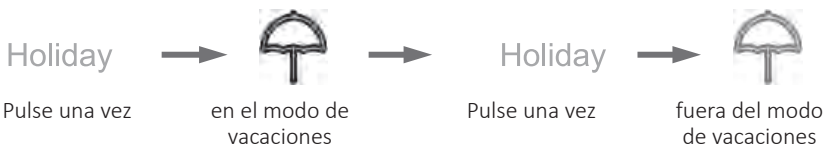
**i Nota:**

- ▶ Cuando el modo difuso está activado, no se puede seleccionar la temperatura del frigorífico y del congelador. Cuando se pulsa el selector del frigorífico o el selector del congelador, el indicador de modo difuso parpadea con sonidos que recuerdan que la operación no está permitida. Con el modo difuso, si se selecciona la función de enfriamiento rápido, congelación rápida o vacaciones, el modo difuso se desactiva y se cierra automáticamente.

5.6 Modo de vacaciones

El modo de vacaciones está diseñado para situaciones en las que el frigorífico no se utilice durante mucho tiempo. Cuando el modo de vacaciones está activado, se puede seleccionar la temperatura del congelador, mientras que la temperatura del frigorífico se ajusta automáticamente en 17 °C, lo que evita cualquier olor debido a la alta temperatura en el compartimento del frigorífico, y también ahorra el consumo de energía.

1. Cuando se desbloquee el panel de control, pulse el “Selector de modo de vacaciones”; el zumbador sonará y el indicador de la función de vacaciones se activará. El modo de vacaciones comienza.
2. Cuando el indicador del modo de vacaciones esté encendido, pulse el selector de la función de vacaciones; el zumbador sonará, el indicador del modo de vacaciones se apagará y el modo de vacaciones se cerrará.



Nota:

- ▶ Cuando el modo de vacaciones está activado, la temperatura del frigorífico no puede seleccionarse. Cuando se pulsa el selector del frigorífico, el indicador del modo vacaciones parpadea con sonidos que recuerdan que la operación no está permitida. Antes de seleccionar el modo vacaciones, vacíe el compartimento del frigorífico para evitar el deterioro de los alimentos. Con el modo de vacaciones activado, la función de inteligencia y el enfriamiento rápido no pueden seleccionarse simultáneamente. Si se selecciona el modo de inteligencia o de enfriamiento rápido, el indicador del modo de vacaciones se apaga y la función se cierra automáticamente.

5.7 Modo de superenfriamiento

1. Cuando el panel de control se desbloquee, pulse el “Selector de frigorífico” durante 3 segundos; el zumbador emitirá un sonido de zumbido y el indicador de superenfriamiento se iluminará. El modo de superenfriamiento comienza.
2. Cuando el indicador de superenfriamiento se encienda, pulse el selector del frigorífico durante 3 segundos; el zumbador emitirá un sonido de zumbido y el indicador de superenfriamiento se apagará. El modo de superenfriamiento se cierra.
3. Cuando el modo de superenfriamiento está activado, el frigorífico pasará automáticamente al estado de apagado del modo de superenfriamiento después de que este alcance la condición establecida. Si quiere salir manualmente, puede pulsar el selector del frigorífico durante 3 segundos para apagar el modo de superenfriamiento.



i Nota:

- ▶ Con la función de superenfriamiento activada no se puede seleccionar simultáneamente el modo difuso y el modo vacaciones. Si se selecciona el modo difuso o el modo de vacaciones, el indicador de superenfriamiento se apaga y el superenfriamiento se cierra automáticamente.

5.8 Modo de supercongelación

1. Cuando se desbloquea el panel de control, pulse el selector de supercongelación; suena el zumbador y se ilumina el indicador de supercongelación. Se inicia el modo de supercongelación.
2. Con el indicador de supercongelación encendido, pulse el selector de supercongelación; el zumbador sonará y el indicador de supercongelación se apagará. Se cierra el modo de supercongelación.
3. Cuando el modo de supercongelación está activado, el frigorífico pasará automáticamente al estado de desactivación del modo de supercongelación después de que este alcance la condición establecida. Si quiere salir manualmente, puede pulsar el selector de supercongelación durante 3 segundos para apagar el modo de supercongelación.

**i Nota:**

- ▶ El modo de supercongelación está diseñado para mantener los nutrientes de los alimentos en el compartimento del congelador, y los alimentos se congelan en el menor tiempo posible. Si se va a congelar una gran cantidad de alimentos de una sola vez, se recomienda programar el modo de supercongelación con 24 horas de antelación para alcanzar una temperatura más baja en el compartimento del congelador antes de introducir los alimentos. En esta condición, la velocidad de congelación en el compartimento del congelador aumenta y los alimentos pueden congelarse rápidamente, con lo que se asegura la nutrición de los alimentos y se facilita su almacenamiento. Si quiere elegir la función de inteligencia en la condición de supercongelación, el indicador de supercongelación está apagado y el modo de supercongelación se cierra automáticamente.

5.9 Alarma de apertura de la puerta

Cuando el tiempo de apertura de la puerta es demasiado largo o la puerta no está cerrada, el frigorífico emitirá una alarma de goteo cada vez y luego para recordarle que cierre la puerta.

5.10 Ahorro de energía del panel de control

Si no se realiza ninguna operación en el panel de control durante 30 segundos, el panel se apagará automáticamente y entrará en el estado de bloqueo, lo que puede ahorrar energía. Cuando se pulsa el botón de la función de bloqueo o se abre cualquier puerta, el panel de control se ilumina.

5.11 Función de memoria de corte de corriente

Cuando se apaga el frigorífico, se memoriza el estado de funcionamiento momentáneo del fallo de alimentación. Una vez que se vuelve a conectar la energía, el frigorífico sigue funcionando de acuerdo con la secuencia y el estado funcional establecidos antes del corte de corriente.

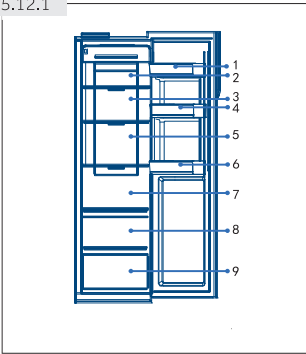
Atención: La función de bloqueo no se memoriza. Cuando el frigorífico se enciende de nuevo, el panel de control comienza a autocomprobar, el indicador de la función de bloqueo está apagado y el frigorífico se desbloquea.

5.12 Consejos sobre el almacenamiento de alimentos frescos

5.12.1 Almacenamiento en el compartimento del frigorífico

- ▶ Mantenga la temperatura del frigorífico por debajo de 5 °C.
- ▶ Los alimentos calientes deben enfriarse a temperatura ambiente antes de guardarlos en el aparato.
- ▶ Los alimentos almacenados en el frigorífico deben lavarse y secarse antes de guardarlos.
- ▶ Los alimentos que se vayan a almacenar deben estar debidamente sellados para evitar alteraciones de olor o sabor.
- ▶ No almacene cantidades excesivas de alimentos. Deje espacios entre los alimentos para permitir que el aire frío fluya a su alrededor, para un mejor y más homogéneo enfriamiento.
- ▶ Los alimentos que se consumen diariamente deben ponerse en la parte delantera de la estantería.
- ▶ Deje espacio entre los alimentos y las paredes interiores, permitiendo que el aire fluya. En particular, no guardes alimentos contra la pared trasera; los alimentos podrían congelarse contra la pared trasera. Evite el contacto directo de los alimentos (especialmente los alimentos aceitosos o ácidos) con el revestimiento interior, ya que el aceite/ácido puede erosionarlo. Limpie la suciedad aceitosa/ácida siempre que la encuentre.
- ▶ Descongele los alimentos congelados en el compartimento del frigorífico. De esta manera, puede usar la comida congelada para disminuir la temperatura en el compartimento y ahorrar energía.
- ▶ El proceso de maduración de frutas y verduras, como calabacines, melones, papaya, plátano, piña, etc. puede acelerarse en el frigorífico. Por lo tanto, no es aconsejable guardarlos en el frigorífico. Sin embargo, la maduración de los frutos de color verde intenso puede fomentarse durante un cierto periodo de tiempo. Las cebollas, el ajo, el jengibre y otras hortalizas de raíz también deben almacenarse a temperatura ambiente.
- ▶ Los olores desagradables dentro del frigorífico son una señal de que algo se ha derramado y es necesario limpiarlo. Consulte CUIDADO Y LIMPIEZA.
- ▶ Los diferentes alimentos deben colocarse en diferentes zonas según sus propiedades (Fig. 5.12.1/5.12.2)

5.12.1

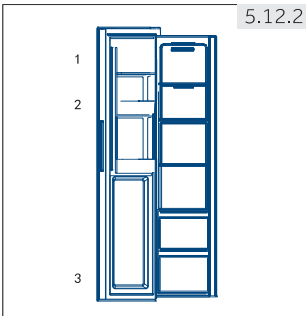


1. Mantequilla, queso, etc.
2. Alimentos encurtidos, alimentos enlatados, etc.
3. Alimentos encurtidos, alimentos enlatados, etc.
4. Latas, comida enlatada, especias, etc.
5. Productos cárnicos, bocadillos, etc.
6. Bebidas y alimentos embotellados.
7. Pasta, comida enlatada, leche, tofu, productos lácteos, etc.
8. Frutas, verduras, ensalada, etc.
9. Carne cocida, salchichas, etc.

5.12.2 Almacenamiento en el congelador

- ▶ Mantenga la temperatura del congelador a $-18\text{ }^{\circ}\text{C}$.
- ▶ 24 horas antes de la congelación encienda la función de supercongelación: -Para pequeñas cantidades de comida de 4 a 6 horas son suficientes.
- ▶ Los alimentos calientes deben enfriarse a temperatura ambiente antes de guardarlos en el congelador.
- ▶ La comida cortada en pequeñas porciones se congelará más rápido y será más fácil de descongelar y cocinar. El peso recomendado de cada porción es inferior a 2,5 kg.
- ▶ Es mejor empaquetar la comida antes de ponerla en el congelador. El exterior del envase debe estar seco para evitar que las bolsas se peguen entre sí. Los materiales de embalaje deben ser inodoros, herméticos y no tóxicos.
- ▶ Para evitar la expiración de los periodos de almacenamiento, anote la fecha de congelación, el plazo y el nombre del alimento en el envase según los periodos de almacenamiento de los diferentes alimentos.
- ▶ **ADVERTENCIA:** El ácido, el álcali y la sal, etc. podrían erosionar la superficie interna del congelador. No coloque los alimentos que contienen estas sustancias (por ejemplo, el pescado) directamente en la superficie interna. El agua salada debe eliminarse inmediatamente del congelador.
- ▶ No exceda los tiempos de almacenamiento de alimentos recomendados por los fabricantes. Saque solo la cantidad necesaria de comida del congelador.
- ▶ Los diferentes alimentos deben colocarse en diferentes zonas según sus propiedades (Fig. 5.12.2):

5.12.2



1. Artículos menos pesados, como helado, verduras, pan, etc.
2. Bebidas alcohólicas con alto contenido de alcohol; artículos pequeños, como Pizza o hierbas.
3. Porciones grandes y pesadas de comida, como las piezas de carnes para asar.

**Nota: Almacenamiento**

- ▶ Mantenga la distancia de más de 10 mm entre la comida colocada y el sensor para asegurar el efecto de enfriamiento.
- ▶ Mantenga el cajón más bajo cuando el aparato funcione para asegurar el efecto de enfriamiento.
- ▶ Los alimentos con hielo (como el helado, etc.) deben guardarse dentro del congelador en lugar de en el portabotellas, ya que los cambios de temperatura en el portabotellas causados por la apertura y el cierre de la puerta pueden descongelar los alimentos.
- ▶ Consuma rápidamente los alimentos descongelados. Los alimentos descongelados no pueden volver a congelarse a menos que se cocinen primero, de lo contrario pueden ser menor comestibles.
- ▶ No cargue cantidades excesivas de alimentos frescos en el compartimento del congelador. Consulte la capacidad de congelación del congelador en los DATOS TÉCNICOS o en la placa de características.
- ▶ Los alimentos pueden guardarse en el congelador a una temperatura de al menos -18 °C durante 2 a 12 meses, dependiendo de sus propiedades (por ejemplo, la carne: 3-12 meses, verduras: 6-12 meses)
- ▶ Cuando congele alimentos frescos, evite ponerlos en contacto con alimentos ya congelados. ¡Riesgo de descongelación!
- ▶ Descongele la comida congelada en el frigorífico. De esta manera, puede usar la comida congelada para reducir la temperatura en el compartimento y ahorrar energía.

5.12.3 Cuando se almacenen alimentos comercialmente congelados, siga estas directrices:

- ▶ Siga siempre las directrices de los fabricantes en cuanto al tiempo de almacenamiento de los alimentos. ¡No exceda estas directrices!
- ▶ Intente que el tiempo entre la compra y el almacenamiento sea lo más corto posible para preservar la calidad de los alimentos.
- ▶ Compre alimentos congelados, que hayan sido almacenados a una temperatura de -18 °C o inferior.
- ▶ Evite comprar alimentos que tengan hielo o escarcha en el envase. Esto indica que los productos pueden haberse descongelado y congelado de nuevo parcialmente en algún momento. Las subidas de temperatura afectan a la calidad de los alimentos.

5.13 Dispensador de agua (HSR3918EWP*)

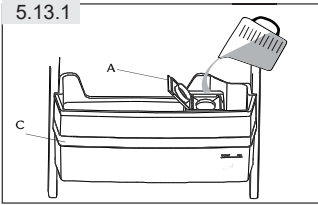
Con el dispensador de agua se puede beber agua fría.

El depósito de agua debe limpiarse antes del primer uso (ver CUIDADO Y LIMPIEZA).

5.13.1 Llenado del depósito de agua**ADVERTENCIA:**

Use solo agua potable.

5.13.1



1. Asegúrese de que el depósito de agua está correctamente insertado (ver EQUIPO).
2. Abra el tapón (A) y vierta agua potable en el depósito de agua (Fig.5.13.1).
3. Llene el agua solo hasta la marca (2,5 l), ya que podría desbordarse cuando la puerta se abra y se cierre.
4. Cierra la tapa (A) completamente.

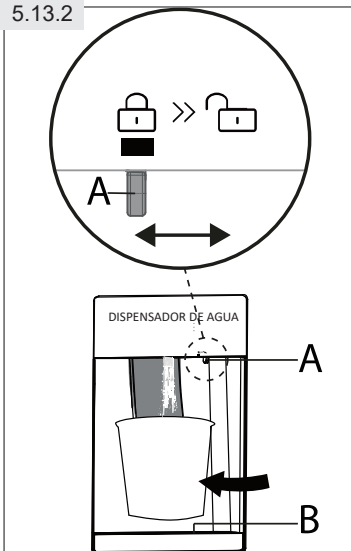


Nota: Dispensador de agua

- ▶ Antes de rellenarlo, elimine el agua restante y limpie el depósito de agua.
- ▶ Cuando no necesite agua durante mucho tiempo, vacíe el depósito de agua e introduzca el depósito limpio.
- ▶ **La cubierta (C) del depósito de agua (Fig.5.13.1) se utiliza adicionalmente para ahorrar energía.** Si no quiere obtener agua del dispensador de agua durante un largo periodo, instale la cubierta. Esto proporciona un mejor aislamiento y ahorro de energía.

5.13.2 Obtención de agua del dispensador

5.13.2

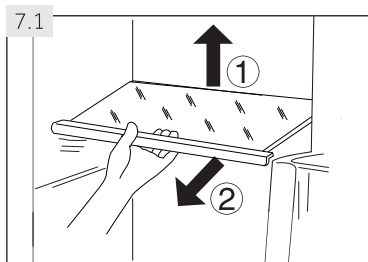


1. Asegúrese de que el seguro (A) se mueve a "desbloquear" (con un candado) (Fig. 5.13.2).
2. Coloque un vaso debajo de la salida de agua.
3. Empújelo suavemente contra la palanca del dispensador de agua.
Asegúrese de que el vaso esté en línea con el dispensador para evitar que el agua salpique.
4. El agua de la bandeja (B) debe eliminarse a tiempo, ya que podría desbordarse cuando la puerta se abre y se cierra.
5. Deslice el seguro (A) a la posición "bloquear" (con un candado).



Consejos para ahorrar energía

- ▶ Asegúrese de que el aparato esté bien ventilado (ver INSTALACIÓN).
- ▶ No instale el aparato bajo la luz directa del sol o cerca de fuentes de calor (por ejemplo, estufas, calentadores).
- ▶ Evite una temperatura innecesariamente baja en el aparato. El consumo de energía aumenta cuanto más baja es la temperatura del aparato.
- ▶ Funciones como la supercongelación o el superenfriamiento consumen más energía.
- ▶ La comida caliente debe enfriarse antes de introducirla en el frigorífico.
- ▶ Abra la puerta del aparato lo menos posible y tan brevemente como pueda.
- ▶ No llene en exceso el aparato para no obstruir el flujo de aire.
- ▶ Evite el aire dentro del envase de los alimentos.
- ▶ Mantenga los burletes de las puertas limpios para que la puerta siempre se cierre correctamente.
- ▶ Descongele los alimentos congelados en el compartimento del frigorífico.



7.1 Estantes ajustables

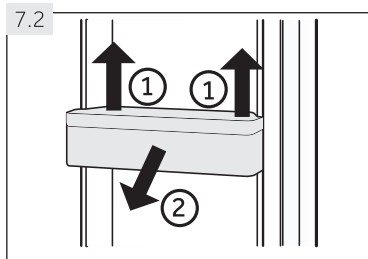
La altura de los estantes puede ajustarse para que se adapte a sus necesidades de almacenamiento.

1. Para reubicar un estante, primero retírelo levantando su borde trasero (1) y tirando de él (2) (Fig. 7.1).
2. Para reinstalarlo, póngalo en las orejetas de ambos lados y empújelo a la posición más atrasada hasta que la parte trasera del estante esté fija dentro de las ranuras de los lados.



Nota: Estantes

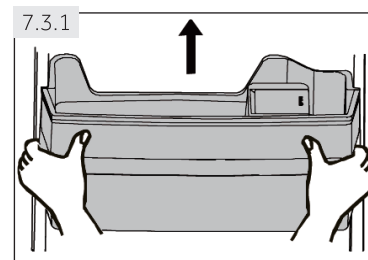
Asegúrese de que todos los extremos de un estante estén nivelados.



7.2 Estantes de la puerta/portabotellas extraíbles

El portabotellas puede quitarse para limpiarlo:

1. Coloque las manos a cada lado del soporte y levántelo hacia arriba (1) (Fig. 7.2).
2. Saque el portabotellas de la puerta (2).
3. Para insertar el estante de la puerta/portabotellas, los pasos anteriores se realizan en orden inverso.



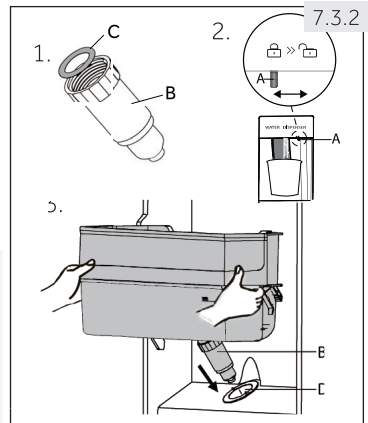
7.3 Depósito de agua (HSR3918E\WP*)

7.3.1 Extracción del depósito de agua

El depósito de agua puede quitarse y reinstalarse para su limpieza de la misma manera que los estantes de la puerta (Fig. 7.3.1).

7.3.2 Inserción del depósito de agua

1. Asegúrese de que el pico del dispensador (B) esté firmemente atornillado al depósito de agua y que la junta tórica blanca (C) esté en posición (Fig. 7.3.2-1.).
2. Deslice el seguro (A) a la posición “bloquear” (Fig. 7.3.2-2.)
3. Coloque el depósito de agua en la posición en la que el pico del dispensador (B) encaje en la abertura de la puerta (D) (Fig. 7.3.2-3.).



Nota: Depósito de agua

- ▶ Si el depósito de agua no está bien insertado, el agua puede gotear de la conexión.
- ▶ No utilice fuerza excesiva al retirar o instalar el depósito de agua para evitar dañar el depósito.

7.4 Portabotellas del compartimento del congelador

Los portabotellas del compartimento de congelación están destinados al almacenamiento temporal de bebidas de alto contenido de alcohol. Las bebidas sin alcohol deben enfriarse en el frigorífico.

Además, puede guardar artículos pequeñas en los portabotellas.



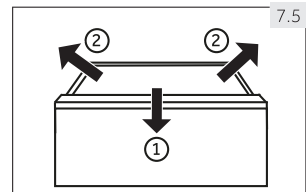
ADVERTENCIA:

¡Las botellas y las latas pueden reventar! Ponga un temporizador que le recuerde retirar las botellas/latas sin alto contenido de alcohol.

7.5 Cajón extraíble

Para sacar el cajón del compartimento del frigorífico o del congelador, tire de él al máximo (1), levántelo y sáquelo (2) (Fig. 7.5).

Para insertar el cajón, los pasos anteriores se realizan en orden inverso.



7.6 Luz

La luz LED interior se enciende cuando se abre la puerta. El rendimiento de las luces no se ve afectado por ninguno de los otros aparatos.



ADVERTENCIA:

Desconecte el aparato de la red eléctrica antes de limpiarlo.

8.1 Limpieza

Limpie el aparato cuando tenga poca o ninguna comida.

El aparato debe limpiarse cada cuatro semanas para garantizar un buen mantenimiento y para evitar los malos olores de los alimentos almacenados.

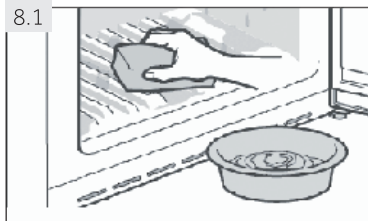


ADVERTENCIA:

No limpie el electrodoméstico con cepillos duros, cepillos de alambre, detergente en polvo, gasolina, acetato de pentilo, acetona u otras soluciones orgánicas similares, soluciones ácidas o alcalinas. Utilice un detergente especial para frigoríficos para evitar daños.

- ▶ No rocíe ni lave el electrodoméstico durante las operaciones de limpieza.
- ▶ No utilice agua pulverizada o vapor para limpiar el electrodoméstico.
- ▶ No limpie los estantes de vidrio que estén fríos con agua caliente. Un cambio repentino de temperatura puede hacer que el vidrio se rompa.
- ▶ No toque la superficie interior del compartimento de almacenamiento del congelador, especialmente con las manos húmedas, ya que las manos pueden congelarse en la superficie.
- ▶ En caso de calefacción, compruebe el estado de los productos congelados.

8.1




- ▶ Mantenga siempre limpia la junta de la puerta.
- ▶ Limpie el interior y la carcasa del aparato con una esponja humedecida en agua tibia y detergente neutro (Fig. 8.1).

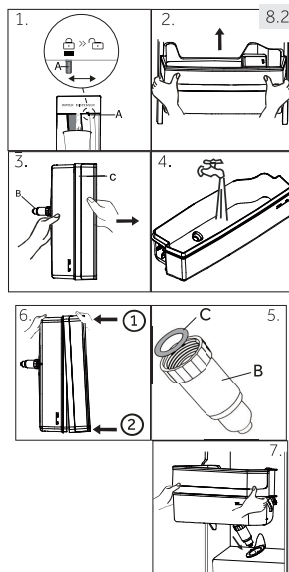
1. Friegue el interior y el exterior del frigorífico, incluidas las juntas de la puerta, el estante de la puerta, los estantes de vidrio, las cajas y demás, con una toalla suave o una esponja sumergida en agua tibia (puede añadir detergente neutro al agua tibia).
2. Si hay líquido derramado, retire todos los artículos contaminados, enjuague directamente con el agua corriente, séquelos y colóquelos de nuevo en el frigorífico.
3. Si hay crema derramada (como la crema, helado derretido), retire todos los artículos contaminados, póngalos en agua tibia a 40 °C durante algún tiempo, luego enjuague con agua corriente, séquelos y colóquelos de nuevo en el frigorífico.
4. En caso de que alguna pequeña pieza o componente se quede atascado dentro del frigorífico (entre estantes o cajones), utilice un pequeño cepillo suave para liberarlo. Si no puede llegar a la pieza, contacte con el servicio de Haier.
 - ▶ Enjuague y seque con un paño suave.
 - ▶ No limpie ninguna de las piezas del aparato en el lavavajillas.
 - ▶ Espere al menos 5 minutos antes de reiniciarlo, ya que un arranque frecuente podría dañar el compresor.

Descongelación

La descongelación del frigorífico y del congelador se hace automáticamente; no se necesita ninguna operación manual.

8.2 Limpieza del depósito de agua (Fig. 8.2) (HSR3918EWP*)

1. Deslice el cierre (A) a la posición "cerrar ".
2. Quite el depósito de agua del aparato.
3. Retire la cubierta (C) y desatornille el pico del dispensador (B) suavemente.
4. Limpie el depósito de agua y el pico del dispensador con agua corriente tibia y detergente líquido para lavar platos. Asegúrese de que eliminar todo el detergente.
5. Monte el pico del dispensador (B) y asegúrese de que esté firmemente atornillado al depósito de agua y que la junta tórica blanca (C) esté en posición.
6. Presione la tapa para ajustarla en un lado del depósito de agua y luego en el otro lado; compruebe que el depósito de agua y la tapa estén completamente ensamblados.
7. Vuelva a colocar el depósito dentro del aparato. Asegúrese de que el pico del dispensador esté correctamente insertado en el orificio de la puerta.



8.3 Sustitución de la luz LED



ADVERTENCIA:

No cambie la luz LED usted mismo. Solo debe ser reemplazada por el fabricante o el agente de servicio autorizado.

La lámpara emplea un LED como fuente de luz, con bajo consumo de energía y larga vida útil. Si se produce alguna anomalía, póngase en contacto con el servicio de atención al cliente. Consulte SERVICIO AL CLIENTE.

Parámetros de las luces: :12 V máx. 3 W.

8.4 Inutilización durante un periodo de tiempo prolongado

Si el aparato no se va a utilizar durante un largo periodo de tiempo, y no se utiliza la función de vacaciones para el frigorífico:

- ▶ Saque los alimentos.
- ▶ Vacíe y limpie el depósito de agua.
- ▶ Desenchufe el cable de corriente.
- ▶ Limpie el aparato como se describe arriba.
- ▶ Mantenga las puertas abiertas para evitar la formación de malos olores en el interior.



Nota: Apagado

Apague el aparato solo si es estrictamente necesario.

8.5 Movimiento del aparato

1. Retire toda la comida y desenchufe el aparato.
2. Asegure los estantes y otras partes móviles del frigorífico y el congelador con cinta adhesiva.
3. No incline el aparato más de 45° para evitar dañar el sistema de refrigeración.



ADVERTENCIA:

No levante el aparato por las asas.

- ▶ Nunca coloque el aparato horizontalmente en el suelo.

Muchos de los problemas que se producen podrían ser resueltos por usted mismo sin necesidad de conocimientos específicos. En caso de un problema, compruebe todas las posibilidades mostradas y siga las siguientes instrucciones antes de ponerse en contacto con un servicio posventa. Consulte SERVICIO AL CLIENTE.

**ADVERTENCIA:**

Antes del mantenimiento, desactive el electrodoméstico y desconecte el enchufe de la toma de corriente.

- ▶ El equipo eléctrico solo debe ser reparado por electricistas cualificados, ya que las reparaciones inadecuadas pueden causar daños considerables.
- ▶ Para evitar riesgos, el fabricante, su representante de servicio o cualquier otra persona cualificada deben cambiar el suministro de alimentación que esté dañado.

Problema	Posible causa	Posible solución
El compresor se conecta en red.	<ul style="list-style-type: none"> • El enchufe no está conectado a la toma eléctrica. • El aparato está en el ciclo de descongelación. 	<ul style="list-style-type: none"> • Conecte el enchufe de corriente. • Esto es normal en la descongelación automática.
El aparato funciona con frecuencia o funciona durante demasiado tiempo.	<ul style="list-style-type: none"> • La temperatura interior o exterior es demasiado alta. 	<ul style="list-style-type: none"> • En este caso, es normal que el aparato funcione más tiempo.
	<ul style="list-style-type: none"> • El aparato ha estado apagado durante un periodo de tiempo. 	<ul style="list-style-type: none"> • Normalmente, el aparato tarda de 8 a 12 horas en enfriarse completamente.
	<ul style="list-style-type: none"> • Una de las puertas no está bien cerrada. 	<ul style="list-style-type: none"> • Cierre la puerta y asegúrese de que el aparato esté situado en un suelo plano y que no haya alimentos o contenedores que sobresalgan de la puerta.
	<ul style="list-style-type: none"> • La puerta se ha abierto demasiadas veces o durante demasiado tiempo. 	<ul style="list-style-type: none"> • No abra la puerta con demasiada frecuencia.
	<ul style="list-style-type: none"> • La temperatura del congelador es demasiado baja. 	<ul style="list-style-type: none"> • Ponga la temperatura más alta hasta que se obtenga una temperatura satisfactoria en el frigorífico. La temperatura del frigorífico tarda 24 horas en estabilizarse.
	<ul style="list-style-type: none"> • La junta de la puerta está sucia, desgastada, agrietada o mal emparejada. 	<ul style="list-style-type: none"> • Limpie la junta de la puerta o pida al servicio de atención al cliente que la cambie.
<ul style="list-style-type: none"> • La circulación de aire requerida no está garantizada. 	<ul style="list-style-type: none"> • Garantice una ventilación adecuada. 	

Problema	Posible causa	Posible solución
El interior del frigorífico está sucio y/o huele mal.	<ul style="list-style-type: none"> • El interior del frigorífico necesita limpiarse. • Se guardan alimentos de olor fuerte en el frigorífico. 	<ul style="list-style-type: none"> • Limpie el interior del frigorífico. • Envuelva bien la comida.
El interior del aparato no está suficientemente frío.	<ul style="list-style-type: none"> • Si la temperatura es demasiado alta. • Se han guardado productos demasiado calientes. • Se ha guardado demasiada comida a la vez. • Los alimentos están demasiado cerca unos de los otros. • Una de las puertas no está bien cerrada. • La puerta se ha abierto demasiadas veces o durante demasiado tiempo. 	<ul style="list-style-type: none"> • Reajuste la temperatura. • Enfríe siempre los alimentos antes de guardarlos. • Siempre almacene pequeñas cantidades de comida. • Deje un espacio entre varios alimentos que permita el flujo de aire. • Cierre la puerta. • No abra la puerta con demasiada frecuencia.
El interior del aparato está demasiado frío.	<ul style="list-style-type: none"> • La temperatura seleccionada es demasiado baja. • La función de superenfriamiento/ supercongelación está activada o está funcionando demasiado tiempo. 	<ul style="list-style-type: none"> • Reajuste la temperatura. • Apague la función de superenfriamiento/ supercongelación.
Formación de humedad en el interior del compartimento del frigorífico.	<ul style="list-style-type: none"> • El clima es demasiado cálido y demasiado húmedo. • Una de las puertas no está bien cerrada. • La puerta se ha abierto demasiadas veces o durante demasiado tiempo. • Los contenedores de comida o líquidos se han dejado abiertos. 	<ul style="list-style-type: none"> • Aumente la temperatura. • Cierre la puerta. • No abra la puerta con demasiada frecuencia. • Deje que los alimentos calientes se enfríen a temperatura ambiente y cubra los alimentos y los líquidos.
La humedad se acumula en la superficie exterior de los frigoríficos o entre las puertas.	<ul style="list-style-type: none"> • El clima es demasiado cálido y demasiado húmedo. • La puerta no está bien cerrada. El aire frío del aparato y el aire caliente del exterior se condensan. 	<ul style="list-style-type: none"> • Esto es normal en un clima húmedo y cambiará cuando la humedad disminuya. • Asegúrese de que la puerta esté bien cerrada.

Problema	Posible causa	Posible solución
Hielo duro y escarcha en el compartimento del congelador.	<ul style="list-style-type: none"> • Los alimentos no estaban adecuadamente envasados. • Una puerta o un cajón no están bien cerrados. • La puerta se ha abierto demasiadas veces o durante demasiado tiempo. • La junta de la puerta está sucia, desgastada, agrietada o mal emparejada. • Algo en el interior impide que la puerta se cierre correctamente. 	<ul style="list-style-type: none"> • Envuelva bien los alimentos siempre. • Cierre la puerta/cajón. • No abra la puerta con demasiada frecuencia. • Limpie la junta de la puerta o cámbiela por otra nueva. • Ajuste la posición de los estantes, los estantes de la puerta o los contenedores internos para permitir que la puerta se cierre.
El aparato hace un ruido extraño.	<ul style="list-style-type: none"> • El aparato no está situado en suelo plano. • El aparato toca algún objeto a su alrededor. 	<ul style="list-style-type: none"> • Ajuste las patas para nivelar el aparato. • Retire los objetos alrededor del aparato.
Se oirá un ligero sonido similar al del agua corriente.	<ul style="list-style-type: none"> • Esto es normal. 	<ul style="list-style-type: none"> • –
Escuchará un pitido de alarma.	<ul style="list-style-type: none"> • La puerta está abierta. 	<ul style="list-style-type: none"> • Cierre la puerta.
Escuchará un débil zumbido.	<ul style="list-style-type: none"> • El sistema anticondensación está funcionando. 	<ul style="list-style-type: none"> • Esto evita la condensación y es normal.
La iluminación interior o el sistema de refrigeración se conectan en red.	<ul style="list-style-type: none"> • El enchufe no está conectado a la toma eléctrica. • La fuente de alimentación no está intacta. • La luz LED no funciona. 	<ul style="list-style-type: none"> • Conecte el enchufe de corriente. • Revise el suministro eléctrico del lugar. ¡Llame a la compañía de electricidad local! • Llame al servicio técnico para cambiar la luz.
Los lados del armario y la tira de la puerta se calientan.	<ul style="list-style-type: none"> • Esto es normal. 	<ul style="list-style-type: none"> • –
No sale agua del pico del dispensador de agua	<ul style="list-style-type: none"> • El bloqueo no está desactivado. 	<ul style="list-style-type: none"> • Desactive el bloqueo.

9.2 Interrupción de electricidad

En caso de un corte de electricidad, la comida debe permanecer fría durante unas 5 horas. Siga estos consejos durante una interrupción prolongada de la electricidad, especialmente en verano:

- ▶ Abra la puerta/cajón el menor número de veces posible.
- ▶ No ponga comida adicional en el aparato durante un corte de electricidad.
- ▶ Si se notifica previamente una interrupción de la energía eléctrica y la duración de la misma es superior a 5 horas, haga un poco de hielo y póngalo en un recipiente en la parte superior del compartimento del frigorífico.
- ▶ Se requiere una inspección de los alimentos inmediatamente después de la interrupción.
- ▶ Como la temperatura en el frigorífico aumentará durante un corte de corriente u otro fallo, el periodo de almacenamiento y la calidad de los alimentos se reducirá. Todo alimento que se descongele debe consumirse o cocinarse y volverse a congelar (cuando proceda) poco después para evitar riesgos para la salud.



Nota: Función de memoria durante la interrupción de la electricidad

Después de la restauración de la energía, el aparato continúa con los ajustes que se establecieron antes de la interrupción.

10.1 Desembalaje



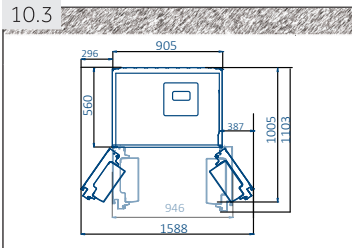
ADVERTENCIA:

- ▶ El aparato es pesado. Maneje siempre el aparato al menos entre dos personas.
- ▶ Mantenga todos los materiales de embalaje fuera del alcance de los niños y deséchelos de forma respetuosa con el medio ambiente.

- ▶ Saque el aparato del embalaje.
- ▶ Retire todos los materiales de embalaje, incluyendo la película protectora transparente.

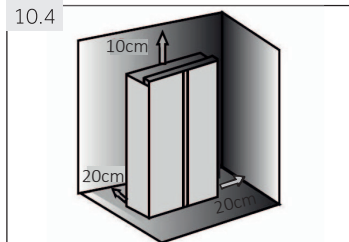
10.2 Condiciones ambientales

La temperatura ambiente debe estar siempre entre 16 °C y 43 °C, ya que puede influir en la temperatura del interior del aparato y en su consumo de energía. No instale el aparato cerca de otros aparatos que emitan calor (hornos, frigoríficos) sin aislamiento.



10.3 Requisitos de espacio

Espacio necesario cuando se abre la puerta (Fig. 10.3):
Ancho del aparato: 1588 mm Profundidad del aparato: 1103 mm



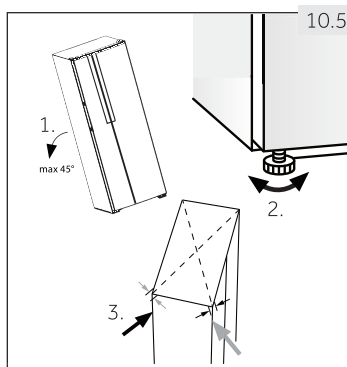
10.4 Sección transversal de ventilación

Para lograr una ventilación suficiente del aparato por razones de seguridad, se debe respetar la información de las secciones transversales de ventilación requeridas (Fig. 10.4).

10.5 Alineación del aparato

El aparato debe colocarse en una superficie plana y sólida.

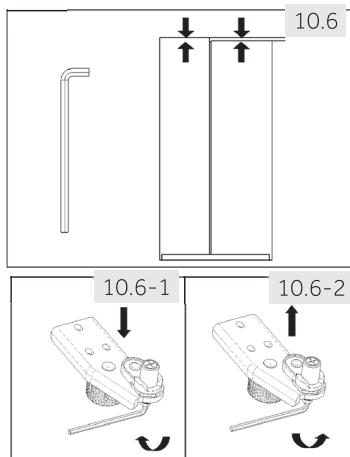
1. Incline el aparato ligeramente hacia atrás (Fig. 10.5).
2. Ajuste las patas en el nivel deseado.
Asegúrese de que la distancia a la pared en los lados de la bisagra es de al menos 5 cm.
3. La estabilidad puede comprobarse por medio de golpes alternos en las diagonales. El ligero balanceo debe ser el mismo en ambas direcciones. De lo contrario, el marco se puede deformar; el resultado son posibles fugas en los burletes de las puertas. Una leve inclinación hacia atrás facilita el cierre de las puertas.



10.6 Ajuste fino de las puertas

Si las puertas todavía no están en un nivel después de nivelarlas mediante las patas, este desajuste puede remediarse girando el eje de elevación de la bisagra en la esquina inferior derecha de la puerta de refrigeración con una llave inglesa (Fig. 10.6)

- Gire en el sentido de las agujas del reloj el eje de elevación con la llave para bajar la altura de la puerta (Fig. 10.6-1).
- Gire el eje de elevación en sentido contrario a las agujas del reloj con la llave para levantar la altura de la puerta (Fig. 10.6-2).

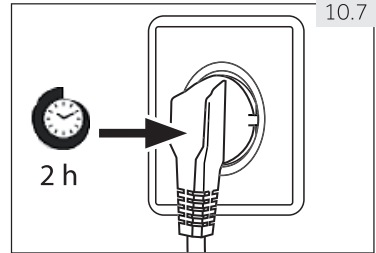


ADVERTENCIA:

No ajuste excesivamente el eje de elevación de la bisagra a una altura que provoque que el eje se salga de su posición original bloqueada. (Rango de altura ajustable: 3 mm)

10.7 Tiempo de espera

Para el aceite de lubricación sin mantenimiento que se encuentra en la cápsula del compresor. Este aceite puede pasar por el sistema de tuberías cerradas durante el transporte inclinado. Antes de conectar el aparato a la red eléctrica, hay que esperar al menos 2 horas (Fig.10.7) para que el aceite vuelva a entrar en la cápsula.



10.8 Conexión eléctrica

Antes de cada conexión; compruebe si:

- ▶ El enchufe y el fusible de la fuente de alimentación son apropiados según la placa de características.
- ▶ La toma de corriente está conectada a tierra y no hay enchufes múltiples ni extensiones.
- ▶ El enchufe y la toma de corriente cumplen estrictamente las normas.

Conecte el enchufe a una toma de corriente doméstica debidamente instalada.



ADVERTENCIA:

Para evitar riesgos, el servicio de atención al cliente debe sustituir cualquier cable de alimentación dañado (véase la tarjeta de garantía).

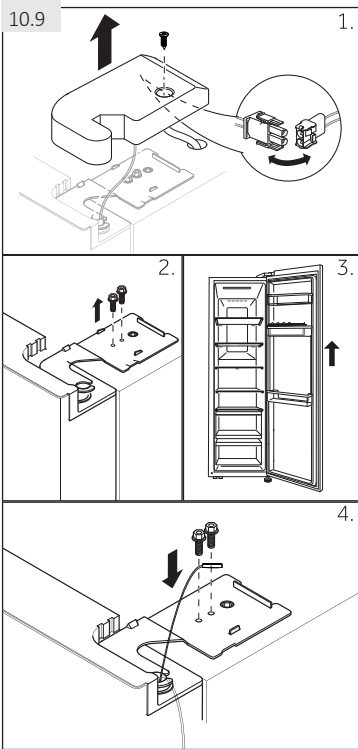
10.9 Desmontaje e instalación de las puertas

En el caso de que necesite retirar las puertas del aparato, siga las instrucciones de extracción e instalación de la puerta que se indican a continuación (Fig.10.9)



ADVERTENCIA:

- ▶ Antes de realizar esta operación, desactive el electrodoméstico y desconecte el enchufe de la toma de corriente.
- ▶ El aparato es pesado. Maneje siempre el aparato al menos entre dos personas.
- ▶ No incline el aparato más de 45° ni lo coloque horizontalmente en el suelo.



1. Suelte el tornillo de la tapa de la bisagra y retire la tapa. Suelte el conector del cable.

2. Suelte los tornillos que mantienen la bisagra superior en posición y luego retire la bisagra.

3. Levante la puerta del compartimento del frigorífico para quitarla.


4. Vuelva a colocar la puerta invirtiendo los pasos de extracción. Asegúrese de que el cable de conexión a tierra esté fijado por el tornillo.



Nota: Puerta del frigorífico

Las fotos muestran la retirada de la puerta del compartimento del frigorífico. Para la puerta del congelador, use las piezas correspondientes del otro lado.

11.1 Ficha del producto según el reglamento UE Nº 1060/2010

Marca comercial	Haier
Identificador del modelo	HSR3918FNP*
Categoría del modelo	Frigorífico-congelador
Clase de eficiencia energética	A+
Consumo de energía anual (kWh/año)	399
Enfriamiento de volumen de almacenamiento (l)	337
Congelación de volumen de almacenamiento (L) ****	167
Numero de estrellas	
Temperatura de otros compartimentos > 14 °C	No corresponde
Sistema no frost	Si
Tiempo de aumento de la temperatura (h)	5
Capacidad de congelación (kg/24 h)	10
Clase climática	SN-N-ST-T
Este aparato está destinado a ser utilizado a una temperatura ambiente de entre 10 °C y 43 °C.	
Emissiones de ruido aéreo (db{A} re lpW)	38
Tipo	Autónomo

Basado en los resultados de las pruebas estándar durante 24 horas. El consumo real de energía dependerá de la forma en que se utilice el aparato y de su ubicación.

11.1.1 Datos técnicos adicionales

Voltaje / Frecuencia	220-240 V-/ 50 Hz
Potencia de entrada (W)	200
Fusible principal (A)	15
Refrigerante	R600a
Dimensiones (Al./ An./ Pr. en mm)	1775/908/647

11.1.2 Normas y directrices

Este producto cumple los requisitos de todas las directivas de la CE aplicables con las normas armonizadas correspondientes, que prevén el marcado CE.

Recomendamos acudir a nuestro servicio de atención al cliente de Haier y el uso de repuestos originales.

Si tiene un problema con su aparato, primero revise la sección de RESOLUCIÓN DE PROBLEMAS.

Si no puede encontrar una solución allí, póngase en contacto con

- ▶ su distribuidor local o
- ▶ con el área de Servicio y Soporte en www.haier.com, donde puede encontrar números de teléfono y preguntas frecuentes, así como activar la reclamación del servicio.

Para ponerse en contacto con nuestro Servicio, asegúrese de tener los siguientes datos disponibles.

La información se puede encontrar en la placa de características.

Modelo _____ N.º de Serie _____

Compruebe también la tarjeta de garantía suministrada con el producto en caso de garantía.



Haier



0060528721



Manuel de l'utilisateur

Réfrigérateur - Congélateur

HSR3918ENP*

HSR3918EWP*

HSR3918FNP*

***=W,B,L,G,N**

FR

Haier

Merci d'avoir acheté un produit Haier.

Veillez lire attentivement ces instructions avant d'utiliser cet appareil. Le mode d'emploi contient des informations importantes qui vous aideront à tirer le meilleur parti de l'appareil et à garantir une installation, une utilisation et un entretien sûrs et appropriés.

Conservez ce manuel dans un endroit pratique afin de pouvoir vous y référer à tout moment pour une utilisation sûre et correcte de l'appareil.

Si vous vendez l'appareil, le donnez ou le laissez derrière vous lorsque vous déménagez, assurez-vous de transmettre également ce manuel afin que le nouveau propriétaire puisse se familiariser avec l'appareil et les avertissements de sécurité.

Légende

Avertissement- Informations importantes sur la sécurité



Information générale et conseils

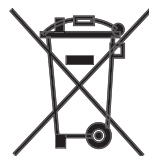


Informations environnementales



Mise au rebut

Aidez à protéger l'environnement et la santé humaine. Déposez les emballages dans des conteneurs appropriés afin qu'ils puissent être recyclés. Aidez à recycler les déchets d'appareils électriques et électroniques. Ne jetez pas les appareils marqués de ce symbole avec les ordures ménagères. Déposez le produit dans votre centre de recyclage local ou contactez votre mairie.



AVERTISSEMENT !

Risque de blessure ou d'étouffement !

Les réfrigérants et les gaz doivent être éliminés de manière professionnelle. Assurez-vous que la tuyauterie du circuit frigorifique n'est pas endommagée avant de l'éliminer correctement. Débranchez l'appareil du réseau électrique. Coupez le câble d'alimentation et jetez-le. Retirez les plateaux et les tiroirs ainsi que le loquet et les joints de la porte, afin d'éviter que les enfants et les animaux domestiques ne soient enfermés dans l'appareil.

Les vieux appareils ont encore une certaine valeur résiduelle. Une méthode écologique de mise au rebut permettra de récupérer les matières premières précieuses qui s'y trouvent et de les utiliser à nouveau.

Le cyclopentane, une substance inflammable non nocive pour l'ozone, est utilisé comme expanseur de la mousse isolante.

En veillant à ce que ce produit soit éliminé correctement, vous contribuerez à prévenir les conséquences négatives potentielles pour l'environnement et la santé humaine, qui pourraient autrement être causées.

Pour obtenir des informations plus détaillées sur le recyclage de ce produit, veuillez contacter votre municipalité, votre service d'élimination des déchets ménagers ou le magasin où vous avez acheté le produit, géré par les professionnels.

1- Informations sur la sécurité.....	4
2- Utilisation prévue	8
3- Description du produit	10
4- Panneau de commande.....	11
5- Utilisation.....	12
6- Conseils pour économiser l'énergie	20
7- Équipement	21
8- Entretien et nettoyage.....	23
9- Dépannage.....	26
10- Installation	30
11- Données techniques.....	34
12- Service clientèle	35

Avant de mettre l'appareil en marche pour la première fois, lisez les conseils de sécurité suivants !



AVERTISSEMENT !

Avant la première utilisation

- ▶ Assurez-vous qu'il n'y ait aucun dégât de transport.
- ▶ Retirez tous les emballages et gardez-les hors de portée des enfants.
- ▶ Attendez au moins deux heures avant d'installer l'appareil afin de vous assurer que le circuit frigorifique est pleinement efficace.
- ▶ Manipulez toujours l'appareil avec au moins deux personnes car il est lourd.

Installation

- ▶ L'appareil doit être placé dans un endroit bien ventilé. Veillez à laisser un espace d'au moins 20 cm au-dessus et 10 cm autour de l'appareil.
- ▶ Ne placez jamais l'appareil dans un endroit humide ou dans un endroit où il pourrait être éclaboussé par de l'eau. Nettoyez et séchez les éclaboussures et les taches d'eau avec un chiffon doux et propre.
- ▶ N'installez pas l'appareil à la lumière directe du soleil ou à proximité de sources de chaleur (par exemple, des cuisinières, des radiateurs).
- ▶ Installez et mettez l'appareil à niveau dans un endroit adapté à sa taille et à son utilisation.
- ▶ Veillez à ce que les ouvertures de ventilation de l'appareil ou de la structure intégrée ne soient pas obstruées.
- ▶ Assurez-vous que les informations électriques figurant sur la plaque signalétique correspondent à l'alimentation électrique. Si ce n'est pas le cas, contactez un électricien.
- ▶ L'appareil fonctionne avec une alimentation électrique de 220-240 VAC/50 Hz. Une fluctuation anormale de la tension peut empêcher le démarrage de l'appareil, endommager le régulateur de température ou le compresseur ou provoquer un bruit anormal lors du fonctionnement. Dans ce cas, un régulateur automatique doit être monté.
- ▶ Utilisez une prise de courant séparée avec mise à la terre pour l'alimentation électrique, qui soit facilement accessible. L'appareil doit être mis à la terre.
- ▶ **Uniquement pour le Royaume-Uni :** Le câble d'alimentation de l'appareil est équipé d'une fiche à 3 fils (mise à la terre) qui s'adapte à une prise standard à 3 fils (mise à la terre). Ne jamais couper ou démonter la troisième broche (mise à la terre). Une fois l'appareil installé, la prise doit être accessible.
- ▶ N'utilisez pas d'adaptateurs multiprises ni de rallonges.
- ▶ Assurez-vous que le câble d'alimentation n'est pas coincé par l'appareil. N'écrasez pas le câble d'alimentation.
- ▶ N'endommagez pas le circuit réfrigérant.
- ▶ **Ne placez pas de multiprises ni de blocs d'alimentation à l'arrière de l'appareil.**



AVERTISSEMENT !

Utilisation quotidienne

- ▶ Cet appareil peut être utilisé par des enfants âgés de 8 ans et plus, par des personnes dont les capacités physiques, sensorielles ou mentales sont réduites ou par des personnes dénuées d'expérience et de connaissances, mais qui ont été informées sur la manière d'utiliser l'appareil en toute sécurité, si elles comprennent les risques impliqués.
- ▶ Les enfants âgés de 3 à 8 ans sont autorisés à charger et à décharger les appareils frigorifiques, mais ne sont pas autorisés à les nettoyer ni à les installer.
- ▶ Tenez les enfants de moins de 3 ans éloignés de l'appareil, sauf s'ils sont constamment surveillés.
- ▶ L'entretien et le nettoyage ne doivent pas être effectués par des enfants sans surveillance.
- ▶ Les enfants ne doivent pas jouer avec l'appareil.
- ▶ **L'appareil doit être placé de manière à ce que la prise soit accessible.**
- ▶ Si un gaz froid ou tout autre gaz inflammable fuit à proximité de l'appareil, fermez la vanne du gaz qui fuit, ouvrez les portes et les fenêtres et ne débranchez pas le câble d'alimentation de l'appareil ou de tout autre appareil de la prise murale.
- ▶ Notez que l'appareil est réglé pour fonctionner dans **une plage de températures ambiantes spécifique comprise entre 10 et 38 °C**. L'appareil peut ne pas fonctionner correctement s'il est laissé pendant une longue période à une température supérieure ou inférieure à la plage indiquée.
- ▶ Ne placez pas d'objets instables (objets lourds, récipients **remplis d'eau**) **sur l'appareil afin d'éviter les blessures corporelles** dues à une chute ou un choc électrique causé par le contact avec l'eau.
- ▶ Ne tirez pas sur les étagères de la porte. La porte pourrait être tirée de biais, le porte-bouteilles pourrait s'arracher ou l'appareil pourrait basculer.
- ▶ Ouvrez et fermez les portes uniquement à l'aide des poignées. L'écart entre les portes et entre les portes et l'armoire est très étroit. N'introduisez pas vos mains dans ces espaces pour éviter de vous pincer les doigts. Ouvrez ou fermez les portes uniquement lorsqu'aucun enfant ne se trouve dans la zone de mouvement de la porte.
- ▶ Ne stockez pas et n'utilisez pas de matériaux inflammables, explosifs ou corrosifs dans l'appareil ou à proximité.
- ▶ Ne conservez pas de médicaments, de bactéries ou d'agents chimiques dans l'appareil. Cet appareil est un appareil électroménager. Il n'est pas recommandé pour stocker des denrées qui nécessitent des températures strictes.
- ▶ Ne stockez jamais de liquides en bouteilles ou en canettes (sauf les spiritueux à fort pourcentage), en particulier les boissons gazeuses, dans le congélateur, car elles éclateraient au moment de la congélation.

**AVERTISSEMENT !****Utilisation quotidienne**

- ▶ Vérifiez l'état des aliments si le congélateur s'est réchauffé.
- ▶ Ne réglez pas inutilement la température à un niveau bas dans le compartiment du réfrigérateur. Des températures négatives peuvent se produire lorsque le réglage est très bas. Attention : Les bouteilles peuvent éclater.
- ▶ Ne touchez pas les produits congelés avec les mains mouillées (porter des gants). Ne mangez surtout pas de bâtonnets de glace immédiatement après les avoir retirés du compartiment congélateur. Il existe un risque de gel ou de formation d'ampoules de gel. PREMIERS SECOURS : placer immédiatement sous l'eau froide courante. Ne vous éloignez pas !
- ▶ Ne touchez pas la surface intérieure du compartiment de stockage du congélateur lorsqu'il est en service, surtout avec les mains mouillées, car vos mains pourraient geler sur la surface.
- ▶ Débranchez l'appareil en cas de coupure de courant ou avant de le nettoyer. Attendez au moins 5 minutes avant de redémarrer l'appareil, car des démarrages fréquents peuvent endommager le compresseur.
- ▶ N'utilisez pas d'appareils électriques à l'intérieur des compartiments de stockage des aliments de l'appareil, sauf s'ils sont du type recommandé par le fabricant.
- ▶ Avec les modèles équipés d'un distributeur d'eau, utilisez uniquement de l'eau potable.

Entretien/nettoyage.

- ▶ Veillez à surveiller les enfants s'ils doivent procéder au nettoyage ou à l'entretien de l'appareil.
- ▶ Débranchez l'appareil du réseau électrique avant d'effectuer tout entretien ordinaire. Attendez au moins 5 minutes avant de redémarrer l'appareil, car des démarrages fréquents peuvent endommager le compresseur.
- ▶ Tenez la fiche, et non le câble, lorsque vous débranchez l'appareil.
- ▶ Ne grattez pas le givre et la glace avec des outils ou des objets pointus. N'utilisez pas d'aérosols, de dispositifs de chauffage électriques comme un radiateur, un sèche-cheveu, des nettoyeurs vapeurs ou autres sources de chaleur pour éviter d'endommager les parties en plastique.
- ▶ N'utilisez pas d'outils mécaniques ou autres équipements pour accélérer le processus de dégivrage, autres que ceux recommandés par le fabricant.
- ▶ **Ne nettoyez pas l'appareil avec des brosses dures, des brosses métalliques, de la poudre détergente, de l'essence, de l'acétate d'amyle, de l'acétone et des solutions organiques similaires, des solutions acides ou alcalines. Nettoyez l'appareil en utilisant un détergent spécial réfrigérateur pour éviter de l'endommager.**
- ▶ **Utilisez éventuellement de l'eau chaude et une solution de bicarbonate de soude - environ une cuillère à soupe de bicarbonate de soude pour un litre d'eau. Rincez abondamment à l'eau et essuyez. N'utilisez pas de poudres de nettoyage ou d'autres nettoyeurs abrasifs. Ne lavez pas les pièces amovibles dans le lave-vaisselle.**



AVERTISSEMENT !

Entretien/nettoyage

- ▶ Si le câble d'alimentation est endommagé, il doit être remplacé par le fabricant, son agent d'entretien ou des personnes dotées du même type de qualification, afin d'éviter tout risque.
- ▶ N'essayez pas de réparer, de démonter ou de modifier l'appareil vous-même. Si une réparation s'avère nécessaire, veuillez contacter notre service client.
- ▶ Si les lampes d'éclairage sont endommagées, elles doivent être remplacées par le fabricant, son agent de service ou des personnes ayant une qualification similaire afin d'éviter tout risque.
- ▶ Éliminez la poussière accumulée à l'arrière de l'appareil au moins une fois par an pour éviter les risques d'incendie, mais aussi pour réduire la consommation d'énergie.
- ▶ N'aspergez pas et ne lavez pas à grande eau l'appareil lors du nettoyage.
- ▶ N'aspergez pas d'eau l'appareil et n'utilisez pas de vapeur pour le nettoyer.
- ▶ Ne nettoyez pas les clayettes en verre froides avec de l'eau chaude. Un soudain changement de température risquerait de briser le verre.
- ▶ Si vous laissez votre appareil hors service pendant une période prolongée, laissez-le ouvert pour éviter que les mauvaises odeurs ne s'accumulent à l'intérieur.

Informations sur les gaz réfrigérants



AVERTISSEMENT !

L'appareil contient le réfrigérant inflammable ISOBUTANE (R600a). Assurez-vous que le circuit de refroidissement n'ait pas été endommagé pendant le transport ou l'installation. Les fuites de réfrigérant peuvent provoquer des blessures aux yeux ou s'enflammer. Si un dommage s'est produit, éloignez les foyers ouverts, aérez soigneusement la pièce, ne branchez pas et ne débranchez pas les câbles d'alimentation de l'appareil ou de tout autre appareil. Informez le service clientèle.

En cas de contact du réfrigérant avec les yeux, rincez-les immédiatement à l'eau courante et appelez immédiatement un ophtalmologue.

AVERTISSEMENT : Le système de réfrigération est sous haute pression. Ne n'altérez pas. Des réfrigérants inflammables étant utilisés, veuillez installer, manipuler et entretenir l'appareil en respectant strictement ces instructions et contactez un organisme spécialisé ou notre service après-vente pour procéder à la mise au rebut de l'appareil.

2.1 Utilisation prévue

Cet appareil est destiné à un usage domestique et à d'autres applications similaires telles que :

- espaces cuisine du personnel dans des boutiques, bureaux et autres espaces de travail ;
 - dans les fermes et par les clients des hôtels, des motels et autres espaces de type résidentiel ;
 - dans les espaces de type chambre d'hôtes ;
 - chez les traiteurs et dans les applications similaires autres que la vente au détail.
- Si l'appareil n'est pas utilisé pendant une période prolongée, et que vous n'utilisez que la fonction « Vacances » ou la fonction « Arrêt du réfrigérateur » pour le réfrigérateur/congélateur :
- Sortez la nourriture.
 - Débranchez le cordon d'alimentation.
 - Videz et nettoyez le réservoir d'eau.
 - Nettoyez l'appareil comme décrit ci-dessus.
 - Laissez les portes ouvertes pour éviter la formation de mauvaises odeurs à l'intérieur.
- Pour assurer la conservation des denrées alimentaires ou du vin, veuillez vous conformer à la présente notice d'utilisation.
- Pour éviter la contamination des aliments (non valable pour la cave à vin), veuillez respecter les instructions suivantes :
- L'ouverture de la porte pendant de longues périodes peut provoquer une augmentation importante de la température dans les compartiments de l'appareil.
 - Nettoyez régulièrement les surfaces entrant en contact avec les aliments et les systèmes d'évacuation accessibles.
 - Nettoyez les réservoirs d'eau s'ils n'ont pas été utilisés pendant 48 h ; videz le circuit d'eau raccordé à une alimentation d'eau si l'eau n'a pas été tirée pendant 5 jours.
 - Conservez la viande et le poisson crus dans des récipients appropriés dans le réfrigérateur/congélateur, de manière à ce qu'ils ne soient pas en contact avec d'autres aliments ou ne gouttent pas sur ceux-ci. Pour assurer la bonne conservation des denrées alimentaires, les aliments instantanés et la viande/le poisson crus doivent être stockés séparément.
 - Les compartiments de congélation « deux étoiles » sont adaptés au stockage des aliments pré-congelés, au stockage et à la fabrication de crèmes glacées et à la formation de glaçons.
 - Les compartiments « une, deux et trois étoiles » ne sont pas adaptés à la congélation des aliments frais.
 - Si le réfrigérateur doit rester vide pendant des périodes prolongées, mettez-le hors tension, dégivrez-le, nettoyez-le, séchez-le et laissez la porte ouverte pour éviter la formation de moisissures à l'intérieur.
- Les détails concernant la partie la plus appropriée du compartiment de l'appareil où des types spécifiques de denrées alimentaires doivent être stockés, compte tenu de la répartition de la température qui peut être présente dans les différents compartiments de l'appareil, figurent dans la partie de l'autre manuel.

Mise au rebut

Le symbole figurant sur le produit ou sur son emballage indique que ce produit ne peut pas être traité comme un déchet ménager. Il doit plutôt être remis au point de collecte approprié pour le recyclage des équipements électriques et électroniques. En veillant à ce que ce produit soit éliminé correctement, vous aidez à prévenir d'éventuelles conséquences négatives pour l'environnement et la santé humaine, qui pourraient résulter d'une élimination inappropriée de ce produit. Pour obtenir des informations plus détaillées sur le recyclage de ce produit, veuillez contacter votre mairie, votre service d'élimination des déchets ménagers ou le magasin où vous avez acheté le produit.

Des gaz de soufflage isolants inflammables étant utilisés, veuillez contacter un organisme spécialisé ou notre service après-vente pour procéder à la mise au rebut de l'appareil.



AVERTISSEMENT !

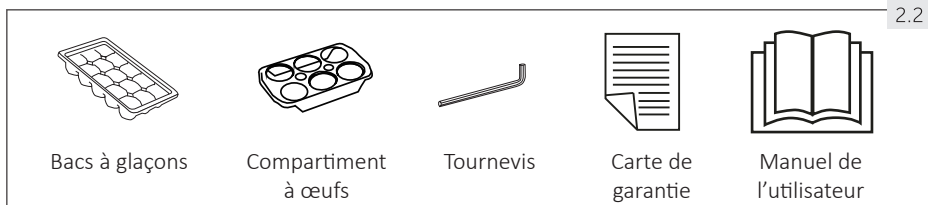
Risque de blessure ou d'étouffement !

Les réfrigérants et les gaz doivent être éliminés de manière professionnelle. Assurez-vous que les tuyaux du circuit frigorifique ne sont pas endommagés avant de les éliminer correctement. Débranchez l'appareil du réseau électrique. Coupez le câble d'alimentation et jetez-le. Retirez les plateaux et les tiroirs ainsi que le loquet et les joints de la porte pour éviter que les enfants et les animaux domestiques ne soient enfermés dans l'appareil.

Les changements ou modifications de l'appareil ne sont pas autorisés. Une mauvaise utilisation peut entraîner des risques et la déchéance de la garantie.

2.2 Accessoires

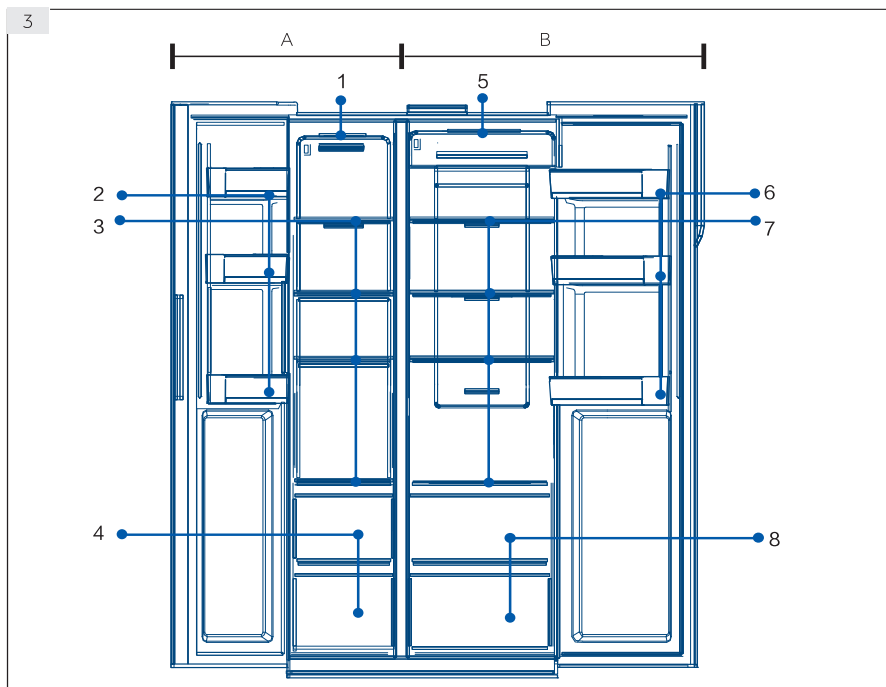
Vérifiez les accessoires et la documentation conformément à cette liste (Fig. 2.2) :



i Avis

En raison de changements techniques et de modèles différents, certaines illustrations de ce manuel peuvent différer de votre modèle.

Photos d'appareils (Fig. 3)

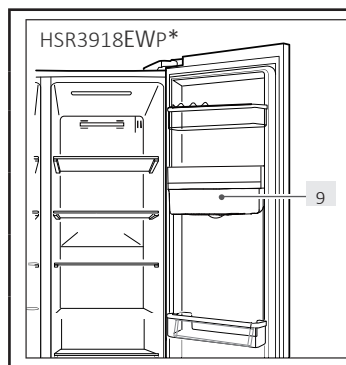


A : Compartiment congélateur

- 1 Plafonnier
- 2 Balconnet/porte-bouteilles
- 3 Clayettes du congélateur
- 4 Compartiment congélateur

B : Compartiment réfrigérateur

- 5 Plafonnier
- 6 Balconnet/porte-bouteilles
- 7 Clayettes du réfrigérateur
- 8 Compartiment réfrigérateur
- 9 Réservoir d'eau



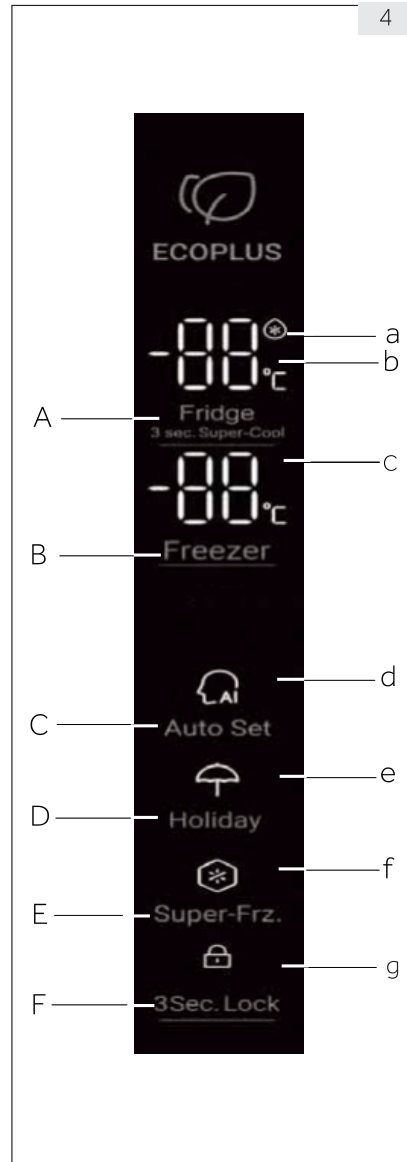
Panneau de commande (Fig. 4)

Touches :

- A Sélecteur du réfrigérateur
- B Sélecteur du congélateur
- C Mode Flou
- D Mode Vacances
- E Mode Surgélation
- F Sélecteur de verrouillage du panneau

Témoins :

- a Mode Refroidissement rapide
- b Température du réfrigérateur
- c Température du congélateur
- d Mode Flou
- e Mode vacances
- f Mode Surgélation
- g Verrouillage du panneau



5.1 Première utilisation

Lorsque le réfrigérateur est branché pour la première fois, l'écran est allumé. La température par défaut du compartiment réfrigérateur est de 4 °C et celle du congélateur de -18 °C. Le voyant de la fonction d'intelligence est allumé.

5.2 Panneau de verrouillage et de déverrouillage

Verrouillage automatique :

Lorsque la porte du réfrigérateur et celle du congélateur sont fermées et qu'aucun bouton n'est actionné pendant 30 secondes, la lumière du panneau s'éteint automatiquement et le panneau est verrouillé.

Verrouillage manuel :

Lorsque le panneau est déverrouillé, appuyez sur le bouton de verrouillage pendant 3 secondes, et le buzzer émet un son de bourdonnement, le témoin de verrouillage est allumé, puis l'écran est verrouillé.

3Sec. Lock



Appuyez sur
la touche
pendant
3 secondes

Le témoin est allumé
Le panneau est
verrouillé

Déverrouiller :

Lorsque le panneau est éteint, ouvrez n'importe quelle porte du réfrigérateur ou appuyez sur n'importe quel bouton du panneau de commande, le panneau s'allumera. À ce moment, le panneau est verrouillé. Appuyez sur le bouton de verrouillage pendant 3 secondes, le buzzer retentit, le témoin de verrouillage est éteint et le panneau est déverrouillé.



3Sec. Lock



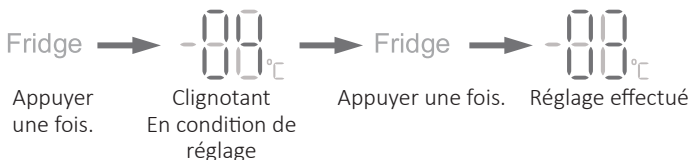
Le panneau est
allumé. Ouvrez la
porte ou appuyez
sur n'importe
quel bouton.

Attendez
3 secondes.

Le témoin est éteint
Le panneau est déverrouillé

5.3 Régler la température du réfrigérateur

1. Lorsque le panneau de commande est déverrouillé, appuyez sur le « sélecteur du réfrigérateur », et le buzzer retentit, le témoin de température du réfrigérateur clignote. La température du réfrigérateur peut maintenant être réglée.
2. Ensuite, à chaque pression sur le sélecteur du réfrigérateur, le buzzer retentit et le réglage se décale d'1 unité. La séquence de décalage est en boucle continue comme suit : « 4 °C / 3 °C / 2 °C / 1 °C / 9 °C / 8 °C / 7 °C / 6 °C / 5 °C / 4 °C »



i Avis

- ▶ L'appareil est pré-réglé à la température recommandée de 4 °C (réfrigérateur) et- 18 °C (congélateur). Dans des conditions ambiantes normales, il n'est pas nécessaire de régler une température.

5.4 Régler la température du congélateur

1. Lorsque le panneau de commande est déverrouillé, appuyez sur le « Sélecteur du congélateur », le buzzer retentit, l'indicateur de température du congélateur clignote. La température du congélateur peut maintenant être réglée.
2. Ensuite, à chaque pression sur le sélecteur du congélateur, le buzzer retentit et la température descend d'une unité. La séquence de décalage est en boucle continue comme suit : « -18 °C/-19 °C/-20 °C/-21 °C/-22 °C/-23 °C/-24 °C/-14 °C/-15 °C/-16 °C/-17 °C/-18 °C ».



i Avis

- ▶ La température est réglée ; si aucun bouton n'est pressé dans les 5 secondes, la température sera automatiquement confirmée et enregistrée.

5.5 Réglage automatique

1. Lorsque le panneau de contrôle est déverrouillé, appuyez sur le « sélecteur de mode Flou », le buzzer retentit. Le témoin de mode Flou est allumé. Le mode Flou démarre.
2. Lorsque le témoin de mode Flou est allumé, appuyez sur le « sélecteur de mode Flou », le buzzer retentit, le témoin de mode Flou est éteint, et le mode Flou s'arrête.



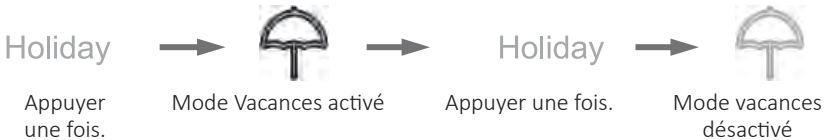
i Avis

- ▶ Lorsque le mode Flou est activé, la température du réfrigérateur et celle du congélateur ne peuvent pas être sélectionnées. En appuyant sur le sélecteur du réfrigérateur ou du congélateur, le témoin de mode Flou clignote et des sons rappellent que l'opération n'est pas autorisée. Avec le mode Flou, si la fonction de refroidissement rapide, de surgélation ou de vacances est sélectionnée, le mode Flou est désactivé, et le mode Flou s'arrête automatiquement.

5.6 Mode Vacances

Le mode Vacances est conçu pour les situations où le réfrigérateur ne sera pas utilisé pendant une longue période. Lorsque le mode Vacances est activé, la température du congélateur peut être sélectionnée, tandis que celle du réfrigérateur est automatiquement fixée à 17 °C, ce qui évite toute odeur due à une température élevée dans le compartiment réfrigérateur et permet également d'économiser de l'énergie.

1. Lorsque le panneau de commande est déverrouillé, appuyez sur le « sélecteur de mode Vacances », le buzzer retentit, le témoin de fonction Vacances est allumé. Le mode Vacances démarre.
2. Lorsque l'indicateur du mode Vacances est allumé, appuyez sur le sélecteur de fonction Vacances, le buzzer retentit, le témoin du mode Vacances est éteint et le mode Vacances s'arrête.

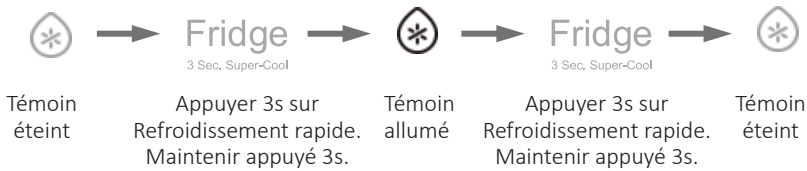


i Avis

- ▶ Lorsque le mode Vacances est activé, la température du réfrigérateur ne peut pas être sélectionnée. En appuyant sur le sélecteur du réfrigérateur, le témoin du mode Vacances clignote et des sons rappellent que l'opération n'est pas autorisée. Avant de sélectionner le mode Vacances, veuillez vider le compartiment du réfrigérateur pour éviter toute détérioration des aliments. Lorsque le mode Vacances est activé, la fonction intelligence et la fonction de refroidissement rapide ne peuvent pas être sélectionnées simultanément. Si le mode « intelligence » ou refroidissement rapide est sélectionné, le témoin du mode Vacances est éteint et la fonction s'arrête automatiquement.

5.7 Le mode Refroidissement rapide

1. Lorsque le panneau de commande est déverrouillé, appuyez sur le « sélecteur du réfrigérateur » pendant 3 secondes, le buzzer émet un son de bourdonnement, le témoin de refroidissement rapide s'allume. Le refroidissement rapide démarre.
2. Lorsque le témoin de refroidissement rapide est allumé, appuyez sur le sélecteur du réfrigérateur pendant 3s, le buzzer émet un son, le témoin de refroidissement rapide est éteint. Fin du mode de refroidissement rapide.
3. Lorsque le mode de refroidissement rapide est activé, le réfrigérateur passe automatiquement à l'état de mode de refroidissement rapide désactivé après que le mode de refroidissement rapide a atteint la condition définie. Pour quitter ce mode manuellement, vous pouvez appuyer sur le sélecteur du réfrigérateur pendant 3s pour désactiver le mode de refroidissement rapide.



Avis

- ▶ Lorsque la fonction de refroidissement rapide est activée, le mode Flou et le mode Vacances ne peuvent pas être sélectionnés simultanément. Si le mode Flou ou le mode Vacances est sélectionné, le témoin de refroidissement rapide est éteint et le refroidissement rapide s'arrête automatiquement.

5.8 Mode Surgélation

1. Lorsque le panneau de commande est déverrouillé, appuyez sur le sélecteur de surgélation, le buzzer retentit, le témoin de surgélation s'allume. Le mode Surgélation démarre.
2. Lorsque le témoin de surgélation est allumé, appuyez sur le sélecteur de surgélation, le buzzer retentit, le témoin de surgélation est éteint. Le mode Surgélation s'arrête.
3. Lorsque le mode Surgélation est activé, le réfrigérateur passe automatiquement à l'état de mode Surgélation désactivé lorsque le mode Surgélation atteint la condition définie. Pour quitter ce mode manuellement, vous pouvez appuyer sur le sélecteur de surgélation pendant 3s pour désactiver le mode Surgélation.



Avis

- ▶ Le mode Surgélation est conçu pour préserver les nutriments des aliments dans le compartiment congélateur, et les aliments sont congelés dans le temps le plus court possible. Si une grande quantité d'aliments doit être congelée en une fois, il est recommandé de régler le mode Surgélation 24 heures à l'avance pour atteindre une température plus basse dans le compartiment congélateur avant d'y mettre les aliments. Dans cette condition, la vitesse de congélation dans le compartiment de congélation est augmentée et les aliments peuvent être rapidement congelés, ce qui permet de bloquer efficacement les nutriments des aliments et de faciliter leur stockage. En mode Surgélation, si vous souhaitez choisir la fonction Intelligence, le témoin de surgélation est désactivé et le mode Surgélation s'arrête automatiquement.

5.9 Alarme de porte ouverte

Lorsque le temps d'ouverture de la porte est trop long ou que la porte n'est pas fermée, le réfrigérateur émet à chaque fois une alarme intermittente pour vous rappeler de fermer la porte à temps.

5.10 Économie d'énergie du panneau de commande

Sans aucune opération sur le panneau de commande pendant 30 secondes, le panneau sera automatiquement éteint et passera en état verrouillé, ce qui peut économiser de l'énergie. Lorsque le bouton de la fonction de verrouillage est appuyé ou qu'une porte est ouverte, le panneau de commande s'allume.

5.11 Fonction de mémorisation des pannes de courant

Lorsque le réfrigérateur est éteint, l'état de fonctionnement passager de la panne de courant est mémorisé. Après avoir été rebranché, le réfrigérateur continue de fonctionner conformément aux modifications apportées et à l'état de fonctionnement défini avant la panne de courant.

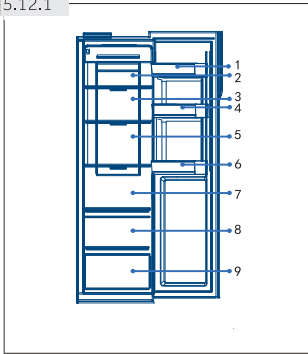
Attention : La fonction de verrouillage n'est pas mémorisée. Une fois que le réfrigérateur est remis sous tension, le panneau de commande démarre une auto-vérification, le témoin de la fonction de verrouillage est éteint et le réfrigérateur est déverrouillé.

5.12 Conseils pour la conservation des aliments frais

5.12.1 Stockage dans le compartiment du réfrigérateur

- ▶ Maintenez la température de votre réfrigérateur en dessous de 5 °C.
- ▶ Les aliments chauds doivent être refroidis à température ambiante avant d'être conservés dans l'appareil.
- ▶ Les aliments conservés au réfrigérateur doivent être lavés et séchés avant d'être stockés.
- ▶ Les aliments à conserver doivent être correctement emballés pour éviter toute altération de l'odeur ou de la saveur.
- ▶ Ne stockez pas de quantités excessives de nourriture. Laissez des espaces entre les aliments pour permettre à l'air froid de circuler autour d'eux, pour un refroidissement meilleur et plus homogène.
- ▶ Les aliments consommés quotidiennement doivent être stockés à l'avant des clayettes.
- ▶ Laissez un espace entre les aliments et les parois intérieures, afin de permettre à l'air de circuler. En particulier, ne stockez pas les aliments contre la paroi arrière : ils pourraient geler contre la paroi arrière. Évitez le contact direct des aliments (en particulier les aliments huileux ou acides) avec les parois intérieures, car l'huile/acide peut éroder le revêtement intérieur. Nettoyez les saletés huileuses/acides dès qu'elles sont détectées.
- ▶ Décongelez les aliments congelés dans le compartiment de stockage du réfrigérateur. Ainsi, vous pouvez utiliser les aliments congelés pour baisser la température dans le compartiment et économiser de l'énergie.
- ▶ Le processus de vieillissement des fruits et légumes tels que les courgettes, les melons, la papaye, la banane, l'ananas, etc. peut être accéléré dans le réfrigérateur. Il n'est donc pas conseillé de les conserver au réfrigérateur. Toutefois, la maturation des fruits très verts peut être favorisée pendant une certaine période. Les oignons, l'ail, le gingembre et autres légumes-racines doivent également être conservés à température ambiante.
- ▶ Les odeurs désagréables à l'intérieur du réfrigérateur sont le signe que quelque chose s'est renversé et qu'un nettoyage est nécessaire. Voir ENTRETIEN ET NETTOYAGE.
- ▶ Des aliments différents doivent être placés dans des zones différentes en fonction de leurs propriétés (Fig. 5.12.1/5.12.2) :

5.12.1

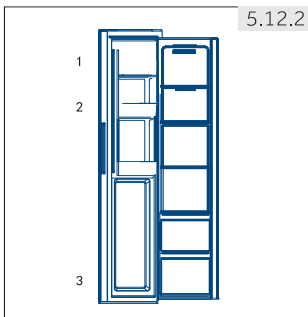


- 1 Beurre, fromage, etc.
- 2 Aliments marinés, aliments en conserve, etc.
- 3 Aliments marinés, aliments en conserve, etc.
- 4 Canettes, aliments en conserve, épices, etc.
- 5 Produits à base de viande, snacks, etc.
- 6 Boissons et aliments en bouteille.
- 7 Pâtes, aliments en conserve, lait, tofu, produits laitiers, etc.
- 8 Fruits, légumes, salade, etc.
- 9 Viande cuite, saucisses, etc.

5.12.2 Stockage dans le compartiment congélateur

- ▶ Maintenez la température du congélateur à $-18\text{ }^{\circ}\text{C}$.
- ▶ 24 heures avant la congélation, activez la fonction Surgélation : pour de petites quantités de nourriture, 4 à 6 heures sont suffisantes.
- ▶ Les aliments chauds doivent être refroidis à température ambiante avant d'être conservés dans le compartiment congélateur.
- ▶ Les aliments coupés en petites portions congèleront plus rapidement et seront plus faciles à décongeler et à cuire. Le poids recommandé pour chaque portion est inférieur à 2,5 kg.
- ▶ Il est préférable d'emballer les aliments avant de les mettre au congélateur. L'extérieur de l'emballage doit être sec pour éviter que les sachets ne se collent les uns aux autres. Les matériaux d'emballage doivent être sans odeur, hermétiques, non toxiques et non nocifs.
- ▶ Afin d'éviter l'expiration des délais de conservation, notez la date de congélation, le délai et le nom de l'aliment sur l'emballage en fonction des délais de conservation des différents aliments.
- ▶ **AVERTISSEMENT !** L'acide, l'alcali et le sel, etc. peuvent éroder la surface interne du congélateur. Ne placez pas les aliments contenant ces substances (par exemple, les poissons de mer) directement sur la surface interne. L'eau salée dans le congélateur doit être nettoyée immédiatement.
- ▶ Ne dépassez pas les durées de conservation des aliments recommandées par les fabricants. Ne sortez du congélateur que la quantité de nourriture nécessaire.
- ▶ Les différents aliments doivent être placés dans des zones différentes en fonction de leurs propriétés (Fig. 5.12.2) :

5.12.2



- 1 Produits moins lourds, tels que les glaces, les légumes, le pain, etc.
- 2 Boisson sans alcool fort et stockage temporaire de spiritueux à forte teneur en alcool, petites pièces comme de la pizza ou des herbes.
- 3 Portions importantes/plus lourdes d'aliments, telles que les viandes à rôtir.

**Remarque : Conservation**

- ▶ Conservez plus de 10 mm entre les aliments et le capteur pour garantir l'effet de refroidissement.
 - ▶ Gardez le tiroir le plus bas lorsque l'appareil fonctionne afin de garantir l'effet de refroidissement.
 - ▶ Les aliments contenant de la glace (comme les glaces, etc.) doivent être conservés dans le compartiment du congélateur plutôt que dans le porte-bouteille, car les changements de température au niveau du porte-bouteille provoqués par l'ouverture et la fermeture de la porte peuvent faire dégeler les aliments.
-
- ▶ Consommez rapidement les aliments décongelés. Les aliments décongelés ne peuvent pas être recongelés sans avoir été cuits, sinon ils ne seront plus comestibles.
 - ▶ Ne chargez pas de quantités excessives d'aliments frais dans le compartiment du congélateur. Respectez la capacité de congélation du congélateur- Voir les DONNÉES TECHNIQUES ou les données figurant sur la plaque signalétique.
 - ▶ Les aliments peuvent être conservés au congélateur à une température d'au moins -18 °C pendant 2 à 12 mois, en fonction de leurs propriétés (par exemple, viande : 3-12 mois, légumes : 6-12 mois)
 - ▶ Lorsque vous congelez des aliments frais, évitez de les mettre en contact avec des aliments déjà congelés. Ils risquent de décongeler !
 - ▶ Décongelez les aliments congelés dans le réfrigérateur. Ainsi, vous pouvez utiliser les aliments congelés pour réduire la température dans le compartiment et économiser de l'énergie.

5.12.3 Lorsque vous stockez des aliments surgelés achetés dans le commerce, veuillez suivre les instructions ci-dessous :

- ▶ Respectez toujours les instructions des fabricants en ce qui concerne la durée de conservation des aliments. Ne dépassez pas ces instructions !
- ▶ Essayez de réduire le plus possible le délai entre l'achat et le stockage afin de préserver la qualité des aliments.
- ▶ Achetez des aliments surgelés qui ont été conservés à une température de -18 °C ou moins.
- ▶ Évitez d'acheter des aliments dont l'emballage est recouvert de glace ou de givre - Cela indique que les produits peuvent avoir été partiellement décongelés et recongelés à un moment donné - les hausses de température affectent la qualité des aliments.

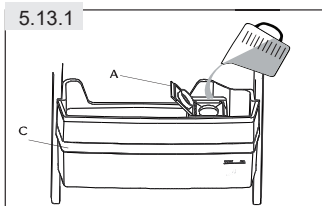
5.13 Distributeur d'eau (HSR3918EWP*)

Grâce au distributeur d'eau, il est possible d'obtenir de l'eau potable fraîche.

Le réservoir d'eau doit être nettoyé avant la première utilisation (voir ENTRETIEN ET NETTOYAGE).

5.13.1 Remplissage du réservoir d'eau**AVERTISSEMENT !**

Utilisez uniquement de l'eau potable.

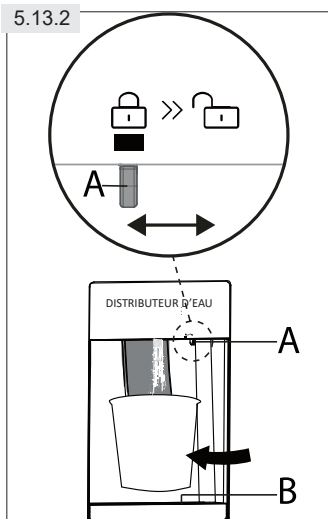


1. Veillez à ce que le réservoir d'eau soit correctement inséré (voir ÉQUIPEMENT)
2. Ouvrez le bouchon (A) et versez de l'eau potable fraîche dans le réservoir d'eau (Fig.5.13.1)
3. Versez l'eau jusqu'à la marque (2,5 l) uniquement ; dans le cas contraire, elle pourrait déborder à l'ouverture et à la fermeture de la porte.
4. Fermez complètement le bouchon (A).

i Remarque : Distributeur d'eau

- ▶ Avant de refaire le plein d'eau, éliminez les eaux résiduelles et nettoyez le réservoir d'eau.
- ▶ Lorsque vous n'avez pas besoin d'eau pendant une longue période, videz le réservoir d'eau et insérez le réservoir nettoyé.
- ▶ **Le couvercle (C) du réservoir d'eau (Fig.5.13.1) est également utilisé pour économiser l'énergie.** Si vous ne voulez pas utiliser le distributeur d'eau pendant une longue période, installez quand même le couvercle, car il est plus isolant et permet d'économiser de l'énergie.

5.13.2 Obtenir de l'eau au distributeur

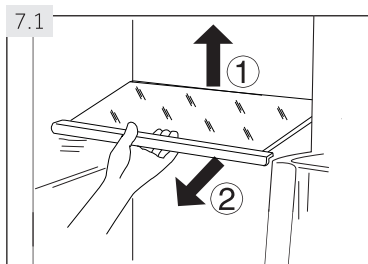


1. Assurez-vous que le verrou (A) est placé sur « Déverrouiller » (Fig. 5.13.2).
2. Placez un verre sous la sortie d'eau.
3. Poussez-le doucement contre le levier du distributeur d'eau avec votre verre. Assurez-vous que le verre est aligné avec le distributeur pour éviter que l'eau ne s'écoule.
4. L'eau contenue dans le bac (B) doit être retirée à temps car elle pourrait déborder à l'ouverture et à la fermeture de la porte.
5. Faites glisser le verrou (A) en position « Verrouiller »



Conseils d'économie d'énergie

- ▶ Assurez-vous que l'appareil est correctement aéré (voir INSTALLATION).
- ▶ N'installez pas l'appareil à la lumière directe du soleil ou à proximité de sources de chaleur (par exemple, des cuisinières, des radiateurs).
- ▶ Évitez les températures inutilement basses dans l'appareil. Plus la température de l'appareil est basse, plus la consommation d'énergie augmente.
- ▶ Des fonctions comme le refroidissement rapide ou la surgélation consomment davantage d'énergie.
- ▶ Laissez les aliments chauds refroidir avant de les placer dans l'appareil.
- ▶ Ouvrez la porte de l'appareil le moins possible et le plus brièvement possible.
- ▶ Ne remplissez pas trop l'appareil pour éviter d'obstruer la circulation de l'air.
- ▶ Évitez la présence d'air dans l'emballage des aliments.
- ▶ Gardez les joints de porte propres pour que la porte se ferme toujours correctement.
- ▶ Décongelez les aliments congelés dans le compartiment de stockage du réfrigérateur.



7.1 Clayettes réglables

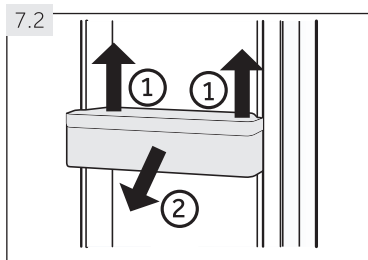
La hauteur des clayettes peut être réglée en fonction de vos besoins de stockage.

1. Pour déplacer une clayette, il faut d'abord la retirer en soulevant son bord arrière (1) et en la tirant (2) (Fig. 7.1).
2. Pour la réinstaller, placez-la sur les taquets des deux côtés et poussez-la vers l'arrière jusqu'à ce que l'arrière de la clayette soit fixé dans les fentes latérales.



Remarque : Clayettes

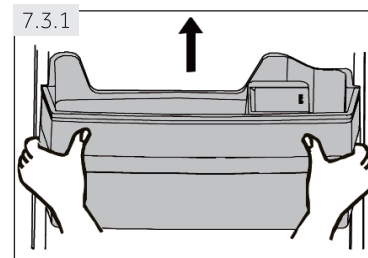
Assurez-vous que toutes les extrémités d'une clayette sont de niveau.



7.2 Balconnets/porte-bouteilles amovibles

Les balconnets/porte-bouteilles peuvent être retirés pour être nettoyés :

1. Placez les mains de chaque côté du balconnet/porte-bouteilles et soulevez-le vers le haut (1) (Fig. 7.2).
2. Sortez le balconnet/porte-bouteilles (2).
3. Pour insérer le balconnet/porte-bouteilles, les étapes ci-dessus sont effectuées dans l'ordre inverse.




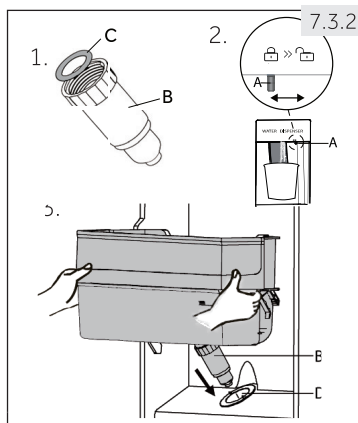
7.3 Réservoir d'eau (HSR3918EWP*)

7.3.1 Retirer le réservoir d'eau

Le réservoir d'eau peut être retiré et réinstallé pour le nettoyage de la même manière que les balconnets (Fig. 7.3.1).

7.3.2 Insérer le réservoir d'eau

1. Assurez-vous que le bec du distributeur (B) est fermement vissé au réservoir d'eau et que le joint torique blanc (C) est en position (Fig. 7.3.2-1.).
2. Faites glisser le verrou (A) en position  « Verrouiller » (Fig. 7.3.2-2.)
3. Placez le réservoir d'eau dans la position où le bec du distributeur (B) s'insère dans l'ouverture de la porte (D) (Fig.7.3.2-3.).



Remarque : Réservoir d'eau

- ▶ Si le réservoir d'eau n'est pas correctement inséré, de l'eau peut s'écouler du raccord.
- ▶ N'utilisez pas de force excessive lors de l'enlèvement ou de l'installation du réservoir d'eau afin d'éviter d'endommager le réservoir.

7.4 Porte-bouteilles - compartiment congélateur

Les porte-bouteilles du compartiment congélateur sont destinés au stockage temporaire de spiritueux à forte teneur en alcool. Les boissons sans alcool fort doivent être refroidies au réfrigérateur.

Vous pouvez également stocker de petites portions d'aliments dans les porte-bouteilles.



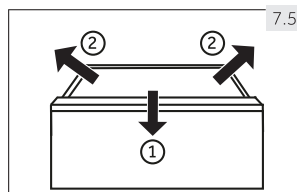
AVERTISSEMENT !

Les bouteilles et les canettes risquent d'éclater ! Réglez une minuterie qui vous rappellera de retirer les bouteilles/canettes sans forte teneur en alcool.

7.5 Tiroir amovible

Pour retirer le tiroir du compartiment réfrigérateur ou congélateur, tirez au maximum (1), soulevez et retirez (2) (Fig. 7.5).

Pour insérer le tiroir, les étapes ci-dessus sont effectuées dans l'ordre inverse.



7.6 Éclairage

L'éclairage intérieur à LED s'allume lorsque la porte est ouverte. Les performances des lampes ne sont pas affectées par les autres réglages de l'appareil.



AVERTISSEMENT !

Débranchez l'appareil de l'alimentation électrique avant de le nettoyer.

8.1 Nettoyage

Nettoyez l'appareil lorsque vous n'y conservez que peu ou pas de nourriture.

L'appareil doit être nettoyé toutes les quatre semaines pour un bon entretien et pour éviter les mauvaises odeurs des aliments stockés.

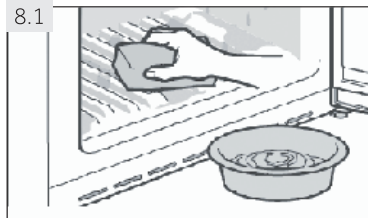


AVERTISSEMENT !

Ne nettoyez pas l'appareil avec des brosses dures, des brosses métalliques, de la poudre détergente, de l'essence, de l'acétate d'amyle, de l'acétone et des solutions organiques similaires, des solutions acides ou alcalines. Nettoyez avec un détergent spécial pour réfrigérateur afin d'éviter tout dommage.

- ▶ N'aspergez pas et ne lavez pas à grande eau l'appareil lors du nettoyage.
- ▶ N'aspergez pas d'eau l'appareil et n'utilisez pas de vapeur pour le nettoyer.
- ▶ Ne nettoyez pas les clayettes en verre froides avec de l'eau chaude. Un soudain changement de température risquerait de briser le verre.
- ▶ Ne touchez pas la surface intérieure du compartiment de stockage du congélateur, surtout avec les mains mouillées, car vos mains pourraient geler sur la surface.
- ▶ Si la température est trop élevée, vérifiez l'état des produits congelés.

8.1



- ▶ Gardez toujours le joint d'étanchéité de la porte propre.
- ▶ Nettoyez l'intérieur et le compartiment de l'appareil avec une éponge humidifiée à l'eau chaude et au détergent neutre (Fig. 8.1).


1. Frottez l'intérieur et l'extérieur du réfrigérateur, y compris les joints de porte, les balconnets, les clayettes en verre, les boîtes, etc., avec une serviette ou une éponge douce trempée dans de l'eau chaude (vous pouvez ajouter un détergent neutre dans l'eau chaude).
2. Si du liquide est renversé, enlevez toutes les pièces contaminées, rincez-les directement à l'eau courante, séchez-les et remettez-les au réfrigérateur.
3. En cas de déversement de crème (crème, glace fondante, etc.), retirez toutes les pièces contaminées, mettez-les dans de l'eau chaude à environ 40 °C pendant un certain temps, puis rincez-les à l'eau courante, séchez-les et remettez-les au réfrigérateur.
4. Si une petite pièce ou un composant reste coincé à l'intérieur du réfrigérateur (entre les clayettes ou les tiroirs), utilisez une petite brosse douce pour le dégager. Si vous n'avez pas pu atteindre la pièce, veuillez contacter le service Haier.

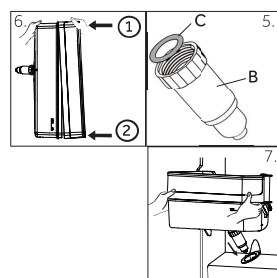
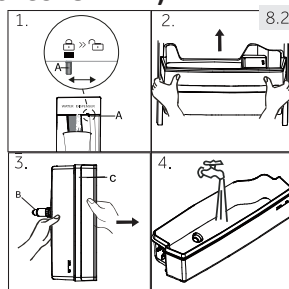
- ▶ Rincez et séchez avec un chiffon doux.
- ▶ Ne nettoyez aucune des pièces de l'appareil dans un lave-vaisselle.
- ▶ Attendez au moins 5 minutes avant de redémarrer l'appareil, car des démarrages fréquents peuvent endommager le compresseur.

Dégivrage

Le dégivrage du réfrigérateur et du compartiment congélateur se fait automatiquement ; aucune opération manuelle n'est nécessaire.

8.2 Nettoyage du réservoir d'eau (Fig. 8.2) (HSR3918EWP*)

1. Faites glisser le verrou (A) en position  « Verrouiller ».
2. Retirez le réservoir d'eau de l'appareil.
3. Retirez le couvercle (C) et dévissez doucement le bec du distributeur (B).
4. Nettoyez le réservoir d'eau et le bec du distributeur avec de l'eau courante chaude et du détergent à vaisselle liquide. Assurez-vous que tout le savon est bien rincé.
5. Montez le bec du distributeur (B) et veillez à ce qu'il soit fermement vissé au réservoir d'eau et que le joint torique blanc (C) soit en place.
6. Appuyez sur le couvercle pour le combiner avec un côté du réservoir d'eau, puis de l'autre côté, vérifiez que le réservoir d'eau et le couvercle sont complètement assemblés.
7. Remplacez le réservoir à l'intérieur de l'appareil. Assurez-vous que le bec du distributeur est correctement inséré dans le trou de la porte.



8.3 Remplacement de la lampe LED



AVERTISSEMENT !

Ne remplacez pas vous-même la lampe LED, elle doit être remplacée uniquement par le fabricant ou par le service après-vente agréé.

La lampe est une LED à faible consommation d'énergie et longue durée de vie. En cas d'anomalie, veuillez contacter le service clientèle. Voir SERVICE CLIENTÈLE.

Paramètres des lampes : 12 V max. 3 W.

8.4 Non-utilisation pendant une période prolongée

Si l'appareil n'est pas utilisé pendant une période prolongée et que vous n'utilisez pas la fonction « Vacances » du réfrigérateur :

- ▶ Sortez la nourriture.
- ▶ Videz et nettoyez le réservoir d'eau.
- ▶ Débranchez le câble d'alimentation.
- ▶ Nettoyez l'appareil comme décrit ci-dessus.
- ▶ Laissez les portes ouvertes pour éviter la formation de mauvaises odeurs à l'intérieur.



Remarque : Éteindre l'appareil

N'éteignez l'appareil que si cela est strictement nécessaire.

8.5 Déplacement de l'appareil

1. Retirez tous les aliments et débranchez l'appareil.
2. Fixez les clayettes et les autres pièces amovibles du réfrigérateur et du congélateur avec du ruban adhésif.
3. N'inclinez pas l'appareil de plus de 45° pour éviter d'endommager le système de réfrigération.



AVERTISSEMENT !

Ne soulevez pas l'appareil par les poignées.

- ▶ Ne placez jamais l'appareil horizontalement sur le sol.

Vous devriez être en mesure de résoudre de nombreux problèmes vous-mêmes, sans expertise spécifique. En cas de problème, vérifiez toutes les possibilités indiquées et suivez les instructions ci-dessous avant de contacter un service après-vente. Voir SERVICE CLIENTÈLE.



AVERTISSEMENT !

Avant l'entretien, éteignez l'appareil et débranchez la fiche de la prise de courant.

- ▶ L'équipement électrique ne doit être entretenu que par des experts en électricité qualifiés, car des réparations inadéquates peuvent causer des dommages indirects considérables.
- ▶ Une pièce endommagée ne doit être remplacée que par le fabricant, son agent de service ou des personnes ayant une qualification similaire, afin d'éviter tout risque.

Problème	Cause possible	Solution possible
Le compresseur ne fonctionne pas.	<ul style="list-style-type: none"> • La fiche secteur n'est pas branchée dans la prise de courant. • L'appareil est en cycle de dégivrage. 	<ul style="list-style-type: none"> • Branchez la prise de courant. • C'est normal pour un dégivrage automatique.
L'appareil se met en marche fréquemment ou pendant une période trop longue.	<ul style="list-style-type: none"> • La température intérieure ou extérieure est trop élevée. • L'appareil a été hors tension pendant un certain temps. • Une porte de l'appareil n'est pas bien fermée. • La porte a été ouverte trop souvent ou trop longtemps. • Le réglage de la température du compartiment congélateur est trop bas. • Le joint de porte est sale, usé, fissuré ou mal adapté. • La circulation d'air requise n'est pas garantie. 	<ul style="list-style-type: none"> • Dans ce cas, il est normal que l'appareil fonctionne plus longtemps. • Normalement, il faut 8 à 12 heures pour que l'appareil refroidisse complètement. • Fermez la porte et assurez-vous que l'appareil est installé sur un sol plat et qu'aucun aliment ou récipient ne heurte la porte. • N'ouvrez pas la porte trop souvent. • Réglez la température à un niveau plus élevé jusqu'à obtenir une température satisfaisante dans le réfrigérateur. Il faut 24 heures pour que la température du réfrigérateur se stabilise. • Nettoyez le joint de porte ou faites-le remplacer par le service clientèle. • Assurez une ventilation adéquate.

Problème	Cause possible	Solution possible
L'intérieur du réfrigérateur est sale et/ou sent mauvais.	<ul style="list-style-type: none"> • L'intérieur du réfrigérateur doit être nettoyé. • Des aliments à forte odeur sont conservés au réfrigérateur. 	<ul style="list-style-type: none"> • Nettoyez l'intérieur du réfrigérateur. • Emballez soigneusement les aliments.
La température à l'intérieur de l'appareil n'est pas assez froide.	<ul style="list-style-type: none"> • La température est réglée trop haut. • Des denrées trop chaudes ont été stockées. • Trop de nourriture a été stockée en une seule fois. • Les denrées sont trop proches les unes des autres. • Une porte de l'appareil n'est pas bien fermée. • La porte a été ouverte trop souvent ou trop longtemps. 	<ul style="list-style-type: none"> • Réinitialisez la température. • Il faut toujours refroidir les denrées alimentaires avant de les stocker. • Stockez toujours de petites quantités de nourriture. • Laissez un espace entre deux aliments pour permettre à l'air de circuler. • Fermez la porte. • N'ouvrez pas la porte trop souvent.
La température à l'intérieur de l'appareil est trop froide.	<ul style="list-style-type: none"> • La température est réglée trop bas. • La fonction Refroidissement rapide/Surgélation est activée ou fonctionne trop longtemps. 	<ul style="list-style-type: none"> • Réinitialisez la température. • Désactivez la fonction Refroidissement rapide/Surgélation.
Formation d'humidité à l'intérieur du compartiment du réfrigérateur.	<ul style="list-style-type: none"> • La pièce dans laquelle est installé l'appareil est trop chaude et trop humide. • Une porte de l'appareil n'est pas bien fermée. • La porte a été ouverte trop souvent ou trop longtemps. • Des récipients alimentaires ou de liquides sont laissés ouverts. 	<ul style="list-style-type: none"> • Augmentez la température. • Fermez la porte. • N'ouvrez pas la porte trop souvent. • Laissez les aliments chauds refroidir à température ambiante et couvrez les aliments et les liquides.
L'humidité s'accumule sur la surface extérieure du réfrigérateur ou entre les portes.	<ul style="list-style-type: none"> • La pièce dans laquelle est installé l'appareil est trop chaude et trop humide. • La porte n'est pas fermée hermétiquement. L'air froid dans l'appareil et l'air chaud à l'extérieur se condensent. 	<ul style="list-style-type: none"> • C'est normal dans un climat humide et cela changera quand l'humidité diminuera. • Assurez-vous que la porte est bien fermée.

Problème	Cause possible	Solution possible
Fort présence de glace et de givre dans le compartiment congélateur.	<ul style="list-style-type: none"> • Les aliments n'étaient pas correctement emballés. • Une porte/tiroir de l'appareil n'est pas fermé hermétiquement. • La porte a été ouverte trop souvent ou trop longtemps. • Le joint de porte est sale, usé, fissuré ou mal adapté. • Quelque chose à l'intérieur empêche la porte de se fermer correctement. 	<ul style="list-style-type: none"> • Il faut toujours bien emballer les aliments. • Fermez la porte/le tiroir. • N'ouvrez pas la porte trop souvent. • Nettoyez les joints de porte ou remplacez-les par des neufs. • Repositionnez les clayettes, les balconnets ou les conteneurs internes pour permettre à la porte de se fermer.
L'appareil émet des sons anormaux.	<ul style="list-style-type: none"> • L'appareil n'est pas installé sur une surface plane. • L'appareil est peut-être en contact avec un objet à proximité. 	<ul style="list-style-type: none"> • Ajustez les pieds pour mettre l'appareil de niveau. • Retirez les objets autour de l'appareil.
Un léger bruit semblable à celui de l'eau qui coule est perceptible.	<ul style="list-style-type: none"> • C'est une situation normale. 	<ul style="list-style-type: none"> • –
Vous entendez un signal d'alarme.	<ul style="list-style-type: none"> • La porte est ouverte. 	<ul style="list-style-type: none"> • Fermez la porte.
Vous entendez un léger bourdonnement.	<ul style="list-style-type: none"> • Le système anti-condensation fonctionne. 	<ul style="list-style-type: none"> • Cela permet d'éviter la condensation et c'est normal.
L'éclairage intérieur ou le système de refroidissement ne fonctionne pas.	<ul style="list-style-type: none"> • La fiche secteur n'est pas branchée dans la prise de courant. • L'alimentation électrique n'est pas intacte. • La lampe LED est hors service. 	<ul style="list-style-type: none"> • Branchez la prise de courant. • Vérifiez l'alimentation électrique de la pièce. Appelez la compagnie d'électricité locale ! • Appelez le service afin de changer la lampe.
Les côtés de l'armoire et la bande de la porte s'échauffent.	<ul style="list-style-type: none"> • C'est une situation normale. 	<ul style="list-style-type: none"> • –
Il n'y a pas d'eau qui sort du bec du distributeur d'eau	<ul style="list-style-type: none"> • Le verrouillage n'est pas désactivé. 	<ul style="list-style-type: none"> • Désactivez le verrou.

9.2 Interruption de l'alimentation électrique

En cas de coupure de courant, les aliments devraient rester froids pendant environ 5 heures. Suivez les conseils ci-dessous lors d'une coupure de courant prolongée, surtout en été :

- ▶ Ouvrez la porte/le tiroir le moins souvent possible.
- ▶ Ne mettez pas de nourriture supplémentaire dans l'appareil pendant une coupure de courant.
- ▶ Si une coupure de courant est annoncée à l'avance et que la durée de la coupure est supérieure à 5 heures, faites de la glace et mettez-la dans un récipient dans le haut du compartiment du réfrigérateur.
- ▶ Inspectez les aliments immédiatement après l'interruption.
- ▶ Du fait que la température du réfrigérateur augmente en cas de coupure de courant ou de toute autre panne, la durée de conservation et la qualité comestible des aliments s'en trouvent réduites. Tout aliment décongelé doit être soit consommé, soit cuit et recongelé (le cas échéant) peu de temps après afin de prévenir les risques pour la santé.



Remarque : Fonction de mémoire en cas de coupure de courant

Après le rétablissement du courant, l'appareil continue à fonctionner avec les réglages effectués avant la panne de courant.

10.1 Déballage



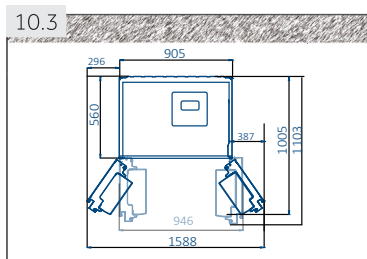
AVERTISSEMENT !

- ▶ L'appareil est lourd. Manipulez-le toujours avec au moins deux personnes.
- ▶ Gardez tous les matériaux d'emballage hors de portée des enfants et éliminez-les dans le respect de l'environnement.

- ▶ Sortez l'appareil de son emballage.
- ▶ Retirez tous les matériaux d'emballage, y compris le film de protection transparent.

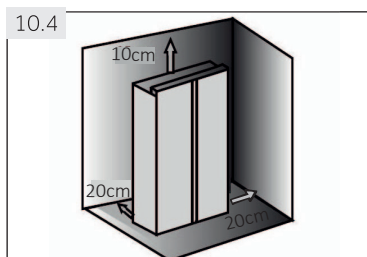
10.2 Conditions environnementales

La température ambiante doit toujours être comprise entre 16 °C et 43 °C, car elle peut influencer la température à l'intérieur de l'appareil et la consommation d'énergie. N'installez pas l'appareil à proximité d'autres appareils émettant de la chaleur (fours, réfrigérateurs) sans isolation.



10.3 Espace requis

Espace requis lorsque la porte est ouverte (Fig. 10.3) :
 Largeur de l'appareil : 1588 mm
 Profondeur de l'appareil : 1103 mm



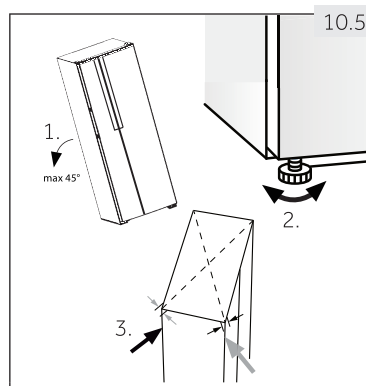
10.4 Ventilation transversale

Pour obtenir une ventilation suffisante de l'appareil pour des raisons de sécurité, respectez les indications de ventilation transversale requises (fig. 10.4).

10.3 Alignement de l'appareil

L'appareil doit être placé sur une surface plane et solide.

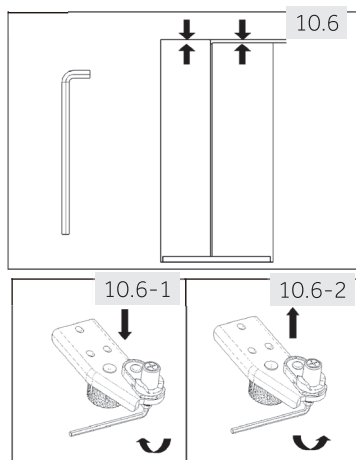
1. Inclinez légèrement l'appareil vers l'arrière (Fig. 10.5).
2. Réglez les pieds au niveau souhaité.
Assurez-vous que la distance au mur sur les côtés des charnières est d'au moins 5 cm.
3. La stabilité peut être vérifiée en poussant alternativement sur les diagonales. Le léger balancement doit être le même dans les deux sens. Sinon, le cadre peut se déformer, ce qui peut entraîner des fuites au niveau des joints de porte. Une faible tendance vers l'arrière facilite la fermeture des portes.



10.6 Réglage précis des portes

Si les portes ne sont toujours pas de niveau après avoir été mises de niveau en réglant les pieds, ce décalage peut être corrigé en tournant l'axe de levage de la charnière dans le coin inférieur droit de la porte du réfrigérateur à l'aide d'une clé (Fig. 10.6).

- Tournez l'axe de levage dans le sens des aiguilles d'une montre avec la clé pour abaisser la hauteur de la porte (Fig. 10.6-1).
- Tournez l'axe de levage dans le sens inverse des aiguilles d'une montre avec une clé pour relever la hauteur de la porte (Fig. 10.6-2).

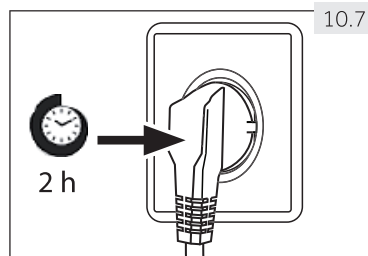


AVERTISSEMENT !

Ne réglez pas l'axe de levage de la charnière à une hauteur excessive qui pourrait provoquer la sortie de l'axe de sa position verrouillée d'origine. (Hauteur réglable : 3 mm)

10.7 Temps d'attente

L'huile de lubrification sans entretien se trouve dans la capsule du compresseur. Cette huile peut traverser le système de tuyaux fermé pendant le transport en pente. Avant de brancher l'appareil à l'alimentation électrique, vous devez attendre au moins 2 heures (Fig.10.7) pour que l'huile retourne dans la capsule.



10.8 Raccordement électrique

Avant chaque raccordement, vérifiez si :

- ▶ la prise de courant et le fusible sont adaptés conformément aux indications de la plaque signalétique.
- ▶ la prise de courant est mise à la terre et il n'y a pas de multiprise ni de rallonge.
- ▶ la fiche et la prise de courant sont strictement correspondantes.

Branchez la fiche sur une prise de courant domestique correctement installée.



AVERTISSEMENT !

Pour éviter les risques, un cordon d'alimentation endommagé doit être remplacé par le service clientèle (voir la carte de garantie).

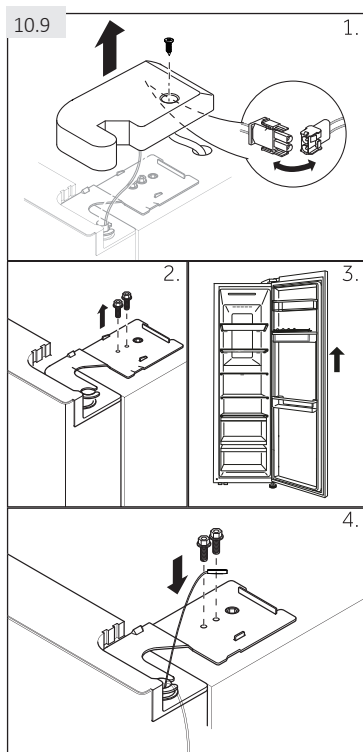
10.9 Démontage et installation des portes

Si vous devez retirer les portes de l'appareil, veuillez suivre les instructions de démontage et d'installation des portes ci-dessous (Fig.10.9)



AVERTISSEMENT !

- ▶ Avant toute opération, éteignez l'appareil et débranchez la fiche de la prise de courant.
- ▶ L'appareil est lourd. Manipulez-le toujours avec au moins deux personnes.
- ▶ N'inclinez pas l'appareil de plus de 45° et ne le placez pas horizontalement sur le sol.



1. Dévissez la vis du couvercle de la charnière et retirez le couvercle. Relâchez le connecteur du câble.

2. Dévissez les vis qui maintiennent la charnière supérieure en place, puis retirez la charnière.


3. Soulevez la porte du compartiment réfrigérateur pour l'enlever.

4. Remettez la porte en place en inversant les étapes du démontage. Assurez-vous que le câble de mise à la terre sera fixé par la vis.

i **Remarque : Porte du réfrigérateur**

Les photos montrent le démontage de la porte du compartiment réfrigérateur. Pour la porte du congélateur, veuillez utiliser les pièces correspondantes de l'autre côté.

11.1 Fiche produit selon le règlement UE n° 1060/2010

Marque commerciale	Haier
Référence du modèle	HSR3918FNP*
Catégorie du modèle	Réfrigérateur-congélateur
Classe d'efficacité énergétique	A+
Consommation annuelle d'énergie (kWh/an)	399
Volume du réfrigérateur (L)	337
Volume du congélateur (L) ****	167
Classement	
Température des autres compartiments > 14 °C	Non applicable
Système sans gel	Oui
Temps de montée en température (h)	5
Capacité de congélation (kg/24h)	10
Classe climatique Cet appareil est destiné à être utilisé à une température ambiante comprise entre 10 °C et 43 °C.	SN-N-ST-T
Émissions de bruit acoustique dans l'air (db{A} re lpW)	38
Type de construction	Autonome

Basé sur les résultats de tests standard pendant 24 heures. La consommation d'énergie réelle dépendra de la façon dont l'appareil est utilisé et de l'endroit où il est installé.

11.1.1 Données techniques supplémentaires

Tension / Fréquence	220-240 V-/ 50 Hz
Puissance d'entrée (W)	200
Fusible principal (A)	15
Refroidissement	R600a
Dimensions (H/L/P en mm)	1775/908/647

11.1.2 Normes et directives

Ce produit répond aux exigences de toutes les directives CE applicables ainsi qu'aux normes harmonisées correspondantes, qui prévoient le marquage CE.

Nous recommandons notre service clientèle Haier et l'utilisation de pièces de rechange d'origine.

Si vous avez un problème avec votre appareil, veuillez d'abord consulter la section DÉPANNAGE.

Si vous ne trouvez pas de solution, veuillez contacter

- ▶ votre revendeur local ou
- ▶ la page Service & Support sur www.haier.com où vous trouverez les numéros de téléphone et les FAQ et où vous pourrez activer la demande de service.

Pour contacter notre service, assurez-vous que vous disposez des données suivantes.

Les informations se trouvent sur la plaque signalétique.

Modèle _____ Numéro de série _____

Vérifiez également la carte de garantie fournie avec le produit en cas de garantie.



Haier



0060528721



Felhasználói kézikönyv

Kombinált hűtőszekrény

HSR3918ENP*

HSR3918EWP*

HSR3918FNP*

***=W,B,L,G,N**

HU

Haier

Köszönjük, hogy Haier terméket vásárolt!

Kérjük, figyelmesen olvassa el a jelen útmutatót a hűtőszekrény használata előtt. Az utasítások fontos információkat tartalmaznak, amelyek segítenek abban, hogy a lehető legtöbbet hozza ki a készülékből, és biztosítják a biztonságos és megfelelő telepítést, használatot és karbantartást.

Tartsa ezt az útmutatót könnyen elérhető helyen, hogy a készülék biztonságos és megfelelő használata érdekében mindig hivatkozhatson rá.

Ha eladja a készüléket, elajándékozza vagy hátrahagyja, amikor elköltözik, győződjön meg róla, hogy átadja ezt az útmutatót is, hogy az új tulajdonos megismerhesse a készüléket és a biztonsági figyelmeztetéseket.

Jelmagyarázat

Figyelem- Fontos biztonsági információk



Általános információk és tippek



Környezetvédelmi információk



Hulladékkezelés

Segítsen megóvni a környezetet és az emberi egészséget. Az újrahasznosításhoz helyezze a csomagolást a megfelelő hulladékgyűjtő edényekbe. Segítse az elektromos és elektronikus berendezések hulladékainak újrahasznosítását. Ne dobja ki a háztartási hulladékkal együtt az ezzel a szimbólummal megjelölt készülékeket. Vigye vissza a terméket a helyi újrahasznosító létesítménybe, vagy vegye fel a kapcsolatot az önkormányzattal.



FIGYELEM!

Sérülés vagy fulladásveszély!

A hűtőközegeket és gázokat szakszerűen kell ártalmatlanítani. A megfelelő ártalmatlanítás előtt győződjön meg arról, hogy a hűtőkör csöve nem sérült-e meg. Húzza ki a készüléket a hálózati áramellátásból. Vágja le a hálózati kábelt, és dobja ki. Távolítsa el a tálcákat és fiókokat, valamint az ajtózárat és a tömítéseket, hogy gyermekek vagy háziállatok ne szorulhassanak be a készülékbe.

A régi készülékeknek is vannak értékes részei. A környezetbarát ártalmatlanítási módszer biztosítja az értékes nyersanyagok visszanyerését és újbóli felhasználását.

A ciklopentánt, amely az ózonra nem ártalmas gyúlékony anyag, a szigetelőhab expandálásakor használják.

A termék megfelelő ártalmatlanításával Ön is segít megelőzni a környezetre és az emberi egészségre gyakorolt esetleges negatív következményeket, ami ellenkező esetben előfordulna.

A jelen termék szakszerű újrahasznosításával kapcsolatos információkért kérjük vegye fel a kapcsolatot a helyi önkormányzattal, a háztartási hulladékkezelő szolgáltatóval vagy az adott terméket árusító üzlettel.

1- Biztonsági információk	4
2- Rendeltetésszerű használat	8
3- Termékleírás.....	10
4- Vezérlőpanel	11
5- Használat.....	12
6- Energiatakarékossági tippek	20
7- Felszereltség	21
8- Tisztítás és karbantartás	23
9- Hibaelhárítás.....	26
10- Üzembe helyezés.....	30
11- Műszaki adatok.....	34
12- Ügyfélszolgálat.....	35

A készülék első bekapcsolása előtt olvassa el a következő biztonsági javaslatokat!



FIGYELEM!

Az első használatot megelőzően

- ▶ Győződjön meg róla, hogy a készüléken nem látható szállítási sérülés.
- ▶ Távolítsa el az összes csomagolóanyagot, és tartsa távol azokat gyermekektől.
- ▶ A készülék üzembe helyezése előtt várjon legalább két órát, hogy a hűtőkör teljesen üzemkész legyen.
- ▶ A készüléket mindig legalább két személynek kell mozgatnia, mert nehéz.

Üzembe helyezés

- ▶ A készüléket jól szellőző helyen kell elhelyezni. Biztosítson legalább 20 cm helyet a készülék felett és 10 cm helyet körülötte.
- ▶ Soha ne helyezze a készüléket nedves helyre, vagy ahol víz fröccsenhet rá. A víz- és más foltokat tiszta és száraz ruhával törölje le.
- ▶ Ne helyezze a készüléket közvetlen napfénynek vagy hőforrásoknak (pl. kályhák, fűtőberendezések) kitett helyre.
- ▶ A készüléket a méretének és használatának megfelelő helyen helyezze el és állítsa vízszintbe.
- ▶ A készülék vagy a beépített berendezés szellőzőnyílásait tartsa akadálymentesen.
- ▶ Győződjön meg arról, hogy az adattáblán található elektromos adatok és az áramellátás adatai megegyeznek. Ha nem, kérjen segítséget egy villanyszerelőtől.
- ▶ A készüléket 220-240 VAC/50 Hz-es áramellátás működteti. A rendellenes feszültségingadozás miatt előfordulhat, hogy a készülék nem kapcsol be, károsodik a hőmérséklet-szabályozó vagy a kompresszor, vagy működés közben rendellenes zajt lehet hallani. Ebben az esetben automatikus szabályozót kell felszerelni.
- ▶ Az áramellátáshoz használjon külön földelt aljzatot, amely könnyen hozzáférhető. A készüléket földelni kell.
- ▶ **Csak az Egyesült Királyság esetén:** A készülék tápkábele 3 érintkezős (földelt) dugasszal van felszerelve, amely egy szabványos 3 érintkezős (földelt) aljzatba illeszkedik. Soha ne vágja le vagy szerelje le a harmadik érintkezőt (földelés). A készülék elhelyezése után a dugasznak elérhetőnek kell lennie.
- ▶ Ne használjon elosztót vagy hosszabbítót.
- ▶ Győződjön meg arról, hogy a tápkábel nincs beszorulva a készülék alá vagy mellé. Ne lépjen rá a tápkábelre.
- ▶ Ne okozzon sérülést a hűtőkörben.
- ▶ **Ne helyezzen el elosztót vagy hosszabbítót a berendezés hátuljánál.**



FIGYELEM!

Napi használat

- ▶ A készüléket 8 év fölötti gyermekek, csökkent fizikai, érzékszervi és mentális képességekkel rendelkező, illetve kellő tapasztalattal nem rendelkező személyek, csak felügyelet mellett, illetve akkor használhatják, ha már rendelkeznek a készülék biztonságos használatára és a kockázatokra vonatkozó tudással.
- ▶ 3 és 8 év közötti gyermekek be- és kipakolhatják, de nem tisztíthatják vagy helyezhetik üzembe a hűtőszekrényeket.
- ▶ Tartsa távol a készüléktől a 3 évesnél fiatalabb gyermekeket, kivéve, ha folyamatos felügyelet alatt állnak.
- ▶ A tisztítást és a karbantartást gyermekek nem végezhetik felügyelet nélkül.
- ▶ Gyermekek ne játsszanak a készülékkel.
- ▶ **A készüléket úgy kell elhelyezni, hogy a csatlakozó hozzáférhető legyen.**
- ▶ Ha a készülék közelében hűtőgáz vagy más gyúlékony gáz szivárog, zárja el a szivárgó gáz szelepeit, nyissa ki az ajtókat és ablakokat, és ne húzza ki a készülék vagy bármely más készülék tápkábelének dugóját.
- ▶ Vegye figyelembe, hogy a készülék **10 °C és 38 °C közötti környezeti hőmérséklet tartományban** működik. Előfordulhat, hogy a készülék nem működik megfelelően, ha hosszú ideig a jelzett tartomány feletti vagy alatti hőmérsékleten hagyják.
- ▶ Ne helyezzen instabil tárgyakat (nehéz tárgyakat, vízzel töltött tartályokat) **a készülék tetejére, előzze meg a személyi sérülést**, ami a tárgyak leesése vagy a vízzel való érintkezés miatt fordulhat elő.
- ▶ Ne kapaszkodjon az ajtópolcokba. Az ajtó elferdülhet, a palacktartó leeshet, vagy a készülék felborulhat.
- ▶ Csak a fogantyúkkal nyissa ki és zárja be az ajtókat. Az ajtók közötti, valamint az ajtók és a szekrény közötti rés nagyon szűk. Ne tegye a kezét ezekre a területekre, nehogy becsípje az ujjait. Csak akkor nyissa ki vagy zárja be az ajtókat, ha nincsenek gyermekek az ajtónyitási útjában.
- ▶ Ne tároljon vagy használjon gyúlékony, robbanásveszélyes vagy maró hatású anyagokat a készülékben vagy annak közelében.
- ▶ Ne tároljon gyógyszereket, baktériumokat vagy vegyszereket a készülékben. Ez a készülék háztartási készülék. Pontos hőmérséklet-szabályozást igénylő anyagok tárolására nem ajánlott.
- ▶ Soha ne tároljon folyadékokat palackokban vagy konzervdobozokban (a magas alkoholtartalmú italokon kívül), különösen szénsavas italokat a fagyasztóban, mivel ezek a fagyasztás során szétrobbannak.

**FIGYELEM!****Napi használat**

- ▶ Ellenőrizze az élelmiszer állapotát, ha a fagyasztó felmelegedett.
- ▶ Ne állítson be szükségtelenül alacsony hőmérsékletet a hűtőtérben. Magas beállításoknál mínusz hőmérséklet fordulhat elő. Figyelem: Az üvegek szétrobbanhatnak.
- ▶ Ne érintse meg nedves kézzel a fagyasztott árukat (viseljen kesztyűt). Ne egyen jégnyalókát közvetlenül a fagyasztóból való kivétel után. Fennáll a fagyás vagy a fagyhólyagok kialakulásának veszélye. Elsősegélynyújtás: azonnal hideg, folyó víz alá tartandó. Ne húzza el!
- ▶ Működés közben ne érintse meg a fagyasztótér belső felületét, különösen nedves kézzel, mert a keze a felületre fagyhat.
- ▶ Áramkimaradás esetén vagy tisztítás előtt húzza ki a készüléket. A készülék újbóli bekapcsolása előtt várjon legalább 5 percet, mivel a gyakori bekapcsolás károsíthatja a kompresszort.
- ▶ Ne használjon elektromos készülékeket a készülék élelmiszer tároló rekeszeiben, kivéve, ha azok a gyártó által ajánlottak.
- ▶ Vízadagolós modelleknél csak ivóvizet használjon. Karbantartás/tisztítás.
- ▶ Gondoskodjon a gyermekek felügyeletéről, ha tisztítást és karbantartást végeznek.
- ▶ Mielőtt bármilyen szokásos karbantartást végezne, húzza ki a készüléket. A készülék újbóli bekapcsolása előtt várjon legalább 5 percet, mivel a gyakori bekapcsolás károsíthatja a kompresszort.
- ▶ A készülék kihúzásakor a dugasztartsa, ne a kábelt.
- ▶ Ne kaparja le éles tárgyakkal a jeget. A műanyag alkatrészek károsodásának elkerülése érdekében ne használjon spray-t, elektromos hőforrásokat, például hősugárzót, hajszárítót, gőztisztítót vagy más hőforrást.
- ▶ Ne próbálja meg felgyorsítani a leolvasztást olyan mechanikai és egyéb eszközökkel, amelyeket a gyártó nem javasolt erre a célra.
- ▶ **Ne tisztítsa a készüléket kemény kefével, drótkefével, mosóporral, benzinnel, amil-acetáttal, acetonnal és hasonló szerves oldószerekkel, savas vagy lúgos oldatokkal. A károsodás elkerülése érdekében speciális hűtőszekrény tisztítót használjon.**
- ▶ **Vagy helyette használjon meleg vizet és szódabikarbónát - kb. egy evőkanál szódabikarbónát adjon egy liter vízhez. Öblítse le alaposan vízzel, majd törölje szárazra. Ne használjon súrolóport vagy más dörzshatású szert. Az eltávolítható alkatrészeket ne mosogassa mosogatógépben.**



FIGYELEM!

Karbantartás/tisztítás

- ▶ Ha a tápkábel megsérül, a kockázatok elkerülése végett a gyártó által megadott márkaszerviznek vagy megfelelően képzett szakembernek kell gondoskodnia a cseréjéről.
- ▶ Ne próbálja meg megjavítani, szétszerelni vagy módosítani a készüléket. Javítás szükségessége esetén forduljon ügyfélszolgálatunkhoz.
- ▶ Ha a világítás lámpái megsérülnek, a kockázatok elkerülése végett a gyártó által megadott márkaszerviznek vagy megfelelően képzett szakembernek kell gondoskodnia a cseréjéről.
- ▶ Évente legalább egyszer portalanítsa a készülék hátulját, hogy elkerülje a tűzveszélyt és a megnövekedett energiafogyasztást.
- ▶ Tisztítás közben ne permetezze vagy öblítse le a készüléket.
- ▶ Ne használjon vízpermetet vagy gőzt a készülék tisztításához.
- ▶ Ne tisztítsa a hideg üvegpolicokat forró vízzel. A hirtelen hőmérsékletváltozás miatt az üveg eltörhet.
- ▶ Ha hosszabb ideig nem használja a készüléket, hagyja nyitva, nehogy kellemetlen szagok alakuljanak ki benne.

Hűtőgázra vonatkozó információk



FIGYELEM!

A készülék gyúlékony hűtőközeget, IZOBUTÁNT (R600a) tartalmaz. Győződjön meg arról, hogy a hűtőkör nem sérült-e meg szállítás vagy elhelyezés közben. A hűtőközeg szivárgása szemsérülést vagy gyulladást okozhat. A hűtőkör sérülése esetén ne használjon nyílt lángot, szellőztesse ki alaposan a helyiséget, ne dugja be vagy húzza ki a készülék vagy bármely más készülék tápkábeleit. Értesítse az ügyfélszolgálatot.

Ha a hűtőközeg szembe jut, azonnal öblítse ki folyó víz alatt, és azonnal forduljon szemész szakorvoshoz.

FIGYELEM: A hűtőrendszerben nagy nyomás uralkodik. A jogosulatlan beavatkozás tilos. Mivel a készülékben gyúlékony hűtőközeg van, kérjük, szigorúan az utasításoknak megfelelően telepítse, kezelje és szervizelje a készüléket, és lépjen kapcsolatba a szakemberrel vagy az eladást követő szolgáltatásunkkal a készülék ártalmatlanítása kapcsán.

2.1 Rendeltetésszerű használat

Ez a készülék háztartási és hasonló célokra használható, mint például

- személyzeti konyhák üzletekben, irodákban és más munkakörnyezetekben;
 - tanyaházakban, szállodákban és motelekben az vendégek által, és más lakókörnyezetben;
 - apartman jellegű szálláshelyeken;
 - vendéglátás és hasonló nem kiskereskedelmi használat.
- Ha hosszabb ideig nem használja a készüléket, kivéve a Szabadság funkciót, ill. a kombinált hűtőszekrény használatát a fagyasztót kikapcsolva:
- Vegye ki az ételeket.
 - Húzza ki a tápkábelt.
 - Ürítse ki és tisztítsa meg a víztartályt.
 - Tisztítsa meg a készüléket a fent leírtak szerint.
 - Tartsa nyitva az ajtókat, hogy megakadályozza a rossz szagok kialakulását.
- Az élelmiszerek és bor biztonságos tárolása érdekében kérjük, tartsa be ezt a használati utasítást.
- Az élelmiszer szennyeződésének elkerülése érdekében (borhűtőre nem érvényes) kérjük, tartsa be a következő utasításokat:
- Az ajtó hosszú ideig történő nyitva tartása jelentős hőmérséklet növekedést okozhat a készülék belsejében.
 - Rendszeresen tisztítsa az élelmiszerekkel érintkező felületeket és a hozzáférhető leeresztő rendszereket.
 - Ha 48 órán át nem használja a vízadagolót, tisztítsa ki a víztartályokat; öblítse át a vízadagolóhoz csatlakoztatott rendszert, ha 5 napig nem adagoltak vizet.
 - A nyers húst és halat megfelelő edényekben kell a kombinált hűtőszekrényben tárolni, hogy ne kerüljön érintkezésbe más élelmiszerekkel vagy ne csepegjen rá. Az élelmiszerek biztonságos tárolása érdekében a fagyasztásra kész élelmiszert és a nyers húst / halat elkülönítve kell tárolni.
 - A kétcsillagos fagyasztott élelmiszeres rekesz fagyasztott élelmiszerek tárolására, jégkrém tárolására vagy készítésére, valamint jégkockák készítésére alkalmas.
 - Az egy-, két- és háromcsillagos rekeszek nem alkalmasak friss élelmiszerek fagyasztására.
 - Ha a hűtőszekrény hosszabb ideig üresen marad, kapcsolja ki, olvassa le, tisztítsa ki, szárítsa meg, és hagyja nyitva az ajtót, hogy a berendezés belseje ne penészedhessen be.
- A másik kézikönyv tartalmazza, hogy a készülék mely részeiben milyen élelmiszerek tárolhatók, figyelembe véve a készülék különböző rekeszeinek hőmérséklet eloszlását.

Hulladékkezelés

A terméken vagy a csomagolásán található szimbólum jelöli, hogy a terméket tilos háztartási hulladékként kezelni. Ehelyett az elektromos és elektronikus berendezések újrafeldolgozását végző gyűjtőhelyen kell leadni. A termék megfelelő ártalmatlanításával Ön segít megelőzni a környezetre és az emberi egészségre gyakorolt esetleges negatív következményeket, amelyeket egyébként a termék nem megfelelő hulladékkezelése okozna. A jelen termék szakszerű újrahasznosításával kapcsolatos információkért kérjük vegye fel a kapcsolatot a helyi önkormányzattal, a háztartási hulladékkezelő szolgáltatóval vagy az adott terméket árusító üzlettel.

Mivel a szigetelés előállításához gyúlékony gázokat használtak, kérjük, vegye fel a kapcsolatot egy szakemberrel vagy az eladás utáni szolgáltatásunkkal a készülék ártalmatlanítása ügyében.



FIGYELEM!

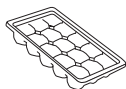
Fulladásveszély!

A hűtőközegeket és gázokat szakszerűen kell ártalmatlanítani. A megfelelő ártalmatlanítás előtt ellenőrizze, hogy a hűtőkör csövei nem sérültek-e meg. Húzza ki a készüléket a hálózati csatlakozóaljzattól. Vágja le a hálózati kábelt, és dobja ki. Távolítsa el a tálcákat és fiókokat, valamint az ajtózárat és a tömítéseket, hogy gyermekek vagy háziállatok ne szorulhassanak be a készülékbe.

A készülék változtatása vagy módosítása nem megengedett. A nem rendeltetésszerű használat veszélyes lehet, és a jótállás megszűnését okozhatja.

2.2 Tartozékok

Ellenőrizze a tartozékokat és a kézikönyvet az alábbi lista szerint (2.2. ábra):



Jégkockatartók



Tojástartó



Csavarhúzó



Jótállási kártya



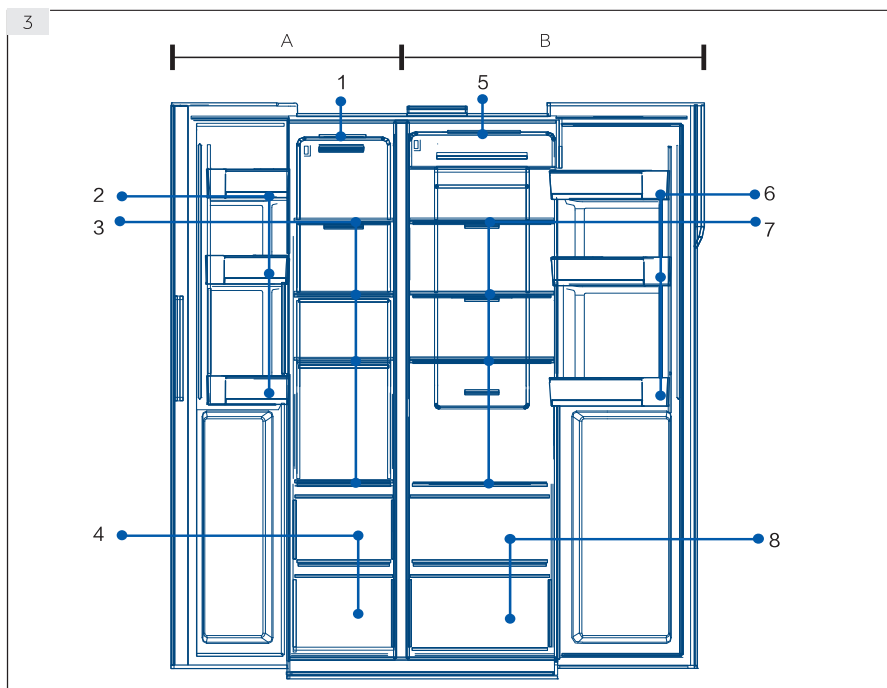
Felhasználói
kézikönyv

2.2

i Megjegyzés

Műszaki változások miatt és különböző modellek esetén a kézikönyvben szereplő illusztrációk némelyike eltérhet az Ön készülékétől.

Képek a készülékekről (3. ábra)

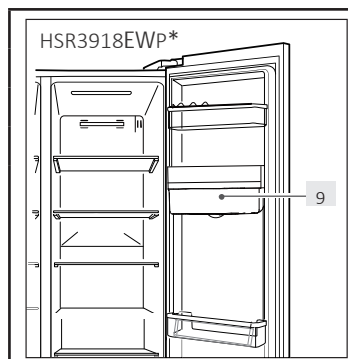


A: Fagyasztótér

- 1 Felső lámpa
- 2 Ajtópolc/palacktartó
- 3 Fagyasztópolcok
- 4 Fagyasztótér

B: Hűtőtér

- 5 Felső lámpa
- 6 Ajtópolc/palacktartó
- 7 Hűtőpolcok
- 8 Hűtőtér
- 9 Víztartály



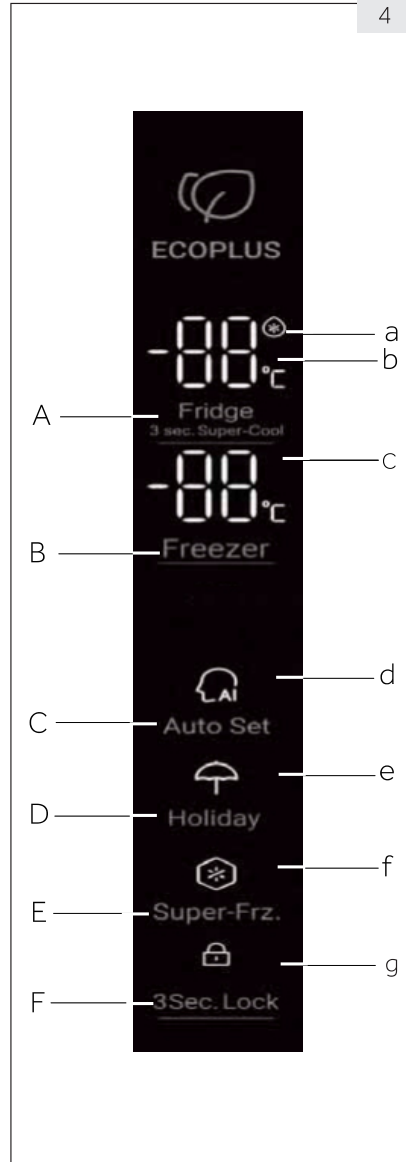
Vezérlőpanel (4. ábra)

Gombok:

- A Hűtő választó
- B Fagyasztó választó
- C Automatikus üzemmód
- D Szabadság üzemmód
- E Gyorsfagyasztás üzemmód
- F Panelzár választó

Jelzések:

- a Gyorshűtés üzemmód
- b Hűtőtér hőmérséklete
- c Fagyasztótér hőmérséklete
- d Automatikus üzemmód
- e Szabadság üzemmód
- f Gyorsfagyasztás üzemmód
- g Panelzár



5.1 Első használat

Amikor a hűtőszekrényt először csatlakoztatja az áramellátáshoz, a kijelző bekapcsol. A hűtőtér alapértelmezett hőmérséklete 4 °C, a fagyasztótéré -18 °C. Az intelligens funkció lámpája világít.

5.2 Panel zárolása/ feloldása

Automatikus zárolás:

Amikor a hűtő ajtaja és a fagyasztó ajtaja zárva van, és 30 másodpercig egyetlen gombot sem nyomják meg, a panel világítása automatikusan kikapcsol, és a panel lezár.

Manuális zárolás:

Amikor a panel fel van oldva, nyomja be a Panelzár gombot 3 másodpercig, a hangjelző rezgő hangot ad ki, a zárjelző világít, majd a kijelző lezár.



Tartsa
lenyomva e
3 másodpercig

A jelzés világít
Panel zárolva

Feloldás:

Amikor a panel ki van kapcsolva, nyissa ki a hűtőszekrény bármelyik ajtaját, vagy érintse meg a vezérlőpanel bármelyik gombját, és a panel világítani kezd. A panel ekkor zárolva van. Nyomja be a Panelzár funkciógombot 3 másodpercig, a hangjelző rezgő hangot ad ki, a zárjelző nem világít, és a panel felold.



A panel be van
kapcsolva. Nyissa
ki az ajtót, vagy
nyomja meg
bármelyik gombot.

Tartsa
lenyomva 3
másodpercig.

A jelzés nem világít
A panel feloldva

5.3 A hűtőszekrény hőmérsékletének beállítása

- Amikor a vezérlőpanel fel van oldva, nyomja meg a «Hűtő választó» gombot, és a hangjelző hangjelzést ad, a Hűtőtér hőmérséklet jelzője villog. Ekkor beállítható a hűtő hőmérséklete.
- A hűtő választó gomb minden megnyomásakor hangjelzés hallható, és a beállítás 1-gyel csökken. A beállítási lehetőségek sorrendben a következők: «4 °C / 3 °C / 2 °C / 1 °C / 9 °C / 8 °C / 7 °C / 6 °C / 5 °C / 4 °C»



Nyomja meg
egyszer

Villog
Beállítás alatt

Nyomja meg
egyszer

Beállítás kész

**Megjegyzés**

- ▶ A készüléket javasolt hőmérséklet beállítása 4 °C (hűtőszekrény) és- 18 °C (fagyasztó). Normál környezeti feltételek mellett nem szükséges beállítani a hőmérsékletet.

5.4 A fagyasztó hőmérsékletének beállítása

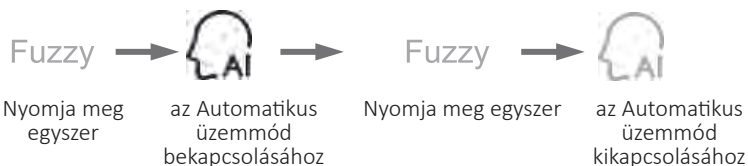
1. Amikor a vezérlőpanel fel van oldva, nyomja meg a «Fagyasztó választó» gombot, és a hangjelző hangjelzést ad, a Fagyasztó hőmérséklet jelzője villog. Ekkor beállítható a fagyasztó hőmérséklete.
2. A fagyasztó választó gomb minden megnyomásakor hangjelzés hallható, és a beállítás 1-gyel csökken. A beállítási lehetőségek sorrendben a következők: «-18 °C/-19 °C/-20 °C/-21 °C/-22 °C/-23 °C/-24 °C/-14 °C/-15 °C/-16 °C /-17 °C /-18 °C».

**Megjegyzés**

- ▶ A hőmérséklet beállítását követően, ha 5 másodperig nem nyomja meg egyik gombot sem, a hőmérséklet megerősítése és mentése automatikusan megtörténik.

5.5 Automatikus beállítás

1. Amikor a vezérlőpanel fel van oldva, nyomja meg az «Automatikus üzemmód választó» gombot, hangjelzés hallható, és bekapcsol az Automatikus üzemmód jelzése. Elindul az automatikus üzemmód.
2. Ha az Automatikus üzemmód jelző világít, nyomja meg az Automatikus üzemmód választót, hangjelzés hallható, az Automatikus üzemmód jelzés elalszik, és az Automatikus üzemmódnak vége.

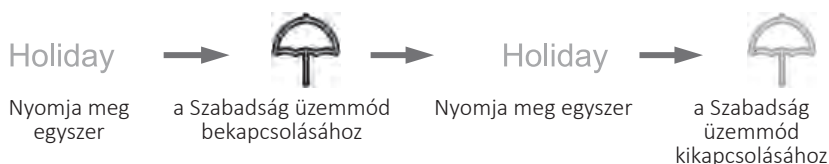
**Megjegyzés**

- ▶ Ha az Automatikus üzemmód be van kapcsolva, a hűtőtér hőmérséklete és a fagyasztótér hőmérséklete nem választható ki. Amikor megnyomja a hűtő vagy a fagyasztó választót, villog az Automatikus üzemmód jelzés, emlékeztetve arra, hogy a művelet nem lehetséges. Automatikus üzemmódban, ha a gyorsűtés, gyorsfagyasztás vagy szabadság funkciót kiválasztják, az Automatikus üzemmód kikapcsol, és automatikusan véget ér.

5.6 Szabadság üzemmód

A Szabadság üzemmód olyan esetekben használható, ha a hűtőszekrényt hosszú ideig nem használják. Ha a Szabadság üzemmód be van kapcsolva, kiválasztható a fagyasztótér hőmérséklete, míg a hűtőtér hőmérséklete automatikusan 17 °C-ra van állítva, ami kiküszöböli a hűtőtér magas hőmérséklete miatti szagokat, és energiát is megtakarít.

1. Amikor a vezérlőpult fel van oldva, nyomja meg a «Szabadság üzemmód választó» gombot, hangjelzés hallható, és a Szabadság funkció jelzése világít. A Szabadság üzemmód elindul.
2. Ha a Szabadság üzemmód jelzés be van kapcsolva, nyomja meg a Szabadság funkció választót, hangjelzés hallható, a Szabadság üzemmód jelzés elalszik, és a Szabadság üzemmód véget ér.



i Megjegyzés

- ▶ Ha a Szabadság üzemmód be van kapcsolva, a hűtő hőmérséklete nem választható ki. Amikor megnyomja a hűtő választót, a Szabadság üzemmód jelzés villog, emlékeztetve arra, hogy a művelet nem lehetséges. A Szabadság üzemmód kiválasztása előtt kérjük, ürítse ki a hűtőszekrényt, hogy elkerülje az ételek megromlását. Szabadság üzemmódban az intelligens funkció és a gyorshűtés nem választható ki. Az intelligens üzemmód vagy a gyorshűtés kiválasztásakor, a Szabadság üzemmód jelzése elalszik, és a funkció automatikusan véget ér.

5.7 Gyorshűtés üzemmód

1. Amikor a vezérlőpanel fel van oldva, nyomja be a «Hűtő választó» gombot 3 másodpercig, a hangjelző hangjelzést ad, és világítani kezd a gyorshűtés jelzése. Elindul a gyorshűtés üzemmód.
2. Amikor a gyorshűtés jelzés világít, nyomja be a hűtő választót 3 másodpercig, a hangjelző hangjelzést ad, és elalszik a gyorshűtés jelzése. A gyorshűtés üzemmód véget ér.
3. Amikor a gyorshűtés üzemmód be van kapcsolva, a hűtőszekrény automatikusan kikapcsolja a gyorshűtést, miután a gyorshűtés üzemmód elérte a beállítást. Ha manuálisan szeretné kikapcsolni, nyomja be a hűtő választót 3 másodpercig a gyorshűtés üzemmód kikapcsolásához.

Jelzés nem világít

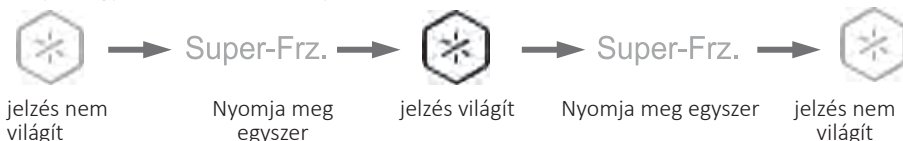


**Megjegyzés**

- ▶ Ha a gyorshűtés funkció be van kapcsolva, az Automatikus üzemmód és a Szabadság üzemmód nem választható ki. Ha az Automatikus vagy Szabadság üzemmód ki van választva, a gyorshűtés jelzése elalszik, és a gyorshűtés automatikusan véget ér.

5.8 Gyorsfagyasztás üzemmód

1. Amikor a vezérlőpanel fel van oldva, nyomja meg a Gyorsfagyasztás választót, a hangjelző hangjelzést ad, és a Gyorsfagyasztás jelzése világít. Elindul a gyorsfagyasztás üzemmód.
2. Ha a Gyorsfagyasztás jelzés világít, nyomja meg a Gyorsfagyasztás választót, a hangjelző hangjelzést ad, és a Gyorsfagyasztás jelzés elalszik. A gyorsfagyasztás üzemmód véget ér.
3. Amikor a Gyorsfagyasztás üzemmód be van kapcsolva, a hűtőszekrény automatikusan kikapcsolja a gyorsfagyasztást, miután a gyorsfagyasztás üzemmód elérte a beállítást. Ha manuálisan szeretné kikapcsolni, nyomja be a Gyorsfagyasztás választót 3 másodpercig a Gyorsfagyasztás üzemmód kikapcsolásához.

**Megjegyzés**

- ▶ A gyorsfagyasztás üzemmód arra szolgál, hogy megőrizze a fagyasztóban lévő élelmiszerek tápértékét, és a lehető legrövidebb idő alatt megfagyjanak az élelmiszerek. Ha egyszerre nagy mennyiségű élelmiszert kell lefagyasztani, a gyorsfagyasztás üzemmódot 24 órával előbb javasolt beállítani, hogy az élelmiszer behelyezése előtt a fagyasztótér hőmérséklete alacsonyabb legyen. Ebben az esetben a fagyasztó gyorsabban fagyaszt, és a gyorsan lefagyasztott élelmiszerek tápértéke hatékonyan megőrizhető, és könnyebb a tárolásuk. Gyorsfagyasztás üzemmódban, ha kiválasztja az Intelligens funkciót, a Gyorsfagyasztás jelzés elalszik, és a Gyorsfagyasztás üzemmód automatikusan véget ér.

5.9 Nyitott ajtó riasztás

Ha az ajtó túl hosszú ideig nyitva van, vagy az ajtó nincs becsukva, a hűtőszekrény minden alkalommal riasztással figyelmezteti, hogy időben csukja be az ajtót.

5.10 A vezérlőpanel energiatakarékossága

Amikor 30 másodpercig nincs művelet a vezérlőpanelen, a panel automatikusan kikapcsol és zárolt állapotba kerül, amivel energiát takaríthat meg. Amikor megnyomja a zárolási funkció gombot, vagy bármelyik ajtót kinyitják, a vezérlőpanel világítani fog.

5.11 Áramkimaradási memória funkció

Amikor a hűtőszekrény kikapcsol, az áramkimaradásakor érvényes pillanatnyi működési állapota a memóriában tárolódik. Az áramellátás újbóli csatlakoztatását követően a hűtőszekrény tovább működik az áramkimaradás előtti beállítások szerint.

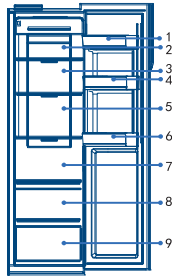
Figyelem: A zárolási funkció nem kerül a memóriába. Miután a hűtőszekrény ismét bekapcsolt, a vezérlőpanel önellenőrzést indít, a zárolási funkció jelzője nem világít, és a hűtőszekrény fel van oldva.

5.12 Tippek a friss élelmiszerek tárolásához

5.12.1 Tárolás a hűtőtérben

- ▶ Tartsa a hűtőszekrény hőmérsékletét 5 °C alatt.
- ▶ A forró ételt a készülékben való tárolás előtt szobahőmérsékletűre kell hűteni.
- ▶ A hűtőszekrényben tárolt élelmiszereket tárolás előtt meg kell mosni és szárítani.
- ▶ A tárolandó élelmiszert megfelelően csomagolni kell, hogy ne változzon meg az illata vagy íze.
- ▶ Ne tároljon túl sok élelmiszert. Hagyjon helyet az élelmiszerek között, hogy a hideg levegő áramolhasson körülöttük a jobb és homogénebb hűtés érdekében.
- ▶ A naponta fogyasztott élelmiszereket a polc elülső részén kell tárolni.
- ▶ Hagyjon helyet az élelmiszerek és a belső falak között, lehetővé téve a levegő áramlását. Különösen fontos, hogy az élelmiszereket ne tolja rá a hátsó falra: az élelmiszerek ráfagyhatnak a hátsó falra. Kerülje az élelmiszerek (különösen az olajos vagy savas élelmiszerek) közvetlen érintkezését a belső fallal, mivel az olaj/sav kárt tehet benne. Tisztítsa le az olajos/savas szennyeződéseket, ha ilyet talál.
- ▶ A fagyasztott élelmiszereket a hűtőtérben olvassa ki. Így a fagyasztott élelmiszerekkel csökkentheti a hűtőtér hőmérsékletét, és energiát takaríthat meg.
- ▶ A gyümölcsök és zöldségek, például a cukkini, a dinnye, a papaya, a banán, az ananász stb. érése a hűtőben felgyorsulhat. Ezért nem tanácsos ezeket hűtőszekrényben tárolni. A nagyon éretlen gyümölcsök érését azonban bizonyos ideig elő lehet mozdítani. A vöröshagymát, fokhagymát, gyömbért és más gyökérzöldségeket szintén szobahőmérsékleten kell tárolni.
- ▶ A hűtőszekrényben lévő kellemetlen szagok azt jelzik, hogy valami kiömlött, és tisztításra van szükség. Lásd TISZTÍTÁS ÉS KARBANTARTÁS.
- ▶ A különböző élelmiszereket a tulajdonságaiknak megfelelően kell elhelyezni (5.12.1/5.12.2. ábra):

5.12.1

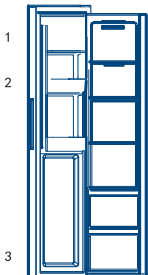


- 1 Vaj, sajt stb.
- 2 Savanyított ételek, dobozos élelmiszerek, stb.
- 3 Savanyított ételek, dobozos élelmiszerek, stb.
- 4 Dobozos élelmiszerek, fűszerek stb.
- 5 Hústermékek, snack ételek stb.
- 6 Italok és palackozott élelmiszerek.
- 7 Tészta, konzerv élelmiszer, tej, tofu, tejtermékek stb.
- 8 Gyümölcsök, zöldségek, saláta stb.
- 9 Főtt hús, kolbász stb.

5.12.2 Tárolás a fagyasztótérben

- ▶ Tartsa a fagyasztó hőmérsékletét $-18\text{ }^{\circ}\text{C}$ -on.
- ▶ Fagyasztás előtt 24 órával kapcsolja be a gyorsfagyasztás funkciót: -kis mennyiség élelmiszerhez 4-6 óra elegendő.
- ▶ A fagyasztótérben történő tárolás előtt a meleg ételt szobahőmérsékletűre kell hűteni.
- ▶ A kis adagokra darabolt élelmiszerek gyorsabban megfagynak, és könnyebben kiolvashatók és megfőzhetőek. Egy adag javasolt tömege legfeljebb 2,5 kg.
- ▶ Jobb, ha becsomagolja az élelmiszereket, mielőtt a fagyasztóba tenné.
A csomagolás külsejének száraznak kell lennie, hogy a zacskók ne tapadjanak össze.
A csomagolóanyagoknak szagtalannak, légmentesen záródónak, és mérgező anyagoktól mentesnek kell lenniük.
- ▶ Annak érdekében, hogy a tárolási idő ne járjon le, kérjük, jegyezze fel a fagyasztás dátumát, tárolási idejét és a csomagoláson szereplő élelmiszer nevét a különböző élelmiszerek tárolási idejének megfelelően.
- ▶ **FIGYELEM!** Sav, lúg és só stb. kárt tehet a fagyasztó belső felületén. Ne helyezze az ilyen összetevőket (pl. tengeri halakat) tartalmazó élelmiszert közvetlenül a belső felületre.
A fagyasztóban lévő sós vizet azonnal fel kell takarítani.
- ▶ Ne lépje túl a gyártó által ajánlott tárolási időt. Csak a szükséges mennyiségű élelmiszert vegye ki a fagyasztóból.
- ▶ A különböző élelmiszereket a tulajdonságaiknak megfelelően kell elhelyezni (5.12.2 ábra):

5.12.2



- 1 Kevésbé súlyos élelmiszerek, például fagylalt, zöldségek, kenyér stb.
- 2 Alkoholmentes italok, valamint magas alkoholtartalmú szeszes italok ideiglenes tárolása, kisebb dolgok, például pizza vagy zöldfűszerek.
- 3 Nagyobb/nehezebb adagokban fagyasztott élelmiszerek, mint például a sütni való csontos húsook.

**Megjegyzés: Tárolás**

- ▶ Kérjük, hagyjon legalább 10 mm helyet az elhelyezett élelmiszer és az érzékelő között a megfelelő hűtés érdekében.
- ▶ Kérjük, tartsa meg a legalsó fiókot, amikor a készülék működik, hogy biztosítsa a hűtési hatást.
- ▶ A jeges élelmiszereket (például jégkrém stb.) a fagyasztó rekeszben kell tárolni az üvegtartó helyett, mert az ajtó nyitása és zárása miatt a palacktartóban bekövetkező hőmérséklet-változások kiolvaszthatják az ételt.
- ▶ A kiolvasztott élelmiszereket ne túl sokára fogyassa el. A kiolvasztott élelmiszer csak akkor fagyasztható újra, ha először megfőzik, máskülönben ehetetlenné válhat.
- ▶ Ne tegyen túl sok friss élelmiszert a fagyasztótérbe. Lásd a fagyasztó fagyasztási kapacitását. Lásd A MŰSZAKI ADATOKAT vagy adatokat a típus táblán.
- ▶ Az élelmiszerek a tulajdonságaiktól függően 2-12 hónapig tárolható a fagyasztóban legfeljebb -18 °C hőmérsékleten (pl. hús: 3-12 hónap, zöldségek: 6-12 hónap)
- ▶ Friss élelmiszer fagyasztásakor kerülje a már fagyasztott élelmiszerral való érintkezést. Kiolvadás veszélye!
- ▶ A fagyasztott élelmiszereket a hűtőben olvassza ki. Így a fagyasztott élelmiszerral csökkentheti a hűtőtér hőmérsékletét, és energiát takaríthat meg.

5.12.3 A kereskedelmi forgalomban kapható fagyasztott élelmiszerek tárolása során kövesse az alábbi iránymutatásokat:

- ▶ Mindig tartsa be a gyártó útmutatásait arra vonatkozóan, hogy mennyi ideig tárolja az élelmiszert. A javasolt időn túl ne tárolja az élelmiszert!
- ▶ Az élelmiszerek minőségének megőrzése érdekében próbálja a lehető legrövidebb ideig tárolni őket az elfogyasztásig.
- ▶ Olyan fagyasztott élelmiszert vásároljon, amelyet -18 °C vagy az alatti hőmérsékleten tároltak.
- ▶ Kerülje az olyan élelmiszerek vásárlását, amelyekben jég van a csomagoláson. Ez azt jelzi, hogy a termékeket részben kiolvaszthatták, majd újra lefagyasztották, ami befolyásolja az élelmiszerek minőségét.

5.13 Vízagoló (HSR3918EWP*)

A vízagolóval hideg ivóvíz csapolható.

A víztartályt az első használat előtt meg kell tisztítani (lásd TISZTÍTÁS ÉS KARBANTARTÁS).

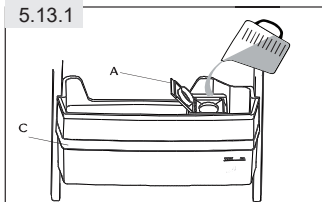
5.13.1 A víztartály feltöltése



FIGYELEM!

Csak ivóvizet használjon.

5.13.1





1. Győződjön meg arról, hogy a víztartály megfelelően van behelyezve (lásd FELSZERELTSÉG)
2. Nyissa fel a kupakot (A) és öntsön friss ivóvizet a víztartályba (5.13.1. ábra).
3. Csak a jelzésig töltsse fel a vizet (2,5 l), mert túlfolyhat, amikor kinyitja vagy bezárja az ajtót.
4. Zárja le teljesen a kupakot (A).



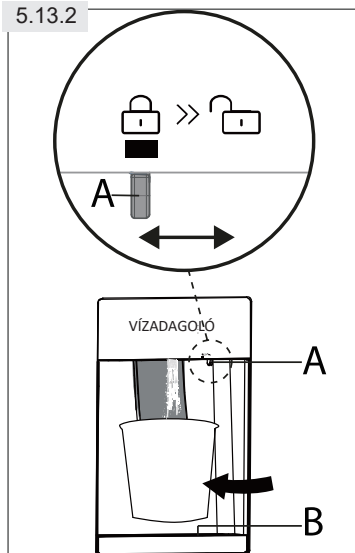
Megjegyzés: Vízadagoló

- ▶ Feltöltés előtt öntse ki a maradék vizet, és tisztítsa meg a víztartályt.
- ▶ Ha hosszú ideig nincs szüksége vízre, kérjük, ürítse ki a víztartályt, és helyezze be a megtisztított tartályt.
- ▶ **A víztartály fedele (C) (5.13.1. ábra) energiatakarékossági célokat is szolgál.** Ha hosszú ideig nem szeretne vizet adagolni a vízadagolóból, kérjük, szerelje fel a fedelet a jobb szigetelés és energiatakarékosság érdekében.

5.13.2 Víz adagolása az adagolóból

1. Ellenőrizze, hogy a zár (A)  a «Kioldás» állásban van (5.13.2. ábra).
2. Helyezzen egy poharat a csap alá.
3. Óvatosan nyomja a vízadagoló karhoz a pohárát. Győződjön meg róla, hogy a pohár a csappal egy vonalban van, és nem fröccsenhet ki a víz.
4. A tálcában (B) lévő vizet időnként el kell távolítani, mert kifolyhat, amikor kinyitja vagy bezárja az ajtót.
5. Csúsztassa a zárat (A)  a «Zár» pozícióba

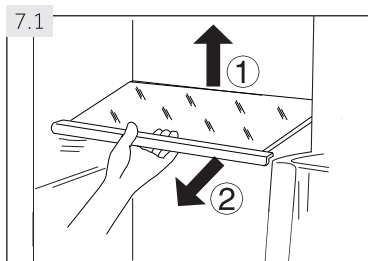
5.13.2





Energiatakarékosági tippek

- ▶ Győződjön meg arról, hogy a készülék megfelelően szellőzik (lásd ELHELYEZÉS).
- ▶ Ne helyezze a készüléket közvetlen napfénynek vagy hőforrásoknak (pl. kályhák, fűtőberendezések) kitett helyre.
- ▶ Kerülje a szükségtelenül alacsony hőmérsékletet a készülékben. Minél kisebb hőmérsékletre van beállítva a készülék, annál nagyobb az energiafogyasztás.
- ▶ Az olyan funkciók, mint a gyorshűtés vagy a gyorsfagyasztás, több energiát fogyasztanak.
- ▶ A készülékbe helyezés előtt hagyja kihűlni a meleg ételt.
- ▶ A készülék ajtaját a lehető legrövidebb ideig tartsa nyitva.
- ▶ Ne tegyen túl sok mindent a készülékbe, ezzel elkerülheti a légáramlás akadályozását.
- ▶ Lehetőleg távolítsa el a levegőt az élelmiszer csomagolásából.
- ▶ Tartsa tisztán az ajtótomítéseket, hogy az ajtó mindig megfelelően záródjon.
- ▶ A fagyasztott élelmiszereket a hűtőtérben olvassza ki.



7.1 Állítható polcok

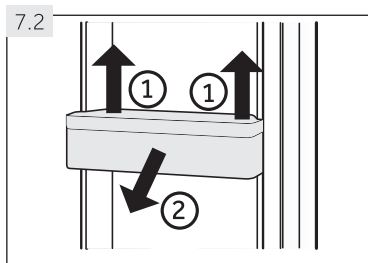
A polcok magasságát az Ön tárolási igényeihez lehet igazítani.

1. A polc áthelyezéséhez először emelje fel a hátsó szélét (1) és húzza ki (2) (7.1. ábra).
2. A behelyezéshez tegye mindkét oldalon a fülekre, és tolja teljesen hátra, amíg a polc hátsó széle az oldalakon lévő nyílásokba nem rögzül.



Megjegyzés: Polcok

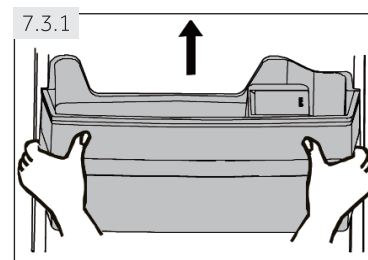
Győződjön meg arról, hogy a polc teljesen vízszintes.



7.2 Levehető ajtópolcok/palacktartó

Az ajtópolcok/palacktartó tisztítás céljából eltávolítható:

1. Helyezze a kezeit a polc/tartó két oldalára, és emelje fel (1) (7.2. ábra).
2. Húzza ki az ajtópolcot/palacktartót (2).
3. Az ajtópolc/palacktartó behelyezéséhez a fenti lépéseket fordított sorrendben kell elvégezni.



7.3 Víztartály (HSR3918EWP*)

7.3.1 Távolítsa el a víztartályt

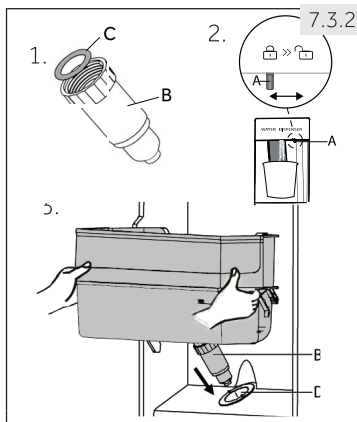
A víztartály az ajtópolcokhoz hasonlóan távolítható el tisztításra és szerelhető vissza (7.3.1. ábra).

7.3.2 Helyezze be a víztartályt

1. Győződjön meg arról, hogy az adagoló csapja (B) szilárdan rá van csavarozva a víztartályra, és a fehér tömítőgyűrű (C) a helyén van (7.3.2-1. ábra).
2. Csúsztassa a zárat (A) a «Zár» állásba (7.3.2-2. ábra).
3. Tegye a helyére a víztartályt, hogy az adagoló csapja (B) illeszkedjen az ajtó nyílásába (D) (7.3.2-3. ábra).

i Megjegyzés: Víztartály

- ▶ Ha a víztartály nincs megfelelően behelyezve, a csatlakozóból víz csepeghet.
- ▶ A víztartály károsodásának elkerülése érdekében ne alkalmazzon túlzott erőt a víztartály eltávolításakor vagy behelyezésekor.



7.4 Palacktartó - fagyasztótér

A fagyasztótér palacktartói magas alkoholtartalmú szeszes italok ideiglenes tárolására szolgálnak. A magas alkoholtartalmú italokat hűtőszekrényben kell lehűteni.

A palacktartókban továbbá kisebb dolgokat is tárolhat.



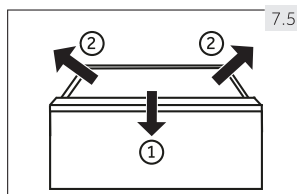
FIGYELEM!

Az üvegek és dobozok szétrobbanhatnak! Állítson be egy időzítőt, amely emlékezteti arra, hogy el kell távolítania a magas alkoholtartalmú palackokat/dobozokat.

7.5 Kivehető fiók

Ahhoz, hogy a fiókot kivegye a hűtőből vagy a fagyasztóból, húzza ki a lehető legnagyobb mértékben (1), emelje fel, és távolítsa el (2) (7.5 ábra).

A fiók behelyezéséhez a fenti lépéseket fordított sorrendben kell elvégezni.



7.6 Világítás

A LED-es belső lámpa világítani kezd, amikor az ajtó kinyílik. A lámpák teljesítményét a készülék egyéb beállításai nem befolyásolják.



FIGYELEM!

Tisztítás előtt húzza ki a berendezést az áramforrásból.

8.1 Tisztítás

Tisztítsa meg a készüléket, ha csak kevés vagy semmilyen élelmiszert nem tárol.

A készüléket négyhetente meg kell tisztítani a megfelelő karbantartás és a tárolt élelmiszerek rossz szagának megelőzése érdekében.

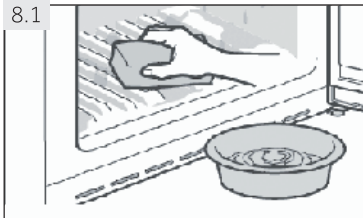


FIGYELEM!

Ne tisztítsa a készüléket kemény kefével, drótkefével, mosóporral, benzinnel, amid-acetáttal, acetonnal és hasonló szerves oldószerekkel, savas vagy lúgos oldatokkal. A károsodás elkerülése érdekében speciális hűtőszekrény tisztítót használjon.

- ▶ Tisztítás közben ne permetezze vagy öblítse le a készüléket.
- ▶ Ne használjon vízpermetet vagy gőzt a készülék tisztításához.
- ▶ Ne tisztítsa a hideg üvegpolicokat forró vízzel. A hirtelen hőmérsékletváltozás miatt az üveg eltörhet.
- ▶ Működés közben ne érintse meg a fagyasztótér belső felületét, különösen nedves kézzel, mert a keze a felületre fagyhat.
- ▶ Felmelegedés esetén ellenőrizze a fagyasztott áruk állapotát.

8.1



- ▶ Mindig tartsa tisztán az ajtó tömítést.
- ▶ Tisztítsa meg a készülék belsejét és burkolatát meleg vízzel és semleges tisztítószerrel átitatott szivaccsal (8.1. ábra).

1. Tisztítsa meg a hűtőszekrény belsejét és külsejét, beleértve az ajtó tömítését, az ajtópolcot, az üvegpolicokat, a dobozt, stb., puha törölkendővel vagy meleg vízbe mártott szivaccsal (semleges tisztítószerrel is adhat a meleg vízhez).
2. Ha folyadék ömlött ki, távolítsa el mindent, ami szennyeződött, öblítse le azokat közvetlenül folyó vízzel, szárítsa meg és tegye vissza a hűtőszekrénybe.
3. Ha zsíros anyag ömlött ki (például tejszín vagy olvadó jégkrém), távolítsa el mindent, ami szennyeződött, helyezze egy ideig kb. 40 °C-os meleg vízbe, majd öblítse le folyó vízzel, szárítsa meg, és helyezze vissza a hűtőbe.
4. Abban az esetben, ha valami apró dolog a hűtőszekrény belsejében beszorul (a polcok vagy fiókok közé), használjon kis puha kefét a kiszabadításához. Ha nem éri el, kérjük, lépjen kapcsolatba a Haier szervizzel.

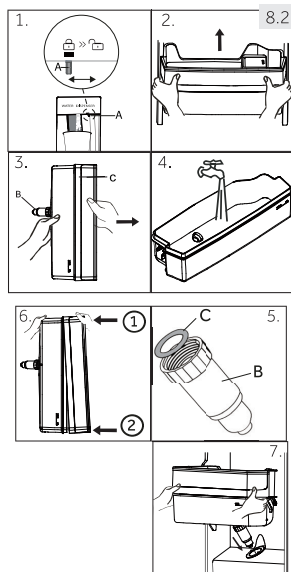
- ▶ Öblítse le és szárítsa meg puha törlőkendővel.
- ▶ Ne tisztítsa a készülék egyetlen alkatrészét sem mosogatógépben.
- ▶ A készülék újbóli bekapcsolása előtt várjon legalább 5 percet, mivel a gyakori bekapcsolás károsíthatja a kompresszort.

Leolvasztás

A hűtőtér és a fagyasztótér kiolvasztása automatikusan történik; nincs szükség kézi műveletre.

8.2 A víztartály tisztítása (8.2. ábra) (HSR3918EWP*)

1. Csúsztassa a zárat (A) a «Zár» pozícióba.
2. Vegye ki a víztartályt a készülékből.
3. Távolítsa el a fedelet (C), és óvatosan csavarja le az adagoló csapját (B).
4. Tisztítsa meg a víztartályt és az adagoló csapját meleg folyóvízzel és folyékony mosogatószerrel. Győződjön meg róla, hogy alaposan leöblítette.
5. Szerelje fel az adagoló csapját (B), és ügyeljen arra, hogy erősen rá legyen csavarozva a víztartályra, és a fehér tömítőgyűrű (C) a helyén legyen.
6. Nyomja rá a fedelet a víztartályra először az egyik, majd a másik oldalon, majd ellenőrizze, hogy a víztartály és a fedél teljesen össze van-e szerelve.
7. Helyezze vissza a tartályt a készülékbe. Győződjön meg róla, hogy az adagoló csapja megfelelően van behelyezve az ajtó nyílásába.



8.3 A LED-lámpa cseréje



FIGYELEM!

Ne cserélje ki saját maga a LED-lámpát, azt csak a gyártó vagy a meghatalmazott szervizképviseelő cserélheti ki.

A lámpa fényforrása alacsony energiafogyasztású és hosszú élettartamú LED. Ha bármilyen rendellenesség lép fel, kérjük, vegye fel a kapcsolatot az ügyfélszolgálattal. Lásd ÜGYFÉLSZOLGÁLAT.

A lámpák paraméterei: 12 V max. 3 W

8.4 Használat hosszabb ideig tartó mellőzése

Ha hosszabb ideig nem használja a készüléket, és nem használja a hűtőszekrény Szabadság funkcióját:

- ▶ Vegye ki az ételeket.
- ▶ Úrítse ki és tisztítsa meg a víztartályt.
- ▶ Húzza ki a tápkábelt.
- ▶ Tisztítsa meg a készüléket a fent leírtak szerint.
- ▶ Tartsa nyitva az ajtókat, hogy megakadályozza a rossz szagok kialakulását.



Megjegyzés: Kikapcsolás

Csak akkor kapcsolja ki a készüléket, ha feltétlenül szükséges.

8.5 A készülék mozgatása

1. Távolítson el minden ételt, és húzza ki a készüléket.
2. Ragasztószalaggal rögzítse a polcokat és más mozgatható részeket a hűtőben és a fagyasztóban.
3. A hűtőrendszer károsodásának elkerülése érdekében ne döntse meg 45°-nál jobban a készüléket.



FIGYELEM!

Ne emelje fel a készüléket a fogantyúinál fogva.

- ▶ Soha ne helyezze a készüléket vízszintesen a földre.

Számos felmerülő probléma megoldásához nincs szükség különösebb szakértelemre. Probléma esetén ellenőrizze az összes felsorolt lehetőséget, és kövesse az alábbi utasításokat, mielőtt kapcsolatba lépne az eladást követő szolgáltatóval. Lásd ÜGYFÉLSZOLGÁLAT.

**FIGYELEM!**

Karbantartás előtt kapcsolja ki a készüléket, és húzza ki a hálózati csatlakozót az aljzatból.

- ▶ Az elektromos berendezéseket csak szakképzett villanyszerelők szervizelhetik, mivel a nem megfelelő javítások jelentős következményes károkat okozhatnak.
- ▶ Ha a tápkábel megsérül, a kockázatok elkerülése végett a gyártó által megadott márkaszerviznek vagy megfelelően képzett szakembernek kell gondoskodnia a cseréjéről.

Hiba	Lehetséges ok	Lehetséges megoldás
A kompresszor nem működik.	<ul style="list-style-type: none"> • A hálózati csatlakozó nincs csatlakoztatva a hálózati aljzatba. • A készülék leolvasztási ciklusban van. 	<ul style="list-style-type: none"> • Csatlakoztassa a hálózati csatlakozót. • Ez normális egy automatikus leolvasztásnál.
A készülék gyakran vagy túl hosszú ideig működik.	<ul style="list-style-type: none"> • A beltéri vagy kültéri hőmérséklet túl magas. • A készülék már egy ideje ki volt kapcsolva. • A készülék ajtaja nincs megfelelően bezárva. 	<ul style="list-style-type: none"> • Ebben az esetben normális, hogy a készülék tovább működik. • Általában 8-12 órába telik, amíg a készülék teljesen lehűl. • Zárja be az ajtót, és győződjön meg arról, hogy a készülék vízszintesen helyezkedik el, és az ajtó záródását nem akadályozza semmi.
	<ul style="list-style-type: none"> • Az ajtót túl gyakran vagy túl sokáig nyitva tartották. • A fagyasztótér hőmérséklete túl alacsony. 	<ul style="list-style-type: none"> • Ne nyissa ki túl gyakran az ajtót.
	<ul style="list-style-type: none"> • Az ajtó tömítés piszkos, kopott, repedt vagy nem illeszkedik. • Nincs megfelelő levegőáramlás. 	<ul style="list-style-type: none"> • Állítsa a hőmérsékletet magasabbra, amíg a hűtőtér hőmérséklete megfelelő nem lesz. 24 órába telik, amíg a hűtőszekrény hőmérséklete stabilizálódik. • Tisztítsa meg az ajtó tömítést, vagy cseréltesse ki az ügyfélszolgálattal. • Gondoskodjon a megfelelő szellőzésről.
A hűtő belseje piszkos és/vagy bűdös.	<ul style="list-style-type: none"> • A hűtő belsejét ki kell tisztítani. • Erős szagú ételek vannak a hűtőben. 	<ul style="list-style-type: none"> • Tisztítsa meg a hűtő belsejét. • Csomagolja be megfelelően az ételeket.

Hiba	Lehetséges ok	Lehetséges megoldás
A készülék belseje nem elég hideg.	<ul style="list-style-type: none"> Túl nagy értékre van beállítva a hőmérséklet. Túl meleg ételeket tett be. Egyszerre túl sok élelmiszert tett be. Az élelmiszerek túl közel vannak egymáshoz. A készülék ajtaja nincs megfelelően bezárva. Az ajtót túl gyakran vagy túl sokáig nyitva tartották. 	<ul style="list-style-type: none"> Állítsa be újra a hőmérsékletet. Tárolás előtt mindig hűtse le az ételeket. Mindig kis mennyiségű élelmiszert tegyen be. Hagyjon rést az élelmiszerek között, ami lehetővé teszi a levegő áramlását. Csukja be az ajtót. Ne nyissa ki túl gyakran az ajtót.
A készülék belseje túl hideg.	<ul style="list-style-type: none"> Túl kicsi értékre van beállítva a hőmérséklet. Be van kapcsolva vagy túl sokáig működik a gyorsfűtés/gyorsfagyasztás funkció. 	<ul style="list-style-type: none"> Állítsa be újra a hőmérsékletet. Kapcsolja ki a gyorsfűtés/gyorsfagyasztás funkciót.
Nedvességképződés a hűtőtér belsejében.	<ul style="list-style-type: none"> A klíma túl meleg és nyirkos. A készülék ajtaja nincs megfelelően bezárva. Az ajtót túl gyakran vagy túl sokáig nyitva tartották. Az ételtartók vagy folyadékok nyitva maradnak. 	<ul style="list-style-type: none"> Növelje a hőmérsékletet. Csukja be az ajtót. Ne nyissa ki túl gyakran az ajtót. Hagyja a forró ételeket szobahőmérsékletűre hűlni, és fedje le az élelmiszereket és folyadékokat.
A hűtőszekrény külső felületén vagy az ajtók között nedvesség gyűlik össze.	<ul style="list-style-type: none"> A klíma túl meleg és nyirkos. Nincs teljesen bezárva az ajtó. A készülékben lévő hideg levegő és az azon kívüli meleg levegő lecsapódik. 	<ul style="list-style-type: none"> Ez nedves éghajlaton normális, és a páratartalom csökkenésével megváltozik. Ellenőrizze, hogy az ajtó megfelelően be van zárva.

Hiba	Lehetséges ok	Lehetséges megoldás
Erős jegesedés a fagyasztóban.	<ul style="list-style-type: none"> Az ételek csomagolása nem volt megfelelő. A készülék egyik ajtaja/fiókja nincs megfelelően bezárva. Az ajtót túl gyakran vagy túl sokáig nyitva tartották. Az ajtótomítás piszkos, kopott, repedt vagy nem illeszkedik. Valami belülről megakadályozza, hogy az ajtó megfelelően becsukódjon. 	<ul style="list-style-type: none"> Mindig jól csomagolja be az ételeket. Zárja be az ajtót/fiókot. Ne nyissa ki túl gyakran az ajtót. Tisztítsa meg az ajtótomítást, vagy cserélje ki újra. Helyezze át a polcokat, ajtópolcokat vagy belső tárolókat, hogy az ajtó bezáródhasson.
A készülék rendellenes hangokat ad ki.	<ul style="list-style-type: none"> A készülék nem vízszintes padlón helyezkedik el. A készülék hozzáér valamilyen körülötte lévő tárgyhoz. 	<ul style="list-style-type: none"> Állítsa be a lábakat a készülék vízszintezéséhez. Távolítsa el a készülék körüli tárgyakat.
Halk, folyó vízhez hasonló hangot lehet hallani.	<ul style="list-style-type: none"> Ez normális jelenség. 	<ul style="list-style-type: none"> –
Riasztó hangját lehet hallani.	<ul style="list-style-type: none"> Nyitva van az ajtó. 	<ul style="list-style-type: none"> Csukja be az ajtót.
Halk zümmögést lehet hallani.	<ul style="list-style-type: none"> A páralecsapódásgátló rendszer működik. 	<ul style="list-style-type: none"> Megakadályozza a páralecsapódást, és normális jelenség.
A belső világítási vagy hűtési rendszer nem működik.	<ul style="list-style-type: none"> A hálózati csatlakozó nincs csatlakoztatva a hálózati aljzatba. Hibás az áramellátás. A LED-lámpa nem működik. 	<ul style="list-style-type: none"> Csatlakoztassa a hálózati csatlakozót. Ellenőrizze a helyiség áramellátását. Hívja a helyi áramszolgáltatót! Kérjük, hívja a szervizt a lámpa cseréjéhez.
A szekrény és az ajtószigetelés felmelegszik.	<ul style="list-style-type: none"> Ez normális jelenség. 	<ul style="list-style-type: none"> –
A vízadagoló csapjából nem jön víz.	<ul style="list-style-type: none"> A zár nincs kikapcsolva. 	<ul style="list-style-type: none"> Kapcsolja ki a zárat

9.2 Áramkimaradás

Áramkimaradás esetén az ételeknek körülbelül 5 órán át biztonságosan hidegnek kell maradnia. Kövesse az alábbi tippeket áramkimaradás esetén, különösen nyáron:

- ▶ A lehető legkevesebb alkalommal nyissa ki az ajtót/fiókot.
- ▶ Áramkimaradás esetén ne tegyen további ételt a készülékbe.
- ▶ Ha előre értesítik az áramkimaradásról, és a kimaradás időtartama 5 óránál hosszabb, készítsen jeget, és tegye a hűtőtér felső részén lévő edénybe.
- ▶ Közvetlenül az áramkimaradást követően meg kell vizsgálni az ételeket.
- ▶ Mivel a hűtőszekrény hőmérséklete áramkimaradás vagy más meghibásodás esetén emelkedni fog, a tárolási idő és az élelmiszerek minősége romlani fog. Az egészségügyi kockázatok elkerülése érdekében minden kiolvadt élelmiszert röviddel ezután el kell fogyasztani, vagy meg kell főzni, és újra le kell fagyasztani (ha lehetséges).



Megjegyzés: Memória funkció áramkimaradás esetére

Az áramellátás helyreállítása után a készülék az áramkimaradás előtt beállított beállításokkal folytatja működését.

10.1 Kicsomagolás



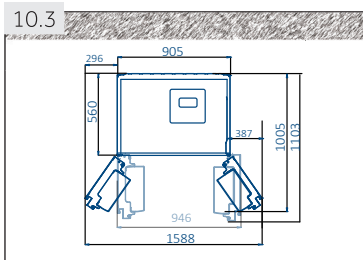
FIGYELEM!

- ▶ A készülék nehéz. Mindig legalább két személy vigye.
- ▶ Az összes csomagolóanyagot tartsa távol gyermekektől, és környezetbarát módon ártalmatlanítsa.

- ▶ Vegye ki a készüléket a csomagolásból.
- ▶ Távolítsa el minden csomagolóanyagot, beleértve az átlátszó védőfóliát is.

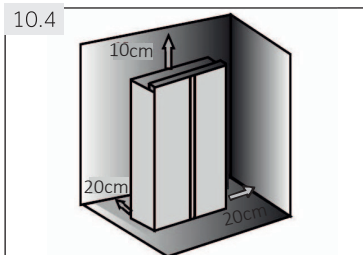
10.2 Környezeti feltételek

A szobahőmérsékletnek mindig 16 °C és 43 °C között kell lennie, mivel befolyásolhatja a készülék belsejének hőmérsékletét és energiafogyasztását. Ne helyezze a készüléket más hőkibocsátó berendezések (sütők, hűtőszekrények) közelébe szigetelés nélkül.



10.3 Helyigény

Helyigény nyitott ajtóval (10.3. ábra): Készülék szélessége: 1588 mm Készülék mélysége: 1103 mm



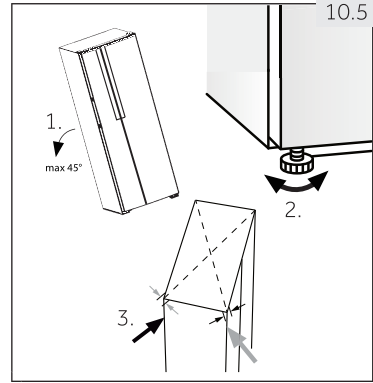
10.4 Szellőzéshez szükséges hely

A készülék biztonságos szellőzésének garantálása érdekében figyelembe kell venni a szellőzéshez szükséges hely méreteit (10.4 ábra).

10.5 A készülék beállítása

A készüléket vízszintes és szilárd felületre kell helyezni.

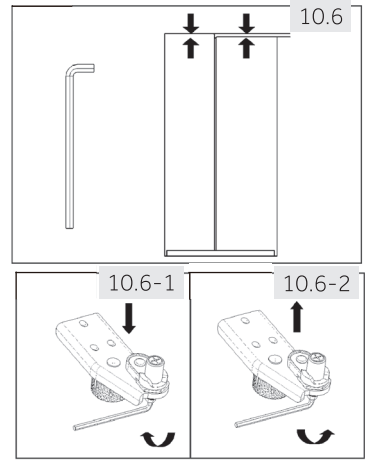
1. Döntse kissé hátrafelé a készüléket (10.5. ábra).
2. Állítsa be megfelelően a lábakat.
Győződjön meg arról, hogy a zsanér oldalán a faltól mért távolság legalább 5 cm.
3. A stabilitás átlós billegtetéssel ellenőrizhető. A kismértékű billegésnek mindkét irányban azonosnak kell lennie. Ellenkező esetben a keret vetemedhet; emiatt az ajtó tömítések zárása hibás lehet. Kis mértékű dőlés hátrafelé megkönnyíti az ajtó bezárását.



10.6 Az ajtó beállítása

Ha az ajtó még mindig nincs vízszintes a láb beállítását követően, az eltérés a hűtőajtó jobb alsó sarkában lévő zsanér emelőtengelyének csavarkulccsal történő elfordításával korrigálható (10.6 ábra)

- Forgassa el az óramutató járásával megegyező irányba az emelőtengelyt csavarkulccsal az ajtó leengedéséhez (10.6-1. ábra).
- Forgassa el az óramutató járásával ellentétes irányba az emelőtengelyt csavarkulccsal az ajtó felemeléséhez (10.6-2. ábra).

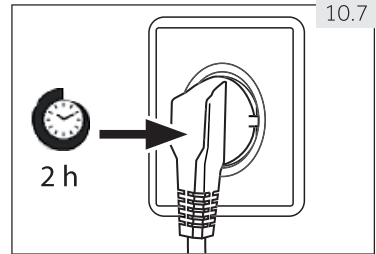


FIGYELEM!

Ne állítsa a zsanér emelőtengelyét túlzottan olyan pozícióba, ami miatt a tengely kiugorhat a helyéről. (Magasságállítás mértéke: 3 mm)

10.7 Várakozási idő

A karbantartásmentes kenőolaj a kompresszorházban található. Ez az olaj ferde helyzetű szállítás közben átjuthat a zárt csőrendszeren. Mielőtt csatlakoztatná a készüléket az áramforráshoz, várjon legalább 2 órát (10.7. ábra), hogy az olaj visszajusson a házba.



10.7

10.8 Elektromos csatlakoztatás Minden csatlakoztatás előtt ellenőrizze, hogy:

- ▶ a hálózati csatlakozó aljzat és a biztosíték megfelel az adattáblának.
- ▶ a hálózati csatlakozó aljzat földelt, és nincs elosztó vagy hosszabbító.
- ▶ a tápkábel és a hálózati csatlakozó aljzat megfelel a követelményeknek.

Csatlakoztassa a dugaszt egy megfelelően felszerelt háztartási csatlakozó aljzatba.



FIGYELEM!

A kockázatok elkerülése érdekében a sérült tápkábelt az ügyfélszolgálatnak kell kicserélnie (lásd a jótállási kártyát).

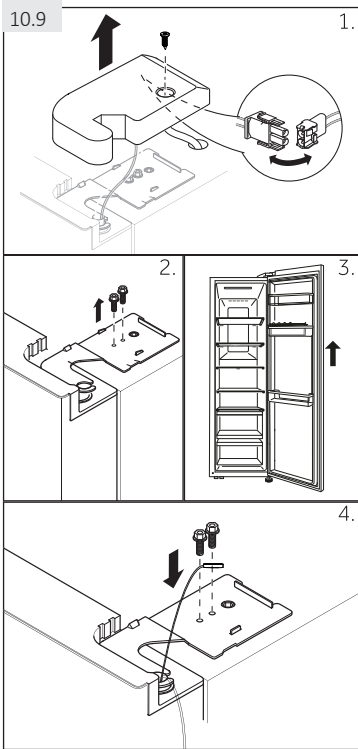
10.9 Az ajtók eltávolítása és felszerelése

Ha el kell távolítania a készülék ajtóit, kövesse az ajtók eltávolítására és felszerelésére vonatkozó alábbi utasításokat (10.9 ábra).



FIGYELEM!

- ▶ Bármilyen művelet megkezdése előtt kapcsolja ki a készüléket, és húzza ki a hálózati csatlakozót az aljzatból.
- ▶ A készülék nehéz. Mindig legalább két személy vigye.
- ▶ Ne döntse 45°-nál nagyobb mértékben a készüléket, és ne helyezze vízszintesen a talajra.



1. Vegye le a zsanérfedél csavarját, és távolítsa el a fedelet. Szerelje szét a kábelcsatlakozót.

2. Távolítsa el a felső zsanért a helyén tartó csavarokat, majd távolítsa el a zsanért.
3. Emelje fel a hűtőtér ajtaját, hogy eltávolítsa.

4. Helyezze vissza az ajtót az eltávolítási lépések fordított sorrendben történő végrehajtásával. Győződjön meg arról, hogy a földelő kábelt a csavar rögzíti.



Megjegyzés: Hűtőajtó

A képek a hűtő ajtajának eltávolítását mutatják. A fagyasztóajtóhoz lásd a megfelelő részeket a másik oldalon

11.1 Az 1060/2010/EU rendelet szerinti termékismertető adatlap

Védjegy	Haier
Modell azonosító	HSR3918FNP*
Modell kategóriája	Kombinált hűtőszekrény
Energiahatékonysági osztály	A+
Éves energiafogyasztás (kWh/év)	399
Hűtőtér térfogata (L)	337
Fagyasztótér térfogata (L)**	167
Csillagok száma	
Más terek hőmérséklete > 14 °C	Nem alkalmazható
Fagyásmentes rendszer	Igen
Hőmérséklet emelkedés ideje (óra)	5
Fagyasztási kapacitás (kg/24 óra)	10
Klímaosztály	SN-N-ST-T
A készüléket 10 °C és 43 °C közötti környezeti hőmérsékleten történő használatra tervezték.	
Zajkibocsátás (db(A))	38
Szerkezet típusa	Szabadon álló

A 24 órás standard teszteredmények alapján. A tényleges energiafogyasztás attól függ, hogy hol van a hűtőszekrény, és hogyan használják.

11.1.1 Kiegészítő műszaki adatok

Feszültség / Frekvencia	220-240V-/ 50Hz
Bemenő teljesítmény (W)	200
Főbiztosíték (A)	15
Hűtőközeg	R600a
Méretek (Ma/Mé/Szé mm-ben)	1775/908/647

11.1.2 Szabványok és irányelvek 

Ez a termék megfelel a CE-jelölést előíró valamennyi vonatkozó EK-irányelv követelményeinek és a vonatkozó harmonizált szabványoknak.

Ajánljuk figyelmébe Haier ügyfélszolgálatunkat, valamint eredeti pótalkatrészek használatát javasoljuk.

Ha problémája van a készülékével, kérjük, először ellenőrizze a HIBAELHÁRÍTÁS szakaszt.

Ha abban nem talál megoldást, kérjük, vegye fel a kapcsolatot

- ▶ helyi forgalmazójával vagy
- ▶ a Szolgáltatási és támogatási területtel a www.haier.com oldalon, ahol telefonszámokat és GYIK-et találhat, és ahol kérheti a javítást.

Az Ügyfélszolgálatunkkal való kapcsolatfelvételhez a következő adatok mindenképp álljanak rendelkezésére.

Az információk megtalálhatók az adattáblán.

Modell _____ Sorozatszám _____

Érvényes jótállás esetén ellenőrizze a termékhez mellékelt Jótállási kártyát is.



Haier



0060528721



Priručnik za korisnika

Frižider – zamrzivač

HSR3918ENP*

HSR3918EWP*

HSR3918FNP*

***=W,B,L,G,N**

SR

Haier

Hvala vam što ste kupili proizvod kompanije Haier.

Pažljivo pročitajte ova uputstva pre upotrebe ovog uređaja. Uputstva sadrže važne informacije koje će vam pomoći da iskoristite sve mogućnosti uređaja i obezbedite bezbednu i pravilnu montažu, upotrebu i održavanje.

Držite ovaj priručnik na pogodnom mestu, tako da uvek možete da ga konsultujete radi bezbedne i pravilne upotrebe uređaja.

Ako prodajete uređaj, poklanjate ga ili ostavljate nakon preseljenja, obavezno obezbedite ovaj priručnik tako da novi vlasnik može da se upozna sa uređajem i sigurnosnim upozorenjima.

Legenda

Upozorenje – važne bezbednosne informacije



Opšte informacije i saveti



Informacije o životnoj sredini



Odlaganje u otpad

Pomozite u zaštiti životne sredine i očuvanju ljudskog zdravlja. Odložite ambalažu u odgovarajući kontejner radi recikliranja. Pomozite u reciklaži otpada od električnih i elektronskih uređaja. Ne odlažite u otpad uređaje označene ovim simbolom zajedno sa otpadom iz domaćinstva. Vratite proizvod u lokalni objekat za reciklažu ili se obratite opštinskoj kancelariji.



UPOZORENJE!

Rizik od povrede ili gušenja!

Stručnjaci moraju da odlože u otpad rashladna sredstva i gasove. Uverite se da cev rashladnog kola nije oštećena pre pravilnog odlaganja u otpad. Isključite uređaj iz mrežnog napajanja. Isecite mrežni kabl i odložite ga u otpad. Uklonite tacne i fioke, kao i rezu vrata i zaptivke, kako biste sprečili zaglavljivanje dece i kućnih ljubimaca u uređaju.

Stari uređaji i dalje imaju izvesnu preostalu vrednost. Ekološki prihvatljiv način odlaganja u otpad obezbediće da se vredne sirovine mogu povratiti i koristiti.

Ciklopentan, zapaljiva supstanca koja nije štetna po ozon, koristi se kao ekspander za izolacionu penu.

Kada osigurate pravilno odlaganje u otpad ovog proizvoda, pomoći ćete u sprečavanju potencijalnih negativnih posledica po životnu sredinu i zdravlje ljudi, što bi inače moglo biti posledica.

Za detaljnije informacije o reciklaži ovog proizvoda, obratite se lokalnom nadležnom telu, usluzi odlaganja otpada iz domaćinstva ili prodavnici u kojoj ste kupili proizvod. Odlaganje u otpad treba da sprovedu stručnjaci.

1- Bezbednosne informacije	4
2- Namena.....	8
3- Opis proizvoda	10
4- Kontrolni panel	11
5- Upotreba.....	12
6- Saveti za uštedu energije	20
7- Oprema	21
8- Nega i čišćenje.....	23
9- Rešavanje problema	25
10- Montaža.....	28
11- Tehnički podaci.....	31
12- Korisnička služba	32

Pre prvog uključivanja uređaja, pročitajte sledeće savete o bezbednosti!



UPOZORENJE!

Pre prve upotrebe

- ▶ Uverite se da se nisu pojavila oštećenja pri transportu.
- ▶ Uklonite svu ambalažu i držite je van domašaja dece.
- ▶ Sačekajte najmanje dva sata pre montaže uređaja kako bi se osiguralo da je rashladno kolo potpuno funkcionalno.
- ▶ Rukujte uređajem uvek sa još najmanje dve osobe jer je težak.

Montaža

- ▶ Postavite uređaj na dobro provetreno mesto. Obezbedite prostor od najmanje 20 cm iznad i 10 cm oko uređaja.
- ▶ Nikada ne montirajte uređaj u vlažnom prostoru ili lokaciji gde se može isprskati vodom. Prebrišite vodu i mrlje od vode mekom i čistom krpom.
- ▶ Ne montirajte uređaj na direktnoj sunčevoj svetlosti ili u blizini izvora toplote (npr. rerna, grejalica).
- ▶ Montirajte i nivelišite uređaj u prostoru pogodnom za njegovu veličinu i upotrebu.
- ▶ Ne blokirajte ventilacione otvore na uređaju ili u ugrađenoj strukturi.
- ▶ Uverite se da su električne informacije na natpisnoj pločici usklađene sa napajanjem. Ako to nije slučaj, obratite se električaru.
- ▶ Uređaj radi pod napajanjem od 220–240 VAC / 50 Hz. Abnormalna fluktuacija napona može prouzrokovati da se uređaj ne uključi ili oštećenje regulacije temperature, a pored toga može doći do abnormalne buke prilikom rada. U tom slučaju, treba da se montira automatski regulator.
- ▶ Koristite zasebnu uzemljenu utičnicu za mrežno napajanje koja je lako dostupna. Uređaj mora biti uzemljen.
- ▶ **Samo za Ujedinjeno Kraljevstvo:** Mrežni kabl uređaja opremljen je utikačem sa 3 priključnice (sa uzemljenjem) koji se podudara sa standardnom utičnicom sa 3 priključnice (sa uzemljenjem). Nemojte nikada da sečete ili skidate treću priključnicu (uzemljenje). Nakon montaže uređaja, utikač treba da bude pristupačan.
- ▶ Nemojte da koristite adaptere sa više utičnica niti produžne kablove.
- ▶ Uverite se da mrežni kabl nije zaglavljen u uređaju. Nemojte da gazite mrežni kabl.
- ▶ Nemojte da oštetite rashladno kolo.
- ▶ Nemojte da smeštate više prenosivih utičnica ili prenosivih izvora napajanja na zadnji deo uređaja.



UPOZORENJE!

Svakodnevna upotreba

- ▶ Ovaj uređaj smeju da koriste deca uzrasta od 8 godina i osobe sa smanjenim fizičkim, čulnim ili mentalnim sposobnostima ili nedostatkom iskustva i znanja, ako su pod nadzorom ili ako imaju na raspolaganju uputstva u vezi sa upotrebom uređaja na bezbedan način i ako razumeju opasnosti koje su uključene.
- ▶ Deca uzrasta od 3 do 8 godina smeju da utovaruju i istovaruju rashladne uređaje, ali im nije dozvoljeno čišćenje i montaža rashladnih uređaja.
- ▶ Držite dalje decu mlađu od 3 godine od uređaja, osim ako su pod stalnim nadzorom.
- ▶ Čišćenje i održavanje od strane korisnika ne smeju da vrše deca bez nadzora.
- ▶ Deca ne smeju da se igraju uređajem.
- ▶ Uređaj mora da bude postavljen tako da je utikač pristupačan.
- ▶ Ako u blizini uređaja curi hladni gas ili drugi zapaljivi gas, isključite ventil iscrelog gasa, otvorite vrata i prozore i nemojte da isključujete iz utičnice utikač mrežnog kabla ovog uređaja ili bilo kog drugog uređaja.
- ▶ Imajte na umu da je uređaj pripremljen za rad u određenom opsegu temperature okruženje između 10 i 38 °C. Uređaj možda neće raditi ispravno ako se ostavi tokom dužeg perioda na temperaturi iznad ili ispod navedenog opsega.
- ▶ Ne stavljajte nestabilne predmete (teške predmete, posude napunjene vodom) na vrh uređaja kako biste izbegli telesne povrede izazvane padom ili strujnim udarom koji je izazvan kontaktom sa vodom.
- ▶ Nemojte da vučete police u vratima. Moguće je naginjanje vrata, police za flaše, izvlačenje vrata ili rušenje uređaja.
- ▶ Otvarajte i zatvarajte vrata samo pomoću ručke. Razmak između vrata i između vrata i unutrašnjosti frižidera je veoma uzak. Nemojte da pružate ruke u ove oblasti kako biste izbegli priklještenje prstiju. Otvarajte ili zatvarajte vrata samo kada nema dece u domašaju kretanja vrata.
- ▶ Nemojte da čuvate ili koristite zapaljive, eksplozivne ili korozivne materijale u uređaju ili u njegovoj blizini.
- ▶ Nemojte da čuvate lekove, bakterije ili hemijska sredstva u uređaju. Ovaj uređaj je kućni aparat. Ne preporučuje se skladištenje materijala koji iziskuju strogo određene temperature.
- ▶ Nemojte nikada da čuvate u zamrzivaču tečnosti u flašama ili limenkama (pored jakih alkoholnih pića), naročito gazirana pića, jer će one pući tokom zamrzavanja.



UPOZORENJE!

Svakodnevna upotreba

- ▶ Proverite stanje hrane ako je došlo do zagrevanja zamrzivača.
- ▶ Nemojte da podešavate nepotrebno nisku temperaturu u frižideru. Temperature ispod nule se mogu javiti na visokim postavkama. Vodite računa: Flaše mogu da puknu.
- ▶ Nemojte da dodirujete smrznute predmete mokrim rukama (nosite rukavice). Posebno nemojte da jedete zaleđene lizalice neposredno nakon uklanjanja iz zamrzivača. Postoji rizik od smrzavanja ili stvaranja promrzlina. Prva pomoć: odmah stavite pod tekuću hladnu vodu. Ne povlačite šake!
- ▶ Nemojte da dodirujete unutrašnju površinu zamrzivača dok radi, naročito ne vlažnim šakama, jer šake mogu da vam se zamrznu na površini.
- ▶ Isključite uređaj u slučaju nestanka struje ili pre čišćenja. Sačekajte najmanje 5 minuta pre ponovnog uključivanja uređaja, jer često uključivanje može oštetiti kompresor.
- ▶ Nemojte da koristite električne uređaje unutar odeljaka za čuvanje hrane u uređaju, osim ako nisu onog tipa koji preporučuje proizvođač.
- ▶ Koristite samo vodu za piće sa modelima sa dozatorom za vodu.

Održavanje/čišćenje

- ▶ Uverite se da su deca pod nadzorom ako obavljaju čišćenje i održavanje.
- ▶ Isključite uređaj iz mrežnog napajanja pre nego što preduzmete bilo kakvo rutinsko održavanje. Sačekajte najmanje 5 minuta pre ponovnog uključivanja uređaja, jer često uključivanje može oštetiti kompresor.
- ▶ Držite utikač, a ne kabl, prilikom isključivanja uređaja iz napajanja.
- ▶ Nemojte da stružete mraz ili led oštrim predmetima. Nemojte da koristite sprejeve, električne grejače poput grejalica, fenova za kosu, parnih čistača ili drugih izvora toplote, kako bi se izbeglo oštećenje plastičnih delova.
- ▶ Nemojte da koristite mehaničke uređaje ili druga sredstva za ubravanje procesa odmrzavanja, osim onih koje preporučuje proizvođač.
- ▶ Nemojte da čistite uređaj tvrdim četkama, žičanim četkama, deterdžentom u prahu, benzinom, amil acetatom, acetonom i sličnim organskim, kiselim ili alkalnim rastvorima. Čistite uređaj specijalnim deterdžentom za frižidere kako biste izbegli oštećenje.
- ▶ Na kraju koristite toplu vodu i rastvor sode bikarbone i to približno kašiku sode bikarbone na litar vode. Isperite temeljno vodom i prebrišite suvom krpom. Nemojte da koristite prašak za čišćenje ili druga abrazivna sredstva za čišćenje. Nemojte da perete demontažne delove u mašini za pranje sudova
- ▶ Ako je mrežni kabl oštećen, mora da ga zameni proizvođač, radnik servisne službe ili slično kvalifikovana lica kako bi se izbegla opasnost.

- ▶ Nemojte da pokušavate sami da popravite, rastavljate ili izmenite uređaj. U slučaju popravke, obratite se našoj službi za korisnike.
- ▶ Ako su lampice oštećene, moraće da ih zameni proizvođač, radnik servisne službe ili slično kvalifikovana lica kako bi se izbegla opasnost.
- ▶ Uklonite prašinu na poleđini jedinice najmanje jednom godišnje kako bi se izbegla opasnost od požara, kao i povećana potrošnja energije.
- ▶ Nemojte da prskate tečnost na uređaj niti da ga ispirate tokom čišćenja.
- ▶ Nemojte da koristite raspršenu vodu ili paru za čišćenje uređaja.
- ▶ Nemojte da čistite hladne staklene police toplom vodom. Iznenadna promena temperature može da prouzrokuje lom stakla.
- ▶ Ako uređaj ostavite van upotrebe tokom dužeg perioda, ostavite ga otvorenim kako biste sprečili pojavu mirisa i neprijatnih mirisa unutar uređaja.

Informacije o rashladnom gasu



UPOZORENJE!

Uređaj sadrži zapaljivo rashladno sredstvo IZOBUTAN (R600a). Uverite se da rashladno kolo nije oštećeno tokom transporta ili montaže.

Curenje rashladnog sredstva može izazvati povrede oka ili se može zapaliti. Ako je došlo do oštećenja, držite dalje od otvorenih izvora vatre, dobro provetrite prostoriju, ne priključujte niti isključujte mrežne kablove uređaja ili bilo kog drugog uređaja. Obavestite korisničku službu.

U slučaju da rashladno sredstvo dođe u kontakt sa očima, odmah ih isperite tekućom vodom i odmah pozovite očnog lekara.

UPOZORENJE: Rashladni sistem je pod visokim pritiskom. Nemojte da ga modifikujete. Budući da se koriste zapaljiva rashladna sredstva, montirajte, servisirajte uređaj i rukujte njim strogo prema uputstvima i obratite se stručnjaku ili našoj postprodajnoj službi radi odlaganja uređaja u otpad.

2.1 Namena

Ovaj uređaj je namenjen za upotrebu u domaćinstvu i za slične primene, kao što su:

- kuhinjske prostorije za osoblje u okviru prodavnica, kancelarija ili drugih radnih prostorija;
- seoske kuće i za klijente u hotelima, motelima i drugim okruženjima stambenog tipa;
- okruženja tipa noćenja sa doručkom;
- ugostiteljstvo i slične primene koje nisu maloprodajne.

► Ako se uređaj neće koristiti tokom dužeg vremenskog perioda i koristićete samo funkciju „Holiday“ ili ćete isključiti frižider, to jest, zamrzivač:

- Izvadite hranu.
- Isključite mrežni kabl.
- Ispraznite i očistite rezervoar za vodu.
- Očistite uređaj kao što je opisano u prethodnom tekstu.
- Držite vrata otvorena kako bi se sprečilo stvaranje neprijatnih mirisa u unutrašnjosti uređaja.

► Da bi se obezbedilo bezbedno očuvanje hrane ili vina, pridržavajte se ovog uputstva za upotrebu.


► Da biste izbegli kontaminaciju hrane (ne važi za vinski podrum), pridržavajte se sledećih uputstava:

- Otvaranje vrata tokom dužeg vremena može izazvati značajan porast temperature u odeljcima uređaja.
- Redovno čistite površine koje mogu doći u kontakt sa hranom i dostupnim sistemima za odvodnjavanje.
- Čistite rezervoare za vodu ako nisu korišćeni tokom 48 h. Isperite sistem za vodu povezan sa vodosnabdevanjem ako niste točili vodu tokom 5 dana.
- Čuvajte sirovo meso i ribu u odgovarajućim posudama u frižideru/zamrzivaču, tako da nije u kontaktu sa drugom hranom niti da kaplje na nju. Da bi se obezbedilo bezbedno očuvanje hrane, čuvajte odvojeno instant hranu i sirovo meso/ribu.
- Posude za zamrznutu hranu sa dve zvezdice pogodne su za čuvanje prethodno smrznute hrane, čuvanje ili pravljenje sladoleda i pravljenje kockica leda.
- Posude sa jednom, dve i tri zvezdice nisu pogodne za zamrzavanje sveže hrane.
- Ako rashladni uređaj ostaje prazan duže vreme, isključite, odmrznite, očistite i osušite uređaj i ostavite vrata otvorena kako bi se sprečio nastanak buđi unutar uređaja.

► Detalji o najprikladnijem delu u odeljku uređaja gde će se čuvati određene vrste hrane, s obzirom na distribuciju temperature koja može biti prisutna u različitim odeljcima uređaja, nalaze se u delu drugog priručnika.

Odlaganje u otpad



Simbol  na proizvodu ili njegovoj ambalaži ukazuje na to da se ovaj proizvod ne može tretirati kao otpad iz domaćinstva. Umesto toga treba da ga odnesete na prikladno mesto za prikupljanje otpada radi reciklaže električne i elektronske opreme. Kada osigurate pravilno odlaganje u otpad ovog proizvoda, pomoći ćete u sprečavanju potencijalnih negativnih posledica po životnu sredinu i zdravlje ljudi, što bi inače moglo biti posledica neprikladnog rukovanja otpadom od ovog uređaja. Za detaljnije informacije o reciklaži ovog proizvoda, obratite se lokalnom nadležnom telu, usluzi odlaganja otpada iz domaćinstva ili prodavnici u kojoj ste kupili proizvod. Pošto se koriste zapaljivi gasovi za izolaciju, obratite se profesionalcu ili našoj postprodajnoj službi radi odlaganja uređaja u otpad.

UPOZORENJE!

Rizik od povrede usled gušenja!

Stručnjaci moraju da odlože u otpad rashladna sredstva i gasove. Uverite se da cev rashladnog kola nije oštećena pre pravilnog odlaganja u otpad. Isključite uređaj iz mrežnog napajanja. Isecite mrežni kabl i odložite ga u otpad. Uklonite tacne i fioke, kao i rezu vrata i zaptivke, kako biste sprečili zaglavljivanje dece i kućnih ljubimaca u uređaju.

Promene ili izmene uređaja nisu dozvoljene. Upotreba u suprotnosti sa namenom može izazvati opasnosti i poništiti garanciju.

2.2 Dodatna oprema

Proverite dodatnu opremu i literaturu u skladu sa ovom listom (slika 2.2):



2.2

3 - Opis proizvoda

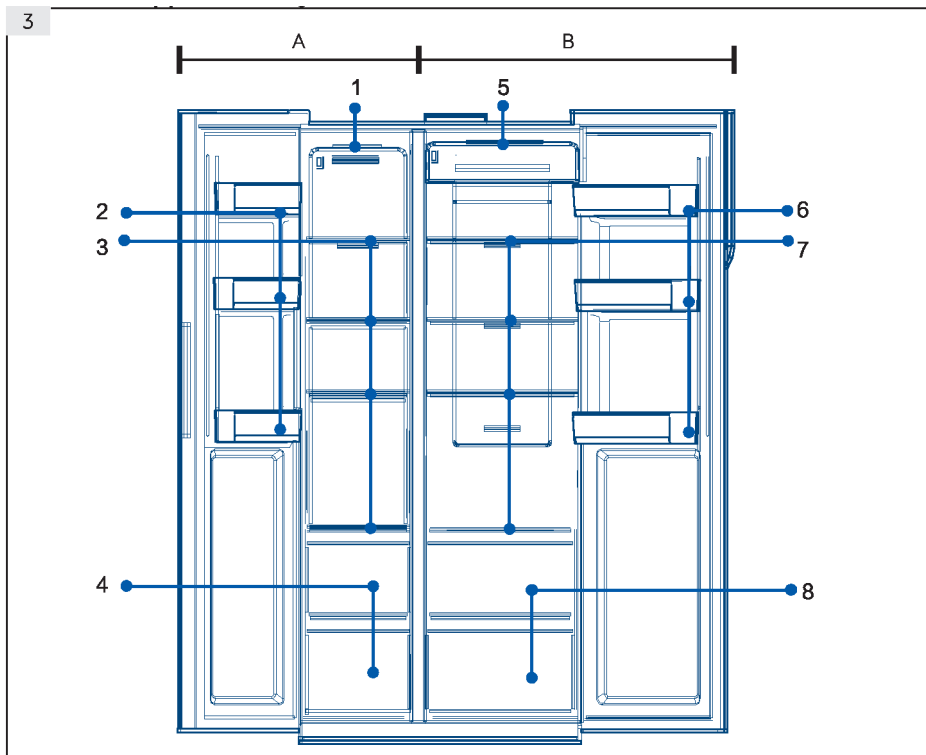
SR



Napomena

Zbog tehničkih promena i različitih modela, neke ilustracije u ovom priručniku mogu se razlikovati od vašeg modela.

Slike uređaja (slika 3)



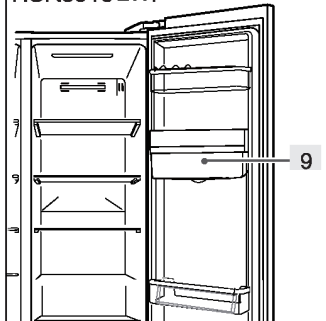
A: Zamrzivač

- 1 Lampica na vrhu uređaja
- 2 Polica u vratima / držač za flaše
- 3 Police zamrzivača
- 4 Kutija zamrzivača

B: Frižider

- 5 Lampica na vrhu uređaja
- 6 Polica u vratima / držač za flaše
- 7 Police frižidera
- 8 Kutija frižidera
- 9 Rezervoar za vodu

HSR3918EWP*



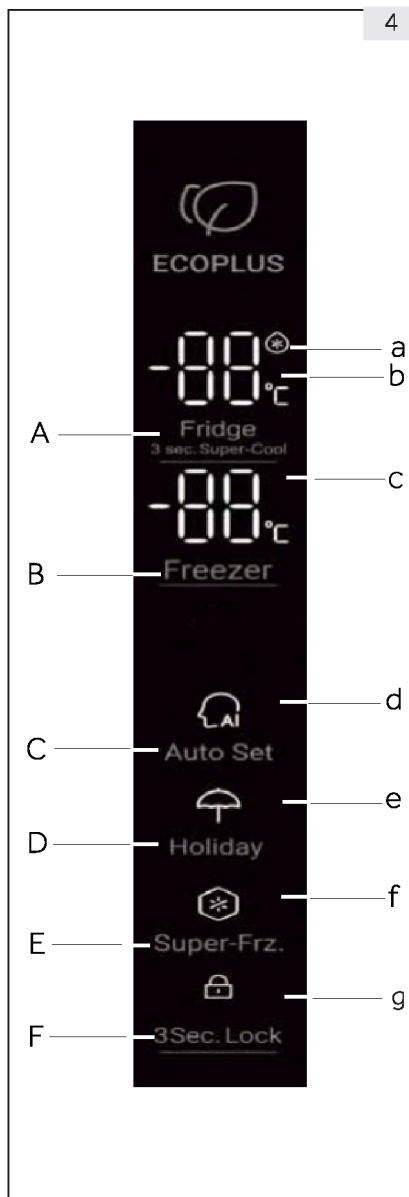
Kontrolni panel (slika 4)

Tasteri:

- A Birač frižidera
- B Birač zamrzivača
- C Režim Auto set
- D Režim Holiday
- E Režim Super-Freeze
- F Birač zaključavanja panela

Indikatori:

- a Režim Super-Cool
- b Temperatura frižidera
- c Temperatura zamrzivača
- d Režim Auto set
- e Režim Holiday
- f Režim Super-Freeze
- g Zaključavanje panela



5.1 Prva upotreba

Kada se frižider prvi put poveže sa napajanjem, displej je uključen. Podrazumevana temperatura frižidera je 4 °C, dok je temperatura zamrzivača - 18 ° C. Lampica funkcije inteligencije je uključena.

5.2 Zaključavanje/otključavanje panela

Automatsko zaključavanje:

Kada su vrata frižidera i vrata zamrzivača zatvorena, a nijedno dugme nije pritisnuto tokom 30 sekundi, svetlo panela će se automatski isključiti, a panel je zaključan.

Ručno zaključavanje:

Kada je panel otključan, pritisnite dugme zaključavanja tokom 3 sekunde, ogласиće se zvučni signal, indikator zaključavanja će biti uključen i displej će se zatim zaključati.



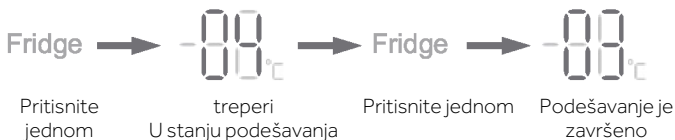
Otključavanje:

Kada je panel isključen, otvorite bilo koja vrata frižidera ili dodirnite bilo koje dugme na kontrolnom panelu i panel će se uključiti. Panel je zaključan u ovom trenutku. Pritisnite dugme funkcije zaključavanja tokom 3 sekunde, zvučni signal će se ogласити, indikator zaključavanja će se isključiti i panel će se otključati.



5.3 Podesite temperaturu frižidera

1. Kada je kontrolni panel otključan, pritisnite „Birač frižidera“ i ogласиće se zvučni signal. Indikator temperature frižidera treperi. Sada će moći da se podesi temperatura frižidera.
2. Zatim svaki pritisak na birač frižidera, oglašava se zvučni signal i postavka se spušta za 1 nivo. Redosled pomeranja je u neprekidnoj petlji, „4 °C / 3 °C / 2 °C / 1 °C / 9 °C / 8 °C / 7 °C / 6 °C / 5 °C / 4 °C“

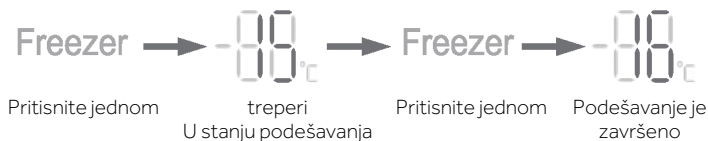


Napomena

- Uređaj je podešen na preporučenu temperaturu od 4 °C (frižider) i - 18 °C (zamrzivač). U normalnim uslovima okruženja ne morate da podesite temperaturu.

5.4 Podesite temperaturu zamrzivača

1. Kada je kontrolni panel otključan, pritisnite „Birač zamrzivača“, ogласиće se zvučni signal, indikator temperature zamrzivača će treperiti. Sada će moći da se podesi temperatura zamrzivača.
2. Zatim se na svaki pritisak birača zamrzivača чује zvučni signal i temperatura se smanjuje za 1. Redosled pomeranja je u neprekidnoj petlji kao „-18 °C/-19 °C/-20 °C/-21 °C/-22 °C/-23 °C/-24 °C/-14 °C/-15 °C/-16 °C/-17 °C /-18 °C“.



Napomena

- Temperatura je podešena, ako se ne pritisne dugme za 5 sekundi, temperatura će biti automatski potvrđena i sačuvana.

5.5 Auto set

1. Kada je kontrolni panel otključan, pritisnite „Birač režima Auto set“, ogласиće se zvučni signal, indikator režima Auto set će treperiti. Režim Auto set se pokreće.
2. Kada je indikator režima Auto set uključen, pritisnite birač režima Auto set, ogласиće se zvučni signal, indikator režima Auto set biće isključen, a režim Auto set će se zatvoriti.



Napomena

- Kada je režim Auto set uključen, temperatura frižidera i temperatura zamrzivača se ne mogu izabrati. Kada se pritisne birač frižidera ili birač zamrzivača, indikator režima Auto set treperi i emituju se zvučni signali koji podsećaju da operacija nije dozvoljena. Kada je za režim Auto set izabrana funkcija fast cool, fast freeze ili Holiday, režim Auto set je isključen i režim Auto set se automatski zatvara.

5.6 Režim Holiday

Režim Holiday je osmišljen za situaciju u kojoj se frižider neće koristiti duže vreme. Kada je režim Holiday uključen, može se izabrati temperatura zamrzivača, dok se temperatura frižidera automatski podešava na 17 °C, čime se izbegava bilo kakav neprijatan miris zbog visoke temperature u frižideru, a ujedno se štedi energija.

Kada je kontrolni panel otključan, pritisnite „Birač režima Holiday“, ogласiće se zvučni signal, indikator režima Holiday će treperiti. Režim Holiday se pokreće.

Kada je indikator režima Holiday uključen, pritisnite birač funkcije Holiday, ogласiće se zvučni signal, indikator režima Holiday biće isključen i režim Holiday će se zatvoriti.



Napomena

- ▶ Kada je režim Holiday uključen, temperatura frižidera neće moći da se izabere. Kada se pritisne birač frižidera, indikator režima Holiday treperi i emituju se zvučni signali koji podsećaju da operacija nije dozvoljena. Pre nego što se izabere režim Holiday, ispraznite frižider kako biste izbegli kvarenje hrane. Dok je uključen režim Holiday, funkcija inteligencije i fast cool ne mogu se istovremeno odabrati. Ako je izabran režim inteligencije ili fast cool, indikator režima Holiday je isključen i funkcija se automatski zatvara.

5.7 Režim Super-Cool

1. Kada je kontrolni panel otključan, pritisnite „Birač frižidera“ tokom 3 sekunde, zvučni signal će se ogласiti i osvetlice se indikator Super-Cool. Pokreće se Super-Cool.
2. Kada je indikator Super-Cool uključen, pritisnite birač frižidera tokom 3 sekunde, zvučni signal će se ogласiti, indikator Super-Cool je isključen. Režim Super-Cool se zatvara
3. Kada je režim Super-Cool uključen, frižider će se automatski prebaciti u režim Super-Cool nakon što režim Super-Cool dostigne podešeno stanje. Ako želite da izađete iz režima ručno, možete da pritisnete birač frižidera tokom 3 sekunde da biste isključili režim Super-Cool.



Napomena

- ▶ Kada se koristi funkcija Super-Cool, režim Fuzzy i režim Holiday ne mogu se istovremeno izabrati. Ako je izabran režim Fuzzy režim ili režim Holiday, indikator Super-Cool je isključen i Super-Cool se automatski zatvara.

5.8 Režim Super-Freeze

1. Kada je kontrolni panel otključan, pritisnite „Birač Super-Freeze“, oglasit će se zvučni signal, indikator Super-Freeze će treperiti. Režim Super-Freeze se pokreće.
2. Dok je indikator Super-Freeze, pritisnite „Birač Super-Freeze“, oglasit će se zvučni signal, indikator Super-Freeze će se isključiti. Režim Super-Freeze se zatvara.
3. Kada je režim Super-Freeze uključen, frižider će se automatski prebaciti u režim Super-Freeze nakon što režim Super-Freeze dostigne podešeno stanje. Ako želite da izađete iz režima ručno, možete da pritisnete birač Super-Freeze tokom 3 sekunde da biste isključili režim Super-Freeze.



Napomena

- ▶ Režim Super-Freeze je osmišljen da održi nutritivne materije hrane u zamrzivaču, a hrana se zamrzava u najkraćem roku. Ako se velika količina hrane zamrzne odjednom, preporučuje se da postavite režim Super-Freeze 24 sata unapred kako bi se dostigla niža temperatura u zamrzivaču pre nego što se hrana stavi. U ovom stanju, brzina zamrzavanja u zamrzivaču se povećava, a hrana se može brzo zamrznuti, čime se efikasno osigurava nutritivna vrednost hrane i olakšava njeno čuvanje. U stanju Super-Freeze, ako želite da odaberete funkciju inteligencije, indikator Super-Freeze biće isključen i režim Super-Freeze se automatski zatvara.

5.9 Alarm za otvorena vrata

Kada je vreme otvaranja vrata predugo ili kada vrata nisu zatvorena, frižider će oglasiti alarm kapanja svaki put, a zatim će vas podsetiti da zatvorite vrata na vreme.

5.10 Ušteda energije na kontrolnom panelu

Ako nema operacije na kontrolnom panelu tokom 30 sekundi, panel će se automatski isključiti i ući će u zaključano stanje koje može da uštedi energiju. Kada se pritisne dugme funkcije za zaključavanje ili se otvore bilo koja vrata, kontrolni panel će biti osvetljen.

5.11 Funkcija memorije u slučaju nestanka struje

Kada se frižider isključi, trenutno radno stanje nestanka struje će se memorisati. Nakon što se napajanje ponovo uspostavi, frižider će nastaviti da radi u skladu sa promenom i funkcionalnim statusom koji je podešen pre nestanka struje.

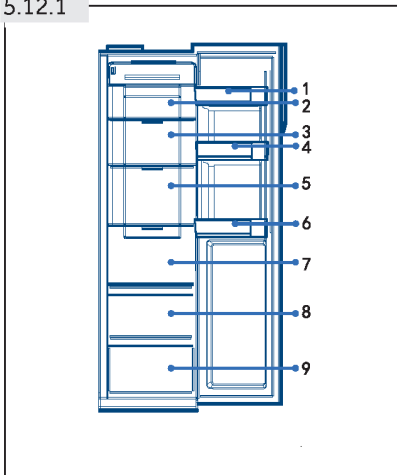
Vodite računa: Funkcija zaključavanja nije memorisana. Nakon što se frižider ponovo uključi, kontrolni panel počinje samostalnu proveru, indikator funkcije zaključavanja je isključen, a frižider je otključan.

5.12 Saveti za čuvanje sveže hrane

5.12.1 Čuvanje u frižideru

- ▶ Držite temperaturu frižidera ispod 5 °C.
- ▶ Topla hrana mora biti ohlađena na sobnu temperaturu pre čuvanja u uređaju.
- ▶ Hrana koja se čuva u frižideru treba da se opere i osuši pre čuvanja
- ▶ Dobro zatvorite hranu koju treba čuvati kako bi se izbegle promene mirisa ili ukusa.
- ▶ Nemojte da čuvate prekomerne količine hrane. Ostavite razmak između namirnica kako bi se omogućilo da hladan vazduh struji oko njih radi boljeg i ravnomernijeg hlađenja.
- ▶ Hranu koja se jede svakodnevno treba čuvati na prednjoj strani police.
- ▶ Ostavite razmak između hrane i unutrašnjih zidova da biste omogućili protok vazduha. Naročito nemojte da čuvate hranu uz zadnji zid jer se hrana može zamrznuti na njemu. Izbegavajte direktan kontakt hrane (posebno masne ili kisele hrane) sa unutrašnjom oblogom, jer ulje/kiselina može poremetiti unutrašnju sloj. Očistite zaprljanja od ulja/kiselina kad god ih uočite.
- ▶ Odmrzavajte smrznutu hranu u frižideru. Na ovaj način možete koristiti zamrznutu hranu za smanjenje temperature u odeljku i uštedu energije.
- ▶ Proces sazrevanja voća i povrća, kao što su tikvice, dinje, papaja, banana, ananas itd, može se ubrzati u frižideru. Zbog toga nije preporučljivo da ih čuvate u frižideru. Međutim, sazrevanje jako zelenih voćki može se ubrzati tokom određenog perioda. Luk, beli luk, đumbir i drugo korenasto povrće takođe treba čuvati na sobnoj temperaturi.
- ▶ Neprijatni mirisi unutar frižidera znak su da se nešto prosulo i da je potrebno čišćenje. Pogledajte NEGA I ČIŠĆENJE.
- ▶ Različite namirnice treba staviti u različite oblasti prema njihovim svojstvima (slika 5.12.1)

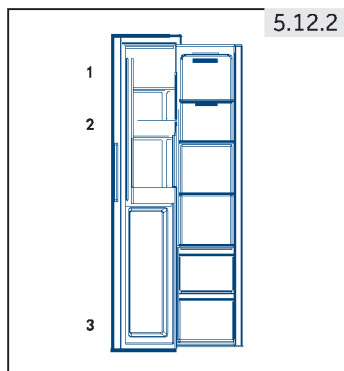
5.12.1



- 1 Maslac, sir itd.
- 2 Kisela hrana, konzervirana hrana itd.
- 3 Kisela hrana, konzervirana hrana itd.
- 4 Konzerve, konzervirana hrana, začini itd.
- 5 Mesni proizvodi, grickalice itd.
- 6 Pića i flaširana hrana.
- 7 Pasta, konzervirana hrana, mleko, tofu, mlečni proizvodi itd.
- 8 Voće, povrće, salata itd.
- 9 Kuvano meso, kobasice itd.

5.12.2 Čuvanje u zamrzivaču

- ▶ Održavajte temperaturu zamrzivača na -18 °C.
- ▶ Tokom 24 sata pre zamrzavanja pređite na funkciju Super-Freeze; za male količine hrane, dovoljno je 4–6 sati.
- ▶ Topla hrana mora biti ohlađena na sobnu temperaturu pre čuvanja u zamrzivaču.
- ▶ Hrana isečena na manje delove će se brže zamrznuti i lakše odmrzavati i kuvati. Preporučuje se da svaki deo teži manje od 2,5 kg
- ▶ Bolje je pakovati hranu pre stavljanja u zamrzivač. Spoljašnji deo ambalaže mora biti suv kako bi se izbeglo lepljenja kesa. Materijali ambalaže treba da budu bez mirisa, da se hermetički zatvaraju, da su neotrovni i netoksični.
- ▶ Da biste izbegli istek perioda čuvanja, zabeležite datum zamrzavanja, rok i naziv namirnice na pakovanju prema periodima čuvanja različitih namirnica.
- ▶ **UPOZORENJE!** Kiselina, baze i soli mogu da erodiraju unutrašnju površinu zamrzivača. Ne stavljajte hranu koja ima ove supstance (npr. morsku ribu) direktno na unutrašnju površinu. Slanu vodu u zamrzivaču treba odmah očistiti.
- ▶ Nemojte da prekoračite vreme čuvanja hrane koje preporučuju proizvođači. Izvadite samo potrebnu količinu hrane iz zamrzivača.
- ▶ Različite namirnice treba staviti u različite oblasti prema njihovim svojstvima (slika 5.12.2):



- 1 Manje teške namirnice, kao što su sladoled, povrće, hleb itd.
- 2 Piće bez velike sadržine alkohola i privremeno čuvanje alkoholnih pića sa visokim sadržajem alkohola, mali delovi poput pice ili začinskog bilja.
- 3 Velike/teže porcije hrane, kao što su veliki komadi mesa za pečenje



Napomena: Čuvanje

- ▶ Zadržite rastojanje veće od 10 mm između postavljene hrane i senzora kako biste osigurali efekat hlađenja.
- ▶ Zadržite najnižu fioku kada uređaj radi kako bi se osigurao efekat hlađenja.
- ▶ Hranu sa ledom (poput sladoleda itd.) treba čuvati unutar zamrzivača umesto na držaču za flaše pošto promene temperature na držaču za flaše uzrokovane otvaranjem vrata i zatvaranjem mogu odmrznuti hranu.
- ▶ Konzumirajte odmrznutu hranu brzo. Odmrznuta hrana se ne može ponovo zamrznuti osim ako se prvo ne skuva, inače možda neće biti jestiva.
- ▶ Nemojte stavljati prekomerne količine sveže hrane u zamrzivač. Pogledajte kapacitet zamrzavanja zamrzivača – pogledajte TEHNIČKI PODACI ili natpisnu pločicu.
- ▶ Hrana se može čuvati u zamrzivaču na temperaturi od najmanje -18 °C od 2 do 12 meseci, u zavisnosti od svojstava (npr. meso: 3–12 meseci, povrće: 6–12 meseci)
- ▶ Kada zamrzavate svežu hranu, izbegavajte da je dovedete u kontakt sa već zamrznutom hranom. Rizik od odmrzavanja!
- ▶ Odmrzavajte smrznutu hranu u frižideru. Na ovaj način možete koristiti zamrznutu hranu za smanjenje temperature u odeljku i uštedu energije.

5.12.3 Prilikom čuvanja komercijalno smrznute hrane, pratite ove smernice:

- ▶ Uvek pratite smernice proizvođača u pogledu vremena tokom kojeg treba čuvati hranu. Nemojte prekoračiti ove smernice!
- ▶ Pokušajte da održite što je moguće kraće vreme između kupovine i čuvanja kako biste očuvali kvalitet hrane.
- ▶ Kupite smrznutu hranu koja se čuva na temperaturi od -18 °C ili manjoj.
- ▶ Izbegavajte kupovinu hrane koja ima led ili mraz na pakovanju. Ovo ukazuje na to da su proizvodi možda delimično odmrznuti i zamrznuti u nekom trenutku – porast temperature utiče na kvalitet hrane.

5.13 Dozator vode (HSR3918 EWP*)

Pomoću dozatora vode možete da točite hladnu vodu za piće.

Rezervoar za vodu treba da očistite pre prve upotrebe (pogledajte odeljak NEGA I ČIŠĆENJE).

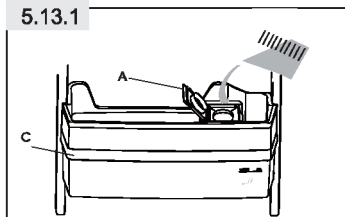
5.13.1 Punjenje rezervoara za vodu



UPOZORENJE!

Koristite samo vodu za piće.

5.13.1



1. Uverite se da je rezervoar za vodu pravilno ubačen (pogledajte odeljak OPREMA)
2. Otvorite poklopac (A) i sipajte svežu vodu za piće u rezervoar za vodu (slika 5.13.1)
3. Napunite vodu samo do oznake (2,5 l) jer je moguće prelivanje kada se vrata otvaraju i zatvaraju.
4. Zatvorite poklopac (A) u potpunosti.

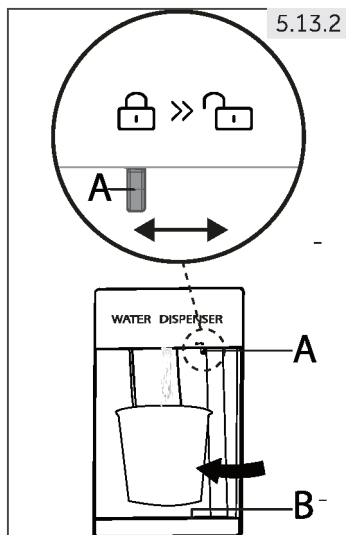


Napomena: Dozator vode

- ▶ Pre punjenja, prospite preostalu vodu i očistite rezervoar za vodu.
- ▶ Kada vam ne treba voda tokom dužeg vremena, ispraznite rezervoar za vodu i ubacite očišćeni rezervoar.
- ▶ Poklopac (C) na rezervoaru za vodu (slika 5.13.1) dodatno se koristi za uštedu energije. Ako ne želite da točite vodu iz dozatora vode tokom dužeg perioda, postavite poklopac zbog bolje izolacije i uštede energije.

5.13.2 Točenje vode iz dozatora

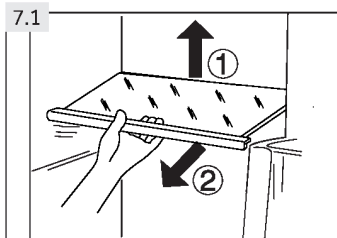
1. Uverite se da se brava (A) pomera u položaj „Otključavanje” (slika 5.13.2).
2. Stavite čašu ispod izlaza za vodu.
3. Pritisnite blago polugu za vodu čašom.
4. Uverite se da je čaša u ravni sa dozatorom kako biste sprečili prskanje vode.
5. Voda u tacni (B) treba da se ukloni pravovremeno, jer se može prelići kada se vrata otvaraju i zatvaraju.
6. Pomerite bravu (A) u položaj „Zaključano”





Saveti za uštedu energije

- ▶ Uverite se da je uređaj pravilno provetren (pogledajte MONTAŽA).
- ▶ Ne montirajte uređaj na direktnoj sunčevoj svetlosti ili u blizini izvora toplote (npr. rerna, grejalica).
- ▶ Izbegavajte nepotrebno nisku temperaturu u uređaju. Potrošnja energije se povećava što je niža temperatura podešena u uređaju.
- ▶ Funkcije poput Super-Cool ili Super-Freeze troše više energije.
- ▶ Sačekajte da se topla hrana ohladi pre nego što je stavite u uređaj.
- ▶ Otvarajte vrata uređaja što je manje i što kraće moguće.
- ▶ Nemojte da prepunite uređaj kako bi se izbeglo ometanje protoka vazduha.
- ▶ Izbegavajte zadržavanje vazduha pri pakovanju hrane.
- ▶ Održavajte čistoću zaptivki vrata tako da se uvek zatvaraju ispravno.
- ▶ Odmrzavajte smrznutu hranu u frižideru.



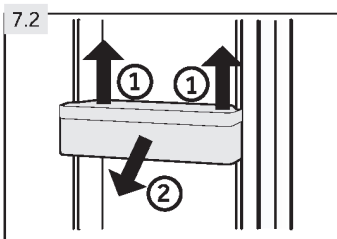
7.1 Podesive police

Visina police može se podesiti tako da odgovara vašim potrebama u pogledu čuvanja hrane.

1. Da biste premestili policu, prvo je uklonite podizanjem zadnje ivice (1) i izvlačenjem (2) (slika 7.1).
2. Da biste je ponovo postavili, stavite je na držače sa obe strane i gurnite je što je moguće dublje dok se zadnji deo police ne učvrsti unutar bočnih ureza

i Napomena: Police

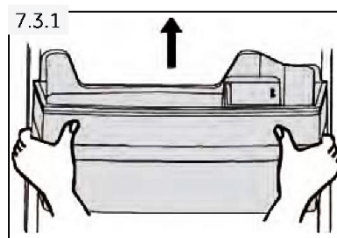
Uverite se da su svi krajevi police ravni.



7.2 Demontažne police u vratima / držači za flaše

Police u vratima / držači za flaše se mogu ukloniti radi čišćenja:

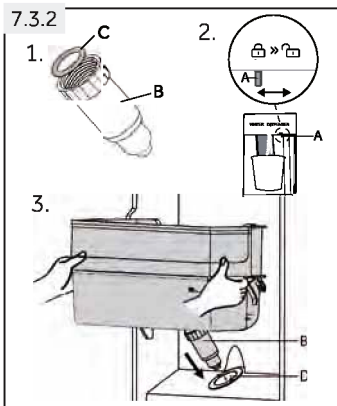
1. Stavite šake na obe strane nosača/držača i podignite ga prema gore (1) (slika 7.2).
2. Izvucite policu u vratima / držač za flaše (2).
3. Da biste vratili policu u vratima / držač za flaše, obavite gorenavedene korake obrnutim redosledom.



7.3 Rezervoar za vodu (HSR3918EVP*)

7.3.1 Uklonite rezervoar za vodu

Rezervoar za vodu se može ukloniti i ponovo montirati za čišćenje na isti način kao i police za vrata (slika 7.3.1).



7.3.2 Ubacite rezervoar za vodu

1. Uverite se da je izliv dozatora (B) čvrsto pričvršćen na rezervoar za vodu i da je beli O-prsten (C) na položaju (slika 7.3.2-1).
2. Pomerite bravu (A) u položaj „Zaključano“ (slika 7.3.2-2)
3. Postavite rezervoar za vodu u položaj tako da se izliv dozatora (B) uklapa u otvor vrata (D) (slika 7.3.2-3).

i Napomena: Rezervoar za vodu

- ▶ Ako rezervoar za vodu nije pravilno umetnut, voda može da kaplje iz spoja.
- ▶ Nemojte da koristite preteranu silu prilikom uklanjanja ili montiranja rezervoara za vodu kako bi se izbeglo oštećenje rezervoara.

7.4 Držać za flašu – zamrzivač

Držači za flaše u zamrzivaču namenjeni su za privremeno čuvanje alkoholnih pića sa visokim sadržajem alkohola. Piće bez visokog sadržaja alkohola treba ohladiti u frižideru.

Pored toga, možete čuvati male delove u držačima za flaše.



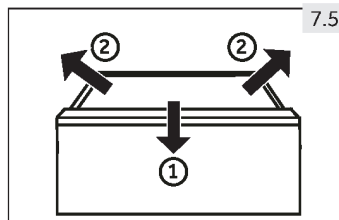
UPOZORENJE!

Flaše i limenke mogu da puknu! Podesite tajmer koji će vas podsetiti da izvadite flaše/limenke bez visokog sadržaja alkohola.

7.5 Demontažna fioka

Da biste uklonili fioku iz frižidera ili zamrzivača, izvucite odeljak u najvećoj meri (1), podignite i uklonite (2) (slika 7.5).

Da biste ubacili fioku, obavite gorenavedene korake obrnutim redosledom.



7.5

7.6 7.6 Lampica

Unutrašnja LED lampica se uključuje kada se otvore vrata. Na učinak svetla ne utiče nijedna postavka uređaja.

**UPOZORENJE!**

Isključite uređaj iz mrežnog napajanja pre čišćenja.

8.1 Čišćenje

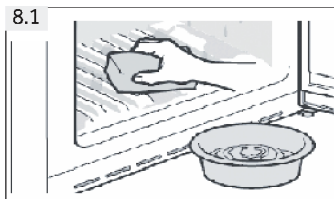
Očistite uređaj samo kada se čuva mala količina hrane ili kada nema hrane u njemu.

Uređaj treba da čistite na četiri nedelje radi dobrog održavanja i kako bi se sprečilo stvaranje neprijatnog mirisa hrane.

**UPOZORENJE!**

- ▶ Nemojte da čistite uređaj tvrdim četkama, žičanim četkama, deterdžentom u prahu, benzinom, amil acetatom, acetonom i sličnim organskim, kiselim ili alkalnim rastvorima. Čistite uređaj specijalnim deterdžentom za frižidere kako biste izbegli oštećenje.
- ▶ Nemojte da prskate tečnost na uređaj niti da ga ispirate tokom čišćenja.
- ▶ Nemojte da koristite raspršenu vodu ili paru za čišćenje uređaja.
- ▶ Nemojte da čistite hladne staklene police toplom vodom. Iznenadna promena temperature može da prouzrokuje lom stakla.
- ▶ Nemojte da dodirujete unutrašnju površinu zamrzivača, naročito ne vlažnim šakama, jer šake mogu da vam se zamrznu na površini.
- ▶ U slučaju grejanja, proverite stanje zamrznute hrane.

8.1




- ▶ Uvek održavajte zaptivku vrata čistom.
- ▶ Očistite unutrašnjost i kućište uređaja sunderom natopljenim toplom vodom i neutralnom deterdžentu (slika 8.1).

1. Oribajte unutrašnjost i spoljašnjost frižidera, uključujući zaptivku vrata, policu u vratima, staklene police, kutije itd. koristeći meku krpu ili sunder umočen u toplu vodu (možete da dodate neutralni deterdžent u toplu vodu).
2. Ako se prolije tečnost, uklonite sve zaprljane delove, direktno isperite pod tekućom vodom, osušite i vratite nazad u frižider.
3. Ako se prolije gusta tečnost (na primer, mleko, otopljeni sladoled), uklonite sve zaprljane delove, stavite u toplu vodu od oko 40 °C neko vreme, a zatim isperite pod tekućom vodom, osušite i vratite nazad u frižider.
4. U slučaju da se neki mali deo ili komponenta zaglavi unutar frižidera (između polica ili fioka), koristite malu meku četku da je oslobodite. Ako niste mogli da dođete do dela, obratite se servisnoj službi kompanije Haier.
 - ▶ Isperite i osušite mekom krpom.
 - ▶ Nemojte da čistite bilo koji deo uređaja u mašini za pranje sudova.
 - ▶ Sačekajte najmanje 5 minuta pre ponovnog uključivanja uređaja, jer često uključivanje može oštetiti kompresor.

Odmrzavanje

Odmrzavanje frižidera i zamrzivača se vrši automatski, tako da ne morate to da radite ručno.

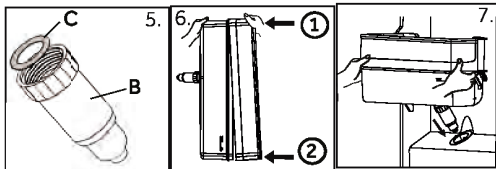
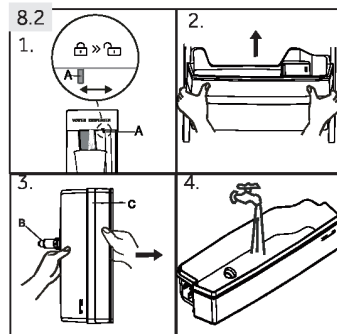
8.2 Čišćenje rezervoara za vodu (slika 8.2) (HSR3918EVP*)

1. Pomerite bravu (A) u položaj  „Zaključano“.

8 - Nega i čišćenje

SR

2. Izvadite rezervoar za vodu iz uređaja.
3. Uklonite poklopac (C) i polako odvrnite izliv dozatora (B).
4. Očistite rezervoar za vodu i izliv dozatora toplom tekućom vodom i tečnim deterdžentom za pranje sudova. Uverite se da ste isprali sav sapun.
5. Montirajte izliv dozatora (B) i vodite računa da je čvrsto pričvršćen na rezervoar za vodu i da je beli O-prsten (C) na položaju.
6. Pritisnite poklopac da biste ga kombinovani sa jednom stranom rezervoara za vodu, a zatim i sa drugom stranom, proverite da li su rezervoar za vodu i poklopac potpuno sastavljeni.
7. Zamenite rezervoar unutar uređaja. Uverite se da je izliv dozatora pravilno ubačen u otvor u vratima.



8.3 Zamena LED lampica



UPOZORENJE!

Nemojte sami da menjate LED lampicu. Nju sme da zameni samo proizvođač ili ovlašćeni agent servisne službe.

Lampice imaju LED tehnologiju za izvor svetlosti, što podrazumeva malu potrošnju energije i dugi vek trajanja. Ako postoji bilo kakva abnormalnost, obratite se korisničkoj službi. Pogledajte odeljak KORISNIČKA SLUŽBA.

Parametri lampica = 12 V, maks. 3 W.

8.4 Duži prekid rada

Ako se uređaj neće koristiti tokom dužeg vremenskog perioda i nećete koristiti funkciju „Holiday“ u frižideru:

- ▶ Izvadite hranu.
- ▶ Ispraznite i očistite rezervoar za vodu.
- ▶ Isključite mrežni kabl.
- ▶ Očistite uređaj kao što je opisano u prethodnom tekstu.
- ▶ Držite vrata otvorena kako bi se sprečilo stvaranje neprijatnih mirisa u unutrašnjosti uređaja.



Napomena: Isključivanje

Isključite uređaj samo ako je to neophodno.

8.5 Premeštanje uređaja

1. Uklonite svu hranu i isključite uređaj iz mrežnog napajanja.
2. Zalepite police i druge pokretne delove u frižideru i zamrzivaču lepljivom trakom.
3. Nemojte naginjati uređaj za više od 45° kako biste izbegli oštećenje rashladnog sistema.



UPOZORENJE!

- ▶ Nemojte da podižete uređaj držeći ga za ručke.
- ▶ Nemojte nikada da postavljate uređaj vodoravno na zemlju.

Mnoge problemi koji se javljaju možete da rešite sami bez posedovanja posebne stručnosti. U slučaju problema, proverite sve predstavljene mogućnosti i pratite uputstva u nastavku pre nego što se obratite postprodajnoj službi. Pogledajte odeljak KORISNIČKA SLUŽBA.



UPOZORENJE!

- ▶ Pre sprovođenja održavanja, deaktivirajte uređaj i isključite utikač iz utičnice.
- ▶ Električnu opremu smeju da servisiraju samo kvalifikovani električari, jer nepravilne popravke mogu prouzrokovati značajnu posledičnu štetu.
- ▶ Oštećeni mrežni kabl sme da zameni samo proizvođač, radnik servisne službe ili slično kvalifikovana lica kako bi se izbegla opasnost.

9.1 Tabela za rešavanje problema

Problem	Mogući uzrok	Moguće rešenje
Kompresor ne radi.	<ul style="list-style-type: none"> • Utikač nije priključen u utičnicu. • Uređaj je u ciklusu odmrzavanja. 	<ul style="list-style-type: none"> • Priključite utikač. • Ovo je normalno za automatsko odmrzavanje.
Uređaj radi često ili radi tokom dužeg vremenskog perioda.	<ul style="list-style-type: none"> • Unutrašnja ili spoljašnja temperatura je previsoka. • Uređaj je isključen tokom određenog vremenskog perioda. • Vrata uređaja nisu dobro zatvorena. • Vrata su otvorena prečesto ili predugo. • Postavka temperature za zamrzivač je preniska. • Zaptivka vrata je prljava, istrošena, napukla ili neodgovarajuća. • Potrebna cirkulacija vazduha nije zagarantovana. 	<ul style="list-style-type: none"> • U ovom slučaju, normalno je da uređaj radi duže. • Uobičajeno je potrebno 8 do 12 sati da se uređaj potpuno ohladi. • Zatvorite vrata i uveriti se da se uređaj nalazi na ravnom terenu i da nikakva hrana niti posuda ne blokiraju vrata. • Ne otvarajte vrata prečesto. • Podesite višu temperaturu dok se ne dobije zadovoljavajuća temperatura frižidera. Potrebno je 24 sata da temperatura frižidera postane stabilna. • Očistite zaptivku vrata ili neka je korisnička služba zameni. • Osigurajte adekvatnu ventilaciju.
Unutrašnjost frižidera je prljava i/ili neprijatno miriše.	<ul style="list-style-type: none"> • Unutrašnjost frižidera treba da se očisti. • Hrana jakog mirisa čuva se u frižideru. 	<ul style="list-style-type: none"> • Očistite unutrašnjost frižidera. • Dobro umotajte hranu.

9 - Rešavanje problema

SR

Problem	Mogući uzrok	Moguće rešenje
Unutar uređaja nije dovoljno hladno.	<ul style="list-style-type: none">• Podešena je previsoka temperatura.• Pretopla hrana se čuva u uređaju.• Previše hrane je smešteno u uređaj.• Namirnice su preblizu jedna drugoj.• Vrata uređaja nisu dobro zatvorena.• Vrata su otvorena prečesto ili predugo.	<ul style="list-style-type: none">• Resetujte temperaturu.• Uvek ohladite hranu pre nego što je stavite u uređaj.• Uvek čuvajte manje količine hrane.• Ostavite razmak između namirnica da biste omogućili protok vazduha.• Zatvorite vrata.• Ne otvarajte vrata prečesto.
Unutar uređaja je prehladno.	<ul style="list-style-type: none">• Podešena je preniska temperatura.• Funkcija Super-Cool/Super-Freeze se aktivirala ili radi predugo.	<ul style="list-style-type: none">• Resetujte temperaturu.• Isključite funkciju Super-Cool/Super-Freeze.
Formiranje vlage na unutrašnjoj strani frižidera.	<ul style="list-style-type: none">• Klima okruženja je previše topla i previše vlažna.• Vrata uređaja nisu dobro zatvorena.• Vrata su otvorena prečesto ili predugo.• Posude za hranu ili tečnosti su otvorene.	<ul style="list-style-type: none">• Povećajte temperaturu.• Zatvorite vrata.• Ne otvarajte vrata prečesto.• Sačekajte da se vruća hrana ohladi na sobnoj temperaturi i prekrijte hranu i tečnosti.
Vlaga se akumulira na spoljnoj površini frižidera ili između vrata.	<ul style="list-style-type: none">• Klima okruženja je previše topla i previše vlažna.• Vrata nisu dobro zatvorena. Hladan vazduh u uređaju i topao vazduh van njega izaziva kondenzaciju.	<ul style="list-style-type: none">• Ovo je uobičajeno u vlažnoj klimi i promeniće se kada se vlažnost smanji.• Uverite se da su vrata čvrsto zatvorena.
Velike količine leda i mraza su se formirale u zamrzivaču.	<ul style="list-style-type: none">• Namirnice nisu bile dobro upakovane.• Vrata/fioka uređaja nije dobro zatvorena.• Vrata su otvorena prečesto ili predugo.• Zaptivka vrata je prljava, istrošena, napukla ili neodgovarajuća.• Nešto iznutra sprečava pravilno zatvaranje vrata.	<ul style="list-style-type: none">• Uvek dobro upakujte namirnice.• Zatvorite vrata/fioku.• Ne otvarajte vrata prečesto.• Očistite zaptivku vrata ili je zamenite novom.• Promenite položaj polica, polica za vrata ili unutrašnjih posuda kako biste omogućili zatvaranje vrata.
Uređaj pravi neuobičajene zvukove.	<ul style="list-style-type: none">• Uređaj se nalazi na neravnoj površini.• Uređaj dodiruje neki predmet do njega.	<ul style="list-style-type: none">• Podesite stopice za nivelisanje uređaja.• Uklonite predmete oko uređaja.

Problem	Mogući uzrok	Moguće rešenje
Čuje se tih zvuk koji je sličan zvuku tekuće vode.	<ul style="list-style-type: none"> Ovo je normalna pojava. 	<ul style="list-style-type: none"> -
Čuje se pištanje.	<ul style="list-style-type: none"> Vrata su otvorena. 	<ul style="list-style-type: none"> Zatvorite vrata.
Čuje se tiho brujanje. Unutrašnji sistem osvetljenja ili hlađenja ne radi.	<ul style="list-style-type: none"> Sistem protiv kondenzacije radi. Utikač nije priključen u utičnicu. Napajanje je neispravno. LED lampica nije ispravna. 	<ul style="list-style-type: none"> Ovo sprečava kondenzaciju i normalna je pojava. Priključite utikač. Proverite napajanje električnom energijom u prostoriji. Pozovite električara! Pozovite korisničku službu radi zamene lampice.
Strane frižidera i lajsne na vratima se zagrevaju.	<ul style="list-style-type: none"> Ovo je normalna pojava. 	<ul style="list-style-type: none"> -
Voda ne izlazi iz dozatora izliva vode	<ul style="list-style-type: none"> Zaključavanje nije deaktivirano. 	<ul style="list-style-type: none"> Deaktivirajte zaključavanje.

9.2 Prekid napajanja

U slučaju prekida napajanja, hrana bi trebalo da ostane bezbedno hladna oko 5 sati. Pratite ove savete tokom dužeg prekida napajanja, posebno tokom leta:

- ▶ Otvorite vrata/fioku što je više puta moguće.
- ▶ Ne stavljajte dodatnu hranu u uređaj tokom prekida napajanja.
- ▶ Ako se najavi prekid napajanja i ono traje duže od 5 sati, napravite led i stavite ga u posudu na gornju policu u unutrašnjosti frižidera.
- ▶ Odmah nakon prekida napajanja pregledajte sve namirnice.
- ▶ Pošto će temperatura u frižideru porasti tokom prekida napajanja ili drugog kvara, period čuvanja i jestivost hrane će se smanjiti. Svaku hranu koja se odmrzava treba konzumirati ili kuvati i ponovo zamrznuti (gde je to prikladno) ubrzo nakon toga kako bi se sprečili zdravstveni rizici.



Napomena: Funkcija memorije tokom prekida napajanja

Nakon povratka napajanja, uređaj nastavlja rad sa postavkama koje su podešene pre nestanka struje.

10.1 Raspakivanje



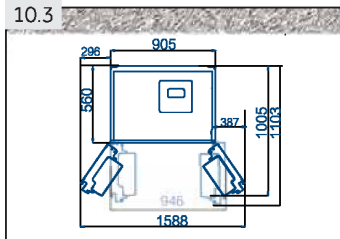
UPOZORENJE!

- ▶ Uređaj je težak. Njime uvek moraju da rukuju najmanje dve osobe.
- ▶ Čuvajte sve materijale ambalaže van domašaja dece i odložite ih u otpad na ekološki prihvatljiv način.
- ▶ Izvadite uređaj iz ambalaže.
- ▶ Uklonite sve materijale ambalaže, uključujući transparentnu zaštitnu foliju.

10.2 Uslovi u okruženju

Sobna temperatura uvek treba da bude između 16 °C i 43 °C, jer može uticati na temperaturu unutar uređaja i njegovu potrošnju energije. Nemojte da montirate uređaj u blizini drugih uređaja koji emituju toplotu (rerne, frižideri) bez izolacije.

10.3



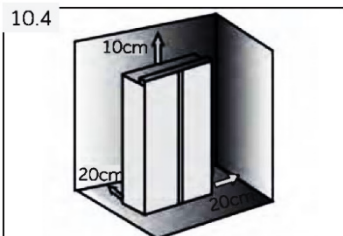
10.3 Potreban prostor

Potreban prostor kada se otvore vrata (slika 10.3):

Širina uređaja: 1588 mm

Dubina uređaja: 1103 mm

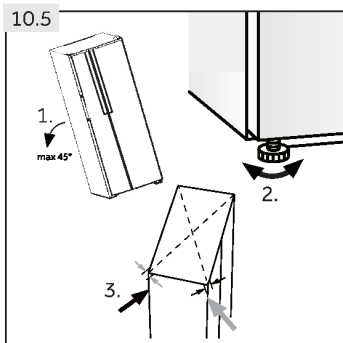
10.4



10.4 Poprečni presek za ventilaciju

Da bi se postigla dovoljna ventilacija uređaja iz bezbednosnih razloga, moraju se poštovati informacije o potrebnim poprečnim presecima za ventilaciju (slika 10.4).

10.5



10.5 Poravnanje uređaja

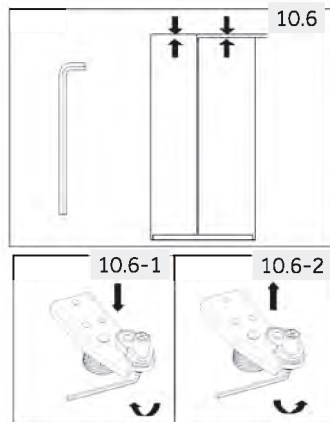
Uređaj treba da postavite na ravnu i čvrstu površinu.

1. Nagnite uređaj malo unazad (slika 10.5).
2. Podesite stopice na željeni nivo.
Uverite se da je udaljenost do zida na stranama sa šarkama najmanje 5 cm.
3. Stabilnost se može proveriti naizmeničnim udarcima po dijagonalama. Blago ljuljanje treba da bude ravnomerno u oba smeru. U suprotnom se okvir može iskriviti. Posledica je moguće curenje zaptivki vrata. Blagi nagib prema nazad olakšava zatvaranje vrata.

10.6 Precizno podešavanje vrata

Ako vrata još uvek nisu nivelisana nakon nivelisanja vrata pomoću stopica, ova neravnomernost se može otkloniti okretanjem osovinice za podizanje šarke u donjem desnom uglu vrata frižidera pomoću ključa (slika 10.6)

- ▶ Okrenite osovinicu za podizanje šarke nadesno pomoću ključa da biste spustili vrata (slika 10.6-1).
- ▶ Okrenite osovinicu za podizanje šarke nalevo pomoću ključa da biste podigli vrata (slika 10.6-2).

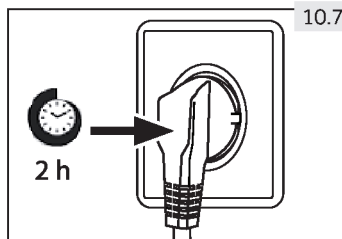


UPOZORENJE!

Nemojte da podešavate osovinicu za podizanje šarke prekomerno na visinu koja može dovesti do toga da osovinica napusti svoj prvobitni zaključani položaj. (Podesivi opseg visine: 3 mm)

10.7 Vreme čekanja

Ulje za podmazivanje koje ne zahteva održavanje nalazi se u kapsuli kompresora. Ovo ulje može da prođe kroz zatvoreni sistem cevi tokom transporta na nagibu. Pre priključivanja uređaja na mrežno napajanje, morate da sačekate najmanje 2 sata (slika 10.7) tako da ulje teče nazad u kapsulu.



10.8 Električna veza

Pre svakog spajanja, proverite sledeće:

- ▶ napajanje, utičnica i osigurači su u skladu sa natpisnom pločicom.
- ▶ utičnica je uzemljena i nema više priključnica niti produžetka.
- ▶ utikač i utičnica su strogo usklađeni sa pravilima.

Priključite utikač u pravilno montiranu utičnicu za domaćinstvo.



UPOZORENJE!

Da bi se izbegli rizici, korisnička služba mora da zameni oštećeni mrežni kabl (pogledajte garantni list).

10.9 Uklanjanje i montaža vrata

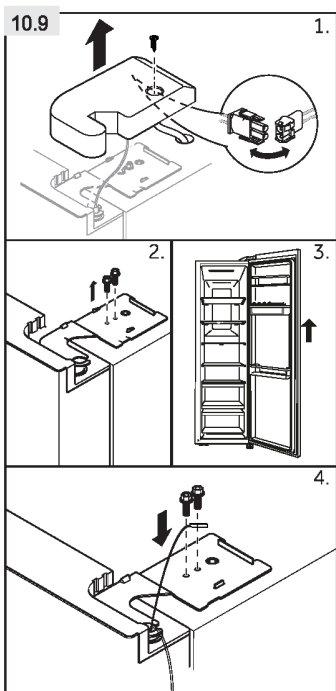
i uputstva za montažu u nastavku (slika 10.9).

U slučaju da treba da uklonite vrata uređaja, pratite uputstva za uklanjanje i montažu vrata u nastavku (slika 10.9)



UPOZORENJE!

- ▶ Pre bilo kog postupka, deaktivirajte uređaj i isključite utikač iz utičnice.
- ▶ Uređaj je težak. Njime uvek moraju da rukuju najmanje dve osobe.
- ▶ Nemojte da naginjete uređaj više od 45° niti da ga postavljate vodoravno na zemlju




1. Odvijte zavrtnaj poklopca šarke i uklonite poklopac. Otpustite priključak kablja.
2. Odvijte zavrtnje koji drže gornji šarku u položaju, a zatim uklonite šarku.
3. Podignite vrata frižidera da biste ih uklonili.
4. Ponovo postavite vrata tako što ćete sprovesti korake uklanjanja u obrnutom redosledu. Uverite se da pričvrstite kabl za uzemljenje pomoću zavrtnja.



Napomena: Vrata frižidera

Na slikama je pokazano uklanjanje vrata frižidera. Za vrata zamrzivača koristite odgovarajuće delove na drugoj strani

11.1 Tehnički podaci o proizvodu u skladu sa Uredbom EU br. 1060/2010

Zaštitni znak	Haier
Identifikator modela	HSR3918FNP*
Kategorija modela	Frižider – zamrzivač
Klasa energetske efikasnosti	A+
Godišnja potrošnja energije (kVh/godišnje) 1)	399
Zapremina pri hlađenju (l)	337
Zapremina pri čuvanju (l) ****	167
Ocena u zvezdicama	
Temperatura ostalih odeljaka > 14 °C	Nije primenljivo
Sistem bez formiranja mraza	Da
Vreme porasta temperature (h)	5
Kapacitet zamrzavanja (kg/24 h)	10
Klimatska klasa Ovaj uređaj je namenjen za upotrebu na temperaturi okruženja između 10 °C i 43 °C.	SN-N-ST-T
Emisije akustične buke koje se prenose vazduhom (dB(A) re 1pW)	38
Tip konstrukcije	Samostalni

na osnovu standardnih rezultata testa za 24 sata. Stvarna potrošnja energije zavisice od toga kako se uređaj koristi i gde se nalazi.

11.1.1 Dodatni tehnički podaci

Napon/frekvencija	220–240 V~ / 50 Hz
Ulazna snaga (W)	200
Glavni osigurač (A)	15
Rashladna tečnost	R600a
Dimenzije (V/Š/D u mm)	1775/908/647

11.1.2 Standardi i direktive 

Ovaj proizvod zadovoljava zahteve svih važećih direktiva EC sa odgovarajućim usklađenim standardima, koji predviđaju CE oznaku.

12 - Korisnička služba

SR

Preporučujemo našu Haier korisničku službu i upotrebu originalnih rezervnih delova. Ako imate problema sa uređajem, prvo pogledajte odeljak REŠAVANJE PROBLEMA.

Ako ne možete da pronađete rešenje tamo, obratite se

- ▶ lokalnom prodavcu ili
- ▶ idite u oblast „Servis i podrška“ na stranici www.haier.com gde možete pronaći telefonske brojeve, pitanja i odgovore, i gde možete poslati zahtev za servis.

Da biste se obratili našem servisu, uverite se da imate na raspolaganju sledeće podatke. Informacije se mogu naći na natpisnoj pločici.

Model _____

Serijski broj _____

Takođe, pogledajte garantni list koji je isporučen sa proizvodom u slučaju garancije.

Haier



0060524101F



Navodila za uporabo

Hladilnik–zamrzovalnik

HSR3918ENP*

HSR3918EWP*

HSR3918FNP*

***= W, B, L, G, N**

SL

Haier

Zahvaljujemo se vam za nakup izdelka Haier.

Pred uporabo aparata skrbno preberite ta navodila. Navodila vsebujejo pomembne informacije, ki vam bodo pomagale čim bolj izkoristiti aparat ter zagotoviti varno in pravilno namestitvev, uporabo in vzdrževanje.

Ta priročnik hranite na priročnem mestu, da je vedno na dosegu roke za varno in pravilno uporabo aparata.

Če aparat prodate, ga podarite ali pustite za sabo, ko se selite, poskrbite, da boste ta priročnik predali novemu lastniku, da se bo lahko seznanil z aparatom in varnostnimi opozorili.

Legenda

Opozorilo – Pomembne varnostne informacije



Splošne informacije in nasveti



Okoljske informacije



Odstranjevanje

Pomagajte varovati okolje in zdravje ljudi. Embalažo odložite v ustrezne zbiralnike za recikliranje. Pomoč pri recikliranju električnih in elektronskih odpadnih naprav. Aparatov, označenih s tem simbolom, ne odlagajte med gospodinjske odpadke. Vrnite izdelek vašemu lokalnemu obratu za recikliranje ali se obrnite na občinski urad.



OPOZORILO!

Nevarnost telesnih poškodb ali zadržitev!

Hladila sredstva in pline je treba odstraniti profesionalno. Prepričajte se, da cevi hladilnega tokokroga niso poškodovane, preden jih ustrezno zavržete. Aparat pred čiščenjem odklopite z napajanja. Odsluženemu aparatu odrežite električni kabel in ga zavržite. Odstranite pladnje in predale ter zatič in tesnila vrat, da preprečite zapiranje otrok in hišnih ljubljencev v aparat.

Stari aparati imajo še vedno nekaj preostale vrednosti. Okolju prijazen način odstranjevanja bo zagotovil, da se dragocene surovine lahko predelajo in ponovno uporabijo.

Ciklopentan, vnetljiva snov, ki ni škodljiva za ozon, se uporablja kot ekspander izolacijske pene.

Če izdelek pravilno zavržete, prispevate k preprečevanju morebitnih negativnih posledic za okolje in človekovo zdravje, ki jih lahko povzročijo.

Za natančnejše informacije o recikliranju tega izdelka se obrnite na svoj lokalni urad, podjetje za gospodinjske odpadke ali na trgovino, kjer ste aparat kupili in jo vodijo strokovnjaki.

1 - Varnostne informacije	4
2 - Predvidena uporaba	8
3 - Opis izdelka	10
4 - Upravljalna plošča	11
5 - Uporaba	12
6 - Namigi za varčevanje z električno energijo	20
7 - Oprema	21
8 - Nega in čiščenje	23
9 - Odpravljanje težav	25
10 - Vgradnja	28
11 - Tehnični podatki	31
12 - Služba za pomoč strankam	32

Pred prvim vklopom aparata preberite naslednje varnostne nasvete!:



OPOZORILO!

Pred prvo uporabo

- ▶ Prepričajte se, da med prevozom ni prišlo do poškodb.
- ▶ Odstranite vso embalažo in shranjujte izven dosega otrok.
- ▶ Pred namestitvijo aparata počakajte vsaj dve uri, da zagotovite polno učinkovitost hladilnega krogotoka.
- ▶ Aparat naj prenašata vsaj dve osebi, ker je težka.

Vgradnja

- ▶ Aparat naj bo postavljen v dobro prezračevan prostor. Poskrbite, da bo na voljo prost prostor vsaj 20 cm nad aparatom in 10 cm okoli njega.
- ▶ Aparata nikoli ne postavljajte na vlažno mesto ali mesto, kjer bi lahko po njem brizgala voda. Očistite in pobrišite vodne kapljice in madeže z mehko čisto krpo.
- ▶ Aparata ne postavljajte neposredno na sonce ali blizu virov toplote (npr. štedilnikov, grelcev).
- ▶ Aparat namestite na mestu, ki je primerno njegovi velikosti in namenu.
- ▶ Poskrbite, da bodo prezračevalne odprtine aparata ali vgradnih elementov proste in neovirane.
- ▶ Prepričajte se, da se podatki o električnem toku na ploščici s tehničnimi navedbami ujemajo z napajanjem. V nasprotnem primeru se obrnite na električarja.
- ▶ Aparat deluje z izmeničnim napajanjem 220-240 VAC/50 Hz. Nenormalno nihanje napetosti lahko povzroči, da se aparat ne zažene, poškoduje regulator temperature ali kompresor ali pa se med delovanjem pojavi nenavaden hrup. V tem primeru se namesti samodejni regulator.
- ▶ Uporabite ločeno ozemljeno vtičnico za napajanje, ki je lahko dostopna. Aparat mora biti ustrezno ozemljen.
- ▶ **Samo za Veliko Britanijo:** Napajalni kabel aparata je opremljen s 3-kabelskim (ozemljitvenim) vtičem, ki ustreza standardni 3-kabelski (ozemljeni) vtičnici. Nikoli ne odrežite in ne odstranjujte tretjega zatiča (ozemljitev). Po namestitvi aparata mora biti vtič dostopen.
- ▶ Ne uporabljajte adapterjev z več vtiči in podaljškov.
- ▶ Prepričajte se, da se napajalni kabel ni zataknil pod aparatom. Ne stopajte na napajalni kabel.
- ▶ Ne poškodujte hladilne napeljave.
- ▶ Prenosnih vtičnic ali prenosnega električnega napajanja ne postavljajte za aparat.

**OPOZORILO!****Vsakodnevna uporaba**

- ▶ Ta aparat lahko uporabljajo otroci, starejši od 8 let, ter osebe z zmanjšanimi fizičnimi, senzoričnimi ali umskimi zmožnostmi ali s pomanjkanjem izkušenj in znanja, pod ustreznim nadzorom, ali če imajo navodila za varno uporabo aparata ter če razumejo s tem povezana tveganja.
- ▶ Otrokom, starim od 3 do 8 let, je dovoljeno polnjenje in praznjenje hladilnih aparatov, vendar jim ni dovoljeno njihovo čiščenje in nameščanje.
- ▶ Otroci, mlajši od 3 let, naj se zadržujejo stran od aparata, razen če so pod stalnim nadzorom.
- ▶ Otroci ne smejo čistiti aparata in na njem ne smejo izvajati vzdrževalnih del brez ustreznega nadzora.
- ▶ Otroci naj se z aparatom ne igrajo.
- ▶ Aparat mora biti nameščen tako, da je vtič dostopen.
- ▶ Če v bližini aparata pušča hladilni plin ali drug vnetljiv plin, izklopite ventil uhajajočega plina, odprite vrata in okna ter ne odklopite napajalnega kabla aparata ali drugega aparata.
- ▶ Upoštevajte, da je naprava nastavljena za delovanje v določenem območju temperature okolja med 10 in 38 °C. Aparat morebiti ne deluje kar se da učinkovito, če je dlje časa izpostavljen temperaturi, ki je višja ali nižja od navedene.
- ▶ Na aparat ne postavljajte nestabilnih predmetov (težkih predmetov, posod, napolnjenih z vodo), da se izognete poškodbam zaradi padca ali električnega udara zaradi stika z vodo.
- ▶ Ne vlecite po vratih. Vrata lahko povlečete poševno, stojalo za steklenice se lahko izvleče ali pa se naprava prevrne.
- ▶ Vrata odpirajte in zapirajte samo z ročaji. Razmik med vrati in vrati ter omaro je zelo ozek. Ne segajte z rokami v te predele, da se izognete priprtju prstov. Vrata odprite ali zaprite le, če v območju premikanja vrat ni otrok.
- ▶ Ne shranjujte ali uporabljajte vnetljivih, eksplozivnih ali jedkih snovi v aparatu ali njegovi bližini.
- ▶ V aparatu ne shranjujte zdravil, bakterij ali kemičnih snovi. Ta aparat je gospodinjiski aparat, zato ni priporočljivo hraniti materialov, ki zahtevajo strogo določene temperature.
- ▶ V zamrzovalniku nikoli ne shranjujte tekočin v steklenicah ali pločevinkah (razen močnih žganih pijač), zlasti gaziranih pijač, saj jih bo med zamrzovanjem razneslo.



OPOZORILO!

Vsakodnevna uporaba

- ▶ Preverite stanje hrane, če je prišlo do segrevanja v zamrzovalniku.
- ▶ Ne nastavite nepotrebno nizke temperature v predelu hladilnika. Pri visokih nastavitvah se lahko pojavijo temperature pod ničlo. Pozor: Steklenice lahko počijo.
- ▶ Zamrznjenih živil se ne dotikajte z mokrimi rokami (uporabite rokavice). Še posebej ne jejte ledenk takoj, ko jih vzamete iz zamrzovalnika. Obstaja tveganje za zamrznitev ali nastanek mehurjev zaradi zmrzali. PRVA pomoč: takoj postavite pod tekočo mrzlo vodo. Ne vlecite proč!
- ▶ Med delovanjem se ne dotikajte notranjosti zamrzovalnega dela, zlasti z mokrimi rokami, saj lahko vaše roke zamrznejo na površino.
- ▶ V primeru prekinitve napajanja ali pred čiščenjem aparat izklopite. Pred ponovnim zagonom aparata počakajte vsaj 5 minut, saj lahko pogosti zagon poškoduje kompresor.
- ▶ Ne uporabljajte električnih naprav v predalih za shranjevanje živil v aparatu, razen če njihovo uporabo priporoča proizvajalec.
- ▶ Z modeli z dozirnikom vode uporabljajte samo pitno vodo.

Vzdrževanje/čiščenje

- ▶ Poskrbite, da bodo otroci pod nadzorom, če bodo opravljali čiščenje in vzdrževanje.
- ▶ Pred vsakim rednim vzdrževanjem aparat odklopite iz električnega napajanja. Pred ponovnim zagonom aparata počakajte vsaj 5 minut, saj lahko pogosti zagon poškoduje kompresor.
- ▶ Pri izklopu kabla aparata držite za vtič, ne za kabel.
- ▶ Zmrzali in ledu ne strgajte z ostrimi predmeti. Ne uporabljajte razpršil in električnih grelnikov, kot so grelnik, sušilec za lase, parni čistilniki ali drugi viri toplote, da se izognete poškodbam plastičnih delov.
- ▶ Ne uporabljajte mehanskih sredstev za pospešitev odmrzovanja oziroma sredstev, ki jih ne priporoča proizvajalec.
- ▶ Aparata ne čistite s trdimi ščetkami, žičnimi krtačami, detergentom v prahu, bencinom, amil acetatom, acetonom in podobnimi organskimi raztopinami, kislimi ali alkalnimi raztopinami. Čistite ga s posebnim detergentom za hladilnik, da se izognete poškodbam.
- ▶ Nato uporabite raztopino tople vode in sode bikarbone – približno eno žlico sode bikarbone na liter vode.

Temeljito sperite z vodo in obrišite do suhega. Ne uporabljajte čistilnih praškov ali drugih abrazivnih čistil. Odstranljivih delov ne perite v pomivalnem stroju.



OPOZORILO!

Vzdrževanje/čiščenje

- ▶ Če je priključni kabel poškodovan, morate preprečiti morebitna tveganja, zato ga sme nadomestiti samo proizvajalec, njegov servisni agent ali drug kvalificiran serviser.
- ▶ Aparata ne poskušajte popravljati, razstavljati ali spreminjati sami. V primeru popravila se obrnite na našo službo za stranke.
- ▶ Če so luči za osvetlitev poškodovane, jih sme zamenjati samo proizvajalec, njegov servisni zastopnik ali drug kvalificiran serviser, da preprečite morebitna tveganja.
- ▶ Vsaj enkrat letno odstranite prah na hrbtni strani enote, da se izognete nevarnosti požara in povečani porabi energije.
- ▶ Med čiščenjem aparata ne škropite ali spirajte.
- ▶ Aparata ne čistite s pršenjem vode ali paro.
- ▶ Hladnih steklenih polic ne čistite z vročo vodo. Zaradi nenadne spremembe temperature se lahko steklo zlomi.
- ▶ Če aparat dlje časa ne uporabljate, ga pustite odprtega, da preprečite nastanek neprijetnih vonjav v notranjosti.

Informacije o hladilnih plinih



OPOZORILO!

Aparat vsebuje vnetljivo hladilno sredstvo IZOBUTAN (R600a). Prepričajte se, da hladilni tokokrog med transportom ali namestitvijo ni poškodovan. Puščanje hladilnega sredstva lahko povzroči poškodbe oči ali se vname. Če je prišlo do poškodbe, aparatu ne približujte odprtih virov ognja, temeljito prezračite prostor, ne priključujte ali odklapljajte napajalnih kablov aparata ali katere koli druge naprave. Obvestite službo za pomoč strankam.

Če oči pridejo v stik s hladilnim sredstvom, jih takoj sperite pod tekočo vodo in pokličite očesnega specialista.

OPOZORILO: Hladilni sistem je pod visokim pritiskom. Ne spreminjajte ga. Ker se uporabljajo vnetljiva hladilna sredstva, namestite, upravljajte in servisirajte aparat strogo v skladu z navodili in se za odstranitev aparata obrnite na strokovnega zastopnika ali našo poprodajno službo.


2.1 Predvidena uporaba

Aparat je namenjen uporabi v gospodinjstvu in v podobne namene, kot npr.

- v čajnih kuhinjah v trgovinah, pisarnah in drugih delovnih okoljih,
 - na kmetijah in v hotelskih, motelskih sobah in drugih nastanitvah za goste,
 - v nastanitvah tipa B&B,
 - v gostinskih storitvah in podobnih primerih, vendar ne v maloprodaji.
- ▶ Če naprave ne uporabljate dalj časa in boste za hladilnik/zamrzovalnik uporabljali samo funkcijo dopust (Holiday-function) ali funkcijo za izklop hladilnika:
- vso hrano odstranite;
 - izklopite napajalni kabel;
 - izpraznite in očistite rezervoar za vodo;
 - očistite aparat, kot je opisano zgoraj.
- ▶ vrata naj ostanejo odprta, da preprečite nastanek neprijetnega vonja.
- ▶ Za zagotovitev varnega shranjevanja živil ali vina upoštevajte ta navodila za uporabo.
- ▶ Da bi se izognili kontaminaciji hrane (ne velja za vinsko klet), upoštevajte naslednja navodila za uporabo ionov:
- Če so vrata predolgo odprta, temperaturo znotraj hladilne naprave lahko občutno zvišate.
 - Redno čistite površine, ki prihajajo v stik s hrano in vodnim sistemom.
 - Če rezervoarja z vodo niste uporabljali 48 ur oziroma če vode ne dovajate 5 dni, izperite vodni sistem, ki je priključen na vodovod.
 - Surovo meso in ribe shranjujte v primernih posodah v hladilniku/zamrzovalniku, da ne pridejo v stik z drugo hrano ali da ne kapljajo na drugo hrano. Da se zagotovi varno konzerviranje živil, morate vnaprej pripravljeno hrano in surovo meso/ribe spraviti ločeno.
 - Predeli za zamrznjeno hrano z dvema zvezdicama so primerni za shranjevanje vnaprej zamrznjene hrane, shranjevanje ali pripravo sladoleda in pripravo kock ledu.
 - Predeli z eno, dvema in tremi zvezdicami niso primerni za zamrzovanje sveže hrane.
 - Če hladilnik dalj časa pustite prazen, ga izklopite, odmrznite, očistite, posušite in pustite vrata odprta, da preprečite nastanek plesni v napravi.
- ▶ Podrobnosti o najprimernejšem predelu v notranjosti aparata, kjer se hranijo posebne vrste živil ob upoštevanju porazdelitve temperature, ki je lahko prisotna v različnih predelih aparata, so navedene v drugem delu priročnika.

Odstranjevanje



Simbol  na izdelku ali njegovi embalaži pomeni, da se tega izdelka ne sme obravnavati kot gospodinjski odpadke. Oddajte ga na ustreznem zbirnem mestu za recikliranje električne in elektronske opreme. Če izdelek pravilno zavržete, prispevate k preprečevanju morebitnih negativnih posledic za okolje in človekovo zdravje, ki jih lahko povzroči neprimerno odstranjevanje tega izdelka. Za natančnejše informacije o recikliranju tega izdelka se obrnite na svoj lokalni urad, podjetje za gospodinjske odpadke ali na trgovino, kjer ste aparat kupili.

Ker se uporabljajo vnetljivi izolacijski pihalni plini, se za odstranitev aparata obrnite na profesionalnega zastopnika ali našo poprodajno službo.

OPOZORILO!

Nevarnost telesne poškodbe zaradi zadužitve!

Hladila sredstva in pline je treba odstraniti profesionalno. Prepričajte se, da cevi hladilnega tokokroga niso poškodovane, preden jih ustrezno zavržete. Aparat pred čiščenjem odklopite z napajanja. Odsluženemu aparatu odrežite električni kabel in ga zavržite. Odstranite pladnje in predale ter zatič in tesnila vrat da preprečite zapiranje otrok in hišnih ljubljencev v aparat.

Spreminjanje aparata je prepovedano. Nenamenska uporaba lahko povzroči nevarnosti in izgubo garancijskih zahtevkov.

2.2 Dodatki

Preverite dodatke in literaturo v skladu s tem seznamom (slika 2.2):



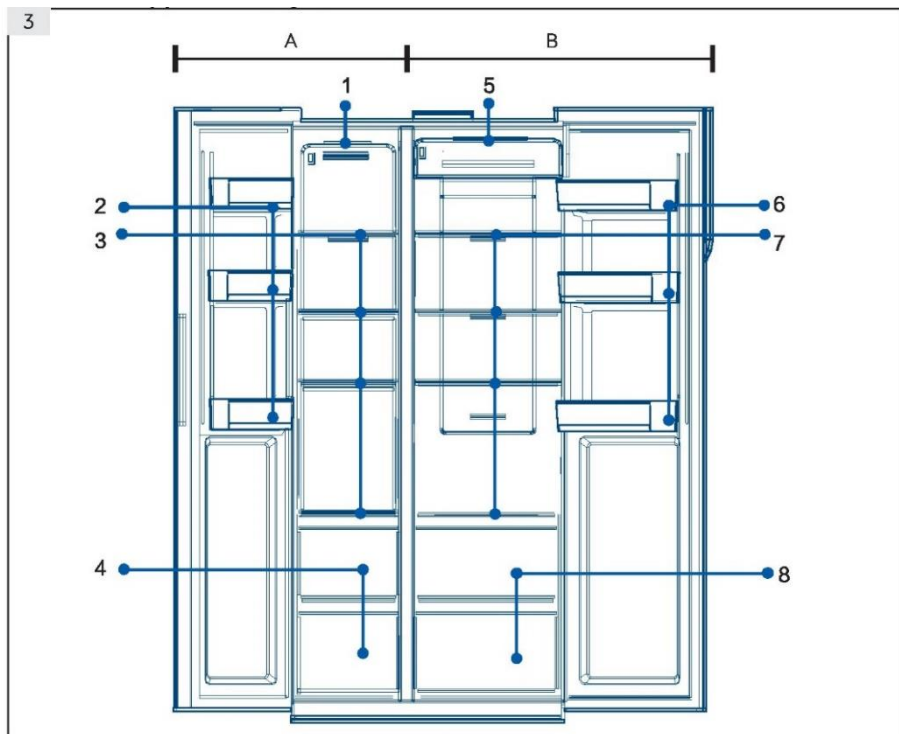
2.2



Pazite

Zaradi tehničnih sprememb in različnih modelov se lahko nekatere ilustracije v tem priročniku razlikujejo od vašega modela.

Slike naprav (slika 3)

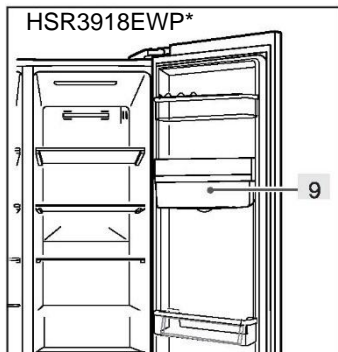


A: Predel zamrzovalnika

- 1 Stropna svetilka
- 2 Nosilec za vrata/nastavek za steklenice
- 3 Police zamrzovalnika
- 4 Predal zamrzovalnika

B: Hladilnik

- 5 Stropna svetilka
- 6 Nosilec za vrata/nastavek za steklenice
- 7 Police hladilnika
- 8 Predal hladilnika
- 9 Rezervoar za vodo

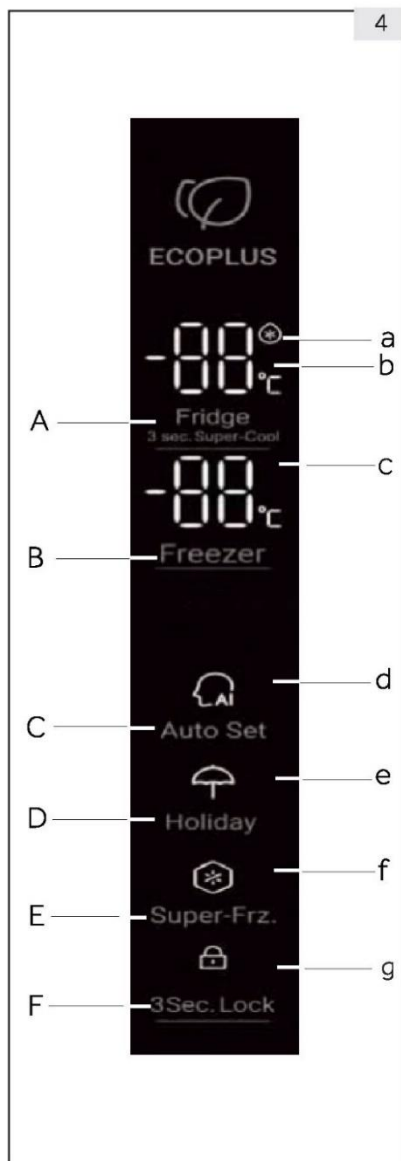


Nadzorna plošča (slika 4)**Ključci:**

- A Izbirnik hladilnika
- B Izbirnik zamrzovalnika
- C Način Auto Set
- D Način Holiday
- E Način Super-Freeze
- F Izbirnik zaklepa plošče

Kazalniki:

- a Način Super-Cool
- b Temperatura hladilnika
- c Temperatura zamrzovalnika
- d Način Auto Set
- e Način Holiday
- f Način Super-Freeze
- g Zaklep ploščice



5.1 Prva uporaba

Ko se hladilnik prvič priključi na električno energijo, se zaslon vklopi. Privzeta temperatura hladilnika je 4 °C, zamrzovalnika pa -18 °C. Prižgana je lučka pametne funkcije.

5.2 Zakleni/odkleni ploščo

Samodejno zaklepanje:

Ko so vrata hladilnika in vrata zamrzovalnika zaprta in 30 sekund ni nobenega delovanja na nobenem gumbu, se lučka na plošči samodejno izklopi in plošča je zaklenjena.

Ročno zaklepanje:

Ko je plošča odklenjena, za 3 sekunde pritisnite gumb Lock (Zakleni) in zasliši se brenčanje, indikator zaklepa je vklopljen, nato pa se zaslon zakleni.



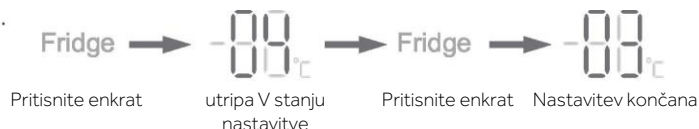
Odkleni:

Ko je plošča izklopljena, odprite vsa vrata hladilnika ali se dotaknite katerega koli gumba na nadzorni plošči in plošča se bo prižgala. V tem času je plošča zaklenjena. Držite funkcijski gumb za zaklep 3 sekunde, oglasi se zvočni signal, indikator zaklepa je izklopljen in plošča je odklenjena.



5.3 Prilagoditev temperature hladilnika

1. Ko je nadzorna plošča odklenjena, pritisnite »Izbirnik hladilnika« in zaslišali boste zvočni signal. Indikator temperature hladilnika utripa. Zdaj lahko nastavite temperaturo hladilnika.
2. Nato se z vsakim pritiskom na izbirnik hladilnika zasliši zvočni signal in nastavev pade za 1. Zaporedje nastavev poteka tako »4 °C/3 °C/2 °C/1 °C/9 °C/8 °C/7 °C/6 °C/5 °C/4 °C«



Pazite

- Naprava je nastavljena na priporočeno temperaturo 4 °C (hladilnik) in - 18 °C (zamrzovalnik). V normalnih pogojih okolja vam temperature ni treba nastavljati.

5.4 Prilagoditev temperature zamrzovalnika

1. Ko je nadzorna plošča odklenjena, pritisnite »Izbirnik zamrzovalnika« in ko zaslišite zvočni signal, indikator temperature zamrzovalnika utripa. Zdaj lahko nastavite temperaturo zamrzovalnika.
2. Ob vsakem pritisku na izbirnik zamrzovalnika se zasliši zvočno opozorilo in temperatura se zniža za 1. Zaporedje nastavitvev poteka tako »-18 °C/-19 °C/-20 °C/-21 °C/-22 °C/-23 °C/-24 °C/-14 °C/-15 °C/-16 °C/-17 °C/-18 °C«o

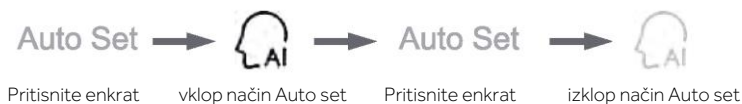


Pazite

- Temperatura je nastavljena, če v 5 sekundah ne pritisnete nobenega gumba, se temperatura samodejno potrdi in shrani.

5.5 Auto set

1. Ko je nadzorna plošča odklenjena, pritisnite »Izbirnik načina Auto set« in zvočni signal indikatorja načina Auto set je vklopljen. Način Auto set se zažene.
2. Ko je indikator načina Auto set vklopljen, pritisnite izbirnik načina Auto set in oglasi se zvočni signal, indikator načina Auto set je izklopljen in način Auto set se zapre.



Pazite

- Ko je vklopljen način Auto set, ni mogoče izbrati temperature hladilnika in temperature zamrzovalnika. Ko pritisnete izbirnik hladilnika ali izbirnik zamrzovalnika, indikator Auto set utripa in oddaja zvoke, ki opozarjajo, da postopek ni dovoljen. Če je izbrana funkcija Auto set in izberete funkcijo hitro hlajenje, hitro zamrzovanje ali način Holiday, je način za Auto set izklopljen, način za Auto set pa se samodejno zapre.

5.6 Način Holiday

Način Holiday je zasnovan za situacije, ko hladilnika ne boste uporabljali dlje časa. Ko je način Holiday vklopljen, lahko izberete temperaturo zamrzovalnika, medtem ko je temperatura hladilnika samodejno nastavljena na 17 °C, kar preprečuje morebiten neprijeten vonj zaradi visoke temperature v hladilniku in prihrani porabo energije.

1. Ko je nadzorna plošča odklenjena, pritisnite »Izbirnik načina Holiday« in oglasi se zvočni signal, indikator za način Holiday je vklopljen. Način Holiday se vklopi.
2. Ko je indikator načina Holiday vklopljen, pritisnite izbirnik funkcije način Holiday in zasliši se zvočni signal, indikator načina Holiday je izklopljen in način Holiday se zapre.



Pazite

- ▶ Ko je način Holiday vklopljen, temperature hladilnika ni mogoče izbrati. Ko pritisnete izbirnik hladilnika, indikator načina Holiday utripa z zvoki, ki opozarjajo, da postopek ni dovoljen. Preden izberete način Holiday, izpraznite hladilnik, da preprečite kakršno koli kvarjenje hrane. Ko je način Holiday vklopljen, pametne funkcije in hitrega hlajenja ni mogoče izbrati istočasno. Če je izbran pametni način ali hitro hlajenje, je indikator načina Holiday izklopljen in funkcija se samodejno zapre.

5.7 Način Super-Cool

1. Ko je nadzorna plošča odklenjena, pritisnite »Izbirnik hladilnika« za 3 sekunde in zvočni signal se oglasi, vklopi se indikator Super Cool. Zažene se Super-cool.
2. Ko je indikator Super-Cool vklopljen, pritisnite izbirnik hladilnika za 3 sekunde, oglasi se zvočni signal, indikator Super-Cool pa je izklopljen. Način Super cool se zapre.
3. Ko je način Super-Cool vklopljen, bo hladilnik samodejno preklopil v način za izklop Super-Cool, ko bo ta način dosegel nastavljeno stanje. Če želite ročno zapustiti nastavev, lahko za 3 sekunde pritisnete izbirnik hladilnika, da izklopite način Super-Cool.



Pazite

- ▶ Ko je funkcija Super-Cool vklopljena, ni mogoče istočasno izbrati načina Fuzzy in načina Holiday. Če je izbran način Fuzzy ali način Holiday, je indikator za Super-Cool izklopljen in način se samodejno zapre.

5.8 Način Super-Freeze

1. Ko je nadzorna plošča odklenjena, pritisnite izbirnik Super-freeze, ko se oglasi zvočni signal, zasveti indikator za Super-freeze. Začne se način Super-freeze.
2. Če je vklopljen indikator Super-freeze, pritisnite izbirnik Super-freeze, zasliši se zvočni signal, indikator Super-freeze pa je izklopljen. Način za Super-freeze se zapre.
3. Ko je način Super-freeze vklopljen, se hladilnik samodejno preklopi v stanje izklopa načina Super-freeze, ko ta način doseže nastavljeno stanje. Če želite ročno zapustiti nastavev, lahko za 3 sekunde pritisnete izbirnik Super-freeze, da izklopite ta način.



Pazite

- ▶ Način Super-freeze je zasnovan tako, da ohranja hranila hrane v zamrzovalnem prostoru, hrana pa se zamrzne v najkrajšem možnem času. Če želite naenkrat zamrzniti veliko količino živil, je priporočljivo, da nastavite način Super-Freeze 24 ur vnaprej, da se doseže nižja temperatura v zamrzovalnem prostoru, preden živila shranite. V tem stanju se hitrost zamrzovanja v zamrzovalnem prostoru poveča, hrano pa lahko hitro zamrznete, s čimer učinkovito ohranite prehranjevalno vrednost živil in olajšate shranjevanje. Če želite izbrati pametno funkcijo v stanju Super freeze, je indikator Super freeze izklopljen in način za Super-freeze se samodejno zapre.

5.9 Alarm za odprta vrata

Ko je čas odpiranja vrat predolg ali vrata niso zaprta, hladilnik vsakič sproži alarm proti kapljanju in vas nato opomni, da vrata pravočasno zaprete.

5.10 Prihranek energije na nadzorni plošči

Po 30 sekund brez delovanja na nadzorni plošči se plošča samodejno izklopi in vstopi v zaklenjeno stanje, ki lahko prihrani energijo. Ko pritisnete gumb za funkcijo zaklepanja ali odprete vrata, bo kontrolna plošča zasvetila.

5.11 Funkcija pomnilnika pri izpadu napajanja

Ko je hladilnik izklopljen, se trenutno delovno stanje ob izpadu električne energije shrani. Po ponovni priključitvi napajanja hladilnik nadaljuje z delovanjem v skladu z izmeno in funkcionalnim statusom, nastavljenima pred izpadom napajanja.

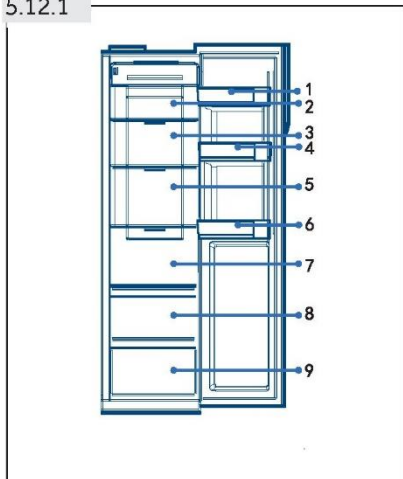
Pozor: Funkcija zaklepanja ni shranjena. Po ponovnem vklopu hladilnika nadzorna plošča začne s samopreverjanjem, indikator funkcije zaklepanja je izklopljen in hladilnik je odklenjen.

5.12 Nasveti za shranjevanje svežih živil

5.12.1 Shranjevanje v hladilnik

- ▶ Naj bo temperatura v hladilniku manj kot 5 °C.
- ▶ Vročo hrano je treba pred shranjevanjem v aparatu ohladiti na sobno temperaturo.
- ▶ Živila, ki jih želite shranjevati v hladilniku, je treba pred shranjevanjem oprati in posušiti.
- ▶ Živila, ki jih želite shranjevati, morajo biti pravilno zaprta, da se izognete spremembam vonja ali okusa.
- ▶ Ne shranjujte prevelikih količin hrane. Med posameznimi živili pustite nekaj mesta, da jih obda hladen zrak, s čimer dosegate boljše in bolj homogeno hlajenje.
- ▶ Živila, ki jih uporabljate vsak dan, je treba hraniti na sprednji strani police.
- ▶ Med posameznimi živili in notranjimi stenami pustite nekaj mesta, s čimer omogočite pretok zraka. Zlasti pa ne shranjujte živil ob zadnji steni: hrana lahko zamrzne na zadnjo steno. Izogibajte se neposrednemu stiku hrane (zlasti mastne ali kisle hrane) z notranjo oblogo, saj lahko olje/kislina uniči notranjo oblogo. Očistite mastno/kislo umazanijo, kadarkoli jo najdete.
- ▶ Zamrznjeno hrano odmrznite v hladilniku. Tako lahko z zamrznjeno hrano znižate temperaturo v hladilniku in prihranite energijo.
- ▶ Postopek staranja sadja in zelenjave, kot so bučke, melone, papaja, banana, ananas itd., lahko v hladilniku pospešite. Zato jih ni priporočljivo hraniti v hladilniku. Zorenje močno zelenih plodov pa za nekaj časa lahko pospešite. Tudi čebulo, česen, ingver in drugo korenovko je treba hraniti pri sobni temperaturi.
- ▶ Neprijetni vonji v hladilniku so znak, da se je nekaj razlilo in da je potrebno čiščenje. Glejte poglavje NEGA IN ČIŠČENJE.
- ▶ Različna živila je treba namestiti na različna območja glede na njihove lastnosti (slika 5.12.1):

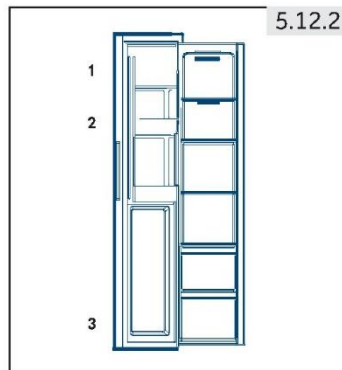
5.12.1



- 1 Maslo, sir itd.
- 2 Vložena hrana, konzervirana živila itd.
- 3 Vložena hrana, konzervirana živila itd.
- 4 Pločevinke, konzervirana živila, začimbe itd.
- 5 Mesni izdelki, prigrizki itd.
- 6 Pijače in ustekleničena živila.
- 7 Testenine, konzervirana živila, mleko, tofu, mlečni izdelki itd.
- 8 Sadje, zelenjava, solata itd.
- 9 Kuhano meso, klobase itd.

5.12.2 Shranjevanje v predelu zamrzovalnika

- ▶ Temperaturo zamrzovalnika pustite na $-18\text{ }^{\circ}\text{C}$
- ▶ 24 ur pred zamrznitvijo preklopite na funkcijo Super-Freeze; za majhne količine hrane zadostuje 4-6 ur.
- ▶ Vročo hrano je treba pred shranjevanjem v zamrzovalnem predelu ohladiti na sobno temperaturo
- ▶ Hrana, razrezana na majhne porcije, bo hitreje zmrznila in lažje jo boste odtalili ter kuhali. Priporočena teža vsakega obroka je manjša od 2,5 kg
- ▶ Bolje je, da hrano spravite v embalažo, preden jo shranite v zamrzovalnik. Zunanost embalaže mora biti suha, da se prepreči lepljenje vrečk. Embalažni materiali morajo biti brez vonja, nestrupeni in netoksični ter morajo tesniti.
- ▶ Da bi se izognili izteku obdobja shranjevanja, upoštevajte datum zamrznitve, rok in ime živila na embalaži glede na obdobja shranjevanja različnih živil.
- ▶ **OPOZORILO:** Kislina, alkalije in sol itd. lahko poškodujejo notranjo površino zamrzovalnika. Živil, ki vsebujejo te snovi (npr. morske ribe), ne polagajte neposredno na notranjo površino. Slano vodo v zamrzovalniku je treba takoj očistiti.
- ▶ Ne prekoračite časa shranjevanja živil, ki ga priporočajo proizvajalci. Iz zamrzovalnika vzemite samo potrebno količino hrane.
- ▶ Različna živila je treba namestiti na različna območja glede na njihove lastnosti (slika 5.12.2):



- 1 Manj težki izdelki, kot so sladoled, zelenjava, kruh itd.
- 2 Pijača brez visoke vsebnosti alkohola in začasno skladiščenje žganih pijač z visoko vsebnostjo alkohola, majhni kosi, kot so pica ali zelišča.
- 3 Veliki/težji izdelki, kot so mesni kosi za pečenje



Pazite: Shranjevanje

- ▶ Ohranite razdaljo med hrano in senzorjem več kot 10 mm, da zagotovite učinek hlajenja.
- ▶ Med delovanjem naprave uporabite najnižji predal, da zagotovite učinek hlajenja.
- ▶ Hrano z ledom (kot je sladoled itd.) shranjujte v predelu za zamrzovanje, ne na nosilcu za steklenice, ker lahko spremembe temperature na nosilcu za steklenice, ki jih povzročata odpiranje in zapiranje vrat, živila odmrznejo.
- ▶ Odmrznjena živila hitro zaužijte. Odmrznjene hrane ni mogoče znova zamrzniti, če je najprej ne skuhamo, sicer je manj užitna.
- ▶ V hladilnik ne nalagajte prevelikih količin sveže hrane. Glejte zamrzovalno zmogljivost zamrzovalnika - glejte TEHNIČNE PODATKE ali podatke na tipski tablici.
- ▶ Živila lahko hranite v zamrzovalniku pri temperaturi najmanj -18 °C od 2 do 12 mesecev, odvisno od njihovih lastnosti (npr. meso: 3–12 mesecev, zelenjavo: 6–12 mesecev)
- ▶ Pri zamrzovanju sveže hrane se izogibajte stiku z že zamrznjeno hrano. Nevarnost odmrzovanja!
- ▶ Zamrznjeno hrano odmrznite v hladilniku. Tako lahko z zamrznjeno hrano znižate temperaturo v hladilniku in prihranite energijo.

5.12.3 Pri shranjevanju komercialno zamrznjenih živil upoštevajte ta navodila:

- ▶ vedno upoštevajte proizvajalčeve smernice glede dolžine za shranjevanje živil. Ne prekoračite teh smernic!
- ▶ Naj bo čas med nakupom in shranjevanjem čim krajši, da ohranite kakovost hrane.
- ▶ Kupite zamrznjena živila, ki so bila shranjena pri temperaturi -18 °C ali manj.
- ▶ Izogibajte se nakupu hrane z ledom ali zmrzaljo na embalaži – to pomeni, da so bili izdelki v določenem trenutku morda delno odmrznjeni in ponovno zamrznjeni – dvig temperature vpliva na kakovost hrane.

5.13 Dozirnik vode (HSR3918 EWP*)

Z dozirnikom vode lahko ohladite pitno vodo.

Rezervoar za vodo je treba očistiti pred prvo uporabo (glejte NEGA IN ČIŠČENJE).

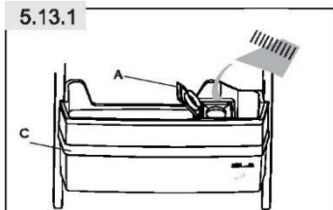
5.13.1 Polnjenje rezervoarja za vodo



OPOZORILO!

Uporabljajte samo pitno vodo.

5.13.1





1. Prepričajte se, da je rezervoar za vodo pravilno vstavljen (glejte OPREMA)
2. Odprite pokrovček (A) in nalijte svežo pitno vodo v rezervoar za vodo (slika 5.13.1)
3. Napolnite vodo samo do oznake (2,5 l), saj se lahko prelije, ko se vrata odprejo in zaprejo.
4. Pokrovček (A) popolnoma zaprite.

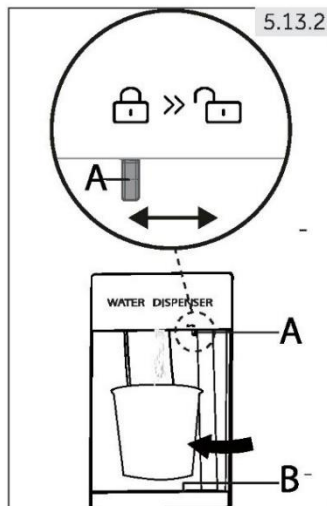


Pazite: Dozirnik vode

- ▶ Pred ponovnim polnjenjem preostalo vodo zavrzite in očistite rezervoar za vodo.
- ▶ Če vode ne potrebujete dlje časa, izpraznite rezervoar za vodo in vstavite očiščen rezervoar.
- ▶ Pokrov (C) na rezervoarju za vodo (slika 5.13.1) se dodatno uporablja za varčevanje z energijo. Če iz dozirnika za vodo ne želite nalivati vode daljše obdobje, vseeno namestite pokrov zaradi boljše izolacije in varčevanja z energijo.

5.13.2 Pridobivanje vode iz dozirnika

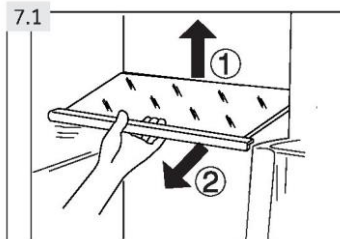
1. Prepričajte se, da je ključavnica (A) premaknjena v položaj  »Odklenjeno« (slika 5.13.2).
2. Postavite kozarec pod šobo za vodo.
3. S kozarcem nežno potisnite ob ročico dozirnika za vodo. Prepričajte se, da je kozarec v skladu z dozirnikom, da preprečite škropljenje vode.
4. Vodo v pladnju (B) je treba pravočasno odstraniti, saj se lahko prelija, ko se vrata odprejo in zaprejo.
5. Potisnite ključavnico (A) v položaj  »Zaklenjeno«.





Namigi za varčevanje z električno energijo

- ▶ Prepričajte se, da je aparat pravilno prezračen (glejte NAMESTITEV).
- ▶ Aparata ne postavljajte neposredno na sonce ali blizu virov toplote (npr. štedilnikov, grelcev).
- ▶ Izogibajte se nepotrebno nizki temperaturi v aparatu. Poraba energije se poveča, ko je v aparatu nastavljena nižja temperatura.
- ▶ Funkcije, kot sta Super-Cool ali Super-Freeze, porabijo več energije.
- ▶ Počakajte, da se toplotno obdelana živila ohladijo in jih šele nato postavite v aparat.
- ▶ Vrata aparata odprite čim manjkrat in za čim krajše obdobje.
- ▶ Aparata ne polnite preveč, da se izognete oviranju pretoka zraka.
- ▶ Izogibajte se zraku v embalaži živil.
- ▶ Tesnila vrat naj bodo čista, da se bodo vrata vedno pravilno zaprla.
- ▶ Zamrznjeno hrano odmrznite v hladilniku.



7.1 Nastavljive police

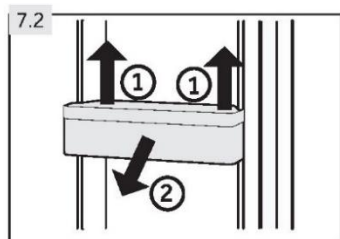
Višino polic lahko prilagodite tako, da ustrezajo vašim potrebam po shranjevanju.

1. Za premik police jo najprej odstranite tako, da dvignete njen zadnji rob (1) in jo povlečete ven (2) (slika 7.1).
2. Če jo želite ponovno namestiti, jo postavite na vodila na obeh straneh in potisnite do konca nazaj, dokler zadnji del police ni pritrjen v reže na strani.



Pazite: Police

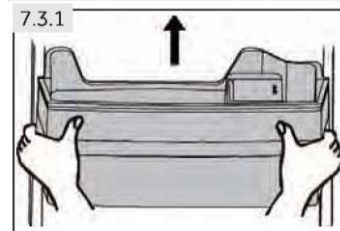
Prepričajte se, da so vsi konci police poravnani.



7.2 Odstranljive police za vrata/nosilec za steklenice

Nosilec za vrata/steklenice lahko odstranite za čiščenje:

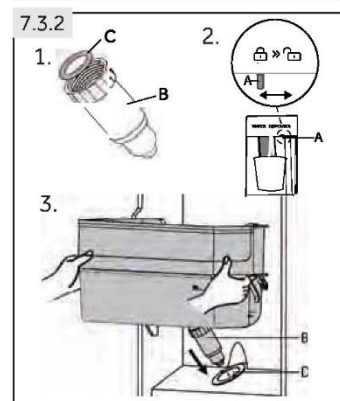
1. Položite roke na vsako stran stojala/nosilca in ga dvignite navzgor (1) (slika 7.2).
2. Izvlecite stojalo/nosilec za steklenice (2).
3. Za vstavev nosilca za vrata/nastavka za steklenice zgornje korake izvedite v obratnem vrstnem redu.



7.3 Rezervoar za vodo (HSR3918EWP*)

7.3.1 Odstranite rezervoar za vodo

Rezervoar za vodo lahko odstranite za čiščenje in ponovno namestite na enak način kot nosilec za vrata (slika 7.3.1).



7.3.2 Vstavljanje rezervoarja za vodo

1. Prepričajte se, da je odprtina dozirnika (B) trdno pritrjena na rezervoar za vodo in je beli o-obroček (C) na svojem mestu (slika 7.3.2-1.).
2. Potisnite ključavnico (A) v položaj »Zaklenjeno« (slika 7.3.2-2).
3. Rezervoar za vodo postavite tako, da se lij dozirnika (B) prilega odprtini na vratih (D) (slika 7.3.2-3.).



Pazite: Rezervoar za vodo

- Če rezervoar za vodo ni pravilno vstavljen, lahko voda kaplja iz priključka.
- Pri odstranjevanju ali namestitvi rezervoarja za vodo ne uporabljajte pretirane sile, da se izognete poškodbam rezervoarja.

7.4 Nosilec za steklenice - predel za zamrzovanje

Nosilec za steklenice v zamrzovalniku je namenjen začasnemu shranjevanju žganih pijač z visoko vsebnostjo alkohola. Pijačo brez visoke vsebnosti alkohola je treba ohladiti v hladilniku.

Poleg tega lahko majhne kose shranite v nosilec za steklenice.



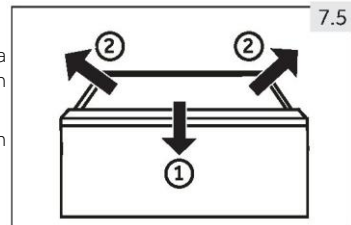
OPOZORILO!

Steklenice in pločevinke lahko počijo! Nastavite časovnik, ki vas bo opomnil, da odstranite steklenice/pločevinke brez visoke vsebnosti alkohola.

7.5 Odstranjiv predal

Če želite predal izvleči iz hladilnika ali zamrzovalnega predelka, ga v največji možni meri izvlecite (1), dvignite in odstranite (2) (slika 7.5).

Za vstavev predala zgornje korake izvedite v obratnem vrstnem redu.



7.5

7.6 Luč

Notranja LED-luč se prižge, ko so odprta vrata. Na delovanje luči ne vpliva nobena druga nastavev naprave.

**OPOZORILO!**

Aparat pred čiščenjem izključite iz napajanja.

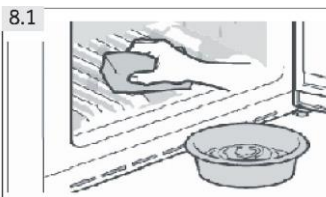
8.1 Čiščenje

Aparat očistite, ko hranite le malo živil ali nič.

Aparat je treba očistiti vsake štiri tedne za dobro vzdrževanje in za preprečevanje neprijetnega vonja hrane.

**OPOZORILO!**

- ▶ Aparata ne čistite s trdimi ščetkami, žičnimi krtačami, detergentom v prahu, bencinom, amil acetatom, acetonom in podobnimi organskimi raztopinami, kislimi ali alkalnimi raztopinami. Čistite ga s posebnim detergentom za hladilnik, da se izognete poškodbam.
- ▶ Med čiščenjem aparata ne škropite ali spirajte.
- ▶ Aparata ne čistite s pršenjem vode ali paro.
- ▶ Hladnih steklenih polic ne čistite z vročo vodo. Zaradi nenadne spremembe temperature se lahko steklo zlomi.
- ▶ Ne dotikajte se notranjosti zamrzovalnega predela, zlasti z mokrimi rokami, saj lahko vaše roke zamrznejo na površino.
- ▶ V primeru ogrevanja preverite stanje zamrznjenega blaga.



8.1


- ▶ Tesnilo na vratih naj bo vedno čisto.
- ▶ Očistite notranjost in ohišje aparata z gobo, navlaženo v topli vodi in nevtralnem detergentu (slika 8.1).

1. Z mehko brisačo ali gobico, namočeno v toplo vodo (v toplo vodo lahko dodate nevtralen detergent), obrišite notranjost in zunanost hladilnika, vključno s tesnilom na vratih, stojalom za vrata, steklenimi policami, škatlami in podobno.
 2. Če pride do razlitja tekočine, odstranite vse kontaminirane dele, neposredno jih sperite s tekočo vodo, posušite in vrnite v hladilnik.
 3. Če pride do razlitja smetane (kot sta smetana, stopljeni sladoled), odstranite vse kontaminirane dele, za nekaj časa postavite v toplo vodo s približno 40 °C, nato sperite s tekočo vodo, posušite in vrnite nazaj v hladilnik.
 4. V primeru, da se majhen del ali sestavina zatakne v hladilniku (med policami ali predali), jo odstranite z majhno mehko krtačo. Če dela niste mogli doseči, se obrnite na servisni center Haier.
- ▶ Sperite in posušite z mehko krpo.
 - ▶ Nobenega dela aparata ne čistite v pomivalnem stroju.
 - ▶ Pred ponovnim zagonom aparata počakajte vsaj 5 minut, saj lahko pogosti zagon poškoduje kompresor.

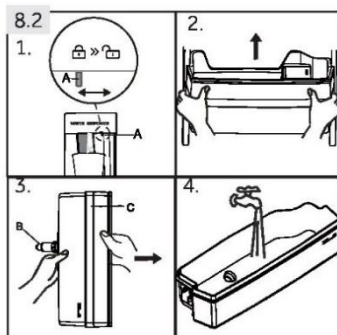
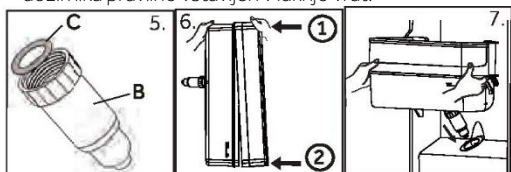
Odmrzovanje

Odmrzovanje hladilnika in zamrzovalnega predela se opravi samodejno; ročno poseganje ni potrebno.

8.2 Čiščenje rezervoarja za vodo (slika 8.2) (HSR3918*)

1. Potisnite ključavnico (A) v položaj  »Zaklenjeno«.

2. Odstranite rezervoar za vodo iz aparata.
3. Odstranite pokrovček (C) in nežno odvijte odprtino dozirnika (B).
4. Rezervoar za vodo in dozirnik očistite s toplo tekočo vodo in tekočim detergentom za pomivanje posode. Prepričajte se, da je milo sprano.
5. Namestite lij dozirnika (B) in pazite, da je trdno privit na rezervoar za vodo in je beli o-obroček (C) na svojem mestu.
6. Pritisnite pokrov, da ga združite z eno stranjo rezervoarja za vodo in nato drugo stranjo, preverite, da sta rezervoar za vodo in pokrov popolnoma skupaj.
7. Zamenjajte rezervoar v napravi. Prepričajte se, da je lij dozirnika pravilno vstavljen v luknjo vrat.



8.3 Menjava LED-lučk



OPOZORILO!

LED-lučke ne smete zamenjati sami, zamenjati jo sme le proizvajalec ali pooblaščen serviser.

Luči kot vir svetlobe uporabljajo LED-sijalke z nizko porabo energije in dolgo življenjsko dobo. Če pride do kakršnih koli nepravilnosti, se obrnite na službo za pomoč strankam. Glejte SLUŽBA ZA POMOČ STRANKAM.

Parametri svetilk: 12 V, največ 3 W.

8.4 Dolgotrajna neuporaba

Če naprave ne uporabljate dalj časa in ne boste uporabljali načina Holiday za hladilnik:

- ▶ vso hrano odstranite;
- ▶ izpraznite in očistite rezervoar za vodo;
- ▶ izklopite napajalni kabel;
- ▶ očistite aparat, kot je opisano zgoraj.
- ▶ vrata naj ostanejo odprta, da preprečite nastanek neprijetnega vonja.



Pazite: Izklop

Aparat izklopite le, če je to nujno potrebno.

8.5 Premikanje aparata

1. Odstranite vso hrano in izključite aparat.
2. Police in druge premične dele v hladilniku in zamrzovalniku pritrdite z lepilnim trakom.
3. Hladilnika ne nagibajte za več kot 45°, da ne poškodujete hladilnega sistema.



OPOZORILO!

- ▶ Aparata ne dvigujte za ročaje.
- ▶ Aparata nikoli ne postavljajte vodoravno na tla.

Številne težave, ki se pojavljajo, bi lahko rešili sami brez posebnega strokovnega znanja. V primeru težav preverite vse prikazane možnosti in sledite spodnjim navodilom, preden se obrnete na servisno službo. Glejte SLUŽBA ZA POMOČ STRANKAM.



OPOZORILO!

- ▶ Pred vzdrževanjem izklopite aparat in odklopite vtič iz vtičnice.
- ▶ Električno opremo lahko servisirajo samo usposobljeni električarji, saj lahko nepravilna popravila povzročijo znatno posledično škodo.
- ▶ Če je napajalni kabel poškodovan ga sme zamenjati samo proizvajalec, njegov servisni agent ali drug kvalificiran serviser, da preprečite morebitne nevarnosti.

9.1 Razpredelnica za odpravljanje težav

Težava	Možen vzrok	Možna rešitev
Kompresor ne deluje.	<ul style="list-style-type: none"> • Omrežni vtič ni priključen v omrežno vtičnico. • Aparat je v ciklu odmrzovanja. 	<ul style="list-style-type: none"> • Priključite omrežni vtič. • To je normalno za avtomatsko odmrzovanje.
Aparat deluje prepogosto ali deluje predolgo.	<ul style="list-style-type: none"> • Notranja ali zunanja temperatura je previsoka. • Aparat že nekaj časa ni vklopljen. • Vrata aparata niso tesno zaprta. • Vrata so bila odprta prepogosto ali predolgo. • Nastavitev temperature v zamrzovalnem prostoru je prenizka. • Tesnila vrat so umazana, obrabljena, razpokana ali neustrezna. • Zahtevano kroženje zraka ni zagotovljeno. 	<ul style="list-style-type: none"> • V tem primeru je običajno, da aparat deluje dlje. • Običajno traja od 8 do 12 ur, da se aparat popolnoma ohladi. • Zaprite vrata in se prepričajte, da je aparat nameščen na ravni podlagi in da na vratih ni ovirajoče hrane ali posode. • Vrat ne odpirajte prepogosto. • Nastavite višjo temperaturo, dokler ni dosežena zadovoljiva temperatura za hlajenje. Temperatura hladilnika je stabilna po 24 urah. • Očistite tesnilo vrat ali prosite službo za pomoč strankam, da vam ga zamenja. • Zagotovite ustrezno prezračevanje.
Notranjost hladilnika je umazana in/ali ima neprijeten vonj.	<ul style="list-style-type: none"> • Notranjost hladilnika je potrebno počistiti. • V hladilniku je shranjena hrana z močnim vonjem. 	<ul style="list-style-type: none"> • Očistite notranjost hladilnika. • Hrano temeljito zavijte.

Težava	Možen vzrok	Možna rešitev
Znotraj naprave ni dovolj hladno.	<ul style="list-style-type: none"> • Temperatura je nastavljena previsoko. • Spravili ste preveč tople hrane. • Naenkrat ste spravili preveč hrane. • Blago je preblizu drug drugemu. • Vrata aparata niso tesno zaprta. • Vrata so bila odprta prepogosto ali predolgo. 	<ul style="list-style-type: none"> • Ponastavite temperaturo. • Preden blago shranite, ga vedno ohladite. • Vedno shranjujte manjše količine hrane. • Pustite razmik med živili, ki omogoča pretok zraka. • Zaprite vrata. • Vrat ne odpirajte prepogosto.
Znotraj aparata je prehladno.	<ul style="list-style-type: none"> • Temperatura je nastavljena prenizko. • Funkcija Super-Cool/Super-Freeze je aktivirana ali deluje predolgo. 	<ul style="list-style-type: none"> • Ponastavite temperaturo. • Izklopite funkcijo Super-Cool / Super-Freeze.
Nastajanje vlage na notranji strani hladilnika.	<ul style="list-style-type: none"> • Zunanje okolje je pretoplo in prevlažno. • Vrata aparata niso tesno zaprta. • Vrata so bila odprta prepogosto ali predolgo. • Posode s hrano ali tekočine so ostale odprte 	<ul style="list-style-type: none"> • Povečajte temperaturo. • Zaprite vrata. • Vrat ne odpirajte prepogosto. • Vroča hrana naj se ohladi na sobno temperaturo, hrano in tekočine pa zaprite.
Vlaga se nabira na zunanji površini hladilnika ali med vrati.	<ul style="list-style-type: none"> • Zunanje okolje je pretoplo in prevlažno. • Vrata niso tesno zaprta. Hladen zrak v napravi in topel zunanji zrak kondenzirata. 	<ul style="list-style-type: none"> • To je normalno v vlažni klimi in se bo spremenilo, ko se vlažnost zmanjša. • Prepričajte se, da so vrata tesno zaprta.
Močan led in zmrzal v zamrzovalnem prostoru.	<ul style="list-style-type: none"> • Blago ni bilo ustrezno zapakirano. • Vrata/predal aparata ni(so) tesno zaprt(a). • Vrata so bila odprta prepogosto ali predolgo. • Tesnila vrat so umazana, obrabljena, razpokana ali neustrezna. • Nekaj na notranji strani preprečuje pravilno zapiranje vrat. 	<ul style="list-style-type: none"> • Blago vedno dobro zapakirajte. • Zaprite vrata/predal. • Vrat ne odpirajte prepogosto. • Očistite tesnilo vrat ali ga zamenjajte. • Premaknite police, nosilce na vratih ali notranje škatle, da se vrata zaprejo.
Naprava proizvaja nenormalne zvoke.	<ul style="list-style-type: none"> • Naprava ni nameščena na ravno podlago. • Naprava se dotika predmeta v njeni bližini. 	<ul style="list-style-type: none"> • Nastavite noge, da poravnate napravo. • Odstranite predmete okoli naprave.

Težava	Možen vzrok	Možna rešitev
Slišati je treba rahel zvok, podoben zvoku pretakanja vode.	<ul style="list-style-type: none"> To je običajno. 	<ul style="list-style-type: none"> -
Zaslišali boste pisk alarma.	<ul style="list-style-type: none"> Vrata so odprta. 	<ul style="list-style-type: none"> Zaprte vrata.
Slišali boste šibko brnenje.	<ul style="list-style-type: none"> Sistem proti kondenzaciji deluje. 	<ul style="list-style-type: none"> To preprečuje kondenzacijo in je normalno.
Notranja razsvetljava ali hladilni sistem ne deluje.	<ul style="list-style-type: none"> Omrežni vtič ni priključen v omrežno vtičnico. Napajanje ne deluje pravilno. LED-luč ne deluje. 	<ul style="list-style-type: none"> Priključite omrežni vtič. Preverite električno napajanje prostora. Pokličite lokalno elektro podjetje! Za zamenjavo svetilke pokličite servisno službo.
Strani hladilnika in trak na vratih se segrejejo.	<ul style="list-style-type: none"> To je običajno. 	<ul style="list-style-type: none"> -
Iz lija dozirnika za vodo voda ne teče	<ul style="list-style-type: none"> Ključavnica ni izklopljena. 	<ul style="list-style-type: none"> Izklopite ključavnico.

9.2 Prekinitev napajanja

V primeru izpada električne energije naj bi hrana ostala varno hladna približno 5 ur. Sledite tem navodilom,

če pride do daljše prekinitve napajanja, zlasti poleti:

- ▶ Čim manjkrat odprite vrata/predal.
- ▶ Med prekinitvijo napajanja v aparat ne vstavljajte dodatnih živil.
- ▶ Če ste predhodno obveščeni o prekinitvi napajanja in je trajanje prekinitve daljše od 5 ur, naredite nekaj ledu in ga postavite na vrh hladilnega prostora.
- ▶ Takoj po prekinitvi je potreben pregled blaga.
- ▶ Ker bo temperatura v hladilniku med prekinitvijo napajanja ali drugo okvaro narasla, se obdobje shranjevanja in užitnosti hrane skrajša. Tako za tem je vsako hrano, ki se odtaja, je treba zaužiti ali skuhati in ponovno zamrzniti (kjer je to primerno), da se prepreči tveganje za zdravje.



Pazite: Funkcija pomnilnika med prekinitvijo napajanja

Po ponovni vzpostavitvi napajanja naprava nadaljuje z nastavitvami, ki so bile nastavljene pred izpadom električne energije.

10.1 Razpakiranje



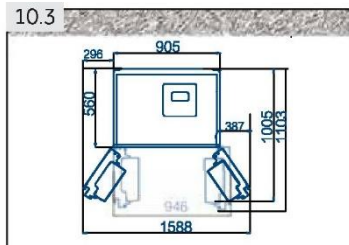
OPOZORILO!

- ▶ Aparat je težak. Prenašajta ga naj vsaj dve osebi.
- ▶ Vso embalažo hranite izven dosega otrok in jo zavržite na okolju prijazen način.
- ▶ Vzemite aparat iz embalaže.
- ▶ Odstranite vse embalažne materiale, vključno s prozorno zaščitno folijo.

10.2 Okoljski pogoji

Sobna temperatura mora biti vedno med 16 °C in 43 °C, saj lahko to vpliva na temperaturo v aparatu in njegovo porabo energije. Aparata ne nameščajte v bližini drugih naprav, ki oddajajo toploto (pečice, hladilniki), brez izolacije.

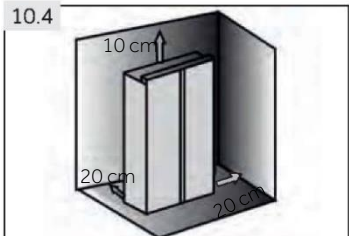
10.3



10.3 Prostorske zahteve

Potreben prostor ob odpiranju vrat (slika 10.3):
Širina naprave: 1588 mm
Globina naprave: 1103 mm

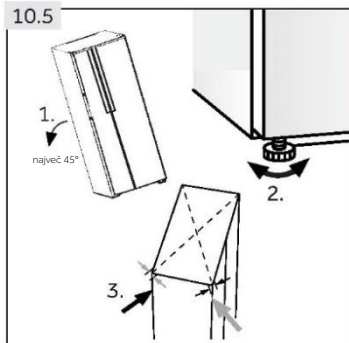
10.4



10.4 Prezračevanje v prerezu

Da bi iz varnostnih razlogov dosegli zadostno prezračevanje naprave, je treba upoštevati informacije o zahtevanih normah prezračevanja (slika 10.4).

10.5



10.5 Poravnava aparata

Aparat mora biti postavljen na ravno in trdno površino.

1. Aparat nekoliko nagnite nazaj (slika 10.5).
2. Noge nastavite na želeno raven.

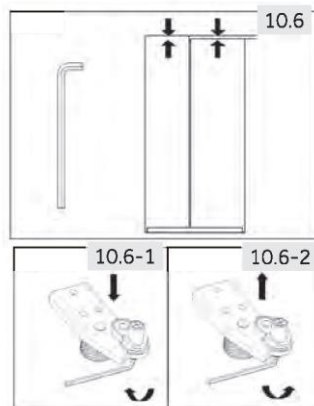
Prepričajte se, da je razdalja do stene na straneh vsaj 5 cm.

3. Stabilnost lahko preverite z izmeničnim pomikanjem po diagonalah. Rahlo zibanje mora biti enako v obe smeri. V nasprotnem primeru se okvir lahko deformira; rezultat je morebitno puščanje tesnil vrat. Nizka nagnjenost nazaj olajša zapiranje vrat.

10.6 Natančna nastavitve vrat

Če vrata po izravnavi vrat z nogami še vedno niso v enem nivoju, lahko neuskkljenost odpravite s ključem z obračanjem dvižne gredi tečaja v desnem spodnjem kotu hladilnih vrat (slika 10.6).

- ▶ Obrnite dvižno gred s ključem v smeri urinega kazalca, da vrata spustite (slika 10.6-1).
- ▶ S ključem obrnite dvižno gred v nasprotni smeri urnega kazalca, da vrata dvignete (slika 10.6-2).

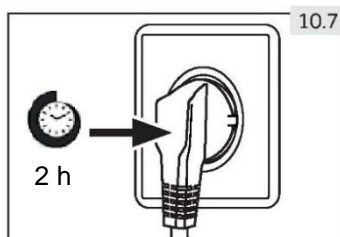


OPOZORILO!

Dvižne gredi tečaja ne nastavljajte pretirano visoko, saj lahko zaradi tega gred zapusti prvotni zaklenjeni položaj. (Nastavljivo območje višine: 3 mm)

10.7 Čas čakanja

Mazalno olje brez vzdrževanja je v kapsuli kompresorja. Če je aparat nagnjen, lahko to olje med transportom steče skozi zaprt cevni sistem. Preden aparat priključite na napajanje, počakajte vsaj 2 uri (slika 10.7), da olje priteče nazaj v kapsulo.



10.8 Priključitev

Pred vsako priključitvijo preverite, ali:

- ▶ so napajanje, vtičnica in varovalke skladni s tipsko tablico,
- ▶ ali je vtičnica ozemljena in da v bližini ni podaljška z več vtičnicami ali kablskega podaljška,
- ▶ sta vtič in vtičnica pravilno nameščena.

Vtič priključite v pravilno nameščeno gospodinjsko vtičnico.



OPOZORILO!

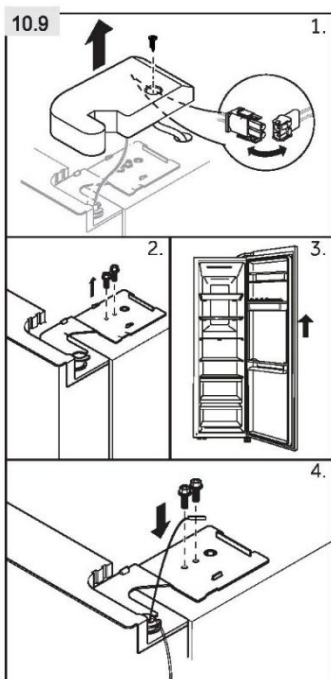
Da bi se izognili tveganju, mora servis zamenjati poškodovan napajalni kabel (glejte garancijski list).

10.9 Odstranitev in namestitev vrat ter navodila za namestitev spodaj (slika 10.9). V primeru, da morate odstraniti vrata naprave, upoštevajte spodnja navodila za odstranitev in namestitev vrat (slika 10.9)



OPOZORILO!

- ▶ Pred kakršnim koli posegom izklopite aparat in odklopite vtič iz vtičnice.
- ▶ Aparat je težak. Prenašajta ga naj vsaj dve osebi.
- ▶ Aparata ne nagibajte za več kot 45° in ga ne postavljajte vodoravno na tla.




1. Odvijte vijak zgornjega pokrova in ga odstranite. Sprostite kabelski priključek.
2. Odvijte vijake, ki držijo zgornji tečaj, in nato odstranite tečaj.
3. Dvignite vrata hladilnika, da jih odstranite.
4. Ponovno namestite vrata tako, da korake za odstranjevanje ponovite v obratnem vrstnem redu. Prepričajte se, da je ozemljitveni kabel pritrjen z vijakom.



Pazite: Vrata hladilnika

Slike prikazujejo odstranjevanje vrat hladilnika. Za vrata zamrzovalnika uporabite ustrezne dele na drugi strani

11.1 List izdelka v skladu z Uredbo EU št. 1060/2010

Blagovna znamka	Haier
Identifikacijska oznaka modela	HSR3918FNP*
Kategorija modela	Hladilnik-zamrzovalnik
Razred energijske učinkovitosti	A+
Letna poraba energije (kWh/leto) ¹⁾	399
Prostornina za shranjevanje v hladilniku (L)	337
Prostornina za shranjevanje v zamrzovalniku (L) ****	167
Ocena z zvezdicami	
Temperatura drugih predelov > 14 °C	Ni relevantno
Sistem brez zmrzali	Da
Čas dviga temperature (h)	5
Zmogljivost zamrzovanja (kg/24h)	10
Klimatski razred	
Ta aparat je namenjen uporabi pri sobni temperaturi med 10 in 43 °C.	SN-N-ST-T
Emisije akustičnega hrupa v zraku (db(A) re 1pW)	38
Vrsta konstrukcije	Prostostoječi

na podlagi 24-urnih standardnih testnih rezultatov. Dejanska poraba energije bo odvisna od načina uporabe naprave in njene lokacije.

11.1.1 Dodatni tehnični podatki

Napetost/frekvenca	220–240 V ~/50 Hz
Vhodna moč (W)	200
Glavna varovalka (A)	15
Hladilno sredstvo	R600a
Mere (V/Š/G v mm)	1775/908/647

11.1.2 Standardi in direktive 

Ta izdelek izpolnjuje zahteve vseh veljavnih direktiv ES z ustreznimi harmoniziranimi standardi z oznako CE.

Priporočamo našo službo za pomoč strankam Haier in uporabo originalnih nadomestnih delov. Če imate težave z aparatom, najprej preverite poglavje ODPRAVLJANJE TEŽAV.

Če tam ne najdete rešitve, se obrnite na

- ▶ lokalnega prodajalca ali
- ▶ področje Servis in podpora na spletni strani www.haier.com, kjer najdete telefonske številke in odgovore na pogosta vprašanja ter oddate zahtevek za servis.

Če se želite obrniti na naš servis, se prepričajte, da imate na voljo naslednje podatke. Podatke najdete na tipski tablici.

Model _____ Serijska št. _____

V primeru uveljavljanja garancije preverite tudi garancijsko kartico, ki je priložena izdelku.



Haier



0060524101F



Посібник користувача

Холодильник із морозильною камерою

HSR3918ENP*

HSR3918EWP*

HSR3918FNP*

***=W,B,L,G,N**

УКР

Haier



УВАГА! Ризик пожежі/займистий матеріал. Символ вказує на ризик пожежі, оскільки використовуються легкозаймисті матеріали. Слідкуйте за тим, щоб не спричинити пожежу через запалювання легкозаймистих матеріалів.

Дякуємо за покупку

Дякуємо за те, що придбали виріб Haier.

Перед використанням приладу уважно прочитайте ці інструкції. Інструкції містять важливу інформацію, яка допоможе вам найефективнішим способом користуватися приладом та забезпечити безпечне та належне встановлення, використання та обслуговування.

Зберігайте цей посібник у зручному місці, щоб ви завжди могли переглянути його щодо безпечного та належного використання приладу.

Якщо ви продаєте прилад, віддайте посібник або залиште поруч, якщо переїжджаєте. Обов'язково передайте цей посібник новому власнику, щоб він міг ознайомитися з приладом і попередженнями щодо безпеки.

Позначення

Увага – важлива інформація про безпеку

Загальна інформація та поради

Інформація щодо впливу на навколишнє середовище

Утилізація

Допоможіть захистити довкілля та здоров'я людей. Помістіть упаковку у відповідні контейнери для переробки. Допоможіть утилізувати відходи електричних та електронних приладів. Не викидайте прилади, позначені цим символом, разом із побутовим сміттям. Передайте прилад у місцевий пункт переробки або зверніться до місцевої служби.



УВАГА!

Ризик травмування або задухи!

Холодоагенти та гази необхідно утилізувати професійно. Перед належною утилізацією перевірте, щоб трубка контуру холодоагенту була цілою та неушкодженою. Від'єднайте прилад від електромережі. Відріжте кабель живлення та утилізуйте його. Зніміть лотки та

шухляди, а також дверцята й ущільнювачі, щоб діти та домашні тварини не зачинилися в приладі.

Старі прилади все ще мають певну залишкову цінність. Екологічно чистий метод утилізації забезпечить відновлення та повторне використання цінної сировини.

Циклопентан, легкозаймиста речовина, не шкідлива для озону, використовується як розширювач для ізоляційної піни.

Забезпечивши належну утилізацію цього приладу, ви допоможете запобігти можливим негативним наслідкам для навколишнього середовища та здоров'я людей, які могли б виникнути в іншому випадку.

Для отримання більш детальної інформації про переробку цього приладу, будь ласка, зверніться до місцевої ради, служби утилізації побутових відходів або магазину, де ви придбали прилад, який обслуговують професіонали.

1- Інформація про безпеку	6
2- Передбачене застосування.....	10
3- Опис продукту.....	11
4- Панель керування.....	13
5- Використання.....	14
6- Поради щодо енергозбереження	22
7- Обладнання	23
8- Догляд і очищення	25
9- Пошук та усунення несправностей.....	28
10- Встановлення	31
11- Технічні дані.....	35
12- Обслуговування клієнтів	37

1- Інформація про безпеку

Перед першим увімкненням приладу прочитайте наступні поради щодо безпеки!:



УВАГА!

Перед першим використанням

Перевірте щодо відсутності пошкоджень під час транспортування.

Зніміть всю упаковку та зберігайте в недоступному для дітей місці.

Зачекайте принаймні дві години, перш ніж встановлювати прилад, щоб переконатися, що контур холодоагенту працює належним чином.

Для перенесення приладу потрібно щонайменше двоє осіб, оскільки він важкий.

Установка

Прилад слід розміщувати в добре провітрюваному місці. Слід передбачити вільний простір не менше 20 см над приладом і 10 см навколо нього.

Ніколи не ставте прилад у вологе місце або місце, де на нього можуть потрапити бризки води. Бризки води та плями слід протирати м'якою чистою тканиною.

Не встановлюйте прилад під прямими сонячними променями або поблизу джерел тепла (наприклад, печей, обігрівачів).

Встановіть і вирівняйте прилад у місці, яке відповідає його розміру та передбаченому використанню.

Не закривайте вентиляційні отвори в приладі або вбудованій конструкції.

Перевірте, чи інформація про електричні показники на паспортній табличці відповідає джерелу живлення. В іншому випадку зверніться до електрика.

Прилад працює від джерела живлення 220-240 В змінного струму/50 Гц. Незвичні коливання напруги можуть спричинити невдачу при запуску приладу, пошкодження регулятора температури чи компресора, або можливе виникнення аномального шуму під час роботи. У цьому випадку необхідно встановити автоматичний регулятор.

Використовуйте доступну окрему заземлену розетку для джерела живлення.

Прилад має бути заземлений.

Тільки для Великобританії: кабель живлення приладу оснащено 3-жильною (заземленою) вилкою, яка підходить до стандартної 3-жильної (заземленої) розетки.

Ніколи не відрізайте та не знімайте третій контакт (заземлення). Після встановлення приладу вилка має бути доступною.

Не використовуйте багатоконтактні адаптери та подовжувальні кабелі.

Перевірте, щоб прилад не затискав кабель живлення. Не наступайте на кабель живлення.

Запобігайте пошкодженню контура холодоагенту.

Не розміщуйте кілька портативних розеток або портативних блоків живлення позаду приладу.

1- Інформація про безпеку



УВАГА!

Щоденне використання

Цим приладом можуть користуватися діти віком від 8 років і особи з обмеженими фізичними, сенсорними чи розумовими здібностями або без досвіду та знань, якщо вони перебувають під наглядом або проінструктовані щодо безпечного використання приладу та розуміють пов'язані з цим небезпеки.

Дітям віком від 3 до 8 років дозволяється завантажувати та розвантажувати холодильну техніку, але не дозволяється чистити та встановлювати холодильну техніку.

Тримайте дітей віком до 3 років подалі від приладу, якщо вони не знаходяться під постійним наглядом.

Очищення та технічне обслуговування не можуть виконуватися дітьми без нагляду.

Діти не мають гратися з приладом.

Прилад має бути розташований так, щоб вилка була доступна.

Якщо поблизу приладу витікає холодний або інший легкозаймистий газ, закрийте вентиль газу, що витікає, відкрийте дверцята та вікна та не від'єднуйте кабель живлення приладу чи будь-якого іншого приладу.

Зверніть увагу, що прилад налаштовано на роботу за певного діапазону температури навколишнього середовища – від 10 до 38°C. Прилад може не працювати належним чином, якщо його залишити протягом тривалого часу при температурі вище або нижче вказаного діапазону.

Не ставте нестійкі предмети (важкі предмети, ємності, наповнені водою) на прилад, уникайте травм через падіння або ураження електричним струмом через контакт з водою.

Не тягніть за полиці в дверцятах. Дверцята можуть нахилитися, підставка для пляшок відсунеться, або прилад може перекинутися.

Відчиняйте та зачиняйте дверцята лише за ручки. Щілина між дверцятами та між дверцятами та шафою дуже вузька. Не витягуйте руки в цих місцях, щоб не защемити пальці. Відчиняйте та зачиняйте дверцята лише тоді, коли в зоні руху дверцят немає дітей.

Не зберігайте та не використовуйте легкозаймисті, вибухонебезпечні або корозійні матеріали в приладі або поблизу.

Не зберігайте в приладі ліки, бактерії або хімічні речовини. Цей прилад є побутовим приладом. Не рекомендується зберігати матеріали, які потребують спеціального температурного режиму.

Ніколи не зберігайте в морозильній камері рідини в пляшках або банках (крім міцного алкоголю), особливо газовані напої, оскільки вони лопнуть під час заморожування.

1- Інформація про безпеку



УВАГА!

Щоденне використання

Перевірте стан продуктів, якщо морозильна камера перестала охолоджувати. Не встановлюйте необґрунтовано низьку температуру в холодильній камері. При високих налаштуваннях можливі мінусові температури. Увага: пляшки можуть лопнути.

Не торкайтеся заморожених продуктів мокрими руками (одягайте рукавички). Не їжте льодяники відразу після того, як витягли їх із морозильної камери. Існує ризик замерзання або утворення пухирів через мороз. ПЕРША ДОПОМОГА: негайно помістити під струмінь холодної води. Не відривати!

Не торкайтеся внутрішньої поверхні морозильного відсіку під час роботи, особливо мокрими руками, оскільки руки можуть замерзнути до поверхні.

Від'єднайте прилад від мережі у разі припинення живлення або перед чищенням. Зачекайте принаймні 5 хвилин перед повторним запуском приладу, оскільки частий запуск може пошкодити компресор.

Не використовуйте електричні пристрої всередині відсіків для зберігання харчових продуктів, якщо вони не рекомендовані виробником.

Використовуйте питну воду лише з моделями, у яких передбачений дозатор води. Технічне обслуговування/чищення

Перевірте, чи діти перебувають під наглядом, якщо вони проводять прибирання та обслуговування.

Від'єднайте прилад від електромережі перед початком будь-якого планового обслуговування. Зачекайте принаймні 5 хвилин перед повторним запуском приладу, оскільки частий запуск може пошкодити компресор. В

Вимикаючи прилад, тримайтеся за вилку, а не за кабель.

Не зішкрябайте іній і лід гострими предметами. Не використовуйте спреї, електричні нагрівачі, такі як обігрівачі, фени, пароочишувачі та інші джерела тепла, щоб уникнути пошкодження пластикових частин.

Не використовуйте механічні пристрої чи інші засоби для прискорення процесу розморожування, окрім рекомендованих виробником.

Не очищайте прилад жорсткими щітками, дротяними щітками, миючим порошком, бензином, амілацетатом, ацетоном та подібними органічними розчинами, кислотними або лужними розчинами. Очищуйте спеціальним миючим засобом для холодильника, щоб уникнути пошкодження.

Використовуйте теплу воду та розчин харчової соди — приблизно столову ложку харчової соди на літр/квартиру води. Промийте ретельно водою і витріть насухо. Не використовуйте порошки для чищення чи інші абразивні засоби. Не мийте знімні частини в посудомийній машині

1- Інформація про безпеку



УВАГА!

Технічне обслуговування/чищення

Якщо шнур живлення пошкоджено, його має замінити виробник, його сервісний агент або особа з аналогічною кваліфікацією, щоб уникнути небезпеки.

Не намагайтеся ремонтувати, розбирати або модифікувати прилад самостійно. У разі ремонту, будь ласка, зверніться до нашої служби підтримки клієнтів.

Якщо освітлювальні лампи пошкоджені, їх має замінити виробник, його сервісний агент або особа з аналогічною кваліфікацією, щоб уникнути небезпеки.

Видаляйте пил із задньої панелі пристрою принаймні раз на рік, щоб уникнути небезпеки пожежі, а також збільшення споживання енергії.

Не розпилюйте рідини та не змивайте прилад рідиною під час очищення.

Не використовуйте для чищення приладу воду або пару.

Не мийте холодні скляні полиці гарячою водою. Різка зміна температури може спричинити розбиття скла.

Якщо ви не використовуєте прилад тривалий час, залиште його відкритим, щоб запобігти утворенню неприємних запахів усередині.

Інформація про холодоагент



УВАГА!

Прилад містить легкозаймистий холодоагент ІЗОБУТАН (R600a). Перевірте, чи контур холодоагенту не пошкоджено під час транспортування або встановлення. Витік холодоагенту може призвести до травм очей або займання. Якщо сталося пошкодження, тримайте подалі від джерел відкритого вогню, ретельно провітриті приміщення, не вставляйте в розетку та не вимикайте шнури живлення приладу чи будь-якого іншого приладу. Повідомте службу підтримки клієнтів.

Якщо холодоагент потрапить в очі, негайно промийте їх проточною водою та зверніться до окуліста.

УВАГА!

Система приладу знаходиться під високим тиском. Не торкайтеся її. Оскільки використовуються легкозаймисті холодоагенти, будь ласка, встановлюйте, обслуговуйте та ремонтуйте прилад суворо відповідно до інструкцій і зверніться до професійного агента або нашого сервісного центру для утилізації.

2- Передбачене застосування

2.1 Передбачене застосування

Цей прилад призначений для використання в домашньому господарстві та для подібних цілей, наприклад


- кухонні зони для персоналу в магазинах, офісах та інших робочих середовищах;
- фермерські будинки та номери в готелях, мотелях та інших приміщеннях житлового типу;
- заклади, що пропонують проживання та сніданок;
- кейтеринг та подібні нероздільні сфери застосування.

- ▶ Якщо прилад не використовується протягом тривалого періоду часу, і ви будете використовувати лише функцію «Відпустка» або функцію вимкнення холодильника/морозильної камери:
 - Вийміть продукти харчування.
 - Від'єднайте шнур живлення.
 - Спорожніть і очистіть резервуар для води.
 - Очистіть прилад, як описано вище.
 - Тримайте дверцята відчиненими, щоб запобігти утворенню неприємних запахів усередині.
- ▶ Для безпечного зберігання харчових продуктів або вина, будь ласка, дотримуйтеся цієї інструкції з використання.
- ▶ Щоб уникнути забруднення їжі (не стосується винного льоху), дотримуйтеся таких інструкцій:
 - Тривале відчинення дверцят може призвести до значного підвищення температури у відділенні приладу.
 - Регулярно очищуйте поверхні, які можуть контактувати з їжею, і доступні дренажні системи.
 - Очищуйте резервуари для води, якщо вони не використовувалися протягом 48 годин; промийте систему водопостачання, під'єднану до водопроводу, якщо вода не набиралася протягом 5 днів.
 - Зберігайте сире м'ясо та рибу у відповідних контейнерах у холодильнику/морозильній камері, щоб вони не контактували з іншими продуктами харчування та не протікали на них. Для безпечного зберігання харчові продукти, продукти швидкого приготування та сире м'ясо/рибу слід зберігати окремо.
 - Відсік для зберігання заморожених продуктів із двома зірочками підходить для зберігання попередньо заморожених продуктів, зберігання або приготування морозива та кубиків льоду.
 - Відсік з однією, двома та трьома зірочками не підходить для заморожування свіжих продуктів.
 - Якщо холодильний прилад залишається порожнім протягом тривалого часу, вимкніть його, розморозьте, очистіть, висушіть і залиште дверцята відчиненими, щоб запобігти утворенню цвілі всередині приладу.
- ▶ Інформація щодо найбільш підходящої частини відсіку приладу, де будуть зберігатися певні види продуктів, враховуючи розподіл температури, яка може бути в різних відсіках приладу, наведена в іншому посібнику.

2- Передбачене застосування

Утилізація



Символ  на приладі або його упаковці означає, що цей виріб не можна утилізувати як побутові відходи. Натомість його слід передати у відповідний пункт збору для переробки електричного та електронного обладнання. Забезпечивши належну утилізацію цього виробу, ви допоможете запобігти можливим негативним наслідкам для навколишнього середовища та здоров'я людей, які могли б бути спричинені неналежним поводженням з відходами цього виробу. Щоб отримати детальнішу інформацію про переробку цього виробу, зверніться до місцевої міської влади, служби утилізації побутових відходів або магазину, де ви придбали виріб.

Оскільки використовуються легкозаймисті ізоляційні гази, зв'яжіться з професійним агентом або нашою службою післяпродажного обслуговування, щоб утилізувати прилад.

УВАГА!

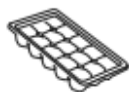
Небезпека травм або задухи!

Холодоагенти та гази необхідно утилізувати професійно. Перед утилізацією перевірте, чи трубка контуру холодоагенту ціла та неушкоджена. Від'єднайте прилад від електромережі. Відріжте кабель живлення та утилізуйте його. Зніміть лотки та шухляди, а також дверцята й ущільнювачі, щоб діти та домашні тварини не зачинилися в приладі.

Заборонено вносити зміни або модифікації пристрою. Використання не за призначенням може призвести до небезпечних ситуацій та втрати гарантійних вимог.

2.2 Аксесуари

Перевірте аксесуари та літературу відповідно до цього списку (рис. 2.2):



Ice cube trays



Egg tray



Bolt driver



Warranty card



User manual

Формочки для льоду Підставка для яєць Викрутка Гарантійний талон Інструкція з експлуатації

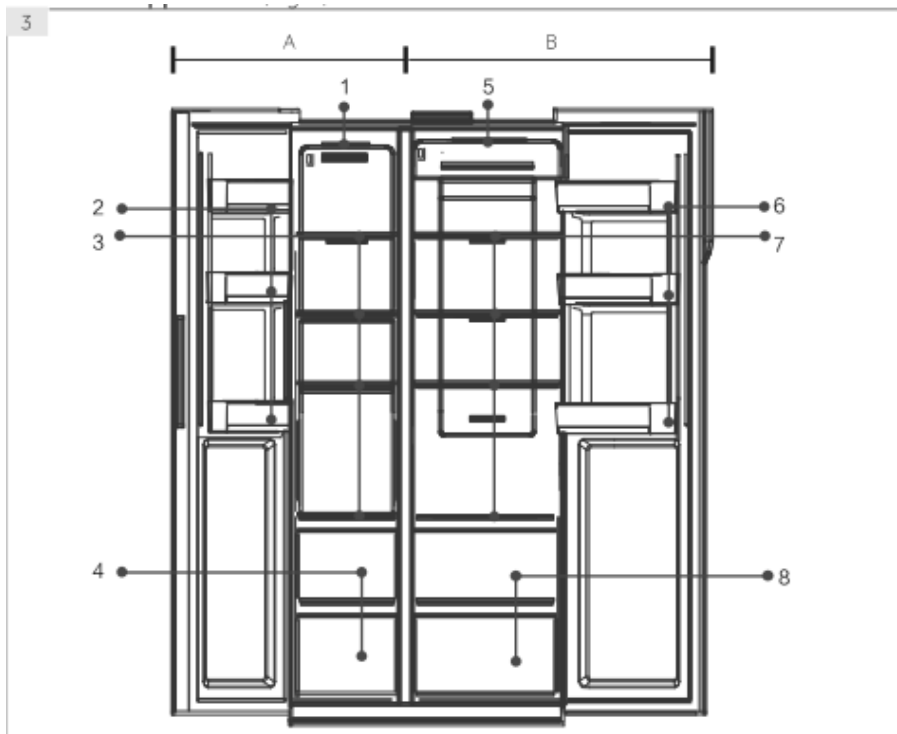
3- Опис приладу



Примітка

Через технічні зміни та різні моделі деякі ілюстрації в цьому посібнику можуть відрізнятися від вашої моделі.

Зображення приладів (рис. 3)



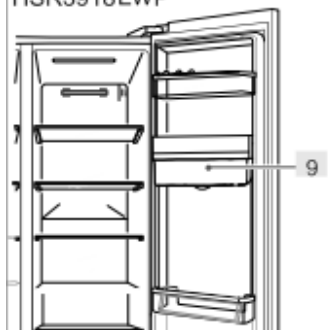
A: Морозильна камера

1. Стельовий світильник
2. Полиця дверцят/тримач для пляшок
3. Полиці морозильної камери
4. Відсік морозильної камери

B: Холодильна камера

- 5 Стельовий світильник
- 6 Полиця дверцят/тримач для пляшок
- 7 Полиці морозильної камери
- 8 Відсік морозильної камери
- 9 Бак для води

HSR3918EWP*



4- Панель керування

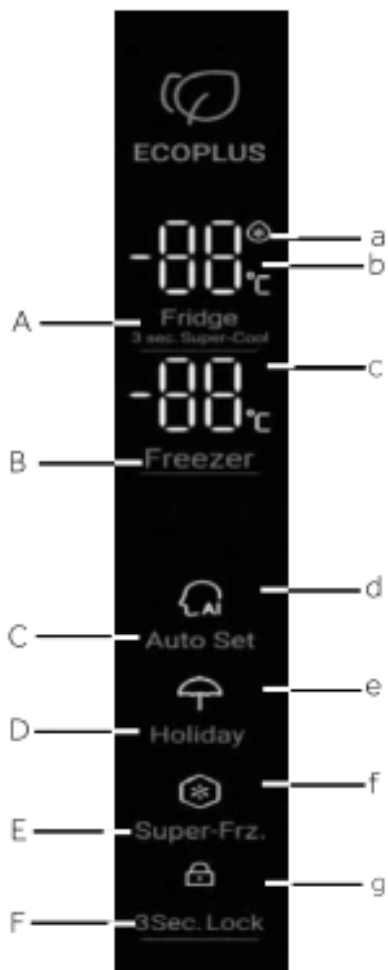
Панель управління (рис. 4)

Клавіші:

- A Перемикач для холодильника
- B Перемикач для морозильної камери
- C Режим автоматичного налаштування
- D Режим відпустки
- E Режим суперзаморожування
- F Перемикач блокування панелі

Індикатори:

- a. режим Super-Cool
- b. Температура холодильника
- c. Температура морозильної камери
- d. Режим автоматичного налаштування
- e. Режим відпустки
- f. Режим Super-Freeze
- g. Блокування панелі



5- Використання

5.1. Перше використання

Коли холодильник вперше під'єднують до джерела живлення, вмикається дисплей. Температура за замовчуванням для холодильної камери становить 4°C, а для морозильної камери – -18 °C. Світлиться індикатор інтелектуальної функції.

5.2. Панель блокування/розблокування

Автоматичне блокування:

Якщо дверцята холодильника та морозильної камери зачинені, і ви не натискаєте жодної кнопки протягом 30 секунд, світло панелі автоматично вимкнеться, а панель заблокується.

Ручне блокування:

Якщо панель розблокована, натисніть і утримуйте кнопку блокування протягом 3 секунд, пролунає звуковий сигнал, засвітиться індикатор блокування, після чого дисплей заблокується.



Натисніть протягом 3 секунд. Засвітиться індикатор. Панель заблокована

Розблокувати:

Якщо панель вимкнена, відчиніть будь-яку дверцята холодильника або натисніть будь-яку кнопку на панелі керування, панель засвітиться. У цей час панель заблокована. Натисніть кнопку функції блокування протягом 3 секунд, пролунає звуковий сигнал, індикатор блокування вимкнеться, і панель буде розблокована.



Панель увімкнено Утримання 3 секунди Індикатор вимкнено, панель розблоковано
Відчиніть дверцята або
натисніть будь-яку кнопку

5.3. Відрегулюйте температуру для холодильника

1. Якщо панель керування розблокована, натисніть кнопку «Перемикач для холодильника», пролунає звуковий сигнал, індикатор температури холодильника почне блимати. Тепер можна налаштувати температуру холодильника.

2. Після кожного натискання перемикача холодильника лунає звуковий сигнал і перемикається на наступне нижче значення. Послідовність перемикання відбувається в безперервному циклі – 4°C/3°C/2°C/17 9°C/8°C/7°C/6°C/5°C/4°C

Холодильник —► 04 —► Холодильник —► 03

Натисніть один раз блимає Натисніть один раз Налаштування виконано
у стані налаштування



Примітка

► Прилад налаштовано на рекомендовану температуру 4°C (холодильник) і -18°C (морозильна камера). За нормальних умов навколишнього середовища вам не потрібно встановлювати температуру.

5- Використання

5.4. Відрегулюйте температуру для морозильної камери

1. Якщо панель керування розблокована, натисніть кнопку «Перемикач для морозильної камери», пролунає звуковий сигнал, індикатор температури морозильної камери почне блимати. Тепер можна встановити температуру морозильної камери.
2. Потім після кожного натискання перемикача морозильної камери лунає звуковий сигнал і температура знижується на 1. Послідовність перемикачів відбувається в безперервному циклі – «-18°C/-19°C/-20°C/-21°C/-22°C/-23°C/-24°C/- 14°C/-15°C/-16°C /-17°C /-18°C»

Морозильна камера —► -15 —► Морозильна камера —► -16
Натисніть один раз блимає Натисніть один раз Налаштування виконано
у стані налаштування



Примітка

► Температура встановлена, якщо протягом 5 секунд не натиснути жодної кнопки, температура буде автоматично підтверджена та збережена.

5.5. Автоматичне налаштування

1. Якщо панель керування розблокована, натисніть кнопку «Перемикач для режиму автоматичного налаштування», і пролунає звуковий сигнал, індикатор режиму автоматичного встановлення почне блимати. Запускається режим автоматичного налаштування.
2. Якщо індикатор режиму автоматичного налаштування увімкнено, натисніть Перемикач режиму автоматичного налаштування, і пролунає звуковий сигнал, індикатор режиму автоматичного налаштування вимкнеться, і режим автоматичного налаштування закриється.

Автоматичне налаштування —►  —► Автоматичне налаштування —► 
Натисніть один раз увімк. Натисніть один раз вимк.
Режим автоматичного налаштування Режим автоматичного налаштування



Примітка

Якщо увімкнено режим автоматичного налаштування, температуру холодильника та морозильної камери вибрати неможливо. Якщо натиснуто перемикач холодильника або морозильної камери. Індикатор режиму автоматичного налаштування блимає зі звуками, які нагадують, що операція заборонена. Якщо вибрано функцію швидкого охолодження, швидкого заморожування або відпустки, режим автоматичного налаштування вимкнено, а режим автоматичного налаштування автоматично закривається.

5- Використання



Примітка

► Якщо функцію Super-Cool увімкнено, неможливо вибрати одночасно режим Fuzzy і режим відпустки. Якщо вибрано режим Fuzzy або режим відпустки, індикатор Super-Cool вимкнеться, і режим Super-Cool автоматично закриється.

5.8. Режим Super-Freeze (супер-заморожування)

1. Якщо панель керування розблоковано, натисніть і утримуйте кнопку «Перемикач для супер-заморожування» протягом 3 секунд, пролунає звуковий сигнал, засвітиться індикатор режиму. Вмикається режим Super-Freeze.

2. Якщо індикатор режиму Super-Freeze світиться, натисніть і утримуйте перемикач для супер-заморожування протягом 3 секунд, пролунає звуковий сигнал, індикатор режиму Super-Freeze вимкнеться. Режим Super-Freeze закривається.

3. Якщо режим Super-Freeze увімкнено, холодильник автоматично перейде у вимкнений режим Super-Freeze після того, як режим досягне встановленого стану. Якщо ви хочете вийти вручну, ви можете натиснути перемикач для холодильника протягом 3 секунд, щоб вимкнути режим Super-Freeze.



Примітка

► Режим Super-Freeze призначений для збереження поживних речовин продуктів у морозильній камері, і продукти заморожуються за найкоротший час. Якщо одночасно потрібно заморозити велику кількість продуктів, рекомендується встановити режим Super-Freeze за 24 години, щоб досягти нижчої температури в морозильній камері перед тим, як покласти продукти. За цієї умови швидкість заморожування в морозильній камері збільшується, і продукти можна швидко заморозити, тим самим ефективно блокуючи поживність продуктів та полегшуючи зберігання.

У режимі Super-Freeze, якщо ви хочете вибрати інтелектуальну функцію, індикатор Super-Freeze вимкнено, а режим Super-Freeze автоматично закривається.

5.9. Сигнал тривоги про відчинені дверцята

Якщо дверцята відчиняються занадто довго або дверцята не зачинені, холодильник щоразу подаватиме сигнал про протікання, а потім нагадуватиме вчасно зачинити дверцята.

5.10. Енергозбереження панелі керування

Якщо панель керування не використовується протягом 30 секунд, вона автоматично вимикається та переходить у заблокований стан, що дозволяє заощадити енергію. При натисканні кнопки функції блокування або при відчиненні будь-яких дверцят панель керування почне світитися.

5.11. Функція пам'яті про збій живлення

Коли холодильник вимкнено, запам'ятовується поточний робочий стан збою живлення. Після повторного під'єднання до живлення холодильник продовжує працювати відповідно до зміни та функціонального стану, встановленого до збою живлення.

5- Використання

5.12 Поради щодо зберігання свіжих продуктів

5.12.1 Зберігання в холодильній камері

Підтримуйте температуру в холодильнику нижче 5°C.

Гарячу їжу необхідно охолодити до кімнатної температури, перш ніж зберігати в приладі.

Продукти, що зберігаються в холодильнику, необхідно вимити та висушити перед зберіганням

Продукти, які потрібно зберігати, повинна бути належним чином закриті, щоб уникнути зміни запаху чи смаку.

Не зберігайте надмірну кількість продуктів. Залишайте між продуктами відстань, щоб холодне повітря могло циркулювати навколо для кращого та більш однорідного охолодження.

Продукти, які їдять щодня, слід зберігати на передній частині полиці.

Залиште відстань між продуктами та внутрішніми стінками, щоб забезпечити циркуляцію повітря. Особливо не зберігайте продукти біля задньої стінки: продукти можуть примерзнути до задньої стінки. Уникайте прямого контакту продуктів (особливо жирних або кислих) з внутрішньою оболонкою, оскільки масло/кислота можуть пошкодити внутрішню оболонку. Очищайте жирний/кислотний бруд щоразу, як побачите.

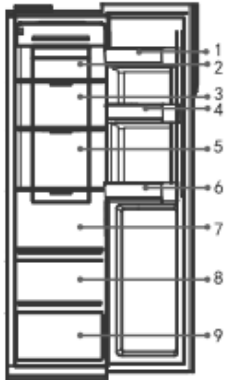
Розморожуйте заморожені продукти у відсіку холодильника. Таким чином ви можете використовувати заморожені продукти для зниження температури у відсіку та економії енергії.

Процес дозрівання фруктів і овочів, таких як кабачки, дині, папайя, банани, ананаси тощо, прискорюється в холодильнику. Тому зберігати їх у холодильнику небажано. Однак дозрівання сильно зелених плодів можна прискорити на певний період. Цибуля, часник, імбир та інші коренеплоди також повинні зберігатися при кімнатній температурі.

Неприємні запахи всередині холодильника є ознакою того, що щось розлилося і це потрібно очистити. Див. розділ «ДОГЛЯД ТА ОЧИЩЕННЯ».

Різні продукти харчування слід розмішувати в різних зонах відповідно до їхніх властивостей (Рис. 5.12.1):

5- Використання

<p>5.12.1</p> 	<ol style="list-style-type: none">1. Масло, сир тощо.2. Мариновані продукти, консерви тощо.3. Мариновані продукти, консерви тощо.4. Консерви, консервовані продукти, спеції тощо.5. М'ясні продукти, закуски тощо.6. Напої та продукти в пляшках.7. Макаронні вироби, консерви, молоко, тофу, молочні продукти тощо.8. Фрукти, овочі, салат тощо.9. Приготоване м'ясо, сосиски тощо.
---	--

5.12.2 Зберігання в морозильній камері

Підтримуйте температуру морозильної камери на рівні -18°C .

за 24 години до заморожування увімкніть функцію Super-Freeze; для невеликої кількості продуктів достатньо 4-6 годин.

Гарячу їжу необхідно охолодити до кімнатної температури перед тим, як зберігати її в морозильній камері.

Продукти, нарізані невеликими порціями, заморозяться швидше, їх легше розморожувати та готувати. Рекомендована вага кожної порції не більше 2,5 кг

Продукти краще запакувати перед тим, як покласти їх у морозильну камеру.

Зовнішня сторона упаковки повинна бути сухою, щоб уникнути злипання пакетів.

Пакувальні матеріали повинні бути без запаху, повітронепроникними, неотруйними та нетоксичними.

Щоб уникнути закінчення термінів зберігання, вказуйте на упаковці дату, термін заморожування та назву продукту відповідно до термінів зберігання різних продуктів.

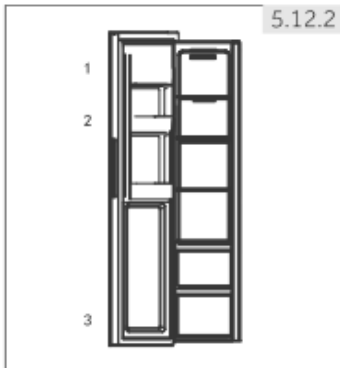
УВАГА! Кислота, луг, сіль тощо можуть пошкодити внутрішню поверхню морозильної камери. Не кладіть продукти, що містять ці речовини (наприклад, морську рибу), безпосередньо на внутрішню поверхню. Солону воду в морозилці слід негайно очистити.

Не перевищуйте час зберігання продуктів, рекомендований виробниками.

Діставайте з морозилки лише необхідну кількість продуктів.

Різні продукти харчування слід розмішувати в різних зонах відповідно до їхніх властивостей (Рис. 5.12.2):

5- Використання



1. Менш важкі продукти, такі як морозиво, овочі, хліб тощо.
2. Напої без високого вмісту алкоголю та тимчасове зберігання алкогольних напоїв із високим вмістом алкоголю, невеликих продуктів, таких як піца чи трави.
3. Більші/важчі порції, наприклад м'ясні шматочки для смаження



Примітка: зберігання

Для забезпечення ефекту охолодження відстань між продуктами та датчиком має бути не менше 10 мм.

Під час роботи приладу залишайте найнижчий ящик, щоб забезпечити ефекту охолодження.

Продукти з льодом (наприклад, морозиво тощо) слід зберігати в морозильній камері, а не на тримачі для пляшок, оскільки зміни температури в тримачі для пляшок, викликані відкриттям і закриттям дверцят, можуть призвести до розморожування продуктів.

Споживайте розморожені продукти швидко. Розморожені продукти не можна заморозувати повторно, якщо її попередньо не приготували, інакше вони будуть непридатними для споживання.

Не завантажуйте в морозильну камеру надмірну кількість свіжих продуктів. Див. потужності заморожування морозильної камери – Див. ТЕХНІЧНІ ДАНІ або дані на типовій таблиці.

Продукти можна зберігати в морозильній камері при температурі щонайменше -18°C від 2 до 12 місяців залежно від їх властивостей (наприклад, м'ясо: 3-12 місяців, овочі: 6-12 місяців)

Під час заморожування свіжих продуктів уникайте їх контакту з уже замороженими продуктами. Ризик розморожування!

Розморозьте заморожені продукти в холодильнику. Таким чином ви можете використовувати заморожені продукти для зниження температури у відсіку та економії енергії.

5.12.3 Зберігаючи комерційно заморожені продукти, дотримуйтеся таких вказівок:

Завжди дотримуйтеся вказівок виробника щодо тривалості зберігання їжі. Не перевищуйте ці вказівки!

5- Використання

УКР

Намагайтеся, щоб проміжок часу між покупкою та зберіганням був якомога коротшим, щоб зберегти якість продуктів.

Купуйте заморожені продукти, які зберігалися при температурі $-18\text{ }^{\circ}\text{C}$ або нижче.

Не купуйте продукти, на упаковці яких є лід або іний. Це означає, що продукти могли бути частково розморожені та знову заморожені в якийсь момент, оскільки підвищення температури впливає на якість продуктів.

5.13 Дозатор води (HSR3918EWP*)

За допомогою дозатора для води можна набирати прохолодну питну воду.

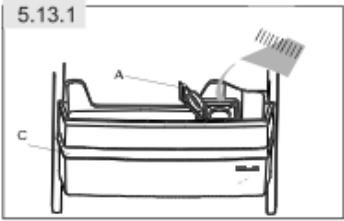
Резервуар для води слід очистити перед першим використанням (див. розділ «ДОГЛЯД ТА ОЧИЩЕННЯ»).

5.13.1 Наповнення резервуара для води



УВАГА!

Використовуйте тільки питну воду.

<p>5.13.1</p> 	<ol style="list-style-type: none">1. Перевірте, чи резервуар для води вставлений належним чином (див. розділ «ОБЛАДНАННЯ»)2. Зніміть кришку (А) і налейте свіжу питну воду в резервуар для води (рис. 5.13.1)3. Наливайте воду лише до позначки (2,5 л); оскільки вона може перелитися, коли дверцята відчиняються та зачиняються.4. Закрийте кришку (А).
---	--



Примітка: дозатор для води

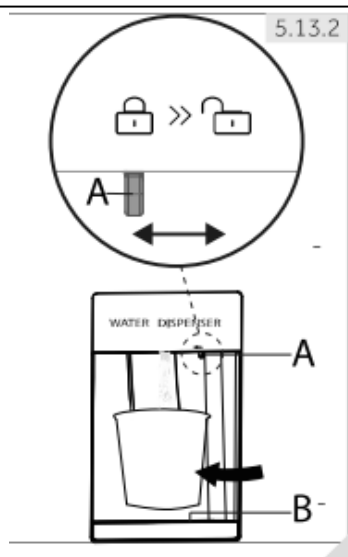
Перед заповненням злийте залишки води та очистіть резервуар для води.

Якщо вам не потрібна вода протягом тривалого часу, спорожніть резервуар для води та вставте очищений резервуар.

Кришка (С) на баку для води (Рис. 5.13.1) додатково використовується для економії енергії. Якщо ви не бажаєте отримувати воду з дозатора протягом тривалого часу, будь ласка, все одно встановіть кришку через кращу ізоляцію та економію енергії.

5.13.2 Отримання води з дозатора

1. Перевірте, чи пристрій блокування (А) встановлено в положення «Розблокувати» (рис. 5.13.2).
2. Поставте склянку під отвір для води.
3. Склянкою обережно натисніть на важіль дозатора води.
Переконайтеся, що склянка знаходиться на одній лінії з дозатором, щоб вода не розбризкувалася.
4. Воду з лотка (В) слід вчасно зливати, оскільки вона може перелитися, коли дверцята відчиняються та зачиняються.
5. Встановіть пристрій блокування (А) у положення «Зabloкувати»



6- Поради щодо енергозбереження



Поради щодо енергозбереження

Переконайтеся, що прилад добре провітрюється (див. розділ «ВСТАНОВЛЕННЯ»). Не встановлюйте прилад під прямими сонячними променями або поблизу джерел тепла (наприклад, печей, обігрівачів).

Уникайте невиправдано низької температури в приладі. Споживання енергії зростає, чим нижче встановлена температура в приладі.

Такі функції, як Super-Cool або Super-Freeze, споживають більше енергії.

Дайте теплим стравам охолонути, перш ніж класти їх у прилад.

Відкривайте дверцята приладу якомога рідше та на короткий час.

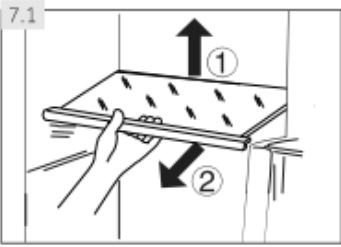
Не переповнюйте прилад, щоб не перешкоджати потоку повітря.

Уникайте повітря всередині харчової упаковки.

Слідкуйте за чистотою ущільнювачів дверцят, щоб дверцята завжди закривалися правильно.

Розморозуйте заморожені продукти у відсіку холодильника.

7- Обладнання

<p>7.1</p> 	<p>7.1 Регульовані полиці Висоту полиць можна регулювати відповідно до ваших потреб у зберіганні.</p> <ol style="list-style-type: none">1. Щоб перемістити полицю, спочатку вийміть її, піднявши її задній край (1) і витягнувши (2) (рис. 7.1).2. Щоб повторно встановити, поставте її на виступи з обох боків і штовхніть у крайнє заднє положення, доки задня частина полиці не зафіксується в прорізах з боків
--	--

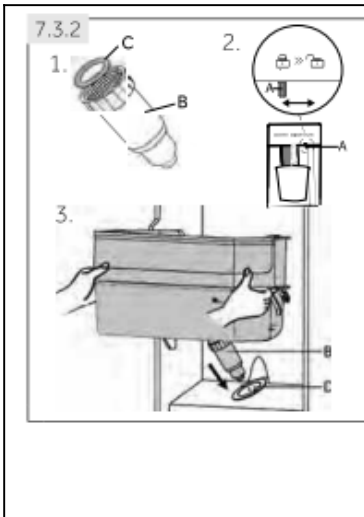


Примітка: полиці

Переконайтеся, що торці всіх полиць знаходяться на одному рівні.

<p>7.2</p> 	<p>7.2 Знімні дверні полиці/тримач для пляшок Дверні полиці/тримач для пляшок можна зняти для очищення:</p> <ol style="list-style-type: none">1. Покладіть руки з обох боків стійки/тримача та підніміть її вгору (1) (рис. 7.2).2. Витягніть дверну полицю/тримач для пляшок (2).3. Щоб вставити дверну полицю/тримач для пляшок, виконайте описані вище дії у зворотному порядку.
<p>7.3.1</p> 	<p>7.3 Резервуар для води (HSR3918EWP*) 7.3.1 Зніміть резервуар для води Резервуар для води можна знімати для чищення та знову встановлювати так само, як дверні решітки (рис. 7.3.1).</p>

7- Обладнання



7.3.2 Вставте резервуар для води

1. Перевірте, чи носик дозатора (В) міцно прикручений до резервуара для води, а біле ущільнювальне кільце (С) знаходиться на місці (рис. 7.3.2-1.).
1. Посуньте пристрій блокування (А) у положення [9] «Заблоковано» (рис. 7.3.2-2.)
2. Встановіть резервуар для води так, щоб носик дозатора (В) входив у отвір дверцята (D) (рис. 7.3.2-3.).



Примітка: резервуар для води

Якщо резервуар для води вставлено неправильно, вода може капати зі з'єднання. Не застосовуйте надмірну силу, знімаючи або встановлюючи резервуар для води, щоб не пошкодити резервуар.

7.4 Тримач для пляшок – відсік морозильної камери

Тримачі для пляшок у відсіку морозильної камери призначені для тимчасового зберігання алкогольних напоїв з високим вмістом алкоголю. Слабоалкогольні напої необхідно охолоджувати в холодильнику.

Крім того, ви можете зберігати дрібні деталі в тримачах для пляшок.



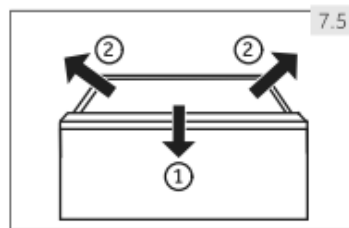
УВАГА!

Пляшки та банки можуть лопнути! Встановіть таймер, який буде нагадувати вам прибрати пляшки/банки без високого вмісту алкоголю.

7.5 Висувна шухляда

Щоб вийняти шухляду з холодильної чи морозильної камери, витягніть її у максимально можливій мірі (1), підніміть і вийміть (2) (рис. 7.5).

Щоб вставити шухляду, описані вище кроки виконуються у зворотному порядку.



7.6 Світло

Коли відчиняються дверцята, загоряється світлодіодне внутрішнє освітлення. Інші налаштування приладів не впливають на роботу освітлення.

8- Догляд і очищення



УВАГА!

Перед чищенням від'єднайте прилад від джерела живлення.

8.1 Очищення

Прилад слід очищувати, якщо в ньому зберігається мало продуктів або взагалі їх немає.

Прилад слід очищувати кожні чотири тижні для належного обслуговування та запобігання утворенню запахів продуктів, що зберігаються неналежним чином.



УВАГА!

Не очищуйте прилад жорсткими щітками, дротяними щітками, миючим порошком, бензином, амілацетатом, ацетоном та подібними органічними розчинами, кислотними або лужними розчинами. Очищуйте спеціальним миючим засобом для холодильника, щоб уникнути пошкодження.

Не розпилюйте та не змивайте прилад рідиною під час очищення.

Не використовуйте для чищення приладу воду або пару.

Не мийте холодні скляні полиці гарячою водою. Різка зміна температури може спричинити розбиття скла.

Не торкайтеся внутрішньої поверхні морозильного відділення, особливо мокрими руками, оскільки ваші руки можуть замерзнути до поверхні.

У разі нагрівання перевірте стан заморожених продуктів.



1. Завжди підтримуйте чистоту ущільнювача дверцят.
2. Очистіть внутрішню частину та корпус приладу губкою, змоченою в теплій воді з нейтральним миючим засобом (рис. 8.1).

1. Протріть внутрішню та зовнішню частину холодильника, включно з ущільнювачем дверцят, стійкою, скляними полицями, ящиками тощо, м'яким рушником або губкою, змоченою в теплій воді (ви можете додати нейтральний миючий засіб у теплу воду).
2. У випадку розливу рідини, видаліть усі забруднені частини, промийте проточною водою, висушіть і помістіть назад у холодильник.
3. У випадку розливу продуктів з вмістом молока (наприклад, вершки, морозиво, що тане), видаліть усі забруднені частини, помістіть їх у теплу воду температурою близько 40°C на деякий час, потім промийте проточною водою, висушіть і помістіть назад у холодильник.

4. Якщо якась дрібна деталь або компонент застрягли всередині холодильника (між полицями або ящиками), використовуйте невелику м'яку щітку, щоб дістати її. Якщо ви не можете дістатися до деталі, зверніться до служби підтримки Haier.

8- Догляд і очищення

Промийте та висушіть м'якою тканиною.

Не мийте будь-які частини приладу в посудомийній машині.

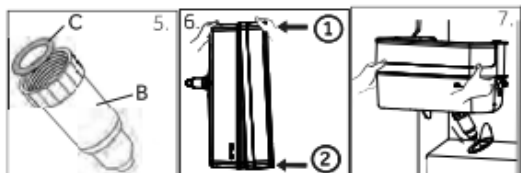
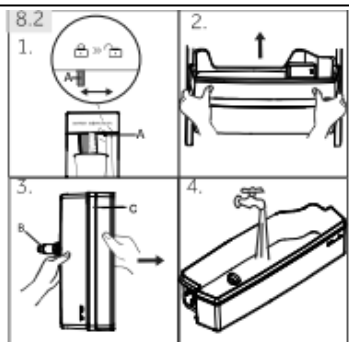
Зачекайте принаймні 5 хвилин перед повторним запуском приладу, оскільки частий запуск може пошкодити компресор.

Розморожування

Розморожування холодильної та морозильної камери здійснюється автоматично; ручна операція не потрібна.

8.2 Очищення резервуара для води (рис. 8.2) (HSR391EWP*)

1. Посуньте пристрій блокування (А) у положення [9] «Заблокувати».
2. Вийміть резервуар для води з приладу.
3. Зніміть кришку (С) і обережно відкрутіть носик дозатора (В).
4. Очистіть резервуар для води та носик дозатора теплою проточною водою з рідким засобом для миття посуду. Переконайтеся, що все мило змито.
5. Встановіть носик дозатора (В) і переконайтеся, що він міцно прикручений до резервуара для води, а біле ущільнювальне кільце (С) знаходиться на місці.
6. Натисніть на кришку, щоб поєднати її з однією стороною резервуара для води, а потім з іншою стороною, перевірте, чи резервуар для води повністю зібраний.
7. Замініть резервуар всередині приладу. Перевірте, чи носик дозатора правильно вставлено в отвір дверцят.



8.3 Заміна світлодіодних ламп



УВАГА!

Не замінюйте світлодіодну лампу самостійно, її має замінити лише виробник або уповноважений сервісний агент.

Світлодіодні лампи використовують як джерело світла, мають низьке енергоспоживання та тривалий термін служби. Якщо виникнуть будь-які відхилення, зверніться до служби підтримки клієнтів. Дивіться розділ «ОБСЛУГОВУВАННЯ КЛІЄНТІВ».

Параметри ламп: 12 В макс 3 Вт.

8- Догляд і очищення

8.4 Невикористання протягом тривалого періоду

Якщо прилад не використовується протягом тривалого періоду часу, і ви не будете використовувати функцію «Відпустка» для холодильника:

Вийміть продукти.

Спорожніть і очистіть резервуар для води.

Вимкніть шнур живлення.

Очистіть прилад, як описано вище.

Тримайте дверцята відкритими, щоб запобігти утворенню неприємних запахів усередині.



Примітка: вимкнення

Вимикайте прилад лише в разі крайньої необхідності.

8.5 Переміщення приладу

1. Вийміть усі продукти та вимкніть прилад.
2. Закріпіть полиці та інші рухомі частини в холодильнику та морозильній камері липкою стрічкою.
3. Не нахилийте прилад більш ніж на 45°, щоб не пошкодити систему охолодження.



УВАГА!

Не піднімайте прилад за ручки.

Ніколи не ставте прилад горизонтально на землю.

9- Пошук та усунення несправностей

Багато проблем, що виникають, можна вирішити самостійно без спеціальних знань. У разі виникнення проблеми перевірте всі зазначені можливості та дотримуйтеся наведених нижче інструкцій, перш ніж звертатися до служби післяпродажного обслуговування. Дивіться розділ «ОБСЛУГОВУВАННЯ КЛІЄНТІВ».



УВАГА!

Перед обслуговуванням вимкніть прилад і вийміть вилку з розетки.

Електрообладнання має обслуговуватися лише кваліфікованими фахівцями-електриками, тому що неналежний ремонт може призвести до значних непрямих збитків.

Щоб уникнути небезпеки, пошкоджений блок живлення повинен замінювати лише виробник, його сервісний агент або особа з аналогічною кваліфікацією.

9.1 Таблиця з пошуку усунення несправностей

Проблема	Можлива причина	Можливе вирішення
Компресор не працює.	<ul style="list-style-type: none">• Вилка не вставлена в розетку.• Прилад знаходиться в циклі розморожування.	<ul style="list-style-type: none">• Під'єднайте вилку до мережі.• Це нормально для автоматичного розморожування.
Прилад часто запускається або запускається надто довго.	<ul style="list-style-type: none">• Температура в приміщенні або на вулиці занадто висока.• Прилад був вимкнений протягом деякого часу.• Дверцята приладу закриті не щільно.• Дверцята відкривалися надто часто або надто довго.• Налаштування температури для морозильного відділення занадто низьке.• Прокладка дверцят забруднена, зношена, тріснута або невідповідна.• Необхідна циркуляція повітря не гарантується.	<ul style="list-style-type: none">• У цьому випадку нормально, що прилад працює довше.• Зазвичай для повного охолодження приладу потрібно від 8 до 12 годин.• Зачиніть дверцята та переконайтеся, що прилад стоїть на рівній поверхні, і дверцята не тріскають їжа чи контейнер.• Не відчиняйте дверцята занадто часто.• Встановіть вищу температуру, доки не буде досягнута задовільна температура в холодильнику. Щоб температура в холодильнику стала стабільною, потрібно 24 години.

		<ul style="list-style-type: none"> • Очистіть ущільнювач дверцял або замініть їх у сервісній службі. • Забезпечте належну вентиляцію.
Всередині холодильника брудний і/або є неприємний запах	<ul style="list-style-type: none"> • Холодильник потребує очищення всередині. • В холодильнику зберігаються Продукти з сильним запахом. 	<ul style="list-style-type: none"> • Очистіть внутрішню частину холодильника. • Ретельно загорніть продукти.

9- Пошук та усунення несправностей

Проблема	Можлива причина	Можливе вирішення
Усередині приладу недостатньо холодно.	<ul style="list-style-type: none"> • Встановлено занадто високу температуру. • Зберігалися занадто теплі продукти. • За один раз було збережено забагато їжі. • Продукти лежать занадто близько один до одного. • Дверцята приладу зачинені нещільно. • Дверцята відчиняються надто часто або надто довго. 	<ul style="list-style-type: none"> • Скинути температуру. • Завжди охолоджуйте продукти перед зберіганням. • Завжди зберігайте невелику кількість продуктів. • Залиште відстань між декількома стравами, щоб забезпечити циркуляцію повітря. • Зачиняйте дверцята. • Не відчиняйте дверцята занадто часто.
Усередині приладу занадто холодно.	<ul style="list-style-type: none"> • Встановлено занадто низьку температуру. • Функція Super-Cool/Super-Freeze активована або працює надто довго. 	<ul style="list-style-type: none"> • Скинути температуру. • Вимкніть функцію Super-Cool / Super-Freeze.
Утворення вологи всередині відсіку холодильника.	<ul style="list-style-type: none"> • Клімат занадто теплий і занадто вологий. • Дверцята приладу зачинені нещільно. • Дверцята відчинялися надто часто або надто довго. • Контейнери з продуктами або рідинami залишаються відкритими. 	<ul style="list-style-type: none"> • Підвищити температуру. • Зачиніть дверцята. • Не відчиняйте дверцята занадто часто. • Дайте гарячій їжі охолонути до кімнатної температури та накрийте їжу та рідину.
Волога накопичується на зовнішній поверхні холодильника або між дверцятами.	<ul style="list-style-type: none"> • Клімат занадто теплий і занадто вологий. • Дверцята зачинені не щільно. Холодне повітря в приладі та тепле повітря поза ним конденсуються. 	<ul style="list-style-type: none"> • Це нормально у вологому кліматі та зміниться, коли вологість зменшиться. • Переконайтеся, що дверцята щільно зачинені.

Сильний лід і іній у морозильній камері.	<ul style="list-style-type: none"> • Продукти не були належним чином упаковані. • Дверцята/ящик приладу зачинені нещільно. • Дверцята відчинялися надто часто або надто довго. • Ущільнювач дверцят забруднений, зношений, тріснутий або невідповідний. • Щось усередині заважає дверцятам правильно зачинитися. 	<ul style="list-style-type: none"> • Завжди добре пакуйте продукти. • Закрийте дверцята/ящик. • Не відчиняйте дверцята занадто часто. • Очистіть дверні ущільнювачі або замініть їх новими. • Переставте полиці, полиці або внутрішні контейнери, щоб дверцята могли зачинитися.
Прилад видає незвичні звуки.	<ul style="list-style-type: none"> • Прилад не розташований на рівній поверхні. • Прилад торкається предмета навколо себе. 	<ul style="list-style-type: none"> • Відрегулюйте ніжки, щоб вирівняти прилад. • Приберіть предмети навколо приладу.

9- Пошук та усунення несправностей

Проблема	Можлива причина	Можливе вирішення
Чути легкий звук, схожий на шум води, що тече.	<ul style="list-style-type: none"> • Це нормально. 	
Ви почуєте звуковий сигнал.	<ul style="list-style-type: none"> • Дверцята відчинені 	<ul style="list-style-type: none"> • Зачиніть дверцята
Ви почуєте слабке дзижчання.	<ul style="list-style-type: none"> • Працює система захисту від конденсату. 	<ul style="list-style-type: none"> • Це запобігає утворенню конденсату і є нормальним.
Внутрішнє освітлення або система охолодження не працює.	<ul style="list-style-type: none"> • Вилка не вставлена в розетку. • Блок живлення не цілий. • Світлодіодна лампа вийшла з ладу. • Це нормально. • Блокування не вимкнено. 	<ul style="list-style-type: none"> • Під'єднайте вилку до мережі. • Перевірити електропостачання приміщення. Зателефонуйте в місцеву електрокомпанію! • Для заміни лампи телефонуйте в сервіс.
Боковини шафи і дверна планка нагріваються.	<ul style="list-style-type: none"> • Це нормально. 	
З носика дозатора води не тече	<ul style="list-style-type: none"> • Блокування не вимкнено. 	<ul style="list-style-type: none"> • Деактивуйте блокування.

9.2 Переривання живлення

У разі вимкнення електроенергії продукти мають залишатися холодними протягом приблизно 5 годин. Дотримуйтесь цих порад під час тривалого переривання електропостачання, особливо влітку:

Відчиняйте дверцята/шухляду якомога менше разів.

Не кладіть додаткові продукти в прилад під час перерви в електроживленні.

Якщо було надіслано попереднє повідомлення про припинення електропостачання, а тривалість перерви перевищує 5 годин, приготуйте трохи льоду та покладіть його в контейнер у верхній частині відсіку холодильника.

Перевірте продукти відразу після перерви.

Оскільки температура в холодильнику підвищиться під час вимкнення електроенергії чи іншого збою, термін зберігання та їстівна якість продуктів знизиться. Щоб запобігти ризику для здоров'я, будь-які продукти, яка підлягають розморожуванню, слід або споживати, або готувати та повторно заморозувати (якщо це можливо) незабаром після цього.



Примітка: функція пам'яті під час переривання живлення

Після відновлення живлення прилад продовжує працювати з налаштуваннями, встановленими до збою електроживлення.

10- Встановлення

10.1 Розпакування



УВАГА!

Прилад важкий. Завжди залучайте як мінімум двох осіб.

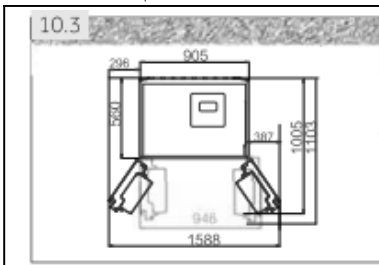
Зберігайте всі пакувальні матеріали в недоступному для дітей місці та утилізуйте їх екологічно безпечним способом.

Вийміть прилад з упаковки.

Зніміть усі пакувальні матеріали, включаючи прозору захисну плівку.

10.2 Умови навколишнього середовища

Кімнатна температура завжди має бути між 16°C і 43°C, оскільки це може впливати на температуру всередині приладу та споживання електроенергії. Не встановлюйте прилад поблизу інших тепловипромінюючих приладів (духовок, холодильників) без ізоляції.

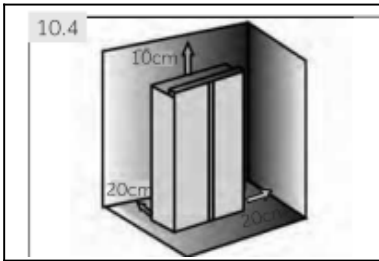


10.3 Вимоги до простору

Необхідний простір, коли дверцята відчиняються (рис. 10.3):

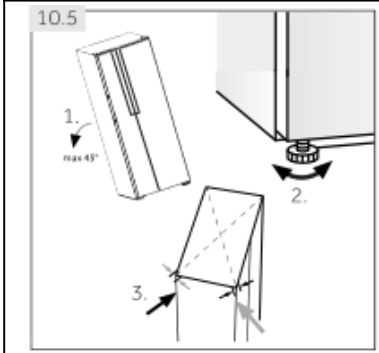
ширина приладу: 1588 мм

глибина приладу: 1103 мм



10.4 Поперечний переріз вентиляції

Щоб забезпечити достатню вентиляцію приладу з міркувань безпеки, слід дотримуватися інформації про необхідні поперечні перерізи вентиляції (рис. 10.4).



10.5 Вирівнювання приладу

Прилад слід розташувати на рівній твердій поверхні.

1. Трохи нахиліть прилад назад (рис. 10.5).
2. Встановіть ніжки на потрібний рівень. Перевірте, чи відстань до стіни з боків петель становить не менше 5 см.
3. Стійкість можна перевірити, почергово постукавши по діагоналях. Легке погойдування повинно бути однаковим в обидві сторони. Інакше каркас може покоробитися; як результат – можливе випадіння ущільнювачів дверцят. Невеликий нахил назад полегшує зачинення дверцят.

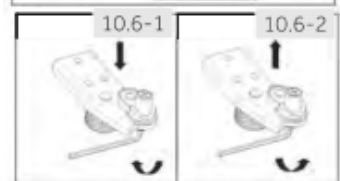
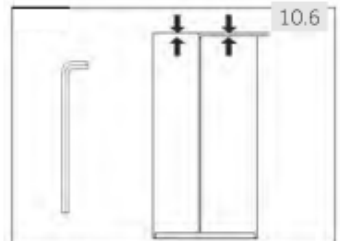
10- Встановлення

10.6 Регулювання дверцят

Якщо після вирівнювання дверцят відповідно до встановлення ніжок дверцят все ще не на одному рівні, цю невідповідність можна усунути, повернувши гайковим ключем підйомний вал петлі в правому нижньому куті дверцят холодильника (рис. 10.6).

Поверніть підйомний вал гайковим ключем за годинниковою стрілкою, щоб знизити висоту дверцят (рис. 10.6-1).

Поверніть підйомний вал за допомогою гайкового ключа проти годинникової стрілки на висоту підйому дверцят (рис. 10.6-2).

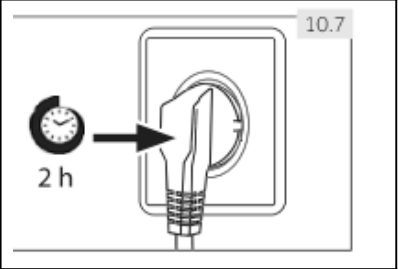


УВАГА!

Не регулюйте підйомний вал петлі надто на висоту, яка може призвести до того, що вал залишить своє початкове заблоковане положення. (Діапазон регулювання висоти: 3 мм)

10.7 Час очікування

Для невибагливого обслуговування мастило знаходиться в капсулі компресора. Це мастило може потрапляти через закриту систему трубопроводів під час неправильного транспортування. Перш ніж під'єднати прилад до джерела живлення, потрібно зачекати принаймні 2 години (рис. 10.7), щоб мастило знову потекло в капсулу.



10.8 Електричне з'єднання

Перед кожним з'єднанням перевіряйте, чи:

- джерело живлення, розетка та запобіжник відповідають паспортній таблиці.
- розетка заземлена, багатополосна вилка або подовжувач не використовуються.
- вилка та розетка відповідають визначеним нормам.

Вставте вилку в належним чином встановлену побутову розетку.



УВАГА!

Щоб уникнути ризику, пошкоджений шнур живлення має бути замінений сервісною службою (див. гарантійний талон).

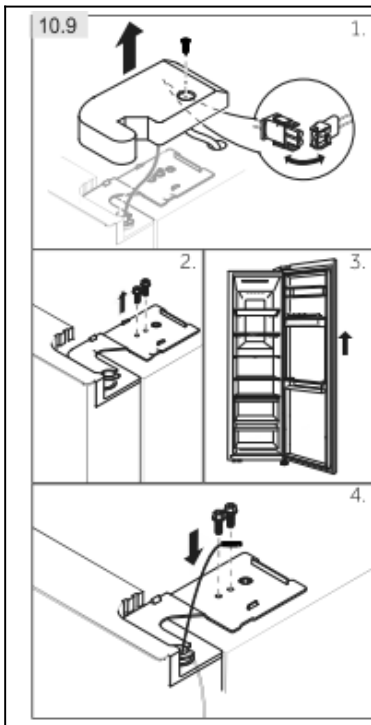
10- Встановлення

10.9 Зняття та встановлення дверцят та інструкції зі встановлення нижче (рис. 10.9). Якщо вам потрібно зняти дверцята приладу, дотримуйтеся наведених нижче інструкцій зі зняття та встановлення дверцят (рис. 10.9)



УВАГА!

- ▶ Перед будь-якими операціями вимкніть прилад і вийміть вилку з розетки.
- ▶ Прилад важкий. Завжди залучайте як мінімум двох осіб.
- ▶ Не нахильте прилад більш ніж на 45° і не ставте його горизонтально на поверхню



1. Відкрутіть гвинт кришки шарніра та зніміть кришку. Витягніть роз'єм кабелю.

2. Відкрутіть гвинти, що тримають верхню петлю, а потім зніміть петлю.
3. Підніміть дверцята холодильного відділення, щоб зняти їх.

4. Встановіть дверцята на місце, виконавши кроки зняття у зворотному порядку. Переконайтеся, що кабель заземлення закріплено гвинтом.




Примітка: дверцята холодильника

На рисунках показано зняття дверцят відсіку холодильної камери. Для дверцят морозильної камери використовуйте відповідні частини з іншого боку.

11- Технічні дані

11.1 Специфікація приладу відповідно до регламенту ЄС № 1060/2010

Торгова марка	Haier
Ідентифікатор моделі	HSR3918FNP*
Категорія моделі	Холодильник з морозильною камерою
Клас енергоефективності	A+
Річне споживання енергії (кВт·год/рік)11	399

Об'єм зберігання при охолодженні (L)	337
Об'єм зберігання при заморожуванні (L) ****	167
Класифікація (к-ть зірок)	
Температура в інших відділеннях > 14°C	Не застосовується
Система Frostfree	Так
Час підвищення температури (год)	5
Потужність заморожування (кг/24 год)	10
Кліматичний клас Цей прилад призначений для використання при температурі навколишнього середовища від 10 °С до 43 °С.	SN-N-ST-T
Повітряний акустичний шум (дБ(А) re 1pW)	38
Тип конструкції	Автономна

на основі стандартних результатів тесту за 24 години. Фактичне споживання енергії залежатиме від того, як використовується прилад і де він встановлений.

11.1.1 Додаткові технічні дані

Напруга / частота	220-240 В - / 50 Гц
Вхідна потужність (Вт)	200
Головний запобіжник (А)	15
Охолоджуюча рідина	R600a
Розміри (В/Ш/Г у мм)	1775/908/647



11.1.2 Стандарти та директиви

Цей виріб задовольняє вимогам усіх чинних директив ЄС з відповідними гармонізованими стандартами, які передбачають маркування CE.

12- Обслуговування клієнтів

Ми рекомендуємо Службу підтримки клієнтів компанії Naier і використання оригінальних запасних частин. Якщо у вас виникли проблеми з приладом, спершу перегляньте розділ «ПОШУК ТА УСУНЕННЯ НЕСПРАВНОСТЕЙ».

Якщо ви не можете знайти там рішення, зверніться до:

Місцевого торговельного представника або

Див. розділ «Обслуговування та підтримка» на сайті www.haier.com, де можна знайти номери телефонів і відповіді на поширені запитання, а також активувати запит на обслуговування.

Щоб зв'язатися із нашою Службою підтримки, підготуйте такі дані.
Інформацію можна знайти на паспортній табличці.

Модель _____ Серійний номер моделі _____

У разі дії гарантії також перевірте гарантійний талон, що додається до виробу.



كٲب مسٲخدم

الٲلاآة-الفريزر

HSR3918ENP*
HSR3918EWP*
HSR3918FNP*
=*W,B,L,G,N

العربية

Haier

شكرًا لك على شراء منتج Haier.

اقرأ هذه التعليمات بعناية قبل استخدام هذا الجهاز. تحتوي التعليمات على معلومات مهمة ستساعدك على الحصول على أفضل النتائج من الجهاز وضمان التركيب والاستخدام والصيانة الآمنة والسليمة. احتفظ بهذا الكتيب في مكان مناسب حتى تتمكن دائمًا من الرجوع إليه من أجل الاستخدام الآمن والسليم للجهاز. إذا كنت تبيع الجهاز، أو تتخلى عنه، أو تتركه خلفك عندما تنتقل إلى المنزل الجديد، فتأكد أيضًا من تمرير هذا الكتيب إلى المالك الجديد حتى يتمكن من التعرف على الجهاز وتحذيرات السلامة.

قائمة الرموز

تحذير - معلومات أمان مهمة



معلومات ونصائح عامة

المعلومات البيئية

التخلص من المنتج



ساعد في حماية البيئة وصحة الإنسان. ضع العبوة في حاويات مناسبة لإعادة تدويرها. ساعد على إعادة تدوير مخلفات الأجهزة الكهربائية والإلكترونية. لا تتخلص من الأجهزة التي تحمل هذا الرمز مع النفايات المنزلية. أعد المنتج إلى مرفق إعادة التدوير المحلي أو اتصل بمكتب البلدية.

تحذير!

خطر الإصابة أو الاختناق!

يجب التخلص من المبردات والغازات بطريقة احترافية. تأكد من عدم تلف أنابيب التبريد قبل التخلص منها بشكل صحيح. افصل الجهاز عن مصدر التيار الكهربائي. اقطع كابل التيار الكهربائي وتخلص منه. قم بإزالة الأدراج والصواني بالإضافة إلى ماسك الباب والحشيشات لمنع الأطفال والحيوانات الأليفة من الانحباس داخل الجهاز.

الأجهزة القديمة لا تزال لها بعض القيمة التبقية. تتضمن طريقة التخلص الصديقة للبيئة إمكانية استعادة المواد الخام القيمة واستخدامها مرة أخرى.

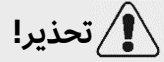
يستخدم السيكلوبنتان، وهو مادة قابلة للاشتعال وغير ضارة بالأوزون، كموسع للرغوة العازلة.

من خلال التأكد من أن هذا المنتج يتم التخلص منه بصورة صحيحة، فأنت تساعد في الحد من حدوث العواقب السلبية المحتملة للؤثر على البيئة وصحة الإنسان، والتي يمكن أن تنتج.

للحصول على مزيد من المعلومات حول إعادة تدوير هذا المنتج، يرجى الاتصال بمجلس المدينة المحلي أو خدمة التخلص من النفايات المنزلية أو المتجر الذي قمت بشراء هذا المنتج منه. يجب أن يقوم بمناولته المهنيون.

- 1- معلومات السلامة..... 4
- 2- الاستخدام المقصود..... 8
- 3- وصف المنتج..... 10
- 4- لوحة التحكم..... 11
- 5- الاستخدام..... 12
- 6- نصائح لتوفير الطاقة..... 20
- 7- المعدات..... 21
- 8- العناية والتنظيف..... 23
- 9- استكشاف الأعطال وإصلاحها..... 25
- 10- التركيب..... 28
- 11- البيانات الفنية..... 31
- 12- خدمة العملاء..... 32

قبل تشغيل الجهاز لأول مرة، اقرأ إرشادات الأمان التالية!:

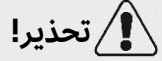


قبل الاستخدام الأول

- ◀ تأكد من خلوه من التلف أثناء النقل.
- ◀ قم بإزالة جميع العبوات واحفظها بعيدًا عن متناول الأطفال.
- ◀ انتظر ساعتين على الأقل قبل تركيب الجهاز للتأكد من أن دائرة التبريد فعالة تمامًا.
- ◀ تعامل مع الجهاز دائمًا بالاستعانة بشخصين على الأقل لأنه ثقيل.

التركيب

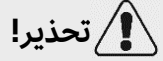
- ◀ يجب وضع الجهاز في مكان جيد التهوية. تأكد من وجود مساحة لا تقل عن 20 سم فوق و10 سم حول الجهاز.
- ◀ لا تضع الجهاز أبدًا في منطقة رطبة أو مكان قد يتناثر فيه الماء. نظف بقع الماء وجففها بقطعة قماش ناعمة ونظيفة.
- ◀ لا تقم بتركيب الجهاز في ضوء الشمس المباشر أو بالقرب من مصادر الحرارة (مثل المواقد والسخانات).
- ◀ قم بتثبيت الجهاز وتسويته في منطقة مناسبة لحجمه واستخدامه.
- ◀ احرص على عدم انسداد فتحات التهوية في الجهاز أو البنية المضمنة.
- ◀ تحقق من توافق البيانات الكهربائية الموجودة على لوحة القياس مع مصدر الطاقة. إذا لم يحدث ذلك، فاتصل بفني كهربائي.
- ◀ يتم تشغيل الجهاز بواسطة مصدر طاقة 220-240 فولت تيار متردد/50 هرتز. قد يؤدي التقلب غير الطبيعي في الجهد إلى فشل تشغيل الجهاز، أو تلف التحكم في درجة الحرارة أو الضاغط، أو قد تكون هناك ضوضاء غير طبيعية عند التشغيل. في مثل هذه الحالة، يجب تركيب منظم أوتوماتيكي.
- ◀ استخدم مقبسًا أرضيًا منفصلًا لمصدر الطاقة يسهل الوصول إليه. يجب تأريض الجهاز.
- ◀ **فقط للمملكة المتحدة:** كابل الطاقة الخاص بالجهاز مزود بقابس مكون من 3 أسلاك (تأريض) يناسب مقبسًا قياسيًا مكونًا من 3 أسلاك (مؤرض). لا تقم أبدًا بقطع أو فك الدبوس الثالث (التأريض). بعد تثبيت الجهاز، يجب أن يكون القابس متاحًا.
- ◀ لا تستخدم المحولات وكابلات التمديد متعددة القوابس.
- ◀ تأكد من أن كبل الطاقة غير محاصر بواسطة الجهاز. لا تخطو على كابل الطاقة.
- ◀ لا تقم بإتلاف دائرة التبريد الكهربائية.
- ◀ لا تضع مقابس محمولة أو مصادر محمولة متعددة للتيار خلف الجهاز.



تحذير!

الاستخدام اليومي

- ◀ يُمكن أن يستخدم هذا الجهاز الأطفال البالغ أعمارهم 8 سنوات أو أكثر والأشخاص الذين يعانون نقصًا في القدرات البدنية، أو الحسية، أو العقلية، أو الأشخاص الذين لديهم نقص في الخبرة أو المعرفة إذا خضعوا للإشراف أو قُدمت لهم تعليمات بشأن استخدام الجهاز بطريقة آمنة وكان لديهم فهم للمخاطر التي ينطوي عليها.
- ◀ يُسمح للأطفال الذين تتراوح أعمارهم بين 3 إلى 8 سنوات بتحميل وتفريغ أجهزة التبريد، ولكن لا يُسمح لهم بتنظيفها وتركيبها.
- ◀ أبق الأطفال دون سن 3 سنوات بعيدًا عن الجهاز ما لم يتم الإشراف عليهم باستمرار.
- ◀ يجب عدم قيام الأطفال بالتنظيف وأعمال صيانة المستخدم دون إشراف.
- ◀ يجب ألا يعيثر الأطفال بالجهاز.
- ◀ يجب وضع الجهاز بحيث يسهل الوصول إلى القابس. إذا تسرب غاز بارد أو غاز آخر قابل للاشتعال بالقرب من الجهاز، فقم بغلاق صمام الغاز المتسرب، وافتح الأبواب والنوافذ، ولا تقم بفصل قابس كابل الطاقة بالجهاز أو أى جهاز آخر.
- ◀ لاحظ أنه تم ضبط الجهاز للتشغيل في نطاق محيط معين بين 10 و38 درجة مئوية. قد لا يعمل الجهاز بشكل صحيح إذا تُرك لفترة طويلة عند درجة حرارة أعلى أو أقل من النطاق المحدد.
- ◀ لا تضع أشياء غير مستقرة (أشياء ثقيلة، أوعية مملوءة بالماء) على الجزء العلوي من الجهاز، لتجنب إصابة الأشخاص الناجمة عن السقوط أو الصدمة الكهربائية الناتجة عن ملامسة الماء.
- ◀ لا تسحب رفوف الباب للخارج. قد يتم سحب الباب بشكل مائل، وقد يخرج رف الزجاجات من مكانه، أو قد يسقط الجهاز. افتح الأبواب وأغلقها بالمقابض فقط. الفجوة بين الأبواب والخزانة ضيقة للغاية. لا تمد يديك في هذه المناطق لتجنب القرص على أصابعك. افتح أبواب الجهاز أو أغلقها عندما لا يكون هناك أطفال واقفين ضمن نطاق حركة الباب فقط.
- ◀ لا تقم بتخزين أو استخدام مواد قابلة للاشتعال أو متفجرة أو مسببة للتآكل في الجهاز أو في المنطقة المجاورة.
- ◀ لا تخزن الأدوية أو البكتيريا أو العوامل الكيميائية في الجهاز. هذا الجهاز مخصص للاستخدام المنزلي فقط. لا يوصى بتخزين المواد التي تتطلب درجات حرارة دقيقة. لا تقم أبدًا بتخزين السوائل في الزجاجات أو العلب (بالإضافة إلى المشروبات الروحية عالية التركيز) خاصة المشروبات الغازية في الفريزر، حيث أنها ستنفجر أثناء التجميد.



تحذير!


الاستخدام اليومي

- ◀ تحقق من حالة الطعام في حالة حدوث تدفئة في الفريزر. لا تعين درجة حرارة منخفضة بلا ضرورة في حجرة التلاجة. قد تحدث درجات حرارة دون الصفر في الإعدادات العالية. تنبيه: يمكن أن تنفجر الزجاجات.
- ◀ تجنب لمس السلع المجمدة إذا كانت يداك مبتلتين (قم بارتداء القفازات). لا تأكل المصاصات المثلجة فورًا بعد إزالتها من حجرة الفريزر. هناك خطر حدوث تجمد أو تكون بثور بسبب الثلج. الإسعافات الأولية: اترك مكان التعرض مباشرة تحت الماء البارد الجارى. لا تسحبه!
- ◀ لا تلمس السطح الداخلى لحجرة تخزين الفريزر أثناء التشغيل، خاصةً باستخدام اليدين المبللتين، حيث قد تتجمد يديك، وتلتصق بالسطح.
- ◀ افصل الجهاز في حالة انقطاع التيار الكهربائي أو قبل التنظيف. انتظر 5 دقائق على الأقل قبل إعادة تشغيل الجهاز حيث أن التشغيل المتكرر قد يؤدي إلى تلف الضاغط.
- ◀ لا تستخدم أجهزة كهربائية داخل حجيرات تخزين الطعام بالجهاز، إلا إذا كانت من النوع الذى أوصى به المصنِّع.
- ◀ استخدم فقط مياه الشرب مع الموديلات المزودة بموزع مياه.

الصيانة/التنظيف

- ◀ تأكد من أن الأطفال يخضعون للإشراف إذا قاموا بالتنظيف والصيانة.
- ◀ افصل الجهاز عن التيار الكهربائي قبل إجراء أى صيانة روتينية. انتظر 5 دقائق على الأقل قبل إعادة تشغيل الجهاز حيث أن التشغيل المتكرر قد يؤدي إلى تلف الضاغط. امسك القابس، وليس الكابل، عند فصل الجهاز.
- ◀ لا تكشط الثلج والجليد بأشياء حادة. لا تستخدم البخاخات أو أجهزة التسخين الكهربائية مثل السخان أو مجفف الشعر أو أجهزة التنظيف بالبخار أو مصادر الحرارة الأخرى لتجنب تلف الأجزاء البلاستيكية. لا تستخدم أجهزة ميكانيكية أو وسائل أخرى لتسريع عملية إذابة الثلج بخلاف تلك الموصى بها من جانب الشركة المصنعة. لا تقم بتنظيف الجهاز باستخدام الفرش الصلبة، والفرش السلكية، ومسحوق التنظيف، والبنزين، وأميلات الأسيتات، والأسيتون والمحاليل العضوية المماثلة، أو المحاليل الحمضية أو القلوية. يرجى التنظيف باستخدام منظف التلاجة الخاص لتجنب حدوث ضرر.
- ◀ في النهاية، استخدم الماء الدافئ ومحلول صودا الخبيز - حوالى ملعقة كبيرة من صودا الخبيز إلى لتر / كوارت من الماء. قم بالشطف بالكامل بالماء، ثم التجفيف جيدًا. لا

1 - معلومات السلامة

تحذير! 

تستخدم مساحيق تنظيف قوية أو مسببة للتآكل. تجنب القيام بغسل الأجزاء القابلة للفك في غسالة الأطباق

الصيانة/التنظيف

- ◀ في حال تلف كابل التغذية، يجب استبداله بواسطة الشركة المصنّعة، أو وكيل الخدمة الخاص بها أو الأشخاص المؤهلين بالدرجة نفسها لتفادي التعرض للخطر.
- ◀ لا تحاول أن تصلح أو تفك أو تعدل الجهاز بنفسك. في حالة الحاجة للإصلاح يرجى الاتصال بالدعم الخاص بنا مباشرة.
- ◀ في حالة تلف مصباح الإضاءة، يجب استبداله من قبل الشركة المصنّعة أو وكيل الصيانة التابع لها أو غيره من الأشخاص المؤهلين لتفادي التعرض للخطر.
- ◀ تخلص من الغبار الموجود بالجزء الخلفي من الوحدة مرة واحدة على الأقل في السنة لتجنب خطر نشوب الحريق وزيادة استهلاك الطاقة أيضًا.
- ◀ لا تقم برش الجهاز أو غسله أثناء التنظيف.
- ◀ لا تستخدم رشاش الماء أو البخار لتنظيف الجهاز.
- ◀ لا تنظف الأرفف الزجاجية الباردة بالماء الساخن. قد يؤدي تغيير درجة الحرارة المفاجئ إلى انكسار الزجاج.
- ◀ إذا تركت جهازك خارج الاستخدام لفترة طويلة، فاتركه مفتوحًا لمنع الروائح والأبخرة الكريهة من التراكم بالداخل.

معلومات غاز التبريد**تحذير!** 

يحتوى الجهاز على غاز تبريد أيزوبيوتان (R600a) قابل للاشتعال. تأكد من عدم تلف دائرة التبريد أثناء النقل أو التركيب. قد يتسبب تسرب وسيط التبريد في حدوث إصابات بالعينين أو تهيجهما. في حالة حدوث ضرر، ابق بعيدًا عن مصادر النار المفتوحة، وقم بتهوية الغرفة جيدًا، ولا تقم بتوصيل أو فصل أسلاك الطاقة الخاصة بالجهاز أو أى جهاز آخر. قم بإبلاغ خدمة العملاء.

في حالة ملامسة سائل التبريد للعينين، اشطفهما على الفور تحت الماء الجارى واتصل باخصائي العيون على الفور.

تحذير: نظام التبريد تحت ضغط مرتفع. لا تعبت به. نظرًا لاستخدام المبردات القابلة للاشتعال، يرجى تركيب الجهاز ومناولته وصيانته بدقة وفقًا للتعليمات والاتصال بالوكيل المتخصص أو خدمة ما بعد البيع لدينا للتخلص من الجهاز.


2.1 الاستخدام المقصود

- هذا الجهاز مصمم للاستخدام في المنزل والاستخدامات المماثلة مثل
- مناطق مطبخ الموظفين في المحلات والمكاتب وبيئات العمل الأخرى؛
 - منازل المزارعين ومن قبل العملاء في الفنادق والموتيلات والبيئات الأخرى ذات الطابع السكني؛
 - البيئات التي بها أسرة وأماكن لتناول الفطور؛
 - المطاعم وما شابهها من أماكن غير مخصصة لبيع التجزئة.
- ◀ في حالة عدم استخدام الجهاز لفترة طويلة من الوقت، وإذا كنت ستستخدم وظيفة Holiday أو وظيفة الإيقاف للثلاجة/الفریزر:
- قم بإخراج الطعام.
 - افصل كابل التيار الكهربائي.
 - فرغ خزان الماء ونظفه.
 - قم بتنظيف الجهاز كما هو موضح أعلاه.
 - أبق الأبواب مفتوحة لمنع ظهور الروائح الكريهة بالداخل.
- ◀ لضمان الحفاظ على المواد الغذائية أو النبيذ بشكل آمن، يرجى الامتثال لتعليمات الاستخدام هذه.
- ◀ لتجنب تلوث الطعام (غير صالح لقبو النبيذ)، يرجى مراعاة التعليمات التالية:
- يمكن أن يتسبب فتح الباب لفترات طويلة في زيادة درجة الحرارة في حجيرات الجهاز بشكل كبير.
 - قم بتنظيف الأسطح التي قد تتلامس مع الطعام وأنظمة التصريف التي يمكن الوصول إليها تنظيفًا منتظمًا.
 - نظف خزانات المياه إذا لم يتم استخدامها لمدة 48 ساعة؛ اشطف نظام المياه المتصل بالإمداد إذا لم يتم سحب المياه لمدة 5 أيام.
 - قم بتخزين اللحوم النيئة والأسماك في حاويات مناسبة في الثلاجة/الفریزر، بحيث لا تتلامس مع غيرها من المواد الغذائية أو تسقط عليها قطرات من الأطعمة الأخرى. لضمان الحفاظ الآمن على المواد الغذائية، يجب تخزين الأغذية الفورية واللحوم النيئة/الأسماك بشكل منفصل.
 - حجيرات الطعام المجمد ذات النجمتين مناسبة لتخزين الأطعمة المجمدة مسبقًا، أو تخزين الآيس كريم ومكعبات الثلج أو صنعها.
 - الحجيرات ذات النجمة والنجمتين والثلاث نجومات ليست مناسبة لتجميد الطعام الطازج.
 - في حالة ترك جهاز التبريد فارغًا لفترات طويلة، قم بإيقاف التشغيل وإزالة الثلج وتنظيف الجهاز وتجميفه، وترك الباب مفتوحًا لمنع نمو الطحالب داخل الجهاز.
- ◀ يوجد في الجزء أدناه التفاصيل عن الأجزاء الأكثر ملاءمة في حجيرة الجهاز حيث يتم تخزين أنواع معينة من الطعام، مع مراعاة توزيع درجة الحرارة التي يمكن أن تختلف حسب الأجزاء المختلفة للجهاز كما هو وارد في جزء آخر من الكتيب.

2 - الاستخدام المقصود

التخلص من المنتج



يشير الرمز  الموجود على المنتج أو على التغليف الخاص به أن هذا المنتج لا يُعامل معاملة النفايات المنزلية. وبدلاً من ذلك، يجب تسليمه إلى نقطة التجميع المناسبة لإعادة تدوير المعدات الكهربائية والإلكترونية. من خلال التأكد من أن هذا المنتج يتم التخلص منه بصورة صحيحة، فأنت تساعد في الحد من حدوث العواقب السلبية المحتملة المؤثرة على البيئة وصحة الإنسان، والتي يمكن أن تنتج بسبب التعامل مع نفايات هذا المنتج بطريقة غير مناسبة. لمزيد من المعلومات عن إعادة تدوير هذا المنتج، فضلاً اتصل بالبلدية أو خدمة التخلص من النفايات المنزلية أو المتجر الذي اشترت منه هذا المنتج.

نظرًا لاستخدام غازات النفخ العازلة القابلة للاشتعال، يرجى الاتصال بالوكيل المتخصص أو خدمة ما بعد البيع للتخلص من الجهاز.

تحذير!

خطر الإصابة بالاختناق!

يجب التخلص من المرادات والغازات بطريقة احترافية. تأكد من عدم تلف أنابيب دائرة التبريد قبل التخلص منها بشكل صحيح. افصل الجهاز عن مصدر التيار الكهربائي. اقطع كابل التيار الكهربائي وتخلص منه. قم بإزالة الأدراج والصواني بالإضافة إلى ماسك الباب والحشيات لمنع الأطفال والحيوانات الأليفة من الانحباس داخل الجهاز.

التغييرات أو التعديلات على الجهاز غير مسموح بها. قد يتسبب الاستخدام غير المقصود في مخاطر وفقدان مطالبات الضمان.

2.2 الملحقات

تحقق من الملحقات والنشرات الفنية وفقاً لهذه القائمة (الشكل 2.2):

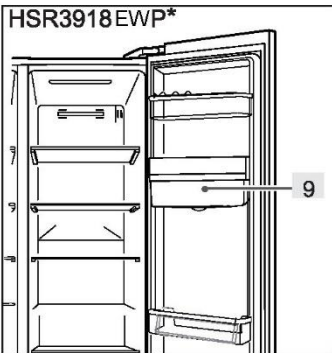
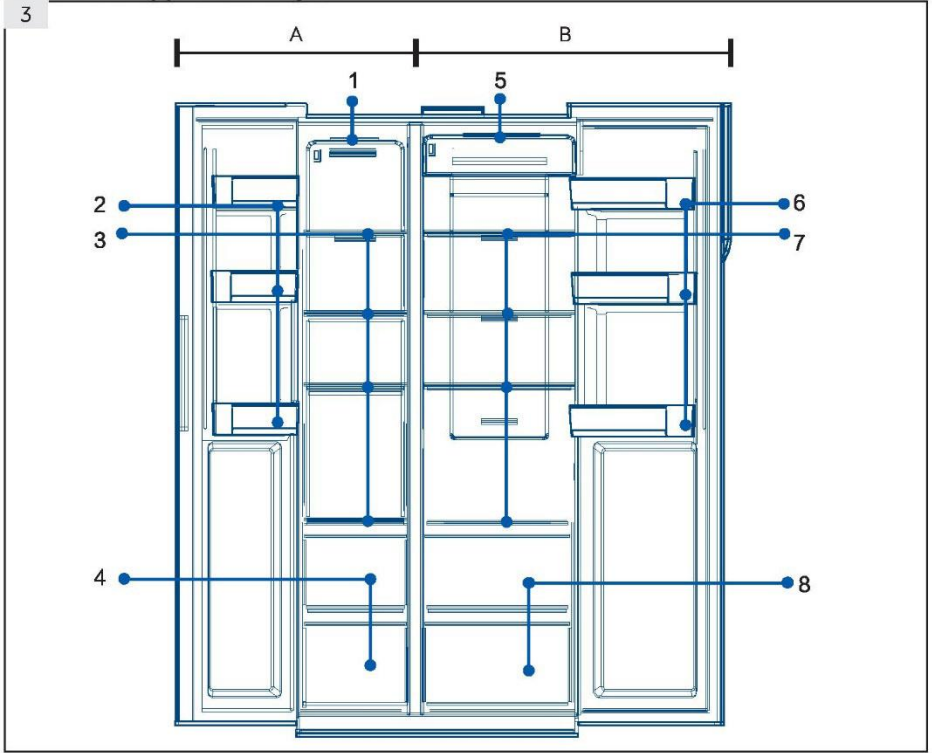


ملاحظة



بسبب التغييرات الفنية والماذج المختلفة، قد تختلف بعض الرسوم التوضيحية في هذا الكتيب عن النموذج الخاص بك.

صور الأجهزة (الشكل 3)



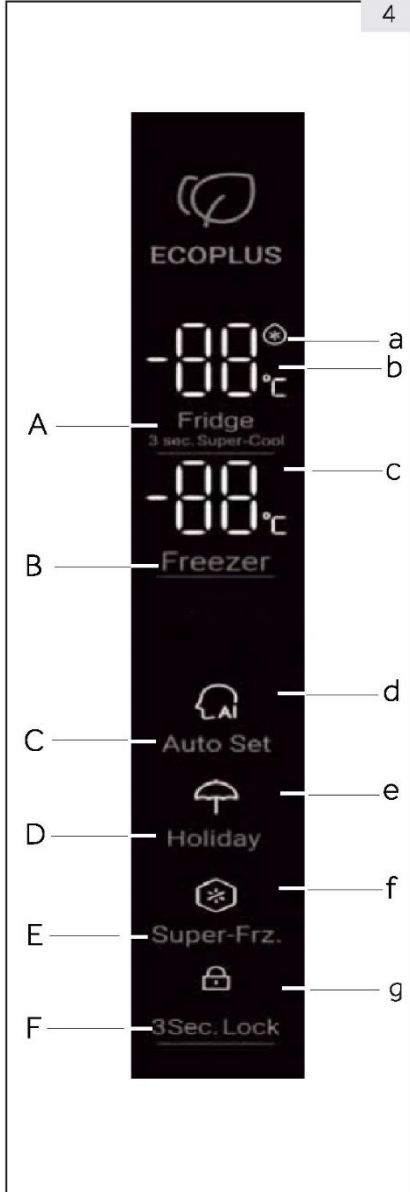
B: حجرة الثلاجة

- 5 مصباح السقف
- 6 رف الباب / حامل الزجاجات
- 7 رفوف الثلاجة
- 8 صندوق الثلاجة
- 9 خزان الماء

A: حجرة الفريزر

- 1 مصباح السقف
- 2 رف الباب / حامل الزجاجات
- 3 رفوف الفريزر
- 4 صندوق الفريزر

لوحة التحكم (الشكل 4)



المفاتيح:

- A مفتاح التلاجة
- B مفتاح المجمد
- C وضع Auto Set
- D وضع Holiday
- E وضع Super-Freeze
- F مفتاح قفل اللوحة

المؤشرات:

- a وضع Super-Cool
- b درجة حرارة التلاجة
- c درجة حرارة الفريزر
- d وضع Auto Set
- e وضع Holiday
- f وضع Super-Freeze
- g قفل لوحة التحكم

5.1 الاستعمال للمرة الأولى

عند توصيل الثلاجة بالطاقة لأول مرة، تكون الشاشة قيد التشغيل. درجة الحرارة الافتراضية لحجرة الثلاجة هي 4 درجات مئوية، والفريرز -18 درجة مئوية، ضوء وظيفة intelligence يعمل.

5.2 قفل /إلغاء قفل اللوحة

القفل التلقائي:

عندما يتم إغلاق باب الثلاجة وباب الفريزر، ولا توجد عملية على أي زر لمدة 30 ثانية، سيتم إيقاف تشغيل مصباح اللوحة تلقائياً، ويتم قفل اللوحة.

القفل اليدوي:

عند إلغاء قفل اللوحة، اضغط على زر القفل لمدة 3 ثوان، وسيصدر الجرس صفيراً، ويضيء مؤشر القفل، ثم يتم قفل الشاشة.



المؤشر قيد التشغيل
اللوحة مقفلة
اضغط لمدة 3 ثوان.

إلغاء القفل:

عند إيقاف تشغيل اللوحة، افتح أي باب من أبواب الثلاجة أو المس أي زر في لوحة التحكم، وستضيء اللوحة. في هذا الوقت، اللوحة مقفلة. اضغط على زر وظيفة القفل لمدة 3 ثوان، وسوف يصدر صوت الجرس، ومؤشر القفل مطفاً واللوحة غير مقفلة.

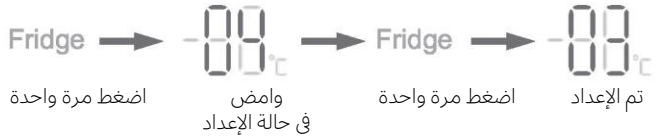


المؤشر منطفئ
لوحة غير مقفلة
انتظار لمدة 3 ثوان
اللوحة قيد التشغيل
افتح الباب أو
اضغط على أي زر

5.3 تعديل درجة حرارة الثلاجة

1. عندما تكون لوحة التحكم غير مقفلة، اضغط على "محدد Fridge"، وسيصدر صوت الجرس. يومض مؤشر درجة حرارة الثلاجة. الآن يمكن ضبط درجة حرارة الثلاجة.

2. ثم بعد كل ضغطة على المحدد الثلاجة، يصدر صوت الجرس، ويقبل الإعداد بمقدار 1. يكون تسلسل التحول في حلقة مستمرة مثل "4°C/5°C/6°C/7°C/8°C/9°C/1°C/2°C/3°C"

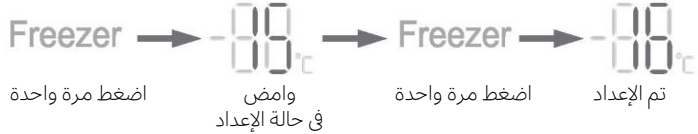
**ملاحظة**

الجهاز مضبوط مسبقاً على درجة الحرارة الموصى بها وهي 4 درجات مئوية (الثلاجة) و-18 درجة مئوية (الفريرز). في ظل الظروف المحيطة العادية، لا تحتاج إلى ضبط درجة الحرارة.

5 - الاستخدام

5.4 تعديل درجة حرارة الفريزر

1. عندما تكون لوحة التحكم غير مغلقة، اضغط على "محدد الفريزر"، ويصدر صوت الجرس، يومض مؤشر درجة حرارة الفريزر. الآن يمكن ضبط درجة حرارة الفريزر.
2. بعد ذلك، مع كل ضغطة على محدد الفريزر، يصدر صوت الجرس، وتنخفض درجة الحرارة بمقدار 1. يكون تسلسل التغيير في حلقة مستمرة مثل "18°/-15°C/-14°C/-23°C/-22°C/-21°C/-20°C/-19°C/16°C/-17°C/-18°C".



ملاحظة



يتم ضبط درجة الحرارة، إذا لم يتم الضغط على أي زر خلال 5 ثوان، فسيتم تأكيد درجة الحرارة وحفظها تلقائيًا.

5.5 وضع Auto set

1. عندما تكون لوحة التحكم غير مغلقة، اضغط على "محدد وضع Auto set"، ويصبح مؤشر وضع Auto set قيد التشغيل. يبدأ وضع Auto set.
2. عندما يكون مؤشر وضع Auto set قيد التشغيل، اضغط على محدد وضع Auto set، ويصدر صوت الجرس، وينطفئ مؤشر وضع Auto set، ويغلق وضع Auto set.



ملاحظة




- عند تشغيل وضع Auto set، لا يمكن تحديد درجة حرارة التلاجة ودرجة حرارة الفريزر. عند الضغط على محدد التلاجة أو محدد الفريزر، يومض مؤشر وضع Auto set بأصوات لتذكيرك بأن العملية غير مسموح بها. باستخدام وضع Auto set، يتم تحديد وظيفة fast cool أو fast freeze أو holiday، وإيقاف تشغيل وضع Auto set، وإغلاق وضع Auto set تلقائيًا.

5.6 وضع Holiday

تم تصميم وضع Holiday لحالة عدم استخدام التلاجة لفترة طويلة. عندما يكون وضع Holiday في وضع التشغيل، يمكن اختيار درجة حرارة الفريزر، بينما يتم ضبط درجة حرارة التلاجة تلقائيًا على 17 درجة مئوية، مما يتجنب أي رائحة بسبب ارتفاع درجة الحرارة في حجرة التلاجة، كما يوفر أيضًا استهلاك الطاقة.


1. عندما تكون لوحة التحكم غير مقفلة، اضغط على "محدد وضع Holiday"، ويصدر صوت الجرس، ويضيء مؤشر وظيفة Holiday. يبدأ وضع Holiday.
2. عندما يكون مؤشر وضع Holiday قيد التشغيل، اضغط على محدد وظيفة Holiday، ويصدر صوت الجرس، وينطفئ مؤشر وضع Holiday، ويغلق وضع Holiday.

ملاحظة 

- عند تشغيل وضع Holiday، لا يمكن تحديد درجة حرارة التلاجة. عند الضغط على محدد التلاجة، يومض مؤشر وضع Holiday بأصوات تذكير بأن العملية غير مسموح بها.
- قبل تحديد وضع Holiday، يرجى إفراغ حجرة التلاجة لتجنب تلف الطعام. مع تشغيل وضع Holiday، لا يمكن تحديد وظيفة intelligence و fast cool في وقت واحد. إذا تم تحديد وضع intelligence أو fast cool، فسيتم إيقاف تشغيل مؤشر وضع Holiday ويتم إغلاق الوظيفة تلقائيًا.

5.7 وضع Super-Cool

1. عندما تكون لوحة التحكم غير مقفلة، اضغط على "محدد التلاجة" لمدة 3 ثوانٍ، ويصدر الجرس صوتًا، ويضيء مؤشر super cool. يبدأ وضع super-cool.
2. عند تشغيل مؤشر super-cool، اضغط على محدد التلاجة لمدة 3 ثوانٍ، يصدر الجرس صوتًا، ويتم إيقاف تشغيل مؤشر super-cool. يتم إغلاق وضع Super cool.
3. عند تشغيل وضع super-cool، ستتحول التلاجة تلقائيًا إلى حالة إيقاف التشغيل في وضع super-cool بعد وصول وضع super-cool إلى الحالة المحددة. إذا كنت ترغب في الخروج يدويًا، يمكنك الضغط على محدد التلاجة لمدة 3 ثوانٍ لإيقاف تشغيل وضع super-cool.

ملاحظة 

- مع تشغيل وظيفة super-cool، لا يمكن تحديد وضع Fuzzy ووضع Holiday في نفس الوقت. إذا تم تحديد وضع Fuzzy أو وضع Holiday، فسيتم إيقاف تشغيل مؤشر super-cool ويتم إغلاق وضع super-cool تلقائيًا.

5 - الاستخدام

5.8 وضع Super-Freeze

1. عندما تكون لوحة التحكم غير مغلقة، اضغط على محدد Super-Freeze، ويصدر صوت الجرس، يضيء مؤشر Super-Freeze. يبدأ وضع Super-Freeze.
2. مع تشغيل مؤشر Super-Freeze، اضغط على محدد Super-Freeze، يصدر صوت الجرس، وينطفئ مؤشر Super-Freeze. يتم إغلاق وضع Super-Freeze.
3. عند تشغيل وضع Super-Freeze، ستتحول الثلجة تلقائيًا إلى وضع إيقاف Super-Freeze بعد أن يصل وضع Super-Freeze إلى الحالة المحددة. إذا كنت ترغب في الخروج يدويًا، يمكنك الضغط على محدد Super-Freeze لمدة 3 ثوانٍ لإيقاف تشغيل وضع Super-Freeze.



ملاحظة



- تم تصميم وضع Super-Freeze للحفاظ على العناصر الغذائية في حجرة الفريزر، ويتم تجميد الطعام في أقصر وقت ممكن. في حالة تجميد كمية كبيرة من الطعام في وقت واحد، يوصى بضغط وضع Super-Freeze قبل 24 ساعة للوصول إلى درجة حرارة أقل في حجرة الفريزر قبل وضع الطعام. في ظل هذه الحالة، تزداد سرعة التجميد في حجرة الفريزر، ويمكن تجميد الطعام بسرعة، وبالتالي تأمين تغذية الطعام بشكل فعال وتسهيل التخزين.
- في حالة Super-Freeze، إذا كنت ترغب في اختيار وظيفة intelligence، فسيتم إيقاف مؤشر Super-Freeze، ويتم إغلاق وضع Super-Freeze تلقائيًا.

5.9 التنبيه بفتح الباب

عندما يكون وقت فتح الباب طويلًا جدًا أو لم يتم إغلاق الباب، ستصدر الثلجة إنذار التنقيط في كل مرة، هذا لتذكير بإغلاق الباب في الوقت المناسب.

5.10 لوحة تحكم موفرة للطاقة

عندما لا توجد عملية على لوحة التحكم لمدة 30 ثانية، سيتم إيقاف تشغيل اللوحة تلقائيًا وتدخل في حالة القفل، والتي يمكن أن توفر الطاقة. عند الضغط على زر وظيفة القفل أو فتح أي باب، ستضيء لوحة التحكم.

5.11 وظيفة ذاكرة انقطاع التيار الكهربائي

عند إيقاف تشغيل الثلجة، يتم حفظ حالة العمل اللحظية لانقطاع التيار الكهربائي. بعد توصيل التيار مرة أخرى، تستمر الثلجة في العمل وفقًا للتحويل والحالة الوظيفية التي تم ضبطها قبل انقطاع التيار الكهربائي.

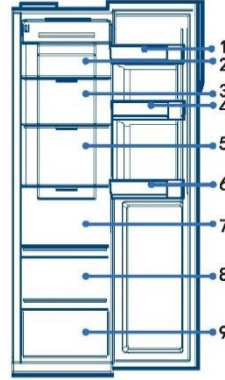
تنبيه: لم يتم حفظ وظيفة القفل. بعد تشغيل الثلجة مرة أخرى، تبدأ لوحة التحكم في الفحص الذاتي، ويتم إيقاف تشغيل مؤشر وظيفة القفل، ويتم فتح قفل الثلجة.

5.12.1 نصائح حول تخزين الطعام الطازج

5.12.1.1 التخزين في حجرة التلاجة

- ◀ حافظ على درجة حرارة التلاجة أقل من 5 درجات مئوية.
- ◀ يجب تبريد الطعام الساخن إلى درجة حرارة الغرفة قبل تخزينه في الجهاز.
- ◀ يجب غسل الأطعمة المخزنة في التلاجة وتجفيفها قبل تخزينها.
- ◀ يجب أن يتم حفظ الطعام الذي يتم تخزينه بشكل صحيح لتجنب تغيرات الرائحة أو المذاق.
- ◀ لا تخزن كميات زائدة من الطعام. اترك مسافات بين الأطعمة للسماح بتدفق الهواء البارد حولها، للحصول على تبريد أفضل وأكثر تجانساً.
- ◀ يجب تخزين الأطعمة التي يتم تناولها يوميًا في الجزء الأمامي من الرف.
- ◀ اترك فجوة بين الأطعمة والجدران الداخلية، لكي تسمح بتدفق الهواء. لا تخزن الأطعمة على الجدار الخلفي بطريقة معينة: يمكن أن تتجمد الأطعمة في الجدار الخلفي. تجنب التلامس المباشر للأطعمة (خاصة الأطعمة الزيتية أو الحمضية) مع البطانة الداخلية، حيث أن الزيت/الحمض يمكن أن يؤدي إلى تآكل البطانة الداخلية. نظف الأوساخ الدهنية/الحمضية كلما وجدت.
- ◀ قم بإزالة تجميد الأطعمة المجمدة في حجرة تخزين التلاجة. بهذه الطريقة، يمكنك استخدام الطعام المجمد لتقليل درجة الحرارة في الحجرة وتوفير الطاقة.
- ◀ يمكن أن يتم تسريع فساد الفواكه والخضروات مثل الكوسة والبطيخ والبابايا والموز والأناناس، وما إلى ذلك في التلاجة. لذلك، لا ينصح بتخزينها في التلاجة. ومع ذلك، يمكن تعزيز تعتيق الفار الخضراء ذات قدرة التحمل لفترة معينة. يجب أيضًا تخزين البصل والثوم والزنجبيل والخضروات الجذرية الأخرى في درجة حرارة الغرفة.
- ◀ يمكن أن تشير الروائح الكريهة داخل التلاجة إلى أن شيئًا ما انسكب وأن التنظيف مطلوب. انظر "العناية والتنظيف"
- ◀ يجب وضع الأطعمة المختلفة في مناطق مختلفة وفقًا لخصائصها (الشكل، 5.12.1):

5.12.1

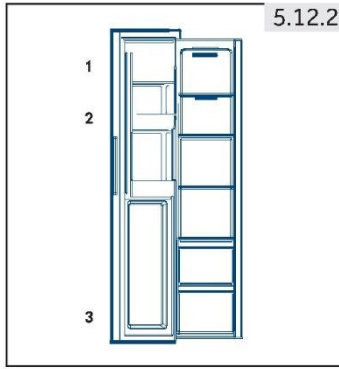


- 1 الزبدة والجبن، إلخ.
- 2 الأطعمة المخللة، الطعام المعبأ، إلخ.
- 3 الأطعمة المخللة، الطعام المعبأ، إلخ.
- 4 العلب والأطعمة المعلبة والتوابل وما إلى ذلك.
- 5 منتجات اللحوم والأطعمة الخفيفة وما إلى ذلك.
- 6 المشروبات والأطعمة المعبأة في زجاجات.
- 7 المعكرونة والأغذية المعلبة والحليب والتوفو ومنتجات الألبان إلخ.
- 8 الفواكه والخضروات والسلطة وغيرها
- 9 اللحوم المطبوخة والنقانق وغيرها

5 - الاستخدام

5.12.2 التخزين في حجرة الفريزر

- ◀ حافظ على درجة حرارة الفريزر عند - 18 درجة مئوية.
- ◀ فعل وظيفة Super-Freeze قبل 24 ساعة من التجميد؛ - بالنسبة لكميات الطعام الصغيرة، تكفي 4 - 6 ساعات.
- ◀ يجب تبريد الطعام الساخن إلى درجة حرارة الغرفة قبل تخزينه في حجرة الفريزر.
- ◀ سوف يتجمد الطعام المقطع إلى أجزاء صغيرة بشكل أسرع وسيكون من السهل تذويبه وطهيه. الوزن الموصى به لكل جزء أقل من 2.5 كجم.
- ◀ من الأفضل تعبئة الطعام قبل وضعه في الفريزر. يجب أن يكون الجزء الخارجي من العبوة جافاً لتجنب التصاق الأكياس ببعضها. يجب أن تكون مواد التغليف خالية من الروائح، ومُحكمة العلق، وغير سامة.
- ◀ لتجنب انتهاء فترات التخزين، يرجى ملاحظة تاريخ التجميد، والوقت المحدد واسم الطعام على العبوة وفقاً لفترات تخزين الطعام المختلفة.
- ◀ **تحذير!** يمكن أن تؤدي الأحماض والقلويات والملح وما إلى ذلك إلى تآكل السطح الداخلي للمجمد. لا تضع الطعام الذي يحتوي على هذه المواد (مثل أسماك البحر) مباشرة على السطح الداخلي. يجب تنظيف الفريزر من المياه المالحة على الفور.
- ◀ لا تتجاوز أوقات تخزين الطعام الموصى بها من قبل الشركات المصنعة. خذ فقط كمية الطعام المطلوبة من الفريزر.
- ◀ يجب وضع الأطعمة المختلفة في مناطق مختلفة وفقاً لخصائصها (الشكل، 5.12.2):



- 1 العناصر الأقل وزناً، مثل الآيس كريم والحضروات والخبز وما إلى ذلك.
- 2 مشروبات لا تحتوي على نسبة عالية من الكحول وتخزين مؤقت للمشروبات الروحية التي تحتوي على نسبة عالية من الكحول، أجزاء صغيرة مثل البيترزا أو الأعشاب.
- 3 كميات كبيرة / أثقل من الطعام، مثل قطع اللحوم للشواء

ملاحظة: التخزين



- ◀ يُرجى الحفاظ على مسافة أكثر من 10 مم بين الطعام الموضوع والمستشعر لضمان تأثير التبريد.
- ◀ يرجى استعمال أدنى درج عندما يعمل الجهاز من أجل ضمان تأثير التبريد.
- ◀ يجب تخزين الطعام الذي يحتوى على الثلج (مثل الآيس كريم وما إلى ذلك) داخل حجرة الفريزر بدلاً من حامل الزجاج، لأن تغيرات درجة الحرارة في حامل الزجاج سبب فتح الباب وإغلاقه قد تذيب الطعام.
- ◀ تناول الطعام المجمد بسرعة. لا يمكن إعادة تجميد الطعام الذى تم إذابته إلا إذا تم طهيه أولاً، وإلا فقد يصبح غير صالح للتناول بشكل أكبر.
- ◀ لا تقم بتحميل كميات كبيرة من الطعام الطازج في حجرة الفريزر. ارجع إلى سعة التجميد الخاصة بالفريزر - انظر "البيانات الفنية" أو البيانات الموجودة على لوحة النوع.
- ◀ يمكن تخزين الطعام في الفريزر عند درجة حرارة -18 درجة مئوية على الأقل لمدة 2 إلى 12 شهراً، اعتماداً على خصائصه (مثل اللحوم: 3-12 شهر، أو الخضراوات: 6-12 شهراً).
- ◀ عند تجميد الطعام الطازج، تجنب ملامسته للأطعمة المجمدة بالفعل. خطر الذوبان!
- ◀ قم بفق تجميد الطعام المجمد في الثلجة. بهذه الطريقة، يمكنك أن تستخدم الطعام المجمد لتقليل درجة الحرارة في الحجرة وتوفير الطاقة.

5.12.3 عند تخزين الأطعمة المجمدة تجارياً، يرجى اتباع الإرشادات التالية:

- ◀ اتبع دائماً إرشادات الشركات المصنعة للمدة الزمنية التي يجب تخزين الطعام فيها. لا تتجاوز هذه الإرشادات!
- ◀ حاول أن تبقى الفترة الزمنية بين الشراء والتخزين قصيرة قدر الإمكان للحفاظ على جودة الطعام.
- ◀ قم بشراء الأطعمة المجمدة التي تم تخزينها عند درجة حرارة -18 درجة مئوية أو أقل.
- ◀ تجنب شراء الطعام الذي يحتوي على ثلج أو جليد على العبوة - يشير هذا إلى أن المنتجات ربما تم تذويبها جزئياً وإعادة تجميدها في وقت ما - يؤثر ارتفاع درجات الحرارة على جودة الطعام.

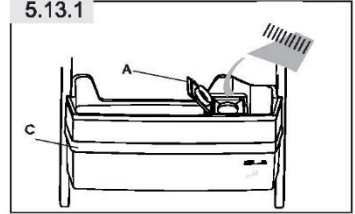
5.13 موزع المياه (HSR3918 EWP) *

مع موزع المياه، يمكن استغلال مياه الشرب الباردة. يجب تنظيف خزان المياه قبل الاستخدام الأول (انظر العناية والتنظيف).

5.13.1 ملء خزان المياه

تحذير!

استخدم مياه الشرب فقط.

5.13.1

1. تأكد من إدخال خزان المياه بشكل صحيح (انظر المعدات)
2. افتح الغطاء (أ) وصب مياه الشرب العذبة في خزان المياه (الشكل 5.13.1)
3. املاً الماء فقط حتى العلامة (2.5)؛ لأنه يمكن أن يفيض الماء عند فتح الباب وإغلاقه.
4. أغلق الغطاء (أ) تمامًا.

ملاحظة: موزع المياه

- ◀ قبل إعادة التعبئة، تخلص من المياه المتبقية ونظف خزان المياه.
- ◀ عندما لا تحتاج إلى الماء لفترة طويلة، يرجى تفريغ خزان المياه وإدخال الخزان النظيف.
- ◀ بالإضافة إلى ذلك، يتم استخدام الغطاء (C) الموجود على خزان المياه (الشكل 5.13.1) لتوفير الطاقة. إذا كنت لا ترغب في الحصول على الماء من موزع المياه لفترة طويلة، فالرجاء الاستمرار في تثبيت الغطاء بسبب العزل الأفضل وتوفير الطاقة.

5.13.2 إحصار الماء من الموزع

1. تأكد من نقل القفل (أ) إلى "فتح" (الشكل 5.13.2).

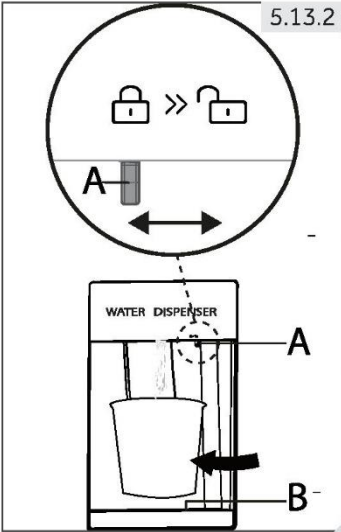
2. ضع كوبًا تحت مخرج الماء.

3. ادفع برفق على ذراع موزع المياه بالكوب.

- تأكد من توافق الكوب مع الموزع لمنع تناثر الماء.

4. يجب إزالة الماء الموجود في الدرج (ب) في الوقت المناسب، لأنه قد يفيض عند فتح الباب وإغلاقه.

5. حرك القفل (أ) إلى الموضع "قفل"

5.13.2

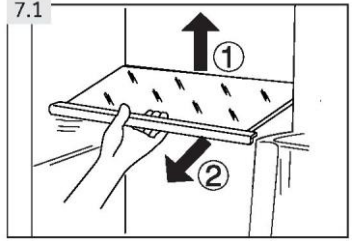
نصائح لتوفير الطاقة

- ◀ تأكد من تهوية الجهاز بشكل صحيح (انظر فقرة "التركيب").
- ◀ لا تقم بتركيب الجهاز في ضوء الشمس المباشر أو قريباً من مصادر الحرارة (مثل المواقد والسخانات).
- ◀ تجنب درجات الحرارة المنخفضة غير الضرورية في الجهاز. يزيد استهلاك الطاقة مع زيادة خفض درجة حرارة الجهاز.
- ◀ تستهلك وظائف مثل Super-Cool أو Super-Freeze مزيداً من الطاقة.
- ◀ دع الأغذية الدافئة تبرد قبل وضعها في الجهاز.
- ◀ افتح باب الجهاز بدرجة قليلة ولفترة قصيرة قدر الإمكان.
- ◀ لا تفرط في تعبئة الجهاز لتجنب إعاقة تدفق الهواء.
- ◀ تجنب وجود هواء داخل عبوة الطعام.
- ◀ حافظ على نظافة موانع التسرب الخاصة بالباب بحيث يغلق الباب بشكل صحيح دائماً.
- ◀ قم بإزالة تجميد الأطعمة المجمدة في حجرة تخزين الثلجة.

7 - المعدات

7.1 رفوف قابلة للتعديل

- يمكن تعديل ارتفاع الرفوف ليناسب احتياجات التخزين الخاصة بك.
1. لنقل الرف، قم بإزالته أولاً عن طريق رفع الحافة الخلفية (1) وسحبه للخارج (2) (الشكل 7.1).
 2. لإعادة تثبيته، ضعه على العروات على كلا الجانبين، وادفعه إلى أقصى موضع للخلف حتى يستقر الجزء الخلفي من الرف داخل الفتحات في الجانبين



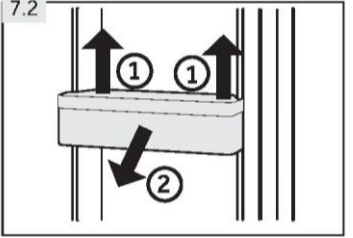
ملاحظة: الأرفف



تأكد من أن جميع أطراف الرف مستوية.

7.2 رفوف باب قابلة للإزالة / حامل زجاجة

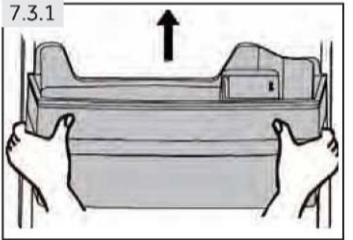
- يمكن إزالة رفوف الباب / حامل الزجاجات للتنظيف:
1. ضع اليدين على كل جانب من الرف / الحامل وارفعه لأعلى (1) (الشكل 7.2).
 2. اسحب رف الباب / حامل الزجاجات للخارج (2).
 3. من أجل إدخال رف الباب/حامل الزجاجات، يتم تنفيذ الخطوات المذكورة أعلاه بترتيب عكسي.



7.3 خزان المياه (*HSR3918EWP)

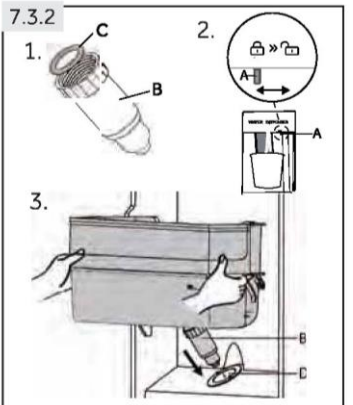
7.3.1 قم بإزالة خزان المياه

- يمكن إزالة خزان المياه وإعادة تركيبه للتنظيف بنفس طريقة رفوف الباب (الشكل 7.3.1).



7.3.2 أدخل خزان المياه

1. تأكد من أن صنوبر الموزع (B) مثبت بإحكام في خزان المياه وأن الحلقة الدائرية البيضاء (C) في موضعها (الشكل 7.3.2-1).
2. حرك القفل (أ) إلى الموضع "قفل" (الشكل 7.3.2-2).
3. ضع خزان المياه في الموضع بحيث يناسب صنوبر الموزع (B) في فتحة الباب (D) (الشكل 7.3.2-3).



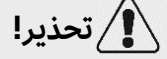
ملاحظة: خزان الماء



- ◀ إذا لم يتم إدخال خزان المياه بشكل صحيح، فقد تتساقط المياه من الوصلة.
- ◀ لا تستخدم القوة المفرطة عند فك أو تركيب خزان المياه لتجنب إتلاف الخزان.

7.4 حجرة الفريزر - حامل الزجاجات

تم تصميم حاملات الزجاجات في حجرة الفريزر للتخزين المؤقت للمشروبات الروحية التي تحتوي على نسبة عالية من الكحول. يجب تبريد المشروبات الخالية من الكحول في الثلاجة. بالإضافة إلى ذلك، يمكنك تخزين أجزاء صغيرة في حاملات الزجاجات.

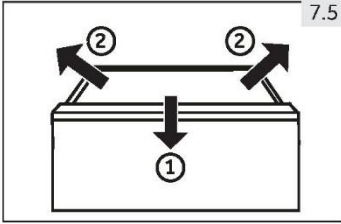
**تحذير!**

قد تنفجر الزجاجات والعلب! اضبط مؤقتًا يدك بإزالة الزجاجات / العلب التي لا تحتوي على نسبة عالية من الكحول.

7.5 درج قابل للإزالة

لإزالة الدرج من الثلاجة أو حجرة الفريزر، اسحبه للخارج إلى أقصى حد (1)، ارفعه وأزله (2) (الشكل 7.5).

من أجل إدخال الدرج، يتم تنفيذ الخطوات المذكورة أعلاه بترتيب عكسي.

**7.6 المصباح**

يضيء مصباح الـ LED الداخلي عندما يتم فتح باب الثلاجة. لا يتأثر أداء المصباح بأي من الإعدادات الأخرى للجهاز.

8 - العناية والتنظيف

⚠️ تحذير!

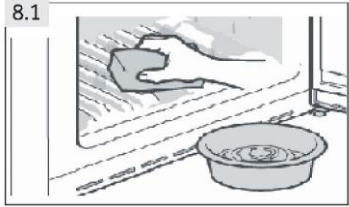
قم بفصل الجهاز من مصدر التيار الكهربائي قبل التنظيف.

8.1 التنظيف

قم بتنظيف الجهاز عند تخزين القليل من الطعام أو عدم وجود طعام مُخزن. يجب تنظيف الجهاز كل أربعة أسابيع لصيانة جيدة ولتجنب ظهور روائح الطعام المخزن السيئة.

⚠️ تحذير!

- ◀ لا تقم بتنظيف الجهاز باستخدام الفرش الصلبة، والفرش السلكية، ومسحوق التنظيف، والبيزيرين، وأميلات الأستات، والأستون والمحاليل العضوية المماثلة، أو المحاليل الحمضية أو القلوية. يرجى التنظيف باستخدام منظف الثلجة الخاص لتجنب التلف.
- ◀ لا تقم برش الجهاز أو غسله أثناء التنظيف.
- ◀ لا تستخدم رشاش الماء أو البخار لتنظيف الجهاز.
- ◀ لا تنظف الأرفف الزجاجية الباردة بالماء الساخن. قد يؤدي تغير درجة الحرارة المفاجئ إلى انكسار الزجاج.
- ◀ لا تلمس السطح الداخلي لحجرة تخزين الفريزر، خاصةً باستخدام اليدين المبللتين، حيث قد تتجمد يديك وتلتصق بالسطح.
- ◀ في حالة حدوث تدفئة، تحقق من حالة البضائع المجمدة.



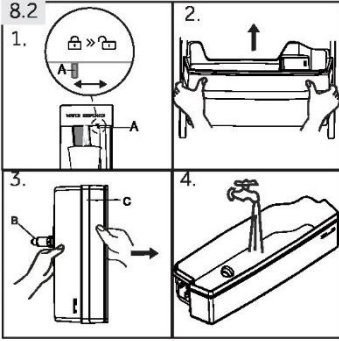
- ◀ حافظ دائماً على خشونة الباب نظيفة.
 - ◀ قم بتنظيف داخل الجهاز والمبيت باستخدام إسفنجة مبللة بالماء الدافئ والمنظفات الحايطة (الشكل 8.1).
1. يرجى فرك الجزء الداخلي والخارجي للثلاجة، بما في ذلك موانع التسرب الخاصة بالباب، ورف الباب، والأرفف الزجاجية، والصناديق وما إلى ذلك باستخدام منشفة أو إسفنجة مغموسة في الماء الدافئ (يمكنك إضافة منظف محايد إلى الماء الدافئ).
 2. إذا كان هناك سائل مسكوب، قم بإزالة جميع الأجزاء الملوثة، ثم اشطفها بالماء المتدفق، وجففها وضعها في الثلجة مرة أخرى.
 3. إذا كان هناك كريم مسكوب (مثل الكريمة، آيس كريم ذائب)، فيرجى إزالة جميع الأجزاء الملوثة، ووضعها في الماء الدافئ عند حوالي 40 درجة مئوية لبعض الوقت، ثم شطفها بالماء الجاري، وتجفيفها وإعادة وضعها في الثلجة.
 4. في حالة انحشار جزء أو مكون صغير داخل الثلجة (بين الرفوف أو الأدراج)، استخدم فرشاة ناعمة صغيرة لإزالته. إذا لم تتمكن من الوصول إلى ذلك الجزء، فيرجى الاتصال بخدمة Haier.
- ◀ اشطف وجفف بقطعة قماش ناعمة.
 - ◀ لا تنظف أي جزء من أجزاء الجهاز في غسالة الصحون.
 - ◀ انتظر 5 دقائق على الأقل قبل إعادة تشغيل الجهاز، حيث أن التشغيل المتكرر قد يؤدي إلى تلف الضاغط.

إذابة الثلج

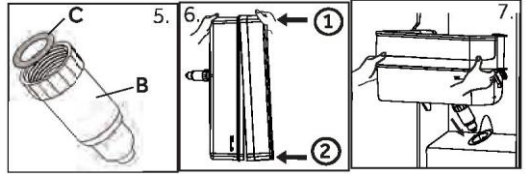
تم إذابة التجمد من الثلجة وحجرة الفريزر تلقائياً؛ لا حاجة للقيام بالعملية يدوياً.

8.2 تنظيف خزان المياه (الشكل 8.2) (*HSR3918EWP)

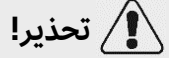
1. حرك القفل (أ) إلى الموضع "قفل".



2. انزع خزان المياه من الجهاز.
3. قم بإزالة الغطاء (ج)، وفك صنوبر الموزع (ب) برفق.
4. نظف خزان المياه وصنوبر الموزع بالماء الجاري الدافئ ومنظف غسيل الأطباق السائل. تأكد من شطف كل الصابون.
5. قم بتثبيت صنوبر الموزع (ب) وتأكد من تثبيته بإحكام في خزان المياه وأن الحلقة الدائرية البيضاء (ج) في موضعها.
6. اضغط على الغطاء لدمجه مع جانب واحد من خزان المياه ثم على الجانب الآخر، تحقق من أن خزان المياه والغطاء مجعمان بالكامل.
7. استبدل الخزان الموجود داخل الجهاز. تأكد من إدخال صنوبر الموزع بشكل صحيح في فتحة الباب.



8.3 استبدال مصباح الـ LED المحروق



تحذير!

لا تستبدل مصباح الـ LED بنفسك، يجب استبداله فقط من قبل الشركة المصنعة أو وكيل الخدمة المعتمد. تقوم المصابيح بتكثيف أضواء الـ LED كمصدر للضوء، حيث تتميز باستهلاك منخفض للطاقة وعمر خدمة طويل. فإذا كان معطلا، فاتصل بخدمة العملاء. انظر "خدمة العملاء" معلمات المصابيح: 12 فولت كحد أقصى 3 واط.

8.4 عدم الاستخدام لفترة طويلة

إذا لم يتم استخدام الجهاز لفترة طويلة، ولن تستخدم وظيفة Holiday للتلاجة:

- ▶ قم بإخراج الطعام.
- ▶ فرغ ونظف خزان الماء.
- ▶ افصل كابل التيار الكهربائي.
- ▶ قم بتنظيف الجهاز كما هو موضح أعلاه.
- ▶ أبقِ الأبواب مفتوحة لمنع ظهور الروائح الكريهة بالداخل.

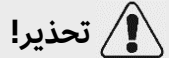
ملاحظة: اطفئ الجهاز



أوقف تشغيل الجهاز عند الضرورة القصوى فقط.

8.5 تحريك الجهاز

1. أزل كل الطعام، وافصل الجهاز عن القابس.
2. قم بتأمين الأرفف والأجزاء المتحركة الأخرى في التلاجة والفریزر بشريط لاصق.
3. لا تمل الجهاز أكثر من 45 درجة لتجنب إتلاف نظام التبريد.



تحذير!

- ▶ لا ترفع الجهاز من المقبض.
- ▶ لا تضع الجهاز أفقيًا على الأرض.

9 - استكشاف الأعطال وإصلاحها

يمكن حل العديد من المشاكل التي تحدث بنفسك دون خبرة محددة. في حالة وجود مشكلة، يرجى التحقق من جميع الاحتمالات الموضحة واتباع التعليمات أدناه قبل الاتصال بخدمة ما بعد البيع. انظر "خدمة العملاء"

تحذير!

- ◀ أوقف تشغيل الجهاز، وافصل قابس التيار الرئيسي عن مقبس التيار الرئيسي قبل الصيانة.
- ◀ يجب صيانة المعدات الكهربائية من قبل خبراء كهربائيين مؤهلين فقط، لأن الإصلاحات غير الصحيحة يمكن أن تتسبب في أضرار لاحقة كبيرة.
- ◀ يجب استبدال كابل الإمداد من قبل الشركة المصنعة أو وكيل الخدمة الخاص بها أو الأشخاص المؤهلين بالدرجة نفسها فقط لتفادي التعرض للخطر.

9.1 جدول استكشاف الأخطاء وإصلاحها

المشكلة	السبب المحتمل	الحل المحتمل
الضاغط لا يعمل.	<ul style="list-style-type: none"> • قابس التيار الرئيسي غير متصل بالمقبس الرئيسي. • الجهاز في دورة إذابة الثلج. 	<ul style="list-style-type: none"> • قم بتوصيل قابس التيار الرئيسي. • يعد هذا أمرًا طبيعيًا لإذابة الثلج تلقائيًا.
يعمل الجهاز بشكل متكرر أو يعمل لفترة طويلة من الزمن.	<ul style="list-style-type: none"> • درجة الحرارة الخارجية أو الداخلية مرتفعة للغاية. • تم إيقاف تشغيل الجهاز لفترة من الوقت. • باب الجهاز غير مغلق بإحكام. • تم فتح الباب بشكل متكرر أو لمدة طويلة أكثر من اللازم. • درجة الحرارة المعينة في حجرة الفريزر منخفضة جدًا. • حشوة الباب متسخة أو متشققة أو ليست في موضعها السليم. 	<ul style="list-style-type: none"> • في هذه الحالة، من الطبيعي أن يعمل الجهاز لفترة أطول. • عادةً، يستغرق الجهاز من 8 إلى 12 ساعة حتى يقوم بالتبريد بشكل كامل. • أغلق الباب، وتأكد من أن الجهاز موضوع على أرض مستوية وأنه لا يوجد طعام أو وعاء يحتك بالباب. • لا تفتح الباب كثيرًا. • قم بتعيين درجة الحرارة على أعلى درجة أعلى حتى يتم الحصول على درجة حرارة مقبولة للثلاجة. يستغرق الأمر 24 ساعة حتى تصبح درجة حرارة الثلاجة مستقرة. • قم بتنظيف حشية الباب أو استبدالها من خلال التواصل مع خدمة العملاء.
داخل الثلاجة متسخ و/أو تنبعث منه رائحة.	<ul style="list-style-type: none"> • دوران الهواء غير سليم. • يحتاج الجزء الداخلي من الثلاجة للتنظيف. • يتم تخزين أطعمة ذات رائحة قوية في الثلاجة. 	<ul style="list-style-type: none"> • تأكد من وجود تهوية كافية. • نظف الثلاجة من الداخل. • قم بلف الأطعمة بشكل كامل.
الجزء الداخلي من الجهاز ليس باردًا بالشكل الكافي.	<ul style="list-style-type: none"> • درجة الحرارة المعينة عالية جدًا. • تم تخزين أطعمة ساخنة للغاية. • تم تخزين الكثير من الطعام في وقت واحد. • البضائع قريبة جدًا من بعضها. • باب الجهاز غير مغلق بإحكام. • تم فتح الباب بشكل متكرر أو لمدة طويلة أكثر من اللازم. 	<ul style="list-style-type: none"> • أعد تعيين درجة الحرارة. • قم دائمًا بتبريد البضائع قبل تخزينها. • قم دائمًا بتخزين كميات صغيرة من الطعام. • اترك فراغ بين عدة أطعمة لكي تسمح بتدفق الهواء. • أغلق الباب. • لا تفتح الباب كثيرًا.

المشكلة	السبب المحتمل	الحل المحتمل
داخل الجهاز بارد للغاية.	<ul style="list-style-type: none"> درجة الحرارة العينة منخفضة جدًا. تم تنشيط وظيفة Super-Cool/Super-Freeze أو أنها تعمل لفترة طويلة. 	<ul style="list-style-type: none"> أعد تعيين درجة الحرارة. قم بإيقاف تشغيل وظيفة Super-Cool/Super-Freeze.
تكون الرطوبة داخل حجرة التلاجة.	<ul style="list-style-type: none"> الجو دافئ جدًا ورطب جدًا. باب الجهاز غير مغلق بإحكام. تم فتح الباب بشكل متكرر أو لمدة طويلة أكثر من اللازم. تم ترك حاويات الطعام أو السوائل مفتوحة. 	<ul style="list-style-type: none"> قم بزيادة درجة الحرارة. أغلق الباب. لا تفتح الباب كثيرًا. دع الأطعمة الساخنة تبرد حتى درجة حرارة الغرفة وقم بتغطية الأطعمة والسوائل.
تتراكم الرطوبة على التلجحات على السطح الخارجي أو بين الأبواب.	<ul style="list-style-type: none"> الجو دافئ جدًا ورطب جدًا. الباب غير مغلق بإحكام. يسبب الهواء البارد في الجهاز والهواء الدافئ الخارجي حدوث تكثف. 	<ul style="list-style-type: none"> هذا طبيعي في المناخ الرطب، وسيتغير عندما تنخفض الرطوبة. تأكد من إغلاق الباب بإحكام.
يوجد ثلج وجليد كثيران في حجرة الفريزر.	<ul style="list-style-type: none"> لم تكن البضائع معبأة بشكل مناسب. لم يتم إغلاق باب/درج الجهاز بإحكام. تم فتح الباب بشكل متكرر أو لمدة طويلة أكثر من اللازم. حشوة الباب متسخة أو متشققة أو ليست في موضعها السليم. يوجد شيء في الداخل يمنع إغلاق الباب بشكل صحيح. 	<ul style="list-style-type: none"> احزم البضائع دائمًا. أغلق الباب/الدرج. لا تفتح الباب كثيرًا. قم بتنظيف حشية الباب أو استبدالها بأخرى جديدة. أعد وضع الأرفف أو أرفف الباب أو الحاويات الداخلية للسماح بإغلاق الباب.
يصدر الجهاز أصواتًا غير طبيعية.	<ul style="list-style-type: none"> الجهاز غير موضوع على أرض مستوية. يلمس الجهاز بعض الأشياء حوله. هذا أمر طبيعي. 	<ul style="list-style-type: none"> اضبط الأقدام لمساواة الجهاز. قم بإزالة الأشياء حول الجهاز. -
يُسمع صوت طفيف مشابه لصوت المياه المتدفقة.	<ul style="list-style-type: none"> الباب مفتوح. 	<ul style="list-style-type: none"> أغلق الباب.
ستسمع صوت صفارة تنبيه.	<ul style="list-style-type: none"> يعمل نظام مكافحة التكثيف. 	<ul style="list-style-type: none"> يقوم هذا بمنع التكثيف، وهو أمر طبيعي.
سوف تسمع صوت طنين.	<ul style="list-style-type: none"> قابس التيار الرئيسي غير متصل بالمقبس الرئيسي. إمداد التيار الكهربائي غير متصل. مصباح الـ LED معطل. 	<ul style="list-style-type: none"> قم بتوصيل قابس التيار الرئيسي. تحقق من التيار الكهربائي للغرفة. تواصل مع شركة الكهرباء المحلية! يرجى الاتصال بخدمة العملاء لتغيير المصباح.
تصبح جوانب الكابينة وشريط الباب دافئين.	<ul style="list-style-type: none"> هذا أمر طبيعي. 	<ul style="list-style-type: none"> -
لا يخرج ماء من صنوبر موزع المياه	<ul style="list-style-type: none"> لم يتم إلغاء تنشيط القفل. 	<ul style="list-style-type: none"> قم بإلغاء تنشيط القفل.

9 - استكشاف الأعطال وإصلاحها

9.2 انقطاع التيار الكهربائي

في حالة انقطاع التيار الكهربائي، يظل الطعام باردًا بأمان لمدة 5 ساعات تقريبًا. اتبع هذه النصائح أثناء انقطاع التيار لفترة طويلة، خاصة في فصل الصيف:

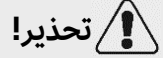
- ◀ قلل مرات فتح الباب/الدرج قدر الإمكان.
- ◀ لا تضع طعامًا إضافيًا في الجهاز أثناء انقطاع التيار الكهربائي.
- ◀ إذا تم إعطاء إشعار مسبق بانقطاع الطاقة وكانت مدة الانقطاع أطول من 5 ساعة، قم بصنع بعض الثلج وضعه في حاوية في الجزء العلوي من حجرة التلاجة.
- ◀ يجب فحص البضائع بعد الانقطاع مباشرة.
- ◀ نظرًا لأن درجة الحرارة في التلاجة ترتفع أثناء انقطاع التيار الكهربائي أو نتيجة عطل آخر، يتم تقليل فترة التخزين وجودة الطعام الصالحة للأكل. يجب استهلاك أو طهي وإعادة تجميد أي طعام تمت إذابته (عند الافتضاء) بعد الانقطاع بقليل من أجل منع المخاطر الصحية.

ملاحظة: وظيفة الذاكرة أثناء انقطاع التيار الكهربائي



بعد رجوع الطاقة، يستمر الجهاز بالإعدادات التي تم تعيينها قبل انقطاع التيار الكهربائي

10.1 إزالة مواد التعبئة والتغليف



تحذير!

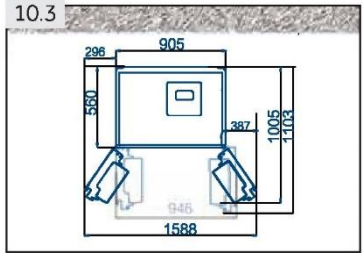
- ◀ هذا الجهاز ثقيل الوزن. يجب أن تم المناولة من قبل شخصين على الأقل دائمًا.
- ◀ احتفظ بجميع مواد التغليف بعيدًا عن متناول الأطفال، وتخلص منها بطريقة صديقة للبيئة.
- ◀ أخرج الجهاز من العبوة.
- ◀ قم بإزالة جميع مواد التعبئة والتغليف بما في ذلك الغلاف الواقي الشفاف.

10.2 الظروف البيئية

يجب أن تكون درجة حرارة الغرفة دائمًا بين 16 درجات مئوية و43 درجة مئوية، لأنها يمكن أن تؤثر على درجة الحرارة داخل الجهاز واستهلاكه للطاقة. لا تقم بتكريب الجهاز بالقرب من الأجهزة الأخرى التي تنبعث منها الحرارة (الأفران والثلاجات) دون عزل.

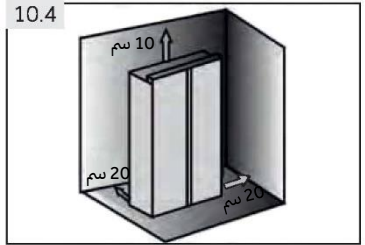
10.3 متطلبات مساحة المكان

- المساحة المطلوبة عند فتح الباب (الشكل 10.3):
 عرض الجهاز: 1588 مم
 عمق الجهاز: 1103 مم



10.4 تهوية المقطع العرضي

لتحقيق تهوية كافية للجهاز من أجل السلامة، يجب مراعاة معلومات المقاطع العرضي للتهوية المطلوبة (الشكل 10.4).

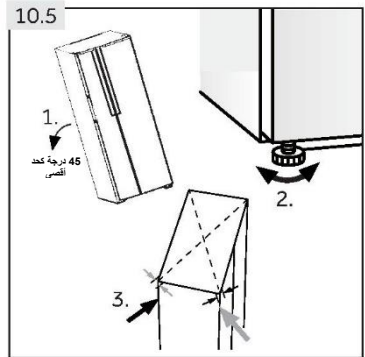


10.5 ضبط مستوى الجهاز

يجب وضع الجهاز على سطح مستوي وصلب.

1. قم بإمالة الجهاز للخلف قليلاً (الشكل 10.5).
2. اضبط الأقدام على المستوى المطلوب.

تأكد من أن المسافة إلى الحائط على جانبي المفصلة لا تقل عن 5 سم.
 3. يمكن التحقق من الثبات عن طريق الهز المتناوب للأقطار. يجب أن يكون التمايل المحدود هو نفسه في كلا الاتجاهين. وإلا فإن الإطار قد يتشوه؛ ومن الممكن أن ينتج عن ذلك تسرب في موانع تسرب الباب. يُسهل الميل للنخض إلى الخلف إغلاق الباب.



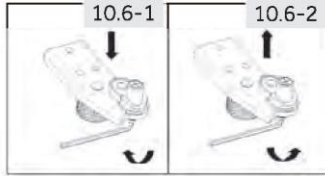
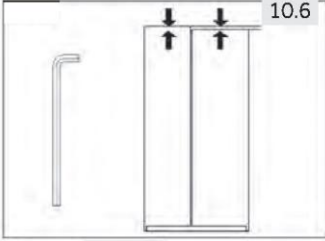
10 - التركيب

10.6 ضبط إعدادات الأبواب

إذا لم تكن الأبواب في مستوى واحد بعد تسوية الأبواب من القدمين، فيمكن معالجة عدم التطابق هذا عن طريق تدوير عمود الرفع المفصلي في الزاوية السفلية اليمنى لباب التبريد باستخدام مفتاح ربط (الشكل 10.6)

▶ أدر عمود الرفع في اتجاه عقارب الساعة مع مفتاح ربط إلى ارتفاع الباب السفلي (الشكل 10.6-1).

▶ عمود الرفع مع مفتاح ربط لرفع ارتفاع الباب (الشكل 10.6-2).

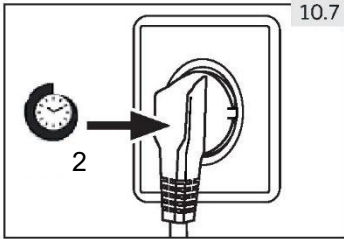


تحذير!

لا تقم بضبط عمود الرفع المفصلي بشكل مفرط على ارتفاع قد يتسبب في ترك العمود في موضع القفل الأصلي. (نطاق ارتفاع قابل للتعديل: 3 مم)

10.7 أوقات الانتظار

يوجد زيت التشحيم الذي لا يحتاج إلى صيانة في كبسولة الضاغط. يمكن لهذا الزيت أن يمر عبر نظام الأنايبب المغلقة أثناء النقل المائل. قبل توصيل الجهاز بمصدر الطاقة، عليك الانتظار لمدة 2 ساعة على الأقل (الشكل 10.7) حتى يعود الزيت مرة أخرى إلى الكبسولة.



10.8 التوصيل الكهربائي

قبل كل توصيل، تحقق أن:

- ▶ إمدادات الطاقة والمأخذ والمنصهرات مناسبة للوحة التصنيف.
 - ▶ مقبس الطاقة مؤرض، ولا يوجد قابس متعدد أو وصلة تمديد.
 - ▶ قابس الطاقة والمقبس كما هو مطلوب بدقة.
- قم بتوصيل القابس بمقبس مثبت في المنزل بشكل صحيح.

تحذير!

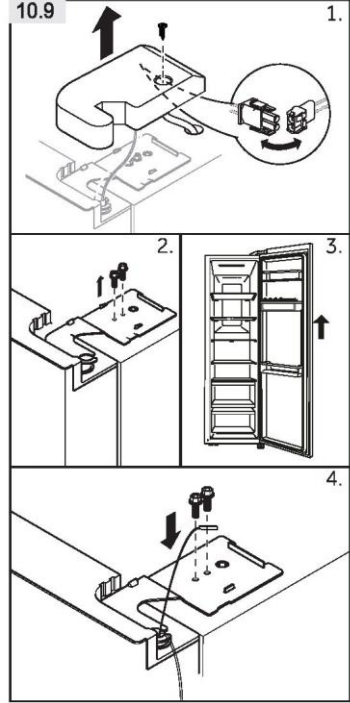
لتجنب المخاطر، يجب استبدال كابل الطاقة التالف من خلال التواصل مع خدمة العملاء (انظر بطاقة الضمان).

10.9 فك وتركيب الأبواب وتعليمات التركيب أدناه (شكل 10.9). في حال احتجت إلى إزالة أبواب الجهاز، يرجى اتباع تعليمات فك وتركيب الباب أدناه (الشكل 10.9)

تحذير!

- ◀ قبل أي عملية، قم بإلغاء تنشيط الجهاز، وافصل قابس التيار الرئيسي عن مقبس التيار الرئيسي.
- ◀ هذا الجهاز ثقيل الوزن. يجب أن تم المناولة من قبل شخصين على الأقل دائمًا.
- ◀ لا تقم بإمالة الجهاز لأكثر من 45 درجة أو وضعه أفقيًا على الأرض

1. قم بفك برغي غطاء المفصلة وقم بإزالة الغطاء. حرر موصل الكابل.



2. قم بفك البراغي التي تثبت المفصلة العلوية في موضعها ثم قم بإزالة المفصلة.

3. ارفع باب حجرة الثلاجة لإزالته.

4. أعد تركيب الباب بعكس خطوات الإزالة. تأكد من أن كابل التأريض سيتم تثبيته بواسطة المسامير اللولبية.

ملاحظة: باب الثلاجة

تظهر الصور إزالة باب حجرة الثلاجة. بالنسبة لباب الفريزر، يرجى استخدام الأجزاء المقابلة على الجانب الآخر

11 - البيانات الفنية

11.1 بطاقة المنتج وفقاً للائحة التنظيمية (EC) رقم 1060/2010

Haier	العلامة التجارية
*HSR3918FNP	معرف الموديل
الثلاجة-المجمد	الفئة حسب الموديل
+A	فئة كفاية الطاقة
399	استهلاك الطاقة السنوي (كيلوواط ساعة/سنة) ⁽¹⁾
337	حجم تخزين التبريد (لتر)
167	حجم تخزين التجميد (لتر) ****
***	تصنيف النجوم
غير قابلة للتطبيق	درجة حرارة الحجيرات الأخرى < 14 درجة مئوية
نعم	نظام Frostfree
5	وقت ارتفاع درجة الحرارة (بالساعة)
10	قدرة التجميد (كجم/24 ساعة)
SN-N-ST-T	الفئة المناخية هذا الجهاز مخصص للاستخدام في درجة حرارة محيطية تتراوح بين 10 درجات مئوية و43 درجة مئوية.
38	انبعاثات الضوضاء الصوتية للمحمولة جواً (db (A) re 1pW)
قائم بذاته	نوع التصنيع

بناءً على نتائج الاختبار القياسية لمدة 24 ساعة. سيعتمد الاستهلاك الفعلي للطاقة على كيفية استخدام الجهاز وموضعه.

11.1.1 بيانات فنية إضافية

220-240 فولت ~ / 50 هرتز	الجهد الكهربائي/التردد
200	مدخلات الطاقة (واط)
15	القدرة الأمبيرية للمنصهر الرئيسي (أمبير)
R600a	سائل التبريد
647/908/1775	الأبعاد (الارتفاع × العرض × القطر بوحدة قياس الملي متر)

11.1.2 المعايير والتوجيهات CE

يلبي هذا المنتج متطلبات جميع توجيهات المفوضية الأوروبية المعمول بها مع المعايير النسقة المقابلة، والتي تنص على علامة CE.

نوصي بالاستعانة بخدمة عملاء Haier واستخدام قطع الغيار الأصلية.
إذا كانت لديك مشكلة في جهازك، فيرجى التحقق أولاً من قسم استكشاف الأعطال وإصلاحها.

إذا لم تجد حلاً، فيرجى التواصل مع

◀ التاجر المحلي الخاص بك أو

◀ منطقة الخدمة والدعم على www.haier.com حيث يمكنك العثور على أرقام الهواتف والأسئلة الشائعة وحيث يمكنك تنشيط مطالبة الخدمة.

عند الاتصال بمركز الخدمة الخاص بنا، تأكد من توفر المعلومات التالية لديك.
توجد هذه البيانات على لوحة التصنيف.

الموديل _____ الرقم التسلسلي _____

تحقق أيضاً من بطاقة الضمان المرفقة مع المنتج في حالة كان الجهاز داخل الضمان.

Haier



0060524101F



Navodila za uporabo

Hladilnik–zamrzovalnik

HSR3918ENP*

HSR3918EWP*

HSR3918FNP*

*=W, B, L, G, N

SL

Haier

Zahvaljujemo se vam za nakup izdelka Haier.

Pred uporabo aparata skrbno preberite ta navodila. Navodila vsebujejo pomembne informacije, ki vam bodo pomagale čim boljše izkoristiti aparat ter zagotoviti varno in pravilno namestitvev, uporabo in vzdrževanje.

Ta priročnik hranite na priročnem mestu, da je vedno na dosegu roke za varno in pravilno uporabo aparata.

Če aparat prodate, ga podarite ali pustite za sabo, ko se selite, poskrbite, da boste ta priročnik predali novemu lastniku, da se bo lahko seznanil z aparatom in varnostnimi opozorili.

Legenda

Opozorilo – Pomembne varnostne informacije



Splošne informacije in nasveti



Okoljske informacije



Odstranjevanje

Pomagajte varovati okolje in zdravje ljudi. Embalažo odložite v ustrezne zbiralnike za recikliranje. Pomagajte pri recikliranju električnih in elektronskih odpadnih naprav. Aparatov, označenih s tem simbolom, ne odlagajte med gospodinjske odpadke. Vrnite izdelek vašemu lokalnemu obratu za recikliranje ali se obrnite na občinski urad.



OPOZORILO!

Nevarnost telesnih poškodb ali zadržitev!

Hladilna sredstva in pline je treba odstraniti profesionalno. Prepričajte se, da cevi hladilnega tokokroga niso poškodovane, preden jih ustrezno zavržete. Aparat pred čiščenjem odklopite z napajanja. Odsluženemu aparatu odrežite električni kabel in ga zavržite. Odstranite pladnje in predale ter zatič in tesnila vrat, da preprečite zapiranje otrok in hišnih ljubljencev v aparat.

Stari aparati imajo še vedno nekaj preostale vrednosti. Okolju prijazen način odstranjevanja bo zagotovil, da se dragocene surovine lahko predelajo in ponovno uporabijo.

Ciklopentan, vnetljiva snov, ki ni škodljiva za ozon, se uporablja kot ekspanter izolacijske pene.

Če izdelek pravilno zavržete, prispevate k preprečevanju morebitnih negativnih posledic za okolje in človekovo zdravje, ki jih lahko povzročijo.

Za natančnejše informacije o recikliranju tega izdelka se obrnite na svoj lokalni urad, podjetje za gospodinjske odpadke ali na trgovino, kjer ste aparat kupili in jo vodijo strokovnjaki.

1-	Varnostne informacije	4
2-	Predvidena uporaba	8
3-	Opis izdelka	10
4-	Upravljalna plošča	11
5-	Uporaba	12
6-	Namigi za varčevanje z električno energijo	20
7-	Oprema	21
8-	Nega in čiščenje	23
9-	Odpravljanje težav	25
10-	Vgradnja	28
11-	Tehnični podatki	31
12-	Služba za pomoč strankam	32

Pred prvim vklopom aparata preberite naslednje varnostne nasvete!



OPOZORILO!

Pred prvo uporabo

- ▶ Prepričajte se, da med prevozom ni prišlo do poškodb.
- ▶ Odstranite vso embalažo in shranjujte izven dosega otrok.
- ▶ Pred namestitvijo aparata počakajte vsaj dve uri, da zagotovite polno učinkovitost hladilnega krogotoka.
- ▶ Aparat naj prenašata vsaj dve osebi, ker je težek.

Vgradnja

- ▶ Aparat naj bo postavljen v dobro prezračevan prostor. Poskrbite, da bo na voljo prost prostor vsaj 20 cm nad aparatom in 10 cm okoli njega.
- ▶ Aparata nikoli ne postavljajte na vlažno mesto ali mesto, kjer bi lahko po njem brizgala voda. Očistite in pobrišite vodne kapljice in madeže z mehko čisto krpo.
- ▶ Aparata ne postavljajte neposredno na sonce ali blizu virov toplote (npr. štedilnikov, grelcev).
- ▶ Aparat namestite na mestu, ki je primerno njegovi velikosti in namenu.
- ▶ Poskrbite, da bodo prezračevalne odprtine aparata ali vgradnih elementov proste in neovirane.
- ▶ Prepričajte se, da se podatki o električnem toku na ploščici s tehničnimi navedbami ujemajo z napajanjem. V nasprotnem primeru se obrnite na električarja.
- ▶ Aparat deluje z izmeničnim napajanjem 220–240 VAC/50 Hz. Nenormalno nihanje napetosti lahko povzroči, da se aparat ne zažene, poškoduje regulator temperature ali kompresor ali pa se med delovanjem pojavi nenavaden hrup. V tem primeru se namesti samodejni regulator.
- ▶ Uporabite ločeno ozemljeno vtičnico za napajanje, ki je lahko dostopna. Aparat mora biti ustrezno ozemljen.
- ▶ **Samo za Združeno kraljestvo:** Napajalni kabel aparata je opremljen s 3-žilnim (ozemljitvenim) vtičem, ki ustreza standardni 3-žilni (ozemljeni) vtičnici. Nikoli ne odrežite in ne odstranjujte tretjega zatiča (ozemljitev). Po namestitvi aparata mora biti vtič dostopen.
- ▶ Ne uporabljajte adapterjev z več vtiči in podaljškov.
- ▶ Prepričajte se, da se napajalni kabel ni zataknil pod aparatom. Ne stopajte na napajalni kabel.
- ▶ Ne poškodujte hladilne napeljave.
- ▶ Prenosnih vtičnic ali prenosnega električnega napajanja ne postavljajte za aparat.

**OPOZORILO!****Vsakodnevna uporaba**

- ▶ Ta aparat lahko uporabljajo otroci, starejši od 8 let, ter osebe z zmanjšanimi fizičnimi, senzoričnimi ali umskimi zmožnostmi ali s pomanjkanjem izkušenj in znanja, pod ustreznim nadzorom, ali če imajo navodila za varno uporabo aparata ter če razumejo s tem povezana tveganja.
- ▶ Otrokom, starim od 3 do 8 let, je dovoljeno polnjenje in praznjenje hladilnih aparatov, vendar jim ni dovoljeno njihovo čiščenje in nameščanje.
- ▶ Otroci, mlajši od 3 let, naj se zadržujejo stran od aparata, razen če so pod stalnim nadzorom.
- ▶ Otroci ne smejo čistiti aparata in na njem ne smejo izvajati vzdrževalnih del brez ustreznega nadzora.
- ▶ Otroci naj se z aparatom ne igrajo.
- ▶ Aparat mora biti nameščen tako, da je vtič dostopen.
- ▶ Če v bližini aparata pušča hladilni plin ali drug vnetljiv plin, izklopite ventil uhajajočega plina, odprite vrata in okna ter ne odklopite napajalnega kabla aparata ali drugega aparata.
- ▶ Upoštevajte, da je naprava nastavljena za delovanje v določenem območju temperature okolja med 10 in 38 °C. Aparat morebiti ne deluje kar se da učinkovito, če je dlje časa izpostavljen temperaturi, ki je višja ali nižja od navedene.
- ▶ Na aparat ne postavljajte nestabilnih predmetov (težkih predmetov, posod, napolnjenih z vodo), da se izognete poškodbam zaradi padca ali električnega udara zaradi stika z vodo.
- ▶ Ne vlecite vratnih polic. Vrata se lahko potegnejo poševno, stojalo za steklenice se lahko izvleče ali pa se aparat prevrne.
- ▶ Vrata odpirajte in zapirajte samo z ročaji. Razmik med vrati ter vrati in omaro je zelo ozek. Ne segajte z rokami v te predele, da se izognete priprtju prstov. Vrata odprite ali zaprite le, če v območju premikanja vrat ni otrok.
- ▶ Ne shranjujte ali uporabljajte vnetljivih, eksplozivnih ali jedkih snovi v aparatu ali njegovi bližini.
- ▶ V aparatu ne shranjujte zdravil, bakterij ali kemičnih snovi. Ta aparat je gospodinjski aparat, zato ni priporočljivo hraniti materialov, ki zahtevajo strogo določene temperature.
- ▶ V zamrzovalniku nikoli ne shranjujte tekočin v steklenicah ali pločevinkah (razen močnih žganih pijač), zlasti gaziranih pijač, saj jih bo med zamrzovanjem razneslo.



OPOZORILO!

Vsakodnevna uporaba

- ▶ Preverite stanje hrane, če je prišlo do segrevanja v zamrzovalniku.
- ▶ Ne nastavite nepotrebno nizke temperature v predelu hladilnika. Pri visokih nastavitvah lahko pride do temperatur pod ničlo. Pozor: Steklenice lahko počijo.
- ▶ Zamrznjenih živil se ne dotikajte z mokrimi rokami (uporabite rokavice). Še posebej ne jejte ledenk takoj, ko jih vzamete iz zamrzovalnika. Obstaja tveganje za zamrznitev ali nastanek mehurjev zaradi zmrzali. PRVA pomoč: takoj postavite pod tekočo mrzlo vodo. Ne vlecite proč!
- ▶ Med delovanjem se ne dotikajte notranjosti zamrzovalnega dela, zlasti z mokrimi rokami, saj lahko vaše roke primrznejo na površino.
- ▶ V primeru prekinitve napajanja ali pred čiščenjem aparat izklopite. Pred ponovnim zagonom aparata počakajte vsaj 5 minut, saj lahko pogosto zaganjanje poškoduje kompresor.
- ▶ Ne uporabljajte električnih naprav v predalih za shranjevanje živil v aparatu, razen če njihovo uporabo priporoča proizvajalec.
- ▶ Z modeli z dozirnikom vode uporabljajte samo pitno vodo.

Vzdrževanje/čiščenje

- ▶ Poskrbite, da bodo otroci pod nadzorom, če bodo opravljali čiščenje in vzdrževanje.
- ▶ Pred vsakim rednim vzdrževanjem aparat odklopite iz električnega napajanja. Pred ponovnim zagonom aparata počakajte vsaj 5 minut, saj lahko pogosto zaganjanje poškoduje kompresor.
- ▶ Pri izklopu aparata primite vtič kabla, ne vlecite kabla.
- ▶ Zmrzali in ledu ne strgajte z ostrimi predmeti. Ne uporabljajte razpršil in električnih grelnikov, kot so grelnik, sušilec za lase, parni čistilniki ali drugi viri toplote, da se izognete poškodbam plastičnih delov.
- ▶ Ne uporabljajte mehanskih sredstev za pospešitev odmrzovanja oziroma sredstev, ki jih ne priporoča proizvajalec.
- ▶ Aparata ne čistite s trdimi ščetkami, žičnimi krtačami, detergentom v prahu, bencinom, amil acetatom, acetonom in podobnimi organskimi raztopinami, kislimi ali alkalnimi raztopinami. Čistite ga s posebnim detergentom za hladilnik, da se izognete poškodbam.
- ▶ Nato uporabite raztopino tople vode in sode bikarbone – približno eno žlico sode bikarbone na liter vode. Temeljito sperite z vodo in obrišite do suhega. Ne uporabljajte čistilnih praškov ali drugih abrazivnih čistil. Odstranljivih delov ne perite v pomivalnem stroju.

**OPOZORILO!****Vzdrževanje/čiščenje**

- ▶ Če je priključni kabel poškodovan, morate preprečiti morebitna tveganja, zato ga sme nadomestiti samo proizvajalec, njegov servisni agent ali drug kvalificiran serviser.
- ▶ Aparata ne poskušajte popravljati, razstavljati ali spreminjati sami. V primeru popravila se obrnite na našo službo za stranke.
- ▶ Če so luči za osvetlitev poškodovane, jih sme zamenjati samo proizvajalec, njegov servisni zastopnik ali drug kvalificiran serviser, da preprečite morebitna tveganja.
- ▶ Vsaj enkrat letno odstranite prah na hrbtni strani enote, da se izognete nevarnosti požara in povečani porabi energije.
- ▶ Med čiščenjem aparata ne škropite ali spirajte.
- ▶ Aparata ne čistite s pršenjem vode ali paro.
- ▶ Hladnih steklenih polic ne čistite z vročo vodo. Zaradi nenadne spremembe temperature se lahko steklo zlomi.
- ▶ Če aparata dlje časa ne uporabljate, ga pustite odprtega, da preprečite nastanek neprijetnih vonjav v notranjosti.

Informacije o hladilnih plinih**OPOZORILO!**

Aparat vsebuje vnetljivo hladilno sredstvo IZOBUTAN (R600a). Prepričajte se, da hladilni tokokrog med transportom ali namestitvijo ni poškodovan. Puščanje hladilnega sredstva lahko povzroči poškodbe oči ali pa se sredstvo vname. Če je prišlo do poškodbe, aparatu ne približujte odprtih virov ognja, temeljito prezračite prostor, ne priključujte ali odklapljajte napajalnih kablov aparata ali katere koli druge naprave. Obvestite službo za pomoč strankam.

Če oči pridejo v stik s hladilnim sredstvom, jih takoj sperite pod tekočo vodo in pokličite očesnega specialista.

OPOZORILO: Hladilni sistem je pod visokim pritiskom. Ne spreminjajte ga. Ker se uporabljajo vnetljiva hladilna sredstva, namestite, upravljajte in servisirajte aparat strogo v skladu z navodili in se za odstranitev aparata obrnite na strokovnega zastopnika ali našo poprodajno službo.


2.1 Predvidena uporaba

Aparat je namenjen uporabi v gospodinjstvu in v podobne namene, npr.

- v čajnih kuhinjah v trgovinah, pisarnah in drugih delovnih okoljih,
 - na kmetijah ter v hotelskih, motelskih sobah in drugih nastanitvah za goste,
 - v nastanitvah tipa B&B,
 - v gostinskih storitvah in podobnih primerih, vendar ne v maloprodaji.
- ▶ Če naprave ne uporabljate dalj časa in boste za hladilnik/zamrzovalnik uporabljali samo funkcijo Holiday ali funkcijo za izklop hladilnika:
- vso hrano odstranite;
 - izklopite napajalni kabel;
 - izpraznite in očistite rezervoar za vodo;
 - očistite aparat, kot je opisano zgoraj;
 - vrata naj ostanejo odprta, da preprečite nastanek neprijetnega vonja.
- ▶ Za zagotovitev varnega shranjevanja živil ali vina upoštevajte ta navodila za uporabo.
- ▶ Da bi se izognili kontaminaciji hrane (ne velja za vinsko klet), upoštevajte naslednja navodila za uporabo ionov:
- Če so vrata predolgo odprta, se lahko temperatura znotraj hladilnega aparata občutno zviša.
 - Redno čistite površine, ki prihajajo v stik z živili in drenažnimi sistemi.
 - Če rezervoarja z vodo niste uporabljali 48 ur oziroma če vode ne dovajate 5 dni, izperite vodni sistem, ki je priključen na vodovod.
 - Surovo meso in ribe shranjujte v primernih posodah v hladilniku/zamrzovalniku, da ne pridejo v stik z drugo hrano ali da ne kapljajo na drugo hrano. Da se zagotovi varno konzerviranje živil, morate vnaprej pripravljeno hrano in surovo meso/ribe spraviti ločeno.
 - Predeli za zamrznjeno hrano z dvema zvezdicama so primerni za shranjevanje vnaprej zamrznjene hrane, shranjevanje ali pripravo sladoleda in pripravo kock ledu.
 - Predeli z eno, dvema in tremi zvezdicami niso primerni za zamrzovanje sveže hrane.
 - Če hladilni aparat dalj časa pustite prazen, ga izklopite, odmrznite, očistite, posušite in pustite vrata odprta, da preprečite nastanek plesni v aparatu.
- ▶ Podrobnosti o najprimernejšem predelu v notranjosti aparata, kjer se hranijo posebne vrste živil ob upoštevanju porazdelitve temperature, ki je lahko prisotna v različnih predelih aparata, so navedene v drugem delu priročnika.

Odstranjanje



Simbol  na izdelku ali njegovi embalaži pomeni, da izdelek ne sodi med gospodinske odpadke. Oddajte ga na ustreznem zbiralnem mestu za recikliranje električne in elektronske opreme. Če izdelek pravilno zavržete, prispevate k preprečevanju morebitnih negativnih posledic za okolje in človekovo zdravje, ki jih lahko povzroči neprimerno odstranjanje tega izdelka. Za natančnejše informacije o recikliranju tega izdelka se obrnite na svoj lokalni urad, podjetje za gospodinske odpadke ali na trgovino, kjer ste aparat kupili.

Ker se uporabljajo vnetljivi izolacijski pihalni plini, se za odstranitev aparata obrnite na profesionalnega zastopnika ali našo poprodajno službo.

OPOZORILO!

Nevarnost telesne poškodbe zaradi zadužitve!

Hladilna sredstva in pline je treba odstraniti profesionalno. Prepričajte se, da cevi hladilnega tokokroga niso poškodovane, preden jih ustrezno zavržete. Aparat pred čiščenjem odklopite z napajanja. Odsluženemu aparatu odrežite električni kabel in ga zavržite. Odstranite pladnje in predale ter zatič in tesnila vrat, da preprečite zapiranje otrok in hišnih ljubljencev v aparat.

Spreminjanje aparata je prepovedano. Nenamenska uporaba lahko povzroči nevarnosti in izgubo garancijskih zahtevkov.

2.2 Dodatki

Preverite dodatke in literaturo v skladu s tem seznamom (slika 2.2):



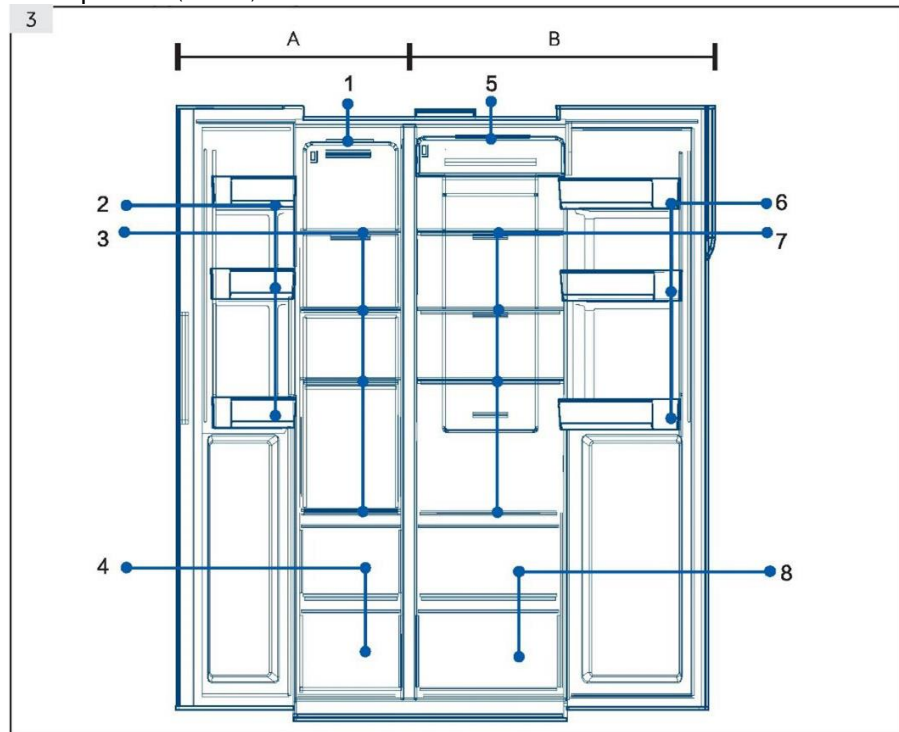
2.2



Obvestilo

Zaradi tehničnih sprememb in različnih modelov se lahko nekatere ilustracije v tem priročniku razlikujejo od vašega modela.

Slike aparatov (slika 3)



A: Predel zamrzovalnika

- 1 Stropna svetilka
- 2 Nosilec za vrata/
nastavek za steklenice
- 3 Police zamrzovalnika
- 4 Predal zamrzovalnika

B: Hladilnik

- 5 Stropna svetilka
- 6 Nosilec za vrata/
nastavek za steklenice
- 7 Police hladilnika
- 8 Predal hladilnika
- 9 Rezervoar za vodo

HSR3918EWP*

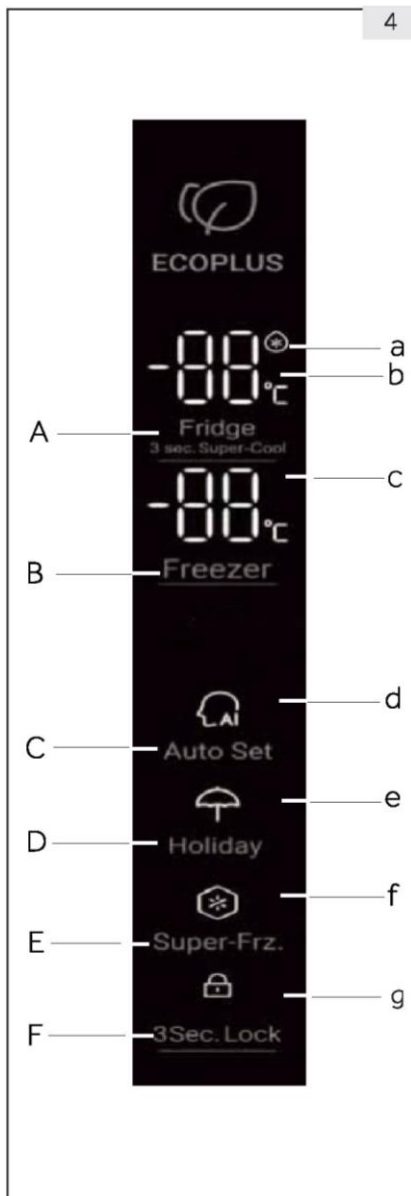


Nadzorna plošča (slika 4)**Tipke:**

- A Izbirnik hladilnika
- B Izbirnik zamrzovalnika
- C Način Auto Set
- D Način Holiday
- E Način Super-Freeze
- F Izbirnik zaklepa plošče

Kazalniki:

- a Način Super-Cool
- b Temperatura hladilnika
- c Temperatura zamrzovalnika
- d Način Auto Set
- e Način Holiday
- f Način Super-Freeze
- g Zaklep plošče



5.1 Prva uporaba

Ko se hladilnik prvič priključi na električno energijo, se zaslon vklopi. Privzeta temperatura hladilnika je 4 °C, zamrzovalnika pa –18 °C. Prižgana je lučka pametne funkcije.

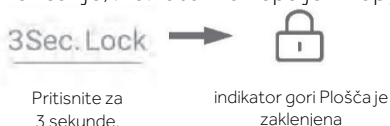
5.2 Zakleni/odkleni plošča

Samodejno zaklepanje:

Ko so vrata hladilnika in vrata zamrzovalnika zaprta in 30 sekund ni nobenega delovanja na nobenem gumbu, se lučka na plošči samodejno izklopi in plošča je zaklenjena.

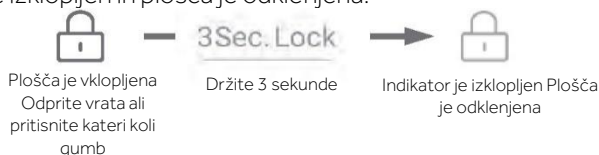
Ročno zaklepanje:

Ko je plošča odklenjena, za 3 sekunde pritisnite gumb Lock (Zakleni) in zasliši se brenčanje, indikator zaklepa je vklopljen, nato pa se zaslon zakleni.



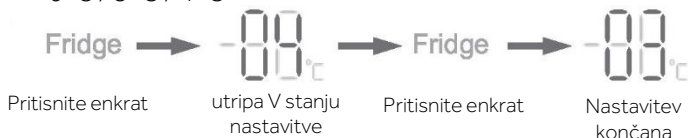
Odkleni:

Ko je plošča izklopljena, odprite vsa vrata hladilnika ali se dotaknite katerega koli gumba na nadzorni plošči in plošča se bo prižgala. V tem času je plošča zaklenjena. Držite funkcijski gumb za zaklep 3 sekunde, oglasi se zvočni signal, indikator zaklepa je izklopljen in plošča je odklenjena.



5.3 Prilagoditev temperature hladilnika

1. Ko je nadzorna plošča odklenjena, pritisnite »Izbirnik hladilnika« in zaslišali boste zvočni signal. Indikator temperature hladilnika utripa. Zdaj lahko nastavite temperaturo hladilnika.
2. Nato se z vsakim pritiskom na izbirnik hladilnika zasliši zvočni signal in nastavev pade za 1. Zaporedje nastavev poteka tako »4 °C / 3 °C / 2 °C / 1° / 9 °C / 8 °C / 7 °C / 6 °C / 5 °C / 4 °C«

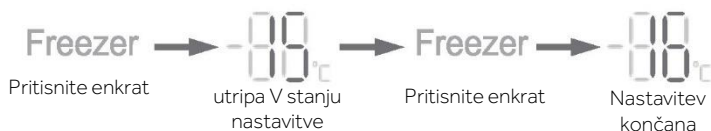


Obvestilo

- ▶ Aparat je nastavljen na priporočeno temperaturo 4 °C (hladilnik) in –18 °C (zamrzovalnik). V normalnih pogojih okolja vam temperature ni treba nastavljanje.

5.4 Prilagoditev temperature zamrzovalnika

1. Ko je nadzorna plošča odklenjena, pritisnite »Izbirnik zamrzovalnika« in ko zaslišite zvočni signal, indikator temperature zamrzovalnika utripa. Zdaj lahko nastavite temperaturo zamrzovalnika.
2. Ob vsakem pritisku na izbirnik zamrzovalnika se zasliši zvočno opozorilo in temperatura se zniža za 1. Zaporedje nastavitvev poteka tako »-18 °C / -19 °C / -20 °C / -21 °C / -22 °C / -23 °C / -24 °C / -14 °C / -15 °C / -16 °C / -17 °C / -18 °C«.

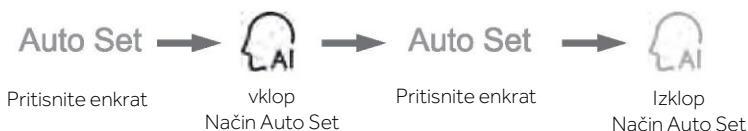


Obvestilo

- Temperatura je nastavljena, če v 5 sekundah ne pritisnete nobenega gumba, se temperatura samodejno potrdi in shrani.

5.5 Auto set

1. Ko je nadzorna plošča odklenjena, pritisnite »Izbirnik načina Auto set« in zvočni signal indikatorja načina Auto set je vklopljen. Način Auto set se zažene.
2. Ko je indikator načina Auto set vklopljen, pritisnite izbirnik načina Auto set in oglasi se zvočni signal, indikator načina Auto set je izklopljen in način Auto set se zapre.



Obvestilo

- Ko je vklopljen način Auto Set, ni mogoče izbrati temperature hladilnika in temperature zamrzovalnika. Ko pritisnete izbirnik hladilnika ali izbirnik zamrzovalnika, indikator Auto Set utripa in oddaja zvoke, ki opozarjajo, da postopek ni dovoljen. Če je izbrana funkcija Auto set in izberete funkcijo hitro hlajenje, hitro zamrzovanje ali način Holiday, je način za Auto set izklopljen, način za Auto set pa se samodejno zapre.

5.6 Način Holiday

Način Holiday je zasnovan za situacije, ko hladilnika ne boste uporabljali dlje časa. Ko je način Holiday vklopljen, lahko izberete temperaturo zamrzovalnika, medtem ko je temperatura hladilnika samodejno nastavljena na 17 °C, kar preprečuje morebiten neprijeten vonj zaradi visoke temperature v hladilniku in prihrani porabo energije.

1. Ko je nadzorna plošča odklenjena, pritisnite »Izbirnik načina Holiday« in oglasi se zvočni signal, indikator za način Holiday je vklopljen. Način Holiday se vklopi.
2. Ko je indikator načina Holiday vklopljen, pritisnite izbirnik funkcije način Holiday in zasliši se zvočni signal, indikator načina Holiday je izklopljen in način Holiday se zapre.



i Obvestilo

- ▶ Ko je način Holiday vklopljen, temperature hladilnika ni mogoče izbrati. Ko pritisnete izbirnik hladilnika, indikator načina Holiday utripa z zvoki, ki opozarjajo, da postopek ni dovoljen.

Preden izberete način Holiday, izpraznite hladilnik, da preprečite kakršno koli kvarjenje hrane. Ko je način Holiday vklopljen, pametne funkcije in hitrega hlajenja ni mogoče izbrati istočasno. Če je izbran pametni način ali hitro hlajenje, je indikator načina Holiday izklopljen in funkcija se samodejno zapre.

5.7 Način Super-Cool

1. Ko je nadzorna plošča odklenjena, pritisnite »Izbirnik hladilnika« za 3 sekunde in zvočni signal se oglasi, vklopi se indikator Super Cool. Zažene se Super-cool.
2. Ko je indikator Super-Cool vklopljen, pritisnite izbirnik hladilnika za 3 sekunde, oglasi se zvočni signal, indikator Super-Cool pa je izklopljen. Način Super cool se zapre.
3. Ko je način Super-Cool vklopljen, bo hladilnik samodejno preklaplil v način za izklop Super-Cool, ko bo ta način dosegel nastavljeno stanje. Če želite ročno zapustiti nastavitve, lahko za 3 sekunde pritisnete izbirnik hladilnika, da izklopite način Super-Cool.



i Obvestilo

- ▶ Ko je funkcija super-cool vklopljena, ni mogoče istočasno izbrati načina Fuzzy in načina Holiday. Če je izbran način Fuzzy ali način Holiday, je indikator za super-cool izklopljen in način se samodejno zapre.

5.8 Način Super-Freeze

1. Ko je nadzorna plošča odklenjena, pritisnite izbirnik Super-freeze, ko se oglasi zvočni signal, zasveti indikator za Super-freeze. Začne se način Super-freeze.
2. Če je vklopljen indikator Super-freeze, pritisnite izbirnik Super-freeze, zasliši se zvočni signal, indikator Super-freeze pa je izklopljen. Način za Super-freeze se zapre.
3. Ko je način Super-freeze vklopljen, se hladilnik samodejno preklopi v stanje izklopa načina Super-freeze, ko ta način doseže nastavljeno stanje. Če želite ročno zapustiti nastavitve, lahko za 3 sekunde pritisnete izbirnik Super-freeze, da izklopite ta način.



Obvestilo

- ▶ Način Super-freeze je zasnovan tako, da ohranja hranila hrane v zamrzovalnem prostoru, hrana pa se zamrzne v najkrajšem možnem času. Če želite naenkrat zamrzniti veliko količino živil, je priporočljivo, da nastavite način Super-Freeze 24 ur vnaprej, da se doseže nižja temperatura v zamrzovalnem prostoru, preden živila shranite. V tem stanju se hitrost zamrzovanja v zamrzovalnem prostoru poveča, hrano pa lahko hitro zamrznete, s čimer učinkovito ohranite prehranjevalno vrednost živil in olajšate shranjevanje. Če želite izbrati pametno funkcijo v stanju Super freeze, je indikator Super freeze izklopljen in način za Super-freeze se samodejno zapre.

5.9 Alarm za odprta vrata

Ko je čas odpiranja vrat predolg ali vrata niso zaprta, hladilnik vsakič sproži alarm proti kapljanju in vas nato opomni, da vrata pravočasno zaprete.

5.10 Prihranek energije na nadzorni plošči

Po 30 sekund brez delovanja na nadzorni plošči se plošča samodejno izklopi in vstopi v zaklenjeno stanje, ki lahko prihrani energijo. Ko pritisnete gumb za funkcijo zaklepanja ali odprete vrata, bo kontrolna plošča zasvetila.

5.11 Funkcija pomnilnika pri izpadu napajanja

Ko je hladilnik izklopljen, se trenutno delovno stanje ob izpadu električne energije shrani. Po ponovni priključitvi napajanja hladilnik nadaljuje z delovanjem v skladu z izmeno in funkcionalnim statusom, nastavljenima pred izpadom napajanja.

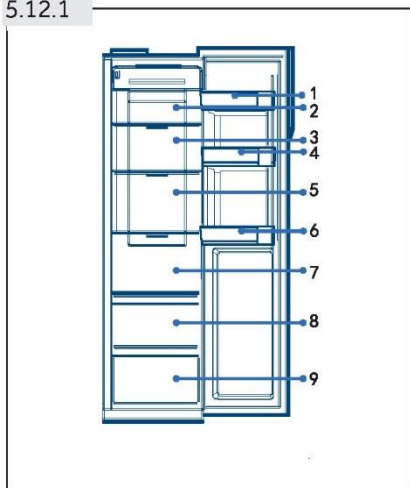
Pozor: Funkcija zaklepanja ni shranjena. Po ponovnem vklopu hladilnika nadzorna plošča začne s samopreverjanjem, indikator funkcije zaklepanja je izklopljen in hladilnik je odklenjen.

5.12 Nasveti za shranjevanje svežih živil

5.12.1 Shranjevanje v hladilnik

- ▶ Temperatura v hladilniku naj bo manj kot 5 °C.
- ▶ Vročo hrano je treba pred shranjevanjem v aparatu ohladiti na sobno temperaturo.
- ▶ Živila, ki jih želite shranjevati v hladilniku, je treba pred shranjevanjem oprati in posušiti.
- ▶ Živila, ki jih želite shranjevati, morajo biti pravilno zaprta, da se izognete spremembam vonja ali okusa.
- ▶ Ne shranjujte prevelikih količin hrane. Med posameznimi živili pustite nekaj mesta, da jih obda hladen zrak, s čimer dosežete boljše in bolj homogeno hlajenje.
- ▶ Živila, ki jih uporabljate vsak dan, je treba hraniti na sprednji strani police.
- ▶ Med posameznimi živili in notranjimi stenami pustite nekaj mesta, s čimer omogočite pretok zraka. Zlasti pa ne shranjujte živil ob zadnji steni: hrana lahko primrzne na zadnjo steno. Izogibajte se neposrednemu stiku hrane (zlasti mastne ali kisle hrane) z notranjo oblogo, saj lahko olje/kislina uniči notranjo oblogo. Očistite mastno/kislo umazanijo, kadarkoli jo najdete.
- ▶ Zamrznjeno hrano odmrznite v hladilniku. Tako lahko z zamrznjeno hrano znižate temperaturo v hladilniku in prihranite energijo.
- ▶ Postopek staranja sadja in zelenjave, kot so bučke, melone, papaja, banana, ananas itd., lahko v hladilniku pospešite. Zato jih ni priporočljivo hraniti v hladilniku. Zorenje močno zelenih plodov pa za nekaj časa lahko pospešite. Tudi čebulo, česen, ingver in drugo korenovko je treba hraniti pri sobni temperaturi.
- ▶ Neprijetni vonji v hladilniku so znak, da se je nekaj razlilo in da je potrebno čiščenje. Glejte poglavje NEGA IN ČIŠČENJE.
- ▶ Različna živila je treba namestiti na različna območja glede na njihove lastnosti (slika 5.12.1):

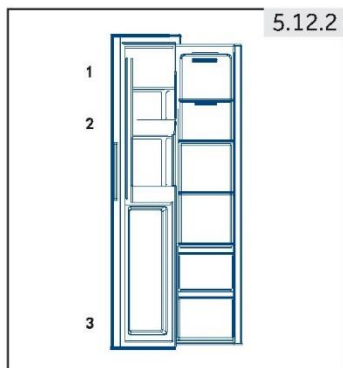
5.12.1



- 1 Maslo, sir itd.
- 2 Vložena hrana, konzervirana živila itd.
- 3 Vložena hrana, konzervirana živila itd.
- 4 Pločevinke, konzervirana živila, začimbe itd.
- 5 Mesni izdelki, prigrizki itd.
- 6 Pijače in ustekleničena živila.
- 7 Testenine, konzervirana živila, mleko, tofu, mlečni izdelki itd.
- 8 Sadje, zelenjava, solata itd.
- 9 Kuhano meso, klobase itd.

5.12.2 Shranjevanje v predelu zamrzovalnika

- ▶ Temperatura zamrzovalnika naj bo nastavljena na -18°C .
- ▶ 24 ur pred zamrznitvijo preklopite na funkcijo Super-Freeze; za majhne količine hrane zadostuje 4–6 ur.
- ▶ Vročo hrano je treba pred shranjevanjem v zamrzovalnem predelu ohladiti na sobno temperaturo.
- ▶ Hrana, razrezana na majhne porcije, bo hitreje zmrznila in lažje jo boste odtalili ter kuhali. Priporočena teža vsakega obroka je manjša od 2,5 kg
- ▶ Bolje je, da hrano spravite v embalažo, preden jo shranite v zamrzovalnik. Zunanost embalaže mora biti suha, da se prepreči lepljenje vrečk. Embalažni materiali morajo biti brez vonja, nestrupeni in netoksični ter morajo tesniti.
- ▶ Da bi se izognili izteku obdobja shranjevanja, si zabeležite datum zamrznitve, rok in ime živila na embalaži glede na obdobja shranjevanja različnih živil.
- ▶ **OPOZORILO:** Kislina, alkalije in sol itd. lahko poškodujejo notranjo površino zamrzovalnika. Živil, ki vsebujejo te snovi (npr. morske ribe), ne polagajte neposredno na notranjo površino. Slano vodo v zamrzovalniku je treba takoj očistiti.
- ▶ Ne prekoračite časa shranjevanja živil, ki ga priporočajo proizvajalci. Iz zamrzovalnika vzemite samo potrebno količino hrane.
- ▶ Različna živila je treba namestiti na različna območja glede na njihove lastnosti (slika 5.12.2):



- 1 Manj težki izdelki, kot so sladoled, zelenjava, kruh itd.
- 2 Pijača brez visoke vsebnosti alkohola in začasno skladiščenje žganih pijač z visoko vsebnostjo alkohola, majhni kosi, kot so pica ali zelišča.
- 3 Veliki/težji izdelki, kot so mesni kosi za pečenje



Pazite: Shranjevanje

- ▶ Ohranite razdaljo med hrano in senzorjem več kot 10 mm, da zagotovite učinek hlajenja.
- ▶ Med delovanjem naprave uporabite najnižji predal, da zagotovite učinek hlajenja.
- ▶ Hrano z ledom (kot je sladoled itd.) shranjujte v predelu za zamrzovanje, ne na nosilcu za steklenice, ker lahko spremembe temperature na nosilcu za steklenice, ki jih povzročata odpiranje in zapiranje vrat, živila odmrznejo.
- ▶ Odmrznjena živila hitro zaužijte. Odmrznjene hrane ni mogoče znova zamrzniti, če je najprej ne skuhamo, sicer je manj užitna.
- ▶ V hladilnik ne nalagajte prevelikih količin sveže hrane. Glejte zamrzovalno zmogljivost zamrzovalnika - glejte TEHNIČNE PODATKE ali podatke na tipski tablici.
- ▶ Živila lahko hranite v zamrzovalniku pri temperaturi najmanj -18 °C od 2 do 12 mesecev, odvisno od njihovih lastnosti (npr. meso: 3–12 mesecev, zelenjavo: 6–12 mesecev)
- ▶ Pri zamrzovanju sveže hrane se izogibajte stiku z že zamrznjeno hrano. Nevarnost odmrzovanja!
- ▶ Zamrznjeno hrano odmrznite v hladilniku. Tako lahko z zamrznjeno hrano znižate temperaturo v hladilniku in prihranite energijo.

5.12.3 Pri shranjevanju komercialno zamrznjenih živil upoštevajte ta navodila:

- ▶ Vedno upoštevajte proizvajalčeve smernice glede dolžine za shranjevanje živil. Ne prekoračite teh smernic!
- ▶ Naj bo čas med nakupom in shranjevanjem čim krajši, da ohranite kakovost hrane.
- ▶ Kupite zamrznjena živila, ki so bila shranjena pri temperaturi -18 °C ali manj.
- ▶ Izogibajte se nakupu hrane z ledom ali zmrzaljo na embalaži – to pomeni, da so bili izdelki v določenem trenutku morda delno odmrznjeni in znova zamrznjeni – dvig temperature vpliva na kakovost hrane.

5.13 Dozirnik vode (HSR3918EWP*)

Z dozirnikom vode lahko ohladite pitno vodo.

Rezervoar za vodo je treba očistiti pred prvo uporabo (glejte NEGA IN ČIŠČENJE).

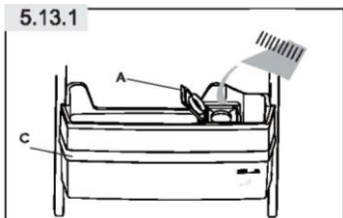
5.13.1 Polnjenje rezervoarja za vodo



OPOZORILO!

Uporabljajte samo pitno vodo.

5.13.1





1. Prepričajte se, da je rezervoar za vodo pravilno vstavljen (glejte OPREMA)
2. Odprite pokrovček (A) in nalijte svežo pitno vodo v rezervoar za vodo (slika 5.13.1)
3. Napolnite vodo samo do oznake (2.5 l); saj se lahko ob odpiranju in zapiranju vrat prelije.
4. Pokrovček (A) popolnoma zaprite.



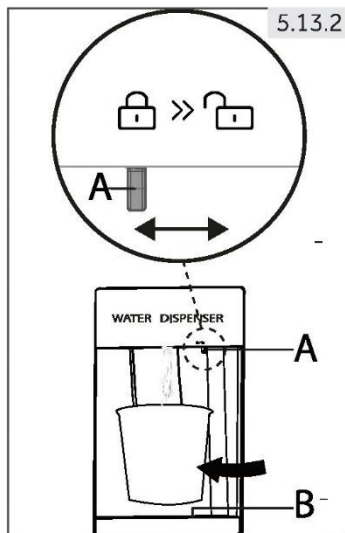
Pazite: Dozirnik vode

- ▶ Pred ponovnim polnjenjem preostalo vodo zavrzite in očistite rezervoar za vodo.
- ▶ Če vode ne potrebujete dlje časa, izpraznite rezervoar za vodo in vstavite očiščen rezervoar.
- ▶ Pokrov (C) na rezervoarju za vodo (slika 5.13.1) se dodatno uporablja za varčevanje z energijo. Če iz dozirnika za vodo ne želite nalivati vode daljše obdobje, vseeno namestite pokrov zaradi boljše izolacije in varčevanja z energijo.

5.13.2 Pridobivanje vode iz dozirnika

1. Prepričajte se, da je ključavnica (A) premaknjena v položaj  »Odklenjeno« (slika 5.13.2).
2. Postavite kozarec pod šobo za vodo.
3. S kozarcem nežno potisnite ob ročico dozirnika za vodo.
4. Prepričajte se, da je kozarec poravnan z dozirnikom, da preprečite škropljenje vode.
5. Vodo v pladnju (B) je treba pravočasno odstraniti, saj se lahko preliva, ko se vrata odprejo in zaprejo.
6. Potisnite ključavnico (A) v položaj  »Zaklenjeno«.

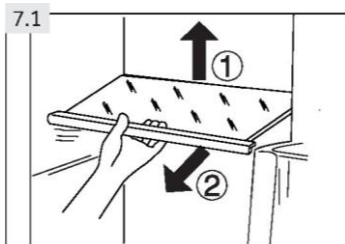
5.13.2





Namigi za varčevanje z električno energijo

- ▶ Prepričajte se, da je aparat pravilno prezračen (glejte NAMESTITEV).
- ▶ Aparata ne postavljajte neposredno na sonce ali blizu virov toplote (npr. štedilnikov, grelcev).
- ▶ Izogibajte se nepotrebno nizki temperaturi v aparatu. Poraba energije se poveča, ko je v aparatu nastavljena nižja temperatura.
- ▶ Funkcije, kot sta Super-Cool ali Super-Freeze, porabijo več energije.
- ▶ Počakajte, da se toplotno obdelana živila ohladijo in jih šele nato postavite v aparat.
- ▶ Vrata aparata odprite čim manjkrat in za čim krajše obdobje.
- ▶ Aparata ne polnite preveč, da se izognete oviranju pretoka zraka.
- ▶ Izogibajte se zraku v embalaži živil.
- ▶ Tesnila vrat naj bodo čista, da se bodo vrata vedno pravilno zaprla.
- ▶ Zamrznjeno hrano odmrznite v hladilniku.



7.1 Nastavljive police

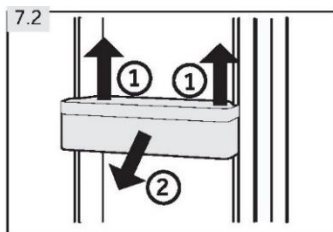
Višino polic lahko prilagodite tako, da ustrezajo vašim potrebam po shranjevanju.

1. Za premik police jo najprej odstranite tako, da dvignete njen zadnji rob (1) in jo povlečete ven (2) (slika 7.1).
2. Če jo želite znova namestiti, jo postavite na vodila na obeh straneh in potisnite do konca nazaj, dokler zadnji del police ni pritrjen v reže na strani



Pazite: Police

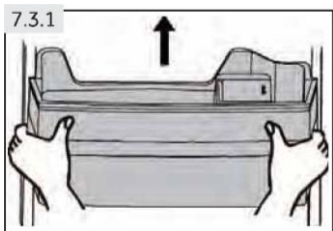
Prepričajte se, da so vsi konci police poravnani.



7.2 Odstranljive police za vrata/nosilec za steklenice

Nosilec za vrata/steklenice lahko odstranite za čiščenje:

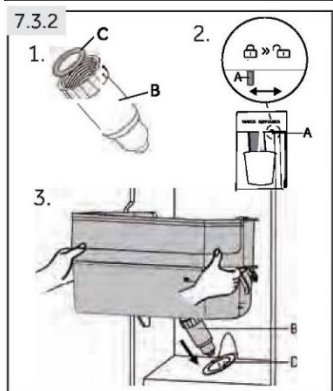
1. Položite roke na vsako stran stojala/nosilca in ga dvignite navzgor (1) (slika 7.2).
2. Izvlecite stojalo/nosilec za steklenice (2).
3. Za vstavev nosilca za vrata/nastavka za steklenice zgornje korake izvedite v obratnem vrstnem redu.



7.3 Rezervoar za vodo (HSR3918EWP*)

7.3.1 Odstranite rezervoar za vodo

Rezervoar za vodo lahko odstranite za čiščenje in ponovno namestite na enak način kot nosilec za vrata (slika 7.3.1).



7.3.2 Vstavljanje rezervoarja za vodo

1. Prepričajte se, da je odprtina dozirnika (B) trdno pritrjena na rezervoar za vodo in je beli o-obroček (C) na svojem mestu (slika 7.3.2-1.).
2. Potisnite ključavnico (A) v položaj »Zaklenjeno« (slika 7.3.2-2).
3. Rezervoar za vodo postavite tako, da se lij dozirnika (B) prilega odprtini na vratih (D) (slika 7.3.2-3.).



Pazite: Rezervoar za vodo

- ▶ Če rezervoar za vodo ni pravilno vstavljen, lahko voda kaplja iz priključka.
- ▶ Pri odstranjevanju ali namestitvi rezervoarja za vodo ne uporabljajte pretirane sile, da se izognete poškodbam rezervoarja.

7.4 Nosilec za steklenice - predel za zamrzovanje

Nosilec za steklenice v zamrzovalniku je namenjen začasnemu shranjevanju žganih pijač z visoko vsebnostjo alkohola. Pijačo brez visoke vsebnosti alkohola je treba ohladiti v hladilniku.

Poleg tega lahko majhne kose shranite v nosilec za steklenice.



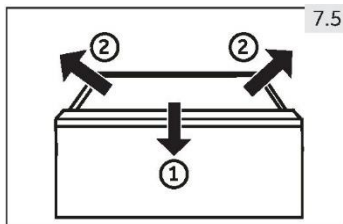
OPOZORILO!

Steklenice in pločevinke lahko počijo! Nastavite časovnik, ki vas bo opomnil, da odstranite steklenice/pločevinke brez visoke vsebnosti alkohola.

7.5 Odstranljiv predal

Če želite predal izvleči iz hladilnika ali zamrzovalnega predelka, ga v največji možni meri izvlecite (1), dvignite in odstranite (2) (slika 7.5).

Za vstavev predala zgornje korake izvedite v obratnem vrstnem redu.



7.6 Luč

Notranja lučka LED se prižge, ko so odprta vrata. Na delovanje luči ne vpliva nobena druga nastavev aparata.

OPOZORILO!

Aparat pred čiščenjem izključite iz napajanja.

8.1 Čiščenje

Aparat očistite, ko hranite le malo živil ali nič.

Aparat je treba očistiti vsake štiri tedne za dobro vzdrževanje in za preprečevanje neprijetnega vonja hrane.

OPOZORILO!

- ▶ Aparata ne čistite s trdimi ščetkami, žičnimi krtačami, detergentom v prahu, bencinom, amil acetatom, acetonom in podobnimi organskimi raztopinami, kislimi ali alkalnimi raztopinami. Čistite ga s posebnim detergentom za hladilnik, da se izognete poškodbam.
- ▶ Med čiščenjem aparata ne škropite ali spirajte.
- ▶ Aparata ne čistite s pršenjem vode ali paro.
- ▶ Hladnih steklenih polic ne čistite z vročo vodo. Zaradi nenadne spremembe temperature se lahko steklo zlomi.
- ▶ Ne dotikajte se notranjosti zamrzovalnega predela, zlasti z mokrimi rokami, saj lahko vaše roke primrznejo na površino.
- ▶ V primeru ogrevanja preverite stanje zamrznjenega blaga.




- ▶ Tesnilo na vratih naj bo vedno čisto.
- ▶ Očistite notranjost in ohišje aparata z gobo, navlaženo v topli vodi in nevtralnem detergentu (sl. 8.1).

1. Z mehko brisačo ali gobico, namočeno v toplo vodo (v toplo vodo lahko dodate nevtralen detergent), obrišite notranjost in zunanost hladilnika, vključno s tesnilom na vratih, stojalom za vrata, steklenimi policami, škatlami in podobno.
 2. Če pride do razlitja tekočine, odstranite vse kontaminirane dele, neposredno jih sperite s tekočo vodo, posušite in vrnite v hladilnik.
 3. Če pride do razlitja kremaste snovi (na primer smetana, stopljeni sladoled), odstranite vse kontaminirane dele, za nekaj časa postavite v toplo vodo s temperaturo približno 40 °C, nato sperite s tekočo vodo, posušite in vrnite nazaj v hladilnik.
 4. V primeru, da se majhen del ali sestavina zatakne v hladilniku (med policami ali predali), jo odstranite z majhno mehko krtačo. Če dela niste mogli doseči, se obrnite na servisni center Haier.
- ▶ Sperite in posušite z mehko krpo.
 - ▶ Nobenega dela aparata ne čistite v pomivalnem stroju.
 - ▶ Pred ponovnim zagonom aparata počakajte vsaj 5 minut, saj lahko pogosto zaganjanje poškoduje kompresor.

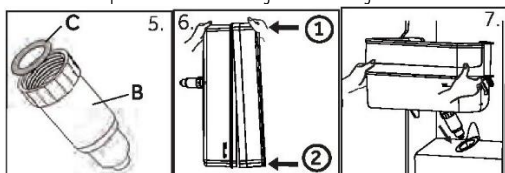
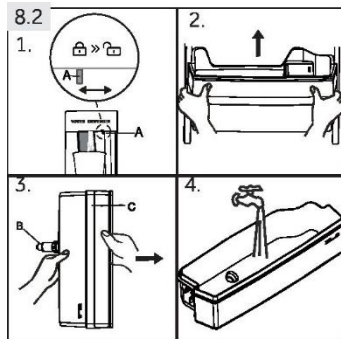
Odmrzovanje

Odmrzovanje predelov hladilnika in zamrzovalnika se izvede samodejno: ročno upravljanje ni potrebno.

8.2 Čiščenje rezervoarja za vodo (slika 8.2) (HSR3918EWP*)

1. Potisnite ključavnico (A) v položaj  »Zaklenjeno«.

2. Odstranite rezervoar za vodo iz aparata.
3. Odstranite pokrovček (C) in nežno odvijte odprtino dozirnika (B).
4. Rezervoar za vodo in dozirnik očistite s toplo tekočo vodo in tekočim detergentom za pomivanje posode. Prepričajte se, da je milo sprano.
5. Namestite lij dozirnika (B) in pazite, da je trdno pravit na rezervoar za vodo in je beli o-obroček (C) na svojem mestu.
6. Pritisnite pokrov, da ga združite z eno stranjo rezervoarja za vodo in nato drugo stranjo, preverite, da sta rezervoar za vodo in pokrov popolnoma skupaj.
7. Zamenjajte rezervoar v napravi. Prepričajte se, da je lij dozirnika pravilno vstavljen v luknjo vrat.



8.3 Menjava luči LED



POZORILLO!

Lučke LED ne smete zamenjati sami, zamenjati jo sme le proizvajalec ali pooblaščen servisier.

Luč kot vir svetlobe uporablja LED-sijalko z nizko porabo energije in dolgo življenjsko dobo. Če pride do kakršnih koli nepravilnosti, se obrnite na službo za pomoč strankam. Glejte SLUŽBA ZA POMOČ STRANKAM.

Parametri luči: 12 V najv. 3 W.

8.4 Dolgotrajna neuporaba

Če naprave ne uporabljate dalj časa in ne boste uporabljali načina Holiday za hladilnik:

- ▶ vso hrano odstranite;
- ▶ izpraznite in očistite rezervoar za vodo;
- ▶ izklopite napajalni kabel;
- ▶ očistite aparat, kot je opisano zgoraj;
- ▶ vrata naj ostanejo odprta, da preprečite nastanek neprijetnega vonja.



Pazite: Izklop

Aparat izklopite le, če je to nujno potrebno.

8.5 Premikanje aparata

1. Odstranite vso hrano in izključite aparat.
2. Police in druge premične dele v hladilniku in zamrzovalniku pritrdite z lepilnim trakom.
3. Hladilnika ne nagibajte za več kot 45°, da ne poškodujete hladilnega sistema.



POZORILLO!

- ▶ Aparata ne dvigujte za ročaje.
- ▶ Aparata nikoli ne postavljajte vodoravno na tla.

Številne težave, do katerih prihaja, bi lahko rešili sami brez posebnega strokovnega znanja. V primeru težav preverite vse prikazane možnosti in sledite spodnjim navodilom, preden se obrnete na servisno službo. Glejte SLUŽBA ZA POMOČ STRANKAM.



OPOZORILO!

- ▶ Pred vzdrževanjem izklopite aparat in odklopite vtič iz vtičnice.
- ▶ Električno opremo lahko servisirajo samo usposobljeni električarji, saj lahko nepravilna popravila povzročijo znatno posledično škodo.
- ▶ Če je napajalni kabel poškodovan, ga sme zamenjati samo proizvajalec, njegov servisni agent ali drug kvalificiran serviser, da preprečite morebitne nevarnosti.

9.1 Razpredelnica za odpravljanje težav

Težava	Možen vzrok	Možna rešitev
Kompresor ne deluje.	<ul style="list-style-type: none"> • Omrežni vtič ni priključen v omrežno vtičnico. • Aparat je v ciklu odmrzovanja. 	<ul style="list-style-type: none"> • Priključite omrežni vtič. • To je normalno za avtomatsko odmrzovanje.
Aparat deluje prepogosto ali deluje predolgo.	<ul style="list-style-type: none"> • Notranja ali zunanja temperatura je previsoka. • Aparat že nekaj časa ni vklopljen. • Vrata aparata niso tesno zaprta. • Vrata so bila odprta prepogosto ali predolgo. • Nastavitev temperature v zamrzovalnem prostoru je prenizka. • Tesnila vrat so umazana, obrabljena, razpokana ali neustrezna. • Zahtevano kroženje zraka ni zagotovljeno. 	<ul style="list-style-type: none"> • V tem primeru je običajno, da aparat deluje dlje. • Običajno traja od 8 do 12 ur, da se aparat popolnoma ohladi. • Zaprite vrata in se prepričajte, da je aparat nameščen na ravni podlagi in da na vratih ni ovirajoče hrane ali posode. • Vrat ne odpirajte prepogosto. • Nastavite višjo temperaturo, dokler ni dosežena zadovoljiva temperatura za hlajenje. Temperatura hladilnika je stabilna po 24 urah. • Očistite tesnilo vrat ali prosite službo za pomoč strankam, da vam ga zamenja. • Zagotovite ustrezno prezračevanje.
Notranjost hladilnika je umazana in/ali ima neprijeten vonj.	<ul style="list-style-type: none"> • Notranjost hladilnika je potrebno počistiti. • V hladilniku je shranjena hrana z močnim vonjem. 	<ul style="list-style-type: none"> • Očistite notranjost hladilnika. • Hrano temeljito zavijte.

<p>Znotraj aparata ni dovolj hladno.</p>	<ul style="list-style-type: none"> • Temperatura je nastavljena previsoko. • Spravili ste preveč tople hrane. • Naenkrat ste spravili preveč hrane. • Živila so preblizu drug drugemu. • Vrata aparata niso tesno zaprta. • Vrata so bila odprta prepogosto ali predolgo. 	<ul style="list-style-type: none"> • Ponastavite temperaturo. • Preden blago shranite, ga vedno ohladite. • Vedno shranjujte manjše količine hrane. • Pustite razmik med živili, ki omogoča pretok zraka. • Zaprite vrata. • Vrat ne odpirajte prepogosto.
<p>Znotraj aparata je prehladno.</p>	<ul style="list-style-type: none"> • Temperatura je nastavljena prenizko. • Funkcija Super-Cool/Super-Freeze je aktivirana ali deluje predolgo. 	<ul style="list-style-type: none"> • Ponastavite temperaturo. • Izklopite funkcijo Super-Cool/Super-Freeze.
<p>Nastajanje vlage na notranji strani hladilnika.</p>	<ul style="list-style-type: none"> • Zunanje okolje je pretoplo in prevlažno. • Vrata aparata niso tesno zaprta. • Vrata so bila odprta prepogosto ali predolgo. • Posode s hrano ali tekočine so ostale odprte. 	<ul style="list-style-type: none"> • Povečajte temperaturo. • Zaprite vrata. • Vrat ne odpirajte prepogosto. • Vroča hrana naj se ohladi na sobno temperaturo, hrano in tekočine pa zaprite.
<p>Vlaga se nabira na zunanji površini hladilnika ali med vrati.</p>	<ul style="list-style-type: none"> • Zunanje okolje je pretoplo in prevlažno. • Vrata niso tesno zaprta. Hladen zrak v aparatu in topel zunanji zrak kondenzirata. 	<ul style="list-style-type: none"> • To je normalno v vlažnem podnebju in se bo spremenilo, ko se vlažnost zmanjša. • Prepričajte se, da so vrata tesno zaprta.
<p>Močan led in zmrzal v zamrzovalnem prostoru.</p>	<ul style="list-style-type: none"> • Blago ni bilo ustrezno zapakirano. • Vrata/predal aparata ni(so) tesno zaprt(a). • Vrata so bila odprta prepogosto ali predolgo. • Tesnila vrat so umazana, obrabljena, razpokana ali neustrezna. • Nekaj na notranji strani preprečuje pravilno zapiranje vrat. 	<ul style="list-style-type: none"> • Blago vedno dobro zapakirajte. • Zaprite vrata/predal. • Vrat ne odpirajte prepogosto. • Očistite tesnilo vrat ali ga zamenjajte. • Premaknite police, nosilce na vratih ali notranje škatle, da se vrata zaprejo.
<p>Aparat proizvaja nenormalne zvoke.</p>	<ul style="list-style-type: none"> • Aparat ni nameščen na ravno podlago. • Aparat se dotika predmeta v njeni bližini. 	<ul style="list-style-type: none"> • Nastavite noge, da poravnate aparat. • Odstranite predmete okoli aparata.

Slišati je mogoče rahel zvok, podoben zvoku pretakanja vode.	<ul style="list-style-type: none"> To je običajno. 	<ul style="list-style-type: none"> -
Zaslišali boste pisk alarma.	<ul style="list-style-type: none"> Vrata so odprta. 	<ul style="list-style-type: none"> Zaprte vrata.
Slišali boste šibko brnjenje.	<ul style="list-style-type: none"> Sistem proti kondenzaciji deluje. 	<ul style="list-style-type: none"> To preprečuje kondenzacijo in je normalno.
Notranja razsvetljava ali hladilni sistem ne deluje.	<ul style="list-style-type: none"> Omrežni vtič ni priključen v omrežno vtičnico. Napajanje ne deluje pravilno. Lučka LED ne deluje. 	<ul style="list-style-type: none"> Priključite omrežni vtič. Preverite električno napajanje prostora. Pokličite lokalno elektro podjetje! Za zamenjavo lučke pokličite servisno službo.
Strani hladilnika in trak na vratih se segrejejo.	<ul style="list-style-type: none"> To je običajno. 	<ul style="list-style-type: none"> -
Iz lija dozirnika za vodo voda ne teče	<ul style="list-style-type: none"> Ključavnica ni izklopljena. 	<ul style="list-style-type: none"> Izklopite ključavnico.

9.2 Prekinitev napajanja

V primeru izpada električne energije naj bi hrana ostala varno hladna približno 5 ur. Upoštevajte te nasvete, če pride do daljše prekinitve napajanja, zlasti poleti:

- ▶ Čim manjkrat odprite vrata/predal.
- ▶ Med prekinitvijo napajanja v aparat ne vstavljajte dodatnih živil.
- ▶ Če ste predhodno obveščeni o prekinitvi napajanja in je trajanje prekinitve daljše od 5 ur, naredite nekaj ledu in ga postavite na vrh hladilnega prostora.
- ▶ Takoj po prekinitvi je potreben pregled blaga.
- ▶ Ker bo temperatura v hladilniku med prekinitvijo napajanja ali drugo okvaro narasla, se obdobje shranjevanja in užitnosti hrane skrajša. Takoj za tem je vsako hrano, ki se odtaja, treba zaužiti ali skuhati in znova zamrzniti (kjer je to primerno), da se prepreči tveganje za zdravje.



Pazite: Funkcija pomnilnika med prekinitvijo napajanja

Po ponovni vzpostavitvi napajanja aparat nadaljuje z nastavitvami, ki so bile nastavljene pred izpadom električne energije.

10.1 Razpakiranje

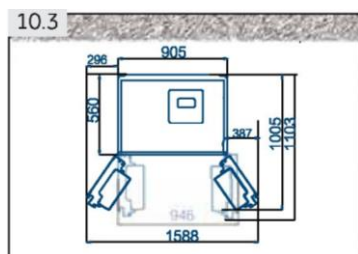


OPOZORILO!

- ▶ Aparat je težak. Prenašata ga naj vsaj dve osebi.
- ▶ Vso embalažo hranite izven dosega otrok in jo zavržite na okolju prijazen način.
- ▶ Vzemite aparat iz embalaže.
- ▶ Odstranite vse embalažne materiale, vključno s prozorno zaščitno folijo.

10.2 Okoljski pogoji

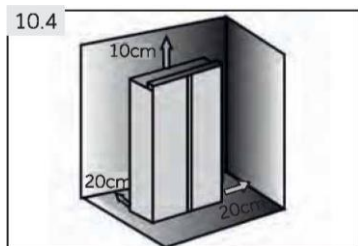
Sobna temperatura mora biti vedno med 16 °C in 43 °C, saj lahko to vpliva na temperaturo v aparatu in njegovo porabo energije. Aparata ne nameščajte v bližini drugih naprav, ki oddajajo toploto (peči, hladilniki), brez izolacije.



10.3 Prostorske zahteve

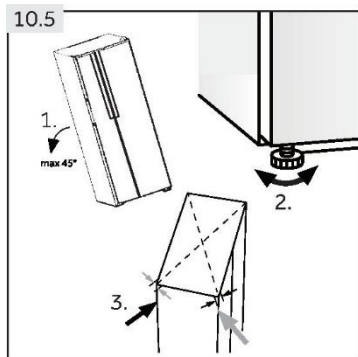
Potreben prostor ob odpiranju vrat (slika 10.3):

- Širina naprave: 1588 mm
- Globina naprave: 1103 mm



10.4 Prezračevanje v prerezu

Da bi iz varnostnih razlogov dosegli zadostno prezračevanje naprave, je treba upoštevati informacije o zahtevanih normah prezračevanja (slika 10.4).



10.5 Poravnava aparata

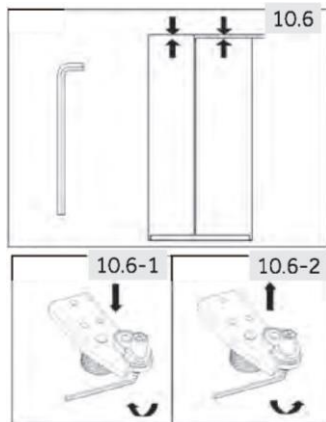
Aparat mora biti postavljen na ravno in trdno površino.

1. Aparat nekoliko nagnite nazaj (slika 10.5).
2. Noge nastavite na zeleno raven.
Prepričajte se, da je razdalja do stene na straneh vsaj 5 cm.
3. Stabilnost lahko preverite z izmeničnim pomicanjem po diagonalah. Rahlo zibanje mora biti enako v obe smeri. V nasprotnem primeru se okvir lahko deformira; rezultat je morebitno puščanje tesnil vrat. Rahel nagib nazaj olajša zapiranje vrat.

10.6 Natančna nastavitve vrat

Če vrata po izravnavi vrat z nogami še vedno niso v enem nivoju, lahko neuskkljenost odpravite s ključem z obračanjem dvižne gredi tečaja v desnem spodnjem kotu hladilnih vrat (slika 10.6).

- ▶ Obrnite dvižno gred s ključem v smeri urinega kazalca, da vrata spustite (slika 10.6-1).
- ▶ S ključem obrnite dvižno gred v nasprotni smeri urinega kazalca, da vrata dvignete (slika 10.6-2).

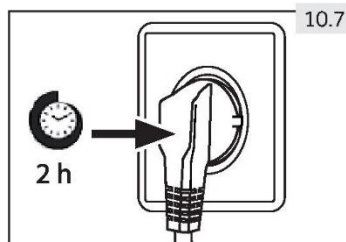


OPOZORILO!

Dvižne gredi tečaja ne nastavljajte pretirano visoko, saj lahko zaradi tega gred zapusti prvotni zaklenjeni položaj. (Nastavljivo območje višine: 3 mm)

10.7 Čas čakanja

Mazalno olje, ki ga ni treba vzdrževati, je v kapsuli kompresorja. Če je aparat nagnjen, lahko to olje med transportom steče skozi zaprt cevni sistem. Preden aparat priključite na napajanje, počakajte vsaj 2 uri (slika 10.7), da olje priteče nazaj v kapsulo.



10.8 Priključitev v električno omrežje

Pred vsako priključitvijo preverite, ali:

- ▶ so napajanje, vtičnica in varovalke skladni s tipsko tablico,
- ▶ je vtičnica ozemljena in da v bližini ni podaljška z več vtičnicami ali kableskega podaljška,
- ▶ sta vtič in vtičnica pravilno nameščena.

Vtič priključite v pravilno nameščeno gospodinjsko vtičnico.



OPOZORILO!

Da bi se izognili tveganju, mora servis zamenjati poškodovan napajalni kabel (glejte garancijski list).

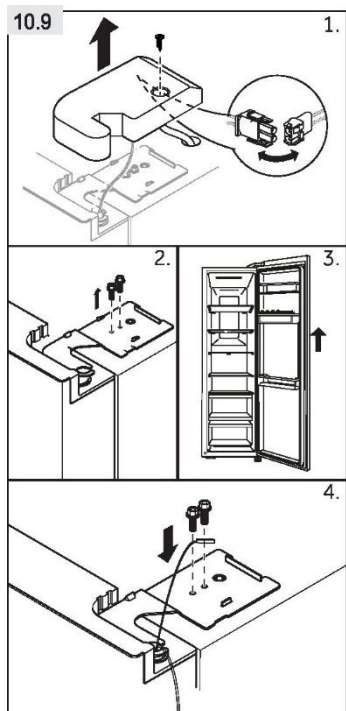
10.9 Odstranitev in namestitev vrat ter navodila za namestitev spodaj (slika 10.9).

V primeru, da morate odstraniti vrata naprave, upoštevajte spodnja navodila za odstranitev in namestitev vrat (slika 10.9)



OPOZORILO!

- ▶ Pred kakršnim koli posegom izklopite aparat in odklopite vtič iz vtičnice.
- ▶ Aparat je težak. Prenašata ga naj vsaj dve osebi.
- ▶ Aparata ne nagibajte za več kot 45° in ga ne postavljajte vodoravno na tla.




1. Odvijte vijak zgornjega pokrova in ga odstranite. Sprostite kabelski priključek.
2. Odvijte vijake, ki držijo zgornji tečaj, in nato odstranite tečaj.
3. Dvignite vrata hladilnika, da jih odstranite.
4. Ponovno namestite vrata tako, da korake za odstranjevanje ponovite v obratnem vrstnem redu. Prepričajte se, da je ozemljitveni kabel pritrjen z vijakom.



Pazite: Vrata hladilnika

Slike prikazujejo odstranjevanje vrat hladilnika. Za vrata zamrzovalnika uporabite ustrezne dele na drugi strani

11.1 List izdelka v skladu z Uredbo EU št. 1060/2010

Blagovna znamka	Haier
Identifikacijska oznaka modela	HSR3918FNP*
Kategorija modela	Hladilnik-zamrzovalnik
Razred energijske učinkovitosti	A+
Letna poraba energije (kWh/leto) ¹⁾	399
Prostornina za shranjevanje v hladilniku (L)	337
Prostornina za shranjevanje v zamrzovalniku (L) ****	167
Ocena z zvezdicami	
Temperatura drugih predelov > 14 °C	Ni relevantno
Sistem brez zmrzali	Da
Čas dviga temperature (h)	5
Zmogljivost zamrzovanja (kg/24 h)	10
Klimatski razred	
Ta aparat je namenjen uporabi pri sobni temperaturi med 10 in 43 °C.	SN-N-ST-T
Emisije akustičnega hrupa v zraku (db(A) re 1pW)	38
Vrsta konstrukcije	Prostostoječi

na podlagi 24-urnih standardnih testnih rezultatov. Dejanska poraba energije bo odvisna od načina uporabe naprave in njene lokacije.

11.1.1 Dodatni tehnični podatki

Napetost/frekvenca	220–240 V ~/50 Hz
Vhodna moč (W)	200
Glavna varovalka (A)	15
Hladilno sredstvo	R600a
Mere (V/Š/G v mm)	1775/908/647

11.2 Standardi in direktive

Ta izdelek izpolnjuje zahteve vseh veljavnih direktiv ES z ustreznimi usklajenimi standardi, ki določajo oznako CE.

Priporočamo našo službo za pomoč strankam Haier in uporabo originalnih nadomestnih delov.

Če imate težave z aparatom, najprej preverite poglavje ODPRAVLJANJE TEŽAV.

Če tam ne najdete rešitve, se obrnite na

- ▶ lokalnega prodajalca ali
- ▶ si oglejte razdelek Servis in podpora na spletnem mestu www.haier.com, kjer najdete telefonske številke in odgovore na pogosta vprašanja ter oddate zahtevek za servis.

Če se želite obrniti na naš servis, se prepričajte, da imate na voljo naslednje podatke. Podatke najdete na tipski tablici.

Model _____ Serijska št. _____

V primeru uveljavljanja garancije preverite tudi garancijsko kartico, ki je priložena izdelku.

Haier



0060524101F



Korisnički priručnik

Hladnjak-zamrzivač

HSR3918ENP*

HSR3918EWP*

HSR3918FNP*

*= W, B, L, G, N

HR

Haier

Hvala što ste kupili proizvod Haier.

Pažljivo pročitajte ove upute prije upotrebe uređaja. Upute sadrže važne informacije koje će vam pomoći da najbolje iskoristite uređaj i osigurate sigurnu i pravilnu ugradnju, upotrebu i održavanje.

Držite ovaj priručnik na prikladnom mjestu kako biste ga uvijek mogli koristiti za sigurnu i pravilnu upotrebu uređaja.

Ako prodate uređaj, poklonite ga ili ga ostavite prilikom selidbe, obavezno prosljedite i ovaj priručnik kako bi se novi vlasnik mogao upoznati s uređajem i sigurnosnim upozorenjima.

Legenda

Upozorenje - važne sigurnosne informacije



Opće informacije i savjeti



Informacije o okolišu



Zbrinjavanje

Pomaže u zaštiti okoliša i ljudskog zdravlja. Stavite ambalažu u odgovarajuće spremnike kako biste je reciklirali. Pomognite reciklirati otpad električnih i elektroničkih uređaja. Nemojte odlagati uređaje označene ovim simbolom zajedno s kućanskim otpadom. Vratite proizvod u lokalno postrojenje za recikliranje ili se obratite svom općinskom uredu.



UPOZORENJE!

Opasnost od ozljeda ili gušenja!

Rashladna sredstva i plinovi moraju se stručno zbrinuti. Prije pravilnog zbrinjavanja provjerite je li cijev kruga rashladnog sredstva oštećena. Odspojite uređaj s mrežnog napajanja. Odspojite kabel napajanja i odložite ga. Uklonite plitice i ladice, bravu vrata i brtve kako biste spriječili da se djeca i kućni ljubimci zatvore u uređaju.

Stari uređaji još uvijek imaju određenu preostalu vrijednost. Primjenom ekološki prihvatljivog načina zbrinjavanja vrijedne se sirovine mogu oporaviti i ponovno upotrijebiti.

Ciklopentan, zapaljiva tvar koja nije štetna za ozon, koristi se kao sredstvo za širenje izolacijske pjene.

Pravilnim zbrinjavanjem ovog proizvoda pomoći ćete u sprječavanju mogućih negativnih posljedica za okoliš i ljudsko zdravlje do kojih bi inače moglo doći.

Radi dodatnih informacija o recikliranju ovoga proizvoda, obratite se uredu lokalnog vijeća, službi za zbrinjavanje otpada u kućanstvu ili prodavaonici u kojoj ste kupili proizvod i koju predvode stručne osobe.

1-	Informacije u vezi sigurnosti	6
2-	Namjena.....	10
3-	Opis proizvoda	12
4-	Upravljačka ploča.....	13
5-	Upotreba	14
6-	Savjeti za uštedu energije.....	22
7-	Oprema.....	23
8-	Njega i čišćenje.....	25
9-	Rješavanje problema	27
10-	Ugradnja.....	30
11-	Tehnički podaci	33
12-	Služba za korisnike	34

Prije prvog uključivanja uređaja pročitajte sljedeće sigurnosne napomene!:



UPOZORENJE!

Prije prve upotrebe

- ▶ Provjerite da nema oštećenja nastalih u transportu.
- ▶ Uklonite svu ambalažu i čuvajte izvan dohvata djece.
- ▶ Pričekajte najmanje dva sata prije postavljanja uređaja kako biste osigurali potpunu učinkovitost kruga rashladnog sredstva.
- ▶ Zbog njegove težine, uređajem rukujte uz pomoć najmanje dvije osobe.

Ugradnja

- ▶ Uređaj treba staviti na dovoljno prozračeno mjesto. Osigurajte prostor od najmanje 20 cm iznad uređaja i 10 cm oko njega.
- ▶ Uređaj ne stavljajte na vlažno mjesto ili mjesto gdje bi mogao biti poprskan vodom. Očistite i posušite mrlje od vode i druge mrlje mekom čistom krpom.
- ▶ Nemojte postavljati uređaj na mjesto pod izravnim utjecajem sunčeve svjetlosti ili u blizini izvora topline (npr. štednjaka, grijača).
- ▶ Postavite i nivelirajte uređaj na mjesto prikladno za njegovu veličinu i upotrebu.
- ▶ Na ventilacijskim otvorima u uređaju ili ugrađenoj konstrukciji ne smije biti prepreka.
- ▶ Provjerite odgovara li električno napajanje podacima na natpisnoj pločici. Ako ne odgovara, obratite se električaru.
- ▶ Za rad uređaja potreban je izvor električnog napajanja 220 – 240 V AC / 50 Hz. Neuobičajena kolebanja napona mogu dovesti do neuspješnog pokretanja uređaja, oštetiti mehanizam za regulaciju temperature ili kompresor, a mogu izazvati i neuobičajenu buku pri radu uređaja. U tom je slučaju potrebno ugraditi uređaj za automatsku regulaciju napona.
- ▶ Koristite zasebnu uzemljenu utičnicu za napajanje koja je lako dostupna. Ovaj se uređaj mora uzemljiti.
- ▶ **Samo za Ujedinjeno Kraljevstvo:** Na kabelu za napajanje uređaja postavljen je trolpolni utikač (s uzemljenjem) kojem odgovara standardna trolpolna (uzemljena) utičnica. Nemojte ukloniti ili demontirati treći kontakt (uzemljenje). Nakon postavljanja uređaja, utikač mora biti lako dostupan.
- ▶ Nemojte koristiti adaptere s više utikača i produžne kabele.
- ▶ Pazite da uređaj ne zahvati kabel napajanja. Nemojte stati na kabel napajanja.
- ▶ Ne oštećujte zatvoreni sustav rashladnog sredstva.
- ▶ Ne postavljajte više prijenosnih utičnica ili prijenosnih napajanja na stražnju stranu uređaja.

 UPOZORENJE!**Svakodnevna upotreba**

- ▶ Ovaj uređaj smiju upotrebljavati djeca starija od 8 godina i osobe sa smanjenim fizičkim, osjetilnim ili mentalnim sposobnostima ili nedostatkom iskustva i znanja ako su pod nadzorom ili su dobili upute u vezi sa sigurnom upotrebom uređaja te ako shvaćaju povezane opasnosti.
- ▶ Djeci u dobi od 3 do 8 godina dopušteno je stavljati i vaditi predmete iz rashladnih uređaja, ali nije im dopušteno čišćenje i postavljanje rashladnih uređaja.
- ▶ Djecu mlađu od 3 godine držite podalje od uređaja, osim ako su pod stalnim nadzorom.
- ▶ Djeca ne smiju čistiti niti održavati uređaj bez nadzora.
- ▶ Djeca se ne smiju igrati uređajem.
- ▶ Uređaj mora biti postavljen tako da je utikač dostupan.
- ▶ Ako u blizini uređaja istječe hladan ili drugi zapaljivi plin, zatvorite ventil plina koji istječe, otvorite vrata i prozore i nemojte isključivati pa uključivati utikač kabela napajanja uređaja ili bilo kojeg drugog uređaja.
- ▶ Zapamtite da je uređaj podešen za rad u određenom rasponu temperature u okolini, između 10 i 38 °C. Uređaj možda neće ispravno raditi ako ga dulje vrijeme ostavite na temperaturi iznad ili ispod navedenog raspona.
- ▶ Da biste izbjegli tjelesne ozljede od pada ili električni udar zbog doticaja s vodom, ne stavljajte nestabilne predmete (teške predmete, spremnike s vodom) na gornji dio uređaja.
- ▶ Nemojte povlačiti police na vratima. Vrata se mogu nagnuti, stalak za boce odgurnuti ili se uređaj može prevrnuti.
- ▶ Vrata otvarajte i zatvarajte samo ručkama. Razmak između vrata i između vrata i ormarića vrlo je malen. Nemojte ispružiti ruke u tim područjima kako ne biste prignječili prste. Vrata otvarajte ili zatvarajte samo kada nema djece koja stoje unutar raspona vrata.
- ▶ Nemojte skladištiti ili koristiti zapaljive, eksplozivne ili korozivne materijale u uređaju ili njegovoj blizini.
- ▶ Ne čuvajte lijekove, bakterije ili kemijska sredstva u uređaju. Ovaj uređaj je kućanski uređaj. Nije preporučljivo skladištiti materijale koji zahtijevaju skladištenje na strogo propisanim temperaturama.
- ▶ U zamrzivaču ne pohranjujte tekućine u boce ili limenke (osim pića s visokim udjelom alkohola), osobito gazirana pića, jer će se tijekom zamrzavanja rasprsnuti.



UPOZORENJE!

Svakodnevna upotreba

- ▶ Provjerite stanje hrane ako je došlo do zagrijavanja u zamrzivaču.
- ▶ Ne postavljajte nepotrebno nisku temperaturu u odjeljku hladnjaka. Moguća je negativna temperatura pri visokim postavkama. Pozor: Boce mogu puknuti.
- ▶ Nemojte dirati smrznute proizvode mokrim rukama (nosite rukavice). Posebno nemojte jesti ledene lizalice odmah nakon vađenja iz odjeljka zamrzivača. Postoji opasnost od smrzavanja ili stvaranja mjehura od leda. PRVA pomoć: odmah stavite pod mlaz vode. Ne povlačite!
- ▶ Nemojte dodirivati unutarnju površinu odjeljka zamrzivača dok radi, osobito mokrim rukama, jer vam se ruke mogu zalijepiti za smrznutu površinu.
- ▶ Isključite uređaj u slučaju prekida napajanja ili prije čišćenja. Pustite da prođe najmanje pet minuta prije ponovnog pokretanja uređaja jer bi često pokretanje moglo oštetiti kompresor.
- ▶ Ne upotrebljavajte električne uređaje u odjeljcima za čuvanje hrane unutar uređaja, osim ako je navedenu upotrebu preporučio proizvođač.
- ▶ Vodu za piće koristite samo na modelima s dozatorom za vodu.

Održavanje/čišćenje

- ▶ Pobrinite se da djeca budu pod nadzorom ako obavljaju čišćenje i održavanje.
- ▶ Prije rutinskog održavanja odspojite uređaj s napajanja. Pustite da prođe najmanje pet minuta prije ponovnog pokretanja uređaja jer bi često pokretanje moglo oštetiti kompresor.
- ▶ Pri odspajanju uređaja držite utikač, a ne kabel.
- ▶ Ne stružite mraz i led oštrim predmetima. Nemojte koristiti sprejeve, električne grijalice poput grijalice, sušila za kosu, parnih čistača ili drugih izvora topline kako ne bi došlo do oštećenja plastičnih dijelova.
- ▶ Ne upotrebljavajte mehaničke uređaje ili bilo kakve druge alate kako biste ubrzali postupak odleđivanja, osim onih koje je preporučio proizvođač.
- ▶ Uređaj nemojte čistiti tvrdim četkama, žičanim četkama, deterdžentom u prahu, benzinom, amil-acetatom, acetonom i sličnim organskim otopinama, kiselim ili lužnatim otopinama. Očistite posebnim deterdžentom za hladnjak kako biste izbjegli oštećenja.

- ▶ Na kraju upotrijebite toplu vodu i otopinu sode bikarbone - oko žlice sode bikarbone rastopljenu u litri / četvrt litre vode. Dobro isperite vodom i osušite. Nemojte koristiti prašak za čišćenje ili druga abrazivna sredstva za čišćenje. Skidljive dijelove ne perite u perilici posuđa



UPOZORENJE!

Održavanje/čišćenje

- ▶ Ako je kabel za napajanje oštećen, treba ga zamijeniti proizvođač, njegov serviser ili osobe sličnih kvalifikacija da bi se izbjegla opasnost.
- ▶ Ne pokušavajte sami popravljati ili rastavljati uređaj te činiti ikakve preinake na uređaju. Ako je potreban popravak, obratite se našoj korisničkoj službi.
- ▶ Ako su svijetleće lampice oštećene, treba ih zamijeniti proizvođač, njegov serviser ili osobe sličnih kvalifikacija da bi se izbjegla opasnost.
- ▶ Najmanje jednom godišnje uklonite prašinu na stražnjoj strani uređaja kako biste umanjili opasnost od požara i potrošnju energije.
- ▶ Nemojte prskati ili ispirati uređaj tijekom čišćenja.
- ▶ Pri čišćenju uređaja nemojte koristiti vodeni sprej ili paru.
- ▶ Nemojte čistiti hladne staklene police vrućom vodom. Staklo može puknuti zbog nagle promjene temperature.
- ▶ Ako uređaj dulje vrijeme ne koristite, ostavite ga otvorenim kako biste spriječili nakupljanje neugodnih mirisa.

Informacije o rashladnom plinu



UPOZORENJE!

Uređaj sadrži zapaljivo rashladno sredstvo IZOBUTAN (R600a). Pazite da se rashladni krug ne ošteti tijekom transporta ili ugradnje. Rashladno sredstvo koje istječe može uzrokovati ozljede oka ili se zapaliti. Ako dođe do oštećenja, držite podalje od otvorenih izvora vatre, temeljito prozračite prostoriju, nemojte spajati ili odspajati kabele napajanja uređaja ili bilo kojeg drugog uređaja. Obavijestite službu za korisnike.

U slučaju dodira očiju s rashladnim sredstvom, odmah ga isperite pod tekućom vodom i odmah nazovite specijalista za oči.

UPOZORENJE: Rashladni sustav je pod visokim tlakom. Ne dirajte ga. Budući da se koriste zapaljiva rashladna sredstva, uređaj ugradite, njime rukujte i servisirajte ga strogo se pridržavajući uputa i obratite se stručnom predstavniku ili našoj postprodajnoj službi radi zbrinjavanja uređaja.


2.1 Namjena

Ovaj uređaj namijenjen je za upotrebu u kućanstvu i za slične namjene kao što su

- prostor za osoblje unutar trgovina, ureda ili drugih radnih prostora;
 - seoske kuće ili za klijente u hotelima, motelima i drugim okruženjima stambenog tipa;
 - okruženja poput ugostiteljskih objekata koji nude noćenje i doručak;
 - opskrba hranom i pićem i za slične ne-prodajne namjene.
- ▶ Ako se uređaj ne koristi duže vrijeme i ako ćete koristiti samo funkciju Holiday ili funkciju isključivanja hladnjaka/zamrzivača:
- Izvadite hranu.
 - Iskopčajte utikač za napajanje.
 - Ispraznite i očistite spremnik za vodu.
 - Očistite uređaj sukladno navedenim uputama.
 - Držite vrata otvorena kako biste spriječili stvaranje neugodnih mirisa.
- ▶ Kako biste osigurali sigurno čuvanje hrane ili vina, pridržavajte se ovih uputa za upotrebu.
- ▶ Kako biste izbjegli kontaminaciju hrane (ne vrijedi za vinski podrum), pridržavajte se sljedećih uputa:
- Ako se vrata dugo ostave otvorenima, to može uzrokovati znatno povećanje temperature u odjeljcima uređaja.
 - Redovito čistite površine koje mogu doći u dodir s namirnicama i dostupne sustave odvodnje.
 - Spremnike za vodu očistite ako se nisu upotrebljavali 48 sati; isperite sustav za vodu spojen na dovod vode ako voda nije tekla 5 dana.
 - Sirovo meso i ribu čuvajte u odgovarajućim posudama u hladnjaku/zamrzivaču tako da ne dolaze u dodir s drugim namirnicama i ne kapaju na njih. Brzu hranu i sirovo meso / ribu skladištite odvojeno kako bi se osiguralo sigurno čuvanje namirnica.
 - Odjeljci zamrznute hrane s dvije zvjezdice prikladni su za čuvanje prethodno zamrznute hrane, čuvanje ili pripremu sladoleda i izradu kockica leda.
 - Odjeljci s jednom, dvije i tri zvjezdice nisu prikladni za zamrzavanje svježih hrane.
 - Ako uređaj dulje vrijeme ostaje prazan, isključite ga, odmrznite, očistite, osušite i ostavite vrata otvorena kako biste spriječili stvaranje plijesni u uređaju.
- ▶ Pojediniosti o najprikladnijem dijelu u odjeljku uređaja u kojem se pohranjuju određene vrste hrane, s obzirom na raspodjelu temperature koja može biti prisutna u različitim odjeljcima uređaja navedene su u dijelu drugog priručnika.

Zbrinjavanje



Simbol  na proizvodu ili njegovoj ambalaži označava da se s proizvodom ne smije postupati kao s kućnim otpadom. Umjesto toga, treba se predati odgovarajućem sabirnom mjestu za recikliranje električne i elektroničke opreme. Pravilnim zbrinjavanjem ovog proizvoda pomoći ćete u sprječavanju mogućih negativnih posljedica za okoliš i ljudsko zdravlje, koje bi inače mogle biti uzrokovane neprimjerenim zbrinjavanjem ovog proizvoda u otpad. Radi dodatnih informacija o recikliranju ovoga proizvoda, obratite se uredu lokalne gradske uprave, službi za zbrinjavanje otpada u kućanstvu ili prodavaonici u kojoj ste kupili proizvod.

Budući da se koriste zapaljivi plinovi za upuhivanje u izolaciju, obratite se stručnom predstavniku ili našoj službi za pomoć nakon prodaje radi zbrinjavanja uređaja.

UPOZORENJE!

Opasnost od ozljeda uslijed gušenja!

Rashladna sredstva i plinovi moraju se stručno zbrinuti. Prije pravilnog zbrinjavanja provjerite je li cijev kruga rashladnog sredstva oštećena. Odspojite uređaj s mrežnog napajanja. Odspojite kabel napajanja i odložite ga. Uklonite plitice i ladice, bravu vrata i brtve kako biste spriječili da se djeca i kućni ljubimci zatvore u uređaju.

Nije dozvoljeno mijenjanje i modificiranje uređaja. Nenamjerna upotreba može uzrokovati opasnosti i dovesti do gubitka prava na jamstvena potraživanja.

2.2 Dodaci

Provjerite pribor i literaturu u skladu s ovim popisom (sl. 2.2):

				
Posude za kocke leda	Posuda za jaja	Alat za uvrtanje vijka	Jamstveni list	Korisnički priručnik

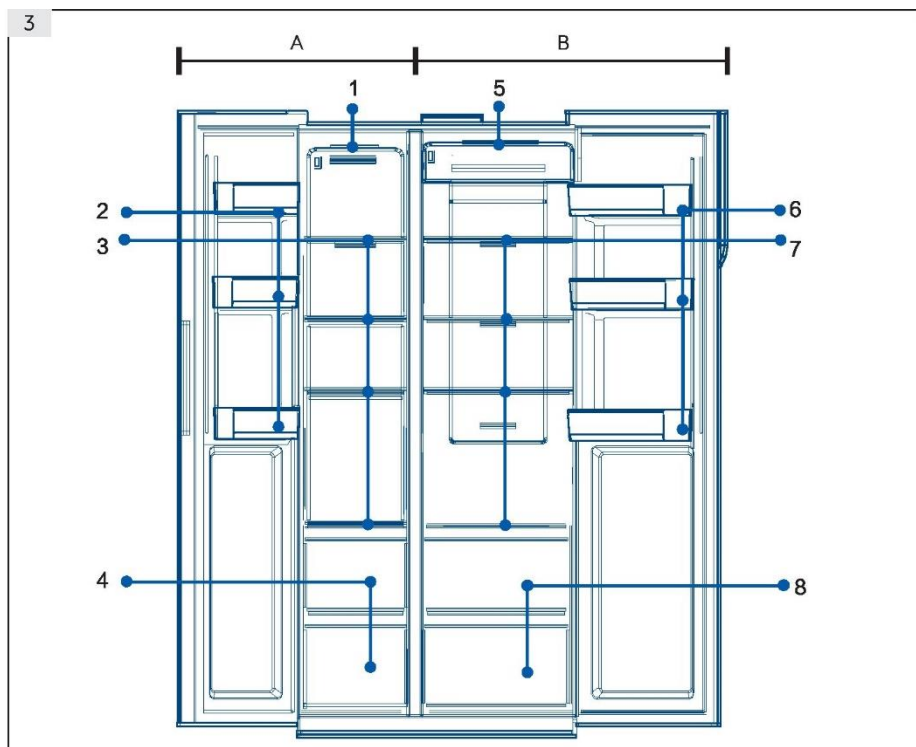
2.2



Obavijest

Zbog tehničkih promjena i razlika u modelima, neke ilustracije u ovom priručniku mogu se razlikovati od vašeg modela.

Slike uređaja (sl. 3)



A: Odjeljak zamrzivača

- 1 Stropna svjetiljka
- 2 Stalac za vrata/
držač za boce
- 3 Police zamrzivača
- 4 Ladica zamrzivača

B: Odjeljak hladnjaka

- 5 Stropna svjetiljka
- 6 Stalac za vrata/
držač za boce
- 7 Police hladnjaka
- 8 Kutija hladnjaka
- 9 Spremnik za vodu

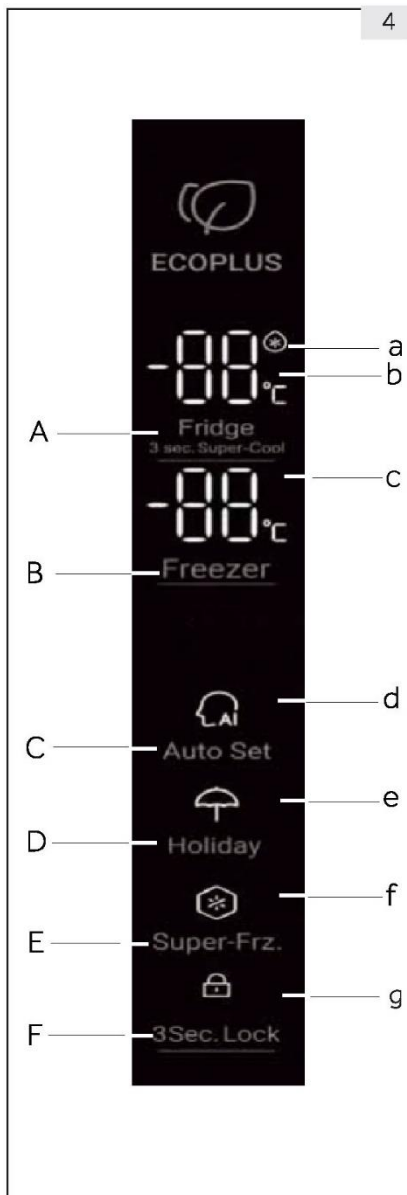


Upravljačka ploča (sl. 4)**Tipke:**

- A Birač hladnjaka
- B Birač zamrzivača
- C Način rada Auto Set
- D Način rada Holiday
- E Način rada Super-Freeze
- F Birač za zaključavanje ploče

Indikatori:

- a Način rada Super-Cool
- b Temperatura hladnjaka
- c Temperatura zamrzivača
- d Način rada Auto Set
- e Način rada Holiday
- f Način rada Super-Freeze
- g Zaključavanje ploče



5.1 Prva upotreba

Kada se hladnjak prvi put spoji na napajanje, zaslon će biti uključen. Zadana temperatura za odjeljak hladnjaka je 4 °C, a zamrzivača - 18 °C. Svjetlo funkcije inteligencije je uključeno.

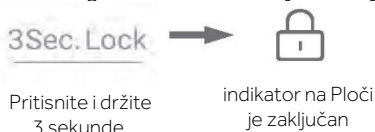
5.2 Zaključavanje / otključavanje ploče

Automatsko zaključavanje:

Kada su vrata hladnjaka i zamrzivača zatvorena, a nijedan gumb se ne pritisne 30 sekundi, svjetlo na ploči automatski će se isključiti i ploča će se zaključati.

Ručno zaključavanje:

Kada je ploča otključana, pritisnite gumb Zaključaj i držite je 3 sekunde, oglasit će se zvučni signal, indikator zaključavanja će se uključiti i zaslon će se zaključati.



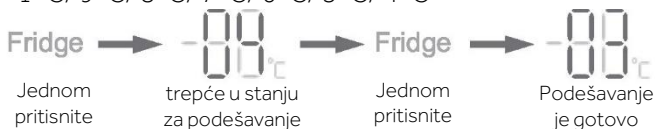
Otključavanje:

Kad je ploča isključena, otvorite bilo koja vrata hladnjaka ili dodirnite bilo koji gumb na upravljačkoj ploči i ploča će zasvijetliti. Tada će zaslon biti zaključan. Pritisnite gumb funkcije zaključavanja i držite je 3 sekunde, oglasit će se zvučni signal, indikator zaključavanja će se isključiti i ploča će se otključati.



5.3 Podešavanje temperature hladnjaka

1. Kad je upravljačka ploča otključana, pritisnite "Birač hladnjaka" i oglasit će se zvučni signal. Indikator temperature hladnjaka trepće. Sada možete podesiti temperaturu hladnjaka.
2. Zatim se svakim pritiskom na birač hladnjaka oglašava zvučni signal i postavka se smanjuje za 1. Redoslijed promjene je u kontinuiranoj petlji kao "4 °C/ 3 °C/ 2 °C/ 1 °C/ 9 °C/ 8 °C/ 7 °C/ 6 °C/ 5 °C/ 4 °C"



Obavijest

- ▶ Uređaj je prethodno podešen na preporučenu temperaturu od 4 °C (hladnjak) i -18 °C (zamrzivač). U normalnim uvjetima okoline ne morate podešavati temperaturu.

5.4 Podešavanje temperature zamrzivača

1. Kad je upravljačka ploča otključana, pritisnite "Birač zamrzivača" i oglasit će se zvučni signal. Indikator temperature zamrzivača će treptati. Sada možete podesiti temperaturu zamrzivača.
2. Zatim se svakim pritiskom na birač zamrzivača oglašava zvučni signal i temperatura se smanjuje za 1. Redosljed pomicanja je u kontinuiranoj petlji kao "-18°C/-19°C/-20°C/-21°C/-22°C/-23°C/-24°C/-14°C/-15°C/-16°C/-17°C/-18°C".

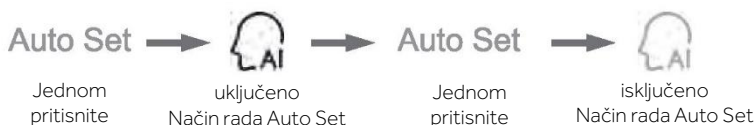


Obavijest

- Temperatura je podešena. Ako se 5 sekundi ne pritisne nijedan gumb, temperatura će se automatski potvrditi i spremiti.

5.5 Automatsko podešavanje

1. Kad je upravljačka ploča otključana, pritisnite "Izbornik načina automatskog podešavanja" i oglasit će se zvučni signal načina automatskog podešavanja je uključen. Pokreće se način automatskog podešavanja.
2. Kada je indikator načina automatskog podešavanja uključen, pritisnite birač načina automatskog podešavanja i oglasit će se zvučni signal, indikator načina automatskog podešavanja će se isključiti i način automatskog podešavanja će se zatvoriti.



Obavijest

- Kada je uključen način automatskog podešavanja, ne može se odabrati temperatura hladnjaka i temperatura zamrzivača. Kada pritisnete birač hladnjaka ili zamrzivača, indikator načina automatskog podešavanja treptće sa zvukovima koji podsjećaju da rad nije dopušten. Ako je uz način rada Auto set odabrana funkcija brzog hlađenja, brzog zamrzavanja ili praznika, način automatskog podešavanja se isključuje, a način automatskog podešavanja automatski se zatvara.

5.6 Način rada Holiday

Način rada Holiday predviđen je za slučaj kada se hladnjak neće koristiti duže vrijeme. Kad je uključen način rada Holiday, može se odabrati temperatura zamrzivača, dok se temperatura hladnjaka automatski podešava na 17 °C, čime se izbjegava neugodan miris zbog visoke temperature u odjeljku hladnjaka i štedi potrošnja energije.

1. Kad je upravljačka ploča otključana, pritisnite "Birač načina rada Holiday" i oglasit će se zvučni signal. Indikator funkcije Holiday je uključen. Pokreće se način rada Holiday.
2. Kada je indikator načina rada Holiday uključen, pritisnite regulator funkcije Holiday i oglasit će se zvučni signal, indikator načina rada Holiday je isključen i način rada Holiday se zatvara.



Obavijest

- ▶ Kada je uključen način rada Holiday, ne može se odabrati temperatura hladnjaka. Kada se pritisne birač hladnjaka, indikator načina rada Holiday trepće sa zvukovima koji podsjećaju da rad nije dopušten. Prije odabira načina rada holiday, ispraznite odjeljak hladnjaka kako biste izbjegli propadanje hrane. S uključenim načinom rada Holiday, funkcija inteligencije i brzo hlađenje ne mogu se istodobno odabrati. Ako je odabran inteligentni način rada ili brzo hlađenje, indikator načina rada praznika je isključen i funkcija se automatski zatvara.

5.7 Način rada Super-Cool

1. Kada je upravljačka ploča otključana, pritisnite "Birač hladnjaka" na 3 sekunde i zvučni signal će se oglasiti zujanjem, svijetli indikator super cool. Pokreće se super-hladnjak.
2. Kada je indikator super-hlađenja uključen, pritisnite regulator hladnjaka na 3 sekunde, zvučni signal se oglasi, indikator super-hlađenja je isključen. Super cool način rada se zatvara
3. Kad je uključen način rada super-hladnjak, hladnjak će se automatski prebaciti u stanje isključenosti super-hladnjaka nakon što način rada super-hladnjak dosegne podešeno stanje. Ako želite izaći ručno, možete pritisnuti birač hladnjaka na 3 sekunde kako biste isključili način rada super-hlađenje.



Obavijest

- ▶ Dok je funkcija super-hlađenja uključena, ne mogu se istodobno odabrati načini rada Fuzzy i Holiday. Ako je odabran način rada Fuzzy ili Holiday, indikator super-hladnjaka bit će isključen i super-hladnjak se automatski zatvara.

5.8 Način rada Super-Freeze

1. Kada je upravljačka ploča otključana, pritisnite birač Super Freeze i oglasit će se zvučni signal, i zasvijetlit će indikator Super Freeze. Pokreće se način rada Super Freeze.
2. Kad je indikator Super Freeze uključen, pritisnite birač Super Freeze, oglasit će se zvučni signal, indikator Super Freeze je isključen. Zatvara se način rada Super Freeze.
3. Kada je uključen način rada Super freeze, hladnjak će se automatski prebaciti u način rada Super freeze isključeno nakon što način rada Super freeze dosegne podešeno stanje. Ako želite izaći ručno, možete pritisnuti regulator Super freeze na 3 sekunde kako biste isključili način rada Super freeze.



Obavijest

- Način rada Super Freeze osmišljen je za održavanje hranjivih tvari hrane u odjeljku zamrzivača, a hrana se zamrzava u najkraćem vremenu. Ako će se velika količina hrane zamrznuti odjednom, preporučuje se da način rada Super freeze podesite 24 sata unaprijed kako biste postigli nižu temperaturu u odjeljku zamrzivača prije stavljanja hrane. U tom se stanju povećava brzina zamrzavanja u odjeljku zamrzivača i hrana se može brzo zamrznuti, čime se učinkovito zaključava prehrana hrane i olakšava pohrana.

U stanju Super freeze, ako želite odabrati funkciju inteligencije, indikator Super freeze je isključen, a način Super freeze se automatski zatvara.

5.9 Alarm otvorenih vrata

Kada je vrijeme otvaranja vrata predugačko ili vrata nisu zatvorena, hladnjak će svaki put aktivirati alarm za kapanje, a zatim će vas na vrijeme podsjetiti da zatvorite vrata.

5.10 Ušteda energije upravljačke ploče

Ako se upravljačka ploča ne upotrebljava 30 sekundi, ploča će se automatski isključiti i ući u zaključano stanje, što može uštedjeti energiju. Kad pritisnete gumb za zaključavanje ili otvorite bilo koja vrata, upravljačka ploča će zasvijetliti.

5.11 Funkcija memorije kod prekida napajanja

Kada se hladnjak isključi, pamti se trenutno radno stanje pri nestanku struje. Kada se napajanje vrati, hladnjak nastavlja raditi u skladu s pomakom i funkcionalnim statusom podešenim prije nestanka struje.

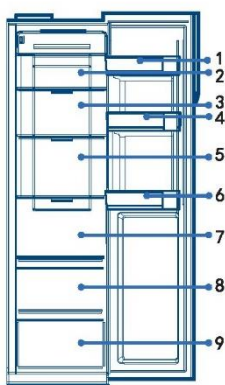
Pozor: Funkcija zaključavanja ne pamti se. Nakon ponovnog uključivanja hladnjaka, upravljačka ploča započinje samoprovjeru, indikator funkcije zaključavanja je isključen i hladnjak je otključan.

5.12 Savjeti za skladištenje svježih hrane

5.12.1 Pohranjivanje u odjeljak hladnjaka

- ▶ Održavajte temperaturu hladnjaka ispod 5 °C.
- ▶ Vruća hrana mora se ohladiti na sobnu temperaturu prije stavljanja u uređaj.
- ▶ Hrana koja se sprema u hladnjak treba se prije oprati i osušiti
- ▶ Hrana mora biti dobro zatvorena kako bi se izbjegle promjene mirisa ili okusa.
- ▶ Nemojte skladištiti pretjerane količine hrane. Ostavite slobodnog prostora između hrane kako biste omogućili da hladni zrak protječe oko nje radi boljeg i ujednačenijeg rashlađivanja.
- ▶ Hranu koja se jede svakodnevno čuvajte na prednjoj strani police.
- ▶ Ostavite prazninu između hrane i unutarnjih stijenki kako biste omogućili protok zraka. Posebno nemojte pohranjivati hranu uz stražnju stijenku jer bi se hrana mogla na njoj zamrznuti. Izbjegavajte izravan dodir hrane (osobito masne ili kisele hrane) s unutarnjom oblogom jer je ulje/kiselina može nagrčiti. Očistite masnu/kiselu prljavštinu kad god je uočite.
- ▶ Odmrznite smrznutu hranu u pretincu hladnjaka. Na taj način možete koristiti zamrznutu hranu kako biste smanjili temperaturu u odjeljku i uštedjeli energiju.
- ▶ Proces starenja voća i povrća kao što su tikvice, dinje, papaja, banana, ananas itd. može se ubrzati u hladnjaku. Stoga se ne preporučuje da tu hranu čuvate u hladnjaku. Međutim, dozrijevanje veoma zelenog voća može se pospješiti u određenom razdoblju. Luk, češnjak, đumbir i ostalo korjenasto povrće također se treba čuvati na sobnoj temperaturi.
- ▶ Neugodni mirisi u hladnjaku znak su da se nešto prosulo i da je potrebno čišćenje. Pogledajte odjeljak NJEGA I ČIŠĆENJE.
- ▶ Različite namirnice stavljajte u različita područja, ovisno o njihovim svojstvima (slika 5.12.1):

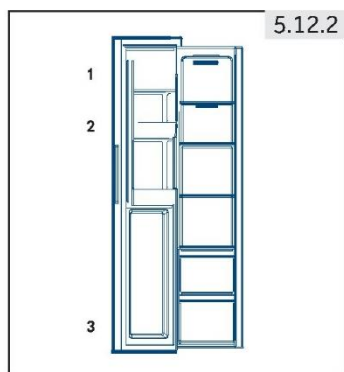
5.12.1



- 1 Maslac, sir itd.
- 2 Ukiseljena hrana, konzervirana hrana, itd.
- 3 Ukiseljena hrana, konzervirana hrana, itd.
- 4 Jaja, konzervirana hrana, začini itd.
- 5 Mesni proizvodi, grickalice itd.
- 6 Pića i hrana u bocama.
- 7 Tjestenina, konzervirana hrana, mlijeko, tofu, mliječni proizvodi itd.
- 8 Voće, povrće, salata itd.
- 9 Kuhano meso, kobasice itd.

5.12.2 Skladištenje u odjeljku zamrzivača

- ▶ Održavajte temperaturu zamrzivača na -18°C .
- ▶ 24 sata prije zamrzavanja uključite funkciju Super-Freeze; za male količine hrane dovoljno je 4 do 6 sati.
- ▶ Vruća hrana mora se prvo ohladiti na sobnu temperaturu prije stavljanja u odjeljak zamrzivača.
- ▶ Hrana izrezana u manje komade brže će se zamrznuti i lakše će se odmrznuti i skuhati. Preporučena težina svakog komada manja je od 2,5 kg
- ▶ Bolje je zapakirati hranu prije stavljanja u zamrzivač. Vanjska strana pakiranja mora biti suha kako bi se izbjeglo sljepljivanje vrećica. Ambalažni materijali moraju biti bez mirisa, nepropusni za zrak, neotrovni i netoksični.
- ▶ Kako biste izbjegli istek razdoblja skladištenja, na pakiranje zabilježite datum zamrzavanja, rok upotrebe i naziv namirnice u skladu s razdobljima skladištenja različite hrane.
- ▶ **UPOZORENJE!:** Kiselina, lužina, sol itd. mogu nagristi unutarnju površinu zamrzivača. Ne stavljajte hranu koja sadrži te tvari (npr. morsku ribu) izravno na unutarnju površinu. Slana voda u zamrzivaču mora se odmah očistiti.
- ▶ Nemojte hranu čuvati duže od razdoblja koje je preporučio proizvođač. Izvadite samo potrebnu količinu hrane iz zamrzivača.
- ▶ Različite namirnice stavljajte u različita područja, ovisno o njihovim svojstvima (slika 5.12.2):



- 1 Manje teški predmeti, kao što su sladoled, povrće, kruh itd.
- 2 Piće bez visokog udjela alkohola i privremeno skladištenje žestokih pića s visokim sadržajem alkohola, sitnih dijelova poput pizze ili začinskog bilja.
- 3 Velike/teže porcije hrane, kao što su mesni odresci za pečenje

i Obavijest: Čuvanje

- ▶ Držite razmak veći od 10 mm između postavljene hrane i senzora kanala da bi se postigao željeni učinak hlađenja.
- ▶ Držite najnižu ladicu dok uređaj radi kako biste osigurali učinak hlađenja.
- ▶ Hrana s ledom (poput sladoleda itd.) Treba se čuvati u odjeljku zamrzivača umjesto na držaču za boce, jer promjene temperature na držaču za boce uzrokovane otvaranjem i zatvaranjem vrata mogu odmrznuti hranu.
- ▶ Brzo konzumirajte odmrznutu hranu. Odmrznuta hrana ne može se ponovno zamrznuti osim ako se prvo ne skuha, inače može postati nejestiva.
- ▶ Nemojte stavljati prekomjerne količine svježe hrane u zamrzivač. Pogledajte kapacitet zamrzivača - pogledajte TEHNIČKE PODATKE ili podatke na nazivnoj pločici.
- ▶ Hrana se može čuvati u zamrzivaču na temperaturi od najmanje -18 °C dva do dvanaest mjeseci, ovisno o njezinim svojstvima (npr. meso: 3 - 12 mjeseci, povrće: 6 - 12 mjeseci)
- ▶ Prilikom zamrzavanja svježe hrane izbjegavajte dodir s već zamrznutom hranom. Opasnost od odmrzavanja!
- ▶ Smrznutu hranu odmrznite u hladnjaku. Na taj način možete koristiti zamrznutu hranu kako biste smanjili temperaturu u odjeljku i uštedjeli energiju.

5.12.3 Prilikom čuvanja komercijalno smrznute hrane slijedite ove smjernice:

- ▶ Uvijek slijedite smjernice proizvođača u vezi vremena skladištenja hrane. Ne prekoračujte te smjernice!
- ▶ Nastojte da vrijeme između kupnje i skladištenja bude što kraće kako biste očuvali kvalitetu hrane.
- ▶ Kupite smrznutu hranu koja se čuva na temperaturi od -18 °C ili nižoj.
- ▶ Nemojte kupovati hranu koja sadrži led ili mraz na pakiranju - to je znak da su proizvodi možda djelomično odmrznuti i ponovno zamrznuti - porast temperature utječe na kvalitetu hrane.

5.13 Dozator vode (HSR3918EWP*)

S dozatorom možete točiti hladnu vodu za piće.

Spremnik za vodu očistite prije prve upotrebe (pogledajte odjeljak ODRŽAVANJE I ČIŠĆENJE).

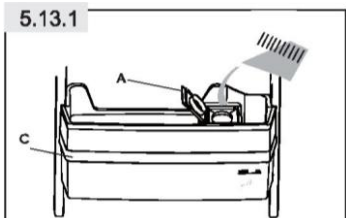
5.13.1 Punjenje spremnika za vodu



UPOZORENJE!

Koristite samo vodu za piće.

5.13.1




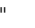
1. Provjerite je li spremnik za vodu pravilno umetnut (pogledajte odjeljak OPREMA)
2. Otvorite poklopac (A) i ulijte svježu pitku vodu u spremnik za vodu (slika 5.13.1)
3. Napunite vodu samo do oznake (2,5 l), jer se može prelići kada se vrata otvaraju i zatvaraju.
4. Zatvorite poklopac (A) dokraja.

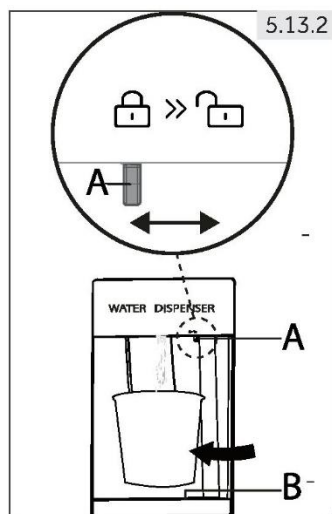


Obavijest: Dozator za vodu

- ▶ Prije ponovnog punjenja odložite preostalu vodu i očistite spremnik za vodu.
- ▶ Ako vam voda nije potrebna dulje vrijeme, ispraznite spremnik za vodu i umetnite očišćeni spremnik.
- ▶ Poklopac (C) na spremniku za vodu (Sl. 5.13.1) dodatno se koristi za uštedu energije. Ako dulje vrijeme ne namjeravate uzimati vodu iz spremnika za vodu, svejedno postavite poklopac radi bolje izolacije i uštede energije.

5.13.2 Dobivanje vode iz dozatora

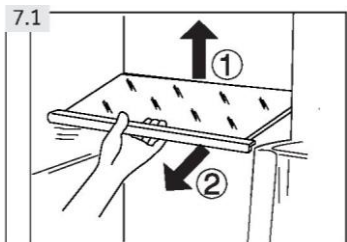
1. Provjerite je li brava (A) pomaknuta na  "Otključavanje" (Sl. 5.13.2).
2. Stavite čašu ispod otvora za vodu.
3. Lagano je pritisnite uz ručicu dozatora vode čašom.
4. Provjerite je li staklo poravnato s dozatorom kako bi se spriječilo prskanje vode.
5. Vodu u plitici (B) uklonite na vrijeme, jer se može prelići prilikom otvaranja i zatvaranja vrata.
6. Pomaknite bravu (A) u položaj  "Lock"





Savjeti za uštedu energije

- ▶ Provjerite je li uređaj pravilno prozračen (pogledajte odjeljak UGRADNJA).
- ▶ Nemojte postavljati uređaj na mjesto pod izravnim utjecajem sunčeve svjetlosti ili u blizini izvora topline (npr. štednjaka, grijača).
- ▶ Izbjegavajte nepotrebno nisku temperaturu u uređaju. Potrošnja energije se povećava što temperatura u uređaju niža.
- ▶ Funkcije kao što su Super-Cool ili Super-Freeze troše više energije.
- ▶ Pričekajte da se hrana ohladi prije stavljanja u uređaj.
- ▶ Što manje i što kraće otvarajte vrata uređaja.
- ▶ Nemojte prepuniti uređaj kako ne biste otežali protok zraka.
- ▶ Pripazite da u pakiranju hrane nema zraka.
- ▶ Brtve vrata održavajte čistima tako da se vrata pravilno zatvaraju.
- ▶ Odmrznite smrznutu hranu u pretincu hladnjaka.



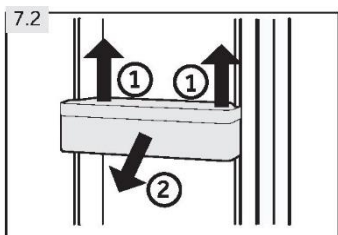
7.1 Podesive police

Visina police može se prilagoditi vašim potrebama za skladištenjem.

1. Želite li premjestiti policu, prvo je uklonite podizanjem stražnjeg ruba (1) pa je izvucite (2) (slika 7.1).
2. Da biste je ponovno postavili, stavite je na jezičce s obje strane i gurnite u krajnji stražnji položaj dok se stražnja strana police ne učvrsti unutar utora na bočnim stranama

i Obavijest: Police

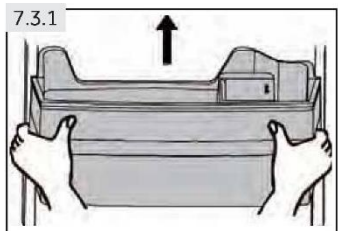
Provjerite jesu li svi krajevi police poravnati.



7.2 Uklonjive police na vratima / držač za boce

Police u vratima / držač za boce mogu se ukloniti za potrebe čišćenja:

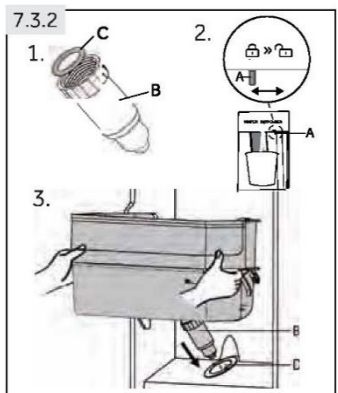
1. Postavite ruke na svaku stranu stalka/držača i podignite ga prema gore (1) (Slika 7.2).
2. Izvucite stalak za vrata / držač boca (2).
3. Prilikom ponovnog postavljanja police / držača za boce provedite opisane korake obrnutim redoslijedom.



7.3 Spremnik za vodu (HSR3918EWP*)

7.3.1 Uklonite spremnik za vodu

Spremnik za vodu može se ukloniti i ponovno postaviti radi čišćenja na isti način kao i police na vratima (Sl. 7.3.1).



7.3.2 Umetnite spremnik za vodu

1. Provjerite je li ispust dozatora (B) čvrsto uvrnut u spremnik za vodu i je li bijeli O-prsten (C) u položaju (sl. 7.3.2.-1.).
2. Pomaknite bravu (A) u položaj "Lock" (Slika 7.3.2.-2.)
3. Postavite spremnik za vodu u položaj u kojemu izlaz za vodu (B) pristaje u otvor vrata (D) (Sl. 7.3.2.-3).

i Obavijest: Spremnik za vodu

- ▶ Ako spremnik za vodu nije pravilno umetnut, voda može kapati iz priključka.
- ▶ Nemojte koristiti prekomjernu silu prilikom uklanjanja ili postavljanja spremnika za vodu kako biste izbjegli njegovo oštećenje.

7.4 Držač za boce - odjeljak zamrzivača

Držači za boce odjeljka zamrzivača namijenjeni su privremenom skladištenju žestokih pića s visokim sadržajem alkohola. Piće bez visokog udjela alkohola treba ohladiti u hladnjaku.

Osim toga, male dijelove možete pohraniti u držače za boce.



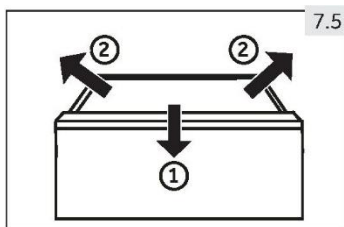
UPOZORENJE!

Boce i limenke mogu eksplodirati! Postavite vremenski programator koji će vas podsjetiti da izvadite boce/limenke bez visokog sadržaja alkohola.

7.5 Uklonjiva ladica

Za vađenje ladice iz hladnjaka ili odjeljka zamrzivača u najvećoj mogućoj mjeri (1), podignite i izvadite (2) (slika 7.5).

Prilikom ponovnog postavljanja ladice provedite opisane korake obrnutim redoslijedom.



7.6 Svjetlo

Unutrašnje LED svjetlo uključuje se kada otvorite vrata. Na rad svjetla ne utječe nijedna druga postavka uređaja.



UPOZORENJE!

Odvajite uređaj od izvora napajanja prije čišćenja.

8.1 Čišćenje

Očistite uređaj kad je spremjeno samo malo ili nimalo hrane.

Uređaj se treba očistiti svaka četiri tjedna radi dobrog održavanja i sprječavanja nastanka neugodnih mirisa skladištene hrane.



UPOZORENJE!

- ▶ Uređaj nemojte čistiti tvrdim četkama, žičanim četkama, deterdžentom u prahu, benzinom, amil-acetatom, acetonom i sličnim organskim otopinama, kiselim ili lužnatim otopinama. Očistite posebnim deterdžentom za hladnjak kako biste izbjegli oštećenja.
- ▶ Nemojte prskati ili ispirati uređaj tijekom čišćenja.
- ▶ Pri čišćenju uređaja nemojte koristiti vodeni sprej ili paru.
- ▶ Nemojte čistiti hladne staklene police vrućom vodom. Staklo može puknuti zbog nagle promjene temperature.
- ▶ Ne dodirujte unutarnju površinu odjeljka zamrzivača, osobito mokrim rukama, jer se vaše ruke mogu zalijepiti na smrznutu površinu.
- ▶ U slučaju zagrijavanja provjerite stanje smrznutih namirnica.

8.1




- ▶ Brtva vrata uvijek mora biti čista.
- ▶ Očistite unutrašnjost i kućište uređaja spužvom navlaženom toplom vodom i neutralnim deterdžentom (sl. 8.1.).

1. Očistite unutrašnjost i vanjske površine hladnjaka, uključujući brtve vrata, police na vratima, staklene police, kutije i tako dalje. Koristite mekani ručnik ili spužvu natopljenu toplom vodom (možete dodati neutralni deterdžent u toplu vodu).
2. Ako se prolije tekućina, uklonite sve onečišćene dijelove, izravno ih isperite tekućom vodom, osušite i vratite u hladnjak.
3. Ako se prolije kremasti sadržaj (kao što je vrhnje, sladoled koji se topi), uklonite sve onečišćene dijelove, stavite u toplu vodu temperature oko 40 °C na neko vrijeme, zatim isperite tekućom vodom, osušite i vratite u hladnjak.
4. U slučaju da se neki mali dio ili komponenta zaglavi unutar hladnjaka (između policia ili ladic), oslobodite ga malom mekom četkom. Ako ne možete doći do dijela, obratite se korisničkoj službi tvrtke Haier.
 - ▶ Isperite i osušite mekom krpom.
 - ▶ Nijedan dio uređaja nemojte čistiti u perilici posuđa.
 - ▶ Pustite da prođe najmanje pet minuta prije ponovnog pokretanja uređaja jer bi često pokretanje moglo oštetiti kompresor.

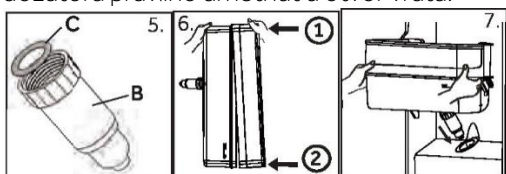
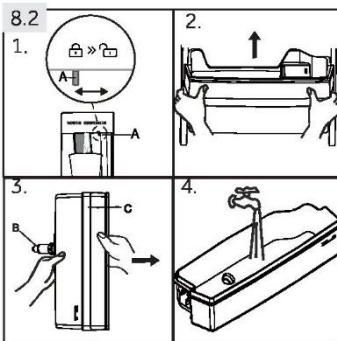
Odmrzavanje

Odmrzavanje odjeljaka hladnjaka i zamrzivača obavlja se automatski, nije potreban ručni rad.

8.2 Čišćenje spremnika za vodu (Sl. 8.2) (HSR3918EWP*)

1. Povucite bravu (A) u položaj  "Lock".

- Izvadite spremnik za vodu iz uređaja.
- Uklonite poklopac (C) i pažljivo odvrnite ispušni dozator (B).
- Spremnik za vodu i izljev dozatora očistite toplom tekućom vodom i tekućim deterdžentom za pranje posuđa. Isperite svu sapunicu.
- Montirajte lijevak dozatora (B) pazeći da je pričvršćen na spremnik za vodu te da je bijeli O-prsten (C) na svom mjestu.
- Pritisnite poklopac kako biste ga spojili s jednom stranom spremnika za vodu, a zatim s druge strane, provjerite jesu li spremnik za vodu i poklopac potpuno montirani.
- Vratite spremnik u uređaj. Provjerite je li ispušni dozator pravilno umetnut u otvor vrata.



8.3 Zamjena LED svjetla

! UPOZORENJE!

Nemojte sami mijenjati LED žarulju, smije je zamijeniti samo proizvođač ili ovlaštenu servisera.

Žarulje usvajaju LED kao izvor svjetlosti, s niskom potrošnjom energije i dugim vijekom trajanja. Ako postoji bilo kakva nepravilnost, obratite se službi za korisnike. Pogledajte odjeljak SLUŽBA ZA KORISNIKE.

Parametri lampi: 12 V maksimalno 3 W.

8.4 Dugotrajno nekorisćenje

Ako se uređaj ne koristi duže vrijeme i ako nećete koristiti funkciju Holiday za hladnjak:

- ▶ Izvadite hranu.
- ▶ Ispraznite i očistite spremnik za vodu.
- ▶ Iskopčajte utikač za napajanje.
- ▶ Očistite uređaj sukladno navedenim uputama.
- ▶ Držite vrata otvorena kako biste spriječili stvaranje neugodnih mirisa.

i Obavijest: Isključivanje

Isključite uređaj samo ako je to zaista potrebno.

8.5 Premještanje uređaja

- Uklonite svu hranu i iskopčajte uređaj.
- Učvrstite police i druge pomične dijelove u hladnjaku i zamrzivaču ljepljivom trakom.
- Ne naginjte uređaj za više od 45° kako ne biste oštetili rashladni sustav.

! UPOZORENJE!

- ▶ Nemojte podizati uređaj držeći ga za ručke.
- ▶ Uređaj ne postavljajte vodoravno na tlo.

Većinu problema koji se pojave možete riješiti sami bez pomoći stručnjaka. U slučaju nastanka problema, provjerite sve prikazane mogućnosti i slijedite upute u nastavku prije obraćanja postprodajnoj službi. Pogledajte odjeljak SLUŽBA ZA KORISNIKE.



UPOZORENJE!

- ▶ Prije održavanja, deaktivirajte uređaj i odvojite mrežni utikač iz mrežne utičnice.
- ▶ Električnu opremu smiju servisirati samo kvalificirani električni stručnjaci, jer nepravilni popravci mogu uzrokovati znatna posljedična oštećenja.
- ▶ Oštećeni kabel za napajanje treba zamijeniti proizvođač, njegov serviser ili osobe sličnih kvalifikacija da bi se izbjegla opasnost.

9.1 Tablica za rješavanje problema

Problem	Mogući uzrok	Moguće rješenje
Kompresor ne radi.	<ul style="list-style-type: none"> • Utikač za električnu mrežu nije utaknut u utičnicu električne mreže. • Uređaj se nalazi u ciklusu odmrzavanja. 	<ul style="list-style-type: none"> • Priključite utikač za električnu mrežu. • To je normalno za automatsko odmrzavanje.
Uređaj se često pokreće ili radi predugo.	<ul style="list-style-type: none"> • Unutarnja ili vanjska temperatura previsoka je. • Uređaj je bio bez napajanja neko vrijeme. • Vrata uređaja nisu dobro zatvorena. • Vrata su otvarana prečesto ili predugo. • Postavka temperature za odjeljak zamrzivača je preniska. • Brtva vrata je prljava, istrošena, napuknuta ili nepravilno postavljena. • Potrebna cirkulacija zraka nije osigurana. 	<ul style="list-style-type: none"> • U tom je slučaju normalno da uređaj radi dulje. • Obično je potrebno 8 do 12 sati da se uređaj u potpunosti ohladi. • Zatvorite vrata i pobrinite se da se uređaj nalazi na ravnoj površini i da hrana ili spremnik ne blokiraju vrata. • Ne otvarajte vrata prečesto. • Povećavajte temperaturu dok ne dosegnete zadovoljavajuću vrijednost. Potrebno je 24 sata da se temperatura u hladnjaku stabilizira. • Očistite brtvu vrata ili je zamijenite u službi za korisnike. • Osigurajte odgovarajuću ventilaciju.
Unutrašnjost hladnjaka je prljava i/ili smrdi.	<ul style="list-style-type: none"> • Unutrašnjost hladnjaka treba očistiti. • Hrana snažnog mirisa čuva se u hladnjaku. 	<ul style="list-style-type: none"> • Očistite unutrašnjost hladnjaka. • Temeljito oмотajte hranu.

Problem	Mogući uzrok	Moguće rješenje
U unutrašnjosti uređaja nije dovoljno hladno.	<ul style="list-style-type: none"> • Temperatura je postavljena na previsoku vrijednost. • Skladište se pretople namirnice. • Istodobno je pohranjeno previše hrane. • Namirnice su preblizu jedna drugoj. • Vrata uređaja nisu dobro zatvorena. • Vrata su otvarana prečesto ili predugo. 	<ul style="list-style-type: none"> • Resetirajte temperaturu. • Uvijek ohladite namirnice prije nego ih pohranite. • Uvijek pohranite manju količinu hrane. • Ostavite razmak između nekoliko namirnica kako bi zrak mogao strujati. • Zatvorite vrata. • Ne otvarajte vrata prečesto.
U unutrašnjosti uređaja je prehladno.	<ul style="list-style-type: none"> • Temperatura je postavljena na prenisku vrijednost. • Funkcija Super-Cool/ Super-Freeze je aktivirana ili radi predugo. 	<ul style="list-style-type: none"> • Resetirajte temperaturu. • Isključite funkciju Super-Cool /Super-Freeze.
Stvaranje vlage u unutrašnjosti odjeljka hladnjaka.	<ul style="list-style-type: none"> • Klima je previše topla ili previše vlažna. • Vrata uređaja nisu dobro zatvorena. • Vrata su otvarana prečesto ili predugo. • Otvoreni su spremnici hrane ili tekućine. 	<ul style="list-style-type: none"> • Povećajte temperaturu. • Zatvorite vrata. • Ne otvarajte vrata prečesto. • Pričekajte da se vruća hrana ohladi na sobnu temperaturu i pokrijte hranu i tekućine.
Vlaga se nakuplja na vanjskoj površini hladnjaka ili između vrata.	<ul style="list-style-type: none"> • Klima je previše topla ili previše vlažna. • Vrata nisu čvrsto zatvorena. Kondenziraju se hladan zrak u uređaju i topao zrak vani. 	<ul style="list-style-type: none"> • Ovo je uobičajeno u vlažnoj klimi i promijenit će se kada se vlažnost smanji. • Pobrinite se da su vrata dobro zatvorena.
Mnogo leda i mraz u odjeljku zamrzivača.	<ul style="list-style-type: none"> • Hrana nije primjereno zapakirana. • Ladica ili vrata uređaja nisu dobro zatvorena. • Vrata su otvarana prečesto ili predugo. • Brtva vrata je prljava, istrošena, napuknuta ili nepravilno postavljena. • Nešto u unutrašnjosti onemogućava pravilno zatvaranje vrata. 	<ul style="list-style-type: none"> • Dobro zapakirajte hranu. • Zatvorite vrata/ladicu. • Ne otvarajte vrata prečesto. • Očistite brtve vrata ili ih zamijenite novima. • Premjestite police, police na vratima ili unutarnje spremnike kako bi se vrata mogla zatvoriti.

Problem	Mogući uzrok	Moguće rješenje
Uređaj proizvodi neobične zvukove.	<ul style="list-style-type: none"> • Uređaj se ne nalazi na ravnom tlu. • Uređaj dodiruje neki predmet u svojoj okolini. 	<ul style="list-style-type: none"> • Podesite nožice za niveliranje uređaja. • Uklonite predmete oko uređaja.
Čuje se blagi zvuk, sličan tekućoj vodi.	<ul style="list-style-type: none"> • Ovo je normalno. 	<ul style="list-style-type: none"> • -
Čut ćete zvučni signal alarma.	<ul style="list-style-type: none"> • Vrata su otvorena. 	<ul style="list-style-type: none"> • Zatvorite vrata.
Čut ćete slabo zujanje.	<ul style="list-style-type: none"> • Radi sustav za sprječavanje kondenzacije. 	<ul style="list-style-type: none"> • Time se sprječava kondenzacija i to je normalna pojava.
Unutarnji sustav osvjetljenja ili rashlađivanja ne radi.	<ul style="list-style-type: none"> • Utikač za električnu mrežu nije utaknut u utičnicu električne mreže. • Napajanje nije potpuno ispravno. • LED žarulja neispravna je. 	<ul style="list-style-type: none"> • Priključite utikač za električnu mrežu. • Provjerite dovod električne energije u prostoriju. Nazovite lokalnu tvrtku za električnu energiju! • Nazovite službu radi promjene žarulje.
Bočne strane ormarića i trake vrata zagrijavaju se.	<ul style="list-style-type: none"> • Ovo je normalno. 	<ul style="list-style-type: none"> • -
Iz dozatora za vodu ne izlazi voda	<ul style="list-style-type: none"> • Zaključavanje nije deaktivirano. 	<ul style="list-style-type: none"> • Deaktivirajte bravu.

9.2 Prekid napajanja

U slučaju nestanka struje, hrana bi trebala ostati hladna oko 5 sati. Slijedite ove savjete tijekom dužeg prekida napajanja, posebice ljeti:

- ▶ Otvarajte vrata/ladicu što je rjeđe moguće.
- ▶ Ne stavljajte dodatnu hranu u uređaj tijekom prekida napajanja.
- ▶ Ako ste prethodno obaviješteni o prekidu napajanja, a prekida traje dulje od 5 sati, napravite malo leda i stavite ga u spremnik u gornjem dijelu odjeljka hladnjaka.
- ▶ Odmah nakon prekida napajanja potrebno je pregledati namirnice.
- ▶ Kako temperatura u hladnjaka raste tijekom prekida napajanja ili drugog kvara, smanjuje se razdoblje skladištenja i kvaliteta jestive hrane. Hrana koja se odmrzne treba se konzumirati ili skuhati i ponovno zamrznuti (ako je primjereno) kako bi se spriječili rizici po zdravlje.



Obavijest: Funkcija memorije tijekom prekida napajanja

Nakon povratka napajanja, uređaj nastavlja raditi na postavkama podešenima prije prekida napajanja.

10.1 Raspakiranje

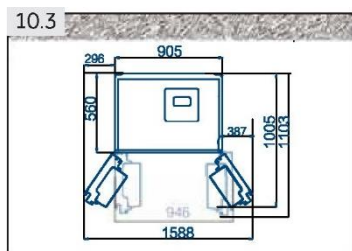


UPOZORENJE!

- ▶ Uređaj je težak. Njime moraju rukovati barem dvije osobe.
- ▶ Ambalažu čuvajte izvan dohvata djece i zbrinite ju na ekološki prihvatljiv način.
- ▶ Izvadite uređaj iz ambalaže.
- ▶ Uklonite svu ambalažu, uključujući prozirnu zaštitnu foliju.

10.2 Uvjeti u okolini

Sobna temperatura mora biti stalno između 16 °C i 43 °C jer može utjecati na temperaturu unutar uređaja i njegovu potrošnju energije. Ne ugrađujte uređaj blizu drugih uređaja koji zrače toplinu (pećnice, hladnjaci) bez izolacije.

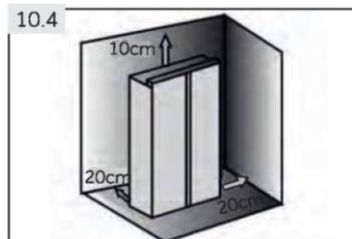


10.3 Potrebni prostor

Potrebni prostor za otvaranje vrata (sl. 10.3):

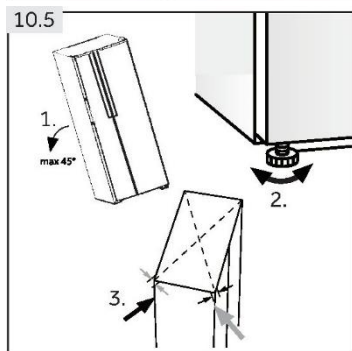
Širina uređaja: 1588 mm

Dubina uređaja: 1103 mm



10.4 Poprečni presjek ventilacijskog otvora

Kako bi se postigla dostatna ventilacija uređaja iz sigurnosnih razloga, moraju se poštivati informacije o potrebnom poprečnom presjeku ventilacijskih otvora (slika 10.4).



10.5 Poravnavanje uređaja

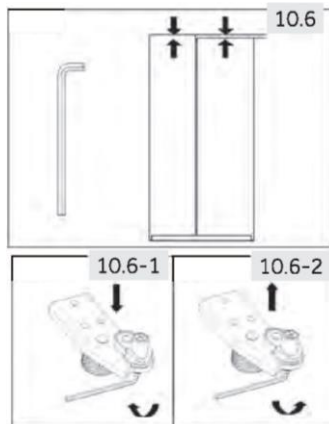
Uređaj treba postaviti na ravnu i čvrstu površinu.

1. Malo nagnite uređaj unatrag (sl. 10.5).
2. Podesite nožice na željenu razinu.
Provjerite je li zid na stranama šarki udaljen najmanje 5 cm.
3. Stabilnost se može provjeriti naizmjeničnim udarcima po dijagonalama. Uređaj se smije ljuljati u jednakoj mjeri u oba smjera. U suprotnom se može iskriviti okvir, što može dovesti do propuštanja brtvi na vratima. Mali otklon unatrag olakšava zatvaranje vrata.

10.6 Fino namještanje vrata

Ako vrata i dalje nisu u istoj razini nakon niveliranja nožicama, ta se neusklađenost može otkloniti okretanjem osovine za podizanje šarke u desnom donjem kutu vrata hladnjaka upotrebom ključa (Sl. 10.6)

- ▶ Ključem okrenite vratilo za podizanje udesno na donju visinu vrata (Sl. 10.6-1).
- ▶ Ključem okrenite vratilo za podizanje ulijevo na visinu vrata (Sl. 10.6-2).

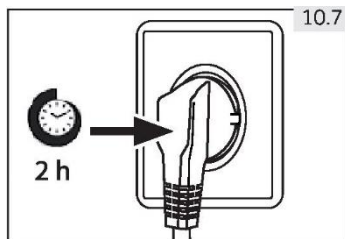


UPOZORENJE!

Nemojte prekomjerno podesiti vratilo za podizanje šarke na visinu zbog koje bi osovina mogla napusti svoj izvorni zaključani položaj. (Podesivi raspon visine: 3 mm)

10.7 Vrijeme čekanja

Ulje za podmazivanje bez održavanja nalazi se u kapsuli kompresora. Ovo ulje može proći kroz zatvoreni sustav cijevi tijekom transporta u nagnutom položaju. Prije spajanja uređaja na napajanje pričekajte najmanje 2 sata (Sl. 10.7) kako bi se ulje vratilo u kapsulu.



10.8 Spajanje električnih priključaka

Prije svakog spajanja provjerite:

- ▶ Jesu li napajanje, utičnica i osigurač u skladu s natpisnom pločicom.
- ▶ Je li utičnica uzemljena i da nema produžnog kabela s više utikača.
- ▶ Jesu li utikač i utičnica strogo usklađeni.

Spojite utikač na propisno ugrađenu utičnicu za kućanstvo.



UPOZORENJE!

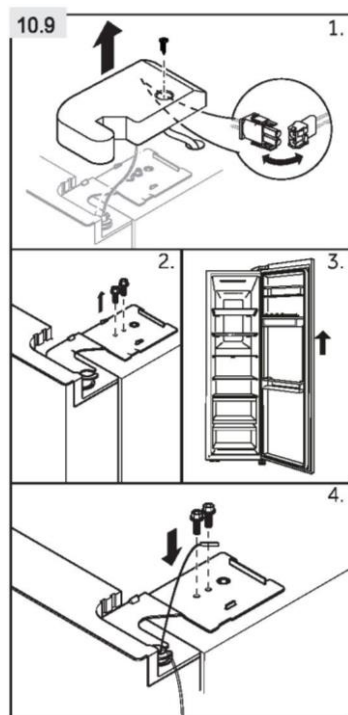
Kako biste izbjegli opasnosti, oštećeni kabel napajanja mora zamijeniti služba za korisnike (pogledajte jamstveni list).

10.9 Uklanjanje i postavljanje vrata i upute za ugradnju u nastavku (SI. 10.9)

U slučaju da trebate ukloniti vrata uređaja, slijedite upute za uklanjanje i postavljanje vrata koje slijede nastavku (SI. 10.9)

**UPOZORENJE!**

- ▶ Prije bilo kakvih radova, deaktivirajte uređaj i odvojite mrežni utikač od mrežne utičnice.
- ▶ Uređaj je težak. Njime moraju rukovati barem dvije osobe.
- ▶ Uređaj nemojte naginjati više od 45 ° stupnjeva i nemojte ga postavljati vodoravno na tlo



1. 1. Otpustite vijak poklopca šarke i uklonite poklopac. Otpustite priključak kabela.

2. 2. Odvrtite vijke koji drže gornju šarku na mjestu pa uklonite šarku.


3. 3. Podignite vrata odjeljka hladnjaka kako biste ih uklonili.

4. 4. Vrata vratite provođenjem koraka obrnutim redosljedom. Provjerite hoće kabel za uzemljenje biti učvršćen vijkom.

**Obavijest: Vrata hladnjaka**

Na slikama je prikazano uklanjanje vrata odjeljka zamrzivača. Za vrata hladnjaka upotrijebite odgovarajuće dijelove s druge strane

11.1 List s podacima o proizvodu prema uredbi EU br. 1060/2010

Zaštitni znak	Haier
Identifikacijska oznaka modela	HSR3918FNP*
Kategorija modela	Hladnjak-zamrzivač
Razred energetske učinkovitosti	A+
Godišnja potrošnja energije (kWh godišnje) ⁽¹⁾	399
Skladišni volumen za hlađenje (L)	337
Skladišni volumen za zamrzavanje (L) ****	167
Ocjena u zvjezdicama	
Temperatura drugih odjeljaka > 14 °C	Nije primjenjivo
Sustav bez zamrzavanja	Da
Vrijeme porasta temperature (h)	5
Kapacitet zamrzavanja (kg / 24 h)	10
Klimatski razred	
Ovaj je uređaj namijenjen za upotrebu na sobnoj temperaturi između 10 °C i 43 °C.	SN-N-ST-T
Emisije akustične buke u zraku (dB(A) re 1pW)	38
Vrsta konstrukcije	Samostojeća

na temelju standardnih rezultata ispitivanja tijekom 24 sata. Stvarna potrošnja energije ovisi o tome kako se uređaj koristi i gdje se nalazi.

11.1.1 Dodatni tehnički podaci

Napon / frekvencija	220 - 240 V ~ / 50 Hz
Ulazna snaga (W)	200
Glavni osigurač (A)	15
Rashladno sredstvo	R600a
Mjere (V/Š/D u mm)	1775/908/647

11.1.2 Standardi i direktive

Proizvod udovoljava zahtjevima svih primjenjivih direktiva EZ-a s odgovarajućim usklađenim normama na temelju kojih se dobiva CE oznaka.

Preporučujemo službu za korisnike tvrtke Haier i korištenje originalnih rezervnih dijelova. Ako imate problema s uređajem, prvo pogledajte odjeljak RJEŠAVANJE PROBLEMA.

Ako tamo ne možete pronaći rješenje, obratite se

- ▶ vašem lokalnom distributeru ili
- ▶ u području za servis i podršku na web-mjestu www.haier.com potražite telefonske brojeve i česta pitanja - tamo možete aktivirati zahtjev za servisom.

Da biste stupili u kontakt s našim servisom, provjerite jesu li vam dostupni sljedeći podaci.

Te ćete podatke pronaći na nazivnoj pločici.

Model _____ Serijski broj _____

Također provjerite jamstveni list isporučen s proizvodom u slučaju da imate jamstvo.

Haier



0060524101F