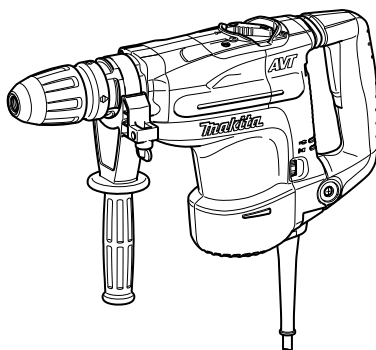
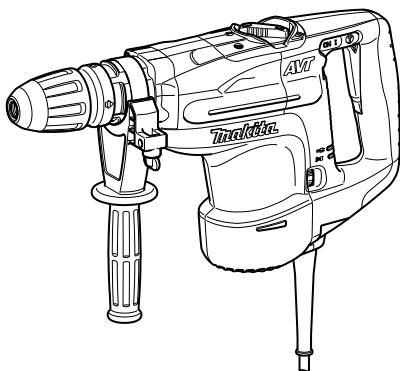
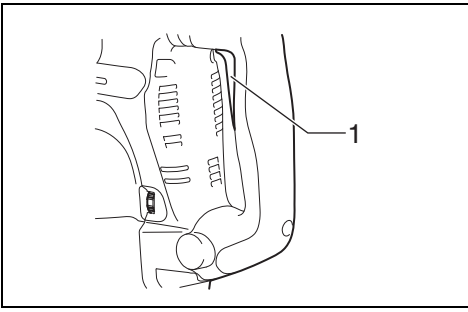




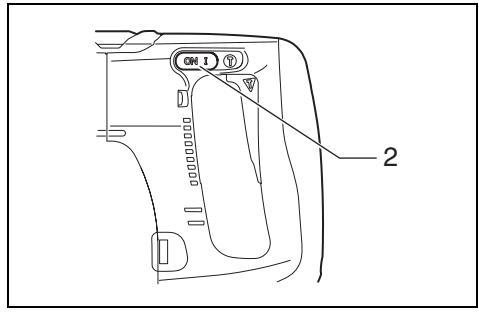
GB	Rotary Hammer	Instruction Manual
F	Perforateur	Manuel d'instructions
D	Bohrhammer	Betriebsanleitung
I	Martello rotativo	Istruzioni per l'uso
NL	Boorhamer	Gebruiksaanwijzing
E	Martillo rotativo	Manual de instrucciones
P	Martelo rotativo	Manual de instruções
DK	Borehammer	Brugsanvisning
GR	Περιστροφικό σφυρί	Οδηγίες χρήσεως

HR4001C
HR4010C
HR4011C

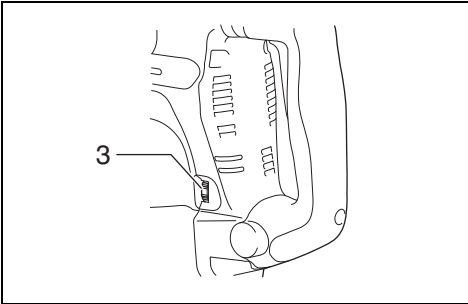




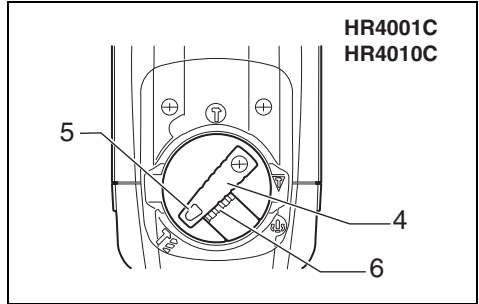
1 006307



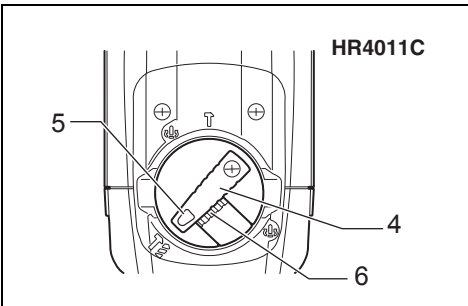
2 006308



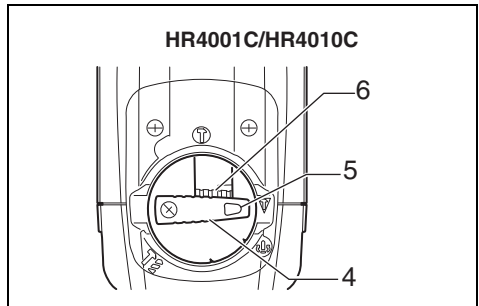
3 006334



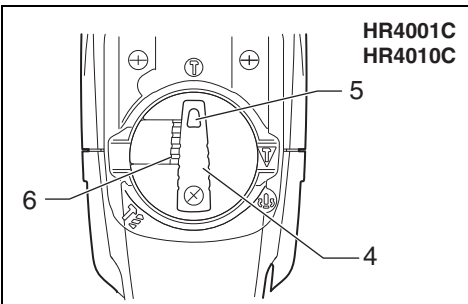
4 006309



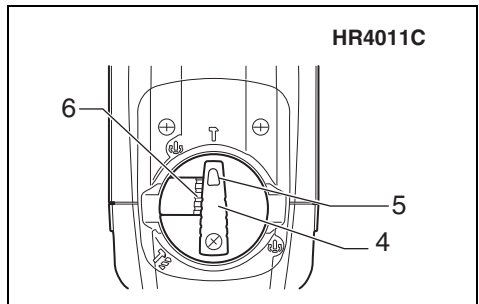
5 006310



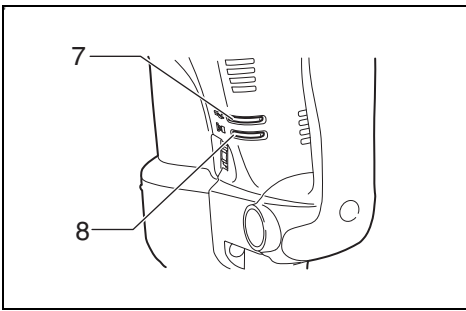
6 006311



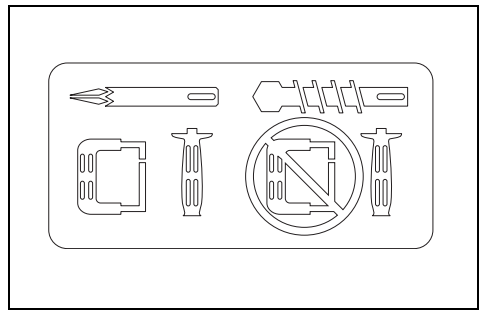
7 006313



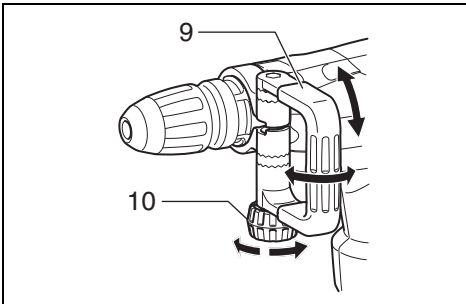
8 006312



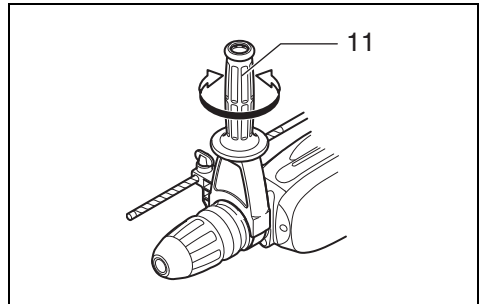
9 006314



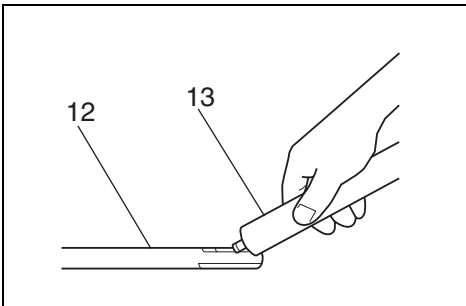
10 003139



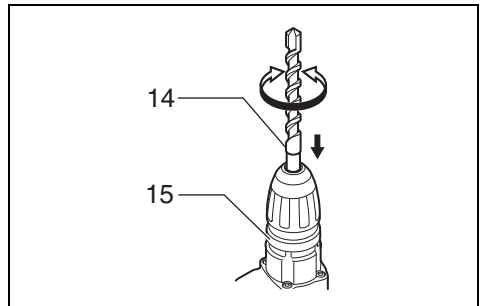
11 006315



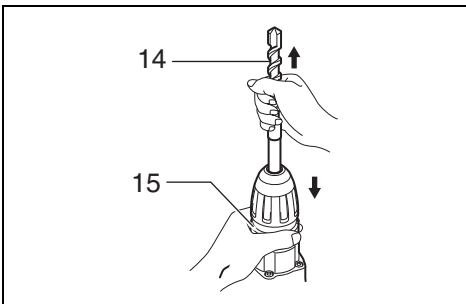
12 006316



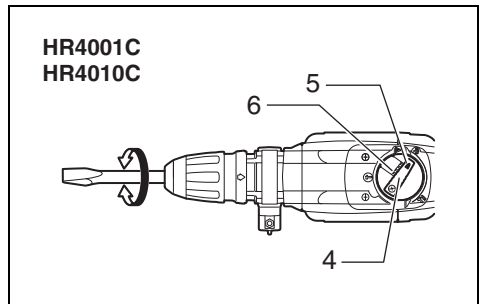
13 003150



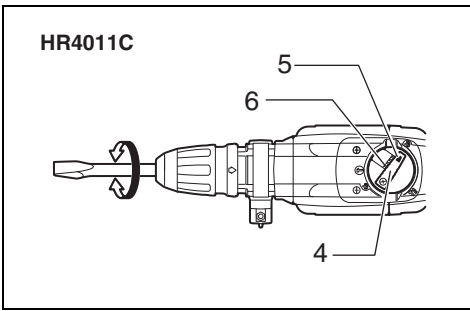
14 006318



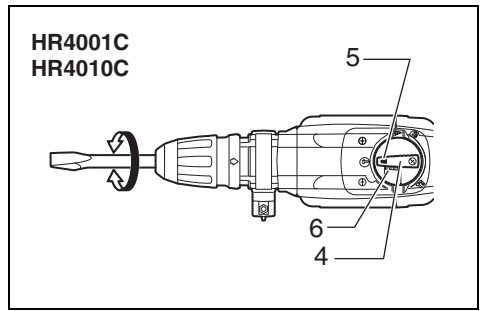
15 006333



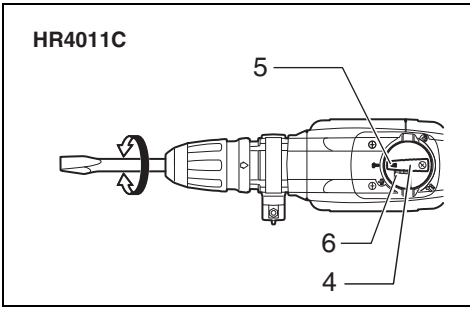
16 006319



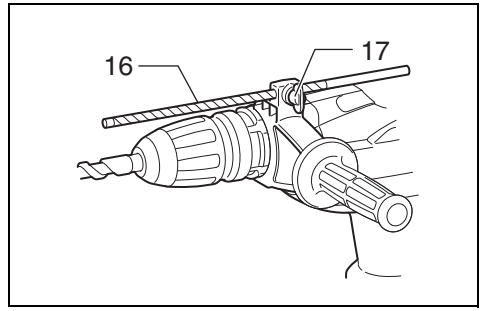
17 006320



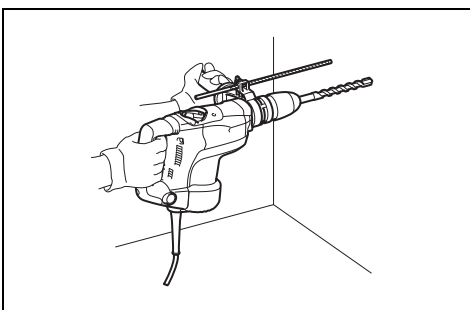
18 006321



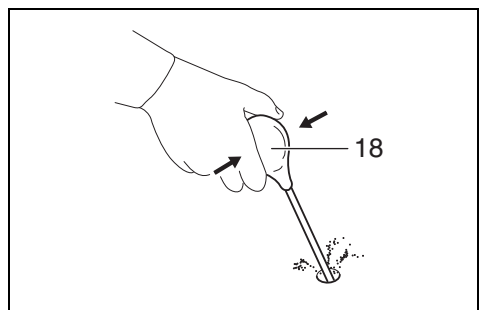
19 006322



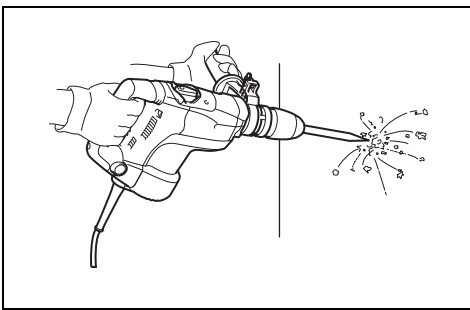
20 006323



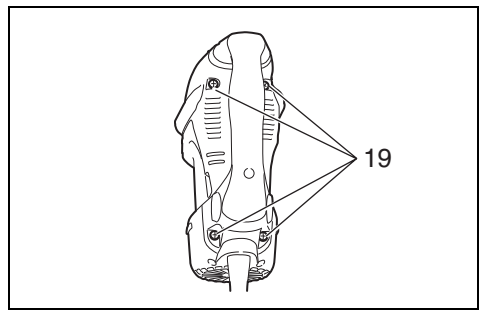
21 006324



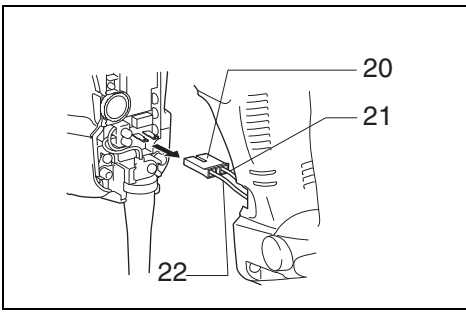
22 002449



23 006325

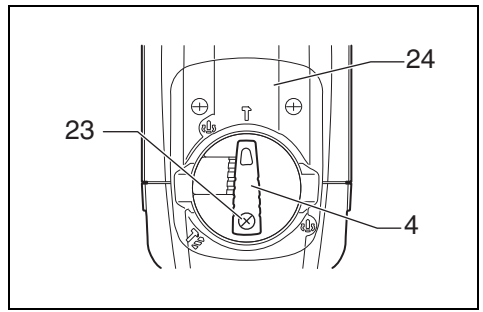


24 006326



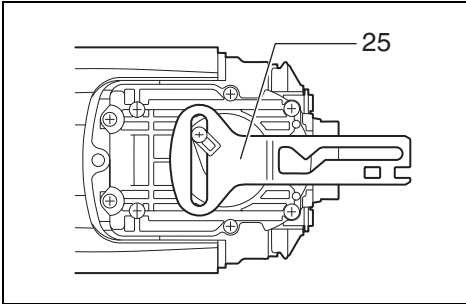
25

006327



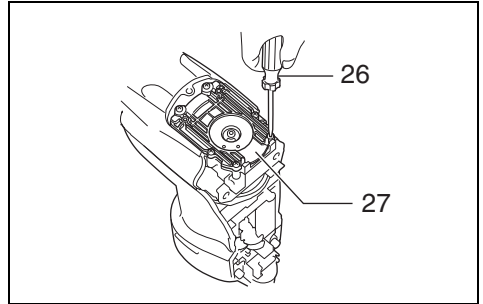
26

006328



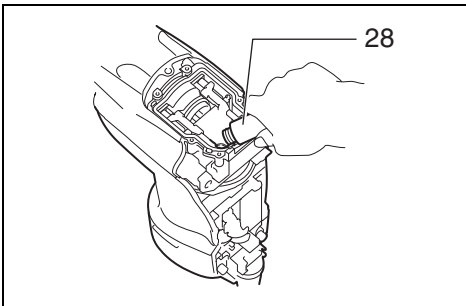
27

006329



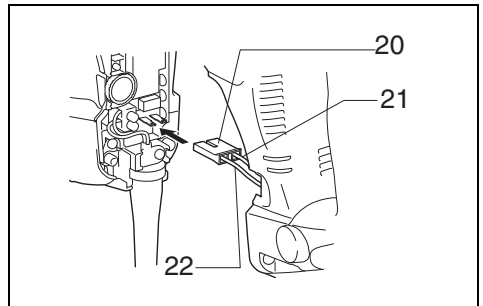
28

006330



29

006331



30

006332

Explanation of general view

1 Switch trigger	10 Clamp nut	20 Connector
2 Switch lever	11 Side grip	21 Black
3 Adjusting dial	12 Bit shank	22 White
4 Change lever	13 Bit grease	23 Screw
5 Pointer	14 Bit	24 Crank cap cover
6 Lock button	15 Chuck cover	25 Control plate
7 Power-ON indicator lamp (green)	16 Depth gauge	26 Screwdriver
8 Service indicator lamp (red)	17 Clamp screw	27 Crank cap
9 Side handle	18 Blow-out bulb	28 Hammer grease
	19 Screws	

SPECIFICATIONS

Model		HR4001C	HR4010C	HR4011C
Capacities	Carbide-tipped bit	40 mm		
	Core bit	105 mm		
No load speed (min ⁻¹)		235 – 480		
Blows per minute		1,350 – 2,750		
Overall length		468 mm		
Net weight		6.3 kg	6.7 kg	6.7 kg
Safety class		II / II		

- Due to our continuing program of research and development, the specifications herein are subject to change without notice.
- Specifications may differ from country to country.
- Weight according to EPTA-Procedure 01/2003

ENE044-1

Intended use

The tool is intended for hammer drilling in brick, concrete and stone as well as for chiselling work.

ENF002-2

Power supply

The tool should be connected only to a power supply of the same voltage as indicated on the nameplate, and can only be operated on single-phase AC supply. They are double-insulated and can, therefore, also be used from sockets without earth wire.

GEA010-1

General Power Tool Safety Warnings

⚠ WARNING Read all safety warnings and all instructions. Failure to follow the warnings and instructions may result in electric shock, fire and/or serious injury.

Save all warnings and instructions for future reference.

GEB007-7

ROTARY HAMMER SAFETY WARNINGS

1. **Wear ear protectors.** Exposure to noise can cause hearing loss.
2. **Use auxiliary handle(s), if supplied with the tool.** Loss of control can cause personal injury.
3. **Hold power tool by insulated gripping surfaces, when performing an operation where the cutting accessory may contact hidden wiring or its own cord.** Cutting accessory contacting a "live" wire may make exposed metal parts of the power tool "live" and could give the operator an electric shock.
4. **Wear a hard hat (safety helmet), safety glasses and/or face shield. Ordinary eye or sun glasses are NOT safety glasses. It is also highly recommended that you wear a dust mask and thickly padded gloves.**
5. **Be sure the bit is secured in place before operation.**
6. **Under normal operation, the tool is designed to produce vibration. The screws can come loose easily, causing a breakdown or accident. Check tightness of screws carefully before operation.**
7. **In cold weather or when the tool has not been used for a long time, let the tool warm up for a while by operating it under no load. This will loosen up the lubrication. Without proper warm up, hammering operation is difficult.**
8. **Always be sure you have a firm footing. Be sure no one is below when using the tool in high locations.**
9. **Hold the tool firmly with both hands.**
10. **Keep hands away from moving parts.**
11. **Do not leave the tool running. Operate the tool only when hand-held.**

12. Do not point the tool at any one in the area when operating. The bit could fly out and injure someone seriously.
13. Do not touch the bit or parts close to the bit immediately after operation; they may be extremely hot and could burn your skin.
14. Some material contains chemicals which may be toxic. Take caution to prevent dust inhalation and skin contact. Follow material supplier safety data.

SAVE THESE INSTRUCTIONS.

WARNING:

DO NOT let comfort or familiarity with product (gained from repeated use) replace strict adherence to safety rules for the subject product. MISUSE or failure to follow the safety rules stated in this instruction manual may cause serious personal injury.

FUNCTIONAL DESCRIPTION

CAUTION:

- Always be sure that the tool is switched off and unplugged before adjusting or checking function on the tool.

Switch action

FOR MODEL HR4011C

CAUTION:



- Before plugging in the tool, always check to see that the switch trigger actuates properly and returns to the "OFF" position when released.

To start the tool, simply pull the switch trigger. Release the switch trigger to stop. (Fig. 1)

FOR MODELS HR4010C AND HR4001C

Trigger switch


CAUTION:

- Before plugging in the tool, always check to see that the switch trigger actuates properly and returns to the "OFF" position when released.
- This switch functions when setting the tool in  symbol and  symbol modes.

To start the tool, simply pull the switch trigger. Release the switch trigger to stop. (Fig. 1)

Slide switch

CAUTION:

- Before plugging in the tool, always check to see that the tool is switched off.
- This switch functions only when setting the tool in  symbol action mode.

When using the tool in the hammering mode for a long time, the slide switch is available. To start the tool, push the "I (ON)" side of the switch lever. To stop the tool, push the "O (OFF)" side of the switch lever. (Fig. 2)

Speed change (Fig. 3)

The revolutions and blows per minute can be adjusted just by turning the adjusting dial. The dial is marked 1 (lowest speed) to 5 (full speed).

Refer to the table below for the relationship between the number settings on the adjusting dial and the revolutions/blows per minute.


Number on adjusting dial	Revolutions per minute	Blows per minute
5	480	2,750
4	440	2,550
3	360	2,050
2	270	1,550
1	230	1,350

CAUTION:

- If the tool is operated continuously at low speeds for a long time, the motor will get overloaded, resulting in tool malfunction.
- The speed adjusting dial can be turned only as far as 5 and back to 1. Do not force it past 5 or 1, or the speed adjusting function may no longer work.


Selecting the action mode

Rotation with hammering (Fig. 4 & 5)


For drilling in concrete, masonry, etc., depress the lock button and rotate the change lever so that the pointer points to the  symbol. Use a tungsten-carbide tipped bit.

Hammering only


FOR MODELS HR4001C AND HR4010C (Fig. 6)

For chipping, scaling or demolition operations, depress the lock button and rotate the change lever so that the pointer points to the  symbol. Use a bull point, cold chisel, scaling chisel, etc.

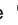
For long time hammering (FOR MODELS HR4001C AND HR4010C ONLY) (Fig. 7)

For chipping, scaling or demolition operations, depress the lock button and rotate the change lever so that the pointer points to the  symbol. Use a bull point, cold chisel, scaling chisel, etc.

CAUTION:

- When using the tool in the  symbol mode, the switch trigger does not work and only the slide switch works.

FOR MODEL HR4011C (Fig. 8)

For chipping, scaling or demolition operations, depress the lock button and rotate the change lever so that the pointer points to the  symbol. Use a bull point, cold chisel, scaling chisel, etc.

CAUTION:

- Do not rotate the change lever when the tool is running under load. The tool will be damaged.
- To avoid rapid wear on the mode change mechanism, be sure that the change lever is always positively located in one of the two or three action mode positions.

Torque limiter

The torque limiter will actuate when a certain torque level is reached. The motor will disengage from the output shaft. When this happens, the bit will stop turning.

CAUTION:

- As soon as the torque limiter actuates, switch off the tool immediately. This will help prevent premature wear of the tool.

Indicator lamp (Fig. 9)

The green power-ON indicator lamp lights up when the tool is plugged in. If the indicator lamp does not light up, the mains cord or the controller may be defective. The indicator lamp is lit but the tool does not start even if the tool is switched on, the carbon brushes may be worn out, or the controller, the motor or the ON/OFF switch may be defective.

The red service indicator lamp lights up when the carbon brushes are nearly worn out to indicate that the tool needs servicing. After approx. 8 hours of use, the motor will automatically be shut off.

ASSEMBLY

CAUTION:

- Always be sure that the tool is switched off and unplugged before carrying out any work on the tool.

Side handle

CAUTION:

- Use the side handle only when chipping, scaling or demolishing. Do not use it when drilling in concrete, masonry, etc. The tool cannot be held properly with this side handle when drilling. (Fig. 10)

The side handle can be swung 360° on the vertical and secured at any desired position. It also secures at eight different positions back and forth on the horizontal. Just loosen the clamp nut to swing the side handle to a desired position. Then tighten the clamp nut securely. (Fig. 11)

Side grip (Fig. 12)

CAUTION:

- Always use the side grip to ensure operating safety when drilling in concrete, masonry, etc.

The side grip swings around to either side, allowing easy handling of the tool in any position. Loosen the side grip by turning it counterclockwise, swing it to the desired position and then tighten it by turning clockwise.

Installing or removing the bit

Clean the bit shank and apply bit grease before installing the bit. (Fig. 13)


Insert the bit into the tool. Turn the bit and push it in until it engages.

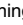
If the bit cannot be pushed in, remove the bit. Pull the chuck cover down a couple of times. Then insert the bit again. Turn the bit and push it in until it engages.

After installing, always make sure that the bit is securely held in place by trying to pull it out. (Fig. 14)

To remove the bit, pull the chuck cover down all the way and pull the bit out. (Fig. 15)

Bit angle (when chipping, scaling or demolishing)

The bit can be secured at 12 different angles. To change the bit angle, depress the lock button and rotate the change lever so that the pointer points to the  symbol. Turn the bit to the desired angle. (Fig. 16 & 17)

Depress the lock button and rotate the change lever so that the pointer points to the  symbol. Then make sure that the bit is securely held in place by turning it slightly. (Fig. 18 & 19)

Depth gauge (Fig. 20)


The depth gauge is convenient for drilling holes of uniform depth. Loosen the clamp screw and adjust the depth gauge to the desired depth. After adjusting, tighten the clamp screw firmly.

NOTE:

- The depth gauge cannot be used at the position where the depth gauge strikes against the gear housing/motor housing.

OPERATION

Hammer drilling operation (Fig. 21)

Set the change lever to the  symbol.

Position the bit at the desired location for the hole, then pull the switch trigger. Do not force the tool. Light pressure gives best results. Keep the tool in position and prevent it from slipping away from the hole.

Do not apply more pressure when the hole becomes clogged with chips or particles. Instead, run the tool at an idle, then remove the bit partially from the hole. By repeating this several times, the hole will be cleaned out and normal drilling may be resumed.


CAUTION:

- When the bit begins to break through concrete or if the bit strikes reinforcing rods embedded in concrete, the tool may react dangerously. Maintain good balance and safe footing while holding the tool firmly with both hands to prevent dangerous reaction.

Blow-out bulb (optional accessory) (Fig. 22)

After drilling the hole, use the blow-out bulb to clean the dust out of the hole.

Chipping/Scaling/Demolition (Fig. 23)

Set the change lever to the  symbol.

Hold the tool firmly with both hands. Turn the tool on and apply slight pressure on the tool so that the tool will not bounce around, uncontrolled. Pressing very hard on the tool will not increase the efficiency.

MAINTENANCE

CAUTION:

- Always be sure that the tool is switched off and unplugged before attempting to perform inspection or maintenance.
- Never use gasoline, benzine, thinner, alcohol or the like. Discoloration, deformation or cracks may result.

Lubrication

CAUTION:

- This servicing should be performed by Makita Authorized or Factory Service Centers only.

This tool requires no hourly or daily lubrication because it has a grease-packed lubrication system. Lubricate the tool every time the carbon brushes are replaced.

Run the tool for several minutes to warm it up. Switch off and unplug the tool.

Loosen the four screws and remove the handle. Note that the top screws are different from other screws. **(Fig. 24)** Disconnect the connector by pulling them. **(Fig. 25)**

Loosen the screws and remove the change lever.

Remove the crank cap cover. **(Fig. 26)**

Remove the control plate. (Except for model HR4011C.)

(Fig. 27)

Loosen the six screws with a screwdriver and remove the crank cap. Rest the tool on the table with the bit end pointing upwards. This will allow the old grease to collect inside the crank housing. **(Fig. 28)**

Wipe out the old grease inside and replace with a fresh grease (60 g). Use only Makita genuine hammer grease (optional accessory). Filling with more than the specified amount of grease (approx. 60 g) can cause faulty hammering action or tool failure. Fill only with the specified amount of grease.

Reinstall the crank cap and tighten with the screwdriver.

(Fig. 29)

Connect the connector and reinstall the handle. **(Fig. 30)**

CAUTION:

- Do not tighten the crank cap excessively. It is made of resin and is subject to breakage.
- Be careful not to damage the connector or lead wires especially when wiping out the old grease or installing the handle.

To maintain product SAFETY and RELIABILITY, repairs, any other maintenance or adjustment should be performed by Makita Authorized Service Centers, always using Makita replacement parts.

OPTIONAL ACCESSORIES

CAUTION:

- These accessories or attachments are recommended for use with your Makita tool specified in this manual. The use of any other accessories or attachments might present a risk of injury to persons. Only use accessory or attachment for its stated purpose.

If you need any assistance for more details regarding these accessories, ask your local Makita service center.

- SDS-MAX Carbide tipped bits
- SDS-MAX bull point
- SDS-MAX cold chisel
- SDS-MAX scaling chisel
- SDS-MAX tile chisel
- SDS-MAX clay spade
- Hammer grease
- Bit grease
- Side handle
- Side grip
- Depth gauge
- Blow-out bulb
- Safety goggle
- Carrying case

NOTE

- Some items in the list may be included in the tool package as standard accessories. They may differ from country to country.

Noise

The typical A-weighted noise level determined according to EN60745:

Model HR4001C

Sound pressure level (L_{pA}): 92 dB (A)
 Sound power level (L_{WA}): 103 dB (A)
 Uncertainty (K): 3 dB (A)

Model HR4010C, HR4011C

Sound pressure level (L_{pA}): 90 dB (A)
 Sound power level (L_{WA}): 101 dB (A)
 Uncertainty (K): 3 dB (A)

Wear ear protection

ENG900-1

Vibration

The vibration total value (tri-axial vector sum) determined according to EN60745:

Model HR4001C

Work mode: chiseling
 Vibration emission (a_h, C_{Heq}): 10.5 m/s²
 Uncertainty (K): 2.0 m/s²

Work mode: chiseling function with side grip
 Vibration emission (a_h, C_{Heq}): 10.0 m/s²
 Uncertainty (K): 2.5 m/s²

Work mode: hammer drilling into concrete
 Vibration emission (a_h, H_D): 12.5 m/s²
 Uncertainty (K): 1.5 m/s²

Model HR4010C

Work mode: chiseling
 Vibration emission (a_h, C_{Heq}): 7.0 m/s²
 Uncertainty (K): 1.5 m/s²

Work mode: chiseling function with side grip
 Vibration emission (a_h, C_{Heq}): 8.0 m/s²
 Uncertainty (K): 1.5 m/s²

Work mode: hammer drilling into concrete
 Vibration emission (a_h, H_D): 9.0 m/s²
 Uncertainty (K): 1.5 m/s²

Model HR4011C

Work mode: chiseling
 Vibration emission (a_h, C_{Heq}): 6.5 m/s²
 Uncertainty (K): 1.5 m/s²

Work mode: chiseling function with side grip
 Vibration emission (a_h, C_{Heq}): 6.5 m/s²
 Uncertainty (K): 1.5 m/s²

Work mode: hammer drilling into concrete
 Vibration emission (a_h, H_D): 7.5 m/s²
 Uncertainty (K): 1.5 m/s²

ENG901-1

- The declared vibration emission value has been measured in accordance with the standard test method and may be used for comparing one tool with another.
- The declared vibration emission value may also be used in a preliminary assessment of exposure.

WARNING:

- The vibration emission during actual use of the power tool can differ from the declared emission value depending on the ways in which the tool is used.
- Be sure to identify safety measures to protect the operator that are based on an estimation of exposure in the actual conditions of use (taking account of all parts of the operating cycle such as the times when the tool is switched off and when it is running idle in addition to the trigger time).

For European countries only**EC Declaration of Conformity**

We Makita Corporation as the responsible manufacturer declare that the following Makita machine(s):

Designation of Machine: Rotary Hammer
 Model No./ Type: HR4001C, HR4010C, HR4011C
 are of series production and

Conforms to the following European Directives:
 2006/42/EC

And are manufactured in accordance with the following standards or standardised documents:
 EN60745

The technical documentation is kept by our authorized representative in Europe who is:

Makita International Europe Ltd.
 Michigan Drive, Tongwell,
 Milton Keynes, Bucks MK15 8JD, England

30.1.2009



Tomoyasu Kato
 Director

Makita Corporation
 3-11-8, Sumiyoshi-cho,
 Anjo, Aichi, 446-8502, JAPAN

Descriptif

1 Gâchette	10 Écrou de serrage	20 Connecteur
2 Levier de l'interrupteur	11 Manche latéral	21 Noire
3 Cadran de réglage	12 Queue du foret	22 Blanche
4 Levier de changement	13 Graisse à foret	23 Vis
5 Index	14 Foret	24 Couvercle du capuchon de manivelle
6 Bouton de verrouillage	15 Couvercle du mandrin	25 Plaque de commande
7 Voyant de mise sous tension (vert)	16 Jauge de profondeur	26 Tournevis
8 Voyant de service (rouge)	17 Vis de serrage	27 Capuchon de manivelle
9 Poignée latérale	18 Poire soufflante	28 Graisse à marteau
	19 Vis	

SPÉCIFICATIONS

Modèle		HR4001C	HR4010C	HR4011C
Capacités	Foret au carbure	40 mm		
	Trépan	105 mm		
Vitesse à vide (min ⁻¹)		235 – 480		
Cadence de frappe/mn		1 350 – 2 750		
Longueur hors tout		468 mm		
Poids net		6,3 kg	6,7 kg	6,7 kg
Niveau de sécurité		☐ / II		

- Étant donné l'évolution constante de notre programme de recherche et de développement, les spécifications contenues dans ce manuel sont sujettes à modification sans préavis.
- Les spécifications peuvent varier suivant les pays.
- Poids selon la procédure EPTA 01/2003

ENE044-1

Utilisations

L'outil est conçu pour être utilisé en tant que marteau perforateur pour la brique, le béton et la pierre, ainsi que pour les travaux de défoncement.

ENF002-2

Alimentation

L'outil ne devra être raccordé qu'à une alimentation de la même tension que celle qui figure sur la plaque signalétique, et il ne pourra fonctionner que sur un courant secteur monophasé. Réalisé avec une double isolation, il peut de ce fait être alimenté sans mise à la terre.

GEA010-1

Consignes de sécurité générales pour outils électriques

⚠ MISE EN GARDE Veuillez lire toutes les mises en garde et toutes les instructions. Il y a risque de choc électrique, d'incendie et/ou de blessure grave si les mises en garde et les instructions ne sont pas respectées.

Conservez toutes les mises en garde et instructions pour référence ultérieure.

GEB007-7

CONSIGNES DE SÉCURITÉ POUR LE MARTEAU PERFORATEUR

- 1. Portez des protections d'oreilles.** L'exposition au bruit peut entraîner la surdité.
- 2. Utilisez la ou les poignée(s) auxiliaire(s), si l'outil en possède.** Toute perte de maîtrise de l'outil comporte un risque de blessure.
- 3. Saisissez l'outil électrique par ses surfaces de poigne isolées lorsque vous effectuez des travaux au cours desquels l'accessoire tranchant peut entrer en contact avec des fils cachés ou avec le cordon d'alimentation de l'outil.** Le contact de l'accessoire tranchant avec un fil sous tension peut également mettre sous tension les parties métalliques exposées de l'outil électrique, causant ainsi un choc électrique chez l'utilisateur.
- 4. Portez une coiffure résistante (un casque de sécurité), ainsi que des lunettes de sûreté et/ou un masque de protection. Les lunettes ordinaires et les lunettes de soleil NE sont PAS des lunettes de sûreté. Nous vous recommandons aussi vivement de porter un masque antipoussières et des gants très épais.**
- 5. Assurez-vous que le foret est bien serré avant d'utiliser l'outil.**
- 6. L'outil est conçu pour produire des vibrations dans des conditions normales d'utilisation. Les vis peuvent facilement se desserrer et entraîner une panne ou un accident. Avant l'utilisation, vérifiez soigneusement que les vis sont bien serrées.**

7. Par temps froid ou lorsque l'outil est resté inutilisé pendant une longue période, faites-le réchauffer pendant quelques minutes en le faisant fonctionner à vide. Cela réchauffera le lubrifiant. Sans un réchauffement adéquat, le martelage s'effectue difficilement.
8. Assurez-vous toujours de travailler en position stable.
Lorsque vous utilisez l'outil dans un endroit élevé, assurez-vous qu'il n'y a personne en bas.
9. Tenez l'outil fermement à deux mains.
10. Gardez les mains éloignées des pièces en mouvement.
11. Ne vous éloignez pas en laissant l'outil tourner. Ne le faites fonctionner que lorsque vous l'avez bien en main.
12. Ne pointez l'outil vers personne autour de vous pendant l'utilisation. Le foret pourrait être éjecté et blesser quelqu'un grièvement.
13. Ne touchez pas le foret ou les parties situées près du foret immédiatement après l'utilisation ; ils peuvent être extrêmement chauds et brûler votre peau.
14. Certains matériaux contiennent des produits chimiques qui peuvent être toxiques. Prenez les précautions nécessaires pour éviter que la poussière dégagée lors du travail ne soit inhalée ou n'entre en contact avec la peau. Suivez les consignes de sécurité du fournisseur du matériau.

CONSERVEZ CES INSTRUCTIONS.

AVERTISSEMENT :

NE vous laissez PAS tromper (au fil d'une utilisation répétée) par un sentiment d'aisance et de familiarité avec le produit, en négligeant le respect rigoureux des consignes de sécurité qui accompagnent le produit en question. La MAUVAISE UTILISATION de l'outil ou l'ignorance des consignes de sécurité indiquées dans ce manuel d'instructions peut entraîner une blessure grave.

DESCRIPTION DU FONCTIONNEMENT

ATTENTION :

- Vérifiez toujours que l'outil est hors tension et débranché avant de l'ajuster ou de vérifier son fonctionnement.

Interrupteur

POUR LE MODÈLE HR4011C

ATTENTION :



- Avant de brancher l'outil, assurez-vous toujours que la gâchette fonctionne correctement et revient en position d'arrêt une fois relâchée.

Pour faire démarrer l'outil, appuyez simplement sur la gâchette. Pour l'arrêter, relâchez la gâchette. (Fig. 1)

POUR LES MODÈLES HR4010C ET HR4001C

Gâchette

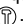
ATTENTION :

- Avant de brancher l'outil, assurez-vous toujours que la gâchette fonctionne correctement et revient en position d'arrêt une fois relâchée.
- Cet interrupteur fonctionne lorsque l'outil est réglé sur le symbole de mode  et le symbole de mode .

Pour faire démarrer l'outil, appuyez simplement sur la gâchette. Pour l'arrêter, relâchez la gâchette. (Fig. 1)

Interrupteur à glissière

ATTENTION :

- Avant de brancher l'outil, vérifiez toujours que l'outil est hors tension.
- Cet interrupteur n'est opérant que lorsque l'outil est réglé sur le symbole de mode .

L'interrupteur à glissière est disponible pour utiliser l'outil en mode de martelage pour une période prolongée. Pour mettre l'outil en marche, appuyez sur le côté "I (marche)" du levier de l'interrupteur. Pour arrêter l'outil, appuyez sur le côté "O (arrêt)" du levier de l'interrupteur. (Fig. 2)

Changement de vitesse (Fig. 2)

Il est possible de régler le nombre de rotations et de frappes par minute simplement en tournant le cadran de réglage. Le cadran est gradué de 1 (vitesse la plus lente) à 5 (vitesse la plus rapide).

Pour connaître le rapport entre les graduations du cadran et le nombre de rotations/frappes par minute, consultez le tableau ci-dessous.


Graduations du cadran de réglage	Rotations par minute	Frappes par minute
5	480	2 750
4	440	2 550
3	360	2 050
2	270	1 550
1	230	1 350

ATTENTION :

- Si l'outil est utilisé de manière continue à vitesse réduite sur une période prolongée, le moteur sera surchargé et cela entraînera un mauvais fonctionnement de l'outil.
- Le cadran de réglage de la vitesse ne peut pas dépasser le 5 et le 1. Ne le forcez pas à dépasser le 5 ou le 1, sinon la fonction de réglage de la vitesse risque de ne plus fonctionner.


Sélection du mode de fonctionnement

Rotation avec martelage (Fig. 4 et 5)


Pour percer du béton, de la maçonnerie, etc., appuyez sur le bouton de verrouillage et tournez le levier de changement de façon que l'index soit dirigé sur le symbole . Utilisez un foret à pointe au carbure de tungstène.

Martelage seulement

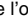
POUR LES MODÈLES HR4001C ET HR4010C (Fig. 6)

Pour le burinage, l'écaillage ou la démolition, enfoncez le bouton de verrouillage et tournez le levier de changement de mode de sorte que l'index pointe sur le symbole . Utilisez un pic, un ciseau à froid, un ciseau à écailler, etc.

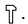
Pour la martelage d'une période prolongée (POUR LES MODÈLES HR4001C ET HR4010C SEULEMENT) (Fig. 7)

Pour le burinage, l'écaillage ou la démolition, enfoncez le bouton de verrouillage et tournez le levier de changement de mode de sorte que l'index pointe sur le symbole . Utilisez un pic, un ciseau à froid, un ciseau à écailler, etc.

ATTENTION :

- Lorsque l'outil est réglé sur le symbole de mode , la gâchette ne fonctionne pas. Seule l'interrupteur à glissière fonctionne.

POUR LE MODÈLE HR4011C (Fig. 8)

Pour le burinage, l'écaillage ou la démolition, enfoncez le bouton de verrouillage et tournez le levier de changement de mode de sorte que l'index pointe sur le symbole . Utilisez un pic, un ciseau à froid, un ciseau à écailler, etc.

ATTENTION :

- Ne tournez pas le levier de changement pendant que l'outil fonctionne. Vous endommageriez l'outil.
- Pour éviter que le mécanisme de changement de mode ne s'use rapidement, vous devez toujours vous assurer que le levier de changement de mode est placé avec exactitude sur une des deux ou trois positions de mode.

Limiteur de couple

Le limiteur de couple se déclenche lorsqu'un certain niveau de couple est atteint. Le moteur se désaccouple du porte-outil. Dans ce cas, le foret cesse de tourner.

ATTENTION :

- Coupez le contact dès que le limiteur de couple se déclenche. Ceci permettra d'éviter toute usure prématurée de l'outil.

Voyant (Fig. 9)

Le voyant vert de mise sous tension s'allume lorsque l'outil est branché. Si le voyant ne s'allume pas, le cordon d'alimentation ou le circuit électrique est peut-être défectueux. Si le voyant est allumé mais que l'outil ne démarre pas même si vous activez la gâchette, les charbons sont peut-être usés, ou bien le circuit électrique, le moteur ou l'interrupteur de marche/arrêt est défectueux.

Le voyant de service rouge s'allume lorsque les charbons sont presque complètement usés, pour indiquer que vous devez les remplacer. Après environ 8 heures d'utilisation, le moteur s'arrête automatiquement.

ASSEMBLAGE

ATTENTION :

- Avant toute intervention, assurez-vous toujours que le contact est coupé et l'outil débranché.

Poignée latérale

ATTENTION :

- N'utilisez la poignée latérale que pour un burinage, un écaillage ou des travaux de démolition. Ne l'utilisez pas pour des travaux de perçage dans le béton, ou la maçonnerie, etc. Vous n'aurez pas l'outil bien en main si vous utilisez cette poignée pour percer. (Fig. 10)

La poignée latérale peut tourner de 360° à la verticale et se fixer sur n'importe quelle position. Elle se fixe également sur huit positions différentes en avant et en arrière à l'horizontale. Il vous suffit de desserrer l'écrou de serrage pour déplacer la poignée latérale sur la position voulue. Puis, resserrez l'écrou de serrage à fond. (Fig. 11)

Manche latéral (Fig. 12)

ATTENTION :

- Pour des raisons de sécurité, le perçage dans le béton, ou la maçonnerie etc. doit toujours être pratiqué avec cette poignée.

La poignée latérale peut pivoter jusque de l'autre côté, permettant ainsi de manipuler l'outil avec aisance dans n'importe quelle position. Desserrez la poignée latérale en la faisant tourner dans le sens inverse des aiguilles d'une montre, faites-la pivoter jusqu'à la position désirée puis resserrez-la en tournant dans le sens des aiguilles d'une montre.

Installation et retrait du foret

Nettoyez la queue du foret et enduisez-la de graisse à foret avant d'installer le foret. (Fig. 13)


Insérez le foret dans l'outil. Tournez le foret puis enfoncez-le jusqu'à ce qu'il soit engagé.

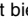
S'il n'est pas possible d'enfoncer le foret, retirez-le. Tirez vers le bas le couvercle du mandrin à quelques reprises. Réinsérez ensuite le foret. Tournez le foret puis enfoncez-le jusqu'à ce qu'il soit engagé.

Après l'installation, vérifiez toujours que le foret est solidement fixé en essayant de le sortir. (Fig. 14)

Pour retirer le foret, tirez le couvercle du mandrin à fond vers le bas puis dégagez le foret. (Fig. 15)

Orientation du foret (lors d'un burinage, d'un écaillage, ou de travaux de démolition)

Il est possible de fixer le foret sur 12 angles différents. Pour modifier l'angle du foret, enfoncez le bouton de verrouillage et tournez le levier de changement de mode de sorte que l'index pointe sur le symbole . Tournez le foret jusqu'à l'angle désiré. (Fig. 16 et 17)

Appuyez sur le bouton de verrouillage et tournez le levier de changement de façon que l'index soit dirigé sur le symbole . Puis, vérifiez que le foret est bien fixé en le tournant légèrement. (Fig. 18 et 19)

Jauge de profondeur (Fig. 20)


La jauge de profondeur est pratique pour percer des trous de même profondeur. Desserrez la vis de serrage et réglez la jauge de profondeur sur la profondeur désirée. Après le réglage, serrez la vis de serrage fermement.

NOTE :

- La jauge de profondeur ne peut pas être utilisée sur une position où elle frappe contre le carter de l'engrenage/carter du moteur.

UTILISATION

Perçage avec martelage (Fig. 21)

Réglez le levier de changement sur le symbole . Posez la pointe du foret à l'emplacement du trou à percer et pressez sur la gâchette. Ne forcez pas sur l'outil. Une pression légère vous donnera les meilleurs résultats. Maintenez bien l'outil en position et veillez qu'il ne dérape pas hors du trou.

N'augmentez pas la pression sur l'outil lorsque le trou est bouché par des copeaux ou des particules. Au contraire, laissez le moteur tourner au ralenti, puis retirez en partie le foret du trou. Si vous répétez cette opération plusieurs fois de suite, le trou se débouchera, et vous pourrez reprendre le perçage normalement.

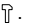
ATTENTION :

- L'outil peut réagir dangereusement lorsque le foret commence à traverser le béton ou frappe contre les armatures du béton. Gardez une bonne position d'équilibre et une prise ferme au sol, et tenez l'outil fermement à deux mains pour prévenir toute réaction dangereuse.

Poire soufflante (accessoire en option) (Fig. 22)

Une fois le trou percé, utilisez la poire soufflante pour retirer la poussière du trou.

Burinage / Ecaillage / Démolition (Fig. 23)

Réglez le levier de changement sur le symbole . Tenez votre outil fermement à deux mains. Mettez le contact et appliquez une légère pression sur l'outil de façon qu'il ne risque pas de sauter d'un côté ou de l'autre. Appliquer une pression excessive n'augmentera pas l'efficacité de l'opération.

ENTRETIEN

ATTENTION :

- Avant d'effectuer tout travail d'inspection ou de maintenance sur l'outil, assurez-vous toujours qu'il est à l'arrêt et débranché.
- N'utilisez jamais d'essence, benzine, diluant, alcool ou autre produit similaire. Cela risquerait de provoquer la décoloration, la déformation ou la fissuration de l'outil.

Lubrification

ATTENTION :

- Cet entretien ne doit être effectué que par un centre de service Makita agréé ou un centre de service de l'usine Makita.

Grâce à son système de lubrification à la graisse, il n'est pas nécessaire de graisser cet outil toutes les heures ou tous les jours. Lubrifiez l'outil chaque fois que vous changez les charbons.

Laissez tourner l'outil pendant quelques minutes pour le faire chauffer. Arrêtez-le et débranchez-le.

Desserrez les quatre vis et enlevez la poignée. Notez que les vis supérieures sont différentes des autres vis.

(Fig. 24)

Débranchez le connecteur en tirant dessus. (Fig. 25)

Desserrez les vis et enlevez le levier de changement de mode.

Retirez le couvercle du capuchon de manivelle. (Fig. 26)

Retirez la plaque de commande. (Sauf pour le modèle HR4011C.) (Fig. 27)

Retirez les six vis avec un tournevis et retirez le capuchon de manivelle. Posez l'outil sur une table avec le bout du foret pointé vers le haut. Ceci permettra à la graisse usée de se déposer à l'intérieur du carter de manivelle. (Fig. 28)

Essuyez la graisse usée à l'intérieur et remplacez-la par de la graisse neuve (60 g). Utilisez exclusivement le lubrifiant spécial Makita d'origine (accessoire en option). Si vous mettez plus de la graisse que la quantité spécifiée (environ 60 g), vous risquez une percussion défectueuse et une panne de l'outil. Respectez strictement la quantité spécifiée.

Remettez le capuchon de manivelle en place et serrez-le avec le tournevis. (Fig. 29)

Branchez le connecteur et remontez la poignée. (Fig. 30)

ATTENTION :

- Ne serrez pas trop le couvercle du carter. Il est en résine et pourrait se casser.
- Faites attention de ne pas endommager les connecteurs ni les fils, en particulier lorsque vous essuyez la graisse usée ou que vous montez la poignée.

Pour maintenir la SÉCURITÉ et la FIABILITÉ du produit, les réparations et tout autre travail d'entretien ou de réglage doivent être effectués dans un centre de service après-vente Makita agréé, exclusivement avec des pièces de rechange Makita.

ACCESSOIRES EN OPTION

ATTENTION :

- Ces accessoires ou pièces complémentaires sont recommandés pour l'utilisation avec l'outil Makita spécifié dans ce mode d'emploi. L'utilisation de tout autre accessoire ou pièce peut comporter un risque de blessure. N'utilisez les accessoires ou pièces qu'aux fins mentionnées dans le présent mode d'emploi.

Si vous désirez obtenir plus de détails concernant ces accessoires, veuillez contacter le centre de service après-vente Makita le plus près.

- Forets à pointe en carbure SDS-MAX
- Pointe à béton SDS-MAX
- Ciseau à froid SDS-MAX
- Ciseau à écailler SDS-MAX
- Ciseau à carreaux SDS-MAX
- Pelle à argile SDS-MAX
- Graisse à marteau
- Graisse à forêt
- Poignée latérale
- Manche latéral
- Jauge de profondeur
- Poire soufflante
- Lunettes de sécurité
- Mallette de transport

NOTE :

- Il se peut que certains éléments de la liste soient compris dans l'emballage de l'outil en tant qu'accessoires standard. Ils peuvent varier d'un pays à l'autre.

ENG905-1

Bruit

Niveau de bruit pondéré A typique, déterminé selon EN60745 :

Le modèle HR4001C

Niveau de pression sonore (L_{pA}) : 92 dB (A)
 Niveau de puissance sonore (L_{WA}) : 103 dB (A)
 Incertitude (K) : 3 dB (A)

Les modèles HR4010C, HR4011C

Niveau de pression sonore (L_{pA}) : 90 dB (A)
 Niveau de puissance sonore (L_{WA}) : 101 dB (A)
 Incertitude (K) : 3 dB (A)

Porter des protecteurs anti-bruit.

Vibrations

Valeur totale de vibrations (somme de vecteur triaxial) déterminée selon EN60745 :

Le modèle HR4001C

Mode de travail : ciselage
 Émission de vibrations ($a_{h, CHeq}$) : 10,5 m/s²
 Incertitude (K) : 2,0 m/s²

Mode de travail : fonction de ciselage avec le manche latéral
 Émission de vibrations ($a_{h, CHeq}$) : 10,0 m/s²
 Incertitude (K) : 2,5 m/s²

Mode de travail : perçage avec martelage dans le béton
 Émission de vibrations ($a_{h, HD}$) : 12,5 m/s²
 Incertitude (K) : 1,5 m/s²

Le modèle HR4010C

Mode de travail : ciselage
 Émission de vibrations ($a_{h, CHeq}$) : 7,0 m/s²
 Incertitude (K) : 1,5 m/s²

Mode de travail : fonction de ciselage avec le manche latéral
 Émission de vibrations ($a_{h, CHeq}$) : 8,0 m/s²
 Incertitude (K) : 1,5 m/s²

Mode de travail : perçage avec martelage dans le béton
 Émission de vibrations ($a_{h, HD}$) : 9,0 m/s²
 Incertitude (K) : 1,5 m/s²

Le modèle HR4011C

Mode de travail : ciselage
 Émission de vibrations ($a_{h, CHeq}$) : 6,5 m/s²
 Incertitude (K) : 1,5 m/s²

Mode de travail : fonction de ciselage avec le manche latéral
 Émission de vibrations ($a_{h, CHeq}$) : 6,5 m/s²
 Incertitude (K) : 1,5 m/s²

Mode de travail : perçage avec martelage dans le béton
 Émission de vibrations ($a_{h, HD}$) : 7,5 m/s²
 Incertitude (K) : 1,5 m/s²

ENG901-1

- La valeur d'émission de vibrations déclarée a été mesurée conformément à la méthode de test standard et peut être utilisée pour comparer les outils entre eux.
- La valeur d'émission de vibrations déclarée peut aussi être utilisée pour l'évaluation préliminaire de l'exposition.

AVERTISSEMENT :

- L'émission de vibrations lors de l'usage réel de l'outil électrique peut être différente de la valeur d'émission déclarée, suivant la façon dont l'outil est utilisé.
- Les mesures de sécurité à prendre pour protéger l'utilisateur doivent être basées sur une estimation de l'exposition dans des conditions réelles d'utilisation (en tenant compte de toutes les composantes du cycle d'utilisation, comme par exemple le moment de sa mise hors tension, lorsqu'il tourne à vide et le moment de son déclenchement).

ENH101-15

Pour les pays d'Europe uniquement

Déclaration de conformité CE

Makita Corporation, en tant que fabricant responsable, déclare que la ou les machines suivantes :

Désignation de la machine : Perforateur

N° de modèle / Type : HR4001C, HR4010C, HR4011C

sont produites en série et

sont conformes aux Directives européennes suivantes :

2006/42/CE

et qu'elles sont fabriquées conformément aux normes ou documents normalisés suivants :

EN60745

La documentation technique est conservée par notre représentant agréé en Europe, à savoir :

Makita International Europe Ltd.

Michigan Drive, Tongwell,

Milton Keynes, Bucks MK15 8JD, Angleterre

30.1.2009



Tomoyasu Kato
Directeur

Makita Corporation
3-11-8, Sumiyoshi-cho,
Anjo, Aichi, 446-8502, JAPAN

Übersicht

- | | | |
|---------------------------------|--------------------------------------|------------------------|
| 1 EIN/AUS-Schalter | 11 Seitengriff | 20 Stecker |
| 2 Schalthebel | 12 Einsteckende des Einsatzwerkzeugs | 21 Schwarz |
| 3 Drehzahl-Stellrad | 13 Schmiermittel | 22 Weiß |
| 4 Betriebsartenschalter | 14 Einsatzwerkzeug | 23 Schraube |
| 5 Pfeil | 15 Werkzeugverriegelung | 24 Kurbelgehäusedeckel |
| 6 Entriegelungsknopf | 16 Tiefenanschlag | 25 Steuerplatte |
| 7 Netzkontrollleuchte (grün) | 17 Klemmschraube | 26 Schraubendreher |
| 8 Wartungskontrollleuchte (rot) | 18 Ausblaskolben | 27 Kurbelgehäuse |
| 9 Zusatzgriff | 19 Schrauben | 28 Hammerschmiermittel |
| 10 Feststellmutter | | |

TECHNISCHE DATEN

Modell		HR4001C	HR4010C	HR4011C
Vollbohrer	Einsatzwerkzeug mit Hartmetallspitze	40 mm		
	Bohrkronen	105 mm		
Leerlaufdrehzahl (min ⁻¹)		235 – 480		
Schlagzahl/min.		1 350 – 2 750		
Gesamtlänge		468 mm		
Nettogewicht		6,3 kg	6,7 kg	6,7 kg
Sicherheitsklasse		II / III		

- Wir behalten uns vor, Änderungen im Zuge der Entwicklung und des technischen Fortschritts ohne vorherige Ankündigung vorzunehmen.
- Die technischen Daten können von Land zu Land abweichen.
- Gewicht nach EPTA-Verfahren 01/2003

ENE044-1

Vorgesehene Verwendung

Diese Maschine ist für das Hammerbohren in Ziegeln, Beton und Stein sowie für das Meißeln vorgesehen.

ENF002-2

Stromversorgung

Die Maschine darf nur an die auf dem Typenschild angegebene Spannung angeschlossen werden und arbeitet nur mit Einphasen-Wechselspannung. Sie ist doppelt schutzisoliert und kann daher auch an Steckdosen ohne Erdanschluss betrieben werden.

GEA010-1

Allgemeine Sicherheitswarnungen für Elektrowerkzeuge

⚠️ WARNUNG Lesen Sie alle Sicherheitswarnungen und Anweisungen durch. Eine Missachtung der unten aufgeführten Warnungen und Anweisungen kann zu einem elektrischen Schlag, Brand und/oder schweren Verletzungen führen.

Bewahren Sie alle Warnungen und Anweisungen für spätere Bezugnahme auf.

GEB007-7

SICHERHEITSWARNUNGEN FÜR BOHRHAMMER

- Tragen Sie Gehörschützer.** Lärmeinwirkung kann zu Gehörverlust führen.
- Benutzen Sie (einen) Zusatzgriff(e), sofern er (sie) mit dem Werkzeug geliefert wurde(n).** Verlust der Kontrolle kann Verletzungen verursachen.
- Halten Sie das Elektrowerkzeug nur an den isolierten Griffflächen, wenn Sie Arbeiten ausführen, bei denen die Gefahr besteht, dass verborgene Kabel oder das eigene Kabel kontaktiert werden.** Bei Kontakt mit einem Strom führenden Kabel können die freiliegenden Metallteile des Elektrowerkzeugs ebenfalls Strom führend werden, so dass der Benutzer einen elektrischen Schlag erleiden kann.
- Tragen Sie Schutzhelm, Schutzbrille und/oder Gesichtsschutz. Eine gewöhnliche Brille oder Sonnenbrille ist KEIN Ersatz für eine Schutzbrille. Das Tragen einer Staubmaske und dick gepolsterter Handschuhe ist ebenfalls zu empfehlen.**
- Vergewissern Sie sich vor der Arbeit, dass der Einsatz sicher montiert ist.**
- Die Maschine erzeugt konstruktionsbedingt Vibrationen bei normalem Betrieb. Durch Lockerung von Schrauben kann es zu einem Ausfall oder Unfall kommen. Überprüfen Sie sorgfältig die Festigkeit der Schrauben vor der Arbeit.**
- Lassen Sie die Maschine bei niedrigen Temperaturen oder nach längerer Nichtbenutzung eine Zeit lang im Leerlauf warm laufen. Dadurch wird die Schmierung verbessert. Betrieb im kalten Zustand erschwert die Schlagbohrarbeit.**

8. **Achten Sie stets auf sicheren Stand.**
Vergewissern Sie sich bei Einsatz der Maschine an hochgelegenen Arbeitsplätzen, dass sich keine Personen darunter aufhalten.
9. **Halten Sie die Maschine mit beiden Händen fest.**
10. **Halten Sie die Hände von beweglichen Teilen fern.**
11. **Lassen Sie die Maschine nicht unbeaufsichtigt laufen.** Benutzen Sie die Maschine nur mit Handhaltung.
12. **Richten Sie die Maschine während des Betriebs nicht auf umstehende Personen.** Der Einsatz könnte herausschnellen und schwere Verletzungen verursachen.
13. **Vermeiden Sie eine Berührung des Einsatzes oder der umliegenden Teile unmittelbar nach der Bearbeitung, weil die Teile noch sehr heiß sind und Hautverbrennungen verursachen können.**
14. **Manche Materialien können giftige Chemikalien enthalten.** Treffen Sie Vorsichtsmaßnahmen, um das Einatmen von Arbeitsstaub und Hautkontakt zu verhüten. Befolgen Sie die Sicherheitsdaten des Materialherstellers.

DIESE ANWEISUNGEN AUFBEWAHREN.

WARNUNG:

Lassen Sie sich NICHT durch Bequemlichkeit oder Vertrautheit mit dem Produkt (durch wiederholten Gebrauch erworben) von der strikten Einhaltung der Sicherheitsregeln für das vorliegende Produkt abhalten. **MISSBRAUCH** oder Missachtung der Sicherheitsvorschriften in dieser Anleitung können schwere Verletzungen verursachen.

FUNKTIONSBESCHREIBUNG

VORSICHT:

- Vergewissern Sie sich vor jeder Einstellung oder Funktionsprüfung der Maschine stets, dass sie ausgeschaltet und vom Stromnetz getrennt ist.

Schalterfunktion

FÜR DAS MODELL HR4011C

VORSICHT:



- Vergewissern Sie sich vor dem Anschließen der Maschine an das Stromnetz stets, dass der EIN/AUS-Schalter ordnungsgemäß funktioniert und beim Loslassen in die AUS-Stellung zurückkehrt.

Zum Einschalten drücken Sie einfach den EIN/AUS-Schalter. Zum Ausschalten lassen Sie den Schalter los. (Abb. 1)

FÜR DIE MODELLE HR4010C UND HR4001C

EIN/AUS-Schalter


VORSICHT:

- Vergewissern Sie sich vor dem Anschließen der Maschine an das Stromnetz stets, dass der EIN/AUS-Schalter ordnungsgemäß funktioniert und beim Loslassen in die AUS-Stellung zurückkehrt.
- Dieser Schalter funktioniert, wenn Sie die Maschine auf die Betriebsart mit dem Symbol  und dem Symbol  einstellen.

Zum Einschalten drücken Sie einfach den EIN/AUS-Schalter. Zum Ausschalten lassen Sie den Schalter los. (Abb. 1)

Schiebeschalter

VORSICHT:

- Vergewissern Sie sich immer, dass die Maschine ausgeschaltet ist, bevor Sie es an das Stromnetz anschließen.
- Dieser Schalter funktioniert nur, wenn Sie die Maschine auf die Betriebsart mit dem Symbol  einstellen.

Wenn Sie die Maschine für lange Zeit in der Hammer-Betriebsart verwenden möchten, können Sie den Schiebescalter verwenden. Um den Betrieb zu starten, schieben Sie die "I (EIN)"-Seite des Schalthebels. Um den Betrieb zu stoppen, drücken Sie die "O (AUS)"-Seite des Schalthebels. (Abb. 2)

Drehzahl-/Schlagzahlvorwahl (Abb. 3)

Die Drehzahl-/Schlagzahlvorwahl kann am Drehzahl-Stellrad vorgewählt werden. Das Drehzahl-Stellrad ist von "1" (niedrigste Schlagzahl) bis "5" (höchste Schlagzahl) markiert.

Die nachstehende Tabelle zeigt den Zusammenhang zwischen der vorgewählten Einstellung und der Dreh-/Schlagzahl.


Nummer auf dem Drehzahl-Stellrad	Drehzahl/Min.	Schlagzahl/Min.
5	480	2 750
4	440	2 550
3	360	2 050
2	270	1 550
1	230	1 350

VORSICHT:

- Falls die Maschine kontinuierlich über längere Zeit mit einer niedrigen Drehzahl betrieben wird, wird der Motor überladen, und es tritt eine Funktionsstörung auf.
- Das Drehzahl-Stellrad kann nur bis 5 und zurück bis 1 gedreht werden. Versuchen Sie nie, es gewaltsam über diese Zahlen hinaus zu drehen, da es sonst ggf. nicht mehr funktioniert.

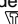
Wahl der Betriebsart

Drehung mit Hammerbohren (Abb. 4 u. 5)


Zum Bohren in Beton, Granit, Ziegelstein usw. drücken Sie den Entriegelungsknopf und drehen den Betriebsartenschalter, bis der Pfeil auf das Symbol  weist. Verwenden Sie nur ein Einsatzwerkzeug mit Hartmetallspitze.

Meißelbetrieb


FÜR DIE MODELLE HR4001C UND HR4010C (Abb. 6)

Drücken Sie im Meißelbetrieb den Entriegelungsknopf und drehen Sie den Betriebsartenschalter, bis der Pfeil auf das Symbol  zeigt. Verwenden Sie einen Spitzmeißel, Flachmeißel, Sternmeißel usw.

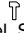
Für lang anhaltenden Meißelbetrieb (NUR FÜR DIE MODELLE HR4001C UND HR4010C) (Abb. 7)

Drücken Sie im Meißelbetrieb den Entriegelungsknopf und drehen Sie den Betriebsartenschalter, bis der Pfeil auf das Symbol  zeigt. Verwenden Sie einen Spitzmeißel, Flachmeißel, Sternmeißel usw.

VORSICHT:

- Wenn Sie die Maschine in der Betriebsart mit dem Symbol  verwenden, funktioniert der EIN/AUS-Schalter nicht, und nur der Schiebeschalter ist funktionsfähig.

FÜR DAS MODELL HR4011C (Abb. 8)

Drücken Sie im Meißelbetrieb den Entriegelungsknopf und drehen Sie den Betriebsartenschalter, bis der Pfeil auf das Symbol  zeigt. Verwenden Sie einen Spitzmeißel, Flachmeißel, Sternmeißel usw.

VORSICHT:

- Der Betriebsartenschalter darf während des Betriebs nicht betätigt werden. Andernfalls wird die Maschine beschädigt.
- Um Getriebebeschäden/-verschleiß zu vermeiden, ist der Betriebsartenschalter immer in einer der zwei oder drei Betriebsartenstellungen einzurasten.

Drehmomentbegrenzung

Die Rutschkupplung der Maschine begrenzt das Drehmoment auf einen werkseitig eingestellten Maximalwert. Beim Auslösen trennt die Rutschkupplung den Antrieb von der Bohrspindel, und das Einsatzwerkzeug kommt zum Stillstand.

VORSICHT:

- Schalten Sie die Maschine sofort ab, wenn die Rutschkupplung ausgelöst wird, um einen frühzeitigen Verschleiß der Maschine zu vermeiden.

Kontrollleuchten (Abb. 9)

Beim Einschalten der Maschine leuchtet die grüne Netzkontrollleuchte auf. Falls die Netzkontrollleuchte leuchtet, kann ein Netzkabel- oder ein Regelelektronikdefekt vorliegen. Wenn die Netzkontrollleuchte leuchtet, aber die Maschine nicht anläuft, selbst nachdem es eingeschaltet wurde, können die Kohlebürsten verschlissen sein oder es liegt ein Defekt der Regelelektronik bzw. des Motors oder des EIN/AUS-Schalters vor.

Die rote Wartungskontrollleuchte leuchtet, wenn die Kohlebürsten fast verschlissen sind, um anzuzeigen, dass eine Wartung der Maschine erforderlich ist. Der Motor schaltet sich ca. 8 Stunden nach Aufleuchten der Wartungskontrollleuchte automatisch aus.

MONTAGE

VORSICHT:

- Vergewissern Sie sich vor der Ausführung von Arbeiten an der Maschine stets, dass sie ausgeschaltet und vom Stromnetz getrennt ist.

Zusatzgriff

VORSICHT:

- Verwenden Sie den Zusatzgriff nur für den Meißelbetrieb. Benutzen Sie diesen Griff nicht für den Hammerbohrbetrieb, da die Maschine mit diesem Zusatzgriff nicht sicher gehalten werden kann. (Abb. 10)

Durch Lösen den Feststellmutter kann der Zusatzgriff um 360° gedreht und in jeder gewünschten Position gesichert werden. Der Griff lässt sich außerdem in acht verschiedene waagerechte Positionen schwenken. Ziehen Sie die Feststellmutter danach wieder fest. (Abb. 11)

Seitengriff (Abb. 12)

VORSICHT:

- Zum Erhalt der Betriebssicherheit ist der Seitengriff beim Hammerbohrbetrieb stets zu verwenden.

Der Seitengriff wird durch eine Linksdrehung gelöst und kann auf beide Seiten geschwenkt werden, um die Maschine in jeder Arbeitsposition sicher halten zu können. Durch Rechtsdrehung wird der Seitengriff gegen Verdrehen gesichert.

Montage und Demontagen von Einsatzwerkzeugen

Säubern Sie das Einsteckende vor dem Einsetzen und schmier Sie es anschließend mit dem mitgelieferten Schmiermittel. (Abb. 13)

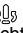
Führen Sie das Einsatzwerkzeug drehend in die Werkzeugaufnahme ein. Schieben Sie es hinein, bis es einrastet.


Sollte das Einsatzwerkzeug nicht einzuschieben sein, ziehen Sie es wieder heraus, und betätigen Sie die Werkzeugverriegelung zwei- oder dreimal. Drehen Sie das Einsatzwerkzeug dann, und schieben Sie es hinein, bis es einrastet.

Prüfen Sie nach jedem Montagevorgang den sicheren Sitz des Einsatzwerkzeugs durch Zugversuch. (Abb. 14)

Zur Demontage des Einsatzwerkzeugs ziehen Sie die Werkzeugverriegelung bis zum Anschlag nach unten, und entnehmen Sie das Einsatzwerkzeug. (Abb. 15)

Einsatzwerkzeugposition (beim Meißeln, Stemmen oder Abräumen)

Das Einsatzwerkzeug kann in 12 verschiedenen Positionen gesichert werden. Zur Änderung der Einsatzwerkzeugposition drücken Sie den Entriegelungsknopf und drehen den Betriebsartenschalter, so dass der Pfeil auf das Symbol  zeigt. Drehen Sie das Einsatzwerkzeug in die gewünschte Position. (Abb. 16 u. 17)

Drücken Sie den Entriegelungsknopf, und drehen den Betriebsartenschalter, so dass der Pfeil auf das Symbol  zeigt. Überprüfen Sie den sicheren Sitz des Einsatzwerkzeugs, indem Sie versuchen, es leicht zu drehen. (Abb. 18 u. 19)

Tiefenanschlag (Abb. 20)


Zur Herstellung gleichbleibender Bohrtiefen kann der Tiefenanschlag verwendet werden. Lösen Sie dazu die Klemmschraube, und stellen Sie den Tiefenanschlag auf die gewünschte Bohrtiefe ein. Ziehen Sie anschließend die Klemmschraube wieder fest.

HINWEIS:

- Bei Positionierung des Tiefenanschlags gegen das Getriebe-/Motorgehäuse kann dieser nicht verwendet werden.

BETRIEB

Hammerbohrbetrieb (Abb. 21)

Stellen Sie den Betriebsartenschalter auf das Symbol  ein.

Setzen Sie das Einsatzwerkzeug an die gewünschte Bohrposition, und drücken Sie dann den EIN/AUS-Schalter. Üben Sie keinen zu großen Druck auf die Maschine aus. Beim Arbeiten mit leichtem Druck werden die besten Ergebnisse erzielt. Führen Sie die Maschine im rechten Winkel zur Arbeitsfläche, um ein Abrutschen aus dem Bohrloch zu verhindern.

Sollte die Bohrmehlabfuhr (z. B. durch feuchtes Gestein) gestört sein, ziehen Sie den Bohrer aus der Bohrung heraus, und entfernen Sie das Bohrmehl bzw. den Spiralnuten des Bohrers. Daraufhin kann den normale Bohrbetrieb fortgesetzt werden.


VORSICHT:

- Beim Bohren in eisenbewehrtem Beton kann das Einsatzwerkzeug blockieren und so die Rutschkupplung der Maschine auslösen. Achten Sie daher auf sicheren Stand, und halten Sie die Maschine sicher mit beiden Händen fest, um die hohen Drehmomente aufzufangen.

Ausblaskolben (Sonderzubehör) (Abb. 22)

Verwenden Sie nach dem Bohren den Ausblaskolben, um den Staub aus dem Bohrloch zu entfernen.

Meißen/Stemmen/Abräumen (Abb. 23)

Stellen Sie den Betriebsartenschalter auf das Symbol  ein.

Halten Sie die Maschine mit beiden Händen fest. Schalten Sie die Maschine ein, und üben Sie einen leichten Druck darauf aus, damit die Maschine sich nicht unkontrolliert bewegt. Durch starkes Drücken auf die Maschine wird der Wirkungsgrad nicht erhöht.

WARTUNG

VORSICHT:

- Denken Sie vor der Durchführung von Überprüfungen oder Wartungsarbeiten stets daran, die Maschine auszuschalten und vom Stromnetz zu trennen.
- Verwenden Sie auf keinen Fall Benzin, Benzol, Verdünnern, Alkohol oder dergleichen. Solche Mittel können Verfärbung, Verformung oder Rissbildung verursachen.

Schmierung

VORSICHT:

- Diese Wartung sollte nur von Makita-Vertragswerkstätten oder Makita-Kundendienstzentren durchgeführt werden.

Diese Maschine erfordert keine stündliche oder tägliche Schmierung, da sie mit einem versiegelten Schmier-system ausgestattet ist. Schmieren Sie die Maschine bei jedem Auswechseln der Kohlebürsten.

Lassen Sie die Maschine einige Minuten warmlaufen. Schalten Sie sie dann aus, und ziehen Sie den Netzstecker ab.

Lösen Sie die vier Schrauben, und entfernen Sie den Griff. Bitte beachten Sie, dass die oberen Schrauben von den anderen Schrauben verschieden sind. (Abb. 24)

Trennen Sie den Stecker durch Abziehen. (Abb. 25)

Lösen Sie die Schrauben, und entfernen Sie den Betriebsartenschalter.

Entfernen Sie den Kurbelgehäusedeckel. (Abb. 26)

Entfernen Sie die Steuerplatte. (Außer für das Model HR4011C) (Abb. 27)

Lösen Sie die sechs Schrauben mit einem Schraubendreher, und entfernen Sie das Kurbelgehäuse. Stellen Sie die Maschine so auf eine Unterlage, dass die Werkzeugaufnahme nach oben gerichtet ist. Auf diese Weise kann sich das verbleibende Schmiermittel im Kurbelgehäuse sammeln. (Abb. 28)

Entfernen Sie das verbrauchte Schmiermittel mit einem Lappen, und füllen Sie frisches Schmiermittel (60 g) ein. Verwenden Sie ausschließlich Original-Makita-Schmiermittel (Sonderzubehör). Wird mehr als die vorgeschriebene Menge (ca. 60 g) Schmiermittel eingefüllt, kann dies zu fehlerhaftem Hammerbetrieb und Betriebsstörungen der Maschine führen. Füllen Sie daher nur die angegebenen Menge Schmiermittel ein.

Bringen Sie dann das Kurbelgehäuse wieder an, und ziehen Sie es mit dem Schraubendreher fest. (Abb. 29)

Schließen Sie den Stecker wieder an, und montieren Sie den Griff erneut. (Abb. 30)

VORSICHT:

- Ziehen Sie das Kurbelgehäuse nicht übermäßig fest. Es besteht aus Kunstharz und könnte beschädigt werden.
- Achten Sie darauf, den Stecker und die Zuleitungsdrähte nicht zu beschädigen, insbesondere wenn Sie das verbleibende Schmiermittel auswischen oder den Griff montieren.

Um die SICHERHEIT und ZUVERLÄSSIGKEIT dieses Produkts zu gewährleisten, sollten Reparaturen und andere Wartungs- oder Einstellarbeiten nur von Makita-Vertragswerkstätten oder Makita-Kundendienstzentren unter ausschließlicher Verwendung von Makita-Originalersatzteilen ausgeführt werden.

VORSICHT:

- Die folgenden Zubehörteile oder Vorrichtungen werden für den Einsatz mit der in dieser Anleitung beschriebenen Makita-Maschine empfohlen. Die Verwendung anderer Zubehörteile oder Vorrichtungen kann eine Verletzungsgefahr darstellen. Verwenden Sie Zubehörteile oder Vorrichtungen nur für ihren vorgesehenen Zweck.

Wenn Sie weitere Einzelheiten bezüglich dieser Zubehörteile benötigen, wenden Sie sich bitte an Ihre Makita-Kundendienststelle.

- SDS-MAX Bohrer mit Hartmetallspitze
- SDS-MAX Spitzmeißel
- SDS-MAX Flachmeißel
- SDS-MAX Stemmeißel
- SDS-MAX Fliesenmeißel
- SDS-MAX Tonspaten
- Hammerschmiermittel
- Schmiermittel
- Zusatzgriff
- Seitengriff
- Tiefenanschlag
- Ausblaskolben
- Schutzbrille
- Tragekoffer

HINWEIS:

- Manche Teile in der Liste können als Standardzubehör im Werkzeugsatz enthalten sein. Sie können von Land zu Land unterschiedlich sein.

Geräusch

Typischer A-bewerteter Geräuschpegel ermittelt gemäß EN60745:

Modell HR4001C

Schalldruckpegel (L_{pA}): 92 dB (A)
Schalleistungspegel (L_{WA}): 103 dB (A)
Ungewissheit (K): 3 dB (A)

Modell HR4010C, HR4011C

Schalldruckpegel (L_{pA}): 90 dB (A)
Schalleistungspegel (L_{WA}): 101 dB (A)
Ungewissheit (K): 3 dB (A)

Gehörschutz tragen

ENG900-1

Vibration

Vibrationsgesamt看wert (Drei-Achsen-Vektorsumme) ermittelt gemäß EN60745:

Modell HR4001C

Arbeitsmodus: Meißel
Vibrationsemission ($a_{h, C_{Heq}}$): 10,5 m/s²
Ungewissheit (K): 2,0 m/s²

Arbeitsmodus: Meißelfunktion mit Seitengriff
Vibrationsemission ($a_{h, C_{Heq}}$): 10,0 m/s²
Ungewissheit (K): 2,5 m/s²

Arbeitsmodus: Schlagbohren in Beton
Vibrationsemission ($a_{h, HD}$): 12,5 m/s²
Ungewissheit (K): 1,5 m/s²

Modell HR4010C

Arbeitsmodus: Meißel
Vibrationsemission ($a_{h, C_{Heq}}$): 7,0 m/s²
Ungewissheit (K): 1,5 m/s²

Arbeitsmodus: Meißelfunktion mit Seitengriff
Vibrationsemission ($a_{h, C_{Heq}}$): 8,0 m/s²
Ungewissheit (K): 1,5 m/s²

Arbeitsmodus: Schlagbohren in Beton
Vibrationsemission ($a_{h, HD}$): 9,0 m/s²
Ungewissheit (K): 1,5 m/s²

Modell HR4011C

Arbeitsmodus: Meißel
Vibrationsemission ($a_{h, C_{Heq}}$): 6,5 m/s²
Ungewissheit (K): 1,5 m/s²

Arbeitsmodus: Meißelfunktion mit Seitengriff
Vibrationsemission ($a_{h, C_{Heq}}$): 6,5 m/s²
Ungewissheit (K): 1,5 m/s²

Arbeitsmodus: Schlagbohren in Beton
Vibrationsemission ($a_{h, HD}$): 7,5 m/s²
Ungewissheit (K): 1,5 m/s²

- Der angegebene Vibrationsemissionswert wurde im Einklang mit der Standardprüfmethode gemessen und kann für den Vergleich zwischen Maschinen herangezogen werden.
- Der angegebene Vibrationsemissionswert kann auch für eine Vorbewertung des Gefährdungsgrads verwendet werden.

WARNUNG:

- Die Vibrationsemission während der tatsächlichen Benutzung des Elektrowerkzeugs kann je nach der Benutzungsweise der Maschine vom angegebenen Emissionswert abweichen.
- Identifizieren Sie Sicherheitsmaßnahmen zum Schutz des Benutzers anhand einer Schätzung des Gefährdungsgrads unter den tatsächlichen Benutzungsbedingungen (unter Berücksichtigung aller Phasen des Arbeitszyklus, wie z. B. Ausschalt- und Leerlaufzeiten der Maschine zusätzlich zur Betriebszeit).

ENH101-15

Nur für europäische Länder**EG-Übereinstimmungserklärung**

Wir, die Firma Makita als verantwortlicher Hersteller, erklären, dass die folgende(n) Makita-Maschine(n):

Bezeichnung der Maschine: Bohrhammer
 Modell-Nr./ Typ: HR4001C, HR4010C, HR4011C
 der Serienproduktion entstammen und

den folgenden europäischen Richtlinien entsprechen:

2006/42/EG

und gemäß den folgenden Standards oder standardisierten Dokumenten hergestellt werden:

EN60745

Die technische Dokumentation befindet sich im Bestand unserer autorisierten Vertretung in Europa, nämlich:

Makita International Europe Ltd.
 Michigan Drive, Tongwell,
 Milton Keynes, Bucks MK15 8JD, England

30.1.2009



Tomoyasu Kato
 Direktor

Makita Corporation
 3-11-8, Sumiyoshi-cho,
 Anjo, 446-8502, Aichi, JAPAN

Visione generale

- | | | |
|------------------------------|--------------------------|------------------------------|
| 1 Grilletto interruttore | 11 Impugnatura laterale | 21 Nero |
| 2 Leva interruttore | 12 Codolo punta | 22 Bianco |
| 3 Ghiera di regolazione | 13 Grasso punta | 23 Vite |
| 4 Leva di cambio | 14 Punta | 24 Coperchio cappello gomito |
| 5 Indice | 15 Coperchio portapunta | 25 Piastra di controllo |
| 6 Bottone di blocco | 16 Calibro di profondità | 26 Cacciavite |
| 7 Spia di accensione (verde) | 17 Vite di fermo | 27 Cappello gomito |
| 8 Spia di servizio (rossa) | 18 Soffietto | 28 Grasso per martello |
| 9 Manico laterale | 19 Viti | |
| 10 Dado di fermo | 20 Connettore | |

DATI TECNICI

Modello		HR4001C	HR4010C	HR4011C
Capacità	Punta rivestita di carburo	40 mm		
	Punta a corona	105 mm		
Velocità a vuoto (min ⁻¹)		235 – 480		
Colpi/min.		1.350 – 2.750		
Lunghezza totale		468 mm		
Peso netto		6,3 kg	6,7 kg	6,7 kg
Classe di sicurezza		II / II		

- Per il nostro programma di ricerca e sviluppo continui, i dati tecnici sono soggetti a modifiche senza preavviso.
- I dati tecnici potrebbero differire a seconda del paese di destinazione del modello.
- Peso in base alla procedura EPTA 01/2003

ENE044-1

Utilizzo previsto

Questo utensile serve alla trapanatura con martellamento dei mattoni, cemento e pietra, come pure al lavoro di scalpellatura.

ENF002-2

Alimentazione

L'utensile deve essere collegato ad una presa di corrente con la stessa tensione indicata sulla targhetta del nome, e può funzionare soltanto con la corrente alternata monofase. Esso ha un doppio isolamento, per cui può essere usato con le prese di corrente sprovviste della messa a terra.

GEA010-1

Avvertimenti generali per la sicurezza dell'utensile elettrico

⚠ AVVERTIMENTO Leggere tutti gli avvertimenti per la sicurezza e le istruzioni. La mancata osservanza degli avvertimenti e delle istruzioni può causare scosse elettriche, incendio e/o gravi incidenti.

Conservare tutti gli avvertimenti e le istruzioni per riferimenti futuri.

GEB007-7

AVVERTIMENTI PER LA SICUREZZA PER IL MARTELLO ROTATIVO

1. Usare paraorecchi. L'esposizione al rumore può causare la perdita dell'udito.
2. Usare i manici ausiliari, se sono in dotazione all'utensile. La perdita di controllo dell'utensile può causare un incidente.

3. Tenere l'utensile elettrico per le sue superfici di presa isolate quando si eseguono operazioni in cui l'accessorio di taglio potrebbe fare contatto con fili elettrici nascosti o con il suo stesso cavo. L'accessorio di taglio che fa contatto con un filo elettrico "sotto tensione" potrebbe mettere "sotto tensione" le parti metalliche esposte dell'utensile elettrico dando una scossa all'operatore.
4. Indossare un casco rigido (casco di sicurezza), occhiali di sicurezza e/o una visiera. I normali occhiali o gli occhiali da sole NON sono occhiali di sicurezza. Si consiglia anche altamente di usare una mascherina antipolvere e guanti con una spessa imbottitura.
5. Accertarsi che la punta sia fissata saldamente in posizione prima di procedere con il lavoro.
6. Durante il normale funzionamento l'utensile produce vibrazioni. Le viti potrebbero perciò allentarsi facilmente causando un guasto o un incidente. Controllare con cura che le viti siano strette saldamente prima di procedere con il lavoro.
7. D'inverno, o se l'utensile non è stato usato per un lungo periodo di tempo, lasciarlo riscaldare per diversi minuti facendolo funzionare a vuoto. Ciò scioglie il lubrificante. Senza un riscaldamento sufficiente l'operazione di martellamento è difficile.
8. Accertarsi sempre di avere i piedi appoggiati saldamente. Accertarsi che non ci sia nessuno sotto se si usa l'utensile in un posto alto.
9. Tenere saldamente l'utensile con entrambe le mani.
10. Tenere le mani discoste dalle parti in movimento.

11. Non posare l'utensile mentre funziona. L'utensile va fatto funzionare soltanto tenendolo in mano.
12. Non puntare l'utensile sulle persone mentre lo si usa nell'area di lavoro. La punta potrebbe schizzare via e ferire seriamente qualcuno.
13. Non toccare la punta o le parti vicine alla punta immediatamente dopo una operazione, perché potrebbero essere estremamente calde e causare bruciature.
14. Alcuni materiali contengono sostanze chimiche che potrebbero essere tossiche. Fare attenzione in modo da evitare l'inalazione della polvere e il contatto con la pelle. Seguire le istruzioni per la sicurezza del fornitore del materiale.

CONSERVARE QUESTE ISTRUZIONI.

AVVERTIMENTO:

NON lasciare che la comodità d'utilizzo o la familiarità con il prodotto (acquisita con l'uso ripetuto) sostituiscano la stretta osservanza delle sue norme per la sicurezza. L'utilizzo SBAGLIATO o la mancata osservanza delle norme per la sicurezza descritte in questo manuale potrebbero causare un serio incidente.

DESCRIZIONE DEL FUNZIONAMENTO

ATTENZIONE:

- Accertarsi sempre che l'utensile sia spento e staccato dalla presa di corrente prima di regolare o controllare le sue funzioni.

Funzionamento dell'interruttore

PER IL MODELLO HR4011C

ATTENZIONE:


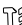
- Prima di collegare l'utensile alla presa di corrente, controllare sempre che il grilletto interruttore funzioni normalmente e che torni sulla posizione "OFF" quando viene rilasciato.

Per avviare l'utensile, schiacciare semplicemente il grilletto interruttore. Rilasciare il grilletto interruttore per fermarlo. (Fig. 1)

PER I MODELLI HR4010C E HR4001C

Grilletto interruttore


ATTENZIONE:

- Prima di collegare l'utensile alla presa di corrente, controllare sempre che il grilletto interruttore funzioni normalmente e che torni sulla posizione "OFF" quando viene rilasciato.
- Questo interruttore funziona quando l'utensile si trova nella modalità di funzionamento dei simboli  e .

Per avviare l'utensile, schiacciare semplicemente il grilletto interruttore. Rilasciare il grilletto interruttore per fermarlo. (Fig. 1)

Interruttore scorrevole

ATTENZIONE:

- Prima di collegare l'utensile alla presa di corrente, controllare sempre che sia spento.
- Questo interruttore funziona soltanto quando l'utensile si trova nella modalità di funzionamento del simbolo .

L'interruttore scorrevole è disponibile quando si usa l'utensile nella modalità di martellamento per un lungo periodo di tempo. Per avviare l'utensile, spingere il lato "I (ON)" della leva interruttore. Spingere il lato "O (OFF)" della leva interruttore per fermarlo. (Fig. 2)

Cambio di velocità (Fig. 3)

I giri e colpi al minuto possono essere regolati girando semplicemente la ghiera di regolazione. La ghiera è marcata da 1 (velocità più bassa) a 5 (velocità massima).

Per il rapporto tra le regolazioni dei numeri sulla ghiera di regolazione e i giri/colpi al minuto, riferirsi alla tabella sotto.

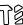
Numero sulla ghiera di regolazione	Giri al minuto	Colpi al minuto
5	480	2.750
4	440	2.550
3	360	2.050
2	270	1.550
1	230	1.350

ATTENZIONE:

- Se si usa l'utensile continuamente alle basse velocità per un lungo periodo di tempo, si sovraccarica il motore causando un malfunzionamento.
- La ghiera di regolazione della velocità può essere girata soltanto fino a 5 e indietro fino a 1. Non si deve forzarla oltre il 5 o l'1, perché altrimenti potrebbe guastarsi.


Selezione della modalità di funzionamento

Rotazione con martellamento (Fig. 4 e 5)


Per trapanare il cemento, mattoni, ecc., schiacciare il bottone di blocco e girare la leva di cambio in modo che l'indice sia puntato sul simbolo . Usare una punta rivestita di carburo-tungsteno.

Martellamento soltanto


PER I MODELLI HR4001C E HR4010C (Fig. 6)

Per le operazioni di scheggiatura, disincrostazione o demolizione, schiacciare il bottone di blocco e girare la leva di cambio in modo che l'indice sia puntato sul simbolo . Usare uno scalpello a punta, scalpello largo, scalpello a cucchiaino, ecc.

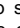
Per il martellamento durante un lungo periodo (MODELLI HR4001C E HR4010C SOLTANTO) (Fig. 7)

Per le operazioni di scheggiatura, disincrostazione o demolizione, schiacciare il bottone di blocco e girare la leva di cambio in modo che l'indice sia puntato sul simbolo . Usare uno scalpello a punta, scalpello largo, scalpello a cucchiaino, ecc.

ATTENZIONE:

- Usando l'utensile nella modalità del simbolo , il grilletto interruttore non funziona e funziona soltanto l'interruttore scorrevole.

PER IL MODELLO HR4011C (Fig. 8)

Per le operazioni di scheggiatura, disincrostazione o demolizione, schiacciare il bottone di blocco e girare la leva di cambio in modo che l'indice sia puntato sul simbolo . Usare uno scalpello a punta, scalpello largo, scalpello a cucchiaino, ecc.

ATTENZIONE:

- Non si deve girare la leva di cambio mentre l'utensile sta funzionando sotto carico. L'utensile potrebbe danneggiarsi.
- Per evitare la rapida usura del meccanismo di cambio modalità, accertarsi sempre che la leva di cambio si trovi su una delle due o tre posizioni delle modalità di funzionamento.

Limitatore di coppia

Il limitatore di coppia si attiva quando viene raggiunto un certo livello di coppia. Il motore si disinnesta dall'albero di trasmissione. Quando si verifica ciò, la punta smette di girare.

ATTENZIONE:

- Spegnerne immediatamente l'utensile non appena interviene il limitatore di coppia. Ciò aiuta a prevenire l'usura prematura dell'utensile.

Spie (Fig. 9)

La spia di accensione verde si accende quando si collega l'utensile alla presa di corrente. Se la spia non si accende, il cavo di alimentazione o il controllore potrebbe essere difettoso. Se la spia si accende ma l'utensile non si avvia anche se è acceso, le spazzole di carbone potrebbero essere usurate o il controllore, motore o interruttore ON/OFF essere difettoso.

La spia di servizio rossa si accende quando le spazzole di carbone sono quasi consumate, per indicare che l'utensile ha bisogno del servizio. Il motore si spegne automaticamente dopo circa 8 ore d'uso.

MONTAGGIO

ATTENZIONE:

- Accertarsi sempre che l'utensile sia spento e staccato dalla presa di corrente prima di qualsiasi intervento su di esso.

Manico laterale

ATTENZIONE:

- Usare il manico laterale soltanto per le operazioni di scheggiatura, disincrostazione o demolizione. Non deve essere usato per trapanare il cemento, mattoni, ecc. L'utensile non può essere tenuto correttamente con questo manico laterale durante la trapanatura. (Fig. 10)

Il manico laterale può essere girato di 360° in verticale e fissato su qualsiasi posizione. Esso può anche essere fissato su otto posizioni diverse avanti e indietro in orizzontale. Allentare semplicemente il dado di fermo per spostare il manico laterale sulla posizione desiderata. Stringere poi saldamente il dado di fermo. (Fig. 11)

Impugnatura laterale (Fig. 12)

ATTENZIONE:

- Usare sempre l'impugnatura laterale per garantire la sicurezza con le operazioni di trapanatura del cemento, mattoni, ecc.

L'impugnatura laterale può essere girata su entrambi i lati per il comodo maneggiamento dell'utensile in qualsiasi posizione. Allentare l'impugnatura laterale girandola in senso antiorario, spostarla sulla posizione desiderata e fissarla poi girandola in senso orario.

Installazione o rimozione della punta

Pulire il codolo della punta e ingrassarla prima di installare la punta. (Fig. 13)

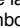
Inserire la punta nell'utensile. Girare la punta e spingerla dentro finché rimane agganciata.


Rimuovere la punta se non è possibile spingerla dentro. Tirar giù un paio di volte il coperchio del portapunta. Inserire poi di nuovo la punta. Girare la punta e spingerla dentro finché rimane agganciata.

Dopo l'installazione, accertarsi sempre che la punta sia mantenuta saldamente in posizione provando a tirarla fuori. (Fig. 14)

Per rimuovere la punta, tirar giù completamente il coperchio del portapunta e tirar fuori la punta. (Fig. 15)

Angolo punta (per le operazioni di scheggiatura, disincrostazione o demolizione)

La punta può essere fissata a 12 angoli diversi. Per cambiare l'angolo della punta, schiacciare il bottone di blocco e girare la leva di cambio in modo che l'indice sia puntato sul simbolo . Girare la punta all'angolo desiderato. (Fig. 16 e 17)

Schiacciare il bottone di blocco e girare la leva di cambio in modo che l'indice sia puntato sul simbolo . Accertarsi poi che la punta sia mantenuta saldamente in posizione girandola leggermente. (Fig. 18 e 19)

Calibro di profondità (Fig. 20)

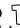
Il calibro di profondità è comodo per trapanare fori di profondità uniforme. Allentare la vite di fermo e regolare il calibro di profondità alla profondità desiderata. Dopo la regolazione, stringere saldamente la vite di fermo.

NOTA:

- Il calibro di profondità non può essere usato sulla posizione in cui sbatte contro la scatola dell'ingranaggio/scatola del motore.

FUNZIONAMENTO

Operazione di trapanatura con martellamento (Fig. 21)

Regolare la leva di cambio sul simbolo . Posizionare la punta sul punto desiderato del foro e schiacciare poi il grilletto interruttore. Non si deve forzare l'utensile. La pressione leggera dà i risultati migliori. Mantenere l'utensile in posizione e impedire che scivoli via dal foro.

Non esercitare una pressione maggiore se il foro diventa intasato di trucioli o particelle. Fare invece girare a vuoto l'utensile e rimuovere poi parzialmente la punta dal foro. Ripetendo questa operazione diverse volte si può pulire il foro e continuare con la normale trapanatura.

ATTENZIONE:


- Quando la punta comincia a fuoriuscire dal cemento, oppure se urta contro le barre di rinforzo del cemento, l'utensile potrebbe reagire pericolosamente. Mantenere un buon equilibrio e l'appoggio sicuro dei piedi tenendo saldamente l'utensile con entrambe le mani, in modo da prevenire una reazione pericolosa.

Soffietto (accessorio opzionale) (Fig. 22)

Dopo aver trapanato il foro, usare il soffietto per togliere la polvere dal foro.

Scheggiatura/disincrostazione/demolizione

(Fig. 23)

Regolare la leva di cambio sul simbolo .

Tenere saldamente l'utensile con entrambe le mani. Accendere l'utensile ed applicare una leggera pressione su di esso in modo che non rimbalzi senza controllo. Premendo molto forte sull'utensile non si aumenta l'efficienza.

MANUTENZIONE

ATTENZIONE:

- Prima di eseguire un qualsiasi intervento di ispezione o manutenzione, accertarsi che l'utensile sia spento e staccato dalla presa di corrente.
- Mai usare benzina, benzene, solventi, alcol e altre sostanze simili. Potrebbero causare scolorimenti, deformazioni o crepe.

Lubrificazione

ATTENZIONE:

- Questo intervento di manutenzione deve essere eseguito soltanto in una fabbrica o centro di assistenza Makita autorizzati.

Questo utensile non richiede la lubrificazione oraria o giornaliera, perché ha un sistema di lubrificazione a grasso compresso. Lubrificare l'utensile ogni volta che vengono sostituite le spazzole di carbone.

Far girare l'utensile per diversi minuti per riscaldarlo. Spegnerlo e staccare l'utensile dalla presa di corrente.

Allentare le quattro viti e rimuovere il manico. Tenere presente che le viti superiori sono diverse dalle altre.

(Fig. 24)

Staccare il connettore tirandolo. (Fig. 25)

Allentare le viti e rimuovere la leva di cambio.

Rimuovere il coperchio del cappello del gomito. (Fig. 26)

Rimuovere la piastra di controllo. (Modello HR4011C eccettuato.) (Fig. 27)

Allentare con un cacciavite le sei viti e rimuovere il cappello del gomito. Appoggiare l'utensile su un tavolo con l'estremità della punta rivolta in alto. Ciò permette al vecchio grasso di raccogliersi all'interno della scatola del gomito. (Fig. 28)

Pulir via il vecchio grasso all'interno e sostituirlo con grasso nuovo (60 g). Usare esclusivamente il grasso per martello Makita genuino (accessorio opzionale). Se si versa più della quantità specificata di grasso (60 g circa), si può causare un'azione difettosa di martellamento o un guasto dell'utensile. Versare soltanto la quantità di grasso specificata.

Reinstallare il cappello del gomito e stringere con il cacciavite. (Fig. 29)

Collegare il connettore e reinstallare il manico. (Fig. 30)

ATTENZIONE:

- Non stringere eccessivamente il cappello del gomito. Esso è fatto di resina e si può rompere.
- Fare attenzione a non danneggiare il connettore o i fili elettrici, soprattutto quando si toglie via il vecchio grasso o si installa il manico.

Per mantenere la SICUREZZA e l'AFFIDABILITÀ dell'utensile, le riparazioni e qualsiasi altra manutenzione o regolazione devono essere eseguite da un centro di assistenza Makita autorizzato usando sempre ricambi Makita.

ACCESSORI OPZIONALI

ATTENZIONE:

- Per l'utensile specificato in questo manuale, si consigliano questi accessori o ricambi. L'utilizzo di altri accessori o ricambi può costituire un pericolo. Usare soltanto gli accessori o ricambi specificati per il loro utilizzo.

Per maggiori dettagli e l'assistenza, rivolgersi al Centro Assistenza Makita locale.

- Punta con riporto al carburo di tungsteno SDS-MAX
- Punta da roccia SDS-MAX
- Tagliolo a freddo SDS-MAX
- Scalpello per disincrostare SDS-MAX
- Scalpello per mattonelle SDS-MAX
- Vanga per argilla SDS-MAX
- Grasso per martello
- Grasso punta
- Manico laterale
- Impugnatura laterale
- Calibro di profondità
- Soffietto
- Occhiali di protezione
- Custodia di trasporto

NOTA:

- Alcuni articoli nella lista potrebbero essere inclusi nell'imballaggio dell'utensile come accessori standard. Essi potrebbero differire da Paese a Paese.

Rumore

Il tipico livello di rumore pesato A determinato secondo EN60745:

Modello HR4001C

Livello pressione sonora (L_{pA}): 92 dB (A)
 Livello potenza sonora (L_{WA}): 103 dB (A)
 Incertezza (K): 3 dB (A)

Modello HR4010C, HR4011C

Livello pressione sonora (L_{pA}): 90 dB (A)
 Livello potenza sonora (L_{WA}): 101 dB (A)
 Incertezza (K): 3 dB (A)

Indossare i paraorecchi

ENG900-1

Vibrazione

Il valore totale di vibrazione (somma vettore triassiale) determinato secondo EN60745:

Modello HR4001C

Modalità operativa: scalpellamento
 Emissione di vibrazione ($a_{h, CHeq}$): 10,5 m/s²
 Incertezza (K): 2,0 m/s²

Modalità operativa: funzione di scalpellamento con impugnatura laterale
 Emissione di vibrazione ($a_{h, CHeq}$): 10,0 m/s²
 Incertezza (K): 2,5 m/s²

Modalità operativa: foratura con martellamento nel cemento
 Emissione di vibrazione ($a_{h, HD}$): 12,5 m/s²
 Incertezza (K): 1,5 m/s²

Modello HR4010C

Modalità operativa: scalpellamento
 Emissione di vibrazione ($a_{h, CHeq}$): 7,0 m/s²
 Incertezza (K): 1,5 m/s²

Modalità operativa: funzione di scalpellamento con impugnatura laterale
 Emissione di vibrazione ($a_{h, CHeq}$): 8,0 m/s²
 Incertezza (K): 1,5 m/s²

Modalità operativa: foratura con martellamento nel cemento
 Emissione di vibrazione ($a_{h, HD}$): 9,0 m/s²
 Incertezza (K): 1,5 m/s²

Modello HR4011C

Modalità operativa: scalpellamento
 Emissione di vibrazione ($a_{h, CHeq}$): 6,5 m/s²
 Incertezza (K): 1,5 m/s²

Modalità operativa: funzione di scalpellamento con impugnatura laterale
 Emissione di vibrazione ($a_{h, CHeq}$): 6,5 m/s²
 Incertezza (K): 1,5 m/s²

Modalità operativa: foratura con martellamento nel cemento
 Emissione di vibrazione ($a_{h, HD}$): 7,5 m/s²
 Incertezza (K): 1,5 m/s²

- Il valore di emissione delle vibrazioni dichiarato è stato misurato conformemente al metodo di test standard, e può essere usato per paragonare un utensile con un altro.
- Il valore di emissione delle vibrazioni dichiarato può anche essere usato per una valutazione preliminare dell'esposizione.

AVVERTIMENTO:

- L'emissione delle vibrazioni durante l'uso reale dell'utensile elettrico può differire dal valore di emissione dichiarato a seconda dei modi in cui viene usato l'utensile.
- Identificare le misure di sicurezza per la protezione dell'operatore basate sulla stima dell'esposizione nelle condizioni reali d'utilizzo (tenendo presente tutte le parti del ciclo operativo, come le volte in cui l'utensile viene spento e quando gira a vuoto, oltre al tempo di funzionamento).

ENH101-15

Modello per l'Europa soltanto**Dichiarazione CE di conformità**

Noi della Makita Corporation, come produttori responsabili, dichiariamo che le macchine Makita seguenti:

Designazione della macchina: Martello rotativo
 Modello No./Tipo: HR4001C, HR4010C, HR4011C
 sono una produzione di serie e
conformi alle direttive europee seguenti:

2006/42/CE

E sono fabbricate conformemente ai seguenti standard o documenti standardizzati:

EN60745

La documentazione tecnica è tenuta dal nostro rappresentante autorizzato in Europa, che è:

Makita International Europe Ltd.
 Michigan Drive, Tongwell,
 Milton Keynes, Bucks MK15 8JD, England

30.1.2009



Tomoyasu Kato
 Amministratore

Makita Corporation
 3-11-8, Sumiyoshi-cho,
 Anjo, Aichi, 446-8502, JAPAN

Verklaring van algemene gegevens

1 Aan/uit-schakelaar	10 Klemschroef	19 Schroeven
2 Blokkeerschakelaar	11 Extra handgreep	20 Contrastekker
3 Stelwiel	12 Insteekende van het gereedschap	21 Zwart
4 Functiekeuzeschakelaar	13 Een beetje vet	22 Wit
5 Wijzer	14 Gereedschap	23 Schroef
6 Vergrendelknop	15 Vergrendelingshuls	24 Afdekking krukasdeksel
7 Voedingsindicatielampje (groen)	16 Diepteaanslag	25 Besturingsplaatje
8 Onderhoudsindicatielampje (rood)	17 Klemschroef	26 Schroevendraaier
9 Verstelbare D-handgreep	18 Blaasbalgje	27 Krukasdeksel
		28 Smeermiddel voor boorhamers

TECHNISCHE GEGEVENS

Model		HR4001C	HR4010C	HR4011C
Capaciteiten	Boor met hardmetalen snijvlak	40 mm		
	Kernboor	105 mm		
Toerental onbelast (min ⁻¹)		235 – 480		
Slagen per minuut		1 350 – 2 750		
Totale lengte		468 mm		
Netto gewicht		6,3 kg	6,7 kg	6,7 kg
Veiligheidsklasse		II / III		

GEB007-7

- In verband met ononderbroken research en ontwikkeling behouden wij ons het recht voor bovenstaande technische gegevens te wijzigen zonder voorafgaande kennisgeving.
- De technische gegevens kunnen van land tot land verschillen.
- Gewicht volgens de EPTA-procedure 01/2003

ENE044-1

Doeleinden van gebruik

De machine is bestemd voor het hamerboren in baksteen, beton en steen en ook voor beetelwerk.

ENF002-2

Stroomvoorziening

Het gereedschap mag alleen worden aangesloten op een stroombron van hetzelfde voltage als aangegeven op de naamplaat, en kan alleen op enkel-fase wisselstroom worden gebruikt. Het gereedschap is dubbel-geïsoleerd en kan derhalve ook op een niet-geaard stopcontact worden aangesloten.

Algemene veiligheidswaarschuwingen voor elektrisch gereedschap

GEA010-1

⚠ WAARSCHUWING! Lees alle veiligheidsaanschuwingen en alle instructies. Het niet volgen van de waarschuwingen en instructies kan leiden tot elektrische schokken, brand en/of ernstig letsel.

Bewaar alle waarschuwingen en instructies om in de toekomst te kunnen raadplegen.

VEILIGHEIDSWAARSCHUWINGEN SPECIEFIEK VOOR EEN BOORHAMER

1. **Draag gehoorbescherming.** Blootstelling aan harde geluiden kan leiden tot gehoorbeschadiging.
2. **Gebruik de hulphandgrepen, als deze bij het gereedschap werden geleverd.** Als u de controle over het gereedschap verliest, kan dit leiden tot ernstig persoonlijk letsel.
3. **Houd elektrisch gereedschap vast aan het geïsoleerde oppervlak van de handgrepen wanneer u werkt op plaatsen waar het booraccessoire met verborgen bedrading of zijn eigen snoer in aanraking kan komen.** Wanneer het booraccessoire in aanraking komt met onder spanning staande draden, zullen de niet-geïsoleerde metalen delen van het gereedschap onder spanning komen te staan zodat de gebruiker een elektrische schok kan krijgen.
4. **Draag een veiligheidshelm, veiligheidsbril en/of spatscherm. Een gewone bril of een zonnebril is GEEN veiligheidsbril.** Het wordt tevens sterk aanbevolen een stofmasker en dik gevoerde handschoenen te dragen.
5. **Controleer of de boor stevig op zijn plaats zit voordat u het gereedschap gebruikt.**
6. **Bij normale bediening behoort het gereedschap te trillen.** De schroeven kunnen gemakkelijk losraken, waardoor een defect of ongeval kan ontstaan. Controleer of de schroeven goed zijn aangedraaid, alvorens het gereedschap te gebruiken.

7. In koude weersomstandigheden of wanneer het gereedschap gedurende een lange tijd niet is gebruikt, laat u het gereedschap eerst opwarmen door het onbelast te laten werken. Hierdoor zal de smering worden verbeterd. Zonder degelijk opwarmen, zal de hamerwerking moeilijk zijn.
8. Zorg er altijd voor dat u stevig staat. Zorg ervoor dat er niemand zich onder u bevindt wanneer u het gereedschap op een hoge plaats gebruikt.
9. Houd het gereedschap met beide handen stevig vast.
10. Houd uw handen uit de buurt van bewegende delen.
11. Laat het gereedschap niet ingeschakeld liggen. Bedien het gereedschap alleen wanneer u het vasthoudt.
12. Richt het gereedschap niet op iemand in de buurt terwijl het is ingeschakeld. De boor zou eruit kunnen vliegen en iemand ernstig verwonden.
13. Raak de boor en onderdelen in de buurt van de boor niet onmiddellijk na gebruik aan. Zij kunnen bijzonder heet zijn en brandwonden op uw huid veroorzaken.
14. Sommige materialen bevatten chemische stoffen die giftig kunnen zijn. Neem voorzorgsmaatregelen tegen het inademen van stof en contact met de huid. Volg de veiligheidsinstructies van de leverancier van het materiaal op.

BEWAAR DEZE VOORSCHRIFTEN.

WAARSCHUWING:

Laat u NIET misleiden door een vals gevoel van comfort en bekendheid met het gereedschap (na veelvuldig gebruik) en neem alle veiligheidsvoorschriften van het betreffende product altijd strikt in acht. VERKEERD GEBRUIK of het niet volgen van de veiligheidsinstructies in deze gebruiksaanwijzing kan leiden tot ernstig persoonlijk letsel.

BESCHRIJVING VAN DE FUNCTIES

LET OP:

- Controleer altijd of het gereedschap is uitgeschakeld en zijn stekker uit het stopcontact is verwijderd alvorens de functies op het gereedschap te controleren of af te stellen.

In- en uitschakelen

VOOR HET MODEL HR4011C

LET OP:

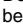
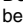
- Voordat u de stekker in het stopcontact steekt moet u de juiste werking van de aan/uit-schakelaar controleren en dat bij het loslaten deze schakelaar in de stand "OFF" terugkeert.

Druk de aan/uit-schakelaar in en houd deze ingedrukt om de machine in te schakelen. Laat de aan/uit-schakelaar los om de machine uitschakelen. (Fig. 1)

VOOR DE MODELLEN HR4010C EN HR4001C

Aan/uit-schakelaar

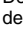
LET OP:

- Voordat u de stekker in het stopcontact steekt moet u de juiste werking van de aan/uit-schakelaar controleren en dat bij het loslaten deze schakelaar in de stand "OFF" terugkeert.
- Deze schakelaar werkt wanneer de machine in de bedieningsfunctie  en  staat.

Druk de aan/uit-schakelaar in en houd deze ingedrukt om de machine in te schakelen. Laat de aan/uit-schakelaar los om de machine uitschakelen. (Fig. 1)

Blokkeerschakelaar

LET OP:

- Controleer altijd dat de machine uitgeschakeld is voordat u de stekker in het stopcontact steekt.
- Deze schakelaar werkt alleen wanneer de machine in de bedieningsfunctie  staat.

De blokkeerschakelaar is handig als u langdurig met de machine moet hamerboren. Schakel de machine in door op de "I (ON)"-kant van deze wip-schakelaar te drukken. Schakel de machine uit door op de "O (OFF)"-kant van deze wip-schakelaar te drukken. (Fig. 2)

Toerental of aantal slagen wijzigen (Fig. 3)

Door verdraaien van het stelwiel kan het aantal toeren of slagen per minuut worden veranderd. De markering op het stelwiel is van 1 (laagste toerental/aantal slagen) tot 5 (hoogste toerental/aantal slagen).

Raadpleeg onderstaande tabel voor het verband tussen instelnummers op het stelwiel en het toerental/aantal slagen per minuut.

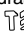
Nummers op het stelwiel	Toerental	Slagen per minuut
5	480	2 750
4	440	2 550
3	360	2 050
2	270	1 550
1	230	1 350

LET OP:

- Door voortdurend en langdurig gebruik van de machine met een laag toerental kan de motor overbelast worden en een defect aan de machine veroorzaken.
- Het stelwiel kan alleen maar tot de stand 5 en terug tot de stand 1 verdraaid worden. Forceer het stelwiel niet voorbij de stand 5 of 1, omdat anders de toerentalregeling niet meer functioneert.

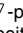
De bedieningsfunctie kiezen

Hamerboren (Fig. 4 en 5)

Voor boren in beton, steen, e.d., druk de vergrendelknop in en verdraai de functiekeuzeschakelaar totdat de wijzer naar het -pictogram wijst. Gebruik een boor met een hardmetalen snijvlak.

Alleen beitelen

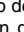
VOOR DE MODELLEN HR4001C EN HR4010C (Fig. 6)

Voor hak-, bik- of sloopwerkzaamheden, druk de vergrendelknop in en verdraai de functiekeuzeschakelaar totdat de wijzer naar het -pictogram wijst. Gebruik een puntbeitel, platte of brede beitel, enz.


Langdurig beitelen (ALLEEN VOOR DE MODELLEN HR4001C EN HR4010C) (Fig. 7)

Voor hak-, bik- of sloopwerkzaamheden, druk de vergrendelknop in en verdraai de functiekeuzeschakelaar totdat de wijzer naar het -pictogram wijst. Gebruik een puntbeitel, platte of brede beitel, enz.

LET OP:

- Als de machine ingesteld staat op de functie , werkt de aan/uit-schakelaar niet, alleen de blokkeerschakelaar functioneert.

VOOR HET MODEL HR4011C (Fig. 8)

Voor hak-, bik- of sloopwerkzaamheden, druk de vergrendelknop in en verdraai de functiekeuzeschakelaar totdat de wijzer naar het -pictogram wijst. Gebruik een puntbeitel, platte of brede beitel, enz.

LET OP:

- De functiekeuzeschakelaar mag alleen worden bediend wanneer de machine stilstaat. Anders raakt de machine beschadigd.
- Om versnelde slijtage van het functiekeuzemechaniek te voorkomen moet u ervoor zorgen dat de keuzeschakelaar altijd duidelijk in een van de twee of drie bedieningsfunctiestanden staat.

Slipkoppeling

De slipkoppeling treedt in werking bij het bereiken van een bepaald draaimoment. De verbinding tussen aandrijving en uitgaande as wordt onderbroken. Als dit gebeurt zal de boor niet meer draaien.

LET OP:

- Zodra de slipkoppeling in werking treedt moet u de machine uitschakelen. Hierdoor helpt u voortijdige slijtage van de machine te voorkomen.

Indicatielampje (Fig. 9)

Het groene voedingsindicatielampje ("ON") gaat branden als de stekker in het stopcontact is gestoken. Als het indicatielampje niet brandt kan het netsnoer of de regeleenheid defect zijn. Als het indicatielampje brandt en de machine functioneert niet, ook als deze is ingeschakeld, kunnen de koolborstels versleten zijn, of de regeleenheid, motor of aan/uit-schakelaar defect zijn.

Het rode onderhoudsindicatielampje gaat branden als de koolborstels bijna versleten zijn en om aan te geven dat de machine onderhoud nodig heeft. Na een gebruiksduur van circa 8 uur wordt de machine automatisch uitgeschakeld.

INEENZETTEN

LET OP:

- Zorg altijd dat het gereedschap is uitgeschakeld en zijn stekker uit het stopcontact is verwijderd alvorens enig werk aan het gereedschap uit te voeren.

Verstelbare D-handgreep

LET OP:

- Gebruik de verstelbare D-handgreep alleen bij hak-, bik- of sloopwerkzaamheden. Gebruik het niet bij boorwerkzaamheden in beton, steen, enz. Met deze D-handgreep kan men tijdens het boren de machine niet op de juiste wijze vasthouden. (Fig. 10)

De D-handgreep kan 360° in verticale richting zwenken en in elke stand vastgezet worden. De handgreep kan ook in acht verschillende standen naar voren en achter in horizontale richting vastgezet worden. Maak alleen maar de klemschroef los en draai de D-handgreep naar de gewenste stand. Draai de klemschroef daarna weer stevig vast. (Fig. 11)

Extra handgreep (Fig. 12)

LET OP:

- Gebruik altijd de extra handgreep om boorwerkzaamheden in beton, steen, e.d. veilig uit te voeren.

Voor het gemakkelijk hanteren van de machine in elke stand, kan de extra handgreep aan weerszijden zwenken. Draai de handgreep los door het greepstuk linksom te draaien, zwenk de handgreep in de gewenste stand en draai het weer vast door het greepstuk rechtsom te draaien.

Gereedschap inklemmen of verwijderen

Reinig het insteekteinde van het gereedschap en smeer het in met een beetje vet. (Fig. 13)

Steek het gereedschap draaiend in de machine tot het automatisch wordt vergrendeld.

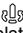
Verwijder het gereedschap als deze niet in de machine gestoken kan worden. Trek de vergrendelingshuls een paar keer naar achteren. Steek het gereedschap daarna weer draaiend in de machine tot het automatisch wordt vergrendeld.

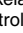
Controleer na het inklemmen de vergrendeling door aan het gereedschap te trekken. (Fig. 14)

Trek, om het gereedschap te verwijderen, de vergrendelingshuls helemaal naar achteren en haal het gereedschap uit de machine. (Fig. 15)

Beitelstand

(voor hak-, bik- of sloopwerkzaamheden)

De beitel kan in 12 standen worden vergrendeld. Druk, om de beitelstand te wijzigen, de vergrendelknop in en verdraai de functiekeuzeschakelaar totdat de wijzer naar het -pictogram wijst. Draai de beitel in de gewenste beitelstand. (Fig. 16 en 17)

Druk de vergrendelknop in en verdraai de functiekeuzeschakelaar totdat de wijzer naar het -pictogram wijst. Controleer de vergrendeling van het gereedschap door het iets te verdraaien. (Fig. 18 en 19)

Diepteaanslag (Fig. 20)

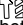
De diepteaanslag is handig bij het boren van gaten met dezelfde diepte. Maak de klemschroef los en stel de diepteaanslag in op de gewenste boordiepte. Draai na het instellen de klemschroef weer stevig vast.

OPMERKING:

- De diepteaanslag kan niet gebruikt worden als deze de behuizing van de tandwielkast of motor raakt.

BEDIENING

Hamerboren (Fig. 21)

Stel de functiekeuzeschakelaar in op het -pictogram. Plaats de boor in de gewenste stand van het boorgat. en druk daarna de aan/uit-schakelaar in. Forceer de machine niet. Een lichte druk op de machine levert het beste resultaat. Houdt de machine in positie en voorkomt dat de boor wegglijdt van het boorgat.

Voer de druk op de machine niet op als het boorgat verstopt raakt met scherven en steentjes. Laat echter de machine onbelast draaien en trek de boor gedeeltelijk terug uit het boorgat. Door dit een aantal malen te herhalen wordt het boorgat schoongemaakt en u kunt de normale boorwerkzaamheden weer hervatten.

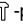
LET OP:

- Als de boor door het beton komt of als de boor het bewapeningsijzer in beton raakt kan de machine hierdoor op een gevaarlijke wijze reageren. Houd de machine in verband met de daarbij optredende krachten altijd met beide handen stevig vast en zorg ervoor dat u stevig staat.

Blaasbalgje (Extra accessoire) (Fig. 22)

Gebruik na het boren het blaasbalgje om het stof uit het boorgat te blazen.

Hakken/Bikken/Slopen (Fig. 23)

Stel de functiekeuzeschakelaar in op het -pictogram. Houd de machine stevig met beide handen vast. Schakel de machine in en oefen een enige druk uit op de machine zodat deze niet ongecontroleerd rondanst. Het uitoefenen van een zeer grote druk op de machine zal de werking ervan niet verbeteren.

ONDERHOUD

LET OP:

- Zorg altijd dat het gereedschap is uitgeschakeld en zijn stekker uit het stopcontact is verwijderd alvorens te beginnen met inspectie of onderhoud.
- Gebruik nooit benzine, wasbenzine, thinner, alcohol en dergelijke. Hierdoor het verkleuring, vervormingen en barsten worden veroorzaakt.

Smering

LET OP:

- Dit onderhoud dient uitsluitend te worden uitgevoerd door een erkend Makita-servicecentrum of de fabriek.

In verband met het zelfsmurende systeem van deze machine hoeft niet ieder uur of dag smeermiddel toegevoegd te worden. Voeg iedere keer bij vervanging van de koolborstels smeermiddel toe.

Laat de machine een paar minuten draaien om het op te warmen. Schakel de machine uit en haal de stekker uit het stopcontact.

Draai de vier schroeven los en verwijder de handgreep. Merk op dat de bovenste schroeven verschillen van de andere schroeven. (Fig. 24)

Maak de contrastekker los door er aan te trekken. (Fig. 25)

Maak de schroeven los en verwijder de functiekeuzeschakelaar.

Verwijder de afdekking van het krukasdeksel. (Fig. 26)

Verwijder het besturingsplaatje. (Behalve voor model HR4011C.) (Fig. 27)

Maak de zes schroeven met een schroevendraaier los en verwijder het krukasdeksel. Leg de machine op de tafel met de boor/beitelhouder naar boven gericht. Hierdoor zal het oude smeermiddel in het krukashuis lopen. (Fig. 28)

Verwijder het oude smeermiddel uit het binnenwerk en vervang het met een nieuw smeermiddel (60 gram). Gebruik alleen het originele Makita smeermiddel voor boorhamers (extra accessoire). Toevoeging van meer dan de aangegeven hoeveelheid smeermiddel (circa 60 gram) kan een defect in de hamerfunctie of het machine veroorzaken.

Plaats het krukasdeksel weer op diens plaats en maak deze met een schroevendraaier vast. (Fig. 29)

Sluit de contrastekker aan en plaats de functiekeuzeschakelaar weer op diens plaats. (Fig. 30)

LET OP:

- Maak het krukasdeksel niet overmatig vast. Het is van hars vervaardigd en is breekbaar.
- Zorg ervoor dat de contrastekker of elektrische bedrading niet beschadigd raakt, in het bijzonder bij het verwijderen van het oude smeermiddel en de montage van de handgreep.

Om de VEILIGHEID en BETROUWBAARHEID van het gereedschap te handhaven, dienen alle reparaties, onderhoud of afstellingen te worden uitgevoerd door een erkend Makita servicecentrum, en dit uitsluitend met gebruikmaking van originele Makita vervangingsonderdelen.

OPTIONELE ACCESSOIRES

ENG900-1

LET OP:

- Deze accessoires of hulpstukken worden aanbevolen voor gebruik met het Makita gereedschap dat in deze gebruiksaanwijzing wordt beschreven. Het gebruik van andere accessoires of hulpstukken kan gevaar voor persoonlijke verwonding opleveren. Gebruik de accessoires of hulpstukken uitsluitend voor het gespecificeerde doel.

Wenst u meer informatie over deze accessoires, neem dan contact op met het dichtstbijzijnde Makita servicecentrum.

- SDS-MAX boren met wolframcarbide punt
- SDS-MAX puntbeitel
- SDS-MAX koudbeitel
- SDS-MAX bikbeitel
- SDS-MAX tegelbeitel
- SDS-MAX kleispade
- Smeermiddel voor boorhamers
- Een beetje vet
- Verstelbare D-handgreep
- Extra handgreep
- Dieptemaat
- Blaasbalgje
- Veiligheidsbril
- Draagtas

OPMERKING:

- Sommige van de onderdelen in deze lijst kunnen bijgeleverd zijn als standaard-accessoires. Deze accessoires kunnen per land verschillend zijn.

Geluidsniveau

De typisch, A-gewogen geluidsniveaus vastgesteld volgens EN60745:

Model HR4001C

Geluidsdrukniveau (L_{pA}): 92 dB (A)
Geluidsvermogeniveau (L_{WA}): 103 dB (A)
Onnauwkeurigheid (K): 3 dB (A)

Model HR4010C, HR4011C

Geluidsdrukniveau (L_{pA}): 90 dB (A)
Geluidsvermogeniveau (L_{WA}): 101 dB (A)
Onnauwkeurigheid (K): 3 dB (A)

Draag oorbeschermers.

ENG900-1

Trilling

De totaalwaarde van de trillingen (triaxiale vectororsom) vastgesteld volgens EN60745:

Model HR4001C

Toepassing: beitelen
Trillingsemisatie ($a_{h, CHeq}$): 10,5 m/s²
Onnauwkeurigheid (K): 2,0 m/s²

Toepassing: beitelen met extra zijhandgreep
Trillingsemisatie ($a_{h, CHeq}$): 10,0 m/s²
Onnauwkeurigheid (K): 2,5 m/s²

Toepassing: klopboren in beton
Trillingsemisatie ($a_{h, HD}$): 12,5 m/s²
Onnauwkeurigheid (K): 1,5 m/s²

Model HR4010C

Toepassing: beitelen
Trillingsemisatie ($a_{h, CHeq}$): 7,0 m/s²
Onnauwkeurigheid (K): 1,5 m/s²

Toepassing: beitelen met extra zijhandgreep
Trillingsemisatie ($a_{h, CHeq}$): 8,0 m/s²
Onnauwkeurigheid (K): 1,5 m/s²

Toepassing: klopboren in beton
Trillingsemisatie ($a_{h, HD}$): 9,0 m/s²
Onnauwkeurigheid (K): 1,5 m/s²

Model HR4011C

Toepassing: beitelen
Trillingsemisatie ($a_{h, CHeq}$): 6,5 m/s²
Onnauwkeurigheid (K): 1,5 m/s²

Toepassing: beitelen met extra zijhandgreep
Trillingsemisatie ($a_{h, CHeq}$): 6,5 m/s²
Onnauwkeurigheid (K): 1,5 m/s²

Toepassing: klopboren in beton
Trillingsemisatie ($a_{h, HD}$): 7,5 m/s²
Onnauwkeurigheid (K): 1,5 m/s²

- De opgegeven trillingsemisiewaarde is gemeten volgens de standaardtestmethode en kan worden gebruikt om dit gereedschap te vergelijken met andere gereedschappen.
- De opgegeven trillingsemisiewaarde kan ook worden gebruikt voor een beoordeling vooraf van de blootstelling.

WAARSCHUWING:

- De trillingsemisie tijdens het gebruik van het elektrisch gereedschap in de praktijk kan verschillen van de opgegeven trillingsemisiewaarde afhankelijk van de manier waarop het gereedschap wordt gebruikt.
- Zorg ervoor dat veiligheidsmaatregelen worden getroffen ter bescherming van de operator die zijn gebaseerd op een schatting van de blootstelling onder praktijkomstandigheden (rekening houdend met alle fasen van de bedrijfscyclus, zoals de tijdsduur gedurende welke het gereedschap is uitgeschakeld en stationair draait, naast de ingeschakelde tijdsduur).

ENH101-15

Aleen voor Europese landen

EU-Verklaring van Conformiteit

Wij, Makita Corporation, als de verantwoordelijke fabrikant, verklaren dat de volgende Makita-machine(s):

Aanduiding van de machine: Boorhamer
 Modelnr./Type: HR4001C, HR4010C, HR4011C
 in serie zijn geproduceerd en

Voldoen aan de volgende Europese richtlijnen:
 2006/42/EC

En zijn gefabriceerd in overeenstemming met de volgende normen of genormaliseerde documenten:

EN60745

De technische documentatie wordt bewaard door onze erkende vertegenwoordiger in Europa, te weten:

Makita International Europe Ltd.
 Michigan Drive, Tongwell,
 Milton Keynes, Bucks MK15 8JD, Engeland

30.1.2009



Tomoyasu Kato
 Directeur

Makita Corporation
 3-11-8, Sumiyoshi-cho,
 Anjo, Aichi, 446-8502, JAPAN

Explicación de los dibujos

1 Gatillo interruptor	9 Mango lateral	19 Tornillos
2 Palanca de interruptor	10 Tuerca de la abrazadera	20 Conector
3 Dial de ajuste	11 Empuñadura lateral	21 Negro
4 Palanca de cambio	12 Eje de la broca	22 Blanco
5 Puntero	13 Grasa para brocas	23 Tornillo
6 Botón de bloqueo	14 Broca	24 Cubierta de la tapa del cárter
7 Lámpara indicadora de herramienta encendida (verde)	15 Tapa del mandril	25 Chapa de control
8 Lámpara indicadora de servicio (roja)	16 Tope de profundidad	26 Destornillador
	17 Tornillo de fijación	27 Tapa del cárter
	18 Soplador	28 Lubricante para martillo

ESPECIFICACIONES

Modelo		HR4001C	HR4010C	HR4011C
Capacidades	Punta rivestida di carburo	40 mm		
	Punta a corona	105 mm		
Velocidad en vacío (min ⁻¹)		235 – 480		
Percusiones por minuto		1.350 – 2.750		
Longitud total		468 mm		
Peso neto		6,3 kg	6,7 kg	6,7 kg
Clase de seguridad		II / II		

GEB007-7

- Debido a un programa continuo de investigación y desarrollo, las especificaciones aquí dadas están sujetas a cambios sin previo aviso.
- Las especificaciones pueden ser diferentes de país a país.
- Peso de acuerdo con el procedimiento EPTA 01/2003 ENE044-1

Uso previsto

La herramienta ha sido prevista para taladrar con martillo en ladrillo, cemento y piedra así como para trabajo de cincelado.

ENF002-2

Alimentación

La herramienta ha de conectarse solamente a una fuente de alimentación de la misma tensión que la indicada en la placa de características, y sólo puede funcionar con corriente alterna monofásica. El sistema de doble aislamiento de la herramienta puede, por lo tanto, usarse también en enchufes hembra sin conductor de tierra.

GEA010-1

Advertencias de seguridad generales para herramientas eléctricas

⚠ ¡ADVERTENCIA! Lea todas las advertencias de seguridad y todas las instrucciones. Si no sigue todas las advertencias e instrucciones podrá ocasionar una descarga eléctrica, un incendio y/o heridas graves.

Guarde todas las advertencias e instrucciones para futuras referencias.

ADVERTENCIAS DE SEGURIDAD PARA EL MARTILLO ROTATIVO

1. **Póngase protectores de oídos.** La exposición al ruido puede producir pérdida auditiva.
2. **Utilice el mango(s) auxiliar, si ha sido suministrado con la herramienta.** Una pérdida del control puede ocasionar heridas personales.
3. **Cuando realice una operación en la que el accesorio de corte pueda entrar en contacto con cableado oculto o con el propio cable, sujete la herramienta eléctrica por las superficies de aislamiento aisladas.** El contacto del accesorio de corte con un cable con corriente hará que la corriente circule por las partes metálicas expuestas de la herramienta eléctrica y podrá soltar una descarga eléctrica al operario.
4. **Póngase casco rígido (casco de seguridad), gafas de seguridad y/o máscara facial.** Las gafas normales o de sol NO sirven para proteger los ojos. También es muy recomendable que utilice una máscara contra el polvo y guantes bien almohadillados.
5. **Asegúrese de que la broca esté bien sujeta en el mandril antes de iniciar la operación.**
6. **La herramienta ha sido diseñada para que produzca vibración en operación normal.** Los tornillos pueden aflojarse fácilmente, pudiendo ocasionar una rotura o accidente. Compruebe el apriete de los tornillos cuidadosamente antes de iniciar la operación.

7. En tiempo frío o cuando la herramienta no haya sido utilizada durante largo tiempo, deje calentar la herramienta durante un rato haciéndola funcionar sin carga. Esto agilizará la lubricación. Sin un calentamiento apropiado, la operación de percusión resultará difícil de realizar.
8. Asegúrese siempre de que tiene suelo firme. Asegúrese de que no haya nadie debajo cuando utilice la herramienta en lugares altos.
9. Sujete la herramienta firmemente con ambas manos.
10. Mantenga las manos alejadas de las partes en movimiento.
11. No deje la herramienta en marcha. Tenga en marcha la herramienta solamente cuando la tenga en la mano.
12. No apunte la herramienta hacia nadie en el lugar cuando la esté utilizando. La broca podría salir disparada y herir a alguien seriamente.
13. No toque la broca ni partes cercanas a ella inmediatamente después de la operación; podrán estar muy calientes y quemarle la piel.
14. Algunos materiales contienen sustancias químicas que podrán ser tóxicas. Tenga precaución para evitar la inhalación de polvo y el contacto con la piel. Siga los datos de seguridad del abastecedor del material.

GUARDE ESTAS INSTRUCCIONES.

ADVERTENCIA:

NO deje que la comodidad o familiaridad con el producto (a base de utilizarlo repetidamente) sustituya la estricta observancia de las normas de seguridad para el producto en cuestión. El MAL USO o el no seguir las normas de seguridad establecidas en este manual de instrucciones pueden ocasionar graves heridas personales.

DESCRIPCIÓN DEL FUNCIONAMIENTO

PRECAUCIÓN:

- Asegúrese siempre de que la herramienta esté apagada y desenchufada antes de intentar realizar cualquier tipo de ajuste o comprobación en la ella.

Accionamiento del interruptor

PARA EL MODELO HR4011C

PRECAUCIÓN:



- Antes de enchufar la herramienta, compruebe siempre que el gatillo interruptor se acciona debidamente y que vuelve a la posición "OFF" cuando lo suelta.

Para comenzar a utilizar la herramienta, simplemente presione el gatillo interruptor. Suéltelo para detenerla. (Fig. 1)

PARA LOS MODELOS HR4010C Y HR4001C

Gatillo interruptor


PRECAUCIÓN:

- Antes de enchufar la herramienta, compruebe siempre que el gatillo interruptor se acciona debidamente y que vuelve a la posición "OFF" cuando lo suelta.
- Este interruptor funciona cuando la herramienta está puesta en el modo de accionamiento del símbolo  o .

Para comenzar a utilizar la herramienta, simplemente presione el gatillo interruptor. Suéltelo para detenerla. (Fig. 1)

Interruptor deslizable

PRECAUCIÓN:

- Antes de enchufar la herramienta, compruebe siempre para asegurarse de que está apagada.
- Este interruptor solamente funciona cuando la herramienta está puesta en el modo de accionamiento del símbolo .

El interruptor deslizable está disponible para cuando se utilice la herramienta en el modo de martillo durante largo tiempo. Para poner en marcha la herramienta, presione el lado "I (ON)" de la palanca de interruptor. Para parar la herramienta, presione el lado "O (OFF)" de la palanca de interruptor. (Fig. 2)

Cambio de velocidad (Fig. 3)

Las revoluciones y percusiones por minuto pueden ajustarse simplemente girando el dial de ajuste. El dial está marcado con 1 (mínima velocidad) a 5 (máxima velocidad). Consulte la tabla de abajo para ver la relación entre las posiciones de ajuste del dial de ajuste y las revoluciones/ percusiones por minuto.


Número del dial de ajuste	Revoluciones por minuto	Percusiones por minuto
5	480	2.750
4	440	2.550
3	360	2.050
2	270	1.550
1	230	1.350

PRECAUCIÓN:

- Si la herramienta es utilizada continuamente a velocidades bajas durante largo tiempo, el motor se sobrecargará resultando en un mal funcionamiento de la herramienta.
- El dial de ajuste de velocidad sólo se puede girar hasta 5 o hasta 1. No lo fuerce más allá de estas marcas o la función de ajuste de velocidad podría arruinarse.


Selección del modo de accionamiento

Rotación de martillo (Fig. 4 y 5)

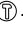
Para perforar en cemento, albañilería, etc., empuje hacia dentro el botón de bloqueo y gire la palanca de cambio de manera que el puntero esté orientado hacia el símbolo . Utilice una broca con punta de carburo de tungsteno.

Acción de martillo solamente

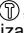
PARA LOS MODELOS HR4001C Y HR4010C (Fig. 6)

Para cincelar, desincrustar o demoler, empuje hacia dentro el botón de bloqueo y gire la palanca de cambio de manera que el puntero esté orientado hacia el símbolo . Utilice un barreno, cortafíos, cincel desincrustador, etc.

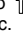
Para martilleo prolongado (PARA LOS MODELOS HR4001C Y HR4010C SOLAMENTE) (Fig. 7)

Para cincelar, desincrustar o demoler, empuje hacia dentro el botón de bloqueo y gire la palanca de cambio de manera que el puntero esté orientado hacia el símbolo . Utilice un barreno, cortafíos, cincel desincrustador, etc.

PRECAUCIÓN:

- Cuando utilice la herramienta en el modo del símbolo , el gatillo interruptor no funcionará y sólo podrá utilizarse el interruptor desizable.

PARA EL MODELO HR4011C (Fig. 8)

Para cincelar, desincrustar o demoler, empuje hacia dentro el botón de bloqueo y gire la palanca de cambio de manera que el puntero esté orientado hacia el símbolo . Utilice un barreno, cortafíos, cincel desincrustador, etc.

PRECAUCIÓN:

- No gire la palanca de cambio cuando la herramienta esté en marcha. Se dañará la herramienta.
- Para evitar un desgaste rápido del mecanismo de cambio del modo de accionamiento, asegúrese de que la palanca de cambio esté siempre puesta exactamente en una de las tres posiciones de modo de accionamiento.

Limitador de torsión

El limitador de torsión se accionará cuando se llega a un determinado nivel de torsión. El motor se desengancha del eje de salida y cuando esto sucede la broca deja de girar.

PRECAUCIÓN:

- Ni bien se acciona el limitador de torsión, apague de inmediato la herramienta. De esta manera, evitará el desgaste prematuro de la herramienta.

Lámpara indicadora (Fig. 9)

La lámpara indicadora de herramienta encendida verde se enciende cuando la herramienta está enchufada. Si la lámpara indicadora no se enciende, el cable de alimentación o el controlador podrán estar defectuosos. Si la lámpara indicadora está encendida pero la herramienta no se pone en marcha aun poniéndola en encendido, las escobillas de carbón podrán estar gastadas, o el controlador, el motor o el interruptor ON/OFF podrán estar defectuosos.

La lámpara indicadora de servicio roja se enciende cuando las escobillas de carbón están casi gastadas para indicar que la herramienta requiere mantenimiento. Después de aprox. 8 horas de uso, el motor se parará automáticamente.

MONTAJE

PRECAUCIÓN:

- Asegúrese siempre de que la herramienta esté apagada y desenchufada antes de intentar realizar cualquier trabajo en ella.

Mango lateral

PRECAUCIÓN:

- Utilice la empuñadura lateral solamente para cincelar, desincrustar o demoler. No la utilice para perforar en cemento, albañilería, etc. La herramienta no puede sujetarse debidamente con la empuñadura lateral cuando se perfora. (Fig. 10)

La empuñadura lateral se puede girar 360° en vertical y sujetarse en cualquier posición deseada. También se sujeta en ocho posiciones diferentes hacia atrás y adelante en horizontal. Simplemente afloje la tuerca de la abrazadera para girar la empuñadura lateral a la posición deseada. Después apriete la tuerca de la abrazadera firmemente. (Fig. 11)

Empuñadura lateral (Fig. 12)

PRECAUCIÓN:

- Utilice siempre la empuñadura lateral para garantizar una operación segura cuando perfora en cemento, albañilería, etc.

La empuñadura lateral puede ser girada alrededor en ambas direcciones, permitiendo un manejo fácil de la herramienta en cualquier posición. Afloje la empuñadura lateral girándola hacia la izquierda, gírela a la posición deseada y después apriétela girándola hacia la derecha.

Instalación o extracción de la broca

Limpie el eje de la broca y aplíquese grasa antes de instalar la broca. (Fig. 13)


Inserte la broca en la herramienta. Gire la broca y presiónela hacia dentro hasta que quede encajada.


Si la broca no puede ser empujada hacia dentro, extráigala. Tire de la cubierta del mandril hacia abajo unas cuantas veces. Después vuelva a insertar la broca. Gire la broca y presiónela hacia dentro hasta que quede encajada.

Después de la instalación, asegúrese siempre de que la broca esté bien sujeta en el portabrocas intentando sacarla. (Fig. 14)

Para retirar la broca, jale hacia abajo la tapa del mandril y empuje la broca hacia el exterior. (Fig. 15)

Ángulo de la broca (al cortar, demoler o tallar)

La broca puede sujetarse en 12 ángulos diferentes. Para cambiar el ángulo de la broca, empuje hacia dentro el botón de bloqueo y gire la palanca de cambio de manera que el puntero esté orientado hacia el símbolo . Gire la broca al ángulo que desee. (Fig. 16 y 17)

Empuje hacia dentro el botón de bloqueo y gire la palanca de cambio de manera que el puntero esté orientado hacia el símbolo . Después asegúrese de que la broca esté bien sujeta en el portabrocas girándola ligeramente. (Fig. 18 y 19)

Tope de profundidad (Fig. 20)

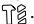
El tope de profundidad sirve para taladrar agujeros a una profundidad uniforme. Afloje el tornillo de fijación y ajuste el tope de profundidad a la profundidad deseada. Después de ajustar, apriete el tornillo de fijación firmemente.

NOTA:

- El tope de profundidad no puede utilizarse en la posición donde golpea contra el alojamiento de la herramienta/alojamiento del motor.

OPERACIÓN

Operación de taladrado con percusión (Fig. 21)

Ponga la palanca de cambio en el símbolo . Coloque la broca en el lugar donde desee hacer el agujero y a continuación apriete el gatillo interruptor. No fuerce la herramienta. Los mejores resultados se obtienen con una ligera presión. Mantenga la herramienta en posición y evite que se deslice y salga del agujero. No aplique más presión cuando el agujero se atasque con fragmentos o partículas. En su lugar, haga funcionar la herramienta sin ejercer presión, y después saque parcialmente la broca del agujero. Repitiendo esto varias veces, se limpiará el agujero y podrá reanudarse la perforación normal.

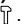
PRECAUCIÓN:

- Cuando la broca comience penetrar el cemento o si la broca golpea varillas de refuerzo de hormigón armado, la herramienta reaccionará peligrosamente. Mantenga buen equilibrio y pise suelo firme mientras sujeta la herramienta firmemente con ambas manos para evitar una reacción peligrosa.

Soplador (Accesorio opcional) (Fig. 22)

Después de taladrar el agujero, utilice el soplador para limpiar el polvo del agujero.

Cincelado/Tallado/Demolición (Fig. 23)

Ponga la palanca de cambio en el símbolo . Sostenga la herramienta firmemente con ambas manos. Encienda la herramienta y aplique una leve presión sobre ésta para evitar que la herramienta rebote sin control. Hacer una presión excesiva con la herramienta no mejorará la eficiencia.

MANTENIMIENTO

PRECAUCIÓN:

- Asegúrese siempre de que la herramienta esté apagada y desenchufada antes de intentar realizar la inspección o el mantenimiento.
- No utilice nunca gasolina, bencina, disolvente, alcohol o similares. Podría producir descoloración, deformación o grietas.

Lubricación

PRECAUCIÓN:

- Este servicio deberá ser realizado en Centros o Servicios de fábrica Autorizados por Makita solamente.

Esta herramienta no necesita lubricación horaria ni diaria porque tiene un sistema de lubricación relleno de grasa. Lubrique la herramienta cada vez que reemplace las escobillas de carbón.

Deje la herramienta en marcha varios minutos para calentarla. Apague y desenchufe la herramienta.

Afloje los cuatro tornillos y quite mango. Tenga en cuenta que los tornillos superiores son diferentes de los otros tornillos. (Fig. 24)

Desconecte el conector tirando de él. (Fig. 25)

Afloje los tornillos y quite la palanca de cambio.

Quite la cubierta de la tapa del cárter. (Fig. 26)

Quite la chapa de control. (Excepto para el modelo HR4011C.) (Fig. 27)

Afloje los seis tornillos con un destornillador y quite la tapa del cárter. Apoye la herramienta en la mesa con el extremo de la broca orientado hacia arriba. Esto permitirá que la grasa vieja se recoja dentro del alojamiento del cárter. (Fig. 28)

Limpie la grasa vieja del interior y reemplace con grasa nueva (60 g). Utilice solamente grasa para martillo genuina de Makita (accesorio opcional). Si llena con más grasa de la cantidad especificada (aprox. 60 g) podrá ocasionar una acción de martilleo defectuosa o avería en la herramienta. Llene solamente con la cantidad de grasa especificada.

Reinstale la tapa del cárter y apriete los tornillos con el destornillador. (Fig. 29)

Conecte el conector y reinstale el mango. (Fig. 30)

PRECAUCIÓN:

- No apriete la tapa del cárter excesivamente. Está hecha de resina y está expuesta a roturas.
- Tenga cuidado de no dañar el conector ni los cables conductores especialmente cuando quite la grasa vieja o instale el mango.

Para mantener la SEGURIDAD y FIABILIDAD del producto, las reparaciones, y otras tareas de mantenimiento o ajuste deberán ser realizadas en Centros Autorizados o Servicio de Fábrica de Makita, empleando siempre repuestos Makita.

ACCESORIOS OPCIONALES

PRECAUCIÓN:

- Estos accesorios o acoplamientos están recomendados para utilizar con la herramienta Makita especificada en este manual. El empleo de otros accesorios o acoplamientos conllevará un riesgo de sufrir heridas personales. Utilice los accesorios o acoplamientos solamente para su fin establecido.

Si necesita cualquier ayuda para más detalles en relación con estos accesorios, pregunte al centro de servicio Makita local.

- Brocas de punta de carburo de tungsteno SDS-MAX
- Implemento de picar SDS-MAX
- Cortafrio SDS-MAX
- Desincrustador SDS-MAX
- Cíncel para baldosas SDS-MAX
- Pala para arcilla SDS-MAX
- Lubricante para martillo
- Grasa para brocas
- Mango lateral
- Empuñadura lateral
- Tope de profundidad
- Soplador
- Gafas de seguridad
- Maletín de transporte

NOTA:

- Algunos elementos de la lista podrán estar incluidos en el paquete de la herramienta como accesorios estándar. Pueden variar de un país a otro.

Ruido

El nivel de ruido A-ponderado típico determinado de acuerdo con la norma EN60745:

El modelo HR4001C

Nivel de presión sonora (L_{pA}): 92 dB (A)
 Nivel de potencia sonora (L_{WA}): 103 dB (A)
 Error (K): 3 dB (A)

Los modelos HR4010C, HR4011C

Nivel de presión sonora (L_{pA}): 90 dB (A)
 Nivel de potencia sonora (L_{WA}): 101 dB (A)
 Error (K): 3 dB (A)

Póngase protectores en los oídos

ENG900-1

Vibración

El valor total de la vibración (suma de vectores triaxiales) determinado de acuerdo con la norma EN60745:

El modelo HR4001C

Modo tarea: cincelado
 Emisión de vibración ($a_{h, CHeq}$): 10,5 m/s²
 Error (K): 2,0 m/s²

Modo tarea: función de cincelado con la empuñadura lateral
 Emisión de vibración ($a_{h, CHeq}$): 10,0 m/s²
 Error (K): 2,5 m/s²

Modo tarea: taladrado con percusión en cemento
 Emisión de vibración ($a_{h, HD}$): 12,5 m/s²
 Error (K): 1,5 m/s²

El modelo HR4010C

Modo tarea: cincelado
 Emisión de vibración ($a_{h, CHeq}$): 7,0 m/s²
 Error (K): 1,5 m/s²

Modo tarea: función de cincelado con la empuñadura lateral
 Emisión de vibración ($a_{h, CHeq}$): 8,0 m/s²
 Error (K): 1,5 m/s²

Modo tarea: taladrado con percusión en cemento
 Emisión de vibración ($a_{h, HD}$): 9,0 m/s²
 Error (K): 1,5 m/s²

El modelo HR4011C

Modo tarea: cincelado
 Emisión de vibración ($a_{h, CHeq}$): 6,5 m/s²
 Error (K): 1,5 m/s²

Modo tarea: función de cincelado con la empuñadura lateral
 Emisión de vibración ($a_{h, CHeq}$): 6,5 m/s²
 Error (K): 1,5 m/s²

Modo tarea: taladrado con percusión en cemento
 Emisión de vibración ($a_{h, HD}$): 7,5 m/s²
 Error (K): 1,5 m/s²

- El valor de emisión de vibración declarado ha sido medido de acuerdo con el método de prueba estándar y se puede utilizar para comparar una herramienta con otra.
- El valor de emisión de vibración declarado también se puede utilizar en una valoración preliminar de exposición.

ADVERTENCIA:

- La emisión de vibración durante la utilización real de la herramienta eléctrica puede variar del valor de emisión declarado dependiendo de las formas en las que la herramienta sea utilizada.
- Asegúrese de identificar medidas de seguridad para proteger al operario que estén basadas en una estimación de la exposición en las condiciones reales de utilización (teniendo en cuenta todas las partes del ciclo operativo tal como las veces cuando la herramienta está apagada y cuando está funcionando en vacío además del tiempo de gatillo).

ENH101-15

Para países europeos solamente**Declaración de conformidad CE****Makita Corporation como fabricante responsable declara que la(s) siguiente(s) máquina(s) de Makita:**

Designación de máquina: Martillo rotativo
 Modelo N°/Tipo: HR4001C, HR4010C, HR4011C
 son producidas en serie y

Cumplen con las directivas europeas siguientes:
2006/42/EC

Y que están fabricadas de acuerdo con las normas o documentos normalizados siguientes:

EN60745

Los documentos técnicos los guarda nuestro representante autorizado en Europa cuya persona es:

Makita International Europe Ltd.
 Michigan Drive, Tongwell,
 Milton Keynes, Bucks MK15 8JD, Inglaterra

30.1.2009




Tomoyasu Kato
 Director

Makita Corporation
 3-11-8, Sumiyoshi-cho,
 Anjo, Aichi, 446-8502, JAPAN

Explicação geral

1	Gatilho	10	Porca de fixação	21	Preto
2	Alavanca interruptora	11	Punho lateral	22	Branco
3	Marcador de regulação	12	Encaixe da broca	23	Parafuso
4	Alavanca de mudança	13	Lubrificante da broca	24	Cobertura da tampa do excêntrico
5	Ponteiro	14	Broca	25	Placa de controlo
6	Botão de bloqueio	15	Tampa do mandril	26	Chave de parafusos
7	Lâmpada indicadora de Power-ON (ligada) (verde)	16	Guia de profundidade	27	Tampa do excêntrico
8	Lâmpada indicadora de manutenção (vermelha)	17	Parafuso de fixação	28	Lubrificante de martelo
9	Pega lateral	18	Soprador		
		19	Parafusos		
		20	Conector		

ESPECIFICAÇÕES

Modelo		HR4001C	HR4010C	HR4011C
Capacidades	Broca de ponta de carboneto	40 mm		
	Broca de coroa	105 mm		
Velocidade em vazio (min ⁻¹)		235 – 480		
Impactos por minuto		1.350 – 2.750		
Comprimento total		468 mm		
Peso líquido		6,3 kg	6,7 kg	6,7 kg
Classe de segurança		 /II		

- Devido a um programa contínuo de pesquisa e desenvolvimento, estas especificações podem ser alteradas sem aviso prévio.
- As especificações podem variar de país para país.
- Peso de acordo com o Procedimento 01/2003 da EPTA (European Power Tool Association)

ENE044-1

Utilização pretendida

A ferramenta foi concebida para perfuração com martelo em tijolo, cimento e pedra e também para trabalho de cinzelamento.

ENF002-2

Alimentação

A ferramenta só deve ser ligada a uma fonte de alimentação com a mesma voltagem da indicada na placa de características, e só funciona com alimentação de corrente alterna monofásica. Tem um sistema de isolamento duplo e pode, por isso, utilizar tomadas sem ligação à terra.

GEA010-1

Avisos gerais de segurança para ferramentas eléctricas

⚠ AVISO! Leia todos os avisos de segurança e todas as instruções. O não cumprimento de todos os avisos e instruções pode originar choque eléctrico, incêndio e/ou ferimentos graves.

Guarde todos os avisos e instruções para futuras referências.

GEB007-7

AVISOS DE SEGURANÇA PARA O MARTELO ROTATIVO

1. **Use protectores de ouvido.** A exposição a ruídos pode causar perda de audição.
2. **Utilize a(s) pega(s) auxiliar(es), se fornecida(s) com a ferramenta.** A perda de controlo pode causar ferimentos pessoais.
3. **Agarre na ferramenta eléctrica pelas partes isoladas ao executar uma operação onde o acessório de corte possa tocar em fios ocultos ou no seu próprio fio.** O contacto do acessório de corte com um fio "ligado" carregará as partes metálicas da ferramenta e causará choque eléctrico no operador.
4. **Utilize um capacete de segurança, óculos de segurança e/ou uma máscara. Óculos comuns ou de sol NÃO são óculos de segurança. Também se recomenda a utilização de máscara para o pé e luvas bem acolchoadas.**
5. **Certifique-se de que a broca está bem presa antes de começar a operação.**
6. **Em condições normais de operação, a ferramenta foi concebida para produzir vibração. Os parafusos podem soltar-se facilmente, causando uma avaria ou acidente. Verifique cuidadosamente o aperto dos parafusos antes da operação.**
7. **Em tempo frio ou quando a ferramenta não foi utilizada durante um longo período de tempo, deixe a ferramenta aquecer durante vários minutos fazendo-a funcionar em vazio. Isto libertará a lubrificação. Sem aquecimento apropriado, a operação de martelo será difícil.**

8. Mantenha-se sempre numa posição equilibrada. Certifique-se de que ninguém está por baixo quando trabalhar em locais altos.
9. Agarre na ferramenta firmemente com as duas mãos.
10. Mantenha as mãos afastadas das partes rotativas.
11. Não deixe a ferramenta a funcionar. Funcione com a ferramenta só quando estiver a agarrá-la.
12. Não aponte a ferramenta para ninguém à sua volta quando a estiver a trabalhar. A broca pode soltar-se e ferir seriamente alguém.
13. Não toque na broca ou nas partes próximas imediatamente depois da operação; podem estar extremamente quentes e provocar queimaduras.
14. Alguns materiais contêm químicos que podem ser tóxicos. Tenha cuidado para evitar inalação de pó e contacto com a pele. Siga os dados de segurança do fornecedor do material.

GUARDE ESTAS INSTRUÇÕES.

AVISO:

NÃO permita que conforto ou familiaridade com o produto (adquirido com o uso repetitivo) substitua a aderência estrita às regras de segurança da ferramenta. MÁ INTERPRETAÇÃO ou não seguimento das regras de segurança estabelecidas neste manual de instruções pode causar ferimentos pessoais sérios.

DESCRIÇÃO DO FUNCIONAMENTO

PRECAUÇÃO:

- Certifique-se sempre de que a ferramenta está desligada e com a ficha retirada da tomada antes de proceder a afinações ou de verificar o funcionamento respectivo.

Ação do interruptor

PARA O MODELO HR4011C

PRECAUÇÃO:



- Antes de ligar a ferramenta à corrente certifique-se sempre de que o gatilho funciona correctamente e volta para a posição "OFF" quando libertado.

Para iniciar a ferramenta, carregue simplesmente no gatilho. Solte o gatilho para parar. (Fig. 1)

PARA OS MODELOS HR4010C E HR4001C

Gatilho


PRECAUÇÃO:

- Antes de ligar a ferramenta à corrente certifique-se sempre de que o gatilho funciona correctamente e volta para a posição "OFF" quando libertado.
- Este interruptor funciona quando regula a ferramenta no símbolo  do modo de acção e símbolo  do modo de acção.

Para iniciar a ferramenta, carregue simplesmente no gatilho. Solte o gatilho para parar. (Fig. 1)

Interruptor deslizante

PRECAUÇÃO:

- Antes de ligar a ferramenta à corrente, certifique-se de que a ferramenta está desligada.
- Este interruptor só funciona quando regula a ferramenta no símbolo  do modo de acção.

Quando utiliza a ferramenta durante muito tempo no modo de martelo, pode usar o interruptor deslizante. Para iniciar a ferramenta, empurre o lado "I (ON)" da alavanca interruptora. Para parar a ferramenta, empurre o lado "O (OFF)" da alavanca interruptora. (Fig. 2)

Mudança de velocidade (Fig. 3)

As voltas e impactos por minuto podem ser regulados rodando o marcador de regulação. O marcador está marcado de 1 (velocidade inferior) a 5 (velocidade superior). Refira-se à tabela abaixo para a relação entre os números de ajuste no marcador de regulação e as voltas/ impactos por minuto.

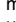
Número no marcador de regulação	Voltas por minuto	Impactos por minuto
5	480	2.750
4	440	2.550
3	360	2.050
2	270	1.550
1	230	1.350

PRECAUÇÃO:

- Se a ferramenta funcionar continuamente a baixa velocidade durante um longo período de tempo, o motor ficará sobrecarregado resultando em mau funcionamento da ferramenta.
- O marcador de regulação de velocidade só pode ser rodado até ao 5 e ao 1. Não o force para passar o 5 ou 1, ou o marcador de regulação de velocidade poderá deixar de funcionar.


Seleção do modo de acção

Rotação com martelo (Fig. 4 e 5)


Para perfurar em cimento, maçonaria, etc., pressione o botão de bloqueio e rode a alavanca de mudança de modo a que o ponteiro aponte para o símbolo . Use uma broca de carboneto de tungsténio.

Só martelo


PARA OS MODELOS HR4001C E HR4010C (Fig. 6)

Para as operações de descasque, aparar ou demolir, pressione o botão de bloqueio e rode a alavanca de mudança de modo a que o ponteiro aponte para o símbolo . Utilize um ponteiro, cinzel para ferreiro, cinzel para descasque, etc.

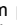
Para martelar durante muito tempo (SÓ PARA OS MODELOS HR4001C E HR4010C) (Fig. 7)

Para as operações de descasque, aparar ou demolir, pressione o botão de bloqueio e rode a alavanca de mudança de modo a que o ponteiro aponte para o símbolo . Utilize um ponteiro, cinzel para ferreiro, cinzel para descasque, etc.

PRECAUÇÃO:

- Quando utiliza a ferramenta no modo do símbolo , o gatilho não funciona e só o interruptor deslizante funciona.

PARA O MODELO HR4011C (Fig. 8)

Para as operações de descasque, aparar ou demolir, pressione o botão de bloqueio e rode a alavanca de mudança de modo a que o ponteiro aponte para o símbolo . Utilize um ponteiro, cinzel para ferreiro, cinzel para descasque, etc.

PRECAUÇÃO:

- Não rode a alavanca de mudança quando a ferramenta está a funcionar a sob carga. Estragará a ferramenta.
- Para evitar desgaste rápido do mecanismo de mudança de modo, certifique-se de que a alavanca de mudança está localizada correctamente numa das três posições de modo de acção.

Limitador do binário

O limitador do binário funcionará quando é atingido um certo nível de binário. O motor desengata do eixo de saída. Quando isto acontece, a broca pára de rodar.

PRECAUÇÃO:

- Assim que o limitador de binário actua, desligue imediatamente a ferramenta. Isto evitará o desgaste prematuro da ferramenta.

Lâmpada indicadora (Fig. 9)

A lâmpada indicadora verde de power-ON (ligado) acende-se quando a ferramenta está ligada à corrente. Se a lâmpada indicadora não se acender, o cabo de alimentação ou o controlador podem estar estragados. Se a lâmpada indicadora estiver acesa mas a ferramenta não iniciar mesmo estando ligada, as escovas de carvão devem estar gastas, ou o controlador, o motor ou o interruptor ON/OFF podem estar estragados.

A lâmpada vermelha indicadora de manutenção acende-se quando as escovas de carvão estão quase gastas para indicar que a ferramenta necessita de manutenção. Depois de aprox. 8 horas de utilização, o motor parará automaticamente.

MONTAGEM

PRECAUÇÃO:

- Certifique-se sempre de que a ferramenta está desligada e com a ficha retirada da tomada, antes de efectuar qualquer trabalho na ferramenta.

Pega lateral

PRECAUÇÃO:

- Só utilize a pega lateral quando aparar, descasca ou demole. Não a utilize quando perfura em cimento, maçonaria, etc. Quando perfura não pode agarrar correctamente na ferramenta com a pega lateral. (Fig. 10)

A pega lateral pode ser rodada de 360° na vertical e presa em qualquer posição desejada. Também fica presa em oito posições diferentes para trás e para a frente na horizontal. Solte a porca de fixação para mudar a pega lateral para a posição desejada. Em seguida aperte a porca de fixação firmemente. (Fig. 11)

Punho lateral (Fig. 12)

PRECAUÇÃO:

- Use sempre o punho lateral para assegurar uma operação segura quando perfura em cimento, maçonaria, etc.

O punho lateral gira para qualquer lado, permitindo manuseamento fácil da ferramenta em qualquer posição. Solte o punho lateral rodando-o para a esquerda, gire-o para a posição desejada e em seguida aperte-o rodando-o para a direita.

Instalar ou retirar a broca

Limpe o encaixe da broca e aplique lubrificante antes de instalar a broca. (Fig. 13)

Coloque a broca na ferramenta. Rode a broca e empurre-a até que engate.


Se não conseguir empurrar a broca, retire-a. Empurre a cobertura do mandril para baixo algumas vezes. Volte a colocar a broca. Rode a broca e empurre-a até que engate.

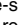
Depois de a instalar, certifique-se sempre de que a broca está seguramente presa no seu lugar tentando-a retirar. (Fig. 14)

Para retirar a broca, empurre a tampa do mandril completamente para baixo e retire a broca. (Fig. 15)

Ângulo da broca

(quando descasca, aparar ou demole)

A broca pode ser presa em 12 ângulos diferentes. Para mudar o ângulo da broca, pressione o botão de bloqueio e rode a alavanca de mudança de modo a que o ponteiro aponte para o símbolo . Rode a broca para o ângulo desejado. (Fig. 16 e 17)

Pressione o botão de bloqueio e rode a alavanca de mudança de modo a que o ponteiro aponte para o símbolo . Em seguida certifique-se de que a broca está bem presa no seu lugar rodando-a ligeiramente. (Fig. 18 e 19)

Guia de profundidade (Fig. 20)


A guia de profundidade é conveniente para perfurar orifícios de profundidade uniforme. Solte o parafuso de fixação e regule a guia de profundidade na profundidade desejada. Depois de ajustar, aperte o parafuso de fixação firmemente.

NOTA:

- A guia de profundidade não pode ser utilizada na posição onde bate contra a caixa da engrenagem/motor.

OPERAÇÃO

Operação de perfuração com martelo (Fig. 21)

Coloque a alavanca de mudança no símbolo . Posicione a broca na posição desejada para o orifício e em seguida carregue no gatilho. Não force a ferramenta. Pressão ligeira oferece melhores resultados. Mantenha a ferramenta em posição e evite que deslize para fora do orifício.

Não aplique mais pressão quando o orifício fica obstruído com aparas ou partículas. Funcione com a ferramenta inclinada e em seguida retire a broca parcialmente do orifício. Repetindo isto várias vezes, o orifício ficará limpo e pode retomar a perfuração normal.


PRECAUÇÃO:

- Quando a broca começa a partir o cimento ou se a broca bate em varões reforçados encaixados no cimento, a ferramenta pode reagir perigosamente. Mantenha bom equilíbrio e estabilidade enquanto agarra na ferramenta firmemente com as duas mãos para evitar uma reacção perigosa.

Soprador (acessório opcional) (Fig. 22)

Depois de perfurar o orifício, use o soprador para retirar o pó do orifício.

Aparar/Descascar/Demolir (Fig. 23)

Regule a alavanca de mudança no símbolo .

Agarre na ferramenta firmemente com as duas mãos. Ligue a ferramenta e aplique ligeira pressão na ferramenta de modo a que não se movimente, descontrolada. Pressionar muito na ferramenta não aumentará a eficiência.

MANUTENÇÃO

PRECAUÇÃO:

- Antes de efectuar uma inspecção ou manutenção, desligue sempre a ferramenta e retire a ficha da tomada.
- Nunca utilize gasolina, benzina, diluente, álcool ou produtos semelhantes. Pode ocorrer a descoloração, deformação ou rachaduras.

Lubrificação

PRECAUÇÃO:

- A manutenção deve ser executada pela Makita ou por um serviço autorizado da Makita.

Esta ferramenta não necessita de lubrificação horária ou diária pois tem um sistema de lubrificação incorporado. Lubrifique a ferramenta sempre que substituir as escovas de carvão.

Deixe a ferramenta funcionar durante alguns minutos para aquecer. Desligue a ferramenta e retire a ficha da tomada.

Solte os quatro parafusos e retire a pega. Note que os parafusos superiores são diferentes dos outros parafusos. (Fig. 24)

Desligue o conector puxando-o. (Fig. 25)

Solte os parafusos e retire a alavanca de mudança.

Retire a cobertura da tampa do excêntrico. (Fig. 26)

Retire a placa de controlo. (Excepto para o modelo HR4011C) (Fig. 27)

Solte os seis parafusos com uma chave de parafusos e retire a tampa do excêntrico. Coloque a ferramenta na bancada com a broca apontada para cima. Isto fará com que o lubrificante usado caia para a caixa do excêntrico. (Fig. 28)

Retire o lubrificante velho de dentro e substitua-o por novo (60 g). Use só lubrificante para martelo da Makita (acessório opcional). Se deitar mais do que a quantidade de lubrificante especificada (aprox. 60 g) pode causar acção de martelo deficiente ou estragar a ferramenta. Encha só com a quantidade de lubrificante especificada. Volte a instalar a tampa do excêntrico e aperte com a chave de parafusos. (Fig. 29)

Ligue o conector e volte a instalar a pega. (Fig. 30)

PRECAUÇÃO:

- Não aperte excessivamente a tampa do excêntrico. É feita de resina e pode partir-se.
- Tenha cuidado para não estragar o conector ou os fios especialmente quando tira o lubrificante usado ou instala a pega.

Para manter a SEGURANÇA e a FIABILIDADE da ferramenta, as reparações e a manutenção ou as afinações só devem ser efectuadas num Centro de Assistência oficial MAKITA, utilizando sempre peças de substituição Makita.

ACESSÓRIOS OPCIONAIS

PRECAUÇÃO:

- Estes acessórios ou acoplamentos são os recomendados para uso na ferramenta MAKITA especificada neste manual. A utilização de qualquer outro acessórios ou acoplamento poderá ser perigosa para o operador. Os acessórios ou acoplamentos devem ser utilizados de maneira adequada e apenas para os fins a que se destinam.

No caso de necessitar ajuda para mais detalhes sobre estes acessórios, consulte ao departamento de assistência local da Makita.

- Brocas de carboneto de tungsténio SDS-MAX
- Ponteira SDS-MAX
- Cinzel para ferreiro SDS-MAX
- Cinzel para descasque SDS-MAX
- Cinzel para ladrilhos SDS-MAX
- Espada para argila SDS-MAX
- Lubrificante de martelo
- Lubrificante da broca
- Pega lateral
- Punho lateral
- Guia de profundidade
- Soprador
- Oculos de segurança
- Mala para transporte

NOTA:

- Alguns itens da lista podem estar incluídos na embalagem da ferramenta como acessórios padrão. Eles podem variar de país para país.

Ruído

A característica do nível de ruído A determinado de acordo com EN60745:

Modelo HR4001C

Nível de pressão de som (L_{pA}): 92 dB (A)
Nível do som (L_{WA}): 103 dB (A)
Variabilidade (K): 3 dB (A)

Modelos HR4010C, HR4011C

Nível de pressão de som (L_{pA}): 90 dB (A)
Nível do som (L_{WA}): 101 dB (A)
Variabilidade (K): 3 dB (A)

Utilize protectores para os ouvidos

ENG900-1

Vibração

Valor total da vibração (soma vectorial tri-axial) determinado conforme EN60745:

Modelo HR4001C

Modo de funcionamento: cinzelamento
Emissão de vibração ($a_{h, CHeq}$): 10,5 m/s²
Variabilidade (K): 2,0 m/s²

Modo de funcionamento: função de cinzelamento com o punho lateral
Emissão de vibração ($a_{h, CHeq}$): 10,0 m/s²
Variabilidade (K): 2,5 m/s²

Modo de funcionamento: perfuração com martelo em cimento
Emissão de vibração ($a_{h, HD}$): 12,5 m/s²
Variabilidade (K): 1,5 m/s²

Modelo HR4010C

Modo de funcionamento: cinzelamento
Emissão de vibração ($a_{h, CHeq}$): 7,0 m/s²
Variabilidade (K): 1,5 m/s²

Modo de funcionamento: função de cinzelamento com o punho lateral
Emissão de vibração ($a_{h, CHeq}$): 8,0 m/s²
Variabilidade (K): 1,5 m/s²

Modo de funcionamento: perfuração com martelo em cimento
Emissão de vibração ($a_{h, HD}$): 9,0 m/s²
Variabilidade (K): 1,5 m/s²

Modelo HR4011C

Modo de funcionamento: cinzelamento
Emissão de vibração ($a_{h, CHeq}$): 6,5 m/s²
Variabilidade (K): 1,5 m/s²

Modo de funcionamento: função de cinzelamento com o punho lateral
Emissão de vibração ($a_{h, CHeq}$): 6,5 m/s²
Variabilidade (K): 1,5 m/s²

Modo de funcionamento: perfuração com martelo em cimento
Emissão de vibração ($a_{h, HD}$): 7,5 m/s²
Variabilidade (K): 1,5 m/s²

- O valor da emissão de vibração indicado foi medido de acordo com o método de teste padrão e pode ser utilizado para comparar duas ferramentas.
- O valor da emissão de vibração indicado pode também ser utilizado na avaliação preliminar da exposição.

AVISO:

- A emissão de vibração durante a utilização real da ferramenta eléctrica pode diferir do valor de emissão indicado, dependendo das formas como a ferramenta é utilizada.
- Certifique-se de identificar as medidas de segurança para protecção do operador que sejam baseadas em uma estimativa de exposição em condições reais de utilização (considerando todas as partes do ciclo de operação, tal como quando a ferramenta está desligada e quando está a funcionar em marcha lenta além do tempo de accionamento).

ENH101-15

Só para países Europeus**Declaração de conformidade CE**

Nós, a Makita Corporation, fabricante responsável, declaramos que a(s) seguinte(s) ferramenta(s) Makita:

Designação da ferramenta: Martelo rotativo
Modelos n°/Tipo: HR4001C, HR4010C, HR4011C
São de produção de série e

Em conformidade com as seguintes directivas europeias:

2006/42/EC

E estão fabricados de acordo com as seguintes normas ou documentos normativos:

EN60745

A documentação técnica é mantida pelo nosso representante autorizado na Europa:

Makita International Europe Ltd.
Michigan Drive, Tongwell,
Milton Keynes, Bucks MK15 8JD, Inglaterra

30.1.2009



Tomoyasu Kato
Director

Makita Corporation
3-11-8, Sumiyoshi-cho,
Anjo, Aichi, 446-8502, JAPAN

Illustrationsoversigt

1 Afbryderkontakt	10 Fastspændingsmøtrik	20 Konnektor
2 Afbryderarm	11 Sidegreb	21 Sort
3 Justeringskive	12 Borskraft	22 Hvid
4 Funktionsvælger	13 Borfedt	23 Skrue
5 Viser	14 Bor	24 Krumtaphættedæksel
6 Låseknop	15 Borepatrondæksel	25 Kontrolplade
7 Tændt-indikatorlampe (power-ON) (grøn)	16 Dybdeanslag	26 Skruetrækker
8 Serviceindikatorlampe (rød)	17 Tilspændingsskrue	27 Krumtaphætte
9 Sidehåndtag	18 Udblæsningskugle	28 Hammerfedt
	19 Skruer	

SPECIFIKATIONER

Model		HR4001C	HR4010C	HR4011C
Kapacitet	Karbidstålskær	40 mm		
	Borekrone	105 mm		
Omdrejninger (min ⁻¹)		235 – 480		
Slagantal per minut		1 350 – 2 750		
Længde		468 mm		
Vægt		6,3 kg	6,7 kg	6,7 kg
Sikkerhedsklasse		II / II		

- På grund af vores kontinuerlige forskningsprogrammer og udvikling, kan hosstående specifikationer blive ændret uden varsel.
- Specifikationer kan variere fra land til land.
- Vægt i henhold til EPTA-Procedure 01/2003

ENE044-1

Tilsigtet anvendelse

Denne maskine er beregnet til hammerboring i mursten, beton og sten såvel som til mejselarbejde.

ENF002-2

Strømforsyning

Maskinen må kun tilsluttes en strømforsyning med samme spænding som angivet på typeskiltet, og kan kun anvendes på enfaset vekselstrømforsyning. Den er dobbeltisoleret og kan derfor også tilsluttes netstik uden jordforbindelse.

GEA010-1

Almindelige sikkerhedsregler for el-værktøj

⚠ ADVARSEL! Læs alle sikkerhedsadvarsler og alle sikkerhedsinstruktioner. Hvis nedenstående advarsler og instruktioner ikke overholdes, kan resultatet blive elektrisk stød, brand og/eller alvorlig personskade.

Gem alle advarsler og instruktioner til fremtidig reference.

GEB007-7

SIKKERHEDADVARSLER FOR BOREHAMMER

1. **Brug altid høreværn.** Udsættelse for støj kan føre til høretab.
2. **Anvend hjælpehåndtag, hvis det (de) følger med maskinen.** Tilskadekomst kan blive resultatet, hvis De mister herredømmet over maskinen.
3. **Hold altid maskinen i de isolerede håndtagsflader, når der udføres et arbejde, hvor det skæretilbehøret kan komme i berøring med skjulte ledninger eller dets egen ledning.** Skæretilbehøret, der kommer i berøring med en strømførende ledning, kan bevirke, at udsatte metaldele af maskinen bliver ledende, hvorved operatøren kan få stød.
4. **Bær hjelm (sikkerhedshjelm), sikkerhedsbriller og/eller ansigtsskærm.** Almindelige briller og solbriller er IKKE det samme som sikkerhedsbriller. Det anbefales ligeledes stærkt, at De anvender en støvmaske og tykke, vatterede gummihandsker.
5. **Sørg for, at boret er sat sikkert og korrekt i, før arbejdet påbegyndes.**
6. **Under normal anvendelse vibrerer værktøjet.** Skrueerne kan derfor nemt løsne sig og være årsag til maskinsammenbrud eller ulykker. Kontroller inden arbejdet, at skrueerne er fastspændte.
7. **Lad maskinen varme op i et stykke tid i koldt vejr eller hvis den ikke har været brugt i længere tid ved at køre den i tomgang.** Dette vil gøre olien smidig. Uden tilstrækkelig opvarmning er hammerboring svær at udføre.
8. **Sørg for, at De altid har sikkert fodfæste.** Hvis maskinen bruges på et højtbeliggende sted, skal De sikre dem, at der ikke befinder sig nogen personer nedenunder.

9. Hold godt fast i maskinen med begge hænder.
10. Rør aldrig ved roterende dele med hænderne.
11. Læg ikke maskinen fra Dem, mens den kører. Anvend kun maskinen, når den er håndholdt.
12. Ret aldrig maskinen mod personer, når den anvendes. Boret kan slynges ud og forvolde alvorlig personskade.
13. Rør ikke ved maskinen eller dele i nærheden af boret umiddelbart efter brug. Disse dele kan være ekstremt varme og medføre forbrændinger.
14. Visse materialer indeholder kemikalier, som kan være giftige. Vær påpasselig med ikke at indånde støv eller få disse materialer på huden. Følg sikkerhedsforskrifterne fra fabrikanten af materialet.

GEM DISSE FORSKRIFTER.

ADVARSEL:

Lad IKKE bekvemmelighed eller kendskab til produktet (opnået gennem gentagen brug) forhindre, at sikkerhedsforskrifterne for produktet nøje overholdes. MISBRUG eller forsømmelse af at overholde de i denne brugsanvisning givne sikkerhedsforskrifter kan føre til alvorlig personskade.

FUNKTIONSBESKRIVELSE

FORSIGTIG:

- Kontroller altid, at maskinen er slået fra, og at netstikket er trukket ud, før der udføres justeringer eller funktioner kontrolleres på denne sav.

Afbryderfunktion

GÆLDER MODEL HR4011C

FORSIGTIG:


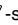
- Kontroller altid, inden maskinen sættes i forbindelse, at afbryderkontakten aktiveres på korrekt vis og returnerer til stilling "OFF", når den slippes.

Maskinen startes ved at man blot trykker på afbryderkontakten. Slip afbryderkontakten for at stoppe. (Fig. 1)

GÆLDER MODEL HR4010C OG HR4001C

Afbryderkontakt


FORSIGTIG:

- Kontroller altid, inden maskinen sættes i forbindelse, at afbryderkontakten aktiveres på korrekt vis og returnerer til stilling "OFF", når den slippes.
- Denne afbryder fungerer, når maskinen er indstillet til -symbol og -symbol funktionsmåde.

Maskine startes ved at man blot trykker på afbryderkontakten. Slip afbryderkontakten for at stoppe. (Fig. 1)

Glideafbryder

FORSIGTIG:

- Kontroller altid, at der er slukket for maskinen, inden den sættes i forbindelse.
- Denne afbryder fungerer kun, når maskinen er indstillet til -symbol funktionsmåde.

Når maskinen anvendes i hammerfunktion i længere tid, kan glideafbryderen anvendes. Maskinen startes ved at man trykker på "I (ON)"-siden af afbryderarmen. Maskinen stoppes ved at man trykker på "O (OFF)"-siden af afbryderarmen. (Fig. 2)

Hastighedsændring (Fig. 3)

Omdrejninger og slagantal per minut kan indstilles ved at man drejer justeringskvisken. Skiven har markeringerne 1 (laveste hastighed) til 5 (fuld hastighed). Se nedenstående oversigt angående forholdet mellem tallene på justeringskvisken og omdrejninger/slagantal per minut.


Tal på justeringskvisken	Omdrejninger per minut	Slagantal per minut
5	480	2 750
4	440	2 550
3	360	2 050
2	270	1 550
1	230	1 350

FORSIGTIG:

- Hvis maskinen anvendes uafbrudt i et længere tidsrum, vil motoren blive overophedet, hvilket kan resultere i fejlfunktion.
- Hastighedsindstillingsdrejeknappen kan kun drejes til 5 og tilbage til 1. Tving ikke drejeknappen forbi 5 eller 1, da dette vil bevirke, at hastighedsindstillingsfunktionen ikke længere virker.


Valg af funktionsmåde

Rotation med hammerboring (Fig. 4 og 5)


Ved boring i beton, murværk eller lignende, trykkes låseknappen ind og funktionsvælgeren drejes, så viseren står ud for -symbolet. Anvend et bor med hårdmetalspids.

Kun hammerboring

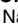
GÆLDER KUN MODEL HR4001C OG HR4010C (Fig. 6)

Ved mejsling, afskalning og nedbrydningsarbejde, trykkes låseknappen ind og funktionsvælgeren drejes, så den står ud for -symbolet. Anvend en spidsmejsel, koldmejsel, afskalningsmejsel eller lignende.

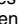
Længerevarende hammerboring (GÆLDER KUN MODEL HR4001C OG HR4010C) (Fig. 7)

Ved mejsling, afskalning og nedbrydningsarbejde, trykkes låseknappen ind og funktionsvælgeren drejes, så den står ud for -symbolet. Anvend en spidsmejsel, koldmejsel, afskalningsmejsel eller lignende.

FORSIGTIG:

- Når maskinen anvendes i -symbol-funktion, vil afbryderkontakten ikke fungere og kun glideafbryderen fungerer.

GÆLDER MODEL HR4011C (Fig. 8)

Ved mejsling, afskalning og nedbrydningsarbejde, trykkes låseknappen ind og funktionsvælgeren drejes, så den står ud for -symbolet. Anvend en spidsmejsel, koldmejsel, afskalningsmejsel eller lignende.

FORSIGTIG:

- Lad være med at dreje funktionsvælgeren, når maskinen kører under belastning. Dette vil bevirke, at maskinen lider skade.
- For at undgå en for hurtig nedslidning af funktionsskiftermekanismen, skal man altid sørge for, at funktionsvælgeren er korrekt sat i en af de to eller tre funktionsmådestillinger.

Skridkobling

Skridkoblingen slår til, når et vist omdrejningsmoment nås. Motoren kobles fra drivakslen. Når dette sker, vil boret holde op med at rotere.

FORSIGTIG:

- Sluk straks for maskinen, så snart skridkoblingen slår til. Dette vil forhindre unødigt slid på maskinen.

Indikatorlampe (Fig. 9)

Når maskinen sættes i strømforbindelse, vil den grønne tændt-indikator (power-ON) begynde at lyse. Hvis indikatorlampen ikke begynder at lyse, kan det skyldes, at netledningen eller regulatoren er defekt. Hvis indikatorlampen lyser, men maskinen ikke starter, selv hvis der er tændt for den, kan kulbørsterne være nedslidte, eller regulatoren, motoren eller tænd-sluk-knappen (ON/OFF) kan være defekt.

Den røde serviceindikatorlampe begynder at lyse, når kulbørsterne er ved at være nedslidte som indikering af, at maskinen skal have et service-eftersyn. Efter cirka 8 timers anvendelse, vil motoren automatisk slå fra.

SAMLING

FORSIGTIG:

- Sørg altid for at maskinen er slukket og netstikket trukket ud, før der foretages noget arbejde på selve maskinen.

Sidehåndtag

FORSIGTIG:

- Anvend kun sidehåndtaget, når der udføres mejsling, afskalning og nedbrydningsarbejde. Anvend ikke sidehåndtaget ved boring i beton, murværk og lignende. Maskinen kan ikke holdes ordentligt med dette sidehåndtaget under boring. (Fig. 10)

Sidehåndtaget kan drejes 360° vertikalt og monteres i en hvilken som helst ønsket stilling. Man behøver blot at løsne fastspændingsmøtrikken for at dreje sidehåndtaget til en ønsket stilling. Stram derefter fastspændingsmøtrikken godt til. (Fig. 11)

Sidegreb (Fig. 12)

FORSIGTIG:

- Anvend altid sidegrebet til at opretholde betjeningsikkerheden, når der bores i beton, murværk og lignende.

Sidegrebet kan drejes til begge sider, hvilket muliggør sikker betjening af maskinen i en hvilken som helst stilling. Sidegrebet løsnes ved at man drejer det mod uret, drejer det til den ønskede stilling og derefter strammer det til ved at dreje det med uret.

Montering og afmontering af boret

Rengør borskaffet og påfør borfedt, inden boret monteres. (Fig. 13)

Sæt boret i maskinen. Drej boret og tryk det ind, indtil det sidder fast.

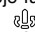
Tag boret ud, hvis det ikke kan trykkes ind. Træk borepatrondækslet ned et par gange. Sæt derefter boret ind igen. Drej boret og tryk det ind, indtil det går på plads.

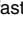
Kontroller altid efter montering, at boret sidder ordentlig fast ved at prøve at trække det ud. (Fig. 14)

Boret tages ud ved at man trækker borepatrondækslet helt tilbage, hvorefter boret kan fjernes. (Fig. 15)

Borvinkel

(ved mejsling, afskalning og nedbrydning)

Boret kan fastgøres i 12 forskellige vinkler. Hvis borvinklen ønskes ændret, skal man trykke låseknappen ned og dreje funktionsvælgeren, så viseren kommer til at stå ud for -symbolet. Drej boret til den ønskede vinkel. (Fig. 16 og 17)

Tryk låseknappen ned og drej funktionsvælgeren, så viseren kommer til at stå ud for -symbolet. Kontroller derefter, at boret sidder ordentlig fast ved at dreje det en smule. (Fig. 18 og 19)

Dybdeanslag (Fig. 20)


Dybdeanslaget er bekvemt, når der skal bores huller af samme dybde. Løs nulspændingskruen og indstil dybdeanslaget til den ønskede dybde. Efter indstillingen strammes tilspændingskruen godt til.

BEMÆRK:

- Dybdeanslaget kan ikke anvendes i en stilling, hvor det slår mod gearhuset/motorhuset.

ANVENDELSE

Hammerboring (Fig. 21)

Sæt funktionsvælgeren ud for -symbolet.

Anbring boret på det ønskede sted, hvor hullet skal bores, og tryk derefter på afbryderkontakten. Pres ikke maskinen. Et let tryk giver det bedste resultat. Hold boret i stilling og sørg for, at det ikke glider væk fra hullet.

Lad være med at øge trykket, hvis hullet bliver tilstoppet af spåner eller støv. Lad i stedet maskinen køre i tomgang, og træk derefter boret delvist ud af hullet. Hvis dette gentages adskillige gange, bliver hullet rensset ud og den normale boring kan fortsættes.

FORSIGTIG:

- Når boret begynder at bryde igennem beton eller hvis boret slår mod de forstærkende bjælker i betonen, kan maskinen reagere på en måde, der kan føre til en farlig situation. Oprethold en god balance og sørg for et godt fodfæste og hold godt fast i maskinen med begge hænder, så en farlig reaktion forhindres.

Udblæsningskugle (ekstraudstyr) (Fig. 22)

Anvend udblæsningskuglen til at blæse hullet rent, når det er udboret.

Mejselarbejde/afskalning/nedbrydning (Fig. 23)

Sæt funktionsvælgeren ud for -symbolet.

Hold godt fast på maskinen med begge hænder. Tænd for maskinen og udøv et let tryk på maskinen, så den ikke arbejder ukontrolleret. Et stærkt tryk på maskinen vil ikke øge effektiviteten.

VEDLIGEHOLDELSE

FORSIGTIG:

- Kontrollér altid, at maskinen er slået fra, og netledningen taget ud af stikkontakten, inden De udfører inspektion eller vedligeholdelse.
- Anvend aldrig benzin, rensebenzin, fortynder, alkohol og lignende. Resultatet kan blive misfarvning, deformation eller revner.

Smøring

FORSIGTIG:

- Denne servicering bør kun foretages af et autoriseret Makita-servicecenter eller af fabrikkens servicecenter.

Denne maskine kræver ikke smøring hver time eller hver dag, da den er udstyret med et lukket smøresystem. Smør maskinen hver gang kulbørsterne er skiftet ud.

Varm maskinen op ved at lade den køre i flere minutter. Afbryd maskinen og træk netstikket ud.

Løsn de fire skruer og tag håndtaget af. Bemærk, at de øverste skruer er anderledes end de andre skruer.

(Fig. 24)

Tag konnektoren ud af forbindelse ved at trække den ud.

(Fig. 25)

Løsn skrueerne og fjern funktionsvælgeren.

Tag krumtaphættedækslet af. (Fig. 26).

Fjern kontrolpladen (undtagen model HR4011C).

(Fig. 27)

Løsn de seks skruer med en skruetrækker og tag krumtaphættedækslet ud. Læg maskinen på bordet med borenden opad. Dette vil give det gamle fedt mulighed for at samle sig i krumtaphuset. (Fig. 28)

Tør det gamle fedt indeni bort og påfyld nyt fedt (60 g). Anvend udelukkende originalt hammerfedt fra Makita (ekstraudstyr). Hvis der påfyldes mere end den specificerede mængde fedt (ca. 60 g), risikerer De, at hammerfunktionen bliver fejlagtig og at maskinen svigter. Påfyld derfor kun den specificerede mængde fedt.

Sæt krumtaphættedækslet på igen og stram det til med en skruetrækker. (Fig. 29)

Tilslut konnektoren og monter grebet igen. (Fig. 30)

FORSIGTIG:

- Stram ikke krumtaphættedækslet for meget. Det er lavet af kunststof og kan nemt gå i stykker.
- Vær påpasselig med ikke at komme til at beskadige konnektoren og ledningerne, specielt når De fjerner gammelt fedt eller monterer grebet.

For at opretholde produktets SIKKERHED og PÅLIDELIGHED bør reparation, vedligeholdelse og justering kun udføres af et Makita Service Center med anvendelse af original Makita udskiftningsdele.

EKSTRAUDSTYR

FORSIGTIG:

- Det i denne manual specificerede tilbehør og anordninger anbefales til brug sammen med Deres Makita maskine. Brug af andet tilbehør og andre anordninger kan udgøre en risiko for personskade. Anvend kun tilbehør og anordninger til de beskrevne formål.

Hvis De behøver assistance eller yderligere detaljer om dette tilbehør, bedes De kontakte Deres lokale Makita servicecenter.

- SDS-MAX Hammerbor
- SDS-MAX Spidsmejsel
- SDS-MAX Fladmejsel
- SDS-MAX Bredmejsel
- SDS-MAX Flisemejsel
- SDS-MAX Spademejsel
- Hammerfedt
- Borfedt
- Sidehåndtag
- Sidegreb
- Dybdeanslag
- Udblæsningskugle
- Beskyttelsebriller
- Transportkuffert

BEMÆRK:

- Nogle ting på denne liste kan være inkluderet i værktøjspakken som standardtilbehør. Det kan være forskellige fra land til land.

Lyd

Det typiske A-vægtede støjniveau bestemmt i overensstemmelse med EN60745:

Model HR4001C

Lydtryksniveau (L_{pA}): 92 dB (A)
Lydeffektniveau (L_{WA}): 103 dB (A)
Usikkerhed (K): 3 dB (A)

Model HR4010C, HR4011C

Lydtryksniveau (L_{pA}): 90 dB (A)
Lydeffektniveau (L_{WA}): 101 dB (A)
Usikkerhed (K): 3 dB (A)

Bær høreværn

ENG900-1

Vibration

Vibrations totalværdi (tre-aksial vektorsum) bestemmt i overensstemmelse med EN60745:

Model HR4001C

Arbejdsindstilling: mejslings
Vibrationsafgivelse (a_h, C_{Heq}): 10,5 m/s²
Usikkerhed (K): 2,0 m/s²

Arbejdsindstilling: mejslingsfunktion med sidegreb

Vibrationsafgivelse (a_h, C_{Heq}): 10,0 m/s²
Usikkerhed (K): 2,5 m/s²

Arbejdsindstilling: hammerboring i beton

Vibrationsafgivelse (a_h, H_D): 12,5 m/s²
Usikkerhed (K): 1,5 m/s²

Model HR4010C

Arbejdsindstilling: mejslings
Vibrationsafgivelse (a_h, C_{Heq}): 7,0 m/s²
Usikkerhed (K): 1,5 m/s²

Arbejdsindstilling: mejslingsfunktion med sidegreb

Vibrationsafgivelse (a_h, C_{Heq}): 8,0 m/s²
Usikkerhed (K): 1,5 m/s²

Arbejdsindstilling: hammerboring i beton

Vibrationsafgivelse (a_h, H_D): 9,0 m/s²
Usikkerhed (K): 1,5 m/s²

Model HR4011C

Arbejdsindstilling: mejslings
Vibrationsafgivelse (a_h, C_{Heq}): 6,5 m/s²
Usikkerhed (K): 1,5 m/s²

Arbejdsindstilling: mejslingsfunktion med sidegreb

Vibrationsafgivelse (a_h, C_{Heq}): 6,5 m/s²
Usikkerhed (K): 1,5 m/s²

Arbejdsindstilling: hammerboring i beton

Vibrationsafgivelse (a_h, H_D): 7,5 m/s²
Usikkerhed (K): 1,5 m/s²

- Den angivne vibrationsemmissionsværdi er blevet målt i overensstemmelse med standardtestmetoden og kan anvendes til at sammenligne en maskine med en anden.
- Den angivne vibrationsemmissionsværdi kan også anvendes i en preliminær eksponeringsvurdering.

ADVARSEL:

- Vibrationsemmissionen under den faktiske anvendelse af maskinen kan være forskellig fra den erklærede emissionsværdi, afhængigt af den måde, hvorpå maskinen anvendes.
- Sørg for at identificere de sikkerhedsforskrifter til beskyttelse af operatøren, som er baseret på en vurdering af eksponering under de faktiske brugsforhold (med hensyntagen til alle dele i brugscyklens, som f.eks. de gange, hvor maskinen er slukket og når den kører i tomgang i tilgift til afbrydertiden).

ENH101-15

Kun for lande i Europa**EU-konformitetserklæring**

Vi, Makita Corporation, erklærer, som den ansvarlige fabrikant, at den (de) følgende Makita maskine(r):

Maskinens betegnelse: Borehammer

Model nr./Type: HR4001C, HR4010C, HR4011C

er af serieproduktion og

opfylder betingelserne i de følgende EU-direktiver:
2006/42/EC

og er fremstillet i overensstemmelse med de følgende standarder eller standardiserede dokumenter:
EN60745

Den tekniske dokumentation opbevares af vores autoriserede repræsentant i Europa, som er:

Makita International Europe Ltd.

Michigan Drive, Tongwell,

Milton Keynes, Bucks MK15 8JD, England

30.1.2009




Tomoyasu Kato
Direktør

Makita Corporation
3-11-8, Sumiyoshi-cho,
Anjo, Aichi, 446-8592, JAPAN

Περιγραφή γενικής άποψης

1 Σκανδάλη διακόπτης	10 Παξιμάδι σύσφιξης	21 Μαυρο
2 Μοχλός διακόπτης	11 Πλευρική πιάσιμο	22 Ασπρο
3 Καντράν ρύθμισης	12 Στέλεχος αιχμής	23 Βίδα
4 Μοχλός αλλαγής	13 Γράσσο αιχμής	24 Κάλυμμα καπακιού
5 Δείκτης	14 Αιχμή	στροφάλου
6 Κουμπί κλειδώματος	15 Κάλυμμα σφιγκτήρα	25 Πλάκα ελέγχου
7 Ενδεικτική λάμπα Ρεύματος - ON (πράσιν)	16 Μετρητής βάθους	26 Κατσαβίδι
8 Ενδεικτική λάμπα συντήρησης (κόκκινη)	17 Βίδα σύσφιξης	27 Καπάκι στροφάλου
9 Πλευρική λαβή	18 Φουσητήρας	28 Γράσσο σφυριού
	19 Βίδες	
	20 Συνδετικό	

ΤΕΧΝΙΚΑ ΧΑΡΑΚΤΗΡΙΣΤΙΚΑ

Μοντέλο		HR4001C	HR4010C	HR4011C
Αποδόσεις	Αιχμή με άκρο καρβιδίου	40 χιλ.		
	Αιχμή πυρήνα	105 χιλ.		
Ταχύτητα χωρίς φορτίο (min ⁻¹)		235 – 480		
Κτύποι ανά λεπτό		1.350 – 2.750		
Ολικό μήκος		468 χιλ.		
Βάρος καθαρό		6,3 Χγρ.	6,7 Χγρ.	6,7 Χγρ.
Κατηγορία ασφάλειας		 /II		

- Λόγω του συνεχιζόμενου προγράμματος έρευνας και ανάπτυξης, οι παρούσες προδιαγραφές υπόκεινται σε αλλαγή χωρίς προειδοποίηση.
- Τα τεχνικά χαρακτηριστικά μπορεί να διαφέρουν από χώρα σε χώρα.
- Βάρος σύμφωνα με διαδικασία EPTA 01/2003

ENE044-1

GEB007-7

Προοριζόμενη χρήση

Αυτό το εργαλείο προορίζεται για κρουστικό τρυπάνισμα σε τούβλο, σκυρόδεμα και πέτρα όπως επίσης και για εργασίες πελέκησης.

ENF002-2

Ρευματοδότηση

Το μηχάνημα πρέπει να συνδέεται μόνο σε παροχή ρεύματος της ίδιας τάσης με αυτή που αναφέρεται στην πινακίδα κατασκευαστού και μπορεί να λειτουργήσει μόνο με εναλλασσόμενο μονοφασικό ρεύμα. Τα μηχανήματα αυτά έχουν διπλή μόνωση και κατά συνέπεια, μπορούν να συνδεθούν σε ακροδέκτες χωρίς σύρμα γείωσης.

GEA010-1

Γενικές προειδοποιήσεις ασφαλείας για το ηλεκτρικό εργαλείο

⚠ ΠΡΟΕΙΔΟΠΟΙΗΣΗ Διαβάστε όλες τις προειδοποιήσεις ασφαλείας και όλες τις οδηγίες. Η μη τήρηση των προειδοποιήσεων και οδηγιών ενδέχεται να καταλήξει σε ηλεκτροπληξία, πυρκαγιά ή/και σοβαρό τραυματισμό.

Φυλάξτε όλες τις προειδοποιήσεις και τις οδηγίες για μελλοντική παραπομπή.

ΠΕΡΙΣΤΡΟΦΙΚΟ ΣΦΥΡΙ – ΠΡΟΕΙΔΟΠΟΙΗΣΕΙΣ ΑΣΦΑΛΕΙΑΣ

1. **Να φοράτε προστατευτικά ακοής.** Η έκθεση στο θόρυβο δύναται να προκαλέσει απώλεια ακοής.
2. **Να χρησιμοποιείτε τη/τις βοηθητική(ές) λαβή(ές), εάν παρέχεται(ονται) με το εργαλείο.** Η απώλεια ελέγχου δύναται να προκαλέσει προσωπικό τραυματισμό.
3. **Να κρατάτε το ηλεκτρικό εργαλείο μόνον από τις μονωμένες επιφάνειες συγκράτησης, κατά την εκτέλεση εργασίας όπου το παρελκόμενο κοπής ενδέχεται να έλθει σε επαφή με κρυφές καλωδιώσεις ή το δικό του καλώδιο τροφοδοσίας.** Σε περίπτωση επαφής του παρελκόμενου κοπής με “ηλεκτροφόρο” καλώδιο, ενδέχεται να εκτεθειμένα μεταλλικά εξαρτήματα του ηλεκτρικού εργαλείου να καταστούν τα ίδια “ηλεκτροφόρα” και να προκαλέσουν ηλεκτροπληξία στο χειριστή.
4. **Να φοράτε κράνος, γυαλιά ασφαλείας ή/και προσωπίδα προστασίας.** Τα κοινά γυαλιά όρασης ή ηλίου ΔΕΝ αποτελούν γυαλιά ασφαλείας. Επιπλέον, συνιστάται ιδιαίτερα η χρήση μάσκας προστασίας από τη σκόνη και γάντια με επένδυση μεγάλου πάχους.
5. **Βεβαιωθείτε ότι η αιχμή είναι ασφαλισμένη στη θέση της πριν από τη λειτουργία.**
6. **Υπό κανονικές συνθήκες λειτουργίας, το εργαλείο έχει σχεδιαστεί για την παραγωγή κραδασμών. Οι βίδες ενδέχεται να ξεσφίξουν εύκολα, προκαλώντας βλάβη ή ατύχημα. Ελέγξτε τη σύσφιξη των βιδών με προσοχή, πριν από τη λειτουργία.**

7. Σε χαμηλές θερμοκρασίες περιβάλλοντος ή όταν το εργαλείο δεν έχει χρησιμοποιηθεί για μεγάλο χρονικό διάστημα, αφήστε το εργαλείο να προθερμανθεί για κάποιο χρονικό διάστημα αφήνοντάς το σε λειτουργία χωρίς φορτίο. Έτσι, επιτυγχάνεται η ρευστοποίηση του λιπαντικού. Χωρίς κατάλληλη προθέρμανση, η κρουστική λειτουργία δυσχεραίνεται.
8. Να φροντίζετε πάντα για τη διατήρηση καλής ισορροπίας. Βεβαιωθείτε ότι δεν υπάρχει άτομο ακριβώς από κάτω, όταν χρησιμοποιείτε το ηλεκτρικό εργαλείο σε υψηλά σημεία.
9. Κρατήστε το εργαλείο σταθερά με τα δύο χέρια.
10. Μην πλησιάζετε τα χέρια σας στα περιστρεφόμενα εξαρτήματα.
11. Μην αφήνετε το εργαλείο σε λειτουργία. Να χειρίζεστε το εργαλείο μόνον όταν το κρατάτε.
12. Μην στρέψετε το εργαλείο προς την κατεύθυνση οποιουδήποτε παρευρισκόμενου στο χώρο εργασίας. Η αιχμή ενδέχεται να εκτιναχθεί και να προκαλέσει σοβαρό τραυματισμό σε τρίτους.
13. Μην αγγίζετε την αιχμή ή τα εξαρτήματα κοντά στην αιχμή αμέσως μετά από την ολοκλήρωση της εργασίας, ενδέχεται να είναι εξαιρετικά θερμά και να προκαλέσουν έγκαυμα στο δέρμα σας.
14. Ορισμένα υλικά περιέχουν χημικές ουσίες, οι οποίες ενδέχεται να είναι τοξικές. Λάβετε τα απαραίτητα μέτρα προφύλαξης, ώστε να αποτραπεί η εισπνοή σκόνης και η επαφή με το δέρμα. Να τηρείτε τις οδηγίες ασφαλείας του προμηθευτή των υλικών.

ΦΥΛΑΞΤΕ ΑΥΤΕΣ ΤΙΣ ΟΔΗΓΙΕΣ.

ΠΡΟΕΙΔΟΠΟΙΗΣΗ:

ΜΗΝ επιτρέψετε το βαθμό άνεσης ή εξοικείωσης με το προϊόν (λόγω επανειλημμένης χρήσης) να αντικαταστήσει την αυστηρή τήρηση των κανόνων ασφαλείας του παρόντος εργαλείου. Η ΚΑΚΗ ΧΡΗΣΗ ή η μη τήρηση των κανόνων ασφαλείας που αναγράφονται στο παρόν εγχειρίδιο οδηγιών ενδέχεται να προκαλέσει σοβαρό προσωπικό τραυματισμό.

ΠΕΡΙΓΡΑΦΗ ΛΕΙΤΟΥΡΓΙΑΣ

ΠΡΟΣΟΧΗ:

• Πάντοτε βεβαιώνετε ότι το εργαλείο είναι σβηστό και αποσυνδεδεμένο από το ρεύμα πριν ρυθμίσετε ή ελέγξετε κάποια λειτουργία στο εργαλείο.

Δράση διακόπτη

ΓΙΑ ΜΟΝΤΕΛΟ HR4011C

ΠΡΟΣΟΧΗ:



• Πριν συνδέσετε στο ρεύμα το εργαλείο, πάντοτε ελέγχετε να δείτε ότι η σκανδάλη διακόπτης ενεργοποιείται κατάλληλα και επιστρέφει στην θέση "OFF" όταν ελευθερώνεται.

Για να εκκινήσετε το εργαλείο, απλώς τραβήχτε την σκανδάλη διακόπτη. Ελευθερώστε την σκανδάλη διακόπτη για να σταματήσει. (Εικ. 1)

ΓΙΑ ΜΟΝΤΕΛΟ HR4010C ΚΑΙ HR4001C

Σκανδάλη διακόπτης


ΠΡΟΣΟΧΗ:

- Πριν συνδέσετε στο ρεύμα το εργαλείο, πάντοτε ελέγχετε να δείτε ότι η σκανδάλη διακόπτης ενεργοποιείται κατάλληλα και επιστρέφει στην θέση "OFF" όταν ελευθερώνεται.
- Αυτός ο διακόπτης λειτουργεί μόνο όταν ρυθμίζετε το εργαλείο στην κατάσταση δράσης συμβόλου  και .

Για να εκκινήσετε το εργαλείο, απλώς τραβήχτε την σκανδάλη διακόπτη. Ελευθερώστε την σκανδάλη διακόπτη για να σταματήσει. (Εικ. 1)

Διακόπτης ολίσθησης

ΠΡΟΣΟΧΗ:

- Πριν συνδέσετε στο ρεύμα το εργαλείο, πάντοτε ελέγχετε να δείτε ότι το εργαλείο είναι αποσυνδεδεμένο.
- Αυτός ο διακόπτης λειτουργεί μόνο όταν ρυθμίζετε το εργαλείο στην κατάσταση δράσης συμβόλου .

Όταν χρησιμοποιείτε το εργαλείο στην κατάσταση κρούσης για μεγάλο χρονικό διάστημα, ο διακόπτης ολίσθησης είναι διαθέσιμος. Για να εκκινήσετε το εργαλείο, σπρώχτε την πλευρά "I (ON)" του μοχλού διακόπτη. Για να σταματήσετε το εργαλείο, σπρώχτε την πλευρά "O (OFF)" του μοχλού διακόπτη. (Εικ. 2)

Αλλαγή ταχύτητας (Εικ. 3)

Οι περιστροφές και τα κτυπήματα ανά λεπτό μπορούν να ρυθμιστούν με ένα απλό γύρισμα του ρυθμιστικού καντράν. Το καντράν είναι σημειωμένο από 1 (μικρότερη ταχύτητα) έως 5 (ανώτατη ταχύτητα). Ανατρέξτε στον πίνακα παρακάτω για την σχέση μεταξύ των αριθμών ρύθμισης στο καντράν ρύθμισης και των περιστροφών ανά λεπτό.

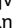
Αριθμός στο καντράν ρύθμισης	Περιστροφές ανά λεπτό	Κρούσεις ανά λεπτό
5	480	2.750
4	440	2.550
3	360	2.050
2	270	1.550
1	230	1.350

ΠΡΟΣΟΧΗ:

- Εάν το εργαλείο λειτουργεί συνεχώς σε χαμηλές ταχύτητες για μεγάλη χρονική περίοδο, ο κινητήρας θα υπερφορτωθεί, με αποτέλεσμα δυσλειτουργία του εργαλείου.
- Το καντράν ρύθμισης ταχύτητας μπορεί να γυριστεί μέχρι το 5 και πίσω στο 1. Μη το εξαναγκάσετε πέραν του 5 ή του 1, αλλιώς η λειτουργία ρύθμισης ταχύτητας θα υποστεί βλάβη.


Επιλογή τρόπου λειτουργίας

Περιστροφή με κρούση (Εικ. 4 και 5)


Για τρυπάνισμα σε σκυρόδεμα, τοίχους, κλπ., πατήστε το κουμπί κλειδώματος και περιστρέψτε τον μοχλό αλλαγής έτσι ώστε ο δεικτής να δείχνει στο σύμβολο . Χρησιμοποιείτε μία αιχμή με άκρο βολφραμίου-καρβιδίου.

Μόνο κρούση


ΓΙΑ ΜΟΝΤΕΛΟ HR4001C ΚΑΙ HR4010C (Εικ. 6)

Για εργασίες πελεκίσματος, αποφλοίωσης ή κατεδάφισης, πατήστε το κουμπί κλειδώματος και περιστρέψτε τον μοχλό αλλαγής έτσι ώστε ο δείκτης να δείχνει στο σύμβολο . Χρησιμοποιείτε κεφαλή αιχμηρού άκρου, ψυχρή σμίλη, σμίλη αποφλοίωσης, κλπ.

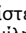
Για μακροχρόνια κρουστική εργασία (ΓΙΑ ΜΟΝΤΕΛΑ HR4001C ΚΑΙ HR4010C ΜΟΝΟ) (Εικ. 7)

Για εργασίες πελεκίσματος, αποφλοίωσης ή κατεδάφισης, πατήστε το κουμπί κλειδώματος και περιστρέψτε τον μοχλό αλλαγής έτσι ώστε ο δείκτης να δείχνει στο σύμβολο . Χρησιμοποιείτε κεφαλή αιχμηρού άκρου, ψυχρή σμίλη, σμίλη αποφλοίωσης, κλπ.

ΠΡΟΣΟΧΗ:

- Όταν χρησιμοποιείτε το εργαλείο στη θέση συμβόλου , η σκανδάλη διακόπτης δεν λειτουργεί και μόνο ο διακόπτης ολίσθησης λειτουργεί.

ΓΙΑ ΜΟΝΤΕΛΟ HR4011C (Εικ. 8)

Για εργασίες πελεκίσματος, αποφλοίωσης ή κατεδάφισης, πατήστε το κουμπί κλειδώματος και περιστρέψτε τον μοχλό αλλαγής έτσι ώστε ο δείκτης να δείχνει στο σύμβολο . Χρησιμοποιείτε κεφαλή αιχμηρού άκρου, ψυχρή σμίλη, σμίλη αποφλοίωσης, κλπ.

ΠΡΟΣΟΧΗ:

- Μη περιστρέφετε τον μοχλό αλλαγής όταν το εργαλείο λειτουργεί υπό φορτίο. Το εργαλείο θα πάθει ζημιά.
- Για να αποφύγετε γρήγορη φθορά στον μηχανισμό αλλαγής λειτουργίας, βεβαιώνετε ότι ο μοχλός αλλαγής είναι πάντοτε θετικά τοποθετημένος σε μία από τις δύο ή τρεις θέσεις δράσης λειτουργίας.

Περιοριστής ροπής

Ο περιοριστής ροπής θα ενεργοποιηθεί όταν η ροπή φθάσει σε ένα ορισμένο επίπεδο. Ο κινητήρας θα αποσυνδεθεί από τον άξονα κίνησης. Όταν αυτό συμβεί η αιχμή θα σταματήσει να περιστρέφεται.

ΠΡΟΣΟΧΗ:

- Μόλις ενεργοποιηθεί ο περιοριστής ροπής, σβήστε αμέσως το εργαλείο. Αυτό θα βοηθήσει να αποφευχθεί πρόωμη φθορά του εργαλείου.

Ενδεικτική λάμπα (Εικ. 9)

Η πράσινη ενδεικτική λάμπα λειτουργίας ON ανάβει όταν το εργαλείο συνδεθεί στο ρεύμα. Εάν η ενδεικτική λάμπα δεν ανάβει, τα καλώδια ρεύματος ή ο ελεγκτής μπορεί να έχουν βλάβη. Εάν η ενδεικτική λάμπα είναι αναμμένη αλλά το εργαλείο δεν ξεκινά ακόμη και με τον διακόπτη αναμμένο, οι ψήκτες άνθρακα μπορεί να έχουν φθαρεί, ή ο ελεγκτής, ο κινητήρας ή ο διακόπτης ON/OFF μπορεί να έχουν βλάβη.

Η κόκκινη ενδεικτική λάμπα συντήρησης ανάβει όταν οι ψήκτες άνθρακα έχουν σχεδόν φθαρεί για να υποδείξει ότι το εργαλείο χρειάζεται συντήρηση. Μετά από χρήση περίπου 8 ωρών, ο κινητήρας θα παύσει να λειτουργεί αυτόματα.

ΣΥΝΑΡΜΟΛΟΓΗΣΗ

ΠΡΟΣΟΧΗ:

- Πάντοτε βεβαιώνετε ότι το εργαλείο είναι σβηστό και αποσυνδεδεμένο από το ρεύμα πριν εκτελέσετε οποιαδήποτε εργασία στο εργαλείο.

Πλευρική λαβή

ΠΡΟΣΟΧΗ:

- Χρησιμοποιείτε την πλευρική λαβή μόνο κατά το πελέκισμα, αποφλοίωση ή κατεδάφιση. Μη την χρησιμοποιείτε όταν τρυπνίζετε σε σκυρόδεμα, τοίχους, κλπ. Το εργαλείο δεν μπορεί να κρατηθεί κατάλληλα με την πλευρική αυτή λαβή κατά το τρυπάνισμα. (Εικ. 10)

Η πλευρική λαβή μπορεί να στραφεί κατά 360° κατακόρυφα και να ασφαλιστεί σε οποιαδήποτε επιθυμητή θέση. Επίσης ασφαλίστε σε οκτώ φθιαφορετικές θέσεις εμπρός και πίσω οριζόντια. Απλώς χαλαρώστε το παξιμάδι σύσφιξης για να γυρίσετε την πλευρική λαβή σε μία επιθυμητή θέση. Μετά σφίχτε το παξιμάδι σύσφιξης με ασφάλεια. (Εικ. 11)

Πλευρική πιάσιμο (Εικ. 12)

ΠΡΟΣΟΧΗ:

- Πάντοτε χρησιμοποιείτε την πλευρική πιάσιμο για να εξασφαλίσετε ασφάλεια λειτουργίας όταν τρυπνίζετε σε σκυρόδεμα, τοίχους, κλπ.

Η πλευρική πιάσιμο περιστρέφεται σε οποιαδήποτε πλευρά επιτρέποντας εύκολο χειρισμό του εργαλείου σε οποιαδήποτε θέση. Χαλαρώστε την πλευρική πιάσιμο γυρίζοντας την αριστερόστροφα, περιστρέψτε την στην επιθυμητή θέση και μετά σφίχτε την γυρίζοντας την δεξιόστροφα.

Τοποθέτηση ή αφαίρεση της αιχμής

Καθαρίστε το στέλεχος της αιχμής και εφαρμόστε λιπαντικό αιχμής πριν τοποθετήσετε την αιχμή. (Εικ. 13)

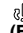
Βάλτε την αιχμή μέσα στο εργαλείο. Γυρίστε την αιχμή και σπρώχτε την μέχρι να εμπλακεί. Εάν η αιχμή δεν μπορεί να σπρωχθεί μέσα, αφαιρέστε την. Τραβήχτε το κάλυμμα του σφιγκτήρα προς τα κάτω δύο φορές. Μετά βάλτε την αιχμή πάλι. Γυρίστε την αιχμή και σπρώχτε την μέχρι να εμπλακεί.

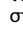
Μετά την τοποθέτηση, πάντοτε βεβαιώνετε ότι η αιχμή είναι στερεωμένη με ασφάλεια στην θέση της προσαφώνοντας να την τραβήξετε έξω. (Εικ. 14)

Για να αφαιρέσετε την αιχμή, τραβήχτε προς τα κάτω το κάλυμμα σφιγκτήρα και τραβήχτε την αιχμή έξω. (Εικ. 15)

Γωνία αιχμής

(κατά την πελέκισση, αποφλοίωση ή κατεδάφιση)

Η αιχμή μπορεί να στερεωθεί σε 12 διαφορετικές γωνίες. Για να αλλάξετε την γωνία αιχμής, πατήστε το κουμπί κλειδώματος και περιστρέψτε τον μοχλό αλλαγής έτσι ώστε ο δείκτης δείχνει στο σύμβολο . Γυρίστε την αιχμή στην επιθυμητή γωνία. (Εικ. 16 και 17)

Πατήστε το κουμπί κλειδώματος και περιστρέψτε τον μοχλό αλλαγής έτσι ώστε ο δείκτης να δείχνει στο σύμβολο . Μετά βεβαιωθείτε ότι η αιχμή είναι κρατημένη με ασφάλεια στη θέση της γυρίζοντας την ελαφρά. (Εικ. 18 και 19)

Μετρητής βάθους (Εικ. 20)

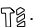
Ο μετρητής βάθους είναι βολικός για άνοιγμα τρυπών ομοιόμορφου βάθους. Χαλαρώστε την βίδα σύσφιξης και ρυθμίστε τον μετρητή βάθους στο επιθυμητό βάθος. Μετά την ρύθμιση, σφίχτε σταθερά την βίδα σύσφιξης.

ΣΗΜΕΙΩΣΗ:

- Ο μετρητής βάθους δεν μπορεί να χρησιμοποιηθεί στην θέση όπου ο μετρητής βάθους χτυπάει στο περίβλημα γραναζιών/περίβλημα κινητήρα.

ΛΕΙΤΟΥΡΓΙΑ

Λειτουργία κρουστικού τρυπανίσματος (Εικ. 21)

Ρυθμίστε τον μοχλό αλλαγής στο σύμβολο . Τοποθετήστε την αιχμή στην επιθυμητή θέση για την τρύπα, μετά τραβήχτε την σκανδάλη διακόπτη. Μην εξαναγκάζετε το εργαλείο. Η ελαφρά πίεση δίνει τα καλύτερα αποτελέσματα. Κρατάτε το εργαλείο στη σωστή θέση και εμποδίζετε το να γλιστρήσει έξω από την τρύπα.

Μην εφαρμόζετε περισσότερη πίεση όταν η τρύπα βουλώνει με αποκοπίδια και τεμαχίδια. Αντίθετα, λειτουργείτε στο εργαλείο στο ραλαντί, και μετά τραβήχτε την αιχμή μερικώς από την τρύπα. Επαναλαμβάνοντας αυτό πολλές φορές, η τρύπα θα καθαρίσει και κανονικό τρυπάνισμα μπορεί να αναληφθεί.


ΠΡΟΣΟΧΗ:

- Όταν η αιχμή αρχίζει να διαπερνά το σκυρόδεμα ή όταν η αιχμή κτυπήσει ενισχυτικές ράβδους ενσωματωμένες στο σκυρόδεμα, το εργαλείο μπορεί να αντιδράσει επικίνδυνα. Διατηρείτε καλή ισορροπία και ασφαλή στήριξη ποδιών ενώ κρατάτε το εργαλείο σταθερά με τα δύο χέρια για να αποφύγετε κάποια επικίνδυνη αντίδραση.

Φουσητήρας (προαιρετικό εξάρτημα) (Εικ. 22)

Αφού τρυπανίσετε την τρύπα, χρησιμοποιήστε τον φουσητήρα για να καθαρίσετε την σκόνη από την τρύπα.

Πελέκισμα/Αποφλοιώση /Κατεδάφιση (Εικ. 23)

Ρυθμίστε τον μοχλό αλλαγής στο σύμβολο . Κρατάτε το εργαλείο σταθερά και με τα δύο χέρια. Ανάψτε το εργαλείο και εφαρμόστε ελαφρά πίεση στο εργαλείο έτσι ώστε να μην αναπηδήσει, ανεξέλεγκτα. Η εξάσκηση μεγάλης πίεσης στο εργαλείο δεν θα ανήξει την αποδοτικότητά του.

ΣΥΝΤΗΡΗΣΗ

ΠΡΟΣΟΧΗ:

- Πάντοτε βεβαιώνεστε ότι το εργαλείο είναι σβηστό και αποσυνδεδεμένο από το ρεύμα πριν επιχειρήσετε να κάνετε επιθεώρηση ή συντήρηση.
- Μην χρησιμοποιείτε ποτέ βενζίνη, πετρελαϊκό αιθέρα, διαλυτικό, αλκοόλη ή παρόμοιες ουσίες. Ενδέχεται να προκληθεί αποχρωματισμός παραμόρφωση ή ρωγμές.

Λίπανση

ΠΡΟΣΟΧΗ:

- Αυτό το σέρβις πρέπει να εκτελείται μόνο από Εξουσιοδοτημένα Κέντρα της Μάκιτα ή από Κέντρα Σέρβις Εργοστασίου.

Αυτό το εργαλείο δεν χρειάζεται ωριαία ή ημερήσια λίπανση γιατί έχει ένα σύστημα λίπανσης με πακέτο γράσσο. Λιπένετε το εργαλείο κάθε φορά που οι ψήκτρες άνθρακα αντικαθίστανται.

Λειτουργείτε το εργαλείο για αρκετά λεπτά για να θερμανθεί. Σβήστε το και αποσυνδέστε το.

Χαλαρώστε τις τέσσερις βίδες και αφαιρέστε την λαβή. Σημειώστε ότι οι βίδες κορυφής είναι διαφορετικές από άλλες βίδες. (Εικ. 24)

Αποσυνδέστε το συνδετικό τραβώντας το. (Εικ. 25) Χαλαρώστε τις βίδες και αφαιρέστε τον μοχλό αλλαγής.

Αφαιρέστε το κάλυμμα καπακιού στροφαλοφόρου. (Εικ. 26)

Αφαιρέστε την πλάκα ελέγχου. (Εκτός από το μοντέλο HR4011C.) (Εικ. 27)

Χαραστώτε τις έξι βίδες με ένα κατασβίδι και αφαιρέστε το καπάκι του στροφαλοφόρου. Αφήστε το εργαλείο στο τραπέζι με το άκρο της αιχμής διευθυνόμενο προς τα επάνω. Αυτό θα επιτρέψει στο παλιό γράσσο να συγκεντωθεί μέσα στο περίβλημα του στροφαλοφόρου. (Εικ. 28)

Σφουγγίστε το παλιό γράσσο στο εσωτερικό και αντικαταστήστε το με ένα φρέσκο (60 γρ.) Χρησιμοποιείτε μόνο το αυθεντικό γράσσο σφυριού Μάκιτα (προαιρετικό εξάρτημα). Το γέμισμα με περισσότερο από την καθορισμένη ποσότητα γράσσο. (περίπου 60 γρ.) μπορεί να προκαλέσει ελαττωματική κρουστική λειτουργία ή βλάβη του εργαλείου. Γεμίζετε μόνο με την καθορισμένη ποσότητα γράσσο.

Επανατοποθετήστε το καπάκι του στροφαλοφόρου και σφίχτε με το κατασβίδι. (Εικ. 29)

Συνδέστε το συνδετικό και απανατοποθετήστε την λαβή. (Εικ. 30)

ΠΡΟΣΟΧΗ:

- Μη σφίγγετε το καπάκι του στροφαλοφόρου υπερβολικά. Είναι κατασκευασμένο από ρητίνη και μπορεί να σπασεί.
- Προσέχετε να μη κάνετε ζημιά στο συνδετικό ή στα καλώδια ειδικά όταν σφουγγίζετε το παλιό γράσσο ή τοποθετείτε την λαβή.

Για διατήρηση της ΑΣΦΑΛΕΙΑΣ και ΑΞΙΟΠΙΣΤΙΑΣ του προϊόντος, επισκευές, οποιαδήποτε συντήρηση ή ρυθμίσεις πρέπει να εκτελούνται από Κέντρα Εξυπηρέτησης Εξουσιοδοτημένα από την Μάκιτα, με χρήση πάντοτε ανταλλακτικών Μάκιτα.

ΠΡΟΑΙΡΕΤΙΚΑ ΕΞΑΡΤΗΜΑΤΑ

ΠΡΟΣΟΧΗ:

- Αυτά τα εξαρτήματα ή προσαρτήματα συνιστώνται για χρήση με το εργαλείο Μάκιτα που περιγράφηκε στις οδηγίες αυτές. Η χρήση οτιδήποτε άλλων εξαρτημάτων ή προσαρτημάτων μπορεί να προκαλέσει κίνδυνο τραυματισμού σε άτομα. Χρησιμοποιείτε τα εξαρτήματα ή προσαρτήματα μόνο για την χρήση που προορίζονται.

Εάν χρειάζεστε οποιαδήποτε βοήθεια για περισσότερες πληροφορίες σε σχέση με αυτά τα εξαρτήματα, αποτανθείτε στο τοπικό σας κέντρο εξυπηρέτησης Μάκιτα.

- SDS-MAX αιχμές βολφραμίου-ανθρακασβεστίου
- SDS-MAX σφυροκέφαλο
- SDS-MAX ψυχρή σμίλη
- SDS-MAX αποξυστική σμίλη
- SDS-MAX σμίλη για πλακάκι
- SDS-MAX φτυάρι χώματος
- Γράσσο σφυριού
- Γράσσο αιχμής
- Πλευρική λαβή
- Πλευρική πιάσιμο
- Μετρητής βάθους
- Φουσητήρας
- Θήκη μεταφοράς
- Γυαλιά ασφάλειας

ΣΗΜΕΙΩΣΗ:

- Μερικά στοιχεία στη λίστα μπορεί να συμπεριλαμβάνονται στη συσκευασία εργαλείου ως στάνταρ εξαρτήματα. Μπορεί να διαφέρουν ανάλογα με τη χώρα.

ENG905-1

Θορύβος

Το τυπικό Α επίπεδο μετρημένου θορύβου καθορίζεται σύμφωνα με το EN60745:

Μοντέλα HR4001C

Στάθμη πίεσης ήχου (L_{pA}): 92 dB (A)
Στάθμη δύναμης ήχου (L_{WA}): 103 dB (A)
Αβεβαιότητα (K): 3 dB (A)

Μοντέλα HR4010C, HR4011C

Στάθμη πίεσης ήχου (L_{pA}): 90 dB (A)
Στάθμη δύναμης ήχου (L_{WA}): 101 dB (A)
Αβεβαιότητα (K): 3 dB (A)

Φοράτε ωτοασπίδες

Κραδασμός

Η ολική τιμή δόνησης (άθροισμα τρι-αξονικού διανύσματος) καθορίζεται σύμφωνα με το EN60745:

Μοντέλα HR4001C

Είδος εργασίας: σμίλευσης
Εκπομπή δόνησης ($a_{h, CH_{eq}}$): 10,5 m/s²
Αβεβαιότητα (K): 2,0 m/s²

Είδος εργασίας: δειτουργία σμίλευσης με πλευρικό πιάσιμο
Εκπομπή δόνησης ($a_{h, CH_{eq}}$): 10,0 m/s²
Αβεβαιότητα (K): 2,5 m/s²

Είδος εργασίας: τρυπάνισμα με σφυροκόπημα στο μπετόν
Εκπομπή δόνησης ($a_{h, HD}$): 12,5 m/s²
Αβεβαιότητα (K): 1,5 m/s²

Μοντέλα HR4010C

Είδος εργασίας: σμίλευσης
Εκπομπή δόνησης ($a_{h, CH_{eq}}$): 7,0 m/s²
Αβεβαιότητα (K): 1,5 m/s²

Είδος εργασίας: δειτουργία σμίλευσης με πλευρικό πιάσιμο
Εκπομπή δόνησης ($a_{h, CH_{eq}}$): 8,0 m/s²
Αβεβαιότητα (K): 1,5 m/s²

Είδος εργασίας: τρυπάνισμα με σφυροκόπημα στο μπετόν
Εκπομπή δόνησης ($a_{h, HD}$): 9,0 m/s²
Αβεβαιότητα (K): 1,5 m/s²

Μοντέλα HR4011C

Είδος εργασίας: σμίλευσης
Εκπομπή δόνησης ($a_{h, CH_{eq}}$): 6,5 m/s²
Αβεβαιότητα (K): 1,5 m/s²

Είδος εργασίας: δειτουργία σμίλευσης με πλευρικό πιάσιμ
Εκπομπή δόνησης ($a_{h, CH_{eq}}$): 6,5 m/s²
Αβεβαιότητα (K): 1,5 m/s²

Είδος εργασίας: τρυπάνισμα με σφυροκόπημα στο μπετόν
Εκπομπή δόνησης ($a_{h, HD}$): 7,5 m/s²
Αβεβαιότητα (K): 1,5 m/s²

ENG901-1

- Η δηλωμένη τιμή εκπομπής κραδασμών έχει μετρηθεί σύμφωνα με την πρότυπη μέθοδο δοκιμής και μπορεί να χρησιμοποιηθεί για τη σύγκριση ενός εργαλείου με άλλο.
- Η δηλωμένη τιμή εκπομπής κραδασμών μπορεί να χρησιμοποιηθεί και στην προκαταρκτική αξιολόγηση έκθεσης.

ΠΡΟΕΙΔΟΠΟΙΗΣΗ:

- Η εκπομπή κραδασμών κατά τη χρήση του ηλεκτρικού εργαλείου σε πραγματικές συνθήκες μπορεί να διαφέρει από τη δηλωμένη τιμή εκπομπής ανάλογα με τον τρόπο χρήσης του εργαλείου.
- Φροντίστε να λάβετε τα κατάλληλα μέτρα προστασίας του χειριστή βάσει υπολογισμού της έκθεσης σε πραγματικές συνθήκες χρήσης (λαμβάνοντας υπόψη όλες τις συνιστώσες του κύκλου λειτουργίας όπως τους χρόνους που το εργαλείο είναι εκτός λειτουργίας και όταν βρίσκεται σε αδρανή λειτουργία πέραν του χρόνου ενεργοποίησης).

Μόνο για χώρες της Ευρώπης**Δήλωση Συμμόρφωσης ΕΚ**

Η Makita Corporation, ως ο υπεύθυνος κατασκευαστής, δηλώνει ότι το/τα ακόλουθο(α) μηχάνημα(τα) της Makita:

Χαρακτηρισμός μηχανήματος: Περιστροφικό σφυρί
Αρ. μοντέλου/ Τύπος: HR4001C, HR4010C, HR4011C
είναι εν σειρά παραγωγή και
συμμορφώνονται με τις ακόλουθες Ευρωπαϊκές Οδηγίες:

2006/42/EK

και κατασκευάζονται σύμφωνα με τα ακόλουθα πρότυπα ή έγγραφα τυποποίησης:

EN60745

Η τεχνική τεκμηρίωση φυλάσσεται από τον εξουσιοδοτημένο εκπρόσωπό μας στην Ευρώπη, δηλαδή τη:

Makita International Europe Ltd.
Michigan Drive, Tongwell,
Milton Keynes, Bucks MK15 8JD, England
(Αγγλία)

30.1.2009



Tomoyasu Kato
Διευθυντής

Makita Corporation
3-11-8, Sumiyoshi-cho,
Anjo, Aichi, 446-8502, JAPAN

Makita Corporation
Anjo, Aichi, Japan

884611E994

www.makita.com

IDE