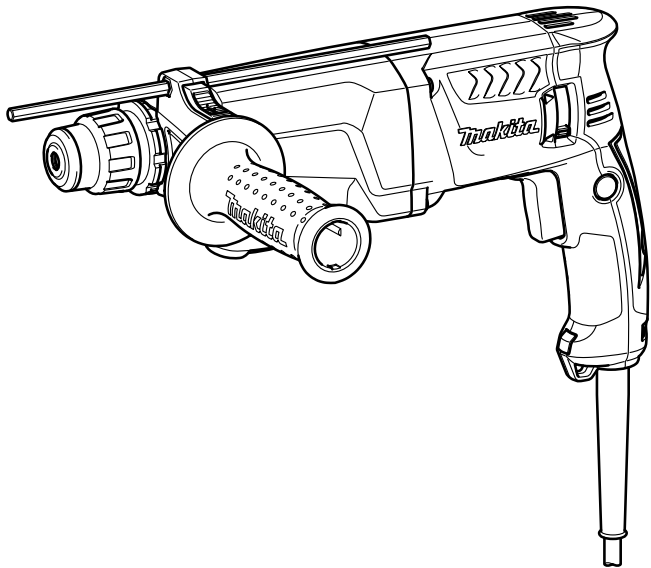
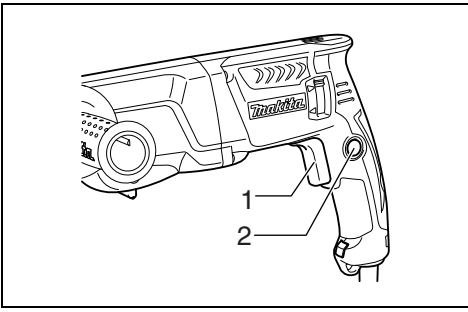




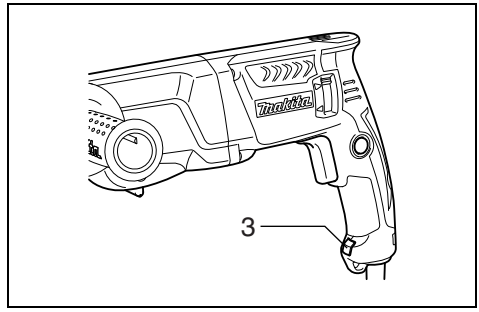
GB	Rotary Hammer / Combination Hammer	Instruction Manual
F	Marteau Perforateur / Marteau combi	Manuel d'instructions
D	Bohrhammer / Kombi-Hammer	Betriebsanleitung
I	Martello rotativo / Martello multifunzione	Istruzioni per l'uso
NL	Boorhamer / Combinatiehamer	Gebruiksaanwijzing
E	Martillo Rotativo / Martillo Rotativo Combinado	Manual de instrucciones
P	Martelo Rotativo / Martele Combinado	Manual de instruções
DK	Borehammer / Kombinationshammer	Brugsanvisning
GR	Περιστροφικό σφυρί / Σφυρί συνδυασμού	Οδηγίες χρήσεως

HR2300
HR2310T
HR2600
HR2601
HR2610
HR2610T
HR2611F
HR2611FT

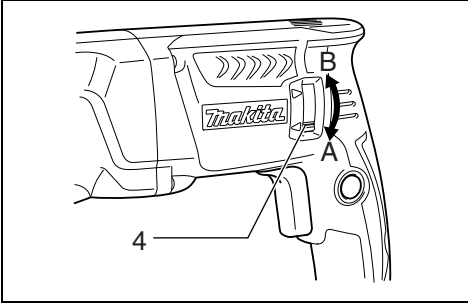




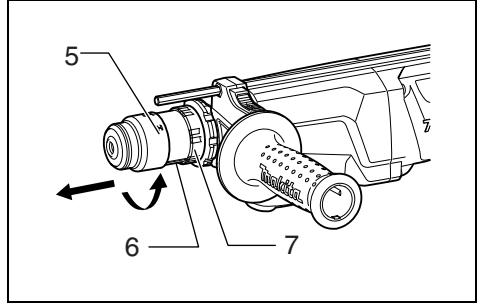
1 010720



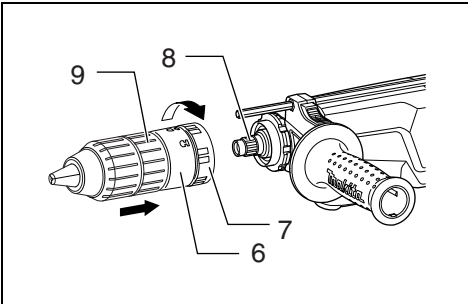
2 010721



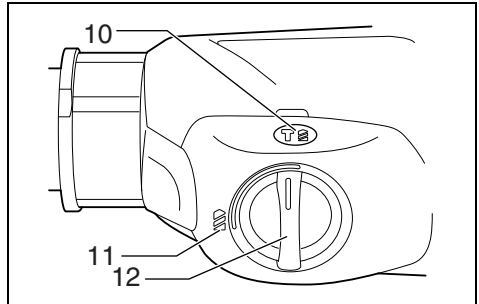
3 010722



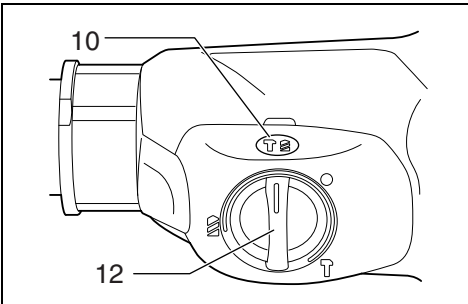
4 011561



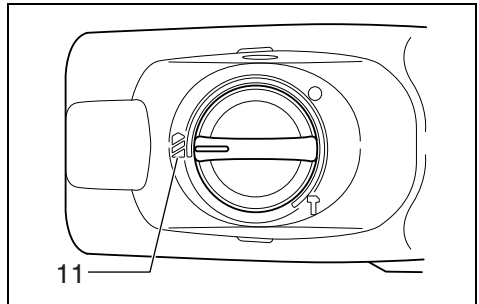
5 011562



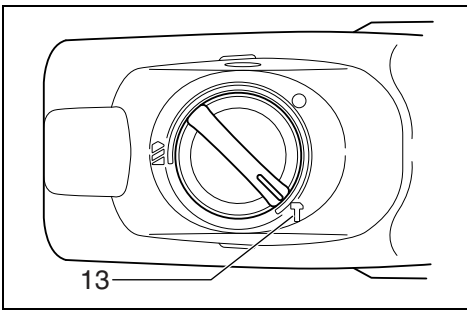
6 010723



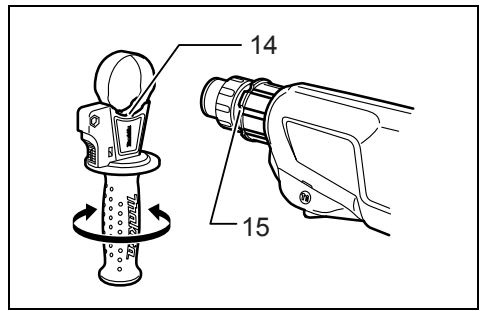
7 010724



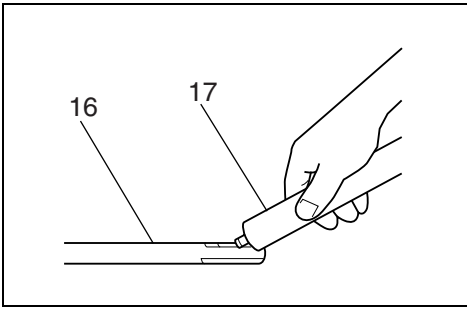
8 010726



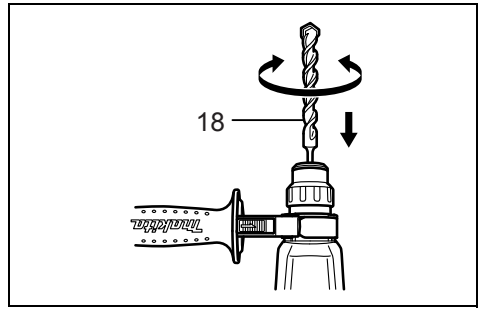
9 010725



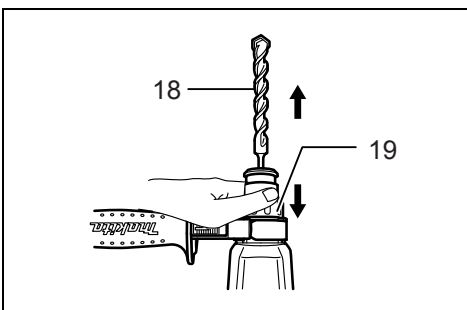
10 010713



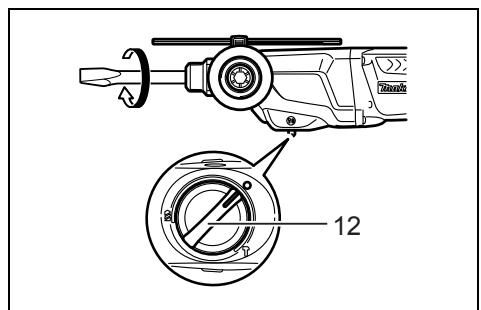
11 003150



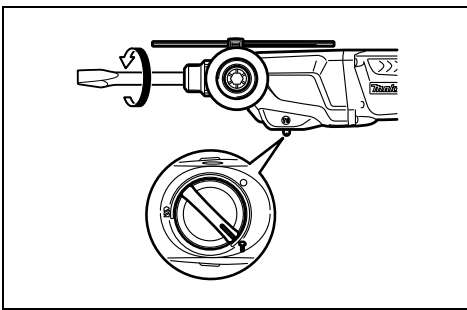
12 010714



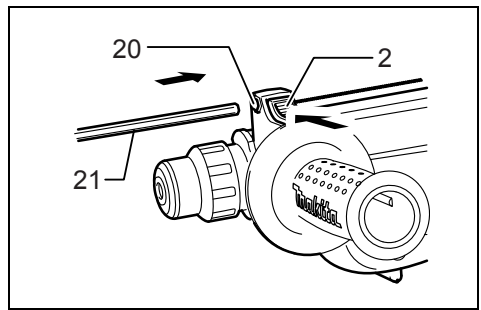
13 010715



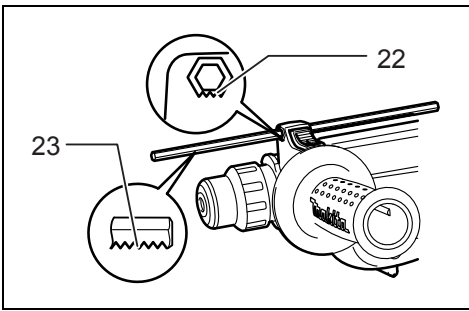
14 010727



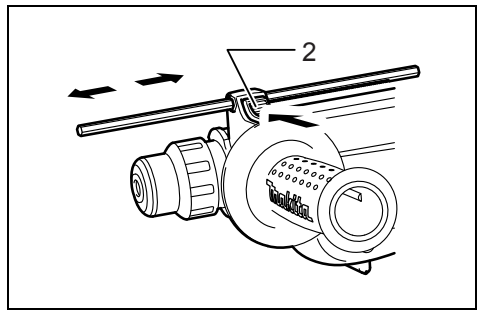
15 010728



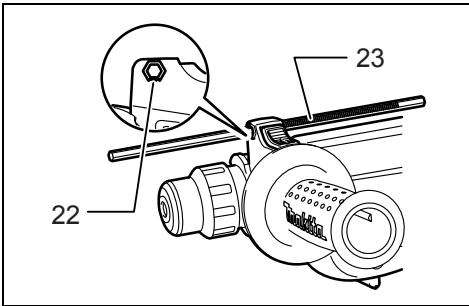
16 010716



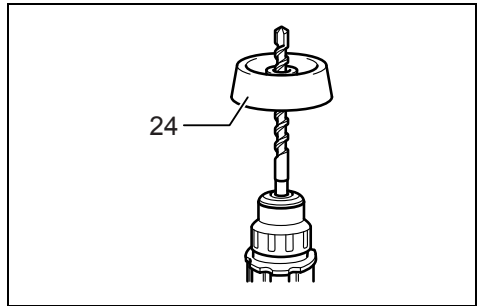
17 010717



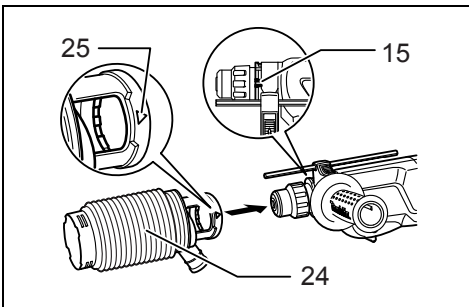
18 010718



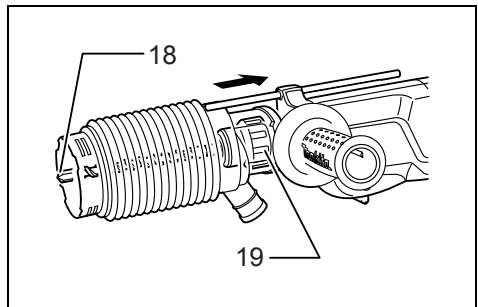
19 010719



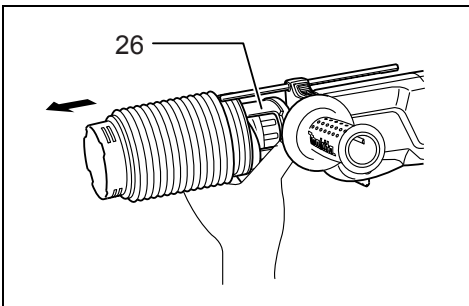
20 010731



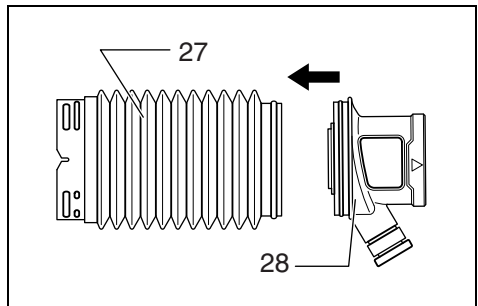
21 011506



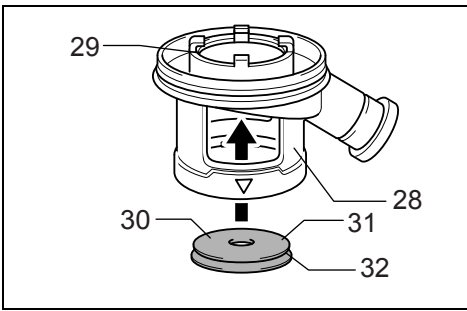
22 010733



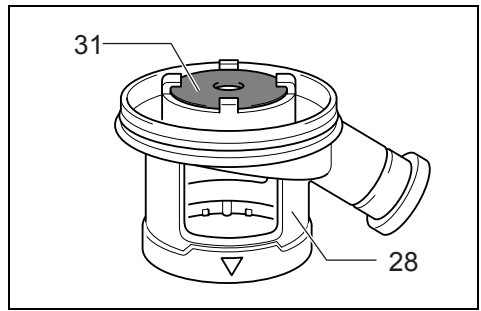
23 010734



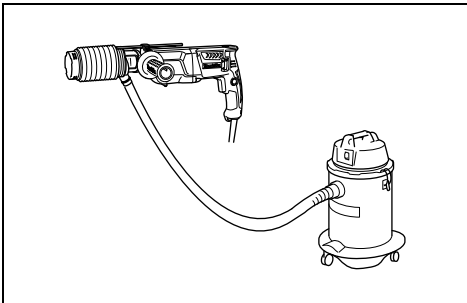
24 011507



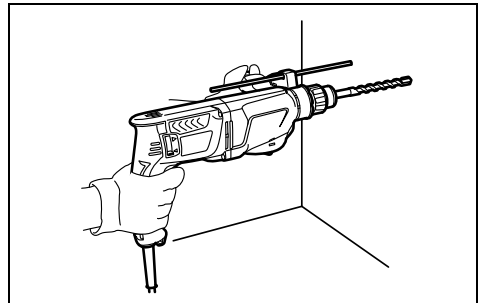
25 012895



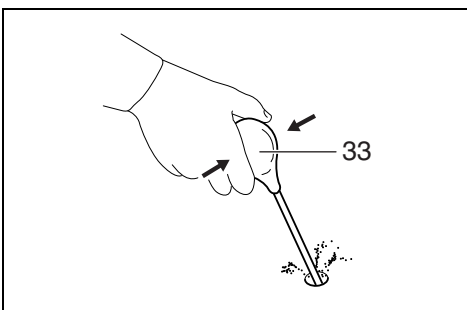
26 012896



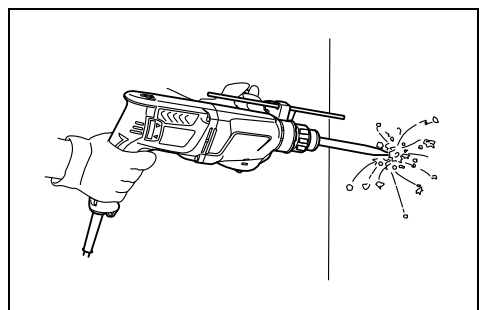
27 011505



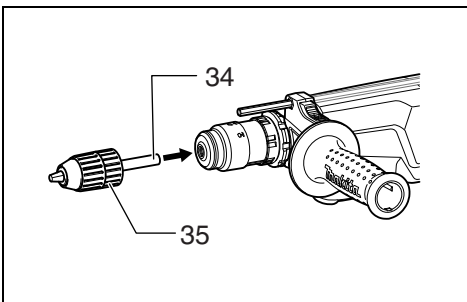
28 010729



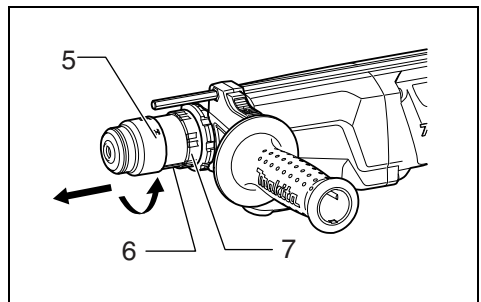
29 002449



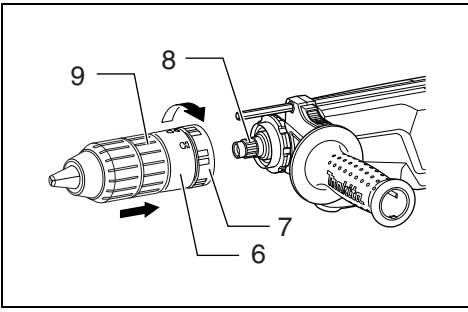
30 011564



31 011560

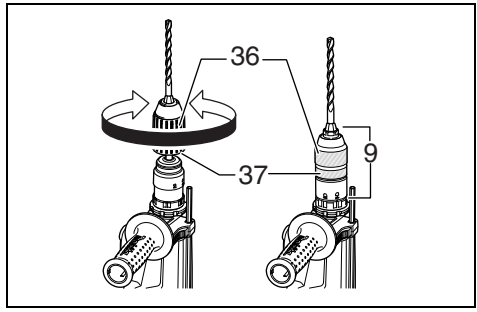


32 011561



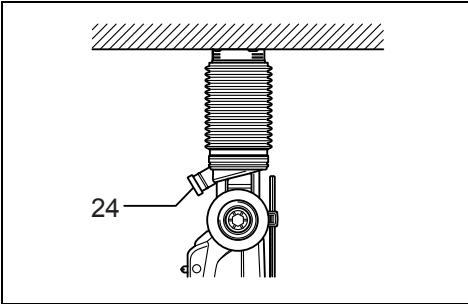
33

011562



34

011563



35

010736

Explanation of general view

- | | | |
|-----------------------------------|--|---------------------------------------|
| 1 Switch trigger | 14 Protrusions | 26 Attachment at the foot of dust cup |
| 2 Lock button | 15 Grooves | 27 Bellows |
| 3 Lamp | 16 Bit shank | 28 Attachment |
| 4 Reversing switch lever | 17 Bit grease | 29 Inside periphery |
| 5 Quick change chuck for SDS-plus | 18 Bit | 30 Carved side |
| 6 Change cover line | 19 Chuck cover | 31 Cap |
| 7 Change cover | 20 Grip base | 32 Groove |
| 8 Spindle | 21 Depth gauge | 33 Blow-out bulb |
| 9 Quick change drill chuck | 22 Toothed side of hex hole marking on the grip base | 34 Chuck adapter |
| 10 Rotation with hammering | 23 Toothed side of the depth gauge | 35 Keyless drill chuck |
| 11 Rotation only | 24 Dust cup | 36 Sleeve |
| 12 Action mode changing knob | 25 △ symbol | 37 Ring |
| 13 Hammering only | | |

SPECIFICATIONS

Model		HR2300	HR2310T	HR2600	HR2601	HR2610	HR2610T	HR2611F	HR2611FT
Capacities	Concrete	23 mm		26 mm					
	Core bit	68 mm	68 mm			68 mm			
	Diamond core bit (dry type)	70 mm	80 mm			80 mm			
	Steel	13 mm	13 mm			13 mm			
	Wood	32 mm	32 mm			32 mm			
No load speed (min ⁻¹)		0 – 1,200							
Blows per minute		0 – 4,600							
Overall length		356 mm	380 mm	361 mm			385 mm	361 mm	385 mm
Net weight		2.7 kg	2.9 kg	2.8 kg	2.9 kg	2.8 kg	2.9 kg	2.9 kg	3.0 kg
Safety class		II/II							

GEB007-7

- Due to our continuing program of research and development, the specifications herein are subject to change without notice.
- Specifications may differ from country to country.
- Weight according to EPTA-Procedure 01/2003

ENE042-1

Intended use

The tool is intended for hammer drilling and drilling in brick, concrete and stone. It is also suitable for drilling without impact in wood, metal, ceramic and plastic.

ENF002-2

Power supply

The tool should be connected only to a power supply of the same voltage as indicated on the nameplate, and can only be operated on single-phase AC supply. They are double-insulated and can, therefore, also be used from sockets without earth wire.

GEA010-1

General Power Tool Safety Warnings

⚠ WARNING Read all safety warnings and all instructions. Failure to follow the warnings and instructions may result in electric shock, fire and/or serious injury.

Save all warnings and instructions for future reference.

ROTARY HAMMER SAFETY WARNINGS

1. **Wear ear protectors.** Exposure to noise can cause hearing loss.
2. **Use auxiliary handle(s), if supplied with the tool.** Loss of control can cause personal injury.
3. **Hold power tool by insulated gripping surfaces, when performing an operation where the cutting accessory may contact hidden wiring or its own cord.** Cutting accessory contacting a “live” wire may make exposed metal parts of the power tool “live” and could give the operator an electric shock.
4. **Wear a hard hat (safety helmet), safety glasses and/or face shield. Ordinary eye or sun glasses are NOT safety glasses. It is also highly recommended that you wear a dust mask and thickly padded gloves.**
5. **Be sure the bit is secured in place before operation.**
6. **Under normal operation, the tool is designed to produce vibration. The screws can come loose easily, causing a breakdown or accident. Check tightness of screws carefully before operation.**

7. In cold weather or when the tool has not been used for a long time, let the tool warm up for a while by operating it under no load. This will loosen up the lubrication. Without proper warm up, hammering operation is difficult.
8. Always be sure you have a firm footing. Be sure no one is below when using the tool in high locations.
9. Hold the tool firmly with both hands.
10. Keep hands away from moving parts.
11. Do not leave the tool running. Operate the tool only when hand-held.
12. Do not point the tool at any one in the area when operating. The bit could fly out and injure someone seriously.
13. Do not touch the bit or parts close to the bit immediately after operation; they may be extremely hot and could burn your skin.
14. Some material contains chemicals which may be toxic. Take caution to prevent dust inhalation and skin contact. Follow material supplier safety data.

SAVE THESE INSTRUCTIONS.

⚠ WARNING:

DO NOT let comfort or familiarity with product (gained from repeated use) replace strict adherence to safety rules for the subject product. MISUSE or failure to follow the safety rules stated in this instruction manual may cause serious personal injury.

FUNCTIONAL DESCRIPTION

⚠ CAUTION:

- Always be sure that the tool is switched off and unplugged before adjusting or checking function on the tool.

Switch action (Fig. 1)

⚠ CAUTION:

- Before plugging in the tool, always check to see that the switch trigger actuates properly and returns to the "OFF" position when released.

To start the tool, simply pull the switch trigger. Tool speed is increased by increasing pressure on the switch trigger. Release the switch trigger to stop. For continuous operation, pull the switch trigger and then push in the lock button and then release the switch trigger. To stop the tool from the locked position, pull the switch trigger fully, then release it.

Lighting up the lamps (Fig. 2)

For Models HR2611F, HR2611FT

⚠ CAUTION:

- Do not look in the light or see the source of light directly.

To turn on the lamp, pull the trigger. Release the trigger to turn it off.

NOTE:

- Use a dry cloth to wipe the dirt off the lens of lamp. Be careful not to scratch the lens of lamp, or it may lower the illumination.
- Do not use thinner or gasoline to clean the lamp. Such solvents may damage it.

Reversing switch action (Fig. 3)

⚠ CAUTION:

- Always check the direction of rotation before operation.
- Use the reversing switch only after the tool comes to a complete stop. Changing the direction of rotation before the tool stops may damage the tool.
- If the switch trigger can not be depressed, check to see that the reversing switch is fully set to position ◁ (A side) or ▷ (B side).

This tool has a reversing switch to change the direction of rotation. Move the reversing switch lever to the ◁ position (A side) for clockwise rotation or to the ▷ position (B side) for counterclockwise rotation.

Changing the quick change chuck for SDS-plus

For Models HR2310T, HR2610T, HR2611FT

The quick change chuck for SDS-plus can be easily exchanged for the quick change drill chuck.

Removing the quick change chuck for SDS-plus (Fig. 4)

⚠ CAUTION:

- Before removing the quick change chuck for SDS-plus, always remove the bit.

Grasp the change cover of the quick change chuck for SDS-plus and turn in the direction of the arrow until the change cover line moves from the ♀ symbol to the ♂ symbol. Pull forcefully in the direction of the arrow.

Attaching the quick change drill chuck (Fig. 5)

Check the line of the quick change drill chuck shows the ♀ symbol. Grasp the change cover of the quick change drill chuck and set the line to the ♂ symbol.

Place the quick change drill chuck on the spindle of the tool.

Grasp the change cover of the quick change drill chuck and turn the change cover line to the ♀ symbol until a click can clearly be heard.

Selection action mode (Fig. 6)

For Models HR2300, HR2600, HR2601

This tool employs an action mode changing knob. Select one of the two modes suitable for your work needs by using this knob.

For rotation only, turn the knob so that the arrow on the knob points toward the ⚙ symbol on the tool body.

For rotation with hammering, turn the knob so that the arrow on the knob points toward the ⚙⚡ symbol on the tool body.

⚠ CAUTION:

- Always set the knob fully to your desired mode symbol. If you operate the tool with the knob positioned halfway between the mode symbols, the tool may be damaged.
- Use the knob after the tool comes to a complete stop.

For Models HR2310T, HR2610, HR2610T, HR2611F, HR2611FT


Rotation with hammering (Fig. 7)

For drilling in concrete, masonry, etc., rotate the action mode changing knob to the ⚙⚡ symbol. Use a tungsten-carbide tipped bit.


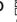
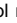


Rotation only (Fig. 8)

For drilling in wood, metal or plastic materials, rotate the action mode changing knob to the ⚙ symbol. Use a twist drill bit or wood bit.

Hammering only (Fig. 9)

For chipping, scaling or demolition operations, rotate the action mode changing knob to the  symbol. Use a bull point, cold chisel, scaling chisel, etc.

CAUTION:

- Do not rotate the action mode changing knob when the tool is running under load. The tool will be damaged.
- To avoid rapid wear on the mode change mechanism, be sure that the action mode changing knob is always positively located in one of the three action mode positions.
- Do not force the action mode change knob or do not move it from  symbol mode to  symbol mode (or vice versa) at once. It may damage the tool. When turning the knob from  symbol mode to  symbol mode (or vice versa), stop it at  symbol mode once. And rotate the chuck clockwise (looking from the chuck side) half turn or until it clicks. Then turn the knob to the desired mode. If it is still difficult to turn the knob, rotate the chuck again.

Torque limiter

The torque limiter will actuate when a certain torque level is reached. The motor will disengage from the output shaft. When this happens, the bit will stop turning.

CAUTION:

- As soon as the torque limiter actuates, switch off the tool immediately. This will help prevent premature wear of the tool.
- Bits such as hole saw, which tend to pinch or catch easily in the hole, are not appropriate for this tool. This is because they will cause the torque limiter to actuate too frequently.

ASSEMBLY

CAUTION:

- Always be sure that the tool is switched off and unplugged before carrying out any work on the tool.

Side grip (auxiliary handle) (Fig. 10)

CAUTION:

- Always use the side grip to ensure operating safety.

Install the side grip so that the protrusions on the grip fit in between the grooves on the tool barrel. Then tighten the grip by turning clockwise at the desired position. It may be swung 360° so as to be secured at any position.

Bit grease

Coat the bit shank head beforehand with a small amount of bit grease (about 0.5 – 1 g). This chuck lubrication assures smooth action and longer service life.

Installing or removing the bit

Clean the bit shank and apply bit grease before installing the bit. (Fig. 11)



Insert the bit into the tool. Turn the bit and push it in until it engages. (Fig. 12)

After installing, always make sure that the bit is securely held in place by trying to pull it out.

To remove the bit, pull the chuck cover down all the way and pull the bit out. (Fig. 13)

Bit angle (when chipping, scaling or demolishing)

For Models HR2310T, HR2610, HR2610T, HR2611F, HR2611FT

The bit can be secured at the desired angle. To change the bit angle, rotate the action mode changing knob to the  symbol. Turn the bit to the desired angle. (Fig. 14) Rotate the action mode changing knob to the  symbol. (Fig. 15)

Then make sure that the bit is securely held in place by turning it slightly.

Depth gauge

The depth gauge is convenient for drilling holes of uniform depth. (Fig. 16)

Press the lock button on the grip base in the direction of arrow shown in the figure and with the lock button being pressed insert the depth gauge into the hex. hole in the grip base. (Fig. 17)

At this time, the depth gauge needs to be inserted so that its toothed side is directed to the toothed side of hex hole marking on the grip base as shown in Fig. 18.

Adjust the depth gauge to the desired depth by moving it back and forth while pressing the lock button. After the adjustment, release the lock button to lock the depth gauge. (Fig. 19)

NOTE:

- Inserting the depth gauge with its toothed side not directed to the toothed side of hex hole marking on the grip base as shown in the figure does not allow the depth gauge to be locked.

Dust cup (Fig. 20)


Use the dust cup to prevent dust from falling over the tool and on yourself when performing overhead drilling operations. Attach the dust cup to the bit as shown in Fig. 20. The size of bits which the dust cup can be attached to is as follows.

	Bit diameter
Dust cup 5	6 mm – 14.5 mm
Dust cup 9	12 mm – 16 mm

006406

There is another type of dust cup (accessory) which helps you prevent dust from falling over the tool and on yourself when performing overhead drilling operations.

Installing or removing the dust cup

Before installing the dust cup, remove the bit from the tool if installed on the tool. Install the dust cup (accessory) on the tool so that the  symbol on the dust cup is aligned with the grooves in the tool. (Fig. 21)

To remove the dust cup, pull the chuck cover in the direction as shown in Fig. 22 and with the chuck cover pulled take the bit out of the tool.

And then grab the attachment at the foot of dust cup and take it out. (Fig. 23)

NOTE:

- When installing or removing the dust cup, the cap may come off the dust cup. At that time, proceed as follows. Remove the bellows from the attachment and fit the cap from the side shown in the figure with its carved side facing upward so that the groove in the cap fits in the inside periphery of the attachment. Finally, mount the bellows that has been removed. (Fig. 24, 25 & 26)



NOTE:

- If you connect a vacuum cleaner to your hammer, cleaner operations can be performed. Dust cap needs to be removed from the dust cup before the connection. (Fig. 27)

OPERATION

Always use the side grip (auxiliary handle) and firmly hold the tool by both side grip and switch handle during operations.

Hammer drilling operation (Fig. 28)

Set the action mode changing knob to the  symbol. Position the bit at the desired location for the hole, then pull the switch trigger. Do not force the tool. Light pressure gives best results. Keep the tool in position and prevent it from slipping away from the hole. Do not apply more pressure when the hole becomes clogged with chips or particles. Instead, run the tool at an idle, then remove the bit partially from the hole. By repeating this several times, the hole will be cleaned out and normal drilling may be resumed. Set the action mode changing knob to the  symbol.

⚠ CAUTION:

- There is tremendous and sudden twisting force exerted on the tool/bit at the time of hole break-through, when the hole becomes clogged with chips and particles, or when striking reinforcing rods embedded in the concrete. Always use the side grip (auxiliary handle) and firmly hold the tool by both side grip and switch handle during operations. Failure to do so may result in the loss of control of the tool and potentially severe injury.

NOTE:


- Eccentricity in the bit rotation may occur while operating the tool with no load. The tool automatically centers itself during operation. This does not affect the drilling precision.

Blow-out bulb (optional accessory) (Fig. 29)

After drilling the hole, use the blow-out bulb to clean the dust out of the hole.

Chipping/Scaling/Demolition

For Models HR2310T, HR2610, HR2610T, HR2611F, HR2611FT

Set the action mode changing knob to the  symbol. Hold the tool firmly with both hands. Turn the tool on and apply slight pressure on the tool so that the tool will not bounce around, uncontrolled. Pressing very hard on the tool will not increase the efficiency. (Fig. 30)

Drilling in wood or metal


For Models HR2300, HR2600, HR2601, HR2610, HR2611F

Use the optional drill chuck assembly. When installing it, refer to “Installing or removing the bit” described on the previous page. (Fig. 31)

For Models HR2310T, HR2610T, HR2611FT

Use the quick change drill chuck as standard equipment. When installing it, refer to “changing the quick change chuck for SDS-plus” described on the previous page. (Fig. 32 & 33)

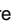
Hold the ring and turn the sleeve counterclockwise to open the chuck jaws. Place the bit in the chuck as far as it will go. Hold the ring firmly and turn the sleeve clockwise to tighten the chuck. To remove the bit, hold the ring and turn the sleeve counterclockwise. (Fig. 34)

Set the action mode changing knob to the  symbol. You can drill up to 13 mm diameter in metal and up to 32 mm diameter in wood.

⚠ CAUTION:

- Never use “rotation with hammering” when the quick change drill chuck is installed on the tool. The quick change drill chuck may be damaged. Also, the drill chuck will come off when reversing the tool.
- Pressing excessively on the tool will not speed up the drilling. In fact, this excessive pressure will only serve to damage the tip of your bit, decrease the tool performance and shorten the service life of the tool.
- There is a tremendous twisting force exerted on the tool/bit at the time of hole breakthrough. Hold the tool firmly and exert care when the bit begins to break through the workpiece.
- A stuck bit can be removed simply by setting the reversing switch to reverse rotation in order to back out. However, the tool may back out abruptly if you do not hold it firmly.
- Always secure small workpieces in a vise or similar hold-down device.

Diamond core drilling

When performing diamond core drilling operations, always set the change lever to the  position to use “rotation only” action.

⚠ CAUTION:

- If performing diamond core drilling operations using “rotation with hammering” action, the diamond core bit may be damaged.

Operation when using the dust cup (accessory) (Fig. 35)

Operate the tool with the dust cup against the ceiling surface.

NOTE:

- The dust cup (accessory) is intended only for drilling in the ceramic workpiece such as concrete and mortar. Do not use the tool with the dust cup when drilling in metal or similar. Using the dust cup for drilling in the metal may damage the dust cup due to the heat produced by small metal dust or similar.
- Empty the dust cup before removing a drill bit.
- When using the dust cup, make sure that the dust cap is mounted on it securely.

MAINTENANCE

⚠ CAUTION:

- Always be sure that the tool is switched off and unplugged before attempting to perform inspection or maintenance.
- Never use gasoline, benzene, thinner, alcohol or the like. Discoloration, deformation or cracks may result.

To maintain product SAFETY and RELIABILITY, repairs, carbon brush inspection and replacement, any other maintenance or adjustment should be performed by Makita Authorized Service Centers, always using Makita replacement parts.

OPTIONAL ACCESSORIES

⚠ CAUTION:

- These accessories or attachments are recommended for use with your Makita tool specified in this manual. The use of any other accessories or attachments might present a risk of injury to persons. Only use accessory or attachment for its stated purpose.

If you need any assistance for more details regarding these accessories, ask your local Makita Service Center.

- SDS-Plus Carbide-tipped bits
- Core bit
- Bull point
- Diamond core bit
- Cold chisel
- Scaling chisel
- Grooving chisel
- Drill chuck assembly
- Drill chuck S13
- Chuck adapter
- Chuck key S13
- Bit grease
- Side grip
- Depth gauge
- Blow-out bulb
- Dust cup
- Dust extractor attachment
- Safety goggles
- Plastic carrying case
- Keyless drill chuck

NOTE

- Some items in the list may be included in the tool package as standard accessories. They may differ from country to country.

ENG905-1

Noise

The typical A-weighted noise level determined according to EN60745:

Model HR2300, HR2601, HR2611F, HR2611FT

Sound pressure level (L_{pA}): 90 dB (A)
 Sound power level (L_{WA}): 101 dB (A)
 Uncertainty (K): 3 dB (A)

Model HR2310T, HR2600, HR2610, HR2610T

Sound pressure level (L_{pA}): 91 dB (A)
 Sound power level (L_{WA}): 102 dB (A)
 Uncertainty (K): 3 dB (A)

Wear ear protection

Vibration

The vibration total value (tri-axial vector sum) determined according to EN60745:

Model HR2300, HR2600

Work mode: hammer drilling into concrete
 Vibration emission ($a_{h, HD}$): 15.5 m/s²
 Uncertainty (K): 1.5 m/s²

Work mode: drilling into metal
 Vibration emission ($a_{h, D}$): 2.5 m/s²
 Uncertainty (K): 1.5 m/s²

Model HR2310T

Work mode: hammer drilling into concrete
 Vibration emission ($a_{h, HD}$): 15.5 m/s²
 Uncertainty (K): 1.5 m/s²

Work mode: chiselling function with side grip
 Vibration emission ($a_{h, Cheq}$): 10.5 m/s²
 Uncertainty (K): 1.5 m/s²

Work mode: drilling into metal
 Vibration emission ($a_{h, D}$): 2.5 m/s² or less
 Uncertainty (K): 1.5 m/s²

Model HR2601

Work mode: hammer drilling into concrete
 Vibration emission ($a_{h, HD}$): 12.0 m/s²
 Uncertainty (K): 1.5 m/s²

Work mode: drilling into metal
 Vibration emission ($a_{h, D}$): 2.5 m/s² or less
 Uncertainty (K): 1.5 m/s²

Model HR2610

Work mode: hammer drilling into concrete
 Vibration emission ($a_{h, HD}$): 15.5 m/s²
 Uncertainty (K): 1.5 m/s²

Work mode: chiselling function with side grip
 Vibration emission ($a_{h, Cheq}$): 9.5 m/s²
 Uncertainty (K): 1.5 m/s²

Work mode: drilling into metal
 Vibration emission ($a_{h, D}$): 2.5 m/s²
 Uncertainty (K): 1.5 m/s²

Model HR2610T

Work mode: hammer drilling into concrete
 Vibration emission ($a_{h, HD}$): 15.0 m/s²
 Uncertainty (K): 1.5 m/s²

Work mode: chiselling function with side grip
 Vibration emission ($a_{h, Cheq}$): 9.5 m/s²
 Uncertainty (K): 1.5 m/s²

Work mode: drilling into metal
 Vibration emission ($a_{h, D}$): 2.5 m/s² or less
 Uncertainty (K): 1.5 m/s²

Model HR2611F

Work mode: hammer drilling into concrete
 Vibration emission ($a_{h, HD}$): 12.0 m/s²
 Uncertainty (K): 1.5 m/s²

Work mode: chiselling function with side grip
 Vibration emission ($a_{h, Cheq}$): 9.0 m/s²
 Uncertainty (K): 1.5 m/s²

Work mode: drilling into metal
 Vibration emission ($a_{h, D}$): 2.5 m/s² or less
 Uncertainty (K): 1.5 m/s²

Model HR2611FT

Work mode: hammer drilling into concrete

Vibration emission ($a_{h, HD}$): 11.5 m/s²

Uncertainty (K): 1.5 m/s²

Work mode: chiselling function with side grip

Vibration emission ($a_{h, CHeq}$): 8.5 m/s²

Uncertainty (K): 1.5 m/s²

Work mode: drilling into metal

Vibration emission ($a_{h, D}$): 2.5 m/s² or less

Uncertainty (K): 1.5 m/s²

ENG901-1

- The declared vibration emission value has been measured in accordance with the standard test method and may be used for comparing one tool with another.
- The declared vibration emission value may also be used in a preliminary assessment of exposure.

⚠ WARNING:

- The vibration emission during actual use of the power tool can differ from the declared emission value depending on the ways in which the tool is used.
- Be sure to identify safety measures to protect the operator that are based on an estimation of exposure in the actual conditions of use (taking account of all parts of the operating cycle such as the times when the tool is switched off and when it is running idle in addition to the trigger time).

ENH101-16

For European countries only**EC Declaration of Conformity**

We Makita Corporation as the responsible manufacturer declare that the following Makita machine(s):

Designation of Machine: Rotary Hammer

Model No./ Type: HR2300, HR2310T, HR2600, HR2601

are of series production and

Conforms to the following European Directives:

2006/42/EC

And are manufactured in accordance with the following standards or standardised documents:

EN60745

The technical documentation is kept by:

Makita International Europe Ltd.

Technical Department,

Michigan Drive, Tongwell,

Milton Keynes, Bucks MK15 8JD, England

13.7.2009



Tomoyasu Kato
Director

Makita Corporation
3-11-8, Sumiyoshi-cho,
Anjo, Aichi, 446-8502, JAPAN

For European countries only**EC Declaration of Conformity**

We Makita Corporation as the responsible manufacturer declare that the following Makita machine(s):

Designation of Machine: Combination Hammer

Model No./ Type: HR2610, HR2610T, HR2611F, HR2611FT

are of series production and

Conforms to the following European Directives:

2006/42/EC

And are manufactured in accordance with the following standards or standardised documents:

EN60745

The technical documentation is kept by:

Makita International Europe Ltd.

Technical Department,

Michigan Drive, Tongwell,

Milton Keynes, Bucks MK15 8JD, England

13.7.2009



Tomoyasu Kato
Director

Makita Corporation
3-11-8, Sumiyoshi-cho,
Anjo, Aichi, 446-8502, JAPAN

Descriptif

1 Gâchette	14 Parties saillantes	26 Fixation au pied du collecteur de poussières
2 Bouton de verrouillage	15 Rainures	27 Soufflet
3 Lampe	16 Queue du foret	28 Fixation
4 Levier de l'inverseur	17 Graisse à foret	29 Pourtour intérieur
5 Mandrin à changement rapide pour SDS-plus	18 Foret	30 Face ciselée
6 Ligne du carter de changement	19 Carter du mandrin	31 Capuchon
7 Carter de changement	20 Base de la poignée	32 Rainure
8 Arbre	21 Jauge de profondeur	33 Poire soufflante
9 Mandrin à changement rapide	22 Face dentelée de la marque d'orifice hexagonal sur la base de la poignée	34 Adaptateur de mandrin
10 Rotation avec percussion	23 Face dentelée de la jauge de profondeur	35 Mandrin sans clé
11 Rotation sans percussion	24 Collecteur de poussières	36 Manchon
12 Bouton de changement de mode	25 Symbole △	37 Bague
13 Percussion sans rotation		

SPÉCIFICATIONS

Modèle		HR2300	HR2310T	HR2600	HR2601	HR2610	HR2610T	HR2611F	HR2611FT
Capacités	Béton	23 mm		26 mm					
	Trépan	68 mm		68 mm		68 mm			
	Trépan diamanté (de type sec)	70 mm		80 mm		80 mm			
	Acier	13 mm		13 mm		13 mm			
	Bois	32 mm		32 mm		32 mm			
Vitesse à vide (min ⁻¹)		0 – 1 200							
Percussions par minute		0 – 4 600							
Longueur totale		356 mm	380 mm	361 mm			385 mm	361 mm	385 mm
Poids net		2,7 kg	2,9 kg	2,8 kg	2,9 kg	2,8 kg	2,9 kg	2,9 kg	3,0 kg
Catégorie de sécurité		II/II							

- Étant donné l'évolution constante de notre programme de recherche et de développement, les spécifications contenues dans ce manuel sont sujettes à modification sans préavis.
- Les spécifications peuvent varier suivant les pays.
- Poids selon la procédure EPTA 01/2003

ENE042-1

Utilisations

L'outil est conçu pour le perçage, avec ou sans percussion, dans la brique, le béton et la pierre. Il convient aussi pour le perçage sans percussion dans le bois, le métal, la céramique et le plastique.

ENF002-2

Alimentation

L'outil ne devra être raccordé qu'à une alimentation de la même tension que celle qui figure sur la plaque signalétique, et il ne pourra fonctionner que sur un courant secteur monophasé. Réalisé avec une double isolation, il peut de ce fait être alimenté sans mise à la terre.

GEA010-1

Consignes de sécurité générales pour outil électrique

⚠ AVERTISSEMENT Veuillez lire tous les avertissements et toutes les instructions. Il y a risque de choc électrique, d'incendie et/ou de blessure grave si les avertissements et les instructions ne sont pas respectés.

Conservez tous les avertissements et toutes les instructions pour référence ultérieure.

GEB007-7

CONSIGNES DE SÉCURITÉ POUR LE MARTEAU PERFORATEUR

1. **Portez des protections d'oreilles.** L'exposition au bruit peut entraîner la surdité.
2. **Utilisez la ou les poignée(s) auxiliaire(s), si l'outil en possède.** Toute perte de maîtrise de l'outil comporte un risque de blessure.

3. Saisissez l'outil électrique par ses surfaces de poigne isolées lorsque vous effectuez des travaux au cours desquels l'accessoire tranchant peut entrer en contact avec des fils cachés ou avec le cordon d'alimentation de l'outil. Le contact de l'accessoire tranchant avec un fil sous tension peut également mettre sous tension les parties métalliques exposées de l'outil électrique, causant ainsi un choc électrique chez l'utilisateur.
4. Portez une coiffure résistante (un casque de sécurité), ainsi que des lunettes de sûreté et/ou un masque de protection. Les lunettes ordinaires et les lunettes de soleil NE sont PAS des lunettes de sûreté. Nous vous recommandons aussi vivement de porter un masque antipoussières et des gants très épais.
5. Assurez-vous que le foret est bien serré avant d'utiliser l'outil.
6. L'outil est conçu pour produire des vibrations dans des conditions normales d'utilisation. Les vis peuvent facilement se desserrer et entraîner une panne ou un accident. Avant l'utilisation, vérifiez soigneusement que les vis sont bien serrées.
7. Par temps froid ou lorsque l'outil est resté inutilisé pendant une longue période, faites-le réchauffer pendant quelques minutes en le faisant fonctionner à vide. Cela réchauffera le lubrifiant. Sans un réchauffement adéquat, le martelage s'effectue difficilement.
8. Assurez-vous toujours de travailler en position stable.
Lorsque vous utilisez l'outil dans un endroit élevé, assurez-vous qu'il n'y a personne en bas.
9. Tenez l'outil fermement à deux mains.
10. Gardez les mains éloignées des pièces en mouvement.
11. Ne vous éloignez pas en laissant l'outil tourner. Ne le faites fonctionner que lorsque vous l'avez bien en main.
12. Ne pointez l'outil vers personne autour de vous pendant l'utilisation. Le foret pourrait être éjecté et blesser quelqu'un grièvement.
13. Ne touchez pas le foret ou les parties situées près du foret immédiatement après l'utilisation ; ils peuvent être extrêmement chauds et brûler votre peau.
14. Certains matériaux contiennent des produits chimiques qui peuvent être toxiques. Prenez les précautions nécessaires pour éviter que la poussière dégagée lors du travail ne soit inhalée ou n'entre en contact avec la peau. Suivez les consignes de sécurité du fournisseur du matériau.

CONSERVEZ CES INSTRUCTIONS.

⚠ AVERTISSEMENT :

NE vous laissez PAS tromper (au fil d'une utilisation répétée) par un sentiment d'aisance et de familiarité avec le produit, en négligeant le respect rigoureux des consignes de sécurité qui accompagnent le produit en question. La MAUVAISE UTILISATION de l'outil ou l'ignorance des consignes de sécurité indiquées dans ce manuel d'instructions peut entraîner une blessure grave.

DESCRIPTION DU FONCTIONNEMENT

⚠ ATTENTION :

- Vérifiez toujours que l'outil est hors tension et débranché avant de l'ajuster ou de vérifier son fonctionnement.

Interrupteur (Fig. 1)

⚠ ATTENTION :

- Avant de brancher l'outil, vérifiez toujours que la gâchette fonctionne correctement et revient sur la position "OFF" une fois relâchée.

Pour mettre l'outil en marche, tirez simplement sur la gâchette. La vitesse de l'outil augmente quand vous augmentez la pression sur la gâchette. Pour arrêter l'outil, relâchez la gâchette. Pour obtenir un fonctionnement continu, tirez sur la gâchette, enfoncez le bouton de verrouillage puis relâchez la gâchette. Pour arrêter l'outil lorsqu'il fonctionne en continu, tirez à fond sur la gâchette puis relâchez-la.

Allumer les lampes (Fig. 2)

Pour les modèles HR2611F et HR2611FT

⚠ ATTENTION :

- Ne regardez pas directement la lumière ou la source de lumière.

Pour allumer la lampe, tirez sur la gâchette. Pour éteindre la lampe, relâchez la gâchette.

NOTE :

- Utilisez un chiffon sec pour essuyer les saletés sur la lentille de la lampe. Évitez de rayer la lentille de la lampe, autrement sa capacité d'éclairage diminuera.
- N'utilisez ni diluant ni essence pour nettoyer la lampe. Les solvants peuvent endommager la lampe.

Fonctionnement de l'inverseur (Fig. 3)

⚠ ATTENTION :

- Vérifiez toujours le sens de la rotation avant de commencer le travail.
- N'activez l'inverseur qu'une fois l'outil parfaitement arrêté. Vous risqueriez d'abîmer l'outil en changeant le sens de rotation avant l'arrêt complet.
- S'il n'est pas possible d'enfoncer la gâchette, assurez-vous que l'inverseur se trouve parfaitement sur la position ◀ (côté A) ou ▶ (côté B).

Cet outil possède un inverseur qui permet de changer le sens de la rotation. Déplacez le levier de l'inverseur jusqu'à la position ◀ (côté A) pour une rotation dans le sens des aiguilles d'une montre, ou jusqu'à la position ▶ (côté B) pour une rotation dans le sens contraire des aiguilles d'une montre.

Remplacer le mandrin à changement rapide pour SDS-plus



Pour les modèles HR2310T, HR2610T et HR2611FT

Le mandrin à changement rapide pour SDS-plus peut être rapidement remplacé par le mandrin à changement rapide.



Retirer le mandrin à changement rapide pour SDS-plus (Fig. 4)

⚠ ATTENTION :

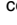
- Retirez toujours le foret avant de retirer le mandrin à changement rapide pour SDS-plus.

Saisissez le carter de changement du mandrin à changement rapide pour SDS-plus et tournez-le dans le sens de la flèche jusqu'à ce que la ligne du carter de changement se déplace du symbole  au symbole . Tirez énergiquement dans le sens de la flèche.

Fixer le mandrin à changement rapide (Fig. 5)

Assurez-vous que la ligne du mandrin à changement rapide indique le symbole . Saisissez le carter de changement du mandrin à changement rapide, et mettez la ligne sur le symbole .


Mettez le mandrin à changement rapide sur l'arbre de l'outil.


Saisissez le carter de changement du mandrin à changement rapide, et tournez la ligne du carter de changement jusqu'au symbole  jusqu'à ce que vous entendiez distinctement un bruit de dé clic.

Sélection du mode de fonctionnement (Fig. 6)

Pour les modèles HR2300, HR2600 et HR2601

Cet outil est équipé d'un bouton de changement de mode. Utilisez ce bouton pour choisir, parmi les deux modes disponibles, celui qui convient au travail à effectuer.

Pour une rotation sans percussion, tournez le bouton de sorte que sa flèche pointe vers le symbole  sur le corps de l'outil.


Pour une rotation avec percussion, tournez le bouton de sorte que sa flèche pointe vers le symbole  sur le corps de l'outil.

⚠ ATTENTION :

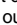
- Mettez toujours le bouton parfaitement sur le symbole du mode désiré. Vous risquez d'abîmer l'outil si vous l'utilisez alors que le bouton se trouve entre les deux symboles de mode.
- Ne déplacez le bouton qu'une fois l'outil parfaitement arrêté.

Pour les modèles HR2310T, HR2610, HR2610T, HR2611F et HR2611FT


Rotation avec percussion (Fig. 7)

Pour percer dans le béton, la maçonnerie, etc., tournez le bouton de changement de mode jusqu'au symbole . Utilisez un foret à pointe de carbure de tungstène.

Rotation sans percussion (Fig. 8)



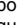

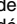
Pour percer dans le bois, le métal ou le plastique, tournez le bouton de changement de mode jusqu'au symbole . Utilisez un foret hélicoïdal ou un foret à bois.

Percussion sans rotation (Fig. 9)

Pour le burinage, l'écaillage ou la démolition, tournez le bouton de changement de mode jusqu'au symbole . Utilisez un pic, un ciseau à froid, un ciseau à écailler, etc.

⚠ ATTENTION :

- Ne tournez pas le bouton de changement de mode pendant que l'outil tourne et est soumis à une charge. L'outil serait endommagé.
- Pour éviter que le mécanisme de changement de mode ne s'use rapidement, vous devez toujours vous assurer que le bouton de changement de mode est placé avec exactitude sur une des trois positions de mode.

- Ne forcez pas le bouton de changement de mode, et ne le déplacez pas directement du mode du symbole  au mode du symbole  (ou vice-versa). Vous risqueriez d'abîmer l'outil. Lorsque vous tournez le bouton du mode du symbole  au mode du symbole  (ou vice-versa), arrêtez-le temporairement sur le mode du symbole . Dans le sens des aiguilles d'une montre (tel que vu du côté mandrin), tournez le mandrin d'un demi-tour ou jusqu'à ce que vous entendiez un bruit de dé clic. Tournez ensuite le bouton jusqu'au mode désiré. S'il est difficile de faire tourner le bouton, tournez de nouveau le mandrin.

Limiteur de couple

Le limiteur de couple s'active lorsqu'un certain niveau de couple est atteint. L'embrayage se met alors à patiner. Dès que cela se produit, le foret arrête de tourner.

⚠ ATTENTION :

- Mettez l'outil hors tension dès que le limiteur de couple se déclenche. Cela aidera à éviter l'usure trop rapide de l'outil.
- Cet outil n'est pas conçu pour l'utilisation des scies cloches, car elles ont tendance à se coincer facilement dans le trou pendant le perçage. Cela cause donc le déclenchement trop fréquent du limiteur de couple.

ASSEMBLAGE

⚠ ATTENTION :

- Avant toute intervention sur l'outil, assurez-vous toujours que le contact est coupé et l'outil débranché.

Poignée latérale (poignée auxiliaire) (Fig. 10)

⚠ ATTENTION :

- Utilisez toujours la poignée latérale pour assurer votre sécurité.

Installez la poignée latérale de sorte que les parties saillantes de la poignée pénètrent dans les rainures du barillet de l'outil. Serrez ensuite la poignée en la tournant dans le sens des aiguilles d'une montre jusqu'à la position désirée. Vous pouvez la faire pivoter sur 360° et la fixer sur toute position désirée.

Graisse à foret

Avant l'utilisation, recouvrez d'une petite quantité de graisse à foret le bout de la queue du foret (environ 0,5 – 1 g).

La lubrification du mandrin assurera un mouvement en douceur et une plus longue durée de service.

Pose ou retrait du foret

Avant de poser le foret, nettoyez la queue du foret et appliquez de la graisse à foret. (Fig. 11)

Insérez le foret dans l'outil. Enfoncez le foret en le faisant tourner, jusqu'à ce qu'il s'engage. (Fig. 12)

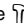
Une fois le foret posé, assurez-vous toujours qu'il est fermement fixé, en tirant dessus.

Pour retirer le foret, abaissez complètement le carter de mandrin et tirez sur le foret. (Fig. 13)

Angle du foret (pour le burinage, l'écaillage ou la démolition)

Pour les modèles HR2310T, HR2610, HR2610T, HR2611F et HR2611FT

Vous pouvez fixer le foret sur l'angle désiré. Pour modifier l'angle du foret, tournez le bouton de changement de mode jusqu'au symbole O. Tournez le foret jusqu'à l'angle désiré. (Fig. 14)

Tournez le bouton de changement de mode jusqu'au symbole . (Fig. 15)

Assurez-vous ensuite que le foret demeure fermement en place, en essayant de le faire tourner un peu.

Jauge de profondeur

La jauge de profondeur est utile pour percer des trous de même profondeur. (Fig. 16)

Enfoncez le bouton de verrouillage de la base de la poignée dans le sens de la flèche, tel qu'illustré, et tout en le maintenant enfoncé insérez la jauge de profondeur dans l'orifice hexagonal de la base de la poignée. (Fig. 17)

La jauge de profondeur doit alors être insérée de sorte que sa face dentelée soit dirigée vers la face dentelée de la marque d'orifice hexagonal sur la base de la poignée, tel qu'illustré à la Fig. 18.

Réglez la jauge sur la profondeur désirée, en la déplaçant vers l'arrière et l'avant tout en appuyant sur le bouton de verrouillage. Après le réglage, relâchez le bouton de verrouillage pour verrouiller la jauge de profondeur. (Fig. 19)

NOTE :

- Si vous insérez la jauge de profondeur sans diriger sa face dentelée vers la face dentelée de la marque d'orifice hexagonal sur la base de la poignée, tel qu'illustré, il ne sera pas possible de verrouiller la jauge de profondeur.

Collecteur de poussières (Fig. 20)


Utilisez le collecteur de poussières pour éviter qu'elles ne tombent sur l'outil et sur vous-même lorsque vous percez au-dessus de votre tête. Fixez le collecteur de poussières au foret, comme indiqué sur la Fig. 20. Le collecteur de poussières peut être fixé aux forets des tailles suivantes.

	Diamètre du foret
Collecteur de poussières 5	6 mm à 14,5 mm
Collecteur de poussières 9	12 mm à 16 mm

006406

Il existe un autre type de collecteur de poussières (en accessoire) pour éviter qu'elles ne tombent sur l'outil et sur vous-même lorsque vous percez au-dessus de votre tête.

Pose ou retrait du collecteur de poussières

Avant de poser le collecteur de poussières, retirez le foret de l'outil s'il y est inséré. Posez le collecteur de poussières (en accessoire) sur l'outil de sorte que le symbole  du collecteur de poussières soit aligné sur les rainures de l'outil. (Fig. 21)

Pour retirer le collecteur de poussières, tirez le carter de mandrin dans le sens indiqué sur la Fig. 22, et, sans arrêter de tirer sur le carter de mandrin, retirez le foret de l'outil.

Saisissez ensuite la fixation au pied du collecteur de poussières et retirez-la. (Fig. 23)

NOTE :

- Il se peut que le capuchon se détache du collecteur de poussières lorsque vous posez ou retirez le collecteur. Le cas échéant, procédez comme suit. Retirez le soufflet de la fixation et fixez le capuchon du côté illustré sur la figure, en plaçant sa face ciselée vers le haut de sorte que la rainure à l'intérieur du capuchon pénètre dans le pourtour intérieur de la fixation. Finalement, remontez le soufflet qui a été retiré. (Fig. 24, 25 et 26)


NOTE :

- Vous effectuerez un travail plus propre en raccordant un aspirateur à votre marteau. Le capuchon doit être retiré du collecteur de poussières avant d'effectuer le raccordement. (Fig. 27)

UTILISATION

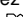
Utilisez toujours la poignée latérale (poignée auxiliaire) et saisissez l'outil fermement par la poignée latérale et la poignée pistolet pendant l'utilisation.

Perçage avec percussion (Fig. 28)

Mettez le bouton de changement de mode sur le symbole .

Placez le foret à l'emplacement désiré pour l'orifice, puis tirez sur la gâchette. Ne forcez pas l'outil. Vous obtiendrez de meilleurs résultats avec une légère pression. Gardez l'outil en position et empêchez-le de glisser hors du trou.

N'appliquez pas plus de pression lorsque le trou est bouché par des copeaux ou particules. Laissez plutôt l'outil tourner au ralenti et retirez partiellement le foret du trou. En répétant cette opération quelques fois, le trou se débouchera et vous pourrez reprendre le perçage normal.

Mettez le bouton de changement de mode sur le symbole .

ATTENTION :

- Une force de torsion énorme s'exerce sur l'outil/le foret lorsque le foret émerge sur la face opposée, lorsque le trou est bouché par des copeaux ou particules, ou lorsque le foret entre en contact avec des armatures dans le béton. Utilisez toujours la poignée latérale (poignée auxiliaire) et saisissez l'outil fermement par la poignée latérale et la poignée pistolet pendant l'utilisation. Si vous ne suivez pas cette directive, vous risquerez de perdre la maîtrise de l'outil et de vous blesser grièvement.

NOTE :


- Lorsque l'outil fonctionne à vide, il se peut que le foret tourne de manière excentrique. L'outil se centrera lui-même lors de l'utilisation avec charge. La précision du perçage n'est donc pas affectée.

Poire soufflante (accessoire en option) (Fig. 29)

Une fois le trou percé, utilisez la poire soufflante pour en retirer les poussières.

Burinage/Écaillage/Démolition

Pour les modèles HR2310T, HR2610, HR2610T, HR2611F et HR2611FT

Mettez le bouton de changement de mode sur le symbole . Tenez l'outil fermement à deux mains. Mettez le contact et appliquez une légère pression sur l'outil de façon à en garder la maîtrise et à éviter qu'il ne saute d'un côté ou de l'autre. L'application d'une très grande pression sur l'outil n'augmentera pas l'efficacité de l'opération. (Fig. 30)

Perçage du bois ou du métal


Pour les modèles HR2300, HR2600, HR2601, HR2610 et HR2611F

Utilisez l'ensemble mandrin en option. Pour l'installer, reportez-vous à la section "Pose ou retrait du foret" à la page précédente. (Fig. 31)

Pour les modèles HR2310T, HR2610T et HR2611FT

Utilisez le mandrin à changement rapide fourni en équipement standard. Pour l'installer, reportez-vous à la section "Remplacer le mandrin à changement rapide pour SDS-plus" à la page précédente. (Fig. 32 et 33)

Tenez la bague et tournez le manchon dans le sens contraire des aiguilles d'une montre pour ouvrir les mâchoires du mandrin. Insérez le foret à fond dans le mandrin. Tenez fermement la bague et tournez le manchon dans le sens des aiguilles d'une montre pour serrer le mandrin. Pour retirer le foret, tenez la bague et tournez le manchon dans le sens contraire des aiguilles d'une montre. (Fig. 34)

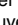
Mettez le bouton de changement de mode sur le symbole .

Vous pouvez percer avec un diamètre maximal de 13 mm dans le métal, et de 32 mm dans le bois.

ATTENTION :

- N'utilisez jamais la "rotation avec percussion" lorsque le mandrin à changement rapide est posé sur l'outil. Vous risqueriez d'abîmer le mandrin à changement rapide. De plus, le mandrin se détacherait lors de l'inversion de l'outil.
- Une pression excessive sur l'outil n'accélère pas le perçage. En fait, la pression excessive abîmera le bout du foret, causera une baisse des performances de l'outil et réduira sa durée de service.
- Une force de torsion énorme s'exerce sur l'outil/le foret lorsque le foret émerge sur la face opposée. Tenez l'outil fermement et faites bien attention lorsque le foret commence à sortir de la face opposée de la pièce.
- Un foret coincé peut être retiré en réglant simplement l'inverseur sur la rotation inverse pour faire marche arrière. L'outil peut toutefois faire brusquement marche arrière si vous ne le tenez pas fermement.
- Immobilisez toujours les petites pièces à travailler dans un étau ou un dispositif de retenue similaire.

Perçage avec un trépan diamanté

Pour percer avec un trépan diamanté, réglez toujours le levier de changement de mode sur la position  pour un mouvement de "rotation sans percussion".

ATTENTION :

- Vous risquez d'abîmer le trépan diamanté si vous percez avec un trépan diamanté en mode "rotation avec percussion".

Utilisation avec le collecteur de poussières (en accessoire) (Fig. 35)

Utilisez l'outil en plaçant le collecteur de poussières contre la surface du plafond.

NOTE :

- Le collecteur de poussières (en accessoire) est conçu uniquement pour le perçage dans les objets de céramique, de béton ou de mortier. N'utilisez pas l'outil avec le collecteur de poussières lorsque vous percez dans le métal ou un matériau similaire. Vous risquez d'abîmer le collecteur de poussières si vous l'utilisez lors du perçage dans le métal, à cause de la chaleur dégagée par les poussières de métal et autres particules.
- Videz le collecteur de poussières avant de retirer le foret.
- Lorsque vous utilisez le collecteur de poussières, assurez-vous que son capuchon est fermement fixé.

ENTRETIEN

ATTENTION :

- Assurez-vous toujours que l'outil est hors tension et débranché avant d'y effectuer tout travail d'inspection ou d'entretien.
- N'utilisez jamais d'essence, de benzine, de diluant, d'alcool ou produits similaires. Il y a risque de décoloration, de déformation ou de fissuration.

Pour maintenir la SÉCURITÉ et la FIABILITÉ du produit, les réparations, l'inspection et le remplacement des charbons, et tout autre travail d'entretien ou de réglage doivent être effectués dans un centre de service Makita agréé, exclusivement avec des pièces de rechange Makita.

ACCESSOIRES EN OPTION

ATTENTION :

- Ces accessoires ou pièces complémentaires sont recommandés pour l'utilisation avec l'outil Makita spécifié dans ce manuel d'instructions. L'utilisation de tout autre accessoire ou pièce peut comporter un risque de blessure. N'utilisez les accessoires ou pièces qu'aux fins pour lesquelles ils ont été conçus.

Si vous désirez obtenir plus de détails concernant ces accessoires, veuillez contacter le centre de service après-vente Makita le plus près.

- Forets à pointe de carbure SDS-Plus
- Trépan
- Pic
- Trépan diamanté
- Ciseau à froid
- Ciseau à écailler
- Burin à rainures
- Ensemble mandrin
- Mandrin S13
- Adaptateur de mandrin
- Clé de mandrin S13
- Graisse à foret
- Poignée latérale
- Jauge de profondeur
- Poire soufflante
- Collecteur de poussières
- Fixation d'extracteur de poussière
- Lunettes de sécurité
- Étui en plastique
- Mandrin sans clé

NOTE :

- Il se peut que certains éléments de la liste soient compris dans l'emballage de l'outil en tant qu'accessoires standard. Ils peuvent varier d'un pays à l'autre.

ENG905-1

Bruit

Niveau de bruit pondéré A typique, déterminé selon EN60745 :

Modèle HR2300, HR2601, HR2611F, HR2611FT

Niveau de pression sonore (L_{pA}) : 90 dB (A)
Niveau de puissance sonore (L_{WA}) : 101 dB (A)
Incertitude (K) : 3 dB (A)

Modèle HR2310T, HR2600, HR2610, HR2611T

Niveau de pression sonore (L_{pA}) : 91 dB (A)
Niveau de puissance sonore (L_{WA}) : 102 dB (A)
Incertitude (K) : 3 dB (A)

Portez des protections d'oreilles

ENG900-1

Vibrations

Valeur totale de vibrations (somme de vecteur triaxial) déterminée selon EN60745 :

Modèle HR2300, HR2600

Mode de travail : perçage avec martelage dans le béton
Émission de vibrations ($a_{h, HD}$) : 15,5 m/s²
Incertitude (K) : 1,5 m/s²

Mode de travail : perçage dans le métal
Émission de vibrations ($a_{h, D}$) : 2,5 m/s²
Incertitude (K) : 1,5 m/s²

Modèle HR2310T

Mode de travail : perçage avec martelage dans le béton
Émission de vibrations ($a_{h, HD}$) : 15,5 m/s²
Incertitude (K) : 1,5 m/s²

Mode de travail : fonction de ciselage avec le manche latéral
Émission de vibrations ($a_{h, Cheq}$) : 10,5 m/s²
Incertitude (K) : 1,5 m/s²

Mode de travail : perçage dans le métal
Émission de vibrations ($a_{h, D}$) : 2,5 m/s² ou moins
Incertitude (K) : 1,5 m/s²

Modèle HR2601

Mode de travail : perçage avec martelage dans le béton
Émission de vibrations ($a_{h, HD}$) : 12,0 m/s²
Incertitude (K) : 1,5 m/s²

Mode de travail : perçage dans le métal
Émission de vibrations ($a_{h, D}$) : 2,5 m/s² ou moins
Incertitude (K) : 1,5 m/s²

Modèle HR2610

Mode de travail : perçage avec martelage dans le béton
Émission de vibrations ($a_{h, HD}$) : 15,5 m/s²
Incertitude (K) : 1,5 m/s²

Mode de travail : fonction de ciselage avec le manche latéral
Émission de vibrations ($a_{h, Cheq}$) : 9,5 m/s²
Incertitude (K) : 1,5 m/s²

Mode de travail : perçage dans le métal
Émission de vibrations ($a_{h, D}$) : 2,5 m/s²
Incertitude (K) : 1,5 m/s²

Modèle HR2610T

Mode de travail : perçage avec martelage dans le béton

Émission de vibrations ($a_{h, HD}$) : 15,0 m/s²
Incertitude (K) : 1,5 m/s²

Mode de travail : fonction de ciselage avec le manche latéral

Émission de vibrations ($a_{h, Cheq}$) : 9,5 m/s²
Incertitude (K) : 1,5 m/s²

Mode de travail : perçage dans le métal
Émission de vibrations ($a_{h, D}$) : 2,5 m/s² ou moins
Incertitude (K) : 1,5 m/s²

Modèle HR2611F

Mode de travail : perçage avec martelage dans le béton

Émission de vibrations ($a_{h, HD}$) : 12,0 m/s²
Incertitude (K) : 1,5 m/s²

Mode de travail : fonction de ciselage avec le manche latéral

Émission de vibrations ($a_{h, Cheq}$) : 9,0 m/s²
Incertitude (K) : 1,5 m/s²

Mode de travail : perçage dans le métal
Émission de vibrations ($a_{h, D}$) : 2,5 m/s² ou moins
Incertitude (K) : 1,5 m/s²

Modèle HR2611FT

Mode de travail : perçage avec martelage dans le béton

Émission de vibrations ($a_{h, HD}$) : 11,5 m/s²
Incertitude (K) : 1,5 m/s²

Mode de travail : fonction de ciselage avec le manche latéral

Émission de vibrations ($a_{h, Cheq}$) : 8,5 m/s²
Incertitude (K) : 1,5 m/s²

Mode de travail : perçage dans le métal
Émission de vibrations ($a_{h, D}$) : 2,5 m/s² ou moins
Incertitude (K) : 1,5 m/s²

ENG901-1

- La valeur d'émission de vibrations déclarée a été mesurée conformément à la méthode de test standard et peut être utilisée pour comparer les outils entre eux.
- La valeur d'émission de vibrations déclarée peut aussi être utilisée pour l'évaluation préliminaire de l'exposition.

AVERTISSEMENT :

- L'émission de vibrations lors de l'usage réel de l'outil électrique peut être différente de la valeur d'émission déclarée, suivant la façon dont l'outil est utilisé.
- Les mesures de sécurité à prendre pour protéger l'utilisateur doivent être basées sur une estimation de l'exposition dans des conditions réelles d'utilisation (en tenant compte de toutes les composantes du cycle d'utilisation, comme par exemple le moment de sa mise hors tension, lorsqu'il tourne à vide et le moment de son déclenchement).

Pour les pays d'Europe uniquement**Déclaration de conformité CE**

Makita Corporation, en tant que fabricant responsable, déclare que la ou les machines Makita suivantes :

Désignation de la machine : Marteau Perforateur
N° de modèle / Type : HR2300, HR2310T, HR2600, HR2601

sont produites en série et

sont conformes aux directives européennes suivantes :

2006/42/EC

et qu'elles sont fabriquées conformément aux normes ou documents normalisés suivants :

EN60745

La documentation technique est conservée par :

Makita International Europe Ltd.
Service technique,
Michigan Drive, Tongwell,
Milton Keynes, Bucks MK15 8JD, Angleterre

13.7.2009



Tomoyasu Kato
Directeur

Makita Corporation
3-11-8, Sumiyoshi-cho,
Anjo, Aichi, 446-8502, JAPAN

Pour les pays d'Europe uniquement**Déclaration de conformité CE**

Makita Corporation, en tant que fabricant responsable, déclare que la ou les machines Makita suivantes :

Désignation de la machine : Marteau combi
N° de modèle / Type : HR2610, HR2610T, HR2611F, HR2611FT

sont produites en série et

sont conformes aux directives européennes suivantes :

2006/42/EC

et qu'elles sont fabriquées conformément aux normes ou documents normalisés suivants :

EN60745

La documentation technique est conservée par :

Makita International Europe Ltd.
Service technique,
Michigan Drive, Tongwell,
Milton Keynes, Bucks MK15 8JD, Angleterre

13.7.2009



Tomoyasu Kato
Directeur

Makita Corporation
3-11-8, Sumiyoshi-cho,
Anjo, Aichi, 446-8502, JAPAN

Übersicht

- | | | |
|---------------------------------|----------------------------------|------------------------------|
| 1 Elektronikschalter | 14 Vorsprünge | 26 Aufsatz am Fuß der Staub- |
| 2 Arretierknopf | 15 Führungsnuten | schutzkappe |
| 3 Lampe | 16 Einsatzschaft | 27 Balgen |
| 4 Drehrichtungsumschalter | 17 Bohrer-/Meißelfett | 28 Aufsatz |
| 5 Schnellwechselfutter für SDS- | 18 Einsatz | 29 Innenrand |
| plus | 19 Futterabdeckung | 30 Vertiefte Seite |
| 6 Wechselhülsenlinie | 20 Griffbasis | 31 Kappe |
| 7 Wechselhülse | 21 Tiefenanschlag | 32 Führungsnut |
| 8 Spindel | 22 Verzahnung der Sechskantloch- | 33 Ausblaspipette |
| 9 Schnellwechselbohrfutter | markierung an der Griffbasis | 34 Futteradapter |
| 10 Schlagbohren | 23 Verzahnung des Tiefenan- | 35 Schlüsselloses Bohrfutter |
| 11 Bohren | schlags | 36 Hülse |
| 12 Betriebsart-Umschaltknopf | 24 Staubschutzkappe | 37 Ring |
| 13 Nur Schlagen | 25 △-Symbol | |

TECHNISCHE DATEN

Modell		HR2300	HR2310T	HR2600	HR2601	HR2610	HR2610T	HR2611F	HR2611FT
Bohrlei- stung	Beton	23 mm		26 mm					
	Bohrkrone	68 mm		68 mm		68 mm			
	Diamant-Bohr- krone (Trocken- typ)	70 mm		80 mm		80 mm			
	Stahl	13 mm		13 mm		13 mm			
	Holz	32 mm		32 mm		32 mm			
Leerlaufdrehzahl (min ⁻¹)		0 – 1 200							
Blaszahl per Minute		0 – 4 600							
Gesamtlänge		356 mm	380 mm	361 mm			385 mm	361 mm	385 mm
Nettogewicht		2,7 kg	2,9 kg	2,8 kg	2,9 kg	2,8 kg	2,9 kg	2,9 kg	3,0 kg
Sicherheitsklasse		□/II							

- Wir behalten uns vor, Änderungen im Zuge der Entwicklung und des technischen Fortschritts ohne vorherige Ankündigung vorzunehmen.
- Die technischen Daten können von Land zu Land abweichen.
- Gewicht nach EPTA-Verfahren 01/2003

ENE042-1

Vorgesehene Verwendung

Die Maschine ist für Schlagbohren und Bohren in Ziegeln, Beton und Stein vorgesehen.

Sie eignet sich auch für normales Bohren in Holz, Metall, Keramik und Kunststoff.

ENF002-2

Netzanschluss

Die Maschine darf nur an die auf dem Typenschild angegebene Spannung angeschlossen werden und arbeitet nur mit Einphasen-Wechselspannung. Sie ist doppelt schutzisoliert und kann daher auch an Steckdosen ohne Erdanschluss betrieben werden.

GEA010-1

Allgemeine Sicherheitswarnungen für Elektrowerkzeuge

⚠ Lesen Sie alle Sicherheitswarnungen und Anweisungen durch. Eine Missachtung der unten aufgeführten Warnungen und Anweisungen kann zu einem elektrischen Schlag, Brand und/oder schweren Verletzungen führen.

Bewahren Sie alle Warnungen und Anweisungen für spätere Bezugnahme auf.

GEB007-7

SICHERHEITSWARNUNGEN FÜR BOHRHAMMER

1. **Tragen Sie Gehörschützer.** Lärmeinwirkung kann zu Hörverlust führen.
2. **Benutzen Sie (einen) Zusatzgriff(e), sofern er (sie) mit dem Werkzeug geliefert wurde(n).** Verlust der Kontrolle kann Verletzungen verursachen.

3. Halten Sie das Elektrowerkzeug nur an den isolierten Griffflächen, wenn Sie Arbeiten ausführen, bei denen die Gefahr besteht, dass verborgene Kabel oder das eigene Kabel kontaktiert werden. Bei Kontakt mit einem Strom führenden Kabel können die freiliegenden Metallteile des Elektrowerkzeugs ebenfalls Strom führend werden, so dass der Benutzer einen elektrischen Schlag erleiden kann.
4. Tragen Sie Schutzhelm, Schutzbrille und/oder Gesichtsschutz. Eine gewöhnliche Brille oder Sonnenbrille ist KEIN Ersatz für eine Schutzbrille. Das Tragen einer Staubmaske und dick gepolsterter Handschuhe ist ebenfalls zu empfehlen.
5. Vergewissern Sie sich vor der Arbeit, dass der Einsatz sicher montiert ist.
6. Die Maschine erzeugt konstruktionsbedingt Vibrationen bei normalem Betrieb. Durch Lockerung von Schrauben kann es zu einem Ausfall oder Unfall kommen. Überprüfen Sie sorgfältig die Festigkeit der Schrauben vor der Arbeit.
7. Lassen Sie die Maschine bei niedrigen Temperaturen oder nach längerer Nichtbenutzung eine Zeit lang im Leerlauf warm laufen. Dadurch wird die Schmierung verbessert. Betrieb im kalten Zustand erschwert die Schlagbohrarbeit.
8. Achten Sie stets auf sicheren Stand. Vergewissern Sie sich bei Einsatz der Maschine an hochgelegenen Arbeitsplätzen, dass sich keine Personen darunter aufhalten.
9. Halten Sie die Maschine mit beiden Händen fest.
10. Halten Sie die Hände von beweglichen Teilen fern.
11. Lassen Sie die Maschine nicht unbeaufsichtigt laufen. Benutzen Sie die Maschine nur mit Handhaltung.
12. Richten Sie die Maschine während des Betriebs nicht auf umstehende Personen. Der Einsatz könnte herausschnellen und schwere Verletzungen verursachen.
13. Vermeiden Sie eine Berührung des Einsatzes oder der umliegenden Teile unmittelbar nach der Bearbeitung, weil die Teile noch sehr heiß sind und Hautverbrennungen verursachen können.
14. Manche Materialien können giftige Chemikalien enthalten. Treffen Sie Vorsichtsmaßnahmen, um das Einatmen von Arbeitsstaub und Hautkontakt zu verhüten. Befolgen Sie die Sicherheitsdaten des Materialherstellers.

DIESE ANWEISUNGEN AUFBEWAHREN.

⚠️ WARNUNG:

Lassen Sie sich NICHT durch Bequemlichkeit oder Vertrautheit mit dem Produkt (durch wiederholten Gebrauch erworben) von der strikten Einhaltung der Sicherheitsregeln für das vorliegende Produkt abhalten. MISSBRAUCH oder Missachtung der Sicherheitsvorschriften in dieser Anleitung können schwere Verletzungen verursachen.

FUNKTIONSBESCHREIBUNG

⚠️ VORSICHT:

- Vergewissern Sie sich vor jeder Einstellung oder Funktionsprüfung der Maschine stets, dass sie ausgeschaltet und vom Stromnetz getrennt ist.

Schalterfunktion (Abb. 1)

⚠️ VORSICHT:

- Vergewissern Sie sich vor dem Anschließen der Maschine an das Stromnetz stets, dass der Elektronikschalter ordnungsgemäß funktioniert und beim Loslassen in die AUS-Stellung zurückkehrt.

Zum Einschalten der Maschine einfach den Elektronikschalter drücken. Die Drehzahl erhöht sich durch verstärkte Druckausübung auf den Elektronikschalter. Zum Ausschalten den Elektronikschalter loslassen. Für Dauerbetrieb den Elektronikschalter betätigen, dann den Arretierknopf hineindrücken, und den Elektronikschalter loslassen. Zum Ausrasten der Sperre den Elektronikschalter bis zum Anschlag hineindrücken und dann loslassen.

Einschalten der Lampen (Abb. 2)

Für Modelle HR2611F, HR2611FT

⚠️ VORSICHT:

- Blicken Sie nicht direkt in die Lampe oder die Lichtquelle.

Betätigen Sie den Elektronikschalter zum Einschalten der Lampe. Lassen Sie den Elektronikschalter zum Ausschalten der Lampe los.

HINWEIS:

- Wischen Sie Schmutz auf der Lampenlinse mit einem trockenen Tuch ab. Achten Sie sorgfältig darauf, dass Sie die Lampenlinse nicht verkratzen, weil sich sonst die Lichtstärke verringert.
- Verwenden Sie keinen Verdünner oder Benzin zum Reinigen der Lampe. Solche Lösungsmittel können die Lampe beschädigen.

Funktion des Drehrichtungsumschalters (Abb. 3)

⚠️ VORSICHT:

- Prüfen Sie stets die Drehrichtung, bevor Sie mit der Arbeit beginnen.
- Betätigen Sie den Drehrichtungsumschalter erst, nachdem die Maschine völlig zum Stillstand gekommen ist. Durch Umschalten der Drehrichtung bei noch laufender Maschine kann die Maschine beschädigt werden.
- Falls sich der Elektronikschalter nicht hineindrücken lässt, prüfen Sie, ob der Drehrichtungsumschalter vollständig auf der Stellung ◁ (Seite A) oder ▷ (Seite B) steht.

Diese Maschine besitzt einen Drehrichtungsumschalter. Stellen Sie den Drehrichtungsumschalthebel für Rechtsdrehung auf die Stellung ◁ (Seite A) oder für Linksdrehung auf die Stellung ▷ (Seite B).

Auswechseln des Schnellwechselfutters für SDS-plus

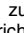
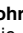
Für Modelle HR2310T, HR2610T, HR2611FT

Das Schnellwechselfutter für SDS-plus kann leicht gegen das Schnellwechsel-Bohrfutter ausgewechselt werden.

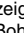
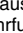
Entfernen des Schnellwechselfutters für SDS-plus (Abb. 4)

⚠ VORSICHT:

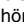
- Nehmen Sie stets den Einsatz heraus, bevor Sie das Schnellwechselfutter für SDS-plus entfernen.

Fassen Sie die Wechsellüftung des Schnellwechselfutters für SDS-plus, und drehen Sie sie in Pfeilrichtung, um die Wechsellüftungslinie vom Symbol  zum Symbol  zu verstellen. Ziehen Sie kräftig in Pfeilrichtung.

Anbringen des Schnellwechsel-Bohrfutters (Abb. 5)

Vergewissern Sie sich, dass die Linie des Schnellwechsel-Bohrfutters auf das Symbol  zeigt. Fassen Sie die Wechsellüftung des Schnellwechsel-Bohrfutters, und richten Sie die Linie auf das Symbol  aus.


Setzen Sie das Schnellwechsel-Bohrfutter auf die Spindel der Maschine.


Fassen Sie die Wechsellüftung des Schnellwechsel-Bohrfutters, und drehen Sie die Wechsellüftungslinie zum Symbol , bis ein deutliches Klicken zu hören ist.

Wahl der Betriebsart (Abb. 6)

Für Modelle HR2300, HR2600, HR2601

Diese Maschine besitzt einen Betriebsart-Umschaltknopf. Wählen Sie mit diesem Knopf eine der zwei Betriebsarten, die für die jeweilige Arbeit am besten geeignet ist.

Für Bohren drehen Sie den Knopf so, dass der Pfeil am Knopf zum Symbol  am Maschinengehäuse zeigt.


Für Schlagbohren drehen Sie den Knopf so, dass der Pfeil am Knopf zum Symbol  am Maschinengehäuse zeigt.

⚠ VORSICHT:


- Stellen Sie den Knopf stets vollständig auf das Symbol der gewünschten Betriebsart ein. Wird die Maschine bei einer Zwischenstellung des Knopfes zwischen den Betriebsartpositionen betrieben, kann sie beschädigt werden.
- Betätigen Sie den Drehknopf erst, nachdem die Maschine völlig zum Stillstand gekommen ist.

Für Modelle HR2310T, HR2610, HR2610T, HR2611F, HR2611FT

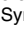
Schlagbohren (Abb. 7)

Für Bohren in Beton, Mauerwerk usw. drehen Sie den Betriebsart-Umschaltknopf auf das Symbol . Verwenden Sie einen Bohrer mit Hartmetallschneide.

Bohren (Abb. 8)

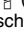
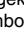
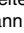
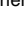
Für Bohren in Holz-, Metall- oder Kunststoffmaterial drehen Sie den Betriebsart-Umschaltknopf auf das Symbol . Verwenden Sie einen Spiralbohrer oder Holzbohrer.

Schlagbohren (Abb. 9)

Für Meißeln, Abklopfen oder Demolieren drehen Sie den Betriebsart-Umschaltknopf auf das Symbol . Verwenden Sie einen Spitzmeißel, Flachmeißel, Putzmeißel usw.

⚠ VORSICHT:

- Betätigen Sie den Betriebsart-Umschaltknopf nicht, wenn die Maschine unter Last läuft. Die Maschine kann sonst beschädigt werden.
- Um schnellen Verschleiß des Betriebsart-Umschaltmechanismus zu vermeiden, achten Sie stets darauf, dass der Betriebsart-Umschaltknopf einwandfrei in einer der drei Betriebsartpositionen eingerastet ist.

- Betätigen Sie den Betriebsart-Umschaltknopf nicht gewaltsam, und drehen Sie ihn nicht direkt vom Modus des Symbols  (oder umgekehrt). Dadurch kann die Maschine beschädigt werden. Wenn Sie den Knopf vom Modus des Symbols  auf den Modus des Symbols  drehen, halten Sie ihn kurz am Modus des Symbols  an. Und drehen Sie das Spannfutter um eine halbe Umdrehung im Uhrzeigersinn (von der Futterseite aus gesehen), oder bis es klickt. Drehen Sie dann den Knopf auf den gewünschten Modus. Falls es noch immer schwierig ist, den Knopf zu drehen, drehen Sie das Spannfutter erneut.

Drehmomentbegrenzer

Der Drehmomentbegrenzer wird bei Erreichen eines bestimmten Drehmoments ausgelöst. Der Motor wird von der Ausgangswelle abgekuppelt. Wenn dies eintritt, bleibt der Bohrer stehen.

⚠ VORSICHT:

- Schalten Sie die Maschine bei Aktivierung des Drehmomentbegrenzers sofort aus. Dies verhindert vorzeitigen Verschleiß der Maschine.
- Einsätze, wie z. B. eine Lochsäge, die zum Klemmen oder Hängenbleiben in der Bohrung neigen, sind für diese Maschine nicht geeignet. Dies liegt daran, dass sie eine zu häufige Aktivierung des Drehmomentbegrenzers verursachen.

MONTAGE

⚠ VORSICHT:

- Vergewissern Sie sich vor der Ausführung von Arbeiten an der Maschine stets, dass sie ausgeschaltet und vom Stromnetz getrennt ist.

Seitengriff (Zusatzgriff) (Abb. 10)

⚠ VORSICHT:

- Verwenden Sie stets den Seitengriff, um Betriebssicherheit zu gewährleisten.

Montieren Sie den Seitengriff so, dass die Vorsprünge am Griff in die Führungsnuten des Maschinengehäuses eingreifen. Ziehen Sie dann den Griff fest, indem Sie ihn an der gewünschten Position im Uhrzeigersinn drehen. Der Griff kann um 360° geschwenkt und in jeder beliebigen Position gesichert werden.

Bohrer-/Meißelfett

Tragen Sie vor der Arbeit eine kleine Menge Bohrer-/Meißelfett (etwa 0,5 – 1 g) auf den Einsatzschaft auf. Diese Fetterschmierung gewährleistet reibungslosen Betrieb und längere Lebensdauer.

Montage und Demontage des Einsatzes

Den Einsatzschaft vor der Montage des Einsatzes reinigen und mit dem mitgelieferten Bohrer-/Meißelfett schmieren. (Abb. 11)

Den Einsatz in die Maschine einführen. Den Einsatz drehen und hineindrücken, bis er einrastet. (Abb. 12)

Prüfen Sie nach der Montage stets den sicheren Sitz des Einsatzes durch Zugversuch.

Zum Entfernen des Einsatzes die Futterabdeckung bis zum Anschlag nach unten ziehen und den Einsatz herausziehen. (Abb. 13)

Einsatzwinkel (beim Meißeln, Abklopfen oder Demolieren)

Für Modelle HR2310T, HR2610, HR2610T, HR2611F, HR2611FT

Der Einsatz kann im gewünschten Winkel eingespannt werden. Um den Einsatzwinkel zu ändern, drehen Sie den Betriebsart-Umschaltknopf auf das Symbol O. Den Einsatz auf den gewünschten Winkel drehen. (Abb. 14) Stellen Sie den Betriebsart-Umschaltknopf auf die Position des Symbols ∇ . (Abb. 15)

Vergewissern Sie sich dann durch leichtes Drehen, dass der Einsatz einwandfrei gesichert ist.

Tiefenanschlag

Der Tiefenanschlag ist praktisch, um Löcher von gleicher Tiefe zu bohren. (Abb. 16)

Drücken Sie den Arretierknopf an der Griffbasis in Richtung des in der Abbildung gezeigten Pfeils, und führen Sie den Tiefenanschlag bei gedrücktem Arretierknopf in das Sechskantloch der Griffbasis ein. (Abb. 17)

Dabei muss der Tiefenanschlag so eingeführt werden, dass seine Verzahnung auf die Verzahnung der Sechskantlochmarkierung an der Griffbasis ausgerichtet ist, wie in Abb. 18 gezeigt.

Stellen Sie den Tiefenanschlag auf die gewünschte Tiefe ein, indem Sie ihn bei gedrücktem Arretierknopf vor und zurück schieben. Lassen Sie nach der Einstellung den Arretierknopf los, um den Tiefenanschlag zu verriegeln. (Abb. 19)

HINWEIS:

- Wird der Tiefenanschlag so eingeführt, dass seine Verzahnung nicht in die Verzahnung der Sechskantlochmarkierung an der Griffbasis eingreift, wie in der Abbildung gezeigt, kann der Tiefenanschlag nicht verriegelt werden.

Staubschutzkappe (Abb. 20)

Verwenden Sie bei Überkopf-Bohrarbeiten die Staubschutzkappe, um zu verhüten, dass Staub auf Sie und die Maschine fällt. Bringen Sie die Staubschutzkappe so am Einsatz an, wie in Abb. 20 gezeigt. Die Staubschutzkappe kann an Einsätzen der folgenden Größen angebracht werden.

	Einsatzdurchmesser
Staubschutzkappe 5	6 mm – 14,5 mm
Staubschutzkappe 9	12 mm – 16 mm

006406

Ein weiterer Staubschuttkappentyp (Zubehörteil), der verhindert, dass Staub auf die Maschine und den Benutzer fällt, wenn Überkopf-Bohrarbeiten durchgeführt werden, ist erhältlich.

Anbringen und Abnehmen der Staubschutzkappe

Bevor Sie die Staubschutzkappe anbringen, entfernen Sie den Einsatz von der Maschine, falls einer installiert ist. Bringen Sie die Staubschutzkappe (Zubehörteil) so an der Maschine an, dass das Symbol \triangle an der Staubschutzkappe auf die Nuten in der Maschine ausgerichtet ist. (Abb. 21)

Um die Staubschutzkappe abzunehmen, ziehen Sie die Futterabdeckung in die in Abb. 22 gezeigte Richtung, und nehmen Sie den Einsatz bei gezogener Futterabdeckung aus der Maschine heraus.

Fassen Sie dann den Aufsatz am Fuß der Staubschutzkappe, und nehmen Sie ihn heraus. (Abb. 23)

HINWEIS:

- Beim Anbringen oder Abnehmen der Staubschutzkappe kann sich die Abdeckung von der Staubschutzkappe lösen. In diesem Fall folgendermaßen vorgehen. Entfernen Sie den Balgen vom Aufsatz, und bringen Sie die Kappe von der in der Abbildung gezeigten Seite mit der vertieften Seite nach oben gerichtet so an, dass die Nut in der Kappe in den Innenrand des Aufsatzes passt. Zum Schluss den entfernten Balgen wieder anbringen. (Abb. 24, 25 und 26)

HINWEIS:

- Wenn Sie einen Staubsauger an Ihren Bohrer anschließen, können Sie noch sauberer arbeiten. Vor dem Anschluss muss die Staubabdeckung von der Staubschutzkappe abgenommen werden. (Abb. 27)

BETRIEB

Montieren Sie stets den Seitengriff (Zusatzgriff), und halten Sie die Maschine während der Arbeit mit beiden Händen an Seitengriff und Schaltergriff fest.

Schlagbohrbetrieb (Abb. 28)

Stellen Sie den Betriebsart-Umschaltknopf auf die Position ∇ .

Setzen Sie den Bohrer auf die gewünschte Bohrstelle, und drücken Sie dann den Elektronikschalter. Üben Sie keinen übermäßigen Druck auf die Maschine aus. Leichter Druck liefert die besten Ergebnisse. Halten Sie die Maschine in Position, und vermeiden Sie Abrutschen vom Loch.

Üben Sie keinen stärkeren Druck aus, wenn das Bohrloch mit Spänen oder Bohrmehl zugesetzt wird. Lassen Sie statt dessen die Maschine leer laufen, und ziehen Sie dann den Bohrer teilweise aus dem Bohrloch heraus. Durch mehrmaliges Wiederholen dieses Vorgangs wird das Bohrloch ausgeräumt, so dass der normale Bohrbetrieb fortgesetzt werden kann.

Stellen Sie den Betriebsart-Umschaltknopf auf die Position ∇ .

\triangle VORSICHT:

- Beim Durchbruch der Bohrung, bei Verstopfung der Bohrung mit Spänen und Partikeln, oder beim Auftreffen auf Betonstahl wirkt eine starke, plötzliche Drehkraft auf Werkzeug und Bohrer. Montieren Sie stets den Seitengriff (Zusatzgriff), und halten Sie die Maschine während der Arbeit mit beiden Händen an Seitengriff und Schaltergriff fest. Eine Missachtung dieser Vorsichtsmaßnahme kann den Verlust der Kontrolle über die Maschine und mögliche schwere Verletzungen zur Folge haben.

HINWEIS:

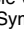
- Es kann zu einer Rundlaufabweichung in der Bohrerdrehung kommen, wenn die Maschine mit Nulllast betrieben wird. Während des Betriebs zentriert sich die Maschine automatisch. Dies hat keinen Einfluss auf die Bohrgenauigkeit.

Ausblaspipette (Sonderzubehör) (Abb. 29)

Blasen Sie den Staub nach dem Bohren des Lochs mit einer Ausblaspipette aus dem Loch.

Meißeln/Abklopfen/Demolieren

Für Modelle HR2310T, HR2610, HR2610T, HR2611F, HR2611FT

Stellen Sie den Betriebsart-Umschaltknopf auf die Position des Symbols . Halten Sie die Maschine mit beiden Händen fest. Schalten Sie die Maschine ein, und führen Sie sie mit leichtem Druck, damit sie nicht unkontrolliert springt. Übermäßige Druckausübung auf die Maschine bewirkt keine Erhöhung der Arbeitsleistung. (Abb. 30)

Bohren in Holz oder Metall

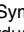
Für Modelle HR2300, HR2600, HR2601, HR2610, HR2611F

Verwenden Sie die optionale Bohrfuttereinheit. Nehmen Sie zur Montage auf den Abschnitt „Montage und Demontage des Einsatzes“ auf der vorhergehenden Seite Bezug. (Abb. 31)

Für Modelle HR2310T, HR2610T, HR2611FT

Verwenden Sie das Schnellwechselbohrfutter als Standardausstattung. Nehmen Sie zur Montage auf den Abschnitt „Austausch des Schnellwechselhalters für SDS-plus“ auf der vorhergehenden Seite Bezug. (Abb. 32 und 33)


Halten Sie den Klemmring fest, und drehen Sie die Werkzeugaufnahme entgegen dem Uhrzeigersinn, um die Bohrfutterbacken zu öffnen. Führen Sie den Einsatz bis zum Anschlag in das Bohrfutter ein. Halten Sie den Klemmring fest, und drehen Sie die Werkzeugaufnahme im Uhrzeigersinn, um das Bohrfutter festzuziehen. Zum Entfernen des Einsatzes halten Sie den Klemmring und drehen die Werkzeugaufnahme entgegen dem Uhrzeigersinn. (Abb. 34)

Stellen Sie den Betriebsart-Umschaltknopf auf die Position des Symbols . Der Bohrdurchmesser kann bis zu 13 mm in Metall und bis zu 32 mm in Holz betragen.

⚠ VORSICHT:

- Verwenden Sie keinesfalls die Betriebsart „Schlagbohren“, wenn das Schnellwechselbohrfutter an der Maschine angebracht ist. Das Schnellwechselbohrfutter kann sonst beschädigt werden. Außerdem löst sich das Bohrfutter beim Umschalten der Drehrichtung.
- Übermäßige Druckausübung auf die Maschine bewirkt keine Beschleunigung der Bohrleistung. Im Gegenteil; übermäßiger Druck führt zu einer Beschädigung der Bohrspitze und damit zu einer Verringerung der Bohrleistung sowie zu einer Verkürzung der Lebensdauer der Maschine.
- Beim Bohrungsdurchbruch wirkt ein hohes Rückdrehmoment auf Maschine und Bohrer. Halten Sie daher die Maschine mit festem Griff und lassen Sie Vorsicht walten, wenn der Bohrer im Begriff ist, aus dem Werkstück auszutreten.
- Ein festsitzender Bohrer lässt sich durch einfaches Umschalten der Drehrichtung wieder herausdrehen. Dabei sollten Sie aber die Maschine gut festhalten, damit sie nicht ruckartig herausgestoßen wird.
- Spannen Sie kleine Werkstücke stets in einen Schraubstock oder eine ähnliche Aufspanvorrichtung ein.

Bohren mit Diamant-Bohrkrone

Stellen Sie den Umschalthebel zum Bohren mit Diamant-Bohrkrone immer auf die Position  (Betriebsart „Nur bohren“).

⚠ VORSICHT:

- Werden Bohrarbeiten mit Diamant-Bohrkrone in der Betriebsart „Schlagbohren“ durchgeführt, kann die Diamant-Bohrkrone beschädigt werden.

Betrieb bei Verwendung der Staubschutzkappe (Zubehörteil) (Abb. 35)

Betreiben Sie die Maschine mit der Staubschutzkappe zur Deckenfläche gerichtet.

HINWEIS:

- Die Staubschutzkappe (Zubehörteil) ist nur für Bohren in Keramik-Werkstücken wie Beton oder Mörtel vorgesehen. Bringen Sie die Staubschutzkappe nicht an der Maschine an, wenn Sie in Metall oder ähnlichem Material bohren. Wird die Staubschutzkappe zum Bohren in Metall benutzt, kann sie durch die von feinem Metallstaub o. Ä. erzeugten Wärme beschädigt werden.
- Leeren Sie die Staubschutzkappe, bevor Sie einen Bohrer entfernen.
- Vergewissern Sie sich bei Verwendung der Staubschutzkappe, dass die Staubabdeckung sicher montiert ist.

WARTUNG

⚠ VORSICHT:

- Denken Sie vor der Durchführung von Überprüfungen oder Wartungsarbeiten stets daran, die Maschine auszuschnallen und vom Stromnetz zu trennen.
- Verwenden Sie auf keinen Fall Benzin, Benzol, Verdünnern, Alkohol oder dergleichen. Solche Mittel können Verfärbung, Verformung oder Rissbildung verursachen.

Um die SICHERHEIT und ZUVERLÄSSIGKEIT dieses Produkts aufrechtzuerhalten, sollten Reparaturen, Überprüfung und Austausch der Kohlebürsten und andere Wartungs- oder Einstellarbeiten nur von Makita-Kundendienstzentren unter ausschließlicher Verwendung von Makita-Originalersatzteilen ausgeführt werden.

SONDERZUBEHÖR

⚠ VORSICHT:

- Die folgenden Zubehörteile oder Vorrichtungen werden für den Einsatz mit dem in dieser Anleitung beschriebenen Makita-Gerät empfohlen. Die Verwendung anderer Zubehörteile oder Vorrichtungen kann eine Verletzungsgefahr darstellen. Verwenden Sie Zubehörteile oder Vorrichtungen nur für ihren vorgesehenen Zweck.

Wenn Sie weitere Einzelheiten bezüglich dieser Zubehörteile benötigen, wenden Sie sich bitte an Ihre Makita-Kundendienststelle.

- SDS-Plus-Bohrer mit Hartmetallschneide
- Bohrkrone
- Spitzmeißel
- Diamant-Bohrkrone
- Flachmeißel
- Putzmeißel
- Nutenmeißel
- Bohrfuttereinheit
- Bohrfutter S13
- Futteradapter
- Futterschlüssel S13
- Bohrer-/Meißelfett
- Seitengriff
- Tiefenanschlag
- Ausblaspipette
- Staubschutzkappe
- Staubabsaugvorrichtung
- Schutzbrille
- Plastikkoffer
- Schlüsselloses Bohrfutter

HINWEIS:

- Manche Teile in der Liste können als Standardzubehör im Werkzeugsatz enthalten sein. Sie können von Land zu Land unterschiedlich sein.

ENG905-1

Geräusch

Typischer A-bewerteter Geräuschpegel ermittelt gemäß EN60745:

Modell HR2300, HR2601, HR2611F, HR2611FT

Schalldruckpegel (L_{pA}): 90 dB (A)
Schalleistungspegel (L_{WA}): 101 dB (A)
Ungewissheit (K): 3 dB (A)

Modell HR2310T, HR2600, HR2610, HR2610T

Schalldruckpegel (L_{pA}): 91 dB (A)
Schalleistungspegel (L_{WA}): 102 dB (A)
Ungewissheit (K): 3 dB (A)

Gehörschützer tragen

ENG900-1

Vibration

Vibrationsgesamtwert (Drei-Achsen-Vektorsumme) ermittelt gemäß EN60745:

Modell HR2300, HR2600

Arbeitsmodus: Schlagbohren in Beton
Vibrationsemission ($a_{h, HD}$): 15,5 m/s²
Ungewissheit (K): 1,5 m/s²

Arbeitsmodus: Bohren in Metall
Vibrationsemission ($a_{h, D}$): 2,5 m/s²
Ungewissheit (K): 1,5 m/s²

Modell HR2310T

Arbeitsmodus: Schlagbohren in Beton
Vibrationsemission ($a_{h, HD}$): 15,5 m/s²
Ungewissheit (K): 1,5 m/s²

Arbeitsmodus: Meißelfunktion mit Seitengriff
Vibrationsemission ($a_{h, CHeg}$): 10,5 m/s²
Ungewissheit (K): 1,5 m/s²

Arbeitsmodus: Bohren in Metall
Vibrationsemission ($a_{h, D}$): 2,5 m/s² oder weniger
Ungewissheit (K): 1,5 m/s²

Modell HR2601

Arbeitsmodus: Schlagbohren in Beton
Vibrationsemission ($a_{h, HD}$): 12,0 m/s²
Ungewissheit (K): 1,5 m/s²

Arbeitsmodus: Bohren in Metall
Vibrationsemission ($a_{h, D}$): 2,5 m/s² oder weniger
Ungewissheit (K): 1,5 m/s²

Modell HR2610

Arbeitsmodus: Schlagbohren in Beton
Vibrationsemission ($a_{h, HD}$): 15,5 m/s²
Ungewissheit (K): 1,5 m/s²

Arbeitsmodus: Meißelfunktion mit Seitengriff
Vibrationsemission ($a_{h, CHeg}$): 9,5 m/s²
Ungewissheit (K): 1,5 m/s²

Arbeitsmodus: Bohren in Metall
Vibrationsemission ($a_{h, D}$): 2,5 m/s²
Ungewissheit (K): 1,5 m/s²

Modell HR2610T

Arbeitsmodus: Schlagbohren in Beton
Vibrationsemission ($a_{h, HD}$): 15,0 m/s²
Ungewissheit (K): 1,5 m/s²

Arbeitsmodus: Meißelfunktion mit Seitengriff
Vibrationsemission ($a_{h, CHeg}$): 9,5 m/s²
Ungewissheit (K): 1,5 m/s²

Arbeitsmodus: Bohren in Metall
Vibrationsemission ($a_{h, D}$): 2,5 m/s² oder weniger
Ungewissheit (K): 1,5 m/s²

Modell HR2611F

Arbeitsmodus: Schlagbohren in Beton
Vibrationsemission ($a_{h, HD}$): 12,0 m/s²
Ungewissheit (K): 1,5 m/s²

Arbeitsmodus: Meißelfunktion mit Seitengriff
Vibrationsemission ($a_{h, CHeg}$): 9,0 m/s²
Ungewissheit (K): 1,5 m/s²

Arbeitsmodus: Bohren in Metall
Vibrationsemission ($a_{h, D}$): 2,5 m/s² oder weniger
Ungewissheit (K): 1,5 m/s²

Modell HR2611FT

Arbeitsmodus: Schlagbohren in Beton
Vibrationsemission ($a_{h, HD}$): 11,5 m/s²
Ungewissheit (K): 1,5 m/s²

Arbeitsmodus: Meißelfunktion mit Seitengriff
Vibrationsemission ($a_{h, CHeg}$): 8,5 m/s²
Ungewissheit (K): 1,5 m/s²

Arbeitsmodus: Bohren in Metall
Vibrationsemission ($a_{h, D}$): 2,5 m/s² oder weniger
Ungewissheit (K): 1,5 m/s²

- Der angegebene Vibrationsemissionswert wurde im Einklang mit der Standardprüfmethode gemessen und kann für den Vergleich zwischen Werkzeugen herangezogen werden.
- Der angegebene Vibrationsemissionswert kann auch für eine Vorbewertung des Gefährdungsgrads verwendet werden.

⚠️ WARNUNG:

- Die Vibrationsemission während der tatsächlichen Benutzung des Elektrowerkzeugs kann je nach der Benutzungsweise des Werkzeugs vom angegebenen Emissionswert abweichen.
- Identifizieren Sie Sicherheitsmaßnahmen zum Schutz des Benutzers anhand einer Schätzung des Gefährdungsgrads unter den tatsächlichen Benutzungsbedingungen (unter Berücksichtigung aller Phasen des Arbeitszyklus, wie z. B. Ausschalt- und Leerlaufzeiten des Werkzeugs zusätzlich zur Betriebszeit).

ENH101-16

Nur für europäische Länder

EG-Übereinstimmungserklärung

Wir, die Firma Makita als verantwortlicher Hersteller, erklären, dass die folgende(n) Makita-Maschine(n):

Bezeichnung der Maschine: Bohrhammer
 Modell-Nr./ Typ: HR2300, HR2310T, HR2600, HR2601
 der Serienproduktion entstammen und
den folgenden europäischen Richtlinien entsprechen:

2006/42/EC

und gemäß den folgenden Standards oder standardisierten Dokumenten hergestellt werden:

EN60745

Die technische Dokumentation befindet sich im Bestand von:

Makita International Europe Ltd.
 Technische Abteilung,
 Michigan Drive, Tongwell,
 Milton Keynes, Bucks MK15 8JD, England

13.7.2009



Tomoyasu Kato
 Direktor
 Makita Corporation
 3-11-8, Sumiyoshi-cho,
 Anjo, Aichi, 446-8502, JAPAN

Nur für europäische Länder

EG-Übereinstimmungserklärung

Wir, die Firma Makita als verantwortlicher Hersteller, erklären, dass die folgende(n) Makita-Maschine(n):
 Bezeichnung der Maschine: Kombi-Hammer
 Modell-Nr./ Typ: HR2610, HR2610T, HR2611F, HR2611FT
 der Serienproduktion entstammen und
den folgenden europäischen Richtlinien entsprechen:

2006/42/EC

und gemäß den folgenden Standards oder standardisierten Dokumenten hergestellt werden:

EN60745

Die technische Dokumentation befindet sich im Bestand von:

Makita International Europe Ltd.
 Technische Abteilung,
 Michigan Drive, Tongwell,
 Milton Keynes, Bucks MK15 8JD, England

13.7.2009



Tomoyasu Kato
 Direktor
 Makita Corporation
 3-11-8, Sumiyoshi-cho,
 Anjo, Aichi, 446-8502, JAPAN

Nome delle parti

- | | | |
|--|--|------------------------------------|
| 1 Interruttore a grilletto | 13 Martellamento soltanto | 25 Simbolo \triangle |
| 2 Bottone di bloccaggio | 14 Sporgenze | 26 Attacco al piede coppa polvere |
| 3 Lampadina | 15 Scanalature | 27 Soffietto |
| 4 Leva interruttore di inversione | 16 Codolo punta | 28 Attacco |
| 5 Portapunta di cambio rapido per SDS-plus | 17 Grasso punta | 29 Periferia interna |
| 6 Linea coperchio di cambio | 18 Punta | 30 Lato intagliato |
| 7 Coperchio di cambio | 19 Coperchio portapunta | 31 Tappo |
| 8 Mandrino | 20 Base impugnatura | 32 Scanalatura |
| 9 Portapunta trapano di cambio rapido | 21 Calibro di profondità | 33 Pompetta soffiatrice |
| 10 Rotazione con martellamento | 22 Lato dentato contrassegno foro esagonale sulla base impugnatura | 34 Adattatore portapunta chiave |
| 11 Rotazione soltanto | 23 Lato dentato calibro di profondità | 35 Portapunta trapano senza chiave |
| 12 Manopola di cambio modalità di azione | 24 Coppa polvere | 36 Manicotto |
| | | 37 Anello |

DATI TECNICI

Modello		HR2300	HR2310T	HR2600	HR2601	HR2610	HR2610T	HR2611F	HR2611FT
Capacità	Calcestruzzo	23 mm		26 mm					
	Punta corona	68 mm	68 mm			68 mm			
	Punta corona diamantata (tipo secco)	70 mm	80 mm			80 mm			
	Acciaio	13 mm	13 mm			13 mm			
	Legno	32 mm	32 mm			32 mm			
Velocità senza carico (min ⁻¹)		0 – 1.200							
Colpi al minuto		0 – 4.600							
Lunghezza totale		356 mm	380 mm	361 mm			385 mm	361 mm	385 mm
Peso netto		2,7 kg	2,9 kg	2,8 kg	2,9 kg	2,8 kg	2,9 kg	2,9 kg	3,0 kg
Classe di sicurezza		II/II							

- Per il nostro programma di ricerca e sviluppo continui, i dati tecnici sono soggetti a modifiche senza preavviso.
- I dati tecnici potrebbero differire a seconda del paese di destinazione del modello.
- Peso in base alla procedura EPTA 01/2003

ENE042-1

Utilizzo previsto

Questo utensile è progettato per la foratura con martellamento e la foratura dei mattoni, calcestruzzo e pietre. Esso è adatto anche alla foratura senza impatto del legno, metallo, ceramica e plastica.

ENF002-2

Alimentazione

L'utensile deve essere collegato ad una presa di corrente con la stessa tensione indicata sulla targhetta del nome, e può funzionare soltanto con la corrente alternata monofase. Esso ha un doppio isolamento, per cui può essere usato con le prese di corrente sprovviste della messa a terra.

GEA010-1

Avvertimenti generali per la sicurezza dell'utensile elettrico

⚠ AVVERTIMENTO Leggere tutti gli avvertimenti e le istruzioni per la sicurezza. La mancata osservanza degli avvertimenti e delle istruzioni potrebbe causare scosse elettriche, incendio e/o gravi incidenti.

Conservare tutti gli avvertimenti e le istruzioni per riferimenti futuri.

GEB007-7

AVVERTIMENTI PER LA SICUREZZA PER IL MARTELLO ROTATIVO

1. **Usare paraorecchi.** L'esposizione al rumore può causare la perdita dell'udito.
2. **Usare i manici ausiliari, se sono in dotazione all'utensile.** La perdita di controllo dell'utensile può causare un incidente.

3. Tenere l'utensile elettrico per le sue superfici di presa isolate quando si eseguono operazioni in cui l'accessorio di taglio potrebbe fare contatto con fili elettrici nascosti o con il suo stesso cavo. L'accessorio di taglio che fa contatto con un filo elettrico "sotto tensione" potrebbe mettere "sotto tensione" le parti metalliche esposte dell'utensile elettrico dando una scossa all'operatore.
4. Indossare un casco rigido (casco di sicurezza), occhiali di sicurezza e/o una visiera. I normali occhiali o gli occhiali da sole NON sono occhiali di sicurezza. Si consiglia anche altamente di usare una mascherina antipolvere e guanti con una spessa imbottitura.
5. Accertarsi che la punta sia fissata saldamente in posizione prima di procedere con il lavoro.
6. Durante il normale funzionamento l'utensile produce vibrazioni. Le viti potrebbero perciò allentarsi facilmente causando un guasto o un incidente. Controllare con cura che le viti siano strette saldamente prima di procedere con il lavoro.
7. D'inverno, o se l'utensile non è stato usato per un lungo periodo di tempo, lasciarlo riscaldare per diversi minuti facendolo funzionare a vuoto. Ciò scioglie il lubrificante. Senza un riscaldamento sufficiente l'operazione di martellamento è difficile.
8. Accertarsi sempre di avere i piedi appoggiati saldamente. Accertarsi che non ci sia nessuno sotto se si usa l'utensile in un posto alto.
9. Tenere saldamente l'utensile con entrambe le mani.
10. Tenere le mani discoste dalle parti in movimento.
11. Non posare l'utensile mentre funziona. L'utensile va fatto funzionare soltanto tenendolo in mano.
12. Non puntare l'utensile sulle persone mentre lo si usa nell'area di lavoro. La punta potrebbe schizzare via e ferire seriamente qualcuno.
13. Non toccare la punta o le parti vicine alla punta immediatamente dopo una operazione, perché potrebbero essere estremamente calde e causare bruciate.
14. Alcuni materiali contengono sostanze chimiche che potrebbero essere tossiche. Fare attenzione in modo da evitare l'inalazione della polvere e il contatto con la pelle. Seguire le istruzioni per la sicurezza del fornitore del materiale.

CONSERVARE QUESTE ISTRUZIONI.

⚠️ AVVERTIMENTO:

NON lasciare che la comodità d'utilizzo o la familiarità con il prodotto (acquisita con l'uso ripetuto) sostituiscano la stretta osservanza delle sue norme per la sicurezza. L'utilizzo SBAGLIATO o la mancata osservanza delle norme per la sicurezza descritte in questo manuale potrebbero causare un serio incidente.

DESCRIZIONE DEL FUNZIONAMENTO

⚠️ ATTENZIONE:

- Accertarsi sempre che l'utensile sia spento e staccato dalla presa di corrente prima di regolarlo o di controllare le sue funzioni.

Funzionamento dell'interruttore (Fig. 1)

⚠️ ATTENZIONE:

- Prima di collegare l'utensile alla presa di corrente, controllare sempre che il grilletto dell'interruttore funzioni correttamente e che ritorni sulla posizione "OFF" quando viene rilasciato.

Per avviare l'utensile, schiacciare semplicemente il grilletto dell'interruttore. La velocità dell'utensile si aumenta aumentando la pressione sul grilletto dell'interruttore. Rilasciare il grilletto dell'interruttore per fermarlo. Per il funzionamento continuo, schiacciare il grilletto dell'interruttore, spingere dentro il bottone di bloccaggio e rilasciare poi il grilletto dell'interruttore. Per arrestare l'utensile dalla posizione di bloccaggio, schiacciare completamente il grilletto dell'interruttore e poi rilasciarlo.

Accensione delle lampadine (Fig. 2)

Modelli HR2611F, HR2611FT

⚠️ ATTENZIONE:

- Non guardare direttamente la lampadina o la sorgente della luce.

Per accendere la lampadina, schiacciare il grilletto. Rilasciare il grilletto per spegnerla.

NOTA:

- Usare un panno asciutto per togliere lo sporco dalla lente della lampadina. Fare attenzione a non graffiare la lente della lampadina, perché altrimenti l'illuminazione potrebbe ridursi.
- Per pulire la lampadina non si devono usare solventi o benzina. Tali sostanze potrebbero danneggiarla.

Funzionamento dell'interruttore di inversione (Fig. 3)

⚠️ ATTENZIONE:

- Controllare sempre la direzione di rotazione prima di cominciare il lavoro.
- Usare l'interruttore di inversione soltanto dopo che l'utensile si è arrestato completamente. Se si cambia la direzione di rotazione prima del suo arresto completo, si potrebbe danneggiare l'utensile.
- Se il grilletto interruttore non può essere schiacciato, controllare se l'interruttore di inversione è regolato completamente sulla posizione ◁ (lato A) o ▷ (lato B).

Questo utensile è dotato di un interruttore di inversione per il cambiamento della direzione di rotazione. Spostare la leva interruttore di inversione sulla posizione ◁ (lato A) per la rotazione in senso orario, oppure sulla posizione ▷ (lato B) per la rotazione in senso antiorario.

Cambiamento del portapunta di cambio rapido per SDS-plus


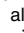
Modelli HR2310T, HR2610T, HR2611FT

Il portapunta di cambio rapido per SDS-plus può essere facilmente cambiato con il portapunta trapano di cambio rapido.

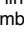

Modo di rimuovere il portapunta di cambio rapido per SDS-plus (Fig. 4)

⚠ ATTENZIONE:

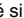
- Prima di rimuovere il portapunta di cambio rapido per SDS-plus, rimuovere sempre la punta.

Afferrare il coperchio di cambio del portapunta di cambio rapido per SDS-plus e girarlo nella direzione della freccia finché la linea coperchio di cambio si sposta dal simbolo  al simbolo . Tirare con forza nella direzione della freccia.

Modo di attaccare il portapunta trapano di cambio rapido (Fig. 5)

Accertarsi che la linea del portapunta trapano di cambio rapido mostri il simbolo . Afferrare il coperchio di cambio del portapunta trapano di cambio rapido e regolare la linea sul simbolo .


Mettere il portapunta trapano di cambio rapido sul mandrino dell'utensile.

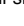
Afferrare il coperchio di cambio del portapunta trapano di cambio rapido e girare la linea coperchio di cambio sul simbolo  finché si sente chiaramente uno scatto.

Selezione delle modalità di azione (Fig. 6)

Modelli HR2300, HR2600, HR2601

Questo utensile impiega una manopola di cambio della modalità di azione. Selezionare tra le due modalità quella adatta ai propri requisiti di lavoro usando questa manopola.

Per la rotazione soltanto, girare la manopola in modo che la freccia sulla manopola sia puntata sul simbolo  sul corpo dell'utensile.

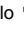
Per la rotazione con martellamento, girare la manopola in modo che la freccia sulla manopola sia puntata sul simbolo  sul corpo dell'utensile.

⚠ ATTENZIONE:

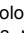
- Regolare sempre completamente la manopola sul simbolo della modalità desiderata. Se si fa funzionare l'utensile con la manopola posizionata a metà tra i simboli di modalità, si potrebbe danneggiare l'utensile.
- Usare la manopola dopo che l'utensile si è arrestato completamente.

Modelli HR2310T, HR2610, HR2610T, HR2611F, HR2611FT

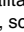
Rotazione con martellamento (Fig. 7)

Per forare il calcestruzzo, murature, ecc., ruotare la manopola di cambio modalità di azione sul simbolo . Usare una punta al carburo di tungsteno.

Rotazione soltanto (Fig. 8)

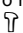
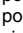
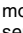
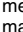
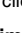
Per forare il legno, metallo o materiali di plastica, ruotare la manopola di cambio modalità di azione sul simbolo . Usare una punta trapano elicoidale o una punta per legno.

Martellamento soltanto (Fig. 9)

Per le operazioni di scalpellatura, disincrostazione o demolizione, ruotare la manopola di cambio modalità di azione sul simbolo . Usare uno scalpello a punta, scalpello a freddo, scalpello di disincrostazione, ecc.

⚠ ATTENZIONE:

- La manopola di cambio modalità di azione non deve essere ruotata mentre l'utensile sta funzionando sotto carico. Si potrebbe danneggiare l'utensile.

- Per evitare la rapida usura del meccanismo di cambio della modalità, accertarsi sempre che la manopola di cambio modalità di azione sia regolata pienamente su una delle tre posizioni della modalità di azione.
- Non forzare la manopola di cambio modalità di azione o non spostarla in una volta dalla modalità del simbolo  alla modalità del simbolo  (o viceversa). Si potrebbe danneggiare l'utensile. Per girare la manopola dalla modalità del simbolo  alla modalità del simbolo  (o viceversa) arrestarla una volta sulla modalità del simbolo . E ruotare il portapunta in senso orario (guardando dal lato del portapunta) di mezzo giro finché scatta in posizione. Girare poi la manopola sulla modalità desiderata. Se è ancora difficile girare la manopola, ruotare di nuovo il portapunta.

Limitatore di coppia

Il limitatore di coppia interviene quando viene raggiunto un certo livello di coppia. Il motore si disinnesta allora dall'albero lento. Quando si verifica ciò, la punta smette di girare.

⚠ ATTENZIONE:

- Spegnerne immediatamente l'utensile non appena interviene il limitatore di coppia. Ciò aiuta a prevenire l'usura prematura dell'utensile.
- Le punte quali le seghe frontali a corona non sono adatte a questo utensile, perché hanno la tendenza a rimanere facilmente strette o incastrate nel foro. Ciò perché causano l'intervento troppo frequente del limitatore di coppia.

MONTAGGIO

⚠ ATTENZIONE:

- Accertarsi sempre che l'utensile sia spento e staccato dalla presa di corrente prima di procedere a un qualsiasi lavoro su di esso.

Impugnatura laterale (manico ausiliario) (Fig. 10)

⚠ ATTENZIONE:

- Usare sempre l'impugnatura laterale per lavorare con maggior sicurezza.

Installare l'impugnatura laterale in modo che le sporgenze dell'impugnatura entrino nelle scanalature del tamburo dell'utensile. Stringere poi l'impugnatura girandola in senso orario sulla posizione desiderata. Essa può essere girata di 360°, in modo da poter essere fissata in qualsiasi posizione.

Grasso punta

Spalmare in precedenza la testa del codolo punta con una piccola quantità di grasso per punte (0,5 – 1 g circa). Questa lubrificazione del portapunta assicura un funzionamento normale e una vita di servizio più lunga.

Installazione o rimozione della punta

Pulire il codolo punta e spalmarlo di grasso per punte prima di installare la punta. (Fig. 11)

Inserire la punta nell'utensile. Girare la punta e spingerla dentro finché rimane agganciata. (Fig. 12)

Dopo l'installazione, accertarsi sempre che la punta sia fissata saldamente in posizione cercando di tirarla fuori. Per rimuovere la punta, spingere completamente giù il coperchio portapunta e tirar fuori la punta. (Fig. 13)

Angolo punta (per la scalpellatura, disincrostazione o demolizione)

Modelli HR2310T, HR2610, HR2610T, HR2611F, HR2611FT

La punta può essere fissata all'angolo desiderato. Per cambiare l'angolo della punta, ruotare la manopola di cambio modalità di azione sul simbolo O. Girare la punta sull'angolo desiderato. (Fig. 14)

Ruotare la manopola di cambio modalità di azione sul simbolo ∇ . (Fig. 15)

Accertarsi poi che la punta sia fissata saldamente in posizione girandola leggermente.

Calibro di profondità

Il calibro di profondità è comodo per praticare fori di profondità uniforme. (Fig. 16)

Premere il bottone di bloccaggio sulla base dell'impugnatura nella direzione della freccia mostrata nella illustrazione e, mantenendolo premuto, inserire il calibro di profondità nel foro esagonale nella base dell'impugnatura. (Fig. 17)

A questo punto è necessario inserire il calibro di profondità in modo che il suo lato dentato sia rivolto sul lato dentato del contrassegno foro esagonale sulla base dell'impugnatura, come mostrato nella Fig. 18.

Regolare il calibro di profondità alla profondità desiderata muovendolo avanti e indietro mentre si preme il bottone di bloccaggio. Dopo la regolazione, rilasciare il bottone di bloccaggio per bloccare il calibro di profondità. (Fig. 19)

NOTA:

- Il calibro di profondità non può essere bloccato se viene inserito senza che il suo lato dentato sia rivolto sul lato dentato del contrassegno foro esagonale sulla base dell'impugnatura, come mostrato nella illustrazione.

Coppa polvere (Fig. 20)

Usare la coppa polvere per evitare di impolverare l'utensile e sé stessi quando si eseguono operazioni di foratura in alto. Attaccare la coppa polvere alla punta come mostrato nella Fig. 20. Le dimensioni delle punte a cui si può attaccare la coppa polvere sono come segue.

	Diametro punta
Coppa polvere 5	6 mm – 14,5 mm
Coppa polvere 9	12 mm – 16 mm

006406

C'è un altro tipo di coppa polvere (accessoria) che aiuta a evitare di impolverare l'utensile e sé stessi quando si eseguono operazioni di foratura in alto.

Installazione o rimozione della coppa polvere

Prima di installare la coppa polvere, rimuovere la punta dall'utensile se vi è installata. Installare la coppa polvere (accessoria) sull'utensile in modo che il simbolo \triangle sulla coppa polvere sia allineato sulle scanalature nell'utensile. (Fig. 21)

Per rimuovere la coppa polvere, tirare il coperchio portapunta nella direzione mostrata nella Fig. 22 e, mantenendo tirato il coperchio portapunta, togliere via la punta dall'utensile.

Afferrare poi l'attacco al piede coppa polvere e tirarlo via. (Fig. 23)

NOTA:

- Quando si installa o si rimuove la coppa polvere, il tappo potrebbe staccarsi dalla coppa polvere. In tal caso, procedere come segue. Rimuovere il soffietto dall'attacco e montare il tappo, dal lato mostrato nella illustrazione, con il suo lato intagliato rivolto in alto in modo che la scanalatura del tappo sia sistemata nella periferia interna dell'attacco. Montare infine il soffietto che era stato rimosso. (Fig. 24, 25 e 26)

NOTA:

- Collegando un aspiratore al martello si possono eseguire operazioni più pulite. Prima del collegamento bisogna rimuovere il tappo polvere dalla coppa polvere. (Fig. 27)

FUNZIONAMENTO

Usare sempre l'impugnatura laterale (manico ausiliario), e tenere saldamente l'utensile per entrambi l'impugnatura laterale e il manico interruttore durante le operazioni.

Operazione di foratura con martellamento (Fig. 28)

Regolare la manopola di cambio modalità di azione sul simbolo ∇ .

Posizionare la punta sul punto desiderato del foro, e schiacciare poi il grilletto interruttore. Non forzare l'utensile. Una leggera pressione produce i risultati migliori. Mantenere l'utensile in posizione ed evitare che scivoli via dal foro.

Non applicare ulteriori pressioni se il foro diventa intasato di trucioli o particelle. Fare girare invece l'utensile a vuoto, e rimuovere poi parzialmente la punta dal foro. Ripetendo questo procedimento diverse volte, il foro si pulisce e si può continuare con la foratura normale.

Regolare la manopola di cambio modalità di azione sul simbolo ∇ .

\triangle ATTENZIONE:

- Sull'utensile/punta viene esercitata una fortissima e improvvisa forza torcente al momento in cui la punta fuoriesce dal foro, se il foro diventa intasato di trucioli e particelle, o se la punta urta contro le barre di rinforzo incorporate nel cemento armato. Usare sempre l'impugnatura laterale (manico ausiliario), e tenere saldamente l'utensile per entrambi l'impugnatura laterale e il manico interruttore durante le operazioni. Non facendo ciò si potrebbe perdere il controllo dell'utensile, con il potenziale pericolo di un serio incidente.

NOTA:


- Durante il funzionamento senza carico dell'utensile si potrebbe verificare l'eccentricità nella rotazione della punta. L'utensile si centra automaticamente da solo durante il funzionamento. Ciò non ha alcun effetto sulla precisione della foratura.

Pompette soffiatrice (accessorio opzionale) (Fig. 29)

Dopo la foratura, usare la pompette soffiatrice per togliere la polvere dal foro.

Scalpellatura/disincrostazione/demolizione

Modelli HR2310T, HR2610, HR2610T, HR2611F, HR2611FT

Regolare la manopola di cambio modalità di azione sul simbolo . Tenere saldamente l'utensile con entrambe le mani. Accendere l'utensile ed esercitare una leggera pressione su di esso in modo che non rimbalzi intorno fuori controllo. Premendo con molta forza sull'utensile non se ne aumenta l'efficienza. (Fig. 30)

Foratura del legno o metallo


Modelli HR2300, HR2600, HR2601, HR2610, HR2611F

Usare il gruppo portapunta trapano opzionale. Per la sua installazione, vedere la descrizione di "Installazione o rimozione della punta" alla pagina precedente. (Fig. 31)

Modelli HR2310T, HR2610T, HR2611FT

Usare il portapunta trapano di cambio rapido come attrezzatura standard. Per installarlo, vedere la descrizione di "Cambiamento del portapunta di cambio rapido per SDS-plus" alla pagina precedente. (Fig. 32 e 33)

Tenere fermo l'anello e girare il manicotto in senso antiorario per aprire le ganasce del portapunta. Inserire la punta nel portapunta finché non può andare più oltre. Tenere fermo saldamente l'anello e girare il manicotto in senso orario per stringere il portapunta. Per rimuovere la punta, tenere fermo l'anello e girare il manicotto in senso antiorario. (Fig. 34)


Regolare la manopola di cambio modalità di azione sul simbolo .

Si può forare fino a 13 mm di diametro nel metallo, e fino a 32 mm di diametro nel legno.

ATTENZIONE:

- Non si deve mai usare la "rotazione con martellamento" quando sull'utensile si è installato il portapunta trapano di cambio rapido. Si potrebbe danneggiare il portapunta trapano di cambio rapido.
- Inoltre, il portapunta trapano si stacca quando si inverte l'utensile.
- Una pressione eccessiva sull'utensile non rende più veloce la foratura. Al contrario, tale pressione eccessiva serve soltanto a danneggiare la punta e a ridurre le prestazioni e la vita di servizio dell'utensile.
- Sull'utensile/punta viene esercitata una fortissima forza torcente al momento in cui la punta fuoriesce dal foro. Tenere saldamente l'utensile e fare attenzione quando la punta comincia a fuoriuscire dal pezzo.
- La punta incastrata può essere rimossa regolando semplicemente l'interruttore di inversione nella modalità di rotazione inversa per farla retrocedere. L'utensile potrebbe però liberarsi improvvisamente se non viene tenuto saldamente.
- Fissare sempre i piccoli pezzi con una morsa o altro dispositivo similare.

Foratura con corona diamantata

Quando si eseguono le operazioni di foratura con corona diamantata, regolare sempre la leva di cambio sulla posizione  per usare la modalità di "rotazione soltanto".

ATTENZIONE:

- Se si eseguono le operazioni di foratura con corona diamantata usando la modalità di "rotazione con martellamento", si potrebbe danneggiare la corona diamantata.

Funzionamento usando la coppa polvere (accessoria) (Fig. 35)

Far funzionare l'utensile con la coppa polvere appoggiata alla superficie del soffitto.

NOTA:

- La coppa polvere (accessoria) è progettata soltanto per la foratura di materiali di ceramica, come calcestruzzo e malta. Per la foratura dei metalli e materiali similari, l'utensile non deve essere usato con la coppa polvere. Se si usa la coppa polvere per la foratura dei metalli, si potrebbe danneggiare la coppa polvere a causa del calore prodotto da piccola polvere metallica o particelle similari.
- Svuotare la coppa polvere prima di rimuovere una punta trapano.
- Quando si usa la coppa polvere, accertarsi che il tappo polvere sia montato saldamente su di essa.

MANUTENZIONE

ATTENZIONE:

- Accertarsi sempre che l'utensile sia spento e staccato dalla presa di corrente prima di cercare di eseguire qualsiasi intervento di ispezione o manutenzione.
- Non si devono mai usare benzina, benzolo, solventi, alcol o sostanze similari. Si potrebbero causare scolorimenti, deformazioni o crepe.

Per preservare la SICUREZZA e l'AFFIDABILITÀ del prodotto, le riparazioni, l'ispezione e il cambio delle spazzole di carbone e qualsiasi altra manutenzione o regolazione devono essere eseguiti da un Centro di assistenza Makita autorizzato usando sempre ricambi Makita.

ACCESSORI OPZIONALI

ATTENZIONE:

- Per l'utilizzo con l'utensile Makita specificato in questo manuale si consigliano questi accessori o ricambi. L'utilizzo di altri accessori o ricambi potrebbe costituire un pericolo di incidenti. Gli accessori e i ricambi devono essere usati soltanto per i loro scopi specificati.

Per maggiori dettagli su questi accessori, rivolgersi al Centro di assistenza Makita locale.

- Punta al carburo SDS-plus
- Punta corona
- Scalpello a punta
- Punta corona diamantata
- Scalpello a freddo
- Scalpello di disincrostazione
- Scalpello di scanalatura
- Gruppo portapunta trapano
- Portapunta trapano S13
- Adattatore portapunta
- Chiave portapunta S13
- Grasso punta
- Impugnatura laterale
- Calibro di profondità
- Pompetta soffiatrice
- Coppa polvere
- Attacco estrattore polvere
- Occhiali di sicurezza
- Valigetta di trasporto in plastica
- Portapunta trapano senza chiave

NOTA:

- Alcuni articoli nella lista potrebbero essere inclusi nell'imballo dell'utensile come accessori standard. Essi potrebbero differire da Paese a Paese.

Rumore

Il tipico livello di rumore pesato-A determinato secondo EN60745:

Modello HR2300, HR2601, HR2611F, HR2611FT

Livello di pressione sonora (L_{pA}): 90 dB (A)
 Livello di potenza sonora (L_{WA}): 101 dB (A)
 Incertezza (K): 3 dB (A)

Modello HR2310T, HR2600, HR2610, HR2610T

Livello di pressione sonora (L_{pA}): 91 dB (A)
 Livello di potenza sonora (L_{WA}): 102 dB (A)
 Incertezza (K): 3 dB (A)

Indossare i paraorecchi

ENG900-1

Vibrazioni

Il valore totale delle vibrazioni (somma vettore triassiale) determinato secondo EN60745:

Modello HR2300, HR2600

Modalità di lavoro: foratura con martellamento nel cemento
 Emissione vibrazioni ($a_{h,HD}$): 15,5 m/s²
 Incertezza (K): 1,5 m/s²

Modalità di lavoro: foratura del metallo

Emissione vibrazioni ($a_{h,D}$): 2,5 m/s²
 Incertezza (K): 1,5 m/s²

Modello HR2310T

Modalità di lavoro: foratura con martellamento nel cemento

Emissione vibrazioni ($a_{h,HD}$): 15,5 m/s²
 Incertezza (K): 1,5 m/s²

Modalità di lavoro: funzione di scalpellamento con impugnatura laterale

Emissione vibrazioni ($a_{h,CHeq}$): 10,5 m/s²
 Incertezza (K): 1,5 m/s²

Modalità di lavoro: foratura del metallo

Emissione vibrazioni ($a_{h,D}$): 2,5 m/s² o meno
 Incertezza (K): 1,5 m/s²

Modello HR2601

Modalità di lavoro: foratura con martellamento nel cemento

Emissione vibrazioni ($a_{h,HD}$): 12,0 m/s²
 Incertezza (K): 1,5 m/s²

Modalità di lavoro: foratura del metallo

Emissione vibrazioni ($a_{h,D}$): 2,5 m/s² o meno
 Incertezza (K): 1,5 m/s²

Modello HR2610

Modalità di lavoro: foratura con martellamento nel cemento

Emissione vibrazioni ($a_{h,HD}$): 15,5 m/s²
 Incertezza (K): 1,5 m/s²

Modalità di lavoro: funzione di scalpellamento con impugnatura laterale

Emissione vibrazioni ($a_{h,CHeq}$): 9,5 m/s²
 Incertezza (K): 1,5 m/s²

Modalità di lavoro: foratura del metallo

Emissione vibrazioni ($a_{h,D}$): 2,5 m/s²
 Incertezza (K): 1,5 m/s²

Modello HR2610T

Modalità di lavoro: foratura con martellamento nel cemento

Emissione vibrazioni ($a_{h,HD}$): 15,0 m/s²
 Incertezza (K): 1,5 m/s²

Modalità di lavoro: funzione di scalpellamento con impugnatura laterale

Emissione vibrazioni ($a_{h,CHeq}$): 9,5 m/s²
 Incertezza (K): 1,5 m/s²

Modalità di lavoro: foratura del metallo

Emissione vibrazioni ($a_{h,D}$): 2,5 m/s² o meno
 Incertezza (K): 1,5 m/s²

Modello HR2611F

Modalità di lavoro: foratura con martellamento nel cemento

Emissione vibrazioni ($a_{h,HD}$): 12,0 m/s²
 Incertezza (K): 1,5 m/s²

Modalità di lavoro: funzione di scalpellamento con impugnatura laterale

Emissione vibrazioni ($a_{h,CHeq}$): 9,0 m/s²
 Incertezza (K): 1,5 m/s²

Modalità di lavoro: foratura del metallo

Emissione vibrazioni ($a_{h,D}$): 2,5 m/s² o meno
 Incertezza (K): 1,5 m/s²

Modello HR2611FT

Modalità di lavoro: foratura con martellamento nel cemento

Emissione vibrazioni ($a_{h,HD}$): 11,5 m/s²
 Incertezza (K): 1,5 m/s²

Modalità di lavoro: funzione di scalpellamento con impugnatura laterale

Emissione vibrazioni ($a_{h,CHeq}$): 8,5 m/s²
 Incertezza (K): 1,5 m/s²

Modalità di lavoro: foratura del metallo

Emissione vibrazioni ($a_{h,D}$): 2,5 m/s² o meno
 Incertezza (K): 1,5 m/s²

ENG901-1

- Il valore di emissione delle vibrazioni dichiarato è stato misurato conformemente al metodo di test standard, e può essere usato per paragonare un utensile con un altro.
- Il valore di emissione delle vibrazioni dichiarato può anche essere usato per una valutazione preliminare dell'esposizione.

⚠ AVVERTIMENTO

- L'emissione delle vibrazioni durante l'uso reale dell'utensile elettrico può differire dal valore di emissione dichiarato a seconda dei modi in cui viene usato l'utensile.
- Identificare le misure di sicurezza per la protezione dell'operatore basate sulla stima dell'esposizione nelle condizioni reali d'utilizzo (tenendo conto di tutte le parti del ciclo operativo, come le volte in cui l'utensile viene spento e quando gira a vuoto, oltre al tempo di funzionamento).

Paesi europei soltanto**Dichiarazione di conformità CE**

La Makita Corporation, quale produttore responsabile, dichiara che le macchine Makita seguenti:

Designazione della macchina: Martello rotativo
Modello No./Tipo: HR2300, HR2310T, HR2600, HR2601
sono una produzione di serie e

conformi alle direttive europee seguenti:

2006/42/EC

e che sono fabbricate conformemente agli standard o documenti standardizzati seguenti:

EN60745

La documentazione tecnica è tenuta da:

Makita International Europe Ltd.
Reparto tecnico,
Michigan Drive, Tongwell,
Milton Keynes, Bucks MK15 8JD, Inghilterra

13.7.2009



Tomoyasu Kato
Amministratore
Makita Corporation
3-11-8, Sumiyoshi-cho,
Anjo, Aichi, 446-8502, JAPAN

Paesi europei soltanto**Dichiarazione di conformità CE**

La Makita Corporation, quale produttore responsabile, dichiara che le macchine Makita seguenti:

Designazione della macchina: Martello multifunzione
Modello No./Tipo: HR2610, HR2610T, HR2611F,
HR2611FT

sono una produzione di serie e

conformi alle direttive europee seguenti:

2006/42/EC

e che sono fabbricate conformemente agli standard o documenti standardizzati seguenti:

EN60745

La documentazione tecnica è tenuta da:

Makita International Europe Ltd.
Reparto tecnico,
Michigan Drive, Tongwell,
Milton Keynes, Bucks MK15 8JD, Inghilterra

13.7.2009



Tomoyasu Kato
Amministratore
Makita Corporation
3-11-8, Sumiyoshi-cho,
Anjo, Aichi, 446-8502, JAPAN

Verklaring van algemene gegevens

1 Aan/uit-schakelaar	15 Groeven	26 Voetstuk van de stofvanger
2 Vergrendelknop	16 Boorschacht	27 Balg
3 Lampje	17 Boorvet	28 Voetstuk
4 Omkeerschakelaar	18 Boor	29 Binnenomtrek
5 Snelwisselkop voor SDS-plus	19 Boorkopmof	30 Bolle kant
6 Streep op wisselmof	20 Basis van de zijhandgreep	31 Dop
7 Wisselmof	21 Diepteaanslag	32 Groef
8 As	22 Getande kant van de zeskant-gatmarkering op de basis van de zijhandgreep	33 Blaasbalgje
9 Snelwisselboorkop	23 Getande zijde van de diepte-aanslag	34 Boorkopadapter
10 Rondraaien met hameren	24 Stofvanger	35 Sleutellose boorkop
11 Alleen rondraaien	25 Symbool \triangle	36 Mof
12 Werkingsfunctie-keuze knop		37 Ring
13 Alleen hameren		
14 Uitsteeksels		

TECHNISCHE GEGEVENS

Model		HR2300	HR2310T	HR2600	HR2601	HR2610	HR2610T	HR2611F	HR2611FT
Maximale dikten	Beton	23 mm		26 mm					
	Kroonboor	68 mm		68 mm		68 mm			
	Diamantkroonboor (droog type)	70 mm		80 mm		80 mm			
	Staal	13 mm		13 mm		13 mm			
	Hout	32 mm		32 mm		32 mm			
Nullasttoerental (min ⁻¹)		0 – 1 200							
Aantal slagen/minuut		0 – 4 600							
Totale lengte		356 mm	380 mm	361 mm		385 mm	361 mm	385 mm	
Nettogewicht		2,7 kg	2,9 kg	2,8 kg	2,9 kg	2,8 kg	2,9 kg	2,9 kg	3,0 kg
Veiligheidsklasse		□/II							

- In verband met ononderbroken research en ontwikkeling behouden wij ons het recht voor bovenstaande technische gegevens te wijzigen zonder voorafgaande kennisgeving.
- De technische gegevens kunnen van land tot land verschillen.
- Gewicht volgens de EPTA-procedure 01/2003

ENE042-1

Gebruiksdoeleinden

Het gereedschap is bedoeld voor hamerboren en boren in baksteen, beton en steen.

Het is ook geschikt voor boren zonder slagwerking in hout, metaal, keramisch materiaal en kunststof.

ENF002-2

Stroomvoorziening

Het gereedschap mag alleen worden aangesloten op een stroombron van hetzelfde voltage als aangegeven op de naamplaat, en kan alleen op enkel-fase wisselstroom worden gebruikt. Het gereedschap is dubbel-geïsoleerd en kan derhalve ook op een niet-geaard stopcontact worden aangesloten.

GEA010-1

Algemene veiligheidswaarschuwingen voor elektrisch gereedschap

⚠ WAARSCHUWING Lees alle veiligheidswaarschuwingen en alle instructies. Het niet volgen van de waarschuwingen en instructies kan leiden tot elektrische schokken, brand en/of ernstig letsel.

Bewaar alle waarschuwingen en instructies om in de toekomst te kunnen raadplegen.

GEB007-7

VEILIGHEIDSWAARSCHUWINGEN SPECIFIEK VOOR EEN BOORHAMER

1. **Draag gehoorbescherming.** Blootstelling aan harde geluiden kan leiden tot gehoorbeschadiging.
2. **Gebruik de hulphandgrepen, als deze bij het gereedschap werden geleverd.** Als u de controle over het gereedschap verliest, kan dit leiden tot ernstig persoonlijk letsel.

3. Houd elektrisch gereedschap vast aan het geïsoleerde oppervlak van de handgrepen wanneer u werkt op plaatsen waar het booraccessoire met verborgen bedrading of zijn eigen snoer in aanraking kan komen. Wanneer het booraccessoire in aanraking komt met onder spanning staande draden, zullen de niet-geïsoleerde metalen delen van het gereedschap onder spanning komt te staan zodat de gebruiker een elektrische schok kan krijgen.
4. Draag een veiligheidshelm, veiligheidsbril en/of spatscherm. Een gewone bril of een zonnebril is GEEN veiligheidsbril. Het wordt tevens sterk aanbevolen een stofmasker en dik gevoerde handschoenen te dragen.
5. Controleer of de boor stevig op zijn plaats zit voordat u het gereedschap gebruikt.
6. Bij normale bediening behoort het gereedschap te trillen. De schroeven kunnen gemakkelijk losraken, waardoor een defect of ongeval kan ontstaan. Controleer of de schroeven goed zijn aangedraaid, alvorens het gereedschap te gebruiken.
7. In koude weersomstandigheden of wanneer het gereedschap gedurende een lange tijd niet is gebruikt, laat u het gereedschap eerst opwarmen door het onbelast te laten werken. Hierdoor zal de smering worden verbeterd. Zonder degelijk opwarmen, zal de hamerwerking moeilijk zijn.
8. Zorg er altijd voor dat u stevig staat. Zorg ervoor dat er niemand zich onder u bevindt wanneer u het gereedschap op een hoge plaats gebruikt.
9. Houd het gereedschap met beide handen stevig vast.
10. Houd uw handen uit de buurt van bewegende delen.
11. Laat het gereedschap niet ingeschakeld liggen. Bedien het gereedschap alleen wanneer u het vasthoudt.
12. Richt het gereedschap niet op iemand in de buurt terwijl het is ingeschakeld. De boor zou eruit kunnen vliegen en iemand ernstig verwonden.
13. Raak de boor en onderdelen in de buurt van de boor niet onmiddellijk na gebruik aan. Zij kunnen bijzonder heet zijn en brandwonden op uw huid veroorzaken.
14. Sommige materialen bevatten chemische stoffen die giftig kunnen zijn. Neem voorzorgsmaatregelen tegen het inademen van stof en contact met de huid. Volg de veiligheidsinstructies van de leverancier van het materiaal op.

BEWAAR DEZE INSTRUCTIES

⚠ WAARSCHUWING:

Laat u NIET misleiden door een vals gevoel van comfort en bekendheid met het gereedschap (na veelvuldig gebruik) en neem alle veiligheidsvoorschriften van het betreffende product altijd strikt in acht. VERKEERD GEBRUIK of het niet volgen van de veiligheidsinstructies in deze gebruiksaanwijzing kan leiden tot ernstig persoonlijk letsel.

BESCHRIJVING VAN DE FUNCTIES

⚠ LET OP:

- Controleer altijd of het gereedschap is uitgeschakeld en de stekker uit het stopcontact is getrokken alvorens de functies van het gereedschap te controleren of af te stellen.

Aan- en uit-knoppen (Fig. 1)

⚠ LET OP:

- Controleer altijd, voordat u de stekker in het stopcontact steekt, of de aan/uit-schakelaar op de juiste manier schakelt en weer terugkeert naar de uit-stand nadat deze is losgelaten.

Om het gereedschap in te schakelen, knijpt u gewoon de aan/uit-schakelaar in. De draaisnelheid van het gereedschap neemt toe naarmate u meer druk uitoefent op de aan/uit-schakelaar. Laat de aan/uit-schakelaar los om het gereedschap te stoppen. Om het gereedschap continu te laten werken, knijpt u eerst de aan/uit-schakelaar in, drukt u daarna de vergrendelknop in, en laat u tenslotte de aan/uit-schakelaar los. Om vanuit de vergrendelde werking het gereedschap te stoppen, knijpt u de aan/uit-schakelaar helemaal in en laat u deze vervolgens weer los.

De lamp inschakelen (Fig. 2)

Voor modelnummers HR2611F en HR2611FT

⚠ LET OP:

- Kijk niet rechtstreeks in het licht of naar de bron van de lamp.

Trek aan de aan/uit-schakelaar om de lamp in te schakelen. Laat de aan/uit-schakelaar los om de lamp uit te schakelen.

OPMERKING:

- Gebruik een droge doek om het vuil van de lens van de lamp te vegen. Wees voorzichtig de lens van de lamp niet te bekrassen om de lichtopbrengst niet te verlagen.
- Maak de lens van de lamp niet schoon met verdunner of benzine. Dergelijke oplosmiddelen kunnen de lens van de lamp beschadigen.

Werking van de omkeerschakelaar (Fig. 3)

⚠ LET OP:

- Controleer altijd de draairichting alvorens het gereedschap te gebruiken.
- Gebruik de omkeerschakelaar alleen nadat het gereedschap volledig tot stilstand is gekomen. Als u de draairichting verandert voordat het gereedschap volledig stilstaat, kan het gereedschap worden beschadigd.
- Als de aan/uit-schakelaar niet kan worden ingeknepen, controleert u dat de omkeerschakelaar helemaal naar de stand ◁ (kant A) of naar de stand ▷ (kant B) is gezet.

Dit gereedschap is uitgerust met een omkeerschakelaar waarmee u de draairichting kunt omkeren. Duw de omkeerschakelaar naar stand ◁ (kant A) voor de draairichting rechtsom, of naar stand ▷ (kant B) voor de draairichting linksom.

De snelwisselkop voor SDS-plus vervangen

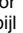
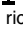
Voor modellen HR2310T, HR2610T en HR2611FT

De snelwisselkop voor SDS-plus kan eenvoudig worden vervangen door de snelwisselboorkop.

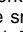
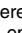
De snelwisselkop voor SDS-plus verwijderen (Fig. 4)


⚠ LET OP:

- Haal altijd de boor eruit voordat u de snelwisselkop voor SDS-plus verwijdert.

Pak de wisselmof van de snelwisselkop voor SDS-plus vast en draai deze in de richting van de pijl totdat de streep op de wisselmof van het symbool  naar het symbool  is verplaatst. Trek krachtig in de richting van de pijl.

De snelwisselboorkop aanbrengen (Fig. 5)


Controleer of de streep op de snelwisselboorkop bij het symbool  staat. Pak de wisselmof van de snelwisselboorkop vast en zet de streep bij het symbool .


Zet de snelwisselboorkop op de as van het gereedschap. Pak de wisselmof van de snelwisselboorkop en draai de streep op de wisselmof naar het symbool  totdat een duidelijke klik wordt gehoord.

De werkingsfunctie kiezen (Fig. 6)

Voor modellen HR2300, HR2600 en HR2601

Dit gereedschap is uitgerust met een werkingsfunctie-keuzeknop. Kies met de werkingsfunctie-keuzeknop één van de twee beschikbare werkingsfuncties die het meest geschikt is voor uw klus.

Voor alleen ronddraaien, draait u de werkingsfunctie-keuzeknop zodat de pijlpunt op de knop naar het symbool  op het gereedschap wijst.


Voor ronddraaien met hameren draait u de werkingsfunctie-keuzeknop zodat de pijlpunt op de knop naar het symbool  op het gereedschap wijst.

⚠ LET OP:


- Stel de werkingsfunctie-keuzeknop altijd volledig in op het symbool van de juiste stand van uw keuze. Als u het gereedschap bedient met de werkingsfunctie-keuzeknop ingesteld tussen de twee werkingsfunctiesymbolen in, kan het gereedschap beschadigd raken.
- Draai de werkingsfunctie-keuzeknop alleen nadat het gereedschap volledig tot stilstand is gekomen.

Voor modellen HR2310T, HR2610, HR2610T, HR2611F en HR2611FT


Ronddraaien met hameren (Fig. 7)

Voor het boren in beton, metselwerk, enz., draait u de werkingsfunctie-keuzeknop naar het symbool . Gebruik een boor met een wolframcarbide punt.

Alleen ronddraaien (Fig. 8)

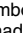
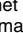
Voor het boren in hout, metaal of kunststofmaterialen, draait u de werkingsfunctie-keuzeknop naar het symbool . Gebruik een spiraalboor of houtboor.

Alleen hameren (Fig. 9)

Voor het beitelen, bikken of sloopwerkzaamheden, draait u de werkingsfunctie-keuzeknop naar het symbool . Gebruik een rond boor, koudbeitel, bikbeitel, enz.

⚠ LET OP:

- Draai de werkingsfunctie-keuzeknop niet terwijl het gereedschap onder belasting draait. Het gereedschap zal hierdoor worden beschadigd.
- Om snelle slijtage van het omschakelmechanisme te voorkomen, zorgt u ervoor dat de werkingsfunctie-keuzeknop altijd precies in een van de drie standen staat.

- Forceer de werkingsfunctie-keuzeknop niet en draai deze niet direct van het symbool  naar het symbool  (of andersom). Dat kan het gereedschap beschadigen. Wanneer u de knop van het symbool  naar het symbool  (of andersom) wilt draaien, stopt u eenmaal bij het symbool . En draai de boorkop een halve slag naar rechts (van de kant van de boorkop gezien) of zover totdat die klikt. Vervolgens draait u de knop naar de gewenste stand. Als de knop nog niet soepel draait, dan draait u nog eens aan de boorkop.

Koppelbegrenzer

De koppelbegrenzer treedt in werking wanneer de motor een bepaald koppel bereikt. De motor wordt dan ontkoppeld van de uitgaande as. Wanneer dit gebeurt, zal de boor ophouden met draaien.

⚠ LET OP:

- Schakel het gereedschap onmiddellijk uit wanneer de koppelbegrenzer in werking treedt. Hiermee helpt u vroegtijdige slijtage van het gereedschap voorkomen.
- Opzetstukken, zoals gatzengagen, die gemakkelijk bekneld raken in het boorgat, mogen niet worden gebruikt met dit gereedschap. Dit is omdat zij de koppelbegrenzer te vaak in werking doen treden.

INEENZETTEN

⚠ LET OP:

- Controleer altijd of het gereedschap is uitgeschakeld en de stekker uit het stopcontact is getrokken alvorens enige werk aan het gereedschap uit te voeren.

Zijhandgreep (hulphandgreep) (Fig. 10)

⚠ LET OP:

- Gebruik altijd de zijhandgreep om veilig te kunnen werken.

Plaats de zijhandgreep zodanig over de kop van het gereedschap dat de uitsteeksels van de zijhandgreep in de groeven van het gereedschap passen. Draai daarna de zijhandgreep vast door deze in de gewenste stand rechtsom te draaien. De zijhandgreep kan 360° rond het gereedschap gedraaid worden en in iedere gewenste stand worden vastgezet.

Boorvet

Voordat u de boor aanbrengt, smeert u een beetje boorvet (ong. 0,5 tot 1 gram) op de kop van de boorschacht. Met een ingevette boorkop zal het gereedschap beter werken en langer meegaan.

Aanbrengen en verwijderen van de boor

Reinig de boorschacht en smeer er boorvet op alvorens de boor te plaatsen. (Fig. 11)

Steek de boor in het gereedschap. Draai de boor en duw deze naar binnen tot zij vergrendelt. (Fig. 12)

Controleer na het aanbrengen altijd of de boor stevig in het gereedschap is bevestigd door te proberen deze eruit te trekken.

Om de boor te verwijderen, trekt u de boorkop of helemaal omlaag en vervolgens de boor eruit. (Fig. 13)

Boorhoek (bij beitelen, bikken of slopen)

Voor modellen HR2310T, HR2610, HR2610T, HR2611F en HR2611FT

De boor kan onder de gewenste hoek worden vastgezet. Om de boorhoek te veranderen, draait u de werkingsfunctie-keuzeknop naar het symbool O. Draai de boor naar de gewenste hoek. (Fig. 14)

Draai de werkingsfunctie-keuzeknop naar het symbool T. (Fig. 15)

Controleer daarna of de boor stevig op zijn plaats vastzit door deze iets te verdraaien.

Diepteaanslag

De diepteaanslag is handig voor het boren van gaten van gelijke diepte. (Fig. 16)

Houd de vergrendelknop op de basis van de zijhandgreep ingedrukt in de richting van de pijl aangegeven in de afbeelding, en steek tegelijkertijd de diepteaanslag in het zeskantgat in de zijhandgreep. (Fig. 17)

De diepteaanslag moet zodanig in het zeskantgat worden ingestoken dat de getande zijde van de diepteaanslag wijst naar de getande zijde van de zeskantgatmarkering op de zijhandgreep, zoals aangegeven in Fig. 18.

Stel de diepteaanslag af op de gewenste diepte door deze heen en weer te bewegen terwijl u de vergrendelknop ingedrukt houdt. Nadat de diepteaanslag is afgesteld, laat u de vergrendelknop los om de diepteaanslag te vergrendelen. (Fig. 19)

OPMERKING:

- Als de diepteaanslag in het zeskantgat wordt ingestoken terwijl de getande zijde van de diepteaanslag niet wijst naar de getande zijde van de zeskantgatmarkering op de zijhandgreep, zoals aangegeven in afbeelding, kan de diepteaanslag niet worden vergrendeld.

Stofvanger (Fig. 20)

Gebruik de stofvanger om te voorkomen dat stof op het gereedschap en op uzelf terecht komt wanneer u boven uw hoofd boort. Bevestig de stofvanger op de boor zoals aangegeven in Fig. 20. De diameter van de boren waaraan de stofvanger kan worden bevestigd is als volgt.

	Boordiameter
Stofvanger 5	6 mm – 14,5 mm
Stofvanger 9	12 mm – 16 mm

006406

Er is ook een ander type stofvanger (accessoire) verkrijgbaar dat helpt voorkomen dat stof op het gereedschap en op uzelf terecht komt wanneer u boven uw hoofd boort.

De stofvanger aanbrengen en verwijderen

Alvorens de stofvanger aan te brengen, verwijdert u de boor zo nodig uit het gereedschap. Breng de stofvanger (accessoire) zodanig op het gereedschap aan dat het symbool Δ op de stofvanger is uitgelijnd met de groeven op het gereedschap. (Fig. 21)

Om de stofvanger te verwijderen, houdt u de boorkop met getrokken in de richting aangegeven in Fig. 22 en trekt u tegelijkertijd de boor uit het gereedschap.

Pak vervolgens het voetstuk van de stofvanger vast en trek het van het gereedschap af. (Fig. 23)

OPMERKING:

- Bij het aanbrengen of verwijderen van de stofvanger kan de dop losraken. Als dat gebeurt, gaat u als volgt te werk. Verwijder de balg vanaf het voetstuk en plaats de dop, vanaf de kant zoals getoond in de afbeelding, met zijn bolle kant omhoog in het voetstuk, zodanig dat de groef in de dop past in de binnendiameter van het voetstuk. Plaats ten slotte de balg terug op het voetstuk. (Fig. 24, 25 en 26)

OPMERKING:

- Als u een stofzuiger aansluit op uw boorhamer, kunt u nog schoner werken. De dop moet uit de stofvanger worden verwijderd voordat u de stofzuiger aansluit. (Fig. 27)

BEDIENING

Gebruik altijd de zijhandgreep (hulphandgreep) en houd het gereedschap tijdens gebruik stevig vast aan zowel de zijhandgreep als de hoofdhandgreep

Gebruik als boorhamer (Fig. 28)

Draai de werkingsfunctie-keuzeknop naar het symbool T.

Plaats de punt van de boor op de gewenste plaats waar het boorgat moet komen en knijp vervolgens de aan/uitschakelaar in. Forceer het gereedschap niet. Een lichte druk geeft de beste resultaten. Houd het gereedschap stevig vast en zorg dat het niet uitglijdt.

Oefen geen grotere druk uit wanneer het boorgat verstoppt raakt met schilfertjes of metaaldeeltjes. Laat in zo'n geval het gereedschap langzaam lopen en verwijder de boor gedeeltelijk uit het boorgat. Wanneer dit verschillende keren wordt herhaald, zal het boorgat schoon worden en kunt u normaal verder boren.

Draai de werkingsfunctie-keuzeknop naar het symbool T.

⚠ LET OP:

- Op het moment dat het boorgat doorbreekt, het boorgat verstoppt raakt met schilfertjes of metaaldeeltjes, of de boorhamer de bewapening in het beton raakt, wordt een enorme en plotselinge kracht uitgeoefend op het gereedschap/de boor. Gebruik altijd de zijhandgreep (hulphandgreep) en houd het gereedschap tijdens gebruik stevig vast aan zowel de zijhandgreep als de hoofdhandgreep. Als u dit niet doet, kunt u de controle over het gereedschap verliezen en mogelijk ernstig letsel veroorzaken.

OPMERKING:

- Terwijl het gereedschap onbelast wordt gebruikt, kan de boor excentrisch draaien. Het gereedschap centreert zichzelf automatisch tijdens het gebruik. Dit heeft geen nadelige invloed op de nauwkeurigheid van het boren.

Blaasbalgje (los verkrijgbaar) (Fig. 29)

Gebruik na het boren het blaasbalgje om het stof uit het boorgat te blazen.

Beitelen/bikken/slopen

Voor modellen HR2310T, HR2610, HR2610T, HR2611F en HR2611FT

Draai de werkingsfunctie-keuzeknop naar het symbool T. Houd het gereedschap met beide handen stevig vast. Schakel het gereedschap in en oefen er enige kracht op uit zodat het gereedschap niet oncontroleerbaar in het rond springt. Het gereedschap werkt niet efficiënter als u grote druk op het gereedschap uitoefent. (Fig. 30)

Boren in hout of metaal


Voor modellen HR2300, HR2600, HR2601, HR2610 en HR2611F

Gebruik de los verkrijgbare complete boorkop. Om deze aan te brengen, zie "Aanbrengen en verwijderen van de boor" op de vorige pagina. (Fig. 31)

Voor modellen HR2310T, HR2610T en HR2611FT

Gebruik de snelwisselboorkop als standaarduitrusting. Om deze aan te brengen, zie "De snelwisselkop voor SDS-plus vervangen" op de vorige pagina. (Fig. 32 en 33)


Houd de ring op zijn plaats en draai de bus linksom om de klauwen in de boorkop te openen. Steek de boor zo ver mogelijk in de boorkop. Houd de ring stevig op zijn plaats en draai de bus rechtsom om de klauwen in de boorkop te sluiten. Om de boor te verwijderen, houdt u de ring op zijn plaats en draait u de bus linksom. (Fig. 34)

Draai de werkingsfunctie-keuzeknop naar het symbool . U kunt gaten tot een diameter van 13 mm in metaal en tot een diameter van 32 mm in hout boren.

LET OP:

- Gebruik nooit "Ronddraaien met hameren" wanneer de snelwisselboorkop op het gereedschap is aangebracht. De snelwisselboorkop kan worden beschadigd. Bovendien zal de boorkop loskomen wanneer de draai-richting van het gereedschap wordt omgekeerd.
- Het boren zal niet sneller verlopen als u hard op het gereedschap drukt. In feite zal dergelijk hard drukken alleen maar leiden tot beschadiging van de boor, verlaging van de prestaties van het gereedschap, en verkorting van de levensduur van het gereedschap.
- Op het moment dat het boorgat doorbreekt wordt een enorme draaikracht uitgeoefend op het gereedschap/de boor. Houd het gereedschap stevig vast en let goed op wanneer de boor door het werkstuk breekt.
- Een vastgelopen boor kan eenvoudigweg worden verwijderd door de omkeerschakelaar in de stand voor achteruitdraaien te zetten en de boor achteruit uit het gat te laten draaien. Het gereedschap kan echter plotseling achteruit komen als u het niet stevig vasthoudt.
- Zet kleine werkstukken altijd vast in een bankschroef of soortgelijk bevestigingsmiddel.

Diamantkroonboren

Wanneer u werkzaamheden met diamantkroonboren uitvoert, moet u de werkingsfunctie-keuzeknop altijd naar het symbool  draaien voor "alleen ronddraaien".

LET OP:

- Als u werkzaamheden met diamantkroonboren uitvoert in de stand "ronddraaien met hameren" kan de diamantkroonboor beschadigd raken.

Gebruik van de stofvanger (accessoire) (Fig. 35)

Bedien het gereedschap met de stofvanger tegen het plafond aan gedrukt.

OPMERKING:

- De stofvanger (accessoire) is uitsluitend bedoeld voor boren in keramische werkstukken, zoals beton en cement. Gebruik het gereedschap niet met de stofvanger wanneer u in metaal of soortgelijk materiaal boort. Bij gebruik van de stofvanger tijdens het boren in metaal kan de stofvanger worden beschadigd als gevolg van de warmte die door kleine metaaldeeltjes en dergelijke wordt gegenereerd.
- Maak de stofvanger leeg voordat u de boor verwijdert.

- Zorg ervoor dat bij gebruik van de stofvanger de dop stevig op zijn plaats is aangebracht.

ONDERHOUD

LET OP:

- Zorg er altijd voor dat het gereedschap is uitgeschakeld en de stekker uit het stopcontact is getrokken, voordat u een inspectie of onderhoud uitvoert.
- Gebruik nooit benzine, wasbenzine, verdunner, alcohol, enz. Dit kan leiden tot verkleuren, vervormen of barsten.

Om de VEILIGHEID en BETROUWBAARHEID van het gereedschap te handhaven, dienen alle reparaties, controle en vervanging van de koolborstels, onderhoud en afstellingen te worden uitgevoerd door een erkend Makita-servicecentrum, en altijd met gebruikmaking van originele Makita-vervangingsonderdelen.

OPTIONELE ACCESSOIRES

LET OP:

- Deze accessoires of hulpstukken worden aanbevolen voor gebruik met het Makita-gereedschap dat in deze gebruiksaanwijzing wordt beschreven. Het gebruik van andere accessoires of hulpstukken kan gevaar voor persoonlijk letsel opleveren. Gebruik de accessoires of hulpstukken uitsluitend voor de aangegeven gebruiksdoeleinden.

Mocht u meer informatie willen hebben over deze accessoires, dan kunt u contact opnemen met uw plaatselijke Makita-servicecentrum.

- SDS-Plus boren met een wolframcarbide punt
- Kroonboor
- Puntbeitel
- Diamantkroonboor
- Koudbeitel
- Bikbeitel
- Sleuvenbeitel
- Boorkop montage
- Boorkop S13
- Boorkopadapter
- Boorkopsleutel S13
- Boorvet
- Zijhandgreep
- Diepteaanslag
- Blaasbalgje
- Stofvanger
- Voetstuk voor stofvanger
- Veiligheidsbril
- Plastic draagkoffer
- Sleutellose boorkop

OPMERKING:

- Sommige van de onderdelen in deze lijst kunnen bijgeleverd zijn als standaard-accessoires. Deze accessoires kunnen per land verschillend zijn.

Geluid

De typische, A-gewogen geluidsniveaus zijn gemeten volgens EN60745:

Model HR2300, HR2601, HR2611F, HR2611FT

Geluidsdrukniveau (L_{pA}): 90 dB (A)
 Geluidsvermogensniveau (L_{WA}): 101 dB (A)
 Onnauwkeurigheid (K): 3 dB (A)

Model HR2310T, HR2600, HR2610, HR2610T

Geluidsdrukniveau (L_{pA}): 91 dB (A)
 Geluidsvermogensniveau (L_{WA}): 102 dB (A)
 Onnauwkeurigheid (K): 3 dB (A)

Draag gehoorbescherming

ENG900-1

Trillingen

De totale trillingsswaarde (triaxiale vectorsom) zoals vastgesteld volgens EN60745:

Model HR2300, HR2600

Gebruikstoepassing: klopboren in beton
 Trillingsemisatie ($a_{n, HD}$): 15,5 m/s²
 Onnauwkeurigheid (K): 1,5 m/s²

Gebruikstoepassing: boren in metaal

Trillingsemisatie ($a_{n, D}$): 2,5 m/s²
 Onnauwkeurigheid (K): 1,5 m/s²

Model HR2310T

Gebruikstoepassing: klopboren in beton
 Trillingsemisatie ($a_{n, HD}$): 15,5 m/s²
 Onnauwkeurigheid (K): 1,5 m/s²

Gebruikstoepassing: beitelen met extra zijhandgreep

Trillingsemisatie ($a_{n, CH\text{eq}}$): 10,5 m/s²
 Onnauwkeurigheid (K): 1,5 m/s²

Gebruikstoepassing: boren in metaal

Trillingsemisatie ($a_{n, D}$): 2,5 m/s² of lager
 Onnauwkeurigheid (K): 1,5 m/s²

Model HR2601

Gebruikstoepassing: klopboren in beton
 Trillingsemisatie ($a_{n, HD}$): 12,0 m/s²
 Onnauwkeurigheid (K): 1,5 m/s²

Gebruikstoepassing: boren in metaal

Trillingsemisatie ($a_{n, D}$): 2,5 m/s² of lager
 Onnauwkeurigheid (K): 1,5 m/s²

Model HR2610

Gebruikstoepassing: klopboren in beton
 Trillingsemisatie ($a_{n, HD}$): 15,5 m/s²
 Onnauwkeurigheid (K): 1,5 m/s²

Gebruikstoepassing: beitelen met extra zijhandgreep

Trillingsemisatie ($a_{n, CH\text{eq}}$): 9,5 m/s²
 Onnauwkeurigheid (K): 1,5 m/s²

Gebruikstoepassing: boren in metaal

Trillingsemisatie ($a_{n, D}$): 2,5 m/s²
 Onnauwkeurigheid (K): 1,5 m/s²

Model HR2610T

Gebruikstoepassing: klopboren in beton
 Trillingsemisatie ($a_{n, HD}$): 15,0 m/s²
 Onnauwkeurigheid (K): 1,5 m/s²

Gebruikstoepassing: beitelen met extra zijhandgreep

Trillingsemisatie ($a_{n, CH\text{eq}}$): 9,5 m/s²
 Onnauwkeurigheid (K): 1,5 m/s²

Gebruikstoepassing: boren in metaal
 Trillingsemisatie ($a_{n, D}$): 2,5 m/s² of lager
 Onnauwkeurigheid (K): 1,5 m/s²

Model HR2611F

Gebruikstoepassing: klopboren in beton
 Trillingsemisatie ($a_{n, HD}$): 12,0 m/s²
 Onnauwkeurigheid (K): 1,5 m/s²

Gebruikstoepassing: beitelen met extra zijhandgreep

Trillingsemisatie ($a_{n, CH\text{eq}}$): 9,0 m/s²
 Onnauwkeurigheid (K): 1,5 m/s²

Gebruikstoepassing: boren in metaal
 Trillingsemisatie ($a_{n, D}$): 2,5 m/s² of lager
 Onnauwkeurigheid (K): 1,5 m/s²

Model HR2611FT

Gebruikstoepassing: klopboren in beton
 Trillingsemisatie ($a_{n, HD}$): 11,5 m/s²
 Onnauwkeurigheid (K): 1,5 m/s²

Gebruikstoepassing: beitelen met extra zijhandgreep

Trillingsemisatie ($a_{n, CH\text{eq}}$): 8,5 m/s²
 Onnauwkeurigheid (K): 1,5 m/s²

Gebruikstoepassing: boren in metaal
 Trillingsemisatie ($a_{n, D}$): 2,5 m/s² of lager
 Onnauwkeurigheid (K): 1,5 m/s²

ENG901-1

- De opgegeven trillingsemisiewaarde is gemeten volgens de standaardtestmethode en kan worden gebruikt om dit gereedschap te vergelijken met andere gereedschappen.
- De opgegeven trillingsemisiewaarde kan ook worden gebruikt voor een beoordeling vooraf van de blootstelling.

⚠ WAARSCHUWING:

- De trillingsemisatie tijdens het gebruik van het elektrisch gereedschap in de praktijk kan verschillen van de opgegeven trillingsemisiewaarde afhankelijk van de manier waarop het gereedschap wordt gebruikt.
- Zorg ervoor dat veiligheidsmaatregelen worden getroffen ter bescherming van de operator die zijn gebaseerd op een schatting van de blootstelling onder praktijkomstandigheden (rekening houdend met alle fasen van de bedrijfscyclus, zoals de tijdsduur gedurende welke het gereedschap is uitgeschakeld en stationair draait, naast de ingeschakelde tijdsduur).

Alleen voor Europese landen**EU-verklaring van conformiteit**

Wij, Makita Corporation, als de verantwoordelijke fabrikant, verklaren dat de volgende Makita-machine(s):

Aanduiding van de machine: Boorhamer
 Modelnr./Type: HR2300, HR2310T, HR2600, HR2601
 in serie zijn geproduceerd en

Voldoen aan de volgende Europese richtlijnen:
 2006/42/EC

En zijn gefabriceerd in overeenstemming met de volgende normen of genormaliseerde documenten:
 EN60745

De technische documentatie wordt bewaard door:
 Makita International Europe Ltd.
 Technische afdeling,
 Michigan Drive, Tongwell,
 Milton Keynes, Bucks MK15 8JD, Engeland

13.7.2009



Tomoyasu Kato
 Directeur
 Makita Corporation
 3-11-8, Sumiyoshi-cho,
 Anjo, Aichi, 446-8502, JAPAN

Alleen voor Europese landen**EU-verklaring van conformiteit**

Wij, Makita Corporation, als de verantwoordelijke fabrikant, verklaren dat de volgende Makita-machine(s):

Aanduiding van de machine: Combinatiehamer
 Modelnr./Type: HR2610, HR2610T, HR2611F, HR2611FT
 in serie zijn geproduceerd en

Voldoen aan de volgende Europese richtlijnen:
 2006/42/EC

En zijn gefabriceerd in overeenstemming met de volgende normen of genormaliseerde documenten:
 EN60745

De technische documentatie wordt bewaard door:
 Makita International Europe Ltd.
 Technische afdeling,
 Michigan Drive, Tongwell,
 Milton Keynes, Bucks MK15 8JD, Engeland

13.7.2009



Tomoyasu Kato
 Directeur
 Makita Corporation
 3-11-8, Sumiyoshi-cho,
 Anjo, Aichi, 446-8502, JAPAN

Explicación de los dibujos

1	Gatillo interruptor	13	Percusión solamente	26	Accesorio en la base del guardapolvo
2	Botón de bloqueo	14	Protuberancias	27	Fuelle
3	Lámpara	15	Ranuras	28	Accesorio
4	Palanca del interruptor de inversión	16	Espiga de la broca	29	Periferia interior
5	Mandril de cambio rápido para SDS-plus	17	Grasa para brocas	30	Lado tallado
6	Línea de la cubierta de cambio	18	Broca	31	Tapa
7	Cubierta de cambio	19	Cubierta del mandril	32	Ranura
8	Eje	20	Base de la empuñadura	33	Soplador
9	Mandril de cambio rápido para taladro	21	Tope de profundidad	34	Adaptador de mandril
10	Giro con percusión	22	Lado dentado de la marca del agujero hexagonal en la base de la empuñadura	35	Mandril autoblocante para taladro
11	Giro solamente	23	Lado dentado del tope de profundidad	36	Manguito
12	Pomo de cambio del modo de accionamiento	24	Guardapolvo	37	Anillo
		25	Símbolo \triangle		

ESPECIFICACIONES

Modelo		HR2300	HR2310T	HR2600	HR2601	HR2610	HR2610T	HR2611F	HR2611FT
Capacidades	Cemento	23 mm		26 mm					
	Broca de corona	68 mm	68 mm			68 mm			
	Broca de corona de diamante (tipo seco)	70 mm	80 mm			80 mm			
	Acero	13 mm	13 mm			13 mm			
	Madera	32 mm	32 mm			32 mm			
Velocidad en vacío (min^{-1})		0 – 1.200							
Percusiones por minuto		0 – 4.600							
Longitud total		356 mm	380 mm	361 mm			385 mm	361 mm	385 mm
Peso neto		2,7 kg	2,9 kg	2,8 kg	2,9 kg	2,8 kg	2,9 kg	2,9 kg	3,0 kg
Clase de seguridad		\square/II							

- Debido a un programa continuo de investigación y desarrollo, las especificaciones aquí dadas están sujetas a cambios sin previo aviso.
- Las especificaciones pueden ser diferentes de país a país.
- Peso de acuerdo con el procedimiento EPTA 01/2003 ENE042-1

Uso previsto

La herramienta ha sido prevista para perforar con percusión y perforar en ladrillo, cemento y piedra. También es apropiada para perforar sin impacto en madera, metal, cerámica y plástico. ENF002-2

Alimentación

La herramienta ha de conectarse solamente a una fuente de alimentación de la misma tensión que la indicada en la placa de características, y sólo puede funcionar con corriente alterna monofásica. El sistema de doble aislamiento de la herramienta puede, por lo tanto, usarse también en enchufes hembra sin conductor de tierra.

GEA010-1

Advertencias de seguridad generales para herramientas eléctricas

⚠ ADVERTENCIA Lea todas las advertencias de seguridad y todas las instrucciones. Si no sigue todas las advertencias e instrucciones podrá ocasionar una descarga eléctrica, un incendio y/o heridas graves.

Guarde todas las advertencias e instrucciones para futuras referencias.

GEB007-7

ADVERTENCIAS DE SEGURIDAD PARA EL MARTILLO ROTATIVO

1. **Póngase protectores de oídos.** La exposición al ruido puede producir pérdida auditiva.
2. **Utilice el mango(s) auxiliar, si ha sido suministrado con la herramienta.** Una pérdida del control puede ocasionar heridas personales.

3. Cuando realice una operación en la que el accesorio de corte pueda entrar en contacto con cableado oculto o con el propio cable, sujete la herramienta eléctrica por las superficies de aislamiento aisladas. El contacto del accesorio de corte con un cable con corriente hará que la corriente circule por las partes metálicas expuestas de la herramienta eléctrica y podrá soltar una descarga eléctrica al operario.
4. Póngase casco rígido (casco de seguridad), gafas de seguridad y/o máscara facial. Las gafas normales o de sol NO sirven para proteger los ojos. También es muy recomendable que utilice una máscara contra el polvo y guantes bien almohadillados.
5. Asegúrese de que la broca esté bien sujeta en el mandril antes de iniciar la operación.
6. La herramienta ha sido diseñada para que produzca vibración en operación normal. Los tornillos pueden aflojarse fácilmente, pudiendo ocasionar una rotura o accidente. Compruebe el apriete de los tornillos cuidadosamente antes de iniciar la operación.
7. En tiempo frío o cuando la herramienta no haya sido utilizada durante largo tiempo, deje calentar la herramienta durante un rato haciéndola funcionar sin carga. Esto agilizará la lubricación. Sin un calentamiento apropiado, la operación de percusión resultará difícil de realizar.
8. Asegúrese siempre de que tiene suelo firme. Asegúrese de que no haya nadie debajo cuando utilice la herramienta en lugares altos.
9. Sujete la herramienta firmemente con ambas manos.
10. Mantenga las manos alejadas de las partes en movimiento.
11. No deje la herramienta en marcha. Tenga en marcha la herramienta solamente cuando la tenga en la mano.
12. No apunte la herramienta hacia nadie en el lugar cuando la esté utilizando. La broca podría salir disparada y herir a alguien seriamente.
13. No toque la broca ni partes cercanas a ella inmediatamente después de la operación; podrán estar muy calientes y quemarle la piel.
14. Algunos materiales contienen sustancias químicas que podrán ser tóxicas. Tenga precaución para evitar la inhalación de polvo y el contacto con la piel. Siga los datos de seguridad del abastecedor del material.

GUARDE ESTAS INSTRUCCIONES.

⚠ ADVERTENCIA:

NO deje que la comodidad o familiaridad con el producto (a base de utilizarlo repetidamente) sustituya la estricta observancia de las normas de seguridad para el producto en cuestión. El MAL USO o el no seguir las normas de seguridad establecidas en este manual de instrucciones pueden ocasionar graves heridas personales.

DESCRIPCIÓN DEL FUNCIONAMIENTO

⚠ PRECAUCIÓN:

- Asegúrese siempre de que la herramienta esté apagada y desenchufada antes de ajustar o comprobar cualquier función de la herramienta.

Accionamiento del interruptor (Fig. 1)

⚠ PRECAUCIÓN:

- Antes de enchufar la herramienta, compruebe siempre para cerciorarse de que el gatillo interruptor se acciona debidamente y que vuelve a la posición "OFF" cuando lo suelta.

Para poner en marcha la herramienta, simplemente apriete el gatillo interruptor. La velocidad de la herramienta aumenta incrementando la presión en el gatillo interruptor. Suelte el gatillo interruptor para parar. Para una operación continua, apriete el gatillo interruptor y después presione hacia dentro el botón de bloqueo y después suelte el gatillo interruptor. Para parar la herramienta desde la posición bloqueada, apriete el gatillo interruptor completamente, y después suéltelo.

Encendido de las lámparas (Fig. 2)

Para los modelos HR2611F, HR2611FT

⚠ PRECAUCIÓN:

- No mire a la luz ni vea la fuente de luz directamente.

Para encender la lámpara, apriete el gatillo. Suelte el gatillo para apagarla.

NOTA:

- Utilice un paño seco para quitar la suciedad de la lente de la lámpara. Tenga cuidado de no rayar la lente de la lámpara, porque podrá disminuir la iluminación.
- No utilice diluyente ni gasolina para limpiar la lámpara. Tales disolventes podrán dañarla.

Accionamiento del interruptor de inversión

(Fig. 3)

⚠ PRECAUCIÓN:

- Confirme siempre la dirección de giro antes de iniciar la operación.
- Utilice el interruptor de inversión solamente después de que la herramienta se haya parado completamente. Si cambia la dirección de giro antes de que la herramienta se haya parado podrá dañarla.
- Si el gatillo interruptor no puede apretarse, mire el interruptor de inversión para confirmar que está puesto completamente en la posición ◁ (lado A) o ▷ (lado B).

Esta herramienta tiene un interruptor de inversión para cambiar la dirección de giro. Mueva la palanca del interruptor de inversión a la posición ◁ (lado A) para giro a la derecha o a la posición ▷ (lado B) para giro a la izquierda.

Cambio del mandril de cambio rápido para SDS-plus

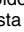
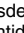
Para los modelos HR2310T, HR2610T, HR2611FT

El mandril de cambio rápido para SDS-plus se puede sustituir fácilmente por el mandril de cambio rápido para taladro.


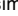
Desmontaje del mandril de cambio rápido para SDS-plus (Fig. 4)

⚠ PRECAUCIÓN:


- Antes de desmontar el mandril de cambio rápido para SDS-plus, retire siempre la broca.

Agarre la cubierta de cambio del mandril de cambio rápido para SDS-plus y gírela en el sentido de la flecha hasta que la línea de la cubierta de cambio se mueva desde el símbolo  al símbolo . Tire con fuerza en el sentido de la flecha.

Instalación del mandril de cambio rápido para taladro (Fig. 5)

Compruebe que la línea del mandril de cambio rápido para taladro muestra el símbolo . Agarre la cubierta de cambio del mandril de cambio rápido para taladro y ponga la línea en el símbolo .


Ponga el mandril de cambio rápido para taladro en el eje de la herramienta.


Agarre la cubierta de cambio del mandril de cambio rápido para taladro y gire la línea de la cubierta de cambio hacia el símbolo  hasta que se oiga un clic claramente.

Selección del modo de accionamiento (Fig. 6)

Para los modelos HR2300, HR2600, HR2601

Esta herramienta tiene un pomo de cambio del modo de accionamiento. Seleccione uno de los dos modos apropiado para las necesidades de su trabajo utilizando este pomo.

Para giro solamente, gire el pomo de manera que la flecha del pomo apunte hacia el símbolo  del cuerpo de la herramienta.


Para giro con percusión, gire el pomo de manera que la flecha del pomo apunte hacia el símbolo  del cuerpo de la herramienta.

PRECAUCIÓN:


- Ponga siempre el pomo completamente en el símbolo del modo que desee. Si utiliza la herramienta con el pomo puesto a medias entre los símbolos de modo, la herramienta podrá dañarse.
- Utilice el pomo después de que la herramienta se haya parado completamente.

Para los modelos HR2310T, HR2610, HR2610T, HR2611F, HR2611FT

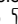
Giro con percusión (Fig. 7)

Para perforar en cemento, mampostería, etc., gire el pomo de cambio del modo de accionamiento a la posición del símbolo . Utilice una broca con punta de carburo de tungsteno.

Giro solamente (Fig. 8)


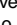

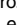

Para perforar en madera, metal o materiales de plástico, gire el pomo de cambio del modo de accionamiento a la posición del símbolo . Utilice una broca helicoidal o una broca para madera.

Percusión solamente (Fig. 9)

Para operaciones de desincrustar, decapar o demoler, gire el pomo de cambio del modo de accionamiento a la posición del símbolo . Utilice un barreno, cortafíos, cincel desincrustador, etc.

PRECAUCIÓN:

- No gire el pomo de cambio del modo de accionamiento cuando la herramienta esté funcionando con carga. Se dañará la herramienta.
- Para evitar un desgaste rápido del mecanismo de cambio de modo, asegúrese de que el pomo de cambio del modo de accionamiento esté siempre puesto exactamente en una de las tres posiciones de modo de accionamiento.

- No fuerce el pomo de cambio del modo de accionamiento ni lo mueva del modo del símbolo  al modo del símbolo  (o viceversa) de una sola vez. Podrá dañar la herramienta. Cuando gire el pomo del modo del símbolo  al modo del símbolo  (o viceversa), deténgalo en el modo del símbolo  primero. Y gire el mandril hacia la derecha (mirando desde el lado del mandril) media vuelta hasta que suene un chasquido. Después gire el pomo hasta el modo deseado. Si resulta difícil girar el pomo, gire el mandril otra vez.

Limitador del par de torsión

El limitador del par de torsión se acciona cuando se alcanza un cierto nivel de torsión. El motor se desembragará del eje de salida. Cuando ocurra esto, la broca dejará de girar.

PRECAUCIÓN:

- Apague la herramienta inmediatamente en cuanto actúe el limitador del par de torsión. De esta forma evitará un desgaste prematuro de la herramienta.
- Las brocas tales como las sierras cilíndricas, que tienden a pincharse o engancharse fácilmente en el agujero, no son apropiadas para esta herramienta. Esto es así porque harán que el limitador del par de torsión actúe con mucha frecuencia.

MONTAJE

PRECAUCIÓN:

- Asegúrese siempre de que la herramienta esté apagada y desenchufada antes de realizar cualquier trabajo en ella.

Empuñadura lateral (mango auxiliar) (Fig. 10)

PRECAUCIÓN:

- Utilice siempre la empuñadura lateral para garantizar una operación segura.

Instale la empuñadura lateral de forma que las protuberancias de la misma encajen entre las ranuras del barril de la herramienta. Después apriete la empuñadura girándola hacia la derecha en la posición deseada. Puede girarse 360° para poder sujetarla en cualquier posición.

Grasa para brocas

Cubra la cabeza de la espiga de la broca antes de la tarea con una pequeña cantidad de grasa para brocas (aprox. 0,5 – 1 g).

Esta lubricación del mandril asegurará un accionamiento suave y una vida de servicio más larga.

Instalación o desmontaje de la broca

Limpie la espiga de la broca y aplique grasa antes de instalar la broca. (Fig. 11)

Inserte la broca en la herramienta. Gire la broca y presiónela hacia dentro hasta que quede encajada. (Fig. 12)

Después de la instalación, asegúrese siempre de que la broca esté bien sujeta en el mandril intentando sacarla. Para extraer la broca, tire de la cubierta del mandril hacia abajo a tope y extraiga la broca. (Fig. 13)

Ángulo de la broca (para desincrustar, decapar o demoler)

Para los modelos HR2310T, HR2610, HR2610T, HR2611F, HR2611FT

La broca puede sujetarse en el ángulo deseado. Para cambiar el ángulo de la broca, gire el pomo de cambio del modo de accionamiento hasta el símbolo O. Gire la broca hasta el ángulo que desee. (Fig. 14)

Gire el pomo de cambio del modo de accionamiento a la posición del símbolo T. (Fig. 15)

Después asegúrese de que la broca esté bien sujeta en el mandril girándola ligeramente.

Tope de profundidad

El tope de profundidad sirve para perforar agujeros a una profundidad uniforme. (Fig. 16)

Presione el botón de bloqueo de la base de la empuñadura en la dirección de la flecha como se muestra en la figura y con el botón de bloqueo presionado inserte el tope de profundidad en el interior del agujero hexagonal de la base de la empuñadura. (Fig. 17)

Ahora, es necesario insertar el tope de profundidad de modo que su lado dentado esté orientado hacia el lado dentado de la marca del agujero hexagonal en la base de la empuñadura como se muestra en la Fig. 18.

Ajuste el tope de profundidad en la profundidad deseada moviéndolo hacia atrás y hacia delante mientras presiona el botón de bloqueo. Después de hacer el ajuste, suelte el botón de bloqueo para bloquear el tope de profundidad. (Fig. 19)

NOTA:

- Si se inserta el tope de profundidad con el lado dentado no orientado hacia el lado dentado de la marca del agujero hexagonal en la base de la empuñadura como se muestra en la ilustración no se podrá bloquear el tope de profundidad.

Guardapolvo (Fig. 20)

Utilice el guardapolvo para evitar que el polvo caiga sobre la herramienta y usted cuando realice operaciones de perforación elevadas. Coloque el guardapolvo en la broca como se muestra en la Fig. 20. El guardapolvo puede instalarse en brocas de los siguientes tamaños.

	Diámetro de la broca
Guardapolvo 5	6 mm – 14,5 mm
Guardapolvo 9	12 mm – 16 mm

006406

Hay otro tipo de guardapolvo (accesorio) que ayuda a evitar que el polvo caiga sobre la herramienta y usted cuando realice operaciones de perforación elevadas.

Instalación o desmontaje del guardapolvo

Antes de instalar el guardapolvo, quite la broca de la herramienta si está instalada en la herramienta. Instale el guardapolvo (accesorio) en la herramienta de forma que el símbolo Δ del guardapolvo esté alineado con las ranuras de la herramienta. (Fig. 21)

Para retirar el guardapolvo, tire de la cubierta del mandril en la dirección mostrada en la Fig. 22 y con la cubierta del mandril sacada extraiga la broca de la herramienta.

Y después agarre el accesorio en la base del guardapolvo y extráigalo. (Fig. 23)

NOTA:

- Cuando vaya a instalar o desinstalar el guardapolvo, la tapa podrá soltarse del guardapolvo. Ahora, proceda de la forma siguiente. Retire el fuelle del accesorio y encaje la tapa desde el lado mostrado en la figura con su lado tallado orientado hacia arriba de forma que la ranura de la tapa encaje en la periferia interior del accesorio. Finalmente, monte el fuelle que ha desmontado. (Fig. 24, 25 y 26)

NOTA:

- Si conecta un aspirador a su martillo, podrá realizar operaciones más limpias. La tapa para polvo hay que desmontarla del guardapolvo antes de hacer la conexión. (Fig. 27)

OPERACIÓN

Utilice siempre la empuñadura lateral (mango auxiliar) y sujete la herramienta firmemente por ambas empuñaduras lateral y del interruptor durante las operaciones.

Operación de perforación con percusión (Fig. 28)

Ponga el pomo de cambio del modo de accionamiento en la posición del símbolo T.

Coloque la broca en el lugar donde desee hacer el agujero y a continuación apriete el gatillo interruptor. No fuerce la herramienta. Los mejores resultados se obtienen con una ligera presión. Mantenga la herramienta en posición y evite que se deslice y salga del agujero.

No aplique más presión cuando el agujero se atasque con fragmentos o partículas. En su lugar, haga funcionar la herramienta sin ejercer presión, y después saque parcialmente la broca del agujero. Repitiendo esto varias veces, se limpiará el agujero y podrá reanudarse la perforación normal.

Ponga el pomo de cambio del modo de accionamiento en la posición del símbolo T.

⚠ PRECAUCIÓN:

- En el momento de comenzar a penetrar, cuando se atasca el agujero con virutas y partículas, o cuando se topa contra varillas de refuerzo de hormigón armado, se ejerce una tremenda y repentina fuerza de torsión sobre la herramienta/broca. Utilice siempre la empuñadura lateral (mango auxiliar) y sujete la herramienta firmemente por ambas empuñaduras lateral y del interruptor durante las operaciones. En caso contrario podrá perder el control de la herramienta y posiblemente sufrir graves heridas.

NOTA:

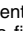
- Es posible que se produzca excentricidad en el giro de la broca mientras la herramienta funciona sin carga. La herramienta se vuelve a centrar automáticamente durante la operación. Esto no afecta a la operación de perforación.

Soplador (Accesorio opcional) (Fig. 29)

Después de perforar el agujero, utilice el soplador para extraer el polvo del agujero.

Desincrustar/decapar/demoler

Para los modelos HR2310T, HR2610, HR2610T, HR2611F, HR2611FT

Ponga el pomo de cambio del modo de accionamiento en la posición del símbolo . Sujete la herramienta firmemente con ambas manos. Encienda la herramienta y aplique una ligera presión sobre ella de forma que no rebote descontrolada. Presionando muy fuerte en la herramienta no aumentará la eficacia. (Fig. 30)

Perforación en madera o metal


Para los modelos HR2300, HR2600, HR2601, HR2610, HR2611F

Utilice el conjunto de mandril para taladro opcional. Cuando lo instale, consulte "Instalación o desmontaje de la broca" descrito en la página anterior. (Fig. 31)

Para los modelos HR2310T, HR2610T, HR2611FT

Utilice el mandril de cambio rápido para taladro como equipo estándar. Cuando lo instale, consulte "Cambio del mandril de cambio rápido para SDS-plus" descrito en la página anterior. (Fig. 32 y 33)

Sujete el anillo y gire el manguito hacia la izquierda para abrir las mordazas del mandril. Ponga la broca en el mandril a fondo. Sujete el anillo firmemente y gire el manguito hacia la derecha para apretar el mandril. Para desmontar la broca, sujete el anillo y gire el manguito hacia la izquierda. (Fig. 34)


Ponga el pomo de cambio del modo de accionamiento en la posición del símbolo .

Se pueden perforar agujeros de hasta 13 mm de diámetro en metal y de hasta 32 mm de diámetro en madera.

PRECAUCIÓN:

- No utilice nunca "giro con percusión" cuando esté instalado el mandril de cambio rápido para taladro en la herramienta. El mandril de cambio rápido para taladro podrá dañarse. Además, el mandril para taladro se caerá cuando invierta el giro de la herramienta.
- Con ejercer una presión excesiva sobre la herramienta no conseguirá perforar más rápido. De hecho, esta presión excesiva sólo servirá para dañar la punta de la broca, disminuir el rendimiento de la herramienta y acortar su vida de servicio.
- En el momento de comenzar a penetrar se ejerce una tremenda fuerza de torsión sobre la herramienta/broca. Sujete la herramienta firmemente y tenga cuidado cuando la broca comience a penetrar en la pieza de trabajo.
- Una broca atascada podrá extraerse simplemente poniendo el interruptor de inversión en giro inverso para que retroceda. Sin embargo, la herramienta podrá retroceder bruscamente si no la sujeta firmemente.
- Sujete siempre las piezas de trabajo pequeñas en un tornillo de banco o herramienta de sujeción similar.

Perforación con corona de diamante

Cuando realice operaciones de perforación con corona de diamante, ponga siempre la palanca del interruptor de inversión en la posición  para utilizar el accionamiento de "giro solamente".

PRECAUCIÓN:

- Si realiza operaciones de perforación con corona de diamante utilizando el accionamiento de "giro con percusión", es posible que la broca de corona de diamante se dañe.

Operación cuando utilice el guardapolvo (accesorio) (Fig. 35)

Utilice la herramienta con el guardapolvo puesto contra la superficie del techo.

NOTA:

- El guardapolvo (accesorio) ha sido previsto solamente para perforar en piezas de trabajo de cerámica tales como cemento y mortero. No utilice la herramienta con el guardapolvo cuando taladre en metal o similar. La utilización del guardapolvo para perforar en metal podrá dañar el guardapolvo debido al calor producido por el polvo metálico diminuto o similar.
- Vacíe el guardapolvo antes de desmontar una broca.
- Cuando utilice el guardapolvo, asegúrese de que la tapa para el polvo esté montada firmemente.

MANTENIMIENTO

PRECAUCIÓN:

- Asegúrese siempre de que la herramienta esté apagada y desenchufada antes de intentar realizar una inspección o mantenimiento.
- No utilice nunca gasolina, bencina, disolvente, alcohol o similares. Podría producir descoloración, deformación o grietas.

Para mantener la SEGURIDAD y FIABILIDAD del producto, las reparaciones, la inspección y sustitución de las escobillas de carbón, y cualquier otro mantenimiento o ajuste deberán ser realizados en Centros de servicio Makita autorizados, empleando siempre piezas de repuesto de Makita.

ACCESORIOS OPCIONALES

PRECAUCIÓN:

- Estos accesorios o acoplamientos están recomendados para utilizar con la herramienta Makita especificada en este manual. La utilización de cualquier otro accesorio o acoplamiento podrá suponer un riesgo de sufrir heridas personales. Utilice los accesorios o acoplamientos solamente para el propósito que han sido diseñados.

Si necesita cualquier tipo de asistencia para obtener más detalles en relación con estos accesorios, pregunte al centro de servicio Makita local.

- Brocas con punta de carburo SDS-Plus
- Broca de corona
- Barreno
- Broca de corona de diamante
- Cortafíos
- Cíncel desincrustador
- Cortafío ranurador
- Conjunto de mandril para taladro
- Mandril para taladro S13
- Adaptador de mandril
- Llave de mandril S13
- Grasa para brocas
- Empuñadura lateral
- Tope de profundidad
- Soplador
- Guardapolvo
- Accesorio extractor de polvo
- Gafas de seguridad
- Maletín de transporte de plástico
- Mandril autoblocante para taladro

NOTA:

- Algunos elementos de la lista podrán estar incluidos en el paquete de la herramienta como accesorios estándar. Pueden variar de un país a otro.

ENG905-1

Ruido

El nivel de ruido A-ponderado típico determinado de acuerdo con la norma EN60745:

Modelo HR2300, HR2601, HR2611F, HR2611FT

Nivel de presión sonora (L_{pA}): 90 dB (A)

Nivel de potencia sonora (L_{WA}): 101 dB (A)

Error (K): 3 dB (A)

Modelo HR2310T, HR2600, HR2610, HR2610T

Nivel de presión sonora (L_{pA}): 91 dB (A)

Nivel de potencia sonora (L_{WA}): 102 dB (A)

Error (K): 3 dB (A)

Póngase protección para los oídos

ENG900-1

Vibración

El valor total de la vibración (suma de vectores triaxiales) determinado de acuerdo con la norma EN60745:

Modelo HR2300, HR2600

Modo de trabajo: taladrado con percusión en cemento

Emisión de vibración ($a_{h, HD}$): 15,5 m/s²

Error (K): 1,5 m/s²

Modo de trabajo: taladrado en metal

Emisión de vibración ($a_{h, D}$): 2,5 m/s²

Error (K): 1,5 m/s²

Modelo HR2310T

Modo de trabajo: taladrado con percusión en cemento

Emisión de vibración ($a_{h, HD}$): 15,5 m/s²

Error (K): 1,5 m/s²

Modo de trabajo: función de cincelado con la empuñadura lateral

Emisión de vibración ($a_{h, Cheq}$): 10,5 m/s²

Error (K): 1,5 m/s²

Modo de trabajo: taladrado en metal

Emisión de vibración ($a_{h, D}$): 2,5 m/s² o menos

Error (K): 1,5 m/s²

Modelo HR2601

Modo de trabajo: taladrado con percusión en cemento

Emisión de vibración ($a_{h, HD}$): 12,0 m/s²

Error (K): 1,5 m/s²

Modo de trabajo: taladrado en metal

Emisión de vibración ($a_{h, D}$): 2,5 m/s² o menos

Error (K): 1,5 m/s²

Modelo HR2610

Modo de trabajo: taladrado con percusión en cemento

Emisión de vibración ($a_{h, HD}$): 15,5 m/s²

Error (K): 1,5 m/s²

Modo de trabajo: función de cincelado con la empuñadura lateral

Emisión de vibración ($a_{h, Cheq}$): 9,5 m/s²

Error (K): 1,5 m/s²

Modo de trabajo: taladrado en metal

Emisión de vibración ($a_{h, D}$): 2,5 m/s²

Error (K): 1,5 m/s²

Modelo HR2610T

Modo de trabajo: taladrado con percusión en cemento

Emisión de vibración ($a_{h, HD}$): 15,0 m/s²

Error (K): 1,5 m/s²

Modo de trabajo: función de cincelado con la empuñadura lateral

Emisión de vibración ($a_{h, Cheq}$): 9,5 m/s²

Error (K): 1,5 m/s²

Modo de trabajo: taladrado en metal

Emisión de vibración ($a_{h, D}$): 2,5 m/s² o menos

Error (K): 1,5 m/s²

Modelo HR2611F

Modo de trabajo: taladrado con percusión en cemento

Emisión de vibración ($a_{h, HD}$): 12,0 m/s²

Error (K): 1,5 m/s²

Modo de trabajo: función de cincelado con la empuñadura lateral

Emisión de vibración ($a_{h, Cheq}$): 9,0 m/s²

Error (K): 1,5 m/s²

Modo de trabajo: taladrado en metal

Emisión de vibración ($a_{h, D}$): 2,5 m/s² o menos

Error (K): 1,5 m/s²

Modelo HR2611FT

Modo de trabajo: taladrado con percusión en cemento

Emisión de vibración ($a_{h, HD}$): 11,5 m/s²

Error (K): 1,5 m/s²

Modo de trabajo: función de cincelado con la empuñadura lateral

Emisión de vibración ($a_{h, Cheq}$): 8,5 m/s²

Error (K): 1,5 m/s²

Modo de trabajo: taladrado en metal

Emisión de vibración ($a_{h, D}$): 2,5 m/s² o menos

Error (K): 1,5 m/s²

ENG901-1

- El valor de emisión de vibración declarado ha sido medido de acuerdo con el método de prueba estándar y se puede utilizar para comparar una herramienta con otra.
- El valor de emisión de vibración declarado también se puede utilizar en una valoración preliminar de exposición.

ADVERTENCIA:

- La emisión de vibración durante la utilización real de la herramienta eléctrica puede variar del valor de emisión declarado dependiendo de las formas en las que la herramienta sea utilizada.
- Asegúrese de identificar medidas de seguridad para proteger al operario que estén basadas en una estimación de la exposición en las condiciones reales de utilización (teniendo en cuenta todas las partes del ciclo operativo tal como las veces cuando la herramienta está apagada y cuando está funcionando en vacío además del tiempo de gatillo).

Para países europeos solamente**Declaración de conformidad EC****Makita Corporation como fabricante responsable declara que la(s) siguiente(s) máquina(s) Makita:**

Designación de máquina: Martillo Rotativo
Modelo N°/Tipo: HR2300, HR2310T, HR2600, HR2601
son producidas en serie y

Cumple con las directivas europeas siguientes:
2006/42/EC

Y que están fabricadas de acuerdo con las normas o documentos normalizados siguientes:

EN60745

Los documentos técnicos los guarda:

Makita International Europe Ltd.
Departamento técnico,
Michigan Drive, Tongwell,
Milton Keynes, Bucks MK15 8JD, Inglaterra

13.7.2009



Tomoyasu Kato
Director

Makita Corporation
3-11-8, Sumiyoshi-cho,
Anjo, Aichi, 446-8502, JAPAN

Para países europeos solamente**Declaración de conformidad EC****Makita Corporation como fabricante responsable declara que la(s) siguiente(s) máquina(s) Makita:**

Designación de máquina: Martillo Rotativo Combinado
Modelo N°/Tipo: HR2610, HR2610T, HR2611F,
HR2611FT

son producidas en serie y

Cumple con las directivas europeas siguientes:
2006/42/EC

Y que están fabricadas de acuerdo con las normas o documentos normalizados siguientes:

EN60745

Los documentos técnicos los guarda:

Makita International Europe Ltd.
Departamento técnico,
Michigan Drive, Tongwell,
Milton Keynes, Bucks MK15 8JD, Inglaterra

13.7.2009



Tomoyasu Kato
Director

Makita Corporation
3-11-8, Sumiyoshi-cho,
Anjo, Aichi, 446-8502, JAPAN

Explicação geral

1 Gatilho do interruptor	12 Botão de mudança do modo de acção	24 Recipiente para o pó
2 Botão de bloqueio	13 Só martelo	25 Símbolo \triangle
3 Lâmpada	14 Saliências	26 Acoplamentos na base do recipiente para o pó
4 Alavanca do interruptor de inversão	15 Entalhes	27 Fole
5 Mandril de mudança rápida para SDS-plus	16 Encaixe da broca	28 Acoplamento
6 Linha da cobertura de mudança	17 Lubrificante de brocas	29 Perímetro interior
7 Cobertura de mudança	18 Broca	30 Lado entalhado
8 Veio	19 Cobertura do mandril	31 Tampa
9 Mandril de perfuração de mudança rápida	20 Base do punho	32 Entalhe
10 Rotação com martelo	21 Guia de profundidade	33 Soprador
11 Só rotação	22 Lado dentado da marca do furo hexagonal na base do punho	34 Adaptador do mandril
	23 Lado dentado da guia de profundidade	35 Mandril de berbequim sem chave
		36 Manga
		37 Anel

ESPECIFICAÇÕES

Modelo		HR2300	HR2310T	HR2600	HR2601	HR2610	HR2610T	HR2611F	HR2611FT
Capacidades	Cimento	23 mm		26 mm					
	Broca de coroa	68 mm		68 mm		68 mm			
	Broca de coroa de diamante (tipo seco)	70 mm		80 mm		80 mm			
	Aço	13 mm		13 mm		13 mm			
	Madeira	32 mm		32 mm		32 mm			
Velocidade em vazio (mín ⁻¹)		0 – 1.200							
Impactos por minuto		0 – 4.600							
Comprimento total		356 mm	380 mm	361 mm			385 mm	361 mm	385 mm
Peso líquido		2,7 kg	2,9 kg	2,8 kg	2,9 kg	2,8 kg	2,9 kg	2,9 kg	3,0 kg
Classe de segurança		II/II							

- Devido a um programa contínuo de pesquisa e desenvolvimento, estas especificações podem ser alteradas sem aviso prévio.
- As especificações podem variar de país para país.
- Peso de acordo com o Procedimento 01/2003 da EPTA (European Power Tool Association)

ENE042-1

Utilização pretendida

A ferramenta foi concebida para perfuração com martelo e perfuração em tijolo, cimento e pedra. Também é adequada para perfuração sem impacto em madeira, metal, cerâmica e plástico.

ENF002-2

Alimentação

A ferramenta só deve ser ligada a uma fonte de alimentação com a mesma voltagem da indicada na placa de características, e só funciona com alimentação de corrente alterna monofásica. Tem um sistema de isolamento duplo e pode, por isso, utilizar tomadas sem ligação à terra.

GEA010-1

Avisos gerais de segurança para ferramentas eléctricas

⚠ AVISO Leia todos os avisos de segurança e todas as instruções. O não cumprimento de todos os avisos e instruções pode originar choque eléctrico, incêndio e/ou ferimentos graves.

Guarde todos os avisos e instruções para futuras referências.

GEB007-7

AVISOS DE SEGURANÇA PARA O MARTELO ROTATIVO

1. **Use protectores de ouvido.** A exposição a ruídos pode causar perda de audição.
2. **Utilize a(s) pega(s) auxiliar(es), se fornecida(s) com a ferramenta.** A perda de controlo pode causar ferimentos pessoais.

3. **Agarre na ferramenta eléctrica pelas partes isoladas ao executar uma operação onde o acessório de corte possa tocar em fios ocultos ou no seu próprio fio.** O contacto do acessório de corte com um fio "ligado" carregará as partes metálicas da ferramenta e causará choque eléctrico no operador.
4. **Utilize um capacete de segurança, óculos de segurança e/ou uma máscara. Óculos comuns ou de sol NÃO são óculos de segurança. Também se recomenda a utilização de máscara para o pó e luvas bem acolchoadas.**
5. **Certifique-se de que a broca está bem presa antes de começar a operação.**
6. **Em condições normais de operação, a ferramenta foi concebida para produzir vibração. Os parafusos podem soltar-se facilmente, causando uma avaria ou acidente. Verifique cuidadosamente o aperto dos parafusos antes da operação.**
7. **Em tempo frio ou quando a ferramenta não foi utilizada durante um longo período de tempo, deixe a ferramenta aquecer durante vários minutos fazendo-a funcionar em vazio. Isto libertará a lubrificação. Sem aquecimento apropriado, a operação de martelo será difícil.**
8. **Mantenha-se sempre numa posição equilibrada. Certifique-se de que ninguém está por baixo quando trabalhar em locais altos.**
9. **Agarre na ferramenta firmemente com as duas mãos.**
10. **Mantenha as mãos afastadas das partes rotativas.**
11. **Não deixe a ferramenta a funcionar. Funcione com a ferramenta só quando estiver a agarrá-la.**
12. **Não aponte a ferramenta para ninguém à sua volta quando a estiver a trabalhar. A broca pode soltar-se e ferir seriamente alguém.**
13. **Não toque na broca ou nas partes próximas imediatamente depois da operação; podem estar extremamente quentes e provocar queimaduras.**
14. **Alguns materiais contêm químicos que podem ser tóxicos. Tenha cuidado para evitar inalação de pó e contacto com a pele. Siga os dados de segurança do fornecedor do material.**

GUARDE ESTAS INSTRUÇÕES.

⚠ AVISO:

NÃO permita que conforto ou familiaridade com o produto (adquirido com o uso repetitivo) substitua a aderência estrita às regras de segurança da ferramenta. **MÁ INTERPRETAÇÃO** ou não seguimento das regras de segurança estabelecidas neste manual de instruções pode causar ferimentos pessoais sérios.

DESCRIÇÃO DO FUNCIONAMENTO

⚠ PRECAUÇÃO:

- Certifique-se sempre de que a ferramenta esteja desligada e a ficha retirada da tomada antes de ajustar ou verificar o seu funcionamento.

Acção do interruptor (Fig. 1)

⚠ PRECAUÇÃO:

- Antes de ligar a ferramenta na tomada, verifique sempre se o gatilho do interruptor funciona correctamente e volta à posição de desligado (OFF) quando libertado.

Para ligar a ferramenta, carregue simplesmente no gatilho do interruptor. A velocidade da ferramenta aumenta de acordo com a pressão no gatilho do interruptor. Liberte o gatilho do interruptor para parar. Para operação contínua, carregue no gatilho, empurre o botão de bloqueio e liberte o gatilho. Para parar a ferramenta a partir da posição de bloqueio, carregue completamente no gatilho e liberte-o.

Acender a luz (Fig. 2)

Para os modelos HR2611F e HR2611FT

⚠ PRECAUÇÃO:

- Não olhe para a luz nem na fonte luminosa directamente.

Carregue no gatilho para acender a luz. Liberte-o para apagar.

NOTA:

- Use um pano seco para limpar a sujidade da lente da lâmpada. Tenha cuidado para não riscar a lente, pois isso poderá diminuir a iluminação.
- Não use diluente nem gasolina para limpar a lâmpada. Esses solventes podem danificá-la.

Acção do interruptor de inversão (Fig. 3)

⚠ PRECAUÇÃO:

- Verifique sempre a direcção de rotação antes da operação.
- Utilize o interruptor de inversão só depois da ferramenta estar completamente parada. Mudar a direcção de rotação antes da ferramenta parar poderá danificá-la.
- Se não puder carregar no gatilho do interruptor, verifique se o interruptor de inversão está colocado exactamente na posição ◁ (lado A) ou ▷ (lado B).

Esta ferramenta tem um interruptor de inversão para mudar a direcção de rotação. Desloque a alavanca do interruptor de inversão para a posição ◁ (lado A) para rotação para a direita ou a posição ▷ (lado B) para rotação para a esquerda.

Mudar o mandril de mudança rápida para SDS-plus

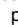

Para os modelos HR2310T, HR2610T e HR2611FT

O mandril de mudança rápida para SDS-plus pode ser facilmente mudado pelo mandril de perfuração de mudança rápida.

Retirar o mandril de mudança rápida para SDS-plus (Fig. 4)

⚠ PRECAUÇÃO:

- Antes de retirar o mandril de mudança rápida para SDS-plus, retire sempre a broca.

Agarre na cobertura de mudança do mandril de mudança rápida para SDS-plus e rode-o na direcção da seta até que a linha da cobertura de mudança se desloque do símbolo  para o símbolo . Puxe com força na direcção da seta.

Instalar o mandril de perfuração de mudança rápida (Fig. 5)

Certifique-se de que a linha do mandril de perfuração de mudança rápida indica o símbolo . Agarre na cobertura de mudança do mandril de perfuração de mudança rápida e regule a linha para o símbolo . Coloque o mandril de perfuração de mudança rápida no veio da ferramenta.

Agarre na cobertura de mudança do mandril de perfuração de mudança rápida e rode a linha da cobertura de mudança para o símbolo até ouvir nitidamente um clique.

Seleção do modo de acção (Fig. 6)

Para os modelos HR2300, HR2600 e HR2601

Esta ferramenta possui um botão de mudança do modo de acção. Utilize este botão para seleccionar um dos dois modos apropriados, de acordo com o tipo de trabalho a realizar.

Para usar só rotação, rode o botão de mudança do modo de acção de forma que a seta do mesmo aponte para o símbolo na ferramenta.

Para rotação com martelo, rode o botão de mudança do modo de acção de forma que a seta do mesmo aponte para o símbolo na ferramenta.

⚠️ PRECAUÇÃO:

- Regule sempre o botão correctamente no símbolo do modo desejado. Se funcionar a ferramenta com o botão posicionado no meio, entre dois símbolos, a ferramenta poderá ser danificada.
- Utilize o botão após a ferramenta parar completamente.

Para os modelos HR2310T, HR2610, HR2610T, HR2611F e HR2611FT

Rotação com martelo (Fig. 7)

Para perfuração em cimento, alvenaria, etc., rode o botão de mudança do modo de acção para o símbolo . Utilize uma broca de carboneto de tungsténio.

Só rotação (Fig. 8)

Para perfuração em madeira, metal ou plástico, rode o botão de mudança do modo de acção para o símbolo . Utilize uma broca de torção ou broca de madeira.

Só martelo (Fig. 9)

Para operações de lascas, descasque ou demolição, rode o botão de mudança do modo de acção para o símbolo . Utilize um ponteiro, cinzel para ferreiro, cinzel para descasque, etc.

⚠️ PRECAUÇÃO:

- Não rode o botão de mudança do modo de acção quando a ferramenta está a funcionar com carga. Pode estragar a ferramenta.
- Para evitar o desgaste rápido do mecanismo de mudança de modo, certifique-se de que o botão de mudança do modo de acção está bem colocado numa das três posições do modo de acção.
- Não force o botão de mudança do modo de acção ou não o desloque do modo de símbolo para o modo de símbolo (ou vice-versa) de uma só vez. Pode danificar a ferramenta. Quando rodar o botão do modo de símbolo para o modo de símbolo (ou vice-versa), pare imediatamente no modo de símbolo . E rode o mandril para a direita (olhando do lado do mandril) meia volta ou até dar um estalido. Depois rode o botão para o modo desejado. Se ainda for difícil rodar o botão, volte a rodar o mandril.

Limitador do binário

O limitador do binário actua quando é atingido um certo nível de binário. O motor solta-se do veio exterior. Quando isso acontece, a broca pára de rodar.

⚠️ PRECAUÇÃO:

- Assim que o limitador do binário actua, desligue imediatamente a ferramenta. Isto ajudará a evitar o desgaste prematuro da ferramenta.
- Brocas como serras de orifício não podem ser utilizadas com esta ferramenta, já que elas têm tendência a prender ou a agarrar no orifício. Isto é porque elas fazem com que o limitador do binário actue muito frequentemente.

MONTAGEM

⚠️ PRECAUÇÃO:

- Certifique-se sempre de que a ferramenta esteja desligada e com a ficha retirada da tomada antes de efectuar qualquer trabalho na ferramenta.

Punho lateral (pega auxiliar) (Fig. 10)

⚠️ PRECAUÇÃO:

- Utilize sempre o punho lateral para assegurar uma operação segura.

Instale o punho lateral de modo a que as protuberâncias no punho encaixem nos entalhes no cilindro da ferramenta. Em seguida, aperte o punho rodando para a direita até a posição desejada. Pode ser rodado 360° e preso em qualquer posição.

Lubrificante de brocas

Cubra a ponta da parte do encaixe da broca anteriormente com uma pequena quantidade de lubrificante (cerca de 0,5 – 1 g).

Esta lubrificação do mandril assegura uma acção mais suave e maior duração.

Instalar ou retirar a broca

Limpe o encaixe da broca e aplique lubrificante antes de instalar a broca. (Fig. 11)

Coloque a broca na ferramenta. Rode a broca e empurre-a até que se encaixe. (Fig. 12)

Depois de instalar, certifique-se sempre de que a broca está bem presa no seu lugar tentando tirá-la para fora.

Para retirar a broca, empurre a cobertura do mandril totalmente para baixo e tire a broca. (Fig. 13)

Ângulo da broca (para lascas, descascar ou demolir)

Para os modelos HR2310T, HR2610, HR2610T, HR2611F e HR2611FT

A broca pode ser presa no ângulo desejado. Para mudar o ângulo da broca, rode o botão de mudança do modo de acção para o símbolo O. Rode a broca para o ângulo desejado. (Fig. 14)

Rode o botão de mudança do modo de acção para o símbolo . (Fig. 15)

Em seguida, certifique-se de que a broca está bem presa no seu lugar rodando-a ligeiramente.

Guia de profundidade

A guia de profundidade é conveniente para perfurar orifícios de profundidade uniforme. (Fig. 16)

Pressione o botão de bloqueio na base do punho na direcção da seta mostrada na ilustração e, enquanto pressiona o botão de bloqueio, insira a guia de profundidade no orifício sextavado na base do punho. (Fig. 17)

A guia de profundidade deve ser inserida de forma que o lado dentado fique voltado para o lado dentado da marca do furo hexagonal na base do punho como ilustrado na Fig. 18.

Regule a guia na profundidade desejada movendo-a para a frente e para trás enquanto carrega no botão de bloqueio. Depois de regular, liberte o botão de bloqueio para bloquear a guia de profundidade. (Fig. 19)

NOTA:

- Se não inserir a guia de profundidade com o lado dentado voltado para o lado dentado da marca do furo hexagonal na base do punho como ilustrado na figura, não será possível bloqueá-lo.

Recipiente para o pó (Fig. 20)

Utilize o recipiente para o pó para evitar que o pó caia sobre a ferramenta e em si quando executa perfurações em locais acima da altura da cabeça. Instale o recipiente para o pó à broca como ilustrado na Fig. 20. O tamanho das brocas a que pode instalar o recipiente para o pó é o seguinte:

	Diâmetro da broca
Recipiente para o pó 5	6 mm – 14,5 mm
Recipiente para o pó 9	12 mm – 16 mm

006406

Existe um outro tipo de recipiente para o pó (acessório) que ajuda a prevenir que o pó caia na ferramenta e em você mesmo quando efectuando perfurações acima da altura da cabeça.

Instalar ou retirar o recipiente para o pó

Antes de instalar o recipiente para o pó, retire a broca da ferramenta se estiver instalada. Instale o recipiente para o pó (acessório) na ferramenta de modo a que o símbolo \triangle no recipiente fique alinhado com os entalhes na ferramenta. (Fig. 21)

Para retirar o recipiente para o pó, puxe a cobertura do mandril na direcção mostrada na Fig. 22 e, com a cobertura do mandril puxada, retire a broca da ferramenta.

Em seguida, agarre o acoplamento na base do recipiente para o pó e retire-o. (Fig. 23)

NOTA:

- A tampa do recipiente para o pó pode sair ao instalar ou retirar o recipiente para o pó. Se isso acontecer, prossiga como a seguir. Retire o fole do acoplamento e coloque a tampa do lado mostrado na ilustração, com o lado entalhado voltado para cima para que o entalhe na tampa encaixe no perímetro interior do acoplamento. Por fim, instale o fole que foi retirado. (Fig. 24, 25 e 26)

NOTA:

- Se ligar um aspirador de pó ao martelo, pode realizar operações mais limpas. A tampa do recipiente para o pó deve ser retirada antes de fazer a conexão. (Fig. 27)

OPERAÇÃO

Utilize sempre o punho lateral (pega auxiliar) e segure a ferramenta firmemente pelo punho lateral e pela pega interruptora durante a operação.

Perfuração com martelo (Fig. 28)

Coloque o botão de mudança de modo de acção no símbolo ⏏ .

Coloque a broca na posição desejada para o orifício e carregue no gatilho do interruptor. Não force a ferramenta. Pressão ligeira oferece melhores resultados. Mantenha a ferramenta em posição e evite que deslize para fora do orifício.

Não aplique mais pressão quando o orifício fica bloqueado com aparas ou partículas. Em vez disso, coloque a ferramenta em ponto morto e retire a broca parcialmente do orifício. Repetindo isto várias vezes, o orifício ficará limpo e pode voltar para a perfuração normal.

Coloque o botão de mudança de modo de acção no símbolo ⏏ .

\triangle PRECAUÇÃO:

- Uma força de torção enorme e repentina é exercida na ferramenta/broca na altura em que faz o orifício, quando o orifício fica bloqueado com aparas ou partículas ou quando bate em vãos reforçados no cimento. Utilize sempre o punho lateral (pega auxiliar) e segure a ferramenta firmemente pelo punho lateral e pela pega interruptora durante a operação. Se assim não for, pode resultar em perda de controlo da ferramenta e danos severos.

NOTA:

- Pode ocorrer excentricidade na rotação da broca quando funciona com a ferramenta em vazio. A ferramenta centra-se automaticamente durante a operação. Isto não afecta a precisão da perfuração.

Soprador (acessório opcional) (Fig. 29)

Depois de perfurar o orifício, utilize o soprador para retirar o pó do orifício.

Lascar/Descascar/Demolir

Para os modelos HR2310T, HR2610, HR2610T, HR2611F e HR2611FT

Coloque o botão de mudança de modo de acção no símbolo ⏏ . Agarre na ferramenta firmemente com as duas mãos. Ligue a ferramenta e aplique pressão ligeira na ferramenta de modo a que não salte descontrolada. Pressionar demasiado na ferramenta não aumentará a eficiência. (Fig. 30)

Perfuração em madeira ou metal


Para os modelos HR2300, HR2600, HR2601, HR2610 e HR2611F

Utilize o conjunto de mandril de perfuração opcional. Quando o instala, refira-se a "Instalar ou retirar a broca" na página anterior. (Fig. 31)

Para os modelos HR2310T, HR2610T e HR2611FT

Utilize o mandril de perfuração de mudança rápida como equipamento padrão. Quando o instala, refira-se a "Mudar o mandril de mudança rápida para SDS-plus" na página anterior. (Fig. 32 e 33)

Agarre no anel e rode a manga para a esquerda para abrir as garras do mandril. Coloque a broca no mandril o mais fundo possível. Agarre no anel com firmeza e rode a manga para a direita para apertar o mandril. Para retirar a broca, agarre no anel e rode a manga para a esquerda. (Fig. 34)


Coloque o botão de mudança do modo de ação no símbolo .

Pode perfurar até 13 mm de diâmetro em metal e até 32 mm em madeira.

PRECAUÇÃO:

- Nunca utilize "rotação com martelo" se o mandril de perfuração de mudança rápida estiver instalado na ferramenta. Pode estragar o mandril de perfuração de mudança rápida.
- Além disso, o mandril de perfuração pode saltar quando inverter a direção de rotação da ferramenta.
- Não acelerará a perfuração se exercer demasiada pressão na ferramenta. Se o fizer, poderá danificar a ponta da broca, diminuir o seu rendimento e encurtar o tempo de vida útil da ferramenta.
- No momento de atravessar o orifício, exercer-se-á uma enorme força na ferramenta/broca. Segure a ferramenta com firmeza e tenha cuidado quando a broca começar a atravessar a superfície de trabalho.
- Uma broca presa pode ser retirada colocando-se simplesmente o interruptor de inversão para rotação inversa e fazê-la sair. No entanto, a ferramenta pode saltar para trás de repente se não a agarrar firmemente.
- Prenda sempre peças de trabalho pequenas num torno ou dispositivo de fixação similar.

Perfuração com a coroa de diamante

Quando executa operações de perfuração com a coroa de diamante, coloque sempre a alavanca de mudança na posição  para utilizar o modo "só rotação."

PRECAUÇÃO:

- Se executar operações de perfuração com a coroa de diamante utilizando "rotação com martelo", a broca de coroa de diamante pode estragar-se.

Operação com o recipiente para o pó (acessório) (Fig. 35)

Utilize a ferramenta com o recipiente para o pó contra a superfície do tecto.

NOTA:

- O recipiente para o pó (acessório) é para ser utilizado só para perfurar peças de cerâmica, como betão ou argamassa. Não utilize a ferramenta com o recipiente para o pó quando perfurando metal ou algo semelhante. Utilizar o recipiente para o pó para perfurar metal poderá danificá-lo devido ao calor produzido pelas partículas de metal, etc.
- Esvazie o recipiente para o pó antes de retirar a broca.
- Quando utiliza o recipiente para o pó, certifique-se de que a tampa do mesmo esteja colocada seguramente.

MANUTENÇÃO

PRECAUÇÃO:

- Certifique-se sempre de que a ferramenta esteja desligada e a ficha retirada da tomada antes de fazer uma inspeção ou manutenção.
- Nunca use gasolina, benzina, diluente, álcool ou produtos semelhantes. Pode ocorrer a descoloração, deformação ou rachaduras.

Para manter a SEGURANÇA do produto e FIABILIDADE, reparações, inspeção e substituição das escovas de carvão e qualquer outra manutenção ou regulação devem ser sempre executadas por Serviços de Assistência Autorizados da Makita, utilizando sempre peças de substituição originais Makita.

ACESSÓRIOS OPCIONAIS

PRECAUÇÃO:

- Estes acessórios ou acoplamentos são recomendados para uso na ferramenta Makita especificada neste manual. A utilização de qualquer outro acessório ou acoplamento poderá ser perigosa para o operador. Utilize o acessório ou acoplamento apenas para o fim a que se destina.

Se necessitar de informações adicionais acerca destes acessórios, solicite-as ao seu centro de assistência local da Makita.

- Brocas de carboneto SDS-plus
- Broca de coroa
- Ponteiro
- Broca de coroa de diamante
- Cinzel para ferreiro
- Cinzel para descasque
- Cinzel para ranhuras
- Conjunto do mandril de perfuração
- Mandril de perfuração S13
- Adaptador do mandril
- Chave do mandril S13
- Lubrificante de brocas
- Punho lateral
- Guia de profundidade
- Soprador
- Recipiente para o pó
- Acoplamento para extração de pó
- Óculos de segurança
- Mala de plástico para transporte
- Mandril de berbequim sem chave

NOTA:

- Alguns itens da lista podem estar incluídos na embalagem da ferramenta como acessórios padrão. Eles podem variar de país para país.

ENG905-1

Ruído

A característica do nível de ruído A determinado de acordo com EN60745:

Modelo HR2300, HR2601, HR2611F, HR2611FT

Nível de pressão de som (L_{pA}): 90 dB (A)
Nível de potência de som (L_{WA}): 101 dB (A)
Variabilidade (K): 3 dB (A)

Modelo HR2310T, HR2600, HR2610, HR2610T

Nível de pressão de som (L_{pA}): 91 dB (A)
Nível de potência de som (L_{WA}): 102 dB (A)
Variabilidade (K): 3 dB (A)

Utilize protectores para os ouvidos

Vibração

Valor total da vibração (soma vetorial triaxial) determinado de acordo com EN60745:

Model HR2300, HR2600

Modo de funcionamento: perfuração com martelo em cimento

Emissão de vibração ($a_{h,HD}$): 15,5 m/s²

Variabilidade (K): 1,5 m/s²

Modo de funcionamento: perfuração em metal

Emissão de vibração ($a_{h,D}$): 2,5 m/s²

Variabilidade (K): 1,5 m/s²

Model HR2310T

Modo de funcionamento: perfuração com martelo em cimento

Emissão de vibração ($a_{h,HD}$): 15,5 m/s²

Variabilidade (K): 1,5 m/s²

Modo de funcionamento: função de cinzelamento com o punho lateral

Emissão de vibração ($a_{h,CHeq}$): 10,5 m/s²

Variabilidade (K): 1,5 m/s²

Modo de funcionamento: perfuração em metal

Emissão de vibração ($a_{h,D}$): 2,5 m/s² ou menos

Variabilidade (K): 1,5 m/s²

Model HR2601

Modo de funcionamento: perfuração com martelo em cimento

Emissão de vibração ($a_{h,HD}$): 12,0 m/s²

Variabilidade (K): 1,5 m/s²

Modo de funcionamento: perfuração em metal

Emissão de vibração ($a_{h,D}$): 2,5 m/s² ou menos

Variabilidade (K): 1,5 m/s²

Model HR2610

Modo de funcionamento: perfuração com martelo em cimento

Emissão de vibração ($a_{h,HD}$): 15,5 m/s²

Variabilidade (K): 1,5 m/s²

Modo de funcionamento: função de cinzelamento com o punho lateral

Emissão de vibração ($a_{h,CHeq}$): 9,5 m/s²

Variabilidade (K): 1,5 m/s²

Modo de funcionamento: perfuração em metal

Emissão de vibração ($a_{h,D}$): 2,5 m/s²

Variabilidade (K): 1,5 m/s²

Model HR2610T

Modo de funcionamento: perfuração com martelo em cimento

Emissão de vibração ($a_{h,HD}$): 15,0 m/s²

Variabilidade (K): 1,5 m/s²

Modo de funcionamento: função de cinzelamento com o punho lateral

Emissão de vibração ($a_{h,CHeq}$): 9,5 m/s²

Variabilidade (K): 1,5 m/s²

Modo de funcionamento: perfuração em metal

Emissão de vibração ($a_{h,D}$): 2,5 m/s² ou menos

Variabilidade (K): 1,5 m/s²

Model HR2611F

Modo de funcionamento: perfuração com martelo em cimento

Emissão de vibração ($a_{h,HD}$): 12,0 m/s²

Variabilidade (K): 1,5 m/s²

Modo de funcionamento: função de cinzelamento com o punho lateral

Emissão de vibração ($a_{h,CHeq}$): 9,0 m/s²

Variabilidade (K): 1,5 m/s²

Modo de funcionamento: perfuração em metal

Emissão de vibração ($a_{h,D}$): 2,5 m/s² ou menos

Variabilidade (K): 1,5 m/s²

Model HR2611FT

Modo de funcionamento: perfuração com martelo em cimento

Emissão de vibração ($a_{h,HD}$): 11,5 m/s²

Variabilidade (K): 1,5 m/s²

Modo de funcionamento: função de cinzelamento com o punho lateral

Emissão de vibração ($a_{h,CHeq}$): 8,5 m/s²

Variabilidade (K): 1,5 m/s²

Modo de funcionamento: perfuração em metal

Emissão de vibração ($a_{h,D}$): 2,5 m/s² ou menos

Variabilidade (K): 1,5 m/s²

ENG901-1

- O valor da emissão de vibração indicado foi medido de acordo com o método de teste padrão e pode ser utilizado para comparar duas ferramentas.
- O valor de emissão de vibração indicado pode também ser utilizado na avaliação preliminar da exposição.

⚠️ AVISO:

- A emissão de vibração durante a utilização real da ferramenta eléctrica pode diferir do valor de emissão indicado, dependendo das formas como a ferramenta é utilizada.
- Certifique-se de identificar as medidas de segurança para protecção do operador que sejam baseadas em uma estimativa de exposição em condições reais de utilização (considerando todas as partes do ciclo de operação, tal como quando a ferramenta está desligada e quando está a funcionar em marcha lenta além do tempo de accionamento).

Só para países europeus**Declaração de Conformidade da CE**

Nós, a Makita Corporation, fabricante responsável, declaramos que a(s) seguinte(s) ferramenta(s) Makita:

Designação da ferramenta: Martelo Rotativo
Modelos n.º/ Tipo: HR2300, HR2310T, HR2600, HR2601
são de produção de série e

Em conformidade com as seguintes directivas europeias:

2006/42/EC

E estão fabricados de acordo com as seguintes normas ou documentos normativos:

EN60745

A documentação técnica é mantida pelo:

Makita International Europe Ltd.
Departamento técnico,
Michigan Drive, Tongwell,
Milton Keynes, Bucks MK15 8JD, Inglaterra

13.7.2009



Tomoyasu Kato
Director
Makita Corporation
3-11-8, Sumiyoshi-cho,
Anjo, Aichi, 446-8502, JAPAN

Só para países europeus**Declaração de Conformidade da CE**

Nós, a Makita Corporation, fabricante responsável, declaramos que a(s) seguinte(s) ferramenta(s) Makita:

Designação da ferramenta: Martelo Combinado
Modelos n.º/ Tipo: HR2610, HR2610T, HR2611F,
HR2611FT

são de produção de série e

Em conformidade com as seguintes directivas europeias:

2006/42/EC

E estão fabricados de acordo com as seguintes normas ou documentos normativos:

EN60745

A documentação técnica é mantida pelo:

Makita International Europe Ltd.
Departamento técnico,
Michigan Drive, Tongwell,
Milton Keynes, Bucks MK15 8JD, Inglaterra

13.7.2009



Tomoyasu Kato
Director
Makita Corporation
3-11-8, Sumiyoshi-cho,
Anjo, Aichi, 446-8502, JAPAN

Illustrationsoversigt

1 Afbryder	13 Kun hammerboring	26 Tilbehør på foden af støvopsamleren
2 Låseknop	14 Fremspring	27 Bælg
3 Lampe	15 Riller	28 Tilbehør
4 Omdrejningsvælger	16 Borskraft	29 Indvendig omkreds
5 Hurtigskift-borepatron for SDS-plus	17 Smørelse til bor	30 Fordybet side
6 Skiftedæksellinje	18 Bor	31 Hætte
7 Skiftedæksel	19 Borpatrondæksel	32 Rille
8 Spindel	20 Grebbase	33 Udblæsningskugle
9 Hurtigskift-borepatron	21 Dybdeanslag	34 Borpatron
10 Rotation med hammerboring	22 Tandside på sekskantet hulmarkering på grebbasen	35 Nøgleløs borpatron
11 Kun rotation	23 Tandside på dybdeanslag	36 Manchet
12 Knap til ændring af funktionsmåde	24 Støvopsamler	37 Ring
	25 △ symbol	

SPECIFIKATIONER

Model		HR2300	HR2310T	HR2600	HR2601	HR2610	HR2610T	HR2611F	HR2611FT
Kapacitet	Beton	23 mm		26 mm					
	Kernebor	68 mm		68 mm		68 mm			
	Diamantkernebor (tør type)	70 mm		80 mm		80 mm			
	Stål	13 mm		13 mm		13 mm			
	Træ	32 mm		32 mm		32 mm			
Hastighed uden belastning (min ⁻¹)		0 – 1 200							
Slag i minuttet		0 – 4 600							
Total længde		356 mm	380 mm	361 mm		385 mm	361 mm	385 mm	
Nettovægt		2,7 kg	2,9 kg	2,8 kg	2,9 kg	2,8 kg	2,9 kg	2,9 kg	3,0 kg
Sikkerhedsklasse		II/II							

- På grund af vores kontinuerlige forskningsprogrammer og udvikling, kan hosstående specifikationer blive ændret uden varsel.
- Specifikationer kan variere fra land til land.
- Vægt i henhold til EPTA-Procedure 01/2003

ENE042-1

Tilsigtet anvendelse

Denne maskine er beregnet til hammerboring og boring i mursten, beton og sten. Den er også egnet til boring uden slag i træ, metal, keramik og plastmaterialer.

ENF002-2

Strømforsyning

Maskinen må kun tilsluttes en strømforsyning med samme spænding som angivet på typeskiltet, og kan kun anvendes på enfaset vekselstrømforsyning. Den er dobbeltisoleret og kan derfor også tilsluttes netstik uden jordforbindelse.

GEA010-1

Almindelige sikkerhedsregler for el-værktøj

⚠ ADVARSEL Læs alle sikkerhedsadvarsler og alle instruktioner. Hvis advarselne og instruktionerne ikke overholdes, kan resultatet blive elektrisk stød, brand og/eller alvorlig tilskadekomst.

Gem alle advarsler og instruktioner til fremtidig reference.

GEB007-7

SIKKERHEDADVARSLER FOR BOREHAMMER

1. **Brug altid høreværn.** Udsættelse for støj kan føre til høretab.
2. **Anvend hjælpemåtag, hvis det (de) følger med maskinen.** Tilskadekomst kan blive resultatet, hvis De mister herredømmet over maskinen.
3. **Hold altid maskinen i de isolerede håndtagsflader, når der udføres et arbejde, hvor det skæretilbehøret kan komme i berøring med skjulte ledninger eller dets egen ledning.** Skæretilbehøret, der kommer i berøring med en strømførende ledning, kan bevirke, at udsatte metaldele af maskinen bliver ledende, hvorved operatøren kan få stød.

4. Bær hjelm (sikkerhedshjelm), sikkerhedsbriller og/eller ansigtsskærm. Almindelige briller og solbriller er IKKE det samme som sikkerhedsbriller. Det anbefales ligeledes stærkt, at De anvender en støvmaske og tykke, vatterede gummihandsker.
5. Sørg for, at boret er sat sikkert og korrekt i, før arbejdet påbegyndes.
6. Under normal anvendelse vibrerer værktøjet. Skruerne kan derfor nemt løse sig og være årsag til maskinsammenbrud eller ulykker. Kontroller inden arbejdet, at skruerne er fastspændte.
7. Lad maskinen varme op i et stykke tid i koldt vejr eller hvis den ikke har været brugt i længere tid ved at køre den i tomgang. Dette vil gøre olien smidig. Uden tilstrækkelig opvarmning er hammerboring svær at udføre.
8. Sørg for, at De altid har sikkert fodfæste. Hvis maskinen bruges på et højtbeliggende sted, skal De sikre dem, at der ikke befinder sig nogen personer nedenunder.
9. Hold godt fast i maskinen med begge hænder.
10. Rør aldrig ved roterende dele med hænderne.
11. Læg ikke maskinen fra Dem, mens den kører. Anvend kun maskinen, når den er håndholdt.
12. Ret aldrig maskinen mod personer, når den anvendes. Boret kan slynges ud og forvolde alvorlig personskade.
13. Rør ikke ved maskinen eller dele i nærheden af boret umiddelbart efter brug. Disse dele kan være ekstremt varme og medføre forbrændinger.
14. Visse materialer indeholder kemikalier, som kan være giftige. Vær påpasselig med ikke at indånde støv eller få disse materialer på huden. Følg sikkerhedsforskrifterne fra fabrikanten af materialet.

GEM DISSE FORSKRIFTER.

⚠ ADVARSEL:

Lad IKKE bekvemmelighed eller kendskab til produktet (opnået gennem gentagen brug) forhindre, at sikkerhedsforskrifterne for produktet nøje overholdes. MISBRUG eller forsømmelse af at overholde de i denne brugsanvisning givne sikkerhedsforskrifter kan føre til alvorlig personskade.

FUNKTIONSBESKRIVELSE

⚠ FORSIGTIG:

- Kontroller altid, at maskinen er slået fra og at netstikket er trukket ud, før der udføres justeringer eller kontrolles funktioner på maskinen.

Afbryderfunktion (Fig. 1)

⚠ FORSIGTIG:

- Før De sætter maskinen i forbindelse, skal De altid kontrollere, at afbryderen fungerer korrekt og går tilbage til stilling "OFF", når den slippes.

For at starte maskinen, trykker man ganske enkelt på afbryderen. Maskinens hastighed øges ved at man øger trykket på afbryderen. Slip afbryderen for at stoppe. For kontinuerlig anvendelse trykkes afbryderen ind, hvorefter låseknappen trykkes ind. Derefter slippes afbryderen. For at stoppe maskinen fra den låste position, trykkes afbryderen helt ind, hvorefter den slippes igen.

Tænding af lamperne (Fig. 2)

For modellerne HR2611F, HR2611FT

⚠ FORSIGTIG:

- Se ikke direkte ind i lyset eller lyskilden.

For at tænde for lampen, trykkes afbryderen ind. For at slukke for den, slippes afbryderen.

BEMÆRK:

- Brug en tør klud til at tørre snavs bort fra lampens linse. Vær påpasselig med ikke at ride lampens linse, da dette kan svække belysningen.
- Anvend ikke fortynder eller benzin til at rengøre lampen. Sådanne opløsningsmidler kan beskadige den.

Anvendelse af omdrejningsvælger (Fig. 3)

⚠ FORSIGTIG:

- Kontroller altid omdrejningsretningen, før arbejdet påbegyndes.
- Anvend kun omdrejningsvælgeren, efter at maskinen er helt stoppet. Hvis omdrejningsretningen ændres, før maskinen er helt stoppet, kan maskinen lide skade.
- Hvis afbryderen ikke kan trykkes helt ind, skal det kontrolleres, at omdrejningsvælgeren er sat hele vejen til stilling ◀ (A side) eller ▶ (B side).

Denne maskine har en omdrejningsvælger til ændring af omdrejningsretningen. Flyt omdrejningsvælgeren til ◀ (A side) for omdrejning med uret eller til ▶ (B side) for omdrejning mod uret.

Ændring af hurtigskift-borepatronen for SDS-plus



For modellerne HR2310T, HR2610T, HR2611FT

Hurtigskift-borepatronen for SDS-plus kan nemt udskiftes med hurtigskift-borepatronen.


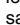
Fjernelse af hurtigskift-borepatronen for SDS-plus (Fig. 4)

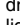
⚠ FORSIGTIG:

- Inden De fjerner hurtigskift-borepatronen for SDS-plus, skal De altid fjerne boret.

Tag fat i skiftedækslet på hurtigskift-borepatronen for SDS-plus og drej den i pilens retning, indtil skiftedækslets linje flytter fra  symbolet til  symbolet. Træk kraftigt i pilens retning.

Påsætning af hurtigskift-borepatronen (Fig. 5)


Tjek at linjen på hurtigskift-borepatronen viser  symbolet. Tag fat i skiftedækslet på hurtigskift-borepatronen og sæt linjen til  symbol.

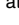
Anbring hurtigskift-borepatronen på maskinens spindel. Tag fat i skiftedækslet på hurtigskift-borepatronen og drej skiftedæksellinjen til  symbolet, indtil et klik tydeligt høres.

Valg af funktionsmåde (Fig. 6)

For modellerne HR2300, HR2600, HR2601

Denne maskine er udstyret med en knap til ændring af funktionsmåden. Vælg den af de to funktioner, som er egnet til Deres arbejde, med denne knap.

For udelukkende rotation drejes knappen således, at pilen på knappen peger mod  symbolet på maskinen.

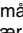
For rotation med hammerboring drejes knappen således, at pilen på knappen peger på  symbolet på maskinen.

FORSIGTIG:

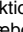
- Sæt altid knappen hele vejen til det ønskede funktions-symbol. Hvis maskinen anvendes med knappen halvvejs mellem funktionssymbolerne, kan maskinen lide skade.
- Anvend først knappen, når maskinen er helt standset.

For modellerne HR2310T, HR2610, HR2610T, HR2611F, HR2611FT

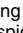
Rotation med hammerboring (Fig. 7)

For boring i beton, murværk etc. drejes knappen til ændring af funktionsmåden til  symbolet. Anvend et bor med hårdmetalskær.

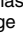
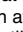


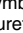
Kun rotation (Fig. 8)

For boring i træ, metal eller plasticmaterialer drejes knappen til ændring af funktionsmåden til  symbolet. Anvend et spiralbor eller et træbor.

Kun hammerboring (Fig. 9)

For mejsling, afskalning eller nedbrydningsarbejde, drejes knappen til ændring af funktionsmåden til  symbolet. Anvend en spidsmejsel, en fladmejsel, en afskalningsmejsel eller lignende.

FORSIGTIG:

- Drej ikke knappen til ændring af funktionsmåden, når maskinen kører under belastning. Dette vil bevirke, at maskinen lider overlast.
- For at undgå slitage af funktionsvælgermekanismen, skal man sørge for, at knappen til ændring af funktionsmåden altid står i en af de tre funktionsmådestillinger.
- Tving ikke knappen til ændring af funktionsmåde eller flyt den ikke fra  symbolfunktion til  symbolfunktion (eller vice versa) på en gang. Dette kan beskadige maskinen. Når knappen flyttes fra  symbolfunktion til  symbolfunktion (eller vice versa), skal den stoppes en gang ved  symbolfunktion. Drej nu patronen en halv omgang med uret (set fra patronensiden), eller indtil den klikker. Drej derefter knappen til den ønskede funktion. Drej patronen igen, hvis det stadig er svært at dreje knappen.

Skridkobling

Skridkoblingen slår til, når et vist omdrejningsmoment nås. Motoren kobles fra drivakslen. Hvis dette sker, vil boret holde op med at dreje.

FORSIGTIG:

- Afbryd straks maskinen, når skridkoblingen slår til. Dette vil forhindre unødigt slid på maskinen.
- Bor som f.eks. hulsave, som har tendens til nemt at sætte sig fast eller klemmes fast, er ikke velegnede til denne maskine. Det skyldes, at de bevirker, at skridkoblingen ofte slår til.

SAMLING

FORSIGTIG:

- Sørg altid for, at maskinen er slukket og netstikket trukket ud, før der foretages noget arbejde på maskinen.

Sidegreb (hjelpegreb) (Fig. 10)

FORSIGTIG:

- Brug altid sidegrebet af hensyn til betjeningsikkerheden.

Monter sidegrebet således, at fremspringene på grebet passer ind i rillerne på maskintromlen. Stram derefter grebet ved at dreje det med uret til den ønskede position.

Sidegrebet kan svinges 360°, så det kan fastgøres i en hvilken som helst position.

Smørelse til bor

Smør borhalsens hoved på forhånd med en smule borsmørelse (omkring 0,5 – 1 g).

Denne borspatronsmørelse sikrer problemfri anvendelse og en længere levetid.

Montering og afmontering af boret

Rengør borskaffet og smør med fedt, inden boret monteres. (Fig. 11)

Sæt boret i maskinen. Drej boret og tryk det ind, til det låses fast. (Fig. 12)


Bekræft efter monteringen, at boret er ordentligt fastgjort ved at prøve at trække det ud.

Boret tages ud ved at man trækker borpartrondækslet hele vejen ned og trækker boret ud. (Fig. 13)

Borvinkel (ved mejsling, afskalning og nedbrydning)

For modellerne HR2310T, HR2610, HR2610T, HR2611F, HR2611FT

Boret kan fastgøres i den ønskede vinkel. Hvis borvinklen ønskes ændret, skal man dreje knappen til ændring af funktionsmåden til O-symbolet. Drej boret til den ønskede vinkel. (Fig. 14)

Drej knappen til ændring af funktionsmåden til  symbolet. (Fig. 15)

Bekræft derefter, at boret sidder ordentligt fast ved at dreje det en smule.

Dybdeanslag

Dybdeanslaget er bekvemt til boring af huller af ens dybde. (Fig. 16)

Tryk låseknappen på grebbasen i pilens retning som vist på illustrationen, og med låseknappen trykket ind sættes dybdeanslaget ind i sekskantede hul i grebbasen. (Fig. 17)

På dette tidspunkt skal dybdeanslaget sættes således ind, at dets tandside dirigeres til tandsiden på det sekskantede huls markering på grebbasen som vist på Fig. 18.

Indstil dybdeanslaget til den ønskede dybde ved at flytte det frem og tilbage, mens De trykker på låseknappen. Slip låseknappen efter justeringen for at låse dybdeanslaget. (Fig. 19)

BEMÆRK:

- Indsætning af dybdeanslaget med dets tandside vendende bort fra tandsiden på sekskanthullets markering på grebbasen som vist på illustrationen tillader ikke at dybdeanslaget låses.

Støvopsamler (Fig. 20)

Anvend støvopsamleren til at forhindre, at støv lægger sig på maskinen og Dem selv, når De udfører boring i højden. Monter støvopsamleren på boret som vist på Fig. 20. Størrelsen af de bor, på hvilke støvopsamleren kan monteres, er som følger.

	Bordiameter
Støvopsamler 5	6 mm – 14,5 mm
Støvopsamler 9	12 mm – 16 mm

006406

Der er en anden type støvsamler (ekstraudstyr), som bidrager til at forhindre, at der lægger sig støv på værktøjet og Dem selv, når De udfører boring i højden.

Montering og afmontering af støvsamler

Inden støvsamleren monteres, skal boret fjernes fra maskinen, hvis det er monteret. Monter støvsamleren (ekstraudstyr) på maskinen, så \triangle symbolet på støvsamleren er på linje med rillerne på maskinen. (Fig. 21)

For at fjerne støvsamleren, skal man trække borpatrondækslet i retningen vist på Fig. 22 og med borpatrondækslet trukket, tages boret ud af maskinen.

Tag derefter fat i tilbehørsdelen ved foden af støvsamleren og tag den ud. (Fig. 23)

BEMÆRK:

- Når støvsamleren monteres eller afmonteres, kan hættten gå af støvsamleren. Fortsæt på dette tidspunkt som følger. Fjern bælgene fra tilbehørsdelene og sæt hættten på fra siden som vist på illustrationen med dens hule side vendende opad, så rillen i hættten passer i tilbehørsdelens indre omkreds. Monter til sidst de bælg, der er blevet fjernet. (Fig. 24, 25 og 26)

BEMÆRK:

- Hvis De slutter en støvsuger til hammeren, kan renere arbejde udføres. Støvhættten skal tages af støvsamleren inden tilslutningen udføres. (Fig. 27)

ANVENDELSE

Anvend altid sidegrebet (hjælpehåndtag) og hold godt fast i maskinen i begge sidegreb og skift håndtag under operationen.

Hammerboring (Fig. 28)

Sæt knappen til ændring af funktionsmåden til ∇ symbolet.

Anbring boret ved det ønskede sted til hullet og tryk derefter afbryderen ind. Pres ikke maskinen. Et let tryk giver det bedste resultat. Hold maskinen i stilling for at forhindre den i at glide bort fra hullet.

Udøv ikke yderligere tryk, når hullet bliver tilstoppet med spåner og partikler. Kør i stedet maskinen i tomgang og fjern derefter boret delvist fra hullet. Ved at gentage dette flere gange, vil hullet blive rensset ud og den normale boring kan genoptages.

Sæt knappen til ændring af funktionsmåden til ∇ symbolet.

\triangle FORSIGTIG:

- Der opstår en kraftig og pludselig vridning af maskinen/boret, når der brydes igennem hullet, når hullet bliver tilstoppet af spåner og partikler eller hvis man rammer forstærkningsstænger inden i betonen. Anvend altid sidegrebet (hjælpehåndtag) og hold godt fast i maskinen i begge sidegreb og skift håndtag under operationen. Forsømmelse af dette kan resultere i at man mister herredømmet over maskinen og at man kan komme alvorligt til skade.

BEMÆRK:

- Excentricitet i boromdrejningen kan forekomme, hvis maskinen anvendes uden belastning. Maskinen centrerer sig selv under anvendelsen. Dette har ingen indflydelse på borepræcisionen.

Udblæsningskugle (ekstraudstyr) (Fig. 29)

Efter ud boring af hullet skal man anvende udblæsningskuglen til at fjerne støvet fra hullet.

Mejsling/afskalning/nedbrydning

For modellerne HR2310T, HR2610, HR2610T, HR2611F, HR2611FT

Sæt knappen til ændring af funktionsmåden til ∇ symbolet. Hold godt fast i maskinen med begge hænder. Tænd for maskinen og udøv et let tryk på maskinen, så den ikke hopper ukontrolleret omkring. Et ekstremt hårdt tryk på maskinen vil ikke øge effektiviteten. (Fig. 30)

Boring i træ eller metal

For modellerne HR2300, HR2600, HR2601, HR2610, HR2611F

Anvend den ekstra borpatron. Når De monterer den, skal De referere til "Montering og afmontering af boret" på foregående side. (Fig. 31)

For modellerne HR2310T, HR2610T, HR2611FT

Anvend hurtigskift-borpatronen som standardudstyr. Når De monterer den, skal De referere til "Ændring af hurtigskift-borpatronen for SDS-plus" på foregående side. (Fig. 32 og 33)

Hold ringen og drej manchetten mod uret for at åbne borpatronkæberne. Anbring boret så langt oppe i borpatronen som det kan komme. Hold fast i ringen og drej manchetten med uret for at stramme borpatronen. Boret fjernes ved at man holder i ringen og drejer manchetten mod uret. (Fig. 34)

Sæt knappen til ændring af funktionsmåden til ∇ symbolet.

Det er muligt at bore op til 13 mm diameter i metal og op til 32 mm diameter i træ.

\triangle FORSIGTIG:

- Anvend aldrig "rotation med hammerboring", når borpatronen er monteret på maskinen. Hurtigskift-borpatronen kan lide skade. Desuden vil borpatronen falde af, når man skifter omdrejningsretning.
- Et for højt tryk på maskinen vil ikke give hurtigere boring. Faktisk vil et for højt tryk kun bevirke, at spidsen af boret lider skade, at maskinydelsen mindskes og at maskinens levetid forkortes.
- Der opstår en kraftig vridning af maskinen/boret, når der brydes igennem hullet. Hold godt fast i maskinen og udvis forsigtighed, når boret begynder at bryde igennem arbejdsemnet.
- Et bor, der sidder fast, kan ganske enkelt fjernes ved at man sætter omdrejningsvælgeren til baglæns rotation for at bakke ud. Dog kan maskinen bakke pludseligt ud, hvis der ikke holdes godt fat i den.
- Fastgør altid små arbejdsemner i en skruestik eller en lignende fastholdelsesanordning.

Boring med diamantkerne

Når der udføres boring med diamantkerne, skal skiftearmen altid sættes til ∇ positionen for at anvende "kun rotation" boring.

\triangle FORSIGTIG:

- Hvis der udføres diamantkerneboring med brug af "rotation med hammerboring", er der risiko for, at diamantkerneboret lider skade.

Anvendelse med brug af støvsamler (ekstraudstyr) (Fig. 35)

Anvend maskinen med støvsamleren mod loftsfladen.

BEMÆRK:

- Støvsamleren (tilbehør) er kun beregnet til at bruges ved boring i keramiske arbejdsemner såsom beton og mørtel. Anvend ikke maskinen med støvsamleren, når der bores i metal eller lignende. Anvendelse af støvsamleren ved boring i metal kan beskadige støvsamleren på grund af den varme, der frembringes af fint metalstøv og lignende.
- Tøm støvsamleren, inden De fjerner et bor.
- Bekræft, når støvsamleren anvendes, at støvsamleren er korrekt moteret på den.

VEDLIGEHOLDELSE**⚠ FORSIGTIG:**

- Kontroller altid, at maskinen er slået fra, og at netledningen er taget ud af stikkontakten, inden De udfører inspektion eller vedligeholdelse.
- Anvend aldrig benzin, rensed benzin, fortynder, alkohol og lignende. Misfarvning, deformation eller revner kan blive resultatet.

For at opretholde produktets SIKKERHED og PÅLIDELIGHED, bør reparation, inspektion og udskiftning af kulbørster samt anden vedligeholdelse og justering kun udføres af et autoriseret Makita service-center med anvendelse af originale Makita-reservedele.

EKSTRAUDSTYR**⚠ FORSIGTIG:**

- De i denne brugsanvisning specificerede tilbehørsdele og anordninger anbefales til brug med din Makita-maskine. Brug af andet tilbehør og andre anordninger kan udgøre en risiko for personskade. Anvend kun tilbehør og anordninger til de beskrevne formål.

Hvis De har brug for assistance eller yderligere detaljer om dette tilbehør, bedes De kontakte Deres lokale Makita servicecenter.

- SDS-Plus bor med hårdmetalskær
- Kernebor
- Spidsmejsel
- Diamantkernebor
- Koldmejsel
- Afskalningsmejsel
- Kanalmejsel
- Borpatronenhed
- Borpatron S13
- Borpatron
- Borpatronnøgle S13
- Smørelse til bor
- Sidegreb
- Dybdeanslag
- Udblæsningskugle
- Støvsamler
- Støvdugsugningsdel
- Sikkerhedsbriller
- Plasticbæretaske
- Nøgleløs borpatron

BEMÆRK:

- Nogle ting på denne liste kan være inkluderet i værktøjspakken som standardtilbehør. Det kan være forskellige fra land til land.

Støj

Det typiske A-vejede støjniveau bestemt i overensstemmelse med EN60745:

Model HR2300, HR2601, HR2611F, HR2611FT
 Lydtryksniveau (L_{pA}): 90 dB (A)
 Lydeffektniveau (L_{WA}): 101 dB (A)
 Usikkerhed (K): 3 dB (A)

Model HR2310T, HR2600, HR2610, HR2610T
 Lydtryksniveau (L_{pA}): 91 dB (A)
 Lydeffektniveau (L_{WA}): 102 dB (A)
 Usikkerhed (K): 3 dB (A)

Brug høreværn

ENG900-1

Vibration

Vibrations totalværdi (tre-aksial vektorværdi) bestemt i overensstemmelse med EN60745:

Model HR2300, HR2600
 Arbejdsindstilling: hammerboring i beton
 Vibrationsemission ($a_{h, HD}$): 15,5 m/s²
 Usikkerhed (K): 1,5 m/s²

Arbejdsindstilling: boring i metal
 Vibrationsemission ($a_{h, D}$): 2,5 m/s²
 Usikkerhed (K): 1,5 m/s²

Model HR2310T
 Arbejdsindstilling: hammerboring i beton
 Vibrationsemission ($a_{h, HD}$): 15,5 m/s²
 Usikkerhed (K): 1,5 m/s²

Arbejdsindstilling: mejslingsfunktion med sidegreb
 Vibrationsemission ($a_{h, CHed}$): 10,5 m/s²
 Usikkerhed (K): 1,5 m/s²

Arbejdsindstilling: boring i metal
 Vibrationsemission ($a_{h, D}$): 2,5 m/s² eller mindre
 Usikkerhed (K): 1,5 m/s²

Model HR2601
 Arbejdsindstilling: hammerboring i beton
 Vibrationsemission ($a_{h, HD}$): 12,0 m/s²
 Usikkerhed (K): 1,5 m/s²

Arbejdsindstilling: boring i metal
 Vibrationsemission ($a_{h, D}$): 2,5 m/s² eller mindre
 Usikkerhed (K): 1,5 m/s²

Model HR2610
 Arbejdsindstilling: hammerboring i beton
 Vibrationsemission ($a_{h, HD}$): 15,5 m/s²
 Usikkerhed (K): 1,5 m/s²

Arbejdsindstilling: mejslingsfunktion med sidegreb
 Vibrationsemission ($a_{h, CHed}$): 9,5 m/s²
 Usikkerhed (K): 1,5 m/s²

Arbejdsindstilling: boring i metal
 Vibrationsemission ($a_{h, D}$): 2,5 m/s²
 Usikkerhed (K): 1,5 m/s²

Model HR2610T

Arbejdsindstilling: hammerboring i beton

Vibrationsemission ($a_{h,HD}$): 15,0 m/s²

Usikkerhed (K): 1,5 m/s²

Arbejdsindstilling: mejslingsfunktion med side-greb

Vibrationsemission ($a_{h,CHed}$): 9,5 m/s²

Usikkerhed (K): 1,5 m/s²

Arbejdsindstilling: boring i metal

Vibrationsemission ($a_{h,D}$): 2,5 m/s² eller mindre

Usikkerhed (K): 1,5 m/s²

Model HR2611F

Arbejdsindstilling: hammerboring i beton

Vibrationsemission ($a_{h,HD}$): 12,0 m/s²

Usikkerhed (K): 1,5 m/s²

Arbejdsindstilling: mejslingsfunktion med side-greb

Vibrationsemission ($a_{h,CHed}$): 9,0 m/s²

Usikkerhed (K): 1,5 m/s²

Arbejdsindstilling: boring i metal

Vibrationsemission ($a_{h,D}$): 2,5 m/s² eller mindre

Usikkerhed (K): 1,5 m/s²

Model HR2611FT

Arbejdsindstilling: hammerboring i beton

Vibrationsemission ($a_{h,HD}$): 11,5 m/s²

Usikkerhed (K): 1,5 m/s²

Arbejdsindstilling: mejslingsfunktion med side-greb

Vibrationsemission ($a_{h,CHed}$): 8,5 m/s²

Usikkerhed (K): 1,5 m/s²

Arbejdsindstilling: boring i metal

Vibrationsemission ($a_{h,D}$): 2,5 m/s² eller mindre

Usikkerhed (K): 1,5 m/s²

ENG901-1

- Den angivne vibrationsemissionsværdi er blevet målt i overensstemmelse med standardtestmetoden og kan anvendes til at sammenligne en maskine med en anden.
- Den angivne vibrationsemissionsværdi kan også anvendes i en preliminær eksponeringsvurdering.

⚠ ADVARSEL:

- Vibrationsemissionen under den faktiske anvendelse af maskinen kan være forskellig fra den erklærede emissionsværdi, afhængigt af den måde, hvorpå maskinen anvendes.
- Sørg for at identificere de sikkerhedsforskrifter til beskyttelse af operatøren, som er baseret på en vurdering af eksponering under de faktiske brugsforhold (med hensyntagen til alle dele i brugscyklen, som f.eks. de gange, hvor maskinen er slukket eller kører i tomgang i tilgift til afbrydertiden).

Kun for lande i Europa**EU-konformitetserklæring**

Vi, Makita Corporation, erklærer, som den ansvarlige fabrikant, at den (de) følgende Makita-maskiner:

Maskinens betegnelse: Borehammer

Modelnr./ Type: HR2300, HR2310T, HR2600, HR2601

er seriefremstillet og

er i overensstemmelse med de følgende EU-direktiver:

2006/42/EC

og er fremstillet i overensstemmelse med de følgende standarder eller standardiserede dokumenter:

EN60745

Den tekniske dokumentation opbevares af:

Makita International Europe Ltd.

Teknisk afdeling,

Michigan Drive, Tongwell,

Milton Keynes, Bucks MK15 8JD, England

13.7.2009



Tomoyasu Kato

Direktør

Makita Corporation

3-11-8, Sumiyoshi-cho,
Anjo, Aichi, 446-8502, JAPAN

Kun for lande i Europa

EU-konformitetserklæring

Vi, Makita Corporation, erklærer, som den ansvarlige fabrikant, at den (de) følgende Makita-maskiner:

Maskinens betegnelse: Kombinationshammer
Modelnr./ Type: HR2610, HR2610T, HR2611F, HR2611FT

er seriefremstillet og

er i overensstemmelse med de følgende EU-direktiver:

2006/42/EC

og er fremstillet i overensstemmelse med de følgende standarder eller standardiserede dokumenter:

EN60745

Den tekniske dokumentation opbevares af:

Makita International Europe Ltd.

Teknisk afdeling,

Michigan Drive, Tongwell,

Milton Keynes, Bucks MK15 8JD, England

13.7.2009



Tomoyasu Kato

Direktør

Makita Corporation

3-11-8, Sumiyoshi-cho,

Anjo, Aichi, 446-8502, JAPAN

Περιγραφή γενικής άποψης

1 Σκανδάλη ενεργοποίησης	13 Κρούση μόνο	26 Εξάρτημα στο κάτω μέρος του καλύμματος σκόνης
2 Κουμπί ασφάλισης	14 Προεξοχές	27 Φυσούνα
3 Λυχνία	15 Αύλακες	28 Εξάρτημα
4 Μοχλός-διακόπτης αντιστροφής	16 Στέλεχος αιχμής	29 Εσωτερική περίμετρος
5 Σφικτήρας ταχείας αλλαγής για SDS-plus	17 Γράσο αιχμών	30 Ανάγλυφη πλευρά
6 Γραμμή καλύμματος αλλαγής	18 Αιχμή	31 Πώμα
7 Κάλυμμα αλλαγής	19 Κάλυμμα σφικτήρα	32 Αύλακα
8 Στροφείο	20 Βάση λαβής	33 Φουσερό
9 Σφικτήρας τρυπανιού ταχείας αλλαγής	21 Ρυθμιστής βάθους	34 Προσαρμογέας σφικτήρα
10 Περιστροφή και κρούση	22 Οδοντωτή πλευρά εξαγωνικής οπής στη βάση της λαβής	35 Σφικτήρας τρυπανιού χωρίς κλειδί
11 Περιστροφή μόνο	23 Οδοντωτή πλευρά ρυθμιστή βάθους	36 Χιτώνιο
12 Κουμπί αλλαγής τρόπου λειτουργίας	24 Κάλυμμα σκόνης	37 Δακτύλιος
	25 Σύμβολο △	

ΤΕΧΝΙΚΑ ΧΑΡΑΚΤΗΡΙΣΤΙΚΑ

Μοντέλο		HR2300	HR2310T	HR2600	HR2601	HR2610	HR2610T	HR2611F	HR2611FT
Ικανότητες	Σκυρόδεμα	23 χιλ.		26 χιλ.					
	Αιχμή πυρήνα	68 χιλ.		68 χιλ.		68 χιλ.			
	Αιχμή αδαμάντινου πυρήνα (Ξηρού τύπου)	70 χιλ.		80 χιλ.		80 χιλ.			
	Χάλυβας	13 χιλ.		13 χιλ.		13 χιλ.			
	Ξύλο	32 χιλ.		32 χιλ.		32 χιλ.			
Ταχύτητα χωρίς φορτίο (ελάχιστο ⁻¹)		0 – 1.200							
Κρούσεις ανά λεπτό		0 – 4.600							
Συνολικό μήκος		356 χιλ.	380 χιλ.	361 χιλ.			385 χιλ.	361 χιλ.	385 χιλ.
Καθαρό βάρος		2,7 kg	2,9 kg	2,8 kg	2,9 kg	2,8 kg	2,9 kg	2,9 kg	3,0 kg
Κατηγορία ασφαλείας		□/II							

- Λόγω του συνεχιζόμενου προγράμματος έρευνας και ανάπτυξης, οι παρούσες προδιαγραφές υπόκεινται σε αλλαγή χωρίς προειδοποίηση.
- Τα τεχνικά χαρακτηριστικά μπορεί να διαφέρουν από χώρα σε χώρα.
- Βάρος σύμφωνα με τη διαδικασία EPTA 01/2003

ENE042-1

Προοριζόμενη χρήση

Το εργαλείο προορίζεται για κρουστική διάτρηση και διάνοιξη οπών σε τούβλο, σκυρόδεμα και πέτρα. Είναι κατάλληλο, επίσης, για μη κρουστική διάτρηση σε ξύλο, μέταλλο, κεραμικό και πλαστικό.

ENF002-2

Ρευματοδότηση

Το μηχάνημα πρέπει να συνδέεται μόνο σε παροχή ρεύματος της ίδιας τάσης με αυτή που αναφέρεται στην πινακίδα κατασκευαστού και μπορεί να λειτουργήσει μόνο με εναλλασσόμενο μονοφασικό ρεύμα. Τα μηχανήματα αυτά έχουν διπλή μόνωση και κατά συνέπεια, μπορούν να συνδεθούν σε ακροδέκτες χωρίς σύρμα γείωσης.

GEA010-1

Γενικές προειδοποιήσεις ασφαλείας για το ηλεκτρικό εργαλείο

⚠ ΠΡΟΕΙΔΟΠΟΙΗΣΗ Διαβάστε όλες τις προειδοποιήσεις ασφαλείας και όλες τις οδηγίες. Η μη τήρηση των προειδοποιήσεων και οδηγιών ενδέχεται να καταλήξει σε ηλεκτροπληξία, πυρκαγιά ή/και σοβαρό τραυματισμό.

Φυλάξτε όλες τις προειδοποιήσεις και τις οδηγίες για μελλοντική παραπομπή.

GEB007-7

ΠΕΡΙΣΤΡΟΦΙΚΟ ΣΦΥΡΙ – ΠΡΟΕΙΔΟΠΟΙΗΣΕΙΣ ΑΣΦΑΛΕΙΑΣ

1. **Να φοράτε προστατευτικά ακοής.** Η έκθεση στο θόρυβο δύναται να προκαλέσει απώλεια ακοής.
2. **Να χρησιμοποιείτε τη/τις βοηθητική(ές) λαβή(ές), εάν παρέχεται(ονται) με το εργαλείο.** Η απώλεια ελέγχου δύναται να προκαλέσει προσωπικό τραυματισμό.

3. Να κρατάτε το ηλεκτρικό εργαλείο μόνον από τις μονωμένες επιφάνειες συγκράτησης, κατά την εκτέλεση εργασιών όπου το παρεκκείμενο κοπή ενδέχεται να έλθει σε επαφή με κρυφές καλωδιώσεις ή το δικό του καλώδιο τροφοδοσίας. Σε περίπτωση επαφής του παρεκκείμενου κοπής με “ηλεκτροφόρο” καλώδιο, ενδέχεται τα εκτεθειμένα μεταλλικά εξαρτήματα του ηλεκτρικού εργαλείου να καταστούν τα ίδια “ηλεκτροφόρα” και να προκαλέσουν ηλεκτροπληξία στο χειριστή.
4. Να φοράτε κράνος, γυαλιά ασφαλείας ή/και προσώπια προστασίας. Τα κοινά γυαλιά όρασης ή ηλιού ΔΕΝ αποτελούν γυαλιά ασφαλείας. Επιπλέον, συνιστάται ιδιαίτερα η χρήση μάσκας προστασίας από τη σκόνη και γάντια με επένδυση μεγάλου πάχους.
5. Βεβαιωθείτε ότι η αιχμή είναι ασφαλισμένη στη θέση της πριν από τη λειτουργία.
6. Υπό κανονικές συνθήκες λειτουργίας, το εργαλείο έχει σχεδιαστεί για την παραγωγή κραδασμών. Οι βίδες ενδέχεται να ξεσφίξουν εύκολα, προκαλώντας βλάβη ή ατύχημα. Ελέγξτε τη σύσφιξη των βιδών με προσοχή, πριν από τη λειτουργία.
7. Σε χαμηλές θερμοκρασίες περιβάλλοντος ή όταν το εργαλείο δεν έχει χρησιμοποιηθεί για μεγάλο χρονικό διάστημα, αφήστε το εργαλείο να προθερμανθεί για κάποιο χρονικό διάστημα αφήνοντάς το σε λειτουργία χωρίς φορτίο. Έτσι, επιτυγχάνεται η ρευστοποίηση του λιπαντικού. Χωρίς κατάλληλη προθέρμανση, η κρουστική λειτουργία δυσχεραίνεται.
8. Να φροντίζετε πάντα για τη διατήρηση καλής ισορροπίας. Βεβαιωθείτε ότι δεν υπάρχει άτομο ακριβώς από κάτω, όταν χρησιμοποιείτε το ηλεκτρικό εργαλείο σε υψηλά σημεία.
9. Κρατήστε το εργαλείο σταθερά με τα δύο χέρια.
10. Μην πλησιάζετε τα χέρια σας στα περιστρεφόμενα εξαρτήματα.
11. Μην αφήνετε το εργαλείο σε λειτουργία. Να χειρίζεστε το εργαλείο μόνον όταν το κρατάτε.
12. Μην στρέψετε το εργαλείο προς την κατεύθυνση οποιουδήποτε παρευρισκόμενου στο χώρο εργασίας. Η αιχμή ενδέχεται να εκτιναχθεί και να προκαλέσει σοβαρό τραυματισμό σε τρίτους.
13. Μην αγγίζετε την αιχμή ή τα εξαρτήματα κοντά στην αιχμή αμέσως μετά από την ολοκλήρωση της εργασίας, ενδέχεται να είναι εξαιρετικά θερμά και να προκαλέσουν έγκαυμα στο δέρμα σας.
14. Ορισμένα υλικά περιέχουν χημικές ουσίες, οι οποίες ενδέχεται να είναι τοξικές. Λάβετε τα απαραίτητα μέτρα προφύλαξης, ώστε να αποτραπεί η εισπνοή σκόνης και η επαφή με το δέρμα. Να τηρείτε τις οδηγίες ασφαλείας του προμηθευτή των υλικών.

ΦΥΛΑΞΤΕ ΑΥΤΕΣ ΤΙΣ ΟΔΗΓΙΕΣ.

⚠️ ΠΡΟΕΙΔΟΠΟΙΗΣΗ:

ΜΗΝ επιτρέψετε το βαθμό άνεσης ή εξοικείωσης με το προϊόν (λόγω επανειλημμένης χρήσης) να αντικαταστήσει την αυστηρή τήρηση των κανόνων ασφαλείας του παρόντος εργαλείου. Η ΚΑΚΗ ΧΡΗΣΗ ή η μη τήρηση των κανόνων ασφαλείας που αναγράφονται στο παρόν χειρίδιο οδηγιών ενδέχεται να προκαλέσει σοβαρό προσωπικό τραυματισμό.

ΠΕΡΙΓΡΑΦΗ ΛΕΙΤΟΥΡΓΙΑΣ

⚠️ ΠΡΟΣΟΧΗ:

- Να φροντίζετε πάντα για την απενεργοποίηση του εργαλείου και την αποσύνδεσή του, πριν από οποιαδήποτε ρύθμιση ή έλεγχο της λειτουργίας του.

Λειτουργία διακόπτη (Εικ. 1)

⚠️ ΠΡΟΣΟΧΗ:

- Πριν από τη σύνδεση του εργαλείου, να ελέγχετε πάντα εάν ο διακόπτης ενεργοποιεί τη συσκευή κανονικά και επιστρέφει στη θέση “OFF” (ανενεργό) όταν απελευθερώνεται.

Για να ενεργοποιήσετε το εργαλείο, απλά τραβήξτε τη σκανδάλη ενεργοποίησης. Η ταχύτητα του εργαλείου αυξάνει εάν αυξήσετε την πίεση στη σκανδάλη ενεργοποίησης. Για διακοπή της λειτουργίας, απελευθερώστε τη σκανδάλη ενεργοποίησης. Για συνεχή λειτουργία, τραβήξτε τη σκανδάλη ενεργοποίησης, πιέστε μέσα το κουμπί ασφάλισης και στη συνέχεια απελευθερώστε τη σκανδάλη ενεργοποίησης. Για να απενεργοποιήσετε το εργαλείο από τη θέση ασφάλισης, τραβήξτε πλήρως τη σκανδάλη ενεργοποίησης, στη συνέχεια απελευθερώστε την.

Άναμμα λυχνιών (Εικ. 2)

Για τα μοντέλα HR2611F, HR2611FT

⚠️ ΠΡΟΣΟΧΗ:

- Μην κοιτάζετε στο φως ή απευθείας στην πηγή του φωτός.

Για να ενεργοποιήσετε τη λυχνία, τραβήξτε τη σκανδάλη. Αφήστε τη σκανδάλη για να την απενεργοποιήσετε.

ΣΗΜΕΙΩΣΗ:

- Να χρησιμοποιείτε στεγνό πανί για να σφουγγίζετε τυχόν ακαθαρσίες από το φακό της λυχνίας. Φροντίστε να μην προκαλέσετε αμυχές στο φακό της λυχνίας, διότι ενδέχεται να μειωθεί ο φωτισμός.
- Μην χρησιμοποιείτε διαλυτικό ή βενζίνη για τον καθαρισμό της λυχνίας. Τα διαλυτικά αυτού του τύπου ενδέχεται να προκαλέσουν ζημία.

Λειτουργία διακόπτη αντιστροφής (Εικ. 3)

⚠️ ΠΡΟΣΟΧΗ:

- Να ελέγχετε πάντα την κατεύθυνση περιστροφής πριν από τη λειτουργία.
- Να χρησιμοποιείτε το διακόπτη αντιστροφής μόνον όταν το εργαλείο έχει ακινητοποιηθεί πλήρως. Τυχόν αλλαγή της κατεύθυνσης περιστροφής πριν από την ακινητοποίηση του εργαλείου ενδέχεται να προκαλέσει ζημία στο εργαλείο.

- Εάν δεν μπορείτε να πιέσετε τη σκανδάλη ενεργοποίησης, ελέγξτε εάν ο διακόπτης αντιστροφής έχει ρυθμιστεί πλήρως στη θέση ◁ (πλευρά Α) ή ▷ (πλευρά Β).

Το συγκεκριμένο εργαλείο διαθέτει διακόπτη αντιστροφής για αλλαγή της κατεύθυνσης περιστροφής. Μετακινήστε το μοχλό-διακόπτη αντιστροφής στη ◁ θέση (πλευρά Α) για δεξιόστροφη περιστροφή ή στη ▷ θέση (πλευρά Β) για αριστερόστροφη περιστροφή.

Αλλαγή σφικτήρα ταχείας αλλαγής για SDS-plus

Για τα μοντέλα HR2310T, HR2610T, HR2611FT

Μπορείτε να αντικαταστήσετε με ευκολία το σφικτήρα ταχείας αλλαγής για SDS-plus με το σφικτήρα τρυπανιού ταχείας αλλαγής.

Αφαίρεση του σφικτήρα ταχείας αλλαγής για το SDS-plus (Εικ. 4)

⚠ ΠΡΟΣΟΧΗ:

- Πριν από την αφαίρεση του σφικτήρα ταχείας αλλαγής για SDS-plus, να αφαιρείτε πάντα την αιχμή.

Κρατήστε το κάλυμμα αλλαγής του σφικτήρα ταχείας αλλαγής για SDS-plus και γυρίστε το προς την κατεύθυνση του βέλους έως ότου η γραμμή του καλύμματος αλλαγής μετακινηθεί από το σύμβολο 🟩 στο σύμβολο 🟩. Τραβήξτε με δύναμη προς την κατεύθυνση του βέλους.

Προσαρμογή του σφικτήρα τρυπανιού ταχείας αλλαγής (Εικ. 5)

Ελέγξτε εάν η γραμμή του σφικτήρα ταχείας αλλαγής τρυπανιού υποδεικνύει το σύμβολο 🟩. Κρατήστε το κάλυμμα αλλαγής του σφικτήρα ταχείας αλλαγής τρυπανιού και ρυθμίστε τη γραμμή στο σύμβολο 🟩.

Τοποθετήστε το σφικτήρα ταχείας αλλαγής τρυπανιού στο στροφέιο του εργαλείου.

Κρατήστε το κάλυμμα αλλαγής του σφικτήρα ταχείας αλλαγής τρυπανιού και ρυθμίστε τη γραμμή του καλύμματος αλλαγής στο σύμβολο 🟩 έως ότου ακουστεί καθαρά ο χαρακτηριστικός ήχος (κλικ).

Επιλογή τρόπου λειτουργίας (Εικ. 6)

Για τα μοντέλα HR2300, HR2600, HR2601

Αυτό το εργαλείο διαθέτει κουμπί αλλαγής τρόπου λειτουργίας. Επιλέξτε έναν από τα δύο τρόπους λειτουργίας που είναι κατάλληλος για τις ανάγκες της εργασίας σας χρησιμοποιώντας αυτό το κουμπί. Για περιστροφή μόνο, γυρίστε το κουμπί ώστε το βέλος πάνω στο κουμπί να υποδεικνύει το σύμβολο 🟩 πάνω στον κορμό του εργαλείου.

Για περιστροφή και κρούση, γυρίστε το κουμπί ώστε το βέλος πάνω στο κουμπί να υποδεικνύει το σύμβολο 🟩 πάνω στον κορμό του εργαλείου.

⚠ ΠΡΟΣΟΧΗ:

- Να ρυθμίζετε πάντα το κουμπί στο σύμβολο επιθυμητής λειτουργίας. Εάν θέσετε το εργαλείο σε λειτουργία ενδωσ το κουμπί βρίσκεται στα μισά μεταξύ των συμβόλων που υποδεικνύουν τον τρόπο λειτουργίας, το εργαλείο ενδέχεται να υποστεί ζημία.
- Να χρησιμοποιείτε το κουμπί μόνον όταν το εργαλείο έχει ακινητοποιηθεί πλήρως.

Για τα μοντέλα HR2310T, HR2610, HR2610T, HR2611F, HR2611FT

Περιστροφή με κρούση (Εικ. 7)

Για διάτρηση σε σκυρόδεμα, τοιχοποιία, κ.λ.π., γυρίστε το κουμπί αλλαγής τρόπου λειτουργίας στο σύμβολο 🟩. Χρησιμοποιήστε αιχμή κατασκευασμένη από καρβίδιο του βολφραμίου.

Περιστροφή μόνο (Εικ. 8)

Για διάτρηση σε ξύλο, μέταλλο ή πλαστικό, γυρίστε το κουμπί αλλαγής τρόπου λειτουργίας στο σύμβολο 🟩. Χρησιμοποιήστε ελικοειδές τρυπάνι ή τρυπάνι ξύλου.

Κρούση μόνο (Εικ. 9)

Για εργασίες κοπιδιάσματος, απομάκρυνσης σκουριάς ή κατεδάφισης, γυρίστε το κουμπί αλλαγής τρόπου λειτουργίας στο σύμβολο 🟩. Χρησιμοποιήστε διατρητική βελόνα, κοπίδι χαρακτών, κοπίδι απομάκρυνσης σκουριάς, κ.λ.π.

⚠ ΠΡΟΣΟΧΗ:

- Μην γυρίζετε το κουμπί αλλαγής του τρόπου λειτουργίας όταν το εργαλείο λειτουργεί υπό φορτίο. Το εργαλείο ενδέχεται να υποστεί ζημία.
- Για να αποφύγετε γρήγορη φθορά του μηχανισμού αλλαγής τρόπου λειτουργίας, φροντίστε ώστε το κουμπί αλλαγής του τρόπου λειτουργίας να βρίσκεται πάντα σε μία από τις τρεις θέσεις του τρόπου λειτουργίας και όχι κάπου ενδιάμεσα.
- Μην ασκείτε δύναμη στο κουμπί αλλαγής τρόπου λειτουργίας και μην του αλλάζετε θέση από τον τρόπο λειτουργίας συμβόλου 🟩 στον τρόπο λειτουργίας συμβόλου 🟩 (ή αντίστροφα) αμέσως. Μπορεί να προκληθεί ζημία στο εργαλείο. Όταν γυρίζετε το κουμπί από τον τρόπο λειτουργίας συμβόλου 🟩 στον τρόπο λειτουργίας συμβόλου 🟩 (ή αντίστροφα), σταματήστε το στον τρόπο λειτουργίας συμβόλου 🟩 μία φορά. Και περιστρέψτε τον σφικτήρα δεξιόστροφα (κοιτάζοντας από την πλευρά του σφικτήρα) κατά μισή στροφή ή μέχρι να ασφαλίσει. Μετά, γυρίστε το κουμπί στον επιθυμητό τρόπο λειτουργίας. Εάν είναι ακόμη δύσκολο να γυρίσετε το κουμπί, περιστρέψτε ξανά τον σφικτήρα.

Περιοριστής ροπής

Ο περιοριστής ροπής ενεργοποιείται όταν παρουσιαστεί υπέρβαρα κάποια συγκεκριμένης ροπής. Ο ηλεκτροκινητήρας αποσυνπλέκεται από τον άξονα εξόδου. Όταν συμβεί αυτό, διακόπτεται η περιστροφή της αιχμής.

⚠ ΠΡΟΣΟΧΗ:

- Μόλις ενεργοποιηθεί ο περιοριστής ροπής, απενεργοποιήστε αμέσως το εργαλείο. Έτσι αποτρέπεται η πρόωρη φθορά του εργαλείου.
- Αιχμές, όπως πριόνια οπών, οι οποίες έχουν την τάση να μαγκώνουν ή να σκαλώνουν με ευκολία στο εσωτερικό της οπής, δεν είναι κατάλληλες για το εργαλείο αυτό. Αυτό οφείλεται στο γεγονός ότι ο περιοριστής ροπής ενεργοποιείται πολύ συχνά.

ΣΥΝΑΡΜΟΛΟΓΗΣΗ

⚠ ΠΡΟΣΟΧΗ:

- Να φροντίζετε πάντα για την απενεργοποίηση του εργαλείου και την αποσύνδεσή του, πριν από την εκτέλεση οποιασδήποτε εργασίας στο εργαλείο.

Πλευρική λαβή (βοηθητική λαβή) (Εικ. 10)

⚠ ΠΡΟΣΟΧΗ:

- Να χρησιμοποιείτε πάντα την πλευρική λαβή, ώστε να διασφαλίζεται η ασφαλής λειτουργία.

Τοποθετήστε την πλευρική λαβή ώστε οι προεξοχές της λαβής να εφαρμόζονται στις αύλακες του κυλίνδρου του εργαλείου. Ακολουθώντας, σφίξτε καλά τη λαβή στην επιθυμητή θέση περιστρέφοντάς την δεξιόστροφα. Μπορείτε να την περιστρέψετε 360° ώστε να είναι εφικτή η ασφάλιση σε οποιαδήποτε θέση.

Γράσο αιχμών

Εφαρμόστε μικρή ποσότητα γράσο αιχμών στην κεφαλή του στελέχους της αιχμής από πριν (0,5 – 1 g περίπου).

Η λίπανση του σφικτήρα διασφαλίζει ομαλή λειτουργία και μεγαλύτερη διάρκεια ζωής.

Τοποθέτηση ή αφαίρεση της αιχμής

Καθαρίστε το στέλεχος της αιχμής και εφαρμόστε γράσο αιχμών πριν από την τοποθέτηση της αιχμής.

(Εικ. 11)

Εισάγετε την αιχμή στο εργαλείο. Γυρίστε την αιχμή και ωθήστε την προς τα μέσα, έως ότου συμπλεχθεί.

(Εικ. 12)

Μετά από την τοποθέτηση, να φροντίζετε πάντα ώστε η αιχμή να είναι ασφαλισμένη κατάλληλα και να βεβαιώνετε για αυτό επιχειρώντας να την τραβήξετε προς τα έξω.

Για να αφαιρέσετε την αιχμή, τραβήξτε το κάλυμμα σφικτήρα πλήρως προς τα κάτω τραβήξτε την αιχμή προς τα έξω. (Εικ. 13)

Γωνία αιχμής (κατά την εκτέλεση εργασιών κοπιδιάσματος, απομάκρυνσης σκουριάς ή κατεδάφισης)

Για τα μοντέλα HR2310T, HR2610, HR2610T, HR2611F, HR2611FT

Μπορείτε να ασφαλίσετε την αιχμή στην επιθυμητή γωνία. Για να αλλάξετε τη γωνία της αιχμής, γυρίστε το κουμπί αλλαγής του τρόπου λειτουργίας στο σύμβολο O. Γυρίστε την αιχμή στην επιθυμητή γωνία. (Εικ. 14)

Γυρίστε το κουμπί αλλαγής του τρόπου λειτουργίας ώστε να υποδεικνύει το σύμβολο ∇ . (Εικ. 15)

Στη συνέχεια φροντίστε ώστε η αιχμή να είναι ασφαλισμένη κατάλληλα, επιχειρώντας να τη γυρίσετε ελαφρά.

Ρυθμιστής βάθους

Ο ρυθμιστής βάθους διευκολύνει τη διάνοιξη οπών ομοιόμορφου βάθους. (Εικ. 16)

Πιέστε το κουμπί ασφάλισης στη βάση της λαβής προς την κατεύθυνση του βέλους όπως υποδεικνύεται στην εικόνα και ταυτόχρονα εισάγετε το ρυθμιστή βάθους μέσα στην εξαγωνική οπή στη βάση της λαβής. (Εικ. 17)

Σε αυτό το σημείο, απαιτείται εισαγωγή του ρυθμιστή βάθους ώστε η οδοντωτή πλευρά του να αντιστοιχεί στην οδοντωτή πλευρά της ένδειξης εξαγωνικής οπής στη βάση της λαβής, όπως υποδεικνύεται στην Εικ. 18.

Ρυθμίστε το ρυθμιστή βάθους στο επιθυμητό βάθος μετακινώντας τον προς-πίσω, ενώ πιέζετε ταυτόχρονα το κουμπί ασφάλισης. Μετά από τη ρύθμιση, ελευθερώστε το κουμπί ασφάλισης ώστε να ασφαλιστεί ο ρυθμιστής βάθους. (Εικ. 19)

ΣΗΜΕΙΩΣΗ:

- Η ασφάλιση του ρυθμιστή βάθους δεν είναι εφικτή, εάν εισάγετε το ρυθμιστή χωρίς να φροντίσετε για την αντιστοίχιση της οδοντωτής πλευράς του με την οδοντωτή πλευρά της ένδειξης εξαγωνικής οπής στη βάση της λαβής, όπως υποδεικνύεται στην εικόνα.

Κάλυμμα σκόνης (Εικ. 20)

Χρησιμοποιήστε το κάλυμμα σκόνης ώστε να αποτρέψετε την πτώση σκόνης πάνω στο εργαλείο και στον εαυτό σας, όταν εκτελείτε εργασίες διάτρησης σε κάποιο σημείο ακριβώς πάνω από το κεφάλι σας. Προσαρμόστε το κάλυμμα σκόνης στην αιχμή, όπως υποδεικνύεται στην Εικ. 20. Ακολουθεί πίνακας μεγεθών αιχμών στις οποίες μπορείτε να προσαρμόσετε το κάλυμμα σκόνης.

	Διάμετρος αιχμής
Κάλυμμα σκόνης 5	6 χιλ. – 14,5 χιλ.
Κάλυμμα σκόνης 9	12 χιλ. – 16 χιλ.

006406

Υπάρχει ένας άλλος τύπος κάλυμμα σκόνης (παρελκόμενο) που σας βοηθά να αποτρέψετε την πτώση σκόνης πάνω στο εργαλείο και στον εαυτό σας, όταν εκτελείτε εργασίες διάτρησης σε κάποιο σημείο ακριβώς πάνω από το κεφάλι σας.

Τοποθέτηση ή αφαίρεση του καλύμματος σκόνης

Πριν από την τοποθέτηση του καλύμματος σκόνης (παρελκόμενο), αφαιρέστε την αιχμή από το εργαλείο, εάν υπάρχει αιχμή τοποθετημένη σε αυτό. Τοποθετήστε το καλύμμα σκόνης στο καλύμμα σκόνης, ώστε να ευθυγραμμίζεται το σύμβολο Δ πάνω στο κύπελλο με τις αύλακες πάνω στο εργαλείο. (Εικ. 21)

Για να αφαιρέσετε το κύπελλο προστασίας από τη σκόνη, τραβήξτε το κάλυμμα σφικτήρα προς την κατεύθυνση που υποδεικνύεται στην Εικ. 22 και τραβήξτε ταυτόχρονα την αιχμή έξω από το εργαλείο.

Στη συνέχεια, κρατήστε το εξάρτημα στο κάτω μέρος του καλύμματος σκόνης και αφαιρέστε το. (Εικ. 23)

ΣΗΜΕΙΩΣΗ:

- Κατά την τοποθέτηση ή αφαίρεση του καλύμματος σκόνης, το πάμα ενδέχεται να αποσπαστεί από το κάλυμμα σκόνης. Στο σημείο αυτό, προχωρήστε ως εξής. Αφαιρέστε τη φυσούνα από το εξάρτημα και τοποθετήστε το πάμα από την πλευρά που απεικονίζεται στην εικόνα με την ανάγλυφη πλευρά του στραμμένη προς τα άνω ώστε η αύλακα του πάματος να εφαρμόζει στην εσωτερική περιμετρο του εξαρτήματος. Τέλος, στερεώστε τη φυσούνα, που έχει αφαιρεθεί. (Εικ. 24, 25 και 26)

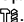
ΣΗΜΕΙΩΣΗ:

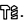
- Εάν συνδέσετε ηλεκτρική σκούπα στο σφυρί, μπορείτε να εκτελέσετε εργασίες καθαρισμού. Απαιτείται αφαίρεση του πάματος σκόνης από το κάλυμμα σκόνης, πριν από τη σύνδεση. (Εικ. 27)

ΛΕΙΤΟΥΡΓΙΑ

Να χρησιμοποιείτε πάντα την πλευρική λαβή (βοηθητική λαβή) και να κρατάτε σταθερά το εργαλείο από την πλευρική λαβή και τη λαβή διακόπτη κατά την εκτέλεση των εργασιών.

Λειτουργία κρουστικής διάτρησης (Εικ. 28)

Γυρίστε το κουμπί αλλαγής του τρόπου λειτουργίας στο σύμβολο .

Τοποθετήστε την αιχμή στο επιθυμητό σημείο για διάνοιξη της οπής, στη συνέχεια τραβήξτε τη σκανδάλη ενεργοποίησης. Μην ασκείτε δύναμη στο εργαλείο. Η μικρή πίεση έχει ως αποτέλεσμα βέλτιστα αποτελέσματα. Κρατήστε το εργαλείο στη θέση του και εμποδίστε το να ξεφύγει από την οπή. Μην ασκείτε μεγαλύτερη πίεση, όταν η οπή παρουσιάζει έμφραξη από θραύσματα ή σωματίδια. Αντί αυτού, θέστε το εργαλείο σε λειτουργία ρελαντί και στη συνέχεια τραβήξτε ελαφρά την αιχμή έξω από την οπή. Εάν επαναλάβετε το ίδιο αρκετές φορές, η οπή ελευθερώνεται από τα θραύσματα και μπορείτε να συνεχίσετε με την εργασία διάνοιξης. Γυρίστε το κουμπί αλλαγής του τρόπου λειτουργίας στο σύμβολο .

ΠΡΟΣΟΧΗ:

- Το εργαλείο/αιχμή υφίσταται ξαφνική και ισχυρή δύναμη περιστροφής τη στιγμή που διέρχεται από την οπή στο άλλο άκρο, όταν η οπή παρουσιάζει έμφραξη με θραύσματα και σωματίδια ή όταν συναντήσει βέργες ενίσχυσης πακτωμένες στο σκυρόδεμα. Να χρησιμοποιείτε πάντα την πλευρική λαβή (βοηθητική λαβή) και να κρατάτε σταθερά το εργαλείο από την πλευρική λαβή και τη λαβή διακόπτη κατά την εκτέλεση των εργασιών. Η μη συμμόρφωση ενδέχεται να έχει ως αποτέλεσμα την απώλεια ελέγχου του εργαλείου και την ενδεχόμενη πρόκληση σοβαρού τραυματισμού.

ΣΗΜΕΙΩΣΗ:

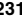
- Ενδέχεται να παρατηρηθεί εκκεντρικότητα στην κίνηση της αιχμής όταν το εργαλείο βρίσκεται σε άεργη λειτουργία. Το εργαλείο κεντράρεται αυτόματα στη διάρκεια της λειτουργίας. Αυτό δεν επηρεάζει την ακρίβεια διάτρησης.

Φυσερό (προαιρετικό παρελκόμενο) (Εικ. 29)

Μετά από τη διάτρηση της οπής, χρησιμοποιήστε το φυσερό για να καθαρίσετε τη σκόνη από το εσωτερικό της οπής.

Κοπίδιασμα/απομάκρυνση σκουριάς/κατεδάφιση

Για τα μοντέλα HR2310T, HR2610, HR2610T, HR2611F, HR2611FT

Ρυθμίστε το κουμπί αλλαγής του τρόπου λειτουργίας στο σύμβολο . Κρατήστε το εργαλείο σταθερά με τα δύο χέρια. Ενεργοποιήστε το εργαλείο και εφαρμόστε ελαφρά πίεση ώστε το εργαλείο να μην αναπηδά τριγύρω, ανεξέλεγκτα. Εάν πιέσετε το εργαλείο με μεγάλη δύναμη, δεν αυξάνεται η αποτελεσματικότητά του. (Εικ. 30)

Διάτρηση σε ξύλο ή μέταλλο


Για τα μοντέλα HR2300, HR2600, HR2601, HR2610, HR2611F

Χρησιμοποιήστε το προαιρετικό συγκρότημα σφικτήρα τρυπανιού. Κατά την τοποθέτησή του, ανατρέξτε στην ενότητα “Τοποθέτηση ή αφαίρεση αιχμής” στην προηγούμενη σελίδα. (Εικ. 31)

Για τα μοντέλα HR2310T, HR2610T, HR2611FT

Να χρησιμοποιείτε το σφικτήρα τρυπανιού ταχείας αλλαγής ως τυπικό εξοπλισμό. Κατά την τοποθέτησή του, ανατρέξτε στην ενότητα “Αλλαγή σφικτήρα ταχείας αλλαγής για SDS-plus” στην προηγούμενη σελίδα. (Εικ. 32 και 33)


Κρατήστε το δακτύλιο και γυρίστε το χιτώνιο αριστερότροφα για να ανοίξετε τις σιαγόνες του σφικτήρα. Τοποθετήστε την αιχμή μέσα στο σφικτήρα μέχρι τέρμα. Κρατήστε σταθερά το δακτύλιο και γυρίστε το χιτώνιο δεξιότροφα για να σφίξετε το σφικτήρα. Για να αφαιρέσετε την αιχμή, κρατήστε το δακτύλιο και γυρίστε το χιτώνιο αριστερότροφα. (Εικ. 34)

Ρυθμίστε το κουμπί αλλαγής του τρόπου λειτουργίας στο σύμβολο . Μπορείτε να διανοίξετε οπές διαμέτρου έως 13 χιλ. σε μέταλλο και έως 32 χιλ. σε ξύλο.

ΠΡΟΣΟΧΗ:

- Μην χρησιμοποιείτε ποτέ την “περιστροφή με κρούση” όταν στο εργαλείο υπάρχει ο σφικτήρας τρυπανιού ταχείας αλλαγής. Ο σφικτήρας τρυπανιού ταχείας αλλαγής ενδέχεται να υποστεί ζημία. Επιπλέον, ο σφικτήρας τρυπανιού αποσπάται κατά την περιστροφή του εργαλείου προς την αντίθετη κατεύθυνση.
- Η υπερβολική πίεση στο εργαλείο δεν επιταχύνει τη διάτρηση. Στην πραγματικότητα, αυτή η υπερβολική πίεση προκαλεί ζημία στο άκρο της αιχμής, μείωση της απόδοσης όπως και της διάρκειας ζωής του εργαλείου.
- Στο εργαλείο/μύτη ασκείται τεράστια δύναμη περιστροφής τη στιγμή που διέρχεται από την οπή. Κρατήστε σταθερά το εργαλείο και προσέξτε ιδιαίτερα τη στιγμή που η αιχμή διέρχεται από το άλλο άκρο της οπής.
- Μπορείτε να αφαιρέσετε μια μπλοκαρισμένη αιχμή με απλή ρύθμιση του διακόπτη αντιστροφής στη θέση αντίστροφης περιστροφής, ώστε η αιχμή να οπισθοχωρήσει. Πάντως, το εργαλείο ενδέχεται να οπισθοχωρήσει έξω από την οπή απότομα, εάν δεν το κρατάτε σταθερά.
- Να ασφαλίσετε πάντα τα μικρά τεμάχια εργασίας σε μέγερνη ή παρόμοια διάταξη συγκράτησης.

Διάτρηση με αδαμάντινο πυρήνα

Κατά την εκτέλεση εργασιών διάτρησης με αδαμάντινο πυρήνα, να ρυθμίζετε πάντα το μοχλό στη θέση  ώστε να επιτυγχάνεται η λειτουργία “περιστροφή μόνο”.

ΠΡΟΣΟΧΗ:

- Κατά την εκτέλεση εργασιών διάτρησης με αδαμάντινο πυρήνα χρησιμοποιώντας τη λειτουργία “περιστροφή και κρούση”, ενδέχεται να προκληθεί ζημία στην αιχμή αδαμάντινου πυρήνα.

Λειτουργία όταν χρησιμοποιείτε το κάλυμμα σκόνης (παρελκόμενο) (Εικ. 35)

Θέστε το εργαλείο σε λειτουργία όταν το κάλυμμα σκόνης εφάπτεται στην επιφάνεια της οροφής.

ΣΗΜΕΙΩΣΗ:

- Το κάλυμμα σκόνης (παρελκόμενο) προορίζεται μόνο για διάτρηση σε τεμάχιο εργασίας από κεραμικό, όπως σκυρόδεμα και κόνιαμα. Μην χρησιμοποιείτε το εργαλείο με το κάλυμμα σκόνης τοποθετημένο, όταν εκτελείτε διάτρηση σε μέταλλο ή παρόμοιο υλικό. Η χρήση του κάλυμμα σκόνης για διάτρηση σε μέταλλο ενδέχεται να προκαλέσει ζημία στο κάλυμμα σκόνης λόγω της παραγόμενης θερμότητας των μικρών ριζισμάτων μετάλλου και άλλων παρόμοιων σωματιδίων.
- Αδειάστε το κάλυμμα σκόνης πριν αφαιρέσετε την αιχμή του τρυπανιού.
- Όταν χρησιμοποιείτε το κάλυμμα σκόνης, φροντίστε ώστε το πώμα σκόνης να είναι στερεωμένο κατάλληλα.

ΣΥΝΤΗΡΗΣΗ

ΠΡΟΣΟΧΗ:

- Να φροντίζετε πάντα για την απενεργοποίηση και αποσύνδεση του εργαλείου πριν επιχειρήσετε οποιοδήποτε έλεγχο ή συντήρηση του εργαλείου.
- Μην χρησιμοποιείτε ποτέ βενζίνη, πετρελαϊκό αιθέρα, διαλυτικό, αλκοόλη ή παρόμοιες ουσίες. Ενδέχεται να προκληθεί αποχρωματισμός, παραμόρφωση ή ρωγμές.

Προς διατήρηση της ΑΣΦΑΛΕΙΑΣ και ΑΞΙΟΠΙΣΤΙΑΣ του προϊόντος, τυχόν επισκευές, έλεγχος και αντικατάσταση των ψηκτρών και οποιαδήποτε άλλη συντήρηση ή ρύθμιση θα πρέπει να εκτελούνται από εξουσιοδοτημένα κέντρα εξυπηρέτησης της Makita, χρησιμοποιώντας πάντα ανταλλακτικά εξαρτήματα της Makita.

ΠΡΟΑΙΡΕΤΙΚΑ ΕΞΑΡΤΗΜΑΤΑ

ΠΡΟΣΟΧΗ:

- Αυτά τα παρελκόμενα ή προσαρτήματα συνιστώνται για χρήση με το εργαλείο της Makita που περιγράφεται στο παρόν εγχειρίδιο. Η χρήση οποιουδήποτε άλλου παρελκόμενου ή προσαρτήματος ενέχει κίνδυνο τραυματισμού ατόμων. Το παρελκόμενο ή προσάρτημα να χρησιμοποιείται μόνο για την προοριζόμενη χρήση του.

Εάν χρειάζεστε βοήθεια όσον αφορά περαιτέρω λεπτομέρειες σχετικά με τα εν λόγω παρελκόμενα, απευθυνθείτε στο τοπικό κέντρο σέρβις της Makita.

- Αιχμές SDS-Plus με επικάλυψη καρβιδίου
- Αιχμή πυρήνα
- Διατρητική βελόνα
- Αιχμή αδαμάντινου πυρήνα
- Κοπίδι χαρακτών
- Κοπίδι απομάκρυνσης σκουριάς
- Κοπίδι δημιουργίας αυλάκων
- Συγκρότημα σφιγκτήρα αυλάκων
- Σφιγκτήρας τρυπανιού S13
- Προσαρμογέας σφιγκτήρα
- Κλειδί σφιγκτήρα S13
- Γράσο αιχμών
- Πλευρική λαβή
- Ρυθμιστής βάθους
- Φουσερό
- Κάλυμμα σκόνης
- Εξάρτημα απαγωγής σκόνης
- Προστατευτικά γυαλιά-προσωπίδες
- Πλαστική θήκη μεταφοράς
- Σφιγκτήρας τρυπανιού χωρίς κλειδί

ΣΗΜΕΙΩΣΗ:

- Μερικά στοιχεία στη λίστα μπορεί να συμπεριλαμβάνονται στη συσκευασία εργαλείου ως στάνταρ εξαρτήματα. Μπορεί να διαφέρουν ανάλογα με τη χώρα.

ENG905-1

Θόρυβος

Η τυπική στάθμη θορύβου σε κλίμακα A προσδιορίζεται σύμφωνα με το πρότυπο EN60745:

Μοντέλο HR2300, HR2601, HR2611F, HR2611FT

Επίπεδο πίεσης θορύβου (L_{pA}): 90 dB (A)

Επίπεδο δύναμης ήχου (L_{WA}): 101 dB (A)

Αβεβαιότητα (K): 3 dB (A)

Μοντέλο HR2310T, HR2600, HR2610, HR2610T

Επίπεδο πίεσης θορύβου (L_{pA}): 91 dB (A)

Επίπεδο δύναμης ήχου (L_{WA}): 102 dB (A)

Αβεβαιότητα (K): 3 dB (A)

Να φοράτε προστατευτικά ακοής

Κραδασμοί

Η συνολική τιμή κραδασμών (άθροισμα διανυσμάτων σε τρεις άξονες) προσδιορίζεται σύμφωνα με το πρότυπο EN60745:

Μοντέλο HR2300, HR2600

Είδος εργασίας: τρυπάνισμα με σφυροκόπημα στο μπετόν
 Εκπομπή δόνησης ($a_{h,HD}$): 15,5 m/s²
 Αβεβαιότητα (K): 1,5 m/s²

Είδος εργασίας: τρυπάνισμα σε μέταλλο
 Εκπομπή δόνησης ($a_{h,D}$): 2,5 m/s²
 Αβεβαιότητα (K): 1,5 m/s²

Μοντέλο HR2310T

Είδος εργασίας: τρυπάνισμα με σφυροκόπημα στο μπετόν
 Εκπομπή δόνησης ($a_{h,HD}$): 15,5 m/s²
 Αβεβαιότητα (K): 1,5 m/s²

Είδος εργασίας: δειτουργία σμίλευσης με πλευρικό πιάσιμο
 Εκπομπή δόνησης ($a_{h,CHeq}$): 10,5 m/s²
 Αβεβαιότητα (K): 1,5 m/s²

Είδος εργασίας: τρυπάνισμα σε μέταλλο
 Εκπομπή δόνησης ($a_{h,D}$): 2,5 m/s² ή λιγότερο
 Αβεβαιότητα (K): 1,5 m/s²

Μοντέλο HR2601

Είδος εργασίας: τρυπάνισμα με σφυροκόπημα στο μπετόν
 Εκπομπή δόνησης ($a_{h,HD}$): 12,0 m/s²
 Αβεβαιότητα (K): 1,5 m/s²

Είδος εργασίας: τρυπάνισμα σε μέταλλο
 Εκπομπή δόνησης ($a_{h,D}$): 2,5 m/s² ή λιγότερο
 Αβεβαιότητα (K): 1,5 m/s²

Μοντέλο HR2610

Είδος εργασίας: τρυπάνισμα με σφυροκόπημα στο μπετόν
 Εκπομπή δόνησης ($a_{h,HD}$): 15,5 m/s²
 Αβεβαιότητα (K): 1,5 m/s²

Είδος εργασίας: δειτουργία σμίλευσης με πλευρικό πιάσιμο
 Εκπομπή δόνησης ($a_{h,CHeq}$): 9,5 m/s²
 Αβεβαιότητα (K): 1,5 m/s²

Είδος εργασίας: τρυπάνισμα σε μέταλλο
 Εκπομπή δόνησης ($a_{h,D}$): 2,5 m/s²
 Αβεβαιότητα (K): 1,5 m/s²

Μοντέλο HR2610T

Είδος εργασίας: τρυπάνισμα με σφυροκόπημα στο μπετόν
 Εκπομπή δόνησης ($a_{h,HD}$): 15,0 m/s²
 Αβεβαιότητα (K): 1,5 m/s²

Είδος εργασίας: δειτουργία σμίλευσης με πλευρικό πιάσιμο
 Εκπομπή δόνησης ($a_{h,CHeq}$): 9,5 m/s²
 Αβεβαιότητα (K): 1,5 m/s²

Είδος εργασίας: τρυπάνισμα σε μέταλλο
 Εκπομπή δόνησης ($a_{h,D}$): 2,5 m/s² ή λιγότερο
 Αβεβαιότητα (K): 1,5 m/s²

Μοντέλο HR2611F

Είδος εργασίας: τρυπάνισμα με σφυροκόπημα στο μπετόν
 Εκπομπή δόνησης ($a_{h,HD}$): 12,0 m/s²
 Αβεβαιότητα (K): 1,5 m/s²

Είδος εργασίας: δειτουργία σμίλευσης με πλευρικό πιάσιμο
 Εκπομπή δόνησης ($a_{h,CHeq}$): 9,0 m/s²
 Αβεβαιότητα (K): 1,5 m/s²

Είδος εργασίας: τρυπάνισμα σε μέταλλο
 Εκπομπή δόνησης ($a_{h,D}$): 2,5 m/s² ή λιγότερο
 Αβεβαιότητα (K): 1,5 m/s²

Μοντέλο HR2611FT

Είδος εργασίας: τρυπάνισμα με σφυροκόπημα στο μπετόν
 Εκπομπή δόνησης ($a_{h,HD}$): 11,5 m/s²
 Αβεβαιότητα (K): 1,5 m/s²

Είδος εργασίας: δειτουργία σμίλευσης με πλευρικό πιάσιμο
 Εκπομπή δόνησης ($a_{h,CHeq}$): 8,5 m/s²
 Αβεβαιότητα (K): 1,5 m/s²

Είδος εργασίας: τρυπάνισμα σε μέταλλο
 Εκπομπή δόνησης ($a_{h,D}$): 2,5 m/s² ή λιγότερο
 Αβεβαιότητα (K): 1,5 m/s²

ENG901-1

- Η δηλωμένη τιμή εκπομπής κραδασμών έχει μετρηθεί σύμφωνα με την πρότυπη μέθοδο δοκιμής και μπορεί να χρησιμοποιηθεί για τη σύγκριση ενός εργαλείου με άλλο.
- Η δηλωμένη τιμή εκπομπής κραδασμών μπορεί να χρησιμοποιηθεί και στην προκαταρκτική αξιολόγηση έκθεσης.

⚠️ ΠΡΟΕΙΔΟΠΟΙΗΣΗ:

- Η εκπομπή κραδασμών κατά τη χρήση του ηλεκτρικού εργαλείου σε πραγματικές συνθήκες ενδέχεται να διαφέρει από τη δηλωμένη τιμή εκπομπής ανάλογα με τον τρόπο χρήσης του εργαλείου.
- Φροντίστε να λάβετε τα κατάλληλα μέτρα προστασίας του χειριστή βάσει υπολογισμού της έκθεσης σε πραγματικές συνθήκες χρήσης (λαμβάνοντας υπόψη όλες τις συνιστώσες του κύκλου λειτουργίας όπως τους χρόνους που το εργαλείο είναι εκτός λειτουργίας και όταν βρίσκεται σε άεργη λειτουργία πέραν του χρόνου ενεργοποίησης).

Για Ευρωπαϊκές χώρες μόνο**Δήλωση Συμμόρφωσης ΕΚ**

Η Makita Corporation, ως υπεύθυνος κατασκευαστής, δηλώνει ότι το/τα ακόλουθο(α) μηχάνημα(τα) της Makita:

Χαρακτηρισμός μηχανήματος: Περιστροφικό σφυρί
Αρ. μοντέλου/ Τύπος: HR2300, HR2310T, HR2600, HR2601

είναι εν σειρά παραγωγή και **συμμορφώνεται με τις ακόλουθες Ευρωπαϊκές Οδηγίες:**

2006/42/EK

και κατασκευάζονται σύμφωνα με τα ακόλουθα πρότυπα ή έγγραφα τυποποίησης:

EN60745

Το τεχνικό πληροφοριακό υλικό διατηρείται από:
Makita International Europe Ltd.
Technical Department (Τεχνικό Τμήμα),
Michigan Drive, Tongwell,
Milton Keynes, Bucks MK15 8JD, England
(Αγγλία)

13.7.2009



Tomoyasu Kato
Διευθυντής
Makita Corporation
3-11-8, Sumiyoshi-cho,
Anjo, Aichi, 446-8502, JAPAN

Για Ευρωπαϊκές χώρες μόνο**Δήλωση Συμμόρφωσης ΕΚ**

Η Makita Corporation, ως υπεύθυνος κατασκευαστής, δηλώνει ότι το/τα ακόλουθο(α) μηχάνημα(τα) της Makita:

Χαρακτηρισμός μηχανήματος: Σφυρί συνδυασμού
Αρ. μοντέλου/ Τύπος: HR2610, HR2610T, HR2611F, HR2611FT

είναι εν σειρά παραγωγή και **συμμορφώνεται με τις ακόλουθες Ευρωπαϊκές Οδηγίες:**

2006/42/EK

και κατασκευάζονται σύμφωνα με τα ακόλουθα πρότυπα ή έγγραφα τυποποίησης:

EN60745

Το τεχνικό πληροφοριακό υλικό διατηρείται από:
Makita International Europe Ltd.
Technical Department (Τεχνικό Τμήμα),
Michigan Drive, Tongwell,
Milton Keynes, Bucks MK15 8JD, England
(Αγγλία)

13.7.2009



Tomoyasu Kato
Διευθυντής
Makita Corporation
3-11-8, Sumiyoshi-cho,
Anjo, Aichi, 446-8502, JAPAN

Makita Corporation
Anjo, Aichi, Japan

884939B990

www.makita.com

IDE