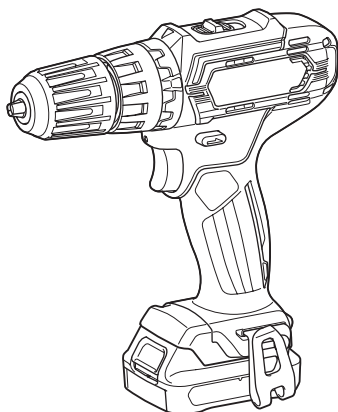
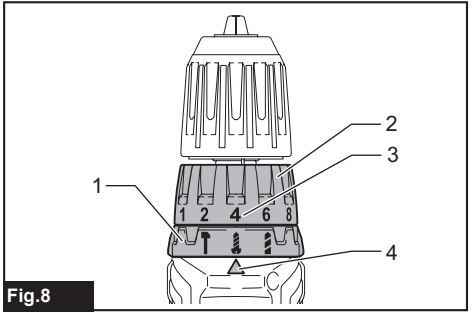
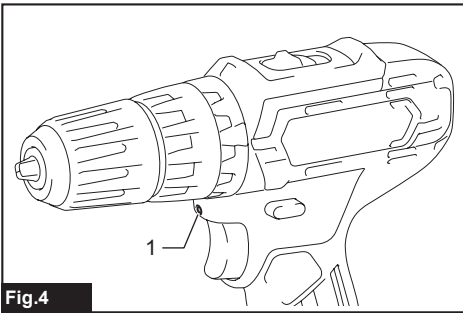
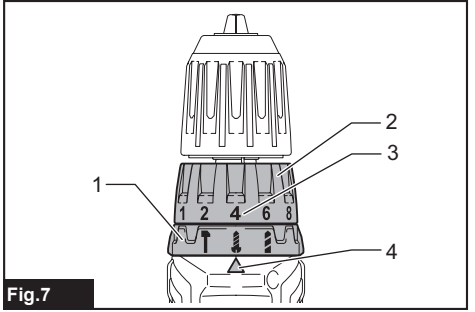
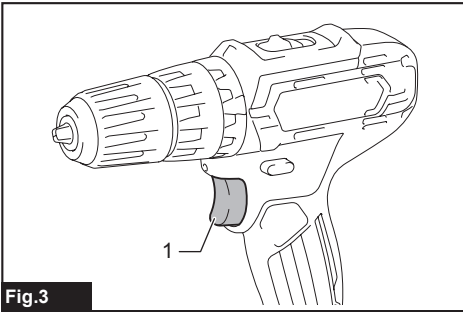
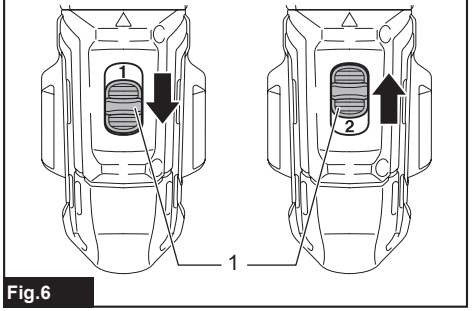
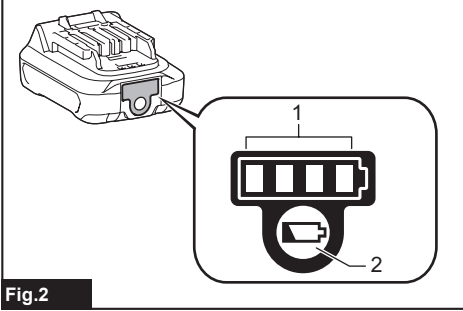
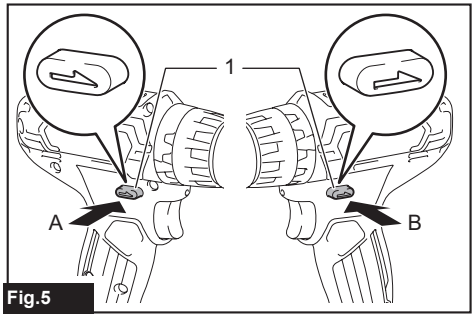
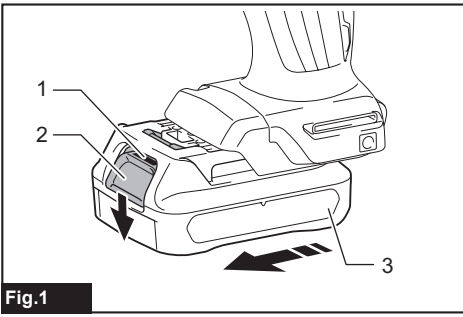


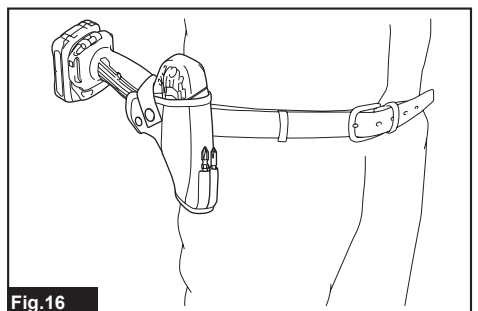
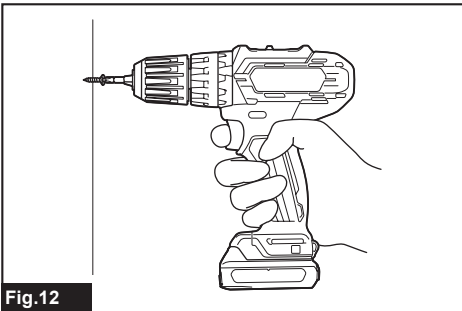
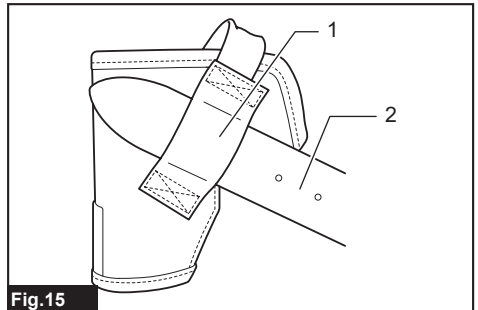
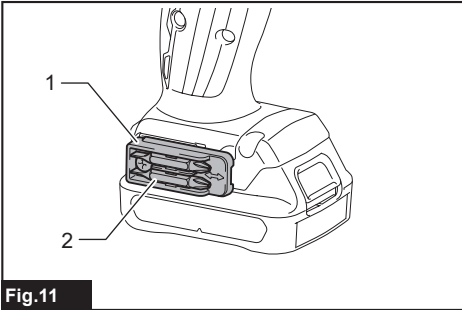
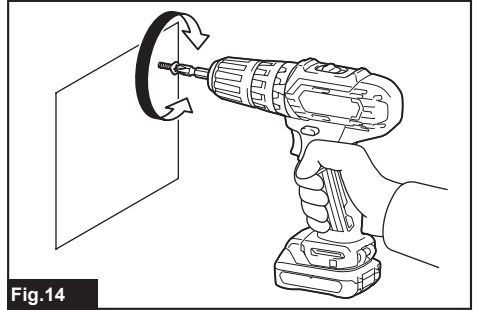
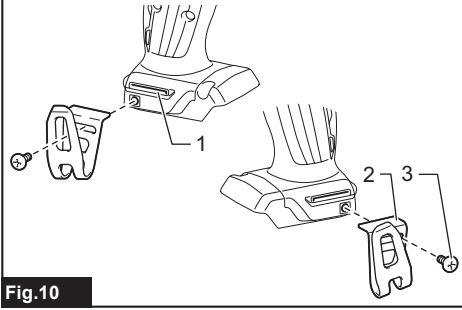
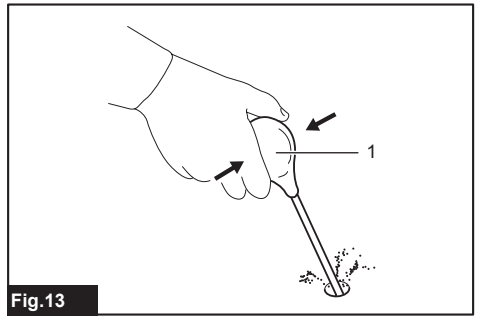
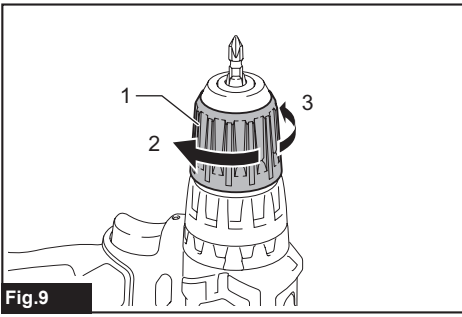


| | | | |
|----|--|---------------------------|----|
| EN | Cordless Hammer Driver Drill | INSTRUCTION MANUAL | 5 |
| PL | Akum. wiertarko-wkrętarca udarowa | INSTRUKCJA OBSŁUGI | 11 |
| HU | Akkumulátoros csavarbehajtó | HASZNÁLATI KÉZIKÖNYV | 18 |
| SK | Akumulátorová pneumatická záražacia vrtáčka | NÁVOD NA OBSLUHU | 25 |
| CS | Akumulátorový příklepový vrtací šroubovák | NÁVOD K OBSLUZE | 31 |
| UK | Бездротовий дріль з ударним приводом | ІНСТРУКЦІЯ З ЕКСПЛУАТАЦІЇ | 37 |
| RO | Mașină de găurit și înșurubat cu acumulatori | MANUAL DE INSTRUCȚIUNI | 44 |
| DE | Akku- Schlagbohrschrauber | BETRIEBSANLEITUNG | 51 |

HP333D







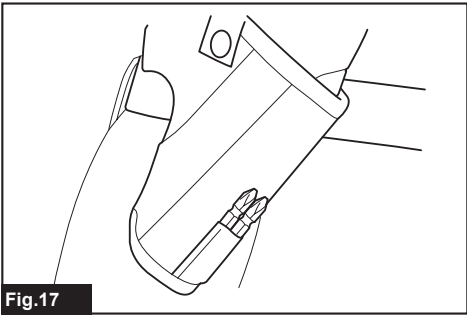


Fig.17

SPECIFICATIONS

| | | |
|----------------------|------------------------|------------------------------|
| Model: | | HP333D |
| Drilling capacities | Masonry | 8 mm |
| | Steel | 10 mm |
| | Wood | 21 mm |
| Fastening capacities | Wood screw | 5.1 mm x 63 mm |
| | Machine screw | M6 |
| No load speed | High (2) | 0 - 1,700 min ⁻¹ |
| | Low (1) | 0 - 450 min ⁻¹ |
| Blows per minute | High (2) | 0 - 25,500 min ⁻¹ |
| | Low (1) | 0 - 6,750 min ⁻¹ |
| Overall length | 193 mm | |
| Rated voltage | D.C. 10.8 V - 12 V max | |
| Net weight | 1.1 - 1.3 kg | |

- Due to our continuing program of research and development, the specifications herein are subject to change without notice.
- Specifications may differ from country to country.
- The weight may differ depending on the attachment(s), including the battery cartridge. The lightest and heaviest combination, according to EPTA-Procedure 01/2014, are shown in the table.

Applicable battery cartridge and charger

| | |
|-------------------|---|
| Battery cartridge | BL1015 / BL1016 / BL1020B / BL1021B / BL1040B / BL1041B |
| Charger | DC10SA / DC10SB / DC10WC / DC10WD / DC18RE |

- Some of the battery cartridges and chargers listed above may not be available depending on your region of residence.

⚠ WARNING: Only use the battery cartridges and chargers listed above. Use of any other battery cartridges and chargers may cause injury and/or fire.

Intended use

The tool is intended for impact drilling in brick, brickwork and masonry. It is also suitable for screw driving and drilling without impact in wood, metal, ceramic and plastic.

Noise

The typical A-weighted noise level determined according to EN60745-2-1:

Sound pressure level (L_{pA}): 82 dB(A)

Sound power level (L_{WA}): 93 dB (A)

Uncertainty (K): 3 dB(A)

⚠ WARNING: Wear ear protection.

Vibration

The vibration total value (tri-axial vector sum) determined according to EN60745-2-1:

Work mode: impact drilling into concrete

Vibration emission ($a_{h,D}$): 13.0 m/s²

Uncertainty (K): 1.5 m/s²

Work mode: drilling into metal

Vibration emission ($a_{h,D}$): 2.5 m/s² or less

Uncertainty (K): 1.5 m/s²

NOTE: The declared vibration emission value has been measured in accordance with the standard test method and may be used for comparing one tool with another.

NOTE: The declared vibration emission value may also be used in a preliminary assessment of exposure.

⚠ WARNING: The vibration emission during actual use of the power tool can differ from the declared emission value depending on the ways in which the tool is used.

⚠ WARNING: Be sure to identify safety measures to protect the operator that are based on an estimation of exposure in the actual conditions of use (taking account of all parts of the operating cycle such as the times when the tool is switched off and when it is running idle in addition to the trigger time).

EC Declaration of Conformity

For European countries only

The EC declaration of conformity is included as Annex A to this instruction manual.

SAFETY WARNINGS

General power tool safety warnings

⚠WARNING: Read all safety warnings, instructions, illustrations and specifications provided with this power tool. Failure to follow all instructions listed below may result in electric shock, fire and/or serious injury.

Save all warnings and instructions for future reference.

The term "power tool" in the warnings refers to your mains-operated (corded) power tool or battery-operated (cordless) power tool.

Cordless hammer driver drill safety warnings

1. **Wear ear protectors when impact drilling.** Exposure to noise can cause hearing loss.
2. **Use auxiliary handle(s), if supplied with the tool.** Loss of control can cause personal injury.
3. **Hold power tool by insulated gripping surfaces, when performing an operation where the cutting accessory may contact hidden wiring.** Cutting accessory contacting a "live" wire may make exposed metal parts of the power tool "live" and could give the operator an electric shock.
4. **Hold power tool by insulated gripping surfaces, when performing an operation where the fastener may contact hidden wiring.** Fasteners contacting a "live" wire may make exposed metal parts of the power tool "live" and could give the operator an electric shock.
5. **Always be sure you have a firm footing. Be sure no one is below when using the tool in high locations.**
6. **Hold the tool firmly.**
7. **Keep hands away from rotating parts.**
8. **Do not leave the tool running. Operate the tool only when hand-held.**
9. **Do not touch the bit or the workpiece immediately after operation; they may be extremely hot and could burn your skin.**
10. **Some material contains chemicals which may be toxic. Take caution to prevent dust inhalation and skin contact. Follow material supplier safety data.**
11. **If the drill bit cannot be loosened even you open the jaws, use pliers to pull it out.** In such a case, pulling out the drill bit by hand may result in injury by its sharp edge.

SAVE THESE INSTRUCTIONS.

⚠WARNING: DO NOT let comfort or familiarity with product (gained from repeated use) replace strict adherence to safety rules for the subject product. MISUSE or failure to follow the safety rules stated in this instruction manual may cause serious personal injury.

Important safety instructions for battery cartridge

1. **Before using battery cartridge, read all instructions and cautionary markings on (1) battery charger, (2) battery, and (3) product using battery.**
2. **Do not disassemble battery cartridge.**
3. **If operating time has become excessively shorter, stop operating immediately. It may result in a risk of overheating, possible burns and even an explosion.**
4. **If electrolyte gets into your eyes, rinse them out with clear water and seek medical attention right away. It may result in loss of your eyesight.**
5. **Do not short the battery cartridge:**
 - (1) **Do not touch the terminals with any conductive material.**
 - (2) **Avoid storing battery cartridge in a container with other metal objects such as nails, coins, etc.**
 - (3) **Do not expose battery cartridge to water or rain.**

A battery short can cause a large current flow, overheating, possible burns and even a breakdown.

6. **Do not store the tool and battery cartridge in locations where the temperature may reach or exceed 50 °C (122 °F).**
7. **Do not incinerate the battery cartridge even if it is severely damaged or is completely worn out. The battery cartridge can explode in a fire.**
8. **Be careful not to drop or strike battery.**
9. **Do not use a damaged battery.**
10. **The contained lithium-ion batteries are subject to the Dangerous Goods Legislation requirements.**

For commercial transports e.g. by third parties, forwarding agents, special requirement on packaging and labeling must be observed. For preparation of the item being shipped, consulting an expert for hazardous material is required. Please also observe possibly more detailed national regulations.

Tape or mask off open contacts and pack up the battery in such a manner that it cannot move around in the packaging.
11. **Follow your local regulations relating to disposal of battery.**
12. **Use the batteries only with the products specified by Makita.** Installing the batteries to non-compliant products may result in a fire, excessive heat, explosion, or leak of electrolyte.

SAVE THESE INSTRUCTIONS.

⚠CAUTION: Only use genuine Makita batteries. Use of non-genuine Makita batteries, or batteries that have been altered, may result in the battery bursting causing fires, personal injury and damage. It will also void the Makita warranty for the Makita tool and charger.

Tips for maintaining maximum battery life

1. Charge the battery cartridge before completely discharged. Always stop tool operation and charge the battery cartridge when you notice less tool power.
2. Never recharge a fully charged battery cartridge. Overcharging shortens the battery service life.
3. Charge the battery cartridge with room temperature at 10 °C - 40 °C (50 °F - 104 °F). Let a hot battery cartridge cool down before charging it.

FUNCTIONAL DESCRIPTION

CAUTION: Always be sure that the tool is switched off and the battery cartridge is removed before adjusting or checking function on the tool.

Installing or removing battery cartridge

CAUTION: Always switch off the tool before installing or removing of the battery cartridge.

CAUTION: Hold the tool and the battery cartridge firmly when installing or removing battery cartridge. Failure to hold the tool and the battery cartridge firmly may cause them to slip off your hands and result in damage to the tool and battery cartridge and a personal injury.

► Fig.1: 1. Red indicator 2. Button 3. Battery cartridge

To remove the battery cartridge, slide it from the tool while sliding the button on the front of the cartridge.

To install the battery cartridge, align the tongue on the battery cartridge with the groove in the housing and slip it into place. Insert it all the way until it locks in place with a little click. If you can see the red indicator on the upper side of the button, it is not locked completely.

CAUTION: Always install the battery cartridge fully until the red indicator cannot be seen. If not, it may accidentally fall out of the tool, causing injury to you or someone around you.

CAUTION: Do not install the battery cartridge forcibly. If the cartridge does not slide in easily, it is not being inserted correctly.

Battery protection system

The tool is equipped with a battery protection system. This system automatically cuts off power to the motor to extend battery life.

The tool will automatically stop during operation if the tool and/or battery are placed under one of the following conditions:

Overloaded:

The tool is operated in a manner that causes it to draw an abnormally high current.

In this situation, turn the tool off and stop the application that caused the tool to become overloaded. Then turn the tool on to restart.

If the tool does not start, the battery is overheated. In this situation, let the battery cool before turning the tool on again.

Low battery voltage:

The remaining battery capacity is too low and the tool will not operate. If you turn the tool on, the motor runs again but stops soon. In this situation, remove and recharge the battery.

Indicating the remaining battery capacity

Only for battery cartridges with the indicator

► Fig.2: 1. Indicator lamps 2. Check button

Press the check button on the battery cartridge to indicate the remaining battery capacity. The indicator lamps light up for a few seconds.

| Indicator lamps | | Remaining capacity |
|-----------------|-----|--------------------|
| Lighted | Off | |
| ■ ■ ■ ■ | | 75% to 100% |
| ■ ■ ■ □ | | 50% to 75% |
| ■ ■ □ □ | | 25% to 50% |
| ■ □ □ □ | | 0% to 25% |

NOTE: Depending on the conditions of use and the ambient temperature, the indication may differ slightly from the actual capacity.

Switch action

► Fig.3: 1. Switch trigger

CAUTION: Before installing the battery cartridge into the tool, always check to see that the switch trigger actuates properly and returns to the "OFF" position when released.

To start the tool, simply pull the switch trigger. Tool speed is increased by increasing pressure on the switch trigger. Release the switch trigger to stop.

Lighting up the front lamp

► Fig.4: 1. Lamp

CAUTION: Do not look in the light or see the source of light directly.

Pull the switch trigger to light up the lamp. The lamp keeps on lighting while the switch trigger is being pulled. The lamp goes out approximately 10 seconds after releasing the switch trigger.

NOTE: Use a dry cloth to wipe the dirt off the lens of the lamp. Be careful not to scratch the lens of lamp, or it may lower the illumination.

Reversing switch action

► Fig.5: 1. Reversing switch lever

CAUTION: Always check the direction of rotation before operation.

CAUTION: Use the reversing switch only after the tool comes to a complete stop. Changing the direction of rotation before the tool stops may damage the tool.

CAUTION: When not operating the tool, always set the reversing switch lever to the neutral position.

This tool has a reversing switch to change the direction of rotation. Depress the reversing switch lever from the A side for clockwise rotation or from the B side for counterclockwise rotation.

When the reversing switch lever is in the neutral position, the switch trigger cannot be pulled.

Speed change

► Fig.6: 1. Speed change lever

CAUTION: Always set the speed change lever fully to the correct position. If you operate the tool with the speed change lever positioned halfway between the "1" side and "2" side, the tool may be damaged.

CAUTION: Do not use the speed change lever while the tool is running. The tool may be damaged.

| Position of speed change lever | Speed | Torque | Applicable operation |
|--------------------------------|-------|--------|-------------------------|
| 1 | Low | High | Heavy loading operation |
| 2 | High | Low | Light loading operation |

Adjusting the fastening torque

► Fig.8: 1. Action mode changing ring 2. Adjusting ring 3. Graduation 4. Arrow

The fastening torque can be adjusted in 20 levels by turning the adjusting ring. Align the graduations with the arrow on the tool body. You can get the minimum fastening torque at 1 and maximum torque at 20.

Before actual operation, drive a trial screw into your material or a piece of duplicate material to determine which torque level is required for a particular application. The following shows the rough guide of the relationship between the screw size and graduation.

| Graduation | | 1 | 2 | 3 | 4 | 5 | 6 | 7 | 8 | 9 | 10 | 11 | 12 | 13 | 14 | 15 | 16 | 17 | 18 | 19 | 20 |
|---------------|------------------------|----|---|---|---|---|---|---|---|----|----|-----------|----|----|----|-----------|----|----|----|----|----|
| Machine screw | | M4 | | | | | | | | M5 | | | | | | M6 | | | | | |
| Wood screw | Soft wood (e.g. pine) | - | | | | | | | | | | φ3.5 x 22 | | | | φ4.1 x 38 | | | | | |
| | Hard wood (e.g. lauan) | - | | | | | | | | | | φ3.5 x 22 | | | | | | - | | | |
| | | - | | | | | | | | | | φ4.1 x 38 | | | | | | | | | |

To change the speed, switch off the tool first. Select the "2" side for high speed or "1" for low speed but high torque. Be sure that the speed change lever is set to the correct position before operation.

If the tool speed is coming down extremely during the operation with "2", slide the lever to the "1" and restart the operation.




Selecting the action mode

CAUTION: Always set the ring correctly to your desired mode mark. If you operate the tool with the ring positioned halfway between the mode marks, the tool may be damaged.

CAUTION: When you change the position from "Drilling mode" to other modes, it may be a little difficulty to slide the action mode changing ring. In this case, switch on and run the tool for a second at the "Drilling mode" position, then stop the tool and slide the ring to your desired position.

► Fig.7: 1. Action mode changing ring 2. Adjusting ring 3. Graduation 4. Arrow

This tool has three action modes.

-  Drilling mode (rotation only)
-  Hammer drilling mode (rotation with hammering)
-  Screwdriving mode (rotation with clutch)

Select one mode suitable for your work. Turn the action mode changing ring and align the mark that you selected with the arrow on the tool body.

ASSEMBLY

⚠ CAUTION: Always be sure that the tool is switched off and the battery cartridge is removed before carrying out any work on the tool.

Installing or removing driver bit/drill bit

Optional accessory

► Fig.9: 1. Sleeve 2. Close 3. Open

Turn the sleeve counterclockwise to open the chuck jaws. Place the driver bit/drill bit in the chuck as far as it will go. Turn the sleeve clockwise to tighten the chuck. To remove the driver bit/drill bit, turn the sleeve counterclockwise.

Installing hook

⚠ CAUTION: When installing the hook, always secure it with the screw firmly. If not, the hook may come off from the tool and result in the personal injury.

► Fig.10: 1. Groove 2. Hook 3. Screw

The hook is convenient for temporarily hanging the tool. This can be installed on either side of the tool. To install the hook, insert it into a groove in the tool housing on either side and then secure it with a screw. To remove, loosen the screw and then take it out.

Installing driver bit holder

Optional accessory

► Fig.11: 1. Driver bit holder 2. Driver bit

Fit the driver bit holder into the protrusion at the tool foot on either right or left side and secure it with a screw. When not using the driver bit, keep it in the driver bit holders. Driver bits 45 mm-long can be kept there.

OPERATION

⚠ CAUTION: Always insert the battery cartridge all the way until it locks in place. If you can see the red indicator on the upper side of the button, it is not locked completely. Insert it fully until the red indicator cannot be seen. If not, it may accidentally fall out of the tool, causing injury to you or someone around you.

⚠ CAUTION: When the speed comes down extremely, reduce the load or stop the tool to avoid the tool damage.


Hold the tool firmly with one hand on the grip and the other hand on the bottom of the battery cartridge to control the twisting action.

► Fig.12

Screwdriving operation

⚠ CAUTION: Adjust the adjusting ring to the proper torque level for your work.


⚠ CAUTION: Make sure that the driver bit is inserted straight in the screw head, or the screw and/or driver bit may be damaged.

First, turn the action mode changing ring so that the arrow on the tool body points to the  marking. Place the point of the driver bit in the screw head and apply pressure to the tool. Start the tool slowly and then increase the speed gradually. Release the switch trigger as soon as the clutch cuts in.

NOTE: When driving wood screw, pre-drill a pilot hole 2/3 the diameter of the screw. It makes driving easier and prevents splitting of the workpiece.

Hammer drilling operation

⚠ CAUTION: There is a tremendous and sudden twisting force exerted on the tool/drill bit at the time of hole breakthrough, when the hole becomes clogged with chips and particles, or when striking reinforcing rods embedded in the concrete.

First, turn the action mode changing ring so that the arrow on the tool body points to the  marking. The adjusting ring can be aligned in any torque levels for this operation. Be sure to use a tungsten-carbide tipped drill bit. Position the drill bit at the desired location for the hole, then pull the switch trigger. Do not force the tool. Light pressure gives best results. Keep the tool in position and prevent it from slipping away from the hole. Do not apply more pressure when the hole becomes clogged with chips or particles. Instead, run the tool at an idle, then remove the drill bit partially from the hole. By repeating this several times, the hole will be cleaned out and normal drilling may be resumed.


Blow-out bulb

Optional accessory

► Fig.13: 1. Blow-out bulb

After drilling the hole, use the blow-out bulb to clean the dust out of the hole.

Drilling operation

First, turn the adjusting ring so that the arrow points to the  marking. Then proceed as follows.

Drilling in wood

When drilling in wood, the best results are obtained with wood drills equipped with a guide screw. The guide screw makes drilling easier by pulling the drill bit into the workpiece.

Drilling in metal

To prevent the drill bit from slipping when starting a hole, make an indentation with a center-punch and hammer at the point to be drilled. Place the point of the drill bit in the indentation and start drilling. Use a cutting lubricant when drilling metals. The exceptions are iron and brass which should be drilled dry.

⚠ CAUTION: Pressing excessively on the tool will not speed up the drilling. In fact, this excessive pressure will only serve to damage the tip of your drill bit, decrease the tool performance and shorten the service life of the tool.

⚠ CAUTION: Hold the tool firmly and exert care when the drill bit begins to break through the workpiece. There is a tremendous force exerted on the tool/drill bit at the time of hole break through.

⚠ CAUTION: A stuck drill bit can be removed simply by setting the reversing switch to reverse rotation in order to back out. However, the tool may back out abruptly if you do not hold it firmly.

⚠ CAUTION: Always secure workpieces in a vise or similar hold-down device.


⚠ CAUTION: If the tool is operated continuously until the battery cartridge has discharged, allow the tool to rest for 15 minutes before proceeding with a fresh battery.

Using the tool as a hand screwdriver

► Fig.14

Switch off the tool.

Move the reversing switch lever to the neutral position.

Turn the action mode changing ring so that the arrow points to the  marking.

Turn the tool.

NOTE: This use is convenient for checking the screwdriving.

NOTE: Do not use the tool for work requiring excessive force, such as tightening bolt or removing rusted screws.

Using holster

Optional accessory

⚠ CAUTION: When using the holster, remove a driver bit/drill bit from the tool.

⚠ CAUTION: Turn off the tool and wait until it comes to a complete stop before placing it in the holster.

Be sure to close the holster securely with the holster button so that it holds the tool firmly.

1. Thread a waist belt or similar through holster holder.

► Fig.15: 1. Holster holder 2. Waist belt

2. Put the tool in the holster and lock it with the holster button.

► Fig.16

► Fig.17

You can keep two driver bits at the front of the holster.

MAINTENANCE

⚠ CAUTION: Always be sure that the tool is switched off and the battery cartridge is removed before attempting to perform inspection or maintenance.

NOTICE: Never use gasoline, benzine, thinner, alcohol or the like. Discoloration, deformation or cracks may result.

To maintain product SAFETY and RELIABILITY, repairs, any other maintenance or adjustment should be performed by Makita Authorized or Factory Service Centers, always using Makita replacement parts.

OPTIONAL ACCESSORIES

⚠ CAUTION: These accessories or attachments are recommended for use with your Makita tool specified in this manual. The use of any other accessories or attachments might present a risk of injury to persons. Only use accessory or attachment for its stated purpose.

If you need any assistance for more details regarding these accessories, ask your local Makita Service Center.

- Drill bits
- Driver bits
- Socket bits
- Tungsten-carbide tipped drill bit
- Blow-out bulb
- Driver bit holder
- Hook
- Holster
- Makita genuine battery and charger

NOTE: Some items in the list may be included in the tool package as standard accessories. They may differ from country to country.

DANE TECHNICZNE

| | | |
|--------------------------|-----------------|----------------------------------|
| Model: | | HP333D |
| Zakresy wiercenia | Mury | 8 mm |
| | Stal | 10 mm |
| | Drewno | 21 mm |
| Zakresy dokręcania | Wkręt do drewna | 5,1 mm x 63 mm |
| | Wkręt maszynowy | M6 |
| Prędkość bez obciążenia | Wysoka (2) | 0 – 1 700 min ⁻¹ |
| | Niska (1) | 0 – 450 min ⁻¹ |
| Liczba uderzeń na minutę | Wysoka (2) | 0 – 25 500 min ⁻¹ |
| | Niska (1) | 0 – 6 750 min ⁻¹ |
| Długość całkowita | | 193 mm |
| Napięcie znamionowe | | Napięcie stałe 10,8 – 12 V maks. |
| Masa netto | | 1,1 – 1,3 kg |

- W związku ze stale prowadzonym przez naszą firmę programem badawczo-rozwojowym niniejsze dane mogą ulec zmianom bez wcześniejszego powiadomienia.
- Dane techniczne mogą różnić się w zależności od kraju.
- Masa może być różna w zależności od osprzętu, w tym akumulatora. W tabeli przedstawiona jest najlżejsza i najcięższa konfiguracja, zgodnie z procedurą EPTA 01/2014.

Kompatybilne akumulatory i ładowarki

| | |
|------------|---|
| Akumulator | BL1015 / BL1016 / BL1020B / BL1021B / BL1040B / BL1041B |
| Ładowarka | DC10SA / DC10SB / DC10WC / DC10WD / DC18RE |

- Pewne z wymienionych powyżej akumulatorów i ładowarek mogą być niedostępne w regionie zamieszkania użytkownika.

⚠ OSTRZEŻENIE: Należy używać wyłącznie akumulatorów i ładowarek wymienionych powyżej. Używanie innych akumulatorów i ładowarek może stwarzać ryzyko wystąpienia obrażeń ciała lub pożaru.

Przeznaczenie

Narzędzie jest przeznaczone do wiercenia uderowego w cegle i elementach murowanych. Nadaje się też do wkręcania wkrętów oraz wiercenia bez udaru w drewnie, metalu, materiałach ceramicznych i tworzywach sztucznych.

Hałas

Typowy równoważny poziom dźwięku A określony w oparciu o normę EN60745-2-1:

Poziom ciśnienia akustycznego (L_{pA}): 82 dB(A)

Poziom mocy akustycznej (L_{WA}): 93 dB (A)

Niepewność (K): 3 dB(A)

⚠ OSTRZEŻENIE: Nosić ochronniki słuchu.

Drgania

Całkowita wartość poziomu drgań (suma wektorów w 3 osiach) określona zgodnie z normą EN60745-2-1:

Tryb pracy: wiercenie uderowe w betonie

Emisja drgań ($a_{h,10}$): 13,0 m/s²

Niepewność (K): 1,5 m/s²

Tryb pracy: wiercenie w metalu

Emisja drgań ($a_{h,D}$): 2,5 m/s² lub mniej

Niepewność (K): 1,5 m/s²

WSKAZÓWKĄ: Deklarowana wartość wytwarzanych drgań została zmierzona zgodnie ze standardową metodą testową i można ją wykorzystać do porównywania narzędzi.

WSKAZÓWKĄ: Deklarowaną wartość wytwarzanych drgań można także wykorzystać we wstępnej ocenie narażenia.

⚠ OSTRZEŻENIE: Drgania wytwarzane podczas rzeczywistego użytkowania elektronarzędzia mogą się różnić od wartości deklarowanej, w zależności od sposobu jego użytkowania.

⚠ OSTRZEŻENIE: W oparciu o szacowane narażenie w rzeczywistych warunkach użytkowania należy określić środki bezpieczeństwa w celu ochrony operatora (uwzględniając wszystkie elementy cyklu działania, tj. czas, kiedy narzędzie jest wyłączone i kiedy pracuje na biegu jałowym, a także czas, kiedy jest włączone).

Deklaracja zgodności WE

Dotyczy tylko krajów europejskich

Deklaracja zgodności WE jest dołączona jako załącznik A do niniejszej instrukcji obsługi.

OSTRZEŻENIA DOTYCZĄCE BEZPIECZEŃSTWA

Ogólne zasady bezpiecznej eksploatacji elektronarzędzi

⚠️ OSTRZEŻENIE: Należy zapoznać się z ostrzeżeniami dotyczącymi bezpieczeństwa, instrukcjami, ilustracjami i danymi technicznymi dołączonymi do tego elektronarzędzia. Niezastosowanie się do podanych poniżej instrukcji może prowadzić do porażenia prądem, pożaru i/lub poważnych obrażeń ciała.

Wszystkie ostrzeżenia i instrukcje należy zachować do wykorzystania w przyszłości.

Pojęcie „elektonarzędzie”, występujące w wymienionych tu ostrzeżeniach, odnosi się do elektronarzędzia zasilanego z sieci elektrycznej (z przewodem zasilającym) lub do elektronarzędzia akumulatorowego (bez przewodu zasilającego).

Ostrzeżenia dotyczące bezpieczeństwa dla akumulatorowej wiertarki-wkrętarki udarowej

1. Podczas wiercenia udarowego należy nosić ochronniki słuchu. Hałas może spowodować utratę słuchu.
2. Używać narzędzia z uchwytami pomocniczymi, jeśli zostały dostarczone wraz z nim. Utrata kontroli może spowodować obrażenia ciała.
3. Trzymać elektronarzędzie za izolowane powierzchnie rękojeści podczas wykonywania prac, przy których wiertło może dotknąć niewidocznej instalacji elektrycznej. Zetknięcie wiertła z przewodem elektrycznym znajdującym się pod napięciem może spowodować, że odsonięte elementy metalowe elektronarzędzia również znajdą się pod napięciem, grożąc porażeniem operatorem prądem elektrycznym.
4. Trzymać elektronarzędzie za izolowane powierzchnie rękojeści podczas wykonywania prac, przy których wkręcany wkręt lub śruba mogą dotknąć niewidocznej instalacji elektrycznej. Zetknięcie wkrętu lub śruby z przewodem elektrycznym znajdującym się pod napięciem spowoduje, że odsonięte elementy metalowe narzędzia również znajdą się pod napięciem, grożąc porażeniem operatorem prądem elektrycznym.

5. Podczas pracy należy zadbać o dobre oparcie dla nóg. W przypadku pracy na pewnej wysokości upewnić się, że na dole nie przebywają żadne osoby.
6. Narzędzie należy trzymać mocno i pewnie.
7. Trzymać ręce z dala od części obrotowych.
8. Nie pozostawiać włączanego narzędzia. Narzędzie można uruchomić tylko, gdy jest trzymane w rękach.
9. Nie dotykać wiertła ani części obrabianej od razu po zakończeniu danej operacji; mogą one być bardzo gorące i spowodować oparzenie skóry.
10. Niektóre materiały zawierają substancje chemiczne, które mogą być toksyczne. Unikać wdychania pyłu i kontaktu ze skórą. Przestrzegać przepisów bezpieczeństwa podanych przez dostawcę materiałów.
11. Jeśli wiertło nie chce się poluzować po otwarciu szczęk, należy wyjąć je kombinerkami. Wyciąganie wiertła ręką w takim przypadku może spowodować skaleczenie z powodu ostrych krawędzi.

ZACHOWAĆ NINIEJSZE INSTRUKCJE.

⚠️ OSTRZEŻENIE: NIE WOLNO pozwolić, aby wygoda lub rutyna (nabyta w wyniku wielokrotnego używania urządzenia) zastąpiły ścisłe przestrzeganie zasad bezpieczeństwa obsługi. NIEWŁAŚCIWE UŻYTKOWANIE narzędzia lub niestosowanie się do zasad bezpieczeństwa podanych w niniejszej instrukcji obsługi może prowadzić do poważnych obrażeń ciała.

Ważne zasady bezpieczeństwa dotyczące akumulatora

1. Przed użyciem akumulatora zapoznać się ze wszystkimi instrukcjami i znakami ostrzegawczymi na (1) ładowarce, (2) akumulatorze i (3) produkcie, w którym będzie używany akumulator.
2. Akumulatora nie wolno rozbierać.
3. Jeśli czas działania uległ znacznemu skróceniu, należy natychmiast przerwać pracę. Może bowiem dojść do przegrzania, ewentualnych poparzeń, a nawet eksplozji.
4. W przypadku przedostania się elektrolitu do oczu, przemyć je czystą wodą i niezwłocznie uzyskać pomoc lekarską. Może on bowiem spowodować utratę wzroku.
5. Nie doprowadzać do zwarcia akumulatora:
 - (1) Nie dotykać styków materiałami przewodzącymi prąd.
 - (2) Unikać przechowywania akumulatora w pojemniku z metalowymi przedmiotami, takimi jak gwoździe, monety itp.
 - (3) Chronić akumulator przed deszczem lub wodą.Zwarcie prowadzi do przepływu prądu elektrycznego o dużym natężeniu i przegrzania akumulatora, co w konsekwencji może grozić poparzeniami a nawet awarią urządzenia.

6. Narzędzia i akumulatora nie wolno przechowywać w miejscach, w których temperatura osiąga bądź przekracza 50°C (122°F).
7. Akumulatorów nie wolno spalać, również tych poważnie uszkodzonych lub całkowicie zużytych. Akumulator może eksplodować w ogniu.
8. Chronić akumulator przed upadkiem i uderzeniami.
9. Nie wolno używać uszkodzonego akumulatora.
10. Stanowiące wyposażenie akumulatory litowo-jonowe podlegają przepisom dotyczącym produktów niebezpiecznych.
Na potrzeby transportu komercyjnego, np. świadczony przez firmy trzecie czy spedycyjne, należy przestrzegać specjalnych wymagań w zakresie pakowania i oznaczania etykietami. Przygotowanie produktu do wysyłki wymaga skonsultowania się ze specjalistą ds. materiałów niebezpiecznych. Należy także przestrzegać przepisów krajowych, które mogą być bardziej szczegółowe.
Zakleić taśmą lub zaślepić otwarte styki akumulatora oraz zabezpieczyć go, aby nie mógł się przesuwać w opakowaniu.
11. Postępować zgodnie z przepisami lokalnymi dotyczącymi usuwania akumulatorów.
12. Używać akumulatorów tylko z produktami określonymi przez firmę Makita. Zastosowanie akumulatorów w niezgodnych produktach może spowodować pożar, przegrzanie, wybuch lub wyciek elektrolitu.

ZACHOWAĆ NINIEJSZE INSTRUKCJE.

⚠ PRZESTROGA: Używać wyłącznie oryginalnych akumulatorów firmy Makita. Używanie nieoryginalnych akumulatorów firm innych niż Makita lub akumulatorów, które zostały zmodyfikowane, może spowodować wybuch akumulatora i pożar, obrażenia ciała oraz zniszczenie mienia. Stanowi to również naruszenie warunków gwarancji firmy Makita dotyczących narzędzia i ładowarki.

Wskazówki dotyczące zachowania maksymalnej trwałości akumulatora

1. Akumulator należy naładować zanim zostanie do końca rozładowany. Po zauważeniu spadku mocy narzędzia należy przerwać pracę i naładować akumulator.
2. Nie wolno ładować повторно w pełni naładowanego akumulatora. Przeładowanie akumulatora skraca jego trwałość.
3. Akumulator należy ładować w temperaturze pokojowej w przedziale 10–40°C (50–104°F). W przypadku gorącego akumulatora przed przystąpieniem do ładowania należy poczekać, aż ostygnie.

OPIS DZIAŁANIA

⚠ PRZESTROGA: Przed przystąpieniem do regulacji lub przeglądu narzędzia upewnić się, że jest ono wyłączone, a akumulator został wyjęty.

Wkładanie i wyjmowanie akumulatora

⚠ PRZESTROGA: Przed włożeniem lub wyjęciem akumulatora należy zawsze wyłączyć narzędzie.

⚠ PRZESTROGA: Podczas wkładania lub wyjmowania akumulatora należy mocno trzymać narzędzie i akumulator. W przeciwnym razie mogą się one wydźwignąć z rąk, powodując uszkodzenie narzędzia lub akumulatora i obrażenia ciała.

- **Rys.1:** 1. Czerwony wskaźnik 2. Przycisk 3. Akumulator

Aby wyjąć akumulator, przesunąć przycisk znajdujący się w przedniej jego części i wysunąć akumulator.

Aby włożyć akumulator, wyrównaj występ na akumulatorze z rowkiem w obudowie i wsuń go na swoje miejsce. Akumulator należy wsunąć do oporu, aż się zatrzaśnie na miejscu, co jest sygnalizowane delikatnym kliknięciem. Jeśli w górnej części przycisku jest widoczny czerwony wskaźnik, akumulator nie został całkowicie zatrzaśnięty.

⚠ PRZESTROGA: Akumulator należy włożyć do końca, tak aby czerwony wskaźnik nie był widoczny. W przeciwnym razie może przypadkowo wypaść z narzędzia, powodując obrażenia operatora lub osób postronnych.

⚠ PRZESTROGA: Nie wkładać akumulatora na siłę. Jeśli akumulator nie daje się swobodnie wsunąć, oznacza to, że został włożony nieprawidłowo.

Układ zabezpieczenia akumulatora

Narzędzie jest wyposażone w układ zabezpieczenia akumulatora. Układ automatycznie odcina zasilanie silnika w celu wydłużenia trwałości akumulatora. Narzędzie zostanie automatycznie zatrzymane podczas pracy w następujących sytuacjach związanych z narzędziem/akumulatorem:

Przeciążenie:

Narzędzie pracuje w sposób, który powoduje pobór nadmiernie wysokiego prądu.

W takiej sytuacji należy wyłączyć narzędzie i zaprzestać wykonywania czynności powodującej przeciążenie narzędzia. Następnie należy włączyć narzędzie w celu jego ponownego uruchomienia.

Jeśli narzędzie nie uruchomi się, oznacza to, że akumulator jest przegrzany. W takiej sytuacji, przed ponownym uruchomieniem narzędzia należy odczekać, aż akumulator ostygnie.

Niskie napięcie akumulatora:

Stan naładowania akumulatora jest zbyt niski, aby narzędzie mogło pracować. W przypadku włączenia narzędzia silnik uruchomi się ponownie i po chwili się zatrzyma. W takiej sytuacji należy wyjąć akumulator i go naładować.

Wskazanie stanu naładowania akumulatora

Tylko w przypadku akumulatorów ze wskaźnikiem

► Rys.2: 1. Lampki wskaźnika 2. Przycisk kontrolny

Naciśnięcie przycisku kontrolnego na akumulatorze w celu wyświetlenia stanu naładowania akumulatora. Lampki wskaźnika zaświecą się przez kilka sekund.

| Lampki wskaźnika | | Poziom naładowania akumulatora |
|------------------|---------|--------------------------------|
| Świeci się | Wył. | |
| ■ ■ ■ ■ | □ | 75–100% |
| ■ ■ ■ □ | □ | 50–75% |
| ■ ■ □ □ | □ □ | 25–50% |
| ■ □ □ □ | □ □ □ □ | 0–25% |

WSKAZÓWKA: Zależnie od warunków użytkowania i temperatury otoczenia, wskazywany poziom może nieznacznie się różnić od rzeczywistego stanu naładowania akumulatora.

Działanie przełącznika

► Rys.3: 1. Spust przełącznika

▲PRZESTROGA: Przed włożeniem akumulatora do narzędzia należy zawsze sprawdzić, czy spust przełącznika działa prawidłowo i czy powraca do położenia wyłączenia po jego zwolnieniu.

W celu uruchomienia narzędzia wystarczy pociągnąć spust przełącznika. Prędkość narzędzia zwiększa się wraz ze zwiększaniem nacisku na spust przełącznika. W celu zatrzymania urządzenia należy zwolnić spust przełącznika.

Włączanie lampki czołowej

► Rys.4: 1. Lampka

▲PRZESTROGA: Nie patrzeć na światło ani bezpośrednio na źródło światła.

W celu włączenia lampki należy pociągnąć za spust przełącznika. Lampka świeci, dopóki spust przełącznika jest naciskany. Lampka wyłącza się po około 10 s od zwolnienia spustu przełącznika.

WSKAZÓWKA: Aby usunąć zabrudzenia z klosza lampki, należy użyć suchej szmatki. Uważać, aby nie zarysować klosza lampki, gdyż może to zmniejszyć natężenie oświetlenia.

Działanie przełącznika zmiany kierunku obrotów

► Rys.5: 1. Dźwignia przełącznika zmiany kierunku obrotów

▲PRZESTROGA: Przed przystąpieniem do pracy należy zawsze sprawdzić ustawiony kierunek obrotów.

▲PRZESTROGA: Przełącznika zmiany kierunku obrotów można użyć tylko po całkowitym zatrzymaniu narzędzia. Zmiana kierunku obrotów przed zatrzymaniem się narzędzia grozi jego uszkodzeniem.

▲PRZESTROGA: Gdy narzędzie nie jest używane, należy zawsze ustawić dźwignię przełącznika zmiany kierunku obrotów w położeniu neutralnym.

Omawiane narzędzie jest wyposażone w przełącznik umożliwiający zmianę kierunku obrotów. W celu uzyskania obrotów w prawą stronę należy wcisnąć dźwignię przełącznika zmiany kierunku obrotów po stronie A, natomiast aby uzyskać obroty w lewą stronę, należy wcisnąć dźwignię przełącznika po stronie B. Gdy dźwignia przełącznika zmiany kierunku obrotów znajduje się w położeniu neutralnym, spust przełącznika jest zablokowany.

Zmiana prędkości

► Rys.6: 1. Dźwignia zmiany prędkości

▲PRZESTROGA: Dźwignię zmiany prędkości należy zawsze ustawiać dokładnie w wybranej pozycji. W przypadku uruchomienia narzędzia przy dźwigni zmiany prędkości ustawionej w połowie między pozycją „1” i „2” może dojść do uszkodzenia narzędzia.


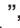
▲PRZESTROGA: Nie wolno używać dźwigni zmiany prędkości, gdy narzędzie pracuje. Narzędzie może ulec uszkodzeniu.

| Położenie dźwigni zmiany prędkości | Prędkość | Moment obrotowy | Odpowiedni tryb pracy |
|------------------------------------|----------|-----------------|-----------------------------|
| 1 | Niska | Wysoka | Praca przy dużym obciążeniu |
| 2 | Wysoki | Niski | Praca przy małym obciążeniu |

W celu zmiany prędkości należy najpierw wyłączyć narzędzie. Wybrać położenie „2” w celu ustawienia wysokiej prędkości lub położenie „1” w celu ustawienia niskiej prędkości, ale dużego momentu. Przed rozpoczęciem pracy należy sprawdzić, czy dźwignia zmiany prędkości jest ustawiona we właściwym położeniu. Jeśli prędkość narzędzia drastycznie spadnie podczas pracy z dźwignią ustawioną w położeniu „2”, należy przesunąć dźwignię do położenia „1” i ponownie przystąpić do pracy.




Wybór trybu pracy

⚠ PRZESTROGA: Pierścień należy zawsze ustawić dokładnie w pozycji symbolu odpowiadającego wybranemu trybowi pracy. W przypadku uruchomienia narzędzia, gdy pierścień jest ustawiony jest między symbolami trybu pracy, może dojść do uszkodzenia narzędzia.

⚠ PRZESTROGA: Mogą wystąpić pewne niewielkie trudności z przestawieniem pierścienia zmiany trybu pracy z pozycji „” do innego trybu pracy. W takiej sytuacji należy włączyć narzędzie na sekundę w pozycji „”, a następnie wyłączyć je i przesunąć pierścień do wybranej pozycji.

► **Rys.7:** 1. Pierścień zmiany trybu pracy 2. Pierścień regulacyjny 3. Podziałka 4. Strzałka

Narzędzie ma trzy tryby pracy.

-  – tryb wiercenia (tylko ruch obrotowy)
-  – tryb wiercenia udarowego (ruch obrotowy z udarem)
-  – tryb wkręcania (ruch obrotowy ze sprzęgłem)

Wybrać jeden z trybów odpowiadający danej pracy. Obrócić pierścień zmiany trybu pracy i wyróżnić wybrany symbol trybu ze strzałką znajdującą się na korpusie narzędzia.

Regulacja momentu dokręcenia

► **Rys.8:** 1. Pierścień zmiany trybu pracy 2. Pierścień regulacyjny 3. Podziałka 4. Strzałka

Moment dokręcenia można regulować w 20 poziomach, obracając pierścień regulacyjny. Wyróżnić podziałkę ze strzałką znajdującą się na korpusie narzędzia. Położenie 1 odnosi się do minimalnego momentu dokręcenia, a symbol 20 do maksymalnego momentu dokręcenia.

Przed przystąpieniem do pracy należy przeprowadzić próbę wkręcania w dany element lub inny element z tego samego materiału, aby ustalić poziom momentu dokręcenia wymagany w danym zastosowaniu. Poniższa tabela przedstawia ogólną zależność pomiędzy rozmiarem wkrętu a podziałką.

| Podziałka | | 1 | 2 | 3 | 4 | 5 | 6 | 7 | 8 | 9 | 10 | 11 | 12 | 13 | 14 | 15 | 16 | 17 | 18 | 19 | 20 | | | | | |
|-----------------|----------------------------|----|---|---|---|---|---|---|---|-----------|----|----|----|----|----|-----------|----|----|----|----|----|---|--|--|--|--|
| Wkręt maszynowy | | M4 | | | | | | | | M5 | | | | | | M6 | | | | | | | | | | |
| Wkręt do drewna | Miękkie drewno (np. sosna) | – | | | | | | | | ∅3,5 x 22 | | | | | | ∅4,1 x 38 | | | | | | | | | | |
| | Twarde drewno (np. mahoń) | – | | | | | | | | – | | | | | | ∅3,5 x 22 | | | | | | – | | | | |
| | | | | | | | | | | | | | | | | ∅4,1 x 38 | | | | | | | | | | |

MONTAŻ

⚠ PRZESTROGA: Przed przystąpieniem do prac konserwacyjnych przy narzędziu upewnić się, że jest ono wyłączone, a akumulator został wyjęty.

Wkładanie i wyjmowanie końcówki wkrętakowej/wiertła

Akcesoria opcjonalne

► **Rys.9:** 1. Tuleja 2. Zamykanie 3. Otwieranie

Aby otworzyć szczęki uchwytu, obrócić tuleję w lewą stronę. Umieścić jak najgłębiej końcówkę wkrętakową/wiertło w uchwycie. Obrócić tuleję w prawą stronę, aby zacisnąć uchwyt. W celu wyjęcia końcówki wkrętakowej/wiertła obrócić tuleję w lewą stronę.

Zamontowanie zaczepu

⚠ PRZESTROGA: Podczas instalacji zaczepu należy go zawsze mocno zamocować śrubą. Jeśli to wymagane nie zostanie spełnione, zaczep może się odłączyć od narzędzia i spowodować obrażenia ciała.

► **Rys.10:** 1. Rowek 2. Zaczep 3. Wkręt

Zaczep służy do wygodnego, tymczasowego zawieszania narzędzia. Można go zamontować z jednej lub z drugiej strony narzędzia. Aby zamontować zaczep, należy wsunąć go w rowek w obudowie narzędzia znajdujący się z obu stron, a następnie przykręcić go wkrętem. Aby wymontować zaczep, należy odkręcić wkręt i wyjąć zaczep.

Zamontowywanie uchwytu końcówki wkrętakowej

Akcesoria opcjonalne

► **Rys.11:** 1. Uchwyt na końcówki wkrętakowe 2. Końcówka wkrętakowa

Włożyć uchwyt na końcówki wkrętakowe do występu w stopie narzędzia z prawej bądź z lewej strony i przymocować go wkrętem. Nieużywane końcówki wkrętakowe należy trzymać w uchwycie. W uchwycie można trzymać końcówki o długości 45 mm.

OBSŁUGA

⚠ PRZESTROGA: Akumulator należy wsunąć do oporu, aż wskoczy na swoje miejsce. Jeśli jest widoczny czerwony wskaźnik w górnej części przycisku, akumulator nie został całkowicie zatrzasknięty. Należy go wsunąć do oporu, aż czerwony wskaźnik przestanie być widoczny. W przeciwnym razie może on przypadkowo wypaść z narzędzia, powodując obrażenia operatora lub osób postronnych.

⚠ PRZESTROGA: W przypadku drastycznego spadku prędkości należy zredukować obciążenie lub wyłączyć narzędzie, aby nie dopuścić do jego uszkodzenia.


Narzędzie należy trzymać jedną ręką za uchwyt, a drugą za spód akumulatora, aby kontrolować jego przekręcanie.

► Rys.12

Wkręcanie

⚠ PRZESTROGA: Ustawić pierścień regulacyjny w pozycji odpowiadającej właściwemu dla danej operacji momentowi dokręcenia.


⚠ PRZESTROGA: Końcówka wkrętakowa powinna być wprowadzona do łba wkrętu w linii prostej z wkrętem, w przeciwnym razie wkręt i/lub końcówka mogą ulec uszkodzeniu.

Najpierw należy obrócić pierścień zmiany trybu pracy w takie położenie, aby strzałka na korpusie narzędzia wskazywała symbol . Wsunąć czubek końcówki wkrętakowej do gniazda we łbie wkrętu i docisnąć narzędzie. Uruchomić narzędzie powoli, a następnie stopniowo zwiększać prędkość. Zwolnić spust przelącznika, gdy tylko zadziała sprzęgło.

WSKAZÓWKA: W przypadku wkręcania wkrętu do drewna należy wstępnie nawiercić otwór prowadzący o średnicy 2/3 średnicy wkrętu. Ułatwi to wkręcanie i zapobiegnie rozłupywaniu się elementu obrabianego.

Wiercenie udarowe

⚠ PRZESTROGA: W momencie przewiercania otworu na wylot, gdy otwór jest zapchany wiórami lub opiłkami bądź w przypadku uderzenia w pręt zbrojeniowy znajdujące się w betonie, na narzędzie/wiertło jest wywierana nagle olbrzymia siła skracająca.

Najpierw należy obrócić pierścień zmiany trybu pracy w takie położenie, aby strzałka na korpusie narzędzia wskazywała symbol . Za pomocą pierścienia regulacyjnego można ustawić dowolną wartość momentu wymaganego do wykonania danej operacji. Należy koniecznie używać wiertła z końcówką z węgląkim wolframu.

Ustawić wiertło w wybranym miejscu, gdzie ma być wywierony otwór, a następnie pociągnąć za spust przelącznika. Nie przeciążać narzędzia. Lekki nacisk daje najlepsze wyniki. Trzymać narzędzie w ustalonej pozycji, uważając, aby wiertło nie wypadło z otworu.

Nie zwiększać nacisku, gdy otwór zapcha się wiórami, opiłkami lub gruzem. Zamiast tego należy pozwolić, aby narzędzie pracowało przez chwilę bez obciążenia, a następnie wyciągnąć wiertło częściowo z otworu. Po kilkukrotnym powtórzeniu tej procedury otwór zostanie oczyszczony i będzie można wznowić wiercenie w normalny sposób.


Gruszka do przedmuchiwania

Akcesoria opcjonalne

► Rys.13: 1. Gruszka do przedmuchiwania

Po wywierceniu otworu można użyć gruszki do przedmuchiwania, aby oczyścić otwór z pyłu.

Wiercenie

Najpierw obrócić pierścień regulacyjny tak, aby strzałka wskazywała symbol . Następnie postępować zgodnie z poniższym opisem.

Wiercenie w drewnie

W przypadku wiercenia w drewnie najlepsze rezultaty uzyskuje się, stosując wiertła zakończone wkrętem prowadzącym. Wkręt prowadzący ułatwia wiercenie, ponieważ wciąga wiertło w element obrabiany.

Wiercenie w metalu

Aby uniknąć zeszlizgiwania się wiertła na początku operacji, należy za pomocą punktaka i młotka wykonać wgłębienie w miejscu, w którym ma być wykonany otwór. Umieścić końcówkę wiertła we wgłębieniu i rozpocząć wiercenie. Podczas wiercenia w metalu należy stosować odpowiednie chłodziwo. Wyjątki stanowią żelazo i mosiądz, które należy wiercić na sucho.

⚠ PRZESTROGA: Wywieranie nadmiernego nacisku na narzędzie nie przyspiesza wiercenia.

W praktyce, wywieranie nadmiernego nacisku przyczynia się jedynie do uszkodzenia końcówki wiertła, zmniejszenia wydajności i skrócenia okresu eksploatacyjnego narzędzia.

⚠ PRZESTROGA: Gdy wiertło zaczyna przebijać na wylot otwór w obrabianym elemencie, należy zachować ostrożność i mocno trzymać narzędzie. W momencie przebijania otworu na narzędzie/wiertło wywierana jest olbrzymia siła.

⚠ PRZESTROGA: Zakleszczone wiertło można łatwo wyjąć, zmieniając kierunek obrotów i wyciągając wiertło. Należy jednak pamiętać, że narzędzie może się gwałtownie cofnąć, jeśli nie będzie mocno trzymane.

⚠ PRZESTROGA: Elementy obrabiane należy zawsze mocować w imadle lub podobnym uchwycie.


⚠ PRZESTROGA: Jeżeli narzędzie jest używane bez przerwy aż do rozładowania akumulatora, należy je odstawić na 15 minut przed podjęciem pracy na nowo z użyciem innego naładowanego akumulatora.

Używanie narzędzia jako ręcznego wkrętaka

► Rys.14

Wyłączyć narzędzie.

Ustawić dźwignię przełącznika zmiany kierunku obrotów w położeniu neutralnym.

Ustawić pierścień zmiany trybu pracy, tak aby strzałka wskazywała symbol .

Obracać narzędzie.

WSKAZÓWKA: Jest to bardzo dobry sposób na sprawdzenie, czy wkręcenie zostało wykonane prawidłowo.

WSKAZÓWKA: Nie używać narzędzia do prac wymagających nadmiernej siły, takich jak dokręcanie śrub lub odkręcanie zardzewiałych śrub.

Korzystanie z kabury

Akcesoria opcjonalne

▲PRZESTROGA: Przed włożeniem narzędzia do kabury należy wyjąć z niego końcówkę wkrętakową/wiertło.

▲PRZESTROGA: Przed włożeniem narzędzia do kabury należy je wyłączyć i poczekać, aż zatrzyma się całkowicie.

Sprawdzić, czy kabura jest dokładnie zamknięta na guzik, aby narzędzie z niej nie wypadło.

1. Przewlec pasek do spodni lub kombinezonu przez szlufkę kabury.

► Rys.15: 1. Szlufka kabury 2. Pasek do spodni

2. Wsuń narzędzie do kabury i zabezpiecz je paskiem zapinanym na guzik.

► Rys.16

► Rys.17

Z przodu kabury istnieje możliwość trzymania dwóch końcówek wkrętakowych.

KONSERWACJA

▲PRZESTROGA: Przed przystąpieniem do przeglądu narzędzia lub jego konserwacji upewnić się, że jest ono wyłączone, a akumulator wyjęty.

UWAGA: Nie stosować benzyny, rozpuszczalników, alkoholu itp. środków. Mogą one powodować odbarwienia, odkształcenia lub pęknięcia.

W celu zachowania odpowiedniego poziomu BEZPIECZEŃSTWA i NIEZAWODNOŚCI produktu wszelkie naprawy i różnego rodzaju prace konserwacyjne lub regulacje powinny być przeprowadzane przez autoryzowany lub fabryczny punkt serwisowy narzędzi Makita, zawsze z użyciem oryginalnych części zamiennych Makita.

AKCESORIA OPCJONALNE

▲PRZESTROGA: Zaleca się stosowanie wymienionych akcesoriów i przystawek razem z narzędziem Makita opisanym w niniejszej instrukcji.

Stosowanie innych akcesoriów lub przystawek może być przyczyną obrażeń ciała. Akcesoria lub przystawki należy wykorzystywać tylko zgodnie z ich przeznaczeniem.

W razie potrzeby wszelkiej pomocy i szczegółowych informacji na temat niniejszych akcesoriów udzieli Państwu lokalne punkty serwisowe Makita.

- Wiertła
- Końcówki wkrętakowe
- Nasadki
- Wiertło z końcówką z węgla wolframu
- Gruszka do przedmuchiwania
- Uchwyt na końcówki wkrętakowe
- Zaczep
- Kabura
- Oryginalny akumulator i ładowarka firmy Makita

WSKAZÓWKA: Niektóre pozycje znajdujące się na liście mogą być dołączone do pakietu narzędziowego jako akcesoria standardowe. Mogą to być różne pozycje, w zależności od kraju.

RÉSZLETES LEÍRÁS

| | | |
|-------------------------|--------------|-------------------------------|
| Típus: | | HP333D |
| Fúrási teljesítmény | Kőművesmunka | 8 mm |
| | Acél | 10 mm |
| | Fa | 21 mm |
| Meghúzási teljesítmény | Facsavar | 5,1 mm x 63 mm |
| | Gépcsavar | M6 |
| Üresjárat fordulat/szám | Magas (2) | 0 - 1 700 min ⁻¹ |
| | Alacsony (1) | 0 - 450 min ⁻¹ |
| Lökésszám percenként | Magas (2) | 0 - 25 500 min ⁻¹ |
| | Alacsony (1) | 0 - 6 750 min ⁻¹ |
| Teljes hossz | | 193 mm |
| Névleges feszültség | | 10,8 V - 12 V max., egyenáram |
| Nettó tömeg | | 1,1 - 1,3 kg |

- Folyamatos kutató- és fejlesztőprogramunk eredményeként az itt felsorolt tulajdonságok figyelmeztetés nélkül megváltozhatnak.
- A tulajdonságok országról országra különbözhetnek.
- A súly a felszerelt tartozékoktól függhően változhat, az akkumulátort is beleértve. Az EPTA 01/2014 eljárás szerint meghatározott legnehezebb, illetve legkönnyebb kombináció a táblázatban látható.

Alkalmazható akkumulátorok és töltők

| | |
|-------------|---|
| Akkumulátor | BL1015 / BL1016 / BL1020B / BL1021B / BL1040B / BL1041B |
| Töltő | DC10SA / DC10SB / DC10WC / DC10WD / DC18RE |

- Lakóhelyétől függően előfordulhat, hogy a fent felsorolt akkumulátorok és töltők nem érhetők el.

▲ FIGYELMEZTETÉS: Csak a fentiekben felsorolt akkumulátorokat és töltőket használja. Bármilyen más akkumulátor vagy töltő használata sérüléseket és/vagy tüzet okozhat.

Rendeltetés

A szerszám téglá, téglafal és falazás ütvefúrására használható. Alkalmas csavarbehajtásra és ütés nélküli fúrásra is fába, fémekbe, kerámiába és műanyagokba.

Zaj

A tipikus A-súlyozású zajszint, a EN60745-2-1 szerint meghatározva:

Hangnyomásszint (L_{pA}): 82 dB(A)
 Hangteljesítményszint (L_{WA}): 93 dB (A)
 Bizonytalanság (K): 3 dB(A)

▲ FIGYELMEZTETÉS: Viseljen fülvédőt!

Vibráció

A vibráció teljes értéke (háromtengelyű vektorösszeg) az EN60745-2-1 szerint meghatározva:

Üzem mód: ütvefúrás betonba
 Rezgés kibocsátás ($a_{h,1D}$): 13,0 m/s²
 Bizonytalanság (K): 1,5 m/s²
 Üzem mód: fúrás fémbe
 Rezgés kibocsátás ($a_{h,D}$): 2,5 m/s² vagy kisebb
 Bizonytalanság (K): 1,5 m/s²

MEGJEGYZÉS: A rezgés kibocsátás értéke a szabványos vizsgálati eljárásnak megfelelően lett mérve, és segítségével az elektromos kéziszerszámok összehasonlíthatók egymással.

MEGJEGYZÉS: A rezgés kibocsátás értékének segítségével előzetesen megbecsülhető a rezgésnek való kitettség mértéke.

▲ FIGYELMEZTETÉS: A szerszám rezgés kibocsátása egy adott alkalmazásnál eltérhet a megadott értéktől a használat módjától függően.

▲ FIGYELMEZTETÉS: Határozza meg a kezelő védelmét szolgáló munkavédelmi lépéseket, melyek az adott munkafeltételek melletti vibrációs hatás becsült mértékén alapulnak (figyelembe véve a munkaciklus elemeit, mint például a gép leállításának és üresjáratának mennyiségét az elindítások száma mellett).

EK Megfelelőségi nyilatkozat

Csak európai országokra vonatkozóan

Az EK-megfelelőségi nyilatkozat az útmutató „A” mellékletében található.

BIZTONSÁGI FIGYELMEZTETÉS

A szerszámgépekre vonatkozó általános biztonsági figyelmeztetések

▲ FIGYELMEZTETÉS: Olvassa el a szerszámgéphez mellékelt összes biztonsági figyelmeztetést, utasítást, illusztrációt és a műszaki adatokat. A következőkben leírt utasítások figyelmen kívül hagyása elektromos áramütést, tüzet és/vagy súlyos sérülést eredményezhet.

Őrizzen meg minden figyelmeztetést és utasítást a későbbi tájékozódás érdekében.

A figyelmeztetéseken szereplő "szerszámgép" kifejezés az Ön hálózatról (vezetékes) vagy akkumulátorról (vezeték nélküli) működtetett szerszámgépre vonatkozik.

Biztonsági figyelmeztetések akkumulátoros csavarbehajtóhoz

1. **Útvefűráskor viseljen fülvédőt.** A zajterhelés halláskárosodást okozhat.
2. **Használja a szerszámhoz mellékelt kiegészítő fogantyúkat.** Az irányítás elvesztése személyi sérülést okozhat.
3. **A szerszámgépet a szigetelt markolófelületeinél fogja, ha olyan műveletet végez, amikor a végcső köz rejtett vezetékkel érintkezhet.** Áram alatt lévő vezetékkel való érintkezéskor a szerszám fém alkatrészei is áram alá kerülhetnek, és megrázhathják a kezelőt.
4. **Tartsa az elektromos szerszámot a szigetelt markolófelületeinél fogva amikor olyan műveletet végez, amelyben fennáll a veszélye, hogy a rögzítő rejtett vezetékekbe ütközhet.** A rögzítők áram alatt lévő vezetékkel való érintkezésekor a szerszám fém alkatrészei is áram alá kerülhetnek, és megrázhathják a kezelőt.
5. **Mindig stabil helyzetben dolgozzon. A szerszám magasban történő használatok győződjön meg arról, hogy nem tartózkodik-e valaki odalent.**
6. **Biztosan tartsa a szerszámot.**
7. **Ne nyúljon a forgó részekhez.**
8. **Ne hagyja a működő szerszámot felügyelet nélkül. Csak kézben tartva használja a szerszámot.**
9. **Ne érjen a szerszámhoz vagy a munkadarabhoz közvetlenül a munkavégzést követően; azok rendkívül forrók lehetnek és megégethetik a bőrt.**
10. **Egyes anyagok mérgező vegyületeit tartalmazhatnak. Gondoskodjon a por belélegzése elleni és érintés elleni védelemről. Tartsa be az anyag szállítójának biztonsági utasításait.**
11. **Ha a fűróhegyet akkor se lehet kiláztatni, ha szétnyitja a pófákat, akkor fogóval húzza ki.** Ebben az esetben a fűróhegy kézzel történő kihúzása sérülést okozhat az éles szélek miatt.

ŐRIZZE MEG EZEKET AZ UTASÍTÁSOKAT.

▲ FIGYELMEZTETÉS: NE HAGYJA, hogy (a termék többszöri használatából eredő) kényelem és megszokás váltsa fel a termék biztonsági előírásainak szigorú betartását. A **HELYTELEN HASZNÁLAT** és a használati útmutatóban szereplő biztonsági előírások megszegése súlyos személyi sérülésekhez vezethet.

Fontos biztonsági utasítások az akkumulátorra vonatkozóan

1. **Az akkumulátor használata előtt tanulmányozza át az akkumulátortöltőt (1), az akkumulátoron (2) és az akkumulátorral működtetett terméken (3) olvasható összes utasítást és figyelmeztető jelzést.**
2. **Ne szerelje szét az akkumulátort.**
3. **Ha a működési idő nagyon lerövidült, azonnal hagyja abba a használatot. Ez a túlmelegedés, esetleges égések és akár robbanás veszélyével is járhat.**
4. **Ha elektrolit kerül a szemébe, mossa ki azt tiszta vízzel és azonnal kérjen orvosi segítséget. Ez a látásának elvesztését okozhatja.**
5. **Ne zárja rövidre az akkumulátort:**
 - (1) **Ne érjen az érintkezőkhöz elektromosan vezető anyagokkal.**
 - (2) **Ne tárolja az akkumulátort más fémtárgyakkal, mint pl. szegekkel, érmekkel, stb. egy helyen.**
 - (3) **Ne tegye ki az akkumulátort víznek vagy esőnek. Az akkumulátor rövidzárlata nagy áramerősséget, túlmelegedést, égéseket, sőt akár meghibásodást is okozhat.**
6. **Ne tárolja a szerszámot vagy az akkumulátort olyan helyen, ahol a hőmérséklet elérheti vagy meghaladhatja az 50 °C-ot (122 °F).**
7. **Ne égesse el az akkumulátort még akkor sem, ha az komolyan megsérült vagy teljesen elhasználódott. Az akkumulátor a tűzben felrobbanhat.**
8. **Vigyázzon, nehogy leejtse vagy megüsse az akkumulátort.**
9. **Ne használjon sérült akkumulátort.**
10. **A készülékben található lítium-ion akkumulátorokra a veszélyes árukkal kapcsolatos előírások vonatkoznak. A termék pl. harmadik felek, fuvarozó cégek stb. által történő szállítása esetén minden esetben tartsa szem előtt a csomagoláson és a címkén található speciális követelményeket. A termék szállításra történő felkészítése esetén vegye fel a kapcsolatot egy veszélyes anyagokkal foglalkozó szakemberrel. Kérjük, hogy az esetlegesen szigorúbb nemzeti előírásokat is vegye figyelembe. Ragassza le a kiálló érintkezőket, illetve oly módon csomagolja be az akkumulátort, hogy az ne tudjon elmozdulni a csomagolásban.**
11. **Az akkumulátor ártalmatlanításakor tartsa be a helyi előírásokat.**
12. **Az akkumulátorokat csak a Makita által megjelölt termékekhez használja. Ha az akkumulátorokat azokkal nem kompatibilis termékekbe helyezi, az tűzhez, túlmelegedéshez, robbanáshoz vagy elektrolitszivárgáshoz vezethet.**

ŐRIZZE MEG EZEKET AZ UTASÍTÁSOKAT.

⚠ VIGYÁZAT: Csak eredeti Makita akkumulátorokat használjon. A nem eredeti Makita akkumulátorok vagy módosított akkumulátorok használata esetén az akkumulátor felrobbanhat, ami tüzet, személyi sérülést és anyagi kárt okozhat. A Makita szerszáma és töltőre vonatkozó Makita garanciát is érvénytelenítheti.

Tipppek az akkumulátor maximális élettartamának eléréséhez

1. Töltse fel az akkumulátort, mielőtt teljesen lemerülne. Állítsa le a gépet, és töltse fel az akkumulátort, ha a gép erejének csökkenését észleli.
2. Soha ne töltse újra a teljesen feltöltött akkumulátort. A túltöltés csökkenti az akkumulátor élettartamát.
3. Töltse az akkumulátort szobahőmérsékleten, 10 °C - 40 °C (50 °F - 104 °F) között. Töltés előtt hagyja lehűlni a fölforrósodott akkumulátort.

A MŰKÖDÉS LEÍRÁSA

⚠ VIGYÁZAT: Minden esetben ellenőrizze, hogy a szerszám ki van kapcsolva és az akkumulátor eltávolításra került mielőtt beállít vagy ellenőriz valamilyen funkciót a szerszámon.

Az akkumulátor behelyezése és eltávolítása

⚠ VIGYÁZAT: Mindig kapcsolja ki az eszközt, mielőtt behelyezi vagy eltávolítja az akkumulátort.

⚠ VIGYÁZAT: Az akkumulátor behelyezések vagy eltávolításakor erősen fogja meg a szerszámot és az akkumulátort. Ha nem fogja erősen a szerszámot és az akkumulátort, azok kicsúszhatnak a kezei közül, ami a szerszám és az akkumulátor károsodásához, de akár személyi sérüléshez is vezethet.

▶ **Ábra1:** 1. Piros jel 2. Gomb 3. Akkumulátor

Az akkumulátoregység kivételéhez nyomja be az akkumulátoregység elején található gombot, és húzza le a gépről.

Az akkumulátor beszereléséhez illessze az akkumulátor nyelvét a burkolaton található vajtába és csúsztassa a helyére. Egészen addig tolja be, amíg az akkumulátor egy kis kattánással a helyére nem ugrik. Ha látható a piros jel a gomb felső oldalán, akkor a gomb nem kattan be teljesen.

⚠ VIGYÁZAT: Mindig tolja be teljesen az akkumulátort, amíg a piros jel el nem tűnik. Ha ez nem történik meg, akkor az akkumulátor kieshet a szerszámból, és Önnek vagy a környezetében másnak sérülést okozhat.

⚠ VIGYÁZAT: Ne erőltesse az akkumulátort behelyezésre. Ha az akkumulátor nem csúszik be könnyedén, akkor nem megfelelően lett behelyezve.

Akkumulátorvédő rendszer

A szerszám akkumulátorvédő rendszerrel van felszerelve. A rendszer automatikusan lekapcsolja a motor áramellátását, így megnöveli az akkumulátor élettartamát.

A szerszám használat közben automatikusan leáll, ha a szerszám és/vagy az akkumulátor a következő helyzetbe kerül:

Túlterhelés:

A szerszámot úgy működteti, hogy áramfelvétele rendelkezésén magas.

Ilyenkor kapcsolja ki a gépet, és állítsa le azt az alkalmazást, amelyik a túlterhelést okozza. Újraindításhoz kapcsolja be a gépet.

Ha a szerszám nem indul el, az akkumulátor túlmelegedett. Ilyenkor hagyja kihűlni az akkumulátort, mielőtt ismét bekapcsolná a gépet.

Az akkumulátor feszültsége alacsony:

Az akkumulátor fennmaradó kapacitása túl alacsony, a szerszámot nem tudja működtetni. A szerszám ismételt bekapcsolásakor a motor elindul, de hamarosan le is áll. Ilyenkor vegye le és töltse fel az akkumulátort.

Az akkumulátor töltöttségének jelzése

Csak állapotjelzős akkumulátorok esetén

▶ **Ábra2:** 1. Jelzőlámpák 2. Check (ellenőrzés) gomb

Nyomja meg az ellenőrzőgombot, hogy az akkumulátortöltöttség-jelző megmutassa a hátralévő akkumulátor-kapacitást. Ekkor a töltöttségjelző lámpák néhány másodpercre kigyulladnak.

| Jelzőlámpák | | Töltöttségi szint |
|----------------|----|-------------------|
| Világító lámpa | KI | |
| ■ ■ ■ ■ ■ | □ | 75%-tól 100%-ig |
| ■ ■ ■ ■ □ | □ | 50%-tól 75%-ig |
| ■ ■ □ □ □ | □ | 25%-tól 50%-ig |
| ■ □ □ □ □ | □ | 0%-tól 25%-ig |

MEGJEGYZÉS: Az adott munkafeltételektől és a környezeti hőmérsékletétől függően a jelzett töltöttségi szint némileg eltérhet a tényleges töltöttségi szinttől.

A kapcsoló használata

▶ **Ábra3:** 1. Kapcsológomb

⚠ VIGYÁZAT: Mielőtt behelyezi az akkumulátort a szerszámba, mindig ellenőrizze, hogy a kapcsológomb hibátlanul működik és felengedéskor „OFF” állásba áll-e.

A szerszám bekapcsolásához egyszerűen húzza meg a kapcsológombot. Ha erősebben nyomja a kapcsolót, a szerszám fordulatszámja növekszik. A megállításhoz engedje el a kapcsolót.

Az első lámpa bekapcsolása

► **Ábra4:** 1. Lámpa

⚠ VIGYÁZAT: Ne tekintsen a fénybe vagy ne nézze egyenesen a fényforrást.

Húzza meg a kapcsológombot a lámpa bekapcsolásához. A lámpa addig világít, amíg a kapcsológomb meg van húzva. A lámpa a kapcsológomb elengedése után 10 másodperccel alszik ki.

MEGJEGYZÉS: Száraz ruhadarabbal törölje le a szennyeződést a lámpa lencséjéről. Ügyeljen arra hogy ne karcolja meg a lámpa lencséjét, ez csökkentheti a megvilágítás erősségét.

Forgásirányváltó kapcsolókar működése

► **Ábra5:** 1. Forgásirányváltó kapcsolókar

⚠ VIGYÁZAT: Használat előtt mindig ellenőrizze a beállított forgásirányt.

⚠ VIGYÁZAT: A forgásirányváltó kapcsolókat csak azután használja, hogy a szerszám teljesen megállt. A forgásirány megváltoztatása a szerszám leállása előtt a gép károsodását okozhatja.

⚠ VIGYÁZAT: Amikor nem működteti a szerszámot, a forgásirányváltó kapcsolókat mindig állítsa a semleges állásba.

Ez a szerszám forgásirányváltó kapcsolókkal van felszerelve a forgásirány megváltoztatásához. Váltsa át a forgásirányváltó kapcsolókat az A oldalról az óramutató járásával megegyező vagy a B oldalról az azzal ellentétes irányú forgáshoz.

Amikor az irányváltó kapcsolókar semleges pozícióban van, akkor a kapcsológombot nem lehet behúzni.

Sebességváltás

► **Ábra6:** 1. Sebességváltó kar

⚠ VIGYÁZAT: A sebességváltó kart teljesen a megfelelő helyzetbe állítsa. Ha a szerszámot úgy működteti, hogy a sebességváltó kar félúton áll az „1” oldal és a „2” oldal között, az a szerszám károsodását okozhatja.

⚠ VIGYÁZAT: Ne használja a sebességváltó kart a szerszám működése közben. A szerszám károsodhat.

| A sebesség-állító váltókar | Fordulatszám | Nyomaték | Alkalmazható művelet |
|----------------------------|--------------|----------|------------------------|
| 1 | Alacsony | Magas | Nagy terhelésű művelet |
| 2 | Magas | Alacsony | Kis terhelésű művelet |

A fordulatszám módosításához először kapcsolja ki a szerszámot. Válassza a „2”-es oldalt magas fordulatszámhoz, vagy az „1”-es oldalt alacsony fordulatszámhoz, de nagy nyomatékhoz. A használat megkezdése előtt ellenőrizze, hogy a sebességváltó kar a megfelelő állásban legyen.

Ha a szerszám fordulatszáma nagyon lecsökken a „2”-es állásban, csúsztassa a kart az „1”-es állásba, és kezdje újra a műveletet.

A működési mód kiválasztása

⚠ VIGYÁZAT: A gyűrűt mindig pontosan állítsa a kívánt jelöléshez. Ha szerszámot úgy működteti, hogy a gyűrű félúton van a működési módokat jelölő jelzések között, azzal a szerszám károsodását okozhatja.

⚠ VIGYÁZAT: Amikor a „ ” állásból átváltja a kart egy másik állásba, lehetséges, hogy nehéz lesz elcsúsztatni a működési mód váltó gyűrűt. Ebben az esetben kapcsolja be és működtesse a szerszámot rövid ideig „ ” állásban, majd állítsa le és csúsztassa a gyűrűt a kívánt állásba.

► **Ábra7:** 1. Működési mód váltó gyűrű
2. Beállítógyűrű 3. Beosztás 4. Nyíl

A szerszámnak három üzemmódja van.

- Fűrész üzemmód (csak forgás)
- Útvevő üzemmód (forgás és ütés)
- Csavarhúzó üzemmód (forgás tengelykapcsolóval)

Válassza ki a munkához megfelelő üzemmódot.

Fordítsa el a működési mód váltó gyűrűt, és igazítsa a kiválasztott jelölést a szerszámon lévő nyílhoz.

A meghúzási nyomaték beállítása

- **Ábra8:** 1. Működési mód váltó gyűrű
2. Beállítógyűrű 3. Beosztás 4. Nyíl

A meghúzási nyomaték a beállítógyűrű elforgatásával 20 fokozaton állítható. Igazítsa a fokozatokat a szerszámon lévő nyílhoz. A legkisebb meghúzási nyomatékot az 1-es, a legnagyobb meghúzási nyomatékot pedig a 20-es fokozatnál érheti el. A tényleges művelet előtt a szükséges nyomaték meghatározásához próbaképpen hajtson be egy csavart a munkadarabba vagy egy darab ugyanolyan anyagba. Az alábbi ábrán a csavarméret és a fokozatok közötti kapcsolat hozzávetőlegesen útmutatója látható.

| Beosztás | | 1 | 2 | 3 | 4 | 5 | 6 | 7 | 8 | 9 | 10 | 11 | 12 | 13 | 14 | 15 | 16 | 17 | 18 | 19 | 20 |
|-----------|----------------------|----|---|---|---|---|---|---|---|----|----|----|----|-----------|----|----|----|-----------|----|----|----|
| Gépcsavar | | M4 | | | | | | | | M5 | | | | | | | | M6 | | | |
| Facsavar | Puhafa (pl. fenyő) | – | | | | | | | | – | | | | φ3,5 x 22 | | | | φ4,1 x 38 | | | |
| | Keményfa (pl. lauan) | – | | | | | | | | – | | | | φ3,5 x 22 | | | | – | | | |
| | | – | | | | | | | | – | | | | | | | | φ4,1 x 38 | | | |

ÖSSZESZERELÉS

⚠ VIGYÁZAT: Minden esetben ellenőrizze, hogy a szerszám ki van kapcsolva és az akkumulátort levette, mielőtt bármilyen műveletet végez a szerszámon.

Behajtócsúcs vagy fúróhegy behelyezése és kivétele

Opcionális kiegészítők

- **Ábra9:** 1. Hüvely 2. Zárás 3. Nyitás

Forgassa a hüvelyt az óramutató járásával ellentétes irányba a tokmánpofák szétnyitásához. Helyezze a behajtócsúcsot vagy fúróhegyet a tokmányba olyan mélyre amennyire lehetséges. Forgassa a hüvelyt az óramutató járásának irányába a tokmány meghúzásához. A behajtócsúcs vagy fúróhegy kivételéhez forgassa a hüvelyt az óramutató járásával ellentétes irányba.

Akasztó felszerelése

⚠ VIGYÁZAT: Az akasztót felszereléskor mindig rögzítse szorosan a csavarral. Ellenkező esetben az akasztó leválhat az eszköztől, és személyi sérülést eredményezhet.

- **Ábra10:** 1. Horony 2. Akasztó 3. Csavar

Az akasztó a szerszám ideiglenes felakasztására használható. A szerszám mindkét oldalára felszerelhető. Az akasztó felszereléséhez helyezze azt a szerszám burkolatán található horonyba valamelyik oldalon, majd rögzítse egy csavarral. A leszereléshez csavarja ki a csavart és vegye le az akasztót.

A behajtócsúcs-tartó felszerelése

Opcionális kiegészítők

- **Ábra11:** 1. Behajtócsúcs-tartó 2. Behajtócsúcs

Illesse a behajtócsúcs-tartót a szerszám alsó részén található kiemelésre a jobb vagy a bal oldalon és rögzítse egy csavarral.

Amikor nem használja a behajtócsúcsokat, tartsa azokat a behajtócsúcs-tartókban. Itt 45 mm hosszú behajtócsúcsok tarthatók.

MŰKÖDTETÉS

⚠ VIGYÁZAT: Mindig egészen addig tolja be az akkumulátort, amíg egy kis kattánással a helyén rögzíti. Ha látható a piros jel a gomb felső oldalán, akkor nem kattant be teljesen. Nyomja be az akkumulátort teljesen, amíg a piros rész el nem tűnik. Ha ez nem történik meg, akkor az akkumulátor kieshet a szerszámból, és Önnek vagy a környezetében másnak sérülést okozhat.

⚠ VIGYÁZAT: Amikor a fordulatszám nagyon lecsökken, csökkentse a terhelést, vagy állítsa le a szerszámot, hogy elkerülje annak sérülését.


Erősen fogja a szerszámot egyik kezével a fogantyúnál, a másikkal pedig az akkumulátor alsó részénél, nehogy kicsavarodjon.

- **Ábra12**

Csavarbehajtás

⚠ VIGYÁZAT: Állítsa be a beállítógyűrű segítségével a munkához megfelelő meghúzási nyomatékot.

⚠ VIGYÁZAT: Ellenőrizze, hogy a behajtócsúcsot egyenesen helyezte be a tokmányba, mert ellenkező esetben a csavar és/vagy a behajtócsúcs károsodhat.


Először forgassa a működési mód váltó gyűrűt úgy, hogy a szerszám burkolatán található nyíl a  jelölésre mutasson.

Helyezze a behajtócsúcs hegyét a csavar fejébe és fejtessen ki nyomást a szerszámmra. Indítsa el alacsony fordulatszámra a szerszámot, majd fokozatosan növelje a fordulatszámot. Engedje fel a kapcsológombot amint a tengelykapcsoló szétkapcsol.

MEGJEGYZÉS: Facsavar behajtásánál fúrjon vezetőfuratot, amelynek átmérője a csavar átmérőjének 2/3-a. Ez megkönnyíti a behajtást, és megelőzi a munkadarab repedését.

Útvefűrés mód

⚠ VIGYÁZAT: Hatalmas és hirtelen jövő csavaróerő hat a szerszámmra/fűróhegyre a furat áttörésének pillanatában, amikor a furat eltömődik forgáccsal és szemcsékkel, vagy amikor eltalálja a betonba ágyazott betonvasat.

Először forgassa a működési mód váltó gyűrűt úgy, hogy a szerszám burkolatán található nyíl a  jelölésre mutasson. A beállítógyűrűt bármelyik fokozatba állíthatja ehhez a művelethez.

Ügyeljen rá, hogy volfrám-karbid csúccsal rendelkező fűróhegyet használjon.

Állítsa a fűróhegyet a furat tervezett helyére és húzza meg a kapcsológombot. Ne erőltesse a szerszámot. Az enyhe nyomás adja a legjobb eredményt. Tartsa a szerszámot a helyén, és akadályozza meg, hogy elcsússzon a furattól.

Ne fejtse ki nagyobb nyomást amikor a furat eltömődik forgáccsal és más részecskékkel. Ehelyett működtesse a szerszámot terhelés nélkül, és húzza ki kissé a fűróhegyet a furatból. Ezt többször megismételve kitisztítja a furatot és folytathatja a fűrészt.


Kifűjő gumikörte

Opcionális kiegészítők

► **Ábra13:** 1. Kifűjő gumikörte

A furat kifűrése után a furatból egy kifűjő gumikörtével fűjja ki a port.

Fűrés művelet

Először fordítsa el a beállítógyűrűt, hogy a jelzés a  jelölésre mutasson. Ezután járjon el a következőképpen:

Fűrés fába

Fa fűrészkor a legjobb eredményt akkor kapja, ha vezetőcsavarral felszerelt fafűrókat használ. A vezetőcsavar könnyebbé teszi a fűrészt mert bevezeti a fűróhegyet a munkadarabba.

Fűrés fémbe

Annak megelőzésére, hogy a fűróhegy kicsússzon a furat megkezdésekor, jelölje be a fűrészt kívánt pontot egy pontozóval és egy kalapáccsal. Helyezze a fűróhegy csúcsát a jelölésre és kezdje el a fűrészt.

Fémek fűrészkor használjon forgácsoláshoz alkalmas kenőanyagot. Kivételt csupán az öntöttvas és a sárgaréz képeznek, amelyeket szárazon kell fűrészt.

⚠ VIGYÁZAT: Ha túlságosan erősen nyomja a szerszámot, azzal nem gyorsítja meg a furat kifűrészt. Valójában a fölöslegesen nagy nyomás csupán a fűróhegy sérüléséhez, a szerszám teljesítményének csökkenéséhez vezet és lerövidíti a szerszám hasznos élettartamát.

⚠ VIGYÁZAT: Erősen fogja a szerszámot, és legyen óvatos, amikor a fűróhegy elkezd áttörni a munkadarabot. Hatalmas erő hat a szerszámmra/fűróhegyre a furat áttörésének pillanatában.

⚠ VIGYÁZAT: A beszorult fűróhegyet egyszerűen el lehet távolítani a forgásirányváltó kapcsolókar ellentétes irányú forgásba kapcsolásával. Azonban a gép hirtelen visszafelé foroghat, ha nem tartja erősen.

⚠ VIGYÁZAT: A munkadarabokat mindig rögzítse szorosan, vagy más hasonló befogó eszközzel.


⚠ VIGYÁZAT: Ha szerszámot folyamatosan működteti addig, amíg az akkumulátor teljesen lemerül, 15 percig pihentesse a szerszámot mielőtt tovább folytatja a munkát egy feltöltött akkumulátorral.

A szerszám használata kézi csavarbehajtóként

► **Ábra14**

Kapcsolja ki a szerszámot.

Állítsa a forgásirányváltó kapcsolókart a semleges állásba.

Először fordítsa a működési mód váltó gyűrűt úgy, hogy a szerszám burkolatán található nyíl a  jelölésre mutasson.

Forgassa meg a szerszámot.

MEGJEGYZÉS: Ez a használat hasznos a csavarbehajtás ellenőrzésére.

MEGJEGYZÉS: Ne használja a szerszámot túl nagy erőigénylő munkákhoz, mint pl. nagy csavar meghúzása vagy rozsdás csavarok eltávolítása.

Az oldaltáska használata

Opcionális kiegészítők

⚠ VIGYÁZAT: Ha oldaltáskát használ, vegye ki a behajtócsúcsot vagy fűróhegyet a szerszámból.

⚠ VIGYÁZAT: Mielőtt behelyezi az oldaltáskába, kapcsolja ki a szerszámot és várja meg, amíg az teljesen megáll.

Az oldaltáska bezárásakor ügyeljen rá, hogy az szorosan tartsa a szerszámot.

1. Vezessen át egy derékszíjat az oldaltáska tartófülén.

► **Ábra15:** 1. Oldaltáska tartófüle 2. Derékszíj

2. Helyezze a szerszámot az oldaltáskába és rögzítse az oldaltáska gombjával.

► **Ábra16**

► **Ábra17**

Az oldaltáska elülső részén két behajtócsúcsot tarthat.

KARBANTARTÁS

⚠ VIGYÁZAT: Minden esetben ellenőrizze, hogy a szerszám ki van kapcsolva és az akkumulátor eltávolításra került mielőtt átvizsgálja a szerszámot vagy annak karbantartását végzi.

MEGJEGYZÉS: Soha ne használjon gázolajt, benzint, hígítót, alkoholt vagy hasonló anyagokat. Ezek elszíneződést, alakvesztést vagy repedést okozhatnak.

A termék BIZTONSÁGÁNAK és MEGBÍZHATÓSÁGÁNAK fenntartása érdekében a javításokat és más karbantartásokat vagy beállításokat a Makita hivatalos vagy gyári szervizközpontjában kell elvégezni, mindig csak Makita cserealkatrészeket használva.

OPCIONÁLIS KIEGÉSZÍTŐK

⚠ VIGYÁZAT: Ezen kiegészítőket és tartozékokat javasoljuk a kézikönyvben ismertetett Makita szerszámhoz. Bármilyen más kiegészítő vagy tartozék használata a személyi sérülés kockázatával jár. A kiegészítőt vagy tartozékot csak rendeltetésszerűen használja.

Ha bármilyen segítségre vagy további információkra van szüksége ezekkel a tartozékokkal kapcsolatban, keresse fel a helyi Makita Szervizközpontot.

- Fűrőhegyek
- Behajtócsúcsok
- Dugókulcsbetétek
- Volfrám-karbid csúccsal rendelkező fűrőhegy
- Kifújó gumikörte
- Behajtócsúcs-tartó
- Akasztó
- Oldaltáska
- Eredeti Makita akkumulátor és töltő

MEGJEGYZÉS: A listán felsorolt néhány kiegészítő megtalálható az eszköz csomagolásában standard kiegészítőként. Ezek országonként eltérőek lehetnek.

TECHNICKÉ ŠPECIFIKÁCIE

| | | |
|-------------------|-------------------------------|-------------------------------------|
| Model: | | HP333D |
| Hĺbky vrtania | Murivo | 8 mm |
| | Oceľ | 10 mm |
| | Drevo | 21 mm |
| Možnosti upínania | Skrutka do dreva | 5,1 mm x 63 mm |
| | Skrutka so šesťhrannou hlavou | M6 |
| Otáčky naprázdno | Vysoké (2) | 0 - 1 700 min ⁻¹ |
| | Nízke (1) | 0 - 450 min ⁻¹ |
| Úderov za minútu | Vysoké (2) | 0 - 25 500 min ⁻¹ |
| | Nízke (1) | 0 - 6 750 min ⁻¹ |
| Celková dĺžka | | 193 mm |
| Menovité napätie | | Jednosmerný prúd 10,8 V - 12 V max. |
| Čistá hmotnosť | | 1,1 - 1,3 kg |

- Vzhľadom k neustálemu výskumu a vývoju podliehajú technické údaje uvedené v tomto dokumente zmenám bez upozornenia.
- Technické údaje sa môžu pre rôzne krajiny líšiť.
- Hmotnosť sa môže líšiť v závislosti od nastavcov vrátane akumulátora. Najľahšia a najťažšia kombinácia v súlade s postupom EPTA 01/2014 je uvedená v tabuľke.

Použiteľné akumulátory a nabíjačky

| | |
|------------|---|
| Akumulátor | BL1015 / BL1016 / BL1020B / BL1021B / BL1040B / BL1041B |
| Nabíjačka | DC10SA / DC10SB / DC10WC / DC10WD / DC18RE |

- Niektoré vyššie uvedené akumulátory a nabíjačky môžu byť nedostupné v závislosti od miesta vášho bydliska.

VAROVANIE: Používajte iba akumulátory a nabíjačky zo zoznamu uvedeného vyššie. Používanie akýchkoľvek iných akumulátorov a nabíjačiek môže spôsobiť zranenie a/alebo požiar.

Určené použitie

Tento nástroj je určený na príklepové vrtanie do tehly, obmu-rovky a muriva. Je taktiež vhodný na skrútkovanie skrutiek a bezpríklepové vrtanie do dreva, kovu, keramiky a plastu.

Hluk

Typická hladina akustického tlaku záťaže A určená podľa štandardu EN60745-2-1:
 Úroveň akustického tlaku (L_{pA}): 82 dB (A)
 Úroveň akustického tlaku (L_{WA}): 93 dB (A)
 Odchýlka (K): 3 dB (A)

VAROVANIE: Používajte ochranu sluchu.

Vibrácie

Celková hodnota vibrácií (trojosový vektorový súčet) určená podľa štandardu EN60745-2-1:
 Režim činnosti: príklepové vrtanie do betónu
 Emisie vibrácií ($a_{h, ID}$): 13,0 m/s²
 Odchýlka (K): 1,5 m/s²
 Režim činnosti: vrtanie do kovu
 Emisie vibrácií ($a_{h, D}$): 2,5 m/s² alebo menej
 Odchýlka (K): 1,5 m/s²

POZNÁMKA: Deklarovaná hodnota emisií vibrácií bola meraná podľa štandardnej skúšobnej metódy a môže sa použiť na porovnanie jedného nástroja s druhým.

POZNÁMKA: Deklarovaná hodnota emisií vibrácií sa môže použiť aj na predbežné posúdenie vystavenia ich účinkom.

VAROVANIE: Emisie vibrácií počas skutočného používania elektrického nástroja sa môžu odlišovať od deklarovanej hodnoty emisií vibrácií, a to v závislosti od spôsobov používania náradia.

VAROVANIE: Nezapodíňte označiť bezpečnostné opatrenia s cieľom chrániť obsluhu, a to tie, ktoré sa zakladajú na odhade vystavenia účinkom v rámci reálnych podmienok používania (berúc do úvahy všetky súčasti prevádzkového cyklu, ako sú doby, kedy je nástroj vypnutý a kedy beží bez záťaže, ako dodatok k dobe zapnutia).

Vyhlasenie o zhode ES

Len pre krajiny Európy

Vyhlasenie o zhode ES sa nachádza v prílohe A tohto návodu na obsluhu.

BEZPEČNOSTNÉ VAROVANIA

Všeobecné bezpečnostné predpisy pre elektrické nástroje

VAROVANIE: Preštudujte si všetky bezpečnostné varovania, pokyny, vyobrazenia a technické špecifikácie určené pre tento elektrický nástroj. Pri nedodržaní všetkých nižšie uvedených pokynov môže dôjsť k úrazu elektrickým prúdom, požiaru alebo vážnemu zraneniu.

Všetky výstrahy a pokyny si odložte pre prípad potreby v budúcnosti.

Pojem „elektrický nástroj“ sa vo výstrahách vzťahuje na elektricky napájané elektrické nástroje (s káblom) alebo batériu napájané elektrické nástroje (bez kábla).

Bezpečnostné výstrahy pre akumulátorovú pneumatickú zarážaciu vrtačku

- Počas príklepového vrtania používajte ochranu sluchu.** Vystavenie účinkom hluku môže mať za následok stratu sluchu.
- Pokiaľ sa s náradím dodávajú prídavné rukoväte používajte ich.** Strata ovládania môže mať za následok poranenie.
- Elektrické náradie pri práci držte len za izolované úchopné povrchy, lebo rezné príslušenstvo sa môže dostať do kontaktu so skrytými vodičmi.** Rezné príslušenstvo, ktoré sa dostane do kontaktu so „živým“ vodičom, môže spôsobiť vystavenie kovových častí elektrického náradia „živému“ prúdu a spôsobiť tak obsluhu zasiahnutie elektrickým prúdom.
- Elektrické náradie pri práci držte len za izolované úchopné povrchy, lebo upevňovací prvok sa môže dostať do kontaktu so skrytými vodičmi.** Upevňovací prvok, ktorý sa dostane do kontaktu so „živým“ vodičom môže spôsobiť vystavenie kovových častí elektrického náradia „živému“ prúdu a spôsobiť tak obsluhu zasiahnutie elektrickým prúdom.
- Vždy dbajte na pevný postoj. Ak pracujete vo výškach, dbajte, aby pod vami nikto nebol.**
- Náradie držte pevne.**
- Nepribližujte ruky k otáčajúcim sa časťami.**
- Nenechávajte nástroj v prevádzke bez dozoru.** Pracujte s ním, len keď ho držíte v rukách.
- Nedotýkajte sa nástavca alebo obrobku hneď po úkone; môžu byť extrémne horúce a môžu popáliť vašu pokožku.**
- Niektoré materiály obsahujú chemikálie, ktoré môžu byť jedovaté. Dávajte pozor, aby ste ich nevdychovali ani sa ich nedotýkali.** Prečítajte si bezpečnostné informácie dodávateľa materiálu.
- Ak vrták nie je možné uvoľniť ani otvorením čepu, použite na jeho vytiahnutie kliešte.** V prípade vytáhovania vrtačky rukou môže dôjsť k zraneniu spôsobenému jeho ostrou hranou.

TIETO POKYNY USCHOVAJTE.

VAROVANIE: NIKDY nepripustite, aby sebavedomie a dobrá znalosť výrobku (získané opakovaným používaním) nahradili presné dodržiavanie bezpečnostných pravidiel pre náradie. **NESPRÁVNE POUŽÍVANIE** alebo nedodržiavanie bezpečnostných zásad uvedených v tomto návode môže viesť k závažnému zraneniu.

Dôležité bezpečnostné a prevádzkové pokyny pre akumulátor

- Pred použitím akumulátora si prečítajte všetky pokyny a výstažné označenia na (1) nabíjačke akumulátorov, (2) akumulátore a (3) produkte používajúcom akumulátor.**
- Akumulátor nerozoberajte.**
- Ak sa doba prevádzky príliš skráti, ihneď prerušte prácu. Môže nastať riziko prehriatia, možných popálení či dokonca explózie.**
- V prípade zasiahnutia očí elektrolytom ich vypláchnite čistou vodou a okamžite vyhľadajte lekársku pomoc. Môže dôjsť k strate zraku.**
- Akumulátor neskratujte:**
 - Nedotýkajte sa konektorov žiadnym vodivým materiálom.**
 - Neskladujte akumulátor v obale s inými kovovými predmetmi, napríklad klincami, mincami a pod.**
 - Akumulátor nevystavujte vode ani dažďu. Skrat akumulátora môže spôsobiť veľký tok prúdu, prehriatie, možné popálenie či dokonca poruchu.**
- Neskladujte nástroj ani akumulátor na miestach s teplotou presahujúcou 50 °C (122 °F).**
- Akumulátor nespálujte, ani keď je vážne poškodený alebo úplne opotrebovaný. Akumulátor môže v ohni explodovať.**
- Dávajte pozor, aby akumulátor nespadol, a nevystavujte ho nárazom.**
- Nepoužívajte poškodený akumulátor.**
- Lítium-iónové akumulátory, ktoré sú súčasťou náradia, podliehajú požiadavkám legislatívy o nebezpečnom tovare.**

V prípade obchodnej prepravy, napr. dodanie tretími stranami či špeditériami, sa musia dodržiavať špeciálne požiadavky na zabalenie a označenie. Pred prípravou položky na odoslanie sa vyžaduje konzultácia s odborníkom na nebezpečný materiál. Taktiež treba dodržiavať potenciálne podrobnejšie predpisy príslušnej krajiny.

Prelepte alebo zakryte otvorené kontakty a zabaľte akumulátor tak, aby sa v balíku nemohol voľne pohybovať.
- Akumulátor zlikvidujte v súlade s miestnymi nariadeniami.**
- Akumulátory používajte iba s výrobkami uvedenými spoločnosťou Makita.** Inštalácia akumulátorov do nevyhovujúcich výrobkov môže spôsobiť požiar, nadmerné teplo, výbuch alebo únik elektrolytu.

TIETO POKYNY USCHOVAJTE.

POZOR: Používajte len originálne akumulátory od spoločnosti Makita. Používanie batérií, ktoré nie sú od spoločnosti Makita, alebo upravených batérií môže spôsobiť výbuch batérie a následný požiar, zranenie osôb alebo poškodeniu majetku. Následkom bude aj zrušenie záruky od spoločnosti Makita na nástroj a nabíjačku od spoločnosti Makita.

Rady na udržanie maximálnej životnosti akumulátora

1. Akumulátor nabíte ešte predtým, ako sa úplne vybije. Vždy prerušte prácu s nástrojom a nabíte akumulátor, keď spozorujete nižší výkon nástroja.
2. Nikdy nenabíjate plne nabitý akumulátor. Prebíjanie skracuje životnosť akumulátora.
3. Akumulátor nabíjajte pri izbovej teplote 10 °C – 40 °C (50 °F – 104 °F). Pred nabíjaním nechajte horúci akumulátor vychladnúť.

OPIS FUNKCIÍ

⚠ POZOR: Pred úpravou alebo kontrolou funkčnosti nástroja vždy skontrolujte, či je nástroj vypnutý a akumulátor je vybratý.

Inštalácia alebo demontáž akumulátora

⚠ POZOR: Pred inštaláciou alebo vybratím akumulátora nástroj vždy vypnite.

⚠ POZOR: Pri inštalovaní a vyberaní akumulátora pevne uchopíte nástroj a akumulátor. Ak nástroj a akumulátor pevne neuchopíte, môže to mať za následok vyšmyknutie z vašich rúk s dôsledkom poškodenia nástroja a akumulátora, ako aj osobných poranení.

► Obr.1: 1. Červený indikátor 2. Tlačidlo 3. Akumulátor

Ak chcete vybrať akumulátor, vysuňte ho z nástroja, pričom posuňte tlačidlo na prednej strane akumulátora.

Akumulátor vložte tak, že jazýček akumulátora zarovnáte s drážkou v kryte a zasuniete ho na miesto. Zatlačte ho úplne, kým zakliknutím nezapadne na miesto. Ak vidíte červený indikátor na hornej strane tlačidla, nie je správne zapadnutý.

⚠ POZOR: Akumulátor vždy nainštalujte úplne, až kým nie je vidieť červený indikátor. V opačnom prípade môže náhodne vypadnúť z nástroja a ublížiť vám alebo osobám v okolí.

⚠ POZOR: Pri inštalovaní akumulátora nepoužívajte silu. Ak sa akumulátor nedá zasunúť ľahko, nevkladáte ho správne.

Systém ochrany akumulátora

Nástroj je vybavený systémom ochrany akumulátora. Tento systém automaticky vypne napájanie motora s cieľom predĺžiť životnosť akumulátora. Nástroj sa môže počas prevádzky automaticky zastaviť v prípade, ak sa nástroj alebo akumulátor nachádzajú v jednom z nasledujúcich stavov:

Preťaženie:

Nástroj je prevádzkovaný spôsobom, ktorý spôsobuje odber nadmerne vysokého prúdu. V tejto situácii vypnite nástroj a ukončite prácu, ktorá spôsobuje preťažovanie nástroja. Potom nástroj zapnutím znova spustíte.

Ak sa nástroj nespustí, akumulátor je prehriaty. V tejto situácii nechajte akumulátor pred opätovným zapnutím náradia vychladnúť.

Nízke napätie akumulátora:









Zostávajúca kapacita akumulátora je veľmi nízka a nástroj nebude fungovať. Ak zapnete nástroj, motor sa rozbehne, ale čoskoro sa zastaví. V tejto situácii akumulátor vyberte a nabíte ho.

Indikácia zvyšnej kapacity akumulátora

Len na akumulátory s indikátorom

► Obr.2: 1. Indikátory 2. Tlačidlo kontroly

Stlačením tlačidla kontroly na akumulátore zobrazíte zostávajúcu kapacitu akumulátora. Indikátory sa na niekoľko sekúnd rozsvietia.

| Indikátory | | Zostávajúca kapacita |
|---|---|----------------------|
| Svieti | Nesvieti | |
|  |  | 75 % až 100 % |
|  |  | 50% až 75% |
|  |  | 25% až 50% |
|  |  | 0% až 25% |

POZNÁMKA: V závislosti od podmienok používania a v závislosti od okolitej teploty sa môže zobrazenie mierne odlišovať od skutočnej kapacity.

Zapínanie

► Obr.3: 1. Spúšťač spínača

⚠ POZOR: Pred vložením akumulátora do nástroja sa vždy presvedčíte, či spúšťač spínača funguje správne a po uvoľnení sa vráti do pozície „OFF“.

Ak chcete nástroj spustiť, stačí stlačiť jeho spúšťač spínača. Rýchlosť nástroja sa zvyšuje zvyšovaním prítlaku na spúšťač spínača. Nástroj zastavíte uvoľnením spúšťačieho spínača.

Zapnutie prednej lampy

► Obr.4: 1. Lampa

⚠ POZOR: Nedívejte sa priamo do svetla ani jeho zdroja.

Lampu rozsvietite stlačením spúšťačieho tlačidla. Lampa svieti, kým ťaháte spúšťač spínača. Lampa zhasne asi 10 sekúnd po uvoľnení spúšťačieho spínača.

POZNÁMKA: Suchou tkaninou utrite znečistené šošovky lampy. Dávajte pozor, aby sa šošovky lampy nepoškriabali. Mohla by sa znížiť intenzita osvetlenia.

Činnosť prepínacej páčky smeru otáčania

► **Obr.5:** 1. Prepínanie páčka smeru otáčania

▲POZOR: Pred začatím činnosti vždy skontrolujte smer otáčania.

▲POZOR: Smer otáčania prepínajte až po úplnom zastavení nástroja. Pri zmene smeru otáčania pred úplným zastavením by sa mohol nástroj poškodiť.

▲POZOR: Keď nástroj nepoužívate, prepínanie páčky smeru otáčania vždy prepnite do neutrálnej polohy.

Tento nástroj má prepínanie páčku na zmenu smeru otáčania. Zatlačte prepínanie páčku smeru otáčania zo strany A pre otáčanie v smere pohybu hodinových ručičiek alebo zo strany B pre otáčanie proti smeru pohybu hodinových ručičiek.

Keď je prepínanie páčka smeru otáčania v neutrálnej polohe, spúšťač spínač sa nedá potiahnuť.

Zmena otáčok

► **Obr.6:** 1. Rýchlostná radiaca páka

▲POZOR: Rýchlostnú radiacu páku vždy nastavte úplne do správnej polohy. Ak je pri prevádzke nástroja rýchlostná radiaca páka umiestnená v polovici vzdialenosti medzi "1" a "2", nástroj sa môže poškodiť.



▲POZOR: Rýchlostnú radiacu páku nepoužívajte, keď je nástroj spustený. Nástroj sa môže poškodiť.

| Poloha rýchlostnej radiacej páky | Otáčky | Krútiaci moment | Zodpovedajúca prevádzka |
|----------------------------------|--------|-----------------|-------------------------|
| 1 | Nízke | Vysoký | Vysoké zaťaženie |
| 2 | Vysoké | Nízky | Nízke zaťaženie |

Ak chcete zmeniť otáčky, najprv nástroj vypnite. Ak chcete použiť vysoké otáčky, zvolte polohu "2". Ak chcete použiť nízke otáčky, ale vysoký krútiaci moment, zvolte polohu "1". Pred prácou skontrolujte, či je rýchlostná radiaca páka v správnej polohe. Ak počas prevádzky s pákou v polohe "2" dôjde k výraznému zníženiu otáčok, prepnite páku do polohy "1" a znova uveďte nástroj do prevádzky.




Výber funkcie nástroja

▲POZOR: Krúžok vždy nastavte správne na značku požadovaného režimu. Ak je pri prevádzke nástroja krúžok umiestnený v polovici vzdialenosti medzi značkami režimu, nástroj sa môže poškodiť.

▲POZOR: Ak zmeníte polohu z režimu „“ na iné režimy, možno bude trochu ťažké posúvať krúžok na zmenu funkcie. V takom prípade nástroj zapnite a nechajte chvíľku v činnosti v polohe „“, potom ho zastavte a posuňte krúžok do požadovanej polohy.

► **Obr.7:** 1. Krúžok na zmenu funkcie 2. Nastavovací krúžok 3. Dielikovanie 4. Šípka

Tento nástroj dokáže pracovať v troch režimoch:

-  režim vŕtania (iba otáčanie),
-  režim vŕtania s príklepom (otáčanie s príklepom),
-  režim skrutkovania (otáčanie so spojkou).

Zvoľte režim vhodný pre vašu činnosť. Otáčaním krúžku na zmenu funkcie zarovnajete vybranú značku so šípkou na tele nástroja.

Nastavenie uťahovacieho momentu

► **Obr.8:** 1. Krúžok na zmenu funkcie 2. Nastavovací krúžok 3. Dielikovanie 4. Šípka

Uťahovací moment môže byť otáčaním nastavovacieho krúžku nastavený na 20 rôznych úrovni. Zarovnajete príslušnú značku so šípkou na tele nástroja. Uťahovací moment dosahuje minimum na značke 1 a maximum na značke 20.

Pred samotnou prácou zaskrutkujte skúšobnú skrutku do vášho materiálu alebo do obdobného materiálu, aby ste stanovili, aký uťahovací moment je na dané použitie potrebný. Približný vzťah medzi veľkosťou skrutky a značkou, na ktorú je nástroj potrebné nastaviť, je uvedený v nasledujúcej tabuľke.

| Dielikovanie | | 1 | 2 | 3 | 4 | 5 | 6 | 7 | 8 | 9 | 10 | 11 | 12 | 13 | 14 | 15 | 16 | 17 | 18 | 19 | 20 |
|-------------------------------|-------------------------------|----|---|---|---|---|---|---|---|----|----|-----------|----|-----------|----|-----------|----|----|----|----|----|
| Skrutka so šesťhrannou hlavou | | M4 | | | | | | | | M5 | | | | | | | | M6 | | | |
| Skrutka do dreva | Mäkke drevo (napr. borovica) | - | | | | | | | | | | φ3,5 x 22 | | | | φ4,1 x 38 | | | | | |
| | Tvrde drevo (napr. preglejka) | - | | | | | | | | - | | | | φ3,5 x 22 | | | | - | | | |
| | | - | | | | | | | | | | - | | | | φ4,1 x 38 | | | | | |

ZOSTAVENIE

▲POZOR: Pred vykonaním akejkoľvek práce na nástroji vždy skontrolujte, či je nástroj vypnutý a akumulátor je vybratý.

Montáž alebo demontáž skrutkovača/vrtáka

Voliteľné príslušenstvo

► Obr.9: 1. Objímka 2. Zatvorit' 3. Otvoriť

Objímku otočte proti smeru hodinových ručičiek, otvorí sa čelusť skľučovadla. Do skľučovadla vložte nastavtec skrutkovača/vrtáka čo najhlbšie. Skľučovadlo dotiahnete otočením objímky v smere hodinových ručičiek. Nastavec skrutkovača/vrtáka vyberiete otáčaním objímky proti smeru pohybu hodinových ručičiek.

Montáž háku

▲POZOR: Hák pri montáži vždy pevne zaistíte skrutkou. V opačnom prípade sa môže hák uvoľniť z nástroja a spôsobiť zranenie osôb.

► Obr.10: 1. Drážka 2. Hák 3. Skrutka

Hák je vhodný na dočasné zavesenie nástroja. Môže sa namontovať na ktorúkoľvek stranu nástroja. Hák namontujete tak, že ho vložíte do ryhy na telese nástroja na ktorejkoľvek strane a potom ho zaistíte skrutkou. Vyberiete ho uvoľnením skrutky.

Montáž držiaku nástavca skrutkovača

Voliteľné príslušenstvo

► Obr.11: 1. Držiak nástavca skrutkovača 2. Nástavec skrutkovača

Držiak nástavca skrutkovača vložte do výčnelku na nohe nástroja na pravej alebo ľavej strane a zaistíte ho skrutkou. Keď nástavec skrutkovača nepoužívate, odložte ho do držiaka nástavca skrutkovača. Tu môžete uložiť 45 mm dlhé nástavce skrutkovačov.

PREVÁDZKA

▲POZOR: Akumulátor vložte tak, aby zapadol na svoje miesto. Ak vidíte červený indikátor na hornej strane tlačidla, nie je správne zapadnutý. Zasuňte ho teda úplne tak, aby tento červený indikátor nebolo vidieť. V opačnom prípade môže náhodne vypadnúť z nástroja a ublížiť vám alebo osobám v okolí.

▲POZOR: Ak sa otáčky rýchlo znižujú, znížte zaťaženie alebo nástroj zastavte, aby ste sa vyhlí poškodeniu nástroja.

Nástroj držte pevne jednou rukou za rukoväť a druhou za spodnú časť akumulátora, aby ste mohli kontrolovať zakrúcanie.

► Obr.12

Skrtkovanie

▲POZOR: Pre svoju prácu nastavte nastavovací krúžok na správnu momentovú úroveň.

▲POZOR: Uistite sa, že nástavec skrutkovača je vložený priamo v hlave skrutky, v opačnom prípade sa môže skrutka alebo nástavec skrutkovača poškodiť.

Najskôr otočte krúžkom na zmenu funkcie tak, aby šípka na tele nástroja ukazovala na značku . Hrot nástavca skrutkovača vložte do hlavičky skrutky a zatlačte na nástroj. Pomaly zapnite nástroj a potom postupne zvyšujte rýchlosť. Spúšťač spínača uvoľnite, keď sa spojka pripojí.

POZNÁMKA: Pri vŕtaní skrutky do dreva si predvŕtajte vodiaci otvor, ktorý má veľkosť 2/3 priemeru skrutky. Zjednodušíte si tým vŕtanie a zabránite rozloženiu obrobku.

Vŕtanie s príklepom

▲POZOR: Pri dokončovaní priechodného otvoru môže dôjsť k náhlej reakcii nástroja/vrtáka, keď sa otvor zanesie úlomkami materiálu, alebo pri náraze na výstužné tyče v betóne.

Najskôr otočte krúžkom na zmenu funkcie tak, aby šípka na tele nástroja ukazovala na značku . Pri tejto operácii sa môže nastavovací krúžok vyrovnáť v ktorejkoľvek úrovni krútiaceho momentu. Použite vrták s hrotom z tvrdokovu (volfrám-karbid). Vrták nastavte do požadovanej polohy pre hĺbku otvoru a stlačte spúšťač spínača. Nevývíjajte na nástroj veľký tlak. Menším tlakom dosiahnete vyššiu efektivitu práce. Držte nástroj presne v potrebnej polohe, aby vrták neskĺzol mimo vŕtaný otvor. Nevývíjate väčší tlak, keď sa otvor zanesie úlomkami materiálu. Namiesto toho nechajte nástroj na voľný chod a trochu povytiahnite vrták z otvoru. Po niekoľkonásobnom zopakovaní tohto úkonu sa otvor vyčistí a môžete pokračovať vo vŕtaní.

Ofukovací balónik

Voliteľné príslušenstvo

► Obr.13: 1. Ofukovací balónik

Ofukovací balónik slúži na vyčistenie vyvŕtaného otvoru od prachu.

Vŕtanie

Najprv otočte nastavovací krúžok tak, aby šípka smerovala k označeniu . Potom postupujte podľa ďalších pokynov.

Vŕtanie do dreva

Ak vŕtate do dreva, najlepšie výsledky dosiahnete použitím vrtákov do dreva s vodiacou skrutkou. Vodiaca skrutka uľahčuje vŕtanie vŕtáčením vrtáka do materiálu.

Vrtanie do kovu

Skizu vrtáka pri začatí vrtania otvoru predídete tak, že si jamkovačom a kladivom pripravíte malý otvor v bode vrtania. Hrot vrtáka umiestnite do vyhlbeniny a začnite vrtáť. Počas vrtania do kovov používajte mazivo používané pri rezaní kovov. Výnimkou je železo a mosadz, do ktorých by sa malo vrtáť bez mazacieho média.

⚠ POZOR: Nadmerným tlakom na nástroj vrtanie neurýchlite. V skutočnosti tento nadmerný tlak vedie len k poškodeniu hrotu vášho vrtáka, zníženiu účinnosti nástroja a skráteniu jeho životnosti.

⚠ POZOR: Držte nástroj pevne a dávajte pozor, keď vrták začína prenikať do obrobku. V čase prerážania otvorom pôsobí na nástroj/vrták veľká sila.

⚠ POZOR: Uviaznutý vrták sa dá jednoducho uvoľniť prepnutím prepínača smeru otáčania do opačnej polohy. Pokiaľ však nástroj nadržíte pevne, môže nečakane vyskočiť.

⚠ POZOR: Obrobky vždy upínajte do zveráka či do podobného upevňovacieho zariadenia.


⚠ POZOR: Ak sa s nástrojom pracuje priebežne, až kým sa akumulátor nevybijie, nechajte nástroj odpočívať po dobu 15 minút pred vložením nabitj batérie.

Použitie nástroja ako ručného skrutkovača

► Obr.14

Vypnite nástroj.

Posuňte páčku prepínača smeru otáčania do neutrálnej polohy.

Otočte krúžok na zmenu funkcie tak, aby šípka smerovala k označeniu .

Zapnite nástroj.

POZNÁMKA: Toto použitie je vhodné na kontrolu skrutkovania.

POZNÁMKA: Nástroj nepoužívajte pre práce vyžadujúce nadmernú silu, napríklad uťahovanie matice alebo vyťahovanie hrdzavých skrutiek.

Používanie puzdra

Voliteľné príslušenstvo

⚠ POZOR: Pri používaní puzdra vyberte nástavec skrutkovača/vrták z nástroja.

⚠ POZOR: Pred nasadením puzdra vypnite nástroj a počkajte, až kým sa úplne nezastaví. Puzdro bezpečne uzavrite západkou na puzdre tak, aby pevne držalo nástroj.

1. Cez držiak puzdra prevlečte driekový pás alebo podobné zariadenie.

► **Obr.15:** 1. Držiak puzdra 2. Driekový pás

2. Uložte nástroj do puzdra a zaisťte ho západkou na puzdre.

► **Obr.16**

► **Obr.17**

V prednej časti puzdra je možné uložiť dva vrtáky.

ÚDRŽBA

⚠ POZOR: Pred vykonaním kontroly alebo údržby vždy skontrolujte, či je nástroj vypnutý a akumulátor je vybratý.

UPOZORNENIE: Nepoužívajte benzín, riedidlo, alkohol ani podobné látky. Mohlo by to spôsobiť zmenu farby, deformácie alebo praskliny.

Ak chcete udržať BEZPEČNOSŤ a BEZPORUCHOVOSŤ výrobku, prenechajte opravy, údržbu a nastavenie na autorizované alebo továrenské servisné centrá Makita, ktoré používajú len náhradné diely značky Makita.

VOLITEĽNÉ PRÍSLUŠENSTVO

⚠ POZOR: Pre váš nástroj Makita, opísaný v tomto návode, doporučujeme používať toto príslušenstvo a nástavce. Pri použití iného príslušenstva či nástavcov môže hroziť nebezpečenstvo zranenia osôb. Príslušenstvo a nástavce sa môžu používať len na účely pre ne stanovené.

Ak potrebujete bližšie informácie týkajúce sa tohoto príslušenstva, obráťte sa na vaše miestne servisné stredisko firmy Makita.

- Vrtáky
- Nástavce skrutkovača
- Nástavce s objímkou
- Vrták s hrotom volfrám-karbid
- Ofukovací balónik
- Držiak nástavca skrutkovača
- Hák
- Puzdro
- Originálna batéria a nabíjačka Makita

POZNÁMKA: Niektoré položky zo zoznamu môžu byť súčasťou balenia nástrojov vo forme štandardného príslušenstva. Rozsah týchto položiek môže byť v každej krajine odlišný.

SPECIFIKACE

| | | |
|--------------------------|---------------------------|------------------------------|
| Model: | | HP333D |
| Vrtací výkon | Zdivo | 8 mm |
| | Ocel | 10 mm |
| | Dřevo | 21 mm |
| Šroubovací výkon | Vrut do dřeva | 5,1 mm × 63 mm |
| | Šroub se zápusťnou hlavou | M6 |
| Otáčky bez zatížení | Vysoké (2) | 0 – 1 700 min ⁻¹ |
| | Nízké (1) | 0 – 450 min ⁻¹ |
| Počet příklepů za minutu | Vysoký (2) | 0 – 25 500 min ⁻¹ |
| | Nízký (1) | 0 – 6 750 min ⁻¹ |
| Celková délka | | 193 mm |
| Jmenovité napětí | | Max. 10,8 – 12 V DC |
| Čistá hmotnost | | 1,1 – 1,3 kg |

- Vzhledem k neustálému výzkumu a vývoji zde uvedené technické údaje podléhají změnám bez upozornění.
- Specifikace se mohou pro různé země lišit.
- Hmotnost se může lišit v závislosti na nástavcích a přídatných zařízeních, včetně akumulátoru. Nejlehčí a nejtěžší kombinace, dle EPTA-Procedure 01/2014, jsou uvedeny v tabulce níže.

Použitelný akumulátor a nabíječka

| | |
|------------|---|
| Akumulátor | BL1015 / BL1016 / BL1020B / BL1021B / BL1040B / BL1041B |
| Nabíječka | DC10SA / DC10SB / DC10WC / DC10WD / DC18RE |

- V závislosti na regionu vašeho bydliště nemusí být některé akumulátory a nabíječky k dispozici.

VAROVÁNÍ: Používejte pouze výše uvedené akumulátory a nabíječky. Použití jiných akumulátorů a nabíječek může způsobit zranění a/nebo požár.

Účel použití

Nářadí je určeno k příklepovému vrtání do cihel, obezdívky a zdiva. Zařízení je rovněž vhodné ke šroubování a vrtání bez příklepu do dřeva, kovu, keramiky a plastů.

Hlučnost

Typická vážená hladina hluku (A) určená podle normy EN60745-2-1:

Hladina akustického tlaku (L_{pA}): 82 dB(A)

Hladina akustického výkonu (L_{WA}): 93 dB (A)

Nejistota (K): 3 dB(A)

VAROVÁNÍ: Používejte ochranu sluchu.

Vibrace

Celková hodnota vibrací (vektorový součet tří os) určená podle normy EN60745-2-1:

Pracovní režim: Vrtání s příklepem do betonu

Emise vibrací ($a_{h, ID}$): 13,0 m/s²

Nejistota (K): 1,5 m/s²

Pracovní režim: Vrtání do kovu

Emise vibrací ($a_{h, D}$): 2,5 m/s² nebo méně

Nejistota (K): 1,5 m/s²

POZNÁMKA: Hodnota deklarovaných emisí vibrací byla změřena standardní zkušební metodou a dá se použít k porovnání nářadí mezi sebou.

POZNÁMKA: Hodnotu deklarovaných emisí vibrací lze také použít k předběžnému posouzení míry expozice vibracím.

VAROVÁNÍ: Emise vibrací při používání elektrického nářadí ve skutečnosti se mohou od hodnoty deklarovaných emisí vibrací lišit v závislosti na způsobech použití nářadí.

VAROVÁNÍ: Nezapomeňte stanovit bezpečnostní opatření na ochranu obsluhy podle odhadu expozice ve skutečných podmínkách použití. (Vezměte přitom v úvahu všechny části provozního cyklu, tj. kromě doby zátěže například doby, kdy je nářadí vypnuté a kdy běží naprázdno.)

Prohlášení ES o shodě

Pouze pro evropské země

Prohlášení ES o shodě je obsaženo v Příloze A tohoto návodu k obsluze.

BEZPEČNOSTNÍ VÝSTRAHY

Obecná bezpečnostní upozornění k elektrickému nářadí

VAROVÁNÍ: Přečtěte si všechny bezpečnostní výstrahy i pokyny a prohlédněte si ilustrace a specifikace dodané k tomuto elektrickému nářadí. Nedodržení všech níže uvedených pokynů může vést k úrazu elektrickým proudem, požáru či vážnému zranění.

Všechna upozornění a pokyny si uschovejte pro budoucí potřebu.

Pojem „elektrické nářadí“ v upozorněních označuje elektrické nářadí, které se zapojuje do elektrické sítě, nebo elektrické nářadí využívající akumulátory.

Bezpečnostní upozornění k akumulátorovému přiklepovému vrtacímu šroubováku

1. Během přiklepového vrtání používejte ochranu sluchu. Nadměrný hluk může způsobit ztrátu sluchu.
2. Použijte pomocné držadlo (držadla), pokud je k nářadí dodáno. Při ztrátě kontroly nad nářadím může dojít ke zranění.
3. Při práci v místech, kde může dojít ke kontaktu nástrojů z příslušenství se skrytým elektrickým vedením, držte elektrické nářadí za izolované části držadel. Nástroje z příslušenství mohou při kontaktu s vodičem pod napětím přenést proud do nechráněných částí nářadí a obsluha může utrpět úraz elektrickým proudem.
4. Při práci v místech, kde může dojít ke kontaktu spojovacího prvku se skrytým elektrickým vedením, držte elektrické nářadí za izolované části držadel. Spojovací prvky mohou při kontaktu s vodičem pod napětím přenést proud do nechráněných částí nářadí a obsluha může utrpět úraz elektrickým proudem.
5. Vždy zaujměte stabilní postoj. Při práci s nářadím ve výškách dbejte, aby se pod vámi nepohybovaly žádné osoby.
6. Držte nářadí pevně.
7. Nepřibližujte ruce k otáčejícím se částem.
8. Nenechávejte nářadí běžet bez dozoru. S nářadím pracujte, jen když je držíte v ruce.
9. Nedotýkejte se bezprostředně po skončení práce nástroje ani obrobku. Mohou být velmi horké a mohly by způsobit popáleniny kůže.
10. Některé materiály obsahují chemikálie, které mohou být jedovaté. Dávejte pozor, abyste nevdechovali prach nebo nedocházelo ke kontaktu s kůží. Dodržujte bezpečnostní pokyny dodavatele materiálů.
11. Pokud nelze vrták uvolnit ani po rozevření čelistí, vytáhněte jej pomocí kleští. Vytahování vrtáku rukou může mít za následek poranění kvůli jeho ostré hraně.

TYTO POKYNY USCHOVEJTE.

VAROVÁNÍ: NEDOVOLTE, aby pohodlnost nebo pocit znalosti výrobku (získaný na základě předchozího použití) vedl k zanedbání dodržování bezpečnostních pravidel platných pro tento výrobek. **NESPRAVNÉ POUŽÍVÁNÍ** či nedodržení bezpečnostních pravidel uvedených v tomto návodu k obsluze může způsobit vážné zranění.

Důležitá bezpečnostní upozornění pro akumulátor

1. Před použitím akumulátoru si přečtěte všechny pokyny a varovné symboly na (1) nabíječce, (2) akumulátoru a (3) výrobku využívajícím akumulátor.
2. Akumulátor nerozebírejte.
3. Pokud se příliš zkrátí provozní doba akumulátoru, přerušte okamžitě práci. V opačném případě existuje riziko přehřívání, popálení nebo dokonce výbuchu.
4. Budou-li vaše oči zasaženy elektrolytem, vypláchněte je čistou vodou a okamžitě vyhledejte lékařskou pomoc. Může dojít ke ztrátě zraku.
5. Akumulátor nezkratujte:
 - (1) Nedotýkejte se svorek žádným vodivým materiálem.
 - (2) Neskladujte akumulátor v nádobě s jinými kovovými předměty, jako jsou hřebíky, mince, apod.
 - (3) Nevystavujte akumulátor vodě a dešti. Zkrat akumulátoru může způsobit velký průtok proudu, přehřátí, možné popálení a dokonce i poruchu.
6. Neskladujte nářadí a akumulátor v místech, kde může teplota překročit 50 °C (122 °F).
7. Nespalujte akumulátor, ani když je vážně poškozen nebo úplně opotřeben. Akumulátor může v ohni vybuchnout.
8. Dávejte pozor, abyste akumulátor neupustili ani s ním nenaráželi.
9. Nepoužívejte poškozené akumulátory.
10. Obsažené lithium-iontové akumulátory podléhají právním požadavkům na nebezpečné zboží. V případě komerční přepravy například externími dopravci je třeba dodržet zvláštní požadavky na balení a značení. Pro přípravu zboží k přepravě je nutná konzultace s odborníkem na nebezpečný materiál. Dodržujte také případné podrobnější národní předpisy. Odkryté kontakty přelepte izolační páskou či jinak zakryjte a akumulátory zabalte tak, aby se v balení nemohly pohybovat.
11. Při likvidaci akumulátoru postupujte podle místních předpisů.
12. Akumulátor používejte pouze s výrobky specifikovanými společností Makita. Instalace akumulátoru do nevyhovujících výrobků může způsobit požár, nadměrné zahřívání, explozi nebo únik elektrolytu.

TYTO POKYNY USCHOVEJTE.

UPOZORNĚNÍ: Používejte pouze originální akumulátory Makita. Používání neoriginálních nebo upravených akumulátorů může způsobit explozi akumulátoru a následný požár, zranění a jiné poškození. Zaniká tím také záruka společnosti Makita na nářadí a nabíječku Makita.

Tipy k zajištění maximální životnosti akumulátoru

1. Akumulátor nabíjete dříve, než dojde k jeho úplnému vybití. Pokud si povšimnete sníženého výkonu nářadí, vždy jej zastavte a dobijte akumulátor.
2. Nikdy nenabíjete úplně nabitý akumulátor. Přebíjení zkracuje životnost akumulátoru.
3. Akumulátor dobíjete při pokojové teplotě od 10 °C do 40 °C (50 °F až 104 °F). Před nabíjením nechejte horký akumulátor zchladnout.

POPIS FUNKCÍ

⚠ UPOZORNĚNÍ: Před nastavováním nářadí nebo kontrolou jeho funkce se vždy přesvědčte, zda je vypnuté a je vyjmutý akumulátor.

Nasazení a sejmутí akumulátoru

⚠ UPOZORNĚNÍ: Před nasazením či sejmутím akumulátoru nářadí vždy vypněte.

⚠ UPOZORNĚNÍ: Při nasazování či snímání akumulátoru pevně držte nářadí i akumulátor. V opačném případě vám může nářadí nebo akumulátor vyklouznout z rukou a mohlo by dojít k jejich poškození či ke zranění.

- **Obr.1:** 1. Červený indikátor 2. Tlačítko 3. Akumulátor

Chcete-li akumulátor sejmout, vysuňte jej se současným přesunutím tlačítka na přední straně akumulátoru.

Při nasazování akumulátoru vyrovnajte jazyček na bloku akumulátoru s drážkou v krytu a zasuňte akumulátor na místo. Akumulátor zasuňte na doraz, až zacvakne na své místo. Není-li tlačítko zcela zajištěno, uvidíte na jeho horní straně červený indikátor.

⚠ UPOZORNĚNÍ: Akumulátor zasunujte vždy zcela tak, aby nebyl červený indikátor vidět. Jinak by mohl akumulátor ze zařízení vypadnout a způsobit zranění obsluze či přihlížejícím osobám.

⚠ UPOZORNĚNÍ: Akumulátor nenasazujte násilím. Nelze-li akumulátor zasunout snadno, nevkládejte jej správně.

Systém ochrany akumulátoru

Nářadí je vybaveno systémem ochrany akumulátoru. Tento systém automaticky přeruší napájení motoru, což prodlužuje životnost akumulátoru. Budou-li nářadí nebo akumulátor vystaveny některé z níže uvedených podmínek, nářadí se během provozu automaticky vypne:

Přetížení:

S nářadím se pracuje takovým způsobem, že dochází k odběru mimořádně vysokého proudu. V takové situaci nářadí vypněte a ukončete činnost, při níž došlo k přetížení nářadí. Potom nářadí zapněte a obnovte činnost. Jestliže se nářadí nespustí, došlo k přehřátí akumulátoru. V takovém případě nechte akumulátor před opětovným zapnutím nářadí vychladnout.

Nízké napětí akumulátoru:

Zbývající kapacita akumulátoru je příliš nízká a nářadí nebude fungovat. Po spuštění nářadí se motor znovu rozeběhne, avšak brzy se zastaví. V takovém případě vyjměte akumulátor a dobijte jej.

Indikace zbývající kapacity akumulátoru

Pouze pro akumulátory s diodovým ukazatelem

- **Obr.2:** 1. Kontrolky 2. Tlačítko kontroly

Stisknutím tlačítka kontroly na akumulátoru zjistíte zbývající kapacitu akumulátoru. Kontrolky indikátoru se na několik sekund rozsvítí.

| Kontrolky | | Zbývající kapacita |
|-----------|-----------|--------------------|
| ☑ Svítí | ☐ Nesvítí | |
| ☑ ☑ ☑ ☑ | ☐ | 75 % až 100 % |
| ☑ ☑ ☑ ☐ | ☐ | 50 % až 75 % |
| ☑ ☑ ☐ ☐ | ☐ | 25 % až 50 % |
| ☑ ☐ ☐ ☐ | ☐ | 0 % až 25 % |

POZNÁMKA: Kapacita udávaná indikátorem se může mírně lišit od skutečné kapacity v závislosti na podmínkách používání a teplotě prostředí.

Používání spouště

- **Obr.3:** 1. Spoušť

⚠ UPOZORNĚNÍ: Před vložením akumulátoru do nářadí vždy zkontrolujte správnou funkci spouště, a zda se po uvolnění vrací do vypnuté polohy.

Chcete-li nářadí uvést do chodu, stačí stisknout spoušť. Otáčky nářadí se zvyšují zvyšováním tlaku na spoušť. Chcete-li nářadí vypnout, uvolněte spoušť.

Rozsvícení předního světla

- **Obr.4:** 1. Světlo

⚠ UPOZORNĚNÍ: Nedívejte přímo do světla nebo jeho zdroje.

Při stisknutí spouště se rozsvítí světlo. Světlo svítí po celou dobu stisknutí spouště. Světlo zhasne přibližně 10 sekund po uvolnění spouště.

POZNÁMKA: K očištění nečistot ze skla světla použijte suchý hadřík. Dbejte, abyste sklo světla nepoškrábali. Mohlo by dojít ke snížení svítivosti.

Přepínání směru otáčení

► **Obr.5:** 1. Přepínací páčka směru otáčení

▲ UPOZORNĚNÍ: Před zahájením provozu vždy zkontrolujte nastavený směr otáčení.

▲ UPOZORNĚNÍ: Směr otáčení přepínejte až po úplném zastavení nářadí. Provedete-li změnu směru otáčení před zastavením nářadí, může dojít k jeho poškození.

▲ UPOZORNĚNÍ: Pokud nářadí nepoužíváte, vždy přesuňte přepínací páčku směru otáčení do neutrální polohy.

Toto nářadí je vybaveno přepínačem směru otáčení. Stisknutím přepínací páčky směru otáčení ze strany A se nástroj otáčí ve směru hodinových ručiček, zatímco při stisknutí ze strany B proti směru hodinových ručiček. Je-li přepínací páčka směru otáčení v neutrální poloze, nelze stisknout spoušť nářadí.

Změna otáček

► **Obr.6:** 1. Páčka regulace otáček

▲ UPOZORNĚNÍ: Páčku regulace otáček vždy přesuňte zcela do správné polohy. Budete-li nářadí používat s páčkou regulace otáček umístěnou mezi symboly „1“ a „2“, může dojít k poškození nářadí.

▲ UPOZORNĚNÍ: Nemanipulujte s páčkou regulace otáček, je-li nářadí v provozu. Mohlo by dojít k poškození nářadí.



| Poloha páčky regulace otáček | Otáčky | Utahovací moment | Vhodný provoz |
|------------------------------|--------|------------------|----------------------------|
| 1 | Nízké | Vysoké | Provoz s vysokým zatížením |
| 2 | Vysoký | Nízký | Provoz s nízkým zatížením |

Chcete-li změnit otáčky, nářadí nejprve vypněte. Zvolte nastavení „2“ pro vysoké otáčky nebo „1“ pro nízké otáčky s vysokým momentem. Před zahájením provozu se ujistěte, zda je páčka regulace otáček nastavena do správné polohy.

Dojde-li při provozu s nastavením v poloze „2“ k výraznému poklesu otáček, přesuňte páčku do polohy „1“ a obnovte provoz.




Výběr provozního režimu

▲ UPOZORNĚNÍ: Prstenek vždy nastavte správně na symbol potřebného provozního režimu. Budete-li nářadí provozovat s prstencem přesunutým do polohy mezi symboly režimů, může dojít k poškození nářadí.

▲ UPOZORNĚNÍ: Při změně z polohy „“ na jiné režimy může jít volič provozního režimu poněkud ztěžka. V takovém případě nářadí zapněte a nechte je chvíli běžet v poloze „“. Poté nářadí vypněte a přesuňte prstenek do požadované polohy.

► **Obr.7:** 1. Volič provozního režimu 2. Stavěcí prstenek 3. Stupnice 4. Šipka

Nářadí má tři provozní režimy.

-  Režim vrtání (pouze otáčky)
-  Režim přikleповého vrtání (otáčky s přiklepem)
-  Režim šroubování (otáčky se spojku)

Vyberte režim vhodný pro vykonávanou práci. Otáčejte voličem provozního režimu a zarovnejte symbol zvoleného režimu se šipkou na těle nářadí.

Seřízení utahovacího momentu

► **Obr.8:** 1. Volič provozního režimu 2. Stavěcí prstenek 3. Stupnice 4. Šipka

Utahovací moment lze nastavit na 20 úrovní otáčením stavěcího prstene. Hodnotu stupnice zarovnejte se šipkou na tělese nářadí. Minimální utahovací moment odpovídá hodnotě 1 a maximální hodnotě 20. Před zahájením pracovního postupu zašroubujte do materiálu nebo vzorku stejného materiálu zkušební šroub a ověřte, jaký utahovací moment v konkrétní situaci potřebujete. Následující tabulka slouží pro hrubou orientaci ve vztahu mezi velikostí vrutu a hodnotou na stupnici.

| Stupnice | | 1 | 2 | 3 | 4 | 5 | 6 | 7 | 8 | 9 | 10 | 11 | 12 | 13 | 14 | 15 | 16 | 17 | 18 | 19 | 20 |
|--------------------------|------------------------------|----|---|---|---|---|---|---|---|-----------|----|----|----|----|----|-----------|----|----|----|----|----|
| Šroub se zápusnou hlavou | | M4 | | | | | | | | M5 | | | | | | M6 | | | | | |
| Vrut do dřeva | Měkké dřevo (např. borovice) | – | | | | | | | | ∅3,5 × 22 | | | | | | ∅4,1 × 38 | | | | | |
| | Tvrdé dřevo (např. lauan) | – | | | | | | | | ∅3,5 × 22 | | | | | | – | | | | | |
| | | – | | | | | | | | – | | | | | | ∅4,1 × 38 | | | | | |

SESTAVENÍ

▲ UPOZORNĚNÍ: Před prováděním jakýchkoli prací na nářadí se vždy přesvědčte, zda je vypnuté a je vyjmutý akumulátor.

Instalace a demontáž šroubovacího bitu a vrtáku

Volitelné příslušenství

► **Obr.9:** 1. Objímka 2. Utaženo 3. Povoleno

Otáčením objímky proti směru hodinových ručiček povolte upínací čelisti. Vložte šroubovací bit nebo vrták co nejdále do upínací hlavy. Utáhněte upínací hlavu otáčením objímky ve směru hodinových ručiček. Chcete-li šroubovací bit nebo vrták vyjmout, otáčejte objímku proti směru hodinových ručiček.

Instalace háčku

▲ UPOZORNĚNÍ: Při instalaci háčku ho vždy pevně utáhněte šroubem. Jinak by se mohl háček uvolnit z nástroje a způsobit zranění.

► **Obr.10:** 1. Drážka 2. Háček 3. Šroub

Háček je vhodný k dočasnému pověšení nářadí. Lze jej nainstalovat na obou stranách nářadí. Při instalaci háčku jej vložte do drážky na jedné ze stran krytu nářadí a zajistěte jej šroubem. Chcete-li jej odstranit, uvolněte šroub a vyjměte jej.

Instalace držáku šroubovacích bitů

Volitelné příslušenství

► **Obr.11:** 1. Držák šroubovacích bitů 2. Šroubovací bit

Do výstupku v patce nářadí nasadte zprava či zleva držák šroubovacích bitů a zajistěte jej šroubem. Jestliže šroubovací bit nepoužíváte, uložte jej do držáku šroubovacích bitů. Umožňuje ukládání šroubovacích bitů o délce 45 mm.

PRÁCE S NÁŘADÍM

▲ UPOZORNĚNÍ: Akumulátor zasunujte vždy až na doraz, dokud není zajištěn na svém místě. Není-li tlačítko zcela zajištěno, uvidíte na jeho horní straně červený indikátor. Zasaňte akumulátor zcela tak, aby nebyl červený indikátor vidět. Jinak by mohl akumulátor z nářadí vypadnout a způsobit zranění obsluhy či osob v okolí.

▲ UPOZORNĚNÍ: Při výrazném snížení otáček omezte zatížení nebo nářadí vypněte, aby nedošlo k jeho poškození.


Držte nářadí pevně s jednou rukou na rukojeti a druhou rukou na spodní straně akumulátoru, abyste měli pod kontrolou točivý pohyb nářadí.

► **Obr.12**

Šroubování

▲ UPOZORNĚNÍ: Nastavte stavěcí prstenek na správný utahovací moment odpovídající prováděné činnosti.

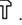
▲ UPOZORNĚNÍ: Dbejte, aby byl šroubovací bit nasazen rovně do hlavy šroubu. V opačném případě může dojít k poškození šroubu nebo šroubovacího bitu.

Nejdříve otočte voličem provozního režimu tak, aby šipka na těle nářadí směřovala k symbolu . Nasadte hrot šroubovacího bitu na hlavu šroubu a vyvíjejte na nářadí tlak. Pomalu uveďte nářadí do chodu a poté otáčky postupně zvyšujte. Jakmile začne prokluzovat spojka, uvolněte spoušť nářadí.

POZNÁMKA: Při šroubování vrutů do dřeva předvrtejte vodící otvor rovňající se 2/3 průměru vrutu. Usnadníte tím šroubování a zamezíte rozštípnutí obrobku.

Režim přiklepového vrtání

▲ UPOZORNĚNÍ: Při provrtávání otvoru a jeho ucpání třískami nebo při kontaktu s armovacími tyčemi v betonu působí na nářadí a vrták značné a náhlé kroucí síly.

Nejdříve otočte voličem provozního režimu tak, aby šipka na těle nářadí směřovala k symbolu . Při této operaci lze stavěcí prstenek nastavit na libovolnou úroveň utahovacího momentu.

Používejte pouze vrtáky s hrotem z karbidu wolframu. Umístěte vrták na požadované místo vytvoření otvoru a stiskněte spoušť. Nepoužívejte při práci s nářadím nadměrnou sílu. Nejlepších výsledků dosáhnete mírným tlakem. Nářadí udržujte v dané poloze a zamezte jeho vyklouznutí z otvoru.

Dojde-li k ucpání otvoru třískami nebo částicemi, nevyvíjejte na nářadí větší tlak. Namísto toho nechte nářadí běžet v pomalých otáčkách a částečně povytáhněte vrták z otvoru. Budete-li tento postup několikrát opakovat, otvor se vyčistí a budete moci pokračovat v dalším vrtání.


Vyfukovací nástroj

Volitelné příslušenství

► **Obr.13:** 1. Vyfukovací nástroj

Po vyvrtání otvoru použijte k odstranění prachu z otvoru vyfukovací nástroj.

Vrtání

Nejdříve otočte stavěcí prstenek tak, aby byla šipka vyrovnána se symbolem . Poté postupujte následovně.

Vrtání do dřeva

Vrtáte-li do dřeva, nejlepších výsledků dosáhnete použitím vrtáků do dřeva s vodícím šroubem. Vodící šroub usnadňuje vrtání tím, že vtahuje vrták do obrobku.

Vrtání do kovu

Abyste zabránili smeknutí vrtáku na začátku vrtání, udělejte si v místě, kde chcete vrtat, pomocí kladiva a důlčičku důlek. Nasadte hrot vrtáku do důlku a začněte vrtat.

Při vrtání do kovů použijte řeznou kapalinu. Výjimkou je železo a mosaz, které je třeba vrtat nasucho.

▲UPOZORNĚNÍ: Nadměrným tlakem na nářadí vrtání neurychlíte. Ve skutečnosti tento nadměrný tlak vede jen k poškození hrotu vrtáku, snížení účinnosti nářadí a zkrácení jeho životnosti.

▲UPOZORNĚNÍ: Držte nářadí pevně a dávejte pozor, jakmile vrták začne pronikat do obrobku. V okamžiku, kdy nástroj/vrták proniká materiálem, působí na nářadí a vrták značné síly.

▲UPOZORNĚNÍ: Uvzněný vrták lze jednoduše uvolnit přepnutím přepínače směru otáčení do opačné polohy. Pokud však nářadí nedržíte pevně, může nečekaně vyskočit.

▲UPOZORNĚNÍ: Obrobky vždy upínejte do svěráku či do podobného upevňovacího zařízení.


▲UPOZORNĚNÍ: Je-li nářadí provozováno nepřetržitě až do vybití akumulátoru, nechejte je po instalaci nabitého akumulátoru před dalším pokračováním v práci 15 minut v klidu.

Použití nářadí jako ručního šroubováku

► Obr.14

Vypněte nářadí.

Přepínací páčku směru otáčení přesuňte do neutrální polohy.

Nejdříve otočte volič provozního režimu tak, aby šipka směřovala k symbolu .

Zapněte nářadí.

POZNÁMKA: Toto použití je vhodné pro kontrolované šroubování.

POZNÁMKA: Nepoužívejte nářadí k úkonům vyžadujícím nadměrnou sílu, jako je například utahování šroubů nebo odstraňování rezavých šroubů.

Používání pouzdra

Volitelné příslušenství

▲UPOZORNĚNÍ: Při používání pouzdra vyjměte šroubovací bit nebo vrták z nářadí.

▲UPOZORNĚNÍ: Před vložením nářadí do pouzdra je vypněte a počkejte, až se zcela zastaví. Pouzdro řádně zapněte, aby v něm nářadí pevně drželo.

1. Protáhněte opasek držákem pouzdra.

► Obr.15: 1. Držák pouzdra 2. Opasek

2. Vložte nářadí do pouzdra a zajistěte je knoflíkem na pouzdru.

► Obr.16

► Obr.17

Do přední části pouzdra lze uložit dva šroubovací bity.

ÚDRŽBA

▲UPOZORNĚNÍ: Před zahájením kontroly nebo údržby nářadí se vždy ujistěte, zda je vypnuté a je vyjmut akumulátor.

POZOR: Nikdy nepoužívejte benzín, benzen, ředidlo, alkohol či podobné prostředky. Mohlo by tak dojít ke změnám barvy, deformacím či vzniku prasklin.

K zachování BEZPEČNOSTI a SPOLEHLIVOSTI výrobku musí být opravy a veškerá další údržba či seřizování prováděny autorizovanými nebo továrními servisními středisky společnosti Makita s využitím náhradních dílů Makita.

VOLITELNÉ PŘÍSLUŠENSTVÍ

▲UPOZORNĚNÍ: Pro nářadí Makita popsané v tomto návodu doporučujeme používat následující příslušenství a nástavce. Při použití jiného příslušenství či nástavců může hrozit nebezpečí zranění osob. Příslušenství lze používat pouze pro stanovené účely.

Potřebujete-li bližší informace ohledně tohoto příslušenství, obraťte se na místní servisní středisko společnosti Makita.

- Vrtáky
- Šroubovací bity
- Nástavce s vnitřním šestihranem
- Vrták s hrotem z karbidu wolframu
- Vyfukovací nástroj
- Držák šroubovacích bitů
- Háček
- Pouzdro
- Originální akumulátor a nabíječka Makita

POZNÁMKA: Některé položky seznamu mohou být k nářadí přibaleny jako standardní příslušenství. Přibalené příslušenství se může v různých zemích lišit.

ТЕХНІЧНІ ХАРАКТЕРИСТИКИ

| Модель: | | HP333D |
|----------------------------|------------------|-----------------------------|
| Величина свердління | Роботи по каменю | 8 мм |
| | Сталь | 10 мм |
| | Деревина | 21 мм |
| Величина затягування | Шуруп | 5,1 мм x 63 мм |
| | Гвинт для металу | M6 |
| Швидкість без навантаження | Висока (2) | 0 — 1 700 хв ⁻¹ |
| | Низька (1) | 0 — 450 хв ⁻¹ |
| Ударів за хвилину | Висока (2) | 0 — 25 500 хв ⁻¹ |
| | Низька (1) | 0 — 6 750 хв ⁻¹ |
| Загальна довжина | | 193 мм |
| Номінальна напруга | | 10,8 — 12 В пост. струму |
| Маса нетто | | 1,1 — 1,3 кг |

- Оскільки наша програма наукових досліджень і розробок триває безперервно, наведені тут технічні характеристики можуть бути змінені без попередження.
- У різних країнах технічні характеристики можуть бути різними.
- Вага може відрізнятися залежно від допоміжного обладнання, наприклад касети з акумулятором. Найлегші та найважчі комплекти, відповідно до стандарту ЕРТА (Європейська асоціація виробників електрострументу) від січня 01/2014 року, представлено в таблиці.

Застосовна касета з акумулятором і зарядний пристрій

| | |
|-----------------------|---|
| Касета з акумулятором | BL1015 / BL1016 / BL1020B / BL1021B / BL1040B / BL1041B |
| Зарядний пристрій | DC10SA / DC10SB / DC10WC / DC10WD / DC18RE |

- Деякі касети з акумулятором і зарядні пристрої, які вказано вище, можуть бути недоступними залежно від вашого регіону або місця перебування.

▲ ПОПЕРЕДЖЕННЯ: Використовуйте лише касети з акумулятором і зарядні пристрої, перелічені вище. Використання будь-яких інших касет з акумулятором і зарядних пристроїв може призвести до травмування й/або пожежі.

Призначення

Інструмент призначено для ударного свердління цегли, цегляної кладки та каменю. Його також можна використовувати для вкручування гвинтів і свердління без ударної дії деревини, металу, кераміки та пластмаси.

Шум

Рівень шуму за шкалою А в типовому виконанні, визначений відповідно до стандарту EN60745-2-1:
Рівень звукового тиску (L_{pA}): 82 дБ (А)
Рівень звукової потужності (L_{WA}): 93 дБ (А)
Похибка (К): 3 дБ (А)

▲ ПОПЕРЕДЖЕННЯ: Користуйтеся засобами захисту органів слуху.

Вібрація

Загальна величина вібрації (векторна сума трьох напрямків) визначена згідно з EN60745-2-1:
Режим роботи: ударне свердління бетону
Вібрація ($a_{h,D}$): 13,0 м/с²
Похибка (К): 1,5 м/с²
Режим роботи: свердління металу
Вібрація ($a_{h,D}$): 2,5 м/с² або менше
Похибка (К): 1,5 м/с²

ПРИМІТКА: Заявлене значення вібрації було виміряно відповідно до стандартних методів тестування та може використовуватися для порівняння одного інструмента з іншим.

ПРИМІТКА: Заявлене значення вібрації може також використовуватися для попередньої оцінки впливу.

⚠ПОПЕРЕДЖЕННЯ: Залежно від умов використання вібрація під час фактичної роботи електроінструмента може відрізнятись від заявленого значення вібрації.

⚠ПОПЕРЕДЖЕННЯ: Забезпечте належні запобіжні заходи для захисту оператора, що відповідатимуть умовам використання інструмента (слід брати до уваги всі складові робочого циклу, такі як час, коли інструмент вимкнено та коли він починає працювати на холостому ході під час запуску).

Декларація про відповідність стандартам ЄС

Тільки для країн Європи

Декларацію про відповідність стандартам ЄС наведено в Додатку А до цієї інструкції з експлуатації.

ПОПЕРЕДЖЕННЯ ПРО ДОТРИМАННЯ ТЕХНІКИ БЕЗПЕКИ

Загальні застереження щодо техніки безпеки при роботі з електроінструментами

⚠ПОПЕРЕДЖЕННЯ: Уважно ознайомтеся з усіма попередженнями про дотримання правил техніки безпеки, інструкціями, ілюстраціями та технічними характеристиками, що стосуються цього електроінструмента. Невиконання будь-яких інструкцій, перелічених нижче, може призвести до ураження електричним струмом, пожежі та/або тяжких травм.

Збережіть усі інструкції з техніки безпеки та експлуатації на майбутнє.

Термін «електроінструмент», зазначений у інструкції з техніки безпеки, стосується електроінструмента, який функціонує від електромережі (електроінструмент з кабелем живлення), або електроінструмента з живленням від батареї (безпроводний електроінструмент).

Попередження про необхідну обережність під час роботи з бездротовим дрилем з ударним приводом

1. Використовуйте засоби захисту органів слуху під час ударного свердління. Дія шуму може призвести до втрати слуху.
2. Використовуйте допоміжну(і) ручку(и), якщо вона(и) поставляється разом з інструментом. Втрата контролю над інструментом може призвести до травмування.

3. Тримайте електроприлад за ізольовані поверхні держача під час виконання дії, за якої ріжуче приладдя може зачепити приховану електропроводку. Торкання ріжучим приладдям дроту під напругою може призвести до передавання напруги до оголених металевих частин інструмента та до ураження оператора електричним струмом.
4. Тримайте електроприлад за ізольовані поверхні держача під час виконання дії, за якої кріпильна деталь може зачепити сховану проводку. Торкання кріпильною деталлю дроту під напругою може призвести до передавання напруги до оголених металевих частин інструмента та до ураження оператора електричним струмом.
5. Обов'язково забезпечте надійну опору. При виконанні робіт з інструментом на висоті переконайтеся, що внизу нікого немає.
6. Тримайте інструмент міцно.
7. Не торкайтеся руками деталей, що обертаються.
8. Не залишайте інструмент, який працює. Працюйте з інструментом тільки тоді, коли тримаєте його в руках.
9. Не торкайтеся свердла або оброблюваної деталі одразу після різання; вони можуть бути дуже гарячими, і це може призвести до опіку шкіри.
10. Деякі матеріали мають у своєму складі токсичні хімічні речовини. Будьте обережні, щоб не допустити вдихання пилу та його контакту з шкірою. Дотримуйтеся правил техніки безпеки виробника матеріалу.
11. Якщо свердло не можна відпустити навіть за відкритих лещат, витягніть його за допомогою плоскогубців. Витягування свердла руками в такому випадку може призвести до поранення його гострим краєм.

ЗБЕРІГАЙТЕ ЦІ ВКАЗІВКИ.

⚠ПОПЕРЕДЖЕННЯ: НІКОЛИ НЕ втрачайте пильності та не розслабляйтеся під час користування виробом (що можливо при частому використанні); обов'язково строго дотримуйтеся відповідних правил безпеки. **НЕНАЛЕЖНЕ ВИКОРИСТАННЯ** або недотримання правил техніки безпеки, викладених у цій інструкції з експлуатації, може призвести до серйозних травм.

Важливі інструкції з безпеки для касети з акумулятором

1. Перед тим як користуватися касетою з акумулятором, слід прочитати всі інструкції та застережні знаки щодо (1) зарядного пристрою акумулятора, (2) акумулятора та (3) виробів, що працюють від акумулятора.
2. Не слід розбирати касету з акумулятором.
3. Якщо період роботи дуже покоротшав, слід негайно припинити користування. Це може призвести до виникнення ризику перегріву, опіку та навіть вибуху.
4. У разі потрапляння електроліту в очі слід промити їх чистою водою та негайно звернутися до лікаря. Це може призвести до втрати зору.
5. Не закоротіть касету з акумулятором.
 - (1) Не слід торкатися клем будь-яким струмопровідним матеріалом.

(2) Не слід зберігати касету з акумулятором у ємності з іншими металевими предметами, такими як цвяхи, монети тощо.

(3) Не залишайте касету з акумулятором під дощем, запобігайте контакту з водою.

Коротке замикання може призвести до появи значного струму, перегріву, можливих опіків та навіть виходу з ладу.

6. Не слід зберігати інструмент та касету з акумулятором в місцях, де температура може сягнути чи перевищити 50°C (122°F).
7. Не слід спалювати касету з акумулятором, навіть якщо вона була неодноразово пошкоджена або повністю спрацьована. Касета з акумулятором може вибухнути у вогні.
8. Не слід кидати або ударяти акумулятор.
9. Не слід використовувати пошкоджені акумулятори.
10. Літій-іонні акумулятори, що містяться в інструменті, мають відповідати вимогам законів про небезпечні товари. Під час транспортування за допомогою комерційних перевезень, наприклад із залучанням третьої сторони та експедиторів, необхідно дотримуватись особливих вимог, вказаних на пакуванні й у маркуванні. Під час підготування позиції до відправлення необхідно проконсультуватись зі спеціалістом з небезпечних матеріалів. Крім того, слід виконувати більш докладні національні настанови, якщо такі є. Заклейте відкриті контакти стрічкою або заховайте їх і запакуйте акумулятор таким чином, щоб він не міг рухатися в пакуванні.
11. Дотримуйтеся норм місцевого законодавства щодо утилізації акумуляторів.
12. Використовуйте акумулятори лише з виробами, указаними компанією Makita. Установлення акумуляторів у невідповідні виробу може призвести до пожежі, надмірного нагрівання, вибуху чи витоку електроліту.

ЗБЕРІГАЙТЕ ЦІ ВКАЗІВКИ.

⚠ОБЕРЕЖНО: Використовуйте тільки акумулятори Makita. Використання акумуляторів, інших ніж оригінальні акумулятори Makita, або акумуляторів, конструкцію яких було змінено, може призвести до вибуху акумулятора і спричинити пожежу, травму або пошкодження. У зв'язку з цим також буде анульовано гарантію Makita на інструмент Makita і на зарядний пристрій.

Поради з забезпечення максимального строку експлуатації акумулятора

1. Касету з акумулятором слід заряджати до того, як він розрядиться повністю. Завжди слід зупинити роботу інструмента та зарядити акумулятор, якщо ви помітили зменшення потужності інструмента.
2. Ніколи не слід заряджати повторно повністю заряджену касету з акумулятором. Перезарядження скорочує строк експлуатації акумулятора.
3. Заряджайте касету з акумулятором при кімнатній температурі 10°C—40°C (50°F—104°F). Перед тим як заряджати касету з акумулятором, слід зачекати, доки вона охолоне.

ОПИС РОБОТИ

⚠ОБЕРЕЖНО: Обов'язково переконайтеся, що прилад вимкнено, а касету з акумулятором знято, перед регулюванням або перевіркою функціонування інструмента.

Встановлення та зняття касети з акумулятором

⚠ОБЕРЕЖНО: Завжди вимикайте інструмент перед встановленням або зняттям касети з акумулятором.

⚠ОБЕРЕЖНО: Під час встановлення або зняття касети з акумулятором слід міцно тримати інструмент та касету з акумулятором. Якщо ви утримуватимете інструмент та касету з акумулятором недостатньо міцно, вони можуть вислизнути з рук, що може призвести до пошкодження інструмента та касети з акумулятором або може спричинити травми.

► **Рис.1:** 1. Червоний індикатор 2. Кнопка 3. Касета з акумулятором

Щоб зняти касету з акумулятором, слід витягнути її з інструмента, натиснувши на кнопку в передній частині касети.

Щоб установити касету з акумулятором, слід сумістити виступ на касеті з акумулятором із пазом у корпусі та вставити касету на місце. Її необхідно вставити повністю, аж доки не почуєте клацання. Якщо на верхній частині кнопки помітний червоний індикатор, це означає, що касета з акумулятором установлена не до кінця.

⚠ОБЕРЕЖНО: Завжди вставляйте касету з акумулятором повністю, аж поки червоний індикатор стане невидимим. Якщо цього не зробити, касета може випадково випасти з інструмента та завдати травми вам або людям, що знаходяться поряд.

⚠ОБЕРЕЖНО: Не встановлюйте касету з акумулятором із зусиллям. Якщо касета не вставляється легко, то це означає, що ви її неправильно вставляєте.

Система захисту акумулятора

Інструмент оснащено системою захисту акумулятора. Ця система автоматично вимикає живлення двигуна з метою збільшення робочого часу акумулятора. Інструмент буде автоматично вимкнено під час роботи, якщо він та/або акумулятор знаходиться в наступних умовах.

Перевантаження

Інструмент споживає струм занадто високої потужності під час роботи. У такому разі вимкніть інструмент і припиніть роботу, під час виконання якої інструмент зазнав перевантаження. Щоб перезапустити інструмент, увімкніть його знову. Якщо інструмент не запускається, це означає, що акумулятор перегрівся. У такому випадку дозвольте акумулятору охолонути, перш ніж знову увімкнути інструмент.

Низька напруга акумулятора

Залишкова ємність акумулятора занадто низька, тому інструмент не буде працювати. Якщо ввімкнути інструмент, двигун запуститься, проте незабаром зупиниться. У такому разі вийміть і зарядіть акумулятор.

Відображення залишкового заряду акумулятора

Тільки для касет з акумулятором, які мають індикатори

► Рис.2: 1. Індикаторні лампи 2. Кнопка перевірки

Натисніть кнопку перевірки на касеті з акумулятором для відображення залишкового ресурсу акумулятора. Індикаторні лампи загоряться на кілька секунд.

| Індикаторні лампи | | Залишковий ресурс |
|-------------------|----------|-------------------|
| Горить | Вимкнено | |
| ■ ■ ■ ■ | □ | від 75 до 100% |
| ■ ■ ■ □ | □ | від 50 до 75% |
| ■ ■ □ □ | □ | від 25 до 50% |
| ■ □ □ □ | □ | від 0 до 25% |

ПРИМІТКА: Залежно від умов використання та температури оточуючого середовища показання можуть незначним чином відрізнятися від дійсного ресурсу.

Дія вмикача

► Рис.3: 1. Курок вмикача

▲ОБЕРЕЖНО: Перед тим як вставляти касету з акумулятором в інструмент, обов'язково перевірте, чи курок вмикача спрацював належним чином та повертається у положення «ВИМК.», коли його відпускають.

Щоб увімкнути інструмент, просто натисніть на курок вмикача. Швидкість інструмента зростає, якщо збільшити тиск на курок вмикача. Щоб зупинити роботу, відпустіть курок вмикача.

Увімкнення переднього підсвічування

► Рис.4: 1. Лампа

▲ОБЕРЕЖНО: Не дивіться на світло або безпосередньо на джерело світла.

Натисніть на курок вмикача, щоб увімкнути підсвічування. Лампа світиться, поки курок вмикача натиснуто. Підсвічування згасне приблизно за 10 секунд після відпускання курка вмикача.

ПРИМІТКА: Для очищення скла лампи підсвічування протріть її сухою тканиною. Будьте обережні, щоб не подряпати скло лампи підсвічування, тому що це погіршить освітлювання.

Робота перемикача реверсу

► Рис.5: 1. Важіль перемикача реверсу

▲ОБЕРЕЖНО: Перед початком роботи обов'язково перевіряйте напрям обертання.

▲ОБЕРЕЖНО: Перемикач реверсу можна використовувати тільки після повної зупинки інструмента. Зміна напрямку обертання до повної зупинки інструмента може призвести до його пошкодження.

▲ОБЕРЕЖНО: Коли інструмент не використовується, важіль перемикача реверсу повинен знаходитися в нейтральному положенні.

Цей інструмент обладнано перемикачем реверсу для зміни напрямку обертання. Для обертання за годинниковою стрілкою пересуньте важіль перемикача реверсу в положення А, проти годинникової стрілки — у положення В.

Коли важіль перемикача реверсу перебуває в нейтральному положенні, курок вмикача не можна натиснути.

Зміна швидкості

► Рис.6: 1. Важіль зміни швидкості

▲ОБЕРЕЖНО: Обов'язково встановлюйте важіль зміни швидкості у належне положення. Використання інструмента, коли важіль зміни швидкості розташовано між положеннями 1 та 2, може призвести до його пошкодження.

▲ОБЕРЕЖНО: Не можна пересувати важіль зміни швидкості, коли інструмент працює. Це може призвести до пошкодження інструмента.



| Положення важеля важіль зміни | Швидкість | Крутний момент | Застосування |
|-------------------------------|-----------|----------------|----------------------------------|
| 1 | Низька | Висока | Робота зі значним навантаженням |
| 2 | Високий | Низький | Робота з незначним навантаженням |

Щоб змінити швидкість, спочатку вимкніть інструмент. Виберіть положення 2 для високої швидкості або положення 1 для низької швидкості з високим крутним моментом. Перед тим як починати роботу, переконайтеся, що важіль зміни швидкості встановлено у правильне положення.

Якщо швидкість інструмента сильно знижується під час роботи у положенні 2, пересуньте важіль у положення 1 і знову розпочніть роботу.




Вибір режиму роботи

⚠ ОБЕРЕЖНО: Обов'язково правильно встановлюйте ручку на позначку потрібного режиму. Використання інструмента, коли ручку встановлено між позначками режимів, може призвести до його пошкодження.

⚠ ОБЕРЕЖНО: Під час зміни положення з  на інші режими може бути дещо важко пересувати ручку зміни режиму роботи. У такому разі ввімкніть інструмент та дайте йому попрацювати протягом секунди в положенні , а потім зупиніть його та пересуньте ручку у потрібне положення.

► **Рис.7:** 1. Ручка зміни режиму роботи 2. Кільце регулювання 3. Градування 4. Стрілка

Цей інструмент має три режими роботи.

-  Режим свердління (тільки обертання)
-  Режим ударного свердління (обертання з ударом)
-  Режим загвинчування (обертання зі зчепленням)

Виберіть відповідний режим для роботи.

Поверніть ручку зміни режиму роботи і сумістіть позначку вибраного режиму зі стрілкою на корпусі інструмента.

Регулювання моменту затягування

► **Рис.8:** 1. Ручка зміни режиму роботи 2. Кільце регулювання 3. Градування 4. Стрілка

Момент затягування можна відрегулювати за 20 рівнів повертанням кільця регулювання. Сумістіть поділки зі стрілкою на корпусі інструмента. Мінімальний момент затягування відповідає позначці 1, а максимальний — позначці 20.

Перед тим як власне починати роботу, слід вкрутити пробний гвинт у матеріал або дублікат деталі, щоб визначити рівень моменту затягування, необхідний для даної роботи. У нижченаведеній таблиці показано приблизне співвідношення між розміром гвинта і поділкою.

| Градування | | 1 | 2 | 3 | 4 | 5 | 6 | 7 | 8 | 9 | 10 | 11 | 12 | 13 | 14 | 15 | 16 | 17 | 18 | 19 | 20 | | | | | |
|------------------|-------------------------------------|----|---|---|---|---|---|---|---|-----------|----|----|----|----|----|-----------|----|----|----|----|----|---|--|--|--|--|
| Гвинт для металу | | M4 | | | | | | | | M5 | | | | | | M6 | | | | | | | | | | |
| Шуруп | М'яка деревина (наприклад, сосна) | — | | | | | | | | φ3,5 x 22 | | | | | | φ4,1 x 38 | | | | | | | | | | |
| | Жорстка деревина (наприклад, шорея) | — | | | | | | | | — | | | | | | φ3,5 x 22 | | | | | | — | | | | |
| | | | | | | | | | | | | | | | | φ4,1 x 38 | | | | | | | | | | |

ЗБОРКА

⚠ ОБЕРЕЖНО: Обов'язково переконайтеся, що прилад вимкнено, а касету з акумулятором знято, перш ніж проводити будь-які роботи з інструментом.

Встановлення та зняття наконечника для викручування або свердла

Додаткове приладдя

► **Рис.9:** 1. Муфта 2. Закрити 3. Відкрити

Поверніть муфту проти годинникової стрілки, щоб відкрити кулачки патрона. Вставте наконечник для викручування або свердло в патрон до упору. Поверніть муфту за годинниковою стрілкою, щоб затягнути кулачки патрона. Щоб зняти наконечник для викручування або свердло, поверніть муфту проти годинникової стрілки.

Встановлення гака

⚠ ОБЕРЕЖНО: Під час установа гачка надійно зафіксуйте його гвинтом. В іншому випадку гачок може від'єднатися від інструмента, що може призвести до травми.

► **Рис.10:** 1. Паз 2. Гак 3. Гвинт

Гак зручно використовувати для тимчасового підвішування інструмента. Його можна встановлювати на будь-якому боці інструмента. Щоб встановити гак, вставте його в паз на корпусі інструмента з будь-якого боку та закріпіть за допомогою гвинта. Щоб зняти гак, відпустіть гвинт і витягніть його.

Встановлення касети для наконечників

Додаткове приладдя

- Рис.11: 1. Касета для наконечників
- 2. Наконечник для викручування

Вставте касету для наконечників у виступ у нижній частині інструмента ліворуч або праворуч та закріпіть її за допомогою гвинта.

Коли наконечник для викручування не використовується, зберігайте його в касеті для наконечників. У ній можна зберігати наконечники для викручування довжиною 45 мм.

РОБОТА

▲ОБЕРЕЖНО: Обов'язково вставляйте касету з акумулятором до кінця з фіксацією на місці. Якщо на верхній частині кнопки помітний червоний індикатор, це означає, що касета з акумулятором зафіксована не до кінця. Вставте касету повністю, щоб червоний індикатор зник. Якщо цього не зробити, касета може випадково випасти з інструмента та завдати травми вам або людям, що знаходяться поряд.

▲ОБЕРЕЖНО: Коли швидкість сильно знижується, слід зменшити навантаження або зупинити інструмент, щоб уникнути його пошкодження.


Інструмент потрібно міцно тримати однією рукою за ручку, а другою — за низ касети з акумулятором для того, щоб керувати видовбувальним рухом.

- Рис.12

Загвинчування

▲ОБЕРЕЖНО: Відрегулюйте кільце регулювання для встановлення крутного моменту, необхідного для роботи.

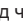
▲ОБЕРЕЖНО: Перевірте, чи наконечник для викручування рівно вставлено в голівку гвинта, інакше гвинт та/або наконечник можуть пошкодитись.

Спочатку поверніть ручку зміни режиму роботи таким чином, щоб стрілка на корпусі інструмента вказувала на позначку . Вставте кінчик наконечника для викручування в голівку гвинта та натисніть на інструмент. Повільно запусіть інструмент, а потім поступово збільшуйте швидкість. Відпустіть курок вмикача, щойно буде задіяно зчеплення.

ПРИМІТКА: У разі вкручування шурупа заздалегідь просвердліть напрямний отвір, діаметр якого становить 2/3 діаметра гвинта. Це полегшить вкручування гвинта та дозволить уникнути розколювання оброблюваної деталі.

Робота в режимі ударного свердління

▲ОБЕРЕЖНО: Під час пробивання отвору на інструмент/свердло діє величезна крутна сила, коли отвір забивається уламками та частинками або коли свердло вдаряється об арматуру в бетоні.

Спочатку поверніть ручку зміни режиму роботи таким чином, щоб стрілка на корпусі інструмента вказувала на позначку . Під час цієї операції кільце регулювання можна виставити на будь-яке значення моменту. Обов'язково використовуйте свердло із наконечником з карбіду вольфраму. Приставте свердло до місця, в якому необхідно зробити отвір, а потім натисніть на курок вмикача. Не прикладайте силу до інструмента. Невеликий тиск забезпечить найліпші результати. Тримайте інструмент в належному положенні та не давайте йому вискочити з отвору. Не треба прикладати більше тиску, коли отвір забивається уламками та частинками. Натомість слід прокрутити інструмент на холостому ході, а потім частково виняти свердло з отвору. Якщо це зробити декілька разів, отвір очиститься, і можна буде продовжити нормальне свердління.

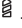
Повітродувка

Додаткове приладдя

- Рис.13: 1. Повітродувка

Коли отвір буде просвердлено, можна очистити його від пилу повітродувкою.

Свердління

Спочатку поверніть кільце регулювання таким чином, щоб стрілка вказувала на мітку . Потім виконайте такі дії.

Свердління деревини

Під час свердління деревини найліпші результати можна отримати, використовуючи свердла для деревини, обладнані напрямним гвинтом. Напрямний гвинт полегшує свердління тим, що він втягує свердло в оброблювану деталь.

Свердління металу

Щоб запобігти зісковзуванню свердла на початку свердління отвору, місце свердління необхідно накернити за допомогою керна та молотка. Встановіть кінчик свердла в накернене місце та почніть свердління.

Під час свердління металу слід використовувати мастильно-охолоджувальну рідину. Винятком є чавун та латунь, які свердлять насухо.

⚠ОБЕРЕЖНО: Прикладання до інструмента надмірного тиску не пришвидшує свердління. Насправді надмірний тиск може лише пошкодити свердло, погіршити характеристики інструмента та скоротити термін його експлуатації.

⚠ОБЕРЕЖНО: Слід тримати інструмент міцно та бути обережним, коли свердло починає входити в оброблювану деталь. Під час пробивання отвору до інструмента/свердла прикладається величезне зусилля.


⚠ОБЕРЕЖНО: Свердло, яке застрягло, можна легко видалити, встановивши важіль перемикача реверсу на зворотний напрямок обертання, щоб отримати задній хід. Але якщо інструмент не тримати міцно, він може різко відскочити.

⚠ОБЕРЕЖНО: Оброблювану деталь обов'язково необхідно затискати в лещатах або подібному пристрої фіксації.

⚠ОБЕРЕЖНО: У разі неперервної роботи інструмента до розрядження касети з акумулятором необхідно зробити перерву на 15 хвилин, перед тим як продовжувати роботу з новим акумулятором.

Використання інструмента як ручної викрутки

► Рис.14

Вимкніть інструмент. Пересуньте важіль перемикача реверсу у нейтральне положення. Поверніть ручку зміни режиму роботи таким чином, щоб стрілка вказувала на позначку . Повертайте інструмент.

ПРИМІТКА: Таке використання зручне для перевірки загвинчування.

ПРИМІТКА: Не використовуйте інструмент для робіт, що потребують прикладання надмірних зусиль, таких як затягування болтів або видалення іржавих болтів.

Використання чохла

Додаткове приладдя

⚠ОБЕРЕЖНО: Під час використання чохла виймайте наконечник для викручування або свердло з інструмента.

⚠ОБЕРЕЖНО: Перед тим як помістити інструмент у чохол, вимкніть його та дочекайтеся, поки він повністю зупиниться. Обов'язково надійно закривайте чохол, щоб інструмент у ньому було надійно зафіксовано.

1. Протягніть крізь тримач чохла пояс абощо.

► Рис.15: 1. Тримач чохла 2. Пояс

2. Вставте інструмент в чохол та заблокуйте його за допомогою гудзика чохла.

► Рис.16

► Рис.17

У передній частині чохла можна зберігати два наконечники для викручування.

ТЕХНІЧНЕ ОБСЛУГОВУВАННЯ

⚠ОБЕРЕЖНО: Перед здійсненням перевірки або обслуговування завжди перевіряйте, щоб інструмент був вимкнений, а касета з акумулятором була знята.

УВАГА: Ніколи не використовуйте газолін, бензин, розріджувач, спирт та подібні речовини. Їх використання може призвести до зміни кольору, деформації або появи тріщин.

Для забезпечення БЕЗПЕКИ та НАДІЙНОСТІ продукції, її ремонт, а також роботи з обслуговування або регулювання повинні виконуватись уповноваженими або заводськими сервісними центрами Makita із використанням запчастин виробництва компанії Makita.

ДОДАТКОВЕ ПРИЛАДДЯ

⚠ОБЕРЕЖНО: Це додаткове та допоміжне обладнання рекомендовано використовувати з інструментом Makita, зазначеним у цій інструкції з експлуатації. Використання будь-якого іншого додаткового та допоміжного обладнання може становити небезпеку травмування. Використовуйте додаткове та допоміжне обладнання лише за призначенням.

У разі необхідності отримати допомогу в більш детальному ознайомленні з оснащенням звертайтеся до місцевого сервісного центру Makita.

- Свердла
- Наконечники для викручування
- Наконечники патронного типу
- Свердло з наконечником з карбиду вольфраму
- Повітродувка
- Касета для наконечників
- Гак
- Чохол
- Оригінальний акумулятор та зарядний пристрій Makita

ПРИМІТКА: Деякі елементи списку можуть входити до комплекту інструмента як стандартне приладдя. Вони можуть відрізнятися залежно від країни.

SPECIFICAȚII

| | | |
|-------------------------|-----------------------|------------------------------|
| Model: | | HP333D |
| Capacități de găurire | Zidărie | 8 mm |
| | Oțel | 10 mm |
| | Lemn | 21 mm |
| Capacități de strângere | Șurub pentru lemn | 5,1 mm x 63 mm |
| | Șurub mecanic | M6 |
| Turație în gol | Înaltă (2) | 0 - 1.700 min ⁻¹ |
| | Redusă (1) | 0 - 450 min ⁻¹ |
| Lovituri pe minut | Înaltă (2) | 0 - 25.500 min ⁻¹ |
| | Redusă (1) | 0 - 6.750 min ⁻¹ |
| Lungime totală | 193 mm | |
| Tensiune nominală | 10,8 V - 12 V cc. max | |
| Greutate netă | 1,1 - 1,3 kg | |

- Datorită programului nostru continuu de cercetare și dezvoltare, specificațiile pot fi modificate fără o notificare prealabilă.
- Specificațiile pot varia în funcție de țară.
- Greutatea poate diferi în funcție de accesoriu(ii), inclusiv cartușul acumulatorului. În tabel se prezintă combinația cea mai ușoară și cea mai grea, conform Procedurii EPTA 01/2014.

Cartușul acumulatorului și încărcătorul aplicabile

| | |
|-------------------------|---|
| Cartușul acumulatorului | BL1015 / BL1016 / BL1020B / BL1021B / BL1040B / BL1041B |
| Încărcător | DC10SA / DC10SB / DC10WC / DC10WD / DC18RE |

- Este posibil ca unele cartușe ale acumulatorilor și încărcătoare menționate mai sus să nu fie disponibile în funcție de regiunea dvs. de reședință.

⚠️ AVERTIZARE: Utilizați numai cartușele de acumulator și încărcătoarele enumerate mai sus. Utilizarea oricăror altor cartușe de acumulator și încărcătoare poate duce la rănire și/sau incendiu.

Destinația de utilizare

Mașina este destinată găuririi cu percuție în cărămidă, zidărie de cărămidă și zidărie. De asemenea, este adecvată pentru înșurubare și găurire fără percuție în lemn, metal, ceramică și plastic.

Zgomot

Nivelul de zgomot normal ponderat A determinat în conformitate cu EN60745-2-1:

Nivel de presiune acustică (L_{pA}): 82 dB(A)

Nivel de putere acustică (L_{WA}): 93 dB (A)

Marjă de eroare (K): 3 dB(A)

⚠️ AVERTIZARE: Purtați echipament de protecție pentru urechi.

Vibrații

Valoarea totală a vibrațiilor (suma vectorilor tri-axiali) determinată conform EN60745-2-1:

Mod de lucru: găurire cu percuție în beton

Emisie de vibrații ($a_{h,D}$): 13,0 m/s²

Marjă de eroare (K): 1,5 m/s²

Mod de lucru: găurirea metalului
Emisie de vibrații ($a_{h,D}$): 2,5 m/s² sau mai puțin
Marjă de eroare (K): 1,5 m/s²

NOTĂ: Nivelul de vibrații declarat a fost măsurat în conformitate cu metoda de test standard și poate fi utilizat pentru compararea unei unelte cu alta.

NOTĂ: Nivelul de vibrații declarat poate fi, de asemenea, utilizat într-o evaluare preliminară a expunerii.

⚠️ AVERTIZARE: Nivelul de vibrații în timpul utilizării efective a unelei electrice poate diferi de valoarea nivelului declarat, în funcție de modul în care unealta este utilizată.

⚠️ AVERTIZARE: Asigurați-vă că identificați măsurile de siguranță pentru a proteja operatorul, acestea fiind bazate pe o estimare a expunerii în condiții reale de utilizare (luând în considerare toate părțile ciclului de operare, precum timpii în care unealta a fost oprită, sau a funcționat în gol, pe lângă timpul de declanșare).

Declarație de conformitate CE

Numai pentru țările europene

Declarația de conformitate CE este inclusă ca Anexa A în acest manual de instrucțiuni.

AVERTIZĂRI DE SIGURANȚĂ

Avertismente generale de siguranță pentru mașinile electrice

⚠️ AVERTIZARE: Citiți toate avertismentele privind siguranța, instrucțiunile, ilustrațiile și specificațiile furnizate cu această sculă electrică. Nerespectarea integrală a instrucțiunilor de mai jos poate cauza electrocutări, incendii și/sau vătămări corporale grave.

Păstrați toate avertismentele și instrucțiunile pentru consultări ulterioare.

Termenul „mașină electrică” din avertisări se referă la mașinile dumneavoastră electrice acționate de la rețea (prin cablu) sau cu acumulator (fără cablu).

Avertismente privind siguranța pentru mașina de găurit și înșurubat cu acumulatori

1. **La găurirea cu percuție purtați echipamente de protecție a auzului.** Expunerea la zgomot poate cauza pierderea auzului.
2. **Utilizați mânerle auxiliare, dacă sunt livrate cu mașina.** Pierderea controlului poate produce vătămări corporale.
3. **Țineți mașina electrică de suprafețele de prindere izolate atunci când efectuați o operațiune în care accesoriul de tăiere poate intra în contact cu fire ascunse.** Accesoriul de tăiere care intră în contact cu un fir aflat sub tensiune poate pune sub tensiune componentele metalice neizolate ale mașinii electrice și poate produce un șoc electric asupra operatorului.
4. **Țineți mașina electrică numai de suprafețele de apucare izolate atunci când executați o operațiune la care organul de asamblare poate intra în contact cu cabluri ascunse.** Contactul organelor de asamblare cu un cablu aflat sub tensiune poate pune sub tensiune piesele metalice expuse ale mașinii electrice, conducând la electrocutarea operatorului.
5. **Păstrați-vă echilibrul. Asigurați-vă că nu se află nicio persoană dedesubt atunci când folosiți mașina la înălțime.**
6. **Țineți bine mașina.**
7. **Nu atingeți piesele în mișcare.**

8. **Nu lăsați mașina în funcțiune.** Folosiți mașina numai când o țineți cu mâinile.
9. **Nu atingeți capul de acționare sau piesa prelucrată imediat după executarea lucrării; acestea pot fi extrem de fierbinți și pot provoca arsuri ale pielii.**
10. **Unele materiale conțin substanțe chimice care pot fi toxice.** Aveți grijă să nu inhalați praful și evitați contactul cu pielea. Respectați instrucțiunile de siguranță ale furnizorului.
11. **În cazul în care capul de burghiu nu poate fi slăbit cu toate că deschideți fălcile, utilizați un clește pentru a-l trage afară.** Într-un astfel de caz, tragerea manuală a capului de burghiu poate duce la vătămare din cauza marginii ascuțite a acestuia.

PĂSTRAȚI ACESTE INSTRUCȚIUNI.

⚠️ AVERTIZARE: NU permiteți comodității și familiarizării cu produsul (obținute prin utilizare repetată) să înlocuiască respectarea strictă a normelor de securitate pentru acest produs. FOLOSIREA INCORECTĂ sau nerespectarea normelor de securitate din acest manual de instrucțiuni poate provoca vătămări corporale grave.

Instrucțiuni importante privind siguranța pentru cartușul acumulatorului

1. **Înainte de a folosi cartușul acumulatorului, citiți toate instrucțiunile și atenționările de pe (1) încărcătorul acumulatorului, (2) acumulator și (3) produsul care folosește acumulatorul.**
2. **Nu dezmembrați cartușul acumulatorului.**
3. **Dacă timpul de funcționare s-a redus excesiv, întrerupeți imediat funcționarea.** Aceasta poate prezenta risc de supraîncălzire, posibile arsuri și chiar explozie.
4. **Dacă electrolitul pătrunde în ochi, clătiți bine ochii cu apă curată și consultați imediat un medic.** Există risc de orbire.
5. **Nu scurtcircuitați cartușul acumulatorului:**
 - (1) **Nu atingeți bornele cu niciun material conductor.**
 - (2) **Evitați depozitarea cartușului acumulatorului la un loc cu alte obiecte metalice cum ar fi cuie, monede etc.**
 - (3) **Nu expuneți cartușul acumulatorului la apă sau ploaie.****Un scurtcircuit al acumulatorului poate provoca un flux puternic de curent electric, supraîncălzire, posibile arsuri și chiar defectarea mașinii.**
6. **Nu depozitați mașina și cartușul acumulatorului în spații în care temperatura poate atinge sau depăși 50 °C (122 °F).**
7. **Nu incinerati cartușul acumulatorului chiar dacă acesta este grav deteriorat sau complet uzat.** Cartușul acumulatorului poate exploda în foc.

8. Aveți grijă să nu scăpați sau să loviți acumulatorul.
9. Nu utilizați un acumulator deteriorat.
10. Acumulatorii Li-Ion încorporați se supun cerințelor Legislației privind substanțele periculoase.

Pentru transporturi comerciale, efectuate de exemplu de către părți terțe, expeditori, trebuie respectate cerințele speciale de ambalare și etichetare.

Pentru pregătirea articolului care urmează să fie expediat, este necesară consultarea unui expert în materiale periculoase. Vă rugăm să respectați, de asemenea, reglementările naționale, care pot fi mai detaliate.

Izolați sau acoperiți contactele deschise și împachetați acumulatorul în așa fel încât să nu se poată mișca în ambalaj.

11. Respectați normele naționale privind eliminarea la deșeurile a acumulatorului.
12. Utilizați acumuloarele numai cu produsele specificate de Makita. Instalarea acumulatorilor în produse neconforme poate cauza incendii, căldură excesivă, explozii sau scurgeri de electrolit.

PĂSTRAȚI ACESTE INSTRUCȚIUNI.

ATENȚIE: Folosiți numai acumulatori Makita originali. Acumulatorii Makita care nu sunt originali și acumulatorii care au suferit modificări se pot aprinde, provocând incendii, leziuni corporale și daune. De asemenea, anulează garanția oferită de Makita pentru unealta și încărcătorul Makita.

Sfaturi pentru obținerea unei durate maxime de exploatare a acumulatorului

1. Încărcați cartușul acumulatorului înainte de a se descărca complet. Întrerupeți întotdeauna funcționarea mașinii și încărcați cartușul acumulatorului când observați o scădere a puterii mașinii.
2. Nu reîncărcați niciodată un acumulator complet încărcat. Supraîncărcarea va scurta durata de exploatare a acumulatorului.
3. Încărcați cartușul acumulatorului la temperatura camerei, între 10 °C - 40 °C (50 °F - 104 °F). Lăsați un acumulator fierbinte să se răcească înainte de a-l încărca.

DESCRIEREA FUNCȚIILOR

ATENȚIE: Asigurați-vă întotdeauna că mașina este oprită și cartușul acumulatorului este scos înainte de a ajusta sau verifica funcționarea mașinii.

Instalarea sau scoaterea cartușului acumulatorului

ATENȚIE: Opriți întotdeauna mașina înainte de montarea sau demontarea cartușului de acumulator.

ATENȚIE: Țineți ferm mașina și cartușul acumulatorului la montarea sau demontarea cartușului. În cazul în care nu țineți ferm mașina și cartușul de acumulator, acestea vă pot aluneca din mâini, rezultând defectarea mașinii și cartușului de acumulator, precum și în accidentări personale.

► Fig. 1: 1. Indicator roșu 2. Buton 3. Cartușul acumulatorului

Pentru a scoate cartușul acumulatorului, glisați-l din mașină în timp ce glisați butonul de pe partea frontală a cartușului.

Pentru a instala cartușul acumulatorului, aliniați limba de pe cartușul acumulatorului cu canelura din carcasă și introduceți-l în locaș. Introduceți-l complet, până când se încliquează în locaș. Dacă puteți vedea indicatorul roșu din partea superioară a butonului, acesta nu este blocat complet.

ATENȚIE: Instalați întotdeauna cartușul acumulatorului complet, până când indicatorul roșu nu mai este vizibil. În caz contrar, acesta poate cădea accidental din mașină provocând rănirea dumneavoastră sau a persoanelor din jur.

ATENȚIE: Nu forțați cartușul acumulatorului la montare. Dacă acesta nu glisează ușor, înseamnă că a fost introdus incorect.

Sistemul de protecție a acumulatorului

Mașina este prevăzută cu un sistem de protecție a acumulatorului. Sistemul întrerupe automat alimentarea motorului pentru a extinde durata de viață a acumulatorului.

Mașina se va opri automat în timpul funcționării când mașina și/sau acumulatorul se află într-una din situațiile următoare:

Suprasarcină:

Mașina este operată într-o manieră care determină atragerea unui curent de o intensitate anormal de ridicată.

În această situație, opriți mașina și aplicația care a dus la suprasolicțarea mașinii. Apoi reporniți mașina.

Dacă mașina nu pornește, acumulatorul este supraîncălzit. În această situație, lăsați acumulatorul să se răcească înainte de a reporni mașina.

Tensiune scăzută acumulator:

Capacitatea rămasă a acumulatorului este prea scăzută, iar mașina nu va funcționa. Dacă porniți mașina, motorul funcționează din nou, dar se oprește imediat. În această situație, scoateți și reîncărcați acumulatorul.

Indicarea capacității rămase a acumulatorului

Numai pentru cartușe de acumulator cu indicator

► Fig.2: 1. Lămpi indicatoare 2. Buton de verificare

Apăsați butonul de verificare de pe cartușul acumulatorului, astfel încât să se indice capacitățile rămase ale acumulatorului. Lămpile indicatorului vor lumina timp de câteva secunde.

| Lămpi indicatoare | | Capacitate rămasă |
|-------------------|-------|-------------------|
| Iluminat | Oprit | |
| ■ ■ ■ ■ | | între 75% și 100% |
| ■ ■ ■ □ | | între 50% și 75% |
| ■ ■ □ □ | | între 25% și 50% |
| ■ □ □ □ | | între 0% și 25% |

NOTĂ: În funcție de condițiile de utilizare și temperatura ambientală, indicația poate fi ușor diferită de capacitatea reală.

Aționarea întrerupătorului

► Fig.3: 1. Buton declanșator

ATENȚIE: Înainte de a introduce cartușul acumulatorului în mașină, verificați întotdeauna dacă butonul declanșator funcționează corect și revine în poziția „OFF” (oprit) când este eliberat.

Pentru a porni mașina, trageți de butonul declanșator. Viteza mașinii poate fi crescută prin creșterea forței de apăsare pe butonul declanșator. Eliberați butonul declanșator pentru a opri mașina.

Aprinderea lămpii frontale

► Fig.4: 1. Lampă

ATENȚIE: Nu priviți direct în raza sau în sursa de lumină.

Apăsați butonul declanșator pentru a aprinde lampa. Lampa continuă să lumineze atât timp cât butonul declanșator este apăsat. Lampa se stinge după aproximativ 10 secunde de la eliberarea butonului declanșator.

NOTĂ: Folosiți o lavetă uscată pentru a șterge murdăria de pe lentila lămpii. Aveți grijă să nu zgâriați lentila lămpii deoarece, în caz contrar, iluminarea va fi redusă.

Funcția inversorului

► Fig.5: 1. Pârghie de inversor

ATENȚIE: Verificați întotdeauna sensul de rotație înainte de utilizare.

ATENȚIE: Folosiți inversorul numai după ce mașina s-a oprit complet. Schimbarea sensului de rotație înainte de oprirea mașinii poate avaria mașina.

ATENȚIE: Atunci când nu folosiți mașina, deplasați întotdeauna pârghia inversorului în poziția neutră.

Această mașină dispune de un inversor pentru schimbarea sensului de rotație. Apăsați pârghia inversorului în poziția A pentru rotire în sens orar sau în poziția B pentru rotire în sens antiorar.

Când pârghia inversorului se află în poziție neutră, butonul declanșator nu poate fi apăsat.

Schimbarea vitezei

► Fig.6: 1. Pârghie de schimbare a vitezei

ATENȚIE: Deplasați întotdeauna complet pârghia de schimbare a vitezei în poziția corectă. Dacă folosiți mașina cu pârghia de schimbare a vitezei poziționată intermediar între poziția „1” și poziția „2”, mașina poate fi avariată.

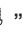

ATENȚIE: Nu folosiți pârghia de schimbare a vitezei în timpul funcționării mașinii. Mașina poate fi avariată.

| Poziția pârghiei de schimbare a vitezei | Viteză | Cuplu | Tip de operare aplicabil |
|---|----------------|----------------|-----------------------------|
| 1 | Turație joasă | Turație înaltă | Operare la sarcină ridicată |
| 2 | Turație înaltă | Turație joasă | Operare la sarcină redusă |

Pentru a schimba viteza, opriți mai întâi mașina. Selectați poziția „2” pentru viteză ridicată sau „1” pentru viteză redusă și cuplu ridicat. Asigurați-vă că pârghia de schimbare a vitezei se află în poziția corectă înainte de utilizare. Dacă viteza mașinii scade extrem de mult în timpul utilizării în poziția „2”, glisați maneta în poziția „1” și reluați operația.




Selectarea modului de acționare

ATENȚIE: Reglați întotdeauna inelul corect la marcajul pentru modul de acționare dorit. Dacă folosiți mașina cu inelul poziționat intermediar între marcajele modului de acționare, mașina poate fi avariată.

ATENȚIE: Când modificați poziția de la „ ” la alte moduri, glisarea inelului de schimbare a modului de acționare poate fi puțin dificilă. În acest caz, porniți și operați mașina scurt în poziția „ ”, apoi opriți mașina și glisați inelul în poziția dorită.

- **Fig.7:** 1. Inel de schimbare a modului de acționare
2. Inel de reglare 3. Gradație 4. Săgeată

Această mașină are trei moduri de acționare.

-  Mod de găurire (doar rotire)
-  Mod de găurire cu percuție (rotire cu percuție)
-  Mod de înșurubare (rotire cu ambreiaj)

Selectați un mod corespunzător pentru lucrarea dvs.

Rotiți inelul de schimbare a modului de acționare și aliniați marcajul selectat cu săgeata de pe corpul mașinii.

Reglarea cuplului de strângere

- **Fig.8:** 1. Inel de schimbare a modului de acționare
2. Inel de reglare 3. Gradație 4. Săgeată

Cuplul de strângere poate fi reglat în 20 trepte prin rotirea inelului de reglare. Aliniați gradațiile cu săgeata de pe corpul mașinii. Puteți obține cuplul de strângere minim în poziția 1 și cuplul de strângere maxim în poziția 20. Înainte de folosirea propriu-zisă, înșurubați un șurub de probă în materialul dvs. sau într-o bucată de material identic pentru a determina valoarea cuplului de strângere necesară pentru o anumită utilizare. În continuare este prezentat un ghid aproximativ al relației dintre dimensiunea șurubului și gradație.

| Gradație | | 1 | 2 | 3 | 4 | 5 | 6 | 7 | 8 | 9 | 10 | 11 | 12 | 13 | 14 | 15 | 16 | 17 | 18 | 19 | 20 |
|-------------------|--------------------------|----|---|---|---|---|---|---|---|-----------|----|----|----|-----------|----|----|----|-----------|----|----|----|
| Șurub mecanic | | M4 | | | | | | | | M5 | | | | | | | | M6 | | | |
| Șurub pentru lemn | Lemn moale (de ex., pin) | - | | | | | | | | φ3,5 x 22 | | | | φ4,1 x 38 | | | | | | | |
| | Lemn dur (de ex., mahon) | - | | | | | | | | φ3,5 x 22 | | | | - | | | | | | | |
| | | - | | | | | | | | - | | | | | | | | φ4,1 x 38 | | | |

ASAMBLARE

⚠ATENȚIE: Asigurați-vă întotdeauna că mașina este oprită și cartușul acumulatorului este scos înainte de a executa orice lucrări la mașină.

Montarea sau demontarea capului de acționare/capului de burghiu

Accesorii opționale

- **Fig.9:** 1. Manșon 2. Închis 3. Deschis

Rotiți manșonul în sens antiorar pentru a deschide fălcile mandrinei. Introduceți capul de acționare/capul de burghiu în mandrină până când se oprește. Rotiți manșonul în sens orar pentru a strânge mandrina. Pentru a scoate capul de acționare/capul de burghiu, rotiți manșonul în sens antiorar.

Instalarea cârligului

⚠ATENȚIE: Când instalați cârligul, strângeți-l întotdeauna ferm cu șurubelnița. În caz contrar, se poate desprinde de mașină și vă poate răni.

- **Fig.10:** 1. Canelură 2. Cârlig 3. Șurub

Cârligul este util pentru suspendarea temporară a mașinii. Acesta poate fi instalat pe oricare latură a mașinii. Pentru a instala cârligul, introduceți-l într-o canelură din carcasa mașinii de pe oricare latură și fixați-l cu un șurub. Pentru demontare, slăbiți șurubul și apoi scoateți-l.

Instalarea suportului capului de acționare

Accesorii opționale

- **Fig.11:** 1. Suport cap de acționare 2. Cap de acționare

Introduceți suportul capului de acționare în proeminența de la baza mașinii, în partea dreaptă sau stângă, și fixați-l cu un șurub.

Atunci când nu folosiți capul de acționare, păstrați-l în suport. Aici pot fi păstrate capete de acționare cu o lungime de 45 mm.

OPERAREA

⚠ATENȚIE: Introduceți întotdeauna complet cartușul acumulatorului până când se blochează în locaș. Dacă puteți vedea indicatorul roșu din partea superioară a butonului, acesta nu este blocat complet. Introduceți-l complet, până când indicatorul roșu nu mai este vizibil. În caz contrar, acesta poate cădea accidental din mașină provocând rănirea dumneavoastră sau a persoanelor din jur.

⚠ATENȚIE: Când viteza scade extrem de mult, reduceți sarcina sau opriți mașina, pentru a preveni defectarea acesteia.


Țineți mașina ferm cu o mână de mâner și cu cealaltă mână de partea inferioară a cartușului acumulatorului, pentru a contracara mișcarea de torsune.

- **Fig.12**

Înșurubarea

⚠️ ATENȚIE: Ajustați inelul de reglare la valoarea corectă a cuplului de strângere pentru lucrarea dvs.

⚠️ ATENȚIE: Asigurați-vă că ați introdus drept capul de acționare în capul șurubului, în caz contrar șurubul și/sau capul de acționare se pot/ poate deteriora.


Mai întâi, rotiți inelul de schimbare a modului de acționare astfel încât săgeata de pe corpul mașinii să indice marcajul .

Poziționați vârful capului de acționare în capul șurubului și apăsați pe mașină. Porniți mașina încet și apoi măriți treptat viteza. Eliberați butonul declanșator imediat ce ambreiajul intervine.

NOTĂ: La înfiletarea unui șurub pentru lemn, efectuați în prealabil o gaură pilot cu un diametru de 2/3 din diametrul șurubului. În acest fel, găurirea va fi mai ușoară și se previne despicarea piesei de lucru.

Operația de găurire cu percuzie

⚠️ ATENȚIE: Asupra mașinii/capului de burghiu este exercitată o forță enormă în momentul în care gaura este străpunsă, dacă gaura se înfundă cu așchii și particule, sau dacă întâlniți bare de armătură încastate în beton.

Mai întâi, rotiți inelul de schimbare a modului de acționare astfel încât săgeata de pe corpul mașinii să indice marcajul . Inelul de reglare poate fi aliniat la orice nivel al cuplului de strângere pentru această operație. Aveți grijă să folosiți un cap de burghiu cu plăcuțe din aliaj dur de tungsten.

Poziționați capul de burghiu în punctul de găurire dorit, apoi trageți de butonul declanșator. Nu forțați mașina. O presiune mai ușoară oferă cele mai bune rezultate. Mențineți mașina în poziție și împiedicați-o să alunece din gaură.

Nu aplicați o presiune mai mare dacă gaura se înfundă cu așchii sau particule. În schimb, lăsați mașina să funcționeze în gol și scoateți parțial capul de burghiu din gaură. Repetând această operație de mai multe ori, gaura va fi curățată și veți putea continua găurirea normală.


Pară de suflare

Accesorii opționale

► Fig.13: 1. Pară de suflare

După găurire, folosiți para de suflare pentru a curăța praful din gaură.

Găurirea

Mai întâi, rotiți inelul de reglare astfel încât săgeata să indice spre marcajul . Apoi, procedați după cum urmează.

Găurirea lemnului

Când găuriți lemn, obțineți cele mai bune rezultate cu burghiile de lemn dotate cu șurub de ghidaj. Șurubul de ghidare ușurează găurirea trăgând capul de burghiu în piesa de prelucrat.

Găurirea metalului

Pentru a preveni alunecarea capului de burghiu atunci când începeți găurirea, realizați o adâncitură cu un dorn și un ciocan în punctul în care se va găuri. Așezați vârful capului de burghiu în adâncitură și începeți găurirea. Folosiți un lubrifiant de tăiere atunci când găuriți metale. Excepție fac fierul și alama, care trebuie găurite pe uscat.

⚠️ ATENȚIE: Aplicarea unei forțe excesive asupra mașinii nu va grăbi operațiunea de găurire. De fapt, presiunea excesivă nu va face decât să deterioreze burghiu, reducând performanțele mașinii și durata de viață a acesteia.

⚠️ ATENȚIE: Țineți mașina ferm și procedați cu atenție atunci când capul de burghiu trece prin piesa de prelucrat. Asupra mașinii/capului de burghiu este exercitată o forță enormă în momentul în care gaura este străpunsă.

⚠️ ATENȚIE: Un cap de burghiu blocat se poate debloca prin simpla setare a inversorului pentru rotația în sens invers, pentru retragere. Totuși, mașina se poate retrage brusc dacă nu o țineți ferm.

⚠️ ATENȚIE: Piese trebuie fixate întotdeauna cu o menhină sau cu un alt dispozitiv similar de fixare.


⚠️ ATENȚIE: Dacă mașina este folosită continuu până la descărcarea cartușului acumulatorului, lăsați mașina în repaus timp de 15 minute înainte de a continua cu un acumulator nou.

Folosirea mașinii ca șurubelniță de mână

► Fig.14

Opriti mașina.

Deplasați pârghia inversorului în poziția neutră.

Rotiți inelul de schimbare a modului de acționare astfel încât săgeata să indice marcajul .

Rotiți mașina.

NOTĂ: Acest tip de utilizare este adecvat pentru verificarea înșurubării.

NOTĂ: Nu folosiți mașina pentru lucrări care necesită o forță excesivă, cum ar fi strângerea unor bolțuri sau scoaterea șuruburilor ruginite.

Utilizarea tocului

Accesorii opționale

⚠️ ATENȚIE: La utilizarea tocului, scoateți capul de acționare/capul de burghiu din mașină.

⚠️ ATENȚIE: Opriti mașina și așteptați oprirea completă a acesteia înainte a o introduce în toc. Asigurați-vă că închideți tocul cu ajutorul nasturelui, astfel încât mașina să fie fixată ferm în acesta.

1. Treceți o cingătoare sau o curea similară prin urechea tocului.

► Fig.15: 1. Ureche toc 2. Cingătoare

2. Introduceți mașina în toc și blocați-o cu nasturele tocului.

► Fig.16

► Fig.17

Puteți păstra două capete de acționare în partea din față a tocului.

ÎNTREȚINERE

⚠️ ATENȚIE: Asigurați-vă întotdeauna că mașina este oprită și cartușul acumulatorului scos înainte de a executa lucrările de inspecție și întreținere.

NOTĂ: Nu utilizați niciodată gazolină, benzină, diluant, alcool sau alte substanțe asemănătoare. În caz contrar, pot rezulta decolorări, deformări sau fisuri.

Pentru a menține SIGURANȚA și FIABILITATEA produsului, reparațiile și orice alte lucrări de întreținere sau reglare trebuie executate de centre de service Makita autorizate sau proprii, folosind întotdeauna piese de schimb Makita.

ACCESORII OPȚIONALE

⚠️ ATENȚIE: Folosiți accesoriile sau piesele auxiliare recomandate pentru mașina dumneavoastră Makita în acest manual. Utilizarea oricăror alte accesorii sau piese auxiliare poate prezenta risc de vătămare corporală. Utilizați accesoriile și piesele auxiliare numai în scopul destinat.

Dacă aveți nevoie de asistență sau de mai multe detalii referitoare la aceste accesorii, adresați-vă centrului local de service Makita.

- Capete de burghiu
- Capete de acționare
- Capete de înșurubat hexagonale
- Cap de burghiu cu plăcuțe din aliaj dur de tungsten
- Pară de suflare
- Suport cap de acționare
- Cârlig
- Toc
- Acumulator și încărcător original Makita

NOTĂ: Unele articole din listă pot fi incluse ca accesorii standard în ambalajul de scule. Acestea pot diferi în funcție de țară.

TECHNISCHE DATEN

| | | |
|-----------------------|-------------------|--------------------------------|
| Modell: | | HP333D |
| Bohrkapazitäten | Mauerwerk | 8 mm |
| | Stahl | 10 mm |
| | Holz | 21 mm |
| Anzugskapazitäten | Holzschraube | 5,1 mm x 63 mm |
| | Maschinenschraube | M6 |
| Leerlaufdrehzahl | Hoch (2) | 0 - 1.700 min ⁻¹ |
| | Niedrig (1) | 0 - 450 min ⁻¹ |
| Schlagzahl pro Minute | Hoch (2) | 0 - 25.500 min ⁻¹ |
| | Niedrig (1) | 0 - 6.750 min ⁻¹ |
| Gesamtlänge | | 193 mm |
| Nennspannung | | 10,8 V Gleichstrom - 12 V max. |
| Nettogewicht | | 1,1 - 1,3 kg |

- Wir behalten uns vor, Änderungen der technischen Daten im Zuge der Entwicklung und des technischen Fortschritts ohne vorherige Ankündigung vorzunehmen.
- Die technischen Daten können von Land zu Land unterschiedlich sein.
- Das Gewicht kann abhängig von dem Aufsatz (den Aufsätzen), einschließlich des Akkus, unterschiedlich sein. Die leichteste und die schwerste Kombination, gemäß dem EPTA-Verfahren 01/2014, sind in der Tabelle angegeben.

Zutreffende Akkus und Ladegeräte

| | |
|-----------|---|
| Akku | BL1015 / BL1016 / BL1020B / BL1021B / BL1040B / BL1041B |
| Ladegerät | DC10SA / DC10SB / DC10WC / DC10WD / DC18RE |

- Einige der oben aufgelisteten Akkus und Ladegeräte sind je nach Ihrem Wohngebiet eventuell nicht erhältlich.

⚠️ WARNUNG: Verwenden Sie nur die oben aufgeführten Akkus und Ladegeräte. Bei Verwendung irgendwelcher anderer Akkus und Ladegeräte besteht Verletzungs- und/oder Brandgefahr.

Vorgesehene Verwendung

Das Werkzeug ist für Schlagbohren in Ziegeln, Ziegelwerk und Mauerwerk vorgesehen. Es eignet sich auch für Schraubetrieb und normales Bohren in Holz, Metall, Keramik und Kunststoff.

Geräusch

Typischer A-bewerteter Geräuschpegel ermittelt gemäß EN60745-2-1:

Schalldruckpegel (L_{pA}): 82 dB (A)

Schallleistungspegel (L_{WA}): 93 dB (A)

Messunsicherheit (K): 3 dB (A)

⚠️ WARNUNG: Einen Gehörschutz tragen.

Schwingungen

Schwingungsgesamtwert (Drei-Achsen-Vektorsumme) ermittelt gemäß EN60745-2-1:

Arbeitsmodus: Schlagbohren in Beton

Schwingungsemission ($a_{h,10}$): 13,0 m/s²

Messunsicherheit (K): 1,5 m/s²

Arbeitsmodus: Bohren in Metall

Schwingungsemission ($a_{h,D}$): 2,5 m/s² oder weniger

Messunsicherheit (K): 1,5 m/s²

HINWEIS: Der angegebene Schwingungsemissionswert wurde im Einklang mit der Standardprüfmethode gemessen und kann für den Vergleich zwischen Werkzeugen herangezogen werden.

HINWEIS: Der angegebene Schwingungsemissionswert kann auch für eine Vorbewertung des Gefährdungsgrads verwendet werden.

⚠️ WARNUNG: Die Schwingungsemission während der tatsächlichen Benutzung des Werkzeugs kann je nach der Benutzungsweise des Werkzeugs vom angegebenen Emissionswert abweichen.

⚠️ WARNUNG: Identifizieren Sie Sicherheitsmaßnahmen zum Schutz des Benutzers anhand einer Schätzung des Gefährdungsgrads unter den tatsächlichen Benutzungsbedingungen (unter Berücksichtigung aller Phasen des Arbeitszyklus, wie z. B. Ausschalt- und Leerlaufzeiten des Werkzeugs zusätzlich zur Betriebszeit).

EG-Konformitätserklärung

Nur für europäische Länder

Die EG-Konformitätserklärung ist als Anhang A in dieser Bedienungsanleitung enthalten.

SICHERHEITSWARNUNGEN

Allgemeine Sicherheitswarnungen für Elektrowerkzeuge

⚠️ WARNUNG: Lesen Sie alle mit diesem Elektrowerkzeug gelieferten Sicherheitswarnungen, Anweisungen, Abbildungen und technischen Daten durch. Eine Missachtung der unten aufgeführten Anweisungen kann zu einem elektrischen Schlag, Brand und/oder schweren Verletzungen führen.

Bewahren Sie alle Warnungen und Anweisungen für spätere Bezugnahme auf.

Der Ausdruck „Elektrowerkzeug“ in den Warnhinweisen bezieht sich auf Ihr mit Netzstrom (mit Kabel) oder Akku (ohne Kabel) betriebenes Elektrowerkzeug.

Sicherheitswarnungen für Akku-Schlagbohrschrauber

1. **Tragen Sie Gehörschützer beim Schlagbohren.** Lärmwirkung kann Gehörschädigung verursachen.
2. **Benutzen Sie (einen) Zusatzgriff(e), sofern er (sie) mit dem Werkzeug geliefert wurde(n).** Verlust der Kontrolle kann Personenschäden verursachen.
3. **Halten Sie das Elektrowerkzeug an den isolierten Griffflächen, wenn Sie Arbeiten ausführen, bei denen die Gefahr besteht, dass das Schneidwerkzeug verborgene Kabel kontaktiert.** Bei Kontakt mit einem Strom führenden Kabel können die freiliegenden Metallteile des Elektrowerkzeugs ebenfalls Strom führend werden, so dass der Benutzer einen elektrischen Schlag erleiden kann.
4. **Halten Sie das Elektrowerkzeug an den isolierten Griffflächen, wenn Sie Arbeiten ausführen, bei denen die Gefahr besteht, dass das Befestigungselement verborgene Kabel kontaktiert.** Bei Kontakt mit einem Strom führenden Kabel können die freiliegenden Metallteile des Elektrowerkzeugs ebenfalls Strom führend werden, so dass der Benutzer einen elektrischen Schlag erleiden kann.
5. **Achten Sie stets auf sicheren Stand.** Vergewissern Sie sich bei Einsatz des Werkzeugs an hochgelegenen Arbeitsplätzen, dass sich keine Personen darunter aufhalten.
6. **Halten Sie das Werkzeug mit festem Griff.**

7. **Halten Sie Ihre Hände von rotierenden Teilen fern.**
8. **Lassen Sie das Werkzeug nicht unbeaufsichtigt laufen.** Benutzen Sie das Werkzeug nur mit Handhaltung.
9. **Vermeiden Sie eine Berührung des Einsatzes oder des Werkstücks unmittelbar nach der Bearbeitung, weil die Teile noch sehr heiß sind und Hautverbrennungen verursachen können.**
10. **Manche Materialien können giftige Chemikalien enthalten.** Treffen Sie Vorsichtsmaßnahmen, um das Einatmen von Arbeitsstaub und Hautkontakt zu verhindern. Befolgen Sie die Sicherheitsdaten des Materiallieferanten.
11. **Falls der Bohrereinsatz selbst durch Öffnen der Futterbacken nicht gelöst werden kann, ziehen Sie ihn mit einer Zange heraus.** In einem solchen Fall kann Herausziehen des Bohrereinsatzes von Hand zu einer Verletzung durch seine scharfe Kante führen.

DIESE ANWEISUNGEN AUFBEWAHREN.

⚠️ WARNUNG: Lassen Sie sich NICHT durch Bequemlichkeit oder Vertrautheit mit dem Produkt (durch wiederholten Gebrauch erworben) von der strikten Einhaltung der Sicherheitsregeln für das vorliegende Produkt abhalten. MISSBRAUCH oder Missachtung der Sicherheitsvorschriften in dieser Anleitung können schwere Verletzungen verursachen.

Wichtige Sicherheitsanweisungen für Akku

1. **Lesen Sie vor der Benutzung des Akkus alle Anweisungen und Warnhinweise, die an (1) Ladegerät, (2) Akku und (3) Akkuwerkzeug angebracht sind.**
2. **Unterlassen Sie ein Zerlegen des Akkus.**
3. **Falls die Betriebszeit beträchtlich kürzer geworden ist, stellen Sie den Betrieb sofort ein.** Anderenfalls besteht die Gefahr von Überhitzung, möglichen Verbrennungen und sogar einer Explosion.
4. **Falls Elektrolyt in Ihre Augen gelangt, waschen Sie sie mit sauberem Wasser aus, und begeben Sie sich unverzüglich in ärztliche Behandlung.** Anderenfalls können Sie Ihre Sehkraft verlieren.
5. **Der Akku darf nicht kurzgeschlossen werden:**
 - (1) **Die Kontakte dürfen nicht mit leitfähigem Material berührt werden.**
 - (2) **Lagern Sie den Akku nicht in einem Behälter zusammen mit anderen Metallgegenständen, wie z. B. Nägel, Münzen usw.**
 - (3) **Setzen Sie den Akku weder Wasser noch Regen aus.****Ein Kurzschluss des Akkus verursacht starken Stromfluss, der Überhitzung, mögliche Verbrennungen und einen Defekt zur Folge haben kann.**

6. **Lagern Sie das Werkzeug und den Akku nicht an Orten, an denen die Temperatur 50 °C erreichen oder überschreiten kann.**
7. **Versuchen Sie niemals, den Akku zu verbrennen, selbst wenn er stark beschädigt oder vollkommen verbraucht ist. Der Akku kann im Feuer explodieren.**
8. **Achten Sie darauf, dass der Akku nicht fallen gelassen oder Stößen ausgesetzt wird.**
9. **Benutzen Sie keine beschädigten Akkus.**
10. **Die enthaltenen Lithium-Ionen-Akkus unterliegen den Anforderungen der Gefahrgut-Gesetzgebung.**
Für kommerzielle Transporte, z. B. durch Dritte oder Spediteure, müssen besondere Anforderungen zu Verpackung und Etikettierung beachtet werden.
Zur Vorbereitung des zu transportierenden Artikels ist eine Beratung durch einen Experten für Gefahrgut erforderlich. Bitte beachten Sie möglicherweise ausführlichere nationale Vorschriften. Überkleben oder verdecken Sie offene Kontakte, und verpacken Sie den Akku so, dass er sich in der Verpackung nicht umher bewegen kann.
11. **Befolgen Sie die örtlichen Bestimmungen bezüglich der Entsorgung von Akkus.**
12. **Verwenden Sie die Akkus nur mit den von Makita angegebenen Produkten.** Das Einsetzen der Akkus in nicht konforme Produkte kann zu einem Brand, übermäßiger Hitzebildung, einer Explosion oder Auslaufen von Elektrolyt führen.

DIESE ANWEISUNGEN AUFBEWAHREN.

⚠ VORSICHT: Verwenden Sie nur Original-Makita-Akkus. Die Verwendung von Nicht-Original-Makita-Akkus oder von Akkus, die abgeändert worden sind, kann zum Bersten des Akkus und daraus resultierenden Bränden, Personenschäden und Beschädigung führen. Außerdem wird dadurch die Makita-Garantie für das Makita-Werkzeug und -Ladegerät ungültig.

Hinweise zur Aufrechterhaltung der maximalen Akku-Nutzungsdauer

1. **Laden Sie den Akku, bevor er vollkommen erschöpft ist. Schalten Sie das Werkzeug stets aus, und laden Sie den Akku, wenn Sie ein Nachlassen der Werkzeugleistung feststellen.**
2. **Unterlassen Sie erneutes Laden eines voll aufgeladenen Akkus. Überladen führt zu einer Verkürzung der Nutzungsdauer des Akkus.**
3. **Laden Sie den Akku bei Raumtemperatur zwischen 10 – 40 °C. Lassen Sie einen heißen Akku abkühlen, bevor Sie ihn laden.**

FUNKTIONSBESCHREIBUNG

⚠ VORSICHT: Vergewissern Sie sich vor der Durchführung von Einstellungen oder Funktionsprüfungen des Werkzeugs stets, dass das Werkzeug ausgeschaltet und der Akku abgenommen ist.

Anbringen und Abnehmen des Akkus

⚠ VORSICHT: Schalten Sie das Werkzeug stets aus, bevor Sie den Akku anbringen oder abnehmen.

⚠ VORSICHT: Halten Sie das Werkzeug und den Akku beim Anbringen oder Abnehmen des Akkus sicher fest. Wenn Sie das Werkzeug und den Akku nicht sicher festhalten, können sie Ihnen aus der Hand rutschen, was zu einer Beschädigung des Werkzeugs und des Akkus und zu Körperverletzungen führen kann.

► **Abb.1:** 1. Rote Anzeige 2. Knopf 3. Akku

Ziehen Sie den Akku zum Abnehmen vom Werkzeug ab, während Sie den Knopf an der Vorderseite des Akkus verschieben.

Richten Sie zum Anbringen des Akkus dessen Führungsfeder auf die Nut im Gehäuse aus, und schieben Sie den Akku hinein. Schieben Sie ihn vollständig ein, bis er mit einem hörbaren Klicken einrastet. Falls die rote Anzeige an der Oberseite des Knopfes sichtbar ist, ist der Akku nicht vollständig verriegelt.

⚠ VORSICHT: Schieben Sie den Akku stets bis zum Anschlag ein, bis die rote Anzeige nicht mehr sichtbar ist. Anderenfalls kann er aus dem Werkzeug herausfallen und Sie oder umstehende Personen verletzen.

⚠ VORSICHT: Unterlassen Sie Gewaltanwendung beim Anbringen des Akkus. Falls der Akku nicht reibungslos hineingleitet, ist er nicht richtig ausgerichtet.

Akku-Schutzsystem

Das Werkzeug ist mit einem Akku-Schutzsystem ausgestattet. Dieses System schaltet die Stromversorgung des Motors automatisch ab, um die Akku-Lebensdauer zu verlängern.

Das Werkzeug schaltet sich während des Betriebs automatisch ab, wenn Werkzeug und/oder Akku einer der folgenden Bedingungen unterliegen:

Überlastung:

Das Werkzeug wird auf eine Weise benutzt, die eine ungewöhnlich hohe Stromaufnahme bewirkt. Schalten Sie in dieser Situation das Werkzeug aus, und brechen Sie die Arbeit ab, die eine Überlastung des Werkzeugs verursacht hat. Schalten Sie dann das Werkzeug wieder ein, um neu zu starten. Falls das Werkzeug nicht startet, ist der Akku überhitzt. Lassen Sie den Akku in dieser Situation abkühlen, bevor Sie das Werkzeug wieder einschalten.

Niedrige Akkuspannung:

Die Akku-Restkapazität ist zu niedrig, und das Werkzeug funktioniert nicht. Wenn Sie das Werkzeug einschalten, läuft der Motor wieder an, bleibt aber bald darauf stehen. Nehmen Sie in dieser Situation den Akku ab, und laden Sie ihn auf.

Anzeigen der Akku-Restkapazität

Nur für Akkus mit Anzeige

► **Abb.2:** 1. Anzeigelampen 2. Prüftaste

Drücken Sie die Prüftaste am Akku, um die Akku-Restkapazität anzuzeigen. Die Anzeigelampen leuchten wenige Sekunden lang auf.

| Anzeigelampen | | Restkapazität | |
|---------------|---|---------------|-------------|
| ■ | □ | | |
| ■ | □ | 75% bis 100% | |
| ■ ■ ■ ■ | | | |
| ■ ■ ■ □ | | | 50% bis 75% |
| ■ ■ □ □ | | | 25% bis 50% |
| ■ □ □ □ | | 0% bis 25% | |

HINWEIS: Abhängig von den Benutzungsbedingungen und der Umgebungstemperatur kann die Anzeige geringfügig von der tatsächlichen Kapazität abweichen.

Schalterfunktion

► **Abb.3:** 1. Ein-Aus-Schalter

⚠ VORSICHT: Vergewissern Sie sich vor dem Einsetzen des Akkus in das Werkzeug stets, dass der Ein-Aus-Schalter ordnungsgemäß funktioniert und beim Loslassen in die AUS-Stellung zurückkehrt.

Drücken Sie zum Einschalten des Werkzeugs einfach den Ein-Aus-Schalter. Die Drehzahl erhöht sich durch verstärkte Druckausübung auf den Ein-Aus-Schalter. Lassen Sie den Ein-Aus-Schalter zum Anhalten los.

Einschalten der Frontlampe

► **Abb.4:** 1. Lampe

⚠ VORSICHT: Blicken Sie nicht direkt in die Lampe oder die Lichtquelle.

Betätigen Sie den Ein-Aus-Schalter, um die Lampe einzuschalten. Die Lampe bleibt erleuchtet, solange der Ein-Aus-Schalter gedrückt gehalten wird. Die Lampe erlischt ungefähr 10 Sekunden nach dem Loslassen des Ein-Aus-Schalters.

HINWEIS: Wischen Sie Schmutz auf der Lampenlinse mit einem trockenen Tuch ab. Achten Sie sorgfältig darauf, dass Sie die Lampenlinse nicht verkratzen, weil sich sonst die Lichtstärke verringert.

Funktion des Drehrichtungsumschalters

► **Abb.5:** 1. Drehrichtungsumschalthebel

⚠ VORSICHT: Prüfen Sie stets die Drehrichtung, bevor Sie mit der Arbeit beginnen.

⚠ VORSICHT: Betätigen Sie den Drehrichtungsumschalter erst, nachdem das Werkzeug völlig zum Stillstand gekommen ist. Durch Umschalten der Drehrichtung bei noch laufendem Werkzeug kann das Werkzeug beschädigt werden.

⚠ VORSICHT: Stellen Sie den Drehrichtungsumschalthebel stets auf die Neutralstellung, wenn Sie das Werkzeug nicht benutzen.

Dieses Werkzeug besitzt einen Drehrichtungsumschalter. Drücken Sie auf die Seite A des Drehrichtungsumschalthebels für Rechtsdrehung, und auf die Seite B für Linksdrehung. In der Neutralstellung des Drehrichtungsumschalthebels ist der Ein-Aus-Schalter verriegelt.

Drehzahl-Umschaltung

► **Abb.6:** 1. Drehzahlumschalthebel

⚠ VORSICHT: Achten Sie stets darauf, dass sich der Drehzahlumschalthebel vollkommen in seiner jeweiligen Rastposition befindet. Wird das Werkzeug bei einer Zwischenstellung des Drehzahlumschalters zwischen den Positionen „1“ und „2“ betrieben, kann es beschädigt werden.

⚠ VORSICHT: Betätigen Sie den Drehzahlumschalthebel nicht während des Betriebs des Werkzeugs. Das Werkzeug kann sonst beschädigt werden.



| Position des Drehzahlumschalthebels | Drehzahl | Drehmoment | Zutreffender Betrieb |
|-------------------------------------|----------|------------|---------------------------|
| 1 | Niedrig | Hoch | Betrieb mit schwerer Last |
| 2 | Hoch | Niedrig | Betrieb mit leichter Last |

Zum Ändern der Drehzahl muss das Werkzeug zuerst ausgeschaltet werden. Wählen Sie die Seite „2“ für hohe Drehzahl, oder „1“ für niedrige Drehzahl, aber hohes Drehmoment. Vergewissern Sie sich vor Arbeitsbeginn stets, dass sich der Drehzahlumschalthebel in der korrekten Stellung befindet.

Falls die Werkzeugdrehzahl während des Betriebs mit „2“ sehr stark abfällt, schieben Sie den Hebel auf die Position „1“, und starten Sie den Betrieb neu.




Wahl der Betriebsart

⚠ VORSICHT: Stellen Sie den Ring stets korrekt auf das Symbol der gewünschten Betriebsart ein. Wird das Werkzeug bei einer Zwischenstellung des Rings zwischen den Betriebsartpositionen betrieben, kann es beschädigt werden.

⚠ VORSICHT: Wenn Sie die Position von „“ auf andere Betriebsarten ändern, kann es etwas schwierig sein, den Betriebsart-Umschaltring zu verschieben. Schalten Sie in diesem Fall das Werkzeug ein, und lassen Sie es eine Sekunde lang in Position „“ laufen, bevor Sie es wieder ausschalten und den Ring auf die gewünschte Position schieben.

- **Abb.7:** 1. Betriebsart-Umschaltring 2. Einstellung 3. Teilstrich 4. Pfeil

Dieses Werkzeug verfügt über drei Betriebsarten.

-  Bohren (nur Rotation)
-  Hammerbohren (Rotation mit Schlagen)
-  Schrauben (Rotation mit Kupplung)

Wählen Sie die für Ihre Arbeit geeignete Betriebsart aus. Drehen Sie den Betriebsart-Umschaltring, und richten Sie das ausgewählte Zeichen auf den Pfeil am Werkzeuggehäuse aus.

Einstellen des Anzugsmoments

- **Abb.8:** 1. Betriebsart-Umschaltring 2. Einstellring 3. Teilstrich 4. Pfeil

Das Anzugsmoment kann durch Drehen des Einstellrings in 20 Stufen eingestellt werden. Richten Sie die Teilstriche auf den Pfeil am Werkzeuggehäuse aus. Das minimale Anzugsmoment erhält man bei 1, und das maximale bei 20. Bevor Sie mit der eigentlichen Schraubarbeit beginnen, sollten Sie eine Probeverschraubung mit Ihrem Material oder einem Stück des gleichen Materials durchführen, um das geeignete Anzugsmoment zu ermitteln. Die nachstehende Tabelle zeigt die Beziehung zwischen der Schraubengröße und dem Teilstrich als grober Anhaltspunkt.

| Teilstrich | | 1 | 2 | 3 | 4 | 5 | 6 | 7 | 8 | 9 | 10 | 11 | 12 | 13 | 14 | 15 | 16 | 17 | 18 | 19 | 20 |
|-------------------|-----------------------------|----|---|---|---|---|---|---|---|-----------|----|----|----|----|----|----|----|-----------|----|----|----|
| Maschinenschraube | | M4 | | | | | | | | M5 | | | | | | | | M6 | | | |
| Holzschraube | Weichholz (z. B. Kiefer) | – | | | | | | | | φ3,5 x 22 | | | | | | | | φ4,1 x 38 | | | |
| | Hartholz (z. B. Lauan) | – | | | | | | | | – | | | | | | | | φ4,1 x 38 | | | |

MONTAGE

⚠ VORSICHT: Vergewissern Sie sich vor der Ausführung von Arbeiten am Werkzeug stets, dass das Werkzeug ausgeschaltet und der Akku abgenommen ist.

Montage und Demontage von Schraubendrehereinsatz/Bohrereinsatz

Sonderzubehör

- **Abb.9:** 1. Werkzeugaufnahme 2. Schließen 3. Öffnen

Drehen Sie die Werkzeugaufnahme entgegen dem Uhrzeigersinn, um das Spannfutter zu öffnen. Führen Sie den Schraubendrehereinsatz/Bohrereinsatz bis zum Anschlag in das Spannfutter ein. Drehen Sie die Werkzeugaufnahme im Uhrzeigersinn, um das Spannfutter festzuziehen. Zum Entfernen des Schraubendrehereinsatzes/Bohrereinsatzes drehen Sie die Werkzeugaufnahme entgegen dem Uhrzeigersinn.

Montieren des Aufhängers

⚠ VORSICHT: Wenn Sie den Aufhänger anbringen, sichern Sie ihn immer einwandfrei mit der Schraube. Andernfalls kann sich der Aufhänger vom Werkzeug lösen und Personenschaden verursachen.

- **Abb.10:** 1. Führungsnut 2. Aufhänger 3. Schraube

Der Aufhänger ist praktisch, um das Werkzeug vorübergehend aufzuhängen. Der Aufhänger kann auf beiden Seiten des Werkzeugs angebracht werden. Um den Aufhänger anzubringen, führen Sie ihn in die Nut entweder auf der linken oder rechten Seite des Werkzeuggehäuses ein, und sichern Sie ihn dann mit einer Schraube. Um den Aufhänger zu entfernen, lösen Sie die Schraube, und nehmen Sie dann den Aufhänger heraus.

Montieren des Schraubendreher-Einsatzhalters

Sonderzubehör

- **Abb.11:** 1. Schraubendreher-Einsatzhalter
2. Schraubendrehereinsatz

Stecken Sie den Schraubendreher-Einsatzhalter auf den Vorsprung am Werkzeugfuß entweder auf der rechten oder linken Seite, und sichern Sie ihn mit einer Schraube.

Wenn Sie den Schraubendrehereinsatz nicht benutzen, bewahren Sie ihn in den Schraubendreher-Einsatzhaltern auf. Schraubendrehereinsätze von 45 mm Länge können dort aufbewahrt werden.

BETRIEB

⚠ VORSICHT: Führen Sie den Akku immer vollständig ein, bis er einrastet. Falls die rote Anzeige an der Oberseite des Knopfes sichtbar ist, ist der Akku nicht vollständig verriegelt. Schieben Sie ihn bis zum Anschlag ein, bis die rote Anzeige nicht mehr sichtbar ist. Anderenfalls kann er aus dem Werkzeug herausfallen und Sie oder umstehende Personen verletzen.

⚠ VORSICHT: Wenn die Drehzahl sehr stark abfällt, verringern Sie die Last, oder halten Sie das Werkzeug an, um Beschädigung des Werkzeugs zu vermeiden.


Halten Sie das Werkzeug mit einer Hand am Griff und mit der anderen Hand an der Unterseite des Akkus fest, um der Drehwirkung entgegenzuwirken.

- **Abb.12**

Schraubetrieb

⚠ VORSICHT: Stellen Sie mit dem Einstellring das korrekte Anzugsmoment für Ihre Arbeit ein.

⚠ VORSICHT: Achten Sie darauf, dass die Spitze des Schraubendrehereinsatzes senkrecht in den Schraubkopf eingeführt wird, um eine Beschädigung von Schraube und/oder Schraubendrehereinsatz zu vermeiden.


Drehen Sie zuerst den Betriebsart-Umschaltring, so dass der Pfeil am Werkzeuggehäuse auf das Symbol  zeigt.

Setzen Sie die Spitze des Schraubendrehereinsatzes in den Schraubkopf ein, und üben Sie Druck auf das Werkzeug aus. Lassen Sie das Werkzeug langsam anlaufen, und erhöhen Sie dann die Drehzahl allmählich. Lassen Sie den Ein-Aus-Schalter los, sobald die Kupplung durchrutscht.

HINWEIS: Wenn Sie Holzschrauben eindrehen, bohren Sie eine Führungsbohrung von 2/3 des Schraubendurchmessers vor. Dies erleichtert das Eindrehen und verhindert Spaltung des Werkstücks.

Hammerbohren

⚠ VORSICHT: Beim Durchbruch der Bohrung, bei Verstopfung der Bohrung mit Spänen und Partikeln, oder beim Auftreffen auf Betonstahl wirkt eine starke, plötzliche Drehkraft auf Werkzeug und Bohrereinsatz.

Drehen Sie zuerst den Betriebsart-Umschaltring, so dass der Pfeil am Werkzeuggehäuse auf das Symbol  zeigt. Der Einstellring kann für diese Operation auf eine beliebige Drehmomentstufe eingestellt werden.

Verwenden Sie unbedingt einen Bohrereinsatz mit Hartmetallschneide.

Setzen Sie den Bohrereinsatz auf die gewünschte Bohrstelle, und drücken Sie dann den Ein-Aus-Schalter. Üben Sie keinen übermäßigen Druck auf das Werkzeug aus. Leichter Druck liefert die besten Ergebnisse. Halten Sie das Werkzeug in Position, und vermeiden Sie Abrutschen vom Loch.

Üben Sie keinen stärkeren Druck aus, wenn das Bohrloch mit Spänen oder Bohrmehl zugesetzt wird. Lassen Sie statt dessen das Werkzeug leer laufen, und ziehen Sie dann den Bohrereinsatz teilweise aus dem Bohrloch heraus. Durch mehrmaliges Wiederholen dieses Vorgangs wird das Bohrloch ausgeräumt, so dass der normale Bohrbetrieb fortgesetzt werden kann.


Ausblaspipette

Sonderzubehör

- **Abb.13:** 1. Ausblaspipette

Blasen Sie den Staub nach dem Bohren des Lochs mit einer Ausblaspipette aus dem Loch.

Bohrbetrieb

Drehen Sie zunächst den Einstellring, bis der Pfeil auf das Symbol  zeigt. Gehen Sie dann folgendermaßen vor.

Bohren in Holz

Beim Bohren in Holz lassen sich die besten Ergebnisse mit Holzbohrern erzielen, die mit einer Zentrierspitze ausgestattet sind. Die Zentrierspitze erleichtert das Bohren, da sie den Bohrereinsatz in das Werkstück hineinzieht.

Bohren in Metall

Um Abrutschen des Bohrereinsatzes beim Anbohren zu vermeiden, empfiehlt es sich, die Bohrstelle mit einem Zentriertkörnchen anzukörnen. Setzen Sie dann die Spitze des Bohrereinsatzes in die Vertiefung, und beginnen Sie mit dem Bohren.

Verwenden Sie Schneidflüssigkeit beim Bohren von Metall. Eisen und Messing sollten jedoch trocken gebohrt werden.

⚠ VORSICHT: Übermäßige Druckausübung auf das Werkzeug bewirkt keine Beschleunigung der Bohrleistung. Im Gegenteil; übermäßiger Druck führt zu einer Beschädigung der Spitze des Bohrereinsatzes und damit zu einer Verringerung der Leistungsfähigkeit sowie zu einer Verkürzung der Lebensdauer des Werkzeugs.

⚠ VORSICHT: Halten Sie daher das Werkzeug mit festem Griff und lassen Sie Vorsicht walten, wenn der Bohrereinsatz im Begriff ist, aus dem Werkstück auszutreten. Beim Bohrungsdurchbruch wirkt ein hohes Rückdrehmoment auf Werkzeug und Bohrereinsatz.


⚠ VORSICHT: Ein festsitzender Bohrereinsatz lässt sich durch einfaches Umschalten der Drehrichtung wieder herausdrehen. Dabei sollten Sie aber das Werkzeug gut festhalten, damit es nicht ruckartig herausgestoßen wird.

⚠ VORSICHT: Spannen Sie Werkstücke stets in einen Schraubstock oder eine ähnliche Aufspannvorrichtung ein.

⚠ VORSICHT: Wenn das Werkzeug im Dauerbetrieb bis zur vollkommnen Entladung des Akkus benutzt wurde, lassen Sie das Werkzeug vor dem Fortsetzen des Betriebs mit einem frischen Akku 15 Minuten lang ruhen.

Verwendung des Werkzeugs als Handschrauber

► Abb.14

Schalten Sie das Werkzeug aus.
Stellen Sie den Drehrichtungsumschalthebel auf die Neutralstellung.
Drehen Sie den Betriebsart-Umschaltring, so dass der Pfeil auf das Symbol  zeigt.
Drehen Sie das Werkzeug.

HINWEIS: Diese Benutzungsweise ist praktisch, um Schraubverbindungen zu prüfen.

HINWEIS: Benutzen Sie das Werkzeug nicht für Arbeiten, die einen hohen Kraftaufwand erfordern, z. B. zum Anziehen von Bolzen oder zum Herausdrehen rostiger Schrauben.

Verwendung des Halfters

Sonderzubehör

⚠ VORSICHT: Wenn Sie das Halfter benutzen, entfernen Sie den Schraubendrehereinsatz/Bohrereinsatz vom Werkzeug.

⚠ VORSICHT: Schalten Sie das Werkzeug aus, und warten Sie, bis es zum vollständigen Stillstand gekommen ist, bevor Sie es in das Halfter stecken.
Schließen Sie das Halfter einwandfrei mit dem Halfterknopf, damit das Werkzeug sicher gehalten wird.

1. Ziehen Sie einen Hüftgurt o. Ä. durch den Halfterhalter.

► **Abb.15:** 1. Halfterhalter 2. Hüftgurt

2. Stecken Sie das Werkzeug in das Halfter, und sichern Sie es mit dem Halfterknopf.

► **Abb.16**

► **Abb.17**

Sie können zwei Schraubendrehereinsätze an der Vorderseite des Halfters aufbewahren.

WARTUNG

⚠ VORSICHT: Vergewissern Sie sich vor der Durchführung von Inspektions- oder Wartungsarbeiten stets, dass das Werkzeug ausgeschaltet und der Akku abgenommen ist.

ANMERKUNG: Verwenden Sie auf keinen Fall Benzin, Waschbenzin, Verdünnern, Alkohol oder dergleichen. Solche Mittel können Verfärbung, Verformung oder Rissbildung verursachen.

Um die SICHERHEIT und ZUVERLÄSSIGKEIT dieses Produkts zu gewährleisten, sollten Reparaturen und andere Wartungs- oder Einstellarbeiten nur von Makita-Vertragswerkstätten oder Makita-Kundendienstzentren unter ausschließlicher Verwendung von Makita-Originalersatzteilen ausgeführt werden.

SONDERZUBEHÖR

⚠ VORSICHT: Die folgenden Zubehörteile oder Vorrichtungen werden für den Einsatz mit dem in dieser Anleitung beschriebenen Makita-Werkzeug empfohlen. Die Verwendung anderer Zubehörteile oder Vorrichtungen kann eine Verletzungsgefahr darstellen. Verwenden Sie Zubehörteile oder Vorrichtungen nur für ihren vorgesehenen Zweck.

Wenn Sie weitere Einzelheiten bezüglich dieser Zubehörteile benötigen, wenden Sie sich bitte an Ihre Makita-Kundendienststelle.

- Bohrereinsätze
- Schraubendrehereinsätze
- Steckschlüsseinsätze
- Bohrereinsatz mit Hartmetallschneide
- Ausblaspipette
- Schraubendreher-Einsatzhalter
- Aufhänger
- Halfter
- Original-Makita-Akku und -Ladegerät

HINWEIS: Manche Teile in der Liste können als Standardzubehör im Werkzeugsatz enthalten sein. Sie können von Land zu Land unterschiedlich sein.

Makita Europe N.V. Jan-Baptist Vinkstraat 2,
3070 Kortenberg, Belgium

Makita Corporation 3-11-8, Sumiyoshi-cho,
Anjo, Aichi 446-8502 Japan

www.makita.com

| |
|---|
| 885671-975 EN, PL, HU, SK, CS, UK, RO, DE 20180809 |
|---|