



User Manual

Upright Fridge

H3R-330WNA

EN

Haier

Thank you for purchasing a Haier Product.

Please read these instructions carefully before using this appliance. The instructions contain important information which will help you get the best out of the appliance and ensure safe and proper installation, use and maintenance.

Keep this manual in a convenient place so you can always refer to it for the safe and proper use of the appliance.

If you sell the appliance, give it away, or leave it behind when you move house, make sure you also pass this manual so that the new owner can become familiar with the appliance and safety warnings.

Legend



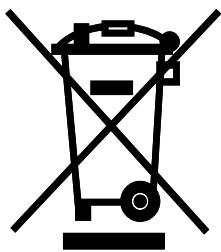
General information and tips



Warning – Important Safety information



Environmental information



Disposal

Help protect the environment and human health. Put the packaging in applicable containers to recycle it. Help to recycle waste of electrical and electronic appliances. Do not dispose appliances marked with this symbol with the household waste. Return the product to your local recycling facility or contact your municipal office.



Warning!

Risk of injury or suffocation!

Refrigerants and gases must be disposed of professionally. Ensure that the tubing of the refrigerant circuit is not damaged before being properly disposed of.

Disconnect the appliance from the mains supply. Cut off the mains cable and dispose of it. Remove the door, the door catch and seals, to prevent children and pets to get closed in the appliance.

1 - Safety	4
2 - Intended Use	8
•	
3 - Product Description	9
4 - Control panel	10
5 - Use	11
6 - Energy saving	11
7 - Accessory	11
8 - Care and Cleaning	15
9 - Troubleshooting	17
10 - Installation	20
11 - Technical Data	24
•	
12 - Customer Service	25
•	

Before switching on the appliance for the first time, read the following safety hints!:



WARNING!

Before first use

- ▶ Make sure there is no transport damage.
- ▶ Remove all packaging and keep out of children's reach.
- ▶ Wait at least six hours before installing the appliance in order to ensure the refrigerant circuit is fully efficient.
- ▶ Handle the appliance always with at least two persons because it is heavy.

Installation

- ▶ The appliance should be placed in a well-ventilated place. Ensure space of at least 10 cm above and around the appliance.
- ▶ Do not cover air vent openings.
- ▶ Never place the appliance in a damp area or location where it might be splashed with water. Clean and dry water splashes and stains with a soft clean cloth.
- ▶ Do not install the appliance in direct sunlight or in the near of heat sources (e.g. stoves, heaters).
- ▶ Install and level the appliance in an area suitable for its size and use.
- ▶ Keep ventilation openings, in the appliance enclosure or in the built-in structure, clear of obstruction.
- ▶ Make sure that the electrical information on the rating plate agree with the power supply. If it does not, contact an electrician.
- ▶ The appliance is operated by a 220-240 VAC/50 Hz power supply. Abnormal voltage fluctuation may cause the appliance to fail to start, or damage to the temperature control or compressor, or there may be an abnormal noise when operating. In such case, an automatic regulator shall be mounted.
- ▶ Use a separate earthed socket for the power supply which is easily accessible during cleaning. The appliance must be earthed.
- ▶ **Only for UK:** The appliance's power cable is fitted with 3-cord (grounding) plug that fits a standard 3-cord (grounded) socket. Never cut off or dismantle the third pin (grounding). After the appliance is installed, the plug should be accessible.
- ▶ Do not use multi-plug adapters and extension cables.
- ▶ Ensure that the power cable is not trapped by the refrigerator. Do not step on the power cable.
- ▶ Do not damage the refrigerant circuit.

**WARNING!****Daily use**

- ▶ This appliance can be used by children aged from 8 years and above and persons with reduced physical, sensory or mental capabilities or lack of experience and knowledge if they have been given supervision or instruction concerning use of the appliance in a safe way and understand the hazards involved. Cleaning and user maintenance shall not be made by children without supervision .
- ▶ Keep away children under 3 years of age from the appliance unless they are constantly supervised.
- ▶ Children shall not play with the appliance.
- ▶ If cool gas or other inflammable gas is leaking in the vicinity of the appliance, turn off the valve of the leaking gas, open the doors and windows and do not unplug a plug in the power cable of the refrigerator or any other appliance.
- ▶ Notice that the appliance is set for operation at a specific ambient range between 10 and 43°C. The appliance may not work properly if it is left for a long period at a temperature above or below the indicated range
- ▶ Do not place unstable articles (heavy objects, containers filled with water) on the top of the fridge to avoid personal injury caused by falling or electric shock caused by contact with water.
- ▶ Open and close the doors only with the handles. The gap between the doors and the cabinet is very narrow. Do not extend your hands in these areas to avoid pinching your fingers. Open or close the freezer doors only when there are no children standing within the range of door movement.
- ▶ Do not store or use inflammable, explosive or corrosive materials in the appliance or in the vicinity.
- ▶ Do not store medicines, bacteria or chemical agents in the appliance. This appliance is a household appliance. It is not recommended to store materials that require strict temperatures.
- ▶ To avoid a hazard due to instability of the appliance, it must be fixed in accordance with the instructions.
- ▶ Children aged from 3 to 8 years are allowed to load and unload refrigerating appliances.



WARNING!

Daily use

- ▶ Unplug the appliance in the event of a power interruption or before cleaning. Allow at least 5 minutes before restarting the appliance, as frequent starting may damage the compressor.
- ▶ Do not use electrical appliances inside the food storage compartments of the appliance, unless they are of the type recommended by the manufacturer.
- ▶ **If the illuminating lamps is damaged, it must be replaced by the manufacturer or by the qualified person at the specified maintenance provider.**

Maintenance/cleaning

- ▶ Make sure children are supervised if they carry out cleaning and maintenance.
- ▶ Disconnect the appliance from the electrical supply before undertaking any routine maintenance. Allow at least 5 minutes before restarting the appliance, as frequent starting may damage the compressor.
- ▶ Hold the plug, not the cable, when unplugging the appliance.
- ▶ Do not scrape off frost and ice with sharp objects. Do not use sprays, electric heaters like heater, hair dryer, steam cleaners or other sources of heat in order to avoid damage to the plastic parts.
- ▶ Do not use mechanical devices or other means to accelerate the defrosting progress, other than those recommended by the manufacturer.
- ▶ Do not spray or flush the appliance during cleaning.
- ▶ Do not use water spray or steam to clean the appliance.
- ▶ **If the illuminating lamps is damaged, it must be replaced by the manufacturer or by the qualified person at the specified maintenance provider.**
- ▶ Do not try to repair, disassemble or modify the appliance by your-self. In case of repair please contact our customer service.
- ▶ Do not try to replace illuminating lamp by yourself. In case of replace please contact our customer service.

Refrigerant gas information



WARNING!

The appliance contains the flammable refrigerant ISOBUTHANE (R600a). Make sure the refrigerant circuit is not damaged during transportation or installation. Leaking refrigerant may cause eye injuries or ignite. If a damage has occurred, keep away open fire sources, thoroughly ventilate the room, do not plug or unplug the power cords of the appliance. Inform the customer service.

In case of eyes get into contact with the refrigerant, rinse immediately it under running water and call immediately the eye specialist.



WARNING!

- ▶ Taking care to avoid causing a fire by igniting flammable material
- ▶ **WARNING:** When positioning the appliance, ensure the supply cord is not trapped or damaged.
- ▶ **WARNING:** Do not locate multiple portable socket-outlets or portable power supplies at the rear of the appliance.
- ▶ Do not store explosive substances such as aerosol cans with a flammable propellant in this appliance.
- ▶ For flammable refrigerants is used in the freezer, please be careful when installing, handling, serving and recycling the appliance.
- ▶ Please contact to the service agent to dispose the appliance because the flammable blowing gas was used.

2.1 Intended Use

- “This appliance is intended to be used in household and similar applications such as
- staff kitchen areas in shops, offices and other working environments;
 - farm houses and by clients in hotels, motels and other residential type environments;
 - bed and breakfast type environments;
 - catering and similar non-retail applications.

This appliance is intended for refrigerating food. It has been designed exclusively for use in dry-interior house-holds. It is not intended for commercial or industrial use. On demand this appliance can be used as fresh food compartment. Changes or modifications to the device are not allowed. Unintended use may cause hazards and loss of warranty claims.

2.2 Accessories

Check the accessories and literature in accordance with this list:

2.2



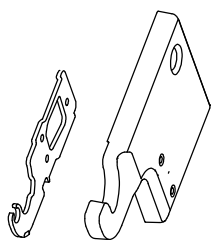
Energy label



Warranty card

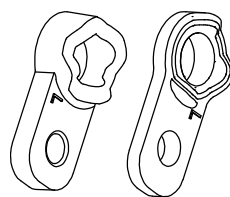


User manual



Upper left hinge for door reversibility

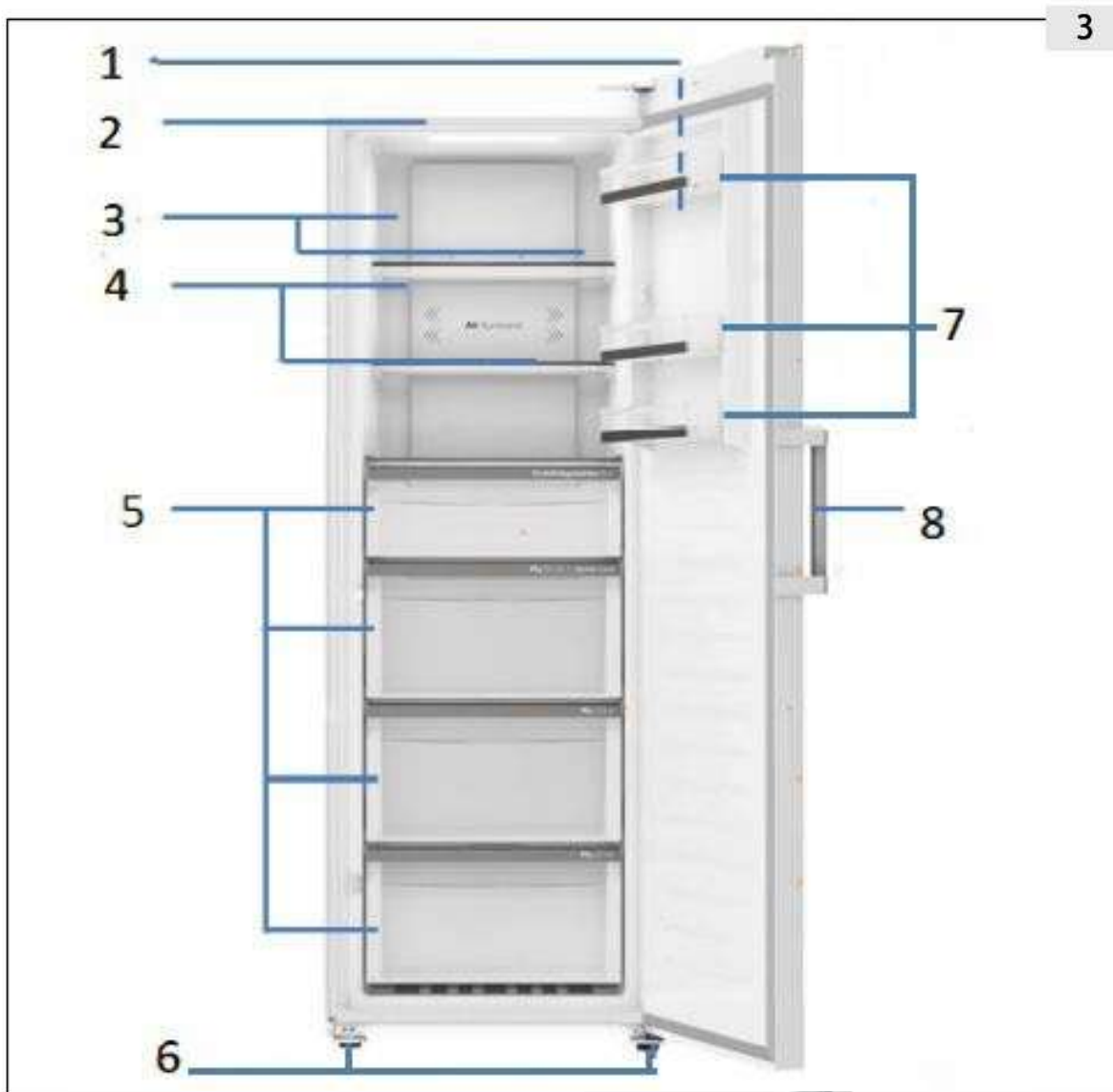
Upper left hinge cover



Axe covers

**Notice Differences**

Due to technical changes and different models, some of the illustrations in this manual may differ from your model.

Picture of appliance (Fig.3)

1 Control panel

2 LED light

3 Multi-air flow

4 Glass shelves

5 Drawers

6 Adjustable feet

7 Removable door racks

8 Door handle

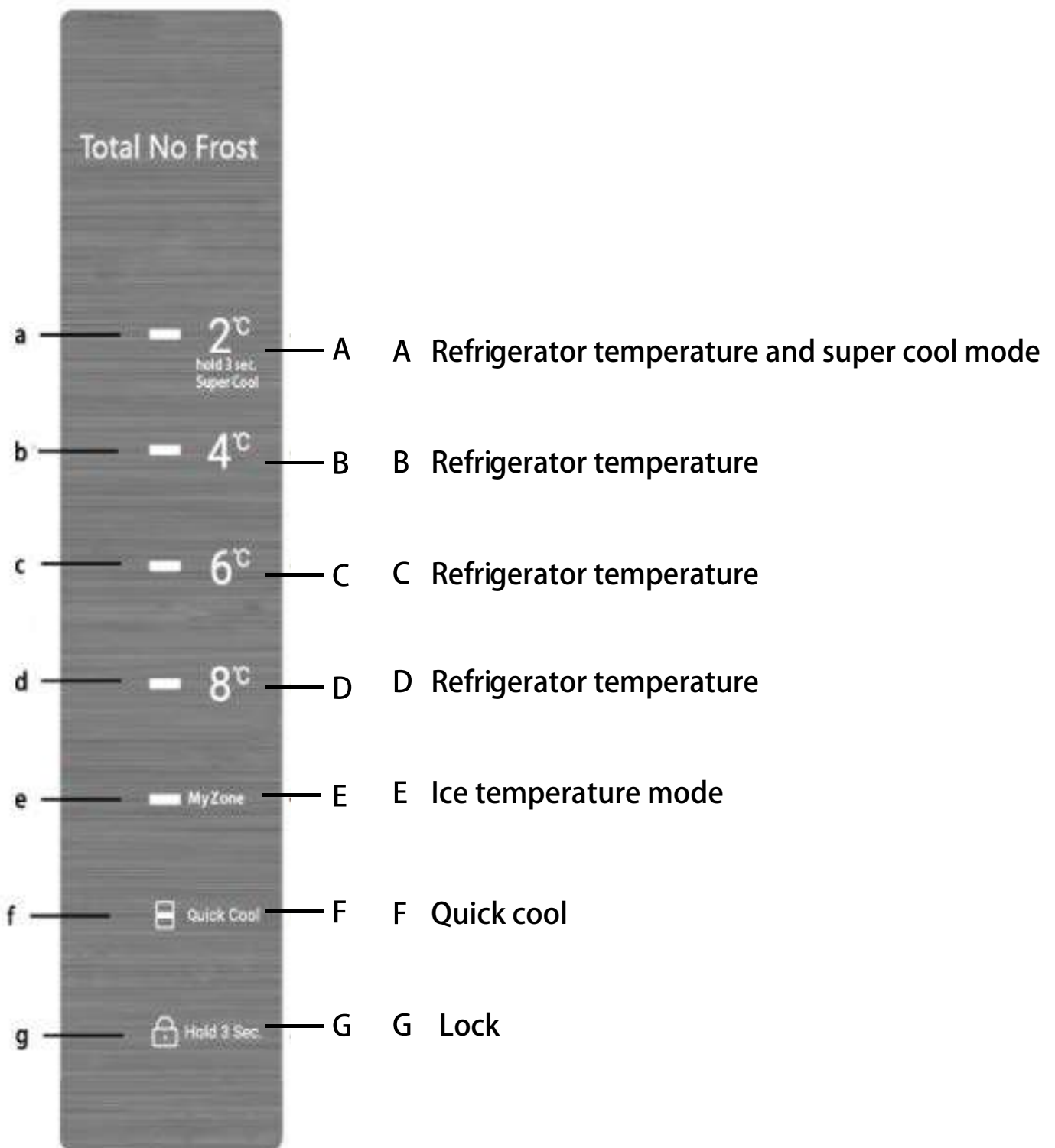
Note : This product contains a light source of energy efficiency class <G>.

4 - Control panel

EN

Control panel(Fig. 4)

4



5.1 Before first use

- ▶ Remove all packing materials, keep them out of childrens reach and dispose them in an environmentally friendly manner.
- ▶ Clean the inside and outside of the appliance with water and a mild detergent before putting any food in it.
- ▶ After the appliance has been levelled and cleaned, wait for at least 6 hours before connecting it to the power supply. Please refer to the INSTALLATION section.

5.2 Switch the appliance on/off

- ▶ The appliance is in operation as soon as it is connected to the power supply.
- ▶ The refrigerator temperature is automatically set to refrigerated storage temperature 4°C and ice temperature 0°C. This is the recommended setting and the ideal temperature for refrigerated goods. You can adjust the temperature manually if you want. Please refer to the ADJUSTING TEMPERATURE section.

Indicators(a-g) will flash once consecutively. If the door is closed, the display switches off after 30 seconds. The panel lock might be active.



Notice: Presetting

- ▶ The appliance is preset to the recommended temperature, refrigerated storage temperature 4 °C and ice temperature 0 °C.
- ▶ When the appliance is switched on after being disconnected from the main power supply, it may take up to 2 hours to the correct temperature .

Empty the appliance before switching off and then pull the power cord out off the power socket.

5.3 Standby-mode of display

When the door is closed, the display screen turns off automatically after 3 seconds without any operation. The display screen locks automatically. It lights up automatically when touch any button or open the door.

5.4 Display lock and unlock

Automatic locking

Display is automatically locked after 30 seconds without any operation.

Manual locking

When the display is unlocked, press 'lock' (G) and hold for 3 seconds, then the "lock" (g) indicator is light and the display is locked. When the display is locked, press 'lock' (G) and hold for 3 seconds, with a beep, the "lock" (g) indicator is off and the display is locked.



Notice:Display lock

When display is locked, functions such as temperature setting, quick cool and My Zone are disabled. When these operations are attempted, Child lock indicator will blink for 3 times to remind that the display is locked.

5.5 Temperature setting

When the display is unlocked, you can adjust the temperature by touching the temperature button, this process will be accompanied by beeps.

The upper shelves zone and the first drawer zone of the refrigerator is the refrigerated storage zone, and the lower three drawers zone is the ice temperature zone. Please choose the appropriate storage zone to avoid food spoilage.

5.6 Fridge mode (2° C to 8° C) (A - D)

When display is unlocked, you can adjust the temperature by touching different temperature button. Temperature can be set to "2°C", "4°C", "6°C" and "8°C".

5.7 Ice temperature mode (0° C/2° C) (E)

When display is unlocked, touch 'My Zone' (E), indicators 'My Zone' (e) will be light, the ice temperature zone is set at 0° C. Touch 'My Zone' (E) again, indicators 'My Zone' (e) will be off, the ice temperature zone is set at 2° C.

5.8 Super cool mode (A)

When display is locked, touch and hold the (2° C) (A) for 3 seconds, indicators (a-d) will be light, the refrigerator works in the super cool mode. Repeat the steps above to deactivate super cool function. If you do not deactivate manually, the function will be deactivated automatically as soon as the temperature reach to the set temperature or 3 hours later.



Notice:Super cool

In super cool mode, temperature could not be adjusted. If you do so, super indicator will blink for 3 times.

5.9 Quick cool mode (F)

Quick cool works as SHOCK REFRIGERATE in the second drawer from top, the entire drawer zone can be quickly cooled to the set temperature. When display is unlocked touch 'Quick cool' (F), indicators (f) will be light, the refrigerator works in quick cool mode. Repeat the steps above to deactivate quick cool function. If you do not deactivate manually, the function will be deactivated automatically as soon as the temperature reach to the set temperature or 3 hours later.

5.10 Power-off memory

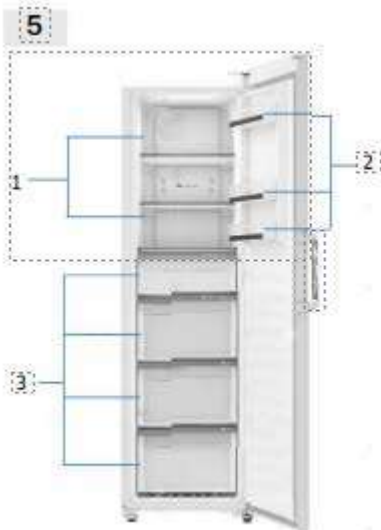
This refrigerator has power-off memory, settings before power-off will be memorized. When switch on power, the refrigerator restore the setting before power-off and continue to work. Child lock function can not be memorized, after switching on, the display is unlocked.

5.11 Door open alarm

When the door is kept open for more than 1 minute, beeper will make 3 beeps with interval of 0.5 second. The beeps will repeat every 30 seconds if the door is kept open. The beeps will stop until the door is closed or 7 mins later. Then the light goes off.

5.12 Error indication

The refrigerator is equipped with error indication. When an error is encountered, the display will blink every 1/4 second with different codes for different errors. In this situation, the refrigerator could still refrigerate, but you should call the aftersales service as soon as possible for optimal control of the refrigerator.



Different foods should be placed in different areas according to their properties (Fig: 5).

- 1 Pickled foods, canned food, fruit, vegetables, salad, etc.
- 2 Eggs, canned food, spices, drinks and bottled foods, etc.
- 3 Meat products, snack foods, etc.

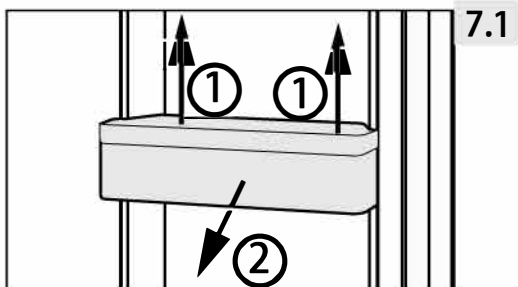
On refrigerating mode without a 4-star compartment: this refrigerating appliance is not suitable for freezing foodstuffs;



Energy saving tips

- ▶ Make sure the appliance is properly ventilated (refer to INSTALLATION section).
- ▶ Do not install the appliance in direct sunlight or in the near of heat sources (e.g. stoves, heaters).
- ▶ Avoid unnecessarily low temperature in the appliance. The energy consumption increases the lower the temperature in the appliance is set.
- ▶ Allow warm food to cool down before placing it in the appliance.
- ▶ Open the appliance door as little and as briefly as possible.
- ▶ Make sure the door always closes correctly and unimpeded by food position. Keep door seals clean.
- ▶ Clean the rear of the appliance regularly. Dust increases energy consumption.
- ▶ The most energy-saving configuration requires drawer, food box and shelves to be positioned in the appliance on factory-fresh condition, and food to be placed without blocking the air outlet of the duct.

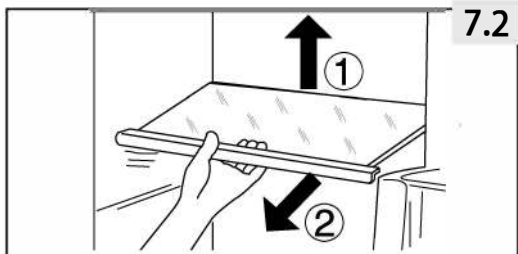
7 - Accessory



7.1

7.1 Removable door racks

The door rack can be removed for cleaning: Place hands on each side of the rack, lift it upwards (1) and pull it out (2) (Fig. 7.3). In order to insert the door rack, the above steps are carried out in reverse order.



7.2

7.2 Glass shelves

1. To take out a shelf, remove it first by uplifting its hind edge (1) and pulling it out (2) (Fig. 7.2).
2. To reinstall it, put it on the lugs on both sides and push it to the most rearward position until the rear of the shelf is fixed inside the slots in the sides.

**WARNING!**

Disconnect the appliance from the power supply before cleaning.

8.1 General

Clean the appliance when only little or no food is stored.

**WARNING!**

- ▶ Do not clean the appliance with hard brushes, wire brushes, detergent powder petrol, amyl acetate, acetone and similar organic solutions, acid or alkaline solutions.
Please clean with special freezer detergent to avoid damage.
- ▶ Do not spray or flush the appliance during cleaning.
- ▶ Do not scrape off frost and ice with sharp objects.
- ▶ Do not use sprays, electric heaters like heater hair dryer, steam cleaners or other sources of heat in order to avoid damage to the plastic parts.
- ▶ Do not clean the cold glass shelves with hot water. Sudden temperature change may cause the glass to break.
- ▶ Do not try to repair the appliance by yourself. In case of repair please contact our customer service.

- ▶ Always keep the door gasket clean.
- ▶ Clean the inside and housing of the appliance with a soft cloth or sponge dampened in warm water and neutral detergent (Fig. 8.1).
- ▶ Rinse and dry with soft cloth.
- ▶ Do not clean any of the parts of the appliance in a dishwasher.
- ▶ Clean the accessory only with warm water and mild neutral detergent.



8.2 Non-use for a longer period

If the appliance is not used for an extended period of time:

- ▶ Take out the food.
- ▶ Unplug the power cord.
- ▶ Clean the appliance as described above.
- ▶ Keep the door and fridge drawers open to prevent the creation of bad odours inside. Remove the door of the appliance (open the door and hold it before removing the screws) to avoid children entering into the appliance and getting locked in.



Notice: Switch off

To ensure the service life of the appliance, turn it off only if strictly necessary.

8.3 Moving the appliance

1. Remove all food and unplug the appliance.
2. Secure shelves and other moveable parts in the fridge with adhesive tape.
3. Close the door and secure it with tape.
4. Do not tilt the fridge more than 45° to avoid damaging the refrigerating system.
5. Wrap the feet of the fridge to avoid scratching the floor. Never move the fridge forcefully.



WARNING!

- ▶ Do not lift the appliance by its handles.
- ▶ Never place the appliance horizontally on the ground.

Many occurring problems could be solved by yourself without specific. In case of a problem please check all shown possibilities and follow below instructions before you contact an after sales service. Refer to CUSTOMER SERVICE section.



WARNING!

- ▶ Before maintenance, deactivate the appliance and disconnect the mains plug from the mains socket.
- ▶ Electrical equipment should be serviced only by qualified electrical experts, because improper repairs can cause considerable consequential damages.
- ▶ A damaged supply should only be replaced by the manufacturer, its service agent or similarly qualified persons in order to avoid a hazard.

The acoustic alarm can be switched off by pressing any button.

9.1 Troubleshooting

Problem	Possible Cause	Possible Solution
The compressor does not work.	Mains plug is not connected in the mains socket.	Connect the mains plug.
The appliance runs frequently or for a too long period of time.	<p>The indoor or outdoor temperature is too high. The appliance has been off power for a period of time.</p> <p>The door of the appliance is not tightly closed.</p> <p>The door has been opened too frequently for too long The temperature setting is too low</p> <p>The door gasket is dirty, worn cracked or mismatched.</p> <p>The required air circulation is not guaranteed The interior is covered in ice.</p>	<p>In this case, it is normal for the appliance to run longer. Normally, it takes 8 to 12 hours for the appliance to cool down completely.</p> <p>Close the door and ensure the appliance is located on a level ground and there is no food or container jarring the door. Do not open the door too frequently</p> <p>Set the temperature higher until a satisfied temperature is obtained. It takes 24 hours for the temperature to become stable.</p> <p>Clean the door gasket or replace them by the customer service.</p> <p>Ensure adequate ventilation. Defrost the appliance.</p>
The appliance makes abnormal sounds.	<p>The appliance is not located on level ground</p> <p>The appliance touches an object close to it.</p> <p>The appliance stands on wooden floor or near wooden walls</p>	<p>Level the appliance</p> <p>Remove objects around the appliance.</p> <p>Wood amplifies the sound. Set the appliance somewhere else.</p>

9 - Troubleshooting

EN

Problem	Possible Cause	Possible Solution
The appliance makes a clicking sound	This is normal. It is caused by the refrigeration unit switching on or off.	-
A slight sound is to be heard similar to that of flowing water	This is normal.	-
The appliance makes a motor sound.	The refrigeration unit has just turned itself on. This is normal.	-
It is not cold enough inside the appliance	The temperature is set too high. Goods that are too warm have been stored. Too much food has been stored one time. The goods are too close to each other. The door is not tightly closed. The door has been opened too frequently or too long.	Reset the temperature Always cool down goods before store them. Always store small quantities of food. Leave a gap between several foods allowing air flowing. Close the door. Do not open the door frequently.
It is too cold inside the appliance.	The temperature is set too low.	Reset the temperature
Moisture accumulates on the surface of the appliance.	The climate is too warm and too damp.	This is normal in some climates and will change when the humidity decreases. Wipe dry with a cloth.
The cooling system does not work.	Main plug is not connected to the main socket. The power supply is not intact.	Connect the mains plug. Check the electrical supply to the room. Call the local electricity company.

Problem	Possible Cause	Possible Solution
The sides of the cabinet and door strip get warm.	This is normal.	-
You hear an alarm signal.	The door is open	Close the door or silence the alarm manually.
The door is difficult to open.	Once the appliance runs, it has an internal vacuum.	Open the door seal gently to let air enter the appliance.
The door cannot be closed properly. It always leaves a gap.	Because of the appliances' s low temperature, the door seal can easily get hard and deformed.	Use a hairdryer or put a hot towel on the spot where the gasket is deformed. When the gasket is soft once again, close the door and compress it tightly.

9.2 Power Interruption

In the event of power cut, follow these tips during a prolonged power interruption especially in summer:

- ▶ Open the door as few times as possible.
- ▶ Do not put additional food into the fridge during a power interruption.
- ▶ If prior notice of a power interruption is given and the interruption duration is longer than 15 hours, make some ice and put it in a container in the top of the freezer compartment.
- ▶ As temperature in the freezer will rise during a power interruption or other failure, the storage period and edible quality of food will be reduced. Any food that defrosts should be either consumed, or cooked and refrozen (where suitable) soon afterwards in order to prevent health risks.



Notice: Memory function during power interruption

After restoration of power the appliance continues with the settings that were set before the power failure.

10.1 Unpacking



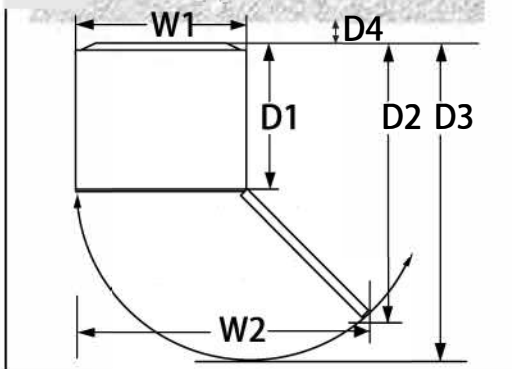
WARNING!

- ▶ The appliance is heavy. Always handle with at least two persons.
- ▶ Keep all packaging materials out of childrens reach and dispose them in an environmentally friendly manner.
- ▶ Take the appliance out of the packaging.
- ▶ Remove all pack aging materials.

10.2 Envirnonmental conditions

The room temperature should always be between 10°C and 43°C, since it can influence the temperature inside the appliance and its energy consumption. Do not install the appliance near other heat-emitting appliances (ovens, refrigerators) without isolation.

10.3

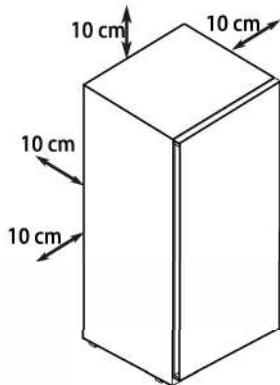


10.3 Space requirements

Required space to open the door (Fig. 10.3):

Width in mm		Depth in mm			Distance to wall in mm
W1	W2	D1	D2	D3	D4
595	955	592	1105	1215	100

10.4

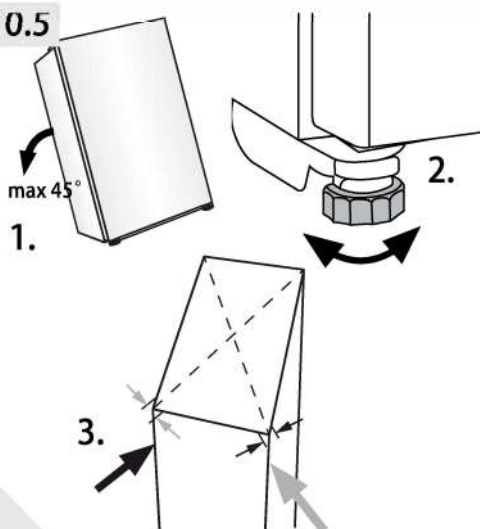


FOR a free standing appliance: this refrigerating appliance is not intended to be used as a built-in appliance.

10.4 Ventilaton cross-section

To achieve sufficient ventilation of the appliance for safety reasons, the information of the required ventilation cross sections must be observed (Fig. 10.4).

10.5



10.5 Aligning the appliance

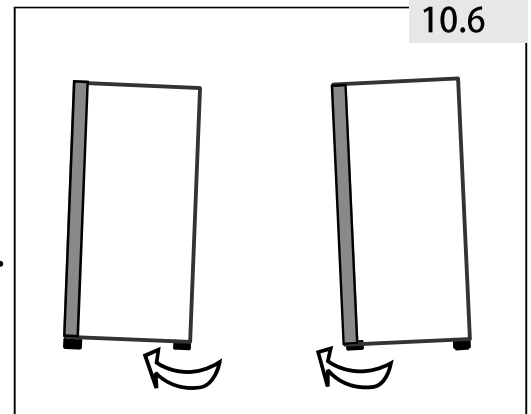
The appliance should be placed on a flat and a solid surface. If the appliance is placed on a pedestal, strong and fire-resistant material must be used. Never use the form packing material as a pedestal.

1. Tilt the appliance slightly backwards (Fig. 10.5).
2. Set the feet to the desired level.
3. The stability can be checked by alternately bumping on the diagonals. The slight swaying should be the same in both directions. Otherwise the frame can warp; possible leaking door seals are the result. A low tendency to the rear eases the closing of the door.

10.6 Using adjustable feet

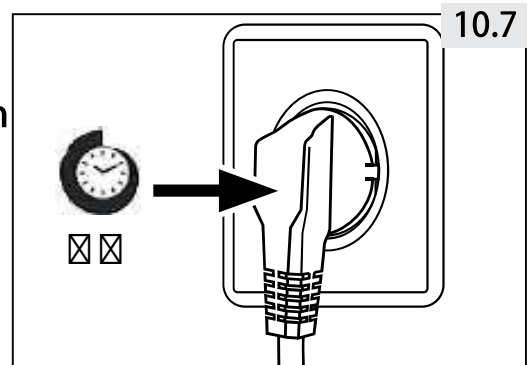
If the fridge is unstable, the feet can be adjusted : Rotate the adjustable feet according to the direction of arrow (Fig. 10.6) to turn them up or down:

- ▶ Turning the feet clockwise raises the appliance.
- ▶ Turning the feet counterclockwise lowers it.



10.7 Waiting time

To the maintenance-free lubrication oil is located in the capsule of the compressor. This oil can get through the closed pipe system during slanting transport. Before connecting the appliance to the power supply you have to wait 6 hours (Fig. 10.7) so that the oil runs back into the capsule.



10.8 Electrical connection

Before each connection check if:

- ▶ power supply, socket and fusing are appropriate to the rating plate.
- ▶ the power socket is earthed and no multi-plug or extension.
- ▶ the power plug and socket are strictly according.

Connect the plug to a properly installed household socket.



WARNING!

To avoid risks a damaged power cord must be replaced by the customer service (see warranty card).

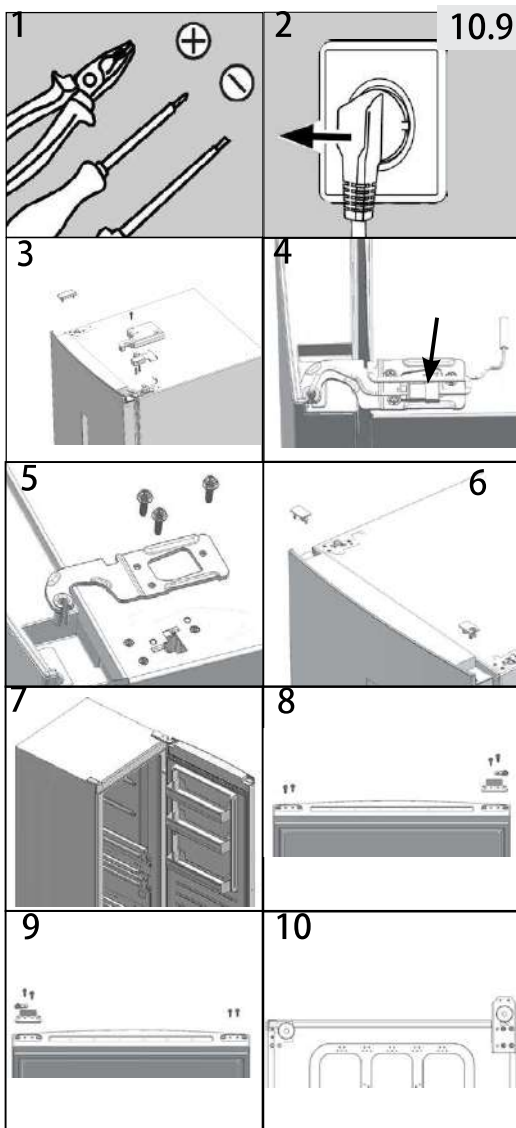
10.9 Door Reversibility

Before connecting the appliance to the power supply you should check, whether the door swing must be changed from right (as delivered) to left, if this is required by the installation location and the usability.



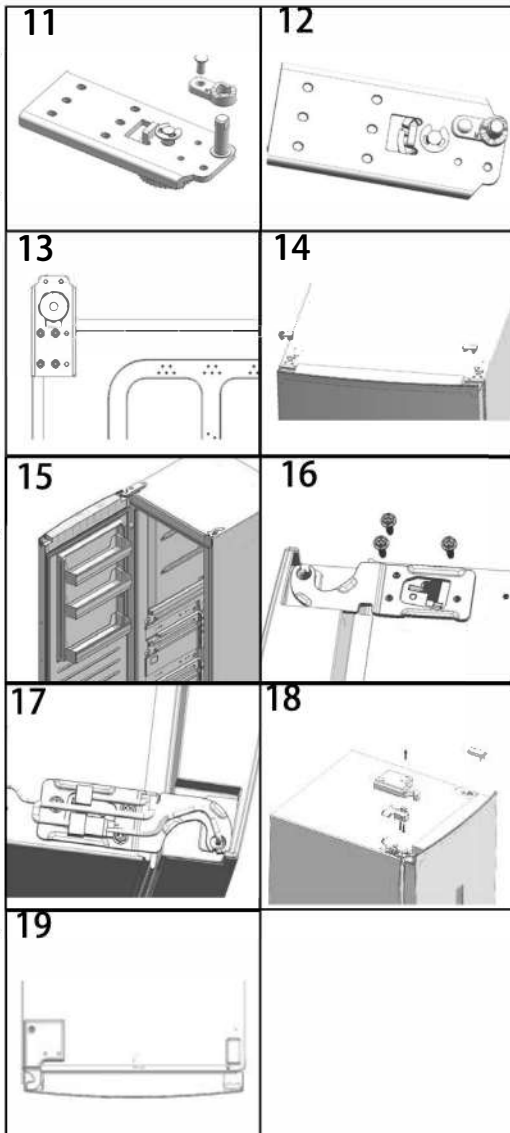
WARNING!

- ▶ The appliance is heavy. You need two persons to carry out the door reversibility.
- ▶ Before any operation, first unplug the appliance from the mains.
- ▶ Do not tilt the appliance more than 45 °C to prevent damage of the cooling system.



Assembly steps (Fig. 10.9):

1. Provide necessary tool.
2. Unplug the appliance
3. Remove hinge hole cover and hinge cover.
4. Unplug the connection cable.
5. Remove screws and hinge
6. Remove cover on door. Remove axle cover on door
7. Open and remove the door.
8. Turn the door upside down, remove 2 screws on the bottom of the door. Remove 2 screws, door stopper and axle cover on the bottom of the door
9. Take door stopper from last step and the thinner axle cover from the accessory bag, fix them with 2 screws. Fix 2 screws also on the other side of the door.
10. Tilt slightly backwards the cabinet, remove 4 screws and then the lower hinge.



11. Remove screw and axle cover. Remove hinge axle and fix it into the hole next to it.
12. Take the thicker axle cover from the accessory bag. Fix it with screw from last step.
13. Fix the hinge to the opposite position of the cabinet with 4 screws.
14. On opposite side of the door, pull out left side connection cable and put it through the axle cover from step 5, mount axle cover. Mount the hole cover on the right side.
15. Mount the door.
16. Fix upper right upper hinge with 3 screws
17. Connect the cable connectors:
18. Fix hinge hole cover and upper left hinge cover.
19. Finished.

Minimum guarantee is: 2 years for EU Countries, 3 years for Turkey, 1 year for UK, 1 year for Russia, 3 years for Sweden, 2 years for Serbia, 5 years for Norway, 1 year for Morocco, 6 months for Algeria, Tunisia no legal warranty required.

Thermostats, temperature sensors, printed circuit boards and light sources are available for a minimum period of seven years after placing the last unit of the model on the market. Door handles, door hinges, trays and baskets for a minimum period of seven years and door gaskets for a minimum period of 10 year, after placing the last unit of the model on the market.

For further information about the product, please consult <https://eprel.ec.europa.eu/> or scan the QR on the energy label supplied with the appliance.

To contact the technical assistance, visit our website: <https://corporate.haier-europe.com/en/> Under the section "website", choose the brand of your product and your country. You will be redirected to the specific website where you can find the telephone number and form to contact the technical assistance

11.1 Product fiche according to regulation EU No. 1369/2017

Trade mark	Haier
Model identifier	H3R-330WNA
Category of the model	upright fridge
Energy efficiency class	A
Annual energy consumption (kWh/year)	66
Storage volume cooling (L)	189
Storage volume My Zone(L)	141
Total storage volume (L)	330
Temperatura of other compartments > 14 ° C	not applicable
Frostfree system	yes
Power cut safe(h)	/
Free zing capacity (kg/24h)	/
Climate class This appliance is intended o be used at an ambient temperature between 10°C and 43°C	SN-T
Airborne a coustical noise emissions (db(A)re 1pW)	38
Construction type	freestanding

¹⁾ based on standard test results for 24 hours. Actual energy consumption will depend on how the appliance is use and where it is located.

Install the appliance at a location where the ambient temperature corresponds to the climate class indicated on the rating plate of the appliance:

- Extended temperate (SN): 'this refrigerating appliance is intended to be used at ambient temperatures ranging from 10 °C to 32 °C'
- Temperate (N): 'this refrigerating appliance is intended to be used at ambient temperatures ranging from 16 °C to 32 °C'
- Subtropical (ST): 'this refrigerating appliance is intended to be used at ambient temperatures ranging from 16 °C to 38 °C'
- Tropical (T): 'this refrigerating appliance is intended to be used at ambient temperatures ranging from 16 °C to 43 °C'

11.2 Additional Technical Data

Voltage / Frequency	220-240V ~/ 50Hz
Main fuse (A)	1.5
Coolant	R600a
Diminsense (H/W/D in mm)	1910/595/675
Light power/Light voltage	1.5W/ DC 12V

11.3 Standards and directives

This product meets the requirements of all applicable ECdirectives with the corresponding harmonised standards,which provide for CE marking.

We recommend our Haier Customer Service and the use of original spare parts. If you have a problem with your appliance, please first check section TROUBLESHOOTING.

If you cannot find a solution there, please contact

- ▶ your local dealer or
- ▶ the Service&Support area at www.haier.com where you can find telephone numbers and FAQs and where you can activate the service claim.

To contact our Service, ensure that you have the following data available. The information can be found on the rating plate.

Model _____ Serial No. _____

Also check the Warranty Card supplied with the product in case of warranty.

For general business enquiries please find below our addresses in Europe:

European Haier addresses			
Country*	Postal address	Country*	Postal address
Italy	Haier Europe Trading SRL Via De Cristoforis, 12 21100 Varese ITALY	France	Haier France SAS 3-5 rue des Gravieres 92200 Neuilly sur Seine FRANCE
Spain Portugal	Haier Iberia SL Pg. Garcia Faria, 49-51 08019 Barcelona SPAIN	Belgium-FR Belgium-NL Netherlands Luxembourg	Haier Benelux SA Anderlecht Route de Lennik 451 BELGIUM
Germany Austria	Haier Deutschland GmbH Hewlett-Packard-Str. 4 D-61352 Bad Homburg GERMANY	Poland Czechia Hungary Greece Romania Russia	Haier Poland Sp. zo.o. Al. Jerozolimskie 181B 02-222 Warszawa POLAND
United Kingdom	Haier Appliances UK Co.Ltd. One Crown Square Church Street East Woking, Surrey, GU21 6HR UK		

*For more information please refer to www.haier.com



Haier

Manuale per l'utente



Frigorifero verticale

H3R-330WNA

IT

Haier

Vi ringraziamo per aver deciso di acquistare un prodotto Haier.

Vi invitiamo a leggere attentamente queste istruzioni prima di iniziare a usare il dispositivo. Le istruzioni contengono informazioni importanti che vi aiuteranno a trarre il meglio da questo dispositivo e vi garantiranno altresì sicurezza in fase di installazione, uso e manutenzione del dispositivo.

Conservare questo manuale in un luogo pratico, di modo da poterlo sempre consultare e garantire un utilizzo sicuro e adeguato del dispositivo.

Qualora il dispositivo venga venduto, ceduto o lasciato nella vecchia abitazione in fase di trasferimento, accertarsi sempre di lasciare anche il manuale, di modo che il nuovo proprietario possa acquisire familiarità col dispositivo e con le relative avvertenze di sicurezza.

Legenda



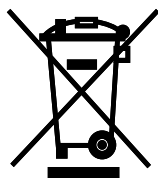
Informazioni e suggerimenti generali



Avvertenza - Informazioni importanti per la sicurezza



Informazioni ambientali



Smaltimento

Contribuire alla protezione dell'ambiente e alla salute umana. Collocare l'imballaggio in contenitori adeguati per poterlo riciclare. Contribuire al riciclaggio dei rifiuti provenienti da dispositivi elettrici ed elettronici. Non smaltire i dispositivi recanti questo simbolo con i normali rifiuti domestici. Riportare il prodotto presso la struttura di riciclaggio locale o contattare il proprio ufficio municipale competente in merito.



Avvertenza!

Rischio di lesione o soffocamento!

I refrigeranti e i gas vanno smaltiti in modo professionale. Verificare che i tubi del circuito refrigerante non si siano danneggiati prima di smaltirli in modo adeguato. Scollegare il dispositivo dalla presa di corrente. Tagliare il cavo di rete e smaltirlo. Rimuovere lo sportello, il fermo dello stesso e le guarnizioni, per evitare che bambini e animali si chiudano nell'apparecchio.

1 - Sicurezza.....	4
2 - Impiego preposto	8
3 - Descrizione del prodotto	9
4 - Pannello di controllo.....	10
5 - Utilizzo	11
7 - Strumentazione	14
8- Cura e pulizia	15
9- Guida alla risoluzione dei problemi	17
10 - Installazione.....	20
11 - Dati tecnici.....	24
12 - Servizio di assistenza.....	25

Prima di accendere il dispositivo per la prima volta, leggere i seguenti suggerimenti di sicurezza:



AVVERTENZA!

Prima di iniziare a usare il dispositivo

- ▶ Verificare che non vi siano danni verificatisi in fase di trasporto.
- ▶ Rimuovere completamente l'imballaggio e tenere fuori dalla portata dei bambini.
- ▶ Attendere almeno sei ore prima di procedere all'installazione del dispositivo al fine di garantire che il circuito del refrigerante sia completamente operativo.
- ▶ Spostare sempre il dispositivo in due persone, dato che è molto pesante.

Installazione

- ▶ L'apparecchiatura dovrebbe essere collocata in un luogo ben ventilato. Verificare che vi sia uno spazio di almeno 10 cm sopra e intorno al dispositivo.
- ▶ Non coprire le aperture di ventilazione dell'aria.
- ▶ Non mettere mai il dispositivo in un'area umida o in una posizione in cui potrebbe essere spruzzato con acqua. Pulire e asciugare gli schizzi di acqua e le macchie con un panno soffice e pulito.
- ▶ Non installare il dispositivo direttamente esposto alla luce del sole o vicino a sorgenti di alimentazione (ad esempio: stufe, riscaldatori).
- ▶ Installare e livellare il dispositivo in un'area adatta per le sue dimensioni e per il suo uso.
- ▶ Verificare che le aperture di ventilazione, sia sull'apparecchiatura che nella struttura da incasso, siano libere da ostruzioni.
- ▶ Verificare che le informazioni elettriche sulla targhetta elettrica siano in linea con l'alimentazione disponibile. In caso contrario, contattare un elettricista.
- ▶ Il dispositivo funziona con una sorgente di alimentazione di questo tipo: 220~240 VAC/50 Hz. Delle fluttuazioni di corrente anomale potrebbero impedire l'avvio del dispositivo o danneggiare il controllo della temperatura o il compressore; si potrebbero anche sentire dei rumori anomali in fase di funzionamento. In questo caso è opportuno montare un regolatore automatico.
- ▶ Servirsi di una presa con messa a terra separata per l'alimentazione che sia facilmente accessibile durante la pulizia. L'apparecchiatura deve disporre di una messa a terra.
- ▶ **Unicamente per il Regno Unito:** Il cavo di alimentazione del dispositivo è dotato di una presa a 3 poli (con messa a terra), adatta per una normale presa a 3 poli. Non tagliare o smontare mai il terzo polo (messa a terra). Dopo aver installato il dispositivo, la presa dovrebbe essere accessibile.
- ▶ Non usare ciabatte e prolungh.



AVVERTENZA!

Installazione

- ▶ Verificare che il cavo di alimentazione non sia intrappolato dall'apparecchiatura. Non inciampare sul cavo di alimentazione.
- ▶ Non danneggiare il circuito refrigerante.

Uso quotidiano

- ▶ Questa apparecchiatura può essere usata da bambini a partire dagli 8 anni di età ed oltre e da persone con ridotte capacità fisiche, sensoriali o mentali o con scarsa esperienza o conoscenza sull'uso dell'apparecchiatura, solamente se sorvegliati o se sono stati istruiti relativamente all'uso sicuro dell'apparecchiatura stessa e se ne hanno compreso i rischi.
- ▶ Tenere i bambini di età inferiore ai 3 anni lontano dal dispositivo a meno che non siano sotto costante supervisione.
- ▶ I bambini non devono giocare con l'apparecchiatura.
- ▶ Se gas freddo o altri gas infiammabili perdono nelle immediate vicinanze del dispositivo, disattivare la valvola del gas che perde, aprire porte e finestre e non scollegare o collegare il cavo di alimentazione dell'apparecchiatura o di qualsiasi altro dispositivo.
- ▶ Si prega di notare che il prodotto funziona a una temperatura compresa fra i 10 e i 43 °C. Il dispositivo potrebbe non funzionare correttamente se viene lasciato a lungo a temperature superiori o inferiori all'intervallo indicato.
- ▶ Non posizionare articoli instabili (oggetti pesanti, contenitori pieni d'acqua) sopra il freezer, per evitare lesioni personali causate da caduta o scosse elettriche causate dal contatto con l'acqua.
- ▶ Aprire e chiudere le porte servendosi unicamente delle maniglie. Lo spazio fra le porte e l'armadietto è molto stretto. Non mettere le mani in queste zone per evitare di pizzicarsi le dita. Aprire o chiudere gli sportelli del freezer solo quando non ci sono bambini nella zona di movimento delle porte.
- ▶ Non conservare o utilizzare materiali infiammabili, esplosivi o corrosivi all'interno del dispositivo o nelle immediate vicinanze.
- ▶ Non conservare medicine, batteri o agenti chimici all'interno del dispositivo. Questo dispositivo è un elettrodomestico. Consigliamo di non conservare materiali che richiedono temperature particolarmente rigide.
- ▶ Non conservare mai i liquidi in bottiglie o lattine (oltre alle bevande con elevato contenuto alcolico) in particolare bevande gassate all'interno del congelatore, dato che potrebbero esplodere in fase di congelamento.
- ▶ Controllare le condizioni degli alimenti se all'interno del congelatore vi è stato un aumento della temperatura.
- ▶ Non impostare temperature inutilmente basse all'interno dello scomparto freezer. Attenzione: Le bottiglie possono esplodere.

**AVVERTENZA!****Uso quotidiano**

- ▶ Non toccare alimenti congelati con le mani bagnate (indossare i guanti). In particolar modo non mangiare i ghiaccioli subito dopo averli estratti dallo scomparto del congelatore. Sussiste il rischio di congelamento o di formazione di vesciche da freddo. PRIMO soccorso: mettere immediatamente sotto acqua fredda corrente. Non tirare via!
- ▶ Non toccare la superficie interna del freezer quando è in funzione, specialmente con le mani bagnate. Le mani potrebbero congelarsi sulla superficie.
- ▶ Scollegare il dispositivo in caso di interruzione di corrente o prima delle operazioni di pulizia. Lasciar passare almeno 5 minuti prima di riavviare il dispositivo, dato che operazioni di avvio frequenti potrebbero danneggiare il compressore.
- ▶ Non utilizzare apparecchiature elettriche all'interno degli scomparti di conservazione degli alimenti, a eccezione di quelli consigliati dal costruttore.

Manutenzione/pulizia

- ▶ Verificare che i bambini siano supervisionati se eseguono operazioni di pulizia e manutenzione.
- ▶ Scollegare il dispositivo dall'alimentazione elettrica prima di intraprendere qualsiasi intervento di manutenzione. Lasciar passare almeno 5 minuti prima di riavviare il dispositivo, dato che operazioni di avvio frequenti potrebbero danneggiare il compressore.
- ▶ Tenere la presa e non il cavo in fase di scollegamento del dispositivo.
- ▶ Non togliere il gelo e il ghiaccio con oggetti appuntiti. Non usare spray, riscaldatori elettrici come riscaldatori, asciugacapelli, prodotti per la pulizia a vapore o altre sorgenti di calore per evitare di arrecare danni alle componenti in plastica.
- ▶ Non usare dispositivi elettrici o altri mezzi artificiali non raccomandati dal produttore allo scopo di accelerare il processo di sbrinamento.
- ▶ Non spruzzare o lavare il dispositivo in fase di pulizia.
- ▶ Se le lampade si guastano, devono essere sostituite dal produttore o da personale qualificato presso il fornitore di servizi di manutenzione specificato.
- ▶ Se il cavo di alimentazione è danneggiato, deve essere sostituito dal produttore, da un tecnico autorizzato o da una persona qualificata per evitare situazioni di pericolo.
- ▶ Non provare a riparare, smontare o modificare il dispositivo in modo autonomo. In caso di riparazioni rimandiamo al nostro centro assistenza clienti.

Informazioni sul gas refrigerante



AVVERTENZA!

Il dispositivo contiene il refrigerante infiammabile ISOBUTANO (R600a). Verificare che il circuito del refrigerante non si sia danneggiato in fase di trasporto o installazione. Le perdite di refrigerante possono causare lesioni agli occhi o rischi di incendio. Qualora si siano verificati danni, tenere lontano dalle fonti libere di fuoco, ventilare bene la stanza, non collegare o scollegare i cavi di alimentazione del dispositivo o di qualsiasi altro dispositivo. Informare l'assistenza clienti.

Qualora gli occhi entrino in contatto col refrigerante, risciacquare immediatamente sotto all'acqua corrente e chiamare immediatamente un medico oculista.



AVVERTENZA!

- ▶ Prestare attenzione a non provocare un incendio accendendo materiali infiammabili.
- ▶ AVVERTENZA: Quando si posiziona l'apparecchio, assicurarsi che il cavo di alimentazione non sia intrappolato o danneggiato.
- ▶ AVVERTENZA: Non localizzare prese multiple portatili o alimentatori portatili sul retro dell'apparecchio.
- ▶ Non stoccare sostanze esplosive quali ad esempio aerosol con propellente infiammabile in questo dispositivo.
- ▶ Per via del refrigerante infiammabile utilizzato nel congelatore, prestare attenzione durante l'installazione, la manipolazione, la manutenzione e il riciclaggio dell'apparecchio.
- ▶ Contattare l'agente di servizio per smaltire il dispositivo, perché è stato usato un refrigerante infiammabile e del gas infiammabile che potrebbe scoppiare.

2.1 Uso preposto

L'apparecchiatura è destinata all'uso domestico e applicazioni simili, tra cui

- cucine per il personale in negozi, uffici e altri ambienti di lavoro;
- fattorie e clienti di hotel, motel e altri ambienti residenziali;
- ambienti tipo bed and breakfast;
- catering e usi simili non di vendita.

Questo dispositivo è destinato solo al raffreddamento di alimenti. È stato progettato esclusivamente per essere usato all'interno di case con atmosfere asciutte all'interno. Non è stato pensato per un uso di tipo commerciale o industriale. Sotto richiesta questo elettrodomestico può essere utilizzato come compartimento per alimenti freschi.

Non sono ammesse modifiche o trasformazioni all'apparecchiatura. Un uso non previsto potrebbe causare pericoli e perdita del servizio di copertura della garanzia.

2.2 Accessori

Controllare gli accessori e la documentazione conformemente al presente elenco:

2.2



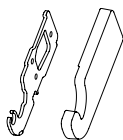
**Etichetta
energetica**



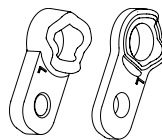
**Scheda di
garanzia**



**Manuale
dell'utente**



**Cerniera in alto a sinis-
tra per la reversibilità
dello sportello**



Copripunti

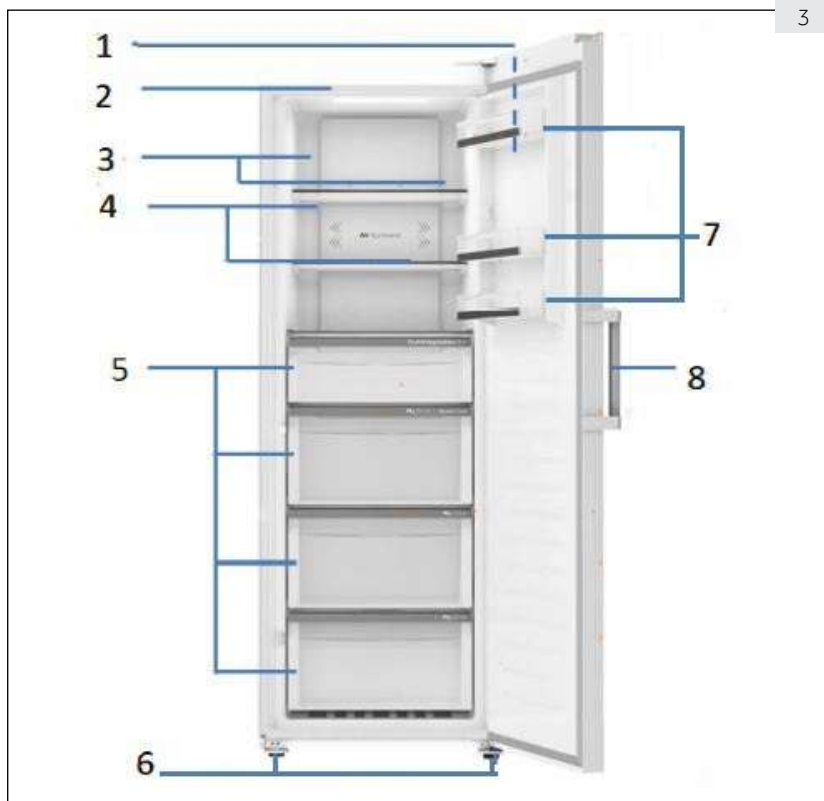
**Copertura cerniera in
alto a sinistra**



Informativa: Differenze

A causa di modifiche tecniche e modelli diversi, alcune delle illustrazioni all'interno di questo manuale potrebbero differire dal modello attuale.

Immagine dell'apparecchiatura (Fig. 3)

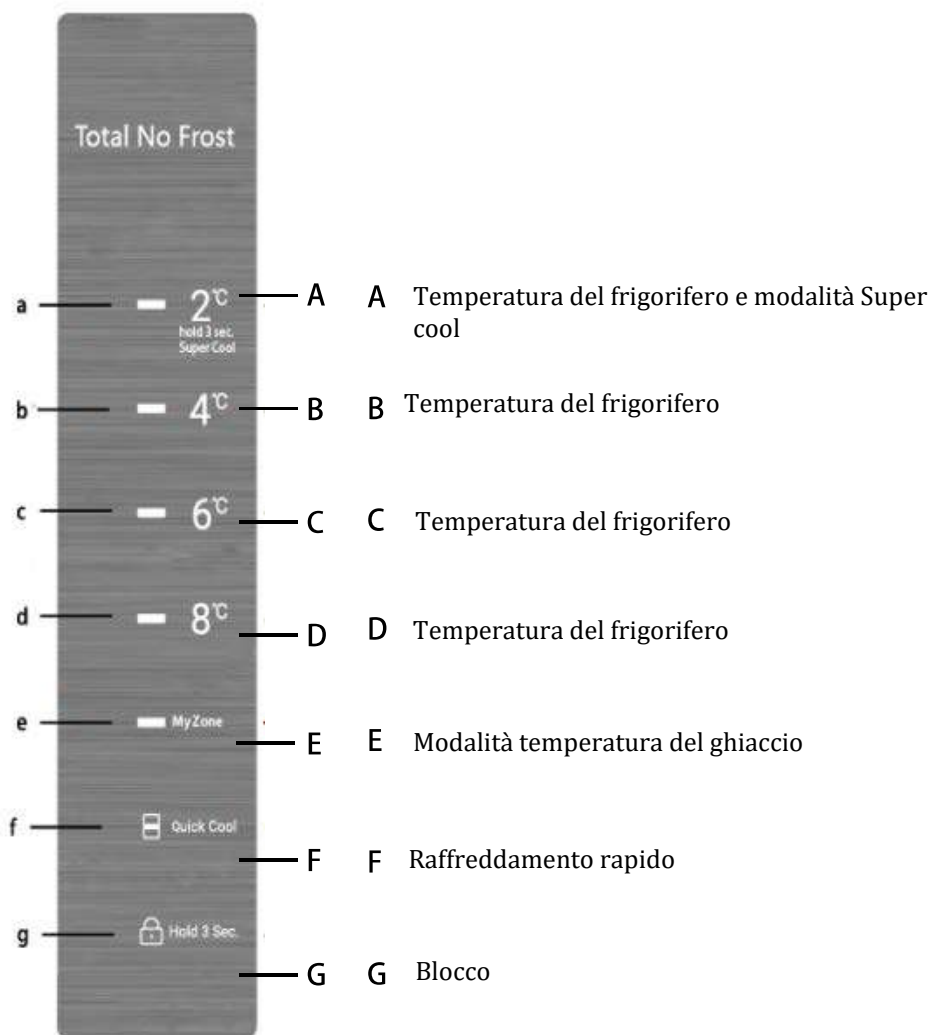


- | | | | |
|---|-----------------------|---|--------------------------|
| 1 | Pannello di controllo | 5 | Cassetti |
| 2 | Luce LED | 6 | Piedini regolabili |
| 3 | Flusso multi-aria | 7 | Ripiani porta rimovibili |
| 4 | Ripiani in vetro | 8 | Maniglia dell'oblò |

Nota: Questo prodotto contiene una fonte luminosa con efficienza energetica di classe <G>.

Pannello di controllo (Fig. 4)

4



5.1 Operazioni preliminari al primo utilizzo

- ▶ Rimuovere tutti i materiali di imballo, tenerli fuori dalla portata dei bambini e smaltirli nel rispetto dell'ambiente.
- ▶ Pulire l'interno e l'esterno dell'elettrodomestico con acqua e un detersivo delicato prima di inserire gli alimenti.
- ▶ Dopo l'installazione a livello e la pulizia dell'elettrodomestico, attendere almeno 6 ore prima di collegarlo all'alimentazione elettrica. Fare riferimento alla sezione INSTALLAZIONE.

5.2 Accensione e spegnimento dell'elettrodomestico

- ▶ L'elettrodomestico entra in funzione non appena viene collegato all'alimentazione elettrica.
- ▶ La temperatura del frigorifero è impostata automaticamente sulla temperatura di conservazione refrigerata (4 °C) e sulla temperatura del ghiaccio (0 °C). Questa è l'impostazione consigliata e la temperatura ideale per i prodotti refrigerati. Ciononostante, la temperatura può essere regolata manualmente. Fare riferimento alla sezione REGOLAZIONE DELLA TEMPERATURA.

Le spie (a-g) lampeggiano una sola volta in sequenza. Se lo sportello è chiuso, il display si spegne dopo 30 secondi. Potrebbe essere attivo il blocco del pannello.



Avviso: Preimpostazione

- ▶ L'elettrodomestico è preimpostato alla temperatura consigliata, ossia la temperatura di conservazione refrigerata (4 °C) e la temperatura del ghiaccio (0 °C).
- ▶ Quando l'elettrodomestico viene acceso dopo averlo staccato dall'alimentazione elettrica, potrebbe richiedere fino a 2 ore per raggiungere la temperatura corretta. Svuotare l'elettrodomestico prima di spegnerlo e staccare il cavo di alimentazione dalla presa di corrente.

5.3 Modalità standby del display

Quando lo sportello è chiuso, il display si spegne automaticamente dopo 3 secondi se non viene effettuata alcuna operazione. Lo schermo del display si blocca automaticamente. Si accende automaticamente quando si tocca un pulsante o si apre lo sportello.

5.4 Blocco e sblocco del display

Blocco automatico

Il display si blocca automaticamente dopo 30 secondi se non viene effettuata alcuna operazione.

Blocco manuale

Quando il display è sbloccato, tenere premuto "Blocco" (G) per 3 secondi; la spia "Blocco" (g) si accende e il display viene bloccato. Quando il display è bloccato, tenere premuto "Blocco" (G) per 3 secondi; viene emesso un segnale acustico, la spia "Blocco" (g) si spegne e il display viene sbloccato.



Avviso: blocco del display

Quando il display è bloccato, le funzioni (ad es. impostazione della temperatura, raffreddamento rapido e My Zone) sono disabilitate. Se si prova a utilizzare queste funzioni, la spia di blocco bambini lampeggia 3 volte per ricordare che il display è bloccato.

5.5 Impostazione della temperatura

Quando il display è sbloccato, è possibile regolare la temperatura toccando il pulsante della temperatura; durante la procedura, vengono emessi segnali acustici. La zona superiore dei ripiani e la zona del primo cassetto del frigorifero sono le zone di conservazione refrigerata; la zona dei tre cassette inferiori è la zona della temperatura del ghiaccio. Scegliere la zona di conservazione appropriata per evitare il deterioramento degli alimenti.

5.6 Modalità frigo (da 2 °C a 8 °C) (A-D)

Quando il display è sbloccato, è possibile regolare la temperatura toccando i vari pulsanti della temperatura. La temperatura può essere impostata a 2, 4, 6 e 8 °C.

5.7 Modalità temperatura del ghiaccio (0/2 °C) (E)

Quando il display è sbloccato, toccare "My Zone" (E); le spie "My Zone" (e) si accendono e la zona della temperatura del ghiaccio viene impostata a 0 °C. Toccando nuovamente "My Zone" (E), le spie "My Zone" (e) si spengono e la zona della temperatura del ghiaccio viene impostata a 2 °C.

5.8 Modalità Super cool (A)

Quando il display è bloccato, tenere premuto "2 °C" (A) per 3 secondi; le spie (a-d) si accendono e il frigorifero funziona in modalità Super cool. Ripetere la procedura precedente per disattivare la funzione Super cool. Se non si disattiva manualmente, la funzione viene disattivata automaticamente non appena viene raggiunta la temperatura impostata oppure 3 ore dopo.



Avviso: Super cool

In modalità Super cool la temperatura non può essere regolata. Se si tenta la regolazione, la spia Super lampeggia 3 volte.

5.9 Modalità di raffreddamento rapido (F)

Con il raffreddamento rapido, il secondo cassetto dall'alto viene raffreddato rapidamente fino alla temperatura impostata. Quando il display è sbloccato, toccare "Raffreddamento rapido" (F); le spie (f) si accendono e il frigorifero funziona in modalità di raffreddamento rapido. Ripetere la procedura precedente per disattivare la funzione di raffreddamento rapido. Se non si disattiva manualmente, la funzione viene disattivata automaticamente non appena viene raggiunta la temperatura impostata oppure 3 ore dopo.

5.10 Memoria di spegnimento

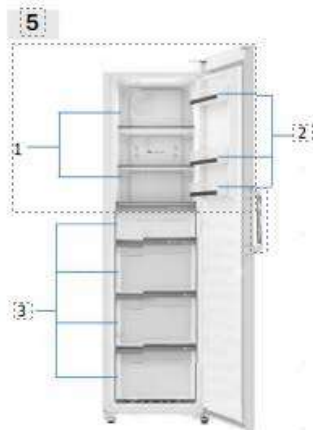
Questo frigorifero consente di impostare la memoria di spegnimento prima che lo spegnimento venga memorizzato. All'accensione, il frigorifero ripristina l'impostazione prima dello spegnimento e continua a funzionare. La funzione di blocco bambini non può essere memorizzata e dopo l'accensione il display viene sbloccato.

5.11 Allarme sportello aperto

Quando lo sportello viene tenuto aperto per oltre 1 minuto, vengono emessi 3 segnali acustici a intervalli di 0,5 secondi. Se lo sportello viene tenuto aperto, i segnali acustici si ripetono ogni 30 secondi. I segnali acustici si interrompono dopo la chiusura dello sportello oppure 7 minuti dopo. La luce, quindi, si spegne.

5.12 Indicazione degli errori

Il frigorifero è dotato di una funzione di indicazione degli errori. In presenza di un errore, il display lampeggia ogni quarto di secondo segnalando i codici di errore. In questa situazione, il frigorifero potrebbe ancora raffreddare, ma è opportuno rivolgersi prima possibile al servizio post-vendita per chiedere un controllo del funzionamento del frigorifero.



Alimenti diversi vanno posizionati in aree diverse a seconda delle loro proprietà (Fig: 5).

- 1 Sottaceti, alimenti in scatola, frutta verdura, insalata etc
- 2 Uova, cibi in scatola, spezie, bevande e altro cibo imbottigliato etc.
- 3 Carne, snacks etc

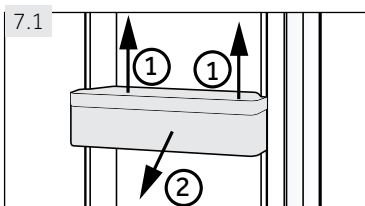
Per gli apparecchi senza uno scomparto a 4 stelle:
«Apparecchio di refrigerazione non idoneo al congelamento di alimenti»



Suggerimenti per risparmiare energia

- ▶ Verificare che il dispositivo disponga di una ventilazione adeguata (cfr. INSTALLAZIONE).
- ▶ Non installare il dispositivo direttamente esposto alla luce del sole o vicino a sorgenti di alimentazione (ad esempio: stufe, riscaldatori).
- ▶ Evitare di impostare temperature inutilmente basse all'interno dello scomparto frigorifero. Il consumo di energia aumenta mano a mano che si scende con la temperatura impostata nel dispositivo.
- ▶ Lasciare che i cibi caldi si raffreddino prima di collocarli all'interno del dispositivo.
- ▶ Aprire la porta del dispositivo leggermente, unicamente quando necessario.
- ▶ Assicurarsi che la porta si chiuda sempre correttamente e che non si blocchi dalla posizione del cibo. Tenere pulite le guarnizioni degli sportelli.
- ▶ Scongelare i cibi surgelati in un frigorifero.
- ▶ Pulire regolarmente la parte posteriore dell'apparecchio. La polvere aumenta il consumo energetico.
- ▶ La configurazione a maggior risparmio energetico richiede che il cassetto, la scatola del cibo e i ripiani siano posizionati nell'apparecchio come da condizioni di fabbrica e il cibo sia posizionato senza bloccare l'uscita dell'aria del condotto

7 - Strumentazione

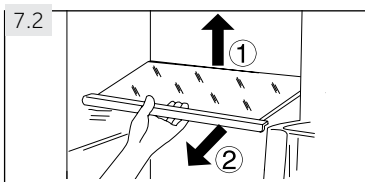


7.1 Ripiani sportello rimovibili

I ripiani dello sportello possono essere rimossi per la pulizia:

Collocare le mani su ogni lato del ripiano, sollevarlo verso l'alto (1) ed estrarlo (2) (Fig. 7.3).

Per reinserire il ripiano della porta, vengono eseguiti i seguenti passaggi al contrario.



7.2 Ripiani in vetro

1. Per ri-posizionare un ripiano, come prima cosa sollevarlo tenendolo per l'estremità (1) e poi estrarlo (2) (Fig. 7.2).
2. Per re-installarlo, collocarlo sulle alette su entrambi i lati e spingerlo fino in fondo, fino a che la parte posteriore dello stesso non sarà fissata negli alloggiamenti laterali

**AVVERTENZA!**

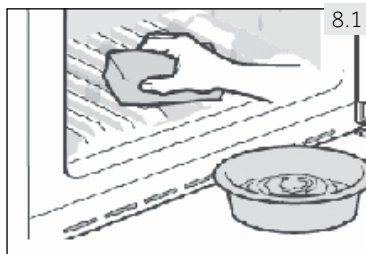
Scollegare il dispositivo dalla presa di corrente prima di avviare le operazioni di pulizia.

8.1 Norme di sicurezza generali

Pulire il dispositivo solamente quando all'interno vi sono pochi alimenti o quando è completamente vuoto.

**AVVERTENZA!**

- ▶ Non pulire il dispositivo con spazzole dure, spugnette abrasive, detergente in polvere, petrolio, amil acetato, acetone e altre simili soluzioni organiche, soluzioni acide o al-caline. Pulire con l'apposito detergente per congelatore, al fine di evitare danni.
 - ▶ Non spruzzare o lavare il dispositivo in fase di pulizia.
 - ▶ Non togliere il gelo e il ghiaccio con oggetti appuntiti.
 - ▶ Non usare spray, riscaldatori elettrici come riscaldatori, asciugacapelli, prodotti per la pulizia a vapore o altre sorgenti di calore per evitare di arrecare danni alle componenti in plastica.
 - ▶ Non pulire i ripiani in vetro freddi con acqua calda. Le improvvise variazioni di temperatura potrebbero causare la rottura del ghiaccio.
 - ▶ Non toccare la superficie interna dello scomparto del congelatore mentre è in funzione, in particolar modo con le mani bagnate, dato che le mani si potrebbero congelare sulla superficie.
 - ▶ Qualora vi sia un aumento della temperatura, controllare le condizioni degli alimenti congelati.
 - ▶ Non cercare di riparare l'apparecchiatura da soli. In caso di riparazioni rimandiamo al nostro centro assistenza clienti.
-
- ▶ Tenere sempre pulita la guarnizione della porta.
 - ▶ Pulire l'interno e l'alloggiamento del dispositivo servendosi di una spugna imbevuta di acqua tiepida e detergente neutro (Fig. 8.1).
 - ▶ Risciacquare ed asciugare con un panno morbido.
 - ▶ Non pulire alcun componente dell'apparecchio in lavastoviglie.
 - ▶ Pulire l'accessorio solo con acqua tiepida e detergente neutro.



8.2 Non uso per lunghi periodi di tempo

Se l'apparecchiatura non verrà usata per un lungo periodo di tempo:

- ▶ Estrarre gli alimenti.
- ▶ Togliere il cavo di alimentazione.
- ▶ Pulire il dispositivo secondo quanto descritto più sopra.
- ▶ Tenere aperti porta e cassetto per evitare la formazione di cattivi odori all'interno.

Togliere la porta dell'apparecchiatura (aprire la porta e tenerla prima di togliere le viti) al fine di evitare che i bambini entrino all'interno dell'apparecchiatura e vi rimangano incastrati.



Informativa: Spegnimento

Per garantire la durata utile dell'apparecchio, spegnerlo solo se strettamente necessario.

8.3 Spostamento dell'apparecchiatura

1. Togliere tutti gli alimenti e scollegare il dispositivo.
2. Fissare i ripiani e tutte le parti mobili nel congelatore, servendosi di nastro adesivo.
3. Chiudi lo sportello e fissarlo con del nastro.
4. Non inclinare l'apparecchiatura più di 45° per evitare di danneggiare il sistema refrigerante.
5. Avvolgere i piedini del congelatore per evitare di graffiare il pavimento. Non spostare mai il congelatore applicando una forza eccessiva.



AVVERTENZA!

- ▶ Non sollevare il dispositivo prendendolo per le maniglie.
- ▶ Non posizionare mai il dispositivo in orizzontale a terra.

Molti dei problemi più ricorrenti possono essere risolti senza competenze specifiche. In caso di problemi controllare tutte le possibilità indicate e attenersi alle seguenti istruzioni prima di contattare il servizio post vendita. Cfr. ASSISTENZA CLIENTI.



AVVERTENZA!

- ▶ Prima di eseguire qualunque intervento di manutenzione, spegnere l'apparecchio ed estrarre la spina dalla presa.
- ▶ Gli interventi di manutenzione sulla strumentazione elettrica vanno eseguiti unicamente da elettricisti esperti, dato che l'esecuzione di riparazioni in modo non adeguato può causare gravi danni alla strumentazione.
- ▶ Un'alimentazione danneggiata va sostituita unicamente dal produttore, dal suo agente di servizio o da persone qualificate al fine di evitare pericoli.

Il segnale di avvertenza viene spento premendo qualsiasi pulsante.

9.1 Guida alla risoluzione dei problemi

Problema	Possibile causa	Possibile soluzione
Il compressore non funziona.	<ul style="list-style-type: none"> • La spina non è collegata alla presa di corrente. 	<ul style="list-style-type: none"> • Inserire la spina nella presa.
Il dispositivo funziona frequentemente oppure funziona per periodi di tempo troppo lunghi.	<ul style="list-style-type: none"> • La temperatura interna o esterna è troppo alta. • Il dispositivo è stato spento per lunghi periodi di tempo. • La porta del dispositivo non è stata chiusa correttamente. • La porta è stata aperta con eccessiva frequenza o troppo a lungo. • La temperatura è impostata su un livello troppo basso. • La guarnizione della porta è sporca, usurata, rotta o non è posizionata correttamente. • Non è garantito il livello adeguato di circolazione dell'aria. • L'interno è coperto di ghiaccio. 	<ul style="list-style-type: none"> • In questo caso, è normale che il dispositivo funzioni più a lungo. • Di norma, sono necessarie dalle 8 alle 12 ore per consentire un raffreddamento completo del dispositivo. • Chiudere la porta e verificare che il dispositivo si trovi su una superficie piana e che non vi siano alimenti o contenitori che bloccano la porta. • Non aprire la porta con eccessiva frequenza. • Impostare la temperatura a un livello superiore fino a che non si otterrà una temperatura soddisfacente. Sarà necessario attendere 24 ore affinché la temperatura all'interno del frigorifero si stabilizzi. • Pulire la guarnizione della porta o provvedere alla sostituzione da parte del servizio clienti. • Garantire un livello di ventilazione adeguato. • Sbrinare l'apparecchio.
Il dispositivo emette rumori strani.	<ul style="list-style-type: none"> • Il dispositivo non era appoggiato su una superficie piana. • Il dispositivo tocca alcuni oggetti nelle immediate vicinanze. • L'apparecchio si trova su un pavimento di legno o vicino a pareti di legno. 	<ul style="list-style-type: none"> • Mettere in piano l'apparecchio. • Togliere gli oggetti nelle immediate vicinanze del dispositivo. • Il legno amplifica il suono. Impostare l'apparecchio da qualche altra parte.

Problema	Possibile causa	Possibile soluzione
Il dispositivo emette dei clic	<ul style="list-style-type: none"> Non si tratta di un'anomalia di funzionamento. Ciò è causato dall'accensione o spegnimento dell'unità di refrigerazione. 	<ul style="list-style-type: none"> -
Si sente un suono leggero, simile a dell'acqua che scorre.	<ul style="list-style-type: none"> Non si tratta di un'anomalia di funzionamento. 	<ul style="list-style-type: none"> -
L'apparecchio emette il suono del motore	<ul style="list-style-type: none"> L'unità di refrigerazione si è appena attivata. Non si tratta di un'anomalia 	<ul style="list-style-type: none"> -
All'interno del dispositivo non c'è abbastanza freddo.	<ul style="list-style-type: none"> La temperatura è impostata su un livello troppo alto. Gli alimenti sono troppo caldi per essere conservati. Sono stati inseriti troppi alimenti contemporaneamente. I prodotti sono troppo vicini tra loro. La porta non si chiude correttamente. La porta è stata aperta con eccessiva frequenza o troppo a lungo. 	<ul style="list-style-type: none"> Resettare la temperatura. Lasciare sempre che gli alimenti si raffreddino prima di riporli all'interno del frigorifero. Conservare sempre piccole quantità di cibo. Lasciare sempre uno spazio fra i diversi alimenti, per consentire il flusso dell'aria. Chiudere la porta. Non aprire la porta con eccessiva frequenza.
C'è troppo freddo all'interno del dispositivo.	<ul style="list-style-type: none"> La temperatura è impostata su un livello troppo basso. La funzione Fast-freezing è attiva o in funzione da troppo tempo. 	<ul style="list-style-type: none"> Resettare la temperatura. Disattivazione della funzione Fast-freezing.
L'umidità si è accumulata sulla superficie dell'apparecchio.	<ul style="list-style-type: none"> Il clima è troppo caldo e troppo umido. 	<ul style="list-style-type: none"> Si tratta di una condizione normale con climi umidi. Ciò varierà al variare del livello di umidità. Asciugare con un panno.
Ghiaccio duro e gelo nello scomparto congelatore.	<ul style="list-style-type: none"> I cibi non sono stati confezionati in modo adeguato. La porta non si chiude correttamente. La porta è stata aperta con eccessiva frequenza o troppo a lungo. La guarnizione della porta è sporca, usurata, rotta o non è posizionata correttamente. Qualcosa all'interno impedisce la chiusura corretta della porta. 	<ul style="list-style-type: none"> Conservare sempre bene i vari cibi. Chiudere la porta. Non aprire la porta con eccessiva frequenza. Pulire la guarnizione della porta o provvedere alla sostituzione da parte del servizio clienti. Riposizionare i ripiani, i supporti sulle porte o i contenitori interni per consentire la chiusura della porta.
Il sistema di raffreddamento non funziona.	<ul style="list-style-type: none"> La spina non è collegata alla presa di corrente. Il sistema di alimentazione non è intatto. 	<ul style="list-style-type: none"> Inserire la spina nella presa. Controllare il sistema di alimentazione della stanza. Contattare la società elettrica!
I lati del frigorifero e la parete della porta si surriscaldano.	<ul style="list-style-type: none"> Non si tratta di un'anomalia di funzionamento. 	<ul style="list-style-type: none"> -

Problema	Possibile causa	Possibile soluzione
Si sente un segnale di allarme.	<ul style="list-style-type: none"> • La porta è aperta • La temperatura nel congelatore è troppo alta 	<ul style="list-style-type: none"> • Chiudere la porta o silenziare l'allarme manualmente.
La porta si apre con difficoltà.	<ul style="list-style-type: none"> • Una volta attivato l'apparecchio, ha un risucchio interno. 	<ul style="list-style-type: none"> • Aprire la guarnizione della porta delicatamente per consentire all'aria di entrare nell'apparecchio.
La porta non può essere chiusa correttamente. Rimane sempre uno spazio aperto.	<ul style="list-style-type: none"> • A causa della bassa temperatura degli apparecchi, la guarnizione della porta può facilmente diventare dura e deformarsi. 	<ul style="list-style-type: none"> • Utilizzare un asciugacapelli o mettere un asciugamano caldo sul punto in cui la guarnizione è deformata. • Quando la guarnizione è nuovamente morbida, chiudere la porta e comprimerla saldamente.

9.2 Interruzione di corrente

In caso di black out, gli alimenti dovrebbero rimanere al fresco in modo sicuro per all'incirca 18 ore. Attenersi alle seguenti indicazioni durante un black out prolungato, in particolare modo se ciò avviene d'estate:

- ▶ Aprire lo sportello solamente quando ciò è strettamente necessario.
- ▶ Non collocare ulteriori alimenti all'interno del dispositivo durante un blackout.
- ▶ Qualora sia stata fornita una notifica del black out, ed esso si prolunghi per più di 15 ore, recuperare del ghiaccio e collocarlo in un contenitore sulla parte superiore dello scomparto del congelatore.
- ▶ Dato che in caso di black out la temperatura all'interno del freezer aumenta, il periodo di conservazione, nonché la commestibilità degli alimenti verranno ridotte. Gli eventuali alimenti che si scongelano dovranno essere consumati, cotti o nuovamente congelati, ove necessario, subito dopo, al fine di evitare rischi per la salute.



Informativa: Funzione di memoria in caso di black-out

Dopo che la corrente è stata ripristinata il dispositivo continua con le impostazioni impostate prima del black out.

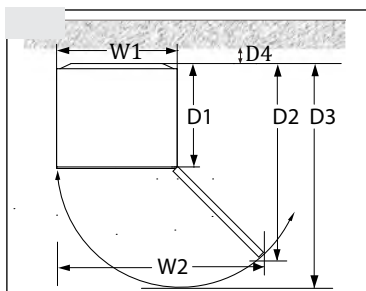
10.1 Disimballaggio



AVVERTENZA!

- ▶ L'apparecchiatura è pesante. Spostarlo sempre in due.
- ▶ Conservare tutti i materiali dell'imballaggio fuori dalla portata dei bambini e smaltirli in modo rispettoso dell'ambiente.
Estrarre il dispositivo dall'imballaggio.
- ▶ Togliere tutti i materiali dell'imballaggio.

10.2 Condizioni ambientali La temperatura della stanza dovrebbe sempre collocarsi in un intervallo compreso fra i 10° C e i 43° C, dato che può influenzare la temperatura all'interno del dispositivo stesso nonché il suo consumo sul piano energetico. Non installare il dispositivo vicino ad altri di-10.3 spositivi che emettono calore, quali ad esempio forni e frigoriferi, isolamento.



10.3 Requisiti a livello di spazio

Spazio richiesto per aprire la porta (Fig. 10.3):

Larghezza in mm		Profondità in mm			Distanza dalla parete in mm
W1	W2	D1	D2	D3	D4
595	955	592	1105	1215	100

Per gli apparecchi a libera installazione: «Apparecchio di refrigerazione non destinato ad essere utilizzato come apparecchio da incasso»

10.4 Sezione trasversale della ventilazione

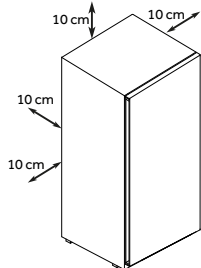
Al fine di raggiungere un livello adeguato di ventilazione del dispositivo per ragioni di sicurezza, sarà necessario rispettare le informazioni relativamente alla sezione trasversale della ventilazione (Fig. 10.4).

10.5 Regolazione dei piedini

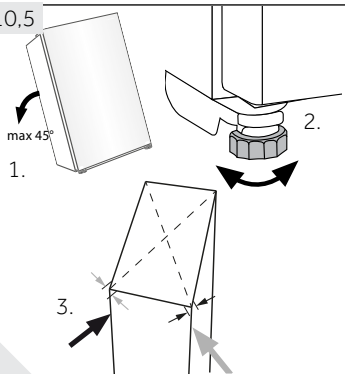
L'apparecchiatura dovrebbe essere collocato su una superficie piana e resistente. Se l'apparecchiatura va collocata su un piedistallo, sarà necessario usare materiali piatti solidi e resistenti al fuoco. Non usare mai l'imballaggio in schiuma come piedistallo.

1. Inclinare l'apparecchiatura leggermente all'indietro (Fig. 10.5).
2. Impostare i piedini al livello desiderato.
3. Sarà possibile verificare la stabilità andando ad agire in modo alternato sulle diagonali. Questa leggera oscillazione dovrebbe essere la stessa in entrambe le direzioni. In caso contrario, il telaio si potrebbe inclinare; le conseguenze sarebbero dei danni alle guarnizioni delle porte, che a loro volta causerebbero perdite. Una leggera inclinazione verso la parte posteriore facilita la chiusura della porta.

10.4



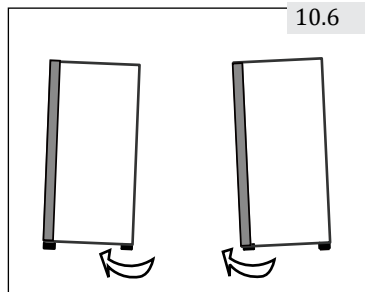
10.5



10.6 Uso dei piedini regolabili

Se il congelatore è instabile, i piedini possono essere regolati: Ruotare i piedini regolabili seguendo la direzione della freccia (Fig. 10.6) per alzarli o abbassarli:

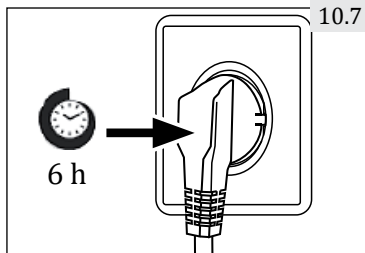
- ▶ La rotazione dei piedini in senso orario alza il dispositivo.
- ▶ La rotazione dei piedini in senso anti-orario abbassa il dispositivo.



10.6

10.7 Tempo d'attesa

L'olio di lubrificazione si trova nella capsula del compressore e garantisce un funzionamento senza bisogno di interventi di manutenzione. Questo olio può attraversare il tubo chiuso se il trasporto viene eseguito col dispositivo inclinato. Prima di collegare il dispositivo alla sorgente di alimentazione sarà necessario attendere 6 ore (Fig. 10.7), affinché l'olio rientri all'interno della capsula.



10.7

10.8 Collegamento elettrico

Prima di ogni collegamento, verificare che:

- ▶ la sorgente di alimentazione, la presa e il fusibile siano adeguati alla targhetta informativa.
- ▶ la presa di alimentazione sia dotata di messa a terra e non vi siano collegate ciabatte
 - prolunga.
- ▶ il cavo di alimentazione e la presa siano conformi a quanto indicato. Collegare la spina a una presa domestica debitamente dotata di messa a terra.



AVVERTENZA!

Per evitare rischi, rivolgersi all'assistenza clienti per sostituire un cavo di alimentazione danneggiato (cfr. scheda garanzia).

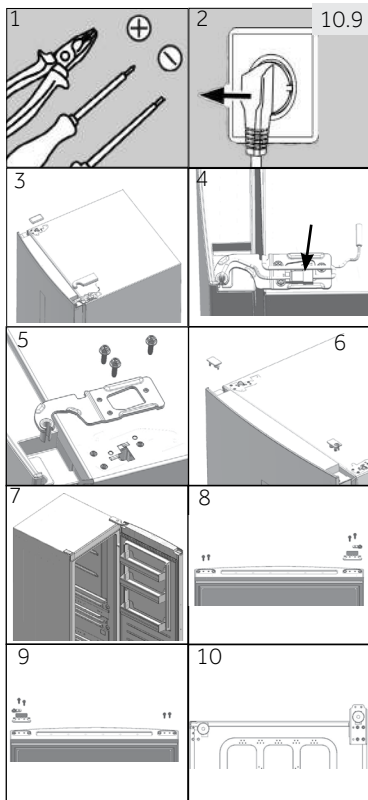
10.9 Reversibilità della porta

Prima di collegare il dispositivo alla sorgente di alimentazione, consigliamo di verificare che sia possibile invertire la porta da destra, come viene consegnato il prodotto, a sinistra, qua-lora ciò sia necessario conformemente alla posizione di installazione nonché all'uso del dispositivo.



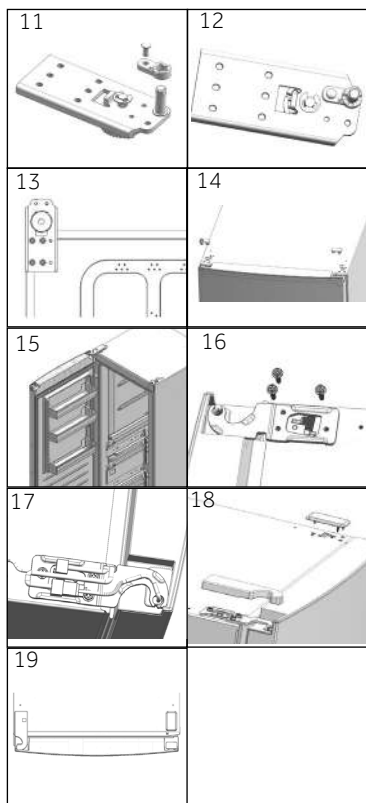
AVVERTENZA!

- ▶ L'apparecchiatura è pesante. Sarà necessario essere in due per eseguire l'inversione della porta.
- ▶ Prima di qualsiasi operazione, scollegare il dispositivo dalla presa di corrente.
- ▶ Non inclinare il dispositivo più di 45° al fine di evitare danni al sistema di raffreddamento.



Fasi del montaggio (Fig. 10.9):

1. Prendere gli strumenti necessari.
2. Scollegare il dispositivo.
3. Rimuovere il coperchio del foro della cerniera e il coperchio della cerniera.
4. Scollegare il cavo di collegamento.
5. Rimuovere le viti e la cerniera
6. Rimuovere la copertura sullo sportello.
Rimuovere la copertura sull'asse dello sportello
7. Aprire e rimuovere la porta.
8. Capovolgere la porta, rimuovere 2 viti sul fondo della porta. Rimuovere 2 viti, il fermaporta e il coperchio dell'asse sul fondo della porta
9. Prendere dal secchetto il fermo della porta (v. passo precedente) e il coperchio dell'asse più sottile dalla borsa degli accessori e fissarli con 2 viti. Fissare 2 viti anche sull'altro lato della porta.
10. Inclinare leggermente all'indietro il mobiletto, togliere 4 viti e quindi la cerniera inferiore.



11. Rimuovere la vite e il coperchio dell'asse. Rimuovere l'asse della cerniera e fissarlo con la vite (v. passo precedente).
12. Estrarre dal sacchetto degli accessori il coperto dell'asse più spesso. Fissarlo con la vite (v. passo precedente)
13. Fissare la cerniera alla posizione opposta del mobile con 4 viti.
14. Sul lato opposto della porta, estrarre il cavo di collegamento sul lato sinistro e inserirlo nel coperchio dell'asse (v. punto 5) quindi montare il coperchio dell'asse. Montare la copertura del foro sul lato destro.
15. Montare lo sportello.
16. Fissare la cerniera superiore destra con 3 viti.
17. Connetter i connettori del cavo:
18. Fissare il coperchio del foro del cardine e il coperchio del cardine superiore sinistro.
19. Fine.

DISPONIBILITA' DEI RICAMBI

termostati, sensori di temperatura, schede a circuiti stampati e sorgenti luminose sono disponibili per un periodo minimo di sette anni dall'immissione sul mercato dell'ultima unità del modello;

maniglie e cerniere delle porte, vassoi e cesti sono disponibili per un periodo minimo di sette anni e guarnizioni delle porte per un periodo minimo di dieci anni dall'immissione sul mercato dell'ultima unità del modello;

GARANZIA

La garanzia minima è: 2 anni per i Paesi UE, 3 anni per la Turchia, 1 anno per il Regno Unito, 1 anno per la Russia, 3 anni per la Svezia, 2 anni per la Serbia, 5 anni per la Norvegia, 1 anno per il Marocco, 6 mesi per l'Algeria, la Tunisia nessuna garanzia legale richiesta.

ASSISTENZA TECNICA

Per contattare l'assistenza tecnica, visitare il nostro sito Web: <https://corporate.haier-europe.com/en/>. Nella sezione "websites", scegli la marca del tuo prodotto e il tuo paese. Verrai reindirizzato al sito specifico dove potrai trovare il numero di telefono e il modulo per contattare l'assistenza tecnica

Per ulteriori informazioni sul prodotto, consultare <https://eprel.ec.europa.eu/> o eseguire la scansione del QR sull'etichetta energetica fornita con l'apparecchio

11.1 Scheda del prodotto conformemente alla normativa UE numero 1060/2010

Marchio commerciale	Haier
Identificatore modello	H3R-330WNA
Categoria del modello	Congelatore verticale
Classe di efficienza energetica	A
Consumo energetico annuo (kWh/anno) ¹⁾	66
Volume di conservazione raffreddamento (L)	189
Volume di conservazione refrigerata (My Zone) (L)	141
Volume di conservazione totale (L)	330
Temperatura degli altri scomparti > 14 °C	non applicabile
Sistema senza gelo Frostfree	Sì
Sicurezza in caso di blackout (h)	/
Capacità di congelamento (kg/24h)	/
Classe climatica	
Questo dispositivo è stato pensato per essere usato a una temperatura ambiente compresa fra 10 °C e 43 °C.	SN-T
Emissioni di rumore acustiche per via aerea (db(A) re 1pW)	38
Tipo di costruzione	indipendente

¹⁾ sulla base dei risultati di test standard per 24 ore. Il consumo effettivo di energia dipenderà dalla modalità d'uso nonché dalla sua ubicazione.

Installare il frigorifero in un luogo in cui la temperatura ambientale corrisponda alla classe climatica indicata nell'etichetta dell'apparecchio:

- Temperata estesa (SN): «Apparecchio di refrigerazione destinato a essere utilizzato a una temperatura ambiente compresa tra 10 °C e 32 °C»
- Temperata (N): «Apparecchio di refrigerazione destinato a essere utilizzato a una temperatura ambiente compresa tra 16 °C e 32 °C»
- Subtropicale (ST): «Apparecchio di refrigerazione destinato a essere utilizzato a una temperatura ambiente compresa tra 16 °C e 38 °C»
- Tropicale (T): «Apparecchio di refrigerazione destinato a essere utilizzato a una temperatura ambiente compresa tra 16 °C e 43 °C»

11.2 Dati tecnici aggiuntivi

Tensione / Frequenza	220-240V ~ / 50Hz
Fusibile principale (A)	1.0
Refrigerante	R600a
Dimensioni (H/W/D in mm)	1910/595/675
Potenza/tensione dell'illuminazione	1,5 W / 12 Vcc

11.3 Standard e direttive

Questo prodotto soddisfa i requisiti di tutte le direttive CE applicabili con i corrispondenti standard armonizzati, il che conferisce la marcatura CE.

Consigliamo di fare riferimento alla nostra Assistenza Clienti Haier; consigliamo inoltre di servirsi di componenti originali.

In caso di problemi col dispositivo, controllare come prima cosa la sezione GUIDA ALLA RISOLUZIONE DEI PROBLEMI.

Qualora non fosse possibile trovare una soluzione, contattare

- ▶ il proprio rivenditore locale
- ▶ l'area Assistenza & Supporto su www.haier.com dove è possibile trovare numeri di telefono e Domande Frequenti e da dove è possibile attivare la richiesta di intervento.

Per contattare il nostro Servizio, verificare di disporre dei seguenti dati.

Le informazioni si trovano sulla targhetta.

Modello _____ Numero seriale _____

Consigliamo inoltre di controllare la Scheda Garanzia fornita in dotazione col prodotto qualora si debba fare ricorso alla garanzia.

Per richieste commerciali generiche indichiamo qui di seguito i nostri indirizzi in Europa:

Indirizzi Haier europei			
Paese*	Indirizzo postale	Paese*	Indirizzo postale
Italia	Haier Europe Trading SRL Via De Cristoforis, 12 21100 Varese ITALIA	Francia	Haier Francia SAS 3-5 rue des Gravieres 92200 Neuilly sur Seine FRANCIA
Spagna Portogallo	Haier Iberia SL Pg. Garcia Faria, 49-51 08019 Barcellona SPAGNA	Belgio-FR Belgio-NL Paesi Bassi Lussemburgo	Haier Benelux SA Anderlecht Route de Lennik 451 BELGIO
Germania Austria	Haier Germania GmbH Hewlett-Packard-Str. 4 D-61352 Bad Homburg GERMANIA	Polonia Repubblica Ceca Ungheria Grecia Romania Russia	Haier Polonia Sp. zo.o. Al. Jerozolimskie 181B 02-222 Varsavia POLONIA
Regno Unito	Haier Appliances Regno Unito Co.Ltd. One Crown Square Church Street East Woking, Surrey, GU21 6HR Regno Unito		

*Per ulteriori informazioni rimandiamo a www.haier.com



Haier



Manuel d'utilisateur

Réfrigérateur Vertical

H3R-330WNA

FR

Haier

Nous vous remercions d'avoir acheté un produit Haier.

Veillez lire attentivement ces instructions avant d'utiliser l'appareil. Ces instructions sont des informations utiles vous permettant de mieux exploiter cet appareil, et vous assurer une installation, une utilisation et un entretien sécurisés et adéquats.

Veillez bien garder ce manuel et toujours s'y référer pour une utilisation sécurisée et adéquate de l'appareil.

Si vous devez vendre, donner ou abandonner l'appareil pour cause de déménagement, assurez-vous également de laisser ce manuel afin que le prochain utilisateur puisse maîtriser l'appareil, notamment les règles de sécurité.



Légende

Renseignements généraux et conseils



Avertissement- Consignes importantes de sécurité



Informations sur l'environnement



Mise au rebut

Contribuer à la protection de l'environnement et de la santé humaine. Veuillez mettre les emballages au rebut dans les contenants prévus pour leur recyclage. Contribuez à recycler les déchets d'appareils électriques et électroniques. Veuillez à ne pas mettre au rebut les appareils ayant ce symbole avec les déchets ménagers. Veuillez déposer l'appareil à votre usine de recyclage locale, ou prendre contact avec votre bureau municipal.



Avertissement !

Risque de blessure ou d'asphyxie !

Les réfrigérants et les gaz doivent être mis au rebut par des professionnels. Avant toute mise au rebut, assurez-vous que la tuyauterie du système de réfrigération n'est pas endommagée. Débranchez l'appareil du secteur. Coupez le câble d'alimentation et mettez l'appareil au rebut. Retirez la porte, le loquet de la porte et les scellés pour éviter qu'un enfant ou un animal domestique ne soit coincé dans l'appareil.

1 - Sécurité	4
2- Utilisation prévue	8
3- Description du produit.....	9
4- Panneau de commande.....	10
5- Utilisation	11
6- Conseils pour économiser de l'énergie	14
7- Équipement.....	14
8- Entretien et nettoyage	15
9- Dépannage	17
10- Installation.....	20
11- Informations techniques.....	24
12- Service client	25

Avant de mettre l'appareil en marche pour la première fois, veuillez lire les signes de sécurité ci-après :



AVERTISSEMENT !

Avant la première utilisation

- ▶ Vérifiez qu'aucun dommage lié au transport n'a été subi par l'appareil.
- ▶ Retirez tous les emballages et tenez-les hors de portée des enfants.
- ▶ Attendez au moins deux heures avant d'installer l'appareil pour une meilleure efficacité du système de réfrigération.
- ▶ Il faut toujours au moins deux personnes pour la manipulation de l'appareil car il est lourd.

Installation

- ▶ Placez l'appareil dans un endroit bien ventilé. Laissez un espace d'au moins 10 cm au-dessus et autour de l'appareil.
- ▶ Ne couvrez pas les ouvertures d'aération d'air.
- ▶ Ne placez jamais l'appareil dans une zone ou à un endroit humide où il pourrait être éclaboussé par de l'eau. Nettoyez et séchez les éclaboussures d'eau et les tâches à l'aide d'un chiffon doux et propre.
- ▶ N'installez pas l'appareil en direction des rayons solaires ou à proximité des sources de chaleur (par exemple, les cuisinières, chauffe-eau).
- ▶ Installez et positionnez l'appareil dans un espace adéquat tenant compte de sa taille et son utilisation.
- ▶ Tenez les ouvertures d'aération de l'appareil ou dans les structures encastrées libres de toute obstruction.
- ▶ Vérifiez que les informations électriques sur la plaque signalétique sont conformes à l'alimentation électrique. Si ce n'est pas le cas, veuillez contacter un électricien.
- ▶ L'appareil fonctionne avec une alimentation de 220~240 VCA/50 Hz. Des fluctuations anormales de tension peuvent entraîner un échec de démarrage ou endommager le régulateur de température ou le compresseur, ou l'appareil peut émettre un bruit anormal pendant le fonctionnement. Dans de tels cas, installez un régulateur automatique.
- ▶ Utilisez une prise de terre séparée pour l'alimentation, facilement accessible pendant le nettoyage. Cet appareil doit être mis à la terre.
- ▶ **Uniquement pour le Royaume Uni :** Cet appareil est équipé d'un câble d'alimentation avec fiche à 3 fils (mise à la terre) respectant les normes de la prise à 3 fils (mise à la terre). Ne coupez jamais ou ne démontez jamais le troisième fil (mise à la terre). Une fois l'appareil installé, la prise doit être accessible.
- ▶ N'utilisez pas d'adaptateurs multiprises ni de rallonges.

**AVERTISSEMENT !****Installation**

- ▶ Assurez-vous que le câble d'alimentation n'est pas coincé sous le congélateur. Évitez de marcher sur le câble d'alimentation.
- ▶ N'endommagez pas le circuit réfrigérant.

Utilisation quotidienne

- ▶ Cet appareil peut être utilisé par des enfants âgés d'au minimum 8 ans, ainsi que par des personnes avec des capacités physiques, sensorielles ou mentales réduites ou sans expérience et connaissances, si elles sont supervisées ou ont été formées à l'utilisation sécurisée de l'appareil et comprennent les risques y relatifs.
- ▶ Tenez les enfants de moins de 3 ans hors de portée de l'appareil, sauf s'ils sont en permanence surveillés.
- ▶ Les enfants ne doivent pas jouer avec l'appareil.
- ▶ En cas de fuite de gaz froid ou de tout autre gaz inflammable aux alentours de l'appareil, arrêtez la vanne d'alimentation du gaz qui s'échappe, ouvrez portes et fenêtres et ne débranchez pas le câble d'alimentation de l'appareil ou de tout autre appareil.
- ▶ Rassurez-vous que l'appareil est programmé pour fonctionner à une plage de température entre 10 et 43 °C. L'appareil pourrait ne pas bien fonctionner si vous le faites fonctionner pendant longtemps à une température en dessous ou au-dessus de la plage indiquée.
- ▶ Ne placez pas des objets instables (objets lourds, récipients remplis d'eau) au-dessus de l'appareil pour éviter tout dommage corporel suite à une chute de l'objet ou un choc électrique causé par le contact avec l'eau.
- ▶ Ouvrez et fermez les portes uniquement à l'aide des poignées. L'espace entre les portes et le placard est très réduit. N'envoyez pas vos mains dans ces endroits pour éviter de coincer vos doigts. Ouvrez ou fermez les portes uniquement lorsque les enfants ne se trouvent pas à proximité.
- ▶ Évitez de ranger ou utiliser des produits inflammables, des explosifs ou des matières corrosives à l'intérieur ou autour de l'appareil.
- ▶ Ne conservez pas des médicaments, des bactéries ou des agents chimiques dans le réfrigérateur. Le présent réfrigérateur est un appareil électroménager. Il n'est pas recommandé de conserver des matériaux qui requièrent des températures strictes.
- ▶ Évitez de conserver des liquides dans des bouteilles ou des cannettes (à l'exception de vins et spiritueux fortement alcoolisés), notamment des boissons gazeuses car elles peuvent exploser pendant la congélation.
- ▶ Vérifiez le conditionnement des aliments si le congélateur devient plus chaud.
- ▶ Ne programmez pas inutilement le compartiment congélateur à une température basse. Attention : Les bouteilles peuvent se casser.



AVERTISSEMENT !

Utilisation quotidienne

- ▶ Ne touchez pas les aliments congelés avec des mains mouillées (portez des gants). Surtout, ne mangez pas les sucettes glacées immédiatement après les avoir sorties du congélateur. Vous risquez une congélation de la langue ou la formation d'ampoules suite à la congélation. PREMIERS soins : placez votre langue sous le robinet avec la sucette. Ne la tirez pas de force !
- ▶ Ne touchez pas la surface intérieure du congélateur pendant le fonctionnement, en particulier avec les mains mouillées. Vos mains pourraient se congeler au contact de la surface.
- ▶ Débranchez l'appareil en cas de coupure de courant ou avant de le nettoyer. Attendez au moins 5 minutes avant de redémarrer l'appareil car plusieurs redémarrages endommagent le compresseur.
- ▶ N'utilisez pas d'appareils électriques de type autre que ceux recommandés par le fabricant, à l'intérieur des compartiments de stockage d'aliments de l'appareil.

Entretien et nettoyage

- ▶ Assurez-vous que les enfants sont sous surveillance s'ils se chargent du nettoyage et de l'entretien.
- ▶ Débranchez l'appareil de l'alimentation électrique avant d'entreprendre tout entretien. Attendez au moins 5 minutes avant de redémarrer l'appareil car plusieurs redémarrages endommagent le compresseur.
- ▶ Tenez la fiche et non le cordon pour débrancher l'appareil.
- ▶ Ne raclez pas le givre ou la glace à l'aide d'objets tranchants. N'utilisez pas de vaporisateurs, d'appareils de chauffage électriques, de sèche-cheveux, de nettoyeurs à vapeur ou toute autre source de chaleur afin d'éviter des dommages sur les parties en plastique.
- ▶ N'utilisez pas d'appareils mécaniques ou des moyens autres que ceux recommandés par le fabricant pour accélérer le processus de dégivrage.
- ▶ N'utilisez pas de vaporisateur ou ne rincez pas l'appareil pendant le nettoyage.
- ▶ Si les lampes sont endommagées, elles doivent être remplacées par le fabricant ou par une personne qualifiée agréée par le service d'entretien.
- ▶ Si le cordon d'alimentation est endommagé, faites-le remplacer par le fabricant, son agent de service ou des personnes qualifiées similaires afin d'éviter tout risque.
- ▶ N'essayez pas de réparer, de démonter ou de changer vous-même l'appareil. En cas de réparation, veuillez contacter notre service clientèle.

Informations sur le gaz frigorigène



AVERTISSEMENT !

Cet appareil contient du réfrigérant inflammable l'ISOBUTHANE (R600a). Assurez-vous que le système de réfrigération n'est pas endommagé pendant le transport et l'installation. Une fuite de gaz frigorigène pourrait causer des dommages oculaires ou un incendie. En cas de dommage, veuillez vous éloigner des sources d'incendie visibles, aérez correctement la pièce, évitez de brancher et débrancher les cordons d'alimentation de l'appareil et de tout autre appareil. Informez le service clientèle.

En cas de contact avec les yeux, rincez abondamment les yeux avec de l'eau et consultez immédiatement un ophthalmologue.



AVERTISSEMENT !

- ▶ Prenez soin d'éviter de provoquer un incendie en enflammant des matériaux inflammables.
- ▶ AVERTISSEMENT : Lors du positionnement de l'appareil, assurez-vous que le cordon d'alimentation n'est pas coincé ou endommagé.
- ▶ AVERTISSEMENT : Ne placez pas plusieurs prises de courant portables ou blocs d'alimentation portables à l'arrière de l'appareil.
- ▶ Ne stockez pas des substances explosives comme les bombes aérosol avec agent propulseur inflammable dans cet appareil.
- ▶ Si des réfrigérants inflammables sont utilisés dans le congélateur, soyez prudent lors de l'installation, de la manipulation, du service et du recyclage de l'appareil.
- ▶ Veuillez contacter le service après-vente pour mettre au rebut l'appareil car du gaz de soufflage inflammable a été utilisé.

2.1 Utilisation prévue

Cet appareil est destiné à une utilisation domestique et à d'autres applications similaires, notamment :

- espaces cuisine dans les boutiques, bureaux et autres lieux de travail;
- les maisons de campagne, les chambres d'hôtel, de motel et d'autres types de résidence ;
- dans des chambres ou des salles de petit-déjeuner ;
- les restaurants et les espaces semblables de vente au détail.

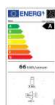
Cet appareil est destiné à réfrigérer des aliments. Il est exclusivement destiné à un usage domestique, à l'intérieur et dans un endroit sec. Il n'est pas destiné à un usage commercial ou industriel. Sur demande, cet appareil peut être utilisé comme compartiment pour aliments frais.

Aucune modification ou altération de cet appareil n'est autorisée. Toute utilisation inadéquate vous expose à des risques et la perte des droits de garantie.

2.2 Accessoires

Vérifiez les accessoires et la documentation suivant cette liste :

2.2



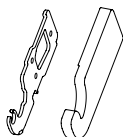
Étiquetage
énergétique



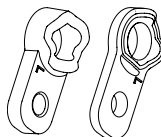
Carte de
garantie



Manuel
d'utilisation



Charnière supérieure
gauche pour la réversibilité
de la porte



Couverture
des axes

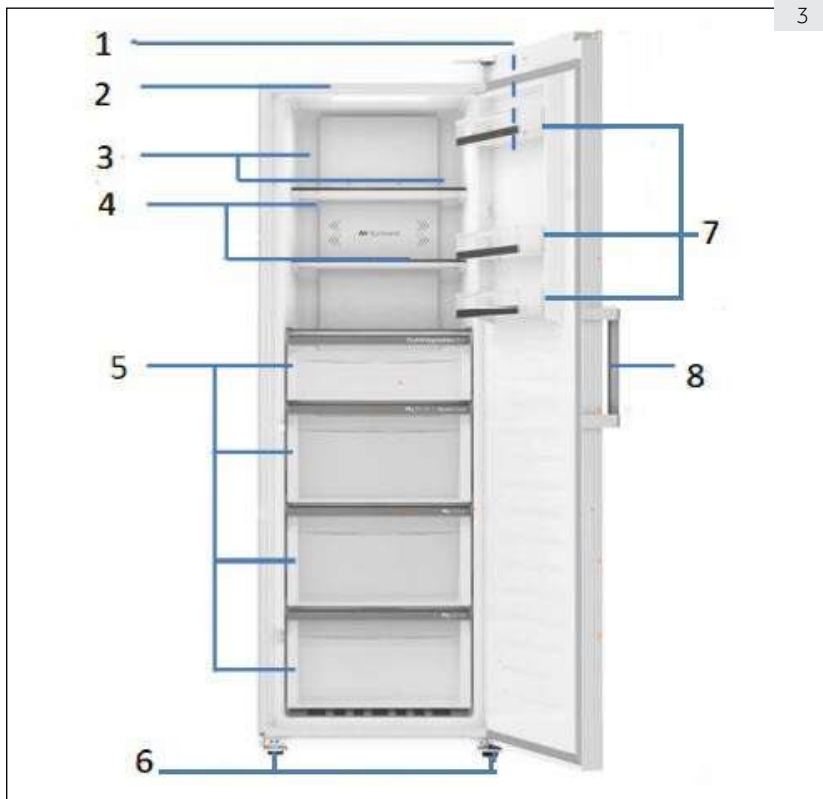
Charnière supérieure
gauche



Remarque : Différences

En raison des modifications techniques et des divers modèles, certaines illustrations de ce manuel peuvent être différentes de votre modèle.

Images des appareils (Fig. 3)



1 Panneau de commande

2 Lumière LED

3 Ventilation multiple

4 Clayettes en verre

5 Tiroirs

6 Pieds ajustables

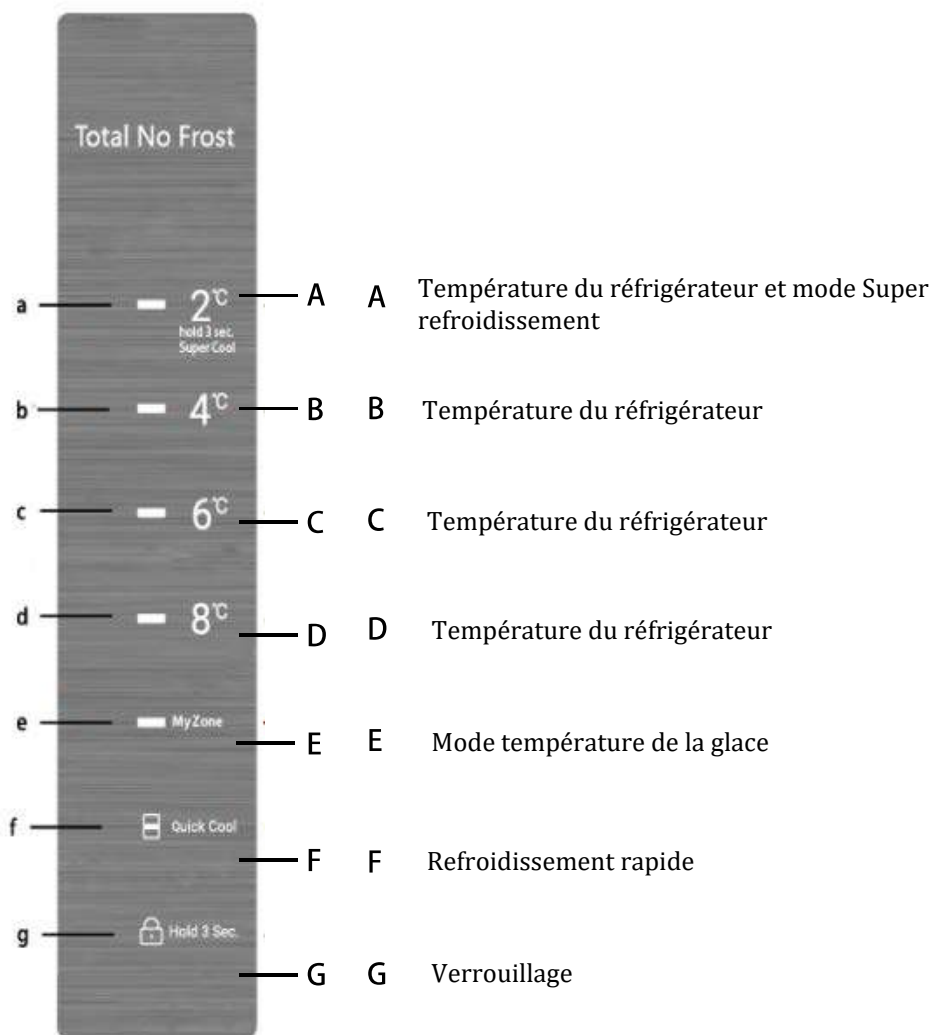
7 Balconnets de porte amovibles

8 Poignées de la porte

Remarque : ce produit contient une source de lumière appartenant à la classe d'efficacité énergétique <G>.

Panneau de commande (Fig. 4)

4



5.1 Avant la première utilisation

- ▶ Retirez tous les emballages et gardez-les hors de la portée des enfants, puis jetez-les d'une manière respectueuse de l'environnement.
- ▶ Nettoyez l'intérieur et l'extérieur de l'appareil avec de l'eau et un détergent doux avant d'y mettre des aliments.
- ▶ Une fois l'appareil à plat et nettoyé, attendez au moins 6 heures avant de le brancher à l'alimentation électrique. Veuillez vous référer au paragraphe INSTALLATION.

5.2 Allumer/éteindre l'appareil

- ▶ L'appareil fonctionne dès qu'il est branché sur l'alimentation électrique.
- ▶ La température du réfrigérateur est automatiquement réglée sur une température de conservation réfrigérée de 4 °C et une température de la glace de 0 °C. C'est le réglage recommandé et la température idéale pour les produits réfrigérés. Vous pouvez régler la température manuellement si vous le souhaitez. Reportez-vous au paragraphe RÉGLAGE DE LA TEMPÉRATURE.

Les voyants(a-g) clignoteront une fois consécutivement. Si la porte est fermée, l'écran s'éteint au bout de 30 secondes. Le verrouillage du panneau peut être actif.



Remarque : Préréglage

- ▶ L'appareil est préréglé à la température recommandée, à une température de conservation réfrigérée de 4 °C et à une température de la glace de 0 °C.
- ▶ Lorsque l'appareil est allumé après avoir été débranché de l'alimentation secteur, il peut falloir jusqu'à 2 heures pour qu'il atteigne la bonne température. Videz l'appareil avant de l'éteindre, puis retirez le cordon d'alimentation de la prise secteur.

5.3 Mode veille de l'affichage

Lorsque la porte est fermée, l'écran s'éteint automatiquement au bout de 3 secondes sans aucune opération. L'écran se verrouille automatiquement. Il s'allume automatiquement lorsque vous touchez n'importe quel bouton ou lorsque vous ouvrez la porte.

5.4 Verrouillage et déverrouillage de l'écran

Verrouillage automatique

L'écran est automatiquement verrouillé au bout de 30 secondes sans aucune opération.

Verrouillage manuel

Lorsque l'écran est déverrouillé, appuyez sur 'verrouillage' (G) et maintenez la touche enfoncée pendant 3 secondes, puis le voyant 'verrouillage' (g) s'allume et l'écran est verrouillé. Lorsque l'écran est verrouillé, appuyez sur 'verrouillage' (G) et maintenez la touche enfoncée pendant 3 secondes, avec un bip, le voyant 'verrouillage' (g) est éteint et l'écran est déverrouillé.



Remarque : Verrouillage de l'écran

Lorsque l'écran est verrouillé, les fonctions telles que le réglage de la température, le refroidissement rapide et le refroidissement sont désactivées. Lorsque ces opérations sont tentées, le voyant de la sécurité enfants clignote 3 fois pour rappeler que l'écran est verrouillé.

5.5 Réglage de la température

Lorsque l'écran est déverrouillé, vous pouvez régler la température en appuyant sur la touche de température, ce processus est accompagné de bips.

La zone supérieure des clayettes et la première zone de tiroir du réfrigérateur sont la zone de conservation réfrigérée, et la zone inférieure des trois tiroirs est la zone de température de la glace. Veuillez choisir la zone de conservation appropriée pour éviter toute détérioration des aliments.

5.6 Mode réfrigérateur (de 2 °C à 8 °C) (A-D)

Lorsque l'écran est déverrouillé, vous pouvez régler la température en appuyant sur différents boutons de température. La température peut être réglée sur "2°C", "4°C", "6°C" et "8°C"

5.7 Mode température de la glace (0 °C/2 °C) (E)

Lorsque l'écran est déverrouillé, appuyez sur " My Zone " (E), les voyants " My Zone " (e) s'allument, la zone de température de la glace est réglée sur 0 °C. Appuyez à nouveau sur " My Zone " (E), les voyants " My Zone " (e) s'éteignent, la zone de température de la glace est réglée sur 2 °C.

5.8 Mode Super refroidissement (A)

Lorsque l'écran est verrouillé, appuyez sur la touche (2 °C) (A) et maintenez-la enfoncée pendant 3 secondes, les voyants (a-d) s'allument, le réfrigérateur fonctionne en mode Super refroidissement. Répétez les étapes ci-dessus pour désactiver la fonction Super refroidissement. Si vous ne la désactivez pas manuellement, la fonction sera automatiquement désactivée dès



Remarque : Super refroidissement

En mode Super refroidissement, la température n'a pas pu être réglée. Si vous le faites, le voyant Super clignote à 3 reprises.

5.9 Mode Refroidissement rapide (F)

Le refroidissement rapide fonctionne comme une RÉFRIGÉRATION CHOC dans le deuxième tiroir à partir du haut, toute la zone du tiroir peut être rapidement refroidie à la température définie. Lorsque l'écran est déverrouillé, appuyez sur la touche 'Quick Cool', le voyant (f) s'allume, le réfrigérateur fonctionne en mode refroidissement rapide. Répétez les étapes ci-dessus pour désactiver la fonction Refroidissement rapide. Si vous ne la désactivez pas manuellement, la fonction sera automatiquement désactivée dès que la température atteindra la température définie ou 3 heures plus tard.

5.10 Mémoire en cas de coupure

Ce réfrigérateur possède une mémoire en cas de coupure qui permet de mémoriser les paramètres avant la coupure de courant. Lors de la mise sous tension, le réfrigérateur rétablit le réglage avant l'arrêt et continue à fonctionner. La fonction Sécurité enfants ne peut pas être mémorisée, après la mise sous tension, l'écran est déverrouillé.

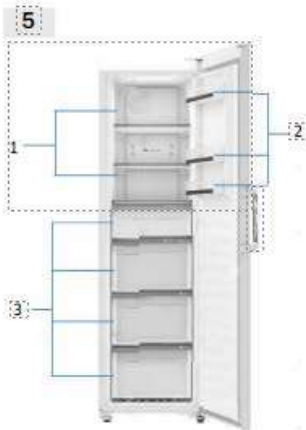
5.11 Alarme d'ouverture de porte

Lorsque la porte reste ouverte pendant plus d'1 minute, le signal sonore émet 3 bips avec un intervalle de 0,5 seconde. Les bips recommencent toutes les 30 secondes si la porte reste ouverte. Les bips s'arrêtent lorsque la porte est fermée ou 7 min plus tard. Puis la lumière s'éteint.

5.12 Indication d'erreur

Le réfrigérateur est équipé d'une indication d'erreur. Lorsqu'une erreur survient, l'écran clignote tous les 1/4 de seconde avec des codes différents pour différentes erreurs.

Dans cette situation, le réfrigérateur pourrait toujours réfrigérer, mais vous devriez appeler le service après-vente dès que possible pour faire vérifier le réfrigérateur.



Différents aliments doivent être placés dans des zones différentes en fonction de leurs propriétés (Fig: 5).

- 1 Cornichons, conserves, fruits légumes, salades, etc.
- 2 Œufs, conserves, épices, boissons et autres aliments en bouteille, etc.
- 3 Viande, collations, etc.

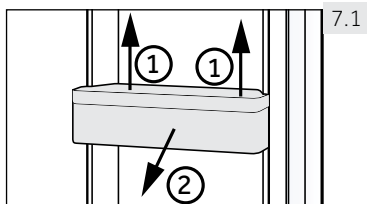
Pour les appareils sans compartiment «quatre étoiles»: «Cet appareil de réfrigération ne convient pas pour la congélation de denrées alimentaire»;



Conseils pour économiser de l'énergie

- ▶ Assurez-vous que l'appareil est suffisamment ventilé (Voir INSTALLATION).
- ▶ N'exposez pas l'appareil à la lumière directe du soleil ou à proximité des sources de chaleur (par exemple, les cuisinières, chauffe-eau).
- ▶ Évitez de faire fonctionner l'appareil à une température inutilement basse. La consommation énergétique augmente lorsque l'appareil fonctionne à des températures basses.
- ▶ Laissez les aliments refroidir avant de les mettre dans l'appareil.
- ▶ Ouvrez la porte de l'appareil le moins possible et le plus brièvement possible.
- ▶ Assurez-vous que la porte se ferme toujours correctement et sans interruption par des aliments. Gardez les joints de porte propres.
- ▶ Dégivrez les aliments congelés dans le réfrigérateur.
- ▶ Nettoyez régulièrement l'arrière de l'appareil. La poussière augmente la consommation d'énergie.
- ▶ La configuration la moins énergivore nécessite que les tiroirs, les boîtes de rangement et les clayettes soient positionnés dans le produit comme à l'état frais d'usine, et que les aliments soient placés sans bloquer la sortie d'air du conduit

7- Équipement



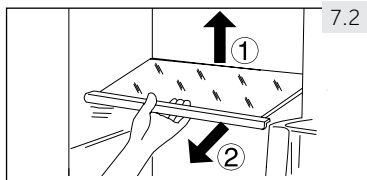
7.1

7.1 Balconnets réfrigérateur

Les casiers de porte peuvent être démontés pour les nettoyer.

Placez les mains sur chaque côté du casier, soulevez-le (1) puis retirez-le (2) (Fig. 7.3).

Pour remettre le casier, répétez ces procédures dans le sens inverse.



7.2

7.2 Étagère en verre

1. Pour réaménager une étagère, retirez-la d'abord en soulevant ses bords arrière (1) puis sortez-la (2) (Fig. 7.2).

2. Pour le réinstaller, placez-le sur les anses des deux côtés puis poussez-le en profondeur vers l'arrière jusqu'à ce que l'arrière se fixe dans les anses sur les côtés.


AVERTISSEMENT !

Débranchez l'appareil de la prise d'alimentation avant de le nettoyer.

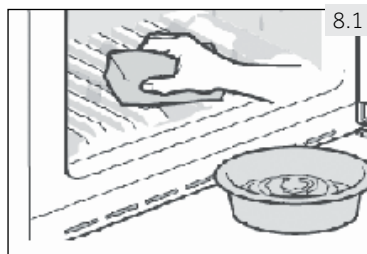
8.1 Généralités

Nettoyez l'appareil uniquement lorsqu'il y a moins d'aliments ou pas d'aliments.


AVERTISSEMENT !

- ▶ Évitez de nettoyer l'appareil à l'aide de brosses dures, métalliques, de détergent en poudre, d'essence, d'acétate d'amyle, d'acétone et toute autre solution similaire organique, acide ou alcaline. Veuillez nettoyer avec un détergent spécial pour congélateur afin d'éviter tout dommage.
- ▶ N'utilisez pas de vaporisateur ou ne rincez pas l'appareil pendant le nettoyage.
- ▶ Ne raclez pas le givre ou la glace à l'aide d'objets tranchants.
- ▶ N'utilisez pas de vaporisateurs, d'appareils de chauffage électriques, de sèche-veux, de nettoyeurs à vapeur ou toute autre source de chaleur afin d'éviter des dommages sur les parties en plastique.
- ▶ Ne nettoyez pas les clayettes de congélation en verre avec de l'eau chaude. Le changement soudain de température pourrait briser le verre.
- ▶ Évitez de toucher la surface intérieure du compartiment de congélation, surtout avec les mains mouillées ; elles pourraient se congeler au contact de ladite surface.
- ▶ En cas de chauffage, vérifiez l'état des aliments congelés.
- ▶ N'essayez pas de réparer vous-même l'appareil. En cas de réparation, veuillez contacter notre service clientèle.

- ▶ Gardez toujours le joint de porte propre.
- ▶ Nettoyez l'intérieur et l'extérieur de l'appareil avec une éponge humide humidifiée dans de l'eau tiède et un détergent neutre (Fig. 8.1).
- ▶ Rincez avec un torchon doux.
- ▶ Ne lavez aucune pièce de l'appareil dans le lave-vaisselle.
- ▶ Nettoyez les accessoires uniquement à l'eau tiède et avec un détergent doux et neutre.



8.2 Non-utilisation pendant une longue période

Si l'appareil ne sera pas utilisé pendant une longue période :

- ▶ Retirez les aliments.
- ▶ Débranchez la prise d'alimentation.
- ▶ Nettoyez l'appareil tel qu'indiqué ci-dessus.
- ▶ Laissez la porte et les tiroirs du congélateur ouverts to éviter les mauvaises odeurs à l'intérieur.

Démontez la porte de l'appareil (ouvrez la porte et tenez là avant de retirer les vis) pour éviter que les enfants y pénètrent et causent des accidents.



Remarque : Hors tension

Pour assurer la durée de vie de l'appareil, ne l'éteignez que si cela est strictement nécessaire.

8.3 Déplacement de l'appareil

1. Retirez tous les aliments et débranchez l'appareil.
2. Fixez les clayettes et autres pièces amovibles à l'intérieur du congélateur à l'aide d'un ruban adhésif.
3. Fermez la porte et fixez-la avec du ruban adhésif.
4. Ne penchez pas l'appareil à plus de 45° pour éviter d'endommager le système de réfrigération.
5. Enveloppez les pieds du congélateur pour éviter d'érafler le plancher. Ne déplacez ja-mais le congélateur avec force



AVERTISSEMENT !

- ▶ Ne soulevez pas l'appareil par les poignées.
- ▶ Ne placez jamais l'appareil horizontalement au sol.

Vous pouvez résoudre la plupart des problèmes qui pourraient survenir sans expertise précise. En cas de problème, veuillez vérifier toutes les solutions possibles en suivant les instructions ci-dessous avant de contacter un service après-vente. Voir SERVICE CLIENTÈLE.



AVERTISSEMENT !

- ▶ Avant tout entretien, veuillez arrêter l'appareil et débranchez-le du secteur.
- ▶ Les appareils électriques doivent être entretenus uniquement par des experts en électricité, parce qu'une mauvaise intervention pourrait causer des dommages considérables.
- ▶ Faites remplacer le cordon d'alimentation endommagé par le fabricant, son représentant ou par des personnes qualifiées afin d'éviter tout risque.

L'alarme sonore peut être désactivée en appuyant sur n'importe quel bouton.

9.1 Dépannage

Problème	Causes probables	Solutions possibles
Le compresseur ne fonctionne pas.	<ul style="list-style-type: none"> • La fiche principale n'est pas branchée à la prise. 	<ul style="list-style-type: none"> • Branchez la fiche.
L'appareil tourne continuellement ou tourne pendant trop longtemps.	<ul style="list-style-type: none"> • La température intérieure et extérieure est trop élevée. • L'appareil a été en arrêt pendant trop longtemps. • La porte de l'appareil n'est pas bien fermée. • La porte a été ouverte trop souvent ou pendant trop longtemps. • Le réglage de la température est trop bas. • Le joint de la porte est sale, usé, fissuré ou incompatible. • Le flux d'air nécessaire n'est pas garanti. • La circulation d'air requise n'est pas garantie. 	<ul style="list-style-type: none"> • Dans ce cas, il est normal que l'appareil tourne plus longtemps. • Normalement, il faut 8 à 12 heures pour que l'appareil se dégivre complètement. • Fermez la porte et assurez-vous que l'appareil est placé sur une surface plane et qu'aucun aliment ou récipient ne la cogne. • N'ouvrez pas les portes trop fréquemment. • Réglez la température le plus haut possible jusqu'à obtenir une température satisfaisante. Il faut 24 heures pour que la température du réfrigérateur se stabilise. • Nettoyez le joint de la porte ou faites-le remplacer par le service client. • Assurez une ventilation adéquate. • Dégivrez l'appareil.

Problème	Causes probables	Solutions possibles
L'appareil produit des sons bizarres.	<ul style="list-style-type: none"> L'appareil n'est pas placé sur une surface plane. L'appareil touche un objet proche de lui. L'appareil est posé sur un sol en bois ou près de murs en bois. 	<ul style="list-style-type: none"> Mettez l'appareil à niveau. Retirez les objets autour de l'appareil. Le bois amplifie le son. Placez l'appareil ailleurs.
L'appareil émet un clic	<ul style="list-style-type: none"> C'est normal. Cela est dû à la mise en marche ou à l'arrêt de l'unité de réfrigération. 	<ul style="list-style-type: none"> -
Un son léger comparable à celui de l'eau qui coule retentit.	<ul style="list-style-type: none"> C'est normal. 	<ul style="list-style-type: none"> -
L'appareil émet un son de moteur	<ul style="list-style-type: none"> Le groupe frigorifique vient de s'allumer. Cela est normal 	<ul style="list-style-type: none"> -
Il ne fait pas suffisamment froid à l'intérieur de l'appareil.	<ul style="list-style-type: none"> La température est trop élevée. Les marchandises trop chaudes ont été stockées. Trop d'aliments ont été conservés à la fois. Les aliments sont trop près les uns des autres. La porte n'est pas correctement fermée. La porte a été ouverte trop souvent ou pendant trop longtemps. 	<ul style="list-style-type: none"> Réglez à nouveau la température Laissez toujours les aliments refroidir avant de les conserver. Conservez toujours de petites quantités d'aliments. Laissez de l'espace entre les différents aliments pour permettre à l'air de circuler. Fermez la porte. N'ouvrez pas les portes trop fréquemment.
La température à l'intérieur de l'appareil est trop froide.	<ul style="list-style-type: none"> La température est trop basse. La fonction Super congélation est activée ou a fonctionné pendant longtemps. 	<ul style="list-style-type: none"> Réglez à nouveau la température Désactivez la fonction congélation rapide.
L'humidité s'accumule à la surface de l'appareil.	<ul style="list-style-type: none"> Le climat est trop chaud et trop humide. 	<ul style="list-style-type: none"> Ceci est normal en zone humide et cela change lorsque l'humidité diminue. Essayez avec un chiffon.
Du givre dur dans le congélateur.	<ul style="list-style-type: none"> Les aliments ne sont pas bien emballés. La porte n'est pas correctement fermée. La porte a été ouverte trop souvent ou pendant trop longtemps. Le joint de la porte est sale, usé, fissuré ou incompatible. Quelque chose à l'intérieur empêche la porte de se fermer correctement. 	<ul style="list-style-type: none"> Emballer toujours bien les aliments. Fermez la porte. N'ouvrez pas les portes trop fréquemment. Nettoyez le joint de la porte ou faites-le remplacer par le service client. Repositionnez les étagères, les balconnets de la porte, ou les récipients à l'intérieur pour permettre à la porte de se fermer.

Problème	Causes probables	Solutions possibles
Le système de refroidissement ne fonctionne pas.	<ul style="list-style-type: none"> La fiche secteur n'est pas branchée sur la prise secteur. L'alimentation électrique est anormale. 	<ul style="list-style-type: none"> Branchez la fiche. Vérifiez l'alimentation électrique de la pièce. Contactez la compagnie d'électricité.
Les parois de l'armoire et le joint de la porte chauffent.	<ul style="list-style-type: none"> C'est normal. 	<ul style="list-style-type: none"> -
Vous entendez un signal d'alarme.	<ul style="list-style-type: none"> La porte est ouverte La température à l'intérieur de l'appareil est trop élevée 	<ul style="list-style-type: none"> Fermez la porte ou arrêtez l'alarme manuellement.
La porte est difficile à ouvrir.	<ul style="list-style-type: none"> Lorsque l'appareil fonctionne, il dispose d'un aspirateur interne. 	<ul style="list-style-type: none"> Ouvrez doucement le joint de la porte pour permettre à l'air de pénétrer dans l'appareil.
La porte ne peut pas être fermée correctement. Cela laisse toujours un vide.	<ul style="list-style-type: none"> En raison de la basse température de l'appareil, le joint de la porte peut facilement devenir dur et se déformer. 	<ul style="list-style-type: none"> Utilisez un sèche-cheveux ou placez une serviette chaude à l'endroit où le joint est déformé. Lorsque le joint est redevenu mou, fermez la porte et comprimez-la fermement.

9.2 Coupure de courant

En cas de coupure d'électricité, les aliments sont en sécurité au froid pendant près de 18 heures. Suivez les conseils suivants pour une interruption de courant prolongée, notamment en été :

- ▶ Ouvrez la porte le moins de fois possible.
- ▶ Ne conservez pas plus d'aliments dans l'appareil pendant l'interruption de courant.
- ▶ Si vous êtes informé à l'avance de la coupure et de ce que l'interruption durera plus de 15 heures, faites des boules de glace, mettez-les dans un récipient et placez le récipient au-dessus du congélateur.
- ▶ Étant donné que la température interne du congélateur va augmenter pendant l'interruption ou toute autre panne, la période de conservation et la qualité des aliments seront réduites. Tout aliment décongelé doit être soit consommé, soit cuisiné ou recongelé (si possible) immédiatement après pour éviter tout risque sur la santé.



Remarque : Fonction Mémoire pendant la coupure d'électricité

Après le retour de l'électricité, l'appareil continue de fonctionner avec les réglages définis au préalable avant l'interruption du courant.

10.1 Déballage

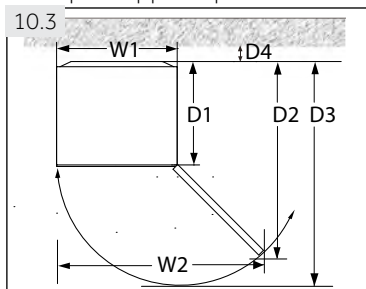


AVERTISSEMENT !

- ▶ L'appareil est lourd. Il faut toujours être au moins à deux pour le manœuvrer.
- ▶ Tenez tous les emballages hors de portée des enfants et mettez-les au rebut dans le respect de l'environnement.
- ▶ Sortez l'appareil de l'emballage.
- ▶ Retirez tous les emballages.

10.2 Conditions environnementales

La température de la pièce doit toujours être comprise entre 10 °C et 43 °C, car elle peut influencer la température interne de l'appareil ainsi que la consommation d'énergie. N'installez pas l'appareil près d'autres appareils qui produisent de la chaleur (cuisinières, réfrigérateurs) sans isolation.

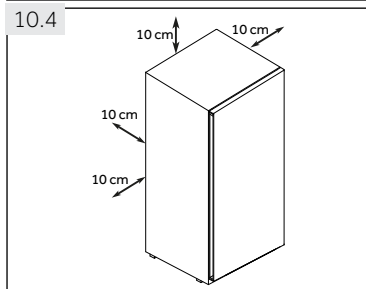


10.3 Exigences en matière d'espace

Espace requis pour l'ouverture de la porte (Fig. 10.3) :

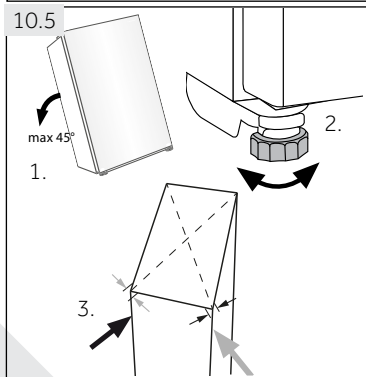
Largeur en mm		Profondeur en mm			Distance par rapport au mur en mm
W1	W2	D1	D2	D3	D4
595	955	592	1105	1215	100

Pour un appareil à pose libre: «Cet appareil de réfrigération n'est pas destiné à être utilisé comme un appareil intégrable»



10.4 Ventilation croisée

Pour une ventilation suffisante de l'appareil pour des raisons de sécurité, les instructions sur la ventilation croisée doivent être respectées (Fig. 10.4)



10.5 Alignement de l'appareil

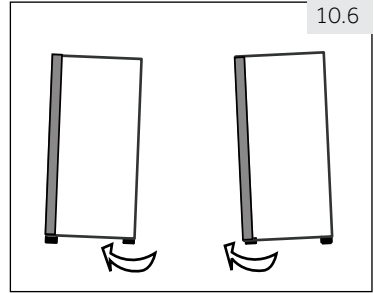
L'appareil doit être placé sur une surface plane et solide. Si l'appareil est placé sur un piédestal, utilisez des matériaux plats, fermes et résistants au feu. N'utilisez jamais des matériaux d'emballage en mousse comme piédestal.

1. Penchez légèrement l'appareil vers l'arrière (Fig. 10.5).
2. Réglez les supports de fixation au niveau souhaité.
3. Vérifiez la stabilité en basculant entre les diagonales. Faites basculer légèrement dans les deux sens. Sinon le cadre peut se déformer causant ainsi une fuite au niveau des joints de porte. Une légère inclinaison vers l'arrière facilite la fermeture de la porte.

10.6 Utilisation des pieds ajustables

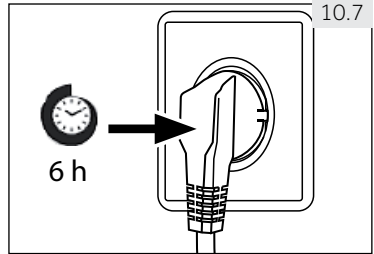
Si le congélateur est instable, les pieds peuvent être réglés : Tournez les pieds réglables dans le sens de la flèche (Fig. 10.6) pour les rallonger ou les diminuer.

- ▶ L'appareil se soulève lorsque vous tournez les pieds dans le sens horaire.
- ▶ L'appareil s'abaisse lorsque vous tournez les pieds dans le sens antihoraire.



10.7 Temps d'attente

L'huile d'entretien du compresseur se trouve dans la capsule du compresseur. Cette huile peut se déverser dans le circuit fermé du système pendant le transport. Avant de brancher l'appareil à l'alimentation électrique, vous devez attendre 6 heures (Fig. 10.7) pour permettre à l'huile de retourner dans la capsule.



10.8. Raccordement électrique

Avant chaque branchement, vérifiez si :

- ▶ l'alimentation électrique, la prise et le fusible correspondent à la plaque signalétique ;
- ▶ La prise est mise à la terre et il n'existe aucune prise multi-fiche ou extension.
- ▶ la prise d'alimentation et la fiche correspondent parfaitement.

Connectez la fiche à une prise correctement installée.



AVERTISSEMENT !

Pour éviter tout risque, remplacez tout câble endommagé auprès du service clients (voir carte de garantie).

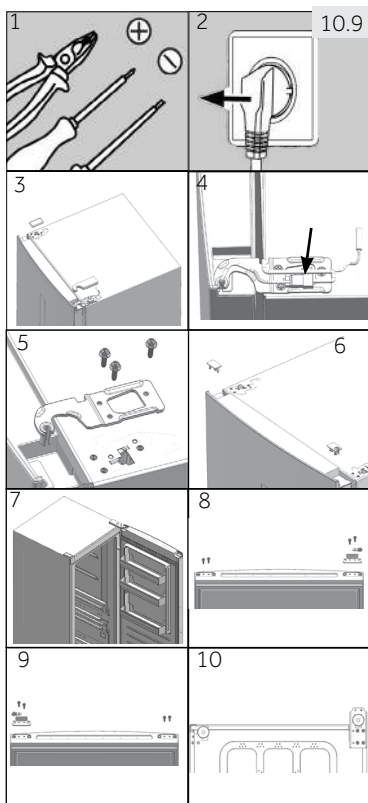
10.9 Réversibilité des portes

Avant de raccorder l'appareil à l'alimentation électrique, vérifiez que la porte bascule de droite (tel que livré) à gauche, selon les commodités de l'emplacement d'installation et l'utilisation.



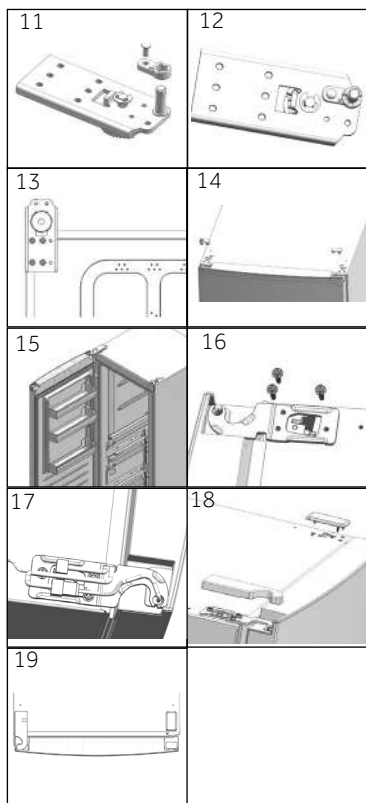
AVERTISSEMENT !

- ▶ L'appareil est lourd. Deux personnes doivent manœuvrer la réversibilité de la porte.
- ▶ Avant toute opération, débranchez d'abord l'appareil de l'alimentation.
- ▶ Ne penchez pas le réfrigérateur à plus de 45 ° pour éviter d'endommager le système de réfrigération.



Étapes de montage (Fig. 10.9) :

1. Prévoyez les outils nécessaires.
2. Débranchez l'appareil.
3. Retirez le cache du trou de la charnière et le cache de la charnière.
4. Débranchez le câble de raccordement
5. Retirez les vis et la charnière
6. Retirez le couvercle de la porte. Retirez le cache de l'axe de la porte
7. Ouvrez et retirez la porte.
8. Retournez la porte, retirez les 2 vis situées au bas de la porte. Retirez les 2 vis, la butée de la porte et le cache de l'axe au bas de la porte
9. Prenez la butée de porte de la dernière étape et le cache de l'axe plus mince du sac à accessoires, fixez-les avec 2 vis. Fixez également 2 vis de l'autre côté de la porte.
10. Inclinez légèrement le boîtier, retirez les 4 vis, puis la charnière inférieure.



11. Retirez la vis et le cache de l'axe. Retirez l'axe de la charnière et fixez-le dans le trou à côté.
12. Prenez la couverture de l'axe plus épaisse du sac à accessoires. Fixez-le avec la vis de la dernière étape.
13. Fixez la charnière dans la position opposée de l'armoire à l'aide de 4 vis.
14. Sur le côté opposé de la porte, tirez le câble de connexion du côté gauche et insérez-le dans le cache-charnière de l'étape 5, puis montez le cache-charnière. Montez le couvercle du trou du côté droit.
15. Montez la porte.
16. Fixez la charnière supérieure droite avec 3 vis.
17. Branchez les connecteurs du câble :
18. Fixez le cache du trou de la charnière et le cache de la charnière
19. Terminé

DISPONIBILITÉ DES PIÈCES DE RECHANGE

Les thermostats, les capteurs de température, les cartes de circuit imprimé et les sources lumineuses sont disponibles pour une période minimale de sept ans à compter de la mise sur le marché de la dernière unité du modèle;

Les poignées de porte, gonds de porte, plateaux et bacs, sont disponibles pour une période minimale de sept ans, et les joints de porte sont disponibles pour une période minimale de 10 ans à compter de la mise sur le marché de la dernière unité du modèle;

GARANTIE

La garantie minimale est : 2 ans pour les pays de l'UE, 3 ans pour la Turquie, 1 an pour le Royaume-Uni, 1 an pour la Russie, 3 ans pour la Suède, 2 ans pour la Serbie, 5 ans pour la Norvège, 1 an pour le Maroc, 6 mois pour l'Algérie, pas de garantie légale requise pour la Tunisie.

ASSISTANCE TECHNIQUE

Pour contacter l'assistance technique, visitez notre site Internet: <https://corporate.haier-europe.com/en/> . Dans la section «websites», choisissez la marque de votre produit et votre pays. Vous serez redirigé vers le site Web spécifique où vous pouvez trouver le numéro de téléphone et le formulaire pour contacter l'assistance technique

Pour plus d'informations sur le produit, veuillez consulter <https://eprel.ec.europa.eu/> ou scannez le QR sur l'étiquette énergétique fournie avec l'appareil

11.1 Fiche produite conformément à la loi UE N° 1060/2010

Marque de fabrique	Haier
Numéro d'identification du modèle	H3R-330WNA
Catégorie du modèle	Congélateur vertical
Classe d'efficacité énergétique	A
Consommation énergétique annuelle (kWh/an)	66
Volume de conservation réfrigération (L)	189
Volume de conservation conservation freezer (L)	141
Volume total de conservation (L)	330
Température des autres compartiments > 14 °C	non applicable
Système de givre	oui
Protection anti-interruption électrique (h)	/
Capacité de congélation (kg/24 h)	/
Classe climatique Cet appareil doit être utilisé à une température ambiante variant entre 10 °C et 43 °C.	SN-T
Émissions de bruits aériens acoustiques (db(A) re 1pW)	38
Type de fabrication	position libre

1) basé sur des résultats d'essais standards pendant 24 heures. La consommation réelle d'énergie dépendra de l'utilisation de l'appareil et de sa position.

Installez cet appareil à un endroit où la température ambiante correspond à la classe climatique indiquée sur la plaque signalétique de l'appareil.

- Tempérée élargie (SN): «Cet appareil de réfrigération est destiné à être utilisé à des températures ambiantes comprises entre 10 °C et 32 °C»
- Tempérée (N): «Cet appareil de réfrigération est destiné à être utilisé à des températures ambiantes comprises entre 16 °C et 32 °C»
- Subtropicale (ST): «Cet appareil de réfrigération est destiné à être utilisé à des températures ambiantes comprises entre 16 °C et 38 °C»
- Tropicale (T): «Cet appareil de réfrigération est destiné à être utilisé à des températures ambiantes comprises entre 16 °C et 43 °C»

11.2 Autres données techniques

Tension/Fréquence	220-240 V ~ / 50 Hz
Fusible principal (A)	1.0
Refroidissant	R600a
Dimensions (H/L/P en mm)	1910/595/675
Puissance d'éclairage/Tension d'éclairage	1,5 W / CC 12 V

11.3 Normes et directives

Ce produit répond aux exigences de toutes les directives CE applicables ainsi que les normes harmonisées correspondantes, qui prévoient le marquage CE.

Nous vous recommandons notre service clients Haier et l'utilisation de pièces de rechange d'origine.

Si vous avez un problème avec l'appareil, veuillez-vous référer à la section DÉPANNAGE.

Si vous ne trouvez pas de solution, veuillez contacter

- ▶ votre vendeur local ou
- ▶ rendez-vous sur le site www.haier.com, dans la zone Service et support, vous trouverez des numéros de téléphone et une FAQ. Vous pourrez également contacter le service de réclamation.

Pour contacter notre Service, rassurez-vous que les informations ci-après sont disponibles.

Ces informations sont disponibles sur la plaque signalétique.

Modèle _____ N° de série _____

Vérifiez également la Carte de garantie fournie avec le produit en cas de garantie.

Pour des renseignements généraux concernant les entreprises, vous trouverez ci-jointes nos adresses en Europe :

Adresses de Haier en Europe			
Pays*	Adresse postale	Pays*	Adresse postale
Italie	Haier Europe Trading SRL Via De Cristoforis, 12 21100 Varese ITALIE	France	Haier France SAS 3-5 rue des Gravières 92200 Neuilly sur Seine FRANCE
Espagne Portugal	Haier Iberie SL Pg. Garcia Faria, 49-51 08019 Barcelone ESPAGNE	Belgique-FR Belgique-NL Pays-Bas Luxembourg	Haier Bénélux SA Anderlecht Route de Lennik 451 BELGIQUE
Allemagne Autriche	Haier Allemagne GmbH Hewlett-Packard-Str. 4 D-61352 Bad Homburg ALLEMAGNE	Pologne République Tchèque Hongrie Grèce Roumanie Russie	Haier Pologne Sp. zo.o. Al. Jerozolimskie 181B 02-222 Warszawa POLOGNE
Royaume-Uni	Haier Appliances UK Co.Ltd. One Crown Square Church Street East Woking, Surrey, GU21 6HR Royaume-Uni		

*Pour de plus amples informations, veuillez consulter le site www.haier.com



Haier



Manual del usuario

Nevera Vertical

H3R-330WNA

ES

Haier

Gracias por comprar un producto Haier.

Lea con atención todas las instrucciones antes de utilizar el aparato. Las instrucciones contienen información importante que le ayudará a aprovechar el aparato al máximo y garantizar una instalación, uso y mantenimiento correctos y seguros.

Conserve el manual en un lugar de fácil acceso para consultarlo en cualquier momento y garantizar el uso seguro y adecuado del aparato.

Si vende el aparato, lo regala o deja atrás en una mudanza de casa, asegúrese de también pasar este manual para que el nuevo propietario pueda familiarizarse con el aparato y sus advertencias de seguridad.

Leyenda



Información general y consejos



Advertencia – Información de seguridad importante



Información medioambiental



Desecho

Ayude a proteger el medio ambiente y la salud de las personas. Coloque el embalaje en contenedores adecuados para su reciclaje. Ayude a reciclar los desechos de aparatos eléctricos y electrónicos. No tirar a la basura normal aquellos aparatos que contengan este símbolo. Lleve el aparato a las instalaciones de reciclaje local o comuníquese con su oficina municipal.



¡Advertencia!

¡Riesgo de lesiones o asfixia!

Sólo personal profesional deberá encargarse del desecho de los refrigerantes y gases. Compruebe que las tuberías del circuito de refrigeración no estén dañadas antes de desecharlas de forma adecuada. Desconecte el aparato de la fuente de energía eléctrica. Corte el cable de corriente y deséchelo. Retire la puerta, el pestillo y los sellos de la misma para evitar que los niños y las mascotas queden encerrados en el aparato.

1 - Seguridad	4
2- Uso previsto	8
3- Descripción del producto	9
4 - Panel de mandos.....	10
5- Uso	11
6- Sugerencias de ahorro energético.....	14
7- Equipo	14
8- Cuidado y limpieza.....	15
9- Solución de problemas.....	17
10- Instalación	20
11- Datos técnicos.....	24
12- Atención al cliente.....	25

Lea estas instrucciones de seguridad antes de encender el aparato por primera vez.



ADVERTENCIA!

Antes del primer uso

- ▶ Asegúrese de que el aparato no presente daños ocasionados durante el transporte.
- ▶ Retire todo el embalaje y mantenga fuera del alcance de los niños.
- ▶ Espere al menos dos horas antes de instalar el aparato para asegurarse de que el circuito de refrigeración funcione completamente.
- ▶ Se necesitan siempre al menos dos personas para mover el aparato ya que es pesado.

Instalación

- ▶ El aparato se debe colocar en un lugar bien ventilado. Asegúrese de que haya un espacio libre de al menos 10 cm por encima y 10 cm alrededor del aparato.
- ▶ No cubra las aberturas de ventilación.
- ▶ Nunca coloque el aparato en un lugar húmedo o lugar donde pueda ser salpicado con agua. Limpie y seque las salpicaduras de agua y las manchas con un paño suave y limpio.
- ▶ No instale el aparato en un lugar donde reciba luz solar de forma directa o cerca de una fuente de calor (por ejemplo, estufas, calentadores).
- ▶ Instale y nivele el aparato en un área adecuada para su tamaño y uso.
- ▶ Mantenga las aberturas de ventilación, en el aparato o en la estructura incorporada, sin obstáculos.
- ▶ Asegúrese de que la información eléctrica de la placa de especificaciones coincida con el suministro de corriente. En caso contrario, comuníquese con un electricista.
- ▶ El aparato es operado por una fuente de corriente 220-240 VAC/50 Hz. La fluctuación de tensión anormal puede causar que el frigorífico no arranque, o dañar el control de la temperatura o compresor, o puede haber un ruido anormal cuando funciona. En tal caso, se deberá usar un regulador automático.
- ▶ Utilice una toma enchufe aparte con toma a tierra y de fácil acceso para conectar el aparato. El aparato debe conectarse a tierra.
- ▶ **Solo para el Reino Unido:** El cable de corriente del aparato está equipado con un enchufe de 3 hilos (conexión a tierra) que se adapta a un conector estándar de 3 cables (conectado a tierra). Nunca corte o desmonte la tercera clavija (de toma a tierra). Una vez instalado el aparato, el enchufe debe ser de fácil acceso.
- ▶ No use adaptadores múltiples y cables prolongadores eléctricos.
- ▶ Asegúrese de que el cable de corriente no quede atrapado por el aparato. No pise el cable de corriente.
- ▶ No dañe el circuito refrigerante.

**¡ADVERTENCIA!****Uso diario**

- ▶ Este aparato no está destinado para el uso por personas (incluyendo niños menores de 8 años) que tengan capacidades físicas, sensoriales o mentales limitadas o una falta de experiencia y/o conocimientos; sólo lo podrán utilizar en caso de que haya una persona responsable de su seguridad que les vigile o les explique el uso seguro del aparato y hayan comprendido los peligros relacionados con el mismo.
- ▶ Mantenga a los niños menores de 3 años alejados del aparato a menos que se encuentren bajo supervisión permanente.
- ▶ Los niños no deben jugar con el aparato.
- ▶ En caso de fugas del gas de carbón o de otros gases inflamables cerca del aparato, apague la válvula del gas que se escapa, abra las puertas y ventanas y no desenchufe el cable de corriente del aparato o de cualquier otro aparato.
- ▶ Tenga en cuenta que el aparato ha sido diseñado para funcionar en un rango de temperatura ambiente específico de 10 °C a 43 °C. Si se lo deja durante mucho tiempo en un lugar con temperaturas superiores o inferiores al rango indicado, es posible que el aparato no funcione de forma adecuada.
- ▶ No coloque artículos inestables (objetos pesados, contenedores llenos de agua) en la parte superior del aparato, para evitar lesiones ocasionadas por una caída o una descarga eléctrica por contacto con el agua.
- ▶ Abra y cierre las puertas solo con las asas. El espacio entre las puertas y el aparato es muy estrecho. No extienda sus manos en estas áreas para no apretarse los dedos. Abra o cierre las puertas solo cuando no haya niños parados dentro del espacio de movimiento de la puerta.
- ▶ No guarde ni use materiales inflamables, explosivos o corrosivos en el aparato o en los alrededores.
- ▶ No guarde medicamentos, bacterias o agentes químicos en el frigorífico. Este frigorífico es un electrodoméstico. No se recomienda almacenar materiales que requieran temperaturas estrictas.
- ▶ No almacene líquidos en botellas o latas (aparte de las bebidas de alta graduación alcohólica), especialmente bebidas gaseosas, en el congelador, ya que pueden estallar al congelarse.
- ▶ Compruebe el estado de los alimentos si ha aparecido una señal de advertencia en el congelador.
- ▶ No fije la temperatura demasiado baja sin necesidad en dicho compartimento. Atención: Las botellas pueden estallar.



¡ADVERTENCIA!:

Uso diario

- ▶ No toque los alimentos congelados con las manos húmedas (use guantes). En especial, no coma paletas heladas apenas los retira del compartimento del congelador. Corre el riesgo de que se quede le pegado o de que se le formen ampollas por congelación. **PRIMEROS auxilios:** ponga de inmediato la superficie afectada bajo agua corriente. ¡No tire para separar!
- ▶ No toque la superficie interior del congelador cuando esté en funcionamiento, especialmente con las manos mojadas. Las manos pueden congelarse en la superficie.
- ▶ Desenchufe el frigorífico en caso de una interrupción de energía o antes de limpiarlo. Espere al menos 5 minutos antes de reiniciar el aparato ya que el arranque frecuente puede dañar el compresor.
- ▶ No utilice aparatos eléctricos dentro de los compartimentos para alimentos del aparato, a menos que sean del tipo recomendado por el fabricante.

Mantenimiento / Limpieza

- ▶ Asegúrese de que los niños estén supervisados si realizan tareas de limpieza o mantenimiento.
- ▶ Desconecte el aparato de la corriente antes de realizar cualquier tarea de mantenimiento de rutina. Espere al menos 5 minutos antes de reiniciar el aparato ya que el arranque frecuente puede dañar el compresor.
- ▶ Cuando vaya a desenchufar el aparato, coja la clavija y no el cable al tirar.
- ▶ No intente remover la escarcha y el hielo con objetos afilados. No utilice aerosoles, calentadores eléctricos como calefactores, secadores de pelo, limpiadores a vapor ni otras fuentes de calor para evitar daños a los componentes plásticos.
- ▶ No utilice ningún dispositivo mecánico, ni ningún otro aparato, para acelerar el proceso de descongelación, salvo los recomendados por el fabricante.
- ▶ No rocíe ni enjuague el aparato durante la limpieza.
- ▶ Si las bombillas están dañadas, deben ser sustituidas por el fabricante o por la persona competente del servicio de mantenimiento especificado.
- ▶ Si el cable de corriente está dañado, debe ser reemplazado por el fabricante, su agente de servicio o por personal cualificado, con el fin de evitar situaciones de peligro.
- ▶ No intente reparar, desensamblar o modificar el aparato usted mismo. Comuníquese con el centro de atención al cliente si necesita reparación.

Información sobre el gas refrigerante



¡ADVERTENCIA!

El aparato contiene el gas refrigerante inflamable ISOBUTANO (R600a). Asegúrese de que el circuito de refrigeración no haya sufrido daños durante el transporte o la instalación. Una pérdida de refrigerante puede ocasionar lesiones en la vista o inflamarse. Si ha habido daños, mantenga las fuentes de fuego lejos, ventilar bien la habitación, no enchufe ni desenchufe los cables de corriente del aparato ni de ningún otro aparato. Informe el daño al centro de atención al cliente.

Si sus ojos entran en contacto con el refrigerante, enjuáguelos de inmediato con agua corriente y comuníquese con un oftalmólogo.



¡ADVERTENCIA!

- ▶ Tenga cuidado y evite provocar un incendio al encender material inflamable.
- ▶ ADVERTENCIA : Al colocar el aparato, asegúrese de que el cable de corriente no esté atrapado o dañado.
- ▶ ADVERTENCIA : No coloque varios enchufes alargadores múltiples ni tomas o fuentes de alimentación portátiles en la parte trasera del aparato.
- ▶ No guarde dentro del aparato ninguna sustancia explosiva, como aerosoles, que contengan propelentes inflamables.
- ▶ Para los refrigerantes inflamables utilizados en el congelador, tenga cuidado al instalar, manipular, reparar y reciclar el aparato.
- ▶ Comuníquese con el servicio apropiado para desechar el aparato, a causa del gas inflamable utilizado.

2.1 Uso previsto

«Este aparato está diseñado para un uso en el entorno doméstico y similares como:

- Áreas de cocina para el personal en tiendas, oficinas y otros entornos de trabajo;
- Casas rurales y también para ser utilizada por los clientes en hoteles, moteles y otros entornos de tipo residencial;

Entornos de hospedaje en régimen de alojamiento y desayuno.
-aplicaciones de hostelería y actividades no comerciales similares.

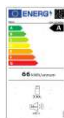
Este electrodoméstico está destinado a la refrigeración de alimentos. Es solo para uso do-méstico, de interior, en ambientes secos. No es adecuado para un uso comercial o indus-trial. A conveniencia, este aparato se puede utilizar como compartimento para alimentos frescos.

No puede realizar cambios o modificaciones al aparato. Cualquier otro uso del aparato puede producir lesiones e invalidar la garantía.

2.2 Accesorios

Compruebe los accesorios y su documentación de acuerdo con esta lista:

2.2



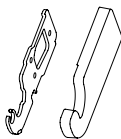
**Etiqueta
energ ética**



**Tarjeta de
garant í a**

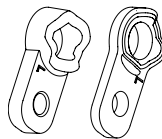


**Manual de
usuario**



**Bisagra superior
izquierda para
invertir la puerta.**

**Cubierta de la
bisagra superior
izquierda**



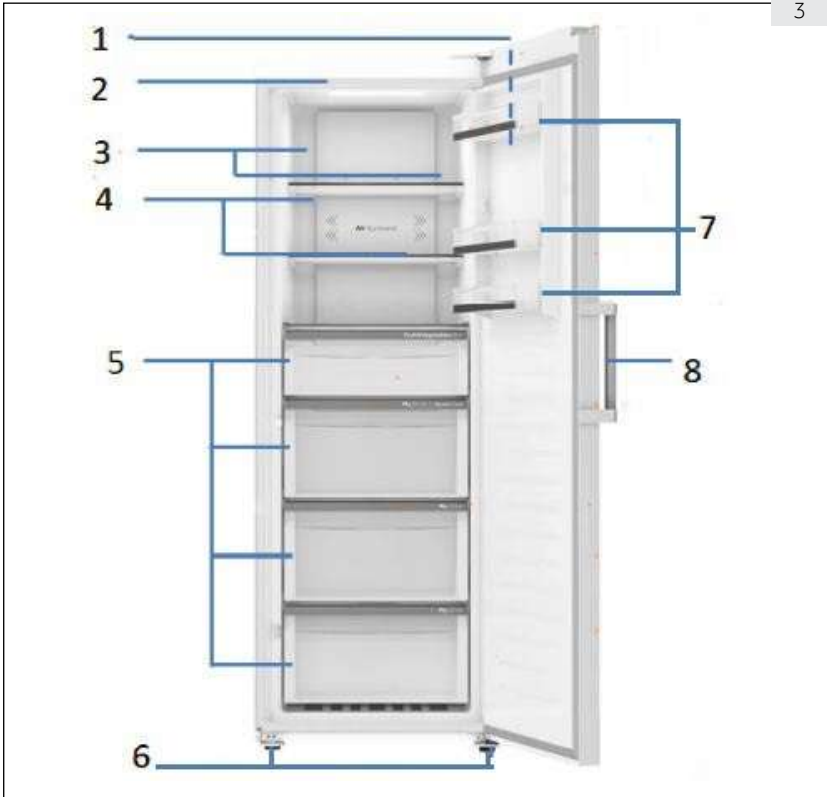
**Embelle-
cedores de
bisagras**



Aviso: Diferencias

Debido a los cambios técnicos y diferentes modelos, algunas de las ilustraciones de este manual pueden diferir de su modelo.

Imagen del aparato (Il. 3)



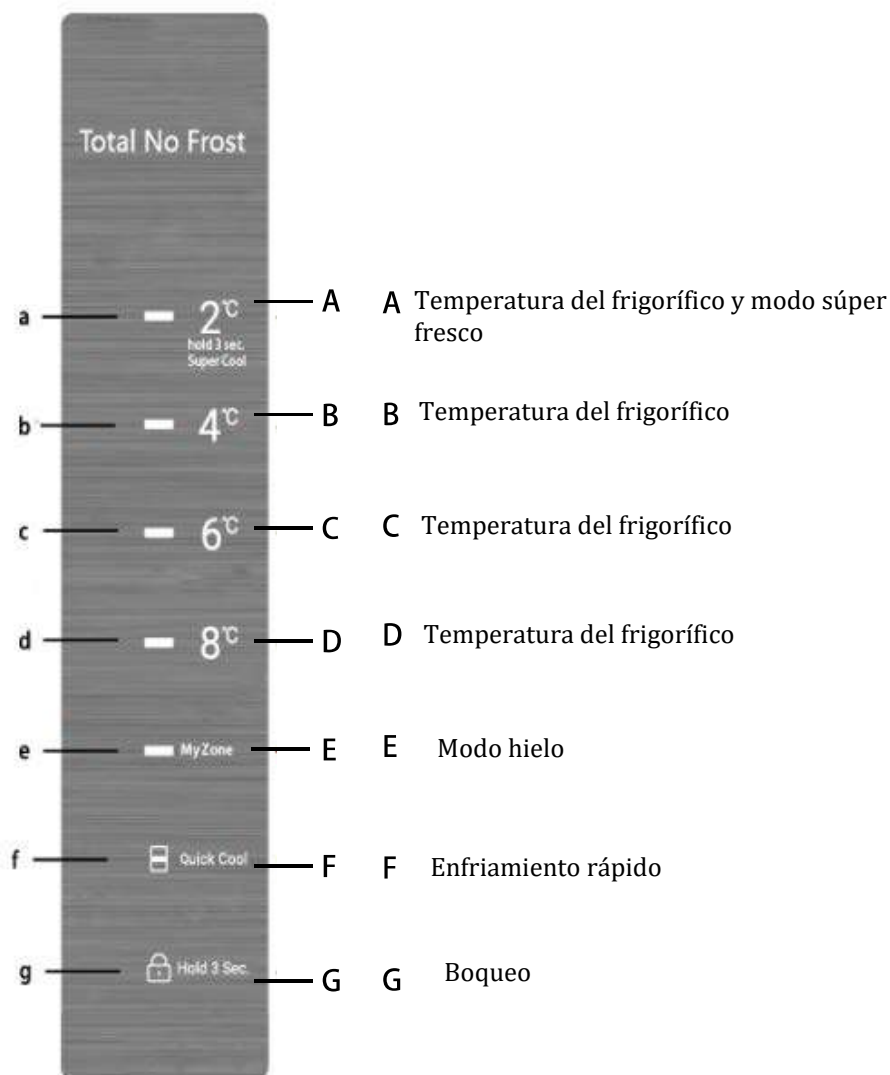
- 1 Panel de control
- 2 Luz LED
- 3 Flujo múltiple de aire
- 4 Estantes de vidrio

- 5 Cajones
- 6 Patas ajustables
- 7 Estantes de la puerta extraíbles
- 8 Asa de la puerta

Nota: este producto contiene una fuente de luz de clase de eficiencia energética <G>.

Panel de control (Il. 4)

4




5.1 Antes del primer uso

- ▶ Retire todo el material de embalaje, manténgalo fuera del alcance de los niños y deséchelo de forma respetuosa con el medio ambiente.
- ▶ Limpie el interior y el exterior del electrodoméstico con agua y un detergente suave antes de introducir cualquier alimento en él.
- ▶ Después de nivelar y limpiar el electrodoméstico, espere al menos 6 horas antes de conectarlo a la fuente de alimentación. Consulte la sección INSTALACIÓN.

5.2 Encienda y apague el electrodoméstico

- ▶ El electrodoméstico se pondrá en marcha en cuanto se conecte a la fuente de alimentación.
- ▶ La temperatura del frigorífico se ajusta automáticamente a la temperatura de almacenamiento frigorífico de 4 °C y a la temperatura del modo hielo de 0 °C. Este es el ajuste recomendado y la temperatura ideal para los productos refrigerados. Puede ajustar la temperatura manualmente si lo desea. Por favor, consulte la sección AJUSTE DE LA TEMPERATURA.

Los indicadores (a-g) parpadearán una vez consecutivamente. Si se cierra la puerta, la pantalla se apaga después de 30 segundos. El bloqueo del panel podría estar activo

 **Aviso: Preajuste**
 ▶ Este electrodoméstico está preajustado a la temperatura recomendada: una temperatura de conservación frigorífica de 4 °C y una temperatura del modo hielo de 0 °C.
 ▶ Cuando se enciende el electrodoméstico después de haberlo desconectado de la fuente de alimentación principal, alcanzar las temperaturas correctas puede tomar hasta 2 horas.
 Vacíe el electrodoméstico antes de apagarlo y luego retire el cable de alimentación de la toma de corriente.

5.3 Modo de espera de la pantalla

Cuando la puerta está cerrada, la pantalla se apaga automáticamente después de 3 segundos sin haber realizado ninguna operación. La pantalla se bloquea automáticamente. Se enciende automáticamente al tocar cualquier botón o abrir la puerta.

5.4 Bloqueo y desbloqueo de la pantalla

Bloqueo automático

La pantalla se bloquea automáticamente después de 30 segundos sin haber realizado ninguna operación.

Bloqueo manual

Cuando la pantalla esté desbloqueada, mantenga pulsado el «Bloqueo» (G) durante 3 segundos: el indicador de «Bloqueo» (g) se iluminará y la pantalla estará bloqueada.

Cuando la pantalla esté bloqueada, mantenga pulsado el «Bloqueo» (G) durante 3 segundos: oírás un pitido, el indicador de «Bloqueo» (g) se iluminará y la pantalla estará desbloqueada.

**Aviso: Bloqueo de la pantalla**

Cuando la pantalla está bloqueada, funciones como el ajuste de temperatura, el enfriamiento rápido y el modo hielo están desactivadas. Cuando se intentan estas operaciones, el indicador del «Bloqueo infantil» parpadeará 3 veces para recordar que la pantalla está bloqueada

5.5 Ajuste de la temperatura

Cuando la pantalla está desbloqueada, puede ajustar la temperatura pulsando el botón de temperatura. Este proceso se acompañará de pitidos.

La zona de estantes superior y la primera zona de cajón del frigorífico representan la zona de almacenamiento refrigerada, mientras que la zona inferior de tres cajones es la zona de temperatura del modo hielo. Elija la zona de almacenamiento adecuada para evitar que los alimentos se echen a perder.

5.6 Modo frigorífico (de 2 °C a 8 °C) (A-D)

Cuando la pantalla está desbloqueada, puede ajustar la temperatura tocando el botón de temperatura. La temperatura se puede ajustar a «2 °C», «4 °C», «6°C» y «8 °C».

5.7 Modo hielo (de 0 °C a 2 °C) (E)

Después de desbloquear la pantalla, toque «My Zone» (E): los indicadores del «My Zone» (e) se iluminarán, la zona de temperatura del modo hielo estará configurada a 0 °C. Vuelva a tocar «My Zone» (E): los indicadores del «My Zone» (e) se apagarán, la zona de temperatura del modo hielo estará configurada a 2 °C.

5.8 Modo súper fresco (A)

Cuando la pantalla esté bloqueada, mantenga presionado el (2 °C) (A) durante 3 segundos: los indicadores (a-d) se iluminarán para indicar que el frigorífico está funcionando en el modo súper fresco. Repita los pasos anteriores para desactivar el modo súper fresco. Si no la desactiva manualmente, la función se desactivará automáticamente tan pronto como la temperatura alcance la temperatura ajustada o 3 horas más tarde.

**Aviso: Modo súper fresco**

En el modo súper fresco, la temperatura no puede ajustarse. Si lo hace, el indicador parpadeará 3 veces.

5.9 Modo de enfriamiento rápido (F)

El modo de enfriamiento rápido funciona como una REFRIGERACIÓN SÚBITA en el segundo cajón de la parte superior, toda la zona del cajón se puede enfriar rápidamente a la temperatura establecida. Cuando la pantalla esté desbloqueada toque «Quick cool» (F): los indicadores (f) se iluminarán para indicar que ahora el frigorífico funciona en el modo de enfriamiento rápido. Repita los pasos anteriores para desactivar la función de enfriamiento rápido. Si no la desactiva manualmente, la función se desactivará automáticamente tan pronto como la temperatura alcance la temperatura ajustada o 3 horas más tarde.

5.10 Memoria de apagado

Este frigorífico tiene ajustes de memoria de apagado antes de que se memorice el apagado. Cuando se enciende el suministro eléctrico, el frigorífico restablece el ajuste de antes del apagado y sigue funcionando. La función de bloqueo infantil no se puede memorizar. Después del encendido, la pantalla estará desbloqueada.

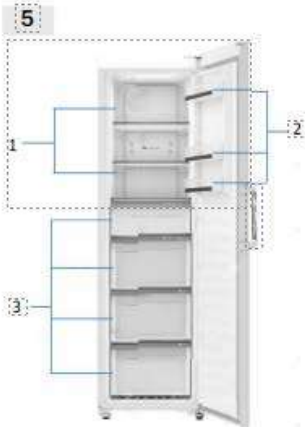
5.11 Alarma de apertura de la puerta

Cuando la puerta se deja abierta durante más de 1 minuto, el frigorífico emite 3 pitidos con un intervalo de 0,5 segundos entre ellos. Los pitidos se repiten cada 30 segundos si la puerta se mantiene abierta. Los pitidos no se detendrán hasta que se cierre la puerta o después de 7 minutos. Luego la luz se apaga.

5.12 Indicador de errores

Este frigorífico está equipado con un indicador de errores. Cuando se detecte un error, la pantalla parpadeará cada 1/4 segundos mostrando diferentes códigos para los distintos errores.

En esta situación, el frigorífico todavía puede seguir refrigerando, pero debe llamar al servicio posventa tan pronto como sea posible para comprobar el electrodoméstico.



Los diferentes alimentos deben colocarse en diferentes áreas según sus propiedades (Fig: 5).

1 Encurtidos, conservas, frutas, verduras, ensaladas, etc.

2 Huevos, alimentos enlatados, especias, bebidas y otros alimentos embotellados, etc.

3 Carnes, snacks, etc.

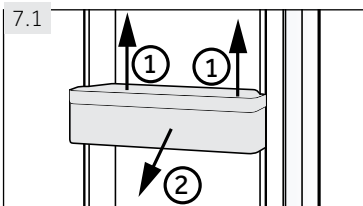
En el caso de los aparatos sin compartimento de cuatro estrellas: «Este aparato no es adecuado para la congelación de productos alimenticios».



Consejos para ahorrar energía

- ▶ Asegúrese de que el aparato tenga la ventilación adecuada (consulte la sección INS-TALACIÓN).
- ▶ No instale el aparato en un lugar donde reciba luz solar de forma directa o cerca de una fuente de calor (por ejemplo, estufas, calentadores).
- ▶ No fije la temperatura del frigorífico demasiado baja sin necesidad. Cuanto menor es la temperatura del aparato, mayor es el consumo de energía.
- ▶ Deje enfriar la comida caliente antes de guardarla en el frigorífico.
- ▶ Abra la puerta del aparato lo menos posible.
- ▶ Asegúrese de cerrar siempre bien la puerta, y que ésta no quede dañada por la colocación de los alimentos. Mantenga limpias las juntas de la puerta.
- ▶ Descongele los alimentos congelados en frigorífico.
- ▶ Limpie regularmente la parte trasera del aparato. El polvo aumenta el consumo eléctrico
- ▶ La configuración que ahorra más energía requiere colocar cajones, fiambreras y estantes en el product como si estuvieran frescos de fábrica, y que los alimentos se coloquen sin bloquear la salida de aire del conducto

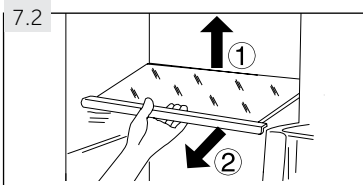
7- Equipo



7.1 Estantes de la puerta extraíbles

Puede retirar los estantes de la puerta para su limpieza: Coloque las manos a cada lado del estante, levántelo hacia arriba (1) y sáquelo (2) (Il. 7.3).

Siga los pasos anteriores en el orden inverso para volver a colocar el estante de la puerta.



7.2 Estantes de vidrio

1. Para sacar un estante, primero retírelo levantando su borde posterior (1) y tirando de él (2) (Il. 7.2).
2. Para volver a instalarlo, colóquelo en las guías a ambos lados y deslice el estante hacia adentro hasta que la parte posterior quede fijada en las ranuras a ambos lados.



¡ADVERTENCIA!

Desconecte el aparato de la fuente de corriente antes de limpiarlo.

8.1 General

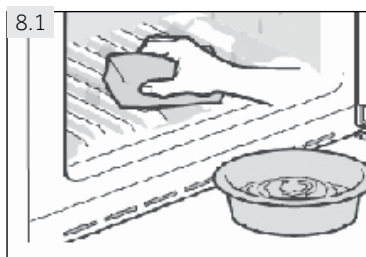
Limpie el aparato cuando haya pocos o ningún alimento almacenado.



¡ADVERTENCIA!

- ▶ No limpie el aparato con cepillos duros, cepillos de alambre, detergente en polvo, ga-solina, acetato de amilo, acetona y otras soluciones orgánicas similares, soluciones ácidas o alcalinas. Por favor, limpie con detergente especial para frigorífico para evitar daños.
- ▶ No rocíe ni enjuague el aparato durante la limpieza.
- ▶ No intente remover la escarcha y el hielo con objetos afilados.
- ▶ No utilice aerosoles, calentadores eléctricos como calefactores, secadores de pelo, limpiadores a vapor ni otras fuentes de calor para evitar daños a los componentes plásticos.
- ▶ No limpie los estantes de vidrio fríos con agua caliente. Un cambio brusco de temperatura puede causar la ruptura del vidrio.
- ▶ No toque la superficie interna del compartimento de almacenamiento del congelador, especialmente con las manos húmedas, ya que sus manos pueden quedar adheridas a la superficie.
- ▶ En caso de calentamiento, verifique el estado de los alimentos congelados.
- ▶ No intente reparar el aparato usted mismo. Comuníquese con el centro de atención al cliente si necesita reparación.

- ▶ Siempre mantenga limpia la junta de la puerta.
- ▶ Limpie el interior y los compartimentos del aparato con una esponja humedecida con agua tibia y un detergente neutro (Il. 8.1).
- ▶ Enjuague y seque con un paño suave.
- ▶ No limpie ninguna parte del aparato en un lavavajillas.
- ▶ Limpie el accesorio solo con agua tibia y detergente neutro suave.



8.2 Falta de uso durante un periodo prolongado

Si el aparato no se utiliza durante un período de tiempo prolongado:

- ▶ Retire los alimentos.
- ▶ Desconecte el cable de corriente.
- ▶ Limpie el aparato como se describe anteriormente.
- ▶ Deje la puerta del refrigerador y los cajones del congelador abiertos para evitar la formación de malos olores.

Retire la puerta del aparato (abra la puerta y sosténgala antes de quitar los tornillos) para evitar que los niños entren en el aparato y se enganchen.



Aviso: Apáguelo

Para asegurar la vida útil del aparato, apáguelo únicamente en caso de ser estrictamente necesario.

8.3 Mover el aparato

1. Retire todos los alimentos y desenchufe el aparato.
2. Asegure con cinta adhesiva los estantes y otras partes móviles del frigorífico y del congelador.
3. Cierre la puerta y asegúrela con cinta.
4. No incline el frigorífico más de 45° para evitar dañar el sistema de refrigeración.
5. Envuelva las patas del congelador para evitar rayar el suelo. No mueva nunca el congelador con fuerza.



¡ADVERTENCIA!:

- ▶ No levante el aparato por sus asas.
- ▶ Nunca coloque el aparato sobre el suelo en posición horizontal.

Puede solucionar muchos problemas usted mismo sin necesidad de conocimientos específicos. En caso de un problema, por favor, compruebe todas las posibilidades mostradas y siga las instrucciones a continuación antes de ponerse en contacto con un servicio postventa. Ver sección ATENCIÓN AL CLIENTE.



¡ADVERTENCIA!

- ▶ Antes de realizar cualquier tarea de mantenimiento, apague el aparato y desconecte el cable de corriente.
- ▶ El servicio técnico solo debe estar a cargo de electricistas calificados, ya que una reparación inadecuada puede causar daños importantes.
- ▶ Recorra solo al fabricante, su servicio técnico o similares personas capacitadas, para reemplazar un componente dañado y evitar así cualquier peligro.

La alarma acústica se puede desactivar pulsando cualquier botón.

9.1 Resolución de problemas

Problema	Causa posible	Solución posible
El compresor no funciona.	<ul style="list-style-type: none"> • El enchufe no está conectado a la fuente de corriente. 	<ul style="list-style-type: none"> • Enchufe el aparato a la corriente eléctrica.
El aparato funciona con demasiada frecuencia o durante periodos demasiado prolongados.	<ul style="list-style-type: none"> • La temperatura interior o exterior es demasiado elevada. • El aparato ha estado desenchufado de la corriente por un periodo de tiempo. <p>Una puerta o cajón del aparato no está bien cerrada.</p> <ul style="list-style-type: none"> • Se han abierto la puerta o el cajón con demasiada frecuencia o durante demasiado tiempo. • La temperatura es demasiado baja. La junta de la puerta está sucia, gastada, resquebrajada o mal colocada. • No se garantiza la circulación de aire requerida. • El interior está cubierto de hielo. 	<ul style="list-style-type: none"> • En este caso, el aparato suele funcionar durante periodos más prolongados. • Normalmente, el aparato necesita entre 8 y 12 horas para enfriarse por completo. • Cierre la puerta o el cajón y asegúrese de que el aparato esté ubicado en una superficie nivelada y que no haya ningún alimento o envase que haga vibrar la puerta. • No abra las puertas con demasiada frecuencia. • Ajuste la temperatura a un valor más elevado hasta lograr una temperatura del frigorífico satisfactoria. Es necesario que pasen 24 horas para estabilizar la temperatura del frigorífico. • Limpie la junta de la puerta o comuníquese con el centro de atención al cliente para pedir su cambio. • Asegúrese que haya una ventilación adecuada. • Descongele el aparato.

Problema	Causa posible	Solución posible
El aparato hace un ruido anormal.	<ul style="list-style-type: none"> El aparato no está ubicado sobre una superficie nivelada. La máquina toca un objeto cerca de él. El aparato se encuentra en un suelo de madera o cerca de paredes de madera. 	<ul style="list-style-type: none"> Nivele el aparato Retire los objetos ubicados alrededor del aparato. La madera amplifica el sonido. Coloque el aparato en otro lugar.
El aparato hace un ruido de clic	<ul style="list-style-type: none"> Esto es normal. Es causado por el encendido o apagado de la unidad de refrigeración. 	<ul style="list-style-type: none"> -
Debe escuchar un leve sonido similar al de agua que corre.	<ul style="list-style-type: none"> Esto es normal. 	<ul style="list-style-type: none"> -
El aparato hace un ruido de motor	<ul style="list-style-type: none"> El frigorífico se encendió por sí solo. Esto es normal 	<ul style="list-style-type: none"> -
No hay una temperatura lo suficientemente baja dentro del aparato.	<ul style="list-style-type: none"> La temperatura está ajustada demasiado alta. Se ha guardado comida demasiado caliente. Se ha guardado demasiada comida a la vez. Los alimentos están guardados con muy poco espacio de separación. La puerta no está bien cerrada. Se han abierto la puerta o el cajón con demasiada frecuencia o durante demasiado tiempo. 	<ul style="list-style-type: none"> Vuelva a ajustar la temperatura. Siempre deje que se enfrien los alimentos antes de guardarlos. Siempre almacene pequeñas cantidades de alimentos. Deje un espacio entre los alimentos para permitir la circulación de aire. Cierre la puerta. No abra las puertas con demasiada frecuencia.
No hay una temperatura lo suficientemente baja dentro del aparato.	<ul style="list-style-type: none"> La temperatura está ajustada demasiado baja. La función de congelación rápida se activa o ha estado funcionando mucho tiempo. 	<ul style="list-style-type: none"> Vuelva a ajustar la temperatura. Desactive la función de congelación rápida.
La humedad se acumula en la superficie del aparato.	<ul style="list-style-type: none"> El clima es demasiado cálido y húmedo. 	<ul style="list-style-type: none"> Esto es normal en climas húmedos y se modificará cuando baje la humedad. Seque con un paño.
Mucho hielo y escarcha en el compartimento del congelador.	<ul style="list-style-type: none"> Los alimentos no estaban envasados de forma adecuada. La puerta no está bien cerrada. Se han abierto la puerta o el cajón con demasiada frecuencia o durante demasiado tiempo. La junta de la puerta está sucia, gastada, resquebrajada o mal colocada. Algún artículo dentro del aparato evita que se cierre bien la puerta. 	<ul style="list-style-type: none"> Siempre guarde los alimentos bien embalados. Cierre la puerta. No abra las puertas con demasiada frecuencia. Limpie la junta de la puerta o comuníquese con el centro de atención al cliente para pedir su cambio. Cambie la posición de los estantes, los estantes de la puerta o los contenedores internos para permitir que se cierre la puerta.

Problema	Causa posible	Solución posible
El sistema de refrigeración no funciona.	<ul style="list-style-type: none"> • El enchufe no está conectado a la corriente. • La fuente de corriente no está intacta. 	<ul style="list-style-type: none"> • Enchufe el aparato a la corriente eléctrica. • Revise la corriente de la habitación. ¡Comuníquese con la empresa proveedora de energía eléctrica local!
Los laterales y la tira de la puerta se calientan.	<ul style="list-style-type: none"> • Esto es normal. 	<ul style="list-style-type: none"> • -
Oirá un pitido de alarma.	<ul style="list-style-type: none"> • La puerta está abierta. • La temperatura interior del aparato es demasiado alta 	<ul style="list-style-type: none"> • Cierre la puerta o apague la alarma de forma manual.
Cuesta abrir la puerta.	<ul style="list-style-type: none"> • Una vez en marcha el aparato, tiene un vacío interno. 	<ul style="list-style-type: none"> • Abrir el sello de la puerta suavemente para dejar que el aire entre en el aparato.
La puerta no se puede cerrar bien. Deje siempre un espacio.	<ul style="list-style-type: none"> • Debido a la baja temperatura del aparato, es fácil que el sello de la puerta se pueda deformar o quedar duro. 	<ul style="list-style-type: none"> • Utilice un secador de pelo o poner una toalla caliente en el lugar donde la Junta está deformada. • Cuando la junta esté suave de nuevo, cierre la puerta y comprímala firmemente.

9.2 Interrupción de energía

En caso de un corte eléctrico, el aparato debería mantener los alimentos refrigerados de forma segura durante aproximadamente 18 horas. Seguir estos consejos durante una interrupción prolongada del suministro de energía eléctrica, especialmente en verano.

- ▶ Abra la puerta o los cajones lo menos posible.
- ▶ No coloque otros alimentos en el frigorífico durante el corte eléctrico.
- ▶ Si se trata de un corte programado con aviso y el suministro de energía eléctrica estará interrumpido por más de 15 horas, prepare hielo y colóquelo en un contenedor en la parte superior del compartimento del congelador.
- ▶ Dado que producirá un aumento de la temperatura dentro del congelador durante un corte de energía u otros similares, esto reducirá el periodo de almacenamiento y la calidad de los alimentos para el consumo. Puede consumir, cocinar o volver a congelar (en los casos en que sea adecuado) cualquier alimento que se descongele a la brevedad luego del corte para evitar daños a la salud.



Aviso: Función de memoria durante la interrupción de la corriente

Después de la restauración del poder del aparato continúe con los ajustes hechos antes de la falla de energía.

10.1 Desempaque

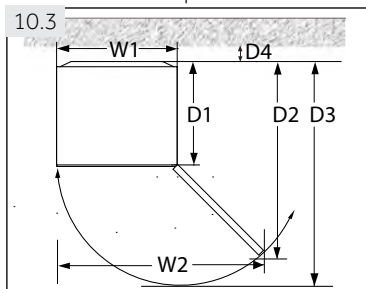


ADVERTENCIA!

- ▶ El aparato es pesado. Siempre mueva el aparato con al menos dos personas.
- ▶ Mantenga todos los materiales de embalaje fuera del alcance de los niños y deséchelos de forma ecológica.
- ▶ Saque el aparato del embalaje.
- ▶ Retire todos los materiales de embalaje.

10.2 Condiciones medio ambientales

La temperatura ambiente siempre debe estar entre los 10 °C y los 43 °C, ya que puede afectar a la temperatura dentro del aparato y su consumo de energía. No instale el aparato cerca de otros aparatos emisores de calor (hornos, refrigeradores) sin aislamiento.

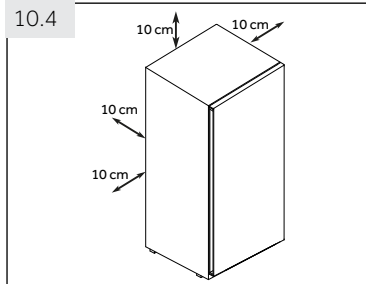


10.3 Requisitos de espacio

Espacio requerido para abrir la puerta (Il. 10.3):

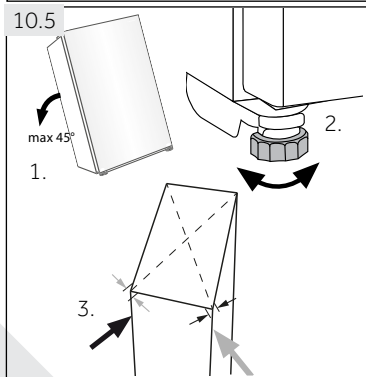
Ancho en mm		Profundidad en mm			Distancia a la pared en mm
W1	W2	D1	D2	D3	D4
595	955	592	1105	1215	100

En el caso de los aparatos de libre instalación: «Este aparato no está destinado a utilizarse como aparato encastrable».



10.4 Sección transversal de ventilación

Para lograr una ventilación suficiente del aparato por razones de seguridad, debe observarse la información de las secciones transversales de ventilación requeridas (Il. 10.4).



10.5 Alineación del aparato

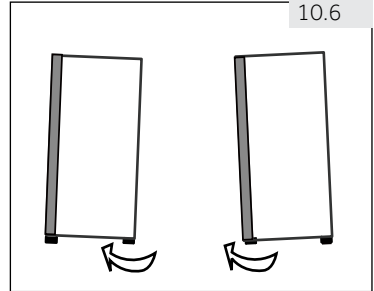
Coloque el aparato sobre una superficie plana y sólida. Si el aparato se coloca sobre un pedestal, deben utilizarse materiales fuertes y resistentes al fuego. Nunca utilice el material de relleno de espuma como pedestal.

1. Inclínelo levemente hacia atrás (Il. 10.5).
2. Fije las patas en el nivel adecuado.
3. Puede comprobar la estabilidad del aparato golpeando ligeramente las diagonales de forma alterna. El ligero balanceo debe ser el mismo en ambas direcciones. De lo contrario, se podría torcer la estructura y afectar el cierre hermético de las puertas. Una leve inclinación hacia atrás facilita el cierre de la puerta.

10.6 Uso de las patas ajustables

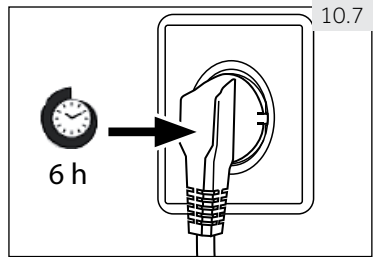
Puede ajustar las patas en caso de que el congelador sea inestable. Gire los pies ajustables de acuerdo con la dirección de la flecha (Il. 10.6) para subir o bajarlos:

- ▶ Girando los pies en el sentido de las agujas del reloj aumenta el aparato.
- ▶ Gire la patas hacia la izquierda para bajarlo.



10.7 Tiempo de espera

El aceite de lubricación libre de mantenimiento está ubicado en la cápsula del compresor. Si se inclina el aparato durante el transporte, este aceite puede pasar al sistema de tuberías cerradas. Debe esperar 6 horas antes de enchufar el aparato a la corriente (Il. 10.7) para que el aceite regrese a la cápsula.



10.8 Conexión eléctrica

Antes de cada conexión, compruebe si:

- ▶ la fuente de corriente, la toma de enchufe y los fusibles son adecuados, según la placa de especificaciones.
- ▶ el toma corriente tiene conexión a tierra y no se está usando ningún adaptador múltiple o cable prolongador eléctrico.
- ▶ el enchufe y el toma corriente son compatibles.

Conecte el enchufe a un toma corriente doméstico instalado de forma correcta.



ADVERTENCIA!

Para evitar riesgos, comuníquese con el centro de atención al cliente para solicitar el cambio de un cable eléctrico dañado (consulte la tarjeta de la garantía).

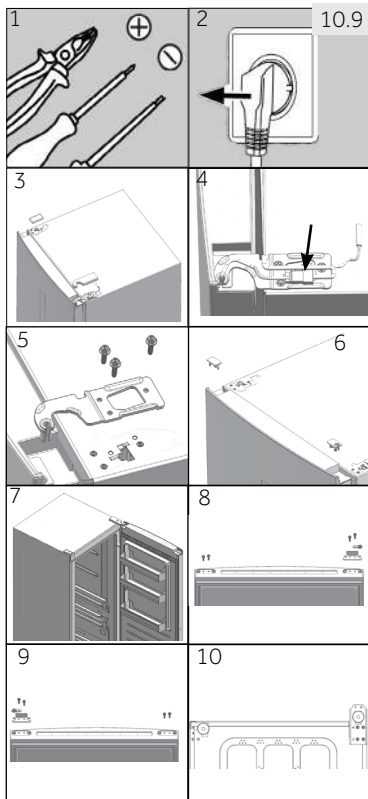
10.9 Reversibilidad de la puerta

Antes de enchufar el aparato a la corriente, compruebe si es necesario cambiar la orientación de la apertura de la puerta de derecha (como se entrega) a izquierda, en función del lugar donde instala el aparato y su uso.



¡ADVERTENCIA!

- ▶ El aparato es pesado. Necesita realizar esta tarea con dos personas.
- ▶ Antes de cualquier operación, desenchufe el aparato de la corriente.
- ▶ No incline el frigorífico más de 45° para evitar dañar el sistema de refrigeración.



Pasos para el montaje (Il. 10.9):

1. Asegúrese de tener las herramientas adecuadas.
2. Desconecte el aparato.

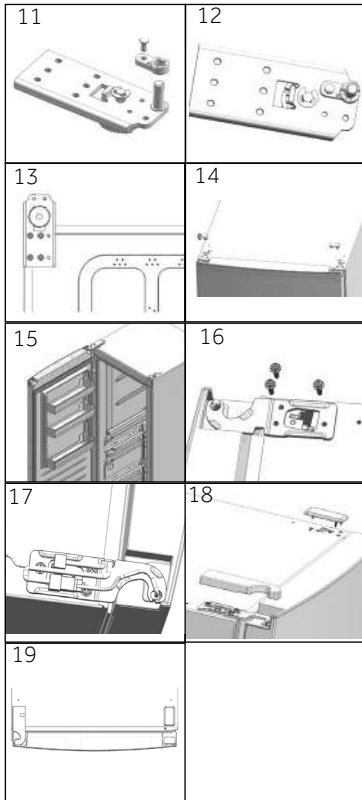
3. Retire la tapa del orificio de la bisagra y tapa de la bisagra.
4. Desenchufe el cable de corriente.

5. Quite los tornillos y bisagra
6. Saque la cubierta de la puerta. Saque los embellecedores de las bisagras de la puerta.

7. Abra y quite la puerta.
8. Invierta la puerta, remueva los 2 tornillos en la parte inferior de la puerta. Quite los 2 tornillos, el tapón de la puerta y el embellecedor de la bisagra en la parte inferior de la puerta

9. Saque el tapón de la puerta del paso anterior y el embellecedor de bisagra de la bolsa y fíjelos con 2 tornillos. Fije 2 tornillos también en el otro lado de la puerta.

10. Incline el aparato ligeramente hacia atrás, retire los 4 tornillos y luego la bisagra inferior.



11. Quite el tornillo y el embellecedor de la bisagra. Retire el eje de bisagra y colóquelo en el orificio anexo.
12. Saque de la bolsa de accesorios el embellecedor de bisagra más grueso. Fijarlo con el tornillo del último paso.
13. Fije la bisagra a la posición opuesta de la estructura con 4 tornillos.
14. En el lado opuesto de la puerta, saque el cable de conexión del lado izquierdo y páselo por el embellecedor del paso 5, para después colocar el embellecedor. Coloque el tapón embellecedor del orificio en el lado derecho.
15. Monte la puerta.
16. Fije la bisagra superior derecha superior con 3 tornillos.
17. Conecte los conectores de cable:
18. Coloque la tapa del orificio de la bisagra y la cubierta de la bisagra superior izquierda.
19. Terminado.

DISPONIBILIDAD DE REPUESTOS

Termostatos, sensores de temperatura, placas de circuitos impresos y fuentes luminosas, durante un período de, como mínimo, siete años tras la introducción en el mercado de la última unidad del modelo.

Mangos de puerta, bisagras, bandejas y cestos, durante un período de, como mínimo, siete años, y juntas de puerta durante un período de, como mínimo, diez años tras la introducción en el mercado de la última unidad del modelo;

GARANTÍA

La garantía mínima es: 2 años para los países de la UE, 3 años para Turquía, 1 año para el Reino Unido, 1 año para Rusia, 3 años para Suecia, 2 años para Serbia, 5 años para Noruega, 1 año para Marruecos y 6 meses para Argelia. En Túnez no se requiere garantía legal.

ASISTENCIA TÉCNICA

Para ponerse en contacto con la asistencia técnica, visite nuestro sitio web: <https://corporate.haier-europe.com/en/>. En la sección "websites", elija la marca de su producto y su país. Serás redirigido al sitio web específico donde podrás encontrar el número de teléfono y el formulario para contactar con la asistencia técnica.

Para más información sobre el producto, consulte <https://eprel.ec.europa.eu/> o escanee el QR en la etiqueta energética suministrada con el aparato

11.1 Ficha del producto de acuerdo con la regulación EU No. 1060/2010

Marca	Haier
Identificador del modelo	H3R-330WNA
Categoría del modelo	Congelador vertical
Clasificación energética	A
Consumo anual de energía (kWh/año) ¹⁾	66
Capacidad de almacenamiento del frigorífico (litros)	189
Volumen de almacenamiento modo My Zone (L)	141
Volumen de almacenamiento total (L)	330
Temperatura de otros compartimentos > 14 °C	No aplicable
Sistema libre de escarcha	si
Mantenimiento del frío durante un corte de energía (en horas)	/
Capacidad de congelación (kg/24 horas)	/
Clase climática	
Este aparato ha sido diseñado para el uso en una temperatura ambiente entre 10°C y 43° C.	SN-T
Emisiones de ruido aéreo (db(A) re 1pW)	38
Tipo de construcción	soporte independiente

¹⁾ basado en los resultados de pruebas estándar de 24 horas. El consumo real de energía dependerá del uso y ubicación del aparato de refrigeración.

Instale el aparato en un lugar donde la temperatura ambiente corresponda a la clase climática indicada en la placa de características del aparato:

-Templada extendida (SN): «Aparato de refrigeración destinado a utilizarse a temperaturas ambiente de entre 10 °C y 32 °C»

-Templada extendida (SN): «Aparato de refrigeración destinado a utilizarse a temperaturas ambiente de entre 10 °C y 32 °C»

-Subtropical (ST): «Aparato de refrigeración destinado a utilizarse a temperaturas ambiente de entre 16 °C y 38 °C»

-Tropical (T): «Aparato de refrigeración destinado a utilizarse a temperaturas ambiente de entre 16 °C y 43 °C»

11.2 Datos técnicos adicionales

Voltaje / frecuencia	220-240V ~ / 50Hz
Fusible principal (A)	1.0
Refrigerante	R600a
Dimensiones (altura, ancho y profundidad en mm) H3F-280*SAAU1	1910/595/675
Potencia/voltaje de la bombilla	1,5W/ CC 12V

11.3 Normas y directivas

Este producto cumple todos los requerimientos de las directivas de la EU aplicables con las normas armonizadas correspondientes, y ostenta la marca CE.



Recomendamos recurrir al centro de atención al cliente de Haier y utilizar repuestos originales.

Si tiene un problema con su aparato, consulte primero la sección SOLUCIÓN DE PROBLEMAS.

Si no puede encontrar una solución en esta sección, contacte con

- ▶ su distribuidor local o
- ▶ el área de Servicio y Soporte en www.haier.com, donde puede encontrar números de teléfono y Preguntas frecuentes y donde puede activar la solicitud de servicios.

Antes de contactar a nuestro servicio técnico, asegúrese de tener los siguientes datos disponibles.

Puede encontrar la información en la tabla de especificaciones.

Modelo _____ N° de serie _____

Asimismo, compruebe la tarjeta de la garantía suministrada con el producto si éste aún está en garantía.

Para consultas generales de negocios se adjuntan a continuación nuestras direcciones en Europa:

Direcciones de Haier en Europa			
País*	Dirección postal	País*	Dirección postal
Italia	Haier Europe Trading SRL Via De Cristoforis, 12 21100 Varese ITALIA	Francia	Haier France SAS 3-5 rue des Graviers 92200 Neuilly sur Seine FRANCIA
España Portugal	Haier Iberia SL Pg. Garcia Faria, 49-51 08019 Barcelona ESPAÑA	Bélgica-FR Bélgica-NL Países Bajos Luxemburgo	Haier Benelux SA Anderlecht Route de Lennik 451 BÉLGICA
Alemania Austria	Haier Deutschland GmbH Hewlett-Packard-Str. 4 D-61352 Bad Homburg ALEMANIA	Polonia República Checa Hungria Grecia Rumanía Rusia	Haier Poland Sp. zo.o. Al. Jerozolimskie 181B 02-222 Warszawa POLONIA
Reino Unido	Haier Appliances UK Co.Ltd. One Crown Square Church Street East Woking, Surrey, GU21 6HR UK		

*Para más información, visite nuestra web: www.haier.com



Haier



Bedienungsanleitung

Kühlschrank

H3R-330WNA

DE

Haier

Vielen Dank für den Kauf eines Haier-Gerätes.

Machen Sie sich gründlich mit dieser Anleitung vertraut, bevor Sie Ihr neues Gerät nutzen. In der Anleitung finden Sie wichtige Hinweise, die Ihnen helfen, von Anfang an perfekte Leistung Ihres Gerätes zu genießen. Zusätzlich zeigt Ihnen die Anleitung, wie Sie das Gerät richtig und sicher aufstellen, in Betrieb nehmen und richtig pflegen.

Bewahren Sie die Anleitung gut auf, damit Sie später darin nachlesen können.

Geben Sie die Anleitung auch mit, wenn Sie das Gerät verkaufen oder verschenken möchten. So kann sich der neue Besitzer auch gleich mit allem Wichtigem vertraut machen.

Legende



Allgemeine Informationen und Tipps



Wichtige Hinweise zu Ihrer Sicherheit



Umwelthinformationen



Entsorgung

Leisten Sie einen kleinen, aber wichtigen Beitrag zum Umweltschutz. Entsorgen Sie das Verpackungsmaterial richtig, damit es dem Recycling zugeführt werden kann. Helfen Sie auch beim Recycling von elektrischen und elektronischen Altgeräten mit. Entsorgen Sie die mit diesem Symbol markierten Geräte nicht mit dem regulären Hausmüll. Bringen Sie das Gerät zu einer Sammelstelle in Ihrer Nähe. Ihre Stadtverwaltung informiert Sie gerne über passende Sammelstellen.



Vorsicht!

Verletzungs- und Erstickungsgefahr!

Kühlmittel und Kühlgase müssen auf sachkundige Weise entsorgt werden. Achten Sie darauf, dass die Rohrleitungen des Kühlkreislaufes nicht beschädigt sind, wenn Sie das Gerät entsorgen. Ziehen Sie den Netzstecker aus der Steckdose. Schneiden Sie das Netzkabel ab, entsorgen Sie das Kabel. Entfernen Sie die Gerätetür, den Türverschluss und die Dichtungen, damit Kinder oder Haustiere nicht in die Maschine krabbeln und darin eingeschlossen werden können.

1 – Sicherheit.....	4
2 – Vorgesehene Anwendung	8
3 – Produktbeschreibung.....	9
4 – Bedienfeld.....	10
5 – Tägliche Verwendung.....	11
6 – Tipps zum Energiesparen.....	14
7 – Ausstattung	14
8 – Reinigung und Pflege.....	15
9 – Problemlösung.....	17
10 – Installation.....	20
11 – Technische Daten	24
12 – Kundendienst.....	25

Machen Sie sich gut mit den folgenden Sicherheitshinweisen vertraut, bevor Sie das Gerät zum ersten Mal benutzen:



WARNUNG!

Vor dem ersten Einsatz

- ▶ Vergewissern Sie sich zunächst, dass das Gerät keine Schäden beim Transport erlitten hat.
- ▶ Entfernen Sie das gesamte Verpackungsmaterial, achten Sie darauf, dass Kinder nicht an das Verpackungsmaterial herankommen.
- ▶ Warten Sie mindestens 6 Stunden ab, bevor Sie das Gerät anschließen. Das Kühlmittel kann nach dem Transport ein Weilchen brauchen, bis es sich richtig gesetzt hat.
- ▶ Tragen Sie das Gerät immer gemeinsam mit einem Helfer – es ist recht schwer.

Installation

- ▶ Stellen Sie das Gerät am besten an einer gut belüfteten Stelle auf. Achten Sie darauf, dass mindestens 10 cm über und rund um das Gerät frei bleiben.
- ▶ Verdecken Sie die Belüftungsöffnungen nicht.
- ▶ Stellen Sie das Gerät niemals an feuchten Stellen oder an Orten auf, an denen es mit Wasser in Berührung kommen kann. Beseitigen und trocknen Sie Wasserspritzer und Flecken mit einem weichen Reinigungstuch.
- ▶ Stellen Sie das Gerät nicht im prallen Sonnenlicht, auch nicht in der Nähe von Wärmequellen (z. B. Herd, Heizung) auf.
- ▶ Stellen Sie das Gerät an einer Stelle auf, an der es gerade steht, an der Sie die Türen problemlos öffnen können und auch an den Netzstecker herankommen.
- ▶ Achten Sie darauf, dass sämtliche Belüftungsöffnungen am und im Gerät stets frei bleiben.
- ▶ Vergewissern Sie sich, dass die elektrischen Angaben auf dem Typenschild zur Stromversorgung Ihres Haushaltes passen. Falls nicht, wenden Sie sich bitte an einen Elektriker.
- ▶ Ihr Gerät benötigt 220 – 240 V Wechselspannung bei 50 Hz. Bei starken Spannungsschwankungen kann es vorkommen, dass das Gerät nicht oder nicht richtig funktioniert, Temperaturregelung oder Kompressor beschädigt werden, zusätzlich sind ungewöhnliche Geräusche im Betrieb möglich. In solchen Fällen müssen Sie einen Spannungsregler von einem Fachmann installieren lassen.
- ▶ Schließen Sie das Netzkabel an eine geerdete Schukosteckdose an, die auch nach dem Aufstellen des Gerätes gut erreichbar bleibt – zum Beispiel zum Reinigen. Das Gerät muss an eine geerdete Steckdose (Schukosteckdose) angeschlossen werden.

**WARNUNG!****Installation**

- ▶ **Nur gültig im Vereinigten Königreich (England):** Das Netzkabel der Maschine ist mit einem dreipoligem Stecker mit Erdungsanschluss ausgestattet, der sich nur in eine passende geerdete Steckdose einstecken lässt. Trennen Sie den dritten Kontakt (Erdungskontakte) niemals ab. Achten Sie darauf, dass Sie auch nach dem Aufstellen des Gerätes ohne Weiteres an den Stecker herankommen.
- ▶ Verzichten Sie auf Mehrfachsteckdosen und Verlängerungskabel.
- ▶ Achten Sie darauf, dass das Netzkabel nirgends eingeklemmt oder gequetscht wird. Treten Sie nicht auf das Netzkabel.
- ▶ Achten Sie darauf, den Kühlungskreislauf nicht zu beschädigen.

Tägliche Verwendung

- ▶ Das Gerät darf nur dann von Kindern ab 8 Jahren und Personen mit körperlichen oder geistigen Einschränkungen genutzt werden, wenn diese beaufsichtigt oder gründlich über den richtigen und sicheren Umgang mit dem Gerät aufgeklärt wurden, sich sämtlicher möglicher Gefahren bewusst sind.
- ▶ Halten Sie Kinder unter 3 Jahren stets vom Gerät fern, sofern sie nicht ständig beaufsichtigt werden.
- ▶ Kinder dürfen nicht mit dem Gerät spielen.
- ▶ Falls Kühlmittel oder andere brennbare Gase in der Nähe des Gerätes austreten sollten, drehen Sie den zugehörigen Gashahn sofort ab, öffnen Türen und Fenster. Ziehen Sie NICHT den Netzstecker Ihres Kühlgerätes oder anderer Geräte, bedienen Sie keine Schalter!
- ▶ Beachten Sie, dass Ihr neues Gerät zum Einsatz bei Außentemperaturen von 10 bis 43 °C vorgesehen ist. Falls das Gerät längere Zeit bei Umgebungstemperaturen außerhalb dieses der Temperaturbereiches betrieben wird, kann seine Leistung darunter leiden.
- ▶ Stellen Sie keine Fremdkörper (schwere Gegenstände, mit Wasser oder anderen Flüssigkeiten gefüllten Behälter) auf dem Gefrierschrank ab. So vermeiden Sie Verletzungen durch herabfallende Gegenstände oder durch Wasser verursachte Stromschläge.
- ▶ Fassen Sie die Türen beim Öffnen und Schließen immer an den Griffen. Der Spalt zwischen den Türen sowie zwischen Türen und Gehäuse ist sehr schmal. Fassen Sie möglichst nicht an diese Stellen; andernfalls ist es möglich, dass Sie sich die Finger ein-klemmen. Öffnen und schließen Sie die Gefrierschranktüren nur, wenn sich niemand im Öffnungsbereich der Türen aufhält. Achten Sie besonders auf Kinder und Haustiere.
- ▶ Lagern und benutzen Sie keine brennbaren, ätzenden oder gar exklusiven Dinge im Gerät oder in seiner Nähe.



WARNUNG!

Tägliche Verwendung

- ▶ Lagern Sie keine Medikamente, Chemikalien oder gar Bakterien im Gerät. Ihr neues Gerät ist ein reines Haushaltsgerät. Wir raten davon ab, Dinge darin zu lagern, die unter sehr präzisen Temperaturbedingungen aufbewahrt werden müssen.
- ▶ Lagern Sie niemals Flüssigkeiten in Flaschen oder Dosen (insbesondere keine kohlenensäurehaltigen Getränke) im Gefrierschrank – Flaschen oder Dosen bersten, wenn die Flüssigkeiten darin gefrieren. Bei hochprozentigen Getränken passiert dies eventuell nicht; allerdings sollten Sie sich nicht darauf nicht verlassen.
- ▶ Überprüfen Sie den Zustand der Lebensmittel, falls sich die Temperatur im Gefrierschrank zwischenzeitlich erhöhte.
- ▶ Stellen Sie die Temperatur nicht übertrieben kalt ein. Achtung: Flaschen können (und werden) bersten!
- ▶ Fassen Sie gefrorene Lebensmittel nicht mit nassen Händen an (ziehen Sie Handschuhe über). Wichtig: Essen Sie Eis am Stiel nicht sofort nach dem Entnehmen aus dem Gefrierfach. Andernfalls besteht die Gefahr von Frostverbrennungen, auch die Zunge kann am Eis festkleben, was nicht sehr angenehm ist. Schnelle Hilfe: Sofort unter fließendem kaltem Wasser abspülen. Nicht durch schnelles Wegziehen zu lösen versuchen!
- ▶ Berühren Sie die Innenflächen des Tiefkühlers nicht im Betrieb, insbesondere nicht mit nassen Händen. Ihre Hände können quasi im Handumdrehen festfrieren!
- ▶ Zum vollständigen Abschalten und vor dem Reinigen ziehen Sie den Netzstecker aus der Steckdose. Warten Sie mindestens 5 Minuten ab, bevor Sie das Gerät wieder an die Stromversorgung anschließen – häufiges Starten kann dem Kompressor schaden.
- ▶ Benutzen Sie keinerlei Elektrogeräte im Inneren des Gerätes, sofern diese nicht eigens vom Hersteller empfohlen werden.

Reinigen und pflegen

- ▶ Lassen Sie Kinder nicht unbeaufsichtigt, falls diese das Gerät einmal reinigen möchten (was nur recht selten vorkommen dürfte).
- ▶ Trennen Sie die Maschine vor jeglichen Wartungsarbeiten vollständig von der Stromversorgung (Netzstecker ziehen). Warten Sie mindestens 5 Minuten ab, bevor Sie das Gerät wieder an die Stromversorgung anschließen – häufiges Starten kann dem Kompressor schaden.
- ▶ Ziehen Sie den Netzstecker nicht am Kabel aus der Steckdose.
- ▶ Schaben Sie Eis nicht mit scharfen Gegenständen von den Oberflächen. – Man rutscht sehr leicht ab und beschädigt dabei den Kühlkreislauf unreparierbar. Verwenden Sie keine Sprays, elektrische Heizungen, Haartrockner, Dampfreiniger oder andere Wärmequellen; andernfalls kann es zu Beschädigungen der Kunststoffteile kommen.

- ▶ Verzichten Sie unbedingt auf mechanische Hilfsmittel und andere Dinge zum Beschleunigen des Abtauens, sofern diese nicht ausdrücklich vom Hersteller empfohlen werden.
- ▶ Sprühen Sie das Gerät bei der Reinigung nicht ein, spülen Sie es nicht aus.
- ▶ Wenn die Lampen beschädigt sind, müssen sie durch den Hersteller oder durch einen qualifizierten Servicetechniker ausgetauscht werden.
- ▶ Falls das Netzkabel beschädigt werden sollte, muss es vom Hersteller, seinem Kundendienst oder einer gleichermaßen qualifizierten Person instandgesetzt werden, damit es nicht zu Gefährdungen kommt.
- ▶ Versuchen Sie sich nicht an eigenmächtigen Reparaturen und Veränderungen. Falls eine Reparatur ansteht, wenden Sie sich bitte an unseren Kundendienst.

**WARNUNG!**

Ihr Gerät arbeitet mit dem brennbaren Kältemittel ISOBUTAN (R600a). Achten Sie gut darauf, dass der Kühlkreislauf bei Transport und Aufstellung (und natürlich auch zwischendurch) nicht beschädigt wird. Austretendes Kältemittel kann Augenverletzung bewirken oder sich entzünden. Falls es zu einer Beschädigung kommt, halten Sie sämtliche Zündquellen fern, lüften den Raum gut durch, ziehen NIEMALS Netzstecker oder stecken diese ein, bedienen auch NIEMALS jegliche Schalter im Raum oder in der Nähe. Informieren Sie den Kundendienst.

Falls es zu Augenkontakt mit dem Kühlmittel kommen sollte, spülen Sie die Augen sofort mit reichlich fließendem Wasser und ziehen unverzüglich einen Augenarzt zurate.

**WARNUNG!**

- ▶ Bei austretendem Kühlmittel besteht akute Brandgefahr.
- ▶ **WARNUNG:** Achten Sie beim Aufstellen und Verrücken des Gerätes unbedingt darauf, dass das Netzkabel nicht eingeklemmt oder beschädigt wird.
- ▶ **WARNUNG:** Widerstehen Sie unbedingt der Versuchung, Mehrfachsteckdosen an der Rückseite des Gerätes zu „verstecken“.
- ▶ Lagern Sie keinerlei explosive Dinge wie Sprühdosen mit brennbarem Treibmittel im Gerät.
- ▶ Wenn Ihr Kühlgerät mit brennbarem Kühlmittel arbeitet, lassen Sie beim Aufstellen, Verrücken, Pflegen und Entsorgen des Gerätes besondere Vorsicht walten.
- ▶ Bitte wenden Sie sich vor der Entsorgung an den Kundendienst, wenn Ihr Gerät brennbare Kühlmittel nutzt.

2.1 Vorgesehene Anwendung

Ihr neues Gerät ist zum Einsatz im Haushalt und bei ähnlichen Anwendungen vorgesehen. Wie:

- Mitarbeiterküchen in Geschäften, Büros und dergleichen
- Hotel- und Motelzimmer und dergleichen
- Private Zimmervermietung
- Verpflegung vor Ort sowie ähnliche nichtkommerzielle Zwecke.

Dieses Gerät ist zum Kühlen von Lebensmitteln bestimmt. Es wurde ausschließlich für den Einsatz in Innenräumen entwickelt. Das Gerät ist nicht für die kommerzielle oder industrielle Nutzung bestimmt.

Bei Bedarf kann dieses Gerät als Lagerfach für frische Lebensmittel verwendet werden.

Änderungen oder Anpassungen am Gerät sind nicht erlaubt. Eine unbeabsichtigte Verwendung kann zu Gefahren und zum Verlust von Garantieansprüchen führen.

2.2 Zubehör

Überprüfen Sie Zubehör und Dokumentation gemäß dieser Liste:

2.2



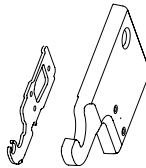
Energie-
kennzeich-
nung



Garantiekarte

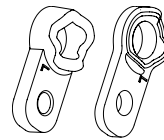


Bedienungsanleitung



Oberes linkes Scharnier (Türanschlag kann umgekehrt werden)

Abdeckung des oberen linken Scharniers



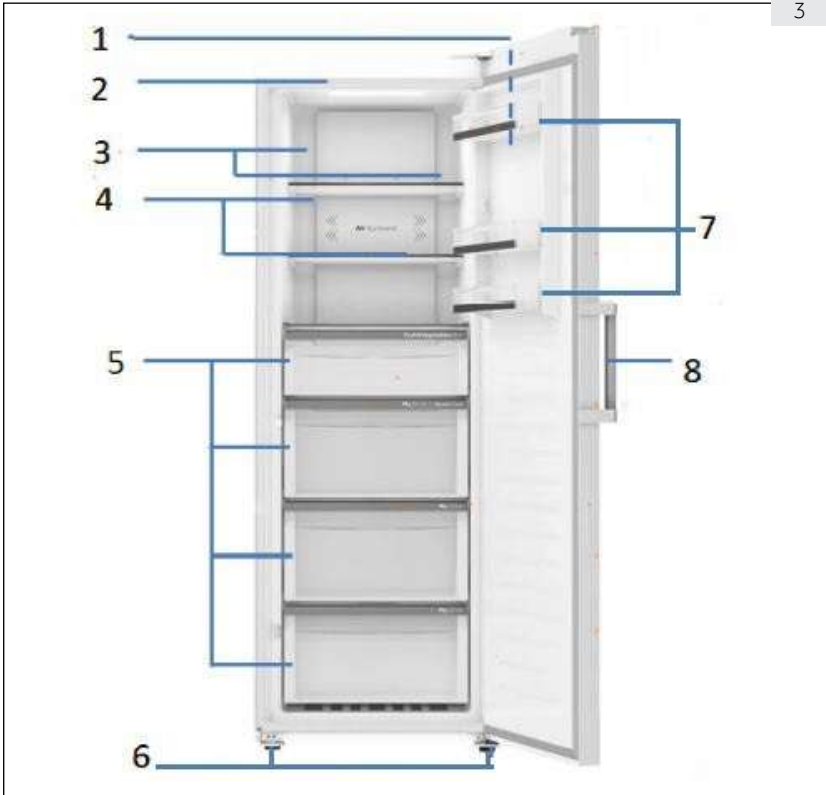
Achsenabdeckungen



Hinweis: Unterschiede

Aufgrund technischer Änderungen und leicht unterschiedlicher Modelle können einige Abbildungen in dieser Anleitung ein wenig von Ihrem Gerät abweichen.

Abbildung des Gerätes (Abbildung 3)

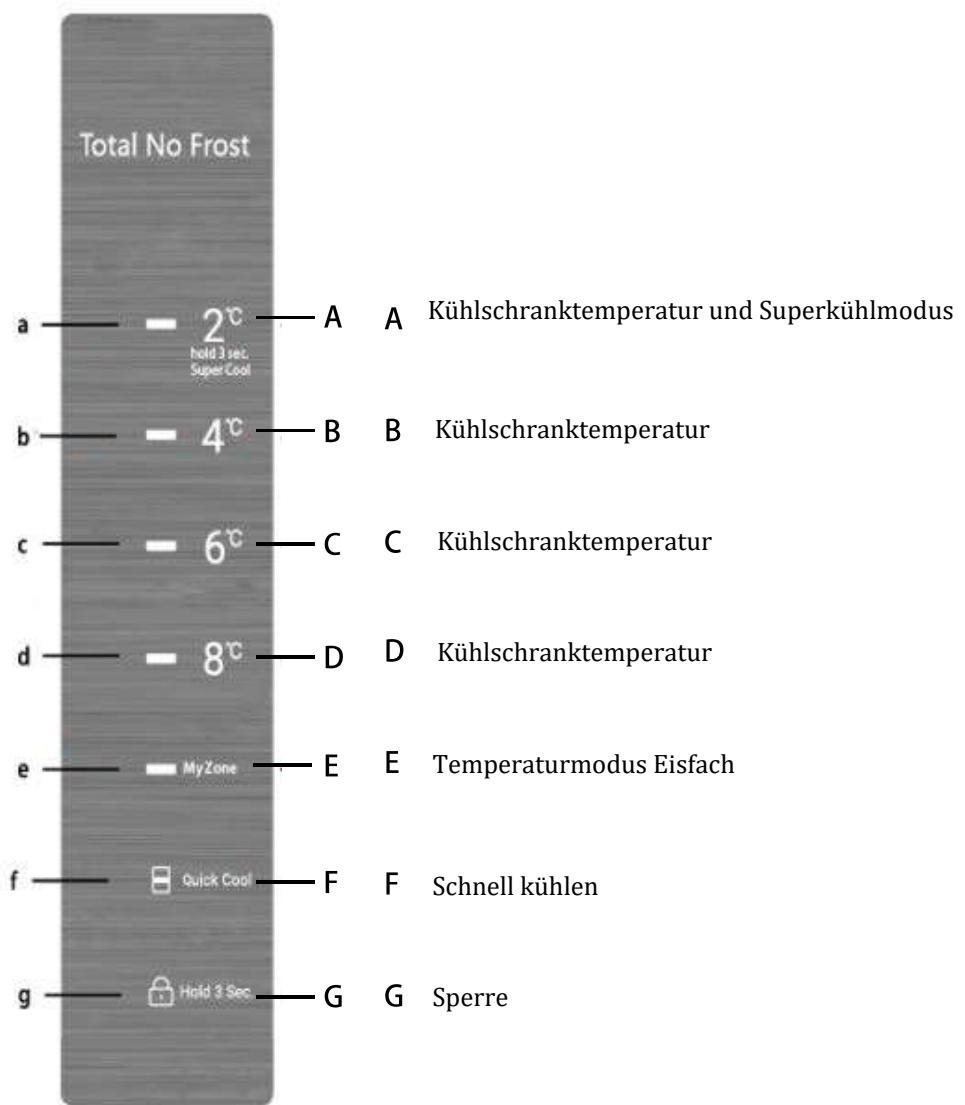


- | | |
|-------------------------|--------------------------|
| 1 Bedienfeld | 5 Schubladen |
| 2 LED-Beleuchtung | 6 Verstellbare Füße |
| 3 Multi-Luftzirkulation | 7 Entnehmbare Türablagen |
| 4 Glasablagen | 8 Türgriff |

Hinweis: Dieses Produkt enthält eine Lichtquelle der Energieeffizienzklasse <G>.

Bedienfeld (Abbildung 4)

4



5.1 Vor der ersten Verwendung

- ▶ Entfernen Sie sämtliches Verpackungsmaterial, bewahren Sie es außerhalb der Reichweite von Kindern auf und entsorgen Sie es umweltfreundlich.
- ▶ Reinigen Sie das Gerät innen und außen mit Wasser und einem milden Reinigungsmittel, bevor Sie Lebensmittel hineinlegen.
- ▶ Warten Sie nach dem Nivellieren und Reinigen mindestens 6 Stunden, bevor Sie das Gerät an die Stromversorgung anschließen. Bitte beachten Sie den Abschnitt INSTALLATION.

5.2 Ein-/Ausschalten des Geräts

- ▶ Das Gerät ist sofort in Betrieb, wenn es an die Stromversorgung angeschlossen wird.
- ▶ Die Kühlschranktemperatur wird automatisch auf eine Kühllagerung von 4°C und das Gefrierfach auf 0°C eingestellt. Dies ist die empfohlene Einstellung und die ideale Temperatur für Kühlware. Sie können die Temperatur auf Wunsch manuell einstellen. Bitte beachten Sie den Abschnitt ANPASSEN DER TEMPERATUR. Leuchtanzeigen (a-g) blinken einmal nacheinander. Ist die Tür geschlossen, schaltet sich das Display nach 30 Sekunden aus. Die Displaysperre kann aktiviert sein.



Hinweis: Voreinstellung

Das Gerät ist auf die empfohlene Kühllagertemperatur von 4 °C und Gefrierfachtemperatur von 0 °C voreingestellt.

Wenn das Gerät, nachdem es von der Hauptstromversorgung getrennt wurde, wieder eingeschaltet wird, kann es bis zu zwei Stunden dauern, bis die richtige Temperatur erreicht ist.

Leeren Sie das Gerät vor dem Ausschalten, und ziehen Sie dann den Netzstecker aus der Steckdose.

5.3 Standby-Modus der Anzeige

Wenn die Tür geschlossen ist, schaltet sich das Display nach drei Sekunden ohne Bedienung automatisch aus. Das Display wird automatisch gesperrt. Es leuchtet automatisch auf, wenn eine beliebige Taste berührt oder die Tür geöffnet wird.

5.4 Sperren und Entsperren des Displays

Automatische Sperre

Die Anzeige wird nach 30 Sekunden ohne Bedienung automatisch gesperrt.

Manuelle Sperre

Wenn das Display entsperrt ist, drücken Sie „Lock“ (G) und halten Sie die Taste drei Sekunden lang gedrückt. Die Anzeige „Lock“ (g) leuchtet und das Display ist gesperrt. Wenn das Display gesperrt ist, drücken Sie „Lock“ (G) und halten Sie die Taste drei Sekunden lang gedrückt. Es piept, die Anzeige „Lock“ (g) ist aus und das Display ist entsperrt.



Hinweis: Display-Sperre

Wenn das Display gesperrt ist, sind Funktionen wie Temperatureinstellung, Schnellkühlung und Eiskühler deaktiviert. Wird versucht, diese Funktionen einzustellen, blinkt die Kindersicherungsanzeige dreimal, um darauf aufmerksam zu machen, dass das Display gesperrt ist.

5.5 Temperatureinstellung

Wenn das Display entsperrt ist, können Sie die Temperatur durch Berühren der Temperaturtaste einstellen. Bei diesem Vorgang ertönen Pieptöne.

Der obere Regalbereich und die erste Schubladenzone des Kühlschranks gehört zum Kühlschrank und die unteren drei Schubladen zum Eisschrank. Bewahren Sie Lebensmittel im richtigen Fach auf, damit nichts verdirbt.

5.6 Kühlschrankmodus (2° C bis 8° C) (A-D)

Wenn die Anzeige entsperrt ist, können Sie die Temperatur anpassen, indem Sie eine andere Temperaturtaste berühren. Die Temperatur kann auf 2°C, 4°C, 6°C und 8°C eingestellt werden.

5.7 Temperaturmodus Eisfach (0° C/2° C) (E)

Sobald die Anzeige entsperrt ist, berühren Sie die Taste "My Zone" (E). Die Anzeige "My Zone" (e) leuchtet und die Temperatur im Eisfach steht auf 0° C. Berühren Sie die Taste "My Zone" (E) erneut, geht die Anzeige "My Zone" (e) aus und die Temperatur im Eisfach steht auf 2° C.

5.8 Superkühlmodus (A)

Wenn das Display gesperrt ist, halten Sie die Taste (2° C) (A) drei Sekunden lang gedrückt. Die Anzeigen (a-d) leuchten auf und der Kühlschrank arbeitet im Superkühlmodus. Wiederholen Sie die obigen Schritte, um die Superkühlfunktion zu deaktivieren. Wenn Sie diese nicht manuell deaktivieren, wird die Funktion automatisch deaktiviert, sobald die eingestellte Temperatur erreicht wurde oder wenn drei Stunden vergangen sind.



Hinweis: Superkühlfunktion

Im Superkühlmodus kann die Temperatur nicht angepasst werden. Wenn Sie dies tun, blinkt die Superanzeige dreimal.

5.9 Schnellkühlmodus (F)

Im Schnellkühlmodus werden die Lebensmittel in der zweiten Schublade von oben SCHOCKGEFROSTET und der gesamte Schubladenbereich kann schnell auf die eingestellte Temperatur heruntergekühlt werden. Wenn das Display entsperrt ist, berühren Sie die Taste „Quick cool“ (Schnellkühlung) (F). Die Anzeigen (f) leuchten und der Kühlschrank arbeitet im Schnellkühlmodus. Wiederholen Sie die obigen Schritte, um die Schnellkühlfunktion zu deaktivieren. Wenn Sie diese nicht manuell deaktivieren, wird die Funktion automatisch deaktiviert, sobald die eingestellte Temperatur erreicht wurde oder wenn drei Stunden vergangen sind.

5.10 Gespeicherte Einstellung für Stromausfall

Dieser Kühlschrank speichert die Einstellungen, die vor einem Stromausfall eingestellt waren. Beim erneuten Einschalten der Stromversorgung ruft der Kühlschrank die Einstellung wieder auf, die vor dem Stromausfall eingestellt war und arbeitet mit dieser Temperatur weiter. Die Kindersicherungsfunktion kann nicht gespeichert werden. Nach dem Wiedereinschalten ist das Display daher entsperrt.

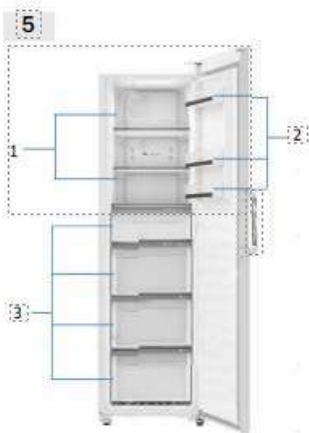
5.11 Türöffnungsalarm

Wenn die Tür länger als eine Minute geöffnet ist, erfolgen drei Pieptöne mit einem Abstand von einer halben Sekunde. Die Pieptöne wiederholen sich alle 30 Sekunden, wenn die Tür weiterhin offen bleibt. Die Pieptöne hören auf, wenn die Tür geschlossen ist oder wenn sieben Minuten vergangen sind. Dann schaltet sich das Licht aus.

5.12 Fehleranzeige

Der Kühlschrank ist mit einer Fehleranzeige ausgestattet. Wenn ein Fehler aufgetreten ist, blinkt das Display alle 1/4 Sekunden mit verschiedenen Codes für verschiedene Fehler.

In diesem Fall kann es zwar sein, dass der Kühlschrank weiterhin kühlt, Sie sollten aber so schnell wie möglich den Kundendienst kontaktieren, um eine optimale Funktion des Geräts zu gewährleisten.



Verschiedene Lebensmittel sollten je nach ihren Eigenschaften in verschiedenen Bereichen platziert werden (Abb. 5).

- 1 Essigurken, Konserven, Obst, Gemüse, Salate usw.
- 2 Eier, Konserven, Gewürze, Getränke und andere in Flaschen abgefüllte Lebensmittel usw.
- 3 Fleisch, Snacks etc.

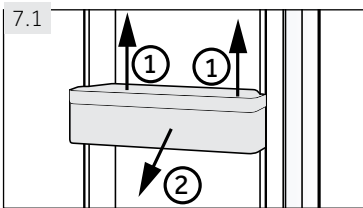
Für Geräte ohne 4-Sterne-Fach: „Dieses Kühlgerät ist nicht für das Einfrieren von Lebensmitteln geeignet“



Tipps zum Energiesparen

- ▶ Achten Sie darauf, das Gerät an einer gut belüfteten Stelle aufzustellen (lesen Sie unter „Installation“ nach).
- ▶ Stellen Sie das Gerät nicht im prallen Sonnenlicht, auch nicht in der Nähe von Wärmequellen (z. B. Herd, Heizung) auf.
- ▶ Verzichten Sie auf extrem geringe Temperatureinstellungen, wenn diese nicht nötig sind. Natürlich steigt der Energieverbrauch mit der Kühlungsleistung.
- ▶ Lassen Sie warme Speisen erst abkühlen, bevor Sie diese in das Gerät geben.
- ▶ Öffnen Sie die Gerätetür möglichst selten, dann auch nur so kurz wie möglich.
- ▶ Achten Sie darauf, dass sich die Türen immer komplett schließen, keine Lebensmittel im Weg sind. Halten Sie die Türdichtungen sauber.
- ▶ Tauen Sie gefrorene Lebensmittel im Kühlschrank auf.
- ▶ Reinigen Sie die Rückwand des Gerätes regelmäßig. Mehr Staub bedeutet höheren Energieverbrauch.
- ▶ Die energiesparendste Konfiguration erfordert den Einsatz von Schubladen, Lebensmittelboxen und Regalböden wie im fabrikneneu Zustand im Gerät positioniert werden und Lebensmittel platziert werden, ohne den Luftauslass des Kanals zu blockieren

7 – Ausstattung

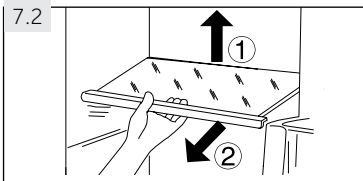


7.1 Entnehmbare Türablagen

Die Türablagen lassen sich zum Reinigen herausnehmen:

Fassen Sie die Ablage mit den Händen an beiden Seiten, heben Sie die Ablage an (1), ziehen Sie die Ablage anschließend nach vorne heraus (2). Schauen Sie sich Abbildung 7.3 an.

Zum Wiedereinsetzen der Türablage gehen Sie in umgekehrter Reihenfolge vor.



7.2 Glasablagen

1. Zum Entnehmen einer Ablage heben Sie diese zunächst an der hinteren Kante an (1), anschließend ziehen Sie die Ablage nach vorne heraus (2). Werfen Sie einen Blick auf Abbildung 7.2.
2. Zum Wiedereinsetzen setzen Sie die Ablage auf die Nasen an beiden Seiten, danach schieben Sie die Ablage ganz nach hinten, bis die Ablage in die Schlitze an den Seiten greift.

**WARNUNG!**

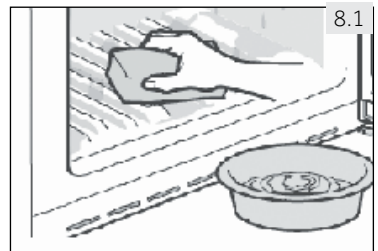
Ziehen Sie vor dem Reinigen den Netzstecker aus der

8.1 Allgemeines

Reinigen Sie das Gerät am besten dann, wenn es möglichst leer ist.

**WARNUNG!**

- ▶ Verzichten Sie bei der Reinigung unbedingt auf harte Bürsten, Drahtbürsten, Pulverreiniger, Benzin, Lösungsmittel, Azeton und ähnliche Mittel, auch auf saure oder alkalische Mittel. Auf der absolut sicheren Seite sind Sie, wenn Sie ein spezielles Reinigungsmittel für Kühlgeräte verwenden.
 - ▶ Sprühen Sie das Gerät bei der Reinigung nicht ein, spülen Sie es nicht aus.
 - ▶ Schaben Sie Eis nicht mit scharfen Gegenständen von den Oberflächen. – Man rutscht sehr leicht ab und beschädigt dabei den Kühlkreislauf unreparierbar.
 - ▶ Verwenden Sie keine Sprays, elektrische Heizungen, Haartrockner, Dampfreiniger oder andere Wärmequellen; andernfalls kann es zu Beschädigungen der Kunststoffteile kommen.
 - ▶ Reinigen Sie die kalten Glasablagen nicht mit heißem Wasser! Plötzliche Temperaturänderungen können das Glas springen lassen.
 - ▶ Berühren Sie die Innenflächen Ihres Gefrierschranks nicht mit den Händen, insbesondere nicht mit nassen Händen – die Hände können im Handumdrehen festfrieren.
 - ▶ Falls die Temperatur im Geräteinneren einmal ansteigen sollte, kontrollieren Sie den Zustand der eingefrorenen Lebensmittel.
 - ▶ Versuchen Sie nicht, das Gerät selbst reparieren. Falls eine Reparatur ansteht, wenden Sie sich bitte an unseren Kundendienst.
-
- ▶ Halten Sie die Türdichtungen stets peinlich sauber.
 - ▶ Reinigen Sie den Innenraum und das Gehäuse des Gerätes mit einem weichen Tuch oder einem Schwamm (kein Scheuerschwamm!). Feuchten Sie das Tuch oder den Schwamm mit ein wenig warmem Wasser und einem sanften Haushaltsreiniger an (Abbildung 8.1).
 - ▶ Danach mit etwas klarem Wasser nachwischen, dann mit einem weichen Tuch gut trocknen.
 - ▶ Versuchen Sie keinesfalls, Teile des Gerätes in der Spülmaschine zu reinigen.
 - ▶ Reinigen Sie das Zubehör ausschließlich mit warmem Wasser und einem sanften Haushaltsreiniger.



8.2 Längere Nichtbenutzung

Falls Sie das Gerät längere Zeit nicht benutzen:

- ▶ Nehmen Sie sämtliche Speisen heraus.
- ▶ Ziehen Sie den Netzstecker aus der Steckdose.
- ▶ Reinigen Sie das Gerät wie weiter oben beschrieben.
- ▶ Lassen Sie die Gerätetür und die Schubladen offen stehen, damit sich kein Schimmel im Inneren bilden kann.

Nehmen Sie am besten die Tür des Gerätes ab (dazu öffnen Sie die Tür und halten diese gut fest, bevor Sie die Schrauben herausdrehen), damit keine Kinder oder Haustiere in das Gerät klettern und darin eingeschlossen werden können.



Hinweis: Abschalten

Damit Ihr Gerät möglichst lange hält, schalten Sie es nur dann ab, wenn es wirklich nötig ist.

8.3 Gerät umsetzen oder transportieren

1. Nehmen Sie sämtliche Lebensmittel aus dem Gerät, ziehen Sie den Netzstecker.
2. Fixieren Sie die Ablagen und andere bewegliche Teile im Gefrierschrank mit Klebeband.
3. Schließen Sie die Tür, fixieren Sie die Tür mit Klebeband.
4. Neigen Sie den Gefrierschrank nicht um mehr als 45 °; andernfalls kann das Kühlsystem beschädigt werden.
5. Wickeln Sie die Füße des Gefrierschranks ein, damit diese nicht den Boden zerkratzen. Versuchen Sie niemals, den Gefrierschrank mit Gewalt zu bewegen.



WARNUNG!

- ▶ Versuchen Sie nicht, das Gerät an den Griffen anzuheben.
- ▶ Legen Sie das Gerät niemals flach auf den Boden.

Viele Probleme können Sie auch selbst ohne Expertenwissen lösen. Falls einmal ein Problem auftreten sollte, prüfen Sie sämtliche erwähnten Ursachen und probieren die nachstehenden Abhilfemaßnahmen, bevor Sie sich an den Kundendienst wenden. Lesen Sie unter „Kundendienst“ nach.



WARNUNG!

- ▶ Ziehen Sie immer den Netzstecker aus der Steckdose, bevor Sie das Gerät pflegen oder warten.
- ▶ Da elektrische Laienarbeiten zu schweren Folgeschäden führen können, sollten solche Tätigkeiten nur von Elektrofachleuten ausgeführt werden.
- ▶ Falls das Netzkabel beschädigt wird, lassen Sie dies nur vom Hersteller, seinem Kundendienst oder einer ähnlich sachkundigen Person (zum Beispiel Elektriker) austauschen, damit es nicht zu Gefährdungen kommt.

Akustische Warntöne können Sie durch Betätigen einer beliebigen Taste abschalten.

9.1 Problemlösung

Problem	Mögliche Ursache	Mögliche Lösung
Der Kompressor läuft nicht.	<ul style="list-style-type: none"> • Der Netzstecker steckt nicht oder nicht richtig in der Steckdose. 	<ul style="list-style-type: none"> • Schließen Sie den Netzstecker an.
Das Gerät springt häufig an oder arbeitet sehr lange.	<ul style="list-style-type: none"> • Die Innen- oder Außentemperatur ist zu hoch. • Das Gerät wurde eine Zeit lang nicht mit Strom versorgt. • Die Gerätetür wurde nicht richtig geschlossen. • Die Gerätetür wurde zu oft oder zu lange geöffnet. • Die Temperatur ist sehr niedrig eingestellt. • Die Türdichtung ist verschmutzt, verschlissen, eingerissen oder sitzt nicht richtig. • Das Gerät wird nicht richtig belüftet. • Im Innenraum hat sich Eis gebildet. 	<ul style="list-style-type: none"> • In diesem Fall ist es normal, dass das Gerät länger arbeitet. • Gewöhnlich dauert es 8 – 12 Stunden, bis das Gerät die voreingestellte Temperatur erreicht hat. • Schließen Sie die Tür, vergewissern Sie sich, dass das Gerät absolut gerade auf dem Boden steht, die Tür nicht durch Lebensmittel oder Behälter blockiert wird. • Öffnen Sie die Tür möglichst selten. • Stellen Sie die Temperatur etwas höher ein. Es braucht etwa 24 Stunden, bis die Temperatur stabil bleibt. • Reinigen Sie die Türdichtung oder lassen Sie diese vom Kundendienst austauschen. • Sorgen Sie für ordentliche Belüftung. • Tauen Sie das Gerät ab.

Problem	Mögliche Ursache	Mögliche Lösung
Das Gerät gibt seltsame Geräusche von sich.	<ul style="list-style-type: none"> • Das Gerät steht nicht gerade. • Das Gerät berührt einen Gegenstand in der Nähe. • Das Gerät steht auf einem Holzboden oder in der Nähe einer Holzwand. 	<ul style="list-style-type: none"> • Stellen Sie das Gerät gerade auf. • Entfernen Sie Gegenstände in der Nähe des Gerätes. • Holz verstärkt die Betriebsgeräusche. Stellen Sie das Gerät an einer anderen Stelle auf.
Das Gerät klickt.	<ul style="list-style-type: none"> • Dies ist ganz normal. Das Klicken entsteht, wenn sich der Kühlkreislauf ein- und ausschaltet. 	<ul style="list-style-type: none"> • –
Es gibt ein leises Geräusch, das wie fließendes Wasser klingt.	<ul style="list-style-type: none"> • Dies ist ganz normal. 	<ul style="list-style-type: none"> • –
Das Gerät hört sich ein bisschen wie ein Motor an.	<ul style="list-style-type: none"> • Der Kühlkreislauf hat sich gerade eingeschaltet. Dies ist völlig normal. 	<ul style="list-style-type: none"> • –
Die Innentemperatur ist zu hoch.	<ul style="list-style-type: none"> • Die Temperatur ist zu hoch eingestellt. • Sie haben warme oder noch heiße Speisen in das Gerät gegeben. • Sie haben zu viele Lebensmittel auf einmal in das Gerät gegeben. • Die Lebensmittel liegen zu eng beieinander. • Die Tür ist nicht richtig geschlossen. • Die Gerätetür wurde zu oft oder zu lange geöffnet. 	<ul style="list-style-type: none"> • Stellen Sie die Temperatur neu ein. • Lassen Sie Speisen immer abkühlen, bevor Sie diese in das Gerät geben. • Geben Sie immer nur möglichst kleine Mengen in das Gerät. • Lassen Sie etwas Abstand zwischen den Lebensmitteln, damit die Luft zirkulieren kann. • Schließen Sie die Gerätetür. • Öffnen Sie die Tür möglichst selten.
Die Innentemperatur ist zu niedrig.	<ul style="list-style-type: none"> • Die Temperatur ist zu niedrig eingestellt. • Die Supergefrieren-Funktion ist aktiv oder wurde zu lange genutzt. 	<ul style="list-style-type: none"> • Stellen Sie die Temperatur neu ein. • Schalten Sie das Supergefrieren ab.
Feuchtigkeit sammelt sich an den Oberflächen des Gerätes.	<ul style="list-style-type: none"> • Das Gerät steht an einer zu warmen oder zu feuchten Stelle. 	<ul style="list-style-type: none"> • Dieser Effekt tritt bei feuchtem Klima sehr oft auf, lässt nach, sobald die Luftfeuchtigkeit abnimmt. Nehmen Sie die Feuchtigkeit mit einem Tuch auf.
Starke Eisbildung im Gerät.	<ul style="list-style-type: none"> • Die Speisen wurden nicht richtig verpackt. • Die Tür ist nicht richtig geschlossen. • Die Gerätetür wurde zu oft oder zu lange geöffnet. • Die Türdichtung ist verschmutzt, verschlissen, eingerissen oder sitzt nicht richtig. • Etwas im Inneren verhindert, dass sich die Tür richtig schließt. 	<ul style="list-style-type: none"> • Verpacken Sie die Speisen immer gut. • Schließen Sie die Gerätetür. • Öffnen Sie die Tür möglichst selten. • Reinigen Sie die Türdichtung oder lassen Sie diese vom Kundendienst austauschen. • Setzen Sie die Ablagen, Türablagen oder Behälter um, damit sich die Tür richtig schließen kann.

Problem	Mögliche Ursache	Mögliche Lösung
Das Kühlsystem funktioniert nicht.	<ul style="list-style-type: none"> • Der Netzstecker steckt nicht oder nicht richtig in der Steckdose. • Etwas stimmt nicht mit der Stromversorgung. 	<ul style="list-style-type: none"> • Schließen Sie den Netzstecker an. • Vergewissern Sie sich, dass die Stromversorgung im Raum richtig funktioniert. Wenden Sie sich an Ihren Energieversorger!
Die Gehäuseseiten und ein Teil der Tür werden warm.	<ul style="list-style-type: none"> • Dies ist ganz normal. 	<ul style="list-style-type: none"> • –
Sie hören ein Alarmsignal.	<ul style="list-style-type: none"> • Die Tür ist offen. • Die Innentemperatur ist zu hoch. 	<ul style="list-style-type: none"> • Schließen Sie die Tür oder stellen Sie den Alarm manuell ab.
Die Tür lässt sich nur mit Mühe öffnen.	<ul style="list-style-type: none"> • Im Betrieb entsteht ein Vakuum im Gerät. 	<ul style="list-style-type: none"> • Öffnen Sie die Tür nicht ruckartig.
Die Tür lässt sich nicht richtig schließen. Es verbleibt immer ein kleiner Spalt.	<ul style="list-style-type: none"> • Bei sehr geringen Temperaturen kann sich die Türdichtung verhärteten und etwas verformen. 	<ul style="list-style-type: none"> • Erwärmen Sie die verformte Stelle der Dichtung mit einem Haartrockner (mindestens 20 cm Abstand einhalten!) oder drücken Sie ein heißes Handtuch darauf. • Wenn die Dichtung wieder weich geworden ist, schließen Sie die Tür und drücken sie fest zu.

9.2 Stromunterbrechungen

Bei Stromunterbrechungen sollte die Temperatur im Innenraum etwa 18 Stunden lang niedrig genug bleiben, damit Lebensmittel nicht verderben. Bei längeren Stromunterbrechungen (besonders im Sommer) beachten Sie bitte die folgenden Tipps:

- ▶ Öffnen Sie die Tür so selten wie möglich.
- ▶ Geben Sie bei Stromunterbrechungen keine weiteren Lebensmittel in das Gerät.
- ▶ Wenn Sie schon zuvor von einer Stromunterbrechung erfahren, die Unterbrechung nicht länger als 15 Stunden dauern sollte, bereiten Sie etwas Eis und stellen dieses in einem Behälter möglichst weit oben in den Innenraum.
- ▶ Da die Innentemperatur bei Stromunterbrechungen natürlich mit der Zeit ansteigt, verringern sich die Lagerzeiten Ihrer Lebensmittel. Aufgetaute oder angetaute Lebensmittel sollten nicht mehr gegessen werden, damit es nicht zu gesundheitlichen Risiken kommt. In vielen Fällen können Sie solche Lebensmittel möglichst kurzfristig kochen oder braten, danach wieder einfrieren.



Hinweis: Gedächtnisfunktion bei Stromunterbrechungen

Nach Stromunterbrechungen arbeitet das Gerät wieder mit den zuvor festgelegten Einstellungen weiter.

10.1 Auspacken

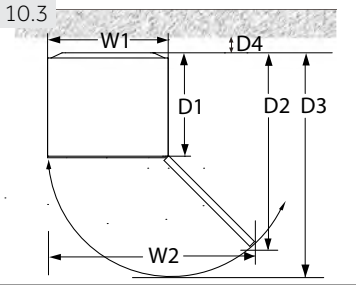


WARNUNG!

- ▶ Das Gerät ist schwer. Transportieren und verrücken Sie es grundsätzlich immer nur zu zweit.
- ▶ Halten Sie sämtliches Verpackungsmaterial von Kindern fern, entsorgen Sie alles auf umweltfreundliche Weise.
- ▶ Holen Sie das Gerät aus der Verpackung.
- ▶ Entfernen Sie das gesamte Verpackungsmaterial.

10.2 Umgebungsbedingungen

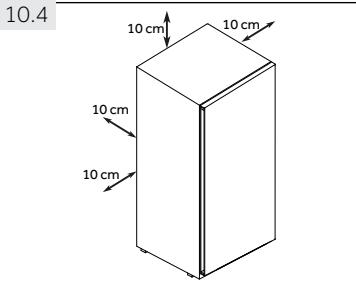
Die Raumtemperatur sollte zwischen 10 und 43 °C liegen, da sich die Außentemperatur auf die Innentemperatur des Gerätes und seinen Energieverbrauch auswirkt. Stellen Sie das Gerät nicht in der Nähe anderer Geräte auf, die Wärme abgeben (Öfen, andere Kühlgeräte und dergleichen). Falls es nicht anders geht, sorgen Sie für eine gute Isolierung.



10.3 Platzbedarf

Platzbedarf zum Öffnen der Tür (Abbildung 10.3):

Breite in mm		Tiefe in mm			Wandabstand in mm
B1	B2	T1	T2	T3	T4
595	955	592	1105	1215	100

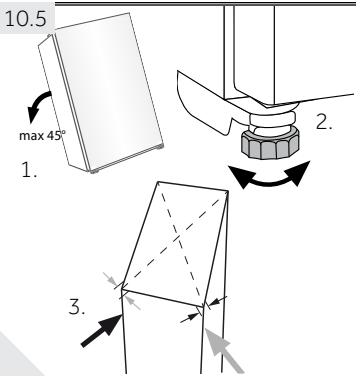


10.4 Belüftung

Damit das Gerät ausreichend belüftet werden kann, müssen Sie die nötigen Abstände einhalten (Abbildung 10.4).

10.5 Gerät gerade aufstellen

Das Gerät muss auf einem ebenen und stabilen Untergrund aufgestellt werden. Falls Sie das Gerät auf einen Sockel stellen, muss dieser aus robusten und feuerfesten Materialien bestehen. Versuchen Sie niemals, das Hartschaummateriale der Verpackung als Sockel zu missbrauchen. Es hält NICHT.



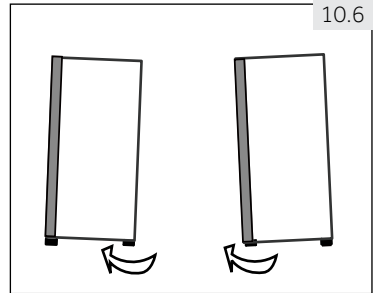
1. Neigen Sie das Gerät ein wenig nach hinten (Abbildung 10.5).
2. Stellen Sie die Füße so ein, dass das Gerät absolut gerade steht – kontrollieren Sie bei Bedarf mit einer Wasserwaage.
3. Sie können die Stabilität prüfen, indem Sie sanft mit der Hand gegen die Kanten stoßen. Ein leichtes Schwanken ist in Ordnung, wenn es in beiden Richtungen identisch ausfällt. Falls das Gerät nicht gerade steht, kann sich der Rahmen verziehen. Dies wiederum kann dazu führen, dass die Türdichtungen nicht mehr richtig funktionieren. Wenn das Gerät hinten ein kleines bisschen niedriger steht, lässt sich die Tür leichter schließen.

10.6 FüÙe verstellen

Falls Ihr Gefrierschrank nicht gerade steht, können Sie dies in den meisten Fällen durch Verstellen der FüÙe ausgleichen: Zum Heraus- und Hereinschrauben der FüÙe drehen Sie diese in Pfeilrichtung (Abbildung 10.6):

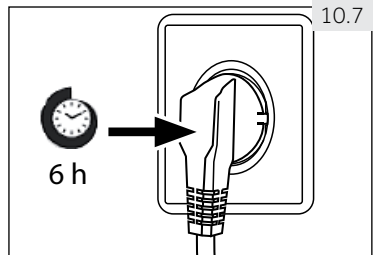
- ▶ Beim Drehen im Uhrzeigersinn hebt sich das Gerät.
- ▶ Durch Drehen gegen den Uhrzeigersinn senken Sie das Gerät ab.

Für freistehende Geräte: „Dieses Kühlgerät ist nicht für die Verwendung als Einbaugerät bestimmt.“



10.7 Wartezeit

Ein wartungsfreies Schmiermittel befindet sich in einer Kapsel am Kompressor. Falls das Gerät beim Transport gekippt wird (und dies geschieht fast immer), kann dieses Öl in das Leitungssystem des Gerätes laufen. Daher müssen Sie das Gerät erst 6 Stunden lang aufrecht stehen lassen, bevor Sie den Netzstecker einstecken – so kann das Öl wieder zurück in die Kapsel laufen (Abbildung 10.7).



10.8 Elektrischer Anschluss

Vor sämtlichen Anschlussarbeiten prüfen:

- ▶ Stromversorgung, Steckdose und Sicherung passen zu den Angaben auf dem Typenschild.
- ▶ Die Steckdose ist geerdet (Schukosteckdose), es werden keine Mehrfachsteckdosen oder Verlängerungskabel verwendet.
- ▶ Netzstecker und Steckdose (Schukosteckdose!) passen perfekt zueinander.

Schließen Sie den Netzstecker an eine korrekt installierte Steckdose an.



WARNUNG!

Damit es nicht zu Gefährdungen kommt, müssen beschädigte Netzkabel vom Kundendienst ausgetauscht werden (schauen Sie sich die Garantiekarte an).

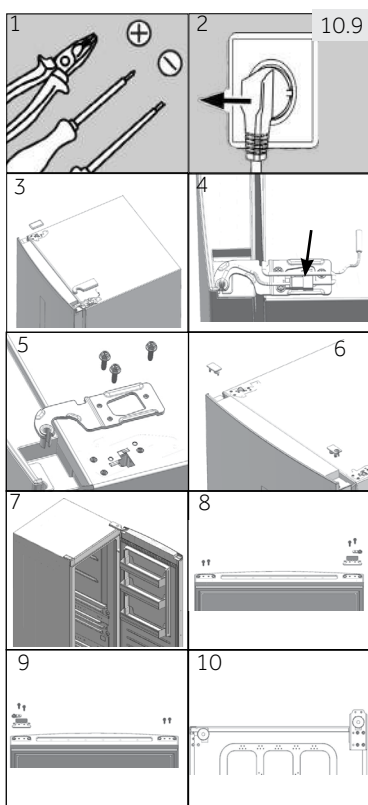
10.9 Türanschlag (Öffnungsrichtung) ändern

Prüfen Sie vor der Inbetriebnahme, ob der Türanschlag (die Öffnungsrichtung) je nach Aufstellungsort oder Gewohnheit besser von rechts (wie bei Lieferung) nach links geändert werden sollte.



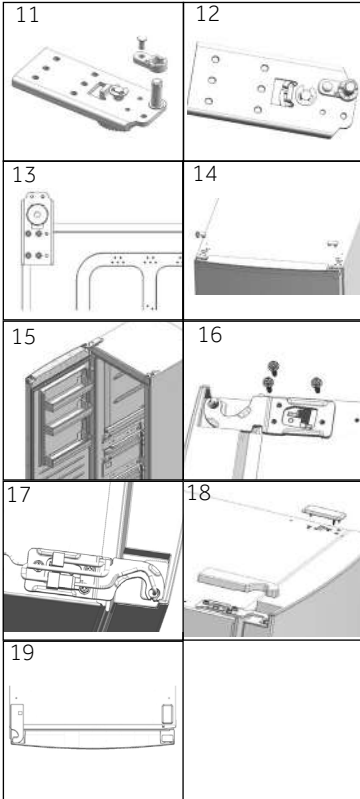
WARNUNG!

- ▶ Das Gerät ist schwer. Zum Ändern des Türanschlags brauchen Sie einen Helfer.
- ▶ Ziehen Sie immer zuerst den Netzstecker aus der Steckdose, bevor Sie jegliche Arbeiten am Gerät ausführen.
- ▶ Neigen Sie das Gerät nie um mehr als 45 °, damit es nicht zu Beschädigungen des Kühlsystems kommt.



Schritte (Abbildung 10.9):

1. Legen Sie die passenden Werkzeuge bereit.
2. Ziehen Sie den Netzstecker.
3. Entfernen Sie die Öffnungsabdeckung und Scharnierabdeckung.
4. Lösen Sie den Stecker am Verbindungskabel.
5. Drehen Sie die Schrauben heraus, lösen Sie das Scharnier.
6. Entfernen Sie die Abdeckung an der Tür. Entfernen Sie die Achsenabdeckung an der Tür.
7. Öffnen Sie die Tür, nehmen Sie die Tür ab.
8. Drehen Sie die Tür auf den Kopf, entfernen Sie die beiden Schrauben am Boden der Tür. Entfernen Sie zwei Schrauben, den Türstopper und die Achsenabdeckung am Boden der Tür.
9. Nehmen Sie den Türstopper aus dem letzten Schritt und die dünnere Achsenabdeckung aus dem Zubehörbeutel zur Hand, befestigen Sie diese mit zwei Schrauben. Drehen Sie die beiden Schrauben an der anderen Seite der Tür hinein.
10. Neigen Sie das Gehäuse etwas nach hinten, entfernen Sie vier Schrauben, dann das untere Scharnier.



11. Entfernen Sie die Schraube und die Achsenabdeckung. Entfernen Sie die Scharnierachse, setzen Sie diese in die Öffnung daneben ein.
12. Nehmen Sie die dickere Achsenabdeckung aus dem Zubehörbeutel. Fixieren Sie diese mit der Schraube aus dem letzten Schritt.
13. Fixieren Sie das Scharnier auf der anderen Gehäuseseite mit vier Schrauben.
14. Ziehen Sie das linksseitige Verbindungskabel an der anderen Seite der Tür heraus, führen Sie dieses durch die Achsenabdeckung aus Schritt 5, bringen Sie die Achsenabdeckung an. Bringen Sie die Öffnungsabdeckung auf der rechten Seite an.
15. Montieren Sie die Tür.
16. Fixieren Sie das obere rechte Scharnier mit drei Schrauben.
17. Verbinden Sie die Kabel.
18. Fixieren Sie die obere linke Scharnierabdeckung und die Öffnungsabdeckung.
19. Fertig.

VERFÜGBARKEIT VON ERSATZTEILEN

Thermostate, Temperatursensoren, Leiterplatten und Lichtquellen sind nach dem Inverkehrbringen der letzten Einheit des Modells mindestens sieben Jahre lang verfügbar. Türgriffe, Türscharniere, Tablett und Körbe für einen Zeitraum von mindestens sieben Jahren und Türdichtungen für einen Zeitraum von mindestens zehn Jahren, nachdem die letzte Einheit des Modells auf den Markt gebracht wurde

GARANTIE

Die Mindestgarantie beträgt: 2 Jahre für EU-Länder, 3 Jahre für die Türkei, 1 Jahr für Großbritannien, 1 Jahr für Russland, 3 Jahre für Schweden, 2 Jahre für Serbien, 5 Jahre für Norwegen, 1 Jahr für Marokko, 6 Monate für Algerien. Tunesien keine gesetzliche Garantie erforderlich.

TECHNISCHE UNTERSTÜTZUNG

Um die technische Unterstützung zu kontaktieren, besuchen Sie unsere Website: <https://corporate.haier-europe.com/en/>. Wählen Sie im Bereich „Website“ die Marke Ihres Produkts und Ihr Land aus. Sie werden auf die jeweilige Website weitergeleitet, auf der Sie die Telefonnummer und das Formular finden, um die technische Unterstützung zu kontaktieren

Weitere Informationen zum Produkt erhalten Sie unter <https://eprel.ec.europa.eu/> oder scannen Sie den QR auf dem mit dem Gerät gelieferten Energieetikett

11.1 Produktdatenblatt gemäß EU-Regulierung 1060/2010

Marke	Haier
Modellbezeichnung	H3R-330WNA
Geräteklasse	Tiefkühlschrank
Energieeffizienzklasse	A
Jährlicher Energieverbrauch (kWh/Jahr) ¹⁾	66
Speichervolumen Tiefkühlung (L)	189
Speichervolumen Tiefkühlung (My Zone) (L)	141
Speichervolumen insgesamt (L)	330
Temperatur anderer Fächer >14 °C	<u>non applicabile</u>
Eisfrei-System	ja
Lebensmittelhaltbarkeit bei Stromausfall (Stunden)	/
Gefrierkapazität (kg/24 Stunden)	/
Klimaklasse	SN-T
Dieses Gerät ist zum Einsatz bei Umgebungstemperaturen von 10 bis 43 °C vorgesehen.	
Per Luft übertragenes Betriebsgeräusch (db(A) re 1 pW)	38
Bauart	freistehend

1) basierend auf Standardtestergebnissen über 24 Stunden. Tatsächlicher Energieverbrauch hängt von Einsatz und Aufstellungsort des Gerätes ab.

-Erweiterte gemäßigte Zone (SN): „Dieses Kühlgerät ist für die Verwendung bei Umgebungstemperaturen von 10 °C bis 32 °C bestimmt.“

-Gemäßigte Zone (N): „Dieses Kühlgerät ist für die Verwendung bei Umgebungstemperaturen von 16 °C bis 32 °C bestimmt.“

-Subtropische Zone (ST): „Dieses Kühlgerät ist für die Verwendung bei Umgebungstemperaturen von 16 °C bis 38 °C bestimmt.“

-Tropische Zone (T): „Dieses Kühlgerät ist für die Verwendung bei Umgebungstemperaturen von 16 °C bis 43 °C bestimmt.“

11.2 Zusätzliche technische Daten

Spannung/Frequenz	220 – 240 V Wechselspannung/50
Hauptsicherung (A)	1.0 Hz
Kühlmittel	R600a
Abmessungen (H × B × T in mm)	1910/59,5/67,5
Lichtleistung/Spannung	1,5W/ DC 12V

11.3 Vorgaben und Direktiven

Dieses Produkt erfüllt die Vorgaben sämtlicher zutreffender EU-Direktiven mitsamt entsprechenden harmonisierten Standards zur Vergabe der CE-Kennzeichnung.

Wir empfehlen Ihnen unseren Haier-Kundendienst sowie die Verwendung von Originalersatzteilen.

Falls jemals Schwierigkeiten mit Ihrem Gerät auftreten sollten, schauen Sie sich zunächst den „Problemlösung“-Abschnitt an.

Falls Sie dort keine Lösung finden sollten, wenden Sie sich bitte an

- ▶ Ihren Händler vor Ort. Alternativ
- ▶ besuchen den „Service & Unterstützung“-Bereich bei www.haier.com – hier finden Sie Telefonnummern, Antworten auf häufig gestellte Fragen sowie Hinweise zu Service- und Garantieleistungen.

Bitte halten Sie die folgenden Angaben bereit, wenn Sie sich an unseren Kundendienst wenden.

Die entsprechenden Angaben finden Sie auf dem Typenschild.

Modell _____ Seriennummer _____

Schauen Sie sich auch die mitgelieferte Garantiekarte an, wenn Sie Garantieleistungen in Anspruch nehmen möchten.

Bei allgemeinen geschäftlichen Anfragen wenden Sie sich bitte an unsere Niederlassungen in Europa:

Europäische Haier-Niederlassungen			
Land*	Anschrift	Land*	Anschrift
Italien	Haier Europe Trading SRL Via De Cristoforis, 12 21100 Varese ITALIEN	Frankreich	Haier France SAS 3-5 rue des Gravers 92200 Neuilly sur Seine FRANKREICH
Spanien Portugal	Haier Iberia SL Pg. Garcia Faria, 49 – 51 08019 Barcelona SPANIEN	Belgien-FR Belgien-NL Niederlande Luxemburg	Haier Benelux SA Anderlecht Route de Lennik 451 BELGIEN
Deutschland Österreich	Haier Deutschland GmbH Hewlett-Packard-Str. 4 61352 Bad Homburg DEUTSCHLAND	Polen Tschechien Ungarn Griechenland Rumänien Russland	Haier Poland Sp. zo.o. Al. Jerozolimskie 181B 02-222 Warszawa POLEN
Vereinigtes Königreich (England)	Haier Appliances UK Co. Ltd. One Crown Square Church Street East Woking, Surrey, GU21 6HR VK		

* Mehr Informationen finden Sie hier: www.haier.com



Haier



Návod k použití

Vertikální Lednička

H3R-330WNA

CZ

Haier

Děkujeme Vám, že jste si zakoupili spotřebič Haier.

Před použitím spotřebiče si prosím pečlivě přečtěte tento návod. V návodu najdete důležité informace, díky nimž budete svůj spotřebič využívat naplno, zajistíte bezpečnou a správnou instalaci, použití a údržbu.

Uchovávejte tento návod na vhodném místě, abyste ho měli vždy po ruce a mohli tak spotřebič používat bezpečně a správně.

Pokud spotřebič prodáte, darujete nebo necháte v domě/bytě např. po stěhování, zajistěte předání návodu, aby se nový majitel spotřebiče mohl seznámit s pokyny pro jeho bezpečné používání.



Popis

Obecné informace a tipy



Upozornění - Důležité poučení o bezpečnosti



Sdělení týkající se životního prostředí



Likvidace

Pomozte chránit životní prostředí a lidské zdraví. Obal spotřebiče vyhodte do příslušného kontejneru, aby mohl být recyklován. Pomozte recyklovat odpad z elektrických a elektronických přístrojů. Nevyhazujte přístroje označené tímto symbolem do běžného odpadu z domácnosti. Vraťte výrobek do místního zařízení pro recyklaci nebo se obraťte na svůj městský úřad.



Varování!

Nebezpečí zranění nebo udušení!

Chladivo a plyny se musí zlikvidovat profesionálně. Před řádnou likvidací se ujistěte, že potrubí chladičského okruhu není poškozeno. Odpojte spotřebič od elektrické sítě. Odřízněte kabel pro připojení do elektrické sítě a zlikvidujte ho. Aby nedošlo k zavření dětí nebo domácích mazlíčků do spotřebiče, odstraňte dveře a odmontujte západku dveří a těsnění.

1 - Bezpečnost	4
2 - Běžný účel použití	8
3 - Popis spotřebiče	9
4 - Ovládací panel.....	10
5 - Použití	11
6 - Tipy na ušetření energie	14
7 - Zařízení	14
8 - Péče a čištění	15
9 - Řešení problémů	17
10 - Instalace	20
11 - Technické údaje	24
12 - Zákaznický servis	25

Před zapnutím spotřebiče si nejprve přečtěte následující bezpečnostní rady:



UPOZORNĚNÍ!

Před prvním použitím

- ▶ Zkontrolujte, že nedošlo k poškození spotřebiče během přepravy.
- ▶ Odstraňte všechny obaly a držte mimo dosah dětí.
- ▶ Před instalací spotřebiče vyčkejte alespoň šest hodin, aby byla zajištěna plná funkce chladicího okruhu.
- ▶ S přístrojem manipulujte vždy minimálně ve 2 osobách, protože je těžký.

Instalace

- ▶ Spotřebič umístěte na dobře větraném místě. Zajistěte, aby nad a kolem spotřebiče byla mezera minimálně 10 cm.
- ▶ Nezakrývejte otvory pro větrání.
- ▶ Nikdy neumísťujte spotřebič ve vlhkém prostředí nebo na místě, kde by na něj mohla stříkat voda. Kapky vody a skvrny osušte a očistěte s měkkým čistým hadříkem.
- ▶ Neinstalujte spotřebič na přímé sluneční světlo nebo do blízkosti tepelných zdrojů (např. sporák, radiátory).
- ▶ Instalujte a vyrovnejte spotřebič na místě, které odpovídá jeho velikosti a způsobu využití.
- ▶ Udržujte větrací otvory v přístroji nebo ve vestavěné konstrukci čisté a bez překážek.
- ▶ Ujistěte se, že elektrické údaje na výkonnostním štítku souhlasí se sítovým napájením. Pokud tomu tak není, obraťte se na elektrikáře.
- ▶ Spotřebič je provozován na 220-240 VAC / 50 Hz napájení. Abnormální kolísání napětí může způsobit, že se spotřebič nepodaří spustit, nebo se poškodí regulace teploty nebo kompresor, nebo při provozu může vznikat abnormální hluk. V takovém případě musí být namontován automatický regulátor napětí.
- ▶ K napájení použijte samostatnou uzemněnou zásuvku, která je během čištění snadno přístupná. Spotřebič musí být uzemněný.
- ▶ **Pouze pro Velkou Británii:** Napájecí kabel spotřebiče je vybaven 3drátovou (zemnicí) zástrčkou, která je vhodná pro standardní 3drátovou (zemnicí) zásuvku. Nikdy neodstraňujte ani nedemontujte třetí kolík (uzemnění). Po instalaci spotřebiče by zásuvka měla zůstat přístupná.
- ▶ Nepoužívejte adaptér s více zásuvkami a prodlužovací kabely.
- ▶ Zkontrolujte, zda mraznička nestojí na napájecím kabelu. Nestoupejte na napájecí kabel.
- ▶ Nepoškozujte chladicí okruh.



UPOZORNĚNÍ!

Každodenní používání

- ▶ Spotřebič mohou používat děti od 8 let a osoby se sníženými fyzickými, smyslovými nebo mentálními schopnostmi, nebo osoby s nedostatečnými zkušenostmi a znalostmi, pokud mají nad sebou dohled nebo pokud byly vyškoleny ohledně bezpečného používání spotřebiče a pokud chápou možná rizika.
- ▶ Děti do 3 let udržujte v bezpečné vzdálenosti od spotřebiče, pokud nejsou pod neustálým dohledem.
- ▶ Se spotřebičem si nesmí hrát děti.
- ▶ Pokud v blízkosti spotřebiče uniká svítivý plyn nebo jiný hořlavý plyn, vypněte ventil unikajícího plynu, otevřete dveře a okna a neodpojujte nebo nepřipojujte síťový kabel spotřebiče nebo jiného spotřebiče.
- ▶ Věnujte pozornost tomu, že spotřebič je nastavený pro provoz při rozsahu okolní teploty mezi 10 a 43 °C. Pokud bude ponechán delší dobu v prostředí, kde je teplota vyšší nebo nižší než je uvedený rozsah, nemusí správně fungovat.
- ▶ Nepokládejte nestabilní předměty (těžké předměty, nádoby s vodou) nahoru na mrazničku, abyste zabránili zranění osob způsobené pádem nebo elektrickému šoku způsobenému kontaktem s vodou.
- ▶ Dveře spotřebiče otvírejte a zavírejte pouze klikou. Mezera mezi dveřmi a skříní je velmi úzká. Nedávejte ruce do těchto míst, abyste se vyhnuli skřípnutí prstů. Dveře mrazničky otvírejte a zavírejte, pouze pokud v dosahu dveří nestojí děti.
- ▶ Neskladujte nebo nepoužívejte hořlaviny, výbušniny nebo žíravé materiály ve spotřebiči nebo v jeho okolí.
- ▶ V spotřebiči neskladujte léky, bakterie nebo chemické látky. Tento spotřebič určený pro domácnost. Nedoporučuje se pro skladování materiálů s požadavkem na přesné teploty.
- ▶ Nikdy neskladujte tekutiny v lahvích nebo plechovkách (kromě lihovin s vysokým obsahem alkoholu), zejména perlivých nápojů, v mrazničce, protože by během zmrazování praskly.
- ▶ Pokud v mrazničce došlo k zahřátí, zkontrolujte stav potravin.
- ▶ Nenastavujte příliš nízké teploty v prostoru mrazničky. Pozor: Může dojít k roztržení lahvi.



UPOZORNĚNÍ!

Každodenní používání

- ▶ Nedotýkejte se zmrazených potravin mokřýma rukama (noste rukavice). Zejména se vyvarujte jedení nanuků ihned po vyjmutí z mrazničky. Je zde nebezpečí omrzlin nebo tvorby puchýřů z mrazu. První pomoc: okamžitě dejte pod tekoucí studenou vodu. V žádném případě se neodtrhujte!
- ▶ Nedotýkejte se vnitřního povrchu mrazničky, když je zapnutá, zejména mokřýma rukama. Vaše ruce mohou přimrznout k jejímu povrchu.
- ▶ V případě výpadku napájení nebo před čištěním spotřebič odpojte z napájení. Před tím, než spotřebič znovu zapnete, vyčkejte alespoň 5 minut, protože časté zapínání může poškodit kompresor.
- ▶ Nepoužívejte elektrická zařízení uvnitř potravinové skříně, pokud se nejedná o přístroje doporučené výrobcem.

Údržba/čištění

- ▶ Zajistěte, aby při provádění čištění a údržby byly děti pod dozorem.
- ▶ Před prováděním jakékoli běžné údržby spotřebič odpojte od elektrické sítě. Před tím, než spotřebič znovu zapnete, vyčkejte alespoň 5 minut, protože časté zapínání může poškodit kompresor.
- ▶ Při odpojování spotřebiče od el. napájení táhněte za zástrčku, ne za kabel.
- ▶ Ne seškrabávejte námrazy a led ostrými předměty. Nepoužívejte spreje, elektrické ohřivače jako radiátory, fény, parní čističe nebo jiné zdroje tepla, abyste zabránili poškození plastových částí.
- ▶ Pro urychlení rozmražení nepoužívejte mechanická zařízení nebo jiné prostředky jinak, než je doporučeno výrobcem.
- ▶ Během čištění na spotřebič nestříkejte ani ho neoplachujte.
- ▶ Pokud se poškodí osvětlovací žárovky, výměnu musí provést výrobce nebo kvalifikovaná osoba pracující pro stanoveného poskytovatele údržby.
- ▶ Pokud je síťový kabel poškozený, musí ho vyměnit výrobce, autorizovaný servis nebo podobně kvalifikovaná osoba, aby se zabránilo možným rizikům.
- ▶ Nepokoušejte se o opravení spotřebiče vlastními silami. V případě nutnosti opravy spotřebiče kontaktujte náš zákaznický servis.

Informace o chladicím plynu



UPOZORNĚNÍ!

Spotřebič obsahuje hořlavé chladivo ISOBUTAN (R600a). Zkontrolujte, že během přepravy a instalace nedošlo k poškození chladicího okruhu. Prosakující chladivo může způsobit poranění očí nebo se vznítit. Pokud se objeví závada, držte všechny zdroje otevřeného ohně stranou, důkladně vyvětrejte místnost, nezapojujte ani nevy-pojujte síťové kabely žádného spotřebiče v místnosti. Informujte zákaznický servis.

V případě, že chladivo přijde do kontaktu s očima, okamžitě je propláchněte pod tekoucí vodou a zavolejte neprodleně očního lékaře.



UPOZORNĚNÍ!

- ▶ Dbejte na to, aby nedošlo ke vzniku požáru zapálením hořlavého materiálu.
- ▶ UPOZORNĚNÍ: Při umístování spotřebiče se ujistěte, že přívodní kabel není zachycen nebo poškozený.
- ▶ UPOZORNĚNÍ: Neumísťujte více přenosných zásuvek nebo přenosných napájecích zdrojů na zadní stranu spotřebiče.
- ▶ Neskladujte v tomto zařízení výbušné látky, jako jsou například aerosolové plechovky s hořlavým hnacím plynem.
- ▶ Při hořlavých chladicích prostředcích používaných v mrazničce, při instalaci, manipulaci, servisu a recyklaci spotřebiče dávejte pozor.
- ▶ Z důvodu likvidace spotřebiče se obraťte prosím na servisního zástupce, jelikož v chladničce byl použit hořlavý plyn.

2.1 Běžný účel použití

Toto zařízení je určeno pro použití v domácnosti a v podobných podmínkách, jako jsou například

- kuchyně pro zaměstnance v obchodech, kancelářích a jiných pracovních prostředích;
- farmářské domy a klienty v hotelech, motelech a jiných typech ubytovacích zařízení;
- v ubytovací zařízení typu bed and breakfast ;
- pro stravovací a podobná zařízení neobchodního typu.

Tento spotřebič je určen k chlazení potravin. Byl navržen výhradně k používání v suchých interiérech domácností. Není určen k používání v komerčním nebo průmyslovém prostředí.

V případě potřeby lze tento spotřebič používat jako úložný prostor pro čerstvé potraviny. Není dovoleno provádět změny nebo úpravy na zařízení. Používání k jinému než určenému účelu může představovat nebezpečí a vést ke ztrátě platnosti záruky.

2.2 Příslušenství

Zkontrolujte příslušenství a literaturu podle tohoto seznamu:

2.2



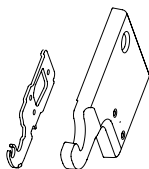
Energetický štítek



Záruční list

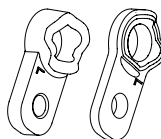


Návod k použití



Horní levý závěs pro reverzibilitu dveří

Horní levý kryt závěsu



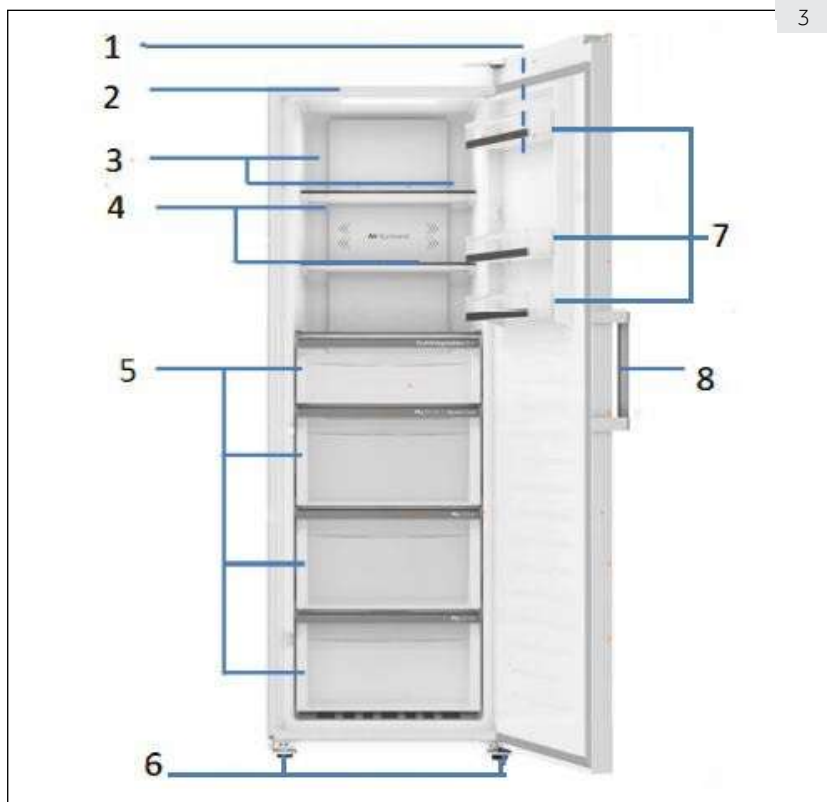
Kryt rohu



Poznámka: Rozdíly

Některé ilustrace v tomto manuálu se mohou v důsledku technických změn a rozdílů modelů lišit od Vašeho spotřebiče.

Obrázky spotřebiče (Obr.. 3)

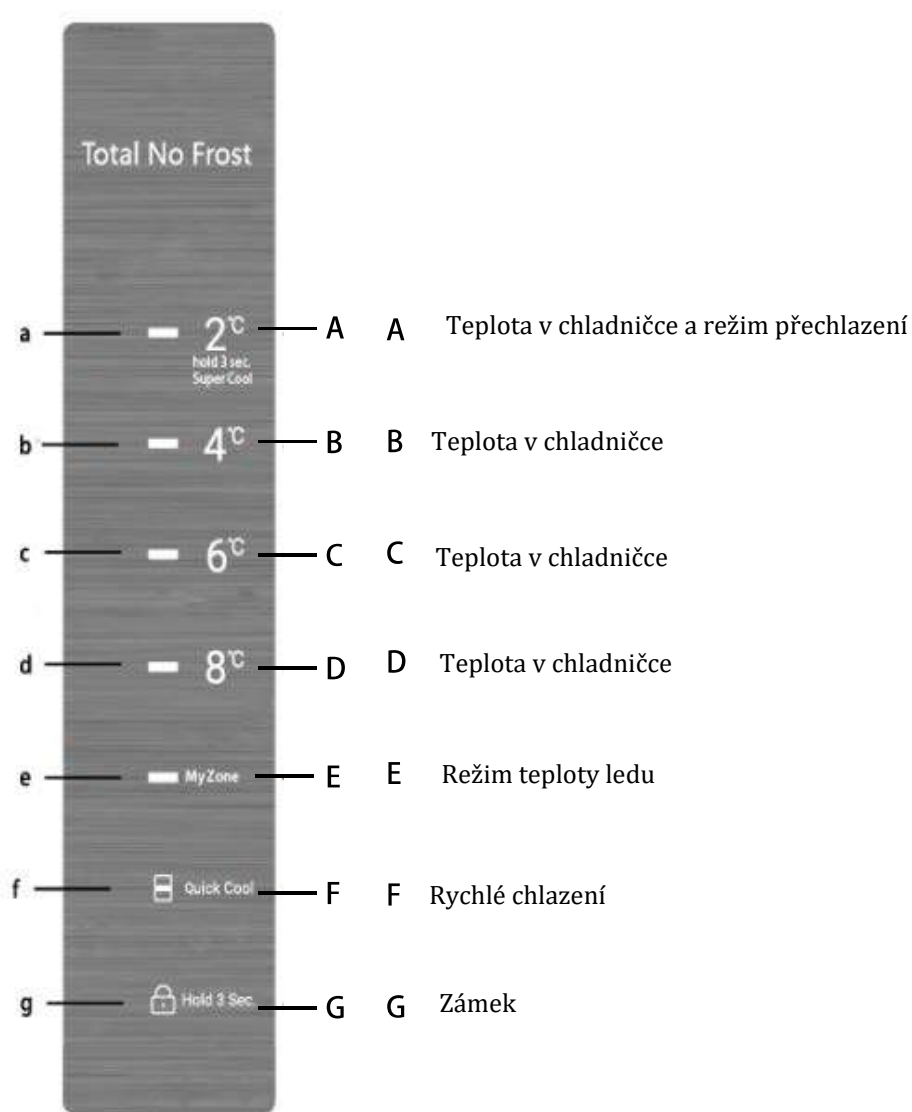


- | | |
|---|-------------------------------|
| 1 Ovládací panel | 5 Zásuvky |
| 2 LED světlo | 6 Nastavitelné nožičky |
| 3 Více-proudové chlazení (Multi-air-flow) | 7 Snímatelné poličky na dveře |
| 4 Skleněné police | 8 Madlo dvířek |

Poznámka: Tento výrobek obsahuje světelný zdroj s třídou energetické účinnosti <G>.

Ovládací panel (obr. č. 4)

4



5.1 Před prvním použitím

- ▶ Odstraňte veškerý obalový materiál, uschovejte ho mimo dosah dětí a zlikvidujte ho způsobem šetrným k životnímu prostředí.
- ▶ Než do spotřebiče vložíte jakékoli potraviny, vyčistěte jeho vnitřní i vnější povrchy vodou a slabým saponátem.
- ▶ Po vyrovnání a vyčištění počkejte alespoň 6 hodin, než spotřebič připojíte k napájení. Viz část INSTALACE.

5.2 Zapínání/vypínání spotřebiče

- ▶ Spotřebič se spustí ihned po připojení k napájení.
- ▶ Teplota v chladničce se automaticky nastaví na teplotu chlazeného prostoru 4 °C a teplotu ledu 0 °C. Jedná se o doporučené nastavení a ideální teplotu pro ukládání chlazených potravin. Chcete-li, můžete teplotu ručně upravit. Viz část NASTAVOVÁNÍ TEPLoty.

Indikátory (a-g) se jeden po druhém rozsvítí a zhasnou. Pokud jsou dveře zavřené, displej se vypne po 30 sekundách. Může být aktivován zámek panelu.



Upozornění: Výchozí nastavení

- ▶ Spotřebič je přednastaven na doporučenou teplotu chlazeného prostoru 4 °C a teplotu ledu 0 °C.
- ▶ Když se spotřebič zapne poté, co byl odpojen od napájení, může trvat až 2 hodiny, než dosáhne správné teploty.
- ▶ Před vypnutím vyprázdněte spotřebič a potom vytáhněte napájecí kabel ze síťové zásuvky.

Před vypnutím vyprázdněte spotřebič a potom vytáhněte napájecí kabel ze síťové zásuvky.

5.3 Pohotovostní režim displeje

Když jsou zavřené dveře, obrazovka displeje se po 3 sekundách nečinnosti automaticky vypne. Obrazovka displeje se automaticky zamkne. Po stisknutí nějakého tlačítka nebo otevření dveří se automaticky rozsvítí.

5.4 Zamykání a odemykání displeje

Automatické zamykání

Po 30 sekundách nečinnosti se displej automaticky zamkne.

Ruční zamykání

Když je displej odemčený, stiskněte tlačítko „Zámek“ (G) a podržte ho 3 sekundy, pak se rozsvítí indikátor „Zámek“ (g) a displej se zamkne. Když je displej zamčený, stiskněte tlačítko „Zámek“ (G) a podržte ho 3 sekundy, pak indikátor „Zámek“ (g) zhasne a displej se odemkne.



Upozornění: Zámek displeje

Když je displej zamčený, jsou deaktivovány funkce jako nastavování teploty, rychlé chlazení a mrazicí box. Při pokusu o jejich aktivaci třikrát blikne indikátor dětského zámku, aby vám připomněl, že displej je zamčený.

5.5 Nastavování teploty

Když je displej odemčený, můžete nastavit teplotu stisknutím příslušného tlačítka teploty; nastavování bude doprovázeno pípáním.

Horní police a první přihrádka patří do zóny chlazeného prostoru a spodní tři přihrádky patří do zóny teploty ledu. Zvolte vhodnou zónu pro uložení, aby se potraviny nezkazily.

5.6 Režim chladničky (2 ° C až 8 ° C) (A-D)

Když je displej odemčený, můžete nastavit teplotu stisknutím příslušného tlačítka teploty. Teplotu lze nastavit na „2 °C“, „4 °C“, 6 °C“ a „8 °C“

5.7 Režim teploty ledu (0 ° C/2 ° C) (E)

Když je displej odemčený, stiskněte tlačítko „My zone“(Mrazicí box) (E), rozsvítí se indikátory „My zone“(e) a zóna teploty ledu se nastaví na 0 °C. Po dalším stisknutí tlačítka „My zone“(Mrazicí box) (E) indikátory „My zone“(e) zhasnou a zóna teploty ledu se nastaví na 2 °C.

5.8 Režim přechlazení (A)

Když je displej zamčený, stiskněte tlačítko (2 °C) (A) a podržte ho 3 sekundy, rozsvítí se indikátory (a-d) a chladnička bude pracovat v režimu přechlazení. Opakováním výše popsaných kroků deaktivujete funkci přechlazení. Pokud tuto funkci nedeaktivujete ručně, bude deaktivována automaticky, jakmile teplota dosáhne nastavené hodnoty, nebo o 3 hodiny později.



Upozornění: Přechlazení

V režimu přechlazení nelze nastavovat teplotu. Pokud se o to pokusíte, indikátor Super třikrát blikne.

5.9 Režim rychlého chlazení (F)

Rychlé chlazení funguje jako ŠOKOVÉ CHLAZENÍ ve druhé přihrádce shora; celou zónu přihrádky lze rychle ochladit na nastavenou teplotu. Když je displej odemčený, stiskněte tlačítko „Quick cool“ (Rychlé chlazení) (F), rozsvítí se indikátory (f) a chladnička bude pracovat v režimu rychlého chlazení. Opakováním výše popsaných kroků deaktivujete funkci rychlého chlazení. Pokud tuto funkci nedeaktivujete ručně, bude deaktivována automaticky, jakmile teplota dosáhne nastavené hodnoty, nebo o 3 hodiny později

5.10 Paměť při vypnutí

Chladnička má paměť při vypnutí, ve které bude uloženo nastavení před vypnutím. Po zapnutí napájení se obnoví nastavení z okamžiku před vypnutím a chladnička bude pokračovat v provozu s tímto nastavením. Do paměti nelze uložit funkci dětského zámku, po zapnutí bude displej odemčený.

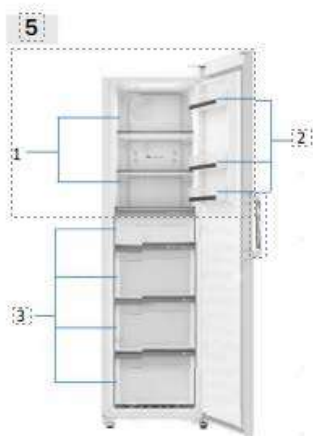
5.11 Alarm při otevření dveří

Když zůstanou dveře otevřené déle než 1 minutu, ozvou se 3 pípnutí v intervalu 0,5 sekundy. Pokud zůstanou dveře otevřené, tato pípnutí se budou opakovat každých 30 sekund. Pípání ustane po zavření dveří, nebo o 7 minut později. Potom zhasne světlo.

5.12 Signalizace chyb

Chladnička je vybavena signalizací chyb. Při výskytu chyby budou na displeji každou 1/4 sekundy blikat různé kódy odpovídající různým chybám.

V této situaci bude chladnička stále chladit, ale v zájmu optimálního fungování byste měli co nejdříve zavolat poprodejní servis.



Různé potraviny by měly být umístěny do různých oblastí podle jejich vlastností (obr. 5).

1 Nakládaná zelenina, konzervy, ovocná zelenina, saláty atd.

2 Vejce, konzervy, koření, nápoje a další lahvová jídla atd.

3 Maso, občerstvení atd.

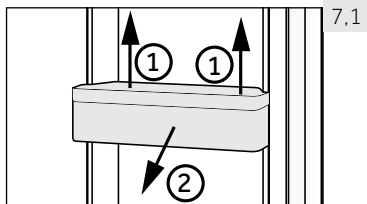
U spotřebičů bez prostoru označeného čtyřmi hvězdičkami: „Tento chladicí spotřebič není vhodný pro mražení potravin.“



Tipy na ušetření energie

- ▶ Zkontrolujte, zda spotřebiči správně větrá (viz INSTALACE).
- ▶ Neinstalujte spotřebič na přímé sluneční světlo nebo do blízkosti tepelných zdrojů (např. sporák, radiátory).
- ▶ Nenastavujte na spotřebiči zbytečně nízké teploty. Čím nižší teplota je na spotřebiči nastavená, tím vyšší je spotřeba energie.
- ▶ Teplé potraviny nechce před uložením do spotřebiče ochladit.
- ▶ Dveře spotřebiče otvírejte co nejméně a na co nejkratší dobu.
- ▶ Ujistěte se, že jsou dveře vždy správně zavřené a nejsou omezeny polohou potravin. Udržujte těsnění dveří čisté.
- ▶ Zmražené potraviny rozmrazujte v ledniče.
- ▶ Pravidelně čistěte zadní část spotřebiče. Prach zvyšuje spotřebu energie.
- ▶ Energeticky nejúspornější konfigurace vyžaduje, aby byly ve spotřebiči nainstalovány přihrádky, schránka na potraviny a police byly umístěny ve spotřebiči jako ve stavu čerstvém z výroby a aby potraviny byly umístěny bez blokování výstupu vzduchu z potrubí

7 - Zařízení



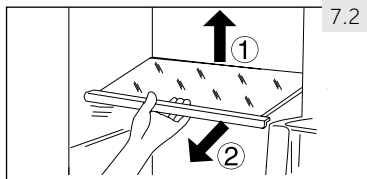
7.1

7.1 Snímatelné policičky na dveře

Poličky na dveře lze vyjmout kvůli čištění:

Položte ruce na obě strany poličky, zvedněte ji nahoru (1) a vytáhněte (2) (obr. 7.3).

Chcete-li vrátit poličku zpět na dveře, výše zmíněný postup obraťte.



7.2

7.2 Skleněné policičky

1. Chcete-li vyjmout polici, nejprve nadzvedněte její zadní okraj (1) a poté ji vytáhněte (2) (obr. 7.2).
2. Chcete polici znovu vložit do ledničky, položte ji na výstupky po obou stranách a zatlačte ji do krajní zadní polohy, dokud nezapadne do žlábků po stranách



UPOZORNĚNÍ!

Než začnete s čištěním spotřebiče, odpojte ho od elektrické sítě.

8.1 Obecně

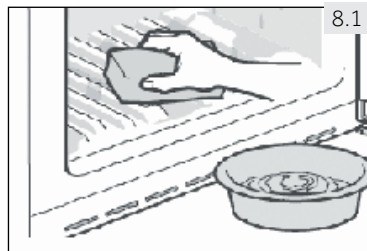
Spotřebič čistěte, pouze když je prázdný nebo když je v něm jen malé množství uskladně-ných potravin.



UPOZORNĚNÍ!

- ▶ Spotřebič nečistěte tvrdými kartáči, drátěnými kartáči, čisticími prášky, benzínem, amyloacetáty, acetonu a podobnými organickými prostředky, kyselinami nebo alka-lickými čistidly. Abyste se vyhnuli poškození spotřebiče, používejte prosím k čištění speciální čisticí prostředky určené pro mrazničky.
- ▶ Během čištění na spotřebič nestříkejte ani ho neoplachujte.
- ▶ Ne seškrabávejte námrazy a led ostrými předměty.
- ▶ Nepoužívejte spreje, elektrické ohříváče jako radiátory, fény, parní čističe nebo jiné zdroje tepla, abyste zabránili poškození plastových částí.
- ▶ Studené skleněné police neomývejte horkou vodou. Náhlá změna teploty by mohla způsobit prasknutí skla.
- ▶ Nedotýkejte se vnitřního povrchu prostoru mrazničky, zejména mokřýma rukama, protože by vám mohly k povrchu přimrznout.
- ▶ Dojde-li k zahřátí, zkontrolujte stav zmrazených potravin.
- ▶ Neopravujte spotřebič svépomocí. V případě nutnosti opravy spotřebiče kontaktujte náš zákaznický servis.

- ▶ Těsnění na dveřích musí být vždy čisté.
- ▶ Vnitřek a plášť spotřebiče čistěte jemnou utěrkou nebo houbičkou navlhčenou teplou vodou a neutrálním čisticím prostředkem (obr. 8,1).
- ▶ Spotřebič omyjte a vysušte jemnou utěrkou.
- ▶ Žádné součásti spotřebiče nemyjte v myčce nádobí.
- ▶ Vyčistěte příslušenství jen s teplou vodou a neutrálním mýdlem.



8.2 Nepoužívání spotřebiče po delší dobu

V případě, že přístroj není používán po delší časové období:

- ▶ Vyjměte potraviny.
- ▶ Odpojte síťový kabel.
- ▶ Očistěte spotřebič podle výše uvedeného návodu.
- ▶ Dveře a zásuvky mrazničky nechte otevřené, abyste zabránili vzniku nežádoucích pachů uvnitř spotřebiče.

Odstraňte dvířka zařízení (otevřete dvířka a držte, než vyjmete šrouby), aby nemohli do zařízení vlézt děti, a aby nedošlo k ich zavření.



Poznámka: Vypnutí

Pro zajištění dlouhé životnosti spotřebiče jej vypněte pouze tehdy, pokud je to nezbytné.

8.3 Stěhování spotřebiče

1. Vyjměte všechny potraviny a odpojte spotřebič od elektrické sítě.
2. Police a všechny pohyblivé části mrazničky zajistěte lepicí páskou.
3. Zavřete dveře a zajistěte je páskou.
4. Nenaklánějte mrazničku pod větším úhlem než 45°, aby nedošlo k poškození chladičného systému.
5. Nožky mrazničky obalte, aby nepoškrábaly podlahu. Nikdy mrazničku neposunujte příliš rychle



UPOZORNĚNÍ!

- ▶ Spotřebič nezvedejte za kliky.
- ▶ Nikdy nepokládejte spotřebič na podlahu v horizontální poloze.

Hodně vzniklých problémů můžete vyřešit sami bez zvláštní kvalifikace. Vyskytne-li se nějaký problém, dříve než se obrátíte na prodejce, zkontrolujte všechny uvedené možnosti a postupujte podle níže uvedených pokynů. Viz ZÁKAZNICKÝ SERVIS.



UPOZORNĚNÍ!

- ▶ Před prováděním údržby spotřebičů vypněte a odpojte ho od elektrické sítě.
- ▶ Elektrické součásti smí opravovat pouze kvalifikovaný odborník, protože neodborné zásahy by mohly způsobit rozsáhlá následná poškození.
- ▶ Poškozený síťový kabel musí vyměnit výrobce, autorizovaný servis nebo podobně kvalifikovaná osoba, aby se zabránilo možným rizikům.

Zvukový signál alarmu lze vypnout stlačením jakéhokoli tlačítka.

9.1 Řešení problémů

Problém	Možná příčina	Možné řešení
Nefunguje kompresor.	<ul style="list-style-type: none"> • Zástrčka není zapojená do elektrické zásuvky. 	<ul style="list-style-type: none"> • Zapojte spotřebič do elektrické sítě.
Spotřebič pracuje často nebo příliš dlouho.	<ul style="list-style-type: none"> • Vnitřní nebo vnější teplota je příliš vysoká. • Spotřebič byl nějakou dobu bez přívodu elektrické energie. • Dveře spotřebiče nejsou těsně uzavřeny. • Dveře spotřebiče se otevíraly příliš často nebo na dlouhou dobu. • Nastavená teplota je příliš nízká. • Těsnění dveří je špinavé, opotřebené, prasklé nebo nevhodné. • Není zajištěna požadovaná cirkulace vzduchu. • Vnitřek je pokrytý ledem. 	<ul style="list-style-type: none"> • V tomto případě je běžné, že spotřebič pracuje delší dobu. • Běžně trvá 8 až 12 hodin než se spotřebič zcela ochladí. • Zavřete dveře/zásuvky a zkontrolujte, že spotřebič stojí na rovném podkladu a že se dveří nedotýkají žádné potraviny ani jiné překážky. • Neotvírejte dveře chladničky příliš často. • Nastavte vyšší teplotu, dokud se nedostane na uspokojivou teplotu. Ustálení teploty mrazničky trvá 24 hodin. • Očistěte těsnění dveří nebo je nechte vyměnit v zákaznickém servisu. • Zajistěte dostatečnou ventilaci. • Rozmrazte spotřebič.
Spotřebič dělá neobvyklý hluk.	<ul style="list-style-type: none"> • Spotřebič nestojí na rovné ploše. • Spotřebič je v kontaktu s nějakým předmětem. • Zařízení stojí na dřevěné podlaze nebo v blízkosti dřevěných stěn. 	<ul style="list-style-type: none"> • Vyrovnajte spotřebič. • Odstraňte předměty z okolí spotřebiče. • Dřevo zesiluje zvuk. Postavte spotřebič někde jinde.

Problém	Možná příčina	Možné řešení
Zařízení vydává zvuk kliknutí	<ul style="list-style-type: none"> To je normální. Způsobuje to zapnutí nebo vypnutí chladicí jednotky. 	<ul style="list-style-type: none"> -
Měl by být slyšet tenký zvuk podobný zvuku tekoucí vody.	<ul style="list-style-type: none"> To je normální. 	<ul style="list-style-type: none"> -
Spotřebič dělá hluk motoru.	<ul style="list-style-type: none"> Chladicí jednotka se právě zapnula. To je normální. 	<ul style="list-style-type: none"> -
Uvnitř spotřebiče není dostatečně chladno.	<ul style="list-style-type: none"> Je nastavena příliš vysoká teplota. Byly vloženy příliš teplé potraviny. Bylo vloženo příliš mnoho potravin najednou. Potraviny jsou příliš blízko u sebe. Dveře nejsou těsně uzavřeny. Dveře spotřebiče se otevíraly příliš často nebo na dlouhou dobu. 	<ul style="list-style-type: none"> Nastavte teplotu znovu. Před uložením potraviny vždy ochladte. Ukládejte vždy malé množství potravin. Mezi potravinami nechte mezery, aby mohl vzduch volně proudit. Zavřete dvířka. Neotvírejte dveře chladničky příliš často.
Uvnitř spotřebiče je příliš chladno.	<ul style="list-style-type: none"> Nastavená teplota je příliš nízká. Funkce Rychlé mražení je aktivní nebo pracuje příliš dlouho. 	<ul style="list-style-type: none"> Nastavte teplotu znovu. Vypněte funkci Rychlé mražení.
Na povrchu spotřebiče se hromadí vlhkost.	<ul style="list-style-type: none"> Ovzduší je příliš teplé a příliš vlhké. 	<ul style="list-style-type: none"> To je ve vlhkém prostředí normální. Změna nastane, až klesne vlhkost. Osušte hadrem.
V mrazničce je silná vrstva ledu a námrazy.	<ul style="list-style-type: none"> Potraviny nebyly správně zabalené. Dveře nejsou těsně uzavřeny. Dveře spotřebiče se otevíraly příliš často nebo na dlouhou dobu. Těsnění dveří je špinavé, opotřebené, prasklé nebo nevhodné. Uvnitř je překážka, která brání správnému zavření dveří. 	<ul style="list-style-type: none"> Potraviny vždycky správně zabalte. Zavřete dvířka. Neotvírejte dveře chladničky příliš často. Očistěte těsnění dveří nebo je nechte vyměnit v zákaznickém servisu. Přemístěte police, dveřní poličky nebo vnitřní zásobníky tak, aby bylo možné zavřít dveře.
Nefunguje chladicí systém.	<ul style="list-style-type: none"> Zástrčka není zapojená do elektrické zásuvky. Zdroj napájení není v pořádku. 	<ul style="list-style-type: none"> Zapojte spotřebič do elektrické sítě. Zkontrolujte, jestli přívod elektrické energie v místnosti. Kontaktujte místního dodavatele elektrického proudu!

Problém	Možná příčina	Možné řešení
Boky skříně a pásy dveří se mohou zahřát.	<ul style="list-style-type: none"> To je normální. 	<ul style="list-style-type: none"> -
Slyšet signál alarmu.	<ul style="list-style-type: none"> Dveře jsou otevřeny. Teplota uvnitř výrobku je příliš vysoká 	<ul style="list-style-type: none"> Zavřete dveře nebo alarm vypněte ručně.
Dveře se těžko otevírají.	<ul style="list-style-type: none"> Když je zařízení v provozu, uvnitř je podtlak. 	<ul style="list-style-type: none"> Těsné dvířka otevřete jemně, aby se vzduch mohl dostat do přístroje.
Dveře nelze správně zavřít. Vždy zůstává mezi nimi mezera.	<ul style="list-style-type: none"> Z důvodu nízké teploty spotřebiče se těsnění dveří může snadno zhoršit a deformovat. 	<ul style="list-style-type: none"> Použijte fén nebo položte horký ručník na místo, kde je těsnění deformované. Pokud je těsnění opět měkké, zavřete dvířka a těsně jejich stiskněte.

9.2 Přerušování elektrické energie

V případě výpadku elektrického proudu by měly potraviny zůstat bezpečně vychlazené po dobu asi 18 hodin. V případě delšího výpadku proudu, zejména v létě, postupujte podle těchto pokynů:

- ▶ Otevírejte dveře co možná nejméně.
- ▶ Během výpadku proudu nepřidávejte do mrazničky další potraviny.
- ▶ Pokud je výpadek proudu předem ohlášený a předpokládaná doba výpadku přesahuje 15 hodin, vyrobte led a vložte ho do zásobníku v horní části mrazničky.
- ▶ V důsledku zvýšení teploty v mrazničce během výpadku elektrického proudu nebo jiné poruchy dojde ke zkrácení doby uložení potravin a také se sníží jejich kvalita. Potraviny, které se rozmrazily, by se měly buď brzy zkonsumovat, nebo uvařit a znovu zmrazit (pokud je to vhodné), aby se předešlo zdravotním rizikům.



Poznámka: Funkce paměti při přerušování napájení

Po obnovení napájení přístroj pokračuje v nastaveních, které byly nastaveny před výpadkem proudu.

10.1 Vybalení

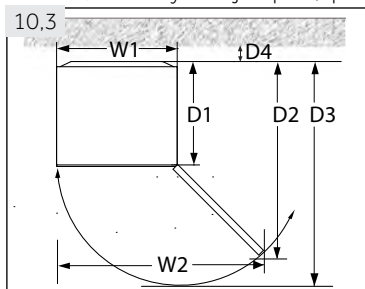


UPOZORNĚNÍ!

- ▶ Spotřebič je těžký. Se spotřebičem manipulujte vždy nejméně ve dvou.
- ▶ Všechny obalové materiály udržujte mimo dosah dětí a zlikvidujte je způsobem, který je šetrný k životnímu prostředí.
- ▶ Vyměte spotřebič z obalu.
- ▶ Odstraňte všechny obalové materiály.

10.2 Podmínky životního prostředí

Teplota v místnosti by se měla pohybovat v rozmezí 10 °C až 43 °C, protože může ovlivňovat teplotu uvnitř spotřebiče a spotřebu energie. Neinstalujte spotřebič do blízkosti spotřebičů, které vydávají teplo (sporáky, ledničky), aniž by byl odizolován.

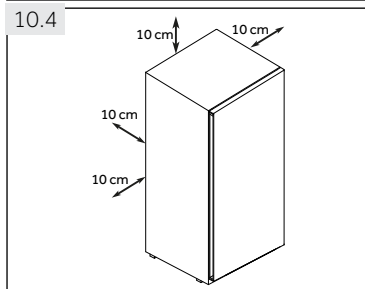


10.3 Prostorové požadavky

Požadovaný prostor na otevření dveří (Obr. 10.3):

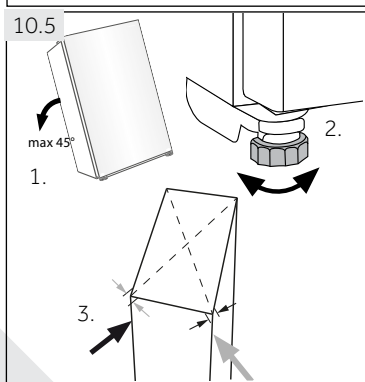
Šířka v mm		Hloubka v mm			Vzdálenost ke zdi v mm
W1	W2	D1	D2	D3	D4
595	955	592	1105	1215	100

U volně stojícího spotřebiče: „Tento chladicí spotřebič není určen k vestavění.“



10.4 Ventilační systém

Pro dosažení dostatečné ventilace spotřeby z důvodu bezpečnosti, je nutné dodržet požadavky pro správné větrání (obr. 10.4).



10.5 Vyrovnání spotřebiče

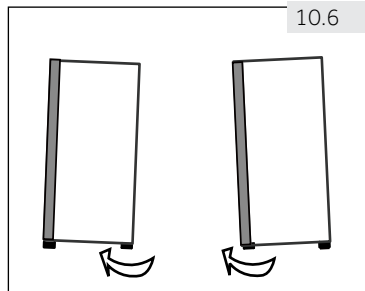
Spotřebič umístěte na rovný a pevný povrch. Pokud dáváte zařízení na podstavec, musíte použít materiály, které jsou pevné a ohnivzdorné. Nikdy jako podstavec nepoužívejte pěnový obalový materiál.

1. Nakloňte spotřebič lehce dozadu (obr. 10.5).
2. Nastavte nožičky na požadovanou úroveň.
3. Stabilitu spotřebiče zkontrolujete tak, že střídavě udeříte do protilehlých stran. Mírné vychýlení by mělo být stejné v obou směrech. V opačném případě by mohlo dojít k deformaci rámu; důsledkem může být netěsnící zavírání dveří. Mírný náklon na zadní stranu usnadňuje zavírání dveří.

10.6. Použití nastavovacích nožiček

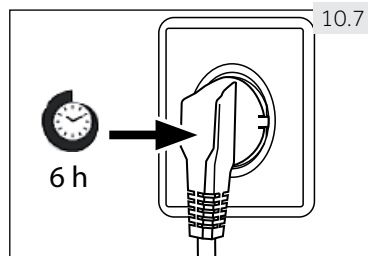
Pokud je mraznička nestabilní, je možné nastavit její nohy: Otočte nastavitelné nožičky ve směru šipky (obrázek 10.6), abyste je otočili nahoru nebo dolů:

- ▶ Otočení nožiček ve směru hodinových ručiček spotřebič zvedne.
- ▶ Otočení nožiček proti směru hodinových ručiček ho spustí.



10.7 Čekací doba

V kapsli kompresoru je umístěný bezúdržbový olej. Při naklánění spotřebiče během převozu se olej mohl dostat přes zavřené potrubí. Vyčkejte 6 hodin před zapojením spotřebiče do elektrické sítě (obr. 10.7), aby se olej mohl vrátit do pouzdra.



10.8 Elektrické připojení

Před každým zapojením zkontrolujte, zda:

- ▶ zdroj energie, zásuvka a pojistka odpovídají výkonnostnímu štítku.
- ▶ je zásuvka uzemněná a nepoužíváte prodlužovací kabel ani vícenásobné zásuvky.
- ▶ se zástrčka a zásuvka přesně shodují.

Zástrčku zapojte do řádně instalované domácí zásuvky.



UPOZORNĚNÍ!

Poškozený napájecí kabel musí být vyměněn v zákaznickém servisu, aby nedošlo ke vzniku nebezpečí (viz Záruční list).

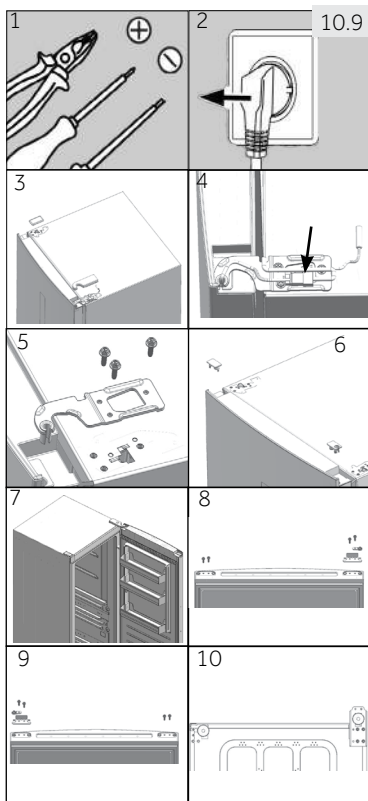
10,9 Obrácení dveří

Než připojíte spotřebič do elektrické sítě, měli byste zkontrolovat, zda není potřeba přemístit otevírání dveří z pravé strany (při dodání) na levou v závislosti na místě instalace spotřebiče.



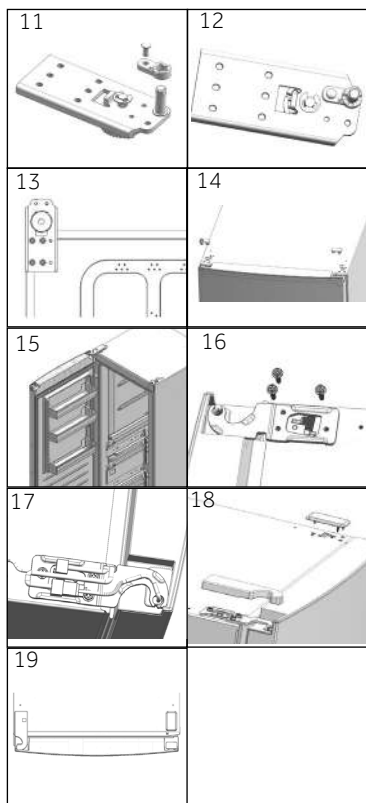
UPOZORNĚNÍ!

- ▶ Spotřebič je těžký. Na obrácení dveří jsou potřeba 2 osoby.
- ▶ Než se pustíte do jakékoli činnosti, odpojte spotřebič od elektrické sítě.
- ▶ Nenaklánějte spotřebič pod úhlem větším než 45°, aby nedošlo k poškození chladicího systému.



Kroky při montáži (Obr. 10.9):

1. Připravte si potřebné nářadí.
2. Odpojte spotřebič od elektrického napětí.
3. Odstraňte kryt otvoru závěsu a kryt závěsu.
4. Odpojte spojovací kabel.
5. Odstraňte šrouby a závěs
6. Odstraňte kryt dveří. Odstraňte kryt rohů na dveřích
7. Otevřete a odstraňte dveře.
8. Otočte dveře vzhůru nohama a vyberte 2 šrouby na spodní straně dveří. Odstraňte 2 šrouby, zátku dveří a kryt rohu ve spodní části dvířek
9. Vezměte dveřní doraz z posledního kroku a tenčí kryt rohu z kapsy na příslušenství a zajistěte 2 šrouby. Upevněte i 2 šrouby na druhé straně dveří.
10. Sklopte mírně dozadu skříňku, odstraňte 4 šrouby a potom spodní závěs.



11. Odstraňte šroub a kryt rohu. Odstraňte závěsný roh a připevněte ho do otvoru vedle něj.
12. Vezměte silnější kryt rohu z kapsy na příslušenství. Připevněte ho šroubem z posledního kroku.
13. Připevněte závěs na opačnou polohu skříně pomocí 4 šroubů.
14. Na opačné straně dveří vytáhněte levý přípojný kabel a přemístěte ho přes kryt rohu z kroku 5, připevněte kryt rohu. Namontujte kryt otvoru na pravé straně.
15. Namontujte dveře.
16. Upevněte horní pravý horní závěs 3 šrouby.
17. Připojte konektory kabelů:
18. Namontujte kryt otvoru závěsu a kryt horního levého kloubu.
19. Ukončené.

DOSTUPNOST NÁHRADNÍCH DÍLŮ

Termostaty, teplotní čidla, desky plošných spojů a zdroje světla, po dobu alespoň sedmi let poté, co byl na trh uveden poslední kus daného modelu;
Dveřní kliky, dveřní závěsy, příhrádky a koše po dobu alespoň sedmi let a těsnění dveří po dobu alespoň deseti let poté, co byl na trh uveden poslední kus daného model

ZÁRUKA

Minimální záruka je: 2 roky pro země EU, 3 roky pro Turecko, 1 rok pro Spojené království, 1 rok pro Rusko, 3 roky pro Švédsko, 2 roky pro Srbsko, 5 let pro Norsko, 1 rok pro Maroko, 6 měsíců pro Alžírsko, pro Tunisko není vyžadována žádná právní záruka.

TECHNICKÁ POMOC

Chcete-li kontaktovat technickou pomoc, navštivte naše webové stránky: <https://corporate.haier-europe.com/en/>. V sekci „websites“ vyberte značku vašeho produktu a vaši zemi. Budete přesměrováni na konkrétní webovou stránku, kde najdete telefonní číslo a formulář pro kontaktování technické pomoci

Další informace o produktu naleznete na adrese <https://eprel.ec.europa.eu/> nebo naskenujte QR na energetickém štítku dodaném se zařízením

11.1 List výrobku podle nařízení EU č. 1060/2010

Obchodní značka	Haier
Identifikační značka modelu	H3R-330WNA
Kategorie modelu	Vertikální mraznička
Třída energetické účinnosti	A
Roční spotřeba energie (kWh/rok) ¹⁾	66
Objem chladicího prostoru (L)	189
Objem mrazicího boxu (L)	141
Celkový objem úložného prostoru (L)	330
Teplota dalších prostorů > 14 °C	nepoužitelné
Beznámrazový systém	ano
Zabezpečení při výpadku proudu (h)	/
Mrazicí kapacita (kg/24h)	/
Klimatická třída Spotřebič je určený pro použití při teplotě okolního prostředí mezi 10 °C a 43 °C.	SN-T
Vzduchem šířené emise hluku (db(A) re 1pW)	38
Typ konstrukce	volně stojící

¹⁾ na základě výsledků 24 hodinové normalizované zkoušky. Skutečná spotřeba energie bude záviset na používání a umístění spotřebiče.

Instalujte spotřebič na místo, kde okolní teplota odpovídá klimatické třídě uvedené na typovém štítku spotřebiče:

-Rozšířené mírné pásmo (SN): „Tento chladicí spotřebič je určen k používání při teplotách okolí od 10 °C do 32 °C.“

-Mírné pásmo (N): „Tento chladicí spotřebič je určen k používání při teplotách okolí od 16 °C do 32 °C.“

-Subtropické pásmo (ST): „Tento chladicí spotřebič je určen k používání při teplotách okolí od 16 °C do 38 °C.“

-Tropické pásmo (T): „Tento chladicí spotřebič je určen k používání při teplotách okolí od 16 °C do 43 °C.“

11.2 Doplňkové technické údaje

Napětí / Frekvence	220-240V ~ / 50Hz
Hlavní pojistka (A)	1,0
Chladicí kapalina	R600a
Rozměry (v/š/h v mm)	1910/595/675
Výkon/napětí světla	1,5 W / 12 V DC

11.3 Normy a směrnice

Tento výrobek vyhovuje požadavkům všech odpovídajících směrnic ES včetně souvisejících harmonizovaných norem, které jsou nutné pro to, aby výrobek mohl nést označení CE.

Doporučujeme používat originální náhradní díly a služby zákaznického servisu Haier. Máte-li se spotřebičem nějaký problém, podívejte se prosím nejprve do sekce ŘEŠENÍ PROBLÉMŮ.

Pokud tam nenajdete řešení, kontaktujte prosím

- ▶ místního prodejce nebo
- ▶ oddíl Service & Support na stránkách www.haier.com, kde můžete najít telefonní čísla a můžete aktivovat váš servisní požadavek.

Ještě, než budete kontaktovat naše Servisní centrum, zkontrolujte, zda máte níže uvedené informace.

Informace najdete na výkonostním štítku.

Model _____ Výrobní číslo. _____

Zkontrolujte také Záruční list, který je dodáván spolu se spotřebičem pro případ reklamace.

Pro všeobecné obchodní otázky vyhledejte naše níže uvedené evropské adresy.

Evropské adresy Haier			
Země*	Poštovní adresa	Země*	Poštovní adresa
Itálie	Haier Europe Trading SRL Via De Cristoforis, 12 21100 Varese ITALY	Francie	Haier France SAS 3-5 rue des Gravieres 92200 Neuilly sur Seine FRANCE
Španělsko Portugalsko	Haier Iberia SL Pg. Garcia Faria, 49-51 08019 Barcelona SPAIN	Belgie-FR Belgie-NL Nizozemsko Lucembursko	Haier Benelux SA Anderlecht Route de Lennik 451 BELGIUM
Německo Rakousko	Haier Deutschland GmbH Hewlett-Packard-Str. 4 D-61352 Bad Homburg NĚMECKO	Polsko Česko Maďarsko Řecko Rumunsko Rusko	Haier Poland Sp. zo.o. Al. Jerozolimskie 181B 02-222 Warszawa POLAND
Spojené království	Haier Appliances UK Co.Ltd. One Crown Square Church Street East Woking, Surrey, GU21 6HR UK		

*Pro více informací prosím jděte na www.haier.com



Haier

Gebruikershandleiding



Staande Koelkast

H3R-330WNA

* - Kleurcode

NL

Haier

Dank u voor uw aankoop van dit Haier product.

Lees deze handleiding grondig voor u het apparaat in gebruik neemt. De handleiding bevat belangrijke informatie die u zal helpen uw apparaat optimaal te gebruiken en het veilig en correct te installeren, gebruiken en onderhouden.

Bewaar deze handleiding zodat u hem steeds kunt raadplegen voor het veilig en correct gebruik van het apparaat.

Als u het apparaat verkoopt, wegschenkt, of achterlaat wanneer u verhuist, moet u deze handleiding ook meegeven zodat de nieuwe eigenaar vertrouwd kan raken met het apparaat en de veiligheidswaarschuwingen.

Legende



Algemene informatie en tips



Waarschuwing - Belangrijke veiligheidsinformatie



Milieu-informatie



Verwijdering

Help het milieu en de gezondheid te beschermen. Plaats de verpakking in de geschikte containers om het te recyclen. Help afval van elektrische en elektronische apparaten recyclen. Gooi apparaten die voorzien zijn van dit symbool niet weg met huishoudelijk afval. Retourneer het product naar uw lokale instelling of neem contact op met uw gemeentelijk kantoor.



Waarschuwing!

Risico op letsels of verstikking!

Koelmiddelen en gassen moeten door professionals worden verwijderd. Zorg ervoor dat de leiding van het koelcircuit niet beschadigd is voor het correct verwijderd wordt. Ontkoppel het apparaat van het netwerk. Snijd het netsnoer door en verwijder het. Verwijder de deur, de scharnieren en afdichtingen om te vermijden dat kinderen of huisdieren in het apparaat vastgeklemd kunnen raken.

1 - Veiligheid.....	4
2 - Beoogd gebruik	8
3 - Productbeschrijving	9
4 - Bedieningspaneel	10
5 - Gebruik	11
6 - Energiebesparing tips	14
7- Apparatuur.....	14
8- Zorg en reiniging	15
9 - Probleemoplossen	17
10 - Installatie.....	20
11 - Technische gegevens	24
12- Klantendienst	25

Voor u het apparaat de eerste maal inschakelt, moet u het veiligheidsadvies lezen!:



WAARSCHUWING!

Voor de eerste ingebruikname

- ▶ Zorg ervoor dat er geen schade is opgetreden tijdens het transport.
- ▶ Verwijder alle verpakking en buiten de buurt van kinderen bewaren.
- ▶ Wacht minimum zes uur voor u het apparaat monteert om zeker te zijn dat het koelcircuit correct en efficiënt werkt.
- ▶ Het apparaat moet altijd door minimum twee personen worden gedragen omdat het zo zwaar is.

Installatie

- ▶ Het apparaat moet in een goed geventileerde locatie worden geplaatst. Zorg ervoor dat er minimum 10 cm boven en rond het apparaat wordt gelaten.
- ▶ U mag de ventilatieopeningen niet afdekken.
- ▶ Plaats het apparaat nooit in een vochtige locatie waar de kans bestaat dat water op de koelkast spat. Reinig en droog waterspatten en vlekken met een zachte, schone doek.
- ▶ U mag het apparaat niet installeren in direct zonlicht of in de buurt van warmtebronnen (bijv. fornuizen, verwarming).
- ▶ Installeer en nivelleer het apparaat in een ruimte die geschikt is voor de afmetingen en de toepassing van het apparaat.
- ▶ Houd de ventilatieopeningen in het apparaat of de ingebouwde structuur vrij van belemmeringen.
- ▶ Zorg ervoor dat de elektrische informatie op het naamplaatje overeenstemt met de stroomtoevoer. Zo niet moet u contact opnemen met een elektricien.
- ▶ Het apparaat werkt met een voeding van 220-240 VAC/50 Hz. Abnormale spanningsschommelingen kunnen ertoe leiden dat het apparaat niet start, of de temperatuurcontrole of de compressor beschadigen, of er kan abnormaal lawaai ontstaan tijdens de werking. In een dergelijk geval wordt een automatische regelaar gemonteerd.
- ▶ Gebruik een afzonderlijke aardgeleider voor de voeding die eenvoudig toegankelijk moet zijn tijdens het reinigen. Het apparaat moet geaard worden.
- ▶ **Enkel voor het VK:** Het netsnoer van het apparaat is uitgerust met een driepolige stekker (aarding) die past in een driepolige (geaarde) stekker. Snij de derde pin (aarding) nooit weg of demonteer ze niet. De stekker moet ook na de installatie toegankelijk zijn.
- ▶ Gebruik geen multi-stekker adapters of verlengsnoeren.
- ▶ Zorg ervoor dat het netsnoer niet geklemd zit onder de diepvriezer. Step niet op het netsnoer.
- ▶ Beschadig het koelmiddelcircuit niet.



WAARSCHUWING!

Dagelijks gebruik

- ▶ Dit apparaat mag worden gebruikt door kinderen van 8 jaar en ouder en personen met een verminderde fysiek, gevoelsmatig en mentaal vermogen of een gebrek aan ervaring en kennis als ze onder toezicht staan of instructies krijgen met betrekking tot het veilige gebruik van het apparaat en de betrokken risico's.
- ▶ Houd het apparaat uit de buurt van kinderen jonger dan 3 jaar oud tenzij ze onder constant toezicht staan.
- ▶ Kinderen mogen niet spelen met het apparaat.
- ▶ Als er een koelgaslek of ander ontvlambaar gaslek ontstaat in de buurt van het apparaat moet u de klep van het lekkend gas sluiten, de deuren en ramen openen en de stekker van de diepvriezer niet verwijderen of niet in het stopcontact voeren.
- ▶ Denk eraan dat het apparaat ingesteld is voor een werking binnen een specifiek temperatuurbereik van 10 tot 43 °C. Het apparaat werkt mogelijk niet als het gedurende een langere periode aan hogere of lagere temperatuur wordt ingesteld.
- ▶ Plaats geen onstabiele artikelen (zware voorwerpen, containers gevuld met water) bovenop de diepvriezer om persoonlijke letsels te vermijden veroorzaakt door het vallen of door elektrische schokken door het contact met water.
- ▶ Open en sluit de deuren enkel bij de handvaten. De opening tussen de deuren en de kast is bijzonder smal. Voer uw handen niet in deze zones om te vermijden dat uw vingers geklemd zouden raken. Zorg ervoor dat niemand in de weg staat wanneer u de diepvriezerdeur van het apparaat opent of sluit.
- ▶ Berg geen ontvlambaar, explosief of corrosief materiaal op in het apparaat of in de buurt.
- ▶ Bewaar geen medicijnen, bacteriën of chemische stoffen in het apparaat. Dit apparaat is een huishoudelijk apparaat. Het is niet aanbevolen materiaal op te slaan die strikte temperaturen vereisen.
- ▶ Berg geen vloeistoffen op in flessen of blikjes (met uitzondering van drank met een hoog alcoholpercentage), in het bijzonder koolzuurhoudende drank, op in het vriesvak want deze kunnen barsten tijdens het invriezen.
- ▶ Controleer de toestand van de etenswaren als het opgewarmd of ingevroren werd.
- ▶ Stel geen nodeloos lage temperatuur in de diepvriezer. Let op: Flessen kunnen barsten.



WAARSCHUWING!

Dagelijks gebruik

- ▶ Raak geen ingevroren etenswaren aan met natte handen (draag handschoenen). Eet zeker nooit ijslolly's onmiddellijk uit het vriesvak. Het risico bestaat dat u uw tong bevriest of vorstblaren gevormd worden. EHBO: onmiddellijk onder stromend water houden. Niet wegtrekken!
- ▶ Raak de binnenzijde van de diepvriezer niet aan als deze ingeschakeld is, in het bijzonder met natte handen. Uw handen kunnen aan het oppervlak vriezen.
- ▶ Ontkoppel het apparaat in het geval van een stroompanne of voor elke reinigingsbeurt. Wacht minimum 5 minuten voor u het apparaat opnieuw opstart aangezien het herhaaldelijk starten de compressor kan beschadigen.
- ▶ Gebruik geen elektrische apparaten in de etenswaren opbergvakken van het apparaat, tenzij ze van het type zijn dat wordt aanbevolen door de fabrikant.

Onderhoud/reinigen

- ▶ Zorg ervoor dat kinderen onder toezicht staan als ze het apparaat reinigen of onderhouden.
- ▶ Verwijder de stekker uit het stopcontact voor u onderhoudswerkzaamheden uitvoert. Wacht minimum 5 minuten voor u het apparaat opnieuw opstart aangezien het herhaaldelijk starten de compressor kan beschadigen.
- ▶ U mag nooit aan het netsnoer trekken om de stekker uit het stopcontact te verwijderen.
- ▶ Krab geen vorst of ijs weg met scherpe voorwerpen. Gebruik geen sprays, elektrische verwarmingstoestellen zoals een verwarming, haardroger, stoomreinigers of andere warmtebronnen om schade aan de plastic onderdelen te vermijden.
- ▶ Gebruik geen mechanische apparaten of andere middelen om het ontdooiproces te versnellen behalve de middelen aanbevolen door de fabrikant.
- ▶ Spray niet op het apparaat of spoel het niet voor de reiniging.
- ▶ Als de lampen beschadigd zijn, moeten deze worden vervangen door de fabrikant of door de gekwalificeerde persoon bij de gespecificeerde onderhoudsspecialist.
- ▶ Als het netsnoer beschadigd is, moet het worden vervangen door de fabrikant, zijn onderhoudsdienst of dergelijk gekwalificeerde personen om ieder risico uit te sluiten.
- ▶ Probeer het apparaat nooit zelf te repareren. Neem contact op met onze klantendienst om reparaties te laten uitvoeren.

Koelgasinformatie



WAARSCHUWING!

Het apparaat bevat het ontvlambare koelmiddel ISOBUTHAAN (R600a). Zorg ervoor dat het koelcircuit niet beschadigd is tijdens het transport of de installatie. Lekkend koelmiddel kan letsels veroorzaken aan de ogen of ontvlammen. Als er schade optreedt, moet u het uit de buurt van open vlammen houden, de ruimte grondig ventileren, de netsnoeren niet verwijderen uit of invoeren in stopcontact. Licht de klantendienst in.

Als uw ogen in contact komen met het koelmiddel moet u onmiddellijk spoelen in stromend water en onmiddellijk contact opnemen met uw oogspecialis.



WAARSCHUWING!

- ▶ Zorg ervoor dat u geen brand veroorzaakt door brandbaar materiaal te ontsteken.
- ▶ **WAARSCHUWING:** Wanneer u het apparaat plaatst, moet u ervoor zorgen dat het netsnoer niet geklemd of beschadigd wordt.
- ▶ **WAARSCHUWING:** Plaats geen meervoudige draagbare stekers-stopcontacten of draagbare voedingen aan de achterzijde van het apparaat plaatsen.
- ▶ U mag geen explosieve stoffen opslaan zoals een aerosol met een ontvlambaar drijfgas in dit apparaat.
- ▶ Aangezien brandbare koelmiddelen worden gebruikt in de diepvriezer moet u zorgvuldig te werk gaan tijdens de installatie, handtering, het onderhoud en recycling van het apparaat.
- ▶ Neem contact met de service agent om het apparaat te verwijderen omdat er ontvlambaar gas werd gebruikt.

2.1 Beoogd gebruik

"Dit apparaat is bedoeld voor huishoudelijk gebruik en gelijkaardige toepassingen zoals

- personeelskeuken in winkels, kantoren en andere professionele omgevingen,
- boerderijen en door klanten in hotels, motels en andere residentiële omgevingen
- bed and breakfast omgevingen;
- catering en gelijkaardige niet-kleinhandel toepassingen.

Dit apparaat is bedoeld voor het koelen van levensmiddelen. Het is uitsluitend ontworpen voor gebruik in droge huishoudelijke binnenruimtes. Het is niet bedoeld voor commercieel of industrieel gebruik.

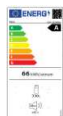
Op verzoek kan dit apparaat worden gebruikt als vershoudruimte.

Wijzigingen of aanpassingen aan het apparaat zijn niet toegestaan. Onbedoeld gebruik kan risico's en verlies van garantieclaims veroorzaken.

2.2 Accessoires

Controleer de accessoires en literatuur in overeenstemming met deze lijst:

2.2



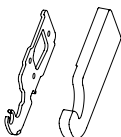
**Energie-
label**



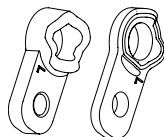
Garantiekaart



**Gebruikers-
handleiding**



**Bovenste schar-
nier links om de
deur om te keren**



**As afdek-
kingen**

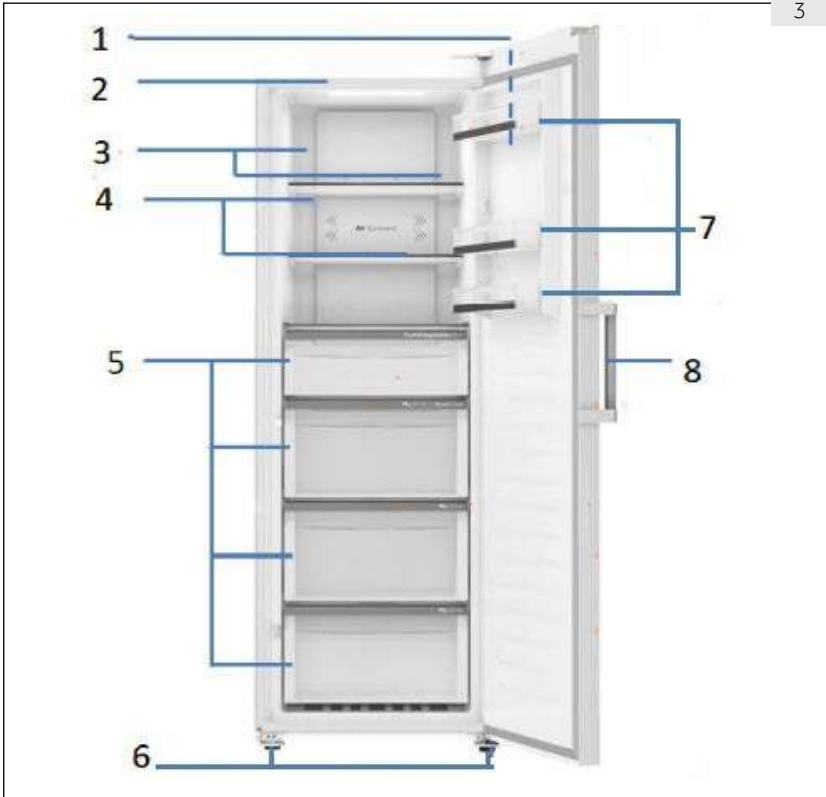
**Afdekking bo-
venste scharnier
links**



Opgelet: Verschillen

Omwille van technische wijzigingen en uiteenlopende modellen kunnen de illustraties in deze handleiding verschillen van uw model.

Afbeeldingen van apparaten (Afb. 3)

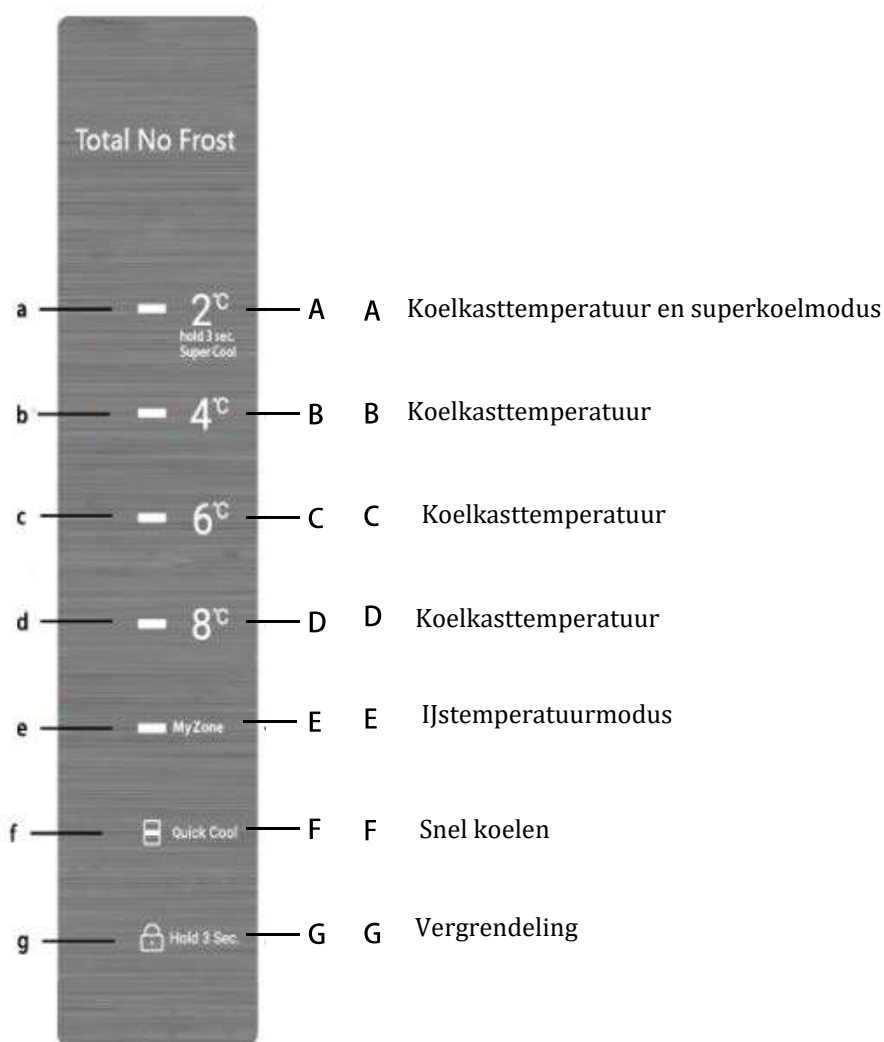


- | | |
|---------------------------|----------------------------|
| 1 Bedieningspaneel | 5 Lade |
| 2 Led lamp | 6 Instelbare voetjes |
| 3 Meervoudige luchtstroom | 7 Verwijderbare deurrekken |
| 4 Glazen platen | 8 Portier handvat |

Opmerking: Dit product bevat een lichtbron van energie-efficiëntieklasse <G>.

Bedieningspaneel (Afb. 4)

4



5.1 Vóór het eerste gebruik

- ▶ Verwijder alle verpakkingsmaterialen, houd ze buiten het bereik van kinderen en gooi ze weg op een milieuvriendelijke manier.
- ▶ Reinig de binnen- en de buitenkant van het apparaat met water en een mild reinigingsmiddel voordat u er voedingsmiddelen in plaatst.
- ▶ Nadat het apparaat waterpas is gezet en schoongemaakt, moet u minstens 6 uur wachten voordat u het op het elektriciteitsnet aansluit. Raadpleeg de paragraaf INSTALLEREN.

5.2 Schakel het apparaat aan/uit

- ▶ Het apparaat werkt zodra het op de voeding is aangesloten.
- ▶ De koelkasttemperatuur wordt automatisch ingesteld op gekoelde bewaartemperatuur 4°C en ijs temperatuur 0°C. Dit is de aanbevolen instelling en de ideale temperatuur voor gekoelde goederen. U kunt de temperatuur handmatig aanpassen als u dat wilt. Raadpleeg de paragraaf DE TEMPERATUUR AANPASSEN.

Indicatoren (a-g) knipperen opeenvolgend eenmaal. Als de deur gesloten is, schakelt het display na 30 seconden uit. De paneelvergrendeling kan actief zijn.



Let op: Voorinstelling

- ▶ Het apparaat wordt vooraf ingesteld op de aanbevolen temperatuur, gekoelde bewaartemperatuur 4°C en ijs temperatuur 0°C.
- ▶ Wanneer het apparaat wordt ingeschakeld nadat het is losgekoppeld van de netvoeding, kan het tot 2 uur duren tot de juiste temperatuur is bereikt.

Maak het apparaat leeg voordat u het uitschakelt en trek het netsnoer dan uit het stopcontact.

5.3 Stand-bymodus van het display

Wanneer de deur wordt gesloten, wordt het display na 3 seconden automatisch uitgeschakeld als het niet meer wordt bediend. Het display wordt automatisch vergrendeld. Het licht automatisch op wanneer u een knop aanraakt of de deur opent.

5.4 Vergrendeling en ontgrendeling van het display

Automatische vergrendeling

Het display wordt na 30 seconden automatisch vergrendeld als het niet meer wordt bediend.

Handmatige vergrendeling

Wanneer het display ontgrendeld is, drukt u op 'Vergrendelen' (G) en houdt u dit 3 seconden ingedrukt. De vergrendelingsindicator (g) gaat dan branden en het display is vergrendeld. Wanneer het scherm vergrendeld is, drukt u op 'Vergrendelen' (G) en houdt u dit gedurende 3 seconden ingedrukt. Er klinkt een pieptoon, de vergrendelingsindicator (g) gaat uit en het display wordt ontgrendeld.

i Let op: Displayvergrendeling
Wanneer het display vergrendeld is, zijn functies zoals temperatuurinstelling, snel koelen en koeler. Wanneer deze handelingen worden geprobeerd, zal de kinderslotindicator 3 keer knipperen om eraan te herinneren dat het display vergrendeld is.

5.5 Temperatuurinstelling

Wanneer het display ontgrendeld wordt, kunt u de temperatuur aanpassen door op de temperatuurknop te drukken. Dit proces gaat vergezeld van pieptonen.

De zone met de bovenste planken en de zone met de eerste lade van de koelkast is de gekoelde bewaarzone. De zone met de onderste drie lades is de ijstemperatuurzone. Kies de juiste bewaarzone om voedselbederf te voorkomen.

5.6 Koelmodus (2° C tot 8° C) (A-D)

Wanneer de display ontgrendeld is, kunt u de temperatuur aanpassen door op de verschillende temperatuurknoppen te drukken. De temperatuur kan op '2°C', '4°C', '6°C' en '8°C' worden ingesteld.

5.7 Ijstemperatuurmodus (0° C/2° C) (E)

Wanneer het display ontgrendeld is, drukt u op 'My Zone' (E) (Koeler); de indicator voor 'My Zone' (e) gaat branden, de ijstemperatuurzone wordt ingesteld op 0°C. Als u nogmaals op 'My Zone' (E) drukt, gaat de indicator voor 'My Zone' (e) uit en is de ijstemperatuurzone ingesteld op 2°C.

5.8 Superkoelmodus (A)

Wanneer het display vergrendeld is, moet u (2°C) (A) gedurende 3 seconden ingedrukt houden; de indicatoren (a-d) gaan branden, de koelkast werkt in de superkoelmodus. Herhaal de bovenstaande stappen om de superkoelfunctie uit te schakelen. Als u niet handmatig deactiveert, wordt de functie automatisch gedeactiveerd zodra de temperatuur de ingestelde temperatuur heeft bereikt of na 3 uur.

i Let op: Voorinstelling

- ▶ Het apparaat wordt vooraf ingesteld op de aanbevolen temperatuur, gekoelde bewaar temperatuur 4°C en ijstemperatuur 0°C.
- ▶ Wanneer het apparaat wordt ingeschakeld nadat het is losgekoppeld van de netvoeding, kan het tot 2 uur duren tot de juiste temperatuur is bereikt.

5.9 Snelkoelmodus (F)

Snelkoelen werkt als SHOCK-KOELING in de tweede lade van boven, de gehele ladezone kan snel worden afgekoeld tot de ingestelde temperatuur. Wanneer het display ontgrendeld is, drukt u op 'Quick cool' (F) (Snel koelen); de indicator (f) gaat branden, de koelkast werkt in snelkoelmodus. Herhaal de bovenstaande stappen om de functie snel koelen uit te schakelen. Als u niet handmatig deactiveert, wordt de functie automatisch gedeactiveerd zodra de temperatuur de ingestelde temperatuur heeft bereikt of na 3 uur.

5.10 Uitschakelgeheugen

Deze koelkast heeft een uitschakelgeheugen, waarbij de instelling die werd gebruikt ten tijde van het uitschakelen wordt herinnerd. Wanneer u het apparaat inschakelt, herstelt de koelkast de instelling van voordat u de voeding uitschakelde en blijft daarin werken. De kinderslotfunctie kan niet worden onthouden. Na inschakelen is het display vergrendeld.

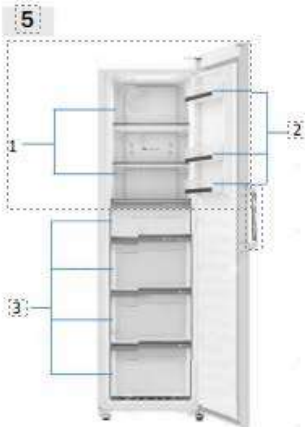
5.11 Alarm deur open

Wanneer de deur langer dan 1 minuut open wordt gehouden, klinken er 3 pieptonen met een interval van 0,5 seconde. De pieptonen worden elke 30 seconden herhaald als de deur open wordt gehouden. De pieptonen stoppen als de deur wordt gesloten of na 7 minuten. Dan gaat het lampje uit.

5.12 Foutmelding

De koelkast is uitgerust met foutmelder. Wanneer zich een fout voordoet, zal het display om de 1/4 seconde knipperen met verschillende codes voor verschillende fouten.

In deze situatie kan de koelkast nog steeds in de koelkast, maar u moet de aftersales-service zo snel mogelijk bellen voor een optimale controle van de koelkast



Verschillende etenswaren moeten in verschillende gebieden worden geplaatst op basis van hun eigenschappen (Fig: 5).

- 1 Augurken, ingeblikt voedsel, fruitgroenten, salades etc.
- 2 Eieren, ingeblikt voedsel, kruiden, dranken en ander voedsel in flessen enz.
- 3 Vlees, snacks etc.

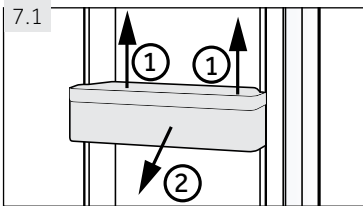
Voor apparaten zonder 4-sterrencompartiment: "dit koelapparaat is niet geschikt voor het invriezen van levensmiddelen"



Energiebesparing tips

- ▶ Zorg ervoor dat het apparaat correct geventileerd is (zie INSTALLATIE).
- ▶ U mag het apparaat niet installeren in direct zonlicht of in de buurt van warmtebronnen (bijv. fornuizen, verwarming).
- ▶ Vermijd onnodig lage temperaturen in het apparaat. Het energieverbruik verhoogt hoe lager de temperatuur van het apparaat wordt ingesteld.
- ▶ Laat warme etenswaren afkoelen voor u ze in het apparaat plaatst.
- ▶ Open de deur van het apparaat zo weinig en zo kort mogelijk.
- ▶ Zorg ervoor dat de deur altijd correct sluit en onbelemmerd is door etenswaren. Houd de afdichtingen van de deuren schoon.
- ▶ Ontdooi bevroren etenswaren in de koelkast.
- ▶ Reinig de achterzijde van het apparaat regelmatig. Stof verhoogt het energieverbruik.
- ▶ De meest energiebesparende configuratie vereist dat lades, levensmiddelen en planken in het product worden geplaatst zoals in fabrieksverse toestand, en dat voedsel wordt geplaatst zonder de luchtuitlaat van het kanaal te blokkeren

7- Apparatuur

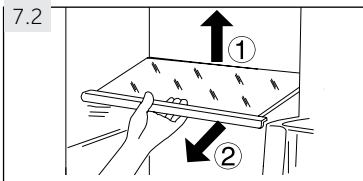


7.1 Verwijderbare deurrekken

De deurrekken kunnen worden verwijderd voor het reinigen:

Plaats uw handen op beide zijden van het rek en til het omhoog (1) en verwijder ze (2) (Afb. 7.3).

Om het deurrek in te voeren, worden de bovenstaande stappen uitgevoerd in de omgekeerde volgorde.



7.2 Glazen lades

1. Om een lade te verwijderen, moet u ze eerst verwijderen door de achterzijde omhoog op te tillen (1) en het te verwijderen (2) (Afb. 7.2).

2. Om ze opnieuw aan te brengen, plaatst u ze op de beugels op beide zijden en duwt u ze volledig naar achter tot de achterzijde van de lade in de sleuven aan de zijkant

**WAARSCHUWING!**

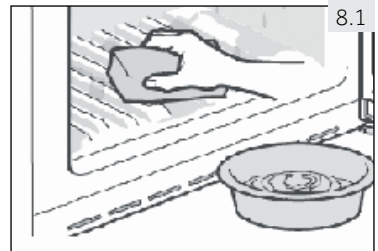
Ontkoppel het apparaat van het elektrisch net voor de reiniging.

8.1 Algemeen

Reinig het apparaat als er slechts een kleine hoeveelheid of geen etenswaren opgeborgen zijn.

**WAARSCHUWING!**

- ▶ Reinig het apparaat niet met harde borstels, draadborstels, oplospoeder, petroleum, amylacetaat, aceton en gelijkaardige organische oplossingen, zuur of alkalische oplossingen. Gebruik speciaal diepvriezer reinigingsmiddel om schade te vermijden.
 - ▶ Spray niet op het apparaat of spoel het niet voor de reiniging.
 - ▶ Krab geen vorst of ijs weg met scherpe voorwerpen.
 - ▶ Gebruik geen sprays, elektrische verwarmingstoestellen zoals een verwarming, haardroger, stoomreinigers of andere warmtebronnen om schade aan de plastic onderdelen te vermijden.
 - ▶ Reinig de koude glazen platen niet met warm water. Plotse temperatuurwijzigingen kunnen het glas doen breken.
 - ▶ Raak de binnenzijde van vriesvak niet aan als het in werking is, in het bijzonder als uw handen nat zijn, want uw handen kunnen vastvriezen aan het oppervlak.
 - ▶ Bij opwarming moet u de toestand van ingevroren etenswaren controleren.
 - ▶ Probeer het apparaat nooit zelf te repareren. Neem contact op met onze klantendienst om reparaties te laten uitvoeren.
-
- ▶ Houd de pakking van de deur altijd schoon.
 - ▶ Reinig de binnenzijde en de behuizing van het apparaat met een zachte doek of spons in warm water en een neutraal reinigingsmiddel (Afb. 8.1).
 - ▶ Spoel en droog met een zachte doek.
 - ▶ U mag geen van de onderdelen van het apparaat wassen in de vaatwasmachine.
 - ▶ Reinig de accessoires enkel met warm water en een zacht, neutraal wasmiddel.



8.1

8.2 Niet gebruikt gedurende een lange periode

Als het apparaat niet wordt gebruikt gedurende een lange periode:

- ▶ Verwijder de etenswaren.
- ▶ Ontkoppel het netsnoer.
- ▶ Reinig het apparaat zoals hierboven beschreven.
- ▶ Houd de deur en diepvriesladen open om de onaangename geurtjes te voorkomen.

Verwijder de deur van het apparaat (open de deur en houd ze vast terwijl u de schroeven verwijdert) om te voorkomen dat kinderen vastgeklemd raken in het apparaat en ongeluk-ken voorkomen.



Opgelet: Uitschakelen

Om de levensduur van het apparaat te garanderen, mag u het enkel uitschakelen als dit strikt noodzakelijk is.

8.3 Het apparaat verplaatsen

1. Verwijder alle etenswaren en ontkoppel het apparaat.
2. Beveilig de laden en andere bewegende onderdelen in de diepvriezer met plakband.
3. Sluit de deur en beveilig ze met plakband.
4. U mag de diepvriezer niet meer dan 45° kantelen om schade aan het koelsysteem te vermijden.
5. Wikkel de voetjes van de diepvriezer om krassen op de vloer te vermijden. U mag de diepvriezer nooit met overtollige kracht verplaatsen



WAARSCHUWING!

- ▶ U mag het apparaat niet bij de handvatten dragen.
- ▶ Plaats het apparaat nooit horizontaal op de grond.

Veel van de voorkomende problemen kunt u zelf oplossen zonder specifieke expertise. In het geval van een probleem moet u alle weergegeven mogelijkheden controleren en de onderstaande instructies volgen voor u contact opneemt met de dienst na verkoop. Zie KLANTENDIENST.



WAARSCHUWING!

- ▶ Voor ieder onderhoud moet u het apparaat uitschakelen en de stekker verwijderen uit het stopcontact.
- ▶ Elektrische apparaten mogen uitsluitend door gekwalificeerde elektrische experts worden onderhouden. Incorrecte reparaties kunnen aanzienlijke gevolgschade veroorzaken.
- ▶ Als het netsnoer beschadigd is, moet het worden vervangen door de fabrikant, zijn onderhoudsdienst of dergelijk gekwalificeerde personen om ieder risico uit te sluiten.

Het hoorbare alarmsignaal kan worden uitgeschakeld door een knop in te drukken.

9.1 Probleemoplossen

Probleem	Mogelijke oorzaak	Mogelijke oplossing
De compressor werkt niet.	<ul style="list-style-type: none"> • De stekker is niet ingevoerd in het stopcontact. 	<ul style="list-style-type: none"> • Voer de stekker in het stopcontact.
Het apparaat draait regelmatig of gedurende een te lange periode.	<ul style="list-style-type: none"> • De interne en externe temperatuur is te hoog. • Het apparaat is al een zekere periode uitgeschakeld. • De deur van het apparaat is niet stevig gesloten. • De deur is te vaak of te lang geopend. • De temperatuur is te laag ingesteld. • De pakking van de deur is vuil, versleten, gebarsten of stemmen niet overeen. • De vereiste luchtcirculatie is niet gegarandeerd. • De binnenzijde is bedekt met ijs. 	<ul style="list-style-type: none"> • In dat geval is het normaal dat het apparaat langer draait. • Het duurt gewoonlijk 8 tot 12 uur tot het apparaat volledig afkoelt. • Sluit de deur en zorg ervoor dat het apparaat op een vlakke ondergrond is geplaatst en dat er geen etenswaren of container de deur blokkeert. • Open de deur niet te vaak. • Stel de temperatuur hoger in tot de geschikte temperatuur bereikt is. Het duurt 24 uur tot de temperatuur stabiel wordt. • Reinig de pakking van de deur of laat ze vervangen door de klantendienst. • Zorg voor voldoende ventilatie. • Het apparaat ontdooien.
Het apparaat maakt abnormaal lawaai.	<ul style="list-style-type: none"> • Het apparaat staat niet op een vlakke ondergrond. • Het apparaat komt in contact met een aanpalend voorwerp. • Het apparaat staat op een houten vloer of dichtbij houten wanden. 	<ul style="list-style-type: none"> • U moet het apparaat nivelleren. • Verwijder objecten rond het apparaat. • Houdt versterkt het lawaai. Plaats het apparaat op een andere locatie.

Probleem	Mogelijke oorzaak	Mogelijke oplossing
Het apparaat maakt een klikkend lawaai.	<ul style="list-style-type: none"> Dit is normaal. Dit wordt veroorzaakt door het in- of uitschakelen van de koeleenheid. 	<ul style="list-style-type: none"> -
U moet een licht geluid horen, gelijkaardig aan dat van stromend water.	<ul style="list-style-type: none"> Dit is normaal. 	<ul style="list-style-type: none"> -
Het apparaat maakt een motor lawaai.	<ul style="list-style-type: none"> De koeleenheid is net automatisch ingeschakeld. Dit is normaal 	<ul style="list-style-type: none"> -
Het is onvoldoende koud in het apparaat.	<ul style="list-style-type: none"> De temperatuur is te hoog ingesteld. Er werden etenswaren opgeslagen die te warm zijn. Te veel etenswaren in een keer opgeslagen. De etenswaren werden te dicht bij elkaar geplaatst. De deur is niet stevig gesloten. De deur is te vaak of te lang geopend. 	<ul style="list-style-type: none"> Stel de temperatuur opnieuw in. Laat de etenswaren altijd goed afkoelen voor u ze opbergt. Berg altijd kleine hoeveelheden etenswaren op. Laat een opening tussen verschillende etenswaren om de lucht te laten circuleren. Sluit de deur. Open de deur niet te vaak.
Het is te koud in het apparaat.	<ul style="list-style-type: none"> De temperatuur is te laag ingesteld. De Snel-vriezen functie is ingeschakeld of draait te lang. 	<ul style="list-style-type: none"> Stel de temperatuur opnieuw in. Schakel de Snel-vriezen functie uit.
Vocht hoopt op het oppervlak van het apparaat.	<ul style="list-style-type: none"> Het klimaat is te warm en te vochtig. 	<ul style="list-style-type: none"> Dit is normaal in een vochtig klimaat en zal veranderen wanneer de vochtigheidsgraad daalt. Wrijf ze droog met een doek.
Veel ijs en vorst in het vriesvak.	<ul style="list-style-type: none"> De etenswaren werden niet correct verpakt. De deur is niet stevig gesloten. De deur is te vaak of te lang geopend. De pakking van de deur is vuil, versleten, gebarsten of stemmen niet overeen. Er is iets in de koelkast dat de deur belemmert correct te sluiten. 	<ul style="list-style-type: none"> U moet de etenswaren altijd goed verpakken. Sluit de deur. Open de deur niet te vaak. Reinig de pakking van de deur of laat ze vervangen door de klantendienst. Breng de laden, deurrekken of interne containers opnieuw aan zodat de deur kan sluiten.
Het koelsysteem werkt niet.	<ul style="list-style-type: none"> De stekker is niet ingevoerd in het stopcontact. De voeding is niet intact. 	<ul style="list-style-type: none"> Voer de stekker in het stopcontact. Controleer de elektrische toevoer naar de kamer. Bel het lokale elektriciteitsbedrijf!
De zijkanten van de kast en deurstrip kunnen warm worden.	<ul style="list-style-type: none"> Dit is normaal. 	<ul style="list-style-type: none"> -
U zult een alarmsignaal horen.	<ul style="list-style-type: none"> De deur is open. De temperatuur in het product is te hoog. 	<ul style="list-style-type: none"> Sluit de deur of schakel het alarm handmatig uit.

Probleem	Mogelijke oorzaak	Mogelijke oplossing
De deur opent moeilijk.	<ul style="list-style-type: none"> Zodra het apparaat ingeschakeld is, wordt een intern vacuüm gecreëerd. 	<ul style="list-style-type: none"> Open de afdichting van de deur om lucht in het apparaat te laten.
De deur kan niet correct worden gesloten. Het laat altijd een opening.	<ul style="list-style-type: none"> Omwille van de lage temperatuur van het apparaat kan de afdichting van de deur gemakkelijk hard en vervormd raken. 	<ul style="list-style-type: none"> Gebruik een haardroger of plaats een warme handdoek op de plaats waar de pakking vervormd is. Wanneer de pakking opnieuw zacht is, moet u de deur sluiten en ze stevig aandrukken.

9.2 Stroompanne

In het geval van een stroompanne zullen de etenswaren ongeveer 18 uur koud blijven. Volg deze tips tijdens een langdurige stroomonderbreking, in het bijzonder in de zomer:

- ▶ Open de deur zo weinig mogelijk.
- ▶ Plaats geen bijkomende etenswaren in de diepvriezer tijdens een stroomonderbreking.
- ▶ Als een stroomonderbreking vooraf wordt aangekondigd en de onderbreking langer dan 15 uur zal duren, kunt u op voorhand ijs maken en het in een container plaatsen boven in het vriesvak.
- ▶ Aangezien de temperatuur in de diepvriezer zal stijgen tijdens een stroomonderbreking of een andere panne zal de bewaartijd en de kwaliteit van de etenswaren verminderen. Alle etenswaren die ontdooien snel moeten worden verbruikt of bereid en opnieuw ingevroren (indien geschikt) om gezondheidsrisico's te voorkomen.



Opgelet: Geheugenfunctie tijdens stroompanne

Na herstel van de stroom blijft het apparaat met dezelfde instellingen werken die werden ingesteld voor de stroompanne.

10.1 Uitpakken

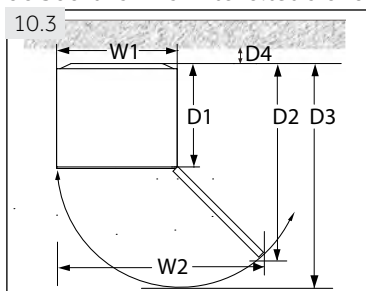


WAARSCHUWING!

- ▶ Het apparaat is zwaar. Draag het altijd met twee personen.
- ▶ Houd alle verpakking buiten het bereik van kinderen en gooi ze weg op een milieuvriendelijke wijze.
- ▶ Verwijder het apparaat uit de verpakking.
- ▶ Verwijder alle verpakkingsmateriaal.

10.2 Milieumomstandigheden

De kamertemperatuur moet altijd tussen 10 °C en 43 °C zijn aangezien het de temperatuur in het apparaat en het energieverbruik kan beïnvloeden. Installeer het apparaat niet in de buurt van warmte-uitstralende apparaten (ovens, koelkasten) zonder isolatie.

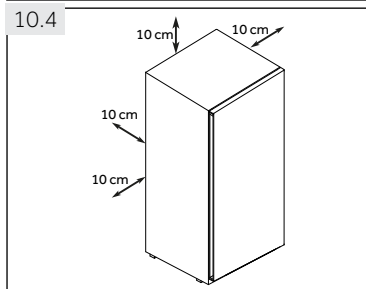


10.3 Ruimtevereiste

Vereiste ruimte om de deur te openen (Afb. 10.3):

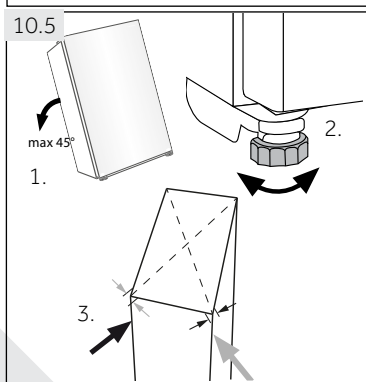
Breedte in mm		Diepte in mm			Afstand met de muur in mm
W1	W2	D1	D2	D3	D4
595	955	592	1105	1215	100

Voor een vrijstaand apparaat: "Dit koelapparaat is niet bedoeld om te worden gebruikt als inbouwapparaat"



10.4 Ventilatie doorsnede

Om het apparaat voldoende te ventileren uit veiligheidsredenen moet de informatie van de vereiste ventilatie doorsnede worden gerespecteerd (Afb. 10.4).



10.5 Het apparaat uitlijnen

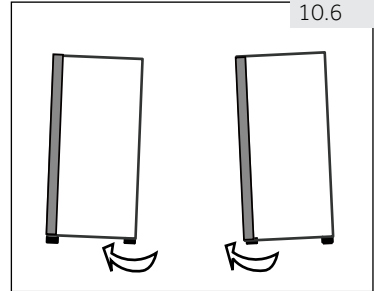
Het apparaat moet op een vlakke en stevige ondergrond worden geplaatst. Als het apparaat op een standaard wordt geplaatst, moet u sterk en brandwerend materiaal gebruiken. Gebruik nooit schuimverpakkingsmateriaal als standaard.

1. Kantel de koelkast lichtjes naar achter (Afb. 10.5).
2. Stel de voeten in op het gewenste niveau.
3. De stabiliteit kan worden gecontroleerd door zachtjes te kloppen op de diagonale hoeken. De lichte bewegingen moeten hetzelfde zijn in beide richtingen. Zo niet kan het kader vervormen; dit kan resulteren in lekken in de deurpakkingen. Een lage tendens naar achter vereenvoudigt het sluiten van de deur.

10.6. Instelbare voetjes gebruiken

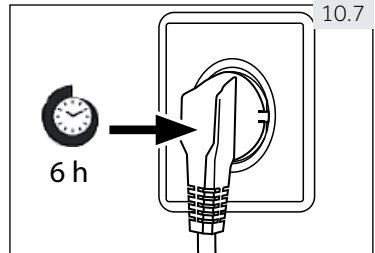
Als de diepvriezer onstabiel is, kunnen de voetjes worden aangepast: Draai de instelbare voet in de richting van de pijl (Afb. 10.6) om de voet omhoog of omlaag in te stellen:

- ▶ Als u de voet rechtsom draait, verhoogt u het apparaat.
- ▶ Als u de voet linksom draait, verlaagt u het.



10.7 Wachtijd

De onderhoudsvrije smeerolie bevindt zich in de capsule van de compressor. Deze olie kan doorheen de afgesloten leidingen stromen als het apparaat gekanteld wordt tijdens transport. Voor u het apparaat aansluit op het elektrisch net moet u 6 uur (Afb. 10.7) wachten zodat de olie in de capsule kan stromen.



10.8 Elektrische verbinding

Voor elke aansluiting moet u controleren of:

- ▶ het elektrisch net, stopcontact en de zekeringen overeenstemmen met de informatie op het naamplaatje.
- ▶ het stopcontact geaard is en geen multi-stekker of verlengsnoer is.
- ▶ de stekker en het stopcontact overeenstemmen.

Voer de stekker in een correct geïnstalleerd stopcontact bij u thuis.



WAARSCHUWING!

Om risico's te vermijden, moet een beschadigd netsnoer worden vervangen door de klantendienst (zie garantiekaart).

10.9 Deur omkeerbaarheid

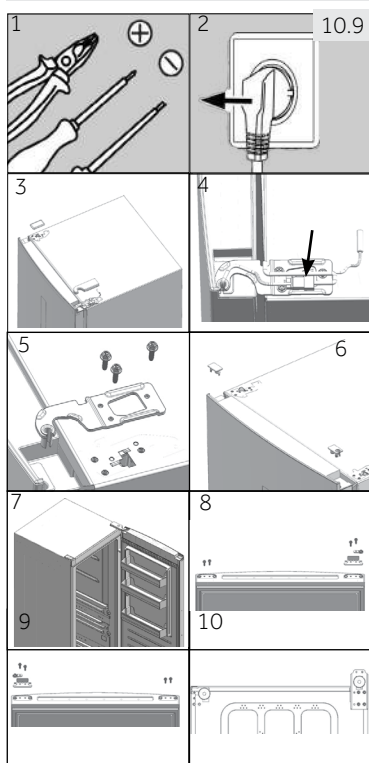
Voor u het apparaat aansluit op het elektrisch net moet u controleren of de zwaairichting van de deur moet gewijzigd worden van rechts (zoals geleverd) naar links als dit vereist is voor de locatie en het gebruik van de installatie.



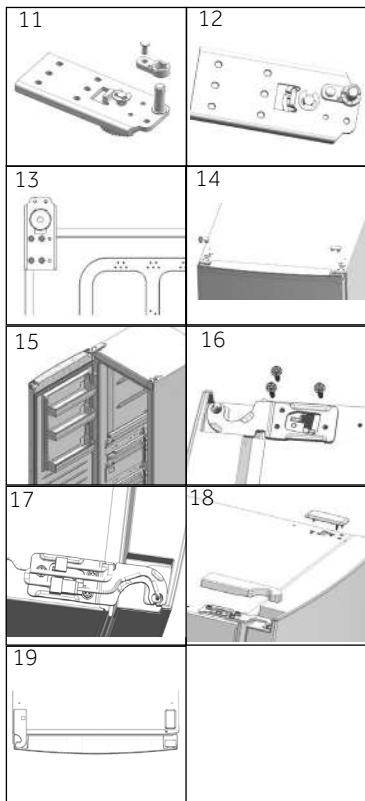
WAARSCHUWING!

- ▶ Het apparaat is zwaar. Het omkeren van de deur moet door twee personen worden uitgevoerd.
- ▶ Voor elke bewerking moet u eerst de stekker uit het stopcontact verwijderen.
- ▶ U mag het apparaat niet meer dan 45° kantelen om schade aan het koelsysteem te voorkomen.

Montage stappen (Afb. 10.9):



1. Gebruik de correcte werktuigen.
2. Verwijder de stekker uit het stopcontact.
3. Verwijder de afdekking van de scharnieropening en de scharnier afdekking.
4. Ontkoppel het netsnoer.
5. Verwijder de schroeven en het scharnier.
6. Verwijder de afdekking op de deur. Verwijder de as afdekking op de deur.
7. Open en verwijder de deur.
8. Draai de deur ondersteboven, verwijder de 2 schroeven op de onderzijde van de deur. Verwijder de 2 schroeven, de deurstop en de as afdekking op de onderzijde van de deur.
9. Verwijder de deurstop van de laatste stap en de dunnere as afdekking uit de accessoire tas en bevestig ze met 2 schroeven. Bevestig de 2 schroeven ook op de andere zijde van de deur.
10. Kantel de kast naar achteren, verwijder de 4 schroeven en daarna het onderste scharnier.



11. Verwijder de schroef en de as afdekking. Verwijder de scharnier as en bevestig hem in de aansluitende opening.
12. Verwijder het dikkere as afdekking uit de accessoire zak. Bevestig ze met een schroef van de laatste stap.
13. Bevestig het scharnier op de tegenovergestelde positie van de kast met 4 schroeven.
14. Op de tegenovergestelde zijde van de deur trekt u de verbindingkabel aan linkerzijde en trekt u hem door de as afdekking van stap 5. As afdekking monteren. Monteer de afdekking over de opening op de rechterzijde.
15. Monteer de deur.
16. Bevestig de bovenste scharnier rechts met 3 schroeven.
17. Verbind de kabelconnectoren:
18. Bevestig de afdekking van de scharnieropening en de scharnier afdekking bovenaan links.
19. Klaar.

BESCHIKBAARHEID VAN RESERVEONDERDELEN

Thermostaten, temperatuursensoren, printplaten en lichtbronnen, voor een minimumperiode van zeven jaar nadat het laatste exemplaar van het model op de markt is gebracht; deurklinken, deurscharnieren, bladen en manden voor een minimumperiode van zeven jaar en deurafdichtingen voor een minimumperiode van tien jaar, nadat het laatste exemplaar van het model op de markt is gebracht;

GARANTIE

Minimumgarantie is: 2 jaar voor EU-landen, 3 jaar voor Turkije, 1 jaar voor het Verenigd Koninkrijk, 1 jaar voor Rusland, 3 jaar voor Zweden, 2 jaar voor Servië, 5 jaar voor Noorwegen, 1 jaar voor Marokko, 6 maanden voor Algerije, Tunesië geen wettelijke garantie vereist.

TECHNISCHE ASSISTENTIE

Ga naar onze website om contact op te nemen met de technische ondersteuning: <https://corporate.haier-europe.com/en/>. Kies onder de sectie "website" het merk van uw product en uw land. U wordt doorgestuurd naar de specifieke website waar u het telefoonnummer en formulier kunt vinden om contact op te nemen met de technische assistentie

Voor meer informatie over het product, raadpleeg <https://eprel.ec.europa.eu/> of scan de QR-code op het energielabel dat bij het apparaat is geleverd

11.1 Productfiche conform regel EU Nr. 1060/2010

Handelsmerk	Haier
Modelidentificatie	H3R-330WNA
Categorie van het model	Staande diepvriezer
Energie efficiëntieklasse	A
Jaarlijks energieverbruik (kWh/jaar) ¹⁾	66
Opslagvolume koelen (L)	189
Opslagvolume koelen (My Zone) (L)	141
Totaal opslagvolume (L)	330
Temperatuur van andere vakken > 14 °C	niet van toepassing
Vorstvrij systeem	Ja
Beveiliging tegen stroompanne (h)	/
Vriesvermogen (kg/24u)	/
Klimaatklasse Dit apparaat is bedoeld voor gebruik bij een temperatuur tussen 10 °C en 43 °C.	SN-T
Lucht gedragen akoestische geluidsemissies (db(A) re 1pW)	38
Constructietype	vrijstaand

¹⁾ op basis van standaardtestresultaten voor 24 uur. Het reële energieverbruik hangt af van het gebruik van het apparaat en waar het zich bevindt.

Installeer dit apparaat op een plaats waar de omgevingstemperatuur overeenkomt met de klimaatklasse die vermeld staat op het typeplaatje van het apparaat:

- Uitgebreid gematigd (SN): "dit koelapparaat is bedoeld voor gebruik bij omgevingstemperaturen van 10 °C tot 32 °C"
- Gematigd (N): "dit koelapparaat is bedoeld voor gebruik bij omgevingstemperaturen van 16 °C tot 32 °C"
- Subtropisch (ST): "dit koelapparaat is bedoeld voor gebruik bij omgevingstemperaturen van 16 °C tot 38 °C"
- Tropisch (T): "dit koelapparaat is bedoeld voor gebruik bij omgevingstemperaturen van 16 °C tot 43 °C"

11.2 Bijkomende technische gegevens

Spanning / Frequentie	220-240V ~/ 50Hz
Hoofdzekering (A)	1.0
Koelvloeistof	R600a
Afmetingen (H/B/D in mm)	1910/595/675
Lichtvermogen/lichtspanning	1,5 W/DC 12 V

11.3 Normen en richtlijnen **CE**

Dit product stemt overeen met de vereisten van alle toepasselijke EU-richtlijnen met de overeenstemmende geharmoniseerde normen die gelden voor de CE-markering.

We raden onze Haier klantendienst aan en het gebruik van originele reserveonderdelen. Als u een probleem ondervindt met uw apparaat moet u eerst de sectie PROBLEEMOPLOSSEN controleren.

Als u daar geen oplossing vindt, kunt u contact opnemen met

- ▶ uw lokale verdeler of
- ▶ de Onderhoud & Ondersteuning zone op www.haier.com waar u telefoonnummers en VGV kunt vinden en waar uw service claim kunt activeren.

Wanneer u contact opneemt met onze service moet u de volgende informatie bij de hand hebben.

De informatie staat vermeld op het naamplaatje.

Model _____ Serienr. _____

Controleer ook het garantiokaartje dat wordt geleverd met het product met betrekking tot de garantie.

Voor algemene zakelijke vragen vindt u hieronder onze adressen in Europa:

Europese Haier adressen			
Land*	Postadres	Land*	Postadres
Italië	Haier Europe Trading SRL Via De Cristoforis, 12 21100 Varese ITALIË	Frankrijk	Haier France SAS 3-5 rue des Gravieres 92200 Neuilly sur Seine FRANKRIJK
Spanje Portugal	Haier Iberia SL Pg. Garcia Faria, 49-51 08019 Barcelona SPANJE	België-FR België-NL Nederland Luxemburg	Haier Benelux SA Anderlecht Route de Lennik 451 BELGIË
Duitsland Oostenrijk	Haier Deutschland GmbH Hewlett-Packard-Str. 4 D-61352 Bad Homburg DUITSLAND	Polen Tsjechië Hongarije Griekenland Roemenië Rusland	Haier Poland Sp. zo.o. Al. Jerozolimskie 181B 02-222 Warszawa POLEN
Verenigd Koninkrijk	Haier Appliances UK Co.Ltd. One Crown Square Church Street East Woking, Surrey, GU21 6HR UK		

*Voor meer informatie verwijzen wij naar www.haier.com



Haier



Podręcznik Użytkownika

Lodówka Stojąca

H3R-330WNA

PL

Haier

Dziękujemy za zakup produktu Haier.

Przed użyciem urządzenia prosimy o dokładne zapoznanie się z instrukcją. Instrukcja zawiera ważne informacje, które pomogą Ci uzyskać jak najlepszą pracę urządzenia i zapewnić bezpieczną i prawidłową instalację, użytkowanie i konserwację.

Instrukcję należy przechowywać w dogodnym miejscu, aby zawsze można było znaleźć w niej informacje dotyczące bezpiecznego i prawidłowego korzystania z urządzenia.

W przypadku sprzedaży urządzenia, rozdawać je, lub zostawić w tyle podczas przenoszenia domu, upewnij się, że przekazesz ten podręcznik, aby nowy właściciel mógł zapoznać się z urządzeniem i zasadami bezpieczeństwa.

Legenda



Ogólne informacje i porady



Ostrzeżenie - Ważne informacje dotyczące bezpieczeństwa



Informacje o środowisku



Utylizacja

Pomóż chronić środowisko naturalne i zdrowie ludzkie. Wyrzuć opakowanie do stosownych pojemników do recyklingu. Pomóż recyklingować odpady z urządzeń elektrycznych i elektronicznych. Nie wyrzucaj urządzeń oznaczonych tym symbolem razem z odpadami domowymi. Oddaj produkt do miejscowego zakładu recyklingu lub skontaktuj się z urzędem miasta.



Ostrzeżenie!

Ryzyko obrażeń lub uduszenia!

Czynniki chłodnicze i gazy muszą być usuwane profesjonalnie. Przed utylizacją upewnij się, że przewody układu chłodniczego nie są uszkodzone. Wyciągnij wtyczkę z kontaktu. Odetnij przewód zasilający i wyrzuć go. Usuń drzwi, aby zapobiec zamknięciu się dzieci i zwierząt w urządzeniu.

1 - Bezpieczeństwo	4
2 - Przeznaczenie.....	8
3 - Opis produktu	9
4 - Panel kontrolny	10
5 - Użytkowanie	11
6- Porady dotyczące oszczędzania energii	14
7- Wyposażenie.....	14
8- Konserwacja i czyszczenie	15
9 - Rozwiązywanie problemów	17
10 - Instalacja	20
11 - Dane techniczne.....	24
12- Obsługa klienta	25

Przed włączeniem urządzenia po raz pierwszy, przeczytaj poniższe wskazówki dotyczące bezpieczeństwa:



OSTRZEŻENIE!

Przed pierwszym użyciem

- ▶ Upewnij się, że nie ma uszkodzeń transportowych.
- ▶ Usuń wszelkie opakowania i trzymaj je poza zasięgiem dzieci.
- ▶ Odczekaj co najmniej sześć godzin przed zainstalowaniem urządzenia, aby upewnić się, że obieg chłodniczy jest w pełni efektywny.
- ▶ Zawsze przenoś urządzenie z pomocą co najmniej dwóch osób, ponieważ jest ciężkie.

Instalacja

- ▶ Urządzenie powinno być umieszczone w dobrze wentylowanym miejscu. Zapewnij przestrzeń co najmniej 10 cm nad i 10 cm wokół urządzenia.
- ▶ Nie zakrywaj otworów wentylacyjnych.
- ▶ Nigdy nie należy umieszczać urządzenia w wilgotnym miejscu lub w miejscu, gdzie może być ochlāpana wodą. Zetrzyj plamy i zachlāpania do sucha miękką i czystą szmatką.
- ▶ Nie instaluj urządzenia w miejscu narażonym na bezpośrednie działanie promieni słonecznych lub w pobliżu źródeł ciepła (np. pieców, grzejników).
- ▶ Zainstaluj i wypoziomuj urządzenie w miejscu odpowiednim dla jego wielkości i przeznaczenia.
- ▶ Nie blokuj otworów wentylacyjnych w urządzeniu ani w zabudowie.
- ▶ Upewnij się, że informacje elektryczne na tabliczce znamionowej są zgodne z zasilaniem. Jeśli tak nie jest, skontaktuj się z elektrykiem.
- ▶ Urządzenie jest zasilane prądem 220-240V/50Hz. Nienormalne wahania napięcia mogą spowodować niewłāczenie się urządzenia lub uszkodzenie regulatora temperatury lub sprężarki, mogą też spowodować nietypowy hałas podczas pracy. W takim przypadku powinien zostać zamontowany automatyczny regulator.
- ▶ Używaj oddzielnego i uziemionego gniazdka, które jest łatwo dostępne podczas czyszczenia. Urządzenie musi być uziemione.
- ▶ **Tylko dla Wielkiej Brytanii:** Kabel zasilający urządzenie jest wyposażony we wtyczki z 3 bolcami (z uziemieniem), która pasuje do standardowego gniazda z 3 przewodami (z uziemieniem). Nigdy nie odcinaj albo wyjmuj trzeciego bolca (uziemiającego). Po zainstalowaniu urządzenia, wtyczka powinna być dostępna.
- ▶ Nie używaj adapterów wtyczek i przedłużaczy.
- ▶ Upewnij się, że przewód zasilania nie jest przygnieciony przez zamrażarkę. Nie stawaj na przewodzie zasilającym.
- ▶ Nie uszkodz obiegu chłodzącego.

**OSTRZEŻENIE!****Codzienne używanie**

- ▶ Urządzenie to może być używane przez dzieci w wieku lat 8 lub starsze, osoby z obniżoną sprawnością fizyczną, zmysłową lub umysłową, osoby z brakiem doświadczenia i wiedzy, jeśli są one nadzorowane lub gdy je poinstruowano, jak korzystać z tego urządzenia w bezpieczny sposób i gdy zdają sobie sprawę z istniejących niebezpieczeństw.
- ▶ Trzymaj z dala od urządzenia dzieci poniżej 3 roku życia, chyba że są pod stałym nadzorem.
- ▶ Dzieci nie powinny bawić się tym urządzeniem.
- ▶ Jeśli chłodziwo lub inny łatwopalny gaz wycieka w pobliżu urządzenia, zamknij zawór wyciekającego gazu, otwórz drzwi i okna i nie odłączaj ani nie podłączaj kabla zasilania zamrażarki ani żadnego innego urządzenia.
- ▶ Zauważ, że urządzenie jest ustawione do działania w określonym zakresie temperatur pomiędzy 10 i 43 °C. Urządzenie może nie działać prawidłowo, jeśli jest używane przez dłuższy okres czasu w temperaturze powyżej lub poniżej podanego zakresu.
- ▶ Nie umieszczaj artykułów niestabilnych (ciężkich przedmiotów, pojemników z wodą) na górnej części zamrażarki, aby uniknąć obrażeń spowodowanych upadkiem lub porażenia prądem spowodowanego przez kontakt z wodą.
- ▶ Otwieraj i zamykaj drzwi, tylko używając uchwytów. Szczelina między drzwiami a komorą jest bardzo wąska. Nie trzymaj swoich rąk w tych obszarach, aby uniknąć przycięcia palców. Otwieraj i zamykaj drzwi zamrażarki tylko wtedy, gdy nie ma dzieci stojących w obrębie ruchu drzwi.
- ▶ Nie przechowuj ani nie używaj materiałów łatwopalnych, wybuchowych lub żrących w urządzeniu lub w jego sąsiedztwie.
- ▶ Nie przechowuj w urządzeniu leków, bakterii lub substancji chemicznych. To urządzenie jest urządzeniem gospodarstwa domowego. Nie zaleca się przechowywania materiałów, które wymagają ścisłej temperatury.
- ▶ Nigdy nie przechowuj płynów w butelkach lub puszkach (oprócz wysokoprocentowych alkoholi), zwłaszcza w zamrażarce, jako że mogą one pęknąć podczas zamrażania.
- ▶ Sprawdź stan żywności, jeśli doszło do podwyższenia temperatury w zamrażarce.
- ▶ Nie ustawiaj niepotrzebnie niskiej temperatury w komorze zamrażarki. Uwaga: Butelki mogą wybuchnąć.



OSTRZEŻENIE!

Codziennie używanie

- ▶ Nie dotykaj zamrożonych rzeczy wilgotnymi rękami (załóż rękawiczki). Szczególnie nie jeść lizaków lodowych natychmiast po wyjęciu z zamrażalnika. Istnieje ryzyko przymarznięcia języka lub utworzenia się pęcherzy. Pierwsza pomoc: włóż natychmiast pod bieżącą zimną wodę. Nie odrywaj!
- ▶ Nie dotykaj wewnętrznej powierzchni zamrażarki podczas pracy, szczególnie gdy masz mokre ręce. Ręce mogą przymarznąć do powierzchni.
- ▶ Odłącz urządzenie w przypadku przerwy w zasilaniu lub przed czyszczeniem. Pozostaw co najmniej 5 minut przed ponownym uruchomieniem urządzenia, jako że szybkie włączenie może doprowadzić do uszkodzenia sprężarki.
- ▶ Nie używaj urządzeń elektrycznych w komorze do przechowywania żywności, chyba, że są rekomendowane przez producenta.

Konserwacja/utrzymywanie w czystości

- ▶ Upewnij się, że dzieci są nadzorowane podczas czyszczenia i konserwacji urządzenia.
- ▶ Przed podjęciem jakichkolwiek rutynowych prac konserwacyjnych odłącz urządzenie od zasilania elektrycznego. Pozostaw co najmniej 5 minut przed ponownym uruchomieniem urządzenia, jako że szybkie włączenie może doprowadzić do uszkodzenia sprężarki.
- ▶ Podczas odłączania urządzenia trzymaj za wtyczkę, a nie za przewód.
- ▶ Nie zeskrobuj szronu i lodu ostrymi przedmiotami. Nie wolno używać aerozoli, grzejników elektrycznych, takich jak grzejnik, suszarka do włosów, urządzenie do czyszczenia parą lub innych źródeł ciepła, w celu uniknięcia uszkodzenia części plastikowych.
- ▶ Nie używaj urządzeń mechanicznych, ani innych środków do przyspieszenia procesu rozmrażania, poza tymi, które zaleca producent.
- ▶ Nie używaj aerozolu ani nie przepłukuj urządzenia podczas czyszczenia.
- ▶ Jeśli lampy oświetleniowe są uszkodzone, muszą zostać wymienione przez producenta lub przez wykwalifikowaną osobę w wyznaczonym serwisie.
- ▶ Jeśli kabel zasilania jest uszkodzony, musi on zostać wymieniony przez producenta, serwisanta lub inną wykwalifikowaną osobę w celu uniknięcia niebezpieczeństwa.
- ▶ Nie próbuj naprawiać, rozbierać lub modyfikować urządzenia samodzielnie. W przypadku naprawy, prosimy o kontakt z działem obsługi klienta.

Informacje o gazie chłodzącym**OSTRZEŻENIE!**

Urządzenie zawiera łatwopalny czynnik chłodniczy IZOBUTAN (R600a). Upewnij się, że układ chłodniczy nie został uszkodzony podczas transportu lub instalacji. Wyciek czynnika może spowodować uszkodzenie wzroku lub zapalenie. Jeśli wystąpiło uszkodzenie, trzymaj urządzenie z dala od otwartych źródeł ognia, dokładnie przewietrz pomieszczenie, nie podłączaj lub odłączaj kabli zasilających tego lub innego urządzenia. Poinformuj obsługę klienta. W przypadku, gdy czynniki chłodnicze wejdzie w kontakt z oczami, natychmiast przepłucz je pod bieżącą wodą i zadzwoń do lekarza okulisty.

**OSTRZEŻENIE!**

- ▶ Dbaj o to, aby uniknąć pożaru poprzez zapalenie łatwopalnego materiału.
- ▶ **OSTRZEŻENIE:** Podczas ustawiania urządzenia upewnij się, że przewód zasilania nie jest przygnieciony lub uszkodzony.
- ▶ **OSTRZEŻENIE:** Nie umieszczaj wielu gniazdek przenośnych ani przenośnych zasilaczy z tyłu urządzenia.
- ▶ Nie przechowuj w tym urządzeniu materiałów wybuchowych, takich jak puszki z aerozolem, który zawiera łatwopalny propelent.
- ▶ W przypadku stosowania łatwopalnych czynników chłodniczych w zamrażarce należy zachować ostrożność podczas instalowania, przenoszenia, serwisowania i recyklingu urządzenia.
- ▶ Proszę skontaktować się z przedstawicielem serwisu, aby zrecyklingować urządzenie, ponieważ został w nim użyty łatwopalny gaz.

2.1 Przeznaczenie

Urządzenie to jest przeznaczone do użytku domowego lub w podobnych miejscach, np.:

- w kuchniach personelu sklepu, biur i innych środowisk pracy;
- gospodarstwa rolne, przez klientów hoteli, moteli i innych miejsc typu mieszkalnego
- pensjonaty;
- catering i podobne aplikacje niehandlowe

To urządzenie jest przeznaczone do chłodzenia żywności. Zostało zaprojektowane wyłącznie do użytku w suchych pomieszczeniach mieszkalnych. Nie jest przeznaczone do użytku komercyjnego ani przemysłowego.

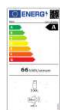
Jeśli zajdzie taka potrzeba, to urządzenie może być wykorzystywane jako komora do przechowywania świeżej żywności.

Zmiany lub modyfikacje urządzenia są niedozwolone. Użycie niezgodne z przeznaczeniem może spowodować zagrożenie i utratę roszczeń gwarancyjnych.

2.2 Akcesoria

Sprawdź akcesoria i materiały zgodnie z tą listą:

2.2



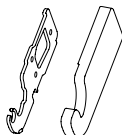
Etykieta energetyczna



Karta gwarancyjna

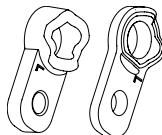


Podręcznik użytkownika



Zawias górny lewy dla odwracania drzwi

Ośłona górnego, lewego zawiasu



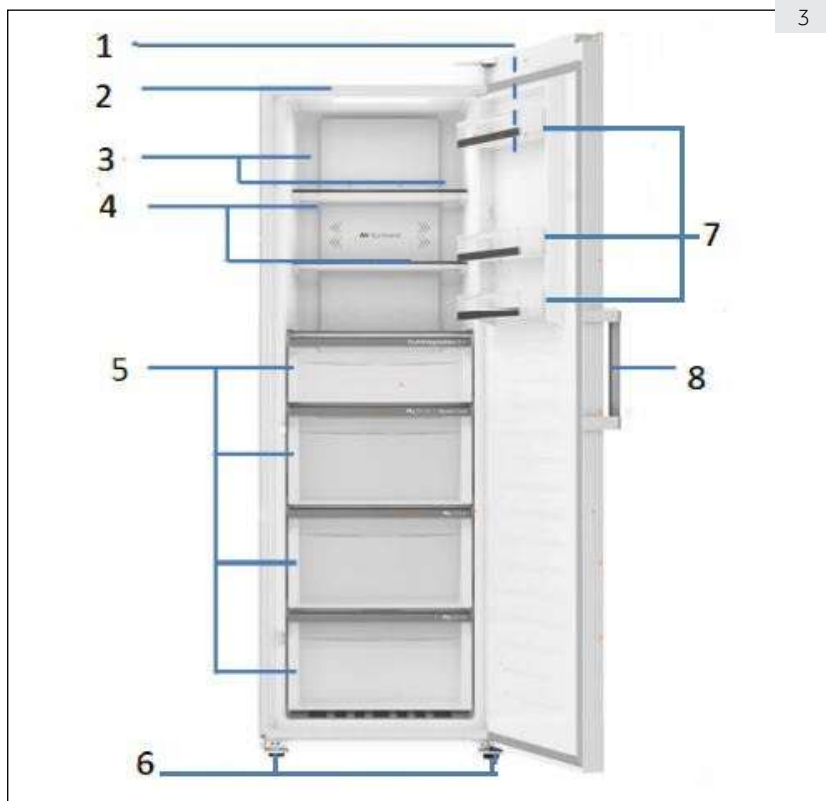
Oślony sworznia



Uwaga: Różnice

Z powodu zmian technicznych i różnych modeli, niektóre ilustracje w tej instrukcji mogą się różnić od Twojego modelu.

Zdjęcia urządzenia (rys. 3)

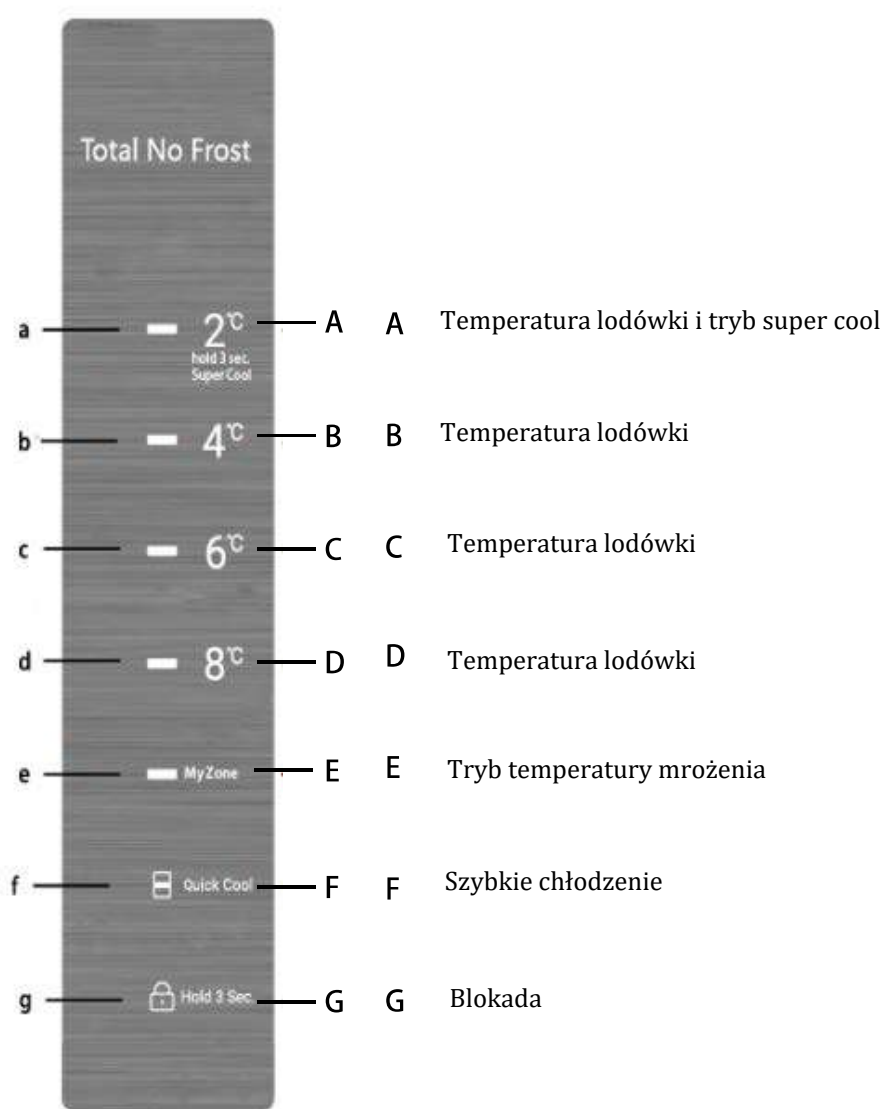


- | | |
|-----------------------------------|--------------------------------|
| 1 Panel kontrolny | 5 Szuflady |
| 2 Światło LED | 6 Regulowane nóżki |
| 3 Wielobiegowy przepływ powietrza | 7 Zdejmowane półki na drzwiach |
| 4 Półki szklane | 8 Rączka drzwiczek |

Uwaga: Ten produkt zawiera źródło światła o klasie efektywności energetycznej <G>.

Panel kontrolny (Rys. 4)

4



5.1 Przed pierwszym użyciem

- ▶ Usuń wszelkie opakowania, trzymaj je w miejscu niedostępnym dla dzieci i zutylizuj w sposób przyjazny dla środowiska.
- ▶ Przed włożeniem żywności wyczyść wnętrze i obudowę urządzenia wodą z dodatkiem łagodnego detergentu.
- ▶ Po wypoziomowaniu i wyczyszczeniu urządzenia odczekaj co najmniej 6 godzin przed podłączeniem go do zasilania. Sprawdź informacje zawarte w rozdziale poświęconym INSTALACJI.

5.2 Włączanie/Wyłączanie urządzenia

- ▶ Urządzenie zacznie pracę jak tylko zostanie podłączone do źródła energii
 - ▶ Temperatura lodówki jest automatycznie ustawiona na temperaturę przechowywania w lodówce 4°C, a temperatura mrożenia na 0°C. Są to zalecane ustawienia i idealna temperatura dla przechowywanej żywności. Jeśli chcesz możesz ustawić temperaturę manualnie. Sprawdź informacje zawarte w rozdziale poświęconym REGULOWANIU TEMPERATURY.
- Wskaźniki (a-g) zaczną migać po kolei. Jeśli drzwi są zamknięte, wyświetlacz gaśnie po 30 sekundach. Blokada panelu może być aktywna.



Uwaga: Ustawienie wstępne

Urządzenie jest wstępnie ustawione na zalecaną temperaturę: temperaturę przechowywania w lodówce 4° C i temperaturę mrożenia 0° C.

Gdy urządzenie zostanie włączone po uprzednim odłączeniu od głównego źródła zasilania, osiągnięcie prawidłowej temperatury może potrwać nawet do dwóch godzin.

Opróżnij urządzenie przed wyłączeniem, następnie wyciągnij wtyczkę z gniazda zasilania.

5.3 Tryb gotowości wyświetlacza

Kiedy drzwi są zamknięte, wyświetlacz gaśnie automatycznie po 3 sekundach bez działania. Ekran wyświetlacza blokuje się automatycznie. Zapala się automatycznie po dotknięciu dowolnego przycisku lub otwarciu drzwi.

5.4 Blokowanie i odblokowywanie wyświetlacza

Automatyczne blokowanie

Wyświetlacz jest automatycznie blokowany po 30 sekundach bez żadnego działania.

Manualne blokowanie

Gdy wyświetlacz jest odblokowany, wciśnij „blokady” (G) i przytrzymaj przez 3 sekundy, po czym zapali się wskaźnik „blokady” (g) i wyświetlacz zostanie zablokowany. Gdy wyświetlacz jest zablokowany, naciśnij „blokady” (G) i przytrzymaj przez 3 sekundy, z sygnałem dźwiękowym, wskaźnik „blokady” (g) zgaśnie, a wyświetlacz zostanie odblokowany.



Uwaga: Blokowanie wyświetlacza

Gdy wyświetlacz jest zablokowany, funkcje takie jak ustawienie temperatury, szybkie chłodzenie i chłodziarka są wyłączone. Przy próbie wykonania tych czynności wskaźnik blokady rodzicielskiej mignie 3 razy, przypominając o zablokowaniu wyświetlacza.

5.5 Ustawienia temperatury

Gdy wyświetlacz jest odblokowany, można regulować temperaturę naciskając przycisk temperatury, procesowi temu będą towarzyszyć sygnały dźwiękowe.

Strefa górnych półek i pierwsza strefa szuflad lodówki to strefa chłodnicza, a dolna strefa trzech szuflad to strefa temperatury mrożenia. Wybierz odpowiednią strefę przechowywania, aby uniknąć psucia się żywności.

5.6 Tryb lodówki (2° C do 8° C) (A-D)

Gdy wyświetlacz jest odblokowany, można dostosować temperaturę, naciskając przycisk innej temperatury. Temperaturę można ustawić na „2° C”, „4° C”, „6° C” i „8° C”

5.7 Tryb temperatury mrożenia (0° C / 2° C) (E)

Kiedy wyświetlacz jest odblokowany, naciśnij „My Zone” (E), wskaźniki „My Zone” (e) zaświecą się, strefa temperatury mrożenia zostanie ustawiona na 0° C. Naciśnij ponownie „My Zone”, wskaźniki „My Zone” (e) zgasną, a strefa temperatury mrożenia będzie ustawiona na 2° C.

5.8 Tryb super cool (A)

Gdy wyświetlacz jest zablokowany, naciśnij i przytrzymaj (2° C) (A) przez 3 sekundy, wskaźniki (a-d) zaświecą się, a lodówka zacznie pracować w trybie super cool. Powtórz powyższe kroki, aby wyłączyć funkcję super cool. Jeśli nie wyłączysz ręcznie, funkcja wyłączy się automatycznie, gdy tylko temperatura osiągnie ustawioną temperaturę lub 3 godziny później.



Uwaga: Super cool

W trybie super cool temperatura nie może zostać wyrównana. Jeśli to zrobisz, wskaźnik Super zamiga 3 razy.

5.9 Tryb szybkiego chłodzenia (A)

Szybkie chłodzenie działa jak CHŁODZENIE SZOKOWE w drugiej szufladzie od góry, całą strefę szuflady można szybko schłodzić do wybranej temperatury. Gdy wyświetlacz jest odblokowany, naciśnij „Szybkie chłodzenie” (F), wskaźniki (f) zaświecą się, lodówka zacznie pracować w trybie szybkiego chłodzenia. Powtórz powyższe kroki, aby wyłączyć funkcję szybkiego chłodzenia. Jeśli nie wyłączysz ręcznie, funkcja wyłączy się automatycznie, gdy tylko temperatura osiągnie ustawioną temperaturę lub 3 godziny później.

5.10 Zapamiętywanie przy wyłączeniu

Ta lodówka posiada zapis ustawień przy wyłączaniu, przed wyłączeniem ustawienia zostaną zapisane. Po włączeniu, lodówka przywróci ustawienia sprzed wyłączenia i powróci do pracy. Funkcji blokady rodzicielskiej nie można zapisać, po włączeniu wyświetlacz jest odblokowany.

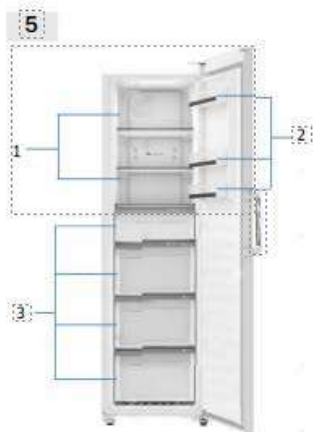
5.11 Alarm otwarcia drzwi

Gdy drzwi są otwarte przez ponad 1 minutę, lodówka wyda 3 sygnały dźwiękowe w odstępach co 0,5 sekundy. Sygnał dźwiękowy będzie powtarzany co 30 sekund, jeśli drzwi są otwarte. Sygnały dźwiękowe ustaną po tym jak drzwi zostaną zamknięte lub po 7 minutach od otwarcia. Następnie gaśnie światło.

5.12 Wskaźnik błędów

Lodówka jest wyposażona we wskaźnik błędów. Po napotkaniu błędu wyświetlacz będzie migał co 1/4 sekundy z różnymi kodami dla różnych błędów.

W tej sytuacji lodówka może nadal chłodzić, ale należy jak najszybciej skontaktować się z serwisem posprzedażowym, aby uzyskać optymalną kontrolę nad lodówką.



Różne pokarmy należy umieszczać w różnych miejscach w zależności od ich właściwości (ryc. 5).

1 Pikle, konserwy, warzywa owocowe, sałatki itp.

2 Jajka, konserwy, przyprawy, napoje i inna żywność butelkowana itp.

3 Mięso, przekąski itp.

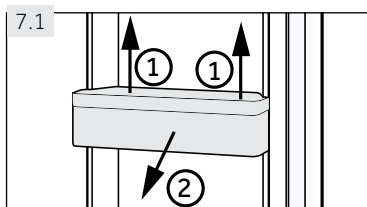
W przypadku urządzeń bez komory czterogwiazdkowej: „To urządzenie chłodnicze nie jest odpowiednie na potrzeby zamrażania środków spożywczych.”



Porady dotyczące oszczędzania energii

- ▶ Upewnij się, że urządzenie jest odpowiednio wentylowane (patrz: INSTALACJA).
- ▶ Nie instaluj urządzenia w miejscu narażonym na bezpośrednie działanie promieni słonecznych lub w pobliżu źródeł ciepła (np.: pieców, grzejników).
- ▶ Nie ustawiaj niepotrzebnie niskiej temperatury w urządzeniu. Zużycie energii jest większe, gdy ustawiona jest niższa temperatura.
- ▶ Gorące potrawy i napoje należy schłodzić przed włożeniem ich do urządzenia.
- ▶ Kiedy wkładasz do lodówki jedzenie i napoje, otwieraj drzwi na jak najkrócej.
- ▶ Upewnij się, że drzwi zawsze są prawidłowo zamknięte i czy rozmieszczenie jedzenia nie powoduje ich niedomykania się. Utrzymuj uszczelki drzwi w czystości.
- ▶ Rozmrażaj mrożonki w lodówce.
- ▶ Regularnie czyść tył urządzenia. Kurz zwiększa zużycie energii.
- ▶ Najbardziej energooszczędna konfiguracja wymaga umieszczenia szuflad, pudełek na żywność i półek w produkcie w stanie fabrycznym oraz umieszczenia żywności bez blokowania wylotu powietrza z kanału

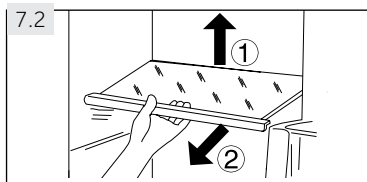
7- Wyposażenie



7.1 Zdejmowane półki na drzwiach

Półki na drzwiach można wyjmować do czyszczenia: Umieść ręce z obu stron półki, unieś ją do góry (1) i wyciągnij (2) (rys. 7.3).

W celu zamontowania półki na drzwiach, powyższe etapy trzeba wykonać w odwrotnej kolejności.



7.2 Szklane półki

1. Aby wyjąć półkę, należy najpierw unieść jej tylną krawędź (1) i następnie wyciągnąć ją (2) (rys. 7.2).
2. Aby zainstalować ją ponownie, umieść ją na uchwytach po obu stronach komory i przesunij w głąb, aż tył półki zamocowany będzie w otworach na bokach

**OSTRZEŻENIE!**

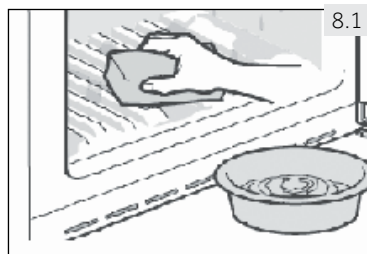
Przed czyszczeniem odłącz urządzenie od sieci.

8.1 Ogólne

Czyść urządzenie, gdy jest w niej niewiele produktów lub żadna żywność nie jest przecho-wywana.

**OSTRZEŻENIE!**

- ▶ Nie czyść urządzenia za pomocą twardych szczotek, szczotek drucianych, detergent-ów proszkowych, benzyny, octanu amyłu, acetonu i podobnych roztworów organicz-nych, kwasu lub roztworów alkalicznych. Proszę czyścić specjalnym detergentem do zamrażarek, aby uniknąć uszkodzenia.
 - ▶ Nie używaj aerozolu ani nie przepłukuj urządzenia podczas czyszczenia.
 - ▶ Nie zeszkrobuj szronu i lodu ostrymi przedmiotami.
 - ▶ Nie wolno używać aerozoli, grzejników elektrycznych, takich jak grzejnik, suszarka do włosów, urządzenie do czyszczenia parą lub innych źródeł ciepła, w celu uniknięcia uszkodzenia części plastikowych.
 - ▶ Nie czyść zimnych szklanych półek używając gorącej wody. Nagła zmiana temperatu-ry może spowodować pęknięcie szkła.
 - ▶ Nie dotykaj wewnętrznej powierzchni komory zamrażarki podczas pracy, zwłaszcza mokrymi rękami, jako że ręce mogą przymarznąć do jej powierzchni.
 - ▶ W przypadku wyższych temperatur sprawdź stan produktów mrożonych.
 - ▶ Nie próbować samodzielnie naprawiać urządzenia. W przypadku naprawy, prosimy o kontakt z działem obsługi klienta.
-
- ▶ Zawsze należy utrzymywać uszczelkę drzwi w czy-stości.
 - ▶ Czyść wnętrze i obudowę urządzenia miękką szmat-ką lub gąbką zwilżoną ciepłą wodą i neutralnym de-tergentem (rys. 8.1).
 - ▶ Opłucz i wysusz dokładnie.
 - ▶ Nie czyść żadnej z części urządzenia w zmywarce.
 - ▶ Oczyszczyć akcesorium tylko z ciepłą wodą i łagodnym środkiem czyszczącym.



8.2 Nieużytkowanie przez dłuższy okres

Jeśli urządzenie nie jest używane przez dłuższy czas:

- ▶ Wyjmij jedzenie.
- ▶ Odłącz urządzenie od zasilania.
- ▶ Wyczyść urządzenie, jak to opisano powyżej.
- ▶ Otwórz drzwi i szuflady zamrażarki, aby zapobiec tworzeniu się wewnątrz nieprzyjemnych zapachów.

Zdejmij drzwi urządzenia (otwórz drzwi i przytrzymaj je przed odkręceniem śrub), aby dzieci nie weszły się do urządzenia i nie zamknęły się w środku.



Uwaga: Wyłączenie

W celu przedłużenia żywotności urządzenia należy unikać jego wyłączenia bez potrzeby.

8.3 Przenoszenie urządzenia

1. Wyjmij całe jedzenie i wyjmij wtyczkę z gniazdka.
2. Zabezpiecz taśmą klejącą półki i inne części ruchome w zamrażarce.
3. Zamknij drzwi i zabezpiecz je taśmą.
4. Nie przechylaj zamrażarki bardziej niż 45°, aby uniknąć uszkodzenia układu chłodniczego.
5. Zabezpiecz stopki zamrażarki, aby uniknąć zarysowania podłogi. Nigdy nie wolno na siłę przesuwac zamrażarki.



OSTRZEŻENIE!

- ▶ Nie podnoś urządzenia za uchwyty.
- ▶ Nigdy nie umieszczaj urządzenia poziomo na ziemi.

Wiele problemów można rozwiązać samodzielnie, bez specjalistycznej wiedzy. W przypadku problemów prosimy sprawdzić wszystkie pokazane możliwości i postępować zgodnie z poniższymi instrukcjami przed skontaktowaniem się z obsługi posprzedażnej. Patrz: OBSŁUGA KLIENTA.



OSTRZEŻENIE!

- ▶ Przed przystąpieniem do konserwacji, wyłącz urządzenie i wyjmij wtyczkę z gniazdka sieciowego.
- ▶ Urządzenia elektryczne powinny być serwisowane tylko przez wykwalifikowanych ekspertów elektrycznych, ponieważ niewłaściwe naprawy mogą spowodować znaczne szkody.
- ▶ Jeśli kabel zasilania jest uszkodzony, musi on zostać wymieniony przez producenta, serwisanta lub inną wykwalifikowaną osobę w celu uniknięcia niebezpieczeństwa.

Sygnal dźwiękowy wyłącza się po naciśnięciu dowolnego przycisku.

9.1 Rozwiązywanie problemów

Problem	Możliwa przyczyna	Możliwe rozwiązanie
Sprężarka nie działa.	<ul style="list-style-type: none"> • Wtyczka sieciowa nie jest podłączona do gniazdka. 	<ul style="list-style-type: none"> • Podłącz wtyczkę sieciową.
Urządzenie działa często lub przez zbyt długi okres czasu.	<ul style="list-style-type: none"> • Temperatura wewnątrz lub na zewnątrz jest zbyt wysoka. • Urządzenie było odłączone od zasilania przez jakiś okres czasu. • Drzwi urządzenia nie są szczelnie zamknięte. • Drzwi były otwierane zbyt często lub na zbyt długo. • Temperatura jest zbyt niska. • Uszczelki drzwi są brudne, zużyte, pęknięte lub niedopasowane. • Wymagany przepływ powietrza nie jest gwarantowany. • Wnętrze pokryte jest lodem. 	<ul style="list-style-type: none"> • W tym przypadku, to normalne, że urządzenie będzie pracować dłużej. • Zwykle trwa od 8 do 12 godzin, aż urządzenie ostygnie. • Zamknij drzwi i upewnij się, że urządzenie znajduje się na płaskiej powierzchni, ani że jedzenie lub szuflady nie blokują drzwi. • Nie należy za często otwierać drzwi. • Ustaw temperaturę na wyższą, aż uzyskasz odpowiednią temperaturę. Uzyskanie stabilnej temperatury trwa 24 godziny. • Wyczyść uszczelki drzwi lub wymień je z pomocą serwisu obsługi klienta. • Zapewnij odpowiednią wentylację. • Rozmroź urządzenie.

Problem	Możliwa przyczyna	Możliwe rozwiązania
Urządzenie wydaje dziwne dźwięki.	<ul style="list-style-type: none"> • Urządzenie nie znajduje się na wypoziomowanym podłożu. • Urządzenie dotyka jakiegoś obiektu. • Urządzenie stoi na drewnianej podłodze lub w pobliżu drewnianych ścian. 	<ul style="list-style-type: none"> • Wypoziomuj urządzenie. • Usuń przedmioty znajdujące się w pobliżu urządzenia. • Drewno wzmacnia dźwięk. Ustaw urządzenie gdzie indziej.
Urządzenie wydaje dźwięki klikania.	<ul style="list-style-type: none"> • To jest normalne. Jest to spowodowane włączeniem lub wyłączeniem urządzenia chłodniczego. 	<ul style="list-style-type: none"> • -
Słychać delikatny szum podobny do płynącej wody.	<ul style="list-style-type: none"> • To jest normalne. 	<ul style="list-style-type: none"> • -
Urządzenie wydaje dźwięki silnika.	<ul style="list-style-type: none"> • Jednostka chłodnicza właśnie się włączyła. To jest normalne. 	<ul style="list-style-type: none"> • -
Nie jest wystarczająco zimno wewnątrz urządzenia.	<ul style="list-style-type: none"> • Temperatura jest zbyt wysoka. • Włożono jedzenie, które jest zbyt ciepłe. • Jednorazowo przechowywane jest zbyt dużo jedzenia. • Produkty są zbyt blisko siebie. • Drzwi nie są szczelnie zamknięte. • Drzwi były otwierane zbyt często lub na zbyt długo. 	<ul style="list-style-type: none"> • Ponownie ustaw temperaturę. • Zawsze ostudź produkty przed włożeniem ich do urządzenia. • Zawsze przechowuj niewielką ilość żywności. • Pozostaw lukę pomiędzy żywnością a ściankami wewnętrznymi, umożliwiając przepływ powietrza. • Zamknij drzwi. • Nie należy za często otwierać drzwi.
Wewnątrz urządzenia jest zbyt zimno.	<ul style="list-style-type: none"> • Temperatura jest zbyt niska. • Funkcja Super Freeze jest włączona lub działa zbyt długo. 	<ul style="list-style-type: none"> • Ponownie ustaw temperaturę. • Wyłącz funkcję Super Freeze.
Wilgoć gromadzi się na powierzchni urządzenia.	<ul style="list-style-type: none"> • Klimat jest zbyt ciepły i zbyt wilgotny. 	<ul style="list-style-type: none"> • Jest to normalne zjawisko w wilgotnym klimacie i zmieni się, gdy wilgotność spadnie. Wytrzymaj do sucha ściereczką.
Lód i szron w zamrażalniku.	<ul style="list-style-type: none"> • Produkty nie zostały odpowiednio zapakowane. • Drzwi nie są szczelnie zamknięte. • Drzwi były otwierane zbyt często lub na zbyt długo. • Uszczelki drzwi są brudne, zużyte, pęknięte lub niedopasowane. • Coś w środku nie pozwala domknąć drzwi. 	<ul style="list-style-type: none"> • Zawsze dobrze zapakuj produkty. • Zamknij drzwi. • Nie należy za często otwierać drzwi. • Wyczyść uszczelki drzwi lub wymień je z pomocą serwisu obsługi klienta. • Załóż półki, półki na drzwiach, lub pojemniki wewnętrzne tak, aby umożliwić zamknięcie się drzwi.

Problem	Możliwa przyczyna	Możliwe rozwiązanie
System chłodzenia nie działa.	<ul style="list-style-type: none"> • Wtyczka nie jest włożona do gniazdka. • Wystąpił problem z zasilaniem. 	<ul style="list-style-type: none"> • Podłącz wtyczkę sieciową. • Sprawdź zasilanie elektryczne w pomieszczeniu. Skontaktuj się z lokalnym dostawcą energii elektrycznej!
Boki obudowy i listwa drzwiowa rozgrzewają się.	<ul style="list-style-type: none"> • To jest normalne. 	<ul style="list-style-type: none"> • -
Słychać dźwięk alarmu.	<ul style="list-style-type: none"> • Drzwi są otwarte. • Temperatura wewnątrz urządzenia jest zbyt wysoka. 	<ul style="list-style-type: none"> • Zamknij drzwi lub wyłącz alarm ręcznie.
Ciężko otworzyć drzwi.	<ul style="list-style-type: none"> • Po uruchomieniu urządzenie wytwarza wewnętrzną próżnię. 	<ul style="list-style-type: none"> • Delikatnie otwórz drzwi, aby umożliwić dostęp powietrza do urządzenia.
Drzwi nie można prawidłowo zamknąć. Zawsze pozostaje luka.	<ul style="list-style-type: none"> • Ze względu na niską temperaturę urządzenia, uszczelka drzwi może z łatwością stać się twarda i się zdeformować. 	<ul style="list-style-type: none"> • Użyj suszarki do włosów lub połóż gorący ręcznik w miejscu, gdzie uszczelka się zdeformowała. • Gdy uszczelka znów będzie miękka, zamknij drzwi i dociśnij je mocno.

9.2 Przerwa w zasilaniu

W przypadku awarii zasilania, jedzenie powinno pozostać bezpiecznie zimne przez około 18 godzin. Postępuj zgodnie z poniższymi poradami podczas długotrwałego braku zasilania, zwłaszcza w lecie:

- ▶ Jak najrzadziej otwieraj drzwi.
- ▶ Nie wkładaj nowych produktów do zamrażarki podczas przerwy w zasilaniu.
- ▶ Jeżeli wcześniej jest podana wiadomość o przerwaniu zasilania, a czas przerwy jest dłuższy niż 15 godzin, przygotuj trochę lodu i umieść go w pojemniku na górze komory zamrażarki.
- ▶ Jako że temperatura w zamrażarce podniesie się podczas przerwy w zasilaniu lub innej awarii, zmniejszy się okres przechowywania żywności i jej przydatność do spożycia. Każdy produkt, który się rozmroził należy jak najszybciej ugotować i ponownie zamrozić (jeśli to konieczne), aby zapobiec zagrożeniom dla zdrowia.



Uwaga: Pamięć funkcji podczas awarii zasilania

Po przywróceniu zasilania urządzenie przechodzi do ustawień, które zostały ustawione przed awarią zasilania.

10.1 Rozpakowanie

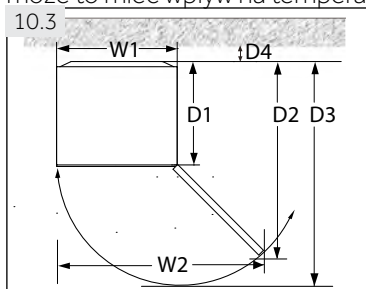


OSTRZEŻENIE!

- ▶ Urządzenie jest ciężkie. Zawsze przenoś urządzenie z pomocą co najmniej dwóch osób.
- ▶ Trzymaj wszystkie materiały opakowania poza zasięgiem dzieci i wyrzucić je w sposób przyjazny dla środowiska.
- ▶ Wymij urządzenie z opakowania.
- ▶ Usuń wszystkie materiały opakowania.

10.2 Warunki środowiskowe

Temperatura w pomieszczeniu powinna być zawsze pomiędzy 10 °C a 43°C, ponieważ może to mieć wpływ na temperaturę wewnątrz urządzenia oraz zużycie energii. Nie ustawiaj urządzenia w pobliżu innych urządzeń bez izolacji emitujących ciepło (piekarniki, lodówki).

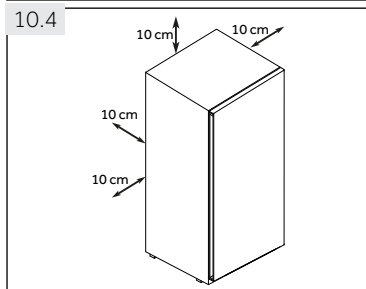


10.3 Wwymóg dot. przestrzeni

Wymagane miejsce na otwarcie drzwi (rys. 10.3):

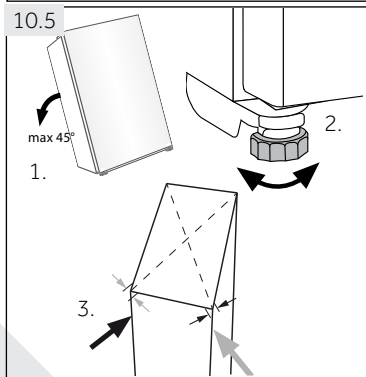
Szerokość w mm		Głębokość w mm			Odległość od ściany w mm
W1	W2	D1	D2	D3	D4
595	955	592	1105	1215	100

W przypadku urządzenia wolnostojącego zamieszcza się ostrzeżenie: „To urządzenie chłodnicze nie jest przeznaczone do użytku jako urządzenie do zabudowy.”



10.4 Przekrój wentylacji

Aby osiągnąć odpowiednią wentylację urządzenia ze względów bezpieczeństwa należy postępować zgodnie z informacją o wentylacji (rys. 10.4).



10.5 Ustawianie urządzenia

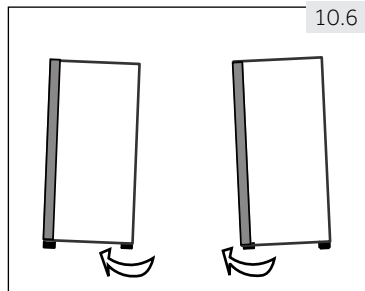
Urządzenie powinno być umieszczone na płaskiej i stabilnej powierzchni. Jeśli urządzenie jest umieszczone na cokole, należy używać mocnych i odpornych na działanie ognia materiałów. Nigdy nie używaj pianki z opakowania jako podstawy.

1. Pochyl urządzenie lekko do tyłu (rys. 10.5).
2. Ustaw nóżki na pożądanym poziomie.
3. Stabilność można sprawdzić popychając na przemian rogi urządzenia. Lekkie kołysanie powinno być takie same w obu kierunkach. W przeciwnym razie rama może się wykrzywić; wynikiem tego mogą być nieszczelne uszczelki drzwi. Niewielki przechył do tyłu pomaga zamykaniu drzwi.

10.6 Użycie regulowanych stopek

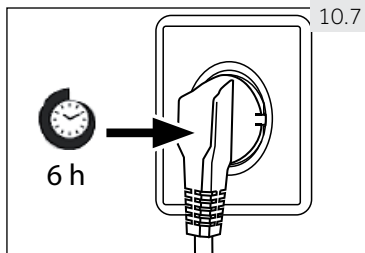
Jeśli zamrażarka jest niestabilna, stopki można regulować: Obróć stopkę zgodnie z kierunkiem strzałki (rys. 10.6), aby ją podnieść lub obniżyć:

- ▶ Przekręcenie stopki w prawo podnosi urządzenie.
- ▶ Przekręcenie stopki w lewo obniża urządzenie.



10.7 Czas oczekiwania

W kapsułce sprężarki znajduje się olej bezobsługowy. Olej ten może przedostać się poprzez zamknięty system rur podczas transportu przechylnego urządzenia. Przed podłączeniem urządzenia do zasilania trzeba odczekać 6 godzin (rys. 10.7), aby olej spłynął z powrotem do zbiornika.



10.8 Podłączenie prądu

Przed każdym podłączeniem sprawdź, czy:

- ▶ zasilacz, gniazdo i bezpieczniki są odpowiednie do informacji na tabliczce znamionowej.
- ▶ gniazdko jest uziemione i nie zastosowano rozgałęźnika lub przedłużacza.
- ▶ wtyczka i gniazdko są ściśle dopasowane.

Podłącz urządzenie wyłącznie do właściwie zamontowanych i uziemionych gniazdek elektrycznych.



OSTRZEŻENIE!

Aby uniknąć ryzyka, uszkodzony przewód zasilający musi być wymieniony przez serwis (patrz: karta gwarancyjna).

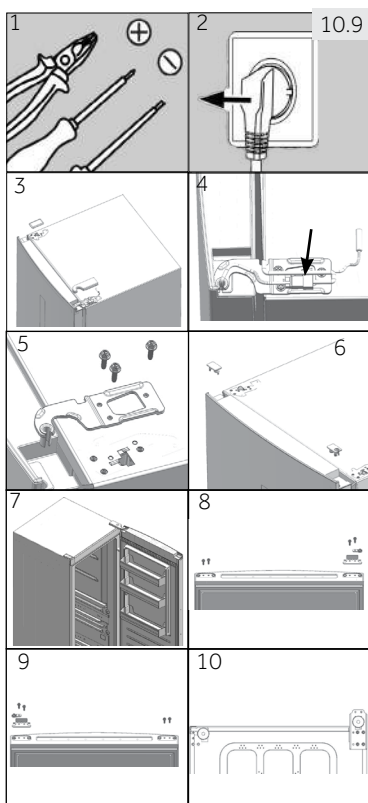
10.9 Odwracalność drzwi

Przed podłączeniem urządzenia do zasilania należy sprawdzić, czy nie trzeba zmienić kierunku otwierania drzwi z prawego (ustawienie przy odbiorze) na lewy, jeśli jest to konieczne ze względu na miejsce instalacji i użytkowania.



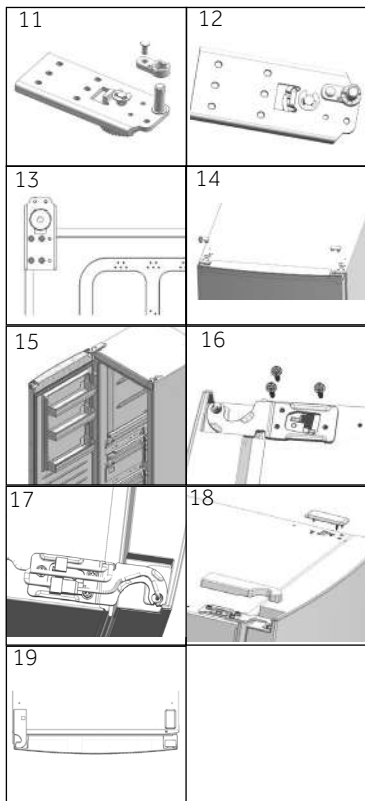
OSTRZEŻENIE!

- ▶ Urządzenie jest ciężkie. Potrzeba dwóch osób do zmiany kierunku otwierania drzwi.
- ▶ Przed rozpoczęciem jakichkolwiek czynności, należy najpierw odłączyć urządzenie od sieci.
- ▶ Nie przechylaj lodówki bardziej niż 45°, aby uniknąć uszkodzenia układu chłodniczego.



Etapy montażu (rys. 10.9):

1. Pracuj, używając odpowiednich narzędzi:
2. Odłącz urządzenie od prądu.
3. Zdejmij osłonę otworu zawiasu i samego zawiasu.
4. Odłącz kabel zasilania.
5. Usuń śruby i zawias
6. Zdejmij osłonę na drzwiach. Zdejmij osłonę sworznia na drzwiach
7. Otwórz i zdejmij drzwi.
8. Odwróć drzwi do góry nogami, odkręć 2 śruby w dolnej ich części. Wyjmij 2 śruby, ogranicznik drzwi i osłonę sworznia w dolnej części drzwi
9. Zdejmij zatyczkę z ostatniego stopnia i cieńszą osłonę sworznia z torby na akcesoria, przymocuj za pomocą 2 śrub. Przykręć 2 śruby również po drugiej stronie drzwi.
10. Przechyl urządzenie lekko do tyłu, wykręć 4 śruby, a następnie dolny zawias.



11. Usuń śrubę i osłonę sworznia. Wyjmij zawias i zamocuj go w otworze obok.
12. Wyjmij grubszą osłonę sworznia z woreczka z akcesoriami. Przymocuj za pomocą śruby z ostatniego kroku.
13. Przymocuj zawias po przeciwległej stronie za pomocą 4 śrub.
14. Po przeciwnej stronie drzwi wyciągnij lewy kabel połączeniowy i przełóż go przez osłonę sworznia od kroku 5, zamontuj osłonę sworznia. Zamontuj osłonę otworu po prawej stronie.
15. Zamontuj drzwi.
16. Umocuj górny, prawy zawias 3 śrubami.
17. Podłącz złącza.
18. Zamocuj osłonę otworu zawiasu i osłonę górnego, lewego zawiasu.
19. Gotowe.

DOSTĘPNOŚĆ CZĘŚCI ZAMIENNYCH

Termostaty, czujniki temperatury, płytki obwodów drukowanych przez okres co najmniej siedmiu lat od wprowadzenia do obrotu ostatniego egzemplarza danego modelu
klamki, zawiasy do drzwi, tace i koszyki przez okres co najmniej siedmiu lat oraz uszczelki drzwiowe przez okres co najmniej 10 lat od wprowadzenia do obrotu ostatniego egzemplarza danego modelu

GWARANCJI

Minimalny okres gwarancji: Kraje UE – 2 lata, Turcja – 3 lata, Wielka Brytania – rok, Rosja – rok, Szwecja – 3 lata, Serbia – 2 lata, Norwegia – 5 lat, Maroko – rok, Algieria – 6 miesięcy, Tunezja – gwarancja prawna nie jest wymagana

POMOC TECHNICZNA

Aby skontaktować się z pomocą techniczną, odwiedź naszą stronę internetową: <https://corporate.haier-europe.com/en/>. W sekcji „website” wybierz markę swojego produktu i swój kraj. Zostaniesz przekierowany na konkretną stronę internetową, na której znajdziesz numer telefonu i formularz do kontaktu z pomocą techniczną

Więcej informacji na temat produktu można znaleźć na stronie <https://eprel.ec.europa.eu/> lub zeskanować QR na etykiecie energetycznej dostarczonej z urządzeniem

11.1 Karta produktu, zgodnie z Zarządzeniem UE Nr 1060/2010

Znak towarowy	Haier
Identyfikator modelu	H3R-330WNA
Kategoria modelu	Zamrażarka stojąca
Klasa efektywności energetycznej	A
Roczne zużycie energii (kWh/rok) ¹⁾	66
Objętość komory chłodzenia (L)	189
Objętość komory chłodzącej (My Zone) (L)	141
Całkowita objętość komory (L)	330
Temperatura innych komór > 14 °C	Nie dotyczy
System bezszronowy	tak
Zabezpieczenie przed awarią zasilania (h)	/
Zdolność zamrażania (kg/24h)	/
Klasa klimatyczna	
Urządzenie to przeznaczone jest do stosowania przy temperaturze otoczenia od 10 °C do 43 °C.	SN-T
Poziom emitowanego hałasu (db(A) re 1pW)	38
Rodzaj konstrukcji	Wolnostojąca

¹⁾ w oparciu o wyniki standardowych testów w ciągu 24 godzin. Rzeczywiste zużycie energii zależy od tego, jak urządzenie jest używane i gdzie się znajduje.

Urządzenie należy zainstalować w miejscu, w którym temperatura otoczenia odpowiada klasie klimatycznej wskazanej na tabliczce znamionowej urządzenia:

- Rozszerzona umiarkowana (SN): dodaje się ostrzeżenie: „Urządzenie chłodnicze jest przeznaczone do użytku w temperaturze otoczenia mieszczącej się w zakresie od 10 °C do 32 °C”
- Umiarkowana: dodaje się ostrzeżenie (N): „Urządzenie chłodnicze jest przeznaczone do użytku w temperaturze otoczenia mieszczącej się w zakresie od 16 °C do 32 °C”
- Subtropikalna: dodaje się ostrzeżenie (ST): „Urządzenie chłodnicze jest przeznaczone do użytku w temperaturze otoczenia mieszczącej się w zakresie od 16 °C do 38 °C”
- Tropikalna: dodaje się ostrzeżenie (T): „Urządzenie chłodnicze jest przeznaczone do użytku w temperaturze otoczenia mieszczącej się w zakresie od 16 °C do 43 °C”

11.2 Dodatkowe dane techniczne

Napięcie / Częstotliwość	220-240V~/50Hz
Główny bezpiecznik (A)	1.0
Płyn Chłodniczy	R600a
Wymiary (wys. / szer. / gł. w mm)	1910/595/675
Moc światła/napięcie światła	1,5 W/DC 12 V

11.3 Normy i dyrektywy **CE**

Produkt ten spełnia wymagania wszystkich obowiązujących dyrektyw UE z odpowiednimi normami zharmonizowanymi, które przewidują oznakowanie CE.

Polecamy nasz system Obsługi Klienta Haier i stosowanie oryginalnych części zamien-
nych.

Jeśli masz problem z urządzeniem, najpierw sprawdź sekcję ROZWIĄZYWANIE
PROBLEMÓW.

Jeżeli nie możesz znaleźć rozwiązania, prosimy o kontakt

- ▶ z twoim lokalnym sprzedawcą lub
- ▶ miejscowym Serwisem na www.haier.com, gdzie można znaleźć numery telefonów i
FAQ i gdzie można aktywować roszczenia serwisowe.

Aby skontaktować się z naszym działem obsługi, upewnij się, że masz następujące dane.
Informacje można znaleźć na tabliczce znamionowej.

Model _____ Nr seryjny _____

Sprawdź także również kartę gwarancyjną dostarczoną z produktem w przypadku posia-
dania gwarancji.

Dla ogólnych zapytań biznesowych, znajdziesz poniżej nasze adresy w Europie:

Europejskie adresy Haier			
Kraj *	Adres pocztowy	Kraj *	Adres pocztowy
Włochy	Haier Europe Trading SRL Via De Cristoforis, 12 21100 Varese WŁOCHY	Francja	Haier France SAS 3-5 rue des Gravieres 92200 Neuilly sur Seine FRANCJA
Hiszpania Portugalia	Haier Iberia SL Pg. Garcia Faria, 49-51 08019 Barcelona HISZPANIA	Belgia-FR Belgia-NL Holandia Luksemburg	Haier Benelux SA Anderlecht Route de Lennik 451 BELGIA
Niemcy Austria	Haier Deutschland GmbH Hewlett-Packard-Str. 4 D-61352 Bad Homburg NIEMCY	Polska Czechy Węgry Grecja Rumunia Rosja	Haier Poland Sp. z o.o. Al. Jerozolimskie 181B 02-222 Warszawa POLSKA
Wielka Brytania	Haier Appliances UK Co.Ltd. One Crown Square Church Street East Woking, Surrey, GU21 6HR UK		

* Więcej informacji na stronie www.haier.com



Haier



Manual do Utilizador

Frigorífico Vertical

H3R-330WNA

PT

Haier

Obrigado por comprar um produto Haier.

Deve ler estas instruções cuidadosamente antes de usar o aparelho. As instruções contêm informação importante que o ajudará a obter o melhor do aparelho e assegurar a instalação segura, utilização e manutenção adequada.

Manter este manual em local conveniente para que o possa consultar sempre para a utilização segura e adequada do aparelho.

Se vender o aparelho, o oferecer, ou o deixar quando mudar de casa, ter certeza de também entregar este manual para o novo proprietário se familiarizar com o aparelho e as advertências de segurança.

Legenda



Informação geral e dicas



Advertência – Informação de Segurança Importante



Informação ambiental



Eliminação

Ajude a proteger o ambiente e a saúde humana. Pôr a embalagem em contentores adequados para ser reciclada. Ajude a reciclar resíduos de aparelhos elétricos e eletrónicos. Não eliminar aparelhos marcados com este símbolo com o lixo doméstico. Levar o produto para a sua instalação de reciclagem local ou contactar o seu serviço municipal.



Advertência!

Risco de lesão ou asfixia!

Refrigerantes e gases devem ser eliminados profissionalmente. Assegurar que a tubagem do circuito de refrigeração não está danificada antes de ser eliminado adequadamente. Desligar o aparelho da corrente elétrica. Cortar os cabos de alimentação e eliminá-los. Retirar a porta, a pega da porta e vedantes, para evitar que crianças e animais fiquem fechados no aparelho.

1 - Segurança	4
2- Utilização prevista.....	8
3- Descrição do produto.....	9
4- Painel de controlo	10
5- Uso	11
6- Dicas para poupar energia.....	14
7 - Equipamento.....	14
8 - Cuidado e Limpeza	16
9 - Resolução de problemas	17
10 - Instalação	20
11- Dados técnicos	24
12- Serviço ao cliente	25

Antes de ligar o aparelho pela primeira vez ler as seguintes dicas de segurança!:



ADVERTÊNCIA!

Antes da primeira utilização

- ▶ Assegurar que não há danos de transporte.
- ▶ Remover toda a embalagem e mantê-la foras do alcance das crianças.
- ▶ Aguardar pelo menos seis horas antes de instalar o aparelho de modo a garantir que o circuito refrigerante é totalmente eficiente.
- ▶ Manusear o aparelho sempre com pelo menos duas pessoas porque é pesado.

Instalação

- ▶ O aparelho deve ser colocado num local bem ventilado. Garantir um espaço de pelo menos 10 cm por cima e à volta do aparelho.
- ▶ Não cobrir as aberturas de ventilação de ar.
- ▶ Nunca colocar o aparelho numa zona húmida ou local onde possa ser salpicado com água. Limpar salpicos e manchas de água secas com um pano limpo suave.
- ▶ Não instalar o aparelho à luz solar direta ou perto de superfícies quentes (p.ex. fogões, aquecedores).
- ▶ Instalar e nivelar o aparelho numa zona adequada ao seu tamanho e utilização.
- ▶ Manter as aberturas de ventilação no aparelho ou na estrutura embutida sem obstrução.
- ▶ Assegurar que a informação elétrica na chapa de características está de acordo com fonte de alimentação. Se não estiver, contactar um electricista.
- ▶ O aparelho funciona com uma fonte de alimentação de 220-240 VAC/50 Hz. Flutuação anormal de tensão pode provocar falha de arranque do aparelho, ou danificar o controlo de temperatura ou compressor, ou haver um ruído anormal durante o funcionamento. Em tais casos, deve ser montado um regulador automático.
- ▶ Usar uma tomada com ligação à terra separada para a fonte de alimentação que seja acessível facilmente durante a limpeza. O aparelho deve ser ligado à terra.
- ▶ **Somente para o Reino Unido:** O cabo de alimentação do aparelho está equipado com uma ficha de 3 fios (com terra) que se adapta a uma tomada padrão de 3 fios (com terra). Nunca cortar ou desmontar o terceiro pin (com terra). Depois do aparelho estar instalado, a ficha deve estar acessível.
- ▶ Não usar adaptadores multi-fichas ou cabos de extensão.
- ▶ Garantir que o cabo de alimentação não está preso pelo congelador. Não pisar no cabo de alimentação.
- ▶ Não danificar o circuito de refrigeração.



ADVERTÊNCIA!

Uso diário

- ▶ Este equipamento pode ser usado por crianças a partir de 8 anos e mais e por pessoas com capacidades físicas, sensoriais ou mentais reduzidas ou com falta de experiência e conhecimento se lhes tiver sido dada a supervisão ou instrução relativamente ao uso do equipamento de uma forma segura e entender os riscos envolvidos.
- ▶ Manter as crianças com menos de 3 anos afastadas do aparelho a menos que estejam supervisionadas constantemente.
- ▶ As crianças não devem brincar com o aparelho.
- ▶ Seguir estas instruções se for libertado perto do aparelho gás de refrigeração ou outro gás inflamável, desligar a válvula do gás libertado, abrir as portas e janelas e não desligar uma ficha no cabo de alimentação do congelador ou de qualquer outro aparelho.
- ▶ Notar que o aparelho está concebido para funcionar numa faixa de ambiente específico entre 10 e 43 °C. O aparelho pode não funcionar corretamente se for deixado por um longo período a uma temperatura acima ou abaixo do intervalo indicado.
- ▶ Não colocar artigos instáveis (objetos pesados, recipientes cheios de água) em cima do congelador, para evitar danos pessoais causados por queda ou choque elétrico causado pelo contacto com água.
- ▶ Abrir e fechar as portas apenas com as pegas. O espaço entre as portas e o armário é muito estreito. Não estender as suas mãos nestas zonas para evitar apertar os seus dedos. Abrir ou fechar as portas do congelador apenas quando não houver crianças em posição ao alcance do movimento da porta.
- ▶ Não guardar ou usar materiais inflamáveis, explosivos ou corrosivos no aparelho ou na sua proximidade.
- ▶ Não armazenar medicamentos, bactérias ou agentes químicos no aparelho. Este aparelho é um aparelho doméstico. Não é recomendado para armazenar materiais que necessitem de temperaturas rigorosas.
- ▶ Nunca guardar líquidos em garrafas ou latas (além de elevada percentagem de espirituosos) especialmente bebidas carbonatadas no congelador, pois podem explodir durante a congelação.
- ▶ Verificar a condição dos alimentos se tiver havido um aquecimento no frigorífico.
- ▶ Não definir temperatura baixa desnecessariamente no compartimento do congelador. Atenção: As garrafas podem explodir.



ADVERTÊNCIA!

Uso diário

- ▶ Não tocar em alimentos congelado com as mãos molhadas (usar luvas). Especialmente não comer sorvetes imediatamente depois de os retirar do compartimento congelador. Há o risco de congelar ou a formação de bolhas por gelo. PRIMEIROS socorros: pôr imediatamente sob água corrente fria. Não retirar!
- ▶ Não tocar na superfície interior do congelador quando em funcionamento, especialmente com as mãos molhadas. As suas mãos podem congelar na superfície.
- ▶ Desligar o aparelho quando de uma falha de alimentação ou antes de limpar. Esperar pelo menos 5 minutos antes de reiniciar o aparelho, pois frequentes arranques podem danificar o compressor.
- ▶ Não usar dispositivos elétricos no interior dos compartimentos de armazenamento de alimentos do aparelho, a menos que sejam do tipo recomendado pelo fabricante.

Manutenção/limpeza

- ▶ Assegurar que as crianças são supervisionadas se fizerem limpeza e manutenção.
- ▶ Desligar o aparelho da fonte de alimentação antes de realizar qualquer manutenção de rotina. Esperar pelo menos 5 minutos antes de reiniciar o aparelho, pois frequentes arranques podem danificar o compressor.
- ▶ Segurar a ficha, não o cabo, quando desligar o aparelho.
- ▶ Não raspar geada e gelo com objetos cortantes. Não usar pulverizadores, aquecedores elétricos como aquecedor, secador de cabelo, limpeza a vapor ou outras fontes de calor, a fim de evitar danos às peças de plástico.
- ▶ Não usar dispositivos mecânicos nem outros meios para acelerar o processo de descongelação, exceto os recomendados pelo fabricante.
- ▶ Não pulverizar ou enxaguar o aparelho durante a limpeza.
- ▶ Se as lâmpadas de iluminação estiverem danificadas, devem ser substituídas pelo fabricante ou pela pessoa qualificada no fornecedor de manutenção especificado.
- ▶ Se o cabo de alimentação estiver danificado, deve ser substituído pelo fabricante ou pelo seu agente de assistência ou uma pessoa igualmente qualificada de modo a evitar algum perigo.
- ▶ Não tentar reparar, desmontar ou modificar o aparelho autonomamente. Em caso de reparação deve contactar o nosso serviço ao cliente.

Informação do gás refrigerante



ADVERTÊNCIA!

O aparelho contém o refrigerante inflamável ISOBUTANO (R600a). Assegurar que o circuito refrigerante não foi danificado durante o transporte ou instalação. Libertação de refrigerante pode causar danos nos olhos ou detonação. Se ocorreu um dano, manter afastado de fontes de fogo abertas, ventilar bem a divisão, não ligar ou desligar os cabos de alimentação do aparelho ou de qualquer outro aparelho. Informar o serviço ao cliente.

No caso do contato dos olhos com o refrigerante, enxaguá-los imediatamente sob água corrente e contatar o especialista de olhos imediatamente.



ADVERTÊNCIA!

- ▶ Ter cuidado para evitar causar um incêndio por acender material inflamável.
- ▶ ADVERTÊNCIA: Quando posicionar o aparelho, assegurar que o cabo de alimentação não está preso ou danificado.
- ▶ ADVERTÊNCIA: Não colocar várias tomadas ou fontes de alimentação portáteis na parte de trás do aparelho.
- ▶ Não guardar substâncias explosivas como latas de aerossol com propulsor inflamável dentro deste aparelho.
- ▶ Para refrigerantes inflamáveis serem usados no congelador, deve ter cuidado ao instalar, manusear, reparar e reciclar o aparelho.
- ▶ Deve contatar o agente de assistência para eliminar o aparelho porque foi usado gás de descarga inflamável.

2.1 Utilização prevista

Este aparelho é destinado a ser usado em aplicações domésticas e similares tais como

- zonas de cozinha em estabelecimentos comerciais, escritórios ou outros ambientes laborais;
- casas rurais e pelos clientes em hotéis, motéis e outros ambientes de tipo residencial;
- ambientes de tipo alojamento com pequeno-almoço;
- aplicações de restauração e grossistas similares.

Este eletrodoméstico destina-se à refrigeração de alimentos. Foi concebido exclusivamente para utilização em edifícios domésticos secos. Não se destina a utilização comercial ou industrial.

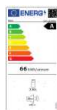
A pedido, este eletrodoméstico pode ser usado como compartimento para alimentos frescos.

Não são permitidas alterações ou modificações no dispositivo. Uma utilização indevida pode causar riscos e perda de reivindicações de garantia.

2.2 Acessórios

Verifique os acessórios e a literatura de acordo com esta lista:

2.2



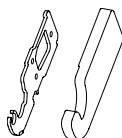
Etiqueta energética



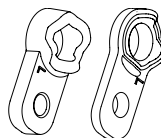
Cartão de garantia



Manual do utilizador



Dobradiça superior para reversibilidade da porta

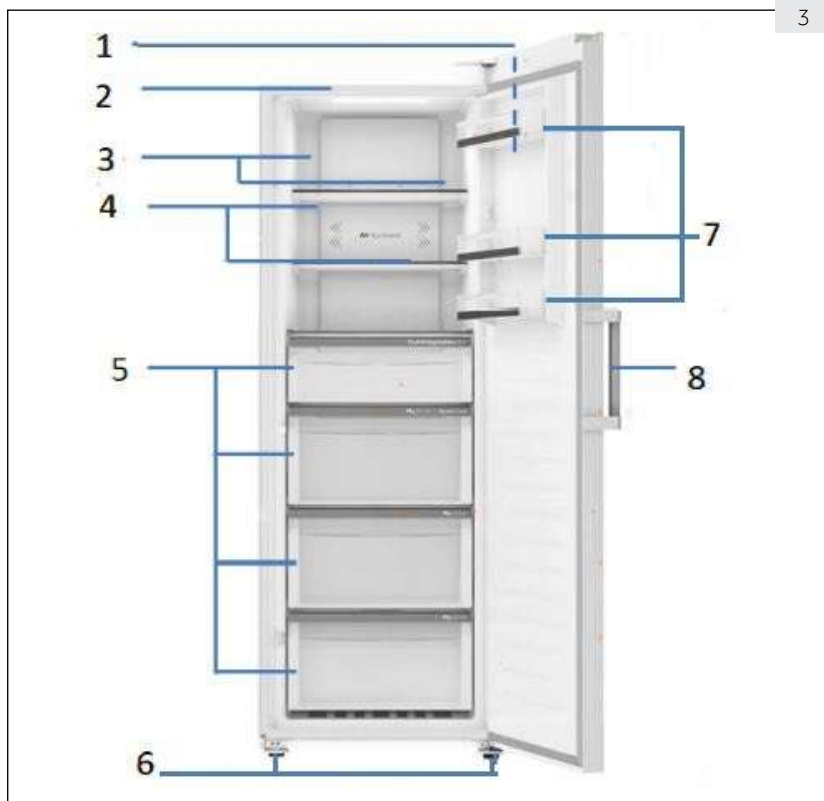


Tampas do eixo

Tampa da dobradiça superior esquerda

**Observação: Diferenças**

Devido a alterações técnicas e modelos diferentes, as ilustrações neste manual podem diferir do seu modelo.

Imagem do aparelho (Fig. 3)

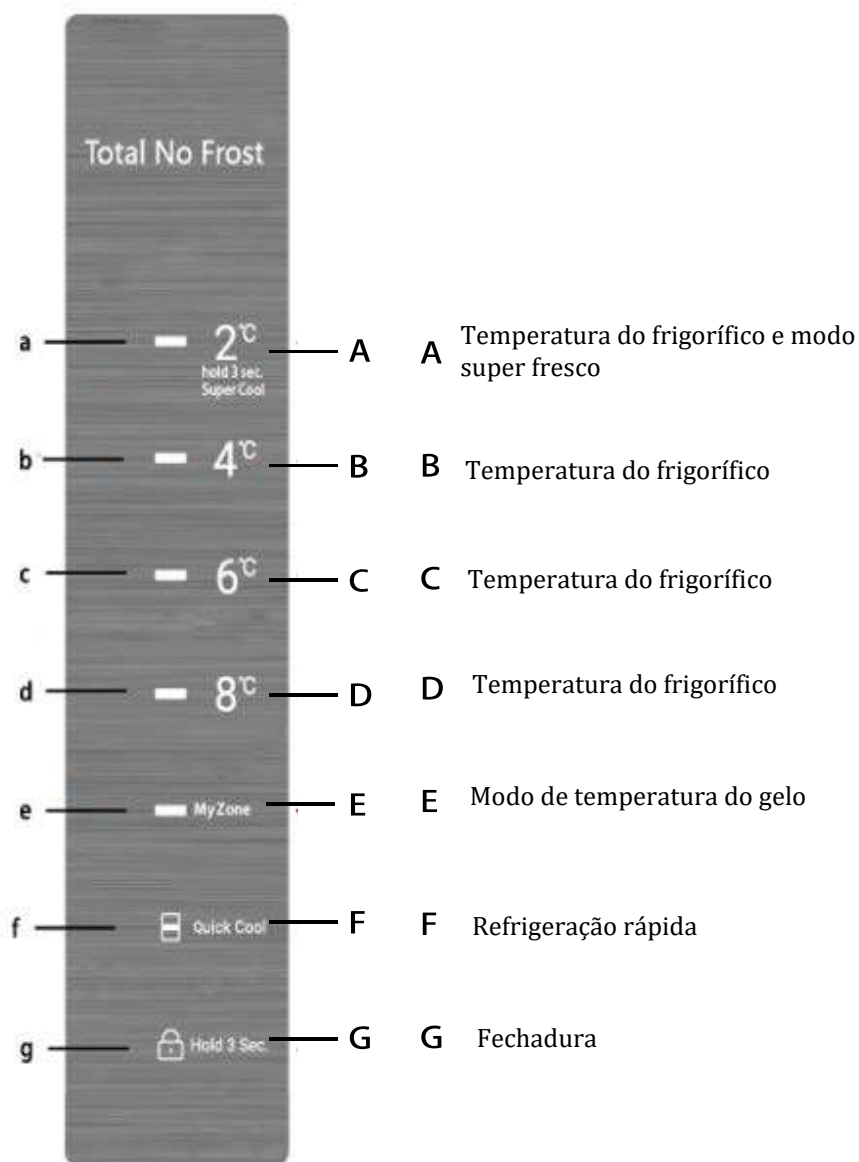
- 1 Painel de controlo
- 2 Luz LED
- 3 Fluxo de ar múltiplo
- 4 Prateleiras de vidro

- 5 Gavetas
- 6 Pés ajustáveis
- 7 Prateleiras da porta amovíveis
- 8 Manipulo da porta

Nota: Este produto contém uma fonte de luz de classe de eficiência energética <G>.

Painel de controlo (Fig. 4)

4



5.1 Antes da primeira utilização

- ▶ Remova todos os materiais de embalagens e mantenha-os fora do alcance das crianças e elimine-os de forma ecológica.
- ▶ Limpe o interior e o exterior do eletrodoméstico com água e um detergente suave antes de colocar qualquer valimento no seu interior.
- ▶ Após o eletrodoméstico ter sido nivelado e limpo, aguarde pelo menos 6 horas antes de o ligar à fonte de alimentação. Consulte a seção **INSTALAÇÃO**.

5.2 Ligar/desligar o eletrodoméstico

- ▶ O eletrodoméstico fica em funcionamento assim que for ligado à corrente elétrica.
- ▶ A temperatura do frigorífico é ajustada automaticamente para temperatura de armazenamento refrigerado de 4°C e temperatura de gelo 0°C. Esta é a configuração recomendada e a temperatura ideal para produtos refrigerados. Pode ajustar a temperatura manualmente se quiser. Consulte a seção **AJUSTAR A TEMPERATURA**.

Os indicadores (a-g) piscam uma vez consequentemente. Se a porta estiver fechada, o visor desliga-se passados 30 segundos. O bloqueio do painel pode estar ativo.



Aviso: Pré-ajustar

- O eletrodoméstico está pré-ajustado para a temperatura recomendada, a temperatura de armazenamento refrigerada de 4 °C e a temperatura de congelação de 0 °C.
- Quando o aparelho é ligado depois de ter sido desligado da fonte de alimentação principal, pode levar até 2 horas até à temperatura correta.

Esvazie o eletrodoméstico antes de desligar e, em seguida, retire a ficha da tomada.

5.3 Modo de espera do visor

Quando a porta é fechada, o visor desliga-se automaticamente após 3 segundos sem qualquer operação. O visor bloqueia automaticamente. Acende-se automaticamente se tocar num botão ou se abrir a porta.

5.4 Bloqueio e desbloqueio do visor

Bloqueio automático

O visor é bloqueado automaticamente após 30 segundos sem qualquer operação.

Bloqueio manual

Quando o ecrã estiver destrancado, prima "lock" (G) e mantenha durante 3 segundos, em seguida, o indicador "lock" (g) é leve e o visor está bloqueado. Quando o visor estiver bloqueado, prima o botão "lock" (G) e mantenha premido durante 3 segundos, com um sinal sonoro, o indicador "lock" (g) apaga-se e o visor fica destrancado.

**Aviso: Bloqueio do visor**

Quando o visor está bloqueado, as funções como ajuste de temperatura, refrigeração rápida e refrigerador estão desativadas. Quando estas operações são tentadas, o indicador Trinco para Crianças pisca 3 vezes para lembrar que o visor está bloqueado.

5.5 Ajuste da temperatura

Quando o visor está desbloqueado, pode ajustar a temperatura tocando no botão de temperatura, este processo será acompanhado por bipes.

A zona superior das prateleiras e a primeira zona de gaveta do frigorífico é a zona de armazenamento refrigerado e a zona inferior das três gavetas é a zona de temperatura do gelo. Por favor escolha a zona de armazenamento adequada para evitar a deterioração dos alimentos.

5.6 Modo de frigorífico (2°C a 8°C) (A-D)

Quando o visor está desbloqueado, pode ajustar a temperatura tocando no botão de temperatura diferente. A temperatura pode ser ajustada para "2°C", "4°C", "6°C" e "8°C"

5.7 Modo de temperatura do gelo (0° C/2° C) (E)

Quando o visor está desbloqueado, toque em 'My Zone' (E), os indicadores "My Zone" (e) acendem-se, a zona de temperatura do gelo é definida para 0° C. Toque em 'My Zone' (E) novamente, os indicadores "My Zone" (e) apagam-se, a zona de temperatura do gelo é definida para 2° C.

5.8 Modo super fresco (A)

Quando o visor está bloqueado, toque e mantenha (2 °C) (A) durante 3 segundos, os indicadores(a-d) ficarão acesos, o frigorífico funciona no modo super fresco. Repita os passos acima para desativar a função super fresco. Se não desativar manualmente, a função será desativada auto

**Aviso: Super fresco**

No modo super fresco, a temperatura não pode ser ajustada. Se fizer isso, o indicador super irá piscar 3 vezes.

5.9 Modo de refrigeração rápida (F)

A refrigeração rápida funciona como REFRIGERAÇÃO RÁPIDA na segunda gaveta a contar de cima, toda a zona da gaveta pode ser rapidamente arrefecida para a temperatura definida. Quando o visor está desbloqueado toque em "Arrefecimento Rápido" (F), os indicadores (f) acendem-se, o frigorífico funciona em modo de refrigeração rápida. Repita os passos acima para desativar a função de refrigeração rápida. Se não desativar manualmente, a função será desativada automaticamente assim que a temperatura chegar à temperatura definida ou 3 horas mais tarde.

5.10 Memória de desligamento

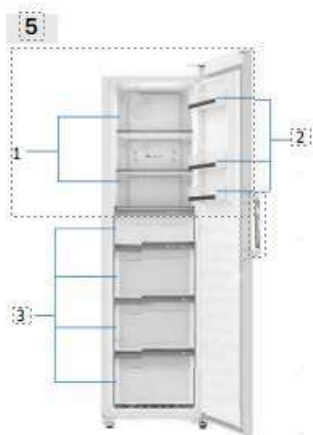
Este frigorífico tem definições de memória de desligamento antes do desligamento ser memorizado. Ao ligar a energia, o frigorífico restaura a configuração antes de desligar e continuar a funcionar. A função Trinco para Crianças não pode ser memorizada, depois de ligar, o visor é desbloqueado.

5.11 Alarme de porta aberta

Quando a porta é mantida aberta por mais de 1 minuto, o sinal sonoro emite 3 bips com intervalos de 0,5 segundo. Os bips repetir-se-ão a cada 30 segundos se a porta for mantida aberta. Os bipes param até que a porta esteja fechada ou 7 minutos depois. Em seguida, a luz apaga-se.

5.12 Indicação de erro

O frigorífico está equipado com indicação de erro. Quando um erro é encontrado, o visor irá piscar a cada 1/4 de segundo com diferentes códigos para diferentes erros. Nesta situação, o frigorífico ainda poderia refrigerar, mas deve chamar o serviço pós-venda o mais rápido possível para um controlo ideal do frigorífico.



Alimentos diferentes devem ser colocados em áreas diferentes de acordo com suas propriedades (Fig: 5).
1 Pickles, alimentos enlatados, vegetais de frutas, saladas etc.

2 ovos, alimentos enlatados, especiarias, bebidas e outros alimentos engarrafados, etc.

3 Carnes, lanches etc.

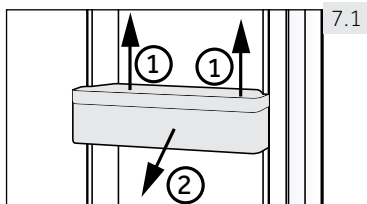
No caso dos aparelhos sem compartimento de quatro estrelas: «Este aparelho de refrigeração não é adequado para congelar géneros alimentícios»



Dicas para poupar energia

- ▶ Assegurar que o aparelho está devidamente ventilado (consultar INSTALAÇÃO).
- ▶ Não instalar o aparelho à luz solar direta ou perto de superfícies quentes (p.ex. fogões, aquecedores).
- ▶ Evitar temperatura baixa desnecessariamente no aparelho. O consumo de energia aumenta se é definida a temperatura mais baixa no aparelho.
- ▶ Deixar os alimentos quentes arrefecerem antes de os colocar no aparelho.
- ▶ Abrir a porta do aparelho tão pouco e tão brevemente quanto possível.
- ▶ Assegurar que a porta fecha sempre corretamente e não está prejudicada pela posição dos alimentos. Manter os vedantes da porta limpos.
- ▶ Descongelar alimentos congelados num frigorífico.
- ▶ Limpar regularmente a parte de trás do aparelho. A poeira aumenta o consumo de energia.
- ▶ A configuração mais energeticamente eficiente requer que as gavetas, a caixa e as prateleiras estejam posicionadas no aparelho como na condição de fresco de fábrica e os alimentos sejam colocados sem bloquear a saída de ar do duto

7 - Equipamento

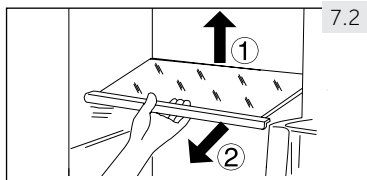


7.1

7.1 Prateleiras amovíveis da porta

A prateleira da porta pode ser removida para limpeza: Colocar as mãos de cada lado da prateleira, levantar para cima (1) e puxar para fora (2) (Fig. 7.3).

Para inserir a prateleira da porta, os passos acima são realizados na ordem inversa.



7.2

7.2 Prateleiras de vidro

1. Para retirar uma prateleira, removê-la primeiro levantando a sua extremidade traseira (1) e puxando-a para fora (2) (Fig. 7.2).

2. Para a recolocar, colocar sobre as saliências em ambos os lados e empurrá-la para a posição mais recuada até que a parte traseira da prateleira esteja fixa no interior das ranhuras laterais

**ADVERTÊNCIA!**

Desligar o aparelho da fonte de alimentação antes de proceder à limpeza.

8.1 Generalidades

Limpar o aparelho apenas quando pouco ou nenhum alimento esteja guardado.

**ADVERTÊNCIA!**

- ▶ Não limpar o aparelho com escovas duras, escovas de aço, detergente em pó, gasolina, acetato de amilo, acetona e soluções orgânicas semelhantes, ácido ou soluções alcalinas. Deve limpar com detergente especial de congelador para evitar danos.
- ▶ Não pulverizar ou enxaguar o aparelho durante a limpeza.
- ▶ Não raspar geada e gelo com objetos cortantes.
- ▶ Não usar pulverizadores, aquecedores elétricos como aquecedor, secador de cabelo, limpeza a vapor ou outras fontes de calor, a fim de evitar danos às peças de plástico.
- ▶ Não limpar as prateleiras de vidro frias com água quente. Mudança de temperatura súbita pode provocar a quebra do vidro.
- ▶ Não tocar na superfície interior do compartimento de armazenamento do congelador, especialmente com as mãos molhadas, pois as suas mãos podem congelar à superfície.
- ▶ Em caso de aquecimento verificar a condição dos produtos congelados.
- ▶ Não tentar reparar o aparelho autonomamente. Em caso de reparação deve contactar o nosso serviço ao cliente.
- ▶ Manter sempre o vedante da porta limpo.
- ▶ Limpar o interior e a estrutura do aparelho com um pano suave ou uma esponja humedecida em água quente e detergente neutro (Fig. 8.1).
- ▶ Enxaguar e secar com pano suave.
- ▶ Não limpar qualquer das peças do aparelho na máquina de lavar loiça.
- ▶ Limpar o acessório apenas com água quente e detergente meio neutro.



8.2 Não utilização por período mais longo

Se o aparelho não for utilizado durante um período de tempo prolongado:

- ▶ Retirar os alimentos.
- ▶ Desligar o cabo de alimentação.
- ▶ Limpar o aparelho como descrito acima.
- ▶ Manter a porta e gavetas do congelador abertas para evitar a criação de maus cheiros no interior.

Retirar a porta do aparelho (abrir a porta e segurá-la antes de retirar os parafusos) para evitar que as crianças entrem no aparelho e fiquem trancados nele.



Observação: Desligar

Para garantir a vida útil do aparelho, desligá-lo apenas se estritamente necessário.

8.3 Deslocar o aparelho

1. Retirar todos os alimentos e desligar o aparelho.
2. Fixar prateleiras e outras peças móveis congelador com fita adesiva.
3. Fechar a porta e fixá-la com fita adesiva.
4. Não inclinar o congelador mais de 45° para evitar danificar o sistema de refrigeração.
5. Envolver os pés do congelador para evitar riscar o chão. Nunca deslocar o congelador vigorosamente.



ADVERTÊNCIA!

- ▶ Não levantar o aparelho pelas pegas.
- ▶ Nunca colocar o aparelho horizontalmente no chão.

Muitos problemas ocorridos podem ser resolvidos por si sem conhecimento específico. No caso de um problema verificar todas as possibilidades mostradas e seguir as instruções abaixo antes de contatar um serviço pós-venda. Consultar SERVIÇO AO CLIENTE.



ADVERTÊNCIA!

- ▶ Antes da manutenção, desativar o aparelho e desligar a ficha de alimentação da tomada de rede.
- ▶ Equipamento elétrico deve ser assistido apenas por técnicos em eletricidade qualificados, porque reparações inapropriadas podem causar danos consequenciais consideráveis.
- ▶ Um cabo de alimentação danificado apenas deve ser substituído pelo fabricante, pelo seu agente de assistência ou uma pessoa igualmente qualificada de modo a evitar algum perigo.

O alarme acústico pode ser desligado premindo qualquer botão.

9.1 Resolução de problemas

Problema	Causa Possível	Solução Possível
O compressor não funciona.	<ul style="list-style-type: none"> • A ficha de alimentação não está ligada à tomada elétrica. 	<ul style="list-style-type: none"> • Ligar a ficha de alimentação.
O aparelho funciona frequentemente ou durante um longo período de tempo.	<ul style="list-style-type: none"> • A temperatura interior ou exterior é demasiado elevada. • O aparelho esteve desligado por um longo período de tempo. • A porta do aparelho não está fechada hermeticamente. • Uma porta foi aberta demasiado frequentemente ou durante muito tempo. • A temperatura definida é demasiado baixa. • O vedante da porta está sujo, desgastado, fendido ou desajustado. • A circulação de ar necessária não está garantida. • O interior está coberto com gelo. 	<ul style="list-style-type: none"> • Neste caso, é normal que o aparelho funcionar mais tempo. • Normalmente, demora 8 a 12 horas até o aparelho arrefecer completamente. • Fechar a porta e assegurar que o aparelho está colocado num piso nivelado e não há alimento ou recipiente a vibrar na porta. • Não abrir as portas com demasiada frequência. • Definir a temperatura mais elevada até que seja obtida uma temperatura satisfatoriamente. Demora 24 horas para que a temperatura fique estável. • Limpar o vedante da porta ou substituí-lo através do serviço ao cliente. • Assegurar ventilação adequada. • Descongelar o aparelho.

Problema	Causa Possível	Solução Possível
O aparelho faz sons anormais.	<ul style="list-style-type: none"> O aparelho não está colocado num piso nivelado. O aparelho está a tocar em algum objeto próximo dele. O aparelho está num piso de madeira ou perto de paredes de madeira. 	<ul style="list-style-type: none"> Nivelar o aparelho. Remover objetos à volta do aparelho. A madeira amplifica o som. Colocar o aparelho noutra lugar.
O aparelho faz um som de estalo	<ul style="list-style-type: none"> Isto é normal. É causado pela unidade de refrigeração a ligar ou a desligar. 	<ul style="list-style-type: none"> -
Ouve-se um som ligeiro semelhante a água a correr.	<ul style="list-style-type: none"> Isto é normal. 	<ul style="list-style-type: none"> -
O aparelho faz um som de motor	<ul style="list-style-type: none"> A unidade de refrigeração acabou de se ligar. Isto é normal 	<ul style="list-style-type: none"> -
Não está frio suficiente no interior do aparelho.	<ul style="list-style-type: none"> A temperatura está definida demasiado elevada. Foram armazenados produtos que estão demasiado quentes. Foram armazenados alimentos muito quentes ao mesmo tempo. Os produtos estão demasiado próximas umas das outras. A porta não está hermeticamente fechada. Uma porta foi aberta demasiado frequentemente ou durante muito tempo. 	<ul style="list-style-type: none"> Reiniciar a temperatura. Deixar arrefecer sempre os produtos antes de os guardar. Guardar sempre pequenas quantidades de alimentos. Deixar um espaço entre os diversos alimentos permitindo o fluxo de ar. Fechar a porta. Não abrir as portas com demasiada frequência.
Está demasiado frio no interior do aparelho.	<ul style="list-style-type: none"> A temperatura está definida demasiado baixa. A função Congelação Rápida está ativada ou a funcionar há demasiado tempo. 	<ul style="list-style-type: none"> Reiniciar a temperatura. Desligar a função Congelação Rápida.
Acumula-se humidade na superfície do aparelho.	<ul style="list-style-type: none"> O clima é demasiado quente e demasiado húmido. 	<ul style="list-style-type: none"> Isto é normal num clima húmido e mudará quando a humidade diminuir. Secar com um pano.
Gelo e geada forte no compartimento congelador.	<ul style="list-style-type: none"> Os produtos não foram devidamente embalados. A porta não está hermeticamente fechada. Uma porta foi aberta demasiado frequentemente ou durante muito tempo. O vedante da porta está sujo, desgastado, fendido ou desajustado. Alguma coisa no interior impede a porta de fechar adequadamente. 	<ul style="list-style-type: none"> Embalar sempre bem os produtos. Fechar a porta. Não abrir as portas com demasiada frequência. Limpar o vedante da porta ou substituí-lo através do serviço ao cliente. Reposicionar as prateleiras, as prateleiras das portas, ou recipientes interiores para permitir que a porta feche.

Problema	Causa Possível	Solução Possível
O sistema de arrefecimento não funciona.	<ul style="list-style-type: none"> A ficha de alimentação não está ligada à tomada elétrica. A fonte de alimentação não está intata. 	<ul style="list-style-type: none"> Ligar a ficha de alimentação. Verificar a alimentação elétrica à divisão. Contatar a empresa local de eletricidade!
Os lados do aparelho e a chapa da porta ficam quentes.	<ul style="list-style-type: none"> Isto é normal. 	<ul style="list-style-type: none"> -
Ouve um sinal de alarme.	<ul style="list-style-type: none"> A porta está aberta A temperatura no interior do produto é demasiado elevada 	<ul style="list-style-type: none"> Fechar a porta ou silenciar o alarme manualmente.
É difícil abrir a porta.	<ul style="list-style-type: none"> Uma vez que o aparelho funcione, tem um vácuo interno. 	<ul style="list-style-type: none"> Abriu suavemente o vedante da porta para deixar o entrar no aparelho.
Não se consegue fechar a porta adequadamente. Deixa sempre um espaço.	<ul style="list-style-type: none"> Por causa da baixa temperatura do aparelho, o vedante da porta pode facilmente ficar rígido e deformado. 	<ul style="list-style-type: none"> Usar um secador de cabelo ou colocar uma toalha quente no local onde a junta estiver deformada. Quando a junta estiver de novo mole, fechar a porta e comprimí-la hermeticamente.

9.2 Interrupção da alimentação

No caso de um corte de energia, os alimentos deverão permanecer seguramente frios por cerca de 18 horas. Seguir estas dicas durante uma interrupção de energia prolongada, especialmente no verão:

- ▶ Abrir a porta tão poucas vezes quanto possível.
- ▶ Não pôr alimentos adicionais no congelador durante uma interrupção de energia.
- ▶ Se for dada notificação prévia de uma interrupção de energia e a duração de interrupção for superior a 15 horas, fazer algum gelo e colocá-lo num recipiente na parte superior do compartimento do congelador.
- ▶ Como a temperatura no congelador aumentará durante uma interrupção de energia ou outra falha, o período de armazenamento e a qualidade do alimento serão reduzidos. Qualquer alimento que descongela deve ser consumido, ou cozinhado e congelado de novo (quando apropriado) logo depois de modo a evitar riscos para a saúde.



Observação: Função de memória durante interrupção de energia

Após a reposição da energia o aparelho continua com as definições que estavam definidas antes da falha de energia.

10.1 Desembalar

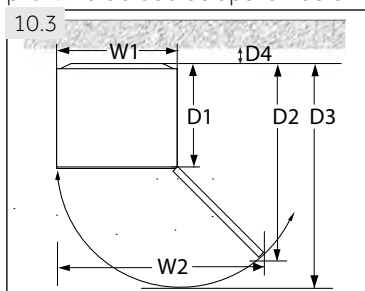


ADVERTÊNCIA!

- ▶ O aparelho é pesado. Manusear sempre com pelo menos duas pessoas.
- ▶ Manter todos os materiais de embalagem fora do alcance das crianças e eliminá-los de forma ecológica.
- ▶ Retirar o aparelho da embalagem.
- ▶ Remover todos os materiais de embalagem.

10.2 Condições ambientais

A temperatura da divisão deve ser sempre entre 10° C e 43° C, pois pode influenciar a temperatura no interior do aparelho e o seu consumo de energia. Não instalar o aparelho próximo de outros aparelhos emissores de calor (fornos, frigoríficos) sem isolamento.

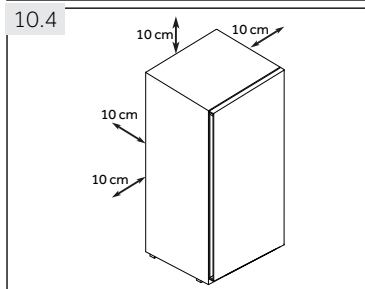


10.3 Requisitos de espaço

Espaço necessário para abrir a porta (Fig. 10.3):

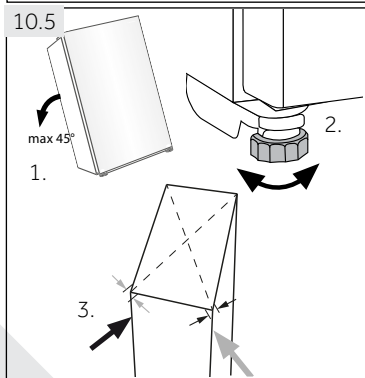
Largura em mm		Profundidade em mm			Distância até à parede em mm
W1	W2	D1	D2	D3	D4
595	955	592	1105	1215	100

No caso dos aparelhos de instalação livre: «Este aparelho de refrigeração não se destina a ser utilizado como aparelho encastrável»



10.4 Corte transversal de ventilação

Para obter uma ventilação suficiente do aparelho por razões de segurança, as informações das secções transversais de ventilação necessárias devem ser observadas (Fig. 10.4).



10.5 Nivelar o aparelho

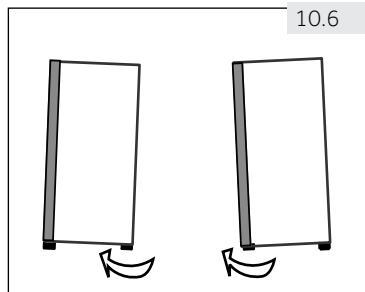
O aparelho deve ser colocado numa superfície plana e sólida. Se o aparelho for colocado num pedestal, devem ser usados materiais fortes e resistentes ao fogo. Nunca usar o material de embalagem de espuma como pedestal.

1. Inclinhar ligeiramente o aparelho para trás (Fig. 10.5).
2. Ajustar os pés para o nível pretendido.
3. A estabilidade pode ser verificada por abanar nas diagonais alternadamente. A oscilação ligeira deve ser a mesma em ambas as direções. Caso contrário, a estrutura pode deformar; possíveis fugas dos vedantes da porta são o resultado. Uma pequena tendência para a parte traseira facilita o fecho da porta.

10.6 Usar o pé ajustável

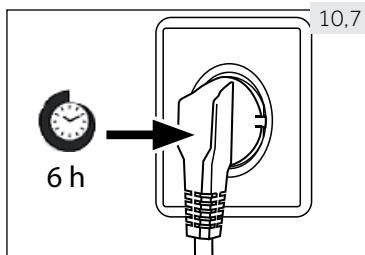
Se o congelador estiver instável, o pé pode ser ajustado: Rodar o pé ajustável de acordo com a direção da seta (Fig. 10.6) para subir ou descer o pé:

- ▶ Rodar o pé no sentido horário eleva o aparelho.
- ▶ Rodar o pé no sentido anti-horário desce-o.



10.7 Tempo de espera

O óleo de lubrificação sem manutenção está localizado na cápsula do compressor. Este óleo pode ficar no sistema de tubos fechados durante o transporte inclinado. Antes de ligar o aparelho à fonte de alimentação tem de esperar 6 horas (Fig.10.7) para que o óleo volte para a cápsula.



10.8 Ligação elétrica

Antes de cada ligação verificar se:

- ▶ fonte de alimentação, tomada e fusível são adequados à placa de características.
- ▶ a tomada de alimentação tem ligação à terra e sem fichas múltiplas ou extensão.
- ▶ a ficha e tomada de alimentação estão estritamente de acordo.

Ligar a ficha a uma tomada doméstica instalada adequadamente.



ADVERTÊNCIA!

Um cabo de alimentação danificado deve ser substituído pelo serviço ao cliente para evitar riscos (consultar cartão de garantia).

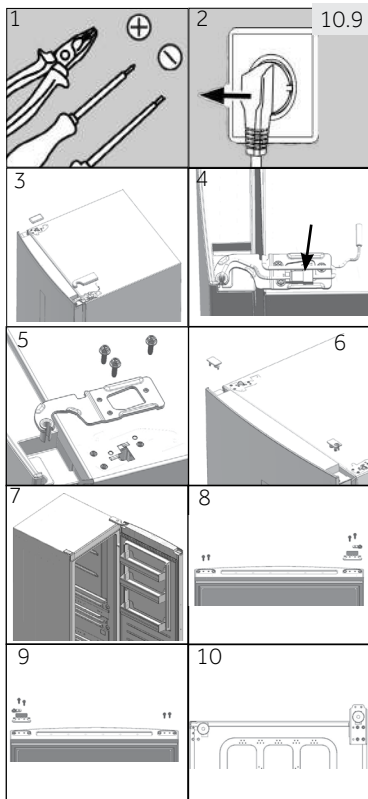
10.9 Reversibilidade da porta

Antes de ligar o aparelho à fonte de alimentação deve verificar, se a rotação da porta deve ser alterada da direita (como entregue) para a esquerda, se isto é necessário pela localização da instalação e a funcionalidade.



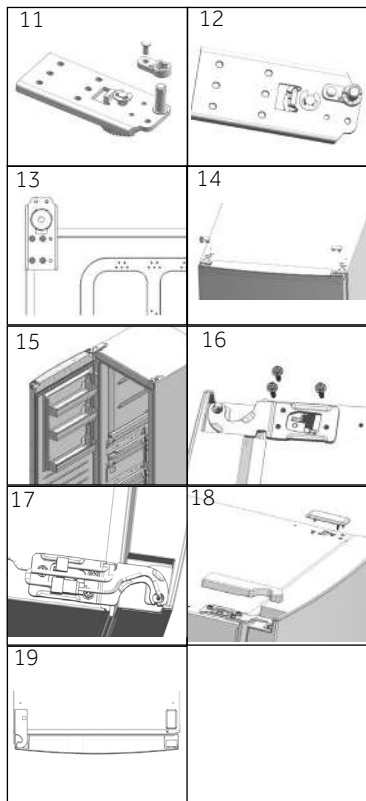
ADVERTÊNCIA!

- ▶ O aparelho é pesado. Precisa de duas pessoas para realizar a reversibilidade da porta.
- ▶ Antes de qualquer operação, desligar primeiro o aparelho da eletricidade.
- ▶ Não inclinar o aparelho mais de 45° para evitar danos do sistema de refrigeração.



Passos da montagem (Fig. 10.9):

1. Providenciar a ferramenta necessária.
2. Desligar o aparelho.
3. Retirar a tampa do orifício da dobradiça e a tampa da dobradiça.
4. Desligar o cabo de ligação.
5. Retira parafusos e dobradiça
6. Retirar a tampa na porta. Retirar a tampa do eixo na porta.
7. Abrir e retirar a porta.
8. Virar a porta ao contrário, retirar os 2 parafusos na parte inferior da porta. Retirar 2 parafusos, batente da porta e tampa do eixo na parte inferior da porta
9. Tirar o batente da porta do último passo e a tampa do eixo do saco de acessórios, fixá-los com 2 parafusos. Fixar também 2 parafusos no outro lado da porta.
10. Inclinhar ligeiramente para trás a estrutura, retirar os 4 parafusos e, em seguida, a dobradiça inferior.



11. Retirar parafuso e tampa do eixo. Retirar o eixo da dobradiça e fixá-lo no orifício ao lado dele.
12. Tirar a tampa do eixo mais grosso do saco dos acessórios. Fixá-lo com o parafuso do último passo.
13. Fixar a dobradiça na posição oposta da estrutura com 4 parafusos.
14. No lado oposto da porta, puxar o cabo de ligação do lado esquerdo e passá-lo pela tampa do eixo do passo 5, montar a tampa do eixo. Montar a tampa do orifício no lado direito.
15. Montar a porta.
16. Fixar a dobradiça superior no topo do lado direito com 3 parafusos.
17. Ligar os conectores do cabo:
18. Fixar a tampa do orifício da dobradiça e a tampa da dobradiça superior esquerda.
19. Terminado.

DISPONIBILIDADE DE PEÇAS DE REPOSIÇÃO

Termóstatos, sensores de temperatura, placas de circuito impresso e fontes de luz, por um período mínimo de sete anos após a colocação no mercado da última unidade do modelo em causa;

peças de porta, dobradiças de porta, tabuleiros e cestos por um período mínimo de sete anos e vedantes de porta por um período mínimo de dez anos, após a colocação no mercado da última unidade do modelo em causa

GARANTIA

A garantia mínima é: 2 anos para os países da UE, 3 anos para a Turquia, 1 ano para o Reino Unido, 1 ano para a Rússia, 3 anos para a Suécia, 2 anos para a Sérvia, 5 anos para a Noruega, 1 ano para Marrocos, 6 meses para a Argélia, Tunísia nenhuma garantia legal necessária."

ASSISTÊNCIA TÉCNICA

Para entrar em contato com a assistência técnica, visite nosso site: <https://corporate.haier-europe.com/en/> . Na seção "website", escolha a marca do seu produto e o seu país. Você será redirecionado para o site específico onde poderá encontrar o número de telefone e formulário para entrar em contato com a assistência técnica

Para mais informações sobre o produto, consulte <https://eprel.ec.europa.eu/> ou digitalize o QR na etiqueta de energia fornecida com o aparelho

11.1 Ficha de produto em conformidade com o regulamento UE No. 1060/2010

Marca Registrada	Haier
Identificador do modelo	H3R-330WNA
Categoria do modelo	Congelador vertical
Classe de eficiência energética	A
Consumo de energia anual (kWh/ano) ¹⁾	66
Volume de armazenagem frigorífico (L)	189
Volume de armazenamento de refrigeração (L)	141
Volume de armazenamento total (L)	330
Temperatura dos outros compartimentos > 14 °C	Não aplicável
Sistema de frio ventilado	sim
Corte de energia seguro (h)	/
Capacidade congelação (kg/24h)	/
Classe climática	SN-T
Este aparelho é concebido para ser usado a uma temperatura ambiente entre 10 °C e 43 °C.	
Emissões de ruído acústico aéreo (db(A) re 1pW)	38
Tipo de construção	Independente

¹⁾ baseado em resultados de testes normalizados durante 24 horas. O consumo de energia atual dependerá de como o aparelho é usado e onde está localizado.

Instale este eletrodoméstico no local onde a temperatura ambiente corresponda à classe de temperatura indicada na chapa de características do eletrodoméstico:

- Temperada alargada (SN): «Este aparelho de refrigeração destina-se a ser utilizado a temperaturas ambientes compreendidas entre 10 °C e 32 °C»
- Temperada (N): «Este aparelho de refrigeração destina-se a ser utilizado a temperaturas ambientes compreendidas entre 16 °C e 32 °C»
- Subtropical (ST): «Este aparelho de refrigeração destina-se a ser utilizado a temperaturas ambientes compreendidas entre 16 °C e 38 °C»
- Tropical (T): «Este aparelho de refrigeração destina-se a ser utilizado a temperaturas ambientes compreendidas entre 16 °C e 43 °C»

11.2 Dados técnicos adicionais

Tensão / Frequência	220-240V ~ / 50Hz
Fusível principal (A)	1.0
Refrigerante	R600a
Dimensões (A/C/P em mm)	1910/595/675
Potência da luz/tensão da luz	1,5 W/ DC 12 V

11.3 Normas e Diretivas

Este produto cumpre os requisitos de todas as diretivas CE aplicáveis com as normas harmonizadas correspondentes, previstas pela marca CE.

Recomendamos o nosso Serviço ao Cliente Haier e a utilização de peças de substituição originais.

Se tiver um problema com o seu aparelho, deve verificar primeiro a secção RESOLUÇÃO DE PROBLEMAS.

Se não conseguir encontrar uma solução lá, deve contactar

- ▶ o seu revendedor local ou
- ▶ A área de Reparação e Apoio em www.haier.com onde pode encontrar os números de telefone e as Perguntas Frequentes e onde pode ativar um pedido de assistência.

Para contactar o nosso Serviço, assegurar que tem os seguintes dados disponíveis.

A informação pode ser encontrada na placa de características.

Modelo _____ N° de série _____

Verificar também o Cartão de Garantia fornecido com o produto em caso de garantia.

Para pedidos gerais de negócios abaixo indicamos os nossos endereços na Europa:

Endereços europeus da Haier			
País*	Endereço postal	País*	Endereço postal
Itália	Haier Europe Trading SRL Via De Cristoforis, 12 21100 Varese ITÁLIA	França	Haier France SAS 3-5 rue des Gravieres 92200 Neuilly sur Seine FRANÇA
Espanha Portugal	Haier Iberia SL Pg. Garcia Faria, 49-51 08019 Barcelona ESPANHA	Bélgica - FR Bélgica - PB Países Baixos Luxemburgo	Haier Benelux SA Anderlecht Route de Lennik 451 BÉLGICA
Alemanha Áustria	Haier Deutschland GmbH Hewlett-Packard-Str. 4 D-61352 Bad Homburg ALEMANHA	Polónia República Checa Hungria Grécia Roménia Rússia	Haier Poland Sp. zo.o. Al. Jerozolimskie 181B 02-222 Warszawa POLÓNIA
Reino Unido	Haier Appliances UK Co.Ltd. One Crown Square Church Street East Woking, Surrey, GU21 6HR RU		

*Para mais informação deve consultar www.haier.com



Haier

Brugervejledning



Opretstående køleskab

H3R-330WNA

DA

Haier

Tak, fordi du har købt et Haier-produkt.

Læs disse anvisninger nøje, før dette apparat anvendes. Instruktionerne indeholder vigtig information, som vil hjælpe dig med at få det bedste ud af apparatet og sikre sikker og korrekt installation, brug og vedligeholdelse.

Opbevar denne vejledning et bekvemt sted, så du altid kan se den for sikker og korrekt brug af apparatet.

Hvis du sælger apparatet, giver det væk eller efterlader det, når du flytter, skal du sørge for også at videregive denne manual, så den nye ejer kan blive fortrolig med apparatet og sikkerhedsadvarsler.

Symboler



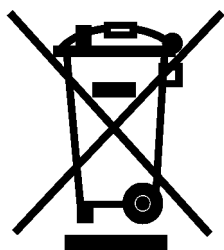
Generel information og tips



Advarsel - Vigtige sikkerhedsoplysninger



Miljøoplysninger



Bortskaffelse

Hjælp med at beskytte miljøet og menneskers sundhed. Læg emballagen i passende beholdere for at genbruge den. Hjælp med at genbruge affald fra elektriske og elektroniske apparater. Bortskaf ikke apparater mærket med dette symbol sammen med husholdningsaffaldet. Returner produktet til din lokale genbrugsstation eller kontakt dit kommunale kontor.



ADVARSEL!

Risiko for personskade eller kvælning!

Kølemidler og gasser skal bortskaffes professionelt. Sørg for, at

kølemiddelkredsens rør ikke er beskadiget, før apparatet bortskaffes korrekt.

Afbryd apparatet fra lysnettet. Skær lysnetkablet af og bortskaf det. Afmonter døren, dørlåsen og tætningerne for at forhindre børn og kæledyr i at blive lukket inde i apparatet.

1 - Sikkerhed.....	4
2 - Anvendelsesformål	8
3 - Produktbeskrivelse.....	9
4 - Betjeningspanel.....	10
5 - Brug	11
6 - Energisparetips	14
7 - Tilbehør.....	14
8 - Pleje og rengøring.....	15
9 - Fejlfinding.....	17
10 - Installation.....	20
11 - Tekniske data	24
12 - Kundeservice.....	25

Inden du tænder for apparatet første gang, skal du læse følgende sikkerhedstips!:



ADVARSEL!

Før første brug

- ▶ Kontrollér, at der ikke er transportskader.
- ▶ Fjern al emballagen og opbevar den uden for børns rækkevidde.
- ▶ Vent mindst seks timer, før du installerer apparatet, for at sikre, at kølemiddelkredsløbet er fuldt effektivt.
- ▶ Vær altid to personer om at håndtere apparatet, da det er tungt.

Installation

- ▶ Apparatet skal placeres på et godt ventileret sted. Sørg for en åbning på mindst 10 cm over og omkring apparatet.
- ▶ Tildæk ikke ventilationsåbninger.
- ▶ Anbring aldrig apparatet i et fugtigt område eller et sted, hvor det kan blive sprøjtet til med vand. Rens og aftør vandsprøjt og pletter med en blød ren klud.
- ▶ Installer ikke apparatet i direkte sollys eller i nærheden af varmekilder (f.eks. komfurer, varmeapparater).
- ▶ Installer og niveller apparatet på et område, der er egnet til dets størrelse og brug.
- ▶ Hold ventilationsåbninger i apparatets kabinet eller de indbyggede komponenter fri for blokeringer.
- ▶ Kontroller, at de elektriske specifikationer på mærkepladen passer til strømforsyningen. Hvis ikke skal du kontakte en elektriker.
- ▶ Apparatet drives fra et lysnet på 220-240 VAC/50 Hz. Unormale spændingsafvigelser kan gøre, at apparatet ikke starter, eller det tager skade på temperaturstyringen eller kompressoren eller afgiver unormale lyde under drift. I sådanne tilfælde skal der monteres en automatisk regulator.
- ▶ Brug en separat jordet stikkontakt til strømforsyningen, som er let tilgængelig under rengøring. Apparatet skal være jordet.
- ▶ Kun til Storbritannien: Apparatets lysnetledning er monteret med et stik til 3 ledninger (med jord), der passer til et standard 3-ledet stik (med jord). Det tredje ben (jordforbindelsen) må aldrig klippes af. Når apparatet er installeret, skal stikket være let at komme til.
- ▶ Brug ikke forgrenere og forlængerkabler.
- ▶ Sørg for, at strømkablet ikke er fanget af køleskabet. Træd ikke på strømkablet.
- ▶ Kølemiddelkredsen må ikke beskadiges.

**ADVARSEL!****Daglig brug**

- ▶ Dette apparat kan anvendes af børn over 8 år og af personer med nedsatte fysiske, sensoriske eller mentale evner eller med en manglende erfaring og viden, forudsat at de er under opsyn eller har modtaget vejledning i sikker brug af apparatet, samt at de forstår de farer, der er forbundet dermed. Rengøring og vedligeholdelse må ikke udføres af børn uden opsyn.
- ▶ Hold børn under 3 år væk fra apparatet, medmindre de er under konstant opsyn.
- ▶ Børn må ikke lege med apparatet.
- ▶ Hvis kølegas eller anden brændbar gas siver ud i nærheden af apparatet, skal du slukke for ventilen til den utætte gas, åbne døre og vinduer og ikke tage stikket ud af strømkablet til køleskabet eller noget andet apparat.
- ▶ Bemærk, at apparatet er indstillet til drift ved et specifikt omgivelsesområde mellem 10 og 43°C. Apparatet fungerer muligvis ikke korrekt, hvis det efterlades i en længere periode ved en temperatur over eller under det angivne område
- ▶ Undlad at placere ustabile varer (tunge genstande, beholdere med vand) oven på køleskabet for at undgå personskader som følge af fald eller elektrisk stød, som skyldes kontakt med vand.
- ▶ Åbn og luk kun dørene med håndtagene. Mellemmrummet mellem dørene og skabet er meget smalt. Ræk ikke hænderne i disse områder for at undgå at klemme fingrene. Åbn eller luk kun fryserdørene, når der ikke er børn inden for dørens bevægelsesområde.
- ▶ Opbevar eller brug ikke brændbare, eksplosive eller ætsende materialer i apparatet eller i nærheden.
- ▶ Undlad at opbevare medicin, bakterier eller kemikalier i apparatet. Dette apparat er et husholdningsapparat. Det frarådes at opbevare materialer, der kræver nøjagtige temperaturer.
- ▶ For at undgå fare på grund af apparatets ustabilitet, skal det fastgøres i overensstemmelse med instruktionerne.
- ▶ Børn i alderen 3 til 8 år har lov til at sætte ting i og tage dem ud af køleskabet.



ADVARSEL!

Daglig brug

- ▶ Tag stikket ud af stikkontakten i tilfælde af strømafbrydelse eller før rengøring. Lad der gå mindst 5 minutter, før køleskabet/fryseren startes igen, da hyppige starter kan beskadige kompressoren.
- ▶ Brug ikke elektriske apparater inde i madopbevaringsrummet, medmindre de er af en type, som producenten anbefaler.
- ▶ Hvis de lamperne er beskadigede, skal de udskiftes af producenten eller af en kvalificeret person hos den specificerede vedligeholdelsesleverandør.

Vedligeholdelse/rengøring

- ▶ Sørg for, at børn er under opsyn, hvis de udfører rengøring og vedligeholdelse.
- ▶ Afbryd apparatet fra strømforsyningen, før der udføres rutinemæssig vedligeholdelse. Lad der gå mindst 5 minutter, før køleskabet/fryseren startes igen, da hyppige starter kan beskadige kompressoren.
- ▶ Hold i stikket, ikke i kablet, når det trækkes ud af stikket.
- ▶ Skrab ikke frost og is af med skarpe genstande. Brug ikke spray, elektriske varmeapparater som varmelegeme, hårtørrer, damprensere eller andre varmekilder for at undgå beskadigelse af plastikdelene.
- ▶ Brug ikke andre mekaniske enheder eller andre metoder til at fremme afrimningsprocessen end de af producenten anbefalede.
- ▶ Undlad at sprøjte eller skylle apparatet under rengøring.
- ▶ Brug ikke vandspray eller damp til at rengøre apparatet.
- ▶ Hvis de lamperne er beskadigede, skal de udskiftes af producenten eller af en kvalificeret person hos den specificerede vedligeholdelsesleverandør.
- ▶ Prøv ikke selv at reparere, adskille eller ændre apparatet. Kontakt vores kundeservice ved behov for reparation.
- ▶ Forsøg ikke selv at udskifte den lampen. Kontakt vores kundeservice ved behov for udskiftning.

Information om kølemiddelgas



ADVARSEL!

Apparatet indeholder det brændbare kølemiddel ISOBUTAN (R600a). Sørg for, at kølemiddelkredsen ikke er beskadiget under transport eller installation. Et lækende kølemiddel kan forårsage øjenskader eller antænde. Hvis der er opstået en skade, skal du holde apparatet væk fra åben ild, lufte rummet grundigt ud, ikke tilslutte eller frakoble apparatets strømledninger. Informer kundeservice.

Hvis kølemidlet kommer i kontakt med øjnene, skylles de straks under rindende vand og øjenlægen skal straks kontaktes.



ADVARSEL!

- ▶ Vær omhyggelig med at undgå at starte en brand som følge af antændelse af brændbart materiale
- ▶ **ADVARSEL:** Når apparatet placeres, skal det sikres, at lysnetledningen ikke er fastklemmt eller beskadiget.
- ▶ **ADVARSEL:** Placér ikke flere løse forgrenerledninger eller bærbare strømforsyninger bag ved apparatet.
- ▶ Opbevar ikke eksplosive stoffer som f.eks. aerosoldåser med brændbare drivmidler i dette apparat.
- ▶ For der bruges brændbare kølemidler i fryseren, vær forsigtig, når du installerer, håndterer, servicerer og genbruger apparatet.
- ▶ Kontakt venligst serviceværkstedet for at bortskaffe apparatet, da den brændbare gastype er anvendt til opskumning af isoleringsmaterialet.

2.1 Anvendelsesformål

- "Dette apparat er beregnet til brug i husholdninger og lignende miljøer såsom
- medarbejderkøkkener i butikker, på kontorer og andre arbejdsområder,
 - gårde, af kunder på hoteller og moteller og andre overnatningssteder,
 - bed & breakfast og lignende,
 - catering og andre ikke-detailhandelsformål.

Dette apparat er beregnet til at køle fødevarer. Den er udelukkende designet til brug i tørre husholdninger. Den er ikke beregnet til kommerciel eller industriel brug.

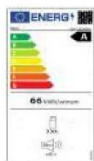
Dette apparat kan altid bruges til opbevaring ferskvarer.

Ændringer eller modifikationer af enheden er ikke tilladt. Utilsigtet brug kan forårsage farer og tab af garantikrav.

2.2 Tilbehør

Tjek tilbehøret og dokumentationen i henhold til denne liste:

2.2



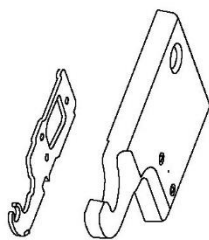
Energimærke



Garantikort

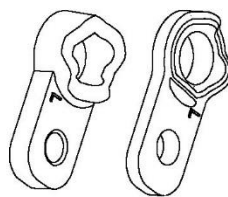


Brugervejledning



Øverste venstre
hængsel til
dørvending

Øverste venstre
hængseldæksel



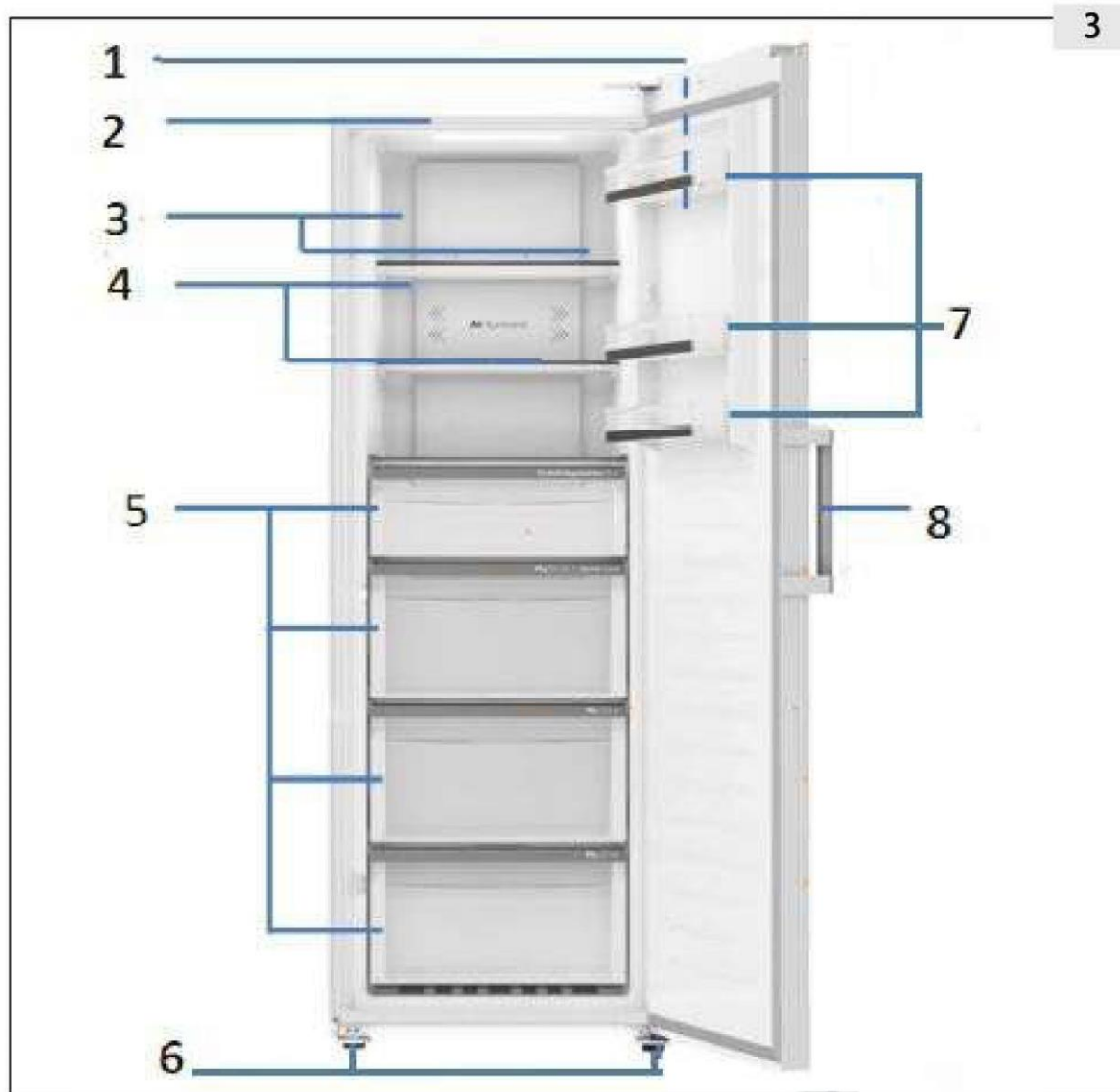
Hængselbeslag



Bemærk forskelle

På grund af tekniske ændringer og forskellige modeller kan nogle af illustrationerne i denne vejledning afvige fra din model.

Billede af apparatet (fig. 3)



1 Betjeningspanel

2 LED-lys

3 Multi-luftstrømning

4 Glashylder

5 Skuffer

6 Justerbare fødder

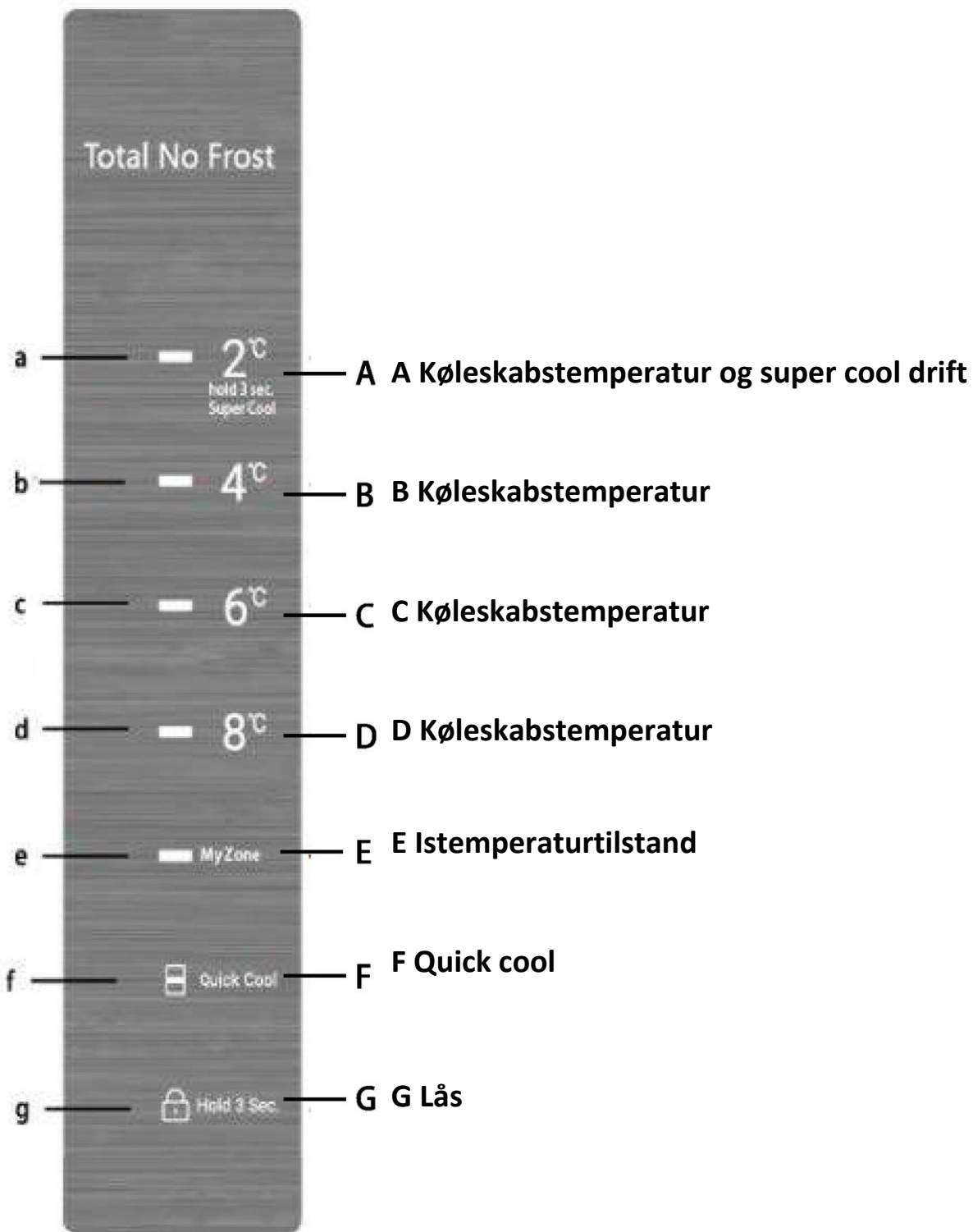
7 Aftagelige dørreoler

8 Dørhåndtag

Bemærk: Dette produkt indeholder en lyskilde i energiklasse G <G>.

Betjeningspanel (fig. 4)

4



5.1 Før første brug

- ▶ Fjern alle emballagematerialer, opbevar dem uden for børns rækkevidde, og bortskaf dem miljøvenligt.
- ▶ Rengør indersiden og ydersiden af apparatet med vand og et mildt rengøringsmiddel, før du sætter mad i det.
- ▶ Når apparatet er blevet nivelleret og rengjort, skal du vente i mindst 6 timer, før du tilslutter det til strømforsyningen. Se venligst afsnittet INSTALLATION.

5.2 Tænd/sluk for apparatet

- ▶ Apparatet er i drift, så snart det er tilsluttet strømforsyningen.
- ▶ Køleskabstemperaturen indstilles automatisk til opbevaringstemperatur ved køling 4°C og istemperatur 0°C. Dette er den anbefalede indstilling og den ideelle temperatur til kølevarer. Du kan justere temperaturen manuelt, hvis du ønsker det. Se venligst afsnittet JUSTERING AF TEMPERATUR.

Indikatorlamperne (a-g) vil blinke én gang i træk. Hvis døren er doseret, slukker displayet efter 30 sekunder. Panellåsen er muligvis aktiv.



Bemærk: Forindstilling

- ▶ Apparatet er forudindstillet til den anbefalede temperatur, køletemperatur 4°C og istemperatur 0°C.
- ▶ Når apparatet tændes efter at være blevet afbrudt fra hovedstrømforsyningen, kan det tage op til 2 timer at nå den korrekte temperatur.

Tøm apparatet, før det slukkes, og træk derefter netledningen ud af stikkontakten.

5.3 Standby-tilstand af display

Når døren er lukket, slukkes displayet automatisk efter 3 sekunder uden nogen betjening. Displayet låses automatisk. Den lyser automatisk, når du trykker på en knap eller åbner døren.

5.4 Låsning og oplåsning af displayet

Automatisk låsning

Displayet låses automatisk efter 30 sekunder uden nogen betjening.

Manuel låsning

Når displayet er låst op, skal du trykke på 'lås' (G) og holde den nede i 3 sekunder, hvorefter "lås" (g)-indikatoren lyser, og displayet er låst. Når displayet er låst, skal du trykke på 'lås' (G) og holde i 3 sekunder, med et bip, "lås" (g)-indikatoren er slukket, og displayet er låst.



Bemærk: Skærmlås

Når displayet er låst, er funktioner som temperaturindstilling, Quick Cool og My Zone deaktiveret. Når disse handlinger forsøges, vil børnesikringsindikatoren blinke 3 gange for at minde om, at displayet er låst.

5.5 Temperaturindstilling

Når displayet er låst op, kan du justere temperaturen ved at trykke på temperaturknappen, denne proces vil blive ledsaget af bip.

Zonen for de øverste hylder og den første skuffezone i køleskabet er køleopbevaringszonen, og den nederste zone med tre skuffer er istemperaturzonen. Vælg den rigtige opbevaringszone for at undgå fordærvelse af maden.

5.6 Køleskabstilstand (2°C til 8°C) (AD)

Når displayet er låst op, kan du justere temperaturen ved at trykke på en anden temperaturknap. Temperaturen kan indstilles til "2°C", "4°C", "6°C" og "8°C".

5.7 Istemperaturtilstand (0°C/2°C) (E)

Når displayet er låst op, skal du trykke på 'My Zone' (E), indikatorerne 'My Zone' (e) vil lyse, istemperaturzonen er indstillet til 0°C. Tryk på 'My Zone' (E) igen, indikatorerne 'My Zone' (e) vil være slukket, temperaturzonen er indstillet til 2°C.

5.8 Super cool-tilstand (A)

Når displayet er låst, skal du trykke og holde (2°C) (A) nede i 3 sekunder, indikatorerne (ad) vil lyse, køleskabet kører i super cool tilstand. Gentag trinene ovenfor for at deaktivere super cool funktion. Hvis du ikke deaktiverer manuelt, deaktiveres funktionen automatisk, så snart temperaturen når den indstillede temperatur eller 3 timer senere.



Bemærk: Super cool

I super cool tilstand kunne temperaturen ikke justeres. Hvis du gør det, blinker superindikatoren 3 gange.

5.9 Quick Cool-tilstand (F)

Quick cool fungerer som SHOCK REFRIGERATE i den anden skuffe fra toppen, hele skuffezonen kan hurtigt køles ned til den indstillede temperatur. Når displayet er låst op, skal du trykke på 'Quick cool' (F), indikatorerne (f) vil lyse, køleskabet fungerer i Quick Cool-tilstand. Gentag trinene ovenfor for at deaktivere funktionen quick cool. Hvis du ikke deaktiverer manuelt, deaktiveres funktionen automatisk, så snart temperaturen når den indstillede temperatur eller 3 timer senere.

5.10 Sluk hukommelse-funktion

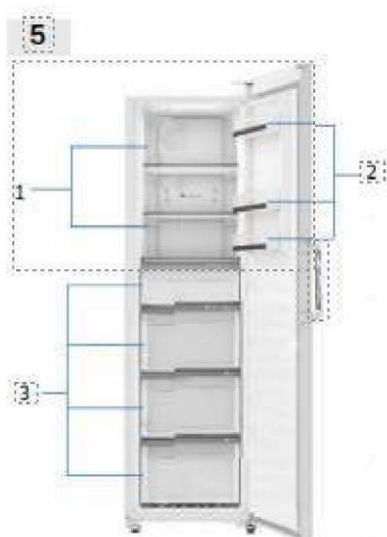
Dette køleskab har sluk-hukommelse, indstillinger før slukning vil blive husket. Når du tænder for strømmen, genopretter køleskabet indstillingen før strømmen slukkes og fortsætter med at arbejde. Børnelåsfunktionen kan ikke huskes, efter tænding låses displayet op.

5.11 Alarm for åben dør

Når døren holdes åben i mere end 1 minut, vil bipperen give 3 bip med et interval på 0,5 sekund. Bippene gentages hvert 30. sekund, hvis døren holdes åben. Biplydene stopper, indtil døren lukkes eller 7 minutter senere. Derefter slukker lyset.

5.12 Fejlvisning

Køleskabet er udstyret med fejlvisning. Når der opstår en fejl, blinker displayet hvert 1/4 sekund med forskellige koder for forskellige fejl. I denne situation kunne køleskabet stadig køle ned, men du bør ringe til eftersalgsservice så hurtigt som muligt for optimal kontrol af køleskabet.



Forskellige fødevarer bør placeres i forskellige områder i henhold til deres egenskaber (fig: 5).

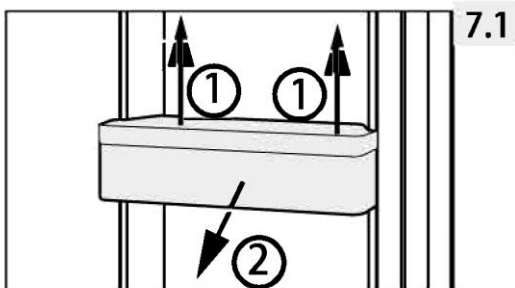
- 1 Syltede fødevarer, dåsemad, frugt, grøntsager, salat mv.
- 2 Æg, dåsemad, krydderier, drikkevarer og flaskemad mv.
- 3 Kødprodukter, snacks mv.

Til køling uden et fire-stjernet rum: Dette køleskab er ikke egnet til frysning af fødevarer.

Energisparetips

- ▶ Sørg for, at apparatet er korrekt ventileret (se afsnittet INSTALLATION).
- ▶ Installer ikke apparatet i direkte sollys eller i nærheden af varmekilder (f.eks. komfurer, varmeapparater).
- ▶ Undgå unødigt lav temperatur i apparatet. Energiforbruget stiger, jo lavere temperaturen i apparatet er indstillet.
- ▶ Lad varm mad køle af, før den sættes i apparatet.
- ▶ Åbn apparatdøren så lidt og kortvarigt som muligt.
- ▶ Sørg for, at døren altid lukker korrekt og upåvirket af fødevareposition. Hold dørtætningerne rene.
- ▶ Rengør apparatets bagside regelmæssigt. Støv øger energiforbruget.
- ▶ Den mest energibesparende konfiguration kræver, at skuffe, madkasse og hylder placeres i apparatet i en fabriksny tilstand, og at mad skal placeres uden at blokere luftudtaget fra kanalen.

7 - Tilbehør



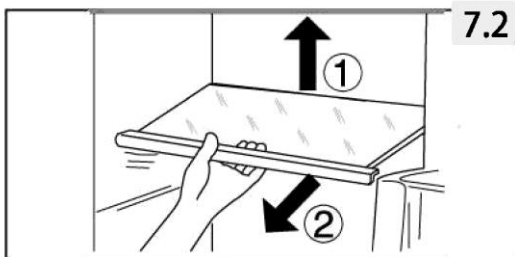
7.1

7.1 Aftagelige dørreoler

Dørstativerne kan tages af for rengøring:

Læg hænderne på hver side af stativet, løft det opad (1) og træk det ud (2) (fig. 7.3).

Indsæt dørstativet ved at udføre ovenstående trin i omvendt rækkefølge.



7.2

7.2 Glashylder

1. For at flytte en hylde skal du først fjerne den ved at løfte dens bagkant (1) og trække den ud (2) fig. 7.2).
2. Du geninstallerer den ved at sætte den på tappene på begge sider og skubbe den til den bageste position, indtil den bageste del af hylden er fastgjort inde i hullerne i siderne.



ADVARSEL!

Afbryd køleskabet/fryseren fra stikkontakten før rengøring.

8.1 Generelt

Rengør apparatet, når der kun opbevares få eller ingen madvarer.



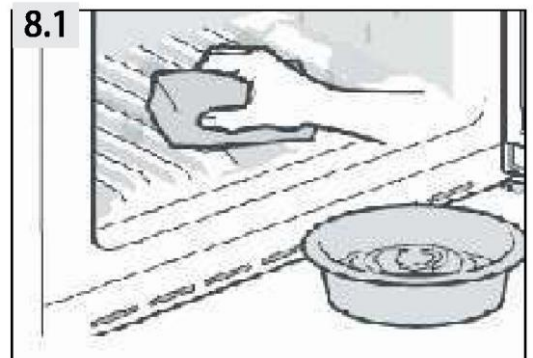
ADVARSEL!

- ▶ Rengør ikke apparatet med hårde børster, stålbørster, vaskepulver, benzin, amylacetat, acetone og lignende organiske opløsninger, sure eller basiske opløsninger.

Rengør med specielt fryserens rengøringsmiddel for at undgå skader.

- ▶ Undlad at sprøjte eller skylle apparatet under rengøring.
- ▶ Skrab ikke frost og is af med skarpe genstande.
- ▶ Brug ikke spray, elektriske varmeapparater som varmelegeme, hårtørrer, damprensere eller andre varmekilder for at undgå beskadigelse af plastikdelene.
- ▶ Undlad at rense de kolde glashylder i varmt vand. Pludselige temperaturændringer kan få glasset til at knække.
- ▶ Forsøg ikke selv at reparere apparatet. Kontakt vores kundeservice ved behov for reparation.

- ▶ Hold altid dørpakningen ren.
- ▶ Rengør apparatets hus og indvendige kabinet med en svamp fugtet i varmt vand og et neutralt rengøringsmiddel (fig. 8.1).
- ▶ Skyl og tør efter med en blød klud.
- ▶ Undlad at vaske nogen af de løse dele i en opvaskemaskine.
- ▶ Rengør kun tilbehøret med varmt vand og et mildt neutralt rengøringsmiddel.



8.2 Ude af brug i længere tid

Hvis køleskabet/fryseren ikke anvendes i længere tid:

- ▶ Tag maden ud.
- ▶ Tag stikket ud.
- ▶ Rengør apparatet som beskrevet ovenfor.
- ▶ Hold lågen og køleskabsskufferne åbne for at forhindre dannelse af dårlige lugte i apparatet. Fjern døren til apparatet (åbn døren og hold den, før du fjerner skruerne) for at undgå, at børn kommer ind i apparatet og bliver låst inde.



Bemærk: Slukke

Sluk kun hvis det er strengt nødvendigt, for at sikre en lang levetid på apparatet.

8.3 Flytning af apparatet

1. Fjern alle madvarer og tag køleskabet/fryseren fra stikkontakten.
2. Fastgør hylder og andre løse dele i køleskabet med tape.
3. Luk døren og fastgør den med tape.
4. Vip ikke køleskabet mere end 45° for at undgå at beskadige kølesystemet.
5. Pak køleskabets fødder ind for at undgå at ridse gulvet. Flyt aldrig køleskabet voldsomt.



ADVARSEL!

- ▶ Løft ikke apparatet i håndtagene.
- ▶ Læg aldrig apparatet vandret ned på jorden.

Mange opståede problemer kan løses af dig selv uden specifikke færdigheder. I tilfælde af et problem skal du kontrollere alle viste muligheder og følge instruktionerne nedenfor, før du kontakter en eftersalgsservice. Se afsnittet KUNDESERVICE.



ADVARSEL!

- ▶ Før vedligeholdelse skal du slukke for apparatet og tage stikket ud af stikkontakten.
- ▶ Elektrisk udstyr bør kun serviceres af kvalificerede elektrikere, da forkerte reparationer kan forårsage betydelige følgeskader.
- ▶ En beskadiget netledning må kun udskiftes af producenten, dennes servicetekniker eller en lignende kvalificeret fagperson for at undgå fare.

Den akustiske alarm kan slås fra ved at trykke på en vilkårlig knap.

9.1 Fejlfinding

Problem	Mulig årsag	Mulig løsning
Kompressoren virker ikke.	Lysnetledningen er ikke sat i stikkontakten.	Sæt stikket i stikkontakten.
Køleskabet kører ofte eller i for lang tid ad gangen.	Inde- eller udetemperaturen er for høj. Apparatet har været uden strøm i nogen tid. Lågen i apparatet er ikke lukket tæt. Døren har været åbnet for ofte eller for længe. Temperaturindstillingen er for lav Dørpakningen er snavset, slidt, revnet eller forkert tilpasset. Den nødvendige luftcirkulation er ikke sikret Det indvendige er dækket af is.	I sådanne tilfælde er det normalt, at apparatet kører længere. Normalt tager det 8 til 12 timer, før apparatet er kølet helt ned til køle/frysetemperatur. Luk lågen og kontroller, at apparat er sat på et vandret underlag, og at der ikke er mad eller emballage, der blokerer døren. Åbn ikke lågen for ofte. Indstil temperaturen højere, indtil en tilfredsstillende temperatur opnås. Det tager 24 timer for temperaturen at blive stabil. Rengør lågens pakning eller lad kundeservice udskifte dem. Sørg for tilstrækkelig ventilation. Afrim apparatet.

Problem	Mulig årsag	Mulig løsning
Apparatet afgiver unormale lyde.	<p>Apparatet er ikke placeret på et plant underlag</p> <p>Apparatet rører ved en genstand tæt på det.</p> <p>Apparatet står på trægulv eller nær trævægge</p>	<p>Niveller apparatet</p> <p>Fjern genstande omkring apparatet.</p> <p>Træ forstærker lyden. Stil apparatet et andet sted.</p>
Apparatet giver en kliklyd	Dette er normalt. Det skyldes, at køleenheden tænder eller slukker.	-
Der høres en let lyd svarende til strømmende vand	Dette er normalt.	-
Apparatet giver en motorlyd.	Køleanlægget har netop tændt for sig selv. Dette er normalt.	-
Det er ikke koldt nok inde i apparatet	<p>Temperaturen er sat for højt.</p> <p>Varer, der er for varme, er blevet opbevaret.</p> <p>Der er blevet lagt for meget mad ind på én gang.</p> <p>Varerne er for tæt på hinanden.</p> <p>Døren er ikke tæt lukket.</p> <p>Døren har været åbnet for ofte eller for længe.</p>	<p>Nulstil temperaturen</p> <p>Køl altid varer ned, før de opbevares.</p> <p>Læg altid små mængder mad ind.</p> <p>Efterlad et mellemrum mellem flere fødevarerne, så luften kan cirkulere.</p> <p>Luk døren.</p> <p>Åbn ikke døren ofte.</p>
Der er for koldt inde i apparatet.	Temperaturen er indstillet for lavt.	Nulstil temperaturen
Fugt samler sig på apparatets overflade.	Klimaet er for varmt og fugtigt.	Dette er normal i fugtigt vejr og ændrer sig, når luftfugtigheden falder. Aftør med en klud.
Kølesystemet virker ikke.	<p>Hovedstikket er ikke sat i stikkontakten.</p> <p>El-installationen er defekt.</p>	<p>Sæt stikket i stikkontakten.</p> <p>Tjek el-installationen til rummet. Ring til det lokale elselskab.</p>
Siderne af skabet og dørlisten bliver varme.	Dette er normalt.	-

Problem	Mulig årsag	Mulig løsning
Du hører et alarmsignal.	Døren er åben	Luk lågen eller afstil alarmen manuelt.
Døren er svær at åbne.	Når apparatet kører, har det et indvendigt vakuum.	Åbn dørtætningen forsigtigt for at lade luft trænge ind i apparatet.
Døren kan ikke lukkes korrekt. Den efterlader altid et hul.	På grund af apparaternes lave temperatur kan dørtætningen let blive hård og deformeret.	Brug en hårtørrer eller læg et varmt håndklæde på det sted, hvor pakningen er deformeret. Når pakningen er blød igen, luk lågen og klem den tæt.

9.2 Strømafbrydelse

I tilfælde af strømafbrydelse skal du følge disse råd under længere strømsvigt, især om sommeren:

- ▶ Åbn lågen så få gange som muligt.
- ▶ Læg ikke flere madvarer i apparatet under strømafbrydelsen.
- ▶ Hvis der på forhånd er givet besked om en strømafbrydelse, og afbrydelsens varighed er længere end 15 timer, skal du lave noget is og lægge det i en beholder i toppen af fryserummet.
- ▶ Da temperaturen i køleskabet vil stige under en strømafbrydelse eller anden fejl, vil opbevaringsperioden og madens spisekvalitet blive forringet. Al mad, der optøs, skal enten spises eller tilberedes og fryses ned igen bagefter (hvor det er muligt) for at forhindre skader på sundhedsrisici.



Bemærk: Hukommelsesfunktion under strømafbrydelse

Når strømmen er tilbage, fortsætter apparatet med de indstillinger, der blev indstillet før strømafbrydelsen.

10.1 Udpakning

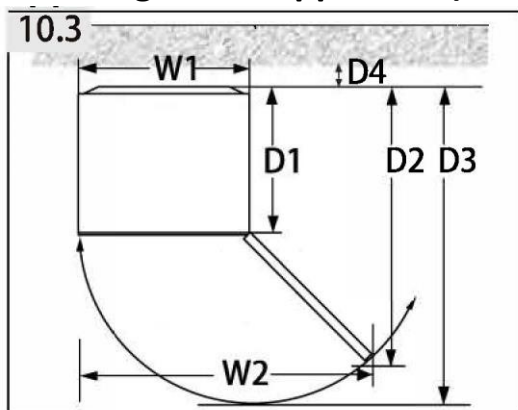


ADVARSEL!

- ▶ Køleskabet/fryseren er tungt. Vær altid to personer om at håndtere det.
- ▶ Hold alle emballagematerialer uden for børns rækkevidde, og bortskaf dem miljøvenligt.
Tag apparatet ud af emballagen.
- ▶ Fjern alt emballagemateriale.

10.2 Miljømæssige forhold

Stuetemperaturen bør altid være mellem 10°C og 43°C, da det kan påvirke temperaturen inde i apparatet og dets energiforbrug. Installer ikke apparatet i nærheden af andre varmeafgivende apparater (ovne, køleskabe) uden isolering.

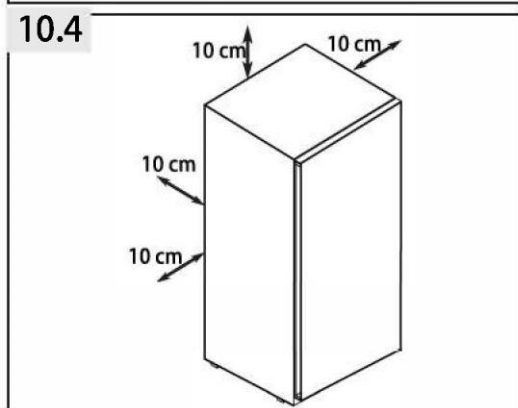


10.3 Pladskrav

Nødvendig plads til at åbne døren (fig. 10.3):

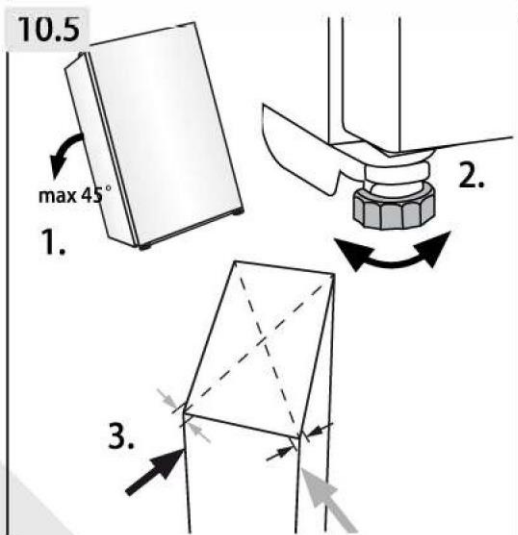
Bredde i mm		Dybde i mm			Afstand til væg i mm
W1	W2	D1	D2	D3	D4
595	955	592	1105	1215	100

For fritstående apparater: Dette køleskab er ikke beregnet til indbygning.



10.4 Ventilationstværsnit

Af sikkerhedsmæssige årsager og for at opnå tilstrækkelig ventilation af apparatet skal målene på de nødvendige ventilationstværsnit overholdes (fig. 10.4).



10.5 Tilretning af apparatet

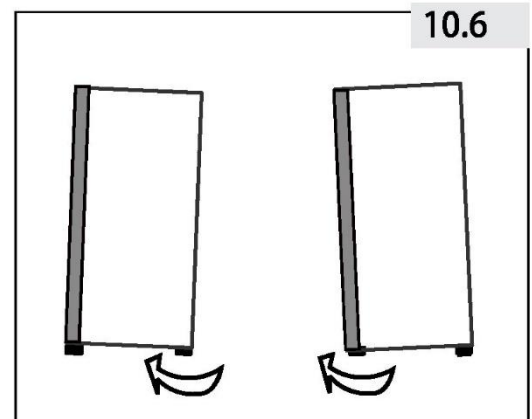
Apparatet skal placeres på en flad og fast overflade. Hvis apparatet placeres på en opsats, skal der anvendes stærkt og brandsikkert materiale. Brug aldrig formpakningsmaterialet som en opsats.

1. Vip apparatet lidt bagover (fig. 10.5).
2. Indstil fødderne til den ønskede højde.
3. Stabiliteten kan kontrolleres ved at skubbe skiftevis på de diagonalt modsatte hjørner. Den lette svajen skal være den samme i begge retninger. Ellers kan rammen blive skæv, og mulige utætte dørtætninger er resultatet. En let tendens til at hælde bagud letter lukningen af dørene.

10.6 Brug af justerbar fod

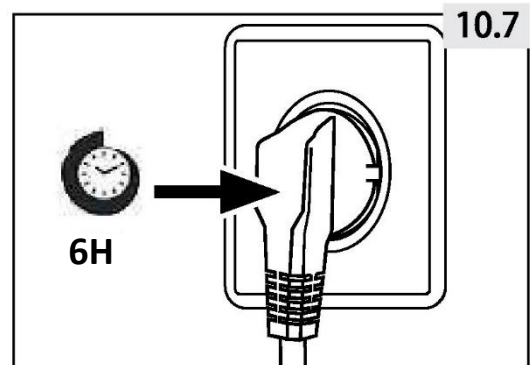
Hvis køleskabet er ustabil, kan fødderne justeres: Drej de justerbare fødder i overensstemmelse med pilens retning (fig. 10.6) for at justere dem op eller ned:

- ▶ Drejning af fødderne med uret hæver apparatet.
- ▶ Drejning af fødderne mod uret sænker den.



10.7 Ventetid

Til vedligeholdelsesfri smøring er der smøreolie i det lukkede kompressorhus. Denne olie kan trænge gennem det lukkede rørsystem under skrå transport. Før du tilslutter apparatet til strømforsyningen, skal du vente mindst 6 timer (fig. 10.7), så olien løber tilbage i huset.



10.8 Elektrisk tilslutning

Før hver tilslutning skal du kontrollere, om:

- ▶ strømforsyning, stik og sikringer passer til mærkepladen.
- ▶ stikkontakten er jordet og ikke en forgrener eller forlænger.
- ▶ strømstik og stikkontakt er strengt efter reglerne.

Tilslut stikket til en korrekt installeret stikkontakt.



ADVARSEL!

For at undgå risici skal en beskadiget strømledning udskiftes af kundeservice (se garantibevis).

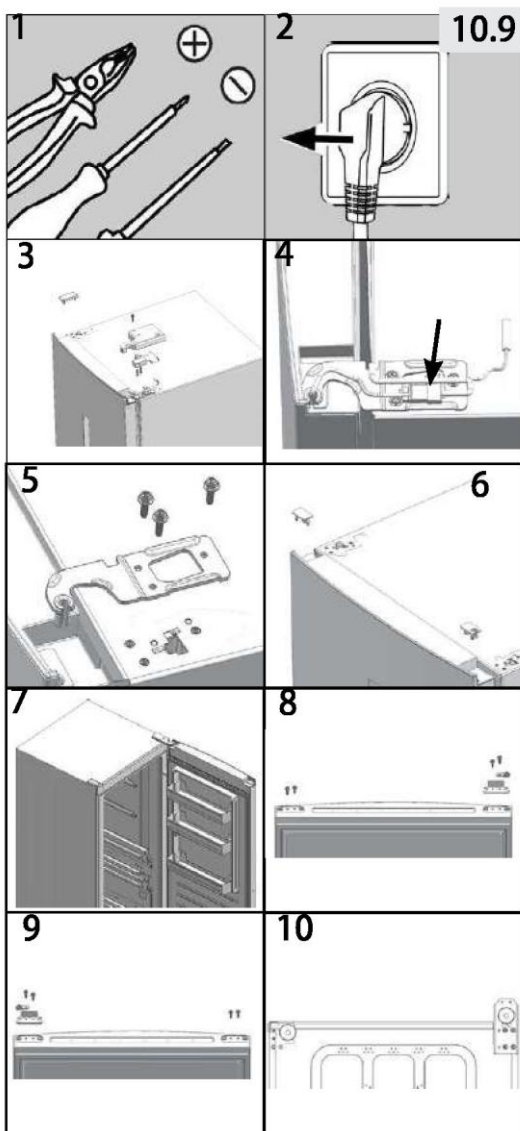
10.9 Skift af dørens hængselsside

Før du tilslutter apparatet til strømforsyningen, bør du kontrollere, om dørens hængselsside skal ændres fra højre (som leveret) til venstre, hvis dette er påkrævet af installationsstedet og anvendeligheden.



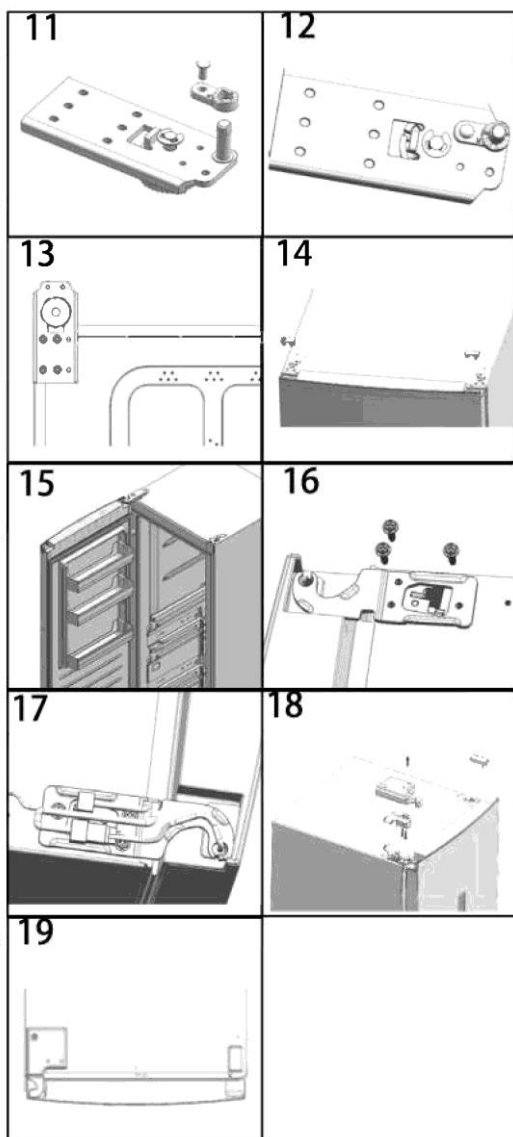
ADVARSEL!

- ▶ Køleskabet/fryseren er tungt. Du skal bruge to personer til at skifte dørens hængselsside.
- ▶ Før enhver betjening skal apparatet tages ud af stikkontakten.
- ▶ Vip ikke apparatet mere end 45°C for at forhindre beskadigelse af kølesystemet.



Monteringstrin (fig. 10.9):

1. Find det nødvendige værktøj.
2. Tag stikket ud af stikkontakten
3. Fjern hængselhulsdækslet og hængseldækslet.
4. Træk tilslutningskablet ud.
5. Fjerner skruer og hængsel
6. Fjern låget på døren. Fjern hængselbeslaget på døren
7. Åbn og fjern lågen.
8. Vend lågen på hovedet, fjern 2 skruer i bunden af lågen. Fjern 2 skruer, dørstopper og hængselbeslag i bunden af døren
9. Tag dørstopperen fra sidste trin og det tyndere hængselbeslag fra tilbehørsposen, fastgør dem med 2 skruer. Fastgør også 2 skruer på den anden side af døren.
10. Vip skabet lidt bagud, fjern 4 skruer og derefter det nederste hængsel.



11. Fjern skrue og hængselbeslag. Fjern hængselbeslaget og fastgør det i hullet ved siden af.
12. Tag det tykkere hængselbeslag fra tilbehørstasken. Fastgør det med skruen fra sidste trin.
13. Fastgør hængslet til den modsatte position af kabinettet med 4 skruer.
14. På den modsatte side af døren trækkes tilslutningskablet i venstre side ud og føres gennem hængselbeslaget fra trin 5, monter hængselbeslaget. Monter huldækslet på højre side.
15. Monter døren.
16. Fastgør øverste højre øverste hængsel med 3 skruer
17. Tilslut kabelstikkene:
18. Fastgør dækslet til hængselhullet og øverste venstre hængseldæksel.
19. Færdig.

Minimumsgarantien er: 2 år for EU-lande, 3 år for Tyrkiet, 1 år for Storbritannien, 1 år for Rusland, 3 år for Sverige, 2 år for Serbien, 5 år for Norge, 1 år for Marokko, 6 måneder for Algeriet, Tunesien kræver ingen juridisk garanti.

Termostater, temperaturfølere, printkort og lyskilder lagerføres i mindst syv år efter, at sidste enhed af modellen er bragt på markedet.

Dørhåndtag, dørhængsler, bakker og kurve i mindst syv år og tætningslister til låger i mindst 10 år efter, at sidste enhed af modellen er bragt på markedet.

Du finder flere oplysninger om produktet på <https://eprel.ec.europa.eu/> eller ved at scanne QR-koden på det energimærke, der leveres med apparatet.

Hvis du vil kontakte den tekniske kundeservice, kan du besøge vores hjemmeside: <https://corporate.haier-europe.com/en/> Under afsnittet "website" skal du vælge dit produkts mærke og dit land. Du føres til lige netop det websted, hvor du finder telefonnummeret og formularen til at kontakte teknisk assistance

11.1 Produktblad i henhold til EU Regulativ nr. 1369/2017

Varemærke	Haier
Model identifikator	H3R-330WNA
Modelkategori	opretstående køleskab
Energiklasse	A
Årligt energiforbrug (kWh/år)	66
Lagervolumen køling (L)	189
Lagervolumen My Zone (L)	141
Samlet lagervolumen (L)	330
Temperatur i andre rum >14°C	ikke relevant
Frostfrit system	ja
Sikker strømafbrydelse (h)	/
Frysekapacitet (kg/24 timer)	/
Klimaklasse	SN-T
Dette apparat er beregnet til at blive brugt ved en omgivelsestemperatur mellem 10°C og 43°C.	
Luftbåren akustisk støjemission (db(A)re 1 pW)	38
Konstruktionstype	Fritstående

¹⁾ baseret på standard testresultater i 24 timer. Det faktiske energiforbrug afhænger af, hvordan apparatet bruges, og hvor det er placeret.

Opstil køleskabet/fryseren et sted, hvor rumtemperatur passer til den klimaklasse, der er angivet på apparatets mærkeplade:

- Udvidet tempereret (SN): 'dette køleskab er beregnet til brug ved omgivelsestemperaturer i området fra 10°C til 32°C'.
- Tempereret (N): 'dette køleskab er beregnet til brug ved omgivelsestemperaturer i området fra 16°C til 32°C'.
- Subtropisk (ST): 'dette køleskab er beregnet til brug ved omgivelsestemperaturer i området fra 16°C til 38°C'.
- Tropisk (T): 'dette køleskab er beregnet til brug ved omgivelsestemperaturer i området fra 16°C til 43°C'.

11.2 Yderligere tekniske data

Spænding / Frekvens	220-240V ~/50Hz
Hovedsikring (A)	1,5
Kølevæske	R600a
Mål (H/B/D i mm)	1910/595/675
Lyseffekt/Lysspænding	1,5W/ DC 12V

11.3 Standarder og direktiver

Dette produkt opfylder kravene i alle gældende EU-direktiver med de tilsvarende harmoniserede standarder, som sørger for CE-mærkning.

Vi anbefaler vores Haier kundeservice og brug af originale reservedele.
Hvis du har et problem med dit apparat, skal du først tjekke afsnittet FEJLFINDING.
Hvis du ikke kan finde en løsning der, så kontakt

- ▶ din lokale forhandler eller
- ▶ Service- og supportområdet på www.haier.com, hvor du kan finde telefonnumre og ofte stillede spørgsmål, og hvor du kan aktivere servicekravet.

For at kontakte vores serviceafdeling skal du sikre dig, at du har følgende data til rådighed.

Oplysningerne kan findes på typeskiltet.

Model _____ Serienr. _____

Tjek også det garantikort, der fulgte med produktet i tilfælde af garantikrav.

For generelle forretningsforespørgsler kan du finde vores adresser i Europa nedenfor:

Europæiske Haier-adresser			
Land*	Postadresse	Land*	Postadresse
Italien	Haier Europe Trading SRL Via De Cristoforis, 12 21100 Varese ITALY	Frankrig	Haier France SAS 3-5 Rue des Gravieres 92200 Neuilly sur Seine FRANCE
Spanien Portugal	Haier Iberia SL Pg. Garcia Faria, 49-51 08019 Barcelona SPAIN	Belgien-FR Belgien-NL Holland Luxembourg	Haier Benelux SA Anderlecht Route de Lennik 451 BELGIEN
Tyskland Østrig	Haier Deutschland GmbH Hewlett-Packard-Str. 4 D-61352 Bad Homburg GERMANY	Polen Tjekkiet Ungarn Grækenland Rumænien Rusland	Haier Polen Sp. zo.o. Al. Jerozolimskie 181B 02-222 Warszawa POLAND
Stor- britannien	Haier Appliances UK Co.Ltd. One Crown Square Church Street East Woking, Surrey, GU21 6HR UK		

*For flere oplysninger henvises til www.haier.com



Haier



Käyttöopas

Pystyjääkaappi

H3R-330WNA

FI

Haier

Kiitos, että ostit Haier-tuotteen.

Lue nämä ohjeet huolellisesti ennen laitteen käyttöä. Ohjeet sisältävät tärkeitä tietoja, jotka auttavat sinua saamaan parhaan hyödyn laitteesta ja varmistamaan turvallisen ja asianmukaisen asennuksen, käytön ja huollon.

Säilytä tätä ohjekirjaa kätevässä paikassa, jotta voit aina tutustua siihen laitteen turvallisen ja asianmukaisen käytön varmistamiseksi.

Jos myyt laitteen, annat sen pois tai et ota sitä mukaan, kun muutat, varmista, että tämä käyttöopas pysyy aina laitteen mukana, jotta uusi omistaja voi tutustua laitteeseen ja turvallisuusvaroituksiin.

Selite



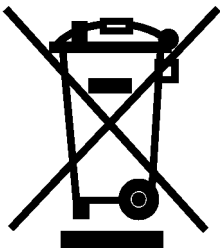
Yleistä tietoa ja vinkkejä



Varoitus – Tärkeää turvallisuustietoa



Ympäristötiedot



Hävittäminen

Auta suojelemaan ympäristöä ja ihmisten terveyttä. Laita pakkausmateriaalit asianmukaisiin astioihin niiden kierrättämiseksi. Auta kierrättämään sähkö- ja elektroniikkalaiteromua. Älä hävitä tällä symbolilla merkittyjä laitteita talousjätteen mukana. Palauta tuote paikalliseen kierrätyslaitokseen tai ota yhteyttä paikalliseen viranomaiseen.



VAROITUS!

Loukkaantumis- tai tukehtumisvaara!

Kylmäaineet ja kaasut on hävitettävä ammattimaisesti. Varmista ennen oikeanlaista hävittämistä, että kylmäainepiirin letku ei ole vaurioitunut. Irrota laite verkkovirrasta. Katkaise verkkokaapeli ja hävitä se. Irrota ovi, ovisalpa ja tiivisteet, jotta lapset ja lemmikit eivät voi jäädä loukkuun laitteen sisään.

1 - Turvallisuus.....	4
2 - Käyttötarkoitus.....	8
3 - Tuotteen kuvaus.....	9
4 - Ohjauspaneeli.....	10
5 - Käyttö.....	11
6 - Energiansäästövinkejä.....	14
7 - Lisävaruste.....	14
8 - Hoito ja puhdistus.....	15
9 - Vianetsintä.....	17
10 - Asennus.....	20
11 - Tekniset tiedot.....	24
12 - Asiakaspalvelu.....	25

Lue seuraavat turvallisuusohjeet, ennen kuin kytket laitteen päälle ensimmäistä kertaa:



VAROITUS!

Ennen ensimmäistä käyttöä

- ▶ Varmista, ettei kuljetusvaurioita ole.
- ▶ Poista kaikki pakkaukset ja pidä ne poissa lasten ulottuvilta.
- ▶ Odota vähintään kuusi tuntia ennen laitteen asentamista varmistaaksesi, että kylmäainepiiri on täysin toimintavalmis.
- ▶ Laite on painava ja sen vuoksi sen käsittelemiseen tarvitaan aina vähintään kaksi henkilöä.

Asennus

- ▶ Laite on sijoitettava hyvin ilmastoituun paikkaan. Varmista, että laitteen yläpuolella ja ympärillä on tilaa vähintään 10 cm.
- ▶ Älä peitä tuuletusaukkoja.
- ▶ Älä koskaan aseta laitetta kosteaan paikkaan tai paikkaan, jossa sen päälle voi roiskua vettä. Puhdista ja kuivaa vesiroiskeet ja tahrat pehmeällä puhtaalla liinalla.
- ▶ Älä asenna laitetta suoraan auringonvaloon tai lämmönlähteiden läheisyyteen (esim. uunit, lämmittimet).
- ▶ Asenna laitteen jalat ja säädä niitä tarpeen mukaan niin, että laite on tasapainossa ja tasaisesti. Asennuspaikan on oltava sopivan kokoinen ja sovelluttava laitteen käyttötarkoitukseen.
- ▶ Pidä laitteen kotelossa tai rungossa olevat tuuletusaukot vapaina esteistä.
- ▶ Varmista, että laitteen arvokilvessä ilmoitetut sähkö tiedot vastaavat käytettävissä olevaa virransyöttöä. Jos näin ei ole, ota yhteyttä sähköasentajaan.
- ▶ Verkkojännite: 220–240 V, 50 Hz. Epänormaali jännitevaihtelu voi estää laitteen käynnistymisen tai vaurioittaa lämpötilan säätöä tai kompressoria tai aiheuttaa epänormaalia käyntiääntä. Tässä tapauksessa laitteeseen on asennettava automaattinen jännitteensäädin.
- ▶ Käytä erillistä maadoitettua pistorasiaa, joka on helposti saatavilla siivouksen tai puhdistuksen aikana. Laite on maadoitettava.
- ▶ Vain Iso-Britannia: Laitteen virtajohtoon on liitetty 3-haarainen (maadoitettu) pistoke, joka sopii 3-haaraiseen (maadoitettuun) pistorasiaan. Kolmatta tappia (maadoitus) ei koskaan saa leikata pois tai poistaa jollakin muulla tavalla. Pistoke tulisi olla käytettävissä laitteen asennuksen jälkeen.
- ▶ Älä käytä monipistokesovittimia ja jatkokaapeleita.
- ▶ Varmista, että virtajohto ei jää jääkaapin alle. Älä astu virtajohdon päälle.
- ▶ Älä vaurioita kylmäainepiiriä.

**VAROITUS!****Päivittäinen käyttö**

- ▶ Vähintään 8-vuotiaat lapset ja henkilöt, joiden fyysiset, aisteihin liittyvät tai henkiset kyvyt ovat alentuneet tai joilla ei ole aiheeseen liittyvää kokemusta ja tietoa, voivat käyttää laitetta edellyttäen, että heitä valvotaan tai heille annetaan ohjeet laitteen käyttöön turvallisella tavalla ja he ymmärtävät vaaratekijät. Lapset eivät saa puhdistaa laitetta tai suorittaa käyttäjän ylläpitotoimia ilman valvontaa.
- ▶ Pidä alle 3-vuotiaat lapset poissa laitteen lähetyviltä, ellei heitä valvota jatkuvasti.
- ▶ Lapset eivät saa leikkiä laitteella.
- ▶ Jos jäähdytettyä kaasua tai jotakin muuta syttyvää kaasua vuotaa laitteen läheisyydessä, sammuta vuotavan kaasun venttiili, avaa ovet ja ikkunat äläkä irrota jääkaapin tai minkään muun laitteen virtajohtoa.
- ▶ Huomaa, että laite on asetettu toimimaan tietyllä ympäristön lämpötila-alueella 10–43 °C. Laite ei välttämättä toimi oikein, jos se on pidemmän aikaa lämpötilassa, joka ylittää tai alittaa ilmoitetun vaihteluvälin.
- ▶ Älä laita jääkaapin päälle epävakaita esineitä (esimerkiksi raskaita esineitä tai vedellä täytettyjä astioita). Näin voit välttää henkilöonnettomuudet, jotka voisivat aiheutua esineiden tippumisesta käyttäjän päälle, tai sähköiskusta kosketuksesta veteen.
- ▶ Avaa ja sulje ovet vain käyttämällä kahvoja. Ovien ja kaapin välinen väli on hyvin kapea. Älä laita käsiäsi tällaisiin paikkoihin, jotta sormesi eivät joudu puristuksiin. Avaa tai sulje jääkaapin ovet vain silloin, kun oven liikkumisalueella ei ole lapsia.
- ▶ Älä säilytä tai käytä syttyviä, räjähtäviä tai syövyttäviä aineita laitteessa tai sen läheisyydessä.
- ▶ Älä säilytä laitteessa lääkkeitä, bakteereita tai kemiallisia aineita. Tämä laite on kodinkone. Laitteessa ei ole suositeltavaa säilyttää materiaaleja, jotka vaativat tarkkoja lämpötiloja.
- ▶ Laitteen epävakaudesta aiheutuvan vaaran välttämiseksi laite on kiinnitettävä ohjeiden mukaisesti.
- ▶ 3–8-vuotiaat lapset saavat täyttää ja tyhjentää kylmälaitteita.



VAROITUS!

Päivittäinen käyttö

- ▶ Irrota laite pistorasiasta sähkökatkoksen sattuessa tai ennen puhdistusta. Odota vähintään 5 minuuttia ennen kuin käynnistät laitteen uudelleen, sillä usein tapahtuvat uudelleenkäynnistykset voivat vahingoittaa kompressoria.
- ▶ Älä käytä sähkölaitteita laitteen ruoansäilytystiloissa mikäli ne eivät ole valmistajan suosittelemia.
- ▶ Jos lamppu on vaurioitunut, valmistajan tai ammattitaitoisen nimetyn huoltoedustajan työntekijän on vaihdettava se.

Huolto/puhdistus

- ▶ Varmista, että lapsia valvotaan, jos he suorittavat puhdistuksen ja huollon.
- ▶ Irrota laite virtalähteestä ennen rutiinihuoltoa. Odota vähintään 5 minuuttia ennen kuin käynnistät laitteen uudelleen, sillä usein tapahtuvat uudelleenkäynnistykset voivat vahingoittaa kompressoria.
- ▶ Pidä kiinni pistokkeesta, ei kaapelista, kun irrotat laitteen pistorasiasta.
- ▶ Älä raaputa huurretta ja jäätä pois terävillä esineillä. Älä käytä suihkeita, sähkölämmittimiä, kuten lämmitintä, hiustenkuivaajaa tai höyrypuhdistimia, tai muita lämmönlähteitä muovisten osien vaurioitumisen välttämiseksi.
- ▶ Älä yritä nopeuttaa sulatusta käyttämällä mekaanisia laitteita tai muita keinoja, lukuun ottamatta laitteen valmistajan suosittelemia menetelmiä.
- ▶ Älä suihkuta tai huuhtele laitetta puhdistuksen aikana.
- ▶ Älä käytä vesisuihkua tai höyryä laitteen puhdistamiseen.
- ▶ Jos lamppu on vaurioitunut, valmistajan tai ammattitaitoisen nimetyn huoltoedustajan työntekijän on vaihdettava se.
- ▶ Älä yritä korjata, purkaa tai muokata laitetta itse. Jos laite on korjattava, ota yhteyttä asiakaspalveluumme.
- ▶ Älä yritä vaihtaa lamppua itse. Jos laite on vaihdettava, ota yhteyttä asiakaspalveluumme.

Tietoa kylmäaineesta

**VAROITUS!**

Laite sisältää syttyvää kylmäainetta, jonka nimi on ISOBUTAANI (R600a). Varmista, että kylmäainepiiri ei ole vaurioitunut kuljetuksen tai asennuksen aikana. Vuotava kylmäaine voi aiheuttaa silmävammoja tai syttyä palamaan. Jos vaurioita on tapahtunut, pidä poissa avoimet palonlähteet, tuuleta huone huolellisesti, älä kytke tai irrota laitteen virtajohtoja. Ilmoita asiasta asiakaspalveluun.

Jos silmät joutuvat kosketuksiin kylmäaineen kanssa, huuhtelevat ne välittömästi juoksevan veden alla ja ota välittömästi yhteyttä silmälääkäriin.

**VAROITUS!**

- ▶ Varo, ettet aiheuta tulipaloa sytyttämällä syttyvää materiaalia.
- ▶ **VAROITUS:** Varmista laitetta sijoittaessa, ettei virtajohto jää jumiin eikä vaurioidu.
- ▶ **VAROITUS:** Älä jätä monipistokkeisia jatkojohtoja äläkä siirrettäviä virtalähteitä laitteen taakse.
- ▶ Älä säilytä laitteessa räjähtäviä aineita, kuten syttyvää ponnekaasua sisältäviä aerosolipulloja.
- ▶ Jos pakastimessa käytetään palavia kylmäaineita, ole varovainen laitteen asennuksessa, käsittelyssä, huollossa ja kierrätyksessä.
- ▶ Ota yhteyttä huoltoedustajaan laitteen hävittämiseksi, koska siinä on käytetty paisutusaineena syttyvää kaasua.

2.1 Käyttötarkoitus

Tämä laite on tarkoitettu käytettäväksi kotitalouksissa ja vastaavissa olosuhteissa, kuten:

- henkilökunnan keittiötiloissa myymälöissä, toimistoissa ja muilla työpaikoilla
- maaloilla sekä asiakaskäytössä hotelleissa, motelleissa ja muissa asuintilojen kaltaisissa ympäristöissä
- aamiaismajoituksen (B & B) tyyppisissä ympäristöissä
- ateriapalvelu- ja muissa kuin vähittäismyyntiin liittyvissä käyttökohteissa.

Tämä laite on tarkoitettu elintarvikkeiden jäähdyttämiseen. Se on suunniteltu käytettäväksi yksinomaan kuivissa sisätiloissa. Sitä ei ole tarkoitettu kaupalliseen tai teolliseen käyttöön.

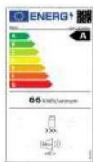
Tätä laitetta voidaan tarvittaessa käyttää tuoreiden elintarvikkeiden säilytysosastona.

Laitteen muuttaminen tai muokkaaminen ei ole sallittua. Käyttö ohjeiden vastaisella tavalla voi aiheuttaa vaaroja. Voit myös menettää oikeuden takuuseen perustuvien korvausvaatimusten tekemiseen.

2.2 Lisävarusteet

Tarkista lisävarusteet ja kirjallisuus tämän luettelon mukaisesti:

2.2



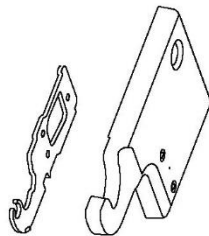
Energia-
merkintä



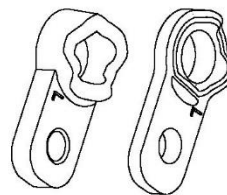
Takuukortti



Käyttöopas



Ylempi vasen sarana
oven kääntämiseksi
Ylemmän vasemman
saranan kansi



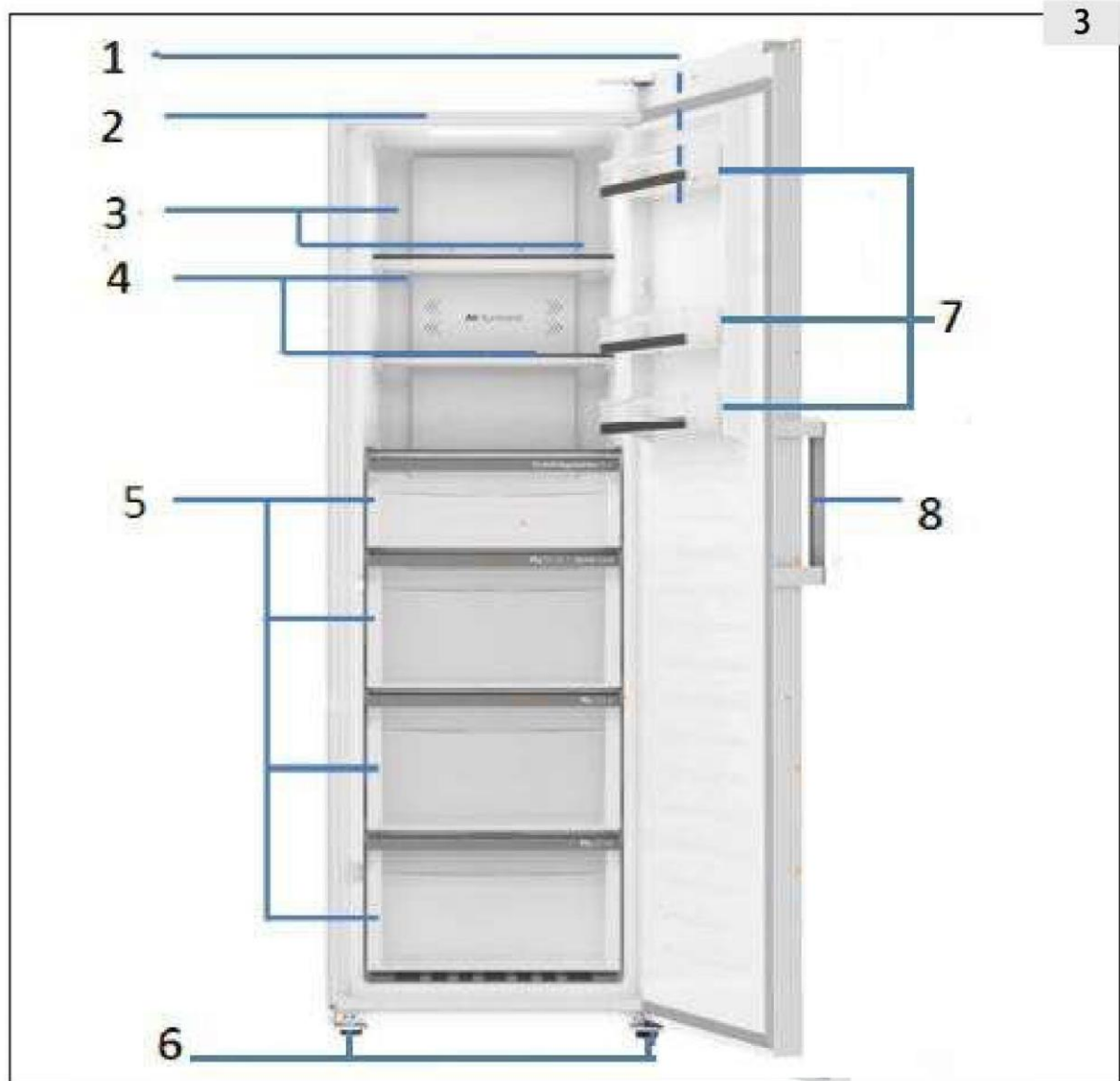
Tapin
suojukset



Huomautus eroista

Teknisten muutosten ja erilaisten mallien vuoksi jotkin tämän käyttöohjeen kuvista saattavat poiketa mallistasi.

Laitteen kuva (kuva 3)



1 Ohjauspaneeli

2 LED-valo

3 Moni-ilmavirtaus

4 Lasihyllyt

5 Laatikot

6 Sädettävät jalat

7 Irrotettavat ovitelineet

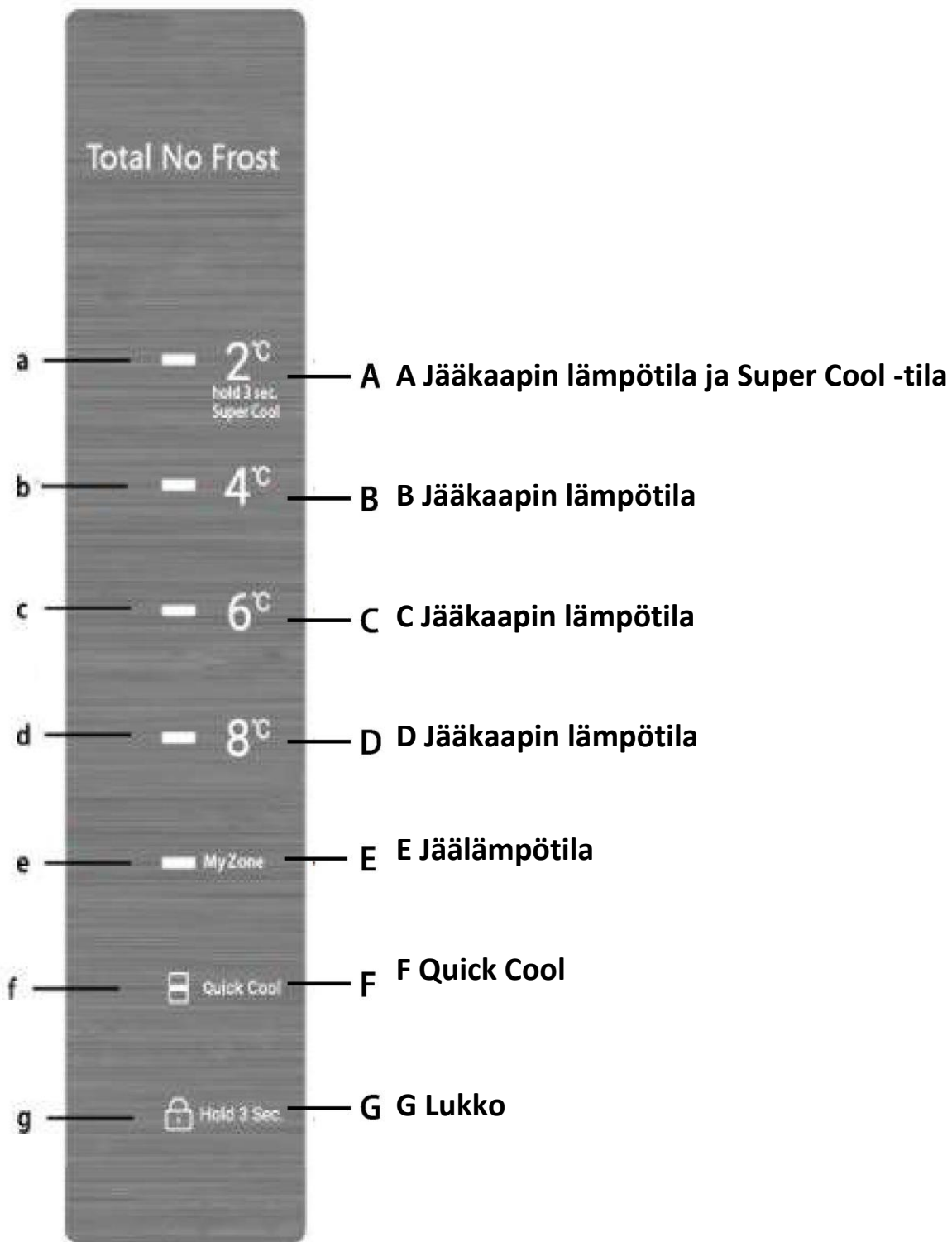
8 Ovenkahva

Huomaa: Tämä tuote sisältää energiatehokkuusluokan <G> valonlähteen.

4 - Ohjauspaneeli

Ohjauspaneeli (kuva 4)

4



5.1 Ennen ensimmäistä käyttöä

- ▶ Poista kaikki pakkausmateriaalit, pidä ne poissa lasten ulottuvilta ja hävitä ne ympäristöystävällisesti.
- ▶ Puhdista laitteen sisä- ja ulkopuoli vedellä ja miedolla pesuaineella ennen sen täyttämistä ruualla.
- ▶ Kun laite on vaakasuorassa ja puhdistettu, odota vähintään 6 tuntia ennen kuin kytket sen virtalähteeseen. Katso lisätietoja ASENNUSOSIOSTA.

5.2 Laitteen kytkeminen päälle/pois päältä

- ▶ Laite on toiminnassa heti, kun se on kytketty virtalähteeseen.
- ▶ Jääkaapin lämpötila asetetaan automaattisesti 4°C ja jäälämpötilaksi asetetaan 0°C. Tämä on suositeltava asetus ja ihanteellinen lämpötila jäähdytetyille elintarvikkeille. Voit säätää lämpötilaa manuaalisesti, jos haluat. Katso lisätietoja LÄMPÖTILAN SÄÄTÖOSIOSTA.

Merkkivalot (a–g) vilkkuvat kerran järjestyksessä. Jos ovi on suljettu, näyttö sammuu 30 sekunnin kuluttua. Paneelin lukitus saattaa olla aktiivinen.



Huomautus: esiasetus

- ▶ Laite on esiasetettu suositeltuun lämpötilaan, jääkaapin säilytyslämpötila on 4 °C ja jäälämpötila on 0 °C.
- ▶ Kun laite kytketään päälle sen jälkeen, kun se on ollut irrotettuna virtalähteestä, oikean lämpötilan saavuttaminen voi kestää jopa 2 tuntia.

Tyhjennä laite ennen sammuttamista ja vedä virtajohto pois pistorasiasta.

5.3 Valmiustila-näyttö

Kun ovi suljetaan, näyttöruutu sammuu automaattisesti 3 sekunnin kuluttua, jos mitään toimia ei tehdä. Näyttöruutu lukittuu automaattisesti. Se syttyy automaattisesti, kun kosketat mitä tahansa painiketta tai avaat oven.

5.4 Näytön lukitus ja lukituksen avaus

Automaattinen lukitus

Näyttö lukkiutuu automaattisesti 30 sekunnin kuluttua, jos mitään toimintoja ei tehdä.

Manuaalinen lukitus

Kun näytön lukitus avataan, paina lukituspainiketta (G) ja pidä se painettuna 3 sekunnin ajan. Lukituksen merkkivalo (g) palaa ja näyttö lukkiutuu. Kun näyttö on lukittu, paina lukituspainiketta (G) ja pidä se painettuna 3 sekunnin ajan. Kuuluu merkkiääni, lukituksen merkkivalo (g) sammuu ja näyttö lukkiutuu.



Huomautus: näytön lukitus

Kun näyttö on lukittu, lämpötilan asetus, Quick Cool, ja My Zone ovat pois käytöstä. Jos näitä toimintoja yritetään tehdä, lapsilukon merkkivalo vilkkuu 3 kertaa sen merkiksi, että näyttö on lukittu.

5.5 Lämpötilan asettaminen

Kun näytön lukitus on avattu, voit säätää lämpötilaa koskettamalla lämpötilapainiketta. Laitteesta kuuluu tällöin merkkiääni.

Jääkaapin ylähyllyt ja ensimmäinen laatikkovyöhyke ovat jääkaapin varastoalue, ja alempi kolmen laatikon vyöhyke on jäälämpötilavyöhyke. Valitse sopiva säilytysalue elintarvikkeiden pilaantumisen välttämiseksi.

5.6 Jääkaappitila (2–8 °C) (A–D)

Kun näytön lukitus on avattu, voit säätää lämpötilaa koskettamalla eri lämpötilapainikkeita. Lämpötilaksi voidaan asettaa 2 °C, 4 °C, 6 °C ja 8 °C.

5.7 Jäälämpötila (0 °C/2 °C) (E)

Kun näytön lukitus on avattu, kosketa My Zone -painiketta (E). My Zone -merkkivalo (e) palaa, jäälämpötila-alueen lämpötilaksi on asetettu 0 °C. Kosketa uudelleen My Zone (E), My Zone -merkkivalo (e) on pois päältä ja lämpötila-alueen lämpötilaksi on asetettu 2 °C.

5.8 Super Cool -tila (A)

Kun näyttö on lukittu, kosketa ja pidä painettuna (2°C) (A) -painiketta 3 sekunnin ajan, merkkivalot (a–d) syttyvät ja jääkaappi toimii Super Cool -tilassa. Toista yllä olevat vaiheet, kun haluat poistaa Super Cool -tilan pois käytöstä. Jos et ota toimintoa pois käytöstä manuaalisesti, se poistuu käytöstä automaattisesti heti, kun lämpötila saavuttaa asetetun lämpötilan tai 3 tuntia tämän jälkeen.



Huomautus: Super Cool

Lämpötilaa ei voi säätää Super Cool -tilassa. Jos näin yritetään tehdä, tilan merkkivalo vilkkuu 3 kertaa.

5.9 Quick Cool -tila (F)

Quick Cool jäähdyttää ylhäältä katsottuna toisen laatikon sisällön erittäin nopeasti. Koko laatikko voidaan jäähdyttää nopeasti asetettuun lämpötilaan. Kun näytön lukitus avataan, kosketa Quick Cool (F) -painiketta. Merkkivalot (f) syttyvät ja jääkaappi toimii Quick Cool -tilassa. Toista yllä olevat vaiheet, kun haluat poistaa Quick Cool -tilan pois käytöstä. Jos et ota toimintoa pois käytöstä manuaalisesti, se poistuu käytöstä automaattisesti heti, kun lämpötila saavuttaa asetetun lämpötilan tai 3 tuntia tämän jälkeen.

5.10 Muisti ja virrankatkaisu

Tässä jääkaapissa on virrankatkaisumuisti. Virrankatkaisua ennen voimassa olleet asetukset tallentuvat muistiin. Kun virta kytketään päälle, jääkaappi palauttaa ennen virrankatkaisua käytössä olleet asetukset ja jatkaa toimintaa.

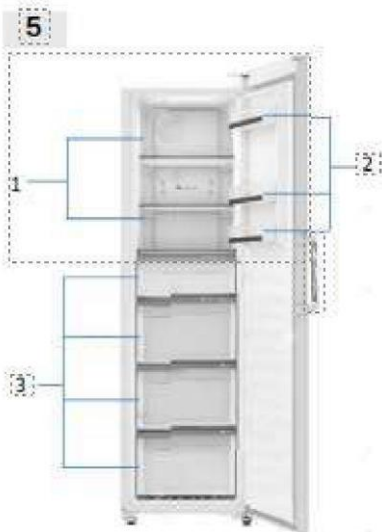
Lapsilukkotoimintoa ei voi tallentaa muistiin, ja näytön lukitus on pois päältä, kun virta on kytketty uudelleen päälle.

5.11 Ovi auki -hälytys

Kun ovi pidetään auki yli 1 minuutin ajan, kuuluu 3 merkkiääntä 0,5 sekunnin välein. Merkkiääni toistuu 30 sekunnin välein, jos ovi pysyy auki. Merkkiääni loppuu, kunnes ovi suljetaan tai 7 minuutin kuluttua. Tämän jälkeen valo sammuu.

5.12 Virheilmoitus

Jääkaappi on varustettu virheilmoituksella. Kun jokin virhe ilmenee, näyttö vilkkuu 1/4 sekunnin välein ja näytössä näkyy asianmukainen virhekoodi. Tässä tilanteessa jääkaappi voi yhä ylläpitää alhaista lämpötilaa, mutta jälkimarkkinointipalveluun kannattaa kuitenkin soittaa mahdollisimman pian, jotta jääkaappi saadaan korjattua viiveettä.



Eri elintarvikkeet tulisi sijoittaa eri alueille niiden ominaisuuksien mukaan (kuva 5).

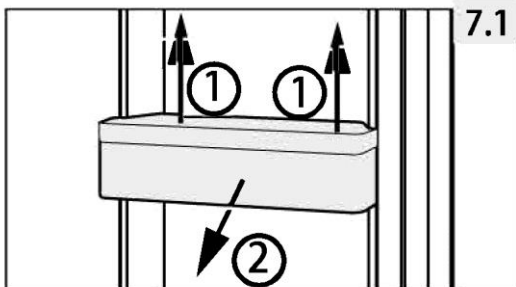
- 1 Säilötyt ruoat, säilykkeet, hedelmät, vihannekset, salaatti jne.
- 2 Munat, säilykkeet, mausteet, juomat ja pullotetut elintarvikkeet jne.
- 3 Lihavalmisteet, välipalaruoat jne.

Laitteet, joissa ei ole neljällä tähdellä merkittyä osastoa: tämä kylmälaite ei sovellu elintarvikkeiden pakastamiseen.

Energiansäästövinkejä

- ▶ Varmista, että ilmanvaihto toimii laitteen ympärillä (katso ASENNUK).
- ▶ Älä asenna laitetta suoraan auringonvaloon tai lämmönlähteiden läheisyyteen (esim. uunit, lämmittimet).
- ▶ Älä laske laitteen lämpötilaa tarpeettoman alhaiseksi. Energiankulutus kasvaa, mitä alhaisempi lämpötila laitteessa on.
- ▶ Jäähdytä lämmin ruoka ennen kuin laitat sen laitteeseen.
- ▶ Avaa laitteen ovi mahdollisimman vähän ja pidä sitä auki mahdollisimman lyhyesti.
- ▶ Varmista, että ovi sulkeutuu aina oikein ja etteivät elintarvikkeet ehkäise oven kunnollista sulkeutumista. Pidä oven tiivisteet puhtaina.
- ▶ Puhdista laitteen takaosa säännöllisesti. Pöly lisää energiankulutusta.
- ▶ Energiaa säästävän kokoonpano edellyttää, että laitteen laatikko, ruokalaatikko ja hyllyt pidetään tehdasasetuksissa, ja että elintarvikkeet sijoitetaan siten, että ne eivät tuki ilmakehän aukkoa.

7 - Lisävaruste



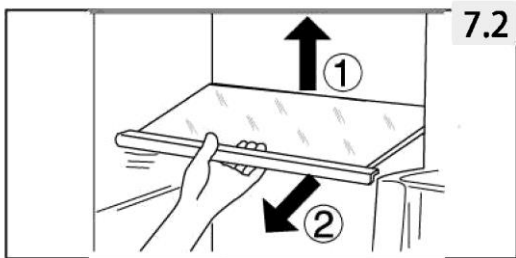
7.1

7.1 Irrotettavat ovitelineet

Oviteline voidaan irrottaa puhdistusta varten:

Aseta kädet telineen kummallekin puolelle, nosta sitä ylöspäin (1) ja vedä se ulos (2) (kuva 7.3).

Voit asettaa ovitelineen takaisin paikalleen toistamalla edellä mainitut vaiheet päinvastaisessa järjestyksessä.



7.2

7.2 Lasihyllyt

1. Jos haluat poistaa hyllyn, poista se nostamalla ensin sen takareunaa (1) ja vetämällä se ulos (2) (kuva 7.2).
2. Asenna hylly uudelleen asettamalla se molemmin puolin oleviin korvakkeisiin ja työntämällä se takimmäiseen asentoon, kunnes hyllyn takaosa on kiinnitetty sivuilla oleviin aukkoihin.

**VAROITUS!**

Irrota laite pistorasiasta tai virtalähteestä ennen puhdistusta.

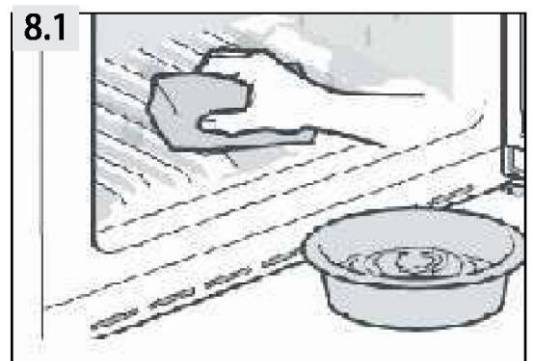
8.1 Yleistä

Puhdista laite, kun ruokaa on varastoituna vain vähän tai ei lainkaan.

**VAROITUS!**

- ▶ Älä puhdista laitetta käyttämällä kovia harjoja, teräsharjoja, pesuainejauhetta, bensiiniä, amyyliaasetta, asetonia ja vastaavia orgaanisia liuoksia tai happamia tai emäksisiä liuoksia.
Vältä vauriot käyttämällä pakastimen puhdistukseen tarkoitettua puhdistusainetta.
- ▶ Älä suihkuta tai huuhtelee laitetta puhdistuksen aikana.
- ▶ Älä raaputa huurretta ja jäätä pois terävillä esineillä.
- ▶ Älä käytä suihkeita, sähkölämmittimiä, kuten lämmitintä, hiustenkuivaajaa tai höyrypuhdistimia, tai muita lämmönlähteitä muovisten osien vaurioitumisen välttämiseksi.
- ▶ Älä puhdista kylmiä lasihyllyjä kuumalla vedellä. Nopeat lämpötilanmuutokset voivat aiheuttaa lasin rikkoutumisen.
- ▶ Älä yritä korjata laitetta itse. Jos laite on korjattava, ota yhteyttä asiakaspalveluumme.

- ▶ Pidä oven tiiviste aina puhtaana.
- ▶ Puhdista laitteen sisäpinnat ja kotelo haalealla vedellä ja neutraalilla pesuaineella kostutetulla pehmeällä liinalla tai sienellä (kuva 8.1).
- ▶ Huuhtelee ja kuivaa pehmeällä liinalla.
- ▶ Älä pese laitteen mitään osia astianpesukoneessa.
- ▶ Puhdista lisävaruste vain lämpimällä vedellä ja miedolla neutraalilla pesuaineella.



8.2 Jos laitetta ei käytetä pitkähköön aikaan

Jos laitetta ei käytetä pitkään aikaan:

- ▶ Poista ruoka jääkaapista.
- ▶ Irrota virtapistoke.
- ▶ Puhdista laite edellä kuvatulla tavalla.
- ▶ Jätä ovi auki ja vedä laatikkoja esiin, jotta sisälle ei muodostu pahaa hajua. Irrota laitteen ovi (avaa ovi ja pidä siitä kiinni ennen ruuvien irrottamista), jotta lapset eivät pääse laitteeseen ja lukkiudu sisään.



Huomautus: Laitteen kytkeminen pois päältä

Laitteen käyttöiän varmistamiseksi sammuta se vain, jos se on ehdottoman välttämätöntä.

8.3 Laitteen siirtäminen

1. Poista kaikki elintarvikkeet ja irrota virtajohto seinäpistorasiasta.
2. Kiinnitä jääkaapin hyllyt ja muut liikkuvat osat teipillä.
3. Sulje ovi ja kiinnitä se teipillä.
4. Älä kallista jääkaappia yli 45° kulmaan jäähdytysjärjestelmän vahingoittumisen välttämiseksi.
5. Suojaa jääkaapin jalat, jotta vältät lattian naarmuuntumisen. Älä koskaan siirrä jääkaappia väkiväkolla.



VAROITUS!

- ▶ Älä nosta laitetta kahvoista.
- ▶ Älä koskaan aseta laitetta vaakasuoraan maahan.

Voit itse ratkaista monet ongelmat. Tarkista ongelmatilanteessa ensin kaikki mahdolliset ratkaisut ja noudata alla olevia ohjeita, ennen kuin otat yhteyttä myyntipalveluumme. Katso ASIAKASPALVELU.



VAROITUS!

- ▶ Kytke laite pois päältä ja irrota verkkopistoke verkkopistorasiasta ennen huoltotoimia.
- ▶ Sähkölaitteita saavat huoltaa vain pätevät sähköasiantuntijat, koska virheelliset korjaukset voivat aiheuttaa huomattavia välillisiä vaurioita.
- ▶ Jos virtajohto on vaurioitunut, valmistajan, sen huoltoedustajan tai vastaavan ammattitaitoisen henkilön on vaihdettava se vaaran välttämiseksi.

Akustinen hälytys voidaan kytkeä pois päältä painamalla mitä tahansa painiketta.

9.1 Vianetsintä

Ongelma	Mahdollinen syy	Mahdollinen ratkaisu
Kompressor ei toimi.	Pistoke ei ole liitetty seinäpistorasiaan.	Liitä pistoke seinäpistorasiaan.
Laite käy huomattavan usein tai liian pitkiä aikoja kerrallaan.	<p>Sisä- tai ulkolämpötila on liian korkea.</p> <p>Laitteen virta on ollut jokin aikaa pois kytkettynä.</p> <p>Laitteen ovi ei ole tiiviisti kiinni.</p> <p>Ovi on avattu liian usein tai liian pitkään.</p> <p>Lämpötila-asetus on liian alhainen</p> <p>Oven tiiviste on likainen, kulunut, haljennut tai yhteensopimaton.</p> <p>Vaadittua ilmankiertoa ei voida taata.</p> <p>Sisätiloissa on jääpeite.</p>	<p>Tässä tilanteessa on normaalia, että laite käy tavallista pidempään.</p> <p>Laitteen täydellinen jäähtyminen kestää yleensä 8–12 tuntia.</p> <p>Sulje ovi ja varmista, että laite on sijoitettu tasaiselle alustalle ja etteivät elintarvikkeet tai astia estä oven sulkeutumista.</p> <p>Älä avaa ovea liian usein.</p> <p>Aseta lämpötila korkeammaksi, kunnes jääkaapin lämpötila on tyydyttävä. Jääkaapin lämpötilan vakiintuminen kestää 24 tuntia.</p> <p>Puhdista oven tiiviste tai pyydä asiakaspalvelusta apua sen vaihtamiseksi.</p> <p>Varmista riittävä ilmanvaihto.</p> <p>Sulata laite.</p>

Ongelma	Mahdollinen syy	Mahdollinen ratkaisu
Laite pitää epänormaalia ääntä.	<p>Laite ei sijaitse tasaisella lattialla.</p> <p>Laite koskettaa lähellä olevaa kohdetta.</p> <p>Laite seisoo puulattialla tai puuseinien lähellä.</p>	<p>Varmista, että laite on tasaisella alustalla.</p> <p>Poista esineet laitteen ympäriltä.</p> <p>Puu vahvistaa ääntä. Siirrä laite jonnekin muualle.</p>
Laite pitää naksahlevaa ääntä.	Tämä on normaalia. Syynä on jäähdytysyksikön kytkeytyminen päälle tai pois päältä.	-
Kuuluu hiljaista ääntä, joka muistuttaa virtaavaa vettä.	Tämä on normaalia.	-
Laite pitää moottorimaista ääntä.	Jäähdytysyksikkö on juuri käynnistynyt. Tämä on normaalia.	-
Laitteen sisällä ei ole tarpeeksi kylmää.	<p>Lämpötila on asetettu liian korkeaksi.</p> <p>Laitteeseen on lisätty liian lämpimiä tuotteita.</p> <p>Ruokaa on varastoitu kerralla liikaa.</p> <p>Elintarvikkeet ovat liian lähellä toisiaan.</p> <p>Ovi ei ole tiukasti kiinni.</p> <p>Ovi on avattu liian usein tai liian pitkään.</p>	<p>Aseta lämpötila uudelleen.</p> <p>Jäähdytä elintarvikkeet ja ruuat aina ennen niiden lisäämistä.</p> <p>Lisää aina pieniä määriä ruokaa.</p> <p>Jätä aukko useiden elintarvikkeiden välille, jolloin ilma pääsee virtaamaan.</p> <p>Sulje ovi.</p> <p>Älä avaa ovea usein.</p>
Laitteen sisällä on liian kylmä.	Lämpötila on asetettu liian alhaiseksi.	Aseta lämpötila uudelleen.
Laitteen pinnalle kertyy kosteutta.	Ilmasto on liian lämmin ja liian kostea.	Tämä on normaalia kosteissa ilmastoissa ja tilanne muuttuu, kun kosteusprosentti laskee. Pyyhi kuivaksi liinalla.

Ongelma	Mahdollinen syy	Mahdollinen ratkaisu
Jäähdytysjärjestelmä ei toimi.	Pistoketta ei ole liitetty seinäpistorasiaan. Virtalähde ei ole ehjä.	Liitä pistoke seinäpistorasiaan. Tarkista huoneen sähkönsyöttö. Soita paikalliseen sähköyhtiöön.
Kaapin sivut ja oviliuska lämpenevät.	Tämä on normaalia.	-
Kuulet hälytysäänen.	Ovi on auki.	Sulje ovi tai sammuta hälytys manuaalisesti.
Ovea on vaikea avata.	Kun laite on käynnissä, siinä on sisäinen tyhjiö.	Avaa oven tiiviste varovasti, jotta ilma pääsee laitteeseen.
Ovea ei voi sulkea kunnolla. Siihen jää aina aukko.	Laitteen matalan lämpötilan vuoksi oven tiiviste voi helposti kovettua ja sen muoto voi muuttua.	Käytä hiustenkuivaajaa tai aseta kuuma pyyhe kohtaan, jossa tiiviste on epämuodostunut. Kun tiiviste on jälleen pehmeä, sulje ovi ja paina sitä tiukasti kiinni.

9.2 Sähkökatkos

Noudata sähkökatkoksen sattuessa seuraavia ohjeita erityisesti kesäaikaan, mikäli sähkökatkos kestää kauan.

- ▶ Vältä oven avaamista.
- ▶ Älä laita jääkaappiin uusia elintarvikkeita sähkökatkoksen aikana.
- ▶ Jos sähkökatkoksesta ilmoitetaan etukäteen ja keskeytyksen kesto on yli 15 tuntia, tee jäätä ja laita se säilytysastiassa jääkaapin yläosassa olevaan pakastinosastoon.
- ▶ Koska lämpötila pakastimessa nousee sähkökatkoksen tai muun häiriön aikana, elintarvikkeiden säilytysaika pienenee ja laatu kärsii. Kaikki sulaneet elintarvikkeet tulisi terveystarvikkeiden välttämiseksi joko syödä tai kypsentää kuumentamalla ja pakastaa uudelleen (mikäli mahdollista) pikaisesti.



Huomautus: Muistitoiminto sähkökatkoksen aikana

Kun sähkövirta on palautunut, laite jatkaa ennen sähkökatkoa voimassa olleilla asetuksilla.

10.1 Purkaminen pakkauksesta

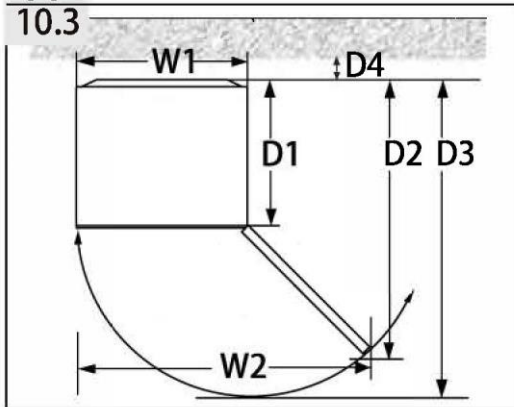


VAROITUS!

- ▶ Laite on painava. Sen käsittelyyn tarvitaan aina vähintään kaksi henkilöä.
- ▶ Pidä kaikki pakkausmateriaalit poissa lasten ulottuvilta ja hävitä ne ympäristöystävällisesti.
Ota laite pois pakkauksesta.
- ▶ Poista kaikki pakkausmateriaalit.

10.2 Ympäristöolosuhteet

Huoneen lämpötilan tulisi aina olla 10–43° C, koska huoneen lämpötila voi vaikuttaa laitteen sisälämpötilaan ja sen energiankulutukseen. Älä asenna laitetta lähelle muita lämpöä tuottavia laitteita (uunit, jääkaapit) ilman asianmukaista lämmöneristystä.

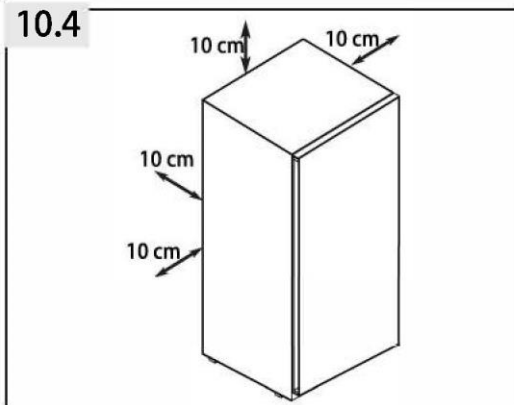


10.3 Tilantarve

Tarvittava tila oven avaamiseen (kuva 10.3):

Leveys millimetreinä		Syvyys millimetreinä			Etäisyys seinään millimetreinä
W1	W2	D1	D2	D3	D4
595	955	592	1 105	1 215	100

Vapaasti seisova laite: tämä kylmälaite on tarkoitettu käytettäväksi vapaasti seisovana laitteena eikä sitä saa käyttää sisäänrakennetun mallin tavoin.

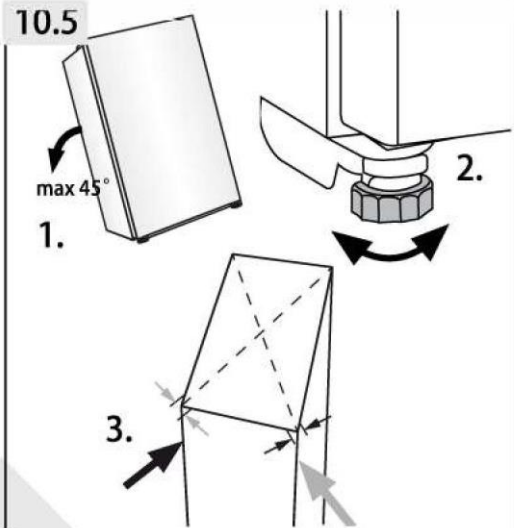


10.4 Tuuletusaukon poikkileikkaus

Laitteen turvallisuussyistä riittävän ilmanvaihdon aikaansaamiseksi on noudatettava vaadittujen ilmanvaihdon poikkileikkausten tietoja (kuva 10.4).

10.5 Laitteen sijoittaminen

Laite on asetettava tasaiselle ja kiinteälle alustalle. Jos laite asetetaan jalustalle, on käytettävä vahvaa ja palonkestävää materiaalia. Älä koskaan käytä pakkausmateriaalia jalustana.

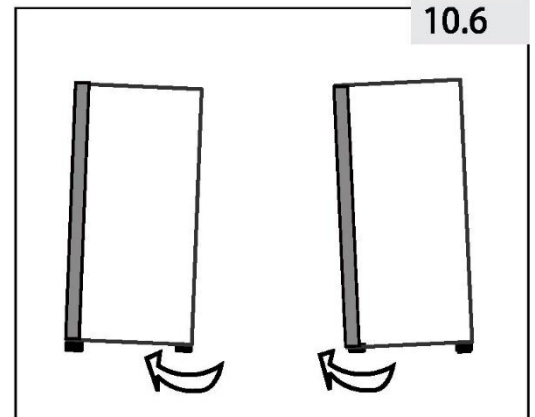


1. Kallista laitetta hieman taaksepäin (kuva 10.5).
2. Aseta jalat halutulle tasolle.
3. Voit tarkistaa, miten tukevasti laite seisoo, heiluttamalla sitä kulmista. Kodinkoneen tulisi heilahdella lievästi ja samalla tavalla kumpaakin suuntaan. Muussa tapauksessa runko voi vääntyä ja tämä voi johtaa ovitiivistöiden vuotamiseen. Erittäin pieni takanoja helpottaa oven sulkeutumista.

10.6 Säädettävien jalkojen käyttö

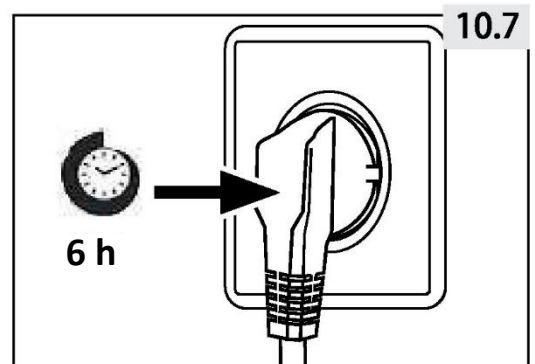
Jos jääkaappi on epävaka, jalkoja voidaan säätää: Käännä säädettäviä jalkoja nuolen suunnan mukaan (kuva 10.6) ylös tai alas päin:

- ▶ Jalkojen kääntäminen myötäpäivään nostaa laitetta.
- ▶ Jalkojen kääntäminen vastapäivään laskee sitä.



10.7 Odotusaika

Huoltovapaa voiteluöljy sijaitsee kompressorin kapselissa. Tämä öljy voi päästä suljetun putkijärjestelmän läpi kuljetuksen aikana, jos laite on kaltevassa asennossa. Ennen kuin kytket laitteen virtalähteeseen, sinun on odotettava 6 tuntia (kuva 10.7), jotta öljy kulkeutuu takaisin kapseliin.



10.8 Sähköliitäntä

Tarkista ennen jokaista liitäntää seuraavat seikat:

- ▶ sähkövirta, pistorasia ja sulakkeet ovat laitteen arvokilven mukaiset
- ▶ pistorasia on maadoitettu eikä monipistoketta tai jatkojohtoja käytetä
- ▶ pistorasia ja pistorasia ovat tarkasti teknisten määräysten mukaiset.

Liitä pistoke oikein asennettuun kotitalouskäyttöön tarkoitettuun pistorasiaan.



VAROITUS!

Vaarojen välttämiseksi asiakaspalvelun on vaihdettava vaurioitunut virtajohto (katso takuukortti).

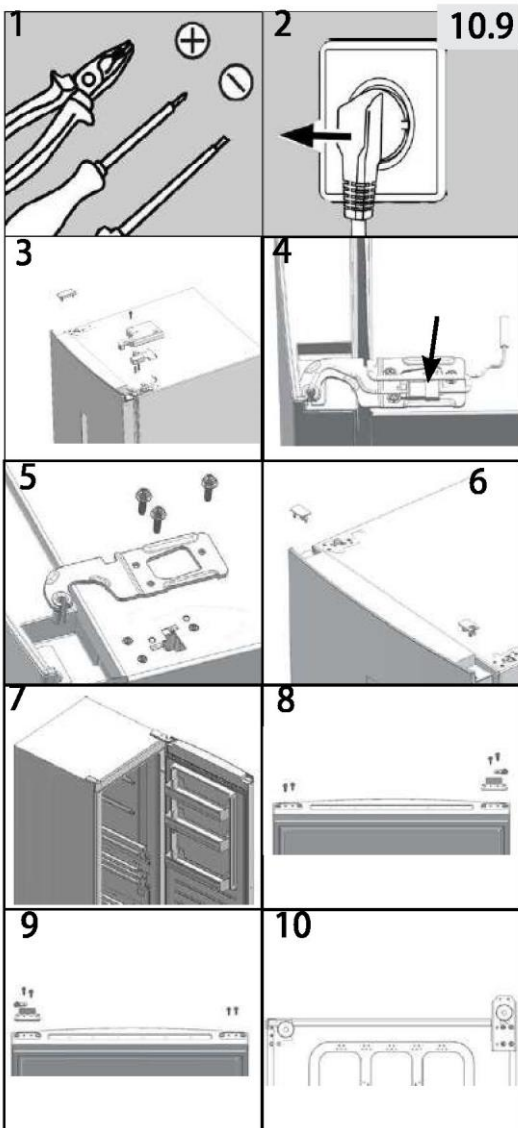
10.9 Oven kääntäminen

Ennen kuin kytket laitteen virtalähteeseen, tarkista, onko oven avautuminen vaihdettava oikealta (toimitettuna) vasemmalle, jos asennuspaikka ja käytettävyys sitä edellyttävät.



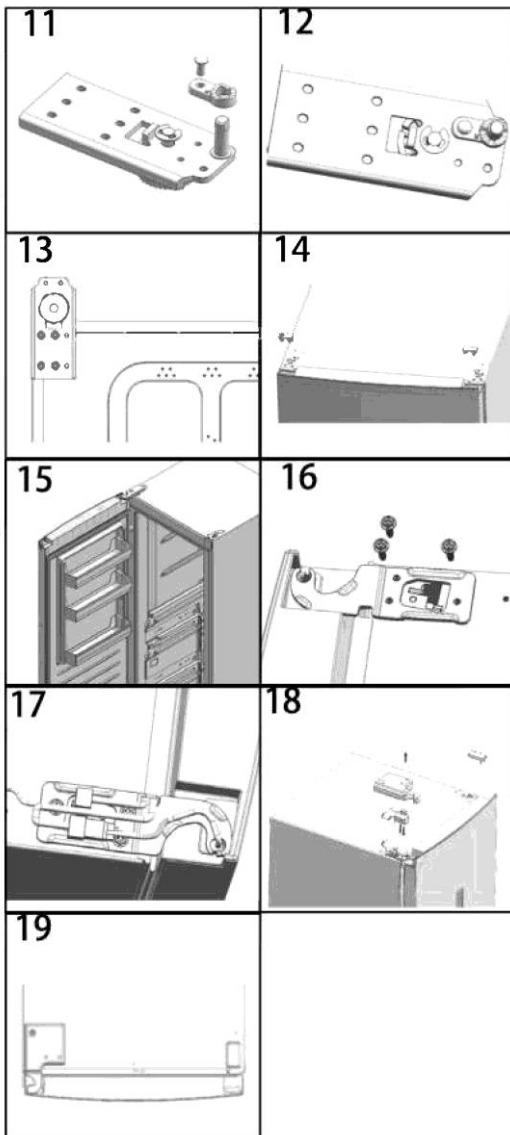
VAROITUS!

- ▶ Laite on painava. Oven kääntämiseen tarvitaan kaksi henkilöä.
- ▶ Irrota laite pistorasiasta ennen kääntämistä.
- ▶ Estä jäähdytysjärjestelmän vaurioituminen kallistamalla laitetta korkeintaan 45 °C.



Kokoonpanovaiheet (kuva 10.9):

1. Varaa käyttöön tarvittavat työkalut.
2. Irrota laite pistorasiasta.
3. Irrota sarananreiän suojus ja saranan suojus.
4. Irrota liitäntäkaapeli.
5. Poista ruuvit ja sarana.
6. Poista kansi ovesta. Poista tapin suojus ovesta.
7. Avaa ja irrota ovi.
8. Käännä ovi ylösalaisin ja irrota 2 ruuvia oven pohjasta. Irrota 2 ruuvia, oven rajoitin ja tapin suojus oven pohjasta.
9. Ota oven rajoitin viimeisestä vaiheesta ja tapin suojus lisävarustepussista, kiinnitä ne 2 ruuvilla. Kiinnitä 2 ruuvia myös oven toiselle puolelle.
10. Kallista kaappia hieman taaksepäin, irrota 4 ruuvia ja sitten alempi sarana.



11. Irrota ruuvi ja tapin suojus. Irrota saranatappi ja kiinnitä se sen vieressä olevaan reikään.
12. Ota paksumpi tapin suojus lisävarustepussista. Kiinnitä se ruuvilla, jonka sait viimeisestä vaiheesta.
13. Kiinnitä sarana kaapin vastakkaiseen asentoon 4 ruuvilla.
14. Vedä oven vastakkaiselta puolelta ulos vasemmanpuoleinen liitäntäkaapeli ja työnnä se tapin suojuksen läpi (vaiheesta 5), asenna tapin suojus. Kiinnitä reiän kansi oikealle puolelle.
15. Nosta ovi paikalleen.
16. Kiinnitä ylempi oikea sarana kolmella ruuvilla.
17. Kytke kaapeliliittimet:
18. Kiinnitä sarananreiän kansi ja ylhäällä vasemmalla oleva saranan kansi.
19. Valmis.

Vähimmäistakuu on: 2 vuotta EU-maissa, 3 vuotta Turkissa, 1 vuosi Isossa-Britanniassa, 1 vuosi Venäjällä, 3 vuotta Ruotsissa, 2 vuotta Serbiassa, 5 vuotta Norjassa, 1 vuosi Marokossa, 6 kuukautta Algeriassa, Tunisia ei vaadi lakisääteistä takuuta.

Termostaatteja, lämpötilan tunnistimia, painettuja piirilevyjä ja valonlähteitä on saatavilla varaosina vähintään 7 vuoden ajan sen jälkeen, kun kyseisen mallin viimeinen kappale on tullut myyntiin.

Ovien kädensijat, ovien saranat, alustat ja korit ovat saatavina varaosina vähintään 7 vuoden ajan ja ovitiivisteet vähintään 10 vuoden ajan sen jälkeen, kun kyseisen mallin viimeinen kappale on tullut myyntiin.

Lisätietoa tuotteesta saa osoitteesta <https://eprel.ec.europa.eu/tai> skannaamalla laitteen energiamerkissä olevan QR-koodin.

Jos haluat ottaa yhteyttä tekniseen tukeen, vieraile verkkosivustollamme osoitteessa: <https://corporate.haier-europe.com/en/>. Valitse osiosta verkkosivustoosi tuotteesi merkki ja maasi. Sinut siirretään seuraavaksi sivulle, josta löydät puhelinnumeron ja lomakkeen, jonka täyttämällä voit pyytää teknistä tukea

11.1 Tuoteseloste asetuksen EU N:o 1369/2017 mukaisesti

Tavaramerkki	Haier
Mallitunniste	H3R-330WNA
Mallin luokka	pystyjääkaappi
Energiatohokkuusluokka	A
Vuotuinen energiankulutus (kWh/vuosi)	66
Säilytystilavuus, jäähdytys (l)	189
Säilytystilavuus My Zone (l)	141
Kokonaissäilytystilavuus (l)	330
Muiden osastojen lämpötila > 14 °C	ei sovellettavissa
Frostfree-järjestelmä	kyllä
Turvallinen virrankatkaisuaika (h)	/
Pakastuskapasiteetti (kg / 24 h)	/
Ilmastoluokka	
Tämä laite on tarkoitettu käytettäväksi ympäristön lämpötilassa 10–43 °C.	SN-T
Äänitaso ilmassa (db(A)re 1 pW)	38
Rakennetyyppi	vapaasti seisova

¹⁾ vakiotestitulosten perusteella 24 tunnin ajalta. Todellinen energiankulutus riippuu siitä, miten laitetta käytetään ja missä se sijaitsee.

Asenna laite tilaan, jossa laitetta ympäröivän ilman lämpötila vastaa laitteen arvokilvessä mainittua ilmastoluokkaa.

- Laajennettu lauhkea (SN): kylmälaite toimii suunnitellusti, kun ympäristön lämpötila on 10–32 °C.
- Lauhkea (N): kylmälaite toimii suunnitellusti, kun ympäristön lämpötila on 16–32 °C.
- Subtrooppinen (ST): kylmälaite toimii suunnitellusti, kun ympäristön lämpötila on 16–38 °C.
- Trooppinen (T): kylmälaite toimii suunnitellusti, kun ympäristön lämpötila on 16–43 °C.

11.2 Tekniset lisätiedot

Jännite / taajuus	220–240 V ~ / 50 Hz
Pääsulake (A)	1.5
Jäähdytysneste	R600a
Mitat (K/L/S, mm)	1 910 / 595 / 675
Valoteho/Valojännite	1,5 W/DC 12 V

11.3 Standardit ja direktiivit

Tämä tuote täyttää kaikkien sovellettavien EY-direktiivien vaatimukset vastaavilla yhdenmukaistetuilla standardeilla, joissa säädetään CE-merkinnästä.

Suosittellemme Haierin asiakaspalvelua ja alkuperäisten varaosien käyttöä.
Jos sinulla on ongelmia laitteen kanssa, tarkista ensin osio VIANMÄÄRITYS.
Jos et löydä ratkaisua, ota yhteyttä

- ▶ paikalliseen jälleenmyyjän tai
- ▶ siirry Internet-osoitteen www.haier.com Service & Support -kohtaan. Täältä löydät tuen puhelinnumerot sekä usein kysytyjä kysymyksiä ja täällä voit myös aktivoida huoltopyynnön.

Jos haluat ottaa yhteyttä palveluumme, varmista, että sinulla on seuraavat tiedot saatavilla.

Tiedot löytyvät arvokilvestä.

Malli _____

Sarjanumero _____

Tarkista myös tuotteen mukana toimitettu takuukortti takuun varalta.

Alla on osoitetietomme Euroopassa, jos sinulla on yleisluontoisia kysymyksiä yrityksestämme.

Euroopan Haier-osoitteet			
Maa*	Postiosoite	Maa*	Postiosoite
Italia	Haier Europe Trading SRL Via De Cristoforis, 12 21100 Varese ITALY	Ranska	Haier France SAS 3-5 rue des Gravieres 92200 Neuilly sur Seine FRANCE
Espanja Portugali	Haier Iberia SL Pg. Garcia Faria, 49-51 08019 Barcelona SPAIN	Belgia-FR Belgia-NL Alankomaat Luxemburg	Haier Benelux SA Anderlecht Route de Lennik 451 BELGIUM
Saksa Itävalta	Haier Deutschland GmbH Hewlett-Packard-Str. 4 D-61352 Bad Homburg GERMANY	Puola Tšekki Unkari Kreikka Romania Venäjä	Haier Poland Sp. zo.o. Al. Jerozolimskie 181B 02-222 Warszawa POLAND
Yhdistynyt kuningas- kunta	Haier Appliances UK Co.Ltd. One Crown Square Church Street East Woking, Surrey, GU21 6HR UK		

*Katso lisätietoja osoitteesta www.haier.com



Haier

Brukerhåndbok



Opprettstående
kjøleskap

H3R-330WNA

NO

Haier

Takk for at du kjøpte et Haier-produkt.

Les disse instruksjonene nøye før du bruker dette apparatet. Instruksjonene inneholder viktig informasjon som vil hjelpe deg å få det beste ut av apparatet og sikre sikker og riktig installasjon, bruk og vedlikehold.

Oppbevar denne håndboken på et praktisk sted slik at du alltid kan se den for sikker og riktig bruk av apparatet.

Hvis du selger apparatet, gir det bort eller lar det ligge igjen når du flytter, sørg for at du også passerer denne håndboken slik at den nye eieren kan bli kjent med apparatet og sikkerhetsadvarslene.



Brosjyre

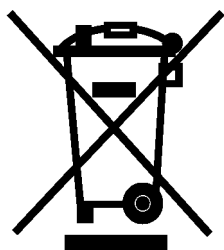
Generell informasjon og tips



Advarsel - Viktig sikkerhetsinformasjon



Miljøinformasjon



Kassering

Bidra til å beskytte miljøet og menneskers helse. Legg emballasjen i aktuelle beholdere for å resirkulere den. Bidra til å resirkulere avfall fra elektriske og elektroniske apparater. Ikke kast apparater merket med dette symbolet sammen med husholdningsavfallet. Returner produktet til ditt lokale resirkuleringsanlegg eller kontakt kommunekontoret.



ADVARSEL!

Fare for skade eller kvelning!

Kjølemedier og gasser må kasseres på en profesjonell måte. Forsikre deg om at slangen til kjølemiddelkretsen ikke er skadet før den kastes på riktig måte. Koble apparatet fra strømmettet. Kutt av nettkabelen og kast den. Fjern døren, dørlåsen og pakningene for å hindre at barn og kjæledyr blir lukket i apparatet.

1 - Sikkerhet	4
2 - Tiltent bruk	8
3 - Produktbeskrivelse.....	9
4 - Kontrollpanel.....	10
5 - Bruk.....	11
6 - Energisparetips	14
7 - Tilbehør.....	14
8 - Pleie og rengjøring	15
9 - Feilsøking	17
10 - Installasjon.....	20
11 - Tekniske data	24
12 - Kundeservice.....	25

Les følgende sikkerhetstips før du slår på apparatet for første gang hint!:



ADVARSEL!

Før første gangs bruk

- ▶ Kontroller at det ikke er noen transportskade.
- ▶ Fjern all emballasje og oppbevar utilgjengelig for barn.
- ▶ Vent minst seks timer før du installerer apparatet for å sikre at kjølemiddelkretsen er fullt effektiv.
- ▶ Håndter alltid apparatet med minst to personer fordi det er tungt.

Installasjon

- ▶ Apparatet bør plasseres på et godt ventilert sted. Sørg for en plass på minst 10 cm over og rundt apparatet.
- ▶ Ikke dekk til lufteåpningene.
- ▶ Plasser aldri apparatet på et fuktig sted eller et sted hvor det kan sprutes med vann. Rengjør og tørk vannsprut og flekker med en myk ren klut.
- ▶ Ikke installer apparatet i direkte sollys eller i nærheten av varmekilder (f.eks. komfyrer, varmeovner).
- ▶ Installer og juster apparatet i et område som passer for størrelse og bruk.
- ▶ Ventilasjonsåpninger i apparatets kabinett eller i den innebygde konstruksjonen må ikke tildekkes.
- ▶ Forsikre deg om at den elektriske informasjonen på typeskiltet stemmer overens med strømforsyningen. Hvis ikke, kontakt en elektriker.
- ▶ Apparatet drives av en 220-240 VAC / 50 Hz strømforsyning. Unormal spenningssvingning kan føre til at apparatet ikke starter, eller at temperaturreguleringen eller kompressoren blir skadet, eller det kan være unormal støy under bruk. I slike tilfeller skal det monteres en automatisk regulator.
- ▶ Bruk en separat jordet stikkontakt for strømforsyningen som er lett tilgjengelig. Dette apparatet må jordes.
- ▶ Bare for Storbritannia: Apparatets strømkabel er utstyrt med 3-ledningskontakt (jording) som passer til en standard 3-ledningskontakt (jordet). Aldri kutt av eller demonter den tredje pinnen (jording). Etter at apparatet er installert, skal støpselet være tilgjengelig.
- ▶ Ikke bruk multipluggadaptore og skjøteledninger.
- ▶ Pass på at strømkabelen ikke kommer i klem i kjøleskapet. Ikke trakk på strømkabelen.
- ▶ Ikke skad kjølevæskekretsen.

**ADVARSEL!****Daglig bruk**

- ▶ Dette apparatet kan brukes av barn i alderen fra åtte år og eldre og personer med nedsatt fysisk, sensorisk eller mental evne eller med mangel på erfaring og kunnskap, forutsatt at de blir veiledet eller gitt instruksjoner om bruk av apparatet på en trygg måte, og de forstår de involverte farene. Rengjøring og vedlikehold skal ikke utføres av barn uten tilsyn.
- ▶ Hold barn under 3 år unna apparatet med mindre de er under konstant tilsyn.
- ▶ Barn skal ikke leke med apparatet.
- ▶ Hvis kjølig gass eller annen brennbar gass lekker i nærheten av apparatet, må du slå av ventilen til den lekkende gassen, åpne dørene og vinduene og ikke trekke ut støpselet i strømkabelen til kjøleskapet eller andre apparater.
- ▶ Legg merke til at apparatet er innstilt for bruk ved et spesifikt omgivelsesområde mellom 10 og 43 °C. Det kan hende at apparatet ikke fungerer som det skal hvis det blir stående i en lengre periode ved en temperatur over eller under det angitte området
- ▶ Ikke plasser ustabile gjenstander (tunge gjenstander, beholdere fylt med vann) oppå kjøleskapet for å unngå personskader forårsaket av fall eller elektrisk støt forårsaket av kontakt med vann.
- ▶ Åpne og lukk dørene kun med håndtakene. Avstanden mellom dørene og skapet er veldig smal. Ikke strekk ut hendene i disse områdene for å unngå å klemme fingrene. Åpne eller lukk kjøle-/frysedørene kun når det ikke er barn som står innenfor dørens bevegelsesområde.
- ▶ Ikke oppbevar eller bruk brennbare, eksplosive eller etsende materialer i apparatet eller i nærheten.
- ▶ Oppbevar ikke medisiner, bakterier eller kjemiske midler i apparatet. Dette apparatet er et husholdningsapparat. Det anbefales ikke å lagre materialer som krever strenge temperaturer.
- ▶ For å unngå fare på grunn av ustabilitet til apparatet, må det festes i henhold til instruksjonene.
- ▶ Barn mellom 3 og 8 år kan laste og losse dette apparatet.



ADVARSEL!

Daglig bruk

- ▶ Koble fra apparatet i tilfelle strømbrudd eller før rengjøring. Vent minst 5 minutter før du starter apparatet på nytt, siden hyppig start kan skade kompressoren.
- ▶ Ikke bruk elektriske apparater inne i apparatets oppbevaringsrom, med mindre de er av den typen som anbefales av produsenten.
- ▶ Hvis belysningslampene er skadet, må de skiftes ut av produsenten eller av en kvalifisert person hos spesifisert vedlikeholdsleverandør.

Vedlikehold/rengjøring

- ▶ Sørg for at barn er under oppsyn hvis de utfører rengjøring og vedlikehold.
- ▶ Koble apparatet fra strømforsyningen før du utfører rutinemessig vedlikehold. Vent minst 5 minutter før du starter apparatet på nytt, siden hyppig start kan skade kompressoren.
- ▶ Hold støpselet, ikke kabelen, når du kobler fra apparatet.
- ▶ Ikke skrap av frost og is med skarpe gjenstander. Ikke bruk spray, elektriske varmeovner som varmeovn, hårføner, damprensere eller andre varmekilder for å unngå skade på plastdelene.
- ▶ Ikke bruk mekaniske enheter eller andre metoder for å akselerere avrimingsprosessen, bortsett fra de som anbefales av produsenten.
- ▶ Ikke spray eller skylle apparatet under rengjøring.
- ▶ Ikke bruk vannspray eller damp for å rengjøre apparatet.
- ▶ Hvis belysningslampene er skadet, må de skiftes ut av produsenten eller av en kvalifisert person hos spesifisert vedlikeholdsleverandør.
- ▶ Ikke prøv å reparere, demontere eller modifisere apparatet på egen hånd. Ved reparasjon, kontakt vår kundeservice.
- ▶ Ikke prøv å bytte lysende lampe selv. Ved reparasjon, kontakt vår kundeservice.

Informasjon om kjølemiddelgass



ADVARSEL!

Apparatet inneholder det brennbare kjølemediet ISOBUTAN (R600a). Sørg for at kjølemiddelkretsen ikke er skadet under transport eller installasjon. Kuldemiddel som lekker kan forårsake øyeskader eller antennes. Hvis det har oppstått en skade, hold åpne ildkilder unna, ventiler rommet grundig, ikke plugg eller trekk ut strømledningene til apparatet. Informer Kundeservice.

Hvis øynene kommer i kontakt med kjølemediet, skyll det umiddelbart under rennende vann og kontakt øyespesialisten umiddelbart.



ADVARSEL!

- ▶ Pass på å unngå å forårsake brann ved antennelse av brennbart materiale.
- ▶ **ADVARSEL:** Når du plasserer apparatet, må du sørge for at strømledningen ikke er fanget eller skadet.
- ▶ **ADVARSEL:** Ikke plasser flere bærbare stikkontakter eller bærbare strømforsyninger på baksiden av apparatet.
- ▶ Ikke oppbevar eksplosive stoffer som aerosolbeholdere med brennbar drivgass i dette apparatet.
- ▶ For brennbare kjølemedier som brukes i fryseren, vær forsiktig når du installerer, håndterer, serverer og resirkulerer apparatet.
- ▶ Kontakt serviceagenten for å kassere apparatet fordi den brannfarlige blåsegassen ble brukt.

2.1 Tiltent bruk

Dette apparatet er beregnet for bruk i husholdninger og lignende bruksområder som f.eks

- Personalets kjøkkenområder i butikker, kontorer og andre arbeidsmiljøer;
- gårdshus og av gjester på hoteller, moteller og andre typer boligmiljøer;
- bed and breakfast type miljøer;
- catering og lignende ikke-detaljhandel applikasjoner.

Dette apparatet er beregnet for å kjøle mat. Den er utformet eksklusivt for bruk i tørre husholdninger. Den er ikke beregnet for kommersiell eller industriell bruk.

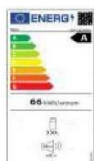
På forespørsel kan dette apparatet brukes som ferskvarerom.

Endringer eller modifikasjoner på enheten er ikke tillatt. Utsiktet bruk kan forårsake farer og tap av garantikrav.

2.2 Tilbehør

Sjekk tilbehøret og litteraturen i henhold til denne listen:

2.2



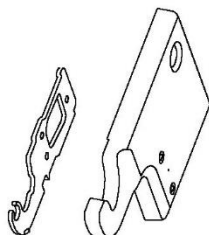
Energi-
merke



Garantikort

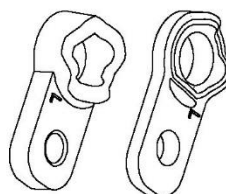


Brukerhåndbok



Øvre venstre
hengsel for
dørvendbarhet

Øvre venstre
hengseldeksel



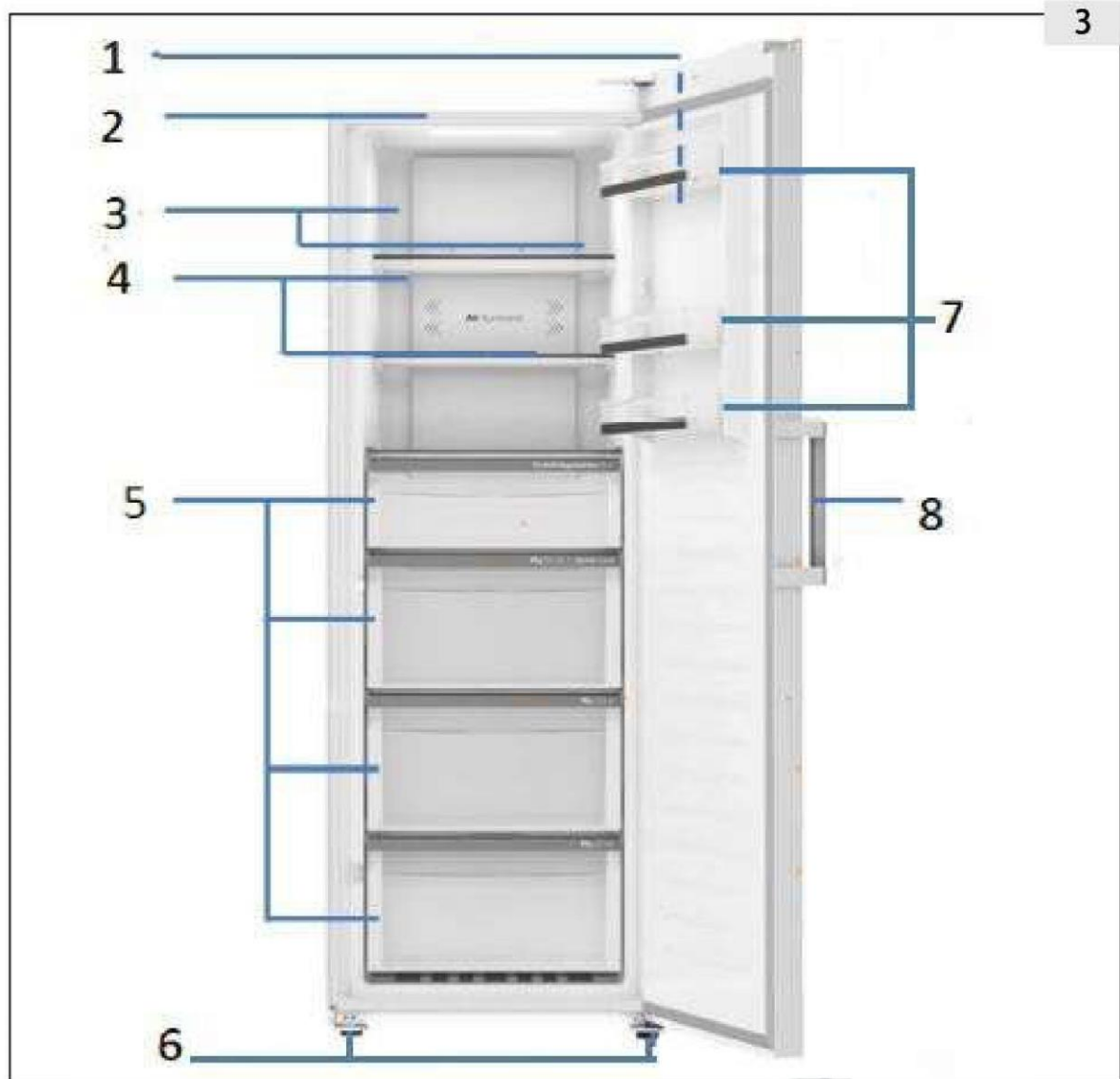
Aksedeksler



Legg merke til forskjeller

På grunn av tekniske endringer og forskjellige modeller kan noen av illustrasjonene i denne håndboken avvike fra din modell.

Bilde av apparatet (fig. 3)



1 Kontrollpanel

2 LED-lampe

3 Multi-luftstrøm

4 Glasshyller

5 Skuffer

6 Justerbare føtter

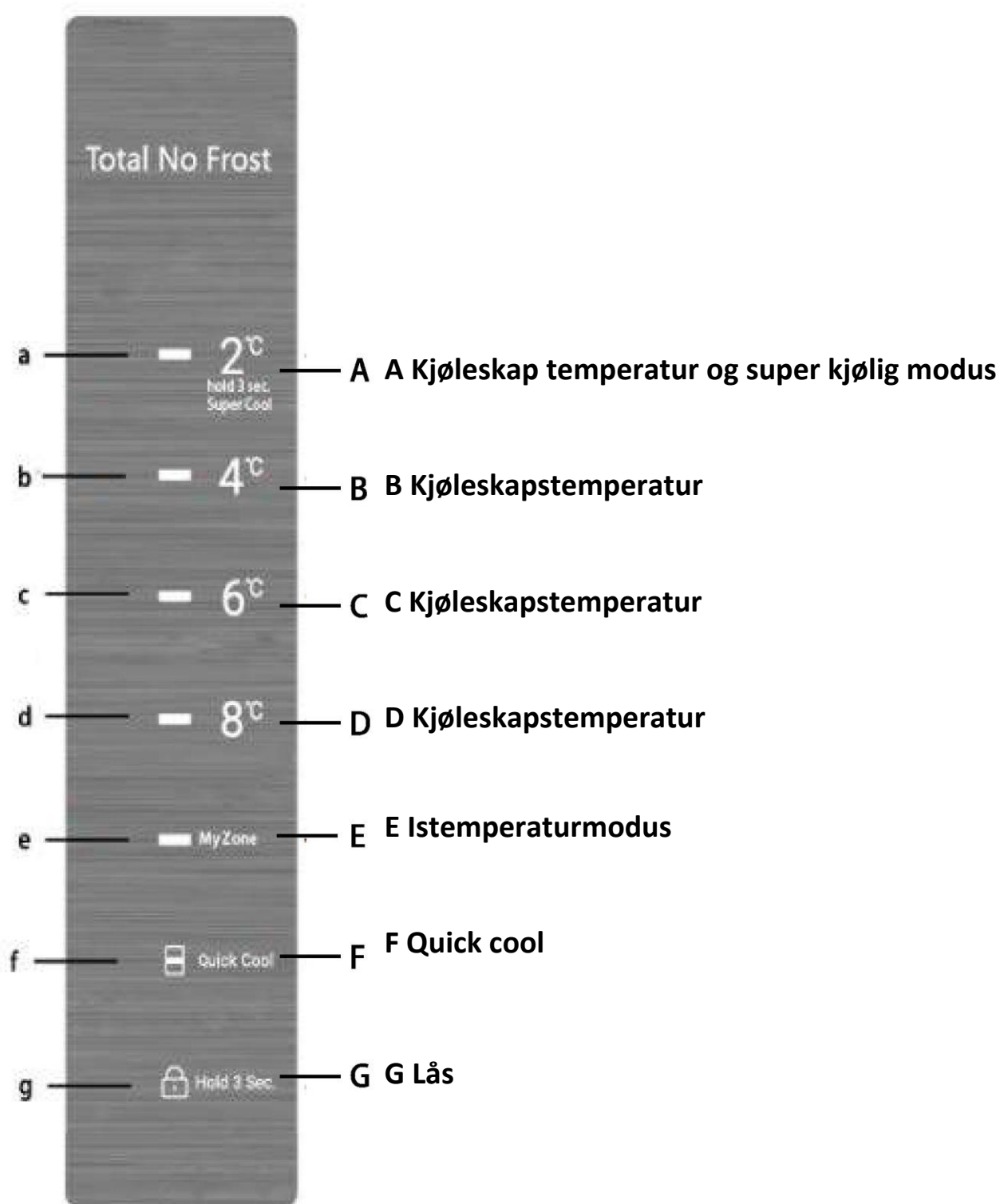
7 Avtakbare dørhyller

8 Dørhåndtak

Merk: Dette produktet inneholder en lyskilde med energieffektivitetsklasse <G>.

Kontrollpanel (fig. 4)

4



5.1 Før første gangs bruk

- ▶ Fjern all emballasje, oppbevar den utenfor barns rekkevidde og kast den på en miljøvennlig måte.
- ▶ Rengjør innsiden og utsiden av apparatet med vann og et mildt rengjøringsmiddel før du legger mat i det.
- ▶ Etter at apparatet er nivellert og rengjort, vent i minst 6 timer før du kobler det til strømforsyningen. Vennligst se avsnittet **INSTALLASJON**.

5.2 Slå apparatet på/av

- ▶ Apparatet er i drift så snart det er koblet til strømforsyningen.
- ▶ Kjøleskapstemperaturen settes automatisk til kjølelagringstemperatur 4 °C og istemperatur 0 °C. Dette er den anbefalte innstillingen og den ideelle temperaturen for kjølevarer. Du kan justere temperaturen manuelt hvis du vil. Vennligst se avsnittet **JUSTERING AV TEMPERATUR**.

Indicators(ag) vil blinke én gang etter hverandre. Hvis døren er dosert, slås displayet av etter 30 sekunder. Panellåsen kan være aktiv.



Merk: Forhåndsinnstilling

- ▶ Apparatet er forhåndsinnstilt til anbefalt temperatur, kjølelagringstemperatur 4 °C og istemperatur 0 °C.
- ▶ Når apparatet slås på etter at det er koblet fra hovedstrømforsyningen, kan det ta opptil 2 timer til riktig temperatur.

Tøm apparatet før du slår det av, og trekk deretter strømledningen ut av stikkkontakten.

5.3 Standby-modus for skjermen

Når døren lukkes, slås skjermen av automatisk etter 3 sekunder uten noen operasjon. Skjermen låses automatisk. Den lyser automatisk når du trykker på en knapp eller åpner døren.

5.4 Skjermlås og lås opp

Automatisk låsing

Displayet låses automatisk etter 30 sekunder uten noen operasjon.

Manuell låsing

Når skjermen er låst opp, trykk 'lås' (G) og hold i 3 sekunder, så lyser "lås" (g)-indikatoren og skjermen er låst. Når skjermen er låst, trykk 'lås' (G) og hold i 3 sekunder, med et pip, "lås" (g)-indikatoren er av og skjermen er låst.



Merk: Skjermlås

Når displayet er låst, er funksjoner som temperaturinnstilling, Quick Cool og My Zone deaktivert. Når disse operasjonene er forsøkt, vil barnesikringsindikatoren blinke 3 ganger for å minne om at skjermen er låst.

5.5 Temperaturinnstilling

Når displayet er låst opp, kan du justere temperaturen ved å trykke på temperaturknappen, denne prosessen vil bli ledsaget av pip.

Den øvre hyllesonen og den første skuffesonen i kjøleskapet er kjølelagringssonen, og de tre nederste skuffene er istemperatursonen. Velg riktig lagringszone for å unngå matødeleggelse.

5.6 Kjøleskapsmodus (2 °C til 8 °C) (AD)

Når skjermen er låst opp, kan du justere temperaturen ved å trykke på en annen temperaturknapp. Temperaturen kan settes til "2 °C", "4 °C", "6 °C" og "8 °C".

5.7 Istemperaturmodus (0°C/2 °C) (E)

Når skjermen er låst opp, trykk på 'My Zone' (E), indikatorene 'My Zone' (e) vil lyse, istemperatursonen er satt til 0°C. Trykk på 'My Zone' (E) igjen, indikatorene 'My Zone' (e) vil være av, temperatursonen er satt til 2 °C.

5.8 Super-Cool-modus (A)

Når skjermen er låst, trykk og hold (2 °C) (A) i 3 sekunder, indikatorene (ad) vil lyse, kjøleskapet fungerer i Super-Cool-modus. Gjenta trinnene ovenfor for å deaktivere super-Cool-funksjonen. Hvis du ikke deaktiverer manuelt, vil funksjonen deaktiveres automatisk så snart temperaturen når innstilt temperatur eller 3 timer senere.



Merk: Super Cool

I Super-Cool-modus kunne ikke temperaturen justeres. Hvis du gjør det, vil superindikatoren blinke i 3 ganger.

5.9 Quick Cool-modus (F)

Quick cool fungerer som SHOCK REFRIGERATE i den andre skuffen fra toppen, hele skuffesonen kan raskt kjøles ned til innstilt temperatur. Når skjermen er låst opp trykker du på 'Quick Cool' (F), vil indikatorene (f) lyse, kjøleskapet fungerer i hQuick Cool-modus. Gjenta trinnene ovenfor for å deaktivere funksjonen for Quick Cool. Hvis du ikke deaktiverer manuelt, vil funksjonen deaktiveres automatisk så snart temperaturen når innstilt temperatur eller 3 timer senere.

5.10 Slå av minnet

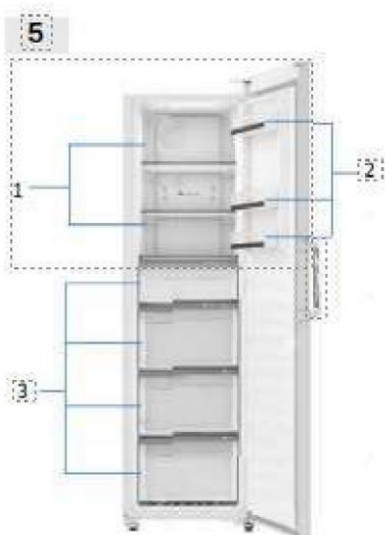
Dette kjøleskapet har avstengingsminne, innstillinger før avslåing vil bli lagret. Når strømmen slås på, gjenoppretter kjøleskapet innstillingen før det slås av og fortsetter å fungere. Barnesikringsfunksjonen kan ikke lagres, etter at den er slått på låses display opp.

5.11 Døråpningsalarm

Når døren holdes åpen i mer enn 1 minutt, vil piperen gi 3 pip med intervall på 0,5 sekund. Pipene gjentas hvert 30. sekund hvis døren holdes åpen. Pipene vil stoppe til døren lukkes eller 7 minutter senere. Så slukker lyset.

5.12 Feil indikasjon

Kjøleskapet er utstyrt med feilmelding. Når det oppstår en feil, vil displayet blinke hvert 1/4 sekund med forskjellige koder for forskjellige feil. I denne situasjonen kan kjøleskapet fortsatt kjøle seg ned, men du bør ringe ettersalgsservicen så snart som mulig for optimal kontrast av kjøleskapet.



Ulike matvarer bør plasseres i forskjellige områder i henhold til deres egenskaper (fig: 5).

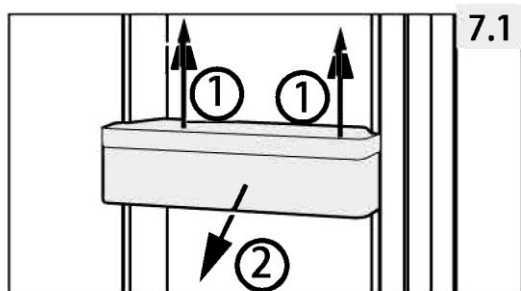
- 1 Syltet mat, hermetikk, frukt, grønnsaker, salat, etc.
- 2 Egg, hermetikk, krydder, drikke og flaskemat, etc.
- 3 Kjøttprodukter, snacks osv.

I kjøle-modus uten 4-stjerners rom: dette kjøleapparatet egner seg ikke for frysing av matvarer;

Energisparetips

- ▶ Sørg for at apparatet er skikkelig ventilert (se avsnittet **INSTALLASJON**).
- ▶ Ikke installer apparatet i direkte sollys eller i nærheten av varmekilder (f.eks. komfyrer, varmeovner).
- ▶ Unngå unødvendig lav temperatur i apparatet. Energiforbruket øker jo lavere temperaturen i apparatet stilles inn.
- ▶ La varm mat avkjøles før du plasserer den i apparatet.
- ▶ Åpne apparatdøren så lite og så kort som mulig.
- ▶ Sørg for at døren alltid lukkes riktig og upåvirket av matposisjonen. Hold dørpakninger rene.
- ▶ Rengjør baksiden av apparatet regelmessig. Støv øker energiforbruket.
- ▶ Den mest energibesparende konfigurasjonen krever at skuff, matboks og hyller plasseres i apparatet i fabrikkfri tilstand, og at mat plasseres uten å blokkere luftutløpet til kanalen.

7 - Tilbehør



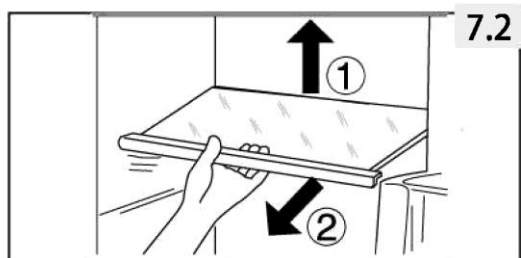
7.1

7.1 Avtakbare dørhyller

Dørhyllene kan tas ut for rengjøring:

Plasser hendene på hver side av stativet, løft den oppover (1) og trekk den ut (2) (fig. 7.3).

For å sette inn dørstativet, utføres trinnene ovenfor i omvendt rekkefølge.



7.2

7.2 Glasshyller

1. For å flytte en hylle, fjern den først ved å løfte bakkanten (1) og trekke den ut (2) (fig. 7.2).
2. For å installere den igjen, sett den på tappene på begge sider og skyv den til bakerste posisjon til baksiden av hyllen er festet inne i sporene i sidene.

**ADVARSEL!**

Koble apparatet fra strømforsyningen før rengjøring.

8.1 Generelt

Rengjør apparatet når bare lite eller ingen mat er lagret.

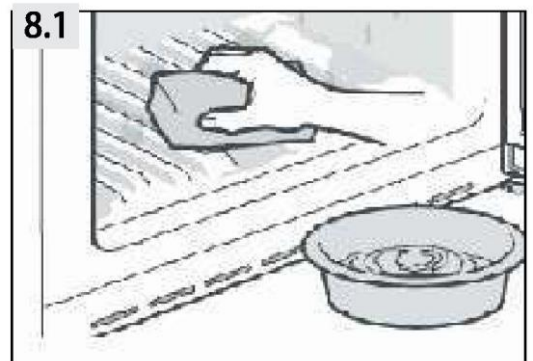
**ADVARSEL!**

- ▶ Ikke rengjør apparatet med harde børster, stålbørster, vaskemiddelpulver, bensin, amyloacetat, aceton og lignende organiske løsninger, sure eller alkaliske løsninger.

Rengjør med spesielt fryservaskemiddel for å unngå skade.

- ▶ Ikke spray eller skyll apparatet under rengjøring.
- ▶ Ikke skrap av frost og is med skarpe gjenstander.
- ▶ Ikke bruk spray, elektriske varmeovner som varmeovn, hårføner, damprensere eller andre varmekilder for å unngå skade på plastdelene.
- ▶ Ikke rengjør de kalde glasshyllene med varmt vann. Plutselige temperaturrendringer kan føre til at glasset knuses.
- ▶ Ikke prøv å reparere apparatet selv. Ved reparasjon, kontakt vår kundeservice.

- ▶ Hold alltid dørpakningen ren.
- ▶ Rengjør innsiden og huset til apparatet med en myk klut eller svamp fuktet i varmt vann og nøytralt vaskemiddel (fig. 8.1).
- ▶ Skyll og tørk med en myk klut.
- ▶ Ikke rengjør deler av apparatet i oppvaskmaskin.
- ▶ Rengjør tilbehøret kun med varmt vann og mildt nøytralt rengjøringsmiddel.



8.2 Ikke brukt over lengre tid

Hvis apparatet ikke brukes over lengre tid:

- ▶ Ta ut maten.
- ▶ Trekk ut strømledningen.
- ▶ Rengjør apparatet som beskrevet ovenfor.
- ▶ Hold døren og kjøleskapskuffene åpen for å unngå at det oppstår vond lukt inni. Fjern døren til apparatet (åpne døren og hold den før du fjerner skruene) for å unngå at barn kommer inn i apparatet og blir låst inne.



Obs: Slå av

For å sikre levetiden til apparatet, slå det kun av hvis det er strengt nødvendig.

8.3 Flytte apparatet

1. Fjern all mat og trekk ut stikkontakten.
2. Fest hyller og andre bevegelige deler i kjøleskapet med teip.
3. Lukk døren og fest den med tape.
4. Ikke vipp kjøleskapet mer enn 45° for å unngå å skade kjølesystemet.
5. Pakk inn føttene til kjøleskapet for å unngå å ripe opp gulvet. Flytt aldri kjøleskapet med makt.



ADVARSEL!

- ▶ Ikke løft apparatet i håndtakene.
- ▶ Plasser aldri apparatet horisontalt på bakken.

Mange oppståtte problemer kan løses av deg selv uten spesifikke. I tilfelle et problem, sjekk alle viste muligheter og følg instruksjonene nedenfor før du kontakter en ettersalgsservice. Se avsnittet KUNDESERVICE.



ADVARSEL!

- ▶ Før vedlikehold, deaktiver apparatet og trekk støpselet ut av stikkkontakten.
- ▶ Elektrisk utstyr skal kun vedlikeholdes av kvalifiserte elektroeksperter, fordi feilaktige reparasjoner kan forårsake betydelige følgeskader.
- ▶ En skadet forsyning bør kun erstattes av produsenten, dennes serviceagent eller lignende kvalifiserte personer for å unngå fare.

Den akustiske alarmen kan slås av ved å trykke på en hvilken som helst knapp.

9.1 Feilsøking

Problem	Mulig årsak	Mulig løsning
Kompressoren fungerer ikke.	Støpselet er ikke koblet til stikkkontakten.	Koble til støpselet.
Apparatet går ofte eller går i for lang tid.	Inne- eller utendørs-temperaturen er for høy. Apparatet har vært avslått i en periode. Døren på apparatet er ikke tett lukket. Døren har vært åpnet for ofte eller for lenge Temperaturinnstillingen er for lav Dørpakningen er skitten, slitt, sprukket eller feilaktig. Den nødvendige luftsirkulasjonen er ikke garantert. Interiøret er dekket av is.	I dette tilfellet er det normalt at apparatet går lenger. Normalt tar det 8 til 12 timer før apparatet har kjølt seg helt ned. Lukk døren og sørg for at apparatet er plassert på et jevnt underlag og at det ikke er mat eller beholdere som skurrer i døren. Ikke åpne døren for ofte Sett temperaturen høyere til en tilfredstillende temperatur er oppnådd. Det tar 24 timer før temperaturen blir stabil. Rengjør dørpakningen eller bytt den av kundeservice. Sørg for tilstrekkelig ventilasjon. Tin apparatet.

Problem	Mulig årsak	Mulig løsning
Apparatet lager unormale lyder.	<p>Apparatet er ikke plassert på jevnt underlag.</p> <p>Apparatet berører en gjenstand i nærheten av det.</p> <p>Apparatet står på tregulv eller nær trevegger</p>	<p>Nivå apparatet</p> <p>Fjern gjenstander rundt apparatet.</p> <p>Tre forsterker lyden. Sett apparatet et annet sted.</p>
Apparatet lager en klikkelyd	Dette er normalt. Det skyldes at kjøleenheten slår seg på eller av.	-
En svak lyd kan høres som ligner på rennende vann.	Dette er normalt.	-
Apparatet lager en motorlyd.	Kjøleenheten har nettopp slått seg på. Dette er normalt.	-
Det er ikke kaldt nok inne i apparatet.	<p>Temperaturen er satt for høyt. Varer som er for varme har blitt lagret.</p> <p>For mye mat har blitt lagret én gang.</p> <p>Varene er for nær hverandre.</p> <p>Døren er ikke tett lukket.</p> <p>Døren har vært åpnet for ofte eller for lenge.</p>	<p>Tilbakestill temperaturen</p> <p>Avkjøl alltid varer før du lagrer dem.</p> <p>Oppbevar alltid små mengder mat.</p> <p>La det være et mellomrom mellom flere matvarer slik at luften kan strømme.</p> <p>Lukk døren.</p> <p>Ikke åpne døren for ofte.</p>
Det er for kaldt inne i apparatet.	Temperaturen er satt for lavt.	Tilbakestill temperaturen
Fuktighet samler seg på overflaten av apparatet.	Klimaet er for varmt og for fuktig.	Dette er normalt i fuktig klima og vil endre seg når luftfuktigheten synker. Tørk med en klut.
Kjølesystemet fungerer ikke.	<p>Hovedstøpselet er ikke koblet til Mian-kontakten.</p> <p>Strømforsyningen er ikke intakt.</p>	<p>Koble til støpselet.</p> <p>Kontroller strømforsyningen til rommet. Ring det lokale strømselskapet!</p>
Sidene på skapet og dørlisten blir varme.	Dette er normalt.	-

Problem	Mulig årsak	Mulig løsning
Du hører et alarmsignal.	Døren er åpen	Lukk døren eller slå av alarmen manuelt.
Døren er vanskelig å åpne.	Når apparatet går, har det et internt vakuum.	Åpne dørpakningen forsiktig for å la luft komme inn i apparatet.
Døren kan ikke lukkes ordentlig. Det etterlater alltid et gap.	På grunn av apparatenes lave temperatur kan dørpakningen lett bli hard og deformeres.	Bruk en hårføner eller legg et varmt håndkle på stedet der pakningen er deformert. Når pakningen er myk igjen, lukk døren og komprimer den godt.

9.2 Strømbrudd

I tilfelle strømbrudd, følg disse tipsene under et lengre strømbrudd, spesielt om sommeren:

- ▶ Åpne døren så få ganger som mulig.
- ▶ Ikke legg ekstra mat i kjøleskapet under strømbrudd.
- ▶ Hvis det gis forhåndsvarsel om strømbrudd og avbruddsvarigheten er lengre enn 15 timer, lag litt is og legg den i en beholder øverst i fryserdelen.
- ▶ Ettersom temperaturen i fryseren vil stige under et strømbrudd eller annet svikt, vil lagringstiden og spiselig kvalitet på maten reduseres. All mat som tines bør enten konsumeres eller kokes og fryses ned (der det er egnet) like etterpå for å forhindre helserisiko.



Obs: Minnefunksjon under strømbrudd

Etter gjenoppretting av strømmen fortsetter apparatet med innstillingene som ble angitt før strømbruddet.

10.1 Pakke ut

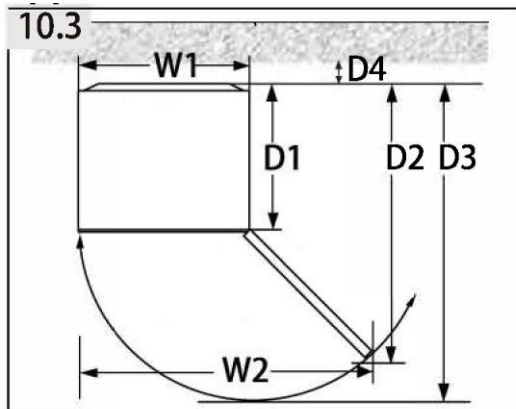


ADVARSEL!

- ▶ Apparatet er tungt. Håndter alltid med minst to personer.
- ▶ Oppbevar alt emballasjemateriale utenfor barns rekkevidde og kast dem på en miljøvennlig måte.
Ta apparatet ut av emballasjen.
- ▶ Fjern alt emballasjemateriale.

10.2 Miljømessige forhold

Romtemperaturen bør alltid være mellom 10 °C og 43 °C, siden det kan påvirke temperaturen inne i apparatet og energiforbruket. Ikke installer apparatet i nærheten av andre varmeavgivende apparater (ovner, kjøleskap) uten isolasjon.

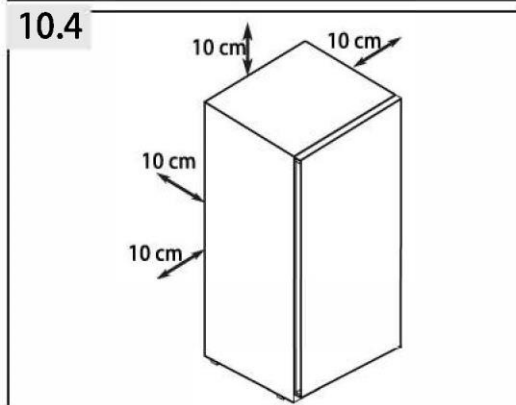


10.3 Plassbehov

Nødvendig plass for å åpne døren (fig. 10.3):

Bredde i mm		Dybde i mm			Avstand til vegg i mm
W1	W2	D1	D2	D3	D4
595	955	592	1105	1215	100

For et frittstående apparat: dette kjøleapparatet er ikke ment å brukes som et innebygget apparat.



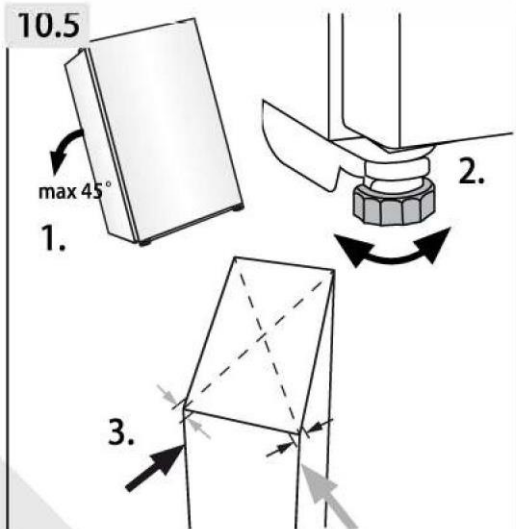
10.4 Ventilasjonstverrsnitt

For å oppnå tilstrekkelig ventilasjon av apparatet av sikkerhetsgrunner, må informasjonen om nødvendige ventilasjonstverrsnitt følges (fig. 10.4).

10.5 Justering av apparatet

Apparatet bør plasseres på en flat og solid overflate. Hvis apparatet plasseres på en sokkel, må det brukes sterkt og brannsikkert materiale. Bruk aldri forpakkingsmaterialet som en sokkel.

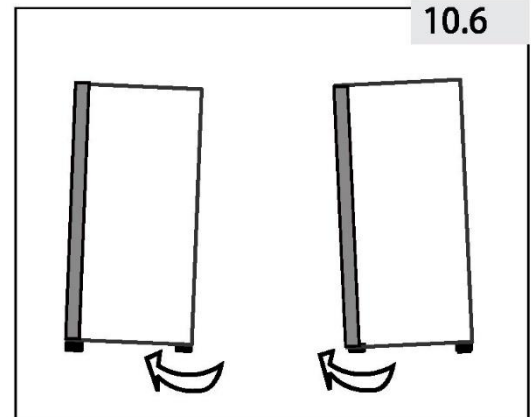
1. Vipp apparatet litt bakover (fig. 10.5).
2. Still føttene til ønsket nivå.
3. Stabiliteten kan kontrolleres ved vekselvis å støte på diagonalene. Den litt svaiende skal være den samme i begge retninger. Ellers kan rammen deformeres; mulig lekkasje dørpakninger er resultatet. En lav tendens bakover letter lukkingen av døren.



10.6 Bruke justerbar fot

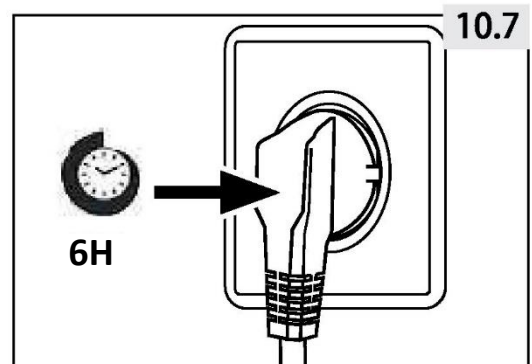
Hvis frisgen er ustabil, kan føttene justeres: Roter de justerbare føttene i henhold til pilens retning (fig. 10.6) for å skru dem opp eller ned:

- ▶ Ved å dreie føttene med klokken heves apparatet.
- ▶ Ved å dreie føttene mot klokken senkes den.



10.7 Ventetid

Til den vedlikeholdsfrie smøreoljen er det plassert i kapselen til kompressoren. Denne oljen kan komme gjennom det lukkede rørsystemet under skråtransport. Før du kobler apparatet til strømforsyningen må du vente 6 timer (fig. 10.7) slik at oljen renner tilbake i kapselen.



10.8 Elektrisk tilkobling

Kontroller før hver tilkobling om:

- ▶ strømforsyning, stikkontakt og sikring passer til typeskiltet.
- ▶ strømuttaket er jordet og ingen multiplugg eller forlenger.
- ▶ støpselet og stikkontakten er strengt i samsvar.

Koble støpselet til en riktig installert stikkontakt.



ADVARSEL!

For å unngå risiko må en skadet strømledning skiftes ut av kundeservice (se garantikortet).

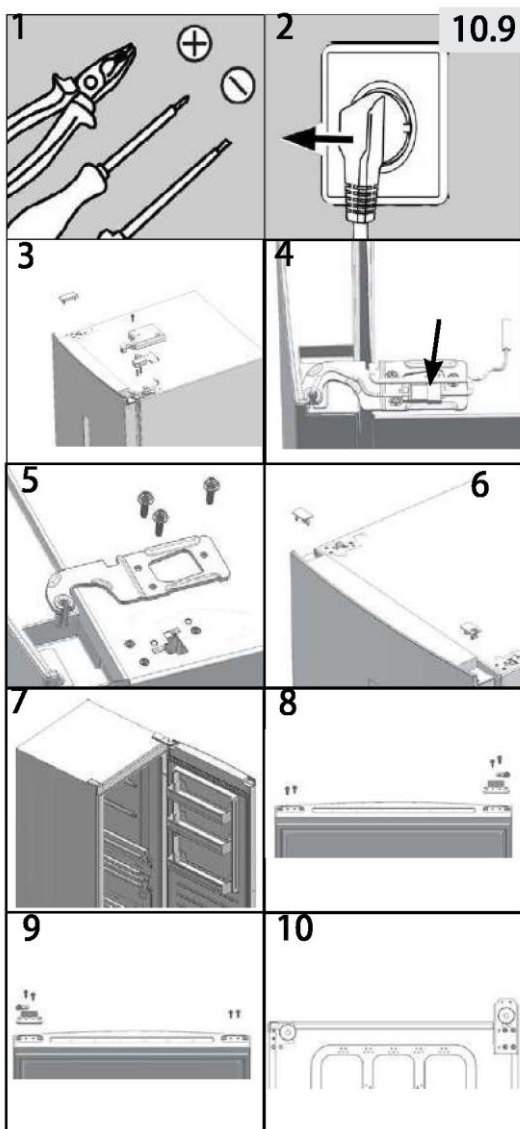
10.9 Dør-reversibilitet

Før du kobler apparatet til strømforsyningen, bør du sjekke om dørsvingen må endres fra høyre (som levert) til venstre, hvis dette er nødvendig av installasjonsstedet og brukervennligheten.



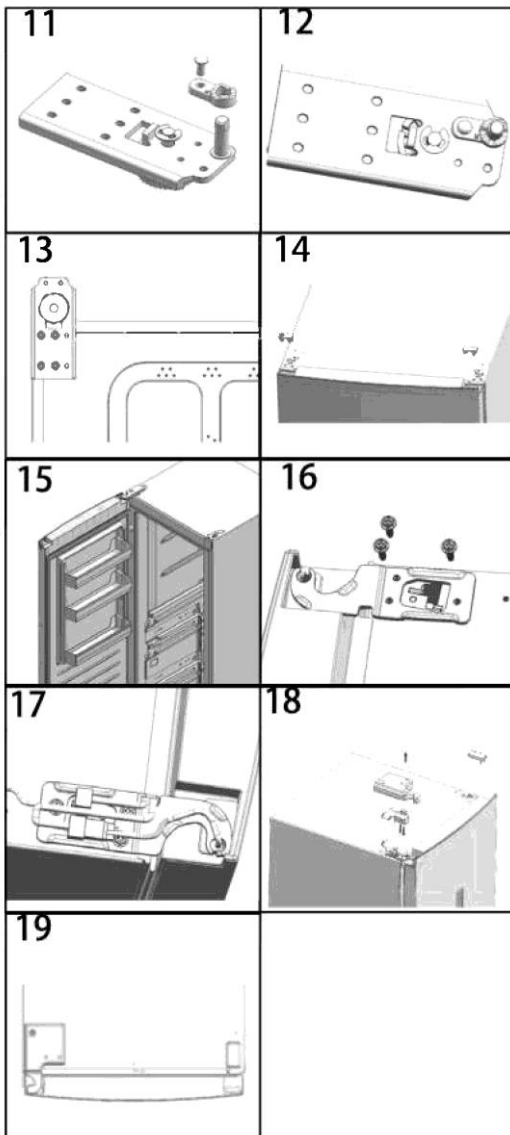
ADVARSEL!

- ▶ Apparatet er tungt. Du trenger to personer for å utføre dørens vendbarhet.
- ▶ Koble apparatet fra strømmettet før enhver operasjon.
- ▶ Ikke vipp apparatet mer enn 45 °C for å unngå skade på kjølesystemet.



Monteringstrinn (fig. 10.9):

1. Gi nødvendig verktøy.
2. Koble fra apparatet
3. Fjern hengselhulldekselet og hengseldekselet.
4. Trekk ut tilkoblingskabelen.
5. Fjerner skruer og hengsler
6. Fjern dekselet på døren. Fjern øksedekselet på døren
7. Åpne og fjern døren.
8. Snu døren opp ned, fjern 2 skruer på bunnen av døren. Fjern 2 skruer, dørstopper og øksedeksel på bunnen av døren
9. Ta dørstopperen fra siste trinn og det tynnere øksedekselet fra tilbehørsvesken, fest dem med 2 skruer. Fest 2 skruer også på den andre siden av døren.
10. Vipp skapet litt bakover, fjern 4 skruer og deretter det nedre hengslet.



11. Fjern skrue og øksedeksel. Fjern hengseløksen og fest den i hullet ved siden av.
12. Ta det tykkere øksedekselet fra tilbehørsvesken. Fest den med skruen fra siste trinn.
13. Fest hengslet til motsatt posisjon av skapet med 4 skruer.
14. På motsatt side av døren trekker du ut tilkoblingskabelen på venstre side og setter den gjennom øksedekselet fra trinn 5, monter øksedekselet. Monter hulldekelet på høyre side.
15. Monter døren.
16. Fest øvre høyre øvre hengsel med 3 skruer
17. Koble til kabelkontaktene:
18. Fest hengselhulldekelet og øvre venstre hengseldeksel.
19. Ferdig.

Minimumsgarantien er: 2 år for EU-land, 3 år for Tyrkia, 1 år for Storbritannia, 1 år for Russland, 3 år for Sverige, 2 år for Serbia, 5 år for Norge, 1 år for Marokko, 6 måneder for Algeria, Tunisia ingen juridisk garanti.

Termostater, temperatursensorer, kretskort og lyskilder er tilgjengelige i minst sju år etter at den siste enheten av modellen er markedsført.

Dørhåndtak, dørhengsler, skuffer og kurver i minst sju år og dørpakninger i minimum ti år, etter å ha brakt den siste enheten av modellen på markedet.

*For ytterligere informasjon om produktet, se <https://eprel.ec.europa.eu/> eller skann QR-koden på energimerket som fulgte med apparatet.

For å kontakte teknisk hjelp, kan du gå til nettstedet vårt: <https://corporate.haier-europe.com/en/> Under avsnittet "nettside" velger du produktmerket og landet ditt. Du vil bli omdirigert til det spesifikke nettstedet der du finner telefonnummeret og skjemaet for å kontakte teknisk assistanse.

11.1 Produktblad i henhold til forordning EU nr. 1369/2017

Varemerke	Haier
Modellidentifikator	H3R-330WNA
Kategori av modellen	stående kjøleskap
Energieffektivitetsklasse	A
Årlig energiforbruk (kWh/år)	66
Lagringsvolum kjøling (L)	189
Lagringsvolum My Zone(L)	141
Totalt lagringsvolum (L)	330
Temperatur i andre rom > 14 °C	ikke aktuelt
Frostfritt system	ja
Sikker for strømbrudd (t)	/
Frysekapasitet (kg/24t)	/
Klimaklasse	SN-T
Dette apparatet er beregnet for bruk ved en omgivelsestemperatur mellom 10 °C og 43 °C.	
Luftbåren akustisk støyutslipp (db(A)re 1 pW)	38
Konstruksjonstype	frittstående

¹⁾ basert på standard testresultater i 24 timer. Faktisk energiforbruk vil avhenge av hvordan apparatet brukes og hvor det er plassert.

Installer dette apparatet på et sted der omgivelsestemperaturen tilsvarer klimaklassen angitt på apparatets typeskilt:

- utvidet temperatur (SN): 'dette kjøleapparatet er ment å brukes ved omgivelsestemperaturer fra 10 °C til 32 °C';
- temperatur (N): 'dette kjøleapparatet er ment å brukes ved omgivelsestemperaturer fra 16 °C til 32 °C';
- subtropisk (ST): 'dette kjøleapparatet er ment å brukes ved omgivelsestemperaturer fra 16 °C til 38 °C';
- tropisk (T): 'dette kjøleapparatet er ment å brukes ved omgivelsestemperaturer fra 16 °C til 43 °C';

11.2 Ytterligere tekniske data

Spenning/frekvens	220-240 V ~ / 50 Hz
Hovedsikring (A)	1.5
Kjølevæske	R600a
Dimensjon (H/B/D i mm)	1910/595/675
Lyseffekt/Lysspennning	1,5 W / DC 12 V

11.3 Standarder og direktiver

Dette produktet oppfyller kravene i alle gjeldende EU-direktiver med de tilsvarende harmoniserte standardene, som sørger for CE-merking.

Vi anbefaler vår Haier-kundeservice og bruk av originale reservedeler.
Hvis du har et problem med apparatet, sjekk først avsnittet FEILSØKING.
Hvis du ikke finner en løsning der, ta kontakt

- ▶ din lokale forhandler eller
- ▶ Service & Support-området på www.haier.com hvor du kan finne telefonnumre og vanlige spørsmål og hvor du kan aktivere servicekravet.

For å kontakte vår tjeneste, sørg for at du har følgende data tilgjengelig.
Informasjonen finner du på typeskiltet.

Modell _____ Serienr. _____

Sjekk også garantikortet som følger med produktet i tilfelle garanti.

For generelle forretningsforespørsler, finn adressene våre i Europa nedenfor:

European Haier-adresser			
Land*	Postadresse	Land*	Postadresse
Italia	Haier Europe Trading SRL Via De Cristoforis, 12 21100 Varese ITALIA	Frankrike	Haier France SAS 3-5 rue des Graviers 92200 Neuilly sur Seine FRANKRIKE
Spania Portugal	Haier Iberia SL Pg. Garcia Faria, 49-51 08019 Barcelona SPANIA	Belgia-FR Belgia-NL Nederland Luxembourg	Haier Benelux SA Anderlecht Route de Lennik 451 BELGIUM
Tyskland Østerrike	Haier Deutschland GmbH Hewlett-Packard-Str. 4 D-61352 Bad Homburg TYSKLAND	Polen Tsjekkia Ungarn Hellas Romania Russland	Haier Poland Sp. zo.o. Al. Jerozolimskie 181B 02-222 Warszawa POLEN
Stor- britannia	Haier Appliances UK Co.Ltd. One Crown Square Church Street East Woking, Surrey, GU21 6HR Storbritannia		

*For mer informasjon, se www.haier.com



Haier

Bruksanvisning



Kylskåp

H3R-330WNA

SV

Haier

Tack för att du har köpt en Haier-produkt.

Läs igenom dessa anvisningar noggrant innan du använder apparaten. Instruktionerna innehåller viktig information som hjälper dig att få ut det bästa av apparaten och garanterar en säker och korrekt installation, användning och underhåll.

Förvara den här bruksanvisningen på en lämplig plats så att du alltid kan läsa den för att använda apparaten på ett säkert och korrekt sätt.

Om du säljer apparaten, ger bort den eller lämnar den kvar när du flyttar, se till att du också lämnar över den här bruksanvisningen så att den nya ägaren kan bekanta sig med apparaten och säkerhetsföreskrifterna.

Förteckning



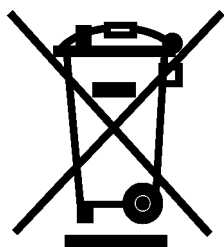
Allmän information och tips



Varning - Viktig säkerhetsinformation



Miljöinformation



Bortskaffande

Bidra till att skydda miljön och människors hälsa. Lagg förpackningen i lämpliga behållare för att återvinna den. Hjälptill att återvinna avfall från elektriska och elektroniska apparater. Släng inte apparater märkta med denna symbol med hushållsavfallet. Lämna in produkten till den lokala återvinningsanläggningen eller kontakta ditt kommunala kontor.



VARNING!

Risk för skada eller kvävning!

Köldmedier och gaser måste bortskaffas professionellt. Se till att kylmediekretsens slangar inte är skadade innan de kasseras. Koppla bort apparaten från elnätet.

Klipp av nätkabeln och kassera den. Ta bort dörren, dörrspärren och tätningarna för att förhindra att barn och husdjur stängs in i apparaten.

1 - Säkerhet	4
2 - Avsedd användning	8
3 - Produktbeskrivning	9
4 - Kontrollpanel	10
5 - Användning	11
6 - Tips för att spara energi	14
7 - Tillbehör	14
8 - Skötsel och rengöring	15
9 - Felsökning	17
10 - Installation	20
11 - Teknisk data	24
12 - Kundtjänst	25

Innan du slår på apparaten för första gången, läs följande säkerhetsråd!:



VARNING!

Innan apparaten används första gången

- ▶ Se till att det inte finns några transportskador.
- ▶ Ta bort all förpackning och förvara utom räckhåll för barn.
- ▶ Vänta minst sex timmar innan du installerar apparaten för att säkerställa att köldmediekretsen är fullt effektiv.
- ▶ Apparaten är tung och ska hanteras av minst två personer.

Installation

- ▶ Apparaten ska placeras på en väl ventilerad plats. Se till att det finns utrymme på minst 10 cm över och runt apparaten.
- ▶ Täck inte över ventilationsöppningarna.
- ▶ Placera aldrig apparaten i ett fuktigt utrymme eller på en plats där vatten kan stänka på apparaten. Rengör och torka vattenstänk och fläckar med en mjuk, ren trasa.
- ▶ Installera inte apparaten i direkt solljus eller i närheten av värmekällor (t.ex. spisar, värmare).
- ▶ Installera och nivellera apparaten på en lämplig plats med hänsyn till användning och storlek.
- ▶ Täck inte över ventilationsöppningar i produktens hölje eller i den inbyggda strukturen.
- ▶ Kontrollera att den elektriska informationen på typskylten överensstämmer med strömförsörjningen. Om den inte gör det, kontakta en elektriker.
- ▶ Apparaten drivs av en strömförsörjning på 220-240 VAC/50 Hz. Onormala spänningsvariationer kan göra att apparaten inte startar, skada temperaturkontrollen eller kompressorn eller låta konstigt under drift. Om det är så, ska en automatisk regulator installeras.
- ▶ Använd ett separat jordat uttag för strömförsörjningen som är lätt åtkomligt vid rengöring. Apparaten måste jordas.
- ▶ Endast för UK: Apparatsens strömkabel är försedd med en 3-polig jordad kontakt som passar ett standarduttag med 3 poler (jordad). Klipp aldrig av eller demontera den tredje polen (jordad). Kontakten ska vara tillgänglig när apparaten är installerad.
- ▶ Använd inte adaptrar och förlängningskablar med flera kontakter.
- ▶ Se till att strömkabeln inte fastnar i kylskåpet. Trampa inte på strömkabeln.
- ▶ Skada inte köldmediekretsen.

**VARNING!****Daglig användning**

- ▶ Den här apparaten kan användas av barn från 8 års ålder och av personer med nedsatt fysisk, sensorisk eller mental förmåga om de har fått handledning eller instruktioner för säker användning och förstår de faror som är inblandade. Rengöring och skötsel ska inte utföras av barn utan uppsikt.
- ▶ Håll barn under 3 år borta från apparaten om de inte är under ständig uppsikt.
- ▶ Barn ska inte leka med apparaten.
- ▶ Om köldgas eller annan brandfarlig gas läcker ut i närheten av apparaten, stäng av ventilen för den läckande gasen, öppna dörrar och fönster och dra inte ur strömkabeln till kylskåpet eller någon annan apparat.
- ▶ Observera att apparaten är inställd för drift vid ett specifikt temperaturintervall mellan 10 och 43 °C. Apparaten kanske inte fungerar korrekt om den lämnas under en längre tid vid en temperatur över eller under det angivna området
- ▶ För att förhindra personskada orsakad av fall eller elchock orsakad av kontakt med vatten, ska instabila föremål (tunga objekt, behållare med vatten) inte placeras ovanpå kylskåpet.
- ▶ Öppna och stäng dörrarna endast med handtagen. Mellanrummet mellan dörrarna och skåpet är mycket smalt. Lägg inte händerna i dessa områden för att undvika att fingrarna kläms. Öppna eller stäng dörrarna till frysen endast när inga barn står inom dörrrens rörelseområde.
- ▶ Förvara eller använd inte brännbara, explosiva eller frätande material i apparaten eller i dess närhet.
- ▶ Förvara inte mediciner, medel med bakterier eller kemikalier i apparaten. Den här apparaten är en hushållsapparat. Det rekommenderas inte att förvara material som kräver strikta temperaturer.
- ▶ För att undvika fara på grund av instabilitet i apparaten måste den fästas i enlighet med anvisningarna.
- ▶ Barn i åldrarna 3 till 8 år får sätta i och ta ut produkter ur kylanordningen.



VARNING!

Daglig användning

- ▶ Koppla ur apparaten i händelse av strömavbrott eller före rengöring. Vänta i minst 5 minuter innan du startar apparaten igen. Frekventa startar kan skada kompressorn.
- ▶ Använd inte elektriska apparater inuti förvaringsutrymmet för matvaror, om de inte är av en typ som rekommenderas av tillverkaren.
- ▶ Om lamporna är skadade måste de bytas ut av tillverkaren eller av en kvalificerad person hos den angivna underhållsleverantören.

Underhåll/rengöring

- ▶ Barn som utför rengöring och underhåll ska hållas under uppsikt.
- ▶ Koppla bort apparaten från elnätet innan du utför rutinunderhåll. Vänta i minst 5 minuter innan du startar apparaten igen. Frekventa startar kan skada kompressorn.
- ▶ Håll i kontakten, inte kabeln, när du kopplar ur apparaten.
- ▶ Skrapa inte bort frost och is med vassa föremål. Använd inte sprayer, elektriska värmare som värmeelement, hårtork, ångtvättar eller andra värmekällor för att undvika skador på plastdelarna.
- ▶ Använd inte mekaniska hjälpmedel för att skynda på avfrostningen, annat än de som rekommenderas av tillverkaren.
- ▶ Spruta eller spola inte i eller på apparaten under rengöringen.
- ▶ Använd inte vattenspray eller ånga för att rengöra apparaten.
- ▶ Om lamporna är skadade måste de bytas ut av tillverkaren eller av en kvalificerad person hos den angivna underhållsleverantören.
- ▶ Försök inte att reparera, demontera eller modifiera apparaten själv. Kontakta vår kundtjänst angående reparationer.
- ▶ Försök inte byta lampan själv. Kontakta vår kundtjänst angående byten.

Information om köldmediegas



VARNING!

Apparaten innehåller det brandfarliga köldmediet ISOBUTAN (R600a). Se till att köldmediekretsen inte skadas under transport eller installation. Läckande köldmedium kan orsaka ögonskador eller antändas. Om en skada har uppstått, håll borta från öppna eldkällor, ventiler rummet noggrant, anslut inte eller koppla inte ur apparatens strömkablar. Informera kundtjänsten.

Om ögonen kommer i kontakt med köldmediet, skölj omedelbart under rinnande vatten och kontakta omedelbart en ögonspecialist.



VARNING!

- ▶ Var försiktig så att brandfarliga material inte fattar eld
- ▶ **VARNING:** Se till att sladden inte fastnar eller skadas när produkten placeras.
- ▶ **VARNING:** Lägg inte flera bärbara uttag eller bärbara strömförsörjningsaggregat bakom produkten.
- ▶ Förvara inte explosiva ämnen, t.ex. aerosolburkar med brandfarligt drivmedel, i den här apparaten.
- ▶ Eftersom det används brandfarliga köldmedier i frysen ska du vara försiktig när du installerar, hanterar, servar och återvinner apparaten.
- ▶ Kontakta serviceombudet för att kassera apparaten, eftersom brandfarlig blåsgas använts.

2.1 Avsedd användning

Denna produkt är avsedd att användas i hushåll och liknande användningsområden, som till exempel:

- personalkök i butiker, kontor och andra arbetsmiljöer;
- mangårdsbyggnader och av gäster på hotell, motell och andra miljöer av bostadstyp;
- B&B-miljöer;
- catering och liknande användningsområden för slutkunder.

Den här apparaten är avsedd att kyla mat. Den har utformats uteslutande för användning i torra miljöer för hemmabruk. Den är inte avsedd för kommersiell eller industriell användning.

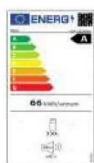
På begäran kan den här apparaten användas för förvaring av färskvaror.

Det är inte tillåtet att ändra eller modifiera anordningen. Oavsiktlig användning kan orsaka faror och förlust av garantin.

2.2 Tillbehör

Kontrollera tillbehören och litteraturen i enlighet med denna lista:

2.2



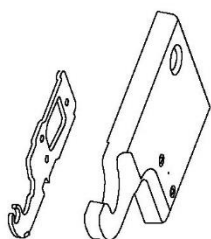
Energi-
märkning



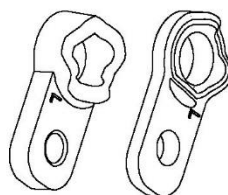
Garantikort



Bruksanvisning



Övre vänster
gångjärn för
vändning av dörr
Övre vänster
gångjärnsskydd

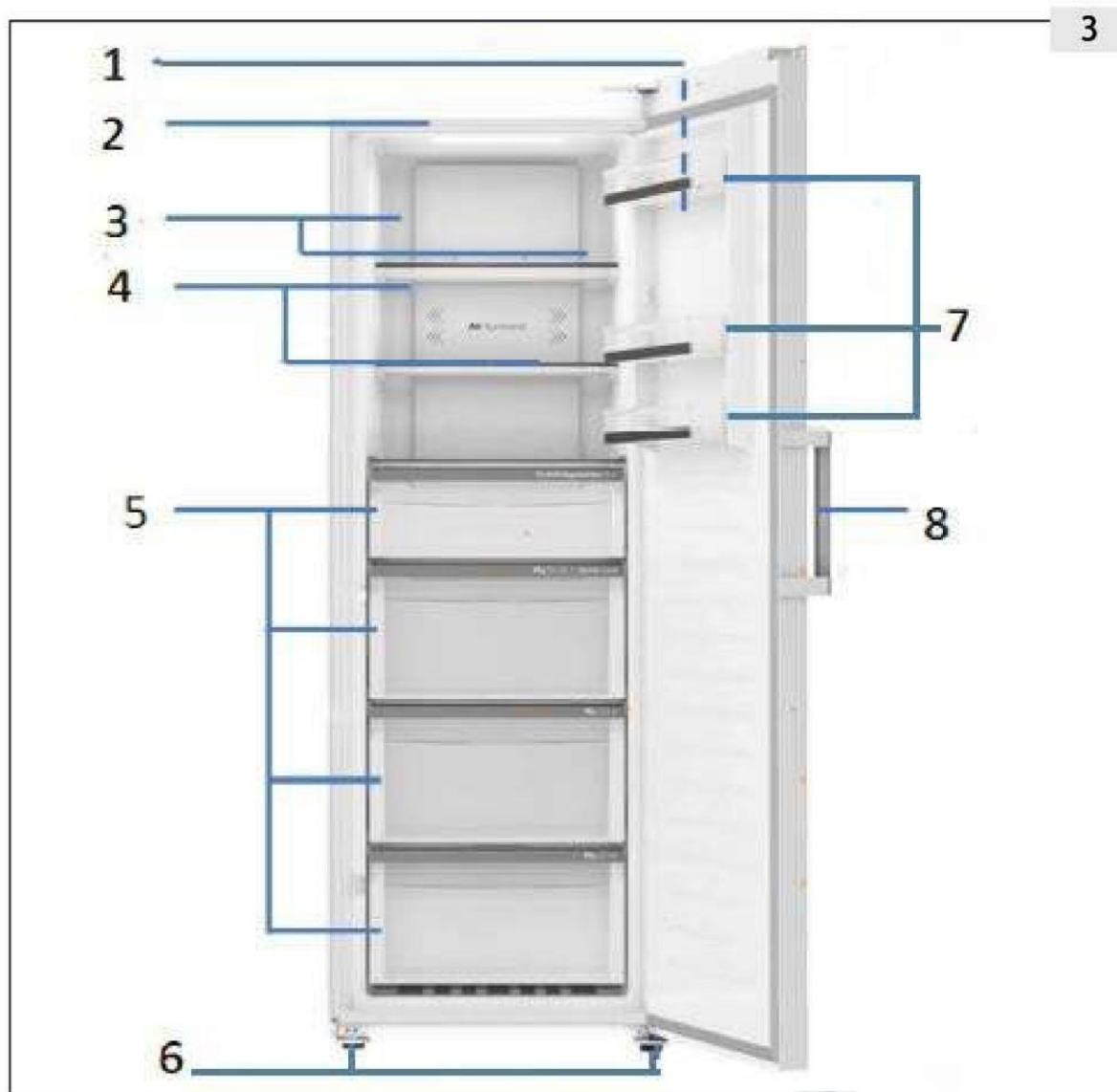


Axelskydd

Skillnader kan förekomma

På grund av tekniska förändringar och olika modeller kan vissa illustrationer i den här bruksanvisningen skilja sig från din modell.

Bild på apparaten (fig. 3)



1 Kontrollpanel

2 LED-lampor

3 Flera luftflöden

4 Glashyllor

5 Lådor

6 Justerbara fötter

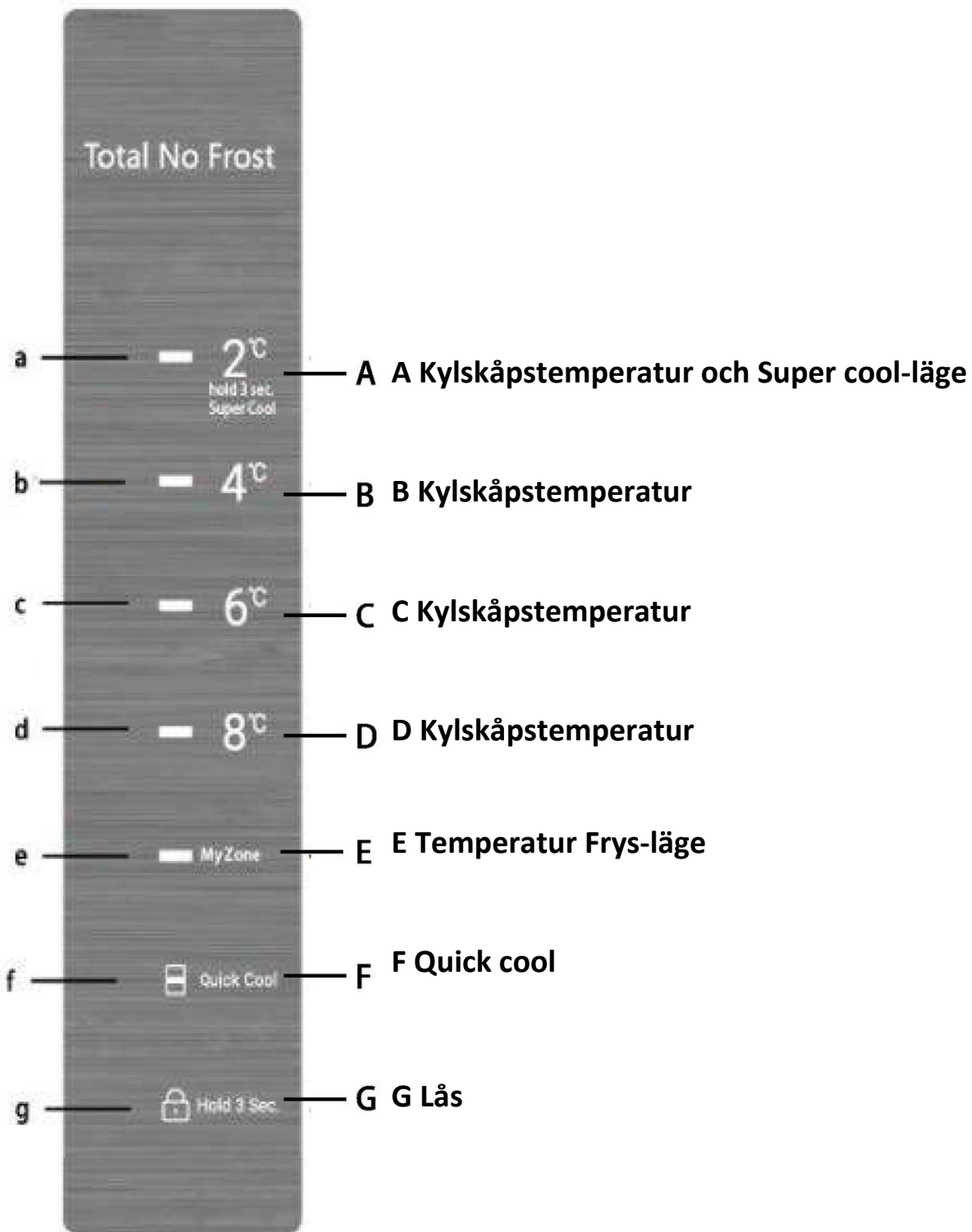
7 Avtagbara dörrhyllor

8 Dörrhandtag

Obs! Produkten innehåller en ljuskälla i energieffektivitetsklass <G>.

Kontrollpanel (fig. 4)

4



5.1 Innan apparaten används första gången

- ▶ Ta bort allt förpackningsmaterial, förvara det utom räckhåll för barn och kassera det på ett miljövänligt sätt.
- ▶ Rengör apparatens in- och utsida med vatten och ett mildt rengöringsmedel innan du lägger in mat i den.
- ▶ Vänta minst 6 timmar innan du ansluter apparaten till strömförsörjningen efter att den har installerats och rengjorts. Se avsnittet **INSTALLATION**.

5.2 Slå på/stänga av apparaten

- ▶ Apparaten är i drift så snart den ansluts till strömförsörjningen.
- ▶ Kylskåpets temperatur ställs automatiskt in på 4 °C för kylförvaring och 0 °C för is. Detta är den rekommenderade inställningen och den idealiska temperaturen för kylvaror. Du kan justera temperaturen manuellt om du vill. Se avsnittet **JUSTERING AV TEMPERATUR**.

Indikatorerna (a-g) blinkar en gång i taget. Om dörren är stängd stängs displayen av efter 30 sekunder. Panellåset kan vara aktiverat.



Observera: Förinställning

- ▶ Apparaten är förinställd på den rekommenderade temperaturen, kylförvarings-temperatur 4 °C och frystemperatur 0 °C.
- ▶ När apparaten sätts på efter att ha kopplats bort från elnätet kan det ta upp till 2 timmar innan den har rätt temperatur.

Töm apparaten innan du stänger av den och dra sedan ut sladden ur eluttaget.

5.3 Standbyläge för displayen

När dörren stängs stängs displayen automatiskt av efter 3 sekunder utan någon åtgärd. Displayen låses automatiskt. Den tänds automatiskt när du trycker på någon knapp eller öppnar dörren.

5.4 Låsning/upplåsning av displayen

Automatisk låsning

Displayen låses automatiskt efter 30 sekunder utan användning.

Manuell låsning

När displayen är upplåst trycker du på "Lås" (G) och håller den intryckt i 3 sekunder, då lyser indikatorn "Lås" (g) och displayen är låst. När displayen är låst trycker du på "Lås" (G) och håller den intryckt i 3 sekunder, ett ljud hörs, indikatorn "Lås" (g) är släckt och displayen är låst.



Observera: Displaylås

När displayen är låst är funktioner som Temperaturinställning, Quick cool och My Zone inaktiverade. När du försöker utföra dessa åtgärder blinkar indikator Barnlås tre gånger för att påminna dig om att displayen är låst.

5.5 Temperaturinställning

När displayen är upplåst kan du justera temperaturen genom att trycka på temperaturknappen. Ett ljud kommer att höras.

De övre hyllorna och den första lådan i kylskåpet är kylförvaringszonen, och de tre nedre lådorna är frysförvaringszonerna. Välj lämplig förvaringszon för att undvika att maten förstörs.

5.6 Fridge-läge (2 °C till 8 °C) (A-D)

När displayen är upplåst kan du justera temperaturen genom att trycka på olika temperaturknappar. Temperaturen kan ställas in på "2 °C", "4 °C", "6 °C" och "8 °C".

5.7 Temperatur Frys-läge (0 °C/2 °C) (E)

När displayen är upplåst, tryck på "My Zone" (E), indikatorerna "My Zone" (e) tänds, frystemperaturzonen är inställd på 0 °C. Tryck på "My Zone" (E) igen, indikatorerna "My Zone" (e) är släckta, temperaturzonen är inställd på 2 °C.

5.8 Super cool-läge (A)

När displayen är låst, tryck och håll ned (2°C) (A) i 3 sekunder, indikatorerna (a-d) tänds, kylskåpet arbetar i Super cool-läget. Upprepa stegen ovan för att avaktivera Super cool-funktionen. Om du inte avaktiverar manuellt kommer funktionen att avaktiveras automatiskt så snart temperaturen når den inställda temperaturen. I annat fall avaktiveras den efter 3 timmar.



Observera: Super cool

I Super Cool-läget kan temperaturen inte justeras. Om du gör det kommer indikatorn för Super cool att blinka 3 gånger.

5.9 Quick cool-läge (F)

Quick cool fungerar som SHOCK REFRIGERATE i den andra lådan uppfifrån. Hela zonen kan snabbt kylas till den inställda temperaturen. När displayen är upplåst trycker du på "Quick cool" (F), indikatorerna (f) tänds, kylskåpet arbetar i Quick cool-läget. Upprepa stegen ovan för att avaktivera Quick cool-funktionen. Om du inte avaktiverar manuellt kommer funktionen att avaktiveras automatiskt så snart temperaturen når den inställda temperaturen. I annat fall avaktiveras den efter 3 timmar.

5.10 Spara inställningar

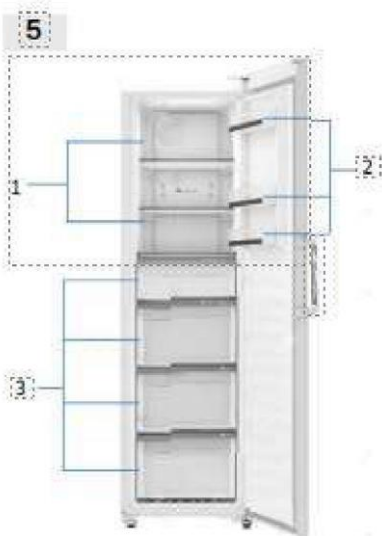
Det här kylskåpet har en minnesfunktion, inställningar före avstängning kommer att sparas. När strömmen slås på återställer kylskåpet den inställning som var innan strömavbrottet. Funktionen för Barnlås kan inte memoreras. När apparaten slås på igen kommer displayen vara upplåst.

5.11 Larm för öppen dörr

När dörren hålls öppen i mer än 1 minut kommer signalen att avge 3 ljudsignaler med ett intervall på 0,5 sekunder. Ljudsignalerna upprepas var 30:e sekund om dörren hålls öppen. Ljudsignalerna upphör när dörren stängs eller efter att dörren varit öppen i 7 min. Sedan slocknar lampan.

5.12 Felindikering

Kylskåpet är utrustat med felindikator. När ett fel uppstår blinkar displayen var ¼ sekund med olika koder för olika fel. I denna situation kan kylskåpet fortfarande kyla. Men du bör ringa kundtjänsten så snart som möjligt för att få en optimal kontroll av kylskåpet.



Olika livsmedel bör placeras i olika områden beroende på deras egenskaper (fig: 5).

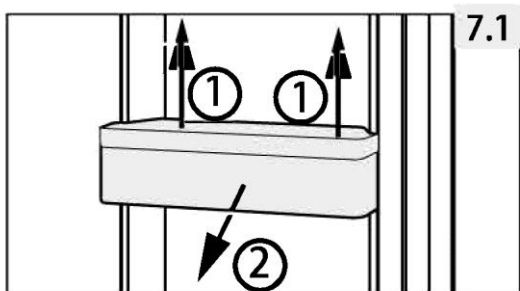
- 1 Inlagd mat, konserver, frukt, grönsaker, sallad osv.
- 2 Ägg, konserver, kryddor, drycker och livsmedel på flaska osv.
- 3 Köttprodukter, snacks osv.

I kylåge utan 4-stjärnigt fack: kylapparaten är inte lämplig för frysning av livsmedel;

Tips för att spara energi

- ▶ Se till att apparaten är ordentligt ventilerad (se avsnittet INSTALLATION).
- ▶ Installera inte apparaten i direkt solljus eller i närheten av värmekällor (t.ex. spisar, värmare).
- ▶ Undvik onödigt låga temperaturer i apparaten. Energiförbrukningen ökar ju lägre temperaturen i apparaten är inställd.
- ▶ Låt varm mat svalna innan du placerar den i apparaten.
- ▶ Öppna apparatens dörr så lite och så kort tid som möjligt.
- ▶ Se till att dörren alltid stängs korrekt och inte hindras av matens placering. Håll dörrtätningarna rena.
- ▶ Rengör apparatens baksida regelbundet. Damm ökar energiförbrukningen.
- ▶ Den mest energibesparande konfigurationen kräver att lådor, matlådor och hyllorna placeras i ett fabriksfräscht skick i apparaten och att maten placeras utan att blockera kanalens luftutsläpp.

7 - Tillbehör

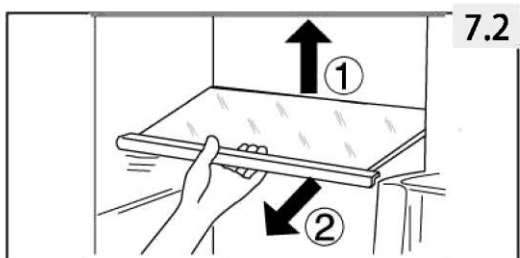


7.1 Avtagbara dörrhyllor

Dörrhyllorna kan tas bort för rengöring:

Placera händerna på vardera sidan om hyllan, lyft upp den (1) och dra ut den (2) (fig. 7.3).

Sätt tillbaka dörrhyllan genom att göra på omvänt sätt.



7.2 Glashyllor

1. Om du vill ta ut en hylla tar du först bort den genom att lyfta upp dess bakre kant (1) och dra ut den (2) (fig. 7.2).
2. För att återmontera den, sätt den på klackarna på båda sidorna och skjut den till det bakersta läget tills baksidan av hyllan är fast i skårorna på sidorna.

**VARNING!**

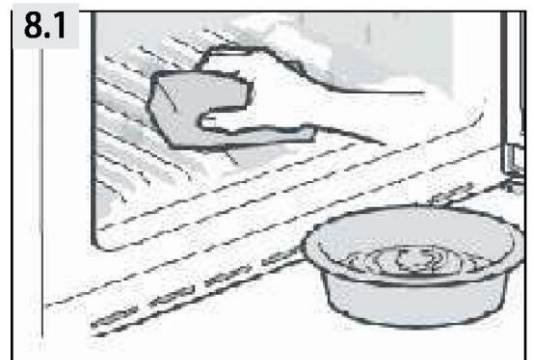
Innan rengöring ska apparaten kopplas bort från strömförsörjningen.

8.1 Allmänt

Rengör apparaten när det inte förvaras någon mat eller bara lite mat.

**VARNING!**

- ▶ Rengör inte apparaten med hårda borstar, stålborstar, rengöringsmedelspulver, bensin, amylacetat, aceton och liknande organiska lösningar, sura eller alkaliska lösningar.
Rengör den med ett speciellt rengöringsmedel för frysskåp för att undvika skador.
 - ▶ Spruta eller spola inte i eller på apparaten under rengöringen.
 - ▶ Skrapa inte bort frost och is med vassa föremål.
 - ▶ Använd inte sprayer, elektriska värmare som värmeelement, hårtork, ångtvättar eller andra värmekällor för att undvika skador på plastdelarna.
 - ▶ Rengör inte de kalla glashyllorna med hett vatten. Plötsliga temperaturförändringar kan göra att glaset spricker.
 - ▶ Försök inte reparera apparaten själv. Kontakta vår kundtjänst angående reparationer.
-
- ▶ Håll alltid dörrpackningen ren.
 - ▶ Rengör apparatens insida och hölje med en mjuk trasa eller svamp fuktad med varmt vatten och neutralt rengöringsmedel (fig. 8.1).
 - ▶ Skölj av och torka med en mjuk trasa.
 - ▶ Inga delar av apparaten får köras i diskmaskin.
 - ▶ Rengör tillbehöret endast med varmt vatten och milt neutralt rengöringsmedel.



8.2 Icke i bruk under längre tid

Om apparaten inte ska användas under en längre tid:

- ▶ Ta ut maten.
- ▶ Dra ut kontakten.
- ▶ Rengör apparaten enligt beskrivningen ovan.
- ▶ Håll dörren och kylskåpslådorna öppna för att förhindra att det börjar lukta dåligt inuti. Ta bort apparatens dörr (öppna dörren och ta bort skruvarna, se till att inga barn är i närheten och kan bli inlåsta i apparaten).



Observera: Stäng av

För att säkerställa apparatens livslängd ska du bara stänga av den om det är absolut nödvändigt.

8.3 Flytta apparaten

1. Ta ut alla matvaror och koppla ifrån apparaten.
2. Fäst hyllor och andra rörliga delar i kylan med tejp.
3. Stäng dörren och fäst den med tejp.
4. För att undvika att kylan skadas ska apparaten inte lutas mer än 45°.
5. Linda in fötterna på kylan för att undvika att golvet ska skrapas. Flytta aldrig kylan med våld.



VARNING!

- ▶ Lyft inte apparaten i handtagen.
- ▶ Placera aldrig apparaten horisontellt på marken.

Många problem som uppstår kan du lösa själv utan särskild expertis. Vid problem, kontrollera listade möjligheter och följ instruktionerna nedan innan du kontakter en kundtjänst. Se avsnittet KUNDTJÄNST.



VARNING!

- ▶ Före underhåll ska du stänga av apparaten och dra ut nätkontakten ur eluttaget.
- ▶ Elektrisk utrustning bör endast underhållas av kvalificerade eltekniker, eftersom felaktiga reparationer kan orsaka betydande följdskador.
- ▶ En skadad nätkontakt får endast bytas ut av tillverkaren dess serviceagent eller liknande kvalificerade personer för att undvika fara.

Det akustiska larmet kan stängas av genom att trycka på en valfri knapp.

9.1 Felsökning

Problem	Möjlig orsak	Möjlig lösning
Kompressorn fungerar inte.	Nätkontakten är inte ansluten till eluttaget.	Anslut nätkontakten.
Apparatens körs ofta eller körs för länge.	Den invändiga eller utvändiga temperaturen är för hög. Apparaten har varit utan ström under en tid. Apparatens dörr är inte helt stängd. Dörren har öppnats för ofta eller för länge Temperaturinställningen är för låg Dörrpackningen är smutsig, sliten, sprucken eller felanpassad. Den nödvändiga luftcirkulationen är inte garanterad Interiören är täckt av is.	I detta fall är det normalt att apparaten kör längre. Det tar vanligtvis 8 till 12 timmar för apparaten att helt kylas ned. Stäng dörren och säkerställ att apparaten är placerad på en plan mark och att det inte finns någon mat eller behållare som förhindrar att dörren stängs. Öppna inte dörren för ofta Ställ in temperaturen högre tills du får en tillfredsställande temperatur. Det tar 24 timmar innan temperaturen har stabiliserats. Rengör dörrpackningen eller byt ut den av kundtjänsten. Säkerställ tillräcklig ventilation. Avfrosta apparaten.

Problem	Möjlig orsak	Möjlig lösning
Apparaten låter konstigt.	<p>Apparaten är inte placerad på en plan yta</p> <p>Apparaten rör vid ett föremål i närheten av den.</p> <p>Apparaten står på ett trägolv eller nära träväggar</p>	<p>Nivellera apparaten</p> <p>Ta bort föremål runt apparaten.</p> <p>Trä förstärker ljudet. Placera apparaten någon annanstans.</p>
Apparaten ger ifrån sig ett klickande ljud	Detta är normalt. Det beror på att kylaggregatet slår på eller stängs av.	-
Ett svagt ljud hörs som liknar det från rinnande vatten	Det är normalt.	-
Apparaten ger ifrån sig ett motorljud.	Kylaggregatet har just slagit på sig självt. Det är normalt.	-
Det är inte tillräckligt kallt inuti apparaten	<p>Temperaturen är inställd för högt.</p> <p>Varor som är för varma har lagrats.</p> <p>För mycket mat har lagrats på en gång.</p> <p>Varorna ligger för nära varandra.</p> <p>Dörren är inte ordentligt stängd.</p> <p>Dörren har öppnats för ofta eller för länge.</p>	<p>Återställ temperaturen</p> <p>Kyl alltid ner varor innan du förvarar dem.</p> <p>Förvara alltid små mängder mat.</p> <p>Lämna ett mellanrum mellan varorna så att luften kan flöda.</p> <p>Stäng dörren.</p> <p>Öppna inte dörren för ofta.</p>
Det är för kallt inuti apparaten.	Temperaturen är inställd för lågt.	Återställ temperaturen
Fukt ansamlas på apparatens yta.	Klimatet är för varmt och för fuktigt.	<p>Detta är normalt i fuktigt klimat och kommer att ändras när luftfuktigheten minskar.</p> <p>Torka med en trasa.</p>
Kylsystemet fungerar inte.	<p>Nätkontakten är inte ansluten till eluttaget.</p> <p>Strömförsörjningen är inte intakt.</p>	<p>Anslut nätkontakten.</p> <p>Kontrollera elförsörjningen i rummet. Ring det lokala elbolaget!</p>

Problem	Möjlig orsak	Möjlig lösning
Sidorna på skåpet och dörrlisten blir varma.	Det är normalt.	-
Du hör en larmsignal.	Dörren är öppen	Stäng dörren eller stäng av larmet manuellt.
Dörren är svår att öppna.	När apparaten igång har den ett internt vakuum.	Öppna dörrtätningen försiktigt så att luft kommer in i apparaten.
Dörren kan inte stängas ordentligt. Den lämnar alltid ett tomrum.	På grund av apparatens låga temperatur kan dörrtätningen lätt bli hård och deformerad.	Använd en hårtork eller lägg en varm handduk på den plats där packningen är deformerad. När packningen har mjukat stänger du dörren och trycker på den ordentligt.

9.2 Strömavbrott

I händelse av strömavbrott, följ dessa tips under ett längre strömavbrott, särskilt på sommaren:

- ▶ Öppna dörren så få gånger som möjligt.
- ▶ Sätt inte in mer mat i kylan under strömavbrottet.
- ▶ Om ett strömavbrott meddelas i förväg och avbrottet är längre än 15 timmar, gör lite is och lägg den i en behållare högst upp i frysdelen.
- ▶ Eftersom temperaturen i frysen stiger under ett strömavbrott, eller annat fel, minskar förvaringstiden och matens kvalitet. För att förhindra hälsorisker bör all mat som tinats upp antingen konsumeras eller tillagas och frysas igen omedelbart (om så är lämpligt).



Observera: Minnesfunktion vid strömavbrott

När strömmen återställs fortsätter apparaten med de inställningar som gjordes innan strömavbrottet.

10.1 Uppackning

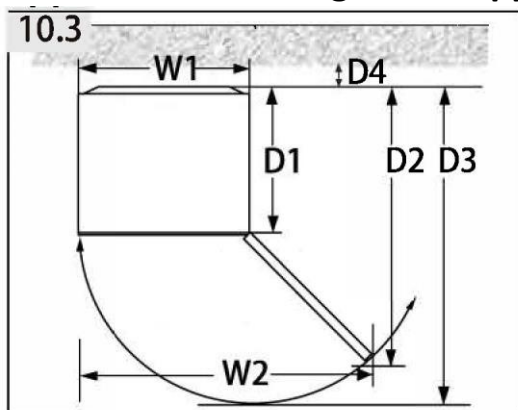


VARNING!

- ▶ Apparaten är tung. Var alltid minst två personer vid hantering av apparaten.
- ▶ Förvara allt förpackningsmaterial utom räckhåll för barn och kassera det på ett miljövänligt sätt.
Ta ut apparaten ur förpackningen.
- ▶ Avlägsna allt förpackningsmaterial.

10.2 Miljöförhållanden

Rumstemperaturen bör alltid ligga mellan 10 °C och 43 °C, eftersom den kan påverka temperaturen i apparaten och dess energiförbrukning. Apparaten ska inte installeras nära andra värmeavgivande apparater (ugnar, kylskåp) utan isolering.

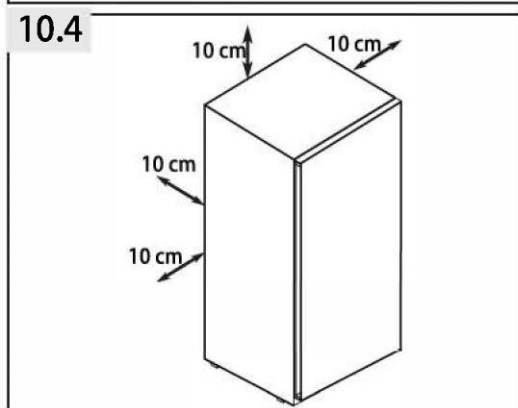


10.3 Utrymme som krävs

Nödvändigt utrymme för att öppna dörren (fig. 10.3):

Bredd i mm		Djup i mm			Avstånd till vägg i mm
B1	B2	D1	D2	D3	D4
595	955	592	1 105	1 215	100

FÖR fristående apparater: denna kylanordning är inte avsedd att användas som en inbyggd apparat.



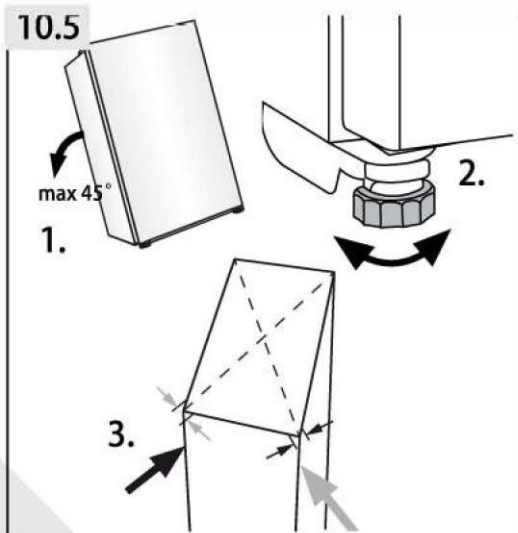
10.4 Ventilationstvärsnitt

För att uppnå tillräcklig ventilation av apparaten av säkerhetsskäl måste informationen om nödvändiga ventilationstvärsnitt följas (fig. 10.4).

10.5 Nivellering av apparaten

Apparaten ska placeras på ett plant och fast underlag. Om apparaten placeras på en piedestal måste ett starkt och brandsäkert material användas. Använd aldrig skumförpackningsmaterialet som en piedestal.

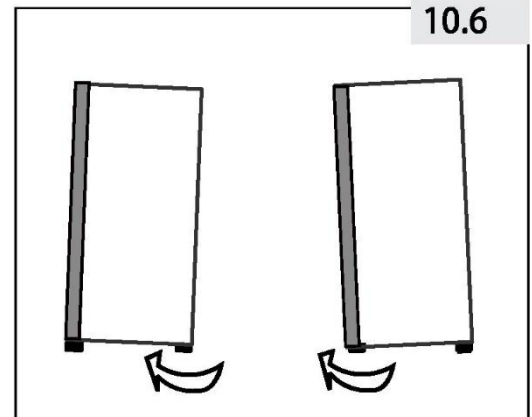
1. Luta apparaten lätt bakåt (fig. 10.5).
2. Ställ in fötterna på önskad nivå.
3. Stabiliteten kan kontrolleras genom att växelvis stöta på diagonalerna. Den svaga svängningen ska vara lika stor i båda riktningarna. Annars kan ramen skeva, vilket kan leda till läckande dörrtätningar. En låg tendens bakåt underlättar stängningen av dörren.



10.6 Använd de justerbara fötterna

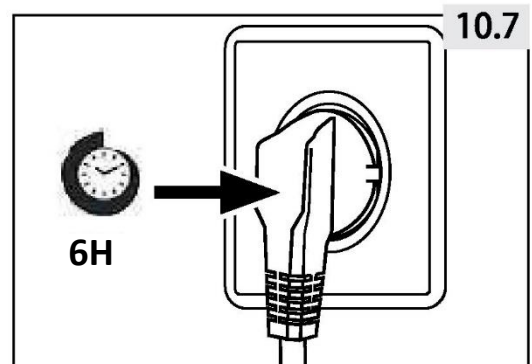
Om kylan är instabil kan fötterna justeras: Vrid de justerbara fötterna i pilens riktning (fig. 10.6) för att vrida dem uppåt eller nedåt:

- ▶ Om du vrider fötterna medurs höjs apparaten.
- ▶ Om du vrider fötterna moturs sänks apparaten.



10.7 Väntetid

Till den underhållsfria smörjoljan finns i kompressorns kapsel. Denna olja kan tränga igenom det slutna rörsystemet under den lutande transporten. Innan du ansluter apparaten till elnätet måste du vänta i minst 6 timmar (fig. 10.7) så att oljan kan rinna tillbaka till kapseln.



10.8 Elanslutning

Kontrollera före varje anslutning att:

- ▶ Strömförsörjning, uttag och säkringar överensstämmer med typskylten.
- ▶ Eluttaget är jordat och att det inte finns någon flervägskontakt eller förlängningar.
- ▶ Nätkontakten och uttaget är i enlighet med gällande bestämmelser.

Anslut kontakten till ett korrekt installerat hushållsuttag.



WARNING!

För att undvika risker måste en skadad nätsladd bytas ut av kundtjänst (se garantikortet).

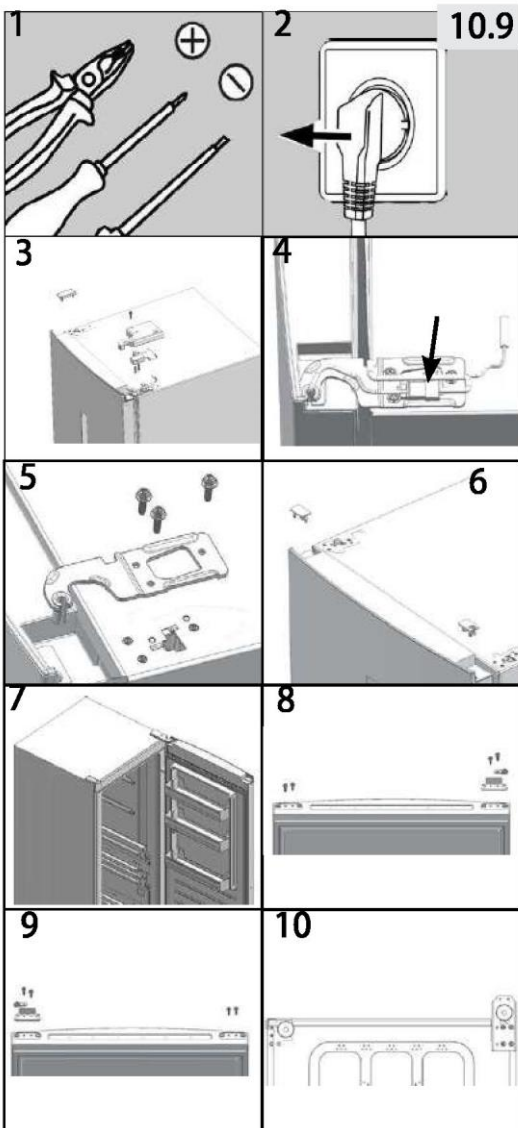
10.9 Öppningsriktningar för dörren

Innan du ansluter apparaten till elnätet bör du kontrollera om dörrsvängningen måste ändras från höger (vid leverans) till vänster, om detta krävs av installationsplatsen och användbarheten.



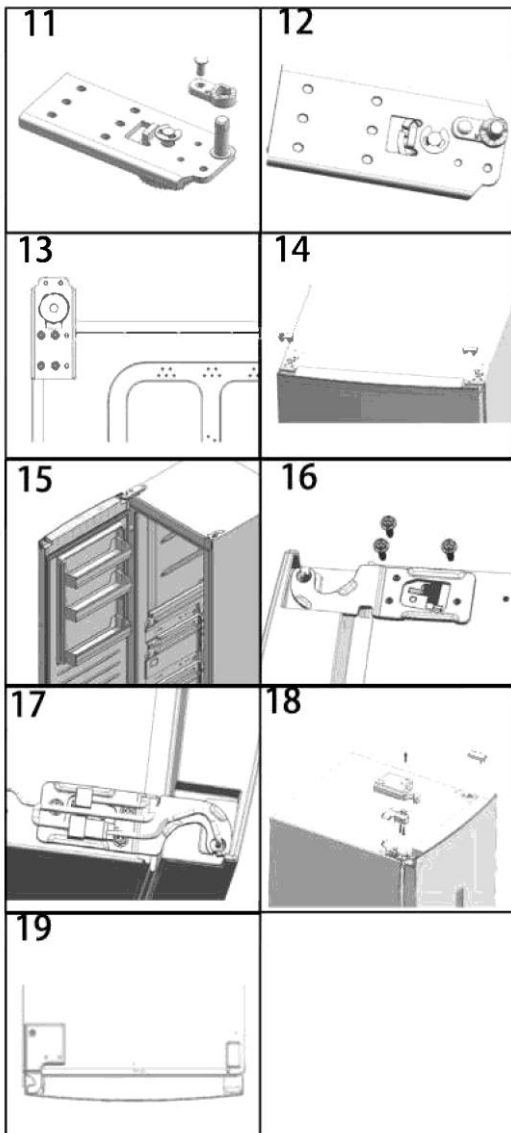
VARNING!

- ▶ Apparaten är tung. Det behövs två personer för att vända dörren.
- ▶ Innan du börjar använda apparaten ska du först dra ur kontakten från elnätet.
- ▶ Luta inte apparaten mer än 45° för att undvika att kylsystemet skadas.



Monteringssteg (fig. 10.9):

1. Använd/tillhandahåll nödvändigt verktyg.
2. Koppla ur apparaten
3. Ta bort öppningens gångjärnsskydd och gångjärnsskyddet.
4. Koppla ur anslutningskabeln.
5. Lossa skruvar och gångjärn
6. Ta bort skyddet på dörren. Ta bort axelskyddet på dörren
7. Öppna och ta bort dörren.
8. Vänd dörren upp och ner, ta bort 2 skruvar på dörrens undersida. Ta bort 2 skruvar, dörrstopp och axelskyddet på dörrens undersida
9. Ta dörrstopparen från förra steget och det tunnare axelskyddet från tillbehörsväskan och fäst dem med 2 skruvar. Fäst 2 skruvar även på andra sidan av dörren.
10. Luta skåpet något bakåt, ta bort 4 skruvar och sedan det nedre gångjärnet.



11. Ta bort skruven och axelskyddet. Ta bort gångjärnsaxeln och fäst den i öppningen bredvid.
12. Ta det tjockare axelskyddet från tillbehörsväskan. Fäst den med skruven från förra steget.
13. Fäst gångjärnet till det motsatta läget av skåpet med 4 skruvar.
14. På motsatt sida av dörren drar du ut anslutningskabeln på vänster sida och för den genom axelskyddet från steg 5. Montera axelskyddet. Montera öppningens skydd på höger sida.
15. Montera dörren.
16. Fäst det övre högra övre gångjärnet med 3 skruvar
17. Anslut kabelanslutningarna:
18. Fäst skyddet för gångjärnsöppningen och skyddet för övre vänstra gångjärnet.
19. Klart!

Minsta garantiperiod är: 2 år för EU-länder, 3 år för Turkiet, 1 år för Storbritannien, 1 år för Ryssland, 3 år för Sverige, 2 år för Serbien, 5 år för Norge, 1 år för Marocko, 6 månader för Algeriet, ingen juridisk garanti krävs i Tunisien.

Termostater, temperaturgivare, kretskort och ljuskällor finns tillgängliga under minst sju år efter det att den sista enheten av samma modell har släppts på marknaden. Dörrhandtag, dörrgångjärn, brickor och korgar under minst sju år och dörrpackningar under minst tio år efter att den sista enheten av samma modell har släppts på marknaden.

För mer information om produkten, se <https://eprel.ec.europa.eu/> eller skanna QR-koden på energimärkningen bifogad med apparaten.

För att kontakta teknisk assistans, besök vår webbplats: <https://corporate.haier-europe.com/en/> under avsnittet "Website". Där väljer du produktens märke och ditt land. Du kommer att omdirigeras till den specifika webbplatsen där du hittar telefonnummer och formulär för att kontakta teknisk assistans

11.1 Produktblad enligt förordning EU nr 1369/2017

Varumärke	Haier
Modellidentifierare	H3R-330WNA
Kategori	kylskåp
Energieffektivitetsklass	A
Årlig energiförbrukning (kWh/år)	66
Förvaringsvolym kylning (l)	189
Förvaringsvolym My Zone(l)	141
Total förvaringsvolym (l)	330
Temperatur i övriga fack >14 °C	inte tillämpbar
Frostfritt system	ja
Säkerhet vid strömavbrott (t)	/
Fryskapacitet (kg/24h)	/
Klimatklass	
Apparaten är avsedd att användas vid en omgivningstemperatur mellan 10 °C och 43 °C	SN-T
Luftburet akustiskt buller (db(A)re 1 pW)	38
Konstruktionstyp	fristående

¹⁾ Baserat på standardtestresultat för 24 timmar. Den faktiska energiförbrukningen beror på hur apparaten används och var den är placerad.

Installera apparaten på en plats där omgivningstemperaturen motsvarar den klimatklass som anges på apparatens typskylt:

- Utökad tempererad (SN): "denna kylapparat är avsedd att användas vid omgivningstemperaturer från 10 °C till 32 °C".
- Tempererad (N): "denna kylapparat är avsedd att användas vid omgivningstemperaturer från 16 °C till 32 °C".
- Subtropisk (ST): "denna kylapparat är avsedd att användas vid omgivningstemperaturer från 16 °C till 38 °C".
- Tropisk (T): "denna kylapparat är avsedd att användas vid omgivningstemperaturer från 16 °C till 43 °C".

11.2 Ytterligare tekniska uppgifter

Spänning/frekvens	220–240V ~ / 50Hz
Huvudsäkring (A)	1.5
Kylvätska	R600a
Mått (H/B/D i mm)	1910/595/675
Ljuseffekt/ljusspänning	1,5W/ DC 12V

11.3 Standarder och direktiv

Denna produkt uppfyller kraven i alla tillämpliga EG-direktiv med motsvarande harmoniserade standarder som tillhandahåller CE-märkning.

Vi rekommenderar vår Haier-kundtjänst och användning av originalreservdelar. Om du har problem med din apparat, kontrollera först avsnittet FELSÖKNING. Om du inte hittar en lösning där kontakta

- ▶ din lokala återförsäljare eller
- ▶ Service&Support-området på www.haier.com där du kan hitta telefonnummer och FAQ (vanliga frågor) och där göra ett serviceanspråk.

Om du vill kontakta vår tjänst ska du se till att du har följande uppgifter tillgängliga. Informationen finns på typskylten.

Modell _____ Serienummer. _____

Kontrollera även det garantikort som medföljer produkten i händelse av garanti.

För allmänna affärsförfrågningar hittar du nedan våra adresser i Europa:

Europeiska adresser för Haier			
Land*	Postadress	Land*	Postadress
Italien	Haier Europe Trading SRL Via De Cristoforis, 12 21100 Varese ITALIEN	Frankrike	Haier France SAS 3-5 rue des Graviers 92200 Neuilly sur Seine FRANKRIKE
Spanien Portugal	Haier Iberia SL Pg. Garcia Faria, 49-51 08019 Barcelona SPANIEN	Belgien-FR Belgien-NL Nederländerna Luxemburg	Haier Benelux SA Anderlecht Route de Lennik 451 BELGIEN
Tyskland Österrike	Haier Deutschland GmbH Hewlett-Packard-Str. 4 D-61352 Bad Homburg TYSKLAND	Polen Tjeckien Ungern Grekland Rumänien Ryssland	Haier Polen Sp. Zoo. Al. Jerozolimskie 181B 02-222 Warszawa POLEN
UK	Haier Appliances UK Co.Ltd. One Crown Square Church Street East Woking, Surrey, GU21 6HR UK		

*För mer information, se www.haier.com



Haier