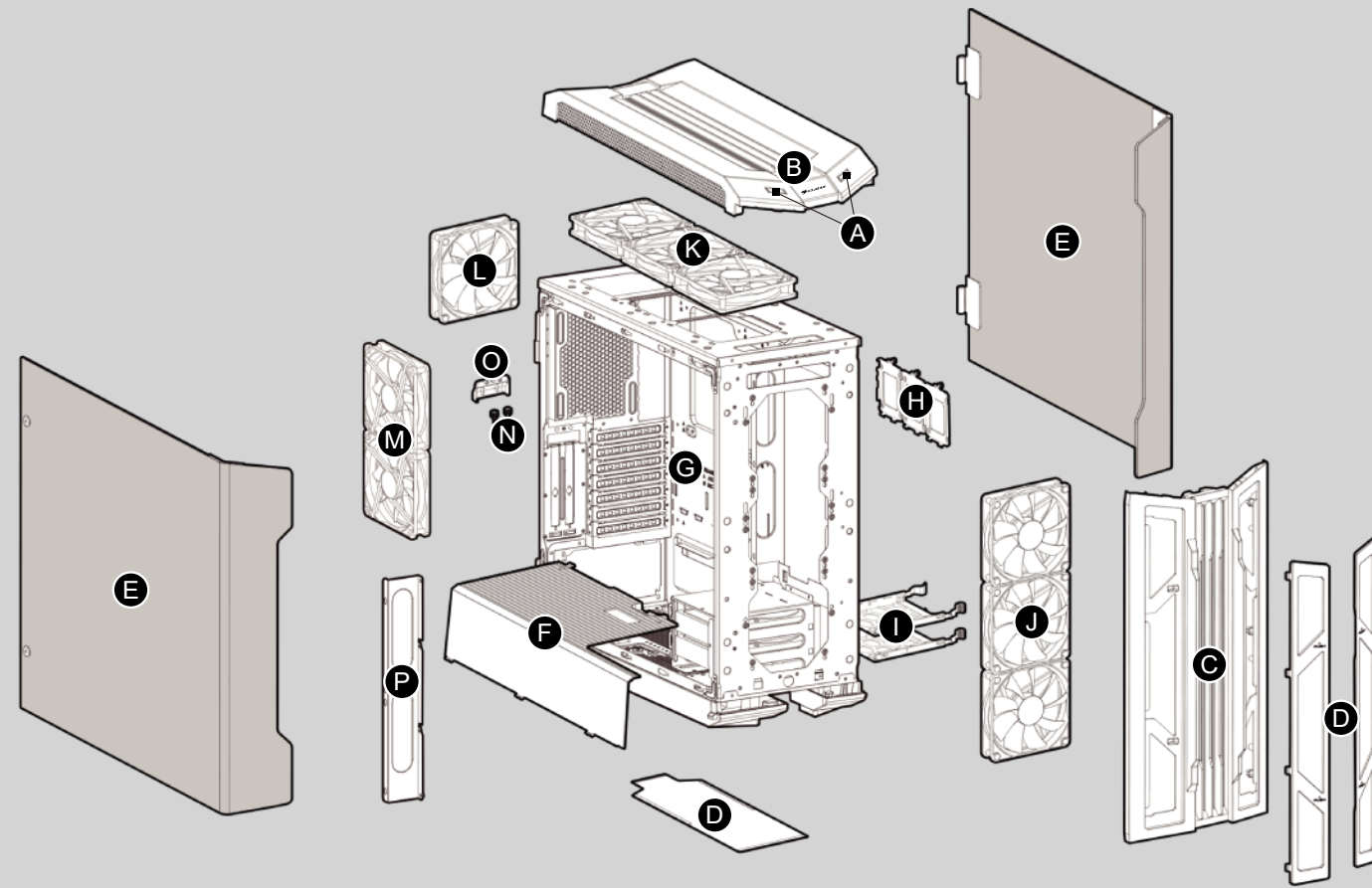


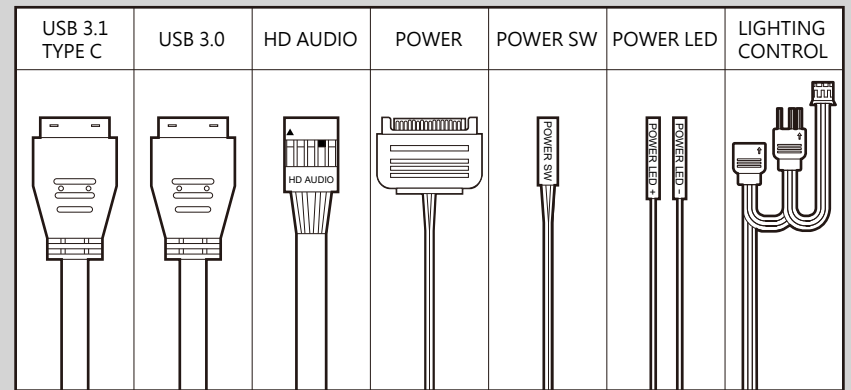
GEMINI T PRO

Assembly Drawing



- A** Power button / RGB Control Button
- B** Type-C , USB3.0 x 2 , Mic x 1, Audio x 1
- C** Removable front panel
- D** Fan filters to prevent dust from getting into the chassis
- E** Gull-wing opening tempered glass side panels
- F** Power supply cover
- G** Vented slots
- H** 2.5" HDD/SSD trays
- I** 3.5" HDD trays
- J** 2 x 140 / 3 x 120mm fans for front panel (1 x 120mm fan pre-installed)
- K** 2 x 140 / 3 x 120mm fans for top panel (optional, purchased separately)
- L** 1 x 120mm fan for rear panel (1 x 120mm fan pre-installed)
- M** 2 x 120mm fan for side panel (optional, purchased separately)
- N** Thumb screws
- O** Slot cover
- P** Cooling fan/radiator bracket on the right side panel

Installing the Front I/O Connectors



TRELUX RGB LIGHTING
COUGAR's new Trelux technology provides Gemini T Pro with a powerful lighting system of its own: three long RGB-powered lenses cover the front and top of the case. The Trelux dynamic RGB lighting will amaze everybody!
Controllable directly through a convenient front panel button, Trelux can also work connected to a COUGAR Core Box v2 or to a compatible motherboards' 5V connection for system-wide lighting integration.

GLASS WINGS
Two massive gull-wing tempered glass side panels flank Gemini T Pro. This unique design gives you a clear view of the computer's components and makes tool-less maintenance very convenient. Apart from cooling, the two side fans facing the glass window allow you to set up a fantastic lighting spectacle inside Gemini T Pro!

VERTICAL GPU SUPPORT
This revolutionary case is both about performance and aesthetics. To bring your system's awesomeness to the limit, Gemini T Pro supports vertical GPU installation. This joins the two supported side fans to produce one of the most incredible side windows a PC case has ever had.

INTELLIGENT COOLING
Up to nine fans and three water cooling radiators match Gemini T Pro's support for the latest components with top-end cooling capabilities. Two big frontal vents with detachable filters guarantee a clear air intake, while two side vents on both sides of the top cover create an excellent way for the exhaust to leave the case without dust getting in.

Model Name	GEMINI T PRO
Model No.	CGR-6KMTB
Case Form Factor	Mid Tower
Motherboard Type	Mini ITX / Micro ATX / ATX / CEB
Dimension	227 (W) x 535 (H) x 527 (D) mm / 8.9 (W) x 21.0 (H) x 20.7 (D) inch
I/O Panel	USB 3.1 Type C x 1 , USB3.0 x 2 , Mic x 1, Audio x 1, RGB Control Button
Case Drive Bays	3.5" : 2 max. 2.5" : 3 (With five possible locations within the case)
Expansion Slots	7+2
Cooling Fan Support	Front : 120mm x 3 / 140mm x 2 (1 x 120mm fan pre-installed) Top : 120mm x 3 / 140mm x 2 Rear : 120mm x 1 (pre-installed) Side : 120mm x 2
Maximum Number of Fans	9 Max.
Water Cooling Radiator Support	Front*1 : 360mm / 280mm / 240mm / 140mm / 120mm Top : 360mm*2 / 240mm / 120mm Rear : 120mm Side*1 : 240mm / 120mm
Max. Graphics Card Length	400mm / 15.7inch
Max. CPU Cooler Height	170mm / 6.7inch
Max. PSU Length	200mm / 7.9inch
PSU	Standard ATX PS2
Onboard Lighting System	Trelux Lighting with Addressable RGB LEDs and Dynamic Lighting Effects in the Front and Top Panels
Cable Management	Yes

*1. Front & Side panels : Please choose either of front or side to install a radiator. Specifications might vary depending on the country or region of sale.
*2. Top panel : Please choose either of top or a front to install a 360mm radiator.

FEATURES

ENGLISH

- Trelux RGB System with 5V RGB Motherboard Synchronization
- Support for Vertical GPU (up to 400mm-long)
- Mini ITX / Micro ATX / ATX / CEB Motherboard Support
- Gull-Wing Opening Tempered Glass Side Panels
- Intelligent Cooling Design with Big Front Vents and Upper Side Vents
- Up to Nine Fans
- Up to Three Radiators (Max. Length 360mm)
- Up to Three 425mm Graphics Cards
- Convenient Upgrades and Maintenance

DEUTSCH

- Trelux' RGB-System mit 5-V-RGB-Motherboard-Synchronisierung
- Unterstützt vertikale GPU (Länge bis 400 mm)
- Unterstützt Mini ITX / Micro ATX / ATX / CEB Motherboard
- Seitenblenden aus Hartglas mit Knickflügelöffnung
- Intelligentes Kühldesign mit großen Belüftungsöffnungen an Vorder- und Oberseite
- Bis zu Neun Lüfter
- Bis zu Drei Kühlkörper (max. Länge des Kühlkörpers beträgt 360 mm)
- Bis zu drei 425 mm lange Grafikkarten
- Komfortable Aufrüstung und Wartung

РУССКИЙ

- Система Trelux RGB с синхронизацией RGB при подключении к материнской плате (5V)
- Поддержка вертикальной установки графической карты (длиной до 400 мм)
- Поддержка форматов Mini ITX / Micro ATX / ATX / CEB
- Боковое «крылатое» открытие панелей из закаленного стекла
- Интеллектуальная система охлаждения с вентиляторами в передней и верхней части корпуса
- До девяти вентиляторов
- До три радиаторов (радиатор максимальной длиной 360 мм)
- До трех 425-мм графических карт
- Удобное обновление и поддержка

ESPAÑOL

- Sistema de Iluminación RGB Trelux (Soporta Sincronización de 5v RGB con Placa Base)
- Soporta Instalación Vertical de GPU (Hasta 400mm de Longitud)
- Soporta Placa Madre Mini ITX / Micro ATX / ATX / CEB
- Paneles Laterales de Vidrio Templado con Diseño de Ala de Gaviota
- Diseño de Refrigeración Inteligente con Dos Grandes Respiraderos Frontales y Dos Respiraderos en los Flancos de la Cubierta Superior
- Hasta Nueve Ventiladores
- Hasta Tres Radiadores (Longitud Máxima del Radiador: 360mm)
- Hasta Tres Tarjetas Gráficas de 425mm de Longitud
- Actualizaciones y Mantenimiento Fáciles y Rápidos

FRANÇAIS

- Système RVB Trelux avec synchronisation de carte mère RVB 5 V
- Prise en charge de GPU vertical (jusqu'à 400 mm de long)
- Prise en charge de cartes mères Mini ITX / Micro ATX / ATX / CEB
- Panneaux latéraux en verre trempé à ouverture papillon
- Conception intelligente du refroidissement avec grandes fentes d'aération à l'avant et fentes d'aération latérales en hauteur
- Jusqu'à Neuf ventilateurs
- Jusqu'à Trois radiateurs (Longueur max. du radiateur 360 mm)
- Jusqu'à trois cartes graphiques de 425 mm
- Mises à niveau et maintenance pratiques

PORTUGUÊS

- Sistema Trelux RGB com Sincronização de Placa-mãe 5v RGB
- Suporte para GPU Vertical (até 400mm de comprimento)
- Suporte para Placa-mãe Mini ITX / Micro ATX / ATX / CEB
- Painéis Laterais de Vidro Temperado de Abertura Tipo Asa
- Design de Refrigeração Inteligente com Ventoinhas Grandes Frontais e Ventoinhas Grandes Superiores
- Até Nove Ventoinhas
- Até Três Radiadores (Radiador Max. 360mm de Comprimento)
- Até Três Placas Gráficas de 425mm
- Atualização e Manutenção convenientes

ITALIANO

- Sistema Trelux RGB con sincronizzazione scheda madre RGB 5v
- Supporto per GPU verticale (fino a 400 mm di lunghezza)
- Supporto per scheda madre Mini ITX / Micro ATX / ATX / CEB
- Pannelli laterali in vetro temperato con apertura ad ala di gabbiano
- Design di raffreddamento intelligente con grandi bocchette di ventilazione anteriori e bocchette laterali superiori
- Fino a Nove ventole
- Fino a Tre radiatori (lunghezza massima del radiatore 360 mm)
- Fino a tre schede grafiche da 425 mm
- Aggiornamenti e manutenzione convenienti

POLISH

- System RGB Trelux z synchronizacją podświetlenia płyty głównej RGB 5V
- Obsługa pionowego montażu karty graficznej (o długości do 400 mm)
- Obsługa płyt głównych Mini ITX / Micro ATX / ATX / CEB
- Otwierane skrzydłowo panele boczne ze szkła hartowanego
- Inteligentny układ chłodzenia z dużymi wentylatorami z przodu i na górze boków
- Maks. Dziewięć wentylatorów
- Maks. Trzy radiatorów (radiator o maks. długości 360 mm)
- Maks. trzy karty graficzne 425 mm
- Wygodna rozbudowa i konserwacja

한국어

- 5V RGB 마더 보드 동기화 기능이 있는 Trelux RGB 시스템
- 수직 GPU 지원 (최대 400mm 길이)
- Mini ITX / Micro ATX / ATX / CEB 마더 보드 지원
- 위로 젓혀 열리는 걸 형식의 강화 유리 측면 패널
- 대형의 전면 및 상부측 통풍구를 이용한 지능형 냉각 설계
- 최대 9 개의 팬
- 최대 3 개의 라디에이터 (라디에이터 최대 길이 360mm)
- 최대 3 개의 425mm 그래픽 카드
- 편리한 업그레이드 및 유지 관리

HUNGARIAN

- Trelux RGB rendszer 5 V-os RGB alaplap-szinkronizálással
- Független GPU támogatása (max. 400 mm hosszúságig)
- Mini ITX / Micro ATX / ATX / CEB alaplap támogatása
- Sirályszárnyas, edzett üvegből készült oldalsó panelek
- Intelligens hűtőrendszer nagy méretű elülső és felső-oldalsó szellőzőnyílásokkal
- Maximum Kilenc ventilátor
- Maximum Három hűtőelem (az hűtőelem maximális hosszúsága 360 mm)
- Maximum három 425 mm-es grafikus kártya
- Kényelmes bővíthetőség és karbantartás

中文

- Trelux RGB系统支援5V主机板灯效同步控制功能
- 支援显卡垂直安装(最高长度可达400mm)
- 支援Mini ITX / Micro ATX / ATX / CEB 主机板
- 鸥翼式钢化玻璃侧窗
- 智能散热设计搭配大通风格孔
- 最高支援9 个风扇
- 最高可安装 3 个水冷散热器(最大长度 360mm 水冷排)
- 最高可安装 3 组 425mm 显卡
- 方便升级、轻松维护

日本語

- "Trelux RGB" システムは5VのマザーボードのRGB効果に同期します。
- グラフィックカードを垂直に取付できます。(最大400mmまで対応可能)
- Mini ITX / Micro ATX / ATX / CEB マザーボードに対応しています。
- ガルウイングオープニング強化ガラスサイドウインドウパネル装備
- 大きなフロントベントと上部サイドベントによって優れた放熱効果を確保します。
- 最大9 個のファンを装着できます。
- 3 つの水冷ラジエーターを装着可能です。(360mmの水冷ラジエーターを装着可能)
- 最大3つの425mmグラフィックカードに対応できます。
- アップグレードとメンテナンスが容易です。

Дата изготовления продукции
год и месяц изготовления продукции указаны в серийном номере продукта. (существует 2 способа определения даты изготовления, оба способа описаны ниже)

A После S/N: первые две цифры означают год, вторые две – месяц изготовления. Например, S/N: **H1702**000001 означает, что товар был произведен в феврале 2017 года.

B После S/N: если указаны буквы, то две буквы представляют цифры из таблицы ниже, и означают год, последующие две цифры – месяц изготовления. Например, S/N: **DAG02REVI000001** означает, что товар был произведен в феврале 2017 года.

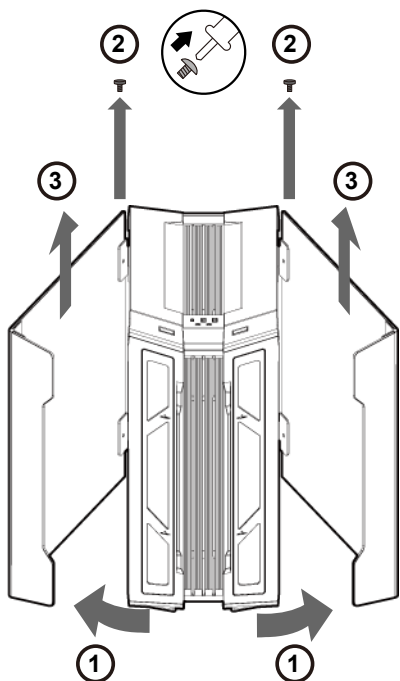
A	B	C	D	E	F	G	H	I	J
1	2	3	4	5	6	7	8	9	0

• Например, AG = 17 = 2017 год

تعليمات التركيب و الأمان:
- عند التركيب أو التفكيك يجب التأكد من أن جميع الأسلاك مفضولة عن الكهرباء.
- يجب اتخاذ الاحترازاات اللازمة لمنع الصعق الكهربائي.
- يجب ارتداء الملابس المناسبة أثناء تركيب/ تجميع الكمبيوتر.

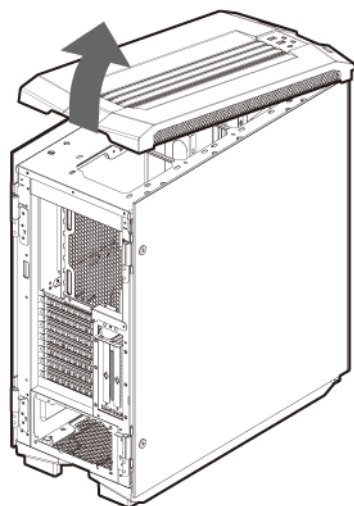
GLOBAL WARRANTY POLICY
WARRANTY PERIODS OF COUGAR GAMING DEVICES
Product : COUGAR Gemini T Pro
Warranty : 1 Year
• This warranty gives you specific legal rights. You may also have other rights granted under local law. These rights may vary.
• Only for electrical components.

Removing the side panels

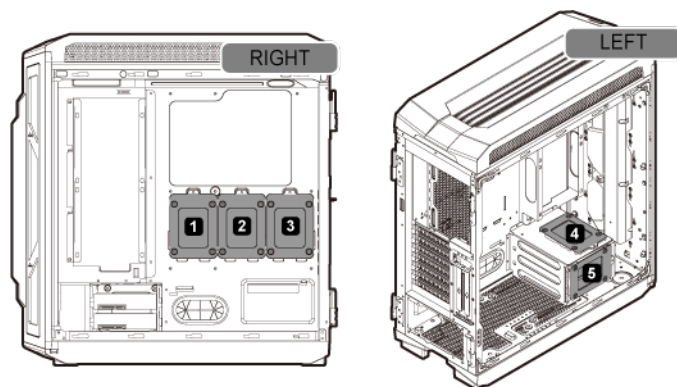


Removing the top panel

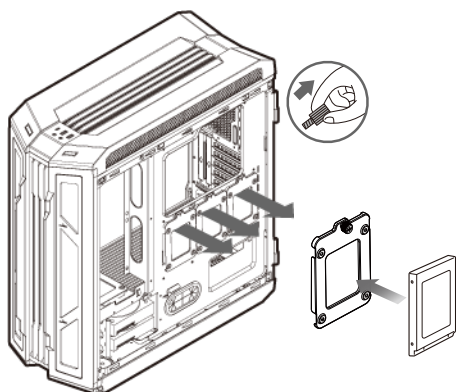
※ For the first time of the disassembly, please pull harder.



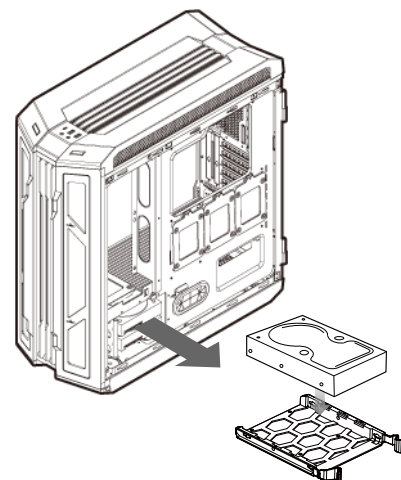
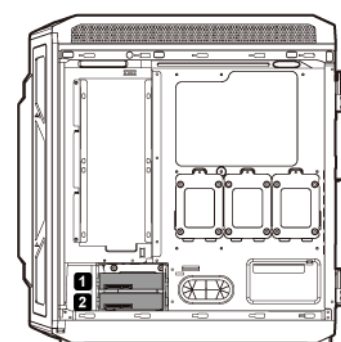
Installing an internal 2.5" HDD/SSD



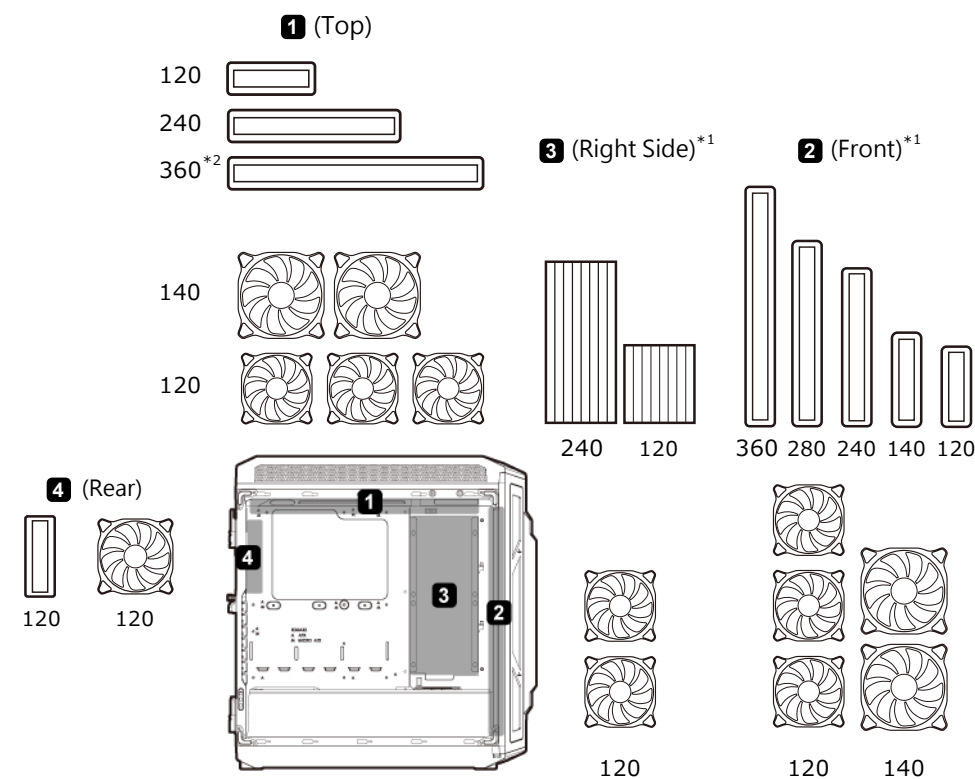
■ **2.5" Storage Device Installation:**
Three brackets for installing 2.5" SSD are included. Please choose three of the five numbered locations shown in the pictures above to install them. Only three SSDs may be installed simultaneously. SSD brackets are not sold separately.



Installing an internal 3.5" HDD

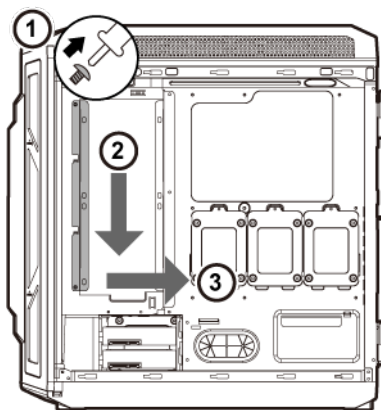


Installing water cooling radiators & cooling fans

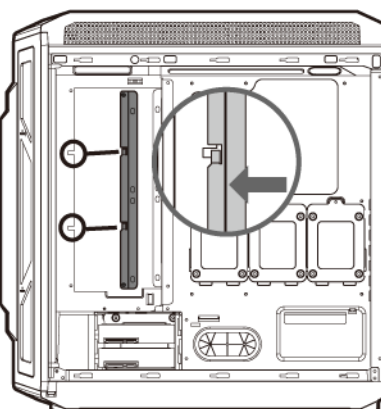


*1 . Front & Side panels : Please choose either of front or side to install a radiator.
*2 . Top panel : Please choose either of top or a front to install a 360mm radiator.

Removing cooling fan/radiator bracket

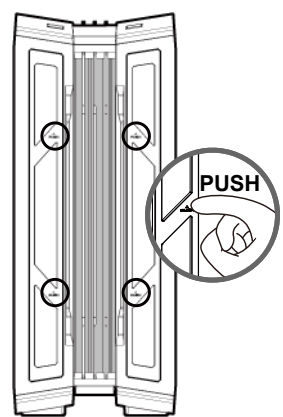
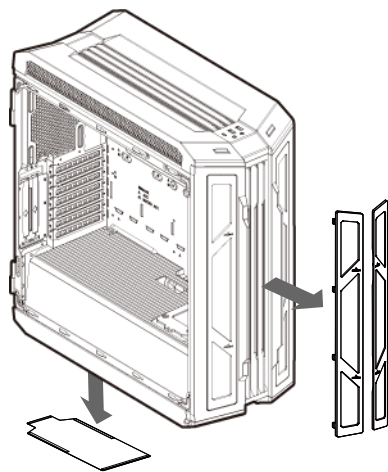


1. Please remove two screws from the bracket.
2. Pull down the bracket.



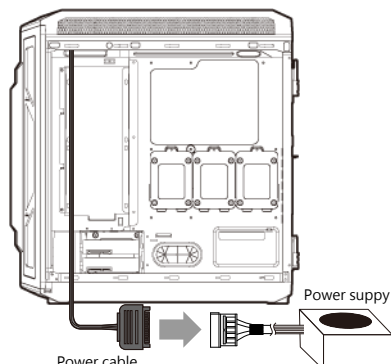
※ Please align two hooks when you install the bracket.

Removing the dust filters

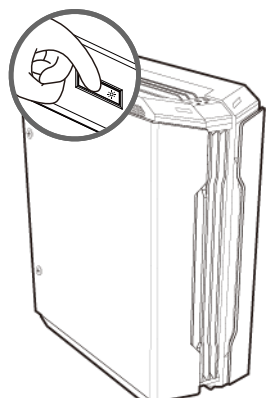


Gemini T Pro's Trelux lighting system offers you several ways to control it:

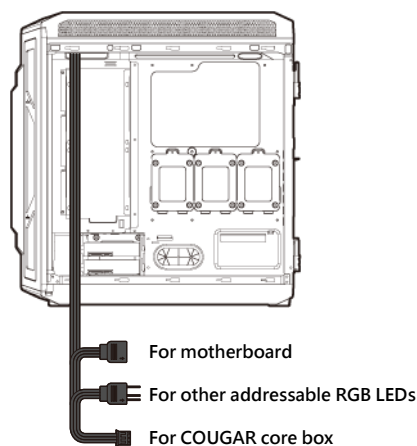
■ Please connect the power cable of the I/O panel to an appropriate SATA connector from the PSU in order to use the case's lighting functionality.



■ **First Mode: Lighting Button**
You can use the front panel's dedicated button to switch between the fourteen beautiful lighting effects we have preset for you.

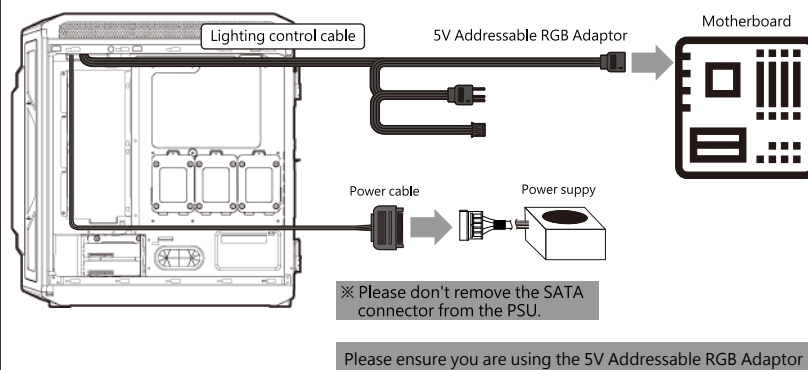


■ **Lighting Control Cable Instructions**



■ **Second Mode: Motherboard Synchronization**

Second, you can use the included adaptor (see picture below) to connect the Trelux system to a compatible motherboard's 3-pin 5V Addressable RGB header and enjoy system-wide RGB synchronization.

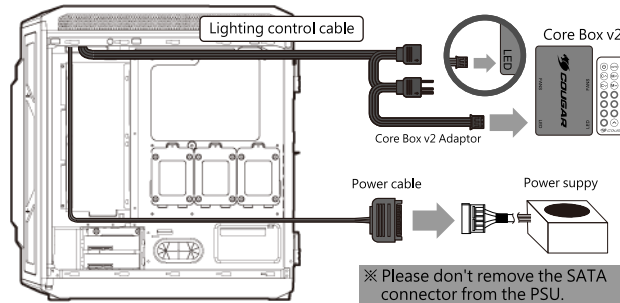


※ Please don't remove the SATA connector from the PSU.

Please ensure you are using the 5V Addressable RGB Adaptor

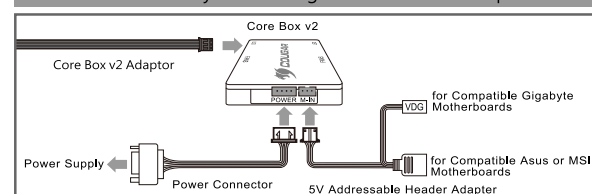
■ **Third Mode: Core Box v2**

You can also benefit from integrated control of Gemini T Pro's Trelux lighting system, up to eight fans and two RGB LED Strips by connecting the case with the included adaptor to a COUGAR Core Box v2 (sold separately). This control box will allow you to enjoy 100 different synchronized lighting effects in all the above devices and manage them through the remote controller. As an alternative, you can also connect the Core Box v2 to a compatible motherboard's 3-pin 5V Addressable RGB header for system-wide synchronization.



※ Please don't remove the SATA connector from the PSU.

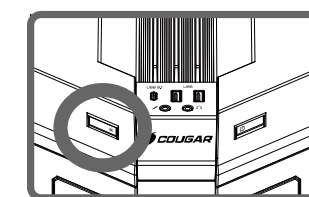
Please ensure you are using the Core Box v2 Adaptor



Note: When using the Trelux lighting in the second or third modes, the lighting control button will have no functionality assigned to it.

Lighting Mode Indicator

■ When using the first lighting mode (i.e., control through the I/O panel's button), the lighting control button to the left of the I/O panel will be lit. When using the second or third mode, the LED of the lighting control button will be off.



ACCESSORY KIT

	Motherboard / HDD screws	X 18
	SSD screws	X 12
	Power supply screws	X 5
	Stand-off	X 2
	Cable ties	X 4
	Cable hook	X 1

COUGAR USA Technical Service
Tel: (833) 256-3778
Mail: rma@compucaseusa.com
<https://cougargaming.com/support/contact/upload/>

Compucase Enterprise Co.,Ltd.
No. 225, Lane 54, An Ho Road Sec. 2 Tainan, Taiwan, R.O.C
Tel:+886-6-356-0606
Service E-Mail:service@cougargaming.com

For more information, please visit www.cougargaming.com
Compucase Enterprise Co.,Ltd.
All rights reserved.

