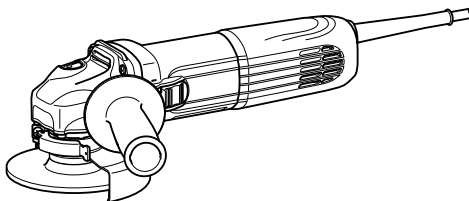
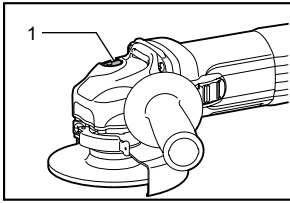




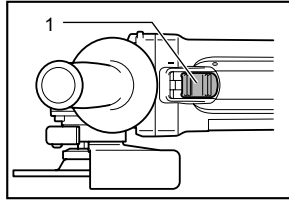
GB	Angle Grinder	INSTRUCTION MANUAL
UA	Кутова шліфувальна машина	ІНСТРУКЦІЯ З ЕКСПЛУАТАЦІЇ
PL	Szlifierka kątowna	INSTRUKCJA OBSŁUGI
RO	Polizor unghiular	MANUAL DE INSTRUCȚIUNI
DE	Winkelschleifer	BEDIENUNGSANLEITUNG
HU	Sarokcsiszoló	HASZNÁLATI KÉZIKÖNYV
SK	Uhlová brúska	NÁVOD NA OBSLUHU
CZ	Úhlová bruska	NÁVOD K OBSLUZE

GA4040C
GA4540C
GA5040C
GA6040C
GA4041C
GA4541C
GA5041C

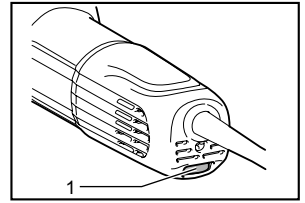




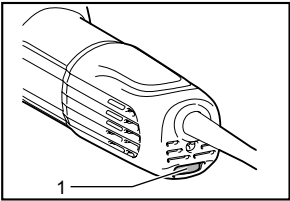
1 012725



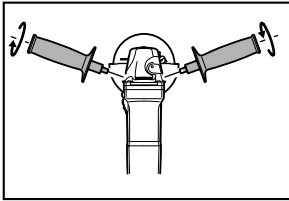
2 012728



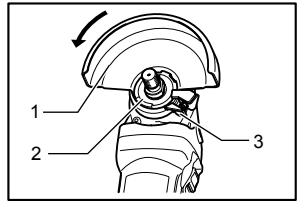
3 012729



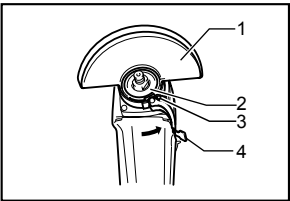
4 012747



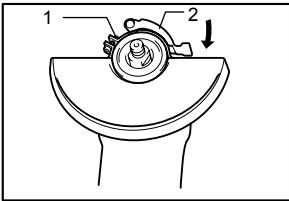
5 012724



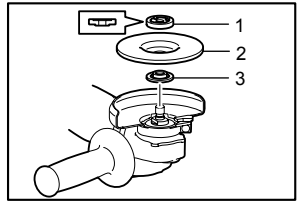
6 012733



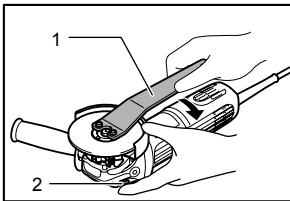
7 009430



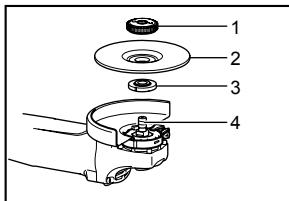
8 009431



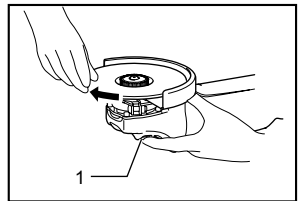
9 012802



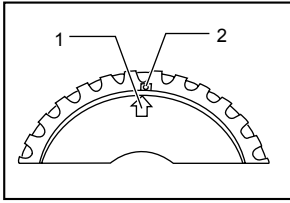
10 012727



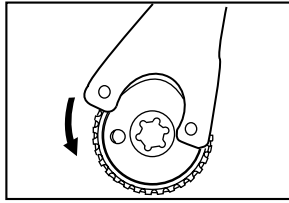
11 012772



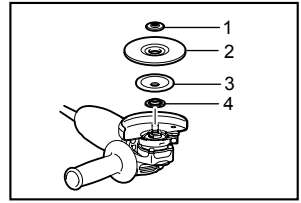
12 012773



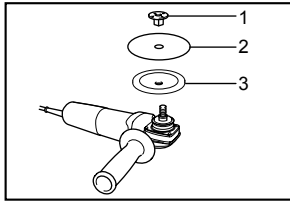
13 010846



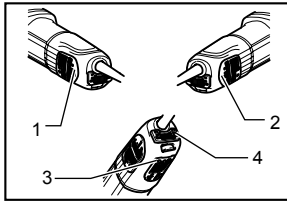
14 010863



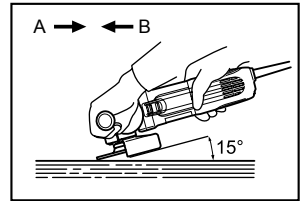
15 012740



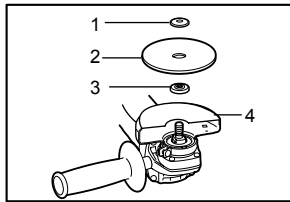
16 012742



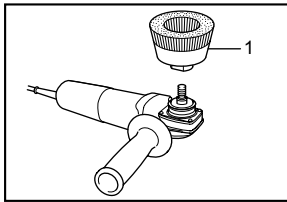
17 012731



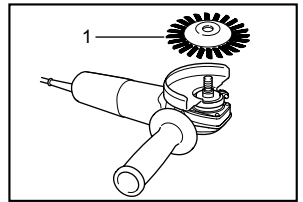
18 012730



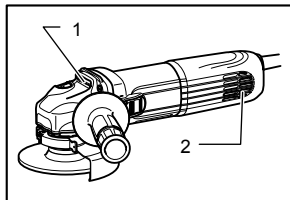
19 010855



20 012743



21 012744



22 012732

ENGLISH (Original instructions)

Explanation of general view

1-1. Shaft lock	9-3. Inner flange	16-3. Rubber pad
2-1. Slide switch	10-1. Lock nut wrench	17-1. Marking A
3-1. Indication lamp (speed adjusting dial)	10-2. Shaft lock	17-2. Marking B
4-1. Speed adjusting dial	11-1. Ezynut	17-3. Marking C
6-1. Wheel guard	11-2. Abrasive wheel	17-4. Marking D
6-2. Bearing box	11-3. Inner flange	19-1. Lock nut
6-3. Screw	11-4. Spindle	19-2. Abrasive cut-off wheel/diamond wheel
7-1. Wheel guard	12-1. Shaft lock	19-3. Inner flange
7-2. Bearing box	13-1. Arrow	19-4. Wheel guard for abrasive cut-off wheel/diamond wheel
7-3. Screw	13-2. Notch	20-1. Wire cup brush
7-4. Lever	15-1. Lock nut	21-1. Wire wheel brush
8-1. Screw	15-2. Flex wheel	22-1. Exhaust vent
8-2. Lever	15-3. Plastic pad	22-2. Inhalation vent
9-1. Lock nut	15-4. Inner flange	
9-2. Depressed center wheel	16-1. Sanding lock nut	
	16-2. Abrasive disc	

SPECIFICATIONS

Model	GA4040C	GA4041C	GA4540C	GA4541C	GA5040C	GA5041C	GA6040C
Wheel diameter	100 mm (4")		115 mm (4-1/2")		125 mm (5")		150 mm (6")
Max. wheel thickness	6.4 mm						
Spindle thread	M10		M14 or 5/8" (country specific)				
Rated speed (n) / No load speed (n ₀)	11,000 min ⁻¹		11,000 min ⁻¹		11,000 min ⁻¹		9,000 min ⁻¹
Overall length	303 mm	325 mm	303 mm	325 mm	303 mm	325 mm	303 mm
Net weight	2.3 kg	2.6 kg	2.5 kg	2.7 kg	2.5 kg	2.7 kg	2.6 kg
Safety class	II/III						

- Due to our continuing program of research and development, the specifications herein are subject to change without notice.
- Specifications may differ from country to country.
- Weight according to EPTA-Procedure 01/2003

ENE048-1

Intended use

The tool is intended for grinding, sanding and cutting of metal and stone materials without the use of water.

ENF002-2

Power supply

The tool should be connected only to a power supply of the same voltage as indicated on the nameplate, and can only be operated on single-phase AC supply. They are double-insulated and can, therefore, also be used from sockets without earth wire.

ENG905-1

Noise

The typical A-weighted noise level determined according to EN60745:

Model GA4040C, GA4540C, GA5040C

Sound pressure level (L_{pA}) : 86 dB (A)

Sound power level (L_{WA}) : 97 dB (A)

Uncertainty (K) : 3 dB (A)

Model GA6040C

Sound pressure level (L_{pA}) : 87 dB (A)

Sound power level (L_{WA}) : 98 dB (A)

Uncertainty (K) : 3 dB (A)

Model GA4541C

Sound pressure level (L_{pA}) : 83 dB (A)

Sound power level (L_{WA}) : 94 dB (A)

Uncertainty (K) : 3 dB (A)

Model GA5041C

Sound pressure level (L_{pA}) : 84 dB (A)

Sound power level (L_{WA}) : 95 dB (A)

Uncertainty (K) : 3 dB (A)

Wear ear protection

Vibration

The vibration total value (tri-axial vector sum) determined according to EN60745:

Model GA4040C

Work mode : surface grinding with normal side grip
Vibration emission ($a_{h,AG}$) : 5.0 m/s²
Uncertainty (K) : 1.5 m/s²

Work mode : surface grinding with anti vibration side grip
Vibration emission ($a_{h,AG}$) : 5.0 m/s²
Uncertainty (K) : 1.5 m/s²

Work mode : disc sanding with normal side grip
Vibration emission ($a_{h,DS}$) : 3.0 m/s²
Uncertainty (K) : 1.5 m/s²

Work mode : disc sanding with anti vibration side grip
Vibration emission ($a_{h,DS}$) : 2.5 m/s² or less
Uncertainty (K) : 1.5 m/s²

Model GA4540C

Work mode : surface grinding with normal side grip
Vibration emission ($a_{h,AG}$) : 6.0 m/s²
Uncertainty (K) : 1.5 m/s²

Work mode : surface grinding with anti vibration side grip
Vibration emission ($a_{h,AG}$) : 5.5 m/s²
Uncertainty (K) : 1.5 m/s²

Work mode : disc sanding with normal side grip
Vibration emission ($a_{h,DS}$) : 2.5 m/s²
Uncertainty (K) : 1.5 m/s²

Work mode : disc sanding with anti vibration side grip
Vibration emission ($a_{h,DS}$) : 2.5 m/s²
Uncertainty (K) : 1.5 m/s²

Model GA5040C

Work mode : surface grinding with normal side grip
Vibration emission ($a_{h,AG}$) : 6.5 m/s²
Uncertainty (K) : 1.5 m/s²

Work mode : surface grinding with anti vibration side grip
Vibration emission ($a_{h,AG}$) : 5.5 m/s²
Uncertainty (K) : 1.5 m/s²

Work mode : disc sanding with normal side grip
Vibration emission ($a_{h,DS}$) : 2.5 m/s²
Uncertainty (K) : 1.5 m/s²

Work mode : disc sanding with anti vibration side grip
Vibration emission ($a_{h,DS}$) : 2.5 m/s²
Uncertainty (K) : 1.5 m/s²

Model GA6040C

Work mode : surface grinding with normal side grip
Vibration emission ($a_{h,AG}$) : 6.5 m/s²
Uncertainty (K) : 1.5 m/s²

Work mode : surface grinding with anti vibration side grip
Vibration emission ($a_{h,AG}$) : 6.0 m/s²
Uncertainty (K) : 1.5 m/s²

Work mode : disc sanding with normal side grip
Vibration emission ($a_{h,DS}$) : 2.5 m/s²
Uncertainty (K) : 1.5 m/s²

Work mode : disc sanding with anti vibration side grip
Vibration emission ($a_{h,DS}$) : 2.5 m/s² or less
Uncertainty (K) : 1.5 m/s²

Model GA4541C

Work mode : surface grinding with normal side grip
Vibration emission ($a_{h,AG}$) : 6.5 m/s²
Uncertainty (K) : 1.5 m/s²

Work mode : surface grinding with anti vibration side grip
Vibration emission ($a_{h,AG}$) : 5.5 m/s²
Uncertainty (K) : 1.5 m/s²

Work mode : disc sanding with normal side grip
Vibration emission ($a_{h,DS}$) : 2.5 m/s² or less
Uncertainty (K) : 1.5 m/s²

Work mode : disc sanding with anti vibration side grip
Vibration emission ($a_{h,DS}$) : 2.5 m/s² or less
Uncertainty (K) : 1.5 m/s²

Model GA5041C

Work mode : surface grinding with normal side grip
Vibration emission ($a_{h,AG}$) : 7.0 m/s²
Uncertainty (K) : 1.5 m/s²

Work mode : surface grinding with anti vibration side grip
Vibration emission ($a_{h,AG}$) : 6.0 m/s²
Uncertainty (K) : 1.5 m/s²

Work mode : disc sanding with normal side grip
Vibration emission ($a_{h,DS}$) : 2.5 m/s² or less
Uncertainty (K) : 1.5 m/s²

Work mode : disc sanding with anti vibration side grip

Vibration emission ($a_{h,DS}$) : 2.5 m/s² or less

Uncertainty (K) : 1.5 m/s²

000230



Tomoyasu Kato
Director

Makita Corporation
3-11-8, Sumiyoshi-cho,
Anjo, Aichi, 446-8502, JAPAN

GEA010-1

- ENG902-1
- The declared vibration emission value has been measured in accordance with the standard test method and may be used for comparing one tool with another.
 - The declared vibration emission value may also be used in a preliminary assessment of exposure.
 - The declared vibration emission value is used for main applications of the power tool. However if the power tool is used for other applications, the vibration emission value may be different.

⚠WARNING:

- The vibration emission during actual use of the power tool can differ from the declared emission value depending on the ways in which the tool is used.
- Be sure to identify safety measures to protect the operator that are based on an estimation of exposure in the actual conditions of use (taking account of all parts of the operating cycle such as the times when the tool is switched off and when it is running idle in addition to the trigger time).

ENH101-16

For European countries only

EC Declaration of Conformity

We Makita Corporation as the responsible manufacturer declare that the following Makita machine(s):

Designation of Machine:

Angle Grinder

Model No./ Type: GA4040C, GA4540C, GA5040C,

GA6040C, GA4541C, GA5041C

are of series production and

Conforms to the following European Directives:

2006/42/EC

And are manufactured in accordance with the following standards or standardised documents:

EN60745

The technical documentation is kept by:

Makita International Europe Ltd.

Technical Department,

Michigan Drive, Tongwell,

Milton Keynes, Bucks MK15 8JD, England

General Power Tool Safety Warnings

⚠ WARNING Read all safety warnings and all instructions. Failure to follow the warnings and instructions may result in electric shock, fire and/or serious injury.

Save all warnings and instructions for future reference.

GEB033-7

GRINDER SAFETY WARNINGS

Safety Warnings Common for Grinding, Sanding, Wire Brushing, or Abrasive Cutting-Off Operations:

1. **This power tool is intended to function as a grinder, sander, wire brush or cut-off tool. Read all safety warnings, instructions, illustrations and specifications provided with this power tool.** Failure to follow all instructions listed below may result in electric shock, fire and/or serious injury.
2. **Operations such as polishing are not recommended to be performed with this power tool.** Operations for which the power tool was not designed may create a hazard and cause personal injury.
3. **Do not use accessories which are not specifically designed and recommended by the tool manufacturer.** Just because the accessory can be attached to your power tool, it does not assure safe operation.
4. **The rated speed of the accessory must be at least equal to the maximum speed marked on the power tool.** Accessories running faster than their rated speed can break and fly apart.
5. **The outside diameter and the thickness of your accessory must be within the capacity rating of your power tool.** Incorrectly sized accessories cannot be adequately guarded or controlled.
6. **Threaded mounting of accessories must match the grinder spindle thread. For accessories mounted by flanges, the arbour hole of the accessory must fit the locating diameter of the flange.** Accessories that do not match the mounting hardware of the power tool

will run out of balance, vibrate excessively and may cause loss of control.

7. **Do not use a damaged accessory. Before each use inspect the accessory such as abrasive wheels for chips and cracks, backing pad for cracks, tear or excess wear, wire brush for loose or cracked wires. If power tool or accessory is dropped, inspect for damage or install an undamaged accessory. After inspecting and installing an accessory, position yourself and bystanders away from the plane of the rotating accessory and run the power tool at maximum no-load speed for one minute.** Damaged accessories will normally break apart during this test time.
8. **Wear personal protective equipment. Depending on application, use face shield, safety goggles or safety glasses. As appropriate, wear dust mask, hearing protectors, gloves and workshop apron capable of stopping small abrasive or workpiece fragments.** The eye protection must be capable of stopping flying debris generated by various operations. The dust mask or respirator must be capable of filtering particles generated by your operation. Prolonged exposure to high intensity noise may cause hearing loss.
9. **Keep bystanders a safe distance away from work area. Anyone entering the work area must wear personal protective equipment.** Fragments of workpiece or of a broken accessory may fly away and cause injury beyond immediate area of operation.
10. **Hold the power tool by insulated gripping surfaces only, when performing an operation where the cutting accessory may contact hidden wiring or its own cord.** Cutting accessory contacting a "live" wire may make exposed metal parts of the power tool "live" and could give the operator an electric shock.
11. **Position the cord clear of the spinning accessory.** If you lose control, the cord may be cut or snagged and your hand or arm may be pulled into the spinning accessory.
12. **Never lay the power tool down until the accessory has come to a complete stop.** The spinning accessory may grab the surface and pull the power tool out of your control.
13. **Do not run the power tool while carrying it at your side.** Accidental contact with the spinning accessory could snag your clothing, pulling the accessory into your body.
14. **Regularly clean the power tool's air vents.** The motor's fan will draw the dust inside the housing and excessive accumulation of powdered metal may cause electrical hazards.
15. **Do not operate the power tool near flammable materials.** Sparks could ignite these materials.

16. **Do not use accessories that require liquid coolants.** Using water or other liquid coolants may result in electrocution or shock.

Kickback and Related Warnings

Kickback is a sudden reaction to a pinched or snagged rotating wheel, backing pad, brush or any other accessory. Pinching or snagging causes rapid stalling of the rotating accessory which in turn causes the uncontrolled power tool to be forced in the direction opposite of the accessory's rotation at the point of the binding.

For example, if an abrasive wheel is snagged or pinched by the workpiece, the edge of the wheel that is entering into the pinch point can dig into the surface of the material causing the wheel to climb out or kick out. The wheel may either jump toward or away from the operator, depending on direction of the wheel's movement at the point of pinching. Abrasive wheels may also break under these conditions.

Kickback is the result of power tool misuse and/or incorrect operating procedures or conditions and can be avoided by taking proper precautions as given below.

- a) **Maintain a firm grip on the power tool and position your body and arm to allow you to resist kickback forces. Always use auxiliary handle, if provided, for maximum control over kickback or torque reaction during start-up.** The operator can control torque reactions or kickback forces, if proper precautions are taken.
- b) **Never place your hand near the rotating accessory.** Accessory may kickback over your hand.
- c) **Do not position your body in the area where power tool will move if kickback occurs.** Kickback will propel the tool in direction opposite to the wheel's movement at the point of snagging.
- d) **Use special care when working corners, sharp edges etc. Avoid bouncing and snagging the accessory.** Corners, sharp edges or bouncing have a tendency to snag the rotating accessory and cause loss of control or kickback.
- e) **Do not attach a saw chain woodcarving blade or toothed saw blade.** Such blades create frequent kickback and loss of control.

Safety Warnings Specific for Grinding and Abrasive Cutting-Off Operations:

- a) **Use only wheel types that are recommended for your power tool and the specific guard designed for the selected wheel.** Wheels for which the power tool was not designed cannot be adequately guarded and are unsafe.
- b) **The grinding surface of centre depressed wheels must be mounted below the plane of the guard lip.** An improperly mounted wheel that projects through the plane of the guard lip cannot be adequately protected.
- c) **The guard must be securely attached to the power tool and positioned for maximum safety,**

so the least amount of wheel is exposed towards the operator. The guard helps to protect the operator from broken wheel fragments, accidental contact with wheel and sparks that could ignite clothing.

d) **Wheels must be used only for recommended applications. For example: do not grind with the side of cut-off wheel.** Abrasive cut-off wheels are intended for peripheral grinding, side forces applied to these wheels may cause them to shatter.

e) **Always use undamaged wheel flanges that are of correct size and shape for your selected wheel.** Proper wheel flanges support the wheel thus reducing the possibility of wheel breakage. Flanges for cut-off wheels may be different from grinding wheel flanges.

f) **Do not use worn down wheels from larger power tools.** Wheel intended for larger power tool is not suitable for the higher speed of a smaller tool and may burst.

Additional Safety Warnings Specific for Abrasive Cutting-Off Operations:

a) **Do not “jam” the cut-off wheel or apply excessive pressure. Do not attempt to make an excessive depth of cut.** Overstressing the wheel increases the loading and susceptibility to twisting or binding of the wheel in the cut and the possibility of kickback or wheel breakage.

b) **Do not position your body in line with and behind the rotating wheel.** When the wheel, at the point of operation, is moving away from your body, the possible kickback may propel the spinning wheel and the power tool directly at you.

c) **When wheel is binding or when interrupting a cut for any reason, switch off the power tool and hold the power tool motionless until the wheel comes to a complete stop. Never attempt to remove the cut-off wheel from the cut while the wheel is in motion otherwise kickback may occur.** Investigate and take corrective action to eliminate the cause of wheel binding

d) **Do not restart the cutting operation in the workpiece. Let the wheel reach full speed and carefully re-enter the cut.** The wheel may bind, walk up or kickback if the power tool is restarted in the workpiece.

e) **Support panels or any oversized workpiece to minimize the risk of wheel pinching and kickback.** Large workpieces tend to sag under their own weight. Supports must be placed under the workpiece near the line of cut and near the edge of the workpiece on both sides of the wheel.

f) **Use extra caution when making a “pocket cut” into existing walls or other blind areas.** The protruding wheel may cut gas or water pipes, electrical wiring or objects that can cause kickback.

Safety Warnings Specific for Sanding Operations:

a) **Do not use excessively oversized sanding disc paper. Follow manufacturers recommendations, when selecting sanding paper.** Larger sanding paper extending beyond the sanding pad presents a laceration hazard and may cause snagging, tearing of the disc or kickback.

Safety Warnings Specific for Wire Brushing Operations:

a) **Be aware that wire bristles are thrown by the brush even during ordinary operation. Do not overstress the wires by applying excessive load to the brush.** The wire bristles can easily penetrate light clothing and/or skin.

b) **If the use of a guard is recommended for wire brushing, do not allow interference of the wire wheel or brush with the guard.** Wire wheel or brush may expand in diameter due to work load and centrifugal forces.

Additional safety warnings:

17. **When using depressed centre grinding wheels, be sure to use only fiberglass-reinforced wheels.**
18. **NEVER USE Stone Cup type wheels with this grinder.** This grinder is not designed for these types of wheels and the use of such a product may result in serious personal injury.
19. **Be careful not to damage the spindle, the flange (especially the installing surface) or the lock nut. Damage to these parts could result in wheel breakage.**
20. **Make sure the wheel is not contacting the workpiece before the switch is turned on.**
21. **Before using the tool on an actual workpiece, let it run for a while. Watch for vibration or wobbling that could indicate poor installation or a poorly balanced wheel.**
22. **Use the specified surface of the wheel to perform the grinding.**
23. **Do not leave the tool running. Operate the tool only when hand-held.**
24. **Do not touch the workpiece immediately after operation; it may be extremely hot and could burn your skin.**
25. **Observe the instructions of the manufacturer for correct mounting and use of wheels. Handle and store wheels with care.**
26. **Do not use separate reducing bushings or adaptors to adapt large hole abrasive wheels.**
27. **Use only flanges specified for this tool.**
28. **For tools intended to be fitted with threaded hole wheel, ensure that the thread in the wheel is long enough to accept the spindle length.**
29. **Check that the workpiece is properly supported.**
30. **Pay attention that the wheel continues to rotate after the tool is switched off.**

31. If working place is extremely hot and humid, or badly polluted by conductive dust, use a short-circuit breaker (30 mA) to assure operator safety.
32. Do not use the tool on any materials containing asbestos.
33. When use cut-off wheel, always work with the dust collecting wheel guard required by domestic regulation.
34. Cutting discs must not be subjected to any lateral pressure.

SAVE THESE INSTRUCTIONS.

⚠WARNING:

DO NOT let comfort or familiarity with product (gained from repeated use) replace strict adherence to safety rules for the subject product. **MISUSE** or failure to follow the safety rules stated in this instruction manual may cause serious personal injury.

FUNCTIONAL DESCRIPTION

⚠CAUTION:

- Always be sure that the tool is switched off and unplugged before adjusting or checking function on the tool.

Shaft lock

Fig.1

⚠CAUTION:

- Never actuate the shaft lock when the spindle is moving. The tool may be damaged.

Press the shaft lock to prevent spindle rotation when installing or removing accessories.

Switch action

Fig.2

⚠CAUTION:

- Before plugging in the tool, always check to see that the slide switch actuates properly and returns to the "OFF" position when the rear of the slide switch is depressed.
- Switch can be locked in "ON" position for ease of operator comfort during extended use. Apply caution when locking tool in "ON" position and maintain firm grasp on tool.

To start the tool, slide the slide switch toward the "I (ON)" position by pushing the rear of the slide switch. For continuous operation, press the front of the slide switch to lock it.

To stop the tool, press the rear of the slide switch, then slide it toward the "O (OFF)" position.

Indication lamp

Fig.3

The indication lamp lights up green when the tool is plugged. If the indication lamp does not light up, the mains cord or the controller may be defective. The indication lamp is lit but the tool does not start even if the tool is switched on, the carbon brushes may be worn out, or the controller, the motor or the ON/OFF switch may be defective.

Unintentional restart proof

The tool does not start with the switch being lock-on even when the tool is plugged.

At this time, the indication lamp flickers red and shows the unintentional restart proof device is on function.

To cancel the unintentional restart proof, return the slide switch to "O(OFF)" position.

Speed adjusting dial

Fig.4

The rotating speed can be changed by turning the speed adjusting dial to a given number setting from 1 to 5.

Higher speed is obtained when the dial is turned in the direction of number 5. And lower speed is obtained when it is turned in the direction of number 1.

Refer to the below table for the relationship between the number settings on the dial and the approximate rotating speed.

For model GA4040C, GA4540C, GA5040C, GA4041C, GA4541C, GA5041C

Number	min ⁻¹ (R.P.M.)
1	2,800
2	4,000
3	6,000
4	8,000
5	11,000

012752

For model GA6040C

Number	min ⁻¹ (R.P.M.)
1	4,000
2	5,000
3	6,000
4	7,000
5	9,000

012756

⚠CAUTION:

- If the tool is operated continuously at low speeds for a long time, the motor will get overloaded and heated up.
- The speed adjusting dial can be turned only as far as 5 and back to 1. Do not force it past 5 or 1, or the speed adjusting function may no longer work.

Electronic function

The tools equipped with electronic function are easy to operate because of the following features.

Constant speed control

Constant speed control provides fine finish by keeping the rotating speed constant under the loaded condition.

Soft start feature

Soft start feature suppresses starting shock.

Overload protector

When the load on the tool exceeds admissible levels, power to the motor is reduced to protect the motor from overheating. When the load returns to admissible levels, the tool will operate as normal.

Mechanical brake

For model GA4041C, GA4541C, GA5041C

Mechanical brake is activated after the tool is switched off.

The brake does not work when the power supply is shut down with the switch still on.

ASSEMBLY

⚠CAUTION:

- Always be sure that the tool is switched off and unplugged before carrying out any work on the tool.

Installing side grip (handle)

Fig.5

⚠CAUTION:

- Always be sure that the side grip is installed securely before operation.

Screw the side grip securely on the position of the tool as shown in the figure.

Installing or removing wheel guard (For depressed center wheel, flap disc, flex wheel, wire wheel brush / abrasive cut-off wheel, diamond wheel)

⚠WARNING:

- When using a depressed center wheel, flap disc, flex wheel or wire wheel brush, the wheel guard must be fitted on the tool so that the closed side of the guard always points toward the operator.
- When using an abrasive cut-off / diamond wheel, be sure to use only the special wheel guard designed for use with cut-off wheels. (In some European countries, when using a diamond wheel, the ordinary guard can be used. Follow the regulations in your country.)

For tool with locking screw type wheel guard

Fig.6

Mount the wheel guard with the protrusions on the wheel guard band aligned with the notches on the bearing box. Then rotate the wheel guard around 180 ° counterclockwise. Be sure to tighten the screw securely. To remove wheel guard, follow the installation procedure in reverse.

For tool with clamp lever type wheel guard

Fig.7

Pull the lever in the direction of the arrow after loosening the screw. Mount the wheel guard with the protrusions on the wheel guard band aligned with the notches on the bearing box. Then rotate the wheel guard around 180 °.

Fig.8

Tighten the wheel guard with fastening the screw after pulling lever in the direction of the arrow. The setting angle of the wheel guard can be adjusted with the lever. To remove wheel guard, follow the installation procedure in reverse.

Installing or removing depressed center wheel or flap disc (optional accessory)

⚠WARNING:

- When using a depressed center wheel or flap disc, the wheel guard must be fitted on the tool so that the closed side of the guard always points toward the operator.

Fig.9

Mount the inner flange onto the spindle. Fit the wheel/disc on the inner flange and screw the lock nut onto the spindle.

Fig.10

To tighten the lock nut, press the shaft lock firmly so that the spindle cannot revolve, then use the lock nut wrench and securely tighten clockwise.

To remove the wheel, follow the installation procedure in reverse.

Super flange (Optional accessory)

Models with the letter F are standard-equipped with Super flange. Only 1/3 of efforts needed to undo lock nut, compared with conventional type.

⚠CAUTION:

- Do not use super flange for models equipped with the mechanical brake. Otherwise it may loosen when the brake is activated.

Installing or removing Ezynut (optional accessory)

⚠CAUTION:

- Do not use Ezynut with Super Flange or angle grinder with "F" on the end of the model No. Those flanges are so thick that the entire thread cannot be retained by the spindle.

Fig.11

Mount inner flange, abrasive wheel and Ezynut onto the spindle so that Makita Logo on Ezynut faces outside.

Fig.12

Press shaft lock firmly and tighten Ezynut by turning the abrasive wheel clockwise as far as it turns.

Turn the outside ring of Ezynut counterclockwise to loosen.

Fig.13

Fig.14

NOTE:

- Ezynut can be loosened by hand as long as the arrow points the notch. Otherwise a lock nut wrench is required to loosen it. Insert one pin of the wrench into a hole and turn Ezynut counterclockwise.

Installing or removing flex wheel (optional accessory)

⚠WARNING:

- Always use supplied guard when flex wheel is on tool. Wheel can shatter during use and guard helps to reduce chances of personal injury.

Fig.15

Follow instructions for depressed center wheel but also use plastic pad over wheel. See order of assembly on accessories page in this manual.

Installing or removing abrasive disc (optional accessory)

NOTE:

- Use sander accessories specified in this manual. These must be purchased separately.

Fig.16

Mount the rubber pad onto the spindle. Fit the disc on the rubber pad and screw the sanding lock nut onto the spindle. To tighten the sanding lock nut, press the shaft lock firmly so that the spindle cannot revolve, then use the lock nut wrench and securely tighten clockwise.

To remove the disc, follow the installation procedure in reverse.

Installing or removing dust cover attachment (Optional accessory)

⚠WARNING:

- Always be sure that the tool is switched off and unplugged before installing or removing the dust cover attachment.** Failure to do so causes damage to the tool or a personal injury.

There are four pieces of dust cover attachment and each is used in one of different positions.

Fig.17

Set the dust cover attachment so that the marking (A, B, C or D) places as shown. Snap its pins in the vents.

Dust cover attachment can be removed by hand.

NOTE:

- Clean out the dust cover attachment when it is clogged with dust or foreign matters. Continuing operation with a clogged dust cover attachment will damage the tool.

OPERATION

⚠WARNING:

- It should never be necessary to force the tool. The weight of the tool applies adequate pressure. Forcing and excessive pressure could cause dangerous wheel breakage.
- ALWAYS replace wheel if tool is dropped while grinding.
- NEVER bang or hit grinding disc or wheel onto work.
- Avoid bouncing and snagging the wheel, especially when working corners, sharp edges etc. This can cause loss of control and kickback.
- NEVER use tool with wood cutting blades and other saw blades. Such blades when used on a grinder frequently kick and cause loss of control leading to personal injury.

⚠CAUTION:

- Never switch on the tool when it is in contact with the workpiece, it may cause an injury to operator.

- Always wear safety goggles or a face shield during operation.
- After operation, always switch off the tool and wait until the wheel has come to a complete stop before putting the tool down.

Grinding and sanding operation

Fig.18

ALWAYS hold the tool firmly with one hand on housing and the other on the side handle. Turn the tool on and then apply the wheel or disc to the workpiece.

In general, keep the edge of the wheel or disc at an angle of about 15° to the workpiece surface.

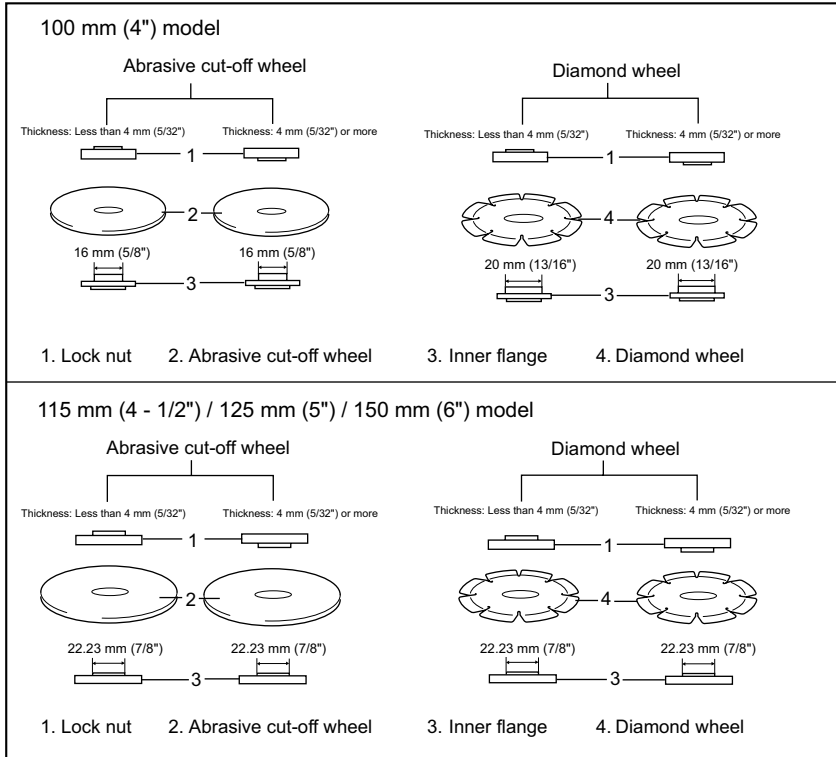
During the break-in period with a new wheel, do not work the grinder in the B direction or it will cut into the workpiece. Once the edge of the wheel has been rounded off by use, the wheel may be worked in both A and B direction.

Operation with abrasive cut-off / diamond wheel (optional accessory)

Fig.19

The direction for mounting the lock nut and the inner flange varies by wheel thickness. Refer to the table below.

Refer to the table below.



012746

⚠WARNING:

- When using an abrasive cut-off / diamond wheel, be sure to use only the special wheel guard designed for use with cut-off wheels. (In some European countries, when using a diamond wheel, the ordinary guard can be used. Follow the regulations in your country.)
- NEVER use cut-off wheel for side grinding.
- Do not "jam" the wheel or apply excessive pressure. Do not attempt to make an excessive depth of cut. Overstressing the wheel increases the loading and susceptibility to twisting or binding of the wheel in the cut and the possibility of kickback, wheel breakage and overheating of the motor may occur.
- Do not start the cutting operation in the workpiece. Let the wheel reach full speed and carefully enter into the cut moving the tool forward over the workpiece surface. The wheel may bind, walk up or kickback if the power tool is started in the workpiece.
- During cutting operations, never change the angle of the wheel. Placing side pressure on the cut-off wheel (as in grinding) will cause the wheel to crack and break, causing serious personal injury.
- A diamond wheel shall be operated perpendicular to the material being cut.

Operation with wire cup brush (optional accessory)

CAUTION:

- Check operation of brush by running tool with no load, insuring that no one is in front of or in line with brush.
- Do not use brush that is damaged, or which is out of balance. Use of damaged brush could increase potential for injury from contact with broken brush wires.

Fig.20

Unplug tool and place it upside down allowing easy access to spindle. Remove any accessories on spindle. Thread wire cup brush onto spindle and tighten with supplied wrench. When using brush, avoid applying too much pressure which causes over bending of wires, leading to premature breakage.

Operation with wire wheel brush (optional accessory)

CAUTION:

- Check operation of wire wheel brush by running tool with no load, insuring that no one is in front of or in line with the wire wheel brush.
- Do not use wire wheel brush that is damaged, or which is out of balance. Use of damaged wire wheel brush could increase potential for injury from contact with broken wires.
- ALWAYS use guard with wire wheel brushes, assuring diameter of wheel fits inside guard. Wheel can shatter during use and guard helps to reduce chances of personal injury.

Fig.21

Unplug tool and place it upside down allowing easy access to spindle. Remove any accessories on spindle. Thread wire wheel brush onto spindle and tighten with the wrenches.

When using wire wheel brush, avoid applying too much pressure which causes over bending of wires, leading to premature breakage.

MAINTENANCE

CAUTION:

- Always be sure that the tool is switched off and unplugged before attempting to perform inspection or maintenance.
- Never use gasoline, benzine, thinner, alcohol or the like. Discoloration, deformation or cracks may result.

Fig.22

The tool and its air vents have to be kept clean. Regularly clean the tool's air vents or whenever the vents start to become obstructed.

To maintain product SAFETY and RELIABILITY, repairs, carbon brush inspection and replacement, any other maintenance or adjustment should be performed by Makita Authorized Service Centers, always using Makita replacement parts.

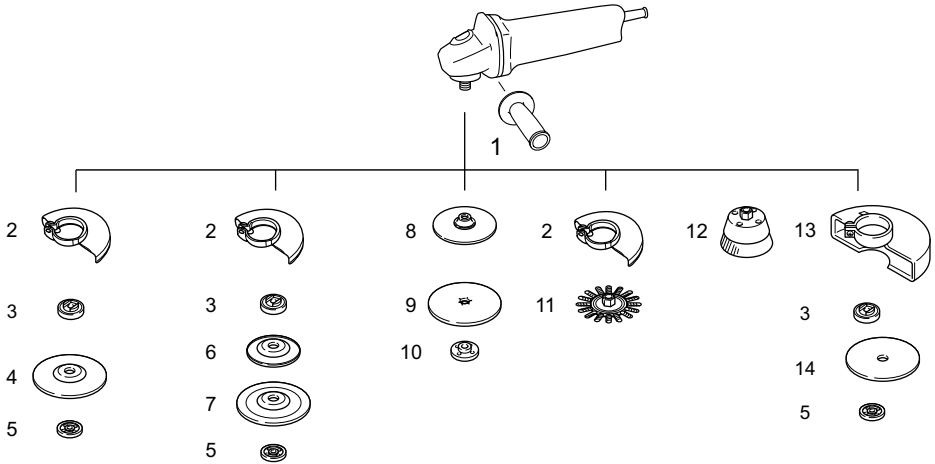
OPTIONAL ACCESSORIES

CAUTION:

- These accessories or attachments are recommended for use with your Makita tool specified in this manual. The use of any other accessories or attachments might present a risk of injury to persons. Only use accessory or attachment for its stated purpose.

If you need any assistance for more details regarding these accessories, ask your local Makita Service Center.

- Dust cover attachment



	100 mm (4") model	115 mm (4-1/2") model	125 mm (5") model	150 mm (6") model
1	Grip 36			
2	Wheel Guard (for grinding wheel)			
3	Inner flange	Inner flange Super flange *1	Inner flange Super flange *1	Inner flange Super flange *1
4	Depressed center wheel/Flap disc			
5	Lock nut	Lock nut Ezy nut *2	Lock nut Ezy nut *2	Lock nut Ezy nut *2
6	Plastic pad	Plastic pad	Plastic pad	-
7	Flex wheel	Flex wheel	Flex wheel	-
8	Rubber pad 76	Rubber pad 100	Rubber pad 115	Rubber pad 125
9	Abrasive disc			
10	Sanding lock nut			
11	Wire wheel brush			
12	Wire cup brush			
13	Wheel Guard (for cut-off wheel) *3			
14	Abrasive cut-off wheel/Diamond wheel			
-	Lock nut wrench			

Note:

*1 Do not use Super flange with a grinder equipped with a brake function.

*2 Do not use Super flange and Ezynut together.

*3 In some European countries, when using a diamond wheel, the ordinary guard can be used instead of the special guard covering the both side of the wheel. Follow the regulations in your country.

013977

NOTE:

- Some items in the list may be included in the tool package as standard accessories. They may differ from country to country.

УКРАЇНСЬКА (Оригінальні інструкції)

Пояснення до загального виду

1-1. Фіксатор	9-3. Внутрішній фланець	16-3. Гумова підкладка
2-1. Повзунковий перемикач	10-1. Ключ для контргайки	17-1. Мітка "А"
3-1. Індикаторна лампочка (на диску регулювання швидкості)	10-2. Фіксатор	17-2. Мітка "В"
4-1. Диск регулювання швидкості	11-1. Ezynut	17-3. Мітка "С"
6-1. Кожух диска	11-2. Абразивний диск	17-4. Мітка "D"
6-2. Коробка підшипника	11-3. Внутрішній фланець	19-1. Контргайка
6-3. Гвинт	11-4. Шпindelь	19-2. Абразивний відрізний диск/алмазний диск
7-1. Кожух диска	12-1. Фіксатор	19-3. Внутрішній фланець
7-2. Коробка підшипника	13-1. Стрілка	19-4. Кожух диска для абразивного відрізного диска/алмазного диска
7-3. Гвинт	13-2. Прорізь	
7-4. Важіль	15-1. Контргайка	
8-1. Гвинт	15-2. Гнучкий диск	
8-2. Важіль	15-3. Пластикова підкладка	20-1. Чашоподібна дротяна щітка
9-1. Контргайка	15-4. Внутрішній фланець	21-1. Дискава дротяна щітка
9-2. Диск з увінчаним центром	16-1. Шліфувальна стопорна гайка	22-1. Повітровідвід
	16-2. Абразивний диск	22-2. Вдихальний клапан

ТЕХНІЧНІ ХАРАКТЕРИСТИКИ

Модель	GA4040C	GA4041C	GA4540C	GA4541C	GA5040C	GA5041C	GA6040C
Діаметр диска	100 мм (4")		115 мм (4-1/2")		125 мм (5")		150 мм (6")
Макс. товщина диска	6,4 мм						
Різьба шпindelя	M10		M14 або 5/8" (залежно від країни)				
Номинальна швидкість (n) / швидкість без навантаження (n ₀)	11000 хв. ⁻¹		11000 хв. ⁻¹		11000 хв. ⁻¹		9000 хв. ⁻¹
Загальна довжина	303 мм	325 мм	303 мм	325 мм	303 мм	325 мм	303 мм
Чиста вага	2,3 кг	2,6 кг	2,5 кг	2,7 кг	2,5 кг	2,7 кг	2,6 кг
Клас безпеки	II/III						

- Через те, що ми не припиняємо програми досліджень і розвитку, наведені тут технічні характеристики можуть бути змінені без попередження.
- У різних країнах технічні характеристики можуть бути різними.
- Вага відповідно до ЕРТА-Procedure 01/2003

Призначення

Інструмент призначений для шліфування, обробка піском та різання металу та каміння без використання води.

ENE048-1

ENF002-2

Джерело живлення

Інструмент можна підключати лише до джерела живлення, що має напругу, зазначену в таблиці із заводськими характеристиками, і він може працювати лише від однофазного джерела змінного струму. Він має подвійну ізоляцію, а отже може також підключатися до розеток без дроту заземлення.

ENG905-1

Шум

Рівень шуму за шкалою А у типовому виконанні, визначений відповідно до EN60745:

Модель GA4040C, GA4540C, GA5040C

Рівень звукового тиску (L_{рА}): 86 дБ (А)
Рівень акустичної потужності (L_{вА}): 97 дБ (А)
Похибка (К) : 3 дБ (А)

Модель GA6040C

Рівень звукового тиску (L_{рА}): 87 дБ (А)
Рівень акустичної потужності (L_{вА}): 98 дБ (А)
Похибка (К) : 3 дБ (А)

Модель GA4541C

Рівень звукового тиску (L_{рА}): 83 дБ (А)
Рівень акустичної потужності (L_{вА}): 94 дБ (А)
Похибка (К) : 3 дБ (А)

Модель GA5041C

Рівень звукового тиску (L_{pA}): 84 дБ (A)
Рівень акустичної потужності (L_{WA}): 95 дБ (A)
Похибка (K): 3 дБ (A)

Користуйтеся засобами захисту слуху

ENG900-1

Вібрація

Загальна величина вібрації (сума трьох векторів)
визначена згідно з EN60745:

Модель GA4040C

Режим роботи: шліфування поверхні за допомогою звичайного бічного держака
Вібрація ($a_{h,AG}$): 5,0 м/с²
Похибка (K): 1,5 м/с²

Режим роботи: шліфування поверхні за допомогою вібростійкого бічного держака
Вібрація ($a_{h,AG}$): 5,0 м/с²
Похибка (K): 1,5 м/с²

Режим роботи: шліфування диском за допомогою звичайного бічного держака
Вібрація ($a_{h,DS}$): 3,0 м/с²
Похибка (K): 1,5 м/с²

Режим роботи: шліфування диском за допомогою вібростійкого бічного держака
Вібрація ($a_{h,DS}$): 2,5 м/с² або менше
Похибка (K): 1,5 м/с²

Модель GA4540C

Режим роботи: шліфування поверхні за допомогою звичайного бічного держака
Вібрація ($a_{h,AG}$): 6,0 м/с²
Похибка (K): 1,5 м/с²

Режим роботи: шліфування поверхні за допомогою вібростійкого бічного держака
Вібрація ($a_{h,AG}$): 5,5 м/с²
Похибка (K): 1,5 м/с²

Режим роботи: шліфування диском за допомогою звичайного бічного держака
Вібрація ($a_{h,DS}$): 2,5 м/с²
Похибка (K): 1,5 м/с²

Режим роботи: шліфування диском за допомогою вібростійкого бічного держака
Вібрація ($a_{h,DS}$): 2,5 м/с²
Похибка (K): 1,5 м/с²

Модель GA5040C

Режим роботи: шліфування поверхні за допомогою звичайного бічного держака
Вібрація ($a_{h,AG}$): 6,5 м/с²
Похибка (K): 1,5 м/с²

Режим роботи: шліфування поверхні за допомогою вібростійкого бічного держака
Вібрація ($a_{h,AG}$): 5,5 м/с²
Похибка (K): 1,5 м/с²

Режим роботи: шліфування диском за допомогою звичайного бічного держака
Вібрація ($a_{h,DS}$): 2,5 м/с²
Похибка (K): 1,5 м/с²

Режим роботи: шліфування диском за допомогою вібростійкого бічного держака
Вібрація ($a_{h,DS}$): 2,5 м/с²
Похибка (K): 1,5 м/с²

Модель GA6040C

Режим роботи: шліфування поверхні за допомогою звичайного бічного держака
Вібрація ($a_{h,AG}$): 6,5 м/с²
Похибка (K): 1,5 м/с²

Режим роботи: шліфування поверхні за допомогою вібростійкого бічного держака
Вібрація ($a_{h,AG}$): 6,0 м/с²
Похибка (K): 1,5 м/с²

Режим роботи: шліфування диском за допомогою звичайного бічного держака
Вібрація ($a_{h,DS}$): 2,5 м/с²
Похибка (K): 1,5 м/с²

Режим роботи: шліфування диском за допомогою вібростійкого бічного держака
Вібрація ($a_{h,DS}$): 2,5 м/с² або менше
Похибка (K): 1,5 м/с²

Модель GA4541C

Режим роботи: шліфування поверхні за допомогою звичайного бічного держака
Вібрація ($a_{h,AG}$): 6,5 м/с²
Похибка (K): 1,5 м/с²

Режим роботи: шліфування поверхні за допомогою вібростійкого бічного держака
Вібрація ($a_{h,AG}$): 5,5 м/с²
Похибка (K): 1,5 м/с²

Режим роботи: шліфування диском за допомогою звичайного бічного держака
Вібрація ($a_{h,DS}$): 2,5 м/с² або менше
Похибка (K): 1,5 м/с²

Режим роботи: шліфування диском за допомогою вібростійкого бічного держака
 Вібрація ($a_{h,DS}$): 2,5 м/с² або менше
 Похибка (K): 1,5 м/с²

Модель GA5041C

Режим роботи: шліфування поверхні за допомогою звичайного бічного держака
 Вібрація ($a_{h,AG}$): 7,0 м/с²
 Похибка (K): 1,5 м/с²

Режим роботи: шліфування поверхні за допомогою вібростійкого бічного держака
 Вібрація ($a_{h,AG}$): 6,0 м/с²
 Похибка (K): 1,5 м/с²

Режим роботи: шліфування диском за допомогою звичайного бічного держака
 Вібрація ($a_{h,DS}$): 2,5 м/с² або менше
 Похибка (K): 1,5 м/с²

Режим роботи: шліфування диском за допомогою вібростійкого бічного держака
 Вібрація ($a_{h,DS}$): 2,5 м/с² або менше
 Похибка (K): 1,5 м/с²

ENG902-1

- Заявлене значення вібрації було виміряно у відповідності до стандартних методів тестування та може використовуватися для порівняння одного інструмента з іншим.
- Заявлене значення вібрації може також використовуватися для попередньої оцінки впливу.
- Заявлене значення вібрації відноситься до основних операцій, що виконуються за допомогою електроінструмента. Однак у разі використання інструмента з іншою метою значення вібрації може відрізнятись.

⚠УВАГА:

- Залежно від умов використання вібрація під час фактичної роботи інструмента може відрізнятись від заявленого значення вібрації.
- Забезпечте належні запобіжні заходи для захисту оператора, що відповідатимуть умовам використання інструмента (слід брати до уваги всі складові робочого циклу, такі як час, коли інструмент вимкнено та коли він починає працювати на холостому ході під час запуску).

Тільки для країн Європи

Декларація про відповідність стандартам ЄС

Наша компанія, Makita Corporation, як відповідальний виробник, наголошує на тому, що обладнання Makita:

Позначення обладнання:

Кутова шліфувальна машина

№ моделі/ тип: GA4040C, GA4540C, GA5040C, GA6040C, GA4541C, GA5041C

є серійним виробництвом та

Відповідає таким Європейським Директивам:
2006/42/EC

Та вироблені у відповідності до таких стандартів та стандартизованих документів:

EN60745

Технічна документація ведеться:

Makita International Europe Ltd.

Technical Department,

Michigan Drive, Tongwell,

Milton Keynes, Bucks MK15 8JD, Англія

30.8.2011



000230

Tomoyasu Kato

Директор

Makita Corporation

3-11-8, Sumiyoshi-cho,

Anjo, Aichi, 446-8502, ЯПОНІЯ

GEA010-1

Застереження стосовно техніки безпеки при роботі з електроприладами

⚠ УВАГА! Прочитайте усі застереження стосовно техніки безпеки та всі інструкції. Недотримання даних застережень та інструкцій може призвести до ураження струмом та виникнення пожежі та/або серйозних травм.

Збережіть усі інструкції з техніки безпеки та експлуатації на майбутнє.

GEB033-7

ПОПЕРЕДЖЕННЯ ПРО НЕОБХІДНУ ОБЕРЕЖНІСТЬ ПІД ЧАС РОБОТИ З КУТОВОЮ ШЛІФУВАЛЬНОЮ МАШИНОЮ

Попередження про небезпеку загальні для операцій полірування, шліфування, зачищення металевою щіткою або абразивного різання:

1. **Цей інструмент призначений для використання у якості машини для шліфування, полірування, зачищення металевих щіток або відрізання. Уважно ознайомся з усіма попередженнями про небезпеку, інструкціями, ілюстраціями та технічними характеристиками цього електроінструменту.** Невиконання цих інструкцій може призвести до ураження електричним струмом, пожежі та/або серйозного поранення.
2. **За допомогою цього інструменту не рекомендовано виконувати полірування.** Використання інструменту не за призначенням може утворити небезпечне становище та призвести до поранення.
3. **Не слід використовувати допоміжні приналежності, які спеціально не призначені та не рекомендовані для цього інструменту виробником.** Навіть якщо вони добре приєднуються до інструменту, це не гарантує безпечної експлуатації.
4. **Номінальна швидкість допоміжних пристроїв повинна щонайменш дорівнюватися максимальній швидкості, що вказана на електроінструменті.** Допоміжні пристрої, що обертається швидше своєї номінальної швидкості може зламатися та відскочити.
5. **Зовнішній діаметр та товщина вашого допоміжного приладу повинні бути у межах паспортної потужності вашого електроінструменту.** Приладдя неналежних розмірів не можна захистити або контролювати належним чином.
6. **Різьба на кріпленні приладдя повинна відповідати різьбі на шпинделі шліфувальної машини. Центровий отвір приладдя, що встановлюється на фланець, повинен відповідати установчому діаметру фланця.** Якщо приладдя не підходить до кріпильних засобів електроінструмента, це може призвести до надмірної вібрації та втрати контролю над інструментом внаслідок розбалансування приладдя.
7. **Не слід користуватися пошкодженням приладдя** Перед кожним використанням слід перевірити приладдя, таку як абразивні диски, на наявність сколів або тріщин, зносу, а металеві щітки - на наявність послабленого або тріснутого дроту. У разі падіння інструменту або приладдя, слід оглянути їх на наявність пошкоджень або встановити неушкоджене приладдя. Після огляду та встановлення приладдя, слід зайняти таке положення, коли ви та ваші сусіди знаходяться на відстані від площини приладу, що обертається, запустить інструмент та дайте йому попрацювати на максимальній швидкості без навантаження протягом однієї хвилини. Під час цього пробного прогону прилади, як правило, руйнуються.
8. **Слід надягати засоби індивідуального захисту.** Відповідно до області застосування необхідно користуватися захисним щитком або захисними окулярами. Це означає, що слід надягати пілозахисну маску, засоби захисту органів слуху, рукавиці та фартух, які здатні затримувати дрібні часточки деталі або наждаку. Засоби захисту органів зору повинні бути здатними затримувати сміття, що утворюється під час виконання різних операцій. Пілозахисна маска або респіратор мають фільтрувати часточки, що утворюються під час роботи. Тривалий вплив сильного шуму може призвести до втрати слуху.
9. **Сторонні особи повинні знаходитися на безбездонному відстані від місця роботи. Кожний, хто приходить в робочу зону повинен одягати засоби індивідуального захисту.** Частки деталі або уламки приладдя може відлетіти за межі безпосередньої зони роботи та поранити.
10. **Тримайте електроприлад за ізольовані поверхні ручки під час виконання дії, при якій ріжучий прилад може зачепити сховану електропроводку або власний шнур.** Торкання ріжучим приладом струмоведучої проводки може призвести до передачі напруги до оголених металевих частин інструмента та до ураження оператора електричним струмом.
11. **Шнур слід розміщувати без змуготючого пристрою.** Якщо ви втратите контроль, шнур може бути перерізаним або пошкодженим а ваша рука може потрапити до змуготючого пристрою.
12. **Не слід класти інструмент доки прилад повністю не зупиниться.** Змуготючий пристрій може захопити шнур та виврати його з-під контролю.
13. **Не слід запускати інструмент, коли ви його тримаєте збоку себе.** Випадкове стикання зі працюючим пристроєм може захопити ваш одяг, що в свою чергу може призвести до руху приладу до вас.
14. **Слід регулярно чистити вентиляційні отвори інструменту.** Вентилятор двигуна втягує пил усередину кожуха, а надмірне скупчення металевого порошку створює ризик ураження електричним струмом.
15. **Не слід працювати біля легкозаймистих матеріалів.** Вони можуть спалахнути від іскри.
16. **Не слід застосовувати допоміжні приладдя, що потребує рідких охолоджувачів.** Використання води, або рідких охолоджувачів може призвести до ураження електричним струмом або смерті.

Віддача та відповідні попереджувальні заходи

Віддача це несподівана реакція на защемлення, чіплення диска, щітки, що обертається або якогось іншої приналежності. Защемлення або чіплення призводять до швидкої зупинки поворотної приналежності, що в свою чергу спричиняє до неконтрольованого відскоку інструменту у протилежному напрямку від обертання приналежності у місці заїдання.

Наприклад, якщо абразивний диск защемлене або зачеплене деталлю, край диска, що входить до місця защемлення може зануритися в поверхню матеріалу, що призведе до відскоку диска та віддачі. Диск може відскочити до або від оператора, це залежить від напрямку руху диска в місці защемлення. За таких умов абразивні диски можуть поламатися.

Причинами віддачі є неправильне користування інструментом та/або неправильний порядок експлуатації або умови експлуатації, та їх можна уникнути дотримуючись запобіжних заходів, що наведені нижче:

a) **Міцно тримай ручку інструменту та займи таке положення, при якому зможеш протистояти силі віддачі. Завжди користайся допоміжною ручкою, якщо є, щоб збільшити до максимуму контроль над віддачею або реакцією крутного моменту під час пуску.** Якщо дотримуватись усіх запобіжних заходів, оператор зможе контролювати крутний момент або силу віддачі.

b) **Ніколи не слід розміщувати руку біля приналежності, що обертається.** Воно може відскочити на руку.

c) **Не слід стояти в зоні, куди відкине інструмент під час віддачі.** Через віддачу інструмент відскочить у протилежному напрямку до напрямку руху диска в місці защемлення.

d) **Слід бути особливо пильним під час обробки кутів, гострих країв і т.д. Уникайте коливання та чіплення приналежності.** Кути, гострі краї або коливання мають тенденцію до чіплення приладдя, що обертається, що в свою чергу призводить до втрати контролю та віддачі.

e) **Заборонено встановлювати пильний ланцюг, полотно для різби по дереву або полотно зубчастої пили.** такі полотна створюють часту віддачу та призводять до втрати контролю

Попередження про небезпеку загальні для операцій полірування та абразивного різання:

a) Використовуйте тільки типи дисків, які рекомендовані для вашого інструмента, а також спеціальний кожух під обраний диск. Диски, на які інструмент не розрахований, не можуть бути надійно закріплені та є небезпечними.

b) Шліфувальна поверхня дисків із поглибленим центром повинна бути

розташована під поверхню кромки кожуха. Якщо диск буде установлений невірно та виступатиме за поверхню кромки кожуха, відповідний захист не може бути гарантований.

c) **Кожух повинен бути надійно закріплений на електроприладі та розташований максимально безпечно, щоб для оператора диск був відкритим якомога менше.** Кожух допомагає захистити оператора від уламків зламаного диска, від випадкового контакту з диском та від іскор, через які може зайнятися одяг.

d) **Диски слід використовувати тільки за їхнім рекомендованим призначенням. Наприклад: не слід шліфувати бічною стороною відрізного диска.** Абразивні відрізнi диски призначені для шліфування периферією диска; у разі докладання бічних зусиль до цих дисків, вони можуть розколотися.

e) **Слід завжди використовувати неущокожені фланці диска, розмір та форма яких відповідають обраному диску.** Належні фланці добре утримують диск і зменшують ймовірність поломки диска. Фланці для відрізнiх дисків можуть відрізнятись від фланців шліфувальних дисків.

f) **Не слід використовувати зношені диски від більших інструментів.** Диск, що призначений для більшого інструмента, не підходить для вищої швидкості меншого інструмента та може розірватися.

Додаткові попередження про небезпеку загальні для операцій полірування та абразивного різання:

a) **Не можна «заклинювати» відрізнiй диск або прикладати надмірний тиск. Не слід намагатись зробити проріз надмірної глибини.** Перенапруга диска збільшує навантаження та схильність до перекошування або застрягання диска в прорізі, а також створює можливість віддачі або поломки диска.

b) **Неможна розташовуватись на одній лінії та позаду диска, що обертається.** Коли під час роботи диск рухається від вас, то можлива віддача може відкинути диск, що обертається, та інструмент прямо у вас.

c) **Коли диск застряє або коли різання з будь-яких причин переривається, слід вимкнути інструмент та тримати його на одному місці, доки диск повністю не зупиниться.** Неможна намагатись вийняти відрізнiй диск з прорізу, коли він рухається, тому що це може призвести до віддачі. Слід перевірити та вжити належних заходів, щоб усунути причину застрягання диска

d) **Заборонено заново починати різання, коли диск знаходиться в деталі.** Спочатку диск повинен набрати повної швидкості,

лише потім його можна обережно піднести до робочої деталі та продовжити різання. Якщо інструмент перезапустити, коли диск знаходиться в деталі, диск може застрягти, спінутися або спричинити віддачу.

е) Закріпіть великі панелі або деталі великого розміру для того, щоб мінімізувати ризик защемлення полотна або віддачі. Великі деталі проминаються під своєю вагою. Опори слід встановити під деталь біля лінії різання та біля краю деталі панелі з обох сторін диска.

ф) З особливою обережністю слід виконувати "врізання" в існуючі стіни або інші невидимі зони. Виступаючий диск може зіткнутися з предметами, що спричиняють віддачу.

Спеціальні Запобіжні засоби під час шліфування:

а) Заборонено використовувати папір для шліфувального диска занадто великого розміру. Вибираючи наждачний папір слід виконувати рекомендації виробника. Наждачний папір, що виступає за межі шліфувальної підкладки, створює небезпеку завдання рваної рани та може призвести до провисання, розриву диска або до віддачі.

Спеціальні застереження для операцій зачищення металевою щіткою:

а) Слід бути обережним, оскільки від щітки відлітають осколки дроту, навіть під час звичайної роботи. Заборонено перенапружувати дріт, прикладаючи завелике навантаження на щітку. Уламки дроту пробивають легку одягу та/або шкіру.

б) Якщо для роботи із металевою щіткою рекомендовано використовувати кожух, слід запобігти контактowi між щіткою та кожухом. Металевий диск або щітка можуть розширитись в діаметрі від робочого навантаження та відцентрових сил.

Додаткові попередження про безпеку:

17. У разі використання шліфувальних дисків із увігнутим центом слід завжди використовувати диски, армовані скловолокном.
18. **НІКОЛИ НЕ ВИКОРИСТОВУЙТЕ** з цією шліфувальною машиною чашоподібні шліфувальні диски по каменю. Ця шліфувальна машина не призначена для використання дисків такого типу, і їх використання може призвести до серйозних травм.
19. Не пошкоджуйте шпindel, фланець (особливо поверхню встановлення) або контргайку. Пошкодження цих частин може призвести до поломки диска.
20. Перевірте, щоб диск не торкався деталі перед увімкненням.
21. Перед початком різання деталі, запустіть інструмент та дайте попрацювати йому деякий час. Перевірте чи є биття або

коливання, це може вказувати на неправильне встановлення або балансування диска.

22. Слід застосовувати зазначену поверхню диска для шліфування.
23. Не залишайте інструмент працюючим. Працюйте з інструментом тільки тоді, коли тримаєте його в руках.
24. Не торкайтесь деталі одразу після різання, вона може бути дуже гарячою та призвести до опіку шкіри.
25. Для того, щоб правильно встановити та використовувати диск, слід дотримуватись інструкцій виробника. Слід дбайливо поводитися та зберігати диск.
26. Не слід використовувати окремі перехідні втулки або адаптери для пристосування шліфувальних дисків великого діаметру.
27. Слід застосовувати тільки фланці зазначені для цього інструменту.
28. При використанні інструментів призначених для дисків з різьбовим отвором, обов'язково перевірте, щоб довжина різьби диска відповідала довжині шпindelю.
29. Перевірте надійність опори деталі
30. Слід звернути увагу, що диск продовжує обертатися після вимкнення інструменту
31. Для забезпечення безпеки оператора слід застосовувати автоматичний вимикач (30mA), якщо робоче місце надмірно гаряче та вологе, або дуже забруднюється пилом.
32. Не слід застосовувати інструмент для роботи з матеріалом, що містить азбест.
33. Якщо ви використовуєте відрізний шліфувальний диск, завжди слід працювати з пилозахисним кожухом диска, необхідним за місцевими нормами.
34. Не слід надавати бокового тиску на ріжучі диски

ЗБЕРІГАЙТЕ ЦІ ВКАЗІВКИ.

⚠УВАГА:

НІКОЛИ НЕ СЛІД втрачати пильності та розслаблюватися під час користування виробом (що трапляється при частому використанні); слід завжди строго дотримуватися правил безпеки під час використання цього пристрою. **НЕНАЛЕЖНЕ ВИКОРИСТАННЯ** або недотримання правил безпеки, викладених в цьому документі, може призвести до серйозних травм.

ІНСТРУКЦІЯ З ВИКОРИСТАННЯ

⚠ОБЕРЕЖНО:

- Перед регулюванням та перевіркою справності інструменту, переконайтеся в тому, що він вимкнений та відключений від мережі.

Фіксатор

Fig.1

⚠ОБЕРЕЖНО:

- Заборонено використовувати блокування вала, коли шпindel обертається. Інструмент може пошкодитись.

Натисніть на блокування вала для того, щоб заблокувати обертання шпindelа під час встановлення або зняття приналежностей.

Дія вимикача.

Fig.2

⚠ОБЕРЕЖНО:

- Перед тим, як увімкнути інструмент в сіть, слід завжди перевіряти, щоб повзунік працював належним чином та повертався у положення "ВИМК.", коли натискається задня частина повзункового перемикача.
- Перемикач може бути заблокований в увімкненому положенні для зручності оператора протягом тривалого використання. Блокуючи інструмент в увімкненому положенні слід бути обережним і міцно тримати інструмент.

Щоб запустити інструмент, пересуньте повзунковий перемикач у положення "І (ВМК.)", натиснувши на його задню частину. Для безперервної роботи натисніть на передню частину повзункового перемикача, щоб його заблокувати.

Щоб зупинити інструмент, натисніть на задню частину повзункового перемикача у напрямку положення "О (ВИМК.)".

Лампочка індикатора

Fig.3

Коли інструмент вмикають до сіті, загоряється зелена індикаторна лампочка. Якщо лампочка індикатора не загоряється, то шнур живлення або контролер можуть бути дефектними. Якщо індикаторна лампа горить, але інструмент не запускається, навіть якщо він увімкнений, то це може означати, що зношені графітові щітки або є дефект в контролері, моторі або вимикачеві.

Захист від випадкового запуску

Коли вимикач заблокований, інструмент не запуститься, навіть якщо він підключений до мережі.

У цьому випадку індикаторна лампа мигає червоним кольором, вказуючи на спрацювання пристрою, що захищає від випадкового запуску.

Щоб скасувати захист від випадкового запуску, поверніть повзунковий перемикач у положення "О (ВИМК.)".

Диск регулювання швидкості

Fig.4

Швидкість обертання можна змінювати, повертаючи диск регулювання на відповідний номер налаштування від 1 до 5.

Швидкість підвищується, коли диск повертають в напрямку номера 5. Швидкість зменшується, коли диск повертають в напрямку номера 1.

Відношення між номером налаштування на диску та приблизною швидкістю обертання - див. наведену нижче таблицю.

Для моделі **GA4040C, GA4540C, GA5040C, GA4041C, GA4541C, GA5041C**

Номер	хв. ⁻¹ (об/мин)
1	2800
2	4000
3	6000
4	8000
5	11000

012752

Для моделі GA6040C

Номер	хв. ⁻¹ (об/мин)
1	4000
2	5000
3	6000
4	7000
5	9000

012756

⚠ОБЕРЕЖНО:

- Якщо інструмент протягом тривалого часу безперервно експлуатується на низькій швидкості, двигун перевантажується та перегрівається.
- Диск регулювання швидкості можна повертати тільки від 1 до 5 та назад. Не намагайтесь повернути його силою за межу 1 або 5, бо це може зламати функцію регулювання.

Електронні функції

Інструменти обладнані електронними функціями є простими в експлуатації завдяки наступним функціям.

Постійний контроль швидкості

Контроль постійної швидкості забезпечує тонку обробку завдяки утримуванию швидкості обертання на незмінному рівні навіть при навантаженні.

Функція плавного запуску

Функція плавного запуску гасить поштовх під час запуску інструмента.

Захисний пристрій від перенавантаження

Коли навантаження на інструмент перевищує припустимі рівні, потужність мотора знижується для його захисту від перегріву. Коли навантаження повертається до дозволеного рівня, інструмент починає працювати в нормальному режимі.

Механічне гальмо

Для моделі GA4041C, GA4541C, GA5041C

Механічне гальмо активується після вимикання інструмента.

Гальмо не працює, якщо подача живлення припиняється, коли перемикач перебуває в увімкненому положенні.

КОМПЛЕКТУВАННЯ

⚠ОБЕРЕЖНО:

- Перед тим, як зайнятися комплектуванням інструменту, переконайтеся в тому, що він вимкнений та відключений від мережі.

Установка бокової рукоятки

Fig.5

⚠ОБЕРЕЖНО:

- Перед початком роботи необхідно перевірити надійність кріплення бокової рукоятки.

Надійно пригвинтіть ручку к інструменту, як показано на малюнку.

Установлення та знімання захисного кожуха (для диска з поглибленим центром, пелюсткового диска, гнучкого диска, дискової дротяної щітки/абразивного відрізного диска, алмазного диска)

⚠УВАГА:

- При використанні диска з поглибленим центром, пелюсткового диска, гнучкого диска або дискової дротяної щітки встановлюйте захисний кожух таким чином, щоб закрита сторона кожуха завжди була спрямована до оператора.
- Під час застосування абразивного відрізного диска/алмазного диска обов'язково використовуйте тільки спеціальний кожух диска, розроблений для використання з відрізними дисками. (У деяких країнах Європи під час застосування алмазного диска можна використовувати звичайний захисний кожух. Дотримуйтеся норм та правил, що діють у Вашій країні.)

Для інструмента із захисним кожухом диска із стопорним гвинтом.

Fig.6

Установіть кожух диска, сумістивши виступи на ободі кожуха диска із прорізами на корпусі підшипника. Потім прокрутіть кожух диска приблизно на 180 ° проти годинникової стрілки. Надійно затягніть гвинт. Для того, щоб зняти кожух диска, виконайте процедуру його встановлення у зворотному порядку.

Для інструмента з кожухом диска із затисним важелем.

Fig.7

Послабивши гвинт, потягніть важіль у напрямку, вказаному стрілкою. Установіть кожух диска, сумістивши виступи на ободі кожуха диска із прорізами на корпусі підшипника. Потім прокрутіть кожух диска приблизно на 180 °.

Fig.8

Потягніть важіль у напрямку, вказаному стрілкою, та зафіксуйте кожух диска, закрутивши гвинт. Кут встановлення кожуха диска можна відрегулювати за допомогою важеля.

Для того, щоб зняти кожух диска, виконайте процедуру його встановлення у зворотному порядку.

Установлення та знімання диска з поглибленим центром або пелюсткового диска (додаткове приладдя)

⚠УВАГА:

- При використанні диска з поглибленим центром або пелюсткового диска встановлюйте захисний кожух таким чином, щоб закрита сторона кожуха завжди була спрямована до оператора.

Fig.9

Встановіть внутрішній фланець на шпindel. Встановіть диск на внутрішній фланець та наверніть контргайку на шпindel.

Fig.10

Для того, щоб затягнути контргайку, слід міцно натиснути на блокування вала, щоб шпindel не міг обертатись, а потім скористатись ключем для контргайки та надійно її затягнути по годинниковій стрілці.

Для того, щоб зняти диск, виконайте процедуру його встановлення у зворотному порядку.

Суперфланець (додаткове приладдя)

Моделі з літерою F стандартно обладнані суперфланцем. У порівнянні зі звичайним типом тільки 1/3 від зусиль необхідно, щоб відпустити контргайку.

⚠ОБЕРЕЖНО:

- Не використовуйте суперфланець у моделях, оснащених механічним гальмом. Інакше він може бути послаблений при активації гальма.

Встановлення або зняття гайки Ezynut (додаткове приладдя)

⚠ОБЕРЕЖНО:

- Не використовуйте гайку Ezynut із суперфланцем або з кутовою шліфувальною машиною, наприкінці номера моделі якої є позначка "F". Такі фланці є занадто товстими, тому шпindel не зможе витримати різьбу.

Fig.11

Установіть внутрішній фланець, абразивний диск та гайку Ezynut на шпindel, щоб логотип Makita на гайці Ezynut був направлений назовні.

Fig.12

Сильно натисніть на замок вала та затягніть гайку Ezynut, повертаючи абразивний диск за годинниковою стрілкою до упору.

Щоб послабити, поверніть зовнішнє кільце гайки Ezynut проти годинникової стрілки.

Fig.13

Fig.14

ПРИМІТКА:

- Гайку Ezynut можна послабити вручну, доки стрілка вказує на позначку. В іншому випадку знадобиться ключ для стопорної гайки, щоб послабити її. Вставте один штифт ключа в отвір та поверніть гайку Ezynut проти годинникової стрілки.

Установлення та знімання гнучкого диска (додаткове приладдя)

⚠УВАГА:

- Якщо на інструмент установлений гнучкий диск, завжди використовуйте кожух, що входить до комплекту постачання. Під час використання диск може розколотися, а захисний кожух зменшує ризик поранення.

Fig.15

Дотримуйтеся інструкцій щодо використання диска з поглибленим центром але також використовуйте пластикову підкладку, що встановлюється на диск. Порядок монтажу вказаний у цій інструкції на сторінці з інформацією про приладдя.

Встановлення або зняття абразивного диска (додаткове приладдя)

ПРИМІТКА:

- Використовуйте приналежності для шліфувальної машини, які описані в цій інструкції. Їх треба купити окремо.

Fig.16

Установіть гумову підкладку на шпindel. Установіть диск на гумову підкладку та накрутіть на шпindel контргайку фіксації шліфувального диска. Для того щоб затягнути контргайку фіксації шліфувального диска, слід міцно натиснути на замок вала, щоб шпindel не міг обертатися, а потім скористатись ключем для контргайки та надійно її затягнути за годинниковою стрілкою.

Для того, щоб зняти диск, виконайте процедуру встановлення у зворотному порядку.

Встановлення або зняття пилозахисної кришки (додаткова принадлежність)

⚠УВАГА:

- Перш ніж установлювати або знімати пилозахисну кришку, переконайтеся, що інструмент вимкнений та відключений від мережі. Інакше Ви можете пошкодити інструмент або отримати травми.

Є чотири типи пилозахисних кришок, і кожна з них використовується в одному з різних положень.

Fig.17

Установіть пилозахисну кришку таким чином, щоб маркування (A, B, C або D) було розташоване, як показано на малюнку. Уставте штифти у вентиляційні отвори.

Пилозахисна кришка знімається вручну.

ПРИМІТКА:

- Коли пилозахисна кришка забивається пилом або стороннім матеріалом її слід чистити. Робота із забитою пилозахисною кришкою пошкодить інструмент.

ЗАСТОСУВАННЯ

⚠УВАГА:

- До інструмента ніколи не треба прикладати силу. Маса інструмента забезпечує достатній тиск. Прикладання сили та надмірний тиск можуть призвести до небезпечної поломки диска.
- ЗАВЖДИ замінійте диск, якщо інструмент був упушений під час роботи.
- НІКОЛИ не стукайте та не бийте диском по деталі, що оброблюється.
- Уникайте биття та чіпання диска, особливо під час обробки кутів, гострих країв та ін. Це може призвести до втрати контролю та віддачі.
- НІКОЛИ не використовуйте інструмент із відрізним диском для деревини та іншими полотнами для пил. У разі використання на шліфувальних машинах такі полотна часто дають віддачу та призводять до втрати контролю та пораненням.

⚠ОБЕРЕЖНО:

- Заборонено вмикати інструмент, коли він торкається деталі, оскільки це може призвести до поранення оператора.
- Для роботи слід завжди вдягати захисні окуляри або захисний щиток для обличчя.
- Після закінчення роботи слід завжди вимикати інструмент та зачекати, доки диск не зупиниться повністю, перед тим, як його класти.

Операції з шліфування та зачищення

Fig.18

ЗАВЖДИ міцно тримайте інструмент однією рукою за корпус, а другою - за бокову ручку. Увімкніть

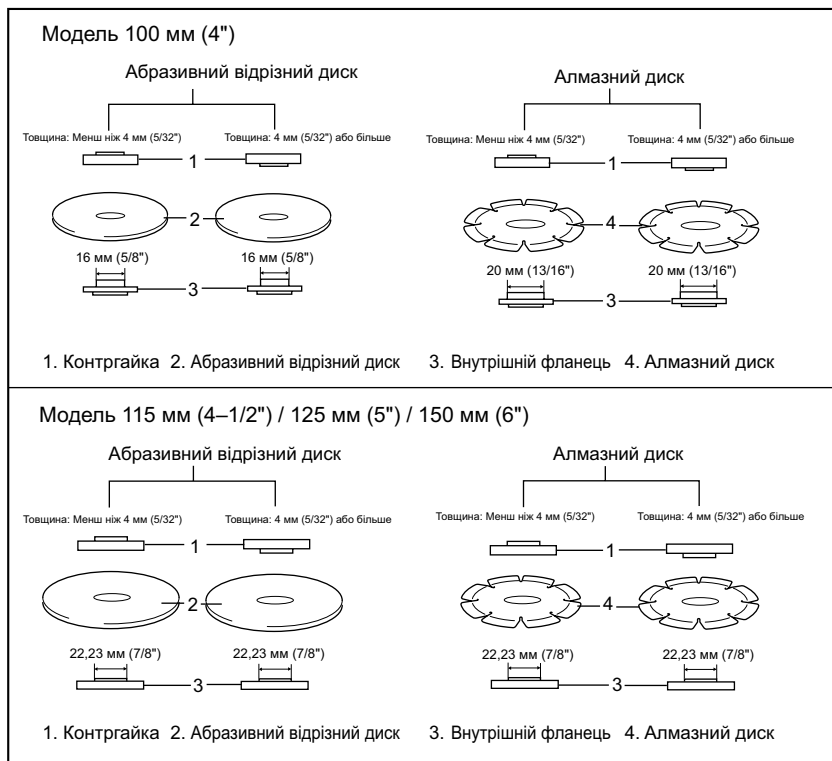
інструмент та притулить диск до деталі.
Взагалі край диска слід тримати під кутом біля 15 ° до поверхні деталі.

Під час притирання нового диска не треба пересувати шліфувальну машину у напрямку В, оскільки він уріжеться в деталь. Як тільки край диска буде закруглений протягом використання, диск можна пересувати як в напрямку А, так і в напрямку В.

Виконання робіт із абразивним відрізним диском / алмазним диском (додаткове приладдя)

Fig.19

Напрямок встановлення контргайки та внутрішнього фланця залежить від товщини диска. Див. таблицю нижче.



012746

⚠ УВАГА:

- Під час застосування абразивного відрізного диска/алмазного диска обов'язково використовуйте тільки спеціальний кожух диска, розроблений для використання з відрізними дисками. (У деяких країнах Європи під час застосування алмазного диска можна використовувати звичайний захисний кожух. Дотримуйтесь норм та правил, що діють у Вашій країні.)
- ЗАБОРОНЕНО використовувати відрізний диск для бокового шліфування.
- Не можна «заклинювати» диск або прикладати до нього надмірний тиск. Не слід намагатися зробити проріз надмірної глибини.

Перенапряга диска збільшує навантаження та схильність до перекошування або застрявання диска в прорізі, а також створює можливість віддачі або поломки диска, при цьому може перегрітись мотор.

- Заборонено заново запускати операцію різання, коли диск знаходиться в деталі. Спочатку диск повинен набрати повної швидкості, а потім його слід обережно повернути в проріз, пересуваючи інструмент по поверхні деталі. Якщо інструмент перезапустити, коли диск знаходиться в деталі, диск може застрягти, підкинутись або спричинити віддачу.
- Під час різання заборонено міняти кут диска. Прикладання бокового тиску до відрізного диска (як під час шліфування) призведе до розтріскування та поломки диска та серйозних поранень.
- Алмазний диск під час роботи потрібно перпендикулярно прикладати до робочої поверхні.

Виконання робіт із чашоподібною дротяною щіткою (додаткове приладдя)

⚠ОБЕРЕЖНО:

- Перевірте роботу щітки шляхом запуску інструмента на холостому ході, попередньо переконавшись, що нікого немає перед щіткою або поряд з нею.
- Не використовуйте пошкоджену або розбалансовану щітку. Використання пошкодженої щітки може збільшити ризик отримання травм через контакт з дротами пошкодженої щітки.

Fig.20

Вимкніть інструмент та розташуйте його шпинделем догори, щоб забезпечити доступ до шпинделя. Зніміть будь-яке приладдя зі шпинделя. Нагвинтіть чашоподібну дротяну щітку на шпиндель та затягніть за допомогою гайкового ключа, що входить до комплекту постачання. Під час використання щітки не натискайте на неї занадто сильно, тому що це може призвести до згинання дротів і, як наслідок, до передчасного виходу її з ладу.

Виконання робіт із дисковою дротяною щіткою (додаткове приладдя)

⚠ОБЕРЕЖНО:

- Перевірте роботу дискової дротяної щітки шляхом запуску інструмента на холостому ході, попередньо переконавшись, що нікого немає перед дисковою дротяною щіткою або поряд з нею.
- Не використовуйте пошкоджену або розбалансовану дискову дротяну щітку. Використання пошкодженої дискової дротяної

щітки може збільшити ризик отримання травм через контакт з пошкодженими дротами.

- Із дисковою дротяною щіткою ЗАВЖДИ використовуйте захисний кожух, діаметр якого дозволяє вставити щітку. Під час використання щітка може зламатися, захисний кожух в цьому випадку зменшує ризик поранення.

Fig.21

Вимкніть інструмент та розташуйте його шпинделем догори, щоб забезпечити доступ до шпинделя. Зніміть будь-яке приладдя зі шпинделя. Накрутіть дискову дротяну щітку на шпиндель та затягніть за допомогою ключа.

Під час використання дискової дротяної щітки не натискайте на неї занадто сильно, тому що це може призвести до згинання дротів і, як наслідок, до передчасного пошкодження.

ТЕХНІЧНЕ ОБСЛУГОВУВАННЯ

⚠ОБЕРЕЖНО:

- Перед тим, як оглянути інструмент, або виконати ремонт, переконайтеся, що він вимкнений та відключений від мережі.
- Ніколи не використовуйте газолін, бензин, розріджувач, спирт та подібні речовини. Їх використання може призвести до зміни кольору, деформації та появи тріщин.

Fig.22

Інструмент та його вентиляційні отвори слід тримати в чистоті. Треба регулярно чистити вентиляційні отвори інструмента, або коли вони забиваються.

Для того, щоб підтримувати БЕЗПЕКУ та НАДІЙНІСТЬ, ремонт, огляд та заміну вугільних щіток, будь-яке інше технічне обслуговування або регулювання мають виконувати уповноважені центри обслуговування "Макіта", де використовуються лише стандартні запчастини "Макіта".

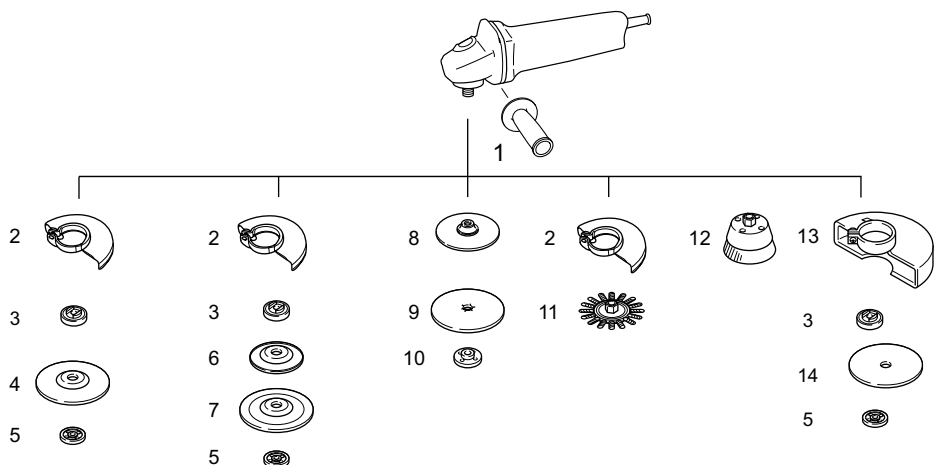
ДОДАТКОВЕ ПРИЛАДДЯ

⚠ОБЕРЕЖНО:

- Це оснащення або приладдя рекомендовано для використання з інструментами "Макіта", що описані в інструкції з експлуатації. Використання якогось іншого оснащення або приладдя може спричинити травмування. Оснащення або приладдя слід використовувати лише за призначенням.

У разі необхідності, отримати допомогу в більш детальному ознайомленні з оснащенням звертайтеся до місцевого Сервісного центру "Макіта".

- Пилозахисна кришка



	Модель 100 мм (4")	Модель 115 мм (4-1/2")	Модель 125 мм (5")	Модель 150 мм (6")
1	Затиск 36			
2	Кожух (для шліфувального диска)			
3	Внутрішній фланець	Внутрішній фланець Супер фланець *1	Внутрішній фланець Супер фланець *1	Внутрішній фланець Супер фланець *1
4	Диск із поглибленим центром/пелюстковий диск			
5	Контргайка	Контргайка Гайка Ezynut *2	Контргайка Гайка Ezynut *2	Контргайка Гайка Ezynut *2
6	Пластикова підкладка	Пластикова підкладка	Пластикова підкладка	-
7	Гнучкий диск	Гнучкий диск	Гнучкий диск	-
8	Гумова підкладка 76	Гумова підкладка 100	Гумова підкладка 115	Гумова підкладка 125
9	Абразивний диск			
10	Шліфувальна стопорна гайка			
11	Дискова дротяна щітка			
12	Чашоподібна дротяна щітка			
13	Кожух (для відрізного диска) *3			
14	Абразивний відрізний диск/алмазний диск			
-	Ключ для контргайки			

Примітка:

*1 Не використовуйте суперфланець зі шліфувальною машиною, оснащеною гальмом.

*2 Не використовуйте суперфланець із гайкою Ezynut.

*3 У деяких країнах Європи під час використання алмазного диска замість спеціального захисного кожуха, що закриває диск з обох боків, можна використовувати звичайний захисний кожух. Дотримуйтесь норм та правил, що діють у Вашій країні.

013977

ПРИМІТКА:

- Деякі елементи списку можуть входити до комплекту інструмента як стандартне приладдя. Вони можуть відрізнятися залежно від країни.

POLSKI (Oryginalna instrukcja)

Objaśnienia do widoku ogólnego

1-1. Blokada wału	10-1. Klucz do nakrętki zabezpieczającej	16-3. Gumowa tarcza
2-1. Przełącznik suwakowy	10-2. Blokada wału	17-1. Oznaczenie A
3-1. Kontrolka (pokrętko regulacyjne prędkości)	11-1. Mocowanie Ezynut	17-2. Oznaczenie B
4-1. Pokrętko regulacji prędkości	11-2. Ściernica	17-3. Oznaczenie C
6-1. Osłona tarczy	11-3. Kołnierz wewnętrzny	17-4. Oznaczenie D
6-2. Obudowa łożyska	11-4. Wrzeciono	19-1. Nakrętka zabezpieczająca
6-3. Śruba	12-1. Blokada wału	19-2. Ścierna tarcza tnąca/ściernica diamentowa
7-1. Osłona tarczy	13-1. Strzałka	19-3. Kołnierz wewnętrzny
7-2. Obudowa łożyska	13-2. Nacięcie	19-4. Osłona do ścierniej tarczy tnącej/ściernicy diamentowej
7-3. Śruba	15-1. Nakrętka zabezpieczająca	20-1. Szczotka drucziana doczołowa
7-4. Dźwignia	15-2. Tarcza flex	21-1. Szczotka tarczowa
8-1. Śruba	15-3. Plastikowa tarcza mocująca	22-1. Wylot powietrza
8-2. Dźwignia	15-4. Kołnierz wewnętrzny	22-2. Wlot powietrza
9-1. Nakrętka zabezpieczająca	16-1. Nakrętka zabezpieczająca do szlifowania	
9-2. Tarcza z obniżonym środkiem	16-2. Ściernica	
9-3. Kołnierz wewnętrzny		

SPECYFIKACJE

Model	GA4040C	GA4041C	GA4540C	GA4541C	GA5040C	GA5041C	GA6040C
Średnica tarczy	100 mm (4")		115 mm (4-1/2")		125 mm (5")		150 mm (6")
Maks. grubość tarczy	6,4 mm						
Gwint wrzeciona	M10		M14 lub 5/8" (w zależności od kraju)				
Prędkość znamionowa (n)/ Prędkość bez obciążenia (n ₀)	11 000 min ⁻¹		11 000 min ⁻¹		11 000 min ⁻¹		9 000 min ⁻¹
Długość całkowita	303 mm	325 mm	303 mm	325 mm	303 mm	325 mm	303 mm
Ciężar netto	2,3 kg	2,6 kg	2,5 kg	2,7 kg	2,5 kg	2,7 kg	2,6 kg
Klasa bezpieczeństwa	II/III						

- W związku ze stale prowadzonym przez naszą firmę programem badawczo-rozwojowym, niniejsze specyfikacje mogą ulec zmianom bez wcześniejszego powiadomienia.
- Specyfikacje mogą różnić się w zależności od kraju.
- Waga obliczona zgodnie z procedurą EPTA 01/2003

ENE048-1

Przeznaczenie

Omawiane narzędzie przeznaczone jest do szlifowania i cięcia materiałów z metalu i kamienia bez użycia wody.

ENF002-2

Zasilanie

Narzędzie wolno podłączać tylko do źródeł zasilania o napięciu zgodnym z napięciem podanym na tabliczce znamionowej. Można je zasilac wyłącznie jednofazowym prądem przemiennym. Jest ono podwójnie izolowane, dlatego też można je zasilac z gniazda bez uzziemienia.

ENG905-1

Poziom hałasu i drgań

Typowy równoważny poziom dźwięku A określony w oparciu o EN60745:

Model GA4040C, GA4540C, GA5040C

Poziom ciśnienia akustycznego (L_{PA}): 86 dB (A)

Poziom mocy akustycznej (L_{WA}): 97 dB (A)

Niepewność (K): 3 dB (A)

Model GA6040C

Poziom ciśnienia akustycznego (L_{PA}): 87 dB (A)

Poziom mocy akustycznej (L_{WA}): 98 dB (A)

Niepewność (K): 3 dB (A)

Model GA4541C

Poziom ciśnienia akustycznego (L_{PA}): 83 dB (A)

Poziom mocy akustycznej (L_{WA}): 94 dB (A)

Niepewność (K): 3 dB (A)

Model GA5041C

Poziom ciśnienia akustycznego (L_{pA}): 84 dB (A)

Poziom mocy akustycznej (L_{WA}): 95 dB (A)

Niepewność (K): 3 dB (A)

Należy stosować ochroniacze na uszy

ENG900-1

Drgania

Całkowita wartość poziomu drgań (suma wektorów w 3 osiach) określona zgodnie z normą EN60745:

Model GA4040C

Tryb pracy: szlifowanie powierzchni ze standardowym uchwytem bocznym

Emisja drgań ($a_{h,AG}$): 5,0 m/s²

Niepewność (K) : 1,5 m/s²

Tryb pracy: szlifowanie powierzchni z antywibracyjnym uchwytem bocznym

Emisja drgań ($a_{h,AG}$): 5,0 m/s²

Niepewność (K) : 1,5 m/s²

Tryb pracy: tarcza szlifierska ze standardowym uchwytem bocznym

Emisja drgań ($a_{h,DS}$): 3,0 m/s²

Niepewność (K) : 1,5 m/s²

Tryb pracy: tarcza szlifierska z antywibracyjnym uchwytem bocznym

Emisja drgań ($a_{h,DS}$): 2,5 m/s² lub mniej

Niepewność (K) : 1,5 m/s²

Model GA4540C

Tryb pracy: szlifowanie powierzchni ze standardowym uchwytem bocznym

Emisja drgań ($a_{h,AG}$): 6,0 m/s²

Niepewność (K) : 1,5 m/s²

Tryb pracy: szlifowanie powierzchni z antywibracyjnym uchwytem bocznym

Emisja drgań ($a_{h,AG}$): 5,5 m/s²

Niepewność (K) : 1,5 m/s²

Tryb pracy: tarcza szlifierska ze standardowym uchwytem bocznym

Emisja drgań ($a_{h,DS}$): 2,5 m/s²

Niepewność (K) : 1,5 m/s²

Tryb pracy: tarcza szlifierska z antywibracyjnym uchwytem bocznym

Emisja drgań ($a_{h,DS}$): 2,5 m/s²

Niepewność (K) : 1,5 m/s²

Model GA5040C

Tryb pracy: szlifowanie powierzchni ze standardowym uchwytem bocznym

Emisja drgań ($a_{h,AG}$): 6,5 m/s²

Niepewność (K) : 1,5 m/s²

Tryb pracy: szlifowanie powierzchni z antywibracyjnym uchwytem bocznym

Emisja drgań ($a_{h,AG}$): 5,5 m/s²

Niepewność (K) : 1,5 m/s²

Tryb pracy: tarcza szlifierska ze standardowym uchwytem bocznym

Emisja drgań ($a_{h,DS}$): 2,5 m/s²

Niepewność (K) : 1,5 m/s²

Tryb pracy: tarcza szlifierska z antywibracyjnym uchwytem bocznym

Emisja drgań ($a_{h,DS}$): 2,5 m/s²

Niepewność (K) : 1,5 m/s²

Model GA6040C

Tryb pracy: szlifowanie powierzchni ze standardowym uchwytem bocznym

Emisja drgań ($a_{h,AG}$): 6,5 m/s²

Niepewność (K) : 1,5 m/s²

Tryb pracy: szlifowanie powierzchni z antywibracyjnym uchwytem bocznym

Emisja drgań ($a_{h,AG}$): 6,0 m/s²

Niepewność (K) : 1,5 m/s²

Tryb pracy: tarcza szlifierska ze standardowym uchwytem bocznym

Emisja drgań ($a_{h,DS}$): 2,5 m/s²

Niepewność (K) : 1,5 m/s²

Tryb pracy: tarcza szlifierska z antywibracyjnym uchwytem bocznym

Emisja drgań ($a_{h,DS}$): 2,5 m/s² lub mniej

Niepewność (K) : 1,5 m/s²

Model GA4541C

Tryb pracy: szlifowanie powierzchni ze standardowym uchwytem bocznym

Emisja drgań ($a_{h,AG}$): 6,5 m/s²

Niepewność (K) : 1,5 m/s²

Tryb pracy: szlifowanie powierzchni z antywibracyjnym uchwytem bocznym

Emisja drgań ($a_{h,AG}$): 5,5 m/s²

Niepewność (K) : 1,5 m/s²

Tryb pracy: tarcza szlifierska ze standardowym uchwytem bocznym

Emisja drgań ($a_{h,DS}$): 2,5 m/s² lub mniej

Niepewność (K) : 1,5 m/s²

Tryb pracy: tarcza szlifierska z antywibracyjnym uchwytem bocznym
 Emisja drgań ($a_{h,DS}$): 2,5 m/s² lub mniej
 Niepewność (K) : 1,5 m/s²

Model GA5041C

Tryb pracy: szlifowanie powierzchni ze standardowym uchwytem bocznym
 Emisja drgań ($a_{h,AG}$): 7,0 m/s²
 Niepewność (K) : 1,5 m/s²

Tryb pracy: szlifowanie powierzchni z antywibracyjnym uchwytem bocznym
 Emisja drgań ($a_{h,AG}$): 6,0 m/s²
 Niepewność (K) : 1,5 m/s²

Tryb pracy: tarcza szlifierska ze standardowym uchwytem bocznym
 Emisja drgań ($a_{h,DS}$): 2,5 m/s² lub mniej
 Niepewność (K) : 1,5 m/s²

Tryb pracy: tarcza szlifierska z antywibracyjnym uchwytem bocznym
 Emisja drgań ($a_{h,DS}$): 2,5 m/s² lub mniej
 Niepewność (K) : 1,5 m/s²

ENG902-1

- Deklarowana wartość wytwarzanych drgań została zmierzona zgodnie ze standardową metodą testową i można ją wykorzystać do porównywania narzędzi.
- Deklarowaną wartość wytwarzanych drgań można także wykorzystać we wstępnej ocenie narażenia.
- Deklarowaną wartość wytwarzanych drgań wykorzystuje się do głównych zastosowań elektronarzędzia. Jeśli jednak elektronarzędzie będzie wykorzystywane do innych zastosowań, wartość wytwarzanych drgań może być inna.

⚠️ OSTRZEŻENIE:

- Drgania wytwarzane podczas rzeczywistego użytkowania elektronarzędzia mogą się różnić od wartości deklarowanej, w zależności od sposobu jego użytkowania.
- W oparciu o szacowane narażenie w rzeczywistych warunkach użytkowania należy określić środki bezpieczeństwa w celu ochrony operatora (uwzględniając wszystkie elementy cyklu działania, tj. czas, kiedy narzędzie jest wyłączone i kiedy pracuje na biegu jałowym, a także czas, kiedy jest włączone).

Dotyczy tylko krajów europejskich

Deklaracja zgodności UE

Niniejszym firma Makita Corporation jako odpowiedzialny producent oświadcza, iż opisywane urządzenie marki Makita:

Opis maszyny:

Szlifierka kątowa

Model nr/ Typ: GA4040C, GA4540C, GA5040C, GA6040C, GA4541C, GA5041C

jest produkowane seryjnie oraz

Jest zgodne z wymogami określonymi w następujących dyrektywach europejskich:

2006/42/EC

Jest produkowane zgodnie z następującymi normami lub dokumentami normalizacyjnymi:

EN60745

Dokumentacja techniczna przechowywana jest przez:

Makita International Europe Ltd.

Technical Department,

Michigan Drive, Tongwell,

Milton Keynes, Bucks MK15 8JD, Anglia

30.8.2011



000230

Tomoyasu Kato

Dyrektor

Makita Corporation

3-11-8, Sumiyoshi-cho,

Anjo, Aichi, 446-8502, JAPONIA

GEA010-1

Ogólne zasady bezpieczeństwa obsługi elektronarzędzi

⚠️ OSTRZEŻENIE Przeczytaj wszystkie ostrzeżenia i instrukcje. Nie przestrzeganie ich może prowadzić do porażeń prądem, pożarów i/lub poważnych obrażeń ciała.

Wszystkie ostrzeżenia i instrukcje należy zachować do późniejszego wykorzystania.

GEB033-7

OSTRZEŻENIA DOTYCZĄCE BEZPIECZNEJ EKSPLOATACJI NARZĘDZIA

Ostrzeżenia dotyczące bezpieczeństwa podczas operacji szlifowania, oczyszczania powierzchni lub cięcia przy użyciu tarczy ścierniej:

1. Opisywane elektronarzędzie jest przeznaczone do szlifowania, oczyszczania powierzchni szcztotką drucianą i cięcia. Należy

- zapoznać się z wszystkimi zasadami bezpieczeństwa, instrukcjami, ilustracjami i danymi technicznymi dołączonymi do opisywanego narzędzia. Niezastosowanie się do podanych poniżej instrukcji może prowadzić do porażenia prądem elektrycznym, pożaru i/lub poważnych obrażeń ciała.
2. **Nie jest wskazane szlifowanie drewna, oczyszczanie powierzchni szcztoką drucianą, polerowanie lub cięcie z użyciem tego elektronarzędzia.** Operacje, do których nie jest ono przeznaczone, mogą stwarzać zagrożenie i spowodować obrażenia.
 3. **Używać jedynie osprzętu, który został specjalnie zaprojektowany i jest zalecany przez producenta narzędzia.** Fakt, że osprzęt można zamocować do posiadanego elektronarzędzia, wcale nie gwarantuje bezpiecznej obsługi.
 4. **Prędkość znamionowa osprzętu powinna być przynajmniej równa maksymalnej prędkości podanej na elektronarzędziu.** Osprzęt pracujący przy większej prędkości od znamionowej może pęknąć i rozpaść się na kawałki.
 5. **Zewnętrzna średnica i grubość osprzętu musi mieścić się w zakresie dopuszczalnym dla tego elektronarzędzia.** Nie można zapewnić prawidłowej osłony i kontroli akcesoriów o niewłaściwym rozmiarze.
 6. **Akcesoria montowane na gwint muszą pasować do gwintu trzpienia szlifierki. W przypadku akcesoriów montowanych na kołnierzach otwór ściernicy akcesoriów musi pasować do średnicy kołnierza.** Akcesoria niepasujące do osprzętu montażowego w elektronarzędziu będą obracać się mimośrodowo, wywołując silne drgania i grożąc utratą panowania.
 7. **Nie wolno używać uszkodzonych akcesoriów. Przed każdorazowym użyciem należy skontrolować osprzęt; ściernice pod kątem ubytków lub pęknięć, tarcze mocujące pod kątem pęknięć, rozdarć lub nadmiernego zużycia, a szcztoki druciane pod kątem luźnych lub popękanych drutów. W przypadku upuszczenia elektronarzędzia lub osprzętu należy sprawdzić, czy nie doszło do uszkodzenia, i ewentualnie zamontować nieuszkodzony osprzęt. Po sprawdzeniu bądź zamontowaniu osprzętu należy stanąć w taki sposób i tak ustawić narzędzie, aby nikt nie znajdował się w płaszczyźnie obrotu osprzętu, po czym na jedną minutę uruchomić elektronarzędzie z maksymalną prędkością bez obciążenia.** Uszkodzone akcesoria zwykle rozpadną się podczas takiej próby.
 8. **Należy nosić sprzęt ochrony osobistej. W zależności od wykonywanej operacji należy używać osłony twarzy, gogli lub okularów ochronnych. W miarę potrzeb zakładać maskę przeciwpyłową, ochraniacze na uszy, rękawice i fartuch, który zatrzyma drobiny materiału ściernego i obrabianego przedmiotu.** Ochrona oczu powinna zatrzymywać unoszące się w powietrzu drobiny materiału, które powstają podczas różnych operacji. Maskę przeciwpyłową lub oddechową powinna filtrować drobiny wytwarzane podczas pracy. Przebywanie przez dłuższy czas w hałasie o dużym natężeniu może spowodować ubytek słuchu.
 9. **Osoby postronne powinny znajdować się w bezpiecznej odległości od miejsca pracy. Każdy, kto wchodzi do strefy roboczej, powinien mieć na sobie sprzęt ochrony osobistej.** Fragmenty materiału z obrabianego przedmiotu lub pękniętego osprzętu mogą polecieć na dużą odległość i spowodować obrażenia poza bezpośrednim obszarem roboczym.
 10. **Gdy podczas pracy istnieje możliwość kontaktu elementu tnącego z ukrytymi przewodami elektrycznymi, wówczas należy narzędzie trzymać za izolowane uchwyty.** Kontakt elementu tnącego z przewodem elektrycznym pod napięciem powoduje, że również odsłonięte elementy metalowe narzędzia znajdują się pod napięciem, grożąc porażeniem operatora prądem elektrycznym.
 11. **Przewód należy trzymać w bezpiecznej odległości od wirującego osprzętu.** W przypadku utraty panowania przewód zostanie przecięty lub wkręcony, wciągając dłoń lub rękę w wirujący osprzęt.
 12. **Nie wolno odkładać elektronarzędzia dopóki zainstalowany osprzęt nie zatrzyma się całkowicie.** Wirujący osprzęt może zahaczyć o powierzchnię i elektronarzędzie zacznie się zachowywać w sposób niekontrolowany.
 13. **Uruchomionego elektronarzędzia nie wolno przенosić z miejsca na miejsce.** Wirujący osprzęt może przypadkowo pochwycić ubranie i spowodować obrażenia ciała.
 14. **Otwory wentylacyjne elektronarzędzia należy regularnie czyścić.** Wentylator silnika wciąga do wnętrza obudowy pył. Zbyt duże nagromadzenie metalowych drobin stwarza zagrożenia elektryczne.
 15. **Nie wolno używać elektronarzędzia w pobliżu materiałów łatwopalnych.** Mogą one zapalić się od iskier.
 16. **Nie wolno używać osprzętu wymagającego cieczy chłodzących.** Używanie wody lub innych cieczy chłodzących grozi porażeniem lub udarem elektrycznym.

Odrzut i związane z nim ostrzeżenia

Odrzut to nagła reakcja w momencie zakleszczenia lub wyszczerbienia obracającej się ściernicy, tarczy mocującej, szcztolki lub innego rodzaju osprzętu. Zakleszczenie lub wyszczerbienie powoduje nagłe zatrzymanie się obracającego osprzętu, co z kolei prowadzi do niekontrolowanego odrzutu elektronarzędzia w miejscu zablokowania w kierunku przeciwnym do kierunku obrotu osprzętu.

Przykładowo, jeżeli ściernica wyszczerbi się lub zakleszczy w obrabianym elemencie, trąc o powierzchnię materiału jej krawędź prowadząca może wypchnąć ściernicę w górę lub spowodować jej odrzut. Ściernica może odskoczyć w stronę operatora lub w kierunku przeciwnym w zależności od kierunku obrotów w punkcie zakleszczenia. W takich warunkach może również dojść do pęknięcia ściernicy.

Odrzut jest wynikiem nieprawidłowej eksploatacji elektronarzędzia i/lub niewłaściwych procedur albo warunków jego obsługi. Można go uniknąć podejmując podane poniżej, odpowiednie środki ostrożności.

a) **Przez cały czas należy narzędzie mocno trzymać, ustawiając się w taki sposób, aby przeciwdziałać siłom odrzutu. Zawsze należy korzystać z rękocyfki pomocniczej, jeżeli jest w zestawie, aby móc w pełni kontrolować odrzut lub przeciwdziałać momentowi obrotowemu podczas rozruchu.** Operator może kontrolować reakcje na zwiększający się moment obrotowy lub siły odrzutu, jeżeli zastosuje się odpowiednie środki ostrożności.

b) **Nie wolno trzymać ręki w pobliżu obracającego się osprzętu.** Może bowiem nastąpić odrzut w kierunku ręki.

c) **Nie należy stawać na linii ewentualnego odrzutu narzędzia.** Odrzut spowoduje wyrzucenie narzędzia w kierunku przeciwnym do ruchu tarczy w punkcie wyszczerbienia.

d) **Podczas obróbki narożników, ostrych krawędzi itp. należy zachować szczególną ostrożność. Nie dopuszczać do podskakiwania i wyszczerbienia osprzętu.** Narożniki, ostre krawędzie lub podskakiwanie sprzyjają wyszczerbieniu obracającego się osprzętu i mogą spowodować utratę panowania lub odrzut.

e) **Nie wolno montować tarcz łańcuchowych do cięcia drewna, ani tarcz zębatach.** Tarcze te często powodują odrzuty i utratę panowania nad elektronarzędziem.

Szczegółowe zasady bezpieczeństwa podczas operacji szlifowania i cięcia przy użyciu tarczy ścierniej:

a) **Używać wyłącznie ściernic zalecanych do posiadanego elektronarzędzia oraz specjalnych osłon przeznaczonych do wybranego rodzaju tarczy.** Nie można właściwie zabezpieczyć ściernic, do których elektronarzędzie nie jest przeznaczone. Takie ściernice są niebezpieczne.

b) **Powierzchnia szlifowania tarcz z obniżonym środkiem musi zostać zamontowana poniżej płaszczyzny krawędzi osłony.** Nieprawidłowo zamontowana tarcza wystająca poza płaszczyznę krawędzi osłony nie może być odpowiednio zabezpieczona.

c) **Oslona powinna być dobrze przymocowana do elektronarzędzia i ustawiona w sposób zapewniający maksimum bezpieczeństwa – w stronę operatora powinien być skierowany jak najmniejszy fragment odsłoniętej tarczy.** Osłona chroni operatora przed wykruszonymi odłamkami ściernicy i przypadkowym kontaktem z tarczą oraz od isker mogących przyczynić się do zapalenia odzieży.

d) **Ściernice należy wykorzystywać tylko zgodnie z przeznaczeniem. Na przykład: nie wolno szlifować boczną powierzchnią ściernicy tnącej.** Ściernice tnące są przeznaczone do szlifowania obwodowego. Siły boczne przyłożone do tych tarcz mogą wywoływać drgania.

e) **Zawsze używać nieuszkodzonych kołnierzy mocujących o rozmiarze i kształcie właściwie dobranym do wybranego rodzaju ściernic.** Odpowiednie kołnierze mocujące podtrzymują tarczę, zmniejszając tym samym prawdopodobieństwo jej pęknięcia. Kołnierze do ściernic tnących mogą różnić się od kołnierzy do tarcz szlifierskich.

f) **Nie używać zużytych ściernic przeznaczonych do większych elektronarzędzi.** Tarcze przeznaczone do większych elektronarzędzi nie nadają się do wyższych prędkości stosowanych w mniejszych narzędziach i mogą rozpaść się.

Dodatkowe zasady bezpieczeństwa podczas operacji cięcia przy użyciu tarczy ścierniej:

a) **Nie wolno doprowadzać do zakleszczenia tarczy tnącej ani stosować zbyt dużego nacisku. Unikać cięć o zbyt dużej głębokości.** Przeciążona ściernica jest bardziej podatna na skręcenia lub wyginanie w szczelinie i wzrasta prawdopodobieństwo odrzutu lub pęknięcia tarczy.

b) **Nie stawać na linii obracającej się ściernicy ani za nią.** Gdy tarcza przesuwa się od operatora, ewentualny odrzut może wypchnąć ściernicę i elektronarzędzie w jego kierunku.

c) **W przypadku zakleszczenia się tarczy lub przerwania operacji cięcia z jakiegokolwiek powodu, należy wyłączyć elektronarzędzie, trzymając je w bezruchu do momentu całkowitego zatrzymania się ściernicy. Nie wolno wyciągać tarczy tnącej z przecinanego elementu, gdy tarcza znajduje się w ruchu, w przeciwnym razie może wystąpić odrzut.** Zbadać przyczynę zakleszczania się ściernicy i podjąć stosowne działania w celu wyeliminowania problemu.

d) Nie wolno wznawiać operacji cięcia, gdy tarcza znajduje się w przecinanym elemencie. Ściernicę można ponownie włożyć do naciętej szczeliny, dopiero gdy osiągnie pełną prędkość. Jeżeli elektronarzędzie zostanie ponownie uruchomione, gdy ściernica znajduje się w przecinanym elemencie, tarcza może zakleszczyć się, wderować po materiale, albo może nastąpić odrzut.

e) Duże płyty należy podierać, aby zminimalizować ryzyko zakleszczenia tarczy i odrzutu. Duże płyty mają tendencję do wyginania się pod własnym ciężarem. Podpory należy ustawiać pod przecinanym elementem w sąsiedztwie linii cięcia i na krawędziach elementu po obu stronach ściernicy.

f) Należy zachować szczególną ostrożność w przypadku wykonywania „cięć wgłębnych” w istniejących ścinkach bądź innych pustych przestrzeniach. Wystająca tarcza tnąca może zagłębić się w niewidoczne elementy, które z kolei mogą wywołać odrzut.

Zasady bezpieczeństwa podczas operacji szlifowania:

a) Nie używać zbyt dużego papieru ściernego. Przy doborze papieru ściernego kierować się zaleceniami producenta. Zbyt duży papier ścierny wystający poza obręb tarczy szlifierskiej grozi pokaleczeniem i może spowodować wyszczerbienie lub rozerwanie tarczy albo odrzut.

Zasady bezpieczeństwa podczas oczyszczania powierzchni szczotką drucianą:

a) Należy pamiętać, że nawet podczas zwykłej pracy ze szczotki mogą wylatywać druty. Nie wolno ich nadwierać, wywierając zbyt duży nacisk na szczotkę. Druty ze szczotki mogą z łatwością przebić lekkie ubranie i skórę.

b) Jeżeli podczas operacji oczyszczania powierzchni szczotką drucianą wskazane jest używanie osłony, należy uważać, aby szczotka nie ocierała o nią. Średnica szczotki drucianej może ulec zwiększeniu pod wpływem obciążenia lub sił odśrodkowych podczas pracy.

Dodatkowe ostrzeżenia dotyczące bezpieczeństwa:

17. Nie wolno używać innych tarcz szlifierskich z obniżonym środkiem niż tarcze wzmocnione włóknem szklanym.
18. NIE WOLNO używać w tej szlifierce ściernic typu miseczkowego. Szlifierka nie jest przystosowana do takiego rodzaju ściernic i stosowanie ich może być przyczyną obrażeń.
19. Uważać, aby nie uszkodzić wrzeciona, kołnierza (zwłaszcza powierzchni odpowiedzialnych za prawidłowy montaż) albo nakrętki zabezpieczającej. Uszkodzenie tych części może być przyczyną pęknięcia tarczy.
20. Przed włączeniem urządzenia upewnić się, czy tarcza nie dotyka obrabianego elementu.

21. Przed przystąpieniem do obróbki danego elementu pozwolić, aby narzędzie obracało się przez chwilę bez obciążenia. Zwracać uwagę na ewentualne drgania lub bicie osiowe, które mogą wskazywać na nieprawidłowe zamocowanie lub niedokładne wyważenie tarczy.
22. Podczas szlifowania używać określonej powierzchni tarczy.
23. Nie pozostawiać załączonego elektronarzędzia. Można uruchomić elektronarzędzie tylko wtedy, gdy jest trzymane w rękach.
24. Zaraz po zakończeniu pracy nie wolno dotykać obrabianego elementu. Może on bowiem być bardzo gorący, co grozi poparzeniem skóry.
25. Przestrzegać instrukcji producenta w zakresie montażu i eksploatacji tarcz. Tarcze przechowywać i obchodzić się z nimi z dbałością.
26. Nie wolno stosować oddzielnych tulei redukcyjnych ani elementów pośrednich, aby dopasować tarcze ścierne o dużym otworze wewnętrznym.
27. Używać wyłącznie kołnierzy przeznaczonych do tego urządzenia.
28. W przypadku narzędzi współpracujących z tarczami z nagwintowanym otworem należy upewnić się, czy długość gwintu w tarczy jest wystarczająca, aby wkręcić wrzeciono na całą długości.
29. Sprawdzić, czy obrabiany element jest dobrze podparty.
30. Po wyłączeniu narzędzia tarcza nadal obraca się.
31. Jeżeli w miejscu pracy panuje wyjątkowo wysoka temperatura i wilgotność, albo występuje silnie zanieczyszczone przewodzącym pyłem, należy zastosować bezpiecznik zwarciowy (30 mA), aby zapewnić operatorowi bezpieczeństwo.
32. Nie wolno używać opisywanego narzędzia do obróbki materiałów zawierających azbest.
33. Przepisy krajowe wymagają stosowania osłony zbierającej pył, gdy używana jest tarcza tnąca.
34. Na tarcze tnące nie wolno wywierać nacisku poprzecznego.

ZACHOWAĆ INSTRUKCJE.

⚠️ OSTRZEŻENIE:

NIE WOLNO pozwolić, aby wygodą lub rutyną (nabyta w wyniku wielokrotnego używania narzędzia) zastąpiły ścisłe przestrzeganie zasad bezpieczeństwa obsługi. NIEWŁAŚCIWE UŻYTKOWANIE narzędzia lub niestosowanie się do zasad bezpieczeństwa podanych w niniejszej instrukcji obsługi może prowadzić do poważnych obrażeń ciała.

OPIS DZIAŁANIA

⚠UWAGA:

- Przed rozpoczęciem regulacji i sprawdzania działania elektronarzędzia, należy upewnić się, czy jest ono wyłączone i nie podłączone do sieci.

Blokada wału

Rys.1

⚠UWAGA:

- Nie wolno załączać blokady wału, gdy wrzeciono obraca się. Narzędzie może bowiem ulec uszkodzeniu.

Przed przystąpieniem do montażu bądź demontażu osprzętu nacisnąć blokadę wału, aby unieruchomić wrzeciono.

Włączanie

Rys.2

⚠UWAGA:

- Przed włączeniem narzędzia należy koniecznie sprawdzić, czy przełącznik suwakowy działa prawidłowo i po naciśnięciu jego tylnej części powraca do położenia "OFF" (wyłączone).
- W celu ułatwienia obsługi i dla wygody operatora podczas długotrwałej pracy z użyciem narzędzia, wyłącznik można zablokować w pozycji „ON” (WŁĄCZONY). Podczas pracy z blokadą wyłącznika w pozycji „ON” (WŁĄCZONY) należy zachować ostrożność i pewnie trzymać narzędzie.

W celu uruchomienia narzędzia wystarczy przesunąć przełącznik suwakowy w kierunku położenia „I (ON)” (włączone), naciskając tylną część tego przełącznika. Pracę ciągną można uzyskać po naciśnięciu i zablokowaniu przedniej części przełącznika suwakowego. Aby wyłączyć narzędzie, wystarczy nacisnąć tylną część przełącznika suwakowego, a następnie przesunąć go do położenia „O (OFF)” (wyłączone).

Kontrolka

Rys.3

Zielona kontrolka zasilania zapala się w momencie podłączenia narzędzia do zasilania. Jeżeli kontrolka nie zapala się, uszkodzony jest przewód zasilający albo regulator uległ awarii. Jeżeli kontrolka jest zapalona, ale narzędzia nie można uruchomić, wówczas mamy do czynienia z zużyciem szczotek węglowych bądź uszkodzeniem silnika, przełącznika lub regulatora.

Zabezpieczenie przed przypadkowym włączeniem

Narzędzia nie można uruchomić, w przypadku gdy przycisk blokady nie zostanie naciśnięty, nawet jeśli zostało ono podłączone do zasilania.

W takiej sytuacji kontrolka zacznie migać na czerwono, wskazując włączenie funkcji urządzenia zabezpieczającego przed przypadkowym uruchomieniem. W celu anulowania tego urządzenia należy ustawić przełącznik suwakowy w położeniu „O(OFF)” (wyłączone).

Pokrętko regulacji prędkości

Rys.4

Prędkość obrotów można zmienić przy pomocy pokrętki regulującej, które można ustawić na numer od 1 do 5. Większą prędkość uzyskuje się obracając pokrętko w kierunku pozycji 5, a mniejszą - obracając pokrętko w kierunku pozycji 1.

Zależność liczby obrotów/udarów na minutę od pozycji ustawionej na pokrętkę podano w tabeli.

Dotyczy modelu GA4040C, GA4540C, GA5040C, GA4041C, GA4541C, GA5041C

Cyfra	min ⁻¹ (RPM)
1	2 800
2	4 000
3	6 000
4	8 000
5	11 000

012752

Dotyczy modelu GA6040C

Cyfra	min ⁻¹ (RPM)
1	4 000
2	5 000
3	6 000
4	7 000
5	9 000

012756

⚠UWAGA:

- Jeżeli narzędzie będzie używane nieprzerwanie przez dłuższy okres czasu przy małych prędkościach, wówczas dojdzie do przeciążenia i przegrzania silnika.
- Pokrętko regulacji prędkości można maksymalnie obrócić do pozycji 5 i z powrotem do pozycji 1. Nie wolno próbować obrócić go na siłę poza pozycję 5 lub 1, gdyż funkcja regulacji prędkości może przestać działać.

Funkcja elektroniczna

Narzędzia wyposażone w funkcję elektroniczną są łatwe w obsłudze ze względu na następujące cechy.

Kontrola stałej prędkości

Kontrola stałej prędkości zapewnia precyzyjne wykończenie dzięki zachowaniu prędkości obrotowej na stałym poziomie podczas pracy pod obciążeniem.

Funkcja miękkiego rozruchu

Funkcja miękkiego rozruchu niweluje uderzenie przy rozruchu.

Zabezpieczenie przed przeciążeniem

Przy nadmiernym poziomie obciążenia redukowana jest moc silnika w celu jego ochrony przed przegrzaniem. Gdy obciążenie powróci do dopuszczalnego poziomu, narzędzie będzie pracować tak, jak zwykle.

Hamulec mechaniczny

Dotyczy modelu GA4041C, GA4541C, GA5041C

Hamulec mechaniczny zostaje załączony po wyłączeniu narzędzia.

Hamulec nie działa, gdy zasilanie zostanie odłączone, a wyłącznik nadal będzie się znajdował w położeniu włączonym.

MONTAŻ

⚠UWAGA:

- Przed wykonywaniem jakichkolwiek czynności na elektronarzędziu należy upewnić się, czy jest ono wyłączone i nie podłączone do sieci.

Instalowanie uchwyty boczne (rękojeść)

Rys.5

⚠UWAGA:

- Przed uruchomieniem, zawsze upewnić się, czy uchwyt boczny zamontowano bezpiecznie.

Uchwyt boczny należy mocno przykręcić w odpowiednim miejscu narzędzia zgodnie z rysunkiem.

Montaż lub demontaż osłony tarczy (tarczy z obniżonym środkiem, tarczy listkowej, tarczy flex, szczotki tarczowej / ściernicy tnącej, ściernicy diamentowej)

⚠OSTRZEŻENIE:

- W przypadku używania tarczy z obniżonym środkiem, tarczy listkowej, tarczy flex lub szczotki tarczowej, osłonę tarczy należy przykręcić do narzędzia w taki sposób, aby jej zamknięta część była zawsze zwrócona w stronę operatora.
- W przypadku korzystania ze ściernicy tnącej / ściernicy diamentowej należy używać wyłącznie specjalnej osłony tarczy przeznaczonej do tego typu ściernic. (W niektórych krajach europejskich przy stosowaniu ściernicy diamentowej można użyć zwykłej osłony. Postępować zgodnie z przepisami obowiązującymi w danym kraju).

Dla narzędzia z osłoną tarczy ze śrubą blokującą

Rys.6

Należy osłonę tarczy i wyrównać wystające elementy na jej kołnierzu z nacięciem w obudowie. Następnie obrócić osłonę tarczy o kąt 180° przeciwnie do ruchu wskazówek zegara. Pamiętać o mocnym dokręceniu śruby.

Aby zdemontować osłonę tarczy, procedurę montażu należy wykonać w odwrotnej kolejności.

Dla narzędzia z osłoną tarczy z dźwignią zacisku

Rys.7

Po poluzowaniu śruby pociągnąć dźwignię w kierunku wskazywanym przez strzałkę. Należy osłonę tarczy i wyrównać wystające elementy na jej kołnierzu z nacięciem w obudowie. Następnie obrócić osłonę tarczy o kąt 180°.

Rys.8

Po pociągnięciu dźwigni w kierunku wskazywanym przez strzałkę zamocować osłonę tarczy, dokręcając śrubę. Kąt ustawienia osłony tarczy można wyregulować przy pomocy dźwigni.

Aby zdemontować osłonę tarczy, procedurę montażu należy wykonać w odwrotnej kolejności.

Montaż i demontaż tarczy z obniżonym środkiem lub tarczą listkową (wyposażenie dodatkowe)

⚠OSTRZEŻENIE:

- W przypadku używania tarczy z obniżonym środkiem lub tarczy listkowej, osłonę tarczy należy przykręcić do narzędzia w taki sposób, aby jej zamknięta część była zawsze zwrócona w stronę operatora.

Rys.9

Należy kołnierz wewnętrzny na wrzeciono. Dopasować tarczę/ściernicę do kształtu kołnierza i dokręcić nakrętką zabezpieczającą osadzoną na wrzeciono.

Rys.10

W celu dokręcenia nakrętki zabezpieczającej mocno docisnąć blokadę wału, aby unieruchomić wrzeciono, a następnie dociągnąć nakrętkę zabezpieczającą kluczem zgodnie z ruchem wskazówek zegara.

Aby zdemontować tarczę, wystarczy procedurę montażu wykonać w odwrotnej kolejności.

Kołnierz Super (wyposażenie dodatkowe)

Modele oznaczone literą F są standardowo wyposażone w kołnierz Super. W porównaniu z typowym kołnierzem odkręcenie nakrętki zabezpieczającej wymaga tylko 1/3 siły.

⚠UWAGA:

- Nie stosować kołnierza Super w modelach wyposażonych w funkcję hamulca mechanicznego. W przeciwnym wypadku kołnierz może się poluzować w momencie załączenia hamulca.

Montaż lub demontaż mocowania Ezynut (osprzęt dodatkowy)

⚠UWAGA:

- Kołnierze te są tak grube, że wrzeciono nie może objąć całego gwintu.

Rys.11

Zamontować kołnierz wewnętrzny, ściernicę oraz mocowanie Ezynut na wrzeciono w taki sposób, aby logo Makita na mocowaniu Ezynut było widoczne od zewnątrz.

Rys.12

Nacisnąć mocno blokadę wałka i dokręcić mocowanie Ezynut, obracając ściernicę w prawo do oporu.

Aby odkręcić, należy obracać pierścień zewnętrzny mocowania Ezynut w lewo.

Rys.13

Rys.14

UWAGA:

- Mocowanie Ezynut można odkręcić ręcznie, dopóki strzałka wskazuje wycięcie. W innych przypadkach, do odkręcenia wymagany jest klucz do nakrętek zabezpieczających. Włożyć jeden bolec klucza w otwór i obracać mocowanie Ezynut w lewo.

Montaż lub demontaż tarczy flex (wyposażenie dodatkowe)

⚠OSTRZEŻENIE:

- Zawsze używać załączonej osłony, w przypadku zamontowania tarczy flex na narzędziu. Podczas eksploatacji tarcza może drgać, a osłona pomaga zmniejszyć ryzyko wypadku.

Rys.15

Postępować zgodnie z zaleceniami dotyczącymi tarczy z obniżonym środkiem, ale należy również używać podkładki z tworzywa sztucznego zamontowanej na tarczy. Patrz zamawianie zestawu na stronie z wyposażeniem dodatkowym w niniejszej instrukcji.

Montaż lub demontaż ściernicy (osprzęt dodatkowy)

UWAGA:

- Wolno używać tylko akcesoriów określonych w tej instrukcji. Należy je nabyć oddzielnie.

Rys.16

Nałożyć gumową podkładkę na wrzeciono. Dopasować tarczę do podkładki gumowej i dokręcić nakrętkę zabezpieczającą do szlifowania osadzoną na wrzecionie. W celu dokręcenia nakrętki zabezpieczającej do szlifowania należy mocno docisnąć blokadę wału, aby unieruchomić wrzeciono, a następnie dociągnąć nakrętkę zabezpieczającą kluczem zgodnie z ruchem wskazówek zegara.

Aby zdemontować tarczę, wystarczy procedurę montażu wykonać w odwrotnej kolejności.

Montaż lub demontaż pokrywy przeciwpylowej (osprzęt dodatkowy)

⚠OSTRZEŻENIE:

- **Przed przystąpieniem do montażu lub demontażu pokrywy przeciwpylowej sprawdzić, czy narzędzie jest wyłączone i czy zostało odłączone zasilanie.** Niezastosowanie się do powyższych zaleceń może spowodować uszkodzenie narzędzia lub poważne obrażenia ciała.

Dostępne są cztery części pokrywy przeciwpylowej, a każda z nich używana jest w jednej z kilku pozycji.

Rys.17

Ustawić pokrywę przeciwpylową, tak aby oznaczenia (A, B, C i D) znajdowały się w miejscach, jak pokazano na rysunku. Zatrzasknąć ich kołki w otworach.

Pokrywę przeciwpylową można zdejmować ręcznie.

UWAGA:

- Gdy pokrywa przeciwpylowa jest zatkana przez pył lub ciała obce, wyczyść ją. Kontynuowanie pracy z zatkaną pokrywą przeciwpylową spowoduje uszkodzenie narzędzia.

DZIAŁANIE

⚠OSTRZEŻENIE:

- Nie ma potrzeby dociskania narzędzia podczas pracy. Sam ciężar narzędzia wywiera wystarczający nacisk. Stosowanie siły i nadmiernego docisku może prowadzić do groźnego pęknięcia tarczy.
- Jeżeli podczas szlifowania narzędzie upadnie, tarczę należy KONIECZNIE wymienić.
- NIE WOLNO w żadnym wypadku uderzać tarczą o obrabiany element.
- Uważać, aby tarcza nie podskakiwała i aby nie doszło do jej wyszczerbienia, zwłaszcza podczas obróbki narożników, ostrych krawędzi itp. Może bowiem wystąpić odrzut i dojść do utraty panowania nad narzędziem.
- NIE WOLNO używać narzędzia z tarczami do cięcia drewna lub innymi tarczami tnącymi. Wspomniane tarcze używane w szlifierce, często powodują odrzut i utratę panowania, a w konsekwencji mogą doprowadzić do wypadku.

⚠UWAGA:

- Nie wolno włączać narzędzia, gdy dotyka ono obrabianego przedmiotu, może bowiem spowodować obrażenia ciała u operatora.
- Do pracy zawsze zakładać gogle ochronne lub osłonę na twarz.
- Po zakończeniu pracy koniecznie wyłączyć narzędzie i przed jego odłożeniem odczekać, aż tarcza całkowicie się zatrzyma.

Szlifowanie

Rys.18

Narzędzie należy ZAWSZE mocno chwycić, trzymając jedną ręką na obudowie, a drugą na uchwycie bocznym. Włączyć narzędzie, a następnie przyłożyć tarczę do obrabianego elementu.

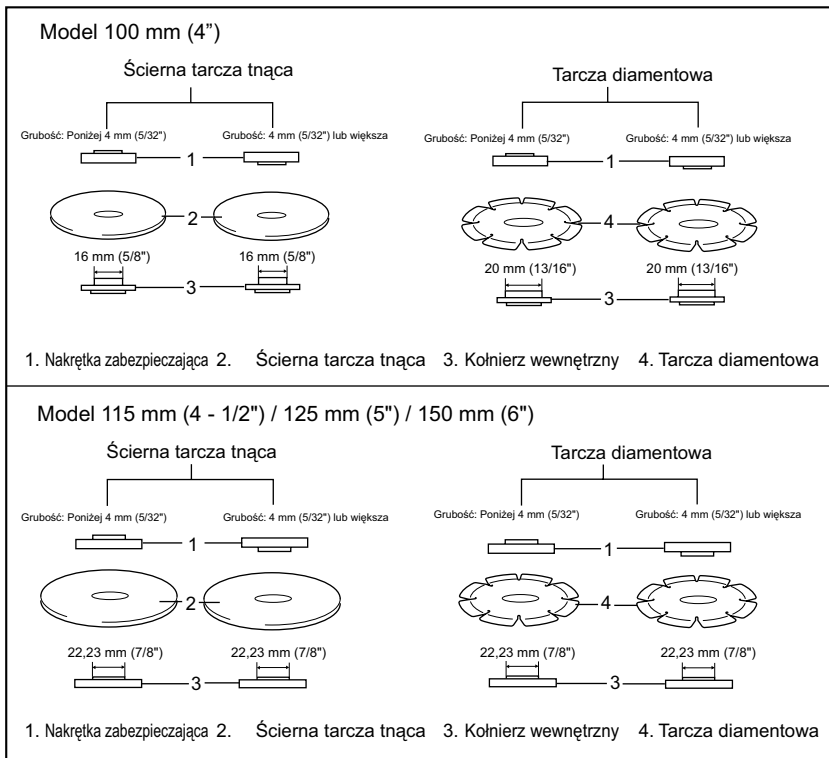
Zwykle krawędź tarczy lub ściernicy powinno się trzymać pod kątem mniej więcej 15 ° względem powierzchni obrabianego elementu.

W okresie docierania nowej tarczy nie należy prowadzić narzędzia w kierunku B, ponieważ tarcza zacznie się wcinać w element. Gdy krawędź tarczy, w miarę jej eksploatacji, zostanie zaokrąglona, można prowadzić narzędzie zarówno w kierunku A, jak i B.

Cięcie z użyciem ściernicy tnącej/ściernicy diamentowej (osprzęt opcjonalny)

Rys.19

Kierunek montażu nakrętki zabezpieczającej i kołnierza wewnętrznego zależy od grubości tarczy. Zapoznać się z poniższą tabelą.



012746

⚠️ OSTRZEŻENIE:

- W przypadku korzystania ze ściernicy tnącej / ściernicy diamentowej należy używać wyłącznie specjalnej osłony tarczy przeznaczonej do tego typu ściernic. (W niektórych krajach europejskich przy stosowaniu ściernicy diamentowej można użyć zwykłej osłony. Postępować zgodnie z przepisami obowiązującymi w danym kraju).
- Tarcz tnących NIE WOLNO używać do szlifowania bocznego.
- Nie wolno doprowadzać do zakleszczenia tarczy ani stosować zbyt dużego nacisku. Unikać cięć o zbyt dużej głębokości. Przeciążona ściernica jest bardziej podatna na skręcenia lub wyginanie w szczelinie i wzrasta prawdopodobieństwo odrzutu

lub pęknięcia tarczy. Może również dojść do przegrzania silnika.

- Nie wolno rozpoczynać operacji cięcia, gdy tarcza znajduje się w przecinanym elemencie. Należy poczekać, aż ściernica uzyska pełną prędkość i dopiero wówczas ostrożnie wprowadzić ją do nacięcia, przesuwając narzędzie do przodu nad powierzchnią obrabianego elementu. Tarcza może zakleszczyć się, wderować po materiale, albo może wystąpić odrzut, jeżeli elektronarzędzie zostanie uruchomione, gdy ściernica znajduje się w przecinanym elemencie.
- Podczas operacji cięcia nie wolno zmieniać kąta prowadzenia tarczy. Pod wpływem nacisku bocznego na tarczę tnącą (jak to ma miejsce w przypadku szlifowania) ściernica może pęknąć lub złamać się, grożąc poważnymi obrażeniami ciała.
- Ściernica diamentowa powinna być umieszczona prostopadle do ciętego materiału.

Praca ze szczotką drucianą doczołową (osprzęt dodatkowy)

⚠UWAGA:

- Sprawdzić działanie szczotki, uruchamiając narzędzie bez obciążenia po uprzednim upewnieniu się, że przed szczotką ani w płaszczyźnie jej obrotu nikogo nie ma.
- Nie wolno używać szczotki, która jest uszkodzona lub niewyważona. Używanie uszkodzonej szczotki mogłoby zwiększyć ryzyko odniesienia obrażeń w kontakcie z połamanymi drutami szczotki.

Rys.20

Odłączyć narzędzie i odwrócić do góry nogami, ułatwiając dostęp do wrzeciona. Zdjąć ewentualne akcesoria z wrzeciona. Zamocować szczotkę drucianą doczołową na wrzecionie i dokręcić dołączonym kluczem. Używając szczotki, nie wolno nadmiernie jej dociskać, ponieważ powoduje to wyginanie drutów, prowadząc do ich przedwczesnego połamania.

Praca ze szczotką tarczową (osprzęt dodatkowy)

⚠UWAGA:

- Sprawdzić działanie szczotki tarczowej, uruchamiając narzędzie bez obciążenia po uprzednim upewnieniu się, że przed szczotką ani w płaszczyźnie jej obrotu nikogo nie ma.
- Nie wolno używać szczotki tarczowej, która jest uszkodzona lub niewyważona. Używanie uszkodzonej szczotki tarczowej mogłoby zwiększyć ryzyko odniesienia obrażeń w kontakcie z połamanymi drutami szczotki.
- ZAWSZE należy stosować osłonę ze szczotką tarczową, upewniając się, że jej średnica mieści się w osłonie. Podczas eksploatacji tarcza może drgać, a osłona pomaga zmniejszyć ryzyko wypadku.

Rys.21

Odłączyć narzędzie i odwrócić do góry nogami, ułatwiając dostęp do wrzeciona. Zdjąć ewentualne akcesoria z wrzeciona. Nakręcić szczotkę tarczową na wrzeciono i dokręcić za pomocą kluczy. Używając szczotki tarczowej nie wolno nadmiernie jej dociskać, ponieważ powoduje to wyginanie drutów, prowadząc do ich przedwczesnego połamania.

KONSERWACJA

⚠UWAGA:

- Przed wykonywaniem kontroli i konserwacji należy się zawsze upewnić, czy elektronarzędzie jest wyłączone i nie podłączone do sieci.
- Nie wolno używać benzyny, benzenu, rozpuszczalnika, alkoholu itp. Substancje takie mogą spowodować odbarwienia, odkształcenia lub pęknięcia.

Rys.22

Narzędzie i jego otwory wentylacyjne powinny być utrzymywane w czystości. Otwory wentylacyjne należy czyścić w regularnych odstępach czasu i za każdym razem, gdy są przytkane.

Dla zachowania **BEZPIECZEŃSTWA** i **NIEZAWODNOŚCI** wyrobu, naprawy, wymiana szczotek węglowych oraz inne prace konserwacyjne i regulacyjne powinny być wykonywane przez Autoryzowane Centra Serwisowe Makita, wyłącznie przy użyciu części zamiennych Makita.

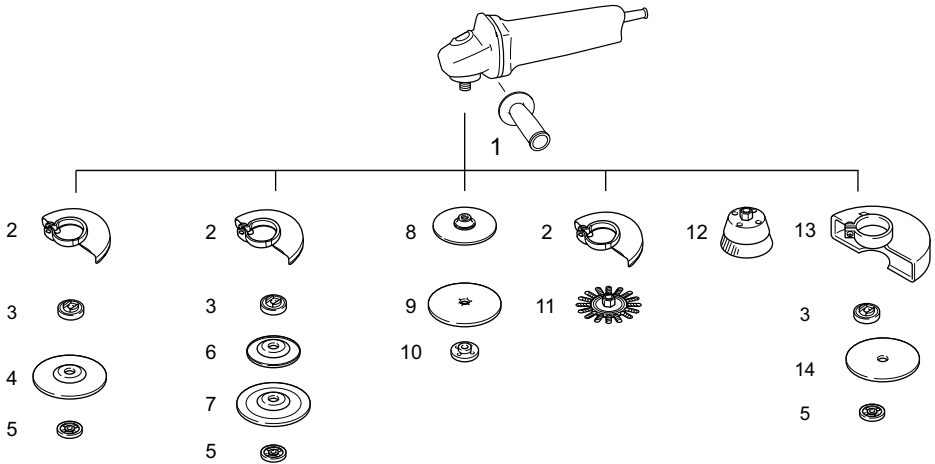
AKCESORIA OPCJONALNE

⚠UWAGA:

- Zaleca się stosowanie wymienionych akcesoriów i dodatków razem z elektronarzędziem Makita opisanym w niniejszej instrukcji. Stosowanie jakichkolwiek innych akcesoriów i dodatków może stanowić ryzyko uszkodzenia ciała. Stosować akcesoria i dodatki w celach wyłącznie zgodnych z ich przeznaczeniem.

W razie potrzeby, wszelkiej pomocy i szczegółowych informacji na temat niniejszych akcesoriów udziela Państwu lokalne Centra Serwisowe Makita.

- Osłona przeciwpylowa



	Model 100 mm (4")	Model 115 mm (4-1/2")	Model 125 mm (5")	Model 150 mm (6")
1	Uchwyt 36			
2	Osłona tarczy szlifierskiej			
3	Kołnierz wewnętrzny	Kołnierz wewnętrzny Super kołnierz *1	Kołnierz wewnętrzny Super kołnierz *1	Kołnierz wewnętrzny Super kołnierz *1
4	Tarcza z obniżonym środkiem / tarcza listkowa			
5	Nakrętka zabezpieczająca	Nakrętka zabezpieczająca Mocowanie Ezynut *2	Nakrętka zabezpieczająca Mocowanie Ezynut *2	Nakrętka zabezpieczająca Mocowanie Ezynut *2
6	Plastikowa tarcza mocująca	Plastikowa tarcza mocująca	Plastikowa tarcza mocująca	-
7	Tarcza flex	Tarcza flex	Tarcza flex	-
8	Podkładka gumowa 76	Podkładka gumowa 100	Podkładka gumowa 115	Podkładka gumowa 125
9	Ściernica			
10	Nakrętka zabezpieczająca do szlifowania			
11	Szczotka tarczowa			
12	Szczotka druciana doczołowa			
13	Osłona tarczy tnącej *3			
14	Ścierna tarcza tnąca/ściernica diamentowa			
-	Klucz do nakrętki zabezpieczającej			

Uwaga:

*1 Nie stosować kołnierza Super ze szlifierką wyposażoną w funkcję hamulca.

*2 Kołnierza Super i mocowania Ezynut nie należy stosować razem.

*3 W niektórych krajach europejskich przy stosowaniu ściernicy diamentowej można stosować zwykłą osłonę zamiast osłony specjalnej zakrywającej obie strony tarczy. Postępować zgodnie z przepisami obowiązującymi w danym kraju.

013977

UWAGA:

- Niektóre pozycje znajdujące się na liście mogą być dołączone do pakietu narzędziowego jako akcesoria standardowe. Mogą to być różne pozycje, w zależności od kraju.

ROMÂNĂ (Instrucțiuni originale)

Explicitarea vederii de ansamblu

1-1. Pârghie de blocare a axului	9-3. Flanșă interioară	16-3. Taler de cauciuc
2-1. Comutator glisant	10-1. Cheie pentru contrapiuliță	17-1. Marcajul A
3-1. Lampă indicatoare (rondelă de reglare a vitezei)	10-2. Pârghie de blocare a axului	17-2. Marcajul B
4-1. Rondelă de reglare a vitezei	11-1. Ezynut	17-3. Marcajul C
6-1. Apărătoarea discului	11-2. Disc abraziv	17-4. Marcajul D
6-2. Lagăr	11-3. Flanșă interioară	19-1. Contrapiuliță
6-3. Șurub	11-4. Arbore	19-2. Disc abraziv pentru retezat/ disc de diamant
7-1. Apărătoarea discului	12-1. Pârghie de blocare a axului	19-3. Flanșă interioară
7-2. Lagăr	13-1. Săgeată	19-4. Apărătoare pentru disc abraziv pentru retezat/disc de diamant
7-3. Șurub	13-2. Crestătură	20-1. Perie oală de sârmă
7-4. Pârghie	15-1. Contrapiuliță	21-1. Perie de disc din sârmă
8-1. Șurub	15-2. Disc flexibil	22-1. Fantă de evacuare
8-2. Pârghie	15-3. Placă din plastic	22-2. Fantă de aspirație
9-1. Contrapiuliță	15-4. Flanșă interioară	
9-2. Disc cu centru depresat	16-1. Contrapiuliță de presare	
	16-2. Disc abraziv	

SPECIFICAȚII

Model	GA4040C	GA4041C	GA4540C	GA4541C	GA5040C	GA5041C	GA6040C
Diametrul discului	100 mm (4")		115 mm (4-1/2")		125 mm (5")		150 mm (6")
Grosime maximă disc	6,4 mm						
Filetul arborelui	M10		M14 sau 5/8" (în funcție de țară)				
Turație nominală (n) / Turație în gol (n ₀)	11.000 min ⁻¹		11.000 min ⁻¹		11.000 min ⁻¹		9.000 min ⁻¹
Lungime totală	303 mm	325 mm	303 mm	325 mm	303 mm	325 mm	303 mm
Greutate netă	2,3 kg	2,6 kg	2,5 kg	2,7 kg	2,5 kg	2,7 kg	2,6 kg
Clasa de siguranță	II/III						

- Datorită programului nostru continuu de cercetare și dezvoltare, caracteristicile pot fi modificate fără o notificare prealabilă.
- Specificațiile pot varia în funcție de țară.
- Greutatea este specificată conform procedurii EPTA-01/2003

ENE048-1

Destinația de utilizare

Mașina este destinată polizării, șlefuirii și tăierii materialelor de metal și piatră fără utilizarea apei.

ENF002-2

Sursă de alimentare

Unealta trebuie conectată doar la o sursă de alimentare cu aceeași tensiune precum cea indicată pe plăcuța indicatoare a caracteristicilor tehnice și poate fi operată doar de la o sursă de curent alternativ cu o singură fază. Acestea au o izolație dublă și, drept urmare, pot fi utilizate de la prize fără împământare.

ENG905-1

Emisie de zgomot

Nivelul de zgomot normal ponderat A determinat în conformitate cu EN60745:

Model GA4040C, GA4540C, GA5040C

Nivel de presiune acustică (L_{pA}): 86 dB (A)
Nivel putere sonoră (L_{WA}): 97 dB (A)
Eroare (K): 3 dB (A)

Model GA6040C

Nivel de presiune acustică (L_{pA}): 87 dB (A)
Nivel putere sonoră (L_{WA}): 98 dB (A)
Eroare (K): 3 dB (A)

Model GA4541C

Nivel de presiune acustică (L_{pA}): 83 dB (A)
Nivel putere sonoră (L_{WA}): 94 dB (A)
Eroare (K): 3 dB (A)

Model GA5041C

Nivel de presiune acustică (L_{pA}): 84 dB (A)
Nivel putere sonoră (L_{WA}): 95 dB (A)
Eroare (K): 3 dB (A)

Purtați mijloace de protecție a auzului

Vibrații

Valoarea totală a vibrațiilor (suma vectorilor tri-axiali) determinată conform EN60745:

Model GA4040C

Mod de lucru: rectificare plană cu mâner lateral normal

Nivel de vibrații ($a_{h,AG}$): 5,0 m/s²

Incertitudine (K): 1,5 m/s²

Mod de lucru: rectificare plană cu mâner lateral contra vibrațiilor

Nivel de vibrații ($a_{h,AG}$): 5,0 m/s²

Incertitudine (K): 1,5 m/s²

Mod de lucru: șlefuire cu disc cu mâner lateral normal

Nivel de vibrații ($a_{h,DS}$): 3,0 m/s²

Incertitudine (K): 1,5 m/s²

Mod de lucru: șlefuire cu disc cu mâner lateral contra vibrațiilor

Nivel de vibrații ($a_{h,DS}$): 2,5 m/s² sau mai mic

Incertitudine (K): 1,5 m/s²

Model GA4540C

Mod de lucru: rectificare plană cu mâner lateral normal

Nivel de vibrații ($a_{h,AG}$): 6,0 m/s²

Incertitudine (K): 1,5 m/s²

Mod de lucru: rectificare plană cu mâner lateral contra vibrațiilor

Nivel de vibrații ($a_{h,AG}$): 5,5 m/s²

Incertitudine (K): 1,5 m/s²

Mod de lucru: șlefuire cu disc cu mâner lateral normal

Nivel de vibrații ($a_{h,DS}$): 2,5 m/s²

Incertitudine (K): 1,5 m/s²

Mod de lucru: șlefuire cu disc cu mâner lateral contra vibrațiilor

Nivel de vibrații ($a_{h,DS}$): 2,5 m/s²

Incertitudine (K): 1,5 m/s²

Model GA5040C

Mod de lucru: rectificare plană cu mâner lateral normal

Nivel de vibrații ($a_{h,AG}$): 6,5 m/s²

Incertitudine (K): 1,5 m/s²

Mod de lucru: rectificare plană cu mâner lateral contra vibrațiilor

Nivel de vibrații ($a_{h,AG}$): 5,5 m/s²

Incertitudine (K): 1,5 m/s²

Mod de lucru: șlefuire cu disc cu mâner lateral normal

Nivel de vibrații ($a_{h,DS}$): 2,5 m/s²

Incertitudine (K): 1,5 m/s²

Mod de lucru: șlefuire cu disc cu mâner lateral contra vibrațiilor

Nivel de vibrații ($a_{h,DS}$): 2,5 m/s²

Incertitudine (K): 1,5 m/s²

Model GA6040C

Mod de lucru: rectificare plană cu mâner lateral normal

Nivel de vibrații ($a_{h,AG}$): 6,5 m/s²

Incertitudine (K): 1,5 m/s²

Mod de lucru: rectificare plană cu mâner lateral contra vibrațiilor

Nivel de vibrații ($a_{h,AG}$): 6,0 m/s²

Incertitudine (K): 1,5 m/s²

Mod de lucru: șlefuire cu disc cu mâner lateral normal

Nivel de vibrații ($a_{h,DS}$): 2,5 m/s²

Incertitudine (K): 1,5 m/s²

Mod de lucru: șlefuire cu disc cu mâner lateral contra vibrațiilor

Nivel de vibrații ($a_{h,DS}$): 2,5 m/s² sau mai mic

Incertitudine (K): 1,5 m/s²

Model GA4541C

Mod de lucru: rectificare plană cu mâner lateral normal

Nivel de vibrații ($a_{h,AG}$): 6,5 m/s²

Incertitudine (K): 1,5 m/s²

Mod de lucru: rectificare plană cu mâner lateral contra vibrațiilor

Nivel de vibrații ($a_{h,AG}$): 5,5 m/s²

Incertitudine (K): 1,5 m/s²

Mod de lucru: șlefuire cu disc cu mâner lateral normal

Nivel de vibrații ($a_{h,DS}$): 2,5 m/s² sau mai mic

Incertitudine (K): 1,5 m/s²

Mod de lucru: șlefuire cu disc cu mâner lateral contra vibrațiilor

Nivel de vibrații ($a_{h,DS}$): 2,5 m/s² sau mai mic

Incertitudine (K): 1,5 m/s²

Model GA5041C

Mod de lucru: rectificare plană cu mâner lateral normal

Nivel de vibrații ($a_{h,AG}$): 7,0 m/s²

Incertitudine (K): 1,5 m/s²

Mod de lucru: rectificare plană cu mâner lateral
 contra vibrațiilor
 Nivel de vibrații ($a_{h,AG}$): 6,0 m/s²
 Incertitudine (K): 1,5 m/s²

000230



Tomoyasu Kato
 Director

Makita Corporation
 3-11-8, Sumiyoshi-cho,
 Anjo, Aichi, 446-8502, JAPONIA

Mod de lucru: șlefuire pe disc cu mâner lateral
 normal
 Nivel de vibrații ($a_{h,DS}$): 2,5 m/s² sau mai mic
 Incertitudine (K): 1,5 m/s²

Mod de lucru: șlefuire cu disc cu mâner lateral
 contra vibrațiilor
 Nivel de vibrații ($a_{h,DS}$): 2,5 m/s² sau mai mic
 Incertitudine (K): 1,5 m/s²

GEA010-1

Avertismentele generale de siguranță pentru unelte electrice

⚠️ AVERTIZARE Citiți toate avertizările de siguranță și toate instrucțiunile. Nerespectarea acestor avertizări și instrucțiuni poate avea ca rezultat electrocutarea, incendiul și/sau rănirea gravă.

Păstrați toate avertismentele și instrucțiunile pentru consultări ulterioare.

GEB033-7

AVERTISMENTE PRIVIND SIGURANȚA PENTRU POLIZOR

Avertismentele privind siguranța comune operațiilor de polizare, de șlefuire, periere sau operațiilor de tăiere abrazivă:

- Această sculă electrică este destinată să funcționeze ca polizor, șlefuitor, perie de sârmă sau mașină de tăiat. Citiți toate avertismentele privind siguranța, instrucțiunile, ilustrațiile și specificațiile furnizate cu această sculă electrică.** Nerespectarea integrală a instrucțiunilor de mai jos poate cauza electrocutări, incendii și/sau vătămări corporale grave.
- Nu este recomandată executarea operațiilor cum ar fi lustruirea cu această sculă electrică.** Operațiile pentru care această sculă electrică nu a fost concepută pot fi periculoase și pot provoca vătămări corporale.
- Nu folosiți accesorii care nu sunt special concepuți și recomandați de producătorul mașinii.** Simplul fapt că accesoriul poate fi atașat la mașina dumneavoastră electrică nu asigură funcționarea în condiții de siguranță.
- Viteza nominală a accesoriului trebuie să fie cel puțin egală cu viteza maximă indicată pe mașina electrică.** Accesorii utilizați la o viteză superioară celei nominale se pot sparge și împrăștia.
- Diametrul exterior și grosimea accesoriului dumneavoastră trebuie să se înscrie în capacitatea nominală a mașinii dumneavoastră electrice.** Accesoriile incorect dimensionate nu pot fi protejate sau controlate în mod adecvat.
- Montarea prin filetare a accesoriilor trebuie să corespundă fusului filetat al polizorului. Pentru**

- ENG902-1
- Nivelul de vibrații declarat a fost măsurat în conformitate cu metoda de test standard și poate fi utilizat pentru compararea unei unelte cu alta.
 - Nivelul de vibrații declarat poate fi, de asemenea, utilizat într-o evaluare preliminară a expunerii.
 - Nivelul de vibrații declarat este utilizat pentru aplicațiile principale ale mașinii electrice. Totuși, dacă mașina electrică este utilizată pentru alte aplicații, valoarea vibrațiilor emise poate fi diferită.

⚠️ AVERTISMENT:

- Nivelul de vibrații în timpul utilizării reale a uneltei electrice poate diferi de valoarea nivelului declarat, în funcție de modul în care unealta este utilizată.
- Asigurați-vă că identificați măsurile de siguranță pentru a proteja operatorul, acestea fiind bazate pe o estimare a expunerii în condiții reale de utilizare (luând în considerare toate părțile ciclului de operare, precum timpul în care unealta a fost oprită, sau a funcționat în gol, pe lângă timpul de declanșare).

ENH101-16

Numai pentru țările europene

Declarație de conformitate CE

Noi, Makita Corporation ca producător responsabil, declarăm că următorul(oarele) utilaj(e):

Destinația utilajului:

Polizor unghiular

Modelul nr. / Tipul: GA4040C, GA4540C, GA5040C, GA6040C, GA4541C, GA5041C

este în producție de serie și

Este în conformitate cu următoarele directive europene:

2006/42/EC

Și este fabricat în conformitate cu următoarele standarde sau documente standardizate:

EN60745

Documentația tehnică este păstrată de:

Makita International Europe Ltd.

Technical Department,

Michigan Drive, Tongwell,

Milton Keynes, Bucks MK15 8JD, Marea Britanie

accesorii montate prin flanșe, orificiului arborelui accesoriului trebuie să corespundă diametrului de localizare a flanșei. Accesoriile care nu corespund uneltelor de montare ale mașinii electrice vor duce la dezechilibrări, vibrații excesive și pot cauza pierderea controlului.

7. **Nu folosiți un accesoriu deteriorat. Înaintea fiecărei utilizări inspecțiati accesoriul cum ar fi discurile abrazive în privința sfărâmurilor și fisurilor, discurile de fixare în privința fisurilor, ruptură sau uzură excesivă, peria de sârmă în privința lipsei firelor și a firelor plesnite. Dacă scăpați pe jos mașina sau accesoriul, inspecțiati-le cu privire la deteriorări sau instalați un accesoriu intact. După inspectarea și instalarea unui accesoriu, poziționați-vă împreună cu spectatorii la depărtare de planul accesoriului rotativ și porniți mașina la viteza maximă de mers în gol timp de un minut. Accesoriile deteriorate se vor sparge în mod normal pe durata acestui test.**
8. **Purtați echipamentul individual de protecție. În funcție de aplicație, folosiți o mască de protecție, ochelari de protecție sau viziere de protecție. Dacă este cazul, purtați o mască de protecție contra prafului, mijloace de protecție a auzului, mănuși și un șorț de lucru capabil să oprească fragmentele mici abrazive sau fragmentele piesei. Mijloacele de protecție a vederii trebuie să fie capabile să oprească resturile proiectate în aer generate la diverse operații. Maska de protecție contra prafului sau masca respiratoare trebuie să fie capabilă să filtreze particulele generate în timpul operației respective. Expunerea prelungită la zgomot foarte puternic poate provoca pierderea auzului.**
9. **Țineți spectatorii la o distanță sigură față de zona de lucru. Orice persoană care pătrunde în zona de lucru trebuie să poarte echipament personal de protecție. Fragmentele piesei prelucrate sau ale unui accesoriu spart pot fi proiectate în jur cauzând vătămări corporale în zona imediat adiacentă zonei de lucru.**
10. **Țineți unealta electrică doar de suprafețele de prindere izolate atunci când efectuați o operațiune în care accesoriul de tăiere poate intra în contact cu fire ascunse sau cu propriul cablu. Accesoriile de tăiere care intră în contact cu un fir sub tensiune vor pune sub tensiune și componentele metalice expuse ale unelei electrice, existând pericolul ca operatorul să se electrocuțeze.**
11. **Poziționați cablul la distanță de accesoriul aflat în rotație. Dacă pierdeți controlul, cablul poate fi tăiat sau agățat și mâna sau brațul dumneavoastră pot fi trase în accesoriul aflat în rotație.**
12. **Nu așezați niciodată mașina electrică înainte de oprirea completă a accesoriului. Accesoriul aflat în rotație ar putea apuca suprafața și trage de mașina electrică fără a o putea controla.**

13. **Nu lăsați mașina electrică în funcțiune în timp ce o transportați lângă corpul dumneavoastră. Contactul accidental cu accesoriul aflat în rotație vă poate agăța îmbrăcămintea, trăgând accesoriul spre corpul dumneavoastră.**
14. **Curățați în mod regulat fantele de ventilație ale mașinii electrice. Ventilatorul motorului va aspira praful în interiorul carcasei, iar acumulările excesive de pulberi metalice pot prezenta pericol de electrocutare.**
15. **Nu folosiți mașina electrică în apropierea materialelor inflamabile. Scânteile pot aprinde aceste materiale.**
16. **Nu folosiți accesorii care necesită agenți de răcire lichizi. Folosirea apei sau a lichidelor de răcire poate cauza electrocutări sau șocuri de tensiune.**

Recul și avertismente aferente

Recul este o reacție bruscă la înțepenirea sau agățarea unui disc, unui taler suport, unei perii sau unui alt accesoriu aflat în rotație. Înțepenirea sau agățarea provoacă o oprire bruscă a accesoriului aflat în rotație, ceea ce forțează mașina scăpată de sub control în direcția opusă celei de rotire a accesoriului în punctul de contact.

De exemplu, dacă un disc abraziv se înțepenește sau se agață în piesa de prelucrat, muchia discului care pătrunde în punctul de blocare poate "mușca" din suprafața materialului cauzând urcarea sau proiectarea înapoi a discului. Discul poate sări sau nu către utilizator, în funcție de direcția de mișcare a discului în punctul de blocare. De asemenea, discurile abrazive se pot rupe în aceste condiții.

Recul este rezultatul utilizării incorecte a mașinii electrice și/sau al procedurilor sau condițiilor de lucru necorespunzătoare, putând fi evitat prin adoptarea unor măsuri de precauție adecvate prezentate în continuare.

- a) **Menționați o priză fermă pe mașina electrică și poziționați-vă corpul și brațele astfel încât să contracarați forțele de recul. Folosiți întotdeauna mânerul auxiliar, dacă există, pentru a contracara în mod optim reculurile sau momentul de torsiune reactiv din faza de pornire. Utilizatorul poate contracara momentele de torsiune reactive sau forțele de recul, dacă își ia măsuri de precauție adecvate.**
- b) **Nu vă poziționați niciodată mâna în apropierea accesoriului aflat în rotație. Accesoriul poate recula peste mâna dumneavoastră.**
- c) **Nu vă poziționați corpul în zona în care se va deplasa mașina electrică în cazul unui recul. Reculul va propulsa mașina în direcția opusă celei de mișcare a discului în punctul de blocare.**
- d) **Procedați cu deosebită atenție atunci când prelucrați colțuri, muchii ascuțite etc. Evitați izbiturile și salturile accesoriului. Colțurile, muchiile ascuțite sau salturile au tendința de a**

agăța accesoriul aflat în rotație și conduc la pierderea controlului sau apariția reculerilor.

e) **Nu atașați o lamă de ferăstrău cu lanț pentru scobirea lemnului sau o lamă de ferăstrău dințată.** Astfel de lame pot crea reculuri frecvente și pierderea controlului.

Avertismente privind siguranța comune operațiilor de polizare și tăiere abrazivă:

a) **Utilizați numai tipurile de discuri care sunt recomandate pentru scula dumneavoastră electrică și apărătorile specifice proiectate pentru discul selectat.** Discurile pentru care scula electrică nu a fost proiectată nu pot fi protejate adecvat și sunt nesigure.

b) **Suprafața de polizare a discurilor apăsată în centru trebuie să fie montată sub planul marginii apărătoarei.** Un disc montat necorespunzător care iese prin planul marginii apărătoarei nu poate fi protejat în mod adecvat.

c) **Apărătoarea trebuie atașată ferm la mașina electrică și poziționată pentru siguranță maximă, astfel încât o porțiune cât mai mică a discului să fie expusă în direcția operatorului.** Apărătoarea ajută la protejarea operatorului de fragmentele discului spart, de contactul accidental cu discul și de scântei care ar putea aprinde îmbrăcămintea.

d) **Discurile trebuie utilizate numai pentru aplicațiile recomandate. De exemplu: nu polizați cu fața laterală a discului abraziv de retezat.** Discurile abrazive de retezat sunt concepute pentru polizarea periferică, iar aplicarea unor forțe laterale asupra acestor discuri poate provoca spargerea lor.

e) **Folosii întotdeauna flanșe de disc intacte, cu dimensiuni și formă adecvate pentru discul folosit.** Flanșele de disc adecvate fixează discul reducând astfel posibilitatea de rupere a acestuia. Flanșele pentru discuri abrazive de retezat pot fi diferite de flanșele pentru discuri de polizat.

f) **Nu utilizați discuri uzate de a mașini electrice mai mari.** Discurile destinate unor mașini electrice mai mari nu sunt adecvate pentru viteza mai ridicată a mașinii mai mici și pot exploda.

Avertismente suplimentare specifice privind siguranța operațiilor de retezare abrazivă:

a) **Nu „blocați” discul de retezare și nici nu aplicați o presiune excesivă. Nu încercați să executați o adâncime excesivă a tăieturii.** Supratensionarea discului mărește sarcina și susceptibilitatea de a torsiona sau a de a înțepeni discul în tăietură și posibilitatea de recul sau de spargere a discului.

b) **Nu vă poziționați cu corpul în linie cu și în spatele discului care se rotește.** Atunci când discul, la punctul de operare, se mișcă departe de corpul dumneavoastră, reculul posibil poate împinge discul care se învârteste și scula electrică direct spre dumneavoastră.

c) **Atunci când discul este înțepenit sau când este întreruptă o tăiere din orice motiv, opriți scula electrică și țineți-o nemișcată până când discul se oprește complet. Nu încercați niciodată să scoateți discul de retezare din tăietură în timp ce discul este în mișcare altfel poate apărea reculul.** Investigați și efectuați acțiunile corective pentru a elimina cauza înțepenirii discului.

d) **Nu reporniți operația de tăiere în piesa de prelucrat. Lăsați discul să ajungă la viteza maximă și pătrundeți din nou cu atenție în tăietură.** Discul poate înțepeni, se poate deplasa în sus sau poate provoca un recul dacă mașina electrică este repornită în piesa de lucru.

e) **Sprîjiți panourile sau orice piesă de prelucrat de dimensiuni mari pentru a minimiza riscul de ciupire și recul al discului.** Piese de prelucrat mari tind să se încovoieze sub propria greutate. Sub piesa de prelucrat trebuie amplasate suporturi pe ambele laturi, lângă linia de tăiere și lângă marginea piesei de prelucrat pe ambele părți ale discului.

f) **Aveți deosebită grijă atunci când executați o „decupare prin plonjare” în pereții existenți sau în alte zone mascate.** Discul poate tăia conducte de gaz sau de apă, cabluri electrice sau obiecte care pot provoca un recul.

Avertismente specifice privind siguranța operațiilor de șlefuire:

a) **Nu utilizați disc de șlefuire din șmirghel supradimensionat excesiv. Respectați recomandările producătorilor, atunci când selectați hârtia pentru șlefuit.** Hârtia de șlefuit prea mare extinsă în afara plăcii de șlefuire prezintă pericolul de sfâșiere și poate cauza înțepenirea, sfâșierea discului sau reculul.

Avertismente specifice privind siguranța operațiilor de periere:

a) **Fiți atent că firele de sârmă sunt aruncate de perie chiar și în timpul unei operațiuni obișnuite. Nu supratensionați firele prin aplicarea unei sarcini excesive periei.** Firele de sârmă pot penetra ușor îmbrăcămintea subțire sau pielea.

b) **Dacă utilizarea unei apărătoari este recomandată pentru periere, nu permiteți contactul discului de sârmă sau periei cu apărătoarea.** Discul de sârmă sau peria pot crește în diametru datorită sarcinii de lucru sau forțelor centrifuge.

Avertizări suplimentare de siguranță:

17. **Atunci când folosiți discuri cu centru adâncit, asigurați-vă că folosiți numai discuri armate cu fibră de sticlă.**

18. **NU UTILIZAȚI NICIODATĂ discuri abrazive în formă de oală cu această mașină de rectificat.** Această mașină de rectificat nu este concepută pentru aceste tipuri de discuri, iar utilizarea unui astfel de produs poate duce la accidentări grave.

19. Fiți atenți să nu deteriorați arborele, flanșa (în special suprafața de montaj) sau contrapiulița. Deteriorarea acestor piese poate conduce la ruperea discului.
20. Asigurați-vă că discul nu intră în contact cu piesa de prelucrat înainte de a conecta comutatorul.
21. Înainte de utilizarea mașinii pe piesa propriu-zisă, lăsați-o să funcționeze în gol pentru un timp. Încercați să identificați orice vibrație sau oscilație care ar putea indica o instalare inadecvată sau un disc neechilibrat.
22. Folosiți fața specificată a discului pentru a executa polizarea.
23. Nu lăsați mașina în funcțiune. Folosiți mașina numai când o țineți cu mâinile
24. Nu atingeți piesa prelucrată imediat după executarea lucrării; aceasta poate fi extrem de fierbinte și poate provoca arsuri ale pielii.
25. Respectați instrucțiunile producătorului cu privire la montarea și utilizarea corectă a discurilor. Manipulați și depozitați cu atenție discurile.
26. Nu folosiți reducții cu mufă sau adaptoare separate pentru a adapta discuri abrazive cu gaură mare.
27. Folosiți numai flanșele specificate pentru această mașină.
28. Pentru mașinile destinate a fi echipate cu disc cu gaură filetată, asigurați-vă că filetul discului este suficient de lung pentru lungimea arborelui.
29. Verificați ca piesa de prelucrat să fie sprijinită corect.
30. Rețineți că discul continuă să se rotească după oprirea mașinii.
31. Dacă locul de muncă este extrem de calduros și umed, sau foarte poluat cu pulbere conductoare, folosiți un întrerupător de scurtcircuitare (30 mA) pentru a asigura protecția utilizatorului.
32. Nu folosiți mașina pe materiale care conțin azbest.
33. Când folosiți discuri de retezat, lucrați întotdeauna cu apărătoarea colectoare de praf a discului, impusă de reglementările naționale.
34. Discurile de retezat nu trebuie supuse nici unei presiuni laterale.

PĂSTRAȚI ACESTE INSTRUCȚIUNI.

⚠️ AVERTISMENT:

NU permiteți comodității și familiarizării cu produsul (obținute prin utilizare repetată) să înlocuiască respectarea strictă a normelor de securitate pentru acest produs. **FOLOSIREA INCORECTĂ** sau nerespectarea normelor de securitate din acest manual de instrucțiuni poate provoca vătămări corporale grave.

DESCRIERE FUNCȚIONALĂ

⚠️ ATENȚIE:

- Asigurați-vă că ați oprit mașina și că ați debransat-o de la rețea înainte de a o regla sau de a verifica starea sa de funcționare.

Pârghie de blocare a axului

Fig.1

⚠️ ATENȚIE:

- Nu acționați niciodată pârghia de blocare a axului în timpul mișcării arborelui. Mașina poate fi avariata.

Apăsați pârghia de blocare a axului pentru a preveni rotirea arborelui atunci când montați sau demontați accesorii.

Acționarea întrerupătorului

Fig.2

⚠️ ATENȚIE:

- Înainte de a conecta mașina, verificați întotdeauna dacă comutatorul glisant funcționează corect și revine în poziția "OFF" (oprit) atunci când se apasă partea din spate a comutatorului glisant.
- Comutatorul poate fi blocat în poziția "ON" (pornit) pentru confortul utilizatorului în timpul utilizării prelungite. Fiți atenți când blocați mașina în poziția "ON" (pornit) și mențineți o priză fermă la mașină.

Pentru a porni mașina, glisați comutatorul glisant spre poziția „I (ON)” (pornit), apăsând partea posterioară a comutatorului glisant. Pentru funcționare continuă, apăsați partea frontală a comutatorului glisant pentru blocare.

Pentru a opri mașina, apăsați partea posterioară a comutatorului glisant și apoi glisați-l spre poziția „O (OFF)” (oprit).

Lampă indicatoare

Fig.3

Lampa indicatoare este aprinsă verde atunci când scula este conectată. Dacă lampa indicatoare nu se aprinde, cablul de alimentare sau controlerul ar putea fi defecte. Dacă lampa indicatoare este aprinsă, dar scula nu pornește chiar dacă este pornită, periile de cărbune ar putea fi consumate sau controlerul, motorul sau comutatorul PORNIT/OPRIT ar putea fi defecte.

Protecția împotriva repornirii accidentale

Mașina nu pornește cu comutatorul blocat, chiar dacă este conectată.

În acest moment, lampa indicatoare pâlpâie roșu.

Pentru a împiedica repornirea accidentală, reduceți comutatorul glisant la poziția „O (OFF)” (oprit).

Rondelă de reglare a vitezei

Fig.4

Viteza de rotație poate fi schimbată prin rotirea rondelii de reglare a vitezei la un anumit număr între 1 și 5.

Vitezele mai mari se obțin prin rotirea rondelii în direcția numărului 5. Vitezele mai mici se obțin prin rotirea rondelii în direcția numărului 1.

Consultați tabelul de mai jos pentru relația dintre numerele de reglare de pe rondelă și viteza de rotație aproximativă.

Pentru modelul GA4040C, GA4540C, GA5040C, GA4041C, GA4541C, GA5041C

Număr	min* (RPM)
1	2.800
2	4.000
3	6.000
4	8.000
5	11.000

012752

Pentru modelul GA6040C

Număr	min* (RPM)
1	4.000
2	5.000
3	6.000
4	7.000
5	9.000

012756

⚠ATENȚIE:

- Dacă mașina este operată continuu la viteze mici timp îndelungat, motorul va fi suprasolicitat și se va încălzi.
- Rondela de reglare a vitezei poate fi rotită numai până la poziția 5 și înapoi la poziția 1. Nu forțați rondela peste pozițiile 5 sau 1, deoarece funcția de reglare a vitezei se poate defecta.

Funcție electronică

Mașinile echipate cu funcție electronică sunt ușor de manevrat datorită următoarelor caracteristici.

Reglare constantă a vitezei

Reglarea constantă a vitezei asigură finisajul, menținând viteza de rotație constantă în condiții de sarcină.

Funcție de pornire lină

Funcția de pornire lentă atenuează șocul de pornire.

Dispozitiv de siguranță în caz de supraîncărcare

Dacă sarcina depășește nivele admisibile, puterea motorului se reduce pentru a evita supraîncălzirea motorului. Când sarcina revine la un nivel admisibil, unealta va funcționa normal.

Frână mecanică

Pentru modelul GA4041C, GA4541C, GA5041C

Frâna mecanică este activată după oprirea mașinii.

Frâna nu funcționează când alimentarea este oprită, dar întrerupătorul este în continuare comutat la pornire.

MONTARE

⚠ATENȚIE:

- Asigurați-vă că ați oprit mașina și că ați deconectat-o de la rețea înainte de a efectua vreo intervenție asupra mașinii.

Instalarea mânerului lateral (mâner)

Fig.5

⚠ATENȚIE:

- Asigurați-vă că mânerul lateral este bine montat înainte de a pune mașina în funcțiune.

Înșurubați ferm mânerul lateral la mașină în poziția prezentată în figură.

Instalarea sau demontarea apărătoarei pentru disc (Pentru disc cu centru depresat, disc lamelar, disc flexibil, perie de disc din sârmă/disc abraziv pentru rețezat, disc de diamant)

⚠AVERTISMENT:

- Atunci când utilizați un disc cu centru depresat, un disc lamelar, un disc flexibil sau o perie de disc din sârmă, apărătoarea discului trebuie montată pe mașină astfel încât partea închisă a apărătoarei să fie întotdeauna orientată către operator.
- Atunci când utilizați un disc abraziv pentru rețezare / disc de diamant, asigurați-vă că utilizați doar apărătoarele pentru disc proiectate pentru a fi utilizate împreună cu discuri abrazive pentru rețezare. (În unele țări europene, la utilizarea unui disc de diamant, poate fi utilizată o apărătoare obișnuită. Respectați reglementările din țara dumneavoastră).

Pentru mașinile cu apărătoare de disc cu șurub de blocare

Fig.6

Montați apărătoarea pentru disc cu partea proeminentă pe banda apărătoarei pentru disc aliniată cu fantele de pe lagăr. Apoi rotiți apărătoarea pentru disc la 180° în sens anti-orar. Asigurați-vă că ați strâns ferm șurubul.

Pentru a demonta apărătoarea discului, executați în ordine inversă operațiile de montare.

Pentru mașinile cu apărătoare de disc cu pârghie de strângere

Fig.7

Trageți de pârghie în direcția indicată de săgeată după ce ați deșurubat șurubul. Montați apărătoarea pentru disc cu partea proeminentă pe banda apărătoarei pentru disc aliniată cu fantele de pe lagăr. Apoi rotiți apărătoarea pentru disc la 180°.

Fig.8

Strângeți apărătoarea pentru disc strângând șurubul după ce trageți de pârghie în direcția indicată de săgeată. Unghiul de reglare al apărătoarei discului poate fi reglat cu ajutorul pârghiei.

Pentru a demonta apărătoarea discului, executați în ordine inversă operațiile de montare.

Montarea sau demontarea discului cu centru depresat sau discului lamelar (accesoriu opțional)

⚠️AVERTISMENT:

- Atunci când utilizați un disc cu centru depresat sau un disc lamelar, apărătoarea discului trebuie montată pe mașină astfel încât partea închisă a apărătoării să fie întotdeauna orientată către operator.

Fig.9

Montați flanșa interioară pe arbore. Instalați discul pe flanșa interioară și înșurubați contrapiulița pe arbore.

Fig.10

Pentru a strânge contrapiulița, apăsați puternic pârghia de blocare a axului astfel încât arborele să nu se poată roti, apoi folosiți cheia pentru contrapiuliță și strângeți ferm în sens orar.

Pentru a demonta discul, executați în ordine inversă operațiile de montare.

Supra flanșă (Accesoriu opțional)

Modelele cu litera F sunt dotate standard cu o supra flanșă. În comparație cu tipul uzual, este necesar doar 1/3 din efort pentru a desface contrapiulița.

⚠️ATENȚIE:

- Nu utilizați supra flanșa pentru modelele prevăzute cu frână mecanică. În caz contrar, aceasta se poate desface când este activată frâna.

Montarea sau demontarea Ezynut (accesoriu opțional)

⚠️ATENȚIE:

- Nu utilizați Ezynut cu supra flanșa sau polizorul unghiular cu litera „F” la finalul numărului de model. Aceste flanșe sunt mult prea groase, iar axul nu poate reține întregul filet.

Fig.11

Montați flanșa interioară, discul abraziv și Ezynut pe ax, astfel încât logo-ul Makita de pe Ezynut să fie orientat spre exterior.

Fig.12

Apăsați ferm știftul de blocare și strângeți Ezynut rotind la maximum discul abraziv în sens orar.

Rotiți inelul exterior al Ezynut în sens invers acelor de ceasornic, pentru slăbire.

Fig.13

Fig.14

NOTĂ:

- Ezynut poate fi slăbit și manual atâta timp cât săgeata este orientată spre fantă. În caz contrar, este necesară o cheie de contrapiuliță pentru slăbirea acestuia. Introduceți un știft al cheii în orificiu și rotiți Ezynut în sens invers acelor de ceasornic.

Montarea sau demontarea discului flexibil (accesoriu opțional)

⚠️AVERTISMENT:

- Utilizați întotdeauna apărătoarea furnizată când discul flexibil este montat pe mașină. Discul se poate sparge în timpul utilizării, iar apărătoarea ajută la reducerea riscului de vătămare.

Fig.15

Urmați instrucțiunile pentru discul cu centru depresat, dar utilizați, de asemenea, un taler de plastic peste disc. Consultați ordinea de asamblare la pagina cu accesorii din acest manual.

Montarea sau demontarea discului abraziv (accesoriu opțional)

NOTĂ:

- Folosiți accesoriile pentru șlefuitor specificate în acest manual. Acestea trebuie achiziționate separat.

Fig.16

Montați talerul de cauciuc pe arbore. Instalați discul pe talerul de cauciuc și înșurubați contrapiulița de presare pe arbore. Pentru a strânge contrapiulița de presare, apăsați puternic pârghia de blocare a axului astfel încât arborele să nu se poată roti, apoi folosiți cheia pentru contrapiuliță și strângeți ferm în sens orar.

Pentru a demonta discul, executați în ordine inversă operațiile de instalare.

Montarea sau demontarea capacului accesoriu de protecție contra prafului (accesoriu opțional)

⚠️AVERTISMENT:

- Asigurați-vă întotdeauna că unealta este oprită și decuplată de la alimentare înainte de montarea sau demontarea capacului accesoriu de protecție contra prafului.** În caz contrar, unealta se poate deteriora sau se poate ajunge la accidentări.

Capacul accesoriu de protecție contra prafului are patru componente și fiecare este utilizată în poziții diferite.

Fig.17

Fixați capacul accesoriu de protecție contra prafului astfel încât marcajul (A, B, C sau D) să fie orientat conform indicațiilor. Prindeți știfturile în orificii.

Capacul accesoriu de protecție contra prafului poate fi demontat cu mâna.

NOTĂ:

- Curățați capacul accesoriu de protecție contra prafului atunci când acesta este ancrasat cu praf sau materii străine. Continuarea lucrului cu un capac accesoriu de protecție contra prafului ancrasat conduce la avariarea mașinii.

FUNȚIONARE

⚠️AVERTISMENT:

- Nu este niciodată necesară forțarea mașinii. Greutatea mașinii exercită o presiune adecvată. Forțarea și exercitarea unei presiuni excesive pot provoca ruperea periculoasă a discului.
- Înlocuiți ÎNTOTDEAUNA discul dacă scăpați mașina pe jos în timpul rectificării.
- Nu loviți NICIODATĂ discul abraziv de piesa prelucrată.
- Evitați izbiturile și salturile discului, în special când prelucrați colțuri, muchii ascuțite etc. Acestea pot provoca pierderea controlului și reculuri.
- Nu folosiți niciodată mașina cu discuri de tăiat lemne sau alte discuri de ferăstrău. Astfel de discuri folosite cu polizorul pot sări, ducând la pierderea controlului mașinii și la accidentări.

⚠️ATENȚIE:

- Nu porniți niciodată mașina atunci când aceasta se află în contact cu piesa de prelucrat, deoarece poate vătăma operatorul.
- Purtați întotdeauna ochelari de protecție și o mască de protecție în timpul lucrului.
- După terminarea operației, opriți întotdeauna mașina și așteptați ca discul să se oprească complet înainte de a așeza mașina.

Operația de rectificare și șlefuire

Fig.18

Țineți ÎNTOTDEAUNA mașina ferm cu o mână pe carcasă și cealaltă pe mânerul lateral. Porniți mașina și apoi aplicați roata sau discul pe piesa de prelucrat.

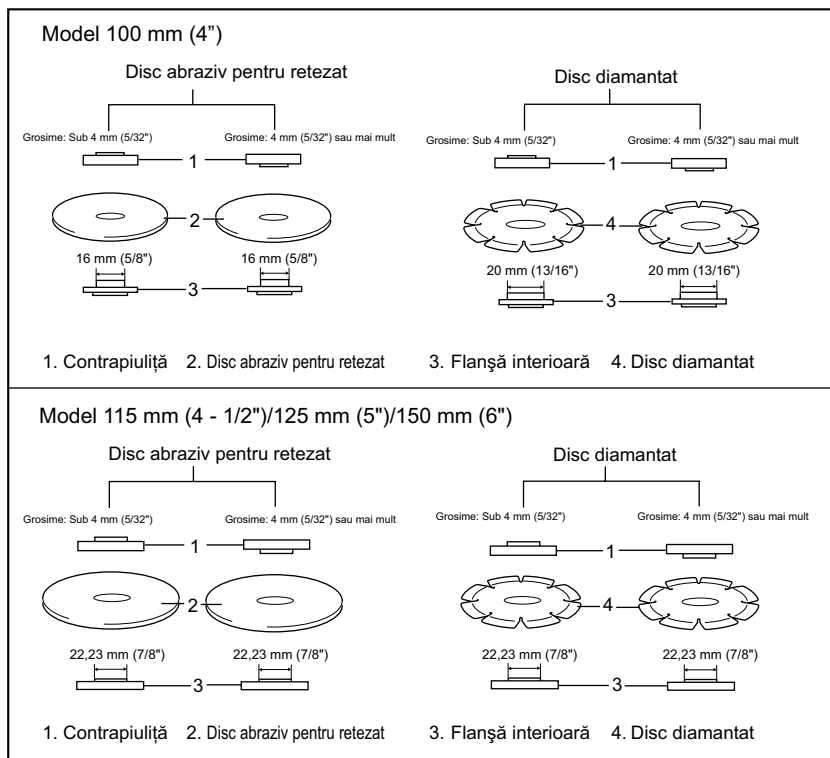
În general, mențineți marginea roții sau discului într-un unghi de aproximativ 15° față de suprafața piesei de prelucrat.

În timpul perioadei de rodaj cu un disc nou, nu utilizați mașina de rectificat în direcția B deoarece va tăia piesa de prelucrat. După ce marginea discului a fost rotunjită prin utilizare, discul poate fi utilizat atât în direcția A, cât și în direcția B.

Operarea cu disc de retezare abraziv/disc de diamant (accesoriu opțional)

Fig.19

Direcția de montare a contrapiuliței și a flanșei interioare variază în funcție de grosimea discului. Consultați tabelul de mai jos.



012746

⚠️ AVERTISMENT:

- Atunci când utilizați un disc abraziv pentru retezare / disc de diamant, asigurați-vă că utilizați doar apărătoarele pentru disc proiectate pentru a fi utilizate împreună cu discuri abrazive pentru retezare. (În unele țări europene, la utilizarea unui disc de diamant, poate fi utilizată o apărătoare obișnuită. Respectați reglementările din țara dumneavoastră).
- NU utilizați niciodată discul pentru retezat la polizarea laterală.
- Nu „înțepeniți” discul și nici nu aplicați o presiune excesivă. Nu încercați să executați o adâncime excesivă a tăieturii. Supratensionarea discului mărește sarcina și susceptibilitatea de a torsiona sau a de a înțepeni discul în tăietură și posibilitatea de recul, spargerea discului și supraîncălzirea motorului.
- Nu porniți operația de retezare în piesa de prelucrat. Lăsați discul să ajungă la viteza maximă și pătrundeți cu atenție în tăietură prin mutarea sculei spre înainte pe suprafața piesei de prelucrat. Discul poate înțepeni, de poate deplasa în sus sau provoca recul, dacă scula electrică este repornită în piesa de prelucrat.
- În timpul operațiunilor de retezare, nu schimbați niciodată unghiul discului. Aplicarea unei presiuni laterale asupra discului de retezare (ca la polizare) va cauza fisurarea și spargerea discului, producând rănirea personală gravă.
- Discul de diamant va fi operat perpendicular cu materialul de tăiat.

Operare cu peria oală de sârmă (Accesoriu opțional)

⚠ATENȚIE:

- Verificați operarea periei prin rotirea uneltei fără sarcină, asigurându-vă că nu se află nimeni în fața sau în linie cu peria.
- Nu utilizați o perie care este deteriorată, sau neechilibrată. Utilizarea unei perii deteriorate poate crește potențialul de accidentare prin contact cu sârmele periei deteriorate.

Fig.20

Deconectați unealta și amplasați-o în poziție inversă pentru a permite accesul ușor la arbore. Îndepărtați orice accesorii de pe arbore. Înfășurați peria oală de sârmă pe arbore și strângeți cu cheia furnizată. La utilizarea periei, evitați aplicarea unei presiuni prea mari care ar putea duce la îndoirea firelor, ducând la defectare prematură.

Operare cu peria de disc din sârmă (Accesoriu opțional)

⚠ATENȚIE:

- Verificați operarea periei de disc din sârmă prin rotirea uneltei fără sarcină, asigurându-vă că nu se află nimeni în fața sau în linie cu peria de disc din sârmă.
- Nu utilizați o perie de disc din sârmă care este deteriorată, sau neechilibrată. Utilizarea unei perii de disc din sârmă deteriorate poate crește potențialul de accidentare prin contact cu sârmele deteriorate.
- Protejați-vă ÎNTOTDEAUNA față de periiile de disc din sârmă, asigurându-vă că diametrul discului se încadrează în interiorul apărătoarei. Discul se poate sparge în timpul utilizării, iar apărătoarea ajută la reducerea riscului de vătămări.

Fig.21

Deconectați unealta și amplasați-o în poziție inversă pentru a permite accesul ușor la arbore. Îndepărtați orice accesorii de pe arbore. Înfășurați peria de disc din sârmă pe arbore și strângeți cu cheia furnizată. La utilizarea periei de disc din sârmă, evitați aplicarea unei presiuni prea mari care ar putea duce la îndoirea firelor, ducând la defectare prematură.

ÎNȚREȚINERE

⚠ATENȚIE:

- Asigurați-vă că ați oprit mașina și că ați debransat-o de la rețea înainte de a efectua operațiuni de verificare sau întreținere.
- Nu utilizați niciodată gazolină, benzină, diluant, alcool sau alte substanțe asemănătoare. În caz contrar, pot rezulta decolorări, deformări sau fisuri.

Fig.22

Mașina și fantele sale de ventilație trebuie păstrate curate. Curățați fantele de ventilație ale mașinii în mod regulat sau ori de câte ori devin îmbăcșite.

Pentru a menține SIGURANȚA și FIABILITATEA mașinii, reparațiile, schimbarea și verificarea periilor de carbon, precum și orice alte operațiuni de întreținere sau reglare trebuie să fie efectuate numai la Centrele de service autorizat Makita, folosindu-se piese de schimb Makita.

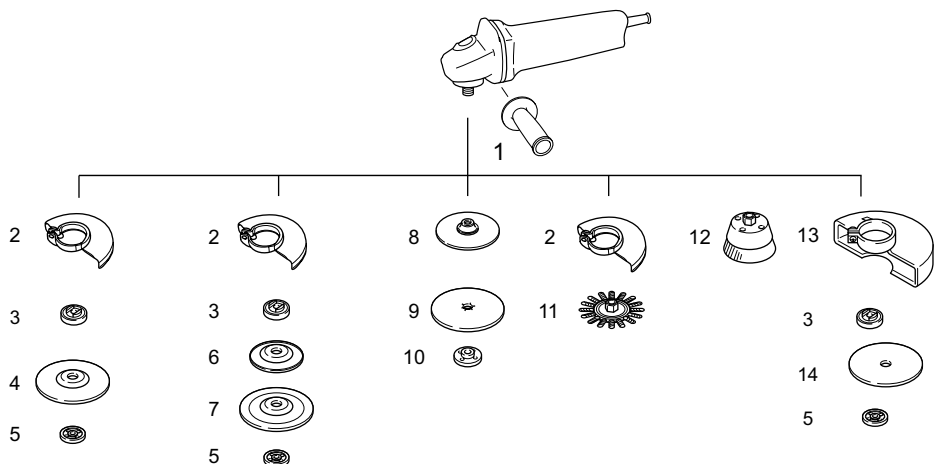
ACCESORII OPȚIONALE

⚠ATENȚIE:

- Folosiți accesorii sau piesele auxiliare recomandate pentru mașina dumneavoastră în acest manual. Utilizarea oricărui alte accesorii sau piese auxiliare poate cauza vătămări. Folosiți accesorii pentru operațiunea pentru care au fost concepute.

Dacă aveți nevoie de asistență sau de mai multe detalii referitoare la aceste accesorii, adresați-vă centrului local de service Makita.

- Capac accesorii de protecție contra prafului



	Model 100 mm (4")	Model 115 mm (4-1/2")	Model 125 mm (5")	Model 150 mm (6")
1	Măner 36			
2	Apărătoare disc (pentru disc abraziv)			
3	Flanșă interioară	Flanșă interioară Flanșă super *1	Flanșă interioară Flanșă super *1	Flanșă interioară Flanșă super *1
4	Disc cu centru depresat/disc lamelar			
5	Contrapiuliță	Contrapiuliță Ezynut *2	Contrapiuliță Ezynut *2	Contrapiuliță Ezynut *2
6	Placă din plastic	Placă din plastic	Placă din plastic	-
7	Disc flexibil	Disc flexibil	Disc flexibil	-
8	Taler de cauciuc 76	Taler de cauciuc 100	Taler de cauciuc 115	Taler de cauciuc 125
9	Disc abraziv			
10	Contrapiuliță de presare			
11	Perie de disc din sârmă			
12	Perie oală de sârmă			
13	Apărătoare pentru disc (pentru discul abraziv pentru retezat) *3			
14	Disc abraziv pentru retezat/disc de diamant			
-	Cheie pentru contrapiuliță			

Notă:

*1 Nu utilizați supra flanșa cu un polizor prevăzut cu o funcție de frânare.

*2 Nu utilizați supra flanșa și Ezynut împreună.

*3 În unele țări europene, la utilizarea unui disc de diamant, poate fi utilizată o apărătoare obișnuită în locul apărătoarei speciale acoperind ambele părți ale discului. Respectați reglementările din țara dumneavoastră.

013977

NOTĂ:

- Unele articole din listă pot fi incluse ca accesorii standard în ambalajul de scule. Acestea pot diferi în funcție de țară.

DEUTSCH (Originalbetriebsanleitung)

Erklärung der Gesamtdarstellung

1-1. Spindelarretierung	10-1. Sicherungsmutterschlüssel	17-1. Markierung A
2-1. Schiebeschalter	10-2. Spindelarretierung	17-2. Markierung B
3-1. Anzeigeleuchte (Drehzahl-Stellrad)	11-1. Ezynut-Flansch	17-3. Markierung C
4-1. Geschwindigkeitsstellrad	11-2. Schleifscheibe	17-4. Markierung D
6-1. Schutzhaube	11-3. Innenflansch	19-1. Sicherungsmutter
6-2. Lagergehäuse	11-4. Spindel	19-2. Trennschleifscheibe/ Diamantscheibe
6-3. Schraube	12-1. Spindelarretierung	19-3. Innenflansch
7-1. Schutzhaube	13-1. Pfeil	19-4. Schutzhaube für Trennschleifscheibe/ Diamantscheibe
7-2. Lagergehäuse	13-2. Kerbe	20-1. Topfdrabtbürste
7-3. Schraube	15-1. Sicherungsmutter	21-1. Drahrundbürste
7-4. Hebel	15-2. Flexscheibe	22-1. Auslassöffnung
8-1. Schraube	15-3. Kunststoffteller	22-2. Einlassöffnung
8-2. Hebel	15-4. Innenflansch	
9-1. Sicherungsmutter	16-1. Schmirgel-Sicherungsmutter	
9-2. Gekröpfte Trennschleifscheibe	16-2. Schleifscheibe	
9-3. Innenflansch	16-3. Gummiteller	

TECHNISCHE DATEN

Modell	GA4040C	GA4041C	GA4540C	GA4541C	GA5040C	GA5041C	GA6040C
Scheibendurchmesser	100 mm (4")		115 mm (4-1/2")		125 mm (5")		150 mm (6")
Max. Scheibendicke	6,4 mm						
Spindelgewinde	M10		M14 oder 5/8" (länderspezifisch)				
Nendrehzahl (n) / Leerlaufdrehzahl (n ₀)	11.000 min ⁻¹		11.000 min ⁻¹		11.000 min ⁻¹		9.000 min ⁻¹
Gesamtlänge	303 mm	325 mm	303 mm	325 mm	303 mm	325 mm	303 mm
Netto-Gewicht	2,3 kg	2,6 kg	2,5 kg	2,7 kg	2,5 kg	2,7 kg	2,6 kg
Sicherheitsklasse	II/II						

- Aufgrund der laufenden Forschung und Entwicklung unterliegen die hier aufgeführten technischen Daten Veränderungen ohne Hinweis.
- Die technischen Daten können für verschiedene Länder unterschiedlich sein.
- Gewicht entsprechend der EPTA-Vorgehensweise 01/2003

ENE048-1

Verwendungszweck

Das Werkzeug wurde für das Schmirgeln, Schleifen und Schneiden von Metall- und Steinmaterial ohne Verwendung von Wasser entwickelt.

ENF002-2

Stromversorgung

Das Werkzeug darf ausschließlich an Einphasen-Wechselstrom mit der auf dem Typenschild angegebenen Spannung angeschlossen werden. Das Werkzeug verfügt über ein doppelt isoliertes Gehäuse und kann daher auch an einer Stromversorgung ohne Schutzkontakt betrieben werden.

ENG905-1

Geräuschpegel

Die typischen A-bewerteten Geräuschpegel, bestimmt gemäß EN60745:

Modell GA4040C, GA4540C, GA5040C

Schalldruckpegel (L_{pA}) : 86 dB (A)
Schalleistungspegel (L_{WA}) : 97 dB (A)
Abweichung (K) : 3 dB (A)

Modell GA6040C

Schalldruckpegel (L_{pA}) : 87 dB (A)
Schalleistungspegel (L_{WA}) : 98 dB (A)
Abweichung (K) : 3 dB (A)

Modell GA4541C

Schalldruckpegel (L_{pA}) : 83 dB (A)
Schalleistungspegel (L_{WA}) : 94 dB (A)
Abweichung (K) : 3 dB (A)

Modell GA5041C

Schalldruckpegel (L_{pA}) : 84 dB (A)
Schalleistungspegel (L_{WA}) : 95 dB (A)
Abweichung (K) : 3 dB (A)

Tragen Sie Gehörschutz.

Schwingung

Schwingungsgesamtwerte (Vektorsumme dreier Achsen) nach EN60745:

Modell GA4040C

Arbeitsmodus: Planschleifen mit normalem Seitengriff

Schwingungsbelastung ($a_{h,AG}$): 5,0 m/s²

Abweichung (K): 1,5 m/s²

Arbeitsmodus: Planschleifen mit schwingungsfreiem Seitengriff

Schwingungsbelastung ($a_{h,AG}$): 5,0 m/s²

Abweichung (K): 1,5 m/s²

Arbeitsmodus: Schmirgeln mit normalem Seitengriff

Schwingungsbelastung ($a_{h,DS}$): 3,0 m/s²

Abweichung (K): 1,5 m/s²

Arbeitsmodus: Schmirgeln mit schwingungsfreiem Seitengriff

Schwingungsbelastung ($a_{h,DS}$): 2,5 m/s² oder weniger

Abweichung (K): 1,5 m/s²

Modell GA4540C

Arbeitsmodus: Planschleifen mit normalem Seitengriff

Schwingungsbelastung ($a_{h,AG}$): 6,0 m/s²

Abweichung (K): 1,5 m/s²

Arbeitsmodus: Planschleifen mit schwingungsfreiem Seitengriff

Schwingungsbelastung ($a_{h,AG}$): 5,5 m/s²

Abweichung (K): 1,5 m/s²

Arbeitsmodus: Schmirgeln mit normalem Seitengriff

Schwingungsbelastung ($a_{h,DS}$): 2,5 m/s²

Abweichung (K): 1,5 m/s²

Arbeitsmodus: Schmirgeln mit schwingungsfreiem Seitengriff

Schwingungsbelastung ($a_{h,DS}$): 2,5 m/s²

Abweichung (K): 1,5 m/s²

Modell GA5040C

Arbeitsmodus: Planschleifen mit normalem Seitengriff

Schwingungsbelastung ($a_{h,AG}$): 6,5 m/s²

Abweichung (K): 1,5 m/s²

Arbeitsmodus: Planschleifen mit schwingungsfreiem Seitengriff

Schwingungsbelastung ($a_{h,AG}$): 5,5 m/s²

Abweichung (K): 1,5 m/s²

Arbeitsmodus: Schmirgeln mit normalem Seitengriff

Schwingungsbelastung ($a_{h,DS}$): 2,5 m/s²

Abweichung (K): 1,5 m/s²

Arbeitsmodus: Schmirgeln mit schwingungsfreiem Seitengriff

Schwingungsbelastung ($a_{h,DS}$): 2,5 m/s²

Abweichung (K): 1,5 m/s²

Modell GA6040C

Arbeitsmodus: Planschleifen mit normalem Seitengriff

Schwingungsbelastung ($a_{h,AG}$): 6,5 m/s²

Abweichung (K): 1,5 m/s²

Arbeitsmodus: Planschleifen mit schwingungsfreiem Seitengriff

Schwingungsbelastung ($a_{h,AG}$): 6,0 m/s²

Abweichung (K): 1,5 m/s²

Arbeitsmodus: Schmirgeln mit normalem Seitengriff

Schwingungsbelastung ($a_{h,DS}$): 2,5 m/s²

Abweichung (K): 1,5 m/s²

Arbeitsmodus: Schmirgeln mit schwingungsfreiem Seitengriff

Schwingungsbelastung ($a_{h,DS}$): 2,5 m/s² oder weniger

Abweichung (K): 1,5 m/s²

Modell GA4541C

Arbeitsmodus: Planschleifen mit normalem Seitengriff

Schwingungsbelastung ($a_{h,AG}$): 6,5 m/s²

Abweichung (K): 1,5 m/s²

Arbeitsmodus: Planschleifen mit schwingungsfreiem Seitengriff

Schwingungsbelastung ($a_{h,AG}$): 5,5 m/s²

Abweichung (K): 1,5 m/s²

Arbeitsmodus: Schmirgeln mit normalem Seitengriff

Schwingungsbelastung ($a_{h,DS}$): 2,5 m/s² oder weniger

Abweichung (K): 1,5 m/s²

Arbeitsmodus: Schmirgeln mit schwingungsfreiem Seitengriff

Schwingungsbelastung ($a_{h,DS}$): 2,5 m/s² oder weniger

Abweichung (K): 1,5 m/s²

Modell GA5041C

Arbeitsmodus: Planschleifen mit normalem Seitengriff

Schwingungsbelastung ($a_{h,AG}$): 7,0 m/s²

Abweichung (K): 1,5 m/s²

Arbeitsmodus: Planschleifen mit schwingungsfreiem Seitengriff

Schwingungsbelastung ($a_{h,AG}$): 6,0 m/s²

Abweichung (K): 1,5 m/s²

Arbeitsmodus: Schmirgeln mit normalem Seitengriff
Schwingungsbelastung ($a_{h,DS}$): 2,5 m/s² oder weniger
Abweichung (K): 1,5 m/s²

Arbeitsmodus: Schmirgeln mit schwingungsfreiem Seitengriff
Schwingungsbelastung ($a_{h,DS}$): 2,5 m/s² oder weniger
Abweichung (K): 1,5 m/s²

ENG902-1

- Die deklarierte Schwingungsbelastung wurde gemäß der Standardtestmethode gemessen und kann für den Vergleich von Werkzeugen untereinander verwendet werden.
- Die deklarierte Schwingungsbelastung kann auch in einer vorläufigen Bewertung der Gefährdung verwendet werden.
- Der angegebene Wert für die erzeugten Schwingungen gilt, wenn das Elektrowerkzeug für den vorgesehenen Zweck verwendet wird. Wenn das Werkzeug für andere Zwecke verwendet wird, kann der Wert für die Schwingungsbelastung jedoch von dem hier aufgeführten Wert abweichen.

⚠️ WARNUNG:

- Die Schwingungsbelastung während der tatsächlichen Anwendung des Elektrowerkzeugs kann in Abhängigkeit von der Art und Weise der Verwendung des Werkzeugs vom deklarierten Belastungswert abweichen.
- Stellen Sie sicher, dass Schutzmaßnahmen für den Bediener getroffen werden, die auf den unter den tatsächlichen Arbeitsbedingungen zu erwartenden Belastungen beruhen (beziehen Sie alle Bestandteile des Arbeitsablaufs ein, also zusätzlich zu den Arbeitszeiten auch Zeiten, in denen das Werkzeug ausgeschaltet ist oder ohne Last läuft).

ENH101-16

Nur für europäische Länder

EG-Konformitätserklärung

Wir, Makita Corporation als verantwortlicher Hersteller, erklären, dass die folgenden Geräte der Marke Makita:

Bezeichnung des Geräts:

Winkelschleifer

Modellnr./ -typ: GA4040C, GA4540C, GA5040C, GA6040C, GA4541C, GA5041C

in Serie gefertigt werden und

Den folgenden EG-Richtlinien entspricht:

2006/42/EC

Außerdem werden die Geräte gemäß den folgenden Standards oder Normen gefertigt:

EN60745

Die technische Dokumentation erfolgt durch:

Makita International Europe Ltd.
Technical Department,
Michigan Drive, Tongwell,
Milton Keynes, Bucks MK15 8JD, England

30.8.2011



000230

Tomoyasu Kato
Direktor

Makita Corporation
3-11-8, Sumiyoshi-cho,
Anjo, Aichi, 446-8502, JAPAN

GEA010-1

Allgemeine Sicherheitshinweise für Elektrowerkzeuge

⚠️ WARNUNG Lesen Sie alle Sicherheitswarnungen und -anweisungen sorgfältig durch. Werden die Warnungen und Anweisungen ignoriert, besteht die Gefahr eines Stromschlags, Brands und/oder schweren Verletzungen.

Bewahren Sie alle Warnhinweise und Anweisungen zur späteren Referenz gut auf.

GEB033-7

SICHERHEITSHINWEISE FÜR SCHLEIFER

Allgemeine Sicherheitshinweise für das Schleifen, Schmirgeln, Drahtbürsten oder Trennschleifen:

1. **Dieses Elektrowerkzeug ist vorgesehen für die Verwendung als Schleif-, Schmirgel-, Drahtbürst- oder Trennschleifwerkzeug. Lesen Sie alle mit diesem Elektrowerkzeug mitgelieferten Sicherheitshinweise, Anweisungen, Abbildungen und Technischen Daten aufmerksam durch.** Werden nicht alle der unten aufgeführten Anweisungen befolgt, besteht die Gefahr eines Stromschlags, Brands und/oder das Risiko schwerer Verletzungen.
2. **Arbeiten, wie z.B. Polieren, sollten nicht mit diesem Elektrowerkzeug durchgeführt werden.** Arbeiten, für die das Elektrowerkzeug nicht vorgesehen ist, führen möglicherweise zu einer Gefahr und verursachen Verletzungen.
3. **Verwenden Sie ausschließlich Zubehörteile, die vom Hersteller des Werkzeugs entwickelt und empfohlen wurden.** Nur weil sich Zubehörteil an dem Elektrowerkzeug befestigen lässt, garantiert das keine sichere Verwendung.
4. **Die Nenndrehzahl des Zubehörs muss mindestens der Höchstdrehzahl entsprechen,**

die auf dem Elektrowerkzeug vermerkt ist. Zubehör, das mit einer höheren als der Nenn Drehzahl betrieben wird, kann abbrechen und herumgeschleudert werden.

5. **Außendurchmesser und Dicke des Zubehörs müssen innerhalb der Nennleistung des Elektrowerkzeugs liegen.** Zubehör mit der falschen Größe kann nicht angemessen abgeschirmt oder kontrolliert werden.
6. **Der Schraubanschluss des Zubehörs muss mit dem Spindelgewinde des Schleifers zusammenpassen. Für Zubehörteile, die mittels einer Flansche montiert werden, muss das Spindel Loch des Zubehörteils mit dem Durchmesser der positionierten Flansche übereinstimmen.** Diejenigen Zubehörteile, die nicht mit den montierten Teilen der Elektrowerkzeuge übereinstimmen, werden ungleichmäßig laufen, übermäßig vibrieren und können sogar der Verlust der Steuerung verursachen.
7. **Verwenden Sie kein beschädigtes Zubehör. Überprüfen Sie vor jeder Verwendung das Zubehör, beispielsweise die Schleifscheiben auf Splitter und Risse, die Stützlager auf Risse, Abrisse oder übermäßigen Verschleiß, Drahtbürsten auf lose oder gebrochene Borsten. Falls das Elektrowerkzeug oder das Zubehör runtergefallen ist, überprüfen Sie es auf Beschädigungen und bauen Sie ein unbeschädigtes Zubehörteil ein. Positionieren Sie sich selbst und Zuschauer nach dem Überprüfen und Einbauen eines Zubehörteils außerhalb der Rotationsebene des Zubehörs und betreiben Sie das Elektrowerkzeug bei maximaler Leerlaufdrehzahl für 1 Minute. Beschädigtes Zubehör zerbricht üblicherweise in dieser Testzeit.**
8. **Tragen Sie eine entsprechende persönliche Schutzausrüstung. Tragen Sie je nach Arbeitsaufgabe einen Gesichtsschild oder eine Schutzbrille. Tragen Sie soweit erforderlich Staubmaske, Hörschutz, Handschuhe und Arbeitsschürze, die kleine Schleifteile oder Splitter abhält.** Der Augenschutz muss umherfliegende Fremdkörper abhalten können, die bei verschiedenen Arbeiten entstehen. Die Staub- oder Atemschutzmaske muss Partikel herausfiltern können, die bei verschiedenen Arbeiten entstehen. Lange und intensive Lärmeinwirkung kann zu Gehörverlust führen.
9. **Achten Sie bei anderen Personen auf sicheren Abstand zu Ihrem Arbeitsbereich. Jeder, der den Arbeitsbereich betritt, muss eine persönliche Schutzausrüstung tragen.** Splitter des Werkstücks oder eines zerbrochenen Zubehörs können umherfliegen und zu

Verletzungen auch außerhalb des eigentlichen Arbeitsbereichs führen.

10. **Halten Sie das Elektrowerkzeug ausschließlich an den isolierten Griffflächen, wenn Sie unter Bedingungen arbeiten, bei denen das Werkzeug verborgene Verkabelung oder das eigene Kabel berühren kann.** Bei Kontakt des Trennwerkzeugs mit einem stromführenden Kabel wird der Strom an die Metallteile des Werkzeugs und dadurch an den Bediener weitergeleitet, und der Bediener erleidet einen Stromschlag.
11. **Halten Sie das Netzkabel von sich drehendem Zubehör fern.** Wenn Sie die Kontrolle über das Elektrowerkzeug verlieren, kann das Netzkabel durchtrennt oder erfasst werden und Ihre Hand oder Ihr Arm in das sich drehende Zubehör geraten.
12. **Legen Sie das Elektrowerkzeug niemals ab, bevor das Zubehör völlig zum Stillstand gekommen ist.** Das sich drehende Zubehör kann in Kontakt mit der Ablagefläche geraten, wodurch Sie die Kontrolle über das Elektrowerkzeug verlieren können.
13. **Lassen Sie das Elektrowerkzeug nicht laufen, während Sie es tragen.** Ihre Kleidung kann durch zufälligen Kontakt mit dem sich drehenden Zubehör erfasst werden, und das Zubehör kann sich in Ihren Körper bohren.
14. **Reinigen Sie regelmäßig die Ventilationsöffnungen des Elektrowerkzeugs.** Der Motorventilator zieht Staub in das Gehäuse hinein und eine übermäßige Ansammlung von Metallspänen kann elektrische Schläge verursachen.
15. **Verwenden Sie das Elektrowerkzeug nicht in der Nähe brennbarer Materialien.** Funken können diese Materialien entzünden.
16. **Verwenden Sie kein Zubehör, für das flüssiges Kühlmittel erforderlich ist.** Die Verwendung von Wasser oder anderen flüssigen Kühlmitteln kann zu einem elektrischen Schlag führen.

Rückschläge und zugehörige Warnhinweise

Ein Rückschlag ist eine plötzliche Reaktion einer verklemmten oder verfangenen rotierenden Schleifscheibe, des Stützlagers, der Bürste oder anderen Zubehörs. Durch Verkleben oder Verfangen kommt es zu einem plötzlichen Stillstand des rotierenden Zubehörs, sodass das Elektrowerkzeug in entgegengesetzte Rotationsrichtung des Zubehörs am Punkt des Festlaufens gezwungen wird.

Wird eine Trennscheibe beispielsweise durch das Werkstück verklemmt, kann die Kante, die in den Punkt des Verklebens eindringt, in die Oberfläche des Materials eindringen, sodass die Scheibe ausschlägt. Die Scheibe springt entweder in Ihre Richtung oder vom Bediener weg, dies hängt von der Richtung der Scheibenbewegung am Punkt des Verklebens ab.

Unter diesen Umständen können Trennscheiben auch brechen.

Rückschläge werden durch eine falsche Handhabung des Elektrowerkzeugs und/oder unsachgemäße Bedienschritte oder -umstände verursacht und können durch die unten aufgeführten Maßnahmen vermieden werden.

a) **Halten Sie das Elektrowerkzeug gut fest und bringen Sie Ihren Körper und Ihre Arme in eine Position, in der Sie die Rückschlagkräfte abfangen können. Verwenden Sie, falls vorhanden, immer den Hilfsgriff, um während des Anlaufens die beste Kontrolle bei Rückschlägen oder Drehmomentreaktionen zu haben.** Der Bediener kann Drehmomentreaktionen oder Rückschlagkräfte am besten mit den geeigneten Vorsichtsmaßnahmen steuern.

b) **Halten Sie Ihre Hand niemals in der Nähe des rotierenden Zubehörs.** Das Zubehör könnte über Ihre Hand zurückschlagen.

c) **Halten Sie Ihren Körper nicht in dem Bereich auf, in dem sich das Elektrowerkzeug im Fall eines Rückschlags bewegen würde.** Ein Rückschlag treibt das Werkzeug in die entgegengesetzte Richtung der Scheibenbewegung am Punkt der Verfangens.

d) **Arbeiten Sie besonders vorsichtig im Bereich von Ecken, scharfen Kanten usw. Verhindern Sie, dass das Zubehör vom Werkstück zurückprallt und verklemmt.** Das rotierende Zubehör neigt bei Ecken, scharfen Kanten oder wenn es abprallt dazu, sich zu verklemmen. Dies verursacht einen Verlust der Kontrolle oder Rückschlag.

e) **Keine Sägekette, Holzschnitzmesser oder gezahntes Sägeblatt einsetzen.** Diese Sägeblätter verursachen häufig ein Rückschlagen und führen zu Verlust der Kontrolle.

Spezifische Sicherheitshinweise für das Schleifen und Trennschleifen:

a) **Verwenden Sie ausschließlich die für dieses Elektrowerkzeug zugelassenen Schleifkörper und die für diese Schleifkörper vorgesehene Schutzhaube.** Schleifkörper, die nicht für das Elektrowerkzeug vorgesehen sind, können nicht ausreichend abgeschirmt werden und sind unsicher.

b) **Die Schleifoberflächen des gekröpten Scheibenrads muss unter der Fläche der Leitlippe montiert werden.** Eine unsachgemäß montiertes Scheibenrad, das über die Fläche der Leitlippen hinausragt, kann nicht ausreichend geschützt werden.

c) **Das Schutzteil muss sicher auf dem Elektrowerkzeug montiert sein und so positioniert sein, dass es maximale Sicherheit bietet, damit die geringste Menge der Scheibe in Richtung der Bedienungsperson gerichtet**

ist. Das Schutzteil schützt den Bediener vor abgebrochenen Scheibenfragmente, ungewollten Kontakt mit der Scheibe und vor dem Überspringen von Funken auf die Kleidung des Bedieners, welches dadurch entzündet werden könnte.

d) **Die Schleifscheiben dürfen nur für die empfohlenen Einsatzmöglichkeiten verwendet werden. Beispiel: Schleifen Sie nicht mit der Seite einer Trennscheibe.** Trennscheiben sind zum Materialabtrag mit der Kante der Scheibe bestimmt. Bei seitlicher Krafteinwirkung auf diese Scheiben können sie zerbrechen.

e) **Verwenden Sie immer eine unbeschädigte Scheibenflansche der entsprechenden Größe und Form für Ihre ausgewählte Schleifscheibe.** Geeignete Flanschen stützen die Schleifscheibe und verringern so die Gefahr eines Schleifscheibenbruchs. Flanschen für Trennscheiben unterscheiden sich möglicherweise von Flanschen für Schleifscheiben.

f) **Verwenden Sie keine abgenutzten Schleifscheiben von größeren Elektrowerkzeugen.** Schleifscheiben für größere Elektrowerkzeuge sind nicht für die höheren Drehzahlen von kleineren Elektrowerkzeugen ausgelegt und können brechen.

Weitere spezifische Sicherheitshinweise für das Trennschleifen:

a) **Klemmen Sie die Schleifscheibe nicht fest und üben Sie keinen übermäßigen Druck aus. Führen Sie keine übermäßig tiefen Schnitte aus.** Eine Überlastung der Scheibe erhöht deren Beanspruchung und die Anfälligkeit zum Verkanten oder Blockieren und damit die Möglichkeit eines Rückschlags oder Schleifkörperbruchs.

b) **Meiden Sie den Bereich vor und hinter der rotierenden Scheibe.** Wenn sich die Scheibe während des Betriebs von Ihrem Körper wegbewegt, kann im Falle eines Rückschlags das Elektrowerkzeug mit der sich drehenden Scheibe direkt auf Sie zugeschleudert werden.

c) **Wenn die Scheibe sich verkantet oder Sie den Schnitt aus irgendeinem Grund unterbrechen, schalten Sie das Elektrowerkzeug aus, und halten Sie das Werkzeug bis zum kompletten Stillstand der Scheibe im Material, ohne es dabei zu bewegen. Versuchen Sie niemals, die laufende Scheibe aus dem Schnitt zu ziehen, da dies zu einem Rückschlag führen kann.** Überprüfen Sie die Ursache für das Verkanten der Scheibe und ergreifen Sie Korrekturmaßnahmen.

d) **Starten Sie den Schnitvorgang nicht im Werkstück. Lassen Sie die Trennscheibe erst ihre volle Drehzahl erreichen, bevor Sie den Schnitt vorsichtig fortsetzen.** Die Scheibe kann verkanten, hochspringen oder zurückschlagen,

wenn das Werkzeug im Werkstück eingeschaltet wird.

e) **Stützen Sie Platten oder große Werkstücke ab, um das Risiko eines Rückschlags durch eine eingeklemmte Scheibe zu vermindern.** Große Werkstücke neigen dazu, sich unter ihrem Eigengewicht durchzubiegen. Stützen müssen nahe der Schnittlinie und der Werkstückkante unter dem Werkstück zu beiden Seiten der Scheibe angebracht werden.

f) **Seien Sie besonders vorsichtig, wenn Sie einen „Tauschnitt“ in Wänden oder anderen abgeschirmten Bereichen ausführen.** Die vorstehende Scheibe kann sonst Gas- oder Wasserleitungen, Elektrokabel oder sonstige Gegenstände ansägen, die einen Rückschlag verursachen können.

Spezifische Sicherheitshinweise für das Schleifen:

a) **Verwenden Sie kein zu großes Schleifscheibenpapier. Befolgen Sie bei der Auswahl des Schleifpapiers die Empfehlungen der Hersteller.** Großes Schmirgelpapier, das über den Schleifteller hinausreicht, stellt eine Verletzungsgefahr dar und kann zum Verfangen, Abriss der Scheibe oder zum Rückschlagen führen.

Spezifische Sicherheitshinweise für das Drahtbürsten:

a) **Beachten Sie, dass Drahtborsten auch während des normalen Betriebs aus der Bürste fallen. Belasten Sie die Drähte nicht übermäßige durch Anwenden einer großen Kraft auf die Bürste.** Die Drahtborsten können leicht in lockere Kleidung und/oder die Haut eindringen.

b) **Falls die Verwendung der Schutzabdeckung für das Drahtbürsten empfohlen wird, müssen Sie sicherstellen, dass die Drahtbürste nicht durch die Schutzabdeckung behindert wird.** Auf Grund der Last und der Zentrifugalkräfte kann sich der Durchmesser der Drahtbürste vergrößern.

Zusätzliche Sicherheitshinweise:

17. **Verwenden Sie als gekröpfte Trennschleifscheiben nur glasfaserverstärkte Scheiben.**
18. **Verwenden Sie mit diesem Schleifwerkzeug NIEMALS Steinschleiftöpfe.** Dieses Schleifwerkzeug ist nicht für diese Scheibetypen ausgelegt und die Verwendung dieser Scheiben kann zu schweren Verletzungen führen.
19. **Achten Sie sorgfältig darauf, dass Spindel, Flansch (insbesondere die Ansatzfläche) oder Sicherungsmutter nicht beschädigt werden. Eine Beschädigung dieser Teile kann zu einem Scheibenbruch führen.**
20. **Stellen Sie sicher, dass die Trennscheibe das Werkstück nicht berührt, bevor das Werkzeug eingeschaltet wurde.**

21. **Bevor Sie das Werkzeug auf das zu bearbeitende Werkstück ansetzen, lassen Sie es einige Zeit ohne Last laufen. Achten Sie auf Vibrationen und Schlägen. Beides gibt Aufschluss über eine schlecht ausgewuchtete Scheibe oder kann auf einen nicht fachgerechten Einbau deuten.**
22. **Verwenden Sie nur die vorgeschriebene Fläche der Schleifscheibe für Schleifarbeiten.**
23. **Lassen Sie das Werkzeug nicht unbeaufsichtigt laufen. Arbeiten Sie nur mit ihm, wenn Sie es in der Hand halten.**
24. **Vermeiden Sie eine Berührung des Werkstücks unmittelbar nach der Bearbeitung, weil es dann noch sehr heiß ist und Hautverbrennungen verursachen kann.**
25. **Befolgen Sie die Anweisungen des Herstellers zur korrekten Montage und Verwendung der Scheiben. Behandeln und lagern Sie die Scheiben mit Sorgfalt.**
26. **Verwenden Sie keine separaten Reduzierbuchsen oder Adapter zur Anpassung von Schleifscheiben mit großem Durchmesser.**
27. **Verwenden Sie nur die für dieses Werkzeug vorgeschriebenen Flansche.**
28. **Wenn eine Trennscheibe mit Gewindebohrung am Werkzeug montiert werden soll, achten Sie darauf, dass ihr Gewinde tief genug für die Spindellänge ist.**
29. **Achten Sie auf eine korrekte Abstützung des Werkstücks.**
30. **Beachten Sie, dass sich die Scheibe nach dem Ausschalten der Maschine noch weiterdreht.**
31. **Falls der Arbeitsplatz sehr heiß ist, feucht oder durch leitfähigen Staub stark verschmutzt ist, verwenden Sie einen Kurzschlusschalter (30 mA) zum Schutz des Bedieners.**
32. **Verwenden Sie dieses Werkzeug nicht zum Schneiden von asbesthaltigen Materialien.**
33. **Verwenden Sie bei Arbeiten mit der Trennscheibe immer eine gesetzlich vorgeschriebene Staubsammelhaube.**
34. **Die Trennscheiben dürfen keinem seitlichen Druck ausgesetzt werden.**

BEWAHREN SIE DIESE ANWEISUNGEN AUF.

⚠️ WARNUNG:

Lassen Sie sich NIE durch Bequemlichkeit oder (aus fortwährendem Gebrauch gewonnener) Vertrautheit mit dem Werkzeug dazu verleiten, die Sicherheitsregeln für das Werkzeug zu missachten. Bei MISSBRÄUCHLICHER Verwendung des Werkzeugs oder Missachtung der in diesem Handbuch enthaltenen Sicherheitshinweise kann es zu schweren Verletzungen kommen.

FUNKTIONSBESCHREIBUNG

⚠️ ACHTUNG:

- Überzeugen Sie sich immer vor dem Einstellen des Werkzeugs oder der Kontrolle seiner Funktion, dass es abgeschaltet und der Stecker aus der Dose gezogen ist.

Spindelarretierung

Abb.1

⚠️ ACHTUNG:

- Betätigen Sie die Spindelarretierung niemals bei rotierender Spindel. Andernfalls kann das Werkzeug beschädigt werden.

Drücken Sie die Spindelarretierung, um die Spindel beim Montieren oder Demontieren von Zubehör zu blockieren.

Einschalten

Abb.2

⚠️ ACHTUNG:

- Stellen Sie vor dem Anschließen des Werkzeugs an das Stromnetz sicher, dass sich der Schiebeschalter korrekt bedienen lässt und in Stellung "OFF" (AUS) zurückkehrt, sobald das hintere Ende des Schiebeschalters nach unten gedrückt wird.
- Der Schalter lässt sich in Stellung "ON" arretieren, um die Bedienung bei längerem Gebrauch zu vereinfachen. Seien Sie vorsichtig, wenn das Werkzeug auf "ON" fest eingestellt ist, und halten Sie es gut fest.

Um das Werkzeug einzuschalten, schieben Sie den Schiebeschalter in die Stellung „I (ON)". Drücken Sie dazu auf die Rückseite des Schalters. Für Dauerbetrieb arretieren Sie den Schiebeschalter, indem Sie auf das vordere Ende des Schiebeschalters drücken.

Zum Ausschalten des Werkzeugs drücken Sie auf das hintere Ende des Schiebeschalters und schieben den Schiebeschalter dann in die Stellung „O (OFF)".

Anzeigenleuchte

Abb.3

Die Anzeigen leuchtet grün, sobald das Werkzeug an die Stromversorgung angeschlossen ist. Wenn die Anzeige nicht leuchtet, können das Stromkabel oder der Regler defekt sein. Wenn die Anzeige leuchtet und das Werkzeug nicht startet, obwohl es eingeschaltet wird, können die Kohlebürsten verbraucht sein, oder der Motor oder der Schalter sind defekt.

Sicherung vor unbeabsichtigtem Neustart

Wenn der Schalter in der Position „1 (ON)" verriegelt ist, läuft das Werkzeug nicht an, auch wenn das Werkzeug an die Stromversorgung angeschlossen wird.

In diesem Fall blinkt die Anzeige rot und zeigt dadurch an, dass die Sicherung vor unbeabsichtigtem Neustart aktiv ist.

Um die Sicherung vor unbeabsichtigtem Neustart zu deaktivieren, bringen Sie den Schiebeschalter in die Position „O (OFF)".

Geschwindigkeitstellrad

Abb.4

Die Umdrehungsgeschwindigkeit lässt sich mit durch Drehen des Drehzahl-Stellrads auf eine vorgegebene Nummer von 1 bis 5 ändern.

Wenn das Drehzahl-Stellrad in Richtung 5 gedreht wird, wird die Geschwindigkeit erhöht. Niedrigere Geschwindigkeiten werden erreicht, wenn das Drehzahl-Stellrad in Richtung 1 gedreht wird.

Die folgende Tabelle illustriert den Zusammenhang zwischen der eingestellten Ziffer und der ungefähren Drehzahl.

Für Modell GA4040C, GA4540C, GA5040C, GA4041C, GA4541C, GA5041C

Nummer	min ⁻¹ (U/min)
1	2.800
2	4.000
3	6.000
4	8.000
5	11.000

012752

Für Modell GA6040C

Nummer	min ⁻¹ (U/min)
1	4.000
2	5.000
3	6.000
4	7.000
5	9.000

012756

⚠️ ACHTUNG:

- Wenn das Werkzeug längere Zeit dauerhaft bei niedriger Geschwindigkeit betrieben wird, wird der Motor überlastet und überhitzt.
- Das Drehzahl-Einstellrad lässt sich nur bis 5 und zurück auf 1 drehen. Wird es gewaltsam über 5 oder 1 hinaus gedreht, lässt sich die Drehzahl möglicherweise nicht mehr einstellen.

Elektronische Funktion

Die Werkzeuge verfügen über elektronische Funktionen und sind auf Grund der folgenden Merkmale einfach zu bedienen.

Regelung einer konstanten Geschwindigkeit

Die Regelung für konstante Drehzahl sorgt für eine sauber bearbeitete Fertigfläche, indem die Drehzahl bei Lastwechsel konstant gehalten wird.

Soft-Start-Funktion

Die Sanftstart-Funktion sorgt für einen ruckfreien Anlauf.

Überlastungsschutz

Wenn die Last auf dem Werkzeug den erlaubten Pegel überschreitet, wird die Stromzufuhr zum Motor gedrosselt, um den Motor vor Überhitzung zu schützen. Wenn die Last wieder auf den erlaubten Pegel absinkt, wird das Werkzeug normal betrieben.

Mechanische Bremse

Für Modell GA4041C, GA4541C, GA5041C

Mechanische Bremse wird aktiviert, nachdem das Werkzeug ausgeschaltet wurde.

Die Bremse funktioniert nicht, wenn die Stromversorgung mit noch eingeschaltetem Schalter abgeschaltet wurde.

MONTAGE

⚠ACHTUNG:

- Ehe Sie am Werkzeug irgendwelche Arbeiten beginnen, überzeugen Sie sich immer vorher, dass es abgeschaltet und der Stecker aus der Dose gezogen ist.

Anbau des seitlichen Griffes (Halter)

Abb.5

⚠ACHTUNG:

- Achten Sie darauf, dass der seitliche Griff immer vor der Arbeit fest installiert ist.

Schrauben Sie den Seitengriff an der in der Abbildung gezeigten Position fest an die Maschine.

Montieren und Demontieren der Schutzhaube (für gekröpfte Scheiben, Fächerschleifscheiben, Flexscheiben, Drahrundbürsten / Trennschleifscheiben, Diamantscheiben)

⚠WARNUNG:

- Bei Verwendung einer gekröpfen Trennschleifscheibe, Fächerschleifscheibe, Flexscheibe oder Drahrundbürste muss die Schutzhaube so am Werkzeug angebracht werden, dass die geschlossene Seite stets in Richtung Bediener zeigt.
- Vergewissern Sie sich bei Verwendung einer Trennschleifscheibe/Diamantscheibe, dass Sie die spezielle Schutzhaube für diese Trennscheiben verwenden. (In einigen europäischen Ländern: Bei Verwendung einer Diamantscheibe kann der gewöhnliche Schutz verwendet werden. Halten Sie die Bestimmungen Ihres Landes ein.)

Für Werkzeug mit

Sicherungsschrauben-Schutzhaube

Abb.6

Montieren Sie die Schutzhaube so, dass die Vorsprünge am Schutzhaubenring mit den Nuten im Lagergehäuse ausgerichtet sind. Drehen Sie dann die Schutzhaube um 180° gegen den Uhrzeigersinn. Achten Sie darauf, die Schraube fest anzuziehen.

Zum Demontieren der Schutzhaube müssen Sie die Einbauprozedur in umgekehrter Reihenfolge ausführen.

Für Werkzeug mit Klemmhebel-Schutzhaube

Abb.7

Lösen Sie die Schraube und ziehen Sie den Hebel in Pfeilrichtung. Montieren Sie die Schutzhaube so, dass die Vorsprünge am Schutzhaubenring mit den Nuten im

Lagergehäuse ausgerichtet sind. Drehen Sie dann die Schutzhaube um 180°.

Abb.8

Ziehen Sie den Hebel in Pfeilrichtung und befestigen Sie dann die Schutzhaube durch Festziehen der Schraube. Mit dem Hebel kann der Einstellwinkel der Schutzhaube geändert werden.

Zum Demontieren der Schutzhaube müssen Sie die Einbauprozedur in umgekehrter Reihenfolge ausführen.

Montage und Demontage der gekröpfen Trennschleifscheibe oder der Fächerschleifscheibe (Sonderzubehör)

⚠WARNUNG:

- Bei Verwendung einer gekröpfen Trennschleifscheibe oder einer Fächerschleifscheibe muss die Schutzhaube so am Werkzeug angebracht werden, dass die geschlossene Seite stets in Richtung Bediener zeigt.

Abb.9

Setzen Sie den Innenflansch auf die Spindel. Setzen Sie die Trenn-/Schleifscheibe auf den Innenflansch, und schrauben Sie die Sicherungsmutter auf die Spindel.

Abb.10

Zum Anziehen der Sicherungsmutter drücken Sie die Spindelarreterierung, um die Spindel zu blockieren. Dann ziehen Sie die Mutter mit dem Sicherungsmutterschlüssel im Uhrzeigersinn an.

Zum Entnehmen der Trennscheibe befolgen Sie die Einbauprozedur rückwärts.

Super-Flansch (Sonderzubehör)

Die Modelle mit der Kennzeichnung F sind serienmäßig mit Super-Flansch ausgestattet. Zum Lösen der Flanschmutter benötigen Sie nur ca. 1/3 des Kraftaufwands im Vergleich zu einem herkömmlichen Flansch.

⚠ACHTUNG:

- Verwenden Sie den Super-Flansch nicht an Modellen, die mit einer mechanischen Bremse ausgestattet sind. Dieser Flansch könnte sich bei Aktivieren der Bremse lösen.

Montage und Demontage des

Ezynyut-Flanschs (optionales Zubehör)

⚠ACHTUNG:

- Verwenden Sie den Ezynyut-Flansch nicht mit einem Super-Flansch oder Winkelschleifer mit einem "F" am Ende der Modellnummer. Diese Flansche sind zu dick, sodass das Gewinde nicht vollständig auf die Spindel passt.

Abb.11

Montieren Sie Innenflansch, Schleifscheibe und Ezynyut-Flansch so auf die Spindel, dass das Makita-Logo auf dem Ezynyut-Flansch nach außen zeigt.

Abb.12

Drücken Sie die Spindelarretierung fest und ziehen Sie den Ezynt-Flansch fest, indem Sie die Schleifscheibe so weit wie möglich im Uhrzeigersinn drehen.

Drehen Sie den Außenring des Ezynt-Flansches zum Lösen entgegen dem Uhrzeigersinn.

Abb.13

Abb.14

ANMERKUNG:

- Der Ezynt-Flansch kann gelöst werden, wenn der Pfeil auf die Kerbe zeigt. Andernfalls benötigen Sie zum Lösen einen Mutternschlüssel für die Sicherungsmutter. Setzen Sie einen Bolzen des Mutternschlüssels in ein Loch ein und drehen Sie den Ezynt-Flansch entgegen dem Uhrzeigersinn.

Montage und Demontage der Flexscheibe (Sonderzubehör)

⚠️ WARNUNG:

- Verwenden Sie immer die mitgelieferte Schutzhaube, wenn das Werkzeug mit einer Flexscheibe bestückt ist. Die Scheibe kann während des Gebrauchs zerbersten. Durch die Schutzhaube wird die Verletzungsgefahr deutlich verringert.

Abb.15

Halten Sie die Anweisungen für gekrüpfte Scheiben ein, verwenden Sie jedoch auch einen Kunststoffteller über der Scheibe. Informieren Sie sich auf der Zubehörseite dieser Anleitung über die Reihenfolge der Montage.

Montage und Demontage der Schleifscheibe (optionales Zubehör)

ANMERKUNG:

- Verwenden Sie nur das in diesem Handbuch angegebene Schleifzubehör. Es muss separat erstanden werden.

Abb.16

Setzen Sie den Gummiteller auf die Spindel. Setzen Sie die Scheibe auf den Gummiteller, und schrauben Sie die Schmiergel-Sicherungsmutter auf die Spindel. Drücken Sie zum Anziehen der Schmiergel-Sicherungsmutter die Spindelarretierung fest, um die Spindel zu blockieren; ziehen Sie dann die Mutter mit dem Sicherungsmutterschlüssel im Uhrzeigersinn fest an. Zum Entnehmen der Scheibe befolgen Sie die Einbauprozedur rückwärts.

Montage und Demontage des Staubfängers (optionales Zubehör)

⚠️ WARNUNG:

- **Schalten Sie das Werkzeug stets aus und ziehen Sie den Netzstecker, bevor Sie den Staubfänger anbringen oder abnehmen.** Andernfalls kann es zu einer Beschädigung des

Werkzeugs und/oder zu Verletzungen kommen.

Es gibt vier Typen von Staubfängern für verschiedene Positionen.

Abb.17

Setzen Sie den Staubfänger so an, dass die Markierung (A, B oder C) an der dargestellten Position befindet. Lassen Sie die Stifte in die Lüftungsschlitze einrasten. Der Staubfänger kann von Hand entfernt werden.

ANMERKUNG:

- Reinigen Sie den Staubfänger, wenn er mit Staub oder Fremdkörpern verstopft ist. Der fortgesetzte Betrieb mit verstopftem Staubfänger schadet dem Werkzeug.

ARBEIT

⚠️ WARNUNG:

- Die Maschine darf auf keinen Fall gewaltsam angedrückt werden. Das Eigengewicht der Maschine übt ausreichenden Druck aus. Gewaltanwendung und übermäßiger Druck können zu einem gefährlichen Schleifscheibenbruch führen.
- Wechseln Sie die Schleifscheibe IMMER aus, falls die Maschine während der Arbeit fallen gelassen wurde.
- Eine Schleif- oder Trennscheibe darf NIEMALS gegen das Werkstück geschlagen oder gestoßen werden.
- Achten Sie besonders beim Bearbeiten von Ecken, scharfen Kanten usw. darauf, dass die Schleifscheibe nicht springt oder hängen bleibt. Dies könnte den Verlust der Kontrolle und Rückschläge verursachen.
- Verwenden Sie das Werkzeug NIEMALS mit Holzschneide- oder anderen Sägeblättern. Solche Sägeblätter verursachen bei Verwendung an einer Schleifmaschine häufig ein Rückschlagen und den Verlust der Kontrolle, was zu Verletzungen führen kann.

⚠️ ACHTUNG:

- Schalten Sie das Werkzeug niemals ein, wenn sie mit dem Werkstück in Berührung ist, weil sonst Verletzungsgefahr für den Bediener besteht.
- Tragen Sie bei der Arbeit stets eine Schutzbrille und einen Gesichtsschutz.
- Schalten Sie die Maschine nach der Arbeit stets aus, und warten Sie, bis die Scheibe zum völligen Stillstand gekommen ist, bevor Sie die Maschine ablegen.

Schleifen und Schmirgeln

Abb.18

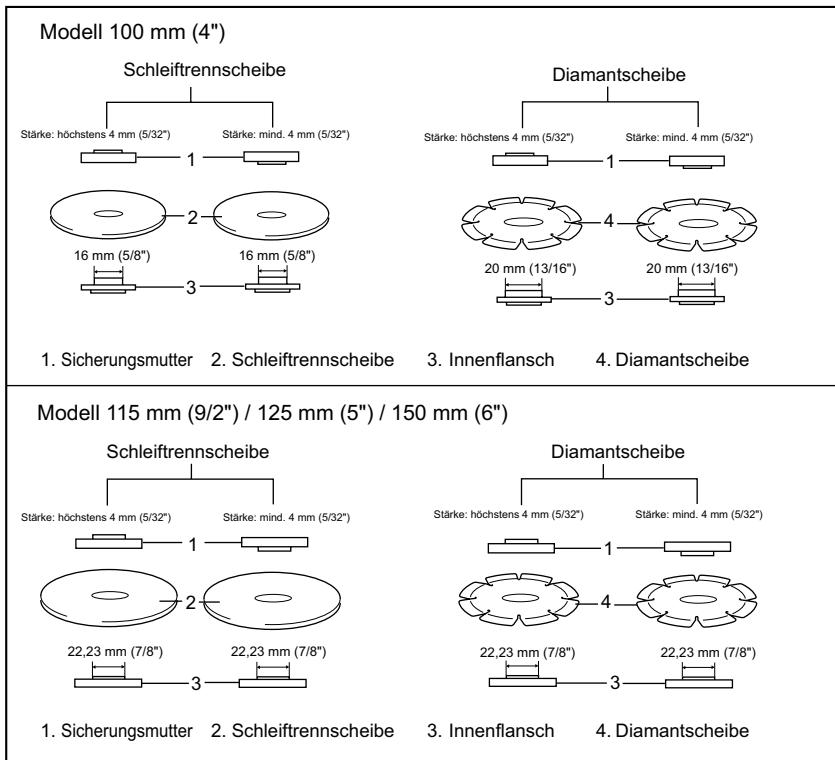
Halten Sie die Maschine IMMER mit einer Hand am Gehäuse und mit der anderen am Seitengriff sicher fest. Schalten Sie das Werkzeug ein und bringen Sie die Trenn- oder Schleifscheibe an das Werkstück. Allgemein gilt, dass sich die Kante der Trenn- oder Schleifscheibe in einem Winkel von 15 ° zur Werkstückoberfläche befinden soll.

Bewegen Sie den Winkelschleifer beim Einschleifen einer neuen Schleifscheibe nicht in Richtung B, weil die Schleifscheibe sonst in das Werkstück einschneidet. Sobald die Schleifscheibenkante durch Gebrauch abgerundet ist, kann die Schleifscheibe sowohl in Richtung A als auch in Richtung B bewegt werden.

Betrieb mit einer Trennschleifscheibe/Diamantscheibe (optionales Zubehör)

Abb.19

Die Richtung für das Anbringen der Sicherungsmutter und des Innenflansches ist von der Dicke der Scheibe abhängig. Informieren Sie sich in der folgenden Tabelle.



012746

⚠️ WARNUNG:

- Vergewissern Sie sich bei Verwendung einer Trennschleifscheibe/Diamantscheibe, dass Sie die spezielle Schutzhaube für diese Trennscheiben verwenden. (In einigen europäischen Ländern: Bei Verwendung einer Diamantscheibe kann der gewöhnliche Schutz verwendet werden. Halten Sie

die Bestimmungen Ihres Landes ein.)

- Verwenden Sie eine Trennscheibe NIEMALS zum Seitenschleifen.
- Klemmen Sie die Scheibe nicht fest und üben Sie keinen übermäßigen Druck aus. Führen Sie keine übermäßig tiefen Schnitte aus. Eine Überlastung der Scheibe erhöht die Belastung und Anfälligkeit zum Verwinden oder Verklemmen der Scheibe im Schnitt, aber auch die Möglichkeit des Rückschlagens oder eines Scheibenbruchs oder

führt zur Überhitzung des Motors.

- Starten Sie den Schnitvorgang nicht im Werkstück. Warten Sie, bis die Scheibe mit voller Drehzahl rotiert und führen Sie die Scheibe vorsichtig in den Schnitt ein, indem Sie das Werkzeug über die Werkstückoberfläche führen. Die Scheibe kann sich verkantet, hochspringen oder zurückschlagen, wenn das Werkzeug im Werkstück eingeschaltet wird.
- Ändern Sie während des Schnitvorgangs niemals den Winkel der Scheibe. Das Anwenden eines Seitendrucks auf die Trennscheibe (wie beim Schleifen) führt zum Splittern und Brechen der Scheibe und zu ernsthaften Personenschäden.
- Eine Diamantscheibe muss senkrecht zum zu schneidenden Material geführt werden.

Betrieb mit einer Topfdrahtbürste (optionales Zubehör)

⚠ACHTUNG:

- Überprüfen Sie die Funktionstüchtigkeit der Bürste, indem Sie das Werkzeug ohne Last laufen lassen. Stellen Sie sicher, dass sich niemand vor oder in einer Linie mit der Bürste befindet.
- Verwenden Sie niemals eine Bürste, die beschädigt oder aus dem Gleichgewicht ist. Die Verwendung einer beschädigten Bürste erhöht das Verletzungsrisiko durch den Kontakt mit gebrochenen Bürstendrähten.

Abb.20

Trennen Sie das Werkzeug von der Stromversorgung und drehen Sie es um, um einen einfachen Zugang zur Spindel zu ermöglichen. Bauen Sie alle Zubehörteile von der Spindel ab. Schrauben Sie die Topfdrahtbürste auf die Spindel und ziehen Sie diese mit dem mitgelieferten Schlüssel fest. Vermeiden Sie bei Verwendung der Bürste übermäßigen Druck, denn dadurch werden die Drähte verbogen und können vorzeitig brechen.

Betrieb mit einer Drahrundbürste (optionales Zubehör)

⚠ACHTUNG:

- Überprüfen Sie die Funktionstüchtigkeit der Drahrundbürste, indem Sie das Werkzeug ohne Last laufen lassen. Stellen Sie sicher, dass sich niemand vor oder in einer Linie mit der Drahrundbürste befindet.
- Verwenden Sie niemals eine Drahrundbürste, die beschädigt oder aus dem Gleichgewicht ist. Die Verwendung einer beschädigten Drahrundbürste erhöht das Verletzungsrisiko durch den Kontakt mit gebrochenen Bürstendrähten.
- Verwenden Sie mit Drahrundbürsten STETS einen Schutz, wobei der Scheibendurchmesser in den Schutz hineinpassen muss. Die Scheibe kann während ihres Gebrauchs zerbrechen. Durch die

Schutzhaube wird das Risiko von Verletzungen verringert.

Abb.21

Trennen Sie das Werkzeug von der Stromversorgung und drehen Sie es um, um einen einfachen Zugang zur Spindel zu ermöglichen. Bauen Sie alle Zubehörteile von der Spindel ab. Drehen Sie die Drahrundbürste auf die Spindel und ziehen Sie diese mit den Schlüsseln fest. Vermeiden Sie bei Verwendung der Drahrundbürste, übermäßigen Druck anzuwenden, denn dadurch werden die Drähte verbogen und können vorzeitig brechen.

WARTUNG

⚠ACHTUNG:

- Bevor Sie mit der Kontrolle oder Wartung des Werkzeugs beginnen, überzeugen Sie sich immer, dass es ausgeschaltet und der Stecker aus der Steckdose herausgezogen ist.
- Verwenden Sie zum Reinigen niemals Kraftstoffe, Benzin, Verdünnern, Alkohol oder ähnliches. Dies kann zu Verfärbungen, Verformungen oder Rissen führen.

Abb.22

Halten Sie die Maschine und ihre Ventilationsöffnungen stets sauber. Reinigen Sie die Ventilationsöffnungen der Maschine regelmäßig oder im Anfangsstadium einer Verstopfung.

Zur Aufrechterhaltung der SICHERHEIT und ZUVERLÄSSIGKEIT des Produkts müssen die Reparaturen, die Kontrolle und der Wechsel der Kohlen sowie alle Wartungen und Einstellungen von den autorisierten Servicestellen der Firma Makita und unter Verwendung der Ersatzteile von Makita durchgeführt werden.

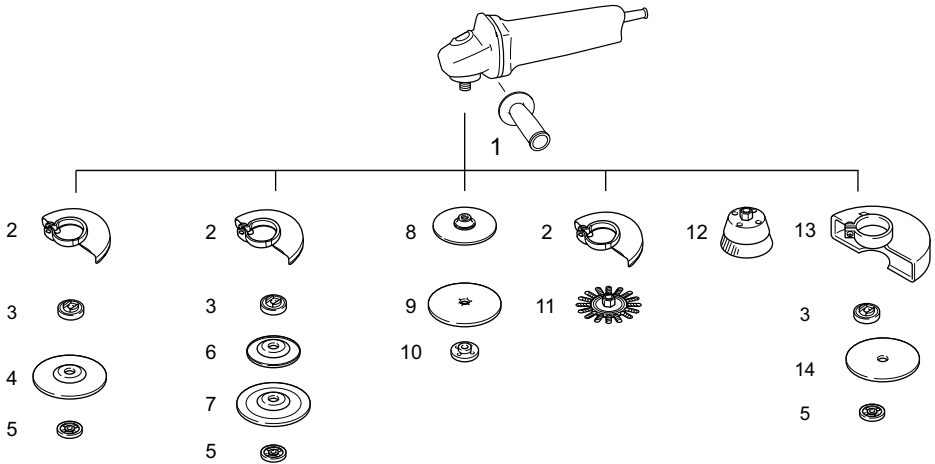
SONDERZUBEHÖR

⚠ACHTUNG:

- Für Ihr Werkzeug Makita, das in dieser Anleitung beschrieben ist, empfehlen wir folgende Zubehörteile und Aufsätze zu verwenden. Bei der Verwendung anderer Zubehörteile oder Aufsätze kann die Verletzungsgefahr für Personen drohen. Die Zubehörteile und Aufsätze dürfen nur für ihre festgelegten Zwecke verwendet werden.

Wenn Sie nähere Informationen bezüglich dieses Zubehörs benötigen, wenden Sie sich bitte an Ihre örtliche Servicestelle der Firma Makita.

- Staubfänger



	Modell 100 mm (4")	Modell 115 mm (9/2")	Modell 125 mm (5")	Modell 150 mm (6")
1	Griff 36			
2	Schutzhaube (für Schleifscheibe)			
3	Innenflansch	Innenflansch Super-Flansch *1	Innenflansch Super-Flansch *1	Innenflansch Super-Flansch *1
4	Gekröpfte Schleifscheibe/Fächerschleifscheibe			
5	Sicherungsmutter	Sicherungsmutter Ezynut-Flansch *2	Sicherungsmutter Ezynut-Flansch *2	Sicherungsmutter Ezynut-Flansch *2
6	Kunststoffteller	Kunststoffteller	Kunststoffteller	-
7	Flexscheibe	Flexscheibe	Flexscheibe	-
8	Gummiteller 76	Gummiteller 100	Gummiteller 115	Gummiteller 125
9	Schleifscheibe			
10	Schmirgel-Sicherungsmutter			
11	Drahrundbürste			
12	Topfdratbürste			
13	Schutzhaube (für Trennscheibe) *3			
14	Trennschleifscheibe/Diamantscheibe			
-	Sicherungsmutterschlüssel			

Hinweis:

*1 Verwenden Sie den Super-Flansch nicht an einem Schleifer, der mit einer Bremse ausgestattet ist.

*2 Verwenden Sie Super- und Ezynut-Flansch nicht zusammen.

*3 In einigen europäischen Ländern: Bei Verwendung einer Diamantscheibe kann der gewöhnliche Schutz statt des Spezialschutzes verwendet werden, der beide Seiten der Scheibe abdeckt. Halten Sie die örtlich geltenden Bestimmungen ein.

013977

ANMERKUNG:

- Einige der in der Liste aufgeführten Elemente sind dem Werkzeugpaket als Standardzubehör beigelegt. Diese können in den einzelnen Ländern voneinander abweichen.

MAGYAR (Eredeti útmutató)

Az általános nézet magyarázata

1-1. Tengelyretesz	9-3. Belső illesztőperem	16-3. Gumitalp
2-1. Csúszókapcsoló	10-1. Rögzítőanya kulcsa	17-1. A jelölés
3-1. Jelzőlámpa (fordulatszám-beállító tárcsa)	10-2. Tengelyretesz	17-2. B jelölés
4-1. Sebességszabályozó tárcsa	11-1. Ezynut rögzítőanya	17-3. C jelölés
6-1. Tárcsavédő	11-2. Csiszolókorong	17-4. D jelölés
6-2. Csapágyház	11-3. Belső illesztőperem	19-1. Rögzítőanya
6-3. Csavar	11-4. Orsó	19-2. Daraboló köszörűtárcsa/gyémánttárcsa
7-1. Tárcsavédő	12-1. Tengelyretesz	19-3. Belső illesztőperem
7-2. Csapágyház	13-1. Nyíl	19-4. Tárcsavédő daraboló köszörűtárcsához
7-3. Csavar	13-2. Bevágás	/gyémánttárcsához
7-4. Kar	15-1. Rögzítőanya	20-1. Drótkefecsésze
8-1. Csavar	15-2. Flexkorong	21-1. Drótkorong
8-2. Kar	15-3. Műanyag talp	22-1. Elszívó nyílás
9-1. Rögzítőanya	15-4. Belső illesztőperem	22-2. Beszívó nyílás
9-2. Süllyesztett középfuratú tárcsa	16-1. Csiszoló rögzítőanya	
	16-2. Csiszolókorong	

RÉSZLETES LEÍRÁS

Modell	GA4040C	GA4041C	GA4540C	GA4541C	GA5040C	GA5041C	GA6040C
Tárcsa átmérője	100 mm (4")		115 mm (4-1/2")		125 mm (5")		150 mm (6")
Max. tárcsavastagság	6,4 mm						
Orsómenet	M10		M14 vagy 5/8" (országoként változó)				
Névleges fordulatszám (n) / Üresjáratú fordulatszám (n ₀)	11 000 min ⁻¹		11 000 min ⁻¹		11 000 min ⁻¹		9000 min ⁻¹
Teljes hossz	303 mm	325 mm	303 mm	325 mm	303 mm	325 mm	303 mm
Tiszta tömeg	2,3 kg	2,6 kg	2,5 kg	2,7 kg	2,5 kg	2,7 kg	2,6 kg
Biztonsági osztály	II/II						

- Folyamatos kutató- és fejlesztőprogramunk eredményeként az itt felsorolt tulajdonságok figyelemzetés nélkül megváltozhatnak.
- A tulajdonságok országról országra különbözhetnek.
- Súly, az EPTA 01/2003 eljárás szerint

ENE048-1

Rendeltetésszerű használat

A szerszám fém és kő csiszolására és vágására szolgál, víz használata nélkül.

ENF002-2

Tápfeszültség

A szerszámot kizárólag olyan egyfázisú, váltóáramú hálózatra szabad kötni, amelynek feszültsége megegyezik az adattábláján szereplő feszültséggel. A szerszám kettős szigetelésű, ezért földelővezeték nélküli aljzatról is működtethető.

ENG905-1

Zaj

A tipikus A-súlyozású zajszint, a EN60745szerint meghatározva:

Típus GA4040C, GA4540C, GA5040C

angnyomásszint (L_{pA}) : 86 dB (A)
Hangteljesítményszint (L_{WA}) : 97 dB (A)
Bizonytalanság (K) : 3 dB (A)

Típus GA6040C

angnyomásszint (L_{pA}) : 87 dB (A)
Hangteljesítményszint (L_{WA}) : 98 dB (A)
Bizonytalanság (K) : 3 dB (A)

Típus GA4541C

angnyomásszint (L_{pA}) : 83 dB (A)
Hangteljesítményszint (L_{WA}) : 94 dB (A)
Bizonytalanság (K) : 3 dB (A)

Típus GA5041C

angnyomásszint (L_{pA}) : 84 dB (A)
Hangteljesítményszint (L_{WA}) : 95 dB (A)
Bizonytalanság (K) : 3 dB (A)

Viseljen fülvédőt.

Vibráció

A vibráció teljes értéke (háromtengelyű vektorösszeg)
EN60745 szerint meghatározva:

Típus GA4040C

Működési mód: felületcsiszolás normál oldalsó markolattal

Vibráció kibocsátás ($a_{h,AG}$): 5,0 m/s²

Bizonytalanság (K): 1,5 m/s²

Működési mód: felületcsiszolás rezgésálló, oldalsó markolattal

Vibráció kibocsátás ($a_{h,AG}$): 5,0 m/s²

Bizonytalanság (K): 1,5 m/s²

Működési mód: csiszolókorongozás normál oldalsó markolattal

Vibráció kibocsátás ($a_{h,DS}$): 3,0 m/s²

Bizonytalanság (K): 1,5 m/s²

Működési mód: csiszolókorongozás rezgésálló oldalsó markolattal

Vibrációkibocsátás ($a_{h,DS}$): 2,5 m/s² vagy kevesebb

Bizonytalanság (K): 1,5 m/s²

Típus GA4540C

Működési mód: felületcsiszolás normál oldalsó markolattal

Vibráció kibocsátás ($a_{h,AG}$): 6,0 m/s²

Bizonytalanság (K): 1,5 m/s²

Működési mód: felületcsiszolás rezgésálló, oldalsó markolattal

Vibráció kibocsátás ($a_{h,AG}$): 5,5 m/s²

Bizonytalanság (K): 1,5 m/s²

Működési mód: csiszolókorongozás normál oldalsó markolattal

Vibráció kibocsátás ($a_{h,DS}$): 2,5 m/s²

Bizonytalanság (K): 1,5 m/s²

Működési mód: csiszolókorongozás rezgésálló oldalsó markolattal

Vibráció kibocsátás ($a_{h,DS}$): 2,5 m/s²

Bizonytalanság (K): 1,5 m/s²

Típus GA5040C

Működési mód: felületcsiszolás normál oldalsó markolattal

Vibráció kibocsátás ($a_{h,AG}$): 6,5 m/s²

Bizonytalanság (K): 1,5 m/s²

Működési mód: felületcsiszolás rezgésálló, oldalsó markolattal

Vibráció kibocsátás ($a_{h,AG}$): 5,5 m/s²

Bizonytalanság (K): 1,5 m/s²

Működési mód: csiszolókorongozás normál oldalsó markolattal

Vibráció kibocsátás ($a_{h,DS}$): 2,5 m/s²

Bizonytalanság (K): 1,5 m/s²

Működési mód: csiszolókorongozás rezgésálló oldalsó markolattal

Vibráció kibocsátás ($a_{h,DS}$): 2,5 m/s²

Bizonytalanság (K): 1,5 m/s²

Típus GA6040C

Működési mód: felületcsiszolás normál oldalsó markolattal

Vibráció kibocsátás ($a_{h,AG}$): 6,5 m/s²

Bizonytalanság (K): 1,5 m/s²

Működési mód: felületcsiszolás rezgésálló, oldalsó markolattal

Vibráció kibocsátás ($a_{h,AG}$): 6,0 m/s²

Bizonytalanság (K): 1,5 m/s²

Működési mód: csiszolókorongozás normál oldalsó markolattal

Vibráció kibocsátás ($a_{h,DS}$): 2,5 m/s²

Bizonytalanság (K): 1,5 m/s²

Működési mód: csiszolókorongozás rezgésálló oldalsó markolattal

Vibrációkibocsátás ($a_{h,DS}$): 2,5 m/s² vagy kevesebb

Bizonytalanság (K): 1,5 m/s²

Típus GA4541C

Működési mód: felületcsiszolás normál oldalsó markolattal

Vibráció kibocsátás ($a_{h,AG}$): 6,5 m/s²

Bizonytalanság (K): 1,5 m/s²

Működési mód: felületcsiszolás rezgésálló, oldalsó markolattal

Vibráció kibocsátás ($a_{h,AG}$): 5,5 m/s²

Bizonytalanság (K): 1,5 m/s²

Működési mód: csiszolókorongozás normál oldalsó markolattal

Vibrációkibocsátás ($a_{h,DS}$): 2,5 m/s² vagy kevesebb

Bizonytalanság (K): 1,5 m/s²

Működési mód: csiszolókorongozás rezgésálló oldalsó markolattal

Vibrációkibocsátás ($a_{h,DS}$): 2,5 m/s² vagy kevesebb

Bizonytalanság (K): 1,5 m/s²

Típus GA5041C

Működési mód: felületcsiszolás normál oldalsó markolattal

Vibráció kibocsátás ($a_{h,AG}$): 7,0 m/s²

Bizonytalanság (K): 1,5 m/s²

Működési mód: felületcsiszolás rezgésálló, oldalsó markolattal

Vibráció kibocsátás ($a_{h,AG}$): 6,0 m/s²

Bizonytalanság (K): 1,5 m/s²

Működési mód: csiszolókorongozás normál oldalsó markolattal

Vibrációkibocsátás ($a_{h,DS}$): 2,5 m/s² vagy kevesebb

Bizonytalanság (K): 1,5 m/s²

Működési mód: csiszolókorongozás rezgésálló oldalsó markolattal

Vibrációkibocsátás ($a_{h,DS}$): 2,5 m/s² vagy kevesebb

Bizonytalanság (K): 1,5 m/s²

ENG902-1

- A rezgés-kibocsátás értéke a szabványos vizsgálati eljárásnak megfelelően lett mérve, és segítségével az elektromos kéziszerszámok összehasonlíthatók egymással.
- A rezgés-kibocsátás értékének segítségével előzetesen megbecsülhető a rezgésnek való kitettség mértéke.
- A rezgés-kibocsátás megadott értéke a szerszám használatának alapvető módjára vonatkozik. Ha a szerszámot más célra használja, a vibráció értéke eltérő lehet.

⚠ FIGYELMEZTETÉS:

- A szerszám rezgés-kibocsátása egy adott alkalmazásnál eltérhet a megadott értéktől a használat módjától függően.
- Határozza meg a kezelő védelmét szolgáló munkavédelmi lépéseket, melyek az adott munkafeltételek melletti vibrációs hatás becsült mértékén alapulnak (figyelembe véve a munkaciklus elemeit, mint például a gép leállításának és üresjáratának mennyiségét az elindítások száma mellett).

ENH101-16

Csak európai országokra vonatkozóan

EK Megfelelőségi nyilatkozat

Mi, a Makita Corporation, mint a termék felelős gyártója kijelentjük, hogy a következő Makita gép(ek):

Gép megnevezése:

Sarokcsiszoló

Típus sz./ Típus: GA4040C, GA4540C, GA5040C,

GA6040C, GA4541C, GA5041C

sorozatgyártásban készül és

Megfelel a következő Európai direktíváknak:

2006/42/EC

És gyártása a következő szabványoknak valamint szabványosított dokumentumoknak megfelelően történik:

EN60745

A műszaki dokumentációt őrzi:

Makita International Europe Ltd.

Technical Department,

Michigan Drive, Tongwell,

Milton Keynes, Bucks MK15 8JD, Anglia

30.8.2011



000230

Tomoyasu Kato

Igazgató

Makita Corporation

3-11-8, Sumiyoshi-cho,

Anjo, Aichi, 446-8502, JAPÁN

GEA010-1

A szerszámgepekre vonatkozó általános biztonsági figyelmeztetések

⚠ FIGYELEM Olvassa el az összes biztonsági figyelmeztetést és utasítást. Ha nem tartja be a figyelmeztetéseket és utasításokat, akkor áramütést, tüzet és/vagy súlyos sérülést okozhat..

Őrizzen meg minden figyelmeztetést és utasítást a későbbi tájékozódás érdekében.

GEB033-7

CSISZOLÓ BIZTONSÁGI FIGYELMEZTETÉSEK

A biztonsági figyelmeztetések megegyeznek a köszörülési, csiszolási, drótkéfése vagy köszörülési daraboló műveletek esetében:

1. **Ez az elektromos szerszám működhet köszörű, csiszoló, drótkéfe vagy daraboló szerszámként. Olvassa el az összes, ezen elektromos szerszámhoz mellékelt biztonsági figyelmeztetést, utasítást, illusztrációt és specifikációt.** A következőkben leírt utasítások figyelmen kívül hagyása elektromos áramütést, tüzet és/vagy komoly sérülést eredményezhet.
2. **Polírozási műveletek végzése nem javasolt ezzel az elektromos szerszámmal.** Az olyan műveletek végzése, amelyekre az elektromos szerszám nem lett tervezve, veszélyhelyzeteket és személyi sérüléseket eredményezhet.
3. **Ne használjon olyan kiegészítőket, amelyek nem speciálisan erre a célra lettek tervezve és a szerszám gyártója nem javasolta azok használatát.** Az, hogy a kiegészítő hozzákapcsolható a szerszámmal, még nem biztosítja a biztonságos működést.
4. **A kiegészítő névleges sebessége legalább akkora kell legyen, mint a szerszámon megadott legmagasabb sebességérték.** A névleges

sebességüknél magasabb sebességen működő kiegészítők összetörhetnek és szétrepülhetnek.

5. **A kiegészítő külső átmérője és vastagsága a szerszám kapacitásának határain belül kell legyenek.** A nem megfelelő méretű kiegészítőket nem lehet megfelelően védeni és irányítani.
6. **A tartozékok menetes csatlakozójának meg kell felelnie a csiszoló tengely menetének. Az illesztőperemes csatlakozású tartozékok tengelynyílásának illeszkednie kell az illesztőperem nyílásába.** Ha egy tartozék nem illeszkedik pontosan a szerszám gép csatlakozórészébe, a gép járása egyenetlen, vibrációja túl nagy lesz, és a kezelő akár el is vesztheti felette az uralmat.
7. **Ne használjon sérült kiegészítőket. Minden használat előtt ellenőrizze az adott kiegészítőt, a csiszoló tárcsákat, hogy nem-e csorbultak vagy repedtek, az alátétlapokat, hogy nem-e repedtek, szakadtak vagy kopottak, a drótkéfeket, hogy a drótok nem-e feszültek vagy törtek el.** Ha az elektromos szerszám kiegészítője leesett, vizsgálja át azt a sérülések tekintetében, vagy szereljen fel egy sérülésmentes kiegészítőt. A kiegészítő átvizsgálása és felszerelése után Ön és a közelben állók menjenek távol a forgó kiegészítő síkjától, majd működtesse a szerszámot a maximális terhelés nélküli sebességen egy percen át. A sérült kiegészítők általában összetörnek ezen tesztidőtartam alatt.
8. **Viseljen személyi védőeszközöket. A munka jellegétől függően használjon arcvédőt, szemvédőt vagy védőszemüveget. Ha szükséges, vegyen fel pormaszkot, fülvédőt, kesztyűt és olyan kötenyt, amely képes felfogni a csiszolóanyagból vagy a munkadarabból származó kisméretű darabokat.** A szemvédőnek képesnek kell lennie felfogni a különböző műveletek során keletkező repülő törmelékdarabokat. A pormaszknak vagy a légzőkészüléknek képesnek kell lennie a művelet során keletkező részecskék kiszűrésére. A hosszabb ideig tartó nagy intenzitású zaj halláskárosodást okozhat.
9. **A környezetében tartózkodók álljanak biztonságos távolságra a munkaterülettől. Bárkinek, aki a munkaterületre lép, személyi védelmi eszközöket kell felvennie.** A munkadarabból vagy egy széttrött kiegészítőtől származó darabok szétrepülhetnek és sérüléseket okozhatnak a szerszám használati helye mögötti területen.
10. **A elektromos szerszámot kizárólag a szigetelt markolási felületeinél fogva tartsa, amikor olyan műveletet végez, amelyben fennáll a veszélye, hogy a vágóél egy rejtett vezetékhez vagy saját hálózati vezetékéhez**

érhet. A vágóél "élő" vezetékkel való érintkezésekor a szerszám fém alkatrészei is áram alá kerülnek, és megrázzhatják a kezelőt.

11. **A csatlakozózsínort úgy vezesse, hogy ne legyen a forgó szerszám közelében.** Ha elveszíti az irányítást a szerszám felett, a zsinór behúzhatja a kezét vagy a karját a forgó szerszámba.
12. **Soha ne fektesse le az elektromos gépet addig, amíg az teljesen meg nem állt.** A forgó szerszám beakadhat a felületbe, és irányíthatatlanná válhat.
13. **Ne működtesse a szerszámot amikor az oldalánál viszi.** Ha a szerszám véletlenül Önhöz ér, elkaphatja a ruháját, és a szerszám a testébe hatolhat.
14. **Rendszeresen tisztítsa meg az elektromos szerszám szellőzőnyílásait.** A motor ventilátora beszívja a port a készülék belsejébe, és a fémport túlzott felhalmozódása veszélyes elektromos körülményeket teremthet.
15. **Ne működtesse az elektromos szerszámot gyúlékony anyagok közelében.** A szikrák felgyújtják ezeket az anyagokat.
16. **Ne használjon olyan kiegészítőket, amelyekhez folyékony hűtőközeg szükséges.** Víz vagy más folyadék használata rövidzárlatot vagy áramütést okozhat.

A visszarúgásra és hasonló jelenségekre vonatkozó figyelmeztetések

A visszarúgás a szerszám hirtelen reakciója a beszorult vagy elakadt forgótárcsára, alátétlapra, kefére vagy más kiegészítőre. A beszorulás vagy az elakadás a forgó kiegészítő hirtelen megállását okozza, amely ahhoz vezet, hogy az irányíthatatlanná vált elektromos szerszám a forgási iránnyal ellentétes irányba mozdul el a megakadási pontban.

Például ha a csiszolókorong beakad vagy beszorul a munkadarabba, a tárcsa széle a beszorulás pontjában bevájhatja magát az anyag felszínébe, miáltal a tárcsa kimászik vagy kiugrik. A tárcsa a kezelő felé az ellenkező irányba is ugorhat, a tárcsa mozgásának irányától függően a beszorulási pontban. A csiszoló tárcsák össze is törhetnek ilyen körülmények között.

A visszarúgás az elektromos szerszám helytelen használatának és/vagy a hibás megmunkálási eljárásnak az eredménye és az alább leírt óvintézkedések betartásával elkerülhető.

- a) **Fogja stabilan az elektromos szerszámot mindkét kezével és irányítsa úgy a karjait, hogy ellen tudjon állni a visszarúgáskor fellépő erőnek. Mindig használja a kiegészítő fogantyút, ha van, hogy maximálisan uralja a visszarúgáskor, vagy a bekapcsoláskor fellépő nyomatékreakciókat.** A kezelő uralhatja a nyomatékreakciókat és visszarúgáskor fellépő erőket, ha megteszi a megfelelő óvintézkedéseket.

- b) **Soha ne tegye a kezét a forgó kiegészítő közelébe.** A kiegészítő visszarúghat a kezein át.
- c) **Ne irányítsa a testét arra a területre, amerre az elektromos szerszám visszarúgáskor mozoghat.** A visszarúgás a szerszámot a tárcsa beszorulási pontbeli mozgásának irányával ellentétesen fogja fogatni.
- d) **Legyen különösen óvatos sarkok, éles szélek, stb. megmunkálásakor.** Kerülje el a kiegészítő pattogását vagy megugrását. A sarkok, éles szélek vagy a pattogás hatására a forgó kiegészítő kiugorhat, az irányítás elvesztését vagy visszarúgást okozva.
- e) **Ne szereljen fel fafaragó fűrészlapot vagy fogazott fűrészlapot.** Ezek a lapok gyakran visszarúgást és az irányítás elvesztését okozzák.

Speciális biztonsági figyelmeztetések a köszörülési és csiszolási vágóműveletekhez:

- a) **Csak az elektromos szerszámaához javasolt csiszoló-tárcsát használja és a kiválasztott tárcsához járó tárcsavédőt.** Azok a tárcsák, amelyek nem találnak az elektromos szerszámahoz, nem védhetők megfelelően és nem biztonságosak.
- b) **A sülyesztett középfuratú tárcsát a védőperem síkja alatt kell felszerelni.** A helytelenül felszerelt, a védőperem síkján túlnyúló tárcsának nem lehet megfelelő védelmet biztosítani.
- c) **A tárcsavédőt biztonságosan kell felszerelni az elektromos szerszáma, úgy elhelyezve, hogy a tárcsa a kezelő felől a lehető legnagyobb részben takarva legyen.** A tárcsavédő megvédi a kezelőt a letöredezett tárcsadaraboktól, a tárcsával való esetleges érintkezéstől, és a szikráktól, amelyek lángra lobbantathatják a ruházatát.
- d) **A tárcsákat csak a javasolt alkalmazásokra szabad használni.** Például: ne csiszoljon a vágótárcsa oldalával. A daraboló köszörültárcsáknak csak az élével lehet csiszolni, mert az oldalirányú erők hatására ezek a tárcsák összetörhetnek.
- e) **Mindig csak sérülésmentes illesztőperemet használjon a tárcsához, melynek mérete és alakja a kiválasztott tárcsának megfelelő.** A megfelelő illesztőperemek megtámasztják a korongot, ezzel csökkentve a törés valószínűségét. A daraboló tárcsák illesztőperemei különbözhetnek a csiszoló-tárcsa illesztőperemeitől.
- f) **Ne használjon nagyobb méretű szerszámokról leszerelt kopott tárcsákat.** A nagyobb elektromos szerszámokhoz tervezett tárcsa nem használható a kisebb szerszám nagyobb forgási sebessége miatt, és szétrobbanhat.

További speciális biztonsági figyelmeztetések a daraboló köszörülési műveletekhez:

- a) **Ne „akassza be” a daraboló tárcsát vagy ne nyomja meg túlságosan.** Ne próbáljon túl mély vágást végezni. A tárcsa túlságos igénybevétele növeli a terhelést, és a tárcsa kifordulhat, vagy szorulhat a vágásban, és nő a visszarúgási vagy tárcsa eltérési lehetősége.

- b) **Ne helyezkedjen el egyvonalban, vagy a forgótárcsa mögé.** Ha a tárcsa a művelet egyik pontjában a teste irányából elmozdul, a lehetséges visszarúgás közvetlenül Ön fele hajthatja az orsós tárcsát és az elektromos szerszámot.
- c) **Ha a tárcsa szorul, vagy ha megáll a vágással bármilyen okból kifolyólag, kapcsolja ki az elektromos szerszámot és tartsa mozdulatlanul a szerszámot mindaddig, amíg a tárcsa teljesen leáll.** Soha ne próbálja kivenni a vágásból a daraboló tárcsát, miközben az mozgásban van, mivel visszarúgást okozhat. Figyelje meg és intézkedjen a tárcsa szorulási okának kiküszöbölésére.
- d) **Ne kezdje újra a vágást a munkadarabban.** Hagyja a tárcsát elérni a teljes sebességét, majd óvatosan vige a vágatba. Ha az elektromos szerszámot a munkadarabon indítja újra, a tárcsa szorulhat, kiléphet vagy visszarúghat.
- e) **A nagyméretű falapokat vagy bármely nagy munkadarabot támassza alá a tárcsa beszorulását és a visszarúgást elkerülendő.** A nagyméretű munkadarabok meghajolhatnak saját súlyuk alatt. Támasztékot a munkadarab alá kell tenni, a vágóvonal közelében és a munkadarab szélétől nem messze, a tárcsa mindkét oldalára.
- f) **Különösen figyeljen oda amikor "zsebvágást" végez falakba vagy más nem belátható területekre.** A kiemelkedő tárcsaelvágat gáz vagy vízvezetékeket, elektromos vezetékeket vagy tárgyakat, ami visszarúgást okozhat.

Biztonsági figyelmeztetések speciálisan a köszörülési műveletre vonatkozóan:

- a) **Ne alkalmazzon különösen túlméretezett csiszolópapírt.** Kövesse a gyártó javaslatait a csiszolópapír kiválasztásakor. A csiszolópadról lelógó csiszolópapír szakítási veszélyt jelent, és a tárcsa kiugrását, repedését vagy visszarúgását okozhatja.

Biztonsági figyelmeztetések speciálisan a drótkéféli műveletre vonatkozóan:

- a) **Vigyázzon a drótsörték ledobására akár a megszokott művelet közben is.** Ne vegye túlságosan igénybe a drótokat a kefe túlterhelésével. A drótsörték könnyen átmehetnek a könnyű ruházaton keresztül és / vagy a bőrön.
- b) **Ha a drótkéfélezés javasolt a védő használat, ne engedje érintkezni a dróttárcsát vagy kefét a védőtárcsával.** A terhelés és a centrifugális erő következtében a dróttárcsa vagy kefe átmérője növekedhet.

Kiegészítő biztonsági figyelmeztetések:

17. **Sülyesztett középfuratú csiszoló-tárcsák használatakor ügyeljen rá, hogy csak üvegzsálas erősítésű tárcsákat használjon.**
18. **SOHA NE HASZNÁLJON kőcsiszoló típusú tárcsákat ezzel a csiszolóval.** Ezt a csiszolót nem ilyen típusú tárcsák használatára tervezték, a kőcsiszoló tárcsák használata súlyos személyi sérüléseket okozhat.

19. Legyen óvatos, ne rongálja meg az orsót, az illesztőperemet (különösen annak szerelési felületét) vagy a rögzítőanyát. Ezen alkatrészek károsodása a tárcsa törését okozhatja.
20. Ellenőrizze, hogy a tárcsa nem ér a munkadarabhoz, mielőtt bekapcsolja a szerszámot.
21. Mielőtt használja a szerszámot a tényleges munkadarabon, hagyja járni egy kicsit. Figyelje a rezgéseket vagy imbolygást, amelyek rosszul felszerelt vagy rosszul kiegyensúlyozott tárcsára utalhatnak.
22. Csíszoláshoz használja a tárcsa erre kijelölt felületét.
23. Ne hagyja a szerszámot bekapcsolva. Csak kézben tartva használja a szerszámot.
24. Ne érjen a munkadarabhoz közvetlenül a munkavégzést követően; az rendkívül forró lehet és megégetheti a bőrét.
25. Kövesse a gyártó útmutatásait a tárcsák helyes felszerelését és használatát illetően. Körültekintően kezelje és tárolja a tárcsákat.
26. Ne használjon külön szűkítőhüvelyeket vagy adaptereket a nagy furattal rendelkező tárcsák illesztéséhez.
27. Csak a szerszámhoz engedélyezett illesztőperemeket használja.
28. A menetes furatú tárcsákkal felszerelhető szerszámok esetében ellenőrizze, hogy a tárcsa menete elég hosszú, hogy befogadja az orsó menetét.
29. Ellenőrizze, hogy a munkadarab megfelelően alá van támasztva.
30. Figyeljen oda arra, hogy a tárcsa tovább forog a szerszám kikapcsolása után.
31. Ha a munkahely különösen meleg és párás, vagy elektromosan vezető porral szennyezett, használjon rövidzárlati megszakítót (30 mA) a biztonságos működés érdekében.
32. Ne használja a szerszámot azbesztes tartalmú anyagokon.
33. Kivágótárcsa használatkor mindig a helyi szabályozás által előírt porgyűjtő tárcsavédőt felszerelve dolgozzon.
34. A vágókorongokat nem szabad laterális irányú nyomásnak kitenni.

ŐRIZZE MEG EZEKET AZ UTASÍTÁSOKAT.

▲ FIGYELMEZTETÉS:

NE HAGYJA, hogy a kényelem vagy a termék (többszöri használatból adódó) mind alaposabb ismerete váltsa fel az adott termékre vonatkozó biztonsági előírások szigorú betartását. **A HELYTELEN HASZNÁLAT** és a használati útmutatóban szereplő biztonsági előírások megszegése súlyos személyi sérülésekhez vezethet.

MŰKÖDÉSI LEÍRÁS

▲ VIGYÁZAT:

- Mindig bizonyosodjon meg a szerszám kikapcsolás és a hálózathoz nem csatlakoztatott állapotáról mielőtt ellenőrzi vagy beállítja azt.

Tengelyretesz

Fig.1

▲ VIGYÁZAT:

- Soha ne hozza működésbe a tengelyreteszt ha az orsó még forog. A szerszám károsodhat.

Nyomja le a tengelyreteszt az orsó forgásának megakadályozásához amikor a tartozékokat felszereli vagy leszereli.

A kapcsoló használata

Fig.2

▲ VIGYÁZAT:

- A szerszám csatlakoztatása előtt az áramforráshoz mindig ellenőrizze, hogy a csúszókapcsoló megfelelően működik és visszatér az "OFF" állásba amikor a csúszókapcsoló hátulsó részét lenyomja.
- Huzamosabb használatkor a kapcsoló az "ON" pozícióban elreteszeltető a kezelő munkáját megkönnyítendő. Legyen nagyon körültekintő, amikor a szerszámot elreteszeli az "ON" pozícióban és szilárdan tartsa a szerszámot.

A szerszám bekapcsolásához csúsztassa a kapcsolót annak hátsó részét nyomva az „I (be)” pozíció irányába. A folyamatos működéshez reteszelve a csúszókapcsolót úgy, hogy lenyomja az előlső részét.

A szerszám kikapcsolásához nyomja le a kapcsoló hátsó részét, majd csúsztassa a „O (ki)” pozíció irányába.

Jelzőlámpa

Fig.3

A zöld jelzőlámpa kigyullad, amikor a szerszám csatlakoztatva van az áramforráshoz. Ha jelzőlámpa nem gyullad ki, akkor a hálózati kábel vagy a vezérlő meghibásodhatott. Ha a jelzőlámpa világít, de a szerszám mégsem indul be, még akkor sem, ha a szerszámot bekapcsolja, akkor a szénkefék elhasználódhattak vagy az elektromos áramkör, a motor, vagy a KI-BE kapcsoló meghibásodhatott.

Nem szándékos újraindítási megfigyelés

A szerszám a kapcsoló bekapcsolva reteszelt helyzetében nem indul el akkor sem, ha a be van dugva a fali aljzatba.

Ekkor a visszajelző pirosan villog azt jelezve, hogy bekapcsolt a szándékolatlan indítást megelőző rendszer. A szándékolatlan indítást megelőző rendszer alaphelyzetbe állításához csúsztassa vissza a kapcsolót „O (ki)” helyzetbe.

Sebességszabályozó tárcsa

Fig.4

A szerszám forgási sebessége a sebességszabályozó tárcsa elforgatásával állítható az 1 és 5 közötti fokozatok között.

Nagyobb lesz a sebesség, ha a tárcsát az 5 szám irányába forgatja. Kisebb lesz a sebesség, ha azt az 1 szám irányába forgatja.

Tájékozódjon az alábbi táblázatból a tárcsán beállított érték és a hozzávetőleges forgási sebesség kapcsolatáról.

GA4040C, GA4540C, GA5040C, GA4041C, GA4541C, GA5041C típusnál

Szám	min ⁻¹ (revolution per minute)
1	2800
2	4000
3	6000
4	8000
5	11 000

012752

GA6040C típusnál

Szám	min ⁻¹ (revolution per minute)
1	4000
2	5000
3	6000
4	7000
5	9000

012756

⚠VIGYÁZAT:

- Ha a szerszámot folyamatosan, hosszabb ideig kis sebességen üzemeltetik, akkor a motor túlterhelődik és felmelegszik.
- A sebességszabályozó tárcsa csak a 5 számig fordítható el, visszafelé pedig az 1-ig. Ne erőltesse azt a 5 vagy 1 jelzéseken túl, mert a sebességszabályozó funkció nem fog tovább működni.

Elektronikus funkció

Az elektronikus funkciókkal ellátott szerszámokat könnyű működtetni a következő jellemzők miatt.

Állandó fordulatszám-szabályozás

A folyamatos fordulatszámot fenntartó funkció tökéletes munkát biztosít a fordulatszám terhelés alatt is változatlan értéken tartásával.

Lágyindítás

A lágyindítási funkció kiküszöböli az indításkor előforduló rántást.

Túlterhelés-védelem

Amikor a szerszám terhelése meghaladja a megengedett szintet, a motor áramellátása lecsökken, hogy megvédje a motort a túlmelegedéstől. Ahogy a terhelés a megengedett szint alá csökken, a szerszám újra normál üzemmódban fog működni.

Mechanikus fék

GA4041C, GA4541C, GA5041C típusnál

A mechanikus fék a szerszám kikapcsolása után aktiválódik.

A fék nem működik az áramellátás kikapcsolása esetén, még ha be is van kapcsolva a szerszám.

ÖSSZESZERELÉS

⚠VIGYÁZAT:

- Mindig bizonyosodjon meg a szerszám kikapcsolt és a hálózathoz nem csatlakoztatott állapotáról mielőtt bármilyen munkát végezne rajta.

Az oldalsó markolat (nyél) felszerelése

Fig.5

⚠VIGYÁZAT:

- Használat előtt mindig bizonyosodjon meg az oldalsó markolat szilárd felszereltségéről.

Rögzítse az oldalsó fogantyút a helyére a szerszámon az ábrának megfelelően.

A tárcsavédő fel- és leszerelése (süllyesztett középfuratú korong, lapos korong, flexkorong, drótkorong/daraboló köszörűtárcsa, gyémánttárcsa esetén)

⚠FIGYELMEZTETÉS:

- Süllyesztett középfuratú korong, lapos korong, flexkorong vagy drótkorong használatakor a korongvédőt úgy kell felszerelni a szerszámba, hogy zárt oldalával mindig a kezelő felé nézzen.
- Daraboló köszörűtárcsa/gyémánttárcsa használatakor ügyeljen arra, hogy csak daraboló köszörűtárcsákhoz készített tárcsavédőt alkalmazzon. (Egyes európai országokban a gyémánttárcsa használatakor az általános tárcsavédő használható. Kövesse a hazájában érvényes előírásokat.)

A csavarreteszés tárcsavédő esetén

Fig.6

Úgy szerelje fel a tárcsavédőt, hogy a szorítóbilincsen található kiemelkedés illeszkedjen a csapágyházon levő bevágáshoz. Ezután forgassa el a tárcsavédőt körülbelül 180 fokkal az óramutató járásával ellentétesen. Ügyeljen rá, hogy a csavart meghúzza.

A tárcsavédő eltávolításához kövesse a felszerelési eljárást fordított sorrendben.

A rögzítőkaros tárcsavédő esetén

Fig.7

Húzza a kart a nyíl irányába a csavar meglazítása után. Úgy szerelje fel a tárcsavédőt, hogy a szorítóbilincsen található kiemelkedés illeszkedjen a csapágyházon levő bevágáshoz. Then rotate the wheel guard around 180°.

Fig.8

Húzza meg a tárcsavédőt rögzítő csavart, miután a kart a nyíl irányába húzta. A tárcsavédő szögét a kar segítségével lehet módosítani.

A tárcsavédő eltávolításához kövesse a felszerelési eljárást fordított sorrendben.

Süllyesztett középfuratú korong vagy lapos korong használatakor a korongvédőt úgy kell felszerelni a szerszámra, hogy zárt oldalával mindig a kezelő felé nézzen.

▲FIGYELMEZTETÉS:

- A süllyesztett középfuratú vagy a lapos tárcsa (opcionális kiegészítő) felhelyezése és eltávolítása

Fig.9

Helyezze a belső illesztőperemet az orsóra. Illessze a tárcsát/korongot a belső illesztőperemre és csavarja fel a biztosítóanyát az orsóra.

Fig.10

A rögzítőanya meghúzásához nyomja le a tengelyreteszt, hogy a tengely ne tudjon forogni, majd a rögzítőanya kulcsával szorosan húzza meg az anyát az óramutató járásának irányába.

A tárcsa eltávolításához kövesse a felszerelési eljárást fordított sorrendben.

Extra illesztőperem (választható tartozék)

Az F jelű típusok standard felszereltsége az extra illesztőperem. A szokásos típushoz képest csak 1/3-nyi erőfeszítésre van szükség a rögzítőanya kilátásához.

▲VIGYÁZAT:

- Mechanikus fékkel rendelkező típusokon ne használjon extra illesztőperemet. Az extra illesztőperem lelazulhat, amikor a mechanikus fék működésbe lép.

Ezynyut (opcionális kiegészítő) felhelyezése és eltávolítása

▲VIGYÁZAT:

- Ne használja az Ezynyut rögzítőanyát extra illesztőperemmel vagy olyan Makita sarkocsiszolóval, amelynek a típuszáma „F” betűvel végződik. Ezen modellek illesztőperemei annyira vastagok, hogy a tengely nem tudja fogadni a rögzítőanya minden menetét.

Fig.11

A belső illesztőperemet, a csiszolótárcsát és az Ezynyut rögzítőanyát úgy szerelje fel a tengelyre, hogy a Makita embléma a rögzítőanyán kifelé nézzen.

Fig.12

Nyomja be erősen a tengelyreteszt, majd kézzel húzza meg szorossra az Ezynyut rögzítőanyát a csiszolótárcsa óramutató járásával egyező irányú elforgatásával. Meglazításhoz forgassa az Ezynyut külső gyűrűjét az óramutató járásával ellentétes irányba.

Fig.13

Fig.14

MEGJEGYZÉS:

- Az Ezynyut rögzítőanya mindaddig kézzel meglazítható, míg a nyíl a rovátkára mutat. Egyéb esetben a rögzítőanyát csak kulccsal lehet meglazítani. A kulcs egyik tuskóját helyezze az Ezynyut egyik furatába, és forgassa el a rögzítőanyát az óramutató járásával ellentétes irányba.

A flexkorong (opcionális kiegészítő) felhelyezése és eltávolítása

▲FIGYELMEZTETÉS:

- Mindig alkalmazza a mellékelt tárcsavédőt, ha flexkorong van a gépre szerelve. A korong széttörhet a használat során, és a védőburkolat csökkenti a személyi sérülés esélyét.

Fig.15

Kövesse a süllyesztett középfuratú korong használatára vonatkozó utasításokat, de a tárcsára tegye fel a műanyag betétet is. Az összeállítási sorrendet megtalálja a kézikönyv tartozékokat tartalmazó oldalán.

Csiszolókorong (opcionális kiegészítő) felhelyezése és eltávolítása

MEGJEGYZÉS:

- Csak az ebben a kézikönyvben leírt kiegészítőket használja a csiszolóhoz. Ezeket külön meg kell vásárolni.

Fig.16

Szerelje a gumitalpat az orsóra. Illessze a korongot a gumitalpra, és csavarja a csiszoló rögzítőanyát az orsóra. A csiszoló rögzítőanya meghúzásához nyomja le a tengelyreteszt, hogy a tengely ne tudjon forogni, majd a rögzítőanya kulcsával szorosan húzza meg az anyát az óramutató járásának irányába.

A korong eltávolításához kövesse a felhelyezési eljárást fordított sorrendben.

A porvédő toldalék (opcionális kiegészítő) felhelyezése és eltávolítása

▲FIGYELMEZTETÉS:

- **Mindig győződjön meg róla, hogy a gép ki van kapcsolva és ki van húzva, mielőtt a porfogó toldalék fel- vagy leszerelésébe kezd.** Ennek figyelmen kívül hagyása a szerszám károsodásához vagy személyi sérüléshez vezethet.

Négy különböző porfogó toldalék választható, melyek mindegyikét a különböző pozíciók egyikében lehet használni.

Fig.17

Állítsa be úgy a porfogó toldalékokat, hogy a jelölés (A, B, C vagy D) az ábrázolt módon helyezkedjen el. Pattintsza a toldalékokat rögzítő csapokat a szellőzőnyílásokba. A porvédő toldalékokat kézzel lehet eltávolítani.

MEGJEGYZÉS:

- Tisztítsa ki a porvédő toldalékot, ha azt a fűrészpor vagy idegen tárgyak eltömítik. A munka folytatása eltömődött porvédő toldalékkal károsítja a szerszámot.

ÜZEMELTETÉS

⚠ FIGYELMEZTETÉS:

- Soha nem szabad erőltetni a szerszámot. A szerszám súlya elegendő nyomóerőt biztosít. Az erőltetés és a túlzott nyomáskifejtés a tárcsa töréséhez vezethet, ami veszélyes.
- MINDIG cserélje ki a tárcsát, ha a szerszám leesett csiszolás közben.
- SOHA ne csapja vagy üsse oda a csiszolókorongot vagy a tárcsát a munka során.
- Kerülje el a tárcsa visszaugrását és kiugrását, különösen sarkok, éles szélek, stb. megmunkálásakor. Ekkor a szerszám irányíthatatlanná válik és visszarúghat.
- SOHA ne használja a szerszámot favágó tárcsákkal és más fűrészlapokkal. Az ilyen fűrészlapok a csiszolón gyakran megugranak és a szerszám irányíthatatlanná válik, ami személyi sérülésekhez vezethet.

⚠ VIGYÁZAT:

- Soha ne kapcsolja be a szerszámot, ha az érintkezik a munkadarabbal, mert ez a kezelő sérülését okozhatja.
- A használat alatt mindig viseljen védőszemüveget vagy arcvédőt.
- A használat végén mindig kapcsolja ki a szerszámot és várja meg amíg a tárcsa teljesen megáll, ezután tegye le a szerszámot.

Köszörülés és csiszolás

Fig.18

MINDIG szilárdan fogja a szerszámot egyik kezével a burkolatánál, a másikkal pedig az oldalsó fogantyújánál fogva. Kapcsolja be a szerszámot, majd vigye a tárcsát vagy a korongot a munkadarabhoz.

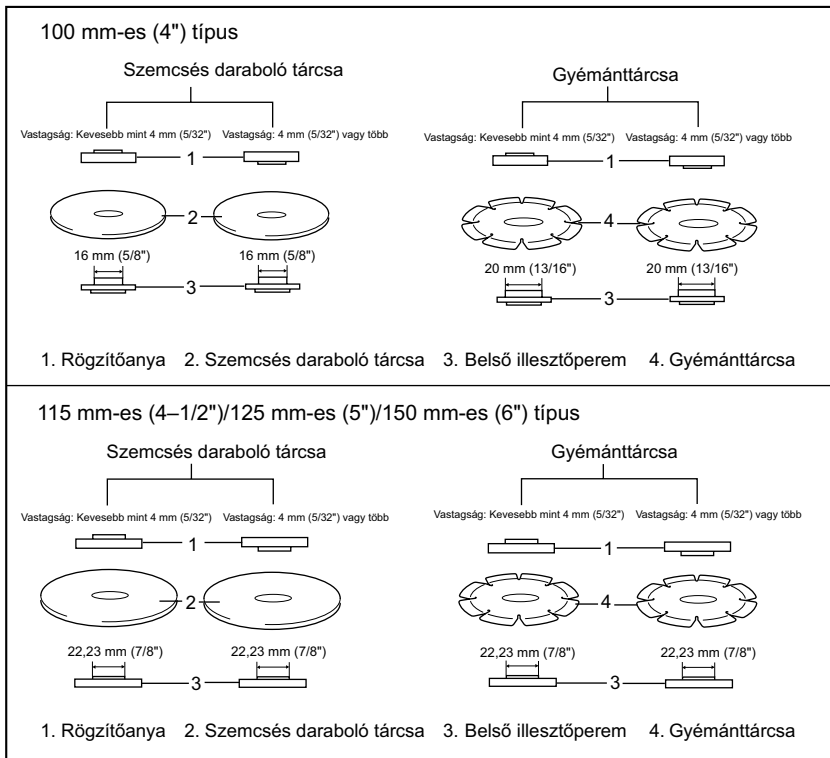
Általában úgy kell tartani a szerszámot, hogy a korong vagy tárcsa széle 15 fokos szöveget zárjon be a munkadarab felületével.

Új tárcsa bejáratásakor ne használja a csiszolót a B irányban, mert akkor belevág a munkadarabba. Miután a tárcsa széle lekerekedett a használat során, a tárcsával az A és a B irányokban is végezhető megmunkálás.

Műveletek daraboló kőszőrűtárcsával/gyémánttárcsával (választható kiegészítő)

Fig.19

A rögzítőanya és a belső illesztőperem rögzítési iránya a tárcsaátmérő függvényében változik. Tájékoztadjon az alábbi táblázatból.



012746

⚠ FIGYELMEZTETÉS:

- Daraboló kőszőrűtárcsa/gyémánttárcsa használatakor ügyeljen arra, hogy csak daraboló kőszőrűtárcsákhoz készített tárcsavédőt alkalmazzon. (Egyes európai országokban a gyémánttárcsa használatkor az általános tárcsavédő használható. Kövesse a hazájában érvényes előírásokat.)
- SOHA ne használjon daraboló tárcsát oldalkőszőrüléshez.
- Ne „akassza be” a tárcsát vagy ne nyomja túl meg. Ne próbáljon túlságosan mély vágást végezni. A tárcsa túl nagy igénybevétele növeli a terhelést és a tárcsa kifordulhat vagy szorulhat a vágásban, és

nő a visszarúgási vagy tárcsa eltérési, a motor túlhevülési lehetősége.

- A vágást ne kezdje a munkadarabon. Hagyja a tárcsát elérni a teljes sebességet, majd óvatosan vigye a vágásba, előre mozdítván a szerszámot a munkafelületen. A tárcsa beszorulhat, kiléphet vagy kirúghat, ha a munkadarabon kezd dolgozni vele.
- Vágási műveletek alatt soha ne változtasson a tárcsa szögén. A daraboló tárcsa oldalnyomása miatt (kőszőrülésnél is) a tárcsa repedését és törését okozza, veszélyes sérülést okozván.
- A gyémánttárcsát tartsa a darabolandó anyagra merőlegesen.

Fazékkéfével (opcionális kiegészítő) végzett műveletek

⚠VIGYÁZAT:

- Ellenőrizze a kefe működését a gép terhelés nélküli beindításával, és ügyeljen arra, hogy senki ne legyen a kefe előtt, illetve annak vonalában.
- Ne használjon sérült vagy kiegyensúlyozatlan kefét. A sérült kefe használata megnöveli a sérülés veszélyét, mely a törött drótszálakkal való érintkezéskor következhet be.

Fig.20

Húzza ki a gépet a hálózatról, fordítsa a hátával lefelé, hogy könnyen hozzáférjen az orsóhoz. Szerelje le az orsót a kiegészítőket. Szerelje fel a fazékkorongot az orsóra, és húzza meg a mellékelt villáskulccsal. Kefe használatakor ne fejtse ki túl nagy nyomást a munkadarabra, mivel ekkor a kefe drótszájai meghajolhatnak, és ez a korai törésükhöz vezet.

Drótkoronggal (opcionális kiegészítő) végzett műveletek

⚠VIGYÁZAT:

- Ellenőrizze a drótkorong működését a gép terhelés nélküli beindításával, és ügyeljen arra, hogy senki ne legyen a drótkorong előtt, illetve annak vonalában.
- Ne használjon sérült vagy kiegyensúlyozatlan drótkorongot. A sérült drótkorong használata megnöveli a sérülés veszélyét, mely a törött drótszálakkal való érintkezéskor következhet be.
- Drótkorong használatakor MINDIG használjon olyan átmérőjű védőburkolatot, amelyben megfelelően elfér a drótkorong. A korong széttörhet a használat során, és a védőburkolat csökkenti a személyi sérülések kockázatát.

Fig.21

Húzza ki a gép hálózati csatlakozóját és fordítsa a gépet hátával lefelé, hogy könnyen hozzá tudjon férni az orsóhoz. Szerelje le az orsót a kiegészítőket. Csavarja fel a drótkorongot az orsóra, és húzza meg villáskulcsokkal.

Drótkorong használatakor ne fejtse ki túl nagy nyomást a munkadarabra, mivel ekkor a kefe drótszájai meghajolhatnak, és ez korai törésükhöz vezet.

KARBANTARTÁS

⚠VIGYÁZAT:

- Mindig bizonyosodjék meg arról hogy a szerszám kikapcsolt és a hálózatra nem csatlakoztatott állapotban van mielőtt a vizsgálatához vagy karbantartásához kezdene.
- Soha ne használjon gázolajt, benzint, hígítót, alkoholt vagy hasonló anyagokat. Ezek elszíneződést, alakvesztést vagy repedést okozhatnak.

Fig.22

A szerszámot és szellőzőnyílásait tisztán kell tartani. Rendszeresen tisztítsa meg a szerszám szellőzőnyílásait és akkor is ha kezdenek eltömődni.

A termék BIZTONSÁGÁNAK és MEGBÍZHATÓSÁGÁNAK fenntartásához, a javításokat, a szénkéfék ellenőrzését és cseréjét, bármilyen egyéb karbantartást vagy besabályozást a Makita Autorizált Szervizközpontoknak kell végrehajtatniuk, mindig Makita pótalkatrészek használatával.

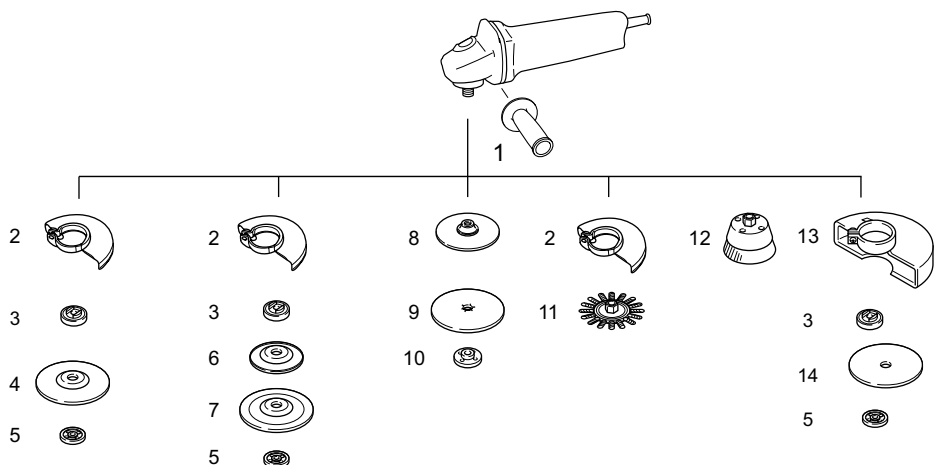
OPCIONÁLIS KIEGÉSZÍTŐK

⚠VIGYÁZAT:

- Ezek a tartozékok vagy kellékek ajánlottak az Önnek ebben a kézikönyvben leírt Makita szerszámához. Bármely más tartozék vagy kellék használata személyes veszélyt vagy sérülést jelenthet. A tartozékot vagy kelléket használja csupán annak kifejezett rendeltetésére.

Ha bármilyen segítségre vagy további információra van szüksége ezekkel a tartozékokkal kapcsolatban, keresse fel a helyi Makita Szervizközpontot.

- Porvédő toldalék



	100 mm-es (4") típus	115 mm-es (4-1/2") típus	125 mm-es (5") típus	150 mm-es (6") típus
1	Markolat 36			
2	Tárcsavédő (csiszolókoronghoz)			
3	Belső illesztőperem	Belső illesztőperem Extra illesztőperem *1	Belső illesztőperem Extra illesztőperem *1	Belső illesztőperem Extra illesztőperem *1
4	Süllyesztett középformatú korong/Lapos korong			
5	Rögzítőanya	Rögzítőanya Ezynyut rögzítőanya, *2	Rögzítőanya Ezynyut rögzítőanya, *2	Rögzítőanya Ezynyut rögzítőanya, *2
6	Műanyag talp	Műanyag talp	Műanyag talp	-
7	Flexkorong	Flexkorong	Flexkorong	-
8	Gumitalp, 76	Gumitalp, 100	Gumitalp, 115	Gumitalp, 125
9	Csiszolókorong			
10	Csiszoló rögzítőanya			
11	Drótkorong			
12	Drótkefecsésze			
13	Tárcsavédő (darabolótárcsához) *3			
14	Daraboló köszörútárcsa/gyémánttárcsa			
-	Rögzítőanya kulcsa			

Megjegyzés:

*1 Ne használja az extra illesztőperemet fékkel rendelkező sarokcsiszolóknál.

*2 Ne használja együtt az extra illesztőperemet és az Ezynyut rögzítőanyát.

*3 Egyes európai országokban gyémánttárcsa használatakor az általános tárcsavédő alkalmazható a speciális tárcsavédő helyett, amely a tárcsa mindkét oldalát lefedi. Kövesse a hazájában érvényes előírásokat.

013977

MEGJEGYZÉS:

- A listán felsorolt néhány kiegészítő megtalálható az eszköz csomagolásában standard kiegészítőként. Ezek országonként eltérőek lehetnek.

SLOVENSKÝ (Pôvodné pokyny)

Vysvetlenie všeobecného zobrazenia

1-1. Posúvačový uzáver	9-3. Vnútoraná obruba	16-3. Gumová podložka
2-1. Posuvný prepínač	10-1. Kľúč na uzamykaciu maticu	17-1. Označenie A
3-1. Indikátor (gombík nastavenia otáčok)	10-2. Posúvačový uzáver	17-2. Označenie B
4-1. Otočný ovládač rýchlosti	11-1. Ezynut	17-3. Označenie C
6-1. Kryt kotúča	11-2. Brúsny kotúč	17-4. Označenie D
6-2. Skriňa ložiska	11-3. Vnútoraná obruba	19-1. Uzamykacia matica
6-3. Šrauba (Skrutka)	11-4. Vreteno	19-2. Rozbrusovací kotúč/diamantový kotúč
7-1. Kryt kotúča	12-1. Posúvačový uzáver	19-3. Vnútoraná obruba
7-2. Skriňa ložiska	13-1. Šípka	19-4. Ochranný kryt rozbrusovacieho kotúča/diamantového kotúča
7-3. Šrauba (Skrutka)	13-2. Zárez	20-1. Drôtená kalichová kefka
7-4. Páčka	15-1. Uzamykacia matica	21-1. Drôtená kotúčová kefka
8-1. Šrauba (Skrutka)	15-2. Flexibilný kotúč	22-1. Odsávací prieduch
8-2. Páčka	15-3. Plastická podložka	22-2. Nasávací prieduch
9-1. Uzamykacia matica	15-4. Vnútoraná obruba	
9-2. Ploský kotúč	16-1. Poistná matica pre pieskovanie	
	16-2. Brúsny kotúč	

TECHNICKÉ ÚDAJE

Model	GA4040C	GA4041C	GA4540C	GA4541C	GA5040C	GA5041C	GA6040C
Priemer kotúča	100 mm (4")		115 mm (4-1/2")		125 mm (5")		150 mm (6")
Max. hrúbka kotúča	6,4 mm						
Závit vretena	M10		M14 alebo 5/8" (špecifické pre krajinu)				
Menovité otáčky (n) / Otáčky naprázdno (n ₀)	11000 min ⁻¹		11000 min ⁻¹		11000 min ⁻¹		9000 min ⁻¹
Celková dĺžka	303 mm	325 mm	303 mm	325 mm	303 mm	325 mm	303 mm
Hmotnosť netto	2,3 kg	2,6 kg	2,5 kg	2,7 kg	2,5 kg	2,7 kg	2,6 kg
Trieda bezpečnosti	II/II						

- Vzhľadom k neustálemu výskumu a vývoju tu uvedené technické údaje podliehajú zmenám bez upozornenia.
- Technické údaje sa môžu pre rozne krajiny líšiť.
- Hmotnosť podľa postupu EPTA 01/2003

ENE048-1

Určené použitie

Tento nástroj je určený na brúsenie, pieskovanie a rezanie kovových a kamenných materiálov bez použitia vody.

ENF002-2

Napájanie

Náradie by malo byť pripojené jedine k prívodu elektrickej energie s hodnotou napätia rovnakou, ako je uvedená na štítku s názvom zariadenia, pričom náradie môže byť napájané jedine jednofázovým striedavým prúdom. Je vybavené dvojistou izoláciou a preto sa môže používať pri zapojení do zásuviek bez uzemňovacieho vodiča.

ENG905-1

Hluk

Typická hladina akustického tlaku pri záťaži A určená podľa EN60745:

Model GA4040C, GA4540C, GA5040C

Úroveň akustického tlaku (L_{pA}) : 86 dB (A)
Hladina akustického výkonu (L_{WA}) : 97 dB (A)
Odchýlka (K) : 3 dB (A)

Model GA6040C

Úroveň akustického tlaku (L_{pA}) : 87 dB (A)
Hladina akustického výkonu (L_{WA}) : 98 dB (A)
Odchýlka (K) : 3 dB (A)

Model GA4541C

Úroveň akustického tlaku (L_{pA}) : 83 dB (A)
Hladina akustického výkonu (L_{WA}) : 94 dB (A)
Odchýlka (K) : 3 dB (A)

Model GA5041C

Úroveň akustického tlaku (L_{pA}) : 84 dB (A)
Hladina akustického výkonu (L_{WA}) : 95 dB (A)
Odchýlka (K) : 3 dB (A)

Používajte chrániče sluchu

Vibrácie

Celková hodnota vibrácií (trojosový vektorový súčet) určená podľa normy EN60745:

Model GA4040C

Pracovný režim: brúsenie povrchov so
štandardným bočným držadlom
Vyžarovanie vibrácií ($a_{h,AG}$): 5,0 m/s²
Neurčitost' (K): 1,5 m/s²

Pracovný režim: brúsenie povrchov s
antivibračným bočným držadlom
Vyžarovanie vibrácií ($a_{h,AG}$): 5,0 m/s²
Neurčitost' (K): 1,5 m/s²

Pracovný režim: kotúčové brúsenie so
štandardným bočným držadlom
Emisie vibrácií ($a_{h,DS}$): 3,0 m/s²
Neurčitost' (K): 1,5 m/s²

Pracovný režim: kotúčové brúsenie s
antivibračným bočným držadlom
Emisie vibrácií ($a_{h,DS}$): 2,5 m/s² alebo menej
Neurčitost' (K): 1,5 m/s²

Model GA4540C

Pracovný režim: brúsenie povrchov so
štandardným bočným držadlom
Vyžarovanie vibrácií ($a_{h,AG}$): 6,0 m/s²
Neurčitost' (K): 1,5 m/s²

Pracovný režim: brúsenie povrchov s
antivibračným bočným držadlom
Vyžarovanie vibrácií ($a_{h,AG}$): 5,5 m/s²
Neurčitost' (K): 1,5 m/s²

Pracovný režim: kotúčové brúsenie so
štandardným bočným držadlom
Emisie vibrácií ($a_{h,DS}$): 2,5 m/s²
Neurčitost' (K): 1,5 m/s²

Pracovný režim: kotúčové brúsenie s
antivibračným bočným držadlom
Emisie vibrácií ($a_{h,DS}$): 2,5 m/s²
Neurčitost' (K): 1,5 m/s²

Model GA5040C

Pracovný režim: brúsenie povrchov so
štandardným bočným držadlom
Vyžarovanie vibrácií ($a_{h,AG}$): 6,5 m/s²
Neurčitost' (K): 1,5 m/s²

Pracovný režim: brúsenie povrchov s
antivibračným bočným držadlom
Vyžarovanie vibrácií ($a_{h,AG}$): 5,5 m/s²
Neurčitost' (K): 1,5 m/s²

Pracovný režim: kotúčové brúsenie so
štandardným bočným držadlom
Emisie vibrácií ($a_{h,DS}$): 2,5 m/s²
Neurčitost' (K): 1,5 m/s²

Pracovný režim: kotúčové brúsenie s
antivibračným bočným držadlom
Emisie vibrácií ($a_{h,DS}$): 2,5 m/s²
Neurčitost' (K): 1,5 m/s²

Model GA6040C

Pracovný režim: brúsenie povrchov so
štandardným bočným držadlom
Vyžarovanie vibrácií ($a_{h,AG}$): 6,5 m/s²
Neurčitost' (K): 1,5 m/s²

Pracovný režim: brúsenie povrchov s
antivibračným bočným držadlom
Vyžarovanie vibrácií ($a_{h,AG}$): 6,0 m/s²
Neurčitost' (K): 1,5 m/s²

Pracovný režim: kotúčové brúsenie so
štandardným bočným držadlom
Emisie vibrácií ($a_{h,DS}$): 2,5 m/s²
Neurčitost' (K): 1,5 m/s²

Pracovný režim: kotúčové brúsenie s
antivibračným bočným držadlom
Emisie vibrácií ($a_{h,DS}$): 2,5 m/s² alebo menej
Neurčitost' (K): 1,5 m/s²

Model GA4541C

Pracovný režim: brúsenie povrchov so
štandardným bočným držadlom
Vyžarovanie vibrácií ($a_{h,AG}$): 6,5 m/s²
Neurčitost' (K): 1,5 m/s²

Pracovný režim: brúsenie povrchov s
antivibračným bočným držadlom
Vyžarovanie vibrácií ($a_{h,AG}$): 5,5 m/s²
Neurčitost' (K): 1,5 m/s²

Pracovný režim: kotúčové brúsenie so
štandardným bočným držadlom
Emisie vibrácií ($a_{h,DS}$): 2,5 m/s² alebo menej
Neurčitost' (K): 1,5 m/s²

Pracovný režim: kotúčové brúsenie s
antivibračným bočným držadlom
Emisie vibrácií ($a_{h,DS}$): 2,5 m/s² alebo menej
Neurčitost' (K): 1,5 m/s²

Model GA5041C

Pracovný režim: brúsenie povrchov so
štandardným bočným držadlom
Vyžarovanie vibrácií ($a_{h,AG}$): 7,0 m/s²
Neurčitost' (K): 1,5 m/s²

Pracovný režim: brúsenie povrchov s
antivibračným bočným držadlom
Vyžarovanie vibrácií ($a_{h,AG}$): 6,0 m/s²
Neurčitost' (K): 1,5 m/s²

Pracovný režim: kotúčové brúsenie so
štandardným bočným držadlom
Emisie vibrácií ($a_{h,DS}$): 2,5 m/s² alebo menej
Neurčitost' (K): 1,5 m/s²

Pracovný režim: kotúčové brúsenie s
antivibračným bočným držadlom
Emisie vibrácií ($a_{h,DS}$): 2,5 m/s² alebo menej
Neurčitost' (K): 1,5 m/s²

ENG902-1

- Deklarovaná hodnota emisii vibrácií bola meraná podľa štandardnej skúšobnej metódy a môže sa použiť na porovnanie jedného náradia s druhým.
- Deklarovaná hodnota emisii vibrácií sa môže použiť aj na predbežné posúdenie vystavenia ich účinkom.
- Deklarovaná hodnota vibrácií sa používa pre hlavné aplikácie elektrického náradia. Pokiaľ sa však náradie používa na iné účely, hodnota emisii vibrácií môže byť iná.

⚠VAROVANIE:

- Emisie vibrácií počas skutočného používania elektrického náradia sa môžu odlišovať od deklarovanej hodnoty emisii vibrácií, a to v závislosti na spôsoboch používania náradia.
- Nezabudnite označiť bezpečnostné opatrenia s cieľom chrániť obsluhu, a to tie, ktoré sa zakladajú na odhade vystavenia účinkom v rámci reálnych podmienok používania (berúc do úvahy všetky súčasti prevádzkového cyklu, ako sú doby, kedy je náradie vypnuté a kedy beží bez zaťaženia, ako dodatok k dobe zapnutia).

ENH101-16

Len pre európske krajiny

Vyhlasenie o zhode so smernicami

Európskeho spoločenstva

Naša spoločnosť Makita, ako zodpovedný výrobca prehlasuje, že nasledujúce zariadenie(a) značky Makita:

Označenie zariadenia:

Uhlová brúska

Číslo modelu/ Typ: GA4040C, GA4540C, GA5040C, GA6040C, GA4541C, GA5041C

je z výrobnéj série a

Je v zhode s nasledujúcimi európskymi smernicami:
2006/42/EC

A sú vyrobené podľa nasledujúcich noriem a štandardizovaných dokumentov:

EN60745

Technickú dokumentáciu archivuje:

Makita International Europe Ltd.

Technical Department,

Michigan Drive, Tongwell,

Milton Keynes, Bucks MK15 8JD, Anglicko

30.8.2011



000230

Tomoyasu Kato

Riaditeľ

Makita Corporation

3-11-8, Sumiyoshi-cho,

Anjo, Aichi, 446-8502, JAPONSKO

GEA010-1

Všeobecné bezpečnostné predpisy pre elektronáradie

⚠ UPOZORNENIE Prečítajte si všetky upozornenia a inštrukcie. Nedodržiavanie pokynov a inštrukcií môže mať za následok úraz elektrickým prúdom, požiar alebo vážne zranenie.

Všetky pokyny a inštrukcie si odložte pre prípad potreby v budúcnosti.

GEB033-7

BEZPEČNOSTNÉ VÝSTRAHY PRE BRÚSKU

Spoločné bezpečnostné výstrahy pre operácie brúsenia, pieskovania, brúsenia drôteným kotúčom alebo abrazívneho rozbrusovania:

1. **Tento elektrický nástroj funguje ako brúska, pieskovač, drôtená kefa alebo rozbrusovací nástroj. Prečítajte si všetky bezpečnostné výstrahy, pokyny, vyobrazenia a špecifikácie určené pre tento elektrický nástroj.** Pri nedodržaní všetkých dole uvedených pokynov môže dôjsť k úrazu elektrickým prúdom, požiaru a/alebo vážnemu poraneniu.
2. **S týmto elektrickým nástrojom sa neodporúča vykonávať operácie ako leštenie.** Operácie, na ktoré tento nástroj nie je určený, môžu spôsobiť riziko a spôsobiť telesné poranenie.
3. **Nepoužívajte príslušenstvo, ktoré nie je výslovne určené a odporúčané výrobcom nástroja.** To, že príslušenstvo možno pripojiť k vášmu elektrickému nástroju, nezaistuje bezpečnú prevádzku.
4. **Menovitá rýchlosť príslušenstva musí byť minimálne rovná maximálnej rýchlosti vyznačenej na elektrickom nástroji.** Príslušenstvo pracujúce vyššou rýchlosťou ako jeho menovitá rýchlosť môže prasknúť a rozpadnúť sa.

5. **Vonkajší priemer a hrúbka vášho príslušenstva musí byť v rozmedzí menovitej kapacity elektrického nástroja.** Príslušenstvo nepravnej veľkosti nie je možné primerane viesť a ovládať.
 6. **Montáž príslušenstva so závitom musí vyhovovať závitom vretena brúsky. Ak ide o príslušenstvo montované pomocou prírub, otvor na vreteno na príslušenstve musí vyhovovať polohovaciemu priemeru príruby.** Príslušenstvo, ktoré nevyhovuje montážnym prostriedkom elektrického nástroja, bude fungovať v nevyváženom stave, bude nadmerne vibrovať a môže spôsobiť stratu kontroly.
 7. **Nepoužívajte poškodené príslušenstvo. Pred každým použitím skontrolujte príslušenstvo, napríklad brúsne kotúče, či na nich nie sú úlomky a praskliny, podkladové podložky, či na nich nie sú praskliny, trhliny alebo nie sú nadmerne opotrebované, drôtenú kefu, či nemá uvoľnené alebo popraskané dróty. Ak elektrický nástroj alebo nástroj spadne, skontrolujte, či nie sú poškodené alebo namontujte nepoškodené príslušenstvo. Po kontrole a namontovaní príslušenstva sa postavte vy aj okolostojaci mimo roviny otáčajúceho sa príslušenstva a spustíte elektrický nástroj na maximálnu rýchlosť bez záťaže na jednu minútu.** Poškodené príslušenstvo sa za normálnych okolností počas doby tohto testu rozpadne.
 8. **Používajte osobné ochranné prostriedky. V závislosti od aplikácie používajte štít na tvár, ochranné okuliare alebo bezpečnostné okuliare. Podľa potreby použite protiprachovú masku, chrániče sluchu, rukavice a pracovnú zásteru schopnú zastaviť malé úlomky brusiva alebo obrobku.** Chránič zraku musí byť schopný zastaviť odletujúce úlomky vytvárané pri rôznych úkonoch. Protiprachová maska alebo respirátor musia byť schopné filtrovať častičky vznikajúce pri práci. Dlhodobé vystavenie intenzívnemu huku môže spôsobiť stratu sluchu.
 9. **Okolostojacich udržiavajte v bezpečnej vzdialenosti od pracovného miesta. Každý, kto vstúpi na miesto práce, musí mať osobné ochranné prostriedky.** Úlomky obrobku alebo poškodené príslušenstvo môže odletieť a spôsobiť poranenie aj mimo bezprostredného miesta práce.
 10. **Elektrické náradie pri práci držte len za izolované úchopné povrchy, lebo rezný prvok sa môže dostať do kontaktu so skrytými vodičmi alebo vlastným káblom.** Rezné príslušenstvo, ktoré sa dostane do kontaktu so „živým“ vodičom môže spôsobiť vystavenie kovových častí elektrického náradia „živému“ prúdu a spôsobiť tak obsluhu zasiahnutie elektrickým prúdom.
 11. **Kábel umiestnite ďalej od otáčajúceho sa príslušenstva.** Ak stratíte kontrolu, kábel sa môže prerezať alebo zachytiť a vašu ruku alebo rameno môže vtiahnuť do otáčajúceho sa príslušenstva.
 12. **Nikdy elektrický nástroj neodkladajte, kým sa príslušenstvo úplne nezastavilo.** Otáčajúce sa príslušenstvo môže zachytiť a stiahnuť elektrický nástroj mimo vašu kontrolu.
 13. **Nikdy nespúšťajte elektrický nástroj, keď ho nosíte na boku.** Pri náhodnom kontakte s otáčajúcim sa príslušenstvom by vám mohlo zachytiť odev a stiahnuť príslušenstvo smerom na vaše telo.
 14. **Pravidelne čistite prieduchy elektrický nástroja.** Ventilátor motora vťahuje prach dovnútra a nadmerné nahromadenie práškoveho kovu môže spôsobiť ohrozenie elektrickým prúdom.
 15. **Nepoužívajte nástroj v blízkosti horľavých materiálov.** Iskry mohli spôsobiť vznietenie týchto materiálov.
 16. **Nepoužívajte príslušenstvo, ktoré vyžadujú tekuté chladivá.** Pri použití vody alebo iného tekutého chladiva by mohlo dôjsť k usmrteniu alebo úderu elektrickým prúdom.
- Spätný náraz a príslušné výstrahy**
- Spätný náraz je náhla reakcia na zovretý alebo pritlačený rotujúci kotúč, opornú podložku, kefku alebo iné príslušenstvo. Zoškrtenie alebo pritlačenie spôsobí náhle spomalenie otáčajúceho sa príslušenstva, čo zase spôsobí nekontrolované uskočenie elektrického nástroja v opačnom smere ako otáčanie príslušenstva v momente zovretia.
- Napríklad, ak obrobok priškrtní alebo pritlačí rozbrusovací kotúč, okraj kotúča vstupujúceho do bodu priškrtenia môže spôsobiť vrytie sa do povrchu materiálu, čo spôsobí vyťahnutie alebo vykopnutie kotúča. Kotúč môže byť vyskočiť dopredu alebo dozadu od obsluhujúcej osoby, v závislosti od smeru pohybu kotúča v momente priškrtenia. Rozbrusovacie kotúče sa za týchto okolností môžu aj prelomiť.
- Spätný náraz je výsledok nesprávneho používania elektrického nástroja a/alebo nesprávnych prevádzkových postupov alebo podmienok a možno sa mu vyhnúť vykonaním príslušných protipatrení uvedených nižšie.
- a) **Elektrický nástroj stále pevne držte oboma rukami a telo a rameno držte tak, aby ste odolali silám spätného nárazu. Vždy používajte aj pomocnú rúčku, ak je namontovaná, čím dosiahnete maximálnu kontrolu nad spätným nárazom alebo momentovou reakciou pri spustení.** Sily spätného nárazu alebo momentových reakcií môže obsluhujúca osoba ovládnuť, ak vykoná príslušné protipatrenia.
 - b) **Nikdy nedávajte ruku do blízkosti otáčajúceho sa príslušenstva.** Príslušenstvo môže vykonať spätý náraz ponad vašu ruku.

c) **Nepribližujte sa telom do oblasti, kam sa pohne elektrický nástroj, keď nastane spätný náraz.** Spätňý náraz poženie nástroj do opačného smeru ako smer pohybu kotúča v momente privretia.

d) **Pri opracovávaní rohov, ostrých hrán a pod. buďte zvlášť opatrní. Zabráňte odskakovaniu a zadrhávaniu príslušenstva.** Rohy, ostré hrany alebo odskakovanie majú tendenciu zadrhnúť príslušenstvo a spôsobiť stratu kontroly alebo spätný náraz.

e) **Nepripájajte rezbárske ostrie reťazovej pily ani zúbkované pilové ostrie.** Takéto ostria často spôsobujú spätný náraz a stratu kontroly.

Špecifické bezpečnostné výstrahy pre operácie brúsenia a abrazívneho rozbrusovania:

a) **Používajte len typy kotúčov, ktoré sú odporúčané pre váš elektrický nástroj a špecifický ochranný kryt určený pre zvolený kotúč.** Kotúče, ktoré nie sú určené pre tento elektrický nástroj, nemôžu byť dostatočne chránené a nie sú bezpečné.

b) **Brúsný povrch kotúčov so splošteným stredom musí byť namontovaný pod rovinou okraja chrániča.** Nesprávne namontovaný kotúč vyčnievajúci cez rovinu okraja chrániča nemôže byť správne chránený.

c) **Chránič musí byť bezpečne namontovaný na elektrický nástroj, musí byť umiestnený tak, aby bola dosiahnutá maximálna bezpečnosť a tak, aby bola najmenšia jeho časť nechránená vzhľadom k obsluhu.** Chránič pomáha chrániť obsluhu pre časťami zlomeného kotúča, pred náhodným kontaktom s kotúčom a iskrami, ktoré by mohli zapáliť odev.

d) **Kotúče sa musia používať len na odporúčané aplikácie.** Napríklad: nebrúste s bočnou stranou rozbrusovacieho kotúča. Abrazívne rozbrusovacie kotúče sú určené pre periférne brúsenie; bočné sily aplikované na tieto kotúče by mohli zapríčiniť ich rozlomenie.

e) **Vždy používajte nepoškodené príruby kotúčov správnej veľkosti a tvaru pre váš zvolený kotúč.** Správne príruby kotúčov podopierajú kotúč, a tým znižujú pravdepodobnosť zlomenia kotúča. Príruby pre rozbrusovacie kotúče sa môžu líšiť od prírub pre brúsný kotúč.

f) **Nepoužívajte vydraté kotúče z väčších elektrických nástrojov.** Kotúče určené pre väčšie elektrické nástroje nie sú vhodné pre výššie rýchlosti menších nástrojov a môžu prasknúť.

Ďalšie bezpečnostné výstrahy pre operácie brúsenia a abrazívneho rozbrusovania:

a) **Rozbrusovací kotúč nestláčajte ani naň nevyvíjajte nadmerný tlak. Nepokúšajte sa rezať príliš hlboko.** Prílišné namáhanie kotúča zvyšuje zaťaženie a náchylnosť k stočeniu alebo zovretiu kotúča v reze a pravdepodobnosť spätného nárazu alebo zlomenia kotúča.

b) **Nestavajte sa do jednej línie a za rotujúci kotúč.** Keď sa kotúč počas činnosti pohybuje smerom od vás, možný spätný náraz môže vrhnúť rotujúci kotúč a elektrický nástroj priamo na vás.

c) **Keď sa kotúč zvie alebo z nejakého dôvodu preruší rez, vypnite elektrický nástroj a držte ho bez pohybu, kým sa kotúč úplne nezastaví. Nikdy sa nepokúšajte odstrániť rozbrusovací kotúč z rezu, kým sa kotúč pohybuje, inak môže dôjsť k spätnému nárazu.** Zistite príčinu zvierania kotúča a vykonajte kroky na jej odstránenie

d) **Nezaciňajte opätovne rezanie v obrobku. Nechajte kotúč dosiahnuť plné otáčky a opatrne ho znovu vložte do rezu.** Kotúč sa môže zovrieť, vystúpiť nahor alebo spôsobiť spätný náraz, ak elektrické náradie znovu spustíte v obrobku.

e) **Panely a každý obrobok nadmernej veľkosti zodpórite, aby sa minimalizovalo riziko zovretia alebo spätného nárazu.** Veľké panely sa zvyknú prehybať vlastnou váhou. Podpory treba umiestniť pod obrobok na oboch stranách do blízkosti línie rezu a do blízkosti okraja obrobku po oboch stranách kotúča.

f) **Buďte zvlášť opatrní pri vytváraní "dutinového rezu" do existujúcich stien či iných neprehľadných povrchov.** Prečnievajúci kotúč môže zarezať do plynových alebo vodovodných potrubí, elektrického vedenia alebo objektov, ktoré môžu zapríčiniť spätný náraz.

Bezpečnostné výstrahy špecifické pre operácie pieskovania:

a) **Nepoužívajte brúsne kotúčové papiere nadmernej veľkosti. Pri výbere brúsnych papierov dodržiavajte odporúčania výrobcov.** Väčšie brúsne papiere prečnievajúce mimo brúsnu podložku predstavuje riziko rozdrípania a môže zapríčiniť zadrhnutie, roztrhnutie disku alebo spätný náraz.

Bezpečnostné výstrahy špecifické pre brúsenie drôtenou kefou:

a) **Myslite na to, že aj pri bežnej činnosti z kefy vyletujú drôtené štetiny. Drôty nadmerne nenamáhajte prílišným zaťažovaním na kefu.** Drôtené štetiny ľahko preniknú šatstvom a/alebo kožou.

b) **Ak sa pre brúsenie drôtenou kefou odporúča ochranný kryt, dbajte na to, aby drôtený kotúč alebo kefa nezasahovali do ochranného krytu.** Drôtený kotúč alebo kefa sa vďaka pracovnému zaťaženiu a odstredivým silám môžu vo svojom priemere roztláhať.

Ďalšie bezpečnostné výstrahy:

17. **Pri použití brúsnych kotúčov so stlačeným stredom vždy používajte len kotúče vystužené sklenenými vláknami.**

18. V spojení s touto brúskou NIKDY NEPOUŽÍVAJTE kotúče na brúsenie kameňa kalichového typu. Táto brúška nebola navrhnutá pre používanie týchto typov kotúčov a používanie takéhoto výrobku môže mať za následok vážne osobné poranenie.
19. **Nepoškodzujte vreteno, prírubu (najmä montážnu plochu) alebo uzamykaciu maticu. Poškodenie týchto dielov by mohlo spôsobiť narušenie kotúča.**
20. **Skôr, ako zapnete spínač, skontrolujte, či sa kotúč nedotýka obrobku.**
21. **Predtým, ako použijete nástroj na konkrétnom obrobku, nechajte ho chvíľu bežať. Sledujte, či nedochádza k vibráciám alebo hádzaniu, ktoré by mohlo naznačovať nesprávnu montáž alebo nesprávne vyvážený kotúč.**
22. **Na brúsenie používajte určený povrch kotúča.**
23. **Nenechávajte nástroj bežať bez dozoru. Pracujte s ním, len keď ho držíte v rukách.**
24. **Nedotýkajte sa obrobku hneď po úkone; môže byť extrémne horúci a môže popáliť vašu pokožku.**
25. **Dodržiavajte pokyny výrobcu pre správnu montáž a používanie kotúčov. Kotúče používajte a skladujte s opatnosťou.**
26. **Nepoužívajte samostatné redukčné zdievky alebo adaptéry na prispôbenie brúsnym kotúčom s veľkým otvorom.**
27. **Používajte len príruby určené pre tento nástroj.**
28. **Pri nástrojoch určených na upevnenie pomocou kotúča so závitovým otvorom skontrolujte, či závit v kotúči je dostatočne dlhý pre dĺžku vretena.**
29. **Skontrolujte, či je obrobok správne podporený.**
30. **Dávajte pozor na to, že kotúč sa ďalej točí aj po vypnutí nástroja.**
31. **Pri práci v extrémne horúcom a vlhkom prostredí alebo prostredí silne znečistenom vodivým prachom používajte skratový istič (30 mA) na zaistenie bezpečnosti obsluhy.**
32. **Nepoužívajte nástroj na materiáloch obsahujúcich azbest.**
33. **Pri použití rozbrusovacieho kotúča vždy pracujte s krytom kotúča na zber prachu podľa miestnych predpisov.**
34. **Kotúčové nože sa nesmú vystavovať pričnému tlaku.**

TIETO POKYNY USCHOVAJTE.

⚠VAROVANIE:

NIKDY nepripustíte, aby pohodie a dobrá znalosť výrobku (získané opakovaným používaním) nahradili presné dodržiavanie bezpečnostných pravidiel pre náradie. **NESPRÁVNE POUŽÍVANIE** alebo nedodržiavanie bezpečnostných pokynov uvedených v tomto návode na obsluhu môže spôsobiť vážne poranenia osôb.

POPIS FUNKCIE

⚠POZOR:

- Pred nastavovaním nástroja alebo kontrolou jeho funkcie sa vždy presvedčte, že je vypnutý a vytiahnutý zo zásuvky.

Posúvačový uzáver

Fig.1

⚠POZOR:

- Nikdy neuvádzajte posúvačový uzáver do činnosti, keď sa vreteno pohybuje. Nástroj sa môže poškodiť.

Otáčaniu vretena pri montáži alebo demontáži príslušenstva zabránite stlačením posúvačového uzáveru.

Zapínanie

Fig.2

⚠POZOR:

- Pred zapojením tohto nástroja tiež vždy skontrolujte, či posuvný prepínač funguje správne a vráti sa do pozície "OFF" po zatlačení zadnej strany posuvného vypínača.
- Operátor môže počas dlhšieho používania zablokovať prepínač v polohe "ON", čo mu uľahčí prácu. Pri blokovaní nástroja v polohe "ON" budete opatrní a nástroj pevne držte.

Náradie spustíte posunutím posuvného prepínača do polohy „I (ON)“ stlačením zadnej časti posuvného prepínača. Nepretržitý chod dosiahnete stlačením prednej strany posuvného prepínača a jeho zablokovaním.

Náradie zastavíte stlačením zadnej strany posuvného prepínača a jeho následným posunutím do polohy „O (OFF)“.

Kontrolka

Fig.3

Pri zapojení nástroja sa rozsvieti indikátor zelenej farby. Ak sa indikátor nerozsvieti, porucha môže byť v napájacom kábli alebo kontrolke. Indikátor sa rozsvieti, ale nástroj sa nespustí ani po zapnutí, môžu byť opotrebované uhlíkové kefy alebo sa pokazil elektrický obvod alebo motor, alebo môže byť pokazený hlavný spínač.

Zabezpečenie pred neúmyselným opätovným spustením

Náradie sa nespustí, ak je spínač zablokovaný, a to ani ak náradie zapnete.

V tomto štádiu indikátor bliká na červeno a poukazuje na zapnutie funkcie kontrolného zariadenia náhodného spustenia.

Ak chcete zrušiť funkciu kontrolného zariadenia náhodného spustenia, vráťte posuvný prepínač do polohy „O (OFF)“.

Otočný ovládač rýchlosti

Fig.4

Rýchlosť otáčania sa môže zmeniť otočením číselníka nastavenia rýchlosti na zvolenú číslicu od 1 do 5.

Vyššiu rýchlosť dosiahnete, ak číselník nastavíte smerom k 5. Nižšiu rýchlosť dosiahnete jeho otočením smerom k 1.

V nižšie uvedenej tabuľke sú vzťahy medzi číselným nastavením na číselníku a približnou rýchlosťou otáčania.

Pre model GA4040C, GA4540C, GA5040C, GA4041C, GA4541C, GA5041C

Číslo	min ⁻¹ (RPM)
1	2800
2	4000
3	6000
4	8000
5	11000

012752

Pre model GA6040C

Číslo	min ⁻¹ (RPM)
1	4000
2	5000
3	6000
4	7000
5	9000

012756

⚠️ POZOR:

- Ak je nástroj v nepretržitej prevádzke pri nízkych rýchlostiach po dlhý čas, motor bude preťažený a prehriaty.
- Otočný ovládač rýchlosti je možné otočiť len po číslicu 5 a potom naspäť po číslicu 1. Nepokúšajte sa prejsť za číslicu 5 alebo číslicu 1, pretože otočný ovládač rýchlosti už nemusí fungovať.

Elektronická funkcia

Nástroje vybavené elektronickou funkciou sa ľahko používajú vďaka nasledovným funkciám.

Riadenie nemennej rýchlosti

Riadenie nemennej rýchlosti zabezpečuje jemnú povrchovú úpravu zachovaním nemenenej rýchlosti otáčania pri zaťažení.

Funkcia reštartovania

Funkcia mäkkého štartu zamedzuje nárazu pri štartovaní.

Ochrana proti preťaženiu

Pokiaľ zaťaženie náradia presiahne povolené úrovne, príkon do motora sa zníži s cieľom chrániť motor pred prehrievaním. Po tom, ako zaťaženie dosiahne povolené úrovne, náradie začne pracovať štandardným spôsobom.

Mechanická brzda

Pre model GA4041C, GA4541C, GA5041C

Mechanická brzda sa aktivuje po vypnutí nástroja.

Brzda je nefunkčná, keď je zdroj napájania vypnutý, hoci vypínač je stále zapnutý.

MONTÁŽ

⚠️ POZOR:

- Než začnete na nástroji robiť akékoľvek práce, vždy sa predtým presvedčte, že je vypnutý a vytiahnutý zo zásuvky.

Inštalácia bočnej rukoväti (držadla)

Fig.5

⚠️ POZOR:

- Dávajte pozor, aby bočná rukoväť bola vždy pred prácou pevne nainštalovaná.

Bočnú rukoväť bezpečne priskrutkujte na nástroj, ako znázorňuje obrázok.

Inštalácia alebo demontáž ochranného krytu kotúča (pre plošký kotúč, lamelový kotúč, flexibilný kotúč, drôtenú kotúčovú kefu / rozbrusovací kotúč, diamantový kotúč)

⚠️ VAROVANIE:

- Pri použití plochého kotúča brúsneho kotúča, lamelového kotúča, flexibilného kotúča alebo drôtenej kotúčovej kefy je potrebné na náradie namontovať ochranný kryt kotúča tak, aby uzatvorená strana krytu vždy smerovala k obsluhu.
- Pri použití rozbrusovacieho kotúča / diamantového kotúča vždy používajte len špeciálny ochranný kryt kotúča určený na použitie s rozbrusovacími kotúčmi. (V niektorých krajinách Európy sa pri použití diamantového kotúča môže používať štandardný ochranný kryt. Dodržiavajte nariadenia platné vo vašej krajine.)

Pre prístroje s krytom kotúča s poistnou skrutkou

Fig.6

Namontujte ochranný kryt kotúča tak, aby boli výčnelky na remeni ochranného krytu kotúča zarovnané s drážkami na ložiskovej skrini. Potom otočte kryt kotúča proti smeru hodinových ručičiek o 180 °. Skrutku bezpečne dotiahnite.

Kryt kotúča vyberajte opačným postupom ako pri vkladaní.

Pre prístroj s krytom kotúča s upínacou pákou

Fig.7

Po uvoľnení skrutky páčku potiahnite v smere šípky. Namontujte ochranný kryt kotúča tak, aby boli výčnelky na remeni ochranného krytu kotúča zarovnané s drážkami na ložiskovej skrini. Potom otočte kryt kotúča o 180 °.

Fig.8

Utiahnite ochranný kryt kotúča utiahnutím skrutky po potiahnutí páčky v smere šípky. Páčkou možno nastaviť nastavovací uhol ochranného krytu kotúča.

Kryt kotúča vyberajte opačným postupom ako pri vkladaní.

Montáž alebo demontáž ploského brúsneho kotúča alebo lamelového kotúča (voliteľné príslušenstvo)

⚠VAROVANIE:

- Pri použití ploského brúsneho kotúča alebo lamelového kotúča je potrebné na náradie namontovať ochranný kryt kotúča tak, aby uzatvorená strana krytu vždy smerovala k obsluhu.

Fig.9

Na vreteno namontujte vnútornú prírubu. Kotúč/disk pripevnite na vnútornú prírubu a na vreteno priskrutkujte závernú maticu.

Fig.10

Uzamykaciu maticu dotiahnete pevným stlačením posúvačového uzáveru tak, aby sa vreteno neotáčalo, potom ju kľúčom na uzamykaciu maticu bezpečne dotiahnite v smere hodinových ručičiek.

Kotúč vyberajte opačným postupom ako pri vkladaní.

Super prírubu (voliteľné príslušenstvo)

Modely označené písmenom F sú štandardne vybavené super prírubou. V porovnaní s bežnými typmi je na uvoľnenie poistnej matice potrebná iba 1/3 vynaloženej sily.

⚠POZOR:

- Super prírubu nepoužívajte v prípade modelov vybavených mechanickou brzdou. V opačnom prípade môže dôjsť po aktivovaní brzdy k uvoľneniu.

Montáž alebo demontáž Ezynut (voliteľné príslušenstvo)

⚠POZOR:

- Maticu Ezynut nepoužívajte so super prírubou ani s uhlovou brúskou označenou „F“ na konci čísla modelu. Tieto príruby sú také hrubé, že vreteno nedokáže zachytiť celý závit.

Fig.11

Vnútornú prírubu, brúsny kotúč a maticu Ezynut namontujte na vreteno tak, aby logo spoločnosti Makita na matici Ezynut smerovalo von.

Fig.12

Pevne stlačte vačkovú poistku a utiahnite maticu Ezynut otáčaním brúsneho kotúča v smere hodinových ručičiek až na doraz.

Uvoľnite otáčaním vonkajšieho prstenca matice Ezynut proti smeru hodinových ručičiek.

Fig.13

Fig.14

POZNÁMKA:

- Maticu Ezynut uvoľníte rukou, a to dokiaľ šípka neukazuje na drážku. V opačnom prípade sa na uvoľnenie používa kľúč na poistnú maticu. Zasuňte jeden čap kľúča do otvoru a otočte maticou Ezynut proti smeru hodinových ručičiek.

Montáž alebo demontáž flexibilného kotúča (voliteľné príslušenstvo)

⚠VAROVANIE:

- Ak je flexibilný kotúč namontovaný na náradí, vždy používajte dodávaný ochranný kryt. Kotúč sa môže počas používania roztrieštiť a ochranný kryt prispieva k zníženiu možnosti zranenia osôb.

Fig.15

Dodržiavajte pokyny na používanie ploských brúsnych kotúčov, ale používajte aj plastový chránič nainštalovaný na kotúči. Poriadie montáže nájdete v tomto návode, a to na strane venovanej príslušenstvu.

Montáž alebo demontáž brúsneho kotúča (voliteľné príslušenstvo)

POZNÁMKA:

- Použite príslušenstvo brúsky, popísané v tejto príručke. Toto si musíte zakúpiť zvlášť.

Fig.16

Na vreteno namontujte gumovú podložku. Kotúč pripevnite na gumovú podložku a na vreteno priskrutkujte poistnú maticu na brúsenie. Poistnú maticu na brúsenie dotiahnete pevným stlačením posúvačového uzáveru tak, aby sa vreteno neotáčalo, potom ju kľúčom na poistnú maticu bezpečne dotiahnite v smere hodinových ručičiek.

Kotúč vyberajte opačným postupom ako pri vkladaní.

Montáž alebo demontáž nadstavca krytu proti prachu (voliteľné príslušenstvo)

⚠VAROVANIE:

- **Pred inštaláciou alebo demontážou nadstavca krytu proti prachu vždy náradie vypnite a odpojte od prívodu elektrickej energie.** Opomenutie môže mať za následok poškodenie náradia alebo osobné poranenie.

Existujú štyri druhy nadstavcov krytu proti prachu a každý sa používa v inej polohe.

Fig.17

Nadstavec krytu proti prachu nainštalujte tak, aby sa označenie (A, B, C alebo D) nachádzalo v polohe podľa obrázka. Kolíky zatlačte do vetracích otvorov.

Nadstavec krytu je možné vybrať ručne.

POZNÁMKA:

- Nadstavec vyčistite, ak je zapchatý prachom alebo cudzími predmetmi. Pri ďalšej práci so zapchatým nadstavcom krytu proti prachu sa poškodí prístroj.

PRÁCA

⚠VAROVANIE:

- Na prístroj sa nikdy nemá tlačiť. Váha prístroja vyvíja dostatočný tlak. Tlačenie a nadmerný tlak môžu spôsobiť nebezpečné narušenie kotúča.
- Kotúč vymeňte VŽDY keď prístroj počas brúsenia spadne.
- Pri práci brúsnym diskom alebo kotúčom NIKDY nevrážajte ani neudierajte.
- Zabráňte odskakovaniu a zadrhávaniu kotúča, predovšetkým pri práci na rohoch, ostrých hranách atď. To môže spôsobiť stratu kontroly a nárazy.
- NIKDY nepoužívajte náradie s kotúčmi alebo nožmi na pílenie dreva. Takéto kotúče pri použití na brúske často spôsobujú stratu kontroly, ktorá vedie k zraneniu osôb.

⚠POZOR:

- Nástroj nikdy nezapínajte ak je v styku s obrobkom, mohlo by prísť k zraneniu obsluhujúceho.
- Pri práci vždy používajte ochranné okuliare alebo ochranný štít.
- Po prevádzke prístroj vždy vypnite a počkajte, kým sa kotúč úplne zastaví, potom prístroj odložte.

Brúsenie a pieskovanie

Fig.18

Náradie držte VŽDY pevne jednou rukou za skriňu a druhou za bočnú rukoväť. Náradie zapnite a potom priložte kotúč alebo disk k obrobku.

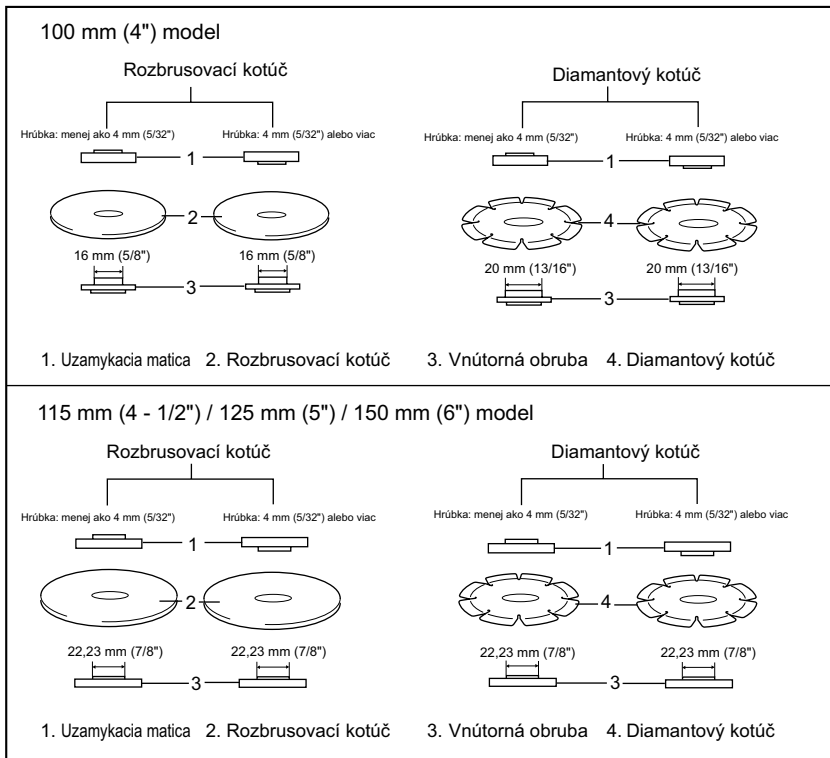
Všeobecne, hranu kotúča alebo disku držte približne v 15° uhle k povrchu obrobku.

Počas zapracovávania nového kotúča brúska nesmie pracovať v smere B, pretože zareže do obrobku. Ak sa hrana kotúča používaním zaoblila, kotúčom sa môže pracovať v smere A aj B.

Práca s rozbrusovacím kotúčom/diamantovým kotúčom (voliteľné príslušenstvo)

Fig.19

Smer montáže poistnej matice a vnútornej príruby sa mení na základe hrúbky kotúča. Pozrite si tabuľku nižšie.



012746

⚠VAROVANIE:

- Pri použití rozbrusovacieho kotúča / diamantového kotúča vždy používajte len špeciálny ochranný kryt kotúča určený na použitie s rozbrusovacími kotúčmi. (V niektorých krajinách Európy sa pri použití diamantového kotúča môže používať štandardný ochranný kryt. Dodržiavajte nariadenia platné vo vašej krajine.)
- Nikdy NEPOUŽÍVAJTE rozbrusovací kotúč na priečne brúsenie.
- Kotúč nestláčajte ani naň nevyvíjajte nadmerný tlak. Nepokúšajte sa rezať príliš hlboko. Prílišné namáhanie kotúča zvyšuje zaťaženie a náchylnosť k stočeniu alebo zovretiu kotúča v reze a

pravdepodobnosť spätného nárazu, zlomenia kotúča alebo prehriatia motora.

- Nezačínajte rezanie v obrobku. Nechajte kotúč dosiahnuť plnú rýchlosť a opatrne vstúpte do rezu, pričom pohybujte nástrojom dopredu nad povrchom obrobku. Kotúč sa môže zovrieť, vystúpiť nahor alebo naraziť späť, ak elektrický nástroj spustíte v obrobku.
- Počas operácie rezania nikdy nemeňte uhol kotúča. Pri vyvíjaní bočného tlaku na rozbrusovací kotúč (ako pri brúsení) spôsobí prasknutie a zlomenie kotúča a následné vážne telesné poranenie.
- Diamantový kotúč bude používaný v smere kolmo na rezaný materiál.

Prevádzka s drôtenou kalichovou kefkou (voliteľné príslušenstvo)

⚠ POZOR:

- Činnosť kefký skontrolujte spustením náradia bez zaťaženia a zabezpečte pri tom, aby nikto nebol pred alebo v línii s kefkou.
- Kefku nepoužívajte pokiaľ je poškodená alebo pokiaľ nie je vyvážená. Používanie poškodenej kefký môže zvýšiť možnosť poranenia v dôsledku kontaktu so zlomenými drôtmí kefký.

Fig.20

Náradie odpojte od prívodu energie a položte ho naopak, čím sa umožní prístup k hriadeľu. Z hriadeľa demontujte všetko príslušenstvo. Na hriadeľ naskrutkujte drôtenú kalichovú kefu a utiahnite dodávaným kľúčom. Pokiaľ používate kefu, vyhnite sa vyvíjaniu nadmerného tlaku, ktorý spôsobuje ohnutie drôtov, čo vedie k predčasnemu zlomeniu.

Prevádzka s drôtenou kotúčovou kefkou (voliteľné príslušenstvo)

⚠ POZOR:

- Činnosť drôtenej kotúčovej kefký skontrolujte spustením náradia bez zaťaženia a zabezpečte pri tom, aby nikto nebol pred alebo v línii s drôtenou kotúčovou kefkou.
- Drôtenú kotúčovú kefkú nepoužívajte pokiaľ je poškodená alebo pokiaľ nie je vyvážená. Používanie poškodenej drôtenej kotúčovej kefký môže zvýšiť možnosť poranenia v dôsledku kontaktu so zlomenými drôtmí.
- V spojení s drôtenými kotúčovými kefkami VŽDY používajte ochranný kryt, a to taký, aby kotúč zapadol do ochranného krytu. Kotúč sa môže počas používania roztrieštiť a kryt prispeje k zníženiu možnosti zranenia osôb.

Fig.21

Náradie odpojte od prívodu energie a položte ho naopak, čím sa umožní prístup k hriadeľu. Z hriadeľa demontujte všetko príslušenstvo. Drôtenú kotúčovú kefkú naskrutkujte na vreteno a utiahnite pomocou kľúčov. Pokiaľ používate drôtenú kotúčovú kefkú, nevyvíjajte nadmerný tlak, ktorý spôsobuje nadmerné ohnutie drôtov s dôsledkom predčasného zlomenia.

ÚDRŽBA

⚠ POZOR:

- Než začnete robiť kontrolu alebo údržbu nástroja, vždy se presvedčte, že je vypnutý a vytiahnutý zo zásuvky.
- Nepoužívajte benzín, riedidlo, alkohol ani nič podobné. Mohlo by to spôsobiť zmenu farby, deformácie alebo praskliny.

Fig.22

Nástroj a jeho prieduchy sa musia udržiavať čisté. Vzduchové prieduchy nástroja čistite pravidelne alebo vždy, keď je prieduch trochu upchatý.

Kvôli zachovaniu BEZPEČNOSTI a SPOLIAHLIVOSTI výrobku musia byť opravy, kontrola a výmena uhlíkov a akákoľvek ďalšia údržba či nastavovanie robené autorizovanými servisnými strediskami firmy Makita a s použitím náhradných dielov Makita.

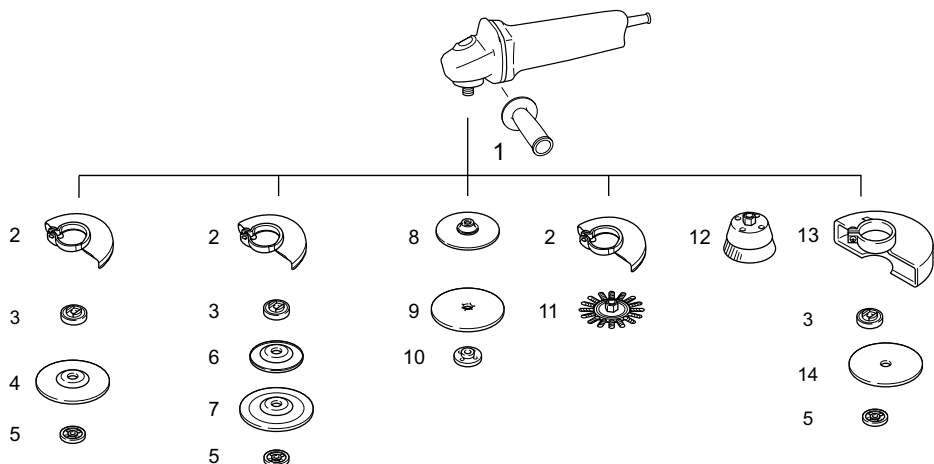
VOLITEĽNÉ PRÍSLUŠENSTVO

⚠ POZOR:

- Pre váš nástroj Makita, opísaný v tomto návode, doporučujeme používať toto príslušenstvo a nástavce. Pri použití iného príslušenstva či nástavcov môže hroziť nebezpečenstvo zranenia osôb. Príslušenstvo a nástavce sa môžu používať len na účely pre ne stanovené.

Ak potrebujete bližšie informácie týkajúce sa tohoto príslušenstva, obráťte sa na vaše miestne servisné stredisko firmy Makita.

- Nadstavec na kryt proti prachu



	100 mm (4") model	115 mm (4-1/2") model	125 mm (5") model	150 mm (6") model
1	Svorka 36			
2	Ochranný kryt kotúča (pre brúsny kotúč)			
3	Vnútoraná obruba	Vnútoraná obruba Super prírubá *1	Vnútoraná obruba Super prírubá *1	Vnútoraná obruba Super prírubá *1
4	Ploský kotúč/lamelový kotúč			
5	Uzamykacia matica	Uzamykacia matica Ezynut *2	Uzamykacia matica Ezynut *2	Uzamykacia matica Ezynut *2
6	Plastická podložka	Plastická podložka	Plastická podložka	-
7	Flexibilný kotúč	Flexibilný kotúč	Flexibilný kotúč	-
8	Gumová podložka 76	Gumová podložka 100	Gumová podložka 115	Gumová podložka 125
9	Brúsny kotúč			
10	Poistná matica pre pieskovanie			
11	Drôtená kotúčová kefka			
12	Drôtená kalichová kefka			
13	Ochranný kryt kotúča (pre rozbrusovací kotúč) *3			
14	Rozbrusovací kotúč/diamantový kotúč			
-	Kľúč na uzamykaciu maticu			

Poznámka:

*1 Super prírubu nepoužívajte s brúskou vybavenou funkciou brzdy.

*2 Spolu naraz nepoužívajte super prírubu a Ezynut.

*3 V niektorých krajinách Európy sa pri používaní diamantového kotúča môže namiesto špeciálneho ochranného krytu zakrývajúceho obe strany kotúča používať obyčajný ochranný kryt. Dodržiavajte nariadenia platné vo vašej krajine.

013977

POZNÁMKA:

- Niektoré položky zo zoznamu môžu byť súčasťou balenia náradia vo forme štandardného príslušenstva. Rozsah týchto položiek môže byť v každej krajine odlišný.

ČESKÝ (originální návod k obsluze)

Legenda všeobecného vyobrazení

1-1. Zámek hřídele	10-1. Klíč na pojistné matice	17-1. Symbol A
2-1. Posuvný spínač	10-2. Zámek hřídele	17-2. Symbol B
3-1. Kontrolka (otočný volič rychlosti)	11-1. Matice Ezynut	17-3. Symbol C
4-1. Otočný volič otáček	11-2. Rozbrušovací kotouč	17-4. Symbol D
6-1. Chránič kotouče	11-3. Vnitřní příruba	19-1. Pojistná matice
6-2. Ložisková skříň	11-4. Vřetenno	19-2. Rozbrušovací kotouč/diamantový kotouč
6-3. Šroub	12-1. Zámek hřídele	19-3. Vnitřní příruba
7-1. Chránič kotouče	13-1. Šipka	19-4. Chránič kotouče pro rozbrušovací kotouče/diamantové kotouče
7-2. Ložisková skříň	13-2. Zářez	20-1. Hrnčový drátěný kartáč
7-3. Šroub	15-1. Pojistná matice	21-1. Kotoučový drátěný kartáč
7-4. Páčka	15-2. Brousící kotouč	22-1. Výfukový otvor
8-1. Šroub	15-3. Plastová podložka	22-2. Sací otvor
8-2. Páčka	15-4. Vnitřní příruba	
9-1. Pojistná matice	16-1. Pojistná matice pro smirkování	
9-2. Kotouč s vypouklým středem	16-2. Brusný kotouč	
9-3. Vnitřní příruba	16-3. Pryžová podložka	

TECHNICKÉ ÚDAJE

Model	GA4040C	GA4041C	GA4540C	GA4541C	GA5040C	GA5041C	GA6040C
Průměr kotouče	100 mm (4")		115 mm (4-1/2")		125 mm (5")		150 mm (6")
Max. tloušťka kotouče	6,4 mm						
Závít vřetená	M10		M14 nebo 5/8" (specifické pro danou zemi)				
Jmenovité otáčky (n) / otáčky bez zatížení (n ₀)	11 000 min ⁻¹		11 000 min ⁻¹		11 000 min ⁻¹		9 000 min ⁻¹
Celková délka	303 mm	325 mm	303 mm	325 mm	303 mm	325 mm	303 mm
Hmotnost netto	2,3 kg	2,6 kg	2,5 kg	2,7 kg	2,5 kg	2,7 kg	2,6 kg
Třída bezpečnosti	II/II						

• Vzhledem k neustálému výzkumu a vývoji zde uvedené technické údaje podléhají změnám bez upozornění.

• Technické údaje se mohou pro různé země lišit.

• Hmotnost podle EPTA – Procedure 01/2003

ENE048-1

Určení nástroje

Nástroj je určen k broušení, jemnému broušení a řezání kovových materiálů a kamene bez použití vody.

ENF002-2

Napájení

Zařízení je třeba připojit pouze k napájení se stejným napětím, jaké je uvedeno na výrobním štítku a může být provozováno pouze v jednofázovém napájecím okruhu se střídavým napětím. Nářadí je vybaveno dvojitou izolací a může být tedy připojeno i k zásuvkám bez zemnicího vodiče.

ENG905-1

Hlučnost

Typická vážená hladina hluku (A) určená podle normy EN60745:

Model GA4040C, GA4540C, GA5040C

Hladina akustického tlaku (L_{PA}): 86 dB (A)

Hladina akustického výkonu (L_{WA}): 97 dB (A)

Nejistota (K): 3 dB (A)

Model GA6040C

Hladina akustického tlaku (L_{PA}): 87 dB (A)

Hladina akustického výkonu (L_{WA}): 98 dB (A)

Nejistota (K): 3 dB (A)

Model GA4541C

Hladina akustického tlaku (L_{PA}): 83 dB (A)

Hladina akustického výkonu (L_{WA}): 94 dB (A)

Nejistota (K): 3 dB (A)

Model GA5041C

Hladina akustického tlaku (L_{PA}): 84 dB (A)

Hladina akustického výkonu (L_{WA}): 95 dB (A)

Nejistota (K): 3 dB (A)

Používejte ochranu sluchu

Vibrace

Celková hodnota vibrací (vektorový součet tří os) určená podle normy EN60745:

Model GA4040C

Pracovní režim: obrušování ploch s normální boční rukojetí

Emise vibrací ($a_{h,AG}$): 5,0 m/s²

Nejistota (K): 1,5 m/s²

Pracovní režim: obrušování ploch s antivibrační boční rukojetí

Emise vibrací ($a_{h,AG}$): 5,0 m/s²

Nejistota (K): 1,5 m/s²

Pracovní režim: broušení kotoučem s normální boční rukojetí

Emise vibrací ($a_{h,DS}$): 3,0 m/s²

Nejistota (K): 1,5 m/s²

Pracovní režim: broušení kotoučem s antivibrační boční rukojetí

Emise vibrací ($a_{h,DS}$): 2,5 m/s² nebo méně

Nejistota (K): 1,5 m/s²

Model GA4540C

Pracovní režim: obrušování ploch s normální boční rukojetí

Emise vibrací ($a_{h,AG}$): 6,0 m/s²

Nejistota (K): 1,5 m/s²

Pracovní režim: obrušování ploch s antivibrační boční rukojetí

Emise vibrací ($a_{h,AG}$): 5,5 m/s²

Nejistota (K): 1,5 m/s²

Pracovní režim: broušení kotoučem s normální boční rukojetí

Emise vibrací ($a_{h,DS}$): 2,5 m/s²

Nejistota (K): 1,5 m/s²

Pracovní režim: broušení kotoučem s antivibrační boční rukojetí

Emise vibrací ($a_{h,DS}$): 2,5 m/s²

Nejistota (K): 1,5 m/s²

Model GA5040C

Pracovní režim: obrušování ploch s normální boční rukojetí

Emise vibrací ($a_{h,AG}$): 6,5 m/s²

Nejistota (K): 1,5 m/s²

Pracovní režim: obrušování ploch s antivibrační boční rukojetí

Emise vibrací ($a_{h,AG}$): 5,5 m/s²

Nejistota (K): 1,5 m/s²

Pracovní režim: broušení kotoučem s normální boční rukojetí

Emise vibrací ($a_{h,DS}$): 2,5 m/s²

Nejistota (K): 1,5 m/s²

Pracovní režim: broušení kotoučem s antivibrační boční rukojetí

Emise vibrací ($a_{h,DS}$): 2,5 m/s²

Nejistota (K): 1,5 m/s²

Model GA6040C

Pracovní režim: obrušování ploch s normální boční rukojetí

Emise vibrací ($a_{h,AG}$): 6,5 m/s²

Nejistota (K): 1,5 m/s²

Pracovní režim: obrušování ploch s antivibrační boční rukojetí

Emise vibrací ($a_{h,AG}$): 6,0 m/s²

Nejistota (K): 1,5 m/s²

Pracovní režim: broušení kotoučem s normální boční rukojetí

Emise vibrací ($a_{h,DS}$): 2,5 m/s²

Nejistota (K): 1,5 m/s²

Pracovní režim: broušení kotoučem s antivibrační boční rukojetí

Emise vibrací ($a_{h,DS}$): 2,5 m/s² nebo méně

Nejistota (K): 1,5 m/s²

Model GA4541C

Pracovní režim: obrušování ploch s normální boční rukojetí

Emise vibrací ($a_{h,AG}$): 6,5 m/s²

Nejistota (K): 1,5 m/s²

Pracovní režim: obrušování ploch s antivibrační boční rukojetí

Emise vibrací ($a_{h,AG}$): 5,5 m/s²

Nejistota (K): 1,5 m/s²

Pracovní režim: broušení kotoučem s normální boční rukojetí

Emise vibrací ($a_{h,DS}$): 2,5 m/s² nebo méně

Nejistota (K): 1,5 m/s²

Pracovní režim: broušení kotoučem s antivibrační boční rukojetí

Emise vibrací ($a_{h,DS}$): 2,5 m/s² nebo méně

Nejistota (K): 1,5 m/s²

Model GA5041C

Pracovní režim: obrušování ploch s normální boční rukojetí

Emise vibrací ($a_{h,AG}$): 7,0 m/s²

Nejistota (K): 1,5 m/s²

Pracovní režim: obrušování ploch s antivibrační
boční rukojetí
Emise vibrací ($a_{h,AG}$): 6,0 m/s²
Nejistota (K): 1,5 m/s²

000230



Tomoyasu Kato
Ředitel

Makita Corporation
3-11-8, Sumiyoshi-cho,
Anjo, Aichi, 446-8502, JAPAN

Pracovní režim: broušení kotoučem s normální
boční rukojetí
Emise vibrací ($a_{h,DS}$): 2,5 m/s² nebo méně
Nejistota (K): 1,5 m/s²

GEA010-1

Pracovní režim: broušení kotoučem s antivibrační
boční rukojetí
Emise vibrací ($a_{h,DS}$): 2,5 m/s² nebo méně
Nejistota (K): 1,5 m/s²

ENG902-1

- Deklarovaná hodnota emisí vibrací byla změněna v souladu se standardní testovací metodou a může být využita ke srovnávání nářadí mezi sebou.
- Deklarovanou hodnotu emisí vibrací lze rovněž využít k předběžnému posouzení vystavení jejich vlivu.
- Hodnota deklarovaných emisí vibrací se vztahuje na hlavní účel využití akumulátorového nářadí. Bude-li však nářadí použito k jiným účelům, může být hodnota emisí vibrací jiná.

⚠VAROVÁNÍ:

- Emise vibrací během skutečného používání elektrického nářadí se mohou od deklarované hodnoty emisí vibrací lišit v závislosti na způsobu použití nářadí.
- Na základě odhadu vystavení účinkům vibrací v aktuálních podmínkách zajistěte bezpečnostní opatření k ochraně obsluhy (vezměte v úvahu všechny části pracovního cyklu, mezi něž patří kromě doby pracovního nasazení i doba, kdy je nářadí vypnuto nebo pracuje ve volnoběhu).

ENH101-16

Pouze pro země Evropy

Prohlášení ES o shodě

Společnost Makita Corporation jako odpovědný výrobce prohlašuje, že následující zařízení Makita:

popis zařízení:

Úhlová bruska

č. modelu/ typ: GA4040C, GA4540C, GA5040C,
GA6040C, GA4541C, GA5041C

vychází ze sériové výroby

A vyhovuje následujícím evropským směrnícím:
2006/42/EC

Zařízení bylo rovněž vyrobeno v souladu s následujícími normami či normativními dokumenty:

EN60745

Technická dokumentace je k dispozici na adrese:

Makita International Europe Ltd.
Technical Department,
Michigan Drive, Tongwell,
Milton Keynes, Bucks MK15 8JD, England

Obecná bezpečnostní upozornění k elektrickému nářadí

⚠ UPOZORNĚNÍ Přečtěte si všechna bezpečnostní upozornění a pokyny. Při nedodržení upozornění a pokynů může dojít k úrazu elektrickým proudem, požáru nebo vážnému zranění.

Všechna upozornění a pokyny si uschovejte pro budoucí potřebu.

GEB033-7

BEZPEČNOSTNÍ UPOZORNĚNÍ K BRUSCE

Obecné bezpečnostní výstrahy pro broušení, smirkování kartáčování a rozbrušování:

1. **Tento elektrický nástroj je určen k broušení, jemnému broušení, kartáčování a rozbrušování. Přečtěte si bezpečnostní výstrahy, pokyny, ilustrace a technické údaje dodané s tímto elektrickým nástrojem.** Nedodržení všech pokynů uvedených níže může způsobit úraz elektrickým proudem, požár a/nebo vážné poranění.
2. **Tento elektrický nástroj se nedoporučuje používat k operacím, jako je leštění.** Budete-li pomoci tohoto nástroje provádět práce, pro které není nástroj určen, můžete se vystavit rizikům a možnosti poranění.
3. **Nepoužívejte příslušenství, které není speciálně určeno pro nástroj a doporučeno jeho výrobcem.** Pouhá možnost upevnění příslušenství na elektrický nástroj nezaručuje jeho bezpečnou funkci.
4. **Jmenovité otáčky příslušenství nesmí překročit maximální otáčky vyznačené na elektrickém nástroji.** Příslušenství pracující při vyšších než jmenovitých otáčkách se může roztrhnout a rozlétnout.
5. **Vnější průměr a tloušťka příslušenství musí odpovídat jmenovitým hodnotám určeným pro tento elektrický nástroj.** Příslušenství nesprávné velikosti nelze řádně chránit či kontrolovat.

6. **Závit příslušenství musí odpovídat závitů vřetena brusky. U příslušenství montovaného použitím přírub musí upínací otvor příslušenství odpovídat rozměrným přírubu.** Příslušenství neodpovídající upevňovacímu mechanismu elektrického nářadí nebude vyvážené, způsobí nadměrné vibrace a může vyvolat ztrátu kontroly.
7. **Nepoužívejte poškozené příslušenství. Před každým použitím zkontrolujte příslušenství; např. brusné kotouče, zda nevykazují trhliny nebo znečištění trísikami, opěrnou podložku, zda nevykazuje trhliny, natření nebo nadměrné opotřebení, nebo drátěný kartáč, zda neobsahuje uvolněné či popraskané dráty. Pokud jste nástroj nebo příslušenství upustili, ověřte, zda nedošlo ke škodám a případně poškozené příslušenství vyměňte. Po kontrole a instalaci příslušenství se postavte mimo rovinu otáčejícího se příslušenství (tento požadavek platí také pro jakékoliv okolostojící osoby) a nechejte elektrický nástroj jednu minutu běžet při maximálních otáčkách bez zatížení.** Poškozené příslušenství se obvykle během této zkušební doby roztrhne.
8. **Používejte osobní ochranné prostředky. Podle typu prováděné práce používejte obličejový štít nebo ochranné brýle. Podle potřeby používejte protiprachovou masku, ochranu sluchu, rukavice a pracovní zástěru, která je schopna zastavit malé kousky brusiva nebo části zpracovávaného dílu.** Ochrana zraku musí odolávat odletujícím materiálům vznikajícím při různých činnostech. Protiprachová maska nebo respirátor musí filtrovat částice vznikající při prováděné práci. Dlouhodobé vystavení hluku vysoké intenzity může způsobit ztrátu sluchu.
9. **Zajistěte, aby okolostojící osoby dodržovaly bezpečnou vzdálenost od místa provádění práce. Všechny osoby vstupující na pracoviště musí používat osobní ochranné prostředky.** Úlomky dílu nebo roztrženého příslušenství mohou odletovat a způsobit zranění i ve větší vzdálenosti od pracoviště.
10. **Při práci v místech, kde může dojít ke kontaktu řezacího příslušenství se skrytým elektrickým vedením nebo s vlastním napájecím kabelem, držte elektrické nářadí pouze za izolované části držadel.** Řezací příslušenství může při kontaktu s vodičem pod napětím přenést proud do nechráněných kovových částí nářadí a obsluha může utrpět úraz elektrickým proudem.
11. **Napájecí kabel ved'te mimo otáčející se příslušenství.** Při ztrátě kontroly nad nástrojem může dojít k přeřezání nebo zachycení kabelu a vtažení ruky či paže do otáčejícího se příslušenství.
12. **Elektrický nástroj nikdy nepokládejte před tím, než příslušenství dosáhne úplného klidu.** Otáčející se příslušenství se může zachytit o povrch a způsobit ztrátu kontroly nad elektrickým nástrojem.
13. **Nikdy nástroj neuvádějte do chodu, pokud jej přenášíte po svém boku.** Náhodný kontakt s otáčejícím se příslušenstvím by mohl zachytit váš oděv a vtáhnout vás do nástroje.
14. **Pravidelně čistěte větrací otvory elektrického nástroje.** Ventilátor motoru nasává dovnitř skříně prach. Dojde-li k nadměrnému nahromadění kovového prachu, mohou vzniknout elektrická rizika.
15. **Neprovozujte elektrický nástroj v blízkosti hořlavých materiálů.** Odletující jiskry by mohly tyto materiály zapálit.
16. **Nepoužívejte příslušenství vyžadující použití chladících kapalin.** Použití vody nebo jiné chladící kapaliny může vést k úmrtí nebo úrazu elektrickým proudem.

Zpětný ráz a odpovídající výstrahy

Zpětný ráz je náhlá reakce na skřípnutí či zaseknutí otáčejícího se kotouče, opěrné podložky, kartáče nebo jiného příslušenství. Skřípnutí nebo zaseknutí způsobuje náhlé zastavení otáčejícího se příslušenství, což vede k nekontrolovanému vrhnutí elektrického nástroje ve směru opačném ke směru otáčení příslušenství v místě zachycení.

Pokud například dojde k zaseknutí nebo skřípnutí brusného kotouče v dílu, hrana kotouče vstupující do místa skřípnutí se může zakousnout do povrchu materiálu a to způsobí zvednutí kotouče nebo jeho vyhození. Kotouč může vyskočit buď směrem k pracovníkovi nebo od něj podle toho, v jakém směru se kotouč pohybuje v místě skřípnutí. Za těchto podmínek může také dojít k roztržení brusných kotoučů.

Zpětný ráz je důsledkem špatného použití a/nebo nesprávných pracovních postupů či podmínek. Lze se mu vyhnout přijetím odpovídajících opatření, která jsou uvedena níže.

- a) **Elektrický nástroj pevně držte a své tělo a paže umístěte tak, abyste byli schopni odolat silám vznikajícím při zpětném rázu. Vždy používejte pomocné držadlo, je-li k dispozici, abyste získali maximální kontrolu nad zpětným rázem nebo reakcí na točivý moment během uvádění do chodu.** Pracovník je schopen kontrolovat reakce na točivý moment a síly vznikající při zpětném rázu, pokud přijme odpovídající opatření.
- b) **Nikdy nedávejte ruce do blízkosti otáčejícího se příslušenství.** Příslušenství může odskočit zpět přes vaše ruce.
- c) **Nemějte tělo na místě, na které se elektrický nástroj přesune v případě zpětného rázu.** Zpětný ráz nástroj vystřelí ve směru opačném k pohybu kotouče v místě zachycení.

d) **Zvláštní opatrnost zachovávejte při opracování rohů, ostrých hran, atd. Vyvarujte se narážení a skřípnutí příslušenství.** Rohy a ostré hrany mají tendenci zachycovat otáčející se příslušenství, což vede ke ztrátě kontroly nebo zpětnému rázu.

e) **Nepřipojujte článkový nebo ozubený pilový kotouč.** Takové kotouče často způsobují zpětné rázy a ztrátu kontroly.

Konkrétní bezpečnostní výstrahy pro broušení a rozbrušování:

a) **Používejte pouze kotouče doporučené pro váš elektrický nástroj a specifický kryt určený pro vybraný kotouč.** Kotouče, pro které nebyl elektrický nástroj určen, nelze odpovídajícím způsobem zabezpečit a představují proto riziko.

b) **Brusná plocha kotoučů s vypouklým středem musí být umístěna pod rovinnou obrubu krytu.** Nesprávně namontovaný kotouč vyčnívající nad rovinu obruby krytu nemůže být dostatečně chráněn.

c) **Kryt musí být k elektrickému nářadí bezpečně připevněn a vhodně ustaven k zajištění maximální bezpečnosti tak, aby byla směrem k obsluze otevřena co nejmenší část kotouče.** Kryt napomáhá chránit obsluhu před odletujícími úlomky rozbitého kotouče a nechtěným kontaktem s kotoučem či jiskrami, jež mohou zapálit oděv.

d) **Kotouče je povoleno používat pouze k doporučeným účelům. Například: Nebruste bokem rozbrušovacího kotouče.** Rozbrušovací kotouče jsou určeny k obvodovému broušení a působení bočních sil může způsobit jejich roztržení.

e) **Vždy používejte nepoškozené příruby, které mají správnou velikost a tvar odpovídající vybranému kotouči.** Správné příruby zajišťují podepření kotouče a omezují tak možnost jeho roztržení. Příruby pro rozbrušovací kotouče se mohou lišit od přírub určených pro brusné kotouče.

f) **Nepoužívejte opotřebené kotouče z většího elektrického nářadí.** Kotouč určený pro větší elektrické nářadí není vhodný pro vyšší otáčky menší jednotky a může se roztrhnout.

Doplňkové bezpečnostní výstrahy pro broušení a rozbrušování:

a) **Zamezte „zaseknutí“ rozbrušovacího kotouče a nevyvíjejte na něj příliš velký tlak. Nepokoušejte se o provedení řezu s příliš velkou hloubkou.** Vyvinete-li na kotouč příliš velký tlak, zvyšuje se jeho zatížení a náchylnost ke kroucení nebo ohybu v řezu a tudíž možnost zpětného rázu nebo roztržení kotouče.

b) **Nestavějte se přímo za otáčející se kotouč.** Pokud se kotouč v místě operace posunuje směrem od vašeho těla, může potenciální zpětný

ráz vystřelit otáčející se kotouč spolu s elektrickým nástrojem přímo na vás.

c) **Pokud kotouč vážne nebo z jakéhokoliv důvodu chcete přerušit řezání, vypněte nástroj a držte jej bez pohybu, dokud se kotouč úplně nezastaví. Nikdy se nepokoušejte vytažovat rozbrušovací kotouč z řezu, je-li kotouč v pohybu, protože by mohlo dojít ke zpětnému rázu.** Zjistěte příčinu vážnutí kotouče a přijměte odpovídající nápravná opatření.

d) **Neobnovujte řezání přímo v obrobku. Nechte kotouč dosáhnout plné rychlosti a potom jej opatrně zaveďte zpět do řezu.** Spustíte-li kotouč v obrobku, může dojít k jeho uváznutí, vyskočení nebo ke zpětnému rázu.

e) **Desky a jakékoliv díly nadměrné velikosti podepřete, abyste omezili na minimum riziko skřípnutí kotouče a zpětného rázu.** Velké díly mají tendenci prověšovat se svojí vlastní vahou. Podpěry je nutno umístit pod díl v blízkosti rysky řezu a u okrajů dílu, a to na obou stranách od kotouče.

f) **Při provádění „kapovitého řezu“ do stávajících stěn nebo jiných uzavřených míst zachovávejte zvýšenou opatrnost.** Vyčnívající kotouč může při zařiznutí do plynových, vodovodních či elektrických vedení nebo jiných objektů způsobit zpětný ráz.

Zvláštní bezpečnostní výstrahy pro smirkování:

a) **Nepoužívejte smirkový papír nadměrné velikosti. Při výběru smirkového papíru dodržujte údaje výrobce.** Smirkový papír přečnivající přes brusný talíř může způsobit poranění a rovněž zablokování, roztržení kotouče a zpětný ráz.

Zvláštní bezpečnostní výstrahy pro práci s drátěnými kartáči:

a) **Nezapomeňte, že drátěný kartáč i během běžného používání ztrácí kousky drátu. Nepřetěžujte dráty příliš vysokým tlakem na kartáč.** Odlétající kousky drátu mohou velmi lehce proniknout skrz tenký oděv a/nebo pokožku.

b) **Je-li při kartáčování doporučen ochranný kryt, zabraňte vzájemnému kontaktu ochranného krytu a drátěného kotouče či kartáče.** Drátěný kotouč nebo kartáč může díky přítlaku a odstředivým silám zvětšit svůj průměr.

Dodatečná bezpečnostní upozornění:

- Při používání brusných kotoučů s vypouklým středem používejte pouze kotouče vyztužené sklolaminátem.**
- V této brusce NIKDY NEPOUŽÍVEJTE brusící kotouče miskovitého typu.** Tato bruska není pro zmiňovaný typ kotoučů zkonstruována a používání podobných produktů může vést k vážným zraněním.

19. Dávejte pozor, aby nedošlo k poškození vřetene, příruby (zejména instalačního povrchu) a pojistné matice. Poškození těchto dílů může vést k roztržení kotouče.
20. Před zapnutím spínače se přesvědčte, zda se kotouč nedotýká dílu.
21. Před použitím nástroje na skutečném dílu jej nechejte na chvíli běžet. Sledujte, zda neznikají vibrace nebo viklání, které by mohly signalizovat špatně nainstalovaný nebo nedostatečně vyvážený kotouč.
22. Při broušení používejte stanovený povrch kotouče.
23. Nenechávejte nástroj běžet bez dozoru. Pracujte s ním, jen když jej držíte v rukou.
24. Bezprostředně po ukončení práce se nedotýkejte nástroje; může dosahovat velmi vysokých teplot a popálit pokožku.
25. Dodržujte pokyny výrobce týkající se správné montáže a použití kotoučů. Při manipulaci a skladování kotoučů je nutno zachovávat opatrnost.
26. Nepoužívejte samostatná redukční pouzdra ani adaptéry k přizpůsobení brusných kotoučů s velkým otvorem.
27. Používejte pouze příruby určené pro tento nástroj.
28. U nástrojů, které jsou určeny k montáži kotoučů se závitovaným otvorem dbejte, aby byl závit kotouče dostatečně dlouhý vzhledem k délce vřetene.
29. Zkontrolujte, zda je díl řádně podepřen.
30. Nezapomeňte, že kotouč pokračuje v otáčení i po vypnutí nástroje.
31. Pokud se na pracovišti vyskytují velice vysoké teploty či vlhkost nebo je pracoviště znečištěno vodivým prachem, použijte k zajištění bezpečnosti obsluhy zkratový jistič (30 mA).
32. Nepoužívejte nástroj ke zpracování materiálů obsahujících azbest.
33. Používáte-li rozbrušovací kotouč, vždy pracujte s chráničem kotouče se sběrem prachu, který je požadován směrnicemi.
34. Rozbrušovací kotouče nesmí být vystaveny žádnému příčnému tlaku.

TYTO POKYNY USCHOVEJTE.

⚠VAROVÁNÍ:

NEDOVLTE, aby pohodlnost nebo pocit znalosti výrobku (získaný na základě opakovaného používání) vedly k zanedbání dodržování bezpečnostních pravidel platných pro tento výrobek. **NESPRÁVNÉ POUŽÍVÁNÍ** nebo nedodržení bezpečnostních pravidel uvedených v tomto návodu k obsluze může způsobit vážné zranění.

POPIS FUNKCE

⚠POZOR:

- Před nastavováním nástroje nebo kontrolou jeho funkce se vždy přesvědčte, že je vypnutý a vytážený ze zásuvky.

Zámek hřídele

Fig.1

⚠POZOR:

- Nikdy neaktivujte zámek hřídele, pokud se pohybuje vřeteno. Může dojít k poškození nástroje.

Při instalaci a demontáži příslušenství lze zámek hřídele použít jako prevenci otáčení vřetena.

Zapínání

Fig.2

⚠POZOR:

- Před připojením nástroje k elektrické síti vždy zkontrolujte, zda posuvný spínač funguje správně a zda se po stisknutí zadní části posuvného spínače vrací do vypnuté polohy.
- Spínač lze zablokovat v poloze zapnuto. Pracovníkovi se tak usnadňuje práce prováděná po delší dobu. Zajistěte-li nástroj v poloze zapnuto, postupujte se zvýšenou opatrností a neustále nástroj pevně držte.

Náradí se spouští přesunutím posuvného spínače do polohy „I (ZAP,)" zatlačením na jeho zadní stranu. Jestliže chcete zapnout trvalý provoz, zajistěte posuvný spínač zatlačením na jeho přední část.

Chcete-li zařízení vypnout, stiskněte zadní část posuvného spínače a přešuněte jej do polohy „O" (VYP).

Kontrolka

Fig.3

Kontrolka se rozsvítí zeleně při připojení nástroje k elektrické síti. Pokud se kontrolka nerozsvítí, může být vadný napájecí kabel nebo ovladač. Pokud kontrolka svítí, ale nástroj se neuvvede do chodu ani když je zapnut, mohou být opotřebené uhlíky nebo může být vadný ovladač, motor nebo hlavní vypínač (ON/OFF) .

Ochrana proti nechtěnému opakovanému spuštění

Náradí s odjistěným spínačem se nespustí i přesto, že je zapojeno do zásuvky.

Kontrolka v tuto chvíli červeně bliká a signalizuje aktivaci ochrany proti nechtěnému opakovanému spuštění.

Ochranu proti nechtěnému opakovanému spuštění zrušíte přesunutím posuvného spínače do polohy „O (VYP)."

Otočný volič rychlosti

Fig.4

Rychlost otáčení lze regulovat přesunutím otočného voliče otáček na požadované nastavení od 1 do 5.

Vyšších otáček se dosahuje při otáčení voličem ve směru číslice 5. Nižší otáčky lze získat při otáčení voličem ve směru číslice 1.

Vztah mezi nastavením zvoleným na voliči a přibližnými otáčkami naleznete v tabulce níže.

Platí pro model GA4040C, GA4540C, GA5040C, GA4041C, GA4541C, GA5041C

Počet	min ⁻¹ (ot./min.)
1	2 800
2	4 000
3	6 000
4	8 000
5	11 000

012752

Platí pro model GA6040C

Počet	min ⁻¹ (ot./min.)
1	4 000
2	5 000
3	6 000
4	7 000
5	9 000

012756

⚠POZOR:

- Je-li nástroj provozován dlouhou dobu nepřetržitě při nízkých otáčkách, dojde k přetížení a přehřátí motoru.
- Otočný voličem otáček lze otáčet pouze do polohy 5 a zpět do polohy 1. Voličem neotáčejte silou za polohy 5 nebo 1. Mohlo by dojít k poruše funkce regulace otáček.

Elektronická funkce

Následující funkce a vlastnosti elektronických nástrojů umožňují jejich snadné provozování.

Nastavení konstantní rychlosti

Kontrola konstantních otáček zajišťují kvalitní povrch, neboť konstantní otáčky jsou udržovány i při zatížení.

Funkce měkkého spuštění

Funkce měkkého spuštění zamezí rázu při spuštění.

Ochrana proti přetížení

Přesáhne-li zátěž nářadí přípustnou úroveň, omezí se v rámci ochrany motoru před přehřátím jeho výkon. Jakmile se zátěž vrátí do přípustných mezí, bude nářadí pracovat jako obvykle.

Mechanická brzda

Platí pro model GA4041C, GA4541C, GA5041C

Po vypnutí nářadí byla aktivována mechanická brzda. Brzda nefunguje v případě, kdy je při vypnutí napájení přepínač v zapnuté poloze.

MONTÁŽ

⚠POZOR:

- Než začnete na nástroji provádět jakékoli práce, vždy se předtím přesvědčte, že je vypnutý a vytážený ze zásuvky.

Instalace boční rukojeti (držadla)

Fig.5

⚠POZOR:

- Dávejte pozor, aby boční rukojeť byla vždy před prací pevně nainstalovaná.

Pevně našroubujte boční rukojeť na místo nástroje, které je ilustrováno na obrázku.

Nasazení či sejmutí krytu kotouče (pro kotouče s vypouklým středem, lamelové kotouče, brousící kotouče, kotoučové drátěné kartáče/rozbrušovací kotouče, diamantové kotouče)

⚠VAROVÁNÍ:

- Při použití kotouče s vypouklým středem, lamelového kotouče, brousícího kotouče nebo kotoučového drátěného kartáče musí být na nářadí nasazen kryt kotouče tak, aby byla uzavřená strana krytu vždy nasměrována k obsluze.
- Při použití rozbrušovacího/diamantového kotouče se ujistěte, zda používáte pouze speciální kryt kotouče zkonstruovaný k použití s rozbrušovacími kotouči. (V některých evropských zemích lze při práci s diamantovým kotoučem použít obvyklý kryt. Dodržujte směrnice platné ve vaší zemi.)

Nástroj s chráničem kotouče a závěrným šroubem

Fig.6

Namontujte kryt kotouče tak, aby byly výstupky na obruči krytu vyrovnány s výřezy na ložiskové skříni. Potom kryt kotouče otočte o 180° vlevo. Ujistěte se, zda jste pevně dotáhli šroub.

Při demontáži chrániče kotouče použijte opačný postup montáže.

Nástroj s chráničem kotouče a upínací páčkou

Fig.7

Po povolení šroubu přesuňte páčku ve směru šipky. Namontujte kryt kotouče tak, aby byly výstupky na obruči krytu vyrovnány s výřezy na ložiskové skříni. Potom kryt kotouče otočte o 180°.

Fig.8

Po přesunutí páčky ve směru šipky dotáhněte kryt kotouče upevňovacím šroubem. Touto páčkou lze upravovat úhel nastavení krytu kotouče.

Při demontáži chrániče kotouče použijte opačný postup montáže.

Montáž a demontáž kotouče s vypouklým středem nebo lamelového kotouče (volitelné příslušenství)

⚠VAROVÁNÍ:

- Při použití kotouče s vypouklým středem či lamelového kotouče musí být na nářadí nasazen kryt kotouče tak, aby byla uzavřená strana krytu vždy nasměrována k obsluze.

Fig.9

Namontujte na vřeteno vnitřní přírubu. Umístěte kotouč/disk na vnitřní přírubu a našroubujte na vřeteno pojistnou matici.

Fig.10

Při utahování pojistné matice pevně stiskněte zámek hřídele tak, aby se vřeteno nemohlo otáčet, a poté ji pomocí klíče na pojistné matice pevně utáhněte ve směru hodinových ručiček.

Při demontáži kotouče použijte opačný postup montáže.

Super příruba (volitelné příslušenství)

Modely označené písmenem F jsou standardně vybaveny super přírubou. V porovnání s běžným typem je k povolení pojistné matice zapotřebí jen 1/3 námaha.

⚠POZOR:

- Super přírubu nepoužívejte u modelů vybavených mechanickou brzdou. Při aktivaci brzdy by se mohla povolit.

Montáž a demontáž matice Ezynut (volitelné příslušenství)

⚠POZOR:

- Matici Ezynut nepoužívejte se Super přírubou ani v úhlových bruskách s označením „F“ na konci čísla modelu. Tyto příruby jsou totiž tak silné, že vřeteno nezachytí celou délku závitu.

Fig.11

Na vřeteno namontujte vnitřní přírubu, rozbrušovací kotouč a matici Ezynut s logem Makita směrem ven.

Fig.12

Stiskněte pevně aretační tlačítko hřídele a matici Ezynut dotáhněte nadoraz otáčením rozbrušovacího kotouče vpravo.

Povolení provedete otočením vnějšího kroužku matice Ezynut vlevo.

Fig.13

Fig.14

POZNÁMKA:

- Pokud je šipka nasměrována k zářezu, lze matici Ezynut povolit rukou. Jinak je k povolení zapotřebí klíč na pojistnou matici. Jeden z čepů klíče nasadte do otvoru a pak matici otáčením vlevo povolte.

Instalace a demontáž brousícího kotouče (volitelné příslušenství)

⚠VAROVÁNÍ:

- Při nasazení brousícího kotouče vždy používejte dodaný kryt. Kotouč se může během provozu rozlétnout a kryt tak napomáhá omezit nebezpečí zranění.

Fig.15

Postupujte podle pokynů pro kotouče s vypouklým středem a použijte také plastový talíř ke kotouči. Pořadí montáže naleznete na stránce věnované příslušenství v tomto návodu.

Montáž a demontáž brusného kotouče (volitelné příslušenství)

POZNÁMKA:

- Používejte příslušenství brusky uvedené v této příručce. Příslušenství je nutno zakoupit samostatně.

Fig.16

Na vřeteno namontujte pryžový talíř. Na pryžový talíř nasadte kotouč a na vřeteno našroubujte pojistnou matici pro smirkování. Při utahování pojistné matice pro smirkování pevně stiskněte aretační tlačítko hřídele, aby se vřeteno nemohlo otáčet, a matici pevně dotáhněte doprava klíčem na pojistné matice.

Při demontáži kotouče použijte opačný postup montáže.

Instalace a demontáž snímatelného protiprachového krytu (volitelné příslušenství)

⚠VAROVÁNÍ:

- Před nasazováním či snímáním protiprachového krytu se vždy ujistěte, zda je nářadí vypnuto a odpojeno ze zásuvky. Jinak může dojít k poškození nářadí nebo ke zranění.

Existují čtyři způsoby nasazení protiprachového krytu - pro každou polohu jiný.

Fig.17

Protiprachový kryt nasadte tak, aby byly viditelné plochy s označením (A, B, C nebo D). Čepy zacvakněte do ventilačních otvorů.

Protiprachový kryt lze demontovat ručně.

POZNÁMKA:

- Dojde-li k ucpaní protiprachového krytu prachem nebo jiným materiálem, očistěte jej. Pokud budete pokračovat v provozu s ucpaným protiprachovým krytem, dojde k poškození nástroje.

PRÁCE

⚠VAROVÁNÍ:

- Nikdy by neměla nastat potřeba vyvíjet na nástroj příliš velkou sílu. Dostatečný tlak je zajištěn hmotností samotného nástroje. Příliš velký tlak by mohl vést k nebezpečnému rozříznutí kotouče.
- Pokud nástroj při broušení upustíte, **VŽDY** vyměňte kotouč.
- **NIKDY** s brusným kotoučem nenarážejte do zpracovávaného materiálu.
- Vyvarujte se narážení a zaseknutí kotouče, a to zejména při opracování rohů, ostrých hran, apod. Mohlo by dojít ke ztrátě kontroly a zpětnému rázu.
- **NIKDY** nepoužívejte nástroj s řeznými kotouči na dřevo ani jinými řeznými kotouči. Při používání těchto kotoučů na brusce dochází často k zpětným rázům, ztrátě kontroly a následnému zranění.

⚠POZOR:

- Nikdy nástroj nezapínejte, pokud je v kontaktu se zpracovávaným dílem. Mohlo by dojít ke zranění.
- Při práci vždy používejte ochranné brýle nebo obličejový štít.
- Po ukončení práce vždy nástroj vypněte a před položením vždy vyčkejte, dokud se kotouč úplně nezastaví.

Hrubé a jemné broušení

Fig.18

Nářadí **VŽDY** pevně držte s jednou rukou na plášti a druhou na bočním držadle. Nářadí zapněte a přiložte kotouč k obrobku.

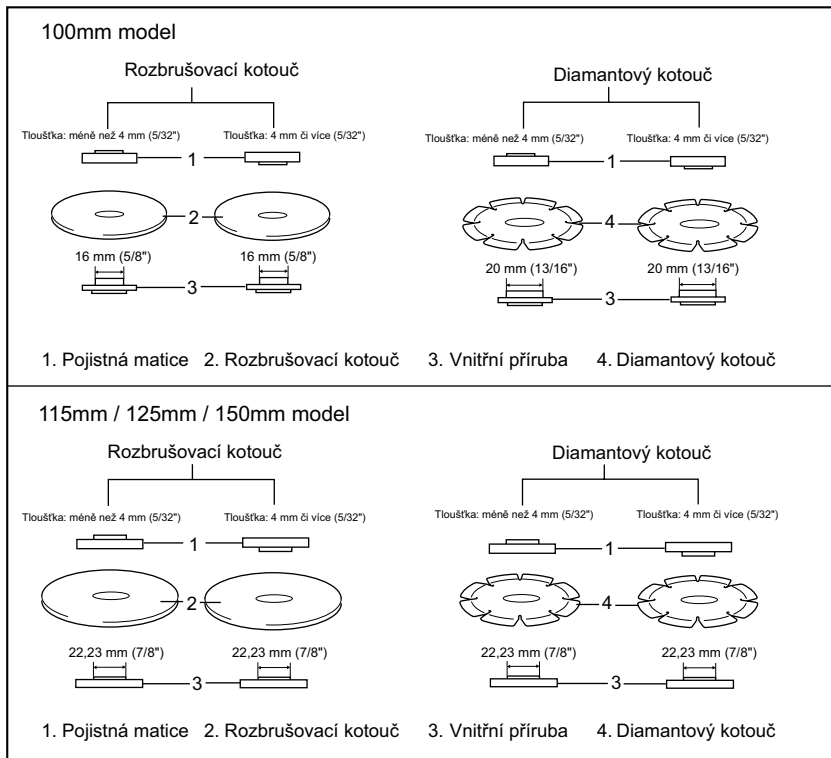
Kotouč přidržujte zpravidla přibližně pod 15 ° úhlem k rovině obrobku.

Při zabíhání nového kotouče nepracujte s bruskou ve směru B, jinak se bruska do obrobku zařízne. Po zaoblení hrany kotouče během používání lze s kotoučem pracovat ve směru A i B.

Provoz s rozbrušovacím/diamantovým kotoučem (volitelné příslušenství)

Fig.19

Směr montáže pojistné matice a vnitřní příruby se liší podle tloušťky kotouče. Viz níže uvedená tabulka.



012746

⚠VAROVÁNÍ:

- Při použití rozbrušovacího/diamantového kotouče se ujistěte, zda používáte pouze speciální kryt kotouče zkonstruovaný k použití s rozbrušovacími kotouči. (V některých evropských zemích lze při práci s diamantovým kotoučem použít obvyklý kryt. Dodržujte směrnice platné ve vaší zemi.)
- NIKDY nepoužívejte rozbrušovací kotouč k bočnímu broušení.
- Zamezte „zaseknutí“ kotouče a nevyvíjejte na něj příliš velký tlak. Nepokoušejte se o provedení řezu s příliš velkou hloubkou. Vyvinete-li na kotouč příliš velký tlak, zvyšuje se jeho zatížení a náchylnost ke kroucení nebo ohybu v řezu a tudíž možnost zpětného rázu nebo roztržení kotouče.

- Neobnovujte řezání přímo v dílu. Nechejte kotouč dosáhnout plné rychlosti a poté jej opatrně zasuňte do řezu; posuňte nástroj směrem dopředu po povrchu zpracovávaného dílu. Pokud kotouč uvedete do chodu v dílu, může dojít k jeho uvážnutí, zvednutí nebo zpětnému rázu.
- Během práce nikdy neměňte úhel kotouče. Vyvinete-li na rozbrušovací kotouč boční tlak (jako při broušení), dojde k popraskání a roztržení kotouče a vážnému zranění.
- S diamantovým kotoučem je třeba řezat do opracovávaného materiálu svisle.

Provoz s hrncovým drátěným kartáčem (volitelné příslušenství)

⚠POZOR:

- Spuštěním nářadí naprázdno zkontrolujte funkci kartáče a ujistěte se přitom, zda před kartáčem nebo v jeho blízkosti nejsou žádné osoby.

- Nepoužívejte poškozené a nevyvážené kartáče. Používání poškozeného kartáče může zvýšit nebezpečí zranění kontaktem s drátý roztrženého kartáče.

Fig.20

Nářadí odpojte ze zásuvky a položte jej kotoučem nahoru, abyste získali snadný přístup k vřetenu. Z nářadí sejměte veškeré příslušenství. Na vřeteno nasadte hrcový drátěný kartáč a dotáhněte jej dodaným klíčem. Při použití kartáče netlačte příliš silně, abyste dráty kartáče neohnuli, což by vedlo k jeho předčasnému zničení.

Provoz s kotoučovým drátěným kartáčem (volitelné příslušenství)

⚠POZOR:

- Spuštěním nářadí naprázdno zkontrolujte funkci kotoučového drátěného kartáče a ujistěte se přitom, zda před ním či v jeho blízkosti nejsou žádné osoby.
- Nepoužívejte poškozené a nevyvážené kotoučové drátěné kartáče. Používání poškozeného kotoučového drátěného kartáče může zvýšit nebezpečí zranění kontaktem s roztrženým kartáčem.
- Při práci s kotoučovým drátěným kartáčem VŽDY používejte kryt - ujistěte se přitom, zda se průměr kotouče do krytu vejde. Kotouč se může během provozu rozlétnout a kryt tak napomáhá omezit nebezpečí zranění.

Fig.21

Nářadí odpojte ze zásuvky a položte jej kotoučem nahoru, abyste získali snadný přístup k vřetenu. Z nářadí sejměte veškeré příslušenství. Na vřeteno navlékněte kotoučový drátěný kartáč a dotáhněte jej klíčem.

Při použití kotoučového drátěného kartáče netlačte příliš silně, abyste dráty kartáče neohnuli, což by vedlo k jeho předčasnému zničení.

ÚDRŽBA

⚠POZOR:

- Než začnete provádět kontrolu nebo údržbu nástroje, vždy se přesvědčte, že je vypnutý a vytažený ze zásuvky.
- Nikdy nepoužívejte benzín, benzen, ředidlo, alkohol či podobné prostředky. Mohlo by tak dojít ke změnám barvy, deformacím či vzniku prasklin.

Fig.22

Nástroj a větrací otvory je nutno udržovat v čistotě. Větrací otvory nástroje čistěte pravidelně nebo kdykoliv dojde k jejich zablokování.

Kvůli zachování BEZPEČNOSTI a SPOLEHLIVOSTI výrobku musí být opravy, kontrola a výměna uhlíků a veškerá další údržba či seřizování prováděny autorizovanými servisními středisky firmy Makita a s použitím náhradních dílů Makita.

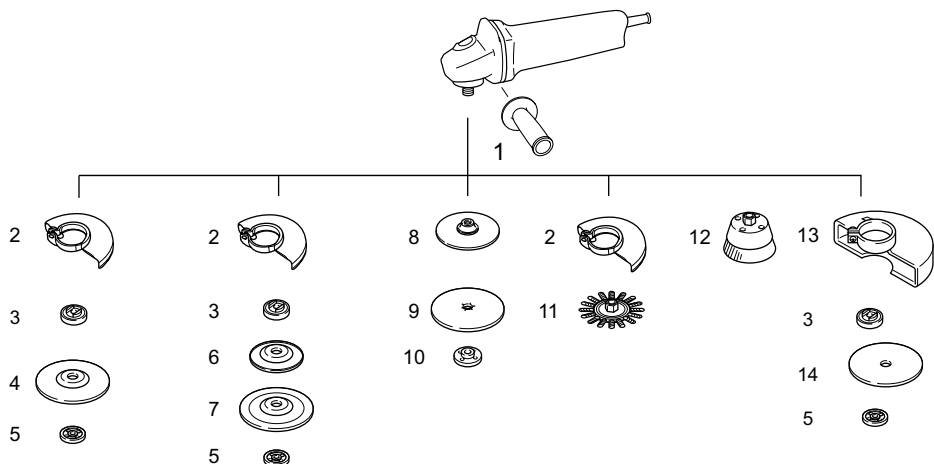
VOLITELNÉ PŘÍSLUŠENSTVÍ

⚠POZOR:

- Pro váš nástroj Makita, popsany v tomto návodu, doporučujeme používat toto příslušenství a nástavce. Při použití jiného příslušenství či nástavců může hrozit nebezpečí zranění osob. Příslušenství a nástavce lze používat pouze pro jejich stanovené účely.

Potřebujete-li bližší informace ohledně tohoto příslušenství, obraťte se na vaše místní servisní středisko firmy Makita.

- Snímatelný protiprachový kryt



	100mm model	115mm model	125mm model	150mm model
1	Rukojeť 36			
2	Kryt kotouče (pro brusný kotouč)			
3	Vnitřní příruba	Vnitřní příruba Příruba Super *1	Vnitřní příruba Příruba Super *1	Vnitřní příruba Příruba Super *1
4	Kotouč s vypouklým středem/lamelový disk			
5	Pojistná matice	Pojistná matice Matice Ezynut *2	Pojistná matice Matice Ezynut *2	Pojistná matice Matice Ezynut *2
6	Plastová podložka	Plastová podložka	Plastová podložka	-
7	Brousící kotouč	Brousící kotouč	Brousící kotouč	-
8	Pryžová podložka 76	Pryžová podložka 100	Pryžová podložka 115	Pryžová podložka 125
9	Brusný kotouč			
10	Pojistná matice pro smirkování			
11	Kotoučový drátěný kartáč			
12	Hrcový drátěný kartáč			
13	Kryt kotouče (pro rozbrušovací kotouč) *3			
14	Rozbrušovací kotouč/diamantový kotouč			
-	Klíč na pojistné matice			

Poznámka:

*1 Super přírubu nepoužívejte s bruskou vybavenou funkcí brzdy.

*2 Nepoužívejte současně Super přírubu a matici Ezynut.

*3 V některých evropských zemích lze při použití diamantových kotoučů použít obyčejný kryt namísto speciálního krytu zakrývajícího obě strany kotouče. Dodržujte směrnice platné ve vaší zemi.

013977

POZNÁMKA:

- Některé položky seznamu mohou být k zařízení přibaleny jako standardní příslušenství. Přibalené příslušenství se může v různých zemích lišit.

Makita Corporation
Anjo, Aichi, Japan

885106B976

www.makita.com