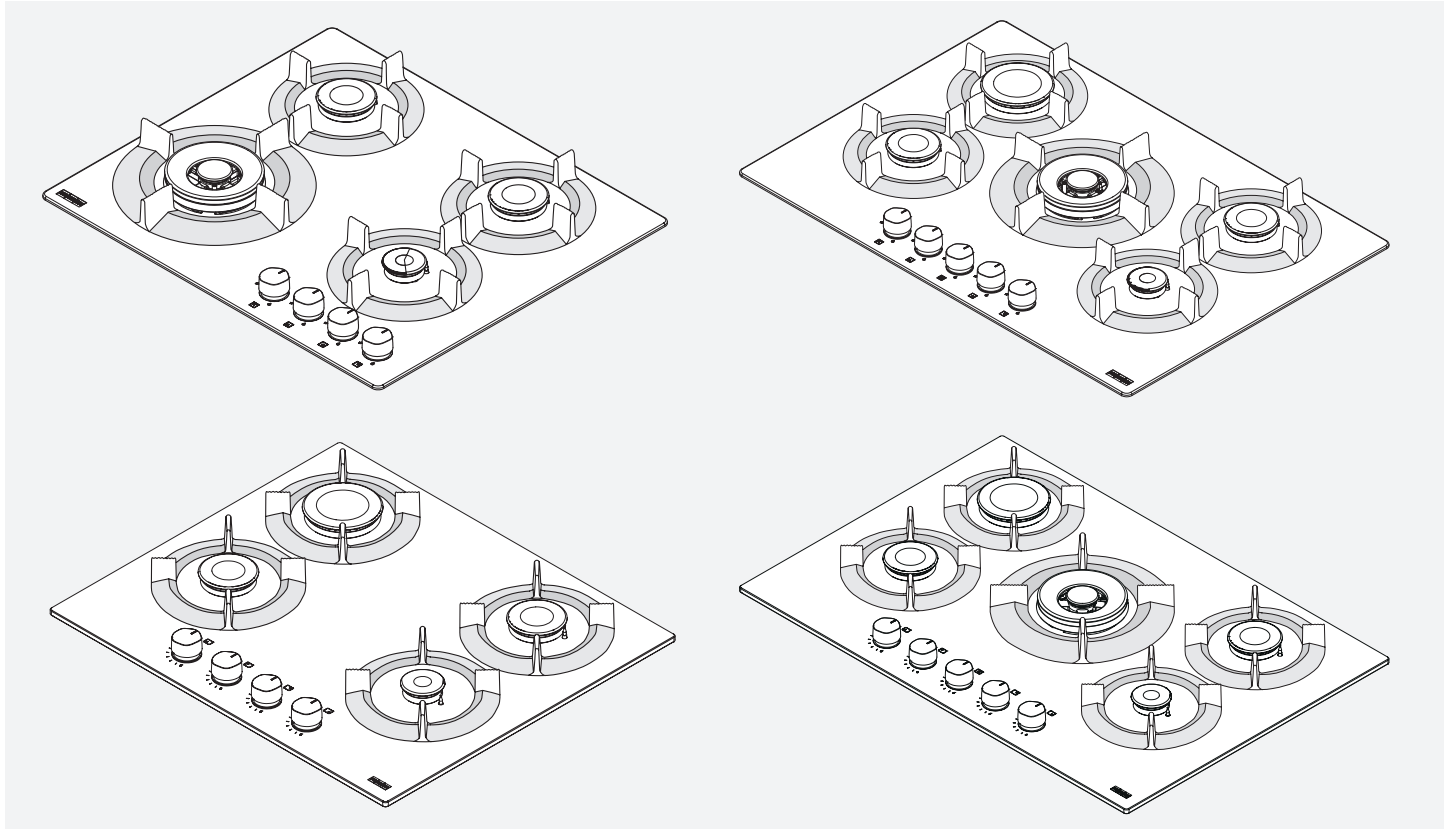


MARIS FREE



FHMF 604 3G DC C (Metal)
FHMF 604 4G C (Glass)

FHMF 755 4G DC C (Metal)
FHMF 755 4G DC C (Glass)

EN User manual
DE Gebrauchsanweisung
FR Manuel d'utilisation
NL Gebruikershandleiding
IT Istruzioni per l'uso

Gas Hob
Gaskochfeld
Table de cuisson au gaz
Gaskookplaat
Piano cottura a gas

*Make
it
Wonderful*

FRANKE

TABLE OF CONTENTS

Introduction	3
About this manual	3
Intended use	3
Safety information	4
Proper installation and placement	4
Proper use	5
Maintenance and cleaning	6
Repair	6
Taking out of service	6
Overview	7
FHMF 604 3G DC C (Metal)	7
FHMF 604 4G C (Glass)	7
FHMF 755 4G DC C (Metal)	7
FHMF 755 4G DC C (Glass)	7
Your appliance	8
Operation	8
Lighting the burners	8
Cleaning and care	8
General recommendations	9
Cleaning the appliance	9
Maintenance and repair	9
Disposal	10
Packaging	10
Disconnection	10
Disposal	10
Customer service	10

INTRODUCTION

Dear customer,

Before using the appliance, please carefully read the instructions and advice contained in this manual. This will enable you to make best use of the appliance and ensure many years of trouble-free operation. Keep this user manual for further reference.

MARIS is a next generation hob, thought to turn domestic cooking around.

A technological and aesthetical upgrade that perfectly matches together design and performance, MARIS is a piece of elegance fit for every kitchen and able to guarantee outstanding reliability thanks to the quality of materials and the attention to detail typical of every FRANKE product.

ABOUT THIS MANUAL

This user manual applies to several models of the device. Thus it may be possible that some of the described features and functions are not available on your specific model.

FRANKE reserves the right to make modifications to the product without prior notice. All information correct at time of issuance.

- ▶ Carefully read the user manual before using the device.
- ▶ Keep the user manual.
- ▶ Use the device described in this user manual only according to the intended use.

Symbol	Meaning
	Warning symbol. Warning against risks of injury.
	Actions in safety and warning notes to avoid injury or damage.
	Action step. Specifies an action to be done.



Warning symbol. Warning against risks of injury.



Actions in safety and warning notes to avoid injury or damage.



Action step. Specifies an action to be done.

INTENDED USE

The hob was developed exclusively for non-professional, domestic use in the household.

This hob is designed to offer professional performance in the household. It is a highly versatile appliance enabling safe and easy selection of different cooking methods.

IMPORTANT

- ▷ Improper use of the grids can damage the hob: do not position the grids upside down or slide them across the hob.
- ▷ In case of use of cast iron griddles, ollar stones, terracotta pots and pans, use them for no more than 20 minutes and, in case of prolonged cooking, adjust the burner to the minimum.
- ▷ Heat diffusers such as metal mesh, or any other types are not recommended.
- ▷ Don't use two burners simultaneously for one receptacle (e.g. fish kettle).
- ▷ Liquids spilled on hot hob area can cause glass damage.

The instructions included in this manual are only valid if the country initials are shown on the appliance.

- ▷ If the initials are not shown on the appliance, it is necessary to verify that the appliance is compliant to the country regulation. For any doubt about compliance you can refer to your local distributor.

SAFETY INFORMATION

- ▷ Read the operating instructions before using the appliance for the first time.

The manufacturer can not be made liable for possible damage which may occur due to incorrect installation and incorrect, improper or unreasonable use of the device.

To ensure safe and efficient operation of this electrical device:

- ▷ Only contact authorised service centres.
- ▷ Do not modify any features of the device.



This appliance is not intended for use by persons (including children) with reduced physical, sensory or mental capabilities, or lack of experience and knowledge, unless they have been given supervision or instruction concerning use of the appliance by a person responsible for their safety. Children should be supervised to ensure that they do not play with the appliance.

This device is not a toy.

- ▷ Keep children away from the device and the packaging material.
- ▷ Do not leave children near the device unattended.
- ▷ Do not let children play with the device.
- ▷ Do not allow children to touch the device or its controls during and immediately after using it, since the hob becomes very hot.
- ▷ Do not allow children to touch an unused device. Make any potentially hazardous parts safe.

Proper installation and placement

The appliance must be installed and connected to the electricity and gas supply in accordance with the separate installation instructions. Have a qualified fitter/ electrician carry out the necessary work.

The appliance is designed for use in the home for preparing food. No liability is assumed for any damage caused by improper use or incorrect handling.

If the appliance is to be permanently connected to the power supply:

- ▷ Ensure that the device is installed only by the customer service, an electrician or trained personnel with the appropriate knowledge/education.
- ▷ This appliance is not connected to a combustion products evacuation device. It shall be installed and connected in accordance with current installation regulations. Particular attention shall be given to the relevant requirements regarding ventilation.
- ▷ Ensure that the device is installed in a way that allows to disconnect it from the power supply, with a contact opening distance that ensures complete disconnection in category III overvoltage conditions.
- ▷ Ensure that the appliance is connected to an earthing system in compliance with the current regulations.
- ▷ Ensure that the device is connected directly to the mains socket.
 - Ensure that no adapters, no multi-sockets and no extension cables are used to connect the device.
- ▷ Ensure that the supply cord is not damaged. If damaged, contact customer services.
- ▷ Ensure that the device is not exposed to atmospheric agents (rain, sun).
- ▷ Ensure that the ventilation of the appliance is in accordance with the manufacturer's instructions.
- ▷ **CAUTION!** The use of a gas cooking appliance results in the production of heat, moisture and products of combustion in the room in which it is installed.
- ▷ Ensure that the kitchen is well ventilated especially when the appliance is in use: keep natural ventilation holes open or install a mechanical ventilation device (mechanical extractor hood).
- ▷ Ensure the gas type and supply is compatible with appliance specifications.

- The type of gas for which the appliance is arranged is specified on the dataplate on the bottom of the tray.
- ▷ The adjustment conditions for this appliance are stated on the label (or data plate).
- ▷ Pay particular attention to the applicable regulations on ventilation.
- ▷ The use of a gas cooking appliance produces heat and humidity in the room where it is installed.



Risk of death!

- ▷ Keep pets away from the device. Packaging materials, e.g. plastic film and polystyrene, can be dangerous for children.
- ▷ Keep packaging material away from children.

Proper use

- ▷ Only use the device to prepare and cook food.
- ▷ Observe the manuals of the cooking devices that are used with the hob when using the device.
- ▷ **CAUTION!** This appliance is for cooking purposes only. It must not be used for other purposes, for example room heating.
- ▷ Ensure the gas outlet zones are perfectly clean.
- ▷ Do not place power cables of other electric appliances on hot parts of the appliance.
- ▷ Do not use flammable liquids near the appliance.
- ▷ After use, switch off the hob by its controls.
- ▷ Make sure the burners are cold before closing the lid, if the appliance has one.
- ▷ Do not operate the appliance with an external time switch or a separate remote control system.
- ▷ The cooking process has to be supervised.
 - A short term cooking process has to be supervised continuously.
- ▷ Do not pull the appliance or the power cable to unplug it.
- ▷ Do not carry out improper or hazardous operations.

- ▷ Do not use the appliance as support top.
- ▷ Close the general gas supply cock when the hob is not in use.

The use of a gas cooking appliance produces heat and humidity in the room where it is installed.

- ▷ Prolonged intensive use of the appliance may call for additional ventilation, for example opening of a window, or more effective ventilation, for example increasing the level of mechanical ventilation where present.



Risk of burns!

During use the appliance becomes hot. Care should be taken to avoid touching the hob.

WARNING: Accessible parts may become hot during use. Young children should be kept away.

- ▷ Do not to touch the pot grids during use.
- ▷ Do not place unstable or deformed pots on the burners, since they may tip over or cause spills.



Risk of electric shock due to damaged device!

- ▷ **WARNING:** If the surface is cracked:
 - Shut immediately off all burners and any electrical burner and isolate the appliance from power supply.
 - Do not touch the appliance surface.
 - Do not use the appliance.
- ▷ Do not switch on a device if the surface is cracked or there is a damage to the material thickness.
- ▷ Do not touch the appliance with wet parts of the body.
- ▷ Contact the customer service.



Risk of fire!

- ▷ Do not store items on the cooking surfaces.



Risk of fire!

Unattended or automatic cooking on a hob with fat or oil can be dangerous and may result in fire. Hot oil ignites readily.

- ▷ Prepare food with plenty of fat (such as chips) only under constant supervision.
- ▷ Never try to extinguish fire with water.

- ▷ In the case of a fire, switch off the appliance and cover flame e.g. with a lid or with a fire blanket.

To avoid damaging the appliance

- ▷ In the case of thermal failure, switch the solid plate off and allow to cool down completely.
- ▷ Do not put any dishes on it. Do not cool with cold water under any circumstances.
- ▷ Do not climb onto the appliance.
- ▷ Do not leave the appliance unattended during operation.
- ▷ If the appliance has a lid, make sure the burners are cold before closing it.

The hob is an item for daily use: signs of usage such as scratches or visible material abrasion from pots or cookware are normal. Intensive use leads to more distinctive signs of usage. In such cases, the appliance continues to function perfectly and a complaint is not justified. Safety is always guaranteed.

Maintenance and cleaning

- ▷ Before any cleaning or maintenance operations disconnect the appliance from the mains power supply.
- ▷ Do not use steam cleaners or direct jets of water.
- ▷ Never use scouring pads, steel wool, muriatic acid or other products which could scratch or mark the surface.
- ▷ Do not use products containing sands, alkalis, acids, chlorides, oven sprays or detergents normally used to clean dishwashers.
- ▷ Never use sharp objects, as they could damage the seals between the trim and worktop.
- ▷ Do not leave acid or alkaline substances on the hob.
- ▷ Always thoroughly dry the appliance after going over it with a damp cloth to prevent scale deposits from forming.
- ▷ Remove grime with a damp cloth.
- ▷ Do not clean the grates, burner caps and flame-spreaders in the dishwasher. Clean

them with hot soapy water, making sure to carefully dry them.

- ▷ Ensure the gas outlet zones are perfectly clean.



Risk of electric shock due to entering liquid!

The device contains electrical components.

- ▷ Make sure that no liquid enters the interior of the device.
- ▷ Do not use pressurised steam to clean the device.

Repair

The appliance is manufactured in compliance with the relevant effective safety standards.

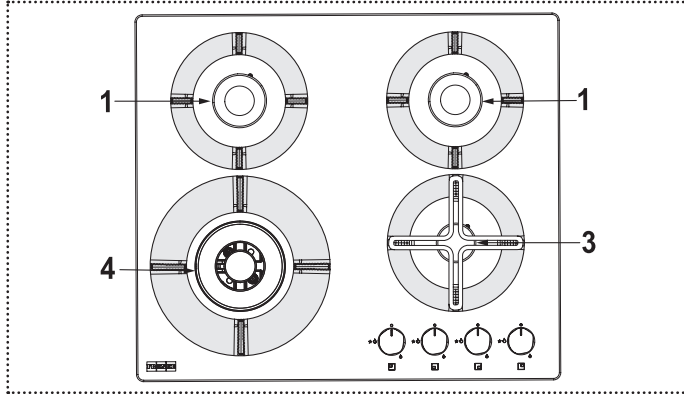
- ▷ Do not allow anyone except qualified personnel to install or repair the appliance.
- ▷ Contact a service centre authorised by the manufacturer or qualified personnel in the following cases:
 - Immediately after unpacking, in the event of doubts regarding the integrity of the device
 - During installation (according to the manufacturer's instructions)
 - Doubts regarding the correct operation of the device
 - Malfunction or poor operation
 - Replacing the power socket if incompatible with the power plug of the device
 - If the supply cord is damaged, it must be replaced by the manufacturer, its service agent or similarly qualified persons in order to avoid a hazard.
- ▷ Use original spare parts only.

Taking out of service

- ▷ If the appliance is no longer to be used, call the service centre or qualified personnel to disconnect it from the power supply.

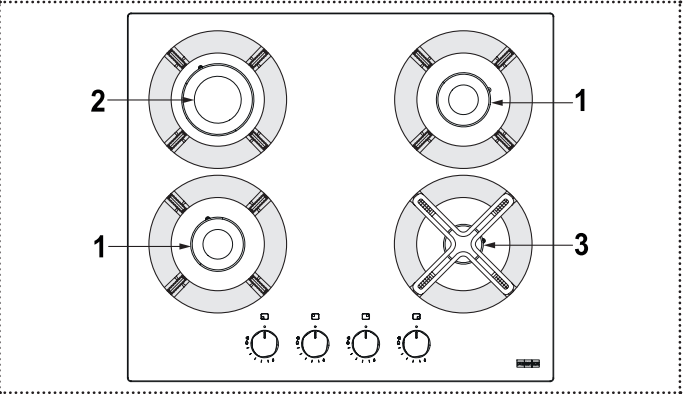
OVERVIEW

FHMF 604 3G DC C (Metal)



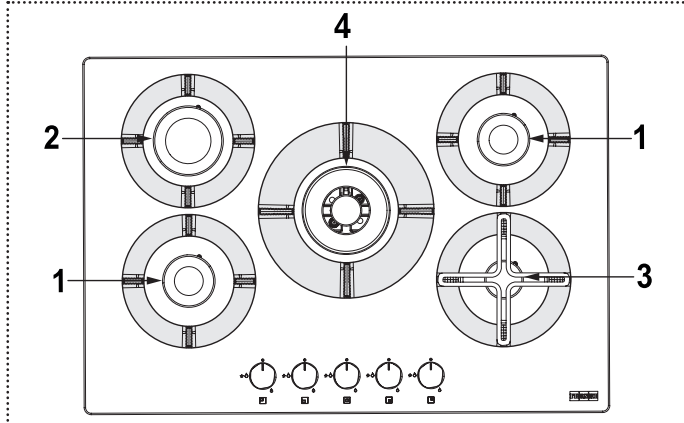
- 1 SR
- 3 AUX
- 4 DC

FHMF 604 4G C (Glass)



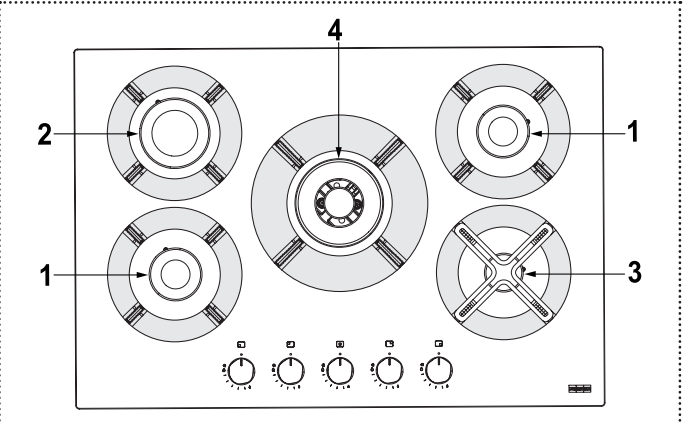
- 1 SR
- 2 R
- 3 AUX

FHMF 755 4G DC C (Metal)



- 1 SR
- 2 R
- 3 AUX
- 4 DC

FHMF 755 4G DC C (Glass)

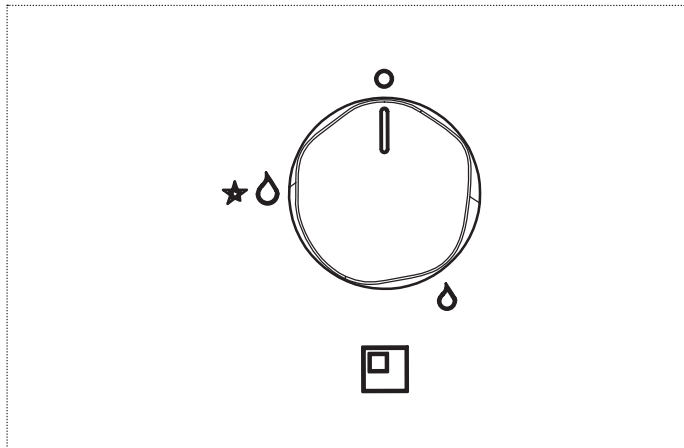


- 1 SR
- 2 R
- 3 AUX
- 4 DC

Burner	Function
DC	Double Crown
SR	Semi-Rapid

Burner	Function
R	Rapid
AUX	Auxiliary

Knobs



Knob icon	Function
□	Off
♯	Minimum delivery
★♯	Lighting and maximum delivery

YOUR APPLIANCE

Automatic Safety Valve

These hobs have a safety device that automatically closes the gas flow if the flame accidentally goes out due to draughts, pot spilling, or a temporary interruption of the gas supply. This device is activated approx. 30 seconds after the flame goes out.

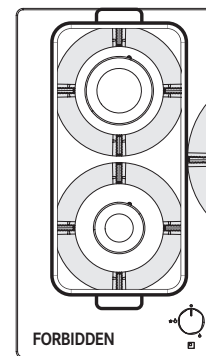
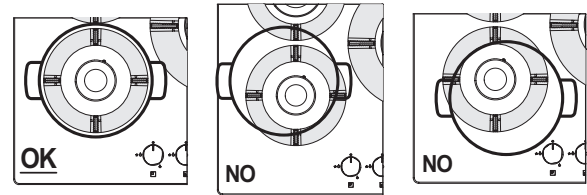
Burner use

For lower gas consumption and better efficiency use pots of widths suitable for the burners, making sure the flame does not go beyond the edges (comply with the table in this chapter).

- Ensure that the room is well ventilated.

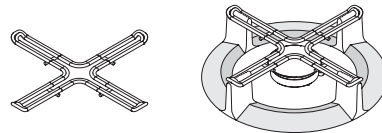
Burner	Pan bottom min-max. Ø (recommended)
Double Crown	160 - 260 mm
Rapid	140 - 220 mm
Semi-Rapid	140 - 200 mm
Auxiliary	60 - 140 mm

The use of larger pots than those specified can cause excessive overheating of the knobs and top and, in case of prolonged use, yellowing of the cover (if in stainless steel). FRANKE declines any liability for damage due to such use.



- Do not put the same pan on two burners.
- Do not use two burners working at the same time with a single container, like a saucepan or a fish pan.

For small-diameter pans and moka we recommend using the reduction supplied along with the hob on the auxiliary burner.



OPERATION

Lighting the burners

The hob is lit with the control knobs. To light the burners, proceed as follows:

- Press and turn the required knob to the lighting and max delivery position.
- Keep the knob pressed down for 3-4 seconds to allow the sparks to ignite the gas coming out the burner and to allow the thermocouple to heat up.
- Then release the knob and, turning it anticlockwise adjust the flame as required. If the flame does not stay lit, repeat the operation from step 1.

CLEANING AND CARE



Risk of burns!

- Do not clean the appliance until it is cold.

Before performing any cleaning and care:

- Read the general safety information about cleaning in the chapter „Safety information“.
- Turn the appliance off.

General recommendations

- ▷ Do not use steam cleaners or direct jets of water.
- ▷ Never use scouring pads, steel wool, muriatic acid or other products which could scratch or mark the surface.
- ▷ Do not use products containing sands, alkalis, acids, chlorides, oven sprays or detergents normally used to clean dishwashers.
- ▷ Foods that accidentally fall or settle on the surface, on the functional or aesthetic elements of the hob must not be eaten.

Cleaning the appliance

- ▶ Clean the hob after every use in order to prevent food residues from burning on. Cleaning dried-on and burnt-on dirt requires more effort.

- ▶ To clean food residues, use a soft cloth or sponge with water. Follow the manufacturer's advice with regard to cleaning agents. We recommend using protective cleaning agents.
- ▶ Immediately remove any foods with high sugar content that spill onto the hob.
- ▶ To prevent limescale stains from forming, always thoroughly dry the appliance after going over it with a damp cloth.
- ▶ Remove grime with a damp cloth.
- ▶ Clean the grids, burner caps and flame-spreaders with hot soapy water, making sure to carefully dry them. Do not clean in a dishwasher. Make sure the gas outlet zones are perfectly clean.
- ▶ The natural colour of the pot grids in the pot placing section may alter over time due to the heat.

MAINTENANCE AND REPAIR

In case of any operation problems, contact the Franke Technical Service Centre.

- ▷ Make sure that maintenance on electrical components is carried out only by the manufacturer or the customer service.
- ▷ Make sure that damaged cables are changed only by the manufacturer or the customer service.
- ▶ When contacting the customer service, please provide the following information:
 - type of fault
 - appliance model (Art. / Cod.)
 - serial number (S.N.)

This information is given on the data plate on the booklet or under the hob.

- ▶ If the hob doesn't operate correctly, before calling the Franke Technical Service Centre, refer to the Troubleshooting Guide to determine the problem:

TROUBLESHOOTING GUIDE

Type of failure	Check if:
A The burner fails to ignite, does not stay lit or the flame is not steady	1 The gas or electrical supplies are not shut off
	2 The gas supply tap is open
	3 The refillable gas cylinder (liquid gas) is not empty
	4 The burner openings are not clogged
	5 The plug end is not dirty
	6 All the burner parts have been positioned correctly
	7 There are no draughts near the hob
	8 When lighting the burner, the knob has been pressed for enough time to activate the protection device (see page 8 „Operation“)
	9 The burner openings are not clogged near the thermocouple
	10 The minimum gas setting is correct
B The containers (pots, pans, kettles) are not stable	11 The bottom of the container is perfectly flat
	12 The container is centered on the burner
	13 The grids have not been exchanged or positioned incorrectly

If after the above checks the fault still occurs, get in touch with the nearest Franke Technical Service Centre.

DISPOSAL

Packaging

All packaging materials (cardboard, plastic film (PE) and polystyrene (EPS)) are marked and should, if possible, be collected for recycling and disposed of in an environmentally friendly way.

Disconnection

- ▶ Disconnect the appliance from the mains. With a fixed appliance, this must be carried out by a qualified electrician.

Disposal



The symbol on the product or on the packaging indicates that the device must not be disposed of in the domestic waste.

By disposing of the device in a proper way you help to avoid harmful consequences to environment and health.

Further information about recycling the device is available from the competent authority, the local refuse disposal service or the vendor of the device.

- ▶ Dispose of the device, which is to be discarded, via a specialised waste collection point for electronic and electrical devices.

In accordance with the Directive 2012/19/EU, regarding the reduction of the hazardous substances used in electrical and electronic appliances, and waste disposal.

The barred dustbin symbol on the appliance indicates that at the end of its working life the product must not be disposed of as household waste.

Consequently, when the appliance has reached the end of its working life the user must take it to a suitable recycling centre for electronic and electrotechnical waste, or return it to the dealer when purchasing a new appliance of equivalent type.

Proper separate waste collection of the scrapped appliance for subsequent recycling, treatment and environmentally-friendly disposal helps prevent a potentially negative impact on the environment and health and facilitates recycling of the materials used in appliance construction.

CUSTOMER SERVICE

- ▶ Refer to the contact address for your country on the back page or on our website: www.franke.com

INHALTSVERZEICHNIS

Einleitung	13
Zu dieser Bedienungsanleitung	13
Bestimmungsgemäße Verwendung	13
Sicherheitshinweise	14
Korrekte Installation und Aufstellung	14
Richtige Verwendung	15
Pflege und Reinigung	16
Reparatur	17
Außerbetriebsetzung	17
Übersicht	18
FHMF 604 3G DC C (Metall)	18
FHMF 604 4G C (Glas)	18
FHMF 755 4G DC C (Metall)	18
FHMF 755 4G DC C (Glas)	18
Ihr Gerät	19
Bedienung	19
Brenner zünden	19
Reinigung / Instandhaltung	20
Allgemeine Empfehlungen	20
Gerät reinigen	20
Wartung und Reparatur	20
Entsorgung	21
Verpackung	21
Trennung vom Netz	21
Entsorgung	21
Kunden-Service	21

EINLEITUNG

Liebe Kundin, lieber Kunde,

Lesen Sie vor dem Gebrauch des Produkts die Hinweise und Ratschläge in dieser Bedienungsanleitung sorgfältig durch. So werden Sie das Produkt optimal und jahrelang störungsfrei nutzen können. Bewahren Sie diese Gebrauchsanweisung sorgfältig auf, damit Sie auch zu einem späteren Zeitpunkt darauf zurückgreifen können. MARIS ist ein Kochfeld der nächsten Generation, das Hobbyköche begeistern wird.

Eine technologische und ästhetische Verbesserung, die Design und Leistung in Perfektion vereint – MARIS bringt ein Stück Eleganz in jede Küche und steht für einzigartige Zuverlässigkeit dank der erstklassigen Materialqualität und der Liebe zum Detail, die für jedes Produkt aus dem Hause Franke typisch sind.

ZU DIESER BEDIENUNGSANLEITUNG

Diese Bedienungsanleitung gilt für verschiedene Modelle des Geräts. Auf diese Weise ist es möglich, dass einige der beschriebenen Merkmale und Funktionen an Ihrem spezifischen Modell nicht verfügbar sind. FRANKE behält sich das Recht vor, Änderungen am Produkt ohne vorherige Ankündigung vorzunehmen. Alle Informationen waren zum Zeitpunkt der Veröffentlichung korrekt.

- ▶ Lesen Sie die Bedienungsanleitung durch, bevor Sie das Gerät benutzen.
- ▶ Bewahren Sie die Bedienungsanleitung auf.
- ▶ Benutzen Sie das in dieser Bedienungsanleitung beschriebene Gerät nur gemäß der bestimmungsgemäßen Verwendung.

Symbol	Bedeutung
	Warnzeichen. Warnung vor Verletzungsgefahren.
	Maßnahmen in Sicherheits- und Warnhinweisen zur Vermeidung von Schäden und Verletzungen.
	Handlung. Hier müssen Sie etwas tun.

BESTIMMUNGSGEMÄSSE VERWENDUNG

Das Kochfeld wurde ausschließlich für den nicht gewerblichen, privaten Gebrauch im Haushalt entwickelt.

Dieses Kochfeld sorgt für Profileistungen im Haushalt. Mit diesem äußerst vielseitigen Gerät lassen sich verschiedene Garmethoden sicher und einfach auswählen.

WICHTIG

- ▷ Unsachgemäße Verwendung der Topfträger kann das Kochfeld beschädigen: Stellen Sie die Topfträger nicht auf dem Kopf stehend ab und schieben Sie sie nicht über das Kochfeld.
- ▷ Grillplatten aus Gusseisen, heiße Steine sowie Töpfe und Pfannen aus Ton dürfen höchstens 20 Minuten lang verwendet werden. Bei längeren Garzeiten muss der Brenner auf die Mindesteinstellung gestellt werden.

- ▷ Wärmeverteiler wie Metallgitter oder jegliche anderen Arten werden nicht empfohlen.
- ▷ Verwenden Sie nicht gleichzeitig zwei Brenner für ein Gefäß (z. B. Fischkocher).
- ▷ Verschüttete Flüssigkeiten über einem heißen Kochfeld können Glasschäden verursachen.

Diese Anweisungen sind nur gültig, wenn das Landessymbol am Gerät zu sehen ist.

- ▷ Wenn das Symbol nicht am Gerät zu sehen ist, müssen die technischen Anweisungen herangezogen werden, die die notwendigen Anweisungen zur Anpassung des Geräts an die Nutzungsbedingungen des Landes bereitstellen sollten.

SICHERHEITSHINWEISE

- ▷ Gebrauchsanweisung vor dem erstmaligen Gebrauch des Produkts lesen.

Der Hersteller haftet nicht für etwaige Schäden, die durch fehlerhafte Installation und falschen, unsachgemäßen oder unangemessenen Gebrauch entstehen können.

Für den sicheren und effizienten Betrieb dieses Elektrogeräts:

- ▷ Nur autorisierte Kundendienststellen kontaktieren.
- ▷ Keine Änderungen an den Gerätefunktionen vornehmen.



Dieses Gerät ist nicht für die Verwendung durch Personen (einschließlich Kinder) mit eingeschränkten körperlichen, sensorischen oder mentalen Fähigkeiten oder Mangel an Erfahrung oder Kenntnissen vorgesehen, sofern sie nicht beaufsichtigt werden oder im Gebrauch des Geräts durch eine Person unterwiesen wurden, die für ihre Sicherheit verantwortlich ist. Kinder sind zu beaufsichtigen, um sicherzugehen, dass sie nicht mit dem Gerät spielen.

Das Gerät ist kein Spielzeug.

- ▷ Kinder vom Gerät und vom Verpackungsmaterial fernhalten.
- ▷ Kinder in der Nähe des Geräts nicht unbeaufsichtigt lassen.
- ▷ Kinder nicht mit dem Gerät spielen lassen.
- ▷ Kinder dürfen das Gerät oder die Bedienelemente während des Betriebs oder unmittelbar danach nicht berühren, da das Kochfeld sehr heiß wird.
- ▷ Kinder dürfen ein ungenutztes Gerät nicht berühren. Potenziell gefährliche Teile absichern.

Korrekte Installation und Aufstellung

Das Gerät muss entsprechend der separaten Installationsanleitung eingebaut und an die Strom- und Gasversorgung angeschlossen werden. Notwendige Arbeiten von einer Installations-/Elektrofachkraft durchführen lassen.

Das Gerät ist für die Zubereitung von Speisen im privaten Haushalt bestimmt. Für etwaige Schäden durch unsachgemäßen Gebrauch oder falsche Handhabung kann keine Haftung übernommen werden.

Falls das Gerät permanent mit der Stromquelle verbunden sein soll:

- ▷ Installation nur vom Kundendienst, einem Elektriker oder entsprechend geschultem Fachpersonal durchführen lassen.
- ▷ Dieses Gerät ist nicht mit einer Absaugvorrichtung für Verbrennungsprodukte verbunden. Es muss laut geltenden Montagevorschriften installiert und angeschlossen werden. Es muss insbesondere auf die relevanten Anforderungen hinsichtlich der Belüftung geachtet werden.
- ▷ Das Gerät muss so eingebaut werden, dass die vollständige Trennung von der Stromquelle mit einem Kontaktöffnungsabstand ermöglicht wird (gemäß Überspannungskategorie III).
- ▷ Das Gerät muss an eine vorschriftsmäßige Erdungsanlage angeschlossen werden.
- ▷ Das Gerät muss direkt an die Netzsteckdose angeschlossen werden.
 - Für den Anschluss des Geräts dürfen keine Adapter, Mehrfachsteckdosen oder Verlängerungskabel verwendet werden.
- ▷ Das Netzkabel darf nicht beschädigt sein. Falls es beschädigt ist, Kundendienst kontaktieren.
- ▷ Das Gerät muss vor Witterungseinflüssen (Regen, Sonne) geschützt sein.
- ▷ Auf ausreichend Raum zur Luftzirkulation entsprechend den Herstellerangaben achten.
- ▷ **ACHTUNG!** Bei der Verwendung eines Gaskochgeräts entstehen Wärme, Feuchtigkeit und Verbrennungsprodukte im Aufstellraum.
- ▷ Vergewissern Sie sich, dass die Küche bei der Verwendung des Geräts gut belüftet ist: Halten Sie die natürlichen Belüftungsöffnungen geöffnet oder montieren Sie eine mechanische

- Belüftungsvorrichtung (mechanische Dunstabzugshaube).
- ▷ Gasart und -versorgung müssen mit den Gerätespezifikationen kompatibel sein.
 - Die Gasart, für die sich das Gerät eignet, ist auf dem Typenschild auf der Unterseite des Gehäuses angegeben.
 - ▷ Die Einstellbedingungen für dieses Gerät werden auf dem Aufkleber genannt (oder Typenschild).
 - ▷ Es ist besonders auf die geltenden Lüftungsvorschriften zu achten.
 - ▷ Bei der Verwendung eines Gaskochgeräts entstehen Wärme und Feuchtigkeit im Aufstellraum.



Lebensgefahr!

- ▷ Haustiere vom Gerät fernhalten.
- Verpackungsmaterialien, z. B. Plastikfolie und Polystyrol, stellen eine Gefahr für Kinder dar.
- ▷ Kinder vom Verpackungsmaterial fernhalten.

Richtige Verwendung

- ▷ Das Gerät nur zum Kochen und Zubereiten von Speisen verwenden.
- ▷ Beim Gebrauch des Kochfelds die Bedienungsanleitungen der Kochgeräte beachten, die zusammen mit dem Kochfeld verwendet werden.
- ▷ **ACHTUNG!** Dieses Gerät ist nur zum Kochen vorgesehen. Es darf nicht für andere Zwecke wie beispielsweise die Raumheizung verwendet werden.
- ▷ Die Gasauslässe müssen absolut sauber sein.
- ▷ Keine Stromkabel oder anderen elektrischen Geräte auf heiße Teile des Kochfelds stellen.
- ▷ Keine brennbaren Flüssigkeiten in der Nähe des Kochfelds verwenden.
- ▷ Kochfeld nach Gebrauch über die Bedienelemente ausschalten.
- ▷ Die Brenner müssen vollständig abgekühlt sein, bevor gegebenenfalls die Abdeckung geschlossen wird.
- ▷ Gerät nicht mit einer externen Zeitschaltuhr oder einem separaten Fernsteuerungssystem betreiben.
- ▷ Der Kochvorgang muss beaufsichtigt werden.

- Ein kurzzeitiger Kochvorgang muss ununterbrochen beaufsichtigt werden.
 - ▷ Nicht am Gerät oder Stromkabel ziehen, um den Stecker herauszuziehen.
 - ▷ Unsachgemäße oder gefährliche Bedienvorgänge vermeiden.
 - ▷ Das Gerät nicht als Auflagefläche nutzen.
 - ▷ Haupt-Gasabsperrhahn schließen, wenn das Kochfeld nicht in Gebrauch ist.
- Bei der Verwendung eines Gaskochgeräts entstehen Wärme und Feuchtigkeit im Aufstellraum.
- ▷ Ein längerer intensiver Gebrauch des Geräts erfordert möglicherweise zusätzliche Belüftung, beispielsweise das Öffnen eines Fensters, oder eine effektivere Belüftung, beispielsweise die Einstellung der mechanischen Belüftung auf eine höhere Stufe, sofern vorhanden.



Verbrennungsgefahr!

Während der Verwendung wird das Gerät heiß. Es sollte sorgfältig vermieden werden, das Kochfeld zu berühren.

WARNUNG: Die zugänglichen Teile können während der Verwendung heiß werden. Kleine Kinder sollten ferngehalten werden.

- ▷ Topfträger während des Gebrauchs nicht berühren.
- ▷ Keine instabilen oder verformten Töpfe auf die Brenner stellen, da sie umkippen oder überlaufen können.



Stromschlaggefahr durch defektes Gerät!

- ▷ **WARNUNG:** Wenn die Oberfläche Sprünge oder Risse aufweist:
 - Sofort alle Gasbrenner und elektrischen Brenner ausschalten und Gerät von der Stromversorgung trennen.
 - Geräteoberfläche nicht berühren.
 - Gerät nicht bedienen.
- ▷ Gerät nicht einschalten, wenn die Oberfläche Sprünge oder Risse aufweist oder die Materialstärke beschädigt ist.
- ▷ Das Gerät nicht mit nassen Körperteilen berühren.
- ▷ Kundendienst benachrichtigen.

**Brandgefahr!**

- ▷ Keine Gegenstände auf den Kochflächen lagern.

**Brandgefahr!**

Unbeaufsichtigtes oder automatisches Erhitzen von Fett oder Öl auf einem Kochfeld stellt eine Gefahr dar und kann Feuer zur Folge haben. Heißes Öl entzündet sich schnell.

- ▷ Zubereitung von Speisen mit viel Fett (wie etwa Pommes frites) nie unbeaufsichtigt lassen.
- ▷ Nie ein Feuer mit Wasser löschen.
- ▷ Im Falle eines Feuers Gerät ausschalten und Flammen z. B. mit Deckel oder Löschdecke ersticken.

Zur Vermeidung von Beschädigungen am Gerät

- ▷ Im Falle eines thermischen Defekts Kochplatte ausschalten und vollständig abkühlen lassen. Kein Geschirr darauf abstellen. Unter keinen Umständen mit kaltem Wasser abkühlen.
- ▷ Gerät nicht besteigen.
- ▷ Gerät während des Betriebs nicht unbeaufsichtigt lassen.
- ▷ Wenn das Gerät eine Abdeckung hat, müssen die Brenner vollständig abgekühlt sein, bevor diese geschlossen wird.

Das Kochfeld ist für den täglichen Gebrauch gedacht: Gebrauchsspuren wie Kratzer oder sichtbarer Materialabrieb von Töpfen oder Kochgeschirr sind normal. Intensiver Gebrauch hinterlässt auch deutlichere Gebrauchsspuren. Dadurch wird die Funktion des Geräts keinesfalls beeinträchtigt. Reklamationen sind daher nicht gerechtfertigt. Die Sicherheit ist stets gewährleistet.

Pflege und Reinigung

- ▷ Vor Reinigungs- und Instandhaltungsarbeiten Gerät vom Netz trennen.
- ▷ Nicht mit Dampfreinigern oder direktem Wasserstrahl reinigen.

- ▷ Scheuerschwämme, Stahlwolle, Salzsäure oder andere Produkte, die die Oberfläche beschädigen könnten, unbedingt vermeiden.
- ▷ Sand-, alkali-, säure- oder chlorhaltige Produkte, Ofensprays oder Reinigungsmittel für Geschirrspüler nicht zur Reinigung verwenden.
- ▷ Scharfe Gegenstände vermeiden, da sie die Dichtungen zwischen Leiste und Arbeitsplatte beschädigen könnten.
- ▷ Säure- oder alkalihaltige Rückstände auf dem Kochfeld stets entfernen.
- ▷ Gerät nach der Reinigung mit einem feuchten Tuch stets sorgfältig trocken reiben, um Kalkablagerungen zu vermeiden.
- ▷ Schmutz mit einem feuchten Tuch entfernen.
- ▷ Topfträger, Brennerdeckel und Flammenverteiler nicht im Geschirrspüler reinigen. Stattdessen mit warmer Seifenlösung reinigen und anschließend sorgfältig trocken reiben.
- ▷ Die Gasauslässe müssen absolut sauber sein.

**Stromschlaggefahr durch eindringende Flüssigkeit!**

Das Gerät enthält elektrische Teile.

- ▷ Sicherstellen, dass keine Flüssigkeit ins Geräteinnere gelangt.
- ▷ Nicht mit Dampfdruck reinigen.

Reparatur

Das Gerät wurde entsprechend den einschlägigen geltenden Sicherheitsstandards gefertigt.

- ▷ Montage oder Reparatur des Geräts nur vom Fachmann ausführen lassen.
- ▷ Wenden Sie sich in folgenden Fällen unbedingt an eine vom Hersteller autorisierte Kundendienststelle oder einen Fachmann:
 - Falls unmittelbar nach dem Auspacken Zweifel an der Unversehrtheit des Geräts bestehen
 - Zur Installation (nach Anweisungen des Herstellers)

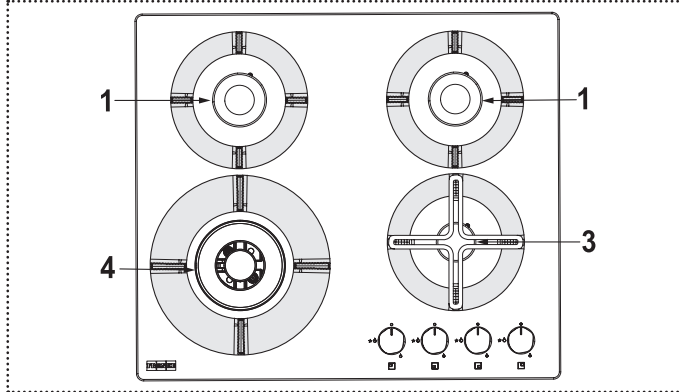
- Falls Zweifel hinsichtlich des korrekten Betriebs des Geräts bestehen
- Bei Funktionsausfall oder Funktionsstörung
- Zum Auswechseln der Netzsteckdose, falls die vorhandene nicht zum Gerätestecker passen sollte
- Falls das Netzkabel beschädigt ist, muss es durch den Hersteller, dessen Kundendienstvertreter oder Personen mit ähnlicher Qualifikation ersetzt werden, um Gefahren zu vermeiden.
- ▷ Nur Originalersatzteile verwenden.

Außerbetriebsetzung

- ▷ Wenn das Gerät nicht mehr benutzt wird, Kundendienststelle oder Fachmann benachrichtigen, um das Gerät von der Stromversorgung zu trennen.

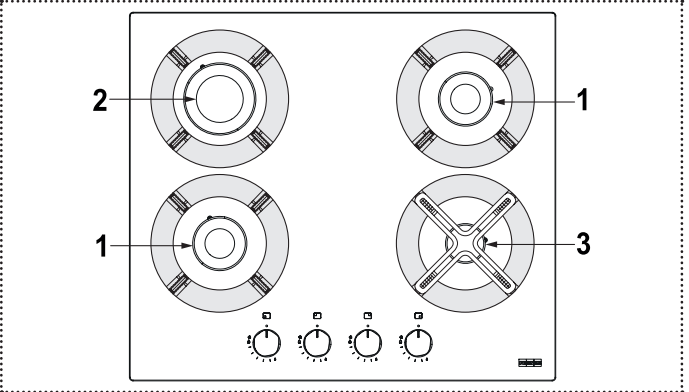
ÜBERSICHT

FHMF 604 3G DC C (Metall)



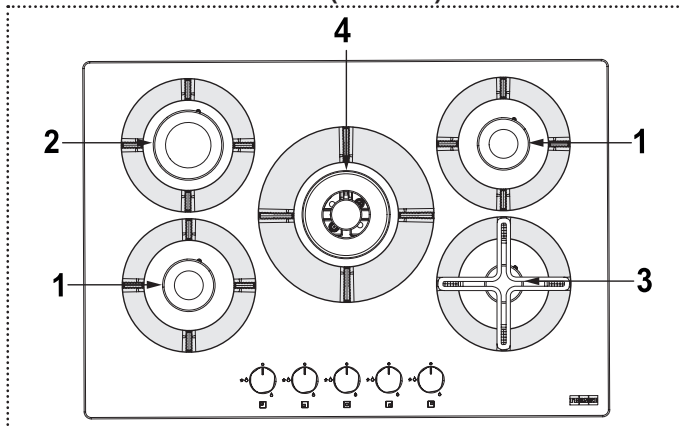
- 1 SR
- 3 AUX
- 4 DC

FHMF 604 4G C (Glas)



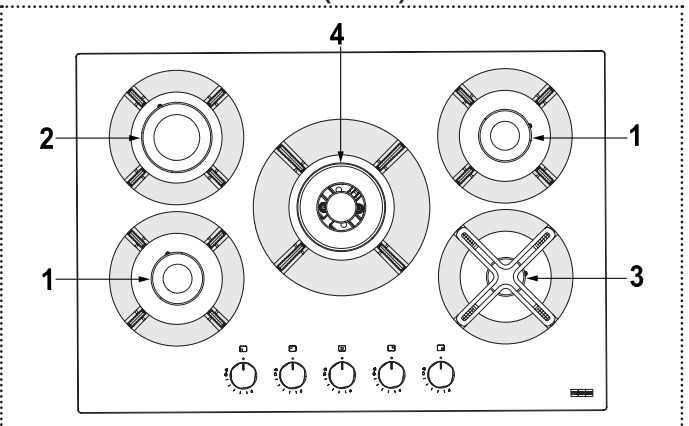
- 1 SR
- 2 R
- 3 AUX

FHMF 755 4G DC C (Metall)



- 1 SR
- 2 R
- 3 AUX
- 4 DC

FHMF 755 4G DC C (Glas)

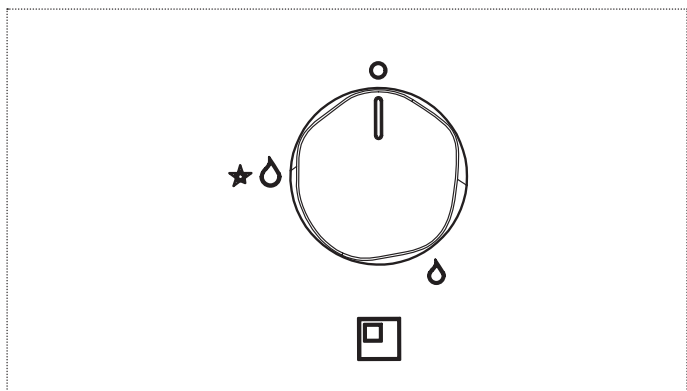


- 1 SR
- 2 R
- 3 AUX
- 4 DC

Brenner	Funktion
DC	Zwei Flammenkreise
SR	Normalbrenner

Brenner	Funktion
R	Schnellbrenner
AUX	Sparbrenner

Drehschalter



Drehschalter-symbol	Funktion
□	Aus
🔥	Minimale Leistung
★🔥	Zündung und maximale Leistung

IHR GERÄT

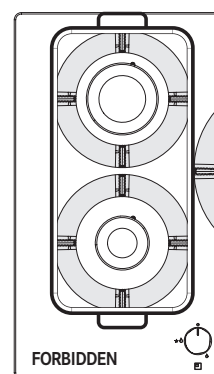
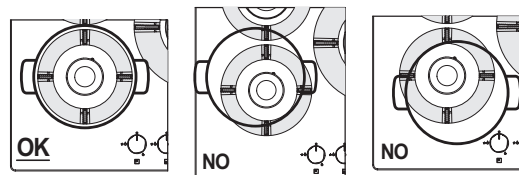
Automatisches Sicherheitsventil

Diese Kochfelder sind mit einer Sicherung ausgestattet: Erlischt die Gasflamme versehentlich, z. B. durch Zugluft, übergekochte Speisen oder eine vorübergehende Unterbrechung der Gasversorgung, wird die Gaszufuhr automatisch abgeschaltet. Ausgelöst wird die Sicherung ca. 30 Sekunden, nachdem die Flamme erloschen ist.

Gebrauch der Brenner

Verwenden Sie für einen geringeren Gasverbrauch und eine bessere Kochleistung Töpfe mit einem für die Brenner geeigneten Durchmesser, sodass die Flamme nicht über den Rand des Topfes hinausreicht (entsprechend der Tabelle in diesem Kapitel).

► Sorgen Sie für gute Belüftung im Raum.

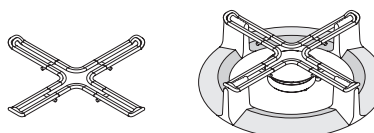


Brenner	Topf-/Pfannenboden min-max Ø (empfohlen)
Zwei Flammenkreise	160 - 260 mm
Schnellbrenner	140 - 220 mm
Normalbrenner	140 - 200 mm
Sparbrenner	60 - 140 mm

Die Verwendung größerer Töpfe als angegeben kann eine starke Überhitzung der Drehschalter und der Oberfläche bewirken und bei längerem Gebrauch ein Vergilben der Abdeckung (wenn aus Edelstahl) verursachen. Franke lehnt jede Haftung für Schäden infolge eines solchen Gebrauchs ab.

- Stellen Sie eine Pfanne niemals gleichzeitig auf zwei Brenner.
- Verwenden Sie niemals zwei Brenner gleichzeitig für dasselbe Kochgeschirr, z. B. eine Kasserolle oder eine Fischpfanne.

Es wird empfohlen, für kleine Pfannen und Mokkatöpfe das Reduzierstück, das im Lieferumfang des Kochfelds enthalten ist, auf den Hilfsbrenner zu setzen.



BEDIENUNG

Brenner zünden

Mit den Drehschaltern entzünden Sie die Gasflamme des Kochfelds. Um die Brenner zu zünden, gehen Sie wie folgt vor:

- ▶ Drücken und drehen Sie den entsprechenden Drehschalter in die Position Zündung und max. Leistung.
- ▶ Halten Sie den Drehschalter 3 – 4 Sekunden lang gedrückt, bis die Funken das aus dem Brenner strömende Gas entzünden und sich das Thermoelement erhitzen kann.
- ▶ Lassen Sie dann den Drehschalter los und drehen Sie ihn gegen den Uhrzeigersinn, um die gewünschte Flammengröße einzustellen. Sollte die Flamme erlöschen, wiederholen Sie den Vorgang ab Schritt 1.

REINIGUNG / INSTANDHALTUNG



Verbrennungsgefahr!

- ▷ Gerät erst reinigen, wenn es vollständig abgekühlt ist.

Vor Reinigungs- und Instandhaltungsarbeiten:

- ▷ Allgemeine Sicherheitshinweise zur Reinigung im Kapitel „Sicherheitshinweise“ nachlesen.
- ▷ Gerät ausschalten.

Allgemeine Empfehlungen

- ▷ Nicht mit Dampfreinigern oder direktem Wasserstrahl reinigen.
- ▷ Scheuerschwämme, Stahlwolle, Salzsäure oder andere Produkte, die die Oberfläche beschädigen könnten, unbedingt vermeiden.
- ▷ Sand-, alkali-, säure- oder chlorhaltige Produkte, Ofensprays oder Reinigungsmittel für Geschirrspüler nicht zur Reinigung verwenden.
- ▷ Nahrungsmittel, die versehentlich auf die Oberfläche bzw. auf die Funktions- oder Dekorelemente des Kochfelds fallen oder sich dort absetzen, dürfen nicht gegessen werden.

Gerät reinigen

- ▶ Reinigen Sie das Kochfeld nach jedem Gebrauch, damit Speisereste nicht festbrennen. Angetrockneten oder festgebrannten Schmutz zu entfernen, erfordert mehr Kraft.
- ▶ Verwenden Sie zum Entfernen von Speiserückständen einen weichen Lappen oder Schwamm mit Wasser. Beachten Sie bei den Reinigungsmitteln die Hinweise des jeweiligen Herstellers. Wir empfehlen die Verwendung schonender Reinigungsmittel.
- ▶ Übergelaufene Speisen mit hohem Zuckergehalt sofort entfernen.
- ▶ Um Kalkablagerungen zu vermeiden, reiben Sie das Gerät nach der Reinigung mit einem feuchten Tuch stets sorgfältig trocken.
- ▶ Schmutz mit einem feuchten Tuch entfernen.
- ▶ Reinigen Sie Topfträger, Brennerdeckel und Flammenverteiler mit warmer Seifenlösung und trocknen Sie diese anschließend sorgfältig ab. Reinigen Sie sie nicht im Geschirrspüler. Die Gasauslässe müssen absolut sauber sein.
- ▶ Die Topfträger können sich im Topfabstellbereich mit der Zeit aufgrund der Hitzeeinwirkung verfärben.

WARTUNG UND REPARATUR

Bei Problemen mit der Bedienung wenden Sie sich an den technischen Kundendienst von Franke.

- ▷ Wartungsarbeiten an elektrischen Teilen nur vom Hersteller oder vom Kundendienst durchführen lassen.
- ▷ Schadhafte Kabel nur vom Hersteller oder vom Kundendienst austauschen lassen.
- ▶ Wenn Sie den Kundendienst benachrichtigen, halten Sie bitte folgende Informationen bereit:
 - Art der Störung
 - Gerätemodell (Art./Cod.)
 - Seriennummer (S.N.)

Diese Informationen können Sie dem Typenschild in der Broschüre oder unter dem Kochfeld entnehmen.

- ▶ Wenn das Kochfeld nicht ordnungsgemäß funktioniert, sollten Sie vor dem Anruf beim technischen Servicecenter von Franke den Leitfaden zur Störungsbeseitigung heranziehen, um das Problem zu bestimmen:

LEITFADEN ZUR STÖRUNGSBESEITIGUNG

Art des Fehlers	Folgendes prüfen:
A Der Brenner zündet nicht oder die Flamme ist nicht beständig.	1 Die Gas- oder Stromversorgung ist nicht ausgeschaltet
	2 Der Gaszufuhrhahn ist offen
	3 Die nachfüllbare Gasflasche (Flüssiggas) ist nicht leer
	4 Die Brenneröffnungen sind nicht verstopft
	5 Das Steckerende ist nicht schmutzig
	6 Alle Brennerteile wurden ordnungsgemäß positioniert
	7 Es gibt keine Zugluft in der Nähe des Kochfelds
	8 Beim Entzünden des Brenners wurde der Knopf lange genug gedrückt, um die Schutzvorrichtung zu aktivieren (siehe Seite 19 „Bedienung“)
	9 Die Brenneröffnungen sind in der Nähe des Thermoelements nicht verstopft
	10 Die minimale Gaseinstellung ist korrekt
B Das Kochgeschirr (Töpfe, Pfannen, Kessel) ist nicht stabil	11 Die Unterseite des Gefäßes ist völlig eben
	12 Das Gefäß ist auf dem Brenner zentriert
	13 Die Topfträger wurden nicht ausgetauscht oder falsch positioniert

Wenn der Fehler nach den oben genannten Prüfungen weiterhin auftritt, wenden Sie sich an das nächstgelegene technische Servicecenter von Franke.

ENTSORGUNG

Verpackung

Sämtliche Verpackungsmaterialien (Pappe, Plastikfolie (PE) und Polystyrol (EPS)) sind gekennzeichnet und sollten möglichst für Recyclingzwecke gesammelt und umweltgerecht entsorgt werden.

Trennung vom Netz

- Trennen Sie das Gerät vom Netz. Bei einem Festanschluss muss dies von einer Elektrofachkraft durchgeführt werden.

Entsorgung



Das Symbol am Produkt oder auf der Verpackung weist darauf hin, dass das Gerät nicht als normaler Hausmüll entsorgt werden darf.

Mit der vorschriftsmäßigen Entsorgung des Gerätes tragen Sie dazu bei, schädliche Auswirkungen auf Umwelt und Gesundheit zu vermeiden.

Weitere Informationen zum Recycling des Gerätes erhalten Sie bei der zuständigen Behörde, der örtlichen Abfallbeseitigung oder beim Händler, der das Gerät verkauft hat.

- Ausrangiertes Gerät über die speziellen Sammelstellen für elektrische und elektronische Geräte entsorgen.

Gemäß Richtlinie 2012/19/EU zur Beschränkung der Verwendung gefährlicher Stoffe in Elektro- und Elektronikgeräten sowie Entsorgung von Altgeräten.

Das Symbol einer durchgestrichenen Abfalltonne weist darauf hin, dass das Produkt am Ende seiner Lebensdauer nicht zusammen mit dem Haushaltsmüll entsorgt werden darf.

Daher muss das Gerät am Ende seiner Lebensdauer zu einer geeigneten Sammelstelle für das Recycling elektrischer und elektronischer Geräte gebracht oder beim Kauf eines vergleichbaren Neugeräts beim Händler abgegeben werden.

Die sachgemäße getrennte Sammlung von Altgeräten für eine anschließende Wiederverwendung, Aufbereitung und umweltfreundliche Entsorgung dient der Vorbeugung von potenziellen Umwelt- und Gesundheitsschäden. Sie erleichtert das Recycling der bei der Geräteherstellung eingesetzten Materialien.

KUNDEN-SERVICE

- ▶ Die Kontaktadresse für Ihr Land finden Sie auf der Rückseite oder auf unserer Website: – www.franke.com

SOMMAIRE

Introduction	23
À propos de ce manuel	23
Usage prévu	23
Informations sur la sécurité	24
Installation correcte et placement	24
Bonne utilisation	25
Maintenance et nettoyage	26
Réparation	26
Mise hors service	26
Vue d'ensemble	27
FHMF 604 3G DC C (Métal)	27
FHMF 604 4G C (Verre)	27
FHMF 755 4G DC C (Métal)	27
FHMF 755 4G DC C (Verre)	27
Votre appareil	28
Utilisation	28
Allumage des brûleurs	28
Nettoyage et entretien	28
Recommandations générales	29
Nettoyage de l'appareil	29
Maintenance et réparation	29
Mise au rebut	30
Emballage	30
Débranchement	30
Mise au rebut	30
Service après-vente	30

INTRODUCTION

Cher client,

Avant d'utiliser cet appareil, veuillez lire attentivement les instructions et les conseils figurant dans ce manuel. Cela vous permettra de faire le meilleur usage possible de l'appareil et de vous assurer qu'il fonctionne sans problèmes pour de nombreuses années. Conservez ce manuel d'utilisation pour référence ultérieure.

MARIS est une table de cuisson de dernière génération, pensée pour la cuisine domestique.

Suite à une mise à niveau esthétique et technologique qui associe à la perfection design et performances, le MARIS est une pièce d'élégance pour toutes les cuisines et garantit une fiabilité exceptionnelle, grâce à la qualité des matériaux et à l'attention portée aux détails typiques de chaque produit FRANKE.

À PROPOS DE CE MANUEL

Ce manuel d'utilisation s'applique à plusieurs modèles de cet appareil. Il est donc possible que certaines des fonctions et caractéristiques décrites ne soient pas disponibles sur votre modèle.

FRANKE se réserve le droit d'apporter des modifications au produit sans préavis. Toutes les informations sont correctes au moment de la publication.

- ▶ Lisez attentivement le manuel d'utilisation avant d'utiliser l'appareil.
- ▶ Conservez le manuel d'utilisation.
- ▶ Utilisez l'appareil décrit dans ce manuel d'utilisation uniquement pour l'usage prévu.

Symbole	Signification
	Symbole d'avertissement. Risque de blessure.
	Actions dans les remarques de sécurité et avertissements pour éviter les blessures et les dommages.
	Action. Indique une action à effectuer.



Symbole d'avertissement. Risque de blessure.



Actions dans les remarques de sécurité et avertissements pour éviter les blessures et les dommages.



Action. Indique une action à effectuer.

USAGE PRÉVU

La table de cuisson a été développée exclusivement pour un usage non-professionnel et une utilisation domestique pour les ménages.

Cette table de cuisson est conçue pour offrir des performances de qualité professionnelle à la maison. C'est un appareil très polyvalent permettant une sélection facile et sécurisée des divers modes de cuisson.

IMPORTANT

- ▶ Une mauvaise utilisation des grilles peut endommager la table de cuisson : ne posez pas les grilles à l'envers et ne les faites pas glisser le long de la table de cuisson.
- ▶ Si vous utilisez des casseroles et des poêles en fonte, en pierres ollaires ou en terre-cuite, ne les utilisez pas plus de 20 minutes, en cas de cuisson longue, réglez le brûleur au minimum.

- ▶ Les diffuseurs de chaleur tels que les mailles en métal, ou de tout autre type, ne sont pas recommandés.
- ▶ N'utilisez pas deux brûleurs simultanément pour un seul contenant (par ex. une poissonnière).
- ▶ Les liquides versés sur la surface chaude de la table de cuisson peuvent causer des dommages au verre.

Ces consignes ne sont valables que si le symbole du pays est présent sur l'appareil.

- ▶ Si le symbole n'est pas présent sur l'appareil, il est nécessaire de se référer aux instructions techniques qui devraient fournir les consignes nécessaires concernant la modification de l'appareil aux conditions d'utilisation du pays.

INFORMATIONS SUR LA SÉCURITÉ

- ▷ Veuillez lire les instructions avant d'utiliser l'appareil pour la première fois.

Le fabricant ne pourra être tenu responsable des dommages consécutifs à une mauvaise installation ou à une utilisation incorrecte, impropre ou déraisonnable de l'appareil.

Pour assurer un fonctionnement efficace et sûr de ce dispositif électrique :

- ▷ Veuillez contacter uniquement les centres de maintenance homologués.
- ▷ Veuillez ne pas modifier les fonctionnalités de l'appareil.



Cet appareil n'est pas conçu pour une utilisation par des personnes (y compris les enfants) aux capacités physiques, sensorielles ou mentales réduites, ou disposant d'une expérience ou de connaissances limitées, excepté sous la surveillance et les conseils d'une personne responsable de leur sécurité. Les enfants doivent être supervisés afin de s'assurer qu'ils ne jouent pas avec l'appareil. Cet appareil n'est pas un jouet.

- ▷ Tenez les enfants hors de portée de l'appareil et du matériel d'emballage.
- ▷ Ne laissez pas les enfants sans surveillance à proximité de l'appareil.
- ▷ Ne laissez pas les enfants jouer avec l'appareil.
- ▷ Ne laissez pas les enfants toucher à l'appareil ou à ses commandes pendant l'utilisation et immédiatement après, car la table devient très chaude.
- ▷ Ne laissez pas les enfants toucher un appareil qui ne sert pas. Assurez toutes les pièces potentiellement dangereuses.

Installation correcte et placement

L'appareil doit être installé et branché à l'alimentation électrique et en gaz conformément aux instructions d'installation fournies séparément. Faites intervenir une personne qualifiée ou un électricien afin d'effectuer les branchements nécessaires.

L'appareil est conçu pour la cuisson des aliments à la maison. Le fabricant ne sera en aucun cas responsable des dégâts causés par

une mauvaise utilisation ou une manipulation incorrecte.

Si l'appareil doit rester branché en permanence :

- ▷ Vérifiez que l'appareil est installé uniquement par le service à la clientèle, un électricien ou du personnel qualifié ayant les connaissances et la formation appropriées.
- ▷ Cet appareil n'est pas raccordé à un dispositif d'évacuation des produits de combustion. Il doit être installé et raccordé conformément aux réglementations d'installation en vigueur. Une attention particulière doit être portée aux exigences applicables concernant la ventilation.
- ▷ Assurez-vous que l'appareil est installé de manière à permettre la déconnexion de l'alimentation, avec une distance d'ouverture des contacts garantissant une déconnexion complète dans les conditions de surtension de catégorie III.
- ▷ Assurez-vous que l'appareil est connecté à un système de mise à la terre conforme à la réglementation en vigueur.
- ▷ Vérifiez que l'appareil est connecté directement à la prise secteur.
 - Assurez-vous qu'aucun adaptateur, multiprise ou autre extension de câbles ne sont utilisés pour connecter l'appareil.
- ▷ Assurez-vous que le câble d'alimentation n'est pas endommagé. Si c'est le cas, veuillez contacter notre service clientèle.
- ▷ Assurez-vous que l'appareil n'est pas exposé à des agents atmosphériques (pluie, soleil).
- ▷ Assurez-vous que la ventilation de l'appareil est en conformité avec les instructions du fabricant.
- ▷ **ATTENTION !** L'utilisation d'un appareil de cuisson à gaz génère de la chaleur, de l'humidité et des produits de combustion dans le local où il est installé.
- ▷ Assurez-vous que la cuisine est bien ventilée, particulièrement quand l'appareil fonctionne : gardez les trous d'aération naturels ouverts ou installez une ventilation mécanique (hotte aspirante).
- ▷ Assurez-vous que le type et l'alimentation de gaz sont compatibles avec les spécifications de l'appareil.

- Le type de gaz pour lequel l'appareil est prévu est indiqué sur la plaque signalétique au bas du plateau.
- ▷ Les conditions de réglage sont inscrites sur l'étiquette (ou sur la plaque signalétique)
- ▷ Portez une attention particulière aux réglementations sur la ventilation.
- ▷ L'utilisation d'un appareil de cuisson à gaz génère de la chaleur et de l'humidité dans la pièce d'installation.



Danger de mort !

- ▷ Gardez vos animaux à l'écart de l'appareil. Les matériaux d'emballage, tels que les films plastiques et le polystyrène, peuvent être dangereux pour les enfants.
- ▷ Conservez le matériel d'emballage hors de portée des enfants.

Bonne utilisation

- ▷ Utilisez l'appareil uniquement pour préparer et cuire des aliments.
- ▷ Observez les instructions des manuels des appareils de cuisson, livrés avec la table, lors de l'utilisation de l'appareil.
- ▷ **ATTENTION !** Cet appareil est conçu uniquement pour cuisiner avec. Il ne doit pas être utilisé pour d'autres buts, comme chauffer une pièce.
- ▷ Assurez-vous de la parfaite propreté des zones de sortie du gaz.
- ▷ Ne placez pas les câbles d'alimentation d'autres appareils électriques sur des parties chaudes de l'appareil.
- ▷ N'utilisez pas de liquides inflammables à proximité de l'appareil.
- ▷ Après utilisation, éteignez la table à l'aide des commutateurs.
- ▷ Assurez-vous que les brûleurs sont froids avant de refermer le capot, si l'appareil en est équipé.
- ▷ Veuillez ne pas faire fonctionner l'appareil avec un commutateur temporel externe ou un système de contrôle à distance séparé.
- ▷ Vous devez surveiller le processus de cuisson.
 - Tout processus de cuisson court doit être surveillé en continu.
- ▷ Ne tirez pas sur l'appareil ou le câble d'alimentation pour le débrancher.
- ▷ N'effectuez pas d'opérations inadaptées ou dangereuses.
- ▷ N'utilisez pas l'appareil comme support.

- ▷ Coupez le robinet d'alimentation générale en gaz de l'appareil lorsqu'il n'est pas utilisé.

L'utilisation d'un appareil de cuisson à gaz génère de la chaleur et de l'humidité dans la pièce d'installation.

- ▷ Une utilisation intensive et prolongée de l'appareil peut nécessiter une ventilation supplémentaire, comme l'ouverture d'une fenêtre, ou une ventilation plus efficace, comme augmenter la ventilation de la hotte aspirante, s'il y en a une.



Risque de brûlures !

L'appareil devient chaud pendant l'utilisation. Vous devez faire attention à ne pas toucher la plaque.

AVERTISSEMENT : Les parties accessibles peuvent devenir chaudes pendant l'utilisation. Les jeunes enfants doivent être tenus à l'écart.

- ▷ Ne touchez pas les grilles pour casseroles pendant la cuisson.
- ▷ Ne placez pas des casseroles instables ou déformées sur les brûleurs, car elles pourraient se renverser ou causer des débordements.



Risque de choc électrique en cas d'appareil endommagé !

- ▷ **AVERTISSEMENT :** Si la surface est fissurée :
 - Coupez immédiatement tous les brûleurs et tout brûleur électrique, et isolez l'appareil de l'alimentation électrique.
 - Ne touchez pas la surface de l'appareil.
 - N'utilisez pas l'appareil.
- ▷ N'allumez pas un appareil dont la surface est fissurée ou dont l'épaisseur du matériau est endommagée.
- ▷ Ne touchez pas l'appareil avec des parties mouillées du corps.
- ▷ Contactez le service après-vente.



Risque d'incendie !

- ▷ Ne rangez pas d'objets sur les surfaces de cuisson.



Risque d'incendie !

Laisser cuire des aliments sans supervision ou en automatique sur une table en présence de graisse ou d'huile représente un danger et peut provoquer un incendie. L'huile chaude s'enflamme facilement.

- ▷ Les aliments cuits dans des matières grasses (tels que les frites) doivent être surveillés constamment.
- ▷ N'essayez jamais d'éteindre le feu avec de l'eau.
- ▷ Couvrez les flammes avec un couvercle ou une couverture anti-feu.

Pour éviter d'endommager l'appareil

- ▷ En cas de défaillance thermique, éteignez la table et laissez-la refroidir complètement. Ne placez pas de vaisselle dessus. Ne refroidissez avec de l'eau froide en aucune circonstance.
- ▷ Ne montez pas sur l'appareil.
- ▷ Ne laissez pas l'appareil sans surveillance pendant la cuisson.
- ▷ Assurez-vous que les brûleurs sont froids avant de refermer le capot, si l'appareil en est équipé.

La table de cuisson est un appareil à utilisation quotidienne : il est normal que les casseroles ou les ustensiles de cuisine causent des marques d'utilisation ou d'abrasion. Un usage intensif peut entraîner de nombreuses marques d'utilisation. Dans ce cas, l'appareil continue à fonctionner parfaitement et une réclamation n'est pas justifiée. La sécurité est toujours garantie.

Maintenance et nettoyage

- ▷ Avant toute opération de nettoyage ou de maintenance, débranchez l'appareil du secteur.
- ▷ N'utilisez pas de nettoyeurs à vapeur ou jets d'eau directs.
- ▷ N'utilisez jamais de tampons à récurer, d'acide muriatique ou d'autres produits qui pourraient rayer ou marquer la surface.
- ▷ N'utilisez pas de produits contenant du sable, des alcalins, des acides, du chlore, ni des sprays pour four ou des détergents normalement utilisés pour le nettoyage des lave-vaisselle.
- ▷ N'utilisez jamais d'objets pointus qui pourraient abîmer les joints entre le bandeau et le plan de travail.
- ▷ Ne laissez pas de résidus acides ou alcalins sur la table de cuisson.
- ▷ Séchez toujours l'appareil avec soin, après avoir passé dessus un chiffon humide pour éviter les dépôts calcaires.

- ▷ Retirez les salissures avec un chiffon humide.
- ▷ Ne nettoyez pas les grilles, capuchons de brûleurs et diffuseurs de flammes dans le lave-vaisselle. Nettoyez-les à l'eau savonneuse en vous assurant de les essuyer avec précaution.
- ▷ Assurez-vous de la parfaite propreté des zones de sortie du gaz.



Risque de choc électrique en cas d'infiltration de liquides !

L'appareil contient des composants électriques.

- ▷ Assurez-vous qu'aucun liquide ne pénètre à l'intérieur de l'appareil.
- ▷ N'utilisez pas de vapeur sous pression pour nettoyer l'appareil.

Réparation

L'appareil est fabriqué en conformité avec les normes de sécurité en vigueur.

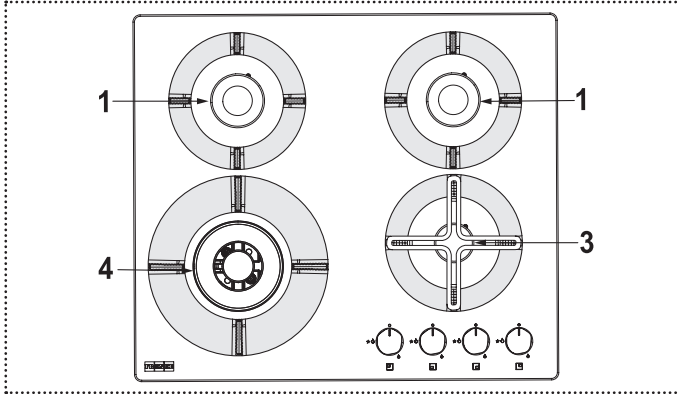
- ▷ Ne laissez personne, à l'exception du personnel qualifié, installer ou réparer l'appareil.
- ▷ Contactez un centre de service agréé par le fabricant ou du personnel qualifié dans les cas suivants :
 - Immédiatement après le déballage, en cas de doutes concernant l'intégrité de l'appareil
 - Lors de l'installation (selon les instructions du fabricant)
 - En cas de doutes sur le bon fonctionnement de l'appareil
 - Défaillance ou mauvais fonctionnement
 - Pour le remplacement de la prise de courant si elle est incompatible avec la fiche d'alimentation de l'appareil
 - Si le câble d'alimentation est endommagé, il doit être remplacé par le fabricant, son technicien agréé ou toute autre personne ayant une qualification semblable afin d'éviter tout risque.
- ▷ Utilisez exclusivement des pièces détachées d'origine.

Mise hors service

- ▷ Si vous cessez définitivement d'utiliser l'appareil, appelez le service clientèle ou du personnel qualifié pour le débrancher de sa source d'alimentation.

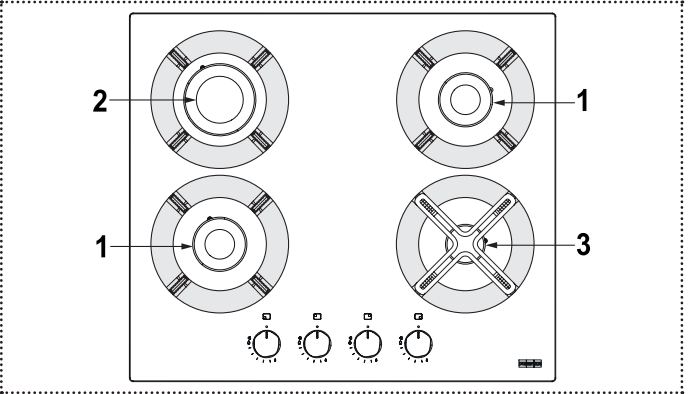
VUE D'ENSEMBLE

FHMF 604 3G DC C (Métal)



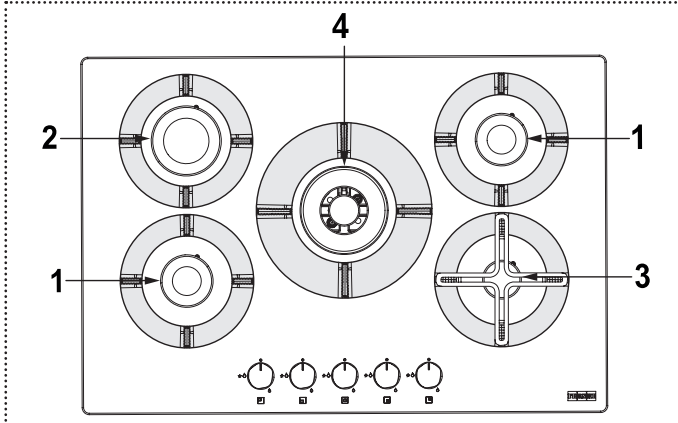
- 1 SR
- 3 AUX
- 4 DC

FHMF 604 4G C (Verre)



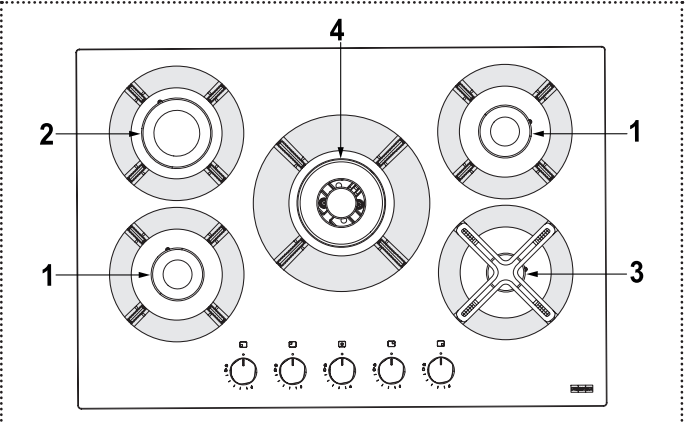
- 1 SR
- 2 R
- 3 AUX

FHMF 755 4G DC C (Métal)



- 1 SR
- 2 R
- 3 AUX
- 4 DC

FHMF 755 4G DC C (Verre)

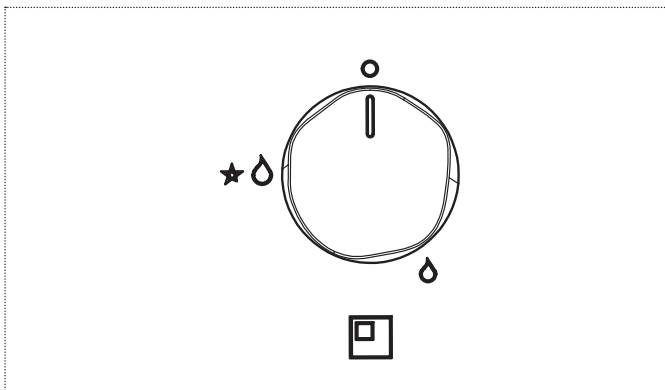


- 1 SR
- 2 R
- 3 AUX
- 4 DC

Brûleur	Fonction
DC	Double couronne
SR	Semi-rapide

Brûleur	Fonction
R	Rapide
AUX	Auxiliaire

Boutons



Icône de bouton rotatif	Fonction
□	Éteint
◊	Puissance minimale
★ ◊	Allumage et puissance maximale

VOTRE APPAREIL

Valve de sécurité automatique

Ces tables de cuisson sont équipées d'un dispositif de sécurité qui ferme automatiquement le flux de gaz si la flamme s'éteint accidentellement, en raison d'un courant d'air, du débordement de liquide ou d'une interruption temporaire de l'arrivée de gaz. Ce dispositif s'enclenche env. 30 secondes après l'extinction de la flamme..

Utilisation des brûleurs

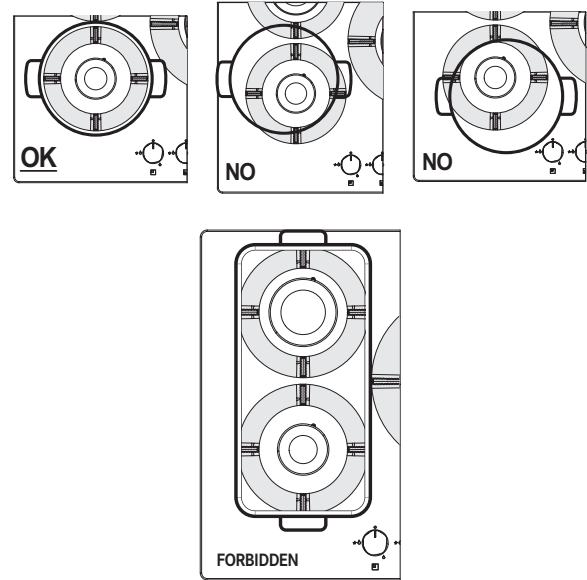
Pour une consommation de gaz réduite et une meilleure efficacité, utilisez des casseroles de largeurs adaptées aux brûleurs, en s'assurant que la flamme ne dépasse pas sur les bords (cf. tableau de ce chapitre).

► Assurez-vous que la pièce est bien ventilée.

Brûleur	Ø min-max. de la casserole
Double couronne	160 -260 mm
Rapide	140 - 220 mm
Semi-rapide	140 - 200 mm
Auxiliaire	60 - 140 mm

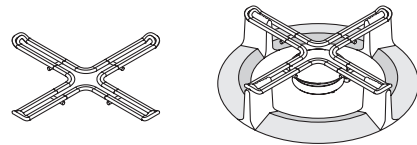
L'utilisation de casseroles plus larges que celles indiquées peut entraîner une surchauffe des boutons et de la table et, en cas d'utilisation prolongée, le jaunissement du couvercle (s'il est en acier inoxydable).

Franke décline toute responsabilité pour les dommages dus à une telle utilisation.



- Ne placez pas la même casserole sur deux brûleurs.
- N'utilisez pas deux brûleurs en même temps avec un seul contenant, comme une casserole ou une poêle à poisson.

Pour les casseroles de petit diamètre et les cafetières italiennes, nous recommandons d'utiliser la réduction fournie avec la table de cuisson et le brûleur auxiliaire.



UTILISATION

Allumage des brûleurs

La table de cuisson s'allume à l'aide des boutons de commande rotatifs. Pour allumer les brûleurs, procédez comme suit :

► Appuyez et tournez le bouton jusqu'à la position allumage et puissance maximale.

- Maintenez le bouton enfoncé pendant 3 à 4 secondes pour permettre aux étincelles d'enflammer le gaz sortant du brûleur et pour permettre au thermocouple de chauffer.
- Puis, relâchez le bouton et réglez la flamme en le tournant dans le sens antihoraire. Si la flamme s'éteint, répétez la procédure à partir de l'étape 1.

NETTOYAGE ET ENTRETIEN



Risque de brûlures !

► Ne nettoyez pas l'appareil avant qu'il n'ait refroidi. Avant toute opération de nettoyage et d'entretien :

- Lire les informations de sécurité générale concernant le nettoyage dans le chapitre « Consignes de sécurité ».
- Éteignez l'appareil.

Recommandations générales

- ▷ N'utilisez pas de nettoyeurs à vapeur ou jets d'eau directs.
- ▷ N'utilisez jamais de tampons à récurer, d'acide muriatique ou d'autres produits qui pourraient rayer ou marquer la surface.
- ▷ N'utilisez pas de produits contenant du sable, des alcalins, des acides, du chlore, ni des sprays pour four ou des détergents normalement utilisés pour le nettoyage des lave-vaisselle.
- ▷ Les aliments qui tombent ou se déposent sur la surface, sur les éléments fonctionnels ou esthétiques de la table de cuisson ne doivent pas être consommés.

Nettoyage de l'appareil

- ▶ Nettoyez la table de cuisson après chaque utilisation, afin d'éviter la combustion des résidus alimentaires. Le nettoyage de la saleté séchée ou brûlée nécessite plus d'efforts.

- ▶ Pour nettoyer les résidus alimentaires, utilisez un chiffon doux ou une éponge avec de l'eau. Suivez les conseils du fabricant concernant les agents de nettoyage. Nous vous recommandons d'utiliser des agents de nettoyage de protection.
- ▶ Éliminez sans tarder les résidus alimentaires contenant beaucoup de sucre.
- ▶ Séchez toujours l'appareil avec soin, après avoir passé dessus un chiffon humide pour éviter les dépôts calcaires.
- ▶ Retirez les salissures avec un chiffon humide.
- ▶ Nettoyez les grilles, les capuchons des brûleurs et les diffuseurs de flammes à l'eau chaude savonneuse, en vous assurant de les essuyer avec précaution. Ne les lavez pas au lave-vaisselle. Assurez-vous de la parfaite propreté des zones de sortie du gaz.
- ▶ La couleur d'origine des grilles à casseroles peut s'altérer avec le temps sur la partie où repose les casseroles, en raison de la chaleur.

MAINTENANCE ET RÉPARATION

En cas de problème technique, contactez le SAV Franke.

- ▷ Assurez-vous que l'entretien des composants électriques est effectué uniquement par le fabricant ou le SAV.
- ▷ Assurez-vous que les câbles endommagés sont remplacés seulement par le fabricant ou le SAV.

- ▶ Lorsque vous contactez le service à la clientèle, veuillez fournir les informations suivantes :
 - Type de défaut
 - Modèle d'appareil (Art./Cod.)
 - Numéro de série (S.N.)

Cette information est donnée sur la plaque signalétique de la brochure ou sous la table de cuisson.

- ▶ Si la table de cuisson ne fonctionne pas correctement, avant d'appeler le S.A.V Franke, référez-vous au Guide de Dépannage pour déterminer le problème :

GUIDE DE DÉPANNAGE

Type de défaut	Vérifiez que :
A Le brûleur ne s'allume pas, ne reste pas allumé ou les flammes ne sont pas régulières	1 L'alimentation en gaz ou en électricité n'est pas coupée
	2 Le robinet d'alimentation en gaz est ouvert
	3 La bouteille de gaz rechargeable (gaz liquide) n'est pas vide
	4 Les ouvertures du brûleur ne sont pas obstruées
	5 La prise électrique n'est pas sale
	6 Toutes les pièces du brûleur sont correctement positionnées
	7 Il n'y a pas de courant d'air près de la table de cuisson
	8 Lors de l'allumage du brûleur, le bouton a été pressé suffisamment longtemps pour activer le dispositif de protection (cf. page 28 « Utilisation »)
	9 Les ouvertures du brûleur ne sont pas obstruées près du thermocouple
	10 Le réglage minimal du gaz est correct
B Les contenants (casseroles, poêles, marmites) ne sont pas stables	11 Le bas du contenant est parfaitement plat
	12 Le contenant est centré sur le brûleur
	13 Les grilles n'ont pas été échangées ou mal positionnées

Si après les vérifications, le défaut persiste, contactez le S.A.V. Franke le plus proche.

MISE AU REBUT

Emballage

Tous les matériaux d'emballage (cartons, films plastiques (PE) et le polystyrène (EPS)) sont marqués et doivent, si possible, être mis au recyclage et éliminés de manière écologique.

Débranchement

- ▶ Débranchez l'appareil du secteur. Lorsque l'appareil est fixé, cette opération doit être effectuée par un électricien qualifié.

Mise au rebut



Le symbole sur le produit ou sur l'emballage indique que l'appareil ne doit pas être jeté avec les déchets ménagers.

En éliminant l'appareil correctement, vous contribuez à éviter des conséquences graves pour l'environnement et la santé.

Des informations complémentaires sur le recyclage de l'appareil sont disponibles auprès de l'autorité compétente, du service local de traitement des déchets ou du revendeur de l'appareil.

- ▷ Éliminez l'appareil via un point de collecte spécialisé pour les déchets électroniques et électriques.

Conformément à la Directive 2012/19/UE relative à la réduction des substances dangereuses utilisées dans les appareils électriques et électroniques et l'élimination des déchets.

Le symbole de poubelle barrée sur l'appareil indique qu'à la fin de sa durée de vie utile le produit ne doit pas être jeté avec les ordures ménagères.

Par conséquent, lorsque l'appareil a atteint la fin de sa vie active, l'utilisateur doit le porter à un centre de recyclage approprié pour les déchets électroniques et électrotechniques, ou au revendeur lors de l'achat d'un nouvel appareil de type équivalent.

La mise au rebut des déchets séparés de l'appareil en bonne et due forme pour recyclage ultérieur, le traitement et l'élimination écologiques contribuent à éviter l'impact potentiellement négatif sur l'environnement et la santé et facilitent le recyclage des matériaux utilisés dans la construction des appareils.

SERVICE APRÈS-VENTE

- ▶ Reportez-vous à l'adresse de contact pour votre pays, au dos de ce manuel ou sur le site internet :
 - www.franke.com

INHOUDSOPGAVE

Inleiding	33
Over deze handleiding	33
Gebruik	33
Veiligheidsgegevens	34
Correcte installatie en plaatsing	34
Correct gebruik	35
Onderhoud en reiniging	36
Reparatie	36
Buiten bedrijf stellen	36
Overzicht	37
FHMF 604 3G DC C (Metaal)	37
FHMF 604 4G C (Glas)	37
FHMF 755 4G DC C (Metaal)	37
FHMF 755 4G DC C (Glas)	37
Uw apparaat	38
Werking	38
De branders aansteken	38
Reiniging en onderhoud	39
Algemene aanbevelingen	39
Apparaat reinigen	39
Onderhoud en reparatie	39
Milieu	40
Verpakking	40
Ontkoppeling	40
Milieu	40
Klantenservice	41

INLEIDING

Beste klant,

Voordat u dit apparaat gebruikt moet u zorgvuldig de instructies en het advies in deze handleiding lezen. Hierdoor gebruikt u het apparaat op de juiste manier en zorgt u voor een langdurige probleemloze werking. Bewaar deze gebruikershandleiding voor latere naslag.

De MARIS is een uiterst geavanceerde kookplaat die het thuis koken revolutioneert.

Een technologische en esthetische upgrade die ontwerp en prestaties perfect samenbrengt. De MARIS biedt een stuk elegantie die overal past en dankzij de kwaliteitsmaterialen en aandacht voor details in elk FRANKE-product uitmuntende betrouwbaarheid garandeert.

OVER DEZE HANDLEIDING

Deze gebruikershandleiding is van toepassing op diverse modellen van het apparaat. Het is daarom mogelijk dat enkele van de beschreven kenmerken en functies niet op uw specifieke model van toepassing zijn.

FRANKE behoudt zich het recht voor om het product aan te passen zonder aankondiging vooraf. Alle informatie is correct op het moment van publicatie.

- ▶ Lees de gebruikershandleiding zorgvuldig vóór gebruik.
- ▶ Bewaar deze gebruikershandleiding.
- ▶ Gebruik het in deze gebruikershandleiding beschreven apparaat uitsluitend volgens het bedoelde gebruik.

Symbool	Betekenis
	Waarschuwingssymbool. Waarschuwing tegen risico's op letsel.
	Veiligheidsacties en waarschuwingen om letsel of schade te voorkomen.
	Actiestap. Een actie die moet worden ondernomen.



Waarschuwingssymbool. Waarschuwing tegen risico's op letsel.



Veiligheidsacties en waarschuwingen om letsel of schade te voorkomen.



Actiestap. Een actie die moet worden ondernomen.

GEBRUIK

De kookplaat is exclusief ontworpen voor niet-professioneel, huishoudelijk gebruik.

Deze kookplaat levert professionele prestaties in de eigen keuken. Het is een zeer veelzijdig apparaat waarmee veilig en eenvoudig diverse kookmethoden kunnen worden toegepast.

BELANGRIJK

- ▷ Onbeoogd gebruik van de roosters kan de kookplaat beschadigen: plaats de roosters niet ondersteboven en schuif ze niet over de kookplaat.
- ▷ Bij gebruik van gietijzeren bakplaten, ollar stone potten, terra cotta potten en pannen, niet langer dan 20 minuten gebruiken en, in geval van langer koken, de brander zo laag mogelijk zetten.
- ▷ Warmteverspreiders zoals metaalgaas, of enig ander type worden niet aanbevolen.

- ▷ Gebruik geen twee branders tegelijkertijd voor een enkele schaal (bijv. vispan).
- ▷ Vloeistoffen die op een hete plek worden gemorst kunnen het glas beschadigen.

Deze aanwijzingen zijn alleen van toepassing wanneer het landensymbool op het toestel aanwezig is.

- ▷ Wanneer het symbool niet op het toestel aanwezig is, moet u de technische instructies raadplegen waarin de noodzakelijke instructies staan betreffende de wijziging van het toestel voor de gebruiksomstandigheden van het land.

VEILIGHEIDSGEGEVENS

- ▷ Lees voordat u het apparaat de eerste keer gebruikt de gebruiksinstructies.

De fabrikant kan niet aansprakelijk worden gesteld voor mogelijke schade als gevolg van een onjuiste installatie en onjuist, onzorgvuldig of onredelijk gebruik van het apparaat.

Om een veilige en efficiënte werking van dit elektrische apparaat te garanderen:

- ▷ Neem uitsluitend contact op met erkende servicecentra.
- ▷ Wijzig geen functies van het apparaat.



Dit toestel is niet bestemd voor gebruik door personen (met inbegrip van kinderen) met verminderde fysieke, zintuiglijke of mentale vermogens, of gebrek aan ervaring en kennis, tenzij zij onder toezicht zijn of aanwijzingen hebben gekregen betreffende het gebruik van het toestel door een voor hun veiligheid verantwoordelijke persoon. Op kinderen moet toezicht worden gehouden om te verzekeren dat zij niet met het toestel spelen.

Dit apparaat is geen speelgoed.

- ▷ Houd kinderen weg van het apparaat en het verpakkingsmateriaal.
- ▷ Laat geen kinderen bij het apparaat zonder toezicht.
- ▷ Laat kinderen niet met het apparaat spelen.
- ▷ Laat kinderen het apparaat of functies tijdens en onmiddellijk na gebruik niet aanraken, aangezien de kookplaat erg heet wordt.
- ▷ Laat kinderen niet een ongebruikt apparaat aanraken. Zorg ervoor dat potentieel gevaarlijke onderdelen afgeschermd worden.

Correcte installatie en plaatsing

Het apparaat moet volgens de afzonderlijke instructies worden geïnstalleerd en aangesloten op het elektriciteits- en gasnet. Zorg ervoor dat een erkende installateur/elektricien de vereiste werkzaamheden uitvoert. Het apparaat is ontworpen voor gebruik in huis om eten te bereiden. Er wordt geen aansprakelijkheid voor schade geaccepteerd door onjuist gebruik of onjuiste behandeling.

Indien het apparaat permanent wordt aangesloten op het elektriciteitsnet:

- ▷ Zorg ervoor dat het apparaat uitsluitend wordt geïnstalleerd door de klantenservice, een elektricien of getraind personeel met de juiste kennis/opleiding.
- ▷ Dit apparaat is niet aangesloten op een afvoerinstallatie voor verbrandingsgassen. Het moet worden geïnstalleerd en aangesloten in overeenstemming met huidige installatievoorschriften. Bijzondere aandacht moet worden besteed aan de relevante vereisten betreffende ventilatie.
- ▷ Zorg ervoor dat het apparaat op zo'n manier is geïnstalleerd dat het kan worden ontkoppeld van het elektriciteitsnet, met een afstand die voldoet aan volledige ont koppeling bij overspanning in categorie III.
- ▷ Zorg ervoor dat het apparaat volgens de geldende richtlijnen is aangesloten op een aardingssysteem.
- ▷ Zorg ervoor dat het apparaat rechtstreeks op het stopcontact is aangesloten.
 - Zorg ervoor dat er geen adapters, meervoudige stopcontacten en verlengkabels worden gebruikt om het apparaat aan te sluiten.
- ▷ Zorg ervoor dat het elektriciteits snoer niet beschadigd is. Neem bij gebreken contact op met de klantenservice.
- ▷ Zorg ervoor dat het apparaat niet wordt blootgesteld aan weersinvloeden (regen, zon).
- ▷ Zorg ervoor dat de ventilatie van het apparaat volgens de fabrieksinstructies functioneert.
- ▷ **WAARSCHUWING!** Het gebruik van een gaskooktoestel leidt tot de productie van hitte, vocht en verbrandingsproducten in de ruimte waarin het wordt geïnstalleerd.
- ▷ Zorg ervoor dat de keuken goed is geventileerd, in het bijzonder wanneer het apparaat in gebruik is; houd openingen voor natuurlijke ventilatie open of installeer een mechanisch ventilatietoestel (mechanische afzuigkap).
- ▷ Zorg ervoor dat de gassoort en -toevoer overeenkomen met de apparaatspecificaties.

- Het soort gas dat geschikt is voor het apparaat staat vermeld op het typeplaatje onder aan de bak.
- ▷ De instelparameters voor dit apparaat vindt u op het label (of het gegevensplaatje).
- ▷ Vooral aan ventilatie moet speciale aandacht worden besteed om aan de geldende richtlijnen te voldoen.
- ▷ Gaskookplaten produceren warmte en vochtigheid in de kamer waar ze worden geïnstalleerd.



Risico op overlijden!

- ▷ Houd huisdieren op afstand van het apparaat. Verpakkingsmaterialen, bv. kunststoffolie en polystyreen, kunnen gevaarlijk zijn voor kinderen.
- ▷ Houd verpakkingsmaterialen weg van kinderen.

Correct gebruik

- ▷ Gebruik het apparaat uitsluitend om eten te bereiden en koken.
- ▷ Lees de handleidingen van de kookapparaten die worden gebruikt met de kookplaat bij gebruik van het apparaat.
- ▷ **WAARSCHUWING!** Dit toestel is alleen voor kookdoeleinden bestemd. Het moet niet voor andere doeleinden worden gebruikt, bijv. ruimteverwarming.
- ▷ Zorg ervoor dat de gasafvoerkanalen schoon zijn.
- ▷ Plaats geen stroomkabels van andere elektrische apparaten op hete delen van het apparaat.
- ▷ Gebruik geen brandbare vloeistoffen nabij het apparaat.
- ▷ Schakel na gebruik de kookplaat via het bedieningspaneel uit.
- ▷ Zorg ervoor dat de branders zijn afgekoeld voordat de kap, indien aanwezig, wordt afgesloten.
- ▷ Gebruik het apparaat niet met een externe tijdschakelaar of een afzonderlijk bedieningssysteem.
- ▷ Het kookproces moet onder toezicht plaatsvinden.
 - Een kort kookproces moet continu onder toezicht plaatsvinden.
- ▷ Trek niet aan het apparaat of de stroomkabel om de stekker uit het stopcontact te halen.

- ▷ Voer geen onzorgvuldige of gevaarlijke activiteiten uit.
- ▷ Gebruik het apparaat niet als ondersteuningsblad.
- ▷ Sluit de gastoevoerkraan als de kookplaat niet wordt gebruikt.

Gaskookplaten produceren warmte en vochtigheid in de kamer waar ze worden geïnstalleerd.

- ▷ Langdurig intensief gebruik van het toestel kan meer ventilatie nodig maken, bijv. het openen van een raam, of een effectievere ventilatie, bijv. vergroten van de mechanische ventilatie wanneer aanwezig.



Risico op brandwonden!

Tijdens gebruik wordt het toestel heet. Zorg ervoor dat u de kookplaat niet aanraakt.

WAARSCHUWING: Toegankelijke onderdelen kunnen tijdens het gebruik heet worden. Kleine kinderen moeten uit de buurt worden gehouden.

- ▷ Raak de roosters op de kookplaat tijdens gebruik niet aan.
- ▷ Plaats geen onstabiele of misvormde pannen op de branders, aangezien ze kunnen omvallen of overlopen.



Risico op elektrische schokken door beschadigd apparaat!

- ▷ **WAARSCHUWING:** Indien het oppervlak beschadigd is:
 - schakel onmiddellijk alle (elektrische) branders uit en ontkoppel het apparaat van de stroomtoevoer.
 - Raak het oppervlak niet aan.
 - Gebruik het apparaat niet.
- ▷ Doe een apparaat niet aan als het oppervlak is gebarsten of er schade is ontstaan in de materiaaldikte.
- ▷ Raak het apparaat niet aan met vochtige lichaamsdelen.
- ▷ Neem contact op met de klantenservice.



Risico op brand!

- ▷ Leg geen spullen op de kookoppervlakken.



Risico op brand!

Ingesteld of zonder toezicht koken met vet of olie kan gevaarlijk zijn en brand tot gevolg hebben. Hete olie brandt snel.

- ▷ Bereid voedsel dat veel vet bevat (zoals patat) uitsluitend onder voortdurend toezicht.
- ▷ Probeer nooit om het vuur te blussen met water.
- ▷ Schakel in geval van brand het apparaat uit en bedek de vlam met bijvoorbeeld een deksel of blusdeken.
- ▷ Om te voorkomen dat er kalkaanslag wordt gevormd, moet u het apparaat na het reinigen met een vochtige doek altijd zorgvuldig drogen.
- ▷ Verwijder vuil met een vochtige doek.
- ▷ De roosters, branderkoppen en vlamverspreiders zijn niet geschikt voor de vaatwasser. U moet ze reinigen met een heet sopje en ze daarna zorgvuldig drogen.
- ▷ Zorg ervoor dat de gasafvoerkanalen schoon zijn.

Beschadiging(en) voorkomen

- ▷ Indien zich een thermisch defect voordoet, moet u de kookplaat uitschakelen en volledig laten afkoelen. Plaats er geen gerechten op. Onder geen enkele omstandigheden met koud water afkoelen.
- ▷ Niet op het apparaat klimmen.
- ▷ Houd altijd toezicht als het apparaat in werking is.
- ▷ Zorg ervoor dat de branders zijn afgekoeld voordat de kap, indien aanwezig, wordt afgesloten.

De kookplaat is voor dagelijks gebruik: tekenen van gebruik zoals krassen of zichtbare materiaalslijtage door pannen en kookgerei zijn normaal. Intensief gebruik leidt tot meer opvallende tekenen van gebruik. In zulke gevallen blijft het apparaat perfect functioneren en is een klacht niet gerechtvaardigd. Veiligheid is altijd gegarandeerd.

Onderhoud en reiniging

- ▷ Ontkoppel het apparaat van het elektriciteitsnet voordat u het apparaat reinigt of onderhoud pleegt.
- ▷ Gebruik geen stoomreinigers of rechtstreekse waterstralen.
- ▷ Gebruik geen schuursponsjes, staalwol, zoutzuur of andere producten die krassen of beschadigen op het oppervlak kunnen veroorzaken.
- ▷ Gebruik geen producten die zand, loogzout, zuren of chloriden bevatten of reinigings- of wasmiddelen die normaal worden gebruikt voor vaatwassers.
- ▷ Gebruik nooit scherpe voorwerpen, aangezien ze de afdichtingen tussen de rand en het werkblad kunnen beschadigen.
- ▷ Laat geen zuren of alkalische middelen op de kookplaat achter.



Risico op elektrische schok door indringende vloeistof!

Het apparaat bevat elektronische componenten.

- ▷ Zorg ervoor dat er geen vloeistoffen in het apparaat dringen.
- ▷ Gebruik geen stoom onder druk om het apparaat te reinigen.

Reparatie

Het apparaat is gefabriceerd volgens de relevante geldende veiligheidsnormen.

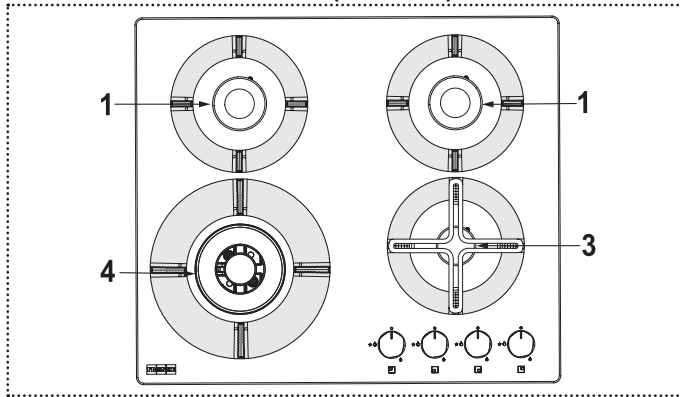
- ▷ Zorg ervoor dat uitsluitend gekwalificeerd personeel het apparaat installeert of repareert.
- ▷ Neem in de volgende gevallen contact op met een door de fabrikant erkend servicecentrum of gekwalificeerd personeel:
 - Bij twijfel over de intactheid van het product onmiddellijk na het uitpakken
 - Tijdens installatie (volgens de fabrieksinstructies)
 - Twijfels over de juiste werking van het apparaat
 - Storing of slechte werking
 - Vervangen van het stopcontact indien niet compatibel met de stekker van het apparaat
 - Bij beschadiging moet het netsnoer worden vervangen door de fabrikant, zijn servicemedewerker of een erkende servicemonteur. Zo worden risico's vermeden.
- ▷ Gebruik uitsluitend originele onderdelen.

Buiten bedrijf stellen

- ▷ Bel het servicecentrum of gekwalificeerd personeel indien het apparaat niet langer wordt gebruikt en wordt ontkoppeld van het elektriciteitsnet.

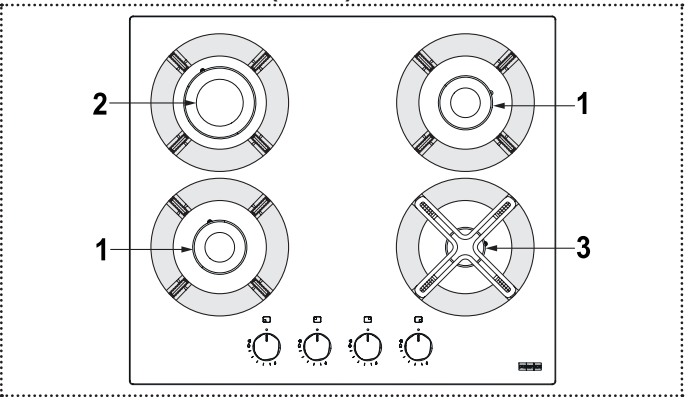
OVERZICHT

FHMF 604 3G DC C (Metaal)



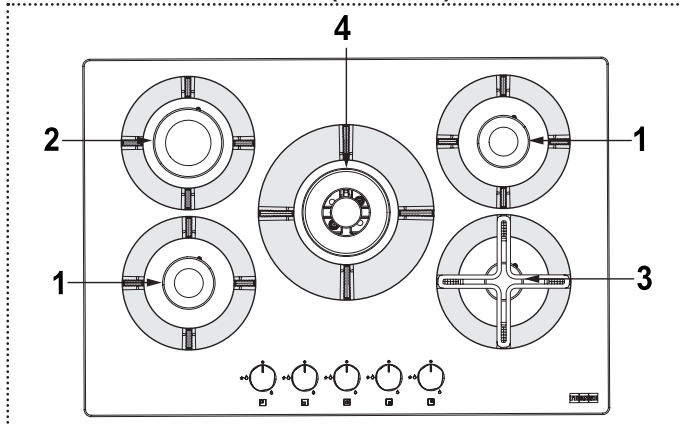
- 1 SR
- 3 AUX
- 4 DC

FHMF 604 4G C (Glas)



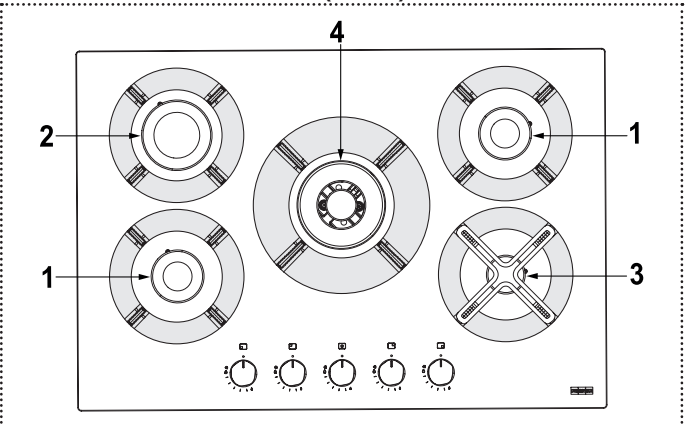
- 1 SR
- 2 R
- 3 AUX

FHMF 755 4G DC C (Metaal)



- 1 SR
- 2 R
- 3 AUX
- 4 DC

FHMF 755 4G DC C (Glas)

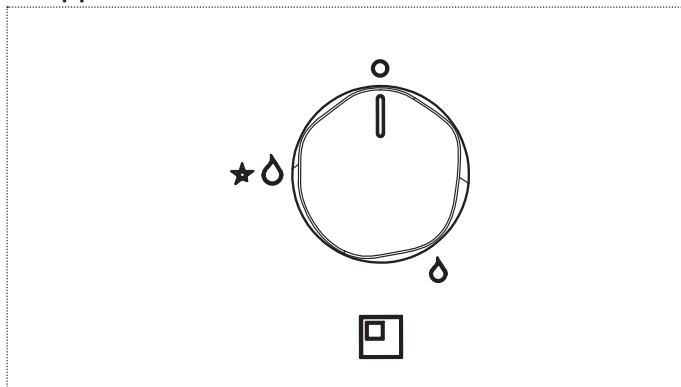


- 1 SR
- 2 R
- 3 AUX
- 4 DC

Brander	Functie
DC	Tweevoudige brander
SR	Normale brander

Brander	Functie
R	Snelle brander
AUX	Ondersteunende brander

Knoppen



Knoppictogram	Functie
□	Uit
☹	Minimale vermogen
★☹	Aansteken en maximale vermogen

UW APPARAAT

Geautomatiseerd veiligheidsventiel

Deze kookplaten hebben een veiligheidssysteem dat het gas bij toevallig uitgaan van de vlam automatisch afsluit. Dit kan zijn als gevolg van tocht, overlopen van de pan of een tijdelijke onderbreking van de gastoevoer. Dit mechanisme wordt ca. 30 seconden na het uitgaan van de vlam geactiveerd.

Brandergebruik

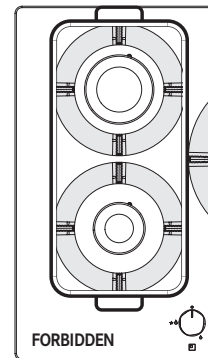
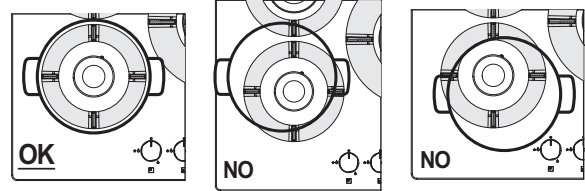
Voor een lager gasverbruik en betere efficiëntie is het raadzaam om pannen te gebruiken met een breedte die geschikt is voor de branders. Hierdoor komt de vlam niet buiten de randen (volg de onderstaande tabel).

► Zorg ervoor dat de ruimte goed is geventileerd.

Brander	Bodem van de pan min-max. Ø
Tweevoudige brander	160 -260 mm
Snelle brander	140 - 220 mm
Normale brander	140 - 200 mm
Ondersteunende brander	60 - 140 mm

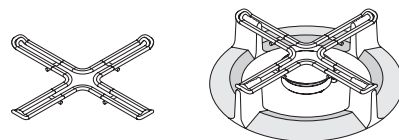
Het gebruik van grotere pannen dan vermeld kan extreme oververhitting van de knoppen en kookplaat veroorzaken, en bij langdurig gebruik het vergelen van de kap (indien van roestvrij staal).

Franke accepteert geen aansprakelijkheid voor schade door dergelijk gebruik.



- Zet nooit dezelfde pan op twee branders.
- Gebruik nooit twee branders tegelijkertijd als hierop een en dezelfde pan staat, zoals een steelpan of een vispan.

Voor pannen met een kleine diameter of een moka bevelen we aan het meegeleverde reductiestuk op de extra gasbrander te gebruiken.



WERKING

De branders aansteken

De kookplaat wordt via de bedieningsknoppen aangestoken. Volg de onderstaande stappen om de branders aan te steken:

- Druk en draai aan de betreffende knop tot het aanstekings- en maximale vermogensymbool.
- Druk de knop zo'n 3-4 seconden in om ervoor te zorgen dat de vonken het uit de brander komende gas kunnen ontsteken en het thermokoppel kan opwarmen.

- Laat de knop vervolgens los en draai die tegen de klok in om de vlam naar wens in te stellen. Herhaal de handelingen vanaf stap 1 als de vlam niet blijft branden.

REINIGING EN ONDERHOUD



Risico op brandwonden!

- ▷ Uitsluitend reinigen als het apparaat is afgekoeld.

Voordat u begint met reinigen en onderhoud:

- ▷ Lees de algemene veiligheidsgegevens over reinigen in de sectie „Veiligheidsgegevens“.
- ▷ Schakel het apparaat uit.

Algemene aanbevelingen

- ▷ Gebruik geen stoomreinigers of rechtstreekse waterstralen.
- ▷ Gebruik geen schuursponsjes, staalwol, zoutzuur of andere producten die krassen of beschadigen op het oppervlak kunnen veroorzaken.
- ▷ Gebruik geen producten die zand, loogzout, zuren of chloriden bevatten of reinigings- of wasmiddelen die normaal worden gebruikt voor vaatwassers.
- ▷ Voedsel dat per ongeluk valt of bezinkt op het oppervlak, op de functionele of esthetische elementen van de kookplaat, mag niet worden gegeten.

Apparaat reinigen

- ▶ Reinig de kookplaat na ieder gebruik om te voorkomen dat voedselresten aanbranden. Het reinigen van opgedroogde en verbrande resten vereist meer inspanning.
- ▶ Gebruik een zachte doek of spons met water om voedselresten te verwijderen. Volg het advies van de fabrikant op in verband met reinigingsmiddelen. Wij raden het gebruik van beschermende reinigingsmiddelen aan.
- ▶ Verwijder achtergebleven voedselresten op de kookplaat met een hoog suikergehalte altijd onmiddellijk.
- ▶ Om te voorkomen dat er kalkvlekken worden gevormd, moet u het apparaat na het reinigen met een vochtige doek altijd zorgvuldig drogen.
- ▶ Verwijder vuil met een vochtige doek.
- ▶ Reinig de roosters, branderkoppen en vlamverspreiders met een heet sopje en droog ze daarna zorgvuldig. Ze zijn niet geschikt voor de vaatwasser. Zorg ervoor dat de gasafvoerkanalen geheel schoon zijn.
- ▶ De oorspronkelijke kleur van de roosters kan op de plek waar de pannen neergezet worden als gevolg van de hitte veranderen.

ONDERHOUD EN REPARATIE

Neem bij problemen met de werking contact op met het technische servicecentrum van Franke.

- ▷ Zorg ervoor dat het onderhoud van elektrische componenten uitsluitend wordt uitgevoerd door de fabrikant of klantenservice.
- ▷ Zorg ervoor dat beschadigde kabels uitsluitend door de fabrikant of klantenservice worden gerepareerd.
- ▶ Als u contact opneemt met de klantenservice moet u de volgende gegevens bij de hand hebben:
 - soort storing
 - het model (Art./Cod.)
 - serienummer (S.N.)

Deze gegevens staan vermeld op het gegevensplaatje op het boekje of onder de kookplaat.

- ▶ Mocht de kookplaat niet goed werken, raadpleeg dan eerst „Het oplossen van problemen” om het probleem te bepalen, voordat u contact opneemt met het Franke Technical Service Centre:

HET OPLOSSEN VAN PROBLEMEN

Soort probleem	Controleer of:
A De brander wil niet ontsteken, blijft niet branden of de vlam is niet gelijkmatig	1 Het gas of de elektrische voorzieningen zijn niet uitgeschakeld
	2 De gaskraan is open
	3 De navulbare gasfles (vloeibaar gas) is niet leeg
	4 De openingen van de brander zijn niet verstopt
	5 De pennen van de stekker zijn niet vuil
	6 Alle onderdelen van de brander zijn juist gepositioneerd
	7 Er is geen tocht bij de kookplaat
	8 Wanneer de brander wordt aangestoken, is de knop lang genoeg ingedrukt om de bescherminrichting in te schakelen (zie pag. 38 „Werking“)
	9 De openingen van de brander zijn niet verstopt in de buurt van het thermokoppel
	10 De instelling voor minimaal gas is juist
B De potten, pannen of ketels staan niet stevig en vlak op de brander	11 De bodem van de container is geheel vlak
	12 De container is centraal op de brander geplaatst
	13 De roosters zijn niet verwisseld of verkeerd gepositioneerd

Als het probleem na bovengenoemde controles nog steeds optreedt, neem dan contact op met het Franke Technical Service Centre.

MILIEU

Verpakking

Alle verpakkingsmaterialen (karton, kunststoffolie (PE) en polystyreen (EPS)) zijn gemarkeerd en moeten, indien mogelijk, voor recycling worden verzameld en op een milieuvriendelijke manier worden verwijderd.

Ontkoppeling

- ▶ Ontkoppel het apparaat van het elektriciteitsnet. Bij een vast apparaat moet dit worden uitgevoerd door een erkende elektricien.

Milieu



Het symbool op het product of de verpakking geeft aan dat het apparaat niet als huishoudelijk afval mag worden verwijderd.

Door het zorgvuldig afvoeren van het apparaat helpt u schadelijke gevolgen voor het milieu en de gezondheid te voorkomen.

Meer gegevens over de recycling van het apparaat zijn beschikbaar bij de bevoegde instantie, plaatselijke afvalverwerkingsdienst of de verkoper van het apparaat.

- ▶ Verwijder het apparaat dat moet worden weggegooid via een speciaal afvalverzamelpunt voor elektronische en elektrische apparaten.

Dit is in overeenstemming met de richtlijnen 2012/19/EU in verband met het verminderen van gevaarlijke stoffen die worden gebruikt in elektrische en elektronische apparaten en bij afvalverwijdering.

Het doorgekruiste afvalbaksymbool op het apparaat geeft aan dat het aan het einde van de levensduur niet kan worden verwijderd als huisvuil.

Daarom moet de gebruiker het apparaat aan het einde van zijn levensduur naar een geschikt recyclingcentrum voor elektronisch en elektrotechnisch afval brengen, of retourneren aan de dealer bij de aankoop van een nieuw, soortgelijk apparaat.

Een goed gescheiden afvalinzameling van afgedankte apparaten voor verdere recycling, behandeling en milieuvriendelijke verwijdering helpt een potentieel negatieve impact op het milieu en de gezondheid te voorkomen en bevordert de recycling van de gebruikte materialen.

KLANTENSERVICE

- ▶ Bekijk de contactgegevens van uw land op de achterpagina of op onze website: www.franke.com

INDICE

Introduzione	43
Informazioni sulle istruzioni per l'uso	43
Utilizzo	43
Informazioni per la sicurezza	44
Corretta collocazione e installazione	44
Uso corretto	45
Manutenzione e pulizia	46
Riparazione	46
Messa fuori servizio	46
Vista d'insieme	47
FHMF 604 3G DC C (Metallo)	47
FHMF 604 4G C (Vetro)	47
FHMF 755 4G DC C (Metallo)	47
FHMF 755 4G DC C (Vetro)	47
Il dispositivo	48
Funzionamento	48
Accensione dei bruciatori	48
Pulizia e cura	49
Raccomandazioni generali	49
Pulizia del dispositivo	49
Manutenzione e riparazione	49
Smaltimento	50
Imballaggio	50
Scollegamento	50
Smaltimento	50
Servizio di assistenza	51

INTRODUZIONE

Gentile cliente,

Prima di utilizzare questo piano cottura. La preghiamo di leggere attentamente le istruzioni e le raccomandazioni contenute in questo manuale per l'uso. In tal modo potrà utilizzare il dispositivo al meglio e garantire il perfetto funzionamento del piano cottura per gli anni a venire. Conservi queste istruzioni per l'uso per consultazioni future.

MARIS è un piano cottura di nuova generazione pensato per rivoluzionare la cucina casalinga.

Avanzamento tecnologico ed estetico in grado di combinare perfettamente design e prestazioni, MARIS è un oggetto elegante adatto a qualsiasi ambientazione ed è in grado di garantire una straordinaria affidabilità grazie alla qualità dei materiali utilizzati e all'attenzione per i dettagli tipica di tutti i prodotti FRANKE.

INFORMAZIONI SULLE ISTRUZIONI PER L'USO

Queste istruzioni per l'uso sono valide per diversi modelli del piano cottura. È quindi possibile che alcune delle caratteristiche e funzioni qui descritte non siano disponibili nel modello specifico acquistato. FRANKE si riserva il diritto di apportare modifiche al prodotto senza preavviso. Tutte le informazioni sono corrette al momento della pubblicazione.

- ▶ Leggere attentamente le istruzioni per l'uso prima di utilizzare il piano cottura.
- ▶ Conservare le istruzioni per l'uso.
- ▶ Utilizzare il piano cottura descritto in queste istruzioni per l'uso solo conformemente all'uso previsto.

Simbolo	Significato
	Avviso di pericolo. Avviso di pericolo di lesioni.
	Azioni in sicurezza e avvertenze per evitare lesioni o danni.
	Azione. Specifica un'azione che deve essere compiuta.



Avviso di pericolo. Avviso di pericolo di lesioni.



Azioni in sicurezza e avvertenze per evitare lesioni o danni.



Azione. Specifica un'azione che deve essere compiuta.

UTILIZZO

Il piano cottura è stato progettato esclusivamente per l'utilizzo non professionale in ambito domestico.

Il piano cottura è concepito per offrire prestazioni professionali nel contesto domestico. È un piano cottura altamente versatile che consente di scegliere con facilità e in sicurezza diversi metodi di cottura.

IMPORTANTE

- ▷ L'uso improprio delle griglie può danneggiare il piano cottura: non posizionare le griglie al contrario o farle scorrere sul piano cottura.
- ▷ In caso di utilizzo di piastre in ghisa, pietre ollari, pentole e padelle in terracotta, usarle per non più di 20 minuti e, in caso di cottura prolungata, regolare il bruciatore al minimo.
- ▷ Si consiglia di non utilizzare diffusori di calore, come reti metalliche o di qualsiasi altro tipo.

- ▷ Non utilizzare due bruciatori contemporaneamente per un unico contenitore (es. pesciera).
- ▷ Rovesciare liquidi sul piano cottura caldo può causare danni al vetro.

Queste istruzioni sono valide solo se sul dispositivo sono indicate le iniziali del paese.

- ▷ Se le iniziali non sono indicate sul dispositivo, è necessario consultare le istruzioni tecniche che dovrebbero fornire le istruzioni necessarie riguardo alla modifica del dispositivo secondo le condizioni d'uso del paese.

INFORMAZIONI PER LA SICUREZZA

- ▷ Leggere le istruzioni per l'uso prima di utilizzare il dispositivo per la prima volta.

Il produttore non risponde dei danni che possono verificarsi a causa di un'installazione non corretta e di un utilizzo del dispositivo non corretto, non adeguato o irragionevole.

Per garantire il funzionamento sicuro ed efficiente di questo dispositivo:

- ▷ Contattare unicamente centri di assistenza autorizzati.
- ▷ Non modificare le funzioni del dispositivo.



Questo apparecchio non è adatto a persone (bambini inclusi) con capacità fisiche, sensoriali o mentali limitate o senza esperienze e conoscenza a meno che non siano sorvegliate o istruite in merito all'utilizzo sicuro del dispositivo da una persona responsabile per la loro sicurezza. I bambini devono essere sorvegliati per assicurarsi che non giochino con l'apparecchio.

Questo dispositivo non è un giocattolo.

- ▷ Tenere il dispositivo e il materiale di imballaggio lontani dalla portata dei bambini.
- ▷ Non lasciare bambini incustoditi nelle vicinanze del dispositivo.
- ▷ Non consentire ai bambini di giocare con il dispositivo.
- ▷ Non consentire ai bambini di toccare il dispositivo o i suoi comandi durante o immediatamente dopo l'uso poiché il piano cottura può raggiungere temperature molto elevate.
- ▷ Non consentire ai bambini di toccare il dispositivo quando non è in uso. Mettere in sicurezza tutti i componenti che costituiscono un potenziale pericolo.

Corretta collocazione e installazione

Il dispositivo deve essere installato e collegato all'alimentazione elettrica e del gas in conformità alle istruzioni di installazione riportate. Fare effettuare i lavori necessari a un elettricista/installatore qualificato.

Il dispositivo è destinato alla preparazione dei cibi in ambito domestico. Decliniamo qualsiasi responsabilità per eventuali danni

provocati da un utilizzo improprio o non corretto.

Se il dispositivo deve rimanere sempre collegato alla rete di alimentazione elettrica:

- ▷ Accertarsi che il dispositivo sia installato unicamente dal servizio di assistenza, da un elettricista o da personale addestrato in possesso dell'adeguata conoscenza/istruzione.
- ▷ Il piano cottura non è collegato a un dispositivo di evacuazione per prodotti della combustione. Deve essere installato e collegato in conformità con le norme di installazione vigenti. È necessario prestare particolare attenzione alle disposizioni relative alla ventilazione.
- ▷ Accertarsi che il dispositivo sia installato in modo tale da consentirne lo scollegamento dall'alimentazione elettrica con una distanza di apertura dei contatti in grado di assicurare lo scollegamento completo nelle condizioni di sovratensione di categoria III.
- ▷ Accertarsi che il dispositivo sia collegato a un sistema di messa a terra in conformità alle disposizioni vigenti.
- ▷ Accertarsi che il dispositivo sia collegato direttamente alla presa di alimentazione.
 - Non utilizzare adattatori, prese multiple o cavi di prolunga per collegare il dispositivo.
- ▷ Accertarsi che il cavo di alimentazione non sia danneggiato. Qualora fosse danneggiato, contattare il servizio di assistenza.
- ▷ Accertarsi che il dispositivo non sia esposto agli agenti atmosferici (pioggia, sole).
- ▷ Accertarsi che la ventilazione del dispositivo sia conforme a quanto indicato dal produttore nelle istruzioni per l'uso.
- ▷ **ATTENZIONE!** L'uso di un dispositivo per la cottura a gas produce calore, umidità e prodotti della combustione nel locale in cui è installato.
- ▷ Accertarsi che la cucina sia ben ventilata, specialmente quando il dispositivo è in uso: lasciare aperte fonti di ventilazione naturali o installare un dispositivo di ventilazione meccanico (cappa di aspirazione meccanica).
- ▷ Accertarsi che il tipo di gas e il rispettivo impianto di alimentazione siano compatibili con le specifiche del dispositivo.

- Il tipo di gas per il quale è predisposto il dispositivo è specificato sulla targhetta di identificazione sul fondo del cassetto del piano cottura.
- ▷ Le condizioni per la regolazione di questo dispositivo sono riportate sull'etichetta (o targhetta di identificazione).
- ▷ Prestare particolare attenzione alle disposizioni pertinenti in materia di ventilazione.
- ▷ L'uso di un dispositivo per la cottura a gas produce calore e umidità nel locale in cui è installato.
- ▷ Non effettuare operazioni non appropriate o pericolose.
- ▷ Non utilizzare il dispositivo come piano di supporto.
- ▷ Quando il piano cottura non è in uso chiudere il rubinetto generale di alimentazione del gas.

L'uso di un dispositivo per la cottura a gas produce calore e umidità nel locale in cui è installato.

- ▷ Un uso prolungato del dispositivo può richiedere una ventilazione supplementare, ad esempio l'apertura di una finestra, o più efficiente, ad esempio aumentando il livello della ventilazione meccanica, qualora presente.



Pericolo di morte!

- ▷ Tenere gli animali lontani dal dispositivo. I materiali di imballaggio, per es. il film plastico e il polistirolo, possono essere pericolosi per i bambini.
- ▷ Tenere i materiali di imballaggio lontano dalla portata dei bambini.

Uso corretto

- ▷ Utilizzare il dispositivo solo per preparare e cuocere alimenti.
- ▷ Se insieme al piano cottura si utilizzano altri dispositivi per la cottura, rispettare le indicazioni contenute nelle rispettive istruzioni per l'uso.
- ▷ **ATTENZIONE!** Questo dispositivo è da utilizzare solo per cucinare. Non deve essere utilizzato per altri scopi, ad esempio il riscaldamento dell'ambiente.
- ▷ Accertarsi che le zone di uscita del gas siano perfettamente pulite.
- ▷ Non collocare cavi elettrici o altri elettrodomestici sulle parti calde del dispositivo.
- ▷ Non utilizzare liquidi infiammabili nelle vicinanze del dispositivo.
- ▷ Dopo l'uso, spegnere il piano cottura con gli appositi comandi.
- ▷ Se il piano cottura è dotato di coperchio, prima di chiuderlo accertarsi che i bruciatori siano freddi.
- ▷ Non utilizzare il dispositivo con un timer esterno o un sistema separato di comando a distanza.
- ▷ Il processo di cottura deve essere sorvegliato.
 - Un processo di cottura di breve durata deve essere costantemente sorvegliato.
- ▷ Non tirare il dispositivo o il cavo di alimentazione per scollegare il dispositivo.



Pericolo di ustioni!

L'apparecchio diventa molto caldo durante l'uso. Si deve prestare attenzione a non toccare il piano cottura.

AVVERTIMENTO: Le parti accessibili dell'apparecchio possono raggiungere temperature molto elevate durante l'uso. Non consentire ai bambini piccoli di avvicinarsi al piano.

- ▷ Non toccare le griglie poggiatepente durante l'uso.
- ▷ Non collocare sui bruciatori pentole instabili o deformate perché potrebbero rovesciarsi o traboccare.



Rischio di scossa elettrica a causa del dispositivo danneggiato!

- ▷ **AVVERTIMENTO:** Se la superficie è danneggiata:
 - spegnere immediatamente tutti i bruciatori e le eventuali piastre elettriche e scollegare il dispositivo dall'alimentazione elettrica.
 - Non toccare la superficie del dispositivo.
 - Non utilizzare il dispositivo.
- ▷ Non accendere il dispositivo se la superficie presenta crepe o lo spessore del materiale è danneggiato.
- ▷ Non toccare il dispositivo con parti del corpo bagnate.
- ▷ Contattare il servizio di assistenza.



Rischio di incendio!

- ▷ Non riporre oggetti sulle superfici di cottura.



Rischio di incendio!

La cottura con grassi o oli effettuata sul piano cottura in modo automatico o senza sorveglianza può essere pericolosa e provocare incendi. L'olio caldo è altamente infiammabile.

- ▷ Preparare cibi con l'impiego di molto grasso (per es. patatine fritte) solo sotto sorveglianza costante.
- ▷ Non spegnere mai eventuali incendi con acqua.
- ▷ In caso di incendio, spegnere il dispositivo e coprire la fiamma, per es. con un coperchio o una coperta antincendio.

Per evitare danni al dispositivo

- ▷ In caso di guasto termico, spegnere la piastra e lasciarla raffreddare completamente. Non posizionare piatti sopra di essa. In nessuna circostanza raffreddare la piastra con acqua fredda.
- ▷ Non salire sopra al dispositivo.
- ▷ Non lasciare il dispositivo incustodito mentre è in funzione.
- ▷ Se il piano cottura è dotato di coperchio, prima di chiuderlo accertarsi che i bruciatori siano freddi.

Il piano cottura è un articolo di uso quotidiano: segni di utilizzo visibili sul materiale come graffi o abrasioni provocati da tegami e pentole sono normali. Un uso intenso provoca segni di utilizzo più evidenti. In tal caso, il dispositivo continua a funzionare perfettamente e non è giustificato alcun reclamo a riguardo. La sicurezza è sempre garantita.

Manutenzione e pulizia

- ▷ Prima di qualsiasi intervento di pulizia o manutenzione scollegare il dispositivo dalla rete di alimentazione elettrica.
- ▷ Non utilizzare pulitrici a vapore o getti diretti di acqua.
- ▷ Non usare mai spugnette abrasive, lana di acciaio, acido muriatico o altri prodotti che potrebbero graffiare o lasciare segni sulla superficie.
- ▷ Non usare prodotti contenenti sabbie, soluzioni alcaline, acidi o cloruri, spray per forno o per la pulizia della lavastoviglie.
- ▷ Non usare oggetti affilati perché potrebbero danneggiare le guarnizioni tra il listello di finitura e il piano di lavoro.

- ▷ Non lasciare acidi o sostanze alcaline sul piano cottura.
- ▷ Asciugare sempre accuratamente il dispositivo dopo averlo pulito con un panno umido per evitare la formazione di depositi di calcare.
- ▷ Rimuovere lo sporco con un panno umido.
- ▷ Non lavare le griglie, i cappellotti dei bruciatori e gli spartifiamma in lavastoviglie. Pulirli acqua calda e sapone, accertandosi di asciugarli accuratamente.
- ▷ Accertarsi che le zone di uscita del gas siano perfettamente pulite.



Rischio di scossa elettrica a causa della penetrazione di liquidi!

Il dispositivo contiene componenti elettrici.

- ▷ Accertarsi che non penetrino liquidi all'interno del dispositivo.
- ▷ Non utilizzare vapore pressurizzato per pulire il dispositivo.

Riparazione

Il dispositivo è costruito in conformità alle norme di sicurezza vigenti a riguardo.

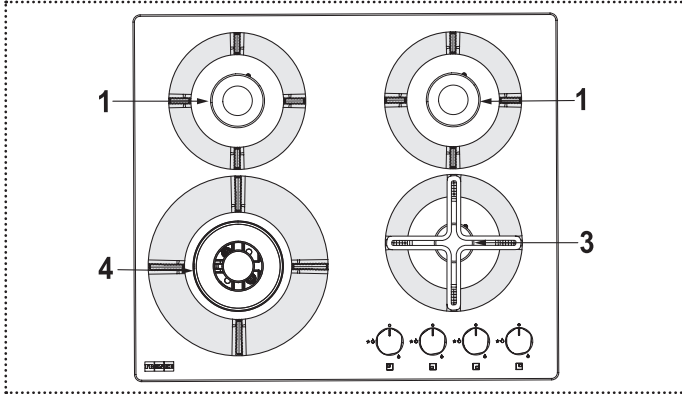
- ▷ Consentire solo a personale qualificato di installare o riparare il dispositivo.
- ▷ Contattare un centro di assistenza autorizzato dal costruttore o personale qualificato nei casi seguenti:
 - Subito dopo il disimballaggio, nel caso in cui vi siano dubbi in merito all'integrità del dispositivo
 - Durante l'installazione (come da istruzioni del produttore)
 - Dubbi in merito al corretto funzionamento del dispositivo
 - Malfunzionamento o funzionamento non ottimale
 - Sostituzione della presa di corrente se incompatibile con il connettore del dispositivo
 - Se il cavo di alimentazione è danneggiato deve essere sostituito dal costruttore, da un suo tecnico del servizio di assistenza o comunque da una persona con qualifica simile, in modo da prevenire ogni rischio.
- ▷ Utilizzare solo parti di ricambio originali.

Messa fuori servizio

- ▷ Se il dispositivo non verrà più utilizzato, contattare il centro di assistenza o personale qualificato per scollegarlo dall'alimentazione.

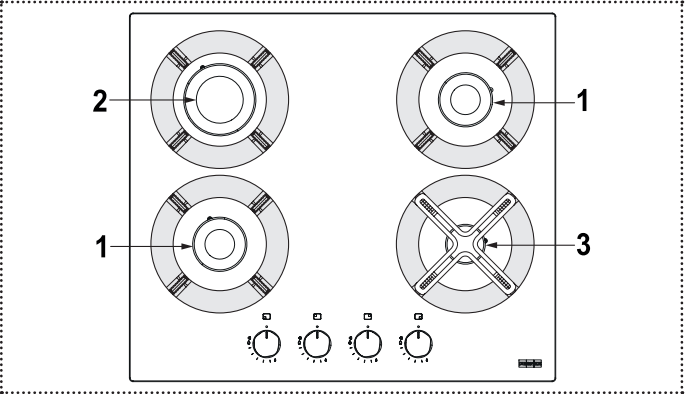
VISTA D'INSIEME

FHMF 604 3G DC C (Metallo)



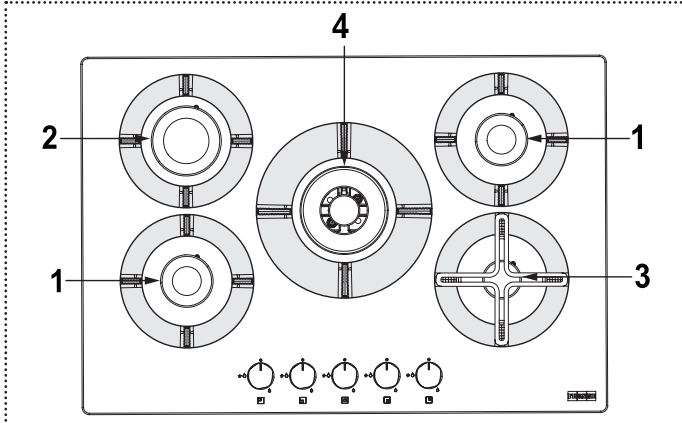
- 1 SR
- 3 AUX
- 4 DC

FHMF 604 4G C (Vetro)



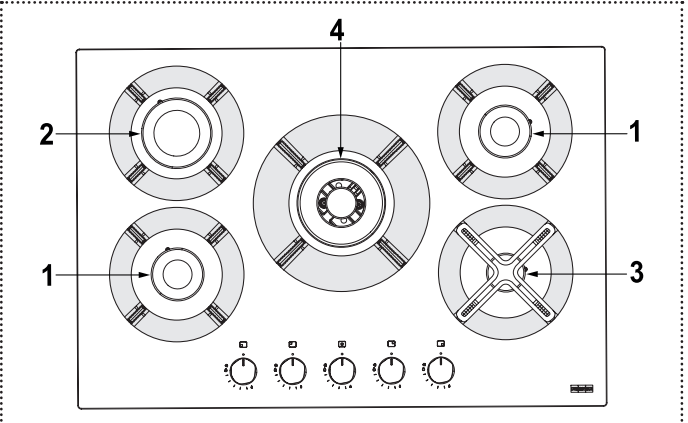
- 1 SR
- 2 R
- 3 AUX

FHMF 755 4G DC C (Metallo)



- 1 SR
- 2 R
- 3 AUX
- 4 DC

FHMF 755 4G DC C (Vetro)

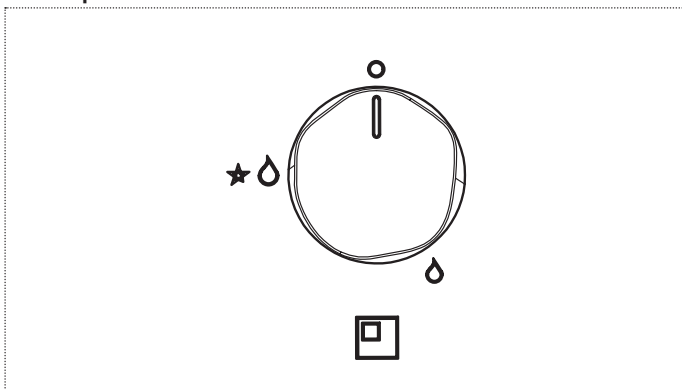


- 1 SR
- 2 R
- 3 AUX
- 4 DC

Bruciatore	Funzione
DC	Doppia corona
SR	Semirapido

Bruciatore	Funzione
R	Rapido
AUX	Ausiliario

Manopole



Simbolo manopola	Funzione
□	Off/spengimento
☹	Portata minima
★☹	Accensione e portata massima

IL DISPOSITIVO

Valvola automatica di sicurezza

Questi piani cottura sono dotati di un dispositivo di sicurezza che chiude automaticamente il flusso del gas nel caso in cui la fiamma si spenga accidentalmente in seguito a correnti d'aria, traboccamento di contenitori o per momentanea interruzione dell'alimentazione di gas. Questo dispositivo viene attivato dopo circa 30 secondi dallo spegnimento della fiamma.

Utilizzo del bruciatore

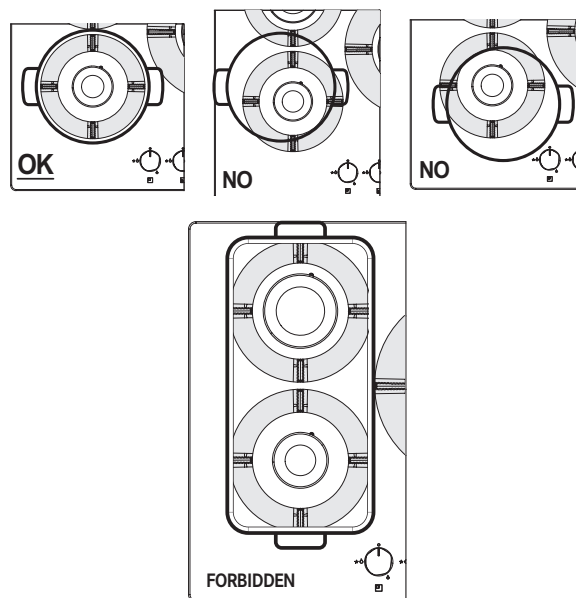
Per un minore consumo di gas e una maggiore efficienza, utilizzare pentole di larghezza idonea ai bruciatori, accertandosi che la fiamma non fuoriesca dai bordi delle pentole (attenersi alle indicazioni in questo capitolo).

► Accertarsi che il locale di utilizzo sia ben ventilato.

Bruciatore	Fondo pentola min.-max Ø
Doppia corona	160 -260 mm
Rapido	140 - 220 mm
Semirapido	140 - 200 mm
Ausiliario	60 - 140 mm

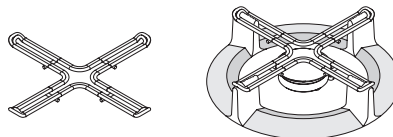
L'utilizzo di pentole più grandi di quelle specificate può provocare un eccessivo surriscaldamento delle manopole e del piano e, in caso di uso prolungato, l'ingiallimento della copertura (se in acciaio inossidabile).

Franke declina qualsiasi responsabilità in caso di danni dovuti a un tale utilizzo.



- ▷ Non mettere la stessa padella su due bruciatori.
- ▷ Non utilizzare due bruciatori contemporaneamente con un unico contenitore, come una casseruola o una padella per pesci.

Per pentole e caffettiere di piccolo diametro si consiglia di utilizzare la riduzione fornita insieme al piano cottura sul bruciatore ausiliario.



FUNZIONAMENTO

Accensione dei bruciatori

Il piano cottura si accende con le manopole di comando. Per accendere i bruciatori procedere nel modo seguente:

- Premere e ruotare la manopola prescelta fino alla posizione di accensione e portata massima.
- Tenere premuta la manopola per 3-4 secondi per consentire alle scintille di infiammare il gas che fuoriesce dal bruciatore e permettere alla termocoppia di scaldarsi.

- Quindi, rilasciare la manopola e ruotarla in senso antiorario per regolare la fiamma nel modo desiderato. Se la fiamma non rimane accesa, ripetere le operazioni dal punto 1

PULIZIA E CURA



Pericolo di ustioni!

- ▷ Non pulire il dispositivo e i suoi accessori (griglie, cappellotti dei bruciatori e spartifiamma) finché non sono completamente freddi.

Prima di effettuare qualsiasi intervento di pulizia e cura:

- ▷ Leggere le informazioni generali per la sicurezza riguardanti la pulizia al capitolo "Informazioni per la sicurezza".
- ▷ Spegnere il dispositivo.

Raccomandazioni generali

- ▷ Non utilizzare pulitrici a vapore o getti diretti di acqua.
- ▷ Non usare mai spugnette abrasive, lana di acciaio, acido muriatico o altri prodotti che potrebbero graffiare o lasciare segni sulla superficie.
- ▷ Non usare prodotti contenenti sabbie, soluzioni alcaline, acidi o cloruri, spray per forno o per la pulizia della lavastoviglie.
- ▷ Gli alimenti che cadono accidentalmente o si depositano sulla superficie, sugli elementi funzionali o estetici del piano cottura non devono essere consumati.

Pulizia del dispositivo

- ▶ Pulire il piano cottura dopo ogni utilizzo per evitare che eventuali residui di cibo si carbonizzino. Pulire sporco incrostato e carbonizzato richiede maggiore fatica.
- ▶ Per pulire i residui di cibo, utilizzare un panno o una spugna morbidi e l'acqua. Seguire le raccomandazioni del produttore riguardo ai detersivi da utilizzare. Si consiglia di utilizzare prodotti detersivi protettivi.
- ▶ Eliminare immediatamente i cibi con elevato contenuto di zucchero che siano eventualmente stati rovesciati sul piano cottura.
- ▶ Per evitare la formazione di depositi di calcare, asciugare sempre accuratamente il dispositivo dopo averlo pulito con un panno umido.
- ▶ Rimuovere lo sporco con un panno umido.
- ▶ Pulire griglie, cappellotti dei bruciatori e spartifiamma con acqua calda e sapone, accertandosi di asciugarli accuratamente. Non lavarli in lavastoviglie. Accertarsi che le zone di uscita del gas siano perfettamente pulite.
- ▶ Il colore naturale delle griglie poggiapentole nella sezione di appoggio delle pentole può cambiare col tempo a causa del calore.

MANUTENZIONE E RIPARAZIONE

Per qualsiasi problema di funzionamento, contattare il centro di assistenza tecnica Franke.

- ▷ Accertarsi che la manutenzione dei componenti elettrici sia effettuata unicamente dal produttore o dal servizio di assistenza.
- ▷ Assicurarsi che i cavi danneggiati siano sostituiti unicamente dal produttore o dal servizio di assistenza.
- ▶ Quando si contatta il servizio di assistenza si prega di fornire le seguenti informazioni:
 - tipo di guasto
 - modello del dispositivo (Art./Cod.)
 - numero di serie (S.N.)

Questa informazione è riportata sulla targhetta di identificazione, sull'opuscolo o sotto il piano cottura.

- ▶ Se il piano cottura non funziona correttamente, prima di chiamare il centro di assistenza tecnica Franke, consultare la Guida alla risoluzione dei problemi per determinare la natura del problema:

GUIDA ALLA RISOLUZIONE DEI PROBLEMI

Tipo di guasto	Controllare se:
A Il bruciatore non si accende, non rimane acceso o la fiamma non è uniforme	1 Il gas o l'alimentazione elettrica non sono spenti
	2 Il rubinetto del gas non è aperto
	3 La bombola ricaricabile del gas (gas liquido) non è vuota
	4 Le aperture del bruciatore non sono intasate
	5 L'estremità della spina non è sporca
	6 Tutte le parti del bruciatore sono state posizionate correttamente
	7 Non ci sono spifferi vicino al piano cottura
	8 Quando si accende il bruciatore, la manopola è stata premuta per un tempo sufficiente ad attivare il dispositivo di protezione (vedere pagina 48 „Funzionamento“)
	9 Le aperture del bruciatore non sono intasate vicino alla termocoppia
	10 L'impostazione minima del gas è corretta
B I contenitori (pentole, padelle, bollitori) non sono stabili	11 Il fondo del contenitore è perfettamente piatto
	12 Il contenitore è centrato sul bruciatore
	13 Le griglie non sono state scambiate o posizionate in modo scorretto

Se dopo i suddetti controlli il problema persiste, contattare il centro di assistenza tecnica Franke.

SMALTIMENTO

Imballaggio

Tutti i materiali di imballaggio (cartone, film plastico (PE) e polistirolo (EPS)) sono provvisti di apposito contrassegno e, se possibile, devono essere inviati alla raccolta differenziata per essere riciclati e smaltiti in modo ecocompatibile.

Scollegamento

- Scollegare il dispositivo dalla rete di alimentazione. Se il dispositivo è collegato in modo fisso, questa operazione deve essere effettuata da un elettricista qualificato.

Smaltimento



Questo simbolo sul prodotto o sulla confezione indica che il dispositivo non deve essere smaltito con i normali rifiuti domestici.

Lo smaltimento adeguato del dispositivo contribuisce a evitare conseguenze dannose per l'ambiente e la salute. Maggiori informazioni sul riciclaggio del dispositivo possono essere ottenute dall'autorità competente, dal servizio di smaltimento rifiuti locale o dal fornitore del dispositivo.

- Smaltire il dispositivo presso un punto di raccolta rifiuti specializzato per dispositivi elettrici ed elettronici.

Conforme alla direttiva 2012/19/UE, riguardante la riduzione delle sostanze pericolose utilizzate nei dispositivi elettrici ed elettronici e lo smaltimento dei rifiuti.

Il simbolo del bidone dei rifiuti barrato presente sul dispositivo indica che al termine della sua vita utile il prodotto non deve essere smaltito insieme ai comuni rifiuti domestici.

Quindi, quando il dispositivo raggiunge la fine della sua vita operativa, l'utilizzatore deve conferirlo a un apposito centro di riciclaggio di rifiuti elettrici ed elettronici oppure restituirlo al negoziante in caso di acquisto di un nuovo dispositivo di tipo equivalente.

L'adeguata raccolta differenziata del dispositivo rottamato per il successivo riciclaggio, trattamento e smaltimento ecocompatibile contribuisce a evitare un impatto potenzialmente negativo sull'ambiente e sulla salute e facilita il riciclaggio dei materiali utilizzati nella produzione del dispositivo.

SERVIZIO DI ASSISTENZA

- ▶ Contattare l'indirizzo per il proprio paese riportato sul retro o sul nostro sito: – www.franke.com

Argentina

Industrias Spar San Luis S.A.
Buenos Aires 1008
Phone +54 11 4311 7655

Belgium

Franke N.V.
9400 Ninove
Phone +32 54 310 111

Brazil

Franke Sistemas de Cozinhas do Brasil Ltda.
89219-512 Joinville, SC
Phone +55 47 3431 0501

Canada

Franke Kindred Canada Limited
Midland, ON L4R 4K9
Phone +1 866 687 7465

China

Franke (China) Kitchen Systems Co., Ltd.
Heshan, Guangdong, 529700
Hotline 400 882 9898

Czech Republic

Franke s.r.o.
190 00 Praha 9
Phone +420 281 090 411

Denmark

Franke Kitchen Systems Denmark
8520 Lystrup
Phone +45 8624 9024

Egypt

Franke Kitchen Systems Egypt S.A.E.
6th of October City
Hotline 16828

Finland

Franke Finland Oy
76850 Naarajärvi
Phone +358 15 341 11

France

Franke France S.A.S.
60230 Chambly
Phone +33 130 289 400

Germany

Franke GmbH
79713 Bad Säckingen
Phone +49 7761 52 0

Greece

Franke Hellas S.A.
19003 Markopoulo Attikis (Athens)
Phone +30 22991 500 00

Hong Kong SAR

Franke Asia Hong Kong Office
Causeway Bay
Phone +852 3184 1900

India

Franke Faber India Limited
Aurangabad - 431 136
Phone 1800 209 3484

Italy

Franke S.p.A.
37019 Peschiera del Garda
Numero Verde 800 359 359

Kazakhstan

Franke Kazakhstan Ltd.
040918 Almaty City
Phone +7 727 297 3812

Morocco

Franke Kitchen System SARL
21 000 Casablanca
Phone +212 522 674 200

Norway

Franke Kitchen Systems Norway
8520 Lystrup, Denmark
Phone +47 35 566 450

Poland

Franke Polska Sp. z o.o.
05-090 Raszyn
Phone +48 22 711 6700

Portugal

Franke Portugal S.A.
2735-531 Cacém
Phone +351 21 426 9670

Romania

Franke Romania SRL
Pantelimon 077145
Phone +40 21 350 1550

Russia

Franke Russia GmbH
199106 St. Petersburg
Phone +7 812 703 1540

Slovak Republic

Franke Slovakia s.r.o.
010 01 Žilina
Phone +421 41 733 6200

South Africa

Franke South Africa
Durban 4052
Phone +27 31 450 6300

Spain

Franke España S.A.U.
08174 Sant Cugat del Vallès
Phone +34 93 565 3535

Sweden

Franke Futurum AB
930 47 Byske
Phone +46 912 405 00

Switzerland

Franke Küchentechnik AG
4663 Aarburg
Phone +41 800 583 243

Thailand

Franke (Thailand) Co., Ltd.
Bangkok 10110
Phone +66 2 013 7900

The Netherlands

Franke Nederland B.V.
5700 AD Helmond
Phone +31 492 585 111

Turkey

Franke Mutfak ve Banyo
Sistemleri Sanayi ve Ticaret A.S.
41400 Gebze Kocaeli
Phone +90 262 644 6595

Ukraine

Franke Ukraina LLC
02081 Kyiv
Phone +38 044 492 0015

United Arab Emirates

Franke LLC
Ras Al Khaimah
Phone +971 7 203 4700

United Kingdom

Franke UK Ltd.
Manchester M22 5WB
Phone +44 161 436 6280

USA

Franke Kitchen Systems LLC
Smyrna, TN 37167
Phone 800 626 5771