

## Whirlpool FAF 015 WH Cromo, Bianco

**Marchio :** Whirlpool

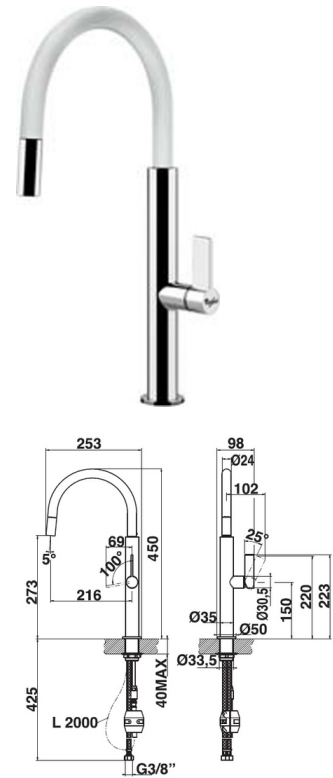
**Codice prodotto:** 851233901010

**Nome del prodotto :** FAF 015 WH

- Base di appoggio diametro 50mm
- Doccetta estraibile monogetto
- Rotazione canna 360°
- Cartuccia dischi ceramici Ø25mm
- Finitura cromata e bianca

Elegance, miscelatore monocomando, cromato/bianco

Whirlpool FAF 015 WH. Tipo di beccuccio: Standard, Colore del prodotto: Cromo, Bianco, Materiale del rubinetto: Ottone. Altezza (max): 45 cm, Altezza sopra la superficie di fissaggio (max): 27,3 cm, Peso: 3 kg. Larghezza imballo: 800 mm, Profondità imballo: 325 mm, Altezza imballo: 83 mm



### Caratteristiche

Tipo di beccuccio *	Standard
Colore del prodotto *	Cromo, Bianco
Materiale del rubinetto *	Ottone
Controllo del flusso d'acqua *	Leva sanitaria
Numero di rubinetti/leve *	Singolo
Numero di fori di montaggio	1
Tipo di cartuccia	Ceramica
Diametro cartuccia	2,5 cm
Girevole	✓
Angolo di rotazione	360°
Numero di posizioni di rotazione	1
Tipo raccordo	G3/8
Angolo del getto d'acqua	5°

### Caratteristiche

Spessore della superficie di fissaggio (max)	4 cm
Diametro foro di fissaggio	3,35 cm
Angolo di rotazione della leva	0 - 100°
Doccetta laterale	✓

### Dimensioni e peso

Altezza (max)	45 cm
Altezza sopra la superficie di fissaggio (max)	27,3 cm
Peso	3 kg

### Contenuto dell'imballo

Tubo incluso	✓
--------------	---

### Dati su imballaggio

Larghezza imballo	800 mm
Profondità imballo	325 mm
Altezza imballo	83 mm



8003437214905

Disclaimer. The information published here (the "Information") is based on sources that can be considered reliable, typically the manufacturer, but this Information is provided "AS IS" and without guarantee of correctness or completeness. The Information is only indicative and can be changed at any time without notification. No rights can be based on the Information. Suppliers or aggregators of this Information do not accept any liability with regard to the content of (web)pages and other documents, including its Information. The publisher of the Information can not be held liable for the content of 3rd party websites that are linking this Information or are linked to from this Information. You as the User of the Information are solely responsible for the choice and usage of this Information. You are not entitled to transfer, copy or otherwise multiply or distribute the Information. You are obliged to follow the directions of the copyright owner(s) with regard to the use of the Information. Exclusively Dutch law is applicable. With regard to price and stock data on the site, the publisher followed a number of starting points, which are not necessarily relevant for your private or business circumstances. Therefore, the price and stock data are only indicative and are subject to changes. You are personally responsible for the way you use and apply this information. As a user of the Information or sites or documents in which this Information is included, you will adhere to standard fair use including avoidance of spamming, ripping, intellectual-property violations, privacy violations, and any other illegal activity.

Publication date: 07-MAR-2024. Prints or copies of Information are only valid on the printed Publication date