

## Whirlpool Absolute Cromo

**Marchio** : Whirlpool

**Codice prodotto**: 851233701030

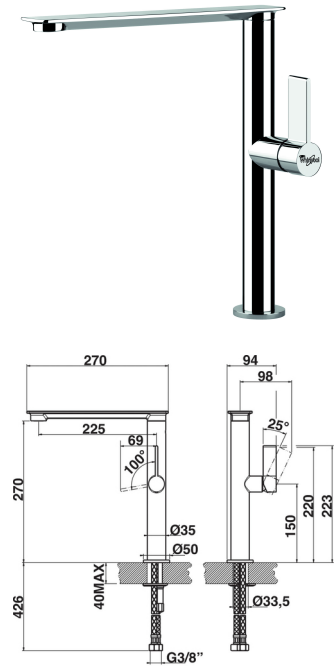
**Nome del prodotto** : Absolute

- Base di appoggio diametro 50mm
- Rotazione canna 360°
- Flessibili inox
- Cartuccia dischi ceramici Ø25mm

Absolute, miscelatore monocomando, spazzolatura simil iXelium

Whirlpool Absolute. Tipo di beccuccio: Standard, Colore del prodotto: Cromo, Materiale del rubinetto:

Ottone. Altezza (max): 28,9 cm, Altezza sopra la superficie di fissaggio (max): 27 cm. Lunghezza tubo: 0,426 m. Larghezza imballo: 500 mm, Profondità imballo: 305 mm, Altezza imballo: 85 mm



Caratteristiche		Caratteristiche	
Tipo di beccuccio *	Standard	Diametro foro di fissaggio	3,35 cm
Colore del prodotto *	Cromo	Angolo di rotazione della leva	0 - 25°
Materiale del rubinetto *	Ottone	Doccetta laterale	✓
Controllo del flusso d'acqua *	Leva sanitaria	Dimensioni e peso	
Numero di rubinetti/leve *	Singolo	Altezza (max)	28,9 cm
Numero di fori di montaggio	1	Altezza sopra la superficie di fissaggio (max)	27 cm
Tipo di cartuccia	Ceramica	Contenuto dell'imballo	
Diametro cartuccia	2,5 cm	Tubo incluso	✓
Girevole	✓	Altre caratteristiche	
Angolo di rotazione	360°	Lunghezza tubo	0,426 m
Numero di posizioni di rotazione	1	Dati su imballaggio	
Tipo raccordo	G3/8	Larghezza imballo	500 mm
Spessore della superficie di fissaggio (max)	4 cm	Profondità imballo	305 mm
		Altezza imballo	85 mm



8003437214875

Disclaimer. The information published here (the "Information") is based on sources that can be considered reliable, typically the manufacturer, but this Information is provided "AS IS" and without guarantee of correctness or completeness. The Information is only indicative and can be changed at any time without notification. No rights can be based on the Information. Suppliers or aggregators of this Information do not accept any liability with regard to the content of (web)pages and other documents, including its Information. The publisher of the Information can not be held liable for the content of 3rd party websites that are linking this Information or are linked to from this Information. You as the User of the Information are solely responsible for the choice and usage of this Information. You are not entitled to transfer, copy or otherwise multiply or distribute the Information. You are obliged to follow the directions of the copyright owner(s) with regard to the use of the Information. Exclusively Dutch law is applicable. With regard to price and stock data on the site, the publisher followed a number of starting points, which are not necessarily relevant for your private or business circumstances. Therefore, the price and stock data are only indicative and are subject to changes. You are personally responsible for the way you use and apply this information. As a user of the Information or sites or documents in which this Information is included, you will adhere to standard fair use including avoidance of spamming, ripping, intellectual-property violations, privacy violations, and any other illegal activity.

Publication date: 18-APR-2024. Prints or copies of Information are only valid on the printed Publication date