

ENT8TE18S



EN Fridge Freezer
PT Combinado
ES Frigorífico-congelador

User Manual 2
Manual de instruções 24
Manual de instrucciones 48

CONTENTS

| | |
|------------------------------------------|----|
| 1. SAFETY INFORMATION..... | 2 |
| 2. SAFETY INSTRUCTIONS..... | 4 |
| 3. INSTALLATION..... | 6 |
| 4. CONTROL PANEL..... | 9 |
| 5. DAILY USE..... | 12 |
| 6. HINTS AND TIPS..... | 14 |
| 7. CARE AND CLEANING..... | 17 |
| 8. TROUBLESHOOTING..... | 18 |
| 9. NOISES..... | 22 |
| 10. TECHNICAL DATA..... | 22 |
| 11. INFORMATION FOR TEST INSTITUTES..... | 22 |

WE'RE THINKING OF YOU

Thank you for purchasing an Electrolux appliance. You've chosen a product that brings with it decades of professional experience and innovation. Ingenious and stylish, it has been designed with you in mind. So whenever you use it, you can be safe in the knowledge that you'll get great results every time.

Welcome to Electrolux.

Visit our website to:



Get usage advice, brochures, trouble shooter, service and repair information:
www.electrolux.com/support



Register your product for better service:
www.registerelectrolux.com



Buy Accessories, Consumables and Original spare parts for your appliance:
www.electrolux.com/shop

CUSTOMER CARE AND SERVICE

Always use original spare parts.

When contacting our Authorised Service Centre, ensure that you have the following data available: Model, PNC, Serial Number.

The information can be found on the rating plate.

 Warning / Caution-Safety information

 General information and tips

 Environmental information

Subject to change without notice.

1. SAFETY INFORMATION

Before the installation and use of the appliance, carefully read the supplied instructions. The manufacturer is not responsible for any injuries or damage that are the result

of incorrect installation or usage. Always keep the instructions in a safe and accessible location for future reference.

1.1 Children and vulnerable people safety

- This appliance can be used by children aged from 8 years and above and persons with reduced physical, sensory or mental capabilities or lack of experience and knowledge if they have been given supervision or instruction concerning the use of the appliance in a safe way and understand the hazards involved.
- Children aged from 3 to 8 years are allowed to load and unload the appliance provided that they have been properly instructed.
- This appliance may be used by persons with very extensive and complex disabilities provided that they have been properly instructed.
- Children of less than 3 years of age should be kept away from the appliance unless continuously supervised.
- Do not let children play with the appliance.
- Children shall not carry out cleaning and user maintenance of the appliance without supervision.
- Keep all packaging away from children and dispose of it appropriately.

1.2 General Safety

- This appliance is intended to be used in household and similar applications such as:
 - Farm houses; staff kitchen areas in shops, offices and other working environments;
 - By clients in hotels, motels, bed and breakfast and other residential type environments.
- To avoid contamination of food respect the following instructions:
 - do not open the door for long periods;

- clean regularly surfaces that can come in contact with food and accessible drainage systems;
- store raw meat and fish in suitable containers in the refrigerator, so that it is not in contact with or drip onto other food.
- **WARNING:** Keep ventilation openings, in the appliance enclosure or in the built-in structure, clear of obstruction.
- **WARNING:** Do not use mechanical devices or other means to accelerate the defrosting process, other than those recommended by the manufacturer.
- **WARNING:** Do not damage the refrigerant circuit.
- **WARNING:** Do not use electrical appliances inside the food storage compartments of the appliance, unless they are of the type recommended by the manufacturer.
- Do not use water spray and steam to clean the appliance.
- Clean the appliance with a moist soft cloth. Only use neutral detergents. Do not use abrasive products, abrasive cleaning pads, solvents or metal objects.
- When the appliance is empty for long period, switch it off, defrost, clean, dry and leave the door open to prevent mould from developing within the appliance.
- Do not store explosive substances such as aerosol cans with a flammable propellant in this appliance.
- If the supply cord is damaged, it must be replaced by the manufacturer, its Authorised Service Centre or similarly qualified persons in order to avoid a hazard.

2. SAFETY INSTRUCTIONS

2.1 Installation



WARNING!

Only a qualified person must install this appliance.

- Remove all the packaging.
- Do not install or use a damaged appliance.
- Do not use the appliance before installing it in the built-in structure due to safety manner.
- Follow the installation instructions supplied with the appliance.
- Always take care when moving the appliance as it is heavy. Always use safety gloves and enclosed footwear.

- Make sure the air can circulate around the appliance.
- At first installation or after reversing the door wait at least 4 hours before connecting the appliance to the power supply. This is to allow the oil to flow back in the compressor.
- Before carrying out any operations on the appliance (e.g. reversing the door), remove the plug from the power socket.
- Do not install the appliance close to radiators or cookers, ovens or hobs.
- Do not expose the appliance to the rain.
- Do not install the appliance where there is direct sunlight.
- Do not install this appliance in areas that are too humid or too cold.
- When you move the appliance, lift it by the front edge to avoid scratching the floor.
- The appliance contains a bag of desiccant. This is not a toy. This is not food. Please dispose of it immediately.

2.2 Electrical connection



WARNING!
Risk of fire and electric shock.



WARNING!
When positioning the appliance, ensure the supply cord is not trapped or damaged.



WARNING!
Do not use multi-plug adapters and extension cables.

- The appliance must be earthed.
- Make sure that the parameters on the rating plate are compatible with the electrical ratings of the mains power supply.
- Always use a correctly installed shockproof socket.
- Make sure not to cause damage to the electrical components (e.g. mains plug, mains cable, compressor). Contact the Authorised Service

Centre or an electrician to change the electrical components.

- The mains cable must stay below the level of the mains plug.
- Connect the mains plug to the mains socket only at the end of the installation. Make sure that there is access to the mains plug after the installation.
- Do not pull the mains cable to disconnect the appliance. Always pull the mains plug.

2.3 Use



WARNING!
Risk of injury, burns, electric shock or fire.



The appliance contains flammable gas, isobutane (R600a), a natural gas with a high level of environmental compatibility. Be careful not to cause damage to the refrigerant circuit containing isobutane.

- Do not change the specification of this appliance.
- Do not put electrical appliances (e.g. ice cream makers) in the appliance unless they are stated applicable by the manufacturer.
- If damage occurs to the refrigerant circuit, make sure that there are no flames and sources of ignition in the room. Ventilate the room.
- Do not let hot items to touch the plastic parts of the appliance.
- Do not put soft drinks in the freezer compartment. This will create pressure on the drink container.
- Do not store flammable gas and liquid in the appliance.
- Do not put flammable products or items that are wet with flammable products in, near or on the appliance.
- Do not touch the compressor or the condenser. They are hot.
- Do not remove or touch items from the freezer compartment if your hands are wet or damp.
- Do not freeze again food that has been thawed.
- Follow the storage instructions on the packaging of frozen food.

- Wrap the food in any food contact material before putting it in the freezer compartment.

2.4 Internal lighting



WARNING!
Risk of electric shock.

- The type of lamp used for this appliance is for household appliances only. Do not use it for house lighting.

2.5 Care and cleaning



WARNING!
Risk of injury or damage to the appliance.

- Before maintenance, deactivate the appliance and disconnect the mains plug from the mains socket.
- This appliance contains hydrocarbons in the cooling unit. Only a qualified person must do the maintenance and the recharging of the unit.
- Regularly examine the drain of the appliance and if necessary, clean it. If the drain is blocked, defrosted water collects in the bottom of the appliance.

2.6 Service

- To repair the appliance contact the Authorised Service Centre. Use original spare parts only.
- Please note that self-repair or non-professional repair can have safety consequences and might void the guarantee.

- The following spare parts will be available for 7 years after the model has been discontinued: thermostats, temperature sensors, printed circuit boards, light sources, door handles, door hinges, trays and baskets. Please note that some of these spare parts are only available to professional repairers, and that not all spare parts are relevant for all models.
- Door gaskets will be available for 10 years after the model has been discontinued.

2.7 Disposal



WARNING!
Risk of injury or suffocation.

- Disconnect the appliance from the mains supply.
- Cut off the mains cable and discard it.
- Remove the door to prevent children and pets to be closed inside of the appliance.
- The refrigerant circuit and the insulation materials of this appliance are ozone-friendly.
- The insulation foam contains flammable gas. Contact your municipal authority for information on how to discard the appliance correctly.
- Do not cause damage to the part of the cooling unit that is near the heat exchanger.

3. INSTALLATION



WARNING!
Refer to Safety chapters.

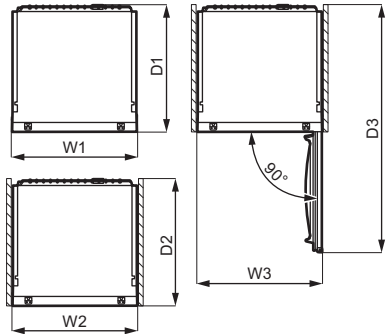
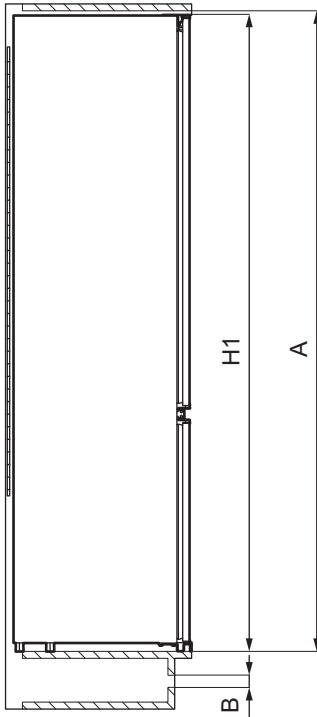


WARNING!
Refer to installation instruction document to install your appliance.



WARNING!
Fix the appliance in accordance with installation instruction document to avoid a risk of instability of the appliance.

3.1 Dimensions



| Overall dimensions ¹⁾ | | |
|----------------------------------|----|------|
| H1 | mm | 1772 |
| W1 | mm | 548 |
| D1 | mm | 549 |

¹⁾ the height, width and depth of the appliance without the handle and feet

| Space required in use ¹⁾ | | |
|-------------------------------------|----|------|
| H2 (A+B) | mm | 1816 |
| W2 | mm | 548 |
| D2 | mm | 551 |
| A | mm | 1780 |

| Space required in use ¹⁾ | | |
|-------------------------------------|----|----|
| B | mm | 36 |

¹⁾ the height, width and depth of the appliance including the handle, plus the space necessary for free circulation of the cooling air

| Overall space required in use ¹⁾ | | |
|---------------------------------------------|----|------|
| H3 (A+B) | mm | 1816 |
| W3 | mm | 548 |

Overall space required in use¹⁾

| | | |
|----|----|------|
| D3 | mm | 1071 |
|----|----|------|

¹⁾ the height, width and depth of the appliance including the handle, plus the space necessary for free circulation of the cooling air, plus the space necessary to allow door opening to the minimum angle permitting removal of all internal equipment

3.2 Location

To ensure appliance's best functionality, you should not install the appliance in the nearby of the heat source (oven, stoves, radiators, cookers or hobs) or in a place with direct sunlight. Make sure that air can circulate freely around the back of the cabinet.

3.3 Positioning

This appliance should be installed in a dry, well ventilated indoor position.

This appliance is intended to be used at ambient temperature ranging from 10°C to 43°C.

i If you have any doubts regarding where to install the appliance, please turn to the vendor, to our customer service or to the nearest Authorised Service Centre.

i It must be possible to disconnect the appliance from the mains power supply. The plug must therefore be easily accessible after installation.

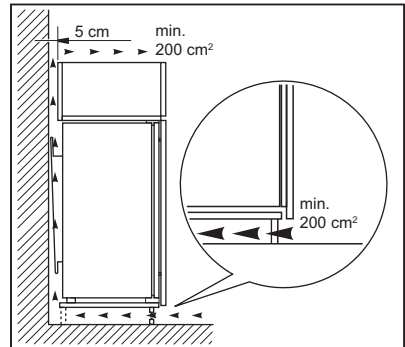
3.4 Electrical connection

- Before plugging in, ensure that the voltage and frequency shown on the rating plate correspond to your domestic power supply.

- The appliance must be earthed. The power supply cable plug is provided with a contact for this purpose. If the domestic power supply socket is not earthed, connect the appliance to a separate earth in compliance with current regulations, consulting a qualified electrician.
- The manufacturer declines all responsibility if the above safety precautions are not observed.
- This appliance complies with the E.E.C. Directives.

3.5 Ventilation requirements

The airflow behind the appliance must be sufficient.

**CAUTION!**

Refer to the installation instructions for the installation.

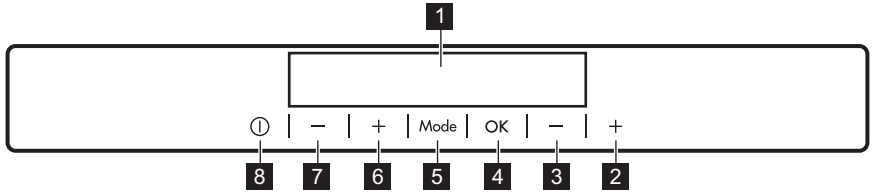
3.6 Door reversibility

Please refer to the separate document with instructions on installation and door reversal.

**CAUTION!**

At every stage of reversing the door protect the floor from scratching with a durable material.

4. CONTROL PANEL



- 1** Display
- 2** Freezer Temperature warmer button
- 3** Freezer Temperature colder button
- 4** OK
- 5** Mode
- 6** Fridge Temperature warmer button

- 7** Fridge Temperature colder button
- 8** ON/OFF

It is possible to change predefined sound of buttons by pressing together Mode and temperature colder button for a few seconds. Change is reversible.

4.1 Display



- A.** Fridge compartment indicator
- B.** Timer indicator /Temperature indicator
- C.** ON/OFF indicator
- D.** FastCool function
- E.** Holiday mode
- F.** FastFreeze function
- G.** Temperature indicator
- H.** Freezer compartment indicator
- I.** Alarm indicator
- J.** ChildLock function
- K.** DrinksChill function
- L.** DYNAMICAIR function

4.2 Switching on

1. Connect the mains plug to the power socket.
2. Press the appliance ON/OFF if the display is off. The temperature indicators show the set default temperature.

To select a different set temperature refer to "Temperature regulation".

If "dEMo" appears on the display, refer to "Troubleshooting".

4.3 Switching off

1. Press the appliance ON/OFF for 3 seconds.
The display switches off.

2. Disconnect the mains plug from the power socket.

4.4 Temperature regulation

Set the temperature of the appliance by pressing the temperature regulators. Default recommended set temperature is:

- +4°C for the fridge
- -18°C for the freezer

The temperature range may vary between -15°C and -24°C for freezer and between 2°C and 8°C for fridge.

The temperature indicators show the set temperature.



The set temperature will be reached within 24 hours. After a power failure the set temperature remains stored.

4.5 Switching on the fridge

To switch on the fridge it is enough to press the fridge temperature regulator. To switch on the fridge in the other way:

1. Press Mode until the corresponding icon appears.

The Fridge OFF indicator flashes.

2. Press OK to confirm.

The fridge OFF indicator goes off and the fridge compartment is switched on.



To select a different set temperature refer to "Temperature regulation".

4.6 Switching off the fridge

It is possible to switch off only the fridge compartment maintaining the freezer on.

1. Press Mode until the fridge compartment indicator appears.

The fridge OFF indicator and the fridge compartment indicator flash.

The fridge temperature indicator shows dashes.

2. Press OK to confirm.

The fridge OFF indicator is shown and the fridge compartment is switched off.

4.7 FastCool function

If you need to insert in the fridge compartment a large amount of warm food, for example after doing the grocery shopping, we suggest activating the FastCool function to chill the products more rapidly and to avoid warming the other food which is already in the refrigerator.

1. Press the Mode until the corresponding icon appears.

The FastCool indicator flashes.

2. Press the OK to confirm.

The FastCool indicator is shown. The fan activates automatically for the function duration.

This function stops automatically after approximately 6 hours.

You can deactivate the FastCool function before its automatic end by repeating the procedure or by selecting a different fridge set temperature.

4.8 Holiday mode

This mode allows you to keep the fridge compartment empty during a long holiday period reducing the formation of bad odours while the freezer compartment can work normally.

1. Press the Mode until the corresponding icon appears. The Holiday indicator flashes. The temperature indicator shows the set temperature.

2. Press the OK to confirm.

The Holiday indicator is shown.



This mode switches off after selecting a different temperature.

4.9 FastFreeze function

The FastFreeze is used to perform pre-freezing and fast freezing in sequence of Freezer compartment. This function accelerates the freezing of fresh food and, at the same time, protects foodstuffs already stored from undesirable warming.



To freeze fresh food activate the FastFreeze function at least 24 hours before placing the food to complete pre-freezing.

1. To activate this function press the Mode button until the corresponding icon appears.

The FastFreeze indicator flashes.

2. Press the OK button to confirm.

The FastFreeze indicator is shown.

This function stops automatically after 52 hours.

You can deactivate the FastFreeze function before its automatic end by repeating the procedure until the FastFreeze indicator turns off or by selecting a different set temperature.

4.10 DYNAMICAIR function

The refrigerator compartment is equipped with a device that allows rapid cooling of food and keeps more uniform temperature in the compartment.

This device activates automatically when needed or manually.

To switch on the function:

1. Press the Mode button until the corresponding icon appears.
The DYNAMICAIR indicator flashes.
2. Press the OK button to confirm.
The DYNAMICAIR indicator is shown.

To switch off the function repeat the procedure until the DYNAMICAIR indicator icon goes off.



If the function is activated automatically the DYNAMICAIR indicator is not shown (refer to "Daily use").
The activation of the DYNAMICAIR function increase the energy consumption.

The dynamic air device stops when the door is open and restarts immediately after the door closing.

4.11 ChildLock function

Activate the ChildLock function to lock the buttons from unintentional operation.

1. Press Mode until the corresponding icon appears.
The ChildLock indicator flashes.
2. Press OK to confirm.
The ChildLock indicator is shown.

To deactivate the ChildLock function, repeat the procedure until the ChildLock indicator goes off.

4.12 DrinksChill function

The DrinksChill function is to be used to set an acoustic alarm at the preferred time, useful for example when a recipe requires to cool down food products for a certain period of time.

It is also useful when a reminder is needed in order not to forget the bottles or cans placed in the freezer for fast cooling.

1. Press Mode until the corresponding icon appears.

The DrinksChill indicator flashes.
The Timer shows the set value (30 minutes) for a few seconds.

2. Press the Timer regulator to change the Timer set value from 1 to 90 minutes.
3. Press OK to confirm.

The DrinksChill indicator is shown.
The Timer starts to flash (min).

At the end of the countdown the "0 min" indicator flashes and an audible alarm sounds. Press OK to switch off the sound and terminate the function.

To switch off the function repeat the procedure until the DrinksChill goes off.



It is possible to change the time at any time during the countdown and at the end by pressing the Temperature colder button and the Temperature warmer button.

4.13 High temperature alarm

When there is a temperature increase in the freezer compartment (for example due to an earlier power failure), the alarm and freezer temperature indicators flash and the sound is on.

To deactivate the alarm:

1. Press any button.
The sound switches off.
2. The freezer temperature indicator shows the highest temperature reached for a few seconds, then the display shows the set temperature again.



The alarm indicator continues to flash until the normal conditions are restored.

If you do not press any button, the sound switches off automatically after around one hour to avoid disturbing.

4.14 Door open alarm

If the fridge door is left open for approximately 5 minutes, the sound is on and alarm indicator flashes.

The alarm stops after closing the door. During the alarm, the sound can be muted by pressing any button.

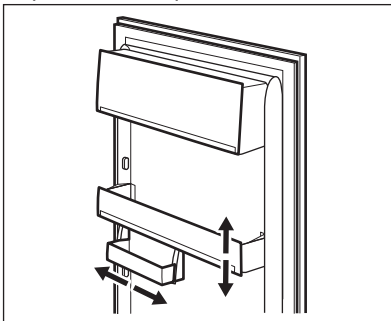
i If you do not press any button, the sound switches off automatically after around one hour to avoid disturbing.

5. DAILY USE

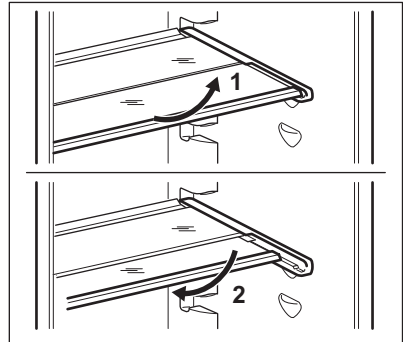
5.1 Positioning the door shelves

To permit storage of food packages of various sizes, the door shelves can be placed at different heights.

1. Gradually pull the shelf up until it comes free.
2. Reposition as required.



This model is equipped with a variable storage box which can be moved sideways.



i Do not move the glass shelf above the vegetable drawer to ensure correct air circulation.

5.2 Movable shelves

The walls of the refrigerator are equipped with a series of runners so that the shelves can be positioned as desired.

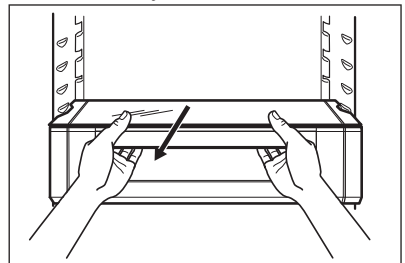
This appliance is also equipped with a shelf consisting of two parts. The front half of the shelf can be placed under the second half to make better use of space.

To fold the shelf:

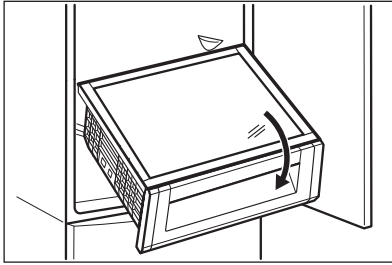
1. Take out the front half gently.
2. Slide it into the lower rail and under the second half.

5.3 Removing ExtraZone

1. Hold the drawer together with the glass cover of the ExtraZone and pull them towards yourself.



2. Tilt the module downwards to remove it from the refrigerator.



5.4 Vegetable drawers

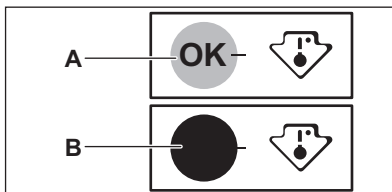
There are special drawers in the bottom part of the appliance suitable for storage of fruits and vegetables.

5.5 Temperature indicator

For proper storage of food the refrigerator is equipped with the temperature indicator. The symbol on the side wall of the appliance indicates the coldest area in the refrigerator.

If OK is displayed (A), put fresh food into area indicated by symbol, if not (B), wait at least 12 hours and check if it is OK (A).

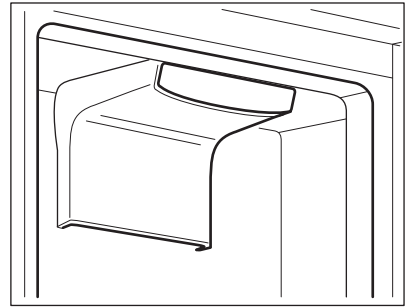
If it is still not OK (B), adjust the setting control to a colder setting.



5.6 DYNAMICAIR

The refrigerator compartment is equipped with a device that allows rapid cooling of foods and keeps more uniform temperature in the compartment.

This device activates automatically when needed.



It is also possible to switch on the device manually when needed (refer to "DYNAMICAIR function").



The fan operates only when the door is closed.

5.7 CleanAir filter

Your appliance is equipped with the CleanAir carbon filter in a drawer inside the DYNAMICAIR device.

The filter purifies the air from unwanted odours in the fridge compartment, improving the storage quality.

On delivery the filter is in a plastic bag (Refer to "Care and cleaning" chapter for the installation).



CAUTION!

During the operation, always keep the air ventilation drawer closed.

5.8 Freezing fresh food

The freezer compartment is suitable for freezing fresh food and storing frozen and deep-frozen food for a long time.

To freeze fresh food activate the FastFreeze function at least 24 hours before placing the food to be frozen in the freezer compartment.

Store the fresh food evenly distributed in the third compartment or drawer from the top.

The maximum amount of food that can be frozen without adding other fresh food during 24 hours is specified on the rating plate (a label located inside the appliance).

When the freezing process is complete, the appliance automatically returns to the previous temperature setting (see "FastFreeze Function").

5.9 Storage of frozen food

When activating an appliance for the first time or after a period out of use, before putting the products in the compartment let the appliance run at least 3 hours with the FastFreeze function switched on.

The freezer drawers ensure that it is quick and easy to find the food package you want. If large quantities of food are to be stored, remove all drawers, except for the bottom drawer which needs to be in place to provide good air circulation.

Keep the food no closer than 15 mm from the door.



CAUTION!

In the event of accidental defrosting, for example due to a power failure, if the power has been off for longer than the value shown on rating plate under "rising time", the defrosted food must be consumed quickly or cooked immediately then cooled and then re-frozen. Refer to "High temperature alarm".

6. HINTS AND TIPS

6.1 Hints for energy saving

- Freezer: The internal configuration of the appliance is the one that ensures the most efficient use of energy.
- Fridge: Most efficient use of energy is ensured in the configuration with the drawers in the bottom part of the appliance and shelves evenly distributed. Position of the door bins does not affect energy consumption.
- Do not remove the cold accumulators from the freezer basket.
- Do not open the door frequently or leave it open longer than necessary.
- Freezer: The colder the temperature setting, the higher the energy consumption.
- Fridge: Do not set too high temperature to save energy unless it is required by the characteristics of the food.
- If the ambient temperature is high and the temperature control is set to low temperature and the appliance is fully loaded, the compressor may run continuously, causing frost or ice formation on the evaporator. In this case, set the temperature control toward higher temperature to allow automatic defrosting and to save energy this way.
- Ensure a good ventilation. Do not cover the ventilation grilles or holes.
- Make sure that food products inside the appliance allow air circulation

5.10 Thawing

Deep-frozen or frozen food, prior to being consumed, can be thawed in the refrigerator or inside a plastic bag under cold water.

This operation depends on the time available and on the type of food. Small pieces may even be cooked still frozen.

5.11 Ice-cube production

This appliance is equipped with one or more trays for the production of ice-cubes.



Do not use metallic instruments to remove the trays from the freezer.

1. Fill these trays with water.
2. Put the ice trays in the freezer compartment.

5.12 Cold accumulators

This appliance is equipped with cold accumulators which increase storage time in the event of a power cut or breakdown.

To ensure the best performance of the accumulators, place them in the front top area of the appliance.

through dedicated holes in the rear interior of the appliance.

6.2 Hints for freezing

- Activate FastFreeze function at least 24 hours before placing the food inside the freezer compartment.
- Before freezing wrap and seal fresh food in: aluminium foil, plastic film or bags, airtight containers with lid.
- For more efficient freezing and thawing divide food into small portions.
- It is recommended to put labels and dates on all your frozen food. This will help to identify foods and to know when they should be used before their deterioration.
- The food should be fresh when being frozen to preserve good quality. Especially fruits and vegetables should be frozen after the harvest to preserve all of their nutrients.
- Do not freeze bottles or cans with liquids, in particular drinks containing carbon dioxide - they may explode during freezing.
- Do not put hot food in the freezer compartment. Cool it down at room temperature before placing it inside the compartment.
- To avoid increase in temperature of already frozen food, do not place fresh unfrozen food directly next to it. Place food at room temperature in the part of the freezer compartment where there is no frozen food.
- Do not eat ice cubes, water ices or ice lollies immediately after taking them out of the freezer. Risk of frostbites.
- Do not re-freeze defrosted food. If the food has defrosted, cook it, cool it down and then freeze it.

6.5 Shelf life for freezer compartment

| Type of food | Shelf life (months) |
|------------------------|---------------------|
| Bread | 3 |
| Fruits (except citrus) | 6 - 12 |
| Vegetables | 8 - 10 |

6.3 Hints for storage of frozen food

- Good temperature setting that ensures preservation of frozen food products is a temperature less than or equal to -18°C . Higher temperature setting inside the appliance may lead to shorter shelf life.
- The whole freezer compartment is suitable for storage of frozen food products.
- Leave enough space around the food to allow air to circulate freely.
- For adequate storage refer to food packaging label to see the shelf life of food.
- It is important to wrap the food in such a way that prevents water, humidity or condensation from getting inside.

6.4 Shopping tips

After grocery shopping:

- Ensure that the packaging is not damaged - the food could be deteriorated. If the package is swollen or wet, it might have not been stored in the optimal conditions and defrosting may have already started.
- To limit the defrosting process buy frozen goods at the end of your grocery shopping and transport them in a thermal and insulated cool bag.
- Place the frozen foods immediately in the freezer after coming back from the shop.
- If food has defrosted even partially, do not re-freeze it. Consume it as soon as possible.
- Respect the expiry date and the storage information on the package.

| Type of food | Shelf life (months) |
|--------------------------------------|---------------------|
| Leftovers without meat | 1 - 2 |
| Dairy food: | |
| Butter | 6 - 9 |
| Soft cheese (e.g. mozzarella) | 3 - 4 |
| Hard cheese (e.g. parmesan, cheddar) | 6 |
| Seafood: | |
| Fatty fish (e.g. salmon, mackerel) | 2 - 3 |
| Lean fish (e.g. cod, flounder) | 4 - 6 |
| Shrimps | 12 |
| Shucked clams and mussels | 3 - 4 |
| Cooked fish | 1 - 2 |
| Meat: | |
| Poultry | 9 - 12 |
| Beef | 6 - 12 |
| Pork | 4 - 6 |
| Lamb | 6 - 9 |
| Sausage | 1 - 2 |
| Ham | 1 - 2 |
| Leftovers with meat | 2 - 3 |

6.6 Hints for fresh food refrigeration

- Good temperature setting that ensures preservation of fresh food is a temperature less than or equal to +4°C.
Higher temperature setting inside the appliance may lead to shorter shelf life of food.
- Cover the food with packaging to preserve its freshness and aroma.
- Always use closed containers for liquids and for food, to avoid flavours or odours in the compartment.
- To avoid the cross-contamination between cooked and raw food, cover the cooked food and separate it from the raw one.
- It is recommended to defrost the food inside the fridge.
- Do not insert hot food inside the appliance. Make sure it has cooled down at room temperature before inserting it.
- To prevent food waste the new stock of food should always be placed behind the old one.

6.7 Hints for food refrigeration

- Meat (all types): wrap in a suitable packaging and place it on the glass shelf above the vegetable drawer. Store meat for at most 1-2 days.
- Fruit and vegetables: clean thoroughly (eliminate the soil) and place in a special drawer (vegetable drawer).
- It is advisable not to keep the exotic fruits like bananas, mangos, papayas etc. in the refrigerator.
- Vegetables like tomatoes, potatoes, onions, and garlic should not be kept in the refrigerator.
- Butter and cheese: place in an airtight container or wrap in an aluminium foil or a polythene bag to exclude as much air as possible.
- Bottles: close them with a cap and place them on the door bottle shelf, or (if available) on the bottle rack.
- In order to accelerate cooling down of the goods, it is advisable to turn on the fan. The activation of dynamic air allows greater homogenization of internal temperatures.

- Always refer to the expiry date of the products to know how long to keep them.

7. CARE AND CLEANING



WARNING!
Refer to Safety chapters.

7.1 Cleaning the interior

Before using the appliance for the first time, the interior and all internal accessories should be washed with lukewarm water and some neutral soap to remove the typical smell of a brand-new product, then dried thoroughly.



CAUTION!
Do not use detergents, abrasive powders, chlorine or oil-based cleaners as they will damage the finish.



CAUTION!
The accessories and parts of the appliance are not suitable for washing in a dishwasher.

7.2 Periodic cleaning

The equipment has to be cleaned regularly:

1. Clean the inside and accessories with lukewarm water and some neutral soap.
2. Regularly check the door seals and wipe them clean to ensure they are clean and free from debris.
3. Rinse and dry thoroughly.

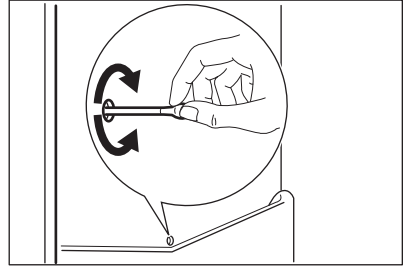
7.3 Defrosting of the refrigerator

Frost is automatically eliminated from the evaporator of the refrigerator compartment during normal use. The defrost water drains out through a trough into a special container at the back of the appliance, over the motor compressor, where it evaporates.

It is important to periodically clean the defrost water drain hole in the middle of

the refrigerator compartment channel to prevent the water overflowing and dripping onto the food inside.

For this purpose use the tube cleaner provided with the appliance.



7.4 Defrosting of the freezer

The freezer compartment is frost free. This means that there is no build up of frost when it is in operation, neither on the internal walls, nor on the foods.

7.5 Replacing the CleanAir filter

The CleanAir filter is an active carbon filter which absorbs bad odours and permits to maintain the best flavour and aroma for all foodstuffs without risk of odour cross contamination.

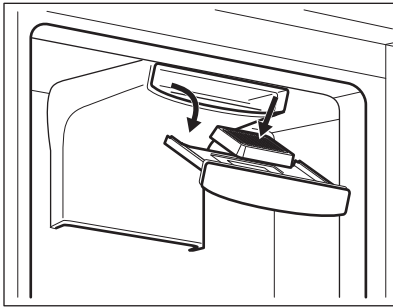


The air filter should be handled carefully to prevent its surface from being scratched.



On delivery, the carbon filter is in a plastic bag to preserve performance. Place the filter in the slot before activating the appliance.

1. Open the drawer.
2. Pull out the exhausted air filter.



3. Insert the new air filter in the slot.
4. Close the drawer.
To get the best performance the drawer should be placed properly and the CleanAir filter should be changed once every year.



The air filter is a consumable accessory and as such is not covered by the guarantee. New active air filters can be purchased from your local dealer. To change the air filter repeat the procedure.

7.6 Period of non-operation

When the appliance is not in use for long period, take the following precautions:

1. Disconnect the appliance from electricity supply.
2. Remove all food.
3. Clean the appliance and all accessories.
4. Leave the doors open to prevent unpleasant smells.

8. TROUBLESHOOTING





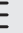
WARNING!
Refer to Safety chapters.

8.1 What to do if...

| Problem | Possible cause | Solution |
|---------------------------------|----------------------------------------------------------------|------------------------------------------------------------------------------------------------|
| The appliance does not operate. | The appliance is switched off. | Switch on the appliance. |
| | The mains plug is not connected to the mains socket correctly. | Connect the mains plug to the mains socket correctly. |
| | There is no voltage in the mains socket. | Connect a different electrical appliance to the mains socket. Contact a qualified electrician. |
| The appliance is noisy. | The appliance is not supported properly. | Check if the appliance stands stable. |
| Acoustic or visual alarm is on. | The cabinet has been recently switched on. | Refer to "Door Open Alarm" or "High Temperature Alarm". |

| Problem | Possible cause | Solution |
|-----------------------------------------------------------------------------------------------------------------------------|--------------------------------------------------------------|-----------------------------------------------------------------|
| | The temperature in the appliance is too high. | Refer to "Door Open Alarm" or "High Temperature Alarm". |
| | The door is left open. | Close the door. |
| The compressor operates continually. | Temperature is set incorrectly. | Refer to "Control Panel" chapter. |
| | Many food products were put in at the same time. | Wait a few hours and then check the temperature again. |
| | The room temperature is too high. | Refer to "Installation" chapter. |
| | Food products placed in the appliance were too warm. | Allow food products to cool to room temperature before storing. |
| | The door is not closed correctly. | Refer to "Closing the door" section. |
| | The FastFreeze function is switched on. | Refer to "FastFreeze function" section. |
| | The FastCool function is switched on. | Refer to "FastCool function" section. |
| The compressor does not start immediately after pressing the "FastFreeze" or "FastCool", or after changing the temperature. | The compressor starts after a period of time. | This is normal, no error has occurred. |
| Door is misaligned or interferes with ventilation grill. | The appliance is not levelled. | Refer to installation instructions. |
| Door does not open easily. | You attempted to re-open the door immediately after closing. | Wait a few seconds between closing and re-opening of the door. |
| The lamp does not work. | The lamp is in stand-by mode. | Close and open the door. |
| | The lamp is defective. | Contact the nearest Authorized Service Centre. |
| There is too much frost and ice. | The door is not closed correctly. | Refer to "Closing the door" section. |
| | The gasket is deformed or dirty. | Refer to "Closing the door" section. |
| | Food products are not wrapped properly. | Wrap the food products better. |

| Problem | Possible cause | Solution |
|-------------------------------------------------------------------------|-----------------------------------------------------------------------------------------|---------------------------------------------------------------------------------------------------------------------------------------------------------------------------------------------------------------|
| | Temperature is set incorrectly. | Refer to "Control Panel" chapter. |
| | Appliance is fully loaded and is set to the lowest temperature. | Set a higher temperature. Refer to "Control Panel" chapter. |
| | Temperature set in the appliance is too low and the ambient temperature is too high. | Set a higher temperature. Refer to "Control Panel" chapter. |
| Water flows on the rear plate of the refrigerator. | During the automatic defrosting process, frost melts on the rear plate. | This is correct. |
| There is too much condensed water on the rear wall of the refrigerator. | Door was opened too frequently. | Open the door only when necessary. |
| | Door was not closed completely. | Make sure the door is closed completely. |
| | Stored food was not wrapped. | Wrap food in suitable packaging before storing it in the appliance. |
| Water flows inside the refrigerator. | Food products prevent the water from flowing into the water collector. | Make sure that food products do not touch the rear plate. |
| | The water outlet is clogged. | Clean the water outlet. |
| Water flows on the floor. | The melting water outlet is not connected to the evaporative tray above the compressor. | Attach the melting water outlet to the evaporative tray. |
| Temperature cannot be set. | The "FastFreeze function" or "FastCool function" is switched on. | Switch off "FastFreeze function" or "FastCool function" manually, or wait until the function deactivates automatically to set the temperature. Refer to "FastFreeze function" or "FastCool function" section. |
| The temperature in the appliance is too low/too high. | The temperature is not set correctly. | Set a higher/lower temperature. |
| | The door is not closed correctly. | Refer to "Closing the door" section. |

| Problem | Possible cause | Solution |
|------------------------------------------------------------------------------------------------------------------------------------------------------------------------------------------------------------------------------------------------------------------------------------------------------------------------------|----------------------------------------------------|---------------------------------------------------------------------------------------------------------------------------------------------------------------|
| | The food products' temperature is too high. | Let the food products temperature decrease to room temperature before storage. |
| | Many food products are stored at the same time. | Store less food products at the same time. |
| | The door has been opened often. | Open the door only if necessary. |
| | The FastFreeze function is switched on. | Refer to "FastFreeze function" section. |
| | The FastCool function is switched on. | Refer to "FastCool function" section. |
| | There is no cold air circulation in the appliance. | Make sure that there is cold air circulation in the appliance. Refer to "Hints and Tips" chapter. |
| DEMO appears on the display. | The appliance is in demonstration mode. | Keep the OK key pressed for approximately 10 seconds until a long sound is heard and the display turns off for a short time. |
| A  or  or  symbol is shown instead of numbers on the temperature display. | Temperature sensor problem. | Contact the nearest Authorized Service Centre (the cooling system will continue to keep food products cold, but temperature adjustment will not be possible). |



If the advice does not lead to the desired result, call the nearest Authorized Service Centre.

8.2 Replacing the lamp

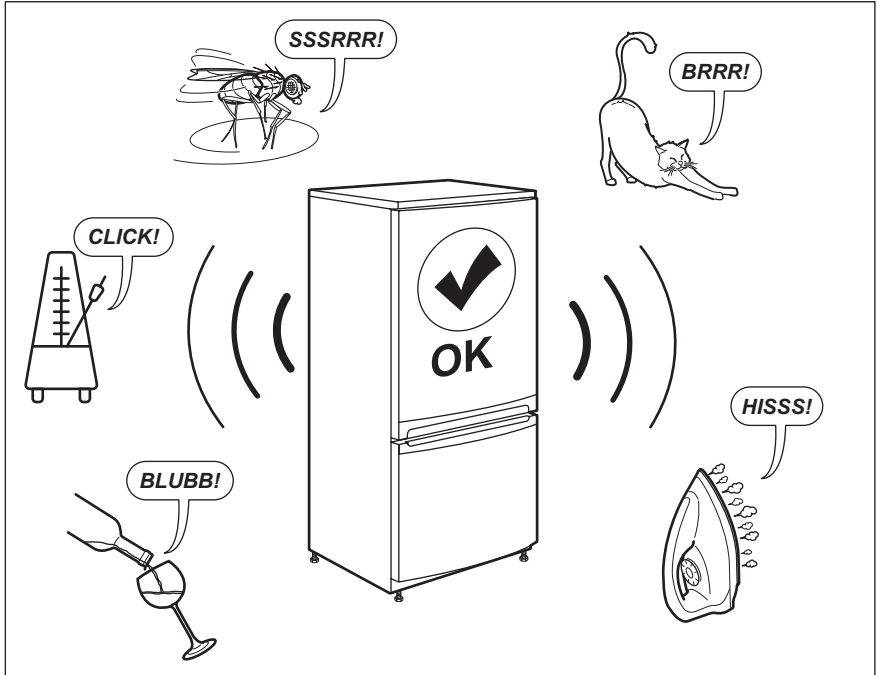
The appliance is equipped with a longlife LED interior light.

Only service is allowed to replace the lighting device. Contact your Authorised Service Centre.

8.3 Closing the door

1. Clean the door gaskets.
2. If necessary, adjust the door. Refer to installation instructions.
3. If necessary, replace the defective door gaskets. Contact the Authorised Service Centre.

9. NOISES



10. TECHNICAL DATA

The technical information is situated in the rating plate on the internal side of the appliance and on the energy label.

The QR code on the energy label supplied with the appliance provides a web link to the information related to the performance of the appliance in the EU EPREL database. Keep the energy label for reference together with the user manual and all other documents provided with this appliance.

It is also possible to find the same information in EPREL using the link <https://eprel.ec.europa.eu> and the model name and product number that you find on the rating plate of the appliance.


See the link www.theenergylabel.eu for detailed information about the energy label.


11. INFORMATION FOR TEST INSTITUTES

Installation and preparation of the appliance for any EcoDesign verification shall be compliant with EN 62552. Ventilation requirements, recess dimensions and minimum rear

clearances shall be as stated in this User Manual at Chapter 3. Please contact the manufacturer for any other further information, including loading plans.

12. ENVIRONMENTAL CONCERNS

Recycle materials with the symbol . Put the packaging in relevant containers to recycle it. Help protect the environment and human health by recycling waste of electrical and electronic appliances. Do not dispose of

appliances marked with the symbol  with the household waste. Return the product to your local recycling facility or contact your municipal office.

ÍNDICE

| | |
|----------------------------------|----|
| 1. INFORMAÇÕES DE SEGURANÇA..... | 24 |
| 2. INSTRUÇÕES DE SEGURANÇA..... | 27 |
| 3. INSTALAÇÃO..... | 29 |
| 4. PAINEL DE COMANDOS..... | 31 |
| 5. UTILIZAÇÃO DIÁRIA..... | 34 |
| 6. SUGESTÕES E DICAS..... | 37 |
| 7. MANUTENÇÃO E LIMPEZA..... | 40 |
| 8. RESOLUÇÃO DE PROBLEMAS..... | 41 |
| 9. RUÍDOS..... | 46 |
| 10. DADOS TÉCNICOS..... | 46 |
| 11. INFORMAÇÃO PARA TESTES..... | 46 |

ESTAMOS A PENSAR EM SI

Obrigado por ter adquirido um aparelho Electrolux. Escolheu um produto que traz com ele décadas de experiência profissional e inovação. Engenhoso e elegante, foi concebido a pensar em si. Assim, quando o utilizar, terá a tranquilidade de saber que obterá sempre ótimos resultados.

Bem-vindo(a) à Electrolux.

Visite o nosso website para:



Resolver problemas e obter conselhos de utilização, catálogos e informações sobre assistência e reparações:

www.electrolux.com/support



Registar o seu produto para beneficiar de um serviço melhor:

www.registerelectrolux.com



Adquirir acessórios, consumíveis e peças de substituição originais para o seu aparelho:

www.electrolux.com/shop

APOIO AO CLIENTE E ASSISTÊNCIA

Utilize sempre peças de substituição originais.

Quando contactar o nosso Centro de Assistência Técnica Autorizado, certifique-se de que tem os seguintes dados disponíveis: Modelo, PNC, Número de Série. A informação encontra-se na placa de características.

 Aviso / Cuidado - Informações de segurança

 Informações gerais e sugestões

 Informações ambientais

Sujeito a alterações sem aviso prévio.

1. INFORMAÇÕES DE SEGURANÇA

Leia atentamente as instruções fornecidas antes de instalar e utilizar o aparelho. O fabricante não poderá ser responsabilizado por ferimentos ou danos

resultantes de instalação incorreta ou utilização incorreta. Guarde sempre as instruções num sítio seguro e acessível para consultar no futuro.

1.1 Segurança para crianças e pessoas vulneráveis

- Este aparelho pode ser utilizado por crianças de 8 ou mais anos de idade e por pessoas com capacidades físicas, sensoriais ou mentais reduzidas ou com pouca experiência e conhecimento se tiverem recebido supervisão ou instruções relativas à utilização do aparelho de forma segura e compreenderem os perigos envolvidos.
- Crianças com idades entre os 3 e os 8 anos estão autorizadas a carregar e descarregar o aparelho desde que tenham sido devidamente instruídas.
- Este aparelho pode ser utilizado por pessoas com incapacidades muito extensas e complexas desde que devidamente instruídas.
- É necessário manter as crianças com menos de 3 anos de idade afastadas do aparelho, a menos que constantemente vigiadas.
- Não permita que as crianças brinquem com o aparelho.
- A limpeza e a manutenção básica do aparelho não devem ser efectuadas por crianças sem supervisão.
- Mantenha todos os materiais de embalagem fora do alcance das crianças e elimine-os de forma apropriada.

1.2 Segurança geral

- Este aparelho destina-se exclusivamente a utilizações domésticas ou semelhantes, tais como:
 - turismo rural; áreas de cozinha destinadas ao pessoal em lojas, escritórios e outros ambientes de trabalho;
 - utilização por clientes de hotéis, motéis e outros ambientes do tipo residencial.

- Para evitar a contaminação dos alimentos, siga as instruções que se seguem:
 - não abra a porta durante longos períodos;
 - limpe regularmente superfícies que possam entrar em contacto com alimentos e sistemas de drenagem acessíveis;
 - guarde a carne e o peixe crus em recipientes adequados no frigorífico, para que não entrem em contacto ou pinguem sobre outros alimentos.
- AVISO: Mantenha desobstruídas as aberturas de ventilação do aparelho ou da estrutura onde ele se encontra encastrado.
- AVISO: Não utilize um dispositivo mecânico ou qualquer meio artificial para acelerar o processo de descongelação além daqueles recomendados pelo fabricante.
- AVISO: Não danifique o circuito de refrigeração.
- AVISO: Não utilize aparelhos eléctricos dentro dos compartimentos do aparelho destinados a alimentos, a não ser que sejam do tipo recomendado pelo fabricante.
- Não utilize jatos de água ou vapor para limpar o aparelho.
- Limpe o aparelho com um pano macio húmido. Utilize apenas detergentes neutros. Não utilize produtos abrasivos, esfregões, solventes ou objetos metálicos.
- Quando o aparelho estiver vazio durante um longo período, desligue-o, descongele, limpe, seque e deixe a porta aberta para prevenir o desenvolvimento de bolor no interior do aparelho.
- Não guarde substâncias explosivas, como latas de aerossóis com agente de pressão inflamável, dentro do aparelho.
- Se o cabo de alimentação estiver danificado, deve ser substituído pelo fabricante, por um agente de assistência autorizado ou por uma pessoa igualmente qualificada, para evitar perigos.

2. INSTRUÇÕES DE SEGURANÇA

2.1 Instalação



AVISO!

A instalação deste aparelho tem de ser efetuada por uma pessoa qualificada.

- Retire a embalagem toda.
- Não instale nem utilize o aparelho se estiver danificado.
- Não utilize o aparelho antes de o instalar na estrutura embutida de uma forma segura.
- Siga as instruções de instalação fornecidas com o aparelho.
- Tenha sempre cuidado quando deslocar o aparelho porque ele é pesado. Utilize sempre luvas de proteção e calçado fechado.
- Certifique-se de que o ar pode circular em torno do aparelho.
- Após a instalação ou após uma inversão da porta, aguarde pelo menos 4 horas antes de ligar o aparelho à alimentação elétrica. Isto permite que o óleo regresse ao compressor.
- Antes de efetuar qualquer operação no aparelho (por exemplo, inverter a porta), retire a ficha da tomada elétrica.
- Não instale o aparelho perto de radiadores, fogões, fornos ou placas.
- Não exponha o aparelho a chuva.
- Não instale o aparelho em locais com luz solar direta.
- Não instale este aparelho em locais demasiado húmidos ou frios.
- Quando deslocar o aparelho, eleve-o na parte da frente para evitar riscar o chão.
- O aparelho contém um saco de dessecador. Não é um brinquedo. Não é um alimento. Deite-o fora imediatamente.

2.2 Ligação elétrica



AVISO!

Risco de incêndio e choque elétrico.



AVISO!

Quando colocar o aparelho na posição definitiva, certifique-se de que o cabo de alimentação não fica entalado ou danificado.



AVISO!

Não utilize adaptadores com várias tomadas, nem cabos de extensão.

- O aparelho tem de ficar ligado à terra.
- Certifique-se de que os parâmetros indicados na placa de características são compatíveis com as características da alimentação eléctrica.
- Utilize sempre uma tomada devidamente instalada e à prova de choques elétricos.
- Certifique-se de que não danifica os componentes elétricos (ficha e cabo de alimentação elétrica, compressor, etc.). Contacte um Centro de Assistência Técnica Autorizado ou um electricista se for necessário substituir componentes elétricos.
- O cabo de alimentação deve ficar abaixo do nível da ficha.
- Ligue a ficha à tomada elétrica apenas no final da instalação. Certifique-se de que a ficha fica acessível após a instalação.
- Não puxe o cabo de alimentação para desligar o aparelho. Puxe sempre a ficha.

2.3 Utilização



AVISO!

Risco de ferimentos, queimaduras, choque elétrico ou incêndio.



O aparelho contém gás inflamável, isobutano (R600a), que é um gás natural com um alto nível de compatibilidade ambiental. Tenha cuidado para não provocar danos no

circuito de refrigeração que contém isobutano.

- Não altere as especificações deste aparelho.
- Não coloque dispositivos elétricos (por ex. máquinas de fazer gelados) no interior do aparelho, exceto se forem autorizados pelo fabricante.
- Se ocorrerem danos no circuito de refrigeração, certifique-se de que não existem chamas e fontes de ignição na divisão. Ventile bem a divisão.
- Não permita que objetos quentes toquem nas peças de plástico do aparelho.
- Não coloque bebidas gaseificadas dentro do congelador. Isto irá criar pressão no recipiente da bebida.
- Não guarde gases e líquidos inflamáveis no aparelho.
- Não coloque produtos inflamáveis, ou objetos molhados com produtos inflamáveis, no interior, perto ou em cima do aparelho.
- Não toque no compressor ou no condensador. Estão quentes.
- Não remova nem toque em peças do compartimento de congelação com as mãos húmidas ou molhadas.
- Não volte a congelar alimentos que já foram descongelados.
- Cumpra as instruções de armazenamento das embalagens dos alimentos congelados.
- Embale os alimentos em material próprio para contacto com alimentos antes de os colocar no congelador.

2.4 Luz interior



AVISO!

Risco de choque elétrico.

- Este aparelho utiliza uma lâmpada de um tipo que se destina exclusivamente a aparelhos domésticos. Não a utilize para iluminação em casa.

2.5 Manutenção e limpeza



AVISO!

Risco de ferimentos ou danos no aparelho.

- Antes de qualquer acção de manutenção, desactive o aparelho e desligue a ficha da tomada eléctrica.
- Este aparelho contém hidrocarbonetos na sua unidade de arrefecimento A manutenção e o recarregamento só devem ser efectuados por uma pessoa qualificada.
- Inspeccione regularmente o escoamento do aparelho e limpe-o, se necessário. Se o orifício de escoamento estiver bloqueado, a água descongelada fica acumulada na parte inferior do aparelho.

2.6 Assistência Técnica

- Contacte o Centro de Assistência Técnica Autorizado se for necessário reparar o aparelho. Utilize apenas peças de substituição originais.
- Note que uma reparação própria ou não profissional pode ter consequências para a segurança e anular a garantia.
- As peças sobressalentes estarão disponíveis durante 7 anos após o modelo ter sido descontinuado: termóstatos, sensores de temperatura, placas de circuito impresso, fontes de iluminação, puxadores de portas, dobradiças de portas, tabuleiros e cestos. Note que algumas destas peças de reposição só estão disponíveis para reparadores profissionais e que nem todas as peças de reposição são relevantes para todos os modelos.
- As juntas das portas estarão disponíveis durante 10 anos após a descontinuação do modelo.

2.7 Eliminação



AVISO!

Risco de ferimentos ou asfixia.

- Desligue o aparelho da alimentação eléctrica.
- Corte o cabo de alimentação eléctrica e elimine-o.
- Remova a porta para evitar que crianças ou animais de estimação

fiquem fechados no interior do aparelho.

- O circuito de refrigeração e os materiais de isolamento deste aparelho não prejudicam a camada de ozono.
- A espuma de isolamento contém gás inflamável. Contacte a sua autoridade

municipal para saber como eliminar o aparelho correctamente.

- Não provoque danos na parte da unidade de arrefecimento que está próxima do permutador de calor.

3. INSTALAÇÃO



AVISO!
Consulte os capítulos relativos à segurança.

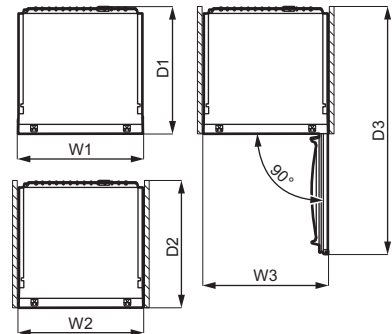
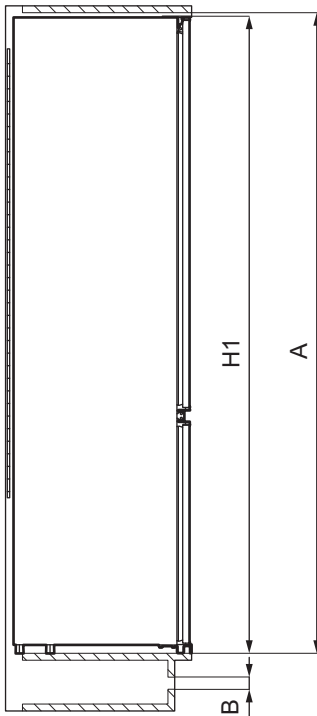


AVISO!
Consulte o documento de instruções de instalação para instalar o seu aparelho.



AVISO!
Fixe o aparelho de acordo com o documento de instruções de instalação para evitar um risco de instabilidade do aparelho.

3.1 Dimensões



| Dimensões gerais ¹⁾ | | |
|--------------------------------|----|------|
| H1 | mm | 1772 |
| W1 | mm | 548 |
| D1 | mm | 549 |

¹⁾ a altura, largura e profundidade do aparelho sem puxador e pés.

| Espaço necessário em utilização ¹⁾ | | |
|-----------------------------------------------|----|------|
| H2 (A+B) | mm | 1816 |
| W2 | mm | 548 |
| D2 | mm | 551 |
| A | mm | 1780 |
| B | mm | 36 |

¹⁾ a altura, largura e profundidade do aparelho incluindo o puxador, mais o espaço necessário para a livre circulação do ar de arrefecimento

| Espaço geral necessário em utilização ¹⁾ | | |
|-----------------------------------------------------|----|------|
| H3 (A+B) | mm | 1816 |
| W3 | mm | 548 |
| D3 | mm | 1071 |

¹⁾ a altura, largura e profundidade do aparelho incluindo o puxador, mais o espaço necessário para a livre circulação do ar de arrefecimento, mais o espaço necessário para permitir a abertura da porta no ângulo mínimo que permita a remoção de todo o equipamento do interior


3.2 Localização


Para garantir a melhor funcionalidade do aparelho, não deverá instalar o aparelho nas proximidades de uma fonte de calor (forno, salamandras, radiadores, fogões ou placas) ou num local com luz direta do sol. Certifique-se de que o ar pode circular livremente na parte posterior do armário.

3.3 Posicionamento

Este aparelho deve ser instalado numa de interior, seca e bem ventilada

Este aparelho destina-se a ser utilizado no intervalo de temperatura ambiente de 10°C a 43°C.

 Se tiver dúvidas em relação ao local onde deve instalar o aparelho, contacte o vendedor, o nosso serviço de apoio ao cliente ou o Centro de Assistência Técnica Autorizado mais próximo.

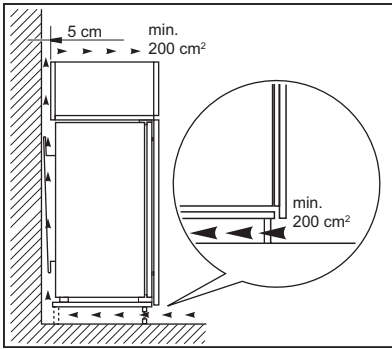
 Tem de ser possível desligar o aparelho da fonte de corrente eléctrica. A ficha tem de estar facilmente acessível após a instalação.

3.4 Ligação elétrica

- Antes de ligar a ficha na tomada, certifique-se de que a voltagem e a frequência indicadas na placa de características correspondem à rede eléctrica da sua casa.
- O aparelho tem de ficar ligado à terra. A ficha do cabo de alimentação é fornecida com um contacto para esse fim. Se a tomada eléctrica doméstica não estiver ligada à terra, ligue o aparelho a uma ligação à terra separada que cumpra as normas actuais; consulte um electricista qualificado.
- O fabricante declina toda a responsabilidade caso as precauções de segurança acima não sejam cumpridas.
- Este aparelho está em conformidade com as Directivas da C.E.E.

3.5 Requisitos de ventilação

A circulação de ar na parte posterior do aparelho tem de ser suficiente.



3.6 Reversibilidade das portas

Consulte o documento avulso com instruções sobre a instalação e reversibilidade da porta.



CUIDADO!

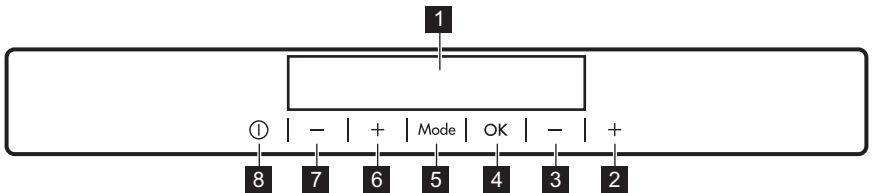
Em qualquer etapa de reversão da porta, proteja o pavimento de riscos com um material durável.



CUIDADO!

Consulte as instruções de instalação para efetuar a instalação.

4. PAINEL DE COMANDOS

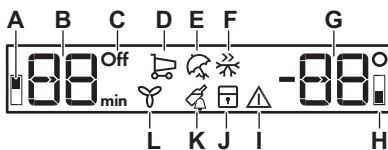


- 1 Visor
- 2 Botão de aumento da temperatura do congelador
- 3 Botão de diminuição da temperatura do congelador
- 4 OK
- 5 Mode
- 6 Botão de aumento da temperatura do frigorífico

- 7 Botão de diminuição da temperatura do frigorífico
- 8 ON/OFF

É possível alterar o som predefinido dos botões premindo simultaneamente Mode e o botão de diminuição da temperatura durante alguns segundos. A alteração é reversível.

4.1 Visor



- A. Indicador do compartimento do frigorífico
- B. Temporizador /Indicador de temperatura
- C. ON/OFF Indicador
- D. FastCool Função
- E. Holiday modo
- F. FastFreeze Função
- G. Indicador de temperatura

- H. Indicador do compartimento do congelador
- I. Indicador de alarme
- J. ChildLock Função

4.2 Ligar

1. Ligue a ficha numa tomada eléctrica.
2. Prima o botão ON/OFF do aparelho se o visor estiver desligado. Os indicadores de temperatura apresentam a temperatura predefinida.

Para seleccionar uma temperatura diferente, consulte "Regulação da temperatura".

Se o visor apresentar "dEMo", consulte a secção "Resolução de problemas".

4.3 Desligar

1. Prima o botão ON/OFF do aparelho durante 3 segundos.
- O visor desliga-se.
2. Desligue a ficha da tomada eléctrica.

4.4 Regulação da temperatura

Selecione a temperatura do aparelho premindo os reguladores da temperatura.

A regulação de temperatura recomendada é:

- +4°C para o frigorífico
- -18 °C para o congelador

O intervalo de temperatura pode variar entre -15°C e -24°C para o congelador e entre 2°C e 8°C para o frigorífico.

Os indicadores de temperatura apresentam a temperatura seleccionada.



A temperatura seleccionada será atingida ao fim de 24 horas.

A temperatura seleccionada continua memorizada mesmo que ocorra uma falha de energia.

4.5 Ligar o frigorífico

Para ligar o frigorífico, basta premir o botão do regulador da temperatura do frigorífico. Outra forma de ligar o frigorífico:

- K. DrinksChill Função
- L. DYNAMICAIR Função

1. Prima Mode até aparecer o ícone correspondente.
O indicador OFF do frigorífico fica intermitente.
2. Prima OK para confirmar.
O indicador OFF do frigorífico apaga-se e o indicador do frigorífico ficam ligados.



Para seleccionar uma temperatura diferente, consulte "Regulação da temperatura".

4.6 Desligar o frigorífico

É possível desligar apenas o compartimento do frigorífico mantendo o congelador ligado.

1. Prima Mode até aparecer o indicador do compartimento do frigorífico.
O indicador OFF do frigorífico e o indicador do compartimento do frigorífico ficam intermitentes.
O indicador de temperatura do frigorífico apresenta travessões.
2. Prima OK para confirmar.
O indicador OFF do frigorífico e o indicador do frigorífico ficam intermitentes.

4.7 FastCool Função

Se necessitar de inserir no compartimento do frigorífico uma grande quantidade de alimentos quentes, por exemplo, após fazer as compras, sugerimos que active a função FastCool para arrefecer os produtos mais rapidamente e para evitar aquecer os outros alimentos que já estejam no frigorífico.

1. Prima Mode até aparecer o ícone correspondente.
O indicador FastCool fica intermitente.
2. Prima OK para confirmar.
Aparece o indicador FastCool . A ventoinha ativa automaticamente a duração da função.

A função pára automaticamente aproximadamente após 6 horas.

Pode desativar a função FastCool antes do seu final automático e repetindo o procedimento ou seleccionando uma regulação diferente da temperatura.

4.8 Holiday modo

Este modo permite-lhe manter o compartimento do frigorífico vazio durante um longo período de férias, reduzindo a formação de maus odores enquanto o compartimento do congelador pode funcionar normalmente.

1. Prima Mode até aparecer o ícone correspondente.

O indicador Holiday fica intermitente. O indicador de temperatura apresenta a temperatura seleccionada.

2. Prima OK para confirmar. Aparece o indicador Holiday .



Este modo desliga-se após a seleção de uma temperatura diferente.

4.9 FastFreeze Função

A função FastFreeze é utilizada para realizar pré-congelação e congelação rápida em sequência do compartimento do congelador. Esta função acelera a congelação de alimentos frescos e, ao mesmo tempo, impede que os alimentos já armazenados aqueçam.



Para congelar alimentos frescos ative a função FastFreeze pelo menos, 24 horas antes de colocar os alimentos a congelar no compartimento congelador.

1. Para activar esta função, prima o botão Mode até aparecer o ícone correspondente.

O indicador FastFreeze fica intermitente.

2. Prima o botão OK para confirmar. Aparece o indicador FastFreeze . Esta função pára automaticamente após 52 horas.

Pode desativar a função FastFreeze antes do seu fim automático e repetindo o procedimento até o indicador

FastFreeze apagar-se ou seleccionando uma regulação diferente da temperatura.

4.10 DYNAMICAIR Função

O compartimento do frigorífico está equipado com um dispositivo que permite a refrigeração rápida dos alimentos e mantém uma temperatura mais uniforme no compartimento.

Este aparelho ativa-se automaticamente quando necessário ou manualmente.

Para ativar a função:

1. Prima o botão Mode até aparecer o ícone correspondente. O indicador DYNAMICAIR fica intermitente.
2. Prima o botão OK para confirmar. Aparece o indicador DYNAMICAIR .

Para desactivar a função, repita a acção até que o ícone indicador de DYNAMICAIR se apague.



Se a função for activada automaticamente, o indicador DYNAMICAIR não será apresentado (consulte “Utilização diária”). A activação da função DYNAMICAIR aumenta o consumo de energia.

O dispositivo de ar dinâmico pára quando a porta é aberta e reinicia de imediato após o fecho da porta.

4.11 ChildLock Função

Active a função ChildLock para impedir a utilização acidental dos botões.

1. Prima Mode até aparecer o ícone correspondente.

O indicador ChildLock fica intermitente.

2. Prima OK para confirmar. Aparece o indicador ChildLock . Para desactivar a função ChildLock , repita a acção até que o indicador de ChildLock se apague.

4.12 DrinksChill Função

A função DrinksChill serve para accionar um sinal sonoro após um determinado

tempo e é útil, por exemplo, quando uma receita obriga ao arrefecimento de alimentos durante um certo tempo.

Também é útil quando é necessário um aviso para não se esquecer das garrafas ou latas que colocar no congelador para arrefecimento rápido.

1. Prima Mode até aparecer o ícone correspondente.

O indicador DrinksChill fica intermitente. O temporizador apresenta o valor definido (30 minutos) durante alguns segundos.

2. Prima o botão regulador do temporizador para alterar o valor definido do temporizador entre 1 e 90 minutos.

3. Prima OK para confirmar.

Aparece o indicador DrinksChill .

O temporizador começa a piscar (min).

No fim da contagem decrescente, o indicador "0 min" fica intermitente e o aparelho emite um aviso sonoro. Prima OK para desligar o som e terminar a função.

Para desactivar a função, repita a acção até que o indicador DrinksChill se apague.



É possível alterar o tempo em qualquer momento, durante a contagem decrescente e no final, bastando premir o botão de diminuição da temperatura e o botão de aumento da temperatura.

4.13 Alarme de temperatura elevada

Quando existe um aumento da temperatura no compartimento do

congelador (por exemplo, devido a uma falha de corrente anterior) as luzes de alarme e de temperatura do congelador ficam intermitentes e o som é ativado. Para desativar o alarme:

1. Prima qualquer botão. O som desliga-se.
2. O indicador de temperatura do congelador apresenta durante alguns segundos a temperatura mais elevada que foi atingida e depois o visor apresenta novamente a temperatura selecionada.



O indicador de alarme continua a piscar até que as condições normais sejam restabelecidas. Se não premir qualquer botão, o som desliga-se automaticamente após cerca de uma hora para evitar perturbações.

4.14 Alarme de porta aberta

Se a porta do frigorífico for deixada aberta durante aproximadamente 5 minutos, o som é ativado e o indicador de alarme fica intermitente.

O alarme para após fechar a porta. Durante o alarme, o som pode ser silenciado premindo qualquer botão.



Se não premir qualquer botão, o som desliga-se automaticamente após cerca de uma hora para evitar perturbações.

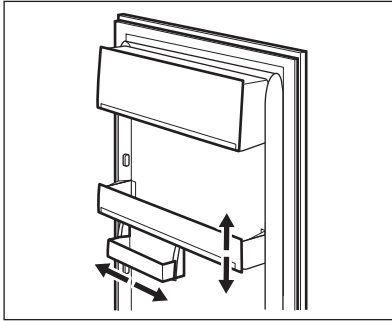
5. UTILIZAÇÃO DIÁRIA

5.1 Posicionamento das prateleiras da porta

Para permitir o armazenamento de embalagens de alimentos de várias dimensões, as prateleiras da porta

podem ser colocadas a diferentes alturas.

1. Gradualmente, puxe a prateleira para cima até se libertar.
2. Volte a colocar conforme desejar.



Este modelo está equipado com uma caixa de armazenamento variável que pode ser deslizada lateralmente.

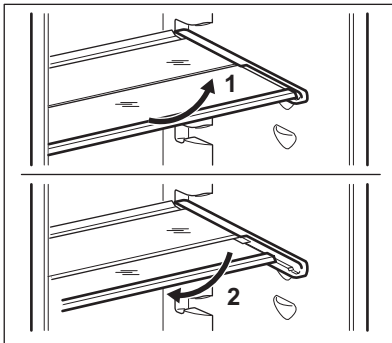
5.2 Prateleiras amovíveis

As paredes do frigorífico possuem várias calhas que permitem posicionar as prateleiras conforme pretendido.

Este aparelho está também equipado com uma prateleira que é composta por duas partes. A metade da frente da prateleira pode ser colocada debaixo da segunda metade para uma melhor utilização do espaço.

Para dobrar a prateleira:

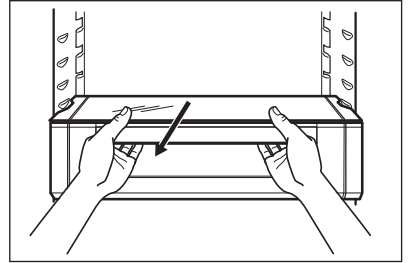
1. Retire a metade da frente com cuidado.
2. Deslize-a pela calha inferior e debaixo da segunda metade.



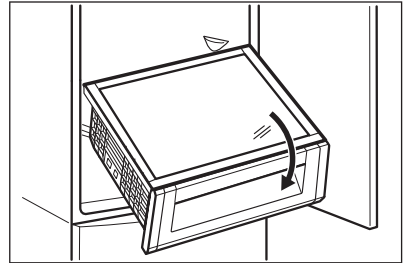
i Não desloque a prateleira de vidro que cobre a gaveta de legumes, para garantir uma circulação de ar correcta.

5.3 Remoção ExtraZone

1. Segure na gaveta juntamente com a tampa de vidro do ExtraZone puxe-as para si.



2. Incline o módulo para baixo para o remover do frigorífico.



5.4 Gavetas para legumes

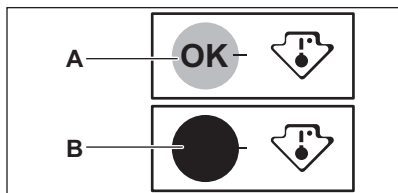
Existem gavetas especiais na parte inferior do aparelho adequadas para o armazenamento de fruta e legumes.

5.5 Indicador de temperatura

O frigorífico está equipado com um indicador de temperatura para ajudar a garantir um armazenamento correto dos alimentos. O símbolo na parte lateral do aparelho indica a área mais fria do frigorífico.

Se OK for exibido (A), coloque alimentos frescos na área indicada com o símbolo, se não (B), aguarde pelo menos 12 horas e confirme se está OK (A).

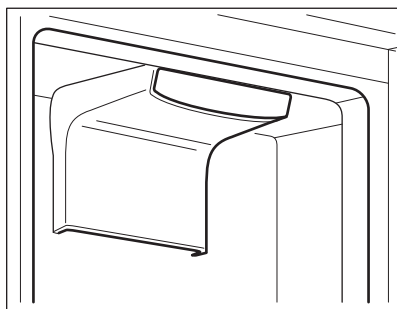
Se continuar a não estar OK (B), ajuste o controlo da definição para uma regulação mais fria.



5.6 DYNAMICAIR

O compartimento do frigorífico está equipado com um dispositivo que permite a refrigeração rápida dos alimentos e mantém uma temperatura mais uniforme no compartimento.

Este a aparelho ativa-se automaticamente quando necessário.



É possível ativar o dispositivo manualmente quando necessário (consulte a função "DYNAMICAIR").



A ventoinha funciona apenas quando a porta está fechada.

5.7 CleanAir Filtro

O seu aparelho está equipado com o filtro de carbono CleanAir numa gaveta no interior do dispositivo DYNAMICAIR.

O filtro elimina os odores indesejáveis do ar no compartimento do frigorífico melhorando a qualidade do armazenamento.

Na entrega, o filtro está num saco de plástico. (consulte o capítulo "Cuidados e limpeza" para a instalação).



CUIDADO!

Durante o funcionamento, mantenha a gaveta de ventilação de ar sempre fechada.

5.8 Congelar alimentos frescos

O congelador é adequado para congelar alimentos frescos e conservar alimentos congelados e ultracongelados a longo prazo.

Para congelar alimentos frescos ative a função FastFreeze pelo menos, 24 horas antes de colocar os alimentos a congelar no compartimento congelador.

Guarde os alimentos frescos uniformemente distribuídos no terceiro compartimento ou gaveta da parte superior.

A quantidade máxima de alimentos que podem ser congelados sem acrescentar outros alimentos durante 24 horas está especificada na placa de classificação (um rótulo situado no interior do aparelho).

Quando o processo de congelação terminar, regresse à temperatura desejada (consulte "Função "FastFreeze").

5.9 Armazenamento de alimentos congelados

Quando activar o aparelho pela primeira vez ou após um período sem utilização, deixe o aparelho funcionar durante 3 horas ou mais com a função FastFreeze ativada antes de colocar os produtos no compartimento.

As gavetas do congelador permitem encontrar a embalagem pretendida com rapidez e facilidade. Se pretender armazenar grandes quantidades de alimentos, retire todas as gavetas, excepto a gaveta inferior que deve ficar no seu lugar para permitir uma boa circulação de ar.

Mantenha os alimentos a mais de 15 mm da porta.

**CUIDADO!**

Em caso de descongelação acidental, por exemplo, devido a uma falha de energia, se a energia faltar durante mais tempo do que o indicado na placa de classificação em “Tempo de autonomia”, os alimentos descongelados têm de ser consumidos rapidamente ou cozinhados imediatamente, arrefecidos e novamente congelados. Consulte “Alarme de temperatura elevada”.

5.10 Descongelação

Os alimentos ultra congelados ou congelados, antes de serem consumidos, podem ser descongelados no frigorífico ou dentro de um saco plástico com água fria.

Esta operação depende do tempo disponível e do tipo de alimento. Peças

pequenas podem ainda ser cozinhadas ainda congeladas.

5.11 Produção de cubos de gelo

Este aparelho possui uma ou mais cuvetes para a produção de cubos de gelo.



Não utilize instrumentos metálicos para remover as cuvetes do congelador.

1. Encha as cuvetes com água..
2. Coloque as cuvetes no compartimento do congelador.

5.12 Acumuladores de frio

Este aparelho está equipado com acumuladores de frio que aumentam o tempo de armazenamento no caso de um corte ou interrupção de energia.

Para garantir o melhor desempenho dos acumuladores, coloque-os na área superior dianteira do aparelho.

6. SUGESTÕES E DICAS**6.1 Conselhos para poupar energia**

- Congelador A configuração interna do aparelho é a que garante a utilização mais eficiente de energia.
- Frigorífico: A utilização mais eficiente da energia é garantida na configuração com as gavetas na parte inferior do aparelho e nas prateleiras uniformemente distribuídas. O posicionamento das caixas da porta não afeta o consumo de energia.
- Não remova os acumuladores de frio do cesto do congelador.
- Não abra a porta muitas vezes nem a deixe aberta mais tempo do que o necessário.
- Congelador Quanto mais fria for a regulação da temperatura, mais alto é o consumo energético.
- Frigorífico: Não regule a temperatura demasiado alta para poupar energia, a menos que seja exigido pelas características dos alimentos.

- Se a temperatura ambiente for alta e o controlo de temperatura se encontrar na regulação de temperatura baixa com o aparelho completamente cheio, o compressor pode funcionar continuamente, causando a formação de gelo no evaporador. Neste caso, defina o controlo de temperatura para uma temperatura mais alta para permitir a descongelação automática e poupar energia desta forma.
- Garantir uma boa ventilação. Não tape as grelhas ou orifícios de ventilação.
- Certifique-se de que os produtos alimentares no interior do aparelho permitem a circulação do ar através de orifícios dedicados na parte interior traseira do aparelho.

6.2 Conselhos para a congelação

- Ative a função FastFreeze pelo menos, 24 horas antes de colocar os alimentos no interior do congelador.
- Antes de congelar envolva e sele alimentos frescos em: papel de alumínio, película ou sacos de plástico, recipientes herméticos com tampa.
- Para uma congelação e descongelação mais eficientes, divida os alimentos em pequenas porções.
- Recomenda-se que coloque etiquetas e datas em todos os seus alimentos congelados. Isto irá ajudá-lo a identificar os alimentos e a saber quando devem ser consumidos antes da sua deterioração.
- Os alimentos devem ser frescos quando são congelados para preservar a boa qualidade. Especialmente fruta e legumes devem ser congelados depois da colheita para preservar todos os seus nutrientes.
- Não congele garrafas ou latas com líquidos, em particular bebidas que contenham dióxido de carbono - podem explodir durante a congelação.
- Não coloque alimentos quentes no congelador. Arrefeça à temperatura ambiente antes de os colocar no interior do compartimento.
- Para evitar a subida da temperatura de alimentos já congelados, não coloque alimentos frescos não congelados diretamente próximos daqueles. Coloque os alimentos à temperatura ambiente na parte do congelador onde não existam alimentos congelados.
- Não coma cubos de gelo, gelados com água ou gelados de gelo imediatamente após tirá-los do congelador. Risco de queimadura por frio.
- Não volte a congelar alimentos descongelados. Se os alimentos tiverem descongelado, cozinhe-os, arrefeça-os e, seguidamente, congele-os.

6.3 Conselhos para o armazenamento de alimentos congelados

- A regulação de uma boa temperatura que assegura a preservação de produtos alimentares congelados é uma temperatura igual ou inferior a -18°C .
- A regulação de uma temperatura mais alta no interior do aparelho pode levar a uma duração mais curta.
- Todo o compartimento do congelador é adequado ao armazenamento de produtos alimentares congelados.
- Deixe espaço suficiente em torno dos alimentos para permitir que o ar circule livremente.
- Para um armazenamento adequado, consulte o rótulo da embalagem dos alimentos para ver a sua validade.
- É importante envolver os alimentos de forma a prevenir que água, humidade ou condensação entrem no interior.

6.4 Dicas para compras

Após as compras de mercearia:

- Garanta que a embalagem não está danificada - os alimentos poderiam estar deteriorados. Se a embalagem estiver inchada ou húmida, pode não ter sido armazenada nas condições ideais e a descongelação pode já ter sido iniciada.
- Para limitar o processo de descongelação, compre os produtos congelados no fim das suas compras e transporte-os num saco térmico e isolado.
- Coloque os alimentos congelados imediatamente no congelador depois de voltar da loja.
- Se os alimentos tiverem descongelado, mesmo que parcialmente, não os volte a congelar. Consuma-os o mais brevemente possível.
- Respeite a data de validade e a informação de armazenamento na embalagem.

6.5 Validade para o compartimento do congelador

| Tipo de alimento | Validade (meses) |
|-----------------------------------------------|------------------|
| Pão | 3 |
| Fruta (exceto citrinos) | 6 - 12 |
| Legumes | 8 - 10 |
| Restos sem carne | 1 - 2 |
| Laticínios: | |
| Manteiga | 6 - 9 |
| Queijo mole (por exemplo, mozzarella) | 3 - 4 |
| Queijo duro (por exemplo, parmesão, cheddar) | 6 |
| Marisco: | |
| Peixe gordo (por exemplo, salmão, cavala) | 2 - 3 |
| Peixe magro (por exemplo, bacalhau, linguado) | 4 - 6 |
| Camarão | 12 |
| Amêijoas e mexilhões sem casca | 3 - 4 |
| Peixe cozinhado | 1 - 2 |
| Carne: | |
| Aves | 9 - 12 |
| Carne de vaca | 6 - 12 |
| Porco | 4 - 6 |
| Borrego | 6 - 9 |
| Salsichas | 1 - 2 |
| Presunto | 1 - 2 |
| Restos com carne | 2 - 3 |

6.6 Conselhos para a refrigeração de alimentos frescos

- A regulação de uma boa temperatura que assegura a preservação de alimentos frescos é uma temperatura igual ou inferior a +4°C. A regulação de uma temperatura mais alta no interior do aparelho pode levar a uma duração mais curta dos alimentos.
- Tape os alimentos com a embalagem para preservar a sua frescura e aroma.
- Utilize sempre recipientes fechados para líquidos e alimentos, para evitar sabores ou aromas no compartimento.
- Para evitar a contaminação cruzada entre alimentos cozinhados e crus,

cubra os alimentos cozinhados e separe-os dos crus.

- Recomenda-se que descongele os alimentos no interior do frigorífico.
- Não coloque alimentos quentes no interior do aparelho. Certifique-se de que arrefeceram à temperatura ambiente antes de os inserir.
- Para prevenir desperdício alimentar, o novo abastecimento de alimentos deve ser colocado sempre por trás do antigo.

6.7 Conselhos para a refrigeração de alimentos

- Carne (todos os tipos): embale em embalagens adequadas e coloque na prateleira de vidro por cima da gaveta de legumes. A carne conserva-se por 1 ou 2 dias no máximo.

- Fruta e legumes: limpe cuidadosamente (eliminar a sujidade) e coloque numa gaveta especial (gaveta para legumes).
- Aconselha-se a não manter fruta exótica como bananas, mangas, papaias, etc., no frigorífico.
- Os legumes como tomates, batatas, cebolas e alho não devem ser mantidos no frigorífico.
- Manteiga e queijo: coloque em recipientes herméticos especiais ou embale em folha de alumínio ou sacos de polietileno para excluir o máximo de ar possível.
- Garrafas: feche-as com uma tampa e coloque-as na prateleira de garrafas da porta ou (se disponível) noutra prateleira de garrafas.
- Para acelerar o arrefecimento dos artigos, aconselha-se que ative a ventoinha. A ativação do ar dinâmico permite uma maior homogeneização das temperaturas internas.
- Consulte sempre a data de validade dos produtos para saber quanto tempo os manter.

7. MANUTENÇÃO E LIMPEZA



AVISO!

Consulte os capítulos relativos à segurança.

7.1 Limpeza do interior

Antes de utilizar o aparelho pela primeira vez, limpe o interior e todos os acessórios internos com água morna e detergente neutro, para remover o cheiro típico de um produto novo, e seque minuciosamente.



CUIDADO!

Não utilize detergentes, pós abrasivos, cloro ou produtos de limpeza à base de óleos, porque estes produtos danificam o acabamento.



CUIDADO!

Os acessórios e as peças deste aparelho não podem ser lavados na máquina de lavar loiça.

7.2 Limpeza periódica

O equipamento tem de ser limpo regularmente:

1. Limpe o interior e os acessórios com água morna e um pouco de detergente neutro.
2. Verifique regularmente os vedantes da porta e limpe-os para garantir que estão limpos e sem resíduos.

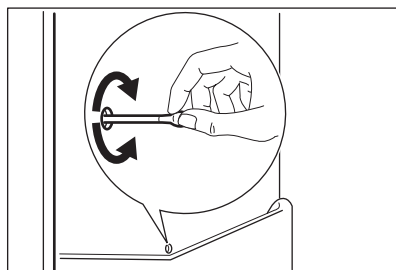
3. Enxágue e seque cuidadosamente.

7.3 Descongelo do frigorífico

O gelo é eliminado automaticamente do evaporador do compartimento do frigorífico durante a utilização normal. A água resultante da descongelação é drenada por um canal para um recipiente especial colocado na parte traseira do aparelho, sobre o compressor motorizado, onde evapora.

É importante limpar periodicamente o orifício de descarga da água da descongelação, no centro do canal do compartimento do frigorífico, para evitar o transbordamento de água para os alimentos.

Para este efeito, utilize o dispositivo de limpeza de tubos fornecido com o aparelho.



7.4 Descongelar o congelador

O compartimento do congelador é do tipo “frost free”. Isto significa que não há qualquer formação de gelo durante o seu funcionamento, tanto nas paredes interiores como nos alimentos.

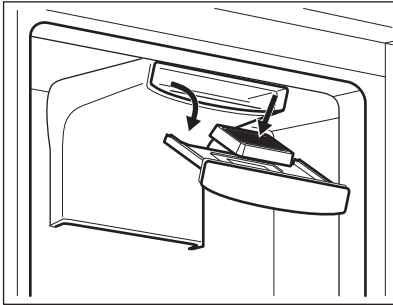
7.5 Substituir o filtro CleanAir

O filtro CleanAir é um filtro de carvão activo que absorve os maus odores e permite preservar o melhor sabor e aroma de todos os alimentos, eliminando o risco de contaminação de odores entre géneros alimentícios.

i O filtro deve ser manuseado com cuidado, para que a superfície não seja arranhada.

i O filtro de carvão encontra-se num saco de plástico quando é fornecido, para preservar o desempenho. Coloque o filtro na ranhura antes de ativar o aparelho.

1. Abra a gaveta.
2. Puxe o filtro de ar esgotado para fora.



3. Introduza o novo filtro do ar na ranhura.
4. Feche a gaveta. Para obter o melhor desempenho, a gaveta deve ficar posicionada correctamente e o filtro CleanAir deve ser substituído uma vez por ano.

i O filtro de ar é um acessório consumível, pelo que não está abrangido pela garantia. Pode adquirir novos filtros de ar ativos num representante local. Para mudar o filtro do ar, repita o procedimento.

7.6 Período de inatividade

Quando não pretender utilizar o aparelho durante bastante tempo, adopte as seguintes precauções:

1. Desligue o aparelho da alimentação eléctrica.
2. Retire todos os alimentos.
3. Limpe o aparelho e todos os acessórios.
4. Deixe a(s) porta(s) aberta(s) para evitar cheiros desagradáveis.

8. RESOLUÇÃO DE PROBLEMAS




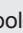
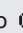
AVISO!
Consulte os capítulos relativos à segurança.

8.1 O que fazer se...

| Problema | Causa possível | Solução |
|------------------------------------------------------------------------------------------------------------------------------------------------|---------------------------------------------------------------|-----------------------------------------------------------------------------------------|
| O aparelho não funciona. | O aparelho está desligado. | Ligue o aparelho. |
| | A ficha não está corretamente introduzida na tomada elétrica. | Ligue a ficha corretamente na tomada elétrica. |
| | Não existe tensão na tomada elétrica. | Ligue outro aparelho elétrico na tomada elétrica. Contacte um electricista qualificado. |
| O aparelho emite demasiado ruído. | O aparelho não está apoiado corretamente. | Verifique se o aparelho está estável. |
| O aviso acústico ou visual está ligado. | O aparelho foi ligado há pouco tempo. | Consulte "Alarme de porta aberta" ou "Alarme de temperatura elevada". |
| | A temperatura no aparelho está demasiado elevada. | Consulte "Alarme de porta aberta" ou "Alarme de temperatura elevada". |
| | A porta foi deixada aberta. | Feche a porta. |
| O compressor funciona continuamente. | A temperatura regulada não é adequada. | Consulte o capítulo "Painel de controlo". |
| | Guardou demasiados alimentos ao mesmo tempo. | Aguarde algumas horas e volte a verificar a temperatura. |
| | A temperatura ambiente está demasiado elevada. | Consulte o capítulo "Instalação". |
| | Os alimentos colocados no aparelho estavam demasiado quentes. | Deixe que os alimentos arrefeçam até à temperatura ambiente antes de os guardar. |
| | A porta não está bem fechada. | Consulte a secção "Fechar a porta". |
| | A função FastFreeze está ligada | Consulte a secção "FastFreeze". |
| | A função FastCool está ligada | Consulte a secção "FastCool". |
| O compressor não arranca imediatamente após o botão "FastFreeze" ou "FastCool" ser premido, ou após uma alteração da regulação de temperatura. | O compressor arranca após um período de tempo. | Isto é normal e não significa qualquer problema. |

| Problema | Causa possível | Solução |
|---------------------------------------------------------------------|-------------------------------------------------------------------------------------------------------|-------------------------------------------------------------------------------------|
| A porta está desnivelada ou toca na grelha de ventilação. | O aparelho não está nivelado. | Consulte as instruções de instalação. |
| A porta não abre facilmente. | Tentou reabrir a porta imediatamente após a fechar. | Aguarde alguns segundos entre o fecho e a reabertura da porta. |
| A lâmpada não funciona. | A lâmpada está em modo de espera. | Feche e abra a porta. |
| | A lâmpada está fundida. | Contate o Centro de Assistência Técnica Autorizado mais próximo. |
| Existe demasiado gelo acumulado. | A porta não está bem fechada. | Consulte a secção "Fechar a porta". |
| | A junta está deformada ou suja. | Consulte a secção "Fechar a porta". |
| | Os alimentos não estão embalados correctamente. | Embale melhor os alimentos. |
| | A temperatura regulada não é adequada. | Consulte o capítulo "Painel de controlo". |
| | O aparelho está totalmente carregado e regulado para a temperatura mais baixa. | Regule para uma temperatura mais elevada. Consulte o capítulo "Painel de controlo". |
| | A temperatura regulada no aparelho está demasiado baixa e a temperatura ambiente está demasiado alta. | Regule para uma temperatura mais elevada. Consulte o capítulo "Painel de controlo". |
| Há água a escorrer na placa traseira do frigorífico. | Durante o processo de descongelação automática, o gelo descongela na parede traseira. | Isto é normal. |
| Existe demasiada água condensada na parede traseira do frigorífico. | A porta foi aberta demasiadas vezes. | Abra a porta apenas quando for mesmo necessário. |
| | A porta não está totalmente fechada. | Certifique-se de que a porta está totalmente fechada. |
| | Os alimentos armazenados não estão embalados. | Coloque os alimentos em embalagens adequadas antes de os guardar no aparelho. |

| Problema | Causa possível | Solução |
|------------------------------------------------------|--------------------------------------------------------------------------------------------------|-------------------------------------------------------------------------------------------------------------------------------------------------------------------------------------------------------|
| Há fluxo de água para o interior do frigorífico. | Existem alimentos a impedir que a água escorra para o colector da água. | Certifique-se de que os alimentos não tocam na parede traseira. |
| | A saída da água está obstruída. | Limpe a saída de água. |
| Existe água a escorrer para o chão. | A saída da água descongelada não está ligada ao tabuleiro de evaporação, por cima do compressor. | Encaixe o tubo de saída da água descongelada no tabuleiro de evaporação. |
| Não é possível regular a temperatura. | A função "FastFreeze " ou "FastCool " está ativada. | Desative a função "FastFreeze " ou "FastCool " manualmente ou aguarde que a função se desative automaticamente para regular a temperatura. Consulte a secção da função "FastFreeze " ou "FastCool " . |
| A temperatura no aparelho está demasiado baixa/alta. | A temperatura não está definida corretamente. | Regule para uma temperatura mais alta/baixa. |
| | A porta não está bem fechada. | Consulte a secção "Fechar a porta". |
| | A temperatura de algum produto está demasiado elevada. | Deixe que a temperatura dos alimentos diminua até à temperatura ambiente antes de os guardar. |
| | Guardou demasiados alimentos ao mesmo tempo. | Guarde menos alimentos ao mesmo tempo. |
| | A porta foi aberta muitas vezes. | Abra a porta apenas quando for mesmo necessário. |
| | A função FastFreeze está ligada | Consulte a secção "FastFreeze " . |
| | A função FastCool está ligada | Consulte a secção "FastCool " . |
| | Não há circulação de ar frio no interior do aparelho. | Certifique-se de que o ar frio pode circular no interior do aparelho. Consulte o capítulo "Sugestões e dicas". |

| Problema | Causa possível | Solução |
|---------------------------------------------------------------------------------------------------------------------------------------------------------------------------------------------------------------------------------------------------------------------------------------------------------------------------------|------------------------------------------|-----------------------------------------------------------------------------------------------------------------------------------------------------------------------------------------------------|
| DEMO aparece no visor. | O aparelho está no modo de demonstração. | Mantenha o botão OK premido durante 10 segundos, até ouvir um sinal sonoro longo e o visor se apagar por um breve momento. |
| Um símbolo  ou  ou  é apresentado em vez de números no visor da temperatura. | Problema no sensor de temperatura. | Contate o Centro de Assistência Técnica Autorizado mais próximo (o sistema de refrigeração irá continuar a manter os produtos alimentares frios, mas a regulação da temperatura não será possível). |



Se estes conselhos não permitirem a resolução do problema, contate o Centro de Assistência Técnica Autorizado mais próximo.

8.2 Substituir a lâmpada

O aparelho está equipado com uma luz interior LED de longa duração.

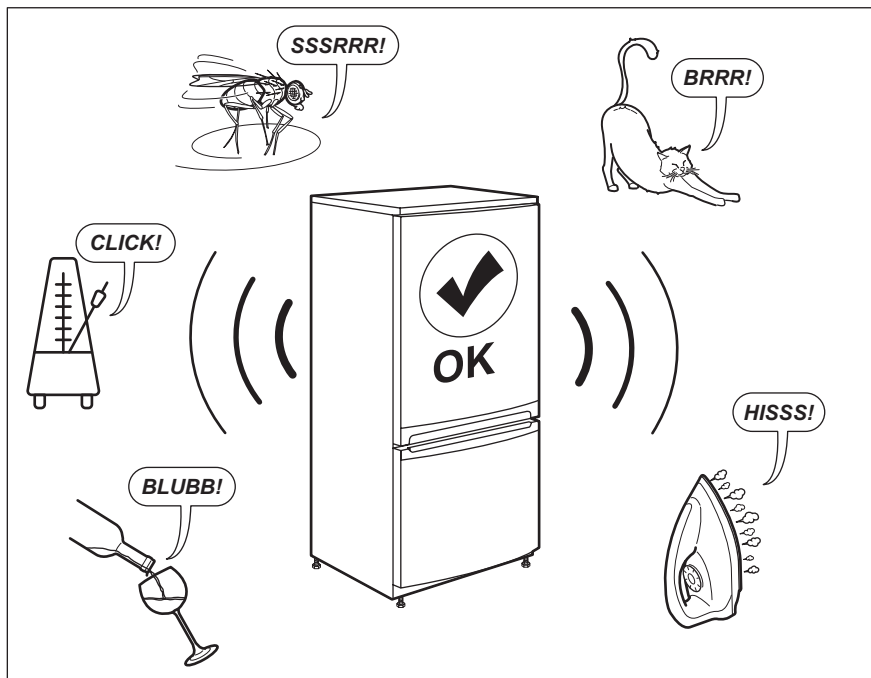
Apenas a assistência técnica está autorizada a substituir o dispositivo de

iluminação. Contacte um Centro de Assistência Técnica Autorizado.

8.3 Fechar a porta

1. Limpe as juntas da porta.
2. Se necessário, ajuste a porta. Consulte as instruções de instalação.
3. Se as juntas da porta estiverem defeituosas, substitua-as. Contacte um Centro de Assistência Técnica Autorizado.

9. RUÍDOS



10. DADOS TÉCNICOS

As informações técnicas encontram-se na placa de características existente no lado interno do aparelho e na etiqueta de energia.

O código QR na etiqueta de energia fornecida com o aparelho disponibiliza um link da web para a informação relacionada com o desempenho do aparelho na base de dados de EU EPREL. Mantenha a etiqueta de energia para consulta juntamente com o manual do utilizador e todos os outros

documentos disponibilizados com este aparelho.

É também possível encontrar a mesma informação na EPREL utilizando o link <https://eprel.ec.europa.eu> e o nome do modelo e o número do produto que encontra na placa de classificação do aparelho.


Consulte o link www.theenergylabel.eu para informação detalhada sobre a etiqueta de energia.


11. INFORMAÇÃO PARA TESTES

A instalação e preparação do aparelho para qualquer verificação EcoDesign deve estar em conformidade com EN 62552. Os requisitos de ventilação, dimensão dões de encaixe e folgas traseiras mínimas deverão ser conforme

declarado neste Manual do Utilizador no Capítulo 3. Contacte o fabricante para quaisquer informações adicionais, incluindo planos de carga.

12. PREOCUPAÇÕES AMBIENTAIS

Recicle os materiais que apresentem o símbolo . Coloque a embalagem nos contentores indicados para reciclagem. Ajude a proteger o ambiente e a saúde pública através da reciclagem dos aparelhos eléctricos e electrónicos. Não elimine os aparelhos que tenham o

símbolo  juntamente com os resíduos domésticos. Coloque o produto num ponto de recolha para reciclagem local ou contacte as suas autoridades municipais.

CONTENIDO

| | |
|-----------------------------------------------------|----|
| 1. INFORMACIÓN SOBRE SEGURIDAD..... | 48 |
| 2. INSTRUCCIONES DE SEGURIDAD..... | 51 |
| 3. INSTALACIÓN..... | 53 |
| 4. PANEL DE MANDOS..... | 55 |
| 5. USO DIARIO..... | 58 |
| 6. CONSEJOS..... | 61 |
| 7. MANTENIMIENTO Y LIMPIEZA..... | 64 |
| 8. SOLUCIÓN DE PROBLEMAS..... | 65 |
| 9. RUIDOS..... | 70 |
| 10. DATOS TÉCNICOS..... | 70 |
| 11. INFORMACIÓN PARA LOS INSTITUTOS DE PRUEBAS..... | 70 |

PENSAMOS EN USTED

Gracias por adquirir un aparato Electrolux. Ha escogido un producto que contiene décadas de experiencia e innovación profesionales. Ingenioso y elegante, se ha diseñado pensando en usted. Así pues, siempre que lo utilice, puede tener la seguridad de que conseguirá excelentes resultados.

Bienvenido a Electrolux.

Visite nuestro sitio web para:



Obtener consejos, folletos, soluciones a problemas e información de servicio y reparación:

www.electrolux.com/support



Registrar su producto para recibir un mejor servicio:

www.registreelectrolux.com



Adquirir accesorios, artículos de consumo y recambios originales para su aparato:

www.electrolux.com/shop

ATENCIÓN Y SERVICIO AL CLIENTE

Le recomendamos que utilice recambios originales.

Al contactar con nuestro centro autorizado de servicio técnico, cerciórese de tener la siguiente información a mano: Modelo, PNC, Número de serie.

La información se puede encontrar en la placa de características.

 Advertencia / Precaución-Información sobre seguridad

 Información general y consejos

 Información sobre el medio ambiente

Salvo modificaciones.

1. INFORMACIÓN SOBRE SEGURIDAD

Antes de instalar y utilizar el aparato, lea atentamente las instrucciones facilitadas. El fabricante no se hace responsable de lesiones o daños producidos como

resultado de una instalación o un uso incorrectos. Conserve siempre estas instrucciones en lugar seguro y accesible para futuras consultas.

1.1 Seguridad de niños y personas vulnerables

- Este aparato puede ser utilizado por niños de 8 años en adelante y personas cuyas capacidades físicas, sensoriales o mentales estén disminuidas o que carezcan de la experiencia y conocimientos suficientes para manejarlo, siempre que cuenten con las instrucciones o la supervisión sobre el uso del electrodoméstico de forma segura y comprendan los riesgos.
- Los niños de 3 a 8 años pueden cargar y descargar el aparato siempre que hayan sido debidamente instruidos.
- Este aparato puede ser utilizado por personas con discapacidades muy extensas y complejas, siempre que hayan sido instruidas adecuadamente.
- Es necesario mantener alejados del aparato a los niños de menos de 3 años salvo que estén bajo supervisión continua.
- No deje que los niños jueguen con el aparato.
- La limpieza y mantenimiento de usuario del aparato no podrán ser realizados por niños sin supervisión.
- Mantenga todo el material de embalaje fuera del alcance de los niños y deséchelo de forma adecuada.

1.2 Seguridad general

- Este aparato está concebido para utilizarse en aplicaciones domésticas y similares, tales como:
 - Granjas; áreas de cocina para el personal en tiendas, oficinas y otros entornos de trabajo;
 - Por clientes en hoteles, moteles, pensiones y otros entornos de tipo residencial.
- Para evitar la contaminación alimentaria, respete las siguientes instrucciones:

- no abra la puerta durante largos periodos de tiempo;
- limpie regularmente las superficies que pueden entrar en contacto con los alimentos y los sistemas de drenaje accesibles;
- guarde la carne y el pescado crudos en recipientes adecuados en el frigorífico, de manera que no estén en contacto con otros alimentos ni goteen sobre ellos.
- ADVERTENCIA: Mantenga libres de obstrucciones las aberturas de ventilación del alojamiento del aparato o de la estructura empotrada.
- ADVERTENCIA: No utilice dispositivos mecánicos ni medios artificiales para acelerar el proceso de descongelación, excepto los recomendados por el fabricante.
- ADVERTENCIA: No dañe el circuito del refrigerante.
- ADVERTENCIA: No utilice dispositivos eléctricos dentro de los compartimientos para alimentos del aparato, salvo si son del tipo recomendado por el fabricante.
- No utilice pulverizadores ni vapor de agua para limpiar el aparato.
- Limpie el aparato con un paño suave humedecido. Utilice solo detergentes neutros. No utilice productos abrasivos, estropajos duros, disolventes ni objetos metálicos.
- Cuando el aparato esté vacío durante un largo período, apáguelo, descongélelo, límpielo, séquelo y deje la puerta abierta para evitar que se desarrolle moho en el interior del aparato.
- No almacene sustancias explosivas tales como latas de aerosol con un propulsor inflamable en este aparato.
- Si el cable eléctrico sufre algún daño, el fabricante, su servicio técnico autorizado o un profesional cualificado tendrán que cambiarlo para evitar riesgos.

2. INSTRUCCIONES DE SEGURIDAD

2.1 Instalación



ADVERTENCIA!

Sólo un técnico cualificado puede instalar el aparato.

- Retire todo el embalaje.
- No instale ni utilice un aparato dañado.
- No utilice el aparato antes de instalarlo en la estructura empotrada por motivos de seguridad.
- Siga las instrucciones de instalación suministradas con el aparato.
- Tenga cuidado al mover el aparato, porque es pesado. Utilice siempre guantes de protección y calzado cerrado.
- Asegúrese de que el aire pueda circular alrededor del aparato.
- En la primera instalación otras invertir el sentido de apertura de la puerta, espere al menos 4 horas antes de conectar el aparato a la alimentación eléctrica. Esto es para permitir que el aceite regrese al compresor.
- Desenchufe siempre el aparato antes de llevar a cabo cualquier operación, por ejemplo cambiar el sentido de apertura de la puerta.
- No instale el aparato cerca de radiadores, cocinas, hornos o placas de cocción.
- No exponga el aparato a la lluvia.
- No instale el aparato donde reciba luz solar directa.
- No instale este aparato en áreas excesivamente húmedas o frías.
- Al mover el aparato, levántelo por el borde frontal para no arañar el suelo.
- El aparato contiene una bolsa de desecante. No se trata de un juguete. No es un alimento. No olvide desecharlo inmediatamente.

2.2 Conexión eléctrica



ADVERTENCIA!

Riesgo de incendios y descargas eléctricas.



ADVERTENCIA!

Al colocar el producto, asegúrese de que el cable de alimentación no queda atrapado o doblado.



ADVERTENCIA!

No utilice adaptadores de enchufes múltiples ni cables prolongadores.

- El aparato debe conectarse a tierra.
- Asegúrese de que los parámetros de la placa de características son compatibles con los valores eléctricos del suministro eléctrico.
- Utilice siempre una toma con aislamiento de conexión a tierra correctamente instalada.
- Asegúrese de no provocar daños en los componentes eléctricos (como enchufe, cable de alimentación, compresor). Póngase en contacto con un electricista o con el servicio técnico autorizado para cambiar los componentes eléctricos.
- El cable de alimentación debe estar por debajo del nivel del enchufe de alimentación.
- Conecte el enchufe a la toma de corriente únicamente cuando haya terminado la instalación. Asegúrese de tener acceso al enchufe del suministro de red una vez finalizada la instalación.
- No desconecte el aparato tirando del cable de conexión a la red. Tire siempre del enchufe.

2.3 Uso del aparato



ADVERTENCIA!

Existe riesgo de lesiones, quemaduras, descargas eléctricas o incendios.



El aparato contiene un gas inflamable, isobutano (R600a), un gas natural con alto grado de compatibilidad medioambiental. Tenga cuidado para no

dañar el circuito de refrigerante que contiene isobutano.

- No cambie las especificaciones de este aparato.
- No utilice otros aparatos eléctricos (como máquinas de hacer helados) dentro de aparatos de refrigeración, salvo que el fabricante haya autorizado su utilización.
- Si se daña el circuito del refrigerante, evite las llamas y fuentes de ignición en la habitación. Ventile la habitación.
- No toque con elementos calientes las piezas de plástico del aparato.
- No coloque bebidas con gas en el congelador. Se creará presión en el contenedor de la bebida.
- No almacene gas ni líquido inflamable en el aparato.
- No coloque productos inflamables ni objetos mojados con productos inflamables dentro, cerca o encima del aparato.
- No toque el compresor ni el condensador. Están calientes.
- No retire ni toque elementos del compartimento congelador con las manos húmedas o mojadas.
- No vuelva a congelar alimentos que se hayan descongelado.
- Siga las instrucciones del envase de los alimentos congelados.
- Envuelva los alimentos en cualquier material adecuado antes de ponerlos en el congelador.

2.4 Luz interna



ADVERTENCIA!

Riesgo de descarga eléctrica.

- El tipo de luz utilizada para este aparato es específica para aparatos domésticos. No se debe utilizar para la iluminación doméstica.

2.5 Mantenimiento y limpieza



ADVERTENCIA!

Podría sufrir lesiones o dañar el aparato.

- Antes de proceder con el mantenimiento, apague el aparato y desconecte el enchufe de la red.
- Este equipo contiene hidrocarburos en la unidad de refrigeración. Solo una persona cualificada debe realizar el mantenimiento y la recarga de la unidad.
- Examine periódicamente el desagüe del aparato y límpielo si fuera necesario. Si el desagüe se bloquea, el agua descongelada se acumulará en la base del aparato.

2.6 Asistencia

- Para reparar el aparato, póngase en contacto con el centro de servicio autorizado. Utilice solamente piezas de recambio originales.
- Tenga en cuenta que la autorreparación o la reparación no profesional puede tener consecuencias de seguridad y podría anular la garantía.
- Las siguientes piezas de repuesto estarán disponibles durante 7 años después de que el modelo se haya retirado: termostatos, sensores de temperatura, placas de circuitos impresos, fuentes de luz, manijas de puertas, bisagras de puertas, bandejas y cestas. Tenga en cuenta que algunas de estas piezas de recambio solo están disponibles para los reparadores profesionales, y que no todas las piezas de recambio son relevantes para todos los modelos.
- Las juntas de las puertas estarán disponibles durante 10 años después de que el modelo se haya retirado.

2.7 Desecho



ADVERTENCIA!

Existe riesgo de lesiones o asfixia.

- Desconecte el aparato de la red.
- Corte el cable de conexión a la red y deséchelo.
- Retire la puerta para evitar que los niños y las mascotas queden encerrados en el aparato.

- El circuito del refrigerante y los materiales aislantes de este aparato no dañan la capa de ozono.
- La espuma aislante contiene gas inflamable. Póngase en contacto con las autoridades locales para saber

cómo desechar correctamente el aparato.

- No dañe la parte de la unidad de refrigeración que está cerca del intercambiador de calor.

3. INSTALACIÓN



ADVERTENCIA!
Consulte los capítulos sobre seguridad.

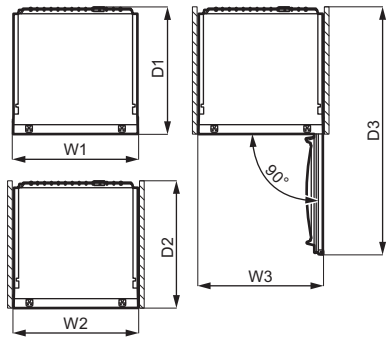
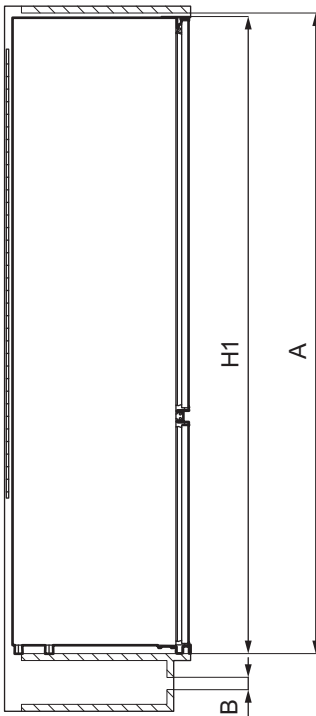


ADVERTENCIA!
Consulte el documento de instrucciones de instalación para instalar su aparato.



ADVERTENCIA!
Fije el aparato de acuerdo con las instrucciones de instalación para evitar el riesgo de inestabilidad.

3.1 Medidas



| Dimensiones generales ¹⁾ | | |
|-------------------------------------|----|------|
| H1 | mm | 1772 |
| W1 | mm | 548 |
| D1 | mm | 549 |

¹⁾ la altura, anchura y profundidad del aparato sin el mango y las patas

| Espacio necesario en uso ¹⁾ | | |
|----------------------------------------|----|------|
| H2 (A+B) | mm | 1816 |
| W2 | mm | 548 |
| D2 | mm | 551 |
| A | mm | 1780 |
| B | mm | 36 |

¹⁾ la altura, anchura y profundidad del aparato, incluyendo la manija, más el espacio necesario para la libre circulación del aire de refrigeración

| Espacio total necesario en uso ¹⁾ | | |
|----------------------------------------------|----|------|
| H3 (A+B) | mm | 1816 |
| W3 | mm | 548 |
| D3 | mm | 1071 |

¹⁾ la altura, anchura y profundidad del aparato, incluido el mango, más el espacio necesario para la libre circulación del aire de refrigeración, más el espacio necesario para permitir la apertura de la puerta hasta el ángulo mínimo que permita la extracción de todo el equipo interno

3.2 Ubicación

Para garantizar el mejor funcionamiento del aparato, no debe instalarse en las proximidades de la fuente de calor (horno, estufas, radiadores, cocinas o fogones) ni en un lugar con luz solar directa. Asegúrese de que el aire pueda circular libremente alrededor de la parte posterior del gabinete.

3.3 Colocación

Este aparato debe instalarse en una ubicación interior seca y bien ventilada.

Este aparato está destinado a ser utilizado a una temperatura ambiente que oscila entre 10°C y 43°C.



Si tiene cualquier duda respecto al lugar de instalación del aparato, consulte al vendedor, a nuestro servicio de atención al cliente o al servicio técnico autorizado más cercano.



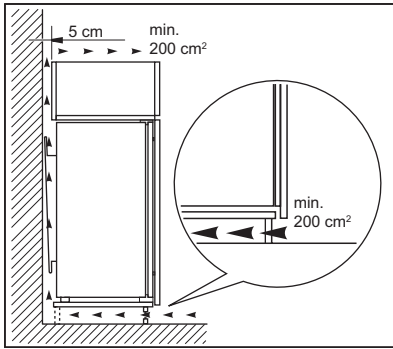
Puede que en algún momento sea necesario desenchufar el aparato de la toma de corriente, por lo que el enchufe debe quedar accesible tras la instalación del aparato.

3.4 Conexión eléctrica

- Antes de conectar el aparato, compruebe que el voltaje y la frecuencia indicados en la placa de datos técnicos se corresponden con el suministro de la vivienda.
- El aparato debe conectarse a tierra. El enchufe del cable de alimentación se suministra con un contacto para tal fin. Si la toma de red de la vivienda carece de conexión a tierra, conecte el aparato a una toma de tierra conforme con la normativa, después de consultar a un electricista profesional
- El fabricante declina toda responsabilidad si no se toman las precauciones antes indicadas.
- Este aparato cumple las directivas CEE.

3.5 Requisitos de ventilación

El aire debe poder circular libremente por la parte posterior del aparato.



PRECAUCIÓN!
 Consulte las instrucciones para realizar la instalación.

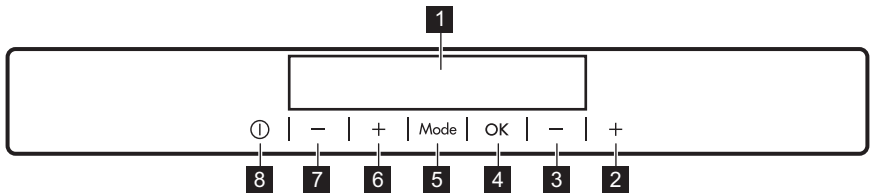
3.6 Cambio del sentido de apertura de la puerta

Consulte el documento separado con instrucciones de instalación y de inversión de la puerta.



PRECAUCIÓN!
 En todas las fases del cambio de sentido de la puerta, proteja la puerta de arañazos con un material resistente.

4. PANEL DE MANDOS



- 1** Pantalla
- 2** Botón de calentamiento de temperatura del congelador
- 3** Botón de enfriamiento de temperatura del congelador
- 4** OK
- 5** Mode
- 6** Botón de calentamiento de temperatura del frigorífico

- 7** Botón de enfriamiento de temperatura del frigorífico
- 8** ON/OFF

Se puede cambiar el sonido predefinido de los botones manteniendo pulsadas al mismo tiempo unos segundos la tecla Mode y la de menor temperatura. El cambio es reversible.

4.1 Pantalla



- A.** Indicador del compartimento frigorífico
- B.** Indicador del temporizador /Indicador de temperatura
- C.** Indicador ON/OFF
- D.** Función FastCool
- E.** Modo Holiday
- F.** Función FastFreeze
- G.** Indicador de temperatura
- H.** Indicador del compartimento congelador

- I. Indicador de alarma
- J. Función ChildLock
- K. Función DrinksChill

4.2 Encendido

1. Conecte el enchufe a la toma de corriente.
2. Pulse ON/OFF del aparato si la pantalla está apagada. Los indicadores de temperatura muestran la temperatura predeterminada programada.

Para programar otra temperatura, consulte la sección "Regulación de la temperatura".

Si "dEMo" aparece en la pantalla, consulte "Solución de problemas".

4.3 Apagado

1. Pulse ON/OFF en el aparato durante 3 segundos.
La pantalla se apaga.
2. Desenchufe el aparato de la toma de corriente.

4.4 Regulación de la temperatura

Ajuste la temperatura del aparato pulsando los reguladores de temperatura.

La temperatura de ajuste por defecto recomendada es:

- +4°C para el frigorífico.
- -18°C para el congelador

El rango de temperatura puede variar entre -15°C y -24°C para el congelador y entre 2°C y 8°C para el refrigerador.

Los indicadores de temperatura muestran la temperatura programada.



La temperatura programada se alcanza en un plazo de 24 horas.

Después de un corte del suministro eléctrico, la temperatura ajustada se guarda.

L. Función DYNAMICAIR

4.5 Encendido del frigorífico

Para encender el frigorífico basta con pulsar su regulador de temperatura. Para encender el frigorífico de la otra forma:

1. Pulse Mode hasta que aparezca el icono correspondiente.
El indicador OFF del frigorífico parpadea.
2. Pulse OK para confirmar.
El indicador de frigorífico OFF se apaga y el compartimento de frigorífico se desconecta.



Para programar otra temperatura, consulte la sección "Regulación de la temperatura".

4.6 Apagado del frigorífico

Es posible apagar solo el compartimento frigorífico manteniendo el congelador encendido.

1. Pulse Mode hasta que aparezca el indicador del compartimento frigorífico.
Parpadean el indicador OFF del frigorífico y el indicador del compartimento frigorífico.
El indicador de temperatura del frigorífico muestra guiones.
2. Pulse OK para confirmar.
Se muestra el indicador de frigorífico OFF y el compartimento de frigorífico se apaga.

4.7 Función FastCool

Si necesita introducir en el frigorífico una gran cantidad de alimentos calientes, por ejemplo después de hacer la compra, se aconseja activar la función FastCool para enfriarlos más rápidamente y evitar que suba la temperatura de los que ya están almacenados en el frigorífico.

1. Pulse Mode hasta que aparezca el icono correspondiente.
El indicador FastCool parpadea.
2. Pulse OK para confirmar.

Aparece el indicador FastCool. El ventilador se activa automáticamente durante la duración de la función. Esta función se detiene automáticamente después de unas 6 horas.

Puede desactivar la función FastCool antes de su finalización automática repitiendo el procedimiento o seleccionando una temperatura de ajuste diferente en el frigorífico.

4.8 Modo Holiday

Este modo permite mantener el compartimento frigorífico vacío durante un largo periodo vacacional reduciendo la formación de malos olores mientras el compartimento del congelador funciona normalmente.

1. Pulse Mode hasta que aparezca el icono correspondiente. El indicador Holiday parpadea. El indicador de temperatura muestra la temperatura programada.
2. Pulse OK para confirmar. Aparece el indicador Holiday.



Este modo se apaga seleccionando una temperatura programada diferente.

4.9 Función FastFreeze

FastFreeze se utiliza para realizar la precongelación y la congelación rápida en secuencia en el compartimento del congelador. Esta función acelera la congelación de alimentos frescos e impide que se calienten los alimentos ya almacenados.



Para congelar alimentos frescos, active la función FastFreeze al menos 24 horas antes de introducir los alimentos para completar la precongelación.

1. Para activar la función, pulse el botón Mode hasta que aparezca el icono correspondiente. El indicador FastFreeze parpadea.
2. Pulse el botón OK para confirmar.

Aparece el indicador FastFreeze. La función se para automáticamente después de 52 horas.

Puede desactivar la función FastFreeze antes de su finalización automática repitiendo el procedimiento hasta que se apaga el indicador FastFreeze o seleccionando una temperatura de ajuste diferente.

4.10 Función DYNAMICAIR

El compartimento frigorífico cuenta con un dispositivo que permite enfriar los alimentos con rapidez y mantiene una temperatura más uniforme dentro del compartimento.

Este dispositivo se activa automáticamente cuando es necesario o manualmente.

Para activar la función:

1. Pulse el botón Mode hasta que aparezca el icono correspondiente. El indicador DYNAMICAIR parpadea.
2. Pulse el botón OK para confirmar. Aparece el indicador DYNAMICAIR.

Para apagar la función, repita el procedimiento hasta que se apague el icono indicador DYNAMICAIR.



Si la función se activa automáticamente, no se muestra el indicador DYNAMICAIR (consulte la sección "Uso diario"). La activación de la función DYNAMICAIR incrementa el consumo de energía.

El dispositivo de aire dinámico se detiene cuando la puerta está abierta y se reinicia inmediatamente después de cerrarla.

4.11 Función ChildLock

Active la función ChildLock para bloquear los botones frente a pulsaciones accidentales.

1. Pulse Mode hasta que aparezca el icono correspondiente. El indicador ChildLock parpadea.
2. Pulse OK para confirmar. Aparece el indicador ChildLock.

Para activar la función ChildLock, repita el procedimiento hasta que el indicador ChildLock se apague.

4.12 Función DrinksChill

La función DrinksChill debe utilizarse para ajustar una alarma acústica a la hora deseada, algo útil por ejemplo para recetas en las que deben enfriarse los alimentos durante un tiempo determinado.

También resulta útil cuando se necesita un recordatorio para no olvidar que se han colocado botellas o latas en el congelador para que se enfrien rápidamente.

1. Pulse Mode hasta que aparezca el icono correspondiente.

El indicador DrinksChill parpadea. El temporizador muestra el tiempo programado (30 minutos) durante unos segundos.

2. Pulse el regulador del temporizador para programar un valor entre 1 y 90 minutos.

3. Pulse OK para confirmar.

Aparece el indicador DrinksChill.

El temporizador empieza a parpadear (min).

Al terminar la cuenta atrás, parpadea el indicador "0 min" y suena la alarma.

Pulse OK para apagar el sonido y desactivar la función.

Para apagar la función, repita el procedimiento hasta que DrinksChill se apague.



El tiempo puede modificarse en cualquier momento durante la cuenta atrás y al finalizar, pulsando los botones de enfriamiento o calentamiento de temperatura.

4.13 Alarma de temperatura alta

Cuando se produce un aumento de la temperatura en el compartimento congelador (por ejemplo, debido a un fallo de alimentación anterior), los indicadores de alarma y de temperatura del congelador parpadean y el sonido se activa.

Para desactivar la alarma:

1. Pulse cualquier botón. El sonido se desactiva.
2. El indicador de temperatura del congelador muestra la temperatura más alta alcanzada durante unos segundos y después vuelve a mostrar la temperatura ajustada.



El indicador de alarma sigue parpadeando hasta que se restablecen las condiciones normales.

Si no se pulsa ningún botón, el sonido se apaga automáticamente después de aproximadamente una hora para evitar molestias.

4.14 Alarma de puerta abierta

Si la puerta del frigorífico se deja abierta durante aproximadamente 5 minutos, el sonido se activa y el indicador de alarma parpadea.

La alarma se detiene después de cerrar la puerta. Durante la alarma, el sonido se puede desactivar pulsando cualquier botón.



Si no se pulsa ningún botón, el sonido se apaga automáticamente después de aproximadamente una hora para evitar molestias.

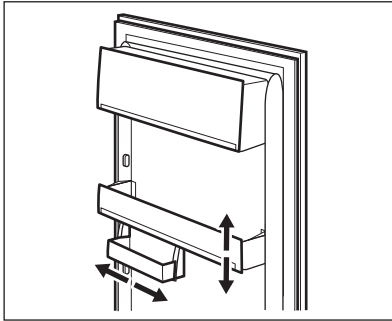
5. USO DIARIO

5.1 Colocación de los estantes de la puerta

Para poder guardar alimentos de distintos tamaños, los estantes de la

puerta se pueden colocar a diferentes alturas.

1. Tire gradualmente del estante hacia arriba hasta que se suelte.
2. Vuelva a colocarlo según sea necesario.



Este modelo cuenta con una caja de almacenamiento variable que se puede deslizar lateralmente.

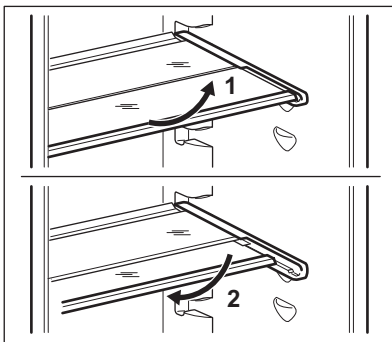
5.2 Estantes móviles

Las paredes del frigorífico cuentan con una serie de guías para colocar los estantes del modo que se prefiera.

Este aparato también está equipado con un estante que consta de dos partes. La mitad delantera del estante puede colocarse bajo la segunda mitad para aprovechar mejor el espacio.

Para plegar el estante:

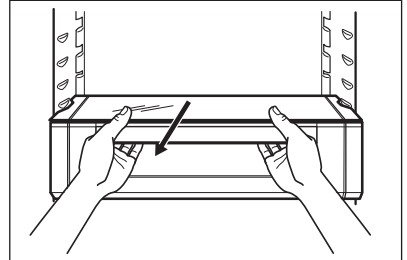
1. Saque la mitad delantera con cuidado.
2. Deslícela en la guía inferior bajo la segunda mitad.



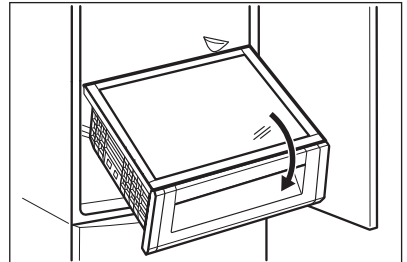
No coloque el estante de vidrio por encima del cajón de verduras para no impedir la correcta circulación del aire.

5.3 Extracción de ExtraZone

1. Sostenga el cajón junto con la cubierta de vidrio de ExtraZone y tire de ellos.



2. Incline hacia abajo el módulo para extraerlo del frigorífico.



5.4 Cajones para verduras

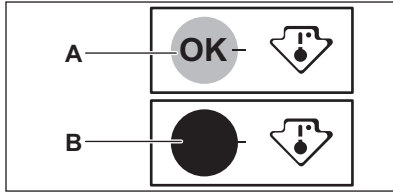
En la parte inferior del aparato hay unos cajones especiales para guardar frutas y verduras.

5.5 Indicador de temperatura

Para almacenar correctamente los alimentos, el frigorífico dispone de indicador de temperatura. El símbolo de la pared lateral indica el área más fría del frigorífico.

Si aparece OK (A), coloque los alimentos frescos en el área indicada por el símbolo, si no (B), espere al menos 12 horas y compruebe si aparece OK (A).

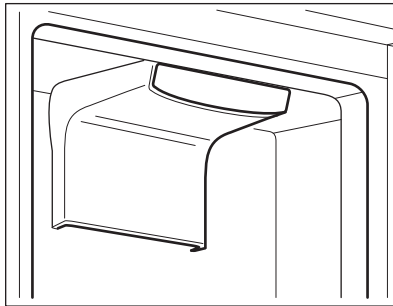
Si todavía no aparece OK (B), ajuste el control de configuración a un ajuste más frío.



5.6 DYNAMICAIR

El compartimento frigorífico cuenta con un dispositivo que permite enfriar los alimentos con rapidez y mantiene una temperatura más uniforme dentro del compartimento.

Este dispositivo se activa automáticamente cuando es necesario.



Es posible encender el dispositivo manualmente cuando sea necesario (consulte "Función DYNAMICAIR").



El ventilador solo funciona con la puerta cerrada.

5.7 filtro CleanAir

Su aparato está equipado con el filtro de carbón activado CleanAir situado en un cajón del dispositivo DYNAMICAIR.

El filtro purifica el aire para evitar los olores no deseados en el compartimento del frigorífico mejorando la calidad del almacenamiento.

En el momento de la entrega, el filtro se encuentra en una bolsa de plástico

(consulte el capítulo "Cuidado y limpieza" de la instalación).



PRECAUCIÓN!

Durante el funcionamiento, mantenga siempre cerrado el cajón de ventilación del aire.

5.8 Congelación de alimentos frescos

El compartimento del congelador es adecuado para congelar alimentos frescos y conservar a largo plazo los alimentos congelados y ultracongelados.

Para congelar alimentos frescos, active la función FastFreeze al menos 24 horas antes de introducir los alimentos en el compartimento congelador.

Guarde los alimentos frescos distribuidos uniformemente en el tercer compartimento o cajón desde la parte superior.

La cantidad máxima de alimentos que pueden congelarse sin añadir otros alimentos frescos durante 24 horas, se indica en la placa de datos técnicos (una etiqueta situada en el interior del aparato).

Cuando haya finalizado el proceso de congelación, el aparato vuelve automáticamente al ajuste de temperatura anterior (consulte "Función FastFreeze").

5.9 Conservación de alimentos congelados

Al activar un aparato por primera vez o después de un periodo sin uso, déjelo en marcha al menos durante 3 horas con la función FastFreeze encendida antes de colocar productos en el compartimento.

Los cajones de congelados aseguran una búsqueda fácil y rápida del paquete de alimentos que se desea encontrar. Cuando tenga que conservar grandes cantidades de alimentos, quite todos los cajones excepto el último, que debe permanecer en su sitio para la correcta circulación del aire.

Todos los alimentos deben estar como mínimo a 15 mm de la puerta.



PRECAUCIÓN!

En caso de producirse una descongelación accidental, por ejemplo, por un corte del suministro eléctrico, y si la interrupción ha sido más prolongada que el valor indicado en el campo "tiempo de elevación" de la placa de características técnicas, será necesario consumir cuanto antes los alimentos descongelados o cocinarlos de inmediato, enfriarlos y después congelarlos de nuevo. Consulte la sección "Alarma de temperatura alta".

5.10 Descongelación

Los alimentos ultracongelados o congelados, antes de consumirlos, pueden descongelarse en el frigorífico o dentro de una bolsa de plástico bajo agua fría.

Esta operación depende del tiempo disponible y del tipo de alimento. Los trozos pequeños pueden incluso cocinarse aún congelados.

5.11 Producción de cubitos de hielo

Este aparato cuenta con una o varias bandejas para la producción de cubitos de hielo.



No utilice instrumentos metálicos para retirar las bandejas del congelador.

1. Rellene estas bandejas con agua.
2. Ponga las bandejas de hielo en el compartimento del congelador.

5.12 Acumuladores de frío

Este aparato esté equipado con acumuladores de frío que alargan el periodo de conservación en caso de corte de corriente o avería.

Para asegurar el mejor rendimiento de los acumuladores, colóquelos en la parte superior delantera del aparato.

6. CONSEJOS

6.1 Consejos para ahorrar energía

- Congelador: La configuración interna del aparato es la que garantiza el uso más eficiente de la energía.
- Frigorífico: Se garantiza el consumo más eficiente de energía en la configuración con los cajones en la parte inferior del aparato y los estantes distribuidos uniformemente. La posición de los contenedores de la puerta no afecta al consumo de energía.
- No saque los acumuladores de frío del cesto de congelación.
- No abra la puerta con frecuencia ni la deje abierta más tiempo del necesario.
- Congelador: Cuanto más frío sea el ajuste de la temperatura, mayor será el consumo de energía.
- Frigorífico: No fije una temperatura demasiado alta para ahorrar energía,

- a menos que lo requieran las características del alimento.
- Si la temperatura ambiente es alta, se ha ajustado un valor de temperatura bajo y el aparato está totalmente lleno, el compresor podría funcionar sin detenerse y generar escarcha o hielo en el evaporador. En este caso, ajuste el control a una temperatura más alta para permitir la descongelación automática y ahorrar energía de esta manera.
- Asegure una buena ventilación. No cubra las rejillas de ventilación ni los agujeros.
- Asegúrese de que los productos alimenticios dentro del aparato permitan la circulación de aire a través de los orificios dedicados al efecto en el interior trasero del aparato.

6.2 Consejos sobre la congelación

- Active la función FastFreeze al menos 24 horas antes de colocar los alimentos en dentro del congelador.
- Antes de congelar, envuelva y selle los alimentos frescos en: papel de aluminio, film o bolsas de plástico, envases herméticos con tapa.
- Para congelar y descongelar con más eficacia, divida la comida en porciones pequeñas.
- Se recomienda poner etiquetas y fechas en todos sus alimentos congelados. Esto ayudará a identificar los alimentos y a saber cuándo deben utilizarse antes de su deterioro.
- Los alimentos deben ser frescos al congelarlos para preservar la buena calidad. Especialmente las frutas y verduras deben ser congeladas después de cosecharlos para preservar todos sus nutrientes.
- No congele las botellas o latas con líquidos, en particular las bebidas que contienen dióxido de carbono, ya que pueden explotar durante la congelación.
- No coloque alimentos calientes en el compartimiento del congelador. Enfríelos a temperatura ambiente antes de colocarlos dentro del compartimiento.
- Para evitar aumentos en la temperatura de comida ya congelada, no coloque comida no congelada justo al lado. Coloque los alimentos a temperatura ambiente en la parte del compartimiento del congelador donde no hay alimentos congelados.
- No coma cubitos de hielo, sorbetes o helados inmediatamente después de sacarlos del congelador. Existe riesgo de quemaduras.
- No vuelva a congelar los alimentos descongelados. Si la comida se ha descongelado, cocínala, enfríela y luego congélela.

6.3 Consejos para el almacenamiento de alimentos congelados

- Un buen ajuste de temperatura que asegure la conservación de los alimentos congelados es una temperatura menor o igual a -18°C . Una temperatura más alta en el interior del aparato puede reducir la vida útil.
- Todo el compartimiento del congelador es adecuado para el almacenamiento de comida congelada.
- Deje suficiente espacio alrededor de los alimentos para permitir que el aire circule libremente.
- Para un almacenamiento adecuado, consulte la etiqueta de los envases de alimentos para ver la vida útil de los alimentos.
- Es importante envolver los alimentos de tal manera que se evite que el agua, la humedad o la condensación entren en su interior.

6.4 Consejos de compra

Después de la compra:

- Asegúrese de que el envase no esté dañado - los alimentos podrían estar deteriorados. Si el paquete está hinchado o mojado, es posible que no se haya almacenado en condiciones óptimas y que la descongelación ya haya comenzado.
- Para limitar el proceso de descongelación, compre los productos congelados al final de su compra en el supermercado y téngalos en una bolsa térmica y aislada.
- Ponga los alimentos congelados inmediatamente en el congelador después de volver de la tienda.
- Si la comida se ha descongelado aunque sea parcialmente, no la vuelva a congelar. Se debe consumir lo antes posible.
- Respete la fecha de caducidad y la información de almacenamiento del paquete.

6.5 Vida útil en el congelador

| Tipo de alimento | Vida útil (meses) |
|-----------------------------------------|-------------------|
| Pan | 3 |
| Frutas (excepto cítricos) | 6 - 12 |
| Verduras | 8 - 10 |
| Sobras sin carne | 1 - 2 |
| Lácteos: | |
| Mantequilla | 6 - 9 |
| Queso blando (p. ej. mozzarella) | 3 - 4 |
| Queso duro (p. ej. parmesano, cheddar) | 6 |
| Marisco: | |
| Pescado graso (p. ej. salmón, caballa) | 2 - 3 |
| Pescado magro (p. ej. bacalao, platija) | 4 - 6 |
| Camarones | 12 |
| Almejas y mejillones desconchados | 3 - 4 |
| Pescado cocinado | 1 - 2 |
| Carne: | |
| Aves | 9 - 12 |
| Carne de res | 6 - 12 |
| Cerdo | 4 - 6 |
| Cordero | 6 - 9 |
| Salchichas | 1 - 2 |
| Jamón | 1 - 2 |
| Sobras con carne | 2 - 3 |

6.6 Consejos para la refrigeración de alimentos frescos

- Un buen ajuste de temperatura que asegure la conservación de los alimentos frescos es una temperatura menor o igual a +4°C. Una temperatura más alta en el interior del aparato puede reducir la vida útil de los alimentos.
- Cubra el alimento con el envase para preservar su frescura y aroma.
- Utilice siempre recipientes cerrados para líquidos y para alimentos, para evitar sabores u olores en el compartimento.
- Para evitar la contaminación cruzada entre alimentos cocidos y crudos, cubra la comida cocinada y sepárela de la cruda.

- Se recomienda descongelar los alimentos dentro de la nevera.
- No coloque alimentos calientes dentro del aparato. Asegúrese de que se haya enfriado a temperatura ambiente antes de introducirla.
- Para evitar el desperdicio de alimentos, los alimentos más recientes deben colocarse siempre detrás de los viejos.

6.7 Consejos para la refrigeración de alimentos

- Carne (de todo tipo): guárdela en un envoltorio adecuado y colóquela en el estante de vidrio, sobre el cajón de las verduras. Almacene la carne durante un máximo de 1-2 días.
- Frutas y verduras: limpie a fondo (elimine la suciedad) y coloque en un cajón especial (cajón de verduras).

- Es aconsejable no guardar en el frigorífico las frutas exóticas como plátanos, mangos, papayas, etc.
- Las verduras como tomates, patatas, cebollas y ajos no deben guardarse en el frigorífico.
- Mantequilla y queso: coloque en un recipiente hermético, envuelva en papel de aluminio o en bolsas de polietileno para eliminar todo el aire posible.
- Botellas: cierre con un tapón y colóquelas en el estante para botellas

de la puerta de la puerta o en el botellero (si dispone de él).

- Para acelerar el enfriamiento de los productos, se recomienda encender el ventilador. La activación del aire dinámico permite una mayor homogeneización de las temperaturas internas.
- Consulte siempre la fecha de caducidad de los productos para saber cuánto tiempo debe conservarlos.

7. MANTENIMIENTO Y LIMPIEZA



ADVERTENCIA!

Consulte los capítulos sobre seguridad.

7.1 Limpieza del interior

Antes de utilizar el aparato por primera vez, lave su interior y todos los accesorios internos con agua templada y jabón neutro para eliminar el típico olor de los productos nuevos. A continuación, seque todo bien.



PRECAUCIÓN!

No utilice detergentes, polvos abrasivos ni limpiadores a base de cloro o aceite, ya que podrían dañar el acabado.



PRECAUCIÓN!

Los accesorios y las piezas del aparato no deben lavarse en el lavavajillas.

7.2 Limpieza periódica

El equipo debe limpiarse de forma regular:

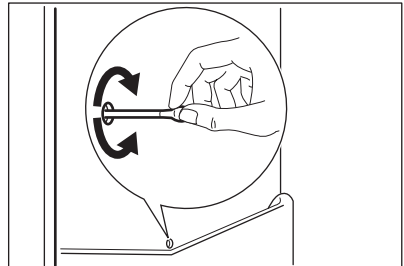
1. Limpie el interior y los accesorios con agua templada y un jabón neutro.
2. Revise y limpie periódicamente las juntas de la puerta para mantenerlas limpias y sin restos.
3. Aclare y seque a fondo.

7.3 Descongelación del frigorífico

La escarcha se elimina automáticamente del evaporador del compartimento frigorífico durante el uso normal. El agua de la descongelación se descarga por un canal hacia un recipiente especial situado en la parte posterior del aparato, sobre el motor compresor, desde donde se evapora.

Es importante limpiar periódicamente el orificio de salida del agua de descongelación situado en la mitad del canal del compartimento frigorífico para evitar que el agua se desborde y caiga sobre los alimentos del interior.

Utilice para ello la varilla limpiadora incluida con el aparato.



7.4 Descongelación del congelador

El congelador no forma escarcha. Esto significa que, durante el funcionamiento, no se forma escarcha ni en las paredes

internas del aparato ni sobre los alimentos.

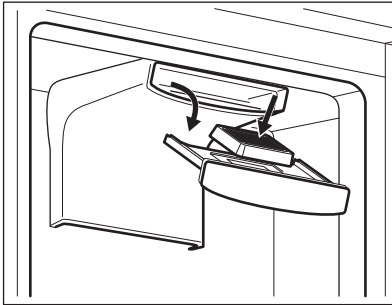
7.5 Sustitución del filtro CleanAir

El filtro de carbón activo CleanAir absorbe los malos olores, conserva el sabor y el aroma de todos los alimentos y evita la contaminación cruzada de olores.

i Maneje el filtro de aire con cuidado para no dañar ni arañar su superficie.

i El filtro de carbón activado se suministra en una bolsa de plástico que garantiza su duración e integridad. Coloque el filtro en la ranura antes de poner en marcha el aparato.

1. Abra el cajón.
2. Tire del filtro de aire usado para extraerlo.



3. Introduzca un filtro nuevo en la ranura.
4. Cierre el cajón.
Para obtener el mejor rendimiento, el cajón se debe colocar correctamente y se debe cambiar el filtro CleanAir una vez al año.

i El filtro de aire es un accesorio consumible y como tal, no está cubierto por la garantía. En la red de distribuidores autorizados puede adquirir filtros de carbón nuevos. Repita el procedimiento para cambiar el filtro de aire.

7.6 Periodos sin funcionamiento

Si el aparato no se utiliza durante un tiempo prolongado, tome las siguientes precauciones

1. Desconecte el aparato de la red eléctrica.
2. Extraiga todos los alimentos.
3. Limpie el aparato y todos los accesorios.
4. Deje las puertas abiertas para evitar olores desagradables.

8. SOLUCIÓN DE PROBLEMAS

! **ADVERTENCIA!**
Consulte los capítulos sobre seguridad.

8.1 Qué hacer si...

| Problema | Posible causa | Solución |
|-------------------------|----------------------|-------------------------------|
| El aparato no funciona. | El aparato se apaga. | Encienda el electrodoméstico. |

| Problema | Posible causa | Solución |
|------------------------------------------------------------------------------------------------------------------------------|-----------------------------------------------------------------------|-----------------------------------------------------------------------------------------------------|
| | El aparato no está correctamente enchufado a la toma de corriente. | Enchufe el aparato correctamente a la toma de corriente. |
| | No hay tensión en la toma de corriente. | Enchufe un aparato eléctrico diferente a la toma de corriente. Llame a un electricista cualificado. |
| El aparato hace ruido. | El aparato no está bien apoyado en el suelo. | Compruebe que los soportes del aparato descansan sobre una superficie estable. |
| La alarma audible o visual está activada. | El armario se ha encendido hace poco. | Consulte "Alarma de puerta abierta" o "Alarma de temperatura alta". |
| | La temperatura del horno es demasiado alta. | Consulte "Alarma de puerta abierta" o "Alarma de temperatura alta". |
| | La puerta se ha dejado abierta. | Cierre la puerta. |
| El compresor funciona continuamente. | La temperatura está ajustada incorrectamente. | Consulte el capítulo "Panel de control". |
| | Se han guardado muchos alimentos al mismo tiempo. | Espere unas horas y vuelva a comprobar la temperatura. |
| | La temperatura ambiente es demasiado alta. | Consulte el capítulo "Instalación". |
| | Los alimentos introducidos en el aparato estaban demasiado calientes. | Deje que los alimentos se enfríen a temperatura ambiente antes de almacenarlos. |
| | La puerta no está bien cerrada. | Consulte la sección "Cierre de la puerta". |
| | La función FastFreeze está activada. | Consulte la sección "Función FastFreeze". |
| | La función FastCool está activada. | Consulte la sección "Función FastCool". |
| El compresor no se pone en marcha inmediatamente después de pulsar "FastFreeze" o "FastCool", o tras cambiar la temperatura. | El compresor se pone en marcha después de un cierto tiempo. | Esto es normal y no significa que exista un error. |

| Problema | Posible causa | Solución |
|---------------------------------------------------------------------------|---------------------------------------------------------------------------------------------------|-------------------------------------------------------------------------------|
| La puerta está mal alineada o interfiere con la rejilla de ventilación. | El aparato no está nivelado. | Consulte las instrucciones de instalación. |
| La puerta no se abre fácilmente. | Ha intentado volver a abrir la puerta inmediatamente después de cerrarla. | Espere unos segundos entre el cierre y la reapertura de la puerta. |
| La bombilla no funciona. | La bombilla está en modo de espera. | Cierre y abra la puerta. |
| | La bombilla es defectuosa. | Póngase en contacto con el servicio técnico autorizado más cercano. |
| Hay demasiada escarcha o hielo. | La puerta no está bien cerrada. | Consulte la sección "Cierre de la puerta". |
| | La junta de la puerta está sucia o deformada. | Consulte la sección "Cierre de la puerta". |
| | Los alimentos no están bien envueltos. | Envuelva mejor los productos. |
| | La temperatura está ajustada incorrectamente. | Consulte el capítulo "Panel de control". |
| | El aparato está completamente cargado y ajustado a la temperatura más baja. | Seleccione una temperatura más alta. Consulte el capítulo "Panel de control". |
| | La temperatura ajustada en el aparato es demasiado baja y la temperatura ambiente demasiado alta. | Seleccione una temperatura más alta. Consulte el capítulo "Panel de control". |
| El agua fluye por la placa posterior del frigorífico. | Durante el proceso de descongelación automática, la escarcha se derrite en la placa posterior. | Es correcto. |
| Hay demasiada agua de condensación en la pared posterior del frigorífico. | La puerta se abre con demasiada frecuencia. | Abra la puerta solo cuando sea necesario. |
| | La puerta no se cierra completamente. | Asegúrese de que la puerta está cerrada completamente. |
| | Los alimentos guardados no están envueltos correctamente. | Envuelva los alimentos correctamente antes de guardarlos en el aparato. |

| Problema | Posible causa | Solución |
|----------------------------------------------------|------------------------------------------------------------------------------------------------------------------|------------------------------------------------------------------------------------------------------------------------------------------------------------------------------------------------------------------|
| El agua fluye por el interior del frigorífico. | Los productos impiden que el agua fluya al colector de agua. | Asegúrese de que los alimentos no entran en contacto con la placa posterior. |
| | La salida de agua está obstruida. | Limpie la salida de agua. |
| Hay agua en el suelo. | La salida de agua de la descongelación no está conectada a la bandeja de evaporación situada sobre el compresor. | Fije la salida de agua de descongelación a la bandeja de evaporación. |
| No es posible ajustar la temperatura. | La "Función FastFreeze" o "Función FastCool" está activada. | Apague manualmente la "Función FastFreeze" o "Función FastCool", o espere hasta que la función se desactive automáticamente antes de ajustar la temperatura. Consulte "Función FastFreeze" o "Función FastCool". |
| La temperatura del aparato es demasiado baja/alta. | La temperatura no se ha ajustado correctamente. | Seleccione una temperatura más alta o baja. |
| | La puerta no está bien cerrada. | Consulte la sección "Cierre de la puerta". |
| | La temperatura de los productos es demasiado alta. | Deje que la temperatura de los productos descienda a la temperatura ambiente antes de guardarlos. |
| | Se han guardado muchos alimentos al mismo tiempo. | Guarde menos productos al mismo tiempo. |
| | La puerta se ha abierto con frecuencia. | Si es necesario, cierre la puerta. |
| | La función FastFreeze está activada. | Consulte la sección "Función FastFreeze". |
| | La función FastCool está activada. | Consulte la sección "Función FastCool". |
| | No hay circulación de aire frío en el aparato. | Compruebe que el aire frío circula libremente en el aparato. Consulte el capítulo "Consejos". |

| Problema | Posible causa | Solución |
|----------------------------------------------------------------------------------|------------------------------------------|-------------------------------------------------------------------------------------------------------------------------------------------------------------------------------------------|
| DEMO aparece en la pantalla. | El aparato está en modo de demostración. | Mantenga pulsado OK durante aproximadamente 10 segundos hasta que se oiga un sonido largo y la pantalla se apague un breve instante. |
| Aparecerá un símbolo □, □ o □ en lugar de números en la pantalla de temperatura. | Problema en el sensor de temperatura. | Póngase en contacto con el centro de servicio técnico autorizado más cercano (el sistema de refrigeración seguirá manteniendo fríos los alimentos, pero no podrá ajustar la temperatura). |



Si el consejo anterior no ofrece resultados, llame al servicio técnico autorizado más cercano.

8.2 Cambio de la bombilla

El aparato está equipado con una luz LED interior de larga duración.

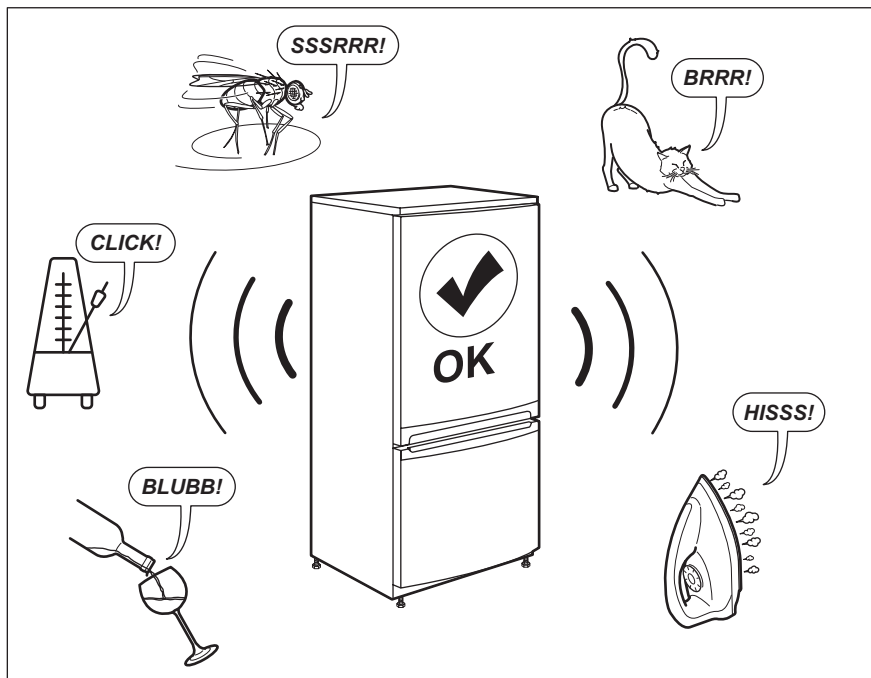
El dispositivo de iluminación solo debe ser sustituido por el servicio técnico.

Póngase en contacto con el servicio técnico.

8.3 Cierre de la puerta

1. Limpie las juntas de la puerta.
2. Si es necesario, ajuste la puerta. Consulte las instrucciones de instalación.
3. Si es necesario, cambie las juntas defectuosas. Póngase en contacto con el servicio técnico autorizado.

9. RUIDOS



10. DATOS TÉCNICOS

La información técnica se encuentra en la placa de datos técnicos en el lado interior izquierdo del aparato y en la etiqueta de energía.

El código QR de la etiqueta energética suministrada con el aparato proporciona un enlace web a la información relacionada con el rendimiento del aparato en la base de datos de EU EPREL. Guarde la etiqueta de energía como referencia junto con el manual de usuario y todos los demás documentos que se proporcionan con este aparato.

También puede encontrar la misma información en EPREL utilizando el enlace <https://eprel.ec.europa.eu> y el nombre del modelo y el número de producto que se encuentra en la placa de características del aparato.

Consulte el enlace www.theenergylabel.eu para información detallada sobre la etiqueta energética.


11. INFORMACIÓN PARA LOS INSTITUTOS DE PRUEBAS


La instalación y la preparación del aparato para cualquier verificación de EcoDiseño deberá cumplir con EN 62552. Los requisitos de ventilación, las

dimensiones de los huecos y las distancias mínimas traseras serán los indicados en el Capítulo 3 de este Manual de Usuario. Por favor, póngase

en contacto con el fabricante para cualquier otra información adicional, incluyendo los planos de carga.

12. ASPECTOS MEDIOAMBIENTALES

Recicle los materiales con el símbolo . Coloque el material de embalaje en los contenedores adecuados para su reciclaje. Ayude a proteger el medio ambiente y la salud pública, así como a reciclar residuos de aparatos eléctricos y

electrónicos. No deseche los aparatos marcados con el símbolo  junto con los residuos domésticos. Lleve el producto a su centro de reciclaje local o póngase en contacto con su oficina municipal.

www.electrolux.com/shop



222377735-A-122020

