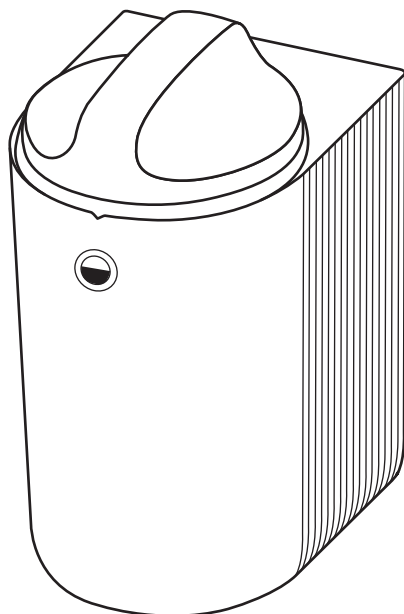


EN MICROPLASTIC FILTER	2	EL ΦΙΛΤΡΟ ΜΙΚΡΟΠΛΑΣΤΙΚΩΝ	152	SK FILTER MIKROPLASTOV	308
BG МИКРОПЛАСТИЧЕН ФИЛТЪР	16	HU MIKROMŰANYAG-SZŰRŐ	169	SL FILTER ZA MIKROPLASTIKO	323
CS FILTR NA MIKROPLASTY	33	LV MIKROPLASTMASAS FILTRS	185	TR MIKROPLASTIK FİLTRESİ	338
DE MIKROPLASTISCHER FILTER	48	LT MIKROPLASTIKINIS FILTRAS	200	UK МІКРОПЛАСТИЧНИЙ ФІЛЬТР	354
DA MIKROPLASTIK-FILTER	64	NL MICROPLASTICFILTER	214	IT FILTRO IN MICROPLASTICA	370
NO MIKROPLASTFILTER	78	PL FILTR MIKROPLASTIKU	230		
ES FILTRO DE MICROPLÁSTICOS	92	PT FILTRO MICROPLÁSTICO	245		
ET MIKROPLASTI FILTER	107	RO FILTRU MICROPLASTIC	261		
FI MIKROMUOVISUODATIN	121	RU ФИЛЬТР ИЗ МИКРОПЛАСТИКА	277		
FR FILTRE À MICROPLASTIQUES	136	SV MIKROPLASTFILTER	294		




1. ⚠️ SAFETY INFORMATION

Before the installation and use of the product, read the supplied instructions carefully. The manufacturer is not responsible for any injuries or damage that are the result of incorrect installation or usage. Always keep the instructions in a safe and accessible location for future reference.

- This product is designed for filtering microplastic fibres released from textiles during the washing process and should not be used for other purpose.
- This product can be used by children aged from 8 years and above and persons with reduced physical, sensory or mental capabilities or lack of experience and knowledge if they have been given supervision or instruction concerning the use of the product in a safe way and understand the hazards involved. Children of less than 8 years of age and persons with very extensive and complex disabilities shall be kept away from the appliance unless continuously supervised.
- Do not let children play with the product. Keep all packaging away from children and dispose of it appropriately.
- Children shall not carry out cleaning and user maintenance of the product without supervision. Keep detergents away from children.
- This product is intended to be used in household and similar applications such as:
 - staff kitchen areas in shops, offices and other working environments;
 - farm houses;
 - by clients in hotels, motels, bed & breakfast and other residential type environments;
 - areas for communal use in blocks of flats or in laundrettes.
- Follow the installation instructions supplied with the product.

- Do not install or use a damaged product or drain hoses.
- Install the product in a safe and suitable place that meets installation requirements.
- Do not install the product above any electrical sockets, or above any devices located on the wall, or freestanding devices close by on the floor to avoid the risk of electric shock.
- Remove all the packaging.
- Make sure the pipes are fixed properly to avoid leaks, noise or damage.
- Ensure proper drain hose path between the appliance and the filter inlet to avoid blocking the drain flow.
- Fixing devices for the wall are not included owing to different wall materials. Use proper fixing devices suitable for the walls.
- Ensure that there are no visible water leaks during and after the first use of the product.
- Do not use high pressure water sprays and/or steam to clean the product.
- Always switch off and check that the machine is not running before accessing or cleaning the product.
- Clean the product with a moist cloth. Use only neutral detergents. Do not use abrasive products, abrasive cleaning pads, solvents or metal objects.
- Clean the cartridge regularly, once a week or when the red floater indicator is clearly visible.
- Do not reuse water from the filter. It may contain micro-plastic particles that are unfit for human and animal consumption.
- To repair the product contact the Authorised Service Centre. Use only original spare parts.
- This external accessory is compatible with Electrolux/AEG/Zanussi household washing machines.

Environmental concerns

Recycle materials with the symbol . Put the packaging in relevant containers to recycle it.

2. INSTALLATION

2.1 Before Installation



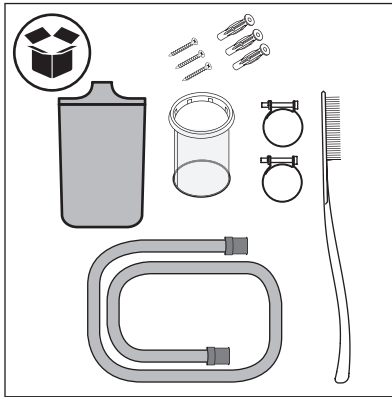
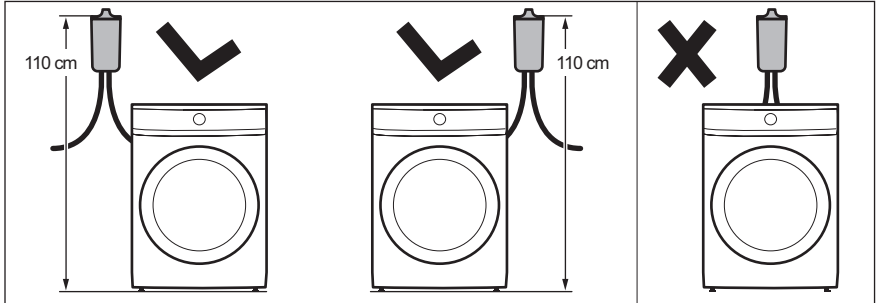
WARNING!
Refer to Safety chapters.



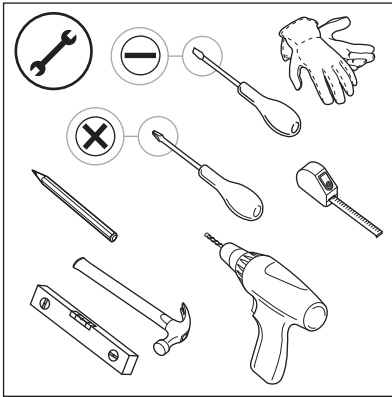
Visit electrolux.com/getstarted/microplasticfilters for the installation and usage videos.

1. Select a proper location on the wall to install filter:

To avoid leakages over the washing machine, it is preferable to instal the filter on either side of your washing machine.

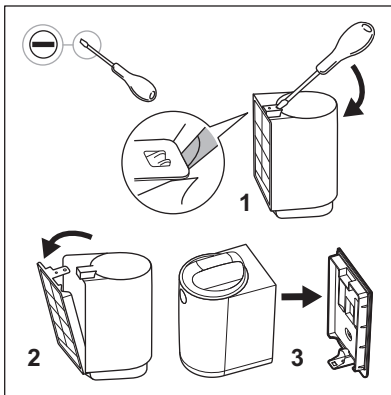


2. Verify box content.



3. Prepare necessary tools for the installation.

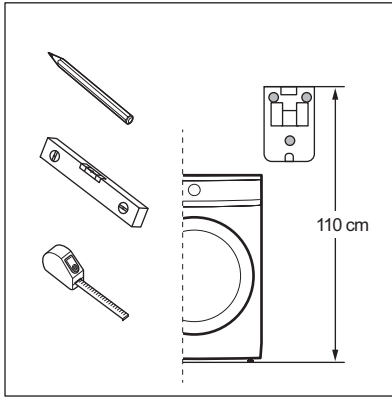
2.2 Installing the accessory



1. Remove the filter from packaging box and remove the wall support with the help of a flat screwdriver.

2. The position of your filter needs to follow these listed points (a and b):

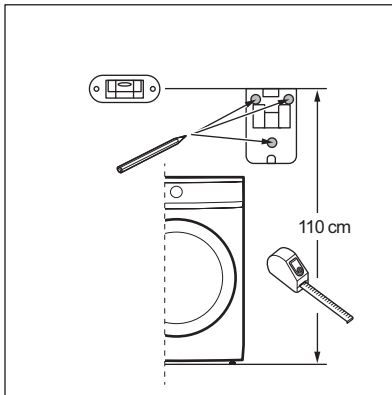
a. Position the wall support at the correct height, measuring 110 cm* from top of the wall support to the floor (or pedestal if present). ***Tolerance admitted in filter height position is +/-5 cm.**



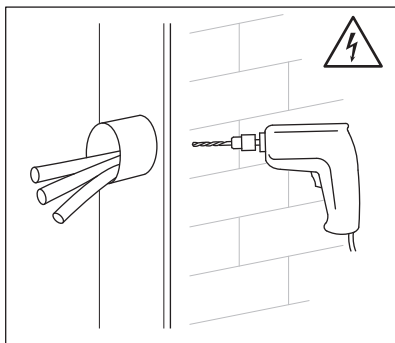
Check where your point of drainage is before positioning the wall support. Filter is equipped with one drainage pipe with length of 100 cm.



Make sure there is enough space above your filter before positioning the wall support. Be sure to leave adequate free space above the filter in order to remove and re-insert the cartridge. See minimum dimensions reference in Appendix 1 (Front Loader) and Appendix 2 (Top Loader).



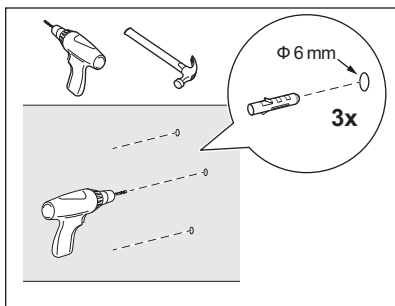
b. Use a level to check that the 3 drilling punches are level and well-aligned before drilling.



3. Drill the holes into the wall and place the anchors.

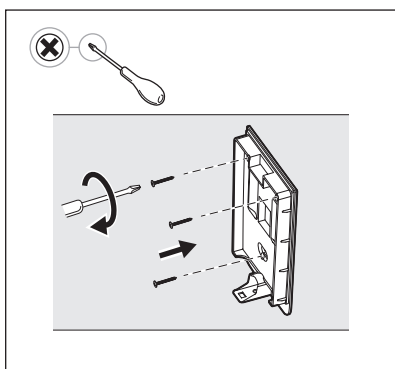
WARNING!

Before drilling in the wall, make sure no water pipes or electrical wires are behind. It is recommended to use a ϕ 6mm drill bit. The filter package includes three dedicated screws and plastic anchors to properly and securely install the filter. The provided fixation system is designed for installation on a brick wall. In case of doubt, refer to the technician.

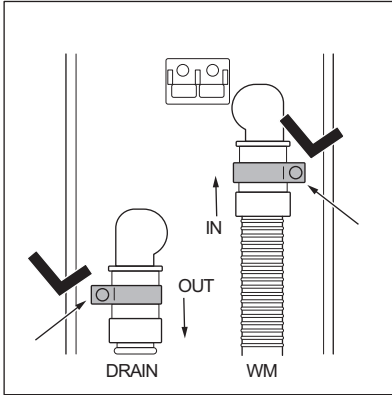


WARNING!

If your wall is made of different material than brick, use the proper anchors and screws designed for that material.



4. Attach the wall support with the screws and plastic anchors provided, making sure it is straight and securely affixed to the wall.



5. Take the hoses, the collars and the filter body.

Insert the collars on the hoses and connect pipes to the filter body following **IN/OUT** indications present on the back of the filter body:

IN: hose which comes from the WM,

OUT: hose (present in the filter package) which goes to the drain.

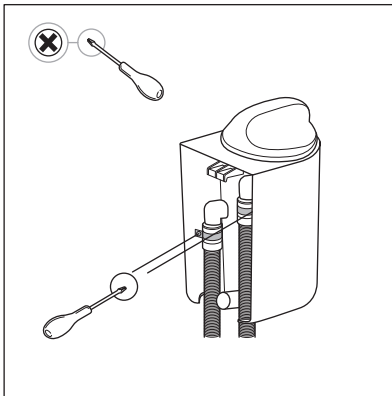
WARNING!

Before connecting the drainage hose to the external filter, be sure that the washing machine is turned OFF and unplugged from the electrical socket.



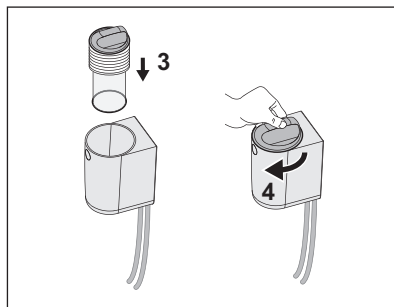
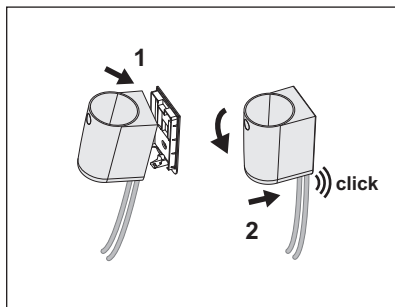
6. Tighten the collars using the screwdriver.

Follow these instructions exactly in order to position the collars to ensure a complete connection.

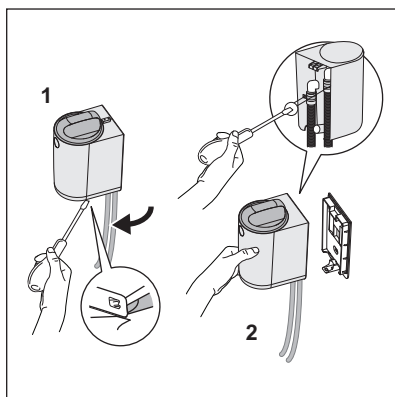


When using the screwdriver, be careful not to damage the filter body or the hoses.

7. Following the movement shown in the picture, when attaching the filter body to the wall support, you will hear the a "click" as the body is correctly attached to the wall support.



- i** Before proceeding to the next topic Daily use & care and cleaning, start the short washing programme and follow it until the end. Be sure that no leakages appear from the filter and its connections. In case of water leakage, proceed as described in paragraph 8. Detach the filter assembly from the wall support and tighten the collars. To reinstall the filter, repeat the steps in paragraph 7.



8. If any water appears during first cycle, stop the programme immediately. Turn the washing machine OFF and unplug it from the electrical socket. Before proceeding with the detaching procedure, check that the filter cover stays in the locked position in order to avoid any water leakage while tightening the collars.

Detach entire filter from the wall support:

1. Un-clip the filter from the wall support using the screwdriver,
2. Hold the filter in your hand to tighten the collar with the screwdriver.

Repeat the steps in paragraph 7 to install filter.

3. DAILY USE & CARE AND CLEANING


! **WARNING!**
Refer to Safety chapters.


! **WARNING!**
Always switch off and check that the machine is not running before accessing or cleaning the filter.

i Filter cartridge is made with thin Polyamide net in order to catch the microfibrils released from the laundry washing process.

i After some washing cycles the filter cartridge will clog and must be cleaned

i Number of cycles before the activation of floater will depend on several factors (kind of textile, drum size, most used programs, type of cycles and duration, laundry load, detergent, degree of soiling, etc.).

 Clean the cartridge regularly, once a week or when the red floater indicator is clearly visible.

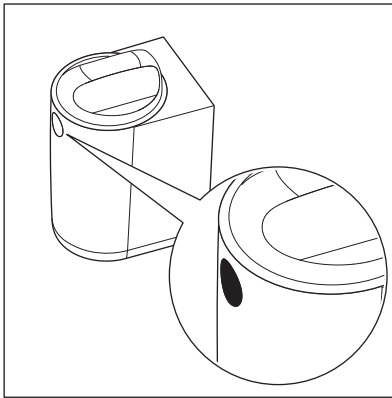
 When the filter is clogged, the red floater located inside the cover becomes visible, alerting the user that the cartridge needs to be cleaned, as shown in the next picture.



WARNING!

Do not reuse water from the filter. It may contain micro-plastic particles that are unfit for human and animal consumption.

3.1 "Red alarm" condition



Red floater indicates that the filter is full and needs to be cleaned.

In "**red alarm**" mode (when the floater is activated) the filter will not stop the washing cycle, but it will work in a bypass mode and will not filter anymore. Therefore, to ensure optimal performance, it is recommended cleaning the cartridge as soon as possible to avoid leaving the filter in "**red alarm**" mode.



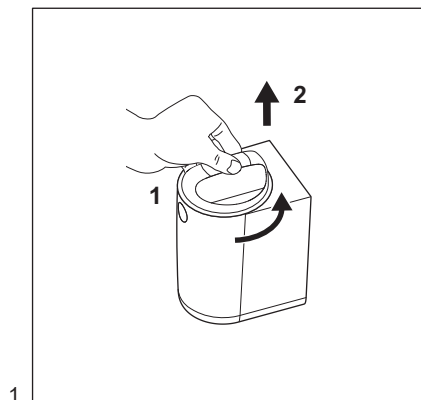
WARNING!

For several reasons the washing machine could show possible warnings, linked to draining issues, such as **E20-E21**. If this warning appears, first check the new external filter and clean it. If the error remains, check also the filter of your washing machine and clean it, if it is accessible.

Stopping the washing machine (error) is a safety feature of the machine to avoid long draining times and to not damage the machine. After the filter cartridge has been cleaned, normal operation can be resumed.

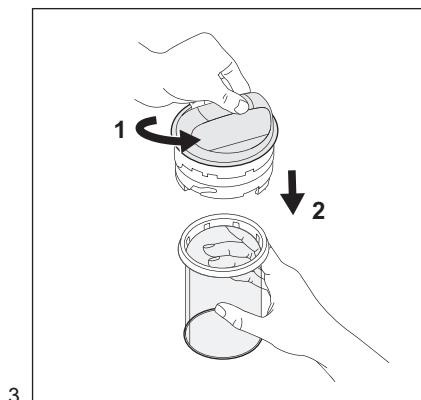
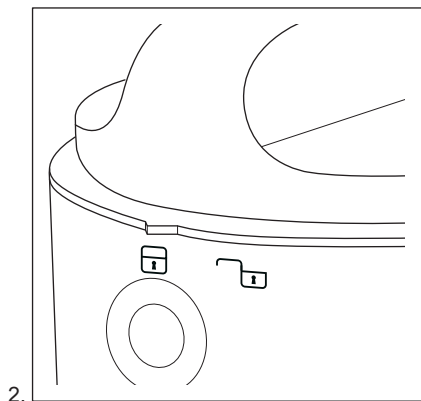
3.2 Care and Cleaning

Cleaning the filter and microfibres disposal.



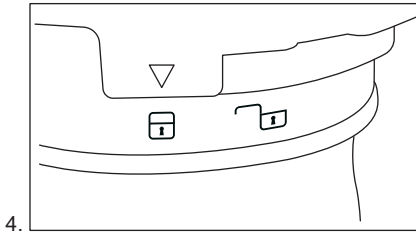
To open the filter, refer to the movements in Picture 1 and 2:

1. Rotate the cover counter clockwise from lock symbol to unlock symbol (available on front of filter as shown in picture 2),
2. Lift up the cover.



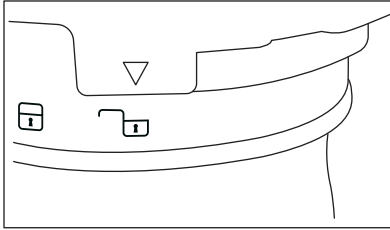
To detach the cartridge, refer to the movements in Picture 3:

1. Hold the cover in your hand, then with the other hand rotate the cartridge counterclockwise from lock symbol to unlock symbol (see picture 4 and 5).
2. Pull down the cartridge.



4.

To Lock/Unlock the cartridge, refer to Picture 4 and 5:



5.

Lock (picture 4) / Unlock (picture 5).



To clean the cartridge and dispose of its contents, refer to Picture 6, 7, 8 and 9.

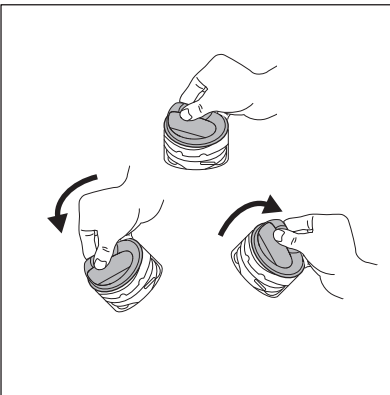


6.

If the cartridge is fully clogged, it may be full of dirty water.

In order to be prepared for the cleaning operation, it is suggested to use any pot or small plastic container; this could help the operation and prevents the environment around from getting wet.

To remove the remaining water inside the cartridge, empty it out inside a pot or a container by holding the assembly cover and shaking it. The water flows out. In case some water still remains, proceed with the next step.



7.

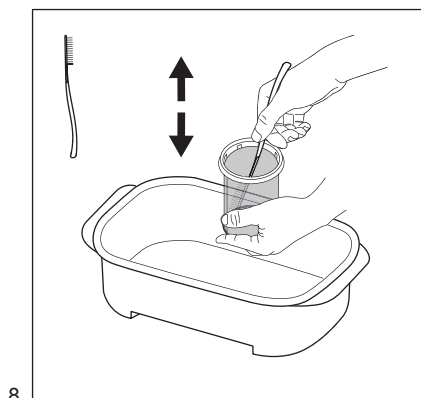


To reset filter, refer to Picture 7.

Before placing the cover back on the cartridge, reset the floater by removing water inside the cover. Hold the cover, rotate it (see picture 7) and drain all the water into a plastic container. The floater is no longer visible when the cover is placed on the filter.



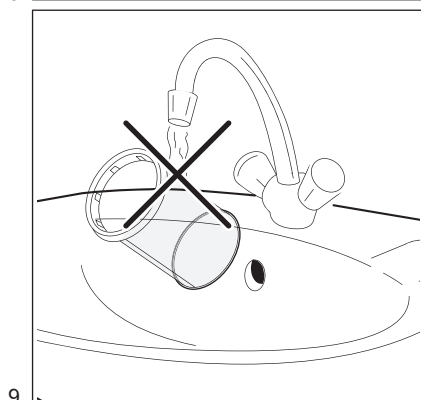
A noise could be heard but this is normal behaviour since inside the cover there is a mass valve.



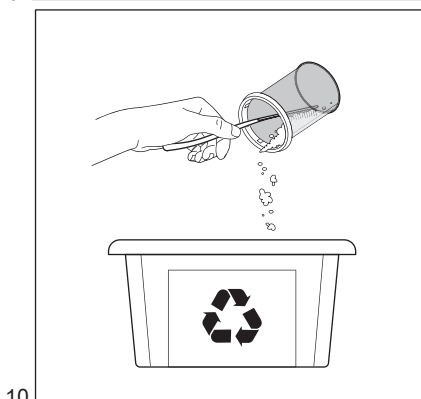
Holding the cartridge inside the container, use the brush-spatula tool available in the filter box. With up/down brush movement remove as much as possible the fibres attached to the cartridge net to help the evacuation of water.



Dispose of waste from the filter into the general dry waste.



To preserve the positive impact of the filter on the environment, avoid the use of water to clean the filter cartridge. Instead, throw away the waste collected by the filter cartridge in the general dry waste (avoid dispersion of plastic fibre in water ambient).



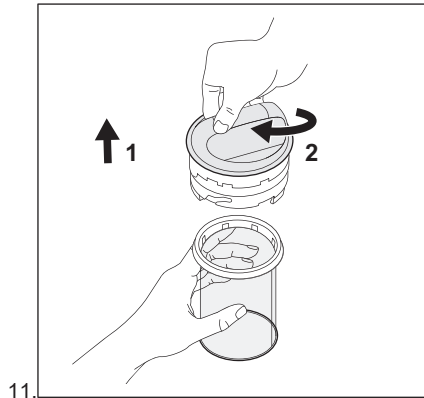
After the water has been emptied from the cartridge, remove any dirt and microfibres from inside the cartridge and dispose of it in DRY general waste. A paper towel can be used to collect as much material as possible.

CAUTION!

Waste collected by the cartridge contains microfibres, detergent residuals and dirt. IT MUST be disposed of in general dry waste.



After the cartridge cleaning operation, the brush spatula could be dirty and full of plastic fibres. To preserve the positive impact on the environment, clean it with common paper towels and dispose of it to general dry waste

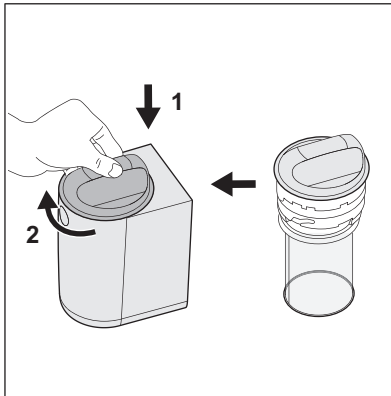


11.



To replace the cartridge, refer to Picture 11:

1. Insert the cartridge.
2. Hold the cartridge in your hand, then with the other hand turn the cover clockwise from unlock symbol to lock symbol.



12.



To close the filter, refer to the movements in Picture 12:

1. Insert the cover (+ cartridge) inside the body from the top.
2. Rotate the cover clockwise from unlock symbol to lock symbol.

For any additional information maintenance and cleaning, please watch the video. A dedicated QR code is available at the beginning of this user manual.



CAUTION!

Ensure to have closed lid before proceeding with the next washing cycle.



WARNINGS

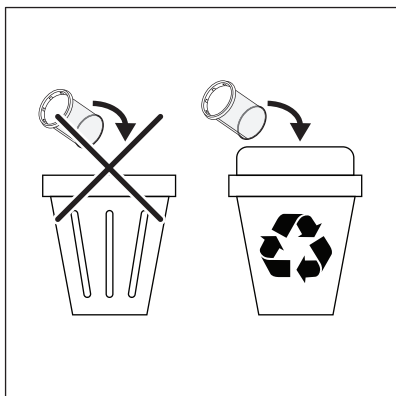
In case of a washing break period longer than a full week (e.g. holiday, trip), it is suggested to empty the cartridge and clean the filter to avoid creation of unexpected smell into the environment of the filter.

It is necessary to clean the cartridge in wet condition in order not to damage it, avoiding the malfunctioning at next cycles used.

The filtration system is provided with spare a cartridge in order to restart immediately with your laundry routine in case of cartridge damage

Cartridge replacement and disposal

Cartridge has limited life, approximately six months, since cleaning operation can damage the net, compromising filter performance. 1 spare cartridge part is included in the box.



Put the waste from the filter into a suitable recycling container.

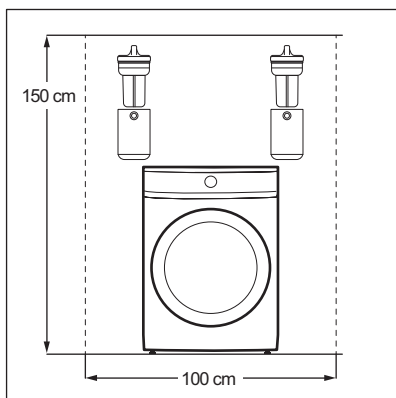
When cartridge has to be replaced, please follow these 2 simple steps:

1. Clean the damaged cartridge carefully.
2. Put the cartridge and the waste in to a recycle bin.

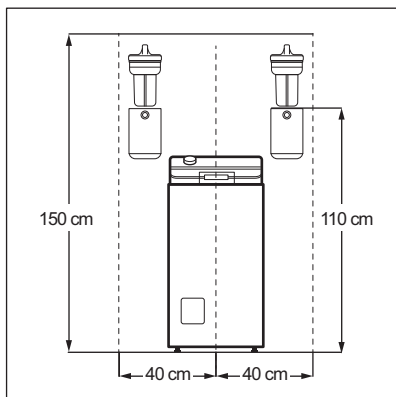


For additional cartridge spare parts use only original parts. Cartridges are sold in any Electrolux/AEG service centre or even online.

Appendixes



Appendix for Front Loader washing machine.



Appendix for Top Loader washing machine.

1. ⚠ ИНФОРМАЦИЯ ЗА БЕЗОПАСНОСТ


Преди монтирането и употребата на продукта, прочетете предоставените инструкции внимателно. Производителят не носи отговорност за наранявания или повреди в резултат от неправилен монтаж или употреба. Винаги дръжте инструкциите на безопасно и достъпно място за справка в бъдеще.

- Този продукт е предназначен за филтриране на влакна от микропластмаса, освободени от текстил по време на пране и не трябва да се използва за други цели.
- Този продукт може да бъде използван от деца над 8-годишна възраст, както и лица с намалени физически, сетивни и умствени възможности или лица без опит и познания, само ако те са под наблюдение или бъдат инструктирани относно безопасната употреба на уреда и възможните рискове. Деца под 8-годишна възраст и хора с тежки или комплексни увреждания трябва да се държат далеч от уреда, освен ако не са под постоянно наблюдение.
- Не позволявайте на деца да си играят с продукта. Дръжте всички опаковки далече от деца и изхвърлете опаковките по местните правила.
- Деца не трябва да извършват почистване или поддръжка на продукта без надзор. Пазете препаратите далеч от деца.
- Този продукт е предназначен за употреба в домашни условия и подобни приложения, като:
 - кухненски зони за персонал в магазини, офиси и други работни среди;
 - селскостопански къщи;
 - от клиенти в хотели, мотели, помещения за краткосрочен наем и други среди от жилищен тип;
 - зони за обща употреба в блокове или обществени перални.

- Следвайте инструкциите за монтаж, приложени към продукта.
- Не монтирайте и не използвайте повреден продукт или маркучи за оттичане.
- Монтирайте продукта на безопасно и подходящо място, което отговаря на монтажните изисквания.
- Не инсталирайте уреда над никакви електрически контакти, над устройства, разположени на стената, или свободно стоящи устройства, намиращи се на пода, за да избегнете риска от токов удар.
- Премахнете всички опаковки.
- Уверете се, че тръбите са закрепени правилно, за да избегнете течове, шум или повреда.
- Осигурете правилен път на маркуча за източване между уреда и входния отвор на филтъра, за да избегнете блокирането на потока.
- Крепежните елементи за стената не са включени, защото стената може да е изградена от различни видове материали. Използвайте подходящи крепежни елементи, подходящи за стените.
- Уверете се, че няма видими течове по време на и след първото използване на продукта.
- Не почиствайте продукта чрез пръскане с вода под налягане и/или пара.
- Винаги изключвайте и проверявайте дали машината не работи, преди достъп до или почистване на продукта.
- Почистете продукта с влажна кърпа. Използвайте само неутрални препарати. Не използвайте абразивни кърпи, разтворители или метални предмети.
- Почиствайте патрона редовно, веднъж седмично или когато червеният поплавъчен индикатор се вижда ясно.
- Не използвайте повторно вода от филтъра. Тя може да съдържа частици от микропластмаса, които са неподходящи за консумация от хора и животни.

- За поправка на продукта се свържете с оторизирания сервизен център. Използвайте само оригинални резервни части.
- Тази външен аксесоар е съвместим с домакинските перални машини Electrolux/AEG/Zanussi.

Опазване на околната среда

Рециклирайте материалите със символ . Поставете опаковката в съответните контейнери за рециклиране.

2. ИНСТАЛАЦИЯ

2.1 Преди монтажа



ВНИМАНИЕ!

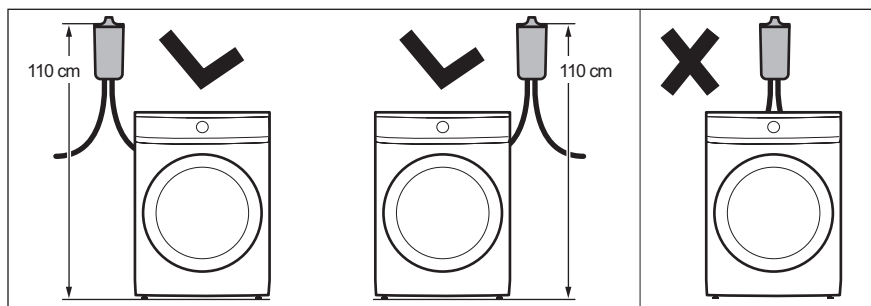
Вж. глава "Безопасност".

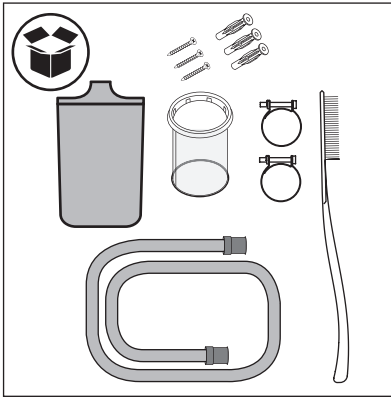


Посетете electrolux.com/getstarted/microplasticfilters за видеоклипове за инсталиране и използване.

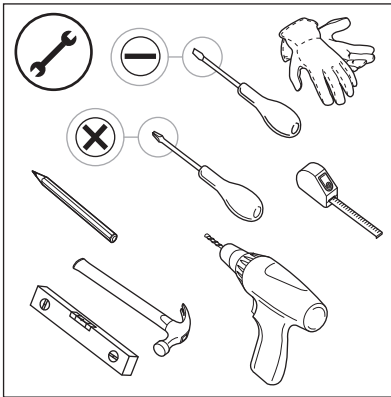
1. Изберете подходящо място на стената, за да монтирате филтъра:

За да избегнете течове върху пералната машина, за предпочитане е филтърът да се монтира отстрани на пералната машина.



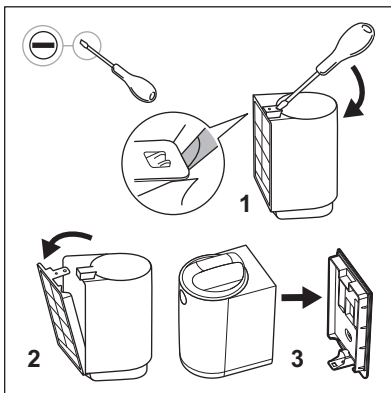


2. Проверете съдържанието на кутията.



3. Подгответе необходимите инструменти за монтажа.

2.2 Монтиране на аксесоара

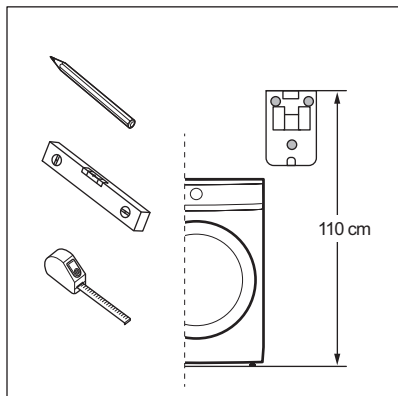


1. Извадете филтъра от опаковъчната кутия и свалете опората за стена с помощта на плоска отвертка.

2. Позицията на филтъра трябва да следва тези точки (а и b):

а. Разположете опората за стена на правилната височина, като измерите 110 см* от горната ѝ част до пода (или поставката за пералня, ако има такава).

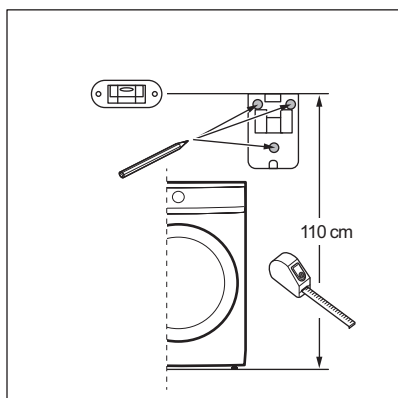
***Допуска се +/-5 см отклонение във височината на филтъра.**



Проверете къде е точката на оттичане, преди да позиционирате опората на стената. Филтърът е оборудван с една дренажна тръба с дължина 100 см.

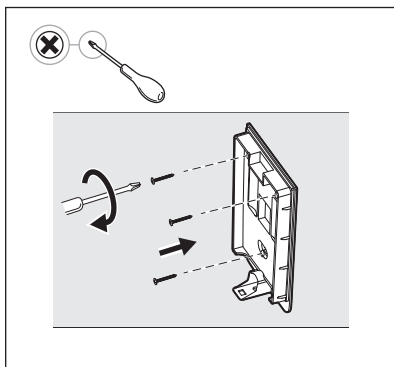
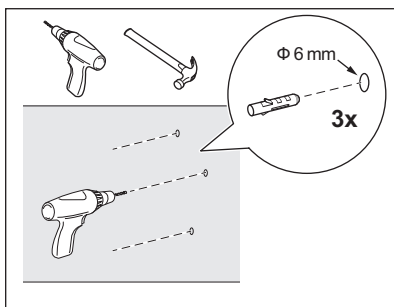
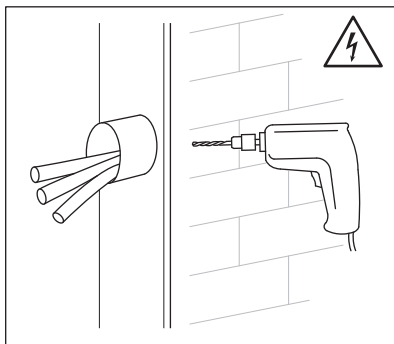


Уверете се, че има достатъчно място над филтъра, преди да поставите опората за стена. Уверете се, че оставяте достатъчно свободно пространство над филтъра, за да извадите и поставите отново патрона. Вижте справката за минималните размери в Приложение 1 (Предно зареждане) и Приложение 2 (Горно зареждане).



б. Използвайте нивелир, за да проверите дали 3-те пробивни отвора са нивелирани и добре подравнени преди да ги пробие.

3. Пробийте отворите в стената и поставете дюбелите.



ВНИМАНИЕ!

Преди да пробийте стената се уверете, че на съответното място няма водопроводни тръби или електрически проводници. Препоръчително е да използвате свредел с Φ 6 мм. В опаковката на филтъра има три специални винта и пластмасови дюбели за правилно и сигурно монтиране на филтъра. Осигурената система за фиксиране е предназначена за монтаж върху тухлена стена. В случай на съмнение, се обърнете към техник.

ВНИМАНИЕ!

Ако стената Ви е от материал, различен от тухла, използвайте подходящи дюбели и винтове.

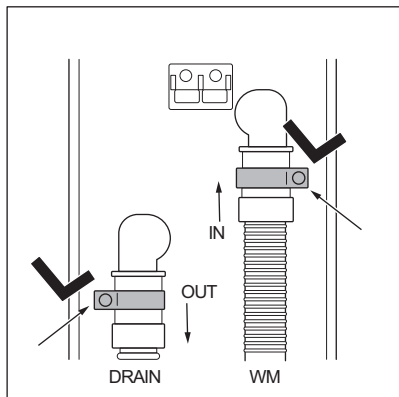
4. Закрепете опората за стената с предоставените винтове и пластмасови дюбели, като се уверите, че е изправена и здраво закрепена към стената.

5. Вземете маркучите, пръстените и филтърното тяло.

Поставете пръстените на маркучите и свържете тръбите към тялото на филтъра, като следвате индикациите **ВХОДЯЩ/ИЗХОДЯЩ**, намиращи се на гърба на тялото на филтъра:

ВХОДЯЩ: маркуч, който идва от водопреносната мрежа,

ИЗХОДЯЩ: маркуч (намира се в опаковката на филтъра), който отива към канала.



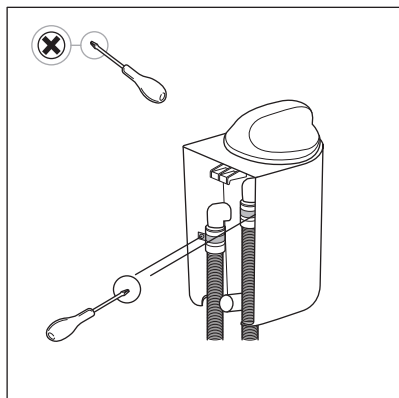
ВНИМАНИЕ!

Преди да свържете маркуча за оттичане към външния филтър, уверете се, че пералната машина е изключена от копчето и от контакта.



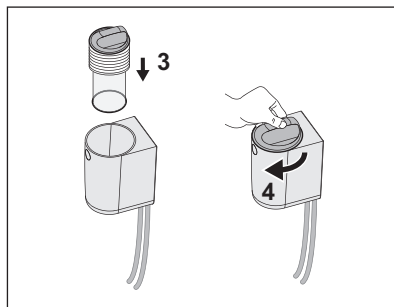
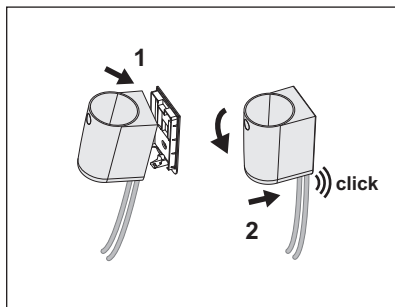
6. Затегнете пръстените с отвертката.

Следвайте тези инструкции точно, за да позиционирате пръстените и да осигурите пълно свързване.

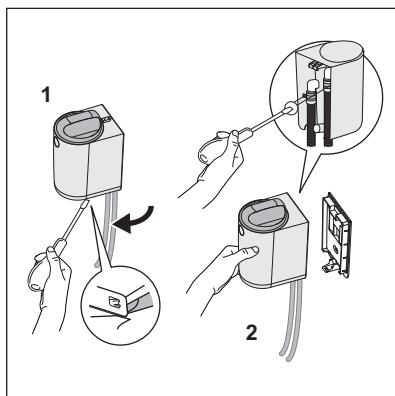


Когато използвате отвертката, внимавайте да не повредите тялото на филтъра или маркучите.

7. Следвайте движението, показано на снимката и когато поставите тялото на филтъра към опората на стената ще чуete щракване, указващо че тялото е правилно закрепено към опората на стената.



- i** Преди да преминете към следващата тема „Ежедневна употреба и грижа и почистване“, стартирайте кратката програма за пране и я изчакайте да приключи. Уверете се, че няма течове от филтъра и неговите връзки. Ако има теч на вода, процедурата както е описано в параграф 8. Откачете филтъра от опората за стена и затегнете пръстените. За да монтирате отново филтъра, повторете стъпките в параграф 7.



8. Ако по време на първия цикъл се появи вода, незабавно спрете програмата. Изключете пералната машина и извадете щепсела от контакта. Преди да продължите с процедурата по разкачане, проверете дали капакът на филтъра остава в заключена позиция, за да избегнете изтичане на вода, докато затягате пръстените.

Откачете целия филтър от опората на стената:

1. Махнете филтъра от опората на стената, като използвате отвертката,
2. Дръжте филтъра в ръка, за да затегнете пръстена с отвертката.

Повторете стъпките, посочени в параграф 7, за да монтирате филтъра.

3. ЕЖЕДНЕВНА УПОТРЕБА, ГРИЖА И ПОЧИСТВАНЕ






ВНИМАНИЕ!
Вж. глава "Безопасност".




ВНИМАНИЕ!
Винаги изключвайте и проверявайте дали машината не работи, преди достъп до или почистване на филтъра.



Филтърният патрон е изработен от тънка полиетиленова мрежа, за да се захванат микровлакната, освободени по време на пране.

-  След няколко цикъла на пране филтърният патрон се запушва и трябва да се почисти
-  Броят на циклите преди активирането на поплавъка зависи от няколко фактора (вид текстил, размер на барабана, най-използвани програми, тип на циклите и времетраене, зареждане на прането, перилен препарат, степен на замърсяване и др.).
-  Почиствайте патрона редовно, веднъж седмично или когато червеният поплавъчен индикатор се вижда ясно.

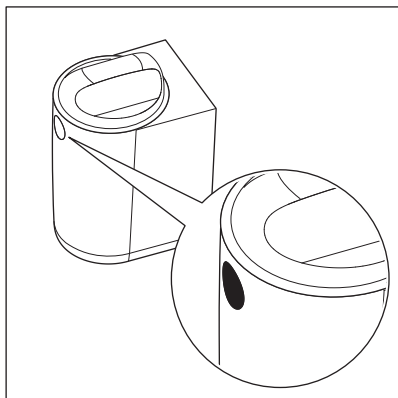
-  Когато филтърът е задръстен, червеният поплавък, в капака става видим и предупреждава потребителя, че патронът трябва да се почисти, както е показано на следващата снимка.



ВНИМАНИЕ!

Не използвайте повторно вода от филтъра. Тя може да съдържа частици от микропластмаса, които са неподходящи за консумация от хора и животни.

3.1 Състояние „Червена аларма“



Червеният поплавък показва, че филтърът е пълен и трябва да се почисти.

В режим „**червена аларма**“ (когато поплавъкът е активиран) филтърът няма да спре цикъла на пране, но ще работи в байпасен режим и няма да филтрира повече. Затова, за да осигурите оптимална работа, се препоръчва да почистите патрона възможно най-бързо, за да избегнете оставянето на филтъра в режим „**червена аларма**“.

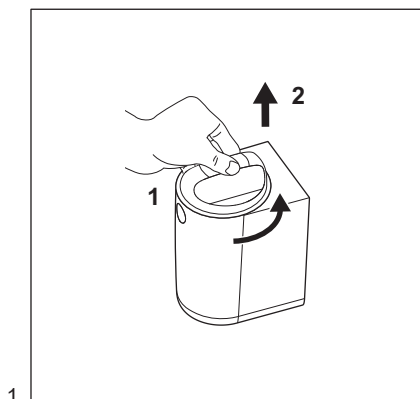
**ВНИМАНИЕ!**

Пералната машина може по няколко причини да покаже възможни предупреждения, свързани с проблеми с източването, като **E20-E21**. Ако се появи това предупреждение, първо проверете новия външен филтър и го почистете. Ако грешката остане, проверете и филтъра на Вашата перална машина и го почистете, ако е достъпен.

Спирането на пералната машина (грешка) е функция за безопасност на машината, за да се избегне продължително време на източване и да не се повреди машината. След като филтърният патрон е почистен, нормалната му работа може да бъде възобновена.

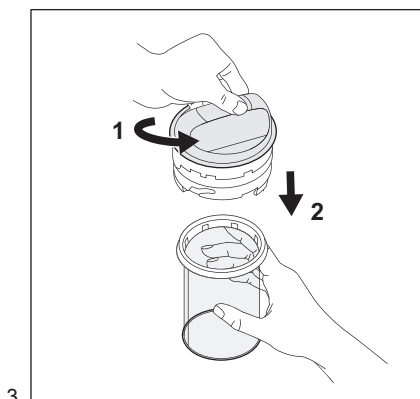
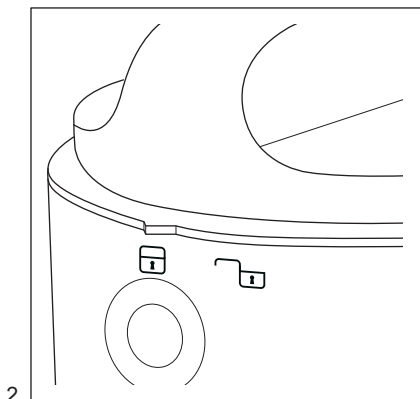
3.2 Грижа и почистване

Почистване на филтъра и
изхвърляне на микровлакната.



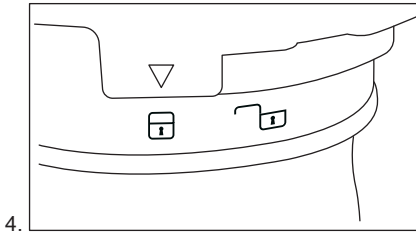
За да отворите филтъра, вижте
движенията, показани на снимка 1 и 2:

1. Завъртете капака по посока обратна на часовниковата стрелка от символа за заключване до символа за отключване (намира се отпред на филтъра, както е показано на снимка 2),
2. Повдигнете капака.

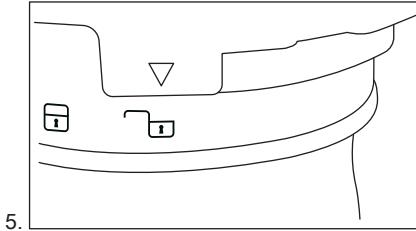


За да откачите патрона, вижте
движенията, показани на снимка 3:

1. Дръжте капака в ръка, а след това с другата ръка завъртете патрона обратно на часовниковата стрелка от символа за заключване до символа за отключване (вижте снимка 4 и 5).
2. Издърпайте патрона.



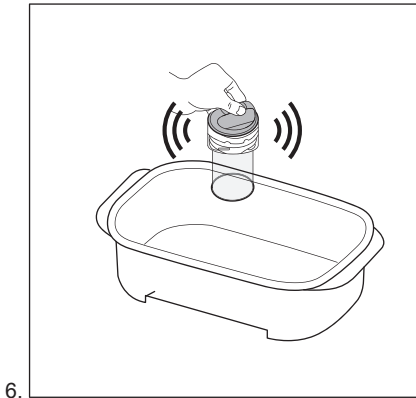
За да заключите/отключите патрона, вижте снимка 4 и 5:



Заключване (снимка 4) / Отключване (снимка 5).



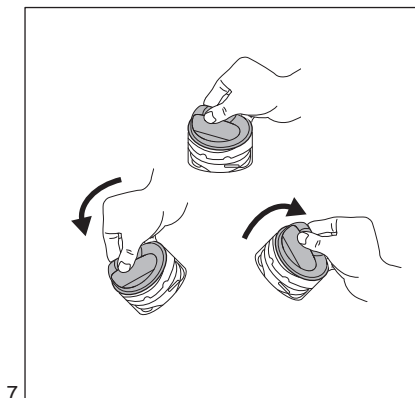
За да почистите патрона и да изхвърлите съдържанието му, вижте снимка 6, 7, 8 и 9.



Ако патронът е напълно запушен, може да е пълен с мръсна вода.

При подготовката за почистването се препоръчва да използвате тенджерата или малка пластмасов съд. Това може да помогне при почистването и да предотврати намокрянето на околната площ.

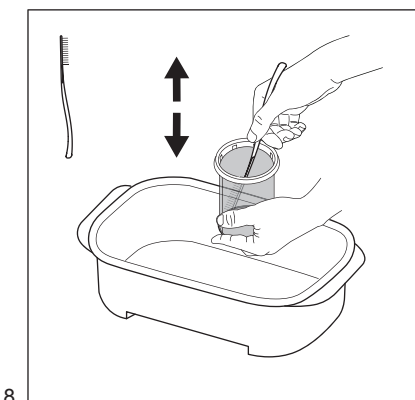
За да отстраните останалата вода в патрона, изпразнете го в тенджерата или съд, като държите капачката на комплекта и го клатите. Водата изтича. Ако остане малко вода, продължете със следващата стъпка.



i За да нулирате филтъра,
вижте снимка 7.

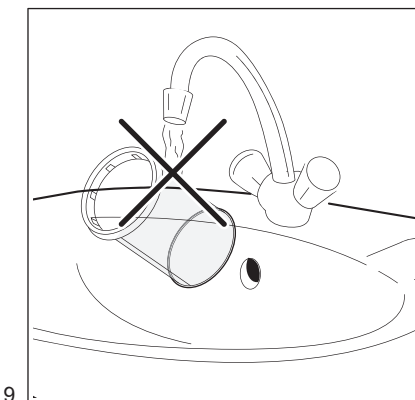
Преди да поставите капака обратно на патрона, нулирайте поплавъка като отстраните водата от вътрешната страна на капака. Дръжте капака, завъртете го (вижте снимка 7) и източете всичката вода в пластмасов съд. Поплавъкът вече не се вижда, когато капакът е поставен върху филтъра.

i Може да се чуе шум, но това е нормално поведение, тъй като вътре в капака има голям клапан.

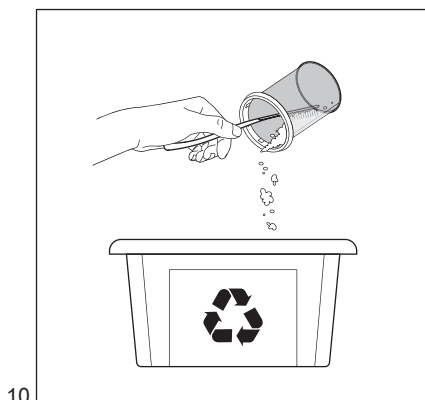


Задръжте патрона в контейнера, използвайте инструмента четка-шапула, наличен в кутията на филтъра. Движейки четката нагоре/надолу отстранете колкото се може повече влакната, прикрепени към мрежата на патрона, за да подпомогнете изпразването на водата.

i Изхвърляйте отпадъците от филтъра в общите сухи отпадъци.



За да запазите положителното въздействие на филтъра върху околната среда, избягвайте да използвате вода при почистване на филтърния патрон. Вместо това изхвърлете отпадъците, събрани от филтърния патрон, в общите сухи отпадъци (избягвайте разпръскването на пластмасови влакна във водата).



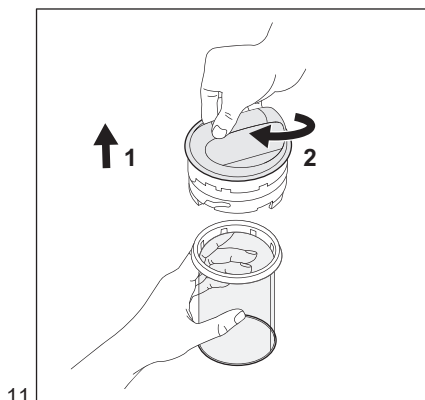
След като водата е изпразнена от патрона, отстранете мръсотията и микровлакната от вътрешността на патрона и ги изхвърлете в общите сухи отпадъци. Можете да използвате домакинска хартия за събиране на възможно най-много материали.

ПРЕДУПРЕЖДЕНИЕ!

Отпадъците, събрани от патрона, съдържат микровлакна, остатъци от препарат и мръсотия. ТЕ ТРЯБВА да се изхвърля при общите сухи отпадъци.

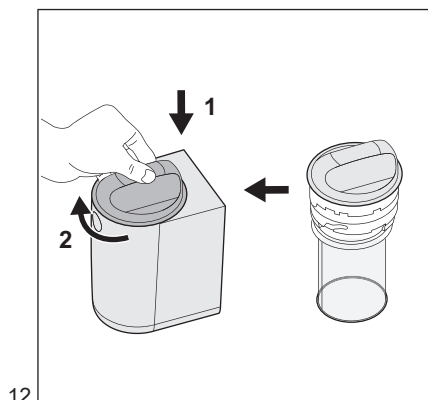


След почистването на патрона, четката може да е мръсна и пълна с пластмасови влакна. За да се запази положителното въздействие върху околната среда, почистете я с обикновена домакинска хартия и я изхвърлете в общите сухи отпадъци



За да смените патрона, вижте снимка 11:

1. Поставете патрона.
2. Дръжте патрона в ръка, а след това с другата ръка завъртете капака по посока на часовниковата стрелка от символа за отключване до символа за заключване.



12.



За да затворите филтъра, вижте движенията, показани на снимка 12:

1. Поставете капака (+патрона) в тялото отгоре.
2. Завъртете капака по посока на часовниковата стрелка от символа за отключване до символа за заключване.

За допълнителна информация относно поддръжката и почистването, моля, гледайте видеоклипа. В началото на това ръководство за потребителя има специален QR код.



ПРЕДУПРЕЖДЕНИЕ!

Уверете се, че капакът е затворен, преди да продължите със следващия цикъл на пране.



ПРЕДУПРЕЖДЕНИЯ

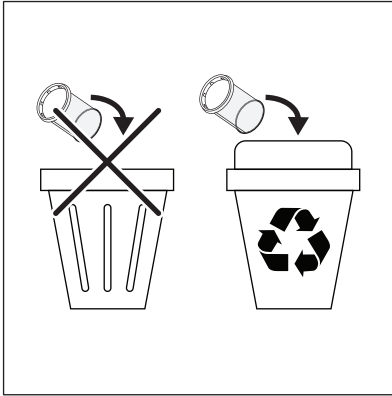
При прекъсване на прането, по-дълго от една цяла седмица (напр. поради почивка, пътуване), препоръчва се да изпразните патрона и да почистите филтъра, за да избегнете образуването на необичайна миризма около филтъра.

Необходимо е да почистите патрона, когато е мокър, за да не го повредите, като избягвате неизправност при следващите използвани цикли.

Системата за филтриране е снабдена с резервен патрон, за да възобновите прането в случай на повреда на патрона

Смяна и изхвърляне на патрона

Патронът има ограничен срок на експлоатация, приблизително шест месеца, тъй като почистването може да повреди мрежата, което може да компрометира работата на филтъра. В кутията има 1 резервен патрон.



Поставете отпадъците от филтъра в подходящ контейнер за рециклиране.

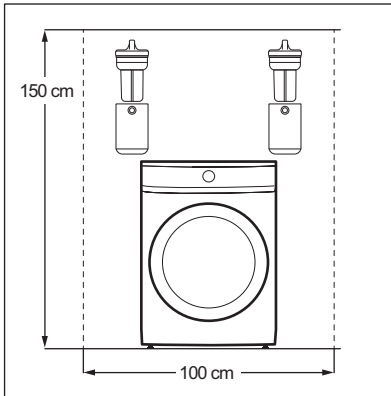
Когато трябва да смените патрона, следвайте тези 2 лесни стъпки:

1. Почистете внимателно повредения патрон.
2. Поставете патрона и отпадъка в контейнер за рециклиране.

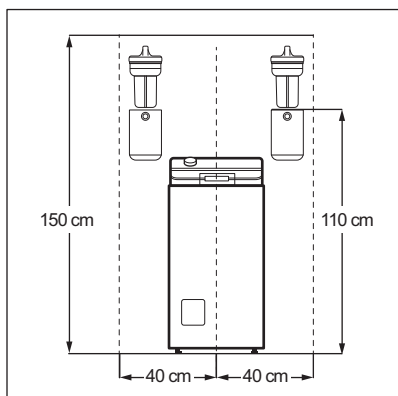


За допълнителни резервни части на патрона използвайте само оригинални части. Патроните се продават във всеки сервизен център на Electrolux/AEG или дори онлайн.

Приложения



Приложение за пералня с предно зареждане.



Приложение за пералня с горно зареждане.


1. ⚠️ BEZPEČNOSTNÍ INFORMACE

Tento návod si pečlivě přečtěte ještě před instalací výrobku a jeho prvním použitím. Výrobce nenesे odpovědnost za žádný úraz ani škodu v důsledku nesprávné instalace nebo použití. Návod k použití vždy uchovávejte na bezpečném a přístupném místě pro jeho budoucí použití.

- Tento výrobek je určen k filtrování mikroplastových vláken uvolňovaných z textilií během pracího procesu, a nesmí se používat k jiným účelům.
- Tento výrobek smí používat děti starší osmi let nebo osoby se sníženými fyzickými, smyslovými nebo duševními schopnostmi nebo osoby bez patřičných zkušeností a znalostí pouze tehdy, pokud tak činí pod dozorem nebo obdrželi instrukce ohledně bezpečného provozu výrobku a pokud rozumí rizikům spojeným s provozem výrobku. Děti mladší osmi let a osoby s rozsáhlým a komplexním postižením bez stálého dozoru udržujte z dosahu spotřebiče.
- Nenechte děti hrát si s výrobkem. Všechny obaly uschovejte mimo dosah dětí a řádně je zlikvidujte.
- Čištění a užitelskou údržbu výrobku by neměly provádět děti bez dozoru. Prací prostředky uschovejte mimo dosah dětí.
- Spotřebič je určen k použití v domácnosti a obdobným použitím, jako jsou:
 - kuchyňky pro zaměstnance v obchodech, kancelářích a jiných pracovních prostředích,
 - farmářské domy;
 - pro zákazníky hotelů, motelů, penzionů a jiných ubytovacích zařízení;
 - společné prostory v činžovních domech nebo veřejné prádelny.
- Řiďte se instalačními pokyny dodanými spolu s tímto spotřebičem.
- Neinstalujte ani nepoužívejte poškozený produkt či vypouštěcí hadice.

- Spotřebič nainstalujte na bezpečné a vhodné místo, které splňuje instalační požadavky.
- Neinstalujte výrobek nad elektrické zásuvky nebo nad zařízení umístěná na stěně či volně stojící zařízení poblíž na podlaze, abyste předešli riziku úrazu elektrickým proudem.
- Odstraňte všechny obaly.
- Zkontrolujte správné upevnění hadic, aby nedošlo k protékání, hluku či poškození.
- Zajistěte pro vypouštěcí hadici dostatek volného prostoru mezi spotřebičem a vstupní hubicí filtru, aby nedošlo k zablokování průtoku.
- Vzhledem k různosti stavebních materiálů nejsou přiloženy komponenty umožňující upevnění na stěnu. Použijte pouze upevňovací komponenty vhodné pro dotyčnou stěnu.
- Ujistěte se, že při prvním použití výrobku ani po něm nedošlo k viditelnému úniku vody.
- K čištění výrobku nepoužívejte vysokotlaký proud vody nebo páru.
- Před přístupem k výrobku nebo jeho čištěním spotřebič vždy vypněte a zkontrolujte, zda není v provozu.
- Výrobek čistěte vlhkým hadříkem. Používejte pouze neutrální mycí prostředky. Nepoužívejte prostředky s drsnými částicemi, drátěnky, rozpouštědla nebo kovové předměty.
- Vložku čistěte pravidelně jednou týdně nebo kdykoli je červený indikační plovák jasně viditelný.
- Vodu z filtru nepoužívejte k ničemu jinému. Může obsahovat mikroplastové částice, které by neměla požit zvířata ani lidé.
- Potřebujete-li produkt opravit, obraťte se na autorizované servisní středisko. Používejte pouze originální náhradní díly.
- Toto externí příslušenství je kompatibilní s pračkami Electrolux/AEG/Zanussi pro domácnost.

Poznámky k ochraně životního prostředí

Recyklujte materiály označené symbolem . Obaly vyhoďte do příslušných nádob k recyklaci.

2. INSTALACE

2.1 Před instalací



VAROVÁNÍ!

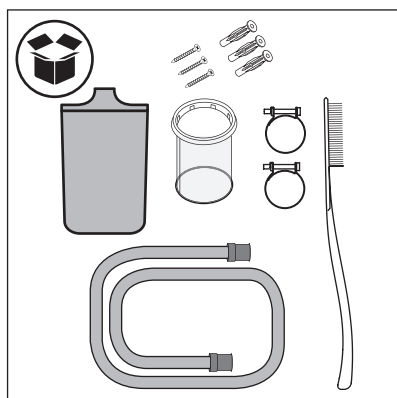
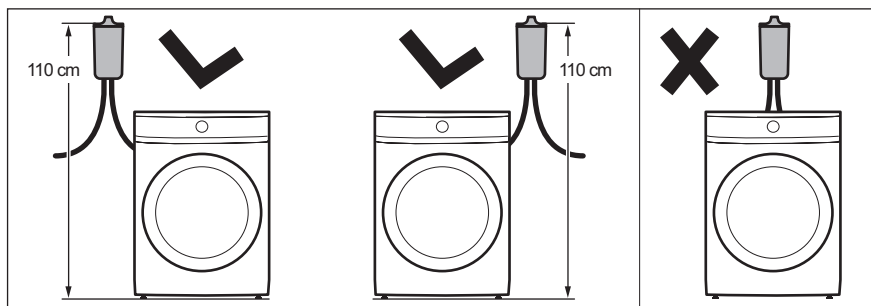
Viz kapitoly o bezpečnosti.



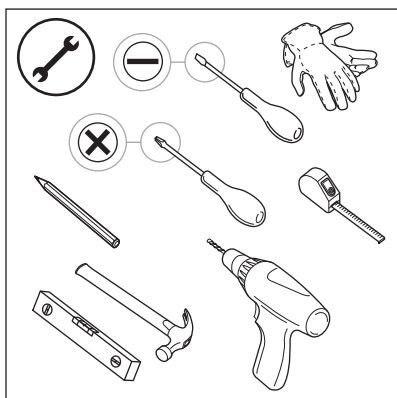
Navštivte stránky electrolux.com/getstarted/microplasticfilters kde naleznete videa ohledně instalace a používání.

1. Pro instalaci filtru vyberte vhodné umístění na stěně:

Filtr instalujte raději mimo půdorys spotřebiče, předejdete tím případnému odkapávání na vaši pračku.

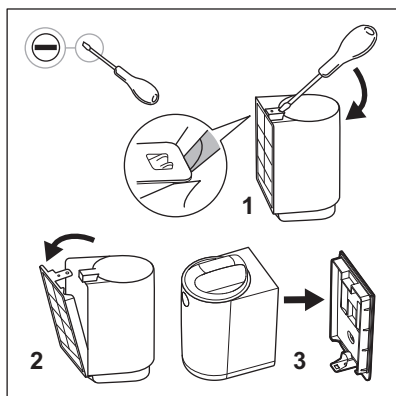


2. Zkontrolujte obsah balení.



3. Připravte si nástroje potřebné pro instalaci.

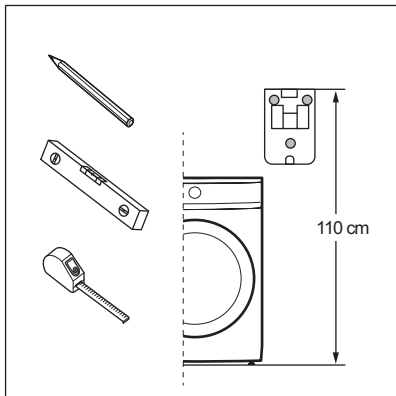
2.2 Instalace příslušenství



1. Filtr vyjměte z jeho obalu a pomocí plochého šroubováku z něj odpojte jeho nástěnný držák.

2. Umístění filtru musí odpovídat dále uvedeným bodům (a, b):

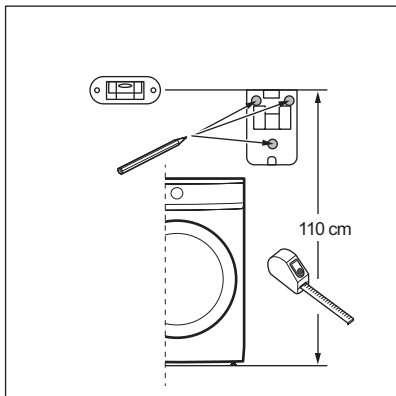
a. Umístíte nástěnný držák do správné výšky: od podlahy (či jiné přítomné podstavy) naměřte 110 cm* k budoucímu hornímu okraji nástěnného držáku. * **Povolená tolerance vertikální pozice filtru je +/-5 cm.**



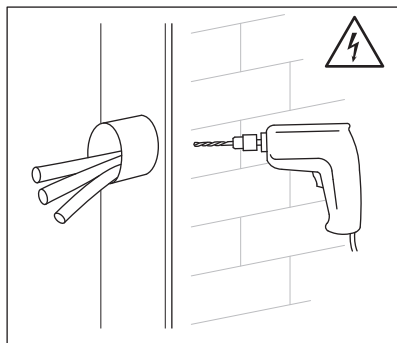
Před umístěním nástěnného držáku zkontrolujte, kde se nachází odtoková trubka. Filtr je vybaven jednou odtokovou hadicí o délce 100 cm.



Před umístěním nástěnného držáku se ujistěte, že nad filtrem bude dostatek místa. Nezapomeňte nad filtrem ponechat dostatek volného prostoru, který umožní vyjmutí a nahrazení filtrační vložky. Viz minimální vzdálenosti v Příloze 1 (pračka plněná zepředu) a v Příloze 2 (pračka plněná shora).



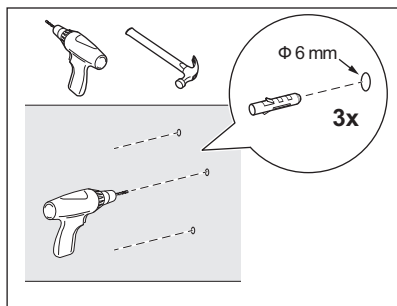
b. Před samotným vrtáním použijte vodováhu k ověření toho, zda jsou umístění 3 vrtaných otvorů dobře zarovnána, vodorovně i svisle.



3. Vyrvejte do stěny otvory a vložte do nich hmoždinky.

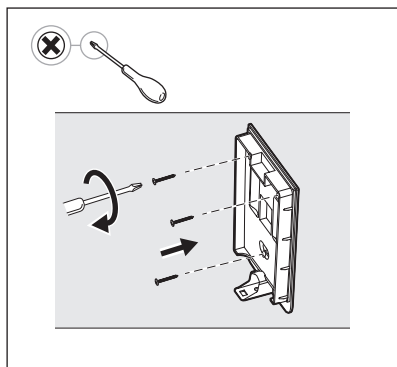
VAROVÁNÍ!

Před vrtáním do stěny se ujistěte, že pod jejím povrchem nevede vodovodní potrubí či elektrický rozvod. Doporučujeme použití vrtáku o průměru ϕ 6 mm. Balení filtru obsahuje tři speciální šrouby a plastové hmoždinky umožňující správnou a bezpečnou instalaci filtru. Dodaný fixační systém je určen k instalaci na cihlovou stěnu. V případě pochybnosti se obraťte na technika.

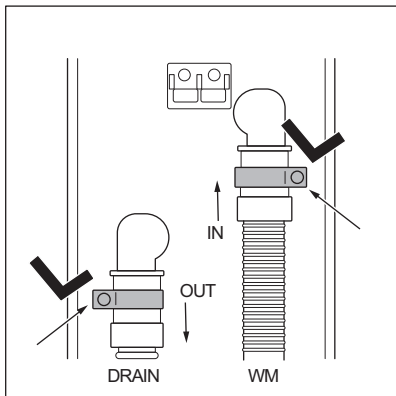


VAROVÁNÍ!

Je-li vaše stěna zbudována z jiného materiálu než z cihel, použijte vhodné hmoždinky a šrouby určené pro tento materiál.



4. Upevněte nástěnný držák pomocí dodaných či jiných vhodných šroubů a plastových hmoždinek a ujistěte se, že visí rovně a bezpečně přiléhá ke stěně.



5. Vezměte hadice, objímky a těleso filtru.

Objímky nasadíte na hadice a připojíte je k filtru podle označení **IN/OUT** na zadní straně tělesa filtru:

IN: hadice připojená k pračce,

OUT: hadice (dodaná s vaším filtrem), která povede k odpadnímu potrubí.

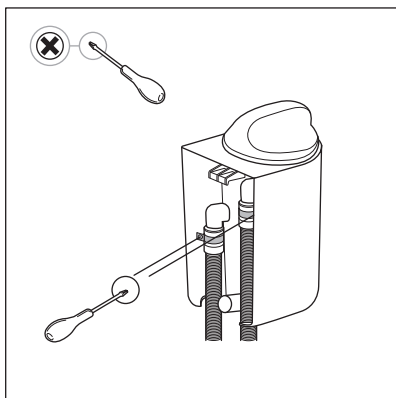
VAROVÁNÍ!

Před připojením vypouštěcí hadice k externímu filtru se ujistěte, že je pračka vypnutá a odpojená od elektrické zásuvky.



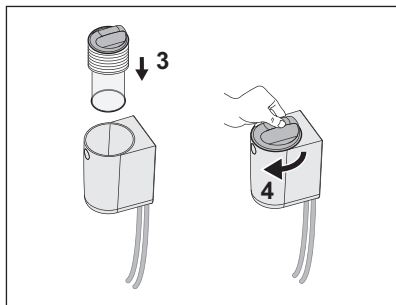
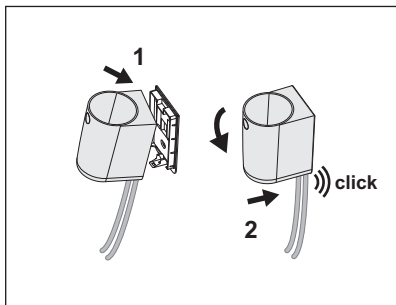
6. Utáhněte objímky pomocí šroubováku.

Při umístění objímek přesně dodržujte tyto pokyny, aby bylo napojení bezchybné.

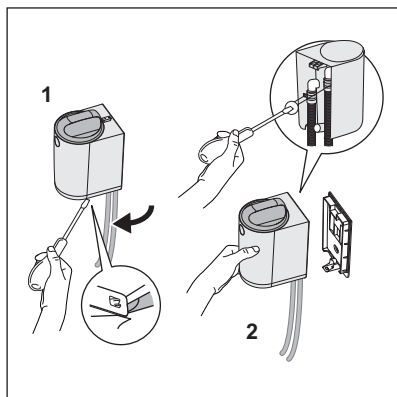


Při použití šroubováku dejte pozor, abyste nepoškodili těleso filtru či některou z hadic.

7. Při upevňování tělesa filtru do nástěnného držáku pohyby znázorněnými na obrázku uslyšíte po řádném dosednutí tělesa do držáku cvaknutí.



- i** Než přejdete k dalšímu tématu „Běžné používání, péče a čištění“, spusťte krátký prací program a nechte jej proběhnout až do konce. Ujistěte se, že nedochází k unikání vody z filtru ani z napojených hadic. Pokud k unikání vody dochází, postupujte podle pokynů v odstavci 8. Odpojte sestavu filtru od nástěnného držáku a utáhněte objímky. Pro opětovnou instalaci filtru opakujte kroky v odstavci 7.



8. Pokud se během prvního cyklu objeví voda, ihned program zastavte. Vypněte pračku a odpojte ji z elektrické zásuvky. Před zahájením odpojovacího procesu se ujistěte, že kryt filtru zůstal v zajištěné poloze, aby nedošlo k úniku vody při utahování hadicových objímek.

Odpojte celý filtr od nástěnného držáku:

1. K odepnutí filtru z nástěnného držáku použijte šroubovák.
2. Filtr si ponechte v ruce a pomocí šroubováku utáhněte hadicové objímky.

Nainstalujte filtr opakováním kroků uvedených v odstavci 7.

3. BĚŽNÉ POUŽÍVÁNÍ, PÉČE A ČIŠTĚNÍ



VAROVÁNÍ!

Viz kapitoly o bezpečnosti.



VAROVÁNÍ!

Před přístupem k filtru nebo jeho čištěním spotřebič vždy vypněte a zkontrolujte, zda není v provozu.



Ve filtrační vložce je použita tenká polyamidová síťka, která dokáže zachytit mikrovlákna uvolňovaná během praní prádla.



Po několika pracích cyklech se filtrační vložka ucpe, a bude nutné ji vyčistit



Počet cyklů před aktivací plováku bude záviset na několika faktorech (druh textilu, velikost bubnu, nejčastěji používané programy, typ cyklů a délka, množství prádla, prací prostředek, stupeň znečištění atd.).



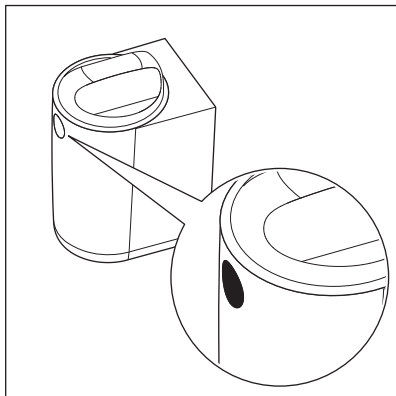
Vložku čistěte pravidelně jednou týdně nebo kdykoli je červený indikační plovák jasně viditelný.



Dojde-li k ucpání filtru, začne být viditelný červený plovák umístěný uvnitř krytu, čímž je uživatel upozorněn, že je třeba vyčistit filtrační vložku, jak je znázorněno na následujícím obrázku.

**VAROVÁNÍ!**

Vodu z filtru nepoužívejte k ničemu jinému. Může obsahovat mikroplastové částice, které by neměla požit zvířata ani lidé.

3.1 Stav „červené výstrahy“

Červený plovák oznamuje, že filtr je plný a je třeba jej vyčistit.

V režimu „červené výstrahy“ (je-li plovák aktivován) filtr nezastaví prací cyklus, ale bude pracovat v obtokovém režimu a nebude již filtrovat.

Pro zajištění optimálního výkonu proto doporučujeme co nejdříve vyčistit filtrační vložku, aby filtr nezůstal v režimu „červené výstrahy“.

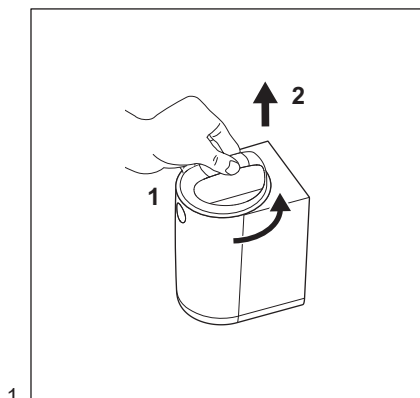
**VAROVÁNÍ!**

Pračka může z několika důvodů zobrazit různá varování související s problémy, které komplikují vypouštění, například **E20-E21**. Pokud se toto varování zobrazí, nejprve zkontrolujte nový externí filtr a vyčistěte jej. Pokud chyba přetrvává, zkontrolujte také filtr vaší pračky a vyčistěte jej, je-li přístupný.

Vypnutí pračky (v případě chyby) je bezpečnostní funkce, díky níž se vyhnete dlouhým vypouštěcím časům a poškození pračky. Po vyčištění filtrační vložky lze obnovit normální provoz.

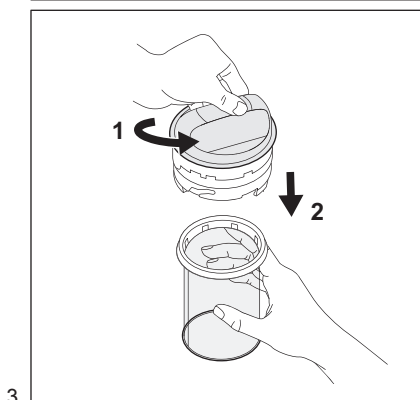
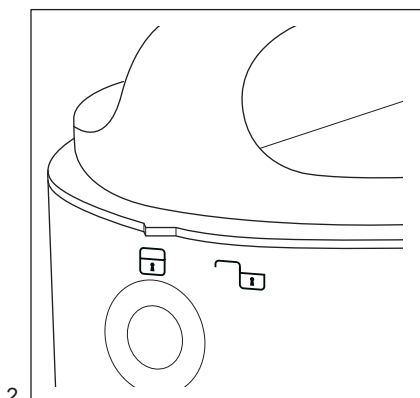
3.2 Čištění a údržba

Čištění filtru a likvidace mikrovláken.



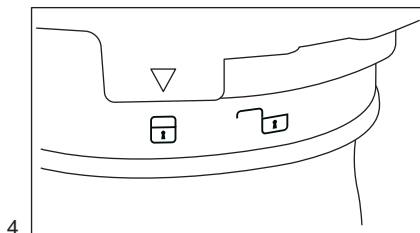
Filtr otevřete pomocí pohybů znázorněných na obrázcích 1 a 2:

1. Otočte kryt proti směru hodinových ručiček, od symbolu zamčeného zámku k symbolu odemčeného (k dispozici na přední straně filtru, jak je znázorněno na obrázku 2),
2. Zdvihněte kryt.



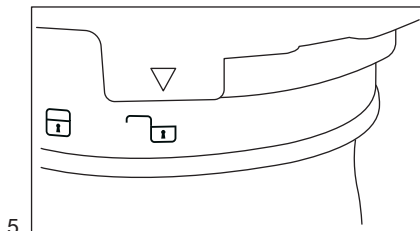
Filtrační vložku odpojte pomocí pohybů znázorněných na obrázku 3:

1. Kryt držte v ruce, druhou rukou otočte filtrační vložkou proti směru hodinových ručiček, od symbolu zamčeného zámku k symbolu odemčeného (viz obrázek 4 a 5).
2. Filtrační vložku vytáhněte směrem dolů.



4.

Postup zajištění/odjištění filtrační vložky znázorňují obrázky 4 a 5:



5.

Zajištění (obrázek 4) / odjištění (obrázek 5).

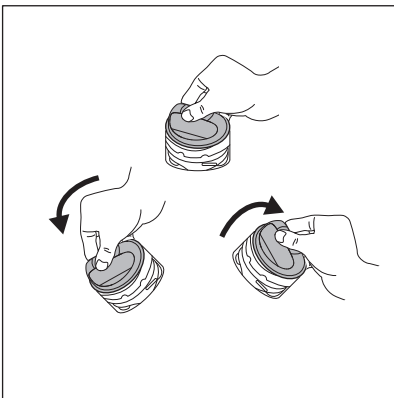


Filtrační vložku vyčistěte a její obsah odstraňte postupem znázorněným na obrázcích 6, 7, 8 a 9.



6.

Je-li filtrační vložka zcela ucpaná, může být plná špinavé vody. Z hlediska přípravy na čištění doporučujeme použít libovolnou nádobu či menší plastový box; může to usnadnit celou operaci a zabránit zmáčení okolního prostředí. Odstraňte zbylou vodu uvnitř filtrační vložky jejím vyprázdněním do připravené nádoby či plastového boxu: uchopte celou sestavu za horní kryt a zatřeste jí. Voda vyteče ven. Pokud nějaká voda stále ještě zbývá, pokračujte dalším krokem.



7.

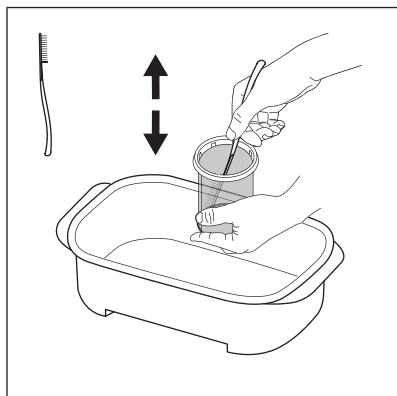


Uvedte filtr do výchozího stavu postupem na obrázku 7.

Před nasazením krytu zpět na filtrační vložku uveďte plovák do výchozího stavu odstraněním vody uvnitř krytu. Uchopte kryt, otočte jím (viz obrázek 7) a veškerou vodu vypusťte do plastové nádoby. Až kryt umístíte zpět na filtr, plovák již nebude viditelný.



Zvuk provázející tuto akci je normální, neboť uvnitř krytu je umístěn přepouštěcí ventil.

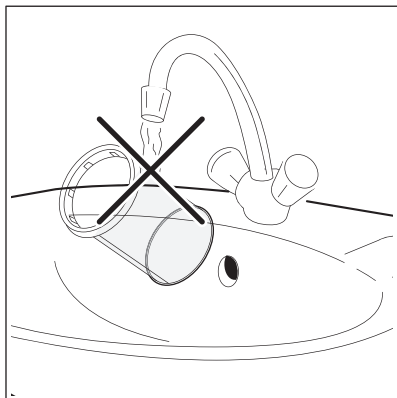


8.

Filtrační vložku podržte nad připravenou nádobou či boxem a použijte špachtlový kartáč v příslušenství filtru. Pohybem kartáče nahoru/dolů odstraňte z vložkové sítěky co možná nejvíce vláken, usnadníte tím odtékání vody.

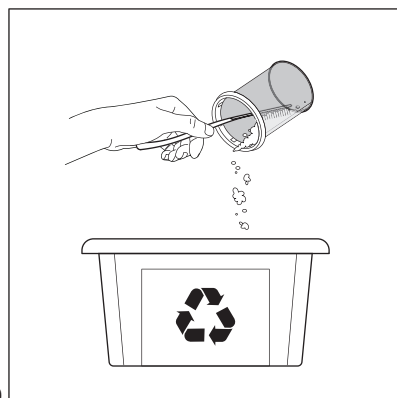


Odpad z filtru vyhodte do smíšeného suchého odpadu.



9.

Aby zůstal zachován pozitivní účinek tohoto filtru na životní prostředí, vyhněte se při čištění filtrační vložky použití vody. Místo toho odpad nahromaděný ve filtrační vložce vyhodte do smíšeného odpadu (čímž předejdete rozptýlování plastových vláken do vodního prostředí).



10.

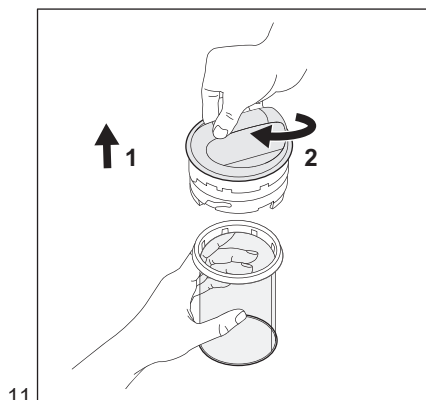
Po vypuštění vody z filtrační vložky z ní odstraňte veškeré nečistoty a mikrovlákna a vše vyhodte do smíšeného SUCHÉHO odpadu. K odstranění co největšího množství materiálu lze použít papírový ručník.

POZOR!

Odpad nahromaděný ve filtrační vložce obsahuje mikrovlákna, zbytky čisticích prostředků a nečistoty. MUSÍ být likvidován spolu se smíšeným suchým odpadem.



Po vyčištění filtrační vložky může být špachtlový kartáč znečištěný a plný plastových vláken. Aby zůstal zachován pozitivní účinek tohoto filtru na životní prostředí, vyčistěte jej běžnými papírovými utěrkami a ty vyhodte do smíšeného suchého odpadu

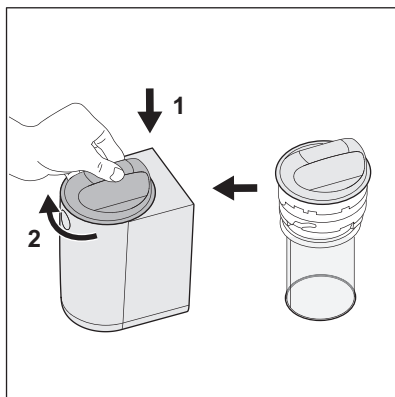


11.



Filtrační vložku vraťte zpět na místo postupem na obrázku 11:

1. Vložte filtrační vložku.
2. V jedné ruce držte filtrační vložku, druhou otočte krytem po směru hodinových ručiček, od symbolu odemčeného zámku k symbolu zamčeného.



12.



Filtr uzavřete pomocí pohybů znázorněných na obrázku 12:

1. Kryt (spolu s filtrační vložkou) vložte shora do pláště filtru.
2. Otočte krytem po směru hodinových ručiček od symbolu odemčeného zámku k symbolu zamčeného.



Pro další informace o údržbě a čištění prosím zhlédněte informační video. Příslušný QR kód je k dispozici na začátku této uživatelské příručky.



POZOR!
Před zahájením dalšího pracovního cyklu se ujistěte, že jste zavřeli víko.

VAROVÁNÍ

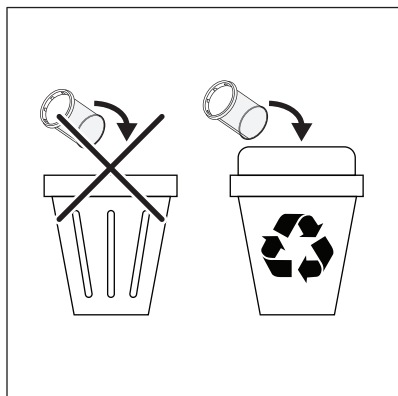
Pokud pračku hodláte nepoužívat déle než týden (v případě dovolené či pracovní cesty), doporučujeme vyprázdnit filtrační vložku a vyčistit filtr k zamezení vzniku nevídaného zápachu v bezprostředním okolí vašeho filtru.

Filtrační vložku je nutno vyčistit ve vlhkém stavu – vyhněte se tím jejímu poškození a předejete nesprávnému fungování při použití v budoucích pracích cyklech.

Filtrační systém je vybaven záložní filtrační vložkou, která umožňuje okamžité znovuspuštění pračky v případě poškození původní vložky

Výměna a likvidace filtrační vložky

Vložka vydrží zhruba šest měsíců, protože při čištění může dojít k jejímu poškození, které snižuje účinnost filtru. Balení obsahuje 1 náhradní vložku.



Veškerý pevný odpad z filtru vyhazujte do vhodných recyklačních kontejnerů.

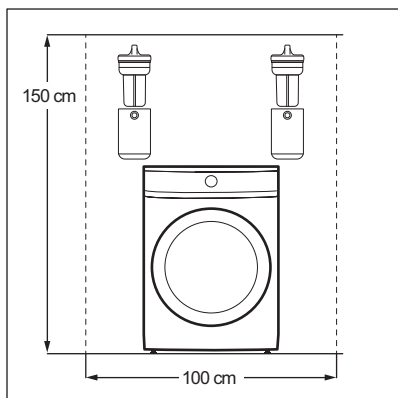
Je-li nutno filtrační vložku vyměnit, proveďte prosím tyto 2 jednoduché kroky:

1. Poškozenou vložku pečlivě vyčistěte.
2. Vložku spolu s ostatním odpadem vyhoďte do recyklačního kontejneru.

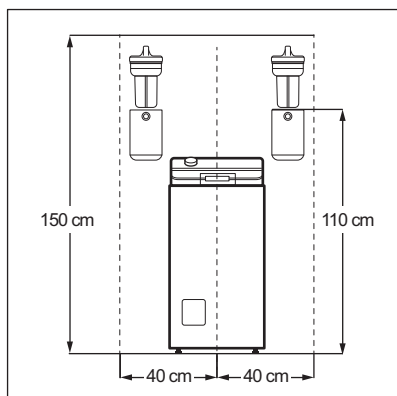


Potřebujete-li další náhradní filtrační vložky, použijte pouze originální komponenty. Vložky lze zakoupit v kterémkoli servisním centru značky Electrolux/AEG či online.

Přílohy



Příloha pro pračku s předním plněním.



Příloha pro pračku s horním plněním.

1. ⚠ SICHERHEITSHINWEISE

Lesen Sie vor der Installation und Verwendung des Produkts die mitgelieferte Anleitung sorgfältig durch. Bei Verletzungen oder Schäden infolge nicht ordnungsgemäßer Montage oder Verwendung übernimmt der Hersteller keine Haftung. Bewahren Sie die Anleitung zum Nachschlagen an einem sicheren und zugänglichen Ort auf.


- Dieses Produkt dient zum Filtern von Mikroplastikfasern, die während des Waschvorgangs aus Textilien freigesetzt werden, und sollte nicht für andere Zwecke verwendet werden.
- Dieses Produkt kann durch Kinder ab 8 Jahren und Personen mit eingeschränkten physischen, sensorischen oder geistigen Fähigkeiten oder mit mangelnder Erfahrung/mangelndem Wissen bedient werden, wenn sie durch eine für ihre Sicherheit zuständige Person beaufsichtigt werden oder von dieser Person Anweisungen erhalten, wie das Gerät sicher zu bedienen ist, und welche Gefahren bei nicht ordnungsgemäßer Bedienung bestehen. Kinder unter 8 Jahren und Personen mit schweren Behinderungen oder Mehrfachbehinderung sollten vom Gerät ferngehalten werden, wenn sie nicht ständig beaufsichtigt werden.
- Kinder dürfen nicht mit dem Produkt spielen. Halten Sie sämtliches Verpackungsmaterial von Kindern fern und entsorgen Sie es ordnungsgemäß.
- Kinder dürfen keine Reinigung und Wartung des Produkts ohne Beaufsichtigung durchführen. Halten Sie alle Wasch- und Reinigungsmittel von Kindern fern.
- Dieses Produkt ist für die Verwendung in Haushalten und ähnlichen Anwendungen vorgesehen, wie z. B.:
 - Personalküchenbereiche in Geschäften, Büros und anderen Arbeitsumfeldern;
 - Bauernhöfe;

- für Gäste in Hotels, Motels, Pensionen und anderen wohnungsähnlichen Räumlichkeiten;
- Gemeinschaftsbereiche in Häuserblöcken oder Appartmenthäusern oder in Waschkellern.
- Befolgen Sie die mit dem Produkt gelieferten Installationsanweisungen.
- Installieren oder verwenden Sie keine beschädigten Produkte oder Ablassschläuche.
- Installieren Sie das Produkt an einem sicheren und geeigneten Ort, der den Installationsanforderungen entspricht.
- Installieren Sie das Produkt nicht über Steckdosen oder über Geräten an der Wand oder freistehenden Geräten in der Nähe des Bodens, um das Risiko eines Stromschlags zu vermeiden.
- Entfernen Sie die gesamte Verpackung.
- Vergewissern Sie sich, dass die Rohre ordnungsgemäß befestigt sind, um Lecks, Lärm oder Schäden zu vermeiden.
- Achten Sie darauf, dass der Abflussschlauch zwischen dem Gerät und dem Filtereinlass richtig verläuft, damit der Abfluss nicht blockiert wird.
- Befestigungsvorrichtungen für die Wand sind aufgrund der unterschiedlichen Wandmaterialien nicht enthalten. Verwenden Sie geeignete Befestigungsmittel für die Wände.
- Stellen Sie sicher, dass es keine sichtbaren Wasserlecks während und nach dem ersten Gebrauch des Produkts gibt.
- Reinigen Sie das Produkt nicht mit einem Hochdruck-Wasserstrahl und/oder Dampf.
- Vor dem Zugriff auf den Filter oder der Reinigung des Filters, die Maschine stets ausschalten und überprüfen, dass sie nicht läuft.
- Reinigen Sie das Produkt mit einem feuchten Tuch. Verwenden Sie ausschließlich Neutralreiniger. Verwenden Sie keine Scheuermittel,

Scheuerschwämme, scharfe Reinigungsmittel oder Metallgegenstände.

- Reinigen Sie die Patrone regelmäßig, einmal pro Woche oder wenn die rote Schwimmeranzeige deutlich sichtbar ist.
- Verwenden Sie das Wasser aus dem Filter nicht wieder. Es kann Mikroplastikpartikel enthalten, die für den menschlichen und tierischen Verzehr ungeeignet sind.
- Wenden Sie sich zur Reparatur des Geräts an ein autorisiertes Kundendienstzentrum. Verwenden Sie nur Original-Ersatzteile.
- Dieses externe Zubehör ist mit Electrolux/AEG/ Zanussi Haushaltswaschmaschinen kompatibel.

Umweltbelange

Recyceln Sie Materialien mit dem Symbol . Legen Sie die Verpackung in die entsprechenden Container, um sie zu recyceln.

2. MONTAGE

2.1 Vor dem Einbau



WARNUNG!

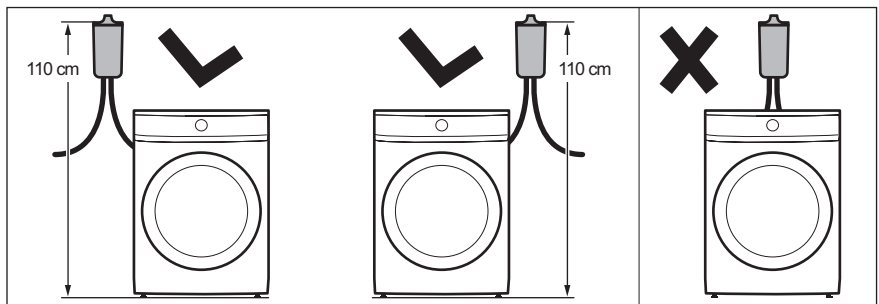
Siehe Kapitel Sicherheitshinweise.

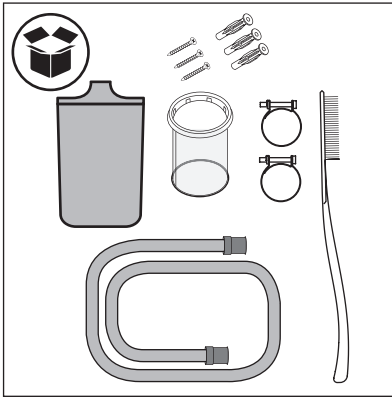


Besuchen Sie electrolux.com/getstarted/microplasticfilters für Videos zur Installation und Nutzung.

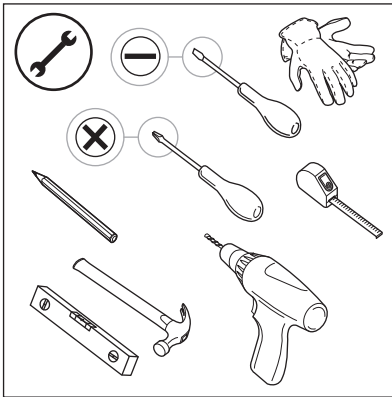
1. Wählen Sie eine geeignete Stelle an der Wand für die Installation des Filters:

Um Leckagen über der Waschmaschine zu vermeiden, ist es besser, den Filter auf beiden Seiten der Waschmaschine zu installieren.



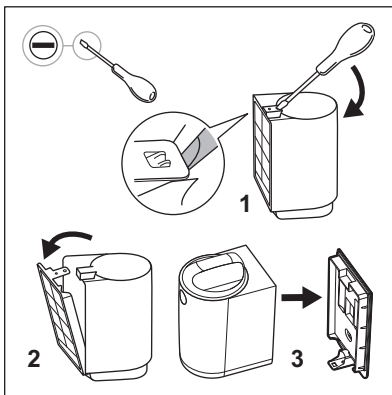


2. Überprüfen Sie den Inhalt des Kartons.



3. Bereiten Sie die notwendigen Werkzeuge für die Installation vor.

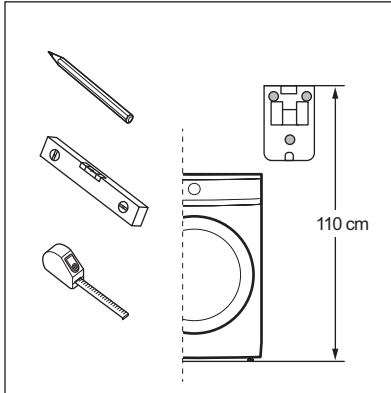
2.2 Einbau des Zubehörs



1. Nehmen Sie den Filter aus dem Verpackungskarton und entfernen Sie die Wandhalterung mit Hilfe eines flachen Schraubendrehers.

2. Die Position des Filters muss den aufgeführten Punkten (a und b) entsprechen:

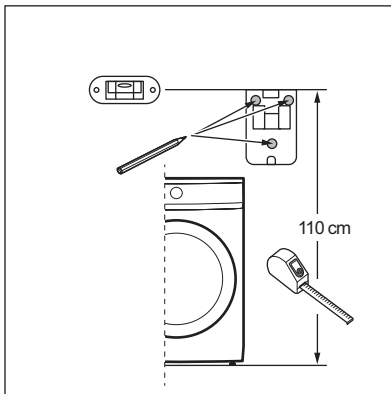
a. Positionieren Sie die Wandhalterung in der richtigen Höhe, d. h. 110 cm* von der Oberkante der Wandhalterung bis zum Boden (oder dem Sockel, falls vorhanden). ***Die zulässige Toleranz in der Höhenposition des Filters beträgt +/- 5 cm.**



Prüfen Sie vor der Positionierung der Wandhalterung, wo sich der Entwässerungspunkt befindet. Der Filter ist mit einem Abflussrohr von 100 cm Länge ausgestattet.

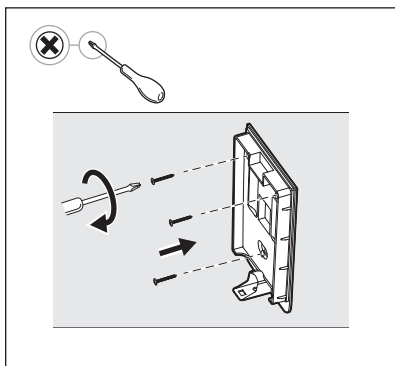
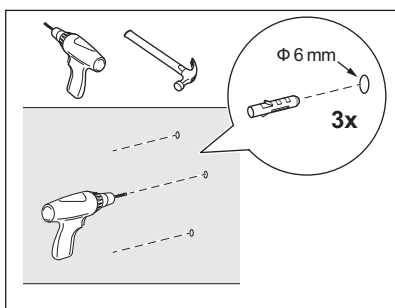
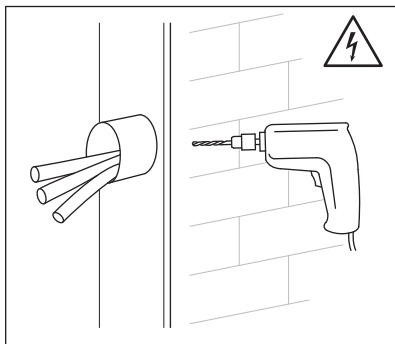


Vergewissern Sie sich, dass über Ihrem Filter genügend Platz ist, bevor Sie die Wandhalterung anbringen. Achten Sie darauf, dass oberhalb des Filters genügend Freiraum zum Herausnehmen und Wiedereinsetzen der Patrone vorhanden ist. Siehe die Mindestabmessungen in Anhang 1 (Frontlader) und Anlage 2 (Toplader).



b. Prüfen Sie vor dem Bohren mit einer Wasserwaage, ob die 3 Bohrstempel waagrecht und gut ausgerichtet sind.

3. Bohren Sie die Löcher in die Wand und setzen Sie die Dübel ein.



WARNUNG!

Vergewissern Sie sich vor dem Bohren in der Wand, dass sich dahinter keine Wasser- oder Stromleitungen befinden. Es wird empfohlen, einen Bohrer mit Durchmesser 6-mm- zu verwenden. Das Filterpaket enthält drei spezielle Schrauben und Kunststoffdübel für die ordnungsgemäße und sichere Installation des Filters. Das mitgelieferte

Befestigungssystem ist für die Montage an einer Ziegelwand vorgesehen. Im Zweifelsfall wenden Sie sich bitte an den Techniker.

WARNUNG!

Wenn Ihre Wand aus einem anderen Material als Ziegeln besteht, verwenden Sie die richtigen Dübel und Schrauben, die für dieses Material vorgesehen sind.

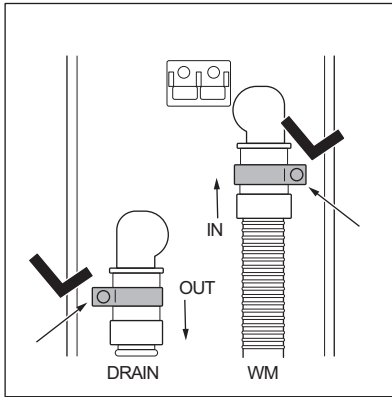
4. Befestigen Sie die Wandhalterung mit den mitgelieferten Schrauben und Kunststoffdübeln und achten Sie darauf, dass sie gerade und sicher an der Wand befestigt ist.

5. Nehmen Sie die Schläuche, die Manschetten und das Filtergehäuse.

Stecken Sie die Manschetten auf die Schläuche und schließen Sie die Rohre an das Filtergehäuse an, indem Sie die **IN/OUT**-Angaben auf der Rückseite des Filtergehäuses beachten:

IN: Schlauch, der von der WM kommt,

OUT: Schlauch (im Filterpaket enthalten), der zum Abfluss führt.



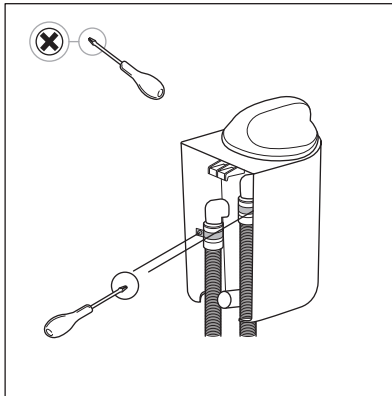
WARNUNG!

Bevor Sie den Abflussschlauch an den Außenfilter anschließen, vergewissern Sie sich, dass die Waschmaschine ausgeschaltet und der Stecker aus der Steckdose gezogen ist.



6. Ziehen Sie die Manschetten mit dem Schraubenzieher fest.

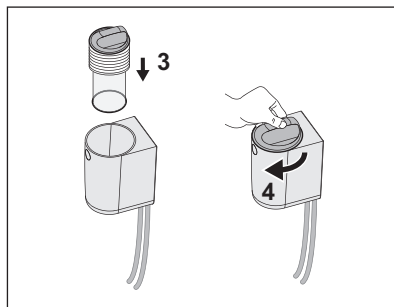
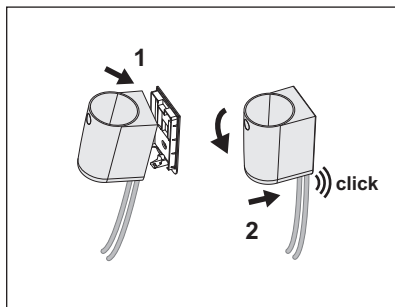
Befolgen Sie diese Anweisungen genau, um die Manschetten so zu positionieren, dass eine dichte Verbindung gewährleistet ist.



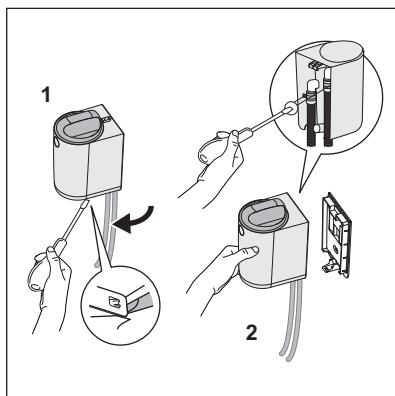
Achten Sie bei der Verwendung des Schraubendrehers darauf, dass Sie das Filtergehäuse und die Schläuche nicht beschädigen.



7. Wenn Sie gemäß den Abbildungen das Filtergehäuse an der Wandhalterung anbringen, hören Sie ein „Klick“, wenn das Gehäuse korrekt an der Wandhalterung befestigt ist.



- i** Bevor Sie mit dem nächsten Punkt Täglicher Gebrauch & Pflege und Reinigung fortfahren, starten Sie das kurze Waschprogramm und führen es bis zum Ende durch. Vergewissern Sie sich, dass keine Leckagen am Filter und seinen Anschlüssen auftreten. Bei einem Wasseraustritt ist wie in Abschnitt 8 beschrieben vorzugehen. Lösen Sie die Filterbaugruppe von der Wandhalterung und ziehen Sie die Manschetten fest. Um den Filter wieder einzubauen, wiederholen Sie die Schritte in Abschnitt 7.



8. Wenn während des ersten Zyklus Wasser austritt, beenden Sie das Programm sofort. Schalten Sie die Waschmaschine aus und ziehen Sie den Stecker aus der Steckdose. Bevor Sie mit dem Abnehmen fortfahren, überprüfen Sie, ob der Filterdeckel in der verriegelten Position bleibt, damit beim Anziehen der Manschetten kein Wasser ausläuft.

Nehmen Sie den gesamten Filter von der Wandhalterung ab:

1. Lösen Sie den Filter mit dem Schraubenzieher von der Wandhalterung.
2. Halten Sie den Filter in der Hand und ziehen Sie den Kragen mit dem Schraubendreher fest.

Wiederholen Sie die Schritte in Abschnitt 7, um den Filter zu installieren.





3. TÄGLICHER GEBRAUCH & PFLEGE UND REINIGUNG




WARNUNG!
Siehe Kapitel
Sicherheitshinweise.



WARNUNG!
Vor dem Zugriff auf den
Filter oder der Reinigung
des Filters, die Maschine
stets ausschalten und
überprüfen, dass sie nicht
läuft.

-  Die Filterpatrone besteht aus einem dünnen Polyamidnetz, um die beim Waschen der Wäsche freigesetzten Mikrofasern aufzufangen.
-  Nach einigen Waschzyklen verstopft die Filterpatrone und muss gereinigt werden
-  Die Anzahl der Zyklen vor der Aktivierung des Schwimmers hängt von mehreren Faktoren ab (Art der Textilie, Trommelgröße, am häufigsten verwendete Programme, Art der Zyklen und Dauer, Wäschemenge, Waschmittel, Verschmutzungsgrad usw.).
-  Reinigen Sie die Patrone regelmäßig, einmal pro Woche oder wenn die rote Schwimmeranzeige deutlich sichtbar ist.

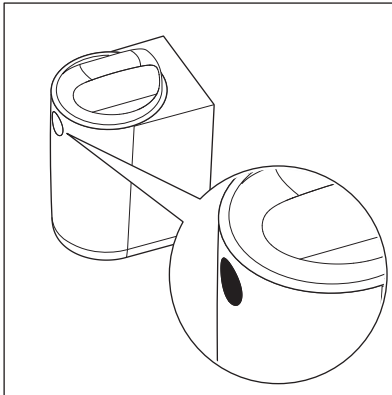
-  Wenn der Filter verstopft ist, wird der rote Schwimmer im Inneren des Deckels sichtbar und weist den Benutzer darauf hin, dass die Patrone gereinigt werden muss (siehe nächste Abbildung).




WARNUNG!

Verwenden Sie das Wasser aus dem Filter nicht wieder. Es kann Mikroplastikpartikel enthalten, die für den menschlichen und tierischen Verzehr ungeeignet sind.

3.1 Zustand „Roter Alarm“



-  Der rote Schwimmer zeigt an, dass der Filter voll ist und gereinigt werden muss.

Im Modus „**roter Alarm**“ (wenn der Schwimmer sichtbar ist) stoppt der Filter den Waschzyklus nicht, sondern arbeitet im Bypass-Modus und filtert nicht mehr.

Um eine optimale Leistung zu gewährleisten, wird daher empfohlen, die Patrone so bald wie möglich zu reinigen, um zu vermeiden, dass der Filter im „**roten Alarm**“ bleibt.



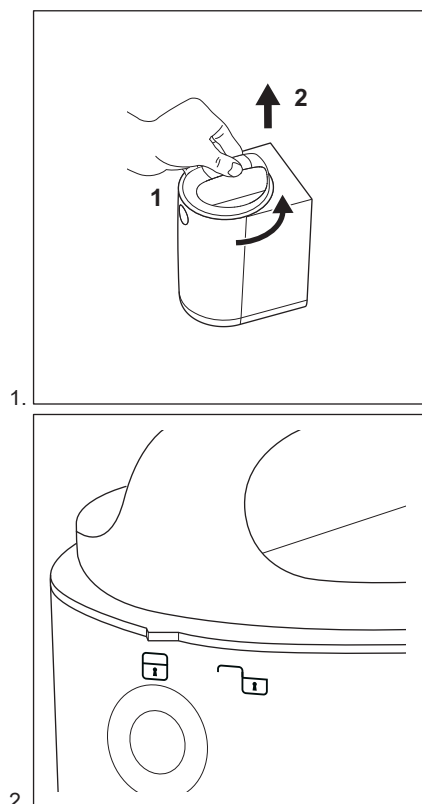
WARNUNG!

Aus verschiedenen Gründen könnte die Waschmaschine mögliche Warnungen anzeigen, die mit Entleerungsproblemen zusammenhängen, wie **E20-E21**. Wenn diese Warnung erscheint, überprüfen Sie zunächst den neuen externen Filter und reinigen Sie ihn. Bleibt der Fehler bestehen, überprüfen Sie auch den Filter Ihrer Waschmaschine und reinigen Sie ihn, sofern er zugänglich ist.

Das Anhalten der Waschmaschine (Fehler) ist eine Sicherheitsfunktion der Maschine, um lange Abtropfzeiten zu vermeiden und die Maschine nicht zu beschädigen. Nachdem die Filterpatrone gereinigt wurde, kann der normale Betrieb wieder aufgenommen werden.

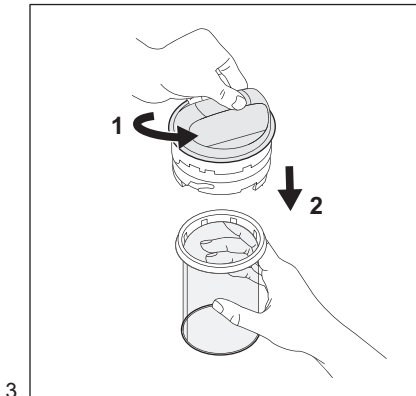
3.2 Reinigung und Pflege

Reinigung des Filters und Entsorgung der Mikrofasern.



Um den Filter zu öffnen, beachten Sie die Bewegungen in Abbildung 1 und 2:

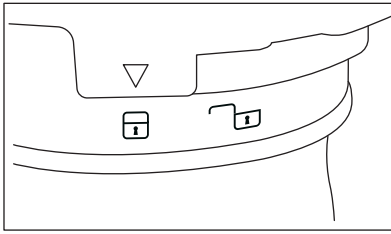
1. Drehen Sie den Deckel gegen den Uhrzeigersinn vom Verriegelungssymbol zum Entriegelungssymbol (auf der Vorderseite des Filters, wie in Abbildung 2 dargestellt),
2. Heben Sie die Abdeckung an.



3.

Um die Patrone herauszunehmen, beachten Sie die Bewegungen in Abbildung 3:

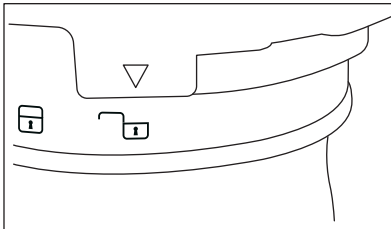
1. Halten Sie den Deckel in der Hand und drehen Sie die Patrone mit der anderen Hand gegen den Uhrzeigersinn vom Verriegelungssymbol zum Entriegelungssymbol (siehe Abbildung 4 und 5).
2. Ziehen Sie die Patrone nach unten.



4.

Zum Verriegeln/Entriegeln der Patrone siehe die Abbildungen 4 und 5:

Verriegeln (Bild 4) / Entriegeln (Bild 5).



5.



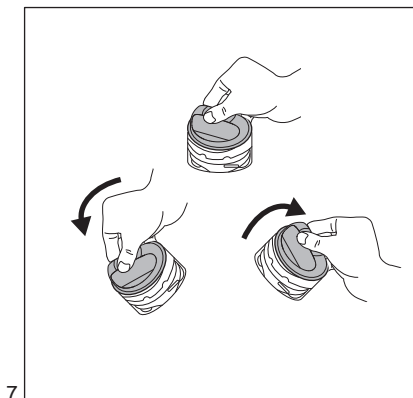
Zum Reinigen der Patrone und Entsorgen des Inhalts siehe Abbildung 6, 7, 8 und 9.



6.

Wenn die Patrone vollständig verstopft ist, ist sie möglicherweise mit Schmutzwasser gefüllt.

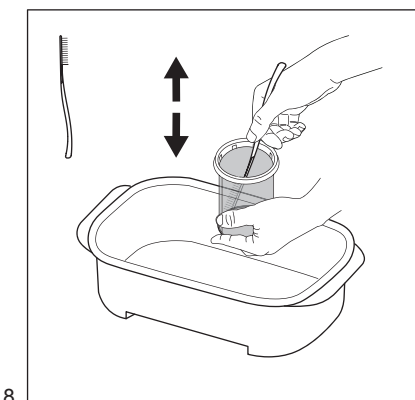
Um für die Reinigung vorbereitet zu sein, empfiehlt es sich, einen beliebigen Topf oder einen kleinen Plastikbehälter zu verwenden; dies könnte die Arbeit erleichtern und verhindert, dass die Umgebung nass wird. Um das restliche Wasser in der Patrone zu entfernen, leeren Sie sie in einem Topf oder einem Behälter aus, indem Sie den Deckel der Baugruppe festhalten und schütteln. Das Wasser fließt ab. Sollte noch etwas Wasser übrig sein, fahren Sie mit dem nächsten Schritt fort.



i Um den Filter zurückzusetzen,
siehe Abbildung 7.

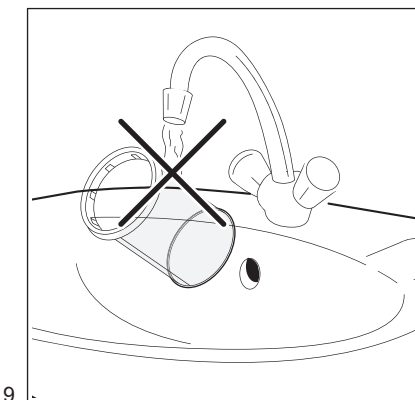
Bevor Sie den Deckel wieder auf die Patrone setzen, setzen Sie den Schwimmer zurück, indem Sie das Wasser im Deckel entfernen. Halten Sie den Deckel fest, drehen Sie ihn (siehe Abbildung 7) und lassen Sie das gesamte Wasser in einen Plastikbehälter ab. Der Schwimmer ist nicht mehr sichtbar, wenn der Deckel auf den Filter gesetzt wird.

i Es ist ein Geräusch zu hören, aber das ist normal, da sich im Inneren des Deckels ein Massenventil befindet.

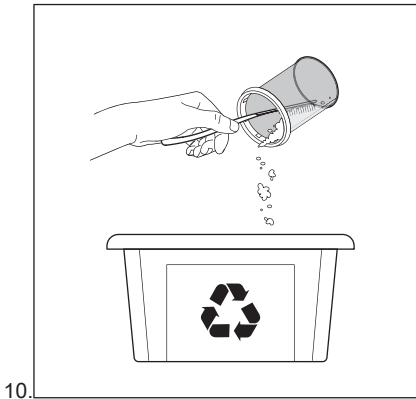


Halten Sie die Patrone in den Behälter und verwenden Sie das in der Filterbox enthaltene Pinsel-Spatel-Werkzeug. Durch Auf- und Abwärtsbewegungen der Bürste werden die am Patronennetz haftenden Fasern so weit wie möglich entfernt, um das Abfließen des Wassers zu erleichtern.

i Entsorgen Sie die Abfälle aus dem Filter über den allgemeinen Hausmüll.



Um die positiven Auswirkungen des Filters auf die Umwelt zu erhalten, vermeiden Sie die Verwendung von Wasser zur Reinigung der Filterpatrone. Werfen Sie stattdessen die von der Filterpatrone gesammelten Abfälle in den allgemeinen Hausmüll (vermeiden Sie die Dispersion von Kunststofffasern in der Wasserumgebung).

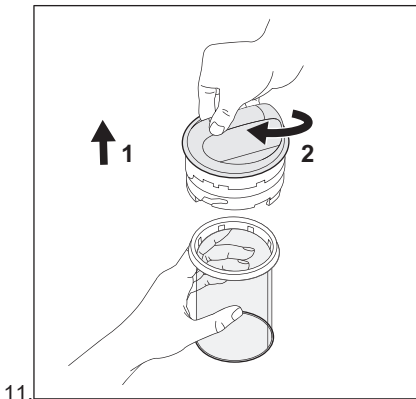


Nachdem das Wasser aus der Patrone entleert wurde, entfernen Sie Schmutz und Mikrofasern aus dem Inneren der Patrone und entsorgen Sie sie im TROCKENEN Hausmüll. Mit einem Papiertuch können Sie so viel Material wie möglich auffangen.



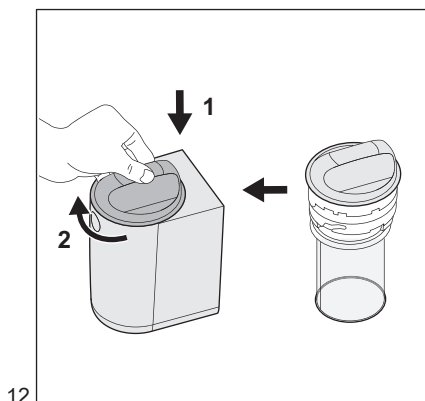
VORSICHT!
Der von der Patrone
gesamelte Abfall enthält
Mikrofasern,
Waschmittelreste und
Schmutz. Er MUSS im
allgemeinen Hausmüll
entsorgt werden.

Nach der Reinigung der Patrone kann der Bürstenspatel schmutzig und voller Kunststofffasern sein. Um die positive Auswirkung auf die Umwelt zu erhalten, reinigen Sie es mit gewöhnlichen Papiertüchern und entsorgen Sie es im allgemeinen trockenen Hausmüll



Zum Auswechseln der Patrone
 siehe Abbildung 11:

1. Setzen Sie die Patrone ein.
2. Halten Sie die Patrone in der Hand und drehen Sie mit der anderen Hand den Deckel im Uhrzeigersinn vom Entriegelungssymbol zum Verriegelungssymbol.



Um den Filter zu schließen, beachten Sie die Bewegungen in Abbildung 12:

1. Setzen Sie den Deckel (+ Patrone) von oben in das Gehäuse ein.
2. Drehen Sie die Abdeckung im Uhrzeigersinn vom Entriegelungssymbol zum Verriegelungssymbol.



Für weitere Informationen zu Wartung und Reinigung sehen Sie sich bitte das Video an. Ein spezieller QR-Code befindet sich am Anfang dieses Benutzerhandbuchs.



VORSICHT!
Stellen Sie sicher, dass der Deckel geschlossen ist, bevor Sie mit dem nächsten Waschgang fortfahren.

WARNUNGEN

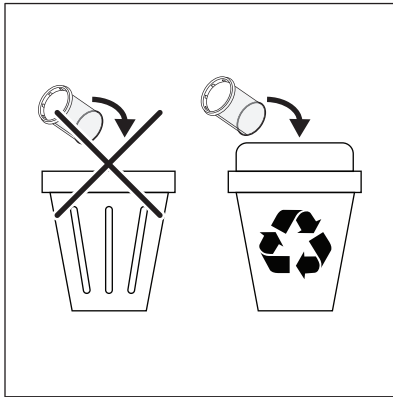
Bei einer Waschpause, die länger als eine Woche dauert (z.B. Urlaub, Reise), wird empfohlen, die Patrone zu entleeren und den Filter zu reinigen, um eine unerwartete Geruchsbildung in der Umgebung des Filters zu vermeiden.

Es ist notwendig, die Patrone in nassem Zustand zu reinigen, um sie nicht zu beschädigen und eine Fehlfunktion bei den nächsten Zyklen zu vermeiden.

Das Filtersystem wird mit einer Ersatzkartusche geliefert, damit Sie im Falle eines Kartuschenschadens sofort mit Ihrer Wäsche weiterarbeiten können.

Austausch und Entsorgung von Kartuschen

Die Lebensdauer der Patrone ist auf circa 6 Monate begrenzt, da die Reinigung das Netz beschädigen und die Filterleistung beeinträchtigen kann. 1 Ersatzpatrone ist in der Verpackung enthalten.



Geben Sie die Abfälle aus dem Filter in einen geeigneten Recyclingbehälter.

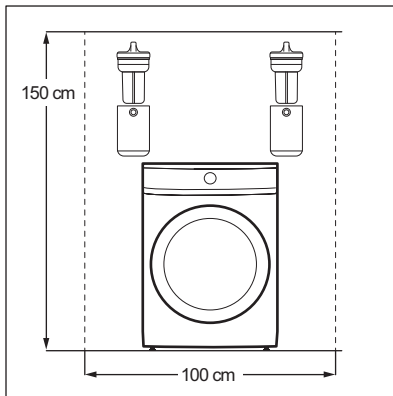
Wenn die Patrone ersetzt werden muss, befolgen Sie bitte diese 2 einfachen Schritte:

1. Reinigen Sie die beschädigte Patrone sorgfältig.
2. Werfen Sie die Patrone und den Abfall in einen Recyclingbehälter.

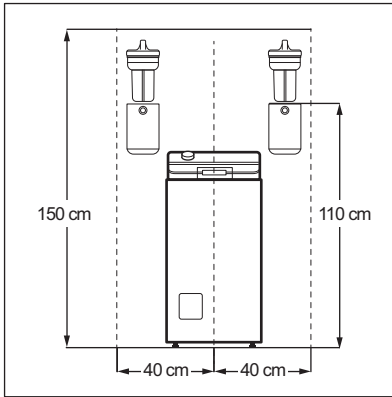


Verwenden Sie für zusätzliche Kartuschenersatzteile nur Originalteile. Die Kartuschen sind in jedem Electrolux AEG-Servicezentrum oder sogar online erhältlich.

Anhänge



Anhang für Frontlader-Waschmaschinen.



Anhang für Toplader-Waschmaschinen.


1. ⚠️ OM SIKKERHED

Læs den medfølgende brugsanvisning grundigt, før produktet installeres og tages i brug. Producenten påtager sig intet ansvar for eventuelle skader, der skyldes forkert installation eller brug. Opbevar altid brugsanvisningen på et sikkert og tilgængeligt sted til senere opslag.

- Dette produkt er beregnet til filtrering af mikroplastikfibre, der frigives fra tekstiler under opvasken, og bør ikke anvendes til andre formål.
- Dette produkt kan kun bruges af børn fra 8 år og opefter samt af personer med nedsat fysisk, sensorisk eller psykisk funktionsevne, eller som mangler den nødvendige erfaring eller viden, hvis de er under opsyn eller er blevet instrueret i at bruge apparatet på en sikker måde og forstår de farer, det indebærer. Børn under 8 år og personer med omfattende og komplekst handicap skal holdes på afstand af apparatet, medmindre de overvåges konstant.
- Lad ikke børn lege med produktet. Opbevar al emballage utilgængeligt for børn, og bortskaf det korrekt.
- Børn må ikke udføre rengøring og vedligeholdelse på produktet uden opsyn. Opbevar vaskemidler utilgængeligt for børn.
- Dette produkt er beregnet til husholdningsbrug eller lignende brug såsom:
 - personale-kantineområder i butikker, på kontorer og i andre arbejdsmiljøer;
 - gæstehuse
 - af kunder på hoteller, moteller, bed and breakfast og andre typer beboelse
 - områder for fælles brug i lejlighedsblokke eller på møntvaskerier.
- Følg installationsvejledningen, der følger med produktet.

- Undlad at installere eller bruge et beskadiget produkt eller afløbsslanger.
- Installér apparatet et sikkert og velegnet sted, der opfylder installationskravene.
- For at undgå risiko for elektrisk stød må produktet ikke installeres over elektriske stik eller over enheder, der er placeret på væggen, eller fritstående enheder i nærheden på gulvet.
- Fjern al emballagen.
- Sørg for, at rørene er fastgjort korrekt for at undgå lækager, støj eller beskadigelse.
- Sørg for, at der er en korrekt afløbsvej mellem apparatet og filterindgangen for at undgå at blokere afløbsstrømmen.
- Dele til fastgøring på væggen er ikke inkluderet på grund af forskellige vægmateriale. Brug dele til fastgøring, som passer i forhold til væggene.
- Sørg for, at der ikke er synlige vandlækager under og efter første brug af produktet.
- Brug ikke højtryksrensere og/eller damp til at rengøre produktet.
- Sluk altid og kontroller, at maskinen ikke kører, før du tilgår eller rengør produktet.
- Rengør produktet med en fugtig klud. Brug kun neutralt rengøringsmiddel. Brug ikke slibende midler, skuresvampe, opløsningsmidler eller metalgenstande.
- Rengør patronen regelmæssigt en gang om ugen, eller når den røde flyderindikator er tydelig.
- Genbrug ikke vand fra filteret. Det kan indeholde mikroplastpartikler, som ikke er egnede til at blive indtaget af mennesker og dyr.
- Kontakt det autoriserede servicecenter for at få repareret produktet. Brug kun originale reservedele.
- Dette eksterne tilbehør er kompatibelt med vaskemaskiner fra Electrolux, AEG og Zanussi.

Miljøhensyn

Genbrug materialer med symbolet . Anbring emballagen i relevante beholdere for at genbruge den.

2. INSTALLATION

2.1 Før installation



ADVARSEL!

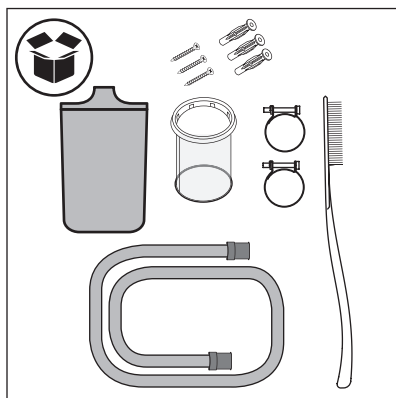
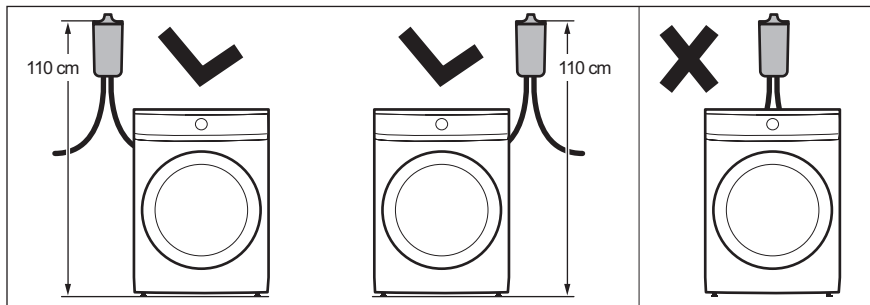
Se kapitlerne om sikkerhed.



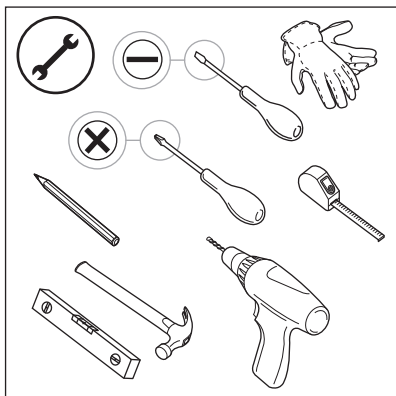
Besøg electrolux.com/getstarted/mikroplastikfiltre til installations- og brugsvideoerne.

1. Vælg en god placering på væggen til at installere filteret:

For at undgå lækager over vaskemaskinen er det at foretrække at installere filteret på begge sider af din vaskemaskine.

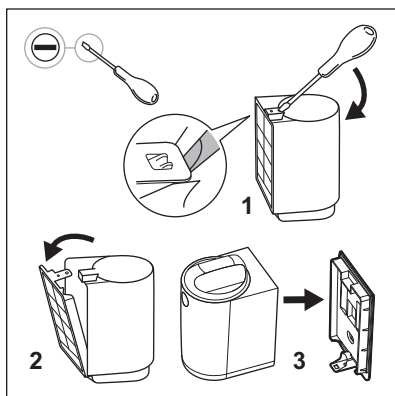


2. Bekræft indholdet af boksen.



3. Forbered de nødvendige værktøjer til installationen.

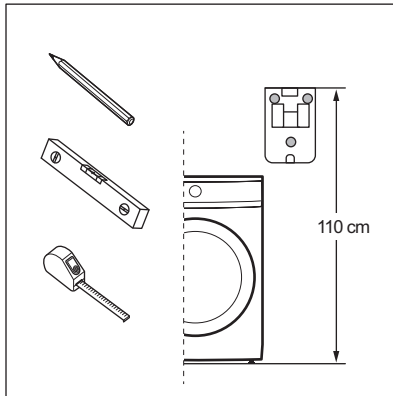
2.2 Installation af tilbehøret



1. Tag filteret ud af emballagen og fjern vægstøtten ved hjælp af en flad skruetrækker.

2. Dit filters placering skal følge disse anførte punkter (a og b):

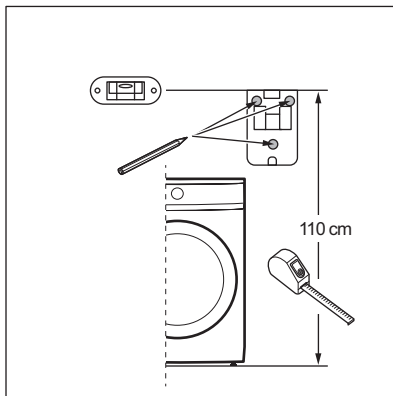
a. Anbring vægstøtten i den korrekte højde og mål 110 cm* fra toppen af vægstøtten til gulvet (eller soklen, hvis der er en). ***Indlagt tolerans i filterhøjdeposition er +/-5 cm.**



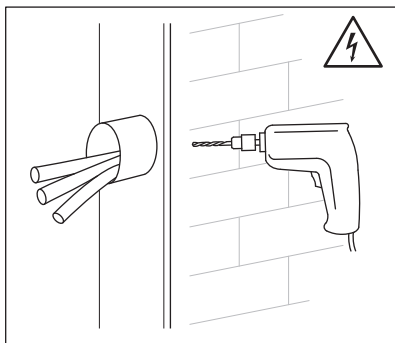
Kontrollér, hvor dit drænpunkt er, før du placerer vægstøtten. Filteret er udstyret med et afløbsrør med en længde på 100 cm.



Sørg for, at der er nok plads over dit filter, før du placerer vægstøtten. Sørg for at efterlade tilstrækkelig fri plads over filteret for at fjerne og genindsætte patronen. Se referencen for minimumdimensioner i Bilag 1 (Front Loader) og Bilag 2 (Top Loader).



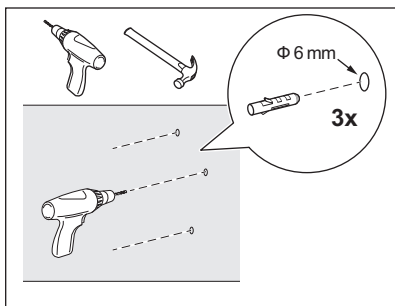
b. Brug et vaterpas til at kontrollere, at de 3 borestempler er i vater og korrekt justeret inden boring.



3. Bor hullerne ind i væggen og anbring ankrene.

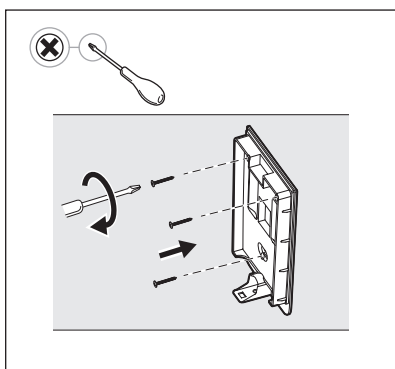
ADVARSEL!

Før du borer i væggen, skal du sørge for, at der ikke er vandrør eller elektriske ledninger bagved. Det anbefales at bruge et 6 mm bor. Filterpakken indeholder tre dedikerede skruer og plastikankre til korrekt og sikker montering af filteret. Det medfølgende fikseringsssystem er designet til installation på en murstensvæg. Hvis du er i tvivl, skal du kontakte teknikeren.

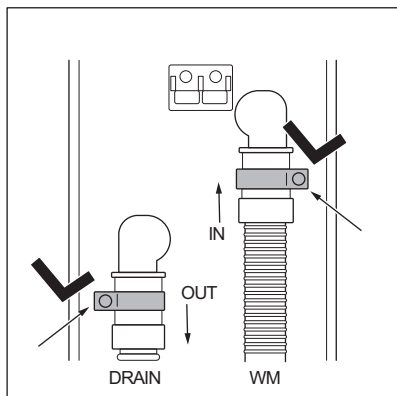


ADVARSEL!

Hvis din væg er lavet af et andet materiale end mursten, skal du bruge de korrekte ankere og skruer, der er designet til det pågældende materiale.



4. Fastgør vægstøtten med de medfølgende skruer og plastikankre, og sørg for, at den er lige og sikkert fastgjort til væggen.



5. Tag slangerne, kraverne og filterhuset.

Indsæt kraverne på slangerne, og tilslut slangerne til filterlegemet ved at følge **IND/UD**-indikationerne bag på filterlegemet: **IND**: slange, der kommer fra WM'en, **UD**: slange (tilgængelig i filterpakken), som går til afløbet.

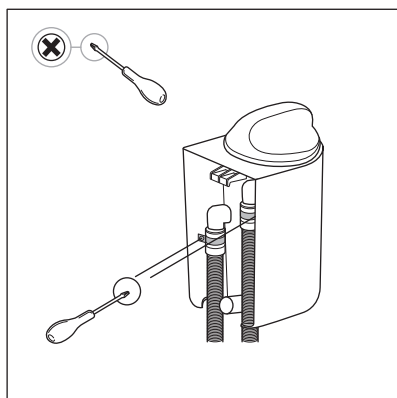
ADVARSEL!

Inden afløbsslangen tilsluttes det eksterne filter, skal du sørge for, at vaskemaskinen er slukket og taget ud af stikkontakten.



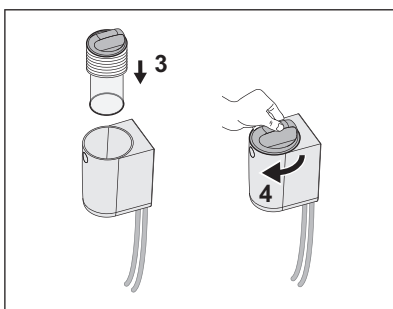
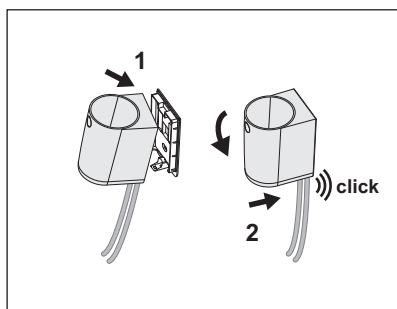
6. Spænd kraverne med skruetrækkeren.

Følg disse anvisninger nøje for at placere kraverne, så der sikres en komplet forbindelse.

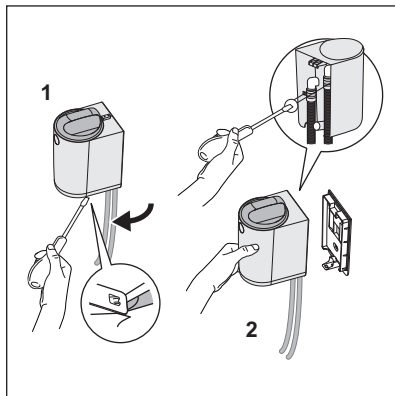


Pas på ikke at beskadige filterlegemet eller slangerne, når du bruger skruetrækkeren.

7. Når filterlegemet fastgøres til vægstøtten ved at følge den viste bevægelse på billedet, høres et "klik", da huset er korrekt fastgjort til vægstøtten.



- i** Inden du går videre til det næste emne 'Daglig brug og vedligeholdelse og rengøring', skal du starte det korte vaskeprogram og følge det indtil slutningen. Sørg for, at der ikke er lækager fra filteret og dets tilslutninger. I tilfælde af vandlækage, fortsæt som beskrevet i afsnit 8. Tag filterenheden af vægstøtten og stram kraverne. Gentag trinene i afsnit 7 for at geninstallere filteret.



8. Hvis der kommer vand til syne under det første program, skal programmet stoppes øjeblikkeligt. Sluk for vaskemaskinen og tag stikket ud af stikkontakten. Før du fortsætter med afmonteringsproceduren, skal du kontrollere, at filterdækslet forbliver i låst position for at undgå vandlækage, mens kraverne strammes.

Fjern hele filteret fra vægstøtten:

1. Løsn filteret fra vægstøtten med skruetrækkeren,
2. Hold filteret i hånden for at stramme kraven med skruetrækkeren.

Gentag trinnene i afsnit 7 for at montere filteret.

3. DAGLIG BRUG OG VEDLIGEHOLDELSE OG RENGØRING

! **ADVARSEL!**
Se kapitlerne om sikkerhed.

! **ADVARSEL!**
Sluk altid og kontroller, at maskinen ikke kører, før du åbner eller rengør filteret.

i Filterpatronen er fremstillet af tyndt polyamidnet for at fange mikrofibrene, der frigives fra vaskeprocessen.

i Efter nogle vaskecykluser vil filterpatronen blive tilstoppet og skal rengøres

i Antallet af programmer før aktivering af flyderen afhænger af flere faktorer (type af tøj, tromlestørrelse, de fleste anvendte programmer, programtyper og -varighed, vasketøjsmængde, vaskemiddel, grad af snavs osv.).

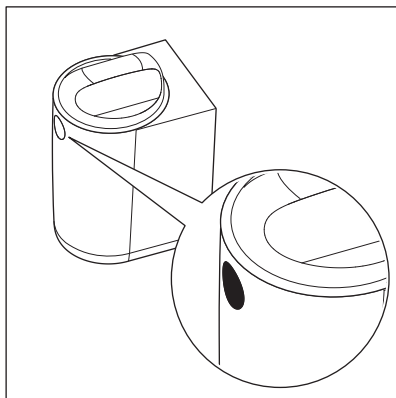
i Rengør patronen regelmæssigt en gang om ugen, eller når den røde flyderindikator er tydelig.

i Når filteret er tilstoppet, bliver den røde flyder, der sidder inde i dækslet, synlig og advarer brugeren om, at patronen skal rengøres, som vist på næste billede.

**ADVARSEL!**

Genbrug ikke vand fra filteret. Det kan indeholde mikroplastikpartikler, som ikke er egnede til at blive indtaget af mennesker og dyr.

3.1 "Rød alarm"-tilstand



Rød flyder angiver, at filteret er fuldt og skal rengøres.

I "rød alarm"-tilstand (når flyderen er aktiveret) stopper filteret ikke vaskeprogrammet, men det fungerer i bypasstilstand og filtrerer ikke længere.

For at sikre optimal ydeevne anbefales det derfor at rense patronen hurtigst muligt for at undgå at efterlade filteret i "rød alarm"-tilstand.

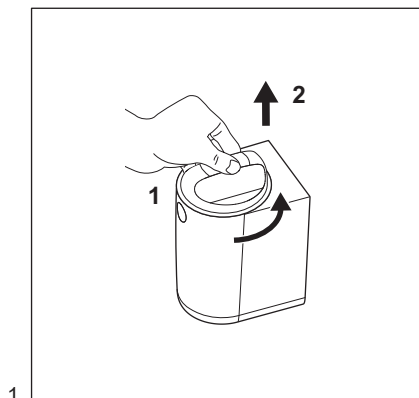
**ADVARSEL!**

Af flere årsager kan vaskemaskinen vise mulige advarsler i forbindelse med udtømningsproblemer, f.eks. **E20-E21**. Hvis denne advarsel vises, skal du først kontrollere det nye eksterne filter og rengøre det. Hvis fejlen fortsætter, skal du også kontrollere filteret til din vaskemaskine og rengøre det, hvis det er tilgængeligt.

At stoppe vaskemaskinen (fejl) er en sikkerhedsfunktion i maskinen for at undgå lange tømningsstider og for ikke at beskadige maskinen. Når filterpatronen er rengjort, kan normal drift genoptages.

3.2 Vedligeholdelse og rengøring

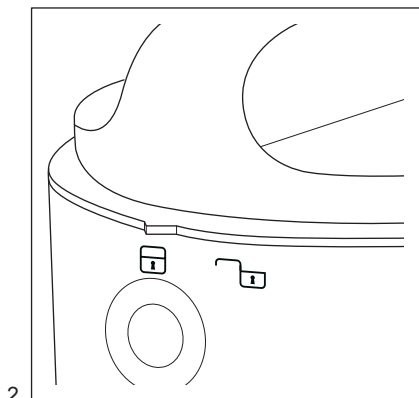
Rengøring af filtret og mikrofiberbortskaffelse.



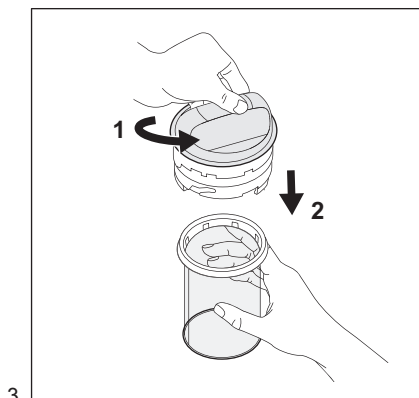
1.

Se bevægelserne på billede 1 og 2 for at åbne filteret:

1. Drej dækslet mod uret fra låsesymbolet til oplåsningssymbolet (tilgængelig foran på filteret som vist på billede 2),
2. Løft dækslet op.



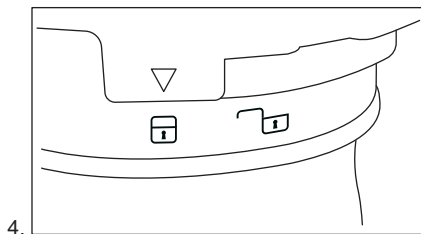
2.



3.

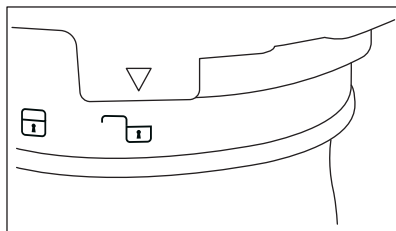
For at frigøre patronen, følg bevægelserne på billede 3:

1. Hold dækslet i hånden, og drej derefter med den anden hånd patronen mod uret fra låsesymbolet for at låse symbolet op (se billede 4 og 5).
2. Træk patronen ned.



4.

Se billede 4 og 5 for at låse/frigøre patronen:
Lås (billede 4) / Lås op (billede 5).



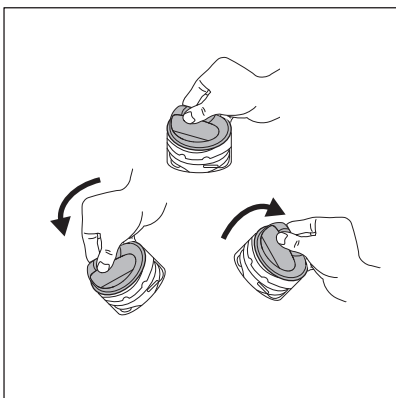
5.

i Se billede 6, 7, 8 og 9 for at rengøre patronen og bortskaffe dens indhold.



6.

Hvis patronen er helt tilstoppet, er den muligvis fyldt med snavset vand. For at være forberedt til rengøringsarbejdet anbefales det at bruge en gryde eller en lille plastikbeholder. Dette kan hjælpe driften og forhindre omgivelserne i at blive våde. For at fjerne det resterende vand inde i patronen, skal du tømme det ud i en gryde eller beholder ved at holde monteringsdækslet og ryste det. Vandet løber ud. Hvis der stadig er noget vand tilbage, fortsæt med næste trin.

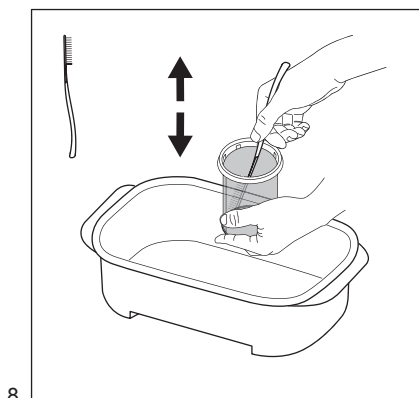


7.

i Se billede 7 for at nulstille filteret.

Før dækslet sættes tilbage på patronen, skal du nulstille flyderen ved at fjerne vand i dækslet. Hold dækslet, drej det (se billede 7), og tøm alt vandet ud i en plastikbeholder. Svømmeren er ikke længere synlig, når dækslet er placeret på filteret.

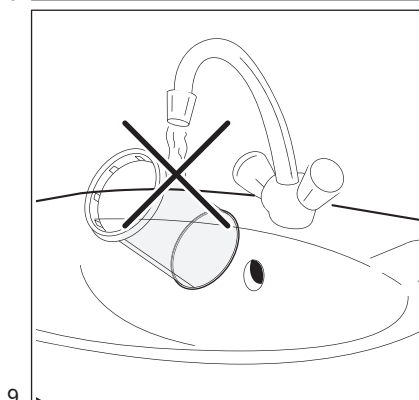
i Der kan muligvis høres en støj, men det er normal adfærd, da der inde i dækslet er en masseventil.



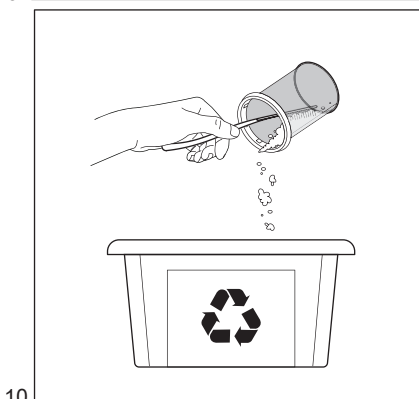
Hold patronen inde i beholderen og brug det børstespatelværktøj, der findes i filterkassen. Med op/ned-børstebevægelse fjernes så meget af fibrene, der er fastgjort til patronnettet, for at hjælpe med at tømme vandet.



Bortskaf affald fra filteret til det almindelige tørre affald.



For at bevare filterets positive indvirkning på miljøet skal du undgå at bruge vand til at rengøre filterpatronen. Kassér i stedet det affald, der er indsamlet af filterpatronen, i det generelle tørre affald (undgå spredning af plastfibre i vandet).



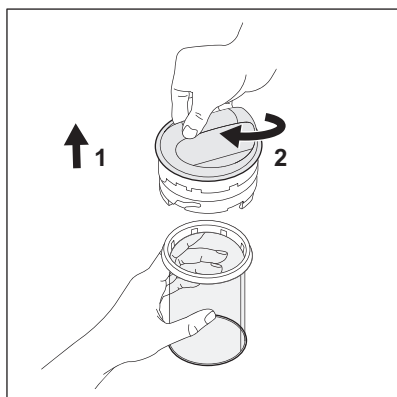
Når vandet er tømt fra patronen, skal du fjerne alt snavs og alle mikrofibre fra indersiden af patronen og bortskaffe den som TØRT almindeligt affald. Et papirhåndklæde kan bruges til at opsamle så meget materiale som muligt.

FORSIGTIG!

Affald, der opsamles af patronen, indeholder mikrofibre, rester af rengøringsmiddel og snavs. DET SKAL bortskaffes som almindeligt tørt affald.



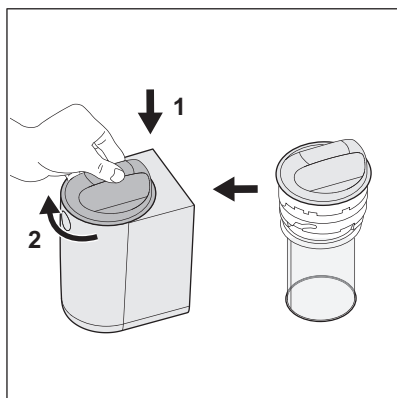
Efter patronrengøringen kan børstespatlen være snavset og fuld af plastikfibre. For at bevare den positive indvirkning på miljøet skal det rengøres med almindelige papirhåndklæder og bortskaffes som almindeligt tørt affald



11.

i Se billede 11 for at udskifte patronen:

1. Indsæt patronen.
2. Hold patronen i hånden, og drej derefter dækslet med den anden hånd med uret fra oplåsningssymbolet til låsesymbolet.



12.

i Se bevægelserne på billede 12 for at lukke filteret:

1. Sæt dækslet (+ patron) ind i kroppen fra toppen.
2. Drej dækslet med uret fra oplåsningssymbolet til låsesymbolet.

Se videoen for at få yderligere oplysninger om vedligeholdelse og rengøring. En dedikeret QR-kode er tilgængelig i begyndelsen af denne brugervejledning.

i



FORSIGTIG!

Sørg for at have lukket låget, før du fortsætter med den næste vaskecyklus.

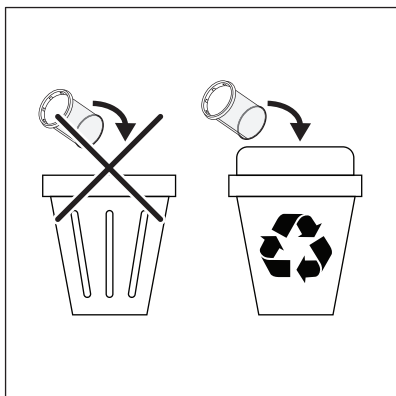
ADVARSLER

I tilfælde af en vaskepause på mere end en hel uge (f.eks. ferie, tur), anbefales det at tømme patronen og rengøre filteret for at undgå, at der opstår uventet lugt i filterets miljø. Det er nødvendigt at rengøre patronen i våd tilstand for ikke at beskadige den og undgå fejl ved de næste cyklusser.

I tilfælde af beskadigelse af patronen er filtreringssystemet forsynet med en ekstra patron, så du kan genstarte din vaskerutine med det samme

Udskiftning og bortskaffelse af patroner

Patronen har begrænset levetid, cirke seks måneder, da rengøring kan beskadige nettet og kompromittere filterets ydeevne. Der er inkluderet 1 reservedel i kassen.



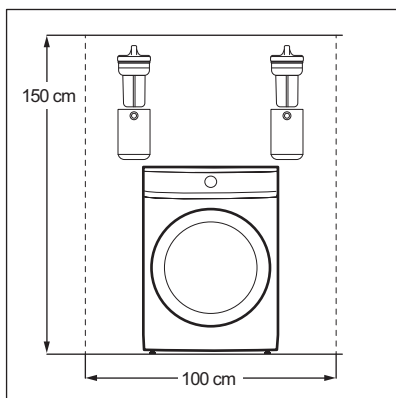
i Læg affaldet fra filteret i en passende genbrugsbeholder.

Når patronen skal udskiftes, skal du følge disse 2 enkle trin:

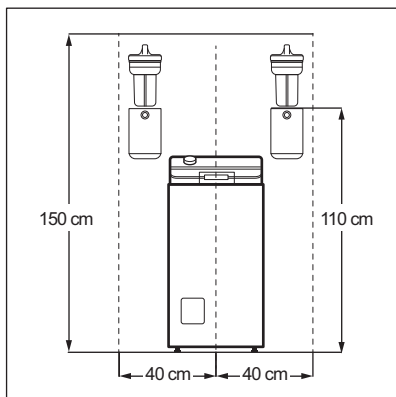
1. Rengør den beskadigede kassette omhyggeligt.
2. Læg patronen og affaldet i en genbrugsspand.

i Brug kun originale dele til ekstra patronreserverede. Patroner sælges i ethvert Electrolux/AEG-servicecenter eller endda online.

Bilag



Bilag til frontbetjent vaskemaskine.



Bilag til topbetjent vaskemaskine.


1. ⚠ SIKKERHETSINFORMASJON

Les nøye gjennom de vedlagte instruksjonene før du monterer og bruker produktet. Produsenten er ikke ansvarlig for personskader eller andre skader som følger av feilaktig montering eller bruk. Instruksjonene må alltid oppbevares på et trygt og tilgjengelig sted for fremtidig behov.

- Dette produktet er utformet for filtrering av mikroplastfibre som frigjøres fra tekstiler under vaskingen, og skal ikke brukes til andre formål.
- Dette produktet kan brukes av barn fra 8 år og personer med reduserte fysiske, sensoriske eller mentale evner eller manglende erfaring og kunnskap hvis de har tilsyn eller får instruksjon i sikker bruk av produktet og forstår hvilke farer som kan inntreffe. Barn yngre enn 8 år og personer med svært omfattende og komplekse funksjonsnedsettelse må holdes på avstand fra produktet med mindre de er under tilsyn hele tiden.
- Ikke la barn leke med produktet. Oppbevar all emballasje utilgjengelig for barn, og kast den i samsvar med lokale forskrifter.
- Barn skal ikke utføre rengjøring og vedlikehold av produktet med mindre de er under tilsyn. Oppbevar vaskemidler utilgjengelig for barn.
- Dette produktet er ment til husholdningsbruk i husholdninger og lignende bruk, for eksempel:
 - kjøkken til ansatte i forretninger, på kontorer og i andre arbeidsmiljøer,
 - våningshus,
 - av gjester på hoteller, moteller, pensjonater og andre boligtyper,
 - områder for kommunal bruk i leilighetsblokker eller i selvbetjeningsvaskeri.
- Følg installasjonsanvisningene som følger med apparatet.

- Ikke monter eller bruk et skadet produkt eller skadede avløpsslanger.
- Monter apparatet på et trygt og egnet sted som oppfyller monteringskravene.
- Ikke installer produktet over noen stikkontakter, eller over noen enheter som befinner seg på veggen, eller frittstående enheter i nærheten av gulvet, for å unngå fare for elektrisk støt.
- Fjern all emballasje.
- Sørg for at rørene er riktig festet for å unngå lekkasjer, støy eller skade.
- Sørg for at avløpsslangen følger riktig bane mellom apparatet og filterinntaket for å unngå blokkering av avløpssvannet.
- Det følger ikke med festeanordninger til vegg fordi veggmaterialer varierer. Bruk egnede festeanordninger som passer til veggene.
- Sikre at det ikke er synlige vannlekkasjer under og etter første gangs bruk av produktet.
- Ikke bruk høytrykksspyler og/eller damp til å rengjøre produktet.
- Slå alltid av og kontroller at maskinen ikke kjører før du får tilgang til eller rengjør produktet.
- Rengjør produktet med en fuktig klut. Bruk kun nøytralt vaskemiddel. Du må aldri bruke skurende oppvaskmidler, skuresvamper, løsemidler eller metallgjenstander.
- Rengjør patronen regelmessig, én gang i uken eller når den røde flottørindikatoren er godt synlig.
- Ikke gjenbruk vann fra filteret. Det kan inneholde mikroplastpartikler som er uegnet til menneske- eller dyreføde.
- Kontakt det autoriserte servicesenteret for å reparere produktet. Bruk kun originale reservedeler.
- Dette eksterne tilbehøret er kompatibelt med vaskemaskiner fra Electrolux/AEG/Zanussi til husholdningsbruk.

Beskyttelse av miljøet

Materialer som resirkuleres med symbolet . Legg emballasjen i riktige beholdere for resirkulering.

2. MONTERING

2.1 Før montering



ADVARSEL!

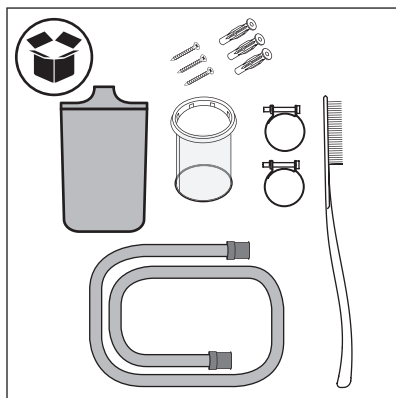
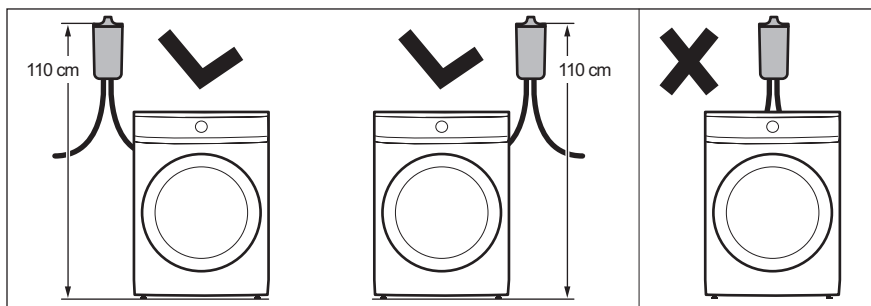
Se etter i
Sikkerhetskapitlene.



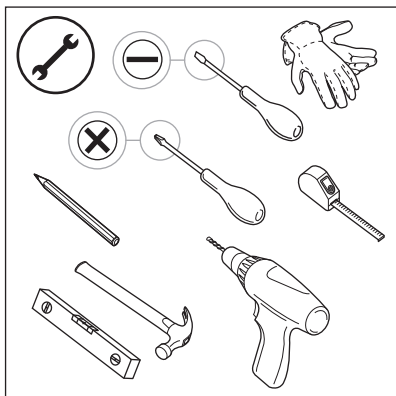
Besøk electrolux.com/getstarted/microplasticfilters for installasjons- og bruksvideoer.

1. Velg egnet plassering på veggen for å montere filteret:

For å unngå lekkasjer over vaskemaskinen er det best å montere filteret på den ene eller andre siden av vaskemaskinen.

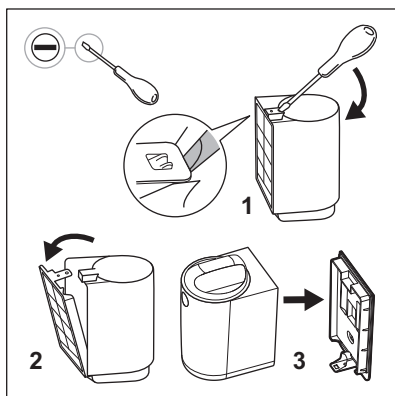


2. Kontroller innholdet i boksen.



3. Gjør klart nødvendig verktøy til monteringen.

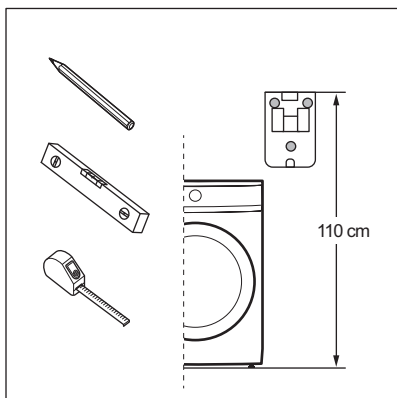
2.2 Montering av tilbehøret



1. Fjern filteret fra emballasjen og fjern veggstøtten ved hjelp av en flat skrutrekker.

2. Posisjonen til filteret må følge disse punktene (a og b):

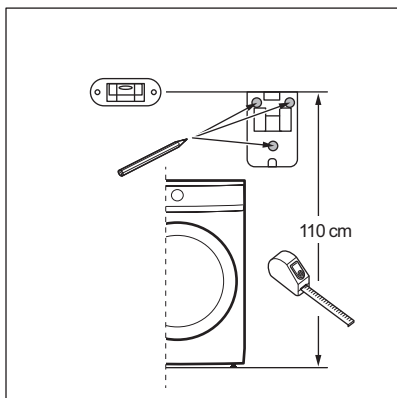
a. Plasser veggstøtten i riktig høyde, 110 cm* målt fra toppen av veggstøtten til gulvet (eller sokkelen hvis den finnes). ***Det tillatte avviket i filterhøyde er +/-5 cm.**



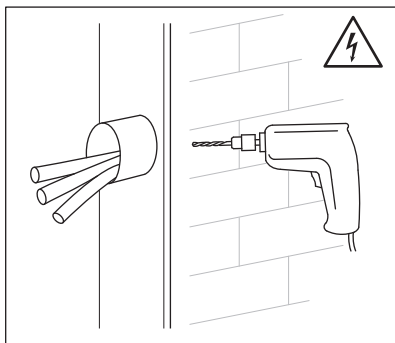
Sjekk hvor vanntømmingen finner sted før du plasserer veggstøtten. Filteret er utstyrt med ett avløpsrør med en lengde på 100 cm.



Sørg for at det er nok plass over filteret før du plasserer veggstøtten. Sørg for at det er tilstrekkelig plass over filteret til å ta ut og sette inn patronen igjen. Slå opp minimumsmålene i vedlegg 1 (frontmatet) og vedlegg 2 (toppmatet).



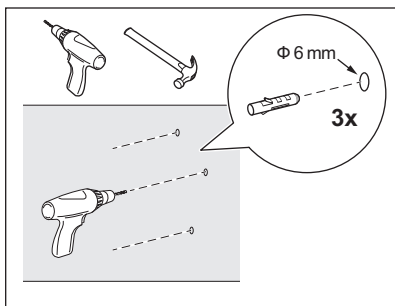
b. Bruk et vater for å kontrollere at de tre borepunktene står vannrett og på linje før boring.



3. Bor hullene i veggen og sett inn festepluggene.

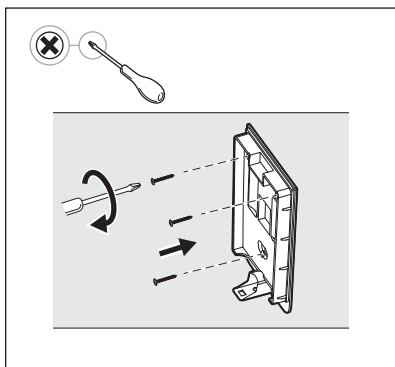
ADVARSEL!

Før du borer i veggen, må du sørge for at det ikke finnes vannrør eller elektriske ledninger bak. Det anbefales å bruke et bor med $\text{Ø } 6 \text{ mm}$. Filterpakken inneholder tre dedikerte skruer og festeplugger for å montere filteret riktig og sikkert. Det medfølgende festesystemet er utformet for montering på murvegg. Hvis du er i tvil, ta kontakt med teknikeren.

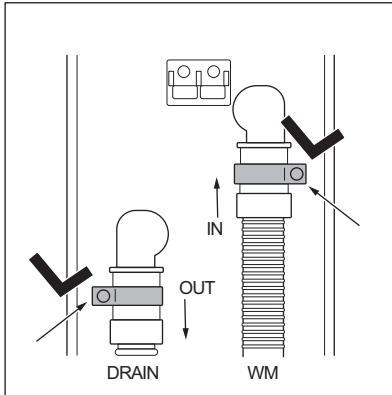


ADVARSEL!

Hvis veggen din er laget av et annet materiale enn murstein, bruk egnede festeplugger og skruer som er utformet for det materialet.



4. Fest veggstøtten med skruene og plastpluggene som følger med, og sørg for at den står rett og er trygt festet til veggen.



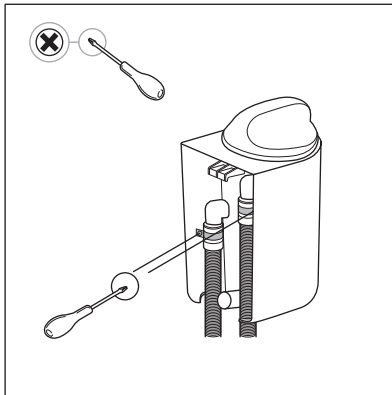
5. Ta slangene, klemmene og filterhuset.
 Sett klemmene på slangene og koble rørene til filterhuset etter **IN/OUT**-merkingen på baksiden av filterhuset:
IN: slange som kommer fra vaskemaskinen,
OUT: slange (i filterpakken) som går til avløpet.

ADVARSEL!



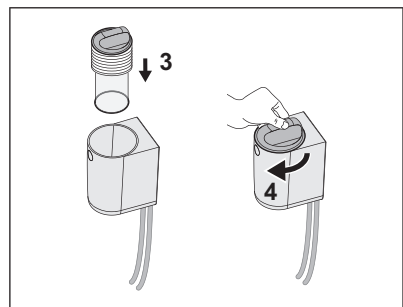
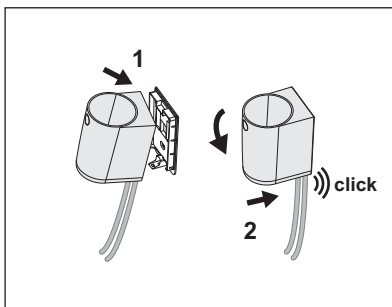
Før du kobler avløpsslangen til det eksterne filteret, må du forsikre deg om at vaskemaskinen er slått AV og koblet fra stikkkontakten.

6. Stram klemmene med skrutrekkeren.
 Følg disse instruksjonene nøyaktig for å plassere klemmene slik at du sikrer fullstendig tilkobling.

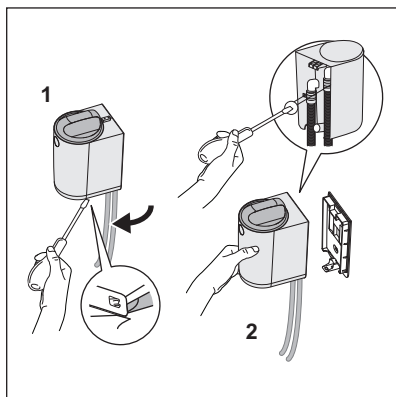


Vær forsiktig med skrutrekkeren så du ikke skader filterhuset eller slangene.

7. Når du fester filterhuset til veggstøtten, kommer du til å høre et «klikk» idet filterhuset blir riktig festet til veggstøtten etter bevegelsen som er vist på bildet.



- i** Før du fortsetter til neste emne – daglig bruk, stell og rengjøring – må du starte det korte vaskeprogrammet og følge med til det blir ferdig. Kontroller at det ikke oppstår lekkasjer fra filteret og koblingene. Ved vannlekkasje går du frem som beskrevet i avsnitt 8. Løsne filterenheten fra veggstøtten og stram klemmene. Gjenta trinnene i avsnitt 7 for å montere filteret på nytt.



8. Hvis det dukker opp noe vann under den første syklusen, må du stoppe programmet umiddelbart. Slå vaskemaskinen AV og trekk støpselet ut av stikkkontakten. Før du fortsetter med frakoblingsprosedyren, må du kontrollere at filterdekslet holder seg i låst posisjon for å unngå vannlekkasje mens du strammer klemmene.

Koble hele filteret fra veggstøtten:

1. Løsne filteret fra veggstøtten ved hjelp av skrutrekkeren.
2. Hold filteret i hånden for å stramme klemmen med skrutrekkeren.

Gjenta trinnene i avsnitt 7 for å monterer filteret.

3. DAGLIG BRUK, STELL OG RENGJØRING



ADVARSEL!
Se etter i Sikkerhetskapitlene.



ADVARSEL!
Slå alltid av og kontroller at maskinen ikke kjører før du får tilgang til eller rengjør filteret.



Filterpatronen er laget av et tynt polyamidnett for å fange opp mikrofibrene som frigis fra klesvaskeprosessen.



Etter noen vaskesykluser blir filterpatronen tilstoppet og trenger rengjøring.



Antall sykluser før aktivering av flottør vil avhenge av flere faktorer (type tekstil, trommelstørrelse, mest brukte programmer, type sykluser og varighet, tøymengde, vaskemiddel, grad av tilsmussing osv.).



Rengjør patronen regelmessig, én gang i uken eller når den røde flottørindikatoren er godt synlig.

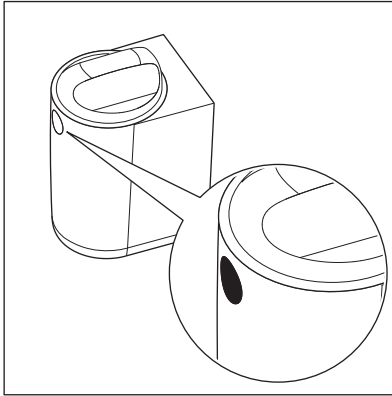


Når filteret er tett, vil den røde flottøren på innsiden av dekslet bli synlig og varsle brukeren om at patronen trenger rengjøring, som vist på neste bilde.



ADVARSEL!
Ikke gjenbruk vann fra filteret. Det kan inneholde mikroplastpartikler som er uegnet til menneske- eller dyreføde.

3.1 Tilstanden «Rød alarm»



Rød flottør viser at filteret er fullt og trenger rengjøring.

I «**rød alarm**»-modus (når flottøren er aktivert) stopper ikke filteret vaskesyklusen, men det fungerer i bypass-modus og filtrerer ikke lenger.

For å sikre optimal ytelse anbefales det derfor å rengjøre patronen så snart som mulig for å unngå at filteret blir stående i «**rød alarm**»-modus.



ADVARSEL!

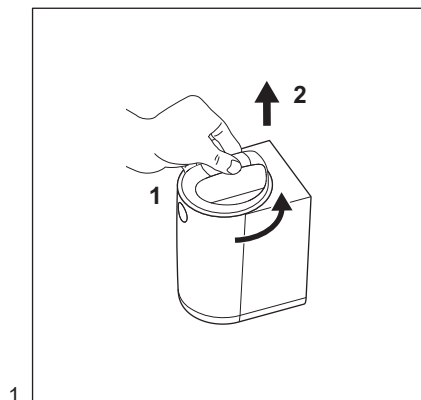
Av flere grunner kan vaskemaskinen vise mulige advarsler i forbindelse med tømingsproblemer, for eksempel **E20-E21**. Hvis denne advarselen vises, må du først kontrollere det nye eksterne filteret og rengjøre det.

Hvis feilen vedvarer, kontrollerer du også filteret i vaskemaskinen og rengjør det, hvis det er tilgjengelig.

Stopping av vaskemaskinen (feil) er en sikkerhetsfunksjon på maskinen for å unngå lange tømmetider og for å ikke skade maskinen. Når filterpatronen er rengjort, kan normal drift gjenopptas.

3.2 Pleie og rengjøring

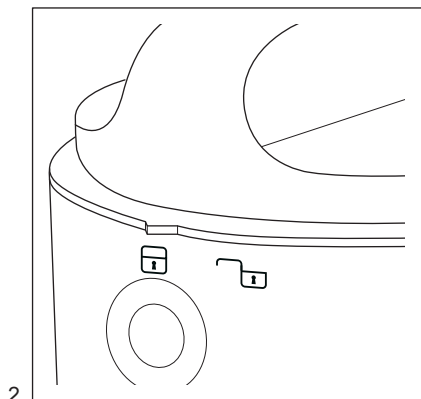
Rengjøring av filteret og kasting av mikrofibrene.



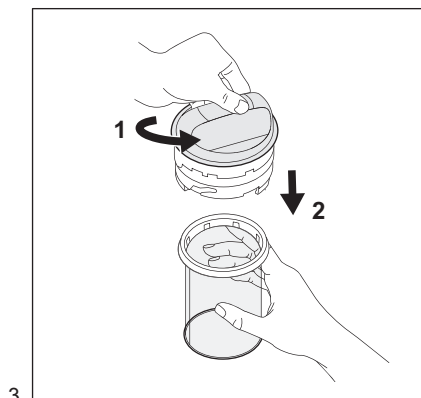
1.

For å åpne filteret, se bevegelsene i bilde 1 og 2:

1. Drei dekslet mot urviseren fra låst-symbolet mot ulåst-symbolet (tilgjengelig foran på filteret som vist på bilde 2),
2. Løft opp dekslet.



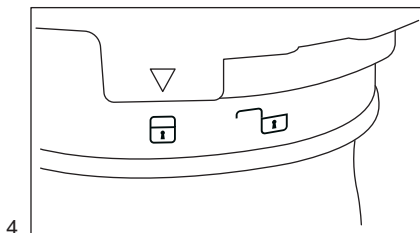
2.



3.

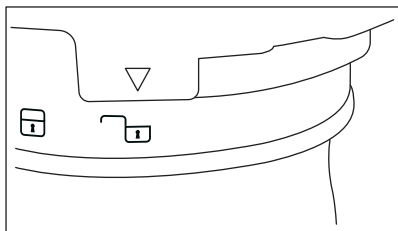
Se bevegelsene i bilde 3 for å koble fra patronen:

1. Hold dekslet i hånden, og drei deretter patronen mot urviseren fra låst-symbolet mot ulåst-symbolet (se bilde 4 og 5).
2. Trekk ned patronen.



4.

For å låse / låse opp patronen, se bilde 4 og 5:



5.

Lås (bilde 4) / lås opp (bilde 5).



Når du skal rengjøre patronen og kassere innholdet, se bilde 6, 7, 8 og 9.

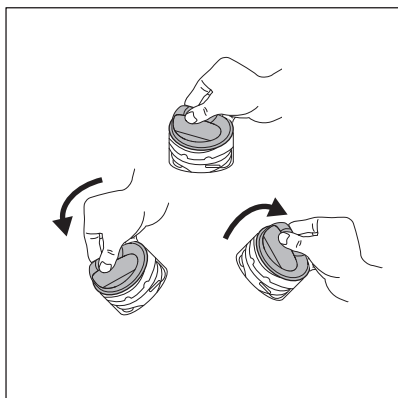


6.

Hvis patronen er helt tilstoppet, kan den være full av skittent vann.

For å være forberedt til rengjøringen bør man ha et kar eller liten plastbeholder klart til bruk; dette kan gjøre jobben lettere og forhindre at omgivelsene blir våte.

For å fjerne gjenværende vann inne i patronen kan du tømme den ut i et kar eller en beholder ved å holde i monteringsdekslet og riste på det. Vannet renner ut. Hvis det fortsatt er noe vann igjen, går du videre til neste trinn.



7.

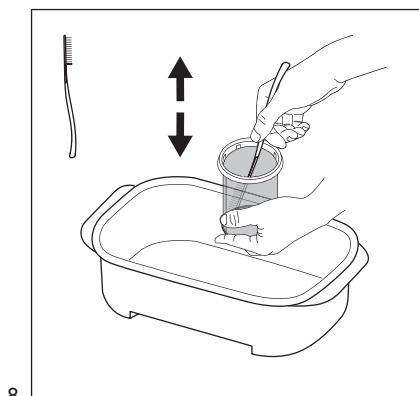


Hvis du vil nullstille filteret, se bilde 7.

Før du setter dekslet tilbake på patronen, må du nullstille flottøren ved å fjerne vann inne i dekslet. Hold dekslet, dreii det (se bilde 7) og tøm alt vannet i en plastbeholder. Flottøren er ikke lenger synlig når dekslet er plassert på filteret.



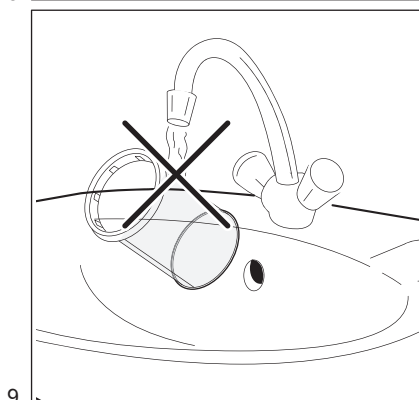
Det kan kanskje høres en lyd, men dette er normal atferd siden det er en masseventil inne i dekslet.



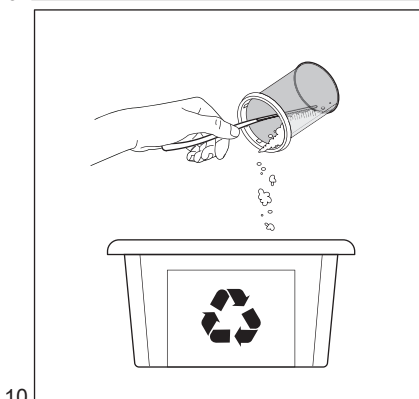
Hold patronen inne i beholderen, og bruk børste-/spatelverktøyet som er tilgjengelig i filterboksen. Fjern så mye som mulig av fibre som sitter fast i patronnettet ved å bevege børsten opp/ned, for å hjelpe til med å tømme ut vann.



Kast avfall fra filteret i vanlig tørt avfall.



For å bevare den positive miljøvirkningen av filteret skal filterpatronen ikke rengjøres med vann. Kast i stedet det oppsamlede avfallet fra filterpatronen i vanlig tørt avfall (unngå spredning av plastfibre i vannmiljøet).



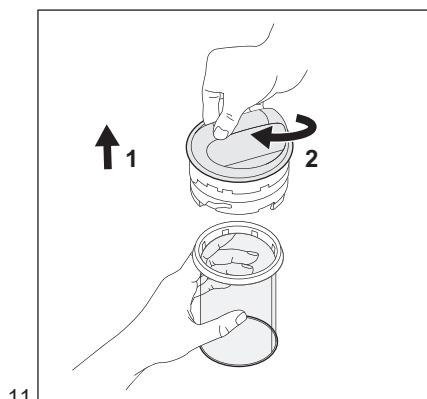
Etter at vannet er tømt ut av patronen, fjerner du smuss og mikrofiber fra innsiden av patronen og kaster det i TØRT, vanlig avfall. Et tørkepapir kan brukes til å samle opp så mye materiale som mulig.

FORSIKTIG!

Avfallet som samles opp av patronen, inneholder mikrofiber, vaskemiddelrester og smuss. DET MÅ kastes i vanlig tørt avfall.



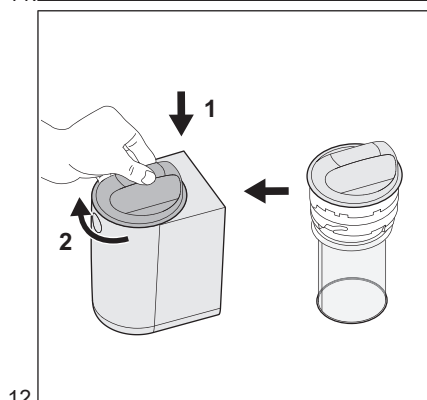
Etter rengjøring av patronen, kan børstespatelet være skitten og full av plastfibre. For å bevare den positive miljøvirkningen bør du rengjøre den med vanlig tørkepapir og kaste den i vanlig tørt avfall



11.

i Se bilde 11 når du skal skifte patron:

1. Sett inn patronen.
2. Hold patronen i hånden, og bruk den andre hånden til å dreie dekselet med urviseren fra ulåst-symbolet til låst-symbolet.



12.

i For å lukke filteret, se bevegelsene i bilde 12:

1. Sett dekselet (+ patronen) inn i huset fra toppen.
2. Drei dekselet med urviseren fra ulåst-symbolet til låst-symbolet.

Se videoen for ytterligere informasjon om vedlikehold og rengjøring. En egen QR-kode er tilgjengelig i begynnelsen av denne bruksanvisningen.

i

FORSIKTIG!

Pass på å lukke lokket før du fortsetter med neste vaskesyklus.



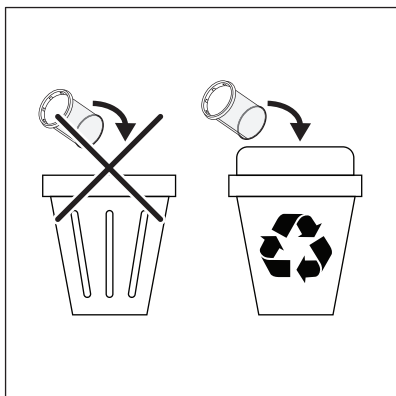
ADVARSLER

I tilfelle opphold i vaskingen på over en uke (f.eks. ferie, tur) anbefales det å tømme patronen og rengjøre filteret for å unngå at det oppstår uventet lukt i omgivelsene til filteret. Man må rengjøre patronen i våt tilstand for å unngå skade på patronen og funksjonsfeil ved neste brukssyklus.

Filtreringssystemet leveres med en reservpatron slik at du kan starte vaskingen på nytt med en gang i tilfelle patronskaade

Utskifting og kassering av patron

Patronen har begrenset levetid, omtrent seks måneder, fordi rengjøring kan skade nettet, noe som kompromitterer ytelsen til filteret. Én reservpatrondel er inkludert i esken.



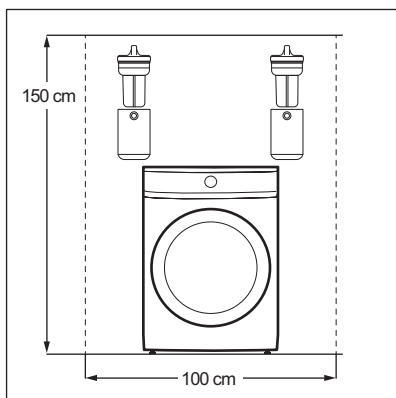
i Legg avfallet fra filteret i en egnet resirkuleringscontainer.

Når patronen må skiftes ut, følg disse to enkle trinnene:

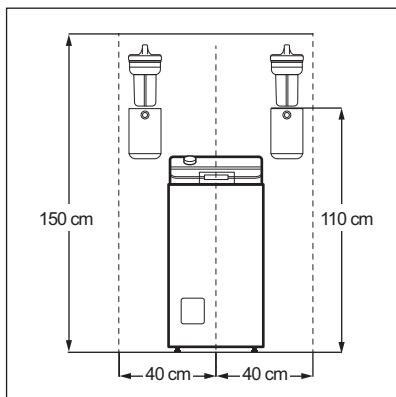
1. Rengjør den skadede patronen omhyggelig.
2. Legg patronen og avfallet i en resirkuleringscontainer.

i Bruk kun originale deler til ekstra reservedeler for patroner. Patroner selges i alle Electrolux/AEG-servicesentere samt på nettet.

Vedlegg



Vedlegg for frontmatet vaskemaskin.



Vedlegg for toppmatet vaskemaskin.

1. ⚠ INFORMACIÓN SOBRE SEGURIDAD

Antes de instalar y utilizar el producto, lee atentamente las instrucciones facilitadas. El fabricante no se hace responsable de lesiones o daños producidos como resultado de una instalación o un uso incorrectos. Conserve siempre estas instrucciones en lugar seguro y accesible para futuras consultas.

- Este producto está diseñado para filtrar fibras microplásticas que producen los tejidos durante el proceso de lavado y no debe utilizarse para otros fines.
- Este producto puede ser utilizado por niños de 8 años en adelante y personas cuyas capacidades físicas, sensoriales o mentales estén disminuidas o que carezcan de la experiencia y conocimientos suficientes para manejarlo, siempre que cuenten con las instrucciones o la supervisión sobre el uso del producto de forma segura y comprendan los riesgos. Es necesario mantener alejados del aparato a los niños de menos de 8 años, así como a las personas con minusvalías importantes y complejas, salvo que estén bajo supervisión continua.
- No deje que los niños jueguen con el producto. Mantenga todo el material de embalaje fuera del alcance de los niños y deséchelo de forma adecuada.
- La limpieza y mantenimiento de usuario del producto no podrán ser realizados por niños sin supervisión. Mantenga los detergentes fuera del alcance de los niños.
- Este producto está diseñado para uso doméstico o para ser utilizado en/por:
 - zonas de cocina para personal de tiendas, oficinas y otros entornos de trabajo;
 - granjas;
 - clientes de hoteles, moteles, pensiones y otros entornos residenciales;

- áreas de uso común en bloques de pisos o lavanderías.
- Sigue las instrucciones de instalación suministradas con el producto.
- No instales ni utilices mangueras de desagüe u otros productos que estén dañados.
- Instala el producto en un lugar seguro y adecuado que cumpla los requisitos de instalación.
- Para evitar el riesgo de descargas eléctricas, no instale el producto sobre ninguna toma eléctrica ni sobre ningún dispositivo situado en la pared, ni sobre dispositivos autónomos cerca del suelo.
- Retire todo el embalaje.
- Asegúrate de que las tuberías estén bien sujetas para evitar fugas, ruido o daños.
- Asegúrate de que el recorrido de la manguera de desagüe entre el aparato y la entrada del filtro es el necesario para evitar bloquear el flujo de desagüe.
- Los accesorios de fijación a la pared no se incluyen debido a la existencia de diferentes materiales. Utiliza accesorios de fijación adecuados para las paredes.
- Asegúrese de que no haya fugas de agua visibles durante y después del primer uso del producto.
- No utilice agua pulverizada a alta presión ni vapor para limpiar el producto.
- Apague siempre la máquina y compruebe que no está funcionando antes de acceder al producto o limpiarlo.
- Limpia el producto con un paño húmedo. Utilice solo detergentes neutros. No utilice productos abrasivos, estropajos duros, disolventes ni objetos de metal.
- Limpie el cartucho periódicamente, una vez a la semana o cuando el indicador de flotador rojo esté claramente visible.
- El agua del filtro no debe reutilizarse. Puede contener partículas microplásticas que no son adecuadas para el consumo humano y animal.

- Para reparar el producto, ponte en contacto con un centro de servicio autorizado. Utiliza solamente piezas de repuesto originales.
- Este accesorio externo es compatible con las lavadoras domésticas Electrolux/AEG/Zanussi.

Aspectos medioambientales

Recicle los materiales con el símbolo ♻️. Coloque el material de embalaje en los contenedores correspondientes para reciclarlo.

2. INSTALACIÓN

2.1 Antes de la instalación



ADVERTENCIA!

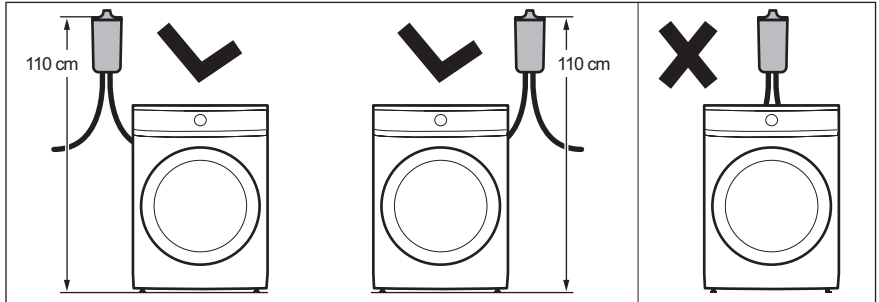
Consulte los capítulos sobre seguridad.

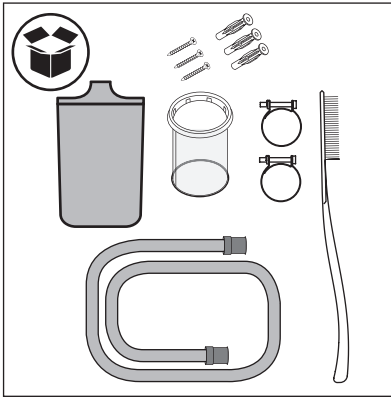


Visite electrolux.com/getstarted/microplasticfilters para ver vídeos de instalación y uso.

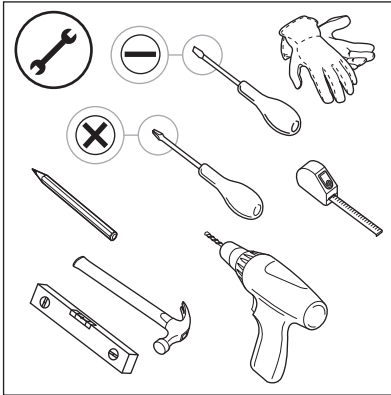
1. Selecciona una ubicación adecuada en la pared para instalar el filtro:

Para evitar fugas sobre la lavadora, es preferible instalar el filtro en uno de los laterales de la lavadora.



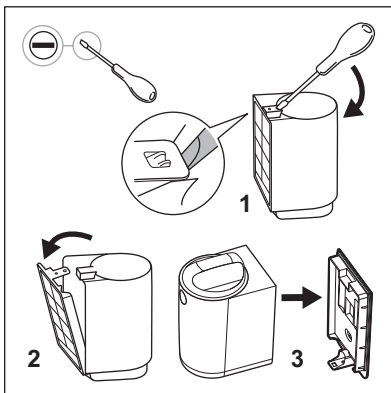


2. Verifica el contenido de la caja.



3. Prepara las herramientas necesarias para la instalación.

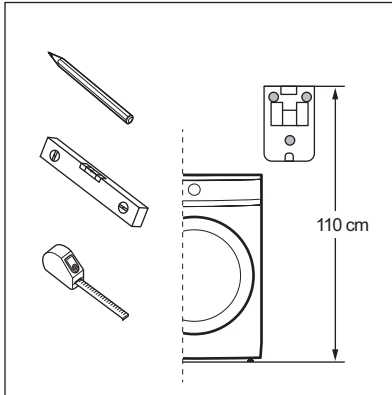
2.2 Instalación del accesorio



1. Extrae el filtro de su caja de embalaje y retira el soporte de pared con un destornillador plano.

2. La posición del filtro debe seguir estos puntos enumerados (a y b):

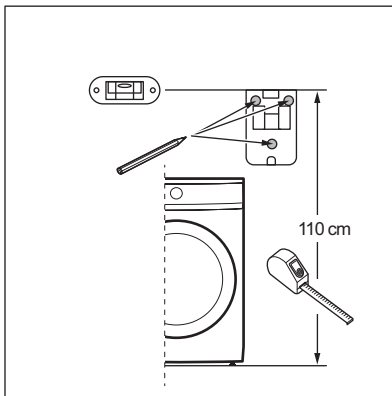
a. Coloca el soporte de pared a la altura correcta, midiendo 110 cm* desde la parte superior del soporte de pared hasta el suelo (o el pedestal, si existe). ***La tolerancia admitida en la altura del filtro es de +/-5 cm.**



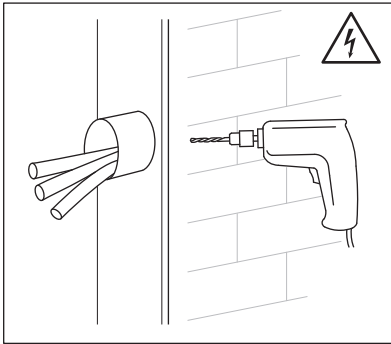
Comprueba dónde está el punto de desagüe antes de colocar el soporte de pared. El filtro dispone de un tubo de desagüe de 100 cm de longitud.



Asegúrate de que haya suficiente espacio sobre el filtro antes de colocar el soporte de pared. Asegúrate de dejar suficiente espacio libre sobre el filtro para poder retirar y volver a insertar el cartucho. Consulta las dimensiones mínimas de referencia en el Apéndice 1 (Carga frontal) y el Apéndice 2 (Carga superior).



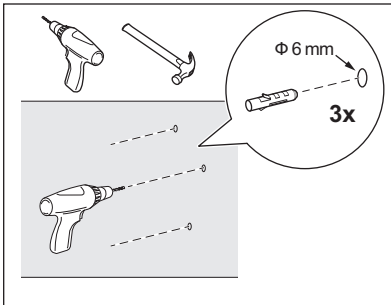
b. Utiliza un nivel para comprobar que los 3 puntos de taladro estén nivelados y bien alineados antes de perforar.



3. Perfora los orificios en la pared e inserta los tacos.

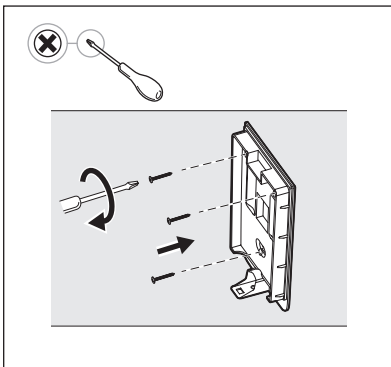
ADVERTENCIA!

Antes de taladrar la pared, asegúrate de que no haya tuberías de agua ni cables eléctricos detrás. Se recomienda utilizar una broca de 6 mm. El conjunto del filtro incluye tres tornillos y tacos de plástico específicos para instalar el filtro de forma correcta y segura. El sistema de fijación suministrado está diseñado para colocarse en una pared de ladrillo. En caso de duda, consulta con un técnico.



ADVERTENCIA!

Si la pared no está hecha de ladrillo, utiliza tacos y tornillos adecuados específicos para ese material.



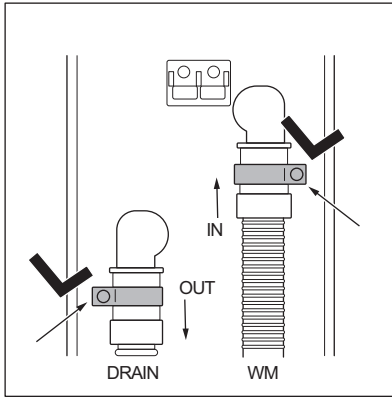
4. Fija el soporte de pared con los tornillos y tacos de plástico suministrados, procurando que quede recto y bien fijado a la pared.

5. Montaje de mangueras, cuellos y carcasa del filtro.

Inserta los cuellos en las mangueras y conecta los tubos a la carcasa del filtro siguiendo las indicaciones **IN/OUT** que hay en la parte trasera de la carcasa del filtro:

IN (entrada): manguera que viene de la lavadora,

OUT (salida): manguera (incluida en la caja del filtro) que va al desagüe.



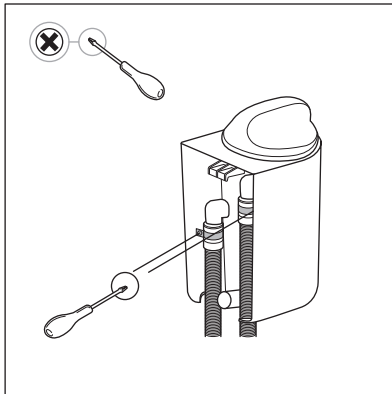
ADVERTENCIA!

Antes de conectar la manguera de desagüe al filtro externo, asegúrate de que la lavadora está apagada y desenchufada de la toma de corriente.



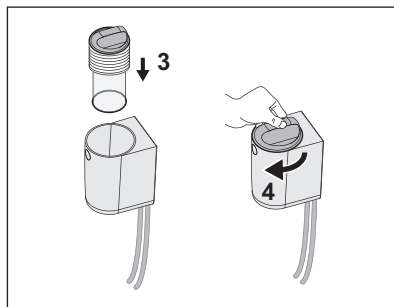
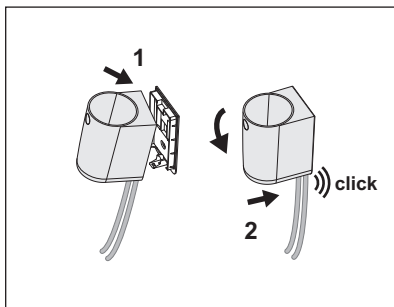
6. Aprieta los cuellos con el destornillador.

Sigue estas instrucciones exactamente para colocar los cuellos y asegurar una conexión perfecta.

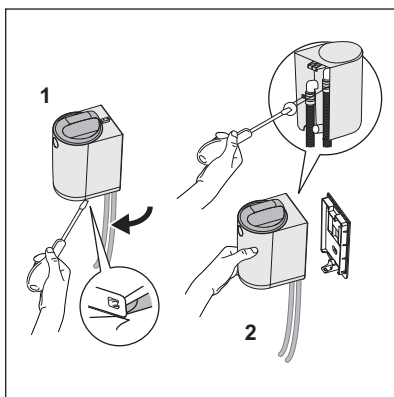


Quando utilices el destornillador, ten cuidado de no dañar la carcasa del filtro ni las mangueras.

7. Siguiendo el movimiento indicado en la imagen, al fijar la carcasa del filtro al soporte de pared se oír un "clíc" cuando quede correctamente fijada al soporte de pared.



i Antes de pasar al siguiente tema **Uso/cuidado diarios y limpieza**, inicia el programa de lavado corto y síguelo hasta el final. Asegúrate de que no aparezcan fugas en el filtro ni en sus conexiones. En caso de fuga de agua, procede como se describe en el párrafo 8. Separa el conjunto del filtro del soporte de pared y aprieta los cuellos. Para volver a instalar el filtro, repite los pasos del párrafo 7.



8. Si aparece agua durante el primer ciclo, para el programa inmediatamente. Apaga la lavadora (OFF) y desenchúfala de la toma de corriente. Antes de proceder con el procedimiento de desacoplamiento, comprueba que la tapa del filtro permanece en la posición de bloqueo para evitar fugas de agua al apretar los cuellos.

Quita todo el filtro del soporte de pared:

1. Suelta el filtro del soporte de pared usando el destornillador,
2. Sujeta el filtro con la mano para apretar el cuello con el destornillador.

Repite los pasos del párrafo 7 para instalar el filtro.

3. USO DIARIO, CUIDADO Y LIMPIEZA

! **ADVERTENCIA!**
Consulte los capítulos sobre seguridad.

! **ADVERTENCIA!**
Apague siempre la máquina y compruebe que no está funcionando antes de acceder o limpiar el filtro.

i El cartucho filtrante está fabricado con una fina red de poliamida para atrapar las microfibras que se producen durante la colada.

i Tras algunos ciclos de lavado, el cartucho filtrante se obstruye y debe limpiarse

i El número de ciclos antes de la activación del flotador dependerá de varios factores (tipo de tejido, tamaño del tambor, programas más utilizados, tipo de ciclos y duración, carga de la colada, detergente, grado de suciedad, etc.).

i Limpie el cartucho periódicamente, una vez a la semana o cuando el indicador de flotador rojo esté claramente visible.

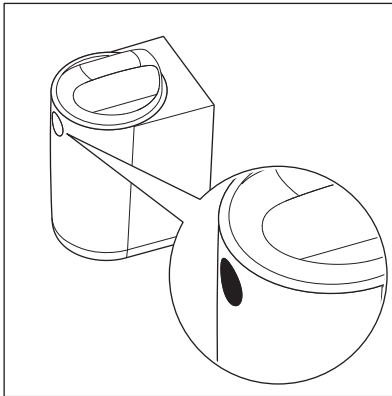
i Cuando el filtro está obstruido, el flotador rojo situado bajo la tapa se hace visible, alertando al usuario de que es necesario limpiar el cartucho, como se muestra en la siguiente imagen.



ADVERTENCIA!

El agua del filtro no debe reutilizarse. Puede contener partículas microplásticas que no son adecuadas para el consumo humano y animal.

3.1 Condición de “alarma roja”



El flotador rojo indica que el filtro está lleno y debe limpiarse.

En el modo “**alarma roja**” (cuando el flotador está activado), el filtro no detendrá el ciclo de lavado pero funcionará en modo bypass y ya no filtrará.

Por lo tanto, para garantizar un rendimiento óptimo, se recomienda limpiar el cartucho lo antes posible para evitar dejar el filtro en modo “**alarma roja**”.



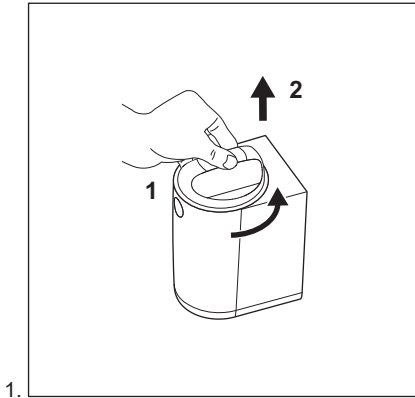
ADVERTENCIA!

Por varios motivos, la lavadora puede mostrar posibles advertencias relacionadas con problemas de desagüe, como el **E20-E21**. Si aparece esta advertencia, comprueba primero el filtro externo nuevo y límpialo. Si el error persiste, comprueba también el filtro de la lavadora y límpialo, si es accesible.

Detener la lavadora (error) es una característica de seguridad de la máquina para evitar tiempos de desagüe largos y no dañarla. Podrás reanudar el funcionamiento normal una vez limpies el cartucho del filtro.

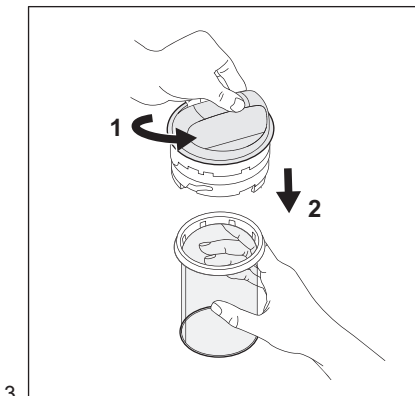
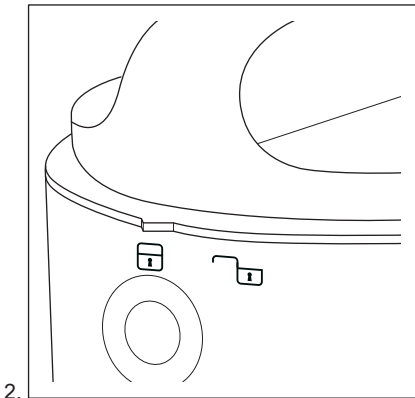
3.2 Cuidado y limpieza

Limpeza del filtro y eliminación de microfibras.



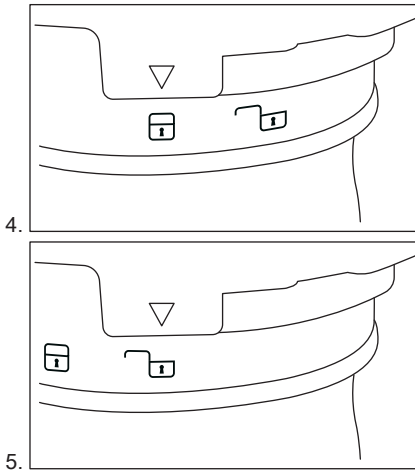
Para abrir el filtro, sigue los movimientos ilustrados en las Imágenes 1 y 2:

1. Gira la tapa en sentido antihorario desde el símbolo de bloqueo hasta el símbolo de desbloqueo (disponible en la parte delantera del filtro como se ilustra en la imagen 2),
2. Levanta la tapa.



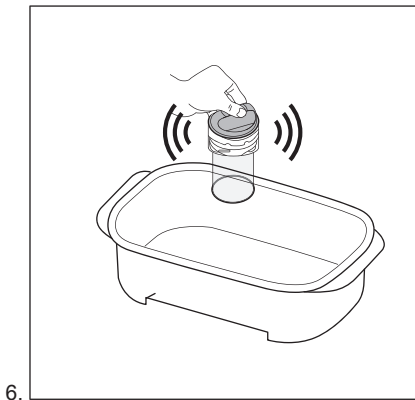
Para desacoplar el cartucho, sigue los movimientos indicados en la imagen 3:

1. Sostén la tapa en una mano y gira el cartucho con la otra en sentido antihorario, desde el símbolo de bloqueo hasta el símbolo de desbloqueo (sigue lo indicado en las imágenes 4 y 5).
2. Tira del cartucho hacia abajo.

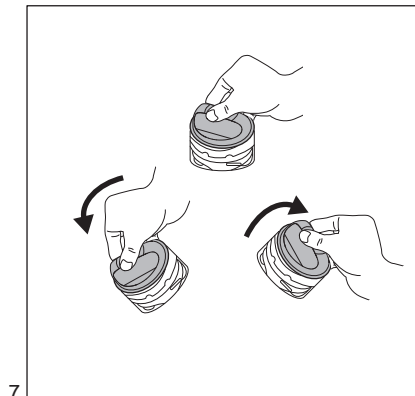


Para bloquear/desbloquear el cartucho, sigue lo indicado en las imágenes 4 y 5: Bloqueo (imagen 4) / Desbloqueo (imagen 5).

i Para limpiar el cartucho y desechar su contenido, consulta las imágenes 6, 7, 8 y 9.



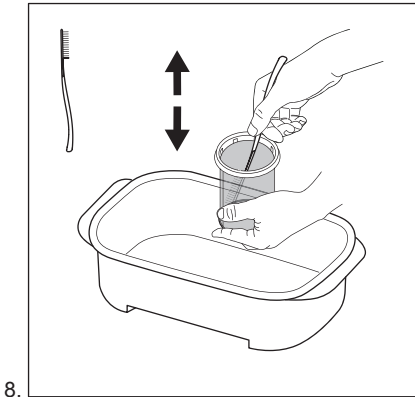
Si el cartucho está totalmente obstruido, puede estar lleno de agua sucia. Para preparar la limpieza se recomienda utilizar algún recipiente o pequeño utensilio de plástico; de esta forma podrías facilitar el proceso y evitar derrames sobre el entorno. Para eliminar el agua restante dentro del cartucho, vacíalo dentro de un recipiente o utensilio sosteniendo la tapa del conjunto y agitándola. El agua sale. Si queda algo de agua, continúa con el siguiente paso.



i Para restablecer el filtro, consulta la imagen 7.

Antes de volver a colocar la tapa en el cartucho, reajusta el flotador quitando el agua del interior de la tapa. Sostén la tapa, gírala (imagen 7) y drena todo el agua en un recipiente de plástico. El flotador ya no es visible al colocar la tapa sobre el filtro.

i Es posible que se oiga un ruido; es normal, ya que dentro de la tapa hay una válvula de masa.

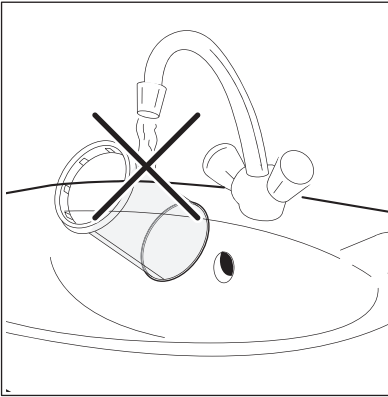


Sosteniendo el cartucho dentro del recipiente, utiliza la el cepillo-espátula que hay en la caja del filtro. Moviendo el cepillo arriba y abajo, retira lo máximo posible las fibras adheridas a la malla del cartucho para facilitar la evacuación del agua.



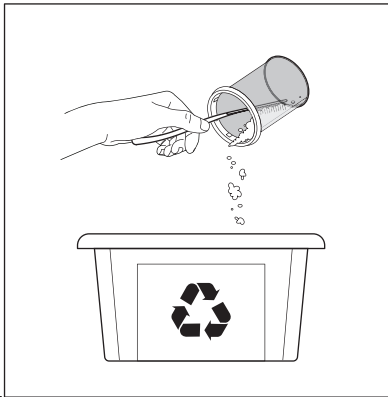
Echa los desperdicios del filtro en el correspondiente contenedor de residuos secos.

8.



Para preservar el impacto positivo del filtro en el medio ambiente, evita usar agua para limpiar el cartucho del filtro. En su lugar, desecha los residuos recogidos por el cartucho filtrante en el correspondiente contenedor general de residuos secos (evita la dispersión de fibras plásticas en el agua a temperatura ambiente).

9.



Una vez evacuada el agua del cartucho, retira la suciedad y las microfibras del interior y elimínalas en un contenedor general de residuos SECOS. Se puede utilizar una toalla de papel para recoger tanto material como sea posible.

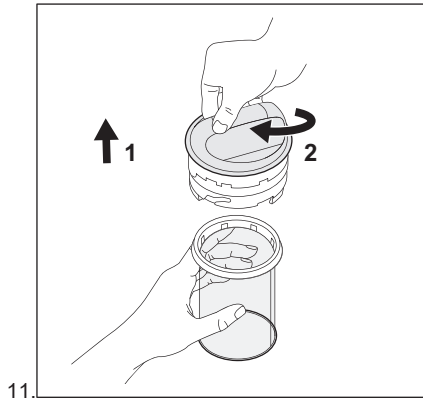
PRECAUCIÓN!

Los residuos recogidos por el cartucho contienen microfibras, residuos de detergente y suciedad. DEBE eliminarse en un contenedor general de residuos secos.



Después de la limpieza del cartucho, el cepillo-espátula podría estar sucio y lleno de fibras de plástico. Para preservar un impacto positivo en el medio ambiente, límpialo con toallas normales de papel y deséchalo en un contenedor general de residuos secos

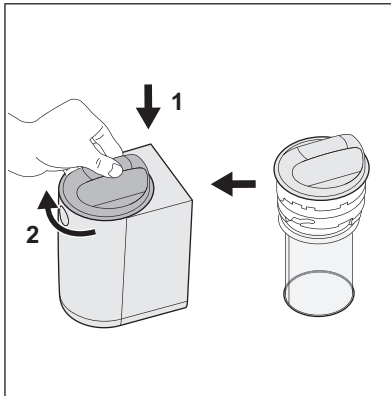
10.



11.

i Para cambiar el cartucho, consulta la imagen 11:

1. Inserción del cartucho.
2. Sostén el cartucho en una mano y gira la tapa con la otra en sentido antihorario, desde el símbolo de bloqueo hasta el símbolo de desbloqueo.



12.

i Para cerrar el filtro, sigue los movimientos ilustrados en la imagen 12:

1. Introduce la tapa (+ cartucho) en la carcasa desde arriba.
2. Gira la tapa en sentido horario desde el símbolo de desbloqueo hasta el símbolo de bloqueo.

i Para cualquier otra información adicional sobre mantenimiento y limpieza, mira el vídeo. Hay un código QR específico al principio de este manual de usuario.



PRECAUCIÓN!

Asegúrate de tener la tapa cerrada antes de continuar con el siguiente ciclo de lavado.

ADVERTENCIAS

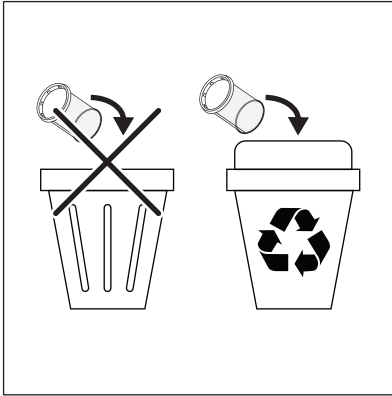
En caso de no hacer lavados durante más de una semana completa (p. ej., vacaciones, viajes), se recomienda vaciar el cartucho y limpiar el filtro para evitar que se generen olores inesperados en el entorno del filtro.

Es necesario limpiar el cartucho en condiciones húmedas para no dañarlo, evitando así posibles anomalías de funcionamiento en los próximos ciclos que vayas a usar.

El sistema de filtración se suministra con un cartucho de repuesto para poder reiniciar inmediatamente las rutinas de lavado en caso de que el cartucho esté dañado

Sustitución y eliminación del cartucho

El cartucho tiene una vida útil limitada de aproximadamente seis meses, ya que las operaciones de limpieza pueden dañar la malla, comprometiendo el rendimiento del filtro. La caja incluye 1 cartucho de repuesto.



Coloca los residuos del filtro en un contenedor de reciclaje adecuado.

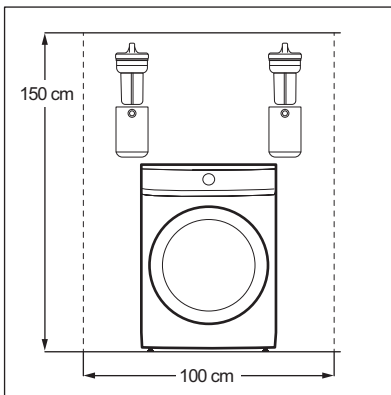
Cuando tengas que sustituir el cartucho, sigue estos 2 sencillos pasos:

1. Limpia el cartucho dañado con cuidado.
2. Coloca el cartucho y los residuos en un contenedor de reciclaje.

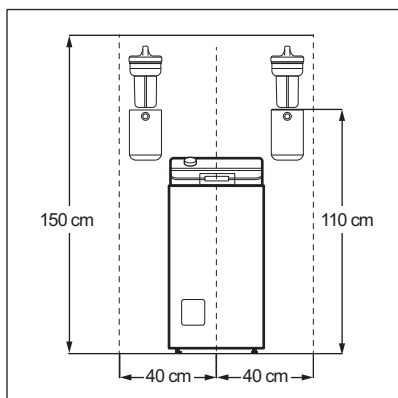


Utiliza solo piezas de repuesto originales para los cartuchos. Los cartuchos se venden en cualquier centro de servicio de Electrolux/AEG o incluso en línea.

Apéndices



Apéndice para lavadoras de carga frontal.



Apéndice para lavadoras de carga superior.

1. ⚠ OHUTUSTEAVE

Enne toote paigaldamist ja kasutamist lugege kaasasolev juhend tähelepanelikult läbi. Tootja ei vastuta kehavigastuste ega varalise kahju eest, mis on tingitud paigaldus- või kasutusnõuete eiramisest. Hoidke kasutusjuhendit kindlas ja kättesaadavas kohas, et saaksite seda vajadusel vaadata.

- See toode on mõeldud mikroplasti kiudude filtreerimiseks, mis eralduvad tekstiili küljest pesu pesemise ajal ning seda ei tohiks kasutada mis tahes muul otstarbel.
- Üle 8-aastased lapsed ning füüsilise, sensoorse või vaimse erivajadusega või oskuste ja teadmisteta inimesed võivad seda toodet kasutada vaid järelvalve olemasolul ja juhul, kui neid on õpetatud toodet turvaliselt kasutama ning nad mõistavad selle kasutamise kaasnavaid ohte. Lapsed vanuses kuni 8 aastat ning raske või väga keerulise puudega isikud tuleks hoida seadmest eemal, kui neil ei saa pidevalt silma peal hoida.
- Ärge lubage lastel tootega mängida. Hoidke pakendimaterjal lastele kättesaamatus kohas ja kõrvaldage see nõuetekohaselt.
- Ilma järelvalveta ei tohi lapsed toodet puhastada ega hooldustoiminguid läbi viia. Hoidke pesuained lastele kättesaamatuna.
- See toode on ette nähtud kasutamiseks koduses majapidamises ja muudes sarnastes kohtades, näiteks:
 - kaupluste, kontorite ja muude töökeskkondade personaliköörides;
 - talumajapidamistes;
 - klientide poolt hotellides, motellides ja muudes majutuskohtades;
 - ühiskasutuses – kortermajades või pesumajades.
- Järgige toote komplektis olevat paigaldusjuhendit.

- Ärge paigaldage ega kasutage kahjustatud toodet või äravooluvoolikuid.
- Paigaldage toode ohutusse ja sobivasse kohta, mis vastab paigaldusnõuetele.
- Elektrilöögi ohu vältimiseks ärge paigaldage toodet ühegi pistikupesaga või seinal asuvate seadmete kohale ega põrandale lähedal asuvate eraldiseisvate seadmete kohale.
- Eemaldage kogu pakend.
- Lekete, müra ja kahjustuste vältimiseks veenduge, et voolikud on korralikult ühendatud.
- Veenduge, et masina äravoolu ja filtri sissevoolu vaheline äravooluvoolik kulgeb õigesti, et vältida voolu blokeerimist.
- Seina külge fikseerimiseks mõeldud seadmed ei kuulu komplekti, sest need tuleb valida sõltuvalt seina materjalist. Kasutage seina materjalile vastavaid fikseerimiseks mõeldud seadmeid.
- Toote esmakordsel kasutamisel ja pärast seda kontrollige, ega kuski pole lekkeid.
- Ärge kasutage toote puhastamiseks kõrgsurveveepihustust ja/või auru.
- Enne tootele juurdepääsemist või selle puhastamist lülitage masin alati välja ja kontrollige, et masin ei töötaks.
- Puhastage toodet niiske lapiga. Kasutage ainult neutraalseid pesuaineid. Ärge kasutage abrasiivseid vahendeid, küürimiskäsnu, lahusteid ega metallesemeid.
- Puhastage kasseti regulaarselt, kord nädalas või siis, kui punane ujuki indikaator on selgelt nähtav.
- Ärge taaskasutage filtris olevat vett. See võib sisaldada mikroplasti osakesi, mida ei tohiks inimesed ega loomad alla neelata.
- Toote parandamiseks võtke ühendust volitatud teeninduskeskusega. Kasutage ainult originaalvaruosi.
- Väline lisatarvik on ühilduv Electrolux/AEG/Zanussi kodukasutuseks mõeldud pesumasinatega.

Keskkonnaaspektid

Sümboliga ♻️ tähistatud materjalid saatke ringlusse.
Selleks viige pakendid vastavatesse konteineritesse.

2. PAIGALDAMINE

2.1 Enne paigaldamist



HOIATUS!

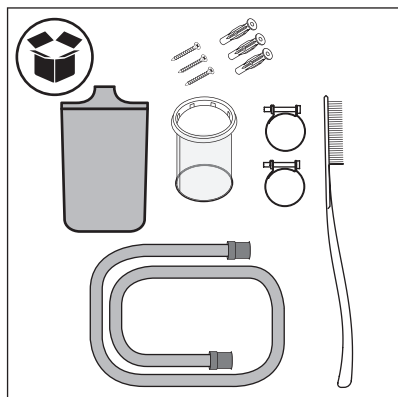
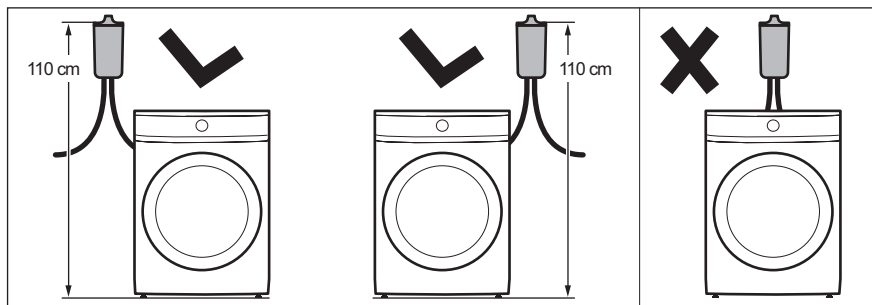
Vt ohutust käsitlevaid peatükke.



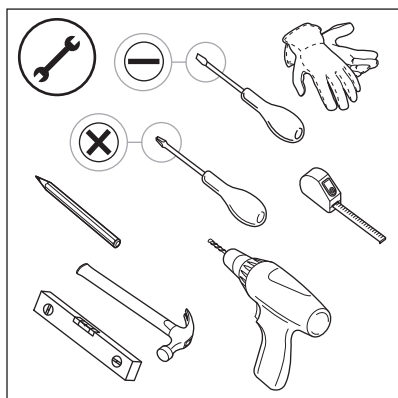
Külastage veebisaiti electrolux.com/getstarted/microplasticfilters paigaldus- ja kasutusvideote vaatamiseks.

1. Valige seinal sobiv asukoht, kuhu filter paigaldada.

Filter tuleks paigaldada pesumasina kõrvale, et vältida lekkeid pesumasina kohal.

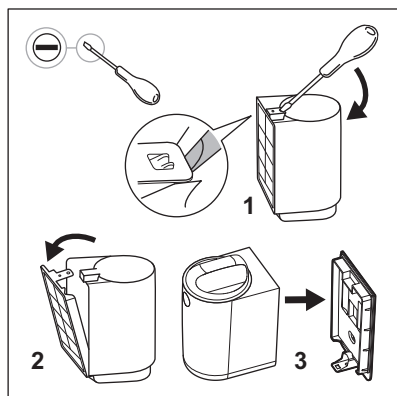


2. Kontrollige kasti sisu.



3. Seadke valmis paigaldamiseks vajalikud tööriistad.

2.2 Lisatarviku paigaldamine

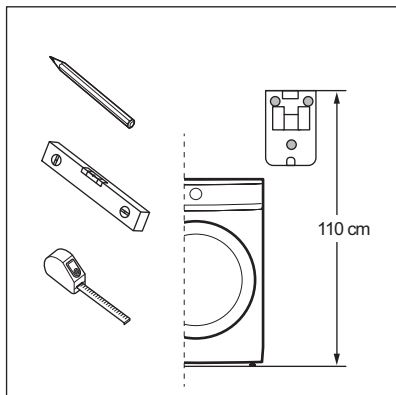


1. Eemaldage filter pakendist ja eemaldage seinatugi, kasutades lapiku otsaga kruvikeerajat.

2. Filtri asukoht peab vastama punktides a ja b toodud nõuetele.

a. Paigutage seinatugi õigele kõrgusele nii, et seinatoe ülaservast pörandani (või masina aluseni, kui seda kasutatakse) jääks 110 cm*.

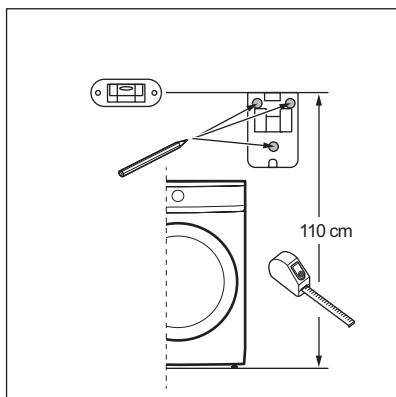
***Filtri asukoha kõrgus võib erineda ± 5 cm.**



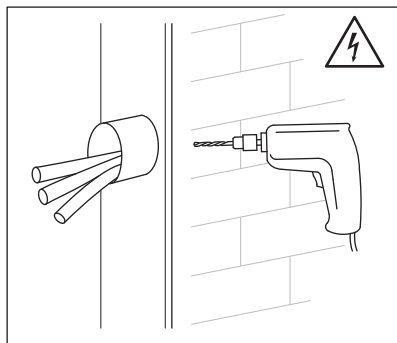
Kontrollige äravoolu asukohta enne seinatoe paigaldamist. Filtril on üks 100 cm pikkune äravooluvoolik.



Veenduge enne seinatoe paigaldamist, et filtri kohale jääb piisavalt ruumi. Jätke filtri kohale filtrikasseti eemaldamiseks ja sisestamiseks piisavalt vaba ruumi. Vt minimaalseid mõõte lisas 1 (eestlaetav) või lisas 2 (pealläetav).



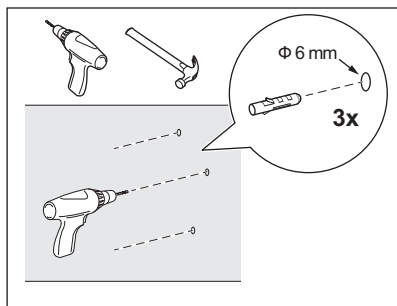
b. Kontrollige enne puurimise alustamist loodi abil, et kolm seinale märgitud augukohta on loodis ja õige paigutusega.



3. Puurige sein augud ja sisestage tüüblid.

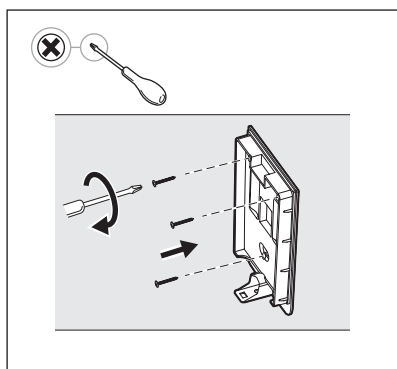
HOIATUS!

Enne aukude puurimist veenduge, et sein taga pole veetorusid ega elektrijuhtmeid. Soovitav on kasutada $\varnothing 6$ mm puuri. Filtri komplektis on kolm spetsiaalset kruvi ja plastist tüüblit, mis võimaldavad filtri õigesti ja kindlalt paigaldada. Komplektis olevad fiksaatorid on mõeldud paigaldamiseks telliskiviseina külge. Kahtluste korral küsige nõu tehnikult.



HOIATUS!

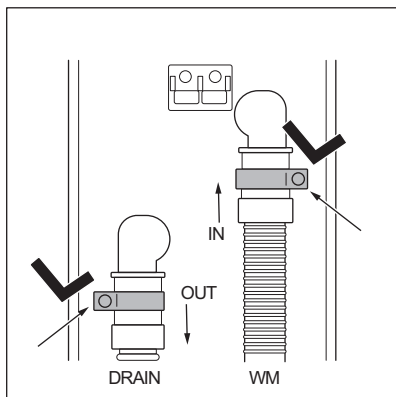
Kui teie sein pole valmistatud telliskivist, kasutage sein materjalile vastavaid tüübleid ja kruvisid.



4. Kinnitage seinatugi kruvide ja plastist tüüblitega ning veenduge, et see on sirge ja kindlalt sein külge fikseeritud.

5. Võtke välja voolikud, voolikuklambrid ja filtri korpus.

Lükake voolikuklambrid voolikutele ja ühendage voolikud filtri korpuse külge, pöörates tähelepanu **IN/OUT** (SISSE/VÄLJA) tähistele, mis on filtri korpuse tagaküljel.
IN: pesumasinas filtrisse sisenev voolik.
OUT: voolik, mis läheb filtrist äravoolu (filtri komplektis).



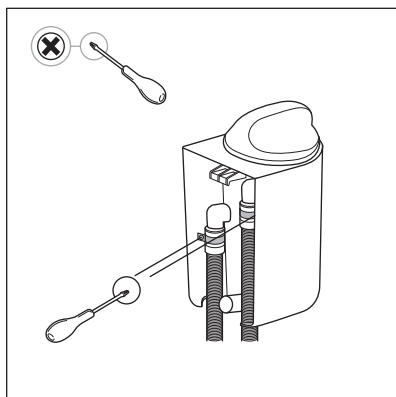
HOIATUS!

Enne äravooluvooliku ühendamist välise filtri külge veenduge, et pesumasin on **VÄLJA** lülitatud ja vooluvõrgust lahti ühendatud.



6. Pingutage voolikuklambreid kruvikeerajaga.

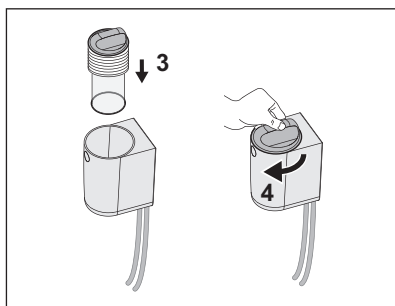
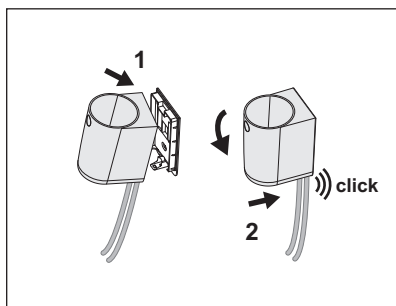
Järgige neid juhiseid täpselt, et voolikuklambrite paigaldus tagaks lekkevaba ühenduse.



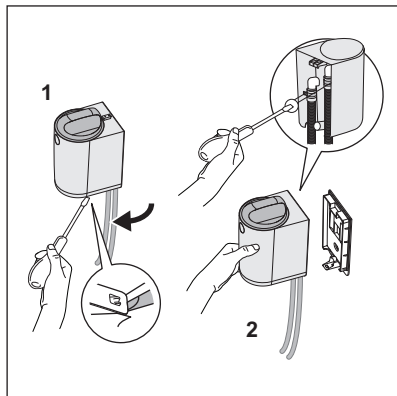
Kruvikeeraja kasutamisel olge ettevaatlik, et vältida filtri korpuse või voolikute kahjustamist.



7. Tehke illustatsioonil näidatud liigutused, et kinnitada filtri korpus seinatoe külge. Kuulete klõpsu, kui filtri korpuse õigesti seinatoe külge kinnitate.



- i** Enne igapäevase kasutuse, hoolduse ja puhastamise teema juurde liikumist käivitage lühike pesuprogramm ja oodake, kuni see on lõppenud. Veenduge, et filter ega selle ühendused ei leki. Lekke korral jätkake vastavalt juhistelet jaotises 8. Eemaldage kokkupandud filter seinatoo küljest ja pingutage voolikuklambreid. Filtri tagasi paigaldamiseks tehke uuesti toimingud, mis on toodud jaotises 7.



8. Kui märkate esimese tsükli ajal mis tahes lekkeid, peatage programm kohe. Lülitage pesumasin VÄLJA ja ühendage see vooluvõrgust lahti. Enne eemaldamise protseduuriga jätkamist veenduge, et filtri otsakate jääb lukustatud asendisse, et vältida vee lekkimist voolikuklambrite pingutamisel. Eemaldage kokkupandud filter seinatoo küljest.

1. Kasutage kruvikeerajat, et filter seinatoo küljest lahti klõpsata.
 2. Hoidke filtrit käes ja pingutage voolikuklambrit kruvikeeraja abil.
- Filtri paigaldamiseks tehke uuesti toimingud, mis on toodud jaotises 7.

3. IGAPÄEVANE KASUTUS, HOOLDUS JA PUHASTAMINE



HOIATUS!
Vt ohutust käsitlevaid peatükke.



HOIATUS!
Enne filtrile juurde pääsemist või selle puhastamist lülitage masin alati välja ja kontrollige, et masin ei töötaks.



Filtrikassett on valmistatud õhukesest polüamiidvõrgust ning selle eesmärk on püüda kinni mikrokiud, mis eralduvad rõivapesu protsessi käigus.



Kui on tehtud mõned pesutsükliid, saab filtrikassetti täis ja seda tuleb puhastada.



Pesutsükliite arv, mille järel ujuk aktiveerub, sõltub mitmesugustest teguritest (kanga liik. trumli suurus, enim kasutatud programmid, tsükliite tüüp ja nende kestus, pesukogus, pesuaine, määrdumisaste jne).



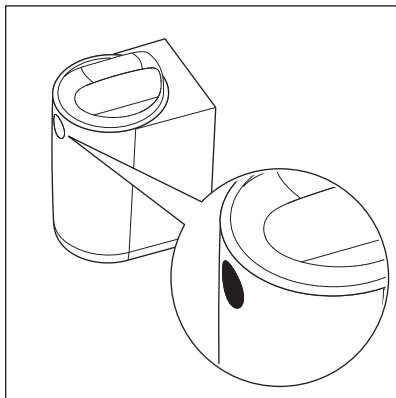
Puhastage kassetti regulaarselt, kord nädalas või siis, kui punane ujuki indikaator on selgelt nähtav.



Kui filter on täis saanud, muutub otsakattes olev punane ujuki nähtavaks ning annab kasutajale teada, et filtrikassetti tuleb puhastada (nagu näidatud järgmisel illustatsioonil).

**HOIATUS!**

Ärge taaskasutage filtris olevat vett. See võib sisaldada mikroplasti osakesi, mida ei tohiks inimesed ega loomad alla neelata.

3.1 Punase alarmi seisund

Punane ujuk näitab, et filter on täis ja seda tuleb puhastada.

Punase alarmi seisundis (kui ujuk on aktiveeritud) ei peata filter pesutsükli, kuid toimib möödavoolurežiimis ja enam vett ei filtreeri.

Seega on optimaalse talitluse tagamiseks soovitatav puhastada kasseti esimesel võimalusel, et vältida filtri jätmist **punase alarmi** seisundisse.

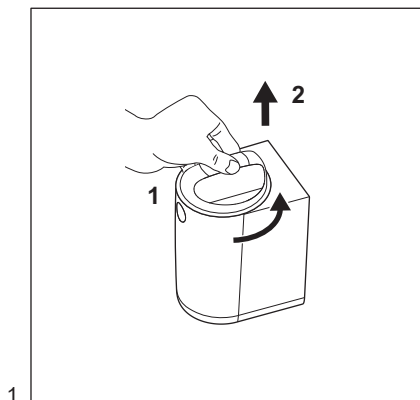
**HOIATUS!**

Pesumasin võib kuvada äravooluga seotud hoiatusi (nagu **E20-E21**) mitmesugustel põhjustel. Selle hoiatuse kuvamisel kontrollige esmalt uut välist filtrit ja puhastage seda. Kui tõrge ei lahene, kontrollige ka oma pesumasina filtrit ja puhastage seda, kui see on ligipääsetav.

Pesumasina peatamine (tõrke korral) on masina kaitsefunktsioon, mis aitab vältida pikka tühjendamisaega ja masina kahjustamist. Kui filtrikasseti on puhastatud, saab jätkata normaalset kasutust.

3.2 Puhastus ja hooldus

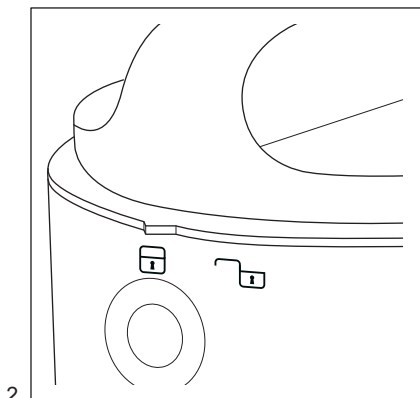
Filtri puhastamine ja mikrokiudude kõrvaldamine.



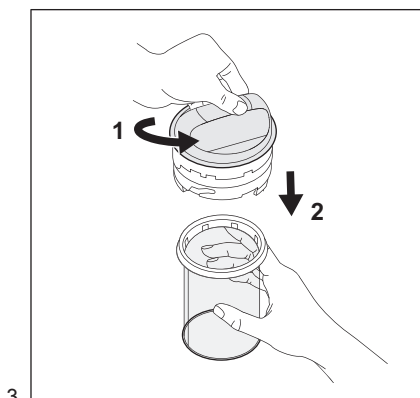
1.

Filtri avamiseks tehke illustratsioonidel 1 ja 2 toodud liigutused.

1. Pöörake otsakatet vastupäeva lukustatud asendist avatud asendisse (sümbolid filtri esiosal, nagu näidatud illustratsioonil 2),
2. Tõstke otsakate üles.



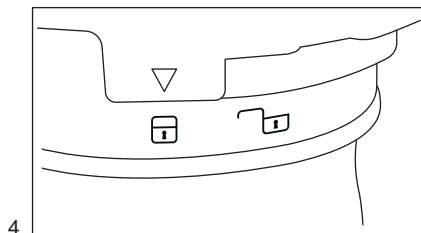
2.



3.

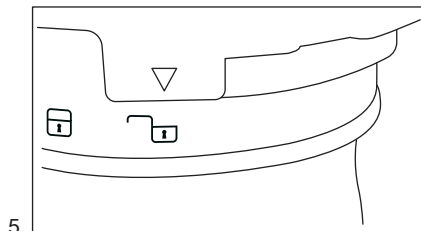
Filtrikasseti eemaldamiseks tehke illustratsioonil 3 toodud liigutused.

1. Hoidke otsakatet ühes käes ja keerake teise käega filtrikassetti vastupäeva lukustatud asendist avatud asendisse (vt illustratsioone 4 ja 5).
2. Tõmmake filtrikassetti alla.



4.

Filtrikasseti lukustamiseks/avamiseks vt
 illustratsioone 4 ja 5.



5.

Lukustamine (illustratsioon 4) / avamine
 (illustratsioon 5).



Filtrikasseti puhastamiseks ja selle sisu kõrvaldamiseks tehke
 illustratsioonidel 6, 7, 8 ja 9 toodud tegevused.

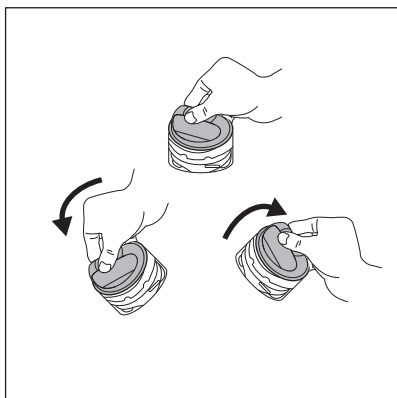


6.

Kui kasseti on täiesti ummistunud, võib see
 olla täis musta pesuvett.

Selleks, et olla puhastamiseks paremini
 ettevalmistatud, soovitame panna valmis poti
 või mõne väiksema plastnõu. See hõlbustab
 puhastamist ning ei lase ümbritseval
 keskkonnal märjaks saada.

Kasseti oleva vee eemaldamiseks
 tühjendage see potti või plastnõusse, hoides
 otsakattest ja raputades kassetti. Vesi valgub
 välja. Kui osa veest jääb kassetti, jätkake
 järgmise sammuga.



7.

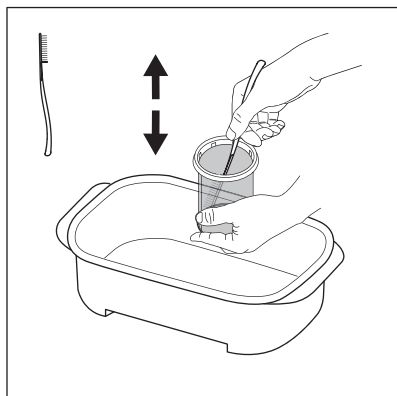


Filtri lähtestamiseks vt
 illustratsiooni 7.

Enne filtrikasseti otsakatte tagasi
 paigaldamist tühjendage otsakate veest, et
 ujuk lähtestada. Hoidke otsakatet käes ja
 pöörake seda (vt illustratsiooni 7) ning valage
 kõik selles olev vesi plastnõusse. Ujuk pole
 enam nähtav, kui otsakate filtrile tagasi
 paigaldada.



Võite kuulda heli, kuid see on
 normaalne, sest otsakattes on
 klapp.

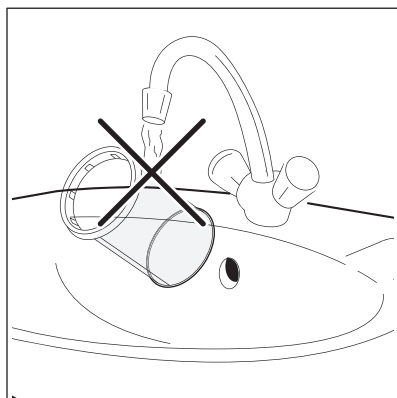


8.

Hoidke filtrikassetti plastnõu sees ja kasutage filtri karbis olevat spaatelharja. Harjake üles/ alla, et eemaldada filtrikasseti võrgust nii palju riidekiude kui võimalik, et vesi saaks sealt vabalt läbi voolata.

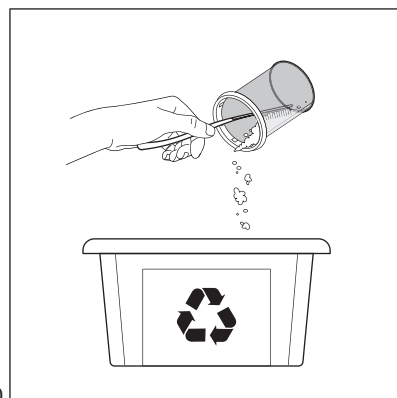


Kõrvaldage filtrist eemaldatud jäätmed kuivade olmejäätmetega.



9.

Filtri positiivse keskkonnamõju säilitamiseks ärge puhastage filtrikasseti jooksva vee all. Selle asemel visake filtrikasseti kogutud jäätmed prügikasti (vältige plastikkiudude sattumist veekeskonda).



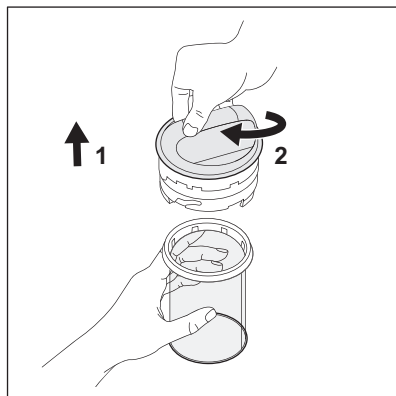
10.

Kui filtrikassett on veest tühjendatud, eemaldage sellest mustus ja mikrokiud ning kõrvaldage jäätmed koos KUIVADE olmejäätmetega. Võite kasutada majapidamispaperit, et koguda kokku võimalikult palju materjali.

ETTEVAATUST!
Filtrikasseti kogutud jäätmed sisaldavad mikrokiude, pesuainejääke ja mustust. NEED TULEB kõrvaldada koos kuivade olmejäätmetega.



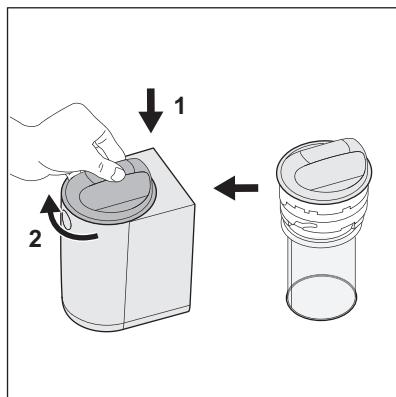
Kui filtrikasseti puhastamine on lõpetatud, võib spaatelhari olla must ja plastikkiududega kaetud. Positiivse keskkonnamõju säilitamiseks puhastage seda majapidamispaperiga ning kõrvaldage koos kuivade olmejäätmetega.



11.

i Filtrikasseti vahetamiseks vt illustratsiooni 11:

1. Sisestage filtrikassett.
2. Hoidke filtrikassetti ühes käes ja keerake teise käega otsakatet päripäeva avatud asendist lukustatud asendisse.



12.

i Filtri sulgemiseks tehke illustratsioonil 12 toodud liigutused.

1. Sisestage otsakate (koos filtrikassetiga) ülevalt masinasse.
2. Keerake otsakatet päripäeva avatud asendist lukustatud asendisse.

Lisateavet hoolduse ja puhastuse kohta vt videost. Käesoleva kasutusjuhendi alguses on selle jaoks spetsiaalne QR-kood.

i

ETTEVAATUST!

Sulgege kindlasti kaas enne järgmise pesutsükliga alustamist.



HOIATUSED

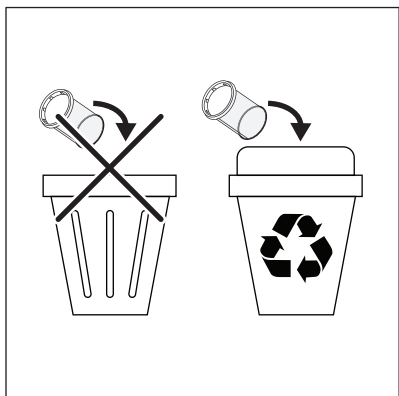
Kui te rohkem kui nädala jooksul pesu ei pese (nt kodust puhkusele lahkudes), on soovitatav kassett tühendada ja filtrit puhastada, et vältida ebameeldiva lõhna tekkimist filtri keskkonda.

Filtrikasseti kahjustamise ja rikete vältimiseks tuleb seda puhastada määral.

Filtersüsteemiga on kaasas varukassett, et saaksite kohe pesu pesemisega jätkata ka siis, kui kassett saab kahjustada.

Filtrikasseti vahetamine ja kõrvaldamine

Filtrikassetil on piiratud kasutusiga, sest puhastamise käigus võib selle võrk kahjustada saada, mis vähendab filtri efektiivsust. Karbis on kaasas üks varukassett.



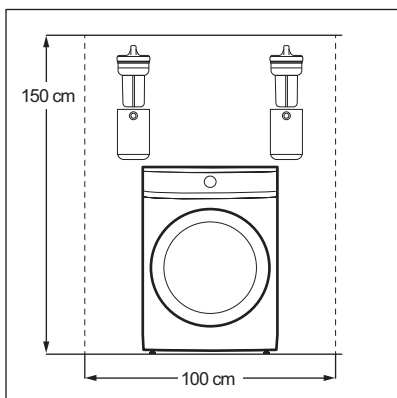
i Koguge filtri sees olevad jäätmed sobivasse prügikasti.

Kui filtrikassett vajab vahetamist, tehke järgmised kaks toimingut:

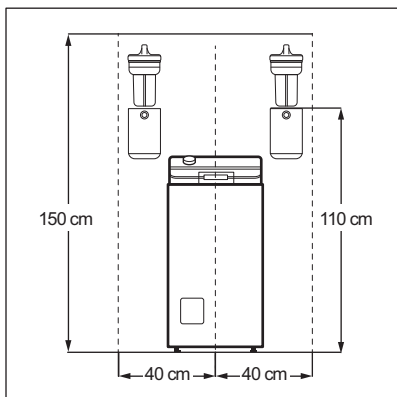
1. Puhastage ettevaatlikult kahjustatud filtrikassett jäätmetest.
2. Pange filtrikassett ja jäätmed prügikasti.

i Kasutage filtrikasseti vahetamisel ainult originaalosi. Filtrikassette saate osta igast Electroluxi teeninduskeskusest ja isegi Internetist.

Lisad



Lisa eestlaetavatele pesumasinatele.



Lisa pealtlaetavatele pesumasinatele.


1. TURVALLISUUSOHJEET

Lue tuotteen mukana toimitetut ohjeet huolellisesti ennen sen asennusta ja käyttöä. Valmistaja ei ota vastuuta henkilövahingoista tai vahingoista, jotka aiheutuvat virheellisestä asennuksesta tai käytöstä. Säilytä ohjeita aina varmassa ja helposti tavoitettavassa paikassa tulevia käyttökertoja varten.

- Tätä tuotetta ei ole suunniteltu tekstiileistä irtoavien mikromuovikuitujen suodattamiseen pesuprosessin aikana, eikä sitä tulisi käyttää muihin tarkoituksiin.
- Tätä tuotetta voivat käyttää 8-vuotiaat ja sitä vanhemmat lapset sekä henkilöt, joilla on fyysisiä, sensorisia tai henkisiä rajoitteita tai puutteellinen kokemus tai tuntemus, jos heitä valvotaan tai ohjataan laitteen turvallisessa käytössä ja he ymmärtävät käyttöön liittyvät vaarat. Tuote on pidettävä alle 8-vuotiaiden lasten ja erittäin laajoista ja monimutkaisista toiminnallisista rajoitteista kärsivien henkilöiden ulottumattomissa, ellei heitä valvota jatkuvasti.
- Älä anna lasten leikkiä tuotteella. Kaikki pakkaukset tulee pitää lasten ulottumattomissa ja hävittää asianmukaisesti.
- Lapset eivät saa puhdistaa laitetta tai suorittaa tuotteeseen käyttäjän huoltotoimenpiteitä. Pidä pesuaineet lasten ulottumattomissa.
- Tuote on tarkoitettu käytettäväksi yksityisessä kotitaloudessa ja vastaavissa käyttötilanteissa, joita ovat:
 - henkilöstön keittiötilat kaupoissa, toimistoissa ja muilla työpaikoilla;
 - maatiloilla;
 - hotellien, motellien, ja muiden majoitustilojen käyttöympäristöissä.
 - kerrostalojen tai pikapesuloiden yleiset tilat.
- Tuotteen mukana toimitettuja asennusohjeita on noudatettava.

- Älä käytä tai asenna vaurioitunutta tuotetta tai tyhjennysletkuja.
- Tuote on asennettava turvalliseen paikkaan, joka täyttää asennusvaatimukset.
- Sähköiskun välttämiseksi älä asenna tuotetta pistorasioiden tai seinälle asennettujen laitteiden yläpuolelle äläkä lattialla olevien erilleen asennettavien laitteiden lähelle.
- Poista kaikki pakkausmateriaalit.
- Varmista, että putket on kiinnitetty kunnolla, vuotojen, melun ja vaurioiden välttämiseksi.
- Varmista, että laitteen ja suodattimen sisääntuloaukon välissä on riittävästi tilaa tyhjennysletkulle, jotta tyhjennysvirralle ei muodostu esteitä.
- Seinäkiinnitysvälineitä ei toimiteta mukana, koska seinämateriaalit vaihtelevat. Käytä seiniin sopivia kiinnityslaitteita.
- Tarkista ensimmäisen käyttökerran aikana ja sen jälkeen, ettei tuotteessa ole näkyviä merkkejä vesivuodoista.
- Älä käytä korkeapainevesisuihkuja ja/tai höyryä tuotteen puhdistamiseen.
- Kytke kone aina pois päältä ja tarkista, ettei se ole käynnissä ennen kuin käsittelet tai puhdistat tuotetta.
- Puhdista tuote kostealla liinalla. Käytä ainoastaan neutraaleja pesuaineita. Älä käytä hankaavia tuotteita, hankaavia sieniä, liuotteita tai metalliesineitä.
- Puhdista patruuna säännöllisesti, kerran viikossa tai kun punainen kelluke näkyy selvästi.
- Älä käytä suodattimessa olevaa vettä uudelleen. Se voi sisältää mikromuovijäämiä, jotka ovat haitallisia ihmisille ja eläimille.
- Tuotteen korjaukseen liittyvissä asioissa tulee ottaa yhteyttä valtuutettuun huoltopalveluun. Ainoastaan alkuperäisiä varaosia saa käyttää.
- Tämä ulkoinen lisävaruste sopii Electrolux-/AEG-/Zanussi-pesukoneisiin (kotitalouskäyttö).

Ympäristönsuojelunäkökohtia

Kierrätä materiaaleja, jotka on varustettu merkinnällä .
Aseta pakkaukset niille tarkoitettuihin
jätteenkierrätysastioihin.

2. ASENNUS

2.1 Ennen asennusta



VAROITUS!

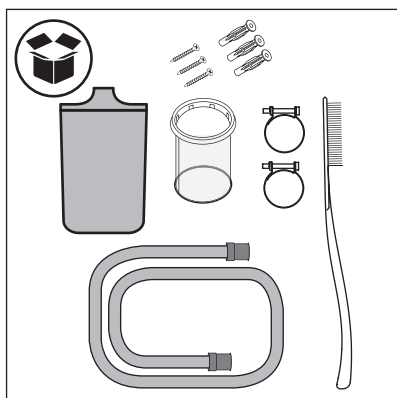
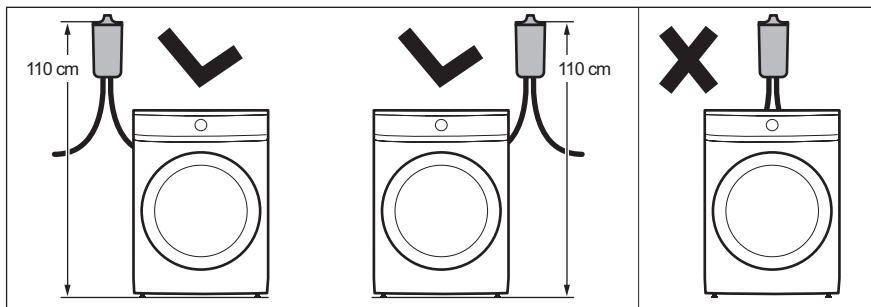
Lue turvallisuutta koskevat
luvut.



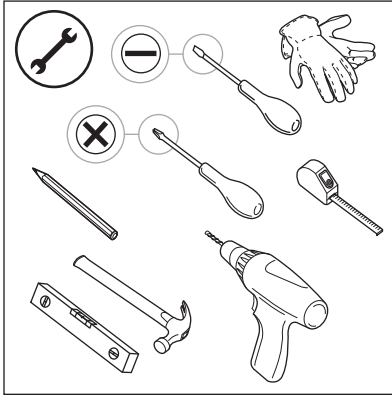
Asennus- ja käyttövideoita
saat osoitteista
[electrolux.com/getstarted/
microplasticfilters](http://electrolux.com/getstarted/microplasticfilters).

1. Valitse seinältä suodattimen asentamiseen sopiva kohta:

Jotta pesukoneen päälle ei tule vuotoja, on suositeltavaa asentaa suodatin pesukoneen
jommallekummalle puolelle.

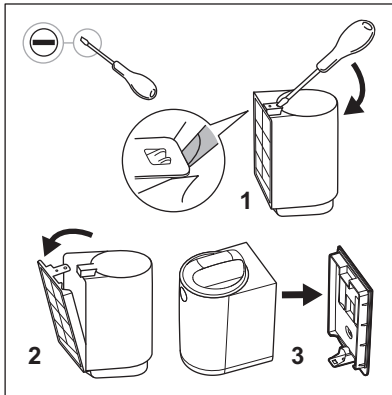


2. Tarkista pakkauksen sisältö.



3. Valmistelee asennukseen tarvittavat työvälineet.

2.2 Varusteen asennus

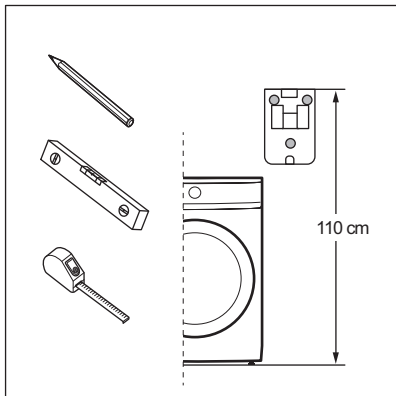


1. Poista suodatin pakkauksesta ja irrota seinätuki tasapääruuvimeisselillä.

2. Suodattimen asennon on oltava näiden luetteloitujen kohtien mukainen (a ja b):

a. Sijoita seinätuki oikealle korkeudelle 110 cm* seinätuen päältä lattiaan (tai jalustaan, jos sellainen on käytössä).

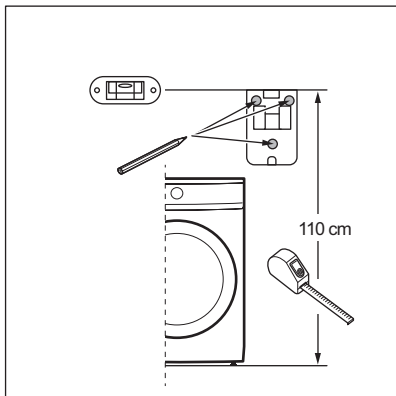
***Suodattimen korkeuden sallittu poikkeama on +/-5 cm.**



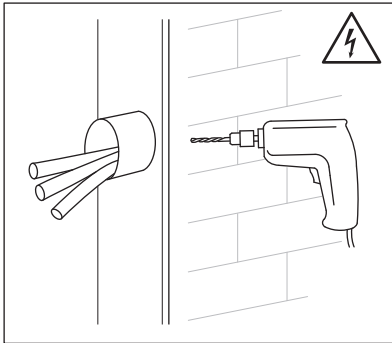
Tarkista tyhjennysputken sijainti ennen seinätuen asentamista. Suodattimeen kuuluu yksi 100 cm:n pituinen tyhjennysputki.



Varmista ennen seinätuen asettamista, että suodattimen yläpuolella on riittävästi tilaa. Jätä riittävästi tilaa suodattimen yläpuolelle, jotta patruunan voi irrottaa ja asentaa uudelleen. Katso vähimmäismitat liitteestä 1 (edestä täytettävä pesukone) ja liitteestä 2 (päältä täytettävä).



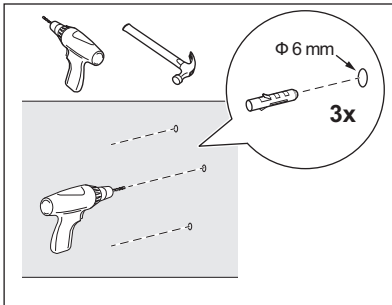
b. Ennen porausta tarkista tasovaa'an avulla, että kolme porausmerkintää ovat samalla tasolla ja oikein kohdistettuja.



3. Poraat reiät seinään ja asenna kiinnikkeet.

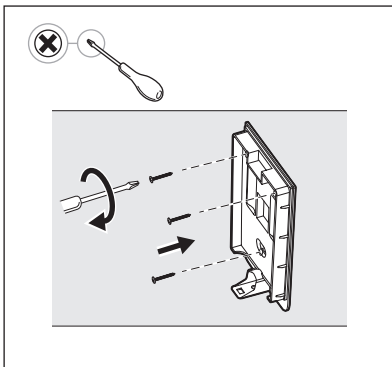
VAROITUS!

Ennen seinän poraamista varmista, että seinän takana ei ole vesiputkia eikä sähköjohtoja. Suositeltava poranterän halkaisija on 6 mm. Suodatinpakkauksessa on kolme tarkoitukseen sopivaa ruuvia ja muovikiinnikettä suodattimen asianmukaiseen ja turvalliseen asennukseen. Mukana toimitettava kiinnitysjärjestelmä on tarkoitettu tiiliseinään kiinnitykseen. Jos jokin on epäselvää, kysy neuvoa asentajalta.



VAROITUS!

Jos seinää ei ole valmistettu tiilestä, käytä asianmukaisia kyseiselle seinämateriaalille tarkoitettuja kiinnikkeitä ja ruuveja.



4. Kiinnitä seinätuki mukana toimitettavilla ruuveilla ja muovikiinnikkeillä ja varmista, että se on suorassa ja turvallisesti seinään kiinnitetty.

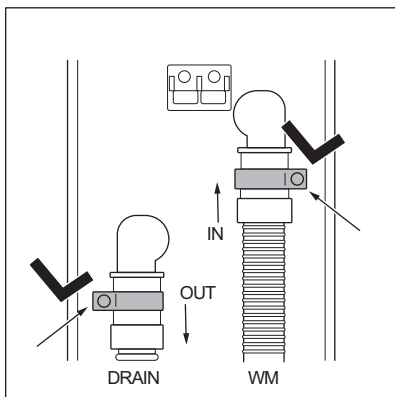
5. Ota letkut, renkaat ja suodattimen runko.

Asenna renkaat letkuihin ja liitä putket suodattimen runkoon suodattimen rungon takaosan **IN/OUT** (Sisään/ulos) -merkintöjen mukaisesti:

IN: pesukoneesta ulos tuleva letku,
OUT: viemäriin johtava letku (kuuluu suodatinpakkaukseen).

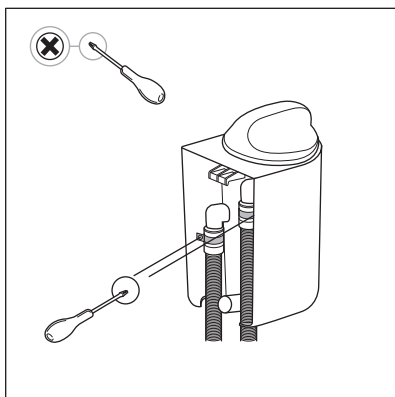
VAROITUS!

Ennen tyhjennysletkun liittämistä ulkoiseen suodattimeen varmista, että pesukoneen virta on sammutettu ja laite on irrotettu verkkovirrasta.



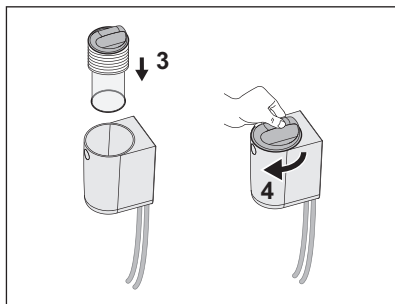
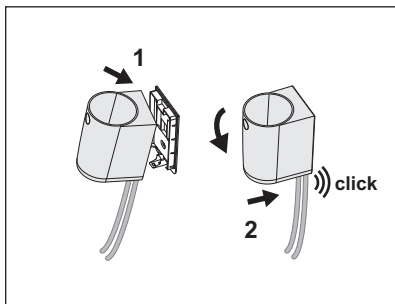
6. Kiristä renkaat ruuvimeisselin avulla.

Noudata näitä ohjeita täsmälleen samassa järjestyksessä renkaiden asentamisessa, jotta liitäntä on asianmukainen.



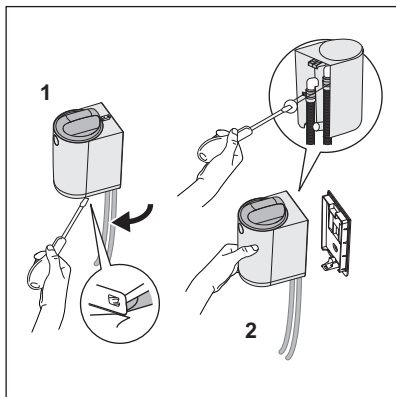
Kun käytät ruuvimeisseliä, varo ettet vaurioita suodattimen runkoa tai letkuja.

7. Noudata kuvassa esitettyä liikettä, kun kiinnität suodattimen rungon seinätukeen, niin rungon kiinnittymisestä seinätukeen tulisi kuulua naksauttava ääni.





Ennen kuin jatkat aiheeseen Päivittäinen käyttö, huolto ja puhdistus, käynnistä lyhyt pesuohjelma ja suorita se loppuun saakka. Varmista, että suodattimessa ja sen liitännöissä ei ole vuotoja. Jos vettä vuotaa, noudata kappaleen 8 ohjeita. Irrota suodatinkokoonpano seinätuesta ja kiristä renkaat. Asenna suodatin uudelleen toistamalla kappaleen 7 vaiheet.



8. Jos havaitset ensimmäisen pesuvaiheen aikana vuotoa, keskeytä ohjelma välittömästi. Sammuta pesukoneen virta ja irrota se pistorasiasta. Ennen kuin jatkat irrotusta, tarkista, että suodattimen kupu pysyy lukitusasennossa, jotta vettä ei pääse vuotamaan renkaiden kiristämisen aikana. Irrota koko suodatin seinätuesta:

1. Irrota suodatin seinätuesta ruuvimeisselin avulla,
2. Pitele suodatinta kädessäsi ja kiristä rengas ruuvimeisselillä.

Asenna suodatin toistamalla kappaleen 7 vaiheet.

3. PÄIVITTÄINEN KÄYTTÖ, HUOLTO JA PUHDISTUS



VAROITUS!

Lue turvallisuutta koskevat luvut.



VAROITUS!

Kytke kone aina pois päältä ja tarkista, ettei se ole käynnissä ennen kuin käsittelet tai puhdistat suodatinta.



Suodatinpatruuna on tehty ohuesta polyamidiverkosta, joka pyydystää pyykinpesuprosessissa irtoavat mikrokuidut.



Muutaman pesuohjelman suorituksen jälkeen suodattimen patruuna tukkeutuu ja on puhdistettava



Ennen kellukseen aktivoitumista suoritettavien pesuohjelmien lukumäärään vaikuttavat useat seikat (tekstiilityyppi, rummun koko, useimmin käytetyt ohjelmat, ohjelmien tyypit ja kesto, pyykin määrä, pesuaine, pyykkien liikaisuus jne.).



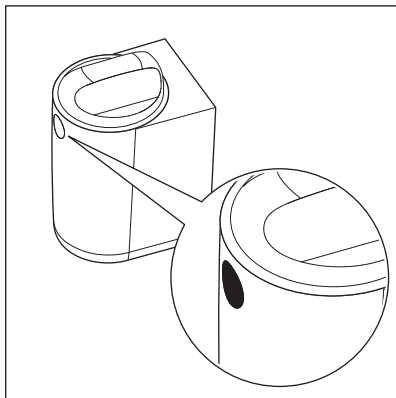
Puhdista patruuna säännöllisesti, kerran viikossa tai kun punainen kelluke näkyy selvästi.



Kun suodatin on tukkeutunut, kuvun sisällä oleva punainen kelluke ilmestyy näkyviin merkinä käyttäjälle, että patruuna on puhdistettava seuraavassa kuvassa näkyvällä tavalla.

**VAROITUS!**

Älä käytä suodattimessa olevaa vettä uudelleen. Se voi sisältää mikromuovijäämiä, jotka ovat haitallisia ihmisille ja eläimille.

3.1 ”Punainen hälytys”

Punainen kelluke ilmaisee, että suodatin on täynnä ja puhdistettava.

”Punaisen hälytyksen” tilassa (kun kelluke on aktivoitunut) suodatin ei lopeta pesuohjelmaa, mutta se toimii ohivirtaustilassa eikä enää suodata.

Parhaan suorituskyvyn takaamiseksi on siksi suositeltavaa puhdistaa patruuna mahdollisimman pian, jotta suodatin ei jää ”punaisen hälytyksen” tilaan.

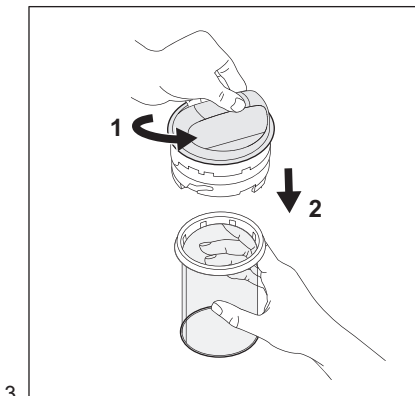
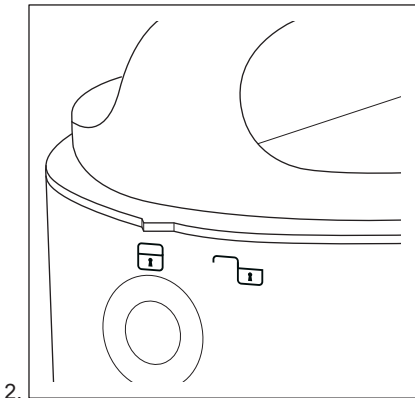
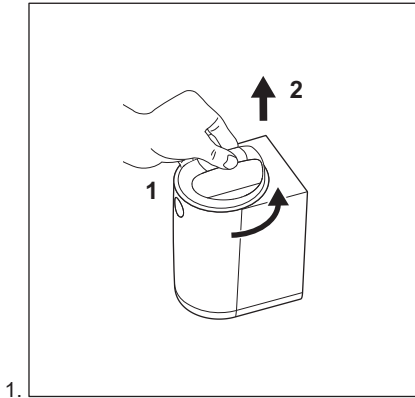
**VAROITUS!**

Pesukone voi ilmoittaa mahdollisia varoituksia useista syistä, jotka liittyvät tyhjennysongelmiin, kuten **E20–E21**. Jos tämä varoitus ilmestyy näkyviin, tarkista ensin uusi ulkoinen suodatin ja puhdista se. Jos virhe ei poistu, tarkista myös pesukoneen suodatin ja puhdista se, jos sitä pystyy käsittelemään.

Pesukoneen pysäyttäminen (virhe) on koneen turvaominaisuus, jolla vältetään pitkiä tyhjennysaikoja ja koneen vahingoittamista. Kun suodattimen patruuna on puhdistettu, normaalia käyttöä voidaan jatkaa.

3.2 Hoito ja puhdistus

Suodattimen puhdistus ja mikrokuitujen hävitys.

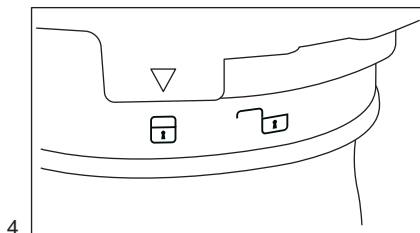


Avaa suodatin noudattamalla kuvien 1 ja 2 ohjeita:

1. Pyöritä kuvun laskuria myötäpäivään lukitusmerkinnästä vapautusmerkintään (näkyv suodattimen etuosassa, kuten kuvassa 2 näkyy),
2. Nosta kupua.

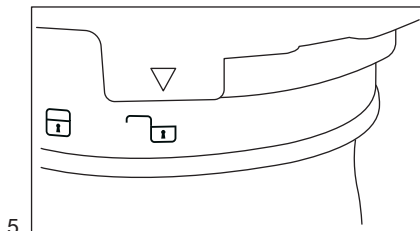
Irrota patruuna kuvan 3 ohjeiden mukaan:

1. Pidä kupua kädessäsi ja kierrä sitten patruunaa toisella kädelläsi vastapäivään lukitusmerkinnästä vapautusmerkintään (katso kuvat 4 ja 5).
2. Vedä patruunaa alaspäin.



4.

Lukitse tai vapauta patruuna kuvien 4 ja 5 mukaisesti:

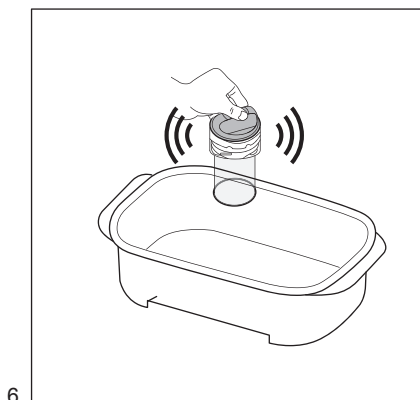


5.

Lukitus (kuva 4) / vapautus (kuva 5).



Puhdista patruuna ja hävitä sen sisältö kuvien 6, 7, 8 ja 9 mukaisesti.

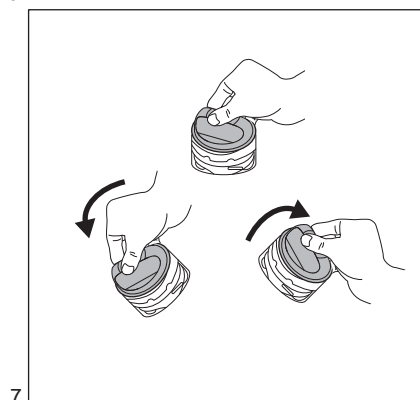


6.

Jos patruuna on kokonaan tukkeutunut, se voi olla täynnä likavettä.

Puhdistukseen kannattaa valmistautua käyttämällä mitä tahansa ämpäriä tai pientä muoviasiastaa, joka voi helpottaa puhdistusprosessia ja estää ympäristöä kastumasta.

Poista jäljellä oleva vesi patruunan sisältä ämpäriin tai astiaan pitelemällä kokoonpanon kupua ja ravistelemalla sitä. Vesi valuu ulos. Jos vettä jää sisälle, jatka seuraavaan vaiheeseen.



7.

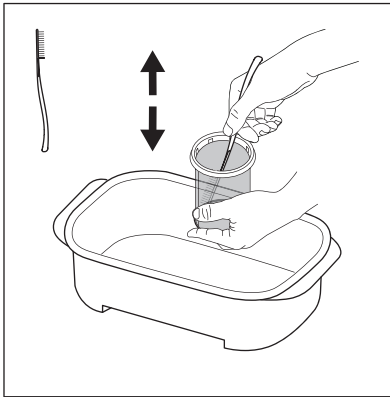


Nollaa suodatin kuvan 7 ohjeiden mukaan.

Ennen kuvun asettamista takaisin patruunan päälle, nollaa kelluke poistamalla kuvun sisällä oleva vesi. Pitele kupua, kierrä sitä (katso kuva 7) ja tyhjennä kaikki vesi muoviasiastian. Kelluke ei enää näy, kun kupu asetetaan suodattimeen.



Asettamisesta voi kuulua ääni, mutta se on normaalia, koska kuvun sisällä on massaventtiili.

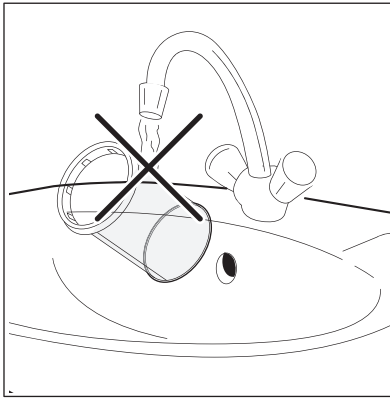


8.

Pitele patruunaa säiliön sisällä ja käytä suodatinrasiassa olevaa harjalastaa. Irrota mahdollisimman paljon patruunan verkkoon tarttuneita kuituja harjaamalla sitä ylös- ja alaspäin veden poistumisen helpottamiseksi.

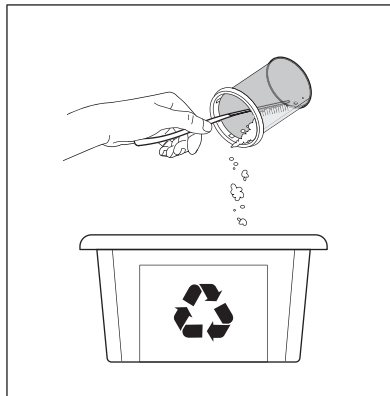


Hävitä suodattimen jäte tavallisen kuivajätteen joukossa.



9.

Jotta suodattimen käyttö ei vahingoita ympäristöä, välttä veden käyttöä suodatinpatruunan puhdistuksessa. Hävitä sen sijaan suodatinpatruunaan kerääntynyt jäte tavallisen kuivajätteen seassa (vältä muovikuitujen pääsyä vesistöön).



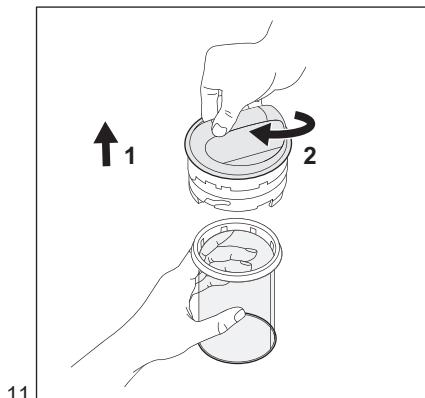
10.

Kun patruuna on tyhjennetty vedestä, poista kaikki patruunan sisään kertynyt lika ja mikrokuidut ja hävitä ne KUIVIEN yleisjätteiden mukana. Paperipyyhkeellä voi kerätä mahdollisimman paljon aineksia.



HUOMIO!
Patruunaan kerääntyneessä jätteessä on mikrokuituja, pesuainejäämiä ja likaa. SE PITÄÄ hävittää kuivien yleisjätteiden mukana.

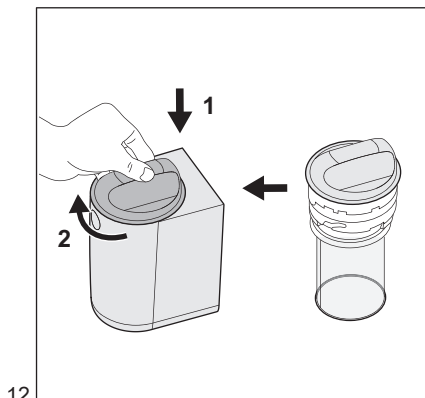
Patruunan puhdistuksen jälkeen harjalasta voi olla likainen ja täynnä muovikuituja. Suojele ympäristöä puhdistamalla se tavallisilla paperipyyhkeillä ja hävitä se kuivien yleisjätteiden mukana



11.

i Vaihda patruuna kuvan 11 mukaisesti:

1. Asenna patruuna.
2. Pidä patruunaa kädessäsi ja kierrä sitten kupua toisella kädelläsi myötäpäivään lukitusmerkinnästä vapautusmerkintään.



12.

i Sulje suodatin noudattamalla kuvan 12 ohjeita:

1. Asenna kupu (ja patruuna) rungon sisään ylhäältä päin.
2. Kierrä kupua myötäpäivään vapautusmerkinnästä lukitusmerkintään.

i Saat lisätietoja huollosta ja puhdistuksesta katsomalla videon. Tämän käyttöohjeen alussa on erityinen QR-koodi.

HUOMIO!
Varmista, että kansi on suljettu ennen seuraavan pesuohjelman suorittamista.

VAROITUKSET

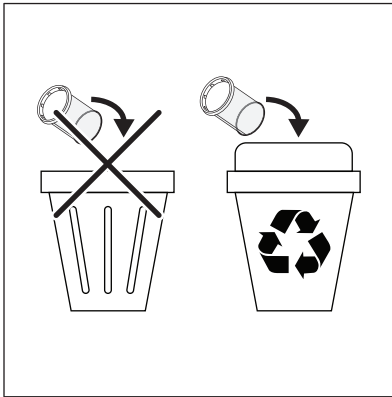
Jos pesukertojen välillä kuluu yli viikko (esim. lomamatkan aikana), on suositeltavaa tyhjentää patruuna ja puhdistaa suodatin, jotta suodattimen ympäristöön ei lieviä epämiellyttäviä hajuja.

Patruuna on tyhjennettävä märkanä, jotta se ei vaurioidu ja toimii asianmukaisesti seuraavien pesuohjelmien aikana.

Suodatusjärjestelmän mukana toimitetaan varapatruuna, jotta pyykinpesua voi jatkaa välittömästi patruunan vahingoittumisen jälkeen

Patruunan vaihto ja hävitys

Patruunan käyttöikä on rajallinen, noin kuusi kuukautta, koska puhdistus voi vaurioittaa verkkoa ja heikentää suodattimen toimintaa. Pakkauksessa on yksi varapatruuna.



Vie suodattimen jätteet asianmukaiseen kierrätysastiaan.

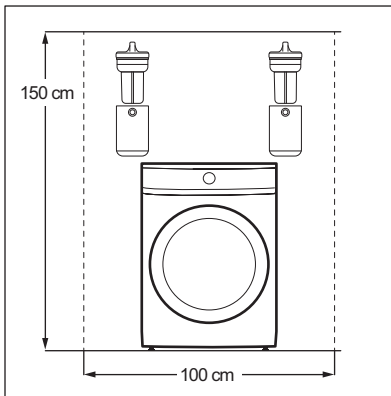
Kun patruuna on vaihdettava, noudata näitä kahta yksinkertaista ohjetta:

1. Puhdista vahingoittunut patruuna huolellisesti.
2. Aseta patruuna ja jätteet kierrätysastiaan.

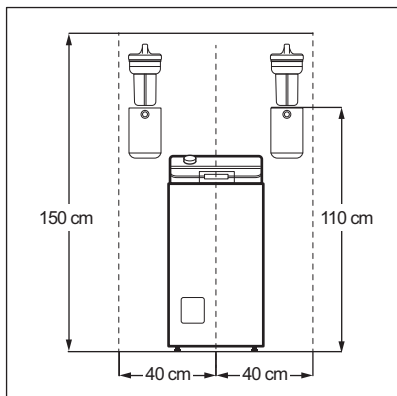


Jos patruunaan tarvitaan lisää varaosia, käytä vain alkuperäisvalmistajan tuotteita. Patruunoita myydään kaikissa Electroluxin/AEG:n palvelukeskuksissa ja verkossa.

Liitäntäosat



Edestä täytettävän pesukoneen liite.



Päältä täytettävän pesukoneen liite.

1. INFORMATIONS RELATIVES À LA SÉCURITÉ

Avant d'installer et d'utiliser ce produit, lisez soigneusement les instructions fournies. Le fabricant ne pourra pas être tenu responsable des blessures et dégâts résultant d'une mauvaise installation ou utilisation. Conservez toujours les instructions dans un lieu sûr et accessible pour vous y référer ultérieurement.

- Ce produit est conçu pour filtrer les fibres microplastiques libérées par les textiles pendant le processus de lavage et ne doit pas être utilisé à d'autres fins.
- Ce produit peut être utilisé par des enfants âgés d'au moins 8 ans et par des personnes ayant des capacités physiques, sensorielles ou mentales réduites ou dénuées d'expérience ou de connaissance, s'ils sont correctement surveillés ou si des instructions relatives à l'utilisation de ce produit en toute sécurité leur ont été données et s'ils comprennent les risques encourus. Les enfants de moins de 8 ans et les personnes ayant un handicap très important et complexe doivent être tenus à l'écart de l'appareil, à moins d'être surveillés en permanence.
- Les enfants ne doivent pas jouer avec le produit. Ne laissez pas les emballages à la portée des enfants et jetez-les convenablement.
- Les enfants ne doivent pas nettoyer ni entreprendre une opération de maintenance sur le produit sans surveillance. Ne laissez pas les détergents à la portée des enfants.
- Cet appareil est conçu pour un usage domestique et des applications équivalentes, comme :
 - cuisines réservées aux employés dans les magasins, les bureaux et autres environnements de travail ;
 - exploitations agricoles ;

- par les clients, dans des hôtels, motels, chambres d'hôte et autres environnements de type résidentiel ;
- parties communes d'immeubles d'appartements ou dans les laveries automatiques.
- Suivez les instructions d'installation fournies avec l'appareil.
- Ne pas installer ou utiliser un produit endommagé ou des tuyaux de vidange.
- Installez le produit dans un lieu sûr et adapté répondant aux exigences d'installation.
- Ne pas installer le produit au-dessus de prises électriques, ou au-dessus de dispositifs situés sur le mur, ou de dispositifs autonomes situés à proximité sur le sol pour éviter le risque d'électrocution.
- Retirez l'emballage entièrement.
- Assurez-vous que les tuyaux sont correctement fixés pour éviter les fuites, le bruit ou les dommages.
- Assurez-vous que le passage du tuyau de vidange est correct entre l'appareil et l'entrée du filtre pour éviter de bloquer le débit de vidange.
- Les dispositifs de fixation pour le mur ne sont pas inclus en raison de matériaux muraux différents. Utilisez des dispositifs de fixation appropriés adaptés aux murs.
- Pendant et après la première utilisation du produit, vérifiez qu'aucune fuite d'eau n'est visible.
- Ne pulvérisiez pas d'eau ni de vapeur à haute pression pour nettoyer le produit.
- Toujours éteindre et vérifier que la machine n'est pas en marche avant d'accéder au produit ou de le nettoyer.
- Nettoyez le produit avec un chiffon humide. Utilisez uniquement des produits de lavage neutres. N'utilisez pas de produits abrasifs, de tampons à récurer, de solvants ou d'objets métalliques.

- Nettoyez la cartouche régulièrement, une fois par semaine ou lorsque le voyant du flotteur rouge est clairement visible.
- Ne réutilisez pas l'eau du filtre. Il peut contenir des particules microplastiques qui sont inaptes à la consommation humaine et animale.
- Pour réparer le produit, contactez le service après-vente agréé. Utilisez uniquement des pièces de rechange d'origine.
- Cet accessoire externe est compatible avec les lave-linge ménagers Electrolux/AEG/Zanussi.

Considérations environnementales

Recycler les matériaux portant le symbole ♻️. Placez l'emballage dans les conteneurs prévus pour le recycler.

2. INSTALLATION

2.1 Avant l'installation



AVERTISSEMENT!

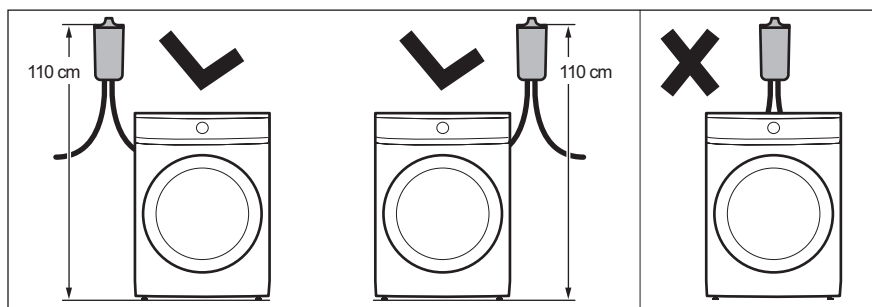
Reportez-vous aux chapitres concernant la sécurité.

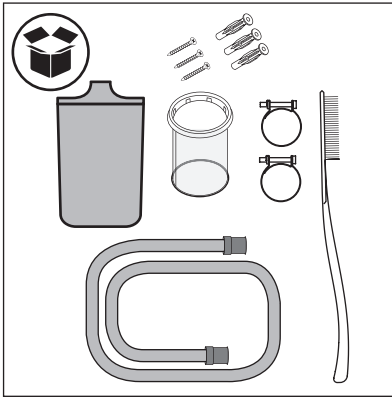


Visitez electrolux.com/getstarted/microplasticfilters pour les vidéos d'installation et d'utilisation.

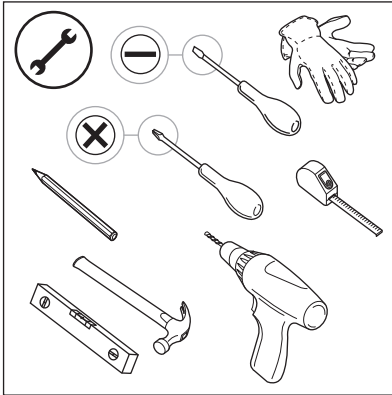
1. Sélectionnez un emplacement approprié sur le mur pour installer le filtre :

Pour éviter les fuites sur le lave-linge, il est préférable d'installer le filtre de chaque côté de votre lave-linge.



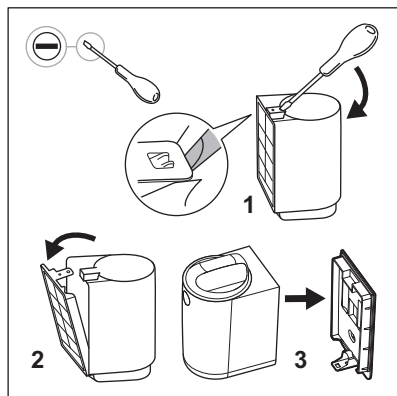


2. Vérifier le contenu de la boîte.



3. Préparez les outils nécessaires pour l'installation.

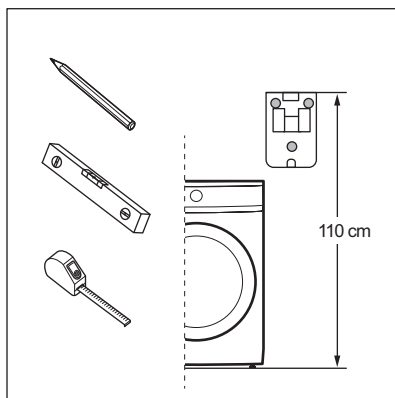
2.2 Installation de l'accessoire



1. Retirez le filtre de la boîte d'emballage et retirez le support mural à l'aide d'un tournevis plat.

2. La position de votre filtre doit suivre ces points énumérés (a et b) :

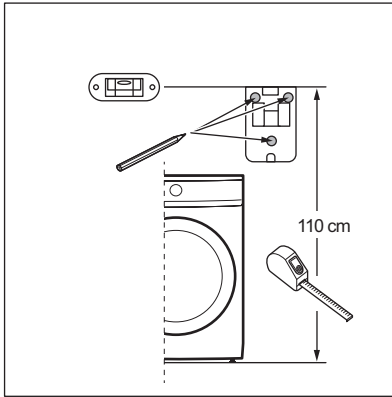
a. Positionnez le support mural à la bonne hauteur, en mesurant 110 cm* du haut du support mural au sol (ou au piédestal si présent). ***La tolérance admise dans la position de hauteur du filtre est de +/- 5 cm.**



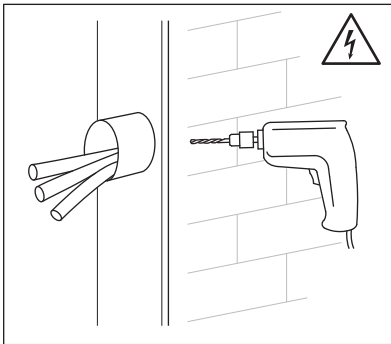
Vérifiez où se trouve votre point de drainage avant de positionner le support mural. Le filtre est équipé d'un tuyau de drainage d'une longueur de 100 cm.



Assurez-vous qu'il y a suffisamment d'espace au-dessus de votre filtre avant de positionner le support mural. Veillez à laisser suffisamment d'espace libre au-dessus du filtre afin de retirer et de réinsérer la cartouche. Consultez la référence des dimensions minimales dans l'Annexe 1 (chargeur avant) et l'Annexe 2 (chargeur supérieur).



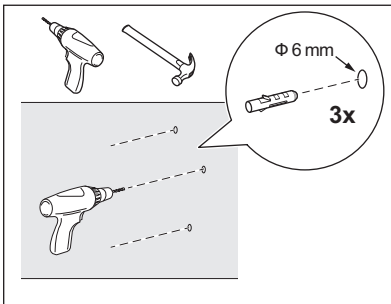
b. Utilisez un niveau pour vérifier que les 3 poinçons de forage sont à niveau et bien alignés avant le forage.



3. Percez les trous dans le mur et placez les ancrages.

AVERTISSEMENT!

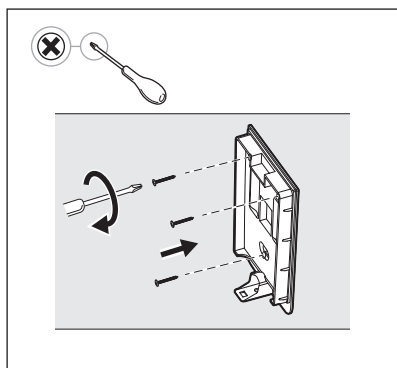
Avant de percer dans le mur, assurez-vous qu'aucun tuyau d'eau ou fil électrique n'est derrière. Il est recommandé d'utiliser une mèche de 6 mm. L'ensemble de filtres comprend trois vis dédiées et des ancrages en plastique pour installer correctement et solidement le filtre. Le système de fixation fourni est conçu pour être installé sur un mur de briques. En cas de doute, adressez-vous au technicien.



AVERTISSEMENT!

Si votre mur est construit dans un matériau différent de la brique, utilisez les ancrages et vis appropriés conçus pour ce matériau.

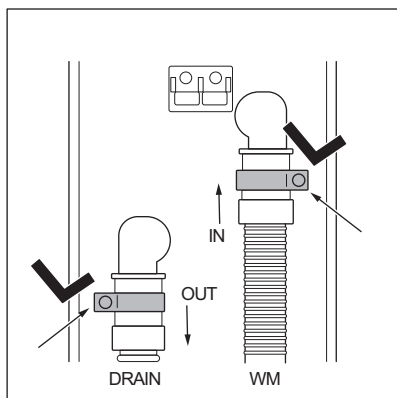




4. Fixez le support mural avec les vis et les ancrages en plastique fournis, en vous assurant qu'il est bien fixé au mur.

5. Prenez les tuyaux, les colliers et le corps du filtre.

Insérez les colliers sur les tuyaux et raccordez les tuyaux au corps du filtre en suivant les indications **ENTRÉE/SORTIE** présentes à l'arrière du corps du filtre :
ENTRÉE : tuyau qui provient du lave-linge,
SORTIE : tuyau (présent dans l'ensemble de filtre) qui va à l'évacuation.



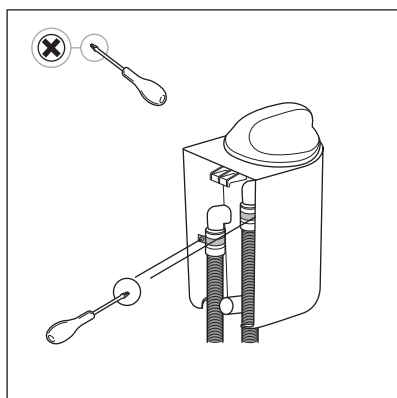
AVERTISSEMENT!

Avant de raccorder le tuyau de vidange au filtre externe, assurez-vous que le lave-linge est éteint et débranché de la prise électrique.



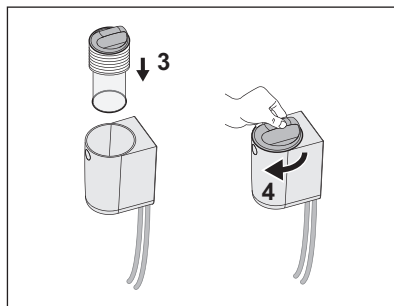
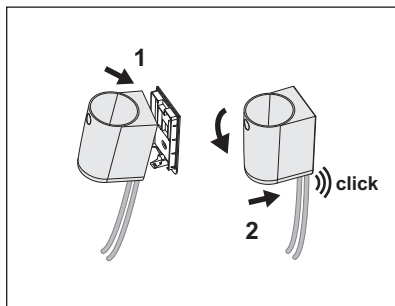
6. Serrer les colliers à l'aide du tournevis.

Suivez ces instructions exactement, afin de positionner les colliers pour assurer une connexion complète.

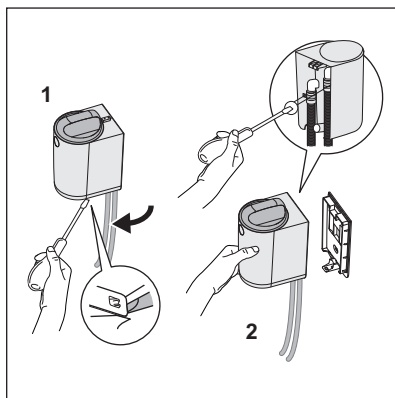


Lorsque vous utilisez le tournevis, veillez à ne pas endommager le corps du filtre ou les tuyaux.

7. En suivant le mouvement indiqué sur l'image, lorsque vous fixez le corps du filtre au support mural, vous entendrez un « clic » car le corps est correctement fixé au support mural.



- i** Avant de passer à la rubrique suivante : Utilisation, entretien et nettoyage quotidiens, démarrez le programme de lavage court et suivez-le jusqu'à la fin. Assurez-vous qu'aucune fuite ne vient du filtre et de ses connexions. En cas de fuite d'eau, procédez comme décrit au paragraphe 8. Détachez l'ensemble filtre du support mural et serrez les colliers. Pour réinstaller le filtre, répétez les étapes du paragraphe 7.



8. Si de l'eau apparaît au cours du premier cycle, arrêtez immédiatement le programme. Éteignez le lave-linge et débranchez-le de la prise électrique. Avant de procéder à la procédure de détachement, vérifiez que le couvercle du filtre reste en position verrouillée afin d'éviter toute fuite d'eau pendant le serrage des colliers.

Détachez l'ensemble du filtre du support mural :

1. Détachez le filtre du support mural à l'aide du tournevis,
2. Tenez le filtre dans votre main pour serrer le collier avec le tournevis.

Répétez les étapes du paragraphe 7 pour installer le filtre.

3. UTILISATION QUOTIDIENNE, ENTRETIEN ET NETTOYAGE

- !** **AVERTISSEMENT!**
Reportez-vous aux chapitres concernant la sécurité.

- !** **AVERTISSEMENT!**
Toujours éteindre et vérifier que la machine n'est pas en marche avant d'accéder au filtre ou de le nettoyer.

- i** La cartouche filtrante est fabriquée avec un filet fin en polyamide afin de récupérer les microfibrilles libérées lors du processus de lavage du linge.

i Après certains cycles de lavage, la cartouche filtrante se bouche et doit être nettoyée

i Le nombre de cycles avant l'activation du flotteur dépendra de plusieurs facteurs (type de textile, taille du tambour, programmes les plus utilisés, type et durée des cycles, charge de linge, détergent, degré de salissure, etc.).

i Nettoyez la cartouche régulièrement, une fois par semaine ou lorsque le voyant du flotteur rouge est clairement visible.

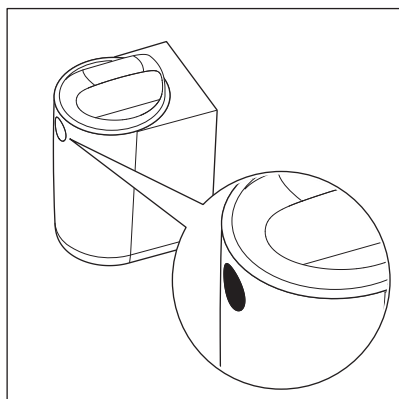
i Lorsque le filtre est obstrué, le flotteur rouge situé à l'intérieur du couvercle devient visible, avertissant l'utilisateur que la cartouche doit être nettoyée, comme illustré sur l'image suivante.



AVERTISSEMENT!

Ne réutilisez pas l'eau du filtre. Il peut contenir des particules microplastiques qui sont inaptes à la consommation humaine et animale.

3.1 Condition « alarme rouge »



Le flotteur rouge indique que le filtre est plein et doit être nettoyé.

En mode « **alarme rouge** » (lorsque le flotteur est activé), le filtre n'arrête pas le cycle de lavage, mais fonctionne en mode dérivation et ne filtre plus.

Par conséquent, pour garantir des performances optimales, il est recommandé de nettoyer la cartouche dès que possible pour éviter de laisser le filtre en mode « **alarme rouge** ».



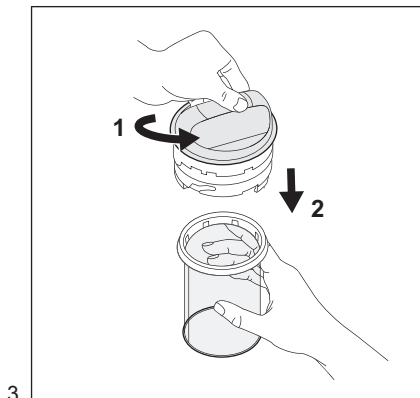
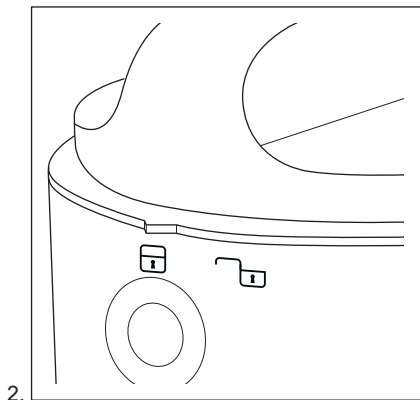
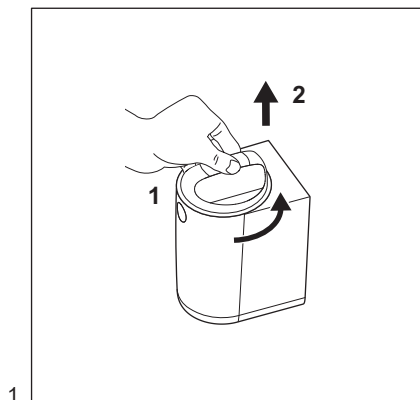
AVERTISSEMENT!

Pour plusieurs raisons, le lave-linge peut afficher des avertissements possibles, liés à des problèmes de vidange, comme **E20-E21**. Si cet avertissement apparaît, vérifiez d'abord le nouveau filtre externe et nettoyez-le. Si l'erreur persiste, vérifiez également le filtre de votre lave-linge et nettoyez-le, s'il est accessible.

L'arrêt du lave-linge (erreur) est une fonction de sécurité de la machine pour éviter de longs temps de vidange et ne pas endommager la machine. Après le nettoyage de la cartouche filtrante, le fonctionnement normal peut être repris.

3.2 Entretien et nettoyage

Nettoyage du filtre et élimination des microfibres.

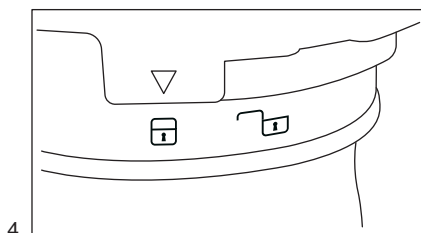


Pour ouvrir le filtre, reportez-vous aux mouvements dans les images 1 et 2 :

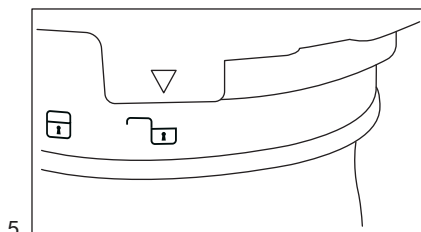
1. Tournez le couvercle dans le sens inverse des aiguilles d'une montre, du symbole de verrouillage au symbole de déverrouillage (disponible à l'avant du filtre comme indiqué sur la photo 2),
2. Soulevez le couvercle.

Pour détacher la cartouche, reportez-vous aux mouvements de l'image 3 :

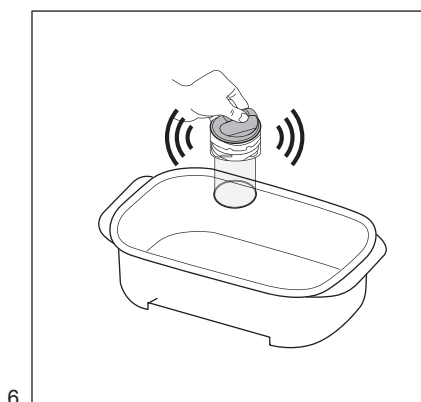
1. Tenez le couvercle dans votre main, puis, de l'autre main, faites tourner la cartouche dans le sens inverse des aiguilles d'une montre en partant du symbole de verrouillage pour déverrouiller le symbole (voir les figures 4 et 5).
2. Tirez la cartouche vers le bas.



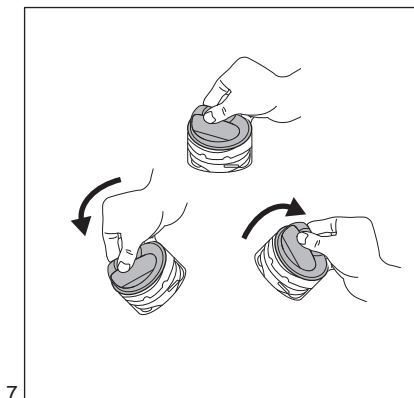
Pour verrouiller/déverrouiller la cartouche, reportez-vous aux images 4 et 5 : Verrouiller (image 4) / Déverrouiller (image 5).



Pour nettoyer la cartouche et éliminer son contenu, reportez-vous aux images 6, 7, 8 et 9.



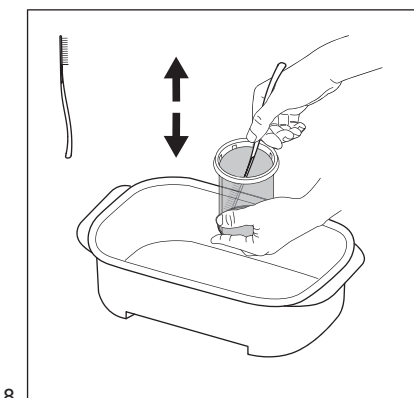
Si la cartouche est complètement bouchée, elle peut être pleine d'eau sale. Afin d'être préparé pour l'opération de nettoyage, il est recommandé d'utiliser n'importe quel pot ou petit récipient en plastique ; cela pourrait aider l'opération et empêcher l'environnement de se mouiller. Pour retirer l'eau restante à l'intérieur de la cartouche, videz-la à l'intérieur d'un pot ou d'un récipient en tenant le couvercle de l'ensemble et en la secouant. L'eau s'écoule. Si de l'eau reste, passez à l'étape suivante.



i Pour réinitialiser le filtre, reportez-vous à l'image 7.

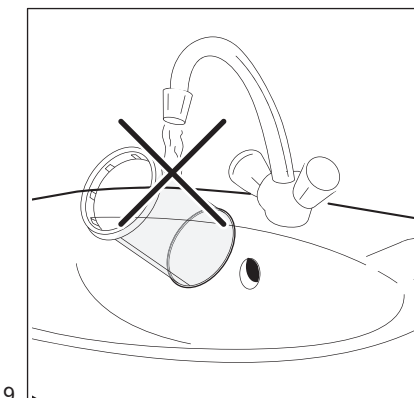
Avant de replacer le couvercle sur la cartouche, réinitialiser le flotteur en retirant l'eau à l'intérieur du couvercle. Tenez le couvercle, faites-le pivoter (voir figure 7) et vidangez toute l'eau dans un récipient en plastique. Le flotteur n'est plus visible lorsque le couvercle est placé sur le filtre.

i Un bruit peut être entendu, mais c'est un comportement normal car à l'intérieur du couvercle il y a une vanne de masse.

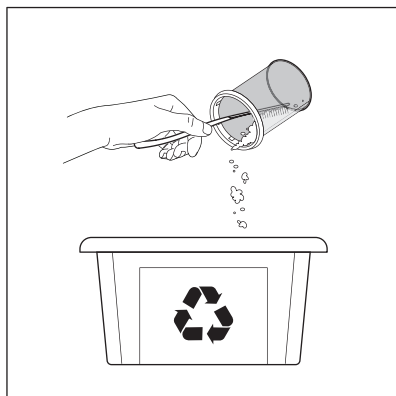


En tenant la cartouche à l'intérieur du récipient, utilisez l'outil brosse-spatula disponible dans la boîte de filtre. Avec un mouvement de brosse haut/bas, retirez autant que possible les fibres fixées au filet de la cartouche pour faciliter l'évacuation de l'eau.

i Éliminez les déchets du filtre avec les déchets secs généraux.



Pour préserver l'impact positif du filtre sur l'environnement, évitez d'utiliser de l'eau pour nettoyer la cartouche filtrante. Au lieu de cela, jetez les déchets collectés par la cartouche filtrante dans les déchets secs généraux (évités la dispersion de fibres plastiques dans l'eau ambiante).



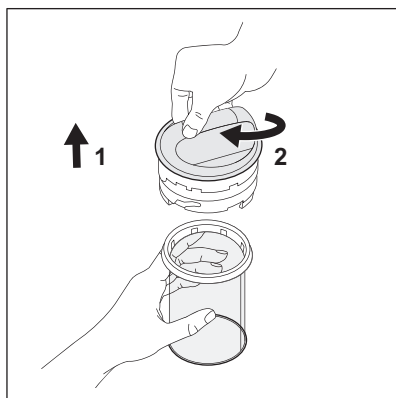
Après avoir vidangé l'eau de la cartouche, retirez toute saleté et les microfibres de l'intérieur de la cartouche et jetez-la avec les déchets généraux SECS. Une serviette en papier peut être utilisée pour recueillir autant de matériau que possible.

ATTENTION!

Les déchets collectés par la cartouche contiennent des microfibres, des résidus de détergent et de la saleté. CELA DOIT être éliminé avec les déchets secs généraux.

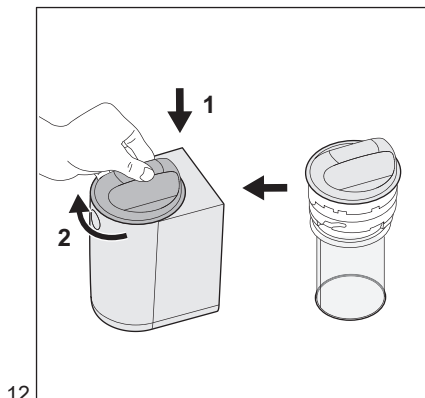


Après l'opération de nettoyage de la cartouche, la spatule de la brosse peut être sale et pleine de fibres plastiques. Pour préserver l'impact positif sur l'environnement, nettoyez-la avec des essuie-mains en papier et éliminez-les avec les déchets secs généraux



Pour remplacer la cartouche, reportez-vous à l'image 11 :

1. Insérez la cartouche.
2. Tenez la cartouche dans votre main, puis, de l'autre main, tournez le couvercle dans le sens des aiguilles d'une montre, du symbole de déverrouillage au symbole de verrouillage.



Pour fermer le filtre, reportez-vous aux mouvements de l'image 12 :

1. Insérez le couvercle (+ cartouche) à l'intérieur du corps à partir du haut.
2. Faites pivoter le couvercle dans le sens des aiguilles d'une montre du symbole de déverrouillage au symbole de verrouillage.

Pour toute information supplémentaire sur la maintenance et le nettoyage, veuillez regarder la vidéo. Un code QR dédié est disponible au début de ce manuel de l'utilisateur.



ATTENTION!



Assurez-vous d'avoir fermé le couvercle avant de passer au cycle de lavage suivant.

AVERTISSEMENTS

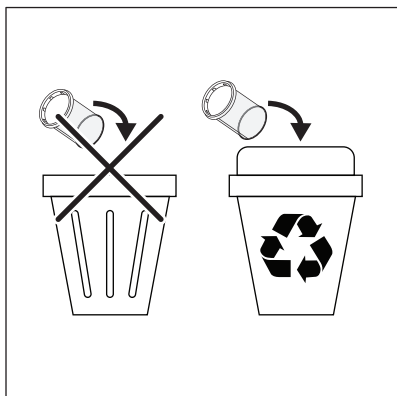
Dans le cas d'une période de pause de lavage supérieure à une semaine complète (par ex. vacances, voyage), il est recommandé de vider la cartouche et de nettoyer le filtre pour éviter la création d'une odeur inattendue dans l'environnement du filtre.

Il est nécessaire de nettoyer la cartouche en état humide afin de ne pas l'endommager, évitant ainsi le dysfonctionnement lors des cycles suivants utilisés.

Le système de filtration est fourni avec une cartouche de rechange afin de redémarrer immédiatement avec votre routine de blanchisserie en cas de dommage de la cartouche

Remplacement et élimination de la cartouche

La cartouche a une durée de vie limitée, six mois environ, car le nettoyage peut endommager le filet, compromettant les performances du filtre. 1 pièce de rechange de cartouche est incluse dans la boîte.



Placez les déchets du filtre dans un récipient de recyclage approprié.

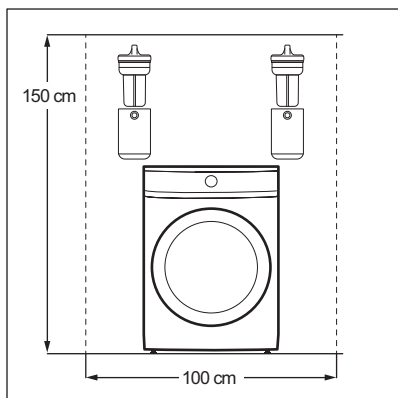
Lorsque la cartouche doit être remplacée, veuillez suivre ces 2 étapes simples :

1. Nettoyez soigneusement la cartouche endommagée.
2. Placez la cartouche et les déchets dans une poubelle de recyclage.

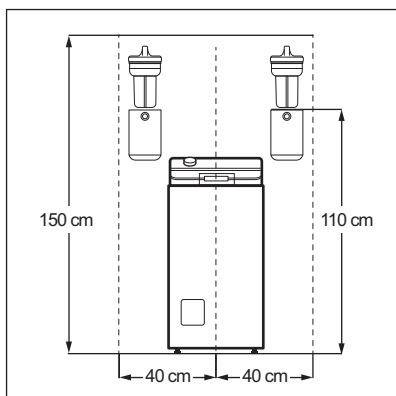


Pour des pièces de rechange de cartouche supplémentaires, n'utilisez que des pièces d'origine. Les cartouches sont vendues dans n'importe quel centre de service Electrolux/AEG ou même en ligne.

Annexes

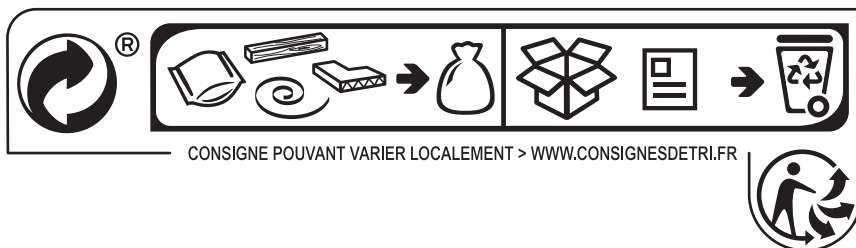


Annexe pour lave-linge à chargement frontal.



Annexe pour lave-linge à chargement par le haut.

F FRANCE ONLY



1. ⚠ ΠΛΗΡΟΦΟΡΪΕΣ ΑΣΦΑΛΕΙΑΣ

Πριν από την εγκατάσταση και τη χρήση του προϊόντος, διαβάστε προσεκτικά τις παρεχόμενες οδηγίες. Ο κατασκευαστής δεν είναι υπεύθυνος για τυχόν τραυματισμούς ή ζημιές που είναι αποτέλεσμα λανθασμένης εγκατάστασης ή χρήσης. Να φυλάσσετε πάντα αυτές τις οδηγίες σε ένα ασφαλές μέρος με εύκολη πρόσβαση για μελλοντική αναφορά.

- Αυτό το προϊόν έχει σχεδιαστεί για το φιλτράρισμα των ίνων μικροπλαστικού που απελευθερώνονται από τα υφάσματα κατά τη διάρκεια της πλύσης και δεν πρέπει να χρησιμοποιείται για άλλο σκοπό.
- Το προϊόν αυτό μπορεί να χρησιμοποιηθεί από παιδιά ηλικίας 8 ετών και άνω και από άτομα με μειωμένες σωματικές, αισθητηριακές ή πνευματικές δυνατότητες ή έλλειψη εμπειρίας και γνώσης, εάν επιβλέπονται ή έχουν λάβει οδηγίες σχετικά με τη χρήση του προϊόντος με ασφαλή τρόπο και κατανοούν τους κινδύνους που ενέχονται. Παιδιά ηλικίας μικρότερης των 8 ετών και άτομα με εκτενείς και περίπλοκες αναπηρίες πρέπει να παραμένουν μακριά από τη συσκευή, εκτός εάν επιβλέπονται συνεχώς.
- Μην αφήνετε τα παιδιά να παίζουν με το προϊόν. Φυλάσσετε όλα τα υλικά συσκευασίας μακριά από τα παιδιά και απορρίψτε τα κατάλληλα.
- Τα παιδιά δεν πρέπει να εκτελούν τον καθαρισμό και τη συντήρηση που εκτελεί ο χρήστης στο προϊόν χωρίς επίβλεψη. Φυλάσσετε τα απορρυπαντικά μακριά από παιδιά.
- Αυτό το προϊόν προορίζεται για οικιακή χρήση και παρόμοιες εφαρμογές όπως:
 - χώροι κουζίνας προσωπικού σε καταστήματα, γραφεία και άλλα εργασιακά περιβάλλοντα,
 - αγροικίες,
 - από πελάτες σε ξενοδοχεία, μοτέλ, πανσιόν και άλλα περιβάλλοντα στέγασης,

- περιοχές κοινής χρήσης σε κτίρια διαμερισμάτων ή σε πλυντήρια αυτοεξυπηρέτησης.
- Ακολουθείστε τις οδηγίες εγκατάστασης που παρέχονται με το προϊόν.
- Μην εγκαθιστάτε και μη χρησιμοποιείτε φθαρμένο προϊόν ή σωλήνες αδειάσματος.
- Τοποθετήστε το προϊόν σε κατάλληλο και ασφαλές μέρος που πληροί τις απαιτήσεις εγκατάστασης.
- Μην εγκαθιστάτε το προϊόν πάνω από ηλεκτρικές πρίζες ή πάνω από συσκευές που βρίσκονται στον τοίχο, ή ανεξάρτητες συσκευές κοντά στο δάπεδο, για την αποφυγή του κινδύνου ηλεκτροπληξίας.
- Αφαιρέστε όλη τη συσκευασία.
- Βεβαιωθείτε ότι οι σωλήνες είναι σωστά στερεωμένοι για την αποφυγή διαρροών, θορύβου ή ζημιάς.
- Βεβαιωθείτε ότι ο σωλήνας αδειάσματος βρίσκεται μεταξύ της συσκευής και της εισόδου του φίλτρου σωστά, ώστε να μην εμποδίζεται η ροή αδειάσματος.
- Δεν περιλαμβάνονται διατάξεις στερέωσης για τον τοίχο λόγω διαφορετικών υλικών για τον τοίχο. Χρησιμοποιείτε κατάλληλες διατάξεις στερέωσης για τους τοίχους.
- Βεβαιωθείτε ότι δεν υπάρχουν ορατές διαρροές νερού κατά τη διάρκεια και μετά την πρώτη χρήση της συσκευής.
- Μη χρησιμοποιείτε ψεκασμό με νερό υψηλής πίεσης ή/και ατμό για τον καθαρισμό της συσκευής.
- Απενεργοποιείτε πάντα τη συσκευή και ελέγχετε ότι δεν λειτουργεί πριν από την πρόσβαση ή τον καθαρισμό του προϊόντος.
- Καθαρίστε το προϊόν με ένα υγρό πανί. Χρησιμοποιείτε μόνο ουδέτερα απορρυπαντικά. Μη χρησιμοποιείτε λειαντικά προϊόντα, σφουγγαράκια που χαράσσουν, διαλύτες ή μεταλλικά αντικείμενα.
- Καθαρίζετε τακτικά τη φύσιγγα, μία φορά την εβδομάδα ή όταν η κόκκινη ένδειξη του φλοτέρ είναι ξεκάθαρα ορατή.

- Μην επαναχρησιμοποιείτε το νερό από το φίλτρο. Μπορεί να περιέχει μικροπλαστικά σωματίδια που είναι ακατάλληλα για κατανάλωση από ανθρώπους και ζώα.
- Για την επισκευή του προϊόντος, επικοινωνήστε με το Εξουσιοδοτημένο Κέντρο Σέρβις. Χρησιμοποιείτε μόνο γνήσια ανταλλακτικά.
- Αυτό το εξωτερικό αξεσουάρ είναι συμβατό με τα οικιακά πλυντήρια ρούχων της Electrolux/AEG/ Zanussi.

Περιβαλλοντικά θέματα

Ανακυκλώστε τα υλικά με το σύμβολο ♻️. Τοποθετήστε τη συσκευασία σε κατάλληλα δοχεία για ανακύκλωση.

2. ΕΓΚΑΤΑΣΤΑΣΗ

2.1 Πριν από την εγκατάσταση



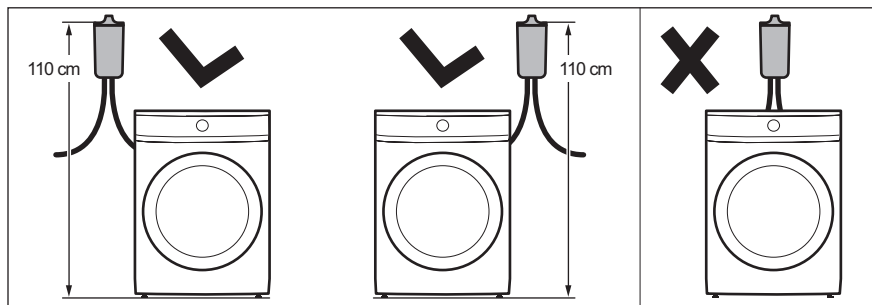
ΠΡΟΕΙΔΟΠΟΙΗΣΗ!
Ανατρέξτε στα κεφάλαια σχετικά με την Ασφάλεια.

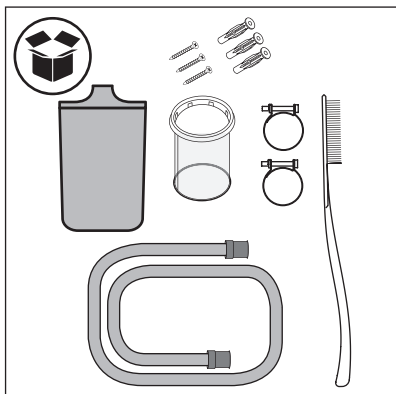


Επίσκεψη electrolux.com/getstarted/microplasticfilters για τα βίντεο εγκατάστασης και χρήσης.

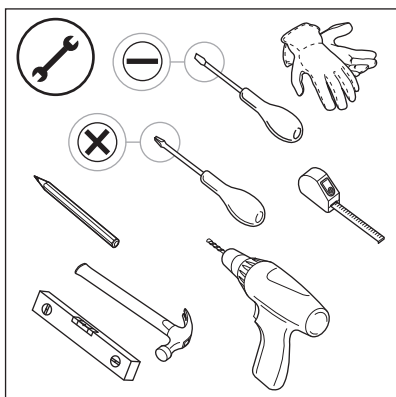
1. Επιλέξτε μια κατάλληλη θέση στον τοίχο για την εγκατάσταση του φίλτρου:

Για να αποφύγετε τις διαρροές από το πλυντήριο ρούχων, είναι προτιμότερο να τοποθετείτε το φίλτρο και στις δύο πλευρές του πλυντηρίου ρούχων σας.



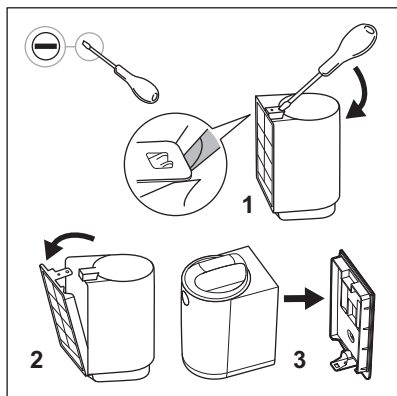


2. Επαληθεύστε το περιεχόμενο του κουτιού.



3. Προετοιμάστε τα απαραίτητα εργαλεία για την εγκατάσταση.

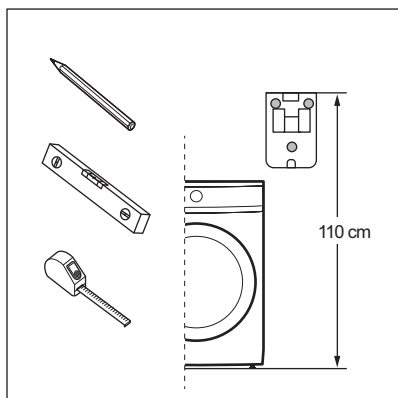
2.2 Εγκατάσταση του αξεσουάρ



1. Αφαιρέστε το φίλτρο από το κουτί συσκευασίας και αφαιρέστε το στήριγμα τοίχου με τη βοήθεια ενός κατασαβιδιού με επίπεδη μύτη.

2. Η θέση του φίλτρου σας πρέπει να ακολουθεί αυτά τα αναφερόμενα σημεία (α και β):

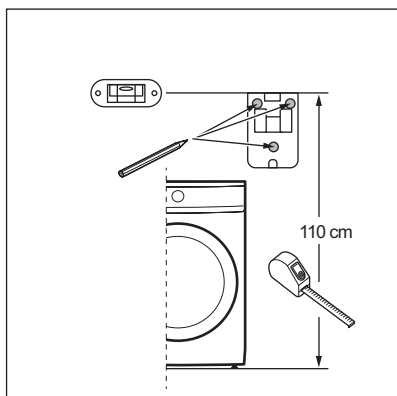
a. Τοποθετήστε το στήριγμα τοίχου στο σωστό ύψος, με διαστάσεις 110 cm* από την κορυφή του στηρίγματος τοίχου μέχρι το δάπεδο (ή τη βάση, εάν υπάρχει). ***Η ανοχή που ασκείται στη θέση ύψους του φίλτρου είναι +/- 5 cm.**



Ελέγξτε το σημείο αποστράγγισης πριν τοποθετήσετε το στήριγμα τοίχου. Το φίλτρο είναι εφοδιασμένο με έναν σωλήνα αδειάσματος μήκους 100 cm.

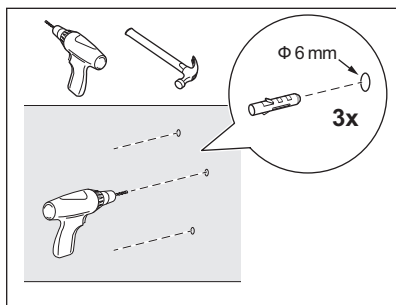
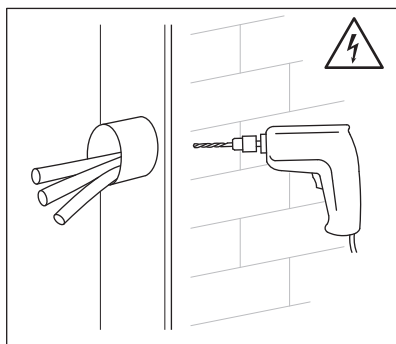


Βεβαιωθείτε ότι υπάρχει αρκετός χώρος πάνω από το φίλτρο πριν τοποθετήσετε το στήριγμα τοίχου. Φροντίστε να αφήσετε επαρκή ελεύθερο χώρο πάνω από το φίλτρο για να αφαιρέσετε και να τοποθετήσετε ξανά τη φύσιγγα. Ανατρέξτε στην αναφορά για τις ελάχιστες διαστάσεις στο Παράρτημα 1 (εμπρόσθια φόρτωση) και στο Παράρτημα 2 (άνω φόρτωση).



b. Χρησιμοποιήστε ένα επίπεδο για να ελέγξετε ότι οι 3 διατρήσεις είναι οριζοντιωμένες και καλά ευθυγραμμισμένες πριν από τη διάτρηση.

3. Ανοίξτε τις οπές στον τοίχο και τοποθετήστε τα άγκιστρα.



ΠΡΟΕΙΔΟΠΟΙΗΣΗ!

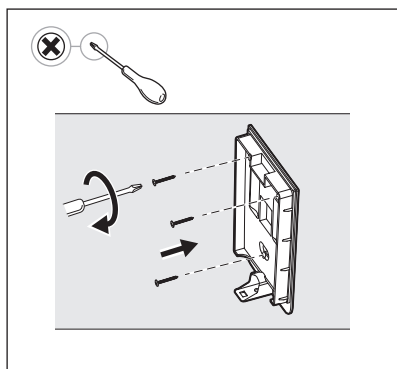
Πριν από τη διάτρηση στον τοίχο, βεβαιωθείτε ότι δεν υπάρχουν πίσω σωλήνες νερού ή ηλεκτρικά καλώδια. Συνιστάται η χρήση μύτης τρυπανιού 6 mm. Η συσκευασία του φίλτρου περιλαμβάνει τρεις αποκλειστικές βίδες και πλαστικά άγκιστρα για τη σωστή και ασφαλή εγκατάσταση του φίλτρου. Το παρεχόμενο σύστημα στερέωσης είναι σχεδιασμένο για εγκατάσταση σε τοίχο από τούβλα. Σε περίπτωση αμφιβολίας, απευθυνθείτε στον τεχνικό.



ΠΡΟΕΙΔΟΠΟΙΗΣΗ!

Εάν ο τοίχος σας είναι κατασκευασμένος από διαφορετικό υλικό από τούβλα, χρησιμοποιήστε τις κατάλληλες άγκυρες και βίδες που είναι σχεδιασμένες για αυτό το υλικό.

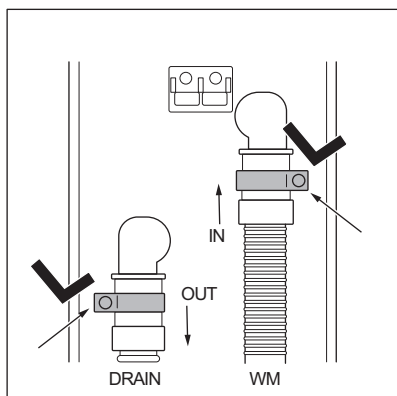




4. Προσαρτήστε το στήριγμα τοίχου με τις βίδες και τα πλαστικά άγκιστρα που παρέχονται, διασφαλίζοντας ότι είναι ευθύ και καλά στερεωμένο στον τοίχο.

5. Πάρτε τους σωλήνες, τα κολάρα και το σώμα του φίλτρου.

Εισαγάγετε τα κολάρα στους σωλήνες και συνδέστε τους σωλήνες στο σώμα του φίλτρου ακολουθώντας τις οδηγίες **ΕΙΣΟΔΟΥ/ΕΞΟΔΟΥ** στο πίσω μέρος του φίλτρου:
ΕΙΣΟΔΟΣ: εύκαμπτος σωλήνας που προέρχεται από τη μονάδα WM,
ΕΞΟΔΟΣ: εύκαμπτος σωλήνας (βρίσκεται στη συσκευασία του φίλτρου) ο οποίος πηγαίνει στον αγωγό αποχέτευσης.



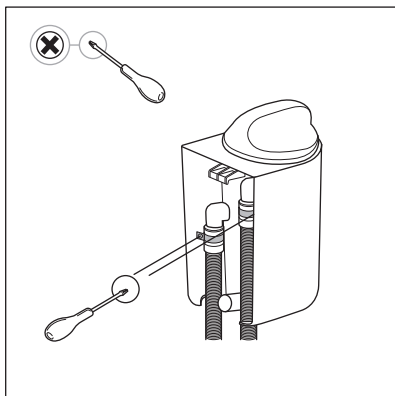
ΠΡΟΕΙΔΟΠΟΙΗΣΗ!

Πριν συνδέσετε το σωλήνα αδειάσματος νερού στο εξωτερικό φίλτρο, βεβαιωθείτε ότι το πλυντήριο ρούχων είναι απενεργοποιημένο και αποσυνδεδεμένο από την ηλεκτρική πρίζα.



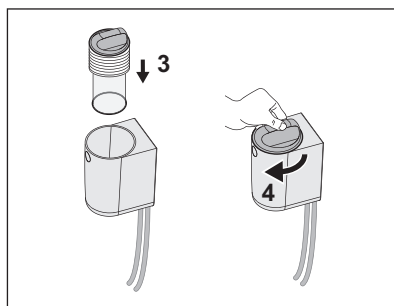
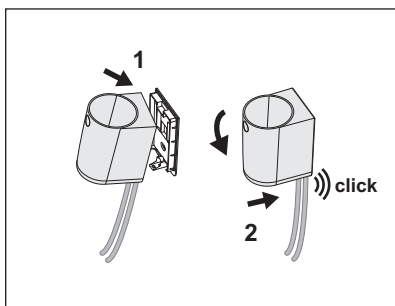
6. Σφίξτε τα κολάρα χρησιμοποιώντας το καταβίδι.

Ακολουθήστε αυτές τις οδηγίες ακριβώς για να τοποθετήσετε τα κολάρα για να διασφαλίσετε την πλήρη σύνδεση.

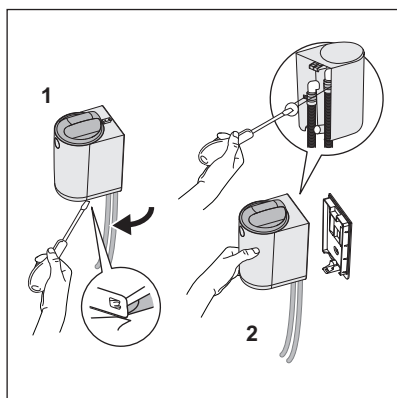


Όταν χρησιμοποιείτε το καταβίδι, προσέξτε να μην προκαλέσετε ζημιά στο σώμα του φίλτρου ή στους σωλήνες.

7. Ακολουθώντας την κίνηση που φαίνεται στην εικόνα, όταν προσαρτάτε το σώμα του φίλτρου στο στήριγμα του τοίχου, θα ακούσετε ένα «κλικ» καθώς το σώμα είναι σωστά προσαρτημένο στο στήριγμα του τοίχου.



Πριν προχωρήσετε στο επόμενο θέμα Καθημερινή χρήση, φροντίδα και καθαρισμός, ξεκινήστε το σύντομο πρόγραμμα πλύσης και ακολουθήστε το μέχρι το τέλος. Βεβαιωθείτε ότι δεν υπάρχουν διαρροές από το φίλτρο και τις συνδέσεις του. Σε περίπτωση διαρροής νερού, προχωρήστε όπως περιγράφεται στην παράγραφο 8. Αφαιρέστε τη διάταξη του φίλτρου από το επιτοίχιο στήριγμα και σφίξτε τα κολάρα. Για την επανατοποθέτηση του φίλτρου, επαναλάβετε τα βήματα της παραγράφου 7.



8. Αν εμφανιστεί νερό κατά τον πρώτο κύκλο, διακόψτε αμέσως το πρόγραμμα.

Απενεργοποιήστε το πλυντήριο ρούχων και αποσυνδέστε το από την πρίζα. Πριν προχωρήσετε στη διαδικασία αποσύνδεσης, ελέγξτε ότι το κάλυμμα του φίλτρου παραμένει στην ασφαλισμένη θέση, ώστε να αποφευχθεί τυχόν διαρροή νερού κατά το σφίξιμο των κολάρων.

Αφαιρέστε ολόκληρο το φίλτρο από το επιτοίχιο στήριγμα:

1. Αφαιρέστε το φίλτρο από το στήριγμα τοίχου χρησιμοποιώντας το κατσαβίδι,
2. Κρατήστε το φίλτρο στο χέρι σας για να ασφαλίσετε το κολάρο με το κατσαβίδι.

Επαναλάβετε τα βήματα στην παράγραφο 7 για να τοποθετήσετε το φίλτρο.

3. ΚΑΘΗΜΕΡΙΝΉ ΧΡΉΣΗ, ΦΡΟΝΤΪΔΑ ΚΑΙ ΚΑΘΆΡΙΣΜΑ



ΠΡΟΕΙΔΟΠΟΙΗΣΗ!

Ανατρέξτε στα κεφάλαια σχετικά με την Ασφάλεια.



ΠΡΟΕΙΔΟΠΟΙΗΣΗ!

Απενεργοποιείτε πάντα τη συσκευή και ελέγχετε ότι δεν λειτουργεί πριν από την πρόσβαση ή τον καθαρισμό του φίλτρου.



Η φύσιγγα φίλτρου είναι κατασκευασμένη με λεπτό πλέγμα πολυαμιδίου, για να αιχμαλωτίζει τις μικροΐνες που απελευθερώνονται από τη διαδικασία πλύσης των ρούχων.



Μετά από μερικούς κύκλους πλύσης, η φύσιγγα του φίλτρου θα φράξει και πρέπει να καθαριστεί.



Ο αριθμός των κύκλων πριν από την ενεργοποίηση του φλοτέρ εξαρτάται από πολλούς παράγοντες (είδος υφάσματος, μέγεθος κάδου, περισσότερα προγράμματα που χρησιμοποιούνται, τύπος κύκλων και διάρκεια, φορτίο ρούχων, απορρυπαντικό, βαθμός λερώματος κ.λπ.).



Καθαρίζετε τακτικά τη φύσιγγα, μία φορά την εβδομάδα ή όταν η κόκκινη ένδειξη του φλοτέρ είναι ξεκάθαρα ορατή.

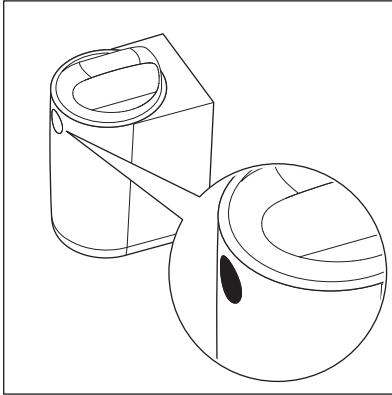


Όταν το φίλτρο είναι φραγμένο, το κόκκινο φλοτέρ που βρίσκεται στο κάλυμμα είναι ορατό, ειδοποιώντας τον χρήστη ότι η φύσιγγα πρέπει να καθαριστεί, όπως φαίνεται στην επόμενη εικόνα.

**ΠΡΟΕΙΔΟΠΟΙΗΣΗ!**

Μην επαναχρησιμοποιείτε το νερό από το φίλτρο. Μπορεί να περιέχει μικροπλαστικά σωματίδια που είναι ακατάλληλα για κατανάλωση από ανθρώπους και ζώα.

3.1 Κατάσταση «κόκκινου συναγερμού»



Το κόκκινο φλοτέρ υποδεικνύει ότι το φίλτρο είναι γεμάτο και πρέπει να καθαριστεί.

Στη λειτουργία «**κόκκινου φλοτέρ**» (όταν είναι ενεργοποιημένο το φλοτέρ), το φίλτρο δεν σταματά τον κύκλο πλύσης, αλλά λειτουργεί σε λειτουργία παράκαμψης και δεν φιλτράρει πλέον.

Συνεπώς, για να εξασφαλίσετε τη βέλτιστη απόδοση, συνιστάται ο καθαρισμός της φύσιγγας το συντομότερο δυνατό, ώστε να μην παραμείνει το φίλτρο στη λειτουργία «**κόκκινου συναγερμού**».

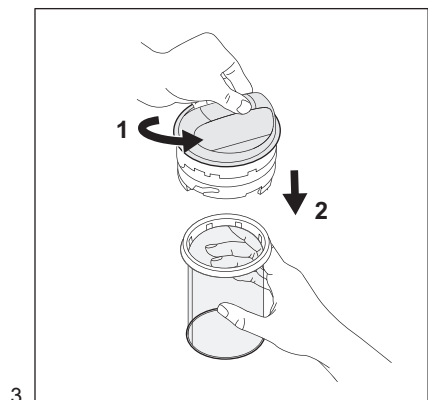
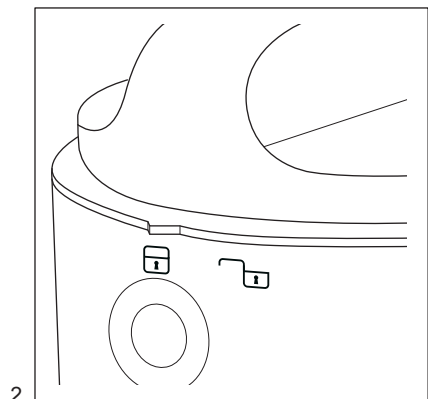
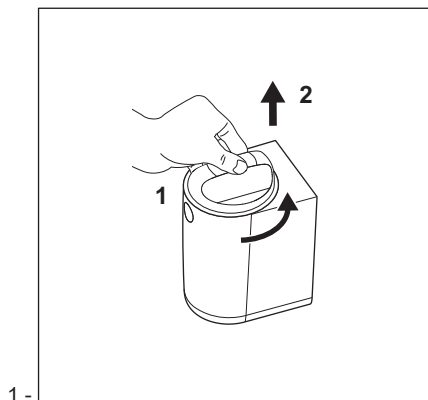
**ΠΡΟΕΙΔΟΠΟΙΗΣΗ!**

Για πολλούς λόγους, το πλυντήριο ρούχων μπορεί να εμφανίζει πιθανές προειδοποιήσεις, που συνδέονται με θέματα αποστράγγισης του νερού, όπως το **E20-E21**. Εάν εμφανιστεί αυτή η προειδοποίηση, ελέγξτε πρώτα το νέο εξωτερικό φίλτρο και καθαρίστε το. Εάν το σφάλμα παραμένει, ελέγξτε επίσης το φίλτρο του πλυντηρίου ρούχων σας και καθαρίστε το, εάν είναι προσβάσιμο.

Η διακοπή λειτουργίας του πλυντηρίου ρούχων (σφάλμα) είναι ένα χαρακτηριστικό ασφαλείας της συσκευής για να αποφευχθούν οι μεγάλοι χρόνοι αποστράγγισης του νερού και να μην προκληθεί ζημιά στη συσκευή. Μετά τον καθαρισμό της φύσιγγας φίλτρου, μπορείτε να συνεχίσετε την κανονική λειτουργία.

3.2 Φροντίδα και Καθάρισμα

Καθαρισμός του φίλτρου και απόρριψη μικροϊών.

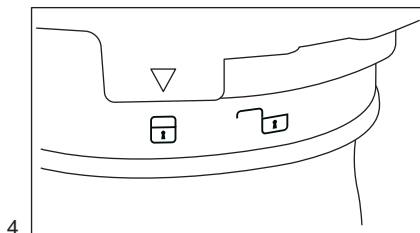


Για να ανοίξετε το φίλτρο, ανατρέξτε στις κινήσεις που εμφανίζονται στις Εικόνες 1 και 2:

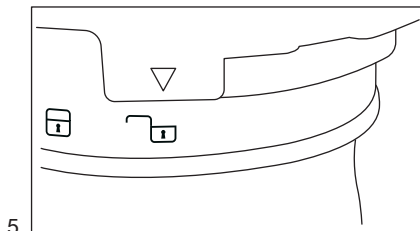
1. Περιστρέψτε το κάλυμμα αριστερόστροφα και μετακινήστε το από το σύμβολο κλειδώματος στο σύμβολο ξεκλειδώματος (διαθέσιμο στο μπροστινό μέρος του φίλτρου όπως φαίνεται στην εικόνα 2),
2. Σηκώστε το κάλυμμα.

Για να αφαιρέσετε τη φύσιγγα, ανατρέξτε στις κινήσεις στην Εικόνα 3:

1. Κρατήστε το κάλυμμα στο χέρι σας και, στη συνέχεια, περιστρέψτε τη φύσιγγα αριστερόστροφα για να τη μετακινήσετε από το σύμβολο κλειδώματος για να την ξεκλειδώσετε (βλ. εικόνα 4 και 5).
2. Τραβήξτε προς τα κάτω τη φύσιγγα.



4.



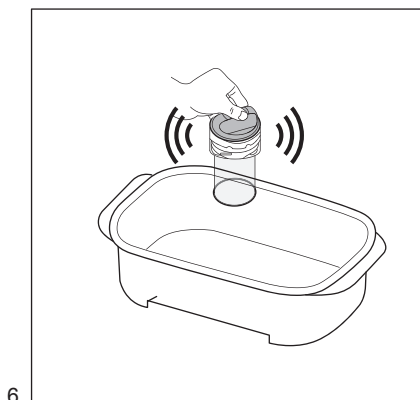
5.

Για να κλειδώσετε/Απασφαλίσετε τη φύσιγγα, ανατρέξτε στην εικόνα 4 και 5:

Κλειδωμα (εικόνα 4) / Ξεκλειδωμα (εικόνα 5).



Για τον καθαρισμό της φύσιγγας και την απόρριψη των περιεχομένων της, ανατρέξτε στην εικόνα 6, 7, 8 και 9.

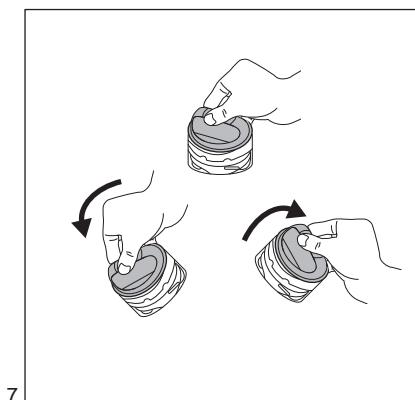


6.

Αν η φύσιγγα είναι πλήρως φραγμένη, μπορεί να είναι γεμάτη με βρώμικο νερό.

Για να προετοιμασθείτε για τη λειτουργία καθαρισμού, συνιστάται να χρησιμοποιείτε οποιαδήποτε κατσαρόλα ή ένα μικρό πλαστικό δοχείο, καθώς αυτό θα μπορούσε να βοηθήσει τη λειτουργία και να εμποδίσει τον περιβάλλοντα χώρο να βραχεί.

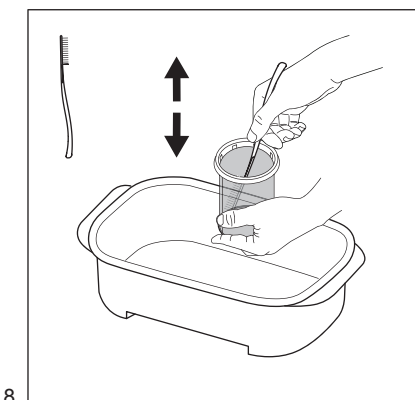
Για να αφαιρέσετε το υπόλοιπο νερό από το εσωτερικό της φύσιγγας, αδειάστε το μέσα σε ένα σκεύος ή δοχείο κρατώντας το κάλυμμα της διάταξης και τινάζοντας το. Το νερό τρέχει. Σε περίπτωση που παραμένει κάποια ποσότητα νερού, προχωρήστε στο επόμενο βήμα.



i Για την επαναφορά του φίλτρου, ανατρέξτε στην Εικόνα 7.

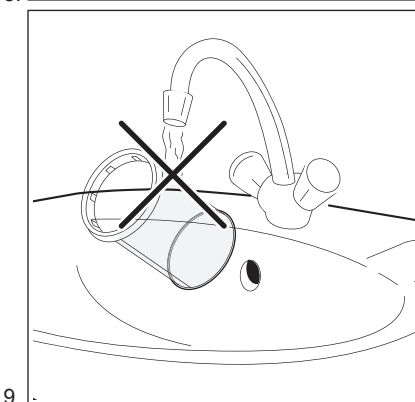
Πριν τοποθετήσετε ξανά το κάλυμμα στη θέση του στη φύσιγγα, επαναφέρετε τη συσκευή φλοτέρ αφαιρώντας το νερό στο κάλυμμα. Κρατήστε το κάλυμμα, περιστρέψτε το (βλ. εικόνα 7) και αδειάστε όλο το νερό σε ένα πλαστικό δοχείο. Το φλοτέρ δεν είναι πλέον ορατό όταν το κάλυμμα είναι τοποθετημένο στο φίλτρο.

i Μπορεί να ακουστεί ένας θόρυβος, αλλά αυτό είναι φυσιολογικό, καθώς στο εσωτερικό του καλύμματος υπάρχει μια βαλβίδα μάζας.

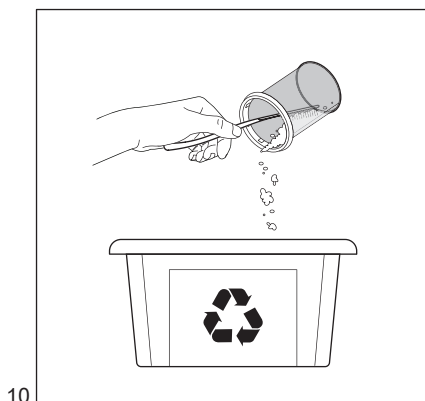


Κρατώντας τη φύσιγγα μέσα στο δοχείο, χρησιμοποιήστε το εργαλείο ψύκτρας-σπάτουλας που διατίθεται στο κουτί του φίλτρου. Με την κίνηση της βούρτσας πάνω/κάτω αφαιρέστε όσο το δυνατόν περισσότερο τις ίνες που είναι προσαρτημένες στο δίχτυ της φύσιγγας για να διευκολύνετε την εκκένωση του νερού.

i Απορρίψτε τα λύματα από το φίλτρο στα γενικά στεγνά λύματα.



Για να διατηρήσετε τις θετικές επιπτώσεις του φίλτρου στο περιβάλλον, αποφύγετε τη χρήση νερού για τον καθαρισμό της φύσιγγας φίλτρου. Αντίθετα, πετάξτε τα λύματα που συλλέγονται από τη φύσιγγα του φίλτρου στα γενικά στεγνά λύματα (αποφεύγετε τη διασπορά πλαστικών ινών στο νερό και στο περιβάλλον).



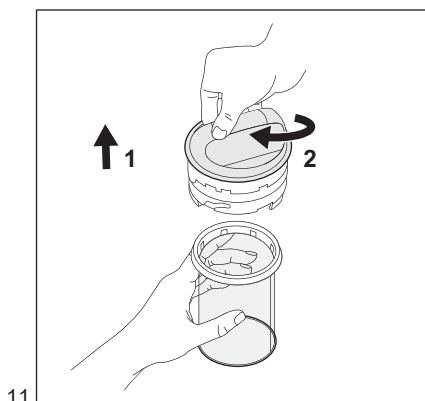
Αφού αδειάσετε το νερό από τη φύσιγγα, αφαιρέστε τυχόν βρωμιά και μικροΐνες από το εσωτερικό της φύσιγγας και απορρίψτε τα στα γενικά στεγνά λύματα. Μπορείτε να χρησιμοποιήσετε χαρτί κουζίνας για να συλλέξετε όσο το δυνατόν περισσότερα υλικά.

ΠΡΟΣΟΧΗ!

Τα απόβλητα που συλλέγονται από τη φύσιγγα περιέχουν μικροΐνες, υπολείμματα απορρυπαντικού και βρωμιά. ΠΡΕΠΕΙ να απορρίπτονται μαζί με τα γενικά στεγνά λύματα.

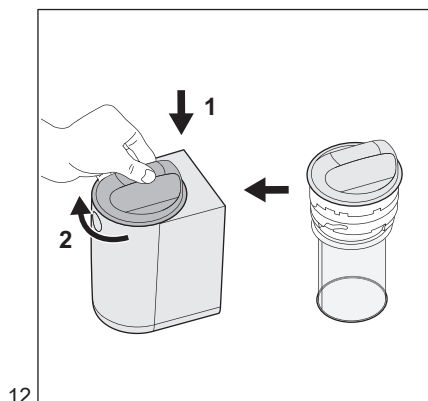


Μετά τη λειτουργία καθαρισμού της φύσιγγας, η ψύκτρα-σπάτουλα μπορεί να είναι βρώμικη και γεμάτη με πλαστικές ίνες. Για να διατηρήσετε τις θετικές επιπτώσεις στο περιβάλλον, καθαρίστε τη με κοινές χαρτοπετσέτες και απορρίψτε τη στα γενικά στεγνά λύματα



Για την αντικατάσταση της φύσιγγας, ανατρέξτε στην Εικόνα 11:

1. Εισαγάγετε τη φύσιγγα.
2. Κρατήστε τη φύσιγγα στο χέρι σας και, στη συνέχεια, στρέψτε το κάλυμμα δεξιόστροφα από το σύμβολο ξεκλειδώματος για να ασφαλίσει.



Για να κλείσετε το φίλτρο, ανατρέξτε στις κινήσεις της Εικόνας 12:

1. Τοποθετήστε το κάλυμμα (+ φύσιγγα) στο εσωτερικό του κυρίως μέρους από το επάνω μέρος.
2. Περιστρέψτε το κάλυμμα δεξιόστροφα και μετακινήστε το από το σύμβολο ξεκλειδώματος στο σύμβολο κλειδώματος.

Για τυχόν πρόσθετες πληροφορίες συντήρησης και καθαρισμού, παρακαλούμε παρακολουθήστε το βίντεο. Ένας ειδικός κωδικός QR είναι διαθέσιμος στην αρχή του παρόντος εγχειριδίου χρήστη.



ΠΡΟΣΟΧΗ!
Βεβαιωθείτε ότι έχετε κλείσει το καπάκι προτού προχωρήσετε στον επόμενο κύκλο πλύσης.



ΠΡΟΕΙΔΟΠΟΙΗΣΕΙΣ

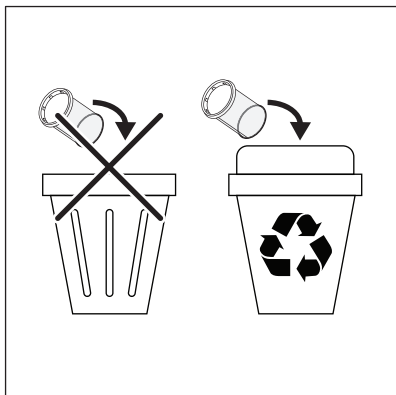
Σε περίπτωση διακοπής του πλυσίματος για περισσότερο από μια εβδομάδα (π.χ. διακοπές, ταξίδι), συνιστάται να αδειάσετε τη φύσιγγα και να καθαρίσετε το φίλτρο για να αποφύγετε τη δημιουργία μη αναμενόμενης οσμής στο περιβάλλον του φίλτρου.

Είναι απαραίτητο να καθαρίζετε τη φύσιγγα όταν είναι υγρή, ώστε να μην την προκαλέσετε ζημιά, αποφεύγοντας τη δυσλειτουργία στους επόμενους κύκλους.

Το σύστημα φιλτραρίσματος διατίθεται με μια φύσιγγα για άμεση επανεκκίνηση της διαδικασίας πλύσης σε περίπτωση βλάβης της φύσιγγας

Αντικατάσταση και απόρριψη φύσιγγας

Η φύσιγγα έχει περιορισμένη διάρκεια ζωής, καθώς η λειτουργία καθαρισμού μπορεί να προκαλέσει φθορές στο δίχτυ, υπονομεύοντας την απόδοση του φίλτρου. 1 ανταλλακτικό της φύσιγγας περιλαμβάνεται στο κουτί.



Τοποθετήστε τα απόβλητα από το φίλτρο σε κατάλληλο δοχείο ανακύκλωσης.

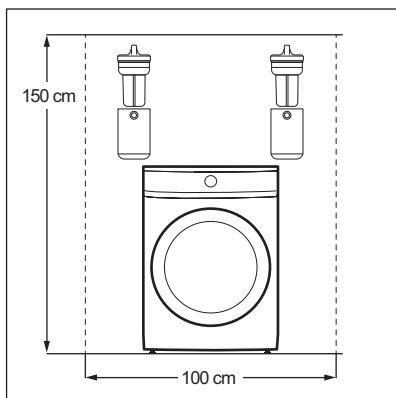
Όταν πρέπει να αντικατασταθεί η φύσιγγα, ακολουθήστε τα εξής 2 απλά βήματα:

1. Καθαρίστε προσεκτικά την κατεστραμμένη φύσιγγα.
2. Τοποθετήστε τη φύσιγγα και τα απόβλητα στον κάδο ανακύκλωσης.

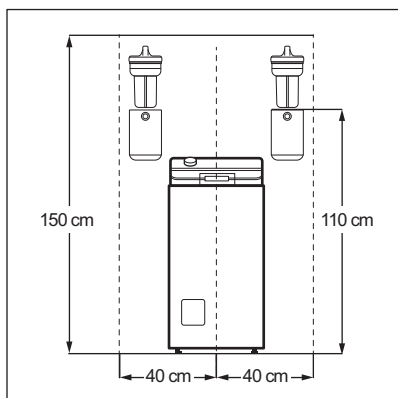


Για πρόσθετα ανταλλακτικά φύσιγγας, χρησιμοποιείτε μόνο γνήσια ανταλλακτικά. Οι φύσιγγες πωλούνται σε οποιοδήποτε κέντρο σέρβις Electrolux/AEG ή ακόμα και διαδικτυακά.

Παραρτήματα



Παράρτημα για το πλυντήριο ρούχων εμπρόσθιας φόρτωσης.



Παράρτημα για το πλυντήριο ρούχων άνω φόρτωσης.

1. BIZTONSÁGI INFORMÁCIÓK

A termék üzembe helyezése és használata előtt gondosan olvassa el a mellékelt útmutatót. A gyártó nem vállal felelősséget a helytelen beszerelés vagy használat miatt keletkezett sérülésekért és károkért. Az útmutatót tartsa biztonságos és elérhető helyen, hogy szükség esetén mindig a rendelkezésére álljon.

- Ez a termék a mosási folyamat során a textíliákból kiszabaduló mikroműanyag szálak szűrésére szolgál, és nem használható más célra.
- A terméket 8 év feletti gyermekek és csökkent fizikai, értelmi vagy mentális képességű, illetve megfelelő tapasztalatok vagy ismeretek híján lévő személyek csak felügyelettel, vagy a termék biztonságos használatára vonatkozó megfelelő tájékoztatás esetén használhatják. A 8 évesnél fiatalabb gyermekek, illetve a súlyos, komplex fogyatékkal élő személyek állandó felügyelet nélkül nem tartózkodhatnak a készülék közelében.
- Ne hagyja, hogy gyermekek játsszanak a termékkel. Minden csomagolóanyagot tartson távol a gyermekektől, és megfelelően ártalmatlanítsa.
- Gyermekek felügyelet nélkül nem végezhetnek tisztítási vagy karbantartási tevékenységet a terméken. A mosószereket tartsa távol a gyermekektől.
- A terméket háztartási, illetve más hasonló felhasználási területre szánták, egyebek közt:
 - üzletek, irodák és egyéb munkahelyeken kialakított személyzeti konyhákhoz;
 - hétvégi házakba;
 - hotelek, motelek, szállások reggelivel és egyéb lakás céljára szolgáló ingatlanok esetén az ügyfelek számára;
 - társasházak közös használatú helyiségeibe vagy mosókonyhákba.

- Tartsa be a termékhez mellékelt üzembe helyezési útmutatóban foglaltakat.
- Ne helyezzen üzembe vagy használjon sérült terméket vagy lefolyócsövet.
- A terméket az üzembe helyezési követelményeknek megfelelő, biztonságos helyre telepítse.
- Az áramütés veszélyének elkerülése érdekében ne helyezze a terméket elektromos aljzatok vagy a falra szerelt, illetve padlón szabadon álló készülékek fölé.
- Távolítsa el az összes csomagolást.
- Győződjön meg róla, hogy a csövek megfelelően rögzítve vannak, hogy elkerülje a szivárgást, zajt vagy sérülést.
- Biztosítsa a lefolyócső megfelelő útját a készülék és a szűrő bemenete között, hogy elkerülje a lefolyás akadályozását.
- A falhoz való rögzítőelemek a különböző falanyagok miatt nincsenek mellékelve a termékhez. Használjon az adott falakhoz megfelelő rögzítőelemeket.
- A termék első használata közben és után ellenőrizze, hogy nem látható-e vízszivárgás.
- A termék tisztításához ne használjon nagy nyomású vízugarat és/vagy gőzt.
- A termék karbantartása vagy tisztítása előtt mindig kapcsolja ki a gépet, és ellenőrizze, hogy a gép nem működik.
- Tisztítsa meg a terméket egy nedves kendővel. Csak semleges tisztítószerrel használjon. Ne használjon súrolószert, súrolószivacsot, oldószert vagy fém tárgyat.
- A szűrőbetétet rendszeresen, hetente egyszer tisztítsa, vagy amikor az úszó piros visszajelzője jól láthatóvá válik.
- Ne használja fel újra a szűrőből származó vizet. Olyan mikroműanyag-részecskéket tartalmazhat, amelyek emberi és állati fogyasztásra alkalmatlanok.
- A termék javítását bízza a márkaszervizre. Mindig eredeti cserealkatrészeket használjon.

- Ez a külső tartozék kompatibilis az Electrolux/AEG/Zanussi háztartási mosógépekkel.

Környezetvédelmi tudnivalók

A ♻️ szimbólummal ellátott anyagokat hasznosítsa újra. Az újrahasznosítás érdekében helyezze őket a megfelelő hulladékgyűjtőbe.

2. ÜZEMBE HELYEZÉS

2.1 Üzembe helyezés előtt



FIGYELMEZTETÉS!

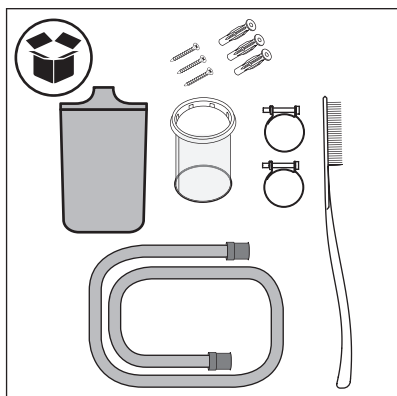
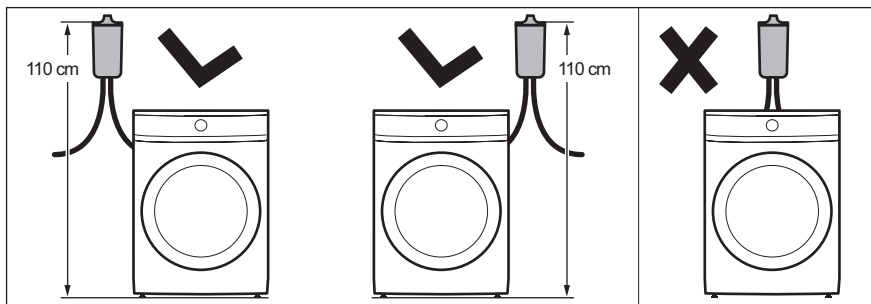
Lásd a „Biztonság” című fejezetet.



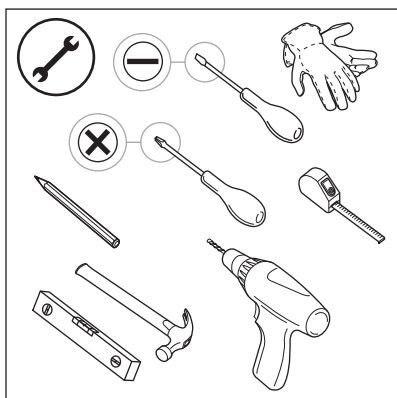
Látogasson el az electrolux.com/getstarted/microplasticfilters weboldalra az üzembe helyezést és használatot bemutató videók megtekintéséhez.

1. Válassza ki a megfelelő helyet a falon a szűrő felszereléséhez:

Szivárgás esetén a víz mosógépre csepegése elkerülése érdekében a szűrőt lehetőleg a mosógép valamelyik oldalára szerelje fel.

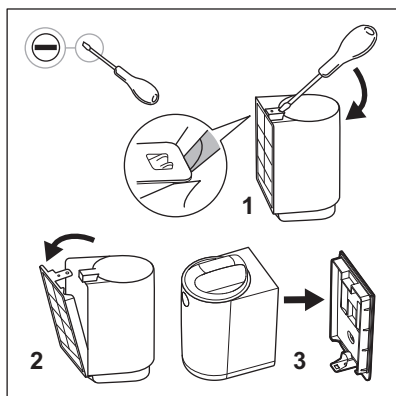


2. Ellenőrizze a doboz tartalmát.



3. Készítse elő az üzembe helyezéshez szükséges szerszámokat.

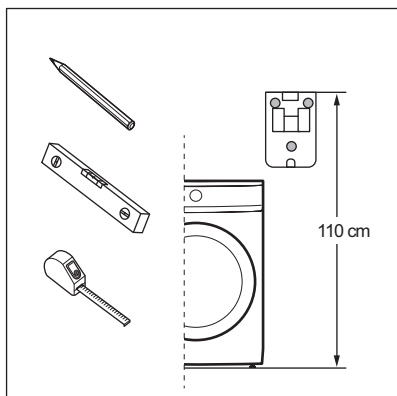
2.2 A tartozék felszerelése



1. Vegye ki a szűrőt a csomagolásból, és távolítsa el a fali tartót egy lapos csavarhúzó segítségével.

2. A szűrő helyzetének az alábbi felsorolt pontokat kell követnie (a és b):

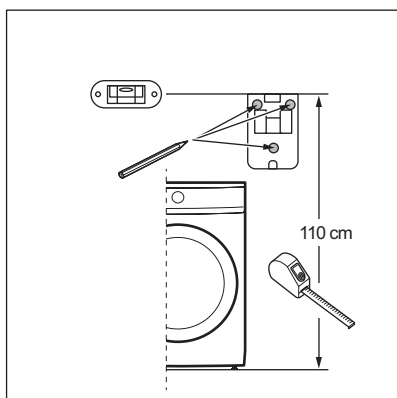
a. Helyezze a fali tartót a megfelelő magasságba, a fali tartó teteje és a padló (vagy a talpazat, ha van) között 110 cm* távolság legyen. ***A szűrő magassági pozíciójában megengedett tűrés +/-5 cm.**



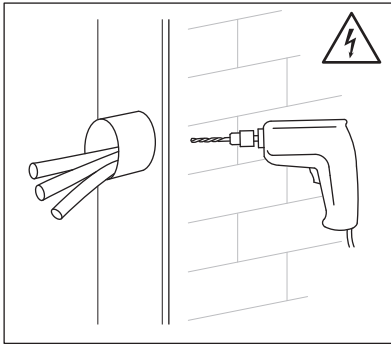
A fali tartó elhelyezése előtt ellenőrizze, hogy hol van a vízvezetési pont. A szűrő egy 100 cm hosszú vízvezető csővel van felszerelve.



A fali tartó elhelyezése előtt győződjön meg arról, hogy a szűrő felett van-e elegendő hely. Ügyeljen arra, hogy a szűrő felett megfelelő szabad helyet hagyjon a szűrőbetét kivételéhez és visszahelyezéséhez. Lásd az 1. függelékben (előltöltős mosógép) és a 2. függelékben (felültöltős mosógép) található minimális méretre vonatkozó referenciaadatokat.



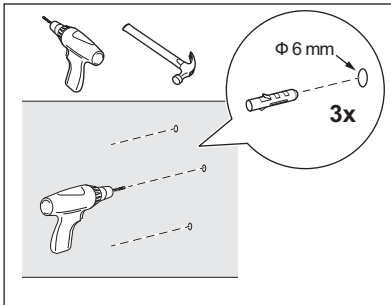
b. Fúrás előtt vízmértékkel ellenőrizze, hogy a 3 fúrlyuk vízszintes és jól igazított legyen.



3. Fúrja a lyukakat a falba, majd helyezze be a tipliket.

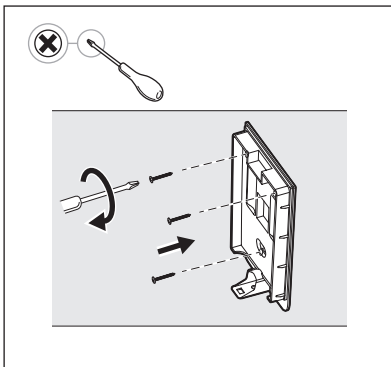
FIGYELMEZTETÉS!

A fal fúrása előtt győződjön meg arról, hogy nincsenek benne vízvezetékek vagy elektromos vezetékek. 6 mm átmérőjű fúrószár használata javasolt. A szűrőcsomag három csavart és műanyag tipliket tartalmaz a szűrő megfelelő és biztonságos felszereléséhez. A mellékelt rögzítési rendszert téglafalra történő felszerelésre tervezték. Bizonytalanság esetén forduljon egy szakemberhez.



FIGYELMEZTETÉS!

Ha a fal nem téglából, hanem más anyagból készült, használja az adott falanyaghoz tervezett megfelelő tipliket és csavarokat.



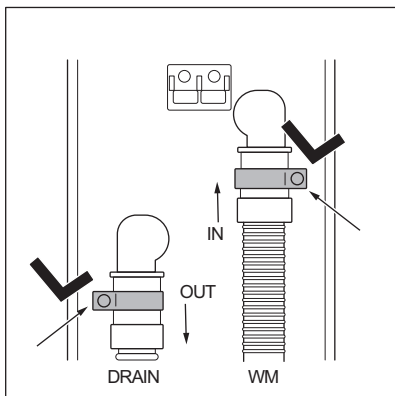
4. Rögzítse a fali tartót a mellékelt csavarokkal és műanyag tiplikkel, ügyelve arra, hogy az felfeküdjön, és biztonságosan rögzüljön a falhoz.

5. Vegye ki a csomagból a tömlőket, a csőbilincseket és a szűrőtestet.

Helyezze a csőbilincseket a tömlőkre, majd csatlakoztassa a tömlőket a szűrőtesthez az annak hátoldalán található IN/OUT (BE/KI) jelzéseknek megfelelően:

IN: a mosógépből érkező tömlő,

OUT: tömlő (a szűrőcsomagban található), amely a lefolyóhoz vezet.



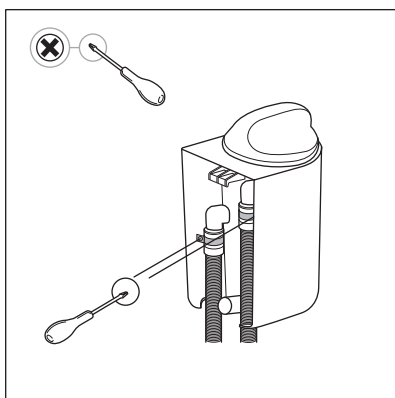
FIGYELMEZTETÉS!

Mielőtt a lefolyótömlőt a külső szűrőhöz csatlakoztatja, ügyeljen arra, hogy a mosógép ki legyen kapcsolva, és ki legyen húzva az elektromos aljzatból.



6. Húzza meg a csőbilincseket a csavarhúzó segítségével.

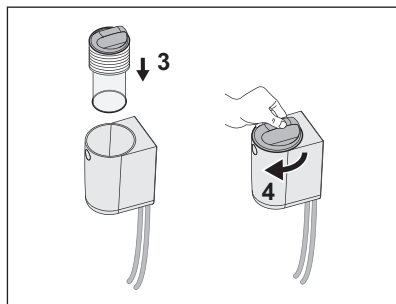
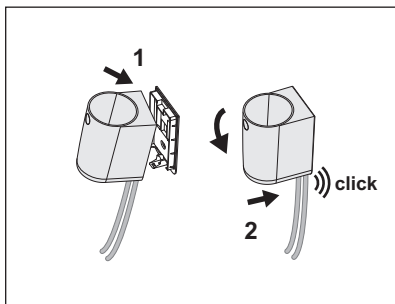
Szigorúan tartsa be ezeket az utasításokat a csőbilincsek elhelyezéséhez, hogy megfelelő csatlakozást biztosítson.



A csavarhúzó használatakor ügyeljen arra, hogy ne sértse meg a szűrőtestet vagy a tömlőket.

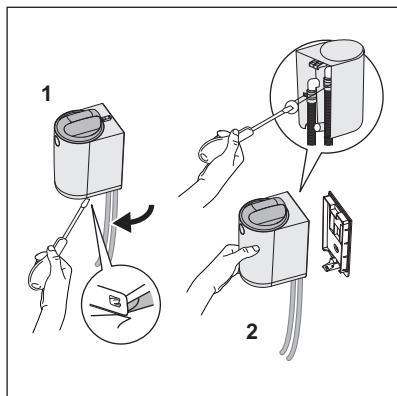


7. A képen látható eljárás követésekor, amikor a szűrőtestet a fali tartóhoz rögzíti, hallani fog egy „kattanást”, amikor a szűrőtest megfelelően rögzül a fali tartóhoz.





Mielőtt a következő témakörre lépne a napi használat és ápolás, valamint a tisztítás témaköre után, indítsa el a rövid mosási programot, és kövesse azt a végéig. Ellenőrizze, hogy a szűrőből és annak csatlakozóiból nem észlelhető-e szivárgás. Vízzivárgás esetén járjon el a 8. pontban leírtak szerint. Vegye le a szűrőegységet a fali tartóról, és húzza meg a csőbilincseket. A szűrő visszaszereléséhez ismételje meg a 7. pont lépéseit.



8. Ha az első ciklus során víz jelenik meg, azonnal állítsa le a programot. Kapcsolja KI a mosógépet, és húzza ki a konnektorból. Mielőtt folytatja a leválasztási eljárást, ellenőrizze, hogy a szűrőfedél a zárt állásban marad-e, hogy elkerülje a vízzivárgást a csőbilincsek meghúzása közben.

Válassza le a teljes szűrőt a fali tartóról:

1. Csavarhúzóval oldja le a szűrőt a fali tartóról,
 2. Tartsa a szűrőt a kezében, hogy a csavarhúzóval meghúzza a csőbilincset.
- A szűrő felszereléséhez ismételje meg a 7. pont lépéseit.

3. NAPI HASZNÁLAT ÉS ÁPOLÁS ÉS TISZTÍTÁS



FIGYELMEZTETÉS!

Lásd a „Biztonság” című fejezetet.



FIGYELMEZTETÉS!

A szűrő karbantartása vagy tisztítása előtt mindig kapcsolja ki a gépet, és ellenőrizze, hogy a gép nem működik.



A szűrőbetét vékony poliamidhálóból készült, amely felfogja a mosási folyamat során felszabaduló mikroszálakat.



Néhány mosási ciklus után a szűrőbetét eltömődik, és ki kell tisztítani



Az úszó aktiválódása előtti ciklusok száma több tényezőtől függ (ruhanemű fajtája, dobméret, leggyakrabban használt programok, ciklusok típusa és időtartama, mosási töltet, mosószer, szennyezettség mértéke stb.).



A szűrőbetét rendszeresen, hetente egyszer tisztítsa, vagy amikor az úszó piros visszajelzője jól láthatóvá válik.



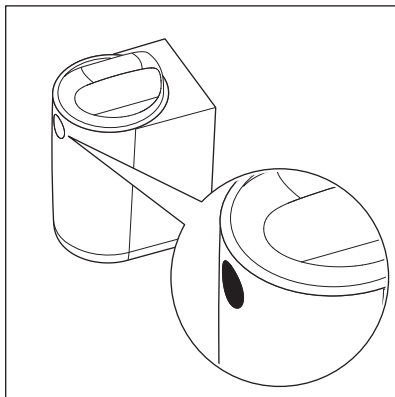
Ha a szűrő eltömődött, a fedél belsejében található piros úszó láthatóvá válik, figyelmeztetve a felhasználót, hogy a szűrőbetétet ki kell tisztítani, ahogy a következő képen látható.



FIGYELMEZTETÉS!

Ne használja fel újra a szűrőből származó vizet. Olyan mikroműanyag-részecskéket tartalmazhat, amelyek emberi és állati fogyasztásra alkalmatlanok.

3.1 „Piros riasztás” állapot



A piros úszó jelzi, hogy a szűrő megtelt, és ki kell tisztítani.

„**Piros riasztás**” üzemmódban (amikor az úszó aktiválódik) a szűrő nem állítja le a mosási ciklust, hanem bypass (megkerülő) üzemmódban működik, és nem szűr tovább. Ezért az optimális teljesítmény biztosítása érdekében ajánlott a patron mielőbbi tisztítása, hogy a szűrő ne maradjon „**piros riasztás**” üzemmódban.



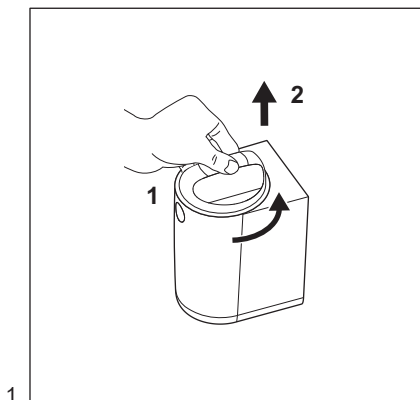
FIGYELMEZTETÉS!

A mosógép több okból is megjelenítheti a vízleeresztési problémákhoz kapcsolódó lehetséges figyelmeztetéseket, mint például az **E20-E21**. Ha ez a figyelmeztetés megjelenik, először ellenőrizze az új külső szűrőt, majd tisztítsa meg. Ha a hiba továbbra is fennáll, ellenőrizze a mosógép szűrőjét is, és tisztítsa meg, ha az hozzáférhető.

A mosógép leállása (hiba) a gép biztonsági funkciója, hogy elkerülje a hosszú leeresztési időt, és ne károsodjon a gép. A szűrőbetét tisztítása után a normál működtetés folytatható.

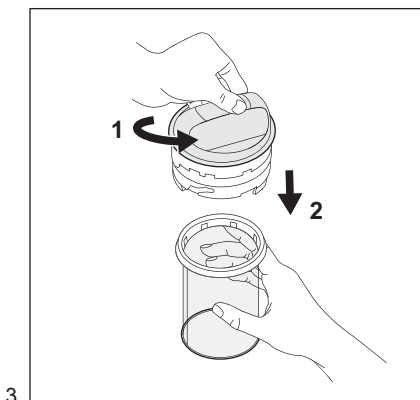
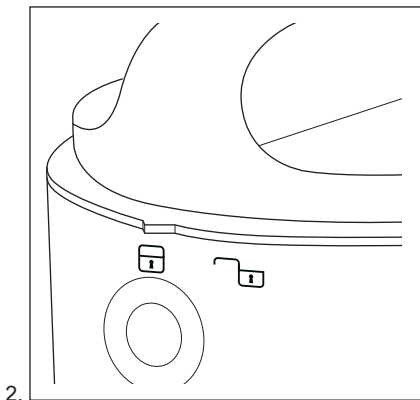
3.2 Ápolás és tisztítás

A szűrő tisztítása és a mikroszálak kidobása.



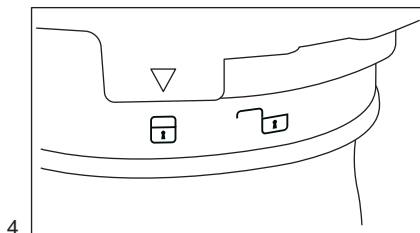
A szűrő kinyitásához tekintse meg az 1. és 2. képen látható lépéseket:

1. Forgassa el a fedelet az óramutató járásával ellentétes irányba a zárás szimbólumtól a nyitás szimbólumig (a szűrő elején található a 2. képen látható módon),
2. Nyissa fel a fedelet.

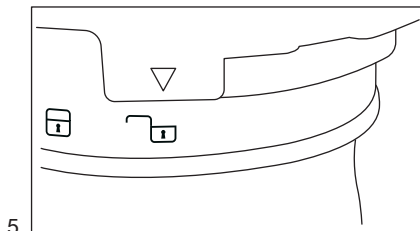


A szűrőbetét kivételéhez lásd a 3. képen látható lépéseket:

1. Tartsa a fedelet a kezében, majd a másik kezével forgassa a szűrőbetétet az óramutató járásával ellentétes irányba a zárás szimbólumtól a nyitás szimbólumig (lásd a 4. és 5. képet).
2. Húzza le a szűrőbetétet.



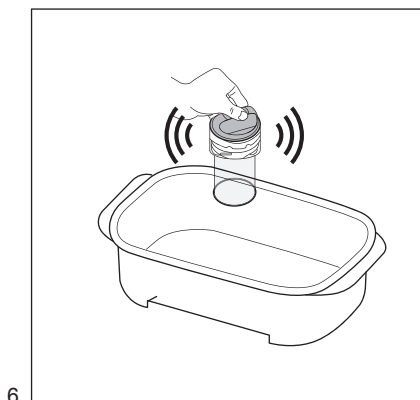
A szűrőbetét rögzítéséhez és kioldásához lásd a 4. és 5. képet:



Rögzítés (4. kép) / Kioldás (5. kép).



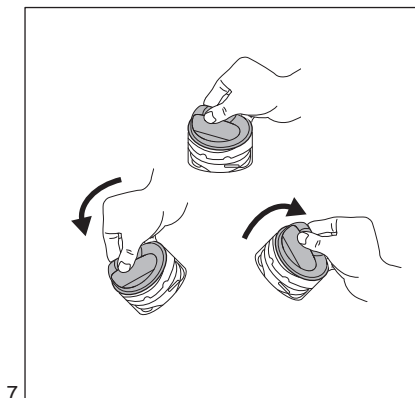
A szűrőbetét tisztításához és tartalmának kidobásához lásd a 6., 7., 8. és 9. képet.



Ha a szűrőbetét teljesen eltömődött, előfordulhat, hogy tele van szennyezett vízzel.

A tisztítási művelethez bármilyen edény vagy kis műanyag edény használható; ez megkönnyíti a művelet elvégzését, és megakadályozza, hogy a készülék környezete vizes legyen.

A szűrőbetétben maradt vizet ürítse ki egy edény vagy tartály belsejében. Ehhez fogja meg a szerelvény fedelét, és rázza meg. A víz kifolyik a szerelvényből. Ha még mindig maradt némi víz benne, folytassa a következő lépéssel.



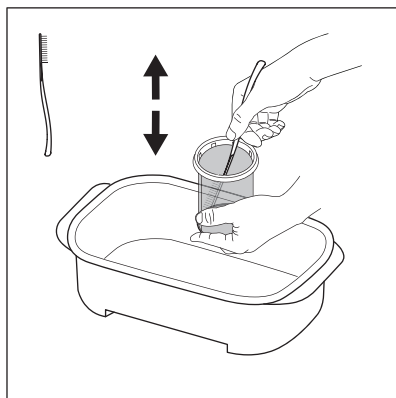
7.

i A szűrő visszaállításához lásd a 7. képet.

Mielőtt visszahelyezi a fedelet a szűrőbetétre, állítsa vissza az úszót a fedélben lévő víz eltávolításával. Fogja meg a fedelet, forgassa el (lásd a 7. képet), majd engedje le az összes vizet egy műanyag edénybe. Az úszó már nem látható, amikor a fedelet a szűrőre helyezi.

Zaj hallható, de ez normális viselkedés, mivel a fedél belsejében egy áramlásvezérlő szelep található.

i

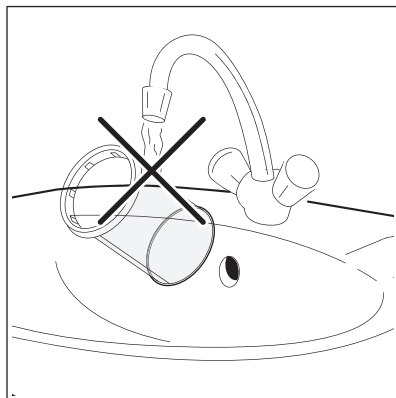


8.

Tartsa a patront a tartályban, és használja a szűrődobozban található keféss spatulát. Fel-le irányú keféző mozdulatokkal távolítsa el a betét hálójához tapadt szálakat, amennyire csak lehetséges, hogy segítse a víz kiürülését.

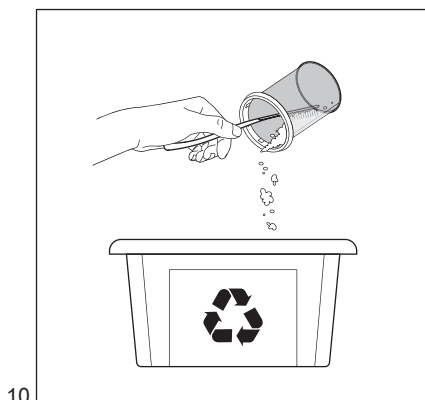
i

A szűrőből származó hulladékot az általános szárazhulladékba dobja.



9.

A szűrő környezetre gyakorolt pozitív hatásának megőrzése érdekében kerülje a víz használatát a szűrőbetét tisztításához. Ehelyett a szűrőbetét által összegyűjtött hulladékot dobja ki az általános száraz hulladékba (kerülje el a műanyagszálak vizes környezetben való szétszóródását).



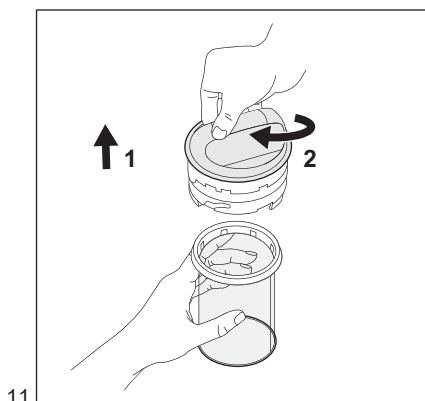
Miután a szűrőbetétből kiürült a víz, távolítsa el a betét belsejéből a szennyeződések és a mikroszálakat, majd dobja ki a SZÁRAZ általános hulladékba. Egy papírtörővel gyűjtse össze a lehető legtöbb anyagot.

VIGYÁZAT!

A szűrőbetét által összegyűjtött hulladék mikroszálakat, mosószer-maradványokat és szennyeződések tartalmaz. Ezt az általános száraz hulladékba KELL dobni.

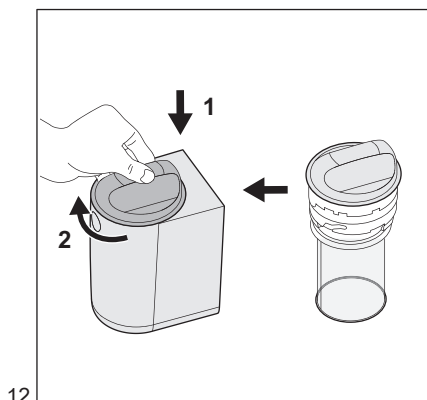


A szűrőbetét tisztítási művelete után a kefék spatula piszkos lehet, és műanyag szálakkal lehet tele. A környezetre gyakorolt pozitív hatás megőrzése érdekében tisztítsa meg általános papírtörővel, majd az összegyűjtött anyagot dobja ki a normál száraz hulladékba



A szűrőbetét cseréjéhez lásd a 11. képet:

1. Helyezze a szűrőbetétet a helyére.
2. Tartsa a szűrőbetétet a kezében, majd a másik kezével fordítsa el a fedelet az óramutató járásával megegyező irányba a nyitás szimbólumtól a zárás szimbólumig.



12.



A szűrő rögzítéséhez tekintse meg a 12. képen látható lépéseket:

1. A fedelet (+ szűrőbetétet) felülről helyezze a készüléktestbe.
2. Forgassa a fedelet az óramutató járásával megegyező irányba a nyitás szimbólumtól a zárás szimbólumig.

A karbantatással és tisztítással kapcsolatos további információkért kérjük, hogy nézze meg a videót. A jelen használati útmutató elején található egy, a készülékhez tartozó QR-kód.



VIGYÁZAT!

A következő mosási ciklus megkezdése előtt győződjön meg róla, hogy a fedél zárva van.



FIGYELMEZTETÉSEK

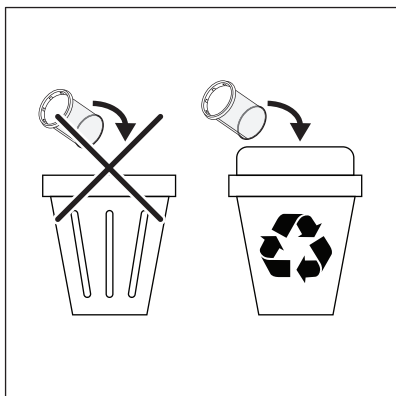
Egy teljes hétnél hosszabb mosási szünet (pl. nyaralás, utazás) esetén javasolt a szűrőbetét kiürítése és a szűrő tisztítása, hogy elkerülje a szűrő környezetében a váratlan, kellemetlen szagok keletkezését.

A szűrőbetétet nedves állapotban tisztítsa, hogy ne sérüljön meg, és elkerülje a következő ciklusok során fellépő működési hibát.

A szűrőrendszer tartalék szűrőbetéttel van ellátva, hogy a betét sérülése esetén azonnal újraindíthassa a mosást

A szűrőbetét cseréje és ártalmatlanítása

A szűrőbetét élettartama korlátozott, kb. hat hónap, mivel a tisztítási művelet károsíthatja a hálót, ami ronthatja a szűrő teljesítményét. A dobozban 1 db tartalék szűrőbetét található.



Helyezze a szűrőből származó hulladékot egy megfelelő újrahasznosító gyűjtőedénybe.

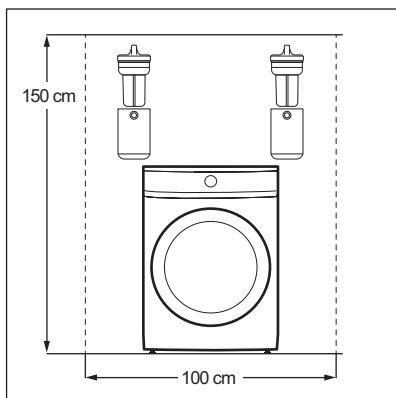
Ha a szűrőbetétet ki kell cserélni, kérjük, kövesse ezt a két egyszerű lépést:

1. Óvatosan tisztítsa meg a sérült szűrőbetétet.
2. Helyezze a szűrőbetétet és a hulladékot egy újrahasznosító gyűjtőedénybe.

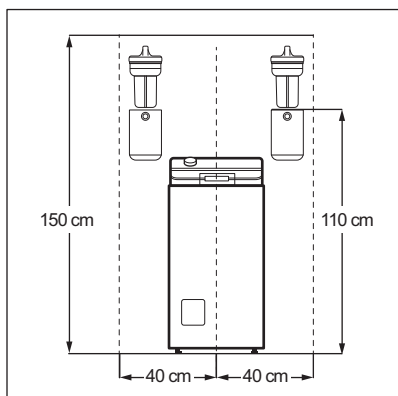


A szűrőbetét pótlásakor csak eredeti pótalkatrészeket használjon. A szűrőbetét bármelyik Electrolux/AEG márkaszervizben vagy akár online is megvásárolható.

Függelékek



Függelék az előltöltős mosógéphez.



Függelék a felültöltős mosógéphez.

1. DROŠĪBAS INFORMĀCIJA

Pirms produkta uzstādīšanas un lietošanas rūpīgi izlasiet pievienotos norādījumus. Ražotājs neatbild par savainojumiem un bojājumiem, kas radušies ierīces nepareizas uzstādīšanas vai izmantošanas rezultātā. Vienmēr glabājiet šīs instrukcijas drošā, pieejamā vietā, lai tās varētu izmantot nākotnē.

- Šis produkts ir paredzēt mikroplastmasas šķiedru filtrēšanai, kuras izdalās no audumiem mazgāšanas procesa laikā, un to nedrīkst izmantot citam nolūkam.
- Šo produktu drīkst izmantot bērni no 8 gadu vecuma un cilvēki ar ierobežotām fiziskām, sensorām vai garīgām spējām, vai pieredzes un zināšanu trūkumu atbildīgās personas uzraudzībā vai, ja tie ir informēti par produkta drošu lietošanu un izprot potenciālos riskus. Bērniem no līdz 8 gadu vecumam un personām ar ļoti plašu un sarežģītu invaliditāti jāliedz piekļuve ierīcei, ja vien tos nepārtraukti neuzrauga.
- Neļaujiet bērniem rotaļāties ar produktu. Neļaujiet bērniem tuvoties iepakojumam un atbrīvojieties no tā pienācīgā veidā.
- Bērni nedrīkst tīrīt produktu un veikt tā apkopi bez uzraudzības. Glabājiet mazgāšanas līdzekļus bērniem nepieejamās vietās.
- Šis produkts ir paredzēts izmantošanai mājstarpniecībā un tamlīdzīgos apstākļos, piemēram:
 - veikalu, biroju un citu veidu darba vietu darbinieku virtuves zonās;
 - lauku mājās,
 - viesu lietošanai viesnīcās, autoviesnīcās, pansijās un citās dzīvojama tipa vidēs;
 - koplietošanas teritorijās izmantošanai dzīvokļu blokos vai veļas mazgāšanas punktos.
- ievērojiet produkta komplektācijā piegādātās uzstādīšanas norādes.
- Neuzstādiet un nelietojiet bojātu produktu vai notekas šļūtenes.

- Uzstādiet produktu drošā un piemērotā vietā, kuras atbilst uzstādīšanas prasībām.
- Lai izvairītos no elektrotriecienas riska, neuzstādiet produktu virs jebkādām elektrības kontaktligzdām vai virs jebkādām ierīcēm, kas atrodas uz sienas, vai brīvi stāvošām ierīcēm, kas atrodas uz vai tuvu grīdai.
- Noņemiet visu ierīces iesaiņojumu.
- Pārliedzinieties, ka šļūtenes ir pareizi pievienotas, lai izvairītos no noplūdēm, trokšņa vai bojājumiem.
- Nodrošiniet piemērotu notekas šļūtenes novietojumu no ierīces līdz filtra ieplūdei, lai izvairītos no notekas plūsmas bloķēšanas.
- Stiprinājumi citiem sienas materiāliem nav iekļauti komplektācijā dažādo iespējamo variāciju dēļ. Izmantojiet sienas materiālam piemērotus stiprinājumus.
- Pārbaudiet, vai nav redzamas ūdens noplūdes produkta pirmās lietošanas reizes laikā un pēc tās.
- Produkta tīrīšanai neizmantojiet augstspiediena ūdens strūklu un/vai tvaiku.
- Pirms piekļūt produktam vai to tīrīt vienmēr izslēdziet ierīci un pārliedzinieties, ka tā nedarbojas.
- Tīriet produktu ar mitru mīkstu drānu. Izmantojiet tikai neitrālus mazgāšanas līdzekļus. Neizmantojiet abrazīvus izstrādājumus, abrazīvus sūkļus, šķīdinātājus vai metāla priekšmetus.
- Tīriet kasetni regulāri, reizi nedēļā, vai, kad sarkanais pludiņa indikators ir skaidri redzams.
- Nelietojiet atkārtoti ūdeni no filtra. Tas var saturēt mikroplastmasas daļiņas, kas nav piemērotas lietošanai cilvēkiem vai dzīvniekiem.
- Lai salabotu produktu, sazinieties ar pilnvarotu servisa centru. Izmantojiet tikai oriģinālās rezerves daļas.
- Šis ārējais papildpiederums ir saderīgs ar Electrolux/AEG/Zanussi mājsaimniecības veļas mašīnām.

Rūpes par vidi

Pārstrādājiet materiālus ar simbolu ♻️. Iepakojumu ievietojiet atbilstošos konteineros, lai to pārstrādātu.

2. UZSTĀDĪŠANA

2.1 Pirms uzstādīšanas



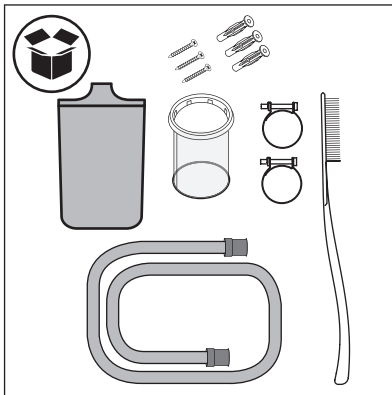
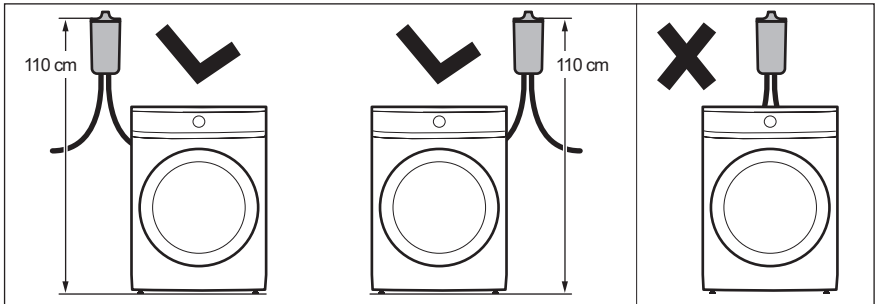
BRĪDINĀJUMS!
Skatiet sadaļu "Drošība".



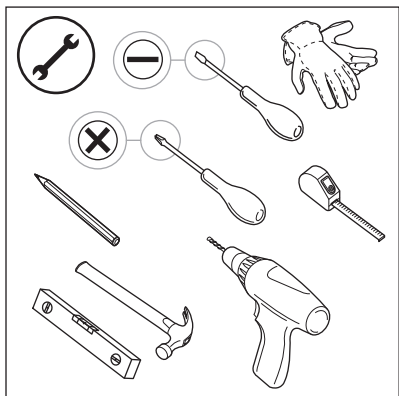
Apmeklējiet vietnes:
electrolux.com/getstarted/microplasticfilters, lai aplūkotu uzstādīšanas un lietošanas video.

1. Izvēlieties uz sienas piemērotu vietu filtra uzstādīšanai:

Lai izvairītos no noplūdēm uz veļas mašīnas, ieteicams uzstādīt filtru ar nobīdi attiecībā pret jūsu veļas mašīnu.

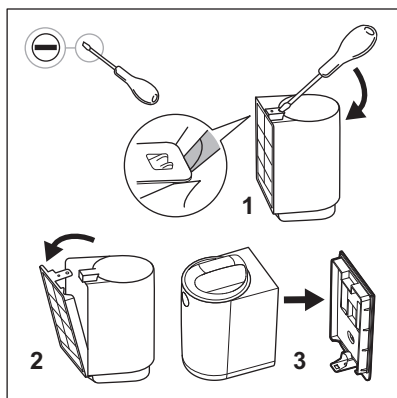


2. Pārbaudiet kastes saturu.



3. Sagatavojiet instrumentus, kuri nepieciešami uzstādīšanai.

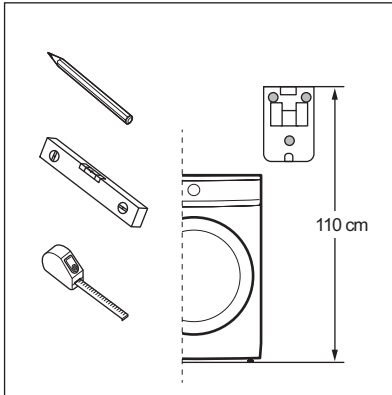
2.2 Papildpiederuma uzstādīšana



1. Izņemiet filtru no iepakojuma kastēs un, izmantojot plakānu skrūvgriezi, noņemiet sienas stiprinājumu.

2. Filtra novietojumam jāatbilst diviem tālāk norādītajiem punktiem (a un b):

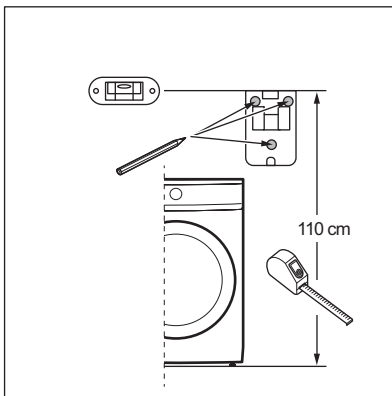
a. Novietojiet sienas stiprinājumu pareizā augstumā, kas ir 110 cm* no sienas stiprinājuma augšas līdz grīdai (vai veļas mašīnas paliktņim, ja tāds ir). * **Pieļaujamā filtra atrašanās vietas augstuma novirze ir +/-5 cm.**



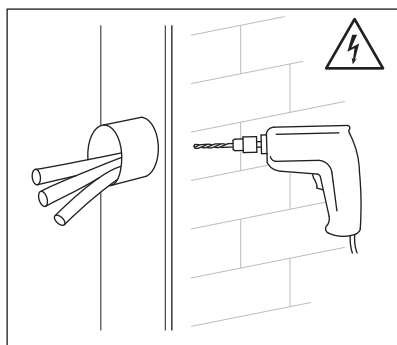
Pārbaudiet kanalizācijas pieslēguma vietu pirms sienas stiprinājuma nostiprināšanas. Filtrs ir aprīkots ar vienu ūdens noliešanas cauruli, kura ir 100 cm gara.



Pirms sienas stiprinājuma nostiprināšanas pārlicinieties, ka virs filtra ir pietiekami daudz vietas. Nodrošiniet, ka virs filtra ir pietiekami daudz vietas, lai izņemtu un ievietotu atpakaļ kasetni. Minimālo izmēru atsauces skatiet 1. pielikumā (mašīnām ar priekšējo ielādi) un 2. pielikumā (mašīnām ar augšējo ielādi).



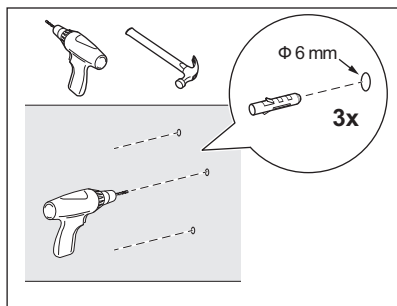
b. Izmantojiet līmeņrādi, lai pirms urbšanas pārlicinātos, ka 3 urbšanas caurumi atrodas horizontāli un pareizajās vietās.



3. Izurbiet sienā caurumus un ievietojiet dībeļus.

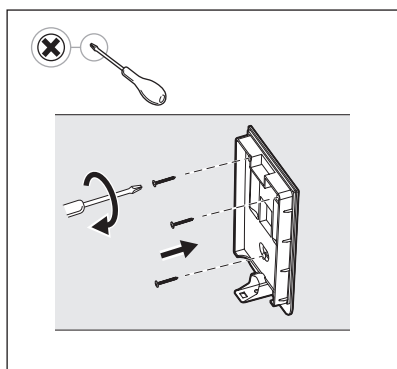
BRĪDINĀJUMS!

Pirms sienas urbšanas pārlicinieties, ka urbšanas vietās nav ūdens caurules vai elektrības vadi. Ieteicams izmantot 6 mm diametra urbi. Filtra iepakojumā atrodas trīs tam paredzētas skrūves un plastmasas dībeļi, lai pareizi un droši uzstādītu filtru. Komplektācijā iekļautā stiprinājumu sistēma ir paredzēta uzstādīšanai uz mūra sienas. Šaubu gadījumā izsauciet servisa meistar.



BRĪDINĀJUMS!

Ja jūsu siena ir veidota no cita materiāla, nevis mūra, izmantojiet piemērotus enkurus un skrūves, kas paredzētas šim materiālam.



4. Nostipriniet sienas stiprinājumu ar komplektācijā iekļautajām skrūvēm un plastmasas dībeļiem, pārlicinoties, ka tas ir taisns un stingri piestiprināts sienai.

5. Paņemiet šļūtenes, žņaugus un filtra korpusu.

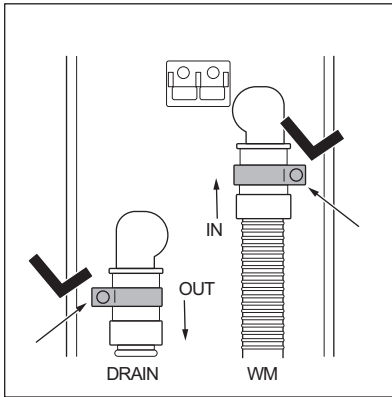
Uzlieciet žņaugus uz šļūtenēm un pievienojiet caurules filtra korpusam, ievērojot **IEPLŪDE (IN)/ IZPLŪDE (OUT)** norādes, kas atrodamas uz filtra korpusa aizmugurējās virsmas:

IEPLŪDE: šļūtene, kas nāk no veļas mašīnas;

IZPLŪDE: šļūtene (iekļauta filtra komplektācijā), kas iet uz noteku.

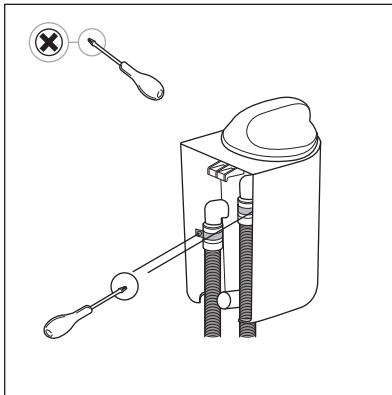
BRĪDINĀJUMS!

Pirms notekas šļūtenes pievienošanas ārējam filtram pārlicinieties, ka veļas mašīna ir **IZSLĒGTA** un atvienota no elektrības kontaktligzdas.



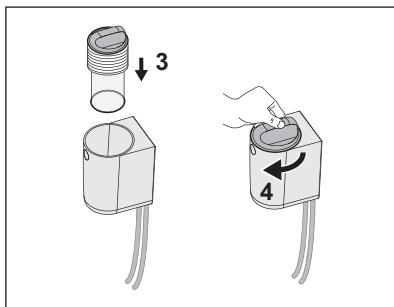
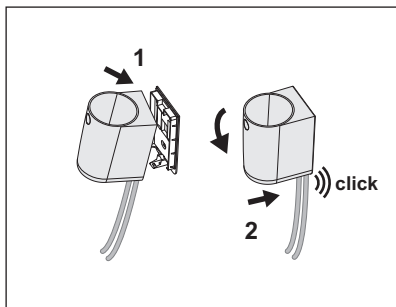
6. Pievelciet žņaugus, izmantojot skrūvgriezi.

Ievērojiet šīs norādes precīzi tādā pašā secībā, lai novietotu žņaugus un nodrošinātu pilnīgu savienojumu.

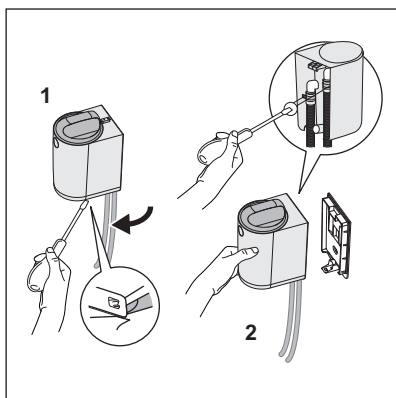


Izmantojot skrūvgriezi, ievērojiet piesardzību, lai nesabojātu filtra korpusu vai šļūtenes.

7. Veiciet darbības, kā parādīts attēlā, lai pievienotu filtru sienas stiprinājumam, dzirdēsiet klikšķi, kad korpusi būs pareizi pievienoti sienas stiprinājumam.



- i** Pirms pāriet pie nākamās tēmas Ikdienas izmantošana, kopšana un tīršana, palaidiet īsu veļas mašīnas skalošanas programmu un novērojiet to līdz beigām. Pārliecinieties, ka filtram vai tā savienojumiem nerodas noplūdes. Ūdens noplūdes gadījumā rīkojieties, kā norādīts 8 nodaļā. Atvienojiet filtru no sienas stiprinājuma un pievelciet saites. Lai uzliktu filtru atpakaļ vietā, atkārtojiet darbības, kas norādītas 7. nodaļā.



8. Ja pirmā cikla laikā parādās kāda ūdens noplūde, nekavējoties apturiet programmu. Izslēdziet veļas mašīnu un atvienojiet to no elektrības kontaktlīdždas. Pirms turpināt atvēršanas darbības, pārliecinieties, vai filtra vāks ir bloķētā stāvoklī, lai izvairītos no jebkādam ūdens noplūdēm, kamēr pievelkat žņaugus.

Noņemiet visu filtru no sienas stiprinājuma:

1. Atvienojiet filtru no sienas stiprinājuma, izmantojot skrūvgriezi.
2. Turiet filtru rokā, kamēr pievelkat žņaugu ar skrūvgriezi.

Atkārtojiet darbības, kuras norādītas 7. nodaļā, lai uzliktu filtru atpakaļ vietā.

3. IKDIENAS LIETOŠANA, APKOPE UN TĪRĪŠANA



BRĪDINĀJUMS!
Skatiet sadaļu "Drošība".



BRĪDINĀJUMS!
Pirms piekļūt filtram vai to tīrīt vienmēr izslēdziet ierīci un pārliecinieties, ka tā nedarbojas.



Filtra kasetne ir radīta no tieva poliamīda sietiņa, lai uztvertu mikrošķiedras, kas rodas veļas mazgāšanas procesā.



Pēc dažiem mazgāšanas cikliem filtra kasetne aizsērēs, un nepieciešams to iztīrīt

i Pludiņa aktivizēšanas ciklu skaits ir atkarīgs no vairākiem faktoriem (auduma veida, tīlnes izmēra, visvairāk izmantotajām programmām, mazgāšanas ciklu veida un ilguma, veļas ielādes lieluma, mazgāšanas līdzekļa, netīrības pakāpes utt.).

i Tīriet kasetni regulāri, reizi nedēļā, vai, kad sarkanais pludiņa indikators ir skaidri redzams.

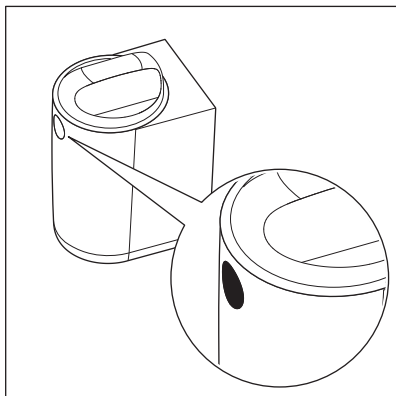
i Kad filtrs ir aizsērējis, sarkanais pludiņš, kurš atrodas vāka iekšpusē, kļūst redzams, brīdinot, ka nepieciešams veikt filtra tīrīšanu, kā parādīts nākamajā attēlā.



BRĪDINĀJUMS!

Nelietojiet atkārtoti ūdeni no filtra. Tas var saturēt mikroplastmasas daļiņas, kas nav piemērotas lietošanai cilvēkiem vai dzīvniekiem.

3.1 “Sarkanās trauksmes” stāvoklis



Sarkanais pludiņš norāda, ka filtrs ir pilns un to nepieciešams iztīrīt.

“Sarkanās trauksmes” režīmā (kad pludiņš ir aktivizēts) filtrs neapturēs mazgāšanas ciklu, bet tas darbosies apvada režīmā un neveiks filtrēšanu.

Tāpēc, lai nodrošinātu optimālu veiktspēju, ieteicams pēc iespējas ātrāk veikt kasetnes tīrīšanu, lai novērstu filtra darbošanos “sarkanās trauksmes” režīmā.



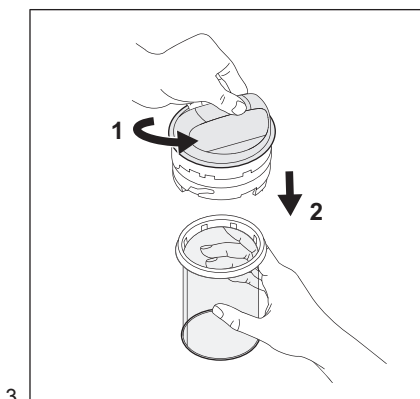
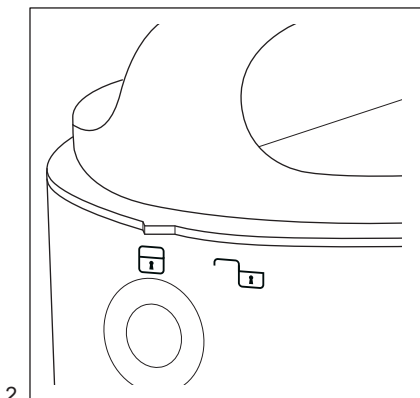
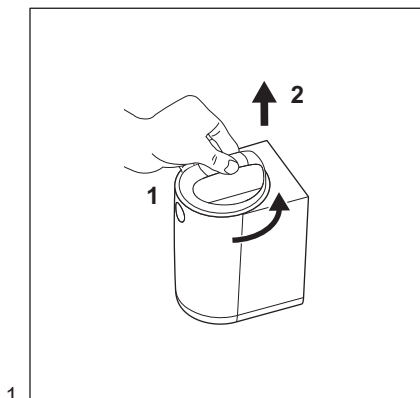
BRĪDINĀJUMS!

Dažu iemeslu dēļ veļas mašīna var, iespējams, rādīt brīdinājumus, kas saistīti ar ūdens noliešanas problēmām, piemēram, **E20-E21**. Ja parādās šis brīdinājums, vispirms pārbaudiet jauno ārējo filtru un iztīriet to. Ja informācija par kļūdu turpina parādīties, pārbaudiet arī savas veļas mašīnas filtru un iztīriet to, ja tam var piekļūt.

Veļas mazgājamās mašīnas apturēšana (kļūda) ir mašīnas drošības līdzeklis, lai izvairītos no ilga iztukšošanas laika un nesabojātu mašīnu. Pēc tam, kad filtra kasetne ir iztīrīta, var atsākt normālu darbību.

3.2 Kopšana un tīrīšana

Filtra tīrīšana un mikrošķiedru
utilizēšana.

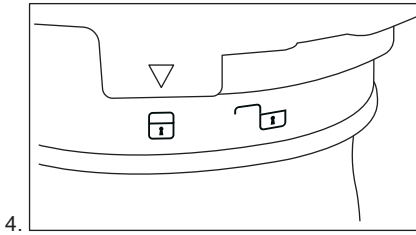


Lai atvērtu filtru, skatiet darbības 1. un 2. attēlos:

1. Grieziet vāku pretēji pulksteņrādītāja virzienam no fiksācijas simbola līdz atbloķēšanas simbolam (redzams uz filtra priekšējās virsmas, kā parādīts 2. attēlā);
2. Paceliet vāku.

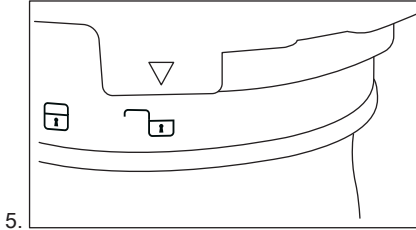
Lai atvienotu kasetni, skatiet darbības, kuras parādītas 3. attēlā:

1. Turiet vāku rokā, tad ar otru roku grieziet kasetni pretēji pulksteņrādītāja virzienam no bloķēšanas simbola līdz atbloķēšanas simbolam (skatīt 4. un 5. attēlus).
2. Velciet kasetni lejup.



4.

Lai fiksētu/atbloķētu kasetni, skatiet 4. un 5. attēlus:



5.

Fiksēšana (4. attēls) / Atbloķēšana (5. attēls).



Lai iztīrītu kasetni un utilizētu tās saturu, skatiet 6., 7., 8. un 9. attēlus.

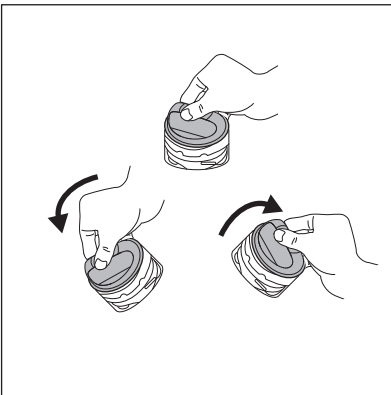


6.

Ja kasetne ir pilnīgi nosprostota, tā var būt pilna ar nefīru ūdeni.

Lai sagatavotos tīrīšanas darbībām, ieteicams izmantot jebkāda veida trauku vai nelielu plastmasas tvertni. Tas var palīdzēt veikt tīrīšanu un novērst apkārt esošo lietu samērcēšanu.

Lai atbrīvotos no kasetnes iekšienē esošā atlikušā ūdens, izlejiet to traukā vai tvertnē, turot mezgla vāku un pakratot to. Ūdens izplūst. Dažos gadījumos ūdens joprojām paliek, tad turpiniet ar nākamo darbību.



7.

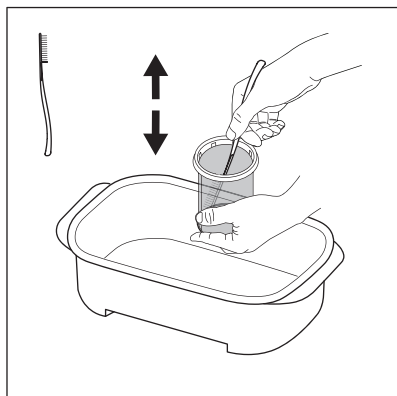


Lai atiestatītu filtru, skatiet 7. attēlu.

Pirms uzlikt filtram atpakaļ vāku, atiestatiet pludiņu, izlejot ūdeni, kas atrodas vāka iekšienē. Turiet vāku, pagrieziet to (skatīt 7. attēlu) un izlejiet ūdeni plastmasas tvertnē. Kad vāks tiek uzskrūvēts atpakaļ uz filtra, pludiņš vairs nav redzams.



Iespējams, ka būs dzirdams troksnis, taču tā ir normāla darbība, jo vākā iekšā atrodas masas vārsts.

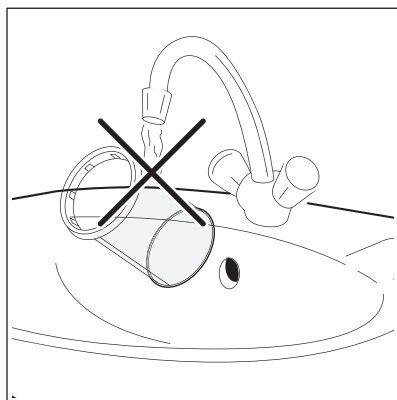


8.

Turot kasetni tvirtnē, izmantojiet suku/ lāpstiņas rīku, kas atrodama filtra kastē. Ar augšup/lejup vērstām kustībām notīriet pēc iespējas vairāk šķiedru, kuras pielipušas kasetnes sietiņam, lai veicinātu ūdens cirkulāciju.

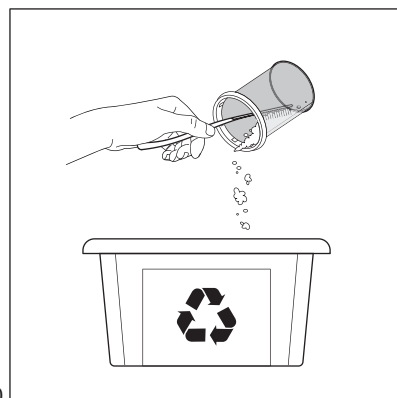


Utilizējiet filtra paliekas kopējos mājsaimniecības atkritumos.



9.

Lai saglabātu filtra labvēlīgo ietekmi uz vidi, izvairieties no ūdens izmantošanas, filtra kasetnes tīrīšanai. Tā vietā pēc filtra tīrīšanas radušās paliekas izmetiet kopējos mājsaimniecības atkritumos (izvairieties no plastikāta šķiedru nonākšanas ūdens vidē).



10.

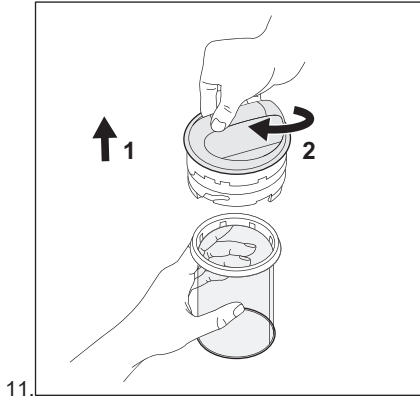
Pēc tam, kad ūdens no kasetnes ir izliets, iztīriet jebkādas paliekas un mikrošķiedras no filtra iekšienes un izmetiet tos kopā ar SAUSAJIEM mājsaimniecības atkritumiem. Lai savāktu pēc iespējas vairāk materiāla, varat izmantot papīra dvieļi.

UZMANĪBU!

Kasetnes savāktās paliekas satur mikrošķiedras, mazgāšanas līdzekļa atliekas un netīrumus. Paliekas JĀIZMET kopā ar sausajiem mājsaimniecības atkritumiem.



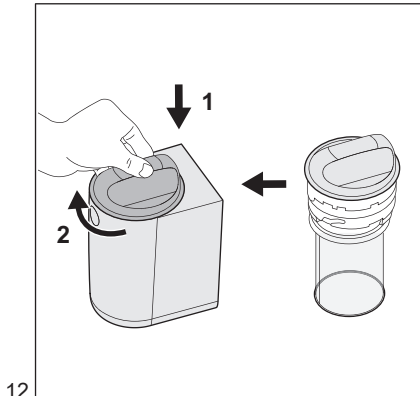
Pēc kasetnes iztīrīšanas, suku lāpstiņa var būt netīra un pilna ar plastikāta šķiedrām. Lai saglabātu pozitīvo ietekmi uz vidi, iztīriet to ar parastajiem papīra dvieļiem un izmetiet tos ar kopējiem sausajiem mājsaimniecības atkritumiem



11.

i Lai nomainītu kasetni, skatiet 11. attēlu:

1. Kasetnes ievietošana.
2. Turiet kasetni rokā, tad ar otru roku grieziet vāku pretī pulksteņrādītāja virzienam no atbloķēšanas simbola līdz fiksēšanas simbolam.



12.

i Lai aizvērtu filtru, skatiet darbības 12. attēlā:

1. Vāka (+ kasetnes) ievietošana korpusa iekšienē no augšas.
2. Grieziet vāku pulksteņrādītāja virzienā no atbloķēšanas simbola līdz fiksēšanas simbolam.

Lai iegūtu papildu informāciju par uzturēšanu un tīrīšanu, lūdzu noskatīties video. QR kods, ar kura palīdzību to var atvērt, atrodams šīs lietotāja rokasgrāmatas sākumā.

i

UZMANĪBU!

Pārliecinieties, ka esat aizvēruši vāku pirms nākamā mazgāšanas cikla veikšanas.



BĪRĪNĀJUMI

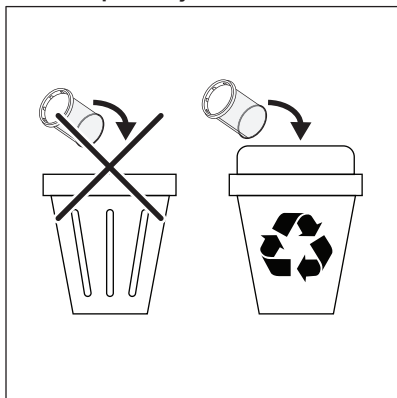
Ja starp mazgāšanas cikliem ir pārtraukums, kas ilgāks par pilnu nedēļu (piemēram, atvaļinājums, ceļojums), ieteicams iztukšot kasetni un iztīrīt filtru, lai izvairītos no neparedzētu smaržu veidošanās filtra iekšienē.

Kasetni ir jātīra, kad tā ir mitra, lai izvairītos no tās bojāšanas un darbības traucējumiem nākamā mazgāšanas ciklu laikā.

Filtrēšanas sistēmas komplektācijā ir iekļauta rezerves kasetne, lai varētu turpināt veļas mazgāšanu gadījumos, kad kasetne tiek bojāta

Kasetnes nomaīņa un utilizācija

Kasetnes kalpošanas ilgums ir ierobežots, aptuveni seši mēneši, jo tīrīšanas darbības var bojāt tīkliņu, pasliktinot filtra darbību. Viena rezerves kasetne ir iekļauta filtra komplektācijā.



Paliekas no filtra izmetiet piemērotā pārstrādes konteinerā.

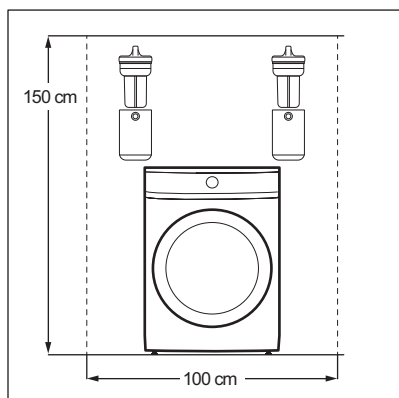
Kad kasetne ir jānomaina, veiciet turpmākās 2 vienkāršas darbības:

1. Uzmanīgi notīriet bojāto kasetni.
2. Ievietojiet kasetni un paliekas atkritnē.

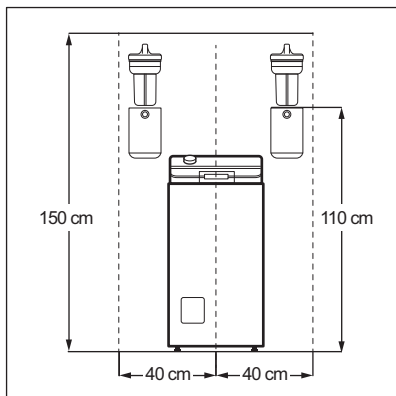


Lai iegūtu papildu rezerves kasetnes, izmantojiet tikai oriģinālās daļas. Kasetnes tiek pārdotas ikvienā Electrolux/AEG servisa centrā un pat tiešsaistē.

Pielikumi



Pielikums veļas mašīnai ar priekšējo ielādi.



Pielikums veļas mašīnai ar augšējo ielādi.

1. ⚠ SAUGOS INFORMACIJA

Prieš įrengdami ir naudodami šį prietaisą, atidžiai perskaitykite pateiktą instrukciją. Gamintojas neatsako už sužalojimus ar nuostolius, patirtus dėl netinkamo prietaiso įrengimo ar naudojimo. Instrukciją visada laikykite saugioje ir pasiekiamoje vietoje, kad prireikus galėtumėte ja pasinaudoti.

- Šis prietaisas skirtas filtruoti mikro plastiko pluoštą, kuris skalbiant atsiskiria nuo audinių. Jo negalima naudoti jokiais kitais tikslais.
- Vyresni nei 8 metų vaikai, asmenys turintys fizinę, jutiminę arba protinę negalią ir asmenys neturintys pakankamai patirties ir žinių, šį gaminį gali naudoti tik su kitų priežiūra arba gavę nurodymus, kaip saugiai naudoti gaminį, jei jie supranta su gaminiu naudojimu susijusius pavojus. Mažesnių nei 8 metų vaikų ir asmenų, turinčių labai sunkią ir sudėtingą negalią, negalima be priežiūros leisti būti šalia prietaiso.
- Neleiskite vaikams žaisti su gaminiu. Visas pakuotės medžiagas saugokite nuo vaikų ir tinkamai pašalinkite.
- Vaikams be priežiūros draudžiama vykdyti gaminių valymo ir priežiūros darbus. Valymo priemonės laikykite vaikams nepasiekiamoje vietoje.
- Šis prietaisas skirtas buitiniams ar panašiam naudojimui, pavyzdžiui:
 - biurų virtuvėse, valgomuosiuose, biuruose ir kitoje darbo aplinkoje;
 - ūkio namuose;
 - viešbučiuose, moteliuose, svečių namuose ir kitoje gyvenamojoje aplinkoje;
 - bendrosios paskirties patalpose, daugiabučiuose ar skalbyklose.
- Vadovaukitės su gaminiu pateikta įrengimo instrukcija.
- nemontuokite ir nenaudokite pažeistų prietaiso ir išleidimo žarnų.
- Įrenkite prietaisą saugioje ir tinkamoje vietoje, atitinkančioje reikalavimus.

- Siekiant išvengti elektros smūgio pavojaus, nemontuokite prietaiso virš elektros lizdų ir virš bet kokių kitų prie sienos pritvirtintų arba šalia stovinčių prietaisų.
- Pašalinkite visus pakavimo elementus.
- Tinkamai pritvirtinkite žarnas, kad vanduo nepradėtų tekėti per sujungimus, nekeltų triukšmo ir neatsirastų pažeidimų.
- Pasirūpinkite, kad tarp skalbyklės ir filtro įleidimo angos einančiai išleidimo žarnai niekas netrukdytų.
- Tvirtinimo priemonės dėl sienų įvairovės netiekiamos. Naudokite jūsų sienai tinkamas tvirtinimo priemones.
- Pirmą kartą naudodami prietaisą patikrinkite, ar nėra vandens nuotėkio.
- Nevalykite gaminio didelio slėgio vandens purkštuvais ir (arba) garais.
- Prieš bandydami pasiekti gaminį ir jį išvalyti visada išjunkite prietaisą ir patikrinkite, ar jis neveikia.
- Valykite prietaisą drėgna šluoste. Naudokite tik neutralius ploviklius. Nenaudokite šveičiamųjų produktų, šveitimo kempinių, tirpiklių arba metalinių grandyklų.
- Reguliariai valykite kasetę kartą per savaitę arba kai raudonas plūdės indikatorius tampa aiškiai matomas.
- Filtre esantį vandenį išpilkite. Jame gali būti mikro plastiko dalelių, kurios gali pakenkti žmonėms ir gyvūnams.
- Dėl prietaiso remonto kreipkitės į įgaliotąjį techninės priežiūros centrą. Naudokite tik originalias dalis.
- Šis išorinis priedas suderinamas su „Electrolux“/ „AEG“/„Zanussi“ buitinėmis skalbimo mašinomis.

Aplinkos apsauga

Perdirbamos medžiagos žymimo simboliu ♻️. Pakuotės medžiagas išmeskite į specialų konteinerį, kad jas būtų galima perdirbti.

2. ĮRENGIMAS

2.1 Prieš įrengimą



ĮSPĖJIMAS!

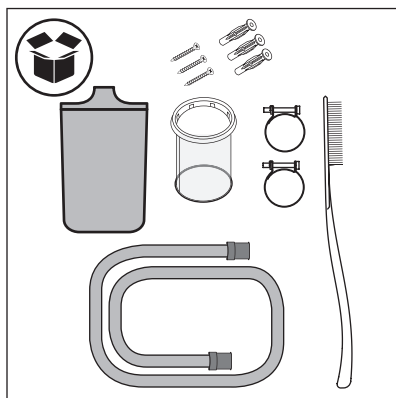
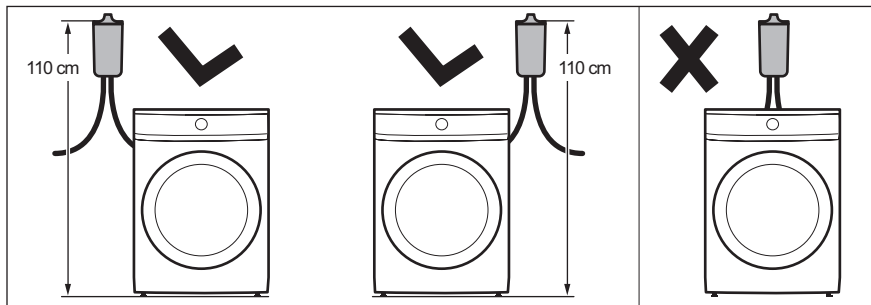
Žr. saugos skyrius.



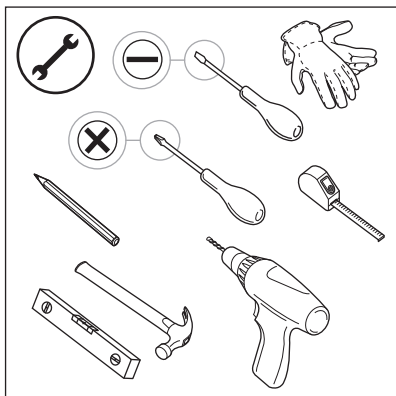
Apsilankykite electrolux.com/getstarted/microplasticfilters
Čia rasite montavimo ir naudojimo vaizdo įrašus.

1. Pasirinkite tinkamą vietą ant sienos filtrui įrengti:

Kad išvengtumėte galimo vandens pratekėjimo ant skalbyklės, filtrą patariame įrengti kuriame nors jos šone.

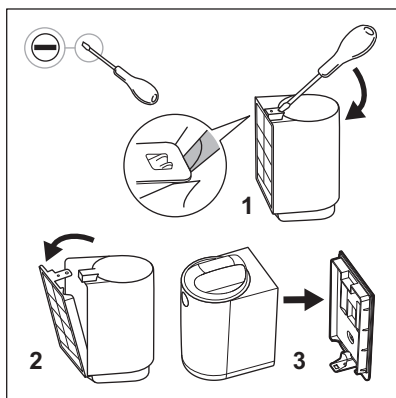


2. Patikrinkite dėžutės turinį.



3. Pasiruoškite reikiamus įrankius.

2.2 Priedo įrengimas

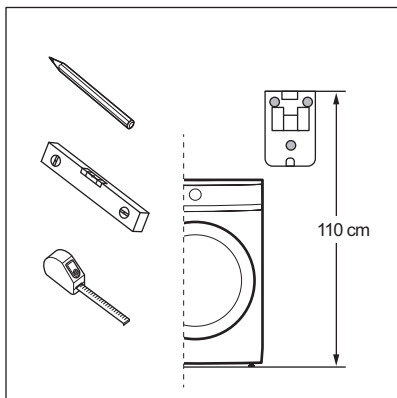


1. Išimkite filtrą iš dėžutės ir atsuktuvu atskirkite sieninį laikiklį.

2. Vietą filtrui parinkite vadovaudamiesi šiais reikalavimais (a ir b):

a. Sieninį laikiklį tvirtinkite tinkamame aukštyje – nuo grindų (arba pakylės, jei naudojama) iki jo viršaus turi būti 110 cm*. *

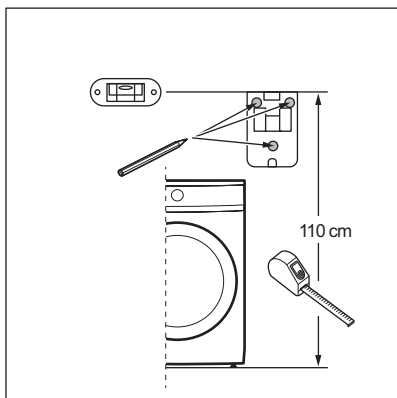
Leistina filtro įrengimo aukščio paklaida ±5 cm.



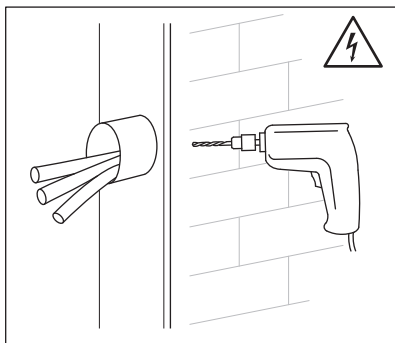
Prieš tvirtindami sieninį laikiklį atkreipkite dėmesį, kurioje pusėje yra vandens išleidimo anga. Filtras turi vieną 100 cm ilgio išleidimo žarną.



Prieš tvirtindami sieninį laikiklį pasirūpinkite, kad virš filtro būtų pakankamai vietos. Virš filtro būtina turi būti pakankamai laisvos erdvės kasetei išimti ir įdėti. Minimalūs matmenys nurodyti 1 priede (priekinio įkrovimo skalbyklėms) ir 2 priede (viršutinio įkrovimo skalbyklėms).



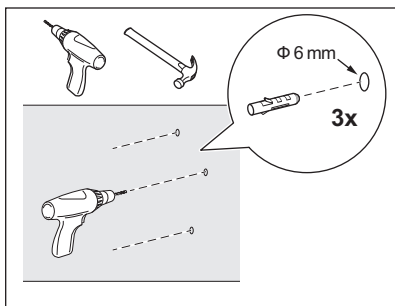
b. Prieš gręždami pasinaudokite gulsčiu, kad patikrintumėte, ar numatyti gręžimo taškai yra horizontalioje linijoje.



3. Išgręžkite skylės ir įstatykite kaiščius.

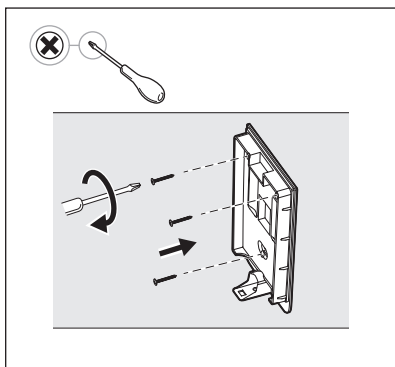
ĮSPĖJIMAS!

Prieš gręždami įsitinkinkite, kad toje sienos vietoje nėra paslėptų vamzdžių ar elektros laidų. Rekomenduojame naudoti 6 mm skersmens grąžtą. Filto pakuotėje rasite tris varžtus ir plastikinius kaiščius, skirtus tinkamai pritvirtinti filtrą. Tiekiamą tvirtinimo sistema skirta mūrinėms sienoms. Jeigu kyla abejonių, kreipkitės į techniką.

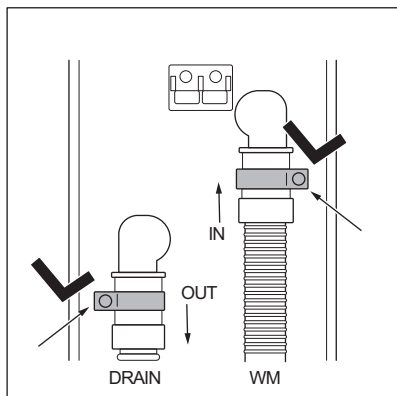


ĮSPĖJIMAS!

Jeigu siena ne mūrinė, naudokite atitinkamo tipo sienai skirtus kaiščius ir varžtus.



4. Pritvirtinkite sieninį laikiklį naudodami tiekiamus varžtus ir plastikinius kaiščius. Pasirūpinkite, kad laikiklis būtų patikimai ir tiesiai pritvirtintas prie sienos.



5. Paimkite žarnas, jų laikiklius ir filtro korpusą.

Užmaukite žarnų laikiklius ant žarnų ir prijunkite jas prie filtro korpuso, laikydamiesi ant korpuso nugarėlės esančių nurodymų:
 „IN“ (leidimas), „OUT“ (išleidimas):
 „IN“ žarna veda iš skalbyklės į filtrą;
 „OUT“ žarna (teikiama su filtru) veda iš filtro į kanalizaciją.

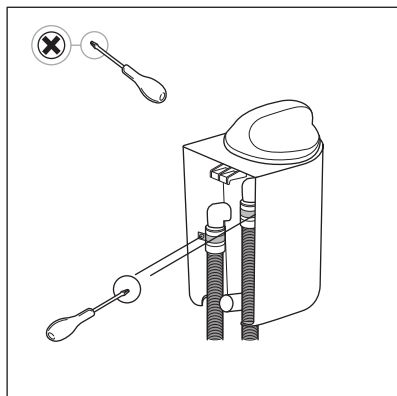
ĮSPĖJIMAS!



Prieš prijungdami išleidimo žarną prie išorinio filtro, būtinai IŠJUNKITE skalbyklę ir atjunkite ją nuo elektros tinklo.

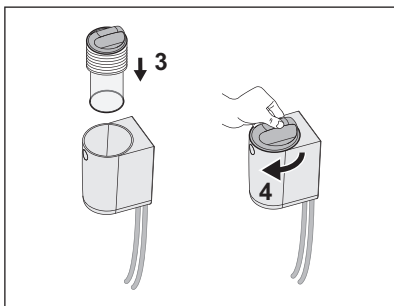
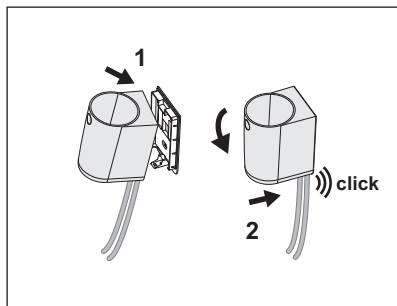
6. Atsuktuvu priveržkite žarnų laikiklius.

Laikykitės šių nurodymų, kad laikiklius pritvirtintumėte reikiamoje vietoje ir patikimai.

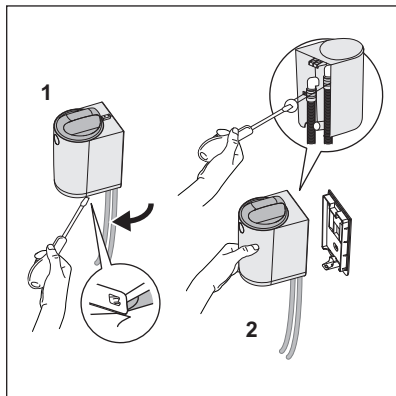


Būkite atsargūs ir nepažeiskite atsuktuvu filtro korpuso arba žarnų.

7. Kai tvirtindami filtro korpusą prie sieninio laikiklio atliksite paveikslėlyje pavaizduotą judesį, išgirsite spragtelėjimą, reiškiantį, kad korpusas tinkamai prisitvirtino prie laikiklio.



- i** Prieš pereidami prie sekančios temos („Kasdienis naudojimas ir priežiūra bei valymas“), paleiskite trumpą skalbimo programą ir stebėkite sistemą, kol ciklas nepasibaigs. Įsitinkite, kad iš filtro ir ties sujungimais neteka vanduo. Pastebėję vandens pratekėjimą atlikite 8 skyriuje aprašytus veiksmus. Atskirkite filtro korpusą nuo sieninio laikiklio ir priveržkite žarnų laikiklius. Filtą vėl pritvirtinkite, kaip aprašyta 7 skyriuje.

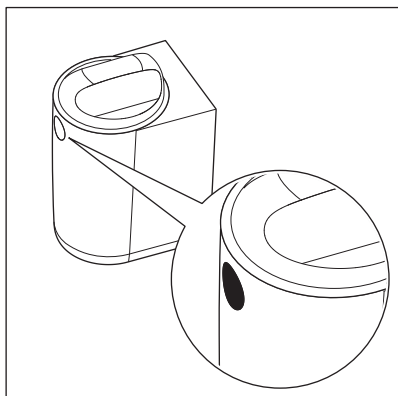


- 8.** Jeigu skalbimo ciklo metu pastebėsite vandens pratekėjimą, nedelsdami sustabdykite programą. IŠJUNKITE skalbyklę ir atjunkite nuo elektros tinklo. Prieš pereidami prie filtro atskyrimo nuo laikiklio, patikrinkite, ar filtro dangtelis uždarytas, kad veržiant apkabas nepratekėtų vanduo. Atskirkite visą filtrą nuo sieninio laikiklio:
1. atkabinkite filtrą nuo sieninio laikiklio atsuktuvu.
 2. Laikykite filtrą rankoje ir atsuktuvu priveržkite laikiklį.
- Filtą vėl pritvirtinkite, kaip aprašyta 7 skyriuje.

3. KASDIENIS NAUDOJIMAS IR PRIEŽIŪRA BEI VALYMAS

- !** **ISPĖJIMAS!**
Žr. saugos skyrius.
- !** **ISPĖJIMAS!**
Prieš bandydami pasiekti filtrą ir jį išvalyti visada išjunkite prietaisą ir patikrinkite, ar jis neveikia.
- i** Filtro kasetė pagaminta iš plono poliamido tinklelio ir sulaiko skalbiant atsiskiriančią mikropluoštą.
- i** Po tam tikro skalbimo ciklų skaičiaus kasetė užsikemša ir ją reikia išvalyti.
- i** Ciklų skaičius iki plūdės suveikimo priklauso nuo įvairių veiksnių (tekstilės tipo, būgno dydžio, dažniausiai naudojamų programų, ciklo tipo ir trukmės, skalbinių kiekio, skalbimo priemonės, skalbinių užterštumo ir kt.).
- i** Reguliariai valykite kasetę kartą per savaitę arba kai raudonas plūdės indikatorius tampa aiškiai matomas.
- i** Kaip pavaizduota toliau pateiktame paveikslėlyje, filtrui užsikimšus suveikia raudona plūdė, įspėjanti, kad laikas išvalyti kasetę.
- !** **ISPĖJIMAS!**
Filtre esantį vandenį išpilkite. Jame gali būti mikro plastikos dalelių, kurios gali pakenkti žmonėms ir gyvūnams.

3.1 „Raudonojo įspėjimo“ būseną



Raudona plūdė rodo, kad filtras prisipildė ir jį reikia išvalyti.

Suveikus „Raudonajam įspėjimui“ (plūdei), skalbimo ciklas nesustabdomas, tačiau vanduo tiekiamas aplinkiu keliu ir nefiltruojamas.

Jei norite optimalių rezultatų, rekomenduojame kuo greičiau išvalyti filtrą ir panaikinti „Raudonąjį įspėjimą“.



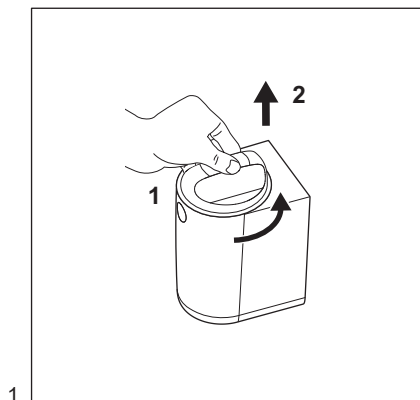
ĮSPĖJIMAS!

Dėl įvairių priežasčių skalbyklėje gali suveikti tam tikri įspėjimai, susiję su vandens išleidimu, pvz., **E20-E21**. Pastebėję šį įspėjimą pirmiausia patikrinkite naująjį išorinį filtrą ir išvalykite jį. Jeigu įspėjimas nepradingsta, taip pat patikrinkite skalbyklės filtrą; jei įmanoma, išvalykite jį.

Skalbyklėje įdiegta jos sustabdymo klaidos atveju funkcija, kuri apsaugo skalbyklę nuo galimų pažeidimų. Išvalę filtro kasetę prietaisą naudokite kaip įprasta.

3.2 Priežiūra ir valymas

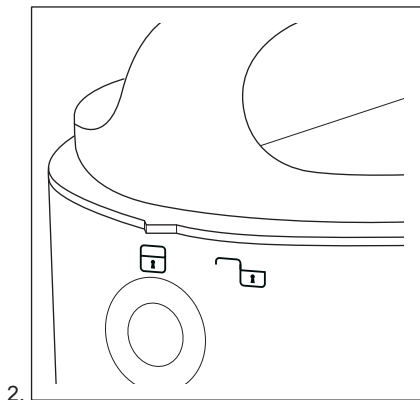
Filtro valymas ir mikro pluošto pašalinimas.



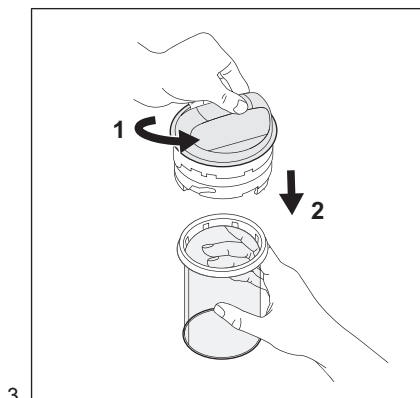
1.

Norėdami atidaryti filtrą, atlikite 1 ir 2 paveikslėliuose parodytus veiksmus:

1. Pasukite dangtelį prieš laikrodžio rodyklę, nuo užrakinimo iki atrakinimo simbolio (jie yra filtro priekyje, kai parodyta 2 pav.).
2. Nuimkite dangtelį.



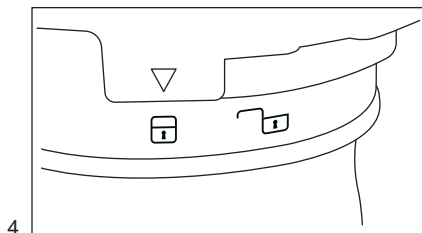
2.



3.

Norėdami atskirti kasetę, atlikite 3 paveikslėlyje parodytus veiksmus:

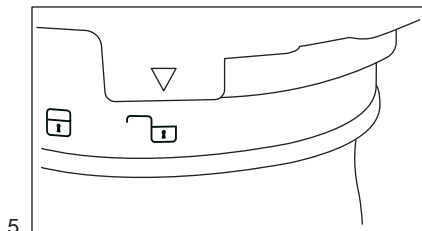
1. Viena ranka laikykite dangtelį, o kita pasukite kasetę prieš laikrodžio rodyklę, nuo užrakinimo iki atrakinimo simbolio (žr. 4 ir 5 pav.).
2. Patraukite kasetę žemyn.



4.

Kasetės užrakinimas-atrakinimasti, žr. 4 ir 5 pav.:

Užrakinta (4 pav.) / atrakinta (5 pav.).



5.



kasetės valymas ir šiukšlių pašalinimas, žr. 6–9 pav.

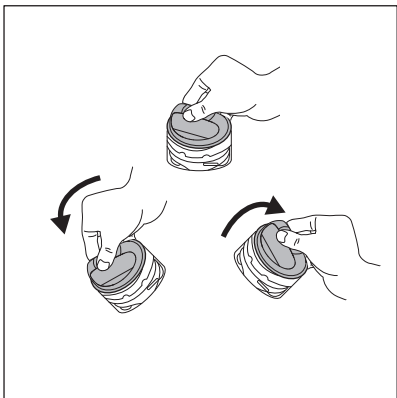


6.

Visiškai užsikimšusioje kasetėje gali būti daug nešvaraus vandens.

Pasiruoškite dubenį arba vonelę, kad surinktumėte visą vandenį ir jis neištekėtų į aplinką.

Norėdami pašalinti kasetėje užsilikusį vandenį, pakratykite ją virš dubens ar vonelės, laikydami už surinkimo dangtelio. Vanduo ištekės. Jeigu visas vanduo neištekėjo, atlikite tolesnį veiksmą.



7.

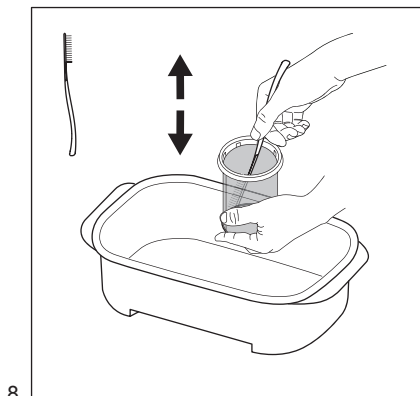


Kaip paruošti filtrą, žr. 7 pav.

Prieš uždėdami dangtelį ant kasetės, pašalinkite iš dangtelio visą vandenį, kad plūdė sugrižtų į pirminę padėtį. Pasukiokite dangtelį (žr. 7 pav.) ir išpilkite vandenį į dubenį ar vonelę. Kai dangtelį uždėsite ant filtro, plūdės turi nesimatyti.



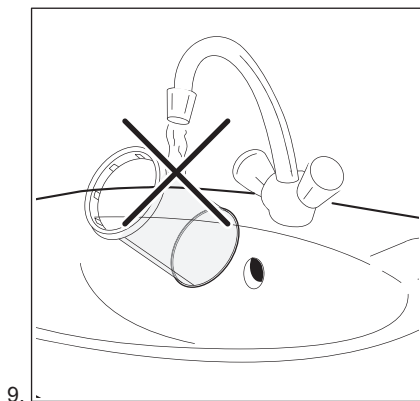
Galite girdėti tam tikrus garsus, tačiau tai normalu, nes dangtelyje veikia plūdės mechanizmas.



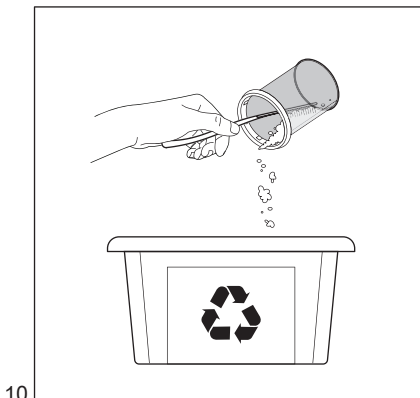
Įdėkite kasetę į dubenį ar vonelę ir pasiimkite šepetėlį, kurį rasite filtro dėžutėje. Šepetėlių braukykite aukštyn ir žemyn, kad pašalintumėte kiek įmanoma daugiau prie kasetės tinklelio prikibusių plaušelių ir atlaisvintumėte kelia vandeniui.



Surinktas atliekas išmeskite su sausomis buitinėmis atliekomis.



Kad valydami filtrą nekenktumėte aplinkai, nenaudokite tam vandens. Tiesiog išmeskite filtro kasetės surinktas atliekas su sausomis buitinėmis atliekomis (pasirūpinkite, kad plastiko pluoštas nepatektų į aplinką).

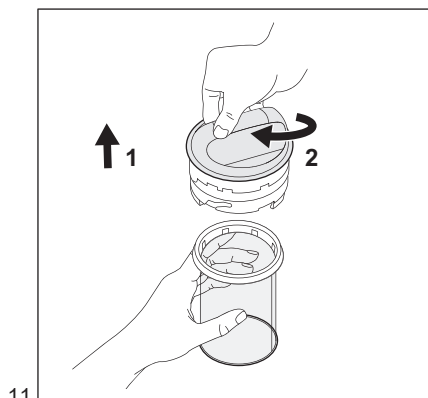


Išpylę vandenį iš kasetės, pašalinkite iš jos vidaus visus nešvarumus bei mikro pluoštą, kuriuos išmeskite su SAUSOMIS buitinėmis atliekomis. Jei norite surinkti kuo daugiau smulkių atliekų, naudokite popierinį rankšluostį.



DĖMESIO
Kasetės surinktas atliekas sudaro mikro pluoštas, skalbiklio likučiai ir kiti nešvarumai. JAS PRIVALU pašalinti su sausomis buitinėmis atliekomis.

Po kasetės valymo procedūros šepetėlis gali būti nešvarus ir pilnas plastiko plaušelių. Kad nepakenktumėte aplinkai, išvalykite jį popieriniu rankšluosčiu ir išmeskite su sausomis buitinėmis atliekomis.

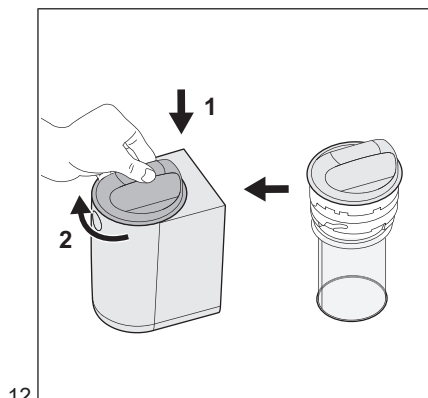


11.



Kaip įdėti kasetę, žr. 11 pav.:

1. Įstatykite kasetę.
2. Viena ranka laikykite kasetę, o kita pasukite dangtelį pagal laikrodžio rodyklę, nuo atrakinimo iki užrakinimo simbolio.



12.



Norėdami uždaryti filtrą, atlikite 12 paveikslėlyje parodytus veiksmus:

1. Įstatykite dangtelį (su kasete jame) į korpusą iš viršaus.
2. Pasukite dangtelį pagal laikrodžio rodyklę, nuo atrakinimo iki užrakinimo simbolio.

Jeigu jums reikia papildomos informacijos apie filtro priežiūrą ir valymą, galite peržiūrėti vaizdo įrašą. Jam skirtas QR kodas pateiktas šios naudojimo instrukcijos pradžioje.



DĖMESIO

Prieš pradėdami kitą skalbimo ciklą įsitinkite, kad uždarėte dangtelį.



ĮSPĖJIMAI

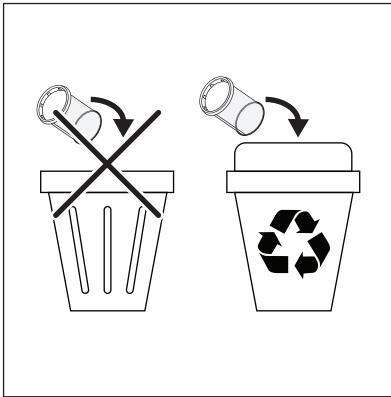
Jeigu tarp skalbimų darote ilgesnę nei savaitę pertrauką (pvz., atostogų metu), patariame ištuštinti kasetę ir išvalyti filtrą, kad nepradėtų sklisti nemalonūs kvapas.

Filtrą valykite drėgna, kad nepažeistumėte jo ir jis tinkamai veiktų kitų ciklų metu.

Tam, kad kasetės pažeidimo atveju galėtumėte nedelsiant tęsti skalbimą, sistemos komplekte tiekiami atsarginė kasetė.

Kasetės pakeitimas ir pašalinimas

Kasetės eksploatavimo laikas yra maždaug 6 mėn., nes valymo metu dėvisi tinklėlis ir mažėja filtro našumas. Dėžėje rasite 1 atsarginę kasetę.



Atliekas iš filtro meskite į perdirbamų medžiagų surinkimo indą.

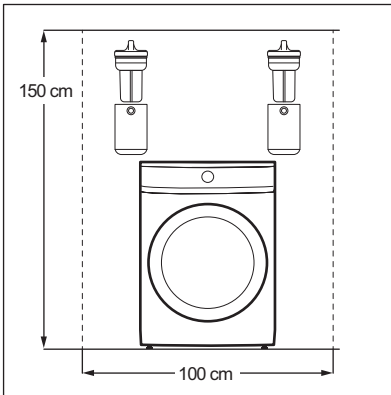
Kai kasetę reikia pakeisti, atlikite šiuos du paprastus veiksmus:

1. Atsargiai išvalykite pažeistą kasetę.
2. Išmeskite kasetę ir atliekas į šiukšlių dėžę.

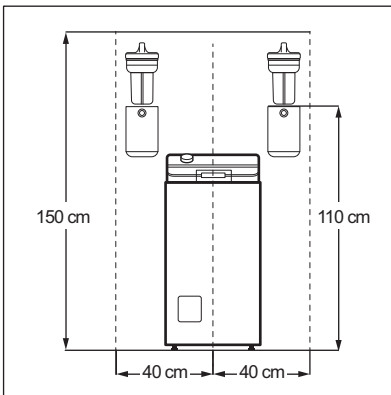


Naudokite tik originalias kasetes. Kasečių galima įsigyti bet kuriame „Electrolux“ / „AEG“ priežiūros centre arba internetu.

Priedai



Priekinio įkrovimo skalbyklių priedas.



Viršutinio įkrovimo skalbyklių priedas.

1. ⚠️ VEILIGHEIDSINFORMATIE

Lees zorgvuldig de meegeleverde instructies voordat u het product installeert en gebruikt. De fabrikant is niet verantwoordelijk voor verwondingen of schade die voortvloeien uit de onjuiste installatie of het onjuiste gebruik. Bewaar de instructies altijd op een veilige en toegankelijke plek voor toekomstig gebruik.

- Dit product is ontworpen voor het filteren van microplastics die vrijkomen uit textiel tijdens het wasproces en mag niet voor andere doeleinden worden gebruikt.
- Dit product kan gebruikt worden door kinderen van 8 jaar en ouder en personen met fysieke, zintuiglijke of mentale beperkingen of met een gebrek aan ervaring en kennis als zij begeleiding of instructie krijgen met betrekking tot het veilige gebruik van het product en als zij de gevaren begrijpen. Kinderen jonger dan 8 jaar en personen met zware en complexe beperkingen dienen altijd uit de buurt van het apparaat te worden gehouden, tenzij ze voortdurend onder toezicht staan.
- Laat kinderen niet met het product spelen. Houd alle verpakking uit de buurt van kinderen en gooi het op passende wijze weg.
- Kinderen mogen zonder toezicht geen reinigings- en onderhoudswerkzaamheden aan het product uitvoeren. Houd reinigingsmiddelen uit de buurt van kinderen.
- Dit product is bedoeld voor gebruik in huishoudelijke en soortgelijke toepassingen, zoals:
 - keukenruimten van personeel in winkels, kantoren en andere werkruimten;
 - boerderijen;
 - door gasten in hotels, motels, bed & breakfast en andere woonomgevingen;
 - ruimtes voor gemeenschappelijk gebruik in gebouwen of flats of in wasserettes.

- Volg de installatie-instructies die zijn meegeleverd met het product.
- Installeer of gebruik geen beschadigd product of beschadigde afvoerslangen.
- Installeer het product op een veilige en geschikte plaats die aan alle installatie-eisen voldoet.
- Installeer het product niet boven stopcontacten, of boven apparaten die zich op de muur bevinden, of vrijstaande apparaten in de buurt op de vloer, om het risico van elektrische schokken te voorkomen.
- Verwijder de verpakking volledig.
- Zorg ervoor dat de leidingen goed zijn bevestigd om lekken, lawaai of schade te voorkomen.
- Zorg ervoor dat de afvoerslang tussen het apparaat en de filterinlaat vrij loopt om te voorkomen dat de afvoerstroom wordt geblokkeerd.
- Bevestigingsmiddelen voor de wand zijn niet inbegrepen vanwege mogelijke verschillende wandmaterialen. Gebruik de juiste bevestigingsmiddelen die geschikt zijn voor uw wanden.
- Zorg ervoor dat er geen zichtbare waterlekken zijn tijdens en na het eerste gebruik van het product.
- Gebruik geen waterstralen onder druk en/of stoom om het product te reinigen.
- Schakel altijd uit en controleer of de machine niet draait voordat je het product opent of reinigt.
- Reinig het product met een vochtige doek. Gebruik alleen neutrale schoonmaakmiddelen. Gebruik geen schuurmiddelen, schuursponsjes, oplosmiddelen of metalen voorwerpen.
- Reinig de patroon regelmatig, eenmaal per week of wanneer de rode vlotterindicator duidelijk zichtbaar is.
- Gebruik het water uit het filter niet opnieuw. Het kan deeltjes microplastics bevatten die ongeschikt zijn voor consumptie door mensen en dieren.

- Neem contact op met onze erkende servicedienst om het product te repareren. Gebruik alleen originele reserveonderdelen.
- Dit externe accessoire is compatibel met huishoudelijke wasmachines van Electrolux/AEG/Zanussi.

Het milieuperspectief

Recycle materialen met het symbool ♻️. Plaats de verpakking in relevante containers om het te recyclen.

2. INSTALLEREN

2.1 Vóór installatie



WAARSCHUWING!

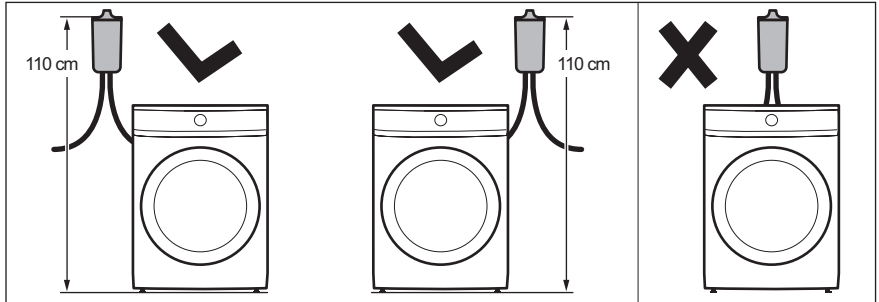
Raadpleeg de hoofdstukken Veiligheid.

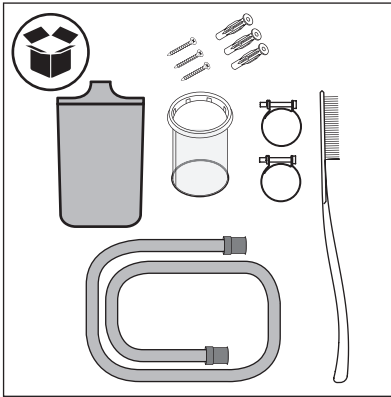


Bezoek electrolux.com/gestart/microplasticfilters voor de installatie- en gebruiksvideo's.

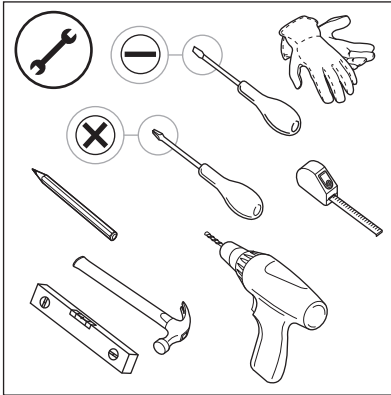
1. Kies een geschikte plek op de muur om het filter te installeren:

Om lekkage over uw wasmachine heen te voorkomen, verdient het de voorkeur het filter aan één van de zijkanten van uw wasmachine te plaatsen.



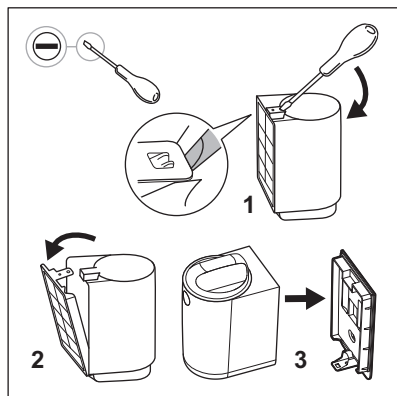


2. Controleer de inhoud van de doos.



3. Bereid het nodige gereedschap voor de installatie voor.

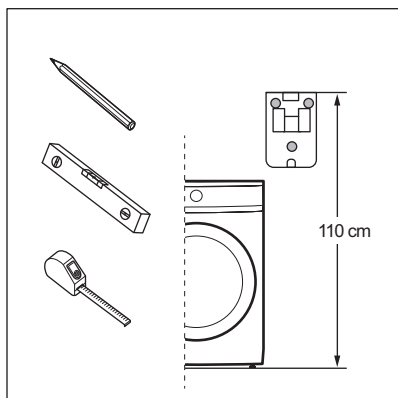
2.2 Het installeren van accessoires



1. Verwijder het filter uit de verpakking en verwijder de wandsteun met behulp van een platte schroevendraaier.

2. De positie van uw filter moet de volgende punten volgen (a en b):

a. Plaats de wandsteun op de juiste hoogte, met een afstand van 110 cm* vanaf de bovenkant van de wandsteun tot de vloer (of voetstuk indien aanwezig). ***De toegestane tolerantie voor de hoogte van het filter is +/-5 cm.**

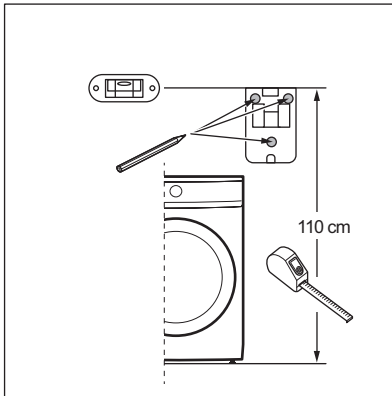


Controleer waar uw drainagepunt zich bevindt voordat u de wandsteun plaatst. Het filter is uitgerust met één afvoerpijp met een lengte van 100 cm.



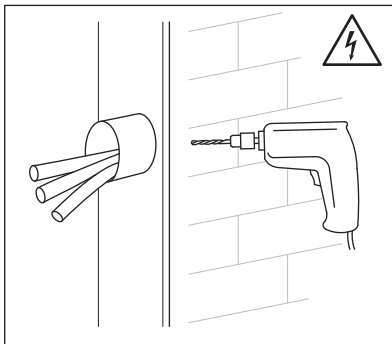
Zorg dat er voldoende ruimte boven het filter is voordat u de wandsteun plaatst. Zorg ervoor dat er voldoende vrije ruimte boven het filter is om de cassette te verwijderen en weer terug te plaatsen. Zie de minimum afmetingen in Bijlage 1 (voorlader) en Bijlage 2 (bovenlader).





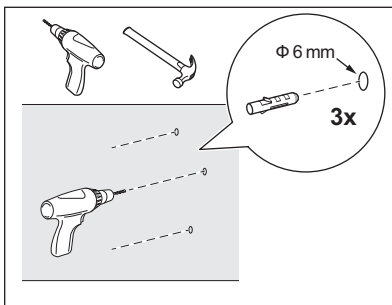
b. Gebruik een waterpas om te controleren of de 3 te boren gaten waterpas zijn en goed zijn uitgelijnd voordat u gaat boren.

3. Boor de gaten in de muur en plaats de ankers.



WAARSCHUWING!

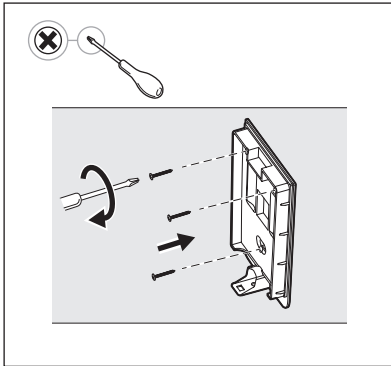
Voordat u in de muur boort, moet u er zeker van zijn dat er geen waterleidingen of elektrische kabels achter de te boren gaten lopen. Het wordt aanbevolen om een boortje van 6 mm te gebruiken. Het filterpakket bevat drie speciale schroeven en plastic ankers om het filter goed en stevig te installeren. Het meegeleverde fixatiesysteem is ontworpen voor installatie op een bakstenen muur. Raadpleeg in geval van twijfel een technicus.



WAARSCHUWING!

Als uw muur is gemaakt van een ander materiaal dan baksteen, gebruik dan de juiste ankers en schroeven die voor dat materiaal zijn ontworpen.





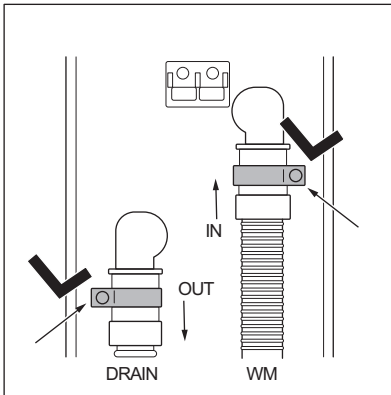
4. Bevestig de wandsteun met de meegeleverde schroeven en plastic ankers en zorg ervoor dat deze recht en stevig aan de wand is bevestigd.

5. Neem de slangen, de kragen en het filterhuis.

Plaats de kragen op de slangen en sluit de leidingen aan op het filterhuis. Volg de indicaties **IN/OUT** op de achterkant van het filterhuis:

IN: slang die afkomstig is van de WM,

OUT: slang (aanwezig in het filterpakket) die naar de afvoer gaat.



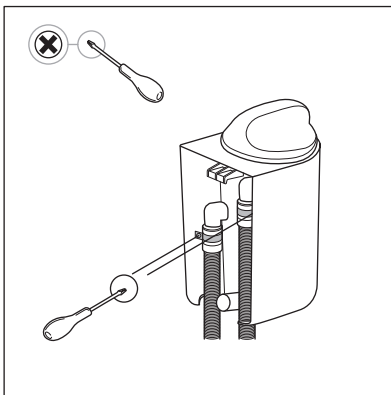
WAARSCHUWING!

Voordat u de afvoerslang aansluit op het externe filter, moet u ervoor zorgen dat de wasmachine **UIT** staat en de stekker uit het stopcontact is gehaald.



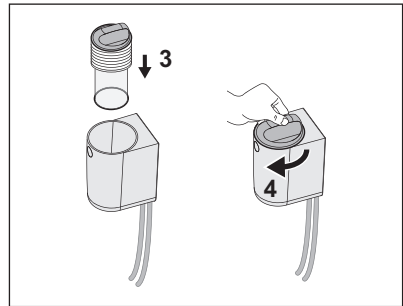
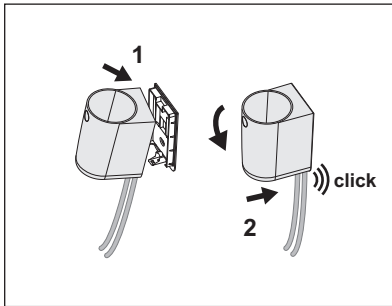
6. Draai de kragen vast met de schroevendraaier.

Volg deze instructies nauwkeurig op om de kragen juist te positioneren om een volledige verbinding te garanderen.

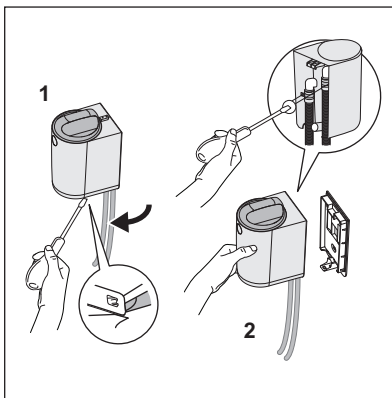


Let er bij gebruik van de schroevendraaier op dat u het filterhuis of de slangen niet beschadigt.

7. Wanneer het filterhuis met de beweging die op de afbeelding wordt getoond aan de wandhouder wordt bevestigd, zult u een 'klik' horen wanneer het filterhuis correct aan de wandhouder is bevestigd.



i Voordat u verdergaat met het volgende onderwerp, Dagelijks gebruik, onderhoud en reiniging, start u het korte wasprogramma en wacht u tot het einde daarvan. Controleer of het filter en de aansluitingen niet lekken. In geval van waterlekage gaat u verder zoals beschreven in paragraaf 8. Maak de filterconstructie los van de wandsteun en draai de kragen vast. Herhaal de stappen in paragraaf 7 om het filter opnieuw te installeren.



8. Indien er water verschijnt tijdens de eerste cyclus, stop het programma dan onmiddellijk. Zet de wasmachine UIT en haal de stekker uit het stopcontact. Controleer voordat u verdergaat met de loskoppelingsprocedure of het filterdeksel in de vergrendelde stand blijft staan om waterlekage te voorkomen terwijl u de kragen aandraait.

Maak het gehele filter los van de wandsteun:

1. Maak het filter los van de wandsteun met behulp van de schroevendraaier,
2. Houd het filter in uw hand om de kraag vast te draaien met de schroevendraaier.

Herhaal de stappen in paragraaf 7 om het filter te installeren.

3. DAGELIJKS GEBRUIK, VERZORGING EN REINIGING

! **WAARSCHUWING!**
Raadpleeg de hoofdstukken Veiligheid.

! **WAARSCHUWING!**
Schakel altijd uit en controleer of de machine niet draait voordat je het filter opent of reinigt.

i De filtercassette is gemaakt van een dun polyamide-net om de microvezels op te vangen die tijdens het wassen vrijkomen.

i Na sommige wascycli zal de filtercassette verstopt raken en moet deze worden gereinigd.

i Het aantal cycli vóór de activering van de vlotter hangt af van verschillende factoren (soort textiel, trommelgrootte, meest gebruikte programma's, soort cycli en duur, wasgoed, wasmiddel, mate van vervuiling, enz.).

i Reinig de patroon regelmatig, eenmaal per week of wanneer de rode vlotterindicator duidelijk zichtbaar is.

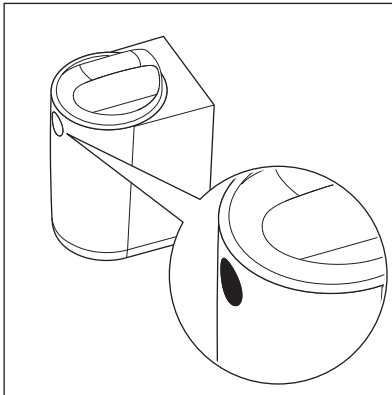
i Wanneer het filter verstopt is, wordt de rode vlotter in het deksel zichtbaar, zodat de gebruiker wordt gewaarschuwd dat de cassette moet worden gereinigd, zoals te zien is op de volgende afbeelding.



WAARSCHUWING!

Gebruik het water uit het filter niet opnieuw. Het kan deeltjes microplastics bevatten die ongeschikt zijn voor consumptie door mensen en dieren.

3.1 'Rood alarm'-toestand



De rode vlotter geeft aan dat het filter vol is en gereinigd moet worden.

In de modus '**rood alarm**' (wanneer de vlotter is geactiveerd) zal het filter de wascyclus niet stoppen, maar zal het in een bypass-stand werken en niet meer filteren.

Om optimale prestaties te garanderen wordt daarom aanbevolen de cassette zo snel mogelijk te reinigen om te voorkomen dat het filter in de '**rode alarm**'-modus blijft.



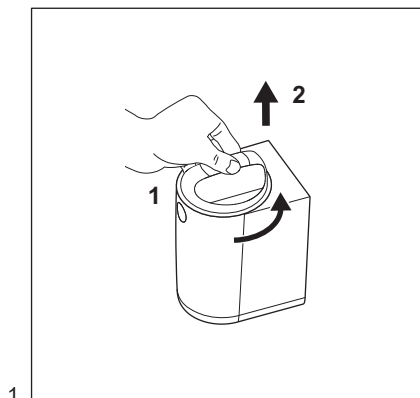
WAARSCHUWING!

Om verschillende redenen kan de wasmachine mogelijke waarschuwingen tonen die verband houden met afvoerproblemen, zoals **E20-E21**. Als deze waarschuwing verschijnt, controleer dan eerst het nieuwe externe filter en reinig het. Als de fout zich blijft voordoen, controleer dan ook het filter van uw wasmachine en maak deze schoon, als hij toegankelijk is.

Het stoppen van de wasmachine (fout) is een veiligheidsvoorziening van de machine om lange afvoertijden te voorkomen en om de machine niet te beschadigen. Nadat de filtercassette is gereinigd, kan de normale werking worden hervat.

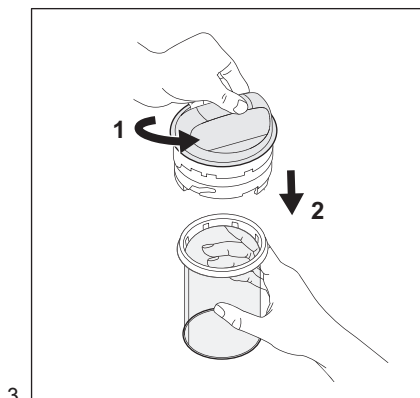
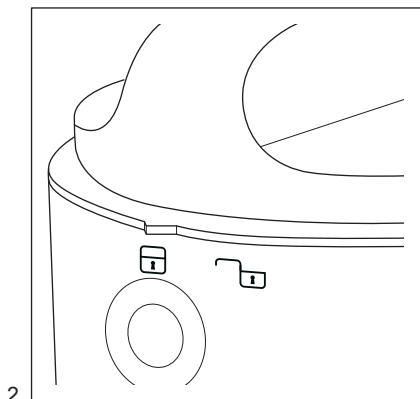
3.2 Onderhoud en reiniging

Reiniging van het filter en verwijdering van microvezels.



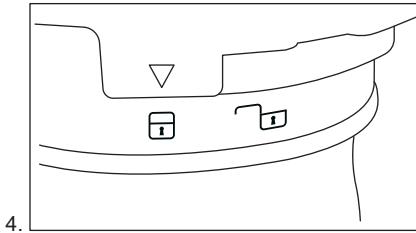
Zie afbeelding 1 en 2 voor de bewegingen om het filter te openen:

1. Draai het deksel tegen de wijzers van de klok in, van het vergrendelsymbool naar het ontgrendelsymbool (te vinden op de voorkant van het filter zoals op afbeelding 2),
2. Til het deksel op.

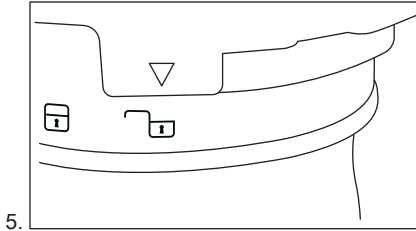


Zie de bewegingen in afbeelding 3 om de cassette los te maken:

1. Houd het deksel in uw hand en draai met de andere hand de cassette tegen de klok in van het vergrendelsymbool naar het ontgrendelsymbool (zie afbeelding 4 en 5).
2. Trek de cassette omlaag.



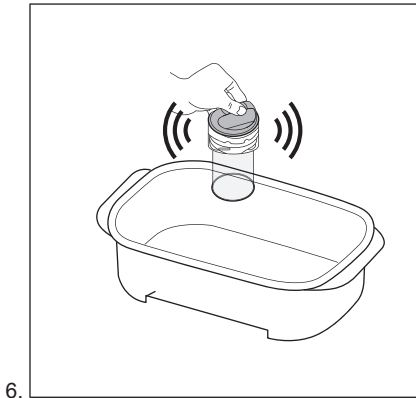
Zie afbeelding 4 en 5 voor het vergrendelen/
ontgrendelen van de cassette:



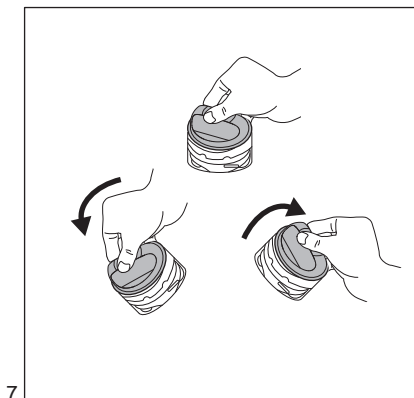
Vergrendelen (afbeelding 4) / ontgrendelen
(afbeelding 5).



Zie afbeelding 6, 7, 8 en 9 om de patroon te reinigen en de inhoud ervan
weg te gooien.



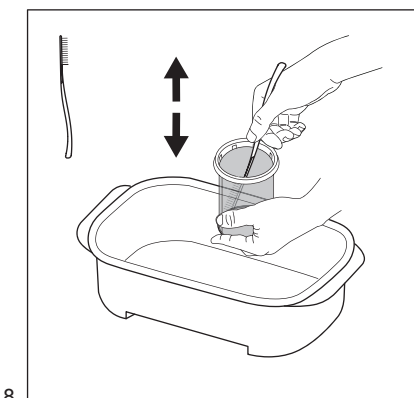
Als de cassette volledig verstopt is, kan het
vol zitten met vuil water.
Ter voorbereiding op de reiniging wordt
aanbevolen een pot of een kleine plastic bak
te gebruiken; dit kan de reiniging
vergemakkelijken en voorkomt dat de
omgeving nat wordt.
Om het resterende water uit de cassette te
verwijderen, leegt u de cassette in een pot of
een bak door het deksel vast te houden en te
schudden. Het water zal eruit stromen. Als er
nog wat water overblijft, gaat u gewoon
verder met de volgende stap.



i Zie afbeelding 7 voor het resetten van het filter.

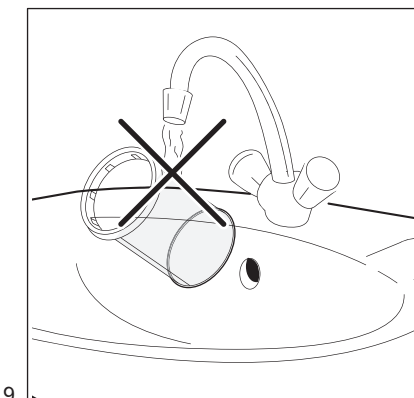
Voordat u het deksel weer op de cassette plaatst, moet u de vlotter opnieuw instellen door het water in het deksel te verwijderen. Houd het deksel vast, draai deze (zie afbeelding 7) en laat al het water in een plastic container lopen. De vlotter is niet langer zichtbaar wanneer het deksel op de filter wordt geplaatst.

i Het kan zijn dat u een geluid hoort, maar dat is normaal aangezien zich binnen in het deksel een massaklep bevindt.

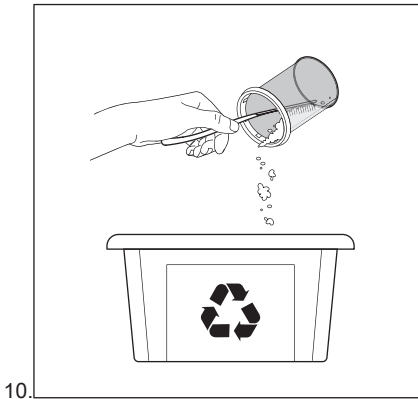


Gebruik, terwijl u de patroon in de filterhouder houdt, het borstel/spatel-hulpstuk die meegeleverd wordt in de filterdoos. Verwijder met een op- en neergaande borstelbeweging zoveel mogelijk alle vezels die aan de cassette vastzitten om zo de afvoer van water te bevorderen.

i Gooi het afval dat loskomt van het filter weg bij het algemene droge afval.



Om het milieu te beschermen moet het gebruik van water voor het reinigen van de filtercassette worden vermeden. Gooi in plaats daarvan het door de filtercassette opgevangen afval weg bij het algemene droge afval (voorkom verspreiding van plastic vezels in het water).



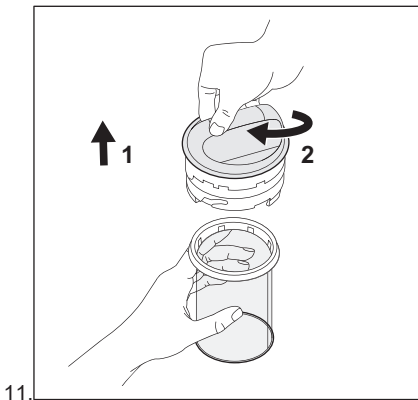
Nadat het water uit de cassette is verwijderd, verwijdert u het vuil en de microvezels binnenin de cassette en gooit u het weg bij het algemene DROGE afval. Een papieren handdoek kan worden gebruikt om zoveel mogelijk materiaal te verzamelen.

LET OP!

Afval dat door de cassette wordt verzameld, bevat microvezels, resten van reinigingsmiddel en vuil. Het MOET worden weggegooid met het algemeen droge afval.

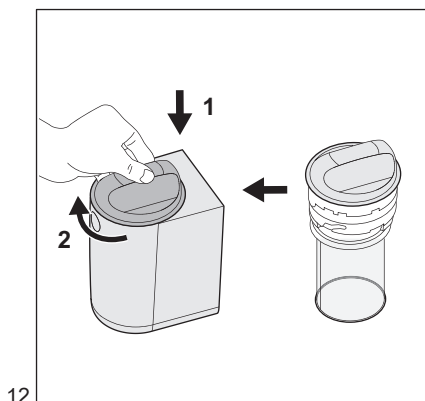


Na het reinigen van de cassette kan de borstel/spatel vuil zijn en vol met plastic vezels zitten. Reinig het, om het milieu te beschermen, met een gewone papieren handdoek en gooi het weg bij het algemene droge afval.



Zie afbeelding 11 om de cassette te vervangen:

1. Plaats de cassette.
2. Houd de cassette in uw hand en draai met de andere hand het deksel tegen de klok in, van het ontgrendelsymbool naar het vergrendelsymbool.



Zie afbeelding 12 voor de bewegingen om het filter te sluiten:

1. Plaats het deksel (+ cassette) in de behuizing vanaf de bovenkant.
2. Draai het deksel rechtsom van het ontgrendelsymbool naar het vergrendelsymbool.

Bekijk de video voor aanvullende informatie over onderhoud en reiniging. Een speciale QR-code is beschikbaar aan het begin van deze gebruikershandleiding.



LET OP!
Zorg ervoor dat het deksel gesloten is voordat u doorgaat met de volgende wascyclus.



WAARSCHUWINGEN

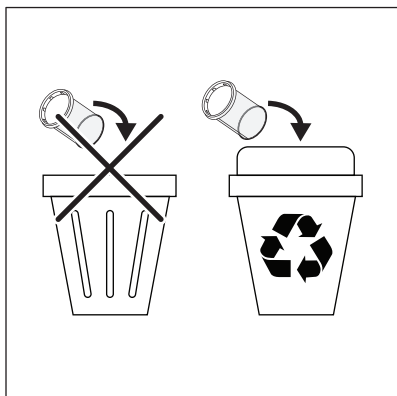
In het geval van een waspauze van langer dan een week (bijv. vakantie, reis, etc.), wordt aanbevolen om de cassette te legen en het filter te reinigen om te voorkomen dat het filter nare luchtjes gaat verspreiden.

Het is noodzakelijk om de cassette in natte toestand te reinigen om deze niet te beschadigen. Hierdoor zullen storingen bij de volgende cycli wordt vermeden.

Het filtersysteem wordt geleverd met een reservecassette zodat u onmiddellijk opnieuw kunt starten met uw wasroutine in geval de cassette is beschadigd.

Vervangen en weggooien van de cassette

De cassette heeft een beperkte levensduur, ongeveer zes maanden. Tijdens het reinigen kan het net worden beschadigd, waardoor de filterprestaties minder worden. 1 reservecassette wordt daarom meegeleverd in de doos.



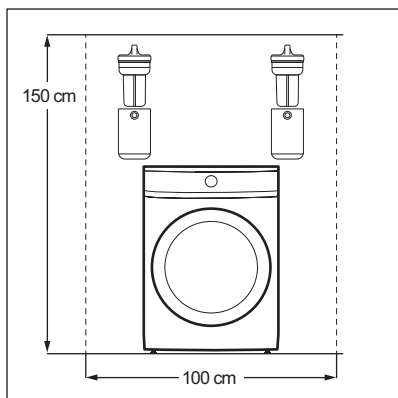
i Plaats het afval van het filter in de juiste recyclingcontainer.

Wanneer de cassette vervangen moet worden, volg dan deze 2 eenvoudige stappen:

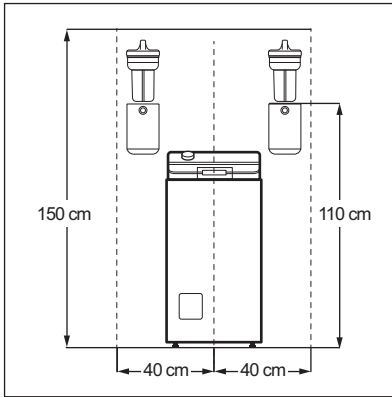
1. Reinig voorzichtig de beschadigde cassette.
2. Gooi de cassette en het afval weg in de juiste recyclingcontainer.

i Gebruik voor alleen originele onderdelen als reserveonderdelen voor de cassette. Cassettes worden verkocht in elk servicecentrum van Electrolux/AEG en zelfs online.

Bijlagen



Bijlage voor wasmachine met voorlader.



Bijlage voor wasmachine met bovenlader.

1. ⚠ INFORMACJE DOTYCZĄCE BEZPIECZEŃSTWA

Przed instalacją i użyciem produktu należy dokładnie zapoznać się z dołączoną instrukcją. Producent nie odpowiada za obrażenia ciała ani szkody spowodowane nieprawidłową instalacją lub eksploatacją produktu. Należy zachować instrukcję obsługi w bezpiecznym i łatwo dostępnym miejscu w celu wykorzystania w przyszłości.

- Produkt ten przeznaczony jest do filtrowania mikroplastikowych włókien uwalnianych z tekstyliów podczas prania i nie powinien być stosowany do innych celów.
- Produktu mogą używać dzieci po ukończeniu ósmego roku życia oraz osoby o ograniczonych zdolnościach fizycznych, sensorycznych lub umysłowych, a także nieposiadające odpowiedniej wiedzy lub doświadczenia, jeśli będą one nadzorowane lub zostaną poinstruowane w zakresie bezpiecznego używania produktu oraz będą świadome związanych z tym zagrożeń. Dzieci w wieku poniżej 8 lat i osoby o znacznym stopniu niepełnosprawności nie powinny zbliżać się urządzenia, jeśli nie znajdują się pod stałym nadzorem.
- Nie pozwalać, aby dzieci bawiły się produktem. Przechowywać opakowanie w miejscu niedostępnym dla dzieci lub pozbyć się go w odpowiedni sposób.
- Dzieci nie powinny zajmować się czyszczeniem ani konserwacją produktu bez odpowiedniego nadzoru. Przechowywać detergenty poza zasięgiem dzieci.
- Produkt ten jest przeznaczony do użytku domowego i podobnych zastosowań, takich jak:
 - kuchnie w obiektach sklepowych, biurowych oraz innych placówkach pracowniczych;
 - gospodarstwa rolne;
 - do obsługi przez klientów w hotelach, motelach, obiektach noclegowych i innych obiektach mieszkalnych;

- miejscach ogólnodostępnych, jak bloki mieszkalne lub pralnie.
- Należy postępować zgodnie z instrukcją instalacji dołączoną do produktu.
- Nie należy instalować ani używać uszkodzonego produktu lub węży odpływowych.
- Zainstaluj produkt w odpowiednim i bezpiecznym miejscu, które spełnia wymagania instalacyjne.
- Aby uniknąć ryzyka porażenia prądem elektrycznym, nie należy instalować produktu powyżej jakichkolwiek gniazd elektrycznych ani powyżej jakichkolwiek urządzeń znajdujących się na ścianie, bądź urządzeń wolnostojących w pobliżu na podłodze.
- Wyjąć wszystkie elementy opakowania.
- Upewnij się, że rury są zamocowane prawidłowo, aby uniknąć wycieków, hałasu lub uszkodzenia.
- Zapewnij odpowiednią drogę węża odpływowego między urządzeniem a wlotem filtra, aby zapobiec zablokowaniu strumienia odpływu.
- Ze względu na różne materiały ścian nie dołączono elementów mocujących do ściany. Należy stosować odpowiednie do ścian elementy mocujące.
- Podczas pierwszego użycia produktu i bezpośrednio po nim należy upewnić się, że nie ma widocznych wycieków wody.
- Do czyszczenia produktu nie wolno używać wody pod ciśnieniem ani pary wodnej.
- Przed uzyskaniem dostępu do produktu lub czyszczeniem go należy zawsze wyłączyć urządzenie i sprawdzić, czy nie pracuje.
- Produkt należy czyścić wilgotną szmatką. Stosować wyłącznie obojętne detergenty. Nie używać produktów ściernych, myjek do szorowania, rozpuszczalników ani metalowych przedmiotów.
- Wkład należy czyścić regularnie, raz w tygodniu lub gdy czerwony wskaźnik pływaka jest wyraźnie widoczny.

- Nie należy ponownie używać wody z filtra. Może ona zawierać cząsteczki mikroplastiku, które nie nadają się do spożycia przez ludzi i zwierzęta.
- W celu naprawy produktu należy skontaktować się z autoryzowanym serwisem. Należy stosować wyłącznie oryginalne części zamienne.
- To akcesorium zewnętrzne pasuje do pralek domowych Electrolux/AEG/Zanussi.

OCHRONA ŚRODOWISKA

Materiały oznaczone symbolem ♻️ należy poddać recyklingowi. Umieścić opakowanie w odpowiednich pojemnikach, aby je poddać recyklingowi.

2. INSTALACJA

2.1 Przed instalacją



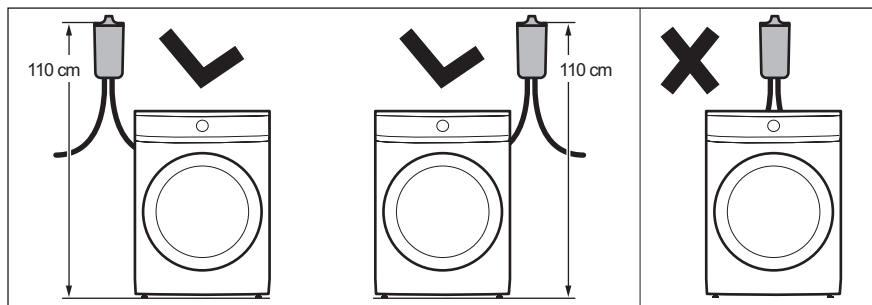
OSTRZEŻENIE!
Patrz rozdział dotyczący bezpieczeństwa.

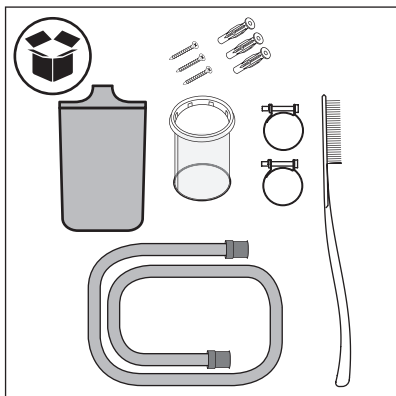


Odwiędź electrolux.com/getstarted/microplasticfilters i zobacz filmowe instrukcje instalacji i użytkowania.

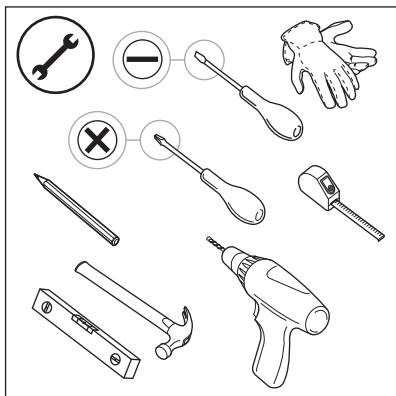
1. Wybierz odpowiednie miejsce na ścianie do zamontowania filtra:

Aby uniknąć wycieków nad pralką, zaleca się zainstalowanie filtra z boku pralki.



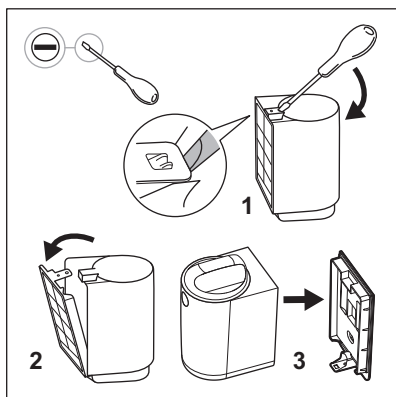


2. Sprawdź zawartość pudełka.



3. Przygotuj narzędzia niezbędne do montażu.

2.2 Montaż akcesoriów

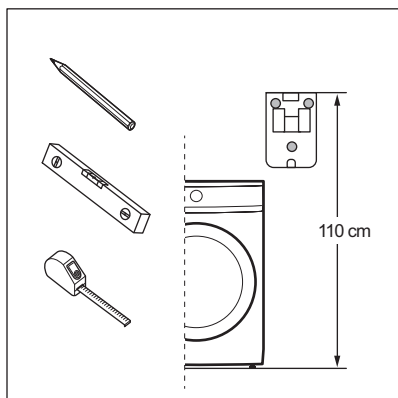


1. Wyjmij filtr z opakowania i zdejmij wspornik ścienny za pomocą płaskiego śrubokręta.

2. Pozycja filtra powinna być zgodna z wymienionymi punktami (a i b):

a. Ustaw wspornik ścienny na odpowiedniej wysokości, mierząc 110 cm* od górnej krawędzi wspornika ściennego do podłogi (lub cokołu, jeśli jest obecny).

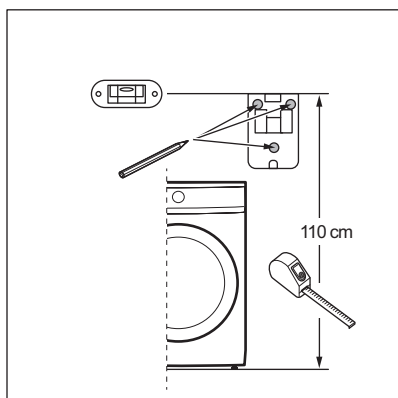
***Dopuszczalna tolerancja w położeniu wysokości filtra wynosi +/-5 cm.**



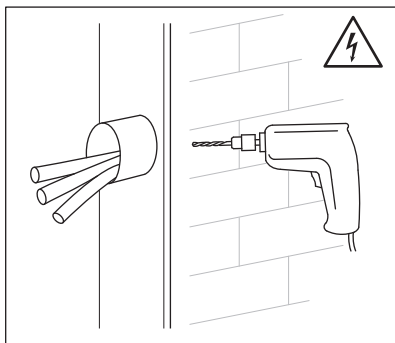
Przed ustawieniem wspornika ściennego należy sprawdzić, gdzie znajduje się punkt odpływu wody. Filtr wyposażony jest w jeden wąż odpływowy o długości 100 cm.



Przed ustawieniem wspornika ściennego upewnij się, że nad filtrem jest wystarczająco dużo miejsca. Należy pozostawić odpowiednią wolną przestrzeń nad filtrem, aby móc wyjąć i ponownie włożyć wkład. Patrz minimalne wymiary podane w Aneksie 1 (pralka ładowana od frontu) i Aneksie 2 (pralka ładowana od góry).



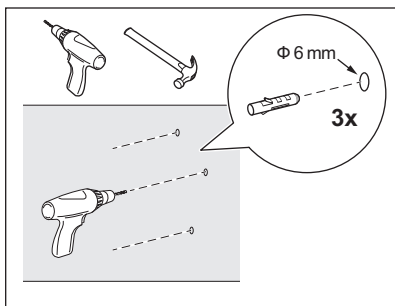
b. Przed wierceniem należy sprawdzić za pomocą poziomicy, czy 3 stemple wiertarskie są wyrównane i dobrze ustawione.



3. Wywierć otwory w ścianie i umieść kołki.

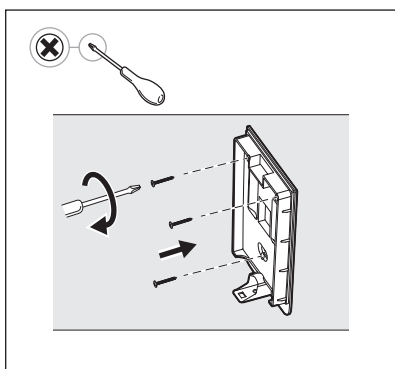
OSTRZEŻENIE!

Przed wykonaniem otworu w ścianie należy upewnić się, że nie ma za nim rur wodnych ani przewodów elektrycznych. Zaleca się użycie wiertła ϕ 6 mm. Opakowanie filtra zawiera trzy wkręty i plastikowe kołki do prawidłowego i bezpiecznego montażu filtra. Dołączony system mocowania przeznaczony jest do montażu na ścianie z cegły. W razie wątpliwości należy zwrócić się do technika.

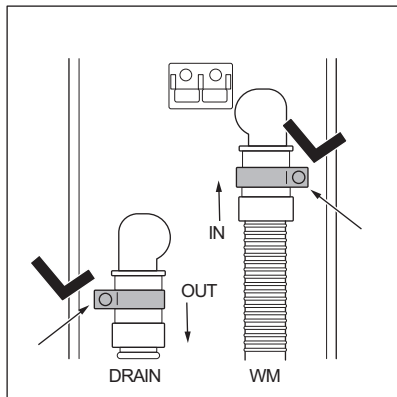


OSTRZEŻENIE!

Jeśli ściana wykonana jest z innego materiału niż cegła, należy użyć odpowiednich kołków i wkrętów przeznaczonych do tego materiału.



4. Przymocuj wspornik ścienny za pomocą dostarczonych śrub i plastikowych kołków, upewniając się, że jest on prosto i pewnie zamocowany do ściany.



5. Weź węże, kołnierze i korpus filtra.

Założ kołnierze na węże i podłącz rury do korpusu filtra zgodnie z oznaczeniami **IN/OUT** znajdującymi się z tyłu korpusu filtra:

IN: wąż, który dochodzi z pralki,

OUT: wąż (w zestawie z filtrem), który idzie do odpływu.

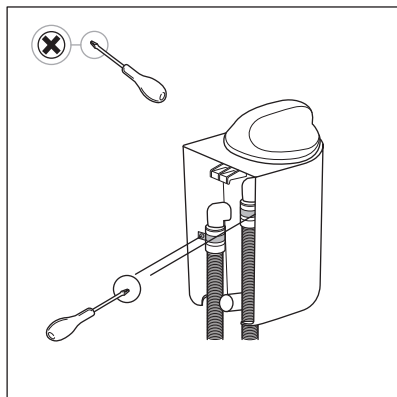
OSTRZEŻENIE!

Przed podłączeniem węża odpływowego do filtra zewnętrznego należy upewnić się, że pralka jest **WYŁĄCZONA** i odłączona od gniazdka elektrycznego.



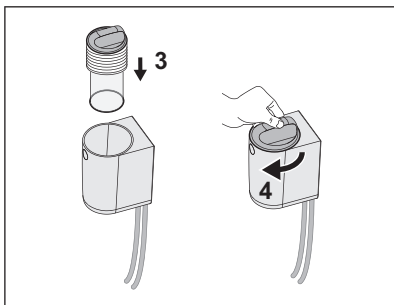
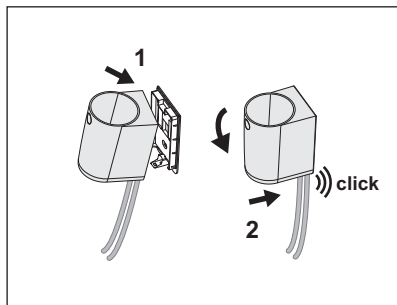
6. Dokręć kołnierze za pomocą śrubokręta.

Postępuj dokładnie według tych instrukcji, aby ustawić kołnierze w sposób zapewniający pełne połączenie.

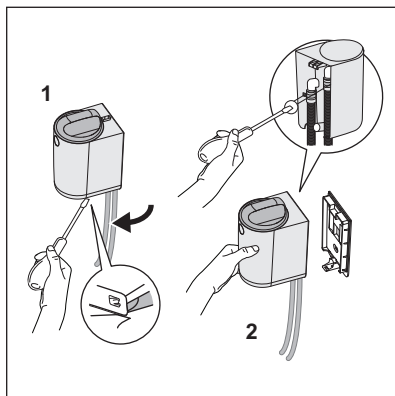


Używając śrubokręta, należy uważać, aby nie uszkodzić korpusu filtra lub węży.

7. Postępując zgodnie z ruchem pokazanym na rysunku, mocując korpus filtra do wspornika ściennego, usłyszysz „kliknięcie”, gdy korpus jest prawidłowo przymocowany do wspornika ściennego.



- i** Przed przejściem do następnego tematu Codzienne użytkowanie, pielęgnacja i czyszczenie należy uruchomić krótki program prania i kontynuować go do końca. Upewnij się, że z filtra i jego połączeń nie ma wycieków. W przypadku wycieku wody należy postępować zgodnie z opisem w punkcie 8. Odłącz korpus filtra od wspornika ściennego i dokręć kołnierze. Aby ponownie zamontować filtr, należy powtórzyć czynności opisane w punkcie 7.



- 8.** Jeśli podczas pierwszego cyklu pojawi się woda, należy natychmiast przerwać program. **WYŁĄCZ** pralkę i odłącz ją od gniazdka elektrycznego. Przed przystąpieniem do demontażu należy sprawdzić, czy pokrywa filtra pozostaje w pozycji zamkniętej, aby uniknąć wycieku wody podczas dokręcania kołnierzy.

Zdejmij cały filtr ze wspornika ściennego:

1. Odczep filtr od wspornika ściennego za pomocą śrubokręta.
2. Przytrzymaj filtr, aby dokręcić kołnierz śrubokrętem.

Aby zamontować filtr, należy powtórzyć czynności opisane w punkcie 7.

3. CODZIENNE UŻYTKOWANIE, PIELĘGNACJA I CZYSZCZENIE



OSTRZEŻENIE!
Patrz rozdział dotyczący bezpieczeństwa.



OSTRZEŻENIE!
Przed uzyskaniem dostępu do filtra lub czyszczeniem go należy zawsze wyłączyć urządzenie i sprawdzić, czy nie pracuje.



Wkład filtrujący wykonany jest z cienkiej siatki poliamidowej, aby wychwytywać mikrowłókna uwalniane podczas prania.



Po kilku cyklach prania wkład filtrujący zapycha się i należy go wyczyścić



Liczba cykli przed uruchomieniem pływaka zależy od kilku czynników (rodzaj tkanin, wielkość bębna, najczęściej używane programy, rodzaj i czas trwania cykli, ładunek prania, detergent, stopień zabrudzenia itp.).



Wkład należy czyścić regularnie, raz w tygodniu lub gdy czerwony wskaźnik pływaka jest wyraźnie widoczny.



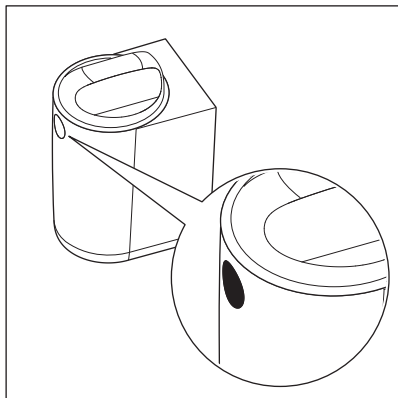
Gdy filtr jest zatkany, widoczny jest czerwony pływak znajdujący się wewnątrz pokrywy informujący o konieczności wyczyszczenia wkładu, jak pokazano na kolejnym rysunku.



OSTRZEŻENIE!

Nie należy ponownie używać wody z filtra. Może ona zawierać cząsteczki mikroplastiku, które nie nadają się do spożycia przez ludzi i zwierzęta.

3.1 Stan „Czerwony alarm”



Czerwony płycak wskazuje, że filtr jest pełny i wymaga czyszczenia.

W trybie „**czerwonego alarmu**” (gdy płycak jest aktywny) filtr nie zatrzyma cyklu prania, ale będzie pracował w trybie obejścia i nie będzie już filtrował.

Dlatego dla zapewnienia optymalnej wydajności zaleca się jak najszybsze wyczyszczenie wkładu, aby nie pozostawiać filtra w trybie „**czerwonego alarmu**”.



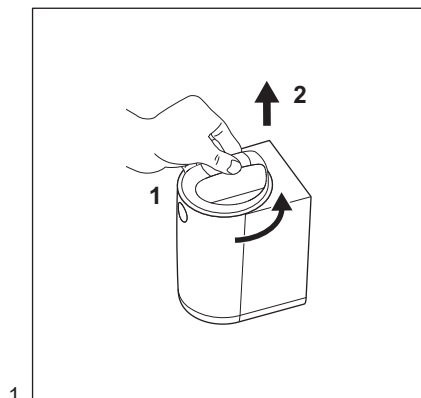
OSTRZEŻENIE!

Z kilku powodów pralka może wyświetlać możliwe ostrzeżenia związane z problemami z wypompowywaniem wody, takie jak **E20-E21**. W razie pojawienia się tego ostrzeżenia należy najpierw sprawdzić i wyczyścić nowy filtr zewnętrzny. Jeśli błąd wciąż występuje, sprawdź również filtr pralki i wyczyść go, jeśli jest dostępny.

Zatrzymanie pralki (błąd) jest funkcją bezpieczeństwa, która zapobiega długiemu wypompowywaniu wody i uszkodzeniu urządzenia. Po wyczyszczeniu wkładu filtrującego można wznowić normalną pracę.

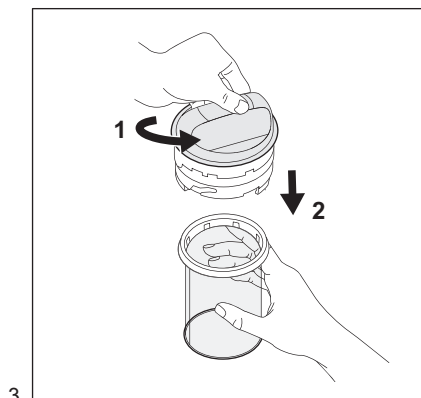
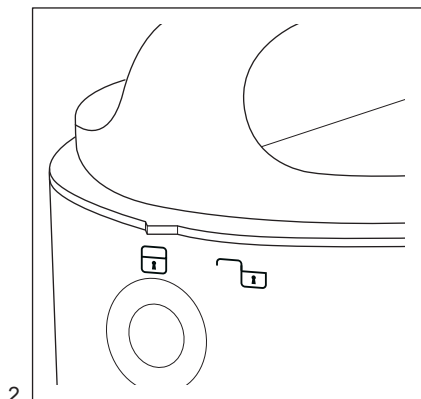
3.2 Pielęgnacja i czyszczenie

Czyszczenie filtra i usuwanie mikrowłókien.



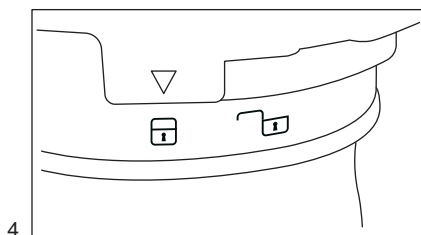
Aby otworzyć filtr, postępuj zgodnie z ruchami przedstawionymi na rysunkach 1 i 2:

1. Obróć pokrywę w kierunku przeciwnym do ruchu wskazówek zegara od symbolu blokady do symbolu odblokowania (dostępna z przodu filtra, jak pokazano na rysunku 2),
2. Podnieś pokrywę.



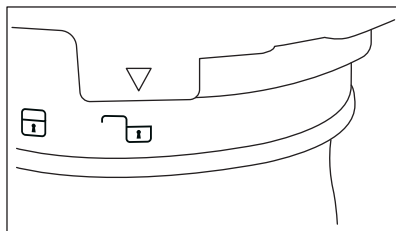
Aby odłączyć wkład, postępuj zgodnie z ruchami przedstawionymi na rysunku 3:

1. Przytrzymaj pokrywę, a następnie drugą ręką obróć wkład w kierunku przeciwnym do ruchu wskazówek zegara od symbolu blokady do symbolu odblokowania (patrz rysunki 4 i 5).
2. Pociągnij wkład w dół.



4.

Aby zablokować/odblokować wkładkę, patrz rysunki 4 i 5:



5.

Zablokuj (rysunek 4) / Odblokuj (rysunek 5).



Aby wyczyścić wkład i usunąć jego zawartość, patrz rysunki 6, 7, 8 i 9.

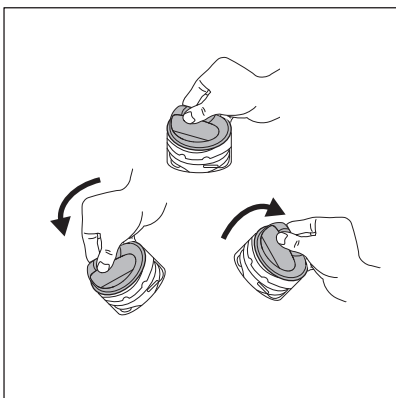


6.

Jeśli wkład jest całkowicie zatkany, może być wypełniony brudną wodą.

Aby przygotować się do czyszczenia, zaleca się użycie dowolnego naczynia lub małego plastikowego pojemnika, co ułatwi czynność i zapobiegnie zamoczeniu otoczenia.

Aby usunąć resztki wody z wkładu, opróżnij go do naczynia lub pojemnika, przytrzymując pokrywę modułu i potrząsając nim. Woda wypływa. Jeśli pozostało jeszcze trochę wody, przejdź do następnego kroku.



7.

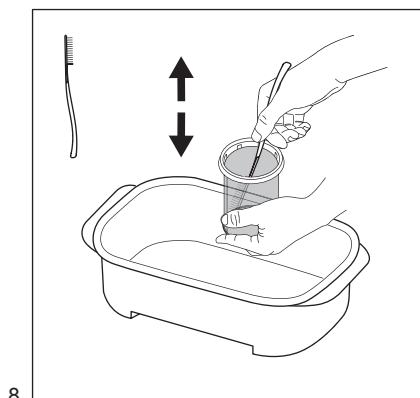


Aby zresetować filtr, patrz rysunek 7.

Przed założeniem pokrywy z powrotem na wkład, zresetuj pływak, usuwając wodę z wnętrza pokrywy. Przytrzymaj pokrywę, obróć ją (patrz rysunek 7) i spuść całą wodę do plastikowego pojemnika. Pływak nie jest już widoczny po założeniu pokrywy na filtr.



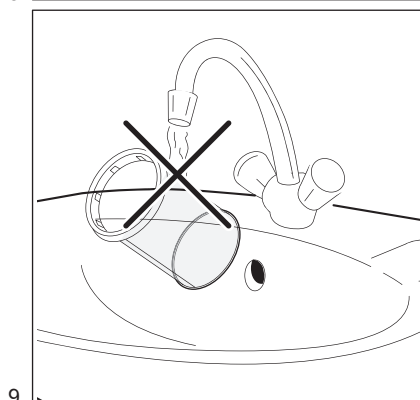
Może być słyszalny odgłos, ale jest to normalne zachowanie, ponieważ wewnątrz pokrywy znajduje się zawór masowy.



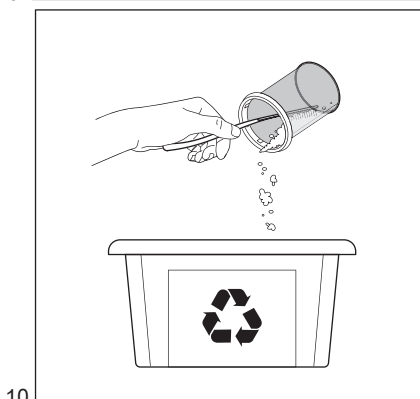
Trzymając wkład wewnątrz pojemnika, użyj szczoteczki-szpatułki dostępnej w pudełku filtra. Ruchem szczotki w górę/w dół usuń jak najwięcej włókien przyczepionych do siatki wkładu, aby ułatwić odprowadzanie wody.



Nieczystości z filtra wyrzucić do odpadów suchych.



Aby zachować pozytywny wpływ filtra na środowisko, należy unikać używania wody do czyszczenia wkładu filtrującego. Zamiast tego należy wyrzucić odpady zebrane przez wkład filtrujący do odpadów suchych (unikać rozproszenia włókien plastikowych w otoczeniu wodnym).



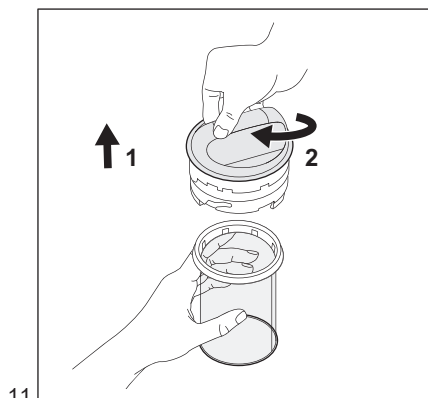
Po opróżnieniu wkładu z wody należy usunąć z jego wnętrza wszelkie zanieczyszczenia i mikrowłókna, a następnie wyrzucić je do odpadów SUCHYCH. Do zebrania jak największej ilości tworzywa można użyć ręcznika papierowego.

UWAGA!

Odpady zbierane przez wkład zawierają mikrowłókna, resztki detergentów i brud. MUSZA być wyrzucane do odpadów suchych.



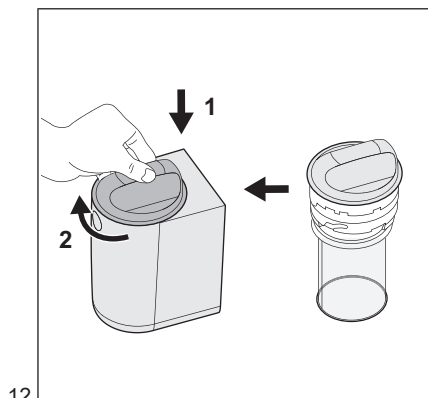
Po wyczyszczeniu wkładu szczoteczka-szpatułka może być brudna i pełna plastikowych włókien. Aby zachować pozytywny wpływ na środowisko, należy oczyścić ją zwykłymi ręcznikami papierowymi i wyrzucić do odpadów suchych



11.

i Aby wymienić wkład, patrz rysunek 11:

1. Włóż wkład.
2. Przytrzymaj wkład, a następnie drugą ręką przekręć pokrywę zgodnie z ruchem wskazówek zegara od symbolu odblokowania do symbolu blokady.



12.

i Aby zamknąć filtr, postępuj zgodnie z ruchami przedstawionymi na rysunku 12:

1. Umieść pokrywę (+ wkład) wewnątrz korpusu od góry.
2. Obróć pokrywę zgodnie z ruchem wskazówek zegara od symbolu odblokowania do symbolu blokady.

Więcej informacji na temat konserwacji i czyszczenia można uzyskać, oglądając film. Na początku niniejszej instrukcji obsługi dostępny jest specjalny kod QR.

i

UWAGA!



Przed rozpoczęciem kolejnego cyklu prania należy upewnić się, że pokrywa jest zamknięta.

OSTRZEŻENIA

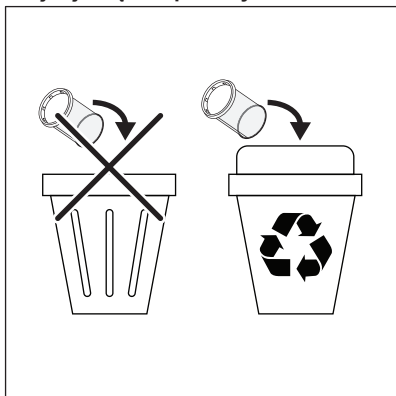
W przypadku przerwy w praniu dłuższej niż cały tydzień (np. urlop, wyjazd), zaleca się opróżnienie wkładu i wyczyszczenie filtra, aby uniknąć powstania niespodziewanego zapachu w otoczeniu filtra.

Wkład należy czyścić na mokro, aby go nie uszkodzić i uniknąć nieprawidłowego działania przy następnych cyklach.

System filtracji wyposażony jest w zapasowy wkład, aby w przypadku uszkodzenia wkładu można było od razu wznowić pranie

Wymiana i utylizacja wkładu

Wkład ma ograniczoną żywotność, w przybliżeniu sześć miesięcy, ponieważ czyszczenie może uszkodzić siatkę, zmniejszając wydajność filtra. W opakowaniu znajduje się 1 zapasowy wkład.



Odpady z filtra umieść w odpowiednim pojemniku do segregacji odpadów.

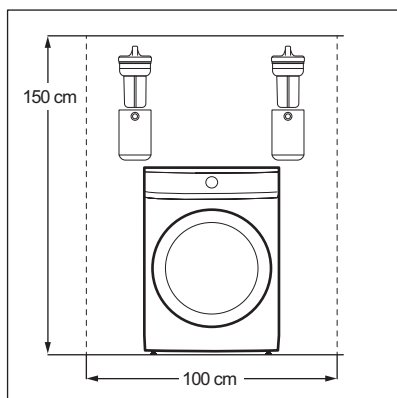
Gdy trzeba wymienić wkład, wykonaj poniższe 2 proste kroki:

1. Ostrożnie wyczyść uszkodzony wkład.
2. Umieść wkład i odpady w pojemniku do segregacji odpadów.

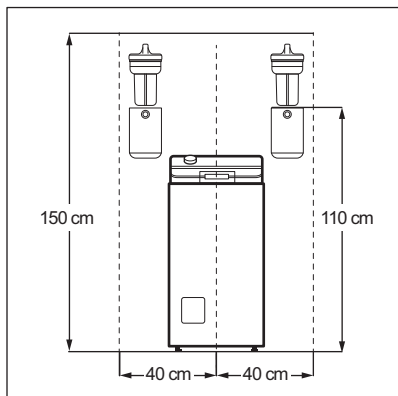


Do wymiany dodatkowych części wkładów należy używać wyłącznie części oryginalnych. Wkłady sprzedawane są w dowolnym centrum serwisowym Electrolux/AEG, a nawet online.

Aneksy



Aneks do pralki ładowanej od frontu.



Aneks do pralki ładowanej od góry.

1. INFORMAÇÕES DE SEGURANÇA

Antes da instalação e utilização do produto, leia atentamente as instruções fornecidas. O fabricante não poderá ser responsabilizado por ferimentos ou danos resultantes de instalação ou utilização incorretas. Guarde sempre as instruções em local seguro e acessível para consultar no futuro.

- Este produto foi concebido para filtrar fibras microplásticas libertadas dos têxteis durante o processo de lavagem e não deve ser utilizado para outros fins.
- Este produto pode ser utilizado por crianças de 8 ou mais anos de idade e por pessoas com capacidades físicas, sensoriais ou mentais reduzidas ou com pouca experiência e conhecimento se tiverem recebido supervisão ou instruções relativas à utilização do produto de forma segura e compreenderem os perigos envolvidos. É necessário manter as crianças com menos de 8 anos de idade e pessoas com incapacidades muito extensas e complexas afastadas do aparelho, a menos que sejam constantemente vigiadas.
- Não permita que as crianças brinquem com o produto. Mantenha todos os materiais de embalagem fora do alcance das crianças e elimine-os de forma apropriada.
- A limpeza e a manutenção básica do produto não devem ser efetuadas por crianças sem supervisão. Mantenha os detergentes fora do alcance das crianças.
- Este produto destina-se exclusivamente a utilizações domésticas ou semelhantes, tais como:
 - áreas de cozinha destinadas ao pessoal em lojas, escritórios e outros ambientes de trabalho;
 - turismo rural;
 - por clientes de hotéis, motéis e outros ambientes do tipo residencial;

- áreas de utilização comum em blocos de apartamentos ou em lavandarias.
- Siga as instruções de instalação fornecidas com o produto.
- Não instale nem utilize um produto ou mangueiras de drenagem danificados.
- Instale o aparelho num local seguro e adequado que cumpra os requisitos da instalação.
- Para evitar o risco de choque elétrico, não instale o produto por cima de tomadas elétricas ou por cima de quaisquer dispositivos localizados na parede ou de dispositivos autónomos próximos do chão.
- Retire todo material de embalagem.
- Certifique-se de que os tubos estão devidamente fixados para evitar fugas, ruídos ou danos.
- Certifique-se de que existe um caminho de mangueira de escoamento adequado entre o aparelho e a entrada do filtro para evitar bloquear o fluxo de escoamento.
- Os dispositivos de fixação da parede não se encontram incluídos devido à existência de diferentes materiais da parede. Utilize dispositivos de fixação adequados às paredes.
- Durante a primeira utilização do produto, certifique-se de que não existem fugas de água.
- Não utilize jatos de água e/ou vapor a alta pressão para limpar o produto.
- Antes de aceder ou limpar o produto, desligue sempre a máquina e verifique se não está a funcionar.
- Limpe o produto com um pano húmido. Utilize apenas detergentes neutros. Não utilize produtos abrasivos, esfregões abrasivos, solventes ou objetos metálicos.
- Limpe o cartucho regularmente, uma vez por semana ou quando o indicador flutuante vermelho estiver claramente visível.
- Não reutilize a água do filtro. Pode conter partículas microplásticas que não são adequadas para consumo humano e animal.

- Para reparar o produto, contacte um Centro de Assistência Técnica Autorizado. Utilize apenas peças sobressalentes originais.
- Este acessório externo é compatível com máquinas de lavar Electrolux/AEG/Zanussi para uso doméstico.

Preocupações ambientais

Recicle os materiais com o símbolo ♻️. Coloque as embalagens nos contentores indicados para reciclagem.

2. INSTALAÇÃO

2.1 Antes da instalação



AVISO!

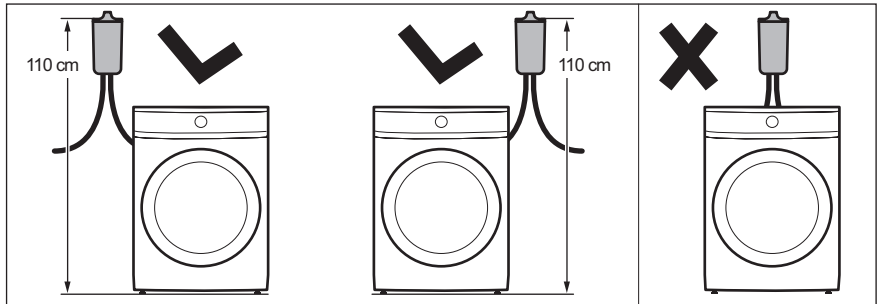
Consulte os capítulos relativos à segurança.

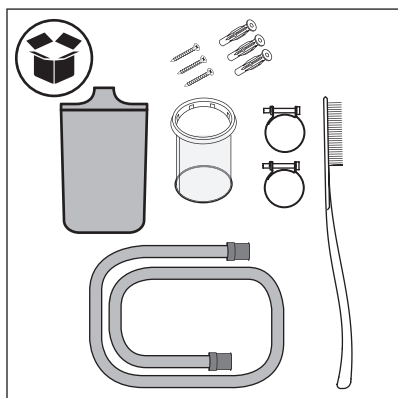


Visite electrolux.com/getstarted/microplasticfilters para aceder a vídeos de instalação e utilização.

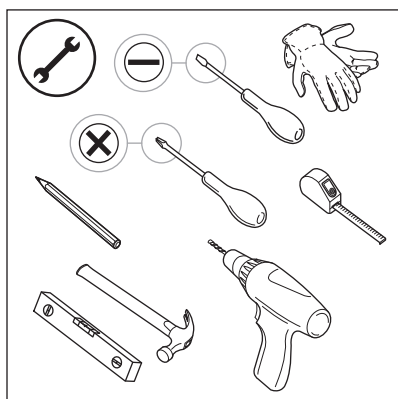
1. Selecione uma localização adequada na parede para instalar o filtro:

Para evitar fugas sobre a máquina de lavar, é preferível instalar o filtro em qualquer um dos lados da máquina de lavar.



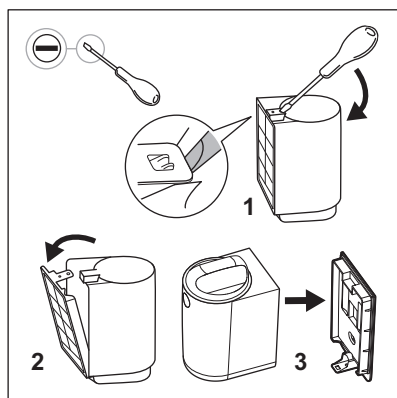


2. Verifique o conteúdo da caixa.



3. Prepare as ferramentas necessárias para a instalação.

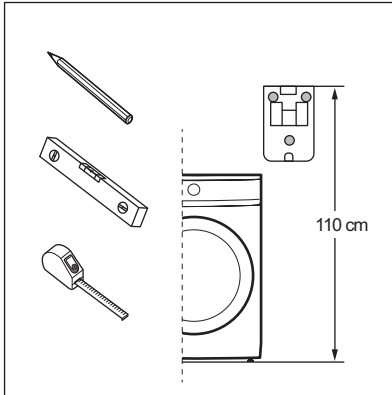
2.2 Instalar o acessório



1. Retire o filtro da caixa de embalagem e retire o suporte de parede com a ajuda de uma chave de fendas.

2. A posição do seu filtro tem de seguir estes pontos listados (a e b):

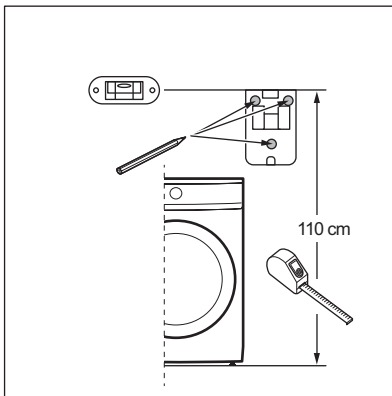
a. Coloque o suporte de parede à altura correta, medindo 110 cm* a partir do topo do suporte de parede até ao chão (ou pedestal, se presente). ***A tolerância permitida na posição de altura do filtro é de +/-5 cm.**



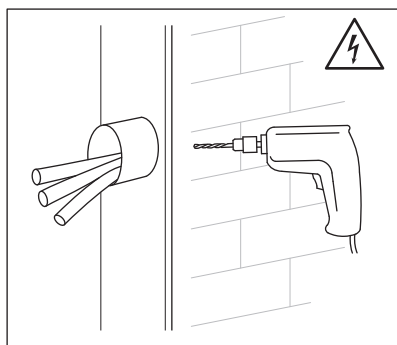
Verifique onde se encontra o ponto de drenagem antes de posicionar o suporte de parede. O filtro está equipado com um tubo de drenagem com um comprimento de 100 cm.



Certifique-se de que existe espaço suficiente acima do filtro antes de posicionar o suporte de parede. Certifique-se de que deixa o espaço livre adequado acima do filtro para remover e voltar a inserir o cartucho. Consulte a referência das dimensões mínimas no Anexo 1 (Carregador Frontal) e Anexo 2 (Carregador Superior).



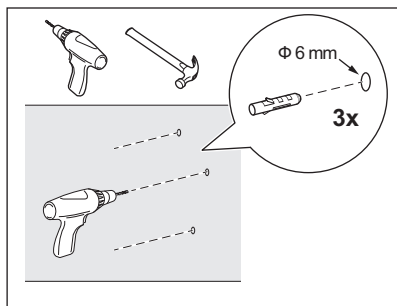
b. Utilize um nível para verificar se os 3 furos de perfuração estão nivelados e bem alinhados antes de perfurar.



3. Faça os furos na parede e coloque as buchas.

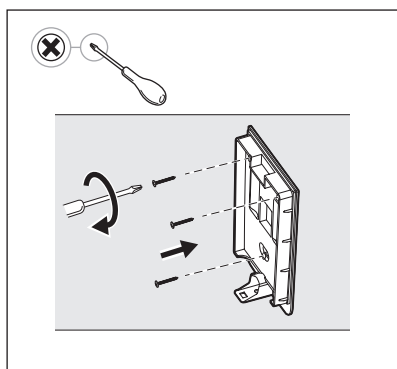
AVISO!

Antes de perfurar na parede, certifique-se de que não existem tubos de água ou fios elétricos por trás. Recomenda-se a utilização de uma broca de 6 mm. A embalagem do filtro inclui três parafusos dedicados e as buchas de plástico para instalar o filtro de forma correta e segura. O sistema de fixação fornecido foi concebido para uma instalação numa parede de alvenaria. Em caso de dúvida, consulte o técnico.



AVISO!

Se a sua parede for feita de um material diferente da alvenaria, utilize as buchas e parafusos adequados concebidos para esse material.



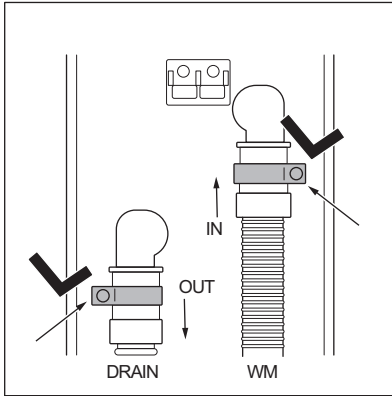
4. Fixe o suporte de parede com os parafusos e buchas de plástico fornecidos, certificando-se de que está direito e bem fixo à parede.

5. Pegue nas mangueiras, nos colares e no corpo do filtro.

Insira os colares nas mangueiras e ligue os tubos ao corpo do filtro seguindo as indicações de **ENTRADA/SAÍDA** presentes na parte de trás do corpo do filtro:

ENTRADA: mangueira que vem da WM,

SAÍDA: mangueira (presente na embalagem do filtro) que vai para o dreno.



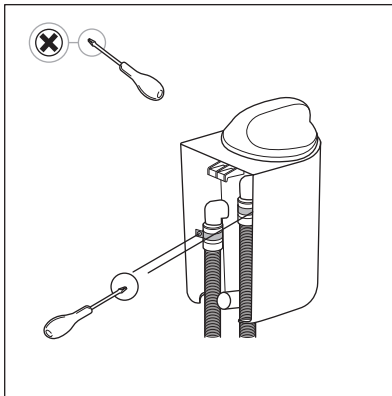
AVISO!

Antes de ligar a mangueira de escoamento ao filtro externo, certifique-se de que a máquina de lavar está desligada e não está ligada à tomada elétrica.



6. Aperte os colares utilizando a chave de fendas.

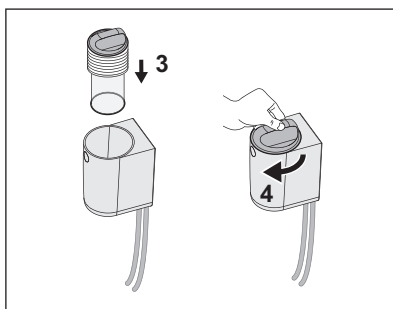
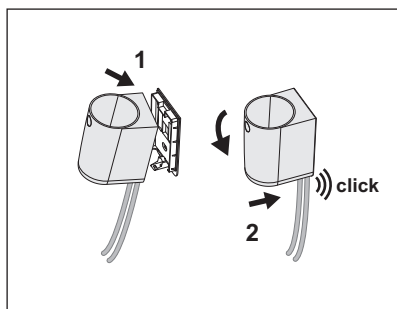
Siga estas instruções de forma precisa, de modo a posicionar os colares para garantir uma ligação completa.



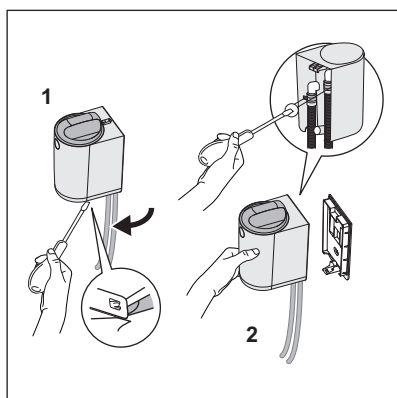
Quando utilizar a chave de fendas, tenha cuidado para não danificar o corpo do filtro nem as mangueiras.



7. Seguindo o movimento mostrado na imagem, ao fixar o corpo do filtro ao suporte de parede, ouvirá um som de "clique" quando o corpo estiver fixado corretamente ao suporte de parede.



- i** Antes de prosseguir para o tópico seguinte Utilização e manutenção diárias e limpeza, inicie o programa de lavagem curto e siga-o até ao fim. Assegure-se de que não existem fugas a partir do filtro e das respetivas ligações. Em caso de existir uma fuga de água, proceda conforme descrito no parágrafo 8. Separe o conjunto do filtro do suporte de parede e aperte os colares. Para reinstalar o filtro, repita os passos no parágrafo 7.



8. Se aparecer alguma água durante o primeiro ciclo, pare o programa imediatamente. Desligue a máquina de lavar e retire a ficha da tomada elétrica. Antes de prosseguir com o procedimento de desmontagem, verifique se a tampa do filtro se mantém na posição de bloqueio para evitar qualquer fuga de água enquanto aperta os colares.

Retire o filtro completamente do suporte de parede:

1. Desencaixe o filtro do suporte de parede utilizando a chave de fendas,
2. Segure o filtro na sua mão para apertar o colar com a chave de fendas.

Repita os passos no parágrafo 7 para instalar o filtro.

3. UTILIZAÇÃO DIÁRIA E CUIDADOS E LIMPEZA

! **AVISO!**
Consulte os capítulos relativos à segurança.

! **AVISO!**
Antes de aceder ou limpar o filtro, desligue sempre a máquina e verifique se não está a funcionar.

i O cartucho do filtro é fabricado com uma rede fina de poliamida para recolher as microfibras libertadas pelo processo de lavagem da roupa.

i Após alguns ciclos de lavagem, o cartucho do filtro ficará obstruído e terá de ser limpo

i O número de ciclos antes da ativação do flutuador depende de vários fatores (tipo de têxtil, tamanho do tambor, programas mais utilizados, tipo de ciclos e duração, carga de roupa, detergente, grau de sujidade, etc.).

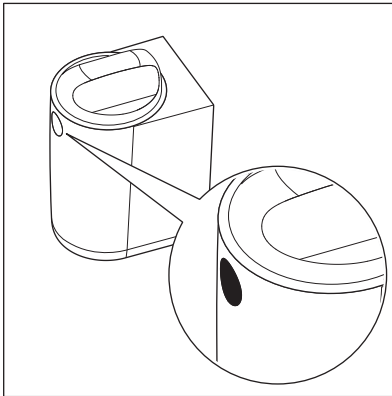
i Limpe o cartucho regularmente, uma vez por semana ou quando o indicador flutuante vermelho estiver claramente visível.

i Quando o filtro estiver entupido, o flutuador vermelho localizado no interior da tampa torna-se visível, alertando o utilizador de que o cartucho tem de ser limpo, como apresentado na figura seguinte.



AVISO!
Não reutilize a água do filtro. Pode conter partículas microplásticas que não são adequadas para consumo humano e animal.

3.1 Condição "Alarme vermelho"



O flutuador vermelho indica que o filtro está cheio e que tem de ser limpo.

No modo "**alarme vermelho**" (quando o flutuador está ativado), o filtro não irá interromper o ciclo de lavagem, mas funciona no modo de bypass e deixa de filtrar.

Por conseguinte, para garantir um desempenho ideal, recomenda-se que limpe o cartucho o mais rapidamente possível para evitar deixar o filtro no modo de "**alarme vermelho**".



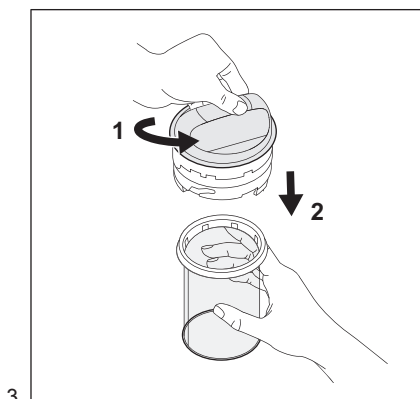
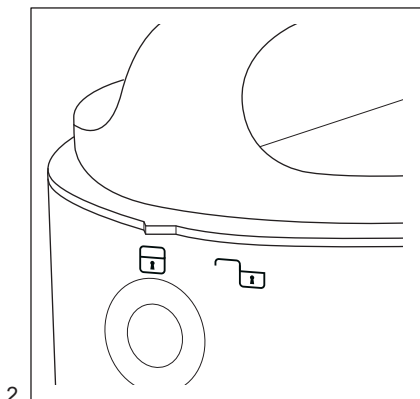
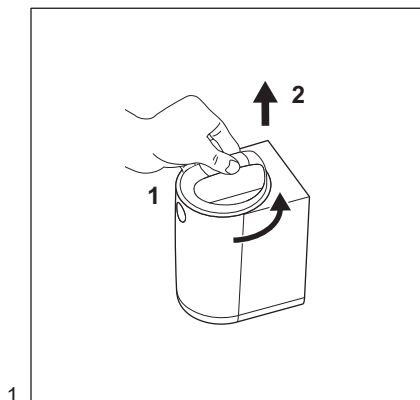
AVISO!

Por diversos motivos, a máquina de lavar roupa pode apresentar possíveis avisos, relacionados com problemas de escoamento, como o **E20-E21**. Se este aviso for apresentado, verifique primeiro o novo filtro externo e limpe-o. Se o erro persistir, verifique também o filtro da sua máquina de lavar e limpe-o, se estiver acessível.

A paragem da máquina de lavar (erro) é uma função de segurança da máquina para evitar tempos de escoamento longos e evitar causar danos à máquina. Depois de o cartucho do filtro ter sido limpo, o funcionamento normal pode ser retomado.

3.2 Manutenção e limpeza

Limpeza do filtro e eliminação das microfibras.

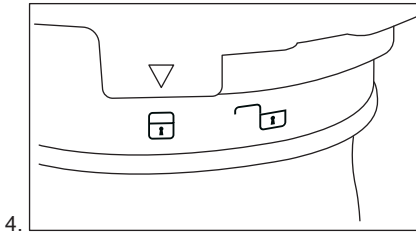


Para abrir o filtro, consulte os movimentos na Imagem 1 e 2:

1. Rode a tampa no sentido anti-horário a partir do símbolo de bloquear para o símbolo de desbloquear (disponível na parte frontal do filtro, conforme ilustrado na figura 2),
2. Levante a tampa.

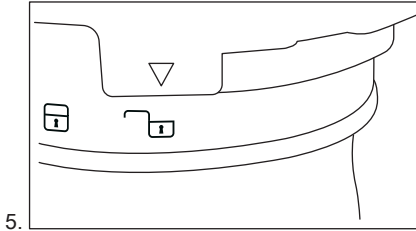
Para retirar o cartucho, consulte os movimentos na Imagem 3:

1. Segure a tampa na sua mão e, em seguida, com a outra mão, rode o cartucho no sentido anti-horário a partir do símbolo de bloquear para o símbolo de bloqueio (ver figura 4 e 5).
2. Puxe o cartucho para baixo.

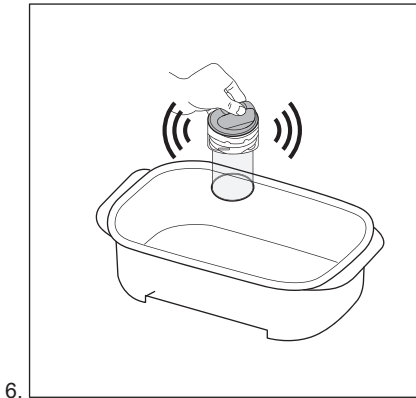


Para Bloquear/Desbloquear o cartucho, consulte a Figura 4 e 5:

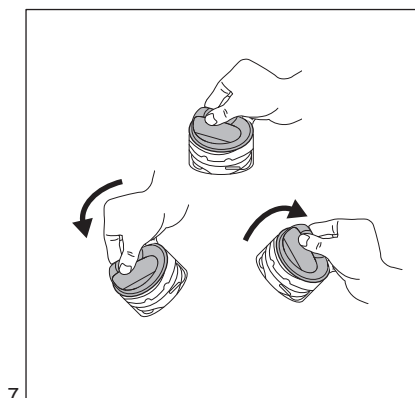
Bloquear (imagem 4) / Desbloquear (imagem 5).



Para limpar o cartucho e eliminar o respetivo conteúdo, consulte a Figura 6, 7, 8 e 9.



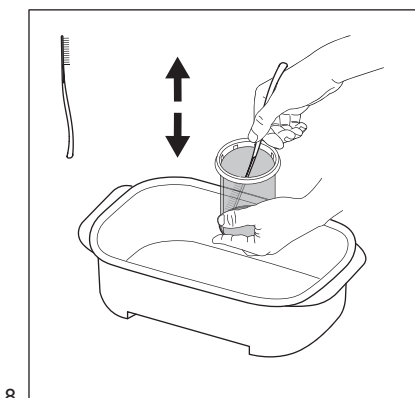
Se o cartucho estiver completamente obstruído, pode estar cheio de água suja. Para estar preparado para a operação de limpeza, sugerimos a utilização de qualquer tacho ou pequeno recipiente de plástico; isto pode ajudar a operação e evita que o ambiente circundante se molhe. Para remover a água restante do interior do cartucho, esvazie-o para dentro de um recipiente segurando na tampa do conjunto e agitando-a. A água escorre para fora. Caso ainda exista alguma água, avance para o passo seguinte.



i Para repor o filtro, consulte a Figura 7.

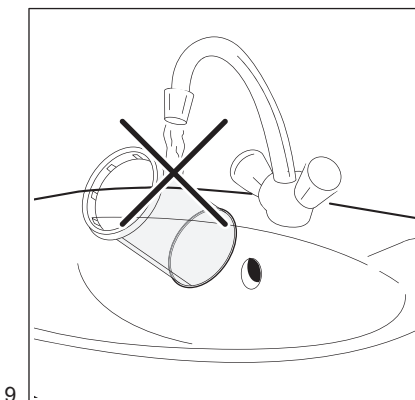
Antes de voltar a colocar a tampa no cartucho, reponha o flutuador removendo a água dentro da tampa. Segure na tampa, rode-a (ver figura 7) e drene toda a água para um recipiente de plástico. O flutuador deixa de estar visível quando a tampa é colocada no filtro.

i Pode ouvir-se um ruído, mas este é um comportamento normal, uma vez que dentro da tampa existe uma válvula de massa.

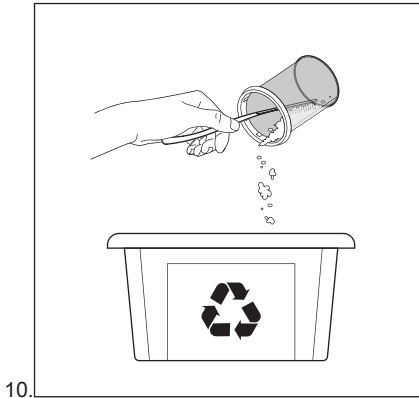


Segurando o cartucho dentro do recipiente, utilize a ferramenta de escova-espátula disponível na caixa do filtro. Remova, usando movimentos ascendentes/descendentes, as fibras ligadas à rede do cartucho para ajudar na evacuação da água.

i Elimine os resíduos do filtro para os resíduos secos gerais.



Para preservar o impacto positivo do filtro no ambiente, evite a utilização de água para limpar o cartucho do filtro. Ao invés, elimine os resíduos recolhidos pelo cartucho do filtro nos resíduos secos gerais (evite a dispersão de fibras de plástico na água ambiente).



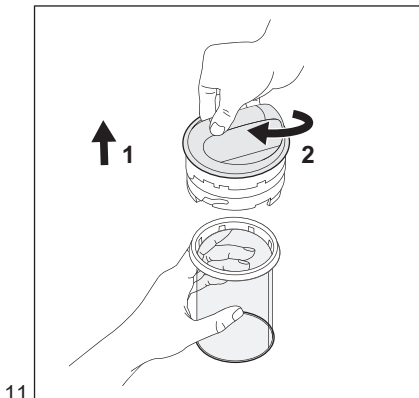
Depois de a água ter sido esvaziada do cartucho, remova toda a sujidade e microfibras do interior do cartucho e elimine-as nos resíduos gerais SECOS. Pode utilizar uma toalha de papel para recolher o máximo de material possível.

CUIDADO!

Os resíduos recolhidos pelo cartucho contêm microfibras, resíduos de detergente e sujidade. TÊM de ser eliminados nos resíduos secos gerais.

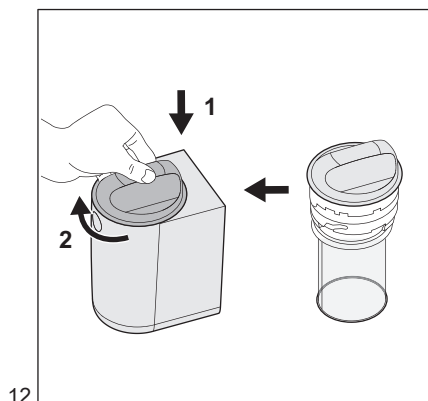


Após a operação de limpeza do cartucho, a espátula da escova pode estar suja e cheia de fibras de plástico. Para preservar o impacto positivo sobre o ambiente, limpe-o com toalhas de papel comuns e elimine-o para os resíduos secos gerais



Para substituir o cartucho, consulte a Figura 11:

1. Insira o cartucho.
2. Segure o cartucho na sua mão e, em seguida, com a outra mão, rode a tampa no sentido anti-horário do símbolo de desbloqueio para o símbolo de bloqueio.



i Para fechar o filtro, consulte os movimentos na Imagem 12:

1. Insira a tampa (+ cartucho) dentro do corpo a partir do topo.
2. Rode a tampa no sentido horário desde o símbolo de desbloqueio para o símbolo de bloquear.

Para qualquer informação adicional sobre manutenção e limpeza, assista ao vídeo. Está disponível um código QR dedicado no início deste manual do utilizador.

i

CUIDADO!

Assegure-se de que fecha a tampa antes de prosseguir com o ciclo de lavagem seguinte.



AVISOS

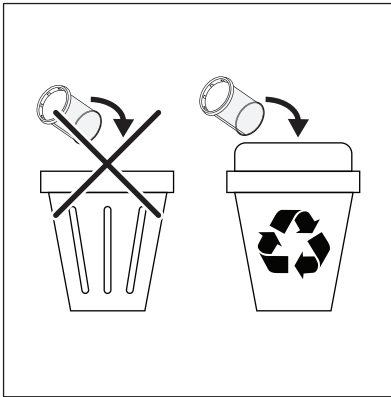
Em caso de um período de pausa na lavagem superior a uma semana completa (por exemplo, férias, viagem), sugere-se que esvazie o cartucho e limpe o filtro para evitar a criação de odores inesperados no ambiente do filtro.

É necessário limpar o cartucho em condições de humidade para não o danificar, evitando o mau funcionamento nos ciclos seguintes utilizados.

O sistema de filtragem é fornecido com um cartucho sobresselente de modo a reiniciar imediatamente a sua rotina de lavagem em caso de danos no cartucho

Substituição e eliminação do cartucho

O cartucho tem uma vida útil limitada, de aproximadamente seis meses, uma vez que a operação de limpeza pode danificar a rede, comprometendo o desempenho do filtro. Encontra-se incluída na caixa 1 peça sobresselente do cartucho.



Coloque os resíduos do filtro num recipiente de reciclagem adequado.

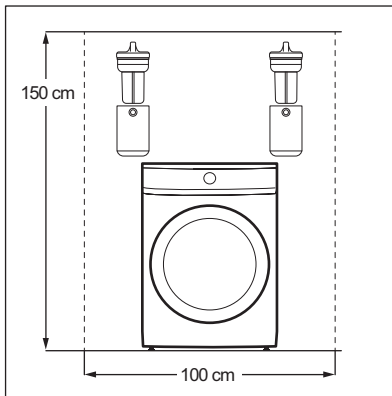
Quando o cartucho tiver de ser substituído, siga estes 2 passos simples:

1. Limpe cuidadosamente o cartucho danificado.
2. Coloque o cartucho e os resíduos num contentor de reciclagem.

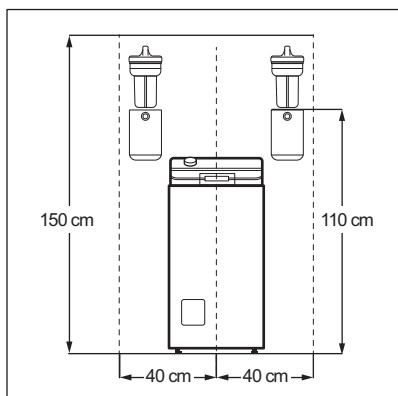


Para peças sobressalentes de cartuchos adicionais, utilize apenas peças originais. Os cartuchos são vendidos em qualquer centro de assistência da Electrolux/AEG ou mesmo online.

Anexos



Anexo para máquina de lavar de carregamento frontal.



Anexo para máquina de lavar roupa de carregamento superior.

1. ⚠️ INFORMAȚII PRIVIND SIGURANȚA

Înainte de instalare și utilizare a produsului, citiți cu atenție instrucțiunile furnizate. Producătorul nu este responsabil pentru eventuale vătămări sau pagube rezultate din instalarea sau utilizarea incorectă. Păstrați permanent instrucțiunile într-un loc sigur și accesibil pentru consultare ulterioară.

- Acest produs este conceput pentru filtrarea fibrelor din micro plastice eliberate din textile în timpul procesului de spălare și nu trebuie utilizat în alte scopuri.
- Acest produs poate fi utilizat de copiii cu vârsta mai mare de 8 ani, de persoanele cu capacități fizice, senzoriale sau mentale reduse sau de persoanele fără cunoștințe sau experiență doar sub supraveghere sau după o scurtă instruire care să le ofere informațiile necesare despre utilizarea sigură a produsului și să le permită să înțeleagă pericolele la care se expun. Copiii cu vârsta mai mică de 8 ani și persoanele cu dizabilități profunde și complexe nu trebuie lăsate să se apropie de aparat dacă nu sunt supravegheate permanent.
- Nu lăsați copiii să se joace cu produsul. Nu lăsați ambalajele la îndemâna copiilor și aruncați-le conform reglementărilor.
- Copiii nu vor realiza curățarea sau întreținerea realizată de utilizator asupra produsului fără a fi supravegheați. Nu lăsați detergenții la îndemâna copiilor.
- Acest aparat este conceput pentru utilizarea casnică și a aplicațiilor similare, cum ar fi:
 - zonele de bucătărie pentru personal din ateliere, birouri și alte medii de lucru;
 - ferme;
 - de către clienții din hoteluri, moteluri, unități de cazare cu mic dejun și alte medii de tip rezidențial;
 - zone comune din blocuri de apartamente sau în spălătorii de haine.

- Urmați instrucțiunile de instalare furnizate împreună cu aparatul.
- Nu instalați sau utilizați un produs deteriorat sau furtunuri de evacuare deteriorate.
- Instalați aparatul într-un loc sigur și adecvat care se supune cerințelor privind instalarea.
- Nu instalați produsul deasupra prizelor electrice sau deasupra oricăror dispozitive aflate pe perete sau a dispozitivelor independente din apropiere, pe podea, pentru a evita riscul de electrocutare.
- Îndepărtați toate ambalajele.
- Asigurați-vă că țevile sunt fixate corespunzător pentru a evita scurgerile, zgomotul sau deteriorarea.
- Folosiți un traseu adecvat pentru furtun între aparat și admisia filtrului pentru a evita blocarea debitului de evacuare.
- Dispozitivele de fixare pentru perete nu sunt incluse din cauza multitudinii de materiale folosite la construcția pereților. Utilizați dispozitive de fixare adecvate pentru pereți.
- Asigurați-vă că nu sunt pierderi vizibile de apă în timpul și după prima utilizare a produsului.
- Nu folosiți apă pulverizată cu presiune ridicată sau abur pentru curățarea produsului.
- Opriți întotdeauna și verificați dacă mașina nu funcționează înainte de a accesa sau curăța produsul.
- Curățați produsul cu o lavetă umedă. Utilizați numai detergenți neutri. Nu folosiți niciun produs abraziv, burete abraziv, solvent sau obiect metalic.
- Curățați cartușul în mod regulat, o dată pe săptămână sau atunci când indicatorul roșu al plutitorului este vizibil în mod clar.
- Nu reutilizați apa din filtru. Poate conține particule micro plastice care nu sunt potrivite pentru consumul uman și animal.
- Pentru a repara produsul, contactați Centrul de service autorizat. Utilizați doar piese de schimb originale.

- Acest accesoriu extern este compatibil cu mașinile de spălat rufe de uz casnic Electrolux/AEG/Zanussi.

Informații privind mediul

Reciclați materialele marcate cu simbolul ♻️. Pentru reciclare, puneți ambalajul în containerele corespunzătoare.

2. INSTALAREA

2.1 Înainte de instalare



AVERTISMENT!

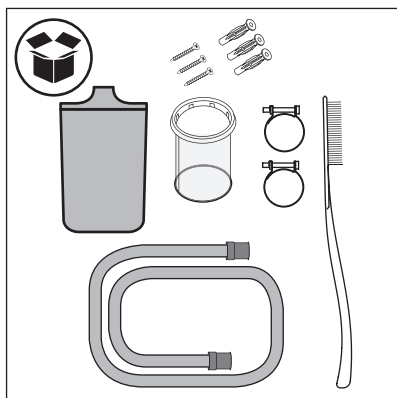
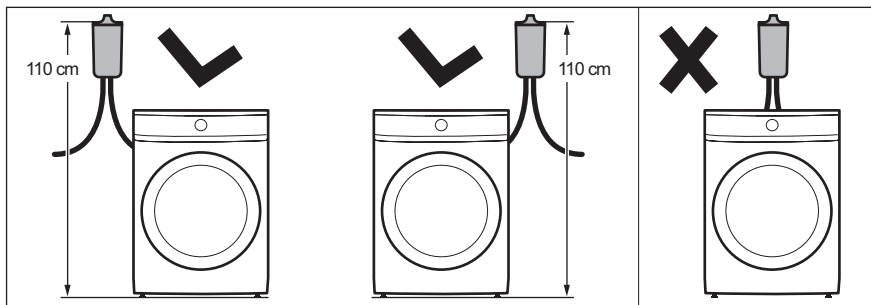
Consultați capitolele privind siguranța.



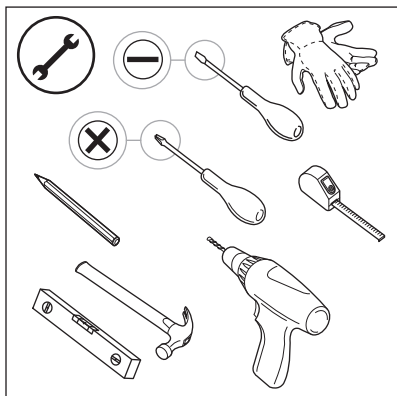
Vizită electrolux.com/getstarted/microplasticfilters pentru materialele video de instalare și utilizare.

1. Selectați o locație adecvată pe perete pentru a instala filtrul:

Pentru a evita scurgerile pe mașina de spălat rufe, este de preferat ca filtrul să fie instalat pe oricare parte laterală a mașinii de spălat.

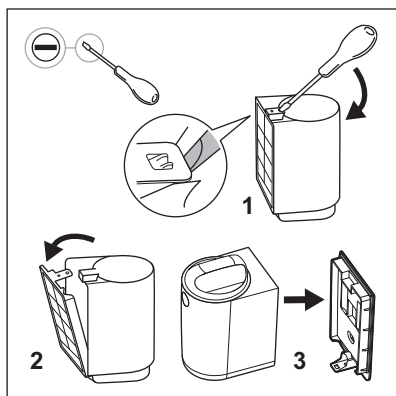


2. Verificați conținutul casetei.



3. Pregătiți sculele necesare pentru instalare.

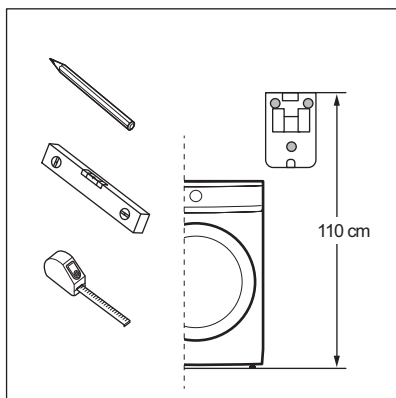
2.2 Instalarea accesoriului



1. Scoateți filtrul din cutia de ambalare și scoateți suportul de perete cu ajutorul unei șurubelnițe cu cap plat.

2. Poziția filtrului dvs. trebuie să respecte aceste puncte enumerate (a și b):

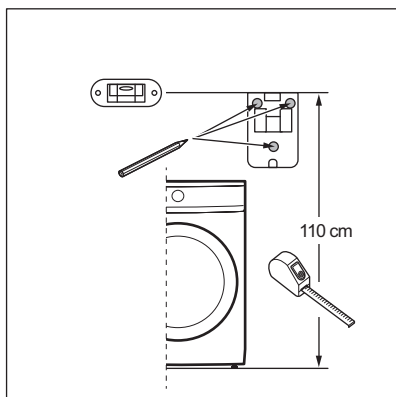
a. Poziționați suportul de perete la înălțimea corectă, măsurând 110 cm* din partea de sus a suportului de perete până la podea (sau pe suport, dacă există). ***Toleranța admisă în poziția pentru înălțimea filtrului este de +/-5 cm.**



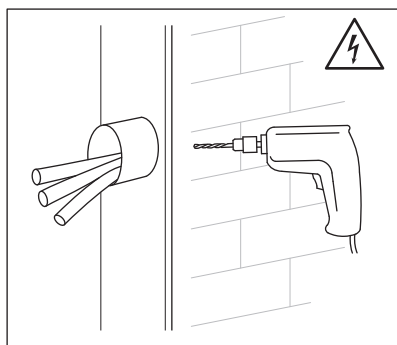
Verificați unde se află punctul de drenaj înainte de a poziționa suportul de perete. Filtrul este echipat cu o conductă de evacuare cu lungimea de 100 cm.



Asigurați-vă că există suficient spațiu deasupra filtrului înainte de a poziționa suportul pentru perete. Asigurați-vă că lăsați suficient spațiu liber deasupra filtrului pentru a scoate și reintroduce cartușul. Consultați referința privind dimensiunile minime din Anexa 1 (Încărcător frontal) și Anexa 2 (Încărcător superior).



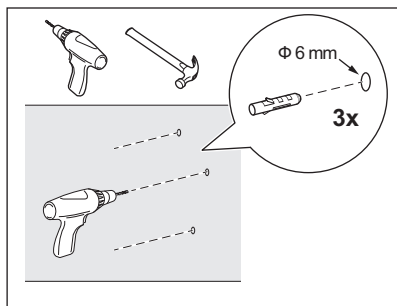
b. Utilizați o nivelă cu bulă de aer pentru a verifica dacă cele 3 puncte de forare sunt drepte și bine aliniată înainte de găurire.



3. Forăți găurile în perete și montați prinderile.

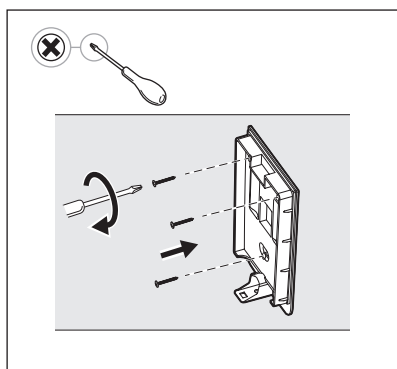
AVERTISMENT!

Înainte de a forța în perete, asigurați-vă că nu există conducte de apă sau fire de electricitate în spatele acestora. Se recomandă utilizarea unui burghiu de 6 mm (ϕ). Ambalajul filtrului include trei șuruburi dedicate și prinderi din plastic pentru montarea corectă și sigură a filtrului. Sistemul de fixare furnizat este conceput pentru montarea pe un perete de cărămidă. Dacă aveți îndoieli, consultați tehnicianul.



AVERTISMENT!

Dacă peretele dvs. nu este construit din cărămidă, utilizați prinderile și șuruburile adecvate concepute pentru acel material.

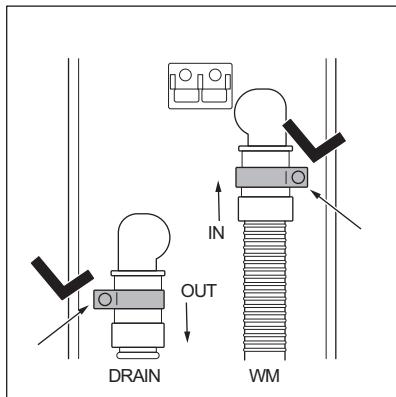


4. Montați suportul de perete cu șuruburile și prinderile din plastic furnizate, asigurându-vă că este fixat drept și sigur pe perete.

5. Luați furtunurile, colierele și corpul filtrului.

Introduceți colierele pe furtunuri și conectați țevile la corpul filtrului urmând indicațiile de **INTRARE/IEȘIRE** prezente pe partea din spate a corpului filtrului:

INTRARE: furtun care vine din WM,
IEȘIRE: furtun (prezent în ambalajul filtrului) care intră în canal.



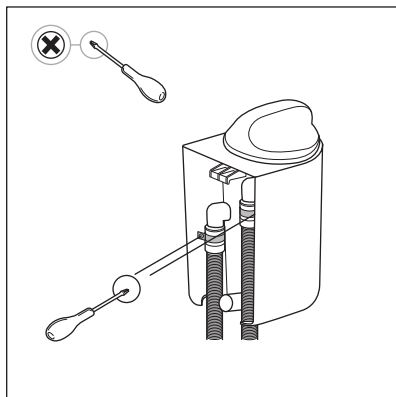
AVERTISMENT!

Înainte de a conecta furtunul de evacuare la filtrul extern, asigurați-vă că mașina de spălat rufe este **OPRITĂ** și scoasă din priză.



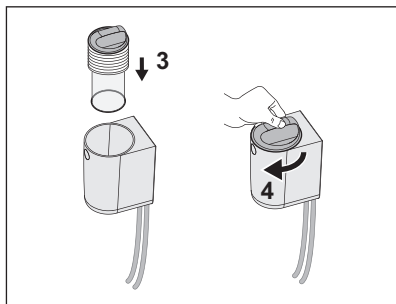
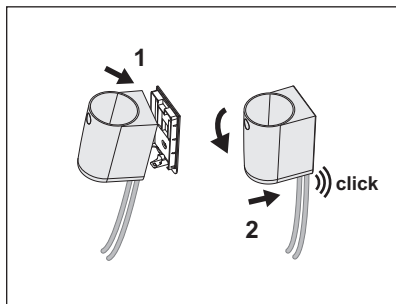
6. Strângeți colierele folosind șurubelnița.

Urmați exact aceste instrucțiuni pentru a poziționa colierele, pentru a asigura o conexiune completă.

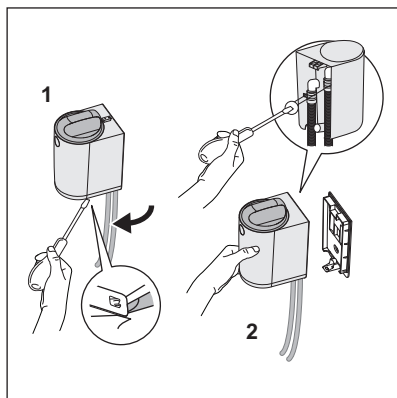


Când utilizați șurubelnița, aveți grijă să nu deteriorați corpul filtrului sau furtunurile.

7. După mișcarea afișată în imagine, când montați corpul filtrului pe suportul de perete, veți auzi un „clic” pe măsură ce corpul este atașat montat pe suportul de perete.



- i** Înainte de a trece la următorul subiect Utilizare zilnică, întreținere și curățare, porniți programul de spălare scurt și urmați-l până la final. Asigurați-vă că nu apar scurgeri din filtru și din conexiunile acestuia. În cazul scurgerilor de apă, procedați conform descrierii din paragraful 8. Detașați ansamblul filtrului de pe suportul de perete și strângeți colierele. Pentru a reinstala filtrul, repetați pașii din paragraful 7.



8. Dacă se scurge apă în timpul primului ciclu, opriți imediat programul. **OPRIȚI** mașina de spălat și scoateți-o din priză. Înainte de a continua cu procedura de detașare, verificați dacă capacul filtrului rămâne în poziția blocat pentru a evita orice scurgeri de apă în timp ce strângeți colierele. Detașați întreg filtrul de pe suportul de perete:

1. Detașați filtrul de pe suportul de perete folosind șurubelnița,
2. Țineți filtrul în mână pentru a strânge colierul cu șurubelnița.

Repetăți pașii din paragraful 7 pentru a instala filtrul.

3. UTILIZAREA ZILNICĂ, ÎNGRIJIREA ȘI CURĂȚAREA

! **AVERTISMENT!**
Consultați capitolele privind siguranța.

! **AVERTISMENT!**
Opriți întotdeauna și verificați dacă mașina nu funcționează înainte de a accesa sau curăța filtrul.

i Cartușul filtrant este confecționat cu o plasă subțire de poliamidă pentru a colecta micro fibrele eliberate din procesul de spălare a rufelor.

i După unele cicluri de spălare, cartușul filtrant se va înfunda și trebuie curățat

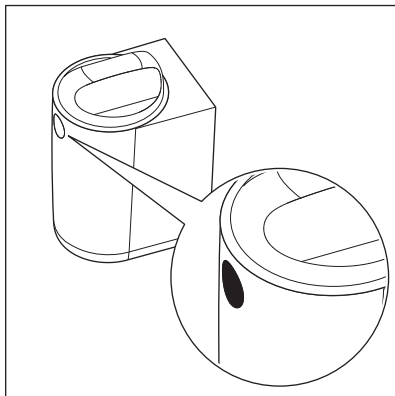
i Numărul de cicluri înainte de activarea fotorului va depinde de mai mulți factori (material textil, dimensiunea tamburului, cele mai utilizate programe, tipul și durata ciclurilor, încărcătura de rufe, detergentul, gradul de murdărire etc.).

i Curățați cartușul în mod regulat, o dată pe săptămână sau atunci când indicatorul roșu al plutitorului este vizibil în mod clar.

i Când filtrul este înfundat, plutitorul roșu care este amplasat în interiorul capacului devine vizibil, alertând utilizatorul că trebuie curățat cartușul, așa cum afișează imaginea următoare.

**AVERTISMENT!**

Nu reutilizați apa din filtru.
Poate conține particule
micro plastice care nu sunt
potrivite pentru consumul
uman și animal.

3.1 Starea de „Alarmă roșie”

Flotorul roșu indică faptul că
filtrul este plin și trebuie
curățat.

În modul de „alarmă roșie” (când plutitorul este activat), filtrul nu va opri ciclul de spălare, dar va funcționa într-un mod bypass și nu va mai filtra.

Prin urmare, pentru a asigura performanțe optime, se recomandă curățarea cartușului cât mai curând posibil, pentru a evita lăsarea filtrului în modul de „alarmă roșie”.

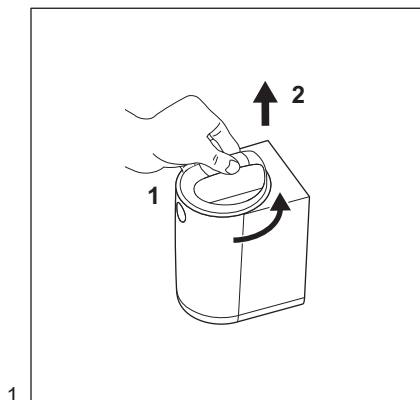
**AVERTISMENT!**

Din mai multe motive, mașina de spălat ar putea prezenta posibile avertismente, legate de probleme de evacuare, cum ar fi **E20-E21**. Dacă apare acest avertisment, verificați mai întâi noul filtru extern și curățați-l. Dacă eroarea persistă, verificați și filtrul mașinii de spălat rufe și curățați-l dacă este accesibil.

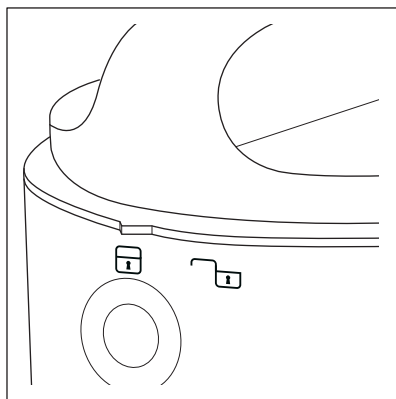
Oprirea mașinii de spălat rufe (eroare) este o caracteristică de siguranță a mașinii pentru a evita timpii lungi de evacuare și a nu deteriora mașina. După ce a fost curățat cartușul filtrant, funcționarea normală poate fi reluată.

3.2 Îngrijire și curățare

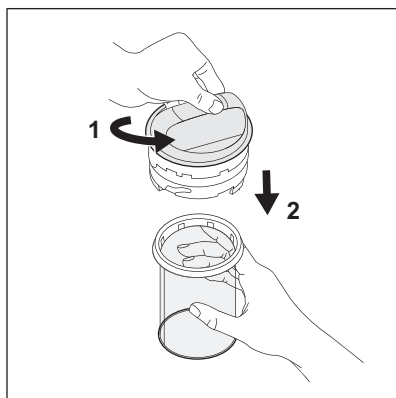
Curățarea filtrului și eliminarea micro fibrelor.



1.



2.



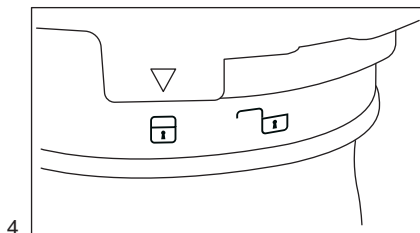
3.

Pentru a deschide filtrul, consultați mișcările din imaginile 1 și 2:

1. Rotați capacul în sens invers acelor de ceasornic de la simbolul de blocare la simbolul de deblocare (disponibil în partea din față a filtrului, ca în imaginea 2),
2. Ridicați capacul.

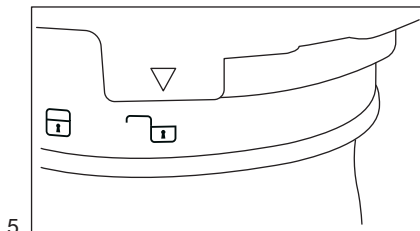
Pentru a decupla cartușul, consultați mișcările din imaginea 3:

1. Mențineți apăsat capacul în mână, apoi roțiți cartușul cu cealaltă mână în sens invers acelor de ceasornic de la simbolul de blocare pentru a debloca simbolul (consultați imaginile 4 și 5).
2. Trageți în jos cartușul.

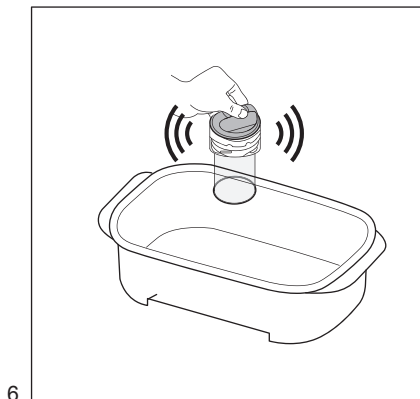


Pentru a bloca/debloca cartușul, consultați figurile 4 și 5:

Blocare (imaginea 4) / deblocare (imaginea 5).

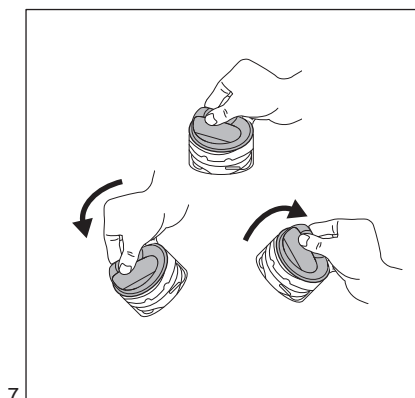


Pentru a curăța cartușul și a elimina conținutul acestuia, consultați imaginile 6, 7, 8 și 9.



În cazul în care cartușul este înfundat complet, acesta poate fi plin de apă murdară. Pentru a fi pregătit pentru operațiunea de curățare, se recomandă utilizarea oricărui recipient sau a unui vas mic din plastic; acest lucru ar putea ajuta procedura și să prevină udarea mediului înconjurător.

Pentru a îndepărta apa rămasă în interiorul cartușului, goliți-l într-un vas sau un recipient menținând apăsat capacul ansamblului și agitându-l. Apa curge afară. În cazul în care mai rămâne apă, urmați pasul următor.

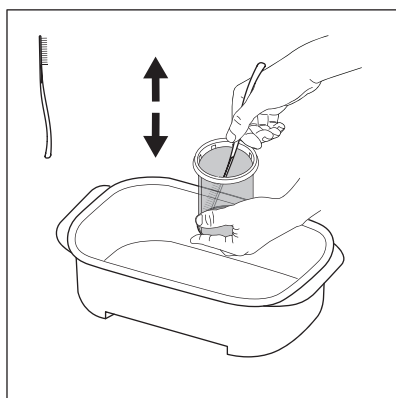


7.

i Pentru a reseta filtrul, consultați imaginea 7.

Înainte de a pune la loc capacul pe cartuș, resetați plutitorul prin eliminarea apei din interiorul capacului. Mențineți apăsat capacul, rotiți-l (vedeți imaginea 7) și scurgeți toată apa într-un recipient din plastic. Atunci când capacul este amplasat pe filtru, flotorul nu mai este vizibil.

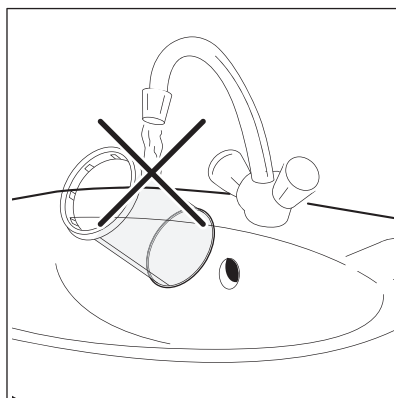
i Se poate auzi un zgomot, dar acesta este un comportament normal, deoarece în interiorul capacului există o supapă de masă.



8.

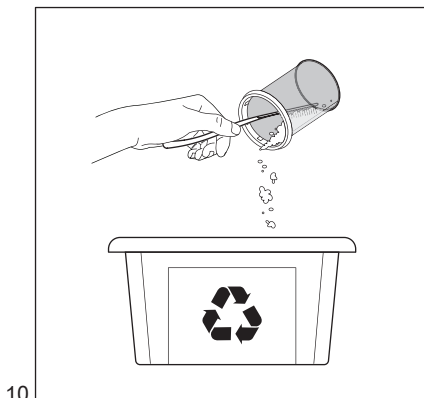
Ținând cartușul în interiorul recipientului, utilizați spatula cu perie disponibilă în cutia filtrului. Prin mișcarea periei de sus în jos, îndepărtați cât mai multe fibre atașate pe plasa cartușului pentru a ajuta la evacuarea apei.

i Eliminați reziduurile din filtru în tomberonul dedicat deșeurilor uscate.



9.

Pentru a conserva impactul pozitiv al filtrului asupra mediului, evitați utilizarea apei pentru curățarea cartușului filtrant. În schimb, aruncați reziduurile colectate de cartușul filtrant în tomberonul dedicat deșeurilor uscate (evitați dispersia fibrelor de plastic în mediul acvatic).



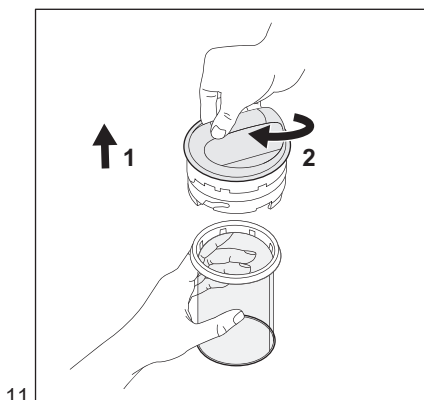
După ce apa a fost evacuată din cartuș, îndepărtați murdăria și micro fibrele din interiorul cartușului și aruncați-le în tomberonul dedicat deșeurilor uscate. Un prosop de hârtie poate fi folosit pentru a colecta cât mai mult material posibil.



ATENȚIE!

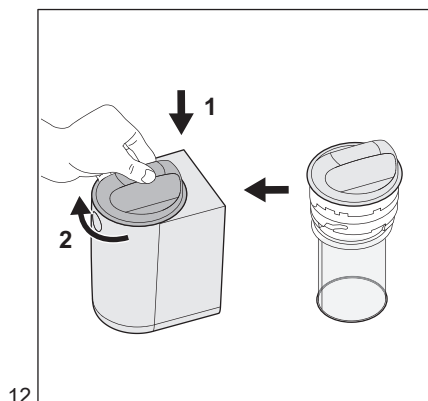
Deșeurile colectate de cartuș conțin micro fibre, reziduuri de detergent și murdărie. TREBUIE aruncat în tomberonul dedicat deșeurilor uscate.

După operațiunea de curățare a cartușului, spatula cu periei poate fi murdară și plină de fibre din plastic. Pentru a conserva impactul pozitiv asupra mediului, curățați-l cu prosoape de hârtie obișnuite și aruncați-l în tomberonul dedicat deșeurilor uscate



Pentru a înlocui cartușul, consultați imaginea 11:

1. Introduceți cartușul.
2. Țineți cartușul în mână, apoi, cu cealaltă mână rotiți capacul în sensul acelor de ceasornic de la simbolul de deblocare la cel de blocare.



Pentru a închide filtrul, consultați mișcările din imaginea 12:

1. Introduceți capacul (și cartușul) în interiorul corpului, prin partea superioară.
2. Rotați capacul în sensul acelor de ceasornic de la simbolul de deblocare la simbolul de blocare.

Pentru informații suplimentare privind întreținerea și curățarea, vă rugăm urmăriți videoclipul. Un cod QR dedicat este disponibil la începutul acestui manual de utilizare.



ATENȚIE!
Asigurați-vă că ați închis capacul înainte de a continua cu următorul ciclu de spălare.



AVERTISMENTE

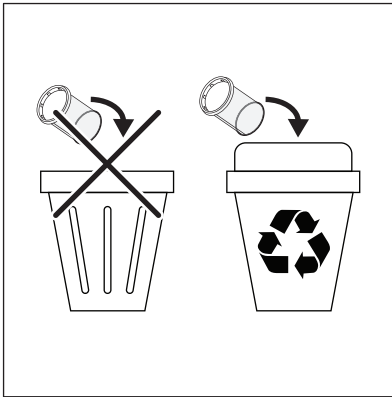
În cazul unei pauze de spălare mai lungă de o săptămână întreagă (de ex. vacanță, călătorie), se recomandă golirea cartușului și curățarea filtrului pentru a evita apariția unui miros neașteptat în mediul filtrului.

Este necesară curățarea cartușului în stare umedă pentru a nu-l deteriora, evitând defectarea la următoarele cicluri de utilizare.

Sistemul de filtrare este prevăzut cu un cartuș de rezervă pentru a reîncepe imediat rutina de spălare a rufelor în caz de deteriorare a cartușului

Înlocuirea și eliminarea cartușului

Cartușul are o durată de viață limitată, de aproximativ șase luni, deoarece operațiunea de curățare poate deteriora plasa, compromițând performanța filtrului. 1 cartuș de rezervă este inclus în cutie.



Puneți deșeurile din filtru într-un recipient de reciclare adecvat.

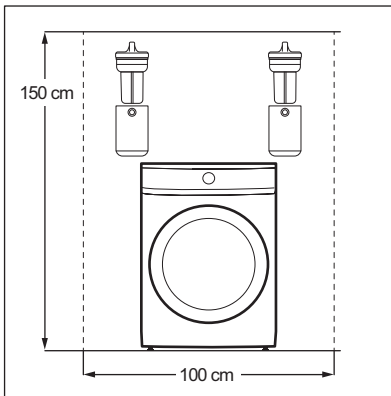
Când trebuie înlocuit cartușul, urmați acești 2 pași simpli:

1. Curățați cu atenție cartușul deteriorat.
2. Puneți cartușul și deșeurile într-un coș de reciclare.

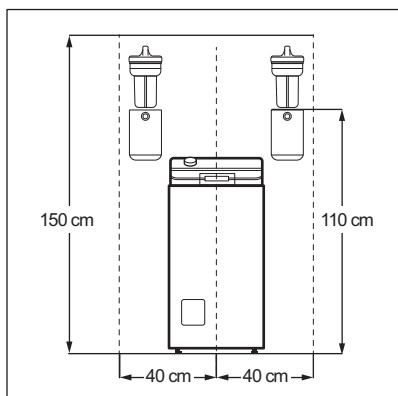


Utilizați numai piese originale ca piese de schimb suplimentare pentru cartuș. Cartușele sunt vândute în orice centru de service Electrolux/AEG sau chiar online.

Anexe



Anexă pentru mașina de spălat rufe cu încărcător frontal.



Anexă pentru mașina de spălat rufe cu încărcare verticală.

1. ИНСТРУКЦИЯ ПО ТЕХНИКЕ БЕЗОПАСНОСТИ

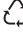
Перед установкой и эксплуатацией прибора внимательно ознакомьтесь с приложенной инструкцией. Изготовитель не несет ответственности за какие-либо травмы или ущерб, возникшие вследствие неправильной установки или эксплуатации. Всегда храните эту инструкцию в безопасном и доступном месте для последующего использования.

- Данное изделие предназначено для фильтрации волокон микропластика, выделяемых из тканей в процессе стирки, и не должно использоваться для других целей.
- Прибор не предназначен для использования лицами (включая детей) с пониженными физическими, сенсорными или умственными способностями или при отсутствии у них жизненного опыта или знаний, если они не находятся под присмотром или не проинструктированы об использовании прибора лицом, ответственным за их безопасность. Детям младше 8 лет и лицам с ярко выраженными и комплексными нарушениями здоровья запрещается находиться рядом с прибором без постоянного присмотра.
- Дети должны находиться под присмотром для недопущения игр с прибором. Храните все упаковочные материалы вне досягаемости детей и утилизируйте их надлежащим образом.
- Чистка и доступное пользователю техническое обслуживание изделия не должны производиться детьми без присмотра. Храните моющие средства в недоступном для детей месте.
- Данный прибор предназначен для использования в бытовых и приближенных к ним условиях:

- в помещениях, служащих кухнями для обслуживающего персонала в магазинах, офисах и в других рабочих помещениях;
 - в сельских жилых домах;
 - для использования клиентами отелей, мотелей мини-гостиниц типа «ночлег и завтрак» и других жилых помещений;
 - в местах общего пользования в многоквартирных домах или прачечных самообслуживания.
- Следуйте инструкциям по установке, входящим в комплект поставки прибора.
 - Не устанавливайте и не используйте поврежденные изделия или сливные шланги.
 - Разместите прибор в безопасном месте, отвечающем требованиям установки.
 - Во избежание поражения электрическим током не устанавливайте прибор над электрическими розетками или над устройствами, расположенными на стене, или отдельно стоящими устройствами, установленными близко друг к другу на полу.
 - Снимите всю упаковку.
 - Во избежание утечек, шума или повреждений убедитесь, что трубы закреплены надлежащим образом.
 - Убедитесь в правильности прокладки сливного шланга между прибором и впускным отверстием фильтра для обеспечения свободного стока воды.
 - В комплект поставки не входят крепежные приспособления для стен из различных материалов. Используйте подходящие для стен крепежные приспособления.
 - В ходе и по окончании первого использования прибора убедитесь в отсутствии видимых утечек воды.
 - Не используйте для чистки прибора водоразбрызгиватели высокого давления и/или пар.

- Перед доступом к фильтру или проведением процедуры его очистки необходимо выключить прибор и убедиться, что он не работает.
- Протрите прибор влажной тканью. Используйте только нейтральные моющие средства. Не используйте абразивные средства, абразивные губки, растворители или металлические предметы.
- Регулярно очищайте картридж: один раз в неделю или при появлении красного поплавка.
- Не используйте воду из фильтра повторно. Оно может содержать микропластик, непригодный для потребления человеком и животным.
- Для ремонта прибора обратитесь в авторизованный сервисный центр. Используйте только оригинальные запасные части.
- Этот внешний аксессуар совместим с бытовыми стиральными машинами Electrolux/AEG/Zanussi.

Охрана окружающей среды

Материалы с символом  следует сдавать в переработку. Упаковку следует выбрасывать в контейнеры для сбора вторичного сырья.

2. УСТАНОВКА

2.1 Перед установкой



ВНИМАНИЕ!

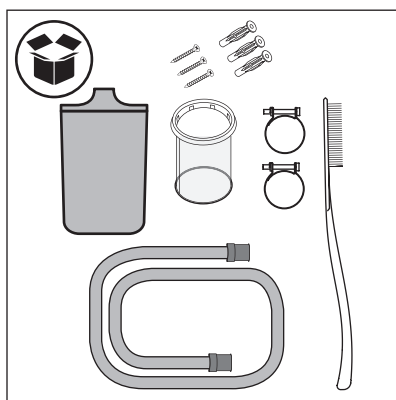
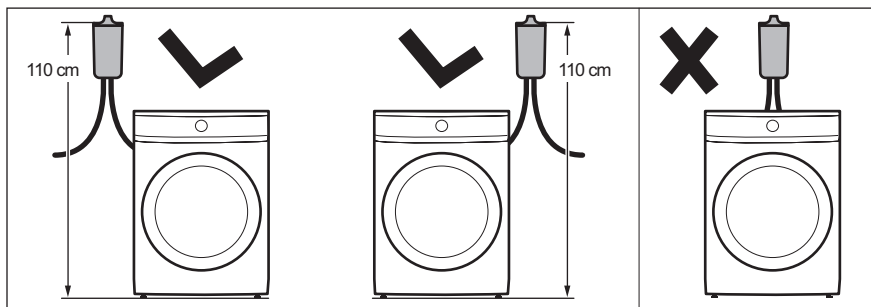
См. главы, содержащие сведения по технике безопасности.



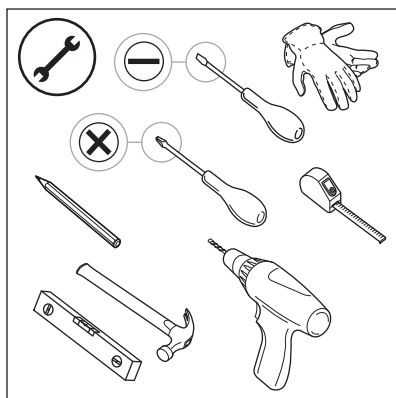
На веб-сайте electrolux.com/getstarted/microplasticfilters вы можете найти видео по установке и обслуживанию.

1. Выберите подходящее местоположение на стене для установки фильтра:

Во избежание попадания воды на стиральную машину рекомендуется устанавливать фильтр с одной из сторон стиральной машины.



2. Проверьте содержимое коробки.



3. Подготовьте необходимые инструменты для установки.

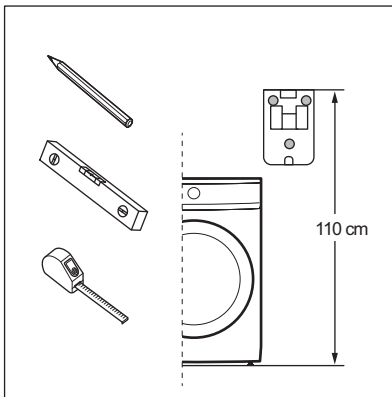
2.2 Установка аксессуаров



1. Извлеките фильтр из упаковочной коробки и снимите настенный держатель с помощью плоской отвертки.

2. При установке фильтра необходимо соблюдать следующие условия (пункты «а» и «б»):

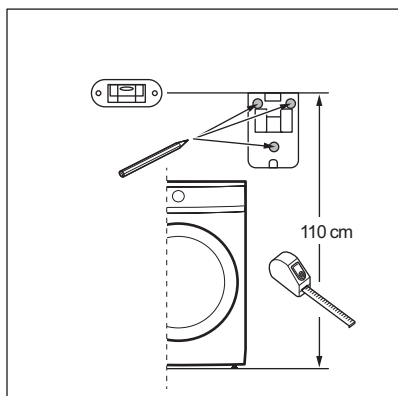
а. Расположите настенный держатель на правильной высоте: расстояние от верхней части настенного держателя до пола (или подставки, если таковая имеется) должно составлять 110 см*. ***Допустимая погрешность для положения фильтра по высоте составляет +/-5 см.**



Перед установкой настенного держателя проверьте расположение сливного отверстия. Фильтр оборудован одной сливной трубой длиной 100 см.

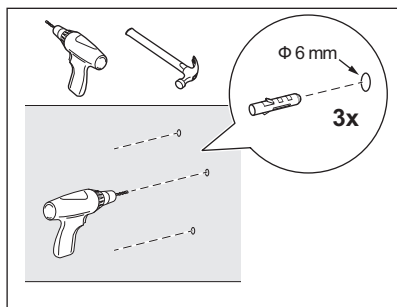
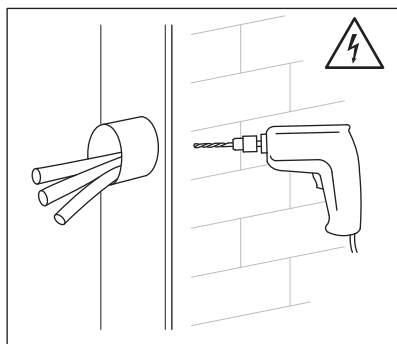


Перед установкой настенного держателя убедитесь, что над фильтром имеется достаточно места. Оставьте достаточно свободного пространства над фильтром для извлечения и повторной установки картриджа. См. минимальные размеры в приложении 1 (для стиральных машин с фронтальной загрузкой) и приложении 2 (для стиральных машин с верхней загрузкой).



б. С помощью уровня проверьте, что три лунки для сверления выровнены и правильно размещены относительно друг друга.

3. Просверлите отверстия в стене и установите анкеры.



ВНИМАНИЕ!

Перед тем как просверлить стену, убедитесь в отсутствии за ней водопроводных труб или электрических проводов.

Рекомендуется использовать сверло ϕ 6 мм. В комплект поставки фильтров входят три специальных винта и пластмассовые анкеры для правильной и надежной установки фильтра.

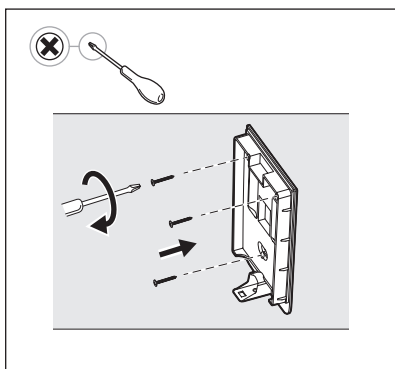
Поставляемая система фиксации предназначена для установки фильтра на кирпичной стене. В случае сомнений обратитесь к техническому специалисту.



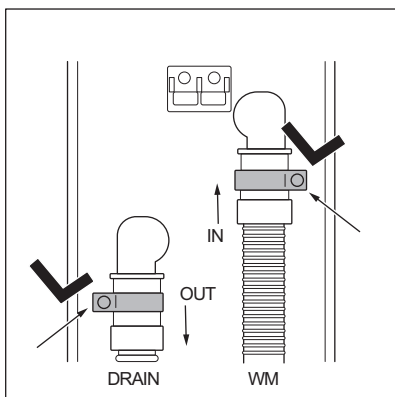
ВНИМАНИЕ!

Если стена изготовлена из материала, отличного от кирпича, используйте соответствующие анкеры и винты, предназначенные для этого материала.





4. Закрепите настенный держатель с помощью прилагаемых винтов и пластмассовых анкеров. Убедитесь, что он установлен прямо и надежно прикреплен к стене.



5. Возьмите шланги, хомуты и корпус фильтра.

Установите хомуты на шланги и подсоедините трубы к корпусу фильтра, следуя маркировке **IN/OUT (ВХОД/ВЫХОД)** на задней части корпуса фильтра:

IN (ВХОД): шланг для подключения стиральной машины,

OUT (ВЫХОД): шланг (входит в комплект поставки фильтра) для подключения к сливу.

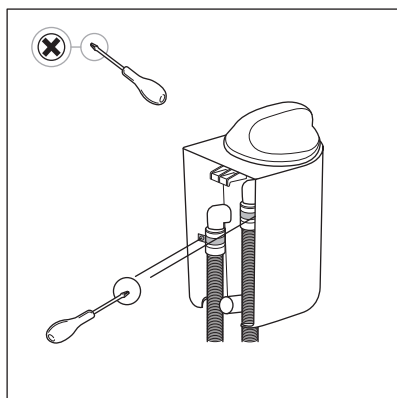
ВНИМАНИЕ!

Перед подключением сливного шланга к внешнему фильтру убедитесь, что стиральная машина выключена и отсоединена от электросети.



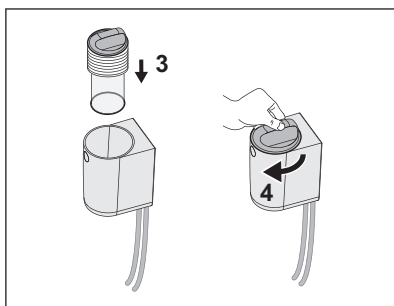
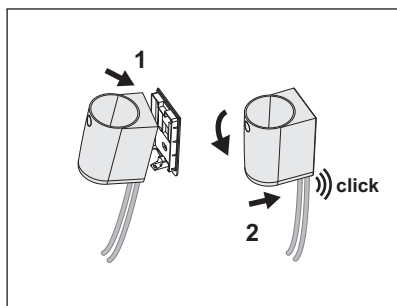
6. Затяните хомуты отверткой.

Строго соблюдайте следующий указания для правильной установки хомутов и обеспечения надежного соединения.

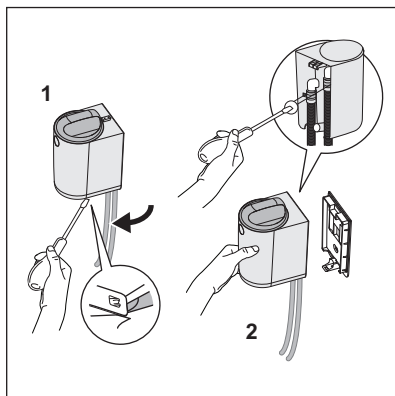


Соблюдайте осторожность при использовании отвертки, чтобы не повредить корпус фильтра или шланги.

7. Если во время выполнения действия, показанного на рисунке, раздастся щелчок, значит, корпуса фильтра был правильно установлен в настенный держатель.



Прежде чем перейти к следующему разделу «Ежедневное использование, уход и очистка», запустите короткую программу стирки и дождитесь ее завершения. Убедитесь в отсутствии утечек воды из фильтра и соединений шлангов. В случае утечки воды выполните действия, описанные в параграфе 8. Снимите фильтр с настенного держателя и затяните хомуты. Для повторной установки фильтра повторите действия, описанные в параграфе 7.



8. Если во время первого цикла стирки вы обнаружите утечку вода, немедленно остановите программу. Выключите стиральную машину и выньте вилку сетевого шнура из розетки. Прежде чем приступить к процедуре отсоединения, убедитесь, что крышка фильтра установлена в заблокированном положении во избежание утечки воды при затягивании хомутов. Снимите весь фильтр с настенного держателя:

1. Отсоедините фильтр от настенного держателя с помощью отвертки,
2. Возьмите фильтр в руку и затяните хомут отверткой.

Повторите действия, описанные в параграфе 7, чтобы установить фильтр на место.

3. ЕЖЕДНЕВНОЕ ИСПОЛЬЗОВАНИЕ, УХОД И ОЧИСТКА



ВНИМАНИЕ!
См. главы, содержащие Сведения по технике безопасности.



ВНИМАНИЕ!
Перед доступом к фильтру или проведением процедуры его очистки необходимо выключить прибор и убедиться, что он не работает.



Фильтрующий картридж изготовлен из тонкой полиамидной сетки для улавливания ворсинок во время стирки белья из микрофибры.



После нескольких циклов стирки фильтрующий картридж загрязняется и требует очистки



Количество циклов перед включением поплавка зависит от нескольких факторов (тип ткани, размер барабана, наиболее часто используемые программы, тип и продолжительность циклов, объем загрузки белья, моющее средство, степень загрязнения и т. д.).



Регулярно очищайте картридж: один раз в неделю или при появлении красного поплавка.

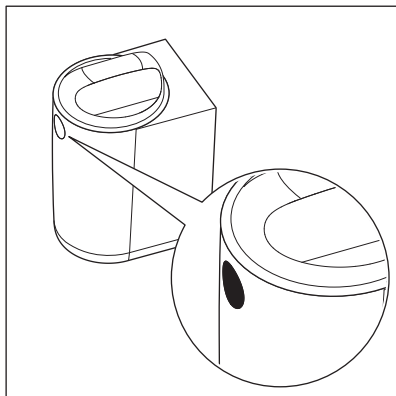


Если фильтр засорен, красный поплавок внутри крышки становится видимым, предупреждая пользователя о необходимости очистки картриджа, как показано на следующем рисунке.

**ВНИМАНИЕ!**

Не используйте воду из фильтра повторно. Оно может содержать микропластик, непригодный для потребления человеком и животным.

3.1 Работа в режиме срабатывания предупредительной сигнализации



Красный поплавок указывает на то, что фильтр заполнен и нуждается в очистке.

В режиме срабатывания **предупредительной сигнализации** (когда поплавок включен) фильтр не останавливает цикл стирки, но продолжает работать в режиме обхода без выполнения фильтрации.

Поэтому для обеспечения оптимальной производительности рекомендуется как можно скорее очистить картридж во избежание дальнейшей работы фильтра в режиме срабатывания **предупредительной сигнализации**.

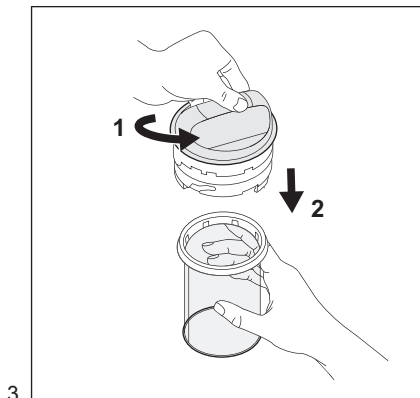
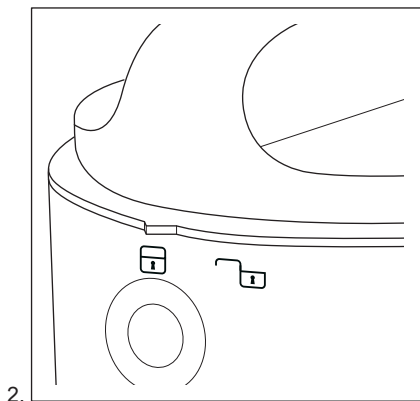
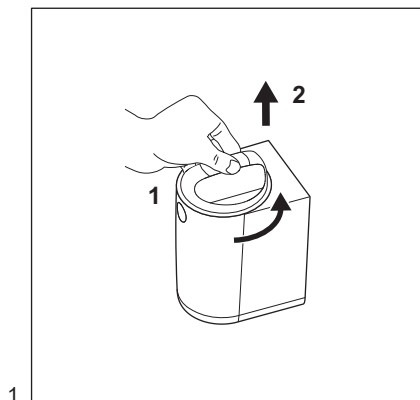
**ВНИМАНИЕ!**

Существует несколько причин, по которым стиральная машина может отображать предупреждения при возникновении проблем в работе слива, например, ошибки с кодом **E20-E21**. В случае появления этого предупреждения необходимо сначала проверить новый внешний фильтр и выполнить его очистку. Если ошибку не удалось устранить, следует также проверить фильтр стиральной машины и очистить его при наличии доступа.

Остановка стиральной машины (ошибка) — это функция обеспечения безопасности машины, которая позволяет избежать продолжительного слива и повреждения машины. После выполнения очистки фильтрующего картриджа работу в обычном режиме можно продолжить.

3.2 Уход и очистка

Очистка фильтра и удаления ворсинок микрофибры.

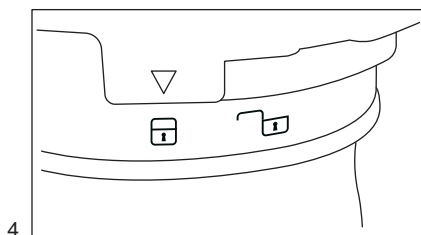


Чтобы открыть фильтр, выполните действия, как показано на рис. 1 и 2:

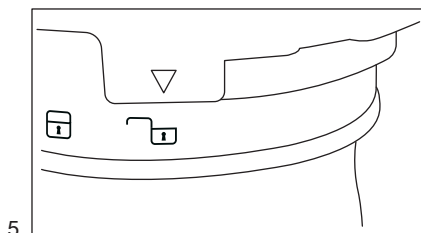
1. Поверните крышку против часовой стрелки от значка блокировки к значку разблокировки (располагается на передней стороне фильтра, как показано на рис. 2),
2. Поднимите крышку.

Чтобы снять картридж, выполните действия, как показано на рис. 3:

1. Удерживая крышку в одной руке, другой рукой поверните картридж против часовой стрелки от значка блокировки к значку разблокировки (см. рис. 4 и 5).
2. Потяните картридж вниз.



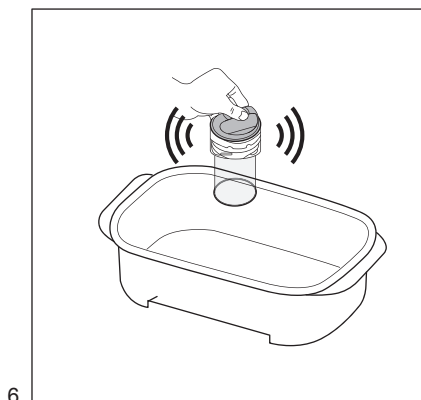
Для блокировки/разблокировки картриджа выполните действия, как показано на рис. 4 и 5:



Заблокировать (рис. 4) / разблокировать (рис. 5).

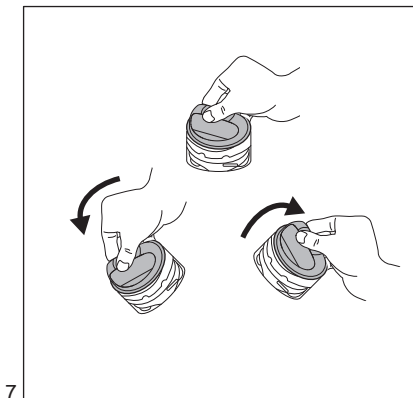


Для очистки картриджа и утилизации его содержимого выполните действия, приведенные на рис. 6, 7, 8 и 9.



Если картридж полностью засорен, он может быть заполнен грязной водой. Для проведения очистки рекомендуется использовать любую кастрюлю или маленькую пластиковую емкость. Это может помочь в работе и предотвратить попадание воды на поверхности или вещи, находящиеся рядом.

Чтобы удалить остатки воды из картриджа, поместите его в бак или контейнер и встряхните, удерживая за крышку. Вода вытечет. Если внутри осталось немного воды, выполните следующее действие.



7.

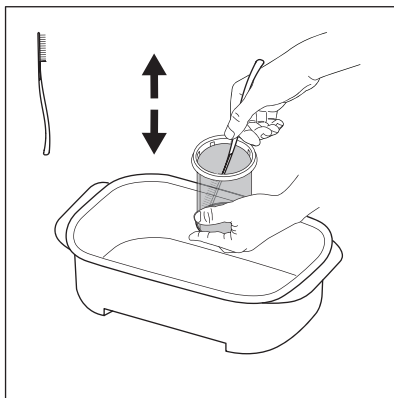


Для возврата фильтра в исходное состояние выполните действия, как показано на рис. 7.

Перед установкой крышки обратно на картридж установите поплавок в исходное положение, вылив воду из крышки. Возьмите крышку, поверните ее (см. рис. 7) и слейте всю воду в пластиковый контейнер. Поплавок больше не будет виден после установки крышки на фильтр.



Вы можете слышать шум, но это не является неисправностью, поскольку внутри крышки находится массивный клапан.

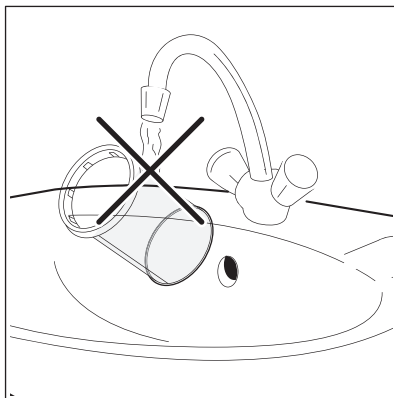


8.

Удерживая картридж внутри контейнера, используйте для очистки щетку-лопатку, которая находится в корпусе фильтра. Двигая щетку вверх/вниз, удалите как можно больше волокон с сетки картриджа, чтобы вода могла протекать беспрепятственно.

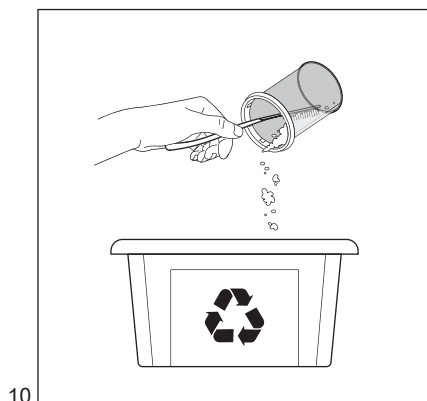


Утилизируйте отходы из фильтра вместе с бытовыми сухими отходами.



9.

Чтобы использование фильтра не оказывало негативного воздействия на окружающую среду, выполняйте очистку фильтрующего картриджа без воды. Вместо этого отходы, собранные фильтрующим картриджем, можно утилизировать вместе с бытовыми сухими отходами (во избежание попадания пластиковых волокон в водную среду).



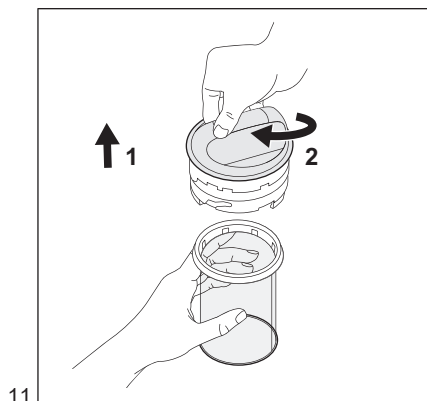
После того как вода будет слита из картриджа, удалите грязь и микроволокна и утилизируйте их вместе с бытовыми СУХИМИ отходами. Чтобы удалить как можно больше отходов, воспользуйтесь бумажным полотенцем.

ПРЕДУПРЕЖДЕНИЕ

Отходы, собранные картрижем, содержат волокна микрофибры, остатки моющего средства и грязь. ЭТИ ОТХОДЫ ДОЛЖНЫ БЫТЬ утилизированы вместе с бытовыми сухими отходами.

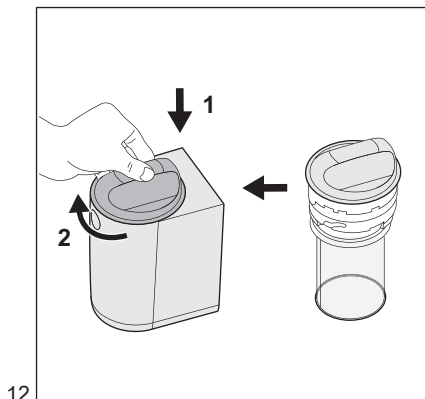


После завершения очистки картриджа на щетке-лопатке может остаться грязь и пластмассовые волокна. Во избежание негативного воздействия на окружающую среду удалите грязь с помощью обычных бумажных полотенец и утилизируйте ее вместе с бытовыми сухими отходами



Для замены картриджа выполните действия, приведенные на рис. 11:

1. Вставьте картридж.
2. Возьмите картридж в руку, затем другой рукой поверните крышку по часовой стрелке от значка разблокировки к значку блокировки.



Чтобы закрыть фильтр, выполните движения, как показано на рис. 12:

1. Вставьте крышку (+ картридж) внутрь корпуса сверху.
2. Поверните крышку по часовой стрелке от значка разблокировки до значка блокировки.

Для получения дополнительной информации о техническом обслуживании и очистке посмотрите видео. В начале этого руководства пользователя имеется специальный QR-код.



ПРЕДУПРЕЖДЕНИЕ
Перед началом следующего цикла стирки убедитесь, что крышка закрыта.

ПРЕДУПРЕЖДЕНИЯ

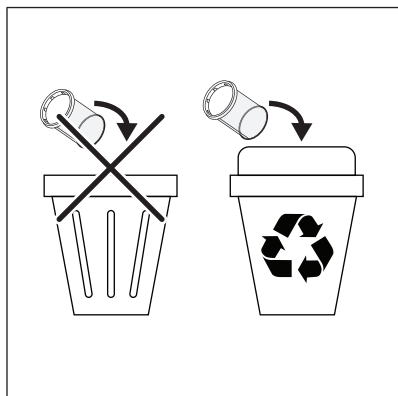
Если вы не планируете пользоваться прибором более недели (например, в связи с отпуском или поездкой), рекомендуется опорожнить картридж и очистить фильтр, чтобы избежать образования в нем нежелательного запаха.

Не следует проводить сухую очистку картриджа во избежание его повреждения и появления неисправностей во время последующих циклов стирки.

Фильтрующая система поставляется с запасным картриджем, чтобы вы могли незамедлительно начать цикл стирки заново в случае повреждения установленного картриджа

Замена и утилизация картриджа

Срок службы картриджа ограничен и составляет примерно шесть месяцев, поскольку процедура очистки может привести к повреждению сетки и ухудшить производительность фильтра. В комплект поставки входит один запасной картридж.



Используйте только оригинальные сменные картриджи. Картриджи продаются в любом сервисном центре Electrolux/AEG, а также в интернет-магазинах.

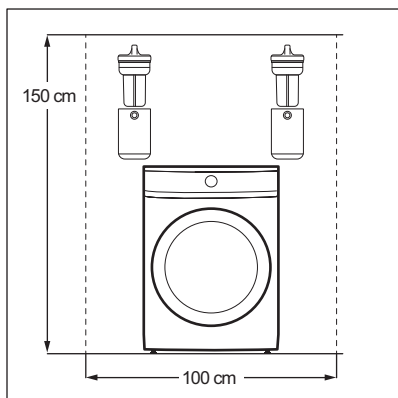


Поместите отходы из фильтра в соответствующий контейнер для сбора отходов на утилизацию.

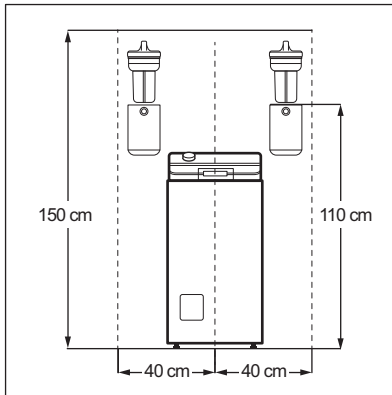
Для замены картриджа необходимо выполнить два простых действия:

1. Тщательно очистите поврежденный картридж.
2. Поместите картридж и отходы после его очистки в корзину для мусора.

Приложения



Приложение к руководству пользователя стиральной машины с фронтальной загрузкой.



**Приложение к руководству
пользователя стиральной машины с
верхней загрузкой.**

Изготовитель: Electrolux Appliances AB, St. Göransgatan 143,
105 45 Stockholm, Швеция

Импортер и уполномоченная изготовителем организация:
ООО "Электролюкс Рус", Кожевнический проезд 1, 115114,
Москва, тел.: 8-800-444-444-8

Изготовлено в Италии


1. ⚠ SÄKERHETSINFORMATION

Läs bifogade instruktioner noga före montering och användning av produkten. Tillverkaren är inte ansvarig för eventuella personskador eller andra skador som uppkommit till följd av felaktig installation eller användning. Förvara alltid bruksanvisningen på en säker och tillgänglig plats för framtida behov.

- Denna produkt är avsedd för filtrering av mikroplastfibrer som frigörs från textilier under tvättning och får inte användas för andra ändamål.
- Denna produkt kan användas av barn över 8 år och personer med reducerad fysisk, sensorisk eller mental förmåga eller som saknar erfarenhet och kunskap, om det sker under överinseende av en vuxen person som ger instruktioner om säkerhetsrisker och säker användning. Barn under 8 år eller personer med mycket omfattande och komplexa funktionsnedsättningar ska inte vistas i närheten av produkten utan ständig uppsikt.
- Låt inte barnen leka med produkten. Håll allt förpackningsmaterial utom räckhåll för barn och kassera det på lämpligt sätt.
- Barn får inte rengöra eller utföra underhåll av produkten utan uppsikt. Förvara rengöringsmedel utom räckhåll för barn.
- Produkten är avsedd för användning i hushåll och liknande miljö, till exempel:
 - personalkök i butiker, kontor och andra arbetsmiljöer;
 - bondgårdar;
 - av gäster på hotell, motell, B&B och andra typer av boenden;
 - gemensamma utrymmen i flerfamiljshus eller i allmänna tvättinrättningar.
- Följ monteringsinstruktionerna som följer med produkten.

- Montera eller använd inte en skadad produkt eller tömningsslangar.
- Montera produkten på en säker och lämplig plats som uppfyller monteringskraven.
- Montera inte produkten ovanför eluttag eller ovanför andra väggmonterade anordningar eller fristående enheter nära golvet, för att undvika risken för elektriska stötar.
- Avlägsna allt förpackningsmaterial.
- Se till att rören är ordentligt fastsatta för att undvika läckage, missljud eller skador.
- Tömningsslangen ska dras mellan apparaten och filterinloppet så att tömningsflödet inte hindras.
- Fästdetaljer för montering på vägg ingår inte eftersom väggmaterial är olika. Använd fästdetaljer som är avsedda för väggmaterialet.
- Kontrollera under och efter den första användningen att det inte finns några synliga vattenläckor.
- Rengör inte produkten med högtryckstvätt och/eller ånga.
- Stäng alltid av och kontrollera att maskinen inte är igång när du tar ur eller rengör filtret.
- Rengör produkten med en fuktig trasa. Använd bara neutrala rengöringsmedel. Använd inte slipande produkter, repande rengöringstussar, lösningsmedel eller metallföremål.
- Rengör patronen regelbundet, en gång i veckan eller när den röda flottörindikatorn syns tydligt.
- Återanvänd inte vatten från filtret. Det kan innehålla mikroplastpartiklar som är otjänliga som livsmedel eller djurmat.
- Kontakta en auktoriserad serviceverkstad för reparation av produkten. Använd endast originalreservdelar.
- Detta externa tillbehör är kompatibelt med Electrolux/AEG/Zanussi tvättmaskiner för hushållsbruk.

Miljöskydd

Återvinn material med symbolen . Återvinn förpackningen i avsedda återvinningsbehållare.

2. INSTALLATION

2.1 Före montering



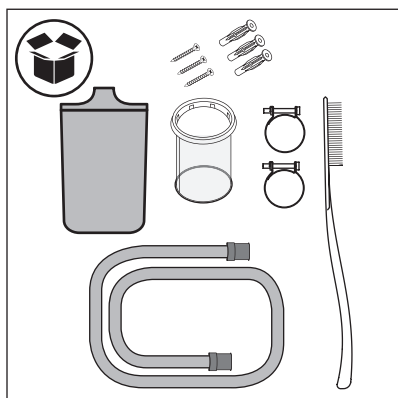
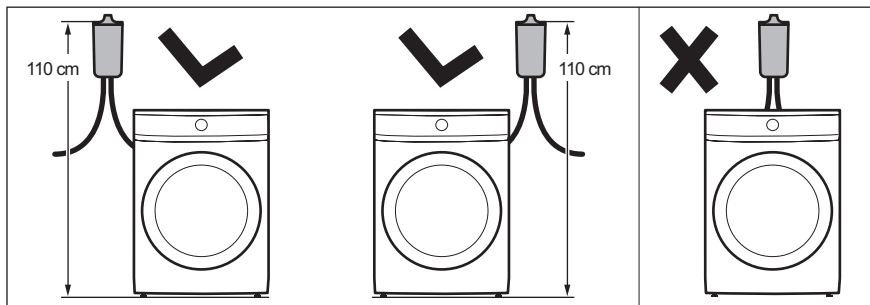
VARNING!
Se Säkerhetsavsnitten.



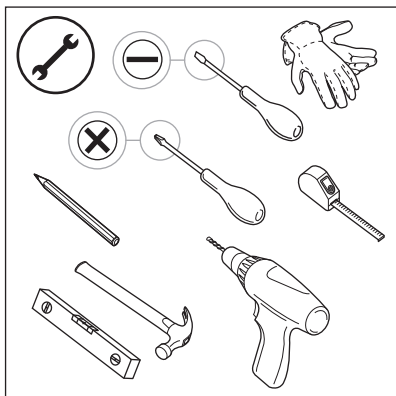
Besök electrolux.com/getstarted/microplasticfilters
Video om montering och användning.

1. Välj en lämplig placering på väggen för montering av filtret:

För att undvika läckage över tvättmaskinen bör filtret placeras bredvid maskinen.

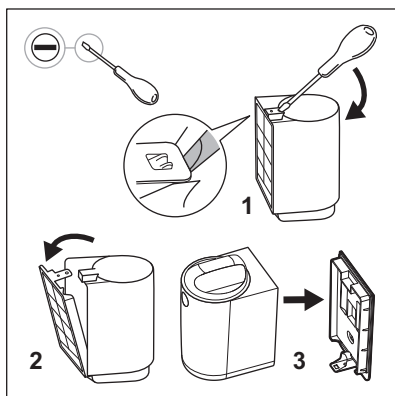


2. Verifiera lådans innehåll.



3. Förbered nödvändiga verktyg för installationen.

2.2 Installera tillbehöret

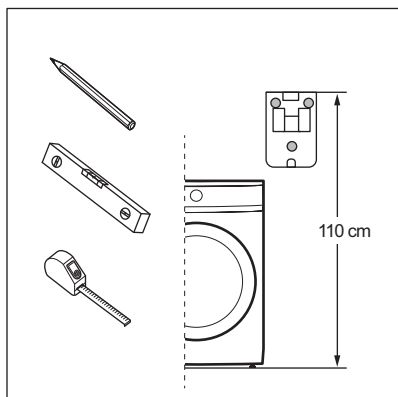


1. Ta ut filtret ur förpackningen och ta bort väggstödet med hjälp av en platt skruvmejsel.

2. Placeringen av filtret måste följa dessa punkter (a och b):

a. Placera väggstödet på rätt höjd, med måtten 110 cm* från väggstödet ovasida till golvet (eller stativet om sådant finns).

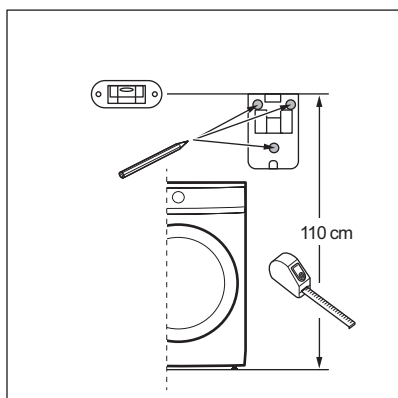
***Toleransen i filterhöjd är +/-5 cm.**



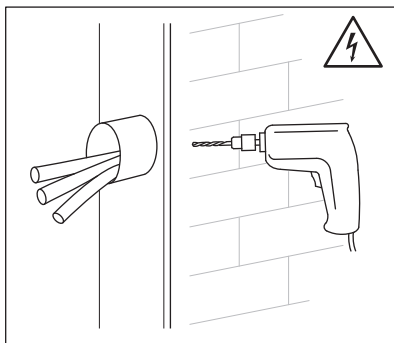
Kontrollera var din dräneringspunkt är innan du placerar väggstödet. Filtret är utrustat med ett dräneringsrör med en längd på 100 cm.



Se till att det finns tillräckligt med utrymme ovanför filtret innan du placerar väggstödet. Se till att lämna tillräckligt fritt utrymme ovanför filtret för att kunna ta bort och sätta tillbaka patronen. Se minimimått i Bilaga 1 (Framre lastare) och Bilaga 2 (Topplastare).



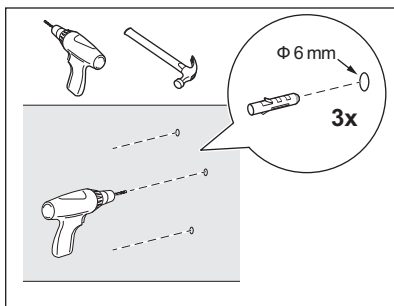
b. Använd en nivå för att kontrollera att de tre borrhåstansarna är vågräta och väl inriktade före borrhining.



3. Borra hålen i väggen och placera ankarna.

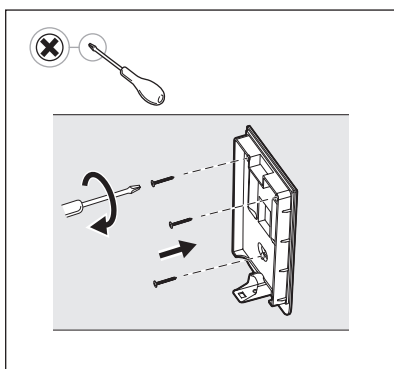
WARNING!

Innan du borrar i väggen, se till att inga vattenledningar eller elektriska ledningar är bakom. Vi rekommenderar att du använder ett 6 mm borrar. Filterpaketet innehåller tre dedikerade skruvar och plastankare för korrekt och säker installation av filtret. Det medföljande fixeringsystemet är utformat för installation på en tegelvägg. Kontakta teknikern om du är osäker.

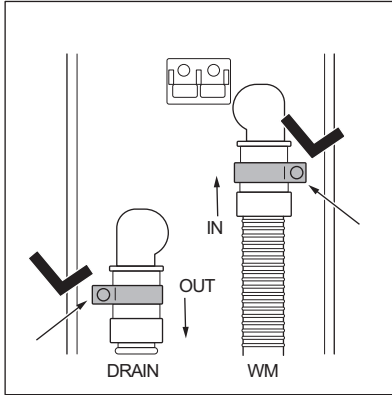


WARNING!

Om din vägg är tillverkad av annat material än tegel, använd rätt förankringar och skruvar som är utformade för det materialet.



4. Fäst väggstödet med de medföljande skruvarna och plastpluggarna och se till att det är rakt och säkert fäst vid väggen.



5. Ta slangarna, kragarna och filterhuset.
Sätt i ringarna på slangarna och anslut rören till filterhuset enligt **IN/UT**-indikationerna på filterhusets baksida:

IN: slang som kommer från WM,
UT: slang (finns i filterpaketet) som går till avloppet.

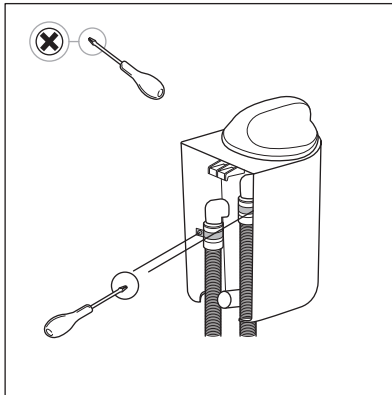
WARNING!

Innan du ansluter tömningsslangen till det externa filtret måste du se till att tvättmaskinen är avstängd och att den inte är ansluten till eluttaget.



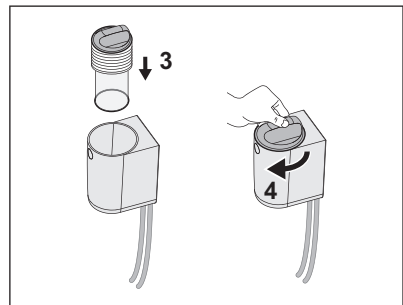
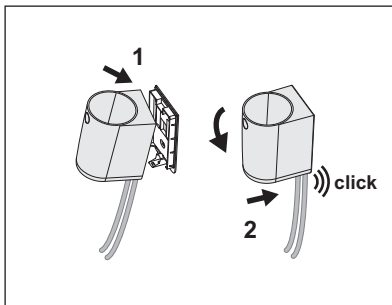
6. Dra åt kragarna med skruvmejseln.

Följ dessa instruktioner exakt för att placera kragarna för att säkerställa en fullständig anslutning.

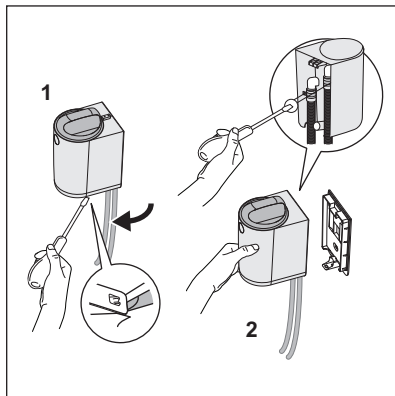


Var försiktig så att du inte skadar filterhuset eller slangarna när du använder skruvmejseln.

7. Följ rörelsen som visas i bilden och när du fäster filterhuset på väggstödet, hör du ett "klick" eftersom huset är korrekt fäst vid väggstödet.



- i** Innan du går vidare till nästa avsnitt Daglig användning, skötsel och rengöring, starta det korta tvättprogrammet och följ det tills det är klart. Se till att det inte förekommer läckage från filtret och dess anslutningar. Vid vattenläckage, fortsätt enligt beskrivningen i punkt 8. Lossa filterenheten från väggstödet och dra åt kragarna. Upprepa stegen i punkt 7 för att sätta tillbaka filtret.



8. Om det kommer vatten under det första programmet, stoppa programmet omedelbart. Stäng AV tvättmaskinen och dra ut den ur eluttaget. Innan du fortsätter med lösgöringsproceduren ska du kontrollera att filterhöljet förblir i låst läge för att undvika vattenläckage när du drar åt kragarna.

Ta bort hela filtret från vägghållaren:

1. Lossa filtret från väggstödet med hjälp av skruvmejseln,
2. Håll filtret i handen för att dra åt kragen med skruvmejseln.

Upprepa stegen i paragraf 7 för att installera filtret.

3. DAGLIG ANVÄNDNING OCH SKÖTSEL



WARNING!
Se Säkerhetsavsnitten.



WARNING!
Stäng alltid av och kontrollera att maskinen inte är igång när du tar ur eller rengör filtret.



Filterpatronen är tillverkad av ett tunt polyamidnät och fångar mikrofibrer som frigörs under tvättningen.



Efter ett antal tvättningar täpps filterpatronen till och måste rengöras



Antalet tvättningar innan flottören aktiveras beror på flera faktorer (textilmaterial, trumstorlek, program, programtid, tvättmängd, tvättmedel, smutsighet osv.).



Rengör patronen regelbundet, en gång i veckan eller när den röda flottörindikatorn syns tydligt.

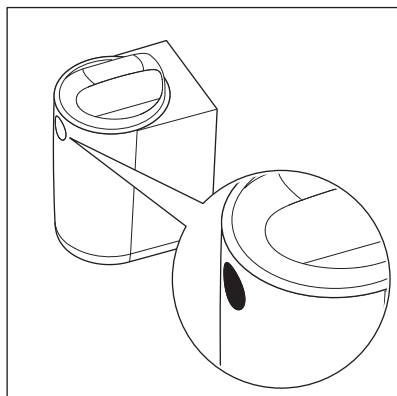


När filtret är igentäppt syns den röda flottören som sitter i filterhuset synlig och påminner användaren om att patronen behöver rengöras, vilket visas på nästa bild.



WARNING!
Återanvänd inte vatten från filtret. Det kan innehålla mikroplastpartiklar som är otjänliga som livsmedel eller djurmat.

3.1 Tillståndet "Rött larm"



Röd flottör indikerar att filtret är fullt och behöver rengöras.

I läget "**rött larm**" (när flottören är aktiverad) stoppar inte filtret diskprogrammet, men det fungerar i förbikopplingsläge och filtrerar inte längre.

För att säkerställa optimal prestanda rekommenderar vi därför att patronen rengörs så snart som möjligt för att undvika att filtret lämnas i läget "**rött larm**".



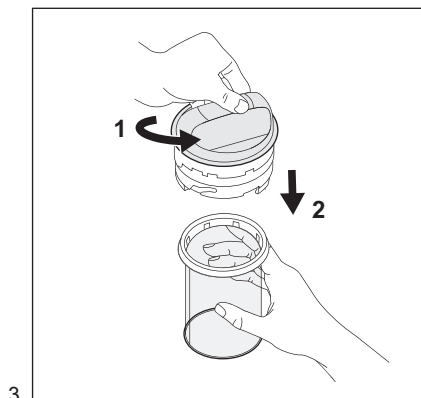
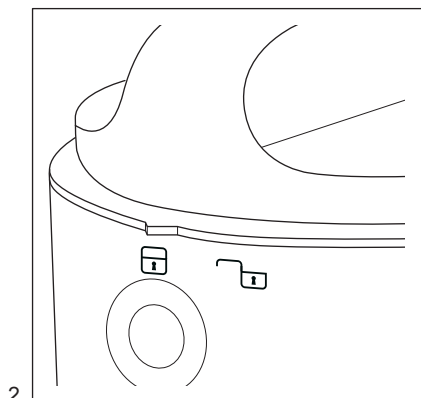
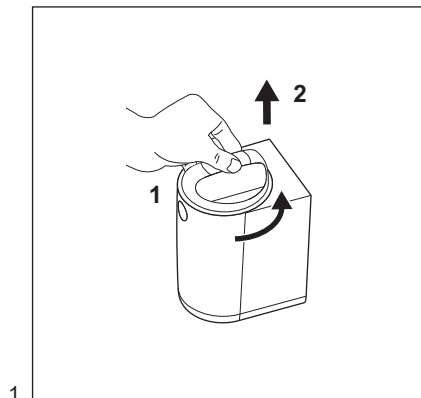
VARNING!

Av flera anledningar kan tvättmaskinen visa möjliga varningar, kopplade till tömningsproblem som **E20-E21**. Om denna varning visas, kontrollera först det nya externa filtret och rengör det. Om felet kvarstår, kontrollera även filtret i tvättmaskinen och rengör det om det går att komma åt det.

Att stoppa tvättmaskinen (fel) är en säkerhetsfunktion för att undvika långa tömningstider och för att inte skada maskinen. När filterpatronen har rengjorts kan normal drift återupptas.

3.2 Underhåll och rengöring

Rengöring av filter och mikrofiber.

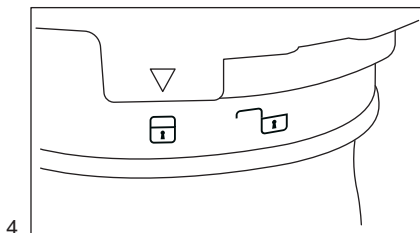


Öppna filtret med rörelser enligt bilderna 1 och 2:

1. Vrid filterhuset moturs från låssymbolen till upplåsningssymbolen (sitter på filtrets framsida enligt bild 2),
2. Lyft upp filterhuset.

Se rörelserna i bild 3 för att lossa patronen:

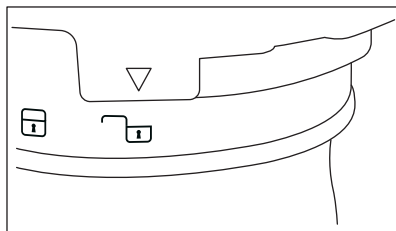
1. Håll filterhuset i handen och vrid patronen moturs med den andra handen, från låssymbolen till upplåsningssymbolen (se bild 4 och 5).
2. Dra ned patronen.



4.

För att låsa/låsa upp kassetten, se bild 4 och 5:

Lås (bild 4) / Lås upp (bild 5).



5.



Se bild 6, 7, 8 och 9 angående rengöring av patronen och kassering av innehålllet.

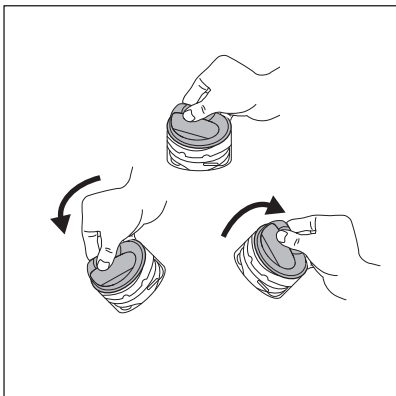


6.

Om patronen är helt igensatt kan den vara full med smutsigt vatten.

För rengöringen rekommenderar vi användning av en hink eller plastburk, vilket underlättar rengöringen och förhindrar att omgivningen blir blöt.

Töm ur återstående vatten i patronen i en hink eller burk genom att hålla i och skaka på filterhuset. Vattnet rinner ut. Fortsätt med nästa steg om det fortfarande finns lite vatten kvar.



7.

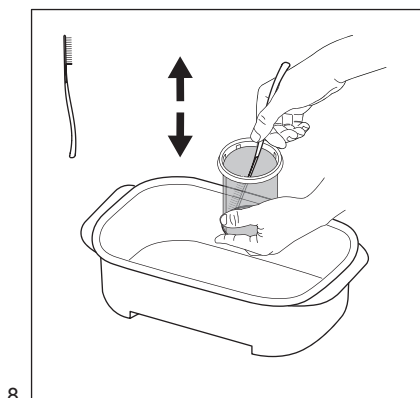


Sätt tillbaka filtret enligt bild 7.

Återställ flottören genom att tömma ut vattnet i locket och sätt sedan tillbaka filterhuset. Håll i locket och vrid (se bild 7) och töm ut allt vatten i en plastbehållare. Flottören syns inte längre när filterhuset placeras på filtret.



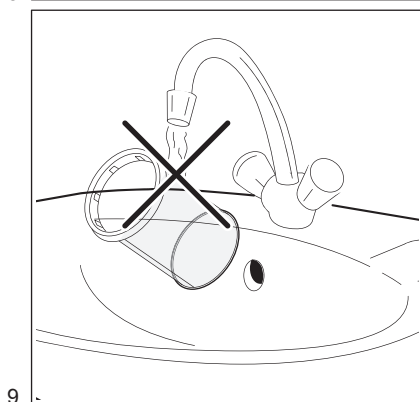
Ett ljud kan höras men detta är normalt eftersom det finns en massventil i filterhuset.



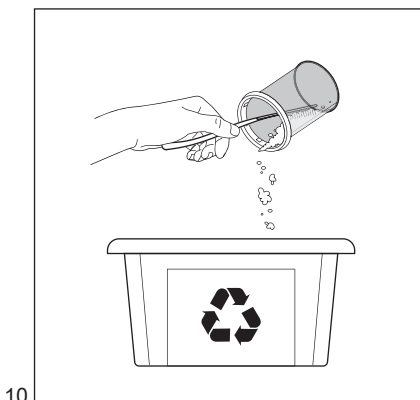
Håll patronen i behållaren och använd borstspateln som finns i filterkartongen. Med upp-/nedborstströrelsen tar du bort fibrerna som är fästa vid patronnätet för att underlätta tömning av vatten.



Kassera avfallet från filtret i det allmänna torra avfallet.



Undvik att rengöra filtret med vatten för att bevara filtrets miljövänliga egenskaper. Kasta istället skräpet från patronen i hushållssoporna (undviker spridning av plastfibrer i vattenmiljön).

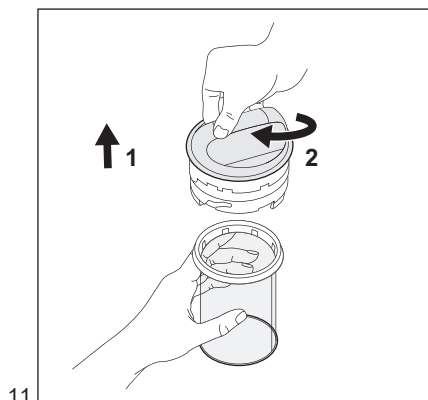


Efter att vattnet har tömts från patronen, ta bort smuts och mikrofiber från insidan av patronen och kassera den i det TORRA avfallet. En pappershandduk kan användas för att samla upp så mycket skräp som möjligt.

FÖRSIKTIGHET!
Avfall som fångas upp av patronen innehåller mikrofiber, tvättmedelsrester och smuts. Det skall kastas i hushållssoporna.



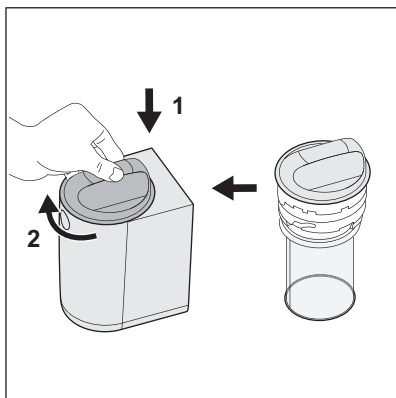
Efter patronrengöringen kan borstspateln vara smutsig och full av plastfibrer. Tänk på miljön genom att rengöra med vanliga pappershanddukar och kasta dem i hushållssoporna



11.

i För att byta ut patronen, se bild 11:

1. Sätt in patronen.
2. Håll filterhuset i handen och vrid patronen moturs med den andra handen, från låssymbolen till upplåsningssymbolen.



12.

i Öppna filtret med rörelser enligt bild 12:

1. Sätt in filterhuset (och patronen) i maskinen uppifrån.
2. Vrid filterhuset medurs från upplåsningssymbolen till låssymbolen.

Se videon för ytterligare information om underhåll och rengöring. En särskild QR-kod finns i början av denna användarhandbok.

i

FÖRSIKTIGHET!
Se till att locket är stängt innan du fortsätter med nästa tvättprogram.



VARNINGAR

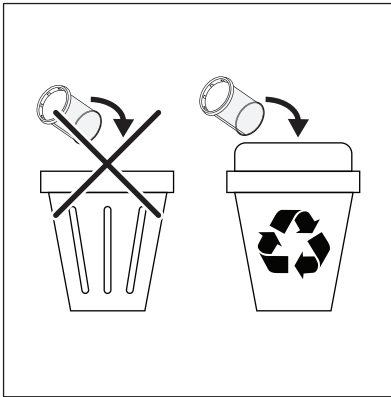
Om maskinen inte har använts för diskning under mer än en vecka (t.ex. om du är bortrest) rekommenderar vi tömning av patronen och rengöring av filtret för att undvika att filtret sprider dålig lukt.

Patronen måste vara våt när den rengörs för att inte skadas och inte fungerar vid nästa diskning.

Filtreringssystemet levereras med reservpatron för att tvättning inte ska hindras av att den har skadats

Byte och kassering av patron

Patronen ska bytas efter cirka sex månader, varefter smutsigt avloppsvatten annars kan släppas ut på grund av bristande filtrering. En reservpatron medföljer i förpackningen.



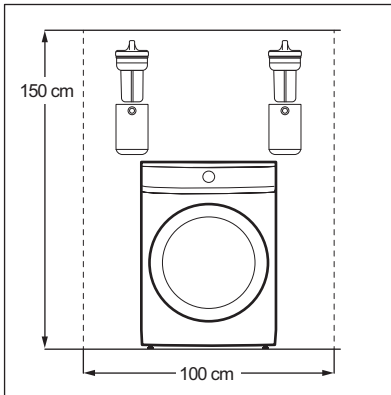
i Lagg avfallet från filtret i en lämplig återvinningsbehållare.

Utför följande två enkla steg för att byta ut patronen:

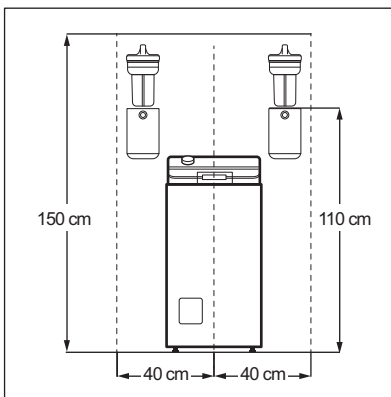
1. Rengör den skadade patronen noggrant.
2. Kasta patronen och avfallet i en papperskorg.

i Använd endast originaldelar för att byta filterpatron. Patroner säljs på alla Electrolux/AEG-servicecenter och finns i webbutikerna.

Bilagor



Bilaga för frontmatad tvättmaskin.



Bilaga för toppmatad tvättmaskin.


1. ⚠ **BEZPEČNOSTNÉ INFORMÁCIE**

Pred inštaláciou a používaním výrobku si pozorne prečítajte priložené pokyny. Výrobca nezodpovedá za zranenia ani za škody spôsobené nesprávnou inštaláciou alebo používaním. Tieto pokyny uchovávajte na bezpečnom a prístupnom mieste, aby ste do nich mohli v budúcnosti nahliadnuť.

- Tento výrobok je určený na filtrovanie mikroplastových vlákien uvoľnených z textílií počas procesu prania a nemal by sa používať na iné účely.
- Tento výrobok smú používať deti staršie ako 8 rokov a osoby so zníženou fyzickou, zmyslovou alebo psychickou spôsobilosťou alebo nedostatkom skúseností a znalostí, iba ak sú pod dozorom zodpovednej osoby alebo ak boli zodpovednou osobou poučené o bezpečnom používaní výrobku a rozumejú prípadným rizikám. Deti do 8 rokov a osoby s vysokou mierou postihnutia nesmú mať prístup k spotrebiču, pokiaľ nie sú pod nepretržitým dozorom.
- Nedovoľte, aby sa deti hrali s výrobkom. Obaly vždy uschovajte mimo dosah detí a náležite ich zlikvidujte.
- Deti nesmú výrobok bez dozoru čistiť ani vykonávať žiadnu údržbu na spotrebiči. Umývacie/pracie/čistiace prostriedky uschovávajúte mimo dosahu detí.
- Tento výrobok je určený na používanie v domácnostiach a podobnom prostredí, ako napr.:
 - kuchynské priestory zamestnancov v obchodoch, na úradoch a v inom pracovnom prostredí;
 - chalupy, chaty;
 - pre klientov v hoteloch, motelloch, zariadeniach poskytujúcich nocľah s raňajkami a iných typoch ubytovacích zariadení;
 - komunálne priestory v panelákoch alebo práčovniach.
- Dodržiavajte pokyny na inštaláciu dodané s výrobkom.

- Neinštalujte ani nepoužívajte poškodený výrobok ani odtokové hadice.
- Výrobok nainštalujte na bezpečné a vhodné miesto, ktoré spĺňa požiadavky na inštaláciu.
- Spotrebič neinštalujte nad elektrické zásuvky, nad zariadenia umiestnené na stene ani voľne stojace zariadenia, ktoré sú blízko podlahy, aby sa predišlo riziku zásahu elektrickým prúdom.
- Odstráňte všetok obalový materiál.
- Uistite sa, že sú potrubia správne upevnené, aby ste predišli únikom, hluku alebo poškodeniu.
- Zabezpečte správnu dráhu odtokovej hadice medzi spotrebičom a prívodom filtra, aby ste zabránili zablokovaniu odtoku.
- Upevňovacie zariadenia na stenu nie sú súčasťou balenia z dôvodu rôznych materiálov steny. Použite vhodné upevňovacie prostriedky vhodné pre konkrétne steny.
- Uistite sa, že počas prvého použitia produktu alebo po ňom viditeľne neuniká voda.
- Na čistenie produktu nepoužívajte prúd vody pod vysokým tlakom a/alebo paru.
- Pred prístupom alebo čistením spotrebiča ho vždy vypnite a skontrolujte, či nie je spustený.
- Výrobok čistite vlhkou handričkou. Používajte iba neutrálne čistiace prostriedky. Nepoužívajte abrazívne výrobky, čistiace špongie s abrazívnou vrstvou, rozpúšťadlá ani kovové predmety.
- Kazetu čistite pravidelne, raz týždenne alebo keď je jasne viditeľný červený ukazovateľ plaváčka.
- Vodu z filtra nepoužívajte opakovane. Môže obsahovať mikroplastové častice, ktoré nie sú vhodné na konzumáciu pre ľudí a zvieratá.
- Ak treba dať výrobok opraviť, obráťte sa na autorizované servisné stredisko. Používajte iba originálne náhradné diely.
- Toto externé príslušenstvo je kompatibilné s domácimi práčkami Electrolux/AEG/Zanussi.

Ochrana životného prostredia

Recyklujte materiály so symbolom . Obaly vložte do príslušných recyklačných nádob.

2. MONTÁŽ

2.1 Pred inštaláciou



VAROVANIE!

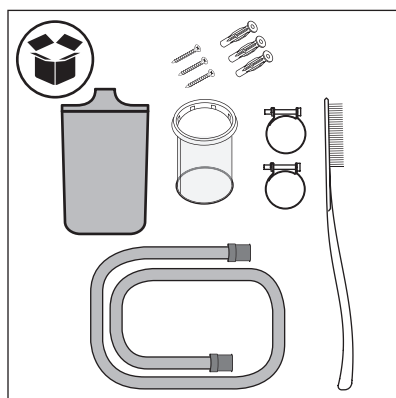
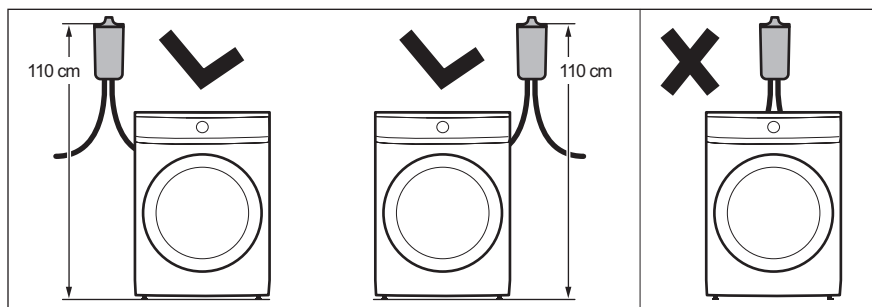
Pozrite si kapitoly ohľadne bezpečnosti.



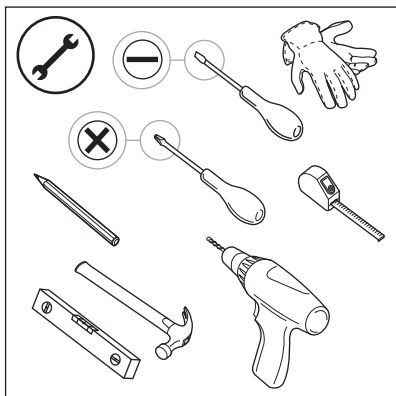
Navštívte stránku electrolux.com/getstarted/microplasticfilters pre videá o inštalácii a používaní.

1. Vyberte správne miesto na stene na inštaláciu filtra:

Aby ste predišli únikom kvapaliny na práčku, je vhodnejšie nainštalovať filter na niektorú stranu práčky.

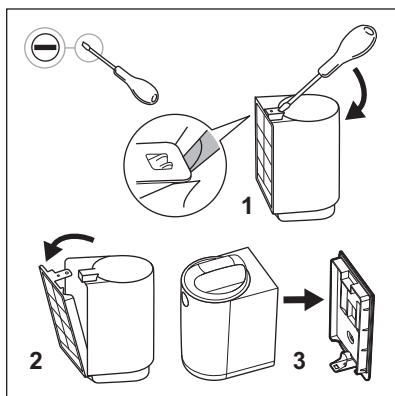


2. Skontrolujte obsah škatule.



3. Pripravte si potrebné nástroje na inštaláciu.

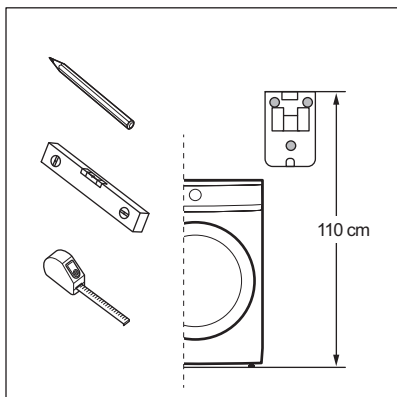
2.2 Inštalácia príslušenstva



1. Vyberte filter z obalovej škatule a pomocou plochého skrutkovača vyberte držiak na stenu.

2. Poloha filtra musí zodpovedať týmto uvedeným bodom (a a b):

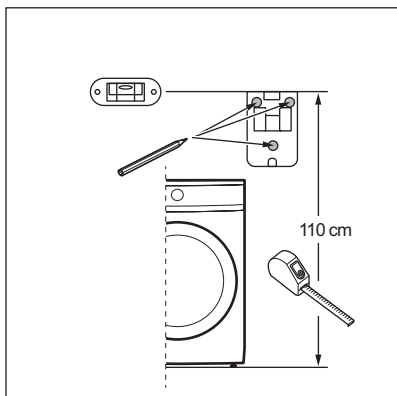
a. Umiestnite držiak na stenu do správnej výšky, 110 cm* od hornej časti držiaka na stenu po podlahu (alebo podstavec, ak je k dispozícii). ***Prijateľná tolerancia pre výšku filtra je +/-5 cm.**



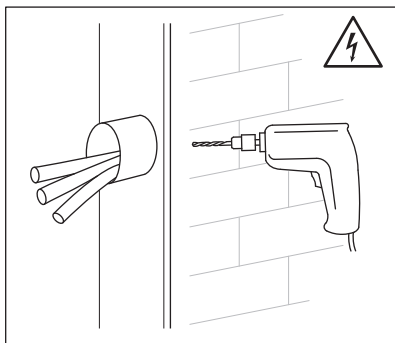
Pred umiestnením držiaka na stenu skontrolujte, kde sa nachádza bod odtoku. Filter je vybavený jedným odtokovým potrubím s dĺžkou 100 cm.



Pred umiestnením držiaka na stenu skontrolujte, či je nad filtrom dostatok miesta. Uistite sa, že nad filtrom necháte dostatočný voľný priestor, aby ste vložku mohli vybrať a vložiť späť. Pozrite si minimálne rozmery v Prílohe 1 (predné plnenie) a Prílohe 2 (vrchné plnenie).



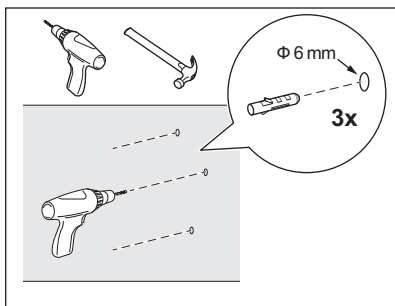
b. Pred vŕtaním skontrolujte, či sú 3 body vŕtania vo vodorovnej polohe a správne zarovnané.



3. Vyrývajte otvory do steny a umiestnite hmoždinky.

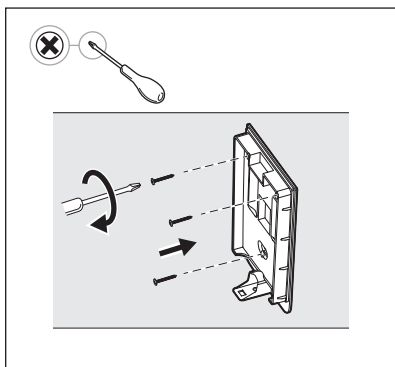
VAROVANIE!

Pred vrtaním do steny sa uistite, že v stene nie sú žiadne vodovodné potrubia ani elektrické vedenia. Odporúča sa použiť 6 mm vrták. Balenie filtra obsahuje tri špeciálne skrutky a plastové hmoždinky na správnu a bezpečnú inštaláciu filtra. Dodaný upevňovací systém je určený na inštaláciu na tehlovú stenu. V prípade pochybností sa obráťte na technika.

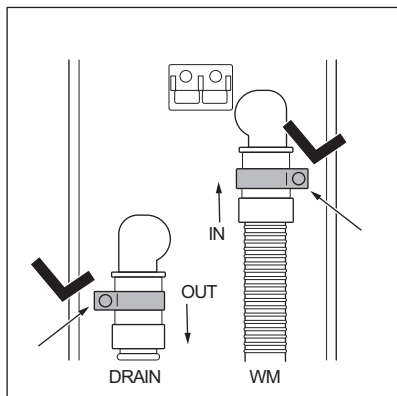


VAROVANIE!

Ak je vaša stena vyrobená z iného materiálu ako tehly, použite vhodné hmoždinky a skrutky určené pre daný materiál.



4. Pripevnite držiak na stenu dodanými skrutkami a plastovými hmoždinkami, pričom sa uistite, že je držiak rovný a bezpečne prichytený k stene.



5. Vyberte hadice, objímky a teleso filtra.

Vložte objímky na hadiciach a pripojte potrubia k telesu filtra podľa označení **IN/OUT**, ktoré sú na zadnej strane telesa filtra:
IN: hadica, ktorá prichádza z práčky.
OUT: hadica (nachádza sa v balení filtra), ktorá vedie do odtoku.

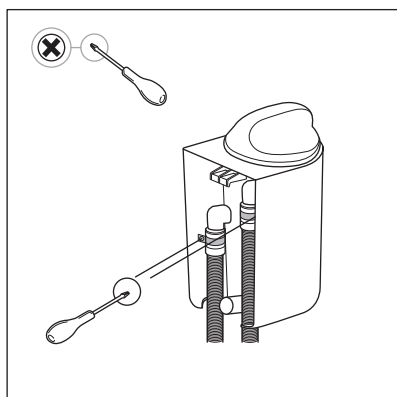
VAROVANIE!

Pred pripojením odtokovej hadice k externému filtru sa uistite, že je práčka vypnutá a odpojená od elektrickej zásuvky.



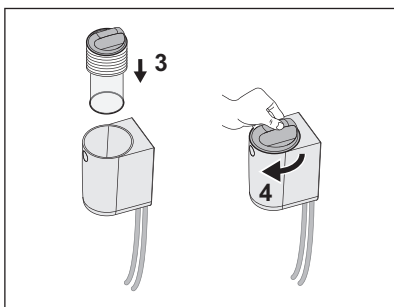
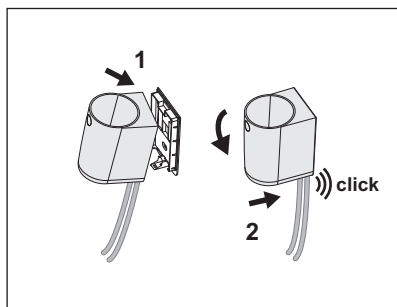
6. Pomocou skrutkovača utiahnite objímky.

Postupujte presne podľa týchto pokynov a nastavte objímky tak, aby sa zabezpečilo úplné pripojenie.

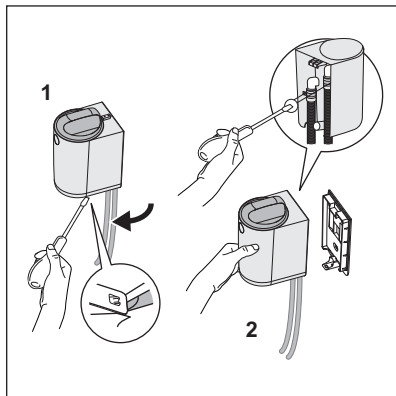


Pri používaní skrutkovača dávajte pozor, aby ste nepoškodili teleso filtra alebo hadice.

7. Keď pripevňujete teleso filtra k držiaku na stenu podľa krokov znázornených na obrázku, budete počuť „kliknutie“, keď bude teleso správne pripevnené k držiaku na stenu.



- i** Skôr, ako prejdete na ďalšiu tému Každodenné používanie, starostlivosť a čistenie, spustíte krátky prací program a sledujte ho do konca. Uistite sa, že z filtra a jeho pripojení neuniká voda. V prípade úniku vody postupujte podľa pokynov v odseku 8. Odpojte filtračnú zostavu od držiaka na stenu a utiahnite objímky. Pri opätovnej inštalácii filtra zopakujte kroky uvedené v odseku 7.



8. Ak sa počas prvého cyklu objaví voda, okamžite vypnite program. Vypnite práčku a odpojte ju od elektrickej zásuvky. Pred pokračovaním v procese odpojenia skontrolujte, či kryt filtra zostal v uzamknutej polohe, aby sa predišlo úniku vody pri ut'ahovaní objímok.

Odpojte celý filter od držiaka na stenu:

1. Odopnite filter z držiaka na stenu pomocou skrutkovača.
2. Držte filter v ruke a dotiahnite objímku skrutkovačom.

Pri inštalácii filtra zopakujte kroky uvedené v odseku 7.

3. KAŽDODENNÉ POUŽÍVANIE, STAROSTLIVOSŤ A ČISTENIE



VAROVANIE!

Pozrite si kapitoly o hľadne bezpečnosti.



VAROVANIE!

Pred prístupom k filteru alebo jeho čistením vždy vypnite spotrebič a skontrolujte, či nie je spustený.



Filtračná vložka je vyrobená z tenkej polyamidovej sieťky, aby zachytila mikrovlákna uvoľnené z pracieho procesu.



Po niekoľkých pracích cykloch sa filtračná vložka upchá a musí sa vyčistiť



Počet cyklov pred aktiváciou plaváčika bude závisieť od viacerých faktorov (množstvo bielizne, veľkosť bubna, najpoužívannejšie programy, typy a trvanie cyklov, veľkosť náplne, prací prostriedok, stupeň znečistenia a pod.).



Kazetu čistite pravidelne, raz týždenne alebo keď je jasne viditeľný červený ukazovateľ plaváčika.

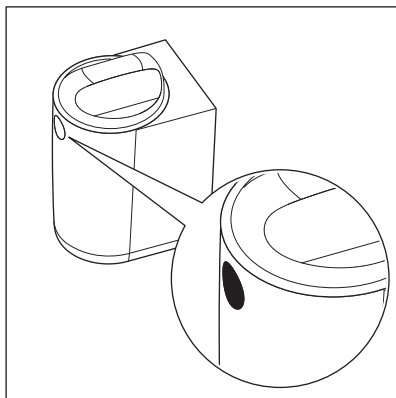


Keď je filter upchatý, bude viditeľný červený plaváček vnútri krytu, ktorý upozorňuje používateľa, že vložku treba vyčistiť, ako je to zobrazené na nasledujúcom obrázku.

**VAROVANIE!**

Vodu z filtra nepoužívajte opakovane. Môže obsahovať mikroplastové častice, ktoré nie sú vhodné na konzumáciu pre ľudí a zvieratá.

3.1 Stav „Červený alarm“



Červený plaváček indikuje, že filter je plný a treba ho vyčistiť.

V režime „**červeného alarmu**“ (keď je aktivovaný plaváček) filter nezastaví prací cyklus, ale bude fungovať v obtokovom režime a už nebude filtrovať.

Preto sa v záujme zabezpečenia optimálneho výkonu odporúča vyčistiť vložku čo najskôr, aby sa filter neponechal v režime „**červeného alarmu**“.

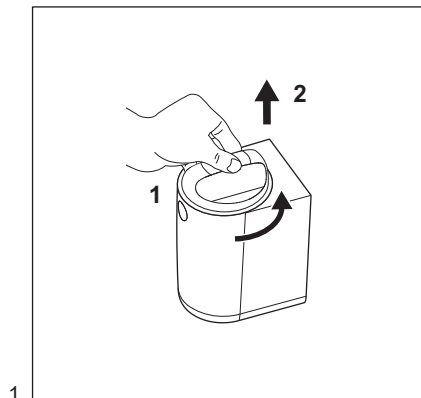
**VAROVANIE!**

Práčka môže z viacerých dôvodov zobrazovať výstrahy súvisiace s problémami vypúšťania, ako napr. **E20-E21**. Ak sa zobrazí táto výstraha, najprv skontrolujte nový externý filter a vyčistite ho. Ak chyba pretrváva, skontrolujte aj filter vašej práčky a vyčistite ho, ak je prístupný.

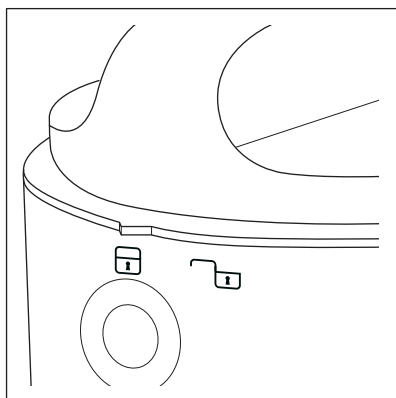
Zastavenie práčky (chyba) je bezpečnostnou funkciou práčky, aby sa predišlo dlhému vypúšťaniu a aby sa nepoškodila. Po vyčistení filtračnej vložky môžete pokračovať v normálnej prevádzke.

3.2 Starostlivosť a čistenie

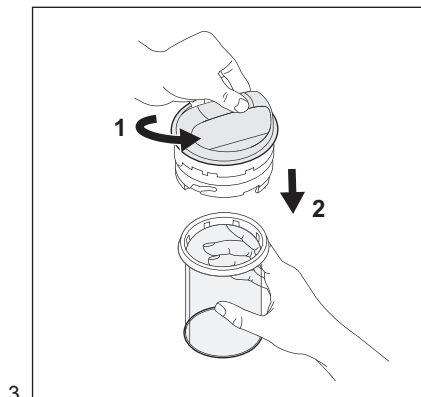
Čistenie filtra a likvidácia mikrovláken.



1.



2.



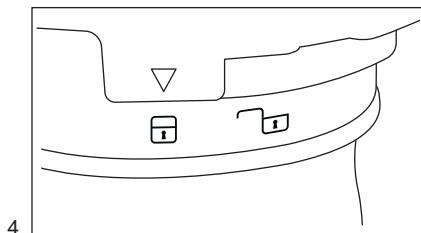
3.

Ak chcete otvoriť filter, pozrite si kroky na obrázkoch 1 a 2:

1. Otočte kryt proti smeru hodinových ručičiek zo symbolu zámku do symbolu odomknutia (na prednej strane filtra, ako je to zobrazené na obrázku 2),
2. Zdvihnite kryt.

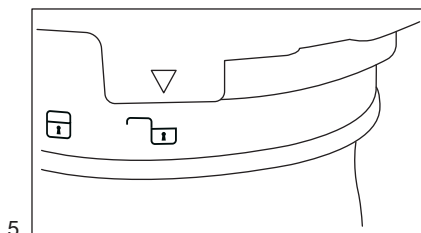
Ak chcete vložku odpojiť, pozrite si kroky na obrázku č. 3:

1. Podržte kryt v ruke, potom druhou rukou otočte vložku proti smeru hodinových ručičiek zo symbolu zámku do symbolu odomknutia (pozrite si obrázok 4 a 5).
2. Potiahnite vložku nadol.

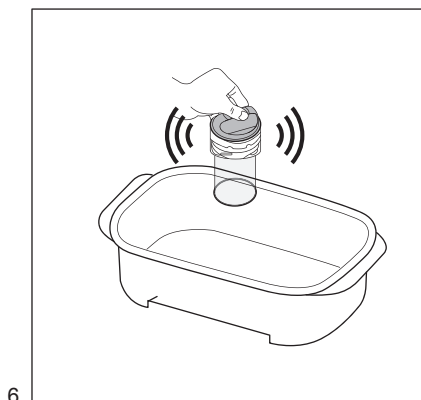


Informácie o uzamknutí/odamknutí vložky nájdete na obrázkoch 4 a 5:

Uzamknutie (obrázok 4) / odamknutie (obrázok 5).



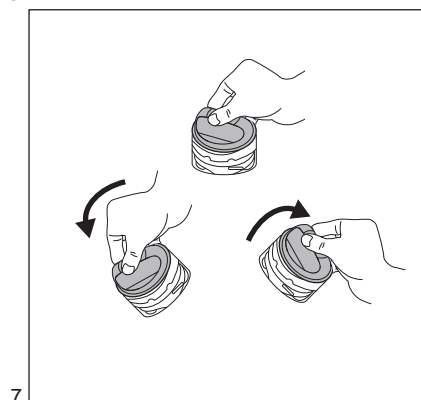
i Informácie o čistení vložky a likvidácii jej obsahu nájdete na obrázkoch 6, 7, 8 a 9.



Ak je vložka úplne zanesená, môže byť plná špinavej vody.

Pri vykonávaní čistenia sa odporúča použiť hrniec alebo malú plastovú nádobu, ktoré môžu pomôcť pri čistení a zabrániť úniku kvapaliny do okolia.

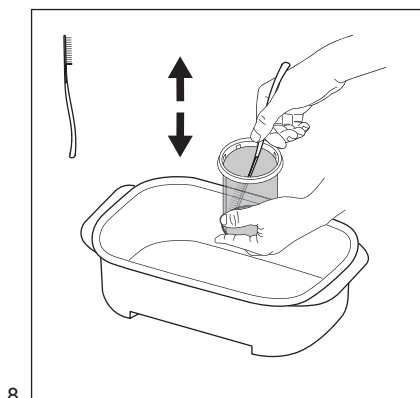
Ak chcete odstrániť zvyšnú vodu vo vnútri vložky, vyprázdňte ju vo vnútri hrnca alebo nádoby tak, že podržíte kryt zostavy a potrasíte ňou. Voda vytečie von. V prípade, že ešte ostane trocha vody, pokračujte ďalším krokom.



i Ak chcete resetovať filter, pozrite si obrázok 7.

Pred nasadením krytu späť na vložku resetujte plávajúci odstraňovač vody vo vnútri krytu. Podržte kryt, otočte ho (pozrite si obrázok 7) a vypustíte všetku vodu do plastovej nádoby. Plávajúci už nie je viditeľný, keď je kryt umiestnený na filtri.

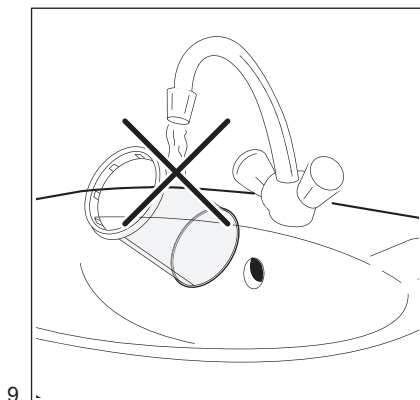
i Môžete počuť zvuk, ale je to normálne správanie, pretože vnútri krytu sa nachádza ventil.



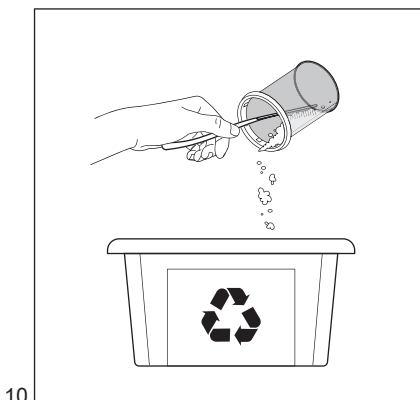
Podržte vložku do nádoby, použite nástroj s kefkou a špachtľou, ktorý sa nachádza v balení filtra. Pohybom kefky nahor/nadol čo najviac odstráňte vlákna pripevnené k sieťke vložky, aby ste mohli ľahšie vypustiť vodu.



Odpad z filtra vyhodte do bežného suchého odpadu.



Aby ste zachovali pozitívny vplyv filtra na životné prostredie, nepoužívajte na čistenie vložky filtra vodu. Namiesto toho vyhodte odpad zozbieraný filtračnou vložkou do bežného suchého odpadu (vyhnite sa úniku plastových vlákien do vodného prostredia).



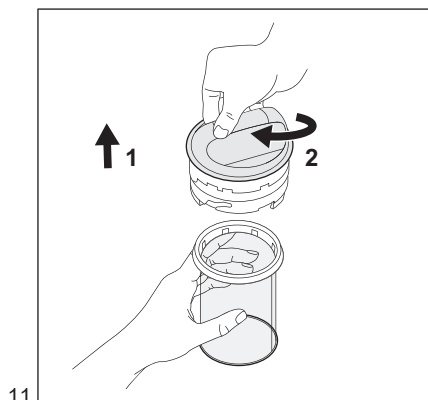
Po vypustení vody z vložky odstráňte všetky nečistoty a mikrovláčna z vnútra vložky a vyhodte ich do bežného SUCHÉHO odpadu. Na zber čo najväčšieho množstva materiálu môžete použiť papierovú utierku.

UPOZORNENIE!

Odpad zozbieraný vložkou obsahuje mikrovláčna, zvyšky čistiaceho prostriedku a nečistoty. MUSÍ sa vyhodiť do bežného suchého odpadu.



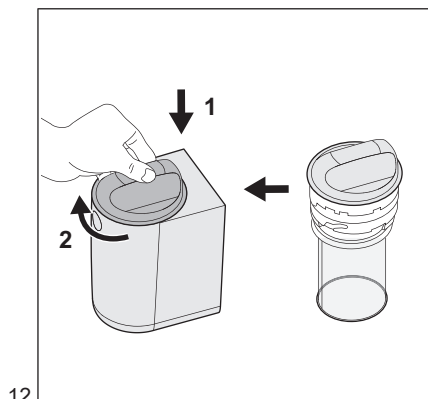
Po vyčistení vložky môže byť špachtľa s kefkou zašpinená a plná plastových vlákien. Aby ste zachovali pozitívny vplyv na životné prostredie, vyčistíte ju bežnými papierovými utierkami, ktoré vyhodíte do bežného suchého odpadu.



11.

i Informácie o výmene vložky nájdete na obrázku 11:

1. Vložte vložku.
2. Uchopte vložku jednou rukou a druhou rukou otočte kryt v smere hodinových ručičiek zo symbolu odomknutia do symbolu zámky.



12.

i Ak chcete zatvoriť filter, pozrite si kroky na obrázku 12:

1. Kryt (+ vložku) vložte do vnútra tela zhora.
2. Otočte kryt v smere hodinových ručičiek od symbolu odistenia do symbolu zámky.

Ďalšie informácie o údržbe a čistení nájdete vo videu. Špeciálny QR kód je k dispozícii na začiatku tohto návodu na používanie.

i

UPOZORNENIE!
Pred ďalším pracím cyklom sa uistite, že ste zatvorili veko.



UPOZORNENIA

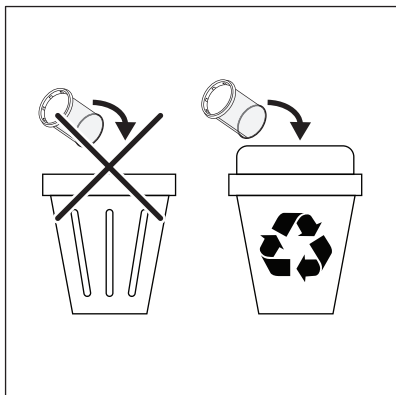
V prípade, že nebudete prať dlhšie ako jeden celý týždeň (napr. dovolenka, výlet), sa odporúča vyprázdniť vložku a vyčistiť filter, aby sa v prostredí filtra netvoril nežiaduci zápach.

Je potrebné vyčistiť vložku vo vlhkom stave, aby ste ju nepoškodili a aby nedošlo k poruchám pri ďalších cykloch používania.

Filtračný systém je vybavený náhradnou vložkou, aby ste mohli okamžite pokračovať vo vašej bežnej rutine prania v prípade poškodenia vložky.

Výmena a likvidácia vložky

Vložka má obmedzenú životnosť približne šesť mesiacov, pretože čistenie môže poškodiť sieťku, čo negatívne ovplyvňuje výkon filtra. 1 náhradný diel vložky je súčasťou balenia.



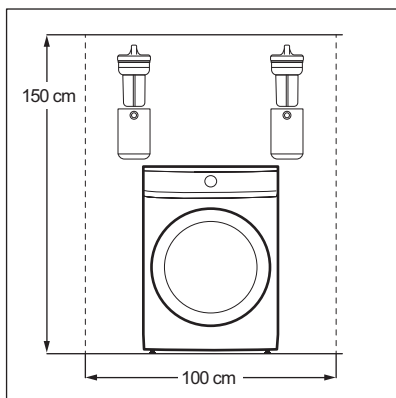
i Odpad z filtra vložte do vhodnej nádoby na recykláciu.

Keď je potrebné vložku vymeniť, postupujte podľa týchto 2 jednoduchých krokov:

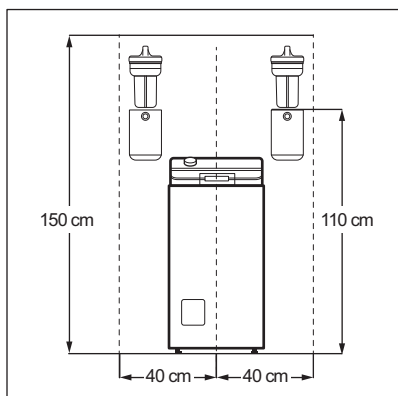
1. Poškodenú vložku opatrne vyčistite.
2. Vložte vložku a odpad do koša na recykláciu.

i Pre ďalšie náhradné diely výmennej vložky používajte iba originálne diely. Vložky sa predávajú v každom servisnom stredisku spoločnosti Electrolux/AEG alebo online.

Prílohy



Príloha pre práčku s predným plnením.



Príloha pre práčku s vrchným plnením.

1. ⚠️ VARNOSTNE INFORMACIJE

Pred namestitvijo in uporabo izdelka natančno preberite priložena navodila. Proizvajalec ni odgovoren za poškodbe ali škodo, nastalo zaradi nepravilne namestitve ali uporabe. Navodila vedno shranite na varnem in dostopnem mestu za poznejšo uporabo.

- Ta izdelek je namenjen zgolj filtriranju mikroplastičnih vlaken, ki se med pranjem sproščajo s tekstila.
- Ta izdelek lahko uporabljajo otroci od 8 leta naprej ter osebe z zmanjšanimi telesnimi, čutnimi ali razumskimi sposobnostmi ali s pomanjkanjem izkušenj ter znanja le pod nadzorom ali če so dobile ustrezna navodila glede varne uporabe izdelka in če se zavedajo nevarnosti, ki obstajajo. Otroci, mlajši od osem (8) let, ter osebe z visoko stopnjo invalidnosti se ne smejo približevati napravi, če niso pod nenehnim nadzorom.
- Preprečite, da bi se otroci igrali z izdelkom. Vso embalažo hranite zunaj dosega otrok in jo ustrezno zavržite.
- Čiščenja izdelka in uporabniškega vzdrževanja na njemu ne smejo izvajati otroci brez nadzora. Pralna sredstva hranite zunaj dosega otrok.
- Ta izdelek je namenjen uporabi v gospodinjstvu in podobnim uporabam, kot so:
 - kuhinje za zaposlene v trgovinah, pisarne in druga delovna okolja,
 - kmetije,
 - za goste v hotelih, motelih, kjer nudijo prenočišča z zajtrkom, in drugih stanovanjskih okoljih,
 - prostorih za skupno uporabo v stanovanjskih blokih ali v čistilnicah.
- Upoštevajte navodila za namestitev, priložena izdelku.
- Ne nameščajte ali uporabljajte poškodovanega izdelka ali odtočnih cevi.
- Izdelek namestite na varno in primerno mesto, ki ustreza zahtevam za namestitev.

- Izdelka ne smete montirati nad električne vtičnice ali nad katero koli napravo, ki je montirana na steni, ali nad samostoječe talne naprave v bližini, da preprečite nevarnost električnega udara.
- Odstranite vse dele embalaže.
- Prepričajte se, da so cevi pravilno pritrjene ter s tem preprečite puščanje, hrup ali poškodbe.
- Med napravo in dovodom filtra zagotovite ustrezno pot za odtočno cev, s čimer preprečite blokiranje toka odtočne vode.
- Pritrdilne stenske naprave niso priložene zaradi različnih materialov sten. Uporabite ustrezne pritrdilne naprave, ki so primerne za stene.
- Preglejte izdelek vizualno med prvo uporabo in po njej, da zagotovite, da nikjer ni vidnega kapljanja/uhajanja vode.
- Ne smete uporabljati visokotlačnega vodnega curka in/ali pare za čiščenje izdelka.
- Vedno preklopite stikalo stroja v položaj za IZKLOP in preverite, ali je izvajanje programa ustavljeno, pred dostopom do izdelka ali pred čiščenjem izdelka.
- Izdelek čistite z vlažno krpo. Uporabljajte samo nevtralna čistilna sredstva. Za čiščenje ne uporabljajte abrazivnih čistil, grobih gobic, topil ali kovinskih predmetov.
- Vložek redno čistite enkrat na teden, ali ko je kazalnik stanja plovca jasno obarvan redeče.
- Vode iz filtra ne uporabljajte ponovno. Vsebuje lahko mikroplastične delce, ki jih ljudje in živali ne smejo zaužiti.
- Za popravilo izdelka se obrnite na pooblaščen servisni center. Uporabite samo originalne rezervne dele.
- Ta zunanja dodatna oprema je združljiva z gospodinjskimi pralnimi stroji Electrolux/AEG/Zanussi.

Skrb za okolje

Reciklirajte materiale, ki jih označuje simbol .

Embalažo odložite v ustrezne zabojnike za reciklažo.

2. MONTAŽA

2.1 Pred namestitvijo



OPOZORILO!

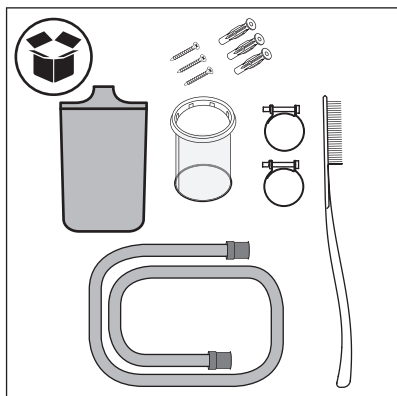
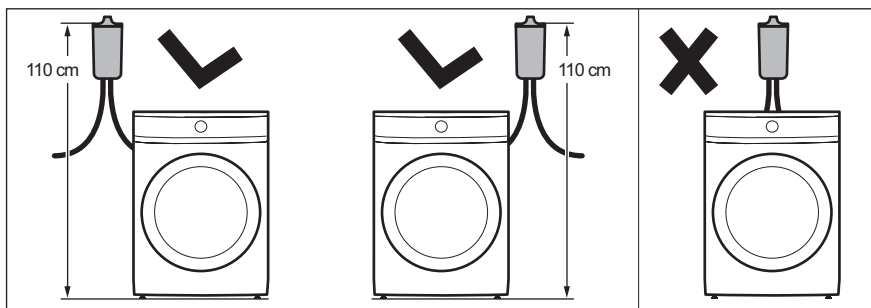
Oglejte si poglavja o varnosti.



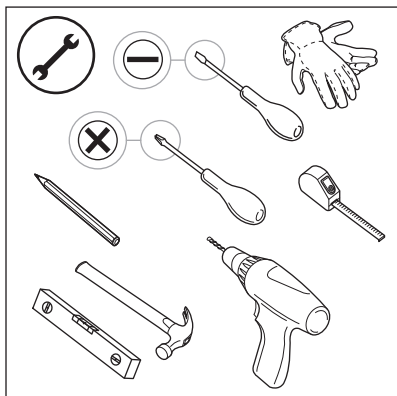
Obiščite spletne strani electrolux.com/getstarted/mikroplastičnifiltri, da pogledate videopredstavitev montaže in uporabe.

1. Za namestitev filtra izberite ustrezno mesto na steni:

Da bi preprečili iztekanje na pralni stroj, je priporočljivo, da filter namestite na obe strani pralnega stroja.

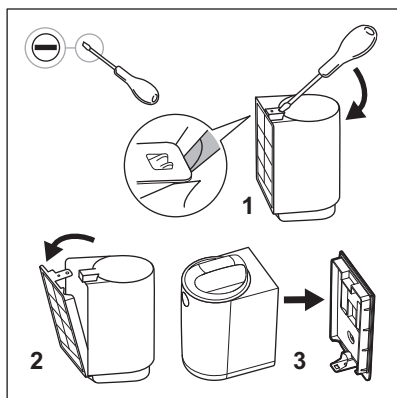


2. Preverite vsebino škatle.



3. Pripravite potrebna orodja za namestitev.

2.2 Nameščanje dodatne opreme

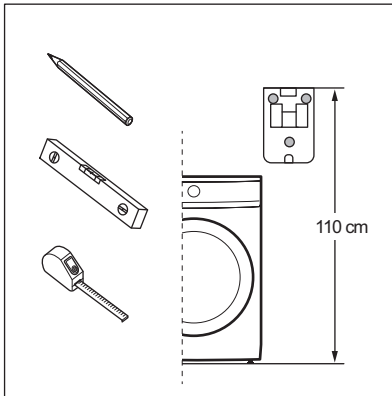


1. Filter odstranite iz embalaže in s pomočjo ploščatega izvijača odstranite stenski nosilec.

2. Položaj filtra morate izbrati ob upoštevanju naslednjih točk (a in b):

a. Stenski nosilec namestite na pravo višino tako, da izmerite 110 cm* od vrha stenskega nosilca do tal (ali podstavka, če je na voljo).

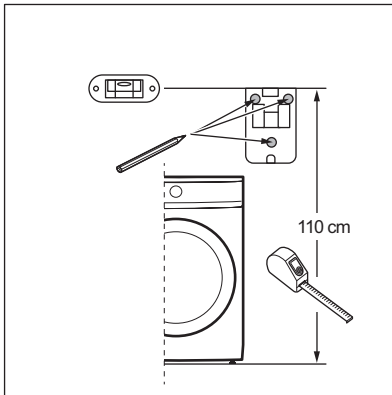
***Višina položaja filtra lahko odstopa za +/-5 cm.**



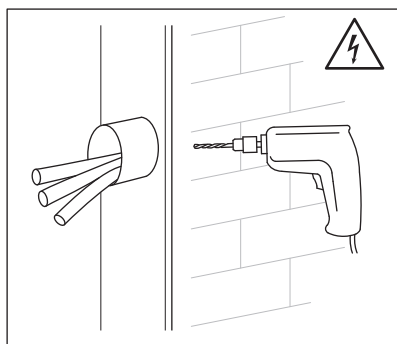
Pred namestitvijo stenskega nosilca preverite, kje je odtočna točka. Filter je opremljen z eno odtočno cevjo, ki meri 100 cm.



Pred namestitvijo stenskega nosilca se prepričajte, da je nad filtrom dovolj prostora. Poskrbite, da bo nad filtrom dovolj prostora za odstranjevanje in ponovno vstavljanje kartuše. Glejte referenco za najmanjše dimenzije v Prilogi 1 („Polnjenje s sprednje strani“) in Prilogi 2 („Polnjenje z vrhnje strani“).



b. Pred vrtanjem se s pomočjo libele prepričajte, da so trije prebijači poravnani in usklajeni.

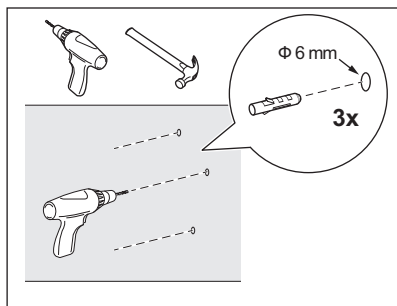


3. V steno izvrtajte luknje in namestite sidra.

OPOZORILO!

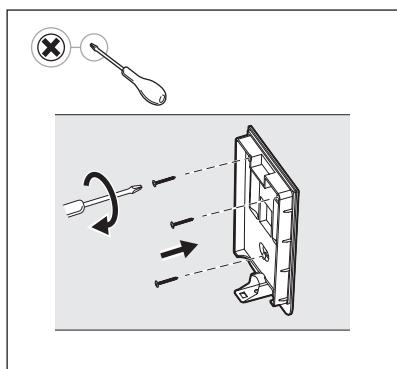
Pred vrtnanjem v steno se prepričajte, da za njo ni vodnih cevi ali električnih žic.

Priporočamo uporabo 6-milimetrskega svedra. Paket filtrov vključuje tri namenske vijake in plastična sidra za pravilno in varno namestitev filtra. Priloženi sistem za pritrditev je zasnovan za namestitev na opečno steno. Če ste v dvomih, se obrnite na serviserja.

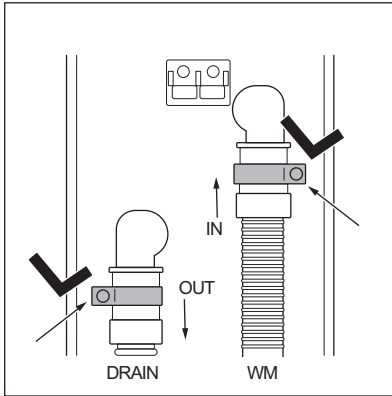


OPOZORILO!

Če je stena izdelana iz drugega materiala, uporabite ustrezna sidra in vijake za zadevni material.



4. Stenski nosilec pritrdite s priloženimi vijaki in plastičnimi sidri ter se prepričajte, da je raven in trdno pritrjen na steno.



5. Vzemite cevi, objemke in ohišje filtra.

Objemke namestite na cevi ter cevi na ohišje filtra priključite glede na oznako IN/OUT na hrbtni strani ohišja filtra:

IN: cev, ki prihaja iz enote WM,

OUT: cev (na voljo v filtrinem paketu), ki je napeljana na odtok.

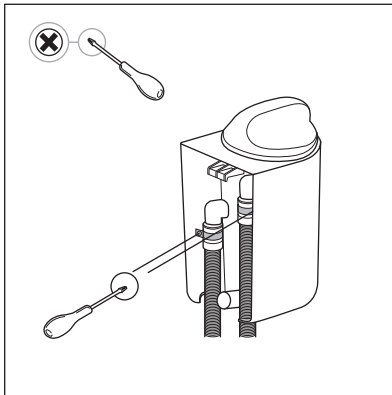
OPOZORILO!

Pred priključitvijo odtočne cevi za vodo na zunanji filter se prepričajte, da je pralni stroj **IZKLJUČEN** in izklopljen iz električne vtičnice.



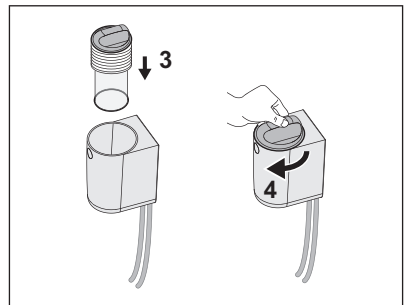
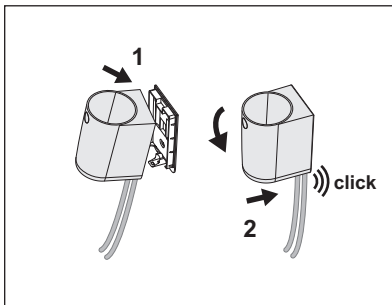
6. S pomočjo izvijača privijte objemke.

Natančno upoštevajte ta navodila za namestitev objem, da zagotovite ustrezno povezavo.



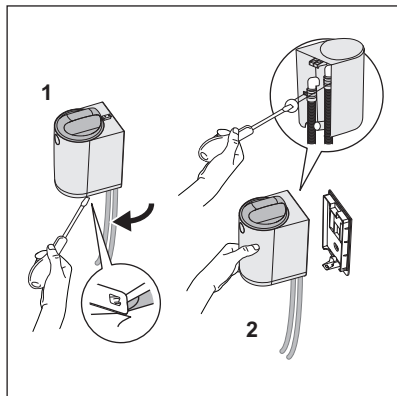
Pri uporabi izvijača pazite, da ne poškodujete ohišja filtra ali cevi.

7. Po gibu, prikazanem na sliki, boste pri pritrditvi ohišja filtra na stenski nosilec zaslišali „klik“, ki pomeni, da ste ohišje pravilno namestili na stenski nosilec.





Preden nadaljujete na naslednjo temo „Vsakodnevna uporaba in nega ter čiščenje“, zaženite kratek program pranja in mu sledite do konca. Prepričajte se, da iz filtra in njegovih priključkov ne izteka voda. V primeru puščanja vode nadaljujte, kot je opisano v odstavku 8. Sklop filtra odstranite s stenskega nosilca in privijte objemke. Za ponovno namestitve filtra ponovite korake iz odstavka 7.



8. Če pride med prvim programom do iztekanja vode, takoj prekinite program. IZKLJUČITE pralni stroj in ga izklopite iz električne vtičnice. Preden nadaljujete s postopkom odstranjevanja, zagotovite, da je pokrov filtra v zaklenjenem položaju, s čimer med privijanjem objemk preprečite iztekanje vode.

Filter v celoti odstranite s stenskega nosilca:

1. S pomočjo izvijača filter odpnite s stenskega nosilca,
2. Filter držite v roki in z izvijačem zategnete objemko.

Za namestitev filtra ponovite korake v odstavku 7.

3. VSAKODNEVNA UPORABA IN NEGA TER ČIŠČENJE



OPOZORILO!

Oglejte si poglavja o varnosti.



OPOZORILO!

Vedno preklopite stikalo stroja v položaj za IZKLOP in preverite, ali je izvajanje programa ustavljeno, pred dostopom do filtra ali pred čiščenjem filtra.



Filtrirni vložek je izdelan iz tanke poliamidne mreže za prestrezanje mikrovlaknen, ki se sproščajo iz perila med pranjem.



Po nekaj ciklih pranja se filtrirna kartuša zamaši, zaradi česar jo je treba očistiti.



Število ciklov pred aktiviranjem nivojskega stikala s plovcem je odvisno od več dejavnikov (vrsta tekstila, velikost bobna, najpogosteje uporabljeni programi, tip ciklov in njihovo trajanje, količina naloženega perila, pralno sredstvo, stopnja umazanosti itd.).



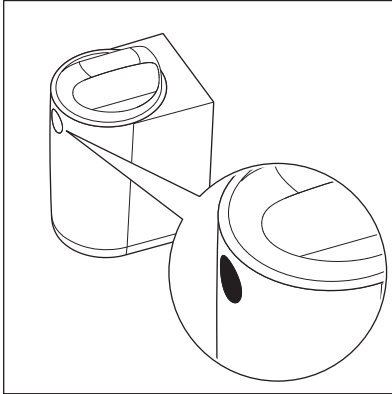
Vložek redno čistite enkrat na teden, ali ko je kazalnik stanja plovcva jasno obarvan rdeče.



Ko je filter zamašen, rdeči plovec v pokrovu postane viden, s čimer uporabnika opozori, da mora očistiti kartušo, kot je prikazano na naslednji sliki.

**OPOZORILO!**

Vode iz filtra ne uporabljajte ponovno. Vsebuje lahko mikroplastične delce, ki jih ljudje in živali ne smejo zaužiti.

3.1 Stanje „rdečega alarma“

Rdeči plovec označuje, da je filter poln in ga je treba očistiti.

V načinu „**rdečega alarma**“ (ko je plovec aktiviran) filter ne zaustavi programa pranja, temveč deluje v načinu obvoda, pri čemer preneha filtrirati.

Zato je za zagotovitev optimalnega delovanja priporočljivo, da kartušo očistite čim prej in filtra ne puščate v načinu „**rdečega alarma**“.

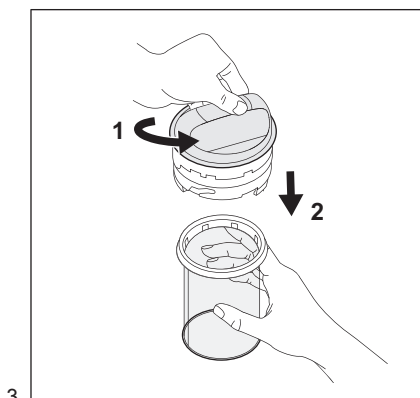
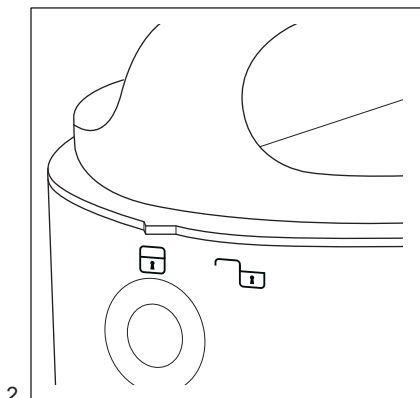
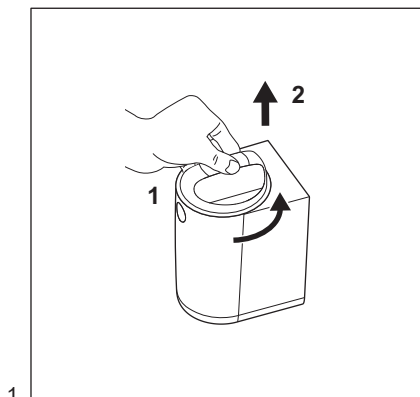
**OPOZORILO!**

Na pralnem stroju se lahko iz različnih razlogov prikažejo opozorila, povezana z odtočnimi težavami, npr. **E20-E21**. Če se prikaže to opozorilo, najprej preverite novi zunanji filter in ga očistite. Če napaka vztraja, preverite tudi filter pralnega stroja in ga očistite (če je dostopen).

Zaustavitev pralnega stroja (napaka) je varnostna funkcija stroja, ki prepreči dolgo odtekanje vode in poškodbe stroja. Po čiščenju filtrirne kartuše lahko nadaljujete z običajno uporabo stroja.

3.2 Skrb in čiščenje

Čiščenje filtra in odlaganje mikrovlaken.

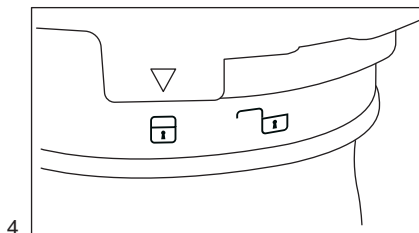


Če želite odpreti filter, si oglejte gibe na slikah 1 in 2.

1. Pokrov v nasprotni smeri urinega kazalca zavrtite od simbola za zaklep do simbola za odklep (na sprednji strani filtra, kot je prikazano na sliki 2).
2. Dvignite pokrov.

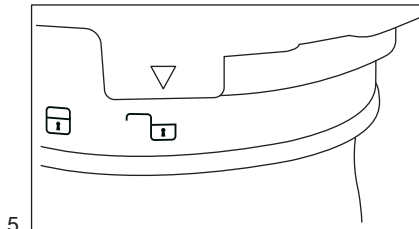
Za odstranitev kartuše si oglejte gibe na sliki 3:

1. Pokrov držite v roki, z drugo roko pa kartušo v nasprotni smeri urinega kazalca zavrtite od simbola za zaklep do simbola za odklep (glejte sliki 4 in 5).
2. Kartušo povlecite navzdol.



4.

Za zaklepanje/odklepanje kartuše si oglejte
sliki 4 in 5:



5.

Zaklepanje (slika 4) / Odklepanje (slika 5).



Za čiščenje kartuše in odstranitev njene vsebine si oglejte slike 6, 7, 8 in 9.

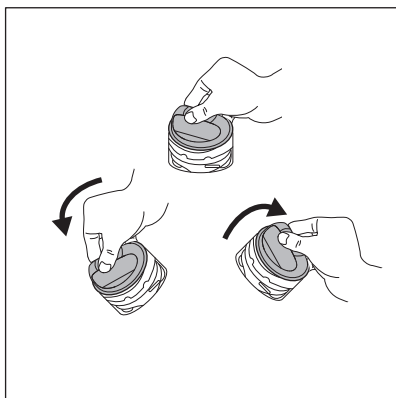


6.

Če je kartuša povsem zamašena, je morda polna umazane vode.

Za pripravo na čiščenje je priporočljivo uporabiti lonec ali majhno plastično posodo, ki lahko pomaga pri čiščenju in prepreči močnejše prostora okoli stroja.

Če želite odstraniti preostalo vodo v kartuši, jo izpraznite v lonec ali posodo tako, da podpržite pokrov sklopa in ga stresete. Voda bo iztekla. Če v kartuši ostane še nekaj vode, nadaljujte z naslednjim korakom.



7.

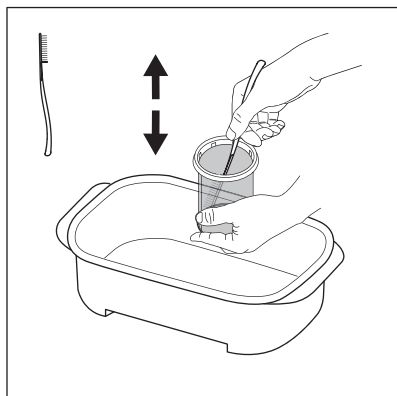


Za ponastavitev kartuše si oglejte sliko 7.

Pred ponovno namestitvijo pokrova na kartušo ponastavite plovec tako, da odstranite vodo v pokrovu. Držite pokrov, ga zavrtite (glejte sliko 7) in odtočite vso vodo v plastično posodo. Ko pokrov namestite na kartušo, plovca ne boste več mogli videti.



Zaslišite lahko hrup, vendar je to običajno, saj je v pokrovu masni ventil.

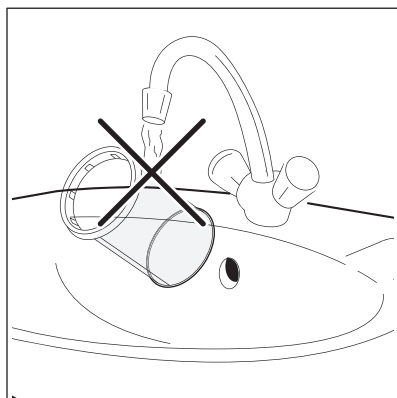


8.

Kartušo položite v posodo in uporabite nastavek s krtačo in lopatico, ki je na voljo v filtrirni omarici. S premikanjem krtače navzdol in navzgor odstranite čim več vlaken, ki se držijo mreže kartuše, da bo voda lažje otekala.

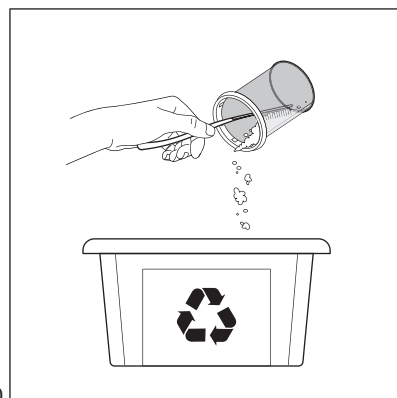


Odpadke iz filtra odvrzite med mešane suhe odpadke.



9.

Če želite ohraniti pozitivni vpliv filtra na okolje, filtrirne kartuše ne čistite z vodo. Odpadni material iz filtrirne kartuše odvrzite med mešane suhe odpadke (plastičnih vlaken ne izpuščajte v vodno okolje).



10.

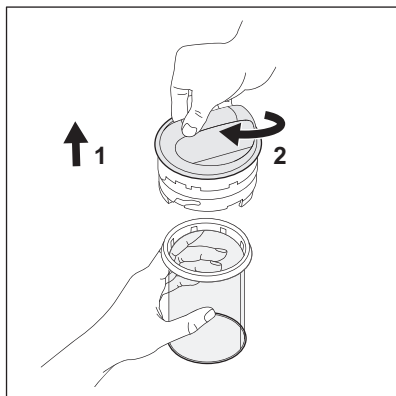
Ko iz kartuše iztočite vodo, iz nje odstranite vso umazanijo in mikrovlakna ter slednjo zavrzite med mešane SUHE splošne odpadke. Da odstranite čim več umazanije, lahko uporabite papirnato brisačo.

POZOR!

Odpadni material iz kartuše vsebuje mikrovlakna, ostanke detergenta in umazanijo. Ta material MORATE NUJNO odvreči med mešane suhe odpadke.



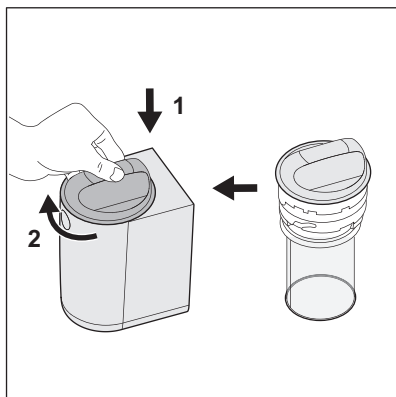
Po čiščenju kartuše je lahko nastavek s krtačo in lopatico umazan in poln plastičnih vlaken. Če želite ohraniti pozitiven vpliv na okolje, nastavek očistite z običajnimi papirnatimi brisačami in jih zavrzite med mešane suhe odpadke.



11.

i Za zamenjavo kartuše si oglejte sliko 11:

1. Vstavite kartušo.
2. Kartušo držite v roki, z drugo roko pa pokrov zavrtite v nasprotni smeri urinega kazalca od simbola za odklep do simbola za zaklep.



12.

i Če želite zapreti filter, si oglejte gibe na sliki 12:

1. Pokrov (+ kartušo) vstavite v ohišje z vrha.
2. Pokrov v smeri urinega kazalca zavrtite od simbola za odklep do simbola za zaklep.

Za dodatne informacije glede vzdrževanja in čiščenja si oglejte videoposnetek. Na začetku teh navodil za uporabo je na voljo posebna koda QR.

i

POZOR!
Preden nadaljete z naslednjim programom pranja, se prepričajte, da je pokrov zaprt.



OPOZORILA

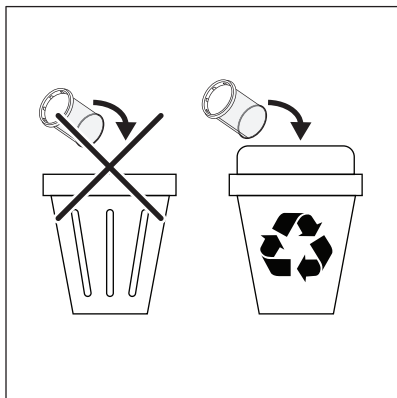
Če pralnega stroja ne uporabljate dlje kot teden dni (npr. v primeru dopusta ali potovanja), priporočamo, da izpraznite kartušo in očistite filter ter s tem preprečite nastanek nepričakanega vonja v okolju filtra.

Kartušo morate očistiti v mokrem stanju, da je ne poškodujete in da se pri naslednjih ciklih izognete motnjam v delovanju.

Filterni sistem je v primeru morebitne poškodbe kartuše opremljen z rezervno kartušo za takojšen ponovni zagon pralne rutine.

Zamenjava in odstranjevanje kartuše

Filtrirni vložek ima omejeno življenjsko dobo, ki je približno šest mesecev, ker se med čiščenjem lahko poškoduje mreža, kar ogroža delovanje filtra. V škatli je priložen en nadomestni filtrirni vložek.



Odpadni material iz filtra odložite v ustrezni vsebnik za recikliranje.

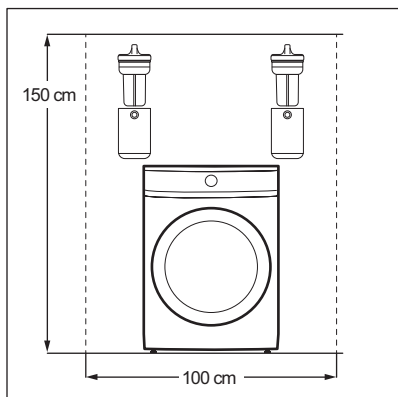
Ko morate zamenjati kartušo, upoštevajte naslednja dva preprosta koraka:

1. Poškodovano kartušo previdno očistite.
2. Kartušo in odpadni material odložite v koš za recikliranje.

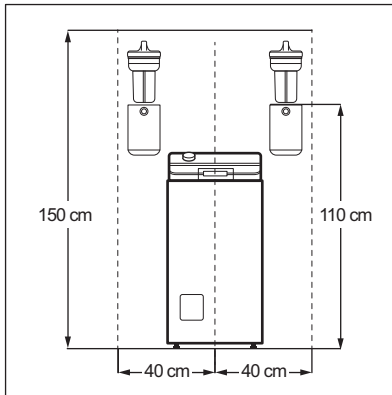


Uporabljajte samo originalne nadomestne dele za kartušo. Vložki so naprodaj v vseh servisnih centrih Electrolux/AEG, pa tudi na spletu..

Dodatki



Dodatek za polnjenje pralnega stroja s sprednje strani.



**Dodatek za polnjenje pralnega stroja z
vrhne strani.**

1. ⚠ GÜVENLİK BİLGİLERİ

Ürünün montajını yapmadan ve kullanmadan önce verilen talimatları dikkatlice okuyun. Üretici, yanlış kurulum veya kullanımdan kaynaklanan yaralanma ya da hasarlardan sorumlu değildir. Talimatları, ileride kullanabilmeniz için her zaman güvenli ve kolay ulaşılabilir bir yerde tutun.

- Bu ürün yıkama esnasında tekstil ürünlerinden kopan mikro plastik lifleri filtrelemek için tasarlanmıştır ve başka bir amaçla kullanılmamalıdır.
- Bu ürün, güvenli şekilde kullanımı ve oluşabilecek tehlikeler hakkında talimat, gözetim veya bilgi verilmesi halinde 8 yaş ve üzeri çocuklar ve fiziksel, duyuumsal veya zihinsel kapasitesi düşük veya bilgi ve deneyimi olmayan kişiler tarafından kullanılabilir. 8 yaşından küçük çocuklar ve ileri düzey zihinsel ile fiziksel engellere sahip kişiler gözetim altında bulunmadıkları müddetçe bu ürünü tek başına kullanmamalıdır.
- Çocukların ürünle oynamasına izin vermeyin. Tüm ambalajları çocuklardan uzak tutun ve uygun şekilde bertaraf edin.
- Temizlik ve kullanıcı tarafından gerçekleştirilen bakım işlemleri, gözetim altında olmadıkları sürece çocuklar tarafından gerçekleştirilmemelidir. Deterjanları çocuklardan uzak tutun.
- Bu ürün aşağıdaki gibi, ev ve benzeri uygulamalarda kullanılmak üzere tasarlanmıştır:
 - mağaza, ofis ve diğer çalışma ortamlarındaki mutfak bölümleri;
 - çiftlik evleri;
 - otel, motel ve diğer konaklama tarzı yerlerdeki müşteriler tarafından;
 - apartman binalarının ortak alanları veya çamaşırhaneler için.
- Ürünle birlikte verilen montaj talimatlarını takip edin.

- Hasarlı ürün ve tahliye hortumlarını takmayın ve kullanmayın.
- Ürünü, kurulum gerekliliklerini karşılayan güvenli ve uygun bir yere yerleştirin.
- Elektrik çarpması riskinden kaçınmak için ürünü elektrik prizlerinin, duvarın üstünde bulunan cihazların veya zemin üzerinde duran bağımsız cihazların yakınına kurmayın.
- Tüm ambalajlarını çıkarın.
- Hortumların sızıntı, gürültü ve hasarı önleyecek şekilde düzgün takıldıklarından emin olun.
- Cihaz ve filtre girişi arasında doğru tahliye hortumunu kullandığınızdan emin olun ve tahliye akışının bloke olmasını önleyin.
- Farklı duvar malzemelerine uygun sabitleme sistemleri dahil değildir. Duvarınıza uygun sabitleme araçları kullanın.
- Ürün ilk kez kullanıldığında veya sonrasında görülebilir su kaçağı olmadığından emin olun.
- Ürünü temizlemek için yüksek basınçlı su spreyleri ve/veya buhar kullanmayın.
- Ürüne erişmeden veya temizlemeden önce daima kapatın ve makinenin çalışıp çalışmadığını kontrol edin.
- Ürünü nemli bir bezle temizleyin. Sadece nötr deterjanlar kullanın. Aşındırıcı ürünler, aşındırıcı ovma bezleri, çözücüler veya metal cisimler kullanmayın.
- Kartuşu haftada bir kez veya kırmızı flatör göstergesi net olarak görüldüğünde düzenli olarak temizleyin.
- Filtredeki suyu yeniden kullanmayın. Suda insan ve hayvanların kullanımı için uygun olmayan mikro plastik parçacıklar bulunabilir.
- Ürünü onarmak için yetkili bir Servis Merkezine başvurun. Yalnızca orijinal yedek parçaları kullanın.
- Bu harici aksesuar, Electrolux/AEG/Zanussi ev tipi çamaşır makineleri ile uyumludur.

Dikkate alınması gereken çevresel faktörler

♻️ sembolünü taşıyan malzemeleri geri dönüştürün. Geri dönüşüm için paketi uygun konteynerlere koyun.

2. MONTAJ

2.1 Kurulumdan Önce



UYARI!

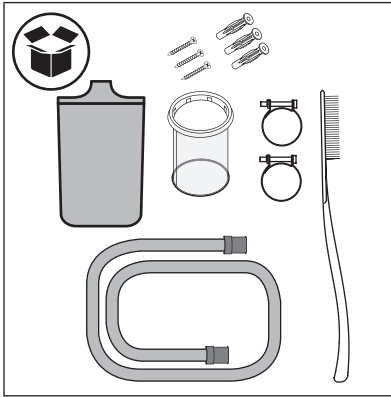
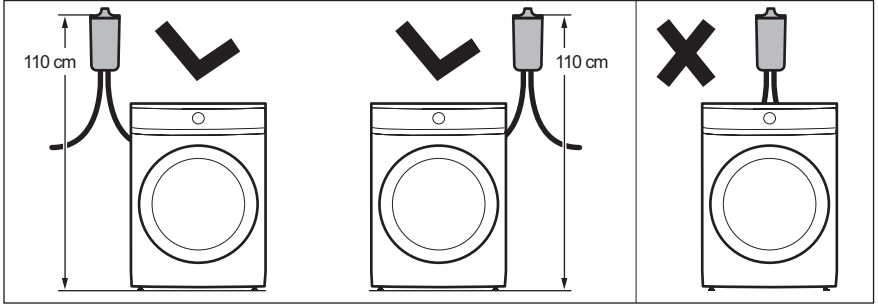
Güvenlik bölümlerine bakın.



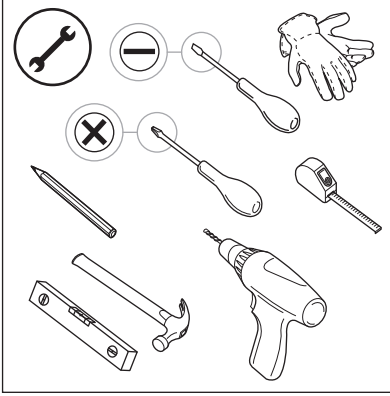
Kurulum ve kullanım videoları için electrolux.com/getstarted/microplasticfilters adreslerini ziyaret edin.

1. Duvarda filtreyi monte etmek için uygun bir yer seçin:

Çamaşır makinesine su sızmasını önlemek için filtrenin, çamaşır makinesinin iki yanından birine monte edilmesi tercih edilebilir.



2. Kutu içeriğini kontrol edin.



3. Kurulum için gerekli araç gereçleri hazırlayın.

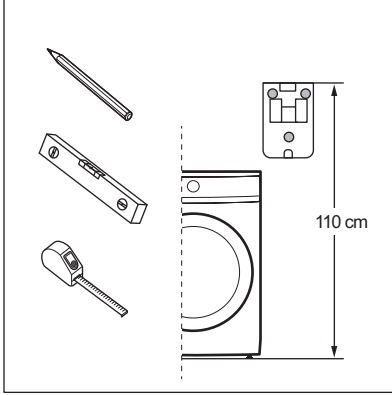
2.2 Aksesuarın kurulumu



1. Filtreyi ambalajından çıkarın ve duvar desteğini düz bir tornavidayla sökün.

2. Filtrenin konumu aşağıdaki noktalara (a ve b) uygun olmalıdır:

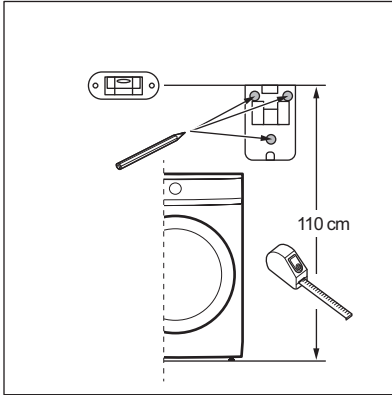
a. Duvar desteğini doğru yüksekliğe yerleştirin. Desteğin üst tarafından zemine veya varsa kaideye 110 cm* ölçün. ***Filtrenin konumu için kabul edilebilir oynama +/-5 cm'dir.**



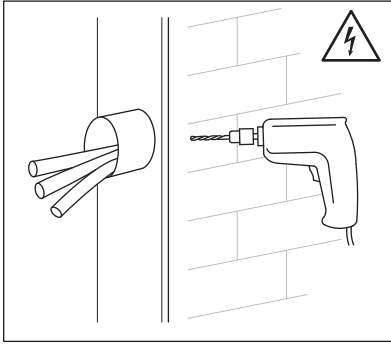
Duvar desteğini yerleştirmeden önce su boşaltma noktanızın nerede olduğunu kontrol edin. Filtrede 100 cm'lik bir su tahliye hortumu bulunur.



Duvar desteğini yerleştirmeden önce filtrenin üstünde yeterli boşluk olduğundan emin olun. Filtrenin üst tarafında kartuşu söküp takarken kullanılacak yeterli boş alan bıraktığınızdan emin olun. Ek 1 (Önden Yüklemeli) ve Ek 2'de (Üstten Yüklemeleri) minimum ölçülere bakın.



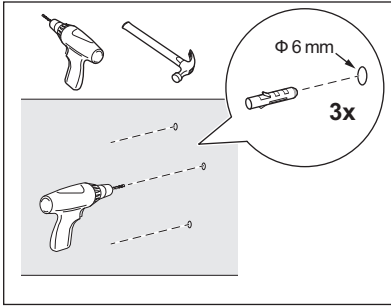
b. Delmeye geçmeden önce, su terazisi kullanarak 3'lü delme plakasının düz olduğunu kontrol edin.



3. Duvara delikleri açın ve bağlantı parçalarını yerleştirin.

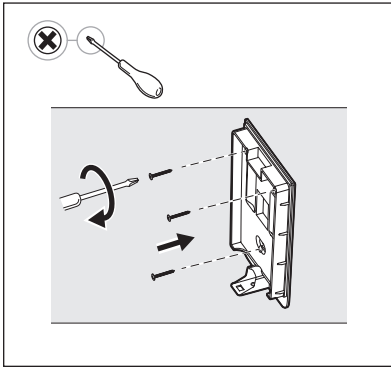
UYARI!

Duvarı delmeden önce duvarın içinde ve arkasında su borusu ve elektrik kablosu olmadığından emin olun. 6 mm matkap ucu kullanılması önerilir. Filtre paketinde filtrenin doğru ve güvenli bir şekilde montajını sağlayacak üç özel vida ve plastik bağlantı parçaları bulunur. Sunulan sabitleme sistemi tuğla duvarlara montaj için tasarlanmıştır. Emin değilseniz bir teknik elemana danışın.

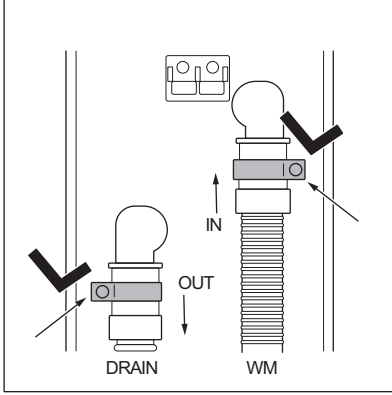


UYARI!

Duvarınız tuğla dışında bir malzemeden yapılmışsa, o malzemeye uygun vida ve bağlantı parçalarını kullanın.



4. Duvar desteğini sunulan vida ve bağlantı parçalarıyla sabitleyin ve duvara düz ve sıkı bir şekilde sabitlendiğinden emin olun.



5. Hortumları, kelepçeleri ve filtrenin gövdesini alın.

Kelepçeleri hortumlara takın ve hortumları filtrenin arkasında **IN/OUT** olarak belirtilen girişlere takın:

IN: makineden gelen hortum,

OUT: filtre paketiyle gelen ve tahliyeye bağlanacak olan hortum.

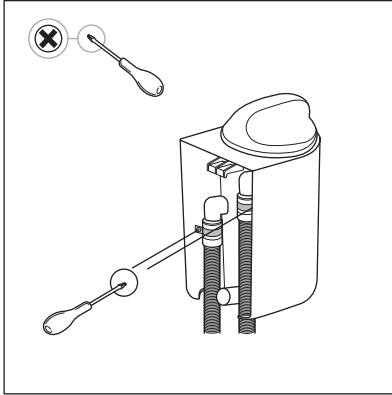
UYARI!



Tahliye hortumunu harici filtreye bağlamadan önce çamaşır makinesinin **KAPALI** olduğundan fişinin takılı olmadığından emin olun.

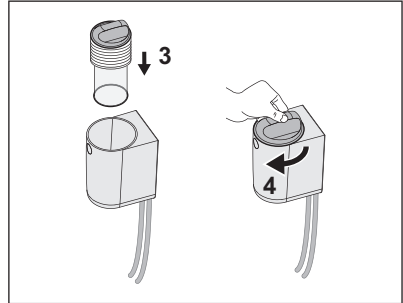
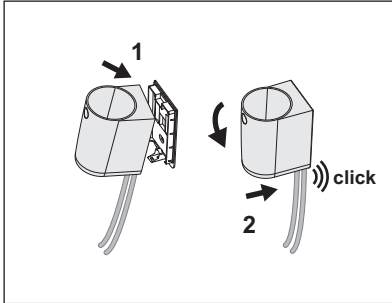
6. Kelepçeleri tornavidayla sıkın.

Kelepçeleri bağlantının tam olmasını sağlayacak şekilde konumlandırmak için bu talimatları harfiyen uygulayın.

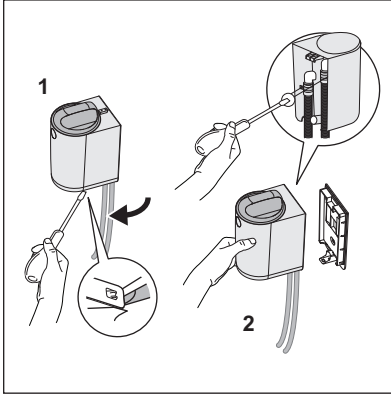


Tornavidayı kullanırken filtre ve hortumlara hasar vermeye özen gösterin.

7. Resimde gösterilen hareketi uygulayarak filtreyi duvar desteğine takarken, filtrenin duvar desteğine doğru takıldığını anlamamız için "tık" sesi duyulur.



- i** Günlük kullanım, bakım ve temizlik başlığına geçmeden önce kısa yıkama programını başlatın ve sonuna kadar devam edin. Filtre ve bağlantılarında sızıntı olmadığından emin olun. Sızıntı olması durumunda 8. paragrafta belirtildiği şekilde devam edin. Filtre aksamını suvar desteğinden çıkarın ve kelepçeleri sıkın. Filtreyi yeniden takmak için 7. paragraftaki adımları tekrarlayın.



8. Makineyi ilk çalıştırmada su çıkarsa programı derhal durdurun. Çamaşır makinesini KAPALI konuma getirin ve fişini prizden çıkarın. Filtreyi duvardan çıkarırken filtre kapağının kilitleti konumunda olduğunu kontrol ederek kelepçeleri sıkarken su sızıntısı yaşanmasını önleyin.

Tüm filtreyi duvar desteğinden çıkarın:

1. Filtreyi tornavida yardımıyla duvar desteğinden çıkarın,
2. Filtreyi elinizdeki tutarak kelepçeyi tornavidayla sıkın.

Filtreyi takmak için 7. paragraftaki adımları tekrarlayın.

3. GÜNLÜK KULLANIM, BAKIM VE TEMİZLİK

! **UYARI!**
Güvenlik bölümlerine bakın.

! **UYARI!**
Filtreye erişmeden veya temizlemeden önce daima kapatın ve makinenin çalışıp çalışmadığını kontrol edin.

i Filtre kartuşu, çamaşır yıkarken mikro lifleri yakalayabilmesi için ince Poliamid ağdan üretilmiştir.

i Bazı yıkamalardan sonra filtre kartuşu tıkanabilir ve temizlenmesi gerekir

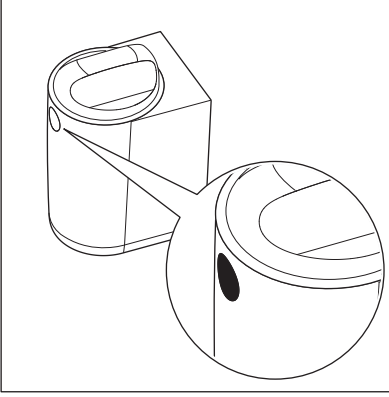
i Flatörün kaç yıkama sonrası devreye gireceği (kumaşın türü, kazanın boyutu, en çok kullanılan programlar, yıkama türü ve süresi, çamaşır ağırlığı, deterjan, çamaşırların kirlilik derecesi gibi) çeşitli faktörlere bağlıdır.

i Kartuşu haftada bir kez veya kırmızı flatör göstergesi net olarak görüldüğünde düzenli olarak temizleyin.

i Filtre tıkanığında, kapağın iç tarafındaki kırmızı flatör ortaya çıkarak kartuşun temizlenmesi gerektiği uyarısını verir. Kartuşun nasıl temizleneceği sonraki resimde gösterilmiştir.

! **UYARI!**
Filtredeki suyu yeniden kullanmayın. Suda insan ve hayvanların kullanımı için uygun olmayan mikro plastik parçacıklar bulunabilir.

3.1 “Kırmızı alarm” durumu



Kırmızı flatör filtrenin dolduğunu ve temizlenmesi gerektiğini belirtir.

”Kırmızı alarm” modunda (flatör etkinleştirildiğinde) filtre yıkama programını durdurmaz ama devreden çıkar ve filtrelemeye devam etmez.

Bu yüzden, makinenizden en iyi performans almak için kartuşun mümkün olan en kısa sürede temizlenerek filtrenin “kırmızı alarm” modundan çıkarılması önerilir.



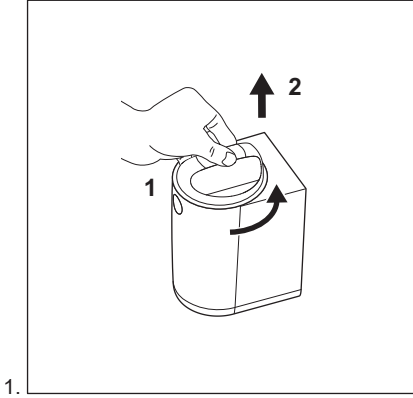
UYARI!

Çamaşır makinesi su boşaltmayla ilgili sorunlara bağlı çeşitli nedenlerden **E20-E21** gibi uyarılar verebilir. Makine bu uyarıyı verirse, önce harici filtreyi kontrol ederek temizleyin. Hatanın devam etmesi halinde, ulaşılabılır durumdaysa çamaşır makinenizin filtresini kontrol edin.

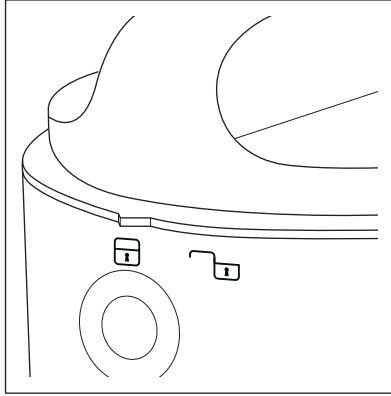
Hata halinde çamaşır makinesinin durdurulması uzun su boşaltma süresini ve makinenin zarar görmesini önleyecek bir güvenlik özelliğidir. Filtre kartuşu temizlendikten sonra normal çalışmaya devam edilebilir.

3.2 Bakım ve Temizlik

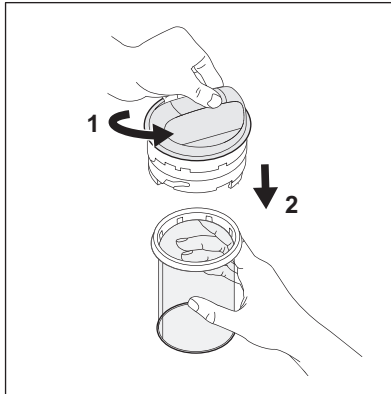
Filtrenin temizlenmesi ve mikro liflerin boşaltılması.



1.



2.



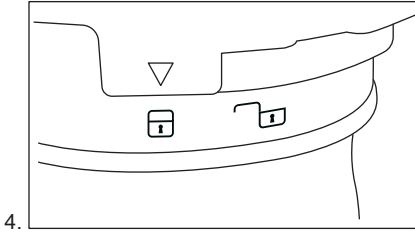
3.

Filtreyi açmak için bkz. Resim 1 ve 2:

1. Kapağı saat yönünden tersi yönde çevirerek kilitli sembolünden kilit açık sembolüne getirin (Resim 2'de gösterildiği gibi semboller filtrenin ön kısmındadır.)
2. Kapağı kaldırın.

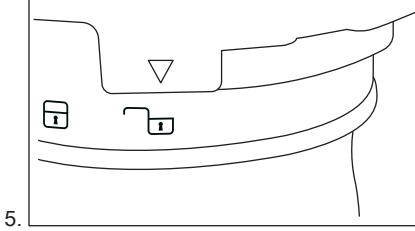
Kartuşu sökmek için bkz. Resim 3:

1. Bir elinizle kapağı tutarken diğer elinizle kartuşu saat yönünün tersi yönde çevirerek kilitli sembolünden kilit açık sembolüne getirin (bkz. resim 4 ve 5)
2. Kartuşu aşağı çekin.



4.

Kartuşu kilitlemek/serbest bırakmak için bkz. Resim 4 ve 5:
Kilitli (resim 4) / Serbest (resim 5).



5.

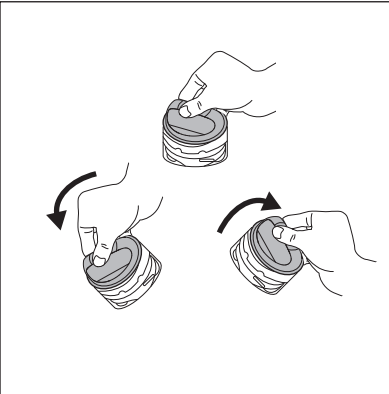


Kartuşu temizleyip birikintileri boşaltmak için bkz. Resim 6, 7, 8 ve 9.



6.

Kartuş tamamen tıkalıysa, tamamen pis su ile dolu olabilir. Temizliğe başlamadan önce küçük bir kova veya plastik kabı hazır bulundurursanız temizlik işlemi esnasında etrafın ıslanmasını önleyebilirsiniz. Kartuşun içindeki suyu boşaltmak için aksamı kapağından tutarak plastik kova veya kabın içine boşaltın. Suyun dışarı akar. Hala su kalması durumunda bir sonraki adımı uygulayın.



7.

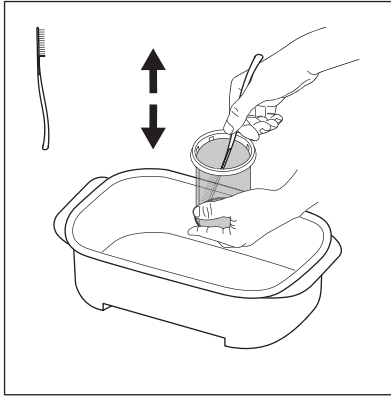


Filtreyi yeniden takmak için bkz. Resim 7.

Kapağı kartuşa yerleştirmeden önce kapağın içindeki suyu boşaltarak flatörü eski haline getirin. Kapağı tutun, çevirin (bkz. Resim 7) ve suyun tamamını plastik bir kaba boşaltın. Kapak filtreye yerleştirildiğinde flatör görülmeyecektir.



Bir ses duyulabilir ancak bu kapağın içinde kitle valfi olduğu için normal bir durumdur.

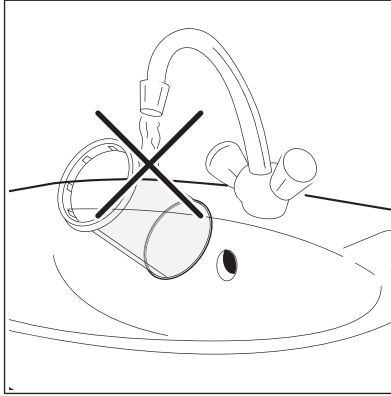


8.

Kartuşu muhafazanın içinde tutarak filtre kutusunda bulunan fırça spatulayı kullanın. Fırçayı yukarı/aşağı hareket ettirerek kartuşun filesinde biriken lifleri daha iyi temizleyip suyun tahliyesini kolaylaştırabilirsiniz.

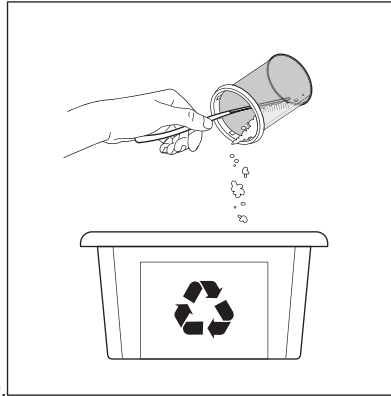


Filtreden çıkan pisliği normal katı atık çöpüne atın.



9.

Filtre kartuşunu temizlerken çevreye olumsuz etki bırakmamak için su kullanmaktan kaçının. Bunun yerine, filtre kartuşundan toplanan atığı genel katı atıkların atıldığı çöp kutusuna atın (plastik liflerin suya karışmasını önleyin).



10.

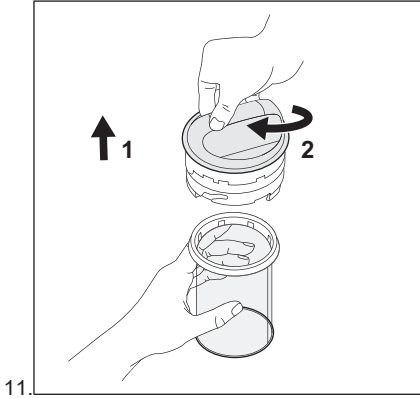
Kartuştaki suyu boşalttıktan sonra, kartuşta kalan pislik ve mikro lifleri genel KATI çöp kutusuna atın. Mümkün olan en fazla miktarda atığı toplamak için kâğıt havlu kullanılabilir.

DİKKAT!

Kartuşta biriken atık mikro lifler, deterjan kalıntıları ve pislik içerir. Katı atık çöp kutusuna ATILMALIDIR.



Kartuşun temizliğinden sonra fırça spatula kirlenebilir ve üzerinde plastik lifer kalabilir. Çevreye olumsuz etki bırakmamak için, fırçayı kâğıt havluyla temizleyip havluyu genel katı atık çöp kutusuna atın

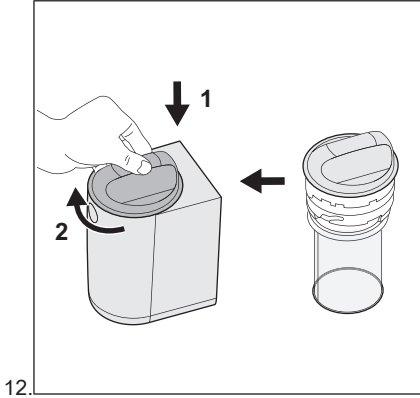


11.



Kartuşu deęiřtirmek için bkz. Resim 11:

1. Kartuşu takın.
2. Bir elinizle kartuşu tutarken dięer elinizle kapaęı saat yönünde çevirerek kilit açık sembolünden kilitli sembolüne getirin.



12.



Filtreyi kapatmak için bkz. Resim 12:

1. Kapak ve kartuşu gövdeye üst taraftan takın.
2. Kapaęı saat yönünde kilit açık sembolünden kilitli sembolüne çevirin.

Bakım ve temizlikle ilgili daha fazla bilgi için videoyu izleyin. Bu kullanım kılavuzunun başında özel bir kare kod bulunur.



DİKKAT!
Makinede yıkamaya başlamadan önce kapaęın kapalı olduęundan emin olun.



UYARILAR

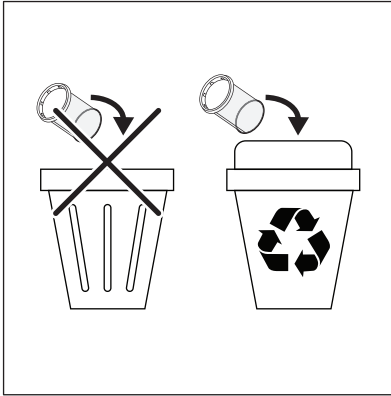
Tatil, seyahat gibi nedenlerle çamařır yıkamaya bir haftadan uzun süre ara vermeniz durumunda filtrede istenmeyen koku oluşmasının önlenmesi için kartuşun boşaltılıp filtrenin temizlenmesi önerilir.

Kartuşun zarar görmemesi ve daha sonraki yıkamalarda iş göremez hale gelmesini önlenmesi için ıslakken temizlenmesi gereklidir.

Kartuşun zarar görmesi durumunda çamařır yıkamaya devam edebilirsiniz için filtre sistemi yedek bir kartuşla gelir

Kartuş deęiřtirme ve bertaraf

Kartuşların ömrü yaklaşık altı ay ile sınırlıdır ve temizlik işlemini aęa zarar vererek filtre performansını düşürebilir. Kutuda 1 yedek kartuş bulunur.



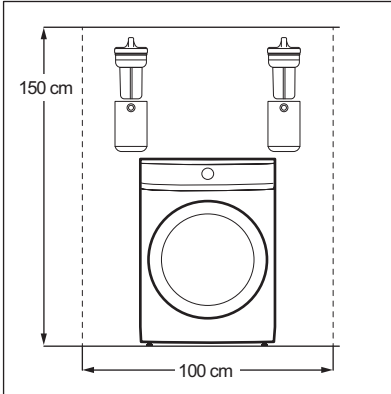
i Filtreden çıkan atığı uygun geri dönüşüm kutusuna atın.

Kartuş değiştirirken bu 2 basit adımı uygulayın:

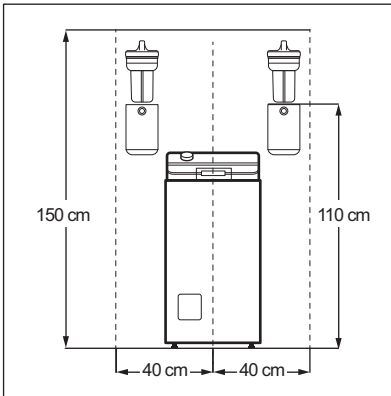
1. Hasarlı kartuşu dikkatli biçimde temizleyin.
2. Kartuş ve atığı geri dönüşüm kutusuna atın.

i Daha sonra kartuş değiştirirken sadece orijinal parça kullanın. Kartuşlar Electrolux/AEG servis noktalarından ve internetten satın alınabilir.

Ekler



Önden Yüklemeli çamaşır makinesi eki.



Üstten Yüklemeli çamaşır makinesi eki.

4. TÜKETİCİNİN SEÇİMLİK HAKLARI

1. Malın ayıplı olduğunun anlaşılması durumunda tüketici;
 - a. Satılanı geri vermeye hazır olduğunu bildirerek sözleşmeden dönme,
 - b. Satılanı alıkoymuş ayıp oranında satış bedelinden indirim isteme,
 - c. Aşırı bir masraf gerektirmediği takdirde, bütün masrafları satıcıya ait olmak üzere satılanın ücretsiz onarılmasını isteme,
 - d. İmkân varsa, satılanın ayıpsız bir misli ile değiştirilmesini isteme, seçimlik haklarından birini kullanabilir. Satıcı, tüketicinin tercih ettiği bu talebi yerine getirmekle yükümlüdür.
2. Ücretsiz onarım veya malın ayıpsız misli ile değiştirilmesi hakları üretici veya ithalatçıya karşı da kullanılabilir. Bu fıkradaki hakların yerine getirilmesi konusunda satıcı, üretici ve ithalatçı müteselsilen sorumludur. Üretici veya ithalatçı, malın kendisi tarafından piyasaya sürülmesinden sonra ayıbın doğduğunu ispat ettiği takdirde sorumlu tutulmaz.
3. Ücretsiz onarım veya malın ayıpsız misli ile değiştirilmesinin satıcı için orantısız güçlükleri beraberinde getirecek olması hâlinde tüketici, sözleşmeden dönme veya ayıp oranında bedelden indirim haklarından birini kullanabilir. Orantısızlığın tayininde malın ayıpsız değeri, ayıbın önemi ve diğer seçimlik haklara başvurunun tüketici açısından sorun teşkil edip etmeyeceği gibi hususlar dikkate alınır.
4. Ücretsiz onarım veya malın ayıpsız misli ile değiştirilmesi haklarından birinin seçilmesi durumunda bu talebin satıcıya, üreticiye veya ithalatçıya yöneltilmesinden itibaren azami otuz iş günü, konut ve tatil amaçlı taşınmazlarda ise altmış iş günü içinde yerine getirilmesi zorunludur. Ancak, bu Kanunun 58 inci maddesi uyarınca çıkarılan yönetmelik eki listede yer alan mallara ilişkin, tüketicinin ücretsiz onarım talebi, yönetmelikte belirlenen

azami tamir süresi içinde yerine getirilir. Aksi hâlde tüketici diğer seçimlik haklarını kullanmakta serbesttir.

5. Tüketicinin sözleşmeden dönme veya ayıp oranında bedelden indirim hakkını seçtiği durumlarda, ödemiş olduğu bedelin tümü veya bedelden yapılan indirim tutarı derhâl tüketiciye iade edilir.
6. Seçimlik hakların kullanılması nedeniyle ortaya çıkan tüm masraflar, tüketicinin seçtiği hakkı yerine getiren tarafça karşılanır. Tüketici bu seçimlik haklarından biri ile birlikte 11/1/2011 tarihli ve 6098 sayılı Türk Borçlar Kanunu hükümleri uyarınca tazminat da talep edebilir.

Tüketici, garantiden doğan haklarının kullanılması ile ilgili olarak çıkabilecek uyuşmazlıklarda yerleşim yerinin bulunduğu veya tüketici işleminin yapıldığı yerdeki Tüketici Hakem Heyetine veya Tüketici Mahkemesine başvurabilir.

Üretici / İhracatçı :

ELECTROLUX APPLIANCES AB
BUSINESS SECTOR EMA-EMEA (SEE)
ST GÖRANSGATAN 143
SE-105 45 STOCKHOLM
SWEDEN
TEL: +46 (8) 738 60 00
FAX: +46 (8) 738 63 35
www.electrolux.com

İthalatçı: Electrolux Dayanıklı Tüketim Mamulleri San. ve Tic. A.Ş.

TR-34435 Taksim-Beyoğlu-İstanbul
Müşteri Hizmetleri: 0 850 250 35 89
musteri_hizmetleri@electrolux.com
WEB: www.electrolux.com.tr

Kullanım Ömrü Bilgisi :

Kullanım ömrü küçük ev aletlerinde 7 yıl, diğer beyaz eşya ürünlerinde ise 10 yıldır. Kullanım ömrü, üretici ve/veya ithalatçı firmanın cihazınızla ilgili yedek

parça temini ve bakım süresini ifade eder.

AEEE Yönetmeliğine Uygundur.

1. ⚠ ІНФОРМАЦІЯ ЩОДО БЕЗПЕКИ

Перед установкою та експлуатацією виробу треба уважно прочитати надані інструкції. Виробник не несе відповідальності за травми чи збитки, спричинені неправильним установленням або використанням. Інструкції слід зберігати в безпечному й доступному місці для використання в майбутньому.

- Цей виріб призначено для фільтрації мікрОВОЛОКНИН пластику, що вивільняються з тканин під час прання, і його не можна використовувати для інших цілей.
- Діти від 8 років, особи з обмеженими фізичними, сенсорними чи розумовими здібностями та особи без відповідного досвіду та знань можуть користуватися цим виробом лише під наглядом або після отримання інструктажу стосовно безпечного користування виробом і пов'язаних ризиків. Діти віком до 8 років та особи зі значними та складними обмеженнями дієздатності можуть залишатися поблизу приладу лише за умови постійного нагляду.
- Не дозволяйте дітям гратися з виробом. Тримайте всі пакувальні матеріали подалі від дітей та утилізуйте ці матеріали належним чином.
- Дітям забороняється виконувати очищення чи роботи з обслуговування виробу (які можуть виконуватися користувачем) без нагляду. Тримайте мийні засоби в недоступному для дітей місці.
- Цей виріб призначено для використання в побутових і аналогічних сферах, таких як:
 - на кухнях магазинів, офісів та інших робочих середовищ;
 - у фермерських будинках;
 - клієнтами готелів, мотелів, мініготелів та інших житлових приміщень;

- у зонах для спільного користування в багатоквартирних будинках або пральнях самообслуговування.
- Дотримуйтеся інструкцій зі встановлення, що постачаються разом із виробом.
- Не встановлюйте та не використовуйте пошкоджений виріб або зливні шланги.
- Встановлюйте виріб у безпечному підходящому місці, що відповідає вимогам зі встановлення.
- Не встановлюйте виріб над будь-якими електричними розетками або будь-якими пристроями, розташованими на стіні, або окремо встановленими пристроями близько до підлоги, щоб уникнути ураження електричним струмом.
- Зніміть усі упаковки.
- Переконайтеся, що труби закріплено належним чином, щоб уникнути протікань, шуму або пошкодження.
- Забезпечте належне розташування зливного шланга між приладом і впускним отвором фільтра, щоб уникнути блокування зливного потоку.
- Кріпильні пристрої для настінного кріплення не включено в комплект через те, що матеріали стін різняться. Використовуйте відповідні кріпильні пристрої, придатні для конкретних стін.
- Під час першого використання виробу й після першого використання переконайтеся, що немає видимих витоків води.
- Не використовуйте струмінь води та/або пари високого тиску для очищення виробу.
- Завжди вимикайте прилад і перевіряйте, чи не працює машина, перш ніж відкривати або очищувати виріб.
- Протріть виріб вологою ганчіркою. Застосовуйте лише нейтральні миючі засоби. Не використовуйте абразивні засоби, жорсткі серветки для очищення, розчинники або металеві предмети.

- Регулярно очищуйте картридж, один раз на тиждень або коли чітко видно червоний поплавцевий індикатор.
- Не використовуйте воду з фільтра повторно. Вона може містити мікрочастинки пластику, які не можна споживати людям та тваринам.
- Для ремонту виробу зверніться до авторизованого сервісного центру. Використовуйте лише оригінальні запасні частини.
- Цей зовнішній аксесуар сумісний з пральними машинами Electrolux/AEG/Zanussi.

Охорона довкілля

Здавайте на повторну переробку матеріали, позначені символом ♻️. Викидайте упаковку у відповідні контейнери для вторинної сировини.

2. ВСТАНОВЛЕННЯ

2.1 Перед установленням



ПОПЕРЕДЖЕННЯ!

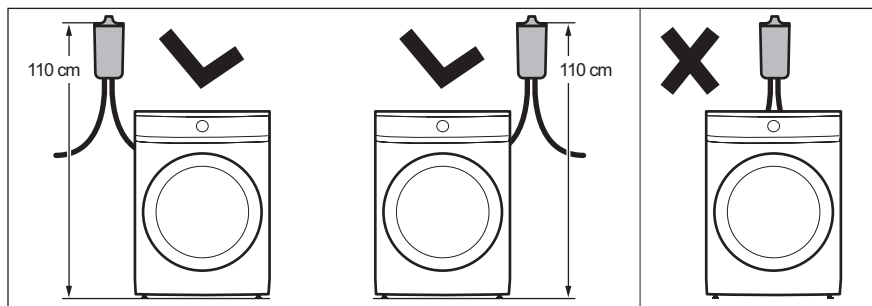
Див. розділи з інформацією щодо техніки безпеки.

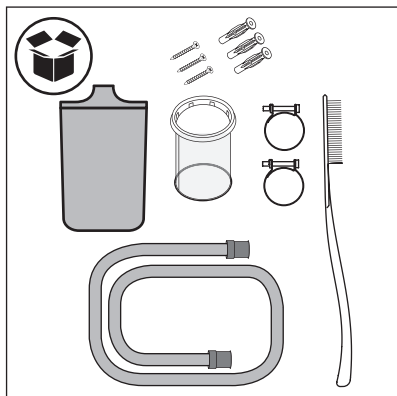


Відвідайте electrolux.com/getstarted/microplasticfilters для перегляду відео про встановлення та використання.

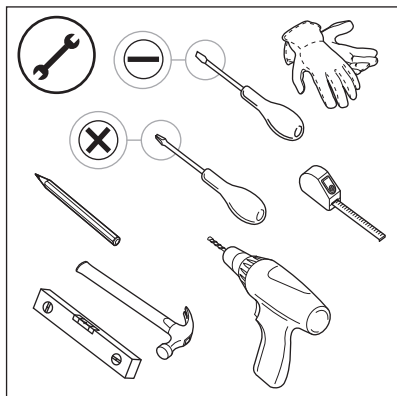
1. Виберіть підходяще місце на стіні, щоби встановити фільтр:

Щоб уникнути витікання води на пральну машину, бажано встановити фільтр збоку пральної машини.



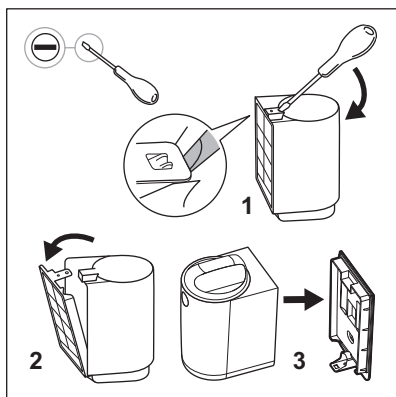


2. Перевірте вміст коробки.



3. Підготуйте необхідні інструменти для встановлення.

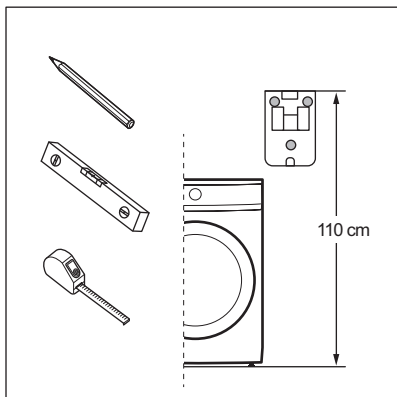
2.2 Установлення аксесуара



1. Дістаньте фільтр з упаковки та зніміть настінний тримач за допомогою плоскої викрутки.

2. Положення фільтра має відповідати наведеним нижче пунктам (а та б):

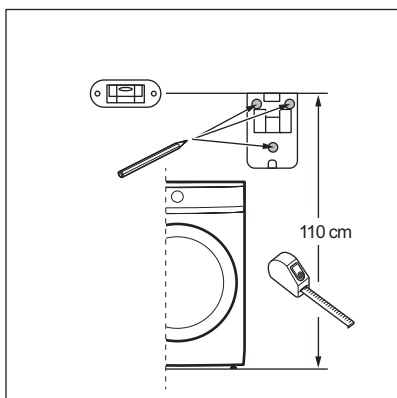
а. Розташуйте настінний тримач на правильній висоті, відмірявши 110 см* від верху настінного тримача до підлоги (або підставки, якщо вона є). ***Допустиме відхилення щодо висоти розташування фільтра становить +/-5 см.**



Перед установленням настінного тримача перевірте розташування точки дренавання. Фільтр обладнано однією зливною трубою 100 см завдовжки.

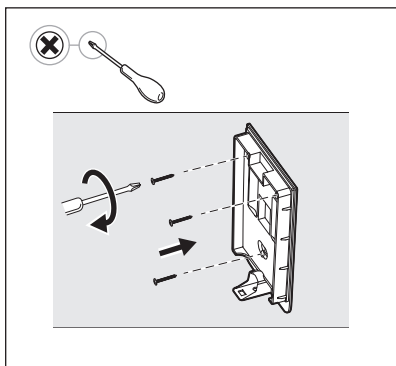
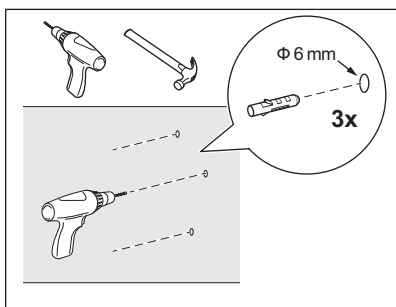
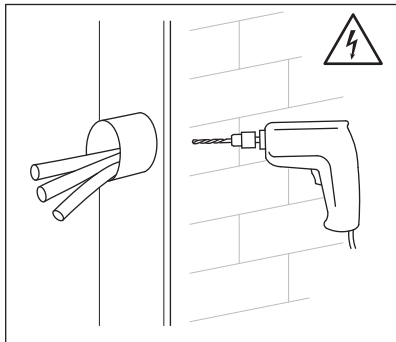


Перед установленням настінного тримача переконайтеся, що над фільтром достатньо місця. Залиште над фільтром достатній вільний простір для того, щоби діставати та вставляти картридж. Див. посилання на мінімальні розміри в Додатку 1 (фронтальне завантаження) та Додатку 2 (вертикальне завантаження).



б. Перед свердлінням переконайтеся, що 3 відмітки для свердління розташовано рівномірно й на відповідній висоті, за допомогою покажчика рівня.

3. Просвердліть отвори в стіні та встановіть кріплення.



ПОПЕРЕДЖЕННЯ!

Перш ніж свердлити стіну, переконайтеся, що за нею не розташовано труби для води або електричні дрти.

Рекомендується використовувати дріль діаметром 6 мм. Пакет фільтра містить три спеціальні гвинти та пластикові кріплення для належного та надійного встановлення фільтра. Надана система фіксації призначена для встановлення на цегляній стіні. У разі сумнівів зверніться до технічного спеціаліста.

ПОПЕРЕДЖЕННЯ!

Якщо стінку виготовлено з іншого матеріалу, ніж цегла, використовуйте відповідні кріплення та гвинти, призначені для цього матеріалу.

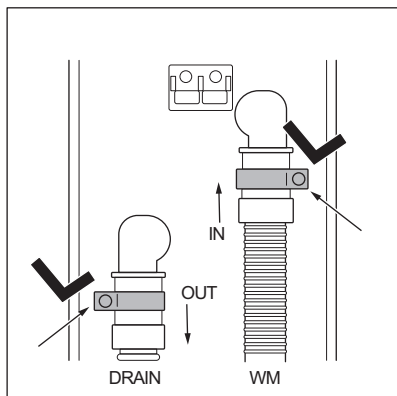
4. Закріпіть настінний тримач гвинтами та пластиковими кріпленнями, що надаються, таким чином, щоби забезпечити пряме та надійне кріплення до стіни.

5. Дістаньте шланги, хомути та корпус фільтра.

Натягніть хомути на шланги та під'єднайте труби до корпусу фільтра відповідно індикаторам **IN/OUT** на зворотній стороні корпусу фільтра:

IN: шланг, що виходить із пральної машини,

OUT: шланг (поставляється в комплекті фільтра), що веде до зливного отвору.



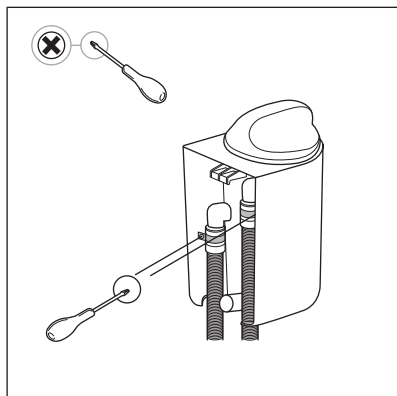
ПОПЕРЕДЖЕННЯ!

Перш ніж підключати зливний шланг до зовнішнього фільтра, переконайтеся, що пральну машину **ВИМКНЕНО** та від'єднано від електричної розетки.



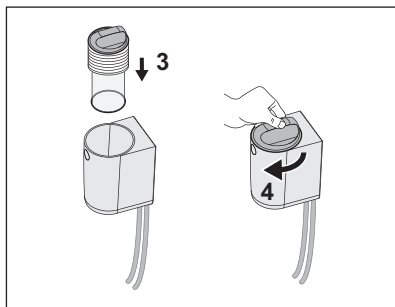
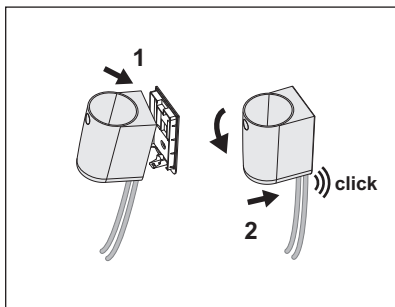
6. Затягніть хомути за допомогою викрутки.

Щоби правильно розташувати хомути й забезпечити повне з'єднання, точно дотримуйтеся цих інструкцій.

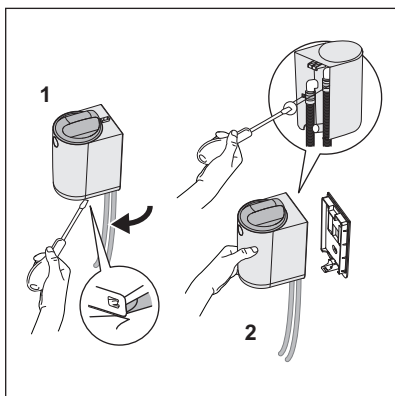


Використовуйте викрутку обережно, щоби не пошкодити корпус фільтра або шланги.

7. Під час приєднання корпусу фільтра до настінного тримача, після руху, показаного на малюнку, ви почуєте «клацання», що свідчить про правильне приєднання корпусу до настінного тримача.



- i** Перш ніж перейти до наступної теми «Щоденне користування та догляд та очищення», запустіть коротку програму прання та виконайте її до кінця. Переконайтеся, що з фільтра та його з'єднань немає жодних протікань. У разі протікання води виконайте дії, наведені в пункті 8. Від'єднайте фільтрувальний вузол від настінного тримача та затягніть хомути. Щоби встановити фільтр на місце, повторіть кроки, наведені в пункті 7.



8. Якщо під час першого циклу витікатиме вода, негайно зупиніть програму. **ВИМКНІТЬ** пральну машину та витягніть вилку з електричної розетки. Перш ніж від'єднувати фільтр, переконайтеся, що кришка фільтра залишатиметься в заблокованому положенні, щоб уникнути витікання води під час затягування хомутів. Від'єднайте весь фільтр від настінного тримача:

1. Відкрийте фільтр від настінного тримача за допомогою викрутки,
2. Тримайте фільтр у руці, щоби затягнути хомут за допомогою викрутки.

Щоби встановити фільтр, повторіть кроки, наведені в пункті 7.

3. ЩОДЕННЕ КОРИСТУВАННЯ, ДОГЛЯД ТА ОЧИЩЕННЯ



ПОПЕРЕДЖЕННЯ!

Див. розділи з інформацією щодо техніки безпеки.







ПОПЕРЕДЖЕННЯ!

Завжди вимикайте прилад і перевіряйте, чи не працює машина, перш ніж відкривати або очищувати фільтр.



Фільтрувальний картридж виготовлено з тонкої поліамідної сітки, щоби захоплювати мікрОВОЛОКНИНИ, що вивільнюються з білизни під час прання.

-  Після декількох циклів прання фільтрувальний картридж засмічується і його потрібно очистити
-  Кількість циклів до активації поплавцевого індикатора залежить від декількох чинників (тип тканини, розмір барабана, найчастіше використовувані програми, тип циклів і тривалість, обсяг завантаженої білизни, мийний засіб, ступінь забруднення тощо).
-  Регулярно очищуйте картридж, один раз на тиждень або коли чітко видно червоний поплавцевий індикатор.

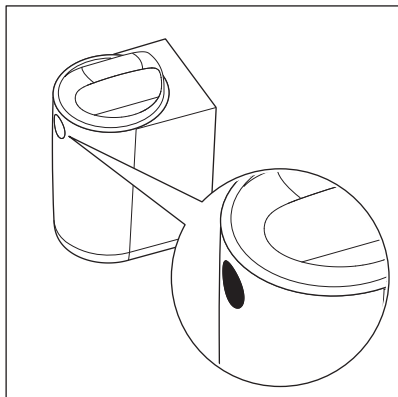
-  Коли фільтр засмітився, стає видно червоний поплавцевий індикатор рівня, розташований всередині кришки, що попереджає користувача про необхідність очищення картриджа, як показано на малюнку нижче.




ПОПЕРЕДЖЕННЯ!

Не використовуйте воду з фільтра повторно. Вона може містити мікрочастинки пластику, які не можна споживати людям та тваринам.

3.1 Стан «червоний сигнал тривоги»



-  Червоний поплавцевий індикатор рівня вказує на те, що фільтр заповнений і його потрібно очистити.

У режимі «**червоний сигнал тривоги**» (коли активується поплавцевий індикатор рівня) фільтр не зупинятиме цикл прання, проте він працюватиме в обвідному режимі й більше не виконуватиме фільтрування.

Тому для забезпечення оптимальної ефективності рекомендується якнайшвидше очистити картридж, щоби не залишати фільтр у режимі «**червоний сигнал тривоги**».



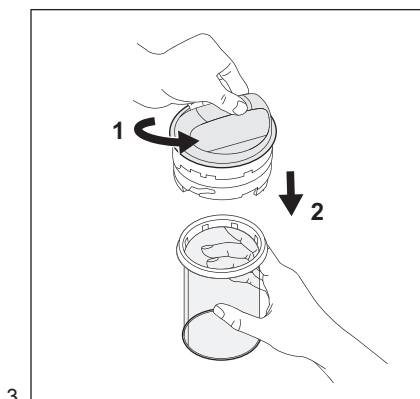
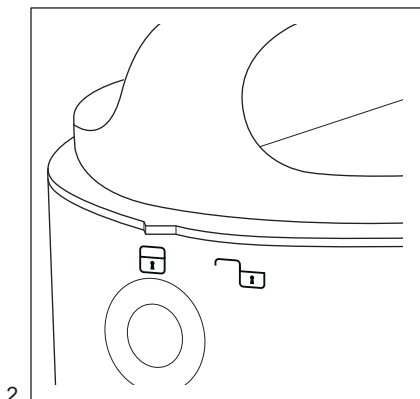
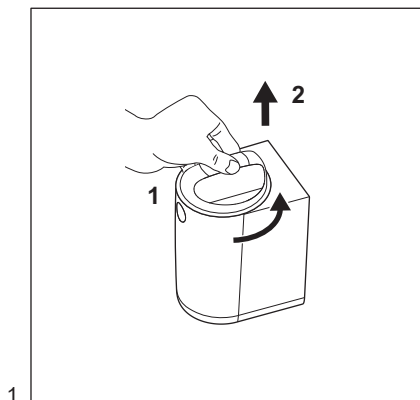
ПОПЕРЕДЖЕННЯ!

Пральна машина може показувати можливі попередження, пов'язані з проблемами зі зливанням, як-от **E20-E21**. Це може бути спричинено декількома чинниками. Якщо з'явиться це попередження, спочатку перевірте новий зовнішній фільтр і очистіть його. Якщо помилка не зникне, перевірте також фільтр пральної машини й очистіть його, якщо він доступний.

Зупинення пральної машини (через помилку) — це функція безпеки машини для запобігання тривалому зливу й пошкодженню машини. Після очищення фільтрувального картриджа можна відновити нормальну роботу.

3.2 Догляд та очищення

Очищення фільтра та утилізація мікрОВОлокнин.

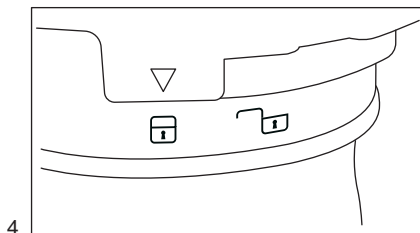


Щоби відкрити фільтр, див. рухи на малюнках 1 та 2:

1. Поверніть кришку проти годинникової стрілки від символу блокування до символу розблокування (зображені на передній панелі фільтра, як показано на малюнку 2).
2. Підніміть кришку.

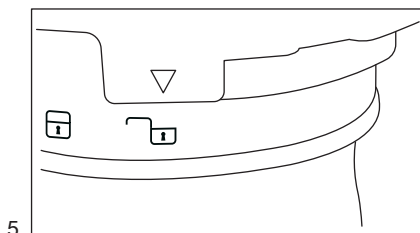
Щоби від'єднати картридж, див. рухи на малюнку 3:

1. Тримачучи кришку рукою, іншою рукою поверніть картридж проти годинникової стрілки від символу блокування до символу розблокування (див. малюнки 4 та 5).
2. Потягніть картридж вниз.

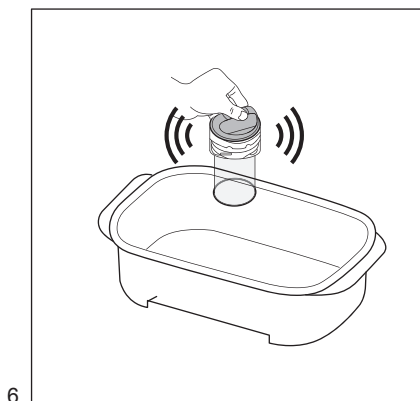


Щоби заблокувати/розблокувати картридж,
див. малюнки 4 та 5:

блокування (малюнок 4) / розблокування
(малюнок 5).



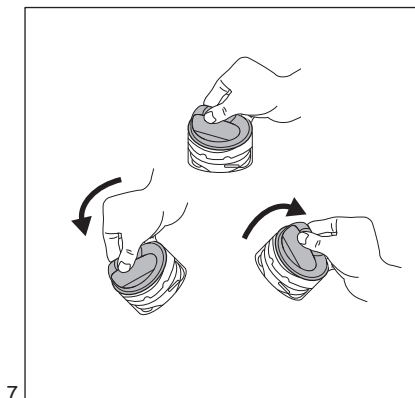
Щоб очистити картридж та утилізувати його вміст, див. малюнки 6, 7,
8 і 9.



Якщо картридж повністю засмічений,
можливо, він наповнений забрудненою
водою.

Під час очищення рекомендується
використовувати будь-яку каструлю або
маленький пластиковий контейнер; це
може допомогти в роботі та уникнути
розбризування води навколо.

Щоби видалити воду, що залишилася
всередині картриджа, вилийте її в
каструлю або контейнер, утримуючи
кришку вузла та струсивши її. Вода витікає.
Якщо трохи води все ще залишилося,
перейдіть до наступного кроку.

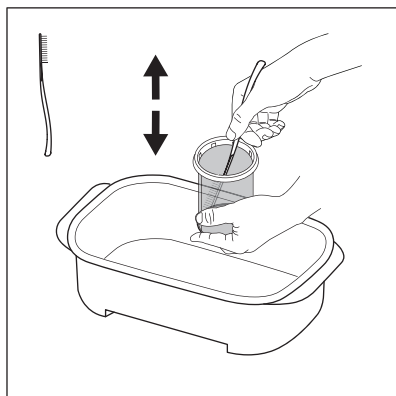


7.

i Щоби скинути фільтр, див. малюнок 7.

Перш ніж встановлювати кришку назад на картридж, скиньте поплавцевий індикатор рівня, видаливши воду з кришки. Візьміться за кришку, поверніть її (див. малюнок 7) і злийте всю воду в пластиковий контейнер. Поплавцевий індикатор рівня зникне, коли кришку буде встановлено на фільтр.

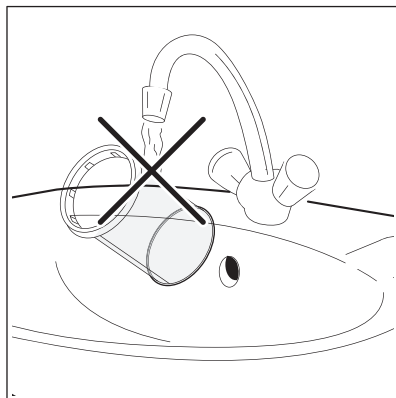
i Можна почути шум, але це нормальна поведінка, оскільки всередині кришки є мас-клапан.



8.

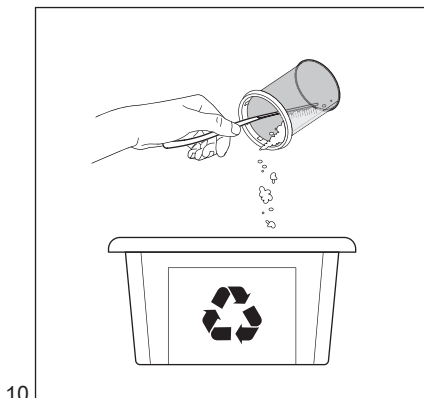
Утримуючи картридж усередині контейнера, скористуйтеся щіточкою-лопаткою, розташованою в коробці з фільтром. Рухаючи щітку вгору/вниз, максимально видаліть волокна, що застрягли на сітці картриджа, щоби сприяти зливанню води.

i Утилізуйте відходи з фільтра у звичайні сухі відходи.



9.

Щоби зберегти позитивний вплив фільтра на довкілля, уникайте використання води для очищення фільтрувального картриджа. Натомість викидайте відходи, зібрані фільтрувальним картриджем, у звичайні сухі відходи (щоби уникнути розсіювання пластикового волокна у водному середовищі).

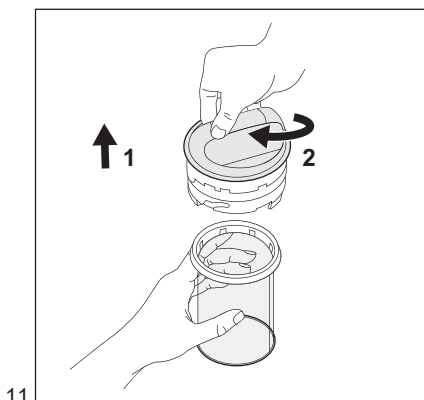


Після зливання води з картриджа, видаліть весь бруд і мікрОВОЛОКНИНИ зсередини картриджа та утилізуйте їх у звичайні СУХІ відходи. Для збирання якомога більшої кількості матеріалу можна скористатися паперовим рушником.



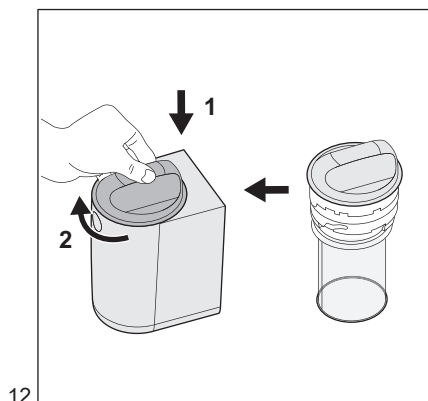
УВАГА
Відходи, зібрані картрижем, містять мікрОВОЛОКНИНИ, залишки миючого засобу та бруд. ЇХ НЕОБХІДНО утилізувати в загальні сухі відходи.

Після очищення картриджа щітка-лопатка може бути брудною та містити пластикові волокна. Щоби зберегти позитивний вплив на довкілля, очистіть її за допомогою звичайних паперових рушників і утилізуйте їх у загальні сухі відходи



Щоби замінити картридж, див. малюнок 11:

1. Вставте картридж.
2. Тримавши картридж у руці, іншою рукою поверніть кришку за годинниковою стрілкою від символу розблокування до символу блокування.



Щоби закрити фільтр, див. рухи на малюнку 12:

1. Вставте кришку (із картриджем) всередину корпусу зверху.
2. Поверніть кришку за годинниковою стрілкою від символу розблокування до символу блокування.

Перегляньте відео, щоб отримати додаткову інформацію про технічне обслуговування та очищення. Спеціальний QR-код наведено на початку цього посібника користувача.



УВАГА
Перш ніж починати наступний цикл прання, переконайтеся, що кришку закрито.



ПОПЕРЕДЖЕННЯ

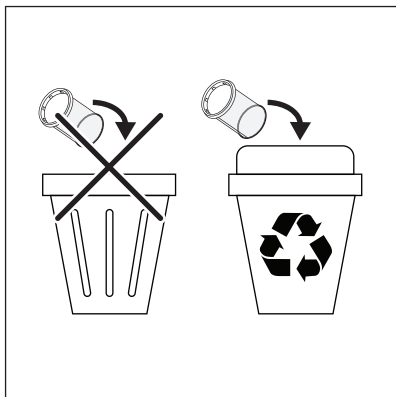
У випадку перерв у пранні довше, ніж на повний тиждень (наприклад, відпочинок, подорож), рекомендується спорожнити картридж і очистити фільтр, щоб уникнути утворення неприємного запаху всередині фільтра.

Необхідно очищувати картридж у вологому стані, щоби не пошкодити його та уникнути несправностей під час наступних циклів.

Система фільтрації постачається із запасним картриджем, щоби ви мали змогу негайно продовжити процес прання у випадку пошкодження картриджа.

Заміна та утилізація картриджа

Картридж має обмежений термін служби, приблизно шість місяців, оскільки очищення може пошкодити сітку, що погіршує ефективність фільтра. У коробці міститься 1 запасний картридж.



Утилізуйте відходи з фільтра у відповідний контейнер для переробки.

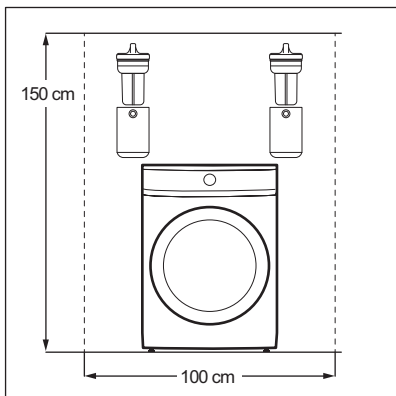
Якщо необхідно замінити картридж, виконайте такі 2 прості кроки:

1. Обережно очистіть пошкоджений картридж.
2. Утилізуйте картридж і відходи в кошик для переробки.

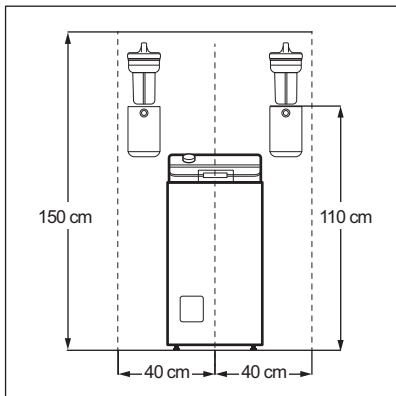


Використовуйте тільки оригінальні картриджі. Картриджі продаються в будь-якому сервісному центрі Electrolux/AEG або навіть онлайн.

Додатки



Додаток для пральної машини з фронтальним завантаженням.



Додаток для пральної машини з вертикальним завантаженням.


1. ⚠️ INFORMAZIONI DI SICUREZZA

Leggere attentamente le istruzioni fornite prima di installare e utilizzare il prodotto. I produttori non sono responsabili di eventuali lesioni o danni derivanti da un'installazione o un uso scorretti. Conservare sempre le istruzioni in un luogo sicuro e accessibile per poterle consultare in futuro.

- Questo prodotto è progettato per filtrare le fibre in microplastica rilasciate dai tessuti durante il processo di lavaggio e non deve essere utilizzato per altri scopi.
- Questo prodotto può essere usato dai bambini a partire dagli 8 anni e da adulti con capacità fisiche, sensoriali o mentali limitate o con scarsa esperienza e conoscenza se sorvegliati o se sono stati istruiti sull'uso sicuro del prodotto e hanno compreso i rischi derivanti dallo stesso. I bambini che hanno meno di 8 anni e le persone con disabilità diffuse e complesse vanno tenuti lontani dall'elettrodomestico, a meno che non vi sia una supervisione continua.
- Non consentire ai bambini di giocare con il prodotto. Tenere gli imballaggi lontano dai bambini e smaltirli in modo adeguato.
- I bambini non devono eseguire interventi di pulizia e manutenzione sul prodotto senza essere supervisionati. Tenere i detersivi lontani dalla portata dei bambini.
- Questo prodotto è destinato all'uso domestico e in applicazioni simili, come:
 - cucine di negozi, uffici e altri ambienti di lavoro;
 - case di campagna;
 - clienti di hotel, motel, bed and breakfast e altri ambienti residenziali;
 - aree per uso comune in condomini o lavanderie a gettoni.
- Attenersi alle istruzioni di installazione fornite insieme al prodotto.

- Non installare o utilizzare un prodotto o tubi di scarico danneggiati.
- Installare il prodotto in un luogo sicuro e idoneo che soddisfi i requisiti di installazione.
- Per evitare il rischio di scosse elettriche, non installare il prodotto sopra le prese elettriche o qualsiasi dispositivo situato sulla parete o poggiato sul pavimento nelle vicinanze.
- Rimuovere tutti i materiali di imballaggio.
- Assicurarci che i tubi siano fissati correttamente per evitare perdite, rumori o danni.
- Assicurarci che il percorso del tubo di scarico tra l'apparecchiatura e l'ingresso del filtro sia corretto per evitare di bloccare il flusso di scarico.
- I dispositivi di fissaggio per la parete non sono inclusi a causa dei diversi materiali delle pareti. Utilizzare dispositivi di fissaggio adatti alle pareti.
- Verificare che non vi siano perdite visibili durante e dopo il primo uso del prodotto.
- Non usare getti d'acqua ad alta pressione e/o vapore per pulire il prodotto.
- Prima di accedere o pulire il prodotto, spegnere sempre la macchina e verificare che non sia in funzione.
- Pulire il prodotto con un panno umido. Utilizzare solo detersivi neutri. Non usare prodotti abrasivi, spugnette abrasive, solventi od oggetti metallici.
- Pulire regolarmente la cartuccia una volta alla settimana o quando l'indicatore rosso del galleggiante è visibile chiaramente.
- Non riutilizzare l'acqua dal filtro. Può contenere particelle in microplastica non adatte al consumo da parte di persone e animali.
- Per riparare il prodotto, contattare il centro di assistenza autorizzato. Utilizzare solo ricambi originali.
- Questo accessorio esterno è compatibile con le lavatrici domestiche Electrolux/AEG/Zanussi.

Considerazioni sull'ambiente

Riciclare i materiali con il simbolo . Per riciclare la confezione, metterla negli appositi contenitori.

2. INSTALLAZIONE

2.1 Prima dell'installazione



AVVERTENZA!

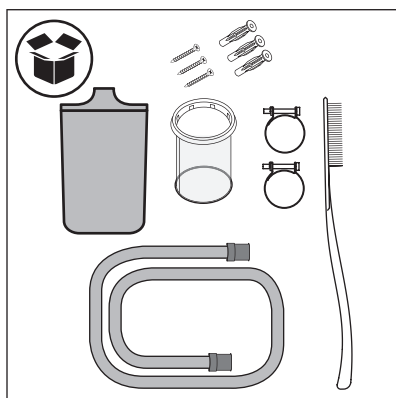
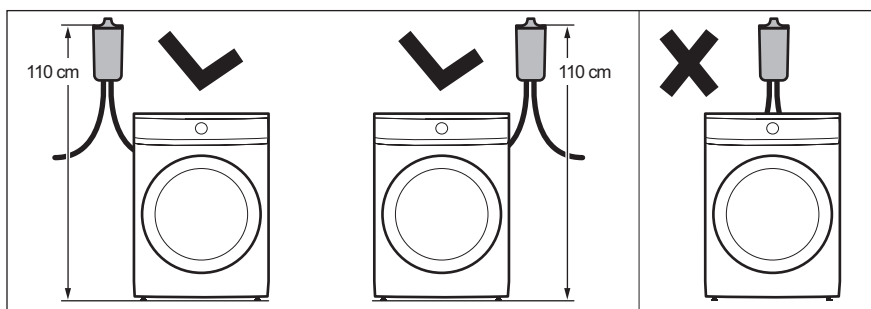
Fare riferimento ai capitoli sulla sicurezza.



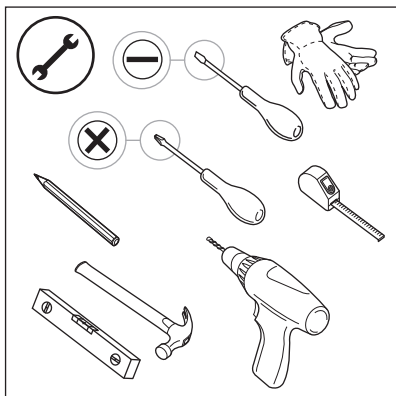
Visitare electrolux.com/getstarted/microplasticfilters per i video di installazione e utilizzo.

1. Selezionare una posizione adatta sulla parete per installare il filtro:

Per evitare perdite sulla lavatrice, è preferibile installare il filtro su uno dei lati della stessa.

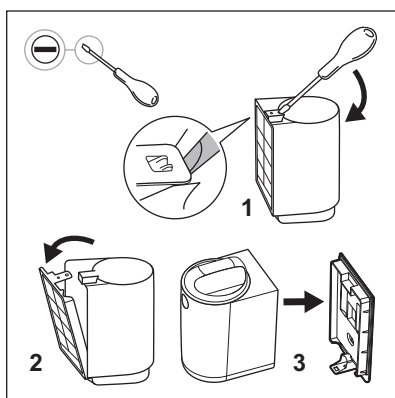


2. Verificare il contenuto della scatola.



3. Preparare gli strumenti necessari per l'installazione.

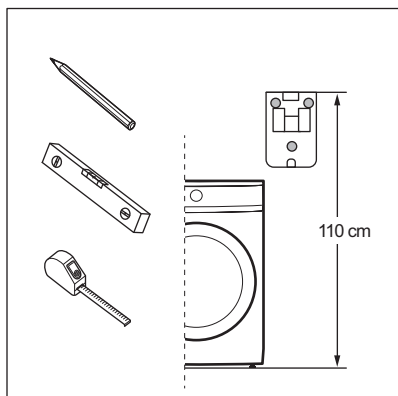
2.2 Installazione dell'accessorio



1. Estrarre il filtro dalla confezione e rimuovere il supporto a parete con l'aiuto di un cacciavite a testa piatta.

2. La posizione del filtro deve seguire questi punti elencati (a e b):

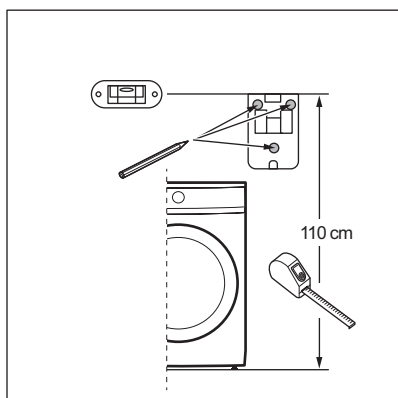
a. Posizionare il supporto a parete all'altezza corretta, misurando 110 cm* dalla parte superiore del supporto al pavimento (o al piedistallo, se presente). ***La tolleranza ammessa in posizione in altezza del filtro è di +/-5 cm.**



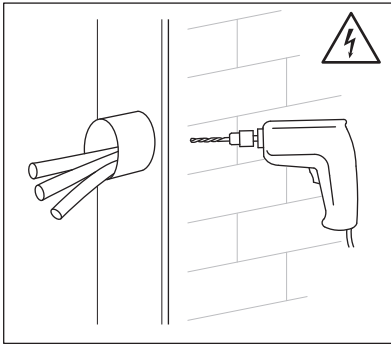
Controllare dove si trova il punto di drenaggio prima di posizionare il supporto per parete. Il filtro è dotato di un tubo di drenaggio lungo 100 cm.



Assicurarsi che vi sia spazio sufficiente sopra il filtro prima di posizionare il supporto da parete. Assicurarsi di lasciare uno spazio libero sufficiente sopra il filtro per rimuovere e reinserire la cartuccia. Fare riferimento alle dimensioni minime nell'Appendice 1 (Caricamento frontale) e nell'Appendice 2 (Caricamento dall'alto).



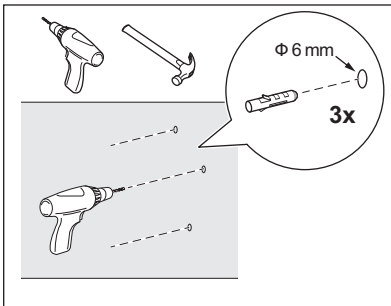
b. Utilizzare una livella per assicurarsi che i tre fori pilota siano a livello e perfettamente allineati prima di praticare i fori.



3. Praticare i fori nella parete e inserire i tasselli a espansione.

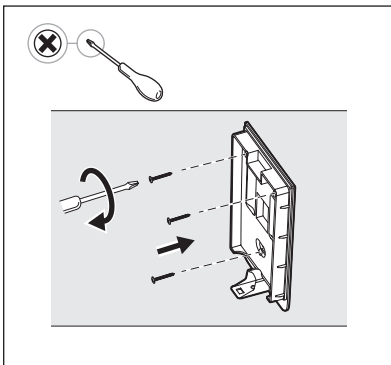
AVVERTENZA!

Prima praticare i fori, assicurarsi che non ci siano tubi dell'acqua o fili elettrici dietro la parete. Si consiglia di utilizzare una punta da trapano da 6 mm di diametro. La confezione del filtro include tre viti dedicate e tasselli a espansione in plastica per installare correttamente e in modo sicuro il filtro. Il sistema di fissaggio fornito è progettato per l'installazione su una parete a mattoni. In caso di dubbi, rivolgersi a un tecnico.

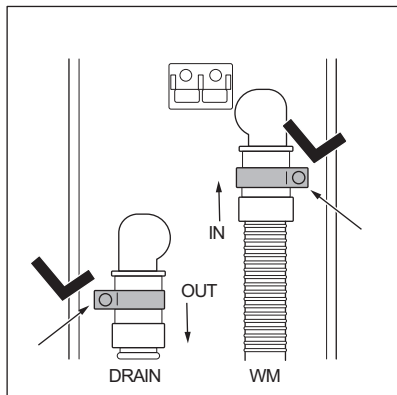


AVVERTENZA!

Se la parete è realizzata in un materiale diverso dal mattone, utilizzare tasselli e viti adatti progettati per quel materiale.



4. Fissare il supporto a parete con le viti e i tasselli a espansione in plastica in dotazione, assicurandosi che sia diritto e fissato saldamente alla parete.



5. Prendere i tubi, i collari e il corpo del filtro.

Inserire i collari sui tubi, quindi collegare i tubi al corpo del filtro seguendo le indicazioni **IN/OUT** presenti sul retro del corpo del filtro:
IN: tubo proveniente dalla lavatrice,
OUT: tubo (incluso nella confezione del filtro) che va allo scarico.

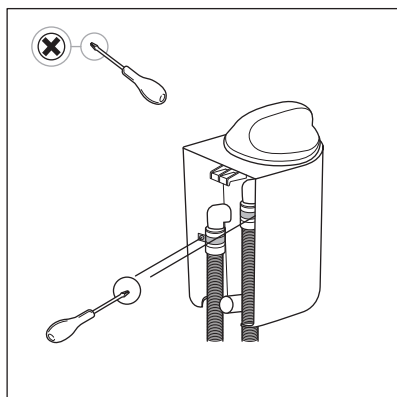
AVVERTENZA!

Prima di collegare il tubo di scarico al filtro esterno, assicurarsi che la lavatrice sia **SPENTA** e scollegata dalla presa elettrica.



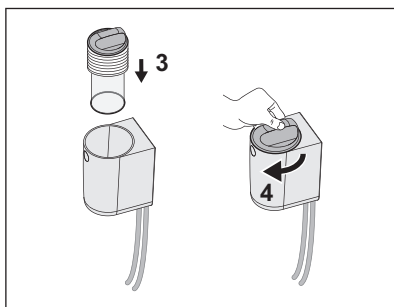
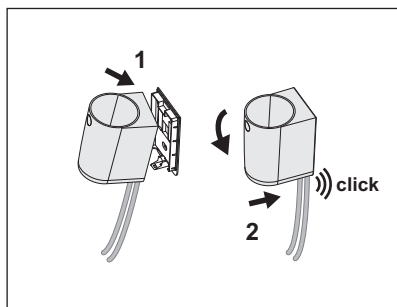
6. Serrare i collari con il cacciavite.

Seguire esattamente queste istruzioni per posizionare i collari e garantire un collegamento corretto.

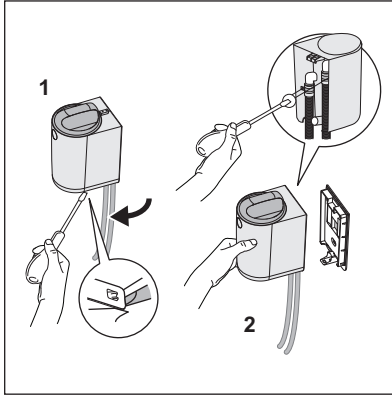


Quando si usa il cacciavite, fare attenzione a non danneggiare il corpo del filtro o i tubi.

7. Seguire il movimento mostrato nell'illustrazione per fissare il corpo del filtro al supporto a parete. Si sentirà un "click" quando il corpo è stato correttamente fissato al supporto a parete.



- i** Prima di passare all'argomento successivo Utilizzo quotidiano, pulizia e manutenzione, avviare il programma di lavaggio breve e seguirlo fino alla fine. Assicurarsi che non vi siano perdite dal filtro e dai suoi collegamenti. In caso di perdita di acqua, procedere come descritto nel paragrafo 8. Staccare il gruppo filtro dal supporto a parete e serrare i collari. Ripetere i passaggi del paragrafo 7 per reinstallare il filtro.



8. Se durante il primo ciclo compare acqua, interrompere immediatamente il programma. Spegnerne la lavatrice e scolgarla dalla presa elettrica. Prima di procedere con la procedura di distacco, verificare che il coperchio del filtro rimanga in posizione bloccata per evitare perdite d'acqua durante il serraggio dei collari.

Staccare l'intero filtro dal supporto a parete:

1. Sganciare il filtro dal supporto a parete usando il cacciavite,
2. Tenere il filtro in mano per serrare il collare con il cacciavite.

Ripetere i passaggi del paragrafo 7 per reinstallare il filtro.

3. UTILIZZO QUOTIDIANO, PULIZIA E MANUTENZIONE



AVVERTENZA!

Fare riferimento ai capitoli sulla sicurezza.



AVVERTENZA!

Prima di accedere o pulire il filtro, spegnere sempre la macchina e verificare che non sia in funzione.



Il filtro è realizzato con una rete sottile in poliammide per catturare le microfibre rilasciate dal processo di lavaggio.



Dopo alcuni cicli di lavaggio, la cartuccia del filtro si ostruisce e occorrerà pulirla



Il numero di cicli prima dell'attivazione del galleggiante dipenderà da diversi fattori (tipo di tessuto, dimensioni del cestello, programmi più usati, tipo di cicli e durata, carico del bucato, detersivo, grado di sporco, ecc.).



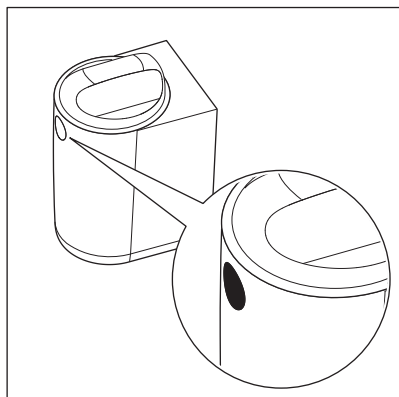
Pulire regolarmente la cartuccia una volta alla settimana o quando l'indicatore rosso del galleggiante è visibile chiaramente.



Quando il filtro è ostruito, il galleggiante rosso situato all'interno del coperchio diventa visibile, avvisando l'utente che occorre pulire la cartuccia, come mostrato nell'immagine seguente.

**AVVERTENZA!**

Non riutilizzare l'acqua dal filtro. Può contenere particelle in microplastica non adatte al consumo da parte di persone e animali.

3.1 Condizione "Allarme rosso"

Il galleggiante rosso indica che il filtro è pieno e deve essere pulito.

In modalità **"allarme rosso"** (quando il galleggiante è attivato), il filtro non arresta il ciclo di lavaggio, ma funziona in modalità bypass e non filtra più.

Pertanto, per garantire prestazioni ottimali, si consiglia di pulire la cartuccia il prima possibile per evitare di lasciare il filtro in modalità **"allarme rosso"**.

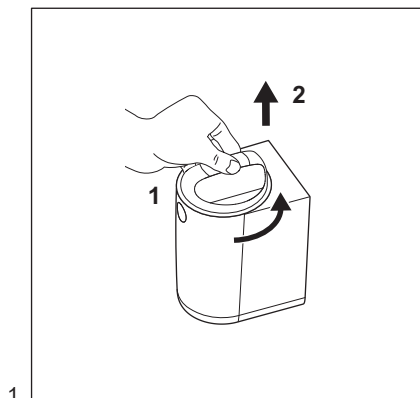
**AVVERTENZA!**

Per diversi motivi, la lavabiancheria potrebbe mostrare possibili avvertenze, collegate a problemi di scarico, come **E20-E21**. Se compare questa avvertenza, controllare prima il nuovo filtro esterno e pulirlo. Se l'errore persiste, controllare anche il filtro della lavatrice e pulirlo, se accessibile.

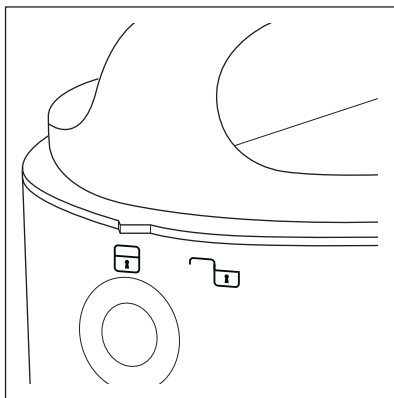
L'arresto della lavatrice (errore) è una funzione di sicurezza per evitare lunghi tempi di scarico e per non danneggiare la lavatrice. Dopo aver pulito la cartuccia del filtro, è possibile riprendere il normale funzionamento.

3.2 Cura e pulizia

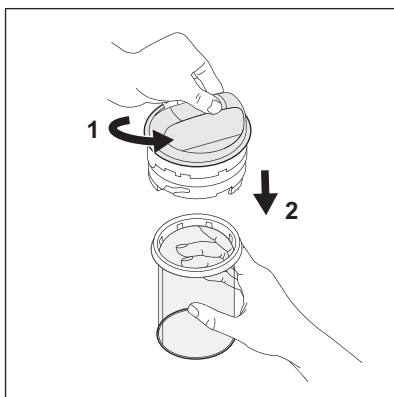
Pulizia del filtro e smaltimento delle microfibre.



1.



2.



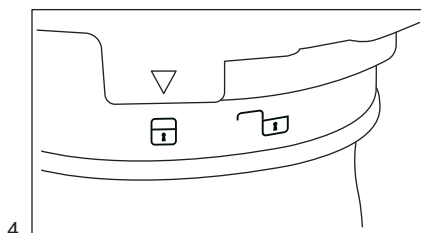
3.

Per aprire il filtro, fare riferimento ai movimenti nelle figure 1 e 2:

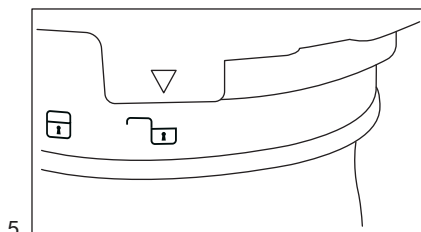
1. Ruotare il coperchio in senso antiorario dal simbolo di blocco al simbolo di sblocco (visibili sulla parte anteriore del filtro, come mostrato nella figura 2),
2. Sollevare il coperchio.

Per staccare la cartuccia, fare riferimento ai movimenti nella figura 3:

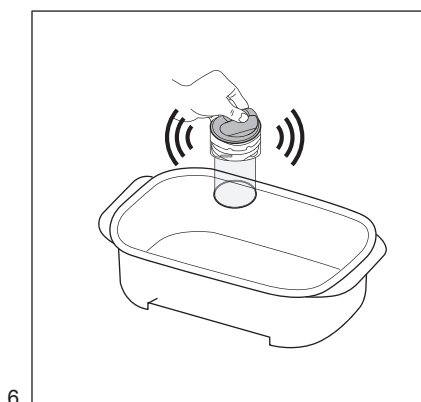
1. Afferrando con una mano il coperchio, con l'altra mano ruotare la cartuccia in senso antiorario dal simbolo di blocco al simbolo di sblocco (vedere le figure 4 e 5).
2. Tirare verso il basso la cartuccia.



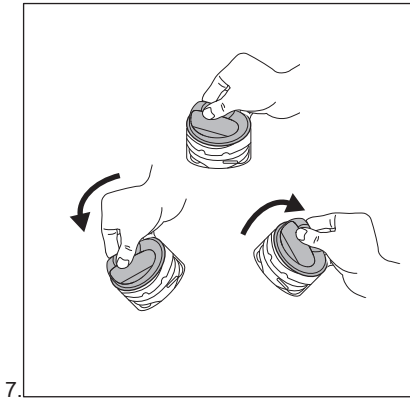
Per bloccare/sbloccare la cartuccia, fare riferimento alle figure 4 e 5:
Blocca (figura 4) / Sblocca (figura 5).



Per pulire la cartuccia e smaltirne il contenuto, fare riferimento alle figure 6, 7, 8 e 9.



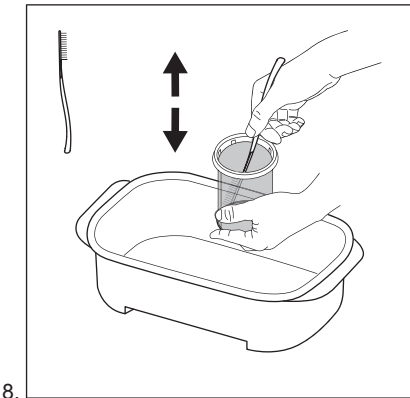
Se la cartuccia è completamente ostruita, potrebbe essere piena di acqua sporca. Si consiglia di prepararsi all'operazione di pulizia utilizzando un recipiente o un piccolo contenitore di plastica; ciò potrebbe facilitare l'operazione e impedire che l'ambiente circostante si bagni. Per rimuovere l'acqua rimasta all'interno della cartuccia, svuotarla in un recipiente o un contenitore tenendo il coperchio del gruppo e agitandolo. In questo modo, l'acqua potrà fuoriuscire. Nel caso in cui rimanga ancora dell'acqua, procedere con il passaggio successivo.



i Per reimpostare il filtro, fare riferimento alla figura 7.

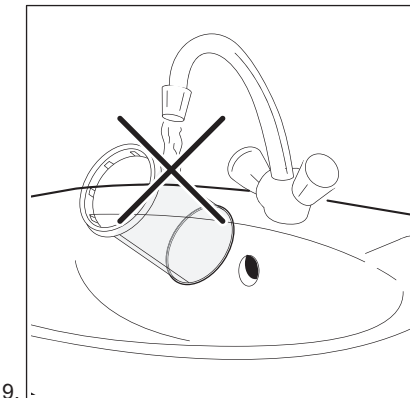
Prima di riposizionare il coperchio sulla cartuccia, reimpostare il galleggiante rimuovendo l'acqua all'interno del coperchio. Afferrare il coperchio, ruotarlo (vedere figura 7) e scaricare tutta l'acqua in un contenitore di plastica. Il galleggiante non è più visibile quando il coperchio è posizionato sul filtro.

i Si potrebbe sentire un rumore, ma questo è un fenomeno normale poiché all'interno del coperchio c'è una valvola a massa.

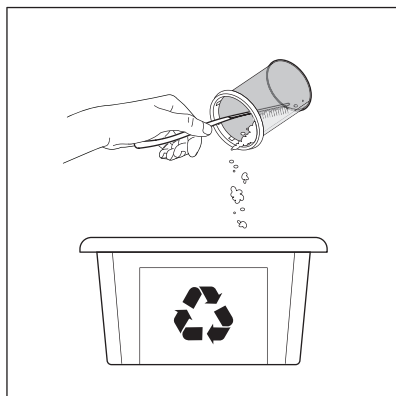


Afferrando la cartuccia all'interno del contenitore, utilizzare la spazzola-spatola in dotazione nella scatola del filtro. Con un movimento della spazzola verso l'alto e il basso, rimuovere quante più fibre possibili rimaste attaccate alla rete della cartuccia per facilitare la fuoriuscita dell'acqua.

i Smaltire i rifiuti dal filtro nei rifiuti secchi generici.



Per preservare l'impatto positivo del filtro sull'ambiente, evitare l'uso di acqua per pulire la cartuccia del filtro. Gettare invece i rifiuti raccolti dalla cartuccia del filtro nei rifiuti secchi generici (evitare la dispersione delle fibre in plastica nell'ambiente acquatico).



10.

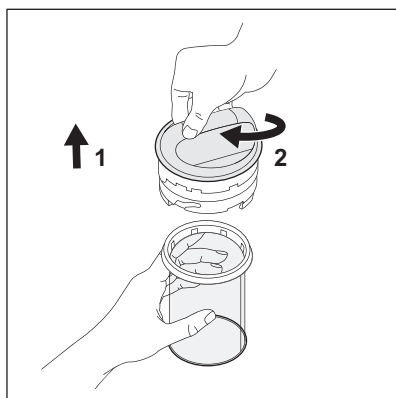
Dopo aver svuotato l'acqua dalla cartuccia, rimuovere eventuali residui di sporco e microfibre dall'interno della cartuccia e smaltirli nei rifiuti SECCHI generici. Utilizzare una salvietta di carta per raccogliere la maggior quantità possibile di materiale.

ATTENZIONE!

I rifiuti raccolti dalla cartuccia contengono microfibre, residui di detergente e sporco. DEVONO essere smaltiti nei rifiuti secchi generici.



Dopo l'operazione di pulizia della cartuccia, la spazzola-spatola potrebbe essere sporca e piena di fibre di plastica. Per preservare l'impatto positivo sull'ambiente, pulirla con delle comuni salviette di carta e smaltire i residui nei rifiuti secchi generici

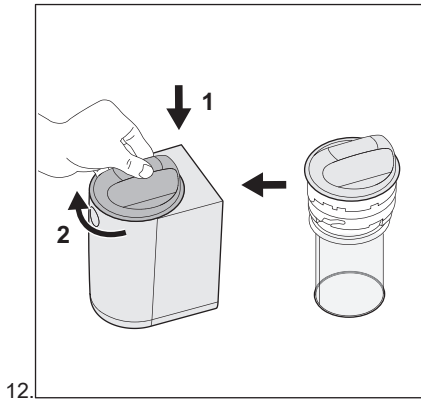


11.



Per sostituire la cartuccia, fare riferimento alla figura 11:

1. Inserire la cartuccia.
2. Afferrando con una mano la cartuccia, con l'altra mano ruotare il coperchio in senso orario dal simbolo di sblocco al simbolo di blocco.



Per chiudere il filtro, fare riferimento ai movimenti nella figura 12:

1. Inserire il coperchio (e la cartuccia) nel corpo dall'alto.
2. Ruotare il coperchio in senso orario dal simbolo di sblocco al simbolo di blocco.



Per ulteriori informazioni sulla manutenzione e sulla pulizia, guardare il video. Il relativo codice QR è riportato all'inizio di questo manuale d'uso.

ATTENZIONE!

Prima di procedere con il ciclo di lavaggio successivo, assicurarsi di aver chiuso il coperchio.



AVVERTENZE

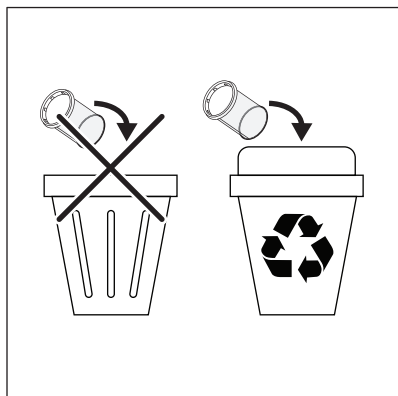
Se si prevede di non utilizzare la lavatrice per più di una settimana (ad es. vacanze, viaggi), si consiglia di svuotare la cartuccia e pulire il filtro per evitare la formazione di cattivi odori nell'alloggiamento del filtro.

Pulire la cartuccia quando è ancora bagnata per non danneggiarla ed evitare problemi di funzionamento nei successivi cicli di utilizzo.

Il sistema di filtrazione viene fornito con una cartuccia di ricambio per poter riprendere immediatamente il ciclo di lavaggio in caso di danni alla cartuccia in uso

Sostituzione e smaltimento delle cartucce

La cartuccia ha una vita utile limitata di approssimativamente sei mesi, poiché l'operazione di pulizia può danneggiare la rete compromettendo le prestazioni del filtro. Una cartuccia di ricambio è inclusa nella confezione.



Gettare i rifiuti del filtro in un contenitore di riciclaggio adatto.

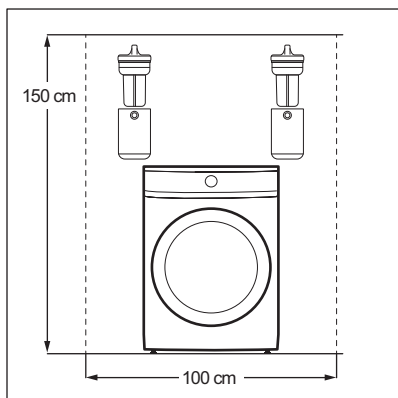
Quando è necessario sostituire la cartuccia, seguire questi due semplici passaggi:

1. Pulire accuratamente la cartuccia danneggiata.
2. Mettere la cartuccia e i rifiuti in un contenitore per il riciclaggio.

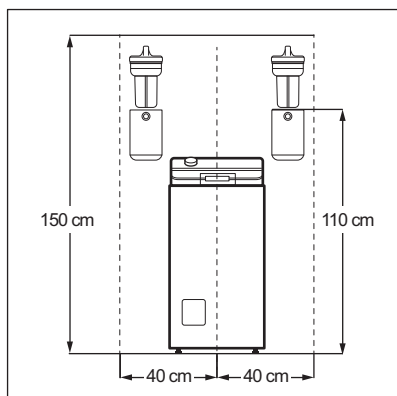


Per i pezzi di ricambio aggiuntivi utilizzare solo parti originali. Le cartucce sono vendute in qualsiasi centro di assistenza Electrolux/AEG e anche online.

Appendici



Appendice per lavatrici a caricamento frontale.



Appendice per lavatrici a caricamento dall'alto.

