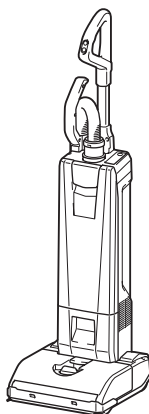
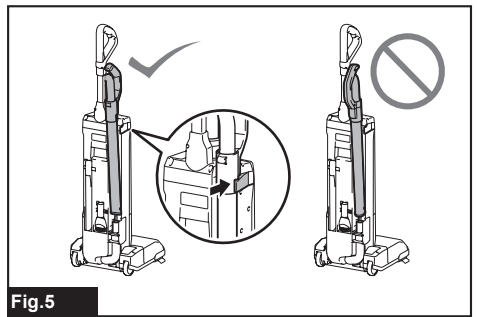
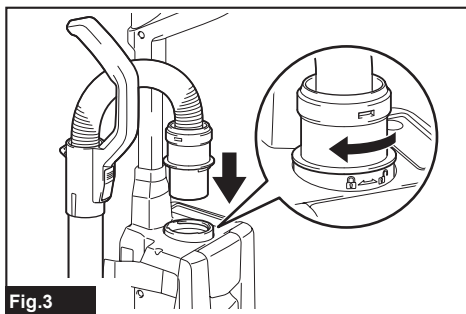
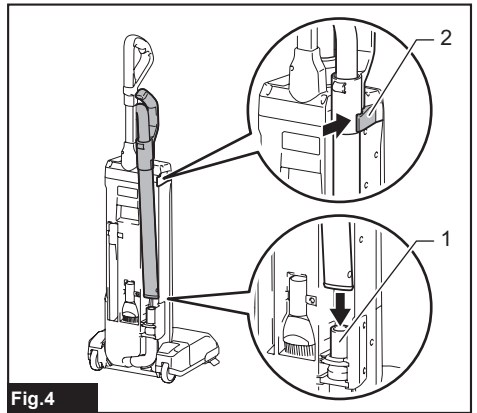
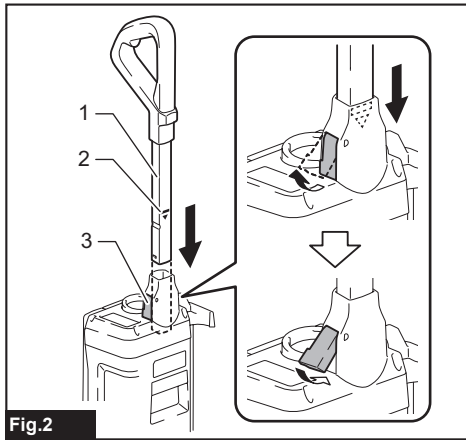
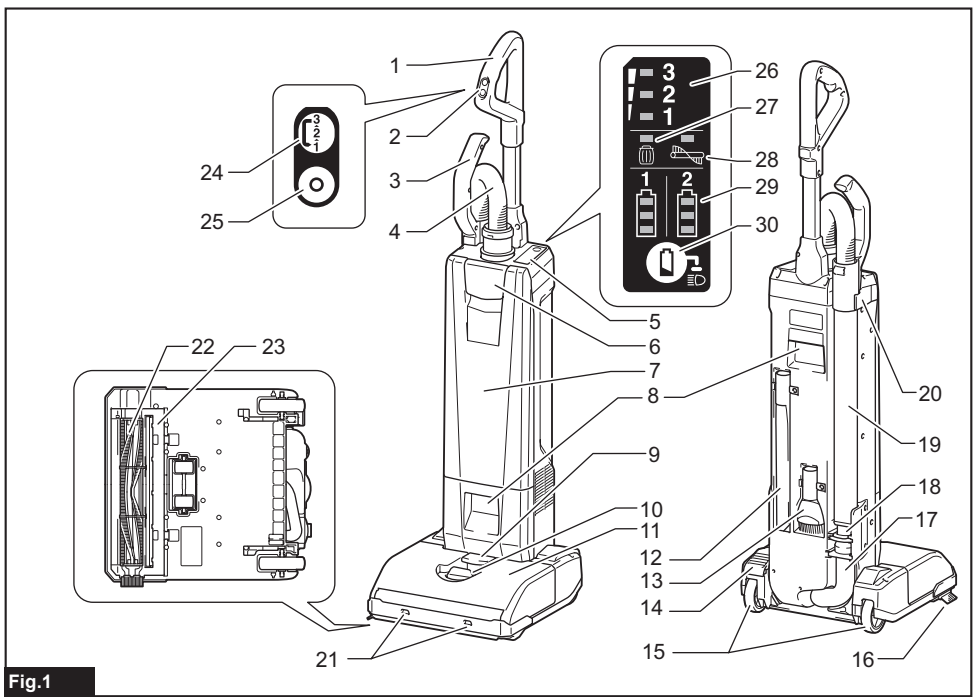




EN	Cordless Upright Cleaner	INSTRUCTION MANUAL	8
SV	Sladdlös upprätt dammsugare	BRUKSANVISNING	18
NO	Trådløs skaftstøvsuger	BRUKSANVISNING	28
FI	Akkukäyttöinen pystyimuri	KÄYTTÖOHJE	38
DA	Akku oprejst støvsuger	BRUGSANVISNING	48
LV	Bezvadu statenisks tīrītājs	LIETOŠANAS INSTRUKCIJA	58
LT	Belaidis vertikalus siurblys	NAUDOJIMO INSTRUKCIJA	68
ET	Juhtmeta püstine tolmuimeja	KASUTUSJUHEND	78
RU	Аккумуляторный пылесос	РУКОВОДСТВО ПО ЭКСПЛУАТАЦИИ	88

DVC560





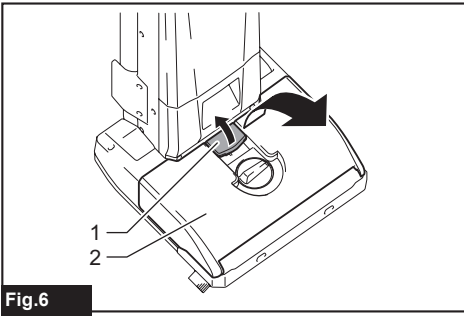


Fig.6

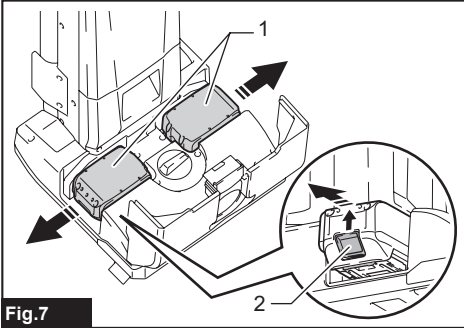


Fig.7

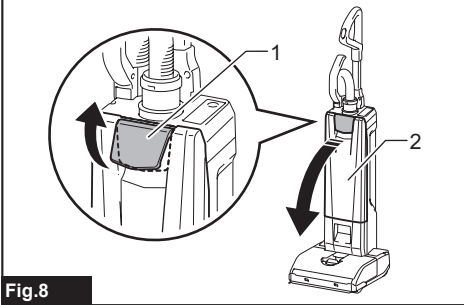


Fig.8

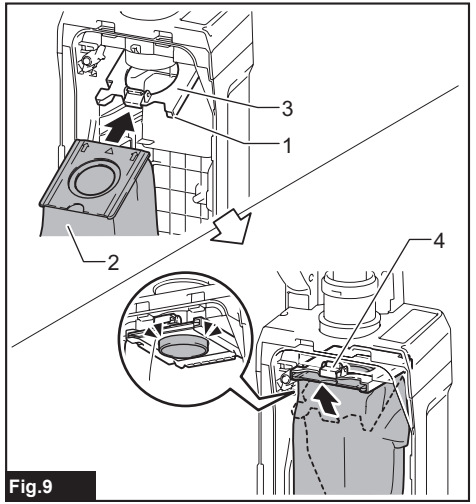


Fig.9

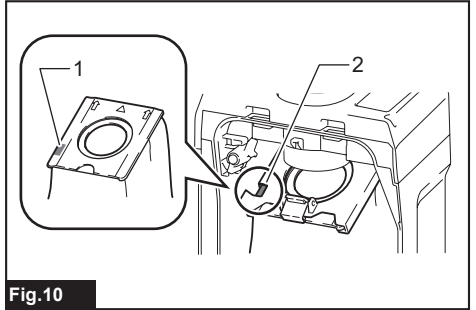


Fig.10

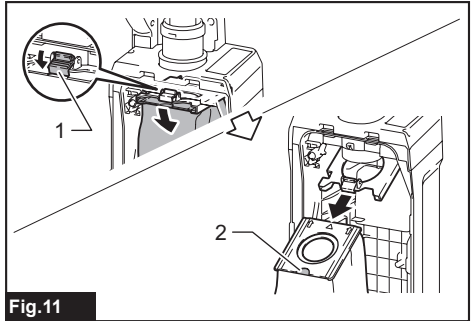


Fig.11

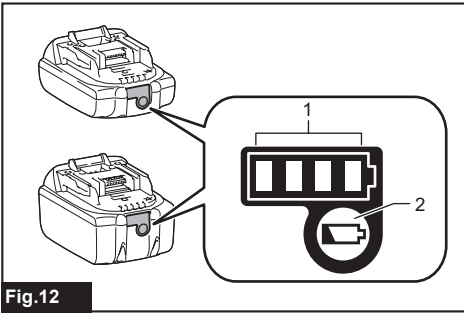


Fig.12

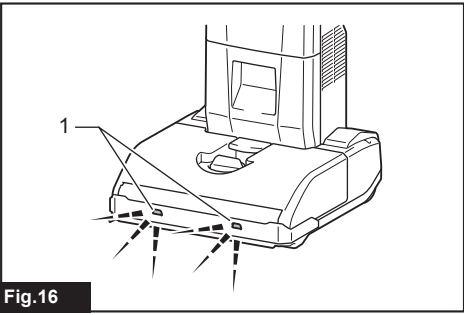


Fig.16

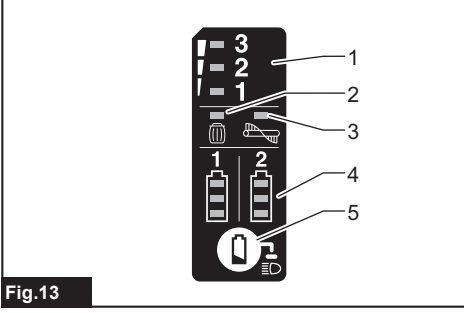


Fig.13

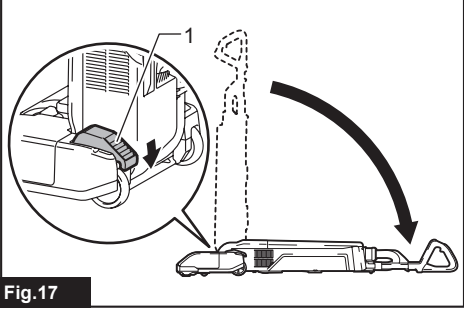


Fig.17

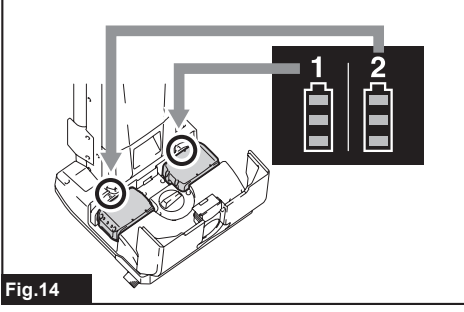


Fig.14

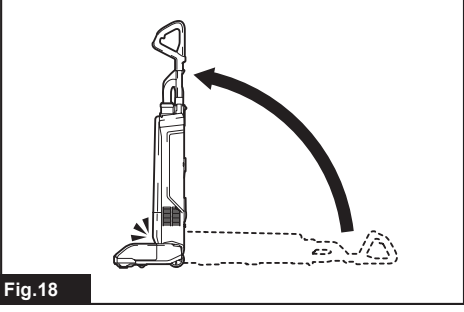


Fig.18

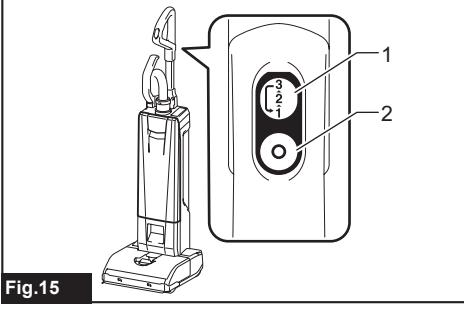


Fig.15

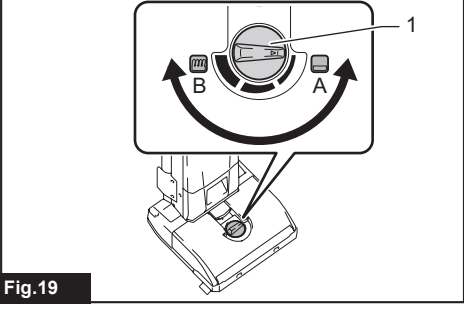


Fig.19

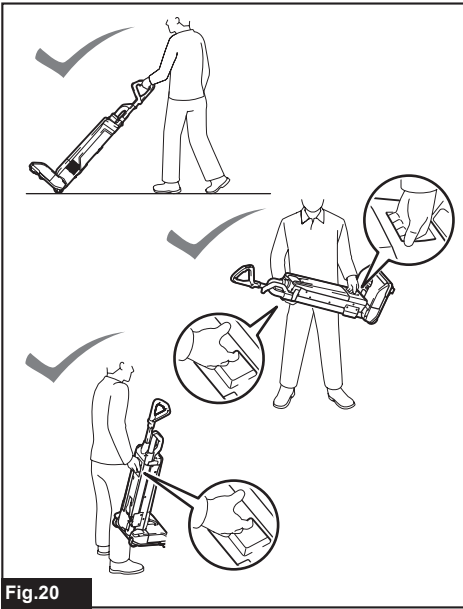


Fig.20

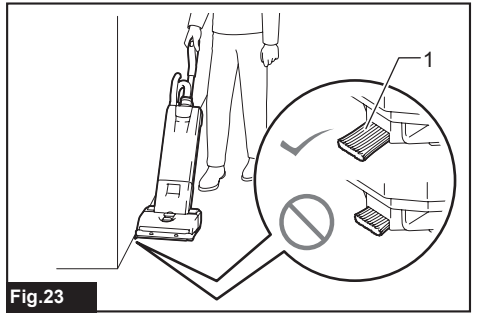


Fig.23

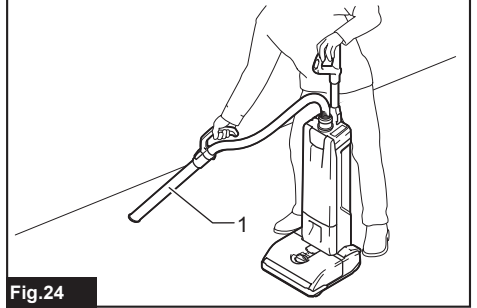


Fig.24

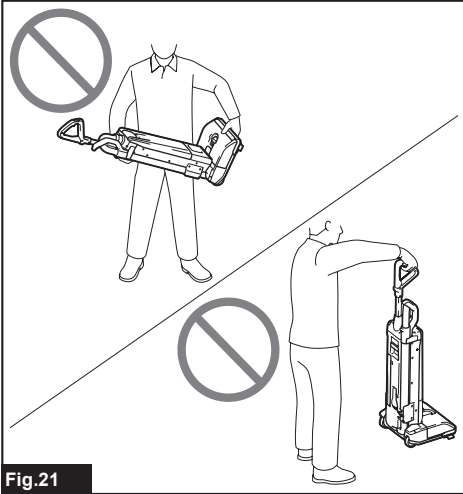


Fig.21

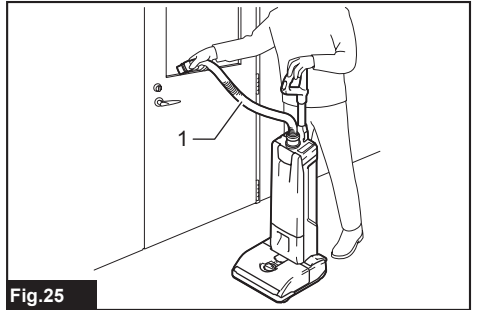


Fig.25

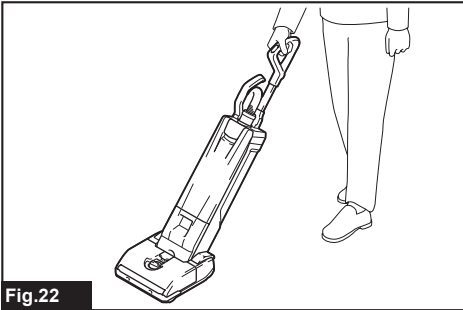


Fig.22

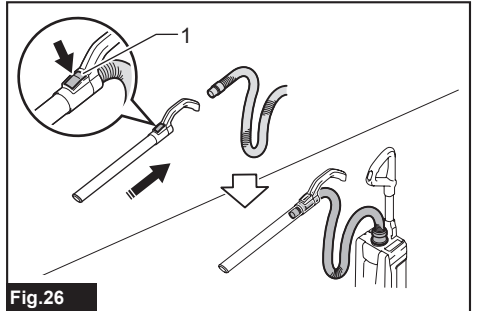


Fig.26

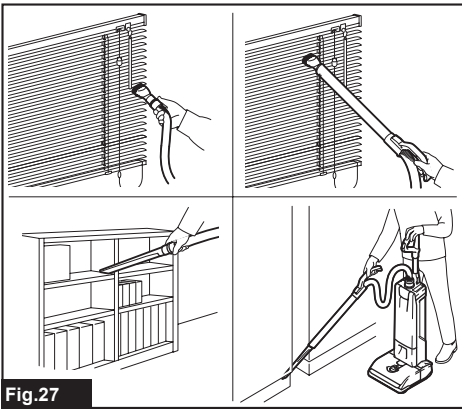


Fig. 27

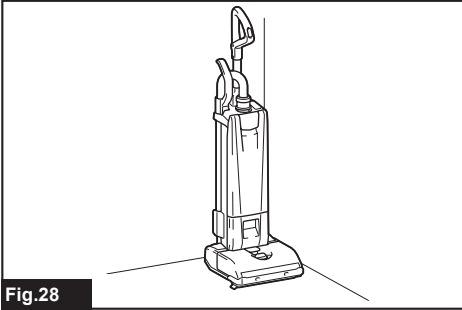


Fig. 28

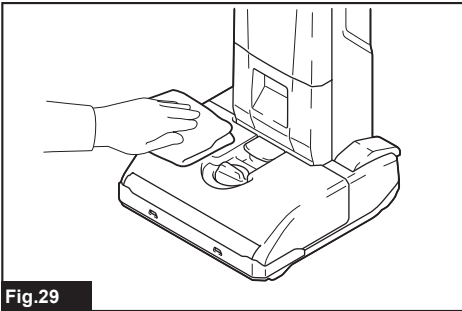


Fig. 29

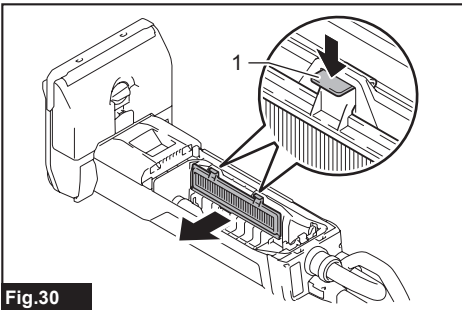


Fig. 30

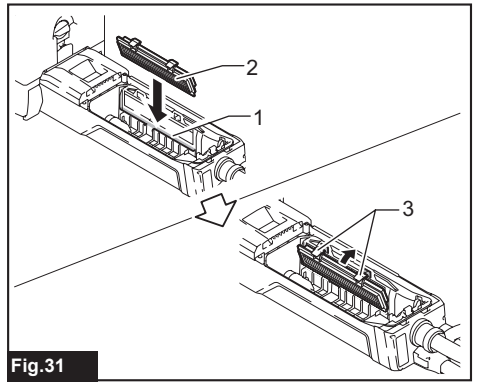


Fig. 31

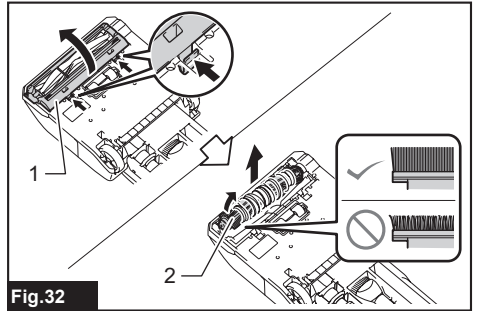


Fig. 32

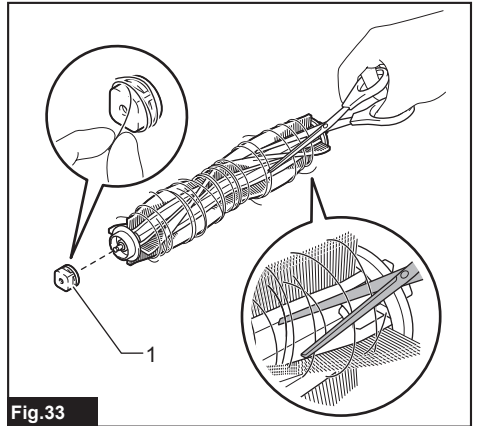


Fig. 33

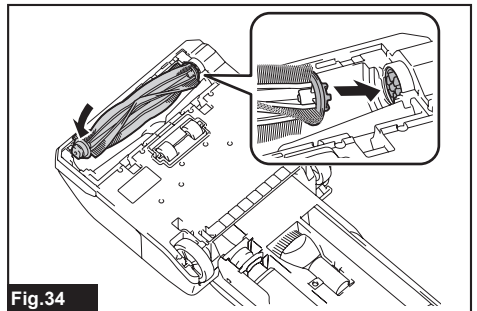
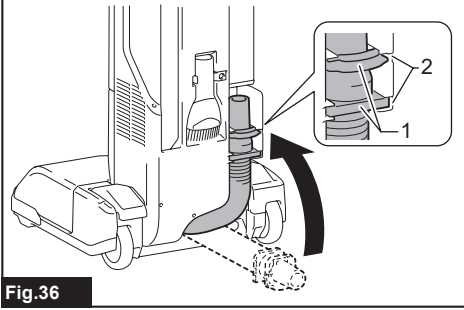
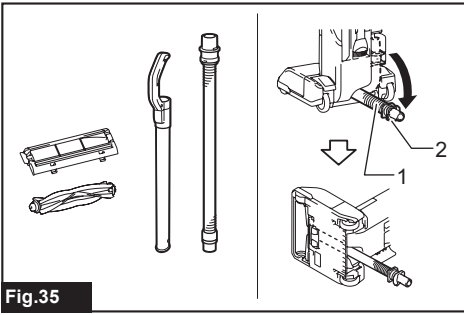


Fig. 34



WARNING

This machine is not intended for use by persons (including children) with reduced physical, sensory or mental capabilities, or a lack of experience and knowledge.

Children should be supervised to ensure that they do not play with the appliance.

SPECIFICATIONS

Model:	DVC560
Maximum air volume *	1.9 m ³ /min
Vacuum *	12 kPa
Capacity	5 L
Dimensions (L x W x H)	326 mm x 318 mm x 1,146 mm
Rated voltage	D.C. 36 V
Net weight	8.3 - 9.0 kg

- * The value is measured by our original method.
- Due to our continuing program of research and development, the specifications herein are subject to change without notice.
- Specifications and battery cartridge may differ from country to country.
- The weight includes accessories (round brush, corner nozzle) and battery cartridge(s). The lightest and heaviest combination weight of the appliance and battery cartridge(s) are shown in the table.

Applicable battery cartridge and charger

Battery cartridge	BL1815N / BL1820 / BL1820B / BL1830 / BL1830B / BL1840 / BL1840B / BL1850 / BL1850B / BL1860B
Charger	DC18RC / DC18RD / DC18RE / DC18SD / DC18SE / DC18SF / DC18SH

- Some of the battery cartridges and chargers listed above may not be available depending on your region of residence.

⚠ WARNING: Only use the battery cartridges and chargers listed above. Use of any other battery cartridges and chargers may cause injury and/or fire.

Symbols

The followings show the symbols which may be used for the equipment. Be sure that you understand their meaning before use.



Read instruction manual.



Take particular care and attention.



Only for EU countries
Do not dispose of electric equipment or battery pack together with household waste material! In observance of the European Directives, on Waste Electric and Electronic Equipment and Batteries and Accumulators and Waste Batteries and Accumulators and their implementation in accordance with national laws, electric equipment and batteries and battery pack(s) that have reached the end of their life must be collected separately and returned to an environmentally compatible recycling facility.

Intended use

The appliance is intended for collecting dry dust. The appliance is suitable for commercial use, for example in hotels, schools, hospitals, factories, shops, offices and rental businesses.

Noise

The typical A-weighted noise level determined according to EN60335-2-69:

Sound pressure level (L_{pA}) : 70 dB(A) or less

Uncertainty (K) : 2.5 dB(A)

The noise level under working may exceed 80 dB (A).

NOTE: The declared noise emission value(s) has been measured in accordance with a standard test method and may be used for comparing one tool with another.

NOTE: The declared noise emission value(s) may also be used in a preliminary assessment of exposure.

⚠WARNING: Wear ear protection.

⚠WARNING: The noise emission during actual use of the power tool can differ from the declared value(s) depending on the ways in which the tool is used especially what kind of workpiece is processed.

⚠WARNING: Be sure to identify safety measures to protect the operator that are based on an estimation of exposure in the actual conditions of use (taking account of all parts of the operating cycle such as the times when the tool is switched off and when it is running idle in addition to the trigger time).

Vibration

The vibration total value (tri-axial vector sum) determined according to EN60335-2-69:

Vibration emission ($a_{h,M}$) : 2.5 m/s² or less

Uncertainty (K) : 1.5 m/s²

NOTE: The declared vibration total value(s) has been measured in accordance with a standard test method and may be used for comparing one tool with another.

NOTE: The declared vibration total value(s) may also be used in a preliminary assessment of exposure.

⚠WARNING: The vibration emission during actual use of the power tool can differ from the declared value(s) depending on the ways in which the tool is used especially what kind of workpiece is processed.

⚠WARNING: Be sure to identify safety measures to protect the operator that are based on an estimation of exposure in the actual conditions of use (taking account of all parts of the operating cycle such as the times when the tool is switched off and when it is running idle in addition to the trigger time).

EC Declaration of Conformity

For European countries only

The EC declaration of conformity is included as Annex A to this instruction manual.

SAFETY WARNINGS

Cordless vacuum cleaner safety warnings

⚠WARNING: IMPORTANT! READ CAREFULLY all safety warnings and all instructions BEFORE USE. Failure to follow the warnings and instructions may result in electric shock, fire and/or serious injury.

1. **Before use, make sure that this cleaner must be used by people who have been adequately instructed on the use of this cleaner.**
2. **Do not use without filter bag and/or filters in place.** Replace a damaged filter immediately.
3. **AVOID UNINTENTIONAL STARTING.** Be sure switch is OFF when installing battery (ies).
4. **Do not attempt to pick up flammable materials, fire works, lighted cigarettes, hot ashes, hot metal chips, sharp materials such as razors, needles, broken glass or the like.**
5. **NEVER USE THE CLEANER IN THE VICINITY OF GASOLINE, GAS, PAINT, ADHESIVES OR OTHER HIGHLY EXPLOSIVE SUBSTANCES.** The switch emits sparks when turned ON and OFF. And so does the motor commutator during operation. A dangerous explosion may result.
6. **Never vacuum up toxic, carcinogenic, combustible or other hazardous materials such as asbestos, arsenic, barium, beryllium, lead, pesticides, or other health endangering materials.**
7. **Do not use outdoors or on wet surfaces.**
8. **Do not use the appliance close to heat sources (stoves, etc.).**
9. **Do not block suction inlet/outlet/cooling vents.** These vents permit cooling of the motor. Blockage should be carefully avoided otherwise the motor will burn out due to a lack of ventilation.
10. **Do not fold, tug or step on the hose.**
11. **Stop the cleaner immediately if you notice poor performance or anything abnormal during operation.**
12. **REMOVE THE BATTERY(IES).** When not in use, before servicing, and when changing accessories.
13. **Clean and service the cleaner immediately after each use to keep it in optimum operating condition.**
14. **MAINTAIN THE CLEANER WITH CARE.** Keep the cleaner clean for better and safer performance. Follow instructions for changing accessories. Keep handles dry, clean, and free from oil and grease.

15. **CHECK DAMAGED PARTS.** Before further use of the cleaner, a guard or other part that is damaged should be carefully checked to determine that it will operate properly and perform its intended function. Check for alignment of moving parts, binding of moving parts, breakage of parts, mounting, and any other conditions that may affect its operation. A guard or other part that is damaged should be properly repaired or replaced by an authorized service center unless otherwise indicated elsewhere in this instruction manual. Have defective switches replaced by authorized service center. Do not use the cleaner if switch does not turn it on and off.
16. **REPLACEMENT PARTS.** When servicing, use only identical replacement parts.
17. **STORE IDLE CLEANER.** When not in use, the cleaner should be stored indoors.
18. Be kind to your cleaner. Rough handling can cause breakage of even the most sturdily built cleaner.
19. Do not attempt to clean the exterior or interior with benzine, thinner or cleaning chemicals. Cracks and discoloration may be caused.
20. Do not use cleaner in an enclosed space where flammable, explosive or toxic vapors are given off by oil-based paint, paint-thinner, gasoline, some mothproofing substances, etc., or in areas where flammable dust is present.
21. Do not operate the cleaner or any tool while under the influence of drugs or alcohol.
22. Wear appropriate protective equipment such as a mask depending on the usage environment.
23. This machine is not intended for use by persons including children with reduced physical, sensory or mental capabilities, or lack of experience and knowledge.
24. Young children should be supervised to ensure that they do not play with the cleaner.
25. Never handle battery(ies) and cleaner with wet hands.
26. Use extra care when cleaning on stairs.
27. Keep proper footing and balance at all times.
28. Do not use the cleaner as a stool or work bench. The machine may fall down and may result in personal injury.
29. Keep all parts of your body and clothing away from the openings and moving part like the rotating brushroll. Otherwise they may be caught in the appliance and cause injury.

Battery tool use and care

1. **Recharge only with the charger specified by the manufacturer.** A charger that is suitable for one type of battery pack may create a risk of fire when used with another battery pack.
2. **Use power tools only with specifically designated battery packs.** Use of any other battery packs may create a risk of injury and fire.
3. **When battery pack is not in use, keep it away from other metal objects, like paper clips, coins, keys, nails, screws or other small metal objects, that can make a connection from one terminal to another.** Shorting the battery terminals together may cause burns or a fire.

4. **Under abusive conditions, liquid may be ejected from the battery; avoid contact.** If contact accidentally occurs, flush with water. If liquid contacts eyes, additionally seek medical help. Liquid ejected from the battery may cause irritation or burns.
5. **Do not use a battery pack or tool that is damaged or modified.** Damaged or modified batteries may exhibit unpredictable behaviour resulting in fire, explosion or risk of injury.
6. **Do not expose a battery pack or tool to fire or excessive temperature.** Exposure to fire or temperature above 130 °C may cause explosion.
7. **Follow all charging instructions and do not charge the battery pack or tool outside the temperature range specified in the instructions.** Charging improperly or at temperatures outside the specified range may damage the battery and increase the risk of fire.

SAVE THESE INSTRUCTIONS.

⚠WARNING: DO NOT let comfort or familiarity with product (gained from repeated use) replace strict adherence to safety rules for the subject product. MISUSE or failure to follow the safety rules stated in this instruction manual may cause serious personal injury.

Important safety instructions for battery cartridge

1. **Before using battery cartridge, read all instructions and cautionary markings on (1) battery charger, (2) battery, and (3) product using battery.**
2. **Do not disassemble or tamper the battery cartridge.** It may result in a fire, excessive heat, or explosion.
3. **If operating time has become excessively shorter, stop operating immediately.** It may result in a risk of overheating, possible burns and even an explosion.
4. **If electrolyte gets into your eyes, rinse them out with clear water and seek medical attention right away.** It may result in loss of your eyesight.
5. **Do not short the battery cartridge:**
 - (1) **Do not touch the terminals with any conductive material.**
 - (2) **Avoid storing battery cartridge in a container with other metal objects such as nails, coins, etc.**
 - (3) **Do not expose battery cartridge to water or rain.**

A battery short can cause a large current flow, overheating, possible burns and even a breakdown.
6. **Do not store and use the tool and battery cartridge in locations where the temperature may reach or exceed 50 °C (122 °F).**
7. **Do not incinerate the battery cartridge even if it is severely damaged or is completely worn out.** The battery cartridge can explode in a fire.

8. **Do not nail, cut, crush, throw, drop the battery cartridge, or hit against a hard object to the battery cartridge.** Such conduct may result in a fire, excessive heat, or explosion.
9. **Do not use a damaged battery.**
10. **The contained lithium-ion batteries are subject to the Dangerous Goods Legislation requirements.**
For commercial transports e.g. by third parties, forwarding agents, special requirement on packaging and labeling must be observed.
For preparation of the item being shipped, consulting an expert for hazardous material is required. Please also observe possibly more detailed national regulations.
Tape or mask off open contacts and pack up the battery in such a manner that it cannot move around in the packaging.
11. **When disposing the battery cartridge, remove it from the tool and dispose of it in a safe place. Follow your local regulations relating to disposal of battery.**
12. **Use the batteries only with the products specified by Makita.** Installing the batteries to non-compliant products may result in a fire, excessive heat, explosion, or leak of electrolyte.
13. **If the tool is not used for a long period of time, the battery must be removed from the tool.**
14. **During and after use, the battery cartridge may take on heat which can cause burns or low temperature burns. Pay attention to the handling of hot battery cartridges.**
15. **Do not touch the terminal of the tool immediately after use as it may get hot enough to cause burns.**
16. **Do not allow chips, dust, or soil stuck into the terminals, holes, and grooves of the battery cartridge.** It may result in poor performance or breakdown of the tool or battery cartridge.
17. **Unless the tool supports the use near high-voltage electrical power lines, do not use the battery cartridge near high-voltage electrical power lines.** It may result in a malfunction or breakdown of the tool or battery cartridge.
18. **Keep the battery away from children.**

SAVE THESE INSTRUCTIONS.

CAUTION: Only use genuine Makita batteries. Use of non-genuine Makita batteries, or batteries that have been altered, may result in the battery bursting causing fires, personal injury and damage. It will also void the Makita warranty for the Makita tool and charger.

Tips for maintaining maximum battery life

1. **Charge the battery cartridge before completely discharged. Always stop tool operation and charge the battery cartridge when you notice less tool power.**
2. **Never recharge a fully charged battery cartridge. Overcharging shortens the battery service life.**
3. **Charge the battery cartridge with room temperature at 10 °C - 40 °C (50 °F - 104 °F). Let a hot battery cartridge cool down before charging it.**
4. **When not using the battery cartridge, remove it from the tool or the charger.**
5. **Charge the battery cartridge if you do not use it for a long period (more than six months).**

PARTS DESCRIPTION

► Fig.1

1	Handle	2	Switch plate	3	Pipe grip	4	Hose
5	Indication panel	6	Lever (for the dust box cover)	7	Dust box cover	8	Carrying handle
9	Lock (for battery cover)	10	Adjusting lever	11	Battery cover	12	Corner nozzle
13	Round brush	14	Foot lever	15	Caster wheel	16	Side brush
17	Suction hose	18	Joint	19	Aluminum pipe	20	Pipe holder
21	LED lamp	22	Brushroll	23	Bottom plate	24	ON / mode change button
25	OFF button	26	Indicator of operating mode	27	Indicator of excess level of dust	28	Indicator of brushroll error
29	Indicator for remaining battery capacity	30	Battery check / LED lamp button	-	-	-	-

ASSEMBLY

CAUTION: Always be sure that the appliance is switched off and the battery cartridge is removed before carrying out any work on the appliance.

CAUTION: Always wear dust mask during assembly or maintenance.

Handle connecting

1. Insert the handle pole fully to the cleaner body as shown in the figure.
 2. Close the lock latch.
- **Fig.2:** 1. Handle pole 2. Red marking 3. Lock latch

NOTICE: Insert the handle fully until the red marking cannot be seen.

Hose connecting

Insert the hose into the mounting port of the appliance and turn the horse until it locks.

► **Fig.3**

Pipe connecting

Insert the tip of the aluminum pipe to the joint, and then attach the aluminum pipe to the pipe holder.

► **Fig.4:** 1. Joint 2. Pipe holder

NOTICE: Insert the aluminum pipe in correct direction as shown in figure. Otherwise the pipe holder will not be locked and the aluminum pipe may come off.

► **Fig.5**

Installing or removing battery cartridge

CAUTION: Always switch off the appliance before installing or removing of the battery cartridge.

CAUTION: Hold the cleaner and the battery cartridge firmly when installing or removing battery cartridge. Failure to hold the cleaner and the battery cartridge firmly may cause them to slip off your hands and result in damage to the cleaner and battery cartridge and a personal injury.

CAUTION: Be careful not to pinch your fingers when opening or closing the battery cover. Failure to do so may cause personal injury.

To install the battery cartridge, release the lock first, and then open the battery cover. After that, insert the battery cartridge.

► **Fig.6:** 1. Lock 2. Battery cover

Align the tongue on the battery cartridge with the groove in the housing and slip it into place. Insert it all the way until it locks in place with a little click. Then lock the battery cover.

► **Fig.7:** 1. Battery cartridge 2. Button

To remove the battery cartridge, slide it from the appliance while sliding the button in front of the cartridge.

CAUTION: Always install the battery cartridge fully. If not, it may accidentally fall out of the appliance, causing injury to you or someone around you.

CAUTION: Do not install the battery cartridge forcibly. If the cartridge does not slide in easily, it is not being inserted correctly.

NOTE: The cleaner does not work with only one battery cartridge.

Installing the filter bag

CAUTION: Do not use a damaged filter bag. Always use the vacuum cleaner with the filter bag properly installed. Otherwise the vacuumed dust or particles may be exhausted from the cleaner and they may cause respiratory disease to the operator.

Install the filter bag before using cleaner. Filter bag is a throw-away type. Throw away the entire filter bag without emptying when it has become full.

NOTICE: When the filter bag is already full or clogged, replace with new one. Continuous use with the filter bag full or clogged results in reduced suction power.

NOTICE: To prevent dust from getting into the motor:


- Make sure that the filter bag is installed before use.
- Do not use a broken or ripped bag.

Otherwise the motor may be broken.

NOTICE: Do not fold the cardboard at its opening when installing the filter bag.

NOTICE: The filter bag for the cleaner is an important component for maintaining the appliance performance. Using non-genuine filter bag may cause smoke or ignition.

NOTE: When the filter bag is not installed in the appliance, the dust box cover does not close completely.

1. Unlock the lever and open the dust box cover.
► **Fig.8:** 1. Lever 2. Dust box cover
2. Insert the filter bag into the slot on the holder so that the side with mark  enters first.
3. Hook the latch of the holder.
► **Fig.9:** 1. Slot 2. Filter bag 3. Holder 4. Latch
4. Make sure that only the marking on the cardboard can be seen through the slit of the holder.
► **Fig.10:** 1. Marking 2. Slit
5. Lock the dust box cover certainly.

CAUTION: Be careful not to pinch your fingers when hooking the latch, and when closing the dust box cover.

Removing the filter bag

CAUTION: Handle the filter bag softly. Otherwise foreign objects are blown into eyes, it may result in personal injury.

Replace the filter bag when it becomes full or clogged. Open the dust box cover and open the latch, then take out the filter bag.

Pull the strip on the side of the opening to shut the filter bag and dispose of the filter bag in whole.

► Fig.11: 1. Latch 2. Strip

NOTICE: Do not use a used filter bag. The filter bag is designed for single use. Using filter bag repeatedly may cause clogging of the filter and results in damage to the appliance.

FUNCTIONAL DESCRIPTION

CAUTION: Always be sure that the appliance is switched off and the battery cartridge is removed before adjusting or checking function on the appliance.

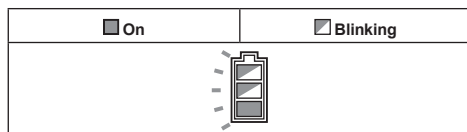
Tool / battery protection system

The tool is equipped with a tool/battery protection system. This system automatically cuts off power to the motor to extend tool and battery life. The tool will automatically stop during operation if the tool or battery is placed under one of the following conditions:

Overload protection

When the tool is operated in a manner that causes it to draw an abnormally high current, the tool automatically stops without any indication. In this situation, turn the tool off and stop the application that caused the tool to become overloaded. Then turn the tool on to restart.

Overheat protection



When the tool is overheated, the tool stops automatically, and the battery indicator blinks about 60 seconds. In this situation, let the tool cool down before turning the tool on again.

Overdischarge protection

When the battery capacity becomes low, the tool stops automatically. If the product does not operate even when the switches are operated, remove the batteries from the tool and charge the batteries.

Indicating the remaining battery capacity

Only for battery cartridges with the indicator

► Fig.12: 1. Indicator lamps 2. Check button

Press the check button on the battery cartridge to indicate the remaining battery capacity. The indicator lamps light up for a few seconds.

Indicator lamps			Remaining capacity
Lighted	Off	Blinking	
			75% to 100%
			50% to 75%
			25% to 50%
			0% to 25%
			Charge the battery.
			The battery may have malfunctioned.

NOTE: Depending on the conditions of use and the ambient temperature, the indication may differ slightly from the actual capacity.

NOTE: The first (far left) indicator lamp will blink when the battery protection system works.

Indication panel

► Fig.13: 1. Operating mode 2. Excess level of dust 3. Brushroll error 4. Remaining battery capacity 5. Battery check / LED lamp button

Operating mode

To change the operating mode, refer to the section for switch action.

Excess level of dust

If this indicator lights up, replace the filter bag. (Refer the section of removing the filter bag.)

NOTE: This indicator does not work when the appliance operates in "lower noise level (1)" mode.

NOTE: This indicator may not work depending on the usage environment.

Brushroll error









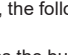
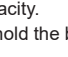


Blinking	The brushroll is under high load for some reasons.
On	The brushroll is stopped by abnormal reason.

WARNING: Immediately switch off the appliance when this lamp lights up during operation. Otherwise the motor malfunction may occur and cause fire.

Remaining battery capacity

During operation, press the battery check / LED lamp button to indicate the remaining battery capacities. The battery indicators correspond to each battery.

► Fig.14

Battery indicator status			Remaining battery capacity
On	Off	Blinking	
			50% to 100%
			20% to 50%
			0% to 20%
			Charge the battery

Battery check / LED lamp button

During operation, the following operations can be performed.

- Simply press the button to check the remaining battery capacity.
- Press and hold the button to turn on / off the LED lamp.

Switch action

► Fig.15: 1. ON / mode change button 2. OFF button

Turning on / off the appliance

To start the appliance, simply push the ON / mode change button. To switch off, push the OFF button.

CAUTION: Always put the head of the appliance on the floor when turning on the appliance. Otherwise an accident due to entanglement may occur and cause a personal injury.

Changing operating mode

You can change the operating mode in three steps: "lower noise level (1)", "normal (2)", and "high (3)". If you want to change operating mode, press the ON / mode change button when the appliance is running. The operating mode switches in order "lower noise level (1)", "normal (2)", and "high (3)". The appliance will start in the same mode as the previous setting.

Lighting up the LED lamp

CAUTION: Do not look in the light or see the source of light directly.

The appliance is equipped with the LED lamps. See the paragraph of the battery check / LED lamp button for operation.

► Fig.16: 1. LED lamp

Foot lever

CAUTION: Always lock the appliance in upright position when you let go of the handle. Otherwise the appliance may accidentally fall and cause injury.

CAUTION: Be careful not to pinch your fingers between the main body and the head of the appliance.

To unlock the upright position of the appliance, step on the foot lever and pull the handle backward. The range of motion is 90 degrees from the upright position.

► Fig.17: 1. Foot lever

To lock the appliance in upright position, raise up the handle forward until the foot lever locks the position with click.

► Fig.18

NOTE: While the appliance is in the upright position, the brushroll stops rotating.

Adjusting the height of brushroll

CAUTION: Always make sure that the adjusting lever comes into the position properly before operation.

The height of brushroll can be adjusted in 4 steps.

Turn the adjusting lever to your desired height.

When the adjusting lever points the A mark, the brushroll is located at the lowest point above the floor and is suitable for cleaning hard floors and short-haired carpets. When the adjusting lever points the B mark, the brushroll is located at the highest point above the floor and is suitable for cleaning long-haired carpets.

► Fig.19: 1. Adjusting lever

NOTE: The brushroll may not rotate if the height of brushroll is too low against the surface of the carpet.

Carrying handle

When carrying the appliance, push the appliance with the caster wheels only, or carry it by holding the carrying handle(s).

► Fig.20

CAUTION: When carrying the appliance, lock the appliance in upright position. Otherwise falling accident may occur.

CAUTION: Do not carry the appliance with anything other than the carrying handle. Otherwise falling accident may occur or unintentional starting may cause an injury.

► Fig.21

OPERATION

⚠ CAUTION: Do not pull out the handle pole from the appliance during operation. Doing so lose control of the appliance and may result serious injury.

⚠ CAUTION: Do not put your hand or leg under the appliance during operation. Otherwise pinching accident may occur.

Normal cleaning operation

1. Hold the handle, and then unlock the upright position.
 2. Turn on the appliance. Clean a floor.
- ▶ Fig.22

Using the side brush

The side brush is convenient for cleaning the corner of a wall.

If the side brush gets short, take the appliance to the Makita service center for replacement

▶ Fig.23: 1. Side brush

Operation with accessories

⚠ CAUTION: Keep holding the handle when using accessories. Otherwise the appliance may accidentally fall and cause injury.

NOTICE: When using accessories, lock the appliance in upright position. Otherwise the rotation of the brushroll may damage the floor.

Using the aluminum pipe

The aluminum pipe is suitable for cleaning tight quarters, or high places.

▶ Fig.24: 1. Aluminum pipe

Using the hose

The hose is suitable for cleaning near your hands.

▶ Fig.25: 1. Hose

To use the hose, pull out the aluminum pipe from the hose while pushing the lever.

To install the hose, insert the hose into the aluminum pipe until it clicks.

▶ Fig.26: 1. Lever

Using the attachments

▶ Fig.27

To install the attachment, twist and insert it securely to the aluminum pipe or the hose. To disconnect, twist and remove it.

MAINTENANCE

⚠ CAUTION: Always be sure that the appliance is switched off and the battery cartridge is removed before attempting to perform inspection or maintenance.

NOTICE: Never use gasoline, benzine, thinner, alcohol or the like. Discoloration, deformation or cracks may result.

To maintain product SAFETY and RELIABILITY, repairs, any other maintenance or adjustment should be performed by Makita Authorized or Factory Service Centers, always using Makita replacement parts.

Storage

When storing, remove the battery cartridges and store the appliance on level place in upright position.

▶ Fig.28

Cleaning the appliance body

From time to time wipe off the outside (cleaner body) of the cleaner using a cloth dampened in soapy water.

▶ Fig.29

Cleaning the HEPA filter

⚠ CAUTION: Do not use the cleaner without a filter or continue to use dirty or damaged filter. Vacuumed dust or particles may be exhausted from the cleaner and they may cause respiratory disease to the operator.

NOTICE: To keep optimum suction power and clean exhaust, clean the filter periodically. If enough suction power is not obtained even after the cleaning, replace the filter with new one.

NOTICE: To prevent the filter from being damaged, do not use following tools and similar items for cleaning :

- Air duster
- High pressure washer
- Tools made of hard materials such as a metallic brush

1. Open the dust box cover and take out the filter bag.

Release the hooks on the filter and remove it from the appliance body.

▶ Fig.30: 1. Hook

2. Beat the dust off from the filter. The filter can be washed with water. Rinse away the dust and particles on the filter every 1 or 2 month. After that, dry the filter completely in a shaded and well-ventilated place to prevent unpleasant odor or malfunctions.

3. To install the filter, insert the side without the hooks into the groove then push in the filter until the hooks are secured with a click.

▶ Fig.31: 1. Groove 2. HEPA filter 3. Hook

Cleaning the brushroll

1. Remove the bottom plate, and then remove the brushroll.

If the hair of the brushroll gets short, ask the Makita service center for new one.

Operating the appliance with the short hair brushroll results in poor dust collecting.

► **Fig.32:** 1. Bottom plate 2. Brushroll

2. Remove threads and hairs from the brushroll using scissors.

Remove the cap and clean debris.

► **Fig.33:** 1. Cap

3. Install the cap, brushroll, and bottom plate in reverse order.

► **Fig.34**

CAUTION: Attach the bottom plate completely. If the appliance is operated without the bottom plate, the brushroll may come off and cause injury.

NOTICE: Always attach the brushroll. Operating the appliance without the brushroll results in poor dust collecting.

How to clear the clog

NOTICE: Do not operate the appliance with the intake flow path clogged. Continuous use with the intake flow path clogged results in reduced suction power.

1. Remove the bottom plate, and then remove the brushroll.
2. Remove the aluminum pipe from the appliance and from the hose.
3. Turn the hose counterclockwise, and then remove the hose from the appliance.

4. Remove the suction hose by pulling the tab.

► **Fig.35:** 1. Suction hose 2. Tab

5. Inspect the intake flow path of air for the inside of the aluminum pipe and the hose, and the suction hose.

Clean debris inside of them.

6. Align the tongue of the suction hose with the groove in the housing and slip it into place.

► **Fig.36:** 1. Tongue 2. Groove

7. Install the hose, aluminum pipe, brushroll, and bottom plate.

CAUTION: Install the hose, pipe firmly. Otherwise dust leakage may occur and cause injury.

TROUBLESHOOTING

Before asking for repairs, conduct your own inspection first. If you find a problem that is not explained in the manual, do not attempt to disassemble the machine. Instead, ask Makita Authorized Service Centers, always using Makita replacement parts for repairs.

Symptom	Probable cause	Remedy
Not working	Battery cartridges are installed improperly.	Install the battery cartridges as described in this manual.
	The battery cartridges are exhausted.	Charge the battery cartridges.
	The handle is installed improperly.	Install the handle firmly as described in this manual.
The brushroll does not rotate	The appliance is locked in upright position.	Unlock the upright position of the appliance.
	The indicator of brushroll error is lighting.	Inspect that there is no entanglement around the brushroll (body, cap and joint).
Weak suction power	The indicator of excess level of dust is lighting.	Replace the filter bag.
	⇒If replacing the filter bag does not solve the problem...	Clean or replace the HEPA filter.
		Inspect that there is no debris clogged in the hose and pipe.
	Debris is entangled in the brushroll and the rotating speed is declined.	Inspect that there is no entanglement around the brushroll (body, cap, joint).
	The height of brushroll is too high from the floor.	Lower the height of the brushroll.
	The hair of brushroll has become short.	Replace the brushroll. Lower the height of the brushroll.
	The appliance is operating in low mode.	Change to the higher operating mode.
	The brushroll is not installed.	Install the brushroll.
Loud driving noise	The pipe or the hose is installed improperly.	Install the pipe or the hose firmly.
	The appliance is operating in high mode.	Change to the lower operating mode.
	Debris is entangled in the brushroll.	Inspect that there is no entanglement around the brushroll (body, cap and joint).
	The filter bag is filled with dust.	Replace the filter bag.
The indicator of excess level of dust blinks after a little use	⇒If replacing the filter bag does not solve the problem...	Clean or replace the HEPA filter.
		Inspect that there is no debris clogged in the hose and pipe.
The indicator of excess level of dust blinks after a little use	The filter bag is folded.	Unfold the entrance of the filter bag before setting it.
LED lamp does not light	The LED lamp setting is off.	During operation, press and hold the battery check / LED lamp button to turn on the LED lamp.
The caster wheel is hard to move	Debris is entangled in the caster wheel.	Clean the debris on the caster wheel.

OPTIONAL ACCESSORIES

⚠ CAUTION: These accessories or attachments are recommended for use with your Makita tool specified in this manual. The use of any other accessories or attachments might present a risk of injury to persons. Only use accessory or attachment for its stated purpose.

- Corner nozzle
- Round brush
- HEPA filter
- Filter bag
- Makita genuine battery and charger

NOTE: Some items in the list may be included in the tool package as standard accessories. They may differ from country to country.

If you need any assistance for more details regarding these accessories, ask your local Makita Service Center.

VARNING

Denna maskin är inte avsedd för användning av personer (inklusive barn) med nedsatta fysiska, sensoriska eller mentala förmågor, eller som inte har tillräcklig erfarenhet eller kunskap.

Barn ska övervakas så att de inte leker med anordningen.

SPECIFIKATIONER

Modell:	DVC560
Maximal luftvolym *	1,9 m ³ /min
Vakuum *	12 kPa
Kapacitet	5 l
Dimensioner (L x B x H)	326 mm x 318 mm x 1 146 mm
Märkspänning	36 V likström
Nettovikt	8,3 - 9,0 kg

- * Värdet mäts med vår originalmetod.
- På grund av vårt pågående program för forskning och utveckling kan dessa specifikationer ändras utan föregående meddelande.
- Specifikationer och batterikassett kan variera mellan olika länder.
- Vikten inkluderar tillbehör (rund borste, hörmunstycke) och batterikassett(er). Den lättaste och tyngsta vikt-kombinationen för apparaten och batterikassett(er) visas i tabellen.

Tillgänglig batterikassett och laddare

Batterikassett	BL1815N / BL1820 / BL1820B / BL1830 / BL1830B / BL1840 / BL1840B / BL1850 / BL1850B / BL1860B
Laddare	DC18RC / DC18RD / DC18RE / DC18SD / DC18SE / DC18SF / DC18SH

- Vissa av batterikassetterna och laddarna på listan ovan kanske inte finns tillgängliga i din region.

⚠ VARNING: Använd endast batterikassetter och laddare från listan ovan. Användning av andra batterikassetter och laddare kan orsaka personskada och/eller brand.

Symboler

Följande visar symbolerna som kan användas för utrustningen. Se till att du förstår innebörden innan användning.



Läs igenom bruksanvisningen.



Var extra försiktig och uppmärksam.



Gäller endast EU-länder
Elektrisk utrustning eller batteripaket får inte kastas i hushållsavfallet! Enligt EU-direktiven som avser förbrukad elektrisk och elektronisk utrustning, batterier, ackumulatörer, förbrukade batterier och ackumulatörer, samt direktivens tillämpning enligt nationell lagstiftning, ska uttjänt elektrisk utrustning, batterier och batteripaket sorteras separat och lämnas till miljövänlig återvinning.

Avsedd användning

Apparaten är avsedd för insamling av torrt damm. Apparaten är avsedd för kommersiellt bruk, till exempel i hotell, skolor, sjukhus, fabriker, affärer, kontor och uthyrningsrörelser.

Buller

Den normala bullernivån för A-belastning är bestämd enligt EN60335-2-69:

Ljudtrycksnivå (L_{pA}) : 70 dB (A) eller lägre
Måttolerans (K): 2,5 dB (A)

Bullernivån vid arbete kan överstiga 80 dB (A).

OBS: Det deklarerade bullervärdet har uppmätts i enlighet med standardtestmetoden och kan användas för jämförandet av en maskin med en annan.

OBS: Det deklarerade bulleremissionsvärdet kan också användas i en preliminär bedömning av exponering för vibration.

⚠ VARNING: Använd hörselskydd.

⚠ VARNING: Bulleremissionen under faktisk användning av maskinen kan skilja sig från det deklarerade värdet, beroende på hur maskinen används och särskilt vilken typ av arbetsstycke som behandlas.

⚠ VARNING: Var noga med att identifiera säkerhetsåtgärder för att skydda användaren, vilka är grundade på en uppskattning av graden av exponering för vibrationer under de faktiska användningsförhållandena, (ta, förutom avtryckartiden, med alla delar av användarcykeln i beräkningen, som till exempel tiden då maskinen är avstängd och när den går på tomgång).

Vibration

Det totala vibrationsvärdet (treaxlad vektorsumma) bestämt enligt EN60335-2-69:

Vibrationsemission ($a_{h,M}$): 2,5 m/s² eller lägre
Mättolerans (K): 1,5 m/s²

OBS: Det deklarerade totala vibrationsvärdet har uppmätts i enlighet med standardtestmetoden och kan användas för jämförandet av en maskin med en annan.

OBS: Det deklarerade totala vibrationsvärdet kan också användas i en preliminär bedömning av exponering för vibration.

⚠ VARNING: Vibrationsemissionen under faktisk användning av maskinen kan skilja sig från det deklarerade värdet, beroende på hur maskinen används och särskilt vilken typ av arbetsstycke som behandlas.

⚠ VARNING: Var noga med att identifiera säkerhetsåtgärder för att skydda användaren, vilka är grundade på en uppskattning av graden av exponering för vibrationer under de faktiska användningsförhållandena, (ta, förutom avtryckartiden, med alla delar av användarcykeln i beräkningen, som till exempel tiden då maskinen är avstängd och när den går på tomgång).

EG-försäkran om överensstämmelse

Gäller endast inom EU

EG-försäkran om överensstämmelse inkluderas som bilaga A till denna bruksanvisning.

SÄKERHETSVARNINGAR

Säkerhetsvarningar för sladdlös ryggdammsugare

⚠ VARNING: VIKTIGT! LÄS NOGGRANT igenom alla säkerhetsvarningar och anvisningar FÖRE ANVÄNDNING. Underlåtenhet att följa varningar och instruktioner kan leda till elstötar, brand och/eller allvarliga personskador.

1. Före användning bör du se till att denna dammsugare endast används av personer som har fått korrekta instruktioner om hur dammsugaren ska användas.
2. Använd inte utan filterpåse och/eller filter monterade på plats. Byt genast ut ett skadat filter.
3. **UNDVIK OAVSIKTLIG START.** Se till att strömbrytaren är AVSTÄNGD när batteriet/batterierna sätts i.
4. Försök inte att suga upp lättantändliga material, fyrverkerier, tända cigaretter, het aska, heta metallfisar, vassa material som rakblad, nålar, krossat glas eller liknande.
5. **ANVÄND ALDRIG DAMMSUGAREN I NÄRHETEN AV BENSIN, GAS, FÄRG, LIM ELLER ANDRA HÖGEXPLOSIVA ÄMNEN.** Strömbrytaren avger gnistor när den slås PÅ och AV. Det gör även motorkommutatorn under användning. En farlig explosion kan uppstå.
6. **Sug aldrig upp giftiga, cancerframkallande, brännbara eller andra farliga material som asbest, arsenik, barium, beryllium, bly, bekämpningsmedel eller annat hälsofarliga material.**
7. Använd inte utomhus eller på våta ytor.
8. Använd inte apparaten nära värmekällor (spisar osv.).
9. **Blockera inte suginlopp/utlopp/ventilationshål.** Dessa ventiler kyler ner motorn. Var noggrann med att inte blockera dessa, då motorn annars bränns ut p.g.a. brist på ventilation.
10. Slangen får inte vikas, ryckas i eller trampas på.
11. Stäng genast av dammsugaren om den suger dåligt eller något onormalt sker med den under användningen.
12. **TA BORT BATTERIET/BATTERIERNA.** När dammsugaren inte används, före service och vid byte av tillbehör.
13. Rengör och serva dammsugaren omedelbart efter varje användning för att hålla den i optimalt skick.
14. **UNDERHÅLL DAMMSUGAREN MED OMSORG.** Håll dammsugaren ren för bättre och säkrare användning. Följ anvisningarna för byte av tillbehör. Håll handtagen torra, rena och fria från olja och smuts.
15. **KONTROLLERA SKADADE DELAR.** Före fortsatt användning av dammsugaren ska ett skadat skydd eller annan del som är skadad noggrant kontrolleras för att avgöra om den kommer att fungera korrekt och utföra det arbete som den är avsedd för. Kontrollera inriktningen och fästet för rörliga delar, om det finns trasiga delar, monteringen eller andra förhållanden som kan påverka användningen av dammsugaren. Ett skydd eller annan del som är skadad ska repareras ordentligt eller bytas ut av ett auktoriserat servicecenter om inte något annat anges i denna bruksanvisning. Låt ett auktoriserat servicecenter byta ut trasiga strömbrytare. Använd inte dammsugaren om strömbrytaren inte sätter på eller stänger av den.
16. **RESERVDELAR.** Vid service ska endast identiska reservdelar användas.

17. **FÖRVARA DAMMSUGARE SOM INTE ANVÄNDS.** Dammsugaren ska förvaras inomhus när den inte används.
18. **Ta hand om din dammsugare.** Hård hantering kan orsaka skada även på den mest robust byggda dammsugaren.
19. **Försök inte att rengöra utsidan eller insidan med bensin, thinner eller rengörande kemikalier.** Det kan orsaka sprickor och missfärgning.
20. **Använd inte dammsugaren i ett slutet rum där lättantändliga, explosiva eller giftiga ångor avges från oljebaserad färg, thinner, bensin, malbehandlingsmedel osv., eller i områden där lättantändligt damm finns.**
21. **Använd inte dammsugaren eller annan maskin under påverkan av droger eller alkohol.**
22. **Använd lämplig skyddsutrustning som t.ex. mask, beroende på användningsmiljön.**
23. **Denna maskin är inte avsedd för användning av personer med nedsatta fysiska, sensoriska eller mentala förmågor, eller som inte har nog med erfarenhet eller kunskap.**
24. **Barn skall övervakas så att de inte leker med dammsugaren.**
25. **Hantera aldrig batterier eller dammsugare med blöta händer.**
26. **Var extra försiktig vid rengöring av trappor.**
27. **Stå alltid stabilt och ha god balans hela tiden.**
28. **Använd inte dammsugaren som sittplats eller arbetsbänk. Maskinen kan ramla omkull och orsaka personskada.**
29. **Håll alla kroppsdelar och klädesplagg borta från öppningarna och rörliga delar som den roterande rullborsten. Annars kan de fastna i apparaten och orsaka personskada.**

Användning och underhåll av batteri

1. **Ladda endast med den batteriladdare som angetts av tillverkaren.** En laddare som passar en viss typ av batterier kan skapa risk för brand när den används tillsammans med annat batteri.
2. **Använd endast maskiner tillsammans med tillhörande batterier.** Om andra batterier används kan risken för personskada och brand öka.
3. **När batteriet inte används bör det hållas borta från andra metallföremål som till exempel gem, mynt, nycklar, spik, skruv eller andra små metallföremål som kan skapa anslutning från en terminal till en annan.** Kortslutning av batteripolerna kan orsaka brännskador eller brand.
4. **Under hårda förhållande kan det komma vätska ur batteriet. Undvik kontakt. Spola med vatten om kontakt ändå råkar uppstå. Om vätskan kommer i kontakt med ögonen bör läkare uppsökas.** Vätska från batteriet kan orsaka irritation på huden eller ge brännskador.
5. **Använd inte ett batteripaket eller maskin som är skadat eller ändrat.** Skadade eller ändrade batterier kan uppföra sig opålitligt, vilket kan leda till brand, explosion eller skaderisk.
6. **Utsätt inte batteripaket eller maskiner för brand eller höga temperaturer.** Exponering för brand eller temperaturer över 130 °C kan leda till explosion.

7. **Följ alla laddningsinstruktioner och ladda inte batteripaketet eller maskinen utanför det temperaturintervall som anges i instruktionerna.** Felaktig laddning, eller vid temperaturer utanför det angivna intervallet, kan skada batteriet och öka risken för brand.

SPARA DESSA ANVISNINGAR.

⚠️ VARNING: GLÖM INTE att också fortsättningsvis strikt följa säkerhetsanvisningarna för maskinen även efter att du blivit van att använda den. Vid **FELEKTIG HANTERING** av maskinen eller om inte säkerhetsanvisningarna i denna bruksanvisning följs kan följden bli allvariga personskador.

Viktiga säkerhetsanvisningar för batterikassetten

1. **Innan batterikassetten används ska alla instruktioner och varningsmärken på (1) batteriladdaren, (2) batteriet och (3) produkten läsas.**
2. **Montera inte isär eller mixtra med batterikassetten.** Det kan leda till brand, överdriven värme eller explosion.
3. **Om drifttiden blivit avsevärt kortare ska användningen avbrytas omedelbart.** Det kan uppstå överhettning, brännskador och t o m en explosion.
4. **Om du får elektrolyt i ögonen ska de sköljas med rent vatten och läkare uppsökas omedelbart.** Det finns risk för att synen förloras.
5. **Kortslut inte batterikassetten.**
 - (1) **Rör inte vid polerna med något strömförande material.**
 - (2) **Undvik att förvara batterikassetten tillsammans med andra metallobjekt som t.ex. spikar, mynt o.s.v.**
 - (3) **Skydda batteriet mot vatten och regn. En batterikortslutning kan orsaka ett stort strömflöde, överhettning, brand och maskinhaveri.**
6. **Förvara och använd inte verktyget och batterikassetten på platser där temperaturen kan nå eller överstiga 50 °C.**
7. **Bränn inte upp batterikassetten även om den är svårt skadad eller helt utsliten. Batterikassetten kan explodera i öppen eld.**
8. **Spika inte i, krossa, kasta, tappa eller slå batterikassetten mot hårda föremål.** Dylåka handlingar kan leda till brand, överdriven värme eller explosion.
9. **Använd inte ett skadat batteri.**
10. **De medföljande litiumjonbatterierna är föremål för kraven i gällande lagstiftning för farligt gods.** För kommersiella transporter (av t.ex. tredje parter som speditorsfirmor) måste de särskilda transportkrav som anges på emballaget och etiketter iakttas. För att förbereda den produkt som ska avsändas krävs att du konsulterar en expert på riskmaterial. Var också uppmärksam på att det i ditt land kan finnas ytterligare föreskrifter att följa. Tejpa över eller maskera blottade kontakter och packa batteriet på sådant sätt att det inte kan röra sig fritt i förpackningen.

- När batterikassetten ska kasseras måste den tas bort från maskinen och kasseras på ett säkert sätt. Följ lokala föreskrifter beträffande avfallshantering av batteriet.
- Använd endast batterierna med de produkter som specificerats av Makita. Att använda batterierna med ej godkända produkter kan leda till brand, överdriven värme, explosion eller utläckande elektrolyt.
- Om maskinen inte används under en lång tid måste batteriet tas bort från maskinen.
- Under och efter användning kan batterikassetten bli het vilket kan orsaka brännskador eller lättare brännskador. Var uppmärksam på hur du hanterar varma batterikassetter.
- Vidrör inte verktygets kontakter direkt efter användning eftersom de kan bli heta och orsaka brännskador.
- Låt inte flisor, damm eller smuts fastna i kontaktarna, i håll eller spår i batterikassetten. Det kan leda till dålig prestanda eller till att verktyget eller batterikassetten går sönder.
- Såvida inte verktyget stöder arbeten i närheten av högspänningsledning får batterikassetten inte användas i närheten av en högspänningsledning. Det kan leda till att verktyget eller batterikassetten går sönder eller inte fungerar korrekt.

- Förvara batteriet utom räckhåll för barn.

SPARA DESSA ANVISNINGAR.

⚠ FÖRSIKTIGT: Använda endast äkta Makita-batterier. Användning av oäkta Makita-batterier eller batterier som har manipulerats kan leda till person- och utrustningsskador eller till att batteriet fattar eld. Det upphäver också Makitas garanti för verktyget och laddaren.

Tips för att uppnå batteriets maximala livslängd

- Ladda batterikassetten innan den är helt urladdad. Stanna alltid maskinen och ladda batterikassetten när du märker att maskinen blir svagare.
- Ladda aldrig en fulladdad batterikasset. Överladdning förkortar batteriets livslängd.
- Ladda batterikassetten vid en rumstemperatur på 10 °C - 40 °C. Låt en varm batterikasset svalna innan den laddas.
- När batterikassetten inte används ska den tas bort från verktyget eller laddaren.
- Ladda batterikassetten om du inte har använt den på länge (mer än sex månader).

BESKRIVNING AV DELAR

► Fig.1

1	Handtag	2	Strömbrytarplatta	3	Rörhandtag	4	Slang
5	Indikationspanel	6	Spak (för dammupsamlingslådans kåpa)	7	Dammupsamlingslådekåpa	8	Bärhandtag
9	Lås (för batterilucka)	10	Justerspak	11	Batterilucka	12	Hörnmunstycke
13	Rund borste	14	Fotspak	15	Rullhjul	16	Sidoborste
17	Sugslang	18	Fog	19	Aluminiumrör	20	Rörhållare
21	LED-lampa	22	Borstrulle	23	Undre platta	24	ON-/lägesändringsknapp
25	OFF (AV)-knapp	26	Indikator för driftläge	27	Indikator för hög dammnivå	28	Indikator för fel på borstrulle
29	Indikator för kvarvarande batterikapacitet	30	Batterikontroll-/LED-lampknapp	-	-	-	-

MONTERING

⚠ FÖRSIKTIGT: Se alltid till att apparaten är avstängd och batterikassetten borttagen innan du utför något arbete på apparaten.

⚠ FÖRSIKTIGT: Bär alltid andningsmask vid montering eller underhåll.

Anslutning av handtag

- Sätt in handtagsstängan helt i dammsugarkoppen enligt bilden.
 - Stäng låsspärren.
- Fig.2: 1. Handtagsstäng 2. Röd markering 3. Låsspärr

OBSERVERA: Skjut in handtaget helt tills den röda markeringen inte syns längre.

Anslutning av slang

Trä på slangen på monteringsöppningen på apparaten och vrid slangen tills den låser fast.

► Fig.3

Anslutning av rör

Sätt in aluminiumrörets spets i fogen och fäst sedan aluminiumröret i rörhållaren.

► **Fig.4:** 1. Fog 2. Rörhållare

OBSERVERA: För in aluminiumröret i rätt riktning enligt bilden. I annat fall blir rörhållaren inte låst och aluminiumröret kan lossna.

► **Fig.5**

Montera eller demontera batterikassetten

⚠ FÖRSIKTIGT: Stäng alltid av apparaten innan du installerar eller tar bort batterikassetten.

⚠ FÖRSIKTIGT: Håll stadigt i dammsugaren och batterikassetten när du monterar eller tar bort batterikassetten. I annat fall kan det leda till att dammsugaren och batterikassetten glider ur dina händer och orsakar skada på dammsugaren och batterikassetten samt personskada.

⚠ FÖRSIKTIGT: Var försiktig så att du inte klämmer fingrarna när du öppnar/stänger batteriluckan. I annat fall kan personskada uppstå.

För att montera batterikassetten, lossa först spärren och öppna batterikåpan. Sätt sedan in batterikassetten.

► **Fig.6:** 1. Spärr 2. Batterikåpa

Rikta in tungan på batterikassetten mot spåret i höljet och skjut den på plats. Tryck in batterikassetten ordentligt tills den låser fast med ett klick. Lås därefter batterikåpan.

► **Fig.7:** 1. Batterikassett 2. Knapp

Ta bort batterikassetten genom att skjuta ner knappen på kassetten framsida samtidigt som du drar ut batterikassetten.

⚠ FÖRSIKTIGT: Installera alltid batterikassetten helt. I annat fall kan den plötsligt lossna från anordningen och skada dig eller någon annan.

⚠ FÖRSIKTIGT: Montera inte batterikassetten med våld. Om kassetten inte lätt glider på plats är den felinställt.

OBS: Dammsugaren fungerar inte med endast en batterikassett.

Installera filterpåsen

⚠ FÖRSIKTIGT: Använd inte en skadad filterpåse. Använd alltid dammsugaren med filterpåsen korrekt isatt. I annat fall kan det hända att det uppsugna dammet eller partiklar avges från dammsugaren, vilket kan leda till luftvägssjukdomar hos användaren.

Installera filterpåsen innan du använder dammsugaren. Filterpåsen är av engångstyp. När den är full slänger du hela filterpåsen utan att tömma den när den är full.

OBSERVERA: När filterpåsen redan är full eller tilltäppt ska den bytas ut mot en ny. Fortsatt användning med full eller tilltäppt filterpåse leder till minskad sugkraft.

OBSERVERA: För att förhindra damm från att komma in i motorn:


- Se till att filterpåsen är insatt före användning.
- Använd inte en skadad eller trasig påse.

I annat fall kan motorn skadas.

OBSERVERA: Vik inte hårdpappskivan vid dess öppning när du installerar filterpåsen.

OBSERVERA: Dammsugarens filterpåse är en viktig komponent för att bevara apparatens prestanda. Att använda en icke-originalfilterpåse kan orsaka rök eller antändning.

OBS: Om filterpåsen inte är monterad i apparaten går det inte att stänga dammuppsamlingslådans kåpa ordentligt.

1. Läs upp spaken och öppna dammuppsamlingslådans kåpa.
► **Fig.8:** 1. Spak 2. Dammuppsamlingslådekåpa
2. Sätt in filterpåsen i skåran på hållaren så att sidan med märket  kommer in först.
3. Haka på hållarens spärr.
► **Fig.9:** 1. Skåra 2. Filterpåse 3. Hållare 4. Spärr
4. Se till att endast markeringen på hårdpappskivan går att se genom hållarens springa.
► **Fig.10:** 1. Markering 2. Springa
5. Lås dammuppsamlingslådans kåpa ordentligt.

⚠ FÖRSIKTIGT: Var försiktig så att du inte klämmer fingrarna när du hakar av spärren och när du stänger dammuppsamlingslådans kåpa.

Ta bort filterpåsen

⚠ FÖRSIKTIGT: Hantera filterpåsen varsamt. Annars kan främmande föremål blåsa in i ögonen med personskada som följd.

Byt ut filterpåsen när den blir full eller tilltäppt. Öppna dammuppsamlingslådans kåpa och öppna spärren, ta sedan ut filterpåsen. Dra i remsan på sidan av öppningen för att stänga filterpåsen och kassera hela filterpåsen.
► **Fig.11:** 1. Spärr 2. Remsa

OBSERVERA: Använd inte en använd filterpåse. Filterpåsen är avsedd för engångsbruk. Att använda filterpåsen upprepade gånger kan få filtret att sättas igen, med skada på dammsugaren som följd. Om du vill använda påsen flera gånger ska du använda en dammpåse.

FUNKTIONSBESKRIVNING

⚠ FÖRSIKTIGT: Se alltid till att apparaten är avstängd och batterikassetten borttagen innan du justerar apparaten eller kontrollerar dess funktioner.

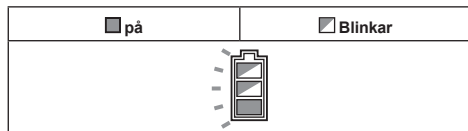
Skyddssystem för maskinen/ batteriet

Verktyget är utrustat med ett skyddssystem för verktyget/batteriet. Detta system bryter automatiskt strömmen till motorn för att förlänga verktygets och batteriets livslängd. Verktöget stoppar automatiskt under användningen om verktyget eller batteriet hamnar i en av följande situationer:

Överbelastningsskydd

Om maskinen används på ett sätt som gör att den drar onormalt mycket ström kan den stoppas automatiskt utan någon varning. När detta sker stänger du av maskinen och upphör med arbetet som gjorde att maskinen överbelastades. Starta därefter upp maskinen igen.

Överhettningsskydd



När maskinen blir överhettad stannar den av automatiskt och batteriindikatorn blinkar i cirka 60 sekunder. Låt maskinen svalna innan du startar den igen.

Överurladdningsskydd

När batteriets kapacitet är låg stoppar maskinen automatiskt. Om produkten inte fungerar trots att knapparna fungerar som de ska tar du bort batterierna från maskinen och laddar dem.

Indikerar kvarvarande batterikapacitet

Endast för batterikassetter med indikator

► **Fig.12:** 1. Indikatorlampor 2. Kontrollknapp

Tryck på kontrollknappen på batterikassetten för att se kvarvarande batterikapacitet. Indikatorlamporna lyser i ett par sekunder.

Indikatorlampor			Kvarvarande kapacitet
■ Upplyst	□ Av	◐ Blinkar	
■ ■ ■ ■			75% till 100%
■ ■ ■ □			50% till 75%
■ ■ □ □			25% till 50%
■ □ □ □			0% till 25%
◐ □ □ □			Ladda batteriet.
■ ■ □ □			Batteriet kan ha skadats.
□ □ ■ ■		↑ ↓	

OBS: Beroende på användningsförhållanden och den omgivande temperaturen kan indikationen skilja sig lätt från den faktiska batterikapaciteten.

OBS: Den första (längst till vänster) indikatorlampan kommer att blinka när batteriskyddssystemet fungerar.

Indikationspanel

► **Fig.13:** 1. Driftläge 2. För hög dammnivå 3. Fel på borstrulle 4. Kvarvarande batterikapacitet 5. Batterikontroll-/LED-lampknapp

Driftläge

För att ändra driftläget, se avsnittet om avtryckarens funktion.

För hög dammnivå

Om denna indikator tänds, byt filterpåsen. (Se avsnittet om att ta bort filterpåsen.)

OBS: Denna indikator fungerar inte när apparaten körs i läget "lägre bullernivå (1)".

OBS: Denna indikator fungerar kanske inte beroende på användningsmiljö.

Fel på borstrulle








Blinkar	rullborsten är högt belastad av någon anledning.
På	rullborsten har stoppats av onormal anledning.

⚠ WARNING: Stäng genast av apparaten när denna lampa tänds under körning. I annat fall kan det bli funktionsfel på motorn som orsakar brand.

Kvarvarande batterikapacitet

Vid körning ska du trycka på batterikontroll-/LED-lampknappen för att visa de återstående batterikapaciteterna. Batteriindikeringarna motsvarar varje batteri.

► Fig.14

Batteriindikatorstatus			Kvarvarande batterikapacitet
 På	 Av	 Blinkar	
			50 % till 100 %
			20 % till 50 %
			0 % till 20 %
			Ladda batteriet

Batterikontroll-/LED-lampknapp

Under körning kan följande funktioner utföras.

- Tryck bara på knappen för att se kvarvarande batterikapacitet.
- Tryck och håll in knappen för att tända/släcka LED-lampen.

Avtryckarens funktion

► Fig.15: 1. ON-/lägesändringsknapp 2. OFF-knapp

Starta/stänga av anordningen

Starta apparaten genom att bara trycka på ON-/lägesändringsknappen. För att stänga av den, tryck på knappen OFF.

⚠ FÖRSIKTIGT: Ha alltid apparatens huvud lagt på golvet när du sätter på den. I annat fall kan olycka p.g.a. intrassling inträffa och orsaka personskada.

Ändra driftläge

Du kan ändra driftläget i tre steg: "lägre bullernivå (1)", "normal (2)" och "hög (3)".

Om du vill ändra driftläge trycker du på ON-/lägesändringsknappen medan apparaten är igång. Driftläget ändras i ordningen "lägre bullernivå (1)", "normal (2)" och "hög (3)".

Apparaten startar i samma läge som med den föregående inställningen.

Tända LED-lampan

⚠ FÖRSIKTIGT: Titta inte in i ljuset eller direkt i ljuskällan.

Apparaten är utrustad med LED-lampor.

Se hur de fungerar i stycket om batterikontroll-/LED-lampknappen.

► Fig.16: 1. LED-lampa

Fotspak

⚠ FÖRSIKTIGT: Lås alltid apparaten i upprätt position när du släpper handtaget. I annat fall kan apparaten råka falla och orsaka skador.

⚠ FÖRSIKTIGT: Var försiktig så du inte klämmar fingrarna mellan apparatens centralstomme och huvud.

Lås upp apparatens upprätta position genom att trampa på fotspaken och dra handtaget bakåt.

Rörelseintervallet är 90 grader från upprätt position.

► Fig.17: 1. Fotspak

Lås apparaten i upprätt läge genom att höja handtaget framåt tills fotspaken låses på plats med ett klick.

► Fig.18

OBS: rullborsten slutar rotera medan apparaten är i upprätt läge.

Justera rullborstens höjd

⚠ FÖRSIKTIGT: Se alltid till att justerspaken sitter på plats ordentligt före körning.

rullborstens höjd kan justeras i 4 steg.

Vrid justerspaken till önskad höjd.

När justerspaken pekar på A-märket är rullborsten belägen på den lägsta punkten över golvet och är lämplig för att städa hårda golv och tunna mattor. När justerspaken pekar på B-märket är rullborsten belägen på den högsta punkten över golvet och är lämplig för att städa tjockpälade mattor.

► Fig.19: 1. Justerspak

OBS: rullborsten kanske inte roterar om dess höjd är för låg mot mattans yta.

Bärhandtag

När du flyttar apparaten ska du antingen bara skjuta fram den på rullhjulen eller bära den i bärhandtaget.

► Fig.20

⚠ FÖRSIKTIGT: Lås apparaten i upprätt position när du bär den. Annars kan fallolycka inträffa.

⚠ FÖRSIKTIGT: Bär inte apparaten i något annat än bärhandtaget. Annars kan fallolycka inträffa eller så kan apparaten råka starta med skada som följd.

► Fig.21

ANVÄNDNING

⚠ FÖRSIKTIGT: Dra inte ut handtagsstängan ur apparaten under körning. Gör du det kan du förlora kontrollen över apparaten vilket kan leda till skada.

⚠ FÖRSIKTIGT: Sätt inte handen eller benet under apparaten under körning. Klämolyccka kan inträffa.

Normal användning för städning

1. Håll handtaget och läs sedan upp det upprätta läget.
2. Sätt på apparaten. Städa ett golv.
▶ Fig.22

Använda sidoborsten

Sidoborsten passar bra för att rengöra hörnet av en vägg. Om sidoborstens strån blir för korta, ta då apparaten till Makitas servicecenter för att byta
▶ Fig.23: 1. Sidoborste

Körning med tillbehör

⚠ FÖRSIKTIGT: Fortsätt hålla i handtaget när du använder tillbehör. I annat fall kan apparaten råka falla och orsaka skador.

OBSERVERA: Lås apparaten i upprätt position när du använder tillbehör. I annat fall kan rullborstens rotation skada golvet.

Använda aluminiumröret

Aluminiumröret är lämpligt för att rengöra trånga eller högt belägna utrymmen.
▶ Fig.24: 1. Aluminiumrör

Använda slangen

Slangen är lämplig för rengöring nära händerna.
▶ Fig.25: 1. Slang
Använd slangen genom att dra ut aluminiumröret ur slangen samtidigt som du trycker på spaken. Installer slangen genom att sätta in den i aluminiumröret tills det klickar.
▶ Fig.26: 1. Spak

Använda tillbehören

▶ Fig.27
Installera tillbehöret genom att vrida och sätta in det säkert i aluminiumröret eller slangen. Ta loss det genom att vrida och ta ut det.

UNDERHÅLL

⚠ FÖRSIKTIGT: Se alltid till att apparaten är avstängd och batterikassetten borttagen innan inspektion eller underhåll utförs.

OBSERVERA: Använd inte bensin, förtunningsmedel, alkohol eller liknande. Missfärgning, deformation eller sprickor kan uppstå.

För att upprätthålla produktens SÄKERHET och TILLFÖRLITLIGHET bör allt underhålls- och justeringsarbete utföras av ett auktoriserat Makita servicecenter och med reservdelar från Makita.

Förvaring

Vid förvaring tar du bort batterikassetterna och förvarar apparaten på en jämn plats i upprätt läge.
▶ Fig.28

Rengöra apparatens stomme

Torka regelbundet av dammsugarens utsida med en trasa fuktad i tvålatten.
▶ Fig.29

Rengöring av HEPA-filtret

⚠ FÖRSIKTIGT: Använd inte dammsugaren utan ett filter eller med ett smutsigt eller skadat filter. Det uppsugna dammet eller partiklar kan avges från dammsugaren, vilket kan leda till luftvägssjukdomar hos användaren.

OBSERVERA: Rengör filtret med jämna mellanrum för att upprätthålla optimal sugkraft och ren utströmning. Om dammsugaren inte uppnår tillräcklig sugkraft även efter rengöring ska filtret bytas ut mot ett nytt.

OBSERVERA: Använd inte följande verktyg och liknande artiklar för rengöring, då detta kan skada filtret:

- Luftblåsare
- Högtryckstvätt
- Verktyg av hårt material, t.ex. metallborste

1. Öppna dammupsamlingslådans kåpa och ta ut filterpåsen.

Frigör krokarna på filtret och ta ut det ur apparatens stomme.

▶ Fig.30: 1. Krok

2. Slå bort dammet från filtret. Filtret kan tvättas med vatten. Skölj bort damm och partiklar från filtret varje eller varannan månad. Efter det låter du filtret torka helt i en skuggad och välventilerad plats för att förhindra obehagliga dofter eller funktionsfel.

3. Montera filtret genom att föra in sidan utan vingarna i spåren i filtret tills vingarna låses fast med ett klick.

▶ Fig.31: 1. Spår 2. HEPA-filter 3. Krok

Rengöra rullborsten

1. Ta bort den undre plattan och ta sedan bort rullborsten.

Om stråna på rullborsten blir för korta, be då Makitas servicecenter om en ny.

Om apparaten används med för korta strån på rullborsten funkar dammupsamlingen dåligt.

► **Fig.32:** 1. Undre platta 2. Borstrulle

2. Ta bort trådar och hårstrån från rullborsten med sax.

Ta bort locket och rensa bort skräp.

► **Fig.33:** 1. Lock

3. Installera locket, rullborsten och den undre plattan i omvänd ordning.

► **Fig.34**

⚠ FÖRSIKTIGT: Sätt fast den undre plattan helt och hållet. Om apparaten körs utan den undre plattan, kan rullborsten lossna och orsaka skada.

OBSERVERA: Sätt alltid fast rullborsten. Om apparaten används utan rullborsten funkar dammupsamlingen dåligt.

Hur man rensar bort hinder

OBSERVERA: Använd inte apparaten om insugsvägen är tilltäppt. Fortsatt användning med insugsvägen tilltäppt leder till minskad sugkraft.

1. Ta bort den undre plattan och ta sedan bort rullborsten.
2. Ta bort aluminiumröret från apparaten och från slangen.
3. Vrid slangen moturs och ta sedan bort slangen från apparaten.
4. Ta bort sugslangen genom att dra i fliken.
► **Fig.35:** 1. Sugslang 2. Flik
5. Inspektera luftinsugsflödet för insidan av aluminiumröret och slangen, plus sugslangen.
Rensa bort skräp inuti dem.
6. Rikta in tungan på sugslangen mot spåret i höljet och skjut den på plats.
► **Fig.36:** 1. Tunga 2. Spår
7. Installera slangen, aluminiumröret, rullborsten och den undre plattan.

⚠ FÖRSIKTIGT: Installera slangen och röret stadigt. I annat fall kan dammläckage inträffa och orsaka skador.

FELSÖKNING

Innan du ber om reparation ska du först utföra en egen kontroll. Om du hittar ett problem som inte finns förklarat i bruksanvisningen ska du inte försöka att montera isär maskinen. Fråga istället ett auktoriserad servicecenter för Makita, och använd alltid reservdelar från Makita för reparationer.

Symptom	Trolig orsak	Åtgärd
Fungerar inte	Batterikassetterna är felaktigt insatta.	Sätt in batterikassetterna enligt anvisningarna i denna bruksanvisning.
	Batterikassetterna är uttömda.	Ladda batterikassetterna.
	Handtaget är felaktigt installerat.	Installera handtaget stadigt enligt beskrivningen i denna bruksanvisning.
rullborsten roterar inte	Apparaten är låst i upprätt position.	Lås upp apparatens uppräta position.
	Indikatorn för fel på borstrulle lyser.	Inspektera så att det inte är något som fastnat runt rullborsten (stomme, lock och fog).
Svag sugförmåga	Indikatorn för hög dammnivå lyser.	Byt ut filterpåsen.
	⇒Om problemet inte blir löst av att filterpåsen byts ...	Rengör eller byt ut HEPA-filtret.
		Inspektera så att det inte sitter fast något skräp i slangen och röret.
	Skräp har fastnat i rullborsten och rotationshastigheten är lägre.	Inspektera så att det inte är något som fastnat runt rullborsten (stomme, lock, fog).
	rullborsten har för hög höjd över golvet.	Sänk rullborstens höjd.
	rullborstens strån har blivit korta.	Byt ut rullborsten. Sänk rullborstens höjd.
	Apparaten körs i lågt läge.	Byt till det högre driftläget.
	rullborsten är inte installerad.	Installera rullborsten.
	Röret eller slangen har installerats felaktigt.	Installera röret eller slangen ordentligt.
Högt ljud vid körning	Apparaten körs i högt läge.	Byt till det lägre driftläget.
	Det har fastnat skräp i rullborsten.	Inspektera så att det inte är något som fastnat runt rullborsten (stomme, lock och fog).
	Filterpåsen är full med damm.	Byt ut filterpåsen.
	⇒Om problemet inte blir löst av att filterpåsen byts ...	Rengör eller byt ut HEPA-filtret. Inspektera så att det inte sitter fast något skräp i slangen och röret.
Indikatorn för hög dammnivå blinkar efter bara liten användning	Filterpåsen har vikt sig.	Vik upp ingången till filterpåsen innan den sätts in.
LED-lampan tänds inte	LED-lampinställningen är av.	Vid körning ska du trycka och hålla in i batterikontroll-/LED-lampknappen för att tända LED-lampan.
Rullhjulet har svårt att röra på sig	Det har fastnat skräp i rullhjulet.	Rensa bort skräpet i rullhjulet.

VALFRIA TILLBEHÖR

⚠ FÖRSIKTIGT: Följande tillbehör eller tillsatser rekommenderas för användning med den Makita-maskin som denna bruksanvisning avser.

Om andra tillbehör eller tillsatser används kan det uppstå risk för personskador. Använd endast tillbehören eller tillsatserna för de syften de är avsedda för.

- Filterpåse
- Makitas originalbatteri och -laddare

OBS: Några av tillbehören i listan kan vara inkluderade i maskinpaketet som standardtillbehör. De kan variera mellan olika länder.

Kontakta ditt lokala Makita servicecenter om du behöver ytterligare information om dessa tillbehör.

- Hörmunstycke
- Rund borste
- HEPA-filtrer

ADVARSEL

Denne maskinen må ikke brukes av personer (inkludert barn) med nedsatte fysiske, sensoriske eller mentale evner, eller personer som mangler erfaring og kunnskap.

Små barn må være under oppsyn for å sikre at de ikke leker med støvsugeren.

TEKNISKE DATA

Modell:	DVC560
Maksimalt luftvolum *	1,9 m ³ /min
Støvsuger *	12 kPa
Kapasitet	5 l
Mål (L x B x H)	326 mm x 318 mm x 1 146 mm
Nominell spenning	DC 36 V
Nettovekt	8,3 - 9,0 kg

* Verdien måles etter vår opprinnelige metode.

- På grunn av vårt kontinuerlige forsknings- og utviklingsprogram kan spesifikasjonene som oppgis i dette dokumentet endres uten varsel.
- Spesifikasjoner og batteriinnsets kan variere fra land til land.
- Vekten er inkludert tilbehøret (rund børste, hjørnemunnstykke) og batteri(er). Den letteste og tyngste vektkombinasjonen av apparatet og batteri(er) vises i tabellen.

Passende batteri og lader

Batteriinnsetts	BL1815N / BL1820 / BL1820B / BL1830 / BL1830B / BL1840 / BL1840B / BL1850 / BL1850B / BL1860B
Lader	DC18RC / DC18RD / DC18RE / DC18SD / DC18SE / DC18SF / DC18SH

- Noen av batteriene og laderne som er opplistet ovenfor er kanskje ikke tilgjengelige, avhengig av hvor du bor.

⚠ADVARSEL: Bruk kun de batteriene og laderne som er opplistet ovenfor. Bruk av andre batterier og ladere kan føre til personskader og/eller brann.

Symboler

Nedenfor ser du symbolene som kan brukes for dette utstyret. Forviss deg om at du forstår hva de betyr, før du begynner å bruke maskinen.



Les bruksanvisningen.



Vær spesielt forsiktig og oppmerksom.



Kun for land i EU

Kast aldri elektroutstyr eller batteripakker i husholdningsavfallet! I henhold til EU-direktivene om kasserte elektriske og elektroniske produkter og om batterier og akkumulatører og brukte batterier og akkumulatører og direktivenes iverksettning i nasjonal rett, må elektriske produkter og batterier og batteripakker som ikke lenger skal brukes, samles separat og returneres til et miljøvennlig gjenvinningsanlegg.

Riktig bruk

Apparatet er ment til å samle opp tørt støv. Apparatet er egnet for kommersiell bruk, f.eks. på hoteller, skoler, sykehus, fabrikker, butikker, kontorer og i utleievirksomhet.

Støy

Typisk A-vektet lydtrykknivå er bestemt i henhold til EN60335-2-69:

Lydtrykknivå (L_{pA}): 70 dB (A) eller mindre

Usikkerhet (K): 2,5 dB (A)

Støynivået under arbeid kan overskride 80 dB (A).

MERK: Den/de oppgitte verdien(e) for genererte vibrasjoner har blitt målt i henhold til standard testmetoder, og kan bli brukt til å sammenligne ett verktøy med et annet.

MERK: Den/de angitte verdien(e) for de genererte vibrasjonene kan også brukes til en foreløpig vurdering av eksponeringen.

⚠ ADVARSEL: Bruk hørselsvern.

⚠ ADVARSEL: De genererte vibrasjonene ved faktisk bruk av elektroverktøyet kan avvike fra den/de angitte vibrasjonsverdien(e), avhengig av hvordan verktøyet brukes.

⚠ ADVARSEL: Sørg for å identifisere vernetiltak for å beskytte operatøren, som er basert på et estimat av eksponeringen under de faktiske bruksforholdene (idet det tas hensyn til alle deler av driftssyklusen, dvs. hvor lenge verktøyet er slått av, hvor lenge det går på tomgang og hvor lenge startbryteren faktisk holdes trykket).

Vibrasjoner

Den totale vibrasjonsverdien (triaksial vektorsum) bestemt i henhold EN60335-2-69:

Genererte vibrasjoner ($a_{h,M}$): 2,5 m/s² eller mindre
Usikkerhet (K): 1,5 m/s²

MERK: Den/de oppgitte verdien(e) for totalt genererte vibrasjoner har blitt målt i henhold til standard testmetoder, og kan bli brukt til å sammenligne ett verktøy med et annet.

MERK: Den/de angitte verdien(e) for totalt genererte vibrasjoner kan også brukes til en foreløpig vurdering av eksponeringen.

⚠ ADVARSEL: De genererte vibrasjonene ved faktisk bruk av elektroverktøyet kan avvike fra den/de angitte vibrasjonsverdien(e), avhengig av hvordan verktøyet brukes og spesielt i forhold til arbeidsstykket som blir behandlet.

⚠ ADVARSEL: Sørg for å identifisere vernetiltak for å beskytte operatøren, som er basert på et estimat av eksponeringen under de faktiske bruksforholdene (idet det tas hensyn til alle deler av driftssyklusen, dvs. hvor lenge verktøyet er slått av, hvor lenge det går på tomgang og hvor lenge startbryteren faktisk holdes trykket).

EFs samsvarserklæring

Gjelder kun for land i Europa

EFs samsvarserklæring er lagt til som vedlegg A i denne bruksanvisningen.

SIKKERHETSADVARSEL

Sikkerhetsadvarsler for trådløs støvsuger

⚠ ADVARSEL: VIKTIG. LES NØYE alle sikkerhetsadvarsler og instruksjoner FØR BRUK. Hvis du ikke følger alle advarslene og instruksjonene som er oppført nedenfor, kan det føre til elektriske støt, brann og/eller alvorlige helseskader.

1. Støvsugeren skal kun benyttes av personer som har fått tilstrekkelig opplæring i hvordan den skal brukes.
2. Må ikke brukes uten at filterpose og/eller filtre er på plass. Hvis filteret er skadet, må det skiftes ut umiddelbart.
3. PASS PÅ AT STØVSUGEREN IKKE STARTES OPP UTILSIKTET. Kontroller at bryteren er AV når du setter i batteriet/batteriene.
4. Ikke bruk støvsugeren på brennbart materiale, fyrverkeri, tente sigaretter, varm aske, varmt metallspion eller skarpe materialer som f.eks. barberblader, nåler, knust glass eller lignende.
5. ALDRI BRUK STØVSUGEREN I NÆRHETEN AV BENSIN, GASS, MALING, LIM ELLER ANDRE HØYEKSPLOSIVE STOFFER. Bryteren slår gnister når den slås PÅ og AV. Det samme gjør kommutatormotoren når den er i bruk. Dette kan forårsake farlig eksplosjon.
6. Bruk aldri støvsugeren på giftige, kreftfremkallende, brennbare eller andre farlige materialer som f.eks. asbest, arsen, barium, beryllium, bly, skadedyrsmidler eller andre helseskadelige stoffer.
7. Må ikke brukes utendørs eller på våte overflater.
8. Ikke bruk apparatet nær varmekilder (for eksempel ovner).
9. Ikke blokker innsugings-/utblåsningsåpningene/kjøleventilene. Disse åpningene er der for å kjøle motoren. Blokkering må unngås, hvis ikke vil motoren skjære seg på grunn av mangel på ventilasjon.
10. Ikke brett, rykk i eller trakk på slangen.
11. Slå av støvsugeren umiddelbart hvis den oppfører seg unormalt (f.eks. hvis effekten er svak).
12. TA UT BATTERIET/BATTERIENE. Støvsugeren skal være frakoblet når den ikke er i bruk, før utføring av service-/reparasjonsarbeid og ved vedlikehold av tilbehør.
13. For å holde støvsugeren i optimal stand er det viktig at du rengjør og vedlikeholder den etter hver bruk.
14. VÆR NØYE MED VEDLIKEHOLDET. Rengjør støvsugeren for å holde den i sikker og god stand. Følg instruksjonene for bytte av tilbehør. Hold håndtakene tørre, rene og fri for olje og smørefett.

15. **KONTROLLER SKADDE DELER.** Før videre bruk av støvsugeren må du foreta en grundig sjekk av ev. skadde deler, som f.eks. vern eller lignende, for å fastslå om de vil fungere som de skal. Kontroller at bevegelige deler beveger seg riktig i forhold til hverandre, at bevegelige deler kan bevege seg fritt, om noen deler er brukket, om monteringen er som den skal, eller om andre forhold kan påvirke hvordan støvsugeren vil fungere. Vern eller andre skadede deler må repareres eller skiftes ut hos et autorisert servicesenter, med mindre noe annet er angitt i denne bruksanvisningen. Sørg for at defekte brytere skiftes ut hos et autorisert servicesenter. Ikke bruk støvsugeren hvis AV/PÅ-bryteren er defekt.
16. **RESERVEDELER.** Ved utføring av vedlikeholdsarbeid, skal det kun brukes identiske reservedeler.
17. **OPPBEVARING.** Støvsugeren oppbevares innendørs, når den ikke er i bruk.
18. **Vær forsiktig når du håndterer støvsugeren.** Hardhendt og uforsiktig håndtering kan forårsake skader på støvsugeren.
19. **Ikke bruk bensin, tynningsmidler eller kjemiske rengjøringsmidler for å rengjøre støvsugeren innvendig eller utvendig.** Dette kan forårsake sprekker og misfarging.
20. **Ikke bruk støvsugeren i områder med brennbar støv, eller i lukkede rom hvor oljebasert maling, malingstynner, bensin, møllmidler eller lignende avgir brennbar, eksplosiv eller giftig damp.**
21. **Ikke bruk denne støvsugeren eller andre maskiner hvis du er under påvirkning av alkohol, narkotiske stoffer eller sterke legemidler.**
22. **Bruk egnet verneutstyr som f.eks. en maske, avhengig av miljøet der du bruker støvsugeren.**
23. **Denne maskinen skal ikke brukes av personer med reduserte fysiske, sensoriske eller mentale evner, eller personer som mangler erfaring og kunnskap.**
24. **Små barn bør passes på, for å sikre at de ikke leker med støvsugeren.**
25. **Håndter aldri batteriet/batteriene og støvsugeren mens du er våt på hendene.**
26. **Vær ekstra forsiktig ved rengjøring av trapper.**
27. **Pass alltid på at du holder balansen og har godt fotfeste.**
28. **Ikke bruk støvsugeren som en krakk eller arbeidsbenk. Den kan falle ned, noe som kan føre til personskade.**
29. **Hold alle kroppsdeler og klær unna åpninger og bevegelige deler som f.eks. den roterende børsterullen. Ellers kan de vikle seg inn i apparatet og føre til personskade.**

Bruk og vedlikehold av batteridrevne maskiner

1. **Batteriet må kun lades opp igjen med en lader spesifisert av produsenten.** En lader som passer til én batteritype, kan være brannfarlig når den brukes med en annen batteritype.
2. **Bruk elektroverktøy kun med spesifikt angitte batterier.** Hvis det brukes et hvilket som helst annet batteri, kan dette utgjøre en fare for helse-skader og brann.

3. **Når batteriet ikke er i bruk, må du holde verktøyet unna metallgjenstander som f.eks. binders, mynter, nøkler, spiker, skruer og andre små metallgjenstander som kan skape forbindelse mellom de to polene.** Hvis batteripolene kortsluttes, kan du få brannskår, eller det kan begynne å brenne.
4. **Hvis batteriet utsettes for hardhendt bruk, kan det lekket væske fra batteriet. Unngå kontakt med væsken.** Hvis du kommer i kontakt med batterivæsken, må du skylle med vann. Hvis du får batterivæske i øynene, må du i tillegg oppsøke lege. Væske som kommer ut av batteriet, kan forårsake irritasjon eller forbrenninger.
5. **Ikke bruk et batteri eller verktøy som er skadet eller endret på.** Batterier som er skadet eller endret på kan oppføre seg upålitelig og medføre brann, eksplosjon eller fare for personskader.
6. **Et batteri eller verktøy må ikke utsettes for brann eller for høy temperatur.** Brann eller en temperatur over 130 °C kan forårsake eksplosjon.
7. **Følg alle ladeinstruksjoner, og ikke lad batteriet eller verktøyet utenfor temperaturområdet som er angitt i instruksjonene.** Feil lading eller ved temperaturer utenfor det angitte området, kan skadet batteriet og øke faren for brann.

TA VARE PÅ DISSE INSTRUKSENE.

⚠ ADVARSEL: IKKE LA hensynet til hva som er "behagelig" eller det faktum at du kjenner produktet godt (etter mange gangers bruk) gjøre deg mindre oppmerksom på sikkerhetsreglene for bruken av det aktuelle produktet. Ved MISBRUK eller hvis ikke sikkerhetsreglene i denne bruksanvisningen følges, kan det oppstå alvorlig personskade.

Viktige sikkerhetsanvisninger for batteriinnsetts

1. **Før du begynner å bruke batteriet, må du lese alle anvisninger og forsiktighetsregler på (1) batteriladeren, (2) batteriet og (3) det produktet batteriet skal brukes i.**
2. **Ikke demonter eller tukle batteriet.** Det kan føre til brann, overoppheting eller eksplosjon.
3. **Hvis driftstiden er blitt vesentlig kortere, må du omgående slutte å bruke maskinen.** Hvis ikke kan resultatet bli overoppheting, mulige forbrenninger eller til og med en eksplosjon.
4. **Hvis du får elektrolytt i øynene, må du skylle dem med store mengder rennende vann og oppsøke lege med én gang. Denne typen uhell kan føre til varig blindhet.**
5. **Ikke kortslutt batteriet:**
 - (1) **De kan være ekstremt varme og du kan brenne deg.**
 - (2) **Ikke lagre batteriet i samme beholder som andre metallgjenstander, som for eksempel spiker, mynter osv.**
 - (3) **Ikke la batteriet komme i kontakt med vann eller regn.**

En kortslutning av batteriet kan føre til et kraftig strømstøt, overoppvarming, mulige forbrenninger og til og med til at batteriet går i stykker.

6. Ikke oppbevar og bruk verktøyet og batteriet på steder hvor temperaturen kan komme opp eller overskride 50 °C.
7. Ikke sett fyr på batteriet, ikke engang om det er sterkt skadet eller helt utslitt. Batteriet kan eksplodere hvis det begynner å brenne.
8. Du må ikke spikre, skjære, klemme, kaste eller miste batteriet, og heller ikke slå en hard gjenstand mot batteriet. En slik oppførsel kan føre til brann, overoppheting eller eksplosjon.
9. Ikke bruk batterier som er skadet.
10. Lithium-ion-batteriene som medfølger er gjenstand for krav om spesialavfall.
For kommersiell transport, f.eks av tredjeparter eller speditorer, må spesielle krav om pakking og merking følges.
Før varen blir sendt, må du forhøre deg med en ekspert på farlig materiale. Ta også hensyn til muligheten for mer detaljerte nasjonale bestemmelser.
Bruk teip eller maskeringsteip for å skjule åpne kontakter og pakk inn batteriet på en slik måte at den ikke kan bevege seg rundt i emballasjen.
11. Når du kasserer batteriinnsetsen, må du ta den ut av verktøyet og avhende den på et sikkert sted. Følg lokale bestemmelser for avhendig av batterier.
12. Bruk batteriene kun med produkter spesifisert av Makita. Montere batteriene i produkter som ikke er konforme kan føre til brann, overheting eller elektrolyttlekkasje.
13. Hvis verktøyet ikke skal brukes over en lengre periode, må batteriet tas ut av verktøyet.
14. Under og etter bruk kan batteriet bli varmt og føre til brannskader. Vær forsiktig med håndteringen av varme batterier.

15. Ikke berører terminalen på verktøyet rett etter bruk, da den kan bli varm og forårsake brannskader.
16. Ikke la spon, støv eller jord sette seg fast i terminalene, hullene og sporene i batteriet. Det kan føre til dårlig ytelse eller at verktøyet eller batteriet slutter å fungere.
17. Med mindre verktøyet støtter bruk nær en høyspent strømlinje, skal ikke batteriet brukes nær en høyspent strømlinje. Det kan føre til en funksjonsfeil eller at verktøyet eller batteriet slutter å fungere.
18. Oppbevar batteriet utilgjengelig for barn.

TA VARE PÅ DISSE INSTRUKSENE.

⚠FORSIKTIG: Bruk kun originale Makita-batterier. Bruk av batterier som har endret seg, eller som ikke er originale Makita-batterier, kan føre til at batteriet sprekker og forårsaker brann, personskader og andre skader. Det vil også ugyldiggjøre garantien for Makita-verktøyet og -laderen.

Tips for å opprettholde maksimal batterilevetid

1. Lad batteriinnsetsen før den er helt utladet. Stopp alltid driften av verktøyet og lad batteriinnsetsen når du merker at effekten reduseres.
2. Lad aldri en batteriinnsetts som er fulladet. Overopplading forkorter batteriets levetid.
3. Lad batteriet i romtemperatur ved 10 °C - 40 °C. Et varmt batteri må kjøles ned før lading.
4. Når batteriet ikke er bruk, skal det tas ut av verktøyet eller laderen.
5. Lad batteriet hvis det ikke har vært brukt på en lang stund (over seks måneder).

DELEBESKRIVELSE

► Fig.1

1	Håndtak	2	Bryterplate	3	Rørgrep	4	Slange
5	Indikasjonspanel	6	Spak (til støvboksedekselet)	7	Støvbokseksel	8	Bærehåndtak
9	Lås (til batteridekselet)	10	Justeringsspak	11	Batterideksel	12	Hjørnemunnstykke
13	Rund børste	14	Fotspak	15	Svinghjul	16	Sidebørste
17	Sugeslange	18	Kobling	19	Aluminiumsrør	20	Rørholder
21	LED-lampe	22	Børsterull	23	Bunnplate	24	Knapp for PÅ/modusendring
25	OFF (AV)-knapp	26	Indikator for driftsmodus	27	Indikator for høyt støvnivå	28	Indikator for børsterullfeil
29	Indikator for gjenværende batterikapasitet	30	Knapp for batterikontroll/LED-lampen	-	-	-	-

MONTERING

⚠FORSIKTIG: Forviss deg alltid om at apparatet er slått av og batteriinnsetsen tatt ut før du utfører noe arbeid på apparatet.

⚠FORSIKTIG: Bruk alltid støvmaske under montering eller vedlikehold.

Koble til håndtak

1. Sett håndtaksstangen helt inn i støvsugerhuset som vist i figuren.
 2. Lukk smekklåsen.
- **Fig.2:** 1. Håndtaksstang 2. Rød merking
3. Smekklås

OBS: Sett håndtaket helt inn til den røde merkingen ikke er synlig lenger.

Slangetilkobling

Sett slangen inn i apparatets monteringsåpning, og vri slangen til den går i lås.

► **Fig.3**

Rørtilkobling

Sett tuppen på aluminiumsrøret inn i koblingen, og fest deretter aluminiumsrøret til rørholderen.

► **Fig.4:** 1. Kobling 2. Rørholder

OBS: Sett aluminiumsrøret inn i riktig retning som vist i figuren. Ellers vil ikke rørholderen låse seg på plass, og aluminiumsrøret kan løsen.

► **Fig.5**

Sette inn eller ta ut batteri

⚠FORSIKTIG: Slå alltid av apparatet før du setter inn eller tar ut batteriet.

⚠FORSIKTIG: Hold godt rundt støvsugeren og batteriinnsetsen når du setter inn eller tar ut batteriinnsetsen. Hvis du ikke holder støvsugeren eller batteriinnsetsen godt og mister dem, kan dette forårsake personskader eller skader på støvsugeren/batteriet.

⚠FORSIKTIG: Pass på at du ikke får fingrene i klem når du åpner eller lukker batteridekselet. Hvis ikke, kan det føre til personskader.

For å sette i batteriinnsetsen, frigjør du først låsen, og deretter åpner du batteridekselet. Så setter du inn batteriinnsetsen.

► **Fig.6:** 1. Lås 2. Batterideksel

Plasser fjæren på batteriet på linje med sporet i huset, og skyv batteriet på plass. Skyv det helt inn til det går i inngrep med et lite klikk. Deretter låser du batteridekselet.

► **Fig.7:** 1. Batteri 2. Knapp

For å ta ut batteriet må du skyve på knappen foran på batteriet og samtidig trekke batteriet ut fra apparatet.

⚠FORSIKTIG: Pass på å sette batteriet helt inn. Hvis dette ikke gjøres, kan batteriet falle ut av apparaten og skade deg eller andre som oppholder seg i nærheten.

⚠FORSIKTIG: Ikke bruk makt når du setter i batteriet. Hvis batteriet ikke glir lett inn, er det fordi det ikke settes inn på riktig måte.

MERK: Støvsugeren fungerer ikke med kun ett batteri.

Montere filterposen

⚠FORSIKTIG: Ikke bruk filterposen dersom den er skadet. Bruk alltid støvsugeren med filterposen riktig installert. Ellers kan støv og partikler pumpes ut av støvsugeren, og brukeren kan utvikle luftveissykdommer.

Sett i filterposen før du bruker støvsugeren. Filterposen er til engangsbruk. Kast hele filterposen uten å tømme det når det er fullt.

OBS: Når filterposen er full eller tilstoppet, må den byttes ut. Ved fortsatt bruk av full eller tilstoppet filterpose vil sugeeffekten reduseres.

OBS: Slik forhindrer du at det kommer støv inn i motoren:

- Kontroller at filterposen er satt i før bruk.
- Ikke bruk posen hvis den er skadet eller revnet.

Det kan føre til at motoren blir ødelagt.

OBS: Ikke brett kartongen ved åpningen når du setter i filterposen.

OBS: Filterposen til støvsugeren er en viktig del av apparatet for å opprettholde ytelsen. Hvis du bruker uoriginale filterpose kan det føre til røykutvikling eller antennelse.

MERK: Når filterposen ikke er satt inn i apparatet, vil ikke støvbokseleket lukke seg helt.

1. Frigjør spaken, og åpen støvbokseleket.

► **Fig.8:** 1. Spak 2. Støvbokseksel

2. Sett filterposen inn i sporet på holderen slik at siden med merket \triangle går inn først.

3. Hekt smekklåsen av holderen.

► **Fig.9:** 1. Spor 2. Filterpose 3. Holder 4. Smekklås

4. Kontroller at kun merket på kartongen er synlig gjennom slissen i holderen.

► **Fig.10:** 1. Merking 2. Slisse

5. Lås støvbokseleket godt igjen.

⚠FORSIKTIG: Pass på at du ikke får fingrene i klem når hekter på smekklåsen og når du lukker støvbokseleket.

Ta bort filterposen

⚠ FORSIKTIG: Vær forsiktig når du håndterer filterposen. Ellers kan fremmedlegemer blåse inn i øyne og føre til personskader.

Skift ut filterposen når den er full eller tilstoppet. Åpne støvbokse-dekselet og åpne smekklåsen, og ta deretter ut filterposen. Dra i remsen på siden av åpningen for å stenge filterposen, og kast så hele filterposen.

► Fig.11: 1. Smekklås 2. Remse

OBS: Ikke bruk filterposen mer enn én gang.

Filterposen er laget for engangsbruk. Stadig bruk av en filterpose kan forårsake at filteret blir tett og medføre at støvsugeren blir skadet. Dersom du ønsker å bruke posen flere ganger, må du bruke en støvpose.

FUNKSJONS BESKRIVELSE

⚠ FORSIKTIG: Forviss deg alltid om at apparatet er slått av og batteriet er tatt ut før du justerer apparatet eller kontrollerer funksjonen.

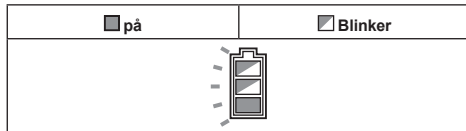
Batterivernsystem for verktøy/ batteri

Verktøyet er utstyrt med et batterivernsystem for verktøy/batteri. Dette systemet kutter automatisk strømmen til motoren for å forlenge verktøyets og batteriets levetid. Verktøyet stopper automatisk under drift hvis verktøyet eller batteriet utsettes for en av følgende tilstander:

Overlastsikring

Når verktøyet brukes på en måte som gjør at det bruker unormalt mye strøm, vil verktøyet stoppe, helt automatisk og uten forvarsel. I dette tilfellet må du slå av verktøyet og avslutte bruken som forårsaket at verktøyet ble overbelastet. Slå deretter verktøyet på for å starte det igjen.

Overopphetingsvern



Når verktøyet blir overopphetet, stopper verktøyet automatisk og strømindikatoren blinker i cirka 60 sekunder. Hvis dette skjer, må du la verktøyet kjøle seg ned før du slår på verktøyet igjen.

Overutladningsvern

Når det blir lite batteri igjen, stopper verktøyet automatisk. Hvis produktet ikke går selv om bryterne aktiveres, må du ta batteriene ut av verktøyet og lade batteriene.

Indikere gjenværende batterikapasitet

Kun for batterier med indikatoren

► Fig.12: 1. Indikatorlamper 2. Kontrollknapp

Trykk på sjekk-knappen på batteriet for vise gjenværende batterikapasitet. Indikatorlampene lyser i et par sekunder.

Indikatorlamper			Gjenværende batterinivå
Tent	Av	Blinker	
			75 % til 100 %
			50 % til 75 %
			25 % til 50 %
			0 % til 25 %
			Lad batteriet.
			Batteriet kan ha en feil.

MERK: Det angitte nivået kan avvike noe fra den faktiske kapasiteten alt etter bruksforholdene og den omgivende temperaturen.

MERK: Den første (helt til venstre) indikatorlampen vil blinke når batterivernsystemet fungerer.

Indikasjonspanel

► Fig.13: 1. Driftsmodus 2. For høyt støynivå 3. Børsterullfeil 4. Gjenværende batterikapasitet 5. Knapp for batterikontroll/LED-lampe

Driftsmodus

Informasjon om hvordan du endrer driftsmodus finnes i avsnittet om bryterfunksjon.

For høyt støynivå

Hvis denne indikatoren slår seg på, skifter du ut filterposen. (Les avsnittet om hvordan filterposen tas ut.)

MERK: Denne indikatoren fungerer ikke når apparatet er i modusen "lavere støynivå (1)".

MERK: Det kan hende at denne indikatoren ikke fungerer i enkelte bruksmiljøer.

Børsterullfeil








Blinker	Børsterullen er av en eller annen grunn under høy belastning.
På	Børsterullen har stoppet av en eller annen grunn.

⚠ ADVARSEL: Slå av apparatet umiddelbart når denne lampen slår seg på under bruk. Ellers kan motoren skjære seg og forårsake brann.

Gjenværende batterikapasitet

Under bruk trykker du på knappen for batterikontroll/LED-lampen for å indikere gjenværende batterikapasitet. Batteriindikatorerne korresponderer til hvert batteri.

► Fig.14

Batteriindikatorstatus			Gjenværende batterikapasitet
 På	 Av	 Blinker	
			50 % til 100 %
			20 % til 50 %
			0 % til 20 %
			Lad batteriet

Knapp for batterikontroll/LED-lampe

Under bruk kan følgende handlinger utføres.

- Trykk ganske enkelt på knappen for å vise gjenværende batterikapasitet.
- Trykk på og hold innen knappen for å slå LED-lampen på/av.

Bryterfunksjon

► Fig.15: 1. Knapp for PÅ/modusendring 2. Knapp for AV

Slå apparaten på/av

Trykk ganske enkelt på knappen for PÅ/modusendring for å starte apparatet. Trykk knappen for AV for å slå den av.

⚠FORSIKTIG: Plasser alltid toppen av apparatet på gulvet når du slår på apparatet. Ellers kan det skje en ulykke som følge av sammenfiltring og forårsake personskade.

Endre driftsmodus

Du kan endre driftsmodusen i tre trinn: "lavere støynivå (1)", "normalt (2)" og "høyt (3)". Hvis du vil endre driftsmodus, trykker du på knappen for PÅ/modusendring når apparatet er i drift. Driftsmodusen endres i rekkefølgen "lavere støynivå (1)", "normalt (2)" og "høyt (3)". apparatet vil starte med den samme modusen som den hadde da du sist skrudde den av.

Tenne LED-lampen

⚠FORSIKTIG: Ikke se inn i lyset eller se direkte på lyskilden.

Denne apparatet er utstyrt med LED-lamper. Du finner informasjon om hvordan de fungerer i avsnittet om knappen for batterikontroll/LED-lampe.

► Fig.16: 1. LED-lampe

Fotspak

⚠FORSIKTIG: apparatet må alltid låses i stående stilling før du slipper håndtaket. Ellers kan apparatet velte og forårsake personskade.

⚠FORSIKTIG: Pass på at du ikke får fingrene i klem mellom hoveddelen og toppen av apparatet.

Når du vil frigjøre apparatet fra den stående stillingen, trækker du på fotspaken og drar håndtaket bakover. Bevegelesområdet er 90 grader fra stående stilling.

► Fig.17: 1. Fotspak

Når du skal låse apparatet i stående stilling, løfter du opp håndtaket forover til fotspaken låser stillingen med et klikk.

► Fig.18

MERK: Børsterullen slutter å rotere mens apparatet er i stående stilling.

Justere høyden på børsterullen

⚠FORSIKTIG: Sørg alltid for at justeringsspaken er ordentlig i stilling før bruk.

Høyden på børsterullen kan justeres i 4 trinn.

Drei justeringsspaken til ønsket høyde.

Når justeringsspaken peker på A-merket, er børsterullen på det laveste punktet over gulvet og egnet for å rengjøre harde gulv og tepper med kort luv. Når justeringsspaken peker på B-merket, er børsterullen på det høyeste punktet over gulvet og egnet for å rengjøre tepper med lang luv.

► Fig.19: 1. Justeringsspak

MERK: Det kan hende at børsterullen ikke roterer hvis høyden på børsterullen er for lav mot teppets overflate.

Bærehåndtak

Når du bærer apparatet, skal du skyve apparatet kun med svinghjulene eller bære den ved å holde i bærehåndtaket/ene.

► Fig.20

⚠FORSIKTIG: Når du skal bære apparatet, må du låse apparatet i stående stilling. Ellers kan det oppstå en fallulykke.

⚠FORSIKTIG: Ikke bær apparatet med noe annet enn bærehåndtaket. Ellers kan det oppstå en fallulykke eller utilsikket oppstart som forårsaker personskade.

► Fig.21

BRUK

⚠FORSIKTIG: Ikke dra håndtaksstangen ut fra apparatet under bruk. Hvis du gjør det, kan du miste kontrollen over apparatet og bli alvorlig skadet.

⚠FORSIKTIG: Ikke plasser hånden eller foten under apparatet under bruk. Ellers kan det oppstå en klemulykke.

Normal rengjøringsbruk

1. Hold i håndtaket, og deretter frigjør du innretnin-gen fra stående stilling.
 2. Slå på apparatet. Rengjør et gulv.
- Fig.22

Bruke sidebørsten

Sidebørsten er praktisk når du skal rengjøre i et hjørne. Hvis sidebørsten blir kort, leverer du apparatet til Makitas servicesenter for utskifting

► Fig.23: 1. Sidebørste

Bruk med tilbehør

⚠FORSIKTIG: Hold tak i håndtaket hele tiden når du bruker tilbehør. Ellers kan apparatet velte og forårsake personskade.

OBS: Når du skal bruke tilbehør, må du låse apparatet i stående stilling. Ellers kan gulvet bli skadet fordi børsterullen roterer.

Bruke aluminiumsrøret

Aluminiumsrøret er egnet for rengjøring på trange steder eller i høyden.

► Fig.24: 1. Aluminiumsrør

Bruke slangen

Slangen er egnet for rengjøring nær hendene dine.

► Fig.25: 1. Slange

Slangen brukes ved å trekke aluminiumsrøret ut fra slangen mens du skyver spaken.

Slangen monteres ved å føre den inn i aluminiumsrøret til den klikker på plass.

► Fig.26: 1. Spak

Bruke tilleggsutstyret

► Fig.27

For å sette på tilleggsutstyret vrir og fører du det godt inn i aluminiumsrøret eller slangen. Hvis du vil koble fra, vrir du og trekker det ut.

VEDLIKEHOLD

⚠FORSIKTIG: Forviss deg alltid om at appa-ratet er slått av og at batteriinnsetsen er tatt ut før du forsøker å foreta en inspeksjon eller noe vedlikehold.

OBS: Aldri bruk gasolin, bensin, tynner alkohol eller lignende. Det kan føre til misfarging, defor-mering eller sprekkdannelse.

For å opprettholde produktets SIKKERHET og PÅLITELIGHET, må reparasjoner, vedlikehold og juste-ringer utføres av autoriserte Makita servicesentre eller fabrikkservicesentre, og det må alltid brukes reservede-ler fra Makita.

Oppbevaring

Før oppbevaring skal batteriene tas ut, og apparatet skal oppbevares i stående stilling på jevnt underlag.

► Fig.28

Rengjøre apparatet

Fra tid til annen må du tørke av utsiden av støvsugeren (støvsugerhuset) med en klut fuktet i såpevann.

► Fig.29

Rengjøre HEPA-filteret

⚠FORSIKTIG: Ikke bruk støvsugeren uten filter eller hvis filteret er skittent eller ødelagt. Støv og partikler kan pumpes ut av støvsugeren, og bru-keren kan utvikle luftveissykdommer.

OBS: For å bevare optimal sugeseffekt og ren avgass må filteret rengjøres regelmessig. Hvis du ikke får god nok sugeseffekt etter å ha rensset filte-ret, må du bytte det ut med et nytt.

OBS: For å hindre at filteret skades, må du ikke benytte deg av følgende til rengjøring av det:

- Luftstøvfjerner
- Høytrykksspyler
- Redskap laget av harde materialer som metallbørster

1. Åpne støvboksekslet, og ta ut filterposen.

Frigjør krokene på filteret, og ta det ut av apparatet.

► Fig.30: 1. Krok

2. Bank støvet av filteret. Filteret kan vaskes med vann. Rens vekk støvet og partiklene fra filteret en gang hver måned / annenhver måned. Etterpå lar du filteret tørke helt på et skyggefullt og godt ventilert sted, for å unngå ubehagelig lukt eller funksjonsfeil.

3. For å sette inn filteret setter du siden uten kriker inn i sporet og skyver filteret til krokene er sikret med et klikk.

► Fig.31: 1. Spor 2. HEPA-filter 3. Krok

Rengjøre børsterullen

1. Ta bort bunnplaten, og ta deretter ut børsterullen.

Hvis busten på børsterullen blir kort, ber du Makitas servicesenter om den ny.

Å bruke apparatet med en børsterull med kort bust fører til dårlig støvsamling.

► **Fig.32:** 1. Bunnplate 2. Børsterull

2. Fjern tråder og hår fra børsterullen ved hjelp av saks.

Ta av dekselet, og fjern rester.

► **Fig.33:** 1. Deksel

3. Sett på plass dekselet, børsterullen og bunnplaten i motsatte rekkefølge.

► **Fig.34**

⚠FORSIKTIG: Sett bunnplaten helt fast. Hvis apparatet brukes uten bunnplaten, kan børsterullen løsne og forårsake personskade.

OBS: Du må alltid sette inn børsterullen. Å bruke apparatet uten børsterullen fører til dårlig støvsamling.

Slik fjernes blokkeringen

OBS: Ikke bruk apparatet hvis inntaksstrømningsbanen er blokkert. Ved fortsatt bruk hvis inntaksstrømningsbanen er blokkert, vil sugeffekten reduseres.

1. Ta bort bunnplaten, og ta deretter ut børsterullen.

2. Ta aluminiumsrøret bort fra apparatet og fra slangen.

3. Drei slangen mot klokken, og ta deretter slangen bort fra apparatet.

4. Ta bort sugeslangen ved å dra i tappen.

► **Fig.35:** 1. Sugelang 2. Tapp

5. Undersøk inntaksstrømningsbanen for luft på innsiden av aluminiumsrøret og slangen samt sugeslangen.

Fjern rester på innsiden av dem.

6. Innrett tangen på sugeslangen med sporet i huset, og skyv den på plass.

► **Fig.36:** 1. Tange 2. Spor

7. Monter slangen, aluminiumsrøret, børsterullen og bunnplaten.

⚠FORSIKTIG: Monter slangen og røret godt fast. Ellers kan støv lekke ut og forårsake personskade.

FEILSØKING

Inspiser utstyret selv før du bestiller reparasjon. Ikke prøv å demontere maskinen hvis du finner et problem som ikke er forklart i brukerveiledningen. I stedet skal du ta kontakt med et autorisert Makita-servicesenter, som alltid bruker reservedeler fra Makita til reparasjoner.

Symptom	Sannsynlig årsak	Løsning
Fungerer ikke	Batteriene er feil satt inn.	Sett inn batteriene som beskrevet i denne håndboken.
	Batteriene er flate.	Lad batteriene.
	Håndtaket er montert på feil måte.	Monter håndtaket godt fast som beskrevet i denne håndboken.
Børsterullen roterer ikke	apparatet er låst i stående stilling.	Frigjør apparatet fra stående stilling.
	Indikatoren for børsterullfeil lyser.	Undersøk at det ikke er noen sammenfiltrering rundt børsterullen (hus, deksel og kobling).
Dårlig sugeeffekt	Indikatoren for høyt støvnivå lyser.	Skift ut filterposen.
	⇒ Hvis det ikke hjelper å skifte ut filterposen ...	Rengjør eller skift ut HEPA-filteret.
		Undersøk at det ikke er rester som blokkerer slangen og røret.
	Rester er sammenfiltret i børsterullen, og rotasjonshastigheten er nedsatt.	Undersøk at det ikke er noen sammenfiltrering rundt børsterullen (hus, deksel, kobling).
	Børsterullen er justert for høyt opp fra gulvet.	Senk høyden på børsterullen.
	Børsterullens bust har blitt kort.	Skift ut børsterullen. Senk høyden på børsterullen.
	apparatet brukes i lav modus.	Endre til den høyere driftsmodusen.
	Børsterullen er ikke montert.	Monter børsterullen.
Høy driftsstøy	Røret eller slangen er montert på feil måte.	Monter røret eller slangen godt fast.
	apparatet brukes i høy modus.	Endre til den lavere driftsmodusen.
	Rester er sammenfiltret i børsterullen.	Undersøk at det ikke er noen sammenfiltrering rundt børsterullen (hus, deksel og kobling).
	Filterposen er fylt med støv.	Skift ut filterposen.
	⇒ Hvis det ikke hjelper å skifte ut filterposen ...	Rengjør eller skift ut HEPA-filteret. Undersøk at det ikke er rester som blokkerer slangen og røret.
Indikatoren for høyt støvnivå blinker etter kort tids bruk	Filterposen er brettet.	Brett ut åpningen på filterposen før du setter den inn.
LED-lampen lyser ikke	LED-lampen er slått av.	Under bruk trykker du på og holder inne knappen for batterikontroll/LED-lampen for å slå på LED-lampen.
Det er vanskelig å bevege svinghjulet	Rester er sammenfiltret i svinghjulet.	Fjern restene fra svinghjulet.

VALGFRITT TILBEHØR

⚠FORSIKTIG: Det anbefales at du bruker dette tilbehøret eller verktøyet sammen med den Makita-maskinen som er spesifisert i denne håndboken. Bruk av annet tilbehør eller verktøy kan forårsake personskader. Tilbehør og verktøy må kun brukes til det formålet det er beregnet på.

- HEPA-filter
- Filterpose
- Makita originalbatteri og lader

MERK: Enkelte elementer i listen kan være inkludert som standardtilbehør i verktøypakken. Elementene kan variere fra land til land.

Ta kontakt med ditt lokale Makita-servicesenter hvis du trenger mer informasjon om dette tilbehøret.

- Hjørnemunnstykke
- Rund børste

VAROITUS

Tämä laite ei ole tarkoitettu sellaisten henkilöiden (lapset mukaan lukien) käytettäväksi, joiden fyysiset, sensoriset tai henkiset kyvyt tai kokemuksen tai tiedon puute estävät heitä käyttämästä laitetta turvallisesti.

Lapsia tulee valvoa ja varmistaa, etteivät he pääse leikkimään laitteella.

TEKNISET TIEDOT

Malli:	DVC560
Suurin ilmatilavuus *	1,9 m ³ /min
Imuteho *	12 kPa
Kapasiteetti	5 l
Mitat (P x L x K)	326 mm x 318 mm x 1 146 mm
Nimellisjännite	DC 36 V
Nettopaino	8,3–9,0 kg

- * Alkuperäismetodimme mukaisesti mitattu arvo.
- Jatkuvasta tutkimus- ja kehitystyöstämme johtuen esitetyt tekniset tiedot saattavat muuttua ilman erillistä ilmoitusta.
 - Tekniset tiedot ja akkupaketti voivat vaihdella maittain.
 - Paino sisältää lisävarusteet (pyöreän harjan, kulmasuuttimen) ja akkupaketit. Taulukossa on ilmoitettu kevyin ja painavin laite- ja akkupakettiyhdistelmän paino.

Käytettävä akkupaketti ja laturi

Akkupaketti	BL1815N / BL1820 / BL1820B / BL1830 / BL1830B / BL1840 / BL1840B / BL1850 / BL1850B / BL1860B
Laturi	DC18RC / DC18RD / DC18RE / DC18SD / DC18SE / DC18SF / DC18SH

- Tiettyjä yläpuolella kuvattuja akkuja ja latureita ei ehkä ole saatavana asuinalueestasi johtuen.

VAROITUS: Käytä vain edellä eriteltyjä akkupaketteja ja latureita. Muiden akkupakettien ja laturien käyttäminen voi aiheuttaa loukkaantumisen ja/tai tulipalon.

Symbolit

Laitteessa on mahdollisesti käytetty seuraavia symboleja. Opettele niiden merkitys ennen käyttöä.



Lue käyttöohje.



Noudata erityistä varovaisuutta ja kiinnitä huomiota.



Koskee vain EU-maita
Älä hävitä sähkölaitteita tai akkuja tavallisen kotitalousjätteen mukana! Sähkö- ja elektroniikkalaiteromua koskevan EU-direktiivin ja paristoja ja akkuja sekä käytettyjä paristoja ja akkuja koskevan direktiivin ja niiden maakohtaisten sovelusten mukaisesti käytetyt sähkölaitteet ja akkupaketti (-paketti) on toimitettava ongelmajätteen keräyspisteeseen ja ohjattava ympäristöystävälliseen kierrätykseen.

Käyttötarkoitus

Laitte on tarkoitettu kuivan pölyn imuroimiseen. Laitte sopii kaupalliseen käyttöön esimerkiksi hotelleissa, kouluissa, sairaaloissa, tehtaissa, myymälöissä, toimitoissa tai vuokraamoissa.

Melutaso

Tyypillinen A-painotettu melutaso määräytyy standardin EN60335-2-69 mukaan:

Äänenpainetaso (L_{pA}): 70 dB (A) tai vähemmän
Virhemarginaali (K): 2,5 dB (A)

Työskentelyn aikana melutaso voi ylittää 80 dB (A).

HUOMAA: Ilmoitetut melutasoarvot on mitattu standarditestausten menetelmän mukaisesti ja niiden avulla voidaan vertailla työkaluja keskenään.

HUOMAA: Ilmoitettuja melutasoarvoja voidaan käyttää myös altistumisen alustavaan arviointiin.

VAROITUS: Käytä kuulosuojaimia.

VAROITUS: Sähkötyökalun käytön aikana mitattu melutasoarvo voi poiketa ilmoitetuista arvoista laitteen käyttötavan ja erityisesti käsiteltävän työkappaleen mukaan.

VAROITUS: Selvitä käyttäjän suojaamiseksi tarvittavat varoimet todellisissa käyttöolosuhteissa tapahtuvan arvioidun altistumisen mukaisesti (ottaen huomioon käyttöjako kokonaisuudessaan, myös jaksot, joiden aikana laite on sammutettuna tai käy tyhjäkäynnillä).

Tärinä

Kokonaistärinä (kolmen akselin vektorien summa)

määräytyy standardin EN60335-2-69 mukaan:

Tärinäpäästö ($a_{h,m}$): 2,5 m/s² tai alhaisempi
Virhemarginaali (K): 1,5 m/s²

HUOMAA: Ilmoitetut kokonaistärinäarvot on mitattu standarditestausten menetelmän mukaisesti ja niiden avulla voidaan vertailla työkaluja keskenään.

HUOMAA: Ilmoitettuja kokonaistärinäarvoja voidaan käyttää myös altistumisen alustavaan arviointiin.

VAROITUS: Sähkötyökalun käytön aikana mitattu todellinen tärinäpäästöarvo voi poiketa ilmoitetuista arvoista laitteen käyttötavan ja erityisesti käsiteltävän työkappaleen mukaan.

VAROITUS: Selvitä käyttäjän suojaamiseksi tarvittavat varoimet todellisissa käyttöolosuhteissa tapahtuvan arvioidun altistumisen mukaisesti (ottaen huomioon käyttöjako kokonaisuudessaan, myös jaksot, joiden aikana laite on sammutettuna tai käy tyhjäkäynnillä).

EY-vaatimusten mukaisuusvakuutus

Koskee vain Euroopan maita

EY-vaatimusten mukaisuusvakuutus on liitetty tähän käyttöoppaaseen.

TURVAVAROITUKSET

Akkukäyttöisen pölynimurin turvaohjeet

VAROITUS: LUE HUOLELLISESTI kaikki turvavaroitukset ja käyttöohjeet ENNEN KÄYTTÖÄ. Jos varoitusten ja ohjeiden noudattaminen laiminlyödään, seurauksena voi olla sähköiskku, tulipalo ja/tai vakava vammautuminen.

1. Varmista, ennen käyttöä, että tämän pölynimurin käyttäjillä on riittävä käyttökoulutus.
2. Älä käytä laitetta ilman suodatinpussia ja/ tai suodattimia. Vaihda vaurioitunut suodatin välittömästi uuteen.
3. ESTÄ TAHATON KÄYNNISTYMINEN. Varmista, että kytkin on asennossa OFF akun (akkujen) asennuksen aikana.
4. Älä imuroi palavia aineita, ilotulitteita, palavia savukkeita, kuumaa tuhkaa, kuumia metallilastuja tai teräviä esineitä, kuten partateriä, neuloja, lasinsirpaleita tms.
5. ÄLÄ KOSKAAN KÄYTÄ IMURIA, JOS LÄHELLÄ ON BENSIINIÄ, KAASUA, MAALIA, LIIMAA TAI MUITA RÄJÄHDYSALTITIA AINEITA. Kytkimestä lähtee kipinä, kun se kytketään päälle tai pois päältä. Myös moottorin kommutaattori kipinöi käytön aikana. Seurauksena voi olla vaarallinen räjähdys.
6. Älä koskaan imuroi myrkyllisiä, karsinogeenisiä, syttyviä tai muuten haitallisia aineita, kuten asbestia, arsenikkia, bariumia, berylliumia, lyijyä, hyönteismyrkkyjä tai muita terveydelle vaarallisia aineita.
7. Älä käytä ulkona tai märillä pinnoilla.
8. Älä käytä laitetta lämmönlähteiden (uunin tms.) läheisyydessä.
9. Älä tuki imupäätä/puhalluspäätä/jäähdytysaukkoja. Moottori jäähdytetään näiden aukkojen kautta. Ne tulee pitää avoimina, sillä muutoin moottori palaa kiinni puutteellisen ilmanvaihdon takia.
10. Älä taita tai kisko letkua äläkä astu sen päälle.
11. Pysäytä imuri heti, jos se ei toimi täydellä teholla tai toimii muuten epänormaalisti.
12. POISTA AKKU (AKUT). Kun imuri ei ole käytössä ennen imurin huoltoa tai sen lisävarusteiden vaihtoa.
13. Puhdista ja huolla imuri aina heti käytön jälkeen, jotta se pysyy optimaalisessa käyttökunnossa.
14. HUOLLA IMURIA SÄÄNNÖLLISESTI. Pidä imuri puhtaana, jotta sen suorituskyky ja turvallisuus säilyvät. Noudata lisävarusteiden vaihtamista koskevia ohjeita. Pidä kahvat kuivina ja puhtaina öljystä ja rasvasta.
15. TARKISTA, ONKO IMURISSA VAURIOITA. Ennen kuin imurin käyttöä jatketaan, on syytä varmistaa, että suojukset tai muut vaurioituneet osat toimivat tarkoituksensa mukaisella tavalla oikein. Varmista, että liikkuvat osat ovat oikeissa asennoissa ja pääsevät liikkumaan

- esteettä. Tarkasta myös osien eheys, kiinnitykset sekä muut toimintaan mahdollisesti vaikuttavat seikat. Suojus tai muu vaurioitunut osa tulee viedä valtuutettuun huoltoliikkeen korjattavaksi tai vaihdettavaksi, jollei tässä käyttöoppaassa muuta mainita. Vaihdata epäkuntoiset kytkimet valtuutetussa huoltoliikkeessä. Älä käytä imuria, jos sitä ei voi kytkeä päälle tai pois päältä virtakytkimellä.
- VARAOSAT.** Käytä huoltojen yhteydessä ainoastaan alkuperäisiä osia vastaavia varaosia.
 - VARASTOI IMURI, KUN SITÄ EI KÄYTETÄ.** Säilytä imuria sisätiloissa, kun sitä ei käytetä.
 - Käsittele imuria varoen. Kovakourainen käsittely voi rikkoa vahvatekoisimmankin imurin.
 - Älä käytä imurin ulko- tai sisäpintojen puhdistamiseen bensiiniä, ohenteita tai puhdistusaineita. Ne voivat aiheuttaa halkeamia tai värjäytyksiä.
 - Älä käytä imuria suljetuissa tiloissa, jossa säilytetään palavia, räjähtäviä tai myrkyllisiä höyryjä tuottavia aineita, kuten öljypohjaisia maaleja, maalirohenteita, bensiiniä ja tiettyjä koinstoaineita tms. Vältä myös tiloja, joissa on tulenarkaa pölyä.
 - Älä käytä tätä laitetta tai muita laitteita lääkkeiden tai alkoholin vaikutuksen alaisena.
 - Käytä käyttöympäristön mukaisia henkilösuojaimia, kuten kasvomaskia.
 - Tämä laite ei ole tarkoitettu sellaisten henkilöiden, esimerkiksi lasten, käytettäväksi, joiden fyysiset, sensoriset tai henkiset kyvyt tai kokemuksen tai tiedon puute estävät heitä käyttämästä laitetta turvallisesti.
 - Pieniä lapsia tulee vahtia ja varmistaa, etteivät he leiki imurilla.
 - Älä koskaan käsittele akkua (akkuja) ja imuria märin käsin.
 - Noudata suurta varovaisuutta portaiden imuroinnin aikana.
 - Seiso tukevassa asennossa ja säilytä tasapainosi koko työn ajan.
 - Älä käytä imuria istuimena tai työtasona. Laite voi pudota ja aiheuttaa vammoja.
 - Pidä kaikki ruumiinosat ja vaatteet poissa aukkojen ja liikkuvien osien, kuten pyörivän harjarullan, luota. Muutoin ne voivat takertua laitteeseen ja tämä voi aiheuttaa vammoja.

Akkukäyttöisen työkalun käyttö ja hoito

- Lataa akkua vain valmistajan määrittämällä laturilla.** Tietyille akkupaketille sopiva laturi voi aiheuttaa tulipalovaaran, jos sitä käytetään muuntyyppisen akkupaketin yhteydessä.
- Käytä sähkötyökaluja vain määritysten mukaisten akkujen kanssa.** Muuntyyppisten akkujen käyttäminen voi aiheuttaa loukkaantumista tulipalovaaran.
- Kun akku ei ole käytössä, säilytä se erillään metalliesineistä, kuten paperiliittimistä, kolikoista, avaimista, nauloista, ruuveista ja muista pienistä metalliesineistä, jotka voivat yhdistää akun navat.** Akun napojen oikosulkeminen voi aiheuttaa palovamman tai tulipalon.

- Akusta voi vuotaa nestettä, jos sitä käsitellään väärin. Vältä kosketusta.** Jos nestettä pääsee iholle vahingossa, huuhtele iho vedellä. Jos nestettä pääsee silmiin, hakeudu lääkäriin hoitoon. Ulos purkautunut akkuneste voi ärsyttää ihoa tai aiheuttaa palovammoja.
- Älä käytä viallista tai muunneltua akkua tai työkalua.** Vialliset tai muunnellut akut voivat toimia odottamattomasti aiheuttamalla tulipalo-, räjähdys- tai tapaturmavaaran.
- Älä altista akkua tai muunneltua tullele tai äärimmäisille lämpötiloille.** Altistus tullelle tai yli 130 °C lämpötiloille voi aiheuttaa räjähdyksen.
- Noudata kaikkia latausohjeita, äläkä lataa akkua tai työkalua ohjeissa määritettyjen lämpötilarajojen ulkopuolella.** Väärin tai ohjeissa määritettyjen lämpötilarajojen ulkopuolella suoritettu lataus voi aiheuttaa akkuvaurion ja kasvattaa tapaturmavaaraa.

SÄILYTÄ NÄMÄ OHJEET.

VAROITUS: ÄLÄ anna työkalun helppokäyttöisyyden (toistuvan käytön aikaansaama) johtaa sinua väärään turvallisuuden tunteeseen niin, että laiminlyöt työkalun turvaohjeiden noudattamisen. **VÄÄRINKÄYTTÖ** tai tässä käyttöohjeessa ilmoitettujen turvamääräysten laiminlyönti voi aiheuttaa vakavia henkilövahinkoja.

Akkupakettia koskevia tärkeitä turvaohjeita

- Ennen akun käyttöönottoa tutustu kaikkiin laturissa (1), akussa (2) ja akkukäyttöisessä tuotteessa (3) oleviin varoitusteksteihin.**
- Älä pura tai peukaloi imuria akkupakettia.** Se voi johtaa tulipaloon, ylikuumenemiseen tai räjähdykseen.
- Jos akun toiminta-aika lyhenee merkittävästi, lopeta akun käyttö.** Seurauksena voi olla ylikuumeneminen, palovammoja tai jopa räjähdys.
- Jos akkunestettä pääsee silmiin, huuhtele puhtaalla vedellä ja hakeudu välittömästi lääkäriin hoitoon.** Akkuneste voi aiheuttaa näön menetyksen.
- Älä oikosulje akkua.**
 - Älä koske akun napoihin millään sähköä johtavalla materiaalilla.
 - Vältä akun oikosulkemista äläkä säilytä akkua yhdessä muiden metalliesineiden, kuten nauhojen, kolikoiden ja niin edelleen kanssa.
 - Älä aseta akkua alttiiksi vedelle tai sateelle.
- Oikosulku voi aiheuttaa virtapiikin, ylikuumenemista, palovammoja tai laitteen rikkoutumisen.**
- Älä säilytä ja käytä työkalua ja akkupakettia paikassa, jossa lämpötila voi nousta 50 °C:een (122 °F) tai korkeammaksi.**
- Älä hävitä akkua polttamalla, vaikka se olisi pahoin vaurioitunut tai täysin loppuun kulunut.** Avotuli voi aiheuttaa akun räjähtämisen.

8. **Älä naulaa, leikkaa, purista, heitä tai pudota akkupakettia tai iske sitä kovia esineitä vasten.** Tällaiset toimet voivat johtaa tulipaloon, ylikuumentumiseen tai räjähdykseen.
9. **Älä käytä viallista akkua.**
10. **Sisältyviä litium-ioni-akkuja koskevat vaarallisten aineiden lainsäädännön vaatimukset.** Esimerkiksi kolmansien osapuolten huolintaliikkeiden tulee kaupallisissa kuljetuksissa noudattaa pakkaamista ja merkintöjä koskevia erityisvaatimuksia. Lähetettävän tuotteen valmistelu edellyttää vaarallisten aineiden asiantuntijan neuvontaa. Huomioi myös mahdollisesti yksityiskohtaisemmat kansalliset määräykset
Akun avoimet liittimet tulee suojata teipillä tai suojuksella ja pakkaaminen tulee tehdä niin, ettei akku voi liikkua pakkauksessa.
11. **Kun akkupaketti on hävitettävä, poista se laitteesta ja hävitä se turvallisesti. Hävitä akku paikallisten määräysten mukaisesti.**
12. **Käytä akkuja vain Makitan ilmoittamien tuotteiden kanssa.** Akkujen asentaminen yhteensopimattomiin tuotteisiin voi aiheuttaa tulipalon, liiallisen ylikuumentumisen, räjähdyksen tai akkunestevuotoja.
13. **Jos laitetta ei käytetä pitkään aikaan, akku on poistettava laitteesta.**
14. **Akkupaketin lämpötila voi käytön aikana ja sen jälkeen nousta niin kuumaksi, että se voi aiheuttaa palovammoja tai lieviä palovammoja. Käsittele kuumia akkupaketteja huolellisesti.**
15. **Älä kosketa työkalun liitintä välittömästi käytön jälkeen, sillä se voi olla riittävän kuuma aiheuttamaan palovammoja.**
16. **Älä päästä lastuja, pölyä tai maata akkupaketin liittimiin, aukkoihin ja uriin.** Se voi heikentää työkalun tai akkupaketin suorituskykyä tai johtaa niiden rikkoutumiseen.
17. **Ellei työkalu tue käyttöä korkeajännitelinjojen lähellä, älä käytä akkupakettia korkeajännitelinjojen lähellä.** Se voi johtaa työkalun tai akkupaketin toimintahäiriöön tai rikkoutumiseen.
18. **Pidä akku poissa lasten ulottuvilta.**

SÄILYTÄ NÄMÄ OHJEET.

⚠HUOMIO: Käytä vain alkuperäisiä Makita-akkuja. Muiden kuin aitojen Makita-akkujen, tai mahdollisesti muutettujen akkujen käyttö voi johtaa akun murtumiseen ja aiheuttaa tulipaloja, henkilö- ja omaisuusvahinkoja. Se mitätöi myös Makita-työkalun ja -laturin Makita-takuun.

Vihjeitä akun käyttöön pidentämiseksi

1. Lataa akku ennen kuin se purkautuu täysin. Lopeta aina työkalun käyttö ja lataa akku, jos huomaat työkalun tehon vähenevän.
2. Älä koskaan lataa uudestaan täysin ladattua akkua. Ylilataaminen lyhentää akun käyttöikää.
3. Lataa akku huoneen lämpötilassa välillä 10 °C - 40 °C. Anna kuuman akun jäähtyä ennen lataamista.
4. Irrota akkupaketti työkalusta tai laturista, kun sitä ei käytetä.
5. Lataa akkupaketti, jos et käytä sitä pitkään aikaan (yli kuusi kuukautta).

OSIEN KUVAUS

► Kuva1

1	Kahva	2	Kytinlevy	3	Tartuntavarsi	4	Letku
5	Ilmainsipaneeli	6	Vipu (pölylokeron kannelle)	7	Pölylokeron kansi	8	Kantokahva
9	Lukko (akun suojakansi)	10	Säätövipu	11	Akun suojakansi	12	Kulmasuutin
13	Pyöreä harja	14	Jalkavipu	15	Rullapyörä	16	Sivuharja
17	Imuletku	18	Liitinosa	19	Alumiiniputki	20	Putken pidike
21	LED-lamppu	22	Harjarulla	23	Alalevy	24	ON-/tilanvaihtopainike
25	OFF-painike	26	Toimintatilan ilmaisin	27	Liiallisen pölymäärän ilmaisin	28	Harjarullan virheilmais-in
29	Jäljellä olevan akkupasiteetin ilmaisin	30	Akun tarkistus- / LED-lamppupainike	-	-	-	-

KOKOONPANO

⚠HUOMIO: Varmista aina ennen mitään laitteelle tehtäviä toimenpiteitä, että laite on sammutettu ja akkupaketti irrotettu.

⚠HUOMIO: Käytä aina pölysuojainta asennuksen tai huollon aikana.

Kahvan kytkeminen

1. Aseta kahvan varsi kuvan mukaisesti kokonaan imuriin runkoon.
 2. Sulje lukitussalpa.
- **Kuva2:** 1. Kahvan varsi 2. Punainen merkki
3. Lukitussalpa

HUOMAUTUS: Työnnä kahva pohjaan asti, niin että punaista merkkiä ei enää näy.

Letkun kytkeminen

Työnnä letku laitteen liitäntään ja käännä letkua, kunnes se lukittuu paikalleen.

► **Kuva3**

Putken kytkeminen

Aseta alumiiniputken kärki liitososaan ja kiinnitä sitten alumiiniputki putken pidikkeeseen.

► **Kuva4:** 1. Liitinosa 2. Putken pidike

HUOMAUTUS: Aseta alumiiniputki oikein päin kuvan mukaisesti. Muutoin putken pidike ei lukitu ja alumiiniputki voi irrota.

► **Kuva5**

Akun asentaminen tai irrottaminen

⚠HUOMIO: Sammuta laite aina ennen akkupaketin kiinnittämistä tai irrottamista.

⚠HUOMIO: Pidä imurista ja akkupaketista tiukasti kiinni, kun irrotat tai kiinnität akkupakettia. Jos akkupaketti tai imuri putoaa käsistäsi, ne voivat vaurioitua tai aiheuttaa loukkaantumisen.

⚠HUOMIO: Varo, etteivät sormesi jää akun suojakannen väliin sen avaamisen tai sulkemisen aikana. Muuten seurauksena voi olla henkilövammoja.

Asenna akkupaketti avaamalla ensin lukko ja sen jälkeen akun suojakansi. Tämän jälkeen aseta akkupaketti paikalleen.

► **Kuva6:** 1. Lukko 2. Akun suojakansi

Sovita akun kieleke kotelon uraan ja työntämällä se sitten paikoilleen. Työnnä akku pohjaan asti niin, että kuulet sen napsahtavan paikoilleen. Tämän jälkeen lukitse akun suojakansi.

► **Kuva7:** 1. Akku 2. Painike

Irrota akkupaketti painamalla sen etupuoella olevaa painiketta ja vetämällä akku ulos laitteesta.

⚠HUOMIO: Paina akkupaketti aina täysin paikalleen. Jos se ei ole kunnolla paikallaan, se voi pudota laitteesta ja aiheuttaa vammoja joko itsellesi tai sivullisille.

⚠HUOMIO: Älä käytä voimaa akun asennuksessa. Jos akku ei lii'u paikalleen helposti, se on väärässä asennossa.

HUOMAA: Imuri ei toimi yhdellä akulla.

Suodatinpussin asentaminen

⚠HUOMIO: Älä käytä viallista suodatinpussia. Käytä aina imurissa oikein asennettua suodatinpussia. Muuten imuroitu pöly tai hiukkaset voivat päästä ulos imurista ja aiheuttaa hengityselinsairauksia käyttäjälle.

Asenna suodatinpussi ennen imurin käyttämistä. Suodatinpussi on kertakäyttöinen. Heitä täysi suodatinpussi pois sellaisenaan tyhjentämättä sitä.

HUOMAUTUS: Kun suodatinpussi täyttyy tai tukkeutuu, vaihda se uuteen. Täyden tai tukkeutuneen suodatinpussin jatkuva käyttö johtaa pienentyneeseen imutehoon.

HUOMAUTUS: Pölyn pääsyn estäminen moottoriin:


- Varmista ennen käyttöä, että suodatinpussi on asennettu paikalleen.
- Älä käytä rikkiinäistä tai viallista pussia.

Muussa tapauksessa seurauksena voi olla moottorivaurio.

HUOMAUTUS: Älä taita pahvia sen avauskohdasta suodatinpussin asentamisen aikana.

HUOMAUTUS: Imurin suodatinpussi on tärkeä osa laitteen suorituskyvyn säilyttämisen kannalta. Muiden kuin aitojen suodatinpussien käyttö voi johtaa savuttamiseen tai syttymiseen.

HUOMAA: Kun laitteessa ei ole suodatinpussia, pölylokeron kansi ei sulkeudu kokonaan.

1. Vapauta vipu ja avaa pölylokeron kansi.
► **Kuva8:** 1. Vipu 2. Pölylokeron kansi
2. Aseta suodatinpussi pidikkeen hahloon merkillä  merkitty puoli edellä.
3. Kiinnitä pidikkeen salpa.
► **Kuva9:** 1. Hahlo 2. Suodatinpussi 3. Pidike 4. Salpa
4. Varmista, että vain pahvissa oleva merkki näkyy pidikkeen aukosta.
► **Kuva10:** 1. Merkki 2. Aukko
5. Varmista, että pölylokeron kansi on kiinni.

⚠HUOMIO: Varo, etteivät sormesi jää väliin salvan kiinnittämisen ja pölylokeron kannen sulkemisen aikana.

Suodatinpussin poistaminen

⚠HUOMIO: Käsittele suodatinpussia varoen. Muutoin tuuli voi puhaltaa vierasesineitä ihmisten silmiin, mikä voi johtaa vammoihin.

Vaihda suodatinpussi, kun se tulee täyteen tai tukkeutuu.

Avaa pölylokeron kansi, avaa salpa ja poista suodatinpussi.

Sulje suodatinpussi sen aukon sivussa olevasta liuskasta vetämällä ja hävitä suodatinpussi kokonaisuena.

► **Kuva11:** 1. Salpa 2. Liuska

HUOMAUTUS: Älä käytä käytettyä suodatinpussia uudelleen. Suodatinpussi on tarkoitettu kertakäyttöön. Suodatinpussin uudelleenkäyttö voi johtaa suodattimen tukkeutumiseen ja imurin vaurioitumiseen. Jos haluat käyttää pussia toistuvasti, käytä pölypussia.

TOIMINTOJEN KUVAUS

⚠HUOMIO: Varmista aina ennen säätöjä ja tarkastuksia, että laite on sammutettu ja akkupaketti irrotettu.

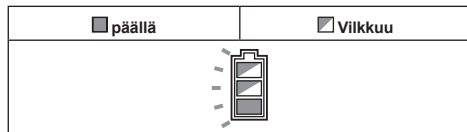
Työkalun/akun suojausjärjestelmä

Työkalu on varustettu työkalu/akun suojausjärjestelmällä. Tämä järjestelmä pidentää työkalun ja akun käyttöikää katkaisemalla automaattisesti moottorin virran. Työkalu pysähtyy automaattisesti kesken käytön, jos työkalussa tai akussa ilmenee jokin seuraavista tilanteista:

Ylikuormitusuoja

Kun työkalua käytetään tavalla, joka saa sen kuluttamaan epätavallisen suuren määrän virtaa, työkalu pysähtyy automaattisesti ilman mitään merkkivaloa tai ilmaisinta. Katkaise tässä tilanteessa työkalusta virta ja lopeta ylikuormitustilan aiheuttanut käyttö. Käynnistä sitten työkalu uudelleen kytkemällä siihen virta.

Ylikuumenemissuoja



Kun työkalu ylikuumentuu, työkalu pysähtyy automaattisesti ja akun merkkivalo vilkkuu noin 60 sekunnin ajan. Anna silloin työkalun jäähtyä, ennen kuin kytket työkalun uudelleen päälle.

Ylipurkautumissuoja

Jos akun varaus käy vähiin, työkalu pysähtyy automaattisesti. Jos työkalu ei toimi, vaikka kytkimiä käytetään, irrota akut työkalusta ja lataa ne.

Akun jäljellä olevan varaustason ilmaisin

Vain akkupaketeille ilmaisimella

► **Kuva12:** 1. Merkkivalot 2. Tarkistuspainike

Painamalla tarkistuspainiketta saat näkyviin akun jäljellä olevan varauksen. Merkkivalot palavat muutaman sekunnin ajan.

Merkkivalot			Akussa jäljellä olevan varaus
Palaa	Pois päältä	Vilkkuu	
			75% - 100%
			50% - 75%
			25% - 50%
			0% - 25%
			Lataa akku.
			Akussa on saattanut olla toimintahäiriö.

HUOMAA: Ilmoitettu varaustaso voi erota hieman todellisesta varaustasosta sen mukaan, millaisissa oloissa ja missä lämpötilassa laitetta käytetään.

HUOMAA: Ensimmäinen (vasemmanpuoleisin) merkkivalo vilkkuu, kun akun suojausjärjestelmä on toiminnassa.

Ilmaisimpaneeeli

► **Kuva13:** 1. Toimintatila 2. Liiallinen pölymäärä 3. Harjarullan virhe 4. Jäljellä oleva akkukapasiteetti 5. Akun tarkistus- / LED-lamppupainike

Toimintatila

Katso toimintatilan vaihto-ohjeet kytkimen käyttämistä käsittelevästä osiosta.

Liiallinen pölymäärä

Jos tämä ilmaisiny syyty, vaihda suodatinpussi. (Katso ohjeet suodatinpussin poistamista käsittelevästä osiosta.)

HUOMAA: Tämä ilmaisiny ei toimi, kun laitetta käytetään "alemman melutason (1)" tilassa.

HUOMAA: Tämä ilmaisiny ei ehkä toimi kaikissa käyttöympäristöissä.

Harjarullan virhe








Viikkuu	Harjarulla on jostain syystä suuren kuormituksen kohteena.
Päällä	Harjarulla on pysähtynyt epänormaalisti.

VAROITUS: Sammuta laite välittömästi, jos tämä lamppu syttyy käytön aikana. Muutoin moottorissa voi ilmetä toimintahäiriö ja se voi aiheuttaa tulipalon.

Jäljellä oleva akkukapasiteetti

Voit tarkistaa jäljellä olevan akkukapasiteetin käytön aikana painamalla akun tarkistus- / LED-lamppupainiketta. Kumpikin akun ilmaisin vastaa yhtä akkua.

► Kuva14

Akun merkkivalon tila			Akussa jäljellä oleva varaus
Päällä	Pois päältä	Viikkuu	
			50 % - 100 % 
			20 % - 50 % 
			0 % - 20 % 
			Lataa akku 

Akun tarkistus- / LED-lamppupainike

Käytön aikana voit tehdä seuraavia toimia.

- Painamalla painiketta saat näkyviin jäljellä olevan akkukapasiteetin.
- Pitämällä painiketta painettuna voit kytkeä LED-lampun päälle / pois päältä.

Kytkimen käyttäminen

► Kuva15: 1. ON-/tilanvaihtopainike 2. OFF-painike

Laitteen kytkeminen päälle / pois päältä

Käynnistä laite painamalla ON-/tilanvaihtopainiketta. Sammuta painamalla OFF-painiketta.

HUOMIO: Aseta laitteen pää aina lattiaa vasten, kun kytket laitteen päälle. Muutoin voit jäädä laitteeseen kiinni ja se voi aiheuttaa vammoja.

Toimintatilan vaihtaminen

Voit vaihtaa toimintatilaa kolmiportaisesti, asetukset ovat seuraavat: "alempi melutaso (1)", "normaali (2)" ja "korkea (3)".

Kun haluat vaihtaa toimintatilaa, paina ON-/tilanvaihtopainiketta laitteen ollessa käynnissä. Toimintatila vaihtuu järjestyksessä "alempi melutaso (1)", "normaali (2)" ja "korkea (3)".

Laite käynnistyy siinä tilassa, jossa se oli sammutettaessa.

LED-lampun sytyttäminen

HUOMIO: Älä katso suoraan lamppuun tai valonlähteeseen.

Laite on varustettu LED-lampuilla.

Lisätietoja käytöstä on akun tarkistus- / LED-lamppupainikkeen käyttöä käsittelevässä kappaleessa.

► Kuva16: 1. LED-lamppu

Jalkavipu

HUOMIO: Lukitse laite aina pystyasentoon, kun päästät irti kahvasta. Muutoin laite voi kaatua vahingossa ja aiheuttaa vammoja.

HUOMIO: Varo, etteivät sormesi jää puristuksiin laitteen rungon ja laitteen pään väliin.

Voit vapauttaa laitteen pystyasennosta painamalla jalkavipua ja vetämällä kahvaa taaksepäin. Liikerata on 90 astetta pystyasennosta.

► Kuva17: 1. Jalkavipu

Voit lukita laitteen pystyasentoon nostamalla kahvaa eteenpäin, kunnes jalkavipu lukittuu paikalleen naksauttaen.

► Kuva18

HUOMAA: Kun laite on pystyasennossa, harjarulla ei pyöri.

Harjarullan korkeuden säätäminen

HUOMIO: Varmista aina ennen käyttöä, että säätövipu on paikallaan.

Harjarullassa on 4 korkeuden säätöpykälää.

Valitse haluamasi korkeus säätövipua kääntämällä. Kun säätövipu on A-merkin kohdalla, harjarulla on lähimpänä lattiaa, mikä sopii kovien lattioiden ja lyhytkarvaisten mattojen imuroimiseen. Kun säätövipu on B-merkin kohdalla, harjarulla on kauimpana lattiasta, mikä sopii pitkäkarvaisten mattojen imuroimiseen.

► Kuva19: 1. Säätövipu

HUOMAA: Harjarulla ei ehkä pyöri, jos liian matalalla oleva harjarulla ottaa kiinni mattoon.

Kantokahva

Kun siirrä laitetta, työnnä sitä rullapyörän varassa tai kannna sitä kantokahvasta.

► Kuva20

⚠HUOMIO: Kun kannat laitetta, lukitse laite pystyasentoon. Muutoin seurauksena voi olla onnettomuuteen johtava kaatuminen.

⚠HUOMIO: Älä kannata laitetta muusta kuin kantokahvasta. Muutoin seurauksena voi olla onnettomuuteen johtava kaatuminen tai vammaan johtava tahaton käynnistyminen.

► Kuva21

TYÖSKENTELY

⚠HUOMIO: Älä vedä kahvan vartta irti laitteesta käytön aikana. Muutoin laite voi karata hallinnasta ja aiheuttaa vakavia vammoja.

⚠HUOMIO: Älä aseta kättä tai jalkaasi laitteen alle sen käytön aikana. Muutoin seurauksena voi olla onnettomuuteen johtava kiinni jääminen.

Normaali imurointi

1. Tartu kahvasta ja vapauta laite pystyasennosta.
2. Kytke laite päälle. Imuroi lattia.

► Kuva22

Sivuharjan käyttäminen

Sivuharja on kätevä seinän kulmien imuroimisessa. Jos sivuharjan harjakset lyhenevät, vaihdata sivuharja Makita-huollossa

► Kuva23: 1. Sivuharja

Lisävarusteiden käyttäminen

⚠HUOMIO: Pidä kahvasta kiinni lisävarusteiden käytön aikana. Muutoin laite voi kaatua vahingossa ja aiheuttaa vammoja.

HUOMAUTUS: Kun käytät lisävarusteita, lukitse laite pystyasentoon. Muutoin harjarullan pyöriminen voi vahingoittaa lattiaa.

Alumiiniputken käyttäminen

Alumiiniputki sopii ahtaiden tai korkealla olevien kohteiden imuroimiseen.

► Kuva24: 1. Alumiiniputki

Letkun käyttäminen

Letku sopii käsin lähellä sijaitsevien kohteiden imuroimiseen.

► Kuva25: 1. Letku

Kun haluat käyttää letkua, vedä alumiiniputki irti letkusta samalla, kun painat vipua.

Asenna letku työntämällä sitä alumiiniputkeen, kunnes se naksahuttaa kiinni.

► Kuva26: 1. Vipua

Lisävarusteiden käyttäminen

► Kuva27

Kiinnitä lisävaruste alumiiniputken tai letkun päähän työntämällä lisävaruste paikalleen sitä samalla kääntäen. Irrota se kääntämällä ja vetämällä.

KUNNOSSAPITO

⚠HUOMIO: Varmista aina ennen tarkastusta tai huoltoa, että laite on sammutettu ja akkupaketti irrotettu.

HUOMAUTUS: Älä koskaan käytä bensiiniä, ohenteita, alkoholia tai tms. aineita. Muutoin pinta voi halkeilla tai sen värit ja muoto voivat muuttua. Muutoin laitteeseen voi tulla värjäytymiä, muodon vääristymiä tai halkeamia.

Tuotteen TURVALLISUUDEN ja LUOTETTAVUUDEN takaamiseksi korjaukset, muut huoltotyöt ja säädöt on teetettävä Makitan valtuutetussa huoltopisteessä Makitan varaosia käyttäen.

Varastoiminen

Kun asetat laitteen varastoon, irrota akkupaketit ja aseta laite tasaiselle pinnalle pystyasentoon.

► Kuva28

Laitteen rungon puhdistaminen

Pyyhi ajoittain imurin ulkopuoli (laitekotelo) pesuainevedellä kostutetulla liinalla.

► Kuva29

HEPA-suodattimen puhdistus

⚠HUOMIO: Älä käytä imuria ilman suodatinta tai jatka likaisen tai vaurioituneen suodattimen käyttämistä. Muutoin imuroitu pöly tai hiukkaset voivat päästä ulos imurista ja aiheuttaa hengityselinsairauksia käyttäjälle.

HUOMAUTUS: Varmistaaksesi parhaan mahdollisen imutehon ja puhtaan poistoilman, puhdista suodatin säännöllisesti. Jos imutehoa ei saada tarpeeksi edes puhdistuksen jälkeen, vaihda suodatin uuteen.

HUOMAUTUS: Jotta suodatin ei vaurioituisi, älä käytä puhdistuksessa seuraavia työkaluja tai vastaavia esineitä:

- Ilmasuihku
- Korkeapainepesuri
- Kovasta materiaalista valmistetut työkalut, kuten metalliharja

1. Avaa pölylokeron kansi ja poista suodatinpussi.

Vapauta suodattimen salvat ja irrota se laitteen rungosta.

► Kuva30: 1. Salpa

2. Hakkaa pöly pois suodattimesta. Suodatin voidaan pestä vedellä. Huuhtelee pöly ja hiukkaset pois suodattimesta 1 tai 2 kuukauden välein. Tämän jälkeen kuivata suodatin täysin varjoisessa ja hyvin ilmastoitussa paikassa epämiellyttävän hajun tai toimintahäiriöiden ehkäisemiseksi.

3. Kun asennat suodattimen paikalleen, aseta salvaton puoli uraan ja paina suodatinta, kunnes salvat kiinnittyvät napsahtaen.

► **Kuva31:** 1. Ura 2. HEPA-suodatin 3. Salpa

Harjarullan puhdistaminen

1. Irrota ensin alalevy ja sitten harjarulla.

Jos harjarullan harjakset lyhenevät, tilaa uusi harjarulla Makita-huollosta.

Laitteen käyttäminen harjarullalla, jonka harjakset ovat lyhyet, heikentää pölynkeräystehoa.

► **Kuva32:** 1. Alalevy 2. Harjarulla

2. Irrota säikeet ja hiukset harjarullasta saksia käyttämällä.

Irrota suojus ja puhdista roskat.

► **Kuva33:** 1. Suojus

3. Asenna suojus, harjarulla ja alalevy paikoilleen käänteisessä järjestyksessä.

► **Kuva34**

⚠HUOMIO: Kiinnitä alalevy asianmukaisesti. Laitteen käyttäminen ilman alalevyä voi johtaa harjarullan irtoamiseen ja tämä voi aiheuttaa vammoja.

HUOMAUTUS: Kiinnitä harjarulla aina paikalleen. Laitteen käyttäminen ilman harjarullaa heikentää pölynkeräystehoa.

Tukoksen poistaminen

HUOMAUTUS: Älä käytä laitetta, jonka imuilmalinjassa on tukos. Käytön jatkaminen imuilmalinja tukkeutuneena johtaa pienentyneeseen imutehoon.

1. Irrota ensin alalevy ja sitten harjarulla.

2. Irrota alumiiniputki laitteesta ja letkusta.

3. Käännä letkua vastapäivään ja irrota se sitten laitteesta.

4. Irrota imuletku vetämällä kielekkeestä.

► **Kuva35:** 1. Imuletku 2. Kieleke

5. Tarkista imuilmankulkureitti alumiiniputken ja letkun sekä imuletkun sisältä.

Poista niiden sisällä olevat roskat.

6. Kohdista imuletkun kieleke rungon uraan ja liu'uta imuletku sitten paikalleen.

► **Kuva36:** 1. Kieleke 2. Ura

7. Asenna letku, alumiiniputki, harjarulla ja alalevy paikoilleen.

⚠HUOMIO: Kiinnitä letku ja putki tiukasti. Muutoin niistä voi vuotaa pölyä, mikä voi aiheuttaa vammoja.

VIANMÄÄRITYS

Tarkista kone ensin itse, ennen kuin viet sen korjattavaksi. Jos havaitset ongelman, johon ei löydy ratkaisua ohjeista, älä yritä purkaa konetta. Vie se sen sijaan valtuutettuun Makita-huoltoon. Käytä korjaamiseen aina alkuperäisiä Makita-varaosia.

Oire	Todennäköinen syy	Korjaus
Ei toimintaa	Akkupaketit on asennettu väärin.	Asenna akkupaketit tämän käyttöohjeen ohjeiden mukaan.
	Akkupaketit ovat tyhjentyneet.	Lataa akkupaketit.
	Kahva on asennettu väärin.	Asenna kahva pitävästi käyttöohjeen ohjeiden mukaan.
Harjarulla ei pyöri	Laite on lukittu pystyasentoon.	Vapauta laite pystyasennosta.
	Harjarullan virheilmiasin palaa.	Tarkista, onko harjarullan (sen rungon, suojuksen ja liitososan) ympärille jumittunut jotakin.
Heikko imuteho	Liiallisen pölymäärän ilmaisin palaa.	Vaihda suodatinpussi.
	⇒ Jos suodatinpussin vaihto ei ratkaise häiriötä, toimi seuraavasti...	Puhdista tai vaihda HEPA-suodatin.
	Harjarullaan on jäänyt kiinni roskia, jotka estävät sen pyörimisen.	Tarkista, onko letkuun tai putkeen jäänyt kiinni roskia.
	Harjarulla on asetettu liian korkealle lattiasta.	Tarkista, onko harjarullan (sen rungon, suojuksen ja liitososan) ympärille jumittunut jotakin.
	Harjarullan harjakset ovat lyhentyneet liikaa.	Laske harjarullaa.
	Laite on alhaisen tehon toimintatilassa.	Vaihda tehokkaampaan toimintatilaan.
	Harjarullaa ei ole asennettu paikalleen.	Vaihda harjarulla.
	Putki tai letku on asennettu virheellisesti.	Laske harjarullaa.
Suuri toimintaääni	Laite on korkean tehon toimintatilassa.	Kiinnitä putki tai letku pitävästi.
	Harjarullaan on jäänyt kiinni roskia.	Vaihda alemmepitehoiseen toimintatilaan.
	Suodatinpussi on täyttynyt pölystä.	Tarkista, onko harjarullan (sen rungon, suojuksen ja liitososan) ympärille jumittunut jotakin.
	⇒ Jos suodatinpussin vaihto ei ratkaise häiriötä, toimi seuraavasti...	Vaihda suodatinpussi.
Liiallisen pölymäärän ilmaisin vilkkuu vähäisen käytön jälkeen	⇒ Jos suodatinpussin vaihto ei ratkaise häiriötä, toimi seuraavasti...	Puhdista tai vaihda HEPA-suodatin.
		Tarkista, onko letkuun tai putkeen jäänyt kiinni roskia.
LED-lamppu ei syty	Suodatinpussi on taittunut.	Avaa suodatinpussin suuaukkoa ennen sen asettamista paikalleen.
LED-lamppu ei syty	LED-lamppu on asetettu pois päältä.	Voit ottaa LED-lampun käyttöön pitämällä akun tarkistus- / LED-lamppupainiketta painettuna käytön aikana.
Rullapyörä liikkuu tahmeasti	Rullapyörään on jäänyt kiinni roskia.	Poista roskat rullapyörästä.

LISÄVARUSTEET

⚠HUOMIO: Seuraavia lisävarusteita tai laitteita suositellaan käytettäväksi tässä ohjeessa kuvatun Makita-työkalun kanssa. Muiden lisävarusteiden tai laitteiden käyttö voi aiheuttaa henkilövahinkoja. Käytä lisävarusteita ja -laitteita vain niiden käyttötarkoituksen mukaisesti.

- HEPA-suodatin
- Suodatinpussi
- Aito Makitan akku ja laturi

HUOMAA: Jotkin luettelossa mainitut varusteet voivat sisältyä työkalun toimitukseen vakiovarusteina. Ne voivat vaihdella maittain.

Jos tarvitset apua tai yksityiskohtaisempia tietoja seuraavista lisävarusteista, ota yhteys paikalliseen Makitan huoltoon.

- Kulmasuutin
- Pyöreä harja

ADVARSEL

Denne maskine er ikke beregnet til brug af personer, (herunder børn) med nedsatte fysiske, sensoriske eller mentale evner eller manglende erfaring og viden.

Børn skal overvåges for at sikre, at de ikke leger med maskinen.

SPECIFIKATIONER

Model:	DVC560
Maksimalt luftvolumen *	1,9 m ³ /min
Vakuum *	12 kPa
Kapacitet	5 L
Dimensioner (L x B x H)	326 mm x 318 mm x 1.146 mm
Nominal spænding	DC 36 V
Nettovægt	8,3 - 9,0 kg

- * Værdien er målt med vores originale metode.
- På grund af vores kontinuerlige forsknings- og udviklingsprogrammer kan hosstående specifikationer blive ændret uden varsel.
 - Specifikationer og akku kan variere fra land til land.
 - Vægten inkluderer tilbehør (rund børste, hjørnemundstykke) samt akku(er). Vægten af den letteste og tungeste kombination af apparat og akku(er) er vist i tabellen.

Anvendelig akku og oplader

Akku	BL1815N / BL1820 / BL1820B / BL1830 / BL1830B / BL1840 / BL1840B / BL1850 / BL1850B / BL1860B
Oplader	DC18RC / DC18RD / DC18RE / DC18SD / DC18SE / DC18SF / DC18SH

- Nogle af de akkuer og opladere, der er angivet ovenfor, er muligvis ikke tilgængelige, afhængigt af hvilket område du bor i.

⚠ ADVARSEL: Brug kun de akkuer og opladere, der er angivet ovenfor. Brug af andre akkuer og opladere kan medføre personskade og/eller brand.

Symboler

Følgende viser de symboler, der muligvis anvendes til udstyret. Sørg for, at du forstår deres betydning før brugen.



Læs betjeningsvejledningen.



Udvis særlig forsigtighed og opmærksomhed.



Kun for landene i EU
Bortskaf ikke elektrisk udstyr eller batteripakken sammen med husholdningsaffald! I overensstemmelse med det europæiske direktiv om bortskaffelse af affald fra elektriske og elektroniske produkter samt batterier og akkuer, og deres anvendelse i overensstemmelse med nationale love skal elektrisk udstyr samt batterier og batteripakke(r), der har nået udløbet af deres levetid, indsamles separat og returneres til en miljøvenlig genanvendelsesfacilitet.

Tilsigtet anvendelse

Apparatet er beregnet til opugning af tørt støv. Apparatet er egnet til kommerciel brug, for eksempel i hoteller, skoler, hospitaler, fabrikker, butikker, kontorer og udlejningsvirksomheder.

Støj

Det typiske A-vægtede støjniveau bestemt i overensstemmelse med EN60335-2-69:

Lytrykkniveau (L_{pA}): 70 dB (A) eller derunder
Usikkerhed (K): 2,5 dB (A)

Støjniveauet under arbejdet kan overskride 80 dB (A).

BEMÆRK: De(n) angivne støjemissionsværdi(er) er målt i overensstemmelse med en standardtestmetode og kan anvendes til at sammenligne en maskine med en anden.

BEMÆRK: De(n) angivne støjemissionsværdi(er) kan også anvendes i en præliminær eksponeringsvurdering.

⚠ ADVARSEL: Bær høreværn.

⚠ ADVARSEL: Støjemissionen under den faktiske anvendelse af maskinen kan være forskellig fra de(n) angivne værdi(er), afhængigt af den måde hvorpå maskinen anvendes, især den type arbejdsemne der behandles.

⚠ ADVARSEL: Sørg for at identificere de sikkerhedsforskrifter til beskyttelse af operatøren, som er baseret på en vurdering af eksponering under de faktiske brugsforhold (med hensyntagen til alle dele i brugscyklussen, f.eks. de gange, hvor maskinen er slukket, og når den kører i tomgang i tilgift til afbrydertiden).

Vibration

Vibrationens totalværdi (tre-aksial vektorsum) bestemt i overensstemmelse med EN60335-2-69:

Vibrationsafgivelse ($a_{h,M}$): 2,5 m/s² eller mindre
Usikkerhed (K): 1,5 m/s²

BEMÆRK: De(n) angivne totalværdi(er) for vibration er målt i overensstemmelse med en standardtestmetode og kan anvendes til at sammenligne en maskine med en anden.

BEMÆRK: De(n) angivne totalværdi(er) for vibration kan også anvendes i en præliminær eksponeringsvurdering.

⚠ ADVARSEL: Vibrationsemissionen under den faktiske anvendelse af maskinen kan være forskellig fra de(n) angivne værdi(er), afhængigt af den måde hvorpå maskinen anvendes, især den type arbejdsemne der behandles.

⚠ ADVARSEL: Sørg for at identificere de sikkerhedsforskrifter til beskyttelse af operatøren, som er baseret på en vurdering af eksponering under de faktiske brugsforhold (med hensyntagen til alle dele i brugscyklussen, f.eks. de gange, hvor maskinen er slukket, og når den kører i tomgang i tilgift til afbrydertiden).

EF-overensstemmelseserklæring

Kun for lande i Europa

EF-overensstemmelseserklæringen er inkluderet som Bilag A i denne brugsanvisning.

SIKKERHEDSADVARSLER

Sikkerhedsadvarsler for akku støvsuger

⚠ ADVARSEL: VIGTIGT! LÆS OMHYGGELIGT alle sikkerhedsadvarsler og alle instruktioner FØR BRUGEN. Hvis advarselene og instruktionerne ikke overholdes, kan det medføre elektrisk stød, brand og/eller alvorlig personskade.

1. Før brugen skal du sørge for, at denne støvsuger anvendes af personer, der er tilstrækkeligt oplært i brugen af støvsugeren.
2. Anvend ikke, uden at filterposen og/eller filterne er sat på plads. Udskift øjeblikkeligt et beskadiget filter.
3. **UNDGÅ, AT MASKINEN STARTER VED ET UHELD.** Sørg for, at der er slukket på kontakten, ved montering af batteri(er).
4. Forsøg ikke at opsuge brændbare materialer, fyrværkeri, tændte cigaretter, varm aske, varme metalspåner, skarpe genstande som f.eks. barberblade, nåle, glasskår eller lignende.
5. **BRUG ALDRIG STØVSUGEREN I NÆRHEDEDEN AF BENZIN, GAS, MALING, LIM ELLER ANDRE STÆRKT EKSPLOSIONSFARLIGE STOFFER.** Afbryderen udsender gnister, når der tændes eller slukkes. Det samme gør motorcommutatoren under brugen. Det kan medføre farlig eksplosion.
6. **Støvsug aldrig giftstoffer, kræftfremkaldende stoffer, brændbare stoffer eller andre farlige materialer som f.eks. asbest, arsenik, barium, beryllium, bly, insektmidler eller andre sundhedsskadelige materialer.**
7. Anvend den ikke uendørs eller på våde overflader.
8. Brug ikke apparatet i nærheden af varmekilder (komfurer og lignende).
9. Bloker sugeåbningen/udløbet/ventilationsåbningerne til afkøling. Disse ventilationsåbninger muliggør afkøling af motoren. Blokering skal undgås omhyggeligt, da motoren ellers vil brænde sammen på grund af en mangel på ventilation.
10. Undlad at sammenfolde, rykke i eller træde på slangen.
11. Stop med det samme støvsugeren, hvis du bliver opmærksom på dårlig ydelse eller noget unormalt under brugen.
12. **FJERN BATTERIET ELLER BATTERIERNE.** Når maskinen ikke er i brug, før service, og når der skiftes tilbehør.
13. Rengør og servicer støvsugeren umiddelbart efter hver brug for at holde den i optimal funktionstilstand.
14. **VEDLIGEHOLD STØVSUGEREN OMHYGGELIGT.** Hold støvsugeren ren for at opnå bedre og sikrere ydelse. Følg instruktionerne for udskiftning af tilbehør. Hold håndtagene tørre, rene og fri for olie og fedt.

15. **KONTROLLER BESKADIGEDE DELE.** Før støvsugeren bruges igen, skal en beskyttelsesskærm eller anden del, som er beskadiget, kontrolleres omhyggeligt for at fastslå, om den vil fungere korrekt og udføre sin tilsigtede funktion. Kontroller for justeringen af bevægelige dele, binding af bevægelige dele, brud på dele, montering og alle andre forhold, der kan påvirke funktionaliteten. En beskyttelsesskærm eller anden del, der er beskadiget, skal repareres korrekt eller udskiftes af et autoriseret servicecenter, medmindre andet fremgår andetsteds i denne brugsanvisning. Få defekte afbrydere udskiftet hos et autoriseret servicecenter. Brug ikke støvsugeren, hvis afbryderen ikke kan tænde eller slukke for den.
16. **RESERVEDELE.** Brug kun identiske reservedele i forbindelse med service.
17. **OPBEVAR STØVSUGEREN, NÅR DEN IKKE BRUGES.** Når maskinen ikke er i brug, skal den opbevares indendørs.
18. Behandl din støvsuger godt. Hårdhændet behandling kan medføre, at selv den mest solidt byggede støvsuger går i stykker.
19. Forsøg ikke at rengøre udvendigt eller indvendigt med benzen, fortynder eller kemiske rengøringsmidler. Dette kan medføre revner og misfarvning.
20. Brug ikke støvsugeren i et aflukket lokale, hvor der afgives brændbare, eksplosive eller giftige dampe fra oliebasert maling, malingsfortynder, benzin, visse mølmidler osv., eller på steder med brandfarligt støv.
21. Anvend ikke denne eller andre maskiner, hvis du er påvirket af narkotika eller alkohol.
22. Bær passende beskyttelsesudstyr som fx en maske afhængigt af anvendelsesmiljøet.
23. Denne maskine er ikke beregnet til brug af personer, herunder børn, med reducerede fysiske, sensoriske eller mentale færdigheder eller manglende erfaring og viden.
24. Små børn skal overvåges for at sikre, at de ikke leger med støvsugeren.
25. Håndter aldrig batteriet eller batterierne og støvsugeren med våde hænder.
26. Udvis ekstra forsigtighed ved rengøring på trapper.
27. Bevar til enhver tid fodfæstet og balancen.
28. Anvend ikke støvsugeren som taburet eller arbejdsbænk. Maskinen kan falde ned og forårsage personskade.
29. Hold alle kropsdele og tøj væk fra åbningerne og de bevægende dele som fx den roterende børsterulle. Ellers kan de blive viklet ind i apparatet og forårsage tilskadekomst.

Brug og vedligeholdelse af batteriet

1. **Oplad kun med den oplader, som producenten angiver** En oplader, der passer til én type batteri, kan forårsage brand, hvis den anvendes med et andet batteri.
2. **Brug kun el-værktøjer sammen med de tilhørende batteripakker.** Brug af andre batteripakker kan forårsage personskade og brand.

3. Når batteripakker ikke anvendes, skal de holdes borte fra andre metalgenstande som papirclips, mønter, nøgler, søm, skruer og andre små metalgenstande, der kan skabe forbindelse mellem terminalerne. Hvis batteriets terminaler kortsluttes, kan det forårsage brand.
4. I tilfælde af misbrug kan der sprøjte væske ud fra batteriet. Undgå kontakt. Skyl med vand, hvis De kommer i kontakt med væsken. Søg læge, hvis De får væske i øjet. Væske, der sprøjter ud fra batteriet, kan medføre irritation eller forbrændinger.
5. **Undlad at bruge en akku eller maskine, der er beskadiget eller ændret.** Beskadigede eller ændrede batterier kan fungere uforudsigeligt og medføre brand, eksplosion eller risiko for personskade.
6. **Undlad at udsætte en akku eller maskine for brand eller høje temperaturer.** Udsættelse for brand eller temperaturer på over 130 °C kan medføre eksplosion.
7. **Følg alle instruktioner vedrørende opladning, og undlad at oplade akkuen eller maskinen uden for det temperaturinterval, der er angivet i instruktionerne.** Opladning, der udføres forkert eller ved temperaturer uden for det angivne temperaturinterval, kan beskadige batteriet og medføre øget risiko for brand.

GEM DENNE BRUGSANVISNING.

⚠ ADVARSEL: LAD IKKE bekvemmelighed eller kendskab til produktet (opnået gennem gentagen brug) forhindre, at sikkerhedsforskrifterne for produktet nøje overholdes. MISBRUG eller forsømmelse af at følge de i denne brugsvejledning givne sikkerhedsforskrifter kan føre til, at De kommer alvorligt til skade.

Vigtige sikkerhedsinstruktioner for akkuen

1. **Læs alle instruktioner og advarselmærkater på (1) akku-opladeren, (2) akkuen og (3) produktet, som anvender akku.**
2. **Adskil eller ændr ikke akkuen.** Det kan muligvis resultere i en brand, overdreven varme eller eksplosion.
3. **Hold straks op med anvendelsen, hvis brugstiden er blevet stærkt afkortet.** Fortsat anvendelse kan resultere i risiko for overophedning, forbrændinger og endog eksplosion.
4. **Hvis De har fået elektrolytvæske i øjnene, skal De straks skylle den ud med rent vand og derefter øjeblikkeligt søge lægehjælp.** I modsat fald kan De miste synet.
5. **Vær påpasselig med ikke at komme til at kortslutte akkuen:**
 - (1) Rør ikke ved terminalerne med noget ledende materiale.
 - (2) Undgå at opbevare akkuen i en beholder sammen med andre genstande af metal, for eksempel søm, mønter og lignende.
 - (3) Udsæt ikke akkuen for vand eller regn.

- Kortslutning af akkuen kan forårsage en kraftig øgning af strømmen, overophedning, mulige forbrændinger og endog værktøjstop.**
- Opbevar og brug ikke maskinen og akkuen på steder, hvor temperaturen muligvis kan nå eller overstige 50 °C.
 - Lad være med at brænde akkuen, selv ikke i tilfælde, hvor den har lidt alvorlig skade eller er fuldstændig udtjent. Akkuen kan eksplodere, hvis man forsøger at brænde den.
 - Slå ikke søm i, skær ikke i, knus, kast, tab ikke akkuen og stød ikke akkuen mod en hård genstand. Sådanne adfærd kan muligvis resultere i en brand, overdreven varme eller eksplosion.
 - Anvend ikke en beskadiget akku.
 - De indbyggede litium-ion-batterier er underlagt lovkrav vedrørende farligt gods. Ved kommerciel transport, f.eks. af tredjeparts transportselskaber, skal særlige krav til forpakning og mærkning overholdes. Ved forberedelse af udstyret til forsendelse skal du kontakte en ekspert i farligt gods. Overhold også eventuel mere detaljeret national lovgivning. Tape eller tildæk åbne kontakter, og pak batteriet på en måde, så det ikke kan flytte sig rundt i pakningen.
 - Når akkuen bortskaffes, skal du fjerne den fra maskinen og bortskaffe den på et sikkert sted. Følg de lokale love vedrørende bortskaffelsen af batterier.
 - Brug kun batterierne med de produkter, som Makita specificerer. Hvis batterierne installeres i ikke-kompatible produkter, kan det medføre brand, kraftig varme, eksplosion eller udsivning af elektrolyt.
 - Hvis maskinen ikke skal bruges i længere tid ad gangen, skal du fjerne batteriet fra maskinen.
 - Akkuen kan muligvis under og efter brug være varm, hvilket kan forårsage forbrændinger eller lavtemperaturforbrændinger. Vær påpasselig med håndtering af varme akkuer.
 - Rør ikke terminalen på maskinen straks efter brug, da den bliver varm nok til at forårsage forbrændinger.
 - Sørg for at spåner, støv eller jord ikke sætter sig fast inde i terminalerne, hullerne og rillerne på akkuen. Det kan muligvis medføre dårlig ydelse eller nedbrud af maskinen eller akkuen.
 - Medmindre maskinen understøtter brugen i nærheden af elektriske højspændingsledninger, skal du ikke anvende akkuen i nærheden af elektriske højspændingsledninger. Det kan muligvis medføre funktionsfejl på eller nedbrud af maskinen eller akkuen.
 - Opbevar batteriet utilgængeligt for børn.

GEM DENNE BRUGSANVISNING.

⚠FORSIGTIG: Brug kun originale batterier fra Makita. Brug af uoriginale Makita-batterier, eller batterier som er blevet ændret, kan muligvis medføre brud på batteriet, hvilket kan forårsage brand, personskade eller beskadigelse. Det ugyldiggør også Makita-garantien for Makita-maskinen og opladeren.

Tips til opnåelse af maksimal akku-levetid

- Oplad akkuen, inden den er helt afladet. Stop altid værktøjet, og oplad akkuen, hvis De bemærker, at værktøjeffekten er aftagende.
- Genoplad aldrig en fuldt opladet akku. Overopladning vil afkorte akkuens levetid.
- Oplad akkuen ved stuetemperatur ved 10 °C - 40 °C. Lad altid en varm akku få tid til at køle af, inden den oplades.
- Når du ikke anvender akkuen, skal du fjerne den fra maskinen eller opladeren.
- Oplad akkuen, hvis De ikke skal bruge den i længere tid (mere end seks måneder).

BESKRIVELSE AF DELENE

► Fig.1

1	Håndtag	2	Kontaktplade	3	Rørgreb	4	Slange
5	Indikationspanel	6	Håndtag (til støvkassedækslet)	7	Støvkassedæksel	8	Bærehåndtag
9	Lås (til batteridækslet)	10	Justeringsarm	11	Batteridæksel	12	Hjørnemundstykke
13	Rund børste	14	Fodpedal	15	Rullehjul	16	Sidebørste
17	Sugeslange	18	Samling	19	Aluminiumsrør	20	Rørholder
21	LED-lampe	22	Børsterulle	23	Bundplade	24	TIL/tilstandsskift-knap
25	FRA-knap (OFF)	26	Indikator for driftstilstand	27	Indikator for højt støvniveau	28	Indikator for børsterullefejl
29	Indikator for resterende batteriladning	30	Knap for batterikontrol/LED-lampe	-	-	-	-

SAMLING

⚠FORSIGTIG: Sørg altid for, at apparatet er slukket, og akkuen er fjernet, inden der udføres arbejde på apparatet.

⚠FORSIGTIG: Bær altid støvmaske under samling eller vedligeholdelse.

Håndtagtilslutning

1. Sæt håndtagsstangen helt ind i støvsugerkabinetet som vist på figuren.
 2. Luk låsemekanismen.
- **Fig.2:** 1. Håndtagsstang 2. Rød mærkning 3. Låsemekanisme

BEMÆRKNING: Sæt håndtaget helt ind, indtil den røde mærkning ikke længere kan ses.

Slangetilslutning

Sæt slangen ind i monteringsporten på apparatet, og drej slangen indtil den låses fast.

► **Fig.3**

Rørtilslutning

Sæt spidsen af aluminiumsrøret ind i samlingen og fastgør derefter aluminiumsrøret til rørholderen.

► **Fig.4:** 1. Samling 2. Rørholder

BEMÆRKNING: Sæt aluminiumsrøret ind i den korrekte retning som vist på figuren. Ellers vil rørholderen ikke blive låst, og aluminiumsrøret kan falde af.

► **Fig.5**

Isætning eller fjernelse af akkuen

⚠FORSIGTIG: Sluk altid for apparatet før montering eller afmontering af akkuen.

⚠FORSIGTIG: Hold støvsugeren og akkuen fast ved montering eller afmontering af akkuen. Hvis du ikke holder fast på støvsugeren og akkuen, kan de glide ud af hænderne på dig og medføre beskadigelse af støvsugeren, akkuen og personskade.

⚠FORSIGTIG: Pas på ikke at få fingrene i klemme, når du åbner eller lukker batteridækslet. Hvis du ikke gør dette, kan det medføre personskade.

For at installere akkuen skal du først udløse låsen og derefter åbne batteridækslet. Indsæt derefter akkuen.

► **Fig.6:** 1. Lås 2. Batteridæksel

Juster tungen på akkuen med rillen i huset, og skub den på plads. Sæt den hele vejen ind, indtil den låses på plads med et lille klik. Lås derefter batteridækslet.

► **Fig.7:** 1. Akku 2. Knap

Akkuen fjernes ved at trække den ud af apparatet, mens der skydes på knappen på forsiden af akkuen.

⚠FORSIGTIG: Sæt altid akkuen helt ind. Hvis dette ikke gøres, kan den falde ud af apparatet ved et uheld og forårsage skade på dig selv eller andre omkring dig.

⚠FORSIGTIG: Brug ikke magt ved montering af akkuen. Hvis akkuen ikke glider på plads uden problemer, betyder det, at den ikke sættes i på korrekt vis.

BEMÆRK: Støvsugeren fungerer ikke med kun én akku.

Montering af filterposen

⚠FORSIGTIG: Anvend ikke en beskadiget filterpose. Anvend altid støvsugeren med filterposen monteret korrekt. Ellers kan opsugt støv eller partikler blive blæst ud af støvsugeren, hvilket kan medføre åndedrætslidelser hos operatøren.

Monter filterposen, før støvsugeren anvendes. Filterposen er en type til bortskaffelse. Smid hele filterposen ud uden at tømme den, når den er fuld.

BEMÆRKNING: Erstat filterposen med en ny, når den er fuld eller tilstoppet. Fortsat brug med fuld eller tilstoppet filterpose medfører reduceret sugestyrke.

BEMÆRKNING: Sådan forhindres det, at der kommer støv ind i motoren:


- Sørg for, at filterposen er monteret før brugen.
- Anvend ikke en beskadiget eller flået pose.

Ellers kan motoren gå i stykker.

BEMÆRKNING: Fold ikke pappet ved åbningen, når filterposen monteres.

BEMÆRKNING: Filterposen til støvsugeren er en vigtig komponent for at opretholde apparatets ydelse. Brug af uoriginal filterpose kan muligvis medføre rugudvikling eller antændelse.

BEMÆRK: Når filterposen ikke er monteret i apparatet, kan støvkassedækslet ikke lukkes helt.

1. Lås håndtaget op og åbn støvkassedækslet.
► **Fig.8:** 1. Håndtag 2. Støvkassedæksel
2. Sæt filterposen ind i åbningen på holderen, så den side med mærket  går ind først.
3. Hægt klinken på holderen.
► **Fig.9:** 1. Åbning 2. Filterpose 3. Holder 4. Klinken
4. Sørg for at kun mærkningen på pappet kan ses gennem rillen på holderen.
► **Fig.10:** 1. Mærkning 2. Rille
5. Lås støvkassedækslet ordentligt.

⚠FORSIGTIG: Pas på ikke at få fingrene i klemme, når du hæfter klinken på, og når du lukker støvkassedækslet.

Afmontering af filterposen

⚠ FORSIGTIG: Håndter filterposen forsigtigt. Ellers kan der blæses fremmedlegemer ind i øjnene, hvilket kan det medføre personskade.

Udskift filterposen, når den bliver fuld eller tilstoppet. Åbn støvkassetækslet og åbn klinken, og tag derefter filterposen ud. Træk i snoren på siden af åbningen for at lukke filterposen, og bortskaf hele filterposen.

► **Fig.11:** 1. Klinke 2. Snor

BEMÆRKNING: Anvend ikke en brugt filterpose. Filterposen er udviklet til brug en gang. Gentagen brug af filterpose kan medføre tilstopning af filteret og forårsage beskadigelse af støvsugerens. Hvis du vil bruge posen flere gange, skal du bruge en støvpose.

FUNKTIONSBEKRIVELSE

⚠ FORSIGTIG: Sørg altid for, at apparatet er slukket, og at akkuen fjernes, før der udføres justering eller kontrol af funktioner på apparatet.

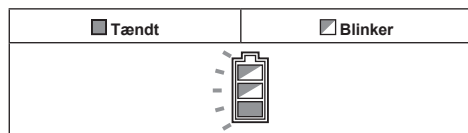
Beskyttelsessystem til værktøj/batteri

Maskinen er udstyret med et beskyttelsessystem til maskinen/batteriet. Dette system afbryder automatisk strømmen til motoren for at forlænge maskinens og batteriets levetid. Maskinen stopper automatisk under brugen, hvis maskinen eller batteriet udsættes for et af følgende forhold:

Overbelastningsbeskyttelse

Når værktøjet betjenes på en måde, der får den til at bruge unormalt meget strøm, stopper værktøjet automatisk uden indikation. Sluk i så fald for værktøjet, og stop den anvendelse, der bevirkede, at værktøjet blev overbelastet. Tænd derefter for værktøjet for at starte igen.

Beskyttelse mod overophedning



Når værktøjet bliver overophedet, stopper den automatisk, og batteriindikatoren blinker i cirka 60 sekunder. Lad i så fald værktøjet køle af, før der tændes for værktøjet igen.

Beskyttelse mod afladning

Når batteriladningen bliver for lav, stopper værktøjet automatisk. Hvis produktet ikke fungerer, selvom kontakterne betjenes, skal De tage batterierne ud af værktøjet og lade batterierne op.

Indikation af den resterende batteriladning

Kun til akkuer med indikatoren

► **Fig.12:** 1. Indikatorlamper 2. Kontrolknap

Tryk på kontrolknappen på akkuen for at få vist den resterende batteriladning. Indikatorlampen lyser i nogle sekunder.

Indikatorlamper			Resterende ladning
Tændt	Slukket	Blinker	
			75% til 100%
			50% til 75%
			25% til 50%
			0% til 25%
			Genoplad batteriet.
			Der er muligvis fejl i batteriet.

BEMÆRK: Afhængigt af brugsforholdene og den omgivende temperatur kan indikationen afvige en smule fra den faktiske ladning.

BEMÆRK: Den første indikatorlampe (længst mod venstre) vil blinke, når batteribeskyttelsessystemet aktiveres.

Indikationspanel

► **Fig.13:** 1. Driftstilstand 2. Højt støvniveau 3. Børsterullefejl 4. Resterende batteriladning 5. Knap for batterikontrol/LED-lampe

Driftstilstand

For at ændre driftstilstanden skal du se afsnittet om afbryderbetjening.

Højt støvniveau

Hvis denne indikator lyser, skal du udskifte filterposen. (Se afsnittet om fjernelse af filterposen.)

BEMÆRK: Denne indikator fungerer ikke, når apparatet betjenes i tilstanden "lavere støjniveau (1)".

BEMÆRK: Denne indikator fungerer ikke afhængigt af anvendelsesmiljøet.

Børsterullefejl

Blinker	Børsterullen er under høj belastning af en eller anden grund.
Tændt	Børsterullen er stoppet pga. en unormal årsag.

⚠ ADVARSEL: Sluk øjeblikkeligt for apparatet, når denne lampe lyser under anvendelse. Ellers kan muligvis der opstå motorfunktionsfejl, og det kan forårsage brand.

Resterende batteriladning

Under anvendelse skal du trykke på knappen for batterikontrol/LED-lampe for at få indikeret de resterende batteriladninger. Batteriindikatorerne svarer til hvert enkelt batteri.

► Fig.14

Status på batteriindikator			Resterende batteriladning
Tændt	Slukket	Blinker	
			50% til 100%
			20% til 50%
			0% til 20%
			Genopladd batteriet

Knap for batterikontrol/LED-lampe

Under anvendelse kan de følgende betjeninger udføres.

- Tryk blot på knappen for at kontrollere den resterende batteriladning.
- Tryk og hold på knappen for at tænde/slukke for LED-lampen.

Afbryderbetjening

► Fig.15: 1. TIL/tilstandsskift-knap 2. FRA-knap

Tænding/slukning af apparatet

For at starte apparatet skal du blot trykke på TIL/tilstandsskift-knappen. Tryk på FRA-knappen for at slukke.

⚠FORSIGTIG: Placer altid apparatets hoved på gulvet, når apparatet tændes. Ellers kan der muligvis opstå en ulykke pga. indvikling, og det kan forårsage en personskade.

Ændring af driftstilstand

Du kan ændre driftstilstanden i tre trin: "lavere støjniveau (1)", "normal (2)" og "høj (3)".

Hvis du ønsker at ændre driftstilstanden, skal du trykke på TIL/tilstandsskift-knappen, mens apparatet kører. Driftstilstanden skifter i rækkefølgen "lavere støjniveau (1)", "normal (2)" og "høj (3)".

Apparatet vil starte i den samme tilstand som den forrige indstilling.

Tænding af LED-lampen

⚠FORSIGTIG: Kig aldrig direkte på lyskilden. Lad ikke lyset falde i Deres øjne.

Apparatet er udstyret med LED-lamperne. Se afsnittet om knappen for batterikontrol/LED-lampe angående betjening.

► Fig.16: 1. LED-lampe

Fodpedal

⚠FORSIGTIG: Lås altid apparatet i oprejst position, når du slipper håndtaget. Ellers kan apparatet muligvis vælte og forårsage personskade.

⚠FORSIGTIG: Pas på ikke at få fingrene i klemme mellem apparatets kabinet og hovedet på apparatet.

For at oplåse apparatets oprejste position skal du træde på fodpedalen og trække håndtaget tilbage. Bevægelsesområdet er 90 grader fra den oprejste position.

► Fig.17: 1. Fodpedal

For at låse apparatet i oprejst position skal du løfte håndtaget op og frem, indtil fodpedalen låser positionen med et klik.

► Fig.18

BEMÆRK: Mens apparatet er i den oprejste position, stopper børsterullen med at rotere.

Justering af højden på børsterulle

⚠FORSIGTIG: Sørg altid for, at justeringsarmen kommer ordentligt ind i positionen inden brugen.

Højden på børsterullen kan justeres i 4 trin.

Drej justeringsarmen hen på den ønskede højde. Når justeringsarmen peger på A-mærket, er børsterullen placeret på det laveste punkt over gulvet, og er egnet til rengøring af hårde gulve og tæpper med korte hår. Når justeringsarmen peger på B-mærket, er børsterullen placeret på det højeste punkt over gulvet, og er egnet til rengøring af tæpper med lange hår.

► Fig.19: 1. Justeringsarm

BEMÆRK: Børsterullen roterer muligvis ikke, hvis højden på børsterullen er for lav mod tæppets overflade.

Bærehåndtag

Når apparatet bæres, skal du skubbe apparatet vha. rullehjulene alene eller bære det ved at holde i bærehåndtaget/bærehåndtagene.

► Fig.20

⚠FORSIGTIG: Når du bærer apparatet, skal du låse apparatet i oprejst position. Ellers kan der ske en faldulykke.

⚠FORSIGTIG: Bær ikke apparatet med noget andet end bærehåndtaget. Ellers kan der opstå en faldulykke eller utilsigtet start kan muligvis forårsage en personskade.

► Fig.21

ANVENDELSE

⚠FORSIGTIG: Træk ikke håndtagsstangen ud fra apparatet under anvendelse. Gør du det, kan du miste kontrol over apparatet og muligvis resultere i alvorlig personskade.

⚠FORSIGTIG: Placer ikke din hånd eller dit ben under apparatet under anvendelse. Ellers kan der muligvis ske en klemmeulykke.

Normal rengøringsbetjening

1. Hold i håndtaget og oplås derefter den oprejste position.
 2. Tænd for apparatet. Rengør et gulv.
- Fig.22

Brug af sidebørsten

Sidebørsten er praktisk til rengøring af hjørnet på en væg.
Hvis sidebørsten bliver kort, skal du tage apparatet til Makita-servicecenteret for reparation
► Fig.23: 1. Sidebørste

Betjening med tilbehør

⚠FORSIGTIG: Bliv ved med at holde fast i håndtaget ved brug af tilbehør. Ellers kan apparatet muligvis vælte og forårsage personskade.

BEMÆRKNING: Når du anvender tilbehør, skal du låse apparatet i oprejst position. Ellers kan rotationen af børsterullen muligvis beskadige gulvet.

Brug af aluminiumsrøret

Aluminiumsrøret er egnet til rengøring på trange steder eller høje steder.
► Fig.24: 1. Aluminiumsrør

Brug af slangen

Slangen er egnet til rengøring i nærheden af dine hænder.
► Fig.25: 1. Slange

For at anvende slangen skal du trække aluminiumsrøret ud fra slangen, mens du trykker på håndtaget.
For at montere slangen skal du sætte slangen ind i aluminiumsrøret, indtil det klikker på plads.
► Fig.26: 1. Håndtag

Brug af tilbehør

► Fig.27

For at montere tilbehøret skal du dreje og sætte det ordentligt ind i aluminiumsrøret eller slangen. For at frigøre det skal man dreje og fjerne det.

VEDLIGEHOLDELSE

⚠FORSIGTIG: Sørg altid for, at apparatet er slukket, og at akkuen er fjernet, før du forsøger at udføre eftersyn eller vedligeholdelse.

BEMÆRKNING: Anvend aldrig benzin, rensbenzin, fortynder, alkohol og lignende. Det kan medføre misfarvning, deformation eller revner.

For at opretholde produktets SIKKERHED og PÅLIDELIGHED må reparation, vedligeholdelse eller justering kun udføres af et autoriseret Makita servicecenter eller fabrikkSERVICECENTER med anvendelse af Makita reservedele.

Opbevaring

Ved opbevaring skal du fjerne akkuerne og opbevare apparatet på et jævnt sted i oprejst position.
► Fig.28

Rengøring af apparatets kabinet

Aftør fra tid til anden ydersiden (støvsugerkabinettet) af støvsugeren med en klud, som er fugtet med sæbevand.
► Fig.29

Rengøring af HEPA-filteret

⚠FORSIGTIG: Undlad at bruge støvsugeren uden et filter eller at fortsætte med at bruge et snavset eller beskadiget filter. Opsugt støv eller partikler kan blive blæst ud af støvsugeren, hvilket kan medføre åndedrætslidelser hos operatøren.

BEMÆRKNING: Rengør filteret regelmæssigt for at opretholde optimal sugestyrke og ren udblæsning. Udskift filteret med et nyt, hvis der ikke kan opnås tilstrækkelig sugestyrke selv efter rengøring.

BEMÆRKNING: Undlad at bruge følgende værktøjer og lignende genstande til rengøring for at undgå beskadigelse af filteret:

- Støvblæser
- Højtryksrensere
- Værktøjer, der er fremstillet af hårde materialer, f.eks. en metalbørste

1. Åbn støvkassetækslet, og tag filterposen ud.
Frigør krogene på filteret, og tag det ud fra apparatets kabinet.
► Fig.30: 1. Krog

2. Bank støvet af filteret. Filteret kan vaskes med vand. Skyl støv og partikler bort fra filteret hver eller hver 2. måned. Lad derefter filteret tørre helt på et skyggefuldt og velventileret sted for at undgå ubehagelige lugte eller fejlfunktioner.

3. For at installere filteret skal du sætte siden uden krogene ind i rillen og derefter trykke filteret ind, indtil krogene fastgøres med et klik.
► Fig.31: 1. Rille 2. HEPA-filter 3. Krog

Rengøring af børsterullen

1. Fjern bundpladen, og fjern derefter børsterullen.

Hvis håret på børsterullen bliver kort, skal du anmode Makita-servicecenteret om et nyt.

Anvendelse af apparatet med den korthårede børsterulle medfører dårlig støvopsamling.

► **Fig.32:** 1. Bundplade 2. Børsterulle

2. Fjern tråde og hår fra børsterullen vha. en saks.

Fjern dækslet og fjern snavs.

► **Fig.33:** 1. Dæksel

3. Monter dækslet, børsterullen og bundpladen i omvendt rækkefølge.

► **Fig.34**

⚠FORSIGTIG: Monter bundpladen ordentligt.
Hvis apparatet anvendes uden bundpladen, kan børsterullen muligvis falde af og forårsage personskade.

BEMÆRKNING: Monter altid børsterullen.
Anvendelse af apparatet uden børsterullen medfører dårlig støvopsamling.

Sådan fjernes tilstopningen

BEMÆRKNING: Undlad at betjene apparatet med tilstoppet indsugningsstrømssti. Fortsat brug med indsugningsstrømsstien tilstoppet medfører reduceret sugestyrke.

1. Fjern bundpladen, og fjern derefter børsterullen.
2. Fjern aluminiumsrøret fra apparatet og fra slangen.
3. Drej slangen mod uret og fjern derefter slangen fra apparatet.
4. Fjern sugeslangen ved at trække i tappen.

► **Fig.35:** 1. Sugeslange 2. Tap

5. Efterse indsugningsstrømsstien for luft inde i aluminiumsrøret, slangen og sugeslangen.

Fjern snavsset inden i dem.

6. Juster tungen på sugeslangen med rillen i huset, og skub den på plads.

► **Fig.36:** 1. Tunge 2. Rille

7. Monter slange, aluminiumsrør, børsterulle og bundplade.

⚠FORSIGTIG: Monter slangen, røret ordentligt.
Ellers kan der muligvis opstå støvlækage og forårsage personskade.

FEJLFINDING

Udfør selv en inspektion, inden De anmoder om reparation. Hvis du opdager et problem, som ikke er forklaret i brugsanvisningen, må du ikke forsøge at skille maskinen ad. Rådfør Dem i stedet med et autoriseret Makita Servicecenter, og brug altid originale Makita udskiftningsdele til reparationer.

Symptom	Sandsynlig årsag	Afhjælpning
Fungerer ikke	Akkuerne er installeret forkert.	Sæt akkuerne i som beskrevet i denne brugervejledning.
	Akkuerne er afladet.	Oplad akkuerne.
	Håndtaget er ikke monteret korrekt.	Monter håndtaget ordentligt som beskrevet i denne brugsanvisning.
Børsterullen roterer ikke	Apparatet er låst i oprejst position.	Oplås apparatets oprejste position.
	Indikatoren for børsterullefejl lyser.	Efterse, at der ikke sidder noget fast omkring børsterullen (kabinet, dæksel og samling).
Svag sugekraft	Indikatoren for højt støvniveau lyser.	Udskift filterposen.
	⇒ Hvis udskiftning af filterposen ikke afhjælper problemet...	Rengør eller udskift HEPA-filteret. Efterse, at der ikke sidder snavs fast i slangen og røret.
	Der sidder støv fast i børsterullen, og rotationshastigheden er reduceret.	Efterse, at der ikke sidder noget fast omkring børsterullen (kabinet, dæksel, samling).
	Højden på børsterullen er for høj fra gulvet.	Sænk højden på børsterullen.
	Håret på børsterullen er blevet kort.	Udskift børsterullen. Sænk højden på børsterullen.
	Apparatet fungerer i lav tilstand.	Skift til den højere driftstilstand.
	Børsterullen er ikke monteret.	Monter børsterullen.
	Røret eller slangen er ikke monteret korrekt.	Monter røret eller slangen ordentligt.
Høj funktionsstøj	Apparatet fungerer i høj tilstand.	Skift til den lavere driftstilstand.
	Det sidder snavs fast i børsterullen.	Efterse, at der ikke sidder noget fast omkring børsterullen (kabinet, dæksel og samling).
	Filterposen er fyldt med støv.	Udskift filterposen.
	⇒ Hvis udskiftning af filterposen ikke afhjælper problemet...	Rengør eller udskift HEPA-filteret. Efterse, at der ikke sidder snavs fast i slangen og røret.
Indikatoren for højt støvniveau blinker efter en lille smule brug	Filterposen er foldet.	Fold indgangen på filterposen ud, før den sættes i.
LED-lampen lyser ikke	LED-lampeindstillingen er slået fra.	Under anvendelse skal du trykke og holde på knappen for batterikontrol/LED-lampe for at tænde for LED-lampen.
Rullehjulet er svært at bevæge	Det sidder snavs fast i rullehjulet.	Fjern snavsset på rullehjulet.

EKSTRAUDSTYR

⚠ FORSIGTIG: Det følgende tilbehør og ekstraudstyr er anbefalet til brug med Deres Makita maskine, der er beskrevet i denne brugsanvisning. Anvendelse af andet tilbehør eller ekstraudstyr kan udgøre en risiko for personskade. Anvend kun tilbehør og ekstraudstyr til det beskrevne formål.

- HEPA-filter
- Filterpose
- Original Makita-akku og oplader

BEMÆRK: Nogle ting på denne liste kan være inkluderet i værktøjspakken som standardtilbehør. Det kan være forskellige fra land til land.

Hvis De behøver hjælp ved valg af tilbehør eller ønsker yderligere informationer, bedes De kontakte Deres lokale Makita servicecenter.

- Hjørnemundstykke
- Rund børste

BRĪDINĀJUMS

Šo mašīnu nav paredzēts izmantot personām (tostarp bērniem) ar samazinātām fiziskām, maņu vai garīgām spējām vai personām bez pieredzes un zināšanām.

Bērni ir jāuzrauga, lai tie nerotaļātos ar ierīci.

SPECIFIKĀCIJAS

Modelis:	DVC560
Maksimālais gaisa apjoms *	1,9 m ³ /min
Vakuums *	12 kPa
Ietilpība	5 l
Izmēri (G x P x A)	326 mm x 318 mm x 1 146 mm
Nominālais spriegums	Līdzstrāva 36 V
Tīrsvars	8,3–9,0 kg

- * Mērījuma vērtības tiek noteiktas pēc mūsu oriģinālās metodes.
- Nepārtrauktās izpētes un izstrādes programmas dēļ šeit uzrādītās specifikācijas var tikt mainītas bez brīdinājuma.
- Specifikācijas un akumulatora kasetne var atšķirties dažādās valstīs.
- Svārs norādīts, iekļaujot papildaprīkojumu (apaļo suku, stūru uzgali) un akumulatora kasetni(-es). Vieglākais un smagākais ierīces un akumulatora kasetnes(-ņu) kopējais svārs ir norādīts tabulā.

Piemērotā akumulatora kasetne un lādētājs

Akumulatora kasetne	BL1815N / BL1820 / BL1820B / BL1830 / BL1830B / BL1840 / BL1840B / BL1850 / BL1850B / BL1860B
Lādētājs	DC18RC / DC18RD / DC18RE / DC18SD / DC18SE / DC18SF / DC18SH

- Daži no iepriekš norādītajiem lādētājiem un akumulatora kasetnēm var nebūt pieejami atkarībā no jūsu mītnes reģiona.

BRĪDINĀJUMS: Izmantojiet vienīgi iepriekš norādītās akumulatora kasetnes un lādētājus. Cita tipa akumulatora kasetņu un lādētāju izmantošana var radīt traumu un/vai aizdegšanās risku.

Simboli

Tālāk ir attēloti simboli, kas var attiekties uz darbarīka lietošanu. Pirms darbarīka izmantošanas pārliecinieties, vai pareizi izprotat to nozīmi.



Izlasiet lietošanas rokasgrāmatu.



Esiet īpaši rūpīgs un uzmanīgs.



Tikai ES valstīm
Elektroierīces vai akumulatora bloku neizmetiet mājāsaimniecības atkritumos! Saskaņā ar Eiropas direktīvām par nolietotām elektriskām un elektroniskām iekārtām, kā arī par baterijām un akumulatoriem, nolietotām baterijām un akumulatoriem un šo direktīvu ieviešanu saskaņā ar valsts likumdošanu, elektriskās iekārtas, baterijas un akumulatori, to darbмūžam beidzoties, jāsavāc atsevišķi un jānogādā vidi saudzējošā otrreizējās pārstrādes uzņēmumā.

Paredzētā lietošana

Šī ierīce ir paredzēta sausu putekļu savākšanai. Ierīce ir piemērota komerciālai lietošanai, piemēram, viesnīcās, skolās, slimnīcās, rūpnīcās, veikalos, birojos, kā arī iznomāšanai.

Trokšņa līmenis

Tipiskais A svērtais trokšņa līmenis noteikts saskaņā ar EN60335-2-69:

Skaņas spiediena līmenis (L_{pA}): 70 dB (A) vai mazāk
Mainīgums (K): 2,5 dB (A)

Darbības laikā trokšņa līmenis var pārsniegt 80 dB (A).

PIEZĪME: Paziņotā trokšņa emisijas vērtība noteikta atbilstoši standarta pārbaudes metodei, un to var izmantot, lai salīdzinātu vienu darbarīku ar citu.

PIEZĪME: Paziņoto trokšņa emisijas vērtību arī var izmantot iedarbības sākotnējā novērtējumā.

▲BRĪDINĀJUMS: Lietojiet ausu aizsargus.

▲BRĪDINĀJUMS: Trokšņa emisija patiesos darba apstākļos var atšķirties no paziņotās vērtības atkarībā no darbarīka izmantošanas veida un jo īpaši atkarībā no apstrādājamā materiāla veida.

▲BRĪDINĀJUMS: Lai aizsargātu lietotāju, nosakiet drošības pasākumus, kas pamatoti ar iedarbību reālos darba apstākļos (ņemot vērā visus ekspluatācijas cikla posmus, piemēram, laiku, kamēr darbarīks ir izslēgts un kad darbojas tukšgaitā, kā arī palaides laiku).

Vibrācija

Vibrācijas kopējā vērtība (trīsasu vektora summa) noteikta atbilstoši EN60335-2-69:

Vibrācijas emisija ($a_{h,m}$): 2,5 m/s² vai mazāk
Mainīgums (K): 1,5 m/s²

PIEZĪME: Paziņotā kopējā vibrācijas vērtība noteikta atbilstoši standarta pārbaudes metodei, un to var izmantot, lai salīdzinātu vienu darbarīku ar citu.

PIEZĪME: Paziņoto kopējo vibrācijas vērtību arī var izmantot iedarbības sākotnējā novērtējumā.

▲BRĪDINĀJUMS: Vibrācijas emisija patiesos darba apstākļos var atšķirties no paziņotās vērtības atkarībā no darbarīka izmantošanas veida un jo īpaši atkarībā no apstrādājamā materiāla veida.

▲BRĪDINĀJUMS: Lai aizsargātu lietotāju, nosakiet drošības pasākumus, kas pamatoti ar iedarbību reālos darba apstākļos (ņemot vērā visus ekspluatācijas cikla posmus, piemēram, laiku, kamēr darbarīks ir izslēgts un kad darbojas tukšgaitā, kā arī palaides laiku).

EK atbilstības deklarācija

Tikai Eiropas valstīm

EK atbilstības deklarācija šajā lietošanas rokasgrāmatā ir iekļauta kā A pielikums.

DROŠĪBAS BRĪDINĀJUMI

Drošības brīdinājumi bezvadu putekļsūcēja lietošanai

▲BRĪDINĀJUMS: SVARĪGI! PIRMS LIETOŠANAS UZMANĪGI IZLASIET visus drošības brīdinājumus un visus norādījumus. Brīdinājumu un norādījumu neievērošanas gadījumā var rasties elektotrauma, aizdegšanās un/vai smagas traumas.

1. Pirms lietošanas pārlicinieties, ka lietotājs ir pienācīgi apmācīts lietot šo putekļsūcēju.
2. Nelietojiet ierīci, ja nav uzstādīts filtra maiss un/vai filtrī. Nekavējoties nomainiet bojātu filtru.
3. **NEPIELĀUJIET NEJAUŠU IEDARBINĀŠANU.** Akumulatora(-u) ievietošanas laikā slēdzim jābūt izslēgtam (OFF).
4. Nemēģiniet savākt ugunsnedrošus priekšmetus, piemēram, ugunošanas raķetes, degošas cigaretes, karstus pelnus, karstas metāla skaidas, kā arī asus priekšmetus, piemēram, žiletus, saplēstu stiklu u. c.
5. **NEKĀDĀ GADĪJUMĀ NEIZMANTOJIET PUTEKĻSŪCĒJU, JA TUVUMĀ ATRODAS DEGVIELA, GĀZE, KRĀSĀ, LĪME VAI CITAS VIELAS AR AUGSTU SPRĀDZIENBĪSTAMĪBU.** Slēdzi ieslēdzot (ON) vai izslēdzot (OFF), rodas dzirksteles. Tāpat dzirksteles rodas arī no motora kolektora darbības laikā. Tas var izraisīt bīstamu sprādzienu.
6. **Nekad neiesūciet toksiskus, kancerogēnus, ugunsnedrošus vai citus kaitīgus materiālus, piemēram, azbestu, arsēnu, bāriju, beriliju, svīnu, pesticīdus vai citus materiālus, kas apdraud veselību.**
7. **Neizmantojiet ārpus telpām vai uz mitrām virsmām.**
8. **Nelietojiet ierīci siltuma avotu (piem., krāsns u. c.) tuvumā.**
9. **Neaizsprostojiet iesūkšanas/pūšanas/dzesēšanas atveres.** Šīs atveres dzesē motoru. Īpaši uzmanieties, lai neveidotos nosprostojumus, citādi motors sadegs ventilācijas trūkuma dēļ.
10. **Nelokiet, neraujiet šļūteni un nekāpiet tai virsū.**
11. Ja izmantošanas laikā ierīce nedarbojas pareizi vai pamanāt jebkādas novirzes, nekavējoties izslēdziet putekļsūcēju.
12. **IZŅEMIET AKUMULATORU(-US).** Ja ierīci neizmantojat, pirms tās tehniskās apkopes un piederumu maiņas.
13. **Tīriet un apkopiet putekļsūcēju uzreiz pēc katras lietošanas reizes, lai uzturētu to optimālā darba stāvoklī.**
14. **VEICIET RŪPĪGU PUTEKĻSŪCĒJA APKOPI.** Uzturiet putekļsūcēju tīru, lai tā darbība būtu labāka un drošāka. Ievērojiet piederumu nomaigšanas norādījumus. Uzturiet rokturus sausus un tīrus; rūpējieties, lai uz tiem nebūtu eļļas un smērvielu.

15. **PĀRBAUDIET, VAI NAV BOJĀTU DAĻU.** Pirms turpināt lietot ierīci, aizsargu vai citu daļu, kas bijusi bojāta, rūpīgi pārbaudiet, lai noteiktu, vai tā pareizi darbosies un izpildīs savas funkcijas. Pārbaudiet, vai kustīgās daļas ir pareizi salāgotas, vai tās var brīvi kustēties, vai daļas nav salūzušas; pārbaudiet to stiprinājumus un citus apstākļus, kas var ietekmēt putekļsūcēja darbību. Bojātais aizsargs vai citas daļas jāmaina vai to remonts pareizi jāveic pilnvarotā apkopes centrā, ja vien šajā lietošanas rokasgrāmatā nav norādīts citādi. Bojātus slēdzus nomainiet pilnvarotā apkopes centrā. Neizmantojiet putekļsūcēju, ja ar slēdzi to nevar ieslēgt un izslēgt.
16. **REZERVES DAĻAS.** Veicot apkopi, izmantojiet tikai oriģinālās rezerves daļas.
17. **NEIZMANTOTA PUTEKĻSŪCĒJA UZGLABĀŠANA.** Ja putekļsūcēju neizmantojat, tas jāuzglabā iekšējā kastī.
18. **Saudzējiet putekļsūcēju.** Nevīzīgi izturoties, var sabojāt pat vizitūrīgāko putekļsūcēju.
19. **Netīriet ierīces ārpusi un iekšpusi ar benzīnu, šķīdinātāju vai citām tīrīšanas ķīmikālijām.** Tas var radīt plaisas un izbalēšanu.
20. **Neizmantojiet putekļsūcēju ierobežotā vietā,** kur izdalās viegli uzliesmojoši, eksplozīvi vai toksiski izgarojumi no eļļas krāsas, krāsas šķīdinātāja, degvielas, dažiem pretkožu līdzekļiem u. c., vai vietās, kur ir ugunsnedroši putekļi.
21. **Nelietojiet šo vai citas ierīces, ja esat narkotisko vielu vai alkohola ietekmē.**
22. **Atkarībā no apkārtējās darba vides lietojiet aizsargaprīkojumu, piemēram, sejas masku.**
23. **Šo mašīnu nav paredzēts izmantot personām (tostarp bērniem) ar samazinātām fiziskām, maņu vai garīgām spējām vai personām bez pieredzes un zināšanām.**
24. **Neatstājiet mazus bērnus bez uzraudzības, lai nepieļautu, ka viņi spēlējas ar putekļsūcēju.**
25. **Neņemiet akumulatoru(-us) vai putekļsūcēju ar mitrām rokām.**
26. **Īpaši uzmanieties, ņemot uz kāpnēm.**
27. **Vienmēr stingri stāviet uz droša pamata, saglabājot līdzsvaru.**
28. **Neizmantojiet putekļsūcēju kā pakāpienu vai darbagaldū. Mašīna var nokrist un radīt traumas.**
29. **Gādājiet, lai ķermeņa daļas un apģērbs nesa-skartos ar atverēm un kustīgām daļām, piemēram, rotējošu birstes rullīti. Pretējā gadījumā tie var iekerties ierīcē, radot miesas bojājumus.**

Bezvada darbarīka lietošana un apkope

1. **Uzlādei izmantojiet tikai ražotāja norādītos lādētājus.** Vienam akumulatoru tipam paredzēta uzlādētāja izmantošana cita tipa akumulatoru uzlādei var radīt aizdegšanās bīstamību.
2. **Izmantojiet mehanizētos darbarīkus tikai ar paredzētajiem akumulatoriem.** Jebkura cita tipa akumulatoru izmantošana var radīt traumu un aizdegšanās bīstamību.
3. **Kamēr akumulators netiek izmantots, neturiet to blakus metāla priekšmetiem, piemēram, saspraudēm, monētām, atslēgām, naglām, skrūvēm un citiem nelieliem metāla priekšmetiem, kas var savienot izvadus.** Akumulatora spaiļu īssavienojums var izraisīt apdegumus vai aizdegšanos.

4. **Nepareizas lietošanas gadījumā no akumulatora var izteciēt šķidrums, nepieskarieties tam.** Ja nejausi pieskārties šķidrumam, noskalojiet skarto vietu ar ūdeni. Ja šķidrums nokļūst acīs, papildus iepriekš minētajam, vērsieties pie ārsta. No akumulatora izteciējušais šķidrums var izraisīt kairinājumu vai apdegumus.
5. **Ja akumulatora bloks vai darbarīks ir bojāts vai pārveidots, nelietojiet to.** Bojāti vai pārveidoti akumulatori var darboties nepareizi, izraisot aizdegšanos, sprādzienu vai traumu.
6. **Akumulatora bloku un darbarīku nepakļaujiet uguns un pārmērīgi augstas temperatūras ietekmei.** Ja akumulatora bloks vai darbarīks tiek pakļauts uguns vai par 130 °C augstākas temperatūras iedarbībai, var notikt sprādziens.
7. **Izpildiet visus uzlādes norādījumus un neuzlādējiet akumulatora bloku ārpus norādītajos noteiktā temperatūras diapazona.** Nepareiza uzlāde vai temperatūra, kas ir ārpus noteiktā diapazona, var sabojāt akumulatoru un palielināt aizdegšanās draudus.

SAGLABĀJIET ŠOS NORĀDĪJUMUS.

▲BRĪDINĀJUMS: NEPIEĻAUJIET to, ka labu iemaņu vai izstrādājuma labas pārzināšanas (darbarīku atkārtoti ekspluatējot) rezultātā vairs stingri neievērojot šī izstrādājuma drošības noteikumus. **NEPAREIZI LIETOJOT** darbarīku vai neievērojot šajā instrukcijā rokasgrāmatā minētos drošības noteikumus, var tikt gūtas smagas traumas.

Svarīgi drošības norādījumi par akumulatora kasetni

1. **Pirms akumulatora lietošanas izlasiet visus norādījumus un brīdinājumus, kuri attiecas uz (1) akumulatora lādētāju, (2) akumulatoru un (3) ierīci, kurā tiek izmantots akumulators.**
 2. **Akumulatora kasetni nedrīkst ne pārveidot, ne izjaukt.** Citādi var tikt izraisīta aizdegšanās, pārmērīgs karstums vai sprādziens.
 3. **Ja akumulatora darbības laiks kļūva ievērojami īsāks, nekavējoties pārtrauciet to izmantot.** Citādi, tas var izraisīt pārkarsējumu, uzliesmojumu vai pat sprādzienu.
 4. **Ja elektrolīts nonāk acīs, izskalojiet tās ar tīru ūdeni un nekavējoties griezieties pie ārsta.** Tas var izraisīt redzes zaudēšanu.
 5. **Neradiet īssavienojumu akumulatora kasetnē:**
 - (1) **Nepieskarieties spaiļiem ar elektrību vadošiem materiāliem.**
 - (2) **Neuzglabājiet akumulatoru kasetni kopā ar citiem metāla priekšmetiem, tādiem kā naglas, monētas u. c.**
 - (3) **Nepakļaujiet akumulatora kasetni ūdens vai lietus iedarbībai.**
- Akumulatora īssavienojums var radīt spēcīgu strāvas plūsmu, pārkaršanu, uzliesmojumu un pat sabojāt akumulatoru.

6. **Neglabājiet un neizmantojiet darbarīku un akumulatora kasetni vietās, kur temperatūra var sasniegt vai pārsniegt 50 °C (122 °F).**
7. **Nededziniet akumulatora kasetni, pat ja tā ir stipri bojāta vai pilnībā nolietota. Akumulatora kasetne ugunī var eksplodēt.**
8. **Akumulatora kasetni nedrīkst naglot, griezt, saspīest, mest vai nomet, kā arī pa to nedrīkst sist ar cietu priekšmetu. Šādas darbības var izraisīt aizdegšanos, pārmērīgu karstumu vai sprādzieni.**
9. **Neizmantojiet bojātu akumulatoru.**
10. **Uz izmantotajiem litija jonu akumulatoriem attiecas likumdošanas prasības par bīstamiem izstrādājumiem.**
Komerציālā transportēšanā, ko veic, piemēram, trešās puses, transporta uzņēmumi, jāievēro uz iesaiņojuma un marķējuma norādītās īpašās prasības. Lai izstrādājumu sagatavotu nosūtīšanai, jāsaazinās ar bīstamo materiālu speciālistu. Ievērojiet arī citus attiecināmos valsts normatīvus. Valējus kontaktus nosedziet ar līmlenti vai citādi pārklājiet, bet akumulatoru iesaiņojiet tā, lai sainītas nevarētu izkustēties.
11. **Lai utilizētu akumulatora kasetni, izņemiet to no darbarīka un likvidējiet drošā vietā. Ievērojiet vietējos noteikumus par akumulatora likvidēšanu.**
12. **Izmantojiet šos akumulatorus tikai ar izstrādājumiem, kurus norādījis Makita. Ievietojot šos akumulatorus nesaderīgos izstrādājumos, var rasties ugunsgrēks, pārmērīgs karstums, tie var uzsprāgt vai no tiem var izteciēt elektrolīti.**
13. **Ja darbarīks netiks lietots ilgu laiku, no tā jāizņem akumulators.**
14. **Lietošanas laikā vai pēc tās akumulatora kasetne var uzkrāt siltumu, kas var izraisīt apdegumus vai zemas temperatūras apdegumus. Ar karstu akumulatora kasetni apieties rūpīgi.**
15. **Nepieskarieties darbarīka izvadam uzreiz pēc lietošanas, jo tas var būt sakarsis un izraisīt apdegumus.**
16. **Neļaujiet akumulatora kasetnes izvadā, atvērēs un rievās uzkrāties skaidām, putekļiem vai augsnei. Tādējādi darbarīks vai akumulatora kasetne var sākt darboties nekvalitatīvi vai tikt sabojāti.**
17. **Neizmantojiet akumulatora kasetni augstsprieguma līniju tuvumā, izņemot gadījumus, kad darbarīks ir piemērots lietošanai augstsprieguma līniju tuvumā. Citādi darbarīks vai akumulatora kasetne var sākt darboties nepareizi vai tikt sabojāti.**
18. **Glabājiet akumulatoru bērniem nepieejamā vietā.**

SAGLABĀJIET ŠOS NORĀDĪJUMUS.

▲UZMANĪBU: Lietojiet tikai oriģinālos Makita akumulatorus. Ja lietojat neoriģinālus Makita akumulatorus vai pārveidotus akumulatorus, tie var uzsprāgt un izraisīt aizdegšanos, traumas un materiālos zaudējumus. Tīks anulēta arī Makita darbarīka un lādētāja garantija.

Ieteikumi akumulatora kalpošanas laika pagarināšanai

1. **Uzlādējiet akumulatora kasetni, pirms tā ir pilnībā izlādējusies. Vienmēr, kad ievērojāt, ka darbarīka darba jauda zudusi, apturiet darbarīku un uzlādējiet akumulatora kasetni.**
2. **Nekad neuzlādējiet pilnībā uzlādētu akumulatora kasetni. Pārmērīga uzlāde saīsina akumulatora kalpošanas laiku.**
3. **Uzlādējiet akumulatora kasetni istabas temperatūrā 10 °C - 40 °C. Karstai akumulatora kasetnei pirms uzlādes ļaujiet atdzist.**
4. **Kad akumulatora kasetne netiek izmantota, izņemiet to no darbarīka vai lādētāja.**
5. **Uzlādējiet litija jonu akumulatora kasetni, ja to ilgstoši nelietosit (vairāk nekā sešus mēnešus).**

DETAĻU APRAKSTS

► Att.1

1	Rokturis	2	Slēdža plāksne	3	Caurulveida rokturis	4	Šūtene
5	Indikāciju panelis	6	Svira (puteķļu nodalījuma pārsegam)	7	Puteķļu nodalījuma pārsegs	8	Pārmēsāšanas rokturis
9	Fiksators (akumulatora pārsegam)	10	Regulēšanas svira	11	Akumulatora pārsegs	12	Stūru uzgalis
13	Apaļā suka	14	Kājas svira	15	Riteniši	16	Sānu suka
17	Iesūkšanas šūtene	18	Savienojums	19	Alumīnija caurule	20	Caurules turētājs
21	LED gaisma	22	Birstes rullītis	23	Apakšējā plāksne	24	Ieslēgšanas / režīma maiņas poga
25	Izslēgšanas poga	26	Darbības režīma indikators	27	Pārsniegta puteķļu līmeņa indikators	28	Birstes rullīša kļūdas indikators
29	Atlikušās akumulatora jaudas indikators	30	Akumulatora pārbaudes / LED gaismas poga	-	-	-	-

MONTĀŽA

⚠UZMANĪBU: Pirms jebkādu ierīces apkopes vai līdzīgu darbu veikšanas vienmēr pārliecinieties, ka tā ir izslēgta un akumulatora kasetne ir izņemta.

⚠UZMANĪBU: Ierīces salikšanas vai apkopes laikā vienmēr lietojiet putekļu masku.

Roktura pievienošana

1. Roktura stieni līdz galam ievietojiet putekļsūcējā, kā tas norādīts attēlā.
 2. Aizveriet fiksatoru.
- ▶ **Att.2:** 1. Roktura stienis 2. Sarkanā atzīme 3. Fiksators

IEVĒRĪBAI: Iebīdīet rokturi līdz galam, līdz sarkanā atzīme vairs nav redzama.

Šļūtenes pievienošana

Ievietojiet šļūteni tai paredzētajā pievienošanas vietā un pagrieziet šļūteni, līdz tā nofiksējas.

▶ **Att.3**

Caurules pievienošana

Ievietojiet alumīnija caurules galu savienojumā, pēc tam piestipriniet alumīnija cauruli pie caurules turētāja.

▶ **Att.4:** 1. Savienojums 2. Caurules turētājs

IEVĒRĪBAI: Ievietojiet alumīnija cauruli pareizā virzienā, kā norādīts attēlā. Pretējā gadījumā caurules turētājs nebūs nofiksēts un alumīnija caurule var atvienoties.

▶ **Att.5**

Akumulatora kasetnes uzstādīšana un izņemšana

⚠UZMANĪBU: Vienmēr pirms akumulatora kasetnes uzstādīšanas vai izņemšanas izslēdziet ierīci.

⚠UZMANĪBU: Uzstādot vai izņemot akumulatora kasetni, ierīci un akumulatora kasetni turiet cieši. Ja ierīci un akumulatora kasetni netur cieši, tās var izkrist no rokām un radīt bojājumus ierīcei un akumulatora kasetnei, kā arī izraisīt ievainojumus.

⚠UZMANĪBU: Atverot vai aizverot akumulatora pārsegu, uzmanieties, lai nefiksētu pirkstus. Neievērojot šo norādījumu, ir iespējami savainojumi.

Lai uzstādītu akumulatora kasetni, vispirms atbrīvojiet fiksatoru un tad atveriet akumulatora pārsegu. Pēc tam ievietojiet akumulatora kasetni.

▶ **Att.6:** 1. Fiksators 2. Akumulatora pārsegs

Savietojiet akumulatora kasetnes mēlīti ar rievu korpusā un iebīdīet to vietā. Ievietojiet to līdz galam, līdz tā ar klikšķi nofiksējas. Nofiksējiet akumulatora pārsegu.

▶ **Att.7:** 1. Akumulatora kasetne 2. Poga

Lai izņemtu akumulatora kasetni, izvelciet to no ierīces, pabīdot pogu kasetnes priekšpusē.

⚠UZMANĪBU: Akumulatora kasetni vienmēr uzstādiet pilnībā. Pretējā gadījumā tā var nejauši izkrist no ierīces un savainot jūs vai apkārtējos.

⚠UZMANĪBU: Neievietojiet akumulatora kasetni ar spēku. Ja kasetne neslīd ietvarā viegli, tā nav pareizi ielikta.

PIEZĪME: Putekļsūcējs nedarbojas ar vienu akumulatora kasetni.

Filtra maisa uzstādīšana

⚠UZMANĪBU: Nelietojiet bojātu filtra maisu. Izmantojiet putekļsūcēju tikai ar pareizi uzstādītu filtra maisu. Citādi iesūktie putekļi vai citas daļiņas var tikt izpūstas no putekļsūcēja un izraisīt operatora elpceļu slimības.

Pirms putekļsūcēja lietošanas uzstādiet filtra maisu. Filtra maiss ir vienreiz lietojams. Kad filtra maiss ir pilns, izmetiet to neiztukšotu.

IEVĒRĪBAI: Ja filtra maiss ir pilns vai aizsērējis, nomainiet to pret jaunu. Nepārtraukta putekļsūcēja lietošana ar pilnu vai aizsērējušu filtra maisu samazina sūkšanas jaudu.

IEVĒRĪBAI: Lai putekļi neieklūtu motorā, rīkojieties pēc šiem norādījumiem.

— Pirms lietošanas pārliecinieties, ka ir uzstādīts filtra maiss.

— Nelietojiet bojātu vai saplēstu filtra maisu.

Lietojot bojātu maisu, var sabojāt motoru.


IEVĒRĪBAI: Uzstādot filtra maisu, nesalokiet kartonu pie tā atveres.

IEVĒRĪBAI: Filtra maiss ir svarīga detaļa putekļsūcēja optimālas darbības nodrošināšanai. Cita ražojuma filtra maisa izmantošana var izraisīt dūmošanu vai aizdegšanos.

PIEZĪME: Ja ierīcē nav ievietots filtra maiss, nevar pilnībā aizvērt putekļu nodalījuma pārsegu.

1. Atbloķējiet sviru un atveriet putekļu nodalījuma pārsegu.

▶ **Att.8:** 1. Svira 2. Putekļu nodalījuma pārsegs

2. Ievietojiet filtra maisu turētāja atverē tā, lai pirmā tiku ievietota puse ar atzīmi .

3. Pieāķējiet pie turētāja fiksatora.

▶ **Att.9:** 1. Atvere 2. Filtra maiss 3. Turētājs 4. Fiksators

4. Pārliecinieties, ka caur turētāja spraugu ir redzama tikai uz filtra maisa kartona esošā atzīme.

▶ **Att.10:** 1. Atzīme 2. Sprauga

5. Pienācīgi nofiksējiet putekļu nodalījuma pārsegu.

⚠UZMANĪBU: Pieāķējot filtra maisu pie fiksatora vai aizverot putekļu nodalījuma pārsegu, uzmanieties, lai neiespiestu pirkstus.

Filtra maisa izņemšana

⚠ UZMANĪBU: Apejieties ar filtra maisu uzmanīgi. Pretējā gadījumā acīs var tikt iepūsti svešķermeņi, tādējādi radot traumas.

Ja filtra maisis ir pilns vai aizsērējis, nomainiet to. Atveriet putekļu nodalījuma pārsegu un fiksatoru, pēc tam izņemiet filtra maisu.

Pavelciet strēmelīti atveres sānā, lai noslēgtu filtra maisu un izņemtu to ar visu saturu.

► **Att.11:** 1. Fiksators 2. Strēmelīte

IEVĒRĪBAI: Neizmantojiet lietotu filtra maisu.

Filtra maisu paredzēts lietot vienu reizi. Ja filtra maisis tiek izmantots atkārtoti, filtrs var aizsērēt un sabojāt putekļu sūcēju. Ja vēlaties izmantot maisu atkārtoti, lietojiet putekļu maisu.

FUNKCIJU APRAKSTS

⚠ UZMANĪBU: Pirms ierīces regulēšanas vai darbības pārbaudes vienmēr pārliecinieties, ka ierīce ir izslēgta un akumulatora kasetne ir izņemta.

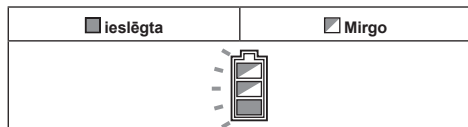
Darbarīka/akumulatora aizsardzības sistēma

Darbarīkam ir darbarīka/akumulatora aizsardzības sistēma. Šī sistēma automātiski izslēdz strāvas padevi motoram, lai pagarinātu darbarīka un akumulatora darbību. Lietošanas laikā darbarīks automātiski pārstās darboties, ja darbarīku vai akumulatoru pakļaus kādam no šādiem apstākļiem.

Aizsardzība pret pārslodzi

Ja darbarīku ekspluatācijas laikā lieto tādā veidā, ka tas saista pārmērīgu strāvu, darbarīks automātiski pārstāj darboties bez jebkādam norādēm. Šādā gadījumā izslēdziet darbarīku un pārtrauciet darbību, kas izraisīja darbarīka pārslodzi. Tad ieslēdziet darbarīku, lai atsāktu darbu.

Aizsardzība pret pārkaršanu



Kad darbarīks ir pārkaršis, tas automātiski pārstāj darboties, un apmēram 60 sekundes mirgo akumulatora indikators. Šādā gadījumā ļaujiet darbarīkam atdzist, pirms atkārtotas darbarīka ieslēgšanas.

Aizsardzība pret akumulatora pārmērīgu izlādi

Kad akumulatora jauda ir zema, darbarīks automātiski pārstāj darboties. Ja darbarīks nedarbojas, pat ieslēdzot slēdžus, no darbarīka izņemiet akumulatoru un veiciet akumulatoram uzlādi.

Atlikušās akumulatora jaudas indikators

Tikai akumulatora kasetnēm ar indikatoru

► **Att.12:** 1. Indikatora lampas 2. Pārbaudes poga

Nospiediet akumulatora kasetnes pārbaudes pogu, lai pārbaudītu akumulatora atlikušo uzlādes līmeni. Indikatoru iedegsies uz dažām sekundēm.

Indikatora lampas			Atlikusī jauda
Iededzies	Izslēgts	Mirgo	
■ ■ ■ ■			No 75% līdz 100%
■ ■ ■ □			No 50% līdz 75%
■ ■ □ □			No 25% līdz 50%
■ □ □ □			No 0% līdz 25%
▬ □ □ □			Uzlādējiet akumulatoru.
■ ■ □ □		↑ ↓	Iespējama akumulatora kļūme.

PIEZĪME: Reālā jauda var nedaudz atšķirties no norādītās atkarībā no lietošanas apstākļiem un apkārtējās temperatūras.

PIEZĪME: Akumulatora aizsardzības sistēmas darbības laikā mirgo pirmais (kreisais malējais) indikators.

Indikāciju panelis

► **Att.13:** 1. Darbības režīms 2. Pārsniegts putekļu līmenis 3. Birstes rullīša kļūda 4. Atlikusī akumulatora jauda 5. Akumulatora pārbaudes / LED gaismas poga

Darbības režīms

Lai mainītu darbības režīmu, skatiet sadaļu par slēdžu darbību.

Pārsniegts putekļu līmenis

Ja iedegas šis indikators, nomainiet filtra maisu. (Skatiet sadaļu par filtra maisa izņemšanu.)

PIEZĪME: Indikators nedarbojas, ja ierīce tiek darbināta zema skaņas līmeņa režīmā (1).

PIEZĪME: Atkarībā no apkārtējās darba vides šis indikators var nedarboties.

Birstes rullīša kļūda







Mirgo	Kāda iemesla dēļ birstes rullītis ir pakļauts lielai slodzei.
Deg	Neparedzama iemesla dēļ birstes rullītis ir apstājies.

⚠ BRĪDINĀJUMS: Nekavējoties izslēdziet ierīci, ja darbības laikā iedegas šī lampiņa. Pretējā gadījumā tas var novest pie nepareizas motora darbības un aizdegšanās.

Atlikusī akumulatora jauda

Darbības laikā nospiediet akumulatora pārbaudes / LED gaismas pogu, lai pārbaudītu atlikušo akumulatora jaudu. Akumulatora indikatori atbilst katram attiecīgajam akumulatoram.

► Att.14

Akumulatora indikatora stāvoklis			Atlikusī akumulatora jauda
Izslēgts	Izslēgts	Mirgo	
			No 50% līdz 100%
			No 20% līdz 50%
			No 0% līdz 20%
			Akumulatora uzlāde

Akumulatora pārbaudes / LED gaismas poga

Lietošanas laikā var veikt tālāk norādītās darbības.

- Nospiediet pogu, lai pārbaudītu atlikušo akumulatora jaudu.
- Nospiediet un turiet nospiektu pogu, lai ieslēgtu/izslēgtu LED gaismu.

Slēdža darbība

- Att.15: 1. Ieslēgšanas / režīma maiņas poga
2. Izslēgšanas poga

Ierīces ieslēgšana/izslēgšana

Lai ieslēgtu ierīci, nospiediet ieslēgšanas / režīma maiņas pogu. Lai izslēgtu ierīci, nospiediet izslēgšanas pogu.

⚠UZMANĪBU: Vienmēr pirms ierīces ieslēgšanas, novietojiet ierīces galvu uz zemes. Pretējā gadījumā pastāv sapīšanās risks un var rasties traumas.

Darbības režīma maiņa

Darbības režīmu var mainīt trīs līmeņos: zems skaņas līmenis (1), normāls (2) un augsts (3). Ja vēlaties nomainīt darbības režīmu, ierīces lietošanas laikā nospiediet ieslēgšanas / režīma maiņas pogu. Darbības režīmi mainās šādā secībā: zems skaņas līmenis (1), normāls (2) un augsts (3). Ierīce sāks darboties tādā pašā režīmā, kāds bija izvēlēts iepriekšējā lietošanas reizē.

LED gaismas ieslēgšana

⚠UZMANĪBU: Neskatieties gaismā, neļaujiet tās avotam iespīdēt acīs.

Ierīce ir aprīkota ar LED lampām.

Skatiet sadaļu par akumulatora pārbaudes / LED gaismas pogas darbību.

► Att.16: 1. LED gaismas

Kājas svira

⚠UZMANĪBU: Pirms roktura atlaišanas vienmēr nofiksējiet ierīci vertikālā stāvoklī. Pretējā gadījumā ierīce var nejausi nokrist un izraisīt traumu.

⚠UZMANĪBU: Uzmanieties, lai neiespiestu pirkstus starp ierīces galveno korpusu un galvu.

Lai atbloķētu ierīces vertikālo pozīciju, uzkāpiet uz kājas sviras un pavelciet rokturi atpakaļ.

Kustības diapazons ir 90 grādi no vertikālās pozīcijas.

► Att.17: 1. Kājas svira

Lai nofiksētu ierīci vertikālā pozīcijā, celiet rokturi uz augšu, līdz kājas svira ar klikšķi nofiksējas pozīcijā.

► Att.18

PIEZĪME: Kamēr ierīce atrodas vertikālā pozīcijā, birstes rullītis pārstāj griezties.

Birstes rullīša augstuma regulēšana

⚠UZMANĪBU: Pirms darba uzsākšanas pārbaudiet, vai regulēšanas svira pareizi nofiksējas pozīcijā.

Birstes rullīša augstumu var regulēt 4 līmeņos.

Pagrieziet regulēšanas sviru atbilstoši vēlamajam augstumam. Kad regulēšanas svira norāda uz atzīmi A, birstes rullītis atrodas zemākajā punktā virs grīdas un ir piemērots cieta seguma grīdu un gludu paklāju tīrīšanai. Kad regulēšanas svira norāda uz atzīmi B, birstes rullītis atrodas augstākajā punktā virs grīdas un ir piemērots garu plūksnu paklāju tīrīšanai.

► Att.19: 1. Regulēšanas svira

PIEZĪME: Birstes rullītis var negriezties, ja tā augstums ir noregulēts pārāk zemu attiecībā pret paklāja virsmu.

Pārnēsāšanas rokturis

Kad pārvietojat ierīci, stumiet to tikai uz ritenīšiem, vai nesiet ierīci, turot to aiz nešanas roktura(-iem).

► Att.20

⚠UZMANĪBU: Pirms nešanas nofiksējiet ierīci vertikālā pozīcijā. Pretējā gadījumā tā var nejausi nokrist.

⚠UZMANĪBU: Pārnēsājot ierīci, turiet to tikai aiz nešanas roktura, nevis citām ierīces daļām. Pretējā gadījumā ierīce var nejausi nokrist vai ieslēgties, radot traumas.

► Att.21

EKSPLUATĀCIJA

⚠UZMANĪBU: Eksploatācijas laikā neizvelciet roktura stieni no ierīces. Tādējādi var tikt zaudēta vadība pār ierīci un radītas nopietnas traumas.

⚠UZMANĪBU: Lietošanas laikā nenovietojiet roku vai kāju zem ierīces. Pretējā gadījumā tā var tikt nejauši iespiesta.

Parasta tīrīšanas darbība

1. Turiet rokturi un atbloķējiet ierīces vertikālo pozīciju.
 2. Ieslēdziet ierīci. Izfīriert grīdu.
- **Att.22**

Sānu sukas lietošana

Sānu suka ir noderīga sienu stūru iztīrīšanai. Ja sānu suka palikusi par īsu, nogādājiet ierīci Makita apkopes centrā, lai suku nomainītu.

► **Att.23:** 1. Sānu suka

Lietošana ar papildaprīkojumu

⚠UZMANĪBU: Izmantojot papildaprīkojumu, neatļaidiet ierīces rokturi. Pretējā gadījumā ierīce var nejauši nokrist un izraisīt traumu.

IEVĒRĪBAI: Izmantojot papildaprīkojumu, nofiksējiet ierīci vertikālā pozīcijā. Pretējā gadījumā birstes rullītis var radīt grīdas bojājumus.

Alumīnija caurules izmantošana

Alumīnija caurule ir piemērota grūti aizsniedzamām un augstām vietām.

► **Att.24:** 1. Alumīnija caurule

Šļūtenes izmantošana

Šļūtene ir piemērota tīrīšanai roku attālumā aizsniedzamām vietām.

► **Att.25:** 1. Šļūtene

Lai izmantotu šļūteni, noņemiet alumīnija cauruli no šļūtenes, nospiežot sviru.

Lai uzstādītu šļūteni atpakaļ, ievietojiet to alumīnija caurulē, līdz tā ar klikšķi nofiksējas.

► **Att.26:** 1. Svira

Palīgierīču izmantošana

► **Att.27**

Lai uzstādītu palīgierīci, pagrieziet un stingri ievietojiet to alumīnija caurulē vai šļūtenē. Lai atvienotu cauruli, pagrieziet un noņemiet to.

APKOPE

⚠UZMANĪBU: Pirms ierīces pārbaudes vai apkopes vienmēr pārļiecinieties, ka tā ir izslēgta un akumulatora kasetne ir izņemta.

IEVĒRĪBAI: Nekad neizmantojiet gāzoliņu, benzīnu, atšķaidītāju, spirtu vai līdzīgus šķidrumus. Tas var radīt izbalēšanu, deformāciju vai plaisas.

Lai saglabātu izstrādājuma DROŠU un UZTICAMU darbību, remontdarbus, apkopi un regulēšanu uzticiet veikt tikai Makita pilnvarotam vai rūpnīcas apkopes centram, un vienmēr izmantojiet tikai Makita rezerves daļas.

Uzglabāšana

Uzglabājot ierīci, izņemiet akumulatora kasetnes un novietojiet ierīci uz līdzenas virsmas vertikālā pozīcijā.

► **Att.28**

Ierīces korpusa tīrīšana

Tīrītāja ārpusi (korpusu) ik pa laikam notīriet ar ziepju ūdeni samitrinātu drānu.

► **Att.29**

HEPA filtra tīrīšana

⚠UZMANĪBU: Nelietojiet putekļsūcēju bez filtra vai neturpiniet to lietot, ja filtrs ir netīrs vai bojāts. Iesūktie putekļi vai citas daļiņas var tikt izpūstas no putekļsūcēja un izraisīt elpceļu slimības ierīces lietotājam.

IEVĒRĪBAI: Lai uzturētu optimālu iesūces jaudu un izpūstais gaiss būtu tīrs, regulāri tīriet filtru. Ja pietiekama iesūces jauda netiek panākta arī pēc filtra tīrīšanas, uzstādiet jaunu filtru.

IEVĒRĪBAI: Lai nesabojātu filtru, tīrīšanai nelietojiet tālāk norādītos darbarīkus vai līdzīgus instrumentus.

- Gaisa pūtējs
- Augstspiediena mazgāšanas ierīce
- Cieta materiāla darbarīki, piemēram, metāla suka

1. Atveriet putekļu nodalījuma pārsegu un izņemiet filtra maisu.

Atbloķējiet filtra āķus un izņemiet filtru no ierīces korpusa.

► **Att.30:** 1. Āķis

2. Izkratiet putekļus no filtra. Filtru var mazgāt ar ūdeni. Izskalojiet filtrā esošos putekļus un citas daļiņas ik pēc mēneša vai diviem. Pēc tam pilnībā izžāvējiet filtru ēnainā, labi vēdināmā vietā, lai nepieļautu nepatīkama smārda rašanos vai darbības kļūmes.

3. Lai uzstādītu filtru, rievā ievietojiet to pusi, kas ir bez āķiem, un tad spiediet filtru, līdz āķi dzirdami nofiksējas.

► **Att.31:** 1. Rieva 2. HEPA filtrs 3. Āķis

Birstes rullīša tīrīšana

1. Noņemiet apakšējo plāksni un pēc tam izņemiet birstes rullīti.

Ja birstes rullīša sariņi kļūst par īsu, vērsieties Makita apkopes centrā, lai saņemtu jaunu rullīti.

Darbinot ierīci ar pārāk īsiem birstes rullīša sariņiem, putekļi netiks pienācīgi savākti.

► **Att.32:** 1. Apakšējā plāksne 2. Birstes rullītis

2. Noņemiet diegus un matus no birstes rullīša, izmantojot šķēres.

Noņemiet vāciņu un iztīriet netīrumus.

► **Att.33:** 1. Uzmava

3. Pretējā secībā uzstādiat atpakaļ vāciņu, birstes rullīti un apakšējo plāksni.

► **Att.34**

⚠ UZMANĪBU: Pienācīgi uzstādiat apakšējo plāksni. Ja ierīce tiek darbināta bez apakšējās plāksnes, birstes rullītis var atdalīties un radīt traumas.

IEVĒRĪBAI: Vienmēr uzstādiat birstes rullīti. Darbinot ierīci bez birstes rullīša, putekļi netiks pienācīgi savākti.

Kā iztīrīt nosprostojumu

IEVĒRĪBAI: Nedarbiniet ierīci, ja ienākošās plūsmas ceļš ir nosprostots. Putekļsūcēja ilgstoša lietošana ar nosprostotu ienākošās plūsmas ceļu samazina sūkšanas jaudu.

1. Noņemiet apakšējo plāksni un pēc tam izņemiet birstes rullīti.

2. Izņemiet alumīnija cauruli no ierīces un noņemiet to no šļūtenes.

3. Pagrieziet šļūteni pretēji pulksteņa rādītāja virzienam un noņemiet to no ierīces.

4. Noņemiet iesūkšanas šļūteni, velkot aiz izciļņa.

► **Att.35:** 1. Iesūkšanas šļūtene 2. Izciļnis

5. Pārbaudiet ienākošās gaisa plūsmas ceļu alumīnija caurulē, šļūtenē un iesūkšanas šļūtenē.

Iztīriet netīrumus no šīm daļām.

6. Savietojiet iesūkšanas šļūtenes mēlīti ar rievu korpusā un iebīdi to vietā.

► **Att.36:** 1. Mēlīte 2. Rieva

7. Uzstādiat šļūteni, alumīnija cauruli, birstes rullīti un apakšējo plāksni.

⚠ UZMANĪBU: Stingri uzstādiat šļūteni un cauruli. Pretējā gadījumā var rasties putekļu noplūde, tādējādi izraisot traumas.

PROBLĒMU NOVĒRŠANA

Pirms vienošanās par remontu vispirms veiciet savu pārbaudi. Ja konstatējat problēmu, kas rokasgrāmatā nav aprakstīta, nemēģiniet izjaukt darbarīku. Tā vietā vērsieties Makita pilnvarotā servisa centrā un remontam vienmēr izmantojiet tikai Makita rezerves daļas.

Pazīme	Iespējamais cēlonis	Risinājums
Nedarbojas	Akumulatora kasetnes nav uzstādītas pareizi.	Uzstādiēt akumulatora kasetnes atbilstoši šīs rokasgrāmatas norādījumiem.
	Akumulatora kasetnes ir tukšas.	Uzlādējiet akumulatora kasetnes.
	Rokturis ir uzstādīts nepareizi.	Stingri uzstādiēt rokturi atbilstoši šīs rokasgrāmatas norādījumiem.
Birstes rullītis negriežas.	Ierīce ir nofiksēta vertikālā pozīcijā.	Atbloķējiet ierīces vertikālo pozīciju.
	Mirgo birstes rullīša kļūdas indikators.	Pārbaudiet, vai birstes rullītī (korpusā, vāciņā un savienojumā) nav iekērušies netīrumi.
Maza iesūkšanas jauda	Mirgo pārsniegta putekļu līmeņa indikators.	Nomainiet filtra maisu.
	⇨Ja filtra maisa nomaiņa neatrisina problēmu...	Iztīriet vai nomainiet HEPA filtru.
	Birstes rullītī ir sapinušies netīrumi, kā rezultātā ir samazinājies griešanās ātrums.	Pārbaudiet, vai birstes rullītī (korpusā, vāciņā, savienojumā) nav iekērušies netīrumi.
	Birstes rullītis atrodas pārāk augstu no grīdas.	Nolaidiet birstes rullīti zemāk.
	Birstes rullīša sariņi ir pārāk Tsi.	Nomainiet birstes rullīti. Nolaidiet birstes rullīti zemāk.
	Ierīce darbojas zemākajā režīmā.	Nomainiet uz augstāku darbības režīmu.
	Birstes rullītis nav uzstādīts.	Uzstādiēt birstes rullīti.
	Caurule vai šļūtene nav uzstādīta pareizi.	Stingri uzstādiēt cauruli vai šļūteni.
Skaļš ierīces darbības trokšnis	Ierīce darbojas augstākajā režīmā.	Nomainiet uz zemāku darbības režīmu.
	Birstes rullītī ir sapinušies netīrumi.	Pārbaudiet, vai birstes rullītī (korpusā, vāciņā un savienojumā) nav iekērušies netīrumi.
	Filtera maiss ir piepildīts ar putekļiem.	Nomainiet filtra maisu.
	⇨Ja filtra maisa nomaiņa neatrisina problēmu...	Iztīriet vai nomainiet HEPA filtru. Pārbaudiet, vai netīrumi nav aizsprostojuši šļūteni un cauruli.
Pēc īsas ierīces darbināšanas mirgo filtra maisa pārsniegta putekļu līmeņa indikators.	Filtera maiss ir salocīts.	Pirms uzstādīšanas atlokiet filtra maisa atveri.
LED gaisma neiedegas.	LED gaisma nav iestatīta.	Darbības laikā nospiediet un turiet nospiestu akumulatora pārbaudes / LED gaismas pogu, lai ieslēgtu LED gaismu.
Ierīces ritenīti ir grūti izkustināt.	Ierīces ritenītī ir sapinušies netīrumi.	Iztīriet netīrumus no ierīces ritenīša.

PAPILDU PIEDERUMI

⚠UZMANĪBU: Šādi piederumi un papildierīces tiek ieteiktas lietošanai ar šajā rokasgrāmatā aprakstīto Makita darbarīku. Izmantojot citus piederumus vai papildierīces, var tikt radīta traumu gūšanas bīstamība. Piederumu vai papildierīci izmantojiet tikai paredzētajam mērķim.

Ja jums vajadzīga palīdzība vai precīzāka informācija par šiem piederumiem, vērsieties savā tuvākajā Makita apkopes centrā.

- Stūru uzgalis
- Apaļā suka

- HEPA filtrs
- Filtra maiss
- Makita oriģinālais akumulators un lādētājs

PIEZĪME: Daži sarakstā norādītie izstrādājumi var būt iekļauti instrumenta komplektācijā kā standarta piederumi. Tie dažādās valstīs var būt atšķirīgi.

ĮSPĖJIMAS

Šis įrenginys nėra skirtas naudoti asmenims (įskaitant vaikus), turintiems fizinių, jutimo ar dvasios negalių arba stokojantiems patirties ir žinių.

Būtina prižiūrėti vaikus, kad jie nežaistų su įrenginiu.

SPECIFIKACIJOS

Modelis:	DVC560
Didžiausias oro tūris*	1,9 m ³ /min
Siurbimas*	12 kPa
Pajėgumas	5 l
Matmenys (I x P x A)	326 mm x 318 mm x 1 146 mm
Vardinė įtampa	Nuol. sr. 36 V
Grynasis svoris	8,3–9,0 kg

* Vertė matuojama mūsų originaliu metodu.

- Atliekame tęstinius tyrimus ir nuolatos tobuliname savo gaminius, todėl čia pateikiamos specifikacijos gali būti keičiamos be įspėjimo.
- Įvairiose šalyse specifikacijos ir akumulatoriaus kasetė gali skirtis.
- Svoris nurodytas su priedais (apvaliu šepetėliu, kampiniu antgaliu) ir akumulatoriaus kasete (-ėmis). Mažiausias ir didžiausias prietaiso ir akumulatoriaus kasetės (-ių) svoriai nurodyti lentelėje.

Tinkama akumulatoriaus kasetė ir (arba) įkroviklis

Akumulatoriaus kasetė	BL1815N / BL1820 / BL1820B / BL1830 / BL1830B / BL1840 / BL1840B / BL1850 / BL1850B / BL1860B
Įkroviklis	DC18RC / DC18RD / DC18RE / DC18SD / DC18SE / DC18SF / DC18SH

- Atsižvelgiant į gyvenamosios vietos regioną, kai kurios pirmiau nurodytos akumulatoriaus kasetės ir įkrovikliai gali būti neprieinami.

▲ ĮSPĖJIMAS: Naudokite tik akumulatoriaus kasetes ir įkroviklius, kurie nurodyti anksčiau. Naudojant bet kurias kitas akumulatoriaus kasetes ir įkroviklius, gali kilti sužeidimo ir gaisro pavojus.

Simboliai

Toliau yra nurodyti simboliai, kurie gali būti naudojami įrangai. Prieš naudodami įsitikinkite, kad suprantate jų reikšmę.



Perskaitykite instrukcijų vadovą.



Būkite itin atsargūs ir dėmesingi.



Nurodymas tik ES šalims
Neišmeskite elektros įrangos arba akumulatoriaus bloko į buitinius šiukšlynus! Atsižvelgiant į ES direktyvas dėl elektros ir elektroninės įrangos atliekų, dėl baterijų ir akumuliatorių bei baterijų ir akumuliatorių atliekų ir šių direktyvų siekių įgyvendinimą pagal nacionalinius įstatymus, elektros įrangos ir baterijų bei akumuliatorių atliekas būtina surinkti atskirai nuo kitų buitinių atliekų ir atiduoti į antrinių žaliavų perdavimo aplinkai nekenksmingu būdu punktą.

Numatytoji naudojimo paskirtis

Šis prietaisas skirtas sausoms dulkėms surinkti. Šis prietaisas tinkamas komerciniam naudojimui, pavyzdžiui, viešbučiuose, mokyklose, ligoninėse, gamyklose, parduotuvėse, biuruose ir nuomos verslo įmonėse.

Triukšmas

Įprastas triukšmo A lygis, nustatytas pagal EN60335-2-69:

Garso slėgio lygis (L_{pA}): 70 dB (A) arba mažiau
Paklaida (K): 2,5 dB (A)

Dirbant triukšmo lygis gali viršyti 80 dB (A).

PASTABA: Paskelbta (-os) triukšmo reikšmė (-ės) nustatyta (-os) pagal standartinį testavimo metodą ir jį galima naudoti vienam įrankiui palyginti su kitu.

PASTABA: Paskelbta (-os) triukšmo reikšmė (-ės) taip pat gali būti naudojama (-os) norint preliminariai įvertinti triukšmo poveikį.

⚠️ ĮSPĖJIMAS: Dėvėkite ausų apsaugą.

⚠️ ĮSPĖJIMAS: Faktiškai naudojant elektrinį įrankį, keliamo triukšmo dydis gali skirtis nuo paskelbtos (-ų) reikšmės (-ių), priklausomai nuo būdų, kuriais yra naudojamas šis įrankis, ir ypač nuo to, kokio tipo ruošinys apdirbamas.

⚠️ ĮSPĖJIMAS: Siekdami apsaugoti operatorių, būtina įvertinkite saugos priemones, remdamiesi vibracijos poveikio įvertinimu esant faktinėms naudojimo sąlygoms (atsižvelgdami į visas darbo ciklo dalis, pavyzdžiui, ne tik kiek laiko įrankis veikia, bet ir kiek kartų jis yra išjungiamas bei kai jis veikia be apkrovų).

Vibracija

Vibracijos bendroji vertė (trიაšio vektorius suma) nustatyta pagal EN60335-2-69 standartą:

Vibracijos emisija ($a_{h,M}$): 2,5 m/s^2 arba mažiau
Paklaida (K): 1,5 m/s^2

PASTABA: Paskelbta (-os) vibracijos bendroji (-osios) reikšmė (-ės) nustatyta (-os) pagal standartinį testavimo metodą ir jį galima naudoti vienam įrankiui palyginti su kitu.

PASTABA: Paskelbta (-os) vibracijos bendroji (-osios) reikšmė (-ės) taip pat gali būti naudojama (-os) norint preliminariai įvertinti vibracijos poveikį.

⚠️ ĮSPĖJIMAS: Faktiškai naudojant elektrinį įrankį, keliamos vibracijos dydis gali skirtis nuo paskelbtos (-ų) reikšmės (-ių), priklausomai nuo būdų, kuriais yra naudojamas šis įrankis, ir ypač nuo to, kokio tipo ruošinys apdirbamas.

⚠️ ĮSPĖJIMAS: Siekdami apsaugoti operatorių, būtina įvertinkite saugos priemones, remdamiesi vibracijos poveikio įvertinimu esant faktinėms naudojimo sąlygoms (atsižvelgdami į visas darbo ciklo dalis, pavyzdžiui, ne tik kiek laiko įrankis veikia, bet ir kiek kartų jis yra išjungiamas bei kai jis veikia be apkrovų).

EB atitikties deklaracija

Tik Europos šalims

EB atitikties deklaracija yra pridedama kaip šio instrukcijų vadovo A priedas.

SAUGOS ĮSPĖJIMAI

Saugos įspėjimai dėl akumuliatorinio vakuuminio valymo įrenginio naudojimo

⚠️ ĮSPĖJIMAS: SVARBU: PRIEŠ PRADĖDAMI NAUDOTI, ATIDŽIAI PERSKAITYKITE visus saugos įspėjimus ir nurodymus. Nesilaikydami toliau pateiktų įspėjimų ir instrukcijų, galite patirti elektros smūgi, gaisrą ir (arba) sunkų sužeidimą.

1. **Prieš pradėdami naudoti, įsitikinkite, ar šį valymo įrenginį naudoja tik tie žmonės, kurie yra tinkamai išmokyti, kaip naudoti šį valymo įrenginį.**
2. **Nenaudokite neįdėję filtro maišelio ir (arba) filtrų. Pažeistą filtrą nedelsdami pakeiskite nauju.**
3. **VENKITE NETYČINIO PALEIDIMO.** Prieš dėdami akumuliatorių (-ius), patikrinkite, ar jungiklis yra nustatytas į išjungimo padėtį „OFF“.
4. **Nebandykite susiurbti degių medžiagų, fejer-verkų, degančių cigarečių, karštų pelėnų, įkaitusių metalo drožlių, aštrių daiktų, pavyzdžiui, skutimosi peiliukų, adatų, stiklo duženų ir pan.**
5. **NIKADA NENAUDOKITE VALYMO ĮRENGINIO ŠALIA BENZINO, DUJŲ, DAŽŲ, KLIJŲ ARBA KITŲ LABAI DEGIŲ MEDŽIAGŲ.** Įjungiant arba išjungiant jungiklį, kyla kibirkščiai. Įrenginiui veikiant, kibirkščiuoja ir variklio srovės keitiklis. Gali kilti pavojingas sproginimas.
6. **Niekada nesuirbkite nuodingų, kancerogeninių, degių arba kitų pavojingų medžiagų, pavyzdžiui, asbesto, arseno, bario, berilio, švino, pesticidų ir kitų sveikatai pavojingų medžiagų.**
7. **Nenaudokite lauke ir ant šlapių paviršių.**
8. **Nenaudokite prietaiso arti šilumos šaltinių (viryklių ir pan.).**
9. **Neužkimškite įsiurbimo angos / išleidimo / vėsinimo ventiliacijos angų.** Šios ventiliacijos angos skirtos varikliui aušinti. Stenkitės jų neužblokuoti, kitaip dėl vėdinimo trūkumo perdegis variklis.
10. **Nesulenkite, neįtempkite ir neatsistokite ant žarnos.**
11. **Nedelsdami išjunkite valymo įrenginį, jeigu pastebėtumėte, jog jis prastai arba neįprastai veikia.**
12. **IŠIMKITE AKUMULIATORIŲ (-IUS).** Kai jo nenaudojate, prieš atlikdami remonto arba techninės priežiūros darbus ir keisdami priedus.
13. **Norėdami, kad valymo įrenginys veiktų geriausiai, kiekvieną kartą jį panaudoję, nuvalykite ir atlikite techninę jo priežiūrą.**
14. **TINKAMAI PRIŽIŪRĖKITE VALYMO ĮRENGINĮ.** Valymo įrenginys visuomet turi būti švarus, kad darbas vyktų geriau ir saugiau. Laikykitės priedų keitimo nurodymų. Rankenos turi būti švarios, sausos ir neišteptos tepalu.

15. **PATIKRINKITE, AR NĖRA SUGEDUSIŲ DALIŲ.** Prieš toliau naudodami valymo įrenginį, atidžiai apžiūrėkite sugadintą apsauginį įtaisą ar kitą dalį ir nustatykite, ar ji veiks tinkamai ir atliks savo funkciją. Patikrinkite judančių dalių sulyginimą, suveržimą, ar nėra sulūžusių dalių, ar dalys tinkamai sumontuotos ir kitas sąlygas, kurios gali paveikti prietaiso veikimą. Sugadintą apsauginį įtaisą ar kitą dalį reikia tinkamai remontuoti arba pakeisti įgaliotajame techninės priežiūros centre, nebent šioje instrukcijoje nurodyta kitaip. Sugedusius jungiklius turi pakeisti įgaliotasis priežiūros centras. Nenaudokite valymo įrenginio, jeigu jo jungiklis jo neįjungia arba neišjungia.
16. **ATSARGINĖS DALYS.** Prižiūrėdami naudokite tik identiškas atsargines dalis.
17. **VALYMO ĮRENGINYS TURI BŪTI LAIKOMAS IŠJUNGTAS.** Nenaudojamą valymo įrenginį privaloma laikyti patalpoje.
18. **Saugokite valymo įrenginį.** Šiurkščiai naudojami, gali sugesti net ir tvirčiausi valymo įrenginiai.
19. **Nebandykite valyti išorinių arba vidinių dalių benzinu, tirpikliu arba cheminėmis valymo medžiagomis.** Jos gali įtrūkti arba išblukti.
20. **Nenaudokite valymo įrenginio uždaroje patalpoje,** kurioje yra degių, sprogių arba nuodingų garų, kuriuos skleidžia aliejiniai dažai, dažų skiedikliai, benzinas, kai kurios kandžių neėdomos medžiagos ir pan., arba tokiose vietose, kuriose yra degių dulkių.
21. **Nenaudokite šio arba bet kokie kito įrenginio,** kai esate apsaivę nuo narkotikų arba alkoholio.
22. **Dėvėkite tinkamas apsaugines priemones,** tokias kaip kaukę, atsižvelgiant į naudojimo aplinką.
23. **Šis įrenginys nėra skirtas naudoti asmenims** (įskaitant vaikus), turintiems fizinių, jutimo ar dvasios negalių arba stokojantiems patirties ir žinių.
24. **Prižiūrėkite mažus vaikus,** kad jie nežaistų šiuo valymo įrenginiu.
25. **Niekada nelieskite akumulatoriaus (-ių) ar valymo įrenginio šlapiomis rankomis.**
26. **Būkite itin atsargūs, valydami laiptus.**
27. **Visuomet tvirtai stovėkite ant žemės, išlaikykite pusiausvyrą.**
28. **Nenaudokite šio valymo įrenginio vietoj kėdės arba darbastalio.** Įrenginys gali nuvirsti ir sužeisti.
29. **Saugokite visas kūno dalis ir drabužius nuo angų ir judančių dalių,** pavyzdžiui, besisukančio šepėčių bloko. Kitaip jie gali įsipainioti į prietaisą bei sužaloti jus.

Akumulatorinio įrankio naudojimas ir priežiūra

1. **Įkraukite naudodami tik gamintojo nurodytą įkroviklį.** Įkroviklis, kuris tinka vienam akumuliatorių tipui įkrauti, gali kelti gaisro pavojų, jei bus naudojamas su kitų tipų akumuliatoriais.
2. **Elektrinius įrankius naudokite tik su specialiai jiems skirtais akumuliatoriais.** Naudojant bet kurį kitą akumuliatorių gali kilti sužeidimo ir gaisro pavojus.

3. **Kai akumulatorius nėra naudojamas, laikykite jį toliau nuo kitų metalinių daiktų,** pavyzdžiui, popieriaus sąvaržėlių, monetų, raktų, vinių, varžtų ir kitų mažų metalinių daiktų, dėl kurių gali kilti trumpasis jungimas tarp kontaktų. Akumuliatorių kontaktų trumpasis jungimas gali būti nudegimė arba gaisro priežastimi.
4. **Netinkamai naudojant iš akumulatoriaus gali ištekėti skysčio.** Venkite sąlyčio su juo. Jei sąlytis atsitiktinai įvyko, **gausiai nuplaukite vandeniu.** Jei skysčio pateko į akis, kreipkitės į gydytoją. Iš akumulatoriaus išbėgęs skystis gali sudirginti arba nudeginti odą.
5. **Nenaudokite sugadintą ar modifikuoto akumulatoriaus arba įrankio.** Sugadinti arba modifikuoti akumuliatoriai gali veikti neįprastai, todėl gali kilti gaisras, sprogimas arba sužalojimo rizika.
6. **Saugokite akumuliatorių arba įrankį nuo ugnies ar pernelyg aukštos temperatūros.** Dėl ugnies ar 130 °C viršijančios temperatūros gali kilti sprogimas.
7. **Laikykites visų įkrovimo nurodymų ir nekraukite akumulatoriaus ar įrankio, kai temperatūra neatitinka nurodymuose pateikto temperatūros intervalo.** Netinkamai įkraunant arba įkraunat esant kitam nei nustatytas temperatūros intervalui, gali būti sugadintas akumulatorius ar padidėti gaisro rizika.

SAUGOKITE ŠIAS INSTRUKCIJAS.

⚠️ ĮSPĖJIMAS: NELEISKITE, kad patogumas ir gaminio pažinimas (gyjamas pakartotinai naudojant) susilpnintų griežtą saugos taisyklių, taikytinų šiam gaminiiui, laikymąsi. Dėl NETINKAMO NAUDOJIMO arba saugos taisyklių, kurios pateiktos šioje instrukcijoje, nesilaikymo galima rimtai susižeisti.

Svarbios saugos instrukcijos, taikomos akumulatoriaus kasetei

1. **Prieš naudodami akumulatoriaus kasetę, perskaitykite visas instrukcijas ir perspėjimus ant (1) akumuliatorių įkroviklio, (2) akumuliatorių ir (3) akumuliatorių naudojančio gaminio.**
2. **Neardykite ir negadinkite akumulatoriaus kasetės.** Dėl to ji gali užsidegti, per daug įkaisti arba sprogti.
3. **Jeį įrankio darbo laikas žymiai sutrumpėjo, nedelsdami nutraukite darbą su įrankiu.** Tai gali kelti perkaitimo, nudegimų ar net sprogo pavojų.
4. **Jeį elektrolitas pateko į akis, plaukite jas tyru vandeniu ir nedelsdami kreipkitės į gydytoją.** Gali kilti regėjimo praradimo pavojus.
5. **Neužtrumpinkite akumulatoriaus kasetės:**
 - (1) **Nelieskite kontaktų degiomis medžiagomis.**
 - (2) **Venkite laikyti akumulatoriaus kasetę kartu su kitais metaliniais daiktais, pavyzdžiui, vinimis, monetomis ir pan.**
 - (3) **Saugokite akumulatoriaus kasetę nuo vandens ir lietaus.**

- Trumpasis jungimas akumuliatoriuje gali sukelti stiprią srovę, perkaitimą, galimus nudegimus ar net akumuliatoriaus gedimą.
- Nelaikykite ir nenaudokite įrankio ir akumuliatoriaus kasetės vietoje, kur temperatūra gali pasiekti ar viršyti 50 °C (122 °F).
 - Nedeginkite akumuliatoriaus kasetės, net jei yra stipriai pažeista ar visiškai susidėvėjusi. Ugnyje akumuliatoriaus kasetė gali sprogti.
 - Akumuliatoriaus kasetės nekalkite, nepjaustykite ir nemėtykite ir taip pat į ją netrankykite kietu daiktu. Taip elgiantis, ji gali užsidegti, per daug įkaisti arba sprogti.
 - Nenaudokite pažeisto akumuliatoriaus.
 - Įdėdoms ličio jonų akumuliatoriams taikomi Pavojingų prekių teisės akto reikalavimai. Komeracinis transportas, pvz., trečiųjų šalių, prekių vežimo atstovų, turi laikytis specialaus reikalavimo ant pakuotės ir ženklavimo. Norėdami paruošti siųstiną prekę, pasitarkite su pavojingų medžiagų specialistu. Be to, laikytis galimai išsamesnių nacionalinių reglamentų. Užklijuokite juosta arba padenkite atvirus kontaktus ir supakuokite akumuliatorių taip, kad ji pakuotėje nejudėtų.
 - Kai išmetate akumuliatoriaus kasetę, išimkite ją iš įrankio ir išmeskite saugioje vietoje. Vadovaukitės vietos reglamentais dėl akumuliatorių išmetimo.
 - Baterijas naudokite tik su „Makita“ nurodytais gaminiais. Baterijas įdėjus į netinkamus gaminius gali kilti gaisras, gaminys pernelyg kaisti, kilti sprogimas arba pratekėti elektrolitas.
 - Jei įrankis bus ilgą laiką nenaudojamas, akumuliatorių būtina išimti iš įrankio.
 - Darbo metu ir po akumuliatoriaus kasetės gali būti įkaitusi ir dėl to nudeginti. Imdami akumuliatoriaus kasetes, būkite atsargūs.
 - Tuoju pat po naudojimo nelieskite įrankio gnybtu, nes jie gali būti įkaitę tiek, kad nudegins.
 - Neleiskite, kad į akumuliatoriaus kasetės gnybtus, angas ir griovelius patektų drožlių, dulkių ar žemių. Dėl to įrankis ar akumuliatoriaus kasetė gali imti prastai veikti ar sugesti.
 - Jeigu įrankis nėra pritaikytas naudoti šalia aukštos įtampos elektros linijų, akumuliatoriaus kasetės nenaudokite šalia aukštos įtampos elektros linijų. Dėl to gali sutrikti įrankio ar akumuliatoriaus kasetės veikimas arba jie gali sugesti.
 - Laikykite akumuliatorių vaikams nepasiekiamoje vietoje.

SAUGOKITE ŠIAS INSTRUKCIJAS.

⚠️ PERSPĖJIMAS: Naudokite tik originalų „Makita“ akumuliatorių. Neoriginalaus „Makita“ arba pakeisto akumuliatoriaus naudojimas gali nulemti gaisrą, asmens sužalojimą ar pažeidimą. Tai taip pat panaikina „Makita“ suteikiamą „Makita“ įrankio ir įkroviklio garantiją.

Patarimai, ką daryti, kad akumuliatorius veiktų kuo ilgiau

- Pakraukite akumuliatoriaus kasetę prieš jai visiškai išsikraunant. Visuomet nustokite naudoti įrankį ir pakraukite akumuliatoriaus kasetę, kai pastebite, kad įrankio galia sumažėjo.
- Niekada nekraukite iki galo įkrautos akumuliatoriaus kasetės. Perkraunant trumpėja akumuliatoriaus eksploatacijos laikas.
- Akumuliatoriaus kasetę kraukite esant kambario temperatūrai 10 - 40 °C. Prieš pradėdami krauti, leiskite įkaitusiai akumuliatoriaus kasetei atvėsti.
- Kai akumuliatoriaus kasetės nenaudojate, ją išimkite iš įrankio ar įkroviklio.
- Įkraukite akumuliatoriaus kasetę, jei jos nenaudojate ilgą laiką (ilgiau nei šešis mėnesius).

DALIŲ APRAŠYMAS

► Pav.1

1	Rankena	2	Perjungimo plokštelė	3	Vamzdžio laikiklis	4	Žarna
5	Indikacijos pultas	6	Svirtis (dulkių dėžės dangčiu)	7	Dulkių dėžės dangtis	8	Nešti skirta rankena
9	Užraktas (akumuliatoriaus dangteliui)	10	Reguliuavimo svirtelė	11	Akumuliatoriaus skyriaus dangtelis	12	Kampinis antgalis
13	Apvalus šepetėlis	14	Kojinė svirtis	15	Ratukas	16	Šoninis šepetėlis
17	Siurbimo žarna	18	Jungtis	19	Aliuminio vamzdis	20	Vamzdžių laikiklis
21	LED lemputė	22	Šepečių blokas	23	Apatinė plokštelė	24	„ON“ (įjungti) / režimo keitimo mygtukas
25	Mygtukas „OFF“ (išjungti)	26	Veikimo režimo indikatorius	27	Dulkių pertekliaus lygio indikatorius	28	Šepečių bloko klaidos indikatorius
29	Likusios akumuliatoriaus galios indikatorius	30	Baterijos patikrinimo / LED lemputės mygtukas	–	–	–	–

SURINKIMAS

▲ PERSPĖJIMAS: Prieš atlikdami bet kokius darbus su prietaisu, visada patikrinkite, ar prietaisas išjungtas, o akumuliatoriaus kasetė išimta.

▲ PERSPĖJIMAS: Visada montuodami arba atlikdami techninės priežiūros darbus dėvėkite apsaugos nuo dulkių kaukę.

Jungiamoji rankenėlė

1. Įkiškite rankenėlės strypą į valymo įrenginio korpusą, kaip parodyta paveikslėlyje.
 2. Uždarykite fiksavimo skląstį.
- **Pav.2:** 1. Rankenėlės strypas 2. Raudona žyma 3. Fiksavimo skląstis

PASTABA: Stumkite rankeną iki galo tol, kol nebematysite raudonos žymos.

Žarnos prijungimas

Įkiškite žarną į bakelio montavimo angą ir sukite pagal laikrodžio rodyklę tol, kol ji bus užfiksuota.

► **Pav.3**

Vamzdžių prijungimas

Įkiškite aliuminio vamzdžio galą į jungtį, o tada pritvirtinkite aliuminio vamzdį prie vamzdžio laikiklio.

► **Pav.4:** 1. Jungtis 2. Vamzdžių laikiklis

PASTABA: Įkiškite aliuminio vamzdį teisinga kryptimi, kaip parodyta paveikslėlyje. Priešingu atveju vamzdžio laikiklis nebus užfiksuotas, ir aliuminio vamzdis gali nukristi.

► **Pav.5**

Akumuliatoriaus kasetės uždėjimas ir nuėmimas

▲ PERSPĖJIMAS: Prieš įdėdami arba išimdami akumuliatoriaus kasetę, visada išjunkite prietaisą.

▲ PERSPĖJIMAS: Įdėdami arba išimdami akumuliatoriaus kasetę, tvirtai laikykite valymo įrenginį ir akumuliatoriaus kasetę. Jeigu valymo įrenginį ir akumuliatoriaus kasetę laikysite netvirtai, jie gali išslįsti iš rankų – valymo įrenginys ir akumuliatoriaus kasetė gali būti sugadinti, o naudotojas sužalotas.

▲ PERSPĖJIMAS: Atidarydami arba užspausdami akumuliatoriaus skyriaus dangtelį, būkite atsargūs, kad neprišpaustumėte pirštų. Kitaip galite susižeisti.

Norėdami įdėti akumuliatoriaus kasetę, pirmiausia atlaisvinkite fiksatorių, tada atidarykite akumuliatoriaus skyriaus dangtelį. Tada įdėkite akumuliatoriaus kasetę.

► **Pav.6:** 1. Fiksatorius 2. Akumuliatoriaus skyriaus dangtelis

Sulygiuokite liežuvių ant akumuliatoriaus kasetės su grioveliu korpuso ir įstumkite į jai skirtą vietą. Įdėkite iki galo, kol spragtelėdama užsikisuos. Po to užfiksuokite akumuliatoriaus skyriaus dangtelį.

► **Pav.7:** 1. Akumuliatoriaus kasetė 2. Mygtukas

Jei norite išimti akumuliatoriaus kasetę, ištraukite ją iš prietaiso, stumdami mygtuką, esantį kasetės priekyje.

▲ PERSPĖJIMAS: Akumuliatoriaus kasetę visuomet įstatykite iki pat galo. Kitaip ji gali atsitiktinai iškristi iš prietaiso ir sužeisti jus arba aplinkinius žmones.

▲ PERSPĖJIMAS: Nekiškite akumuliatoriaus kasetės jėga. Jeigu kasetė sunkiai lenda, ją kiškite netinkamai.

PASTABA: Valymo įrenginys neveikia tik su viena akumuliatoriaus kasete.

Filtro maišelio uždėjimas

▲ PERSPĖJIMAS: Nenaudokite sugadinto filtro maišelio. Vakuuminio valymo įrenginiu naudokitės tik tinkamai uždėję filtro maišelį. Kitu atveju susiurbtas dulkes arba smulkias daleles valymo įrenginys gali išmesti į išorę, o tai gali sukelti respiratorinių ligų juo besinaudojančiam asmeniui.

Prieš naudodami valiklį, įdėkite filtro maišelį. Filtro maišelis yra vienartinis. Filtro maišeliui prisipildžius, išmeskite jį neištuštinę.

PASTABA: Jeigu filtro maišelis jau pilnas arba užsikimšęs, pakeiskite jį nauju. Jei filtro maišelis yra pilnas arba užsikimšęs, sumažės siurbimo galia.

PASTABA: Kad į variklį nepatektų dulkių:

- Įsitinkinkite, kad prieš naudojimą buvo įdėtas filtro maišelis.
- Nenaudokite sugadinto ar suplėšyto maišelio.

Priešingu atveju variklis gali būti pažeistas.

PASTABA: Įdėdami filtro maišelį, neužlenkite kartono ties jo anga.

PASTABA: Valymo įrenginio filtro maišelis yra svarbi, prietaiso veikimą palaikanti sudedamoji dalis. Naudojant neoriginalų filtro maišelį, gali susidaryti dūmų arba kilti degimas.

PASTABA: Kai filtro maišelis nėra įdėtas į siurbį, dulkių dėžės dangtis užsidaro nevisiškai.

1. Atsukite svirtį ir atidarykite dulkių dėžės dangtį.
- **Pav.8:** 1. Svirtis 2. Dulkių dėžės dangtis
2. Įdėkite filtro maišelį į laikiklio angą taip, kad pusė su žyme ▲ patektų pirmiausia.
 3. Užkabinkite laikiklio skląstį.
- **Pav.9:** 1. Anga 2. Filtro maišelis 3. Laikiklis 4. Skląstis
4. Įsitinkinkite, kad per laikiklio plyšį būtų galima matyti tik kartono žymą.
- **Pav.10:** 1. Žymės 2. Įspjova
5. Gerai užrakinkite dulkių dėžės dangtį.

▲ PERSPĖJIMAS: Atidarydami ir uždarydami dulkių dėžės dangtį, būkite atsargūs, kad neprišpaustumėte pirštų.

Filtro maišelio nuėmimas

▲ PERSPĖJIMAS: Filtro maišelį dėkite atsargiai. Kitaip į akis įpūtus pašalinių medžiagų galima sužaloti.

Pakeiskite filtro maišelį, kai jis prisipildo arba užsikemša. Atidarykite dulkių dėžės dangtį ir skląstį, tada išimkite filtro maišelį.

Patraukite už juostelės, esančios šalia angos, kad uždarytumėte filtro maišelį ar galėtumėte jį visą išmesti.

► **Pav.11:** 1. Skląstis 2. Juostelė

PASTABA: Nenaudokite kartą jau naudoto filtro maišelio. Filtro maišelis skirtas naudoti tik vieną kartą. Pakartotinai naudojant filtro maišelį, filtras gali užsikimšti, valymo įrenginys bus sugadintas. Jei norite maišelį naudoti kelis kartus, naudokite dulkių maišelį.

VEIKIMO APRAŠYMAS

▲ PERSPĖJIMAS: Prieš pradėdami reguliuoti prietaisą arba tikrinti jo veikimą, visuomet būtina išjungkite prietaisą ir išimkite akumuliatoriaus kasetę.

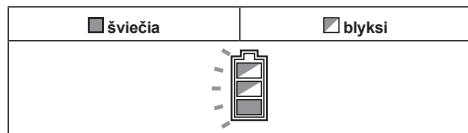
Įrankio / akumuliatoriaus apsaugos sistema

Įrankyje įrengta įrankio / akumuliatoriaus apsaugos sistema. Ši sistema automatiškai atjungia variklio maitinimą, kad įrankis ir akumuliatorius ilgiau veiktų. Įrankis automatiškai išsijungs darbo metu esant vienai iš toliau nurodytų įrankio arba akumuliatorių darbo sąlygų:

Apsauga nuo perkrovos

Kai įrankis naudojamas taip, kad neįprastai padidėja elektros srovė, įrankis automatiškai išsijungia be jokių indikatorių įspėjimų. Tokiu atveju atleiskite įrankio gaiduką ir nutraukite darbą, dėl kurio kilo įrankio perkrova. Po to vėl įjunkite įrankį.

Apsauga nuo perkaitimo



Jeigu įrankis perkaista, automatiškai išsijungia ir maždaug 60 sekundžių žybcioja akumuliatoriaus indikatorius lemputė. Tokiu atveju palaukite, kol įrankis atvės, paskui vėl jį įjunkite.

Apsauga nuo visiško išsikrovimo

Žymiai sumažėjus akumuliatoriaus galiai, įrankis automatiškai išsijungia. Jeigu gaminyje neveikia net ir spaudžiant jungiklius, išimkite akumuliatorių iš įrankio ir įkraukite.

Likusios akumuliatoriaus galios rodymas

Tik akumuliatoriaus kasetėms su indikatoriumi

► **Pav.12:** 1. Indikatorijų lemputės 2. Tikrinimo mygtukas

Paspauskite akumuliatoriaus kasetės tikrinimo mygtuką, kad būtų rodoma likusi akumuliatoriaus energija. Maždaug trims sekundėms užsidegs indikatorijų lemputės.

Indikatorijų lemputės			Likusi galia
Šviečia	Nešviečia	Blyksi	
■ ■ ■ ■			75 - 100 %
■ ■ ■ □			50 - 75 %
■ ■ □ □			25 - 50 %
■ □ □ □			0 - 25 %
▣ □ □ □			Įkraukite akumuliatorių.
■ ■ □ □		↑ ↓	Galimai įvyko akumuliatoriaus veikimo triktis.

PASTABA: Rodmuo gali šiek tiek skirtis nuo faktinės energijos lygio – tai priklauso nuo naudojimo sąlygų ir aplinkos temperatūros.

PASTABA: Veikiant akumuliatoriaus apsaugos sistemai ims mirksėti pirmoji (toliausiai kairėje) indikatoriaus lemputė.

Indikacijos pultas

► **Pav.13:** 1. Veikimo režimas 2. Per didelis dulkių lygis 3. Šepečių bloko klaida 4. Likusi akumuliatorių galia 5. Baterijos patikrinimo / LED lemputės mygtukas

Veikimo režimas

Norėdami pakeisti darbo režimą, skaitykite skyrių apie jungiklio veikimą.

Per didelis dulkių lygis

Jei šis indikatorius užsidega, pakeiskite filtro maišelį. (Žr. skyrių „Filtro maišelio išėmimas“.)

PASTABA: Šis indikatorius neveikia, kai prietaisas veikia „mažesnio triukšmo lygio (1)“ režimu.

PASTABA: Priklausomai nuo naudojimo aplinkos, šis indikatorius gali neveikti.

Šepečių bloko klaida

Mirksi	Dėl tam tikrų priežasčių šepečių blokas yra labai aprautas.
Šviečia	Šepečių blokas sustabdytas dėl neįprastos priežasties.

▲ ĮSPĖJIMAS: Nedelsdami išjunkite prietaisą, kai ši lemputė užsidega veikimo metu. Priešingu atveju gali įvykti variklio gedimas ir kilti gaisras.

Likusi akumuliatorių galia

Veikimo metu paspauskite akumuliatoriaus patikrinimo / LED lemputės mygtuką, kad parodytų likusią akumuliatoriaus talpą. Akumuliatorių indikatoriai parodo atitinkamo akumuliatoriaus galią.

► Pav.14

Akumuliatoriaus indikatoriaus būseną			Likusi akumuliatorių galia
Šviečia	Nešviečia	Blyksi	
			50–100 %
			20–50 %
			0–20 %
			Įkraukite akumuliatorių

Baterijos patikrinimo / LED lemputės mygtukas

Eksplotacijos metu galima atlikti šias operacijas.

- Tiesiog paspauskite mygtuką, kad patikrintumėte likusią akumuliatoriaus galią.
- Paspauskite ir palaikykite mygtuką, kad įjungtumėte / išjungtumėte LED lemputę.

Jungiklio veikimas

- Pav.15: 1. „ON“ (įjungti) / režimo keitimo mygtukas
2. Mygtukas „OFF“ (išjungti)

Prietaiso įjungimas / išjungimas

Norėdami įjungti prietaisą, tiesiog paspauskite „ON“ (įjungti) / režimo keitimo mygtuką. Norėdami išjungti, paspauskite mygtuką „OFF“ (išjungti).

▲ PERSPĖJIMAS: Įjungdami prietaisą, visada pastatykite prietaiso galvutę ant grindų. Priešingu atveju dėl įspainiojimo gali įvykti nelaimingas atsitikimas ir galima susižaloti.

Darbo režimo keitimas

Darbo režimą galite keisti trimis žingsniais: „žemesnis (1)“, „normalus (2)“ ir „didelis (3) triukšmo lygis“.

Jei norite pakeisti darbo režimą, kai prietaisas veikia, paspauskite mygtuką ĮJUNGTI / keisti režimą. Darbo režimas persijungia tokia tvarka: „mažesnis (1)“, „normalus (2)“ ir „didelis (3) triukšmo lygis“.

Prietaisas bus paleistas tokiu pat režimu, koks buvo nustatytas prieš tai.

LED lemputės uždegimas

▲ PERSPĖJIMAS: Nežiūrėkite tiesiai į šviesą arba šviesos šaltinį.

Prietaise įrengtos LED lemputės.

Apie veikimą žr. pastraipą „Akumuliatoriaus patikrinimas / LED lemputės mygtukas“.

- Pav.16: 1. LED lemputė

Kojinė svirtis

▲ PERSPĖJIMAS: Atleidę rankeną, visada užfiksuokite prietaisą vertikaloje padėtyje. Priešingu atveju prietaisas gali atsitiktinai nukristi ir sužaloti.

▲ PERSPĖJIMAS: Būkite atsargūs ir neikiškite pirštų tarp pagrindinio korpuso ir prietaiso galvutės.

Norėdami atrakinti prietaiso vertikalią padėtį, paspauskite ant kojinės svirties ir patraukite rankeną atgal.

Judesio intervalas yra 90 laipsnių nuo vertikalios padėties.

- Pav.17: 1. Kojinė svirtis

Norėdami užrakinti prietaisą vertikaloje padėtyje, pakelkite rankeną į priekį, kol kojinė svirtis užsifiksuoja į savo padėtį pasigirdus spragtelėjimui.

- Pav.18

PASTABA: Kol prietaisas yra vertikaloje padėtyje, šepečių blokas nustoja sukstis.

Šepečių bloko aukščio reguliavimas

▲ PERSPĖJIMAS: Prieš pradėdami darbą, visada įsitinkinkite, ar reguliavimo svirtis tinkamai įtaisyta savo padėtyje.

Šepečių bloko aukštį galima reguliuoti atliekant 4 veiksmus.

Pasukite reguliavimo svirtį į norimą aukštį.

Kai reguliavimo svirtis yra nukreipta į A ženklą, šepečių blokas yra žemiausiame taške virš grindų ir tinka valyti kietoms grindims ir trumpo plauko kilimams. Kai reguliavimo svirtis yra nukreipta į B ženklą, šepečių blokas yra aukščiausiame taške virš grindų ir tinka valyti ilgo plauko kilimus.

- Pav.19: 1. Reguliavimo svirtelė

PASTABA: Šepečių blokas negali sukstis, jei šepečių bloko aukštis nuo kilimo paviršiaus yra per mažas.

Nešti skirta rankena

Nešiodami prietaisą, stumkite jį tik su ratukais arba neškite jį laikydami už rankenos (-ų).

- Pav.20

▲ PERSPĖJIMAS: Nešiodami prietaisą, užfiksuokite jį vertikaloje padėtyje. Priešingu atveju jis gali nukristi ir gali įvykti nelaimingas atsitikimas.

▲ PERSPĖJIMAS: Nešiodami prietaisą tik už nešiojimo rankenos. Priešingu atveju jis gali nukristi arba būti netyčia įjungtas, ir sunkiai sužaloti.

- Pav.21

NAUDOJIMAS

▲PERSPĖJIMAS: Veikimo metu neištraukite rankenos strypo iš prietaiso. Antraip galite nesuvaldyti prietaiso ir rimtai susižeisti.

▲PERSPĖJIMAS: Veikimo metu nedėkite rankos arba kojos po prietaisu. Priešingu atveju jis gali sugnybti ir gali įvykti nelaimingas atsitikimas.

Įprastas valymas

1. Laikykite už rankenos, tada atrakinkite vertikalią padėtį.
 2. Įjunkite prietaisą. Išvalykite grindis.
- **Pav.22**

Šoninio šepetėlio naudojimas

Šoninis šepetėlis yra patogus kampams valyti. Jei šoninis šepetėlis tampa trumpas, nuneškite prietaisą į „Makita“ aptarnavimo centrą pakeisti

► **Pav.23:** 1. Šoninis šepetėlis

Naudojimas su priedais

▲PERSPĖJIMAS: Naudodami priedus, laikykite už rankenos. Priešingu atveju prietaisas gali atsitiktinai nukristi ir sužaloti.

PASTABA: Kai naudojate priedus, užfiksuokite prietaisą vertikaloje padėtyje. Priešingu atveju šepetėlio sukimasis gali sugadinti grindis.

Aliuminio vamzdžio naudojimas

Aliuminio vamzdis tinka valyti ankštas arba aukštas vietas.

► **Pav.24:** 1. Aliuminio vamzdis

Žarnos naudojimas

Žarna tinka valyti vietas šalia rankų.

► **Pav.25:** 1. Žarna

Norėdami naudoti žarną, stumdami svirtį ištraukite aliuminio vamzdį iš žarnos.

Norėdami sumontuoti žarną, kiškite ją į aliuminio vamzdį, kol ji užsifiksuos.

► **Pav.26:** 1. Svirtis

Priedų naudojimas

► **Pav.27**

Norėdami pritvirtinti priedą, pasukite ir įkiškite jį į aliuminio vamzdžio arba žarnos galą. Norėdami atjungti, pasukite ir jį ištraukite.

TECHNINĖ PRIEŽIŪRA

▲PERSPĖJIMAS: Prieš atlikdami patikrą ir priežiūros darbus, visuomet įsitikinkite, kad prietaisas yra išjungtas ir akumulatoriaus kasetė yra išimta.

PASTABA: Niekada nenaudokite gazolino, benzino, tirpiklio, spirito arba panašių medžiagų. Gali atsirasti išblukimų, deformacijų arba įtrūkimų.

Kad gaminys būtų SAUGUS ir PATIKIMAS, jį taisyti, apžiūrėti ar vykdyti bet kokią kitą priežiūrą ar derinimą turi įgaliotasis kompanijos „Makita“ techninės priežiūros centras; reikia naudoti tik kompanijos „Makita“ pagamintas atsargines dalis.

Sandėliavimas

Laikymui išimkite akumulatoriaus kasetes ir laikykite prietaisą vertikaloje padėtyje.

► **Pav.28**

Prietaiso korpuso valymas

Retkarčiais nuvalykite siurblio išorę (siurblio korpusą), naudodami muilname vandenyje sudrėkintą šluostę.

► **Pav.29**

HEPA filtro valymas

▲PERSPĖJIMAS: Nenaudokite valymo įrenginio be filtro ir nenaudokite įrenginio, jei filtras nešvarus ar pažeistas. Susiurbtas dulkes arba smulkias daleles valymo įrenginys gali išmesti į išorę, o tai gali sukelti kvėpavimo takų ligų juo besinaudojančiam asmeniui.

PASTABA: Norėdami išlaikyti optimalią siurbimo galią ir kad išmetamas oras būtų švarus, valykite filtrą reguliariai. Jei siurbimo galia nėra pakankama net ir išvalius filtrą, pakeiskite jį nauju.

PASTABA: Norėdami apsaugoti filtrą nuo pažeidimų, valyti nenaudokite šių įrankių ir panašių daiktų.

- Orpūtė
- Aukšto slėgio plovimo aparatas
- Iš kietų medžiagų pagaminti įrankiai, tokie kaip metalinis šepetys

1. Atidarykite dulkę dėžę ir išimkite filtro maišelį.

Atlaisvinkite filtro kabliukus ir išimkite filtrą iš valymo įrenginio korpuso.

► **Pav.30:** 1. Kabliukas

2. Nuvalykite dulkes nuo filtro. Filtrą galima plauti vandeniu. Nuskalaukite nuo filtro dulkes ir smulkias daleles kas 1–2 mėnesius. Tada išdžiovinkite filtrą pavėsyje, gerai vėdinamoje vietoje, kad neatsirastų nemalonių kvapų ar pažeidimų.

3. Norėdami įstatyti filtrą, įkiškite jį ta puse, kurioje nėra kabliukų, į griovelį, tada spauskite filtrą, kol kabliukai spragtelėdami užsifiksuos.

► **Pav.31:** 1. Griovelis 2. HEPA filtras 3. Kabliukas

Šepečių bloko valymas

1. Nuimkite apatinę plokštę, tada nuimkite šepečių bloką.

Jei šepečių bloko plaukai sutrumpėja, kreipkitės dėl naujų į „Makita“ aptarnavimo centrą.

Naudojant prietaisą su trumpų plaukų šepečių bloku, dulкės nebus surenkamos.

► **Pav.32:** 1. Apatinė plokštelė 2. Šepečių blokas

2. Žirkklėmis išvalykite siūlus ir plaukus nuo šepečių bloko.

Nuimkite dangtelį ir išvalykite šiukšles.

► **Pav.33:** 1. Dangtelis

3. Uždėkite dangtelį, šepečių bloką ir apatinę plokštę atvirkštine tvarka.

► **Pav.34**

⚠ PERSPĖJIMAS: Visiškai pritvirtinkite apatinę plokštę. Jei prietaisas veikia be apatinės plokštės, šepečių blokas gali nukristi ir sužeisti.

PASTABA: Visada pritvirtinkite šepečių bloką. Naudojant prietaisą be šepečių bloko, dulкės nebus surenkamos.

Kaip išvalyti užsikimšimą

PASTABA: Nenaudokite prietaiso, jei įsiurbimo srauto kelias yra užsikimšęs. Dėl nuolatinio naudojimo, kai įsiurbimo srauto kelias yra užsikimšęs, siurbimo galia sumažėja.

1. Nuimkite apatinę plokštę, tada nuimkite šepečių bloką.

2. Nuimkite aliuminio vamzdį nuo prietaiso ir žarnos.

3. Pasukite žarną prieš laikrodžio rodyklę ir išimkite žarną iš prietaiso.

4. Ištraukite siurbimo žarną, patraukdami skirtuką.

► **Pav.35:** 1. Siurbimo žarna 2. Auselė

5. Patikrinkite oro įsiurbimo srauto kelią aliuminio vamzdžio ir žarnos viduje, bei siurbimo žarną.

Išvalykite šiukšles iš jų vidaus.

6. Sulygiuokite liežuvėlį ant siurbimo žarnos su grioveliu korpuse ir įstumkite j jam skirtą vietą.

► **Pav.36:** 1. Liežuvėlis 2. Griovelis

7. Įdėkite žarną, aliuminio vamzdelį, šepečių bloką ir apatinę plokštę.

⚠ PERSPĖJIMAS: Tvirtai pritvirtinkite žarną ir vamzdį. Priešingu atveju gali prasiskverbti dulкės ir sužaloti.

GEDIMŲ ŠALINIMAS

Prieš kreipdamiesi dėl remonto darbų, pirmiausia patikrinkite gedimus patys. Jeigu susidursite su problema, kuri nėra paaiškinta vadove, nemėginkite išrinkti mašinos. Verčiau kreipkitės į įgaliotuosius „Makita“ techninės priežiūros centrus, kuriuose remontui visuomet naudojamos „Makita“ pakaitinės dalys.

Požymis	Galima priežastis	Ištaisomoji priemonė
Neveikia	Netinkamai įdėtos akumulatoriaus kasetės.	Akumulatoriaus kasetes įdėkite taip, kaip aprašyta šiame vadove.
	Akumulatoriaus kasetės yra išseiktos.	Įkraukite akumulatoriaus kasetes.
	Rankena netinkamai sumontuota.	Rankeną tvirtai įdėkite taip, kaip aprašyta šiame vadove.
Šepečių blokas nesisuka	Prietaisas užfiksuotas vertikaloje padėtyje.	Atrakinkite prietaiso vertikalų padėtį.
	Dega šepečių bloko klaidos indikatorius.	Patikrinkite, ar aplink šepečių bloką (korpusą, dangtelį ir jungtį) nėra įsipainiojusių šiukšlių.
Silpna įsiurbimo galia	Dega viršutinio dulkių lygio indikatorius.	Pakeiskite filtro maišelį.
	⇒ Jei filtro maišelio pakeitimas nepadedą...	Išvalykite arba pakeiskite HEPA filtrą.
	Šiukšlės įsipainioja į šepečių bloką, o sukimosi greitis sumažėja.	Patikrinkite, ar aplink šepečių bloką (korpusą, dangtelį, jungtį) nėra įsipainiojusių šiukšlių.
	Šepečių bloko aukštis nuo grindų yra per didelis.	Sumažinkite šepečių bloko aukštį.
	Šepečių bloko plaukai tapo trumpi.	Pakeiskite šepečių bloką. Sumažinkite šepečių bloko aukštį.
	Prietaisas veikia silpnu režimu.	Perjunkite į aukštesnį darbo režimą.
	Neįdėtas šepečių blokas.	Įdėkite šepečių bloką.
	Vamzdis arba žarna sumontuoti netinkamai.	Tvirtai pritvirtinkite vamzdį arba žarną.
Garsus triukšmas	Prietaisas veikia aukštu režimu.	Perjunkite į žemesnį darbo režimą.
	Šiukšlės įsipainioja į šepečių bloką.	Patikrinkite, ar aplink šepečių bloką (korpusą, dangtelį ir jungtį) nėra įsipainiojusių šiukšlių.
	Filtro maišelis užpildytas dulkėmis.	Pakeiskite filtro maišelį.
	⇒ Jei filtro maišelio pakeitimas nepadedą...	Išvalykite arba pakeiskite HEPA filtrą. Patikrinkite, ar žarnoje ir vamzdyje nėra įstrigusių šiukšlių.
Po trumpo naudojimo mirksi perviršinio dulkių lygio indikatorius	Filtro maišelis sulankstytas.	Prieš nustatydami, atlenkite filtro maišelio angą.
LED lemputė nedega	LED lemputės nustatymas yra išjungtas.	Veikimo metu paspauskite ir laikykite akumulatoriaus patikrinimo / LED lemputės mygtuką.
Ratukas sunkiai sukasi	Šiukšlės įsipainioja į ratuką.	Išvalykite šiukšles nuo ratuko.

PASIRENKAMI PRIEDAI

⚠ PERSPĖJIMAS: Šiuos papildomus priedus arba įtaisus rekomenduojama naudoti su šioje instrukcijoje nurodytu „Makita“ bendrovės įrankiu. Naudojant bet kokius kitus papildomus priedus arba įtaisus, gali kilti pavojus sužeisti žmones. Naudokite tik nurodytam tikslui skirtus papildomus priedus arba įtaisus.

Jeigu norite daugiau sužinoti apie tuos priedus, kreipkitės į artimiausią „Makita“ techninės priežiūros centrą.

- Kampinis antgalis
- Apvalus šepetėlis

- HEPA filtras
- Filtro maišelis
- Originalus „Makita“ akumulatorius ir įkroviklis

PASTABA: Kai kurie sąraše esantys priedai gali būti pateikti įrankio pakuotėje kaip standartiniai priedai. Jie įvairiose šalyse gali skirtis.

HOIATUS

Seade ei ole ette nähtud kasutamiseks füüsiliste, sensorsete või vaimsete puuetega isikutele (k.a lapsed) ega isikutele, kellel puuduvad kogemused ja teadmised seadme ohutuks kasutamiseks. Lapsi tuleb jälgida, et nad seadmega ei mängiks.

TEHNILISED ANDMED

Mudel:	DVC560
Maksimaalne õhukogus*	1,9 m ³ /min
Vaakum*	12 kPa
Mahutavus	5 l
Mõõtmed (P x L x K)	326 mm x 318 mm x 1 146 mm
Nimipinge	Alalisvool 36 V
Netokaal	8,3–9,0 kg

- * Väärtust mõõdeteks meie originaalmeetodi abil.
- Meie pideva uuringu- ja arendusprogrammi tõttu võidakse tehnilisi andmeid muuta ilma sellest ette teatamata.
- Tehnilised andmed ja akukasett võivad riigiti erineda.
- Kaal sisaldab lisatarvikuid (ümmargune hari, nurgaotsak) ja akukasetti (akukasette). Seadme ja akukasetti (akukasettide) kõige kergem ja raskem kombineeritud kaal on näidatud tabelis.

Sobiv akukasett ja laadija

Akukasett	BL1815N / BL1820 / BL1820B / BL1830 / BL1830B / BL1840 / BL1840B / BL1850 / BL1850B / BL1860B
Laadija	DC18RC / DC18RD / DC18RE / DC18SD / DC18SE / DC18SF / DC18SH

- Mõned eespool loetletud akukasettid ja -laadijad ei pruugi olla teie riigis saadaval.

⚠ HOIATUS: Kasutage ainult ülalpool loetletud akukasette ja laadijaid. Muude akukasettide ja laadijate kasutamine võib tekitada vigastusi ja/või tulekahju.

Sümbolid

Alljärgnevalt kirjeldatakse tingimärke, mida võidakse seadmel kasutada. Enne seadme kasutamist tehke endale selgeks nende tähendus.



Lugege juhendit.



Olge äärmiselt ettevaatlik ja tähelepanelik.



Ainult Euroopa riigid
Ärge visake elektriseadmeid ja akusid ära koos majapidamisprügiga! Kooskõlas Euroopa Parlamendi ja nõukogu direktiividega elektri- ja elektroonikaseadmete jäätmete, patareide ja akude, patarei- ja akujäätmete kohta ning liikmesriikide seadustega tuleb kasutuskõlbmatuks muutunud elektriseadmed ja akud koguda eraldi ning keskkonناسäästlikult ringlusse võtta.

Kavandatud kasutus

Seade on ette nähtud tolmu kogumiseks. Seade sobib teenuste osutamiseks nt hotellides, koolides, haiglates, tehastes, kauplustes, kontorites ja rendipindadel.

Müra

Tüüpiiline A-korrigeeritud müratase, määratud standardi EN60335-2-69 kohaselt:

Helirõhutase (L_{pA}): 70 dB (A) või vähem
Määramatus (K): 2,5 dB (A)

Töötamisel võib müratase ületada 80 dB (A).

MÄRKUS: Deklareeritud müra väärtust (väärtuseid) on mõõdetud kooskõlas standardse katsemeetodiga ning seda võib kasutada ühe seadme võrdlemiseks teisega.

MÄRKUS: Deklareeritud müra väärtust (väärtuseid) võib kasutada ka mürataseme esmaseks hindamiseks.

⚠️HOIATUS: Kasutage kõrvakaitsmeid.

⚠️HOIATUS: Müratase võib elektritööriista tegelikkuses kasutamise ajal erineda deklareeritud väärtus(t)est olenevalt tööriista kasutusviisidest ja eriti töödeldavast toorikust.

⚠️HOIATUS: Rakendage operaatori kaitsmiseks kindlasti piisavaid ohutusabinõusid, mis põhinevad hinnangulisel müratasemel tegelikus töösihtuolus (võttes arvesse tööperioodi kõiki osasid, näiteks korrad, kui seade lülitatakse välja ja seade töötab tühikäigul, lisaks tööajale).

Vibratsioon

Vibratsiooni koguväärtus (kolmeteljeliste vektorite summa) määratud standardi EN60335-2-69 kohaselt: Vibratsioon ($a_{h,m}$): 2,5 m/s² või vähem Määramatus (K): 1,5 m/s²

MÄRKUS: Deklareeritud vibratsiooni koguväärtust (-väärtuseid) on mõõdetud kooskõlas standardse katsemetoodiga ning seda võib kasutada ühe seadme võrdlemiseks teisega.

MÄRKUS: Deklareeritud vibratsiooni koguväärtust (-väärtuseid) võib kasutada ka mürataseme esmaseks hindamiseks.

⚠️HOIATUS: Vibratsioonitase võib elektritööriista tegelikkuses kasutamise ajal erineda deklareeritud väärtus(t)est olenevalt tööriista kasutusviisidest ja eriti töödeldavast toorikust.

⚠️HOIATUS: Rakendage operaatori kaitsmiseks kindlasti piisavaid ohutusabinõusid, mis põhinevad hinnangulisel müratasemel tegelikus töösihtuolus (võttes arvesse tööperioodi kõiki osasid, näiteks korrad, kui seade lülitatakse välja ja seade töötab tühikäigul, lisaks tööajale).

EÜ vastavusdeklaratsioon

Ainult Euroopa riikide puhul

EÜ vastavusdeklaratsioon sisaldub käesoleva juhendi Lisas A.

OHUTUSHOIATUSED

Juhtmeta tolmuimeja ohutusnõuded

⚠️HOIATUS: ÄÄRMISELT OLULINE ON ENNE KASUTAMIST lugeda tähelepanelikult läbi kõik ohutushoiatused ja juhised. Hoiatuste ja juhtnõuete mittejärgmine võib põhjustada elektrišokki, tulekahju ja/või tõsiseid vigastusi.

1. Kõik tolmuimejaga töötavad isikud peavad saama enne seadme kasutamist piisava väljaõppe.
2. Ärge kasutage filtrikotita ega/või filtriteta. Vahetage kahjustunud filter kohe välja.
3. VÄLTIGE ETTEKAVATSEMATUT KÄIVITAMIST. Aku(de) ühendamise eel veenduge, et tolmuimeja lüliti oleks VÄLJALÜLITATUD asendis.

4. Ärge püüdke tolmuimejaga imeda tuleohtlikke materjale, pürotehnilisi aineid, süüdatud sigarette, kuuma tuhka, kuumi metallilaste, teravaid esemeid (nt žiletterad, nõelad, klaasikillud jms).
5. **ÄRGE KASUTAGE TOLMUIMEJAT BENSIINI, GAASI, VÄRVI VÕI TEISTE PLAHVATUSOHTLIKE AINETE LÄHEDUSES.** Lüliti keeramisel SISSE või VÄLJA tekitavad sädemed. Ka mootori kommutaator eraldab töötamise ajal sädeid. Selle tagajärjel võib tekkida ohtlik plahvatus.
6. Ärge kunagi imege tolmuimejasse mürgiseid, kantserogeenide, süttivaid ega muud tervisele ohtlikke aineid (nt arseen, baarium, berüllium, plii, pestitsiidid jms).
7. Ärge kasutage välistingimustes ega märgadel pinnastel.
8. Ärge kasutage seadet soojusallikate (ahjude jms) läheduses.
9. Ärge tõkestage imi-/väljalaske-/jahutusavasid. Jahutusavade kaudu jahutatakse mootorit. Jälgige hoolikalt, et avad ei oleks tõkestatud, sest muudu võib mootor ventilatsiooni puudumise tõttu läbi põleda.
10. Ärge murdke voolikut kokku ega tirige seda.
11. Seisake tolmuimeja kohe, kui märkate seadme jõudluse vähenemist või muid tõrkeid.
12. EEMALDAGE AKU(D). Tolmuimeja tuleb vooluallikast eemaldada, kui seda ei kasutata, ning enne hooldamist ja tarvikute vahetamist.
13. Puhastage ja hooldage tolmuimejat kohe pärast iga kasutust, et seade oleks alati optimaalses töökorras.
14. HOOLITSEGE OMA TOLMUIMEJA EEST. Hoidke tolmuimejat puhtana, et tagada parem ja ohutum töötamine. Järgige tarvikute vahetamise juhtnõuete. Hoidke käed kuivad, puhtad ning õli- ja rasvavabad.
15. KONTROLLIGE KAHJUSTUNUD KOMPONENTE. Enne tolmuimeja edasist kasutamist tuleb hoolikalt kontrollida kahjustatud kaitset või muud seadme osa, et teha kindlaks, kas see töötab edaspidi nõuetekohaselt ja täidab oma otstarvet. Kontrollige liikuvate osade tsentreeringut, liikuvate osade kokkujooksu, purunenud osi, osade paigaldust ja muid tingimusi, mis võivad mõjutada tolmuimeja funktsioneerimist. Kahjustatud kaitset või seadme muu osa tuleb nõuetekohaselt parandada või vahetada välja volitatud teeninduskeskuses, kui kasutusjuhendis ei ole soovitatud teisiti. Laske defektset lüliti vahetada välja volitatud teeninduskeskuses. Ärge kasutage tolmuimejat, kui selle lüliti ei lülita seadet sisse ega välja.
16. VARUOSAD. Kasutage osade väljavahetamiseks ainult originaalvaruosid.
17. TOLMUIMEJA HOIUSTAMINE. Kui tolmuimejat ei kasutata, tuleb seda hoiustada sisetingimustes.
18. Käsitsege oma tolmuimejat hoolikalt. Jõuline käsitsemine võib põhjustada isegi kõige tugevama konstruktsiooniga tolmuimeja purunemise.

19. Ärge puhastage tolmuimeja sisemust ega pealispinda bensiini, lahusti või keemiliste puhastusvahenditega. See võib põhjustada pragude tekkimist ning värvuse lütmist.
20. Ärge kasutage tolmuimejat kinnises ruumis, kus võib esineda õlipõhisest värvist, värvivedelidest, bensiinist, teatud koitõrjevahenditest jms ainetest tingitud tule- või plahvatusohtlikke või mürgiseid aursusid, ega piirkondades, kus on kergesti süttivat tolmu.
21. Ärge kasutage seda ega ühtki teist seadet, kui olete ravimite või alkoholi mõju all.
22. Kandke sobivaid kaitsevahendeid, näiteks maski, mis vastavad kasutuskeskkonnale.
23. Seade ei ole ette nähtud kasutamiseks füsiiliste, sensorsete või vaimsete puuetega isikutele (k.a lapsed) ega isikutele, kellel puuduvad kogemused ja teadmised seadme ohutuks kasutamiseks.
24. Lastel ei tohi lubada tolmuimejaga mängida.
25. Ärge kunagi käsitsege akut (akusid) ega tolmuimejat märgade kätega.
26. Treppide puhastamisel olge eriti ettevaatlik.
27. Hoidke jalad kogu aeg kindlalt maas ja hoidke tasakaalu.
28. Ärge kasutage tolmuimeajat toolina ega pingina. Masin võib ümber kukkuda ning tekitada kehavigastusi.
29. Hoidke kehaosad ja riided avavestest ja liikuvatest osadest, nagu pöörlev harjarull, eemal. Muidu võivad need seadme vahele jääda ja põhjustada kehavigastuse.

Akuga tööriista kasutamine ja hooldus

1. Laadige alati laadijaga, mille tootja on heaks kiitnud. Laadija, mis sobib kasutamiseks ühte tüüpi akuga, võib kaasa tuua tulekahjuohtu, kui seda kasutada koos mõnda teist tüüpi akuga.
2. Kasutage elektritööriista üksnes spetsiaalselt neile toodetud akudega. Mis tahes muude akude kasutamine võib tekitada tervisekahjustusi või tulekahjuohtu.
3. Kui akut ei kasutata, ärge hoidke seda koos muude metalliesemetega, nagu kirjaklambrid, mündid, võtmed, naelad, kruvid jm väiksed metalliesemed, mis võivad tekitada ühenduse klemmide vahel. Akuklemmide lühis võib põhjustada põletusi ja tulekahjuohtu.
4. Väärkasutamise tagajärjel võib akut valguda välja vedelikku; ärge seda puudutage. Kui olete selle vedelikuga siiski kogemata kokku puutunud, uhtke kohta veega. Kui vedelik on sattunud silma, minge arsti juurde. Akust väljalagnud vedelik võib põhjustada ärritust ja põletusi.
5. Ärge kasutage akupaketti ega tööriista, mis on kahjustatud või muudetud. Kahjustatud või muudetud akud võivad käituda etteaimamatult, põhjustades süttimis-, plahvatus- või vigastusohu.
6. **Kaitske akupaketti ja tööriista tule ja kõrge temperatuuri eest.** Tule või kõrgema kui 130 °C temperatuuriga kokkupuutumine võib tuua kaasa plahvatused.

7. Pidage kinni kõigist laadimisjuhtidest ja ärge laadige akupaketti ega tööriista väljaspool juhendis märgitud temperatuurivahemikku. Valesti või väljaspool märgitud temperatuurivahemikku laadimine võib kahjustada akupaketti ja suurendada süttimisohtu.

HOIDKE JUHEND ALLES.

⚠ HOIATUS: ÄRGE UNUSTAGE järgida toote ohutusnõudeid mugavuse või toote (korduskasutamise) saavutatud hea tundmise tõttu. **VALJE KASUTUS** või kasutusjuhendi ohutuseeskirjade eiramine võib põhjustada tervisekahjustusi.

Akukassetiga seotud olulised ohutusjuhised

1. Enne akukasseti kasutamist lugege (1) akulaadijat, (2) akut ja (3) seadmel olevad juhtnõupid ja hoiatused läbi.
2. Ärge võtke akukassetti lahti ega muutke seda. See võib põhjustada tulekahju, liigset kuumust või plahvatused.
3. Kui tööaeg järsult lüheneb, siis lõpetage kohe kasutamine. Edasise kasutamise tulemuseks võib olla ülekuumenemisoht, võimalikud põletused või isegi plahvatus.
4. Kui elektrolüüti satub silma, siis loputage silma puhta veega ja pöörduge koheselt arsti poole. Selline õnnetus võib põhjustada pimedaksjäämist.
5. Ärge tekitage akukassetis lühist:
 - (1) Ärge puutuge klemme elektrijuhtidega.
 - (2) Ärge hoidke akukassetti tööriistakastis koos metalliesemetega, nagu naelad, mündid jne.
 - (3) Ärge tehke akukassetti märjaks ega jätke seda vihma kätte.
 Aku lühis võib põhjustada tugevat elektrivoolu, ülekuumenemist, põletusi ning ka seadet tõsiselt kahjustada.
6. Ärge hoidke ega kasutage tööriista ja akukassetti kohtades, kus temperatuur võib tõusta üle 50 °C (122 °F).
7. Ärge põletage akukassetti isegi siis, kui see on saanud tõsiselt vigastada või on täiesti kuldunud. Akukassett võib tules plahvatada.
8. Ärge naelutage, löigake, muljuge, visake akukassetti ega laske sel kukkuda, samuti ärge lööge selle pihta kõva esemega. Selline tegevus võib põhjustada tulekahju, liigset kuumust või plahvatused.
9. Ärge kasutage kahjustatud akut.
10. Sisalduvatele liitium-ioonakudele võivad kohalduda ohtlike kaupade õigusaktide nõuded. Kaubanduslikul transportimisel, näiteks kolmandate poolte või transpordiettevõtete poolt, tuleb järgida pakendil ja siltidel toodud erinõudeid. Transportimiseks ettevalmistamisel on vajalik pidades nõu ohtliku materjali ekspordiga. Samuti tuleb järgida võimalike riiklike regulatsioonide üksikasjalikumaid nõudeid. Katke teibiga või varjake avatud kontaktid ja pakendage aku selliselt, et see ei saaks pakendis liikuda.

11. Kasutuskõlbmatuks muutunud akukassetti kõrvaldamiseks eemaldage see tööriistast ja viige selleks ette nähtud kohta. Järgige kasutuskõlbmatuks muutunud aku kõrvaldamisel kohalikke eeskirju.
12. Kasutage akusid ainult Makita heaks kiidetud toodetega. Akude paigaldamine selleks mitte ettenähtud toodetele võib põhjustada süttimist, ülemäära kuumust, plahvatamist või elektrolüüdi lekkimist.
13. Kui tööriista ei kasutata pika ajaperioodi jooksul, tuleb aku tööriistast eemaldada.
14. Kasutamise ajal ja pärast kasutamist võib akukassett kuumeneda, mis võib põhjustada põletusi või madala temperatuuri põletusi. Olge kuumu akukasseti kandmisel ettevaatlik.
15. Ärge puudutage tööriista klemmi kohe pärast kasutamist, sest see võib olla kuum ja põhjustada põletusi.
16. Hoidke akukasseti klemmid, avad ja sooned tükikestest, tolmust ja mullast puhtad. Muidu võib tööriist või akukassett halvasti töötada või puruneda.
17. Kui tööriist ei kannata kasutamist kõrgepingeliinide lähedal, ärge kasutage akukassetti kõrgepingeliinide lähedal. Muidu võib tööriist või akukassett puruneda või sellel tõrge tekkida.

18. Hoidke akut lastele kättesaamatult.

HOIDKE JUHEND ALLES.

⚠ETTEVAATUST: Kasutage ainult Makita originaalakusid. Mitte Makita originaalakude või muudetud akude kasutamine võib põhjustada akude süttimise, kehavigastuse ja kahjustuse. Samuti muudab see kehtetuks Makita tööriista ja laadija Makita garantii.

Vihjeid aku maksimaalse kasutusaja tagamise kohta

1. Laadige akukassetti enne selle täielikku tühjenemist. Kui märkate, et tööriist töötab väiksema võimsusega, peatage töö ja laadige akukassetti.
2. Ärge laadige täielikult laetud akukassetti. Ülelaadimine lühendab akude kasutusiga.
3. Laadige akukassetti toatemperatuuril 10 °C - 40 °C. Enne laadimist laske kuumenenud akukassetil maha jahtuda.
4. Kui te ei kasuta parajasti akukassetti, eemaldage see tööriistast või laadurist.
5. Kui te ei kasuta akukassetti kauem kui kuus kuud, laadige see.

OSADE KIRJELDUS

► Joon.1

1	Käepide	2	Lülitiplaat	3	Toru käepide	4	Voolik
5	Näidikupaneel	6	Hoob (tolmukarbi kattele)	7	Tolmukarbi kate	8	Kandekäepide
9	Lukk (akukattele)	10	Reguleerimishoob	11	Akukate	12	Nurgaotsak
13	Ümmargune hari	14	Jalghoob	15	Ratas	16	Külghari
17	Imivoolik	18	Liitmik	19	Alumiiniumtoru	20	Toruhoidik
21	LED-lamp	22	Harjarull	23	Alusplaat	24	Sisselülitamise / režiimi valimise nupp
25	Nupp OFF (VÄLJAS)	26	Töörežiimi näidik	27	Liigse tolmu koguse näidik	28	Harjarulli tõrke näidik
29	Aku jääkmahutavuse näidik	30	Aku kontrollimise / LED-lambi nupp	-	-	-	-

KOKKUPANEK

⚠ETTEVAATUST: Kandke alati hoolt selle eest, et seade oleks enne igasuguseid hooldustöid välja lülitatud ja akukassett eemaldatud.

⚠ETTEVAATUST: Kokkupaneku ja hoolduse ajal kandke alati tolmu maski.

Käepideme ühendamine

1. Sisestage käepideme vars joonisel näidatud viisil lõpuni tolmuimeja kereesse.
 2. Sulgege lukusti.
- **Joon.2:** 1. Käepideme vars 2. Punane märgistus 3. Lukusti

TÄHELEPANU: Sisestage käepide täies ulatuses nii, et punast märgistust ei oleks näha.

Vooliku ühendamine

Sisestage voolik seadmel olemasolevasse kinnitusavasse ja keerake voolikut päripäeva, kuni see lukustub.

- **Joon.3**

Toru ühendamine

Sisestage alumiiniumtoru ots liitmikusse ja kinnitage alumiiniumtoru toruhoidiku külge.

► **Joon.4:** 1. Liitmik 2. Toruhoidik

TÄHELEPANU: Sisestage alumiiniumtoru õiges, joonisel näidatud suunas. Muidu toruhoidik ei lukustu ja alumiiniumtoru võib küljest ära tulla.

► **Joon.5**

Akukasseti paigaldamine või eemaldamine

⚠ETTEVAATUST: Lülitage seade alati enne akukasseti paigaldamist või eemaldamist välja.

⚠ETTEVAATUST: Hoidke tolmuimejat ja akukassetti kindlalt käes, kui paigaldate või eemaldate akukassetti. Kui eirata nõuet tolmuimeja ja akukasseti hoidmise kohta, võivad need käest libiseda ja maha kukkudes puruneda ning põhjustada kehavigastusi.

⚠ETTEVAATUST: Olge akukatte avamisel ja sulgemisel ettevaatlik, et mitte sõrmi vahele jätta. Selle eiramise tagajärjeks võib olla kehavigastus.

Akukasseti paigaldamiseks vabastage esmalt lukk ja seejärel avage akukate. Nüüd sisestage akukassett.

► **Joon.6:** 1. Lukk 2. Akukate

Joondage akukasseti olev keel korpusese oleva sooniga ja libistage kassett oma kohale. Sisestage see tervenisti, et see lukustuks klõpsatusega oma kohale. Seejärel lukustage akukate.

► **Joon.7:** 1. Akukassett 2. Nupp

Akukasseti eemaldamiseks libistage see seadmest välja, vajutades kasseti esiküljel paiknevat nuppu alla.

⚠ETTEVAATUST: Paigaldage akukassett alati täielikult. Muidu võib kassett juhuslikult seadmest välja kukkuda ning põhjustada teile või läheduses viibivatele isikutele vigastusi.

⚠ETTEVAATUST: Ärge rakedage akukasseti paigaldamisel jõudu. Kui kassett ei lähe kergesti sisse, pole see õigesti paigaldatud.

MÄRKUS: Tolmuimeja ei tööta ainult ühe akukassetiga.

Filtrikoti paigaldamine

⚠ETTEVAATUST: Ärge kasutage kahjustatud filtrikotti. Tolmuimeja kasutamisel peab filtrikott olema alati korralikult paigaldatud. Muidu võidakse tolm ja praht tolmuimejast välja paisata ja need võivad põhjustada kasutajale hingamisteede haigusi.

Paigaldage filtrikott enne tolmuimeja kasutamist. Filtrikott on mõeldud ühekordseks kasutamiseks. Kui filtrikott saab täis, visake see ilma tühjendamata välja.

TÄHELEPANU: Kui filtrikott on juba täis või ummistunud, asendage see uuega. Täis või ummistunud filtrikoti edasi kasutamine vähendab imivõimsust.

TÄHELEPANU: Mootori kaitsmine tolmusisestungimise eest.

- Enne kasutama hakkamist veenduge, et filtrikott oleks paigaldatud.
- Ärge kasutage purunenud ega rebenenud filtrikotti.

Muidu võib mootor puruneda.

TÄHELEPANU: Ärge voltige filtrikoti paigaldamise ajal kartongi selle avas kokku.

TÄHELEPANU: Tolmuimejaga sobiv filtrikott on seadme jõudluse tagamiseks oluline. Mitteoriginaalse filtrikoti kasutamine võib põhjustada suitsu või süttimist.

MÄRKUS: Kui filtrikott pole seadmesse paigaldatud, ei sulgu tolmukarbi kate lõpuni.

1. Võtke hoob lukust lahti ja avage tolmukarbi kate.

► **Joon.8:** 1. Hoob 2. Tolmukarbi kate

2. Sisestage filtrikott hoidiku pesa nii, et see pool, millel on märgistus Δ , siseneks esimesena.

3. Lukustage hoidiku lukusti.

► **Joon.9:** 1. Pesa 2. Filtrikott 3. Hoidik 4. Lukusti

4. Veenduge, et hoidiku pilu kaudu oleks näha ainult kartongil olev märgistus.

► **Joon.10:** 1. Märgistus 2. Pilu

5. Lukustage tolmukarbi kate kindlalt.

⚠ETTEVAATUST: Olge lukusti haakimisel ja tolmukarbi kate sulgemisel ettevaatlik, et mitte sõrmi vahele jätta.

Filtrikoti eemaldamine

⚠ETTEVAATUST: Käsitsege filtrikotti õrnalt. Muidu võivad võõresemed silma sattuda ja põhjustada vigastusi.

Vahetage filtrikott, kui see on täis või ummistunud. Avage tolmukarbi kate ja lukusti ning võtke filtrikott välja.

Filtrikoti sulgemiseks tõmmake ava küljel olevat riba ja visake kogu filtrikott ära.

► **Joon.11:** 1. Lukusti 2. Riba

TÄHELEPANU: Ärge kasutage kasutatud filtrikotti. Filtrikott on mõeldud ainult ühekordseks kasutamiseks. Filtrikoti korduskasutamine võib ummistada filtri ja kahjustada puhastajat. Kui soovite kotti korduvalt kasutada, kasutage tolmukotti.

FUNKSIONAALNE KIRJELDUS

⚠ETTEVAATUST: Kandke alati hoolt selle eest, et seade oleks enne reguleerimist ja kontrollimist välja lülitatud ning akukassett eemaldatud.


Tööriista/aku kaitsesüsteem

Tööriist on varustatud tööriista või aku kaitsesüsteemiga. Süsteem lülitab mootori automaatselt välja, et pikendada tööriista ja aku tööiga. Tööriist seiskub käitamise ajal automaatselt, kui tööriista või aku kohta kehtib üks järgmistest tingimustest.

Ülekoormuskaitse

Kui tööriista kasutamise käigus hakkab see tarbima ebaharilikult palju voolu, peatub tööriist automaatselt ilma igasuguse signaalita. Sellisel juhul lülitage tööriist välja ning lõpetage tööriista ülekoormuse põhjustanud tegevus. Pärast seda käivitage tööriist uuesti.

Ülekuumenemiskaitse

<input type="checkbox"/> põleb	<input type="checkbox"/> vilgub
	

Kui tööriist on ülekuumenenud, seiskub see automaatselt ja aku indikaator vilgub umbes 60 sekundit. Sellises olukorras laske tööriistal maha jahtuda enne, kui selle uuesti sisse lülitate.

Ülelaadimiskaitse


















Kui aku laetuse tase on madal, siis seiskub tööriist automaatselt. Kui seade ei hakka tööle ka lülitate kasutamisel, eemaldage tööriistast akud ja laadige neid.

Aku jääkmahutavuse näit

Ainult näidikuga akukassettidele

► **Joon.12:** 1. Märkulambid 2. Kontrollimise nupp

Akukasseti järelejäädud mahutavuse kontrollimiseks vajutage kontrollimise nuppu. Märkulambid süttivad mõneks sekundiks.

Märkulambid			Jääkmahutavus
 Põleb	 Ei põle	 Vilgub	
			75 - 100%
			50 - 75%
			25 - 50%
			0 - 25%
			Laadige akut.
			Akul võib olla tõrge.
			

MÄRKUS: Näidatud mahutavus võib veidi erineda tegelikust mahutavusest olenevalt kasutustingimustest ja ümbritseva keskkonna temperatuurist.

MÄRKUS: Esimene (taga vasakul asuv) märkutuli vilgub, kui akukaitsesüsteem töötab.

Näidikupaneel

- **Joon.13:** 1. Töörežiim 2. Liigne tolmukogus
3. Harjarulli tõrge 4. Aku jääkmahutavus
5. Aku kontrollimise / LED-lambi nupp

Töörežiim

Töörežiimi muutmise kohta lugege lüliti funktsioneerimise peatükist.

Liigne tolmukogus

Selle näidiku süttimisel vahetage filtrikott. (Lugege filtrikoti eemaldamise peatükki.)

MÄRKUS: See näidik ei tööta, kui seade töötab madalama mürataseme (1) režiimis.

MÄRKUS: See näidik ei pruugi kasutuskeskkonnast olenevalt töötada.

Harjarulli tõrge








Vilgub	Harjarull töötab mingil põhjusel kõrgel koormusel.
Põleb	Harjarull on tavatul põhjusel peatunud.

⚠HOIATUS: Kui see lamp süttib töötamise ajal, lülitage seade viivitamatult välja. Muidu võib tekkida mootori rike, mis võib põhjustada tulekahju.

Aku jääkmahutavus

Vajutage töö ajal aku kontrollimise / LED-lambi nuppu, et kuvada akude jääkmahutavus. Kummalgi akul on oma akunäidik.

► Joon.14

Akunäidiku olek			Aku jääkmahutavus
 Poleb	 Ei pole	 Vilgub	
			50% kuni 100%
			20% kuni 50%
			0% kuni 20%
			Laadige akut

Aku kontrollimise / LED-lambi nupp

Töö ajal on võimalik teha järgmisi toiminguid.

- Aku jääkmahutavuse kontrollimiseks vajutage lihtsalt nuppu.
- LED-lambi sisse-/väljalülitamiseks vajutage nuppu ja hoidke seda all.

Lüliti funktsioneerimine

- Joon.15: 1. Sisselülitamise / režiimi valimise nupp
2. Nupp VÄLJAS

Seadme sisse / välja lülitamine.

Seadme käivitamiseks vajutage lihtsalt sisselülitamise / režiimi valimise nuppu. Väljalülitamiseks vajutage väljalülitamise nuppu.

⚠ETTEVAATUST: Hoidke seadme pead käivitamise ajal alati maas. Muidu võib takerdumise tõttu juhtuda õnnetus, mis võib põhjustada kehavigastusi.

Töörežiimi muutmine

Töörežiimi saate muuta kolmes etapis: madalam müratase (1), tavaline (2) ja kõrge (3). Töörežiimi muutmiseks vajutage sisselülitamise / režiimi valimise nuppu ajal, kui seade töötab. Töörežiim vahetub järjekorras: madalam müratase (1), tavaline (2) ja kõrge (3). Seade käivitub samal režiimil, mida viimati kasutati.

LED-lambi süütamine

⚠ETTEVAATUST: Ärge vaadake otse valgusesse ega valgusalikalt.

Seadmel on LED-lambid.

Nende kasutamise kohta lugege aku kontrollimise / LED-lambi nuppu käsitlevast peatükist.

- Joon.16: 1. LED-lamp

Jalghoob

⚠ETTEVAATUST: Kui te käepidemest lahti lasete, lukustage seade alati püstisesse asendisse. Muidu võib seade kogemata kukkuda ja kehavigastusi tekitada.

⚠ETTEVAATUST: Olge ettevaatlik, et te ei jätkaks sõrmi seadme kere ja pea vahele.

Seadme püstisest asendist vabastamiseks astuge jalghoovale ja tõmmake käepide tagasi. Püstises asendis on liikumisulatus 90 kraadi.

- Joon.17: 1. Jalghoob

Seadme püstisesse asendisse lukustamiseks tõstke käepide ettepoole, kuni jalghoob klõpsatusega kohale lukustub.

- Joon.18

MÄRKUS: Kui seade on püstises asendis, lõpetab harjarull pöörlemise.

Harjarulli kõrguse reguleerimine

⚠ETTEVAATUST: Veenduge alati enne seadme kasutamist, et reguleerimishoob liiguks korralikult asendisse.

Harjarulli kõrgust saab reguleerida neljas etapis.

Keerake reguleerimishoob soovitud kõrgusesse. Kui reguleerimishoob osutab märgisele A, asub harjarull madalaimal kõrgusel pörandast ning sobib kõva pörand ja lühikese karvaga vaipade puhastamiseks. Kui reguleerimishoob osutab märgisele B, asub harjarull kõrgeimal kõrgusel pörandast ja sobib pika karvaga vaipade puhastamiseks.

- Joon.19: 1. Reguleerimishoob

MÄRKUS: Harjarull ei pruugi pöörelda, kui see asub liiga madalal vastu vaiba pinda.

Kandekäepide

Seadme liigutamisel lükake seda vaid ratastel või kandke käepideme(te)st kinni hoides.

- Joon.20

⚠ETTEVAATUST: Seadme liigutamisel lukustage see püstisesse asendisse. Muidu võib seade kukkuda.

⚠ETTEVAATUST: Ärge kandke seadet mujalt kui käepidemest kinni hoides. Muidu võib seade maha kukkuda või tahtmatult käivituda ja põhjustada vigastusi.

- Joon.21

TÖÖRIISTA KASUTAMINE

⚠ETTEVAATUST: Ärge tõmmake töötamise ajal käepideme vart seadmest välja. Nii tehes kaotate seadme üle kontrolli, mis võib põhjustada tõsiseid vigastusi.

⚠ETTEVAATUST: Ärge pange kätt või jalga töötamise ajal seadme alla. Muidu võib käsi või jalga seadme vahele jääda.

Tavapärase puhastustoiming

1. Hoidke käepidemest ja vabastage seade püstises asendist.
2. Lülitage seade sisse. Puhastage pörand.
▶ **Joon.22**

Külgharja kasutamine

Külghari on mugav seinä nurkade puhastamiseks. Kui külghari on muutunud lühikeseks, viige seade Makita teeninduskeskusesse ja laske välja vahetada
▶ **Joon.23:** 1. Külghari

Lisatarvikutega töötamine

⚠ETTEVAATUST: Lisatarvikuid kasutades jätkake käepidemest hoidmist. Muidu võib seade kogemata kukkuda ja kehavigastusi tekitada.

TÄHELEPANU: Lisatarvikute kasutamisel lukustage seade püstisesse asendisse. Muidu võib harjarulli pöörlemine pörandat kahjustada.

Alumiiniumtoru kasutamine

Alumiiniumtoru on sobilik kitsaste ruumide või kõrgete kohtade puhastamiseks.
▶ **Joon.24:** 1. Alumiiniumtoru

Vooliku kasutamine

Voolik on sobilik käte läheduses puhastamiseks.
▶ **Joon.25:** 1. Voolik

Vooliku kasutamiseks tõmmake alumiiniumtoru voolikust välja, hoides samal ajal hooba all. Vooliku paigaldamiseks sisestage voolik alumiiniumtorusse, kuni see kinni klõpsatab.
▶ **Joon.26:** 1. Hoob

Lisaotsakute kasutamine

▶ **Joon.27**

Lisaotsaku paigaldamiseks keerake ja sisestage see alumiiniumtoru või vooliku otsa. Eemaldamiseks keerake seda ja eemaldage.

HOOLDUS

⚠ETTEVAATUST: Enne kontrolli- või hooldustoimingute tegemist kandke alati hoolt selle eest, et seade oleks välja lülitatud ja akukasett eemaldatud.

TÄHELEPANU: Ärge kunagi kasutage bensiini, vedeldit, alkoholi ega midagi muud sarnast. Selle tulemuseks võib olla luitumine, deformatsioon või pragunemine.

Toote OHUTUSE ja TÖÖKINDLUSE tagamiseks tuleb vajalikud remontitööd ning muud hooldus- ja reguleerimistööd lasta teha Makita volitatud teeninduskeskustes või tehase teeninduskeskustes. Alati tuleb kasutada Makita varuosi.

Hoiundamine

Hoiundamise ajaks eemaldage akukasettid ja hoidke seadet tasasel pinnal püstises asendis.
▶ **Joon.28**

Seadme kere puhastamine

Puhastage tolmuimeja korpuse välispinda aeg-ajalt seebivees niisutatud lapiga.
▶ **Joon.29**

HEPA filtri puhastamine

⚠ETTEVAATUST: Ärge kasutage tolmuimejat ilma filtrita ega jätkake seadme kasutamist määratud või kahjustatud filtriga. Sisse imetud tolm ja praht võidakse tolmuimejast välja paisata ning need võivad põhjustada kasutajale hingamisteede haigusi.

TÄHELEPANU: Optimaalse imivõimsuse ja puhta väljutatud õhu tagamiseks puhastage regulaarselt filtrit. Kui puhastamise järel ei saavutata piisavat imivõimsust, vahetage filter uue vastu.

TÄHELEPANU: Filtri kahjustamise vältimiseks ärge kasutage puhastamiseks järgmisi tööriistu või sarnaseid esemeid:

- tolmuemaldid;
- kõrgsurvepesur;
- kõvadest materjalidest tehtud tööriistad nagu metalne hari.

1. Avage tolmukarbi kate ja võtke filtrikott välja. Vabastage filtril olevad haigid ja eemaldage see tolmuimeja kerelt.
▶ **Joon.30:** 1. Konk
2. Koputage tolm filtrilt ära. Filtrit võib veega pesta. Peske filter iga kuu või kahe kuu möödudes tolmust ja prahist puhtaks. Seejärel kuivatage filtrit päikese eest varjatud ja hästi tuulutatud kohas, et vältida tõrgete ja ebameeldivate lõhnade tekkimist.
3. Filtri paigaldamiseks sisestage ilma konksudeta külg soonde, seejärel lükake filtrit, kuni konksud on klõpsuga kinnitunud.
▶ **Joon.31:** 1. Soon 2. HEPA filter 3. Konk

Harjarulli puhastamine

1. Eemaldage alusplaat ja eemaldage seejärel harjarull.

Kui harjarulli harjased on lühikeseks muutunud, tellige Makita teeninduskeskusest uus.

Lühikeste harjastega harjarull halvendab seadme tolmu kogumisvõimet.

► **Joon.32:** 1. Alusplaat 2. Harjarull

2. Eemaldage harjarullil olevad niidid ja karvad kääridega.

Eemaldage kate ja puhastage praht.

► **Joon.33:** 1. Kate

3. Paigaldage vastupidises asendis kate, harjarull ja alusplaat.

► **Joon.34**

⚠ETTEVAATUST: Kinnitage alusplaat täies ulatuses. Kui seadet kasutatakse ilma alusplaadita, võib harjarull küljest ära tulla ja põhjustada vigastusi.

TÄHELEPANU: Kinnitage harjarull alati. Seadme kasutamine ilma harjarullita halvendab selle tolmu kogumisvõimet.

Ummistuste eemaldamine

TÄHELEPANU: Ärge kasutage seadet, kui sisselaske voolutee on ummistunud. Seadme pidev kasutamine ummistunud sisselaske vooluteega vähendab imivõimsust.

1. Eemaldage alusplaat ja eemaldage seejärel harjarull.

2. Eemaldage seadme ja vooliku küljest alumiiniumtoru.

3. Keerake voolikut vastupäeva ja eemaldage voolik seadme küljest.

4. Eemaldage sakist tõmmates imivoolik.

► **Joon.35:** 1. Imivoolik 2. Sakk

5. Kontrollige alumiiniumtoru, vooliku ja imivooliku õhu sisselaske vooluteed.

Puhastage nende sisemus prahist.

6. Joondage imivoolikul olev keel korpuses oleva soonega ja libistage see oma kohale.

► **Joon.36:** 1. Keel 2. Soon

7. Paigaldage voolik, alumiiniumtoru, harjarull ja alusplaat.

⚠ETTEVAATUST: Paigaldage voolik ja toru tugevalt. Muidu võib toimuda tolmu leke, mis võib põhjustada vigastusi.

VEAOTSING

Enne parandustöökotta pöördumist kontrollige esmalt ise seadet. Ärge proovige masinat lahti võtta, kui leiате probleemi, mida kasutusjuhendis ei kirjeldata. Selle asemel pöörduge Makita volitatud teeninduskeskusesse, kus kasutatakse parandamisel alati Makita tagavaraosa.

Probleemi kirjeldus	Tõenäoline põhjus	Lahendus
Ei tööta.	Akukassetid ei ole õigesti paigaldatud.	Paigaldage akukassetid juhendis kirjeldatud viisil.
	Akukassetid on tühjad.	Laadige akukassette.
	Käepide on valesti paigaldatud.	Paigaldage käepide tugevasti juhendis kirjeldatud viisil.
Harjarull ei pöörle.	Seade on püstisesse asendisse lukustatud.	Vabastage seade püstisest asendist.
	Harjarulli tõrke näidik põleb.	Kontrollige, et harjarull ei oleks ümbritseva külge takerdunud (kere, kate ja liitmik).
Nõrk inemisi jõud	Liigse tolmukoguse näidik põleb.	Vahetage filtrikott.
	⇒Kui filtrikoti vahetamine probleemi ei lahenda ...	Puhastage või vahetage HEPA filter.
		Kontrollige, et praht ei ummistaks vooliku ja toru sisemust.
	Praht on takerdunud harjarulli ja pöörlemiskiirus on vähenenud.	Kontrollige, et harjarull ei oleks ümbritseva külge takerdunud (kere, kate, liitmik).
	Harjarull asub pörandast liiga kõrgel.	Alandage harjarulli kõrgust.
	Harjarulli harjased on muutunud lühikeseks.	Vahetage harjarull. Alandage harjarulli kõrgust.
	Seade töötab madalal režiimil.	Vahetage kõrgemale töörežiimile.
	Harjarull ei ole paigaldatud.	Paigaldage harjarull.
	Toru või voolik on valesti paigaldatud.	Paigaldage toru või voolik tugevasti.
Vali töömüra	Seade töötab kõrgel režiimil.	Vahetage madalamale töörežiimile.
	Praht on harjarulli külge takerdunud.	Kontrollige, et harjarull ei oleks ümbritseva külge takerdunud (kere, kate ja liitmik).
	Filtrikott on tolm täis.	Vahetage filtrikott.
	⇒Kui filtrikoti vahetamine probleemi ei lahenda ...	Puhastage või vahetage HEPA filter.
	Kontrollige, et praht ei ummistaks vooliku ja toru sisemust.	
Liigse tolmukoguse näidik vilgub pärast lühikest tööaega.	Filtrikott on volditud.	Voltige filtrikoti avaus enne paigaldamist lahti.
LED-lamp ei sütti.	LED-lambi seadistus on välja lülitatud.	Vajutage töö ajal aku kontrollimise / LED-lambi nuppu ja hoidke seda all, et LED-lamp sisse lülitada.
Ratast on raske liigutada	Praht on ratta külge takerdunud.	Puhastage ratas prahtist.

VALIKULISED TARVIKUD

⚠ETTEVAATUST: Neid tarvikuid ja lisaseadiseid on soovitatav kasutada koos Makita tööriistaga, mille kasutamist selles kasutusjuhendis kirjeldatakse. Muude tarvikute ja lisaseadiste kasutamisega kaasneb vigastada saamise oht. Kasutage tarvikuid ja lisaseadiseid ainult otstarbekohaselt.

Saate vajaduse korral kohalikust Makita teeninduskeskusest lisateavet nende tarvikute kohta.

- Nurgaotsak
- Ümmargune hari
- HEPA filter
- Filtrikott
- Makita algupärane aku ja laadija

MÄRKUS: Mõned nimekirjas loetletud tarvikud võivad kuuluda standardvarustusse ning need on lisatud tööriista pakendisse. Need võivad riigiti erineda.

ОСТОРОЖНО

Это устройство не предназначено для использования лицами (включая детей) с ограниченными физическими, сенсорными или умственными способностями, а также не имеющими надлежащего опыта и знаний.

Следите за тем, чтобы дети не использовали устройство в качестве игрушки.

ТЕХНИЧЕСКИЕ ХАРАКТЕРИСТИКИ

Модель:	DVC560
Максимальный объем воздуха *	1,9 м ³ /мин
Вакуум *	12 кПа
Вместимость	5 л
Размеры (Д × Ш × В)	326 мм × 318 мм × 1 146 мм
Номинальное напряжение	36 В пост. тока
Масса нетто	8,3 – 9,0 кг

- * Значение измерено по нашей оригинальной методике.
- Благодаря нашей постоянно действующей программе исследований и разработок указанные здесь технические характеристики могут быть изменены без предварительного уведомления.
 - Технические характеристики и аккумуляторный блок могут отличаться в зависимости от страны.
 - Масса указана с учетом дополнительных принадлежностей (круглая щетка, угловая насадка) и всех блоков аккумулятора. Наименьшая и наибольшая совокупная масса инструмента и блоков аккумулятора указана в таблице.

Подходящий блок аккумулятора и зарядное устройство

Блок аккумулятора	BL1815N / BL1820 / BL1820B / BL1830 / BL1830B / BL1840 / BL1840B / BL1850 / BL1850B / BL1860B
Зарядное устройство	DC18RC / DC18RD / DC18RE / DC18SD / DC18SE / DC18SF / DC18SH

- В зависимости от региона проживания некоторые блоки аккумуляторов и зарядные устройства, перечисленные выше, могут быть недоступны.

⚠ ОСТОРОЖНО: Используйте только перечисленные выше блоки аккумуляторов и зарядные устройства. Использование других блоков аккумуляторов и зарядных устройств может привести к травме и/или пожару.

Символы

Ниже приведены символы, которые могут использоваться для обозначения оборудования. Перед использованием убедитесь в том, что вы понимаете их значение.



Прочитайте руководство по эксплуатации.



Обратите особое внимание.



Ni-MH
Li-ion

Только для стран ЕС
Не выбрасывайте электрооборудование или аккумуляторы вместе с бытовым мусором! В соответствии с европейскими директивами об утилизации электрического и электронного оборудования, о батареях и аккумуляторах, а также использованных батареях и аккумуляторах и их применении в соответствии с местными законами электрооборудование, батареи и аккумуляторы, срок эксплуатации которых истек, должны утилизироваться отдельно и передаваться для утилизации на предприятие, соответствующее применяемым правилам охраны окружающей среды.

Назначение

Устройство предназначено для сбора сухой пыли. Устройство подходит для коммерческого использования, например в гостиницах, школах, больницах, магазинах, офисах, арендных помещениях и на заводах.

Шум

Типичный уровень взвешенного звукового давления (A), измеренный в соответствии с EN60335-2-69: Уровень звукового давления (L_{pA}): 70 дБ (или менее) Погрешность (K): 2,5 дБ (A)

Уровень шума при выполнении работ может превышать 80 дБ (A).

ПРИМЕЧАНИЕ: Заявленное значение распространения шума измерено в соответствии со стандартной методикой испытаний и может быть использовано для сравнения инструментов.

ПРИМЕЧАНИЕ: Заявленное значение распространения шума можно также использовать для предварительных оценок воздействия.

⚠ ОСТОРОЖНО: Используйте средства защиты слуха.

⚠ ОСТОРОЖНО: Распространение шума во время фактического использования электроинструмента может отличаться от заявленного значения в зависимости от способа применения инструмента и в особенности от типа обрабатываемой детали.

⚠ ОСТОРОЖНО: Обязательно определите меры безопасности для защиты оператора, основанные на оценке воздействия в реальных условиях использования (с учетом всех этапов рабочего цикла, таких как выключение инструмента, работа без нагрузки и включение).

Вибрация

Суммарное значение вибрации (сумма векторов по трем осям), определенное в соответствии с EN60335-2-69:

Распространение вибрации ($a_{н,м}$): 2,5 м/с² или менее Погрешность (K): 1,5 м/с²

ПРИМЕЧАНИЕ: Заявленное общее значение распространения вибрации измерено в соответствии со стандартной методикой испытаний и может быть использовано для сравнения инструментов.

ПРИМЕЧАНИЕ: Заявленное общее значение распространения вибрации можно также использовать для предварительных оценок воздействия.

⚠ ОСТОРОЖНО: Распространение вибрации во время фактического использования электроинструмента может отличаться от заявленного значения в зависимости от способа применения инструмента и в особенности от типа обрабатываемой детали.

⚠ ОСТОРОЖНО: Обязательно определите меры безопасности для защиты оператора, основанные на оценке воздействия в реальных условиях использования (с учетом всех этапов рабочего цикла, таких как выключение инструмента, работа без нагрузки и включение).

Декларация о соответствии ЕС

Только для европейских стран

Декларация о соответствии ЕС включена в руководство по эксплуатации (Приложение А).

МЕРЫ БЕЗОПАСНОСТИ

Правила техники безопасности при эксплуатации аккумуляторного пылесоса

⚠ ОСТОРОЖНО: ВАЖНО! ВНИМАТЕЛЬНО ОЗНАКОМЬТЕСЬ со всеми инструкциями и рекомендациями по технике безопасности ДО НАЧАЛА РАБОТЫ. Невыполнение инструкций и рекомендаций может привести к поражению электротоком, пожару и/или тяжелым травмам.

1. **Перед началом эксплуатации убедитесь, что пользователь должным образом проинструктирован по работе с данным пылесосом.**
2. **Не используйте без установленного мешочного фильтра и/или фильтров.** Немедленно замените поврежденный фильтр.
3. **НЕ ДОПУСКАЙТЕ СЛУЧАЙНОГО ПУСКА.** Установившая аккумулятор (аккумуляторы), обязательно убедитесь, что инструмент выключен.
4. **Не всасывайте горючие материалы, петарды, зажженные сигареты, угли, горячую металлическую стружку, острые предметы, такие как бритвы, иголки, битое стекло и т. п.**
5. **ЗАПРЕЩАЕТСЯ ЭКСПЛУАТИРОВАТЬ ПЫЛЕСОС РЯДОМ С БЕНЗИНОМ, ГАЗОМ, КРАСКОЙ, КЛЕЯЩИМИ И ДРУГИМИ ВЗРЫВООПАСНЫМИ МАТЕРИАЛАМИ.** При установке переключателя в положения ON (Вкл.) и OFF (Выкл.) возможно возникновение искр. Искры могут также возникать во время работы коллектора электромотора. Результатом может стать сильный взрыв.
6. **Запрещается всасывать токсичные, канцерогенные, легковоспламеняющиеся и другие опасные материалы, такие как асбест, мышьяк, барий, бериллий, свинец, пестициды и другие вредные для здоровья вещества.**
7. **Не используйте вне помещения или на влажных поверхностях.**
8. **Не используйте устройство вблизи источников тепла (печи и пр.).**
9. **Не блокируйте всасывающие впускные отверстия, выпускные отверстия или вентиляционные отверстия. Они обеспечивают охлаждение электродвигателя. Следите за тем, чтобы вентиляционные отверстия не засорились. В противном случае электродвигатель может сгореть из-за недостаточного охлаждения.**

10. Не сгибайте, не тяните шланг и не наступайте на него.
 11. Немедленно выключите пылесос, если во время работы заметите признаки неисправности или падение мощности.
 12. **СНИМИТЕ АККУМУЛЯТОР (АККУУЛЯТОРЫ).** Если пылесос не используется, перед обслуживанием и при смене насадок.
 13. Очищайте и обслуживайте пылесос сразу по окончании работы, чтобы поддерживать его в оптимальном техническом состоянии.
 14. **СОБЛЮДАЙТЕ ОСТОРОЖНОСТЬ ПРИ ВЫПОЛНЕНИИ ОЧИСТКИ ПЫЛЕСОСА.** Содержите пылесос в чистоте, чтобы обеспечить максимальную эффективность и безопасность эксплуатации. Следуйте инструкциям по смене насадок. Ручки инструмента всегда должны быть сухими и чистыми и не должны быть испачканы маслом или смазкой.
 15. **ПРОВЕРЬТЕ КОМПОНЕНТЫ НА ПРЕДМЕТ ПОВРЕЖДЕНИЙ.** Перед дальнейшим использованием пылесоса ограждение или другая поврежденная деталь должны быть тщательно осмотрены, чтобы убедиться, что пылесос будет работать нормально и выполнять функции, для которых он предназначен. Убедитесь, что движущиеся компоненты выровнены и свободно перемещаются, никакие детали не повреждены, все крепления надежны и отсутствуют другие дефекты, которые могут повлиять на работу электроинструмента. Поврежденное ограждение или какая-либо другая деталь должны быть соответствующим образом отремонтированы или заменены авторизованным сервисным центром, если в руководстве по эксплуатации не указано иное. Неисправные выключатели должны быть заменены в авторизованном сервисном центре. Не используйте пылесос, если выключатель не включает или не выключает его.
 16. **ЗАПАСНЫЕ ЧАСТИ.** При техническом обслуживании используйте для замены только аналогичные детали.
 17. **ХРАНЕНИЕ ПЫЛЕСОСА.** Если пылесос не используется, храните его в помещении.
 18. Берегите пылесос. Небрежная эксплуатация может привести к поломке даже самого прочного пылесоса.
 19. Запрещается использовать для очистки внутренних и внешних поверхностей бензин, растворитель или чистящие химикаты. Это может вызвать появление трещин и обесцвечивание.
 20. Не используйте пылесос в замкнутом пространстве при наличии огнеопасных, взрывоопасных или токсичных паров от масляных красок, растворителей, бензина, некоторых средств защиты от моли и т. п., либо при наличии горючей пыли.
 21. Не используйте это или другие устройства в состоянии алкогольного или наркотического опьянения.
 22. Надевайте подходящие средства защиты, например маску, в зависимости от условий эксплуатации.
 23. Это устройство не предназначено для использования лицами (включая детей) с ограниченными физическими, сенсорными или умственными способностями, а также не имеющими надлежащего опыта и знаний.
 24. Следите, чтобы дети не использовали пылесос в качестве игрушки.
 25. Запрещено прикасаться к аккумулятору (аккумуляторам) и пылесосу мокрыми руками.
 26. Проявляйте особую осторожность при чистке на лестницах.
 27. Всегда сохраняйте устойчивое положение и равновесие.
 28. Запрещается использовать пылесос в качестве табурета или верстака. Устройство может упасть и нанести травму.
 29. Держите все части тела и одежду на безопасном расстоянии от отверстий и движущихся частей, например вращающегося щеточного валика. В противном случае их может затянуть в устройство, что приведет к травме.
- Эксплуатация и обслуживание электроинструмента, работающего на аккумуляторах**
1. Заряжайте аккумулятор только зарядным устройством, указанным изготовителем. Зарядное устройство, подходящее для одного типа аккумуляторов, может привести к пожару при его использовании с другим аккумуляторным блоком.
 2. Используйте электроинструмент только с указанными аккумуляторными блоками. Использование других аккумуляторных блоков может привести к травме или пожару.
 3. Когда аккумуляторный блок не используется, храните его отдельно от металлических предметов, таких как скрепки, монеты, ключи, гвозди, шурупы или другие небольшие металлические предметы, которые могут привести к закорачиванию контактов аккумуляторного блока между собой. Короткое замыкание между контактами аккумуляторного блока может привести к ожогам или пожару.
 4. При неправильном обращении из аккумуляторного блока может потечь жидкость. Избегайте контакта с ней. В случае контакта с кожей промойте место контакта обильным количеством воды. В случае попадания в глаза обратитесь к врачу. Жидкость из аккумулятора может вызвать раздражение или ожоги.
 5. Не используйте поврежденные или модифицированные инструменты и аккумуляторные блоки. Поврежденные или модифицированные аккумуляторы могут работать некорректно, что может привести к пожару, взрыву или травмированию.
 6. Не подвергайте аккумуляторный блок или инструмент воздействию огня или высокой температуры. Воздействие огня или температуры выше 130 °C может привести к взрыву.

7. Следуйте всем инструкциям по зарядке и не заряжайте аккумуляторный блок или инструмент при температурных условиях, выходящих за пределы диапазона, указанного в инструкции. Зарядка ненадлежащим образом или при температурных условиях, выходящих за пределы указанного диапазона, может привести к повреждению батареи и повысить риск пожара.
7. Не бросайте аккумуляторный блок в огонь, даже если он сильно поврежден или полностью вышел из строя. Аккумуляторный блок может взорваться под действием огня.
8. Запрещено вбивать гвозди в блок аккумулятора, резать, ломать, бросать, ронять блок аккумулятора или ударять его твердым предметом. Это может привести к пожару, перегреву или взрыву.
9. Не используйте поврежденный аккумуляторный блок.
10. Входящие в комплект литий-ионные аккумуляторы должны эксплуатироваться в соответствии с требованиями законодательства об опасных товарах.

СОХРАНИТЕ ДАННЫЕ ИНСТРУКЦИИ.

▲ОСТОРОЖНО: НЕ ДОПУСКАЙТЕ, чтобы удобство или опыт эксплуатации данного устройства (полученный от многократного использования) доминировали над строгим соблюдением правил техники безопасности при обращении с этим устройством. **НЕПРАВИЛЬНОЕ ИСПОЛЬЗОВАНИЕ** инструмента или несоблюдение правил техники безопасности, указанных в данном руководстве, может привести к тяжелой травме.

Важные правила техники безопасности для работы с аккумуляторным блоком

1. Перед использованием аккумуляторного блока прочитайте все инструкции и предупреждающие надписи на (1) зарядном устройстве, (2) аккумуляторном блоке и (3) инструменте, работающем от аккумуляторного блока.
2. Не разбирайте блок аккумулятора и не меняйте его конструкцию. Это может привести к пожару, перегреву или взрыву.
3. Если время работы аккумуляторного блока значительно сократилось, немедленно прекратите работу. В противном случае, может возникнуть перегрев блока, что приведет к ожогам и даже к взрыву.
4. В случае попадания электролита в глаза промойте их обильным количеством чистой воды и немедленно обратитесь к врачу. Это может привести к потере зрения.
5. Не замыкайте контакты аккумуляторного блока между собой:
 - (1) Не прикасайтесь к контактам какими-либо токопроводящими предметами.
 - (2) Не храните аккумуляторный блок в контейнере вместе с другими металлическими предметами, такими как гвозди, монеты и т. п.
 - (3) Не допускайте попадания на аккумуляторный блок воды или дождя.
 Замыкание контактов аккумуляторного блока между собой может привести к возникновению большого тока, перегреву, возможным ожогам и даже поломке блока.
6. Не храните и не используйте инструмент и аккумуляторный блок в местах, где температура может достигать или превышать 50 °C (122 °F).
11. Для утилизации блока аккумулятора извлеките его из инструмента и утилизируйте безопасным способом. Выполняйте требования местного законодательства по утилизации аккумуляторного блока.
12. Используйте аккумуляторы только с продукцией, указанной Makita. Установка аккумуляторов на продукцию, не соответствующую требованиям, может привести к пожару, перегреву, взрыву или утечке электролита.
13. Если инструментом не будут пользоваться в течение длительного периода времени, извлеките аккумулятор из инструмента.
14. Во время и после использования блок аккумулятора может нагреваться, что может стать причиной ожогов или низкотемпературных ожогов. Будьте осторожны при обращении с горячим блоком аккумулятора.
15. Не прикасайтесь к контактам инструмента сразу после использования, поскольку они могут быть достаточно горячими, чтобы вызвать ожоги.
16. Не допускайте, чтобы обломки, пыль или земля прилипали к контактам, отверстиям и пазам на блоке аккумулятора. Это может привести к снижению эксплуатационных параметров, поломке инструмента или блока аккумулятора.
17. Если инструмент не рассчитан на использование вблизи высоковольтных линий электропередач, не используйте блок аккумулятора вблизи высоковольтных линий электропередач. Это может привести к неисправности, поломке инструмента или блока аккумулятора.
18. Храните аккумулятор в недоступном для детей месте.

СОХРАНИТЕ ДАННЫЕ ИНСТРУКЦИИ.

▲ВНИМАНИЕ: Используйте только фирменные аккумуляторные батареи Makita. Использование аккумуляторных батарей, не произведенных Makita, или батарей, которые были подвергнуты модификациям, может привести к взрыву аккумулятора, пожару, травмам и повреждению имущества. Это также автоматически аннулирует гарантию Makita на инструмент и зарядное устройство Makita.

Советы по обеспечению максимального срока службы аккумулятора

1. Заряжайте блок аккумуляторов перед его полной разрядкой. Обязательно прекратите работу с инструментом и зарядите блок аккумуляторов, если вы заметили снижение мощности инструмента.
2. Никогда не подзаряжайте полностью заряженный блок аккумуляторов. Перезарядка сокращает срок службы аккумулятора.
3. Заряжайте блок аккумуляторов при комнатной температуре в 10 - 40 °C (50 - 104 °F). Перед зарядкой горячего блока аккумуляторов дайте ему остыть.
4. Если блок аккумулятора не используется, извлеките его из инструмента или зарядного устройства.
5. Зарядите ионно-литиевый аккумуляторный блок, если вы не будете пользоваться инструментом длительное время (более шести месяцев).

ОПИСАНИЕ ДЕТАЛЕЙ

► Рис.1

1	Ручка	2	Панель с переключателями	3	Ручка трубы	4	Шланг
5	Панель индикации	6	Рычаг (для крышки пылесборного блока)	7	Крышка пылесборного блока	8	Рукоятка для переноски
9	Фиксатор (для крышки аккумуляторного отсека)	10	Рычаг регулировки	11	Крышка аккумуляторного отсека	12	Угловая насадка
13	Круглая щетка	14	Ножной рычаг	15	Ролик	16	Боковая щетка
17	Всасывающий шланг	18	Соединение	19	Алюминиевая труба	20	Держатель трубы
21	Светодиодная лампа	22	Щеточный валик	23	Нижняя плита	24	Кнопка "Вкл." / переключения режима
25	Кнопка "Выкл."	26	Индикатор рабочего режима	27	Индикатор избыточного уровня пыли	28	Индикатор ошибки щеточного валика
29	Индикатор заряда аккумулятора	30	Кнопка проверки аккумулятора / включения светодиодной лампы	-	-	-	-

СБОРКА

▲ВНИМАНИЕ: Перед выполнением каких-либо работ с устройством отключите его и извлеките блок аккумулятора.

▲ВНИМАНИЕ: Всегда надевайте защитную маску при сборке или техническом обслуживании.

Подсоединение ручки

1. Полностью вставьте штангу ручки в корпус пылесоса, как показано на рисунке.
2. Закройте защелку.

► **Рис.2:** 1. Штанга ручки 2. Красная метка 3. Стопорная защелка

ПРИМЕЧАНИЕ: Полностью вставьте ручку таким образом, чтобы красная метка не была видна.

Подсоединение шланга

Вставьте шланг в установочное отверстие устройства и поверните шланг до фиксации.

► **Рис.3**

Подсоединение трубы

Вставьте конец алюминиевой трубы в соединение и прикрепите алюминиевую трубу к держателю трубы.

► **Рис.4:** 1. Соединение 2. Держатель трубы

ПРИМЕЧАНИЕ: Вставьте алюминиевую трубу в правильном направлении, как показано на рисунке. В противном случае держатель трубы не зафиксируется, а алюминиевая труба может выпасть.

► **Рис.5**

Установка или снятие блока аккумуляторов

ВНИМАНИЕ: Обязательно выключайте устройство перед установкой и извлечением блока аккумулятора.

ВНИМАНИЕ: При установке и извлечении блока аккумулятора крепко удерживайте пылесос и блок аккумулятора. Если не соблюдать это требование, они могут выскользнуть из рук, что приведет к повреждению пылесоса и блока аккумулятора, а также травмированию оператора.

ВНИМАНИЕ: Соблюдайте осторожность, чтобы не прищемить пальцы при открытии и закрытии крышки отсека аккумулятора. Несоблюдение этого требования может стать причиной травмы.

Для установки блока аккумулятора освободите фиксатор и откройте крышку отсека аккумулятора. После этого вставьте блок аккумулятора.

► **Рис.6:** 1. Зафиксируйте 2. Крышка отсека аккумулятора

Совместите выступ блока аккумулятора с пазом в корпусе и задвиньте его на место. Устанавливайте блок до упора так, чтобы он зафиксировался на месте с небольшим щелчком. Затем зафиксируйте крышку отсека аккумулятора.

► **Рис.7:** 1. Блок аккумулятора 2. Кнопка

Для снятия блока аккумулятора извлеките его из устройства, нажав кнопку на лицевой стороне блока аккумулятора.

ВНИМАНИЕ: Устанавливайте блок аккумулятора до упора. В противном случае блок может выпасть из устройства и нанести травму вам или другим людям.

ВНИМАНИЕ: Не прилагайте чрезмерных усилий при установке аккумуляторного блока. Если блок не двигается свободно, значит он вставлен неправильно.

ПРИМЕЧАНИЕ: Пылесос не будет работать с одним блоком аккумулятора.

Установка мешочного фильтра

ВНИМАНИЕ: Не используйте поврежденный мешочный фильтр. Используйте пылесос только с установленным надлежащим образом мешочным фильтром. В противном случае, поглощенная пыль и прочие частицы могут быть выброшены обратно в атмосферу, что может стать причиной респираторных заболеваний оператора.

Установите мешочный фильтр перед использованием пылесоса.

Мешочный фильтр необходимо выбрасывать после использования. Выбросьте мешочный фильтр, когда он заполнится, не опорожняя его.

ПРИМЕЧАНИЕ: Если мешочный фильтр заполнен или засорен, замените его новым. Продолжительное использование пылесоса с заполненным или засоренным мешочным фильтром приведет к снижению мощности всасывания.

ПРИМЕЧАНИЕ: Во избежание попадания пыли в мотор:


- Перед использованием устройства убедитесь в наличии установленного мешочного фильтра.
- Не используйте поврежденный или разорванный мешок.

Несоблюдение данной инструкции может привести к повреждению двигателя.

ПРИМЕЧАНИЕ: При установке мешочного фильтра не сгибайте картонные части на его отверстиях.

ПРИМЕЧАНИЕ: Мешочный фильтр пылесоса – это важный компонент для сохранения работоспособности устройства. Использование неоригинального мешочного фильтра может привести к появлению дыма или возгоранию.

ПРИМЕЧАНИЕ: Если мешочный фильтр не установлен в устройство, крышка пылесборного блока не закроется полностью.

1. Разблокируйте рычаг и откройте крышку пылесборного блока.
► **Рис.8:** 1. Рычаг 2. Крышка пылесборного блока
2. Установите мешочный фильтр в гнездо на держателе, сначала вставив его стороной с отметкой .
3. Закройте защелку держателя.
► **Рис.9:** 1. Гнездо 2. Мешочный фильтр 3. Держатель 4. Защелка
4. Убедитесь в том, что через прорезь держателя видно только метку на картонной части.
► **Рис.10:** 1. Метка 2. Прорезь
5. Надежно зафиксируйте крышку пылесборного блока.

ВНИМАНИЕ: Соблюдайте осторожность, чтобы не прищемить пальцы, когда закрываете защелку и крышку пылесборного блока.

Удаление мешочного фильтра

ВНИМАНИЕ: Проявляйте осторожность при обращении с мешочным фильтром. В противном случае возможно попадание в глаза посторонних предметов, что может привести к травме.

Замените мешочный фильтр, как только он заполнится или засорится.

Откройте крышку пылесборного блока, откройте защелку и извлеките мешочный фильтр.

Потяните ленту со стороны отверстия, чтобы закрыть мешочный фильтр, и утилизируйте его целиком.

► **Рис.11:** 1. Защелка 2. Лента

ПРИМЕЧАНИЕ: Не используйте мешочный фильтр повторно. Мешочные фильтры являются одноразовыми. Многократное использование мешочного фильтра может привести к засорению фильтра и повреждению пылесоса. Для многократного использования приобретайте пылесборный мешок.

ОПИСАНИЕ РАБОТЫ

⚠ ВНИМАНИЕ: Перед регулировкой или проверкой функций устройства обязательно убедитесь, что оно выключено и блок аккумулятора снят.

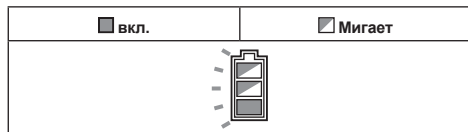
Система защиты инструмента/ аккумулятора

На инструменте предусмотрена система защиты инструмента/аккумулятора. Она автоматически отключает питание двигателя для продления срока службы инструмента и аккумулятора. Инструмент автоматически остановится во время работы в следующих случаях:

Защита от перегрузки

Если из-за способа эксплуатации инструмент потребляет очень большое количество тока, он автоматически остановится без включения каких-либо индикаторов. В этом случае выключите инструмент и прекратите работу, повлекшую перегрузку инструмента. Затем включите инструмент для перезапуска.

Защита от перегрева



При перегреве инструмент автоматически останавливается, а индикатор аккумулятора мигает около 60 секунд. В таком случае дайте инструменту остыть перед повторным включением.

Защита от переразрядки

При истощении заряда аккумулятора инструмент автоматически останавливается. Если устройство не работает даже после нажатия переключателей, снимите аккумуляторы с инструмента и зарядите их.

Индикация оставшегося заряда аккумулятора

Только для блоков аккумулятора с индикатором

► Рис.12: 1. Индикаторы 2. Кнопка проверки

Нажмите кнопку проверки на аккумуляторном блоке для проверки заряда. Индикаторы загорятся на несколько секунд.

Индикаторы			Уровень заряда
Горит	Выкл.	Мигает	
■ ■ ■ ■			от 75 до 100%
■ ■ ■ □			от 50 до 75%
■ ■ □ □			от 25 до 50%
■ □ □ □			от 0 до 25%
▣ □ □ □			Зарядите аккумуляторную батарею.
■ ■ □ □			Возможно, аккумуляторная батарея неисправна.
□ □ ■ ■			

ПРИМЕЧАНИЕ: В зависимости от условий эксплуатации и температуры окружающего воздуха индикация может незначительно отличаться от фактического значения.

ПРИМЕЧАНИЕ: Первая (дальняя левая) индикаторная лампа будет мигать во время работы защитной системы аккумулятора.

Панель индикации

► Рис.13: 1. Режим работы 2. Избыточный уровень пыли 3. Ошибка щеточного валика 4. Уровень заряда аккумулятора 5. Кнопка проверки аккумулятора / включения светодиодной лампы

Режим работы

Информацию об изменении режима работы см. в разделе о переключении.

Избыточный уровень пыли

Если этот индикатор загорелся, замените мешочный фильтр. (См. раздел об извлечении мешочного фильтра.)

ПРИМЕЧАНИЕ: Этот индикатор не работает, когда устройство переведено в режим "пониженного уровня шума (1)".

ПРИМЕЧАНИЕ: Этот индикатор может не работать в некоторых условиях эксплуатации.

Ошибка щеточного валика





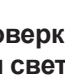
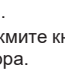


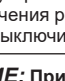
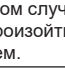


Мигает	Высокая нагрузка на щеточный валик по ряду причин.
Горит	Щеточный валик остановился по непонятной причине.

⚠ ОСТОРОЖНО: Немедленно отключите устройство, если во время работы загорится эта лампа. В противном случае возможна неисправность двигателя, которая может привести к возгоранию.

Уровень заряда аккумулятора

Во время работы нажмите кнопку проверки аккумулятора / включения светодиодной лампы, чтобы проверить уровень заряда аккумулятора. Индикаторы соответствуют каждому аккумулятору.

► Рис.14

Состояние индикатора аккумуляторной батареи			Уровень заряда аккумулятора
Вкл.	Выкл.	Мигает	
			от 50% до 100%
			от 20% до 50%
			от 0% до 20%
			Зарядите аккумулятор

Кнопка проверки аккумулятора / включения светодиодной лампы

Во время работы можно выполнять указанные далее операции.

- Просто нажмите кнопку для проверки заряда аккумулятора.
- Нажмите и удерживайте кнопку для включения / выключения светодиодной лампы.

Действие выключателя

- Рис.15: 1. Кнопка "Вкл." / переключения режима
2. Кнопка "Выкл."

Включение / выключение устройства

Для включения устройства просто нажмите кнопку "Вкл." / переключения режима. Нажмите кнопку "Выкл.", чтобы выключить инструмент.

ВНИМАНИЕ: При включении устройства всегда кладите головку устройства на пол. В противном случае в результате запутывания может произойти несчастный случай с травмированием.

Переключение режима работы

Режим работы переключается в три этапа: "пониженный уровень шума (1)", "обычный (2)" и "высокая мощность (3)". Если вы хотите изменить режим работы, нажмите кнопку "Вкл." / переключения режима во время работы устройства. Режим работы переключается в таком порядке: "пониженный уровень шума (1)", "обычный (2)" и "высокая мощность (3)". При включении устройство продолжит работу в том режиме, который был активен перед выключением.

Включение светодиодной лампы

ВНИМАНИЕ: Не смотрите непосредственно на свет или источник света.

Это устройство оснащено светодиодными лампами. Принцип работы описан в пункте о кнопке проверки аккумулятора / включения светодиодной лампы.

- Рис.16: 1. Светодиодная лампа

Ножной рычаг

ВНИМАНИЕ: Всегда блокируйте устройство в вертикальном положении, когда отпуснете ручку. В противном случае устройство может случайно упасть и стать причиной травмы.

ВНИМАНИЕ: Будьте осторожны, чтобы не защемить пальцы между основным корпусом и головкой устройства.

Чтобы разблокировать устройство из вертикального положения, нажмите ножной рычаг и потяните ручку назад. Диапазон движения составляет 90 градусов от вертикального положения.

- Рис.17: 1. Ножной рычаг

Для блокировки устройства в вертикальном положении поднимите ручку вперед, чтобы ножной рычаг зафиксировался со щелчком.

- Рис.18

ПРИМЕЧАНИЕ: Когда устройство находится в вертикальном положении, щеточный валик прекращает вращаться.

Регулировка щеточного валика по высоте

ВНИМАНИЕ: Перед началом работы обязательно убедитесь в том, что рычаг регулировки переводится в положение правильно.

Высоту щеточного валика можно отрегулировать в 4 этапа.

Поверните регулировочный рычаг до нужной высоты. Когда регулировочный рычаг указывает на отметку А, щеточный валик располагается над полом в нижнем положении, подходящем для очистки твердых поверхностей и ковров с коротким ворсом. Когда регулировочный рычаг указывает на отметку В, щеточный валик располагается над полом в верхнем положении, подходящем для очистки ковров с длинным ворсом.

- Рис.19: 1. Рычаг регулировки

ПРИМЕЧАНИЕ: Щеточный валик может не вращаться, если он расположен слишком низко относительно поверхности ковра.

Рукоятка для переноски

Для перемещения устройство следует катить, используя ролики, или переносить за ручки для переноски.

► Рис.20

▲ВНИМАНИЕ: При перемещении устройства блокируйте его в вертикальном положении. В противном случае устройство может упасть.

▲ВНИМАНИЕ: Переносите устройство только за ручку для переноски. В противном случае устройство может упасть или причинить травму из-за случайного запуска.

► Рис.21

ЭКСПЛУАТАЦИЯ

▲ВНИМАНИЕ: Не вытягивайте штангу ручки из устройства во время работы. Это может привести к потере контроля над устройством и тяжелой травме.

▲ВНИМАНИЕ: Не допускайте, чтобы руки или ноги попадали под устройство во время работы. В противном случае возможно защемление.

Стандартная процедура уборки

1. Удерживайте ручку и разблокируйте устройство из вертикального положения.
 2. Включите устройство. Выполните уборку пола.
- Рис.22

Использование боковой щетки

Боковая щетка удобна для уборки в углах помещений. Если боковая щетка стала короче, отнесите устройство в сервисный центр Makita для замены щетки

► Рис.23: 1. Боковая щетка

Работа с использованием принадлежностей

▲ВНИМАНИЕ: Продолжайте держать устройство за ручку при использовании принадлежностей. В противном случае устройство может случайно упасть и стать причиной травмы.

ПРИМЕЧАНИЕ: При использовании принадлежностей заблокируйте устройство в вертикальном положении. В противном случае вращающийся щеточный валик может повредить пол.

Использование алюминиевой трубы

Алюминиевая труба подходит для уборки в труднодоступных или высоко расположенных местах.

► Рис.24: 1. Алюминиевая труба

Использование шланга

Шланг подходит для чистки предметов, находящихся в непосредственной близости от вас.

► Рис.25: 1. Шланг

Для чистки шлангом извлеките алюминиевую трубу из шланга, нажимая на рычаг.

Для установки шланга вставьте шланг в алюминиевую трубу до щелчка.

► Рис.26: 1. Рычаг

Использование насадок

► Рис.27

Для установки насадки плотно вставьте ее вращающим движением в алюминиевую трубу или шланг. Для отсоединения снимите ее вращающим движением.

ОБСЛУЖИВАНИЕ

▲ВНИМАНИЕ: Перед проведением осмотра или технического обслуживания устройства необходимо отключить его и извлечь блок аккумулятора.

ПРИМЕЧАНИЕ: Запрещается использовать бензин, растворители, спирт и другие подобные жидкости. Это может привести к обесцвечиванию, деформации и трещинам.

Для обеспечения БЕЗОПАСНОСТИ и НАДЕЖНОСТИ оборудования ремонт, любое другое техобслуживание или регулировку необходимо производить в уполномоченных сервис-центрах Makita или сервис-центрах предприятия с использованием только сменных частей производства Makita.

Хранение

На время хранения извлекайте блоки аккумуляторов и храните устройство на ровной поверхности в вертикальном положении.

► Рис.28

Очистка корпуса устройства

Время от времени протирайте внешнюю часть (корпус) пылесоса с помощью тряпки, смоченной мыльной водой.

► Рис.29

Очистка фильтра HEPA

▲ВНИМАНИЕ: Не используйте пылесос без фильтра либо с грязным или поврежденным фильтром. Поглощенная пыль и прочие частицы могут быть выброшены обратно в атмосферу, что может стать причиной респираторных заболеваний оператора.

Удаление засорения

ПРИМЕЧАНИЕ: Не используйте устройство, если приточный канал засорен.

Продолжительное использование устройства с засоренным приточным каналом приведет к снижению мощности всасывания.

1. Отсоедините нижнюю плиту и снимите щеточный валик.
2. Извлеките алюминиевую трубу из устройства и из шланга.
3. Поверните шланг против часовой стрелки и извлеките шланг из устройства.
4. Извлеките всасывающий шланг, потянув за выступ.

► **Рис.35:** 1. Всасывающий шланг 2. Выступ

5. Осмотрите приточный канал воздуха, то есть внутреннюю часть алюминиевой трубы, шланга и всасывающего шланга.

Удалите скопившийся внутри мусор.

6. Совместите язычок всасывающего шланга с пазом в корпусе и задвиньте его на место.

► **Рис.36:** 1. Язычок 2. Паз

7. Установите шланг, алюминиевую трубу, щеточный валик и нижнюю плиту.

ВНИМАНИЕ: Надежно установите шланг и трубу. В противном случае возможно просачивание пыли, что может привести к травме.

ПРИМЕЧАНИЕ: Для сохранения оптимальной мощности всасывания и предотвращения загрязнения выпускаемого воздуха регулярно очищайте фильтр. Если требуемая мощность всасывания не достигается даже после очистки, замените фильтр.

ПРИМЕЧАНИЕ: Чтобы предотвратить повреждение фильтра, не используйте указанные далее инструменты или аналогичные предметы для очистки.

- Устройство для обдувки воздухом
- Водоструйный аппарат высокого давления
- Инструменты из твердых материалов, например металлическая щетка

1. Откройте крышку пылесборного блока и извлеките мешочный фильтр.

Освободите крючки на фильтре и извлеките его из корпуса устройства.

► **Рис.30:** 1. Крючок

2. Выбейте пыль из фильтра. Фильтр можно промыть водой. Смывайте пыль и прочие частицы с фильтра каждые 1 или 2 месяца. После этого полностью высушите фильтр в затемненном и хорошо проветриваемом помещении для предотвращения неприятных запахов и повреждений.

3. Для установки фильтра вставьте его стороной без крючков в паз и давите на фильтр до фиксации крючков со щелчком.

► **Рис.31:** 1. Паз 2. Фильтр HEPA 3. Крючок

Очистка щеточного валика

1. Отсоедините нижнюю плиту и снимите щеточный валик.

Если ворсинки щеточного валика стали короче, обратитесь в сервисный центр Makita за новым валиком.

Использование устройства со щеточным валиком с короткими ворсинками снижает эффективность сбора пыли.

► **Рис.32:** 1. Нижняя плита 2. Щеточный валик

2. Удалите нитки и волосы со щеточного валика ножницами.

Снимите крышку и удалите мусор.

► **Рис.33:** 1. Крышка

3. Установите крышку, щеточный валик и нижнюю плиту в обратном порядке.

► **Рис.34**

ВНИМАНИЕ: Надежно прикрепите нижнюю плиту. При использовании устройства без нижней плиты щеточный валик может отсоединиться и стать причиной травмы.

ПРИМЕЧАНИЕ: Всегда прикрепляйте щеточный валик. Использование устройства без щеточного валика приведет к снижению эффективности удаления пыли.

ПОИСК И УСТРАНЕНИЕ НЕИСПРАВНОСТЕЙ

Прежде чем обращаться по поводу ремонта, проведите осмотр самостоятельно. Если обнаружена неисправность, не указанная в руководстве, не пытайтесь разобрать инструмент. Обратитесь в один из авторизованных сервисных центров Makita, в которых для ремонта используются только оригинальные детали Makita.

Неисправность	Вероятная причина	Способ устранения
Не работает	Неправильно установлены блоки аккумулятора.	Вставьте блок аккумулятора, как описано в этом руководстве.
	Блоки аккумуляторов разряжены.	Зарядите блоки аккумуляторов.
	Ручка установлена неправильно.	Плотно вставьте ручку, как описано в этом руководстве.
Щеточный валик не вращается	Устройство заблокировано в вертикальном положении.	Разблокируйте устройство из вертикального положения.
	Горит индикатор ошибки щеточного валика.	Проверьте, не наматалась ли на щеточный валик (корпус, крышку и соединение) посторонние предметы.
Недостаточная сила всасывания	Горит индикатор избыточного уровня пыли.	Замените мешочный фильтр.
	⇒Если после замены мешочного фильтра проблема не исчезла...	Очистите или замените фильтр HEPA.
	Мусор наматался на щеточный валик, и скорость вращения снизилась.	Проверьте, не наматалась ли на щеточный валик (корпус, крышку, соединение) посторонние предметы.
	Щеточный валик расположен слишком высоко относительно пола.	Опустите щеточный валик.
	Уменьшилась длина ворсинок на щеточном валике.	Замените щеточный валик. Опустите щеточный валик.
	Устройство работает в режиме пониженного уровня шума.	Переключите устройство в режим более высокой мощности.
	Щеточный валик не установлен.	Установите щеточный валик.
	Труба или шланг установлены неправильно.	Надежно установите трубу или шланг.
Громкий шум при перемещении	Устройство работает в режиме повышенной мощности.	Переключите устройство в режим более низкой мощности.
	На щеточный валик наматался мусор.	Проверьте, не наматалась ли на щеточный валик (корпус, крышку и соединение) посторонние предметы.
	Мешочный фильтр заполнен пылью.	Замените мешочный фильтр.
	⇒Если после замены мешочного фильтра проблема не исчезла...	Очистите или замените фильтр HEPA. Убедитесь, что шланг и труба не засорены.
Индикатор избыточного уровня пыли мигает после кратковременного использования	Замятие мешочного фильтра.	Распрямите входную часть мешочного фильтра перед его установкой.
Светодиодная лампа не горит	Светодиодная лампа деактивирована.	Во время работы нажмите кнопку проверки аккумулятора / включения светодиодной лампы, чтобы включить светодиодную лампу.
Затруднено вращение ролика	На ролик наматался мусор.	Удалите мусор с ролика.

ДОПОЛНИТЕЛЬНЫЕ ПРИНАДЛЕЖНОСТИ

⚠ ВНИМАНИЕ: Данные принадлежности или приспособления рекомендуются для использования с инструментом Makita, указанным в настоящем руководстве. Использование других принадлежностей или приспособлений может привести к получению травмы. Используйте принадлежность или приспособление только по указанному назначению.

Если вам необходимо содействие в получении дополнительной информации по этим принадлежностям, свяжитесь с вашим сервис-центром Makita.

- Угловая насадка
- Круглая щетка
- Фильтр HEPA
- Мешочный фильтр
- Оригинальный аккумулятор и зарядное устройство Makita

ПРИМЕЧАНИЕ: Некоторые элементы списка могут входить в комплект инструмента в качестве стандартных приспособлений. Они могут отличаться в зависимости от страны.

Makita Europe N.V. Jan-Baptist Vinkstraat 2,
3070 Kortenberg, Belgium

Makita Corporation 3-11-8, Sumiyoshi-cho,
Anjo, Aichi 446-8502 Japan

www.makita.com

885802-988
EN, SV, NO, FI, DA,
LV, LT, ET, RU
20200630