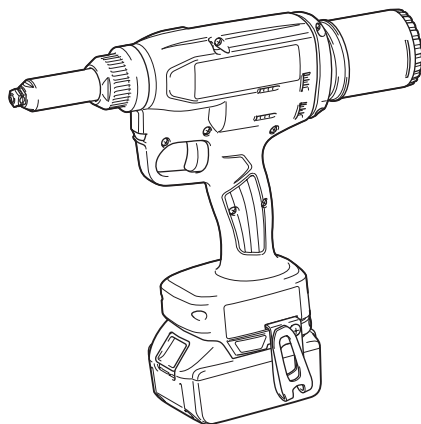




EN	Cordless Rivet Gun	INSTRUCTION MANUAL	4
PL	Nitownica Akumulatorowa	INSTRUKCJA OBSŁUGI	10
HU	Akkumulátoros szegecselő	HASZNÁLATI KÉZIKÖNYV	17
SK	Bezdrôtová nitovacia pištoľ	NÁVOD NA OBSLUHU	23
CS	Akkumulátorová nýtovací pistole	NÁVOD K OBSLUZE	29
UK	Акумуляторний заклепковий пістолет	ІНСТРУКЦІЯ З ЕКСПЛУАТАЦІЇ	35
RO	Pistol de nituit cu acumulator	MANUAL DE INSTRUCȚIUNI	42
DE	Akku Blindniet Setzgerät	BETRIEBSANLEITUNG	48

DRV150
DRV250



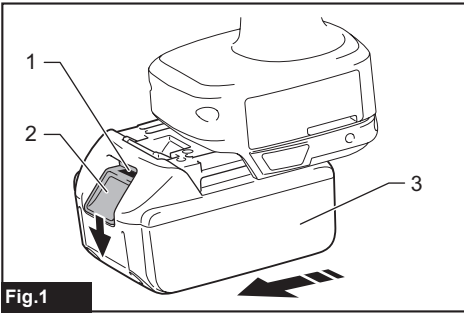


Fig.1

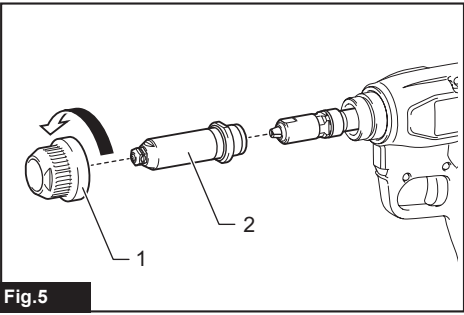


Fig.5



Fig.2

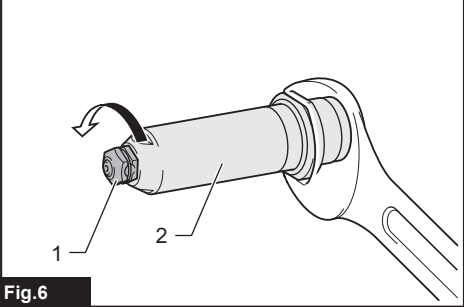


Fig.6

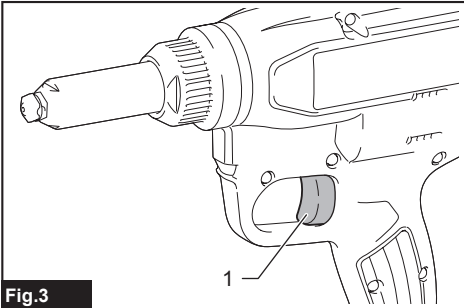


Fig.3

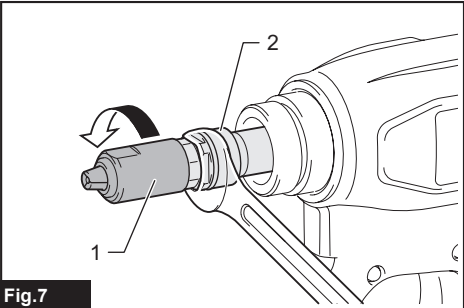


Fig.7

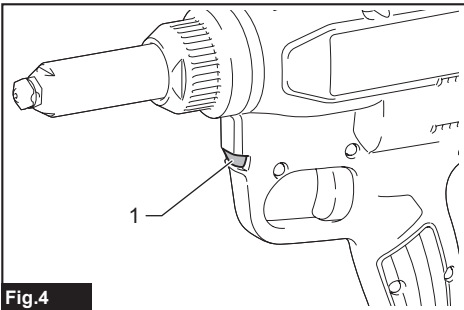


Fig.4

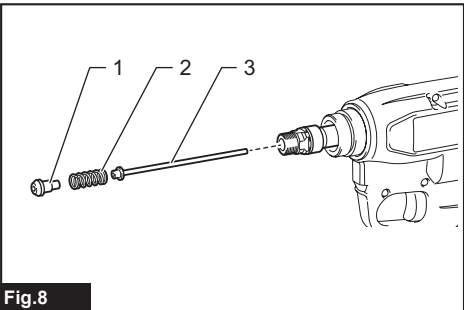


Fig.8

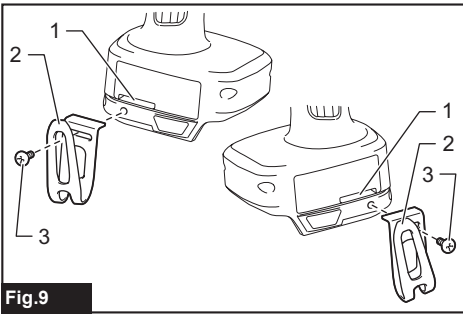


Fig.9

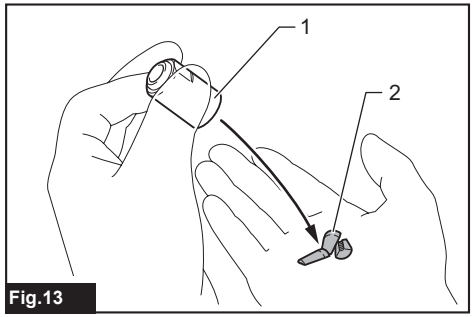


Fig.13

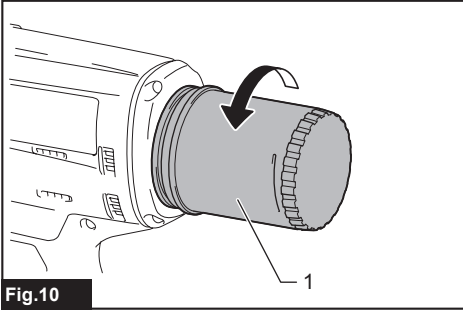


Fig.10

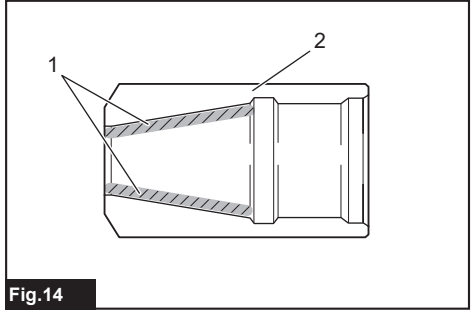


Fig.14

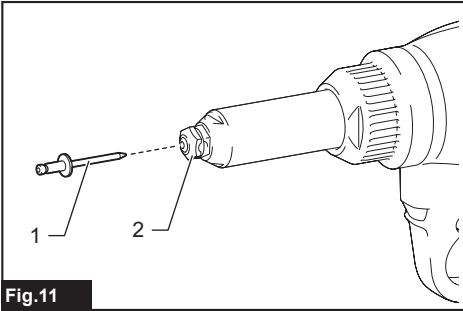


Fig.11

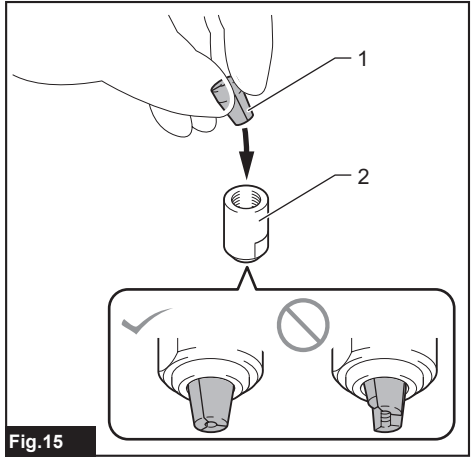


Fig.15

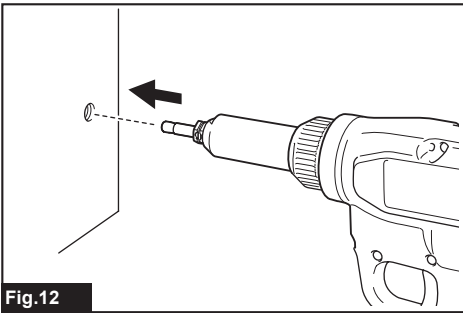


Fig.12

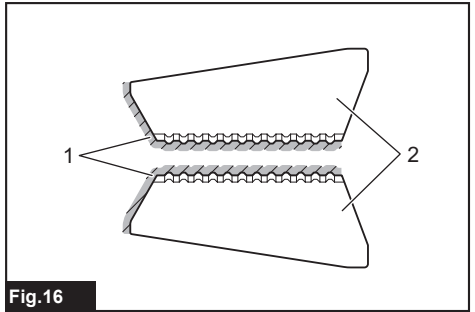


Fig.16

SPECIFICATIONS

Model:	DRV150	DRV250
Pulling force	10 kN	20 kN
Stroke	25 mm	30 mm
Overall length	313 mm	323 mm
Rated voltage	D.C. 18 V	
Net weight	1.9 - 2.2 kg	2.1 - 2.4 kg

- Due to our continuing program of research and development, the specifications herein are subject to change without notice.
- Specifications may differ from country to country.
- The weight may differ depending on the attachment(s), including the battery cartridge. The lightest and heaviest combination, according to EPTA-Procedure 01/2014, are shown in the table.

Applicable battery cartridge and charger

Battery cartridge	BL1815N / BL1820 / BL1820B / BL1830 / BL1830B / BL1840 / BL1840B / BL1850 / BL1850B / BL1860B
Charger	DC18RC / DC18RD / DC18RE / DC18SD / DC18SE / DC18SF / DC18SH

- Some of the battery cartridges and chargers listed above may not be available depending on your region of residence.

⚠ WARNING: Only use the battery cartridges and chargers listed above. Use of any other battery cartridges and chargers may cause injury and/or fire.

Intended use

The tool is intended for installing blind rivet.

Noise

The typical A-weighted noise level determined according to EN62841-1:

Model DRV150

Sound pressure level (L_{pA}) : 75 dB(A)

Uncertainty (K) : 3 dB(A)

Model DRV250

Sound pressure level (L_{pA}) : 74 dB(A)

Uncertainty (K) : 3 dB(A)

The noise level under working may exceed 80 dB (A).

NOTE: The declared noise emission value(s) has been measured in accordance with a standard test method and may be used for comparing one tool with another.

NOTE: The declared noise emission value(s) may also be used in a preliminary assessment of exposure.

⚠ WARNING: Wear ear protection.

⚠ WARNING: The noise emission during actual use of the power tool can differ from the declared value(s) depending on the ways in which the tool is used especially what kind of workpiece is processed.

⚠ WARNING: Be sure to identify safety measures to protect the operator that are based on an estimation of exposure in the actual conditions of use (taking account of all parts of the operating cycle such as the times when the tool is switched off and when it is running idle in addition to the trigger time).

Vibration

The vibration total value (tri-axial vector sum) determined according to EN62841-1:

Model DRV150

Work mode: Installing blind rivet

Vibration emission (a_h) : 2.5 m/s² or less

Uncertainty (K) : 1.5 m/s²

Model DRV250

Work mode: Installing blind rivet

Vibration emission (a_h) : 2.5 m/s² or less

Uncertainty (K) : 1.5 m/s²

NOTE: The declared vibration total value(s) has been measured in accordance with a standard test method and may be used for comparing one tool with another.

NOTE: The declared vibration total value(s) may also be used in a preliminary assessment of exposure.

⚠ WARNING: The vibration emission during actual use of the power tool can differ from the declared value(s) depending on the ways in which the tool is used especially what kind of workpiece is processed.

⚠ WARNING: Be sure to identify safety measures to protect the operator that are based on an estimation of exposure in the actual conditions of use (taking account of all parts of the operating cycle such as the times when the tool is switched off and when it is running idle in addition to the trigger time).

EC Declaration of Conformity

For European countries only

The EC declaration of conformity is included as Annex A to this instruction manual.

SAFETY WARNINGS

General power tool safety warnings

⚠ WARNING: Read all safety warnings, instructions, illustrations and specifications provided with this power tool. Failure to follow all instructions listed below may result in electric shock, fire and/or serious injury.

Save all warnings and instructions for future reference.

The term "power tool" in the warnings refers to your mains-operated (corded) power tool or battery-operated (cordless) power tool.

Cordless rivet gun safety warnings

1. **Hold the tool firmly.**
2. **Keep hands away from moving parts.**
3. **Always be sure you have a firm footing. Be sure no one is below when using the tool in high locations.**
4. **Be careful not to drop the broken off mandrel from high locations.** Doing so may cause an accident or injury.
5. **Do not scatter the broken off mandrels on the floor.** You may be injured by the sharp end of the broken off mandrel or by slipping on the mandrel.
6. **Do not point the tool at a person or yourself when operating the tool.** The rivet or broken off mandrel may accidentally ejected, and you may be injured.

Important safety instructions for battery cartridge

1. **Before using battery cartridge, read all instructions and cautionary markings on (1) battery charger, (2) battery, and (3) product using battery.**
2. **Do not disassemble battery cartridge.**
3. **If operating time has become excessively shorter, stop operating immediately.** It may result in a risk of overheating, possible burns and even an explosion.
4. **If electrolyte gets into your eyes, rinse them out with clear water and seek medical attention right away.** It may result in loss of your eyesight.
5. **Do not short the battery cartridge:**
 - (1) **Do not touch the terminals with any conductive material.**

- (2) **Avoid storing battery cartridge in a container with other metal objects such as nails, coins, etc.**
- (3) **Do not expose battery cartridge to water or rain.**

A battery short can cause a large current flow, overheating, possible burns and even a breakdown.

6. **Do not store the tool and battery cartridge in locations where the temperature may reach or exceed 50 °C (122 °F).**
7. **Do not incinerate the battery cartridge even if it is severely damaged or is completely worn out. The battery cartridge can explode in a fire.**
8. **Be careful not to drop or strike battery.**
9. **Do not use a damaged battery.**
10. **The contained lithium-ion batteries are subject to the Dangerous Goods Legislation requirements.**

For commercial transports e.g. by third parties, forwarding agents, special requirement on packaging and labeling must be observed.

For preparation of the item being shipped, consulting an expert for hazardous material is required. Please also observe possibly more detailed national regulations.

Tape or mask off open contacts and pack up the battery in such a manner that it cannot move around in the packaging.

11. **When disposing the battery cartridge, remove it from the tool and dispose of it in a safe place. Follow your local regulations relating to disposal of battery.**
12. **Use the batteries only with the products specified by Makita.** Installing the batteries to non-compliant products may result in a fire, excessive heat, explosion, or leak of electrolyte.
13. **If the tool is not used for a long period of time, the battery must be removed from the tool.**

SAVE THESE INSTRUCTIONS.

⚠ CAUTION: Only use genuine Makita batteries. Use of non-genuine Makita batteries, or batteries that have been altered, may result in the battery bursting causing fires, personal injury and damage. It will also void the Makita warranty for the Makita tool and charger.

Tips for maintaining maximum battery life

1. **Charge the battery cartridge before completely discharged. Always stop tool operation and charge the battery cartridge when you notice less tool power.**
2. **Never recharge a fully charged battery cartridge. Overcharging shortens the battery service life.**
3. **Charge the battery cartridge with room temperature at 10 °C - 40 °C (50 °F - 104 °F). Let a hot battery cartridge cool down before charging it.**
4. **Charge the battery cartridge if you do not use it for a long period (more than six months).**

FUNCTIONAL DESCRIPTION

CAUTION: Always be sure that the tool is switched off and the battery cartridge is removed before adjusting or checking function on the tool.

Installing or removing battery cartridge

CAUTION: Always switch off the tool before installing or removing of the battery cartridge.

CAUTION: Hold the tool and the battery cartridge firmly when installing or removing battery cartridge. Failure to hold the tool and the battery cartridge firmly may cause them to slip off your hands and result in damage to the tool and battery cartridge and a personal injury.

► Fig.1: 1. Red indicator 2. Button 3. Battery cartridge

To remove the battery cartridge, slide it from the tool while sliding the button on the front of the cartridge.

To install the battery cartridge, align the tongue on the battery cartridge with the groove in the housing and slip it into place. Insert it all the way until it locks in place with a little click. If you can see the red indicator on the upper side of the button, it is not locked completely.

CAUTION: Always install the battery cartridge fully until the red indicator cannot be seen. If not, it may accidentally fall out of the tool, causing injury to you or someone around you.

CAUTION: Do not install the battery cartridge forcibly. If the cartridge does not slide in easily, it is not being inserted correctly.

Indicating the remaining battery capacity

Only for battery cartridges with the indicator

► Fig.2: 1. Indicator lamps 2. Check button

Press the check button on the battery cartridge to indicate the remaining battery capacity. The indicator lamps light up for a few seconds.

Indicator lamps			Remaining capacity
Lighted	Off	Blinking	
			75% to 100%
			50% to 75%
			25% to 50%
			0% to 25%
			Charge the battery.
			The battery may have malfunctioned.

NOTE: Depending on the conditions of use and the ambient temperature, the indication may differ slightly from the actual capacity.

Tool / battery protection system

The tool is equipped with a tool/battery protection system. This system automatically cuts off power to the motor to extend tool and battery life. The tool will automatically stop during operation if the tool or battery is placed under one of the following conditions:

Overload protection

When the battery is operated in a manner that causes it to draw an abnormally high current, the tool automatically stops without any indication. In this situation, turn the tool off and stop the application that caused the tool to become overloaded. Then turn the tool on to restart.

Overheat protection

When the tool or battery is overheated, the tool stops automatically and the lamp blinks. In this case, let the tool and battery cool before turning the tool on again.

Overdischarge protection

When the battery capacity is not enough, the tool stops automatically. In this case, remove the battery from the tool and charge the battery.

Switch action

WARNING: Before installing the battery cartridge into the tool, always check to see that the switch trigger actuates properly and returns to the "OFF" position when released.

► Fig.3: 1. Switch trigger

To start the tool, simply pull the switch trigger. When you release the switch trigger, the tool stops and the returns to the initial position.

The tool may not in the initial position in the following cases. Return the tool to the initial position by pulling and releasing the switch trigger before operating the tool.

- When using the tool for the first time.
- After replacing the battery cartridge.
- When the tool stops because of the overload.
- After performing the maintenance.

Lighting up the front lamp

► Fig.4: 1. Lamp

CAUTION: Do not look in the light or see the source of light directly.

Pull the switch trigger to light up the lamp. The lamp keeps on lighting while the switch trigger is being pulled. The lamp goes out approximately 10 seconds after releasing the switch trigger.

NOTE: Use a dry cloth to wipe the dirt off the lens of the lamp. Be careful not to scratch the lens of lamp, or it may lower the illumination.

ASSEMBLY

CAUTION: Always be sure that the tool is switched off and the battery cartridge is removed before carrying out any work on the tool.

Installing or removing the head assembly

To remove the head assembly, follow the steps below.

1. Loosen the nut of the head, and then remove the head.

► **Fig.5:** 1. Nut 2. Head

2. Loosen the nose piece with a wrench while holding the head with another wrench.

► **Fig.6:** 1. Nose piece 2. Head

3. Loosen the jaw case with a wrench while holding the joint with another wrench.

► **Fig.7:** 1. Jaw case 2. Joint

4. Remove the jaw pusher, spring, and pipe.

► **Fig.8:** 1. Jaw pusher 2. Spring 3. Pipe

NOTICE: When installing the jaw pusher, be sure to attach the spring to the jaw pusher.

To install the head assembly, perform the removal procedure in reverse. Be sure to tighten the jaw case and nose piece with two wrenches firmly.

Hook

CAUTION: Always remove the battery when hanging the tool with the hook.

CAUTION: Never hook the tool at high location or on potentially unstable surface.

CAUTION: When hanging the tool with the hook, hang it carefully. Otherwise, the tool may drop and cause an injury.

► **Fig.9:** 1. Groove 2. Hook 3. Screw

The hook is convenient for temporarily hanging the tool. This can be installed on either side of the tool.

To install the hook, insert it into a groove in the tool housing on either side and then secure it with a screw. To remove, loosen the screw and then take it out.

Installing or removing the mandrel container

NOTICE: Be sure to install the mandrel container to the tool before operating the tool. If the mandrel container is not installed to the tool, the tool will not operate.

To remove the mandrel container, rotate it counter clockwise. To install the mandrel container, rotate it clockwise.

► **Fig.10:** 1. Mandrel container

OPERATION

CAUTION: Keep your hand or face away from the front part of the tool. The rivet or broken off mandrel may accidentally ejected, and you may be injured.

Installing a blind rivet

CAUTION: Before the mandrel container becomes full, empty it regularly by removing the mandrel container. Otherwise, the tool may be damaged, and the damaged parts may cause an injury.

CAUTION: When inserting a blind rivet into the nose piece, be sure to switch off the tool. Otherwise, you may be injured with the tool tip.

CAUTION: Do not leave a blind rivet in the nose piece. If the tool is switched on accidentally, the blind rivet is ejected and may cause an injury.

NOTICE: After installing a blind rivet, be sure to eject the broken off mandrel into the mandrel container by tilting the tool backward before installing next blind rivet. If the end of the broken off mandrel sticks out from the nose piece, switch off the tool and remove the mandrel. Otherwise, the broken off mandrels may become clogged and cause a malfunction of the tool.

1. Insert the blind rivet into the nose piece.

► **Fig.11:** 1. Blind rivet 2. Nose piece

2. Press the tool tip against the workpiece, and then pull the switch trigger. After the mandrel is broken off, release the switch trigger.

► **Fig.12**

Before the mandrel container becomes full, empty it regularly by removing the mandrel container.

Available blind rivets

NOTICE: Using nose piece, jaw, jaw pusher, or pipe that does not match the mandrel diameter may cause poor fastening, clogging of the mandrel, or malfunction of the tool.

Refer to the table below for the combination of rivet, nose piece, jaw, jaw pusher, and pipe.

NOTE: Some items in the table may be included in the tool package as standard accessories and some items in the table are provided as optional accessories. They may differ from country to country.

For DRV150

Rivet		Nose piece		Mark on jaw	Jaw pusher		Pipe	
Size	Diameter of mandrel	Mark on nose piece	Hole diameter		Hole diameter	Color	Hole diameter	Color
ø2.4 mm (3/32")	ø1.4 - 1.6 mm	2.4	ø1.9 mm	4.8	ø1.9 mm	Gray	ø2.2 mm	Silver
ø3.2 mm (1/8")	ø1.8 - 2.1 mm	3.2	ø2.4 mm	4.8	ø2.5 mm	Black	ø2.6 mm	Black
ø4.0 mm (5/32")	ø2.2 - 2.6 mm	4.0	ø3.0 mm	4.8	ø3.1 mm	Gray	None *	–
ø4.8 mm (3/16")	ø2.6 - 3.2 mm	4.8	ø3.6 mm	4.8	ø3.6 mm	Black	None *	–

*. Pipe is not necessary for operation.

For DRV250

Rivet		Nose piece		Mark on jaw	Jaw pusher		Pipe	
Size	Diameter of mandrel	Mark on nose piece	Hole diameter		Hole diameter	Color	Hole diameter	Color
ø2.4 mm (3/32")	ø1.4 - 1.6 mm	2.4	ø1.9 mm	4.8	ø1.9 mm	Gray	ø2.2 mm	Silver
ø3.2 mm (1/8")	ø1.8 - 2.1 mm	3.2	ø2.4 mm	4.8	ø2.5 mm	Black	ø2.6 mm	Black
ø4.0 mm (5/32")	ø2.2 - 2.6 mm	4.0	ø3.0 mm	4.8	ø3.1 mm	Gray	ø3.4 mm	Silver
ø4.8 mm (3/16")	ø2.6 - 3.2 mm	4.8	ø3.6 mm	4.8 or 6.4	ø3.6 mm	Black	ø4.1 mm	Black
ø6.0 mm (1/4") *	ø3.1 - 3.5 mm	6.0	ø4.0 mm	6.4	ø4.0 mm	Gray	ø4.1 mm	Black
ø6.4 mm (1/4") *	ø3.5 - 3.9 mm	6.4	ø4.4 mm	6.4	ø4.6 mm	Black	ø4.5 mm	Silver

*. Stainless steel rivet is not available.

MAINTENANCE

CAUTION: Always be sure that the tool is switched off and the battery cartridge is removed before attempting to perform inspection or maintenance.

NOTICE: Never use gasoline, benzine, thinner, alcohol or the like. Discoloration, deformation or cracks may result.

To maintain product SAFETY and RELIABILITY, repairs, any other maintenance or adjustment should be performed by Makita Authorized or Factory Service Centers, always using Makita replacement parts.

Cleaning the jaws and jaw case

Interval of cleaning: Every 3,000 installations of rivet
If the dust is accumulated, it deteriorates the movement of jaws and may accelerate wear of jaws and jaw case. To clean the jaws and jaw case, follow the steps below.

1. Remove the jaw case. For the removal procedure, refer to the removal instructions for the head assembly.
2. Remove the jaws from the jaw case.
► **Fig.13:** 1. Jaw case 2. Jaw
3. Clean the jaws and jaw case with a brush. Remove metal powder clogged between the teeth of the jaws.
4. Apply molybdenum disulfide based grease evenly to the inner periphery of the jaw case.
► **Fig.14:** 1. Area to apply grease 2. Jaw case

5. Install the jaws to the jaw case.

► **Fig.15:** 1. Jaw 2. Jaw case

NOTICE: When installing the jaws, be sure to align the tips of jaws.

6. Install the jaw case. If the grease is adhered to the tips of the jaws, wipe off the grease with a dry cloth.

► **Fig.16:** 1. Area where grease should not be adhered 2. Jaw

7. Install the head assembly.

8. Wipe off the grease from the jaws.

Insert a rivet into the nose piece, then move it up and down, and left and right, then remove it from the nose piece, and then wipe the grease from the rivet with a dry cloth. Repeat the same procedure twice or 3 times.

NOTICE: If the grease is adhered to the tip or inside of the jaw, the jaws may slip during operation.

Replacing the jaws in the jaw case

If the jaws in the jaw case are worn out, replace them with new ones. To replace the jaws, follow the same procedure for cleaning the jaws and jaw case. When installing jaws to the jaw case, install new jaws.

Removing jammed rivet

If the rivet is jammed inside the tool, remove it using a tool such as pin. If it is difficult to remove the jammed rivet, replace the jaw pusher or pipe with a new one. For replacement procedure, refer to the instruction for installing or removing the head assembly.

OPTIONAL ACCESSORIES

⚠ CAUTION: These accessories or attachments are recommended for use with your Makita tool specified in this manual. The use of any other accessories or attachments might present a risk of injury to persons. Only use accessory or attachment for its stated purpose.

If you need any assistance for more details regarding these accessories, ask your local Makita Service Center.

- Nose piece
- Jaw pusher
- Jaw
- Pipe
- Grease
- Makita genuine battery and charger

NOTE: Some items in the list may be included in the tool package as standard accessories. They may differ from country to country.

DANE TECHNICZNE

Model:	DRV150	DRV250
Siła ciągnięcia	10 kN	20 kN
Skok	25 mm	30 mm
Długość całkowita	313 mm	323 mm
Napięcie znamionowe	Prąd stały 18 V	
Masa netto	1,9–2,2 kg	2,1–2,4 kg

- W związku ze stale prowadzonym przez naszą firmę programem badawczo-rozwojowym niniejsze dane mogą ulec zmianom bez wcześniejszego powiadomienia.
- Dane techniczne mogą różnić się w zależności od kraju.
- Masa może być różna w zależności od osprzętu, w tym akumulatora. W tabeli przedstawiona jest najlżejsza i najcięższa konfiguracja, zgodnie z procedurą EPTA 01/2014.

Kompatybilne akumulatory i ładowarki

Akumulator	BL1815N / BL1820 / BL1820B / BL1830 / BL1830B / BL1840 / BL1840B / BL1850 / BL1850B / BL1860B
Ładowarka	DC18RC / DC18RD / DC18RE / DC18SD / DC18SE / DC18SF / DC18SH

- Pewne z wymienionych powyżej akumulatorów i ładowarek mogą być niedostępne w regionie zamieszkania użytkownika.

⚠ OSTRZEŻENIE: Należy używać wyłącznie akumulatorów i ładowarek wymienionych powyżej. Używanie innych akumulatorów i ładowarek może stwarzać ryzyko wystąpienia obrażeń ciała lub pożaru.

Przeznaczenie

To narzędzie służy do osadzania nitów jednostronnie zamykanych.

Hałas

Typowy równoważny poziom dźwięku A określony w oparciu o normę EN62841-1:

Model DRV150

Poziom ciśnienia akustycznego (L_{pA}): 75 dB(A)
 Niepewność (K): 3 dB(A)

Model DRV250

Poziom ciśnienia akustycznego (L_{pA}): 74 dB(A)
 Niepewność (K): 3 dB(A)

Poziom hałasu podczas pracy może przekraczać 80 dB (A).

WSKAZÓWKA: Deklarowana wartość emisji hałasu została zmierzona zgodnie ze standardową metodą testową i można ją wykorzystać do porównywania narzędzi.

WSKAZÓWKA: Deklarowaną wartość emisji hałasu można także wykorzystać we wstępnej ocenie narażenia.

⚠ OSTRZEŻENIE: Nosić ochronniki słuchu.

⚠ OSTRZEŻENIE: Poziom hałasu wytwarzanego podczas rzeczywistego użytkowania elektronarzędzia może się różnić od wartości deklarowanej w zależności od sposobu użytkowania narzędzia, a w szczególności od rodzaju obrabianego elementu.

⚠ OSTRZEŻENIE: W oparciu o szacowane narażenie w rzeczywistych warunkach użytkowania należy określić środki bezpieczeństwa w celu zapewnienia ochrony operatora (uwzględniając wszystkie elementy cyklu działania, tj. czas, kiedy narzędzie jest wyłączone i kiedy pracuje na biegu jałowym, a także czas, kiedy jest włączone).

Drgania

Całkowita wartość poziomu drgań (suma wektorów w 3 osiach) określona zgodnie z normą EN62841-1:

Model DRV150

Tryb pracy: Osadzanie nitów jednostronnie zamykanych
 Emisja drgań (a_{h1}): 2,5 m/s² lub mniej
 Niepewność (K): 1,5 m/s²

Model DRV250

Tryb pracy: Osadzanie nitów jednostronnie zamykanych
 Emisja drgań (a_{h1}): 2,5 m/s² lub mniej
 Niepewność (K): 1,5 m/s²

WSKAZÓWKA: Deklarowana wartość poziomu drgań została zmierzona zgodnie ze standardową metodą testową i można ją wykorzystać do porównywania narzędzi.

WSKAZÓWKA: Deklarowaną wartość poziomu drgań można także wykorzystać we wstępnej ocenie narażenia.

⚠️ OSTRZEŻENIE: Drgania wytwarzane podczas rzeczywistego użytkowania elektronarzędzia mogą się różnić od wartości deklarowanej w zależności od sposobu użytkowania narzędzia, a w szczególności od rodzaju obrabianego elementu.

⚠️ OSTRZEŻENIE: W oparciu o szacowane narażenie w rzeczywistych warunkach użytkowania należy określić środki bezpieczeństwa w celu zapewnienia ochrony operatora (uwzględniając wszystkie elementy cyklu działania, tj. czas, kiedy narzędzie jest wyłączone i kiedy pracuje na biegu jałowym, a także czas, kiedy jest włączone).

Deklaracja zgodności WE

Dotyczy tylko krajów europejskich

Deklaracja zgodności WE jest dołączona jako załącznik A do niniejszej instrukcji obsługi.

OSTRZEŻENIA DOTYCZĄCE BEZPIECZEŃSTWA

Ogólne zasady bezpiecznej eksploatacji elektronarzędzi

⚠️ OSTRZEŻENIE: Należy zapoznać się z ostrzeżeniami dotyczącymi bezpieczeństwa, instrukcjami, ilustracjami i danymi technicznymi dołączonymi do tego elektronarzędzia. Niezastosowanie się do podanych poniżej instrukcji może prowadzić do porażenia prądem, pożaru i/lub poważnych obrażeń ciała.

Wszystkie ostrzeżenia i instrukcje należy zachować do wykorzystania w przyszłości.

Pojęcie „elektonarzędzie”, występujące w wymienionych tu ostrzeżeniach, odnosi się do elektronarzędzia zasilanego z sieci elektrycznej (z przewodem zasilającym) lub do elektronarzędzia akumulatorowego (bez przewodu zasilającego).

Ostrzeżenia dotyczące bezpieczeństwa dla nitownicy akumulatorowej

1. **Narzędzie należy trzymać mocno i pewnie.**
2. **Trzymać ręce z dala od części ruchomych.**
3. **Podczas pracy należy zadbać o stabilne oparcie dla nóg. W przypadku pracy na wysokości upewnić się, że poniżej nie znajdują się żadne osoby.**
4. **Należy uważać, aby oderwany trzpień nie spadł z dużej wysokości. Może to spowodować wypadek lub obrażenia.**
5. **Nie należy wyrzucać oderwanych trzpieni na podłogę.** Ostra krawędź oderwanego trzpienia może spowodować obrażenia lub można się poślizgnąć na trzpieniu w wyniku czego również może dojść do obrażeń.
6. **Podczas pracy narzędzia nie należy kierować go w stronę innych osób lub w swoją stronę.** Nit lub oderwany trzpień może zostać przypadkowo wyrzucony, co może spowodować obrażenia.

Ważne zasady bezpieczeństwa dotyczące akumulatora

1. **Przed użyciem akumulatora zapoznać się ze wszystkimi instrukcjami i znakami ostrzegawczymi na (1) ładowarce, (2) akumulatorze i (3) produkcie, w którym będzie używany akumulator.**
2. **Akumulatora nie wolno rozbierać.**
3. **Jeśli czas działania uległ znacznemu skróceniu, należy natychmiast przerwać pracę. Może bowiem dojść do przegrzania, ewentualnych poparzeń, a nawet eksplozji.**
4. **W przypadku przedostania się elektrolitu do oczu, przemyć je czystą wodą i niezwłocznie uzyskać pomoc lekarską. Może on bowiem spowodować utratę wzroku.**
5. **Nie doprowadzać do zwarcia akumulatora:**
 - (1) **Nie dotykać styków materiałami przewodzącymi prąd.**
 - (2) **Unikać przechowywania akumulatora w pojemniku z metalowymi przedmiotami, takimi jak gwoździe, monety itp.**
 - (3) **Chronić akumulator przed deszczem lub wodą.**Zwarcie prowadzi do przepływu prądu elektrycznego o dużym natężeniu i przegrzania akumulatora, co w konsekwencji może grozić poparzeniami a nawet awarią urządzenia.
6. **Narzędzia i akumulatora nie wolno przechowywać w miejscach, w których temperatura osiąga bądź przekracza 50°C (122°F).**
7. **Akumulatorów nie wolno spalać, również tych poważnie uszkodzonych lub całkowicie zużytych. Akumulator może eksplodować w ogniu.**
8. **Chronić akumulator przed upadkiem i uderzeniami.**
9. **Nie wolno używać uszkodzonego akumulatora.**

10. **Stanowiące wyposażenie akumulatory litowo-jonowe podlegają przepisom dotyczącym produktów niebezpiecznych.**
Na potrzeby transportu komercyjnego, np. świadczonego przez firmy trzecie czy spedycyjne, należy przestrzegać specjalnych wymagań w zakresie pakowania i oznaczania etykietami. Przygotowanie produktu do wysyłki wymaga skonsultowania się ze specjalistą ds. materiałów niebezpiecznych. Należy także przestrzegać przepisów krajowych, które mogą być bardziej szczegółowe.
Zakleić taśmą lub zaślepić otwarte styki akumulatora oraz zabezpieczyć go, aby nie mógł się przesuwać w opakowaniu.
11. **Jeśli zajdzie konieczność utylizacji akumulatora, należy wyjąć go z narzędzia i przekazać w bezpieczne miejsce. Postępować zgodnie z przepisami lokalnymi dotyczącymi utylizacji akumulatorów.**
12. **Używać akumulatorów tylko z produktami określonymi przez firmę Makita.** Zastosowanie akumulatorów w niezgodnych produktach może spowodować pożar, przegrzanie, wybuch lub wyciek elektrolitu.
13. **Jeśli narzędzie nie będzie używane przez dłuższy czas, należy wyjąć z niego akumulator.**

ZACHOWAĆ NINIEJSZE INSTRUKCJE.

⚠ PRZESTROGA: Używać wyłącznie oryginalnych akumulatorów firmy Makita. Używanie nieoryginalnych akumulatorów firm innych niż Makita lub akumulatorów, które zostały zmodyfikowane, może spowodować wybuch akumulatora i pożar, obrażenia ciała oraz zniszczenie mienia. Stanowi to również naruszenie warunków gwarancji firmy Makita dotyczących narzędzia i ładowarki.

Wskazówki dotyczące zachowania maksymalnej trwałości akumulatora

1. Akumulator należy naładować zanim zostanie do końca rozładowany. Po zauważeniu spadku mocy narzędzia należy przerwać pracę i naładować akumulator.
2. Nie wolno ładować powtórnie w pełni naładowanego akumulatora. Przeladowanie akumulatora skraca jego trwałość.
3. Akumulator należy ładować w temperaturze pokojowej w przedziale 10–40°C (50–104°F). W przypadku gorącego akumulatora przed przystąpieniem do ładowania należy poczekać, aż ostygnie.
4. Akumulatory niklowo-wodorkowe należy naładować po okresie długiego nieużytkowania (dłuższego niż sześć miesięcy).

OPIS DZIAŁANIA

⚠ PRZESTROGA: Przed przystąpieniem do regulacji lub przeglądu narzędzia upewnić się, że jest ono wyłączone, a akumulator został wyjęty.

Wkładanie i wyjmowanie akumulatora

⚠ PRZESTROGA: Przed włożeniem lub wyjęciem akumulatora należy zawsze wyłączyć narzędzie.

⚠ PRZESTROGA: Podczas wkładania lub wyjmowania akumulatora należy mocno trzymać narzędzie i akumulator. W przeciwnym razie mogą się one wyślizgnąć z rąk, powodując uszkodzenie narzędzia lub akumulatora i obrażenia ciała.

► **Rys.1:** 1. Czerwony wskaźnik 2. Przycisk 3. Akumulator

Aby wyjąć akumulator, przesunąć przycisk znajdujący się w przedniej jego części i wysunąć akumulator.

Aby włożyć akumulator, wyrównaj występ na akumulatorze z rowkiem w obudowie i wsuń go na swoje miejsce. Akumulator należy wsunąć do oporu, aż się zatrzaśnie na miejscu, co jest sygnalizowane delikatnym kliknięciem. Jeśli w górnej części przycisku jest widoczny czerwony wskaźnik, akumulator nie został całkowicie zatrzaśnięty.

⚠ PRZESTROGA: Akumulator należy włożyć do końca, tak aby czerwony wskaźnik nie był widoczny. W przeciwnym razie może przypadkowo wypaść z narzędzia, powodując obrażenia operatora lub osób postronnych.

⚠ PRZESTROGA: Nie wkładać akumulatora na siłę. Jeśli akumulator nie daje się swobodnie wsunąć, oznacza to, że został włożony nieprawidłowo.

Wskazanie stanu naładowania akumulatora

Tylko w przypadku akumulatorów ze wskaźnikiem

► **Rys.2:** 1. Lampki wskaźnika 2. Przycisk kontrolny
Nacisnąć przycisk kontrolny na akumulatorze w celu wyświetlenia stanu naładowania akumulatora. Lampki wskaźnika zaświecą się przez kilka sekund.

Lampki wskaźnika			Pozostała energia akumulatora
Świeci się	Wyłączony	Miga	
■	□	▧	75–100%
■	■	■	50–75%
■	■	□	25–50%
■	□	□	0–25%
▧	□	□	Naładować akumulator.
■	■	□	Akumulator może nie działać poprawnie.
□	□	■	

WSKAZÓWKA: Zależnie od warunków użytkowania i temperatury otoczenia, wskazywany poziom może nieznacznie się różnić od rzeczywistego stanu naładowania akumulatora.

Układ zabezpieczenia narzędzia/akumulatora

Narzędzie jest wyposażone w układ zabezpieczenia narzędzia/akumulatora. Układ automatycznie odcina zasilanie silnika w celu wydłużenia trwałości narzędzia i akumulatora. Narzędzie zostanie automatycznie zatrzymane podczas pracy w następujących sytuacjach związanych z narzędziem lub akumulatorem:

Zabezpieczenie przed przeciążeniem

W przypadku użytkowania akumulatora w sposób powodujący nadmiernie wysoki pobór prądu narzędzie zostanie automatycznie zatrzymane bez ostrzeżenia. W takiej sytuacji należy wyłączyć narzędzie i zaprzestać wykonywania czynności powodującej przeciążenie narzędzia. Następnie należy włączyć narzędzie w celu jego ponownego uruchomienia.

Zabezpieczenie przed przegrzaniem

W przypadku przegrzania narzędzia lub akumulatora narzędzie automatycznie się wyłączy i zacznie migać lampka. W takiej sytuacji należy odczekać, aż narzędzie ostygnie przed ponownym włączeniem narzędzia.

Zabezpieczenie przed nadmiernym rozładowaniem

Gdy stan naładowania akumulatora stanie się zbyt niski, narzędzie zostanie automatycznie zatrzymane. W takiej sytuacji należy wyjąć akumulator z narzędzia i naładować go.

Działanie przełącznika

⚠ OSTRZEŻENIE: Przed włożeniem akumulatora do narzędzia należy zawsze sprawdzić, czy spust przełącznika działa prawidłowo i czy powraca do położenia wyłączenia po jego zwolnieniu.

► **Rys.3:** 1. Spust przełącznika

Aby uruchomić narzędzie, wystarczy pociągnąć spust przełącznika. Po zwolnieniu spustu przełącznika narzędzie zatrzyma się i powróci do początkowego położenia.

Poniżej omówiono sytuacje, w których narzędzie może nie powrócić do położenia początkowego. Przed rozpoczęciem pracy z użyciem narzędzia należy przywrócić jego położenie początkowe, ciągnąc i zwalniając spust przełącznika.

- Jeśli narzędzie jest używane po raz pierwszy.
- Po wymianie akumulatora.
- Jeśli narzędzie zatrzyma się w wyniku przeciążenia.
- Po przeprowadzeniu konserwacji.

Włączanie lampki czołowej

► **Rys.4:** 1. Lampka

⚠ PRZESTROGA: Nie patrzeć na światło ani bezpośrednio na źródło światła.

W celu włączenia lampki należy pociągnąć za spust przełącznika. Lampka świeci, dopóki spust przełącznika jest naciskany. Lampka wyłącza się po około 10 s od zwolnienia spustu przełącznika.

WSKAZÓWKA: Aby usunąć zabrudzenia z klosza lampki, należy użyć suchej szmatki. Uważać, aby nie zarysować klosza lampki, gdyż może to zmniejszyć natężenie oświetlenia.

MONTAŻ

⚠ PRZESTROGA: Przed przystąpieniem do prac konserwacyjnych przy narzędziu upewnić się, że jest ono wyłączone, a akumulator został wyjęty.

Zakładanie i zdejmowanie zespołu głowicy

Aby zdjąć zespół głowicy, należy wykonać czynności opisane poniżej.

1. Poluzować nakrętkę głowicy i zdjąć głowicę.

► **Rys.5:** 1. Nakrętka 2. Głowica

2. Trzymając głowicę kluczem, drugim kluczem poluzować nosek.

► **Rys.6:** 1. Nosek 2. Głowica

3. Trzymając łącznik kluczem, drugim kluczem poluzować obudowę szczęk.

► **Rys.7:** 1. Obudowa szczęk 2. Łącznik

4. Wyjąć popychacz szczęk, sprężynę i rurkę.

► **Rys.8:** 1. Popychacz szczęk 2. Sprężyna 3. Rurka

UWAGA: Przed założeniem popychacza należy upewnić się, że założono na niego sprężynę.

Aby założyć zespół głowicy, należy wykonać procedurę zdejmowania w odwrotnej kolejności. Należy pamiętać o mocnym dokręceniu obudowy szczęk oraz noska dwoma kluczami.

Zaczepek

⚠ PRZESTROGA: Przed zawieszeniem narzędzia za zaczep należy koniecznie wyjąć akumulator.

⚠ PRZESTROGA: Nie wolno wieszać narzędzia wysoko lub na potencjalnie niestabilnej powierzchni.

⚠ PRZESTROGA: Podczas wieszania narzędzia za zaczep należy robić to ostrożnie. W przeciwnym razie narzędzie może spaść i spowodować obrażenia ciała.

► **Rys.9:** 1. Rowek 2. Zaczep 3. Wkręt

Zaczep służy do wygodnego, tymczasowego zawieszania narzędzia. Można go zamontować z jednej lub z drugiej strony narzędzia.

Aby zamontować zaczep, należy wsunąć go w rowek w obudowie narzędzia znajdujący się z obu stron, a następnie przykręcić go wkrętem. Aby wymontować zaczep, należy odkręcić wkręt i wyjąć zaczep.

Zakładanie i zdejmowanie pojemnika na trzpienie

UWAGA: Przed uruchomieniem narzędzia należy zamontować na nim pojemnik na trzpienie. Narzędzie nie rozpocznie pracy bez założonego pojemnika na trzpienie.

Aby zdjąć pojemnik na trzpienie, należy przekręcić go w lewo. Aby założyć pojemnik na trzpienie, należy przekręcić go w prawo.

► **Rys.10:** 1. Pojemnik na trzpienie

OBSŁUGA

▲PRZESTROGA: Nie zbliżać dłoni ani twarzy do przedniej części narzędzia. Nit lub oderwany trzpień może zostać przypadkowo wyrzucony, co może spowodować obrażenia.

Osadzanie nitów

▲PRZESTROGA: Pojemnik na trzpienie należy opróżniać regularnie, zdejmując go zanim stanie się pełny. W przeciwnym razie narzędzie może ulec uszkodzeniu, a uszkodzone części mogą spowodować obrażenia ciała.

▲PRZESTROGA: Przed włożeniem nitu do noska należy upewnić się, że narzędzie jest wyłączone. W przeciwnym razie końcówka narzędzia może spowodować obrażenia.

▲PRZESTROGA: Nie należy pozostawiać nitu jednostronnie zamykanego w nosku. W razie przypadkowego włączenia narzędzia nit zostanie wyrzucony i może spowodować obrażenia.

UWAGA: Po założeniu nitu jednostronnie zamykanego, a przed założeniem nowego nitu jednostronnie zamykanego należy koniecznie wyrzucić odłamany trzpień do pojemnika na trzpienie, odchylając narzędzie do tyłu. Jeśli końcówka odlamanego trzpienia utknie w nosku, należy wyłączyć narzędzie i usunąć trzpień. Nieusunięte odlamane trzpienie mogłyby spowodować zablokowanie i nieprawidłowe działanie narzędzia.

1. Włożyć nit jednostronnie zamykany do noska.

► **Rys.11:** 1. Nit jednostronnie zamykany 2. Nosek

2. Docisnąć narzędzie do obrabianego elementu, a następnie pociągnąć za spust przełącznika. Po oderwaniu trzpienia zwolnić spust przełącznika.

► **Rys.12**

Pojemnik na trzpienie należy opróżniać regularnie, zdejmując go zanim stanie się pełny.

Dostępne nity jednostronnie zamykane

UWAGA: Niedopasowanie noska, szczęk, popychacza szczęk lub rurki do średnicy trzpienia może skutkować słabym mocowaniem, zablokowaniem trzpienia lub nieprawidłowym działaniem narzędzia.

Poniższa tabela przedstawia możliwe kombinacje nitów, nosków, szczęk, popychaczy szczęk i rurek.

WSKAZÓWKA: Niektóre pozycje w tabeli mogą być dołączone do pakietu urządzenia jako akcesoria standardowe, a inne są dostarczane jako akcesoria opcjonalne. Mogą to być różne pozycje, w zależności od kraju.

Model DRV150

Nit		Nosek		Oznaczenie na szczękach	Popychacz szczęk		Rurka	
Rozmiar	Średnica trzpienia	Oznaczenie na nosku	Średnica otworu		Średnica otworu	Kolor	Średnica otworu	Kolor
ø2,4 mm (3/32")	ø1,4–1,6 mm	2.4	ø1,9 mm	4.8	ø1,9 mm	Szary	ø2,2 mm	Srebrny
ø3,2 mm (1/8")	ø1,8–2,1 mm	3.2	ø2,4 mm	4.8	ø2,5 mm	Czarny	ø2,6 mm	Czarny
ø4,0 mm (5/32")	ø2,2–2,6 mm	4.0	ø3,0 mm	4.8	ø3,1 mm	Szary	Brak *	–
ø4,8 mm (3/16")	ø2,6–3,2 mm	4.8	ø3,6 mm	4.8	ø3,6 mm	Czarny	Brak *	–

*. Rurka nie jest niezbędna do pracy.

Nit		Nosek		Oznaczenie na szczękach	Popychacz szczęk		Rurka	
Rozmiar	Średnica trzpienia	Oznaczenie na nosku	Średnica otworu		Średnica otworu	Kolor	Średnica otworu	Kolor
ø2,4 mm (3/32")	ø1,4–1,6 mm	2.4	ø1,9 mm	4.8	ø1,9 mm	Szary	ø2,2 mm	Srebrny
ø3,2 mm (1/8")	ø1,8–2,1 mm	3.2	ø2,4 mm	4.8	ø2,5 mm	Czarny	ø2,6 mm	Czarny
ø4,0 mm (5/32")	ø2,2–2,6 mm	4.0	ø3,0 mm	4.8	ø3,1 mm	Szary	ø3,4 mm	Srebrny
ø4,8 mm (3/16")	ø2,6–3,2 mm	4.8	ø3,6 mm	4.8 lub 6.4	ø3,6 mm	Czarny	ø4,1 mm	Czarny
ø6,0 mm (1/4") *	ø3,1–3,5 mm	6.0	ø4,0 mm	6.4	ø4,0 mm	Szary	ø4,1 mm	Czarny
ø6,4 mm (1/4") *	ø3,5–3,9 mm	6.4	ø4,4 mm	6.4	ø4,6 mm	Czarny	ø4,5 mm	Srebrny

*. Nit ze stali nierdzewnej jest niedostępny.

KONSERWACJA

▲ PRZESTROGA: Przed przystąpieniem do przeglądu narzędzia lub jego konserwacji upewnij się, że jest ono wyłączone, a akumulator wyjęty.

UWAGA: Nie stosować benzyny, rozpuszczalników, alkoholu itp. środków. Mogą one powodować odbarwienia, odkształcenia lub pęknięcia.

W celu zachowania odpowiedniego poziomu BEZPIECZEŃSTWA i NIEZAWODNOŚCI produktu wszelkie naprawy i różnego rodzaju prace konserwacyjne lub regulacje powinny być przeprowadzane przez autoryzowany lub fabryczny punkt serwisowy narzędzi Makita, zawsze z użyciem oryginalnych części zamiennych Makita.

Czyszczenie szczęk i obudowy szczęk

Częstotliwość czyszczenia: Co 3 000 założonych nitów

Nagromadzony kurz utrudnia ruch szczęk i może przyspieszyć zużycie szczęk oraz ich obudowy. Aby wyczyścić szczęki i obudowę szczęk, należy wykonać poniższe czynności.

1. Zdjąć obudowę szczęk. Procedurę zdejmowania podano w instrukcji zdejmowania zespołu głowicy.
2. Wyjąć szczęki z obudowy szczęk.
▶ **Rys.13:** 1. Obudowa szczęk 2. Szczęki
3. Oczyszczyć szczęki i obudowę szczęk za pomocą szczotki. Usuń metalowy pył nagromadzony pomiędzy zębami szczęk.
4. Na wewnętrzną część obudowy szczęk nałożyć równomiernie smar na bazie dwusiarczku molibdenu.
▶ **Rys.14:** 1. Miejsce nakładania smaru 2. Obudowa szczęk

5. Zamontować szczęki w obudowie szczęk.

▶ **Rys.15:** 1. Szczęki 2. Obudowa szczęk

UWAGA: Wkładając szczęki, należy zadbać o to, aby ich końce były wyrównane.

6. Założyć obudowę szczęk. Jeśli smar przylega do końców szczęk, należy go powycierać suchą ściereczką.

▶ **Rys.16:** 1. Obszar, w którym nie powinno być smaru 2. Szczęki

7. Zamontuj zespół głowicy.

8. Powycierać smar ze szczęk.

Włożyć nit do noska, następnie przesunąć go do góry i do dołu oraz w lewo i w prawo, a następnie wyjąć go z noska i powycierać smar z nitu, używając suchej ściereczki. Procedurę tę należy powtórzyć 2 lub 3 razy.

UWAGA: Jeśli smar przylega do końców lub do wnętrza szczęk, szczęki mogą się wyslizgnąć podczas pracy.

Wymiana szczęk w obudowie szczęk

Jeśli szczęki w obudowie szczęk ulegną zużyciu, należy wymienić je na nowe. Aby wymienić szczęki, należy wykonać tę samą procedurę, jaka obowiązuje podczas czyszczenia szczęk i obudowy szczęk. Podczas instalowania szczęk w obudowie szczęk należy zamontować nowe szczęki.

Usuwanie zakleszczonych nitów

W przypadku zakleszczenia się nitu wewnątrz narzędzia należy wyjąć go odpowiednim narzędziem, takim jak kołek. Jeśli wyjęcie zakleszczonego nitu sprawia trudności, należy wymienić popychacz szczęk lub rurek na nowe. Procedurę wymiany podano w instrukcji zakładania i zdejmowania zespołu głowicy.

AKCESORIA OPCJONALNE

⚠ PRZESTROGA: Zaleca się stosowanie wymienionych akcesoriów i przystawek razem z narzędziem Makita opisanym w niniejszej instrukcji.

Stosowanie innych akcesoriów lub przystawek może być przyczyną obrażeń ciała. Akcesoria lub przystawki należy wykorzystywać tylko zgodnie z ich przeznaczeniem.

W razie potrzeby wszelkiej pomocy i szczegółowych informacji na temat niniejszych akcesoriów udziela Państwu lokalne punkty serwisowe Makita.

- Nosek
- Popychacz szczęk
- Szczęka
- Rurka
- Smar
- Oryginalny akumulator i ładowarka firmy Makita

WSKAZÓWKA: Niektóre pozycje znajdujące się na liście mogą być dołączone do pakietu narzędziowego jako akcesoria standardowe. Mogą to być różne pozycje, w zależności od kraju.

RÉSZLETES LEÍRÁS

Típus:	DRV150	DRV250
Húzóerő	10 kN	20 kN
Löklet	25 mm	30 mm
Teljes hossz	313 mm	323 mm
Névleges feszültség	18 V, egyenáram	
Nettó tömeg	1,9 - 2,2 kg	2,1 - 2,4 kg

- Folyamatos kutató- és fejlesztőprogramunk eredményeként az itt felsorolt tulajdonságok figyelmeztetés nélkül megváltozhatnak.
- A tulajdonságok országról országra különbözhetnek.
- A súly a felszerelt tartozékoktól függően változhat, az akkumulátort is beleértve. Az EPTA 01/2014 eljárás szerint meghatározott legnehezebb, illetve legkönnyebb kombináció a táblázatban látható.

Alkalmazható akkumulátorok és töltők

Akkumulátor	BL1815N / BL1820 / BL1820B / BL1830 / BL1830B / BL1840 / BL1840B / BL1850 / BL1850B / BL1860B
Töltő	DC18RC / DC18RD / DC18RE / DC18SD / DC18SE / DC18SF / DC18SH

- Lakóhelyétől függően előfordulhat, hogy a fent felsorolt akkumulátorok és töltők nem érhetőek el.

▲ FIGYELMEZTETÉS: Csak a fentiekben felsorolt akkumulátorokat és töltőket használja. Bármilyen más akkumulátor vagy töltő használata sérüléseket és/vagy tüzet okozhat.

Rendeltetés

A szerszám vakszegecsek belövésére szolgál.

Jaj

A tipikus A-súlyozású zajszint, az EN62841-1 szerint meghatározva:

DRV150 típus

Hangnyomásszint (L_{pA}): 75 dB(A)

Bizonytalanság (K): 3 dB(A)

DRV250 típus

Hangnyomásszint (L_{pA}): 74 dB(A)

Bizonytalanság (K): 3 dB(A)

A zajszint a munkavégzés során meghaladhatja a 80 dB (A) értéket.

MEGJEGYZÉS: A zajkibocsátás értéke a szabványos vizsgálati eljárásnak megfelelően lett mérve, és segítségével az elektromos kéziszerszámok összehasonlíthatók egymással.

MEGJEGYZÉS: A zajkibocsátás értékének segítségével előzetesen megbecsülhető a rezgésnek való kitettség mértéke.

▲ FIGYELMEZTETÉS: Viseljen fülvédőt!

▲ FIGYELMEZTETÉS: A szerszám zajkibocsátása egy adott alkalmazásnál eltérhet a megadott értéktől a használat módjától, különösen a feldolgozott munkadarab fajtájától függően.

▲ FIGYELMEZTETÉS: Határozza meg a kezelő védelmét szolgáló munkavédelmi lépéseket, melyek az adott munkafeltételek melletti vibrációs hatás becslült mértékén alapulnak (figyelembe véve a munkaciklus elemeit, mint például a gép leállításának és üresjáratának mennyiségét az elindítások száma mellett).

Vibráció

A vibráció teljes értéke (háromtengelyű vektorösszeg) az EN62841-1 szerint meghatározva:

DRV150 típus

Üzem mód: Vakszegecsek belövése
Rezgéskibocsátás (a_{h1}): 2,5 m/s² vagy kisebb
Bizonytalanság (K): 1,5 m/s²

DRV250 típus

Üzem mód: Vakszegecsek belövése
Rezgéskibocsátás (a_{h1}): 2,5 m/s² vagy kisebb
Bizonytalanság (K): 1,5 m/s²

MEGJEGYZÉS: A rezgés teljes értéke a szabványos vizsgálati eljárásnak megfelelően lett mérve, és segítségével az elektromos kéziszerszámok összehasonlíthatók egymással.

MEGJEGYZÉS: A rezgés teljes értékének segítségével előzetesen megbecsülhető a rezgésnek való kitettség mértéke.

▲ FIGYELMEZTETÉS: A szerszám rezgéskibocsátása egy adott alkalmazásnál eltérhet a megadott értéktől a használat módjától, különösen a feldolgozott munkadarab fajtájától függően.

▲ FIGYELMEZTETÉS: Határozza meg a kezelő védelmét szolgáló munkavédelmi lépéseket, melyek az adott munkafeltételek melletti vibrációs hatás becslült mértékén alapulnak (figyelembe véve a munkaciklus elemeit, mint például a gép leállításának és üresjáratának mennyiségét az elindítások száma mellett).

EK Megfelelőségi nyilatkozat

Csak európai országokra vonatkozóan

Az EK-megfelelőségi nyilatkozat az útmutató „A” mellékletében található.

BIZTONSÁGI FIGYELMEZTETÉS

A szerszámgépekre vonatkozó általános biztonsági figyelmeztetések

▲ FIGYELMEZTETÉS: Olvassa el a szerszámgéphez mellékelt összes biztonsági figyelmeztetést, utasítást, illusztrációt és a műszaki adatokat. A következőkben leírt utasítások figyelmen kívül hagyása elektromos áramütést, tüzet és/vagy súlyos sérülést eredményezhet.

Őrizzen meg minden figyelmeztetést és utasítást a későbbi tájékozódás érdekében.

A figyelmeztetéseken szereplő "szerszámgép" kifejezés az Ön hálózatról (vezetékes) vagy akkumulátorról (vezeték nélküli) működtetett szerszámgépére vonatkozik.

Az akkumulátoros szegecselőre vonatkozó biztonsági figyelmeztetések

1. **Tartsa stabilan a szerszámot.**
2. **Tartsa távol a kezeit a mozgó alkatrészekről.**
3. **Mindig stabil helyzetben dolgozzon. A szerszám magasban történő használatkor győződjön meg arról, hogy nem tartózkodik-e valaki odalent.**
4. **Vigyázzon, ne ejtse le a letört tüskét magas helyről.** Ha így tesz, az balesetet vagy sérülést okozhat.
5. **Ne szórja szét a letört tüskéket a padlón.** A letört tüske éles vége vagy a tüskén való elcsúszás sérülést okozhat.
6. **Működtetés közben ne fordítsa a szerszámot személyek vagy saját maga felé.** A szegecs vagy a letört tüske véletlenül kilöködhet, és sérülést okozhat.

Fontos biztonsági utasítások az akkumulátorra vonatkozóan

1. **Az akkumulátor használata előtt tanulmányozza át az akkumulátortöltőt (1), az akkumulátoron (2) és az akkumulátorral működtetett terméken (3) olvasható összes utasítást és figyelmeztető jelzést.**
2. **Ne szerelje szét az akkumulátort.**
3. **Ha a működési idő nagyon lerövidült, azonnal hagyja abba a használatot. Ez a túlmelegedés, esetleges égések és akár robbanás veszélyével is járhat.**

4. **Ha elektrolit kerül a szemébe, mossa ki azt tiszta vízzel és azonnal kérjen orvosi segítséget. Ez a látásának elvesztését okozhatja.**
5. **Ne zárja rövidre az akkumulátort:**
 - (1) **Ne érjen az érintkezőkhöz elektromosan vezető anyagokkal.**
 - (2) **Ne tárolja az akkumulátort más fémtárgyakkal, mint pl. szegekkel, érmékkel, stb. egy helyen.**
 - (3) **Ne tegye ki az akkumulátort víznek vagy esőnek.**

Az akkumulátor rövidzárlata nagy áramerősséget, túlmelegedést, égéseket, sőt akár meghibásodást is okozhat.

6. **Ne tárolja a szerszámot vagy az akkumulátort olyan helyen, ahol a hőmérséklet elérheti vagy meghaladhatja az 50 °C-ot (122 °F).**
7. **Ne égesse el az akkumulátort még akkor sem, ha az komolyan megsérült vagy teljesen elhasználódott. Az akkumulátor a tűzben felrobbanhat.**
8. **Vigyázzon, ne hagyja leejtse vagy megüsse az akkumulátort.**
9. **Ne használjon sérült akkumulátort.**
10. **A készülékben található lítium-ion akkumulátorokra a veszélyes árukkal kapcsolatos előírások vonatkoznak.**

A termék pl. harmadik felek, fuvarozó cégek stb. által történő szállítása esetén minden esetben tartsa szem előtt a csomagoláson és a címkén található speciális követelményeket.

A termék szállításra történő felkészítése esetén vegye fel a kapcsolatot egy veszélyes anyagokkal foglalkozó szakemberrel. Kérjük, hogy az esetlegesen szigorúbb nemzeti előírásokat is vegye figyelembe.

Ragassza le a kiálló érintkezőket, illetve oly módon csomagolja be az akkumulátort, hogy az ne tudjon elmozdulni a csomagolásban.

11. **Az akkumulátor ártalmatlanításakor vegye ki azt a szerszámból, és ártalmatlanítsa egy biztonságos helyen. Az akkumulátor ártalmatlanításakor tartsa be a helyi előírásokat.**
12. **Az akkumulátorokat csak a Makita által megjelölt termékekhez használja.** Ha az akkumulátortak azokkal nem kompatibilis termékekbe helyezi, az tűzhez, túlmelegedéshez, robbanáshoz vagy elektrolitszivárgáshoz vezethet.
13. **Ha a szerszám hosszabb ideig nincs használatban, az akkumulátort ki kell venni a szerszámból.**

ŐRIZZE MEG EZEKET AZ UTASÍTÁSOKAT.

▲ VIGYÁZAT: Csak eredeti Makita akkumulátorokat használjon. A nem eredeti Makita akkumulátorok vagy módosított akkumulátorok használata esetén az akkumulátor felrobbanhat, ami tüzet, személyi sérülést és anyagi kárt okozhat. A Makita szerszáma és töltőre vonatkozó Makita garanciát is érvénytelenítheti.

Tippek az akkumulátor maximális élettartamának eléréséhez

1. Töltse fel az akkumulátort, mielőtt teljesen lemerülne. Állítsa le a gépet, és töltse fel az akkumulátort, ha a gép erejének csökkenését észleli.
2. Soha ne töltse újra a teljesen feltöltött akkumulátort. A túltöltés csökkenti az akkumulátor élettartamát.
3. Töltse az akkumulátort szobahőmérsékleten, 10 °C - 40 °C (50 °F - 104 °F) között. Töltés előtt hagyja lehűlni a fölforrósodott akkumulátort.
4. Töltse fel az akkumulátort, ha hosszabb ideje (több mint hat hónapja) nem használta azt.

A MŰKÖDÉS LEÍRÁSA

⚠ VIGYÁZAT: Minden esetben ellenőrizze, hogy a szerszám ki van kapcsolva és az akkumulátor eltávolításra került mielőtt beállít vagy ellenőriz valamilyen funkciót a szerszámon.

Az akkumulátor behelyezése és eltávolítása

⚠ VIGYÁZAT: Mindig kapcsolja ki az eszközt, mielőtt behelyezi vagy eltávolítja az akkumulátort.

⚠ VIGYÁZAT: Az akkumulátor behelyezésekor vagy eltávolításakor erősen fogja meg a szerszámot és az akkumulátort. Ha nem fogja erősen a szerszámot és az akkumulátort, azok kicsúszhatnak a kezei közül, ami a szerszám és az akkumulátor károsodásához, de akár személyi sérüléshez is vezethet.

► **Ábra1:** 1. Piros jel 2. Gomb 3. Akkumulátor

Az akkumulátoregység kivételéhez nyomja be az akkumulátoregység elején található gombot, és húzza le a gépről.

Az akkumulátor beszereléséhez illesse az akkumulátor nyelvét a burkolaton található vágatba és csúsztassa a helyére. Egészen addig tolja be, amíg az akkumulátor egy kis kattánással a helyére nem ugrik. Ha látható a piros jel a gomb felső oldalán, akkor a gomb nem kattan be teljesen.

⚠ VIGYÁZAT: Mindig tolja be teljesen az akkumulátort, amíg a piros jel el nem tűnik. Ha ez nem történik meg, akkor az akkumulátor kieshet a szerszámból, és Önnek vagy a környezetében másnak sérülést okozhat.


















⚠ VIGYÁZAT: Ne erőltesse az akkumulátort behelyezéskor. Ha az akkumulátor nem csúszik be könnyedén, akkor nem megfelelően lett behelyezve.

Az akkumulátor töltöttségének jelzése

Csak állapotjelzős akkumulátorok esetén

► **Ábra2:** 1. Jelzőlámpák 2. Check (ellenőrzés) gomb

Nyomja meg az ellenőrzőgombot, hogy az akkumulátortöltöttség-jelző megmutassa a hátralévő akkumulátor-kapacitást. Ekkor a töltöttségjelző lámpák néhány másodpercre kigyulladnak.

Jelzőlámpák			Töltöttségi szint
 Világító lámpa	 KI	 Villogó lámpa	
			75%-tól 100%-ig
			50%-tól 75%-ig
			25%-tól 50%-ig
			0%-tól 25%-ig
			Töltse fel az akkumulátort.
 		 ↑ ↓ 	Lehetséges, hogy az akkumulátor meghibásodott.

MEGJEGYZÉS: Az adott munkafeltételektől és a környezet hőmérsékletétől függően a jelzett töltöttségi szint némileg eltérhet a tényleges töltöttségi szinttől.

Szerszám-/akkumulátorvédő rendszer

A gép szerszám-/akkumulátorvédő rendszerrel van felszerelve. A rendszer automatikusan kikapcsolja a motor áramellátását, így megnöveli a szerszám és az akkumulátor élettartamát. A gép használat közben automatikusan leáll, ha a szerszám vagy az akkumulátor a következő állapotok valamelyikébe kerül:

Túlterhelésvédelem

Ha az akkumulátort úgy használják, hogy az rendszeresen nagy áramot vesz fel, akkor a szerszám mindenfajta jelzés nélkül leáll. Ilyenkor kapcsolja ki a gépet, és fejezze be azt a műveletet, amelyik a túlterhelést okozza. Az újraindításhoz kapcsolja be a gépet.

Túlmelegedés elleni védelem

Ha a szerszám vagy az akkumulátor túlmelegszik, akkor automatikusan leáll, és a lámpa villogni kezd. Ilyenkor hagyja lehűlni a szerszámot és az akkumulátort, mielőtt ismét munkához látna.

Mélykisütés elleni védelem

Amikor az akkumulátor kapacitása már alacsony, a szerszám automatikusan leáll. Ebben az esetben vegye ki az akkumulátort a szerszámból, majd töltse fel azt.

A kapcsoló használata

⚠ FIGYELMEZTETÉS: Mielőtt behelyezi az akkumulátort a szerszámba, mindig ellenőrizze, hogy a kapcsológomb hibátlanul működik és felengedéskor „OFF” állásba áll-e.

► **Ábra3:** 1. Kapcsológomb

A szerszám bekapcsolásához húzza meg a kapcsológombot. A kapcsológomb elengedésekor a szerszám leáll, és visszatér a kezdeti pozícióba.

A következő esetekben előfordulhat, hogy a szerszám nincs a kezdeti pozícióban. Működtetés előtt állítsa a szerszámot a kezdeti pozícióba a kapcsológomb meghúzásával és elengedésével.

- Ha első alkalommal használja a szerszámot.
- Az akkumulátor cseréje után.
- Ha a szerszám a túlterhelés miatt megáll.
- Karbantartás végzése után.

Az első lámpa bekapcsolása

► **Ábra4:** 1. Lámpa

⚠ VIGYÁZAT: Ne tekintsen a fénybe vagy ne nézze egyenesen a fényforrást.

Húzza meg a kapcsológombot a lámpa bekapcsolásához. A lámpa addig világít, amíg a kapcsológomb meg van húzva. A lámpa a kapcsológomb elengedése után 10 másodperccel alszik ki.

MEGJEGYZÉS: Száraz ruhadarabbal törölje le a szennyeződést a lámpa lencséről. Ügyeljen arra hogy ne karcolja meg a lámpa lencsét, ez csökkentheti a megvilágítás erősségét.

ÖSSZESZERELÉS

⚠ VIGYÁZAT: Minden esetben ellenőrizze, hogy a szerszám ki van kapcsolva és az akkumulátort levette, mielőtt bármilyen műveletet végez a szerszámon.

A fejszerelvény felszerelése és eltávolítása

A fejszerelvény eltávolításához kövesse az alábbi lépéseket.

1. Lazítsa meg a fejen az anyát, majd távolítsa el a fejet.

► **Ábra5:** 1. Anya 2. Fej

2. Lazítsa meg az orr-részt egy csavarkulccsal, miközben a fejet egy másik csavarkulccsal tartja.

► **Ábra6:** 1. Orr-rész 2. Fej

3. Lazítsa meg a pofatartót egy csavarkulccsal, miközben az összekötőt egy másik csavarkulccsal tartja.

► **Ábra7:** 1. Pofatartó 2. Összekötő

4. Távolítsa el a pofatartót, a rugót és a csövet.

► **Ábra8:** 1. Pofatartó 2. Rugó 3. Cső

MEGJEGYZÉS: A pofatoló beszerelésekor gondoskodjon róla, hogy csatlakoztatja a rugót a pofatolóhoz.

A fejszerelvény felszereléséhez hajtsa végre a leszerelési eljárást fordított sorrendben. Gondoskodjon róla, hogy szorosan meghúzza a pofatartót és az orr-részt két csavarkulccsal.

Akaszító

⚠ VIGYÁZAT: Mindig vegye ki az akkumulátort a szerszámból, amikor felakasztja azt az akasztóval.

⚠ VIGYÁZAT: Soha ne akassza a szerszámot magas helyre vagy nem teljesen stabil felületre.

⚠ VIGYÁZAT: Amikor az akasztóval akasztja fel a szerszámot, legyen óvatos. Máskülönben a szerszám leeshet, és sérülést okozhat.

► **Ábra9:** 1. Horony 2. Akaszító 3. Csavar

Az akaszító a gép ideiglenes felakasztására szolgál. Felszerelhető a gép mindkét oldalára.

Az akaszító felszereléséhez helyezze azt a gép burkolatának két oldalán található horonyok valamelyikébe, majd rögzítse egy csavarral. A leszereléshez csavarja ki a csavart és vegye le az akasztót.

A tüsketartó felszerelése és eltávolítása

MEGJEGYZÉS: Gondoskodjon róla, hogy felszerelje a szerszámra a tüsketartót a szerszám működtetése előtt. Ha a tüsketartó nincs felszerelve a szerszámra, a szerszám nem működik.

A tüsketartó eltávolításához forgassa azt az órajárással ellentétesen. A tüsketartó felszereléséhez forgassa azt az órajárási irányába.

► **Ábra10:** 1. Tüsketartó

MŰKÖDTETÉS

⚠VIGYÁZAT: Tartsa távol a kezét és az arcát a szerszám elűlő részétől. A szegecs vagy a letört tűske véletlenül kilöködhet, és sérülést okozhat.

Vakszegecs belövése

⚠VIGYÁZAT: Mielőtt a tüsketartó megtelik, ürítse ki rendszeresen a tüsketartó eltávolításával. Máskülönbén a szerszám megsérülhet, és a sérült darabok sérülést okozhatnak.

⚠VIGYÁZAT: Amikor vakszegecset helyez be az orr-részbe, gondoskodjon róla, hogy a szerszám ki legyen kapcsolva. Máskülönbén a szerszám hegye megsérülhet.

⚠VIGYÁZAT: Ne hagyjon vakszegecset az orr-részben. Ha a szerszámot véletlenül bekapcsolják, a vakszegecs kilöködik, és sérülést okozhat.

MEGJEGYZÉS: Vakszegecs belövése után győződjön meg róla, hogy kilökte a letört tűskét a tüsketartályba a szerszám hátradöntésével, mielőtt belövi a következő vakszegecset. Ha a letört tűske vége kiáll az orr-részből, kapcsolja ki a szerszámot, és távolítsa el a tűskét. Máskülönbén a letört tűskék beszorulhatnak, és a szerszám hibás működését okozhatják.

1. Helyezze be a vakszegecset az orr-részbe.

▶ **Ábra11:** 1. Vakszegecs 2. Orr-rész

2. Nyomja a szerszám hegyét a munkadarabhoz, majd húzza meg a kapcsológombot. A tűske letörése után engedje el a kapcsológombot.

▶ **Ábra12**

Mielőtt a tüsketartó megtelik, ürítse ki rendszeresen a tüsketartó eltávolításával.

Kapható vakszegecs

MEGJEGYZÉS: Olyan orr-rész, pófa, pofatoló vagy cső használata, amely nem egyezik meg a tűske átmérőjével, a kötés gyengeségét, a tűske eltömődését vagy a szerszám hibás működését okozhatja.

Nézze meg az alábbi táblázatban a szegecs, orr-rész, pófa, pofatoló és cső kombinációját.

MEGJEGYZÉS: A táblázat egyes elemei standard tartozékként szerepelhetnek a szerszámcsomagban, a táblázat más elemeit pedig opcionális kiegészítőként biztosítjuk. Ezek országonként eltérőek lehetnek.

DRV150 esetén

Szegecs		Orr-rész		Jel a pofán	Pofatoló		Cső	
Méret	A tűske átmérője	Jel az orr-részen	Furat átmérője		Furat átmérője	Szín	Furat átmérője	Szín
ø2,4 mm (3/32")	ø1,4 - 1,6 mm	2.4	ø1,9 mm	4.8	ø1,9 mm	Szürke	ø2,2 mm	Ezüst
ø3,2 mm (1/8")	ø1,8 - 2,1 mm	3.2	ø2,4 mm	4.8	ø2,5 mm	Fekete	ø2,6 mm	Fekete
ø4,0 mm (5/32")	ø2,2 - 2,6 mm	4.0	ø3,0 mm	4.8	ø3,1 mm	Szürke	Egyik sem *	–
ø4,8 mm (3/16")	ø2,6 - 3,2 mm	4.8	ø3,6 mm	4.8	ø3,6 mm	Fekete	Egyik sem *	–

*. A működtetéshez nem szükséges a cső.

DRV250 esetén

Szegecs		Orr-rész		Jel a pofán	Pofatoló		Cső	
Méret	A tűske átmérője	Jel az orr-részen	Furat átmérője		Furat átmérője	Szín	Furat átmérője	Szín
ø2,4 mm (3/32")	ø1,4 - 1,6 mm	2.4	ø1,9 mm	4.8	ø1,9 mm	Szürke	ø2,2 mm	Ezüst
ø3,2 mm (1/8")	ø1,8 - 2,1 mm	3.2	ø2,4 mm	4.8	ø2,5 mm	Fekete	ø2,6 mm	Fekete
ø4,0 mm (5/32")	ø2,2 - 2,6 mm	4.0	ø3,0 mm	4.8	ø3,1 mm	Szürke	ø3,4 mm	Ezüst
ø4,8 mm (3/16")	ø2,6 - 3,2 mm	4.8	ø3,6 mm	4.8 vagy 6.4	ø3,6 mm	Fekete	ø4,1 mm	Fekete
ø6,0 mm (1/4") *	ø3,1 - 3,5 mm	6.0	ø4,0 mm	6.4	ø4,0 mm	Szürke	ø4,1 mm	Fekete
ø6,4 mm (1/4") *	ø3,5 - 3,9 mm	6.4	ø4,4 mm	6.4	ø4,6 mm	Fekete	ø4,5 mm	Ezüst

*. Rozsdamentes acélszegecs nem kaphatók.

KARBANTARTÁS

⚠ VIGYÁZAT: Minden esetben ellenőrizze, hogy a szerszám ki van kapcsolva és az akkumulátor eltávolításra került mielőtt átvizsgálja a szerszámot vagy annak karbantartását végzi.

MEGJEGYZÉS: Soha ne használjon gázolajat, benzint, hígítót, alkoholt vagy hasonló anyagokat. Ezek elszineződést, alakvesztést vagy repedést okozhatnak.

A termék BIZTONSÁGÁNAK és MEGBÍZHATÓSÁGÁNAK fenntartása érdekében a javításokat és más karbantartásokat vagy beállításokat a Makita hivatalos vagy gyári szervizközpontjában kell elvégezni, mindig csak Makita cserealkatrészeket használva.

A pofák és a pofatartó tisztítása

Tisztítási időköz: Minden 3 000 belőtt szegecs után Ha összegyűl a por, az rontja a pofák mozgását, és gyorsíthatja a pofák és a pofatartó kopását. A pofák és a pofatartó tisztításához kövesse az alábbi lépéseket.

1. Távolítsa el a pofatartót. Az eltávolítási eljáráshoz nézze meg a fejszerelvény eltávolítási utasításait.

2. Vegye ki a pofákat a pofatartóból.

► **Ábra13:** 1. Pofatartó 2. Pofa

3. Tisztítsa meg egy kefével a pofákat és a pofatartót. Távolítsa el a pofák fogai közé szorult fémport.

4. Tegyen molibdén-diszulfid-alapú zsírt egyenletesen a pofatartó belső kerületére.

► **Ábra14:** 1. A terület, ahová zsírt kell tenni
2. Pofatartó

5. Szerelje be a pofákat a pofatartóba.

► **Ábra15:** 1. Pofa 2. Pofatartó

MEGJEGYZÉS: A pofák beszerelésekor ügyeljen, hogy a pofák végeit egymáshoz illessze.

6. Szerelje fel a pofatartót. Ha zsír tapadt a pofák hegyéhez, törölje le a zsírt egy száraz kendővel.

► **Ábra16:** 1. A terület, ahová nem tapadhat zsír
2. Pofa

7. Szerelje fel a fejszerelvényt.

8. Törölje le a zsírt a pofákról.

Helyezzen egy szegecset az orr-részbe, azután mozgassa fel-le, balra-jobbra, majd vegye ki az orr-részből, és törölje le a szegecsről a zsírt egy száraz kendővel. Ismételje meg az eljárást kétszer vagy 3-szor.

MEGJEGYZÉS: Ha zsír tapad a pofa hegyéhez vagy belsejéhez, a pofák működés közben megcsúszhatnak.

A pofák cseréje a pofatartóban

Ha a pofák a pofatartóban elhasználódtak, cserélje le újakra. A pofák cseréjéhez kövesse ugyanazt az eljárást, mint a pofák és a pofatartó tisztításakor. Amikor pofákat szerel be a pofatartóba, szereljen be új pofákat.

Beszorult szegecsek eltávolítása

Ha a szegecs beleszorult a szerszámba, távolítsa el egy tű segítségével. Ha nehéz eltávolítani a beszorult szegecset, cserélje le a pofatartót vagy a csövet egy újra. A cserélési eljáráshoz nézze meg a fejszerelvény felszerelési és eltávolítási utasításait.

OPCIONÁLIS KIEGÉSZÍTŐK

⚠ VIGYÁZAT: Ezen kiegészítőket és tartozékokat javasoljuk a kézikönyvben ismertetett Makita szerszámhoz. Bármilyen más kiegészítő vagy tartozék használata a személyi sérülés kockázatával jár. A kiegészítő vagy tartozékot csak rendeltetésszerűen használja.

Ha bármilyen segítségre vagy további információkra van szüksége ezekkel a tartozékokkal kapcsolatban, keresse fel a helyi Makita Szervizközpontot.

- Orr-rész
- Pofatartó
- Pofa
- Cső
- Kenőzsír
- Eredeti Makita akkumulátor és töltő

MEGJEGYZÉS: A listán felsorolt néhány kiegészítő megtalálható az eszköz csomagolásában standard kiegészítőként. Ezek országonként eltérőek lehetnek.

TECHNICKÉ ŠPECIFIKÁCIE

Model:	DRV150	DRV250
Ťažná sila	10 kN	20 kN
Zdvih	25 mm	30 mm
Celková dĺžka	313 mm	323 mm
Menovité napätie	Jednosmerný prúd 18 V	
Čistá hmotnosť	1,9 – 2,2 kg	2,1 – 2,4 kg

- Vzhľadom k neustálemu výskumu a vývoju podliehajú technické údaje uvedené v tomto dokumente zmenám bez upozornenia.
- Technické údaje sa môžu pre rôzne krajiny líšiť.
- Hmotnosť sa môže líšiť v závislosti od nadstavcov vrátane akumulátora. Najľahšia a najťažšia kombinácia v súlade s postupom EPTA 01/2014 je uvedená v tabuľke.

Použiteľné akumulátory a nabíjačky

Akumulátor	BL1815N / BL1820 / BL1820B / BL1830 / BL1830B / BL1840 / BL1840B / BL1850 / BL1850B / BL1860B
Nabíjačka	DC18RC / DC18RD / DC18RE / DC18SD / DC18SE / DC18SF / DC18SH

- Niektoré vyššie uvedené akumulátory a nabíjačky môžu byť nedostupné v závislosti od miesta vášho bydliska.

VAROVANIE: Používajte iba akumulátory a nabíjačky zo zoznamu uvedeného vyššie. Používanie akýchkoľvek iných akumulátorov a nabíjačiek môže spôsobiť zranenie a/alebo požiar.

Určené použitie

Tento nástroj je určený na inštaláciu slepých nitov.

Hluk

Typická hladina akustického tlaku záťaže A určená podľa štandardu EN62841-1:

Model DRV150

Úroveň akustického tlaku (L_{pA}): 75 dB (A)

Odchýlka (K): 3 dB (A)

Model DRV250

Úroveň akustického tlaku (L_{pA}): 74 dB (A)

Odchýlka (K): 3 dB (A)

Úroveň hluku pri práci môže prekročiť 80 dB (A).

POZNÁMKA: Deklarovaná hodnota emisií hluku bola meraná podľa štandardnej skúšobnej metódy a môže sa použiť na porovnanie jedného nástroja s druhým.

POZNÁMKA: Deklarovaná hodnota emisií hluku sa môže použiť aj na predbežné posúdenie vystavenia ich účinkom.

VAROVANIE: Používajte ochranu sluchu.

VAROVANIE: Emisie hluku sa môžu počas skutočného používania elektrického nástroja odlišovať od deklarovanej hodnoty, a to v závislosti od spôsobov používania náradia a najmä typu spracúvaného obrobku.

VAROVANIE: Nezabudnite označiť bezpečnostné opatrenia s cieľom chrániť obsluhu, a to tie, ktoré sa zakladajú na odhade vystavenia účinkom v rámci reálnych podmienok používania (berúc do úvahy všetky súčasti prevádzkového cyklu, ako sú doby, kedy je nástroj vypnutý a kedy beží bez zaťaženia, ako dodatok k dobe zapnutia).

Vibrácie

Celková hodnota vibrácií (trojosový vektorový súčet) určená podľa štandardu EN62841-1:

Model DRV150

Režim činnosti: Inštalovanie slepých nitov
Emisie vibrácií (a_{h1}): 2,5 m/s² alebo menej
Odchýlka (K): 1,5 m/s²

Model DRV250

Režim činnosti: Inštalovanie slepých nitov
Emisie vibrácií (a_{h1}): 2,5 m/s² alebo menej
Odchýlka (K): 1,5 m/s²

POZNÁMKA: Deklarovaná celková hodnota vibrácií bola meraná podľa štandardnej skúšobnej metódy a môže sa použiť na porovnanie jedného nástroja s druhým.

POZNÁMKA: Deklarovaná celková hodnota vibrácií sa môže použiť aj na predbežné posúdenie vystavenia ich účinkom.

VAROVANIE: Emisie vibrácií sa môžu počas skutočného používania elektrického nástroja odlišovať od deklarovanej hodnoty, a to v závislosti od spôsobov používania náradia a najmä typu spracúvaného obrobku.

VAROVANIE: Nezabudnite označiť bezpečnostné opatrenia s cieľom chrániť obsluhu, a to tie, ktoré sa zakladajú na odhade vystavenia účinkom v rámci reálnych podmienok používania (berúc do úvahy všetky súčasti prevádzkového cyklu, ako sú doby, kedy je nástroj vypnutý a kedy beží bez zaťaženia, ako dodatok k dobe zapnutia).

Vyhlasenie o zhode ES

Len pre krajiny Európy

Vyhlasenie o zhode ES sa nachádza v prílohe A tohto návodu na obsluhu.

BEZPEČNOSTNÉ VAROVANIA

Všeobecné bezpečnostné predpisy pre elektrické nástroje

VAROVANIE: Preštudujte si všetky bezpečnostné varovania, pokyny, vyobrazenia a technické špecifikácie určené pre tento elektrický nástroj. Pri nedodržaní všetkých nižšie uvedených pokynov môže dôjsť k úrazu elektrickým prúdom, požiaru alebo vážnemu zraneniu.

Všetky výstrahy a pokyny si odložte pre prípad potreby v budúcnosti.

Pojem „elektrický nástroj“ sa vo výstrahách vzťahuje na elektricky napájané elektrické nástroje (s káblom) alebo batériu napájané elektrické nástroje (bez kábla).

Bezpečnostné varovania pre bezdrôtovú nitovaciu pištoľ

1. Nástroj pevne držte.
2. Ruky držte mimo dosahu pohyblivých častí.
3. Vždy dbajte na pevný postoj. Ak pracujete vo výškach, uistite sa, že pod vami nikto nie je.
4. Postupujte opatrne, aby vám z výšok nepadol odlomený kus trňa. Mohlo by dôjsť k nehode alebo poraneniu.
5. Neodhadzujte odlomené trne na podlahu. Mohli by ste sa poraniť na ostrej hrane odlomeného trňa alebo sa na ňom pošmyknúť.
6. Pri práci s nástrojom ním nikdy nemierte na seba alebo iné osoby. Nit alebo odlomený trň môžu náhodne vystreliť a môže dôjsť k ublíženiu na zdraví.

Dôležité bezpečnostné a prevádzkové pokyny pre akumulátor

1. Pred použitím akumulátora si prečítajte všetky pokyny a výstražné označenia na (1) nabíjačke akumulátorov, (2) akumulátore a (3) produkte používajúcom akumulátor.
2. Akumulátor nerozoberajte.
3. Ak sa doba prevádzky príliš skráti, ihneď prerušte prácu. Môže nastať riziko prehriatia, možných popálením či dokonca explózie.
4. V prípade zasiahnutia očí elektrolytom ich vypláchnite čistou vodou a okamžite vyhľadajte lekársku pomoc. Môže dôjsť k strate zraku.

5. Akumulátor neskratujte:
 - (1) Nedotýkajte sa konektorov žiadnym vodičným materiálom.
 - (2) Neskladujte akumulátor v obale s inými kovovými predmetmi, napríklad klíncami, mincami a pod.
 - (3) Akumulátor nevystavujte vode ani dažďu. Skrat akumulátora môže spôsobiť veľký tok prúdu, prehriate, možné popáleniny či dokonca poruchu.
6. Neskladujte nástroj ani akumulátor na miestach s teplotou presahujúcou 50 °C (122 °F).
7. Akumulátor nespálujte, ani keď je vážne poškodený alebo úplne opotrebovaný. Akumulátor môže v ohni explodovať!
8. Dávajte pozor, aby akumulátor nespadol, a nevystavujte ho nárazom.
9. Nepoužívajte poškodený akumulátor.
10. Lítium-iónové akumulátory, ktoré sú súčasťou náradia, podliehajú požiadavkám legislatívy o nebezpečnom tovare.
V prípade obchodnej prepravy, napr. dodanie tretími stranami či špeditériami, sa musia dodržiavať špeciálne požiadavky na zabalenie a označenie. Pred prípravou položky na odoslanie sa vyžaduje konzultácia s odborníkom na nebezpečný materiál. Taktiež treba dodržiavať potenciálne podrobnejšie predpisy príslušnej krajiny. Prelepte alebo zakryte otvorené kontakty a zabalte akumulátor tak, aby sa v balíku nemohol voľne pohybovať.
11. Akumulátor pri likvidácii odstráňte z nástroja a zlikvidujte ho na bezpečnom mieste. Akumulátor zlikvidujte v súlade s miestnymi nariadeniami.
12. Akumulátory používajte iba s výrobkami uvedenými spoločnosťou Makita. Inštalácia akumulátorov do nevyhovujúcich výrobkov môže spôsobiť požiar, nadmerné teplo, výbuch alebo únik elektrolytov.
13. Ak sa nástroj dlhší čas nepoužíva, odstráňte z neho akumulátor.

TIETO POKYNY USCHOVAJTE.

POZOR: Používajte len originálne akumulátory od spoločnosti Makita. Používanie batérií, ktoré nie sú od spoločnosti Makita, alebo upravených batérií môže spôsobiť výbuch batérie a následný požiar, zranenie osôb alebo poškodeniu majetku. Následkom bude aj zrušenie záruky od spoločnosti Makita na nástroj a nabíjačku od spoločnosti Makita.

Rady na udržanie maximálnej životnosti akumulátora

1. Akumulátor nabíte ešte predtým, ako sa úplne vybije. Vždy prerušte prácu s nástrojom a nabíte akumulátor, keď spozorujete nižší výkon nástroja.
2. Nikdy nenabíjate plne nabitý akumulátor. Prebíjanie skracuje životnosť akumulátora.
3. Akumulátor nabíjajte pri izbovej teplote 10 °C – 40 °C (50 °F – 104 °F). Pred nabíjaním nechajte horúci akumulátor vychladnúť.
4. Lítium-iónový akumulátor nabíte, ak ste ho nepoužívali dlhšie ako šesť mesiacov.

OPIS FUNKCIÍ

▲POZOR: Pred úpravou alebo kontrolou funkčnosti nástroja vždy skontrolujte, či je nástroj vypnutý a akumulátor je vybratý.

Inštalácia alebo demontáž akumulátora

▲POZOR: Pred inštaláciou alebo vybratím akumulátora nástroj vždy vypnite.

▲POZOR: Pri inštalovaní a vyberaní akumulátora pevne uchopíte nástroj a akumulátor. Ak nástroj a akumulátor pevne neuchopíte, môže to mať za následok vyšmyknutie z vašich rúk s dôsledkom poškodenia nástroja a akumulátora, ako aj osobných poranení.

► **Obr.1:** 1. Červený indikátor 2. Tlačidlo 3. Akumulátor

Ak chcete vybrať akumulátor, vysuňte ho z nástroja, pričom posuňte tlačidlo na prednej strane akumulátora.

Akumulátor vložte tak, že jazýček akumulátora zarovnáte s drážkou v kryte a zasuniete ho na miesto. Zatlačte ho úplne, kým zakliknutím nezapadne na miesto. Ak vidíte červený indikátor na hornej strane tlačidla, nie je správne zapadnutý.

▲POZOR: Akumulátor vždy nainštalujte úplne, až kým nie je vidieť červený indikátor. V opačnom prípade môže náhodne vypadnúť z nástroja a ublížiť vám alebo osobám v okolí.

▲POZOR: Pri inštalovaní akumulátora nepoužívajte silu. Ak sa akumulátor nedá zasunúť ľahko, nevkladáte ho správne.

Indikácia zvyšnej kapacity akumulátora

Len na akumulátory s indikátorom

► **Obr.2:** 1. Indikátory 2. Tlačidlo kontroly

Stlačením tlačidla kontroly na akumulátore zobrazíte zostávajúcu kapacitu akumulátora. Indikátory sa na niekoľko sekúnd rozsvietia.

Indikátory			Zostávajúca kapacita
Svieti	Nesvieti	Bliká	
			75 % až 100 %
			50 % až 75 %
			25 % až 50 %
			0 % až 25 %
			Akumulátor nabíja.
			Akumulátor je možno chybný.

POZNÁMKA: V závislosti od podmienok používania a v závislosti od okolitej teploty sa môže zobrazenie mierne odlišovať od skutočnej kapacity.

Systém na ochranu nástroja/akumulátora

Nástroj je vybavený systémom ochrany nástroja/akumulátora. Tento systém automaticky vypne napájanie motora s cieľom predĺžiť životnosť nástroja a akumulátora. Nástroj sa počas prevádzky automaticky zastaví v prípade, ak sa nástroj alebo akumulátor dostanú do jedného z nasledujúcich stavov:

Ochrana proti preťaženiu

Keď sa akumulátor používa spôsobom, ktorý spôsobuje odber neštandardne vysokého prúdu, nástroj sa bez upozornenia automaticky vypne. V tejto situácii vypnite nástroj a ukončíte prácu, ktorá spôsobuje jeho preťažovanie. Potom nástroj znova zapnite.

Ochrana pred prehrievaním

Ak je nástroj prehriaty, automaticky sa zastaví a začne blikať svetlo. V takomto prípade nechajte nástroj/akumulátor pred opätovným spustením vychladnúť.

Ochrana pred nadmerným vybitím

Keď je kapacita akumulátora nedostatočná, nástroj sa automaticky vypne. V takom prípade vyberte akumulátor z nástroja a nabíjajte ho.

Zapínanie

▲VAROVANIE: Pred vložením akumulátora do nástroja sa vždy presvedčíte, či spúšťač spínača funguje správne a po uvoľnení sa vráti do pozície „OFF“.

► **Obr.3:** 1. Spúšťač spínača

Nástroj spustíte jednoduchým stlačením spúšťačieho spínača. Keď uvoľníte spúšťač spínača, nástroj sa zastaví a vráti do východiskovej polohy.

Nástroj nemusí byť vo východiskovej polohe v týchto prípadoch. Pred použitím nástroja ho vráťte do východiskovej polohy potiahnutím a uvoľnením spúšťačieho spínača.

- Pri prvom použití nástroja.
- Po výmene akumulátora.
- Po zastavení nástroja z dôvodu preťaženia.
- Po vykonaní údržby.

Zapnutie prednej lampy

► **Obr.4:** 1. Lampa

▲POZOR: Nedávajte sa priamo do svetla ani jeho zdroja.

Lampu rozsvietite stlačením spúšťačieho tlačidla. Lampa svieti, kým ťaháte spúšťač spínača. Lampa zhasne asi 10 sekúnd po uvoľnení spúšťačieho spínača.

POZNÁMKA: Suchou tkaninou utrite znečistené šošovky lampy. Dávajte pozor, aby sa šošovky lampy nepoškriabali. Mohla by sa znížiť intenzita osvetlenia.

ZOSTAVENIE

⚠️ POZOR: Pred vykonaním akejkoľvek práce na nástroji vždy skontrolujte, či je nástroj vypnutý a akumulátor je vybratý.

Montáž alebo demontáž hlavy

Ak chcete demontovať hlavu, postupujte podľa nižšie uvedeného postupu.

1. Povoľte maticu na hlavu a odstráňte hlavu.
▶ **Obr.5:** 1. Matica 2. Hlava
2. Kľúčom povoľte predný diel, pričom druhým kľúčom pridržiujte hlavu.
▶ **Obr.6:** 1. Predný diel 2. Hlava
3. Kľúčom povoľte puzdro na čeluste, pričom druhým kľúčom pridržiujte spojku.
▶ **Obr.7:** 1. Puzdro na čeluste 2. Spojka
4. Odstráňte čelustový posúvač, pružinu a tyč.
▶ **Obr.8:** 1. Čelustový podávač 2. Pružina 3. Tyč

UPOZORNENIE: Pri inštalácii čelustového podávača sa uistite, že k nemu pripojíte pružinu.

Montáž hlavy prebieha v opačnom poradí než demontáž. Uistite sa, že puzdro na čeluste a predný diel upevníte dvoma kľúčmi.

PREVÁDZKA

⚠️ POZOR: Nedávajte ruku ani tvár pred prednú stranu nástroja. Nit alebo odlomený trň môžu náhodne vystreliť a môže dôjsť k ublíženiu na zdraví.

Montáž slepých nitov

⚠️ POZOR: Pravidelne vyprázdňujte zásobník na trne vybratím zásobníka na trne skôr, ako sa naplní. V opačnom prípade sa môže nástroj poškodiť a poškodené časti môžu spôsobiť zranenie.

⚠️ POZOR: Pri vkladaní slepých nitov do predného dielu sa uistite, že je nástroj vypnutý. V opačnom prípade vás môže hrot nástroja poraniť.

⚠️ POZOR: Nenechávajte slepý nit v prednom diele. Ak sa nástroj náhodne zapne, slepý nit vystrelí a môže spôsobiť zranenie.

UPOZORNENIE: Po montáži slepého nitu nezabudnite pred montážou ďalšieho slepého nitu vysunúť odlomený trň do zásobníka na trne naklonením nástroja dozadu. Ak z predného dielu vyčnieva koniec odlomeného trňa, vypnite nástroj a vyberte trň. V opačnom prípade sa odlomené trne môžu upchať a spôsobiť poruchu nástroja.

Háčik

⚠️ POZOR: Ak chcete nástroj zavesiť na hák, vždy z neho vyberte akumulátor.

⚠️ POZOR: Nástroj nikdy nevesajte príliš vysoko ani ho nepoužívajte na potenciálne nestabilnom povrchu.

⚠️ POZOR: Pri zavesení nástroja na hák postupujte opatrne. V opačnom prípade môže nástroj spadnúť a spôsobiť zranenie.

- ▶ **Obr.9:** 1. Drážka 2. Háčik 3. Skrutka

Hák je vhodný na dočasné zavesenie nástroja. Môže sa namontovať na ktorúkoľvek stranu nástroja.

Hák namontujete tak, že ho vložíte do drážky na tele nástroja na ktorejkoľvek strane a potom ho zaistíte skrutkou. Vyberiete ho uvoľnením skrutky.

Montáž a demontáž zásobníka na trne

UPOZORNENIE: Uistite sa, že zásobník na trne namontujete na nástroj ešte pred jeho použitím. Ak zásobník na trne nie je na nástroji namontovaný, nástroj nebude fungovať.

Na demontáž zásobníka na trne zásobník otočte proti smeru hodinových ručičiek. Na montáž zásobníka na trne zásobník otočte v smere hodinových ručičiek.

- ▶ **Obr.10:** 1. Zásobník na trne

1. Slepý nit vložte do predného dielu.

- ▶ **Obr.11:** 1. Slepý nit 2. Predný diel

2. Prítlačte hrot nástroja na miesto, na ktorom pracujete, a potiahnite spúšťací spínač. Potom ako sa trň odlomí, uvoľnite spúšťací spínač.

- ▶ **Obr.12**

Pravidelne vyprázdňujte zásobník na trne vybratím zásobníka na trne skôr, ako sa naplní.

Dostupné slepé nity

UPOZORNENIE: Používanie predného kusu, čeluste, posúvača čeluste alebo tyče, ktoré nezodpovedajú priemeru trňa, môže spôsobiť nedostatočné utiahnutie, upchatie trňa alebo poruchu nástroja.

Informácie o kombinácii nitu, predného kusu, čeluste, posúvača čeluste a tyče si pozrite v nasledujúcej tabuľke.

POZNÁMKA: Niektoré položky v tabuľke môžu byť súčasťou balenia nástroja ako štandardné príslušenstvo a niektoré položky v tabuľke sa dodávajú ako voľiteľné príslušenstvo. Rozsah týchto položiek môže byť v každej krajine odlišný.

Pre model DRV150

Nit		Predný diel		Značka na čelusti	Čelustový podávač		Tyč	
Veľkosť	Priemer trňa	Značka na prednom diele	Priemer otvoru		Priemer otvoru	Farba	Priemer otvoru	Farba
ø2,4 mm (3/32")	ø1,4 – 1,6 mm	2.4	ø1,9 mm	4.8	ø1,9 mm	Sivá	ø2,2 mm	Strieborná
ø3,2 mm (1/8")	ø1,8 – 2,1 mm	3.2	ø2,4 mm	4.8	ø2,5 mm	Čierna	ø2,6 mm	Čierna
ø4,0 mm (5/32")	ø2,2 – 2,6 mm	4.0	ø3,0 mm	4.8	ø3,1 mm	Sivá	Žiadna *	–
ø4,8 mm (3/16")	ø2,6 – 3,2 mm	4.8	ø3,6 mm	4.8	ø3,6 mm	Čierna	Žiadna *	–

*. Tyč nie je potrebná na činnosť.

Pre model DRV250

Nit		Predný diel		Značka na čelusti	Čelustový podávač		Tyč	
Veľkosť	Priemer trňa	Značka na prednom diele	Priemer otvoru		Priemer otvoru	Farba	Priemer otvoru	Farba
ø2,4 mm (3/32")	ø1,4 – 1,6 mm	2.4	ø1,9 mm	4.8	ø1,9 mm	Sivá	ø2,2 mm	Strieborná
ø3,2 mm (1/8")	ø1,8 – 2,1 mm	3.2	ø2,4 mm	4.8	ø2,5 mm	Čierna	ø2,6 mm	Čierna
ø4,0 mm (5/32")	ø2,2 – 2,6 mm	4.0	ø3,0 mm	4.8	ø3,1 mm	Sivá	ø3,4 mm	Strieborná
ø4,8 mm (3/16")	ø2,6 – 3,2 mm	4.8	ø3,6 mm	4.8 alebo 6.4	ø3,6 mm	Čierna	ø4,1 mm	Čierna
ø6,0 mm (1/4") *	ø3,1 – 3,5 mm	6.0	ø4,0 mm	6.4	ø4,0 mm	Sivá	ø4,1 mm	Čierna
ø6,4 mm (1/4") *	ø3,5 – 3,9 mm	6.4	ø4,4 mm	6.4	ø4,6 mm	Čierna	ø4,5 mm	Strieborná

*. Nity z nehrdzavejúcej ocele nie sú k dispozícii.

ÚDRŽBA

⚠ POZOR: Pred vykonaním kontroly alebo údržby vždy skontrolujte, či je nástroj vypnutý a akumulátor je vybraný.

UPOZORNENIE: Nepoužívajte benzín, riedidlo, alkohol ani podobné látky. Mohlo by to spôsobiť zmenu farby, deformácie alebo praskliny.

Ak chcete udržať BEZPEČNOSŤ a BEZPORUCHOVOSŤ výrobku, prenechajte opravy, údržbu a nastavenie na autorizované alebo továrenské servisné centrá Makita, ktoré používajú len náhradné diely značky Makita.

Čistenie čelustí a puzdra na čeluste

Interval čistenia: Každých 3 000 vložení nitu

Nahromadený prach zhoršuje pohyb čelustí a môže urýchliť opotrebovanie čelustí a puzdra na čeluste. Pri čistení čelustí a puzdra na čeluste postupujte podľa nasledujúcich krokov.

1. Demontujte puzdro na čeluste. Na demontáž konzultujte časť s pokynmi na demontáž hlavy.

2. Vyberte čeluste z puzdra na čeluste.
► **Obr.13:** 1. Puzdro na čeluste 2. Čeluste

3. Čeluste a puzdro na čeluste vyčistite kefkou. Odstráňte kovový prach zanesený medzi zubami a čelustami.

4. Rovnomerne naneste mazivo na báze molybdén disulfidu na vnútorný okraj puzdra na čeluste.

- **Obr.14:** 1. Miesto, kam treba naniesť mazivo
2. Puzdro na čeluste

5. Vložte čeluste do puzdra na čeluste.

- **Obr.15:** 1. Čeluste 2. Puzdro na čeluste

UPOZORNENIE: Pri montáži čelustí dbajte na to, aby ste zarovnali hroty čelustí.

6. Vložte puzdro na čeluste. Ak sa mazivo zachytí na hrotoch čelustí, utrite ho suchou handričkou.

- **Obr.16:** 1. Oblasť, kde mazivo nemá byť 2. Čeluste

7. Namontujte zostavu hlavy.

8. Utrite mazivo z čelustí.

Vložte nit do predného dielu, potom ním pohýbte nahor a nadol, doľava a doprava, potom ho vyberte z predného dielu a potom utrite mazivo z nitu suchou handričkou. Zopakujte tento postup dva až trikrát.

UPOZORNENIE: Ak sa mazivo zachytí na hrote alebo vnútri čeluste, čeluste sa počas činnosti môžu šmykať.

Výmena čelustí v puzdre na čeluste

Ak sú čeluste v puzdre na čeluste opotrebované, vymeňte ich za nové. Pri výmene čelustí postupujte podľa rovnakého postupu ako pri čistení čelustí a puzdra na čeluste. Pri montáži čelustí do puzdra na čeluste namontujte nové čeluste.

Odstraňovanie zaseknutých nitov

Ak sa v nástroji zasekne nit, na jeho odstránenie použite napríklad špendlík. Ak je odstránenie zaseknutého nitu náročné, vymeňte čelustový podávač alebo tyč za nové. Postup výmeny nájdete v časti s pokynmi na montáž alebo demontáž zostavy hlavy.

VOLITEĽNÉ PRÍSLUŠENSTVO

▲POZOR: Pre váš nástroj Makita, opísaný v tomto návode, doporučujeme používať toto príslušenstvo a nástavce. Pri použití iného príslušenstva či nástavcov môže hroziť nebezpečenstvo zranenia osôb. Príslušenstvo a nástavce sa môžu používať len na účely pre ne stanovené.

Ak potrebujete bližšie informácie týkajúce sa tohoto príslušenstva, obráťte sa na vaše miestne servisné stredisko firmy Makita.

- Predný diel
- Čelustový podávač
- Čeluste
- Tyč
- Mazivo
- Originálna batéria a nabíjačka Makita

POZNÁMKA: Niektoré položky zo zoznamu môžu byť súčasťou balenia nástrojov vo forme štandardného príslušenstva. Rozsah týchto položiek môže byť v každej krajine odlišný.

SPECIFIKACE

Model:	DRV150	DRV250
Tažná síla	10 kN	20 kN
Zdvih	25 mm	30 mm
Celková délka	313 mm	323 mm
Jmenovité napětí	18 V DC	
Čistá hmotnost	1,9 – 2,2 kg	2,1 – 2,4 kg

- Vzhledem k neustálému výzkumu a vývoji zde uvedené technické údaje podléhají změnám bez upozornění.
- Specifikace se mohou pro různé země lišit.
- Hmotnost se může lišit v závislosti na nástavcích a přídatných zařízeních, včetně akumulátoru. Nejlehčí a nejtěžší kombinace, dle EPTA-Procedure 01/2014, jsou uvedeny v tabulce níže.

Použitelný akumulátor a nabíječka

Akumulátor	BL1815N / BL1820 / BL1820B / BL1830 / BL1830B / BL1840 / BL1840B / BL1850 / BL1850B / BL1860B
Nabíječka	DC18RC / DC18RD / DC18RE / DC18SD / DC18SE / DC18SF / DC18SH

- V závislosti na regionu vašeho bydliště nemusí být některé akumulátory a nabíječky k dispozici.

VAROVÁNÍ: Používejte pouze výše uvedené akumulátory a nabíječky. Použití jiných akumulátorů a nabíječek může způsobit zranění a/nebo požár.

Účel použití

Nářadí slouží k instalaci slepých nýtů.

Hlučnost

Typická vážená hladina hluku (A) určená podle normy EN62841-1:

Model DRV150

Hladina akustického tlaku (L_{pA}): 75 dB(A)

Nejistota (K): 3 dB(A)

Model DRV250

Hladina akustického tlaku (L_{pA}): 74 dB(A)

Nejistota (K): 3 dB(A)

Hladina hluku při práci může překročit hodnotu 80 dB (A).

POZNÁMKA: Celková(é) hodnota(y) emisí hluku byla(y) změněna(y) v souladu se standardní zkušební metodou a dá se použít k porovnání nářadí mezi sebou.

POZNÁMKA: Hodnotu(y) deklarovaných emisí hluku lze také použít k předběžnému posouzení míry expozice vibracím.

VAROVÁNÍ: Používejte ochranu sluchu.

VAROVÁNÍ: Emise hluku se při používání elektrického nářadí ve skutečnosti mohou od deklarované(ých) hodnot(y) lišit v závislosti na způsobech použití nářadí.

VAROVÁNÍ: Nezapomeňte stanovit bezpečnostní opatření na ochranu obsluhy podle odhadu expozice ve skutečných podmínkách použití. (Vezměte přitom v úvahu všechny části provozního cyklu, tj. kromě doby zátěže například doby, kdy je nářadí vypnuté a kdy běží naprázdno.)

Vibrace

Celková hodnota vibrací (vektorový součet tří os) určená podle normy EN62841-1:

Model DRV150

Pracovní režim: Instalace slepých nýtů

Emise vibrací (a_{h}): 2,5 m/s² nebo méně

Nejistota (K): 1,5 m/s²

Model DRV250

Pracovní režim: Instalace slepých nýtů

Emise vibrací (a_{h}): 2,5 m/s² nebo méně

Nejistota (K): 1,5 m/s²

POZNÁMKA: Celková(é) hodnota(y) deklarovaných vibrací byla(y) změněna(y) v souladu se standardní zkušební metodou a dá se použít k porovnání nářadí mezi sebou.

POZNÁMKA: Celkovou(é) hodnotu(y) deklarovaných vibrací lze také použít k předběžnému posouzení míry expozice vibracím.

VAROVÁNÍ: Emise vibrací se při používání elektrického nářadí ve skutečnosti mohou od deklarované(ých) hodnot(y) lišit v závislosti na způsobech použití nářadí.

VAROVÁNÍ: Nezapomeňte stanovit bezpečnostní opatření na ochranu obsluhy podle odhadu expozice ve skutečných podmínkách použití. (Vezměte přitom v úvahu všechny části provozního cyklu, tj. kromě doby zátěže například doby, kdy je nářadí vypnuté a kdy běží naprázdno.)

Prohlášení ES o shodě

Pouze pro evropské země

Prohlášení ES o shodě je obsaženo v Příloze A tohoto návodu k obsluze.

BEZPEČNOSTNÍ VÝSTRAHY

Obecná bezpečnostní upozornění k elektrickému nářadí

VAROVÁNÍ: Přečtete si všechny bezpečnostní výstrahy i pokyny a prohlédněte si ilustrace a specifikace dodané k tomuto elektrickému nářadí. Nedodržení všech níže uvedených pokynů může vést k úrazu elektrickým proudem, požáru či vážnému zranění.

Všechna upozornění a pokyny si uschovejte pro budoucí potřebu.

Pojem „elektrické nářadí“ v upozorněních označuje elektrické nářadí, které se zapojuje do elektrické sítě, nebo elektrické nářadí využívající akumulátory.

Bezpečnostní výstrahy k akumulátorové nýtovací pistolí

1. **Držte nářadí pevně.**
2. **Udržujte ruce mimo pohyblivé díly.**
3. **Vždy zaujměte stabilní postoj. Při práci s nářadím ve výškách dbejte, aby se pod vámi nepohybovaly žádné osoby.**
4. **Dejte pozor, abyste neupustili ulomenou stopku z výšky.** V opačném případě může dojít k poškození či poranění.
5. **Odlomené stopky neodhazujte na podlahu.** Mohli byste se poranit o ostrou hranu po odlomení nebo po stopce uklouznout.
6. **Při práci s nářadím nemířte na sebe ani ostatní.** Nýt nebo odlomená stopka by mohly nečekaně vystřelit a poranit vás.

Důležitá bezpečnostní upozornění pro akumulátor

1. **Před použitím akumulátoru si přečtete všechny pokyny a varovné symboly na (1) nabíječce, (2) akumulátoru a (3) výrobku využívajícím akumulátor.**
2. **Akumulátor nerozebírejte.**
3. **Pokud se příliš zkrátí provozní doba akumulátoru, přerušte okamžitě práci. V opačném případě existuje riziko přehřívání, popálení nebo dokonce výbuchu.**
4. **Budou-li vaše oči zasaženy elektrolytem, vypláchněte je čistou vodou a okamžitě vyhledejte lékařskou pomoc. Může dojít ke ztrátě zraku.**

5. **Akumulátor nezkratujte:**
 - (1) **Nedotýkejte se svorek žádným vodivým materiálem.**
 - (2) **Neskladujte akumulátor v nádobě s jinými kovovými předměty, jako jsou hřebíky, mince, apod.**
 - (3) **Nevystavujte akumulátor vodě a dešti. Zkrat akumulátoru může způsobit velký průtok proudu, přehřátí, možné popálení a dokonce i poruchu.**
6. **Neskladujte nářadí a akumulátor na místech, kde může teplota překročit 50 °C (122 °F).**
7. **Nespalujte akumulátor, ani když je vážně poškozen nebo úplně opotřeben. Akumulátor může v ohni vybuchnout.**
8. **Dávejte pozor, abyste akumulátor neupustili ani s ním nenaráželi.**
9. **Nepoužívejte poškozené akumulátory.**
10. **Obsažené lithium-iontové akumulátory podléhají právním požadavkům na nebezpečné zboží.**

V případě komerční přepravy například externími dopravci je třeba dodržet zvláštní požadavky na balení a značení.

Pro přípravu zboží k přepravě je nutná konzultace s odborníkem na nebezpečný materiál. Dodržujte také případné podrobnější národní předpisy. Odkryté kontakty přelepte izolační páskou či jinak zakryjte a akumulátory zabalte tak, aby se v balení nemohly pohybovat.
11. **Při likvidaci akumulátoru jej vyjměte z nářadí a zlikvidujte jej na bezpečném místě. Při likvidaci akumulátoru postupujte podle místních předpisů.**
12. **Akumulátor používejte pouze z výrobky specifikovanými společností Makita. Instalace akumulátoru do nevhovujících výrobků může způsobit požár, nadměrné zahřívání, explozi nebo únik elektrolytu.**
13. **Pokud nářadí delší dobu nepoužíváte, je nutné z něj akumulátor vyjmout.**

TYTO POKYNY USCHOVEJTE.

UPOZORNĚNÍ: Používejte pouze originální akumulátory Makita. Používání neoriginálních nebo upravených akumulátorů může způsobit explozi akumulátoru a následný požár, zranění a jiné poškození. Zanáká tím také záruka společnosti Makita na nářadí a nabíječku Makita.

Tipy k zajištění maximální životnosti akumulátoru

1. **Akumulátor nabíjte dříve, než dojde k jeho úplnému vybití. Pokud si povšimnete sníženého výkonu nářadí, vždy jej zastavte a dobijte akumulátor.**
2. **Nikdy nenabíjete úplně nabitý akumulátor. Přebíjení zkracuje životnost akumulátoru.**
3. **Akumulátor dobíjete při pokojové teplotě od 10 °C do 40 °C (50 °F až 104 °F). Před nabíjením nechejte horký akumulátor zchladnout.**
4. **Pokud se akumulátor delší dobu nepoužívá (déle než šest měsíců), je nutno jej dobít.**

POPIS FUNKCÍ

⚠ UPOZORNĚNÍ: Před nastavováním nářadí nebo kontrolou jeho funkce se vždy přesvědčte, zda je vypnuté a je vyjmutý akumulátor.

Nasazení a sejmutí akumulátoru

⚠ UPOZORNĚNÍ: Před nasazením či sejmutím akumulátoru nářadí vždy vypněte.

⚠ UPOZORNĚNÍ: Při nasazování či snímání akumulátoru pevně držte nářadí i akumulátor. V opačném případě vám může nářadí nebo akumulátor vyklouznout z rukou a mohlo by dojít k jejich poškození či ke zranění.

► **Obr.1:** 1. Červený indikátor 2. Tlačítko 3. Akumulátor

Chcete-li akumulátor sejmout, vysuňte jej se současným přesunutím tlačítka na přední straně akumulátoru.

Při nasazování akumulátoru vyrovnejte jazyček na bloku akumulátoru s drážkou v krytu a zasuňte akumulátor na místo. Akumulátor zasuňte na doraz, až zacvakne na své místo. Není-li tlačítko zcela zajištěno, uvidíte na jeho horní straně červený indikátor.

⚠ UPOZORNĚNÍ: Akumulátor zasunujte vždy zcela tak, aby nebyl červený indikátor vidět. Jinak by mohl akumulátor ze zařízení vypadnout a způsobit zranění osobě či přihlížejícím osobám.

⚠ UPOZORNĚNÍ: Akumulátor nenasazujte násilím. Nelze-li akumulátor zasunout snadno, nevkládáte jej správně.

Indikace zbývajících kapacity akumulátoru

Pouze pro akumulátory s diodovým ukazatelem

► **Obr.2:** 1. Kontrolky 2. Tlačítko kontroly

Stisknutím tlačítka kontroly na akumulátoru zjistíte zbývajících kapacitu akumulátoru. Kontrolky indikátoru se na několik sekund rozsvítí.

Kontrolky			Zbývajících kapacita
Svítil	Nesvítil	Bliká	
■	□	◻	75 % až 100 %
■ ■ ■ ■	■ ■ ■ ■	■ ■ ■ ■	
■ ■ ■ ■	■ ■ ■ ■	□ □ □ □	50 % až 75 %
■ ■ ■ ■	■ ■ ■ ■	□ □ □ □	25 % až 50 %
■ ■ ■ ■	□ □ □ □	□ □ □ □	0 % až 25 %
◻	□ □ □ □	□ □ □ □	Nabíje akumulátor.
■ ■ ■ ■	□ □ □ □	□ □ □ □	Došlo pravděpodobně k poruše akumulátoru.
□ □ □ □	■ ■ ■ ■	■ ■ ■ ■	

POZNÁMKA: Kapacita udávaná indikátorem se může mírně lišit od skutečné kapacity v závislosti na podmínkách používání a teplotě prostředí.

System ochrany nářadí a akumulátoru

Nářadí je vybaveno systémem ochrany nářadí a akumulátoru. Tento systém automaticky přeruší napájení motoru, aby se prodloužila životnost nářadí a akumulátoru. Budou-li nářadí nebo akumulátor vystaveny některé z níže uvedených podmínek, nářadí se během provozu automaticky vypne:

Ochrana proti přetížení

Pokud se s akumulátorem pracuje způsobem vyvolávajícím mimořádně vysoký odběr proudu, nářadí se automaticky a bez jakékoli signalizace vypne. V takové situaci nářadí vypněte a ukončete činnost, při níž došlo k přetížení nářadí. Potom nářadí zapněte a obnovte činnost.

Ochrana proti přehřátí

Při přehřátí nářadí či akumulátoru se nářadí automaticky vypne a světlo začne blikat. V takovém případě nechte nářadí a akumulátor před opětovným zapnutím vychladnout.

Ochrana proti přílišnému vybití

V případě nedostačující kapacity akumulátoru se nářadí automaticky vypne. V takovém případě vyjměte akumulátor z nářadí a nabíje jej.

Používání spouště

⚠ VAROVÁNÍ: Před vložením akumulátoru do nářadí vždy zkontrolujte správnou funkci spouště, a zda se po uvolnění vrací do vypnuté polohy.

► **Obr.3:** 1. Spoušť

Chcete-li nářadí uvést do chodu, stačí stisknout spoušť. Jakmile spoušť uvolníte, nářadí se zastaví a vrátí do výchozí polohy.

V následujících případech nářadí nemusí být ve výchozí pozici. Před prací s nářadím jej vraťte do výchozí polohy stisknutím a uvolněním spouště.

- Pokud nářadí používáte poprvé.
- Po výměně akumulátoru.
- Pokud se nářadí zastaví z důvodu přetížení.
- Po provedení údržby.

Rozsvícení předního světla

► **Obr.4:** 1. Světlo

⚠ UPOZORNĚNÍ: Nedívejte přímo do světla nebo jeho zdroje.

Při stisknutí spouště se rozsvítí světlo. Světlo svítí po celou dobu stisknutí spouště. Světlo zhasne přibližně 10 sekund po uvolnění spouště.

POZNÁMKA: K otření nečistot ze skla světla použijte suchý hadřík. Dbejte, abyste sklo světla nepoškrábali. Mohlo by dojít ke snížení svítivosti.

SESTAVENÍ

⚠ UPOZORNĚNÍ: Před prováděním jakýchkoli prací na nářadí se vždy přesvědčte, zda je vypnuté a je vyjmutý akumulátor.

Montáž a demontáž sestavy hlavice

Chcete-li demontovat sestavu hlavice, postupujte dle kroků níže.

1. Uvolněte matici hlavice a pak hlavici vyjměte.
▶ **Obr.5:** 1. Matice 2. Hlavice
2. Povolte přední díl klíčem, přitom přidržujte hlavici jiným klíčem.
▶ **Obr.6:** 1. Přední díl 2. Hlavice
3. Povolte čelistové pouzdro klíčem, přitom přidržujte spojku jiným klíčem.
▶ **Obr.7:** 1. Čelistové pouzdro 2. Spojka
4. Vyjměte čelistový podávací prvek, pružinu a trubici.
▶ **Obr.8:** 1. Čelistový podávací prvek 2. Pružina 3. Trubice

POZOR: Při instalaci čelistového podávacího prvku zkontrolujte připojení pružiny k čelistovému podávacímu prvku.

Při instalaci sestavy hlavice použijte opačný postup. Zkontrolujte pevné utažení čelistového pouzdra a předního dílu oběma klíči.

PRÁCE S NÁŘADÍM

⚠ UPOZORNĚNÍ: Držte přední část nářadí v dostatečné vzdálenosti od rukou a tváře. Nýt nebo odlomená stopka by mohly nečekaně vystřelit a poranit vás.

Instalace slepých nýtů

⚠ UPOZORNĚNÍ: Než se pouzdro stopky zcela zaplní, vyprazdňujte je pravidelně tak, že je vyjměte. Jinak se může nářadí poškodit a poškozené části mohou způsobit zranění.

⚠ UPOZORNĚNÍ: Při vkládání slepého nýtu do předního dílu se ujistěte, že jste nářadí vypnuli. Jinak se můžete poranit o konec nástroje.

⚠ UPOZORNĚNÍ: Nenechávejte v předním dílu slepé nýty. Kdyby se nářadí nečekaně spustilo, slepý nýt by vystřelil a mohl by způsobit poranění.

Háček

⚠ UPOZORNĚNÍ: Při zavěšování nářadí za hák vždy vyjměte akumulátor.

⚠ UPOZORNĚNÍ: Nikdy nástroj nezavěšujte ve výšce nebo na potenciálně nestabilním povrchu.

⚠ UPOZORNĚNÍ: Zavěšujte nářadí za hák opatrně. Jinak může nářadí spadnout a způsobit zranění.

- ▶ **Obr.9:** 1. Drážka 2. Háček 3. Šroub

Háček je vhodný k dočasnému pověšení nářadí. Lze jej připevnit na obě strany nářadí.

Při instalaci háčku jej vložte do drážky na některém z bočních krytů nářadí a zajistěte jej šroubem. Chcete-li jej odstranit, uvolněte šroub a vyjměte jej.

Montáž a demontáž pouzdra stopky

POZOR: Zkontrolujte, zda je pouzdro stopky nainstalováno na nářadí před zprovozněním nářadí. Pokud není pouzdro stopky nainstalováno na nářadí, nebude nářadí fungovat.

Pouzdro stopky odmontujete otočením proti směru hodinových ručiček. Pouzdro stopky namontujete otočením po směru hodinových ručiček.

- ▶ **Obr.10:** 1. Pouzdro stopky

POZOR: Po instalaci slepého nýtu a před instalací dalšího slepého nýtu nezapomeňte vtlačit odlomenou stopku do pouzdra stopky nakloněním nářadí dozadu. Pokud odlomená stopka vyčnívá z předního dílu, nářadí vypněte a stopku vyjměte. V opačném případě by mohlo kvůli odlomeným stopkám dojít k ucpaní a poruše nástroje.

1. Vložte slepý nýt do předního dílu.

- ▶ **Obr.11:** 1. Slepý nýt 2. Přední díl

2. Přiložte konec nástroje proti obrobku, pak spoušť stiskněte. Po prasknutí stopky spoušť uvolněte.

- ▶ **Obr.12**

Než se pouzdro stopky zcela zaplní, vyprazdňujte je pravidelně tak, že je vyjměte.

Dostupné slepé nýty

POZOR: Použití předního kusu, čelistí, čelistového podávacího prvku nebo trubice, které neodpovídají průměru stopky, může způsobit nedostatečné uchycení, zanesení stopky nebo poruchu nástroje.

Viz níže uvedená tabulka, kde naleznete kombinaci nýtu, předního kusu, čelisti, čelistového podávacího prvku a trubice.

POZNÁMKA: Některé položky v tabulce mohou být přiloženy k nářadí jako standardní příslušenství, zatímco jiné položky jsou volitelné příslušenství. Přibalené příslušenství se může v různých zemích lišit.

Pro typ DRV150

Nýt		Přední díl		Značka na čelisti	Čelistový podávací prvek		Trubice	
Velikost	Průměr stopky	Značka na předním dílu	Průměr otvoru		Průměr otvoru	Barva	Průměr otvoru	Barva
ø2,4 mm (3/32")	ø1,4–1,6 mm	2.4	ø1,9 mm	4.8	ø1,9 mm	Šedá	ø2,2 mm	Stříbrná
ø3,2 mm (1/8")	ø1,8–2,1 mm	3.2	ø2,4 mm	4.8	ø2,5 mm	Černá	ø2,6 mm	Černá
ø4,0 mm (5/32")	ø2,2–2,6 mm	4.0	ø3,0 mm	4.8	ø3,1 mm	Šedá	Žádný *	–
ø4,8 mm (3/16")	ø2,6–3,2 mm	4.8	ø3,6 mm	4.8	ø3,6 mm	Černá	Žádný *	–

*. Trubice není pro provoz nutná.

Pro typ DRV250

Nýt		Přední díl		Značka na čelisti	Čelistový podávací prvek		Trubice	
Velikost	Průměr stopky	Značka na předním dílu	Průměr otvoru		Průměr otvoru	Barva	Průměr otvoru	Barva
ø2,4 mm (3/32")	ø1,4–1,6 mm	2.4	ø1,9 mm	4.8	ø1,9 mm	Šedá	ø2,2 mm	Stříbrná
ø3,2 mm (1/8")	ø1,8–2,1 mm	3.2	ø2,4 mm	4.8	ø2,5 mm	Černá	ø2,6 mm	Černá
ø4,0 mm (5/32")	ø2,2–2,6 mm	4.0	ø3,0 mm	4.8	ø3,1 mm	Šedá	ø3,4 mm	Stříbrná
ø4,8 mm (3/16")	ø2,6–3,2 mm	4.8	ø3,6 mm	4.8 nebo 6.4	ø3,6 mm	Černá	ø4,1 mm	Černá
ø6,0 mm (1/4") *	ø3,1–3,5 mm	6.0	ø4,0 mm	6.4	ø4,0 mm	Šedá	ø4,1 mm	Černá
ø6,4 mm (1/4") *	ø3,5–3,9 mm	6.4	ø4,4 mm	6.4	ø4,6 mm	Černá	ø4,5 mm	Stříbrná

*. Nýty z nerezové oceli nejsou dostupné.

ÚDRŽBA

⚠ UPOZORNĚNÍ: Před zahájením kontroly nebo údržby nářadí se vždy ujistěte, zda je vypnuté a je vyjmut akumulátor.

POZOR: Nikdy nepoužívejte benzín, benzen, ředidlo, alkohol či podobné prostředky. Mohlo by tak dojít ke změnám barvy, deformacím či vzniku prasklin.

K zachování BEZPEČNOSTI a SPOLEHLIVOSTI výrobku musí být opravy a veškerá další údržba či seřizování prováděny autorizovanými nebo továrními servisními středisky společnosti Makita s využitím náhradních dílů Makita.

Čištění čelistí a čelistového pouzdra

Interval čištění: Po instalaci každých 3 000 nýtů

Pokud dojde k hromadění prachu, omezuje to pohyb čelistí a může urychlit opotřebení čelistí i čelistového pouzdra. Pokud pro čištění čelistí a čelistového pouzdra najdete níže.

1. Vyjměte čelistové pouzdro. Postup vyjmutí viz návod k demontáži sestavy hlavice.

2. Vyjměte čelisti z čelistového pouzdra.

► **Obr.13:** 1. Čelistové pouzdro 2. Čelist

3. Čelisti a čelistové pouzdro očistěte kartáčem. Z prostoru mezi zuby čelistí odstraňte usazený kovový prach.

4. Na vnitřní obvod čelistového pouzdra rovnoměrně naneste mazivo na bázi sirniku molybdeničitého.

► **Obr.14:** 1. Oblast nanášení maziva 2. Čelistové pouzdro

5. Vložte čelisti do čelistového pouzdra.

► **Obr.15:** 1. Čelist 2. Čelistové pouzdro

POZOR: Při instalaci čelistí zajistěte, aby byly špičky čelistí zarovnané.

6. Nainstalujte čelistové pouzdro. Pokud jste mazivo nanесли i na špičky čelistí, otřete jej suchým hadříkem.

► **Obr.16:** 1. Oblasti, kam by mazivo nemělo být nanášeno 2. Čelist

7. Montáž sestavy hlavice.

8. Z čelistí otřete mazivo.

Vložte nýt do předního dílu, poté jím posouvajte nahoru a dolů, doleva a doprava. Následně jej z předního dílu vyjměte a otřete mazivo z nýtu suchým hadříkem. Stejný postup zopakujte dvakrát nebo třikrát.

POZOR: Pokud bude na špičce nebo vnitřní části čelisti nanášené mazivo, mohou čelisti během provozu sklouznout.

Výměna čelistí v čelistovém pouzdře

Pokud jsou čelisti v čelistovém pouzdře opotřebované, vyměňte je za nové. Pro výměnu čelistí postupujte stejným způsobem jako u čištění čelistí a čelistového pouzdra. Při instalaci čelistí do čelistového pouzdra použijte nové čelisti.

Vyjmutí zaseknutého nýtu

Pokud se v nástroji zasekne nýt, vyjměte ho pomocí špendlíku nebo podobného nástroje. Pokud je vyjmutí zaseknutého nýtu obtížné, vyměňte čelistový podávací prvek nebo trubici. Postup výměny viz pokyny k montáži a demontáži sestavy hlavice.

VOLITELNÉ PŘÍSLUŠENSTVÍ

▲ UPOZORNĚNÍ: Pro nářadí Makita popsané v tomto návodu doporučujeme používat následující příslušenství a nástavce. Při použití jiného příslušenství či nástavců může hrozit nebezpečí zranění osob. Příslušenství lze používat pouze pro stanovené účely.

Potřebujete-li bližší informace ohledně tohoto příslušenství, obraťte se na místní servisní středisko společnosti Makita.

- Přední díl
- Čelistový podávací prvek
- Čelist
- Trubice
- Mazivo
- Originální akumulátor a nabíječka Makita

POZNÁMKA: Některé položky seznamu mohou být k nářadí přibaleny jako standardní příslušenství. Přibalené příslušenství se může v různých zemích lišit.

ТЕХНІЧНІ ХАРАКТЕРИСТИКИ

Модель:	DRV150	DRV250
Тягове зусилля	10 кН	20 кН
Хід	25 мм	30 мм
Загальна довжина	313 мм	323 мм
Номінальна напруга	18 В пост. струму	
Маса нетто	1,9 – 2,2 кг	2,1 – 2,4 кг

- Оскільки наша програма наукових досліджень і розробок триває безперервно, наведені тут технічні характеристики можуть бути змінені без попередження.
- У різних країнах технічні характеристики можуть бути різними.
- Вага може відрізнятись залежно від допоміжного обладнання, наприклад касети з акумулятором. Найлегші та найважчі комплекти, відповідно до стандарту ЕРТА (Європейська асоціація виробників електронінструменту) від січня 01/2014 року, представлено в таблиці.

Застосовна касета з акумулятором і зарядний пристрій

Касета з акумулятором	BL1815N / BL1820 / BL1820B / BL1830 / BL1830B / BL1840 / BL1840B / BL1850 / BL1850B / BL1860B
Зарядний пристрій	DC18RC / DC18RD / DC18RE / DC18SD / DC18SE / DC18SF / DC18SH

- Деякі касети з акумулятором і зарядні пристрої, які вказано вище, можуть бути недоступними залежно від вашого регіону або місця перебування.

⚠ ПОПЕРЕДЖЕННЯ: Використовуйте лише касети з акумулятором і зарядні пристрої, перелічені вище. Використання будь-яких інших касет з акумулятором і зарядних пристроїв може призвести до травмування й/або пожежі.

Призначення

Інструмент призначений для встановлення однобічних заклепок.

Шум

Рівень шуму за шкалою А в типовому виконанні, визначений відповідно до стандарту EN62841-1:

Модель DRV150

Рівень звукового тиску (L_{pA}): 75 дБ (А)

Похибка (К): 3 дБ (А)

Модель DRV250

Рівень звукового тиску (L_{pA}): 74 дБ (А)

Похибка (К): 3 дБ (А)

Рівень шуму під час роботи може перевищувати 80 дБ (А).

ПРИМІТКА: Заявлене значення шуму було виміряно відповідно до стандартних методів тестування й може використовуватися для порівняння одного інструмента з іншим.

ПРИМІТКА: Заявлене значення шуму може також використовуватися для попереднього оцінювання впливу.

⚠ ПОПЕРЕДЖЕННЯ: Користуйтеся засобами захисту органів слуху.

⚠ ПОПЕРЕДЖЕННЯ: Залежно від умов використання рівень шуму під час фактичної роботи електронінструмента може відрізнятися від заявленого значення вібрації; особливо сильно на це впливає тип деталі, що оброблюється.

⚠ ПОПЕРЕДЖЕННЯ: Забезпечте належні запобіжні заходи для захисту оператора, що відповідатимуть умовам використання інструмента (слід брати до уваги всі складові робочого циклу, як-от час, коли інструмент вимкнено та коли він починає працювати на холостому ході під час запуску).

Вібрація

Загальна величина вібрації (векторна сума трьох напрямків) визначена згідно з EN62841-1:

Модель DRV150

Режим роботи: встановлення однобічних заклепок

Вібрація (a_h): 2,5 м/с² або менше

Похибка (К): 1,5 м/с²

Модель DRV250

Режим роботи: встановлення однобічних заклепок

Вібрація (a_h): 2,5 м/с² або менше

Похибка (К): 1,5 м/с²

ПРИМІТКА: Заявлене загальне значення вібрації було виміряно відповідно до стандартних методів тестування й може використовуватися для порівняння одного інструмента з іншим.

ПРИМІТКА: Заявлене загальне значення вібрації може також використовуватися для попереднього оцінювання впливу.

⚠ ПОПЕРЕДЖЕННЯ: Залежно від умов використання вібрація під час фактичної роботи електроінструмента може відрізнятися від заявленого значення вібрації; особливо сильно на це впливає тип деталі, що оброблюється.

⚠ ПОПЕРЕДЖЕННЯ: Забезпечте належні запобіжні заходи для захисту оператора, що відповідатимуть умовам використання інструмента (слід брати до уваги всі складові робочого циклу, як-от час, коли інструмент вимкнено та коли він починає працювати на холостому ході під час запуску).

Декларація про відповідність стандартам ЄС

Тільки для країн Європи

Декларацію про відповідність стандартам ЄС наведено в Додатку А до цієї інструкції з експлуатації.

ПОПЕРЕДЖЕННЯ ПРО ДОТРИМАННЯ ТЕХНІКИ БЕЗПЕКИ

Загальні застереження щодо техніки безпеки при роботі з електроінструментами

⚠ ПОПЕРЕДЖЕННЯ: Уважно ознайомтеся з усіма попередженнями про дотримання правил техніки безпеки, інструкціями, ілюстраціями та технічними характеристиками, що стосуються цього електроінструмента. Невиконання будь-яких інструкцій, перелічених нижче, може призвести до ураження електричним струмом, пожежі та/або тяжких травм.

Збережіть усі інструкції з техніки безпеки та експлуатації на майбутнє.

Термін «електроінструмент», зазначений у інструкції з техніки безпеки, стосується електроінструмента, який функціонує від електромережі (електроінструмент з кабелем живлення), або електроінструмента з живленням від батареї (безпроводний електроінструмент).

Правила техніки безпеки під час роботи з акумуляторним заклепковим пістолетом

1. Тримайте інструмент міцно.
2. Не наближайте руки до деталей, що рухаються.
3. Обов'язково забезпечте надійну опору. У разі виконання робіт з інструментом на висоті переконайтеся, що внизу нікого немає.
4. Будьте обережні, аби не допустити падіння відламаного сердечника з великої висоти. Недотримання цієї вимоги може призвести до нещасного випадку чи травм.
5. Не розкидайте відламані сердечники по підлозі. Ви можете травмуватися об гострий кінець відламаного сердечника або посковзнутися на ньому.
6. Під час роботи з інструментом не направляйте його на себе або людей поблизу. Заклепка або відламаний сердечник можуть випадково відлетіти та спричинити травму.

Важливі інструкції з безпеки для касети з акумулятором

1. Перед тим як користуватися касетою з акумулятором, слід прочитати всі інструкції та застережні знаки щодо (1) зарядного пристрою акумулятора, (2) акумулятора та (3) виробів, що працюють від акумулятора.
2. Не слід розбирати касету з акумулятором.
3. Якщо період роботи дуже покоротшав, слід негайно припинити користування. Це може призвести до виникнення ризику перегріву, опіку та навіть вибуху.
4. У разі потрапляння електроліту в очі слід промити їх чистою водою та негайно звернутися до лікаря. Це може призвести до втрати зору.
5. Не закоротіть касету з акумулятором.
 - (1) Не слід торкатися клем будь-яким струмопровідним матеріалом.
 - (2) Не слід зберігати касету з акумулятором у ємності з іншими металевими предметами, такими як цвяхи, монети тощо.
 - (3) Не залишайте касету з акумулятором під дощем, запобігайте контакту з водою.Коротке замикання може призвести до появи значного струму, перегріву, можливих опіків та навіть виходу з ладу.
6. Не слід зберігати інструмент та касету з акумулятором в місцях, де температура може сягнути чи перевищити 50°C (122°F).
7. Не слід спалювати касету з акумулятором, навіть якщо вона була неодноразово пошкоджена або повністю спрацьована. Касета з акумулятором може вибухнути у вогні.
8. Не слід кидати або ударяти акумулятор.

9. Не слід використовувати пошкоджений акумулятор.
10. Літій-іонні акумулятори, що містяться в інструменті, мають відповідати вимогам законів про небезпечні товари.
Під час транспортування за допомогою комерційних перевезень, наприклад із залученням третьої сторони та експедиторів, необхідно дотримуватись особливих вимог, вказаних на пакуванні й у маркуванні.
Під час підготування позиції до відправлення необхідно проконсультуватись зі спеціалістом з небезпечних матеріалів. Крім того, слід виконувати більш докладні національні настанови, якщо такі є.
Заклейте відкриті контакти стрічкою або заховайте їх і запакуйте акумулятор таким чином, щоб він не міг рухатися в пакуванні.
11. Для утилізації касети з акумулятором витягніть її з інструмента та утилізуйте безпечним способом. Дотримуйтеся норм місцевого законодавства щодо утилізації акумуляторів.
12. Використовуйте акумулятори лише з виробами, указаними компанією Makita. Установлення акумуляторів у невідповідні виробы може призвести до пожежі, надмірного нагрівання, вибуху чи витоку електроліту.
13. Якщо інструментом не користуватимуться протягом тривалого періоду часу, вийміть акумулятор з інструмента.

ЗБЕРІГАЙТЕ ЦІ ВКАЗІВКИ.

⚠ОБЕРЕЖНО: Використовуйте тільки акумулятори Makita. Використання акумуляторів, інших ніж оригінальні акумулятори Makita, або акумуляторів, конструкцію яких було змінено, може призвести до вибуху акумулятора і спричинити пожежу, травму або пошкодження. У зв'язку з цим також буде анульовано гарантію Makita на інструмент Makita і на зарядний пристрій.

Поради з забезпечення максимального строку експлуатації акумулятора

1. Касету з акумулятором слід заряджати до того, як він розрядиться повністю. Завжди слід зупиняти роботу інструмента та зарядити акумулятор, якщо ви помітили зменшення потужності інструмента.
2. Ніколи не слід заряджати повторно повністю заряджену касету з акумулятором. Перезарядження скорочує строк експлуатації акумулятора.
3. Заряджайте касету з акумулятором при кімнатній температурі 10°C—40°C (50°F—104°F). Перед тим як заряджати касету з акумулятором, слід зачекати, доки вона охолоне.
4. Якщо касета з акумулятором не використовувалася тривалий час (понад шість місяців), її слід зарядити.

ОПИС РОБОТИ

⚠ОБЕРЕЖНО: Обов'язково переконайтеся, що прилад вимкнено, а касету з акумулятором знято, перед регулюванням або перевіркою функціонування інструмента.

Встановлення та зняття касети з акумулятором

⚠ОБЕРЕЖНО: Завжди вимикайте інструмент перед встановленням або зняттям касети з акумулятором.

⚠ОБЕРЕЖНО: Під час встановлення або зняття касети з акумулятором слід міцно тримати інструмент та касету з акумулятором.

Якщо ви утримуватимете інструмент та касету з акумулятором недостатньо міцно, вони можуть вислизнути з рук, що може призвести до пошкодження інструмента та касети з акумулятором або може спричинити травми.

► **Рис.1:** 1. Червоний індикатор 2. Кнопка 3. Касета з акумулятором

Щоб зняти касету з акумулятором, слід витягнути її з інструмента, натиснувши на кнопку в передній частині касети.

Щоб установити касету з акумулятором, слід сумістити виступ на касеті з акумулятором із пазом у корпусі та вставити касету на місце. Її необхідно вставити повністю, аж доки не почуєте клацання. Якщо на верхній частині кнопки помітний червоний індикатор, це означає, що касета з акумулятором установлена не до кінця.

⚠ОБЕРЕЖНО: Завжди вставляйте касету з акумулятором повністю, аж поки червоний індикатор стане невидимим. Якщо цього не зробити, касета може випадково випасти з інструмента та завдати травми вам або людям, що знаходяться поряд.

⚠ОБЕРЕЖНО: Не встановлюйте касету з акумулятором із зусиллям. Якщо касета не вставляється легко, то це означає, що ви її неправильно вставляєте.

Відображення залишкового заряду акумулятора

Тільки для касет з акумулятором, які мають індикатори

► **Рис.2:** 1. Індикаторні лампи 2. Кнопка перевірки

Натисніть кнопку перевірки на касеті з акумулятором для відображення залишкового ресурсу акумулятора. Індикаторні лампи загоряться на кілька секунд.

Індикаторні лампи			Залишковий ресурс
Горить	Вимк.	Блимає	
■	□	▧	від 75 до 100%
■	■	■	від 50 до 75%
■	■	□	від 25 до 50%
■	□	□	від 0 до 25%
▧	□	□	Зарядіть акумулятор.
■	■	□	Можливо, акумулятор вийшов з ладу.
□	□	■	

ПРИМІТКА: Залежно від умов використання та температури оточуючого середовища показання можуть незначним чином відрізнятися від дійсного ресурсу.

Система захисту інструмента/акумулятора

Інструмент оснащено системою захисту інструмента/акумулятора. Ця система автоматично вимикає живлення двигуна з метою збільшення терміну служби інструмента та акумулятора. Інструмент автоматично зупиняється під час роботи, якщо інструмент або акумулятор перебувають у зазначених нижче умовах.

Захист від перевантаження

Якщо акумулятор використовується в умовах надмірного споживання струму, він автоматично вимикається без будь-якого попередження. У такому разі вимкніть інструмент і припиніть роботу, під час виконання якої інструмент зазнав перевантаження. Щоб перезапустити інструмент, увімкніть його знову.

Захист від перегрівання

Якщо інструмент або акумулятор перегрівся, інструмент автоматично вимикається, а лампа підсвічування починає блимати. У такому випадку дозвольте інструменту й акумулятору охолонути, перш ніж знову увімкнути інструмент.

Захист від надмірного розрядження

Коли заряд акумулятора стає недостатнім для подальшої роботи, інструмент автоматично зупиняється. У такому разі вийміть акумулятор з інструмента й зарядіть його.

Дія вимикача

▲ПОПЕРЕДЖЕННЯ: Перед тим як вставляти касету з акумулятором в інструмент, обов'язково перевірте, чи курок вимикача спрацював належним чином та повертається у положення «ВИМК.», коли його відпускають.

► **Рис.3:** 1. Курок вимикача

Щоб почати роботу з інструментом, просто натисніть курок вимикача. Якщо відпустити курок вимикача, інструмент зупиниться й повернеться у вихідне положення.

Інструмент може не бути у вихідному положенні в зазначених далі випадках. Перед початком роботи з інструментом поверніть його у вихідне положення, потягнувши й відпустивши курок вимикача.

- Якщо інструмент використовується вперше.
- Після заміни касети з акумулятором.
- У разі зупинки інструмента через перевантаження.
- Після виконання технічного обслуговування.

Увімкнення переднього підсвічування

► **Рис.4:** 1. Лампа

▲ОБЕРЕЖНО: Не дивіться на світло або безпосередньо на джерело світла.

Натисніть на курок вимикача, щоб увімкнути підсвічування. Лампа світиться, поки курок вимикача натиснуто. Підсвічування згасне приблизно за 10 секунд після відпускання курка вимикача.

ПРИМІТКА: Для очищення скла лампи підсвічування протріть її сухою тканиною. Будьте обережні, щоб не подряпати скло лампи підсвічування, тому що це погіршить освітлювання.

ЗБОРКА

▲ОБЕРЕЖНО: Обов'язково переконайтеся, що прилад вимкнено, а касету з акумулятором знято, перш ніж проводити будь-які роботи з інструментом.

Установлення й зняття головки в зборі

Щоб зняти головку в зборі, виконайте зазначені нижче дії.

1. Відкрутіть гайку головки й зніміть головку.

► **Рис.5:** 1. Гайка 2. Головка

2. Відкрутіть наконечник за допомогою гайкового ключа, утримуючи головку іншим ключем.

► **Рис.6:** 1. Наконечник 2. Головка

3. Послабте гайку за допомогою гайкового ключа, утримуючи з'єднувальну муфту іншим ключем.

► **Рис.7:** 1. Затискний патрон 2. З'єднувальна муфта

4. Вийміть штовхач затискача, пружину та трубку.

► **Рис.8:** 1. Штовхач губок 2. Пружина 3. Трубка

УВАГА: Під час установлення штовхача губок не забудьте приєднати до нього пружину.

Щоб установити головку в зборі, виконайте процедуру зняття у зворотному порядку. Не забудьте міцно затягнути затискний патрон і наконечник за допомогою двох гайкових ключів.

Гак

▲ ОБЕРЕЖНО: Підвішуючи інструмент за гачок, завжди знімайте акумулятор.

▲ ОБЕРЕЖНО: Ніколи не підвішуйте інструмент високо або на потенційно нестійкій поверхні.

▲ ОБЕРЕЖНО: Підвішуючи інструмент за гачок, будьте обережні. Недотримання цієї вимоги може призвести до падіння інструмента й травм.

► **Рис.9:** 1. Паз 2. Гак 3. Гвинт

Скобу зручно використовувати для тимчасового підвішування інструмента. Його можна встановлювати на будь-якому боці інструмента.

Щоб встановити гак, вставте його в паз на корпусі інструмента з будь-якого боку та закріпіть за допомогою гвинта. Щоб зняти гак, відпустіть гвинт і витягніть його.

РОБОТА

▲ ОБЕРЕЖНО: Не наближайте передню частину інструмента до обличчя або рук. Заклепка або відламаний сердечник можуть випадково відлетіти та спричинити травму.

Установлення однієї заклепки

▲ ОБЕРЕЖНО: Регулярно знімайте й випорожнюйте контейнер для сердечників, не чекаючи, доки він заповниться. Недотримання цієї вимоги може призвести до пошкодження інструмента й спричинити травму.

▲ ОБЕРЕЖНО: Перш ніж вставити однію заклепку в наконечник, вимкніть інструмент. У разі недотримання цієї вимоги наконечник може завдати травму.

▲ ОБЕРЕЖНО: Не залишайте однію заклепку в наконечнику. У разі випадкового ввімкнення інструмента однію заклепка може відлетіти й нанести травму.

Установлення й зняття контейнера для сердечників

УВАГА: Перш ніж розпочати роботу з інструментом, не забудьте встановити на нього контейнер для сердечників. Без установленного контейнера для сердечників інструмент не працюватиме.

Щоб зняти контейнер для сердечників, поверніть його проти годинникової стрілки. Щоб приєднати контейнер для сердечників, повертайте його за годинниковою стрілкою.

► **Рис.10:** 1. Контейнер для сердечників

УВАГА: Після встановлення однієї заклепки відламаний сердечник слід викинути в призначений для цього контейнер (нахиливши інструмент назад), перш ніж встановлювати наступну однію заклепку. Якщо кінець відламаного сердечника стирчить із наконечника, вимкніть інструмент і витягніть сердечник. Якщо проігнорувати цю вимогу, відламаний сердечник можуть застрягти й спричинити поломку інструмента.

1. Вставте однію заклепку в наконечник.

► **Рис.11:** 1. Однію заклепку 2. Наконечник

2. Притисніть наконечник до заготовки й натисніть курок вмикача. Після відламування сердечника заклепки відпустіть курок тримача.

► **Рис.12**

Регулярно знімайте й випорожнюйте контейнер для сердечників, не чекаючи, доки він заповниться.

Припустимі типи односторонніх заклепок

УВАГА: Використання наконечників, затискачів, штовхачів затискачів або трубок, діаметр яких не відповідає діаметру кріпильної оправки, може стати причиною ненадійного кріплення, засмічення кріпильної оправки й несправності інструмента.

Припустимі поєднання заклепок, наконечників, затискачів, штовхачів і трубок наведено в таблиці нижче.

ПРИМІТКА: Деякі із зазначених у таблиці виробів можуть входити до комплекту постачання інструмента як стандартне додаткове приладдя, тоді як інші можна придбати окремо. Вони можуть різнитися залежно від країни.

Для DRV150

Заклепка		Наконечник		Позначка на губках	Штовхач губок		Трубка	
Діаметр	Діаметр сердечника	Позначення на наконечнику	Діаметр отвору		Діаметр отвору	Колір	Діаметр отвору	Колір
ø2,4 мм (3/32")	ø1,4–1,6 мм	2.4	ø1,9 мм	4.8	ø1,9 мм	Сірий	ø2,2 мм	Сріблястий
ø3,2 мм (1/8")	ø1,8–2,1 мм	3.2	ø2,4 мм	4.8	ø2,5 мм	Чорний	ø2,6 мм	Чорний
ø4,0 мм (5/32")	ø2,2–2,6 мм	4.0	ø3,0 мм	4.8	ø3,1 мм	Сірий	Немає*	–
ø4,8 мм (3/16")	ø2,6–3,2 мм	4.8	ø3,6 мм	4.8	ø3,6 мм	Чорний	Немає*	–

*. Використовувати трубку для роботи не обов'язково.

Для DRV250

Заклепка		Наконечник		Позначка на губках	Штовхач губок		Трубка	
Діаметр	Діаметр сердечника	Позначення на наконечнику	Діаметр отвору		Діаметр отвору	Колір	Діаметр отвору	Колір
ø2,4 мм (3/32")	ø1,4–1,6 мм	2.4	ø1,9 мм	4.8	ø1,9 мм	Сірий	ø2,2 мм	Сріблястий
ø3,2 мм (1/8")	ø1,8–2,1 мм	3.2	ø2,4 мм	4.8	ø2,5 мм	Чорний	ø2,6 мм	Чорний
ø4,0 мм (5/32")	ø2,2–2,6 мм	4.0	ø3,0 мм	4.8	ø3,1 мм	Сірий	ø3,4 мм	Сріблястий
ø4,8 мм (3/16")	ø2,6–3,2 мм	4.8	ø3,6 мм	4.8 або 6.4	ø3,6 мм	Чорний	ø4,1 мм	Чорний
ø6,0 мм (1/4")*	ø3,1–3,5 мм	6.0	ø4,0 мм	6.4	ø4,0 мм	Сірий	ø4,1 мм	Чорний
ø6,4 мм (1/4")*	ø3,5–3,9 мм	6.4	ø4,4 мм	6.4	ø4,6 мм	Чорний	ø4,5 мм	Сріблястий

*. Заклепка з нержавіючої сталі відсутня.

ТЕХНІЧНЕ ОБСЛУГОВУВАННЯ

⚠ОБЕРЕЖНО: Перед здійсненням перевірки або обслуговування завжди перевіряйте, щоб інструмент був вимкнений, а касета з акумулятором була знята.

УВАГА: Ніколи не використовуйте газолін, бензин, розріджувач, спирт та подібні речовини. Їх використання може призвести до зміни кольору, деформації або появи тріщин.

Для забезпечення БЕЗПЕКИ та НАДІЙНОСТІ продукції, її ремонт, а також роботи з обслуговування або регулювання повинні виконуватись уповноваженими або заводськими сервісними центрами Makita із використанням запчастин виробництва компанії Makita.

Очищення губок і затискних патронів

Інтервал очищення: через кожні 3 000 встановлених заклепок.

Скупчення пилу можуть заважати руху губок і прискорювати знос губок та затискного патрона. Процедуру очищення губок і затискних патронів описано далі.

1. Зніміть затискний патрон. Щоб зняти патрон, дотримуйтеся вказівок щодо зняття головки в зборі.
2. Витягніть губки із затискного патрона.
► **Рис.13:** 1. Затискний патрон 2. Губка
3. Очистьте губки й затискний патрон щіткою. Видаліть дрібну металеву стружку між зубцями губок.
4. Рівномірно нанесіть на внутрішню поверхню затискного патрона мастило на основі дисульфиду молібдену.
► **Рис.14:** 1. Зона для нанесення мастила 2. Затискний патрон
5. Установіть губки в затискний патрон.
► **Рис.15:** 1. Губка 2. Затискний патрон

УВАГА: Під час установлення губок не забудьте вирівняти їхні кінчики.

6. Установіть затискний патрон. Якщо до кінчиків губок прилипло мастило, видаліть його сухою ганчіркою.
► **Рис.16:** 1. Зона, куди не слід наносити мастило 2. Губка
7. Установіть головку в зборі.
8. Витріть мастило з губок.

Вставте заклепку в наконечник, посуňte її вгору-вниз і вліво-вправо, після чого вийміть її з наконечника й витріть мастило із заклепки сухою ганчіркою. Повторіть цю процедуру двічі або 3 рази.

УВАГА: Якщо мастило прилипло до губок або до їх внутрішніх частин, губки можуть прослизати під час роботи.

Замінення губок у затискному патроні

У разі зношення губок у затискному патроні їх слід замінити на нові. Заміну губок виконуйте за тією ж процедурою, що передбачена для очищення губок і затискного патрона. Установлюйте в затискний патрон тільки нові губки.

Видалення застряглої заклепки

Якщо заклепка застрягла в інструменті, видаліть її, наприклад шпилькою. Якщо витягнути застряглу заклепку не вдається, замініть штовхач губок або трубку. Під час заміни дотримуйтеся вказівок щодо встановлення й зняття головки в зборі.

ДОДАТКОВЕ ПРИЛАДДЯ

⚠ОБЕРЕЖНО: Це додаткове та допоміжне обладнання рекомендовано використовувати з інструментом Makita, зазначеним у цій інструкції з експлуатації. Використання будь-якого іншого додаткового та допоміжного обладнання може становити небезпеку травмування. Використовуйте додаткове та допоміжне обладнання лише за призначенням.

У разі необхідності отримати допомогу в більш детальному ознайомленні з оснащенням звертайтеся до місцевого сервісного центру Makita.

- Наконечник
- Штовхач губок
- Губка
- Мастило
- Оригінальний акумулятор та зарядний пристрій Makita

ПРИМІТКА: Деякі елементи списку можуть входити до комплекту інструмента як стандартне приладдя. Вони можуть відрізнятися залежно від країни.

SPECIFICAȚII

Model:	DRV150	DRV250
Forță de tracțiune	10 kN	20 kN
Cursă	25 mm	30 mm
Lungime totală	313 mm	323 mm
Tensiune nominală	18 V cc.	
Greutate netă	1,9 - 2,2 kg	2,1 - 2,4 kg

- Datorită programului nostru continuu de cercetare și dezvoltare, specificațiile pot fi modificate fără o notificare prealabilă.
- Specificațiile pot varia în funcție de țară.
- Greutatea poate diferi în funcție de accesoriu(ii), inclusiv cartușul acumulatorului. În tabel se prezintă combinația cea mai ușoară și cea mai grea, conform Procedurii EPTA 01/2014.

Cartușul acumulatorului și încărcătorul aplicabile

Cartușul acumulatorului	BL1815N / BL1820 / BL1820B / BL1830 / BL1830B / BL1840 / BL1840B / BL1850 / BL1850B / BL1860B
Încărcător	DC18RC / DC18RD / DC18RE / DC18SD / DC18SE / DC18SF / DC18SH

- Este posibil ca unele cartușe ale acumulatorilor și încărcătoare menționate mai sus să nu fie disponibile în funcție de regiunea dvs. de reședință.

⚠️ AVERTIZARE: Utilizați numai cartușele de acumulator și încărcătoarele enumerate mai sus. Utilizarea oricărui altor cartușe de acumulator și încărcătoare poate duce la rănire și/sau incendiu.

Destinația de utilizare

Mașina este destinată montării niturilor oarbe.

Zgomot

Nivelul de zgomot normal ponderat A determinat în conformitate cu EN62841-1:

Model DRV150

Nivel de presiune acustică (L_{pA}): 75 dB(A)

Marjă de eroare (K): 3 dB(A)

Model DRV250

Nivel de presiune acustică (L_{pA}): 74 dB(A)

Marjă de eroare (K): 3 dB(A)

Nivelul de zgomot în timpul funcționării poate depăși 80 dB (A).

NOTĂ: Valoarea (valorile) totală(e) a (ale) emisiilor de zgomot declarate a(u) fost măsurată(e) în conformitate cu o metodă de test standard și poate (pot) fi utilizată(e) pentru compararea unei unelte cu alta.

NOTĂ: Valoarea (valorile) totală(e) a (ale) emisiilor de zgomot declarate poate (pot) fi, de asemenea, utilizată(e) într-o evaluare preliminară a expunerii.

⚠️ AVERTIZARE: Purtați echipament de protecție pentru urechi.

⚠️ AVERTIZARE: Emisiile de zgomot în timpul utilizării efective a unelei electrice poate diferi de valoarea (valorile) nivelului declarat, în funcție de modul în care unealta este utilizată, în special ce fel de piesă este prelucrată.

⚠️ AVERTIZARE: Asigurați-vă că identificați măsurile de siguranță pentru a proteja operatorul, acestea fiind bazate pe o estimare a expunerii în condiții reale de utilizare (luând în considerare toate părțile ciclului de operare, precum timpii în care unealta a fost oprită, sau a funcționat în gol, pe lângă timpul de declanșare).

Vibrații

Valoarea totală a vibrațiilor (suma vectorilor tri-axiali) determinată conform EN62841-1:

Model DRV150

Mod de lucru: Montarea nitului orb

Emisie de vibrații (a_{h1}): 2,5 m/s² sau mai puțin

Marjă de eroare (K): 1,5 m/s²

Model DRV250

Mod de lucru: Montarea nitului orb

Emisie de vibrații (a_{h1}): 2,5 m/s² sau mai puțin

Marjă de eroare (K): 1,5 m/s²

NOTĂ: Valoarea (valorile) totală(e) a (ale) nivelului de vibrații declarat a (au) fost măsurată(e) în conformitate cu o metodă de test standard și poate (pot) fi utilizată(e) pentru compararea unei unele cu alta.

NOTĂ: Valoarea (valorile) totală(e) a (ale) nivelului de vibrații declarat poate (pot) fi, de asemenea, utilizată(e) într-o evaluare preliminară a expunerii.

⚠️ AVERTIZARE: Nivelul de vibrații în timpul utilizării efective a unelei electrice poate diferi de valoarea (valorile) nivelului declarat, în funcție de modul în care unealta este utilizată, în special ce fel de piesă este prelucrată.

⚠️ AVERTIZARE: Asigurați-vă că identificați măsurile de siguranță pentru a proteja operatorul, acestea fiind bazate pe o estimare a expunerii în condiții reale de utilizare (luând în considerare toate părțile ciclului de operare, precum timpii în care unealta a fost oprită, sau a funcționat în gol, pe lângă timpul de declanșare).

Declarație de conformitate CE

Numai pentru țările europene

Declarația de conformitate CE este inclusă ca Anexa A în acest manual de instrucțiuni.

AVERTIZĂRI DE SIGURANȚĂ

Avertismente generale de siguranță pentru mașinile electrice

⚠️ AVERTIZARE: Citiți toate avertismentele privind siguranța, instrucțiunile, ilustrațiile și specificațiile furnizate cu această sculă electrică. Nerespectarea integrală a instrucțiunilor de mai jos poate cauza electrocutări, incendii și/sau vătămări corporale grave.

Păstrați toate avertismentele și instrucțiunile pentru consultări ulterioare.

Termenul „mașină electrică” din avertizări se referă la mașinile dumneavoastră electrice acționate de la rețea (prin cablu) sau cu acumulator (fără cablu).

Avertizări privind siguranța pentru pistolul de nituit cu acumulator

1. **Țineți bine mașina.**
2. **Țineți mâinile la distanță de piesele în mișcare.**
3. **Păstrați-vă întotdeauna echilibrul. Asigurați-vă că nu se află nicio persoană dedesubt atunci când folosiți mașina la înălțime.**
4. **Fiți atent să nu scăpați dornul rupt de la înălțime. În caz contrar, se pot produce accidente sau vătămări corporale.**
5. **Nu împrăștiți dornurile rupte pe jos. Vă puteți accidenta călcând pe capătul ascuțit al dornului rupt sau alunecând pe dorn.**
6. **Nu îndreptați mașina spre o altă persoană sau spre dumneavoastră atunci când este în funcțiune. Nitul sau dornul rupt poate fi eliminat accidental și vă puteți accidenta.**

Instrucțiuni importante privind siguranța pentru cartușul acumulatorului

1. **Înainte de a folosi cartușul acumulatorului, citiți toate instrucțiunile și atenționările de pe (1) încărcătorul acumulatorului, (2) acumulator și (3) produsul care folosește acumulatorul.**
 2. **Nu dezmembrați cartușul acumulatorului.**
 3. **Dacă timpul de funcționare s-a redus excesiv, întrerupeți imediat funcționarea. Aceasta poate prezenta risc de supraîncălzire, posibile arsuri și chiar explozie.**
 4. **Dacă electrolitul pătrunde în ochi, clătiți bine ochii cu apă curată și consultați imediat un medic. Există risc de orbire.**
 5. **Nu scurtcircuitați cartușul acumulatorului:**
 - (1) **Nu atingeți bornele cu niciun material conductor.**
 - (2) **Evitați depozitarea cartușului acumulatorului la un loc cu alte obiecte metalice cum ar fi cuie, monede etc.**
 - (3) **Nu expuneți cartușul acumulatorului la apă sau ploaie.**
- Un scurtcircuit al acumulatorului poate provoca un flux puternic de curent electric, supraîncălzire, posibile arsuri și chiar defectarea mașinii.**
6. **Nu depozitați mașina și cartușul acumulatorului în spații în care temperatura poate atinge sau depăși 50 °C (122 °F).**
 7. **Nu incinerati cartușul acumulatorului chiar dacă acesta este grav deteriorat sau complet uzat. Cartușul acumulatorului poate exploda în foc.**
 8. **Aveți grijă să nu scăpați sau să loviți acumulatorul.**
 9. **Nu utilizați un acumulator deteriorat.**
 10. **Acumulatorii Li-Ion încorporați se supun cerințelor Legislației privind substanțele periculoase. Pentru transporturi comerciale, efectuate de exemplu de către părți terțe, expeditori, trebuie respectate cerințele speciale de ambalare și etichetare. Pentru pregătirea articolului care urmează să fie expedit, este necesară consultarea unui expert în materiale periculoase. Vă rugăm să respectați, de asemenea, reglementările naționale, care pot fi mai detaliate. Izolați sau acoperiți contactele deschise și împachetați acumulatorul în așa fel încât să nu se poată mișca în ambalaj.**
 11. **Atunci când eliminați la deșeurile cartușul acumulatorului, scoateți-l din mașină și eliminați-l într-un loc sigur. Respectați normele naționale privind eliminarea la deșeurile a acumulatorului.**
 12. **Utilizați acumulatoroarele numai cu produsele specificate de Makita. Instalarea acumulatoroarelor în produse neconforme poate cauza incendii, căldură excesivă, explozii sau scurgeri de electrolit.**
 13. **Dacă mașina nu este utilizată o perioadă lungă de timp, acumulatorul trebuie scos din acesta.**

PĂSTRAȚI ACESTE INSTRUCȚIUNI.

⚠️ ATENȚIE: Folosiți numai acumulatori Makita originali. Acumulatorii Makita care nu sunt originali și acumulatorii care au suferit modificări se pot aprinde, provocând incendii, leziuni corporale și daune. De asemenea, anulează garanția oferită de Makita pentru unealta și încărcătorul Makita.

Sfaturi pentru obținerea unei durate maxime de exploatare a acumulatorului

1. Încărcați cartușul acumulatorului înainte de a se descărca complet. Întrerupeți întotdeauna funcționarea mașinii și încărcați cartușul acumulatorului când observați o scădere a puterii mașinii.
2. Nu reîncărcați niciodată un acumulator complet încărcat. Supraîncărcarea va scurta durata de exploatare a acumulatorului.
3. Încărcați cartușul acumulatorului la temperatura camerei, între 10 °C - 40 °C (50 °F - 104 °F). Lăsați un acumulator fierbinte să se răcească înainte de a-l încărca.
4. Încărcați cartușul acumulatorului în cazul în care nu a fost utilizat pe o perioadă mai lungă (mai mult de șase luni).

DESCRIEREA FUNCȚIILOR

ATENȚIE: Asigurați-vă întotdeauna că mașina este oprită și cartușul acumulatorului este scos înainte de a ajusta sau verifica funcționarea mașinii.

Instalarea sau scoaterea cartușului acumulatorului

ATENȚIE: Opriti întotdeauna mașina înainte de montarea sau demontarea cartușului de acumulator.

ATENȚIE: Țineți ferm mașina și cartușul acumulatorului la montarea sau demontarea cartușului. În cazul în care nu țineți ferm mașina și cartușul de acumulator, acestea vă pot aluneca din mâini, rezultând defectarea mașinii și cartușului de acumulator, precum și în accidentări personale.

► Fig.1: 1. Indicator roșu 2. Buton 3. Cartușul acumulatorului

Pentru a scoate cartușul acumulatorului, glisați-l din mașină în timp ce glisați butonul de pe partea frontală a cartușului.

Pentru a instala cartușul acumulatorului, aliniați limba de pe cartușul acumulatorului cu canelura din carcasă și introduceți-l în locaș. Introduceți-l complet, până când se închetează în locaș. Dacă puteți vedea indicatorul roșu din partea superioară a butonului, acesta nu este blocat complet.

ATENȚIE: Instalați întotdeauna cartușul acumulatorului complet, până când indicatorul roșu nu mai este vizibil. În caz contrar, acesta poate cădea accidental din mașină provocând rănirea dumneavoastră sau a persoanelor din jur.










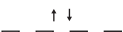
ATENȚIE: Nu forțați cartușul acumulatorului la montare. Dacă acesta nu glisează ușor, înseamnă că a fost introdus incorect.

Indicarea capacității rămase a acumulatorului

Numai pentru cartușe de acumulator cu indicator

► Fig.2: 1. Lămpi indicatoare 2. Buton de verificare

Apăsăți butonul de verificare de pe cartușul acumulatorului, astfel încât să se indice capacitățile rămase ale acumulatorului. Lămpile indicatorului vor lumina timp de câteva secunde.

Lămpi indicatoare			Capacitate rămasă
 Iluminat	 Oprit	 Iluminare intermitentă	
			între 75% și 100%
			între 50% și 75%
			între 25% și 50%
			între 0% și 25%
			Încărcați acumulatorul.
			Este posibil ca acumulatorul să fie defect.
			

NOTĂ: În funcție de condițiile de utilizare și temperatura ambientală, indicația poate fi ușor diferită de capacitatea reală.

Sistem de protecție mașină/acumulator

Mașina este prevăzută cu un sistem de protecție mașină/acumulator. Acest sistem întrerupe automat alimentarea motorului pentru a extinde durata de funcționare a mașinii și acumulatorului. Mașina se va opri automat în timpul funcționării dacă mașina sau acumulatorul se află într-una din situațiile următoare:

Protecție la suprasarcină

Când acumulatorul este utilizat într-un mod care duce la un consum exagerat de curent, mașina se va opri automat, fără nicio indicație. În această situație, opriți mașina și aplicația care a dus la suprasolicitarea mașinii. Apoi, reporniți mașina.

Protecție la supraîncălzire

În momentul în care mașina sau bateria se supraîncăzește, mașina se oprește automat și lampa luminează intermitent. În acest caz, lăsați mașina și acumulatorul să se răcească înainte de a reporni mașina.

Protecție la supradescărcare

Când capacitatea acumulatorului scade, mașina se oprește automat. În acest caz, scoateți acumulatorul din mașină și încărcați-l.

Acționarea întrerupătorului

⚠️ AVERTIZARE: Înainte de a introduce cartușul acumulatorului în mașină, verificați întotdeauna dacă butonul declanșator funcționează corect și revine în poziția „OFF” (oprit) când este eliberat.

► Fig.3: 1. Buton declanșator

Pentru a porni mașina, trageți de butonul declanșator. Atunci când eliberați butonul declanșator, mașina se oprește și revine la poziția inițială.

Este posibil ca mașina să nu revină la poziția inițială în situațiile de mai jos. Readeceți mașina la poziția inițială trăgând și eliberând butonul declanșator înainte de operarea mașinii.

- Atunci când utilizați mașina pentru prima dată.
- După înlocuirea cartușului acumulatorului.
- Atunci când mașina se oprește din cauza suprasarcinii.
- După efectuarea lucrărilor de întreținere.

Aprinderea lămpii frontale

► Fig.4: 1. Lampă

⚠️ ATENȚIE: Nu priviți direct în raza sau în sursa de lumină.

Apăsați butonul declanșator pentru a aprinde lampa. Lampa continuă să lumineze atât timp cât butonul declanșator este apăsat. Lampa se stinge după aproximativ 10 secunde de la eliberarea butonului declanșator.

NOTĂ: Folosiți o lavetă uscată pentru a șterge murdăria de pe lentila lămpii. Aveți grijă să nu zgâriați lentila lămpii deoarece, în caz contrar, iluminarea va fi redusă.

ASAMBLARE

⚠️ ATENȚIE: Asigurați-vă întotdeauna că mașina este oprită și cartușul acumulatorului este scos înainte de a executa orice lucrări la mașină.

Montarea sau demontarea ansamblului capului

Pentru a demonta ansamblul capului, urmați etapele de mai jos.

1. Slăbiți piulița capului, apoi scoateți capul.

► Fig.5: 1. Piuliță 2. Cap

2. Slăbiți piesa cu came cu ajutorul unei chei în timp ce țineți capul cu o altă cheie.

► Fig.6: 1. Piesă cu came 2. Cap

3. Slăbiți carcasa cu fălci cu ajutorul unei chei în timp ce țineți racordul cu o altă cheie.

► Fig.7: 1. Carcasa cu fălci 2. Racord

4. Îndepărtați împingătorul fălcii, arcul și țeava.

► Fig.8: 1. Împingătorul fălcii 2. Arc 3. Țeavă

NOTĂ: Atunci când montați împingătorul fălcii, fiți atent să montați arcul pe împingător.

Pentru a monta ansamblul capului, executați în ordine inversă operațiile de demontare. Fiți atent să strângeți ferm carcasa cu fălci și piesa cu came folosind două chei.

Cârlig

⚠️ ATENȚIE: Scoateți întotdeauna acumulatorul atunci când agățați mașina de agățătoare.

⚠️ ATENȚIE: Nu agățați niciodată mașina în locații înalte sau pe suprafețe potențial instabile.

⚠️ ATENȚIE: Agățați cu atenție mașina atunci când folosiți agățătoarea. În caz contrar, mașina ar putea să cadă și să producă vătămări corporale.

► Fig.9: 1. Canelură 2. Cârlig 3. Șurub

Cârligul este util pentru suspendarea temporară a mașinii. Acesta poate fi instalat pe oricare latură a mașinii. Pentru a instala cârligul, introduceți-l într-o canelură din carcasa mașinii de pe oricare latură și fixați-l cu un șurub. Pentru demontare, slăbiți șuruburile și apoi scoateți-l.

Montarea sau demontarea recipientului dornului

NOTĂ: Asigurați-vă că montați recipientul dornului pe mașină înainte de a pune mașina în funcțiune. Mașina nu va funcționa dacă recipientul dornului nu este montat.

Rotiți spre stânga recipientul dornului pentru a-l demonta. Rotiți spre dreapta recipientul dornului pentru a-l monta.

► Fig.10: 1. Recipientul dornului

OPERAREA

⚠ATENȚIE: Țineți mâinile sau fața departe de partea din față a mașinii. Nitul sau dornul rupt poate fi eliminat accidental și vă puteți accidenta.

Montarea unui nit orb

⚠ATENȚIE: Goliți periodic recipientul dornului, demontându-l înainte de a se umple. În caz contrar, mașina s-ar putea deteriora, iar piesele defecte pot produce vătămări corporale.

⚠ATENȚIE: Asigurați-vă că mașina este oprită atunci când introduceți un nit orb în piesa cu came. În caz contrar, vă puteți accidenta cu vârful mașinii.

⚠ATENȚIE: Nu lăsați nituri oarbe în piesa cu came. Dacă mașina este pornită accidental, nitul orb este eliminat și poate provoca accidentări.

NOTĂ: După montarea unui nit orb, asigurați-vă că scoateți dornul rupt din recipientul dornului înclinând mașina în spate înainte de montarea următorului nit orb. În cazul în care capătul dornului rupt iese din piesa cu came, opriți mașina și scoateți dornul. În caz contrar, dornurile rupte se pot bloca și pot duce la defectarea mașinii.

1. Introduceți nitul orb în piesa cu came.

► Fig.11: 1. Nit orb 2. Piesă cu came

2. Apăsăți vârful mașinii pe piesa de prelucrat și apoi trageți butonul declanșator. După ce s-a rupt dornul, eliberați butonul declanșator.

► Fig.12

Goliți periodic recipientul dornului, demontându-l înainte de a se umple.

Nituri oarbe disponibile

NOTĂ: Utilizarea unei piese cu came, a unei fălci, a unui împingător de fălci sau a unei țevi cu un diametru care nu se potrivește cu cel al dornului poate cauza o fixare necorespunzătoare, blocarea dornului sau defectarea mașinii.

Consultați tabelul următor pentru combinația corespunzătoare de nituri, piese cu came, fălci, împingătoare de fălci și țevi.

NOTĂ: Este posibil ca anumite elemente din tabel să fie incluse în pachetul mașinii ca accesorii standard, iar anumite elemente din tabel să fie furnizate ca accesorii opționale. Acestea pot diferi în funcție de țară.

Pentru DRV150

Nit		Piesă cu came		Marcaj pe fălcă	Împingătorul fălcii		Țeavă	
Dimensiune	Diametrul dornului	Marcaj pe piesa cu came	Diametrul orificiului		Diametrul orificiului	Culoare	Diametrul orificiului	Culoare
ø2,4 mm (3/32")	ø1,4 - 1,6 mm	2.4	ø1,9 mm	4.8	ø1,9 mm	Gri	ø2,2 mm	Argintiu
ø3,2 mm (1/8")	ø1,8 - 2,1 mm	3.2	ø2,4 mm	4.8	ø2,5 mm	Negru	ø2,6 mm	Negru
ø4,0 mm (5/32")	ø2,2 - 2,6 mm	4.0	ø3,0 mm	4.8	ø3,1 mm	Gri	Niciuna*	–
ø4,8 mm (3/16")	ø2,6 - 3,2 mm	4.8	ø3,6 mm	4.8	ø3,6 mm	Negru	Niciuna*	–

*. Nu este nevoie de țeavă pentru operare.

Pentru DRV250

Nit		Piesă cu came		Marcaj pe fălcă	Împingătorul fălcii		Țeavă	
Dimensiune	Diametrul dornului	Marcaj pe piesa cu came	Diametrul orificiului		Diametrul orificiului	Culoare	Diametrul orificiului	Culoare
ø2,4 mm (3/32")	ø1,4 - 1,6 mm	2.4	ø1,9 mm	4.8	ø1,9 mm	Gri	ø2,2 mm	Argintiu
ø3,2 mm (1/8")	ø1,8 - 2,1 mm	3.2	ø2,4 mm	4.8	ø2,5 mm	Negru	ø2,6 mm	Negru
ø4,0 mm (5/32")	ø2,2 - 2,6 mm	4.0	ø3,0 mm	4.8	ø3,1 mm	Gri	ø3,4 mm	Argintiu
ø4,8 mm (3/16")	ø2,6 - 3,2 mm	4.8	ø3,6 mm	4.8 sau 6.4	ø3,6 mm	Negru	ø4,1 mm	Negru
ø6,0 mm (1/4") *	ø3,1 - 3,5 mm	6.0	ø4,0 mm	6.4	ø4,0 mm	Gri	ø4,1 mm	Negru
ø6,4 mm (1/4") *	ø3,5 - 3,9 mm	6.4	ø4,4 mm	6.4	ø4,6 mm	Negru	ø4,5 mm	Argintiu

*. Nitul din oțel inoxidabil nu este disponibil.

ÎNȚREȚINERE

ATENȚIE: Asigurați-vă întotdeauna că mașina este oprită și cartușul acumulatorului scos înainte de a executa lucrările de inspecție și întreținere.

NOTĂ: Nu utilizați niciodată gazolină, benzină, diluant, alcool sau alte substanțe asemănătoare. În caz contrar, pot rezulta decolorări, deformări sau fisuri.

Pentru a menține SIGURANȚA și FIABILITATEA produsului, reparațiile și orice alte lucrări de întreținere sau reglare trebuie executate de centre de service Makita autorizate sau proprii, folosind întotdeauna piese de schimb Makita.

Curățarea fălcilor și a carcasei cu fălci

Interval de curățare: la fiecare 3.000 de instalări de nituri

Acumularea prafului deteriorează mișcarea fălcilor și poate să accelereze uzura fălcilor și a carcasei cu fălci. Pentru a curăța fălcile și carcasa cu fălci, urmați pașii de mai jos.

1. Demontați carcasa cu fălci. Pentru procedura de demontare, consultați instrucțiunile de demontare a ansamblului capului.

2. Scoateți fălcile din carcasă.

► **Fig.13:** 1. Carcasa cu fălci 2. Falcă

3. Curățați fălcile și carcasa cu fălci cu o perie. Îndepărtați pulberea de metal acumulată între dinții fălcilor.

4. Aplicați uniform vaselină pe bază de bisulfură de molibden pe partea laterală interioară a carcasei cu fălci.

► **Fig.14:** 1. Zona în care se aplică vaselina
2. Carcasa cu fălci

5. Montați fălcile în carcasă.

► **Fig.15:** 1. Falcă 2. Carcasa cu fălci

NOTĂ: Asigurați-vă că aliniați vârfulurile fălcilor atunci când le montați.

6. Montați carcasa cu fălci. Dacă vârfulurile fălcilor s-au murdărit cu vaselină, ștergeți vaselina cu o cârpă uscată.

► **Fig.16:** 1. Zona în care vaselina nu ar trebui să pătrundă 2. Falcă

7. Montați ansamblul capului.

8. Ștergeți vaselina de pe fălci.

Introduceți un nit în piesa cu came, mișcați nitul în sus și în jos, la stânga și la dreapta, apoi scoateți nitul din piesa cu came și ștergeți vaselina de pe nit cu o cârpă uscată. Repetați aceeași procedură de două sau de trei ori.

NOTĂ: Dacă vârful s-a murdărit cu vaselină sau dacă vaselina a pătruns în interiorul fălcii, fălcile pot să alunece în timpul funcționării.

Înlocuirea fălcilor din carcasă

Înlocuiți fălcile din carcasă cu altele noi dacă s-au uzat. Pentru a înlocui fălcile, urmați aceeași procedură care se aplică în cazul curățării fălcilor și a carcasei cu fălci. Atunci când montați fălci în carcasă, utilizați fălci noi.

Scoaterea niturilor blocate

Dacă nitul s-a blocat în mașină, scoateți-l cu o unealtă, cum ar fi un știft. Înlocuiți împingătorul fălcii sau țeava cu una nouă dacă nitul blocat este greu de scos. Pentru procedura de înlocuire, consultați instrucțiunile de montare sau demontare a ansamblului capului.

ACCESORII OPȚIONALE

ATENȚIE: Folosiți accesoriile sau piesele auxiliare recomandate pentru mașina dumneavoastră Makita în acest manual. Utilizarea oricărui alte accesorii sau piese auxiliare poate prezenta risc de vătămare corporală. Utilizați accesoriile și piesele auxiliare numai în scopul destinat.

Dacă aveți nevoie de asistență sau de mai multe detalii referitoare la aceste accesorii, adresați-vă centrului local de service Makita.

- Piesă cu came
- Împingătorul fălcii
- Falcă
- Țeavă
- Vaselină
- Acumulator și încărcător original Makita

NOTĂ: Unele articole din listă pot fi incluse ca accesorii standard în ambalajul de scule. Acestea pot diferi în funcție de țară.

TECHNISCHE DATEN

Modell:	DRV150	DRV250
Zugkraft	10 kN	20 kN
Hub	25 mm	30 mm
Gesamtlänge	313 mm	323 mm
Nennspannung	18 V Gleichstrom	
Nettogewicht	1,9 - 2,2 kg	2,1 - 2,4 kg

- Wir behalten uns vor, Änderungen der technischen Daten im Zuge der Entwicklung und des technischen Fortschritts ohne vorherige Ankündigung vorzunehmen.
- Die technischen Daten können von Land zu Land unterschiedlich sein.
- Das Gewicht kann abhängig von dem Aufsatz (den Aufsätzen), einschließlich des Akkus, unterschiedlich sein. Die leichteste und die schwerste Kombination, gemäß dem EPTA-Verfahren 01/2014, sind in der Tabelle angegeben.

Zutreffende Akkus und Ladegeräte

Akku	BL1815N / BL1820 / BL1820B / BL1830 / BL1830B / BL1840 / BL1840B / BL1850 / BL1850B / BL1860B
Ladegerät	DC18RC / DC18RD / DC18RE / DC18SD / DC18SE / DC18SF / DC18SH

- Einige der oben aufgelisteten Akkus und Ladegeräte sind je nach Ihrem Wohngebiet eventuell nicht erhältlich.

⚠️ WARNUNG: Verwenden Sie nur die oben aufgeführten Akkus und Ladegeräte. Bei Verwendung irgendwelcher anderer Akkus und Ladegeräte besteht Verletzungs- und/oder Brandgefahr.

Vorgesehene Verwendung

Das Werkzeug ist zum Montieren von Blindnieten vorgesehen.

Geräusch

Typischer A-bewerteter Geräuschpegel ermittelt gemäß EN62841-1:

Modell DRV150

Schalldruckpegel (L_{pA}): 75 dB (A)
Messunsicherheit (K): 3 dB (A)

Modell DRV250

Schalldruckpegel (L_{pA}): 74 dB (A)
Messunsicherheit (K): 3 dB (A)

Der Geräuschpegel kann während des Betriebs 80 dB (A) überschreiten.

HINWEIS: Der (Die) angegebene(n)

Schallemissionswert(e) wurde(n) im Einklang mit der Standardprüfmethode gemessen und kann (können) für den Vergleich zwischen Werkzeugen herangezogen werden.

HINWEIS: Der (Die) angegebene(n)

Schallemissionswert(e) kann (können) auch für eine Vorbewertung des Gefährdungsgrads verwendet werden.

⚠️ WARNUNG: Einen Gehörschutz tragen.

⚠️ WARNUNG: Die Schallemission während der tatsächlichen Benutzung des Elektrowerkzeugs kann je nach der Benutzungsweise des Werkzeugs, und speziell je nach der Art des bearbeiteten Werkstücks, von dem (den) angegebenen Wert(en) abweichen.

⚠️ WARNUNG: Identifizieren Sie Sicherheitsmaßnahmen zum Schutz des Benutzers anhand einer Schätzung des Gefährdungsgrads unter den tatsächlichen Benutzungsbedingungen (unter Berücksichtigung aller Phasen des Arbeitszyklus, wie z. B. Ausschalt- und Leerlaufzeiten des Werkzeugs zusätzlich zur Betriebszeit).

Schwingungen

Schwingungsgesamtwert (Drei-Achsen-Vektorsumme) ermittelt gemäß EN62841-1:

Modell DRV150

Arbeitsmodus: Montieren von Blindnieten
Schwingungsemission (a_h): 2,5 m/s² oder weniger
Messunsicherheit (K): 1,5 m/s²

Modell DRV250

Arbeitsmodus: Montieren von Blindnieten
Schwingungsemission (a_h): 2,5 m/s² oder weniger
Messunsicherheit (K): 1,5 m/s²

HINWEIS: Der (Die) angegebene(n) Vibrationsgesamtwert(e) wurde(n) im Einklang mit der Standardprüfmethode gemessen und kann (können) für den Vergleich zwischen Werkzeugen herangezogen werden.

HINWEIS: Der (Die) angegebene(n) Vibrationsgesamtwert(e) kann (können) auch für eine Vorbewertung des Gefährdungsgrads verwendet werden.

⚠️ WARNUNG: Die Vibrationsemission während der tatsächlichen Benutzung des Elektrowerkzeugs kann je nach der Benutzungsweise des Werkzeugs, und speziell je nach der Art des bearbeiteten Werkstücks, von dem (den) angegebenen Emissionswert(en) abweichen.

⚠️ WARNUNG: Identifizieren Sie Sicherheitsmaßnahmen zum Schutz des Benutzers anhand einer Schätzung des Gefährdungsgrads unter den tatsächlichen Benutzungsbedingungen (unter Berücksichtigung aller Phasen des Arbeitszyklus, wie z. B. Ausschalt- und Leerlaufzeiten des Werkzeugs zusätzlich zur Betriebszeit).

EG-Konformitätserklärung

Nur für europäische Länder

Die EG-Konformitätserklärung ist als Anhang A in dieser Bedienungsanleitung enthalten.

SICHERHEITSWARNUNGEN

Allgemeine Sicherheitswarnungen für Elektrowerkzeuge

⚠️ WARNUNG: Lesen Sie alle mit diesem Elektrowerkzeug gelieferten Sicherheitswarnungen, Anweisungen, Abbildungen und technischen Daten durch. Eine Missachtung der unten aufgeführten Anweisungen kann zu einem elektrischen Schlag, Brand und/oder schweren Verletzungen führen.

Bewahren Sie alle Warnungen und Anweisungen für spätere Bezugnahme auf.

Der Ausdruck „Elektrowerkzeug“ in den Warnhinweisen bezieht sich auf Ihr mit Netzstrom (mit Kabel) oder Akku (ohne Kabel) betriebenes Elektrowerkzeug.

Sicherheitswarnungen für Akku-Blindniet-Setzgerät

1. **Halten Sie das Werkzeug mit festem Griff.**
2. **Halten Sie Ihre Hände von beweglichen Teilen fern.**
3. **Achten Sie stets auf sicheren Stand. Vergewissern Sie sich bei Einsatz des Werkzeugs an hochgelegenen Arbeitsplätzen, dass sich keine Personen darunter aufhalten.**
4. **Achten Sie darauf, dass der abgebrochene Dorn nicht von hohen Stellen herunterfällt. Anderenfalls kann ein Unfall oder eine Verletzung verursacht werden.**
5. **Verstreuen Sie die abgebrochenen Dorne nicht auf dem Boden.** Sie könnten sonst durch das spitze Ende des abgebrochenen Dorns oder durch Ausrutschen auf dem Dorn verletzt werden.
6. **Richten Sie das Werkzeug beim Betrieb nicht auf eine Person oder sich selbst.** Der Niet oder der abgebrochene Dorn könnte versehentlich ausgeworfen werden, so dass Sie verletzt werden könnten.

Wichtige Sicherheitsanweisungen für Akku

1. **Lesen Sie vor der Benutzung des Akkus alle Anweisungen und Warnhinweise, die an (1) Ladegerät, (2) Akku und (3) Akkuwerkzeug angebracht sind.**
2. **Unterlassen Sie ein Zerlegen des Akkus.**
3. **Falls die Betriebszeit beträchtlich kürzer geworden ist, stellen Sie den Betrieb sofort ein. Anderenfalls besteht die Gefahr von Überhitzung, möglichen Verbrennungen und sogar einer Explosion.**
4. **Falls Elektrolyt in Ihre Augen gelangt, waschen Sie sie mit sauberem Wasser aus, und begeben Sie sich unverzüglich in ärztliche Behandlung. Anderenfalls können Sie Ihre Sehkraft verlieren.**
5. **Der Akku darf nicht kurzgeschlossen werden:**
 - (1) **Die Kontakte dürfen nicht mit leitfähigem Material berührt werden.**
 - (2) **Lagern Sie den Akku nicht in einem Behälter zusammen mit anderen Metallgegenständen, wie z. B. Nägel, Münzen usw.**
 - (3) **Setzen Sie den Akku weder Wasser noch Regen aus.****Ein Kurzschluss des Akkus verursacht starken Stromfluss, der Überhitzung, mögliche Verbrennungen und einen Defekt zur Folge haben kann.**
6. **Lagern Sie das Werkzeug und den Akku nicht an Orten, an denen die Temperatur 50 °C erreichen oder überschreiten kann.**
7. **Versuchen Sie niemals, den Akku zu verbrennen, selbst wenn er stark beschädigt oder vollkommen verbraucht ist. Der Akku kann im Feuer explodieren.**

8. **Achten Sie darauf, dass der Akku nicht fallen gelassen oder Stößen ausgesetzt wird.**
9. **Benutzen Sie keine beschädigten Akkus.**
10. **Die enthaltenen Lithium-Ionen-Akkus unterliegen den Anforderungen der Gefahrgut-Gesetzgebung.**
Für kommerzielle Transporte, z. B. durch Dritte oder Spediteure, müssen besondere Anforderungen zu Verpackung und Etikettierung beachtet werden.
Zur Vorbereitung des zu transportierenden Artikels ist eine Beratung durch einen Experten für Gefahrgut erforderlich. Bitte beachten Sie möglicherweise ausführlichere nationale Vorschriften. Überkleben oder verdecken Sie offene Kontakte, und verpacken Sie den Akku so, dass er sich in der Verpackung nicht umher bewegen kann.
11. **Entfernen Sie den Akku zum Entsorgen vom Werkzeug, und entsorgen Sie ihn an einem sicheren Ort. Befolgen Sie die örtlichen Vorschriften bezüglich der Entsorgung von Akkus.**
12. **Verwenden Sie die Akkus nur mit den von Makita angegebenen Produkten.** Das Einsetzen der Akkus in nicht konforme Produkte kann zu einem Brand, übermäßiger Hitzebildung, einer Explosion oder Auslaufen von Elektrolyt führen.
13. **Soll das Werkzeug längere Zeit nicht benutzt werden, muss der Akku vom Werkzeug entfernt werden.**

DIESE ANWEISUNGEN AUFBEWAHREN.

⚠ VORSICHT: Verwenden Sie nur Original-Makita-Akkus. Die Verwendung von Nicht-Original-Makita-Akkus oder von Akkus, die abgeändert worden sind, kann zum Bersten des Akkus und daraus resultierenden Bränden, Personenschäden und Beschädigung führen. Außerdem wird dadurch die Makita-Garantie für das Makita-Werkzeug und -Ladegerät ungültig.

Hinweise zur Aufrechterhaltung der maximalen Akku-Nutzungsdauer

1. **Laden Sie den Akku, bevor er vollkommen erschöpft ist. Schalten Sie das Werkzeug stets aus, und laden Sie den Akku, wenn Sie ein Nachlassen der Werkzeugleistung feststellen.**
2. **Unterlassen Sie erneutes Laden eines voll aufgeladenen Akkus. Überladen führt zu einer Verkürzung der Nutzungsdauer des Akkus.**
3. **Laden Sie den Akku bei Raumtemperatur zwischen 10 – 40 °C. Lassen Sie einen heißen Akku abkühlen, bevor Sie ihn laden.**
4. **Der Akku muss geladen werden, wenn er lange Zeit (länger als sechs Monate) nicht benutzt wird.**

FUNKTIONSBESCHREIBUNG

⚠ VORSICHT: Vergewissern Sie sich vor der Durchführung von Einstellungen oder Funktionsprüfungen des Werkzeugs stets, dass das Werkzeug ausgeschaltet und der Akku abgenommen ist.

Anbringen und Abnehmen des Akkus

⚠ VORSICHT: Schalten Sie das Werkzeug stets aus, bevor Sie den Akku anbringen oder abnehmen.

⚠ VORSICHT: Halten Sie das Werkzeug und den Akku beim Anbringen oder Abnehmen des Akkus sicher fest. Wenn Sie das Werkzeug und den Akku nicht sicher festhalten, können sie Ihnen aus der Hand rutschen, was zu einer Beschädigung des Werkzeugs und des Akkus und zu Körperverletzungen führen kann.

► **Abb.1:** 1. Rote Anzeige 2. Knopf 3. Akku

Ziehen Sie den Akku zum Abnehmen vom Werkzeug ab, während Sie den Knopf an der Vorderseite des Akkus verschieben.
Richten Sie zum Anbringen des Akkus dessen Führungsfeder auf die Nut im Gehäuse aus, und schieben Sie den Akku hinein. Schieben Sie ihn vollständig ein, bis er mit einem hörbaren Klicken einrastet. Falls die rote Anzeige an der Oberseite des Knopfes sichtbar ist, ist der Akku nicht vollständig verriegelt.

⚠ VORSICHT: Schieben Sie den Akku stets bis zum Anschlag ein, bis die rote Anzeige nicht mehr sichtbar ist. Anderenfalls kann er aus dem Werkzeug herausfallen und Sie oder umstehende Personen verletzen.

















⚠ VORSICHT: Unterlassen Sie Gewaltanwendung beim Anbringen des Akkus. Falls der Akku nicht reibungslos hineingleitet, ist er nicht richtig ausgerichtet.

Anzeigen der Akku-Restkapazität

Nur für Akkus mit Anzeige

► **Abb.2:** 1. Anzeigelampen 2. Prüftaste

Drücken Sie die Prüftaste am Akku, um die Akku-Restkapazität anzuzeigen. Die Anzeigelampen leuchten wenige Sekunden lang auf.

Anzeigelampen			Restkapazität
 Erleuchtet	 Aus	 Blinkend	
			75% bis 100%
			50% bis 75%
			25% bis 50%
			0% bis 25%
			Den Akku aufladen.
			Möglicherweise liegt eine Funktionsstörung im Akku vor.
			

HINWEIS: Abhängig von den Benutzungsbedingungen und der Umgebungstemperatur kann die Anzeige geringfügig von der tatsächlichen Kapazität abweichen.

Werkzeug/Akku-Schutzsystem

Das Werkzeug ist mit einem Werkzeug/Akku-Schutzsystem ausgestattet. Dieses System schaltet die Stromversorgung des Motors automatisch ab, um die Lebensdauer von Werkzeug und Akku zu verlängern. Das Werkzeug bleibt während des Betriebs automatisch stehen, wenn das Werkzeug oder der Akku einer der folgenden Bedingungen unterliegt:

Überlastschutz

Wird der Akku auf eine Weise benutzt, die eine ungewöhnlich hohe Stromaufnahme bewirkt, bleibt das Werkzeug ohne jegliche Anzeige automatisch stehen. Schalten Sie in dieser Situation das Werkzeug aus, und brechen Sie die Arbeit ab, die eine Überlastung des Werkzeugs verursacht hat. Schalten Sie dann das Werkzeug wieder ein, um es neu zu starten.

Überhitzungsschutz

Wenn das Werkzeug oder der Akku überhitzt wird, bleibt das Werkzeug automatisch stehen, und die Lampe beginnt zu blinken. Lassen Sie das Werkzeug und den Akku in diesem Fall abkühlen, bevor Sie das Werkzeug wieder einschalten.

Überentladungsschutz

Wenn die Akkukapazität unzureichend wird, bleibt das Werkzeug automatisch stehen. Nehmen Sie in diesem Fall den Akku vom Werkzeug ab, und laden Sie ihn auf.

Schalterfunktion

⚠️ WARNUNG: Vergewissern Sie sich vor dem Einsetzen des Akkus in das Werkzeug stets, dass der Ein-Aus-Schalter ordnungsgemäß funktioniert und beim Loslassen in die AUS-Stellung zurückkehrt.

► **Abb.3:** 1. Auslöseschalter

Zum Einschalten des Werkzeugs betätigen Sie einfach den Auslöseschalter. Wenn Sie den Auslöseschalter loslassen, bleibt das Werkzeug stehen und kehrt dann auf die Ausgangsposition zurück.

In den folgenden Fällen kehrt das Werkzeug eventuell nicht in die Ausgangsposition zurück. Stellen Sie das Werkzeug auf die Ausgangsposition zurück, indem Sie den Auslöseschalter vor der Benutzung des Werkzeugs betätigen und loslassen.

- Bei erstmaliger Benutzung des Werkzeugs.
- Nach dem Austauschen des Akkus.
- Wenn das Werkzeug wegen Überlastung stehen bleibt.
- Nach Durchführung der Wartung.

Einschalten der Frontlampe

► **Abb.4:** 1. Lampe

⚠️ VORSICHT: Blicken Sie nicht direkt in die Lampe oder die Lichtquelle.

Betätigen Sie den Ein-Aus-Schalter, um die Lampe einzuschalten. Die Lampe bleibt erleuchtet, solange der Ein-Aus-Schalter gedrückt gehalten wird. Die Lampe erlischt ungefähr 10 Sekunden nach dem Loslassen des Ein-Aus-Schalters.

HINWEIS: Wischen Sie Schmutz auf der Lampenlinse mit einem trockenen Tuch ab. Achten Sie sorgfältig darauf, dass Sie die Lampenlinse nicht verkratzen, weil sich sonst die Lichtstärke verringert.

MONTAGE

⚠️ VORSICHT: Vergewissern Sie sich vor der Ausführung von Arbeiten am Werkzeug stets, dass das Werkzeug ausgeschaltet und der Akku abgenommen ist.

Montieren und Demontieren der Kopfeinheit

Befolgen Sie zum Demontieren der Kopfeinheit die nachstehenden Schritte.

1. Lösen Sie die Mutter des Kopfes, und nehmen Sie dann den Kopf ab.

► **Abb.5:** 1. Mutter 2. Kopf

2. Lösen Sie das Mundstück mit einem Schraubenschlüssel, während Sie den Kopf mit einem anderen Schraubenschlüssel festhalten.

► **Abb.6:** 1. Mundstück 2. Kopf

3. Lösen Sie die Spannhülse mit einem Schraubenschlüssel, während Sie die Verbindungsmuffe mit einem anderen Schraubenschlüssel festhalten.

► **Abb.7:** 1. Spannhülse 2. Verbindungsmuffe

4. Entfernen Sie Spannbackenschieber, Feder und Rohr.

► **Abb.8:** 1. Spannbackenschieber 2. Feder 3. Rohr

ANMERKUNG: Denken Sie beim Montieren des Spannbackenschiebers unbedingt daran, die Feder am Spannbackenschieber anzubringen.

Zum Montieren der Kopfeinheit führen Sie das Demontageverfahren umgekehrt durch. Ziehen Sie die Spannhülse und das Mundstück unbedingt mit zwei Schraubenschlüsseln fest.

Aufhänger

⚠ VORSICHT: Nehmen Sie stets den Akku ab, wenn Sie das Werkzeug am Aufhänger aufhängen.

⚠ VORSICHT: Hängen Sie das Werkzeug auf keinen Fall an hoch gelegenen Stellen oder an einer potentiell instabilen Fläche auf.

⚠ VORSICHT: Lassen Sie beim Aufhängen des Werkzeugs mit dem Haken Sorgfalt walten. Anderenfalls kann das Werkzeug herunterfallen und eine Verletzung verursachen.

► **Abb.9:** 1. Nut 2. Aufhänger 3. Schraube

Der Aufhänger ist praktisch, um das Werkzeug vorübergehend aufzuhängen. Dieser kann auf beiden Seiten des Werkzeugs angebracht werden.

Um den Aufhänger anzubringen, führen Sie ihn in die Nut entweder auf der linken oder rechten Seite des Werkzeuggehäuses ein, und sichern Sie ihn dann mit einer Schraube. Um ihn zu entfernen, lösen Sie die Schraube, und nehmen Sie dann ihn heraus.

Montieren oder Demontieren des Dornbehälters

ANMERKUNG: Montieren Sie unbedingt den Dornbehälter am Werkzeug, bevor Sie das Werkzeug in Betrieb nehmen. Falls der Dornbehälter nicht am Werkzeug montiert ist, funktioniert das Werkzeug nicht.

Zum Demontieren des Dornbehälters drehen Sie ihn gegen den Uhrzeigersinn. Zum Montieren des Dornbehälters drehen Sie ihn im Uhrzeigersinn.

► **Abb.10:** 1. Dornbehälter

BETRIEB

⚠ VORSICHT: Halten Sie Ihre Hand oder Ihr Gesicht vom vorderen Teil des Werkzeugs fern. Der Niet oder der abgebrochene Dorn könnte versehentlich ausgeworfen werden, so dass Sie verletzt werden könnten.

Montieren von Blindnieten

⚠ VORSICHT: Sie sollten den Dornbehälter durch Demontieren regelmäßig entleeren, bevor er voll wird. Anderenfalls kann das Werkzeug beschädigt werden, und die beschädigten Teile können eine Verletzung verursachen.

⚠ VORSICHT: Wenn Sie einen Blindniet in das Mundstück einführen, schalten Sie das Werkzeug unbedingt aus. Anderenfalls können Sie mit der Werkzeugspitze verletzt werden.

⚠ VORSICHT: Lassen Sie keinen Blindniet im Mundstück zurück. Bei versehentlichem Einschalten des Werkzeugs wird der Blindniet ausgeworfen und kann eine Verletzung verursachen.

ANMERKUNG: Denken Sie nach dem Setzen eines Blindnietes unbedingt daran, den abgebrochenen Dorn durch Kippen des Werkzeugs nach hinten in den Dornbehälter auszuwerfen, bevor Sie den nächsten Blindniet setzen. Falls das Ende des abgebrochenen Dorns aus dem Mundstück herausragt, schalten Sie das Werkzeug aus, und entfernen Sie den Dorn. Anderenfalls können sich die abgebrochenen Dorne stauen und eine Funktionsstörung des Werkzeugs verursachen.

1. Führen Sie den Blindniet in das Mundstück ein.

► **Abb.11:** 1. Blindniet 2. Mundstück

2. Drücken Sie die Werkzeugspitze gegen das Werkstück, und betätigen Sie dann den Auslöseschalter. Lassen Sie den Auslöseschalter los, nachdem der Dorn abgebrochen worden ist.

► **Abb.12**

Sie sollten den Dornbehälter durch Demontieren regelmäßig entleeren, bevor er voll wird.

Verfügbare Blindnieten

ANMERKUNG: Die Verwendung von Teilen (Mundstück, Backe, Spannbackenschieber oder Rohr), die nicht mit dem Dorndurchmesser übereinstimmen, kann zu schlechter Befestigung, Verstopfung des Dorns oder einer Funktionsstörung des Werkzeugs führen.

Nehmen Sie für die Kombination von Niet, Mundstück, Backe, Spannbackenschieber und Rohr auf die nachstehende Tabelle Bezug.

HINWEIS: Manche Teile in der Tabelle können als Standardzubehör im Werkzeugsatz enthalten sein, während andere Teile in der Tabelle als Sonderzubehör geliefert werden können. Sie können von Land zu Land unterschiedlich sein.

Für DRV150

Niet		Mundstück		Markierung auf Backe	Spannbackenschieber		Rohr	
Größe	Durchmesser des Dorns	Markierung auf Mundstück	Lochdurchmesser		Lochdurchmesser	Farbe	Lochdurchmesser	Farbe
ø2,4 mm (3/32")	ø1,4 - 1,6 mm	2.4	ø1,9 mm	4.8	ø1,9 mm	Grau	ø2,2 mm	Silber
ø3,2 mm (1/8")	ø1,8 - 2,1 mm	3.2	ø2,4 mm	4.8	ø2,5 mm	Schwarz	ø2,6 mm	Schwarz
ø4,0 mm (5/32")	ø2,2 - 2,6 mm	4.0	ø3,0 mm	4.8	ø3,1 mm	Grau	Keine *	-
ø4,8 mm (3/16")	ø2,6 - 3,2 mm	4.8	ø3,6 mm	4.8	ø3,6 mm	Schwarz	Keine *	-

*. Das Rohr ist für den Betrieb nicht notwendig.

Für DRV250

Niet		Mundstück		Markierung auf Backe	Spannbackenschieber		Rohr	
Größe	Durchmesser des Dorns	Markierung auf Mundstück	Lochdurchmesser		Lochdurchmesser	Farbe	Lochdurchmesser	Farbe
ø2,4 mm (3/32")	ø1,4 - 1,6 mm	2.4	ø1,9 mm	4.8	ø1,9 mm	Grau	ø2,2 mm	Silber
ø3,2 mm (1/8")	ø1,8 - 2,1 mm	3.2	ø2,4 mm	4.8	ø2,5 mm	Schwarz	ø2,6 mm	Schwarz
ø4,0 mm (5/32")	ø2,2 - 2,6 mm	4.0	ø3,0 mm	4.8	ø3,1 mm	Grau	ø3,4 mm	Silber
ø4,8 mm (3/16")	ø2,6 - 3,2 mm	4.8	ø3,6 mm	4.8 oder 6.4	ø3,6 mm	Schwarz	ø4,1 mm	Schwarz
ø6,0 mm (1/4") *	ø3,1 - 3,5 mm	6.0	ø4,0 mm	6.4	ø4,0 mm	Grau	ø4,1 mm	Schwarz
ø6,4 mm (1/4") *	ø3,5 - 3,9 mm	6.4	ø4,4 mm	6.4	ø4,6 mm	Schwarz	ø4,5 mm	Silber

*. Edeltahlniete sind nicht erhältlich.

WARTUNG

⚠ VORSICHT: Vergewissern Sie sich vor der Durchführung von Inspektions- oder Wartungsarbeiten stets, dass das Werkzeug ausgeschaltet und der Akku abgenommen ist.

ANMERKUNG: Verwenden Sie auf keinen Fall Benzin, Waschbenzin, Verdünner, Alkohol oder dergleichen. Solche Mittel können Verfärbung, Verformung oder Rissbildung verursachen.

Um die SICHERHEIT und ZUVERLÄSSIGKEIT dieses Produkts zu gewährleisten, sollten Reparaturen und andere Wartungs- oder Einstellarbeiten nur von Makita-Vertragswerkstätten oder Makita-Kundendienstzentren unter ausschließlicher Verwendung von Makita-Originalersatzteilen ausgeführt werden.

Reinigen der Backen und der Spannhülse

Reinigungsintervall: Alle 3.000 Nietinstallationen
Angesamelter Staub verschlechtert die Bewegung der Backen und kann den Verschleiß der Backen und der Spannhülse beschleunigen. Um die Backen und die Spannhülse zu reinigen, folgen Sie den nachstehenden Schritten.

1. Entfernen Sie die Spannhülse. Angaben zum Demontageverfahren entnehmen Sie bitte den Demontageanweisungen für die Kopfeinheit.
2. Entfernen Sie die Backen aus der Spannhülse.
▶ **Abb.13:** 1. Spannhülse 2. Backe
3. Reinigen Sie die Backen und die Spannhülse mit einer Bürste. Entfernen Sie zwischen den Zähnen der Backen abgelagertes Metallpulver.
4. Tragen Sie Schmierfett auf Molybdänsulfidbasis gleichmäßig auf den Innenumfang der Spannhülse auf.
▶ **Abb.14:** 1. Schmierfett-Auftragungsbereich 2. Spannhülse
5. Montieren Sie die Backen an der Spannhülse.
▶ **Abb.15:** 1. Backe 2. Spannhülse

ANMERKUNG: Achten Sie beim Montieren der Backen darauf, die Spitzen der Backen auszurichten.

6. Montieren Sie die Spannhülse. Falls Schmierfett an den Spitzen der Backen haftet, wischen Sie das Schmierfett mit einem trockenen Lappen ab.
▶ **Abb.16:** 1. Bereich, an dem kein Schmierfett haften sollte 2. Backe
7. Montieren Sie die Kopfeinheit.
8. Wischen Sie Schmierfett von den Backen ab.

Setzen Sie einen Niet in das Mundstück ein, bewegen Sie ihn dann nach oben und unten und nach links und rechts, nehmen Sie ihn dann vom Mundstück ab, und wischen Sie dann das Schmierfett mit einem trockenen Lappen von dem Niet ab. Wiederholen Sie den gleichen Vorgang zwei- bis dreimal.

ANMERKUNG: Falls Schmierfett an der Spitze oder der Innenseite der Backe haftet, können die Backen während des Betriebs rutschen.

Austauschen der Backen in der Spannhülse

Falls die Backen in der Spannhülse abgenutzt sind, ersetzen Sie sie durch neue. Um die Backen auszutauschen, wenden Sie das gleiche Verfahren wie zum Reinigen der Backen und der Spannhülse an. Wenn Sie Backen an der Spannhülse montieren, verwenden Sie neue Backen.

Entfernen von verklemmten Nieten

Falls sich ein Niet im Werkzeug verklemmt hat, entfernen Sie ihn mit einem geeigneten Werkzeug, wie z. B. einem Stift. Falls es schwierig ist, den verklemmten Niet zu entfernen, ersetzen Sie den Spannbackenschieber oder das Rohr durch ein neues Teil. Angaben zum Austauschverfahren entnehmen Sie bitte den Anweisungen zum Montieren und Demontieren der Kopfeinheit.

SONDERZUBEHÖR

⚠VORSICHT: Die folgenden Zubehörteile oder Vorrichtungen werden für den Einsatz mit dem in dieser Anleitung beschriebenen Makita-Werkzeug empfohlen. Die Verwendung anderer Zubehörteile oder Vorrichtungen kann eine Verletzungsgefahr darstellen. Verwenden Sie Zubehörteile oder Vorrichtungen nur für ihren vorgesehenen Zweck.

Wenn Sie weitere Einzelheiten bezüglich dieser Zubehörteile benötigen, wenden Sie sich bitte an Ihre Makita-Kundendienststelle.

- Mundstück
- Spannbackenschieber
- Backe
- Rohr
- Schmierfett
- Original-Makita-Akku und -Ladegerät

HINWEIS: Manche Teile in der Liste können als Standardzubehör im Werkzeugsatz enthalten sein. Sie können von Land zu Land unterschiedlich sein.

Makita Europe N.V. Jan-Baptist Vinkstraat 2,
3070 Kortenberg, Belgium

Makita Corporation 3-11-8, Sumiyoshi-cho,
Anjo, Aichi 446-8502 Japan

www.makita.com

885691-979 EN, PL, HU, SK, CS, UK, RO, DE 20190715
