

### 483 mm (19") DIN Rail Holder, 4U



- ✓ 483 mm (19") installation on 4U
- ✓ Incl. DIN rail
- ✓ Depth and height variable
- ✓ Galvanized steel sheet

#### Abstract

483 mm (19") DIN Rail Holder, 4U, 175 x 483 x 215 mm, incl. DIN rail, depth and height variable

#### Features

- For quick and screwless mounting of 35 mm DIN rail equipment
- Incl. mounted DIN rail acc. to DIN EN 60715 (HxW= 35x390 mm), variable in depth
- DIN rail can also be turned up or down by 90°
- Rear side with c shaped cable tray for optimized cabling, variable in height
- Complete frame is height variable when fixed on 4U
- Galvanized steel sheet

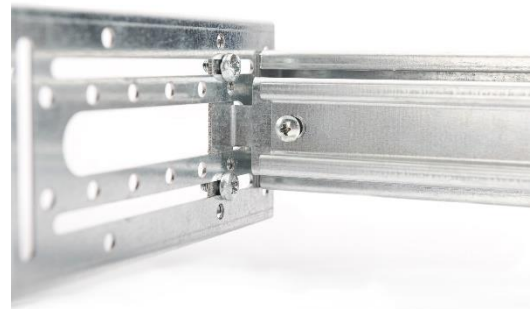
#### Product Overview

The 483 mm (19") DIN Rail Holder makes the installation of suitable equipment on the already mounted 390 mm width DIN rail possible. It is variable in depth and can be turned 90° up or down to install the components horizontally if necessary. The rear side is equipped with a height variable C shaped cable tray with fixing points for Velcro tape or cable ties. The complete frame can also be adjusted in height (4U brackets are fixed in the rack) to suit individual needs of space.

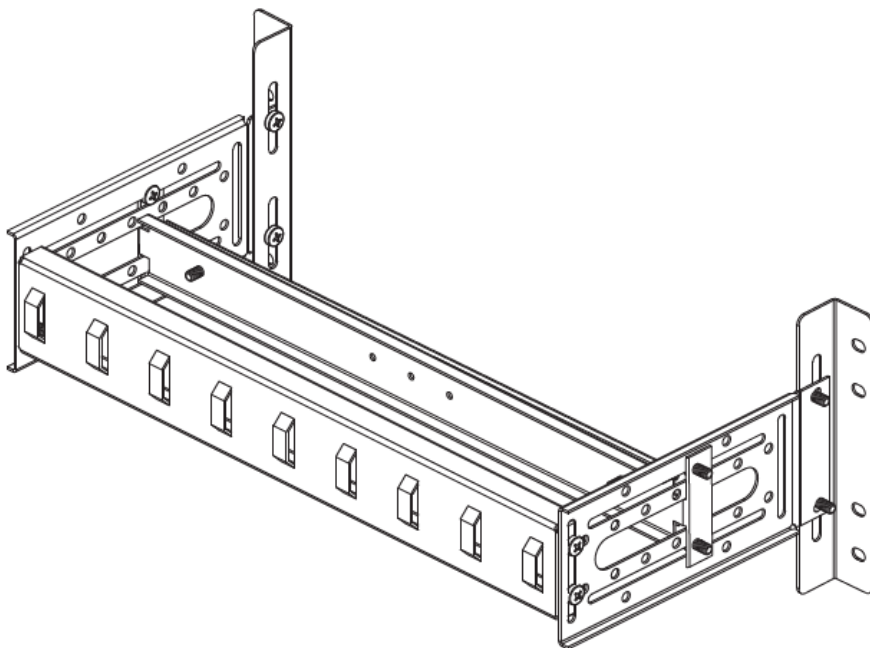
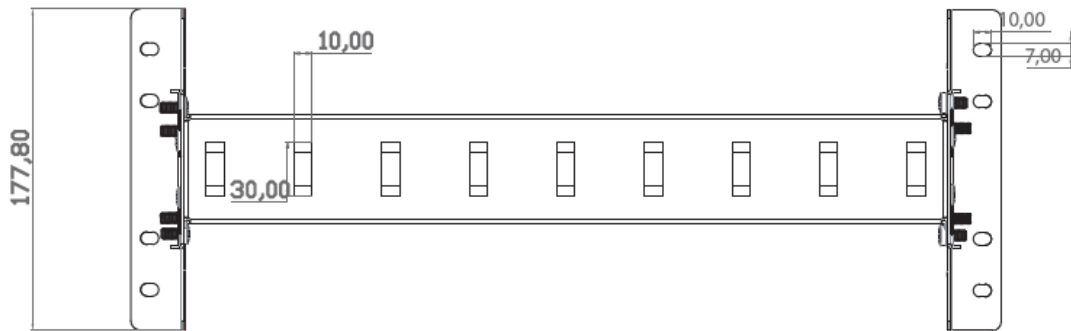
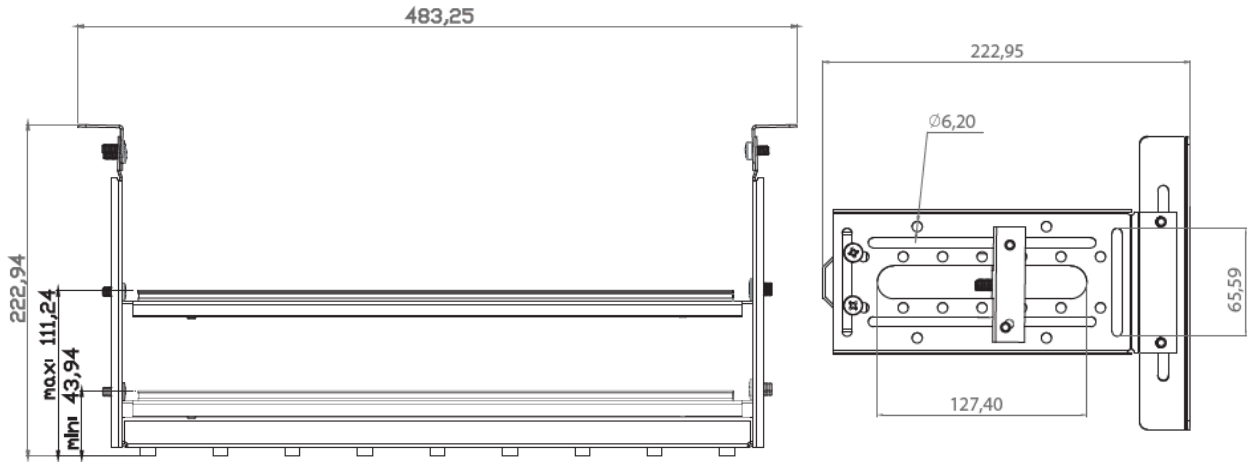
#### Product Number Information & Logistic Data

Item code	Product Dimensions (HxWxD) in mm	Packaging Dimensions (HxWxD) in mm	Net weight in kg	Gross weight in kg
DN-19-DIN-4U	178 x 483 x 223 mm	200 x 500 x 240 mm	1.6 kg	3.5 kg

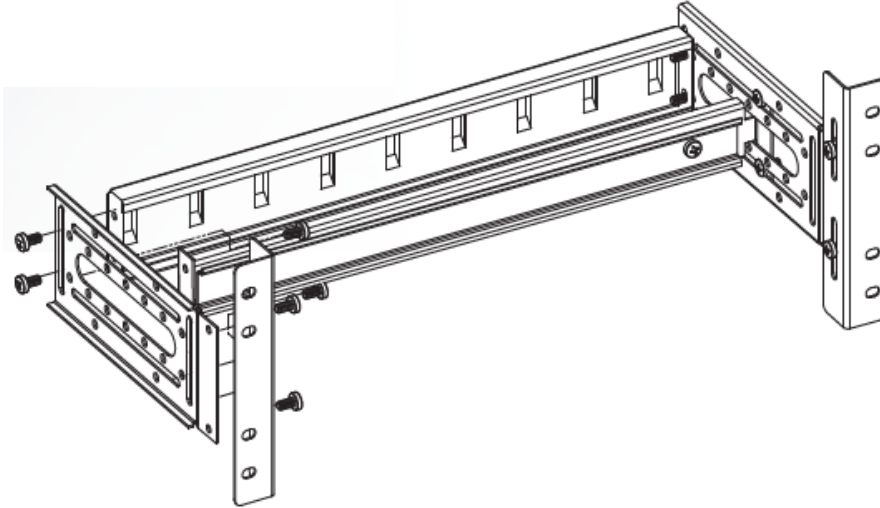
#### Product Images



## Technical Drawings



**DIN Rail vertically**



**DIN Rail horizontally**

