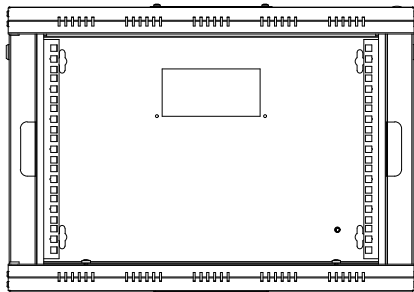


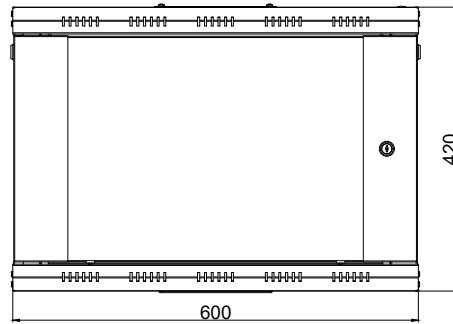


DN-19 07-U	(4016032135203)
DN-19 07-U-SW	(4016032257639)
DN-19 07U-6/6	(4016032190103)
DN-19 07U-6/6-SW	(4016032257622)
DN-19 09-U	(4016032135210)
DN-19 09-U-SW	(4016032257653)
DN-19 09U-6/6	(4016032157519)
DN-19 09U-6/6-SW	(4016032257646)
DN-19 12-U	(4016032135227)
DN-19 12-U-SW	(4016032179825)

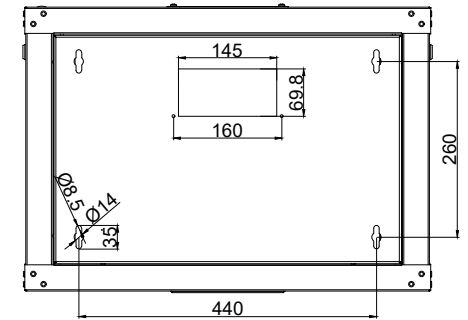
DN-19 12U-6/6	(4016032180517)
DN-19 12U-6/6-SW	(4016032257660)
DN-19 16-U	(4016032135234)
DN-19 16-U-SW	(4016032257905)
DN-19 16U-6/6	(4016032174097)
DN-19 16U-6/6-SW	(4016032257677)
DN-19 20-U	(4016032205968)
DN-19 20-U-SW	(4016032257684)
DN-19 20U-6/6	(4016032205975)
DN-19 20U-6/6-SW	(4016032250579)



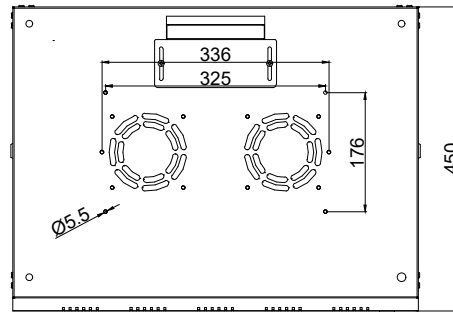
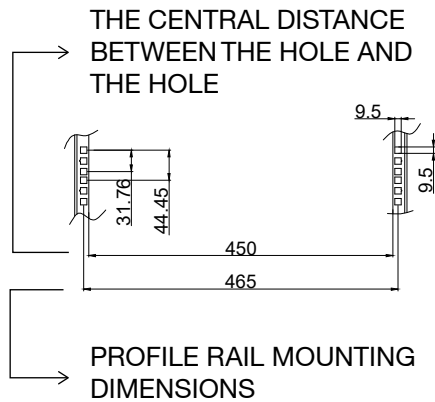
WIDTH OF WALL CABINET



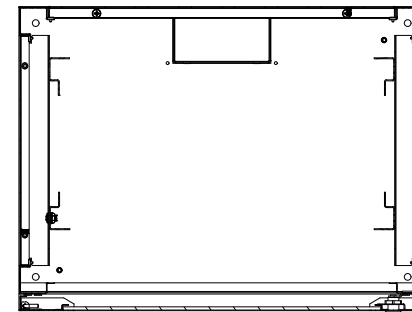
SIDE VIEW
DEPTH OF WALL CABINET



WIDTH OF HANGING HOLE



VENTILATION SLOT TYPE AND SIZES



- 7U-HEIGHT: 420 MM
- 9U-HEIGHT: 509 MM
- 12U-HEIGHT: 643 MM
- 16U-HEIGHT: 820 MM
- 20U-HEIGHT: 998 MM
- THICKNESS: 1.2 - 1.5 MM