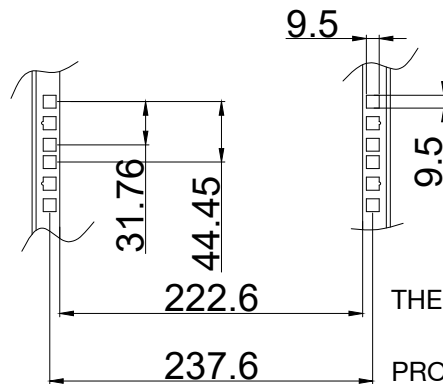
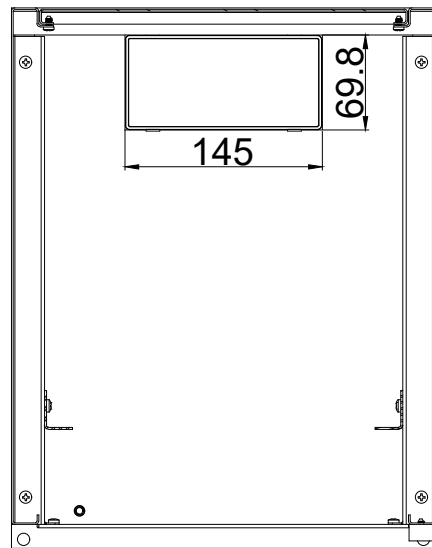
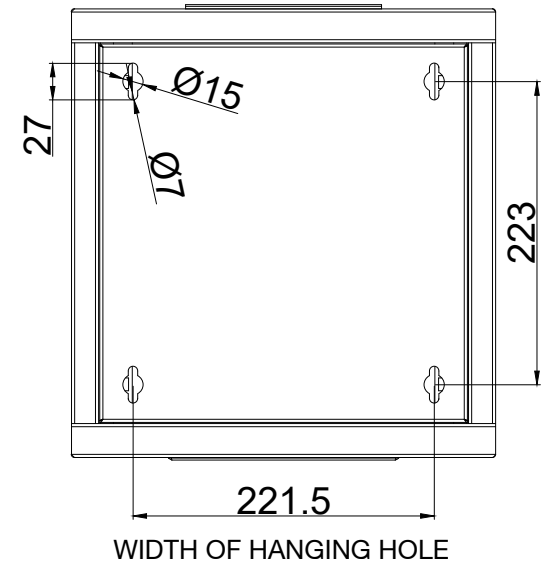
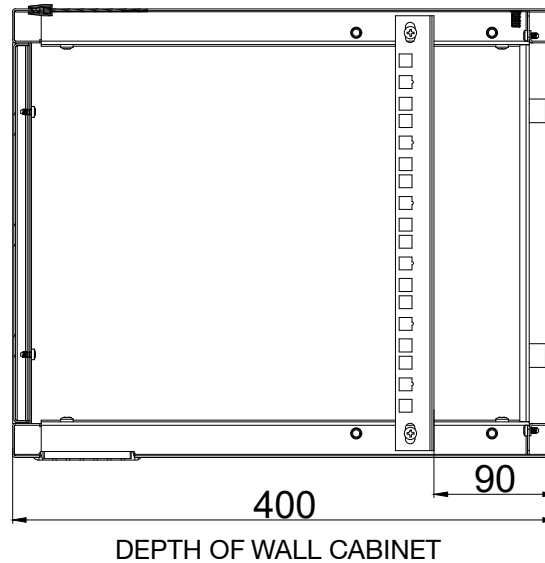


SIDE VIEW



THE CENTRAL DISTANCE BETWEEN THE HOLE AND THE HOLE

PROFILE RAIL MOUNTING DIMENSIONS

6U-HEIGHT: 330 MM  
THICKNESS: 1.2 MM