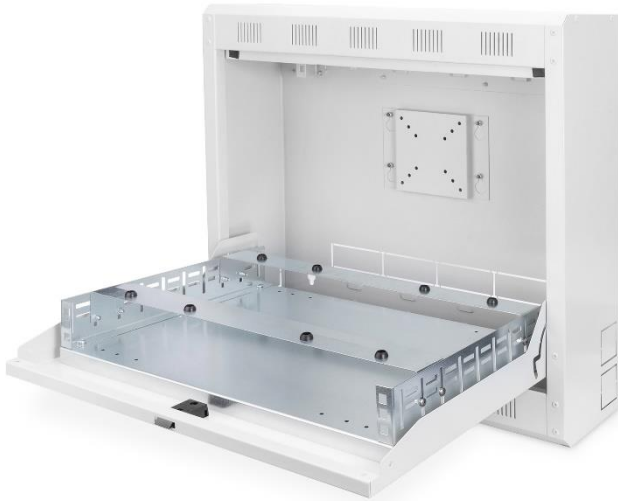




## Wall Mounting Cabinet for DVR



- ✓ Bracket for 482.6 mm (19") & DVR
- ✓ Screen fixation bracket for up to 12"
- ✓ 2U bracket for PDU
- ✓ Door stop mechanism

### Abstract

Wall Mounting Cabinet for DVR (Digital Video Recorder), 550 x 580 x 160 mm, color grey (RAL 7035)

### Features

- Lockable, swing-out front door with 90° door stop mechanism
- 482.6 mm (19") mounting bracket on the inner door for DVR device
- Additional adjustable fixation bracket with rubber bumpers for DVR devices which are not 482.6 mm (19") mountable
- 482.6 mm (19") 2U mounting bracket for PDU assembly on inside top
- 12" screen fixation on inner rear wall
- Various pre-punched cable entries on every direction
- Ventilation slots for passive cooling of the devices
- Load capacity of up to 50 kg

### Product Overview

The DIGITUS wall mounting cabinet protects your video control system of unauthorized access.

It can be used for any networking, security, DVR, sound, paging or patching applications.

With the mounting brackets you can easily fix your device, no matter if it is capable for 482.6 mm (19") mounting or not. Soft rubber bumpers on the adjustable fixation bracket will keep your device on its exact position without damage during opening and closing the door. You can also install a screen inside of the cabinet with the 12" fixation bracket on the rear wall. To connect all your installed components with power there is a 482.6 mm (19") 2U bracket added on the inner top side to fix a PDU (power distribution unit). Various cable entries on every direction will ensure an easy cable management.



### Product Number Information

| Item code | Product dimensions<br>(H x W x D) | Packaging dimensions<br>(H x W x D) | Weight (net / gross)<br>in kg |
|-----------|-----------------------------------|-------------------------------------|-------------------------------|
| DN-DVR-1  | 550 x 580 x 160 mm                | 180 x 560 x 590 mm                  | 15 kg / 16 kg                 |

### Product Images



## Technical Drawings

