



## Workstation Wall Mounting Cabinet



- ✓ Slim wall mounting workstation
- ✓ Two compartments for components
- ✓ Safety class: IP20
- ✓ Cable entry holes

### Abstract

Workstation wall mounting cabinet, two compartments, 650 x 750 x 150 mm, color grey (RAL 7035)

### Features

- Safety class IP20
- Load capacity: 80 kg
- Upper compartment door serves as folding table e.g. for laptop and mouse
- Two shelves for additional material storage
- Folding table dimensions: 20 x 700 x 410 mm
- Inner dimensions lower compartment: 110 x 685 x 120 mm
- Cable entry holes on the bottom side
- Color grey (RAL 7035)

### Product Overview

The Workstation Wall Mounting Cabinet from DIGITUS® is made primarily to serve as slim workstation e.g. in the office area, warehouses, hospitals, laboratories, hotels or conference rooms, etc. It is separated into two sections. The first compartment can be used as table for laptops, furthermore there are two shelves for additional material storage. There are cable entry holes on the bottom sides so the lower compartment can be used for storage of cables, PDU, router, etc.

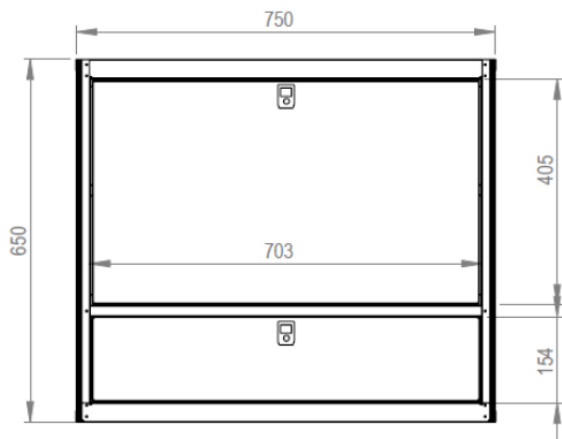
### Product Number Information

Item code	Color	Product dimensions H x W x D in mm	Packaging dimensions H x W x D in mm	Weight (net/gross)
DN-39009	Grey (RAL 7035)	650 x 750 x 150 mm	675 x 760 x 170 mm	16.4 kg / 17.6 kg

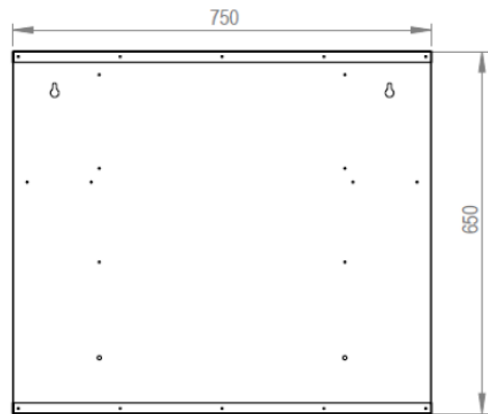
## Product Images



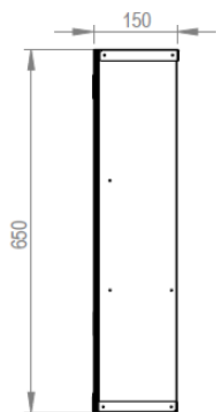
## Technical Drawings



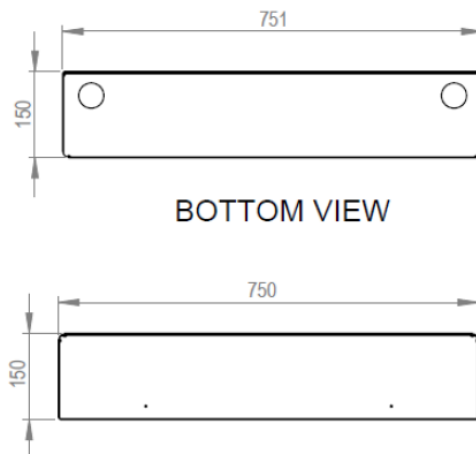
FRONT VIEW



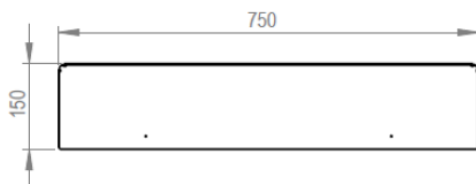
REAR VIEW



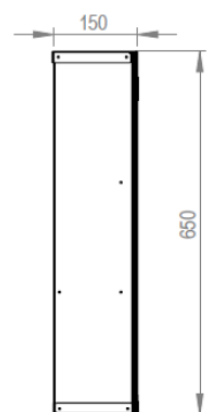
LEFT SIDE VIEW



BOTTOM VIEW



TOP VIEW



RIGHT VIEW