

Mobile Workstation Cabinet



✓ Mobile workstation with castors

✓ Three separated units for components

✓ Safety class IP20

✓ Air ventilation slots

Abstract

Mobile workstation cabinet, slim version, 1800 x 600 x 600 mm, three lockable compartments

Features

- Safety class IP20
- Load capacity: 200 kg
- Cabinet is completely mounted
- Air ventilation slots for hot air escape
- Screen compartment with metal framed safety glass door
- Lockable keyboard compartment with cable holes left and right
- Compartment for active devices lockable on both sides
- Incl. assembled fixed shelf
- Inner dimensions screen compartment: 425 x 520 x 325 mm
- Inner dimensions keyboard compartment: 125 x 520 x 325 mm
- Inner dimensions component compartment: 910 x 500 x 275 mm
- Incl. 4 pieces of castors already pre-configured under the cabinet
- Main body color grey (RAL 7035), screen-and keyboard compartment door color blue grey (RAL 7031)

Product Overview

The mobile workstation cabinets from DIGITUS® are made primarily to serve as a mobile workstation e.g. in the office area, warehouses, hospitals, laboratories, hotels or conference rooms, etc. Each cabinet is separated into three units. The lockable screen box is used to store a monitor or similar. A lockable keyboard box ensures a safe storage of your input devices when not in use and with holes on both sides it can be used with connected devices when locked for daily work. The base of the workstation cabinet is equipped with lockable doors on both sides and with an assembled shelf. You can store your printer or various other accessories inside. Furthermore, every workstation cabinet is outfitted with a folding table for convenient daily usage. Each cabinet consists of up to 1.5 mm strong steel sheet material which ensures a very good stability as a robust steel construction due to special plate curving technique. The color is created by powder coating in grey (RAL 7035) and blue grey (RAL 7031).



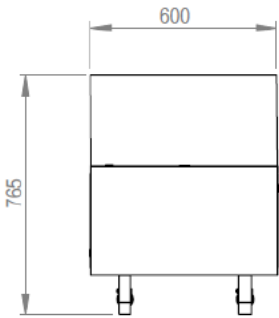
Product Number Information

Item code	Color	Product dimensions H x W x D in mm	Packaging dimensions H x W x D in mm	Weight (net/gross)
DN-39007	Grey (RAL 7035) Blue grey (RAL 7031)	1800 x 600 x 600 mm	1850 x 615 x 600 mm	48.6 kg / 51 kg

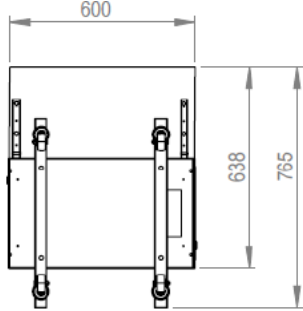
Product Images



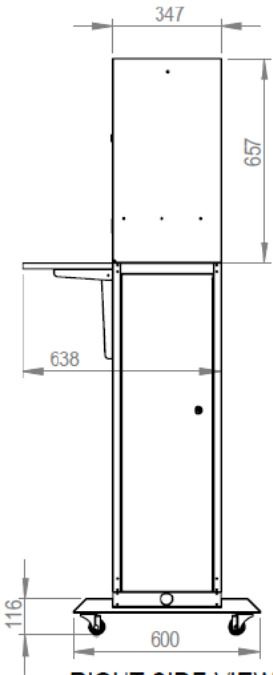
Technical Drawings



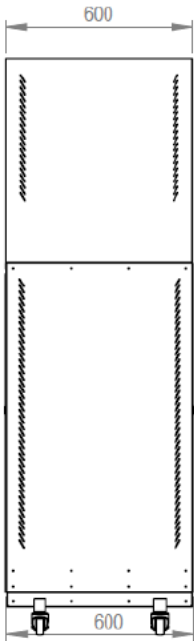
TOP VIEW



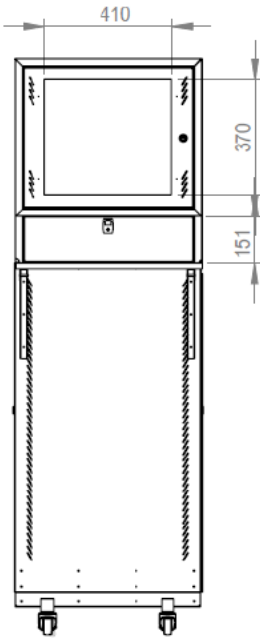
BOTTOM VIEW



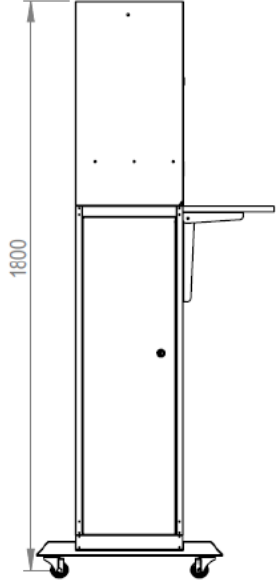
RIGHT SIDE VIEW



REAR VIEW



FRONT VIEW



LEFT SIDE VIEW