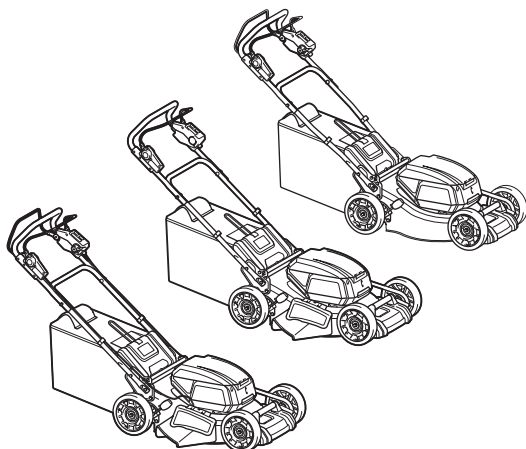
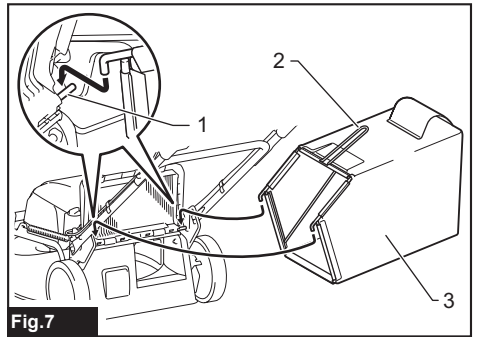
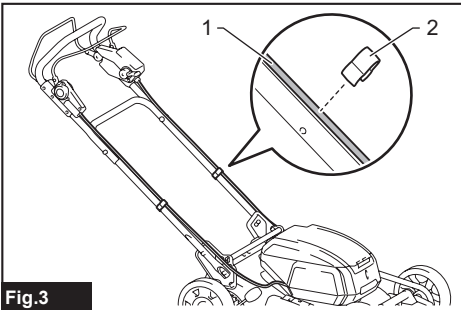
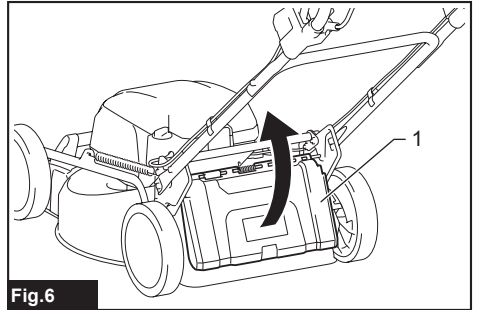
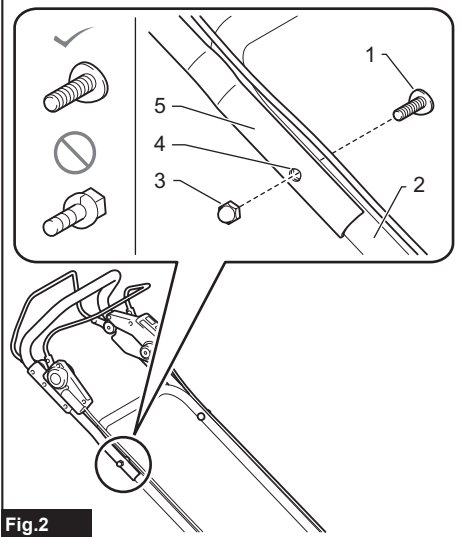
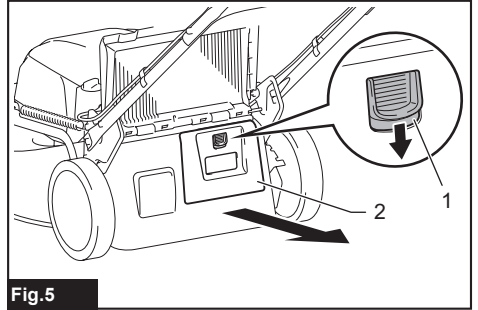
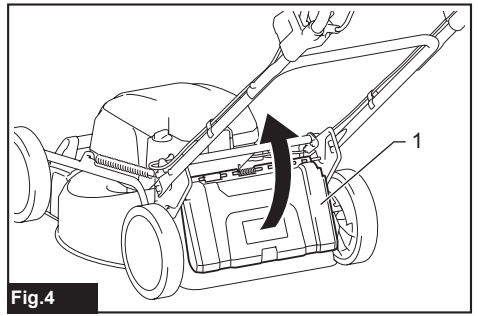
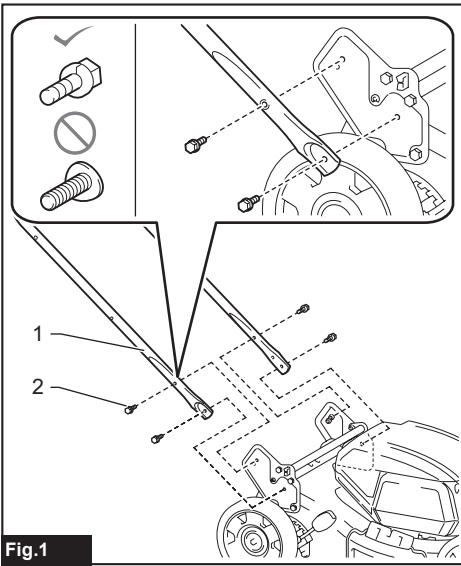




EN	Cordless Lawn Mower	INSTRUCTION MANUAL	9
PL	Akumulatorowa kosiarka do trawy	INSTRUKCJA OBSŁUGI	21
HU	Vezeték nélküli fűnyíró	HASZNÁLATI KÉZIKÖNYV	34
SK	Akumulátorová kosačka	NÁVOD NA OBSLUHU	47
CS	Akumulátorová sekačka na trávu	NÁVOD K OBSLUZE	59
UK	Бездротова газонокосарка	ІНСТРУКЦІЯ З ЕКСПЛУАТАЦІЇ	71
RO	Mașină de tuns iarba fără cablu	MANUAL DE INSTRUCȚIUNI	85
DE	Akku Rasenmäher	BETRIEBSANLEITUNG	98

DLM462
DLM530
DLM532





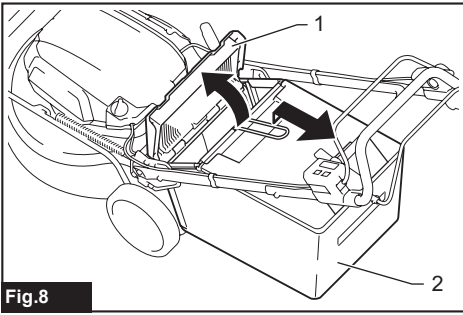


Fig.8

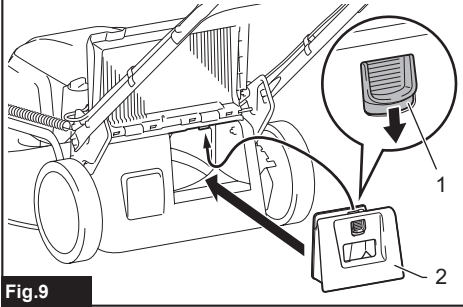


Fig.9

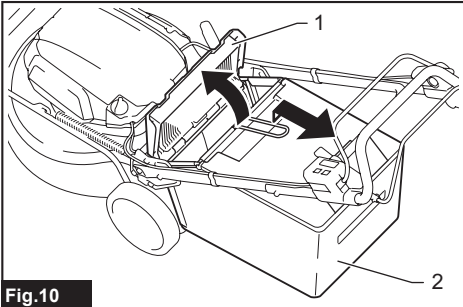


Fig.10

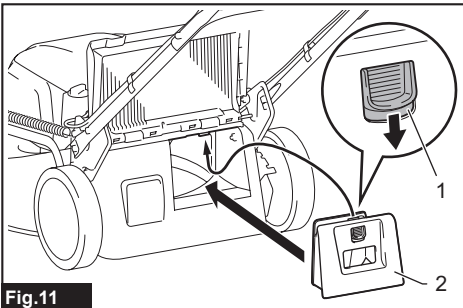


Fig.11

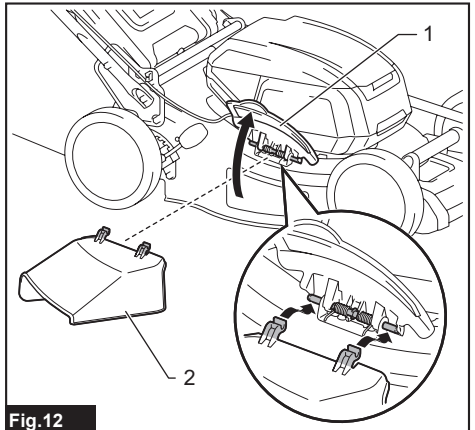


Fig.12

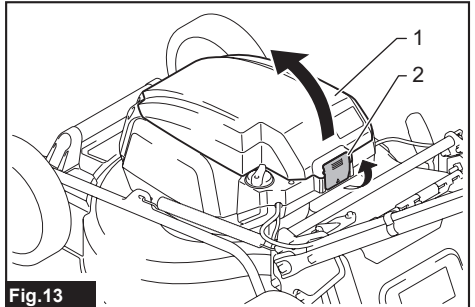


Fig.13

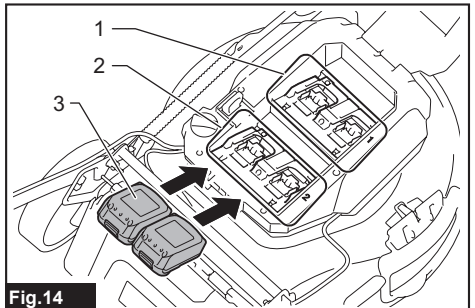


Fig.14

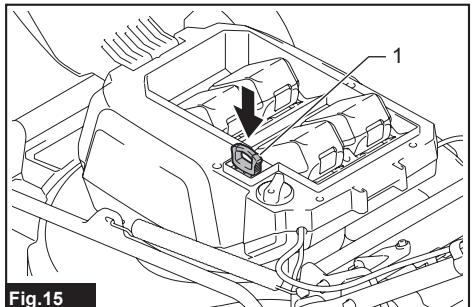


Fig.15

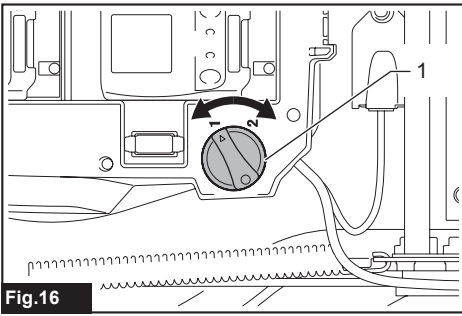


Fig.16

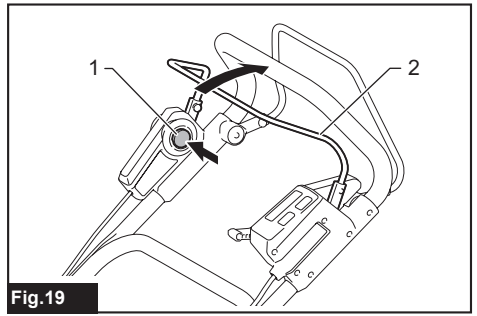


Fig.19

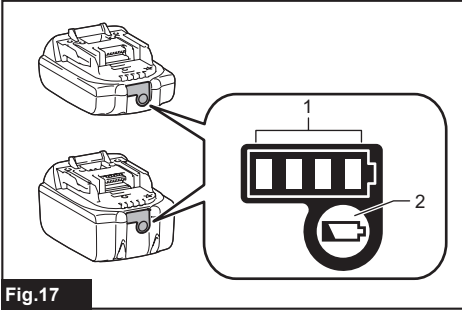


Fig.17

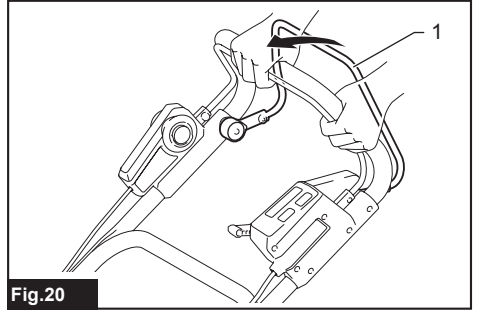


Fig.20

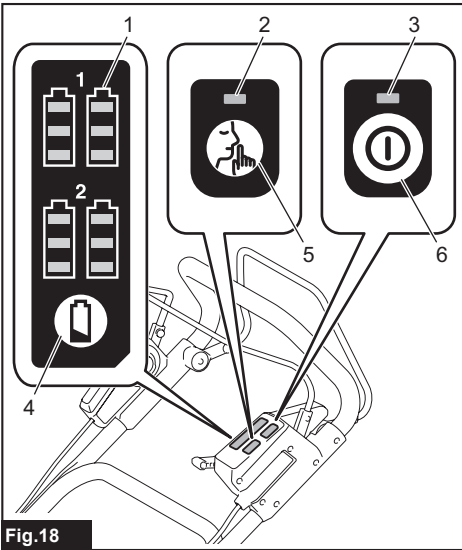


Fig.18

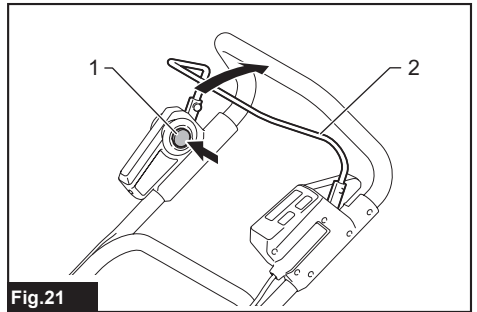


Fig.21

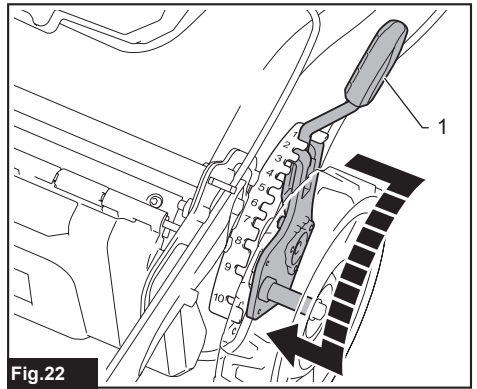


Fig.22

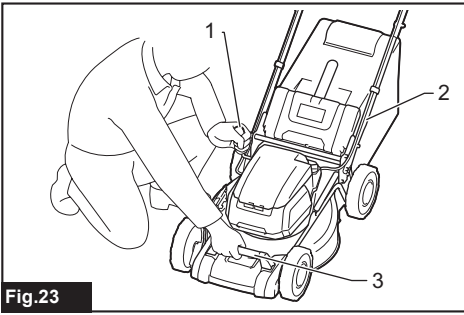


Fig.23

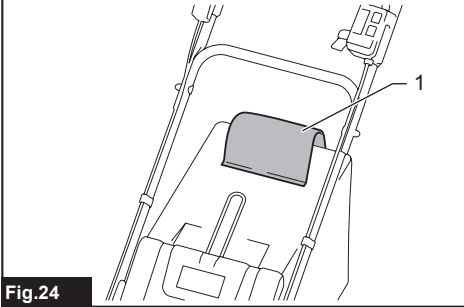


Fig.24

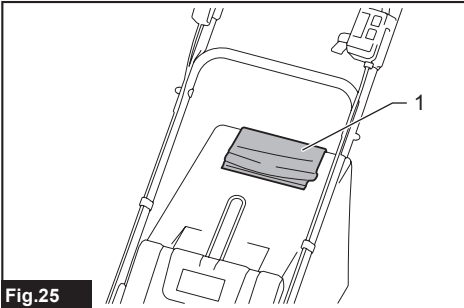


Fig.25

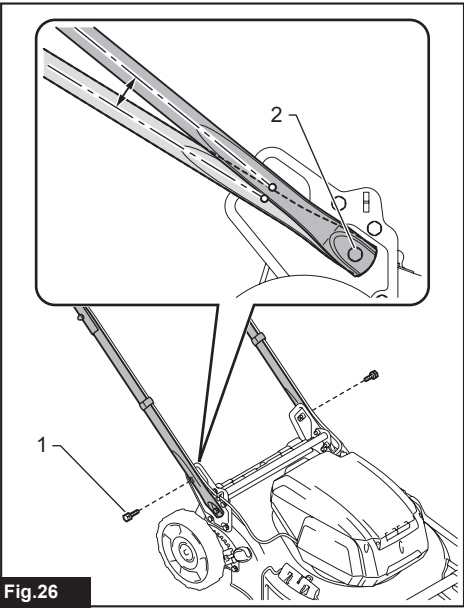


Fig.26

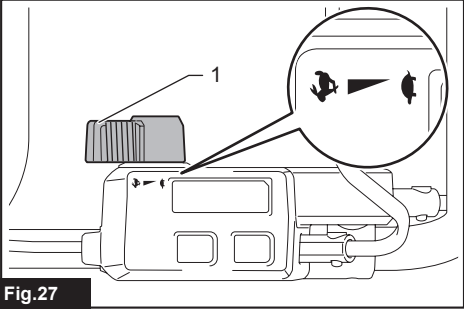


Fig.27

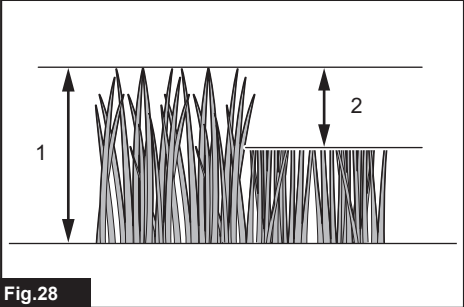


Fig.28



Fig.29

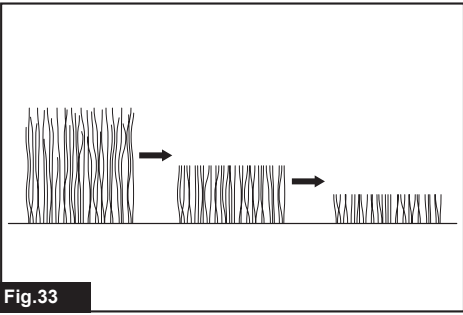


Fig.33

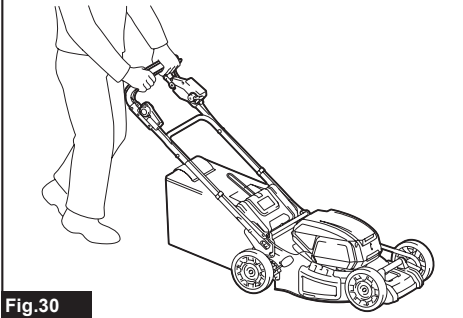


Fig.30

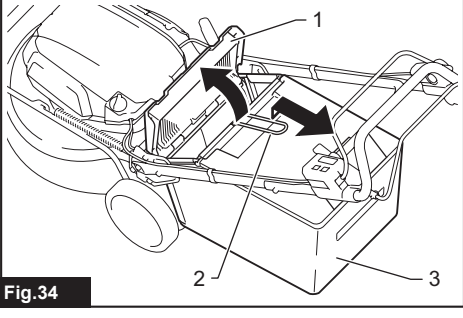


Fig.34

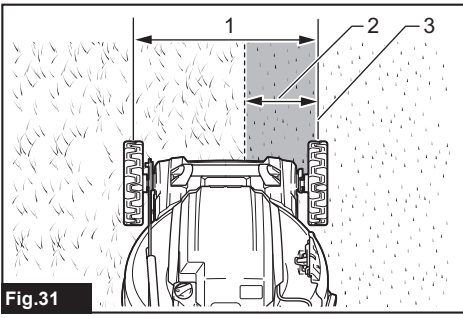


Fig.31

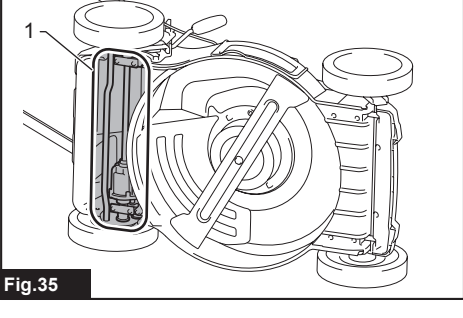


Fig.35

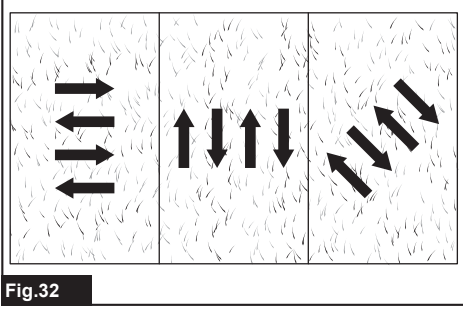


Fig.32

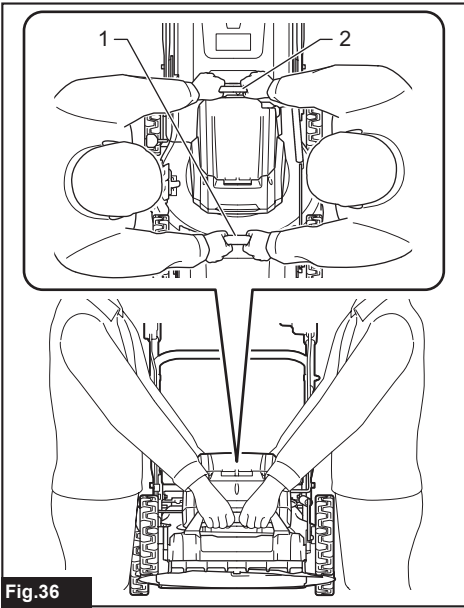


Fig.36

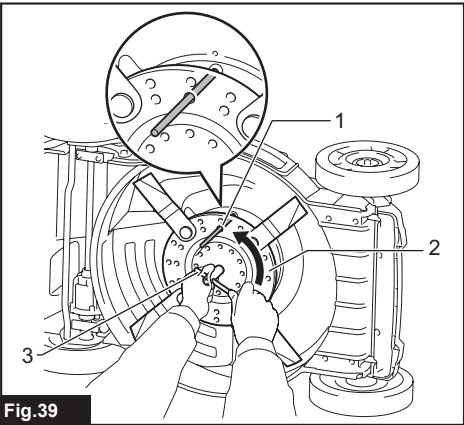


Fig.39

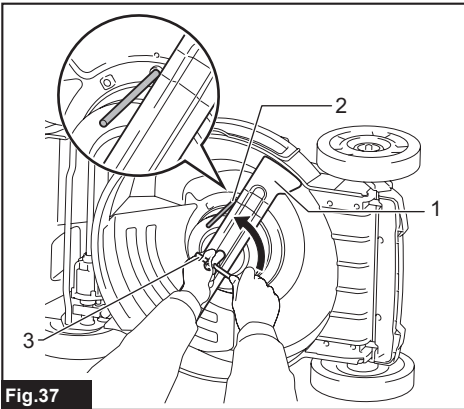


Fig.37

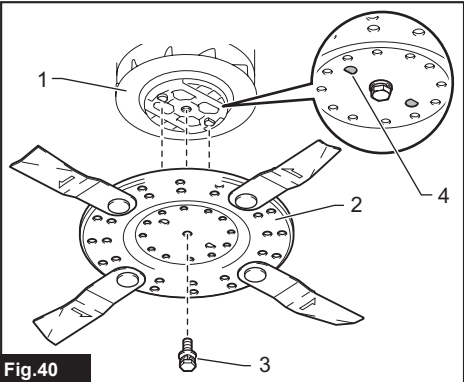


Fig.40

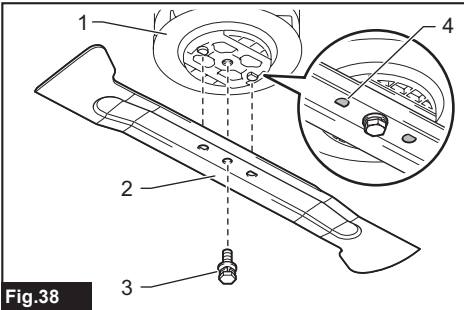


Fig.38

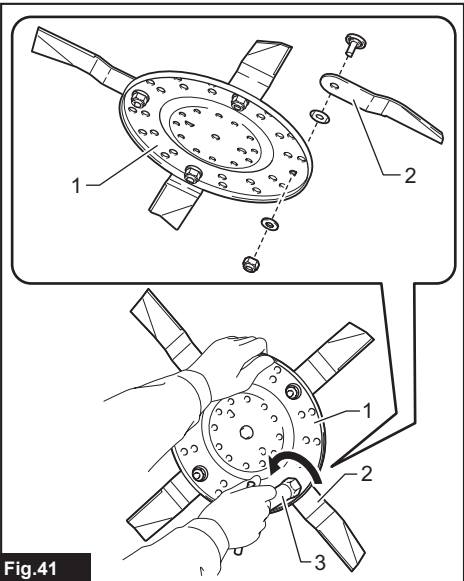


Fig.41

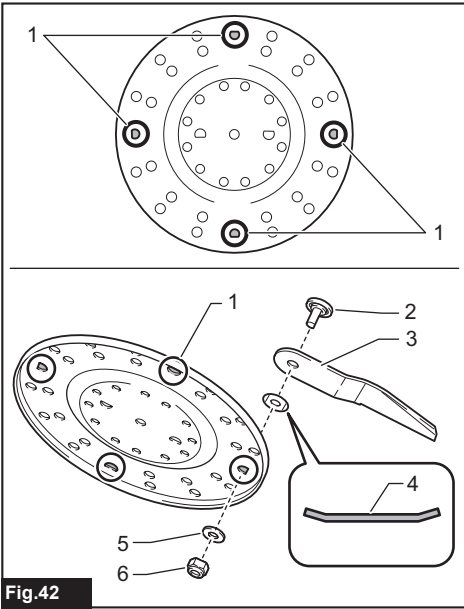


Fig.42

SPECIFICATIONS

Model:		DLM462	DLM530	DLM532
Mowing width (blade diameter)		460 mm	534 mm	
No load speed		2,500 min ⁻¹	2,300 min ⁻¹	
Maximum speed		3,300 min ⁻¹	2,800 min ⁻¹	
Part number of replacement mower blade	Straight mower blade	191D51-9	191D52-7	
	Swing back mower blades *1	191D49-6	191D50-1	
	Swing back mower blades *2	191D47-0	191D48-8	
Dimensions (L x W x H)		L: 1,610 mm to 1,690 mm W: 535 mm H: 980 mm to 1,095 mm	L: 1,630 mm to 1,715 mm W: 590 mm H: 990 mm to 1,095 mm	
Traveling speed		2.5 - 5.0 km/h	–	2.5 - 5.0 km/h
Rated voltage		D.C. 36 V		
Net weight	When straight mower blade is installed	35.3 - 39.0 kg	35.5 - 39.3 kg	39.0 - 42.8 kg
	When swing back mower blades are installed	36.0 - 39.7 kg	36.2 - 40.0 kg	39.7 - 43.5 kg
Protection degree		IPX4		

*1. Base plate and individual mower blades.

*2. Individual mower blades only.

- Due to our continuing program of research and development, the specifications herein are subject to change without notice.
- Specifications may differ from country to country.
- The weight may differ depending on the attachment(s), including the battery cartridge. The lightest and heaviest combination, according to EPTA-Procedure 01/2014, are shown in the table.

Applicable battery cartridge







BL1815N / BL1820 / BL1820B / BL1830 / BL1830B / BL1840 / BL1840B / BL1850 / BL1850B / BL1860B




- Some of the battery cartridges listed above may not be available depending on your region of residence.

⚠WARNING: Only use the battery cartridges listed above. Use of any other battery cartridges may cause injury and/or fire.

Symbols

The followings show the symbols used for the equipment. Be sure that you understand their meaning before use.

	Take particular care and attention.
	Read instruction manual.
	Danger; be aware of thrown objects.
	The distance between the tool and bystanders must be at least 15 m.
	Never put your hands and feet near the blade under the mower. Blades continue to rotate after the motor is switched off.
	Remove the lock key before inspecting, adjusting, cleaning, servicing, leaving and storing the mower.

	Electrical hazard. Contact with water can cause electric shock.
	Do not pour water.
	Only for EU countries Do not dispose of electric equipment or battery pack together with household waste material! In observance of the European Directives, on Waste Electric and Electronic Equipment and Batteries and Accumulators and their implementation in accordance with national laws, electric equipment and batteries and battery pack(s) that have reached the end of their life must be collected separately and returned to an environmentally compatible recycling facility.

Intended use

The machine is intended for lawn mowing.

Noise

The typical A-weighted noise level determined according to EN60335-2-77:

NOTE: The values have been measured with the mower equipped with the straight mower blade.

Model DLM462

Sound pressure level (L_{pA}): 82.7 dB(A)

Sound power level (L_{WA}): 90.9 dB (A)

Uncertainty (K): 3 dB(A)

Model DLM530

Sound pressure level (L_{pA}): 78.1 dB(A)

Sound power level (L_{WA}): 90.4 dB (A)

Uncertainty (K): 3 dB(A)

Model DLM532

Sound pressure level (L_{pA}): 78.1 dB(A)

Sound power level (L_{WA}): 90.4 dB (A)

Uncertainty (K): 3 dB(A)

The noise level under working may exceed 80 dB (A).

NOTE: The declared noise emission value(s) has been measured in accordance with a standard test method and may be used for comparing one tool with another.

NOTE: The declared noise emission value(s) may also be used in a preliminary assessment of exposure.

⚠ WARNING: Wear ear protection.

⚠ WARNING: The noise emission during actual use of the power tool can differ from the declared value(s) depending on the ways in which the tool is used especially what kind of workpiece is processed.

⚠ WARNING: Be sure to identify safety measures to protect the operator that are based on an estimation of exposure in the actual conditions of use (taking account of all parts of the operating cycle such as the times when the tool is switched off and when it is running idle in addition to the trigger time).

Vibration

The vibration total value (tri-axial vector sum) determined according to EN60335-2-77:

NOTE: The values have been measured with the mower equipped with the straight mower blade.

Model DLM462

Vibration emission (a_h): 2.5 m/s² or less

Uncertainty (K): 1.5 m/s²

Model DLM530

Vibration emission (a_h): 2.5 m/s² or less

Uncertainty (K): 1.5 m/s²

Model DLM532

Vibration emission (a_h): 2.5 m/s² or less

Uncertainty (K): 1.5 m/s²

NOTE: The declared vibration total value(s) has been measured in accordance with a standard test method and may be used for comparing one tool with another.

NOTE: The declared vibration total value(s) may also be used in a preliminary assessment of exposure.

⚠ WARNING: The vibration emission during actual use of the power tool can differ from the declared value(s) depending on the ways in which the tool is used especially what kind of workpiece is processed.

⚠ WARNING: Be sure to identify safety measures to protect the operator that are based on an estimation of exposure in the actual conditions of use (taking account of all parts of the operating cycle such as the times when the tool is switched off and when it is running idle in addition to the trigger time).

EC Declaration of Conformity

For European countries only

The EC declaration of conformity is included as Annex A to this instruction manual.

SAFETY WARNINGS

IMPORTANT SAFETY INSTRUCTIONS

⚠ WARNING: Read all safety warnings and all instructions. Failure to follow the warnings and instructions may result in electric shock, fire and/or serious injury.

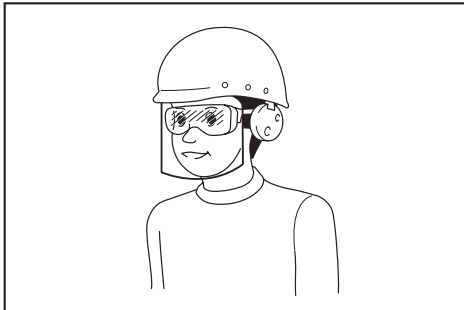
Save all warnings and instructions for future reference.

Training

1. Read the instructions carefully. Be familiar with the controls and the proper use of the mower.
2. Never allow children or people unfamiliar with these instructions to use the mower. Local regulations can restrict the age of the operator.
3. Never operate the mower while people, especially children, or pets are nearby.
4. Keep in mind that the operator or user is responsible for accidents or hazards occurring to other people or their property.
5. Children should be supervised to ensure that they do not play with the mower.
6. Physical condition - Do not operate mower while under the influence of drugs, alcohol, or any medication.

Preparation

1. While operating the mower, always wear substantial footwear and long trousers. Do not operate the mower when barefoot or wearing open sandals. Avoid wearing clothing or jewelry that is loose fitting or that has hanging cords or ties. They can be caught in moving parts.
2. Before use, always visually inspect the mower for damaged, missing or misplaced guards or shields.
3. Be sure the area is clear of other people before mowing. Stop mower if anyone enters the area.
4. Do not insert the lock key into mower until it is ready to be used.
5. Always wear protective goggles to protect your eyes from injury when using power tools. The goggles must comply with ANSI Z87.1 in the USA, EN 166 in Europe, or AS/NZS 1336 in Australia/New Zealand. In Australia/New Zealand, it is legally required to wear a face shield to protect your face, too.



It is an employer's responsibility to enforce the use of appropriate safety protective equipments by the tool operators and by other persons in the immediate working area.

6. Check the blades or blade bolts carefully for cracks or damage before operation. Replace cracked or damaged blades or blade bolts immediately.
7. Remove foreign matters such as rocks, wire, bottles, bones and large sticks from the work area before mowing to prevent personal injury or damage to the mower.
8. Objects struck by the mower blade can cause severe injuries to persons. The lawn should always be carefully examined and cleared of all objects prior to each mowing.
9. Watch for holes, ruts, bumps, rocks, or other hidden objects. Uneven terrain could cause a slip and fall accident. Tall grass can hide obstacles.
10. Do not insert or remove the lock key in the rain.
11. Use personal protective equipment. Always wear eye protection. Protective equipment such as a dust mask, non-skid safety shoes, hard hat or hearing protection used for appropriate conditions will reduce personal injuries.

Operation

1. Do not overreach. Keep the balance at all times. Always be sure of the footing on slopes. Walk, never run.
2. Stop the mower and remove the lock key, and make sure that all moving parts have come to a complete stop:
 - whenever you leave the mower,
 - before clearing blockages or unclogging chute,
 - before checking, cleaning or working on the mower,
 - after striking a foreign object. Inspect the mower for damage and make repairs before restarting and operating the mower,
 - whenever the mower starts vibrating abnormally.
3. Never operate the mower with defective guards or shields, or without safety devices, for example deflectors and/or grass basket, in place.
4. Avoid using the mower in bad weather conditions especially when there is a risk of lightning.
5. Wear eye protection and stout shoes at all times while operating the mower.
6. Operate the mower only in daylight or in good artificial light.
7. Switch on the mower carefully according to instructions and with feet well away from the blade(s).
8. Take care against injury to feet and hands from the mower blades.
9. Always ensure that the ventilation openings are kept clear of debris.
10. Mow across the face of slopes, never up and down. Exercise extreme caution when changing direction on slopes. Do not mow excessively steep slopes.
11. Use extreme caution when reversing or pulling the mower towards you.
12. Stop the blade(s) if the mower has to be tilted for transportation when crossing surfaces other than grass, and when transporting the mower to and from the area to be used.
13. Do not tilt the mower when switching on the motor, except if the mower has to be tilted for starting. In this case, do not tilt it more than absolutely necessary and lift only the part, which is away from the operator. Always ensure that both hands are in the operating position before returning the mower to the ground.
14. Do not put hands or feet near or under rotating parts. Keep clear of the discharge opening at all times.
15. Do not transport the mower while the mower is turned on.
16. Avoid operating the mower in wet grass.
17. Always keep a firm hold on the handle.
18. Don't grasp the exposed cutting blades or cutting edges when picking up or holding the mower.

19. **Keep hands and feet away from rotating blades. Caution - Blades coast after the mower is switched off.**
 20. **Stop operation immediately if you notice anything unusual. Switch off the mower and remove the lock key. Then inspect the mower.**
 21. **Never attempt to make cutting height adjustments while mower is running if the mower has cutting height adjustment feature.**
 22. **Release switch lever and wait for blade rotation to stop before crossing driveways, walks, roads, and any gravel-covered areas. Also remove the lock key if you leave the mower, reach to pick up or remove something out of your way, or for any other reason that may distract you from what you are doing.**
 23. **If the mower strikes a foreign object, follow these steps:**
 - Stop the mower, release the switch lever and wait until the blade comes to a complete stop.
 - Remove the lock key and the battery cartridge.
 - Thoroughly inspect the mower for any damage.
 - Replace the blade if it is damaged in any way.**Repair any damage before restarting and continuing to operate the mower.**
 24. **Do not start the mower when standing in front of the discharge opening.**
 25. **If the mower starts to vibrate abnormally (check immediately)**
 - inspect for damage,
 - replace or repair any damaged parts,
 - check for and tighten any loose parts.
 26. **Never direct discharged material toward anyone. Avoid discharging material against a wall or obstruction. Material may ricochet back toward the operator. Stop the blade when crossing gravel surfaces.**
 27. **Do not pull the mower backwards unless absolutely necessary.** When you are compelled to back the mower from a fence or other similar obstruction, look down and behind before and while moving backwards.
 28. **Shut the motor off and wait until the blade comes to a complete stop before removing the grass catcher.** Beware that the blades coast after turn off.
 29. **When you use the machine on muddy ground, wet slope, or slippery place, pay attention to your footing.**
 30. **Avoid working in poor environment where increased user fatigue is expected.**
 31. **Do not use the machine in bad weather where visibility is limited.** Failure to do so may cause fall or incorrect operation due to low visibility.
 32. **Do not submerge the machine into a puddle.**
 33. **When wet leaves or dirt adhere to the suction mouth (ventilation window) due to rain, remove them.**
 34. **Do not use the machine in the snow.**
 35. **If the cut-off grass is wet, it is likely to be clogged inside of the machine. Check the condition of the machine regularly, and remove the adhered grass as necessary.**
 36. **When operating the machine, pay attention to piping and wiring.**
 37. **Do not use a corded power supply such as battery adapter or portable power pack with this machine.** The cable of such power supply may hinder the operation and result in personal injury.
- ### Maintenance and storage
1. **Replace worn or damaged parts for safety. Use only genuine replacement parts and accessories.**
 2. **Inspect and maintain the mower regularly.**
 3. **When not in use, store the mower out of the reach of children.**
 4. **Keep all nuts, bolts, and screws tight to be sure the equipment is in safe working condition.**
 5. **Check the grass basket frequently for wear or deterioration. For storage, always make sure the grass basket is empty. Replace a worn grass basket with a new factory replacement for safety.**
 6. **Use only the manufacturer genuine blades specified in this manual.**
 7. **Be careful during adjustment of the mower to prevent entrapment of the fingers between moving blades and fixed parts of the mower.**
 8. **Check the blade mounting bolt at frequent intervals for proper tightness.**
 9. **Always allow the mower to cool down before storing.**
 10. **When servicing the blades be aware that, even though the power source is switched off, the blades can still be moved.**
 11. **Never remove or tamper with safety devices. Check their proper operation regularly. Never do anything to interfere with the intended function of a safety device or to reduce the protection provided by a safety device.**
 12. **Do not leave the machine unattended outdoors in the rain.**
 13. **Do not wash the machine with high pressure water.**
 14. **When washing the machine, be sure to remove the battery and lock key and close the battery cover, and pour water toward the bottom of the machine to which the blade is attached.**
 15. **When storing the machine, avoid direct sunlight and rain, and store it in a place where it does not get hot or humid.**
 16. **Perform inspection or maintenance in a place where rain can be avoided.**
 17. **After using the machine, remove the adhered dirt and dry the machine completely before storing.** Depending on the season or the area, there is a risk of malfunction due to freezing.
- ### Battery tool use and care
1. **Recharge only with the charger specified by the manufacturer.** A charger that is suitable for one type of battery pack may create a risk of fire when used with another battery pack.
 2. **Use power tools only with specifically designated battery packs.** Use of any other battery packs may create a risk of injury and fire.
 3. **When battery pack is not in use, keep it away from other metal objects, like paper clips, coins, keys, nails, screws or other small metal objects, that can make a connection from one terminal to another.** Shorting the battery terminals together may cause burns or a fire.

4. **Under abusive conditions, liquid may be ejected from the battery; avoid contact. If contact accidentally occurs, flush with water. If liquid contacts eyes, additionally seek medical help.** Liquid ejected from the battery may cause irritation or burns.
5. **Do not use a battery pack or tool that is damaged or modified.** Damaged or modified batteries may exhibit unpredictable behaviour resulting in fire, explosion or risk of injury.
6. **Do not expose a battery pack or tool to fire or excessive temperature.** Exposure to fire or temperature above 130 °C may cause explosion.
7. **Follow all charging instructions and do not charge the battery pack or tool outside the temperature range specified in the instructions.** Charging improperly or at temperatures outside the specified range may damage the battery and increase the risk of fire.

Electrical and battery safety

1. **Do not dispose of the battery(ies) in a fire.** The cell may explode. Check with local codes for possible special disposal instructions.
2. **Do not open or mutilate the battery(ies).** Released electrolyte is corrosive and may cause damage to the eyes or skin. It may be toxic if swallowed.
3. **Do not charge battery in rain, or in wet locations.**
4. **Do not charge the battery outdoors.**
5. **Do not handle charger, including charger plug, and charger terminals with wet hands.**
6. **Do not replace the battery in the rain.**
7. **Do not wet the terminal of battery with liquid such as water, or submerge the battery. Do not leave the battery in the rain, nor charge, use, or store the battery in a damp or wet place.** If the terminal gets wet or liquid enters inside of battery, the battery may be short circuited and there is a risk of overheat, fire, or explosion.
8. **After removing the battery from the machine or charger, be sure to attach the battery cover to the battery and store it in a dry place.**
9. **Do not replace the battery with wet hands.**

Service

1. **Have your power tool serviced by a qualified repair person using only identical replacement parts.** This will ensure that the safety of the power tool is maintained.
2. **Never service damaged battery packs.** Service of battery packs should only be performed by the manufacturer or authorized service providers.

SAVE THESE INSTRUCTIONS.

⚠WARNING: DO NOT let comfort or familiarity with product (gained from repeated use) replace strict adherence to safety rules for the subject product.

MISUSE or failure to follow the safety rules stated in this instruction manual may cause serious personal injury.

Important safety instructions for battery cartridge

1. **Before using battery cartridge, read all instructions and cautionary markings on (1) battery charger, (2) battery, and (3) product using battery.**
2. **Do not disassemble battery cartridge.**
3. **If operating time has become excessively shorter, stop operating immediately. It may result in a risk of overheating, possible burns and even an explosion.**
4. **If electrolyte gets into your eyes, rinse them out with clear water and seek medical attention right away. It may result in loss of your eyesight.**
5. **Do not short the battery cartridge:**
 - (1) **Do not touch the terminals with any conductive material.**
 - (2) **Avoid storing battery cartridge in a container with other metal objects such as nails, coins, etc.**
 - (3) **Do not expose battery cartridge to water or rain.**

A battery short can cause a large current flow, overheating, possible burns and even a breakdown.

6. **Do not store the tool and battery cartridge in locations where the temperature may reach or exceed 50 °C (122 °F).**
7. **Do not incinerate the battery cartridge even if it is severely damaged or is completely worn out. The battery cartridge can explode in a fire.**
8. **Be careful not to drop or strike battery.**
9. **Do not use a damaged battery.**
10. **The contained lithium-ion batteries are subject to the Dangerous Goods Legislation requirements.** For commercial transports e.g. by third parties, forwarding agents, special requirement on packaging and labeling must be observed. For preparation of the item being shipped, consulting an expert for hazardous material is required. Please also observe possibly more detailed national regulations. Tape or mask off open contacts and pack up the battery in such a manner that it cannot move around in the packaging.
11. **When disposing the battery cartridge, remove it from the tool and dispose of it in a safe place. Follow your local regulations relating to disposal of battery.**
12. **Use the batteries only with the products specified by Makita.** Installing the batteries to non-compliant products may result in a fire, excessive heat, explosion, or leak of electrolyte.
13. **If the tool is not used for a long period of time, the battery must be removed from the tool.**

SAVE THESE INSTRUCTIONS.

⚠CAUTION: Only use genuine Makita batteries. Use of non-genuine Makita batteries, or batteries that have been altered, may result in the battery bursting causing fires, personal injury and damage. It will also void the Makita warranty for the Makita tool and charger.

Tips for maintaining maximum battery life

1. Charge the battery cartridge before completely discharged. Always stop tool operation and charge the battery cartridge when you notice less tool power.
2. Never recharge a fully charged battery cartridge. Overcharging shortens the battery service life.
3. Charge the battery cartridge with room temperature at 10 °C - 40 °C (50 °F - 104 °F). Let a hot battery cartridge cool down before charging it.
4. Charge the battery cartridge if you do not use it for a long period (more than six months).

ASSEMBLY

⚠ WARNING: Always be sure that the lock key and battery cartridge are removed before carrying out any work on the mower. Failure to remove the lock key and the battery cartridge may result in serious personal injury from accidental start-up.

⚠ WARNING: Never start the mower unless it is completely assembled. Operation of the machine in a partially assembled state may result in serious personal injury from accidental start-up.

Installing the handle

NOTICE: When installing handles, position the cords so that they are not caught by anything between the handles. If the cord is damaged, the mower switch may not work.

1. Align the holes in the lower handle with the holes in the mower body, and then tighten 4 bolts temporarily.
▶ Fig.1: 1. Lower handle 2. Bolt
2. Firmly tighten 4 bolts which were temporarily tightened in step 1 using box wrench 13.
3. Align the hole in the lower handle with the hole in the upper handle, then insert the bolt from inside, and then tighten the nut from outside with box wrench 13. Perform the same procedure on the other side.
▶ Fig.2: 1. Bolt 2. Lower handle 3. Nut 4. Hole 5. Upper handle

⚠ CAUTION: Hold the upper handle firmly so that it does not drop off your hand. Otherwise, the handle may fall and cause an injury.

4. Attach the holders to the handle.

Align the protrusions on the holder with the holes on the handle so that the protrusions fit in the holes. Position the cords as shown in the figure.

▶ Fig.3: 1. Cord 2. Holder

Removing the mulching plug

1. Open the rear cover.
▶ Fig.4: 1. Rear cover
2. Remove the mulching plug while holding down the lever.
▶ Fig.5: 1. Lever 2. Mulching plug

Installing or removing the grass basket

To install the grass basket, follow the steps below.

1. Open the rear cover.
▶ Fig.6: 1. Rear cover
2. Hold the handle of the grass basket, and then hook the grass basket on the rod of the mower body as shown in the figure.
▶ Fig.7: 1. Rod 2. Handle 3. Grass basket

To remove the grass basket, open the rear cover, and then remove the grass basket by holding the handle.

Attaching the mulching plug

1. Open the rear cover, and then remove the grass basket.
▶ Fig.8: 1. Rear cover 2. Grass basket
2. Attach the mulching plug while holding down the lever, and then release the lever to lock the mulching plug.
▶ Fig.9: 1. Lever 2. Mulching plug

Attaching the discharge attachment

For DLM530/DLM532

1. Open the rear cover, and then remove the grass basket.
▶ Fig.10: 1. Rear cover 2. Grass basket
2. Attach the mulching plug while holding down the lever, and then release the lever to lock the mulching plug.
▶ Fig.11: 1. Lever 2. Mulching plug
3. Open the right side cover, and then attach the discharge attachment.
Insert the hooks of the discharge attachment under the rod of the right side cover.
▶ Fig.12: 1. Right side cover 2. Discharge attachment

FUNCTIONAL DESCRIPTION

Installing or removing battery cartridge

⚠ CAUTION: Always switch off the machine before installing or removing of the battery cartridge.

⚠ CAUTION: Hold the machine and the battery cartridge firmly when installing or removing battery cartridge. Failure to hold the machine and the battery cartridge firmly may cause them to slip off your hands and result in damage to the machine and battery cartridge and a personal injury.

⚠ CAUTION: Make sure that you lock the battery cover before use. Otherwise, mud, dirt, or water may cause damage to the product or the battery cartridge.

⚠ CAUTION: Always install the battery cartridge fully until the red indicator cannot be seen. If not, it may accidentally fall out of the machine, causing injury to you or someone around you.

⚠ CAUTION: Do not install the battery cartridge forcibly. If the cartridge does not slide in easily, it is not being inserted correctly.

NOTE: The machine does not work with only one battery cartridge.

To install the battery cartridge;

1. Pull up the locking lever, and then open the battery cover.

▶ **Fig.13:** 1. Battery cover 2. Locking lever

2. Align the tongue on the battery cartridge with the slot on the machine, and then slide the cartridge until it locks in place with a little click.

▶ **Fig.14:** (1) Battery port 1 (2) Battery port 2 (3) Battery cartridge

NOTE: Install at least 2 battery cartridges to battery port 1 or battery port 2.

3. Insert the lock key in the place shown in the figure as far as it will go.

▶ **Fig.15:** 1. Lock key

4. Close the battery cover and push it until it is latched with the locking lever.

To remove the battery cartridge;

1. Pull up the locking lever and open the battery cover.

2. Pull out the battery cartridge from the machine while sliding the button on the front of the cartridge.

3. Pull out the lock key.

4. Close the battery cover.

Switching the battery cartridges

▶ **Fig.16:** 1. Battery selection switch

The machine uses 2 battery cartridges for operation at a time. Up to 4 battery cartridges can be installed to the machine. Before operating the machine, select the battery port 1 or battery port 2 by turning the battery selection switch.

NOTE: If only 2 battery cartridges are installed to the machine, be sure to select the battery port to which the battery cartridges are installed using the battery selection switch.

Machine / battery protection system

The machine is equipped with a machine/battery protection system. This system automatically cuts off power to the motor to extend machine and battery life. The machine will automatically stop during operation if the machine or battery is placed under one of the following conditions:

Overload protection

When the battery is operated in a manner that causes it to draw an abnormally high current, the machine automatically stops and the main power lamp blinks in green. In this situation, turn the machine off and stop the application that caused the machine to become overloaded. Then turn the machine on to restart.

Overheat protection

When the machine or battery is overheated, the machine stops automatically and the main power lamp lights up in red. In this case, let the machine and battery cool before turning the machine on again.

Overdischarge protection

When the battery capacity is not enough, the machine stops automatically and the main power lamp blinks in red. In this case, remove the battery from the machine and charge the battery cartridges or change the battery cartridges to fully charged ones.

Indicating the remaining battery capacity

Only for battery cartridges with the indicator

▶ **Fig.17:** 1. Indicator lamps 2. Check button

Press the check button on the battery cartridge to indicate the remaining battery capacity. The indicator lamps light up for a few seconds.

Indicator lamps			Remaining capacity
Lighted	Off	Blinking	
			75% to 100%
			50% to 75%
			25% to 50%
			0% to 25%
			Charge the battery.
			The battery may have malfunctioned.

NOTE: Depending on the conditions of use and the ambient temperature, the indication may differ slightly from the actual capacity.

Control panel

The control panel has the main power switch, the mode switching button, and the indicator of remaining battery capacity.

- **Fig.18:** 1. Battery indicator 2. Mode switching lamp 3. Main power lamp 4. Check button 5. Mode switching button 6. Main power switch

Main power switch

⚠ WARNING: Always turn off the main power switch when not in use.

To turn on the machine, press the main power switch. The main power lamp lights up in green. To turn off the machine, press the main power switch again.

NOTE: If the main power lamp lights up in red or blinks in red or green, refer to the instructions for machine/battery protection system.







NOTE: This machine employs the auto power-off function. To avoid unintentional start up, the main power switch will automatically shut down when the switch lever and drive lever (if equipped) are not pulled for a certain period after the main power switch is turned on.

Mode switching button

You can switch the operating mode by pressing the mode switching button. When the machine is turned on, the machine starts up in the normal mode. When you press the mode switching button, the machine shifts to the noise reduction mode and the mode switching lamp lights up in green. In the noise reduction mode, you can decrease the noise at mowing. When you press the mode switching button again, the machine returns to the normal mode.

Indicating the remaining battery capacity

Press the check button to indicate the remaining battery capacities. The battery indicators correspond to each battery.

Battery indicator status		Remaining battery capacity
On	Off	
		50% - 100%
		20% - 50%
		0% - 20%

NOTE: The indicator lamps for remaining battery capacity is just for a reference. The actual battery capacity may differ depending on the usage conditions.

NOTE: Before you press the check button to indicate the remaining battery capacities, stop the machine.

Switch action

⚠ WARNING: Before installing the battery cartridge, always check to see that the switch lever actuates properly and returns to the original position when released. Operating the machine with a switch that does not actuate properly can lead to loss of control and serious personal injury.

NOTE: The mower does not start without pressing the switch button even the switch lever is pulled.

NOTE: Mower may not start due to the overload when you try to mow long or dense grass at a time. Increase the mowing height in this case.

This mower is equipped with the lock key and handle switch. If you notice anything unusual with either of the lock key or switch, stop the operation immediately and have them checked by your nearest Makita Authorized Service Center.

For DLM462/DLM532

1. Install the battery cartridges. Insert the lock key, and then close the battery cover.
2. Select the battery cartridges used for operation by turning the battery selection switch.
3. Press the main power switch.
4. Pull the switch lever toward you while holding down the switch button. Release the switch button as soon as the motor starts running.

► **Fig.19:** 1. Switch button 2. Switch lever

NOTE: If the lock key is not inserted, the power lamp blinks in green when you pull the switch lever.

5. While holding the switch lever, push the drive lever forward and hold it to drive the rear wheels.

► **Fig.20:** 1. Drive lever

NOTE: You can drive the rear wheels by pushing the drive lever forward and hold it without pulling the switch lever.

6. Release the drive lever and the switch lever to stop the machine.

For DLM530

1. Install the battery cartridges. Insert the lock key, and then close the battery cover.
2. Select the battery cartridges used for operation by turning the battery selection switch.
3. Press the main power switch.
4. Pull the switch lever toward you while holding down the switch button. Release the switch button as soon as the motor starts running.

► **Fig.21:** 1. Switch button 2. Switch lever

NOTE: If the lock key is not inserted, the power lamp blinks in green when you pull the switch lever.

5. Release the switch lever to stop the motor.

Adjusting the mowing height

⚠ WARNING: Never put your hand or leg under the mower body when adjusting the mowing height.

⚠ WARNING: Always make sure that the lever fits in the groove properly before operation.

The mowing height can be adjusted in the range of between 20 mm and 100 mm.

Remove the lock key, and then pull the mowing height adjusting lever outward of the mower body and move it to your desired mowing height.

► **Fig.22:** 1. Mowing height adjusting lever

The table below shows the relationship between the number on the mower body and the approximate mowing height.

Number	Mowing height
1	20 mm
2	26 mm
3	32 mm
4	39 mm
5	47 mm
6	55 mm
7	63 mm
8	74 mm
9	86 mm
10	100 mm

Hold the front grip or the lower handle with one hand, and then move the mowing height adjusting lever with the other hand.

► **Fig.23:** 1. Mowing height adjusting lever 2. Lower handle 3. Front grip

NOTE: The mowing height figures should be used just as a guideline. Depending on the conditions of the lawn or the ground, the actual lawn height may become slightly different from the set height.

NOTE: Try a test mowing of grass in a less conspicuous place to get your desired height.

Grass level indicator

Grass level indicator shows the volume of mowed grass. When the grass basket is not full, the indicator floats while the blades are running.

► **Fig.24:** 1. Grass level indicator

When the grass basket is almost full, the indicator does not float while the blades are running. In this case, stop the operation immediately and empty the basket.

► **Fig.25:** 1. Grass level indicator

NOTE: This indicator is a rough guide. Depending on the conditions of inside of the basket, this indicator may not work properly.

Adjusting the handle height

⚠ CAUTION: Before removing the bolts, hold the upper handle firmly. Otherwise, the handle may fall and cause an injury.

The handle height can be adjusted in two levels.

1. Remove the upper bolts of the lower handle using box wrench 13, and then loosen the lower bolts.

► **Fig.26:** 1. Upper bolt 2. Lower bolt

2. Adjust the handle height, and then tighten the upper and lower bolts firmly.

Adjusting the traveling speed

For DLM462/DLM532

► **Fig.27:** 1. Speed lever

The traveling speed can be adjusted with the speed lever. To decrease the speed, pull the lever toward you, and to increase the speed, turn the lever forward.

Using mulching plug

The mulching plug allows you to return the cut grass to the ground without gathering the cut grass in the grass basket. When you operate the machine with the mulching plug, be sure to remove the grass basket.

NOTICE: When using the machine with the mulching plug, make sure that the total length of grass is 30 mm or more, or the cut length is 15 mm or less.

► **Fig.28:** (1) 30 mm or more (2) 15 mm or less

Using discharge attachment

For DLM530/DLM532

The discharge attachment allows you to discharge the cut grass to the ground from the right side of the machine without gathering the cut grass in the grass basket. When you operate the machine with the discharge attachment, be sure to install the mulching plug and remove the grass basket.

Electronic function

The machine is equipped with the electronic functions for easy operation.

- Constant speed control of blade rotation
Electronic speed control for obtaining constant speed. Possible to get fine finish, because the rotating speed is kept constant even under load condition.
- Soft start at driving
The soft-start function minimizes start-up shock, and makes the machine start smoothly.
- Electric brake
This machine is equipped with an electric brake. If the machine consistently fails to quickly stop the mower blades after releasing the switch lever, have the machine serviced at Makita Authorized Service Center.

OPERATION

Mowing

▲WARNING: Before mowing, clear away sticks and stones from mowing area. Furthermore, clear away any weeds from mowing area in advance.

▲WARNING: Always wear the safety goggles or safety glasses with side shields when operating the mower.

▲CAUTION: If the cut grass or foreign object blocks up inside of the mower body, be sure to remove the lock key and battery cartridge and wear gloves before removing the grass or foreign object.

NOTICE: Use this machine for mowing lawn only. Do not mow weeds with this machine.

► Fig.29

Firmly hold the handle with both hands when mowing. The mowing speed guideline is approximately 7 to 14 meters per 10 seconds.

► Fig.30

The center lines of the front wheels are guidelines to mowing width. Using the center lines as guidelines, mow in strips. Overlap by one half to one third the previous strip to mow the lawn evenly.

► Fig.31: 1. Mowing width 2. Overlapping area
3. Center line

Change the mowing direction each time to prevent the grass grain pattern from forming in just one direction.

► Fig.32

Periodically check the grass basket for mowed grass. Empty the grass before it becomes full. Before every periodical check, be sure to stop the mower then remove the lock key and the battery cartridge.

NOTICE: Using the mower with the grass basket full prevents smooth blade rotation and places an extra load on the motor, which may cause breakdown.

Mowing a long-grass lawn

Do not try to cut long grass all at once. Instead, mow the lawn in steps. Leave a day or two between mowings until the lawn becomes evenly short.

► Fig.33

NOTE: Mowing long grass to a short length all at once may cause the grass to die. The cut grass may also block up inside of the mower body.

Emptying the grass basket

▲WARNING: To reduce a risk of accident, regularly check the grass basket for any damage or weakened strength. Replace the grass basket if necessary.

1. Release the switch lever and drive lever (for DLM462/DLM532), or release the switch lever (for DLM530).
2. Remove the lock key.
3. Open the rear cover and take out the grass basket by holding the handle.
► Fig.34: 1. Rear cover 2. Handle 3. Grass basket
4. Empty the grass basket.

MAINTENANCE

▲WARNING: Always be sure that the lock key and battery cartridge are removed from the mower before storing or carrying the mower or attempting to perform inspection or maintenance.

▲WARNING: Always remove the lock key when the mower is not in use. Store the lock key in a safe place out of reach of children.

▲WARNING: Wear gloves when performing inspection or maintenance.

▲WARNING: Always wear the safety goggles or safety glasses with side shields when performing inspection or maintenance.

NOTICE: Never use gasoline, benzine, thinner, alcohol or the like. Discoloration, deformation or cracks may result.

To maintain product SAFETY and RELIABILITY, repairs, any other maintenance or adjustment should be performed by Makita Authorized or Factory Service Centers, always using Makita replacement parts.

Maintenance

1. Remove the lock key and battery cartridges, and then close the battery cover.
2. Put the mower on its side so that the mowing height adjusting lever comes to the upper side. Clean grass clippings accumulated on the underside of mower deck.
3. Pour water toward the bottom of the machine to which the blade is attached.

NOTICE: Do not wash the machine with high pressure water.

4. Check all nuts, bolts, screws, etc. for tightness.
5. Inspect moving parts for damage, breakage, and wear. Damaged or missing parts should be repaired or replaced.
6. Store the mower in a safe place out of the reach of children.

For DLM462/DLM532

NOTICE: Do not pour water to the area shown in the figure. Pouring water to the motor unit may cause a malfunction of the machine.

► Fig.35: 1. Area where water should not be poured

Carrying the mower

When carrying the mower, hold the front grip and rear grip with two people as shown in the figure.

► **Fig.36:** 1. Front grip 2. Rear grip

Storing

Store mower indoors in a cool, dry and locked place. Don't store the mower and charger in locations where the temperature may reach or exceed 40 °C.

Removing or installing the mower blade

⚠ WARNING: The blade coasts for a few seconds after releasing the switch. Do not start any operation until the blade comes to a complete stop.

⚠ WARNING: Always remove the lock key and battery cartridge when removing or installing the blade. Failure to remove the lock key and battery cartridge may cause a serious injury.

⚠ WARNING: Always wear gloves when handling the blade.

Removing the mower blade

For models equipped with straight mower blade

1. Put the mower on its side so that the mowing height adjusting lever comes to the upper side.
2. To lock the blade, insert the pin into a hole on the mower body.
3. Turn the bolt counterclockwise with box wrench 17.
► **Fig.37:** 1. Mower blade 2. Pin 3. Box wrench
4. Remove the bolt, and then mower blade.
► **Fig.38:** 1. Blade support 2. Mower blade 3. Bolt 4. Protrusion

NOTICE: When installing the mower blade, make sure that the protrusions on the blade support fit in the holes in the mower blade.

For models equipped with swing back mower blades

1. Put the mower on its side so that the mowing height adjusting lever comes to the upper side.
2. To lock the base plate, insert the pin into a hole on the mower body through a hole on the base plate.
3. Turn the bolt counterclockwise with box wrench 17.
► **Fig.39:** 1. Pin 2. Base plate 3. Box wrench
4. Remove the bolt, and then base plate.
► **Fig.40:** 1. Blade support 2. Base plate 3. Bolt 4. Protrusion

NOTICE: When installing the mower blades, make sure that the protrusions on the blade support fit in the holes in the base plate.

5. To remove the individual mower blade, turn the bolt counterclockwise with box wrench 17 while holding the base plate.

► **Fig.41:** 1. Base plate 2. Mower blade 3. Box wrench

6. Remove the nut, washer, spring washer, mower blade, and bolt in order.

► **Fig.42:** 1. Bolt hole 2. Bolt 3. Mower blade 4. Spring washer 5. Washer 6. Nut

NOTICE: When tightening the nuts to install the individual mower blades, apply 30 N·m as tightening torque.

NOTICE: When installing the individual mower blade, be sure to attach the spring washer in the direction as shown in the figure.

NOTICE: When installing the individual mower blade, be sure to insert the bolts into the bolt holes shown in the figure.

Installing the mower blade

⚠ WARNING: Install the mower blade carefully. It has a top/bottom facing.

⚠ WARNING: Tighten the bolt clockwise firmly to secure the blade.

⚠ WARNING: Make sure that the mower blade and all the fixing parts are installed correctly and tightened securely.

⚠ WARNING: When you replace the blades, always follow the instructions provided in this manual.

NOTICE: After installing the mower blades, remove the pin from the mower body.

To install the mower blades, perform the removal procedure in reverse.

TROUBLESHOOTING

Before asking for repairs, conduct your own inspection first. If you find a problem that is not explained in the manual, do not attempt to disassemble the machine. Instead, ask Makita Authorized Service Centers, always using Makita replacement parts for repairs.

State of abnormality	Probable cause (malfunction)	Remedy
Mower does not start.	Two battery cartridges are not installed.	Install two charged battery cartridges.
	Battery problem (under voltage)	Recharge the battery cartridge. If recharging is not effective, replace battery cartridge.
	The lock key is not inserted.	Insert the lock key.
	Battery selection switch is not in the correct position.	Select the battery port to which the battery cartridges are installed using the battery selection switch.
Motor stops running after a little use.	Battery's charge level is low.	Recharge the battery cartridge. If recharging is not effective, replace battery cartridge.
	Cutting height is too low.	Increase the cutting height.
	Cut grass is clogged in the mower.	Remove the clogged grass from the mower.
Motor does not reach maximum RPM.	Battery cartridge is installed improperly.	Install the battery cartridge as described in this manual.
	Battery power is dropping.	Recharge the battery cartridge. If recharging is not effective, replace battery cartridge.
	The drive system does not work correctly.	Ask your local authorized service center for repair.
Mower blade does not rotate: ⇒ stop the mower immediately!	Foreign object such as a branch is jammed near the blade.	Remove the foreign object.
	The drive system does not work correctly.	Ask your local authorized service center for repair.
Abnormal vibration: ⇒ stop the mower immediately!	Blade is imbalanced, excessively or unevenly worn.	Replace the blade.

OPTIONAL ACCESSORIES

⚠ CAUTION: These accessories or attachments are recommended for use with your Makita machine specified in this manual. The use of any other accessories or attachments might present a risk of injury to persons. Only use accessory or attachment for its stated purpose.

If you need any assistance for more details regarding these accessories, ask your local Makita Service Center.

- Mower blade
- Makita genuine battery and charger

NOTE: Some items in the list may be included in the product package as standard accessories. They may differ from country to country.

DANE TECHNICZNE

Model:		DLM462	DLM530	DLM532
Szerokość koszenia (średnica noża)		460 mm	534 mm	
Prędkość bez obciążenia		2 500 min ⁻¹	2 300 min ⁻¹	
Prędkość maksymalna		3 300 min ⁻¹	2 800 min ⁻¹	
Numer części zamiennego noża kosiarki	Prosty nóż kosiarki	191D51-9	191D52-7	
	Odchylane noże kosiarki *1	191D49-6	191D50-1	
	Odchylane noże kosiarki *2	191D47-0	191D48-8	
Wymiary (dług. x szer. x wys.)		D: 1 610 mm do 1 690 mm Sz: 535 mm W: 980 mm do 1 095 mm	D: 1 630 mm do 1 715 mm Sz: 590 mm W: 990 mm do 1 095 mm	
Prędkość jazdy		2,5–5,0 km/h	–	2,5–5,0 km/h
Napięcie znamionowe		Prąd stały 36 V		
Masa netto	Gdy zamontowany jest prosty nóż kosiarki	35,3–39,0 kg	35,5–39,3 kg	39,0–42,8 kg
	Gdy zamontowane są odchylane noże kosiarki	36,0–39,7 kg	36,2–40,0 kg	39,7–43,5 kg
Stopień ochrony		IPX4		

*1. Płytką podstawowa i pojedyncze noże kosiarki.

*2. Tylko pojedyncze noże kosiarki.

- W związku ze stale prowadzonym przez naszą firmę programem badawczo-rozwojowym niniejsze dane mogą ulec zmianom bez wcześniejszego powiadomienia.
- Dane techniczne mogą różnić się w zależności od kraju.
- Masa może być różna w zależności od osprzętu, w tym akumulatora. W tabeli przedstawiona jest najlżejsza i najcięższa konfiguracja, zgodnie z procedurą EPTA 01/2014.

Kompatybilne akumulatory

BL1815N / BL1820 / BL1820B / BL1830 / BL1830B / BL1840 / BL1840B / BL1850 / BL1850B / BL1860B

- Pewne z wymienionych powyżej akumulatorów mogą być niedostępne w regionie zamieszkania użytkownika.

⚠ OSTRZEŻENIE: Należy używać wyłącznie akumulatorów wymienionych powyżej. Używanie innych akumulatorów może stwarzać ryzyko wystąpienia obrażeń ciała lub pożaru.

Symbole

Poniżej pokazano symbole zastosowane na urządzeniu. Przed rozpoczęciem użytkowania należy zapoznać się z ich znaczeniem.

	Zachować szczególną ostrożność.
	Przeczytać instrukcję obsługi.
	Niebezpieczeństwo; uważać na wyrzucane przedmioty.
	Minimalna odległość między narzędziem a osobami postronnymi musi wynosić co najmniej 15 m.
	Nigdy nie wkładać rąk ani stóp pod kosiarkę, w pobliżu noża. Noże obracają się nawet po wyłączeniu silnika.
	Przed przystąpieniem do kontroli, regulacji, czyszczenia, naprawy, a także przed oddaleniem się od urządzenia lub jego schowaniem należy wyjąć kluczyk.



Zagrożenie elektryczne. Kontakt z wodą może spowodować porażenie prądem elektrycznym.



Nie polewać wodą.



Ni-MH
Li-ion

Dotyczy tylko państw UE
Nie wyrzucać urządzeń elektrycznych ani akumulatorów wraz z odpadami z gospodarstwa domowego!
Zgodnie z dyrektywami europejskimi w sprawie zużytego sprzętu elektrycznego i elektronicznego oraz baterii i akumulatorów oraz zużytych baterii i akumulatorów, a także dostosowaniem ich do prawa krajowego, zużyte urządzenia elektryczne, baterie i akumulatory, należy składować osobno i przekazywać do zakładu recyklingu działającego zgodnie z przepisami dotyczącymi ochrony środowiska.

Przeznaczenie

Maszyna ta jest przeznaczona do koszenia trawników.

Hałas

Typowy równoważny poziom dźwięku A określony w oparciu o normę EN60335-2-77:

WSKAZÓWKA: Podane wartości zmierzono przy użyciu kosiarki z zamontowanym prostym nożem kosiarki.

Model DLM462

Poziom ciśnienia akustycznego (L_{pA}): 82,7 dB(A)

Poziom mocy akustycznej (L_{WA}): 90,9 dB (A)

Niepewność (K): 3 dB(A)

Model DLM530

Poziom ciśnienia akustycznego (L_{pA}): 78,1 dB(A)

Poziom mocy akustycznej (L_{WA}): 90,4 dB (A)

Niepewność (K): 3 dB(A)

Model DLM532

Poziom ciśnienia akustycznego (L_{pA}): 78,1 dB(A)

Poziom mocy akustycznej (L_{WA}): 90,4 dB (A)

Niepewność (K): 3dB(A)

Poziom hałasu podczas pracy może przekraczać 80 dB (A).

WSKAZÓWKA: Deklarowana wartość emisji hałasu została zmierzona zgodnie ze standardową metodą testową i można ją wykorzystać do porównywania narzędzi.

WSKAZÓWKA: Deklarowaną wartość emisji hałasu można także wykorzystać we wstępnej ocenie narażenia.

⚠️ OSTRZEŻENIE: Nosić ochronniki słuchu.

⚠️ OSTRZEŻENIE: Poziom hałasu wytwarzanego podczas rzeczywistego użytkowania elektronarzędzia może się różnić od wartości deklarowanej w zależności od sposobu użytkowania narzędzia, a w szczególności od rodzaju obrabianego elementu.

⚠️ OSTRZEŻENIE: W oparciu o szacowane narażenie w rzeczywistych warunkach użytkowania należy określić środki bezpieczeństwa w celu zapewnienia ochrony operatora (uwzględniając wszystkie elementy cyklu działania, tj. czas, kiedy narzędzie jest wyłączone i kiedy pracuje na biegu jałowym, a także czas, kiedy jest włączone).

Drgania

Całkowita wartość poziomu drgań (suma wektorów w 3 osiach) określona zgodnie z normą EN60335-2-77:

WSKAZÓWKA: Podane wartości zmierzono przy użyciu kosiarki z zamontowanym prostym nożem kosiarki.

Model DLM462

Emisja drgań (a_n): 2,5 m/s² lub mniej

Niepewność (K): 1,5 m/s²

Model DLM530

Emisja drgań (a_n): 2,5 m/s² lub mniej

Niepewność (K): 1,5 m/s²

Model DLM532

Emisja drgań (a_n): 2,5 m/s² lub mniej

Niepewność (K): 1,5 m/s²

WSKAZÓWKA: Deklarowana wartość poziomu drgań została zmierzona zgodnie ze standardową metodą testową i można ją wykorzystać do porównywania narzędzi.

WSKAZÓWKA: Deklarowaną wartość poziomu drgań można także wykorzystać we wstępnej ocenie narażenia.

⚠️ OSTRZEŻENIE: Drgania wytwarzane podczas rzeczywistego użytkowania elektronarzędzia mogą się różnić od wartości deklarowanej w zależności od sposobu użytkowania narzędzia, a w szczególności od rodzaju obrabianego elementu.

⚠️ OSTRZEŻENIE: W oparciu o szacowane narażenie w rzeczywistych warunkach użytkowania należy określić środki bezpieczeństwa w celu zapewnienia ochrony operatora (uwzględniając wszystkie elementy cyklu działania, tj. czas, kiedy narzędzie jest wyłączone i kiedy pracuje na biegu jałowym, a także czas, kiedy jest włączone).

Deklaracja zgodności WE

Dotyczy tylko krajów europejskich

Deklaracja zgodności WE jest dołączona jako załącznik A do niniejszej instrukcji obsługi.

OSTRZEŻENIA DOTYCZĄCE BEZPIECZEŃSTWA

WAŻNE ZASADY BEZPIECZEŃSTWA

⚠️ OSTRZEŻENIE: Przeczytać wszystkie ostrzeżenia bezpieczeństwa i wszystkie instrukcje.

Niezastosowanie się do wspomnianych ostrzeżeń i instrukcji może doprowadzić do porażenia prądem elektrycznym, pożaru i/lub poważnych obrażeń ciała.

Wszystkie ostrzeżenia i instrukcje należy zachować do wykorzystania w przyszłości.

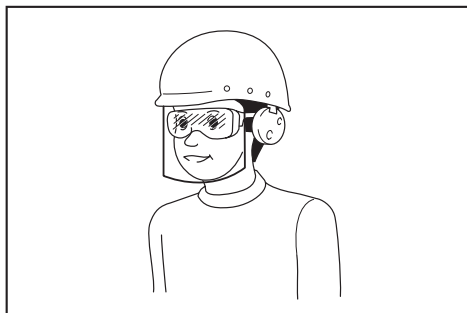
Informacje podstawowe

1. Należy uważnie przeczytać niniejszą instrukcję. Należy zapoznać się z elementami sterowania i zasadami poprawnego użytkowania kosiarki.
2. Nie dopuszczać, aby kosiarka była używana przez dzieci lub osoby, które nie zapoznały się z niniejszą instrukcją. Lokalne przepisy mogą ograniczać wiek użytkownika.
3. Nie wolno użytkować kosiarki, gdy w pobliżu znajdują się inne osoby, zwłaszcza dzieci, oraz zwierzęta.
4. Należy pamiętać, że operator lub użytkownik odpowiada za wypadki lub niebezpieczeństwa zagrażające innym osobom lub ich mieniu.
5. Należy zwracać uwagę, aby dzieci nie bawiły się kosiarką.

6. **Kondycja fizyczna** – nie używać kosiarki pod wpływem narkotyków, alkoholu lub leków.

Przygotowanie

1. **Podczas użytkowania kosiarki zawsze należy nosić odpowiednio mocne obuwie i długie spodnie.** Nie wolno używać kosiarki, nie mając na stopach obuwia lub nosząc otwarte sandały. Unikać noszenia luźnej odzieży lub biżuterii, a także wiszących ozdób lub krawatów. Mogą się one zahaczyć o ruchome części.
2. **Przed użyciem kosiarkę zawsze należy sprawdzić wzrokowo pod kątem uszkodzonych bądź brakujących lub nieprawidłowo założonych osłon i pokryw.**
3. **Upewnić się, że w miejscu koszenia nie są obecne inne osoby.** Wylączyć kosiarkę w przypadku pojawienia się jakichkolwiek osób na terenie przeznaczonym do koszenia.
4. **Nie wkładać kluczyka do kosiarki, dopóki nie jest ona gotowa do pracy.**
5. **Należy zawsze nosić okulary ochronne, aby zabezpieczyć oczy przed urazami podczas użytkowania elektronarzędzi.** Okulary ochronne muszą spełniać wymagania normy ANSI Z87.1 w USA, EN 166 w Europie oraz AS/NZS 1336 w Australii/Nowej Zelandii. Przepisy prawne obowiązujące w Australii/Nowej Zelandii wymagają również obowiązkowego stosowania osłony twarzy.



Odpowiedzialność za egzekwowanie używania odpowiednich środków ochrony osobistej przez operatorów narzędzi oraz inne osoby przebywające w bezpośrednim sąsiedztwie obszaru roboczego ponosi pracodawca.

6. **Przed przystąpieniem do pracy sprawdzić dokładnie noże lub śruby noży pod kątem ewentualnych pęknięć lub uszkodzeń.** Popękane lub uszkodzone noże lub śruby noży należy niezwłocznie wymienić.
7. **W celu niedopuszczenia do powstania obrażeń ciała lub uszkodzenia kosiarki przed przystąpieniem do koszenia należy usunąć z terenu koszenia wszystkie przedmioty, takie jak kamienie, druty, butelki, kości oraz większe gałęzie.**
8. **Przedmioty odrzucone przez nóż kosiarki mogą spowodować poważne obrażenia u osób znajdujących się w pobliżu.** Przed każdym przystąpieniem do koszenia należy sprawdzić i oczyścić trawnik ze wszystkich niepożądanych rzeczy.

9. **Zwracać uwagę na dziury w ziemi, koleiny, wyboje, kamienie i inne ukryte przeszkody.** Nierówny teren może spowodować potknięcia i upadki. Wysoka trawa może ograniczać widoczność przeszkód.
10. **Nie wkładać ani nie wyjmować kluczyka w deszczu.**
11. **Używać środków ochrony osobistej. Zawsze nosić okulary ochronne.** Odpowiednie środki ochrony, takie jak maska przeciwpyłowa, ochronne obuwie antypoślizgowe, kask czy ochronniki słuchu, dostosowane do panujących warunków, zmniejszają ryzyko obrażeń.

Obsługa

1. **Nie sięgać zbyt daleko.** Zawsze należy utrzymywać równowagę. Podczas pracy na pochylonym terenie należy zadbać o dobre oparcie dla nóg. Podczas użytkowania urządzenia należy chodzić, a nie biegać.
2. **Zatrzymać kosiarkę i wyjąć kluczyk oraz upewnić się, że wszystkie ruchome elementy kosiarki się zatrzymały:**
 - gdy operator oddala się od kosiarki;
 - przed usunięciem niedrożności i odblokowaniem kanału wyrzutnika;
 - przed sprawdzeniem, czyszczeniem lub konserwacją kosiarki;
 - po natrafieniu na obcy przedmiot. Przed ponownym uruchomieniem i użytkowaniem kosiarki należy sprawdzić ją pod kątem występowania uszkodzeń i wykonać ewentualne naprawy.
 - gdy kosiarka zaczyna drgać w nietypowy sposób.
3. **Nie używać kosiarki z uszkodzonymi osłonami lub pokrywami bądź ze zdjętymi zabezpieczeniami, takimi jak płyta odchylająca i/lub kosz na trawę.**
4. **Unikać korzystania z kosiarki przy złej pogodzie, w szczególności podczas burzy.**
5. **Przez cały czas użytkowania kosiarki należy nosić osłonę oczu i solidne buty.**
6. **Użytkować kosiarkę tylko przy świetle dziennym lub odpowiednio silnym sztucznym oświetleniu.**
7. **Kosiarkę należy uruchamiać zgodnie z instrukcją, trzymając stopy z dala od noży.**
8. **Należy chronić stopy i dłonie przed obrażeniami ze strony noży kosiarki.**
9. **Zawsze należy dbać, aby otwory wentylacyjne nie były zatkane przez zanieczyszczenia.**
10. **Kosić trawę w poprzek pochyłości; nigdy pod górę ani w dół.** Należy zachować szczególną ostrożność przy zmianie kierunku na pochyłościach. Nie wolno kosić trawy na stromych pochyłościach.
11. **Zachować szczególną ostrożność w przypadku cofania lub ciągnięcia kosiarki w swoim kierunku.**
12. **Należy poczekać na zatrzymanie noża w przypadku konieczności przechylenia kosiarki, przejechania nią przez nawierzchnię inną niż trawa lub w przypadku konieczności przetransportowania jej do lub z obszaru użytkowania.**

13. Nie przechylać kosiarki podczas uruchamiania silnika, poza przypadkiem gdy kosiarka musi zostać przechylona w celu rozpoczęcia pracy. W takim przypadku nie wolno przechylać kosiarki bardziej, niż jest to absolutnie konieczne; należy unosić tylko tę część kosiarki, która jest oddalona od użytkownika. Przed opuszczeniem kosiarki na podłoże należy zawsze upewnić się, że obydwie ręce są w położeniu roboczym.
 14. Nie zbliżać i nie wkładać dłoni ani stóp pod wirujące części. Nie zasłaniać nigdy wylotu wyrzutnika.
 15. Nie transportować włączoną kosiarkę.
 16. Unikać koszenia mokrej trawy.
 17. Zawsze trzymać urządzenie mocno za uchwyt.
 18. Podczas podnoszenia lub przenoszenia kosiarki nigdy nie chwycić za noże lub krawędzie tnące.
 19. Trzymać ręce oraz stopy z dala od obracających się noży. Przestroga – po wyłączeniu kosiarki noże obracają się dalej siłą rozpędu.
 20. W przypadku zauważenia jakichkolwiek nieprawidłowości należy natychmiast przerwać pracę. Wyłączyć kosiarkę i wyjąć kluczyk. Następnie przeprowadzić kontrolę kosiarki.
 21. Nigdy nie podejmować prób regulacji wysokości cięcia podczas pracy kosiarki, jeśli kosiarka jest wyposażona w mechanizm regulacji wysokości cięcia.
 22. Zwolnić dźwignię przełącznika i poczekać na zatrzymanie się noża przed przejściem przez podjazd, ścieżkę, drogę lub inny obszar o nawierzchni żwirowej. W przypadku oddalenia się od kosiarki w celu podniesienia lub usunięcia czegoś z drogi lub z jakiegokolwiek innego powodu przyczyniającego się bezpośrednio do przerwania pracy należy również wyjąć kluczyk.
 23. W przypadku natrafienia przez kosiarkę na obcy przedmiot należy postępować zgodnie z następującą procedurą:
 - Wyłączyć kosiarkę, zwolnić dźwignię przełącznika i poczekać do momentu całkowitego zatrzymania się noża.
 - Wyjąć kluczyk i akumulator.
 - Sprawdzić dokładnie kosiarkę pod kątem występowania jakichkolwiek uszkodzeń.
 - W przypadku jakiegokolwiek uszkodzenia noża należy wymienić go na nowy. Przed ponownym uruchomieniem i kontynuowaniem koszenia należy naprawić wszelkie powstałe uszkodzenia.
 24. Nie uruchamiać kosiarki, stojąc przed wylotem wyrzutnika.
 25. Jeśli kosiarka zaczyna drgać w nietypowy sposób (natychmiast sprawdzić):
 - sprawdzić pod kątem występowania uszkodzenia,
 - wymienić lub naprawić uszkodzone części,
 - sprawdzić pod kątem poluzowanych części i, jeśli takie występują, dokręcić je.
 26. Nigdy nie kierować strumienia wyrzucanego materiału w stronę osób. Unikać wyrzucania materiału na ściany i przeszkody. Wyrzucany materiał może odbić się i polecieć w kierunku operatora. Podczas przejeżdżania przez powierzchnie pokryte żwirem noż należy zatrzymać.
 27. Kosiarki nie należy pociągać w kierunku wstecznym, chyba że jest to absolutnie niezbędne. Jeśli konieczne jest wycofanie kosiarki spod ogrodzenia lub podobnej przeszkody, przed wycofaniem kosiarki i podczas tej czynności należy rozglądać się za siebie oraz pod nogi.
 28. Przed zdjęciem chwytaka trawy należy wyłączyć silnik i poczekać, aż noż zatrzyma się całkowicie. Zachować ostrożność, ponieważ po wyłączeniu noże dalej obracają się siłą rozpędu.
 29. Używając maszyny na błotnistym gruncie, mokrym zboczu lub śliskiej nawierzchni, utrzymywać stabilną postawę ciała i uważać, by się nie przewrócić.
 30. Unikać pracy w niekorzystnych warunkach, które mogą powodować szybsze zmęczenie użytkownika.
 31. Nie używać maszyny przy złej pogodzie ograniczającej widoczność. Groziłoby to upadkiem lub błędem w obsłudze maszyny spowodowanym złą widocznością.
 32. Nie zanurzać maszyny w kałużach.
 33. Gdy w powodu deszczu mokre liście lub zanieczyszczenia przylepią się do końcówki rury ssawnej (otworu wentylacyjnego), należy je usunąć.
 34. Nie używać maszyny w śniegu.
 35. Jeśli odcięta trawa będzie mokra, istnieje prawdopodobieństwo, że będzie zatkać maszynę. Należy regularnie sprawdzać stan maszyny i w razie potrzeby usuwać przylepioną trawę.
 36. Podczas pracy z maszyną uważać na rury i przewody.
 37. Nie używać z tą maszyną przewodowych źródeł zasilania, takich jak adapter akumulatora lub przenośna jednostka zasilająca. Przewód takiego źródła zasilania może utrudniać pracę, a w konsekwencji może dojść do obrażeń ciała.
- Konserwacja i przechowywanie**
1. Ze względów bezpieczeństwa należy wymienić zużyte lub uszkodzone części. Używać tylko oryginalnych części zamiennych oraz akcesoriów.
 2. Kosiarkę należy regularnie sprawdzać i poddać z czynnościom konserwacyjnym.
 3. Gdy kosiarka nie jest używana, należy ją przechowywać w bezpiecznym, niedostępnym dla dzieci miejscu.
 4. Wszystkie nakrętki, wkręty i śruby powinny być dokręcone, co pozwoli utrzymać urządzenie w bezpiecznym stanie technicznym.
 5. Regularnie sprawdzać kosz na trawę pod kątem zużycia lub występowania uszkodzeń. Kosiarkę należy przechowywać wyłącznie z opróżnionym koszem na trawę. W celu zachowania bezpieczeństwa zużyty kosz na trawę należy wymienić na nowy, oryginalny kosz.
 6. Używać wyłącznie oryginalnych noży wymienionych w niniejszej instrukcji.
 7. Zachować ostrożność podczas regulacji kosiarki w celu niedopuszczenia do utknięcia palców pomiędzy poruszającymi się nożami oraz zamocowanymi na stałe częściami kosiarki.
 8. Regularnie sprawdzać śrubę mocującą noż pod kątem prawidłowego dokręcenia.

9. **Przed schowaniem kosiarki należy zawsze odczekać, aż ostygnie.**
10. **Podczas obsługi noży należy pamiętać, że nawet w przypadku wyłączenia zasilania, noże mogą nadal się poruszać.**
11. **Urządzeń zabezpieczających nie należy zdejmować ani modyfikować. Należy regularnie sprawdzać, czy działają poprawnie. Nigdy nie należy robić niczego, co mogłoby uniemożliwić urządzeniem zabezpieczającym pełnienie ich zamierzonej funkcji, ani nie można w żaden sposób ograniczać ochrony, którą zapewniają te urządzenia.**
12. **Nie pozostawiać maszyny bez nadzoru na otwartym powietrzu, w deszczu.**
13. **Nie myć maszyny wodą pod wysokim ciśnieniem.**
14. **Na czas mycia maszyny koniecznie wyjąć akumulator i kluczyk oraz zamknąć pokrywę akumulatora, a wodę kierować na spód maszyny, tam gdzie przymocowany jest nóż.**
15. **Maszyna powinna być przechowywana w miejscu nienarażonym na bezpośrednie nasłonecznienie, deszcz, nadmierny wzrost temperatury i zawilgocenie.**
16. **Kontrolę techniczną i czynności konserwacyjne wykonywać w miejscu nienarażonym na deszcz.**
17. **Po użyciu maszyny usunąć przylepione zanieczyszczenia i całkowicie osuszyć maszynę zanim zostanie odstawiona do przechowywania. W niektórych porach roku i regionach istnieje ryzyko nieprawidłowości spowodowanych zamrażaniem.**

Użytkowanie narzędzi akumulatorowych i dbałość o nie

1. **Akumulator należy ładować wyłącznie przy użyciu określonej przez producenta ładowarki. Ładowarka przeznaczona do jednego typu akumulatora może stwarzać zagrożenie pożarem, gdy będzie używana do ładowania innego akumulatora.**
2. **Do zasilania elektronarzędzi używać tylko specjalnie do tego celu przeznaczonych akumulatorów. Używanie innych akumulatorów może stwarzać ryzyko wystąpienia obrażeń ciała lub pożaru.**
3. **Gdy akumulator nie jest używany, należy zabezpieczyć go przed kontaktem z metalowymi przedmiotami, typu spinacze, monety, klucze, gwoździe, wkręty lub innymi metalowymi drobiazgami, które mogą powodować zwarcie styków akumulatora. Zwarcie styków akumulatora grozi poparzeniami lub pożarem.**
4. **W niewłaściwych warunkach eksploatacji może dojść do wycieku elektrolitu z akumulatora. Nie należy go dotykać. W razie przypadkowego kontaktu należy przemyć skażoną skórę wodą. W przypadku dostania się elektrolitu do oczu należy dodatkowo skorzystać z porady lekarza. Elektrolit z akumulatora może powodować podrażnienia lub poparzenia.**
5. **Nie używać uszkodzonego lub przerobionego akumulatora ani narzędzia. Uszkodzone lub przerobione akumulatory mogą działać w nieprzewidywalny sposób i spowodować pożar, wybuch lub obrażenia ciała.**

6. **Nie wystawiać akumulatora ani narzędzia na działanie ognia ani nadmiernej temperatury. Narażenie na ogień lub temperaturę wyższą niż 130°C może spowodować wybuch.**
7. **Przestrzegać wszystkich instrukcji ładowania i nie ładować akumulatora ani narzędzia w temperaturze wykraczającej poza zakres określony w instrukcji. Nieprawidłowe ładowanie lub temperatury wykraczająca poza określony zakres mogą spowodować uszkodzenie akumulatora oraz wzrost zagrożenia pożarem.**

Zasady bezpieczeństwa dotyczące urządzeń elektrycznych i akumulatora

1. **Nie wyrzucać akumulatorów do ognia. Ogniowo może eksplodować. Należy zapoznać się z obowiązującymi lokalnie przepisami, które określają specjalne wytyczne dotyczące utylizacji odpadów.**
2. **Nie wolno otwierać ani niszczyć akumulatorów. Uwolniony elektrolit jest substancją żrącą, która może spowodować uszkodzenie oczu lub skóry. W przypadku połknięcia może być trujący.**
3. **Akumulatora nie należy ładować w deszczu ani w wilgotnym otoczeniu.**
4. **Nie ładować akumulatora na zewnątrz.**
5. **Nie dotykać ładowarki, w tym jej wtyczki i styków, mokrymi rękami.**
6. **Nie wymieniać akumulatora w deszczu.**
7. **Nie zwilżać zacisków akumulatora cieczami, np. wodą, ani nie zanurzać akumulatora. Nie pozostawiać akumulatora w deszczu ani nie ładować, używać bądź przechowywać akumulatora w wilgotnym lub mokrym miejscu. Jeśli zacisk zamoczy się lub do wnętrza akumulatora dostanie się ciecz, może dojść do zwarcia akumulatora i przegrzania, zapłonu lub wybuchu.**
8. **Po wyjściu akumulatora z maszyny lub ładowarki należy koniecznie przymocować do akumulatora jego pokrywę i umieścić akumulator w suchym miejscu.**
9. **Nie wymieniać akumulatora mokrymi rękami.**

Serwis

1. **Elektronarzędzie powinno być serwisowane przez wykwalifikowany personel, z użyciem wyłącznie oryginalnych części zamiennych. Zapewni to zachowanie bezpieczeństwa pracy z elektronarzędziem.**
2. **Nie wolno naprawiać uszkodzonych akumulatorów. Naprawa akumulatorów powinna być wykonywana wyłącznie przez producenta lub autoryzowane punkty usługowe.**

ZACHOWAĆ NINIEJSZE INSTRUKCJE.

⚠️ OSTRZEŻENIE: NIE WOLNO pozwolić, aby wyгода lub rutyna (nabyta w wyniku wielokrotnego używania urządzenia) zastąpiły ścisłe przestrzeganie zasad bezpieczeństwa obsługi.

NIEWŁAŚCIWE UŻYTKOWANIE narzędzia lub niestosowanie się do zasad bezpieczeństwa podanych w niniejszej instrukcji obsługi może prowadzić do poważnych obrażeń ciała.

Ważne zasady bezpieczeństwa dotyczące akumulatora

1. Przed użyciem akumulatora zapoznać się ze wszystkimi instrukcjami i znakami ostrzegawczymi na (1) ładowarce, (2) akumulatorze i (3) produkcie, w którym będzie używany akumulator.
2. Akumulatora nie wolno rozbiierać.
3. Jeśli czas działania uległ znacznemu skróceniu, należy natychmiast przerwać pracę. Może bowiem dojść do przegrzania, ewentualnych poparzeń, a nawet eksplozji.
4. W przypadku przedostania się elektrolitu do oczu, przemyć je czystą wodą i niezwłocznie uzyskać pomoc lekarską. Może on bowiem spowodować utratę wzroku.
5. Nie doprowadzać do zwarcia akumulatora:
 - (1) Nie dotykać styków materiałami przewodzącymi prąd.
 - (2) Unikać przechowywania akumulatora w pojemniku z metalowymi przedmiotami, takimi jak gwoździe, monety itp.
 - (3) Chronić akumulator przed deszczem lub wodą.

Zwarcie prowadzi do przepływu prądu elektrycznego o dużym natężeniu i przegrzania akumulatora, co w konsekwencji może grozić poparzeniami a nawet awarią urządzenia.

6. Narzędzia i akumulatora nie wolno przechowywać w miejscach, w których temperatura osiąga bądź przekracza 50°C (122°F).
7. Akumulatorów nie wolno spalać, również tych poważnie uszkodzonych lub całkowicie zużytych. Akumulator może eksplodować w ogniu.
8. Chronić akumulator przed upadkiem i uderzeniami.
9. Nie wolno używać uszkodzonego akumulatora.
10. Stanowiące wyposażenie akumulatory litowo-jonowe podlegają przepisom dotyczącym produktów niebezpiecznych.

Na potrzeby transportu komercyjnego, np. świadczzonego przez firmy trzecie czy spedycyjne, należy przestrzegać specjalnych wymagań w zakresie pakowania i oznaczania etykietami. Przygotowanie produktu do wysyłki wymaga skonsultowania się ze specjalistą ds. materiałów niebezpiecznych. Należy także przestrzegać przepisów krajowych, które mogą być bardziej szczegółowe. Zakleić taśmą lub zaślepić otwarte styki akumulatora oraz zabezpieczyć go, aby nie mógł się przesuwać w opakowaniu.
11. Jeśli zajdzie konieczność utylizacji akumulatora, należy wyjąć go z narzędzia i przekazać w bezpieczne miejsce. Postępować zgodnie z przepisami lokalnymi dotyczącymi utylizacji akumulatorów.
12. Używać akumulatorów tylko z produktami określonymi przez firmę Makita. Zastosowanie akumulatorów w niezgodnych produktach może spowodować pożar, przegrzanie, wybuch lub wyciek elektrolitu.
13. Jeśli narzędzie nie będzie używane przez dłuższy czas, należy wyjąć z niego akumulator.

ZACHOWAĆ NINIEJSZE INSTRUKCJE.

▲PRZESTROGA: Używać wyłącznie oryginalnych akumulatorów firmy Makita. Używanie nieoryginalnych akumulatorów firm innych niż Makita lub akumulatorów, które zostały zmodyfikowane, może spowodować wybuch akumulatora i pożar, obrażenia ciała oraz zniszczenie mienia. Stanowi to również naruszenie warunków gwarancji firmy Makita dotyczących narzędzia i ładowarki.

Wskazówki dotyczące zachowania maksymalnej trwałości akumulatora

1. Akumulator należy naładować zanim zostanie do końca rozładowany. Po zauważeniu spadku mocy narzędzia należy przerwać pracę i naładować akumulator.
2. Nie wolno ładować powtórnie w pełni naładowanego akumulatora. Przeładowanie akumulatora skracza jego trwałość.
3. Akumulator należy ładować w temperaturze pokojowej w przedziale 10–40°C (50–104°F). W przypadku gorącego akumulatora przed przystąpieniem do ładowania należy poczekać, aż ostygnie.
4. Akumulatory nikielowo-wodorkowe należy naładować po okresie długiego nieużytkowania (dłuższego niż sześć miesięcy).

MONTAŻ

▲OSTRZEŻENIE: Przed przystąpieniem do jakichkolwiek czynności związanych z obsługą kosiarki należy koniecznie upewnić się, że kluczycy oraz akumulator zostały wyjęte. Pozostawienie kluczycy i akumulatora może prowadzić do poważnych obrażeń ciała w wyniku nieoczekiwanego uruchomienia.

▲OSTRZEŻENIE: Nigdy nie włączaj kosiarki, jeśli nie jest ona całkowicie zmontowana. Obsługa częściowo zmontowanej maszyny może prowadzić do poważnych obrażeń ciała w wyniku nieoczekiwanego uruchomienia.

Zamontowanie uchwytu

UWAGA: Podczas zamontowywania uchwytów umieścić przewody w taki sposób, aby nie zostały one zakleszczone pomiędzy uchwytami. Jeśli przewód jest uszkodzony, przełącznik kosiarki może nie działać.

1. Ustawić otwory dolnego uchwytu naprzeciwko otworów w korpusie kosiarki, a następnie tymczasowo wkręcić 4 śruby.
► **Rys.1:** 1. Dolny uchwyt 2. Śruba
2. Mocno dokręcić 4 śruby, które w kroku 1 zostały wkręcone tymczasowo, używając klucza nasadowego w rozmiarze 13.
3. Ustawić otwór w dolnym uchwycie naprzeciwko otworu w górnym uchwycie, następnie włożyć śrubę od wewnątrz, po czym dokręcić nakrętkę od zewnątrz kluczem nasadowym o rozmiarze 13. Tę samą procedurę wykonać po drugiej stronie.
► **Rys.2:** 1. Śruba 2. Dolny uchwyt 3. Nakrętka 4. Otwór 5. Górny uchwyt

⚠ PRZESTROGA: Górny uchwyt należy trzymać pewnie, aby nie wypadł z rąk. W innym przypadku, upadek uchwytu może spowodować obrażenia.

4. Przymocować uchwytu przewodu do uchwytu.

Ustawić występy na obejmie naprzeciwko otworów w uchwycie, tak aby występy pasowały do otworów. Umieścić przewody w sposób przedstawiony na rysunku.

► **Rys.3:** 1. Przewód 2. Obejmia

Demontaż przystawki do mulczowania

1. Otworzyć tylną pokrywę.

► **Rys.4:** 1. Tylna pokrywa

2. Wymontować przystawkę do mulczowania, naciskając dźwignię do dołu.

► **Rys.5:** 1. Dźwignia 2. Przystawka do mulczowania

Zakładanie i zdejmowanie kosza na trawę

W celu zamontowania kosza na trawę należy wykonać poniższe czynności.

1. Otworzyć tylną pokrywę.

► **Rys.6:** 1. Tylna pokrywa

2. Chwycić za uchwyt kosza na trawę, a następnie zaczeplić kosz na trawę na kołku wystającym z korpusu kosiarki, tak jak przedstawiono to na rysunku.

► **Rys.7:** 1. Kołek 2. Uchwyt 3. Kosz na trawę

Aby zdjąć kosz na trawę, otworzyć tylną pokrywę i wyjąć kosz na trawę, chwytając za jego uchwyt.

Zakładanie przystawki do mulczowania

1. Otworzyć tylną pokrywę i zdjąć kosz na trawę.

► **Rys.8:** 1. Tylna pokrywa 2. Kosz na trawę

2. Trzymając dźwignię, umieścić przystawkę do mulczowania w odpowiednim położeniu, a następnie puścić dźwignię, by zablokować przystawkę.

► **Rys.9:** 1. Dźwignia 2. Przystawka do mulczowania

Montaż przystawki wyrzucającej

Model DLM530/DLM532

1. Otworzyć tylną pokrywę i zdjąć kosz na trawę.

► **Rys.10:** 1. Tylna pokrywa 2. Kosz na trawę

2. Trzymając dźwignię, umieścić przystawkę do mulczowania w odpowiednim położeniu, a następnie puścić dźwignię, by zablokować przystawkę.

► **Rys.11:** 1. Dźwignia 2. Przystawka do mulczowania

3. Otworzyć prawą pokrywę i zamocować przystawkę wyrzucającą.

Wsunąć haki przystawki wyrzucającej pod pręt prawej pokrywy.

► **Rys.12:** 1. Prawa pokrywa 2. Przystawka wyrzucająca

OPIS DZIAŁANIA

Wkładanie i wyjmowanie akumulatora

⚠ PRZESTROGA: Przed włożeniem lub wyjęciem akumulatora należy zawsze wyłączyć urządzenie.

⚠ PRZESTROGA: Podczas wkładania lub wyjmowania akumulatora należy mocno trzymać maszynę i akumulator. W przeciwnym razie mogą się one wyslizgnąć z rąk, powodując uszkodzenie maszyny lub akumulatora oraz obrażenia ciała.

⚠ PRZESTROGA: Przed użyciem upewnij się, że pokrywa akumulatora została zablokowana. W przeciwnym razie błoto, kurz lub woda mogą przyczynić się do uszkodzenia urządzenia lub akumulatora.

⚠ PRZESTROGA: Akumulator należy zawsze wkładać do końca, tak aby czerwony wskaźnik nie był widoczny. W przeciwnym razie może on przypadkowo wypaść z maszyny, powodując obrażenia u operatora lub znajdujących się w pobliżu osób.

⚠ PRZESTROGA: Nie wkładać akumulatora na siłę. Jeśli akumulator nie daje się swobodnie wsunąć, oznacza to, że został włożony nieprawidłowo.

WSKAZÓWKA: Maszyna nie działa w przypadku włożenia tylko jednego akumulatora.

W celu włożenia akumulatora:

1. Pociągnąć dźwignię blokady do góry, a następnie otworzyć pokrywę akumulatora.

► **Rys.13:** 1. Pokrywa akumulatora 2. Dźwignia blokady

2. Ustawić występ akumulatora naprzeciwko szczeliny w maszynie i wsunąć akumulator, aż zatrzaśnie się na swoim miejscu.

► **Rys.14:** (1) Gniazdo akumulatorów 1 (2) Gniazdo akumulatorów 2 (3) Akumulator

WSKAZÓWKA: Zamontować co najmniej 2 akumulatory w gnieździe akumulatora 1 lub gnieździe akumulatora 2.

3. Wsunąć do oporu kluczyk w miejsce wskazane na rysunku.

► **Rys.15:** 1. Kluczyk

4. Zamknij pokrywę akumulatora i naciśnij ją do zatrzaśnięcia się dźwigni blokującej.

Aby wyjąć akumulator:

1. Pociągnij dźwignię blokady do góry i otwórz pokrywę akumulatora.

2. Wyciągnij akumulator z maszyny, jednocześnie przesuwając przycisk znajdujący się w przedniej części akumulatora.

3. Wyjmij kluczyk.

4. Zamknij pokrywę akumulatora.

Przełączanie między akumulatorami

► Rys.16: 1. Przełącznik wyboru akumulatora

Ta maszyna podczas pracy korzysta z 2 akumulatorów jednocześnie. W maszynie można zainstalować maksymalnie 4 akumulatory naraz. Przed przystąpieniem do pracy z maszyną należy wybrać gniazdo akumulatorów 1 albo gniazdo akumulatorów 2, obracając przełącznik wyboru akumulatorów.

WSKAZÓWKA: Jeśli w maszynie zainstalowane są tylko 2 akumulatory, należy za pomocą przełącznika wyboru akumulatorów koniecznie wybrać to gniazdo, do którego są one włożone.

Układ zabezpieczenia maszyny/akumulatora

Maszyna jest wyposażona w układ zabezpieczenia maszyny/akumulatora. Układ automatycznie odcina zasilanie silnika w celu wydłużenia trwałości maszyny i akumulatora. Maszyna zostanie automatycznie zatrzymana podczas pracy w następujących sytuacjach związanych z maszyną lub akumulatorem:

Zabezpieczenie przed przeciążeniem

W przypadku korzystania z akumulatora w sposób powodujący pobór nadmiernie wysokiego prądu maszyna zostanie automatycznie zatrzymana, a główna kontrolka zasilania będzie migać na zielono. W takiej sytuacji należy wyłączyć maszynę i zaprzestać wykonywania czynności powodującej jej przeciążenie. Następnie należy włączyć maszynę w celu jej ponownego uruchomienia.

Zabezpieczenie przed przegrzaniem

W przypadku przegrzania maszyny lub akumulatora maszyna zostanie automatycznie zatrzymana, a główna kontrolka zasilania będzie świecić na czerwono. W takiej sytuacji przed ponownym włączeniem maszyny należy odczekać, aż maszyna i akumulator ostygną.

Zabezpieczenie przed nadmiernym rozładowaniem

W przypadku niewystarczającego stanu naładowania akumulatora maszyna zostanie automatycznie zatrzymana, a główna kontrolka zasilania będzie migać na czerwono. W takiej sytuacji należy wyjąć akumulator z maszyny i naładować akumulatory lub wymienić je na całkowicie naładowane.

Wskazanie stanu naładowania akumulatora

Tylko w przypadku akumulatorów ze wskaźnikiem

► Rys.17: 1. Lampki wskaźnika 2. Przycisk kontrolny Nacisnąć przycisk kontrolny na akumulatorze w celu wyświetlenia stanu naładowania akumulatora. Lampki wskaźnika zaświecą się przez kilka sekund.

Lampki wskaźnika			Pozostała energia akumulatora
Świeci się	Wyłączony	Miga	
			75–100%
			50–75%
			25–50%
			0–25%
			Naładować akumulator.
			Akumulator może nie działać poprawnie.

WSKAZÓWKA: Zależnie od warunków użytkowania i temperatury otoczenia, wskaźwany poziom może nieznacznie się różnić od rzeczywistego stanu naładowania akumulatora.

Panel sterowania

Na panelu sterowania znajduje się główny przełącznik zasilania, przycisk przełączania trybu i wskaźnik stanu naładowania akumulatora.

► Rys.18: 1. Wskaźnik akumulatora 2. Kontrolka przełączania trybu 3. Główna kontrolka zasilania 4. Przycisk kontrolny 5. Przycisk przełączania trybu 6. Główny przełącznik zasilania

Główny przełącznik zasilania

⚠ OSTRZEŻENIE: Zawsze wyłączać główny przełącznik zasilania, gdy narzędzie nie jest używane.

Aby włączyć maszynę, należy nacisnąć główny przełącznik zasilania. Główna kontrolka zasilania zaświeci się na zielono. Aby wyłączyć maszynę, należy ponownie nacisnąć główny przełącznik zasilania.

WSKAZÓWKA: Jeśli główna kontrolka zasilania zaświeci się na czerwono albo zacznie migać na czerwono lub zielono, należy zapoznać się z instrukcją obsługi układu zabezpieczenia maszyny/akumulatora.

WSKAZÓWKA: Ta maszyna jest wyposażona w funkcję automatycznego wyłączania. Aby nie dopuścić do przypadkowego uruchomienia, główny przełącznik zasilania automatycznie wyłącza maszynę, jeśli dźwignia przełącznika i dźwignia jazdy (o ile jest na wyposażeniu) nie zostanie pociągnięta przez określony czas od włączenia głównego przełącznika zasilania.

Przycisk przełączania trybu

Naciskając przycisk przełączania trybu, można zmienić tryb pracy. Bezpośrednio po włączeniu maszyna jest w trybie normalnym. Po naciśnięciu przycisku przełączania trybu maszyna przechodzi w tryb pracy cichej, a kontrolka przełączania trybu świeci na zielono. W trybie pracy cichej natężenie hałasu podczas koszenia może być mniejsze. Ponowne naciśnięcie przycisku przełączania trybu powoduje powrót maszyny do normalnego trybu.

Wskazanie stanu naładowania akumulatora

Nacisnąć przycisk kontrolny, aby sprawdzić poziom naładowania akumulatora. Wskaźniki akumulatora odpowiadają każdemu akumulatorowi.

Stan wskaźnika akumulatora		Stan naładowania akumulatora
Włączony	Wyłączony	
		50–100%
		20–50%
		0–20%

WSKAZÓWKA: Kontrolki stanu naładowania akumulatorów służą jedynie do celów referencyjnych. Rzeczywisty stan naładowania akumulatora może być inny, w zależności od warunków eksploatacji.

WSKAZÓWKA: Przed naciśnięciem przycisku kontrolnego w celu sprawdzenia poziomu naładowania akumulatorów należy zatrzymać maszynę.

Działanie przełącznika

⚠ OSTRZEŻENIE: Przed włożeniem akumulatora należy zawsze sprawdzić, czy dźwignia przełącznika działa prawidłowo i powraca do swojego położenia wyjściowego po jej zwolnieniu.

Korzystanie z maszyny z nieprawidłowo działającym przełącznikiem może doprowadzić do utraty kontroli nad maszyną oraz poważnych obrażeń ciała.

WSKAZÓWKA: Bez naciśnięcia przycisku przełącznika kosiarka nie zostanie uruchomiona, nawet jeśli dźwignia przełącznika jest pociągnięta.

WSKAZÓWKA: Kosiarka może nie uruchomić się z powodu przecięcia spowodowanego koszeniem zbyt długiej lub zbyt gęstej trawy. W takim przypadku należy zwiększyć wysokość koszenia.

Kosiarka została wyposażona w kluczyk oraz przełącznik na uchwycie. W przypadku zauważenia nieprawidłowego działania kluczyka lub przełącznika należy niezwłocznie wyłączyć urządzenie oraz skontaktować się z lokalnym autoryzowanym punktem serwisowym firmy Makita.

Model DLM462/DLM532

1. Włożyć akumulatory. Włożyć kluczyk, a następnie zamknąć pokrywę akumulatora.
 2. Wybrać akumulatory używane do pracy, obracając przełącznik wyboru akumulatorów.
 3. Nacisnąć główny przełącznik zasilania.
 4. Podczas naciskania przycisku przełącznika pociągnąć do siebie dźwignię przełącznika. Zwolnić przycisk przełącznika po uruchomieniu się silnika.
- **Rys.19:** 1. Przycisk przełącznika 2. Dźwignia przełącznika

WSKAZÓWKA: Jeśli kluczyk nie jest włożony, po pociągnięciu dźwigni przełącznika kontrolka zasilania będzie migać na zielono.

5. Trzymając dźwignię przełącznika, popchnąć do przodu dźwignię jazdy i przytrzymać ją, aby uruchomić napęd tylnych kół.
- **Rys.20:** 1. Dźwignia jazdy

WSKAZÓWKA: Napęd tylnych kół można uruchomić, popychając do przodu dźwignię jazdy i przytrzymując ją, nie pociągając dźwigni przełącznika.

6. Aby zatrzymać maszynę, zwolnić dźwignię jazdy i dźwignię przełącznika.

Model DLM530

1. Włożyć akumulatory. Włożyć kluczyk, a następnie zamknąć pokrywę akumulatora.
 2. Wybrać akumulatory używane do pracy, obracając przełącznik wyboru akumulatorów.
 3. Nacisnąć główny przełącznik zasilania.
 4. Podczas naciskania przycisku przełącznika pociągnąć do siebie dźwignię przełącznika. Zwolnić przycisk przełącznika po uruchomieniu się silnika.
- **Rys.21:** 1. Przycisk przełącznika 2. Dźwignia przełącznika

WSKAZÓWKA: Jeśli kluczyk nie jest włożony, po pociągnięciu dźwigni przełącznika kontrolka zasilania będzie migać na zielono.

5. Aby wyłączyć silnik, zwolnij dźwignię przełącznika.

Regulacja wysokości koszenia

⚠ OSTRZEŻENIE: Nie wkładać rąk ani nóg pod kosiarkę podczas regulacji wysokości koszenia.

⚠ OSTRZEŻENIE: Przed rozpoczęciem pracy zawsze należy upewnić się, że dźwignia dobrze leży w rowku.

Wysokość koszenia można regulować w zakresie od 20 mm do 100 mm.

Wyjąć kluczyk, a następnie odchylić dźwignię regulacji wysokości koszenia na zewnątrz, oddalając ją od korpusu kosiarki, po czym ustawić ją na żądanej wysokości koszenia.

- **Rys.22:** 1. Dźwignia regulacji wysokości koszenia

W poniższej tabeli podano zależność między liczbą na korpusie kosiarki a przybliżoną wysokością koszenia.

Liczba	Wysokość koszenia
1	20 mm
2	26 mm
3	32 mm
4	39 mm
5	47 mm
6	55 mm
7	63 mm
8	74 mm
9	86 mm
10	100 mm

Jedną ręką trzymając przednią rękojęść lub dolny uchwyt, za pomocą drugiej ręki przesunąć dźwignię regulacji wysokości koszenia.

► **Rys.23:** 1. Dźwignia regulacji wysokości koszenia
2. Dolny uchwyt 3. Przednia rękojęść

WSKAZÓWKA: Podane wysokości koszenia należy traktować jako ogólne wytyczne. Rzeczywista wysokość trawnika może się nieco różnić od ustawionej w zależności od stanu trawnika oraz terenu.

WSKAZÓWKA: Przetestować koszenie trawy w mniej widocznym miejscu w celu ustawienia wymaganej wysokości koszenia.

Wskaźnik poziomu trawy

Wskaźnik poziomu trawy wskazuje ilość skoszonej trawy. Gdy kosz na trawę nie jest całkowicie pełen, wskaźnik pływa podczas pracy noży.

► **Rys.24:** 1. Wskaźnik poziomu trawy

Gdy kosz na trawę zostanie całkowicie zapełniony, wskaźnik przestanie pływać podczas pracy noży. W takim przypadku należy niezwłocznie przerwać pracę i opróżnić kosz.

► **Rys.25:** 1. Wskaźnik poziomu trawy

WSKAZÓWKA: Wskaźnik ten stanowi wyłącznie wskazanie zgrubne. W zależności od warunków wewnątrz kosza wskaźnik ten może nie działać prawidłowo.

Regulacja wysokości uchwytu

▲ PRZESTROGA: Przed wyjęciem śrub mocno chwycić górny uchwyt. W innym przypadku, upadek uchwytu może spowodować obrażenia.

Uchwyt można ustawić na jednej z dwóch wysokości.

1. Wykręcić górne śruby z dolnego uchwytu za pomocą klucza nasadowego nr 13, a następnie poluzować dolne śruby.

► **Rys.26:** 1. Górna śruba 2. Dolna śruba

2. Wyregulować wysokość uchwytu, a następnie mocno dokręcić górne i dolne śruby.

Regulacja prędkości jazdy

Model DLM462/DLM532

► **Rys.27:** 1. Dźwignia prędkości

Prędkość jazdy można regulować za pomocą dźwigni prędkości. Aby zmniejszyć prędkość, należy pociągnąć dźwignię do siebie, a aby zwiększyć prędkość, należy obrócić dźwignię do przodu.

Korzystanie z przystawki do mulczowania

Przystawka do mulczowania umożliwia pozostawienie skoszonej trawy na ziemi, bez zbierania jej w koszu. Aby korzystać z maszyny z przystawką do mulczowania, należy wyjąć kosz na trawę.

UWAGA: Gdy maszyna jest używana z przystawką do mulczowania, łączna długość trawy musi wynosić co najmniej 30 mm lub długość odcinanego odcinka musi wynosić maksymalnie 15 mm.

► **Rys.28:** (1) 30 lub więcej (2) 15 mm lub mniej

Korzystanie z przystawki wyrzucającej

Model DLM530/DLM532

Przystawka wyrzucająca umożliwia wyrzucenie skoszonej trawy z prawej strony kosiarki na ziemię, bez zbierania jej w koszu. Aby używać przystawki wyrzucającej, należy zamontować przystawkę do mulczowania i usunąć kosz na trawę.

Funkcja regulacji elektronicznej

Maszyna jest wyposażona w funkcje regulacji elektronicznej ułatwiające jej obsługę.

- Kontrola stałej prędkości obrotowej noża
Elektroniczna kontrola prędkości zapewnia stałą prędkość. Pozwala to uzyskać bardzo dokładne wykończenie, ponieważ prędkość obrotowa jest utrzymywana na stałym poziomie, nawet pod obciążeniem.
- Łagodne uruchamianie przy rozruchu
Funkcja łagodnego uruchamiania minimalizuje wstrząs powstający podczas normalnego uruchamiania, dzięki czemu rozruch maszyny jest płynny.
- Hamulec elektryczny
Maszyna jest wyposażona w hamulec elektryczny. Jeśli noże kosiarki często nie zatrzymują się szybko po zwolnieniu dźwigni przełącznika, należy zlecić naprawę maszyny autoryzowanemu punktowi serwisowemu firmy Makita.

OBSŁUGA

Koszenie

▲ OSTRZEŻENIE: Przed przystąpieniem do koszenia należy usunąć gałęzie oraz kamienie z terenu przeznaczonego do koszenia. Następnie należy usunąć chwasty.

▲ OSTRZEŻENIE: Podczas koszenia należy zawsze nosić gogle ochronne lub okulary ochronne z bocznymi osłonami.

▲ PRZESTROGA: Jeśli ścięta trawa lub obcy przedmiot utknę wewnątrz korpusu kosiarki, należy przed usunięciem takiej przeszkody koniecznie wyjąć kluczyk i akumulator oraz założyć rękawice.

UWAGA: Tego urządzenia należy używać jedynie do koszenia trawy. Za pomocą tego urządzenia nie wolno kosić chwastów.

► **Rys.29**

Podczas koszenia mocno trzymać uchwyt kosiarki obiema rękami. Zalecana prędkość koszenia to około 7 do 14 metrów na 10 sekund.

► **Rys.30**

Środkowe linie przednich kół określają szerokość koszenia. Kosić trawnik pasami, jako odniesienia używając tych linii. Aby zapewnić równe skoszenie trawnika, od 1/2 do 1/3 szerokości pasów powinno się nakładać.

► **Rys.31:** 1. Szerokość koszenia 2. Obszar nakładania 3. Linia środkowa

Za każdym razem zmieniać kierunek koszenia, aby zapobiec powstaniu wzoru spowodowanego kształtowaniem trawy w tym samym kierunku.

► **Rys.32**

Okresowo sprawdzać zapelnienie kosza na trawę. Usuwać trawę zanim kosz całkowicie się zapełni. Przed każdym sprawdzeniem kosza na trawę należy wyłączyć kosiarkę, wyjąć kluczyk i akumulator.

UWAGA: Używanie kosiarki z pełnym koszem na trawę uniemożliwia płynny ruch obrotowy noża oraz dodatkowo obciąża silnik, co może przyczynić się do jego uszkodzenia.

Koszenie wysokiej trawy

Nie zaleca się cięcia wysokiej trawy za jednym razem. Zamiast tego należy kosić trawę etapami. Kosić co jeden lub dwa dni, aż do równomiernego skrócenia trawnika.

► **Rys.33**

WSKAZÓWKA: Mocne skrócenie wysokiej trawy za jednym razem może spowodować jej uschnięcie. Skoszona trawa może także zablokować się w kosiarce.

Opróżnianie kosza na trawę

OSTRZEŻENIE: W celu zmniejszenia ryzyka wypadku regularnie sprawdzać kosz na trawę pod kątem ewentualnych uszkodzeń lub pogorszenia wytrzymałości materiału. Wymienić kosz na trawę w razie potrzeby.

1. Zwołnić dźwignię przełącznika i dźwignię jazdy (w przypadku DLM462/DLM532) albo zwołnić dźwignię przełącznika (w przypadku DLM530).

2. Wyjmij kluczyk.

3. Otworzyć tylną pokrywę i wyjąć kosz na trawę, chwytając za jego uchwyt.

► **Rys.34:** 1. Tylna pokrywa 2. Uchwyt 3. Kosz na trawę

4. Opróżnij kosz na trawę.

KONSERWACJA

OSTRZEŻENIE: Przed schowaniem kosiarki lub przystąpieniem do jej przenoszenia, kontroli bądź konserwacji należy zawsze wyjąć kluczyk i akumulator.

OSTRZEŻENIE: Gdy kosiarka nie jest używana, należy zawsze wyjmować kluczyk. Kluczyk należy przechowywać w bezpiecznym, niedostępnym dla dzieci miejscu.

OSTRZEŻENIE: Przed przystąpieniem do przeglądu lub prac konserwacyjnych należy złożyć rękawice.

OSTRZEŻENIE: Podczas kontroli lub konserwacji należy zawsze nosić gogle ochronne lub okulary ochronne z bocznymi osłonami.

UWAGA: Nie stosować benzyny, rozpuszczalników, alkoholu itp. środków. Mogą one powodować odbarwienia, odkształcenia lub pęknięcia.

W celu zachowania odpowiedniego poziomu BEZPIECZENSTWA i NIEZAWODNOŚCI produktu wszelkie naprawy i różnego rodzaju prace konserwacyjne lub regulacje powinny być przeprowadzane przez autoryzowany lub fabryczny punkt serwisowy narzędzi Makita, zawsze z użyciem oryginalnych części zamiennych Makita.

Konserwacja

1. Wyjąć kluczyk i akumulatory, a następnie zamknąć pokrywę akumulatora.

2. Położyć kosiarkę na boku w taki sposób, aby dźwignia regulacji wysokości koszenia znajdowała się na górze. Usunąć resztki trawy nagromadzone pod kosiarką.

3. Kierować wodę na spód maszyny, tam gdzie przymocowany jest nóż.

UWAGA: Nie myć maszyny wodą pod wysokim ciśnieniem.

4. Sprawdzić, czy wszystkie nakrętki, śruby, wkręty itp. są dobrze dokręcone.

5. Sprawdź, czy części ruchome nie są uszkodzone, złamane ani zużyte. Uszkodzone lub brakujące części należy naprawić lub wymienić.

6. Kosiarkę należy przechowywać w bezpiecznym, niedostępnym dla dzieci miejscu.

Model DLM462/DLM532

UWAGA: Nie wlewać wody do miejsca przedstawionego na rysunku. Wlewanie wody do zespołu silnika może spowodować usterkę maszyny.

► **Rys.35:** 1. Miejsce, do którego nie należy wlewać wody

Przenoszenie kosiarki

W celu przeniesienia kosiarki, dwie osoby powinny chwycić za rękojeść przednią i rękojeść tylną, tak przedstawiono to na rysunku.

► **Rys.36:** 1. Przednia rękojeść 2. Tylna rękojeść

Przechowywanie

Przechowywać kosiarkę w chłodnym, suchym i zamkniętym miejscu. Nie przechowywać kosiarki ani ładowarki w miejscu, w którym temperatura może osiągnąć lub przekroczyć 40°C.

Zakładanie i zdejmowanie noża kosiarki

⚠ OSTRZEŻENIE: Nóż porusza się siłą rozpędu jeszcze przez kilka sekund po zwolnieniu przełącznika. Nie przystępować do jakichkolwiek czynności, dopóki nóż nie zatrzyma się całkowicie.

⚠ OSTRZEŻENIE: Podczas zakładania lub zdejmowania noża należy zawsze wyjąć kluczcyk i akumulator. Niewyjęcie kluczcyka i akumulatora może prowadzić do poważnych obrażeń ciała.

⚠ OSTRZEŻENIE: Podczas wykonywania czynności wymagających kontaktu z nożem należy nosić rękawice ochronne.

Zdejmowanie noża kosiarki

W przypadku modeli wyposażonych w prosty nóż kosiarki

1. Połóż kosiarkę na boku w taki sposób, aby dźwignia regulacji wysokości koszenia znajdowała się na górze.
2. Aby zablokować nóż, wsuń kołek w otwór w korpusie kosiarki.
3. Obracaj śrubę w kierunku przeciwnym do ruchu wskazówek zegara za pomocą klucza nasadowego o rozmiarze 17.
► **Rys.37:** 1. Nóż kosiarki 2. Kołek 3. Klucz nasadowy
4. Wymontuj kolejno śrubę i nóż kosiarki.
► **Rys.38:** 1. Podpora noża 2. Nóż kosiarki 3. Śruba 4. Występ

UWAGA: Montując nóż kosiarki, należy zwrócić uwagę, aby występy na podporze noża pasowały do otworów w nożu kosiarki.

W przypadku modeli wyposażonych w odchylane noże kosiarki

1. Połóż kosiarkę na boku w taki sposób, aby dźwignia regulacji wysokości koszenia znajdowała się na górze.
2. Aby zablokować płytkę podstawową, wsuń kołek w otwór w korpusie kosiarki przez otwór w płytce podstawowej.
3. Obracaj śrubę w kierunku przeciwnym do ruchu wskazówek zegara za pomocą klucza nasadowego o rozmiarze 17.
► **Rys.39:** 1. Kołek 2. Płytkę podstawową 3. Klucz nasadowy

4. Wykręć śrubę, a następnie zdejmij płytkę podstawową.
► **Rys.40:** 1. Podpora noża 2. Płytkę podstawową 3. Śruba 4. Występ

UWAGA: Montując noże kosiarki, należy zwrócić uwagę, aby występy na podporze noży pasowały do otworów w płytce podstawowej.

5. Aby wyjąć jeden nóż kosiarki, obracaj śrubę w kierunku przeciwnym do ruchu wskazówek zegara za pomocą klucza nasadowego o rozmiarze 17, trzymając za płytkę podstawową.
► **Rys.41:** 1. Płytkę podstawową 2. Nóż kosiarki 3. Klucz nasadowy
6. Wymontuj kolejno nakrętkę, podkładkę, podkładkę sprężystą, nóż kosiarki i śrubę.
► **Rys.42:** 1. Otwór na śrubę 2. Śruba 3. Nóż kosiarki 4. Podkładka sprężynowa 5. Podkładka 6. Nakrętka

UWAGA: Dokręcając nakrętki w celu zamontowania pojedynczych noży kosiarki, należy przykładać moment obrotowy 30 N·m.

UWAGA: Montując pojedynczy nóż kosiarki, należy umieścić podkładkę sprężystą w kierunku przedstawionym na rysunku.

UWAGA: Montując pojedynczy nóż kosiarki, należy wsunąć śruby do przeznaczonych na nie otworów, przedstawionych na rysunku.

Zamontowanie noża kosiarki

⚠ OSTRZEŻENIE: Nóż kosiarki należy zakładać z zachowaniem ostrożności. Nóż ma górną i dolną stronę.

⚠ OSTRZEŻENIE: Dokręcić mocno śrubę zgodnie z ruchem wskazówek zegara w celu zamocowania noża.

⚠ OSTRZEŻENIE: Upewnij się, że nóż kosiarki oraz wszystkie elementy mocujące są zamontowane prawidłowo i dobrze dokręcone.

⚠ OSTRZEŻENIE: Podczas wymiany noża należy zawsze postępować zgodnie z instrukcją opisaną w niniejszej instrukcji.

UWAGA: Po zamontowaniu noży kosiarki należy wyjąć kołek z korpusu kosiarki.

Aby zamontować noże kosiarki, należy wykonać czynności procedury zdejmowania w odwrotnej kolejności.

ROZWIĄZYWANIE PROBLEMÓW

Przed oddaniem maszyny do naprawy należy najpierw przeprowadzić samodzielną kontrolę. W razie napotkania problemu, który nie został wyjaśniony w instrukcji, nie należy próbować demontować maszyny we własnym zakresie. Należy natomiast zlecić naprawę w autoryzowanym centrum serwisowym firmy Makita; zawsze z użyciem oryginalnych części zamiennych Makita.

Nieprawidłowe działanie	Prawdopodobna przyczyna (usterka)	Rozwiązanie
Kosiarka nie uruchamia się.	Nie są włożone dwa akumulatory.	Włożyć dwa naładowane akumulatory.
	Problem z akumulatorem (za niskie napięcie)	Naładować akumulator. Jeśli naładowanie akumulatora nie przynosi skutku, należy go wymienić.
	Kluczyk nie jest włożony.	Włożyć kluczyk.
	Przełącznik wyboru akumulatorów nie znajduje się we właściwym położeniu.	Za pomocą przełącznika wyboru akumulatorów wybrać gniazdo akumulatorów, w których zamontowane są akumulatory.
Silnik wyłącza się po krótkim czasie.	Niski poziom naładowania akumulatora.	Naładować akumulator. Jeśli naładowanie akumulatora nie przynosi skutku, należy go wymienić.
	Wysokość cięcia jest zbyt niska.	Zwiększyć wysokość cięcia.
	Skoszona trawa zapchała kosiarkę.	Wyjąć skoszoną trawę z kosiarki.
Silnik nie może osiągnąć maksymalnych obrotów.	Akumulator jest włożony nieprawidłowo.	Włożyć akumulator zgodnie z opisem w niniejszej instrukcji.
	Spada moc akumulatora.	Naładować akumulator. Jeśli naładowanie akumulatora nie przynosi skutku, należy go wymienić.
	Układ napędowy nie działa prawidłowo.	Zlecić naprawę w lokalnym autoryzowanym punkcie serwisowym.
Nóż kosiarki nie obraca się: ⇒ natychmiast wyłączyć kosiarkę!	Obcy przedmiot, taki jak gałąź, zakleszczył się w pobliżu noża.	Usunąć przeszkodę.
	Układ napędowy nie działa prawidłowo.	Zlecić naprawę w lokalnym autoryzowanym punkcie serwisowym.
Nietypowe drgania: ⇒ natychmiast wyłączyć kosiarkę!	Nóż jest niewyważony; nadmiernie lub nierówno zużyty.	Wymienić nóż.

AKCESORIA OPCJONALNE

⚠ PRZESTROGA: Zaleca się stosowanie wymienionych akcesoriów i przystawek z maszyną Makita opisaną w niniejszej instrukcji. Stosowanie innych akcesoriów lub przystawek może być przyczyną obrażeń ciała. Akcesoriów lub przystawek należy używać tylko zgodnie z ich przeznaczeniem.

W razie potrzeby wszelkiej pomocy i szczegółowych informacji na temat niniejszych akcesoriów udziela Państwu lokalne punkty serwisowe Makita.

- Nóż kosiarki
- Oryginalny akumulator i ładowarka firmy Makita

WSKAZÓWKA: Niektóre pozycje znajdujące się na liście mogą być dołączone do pakietu urządzenia jako akcesoria standardowe. Mogą to być różne pozycje, w zależności od kraju.

RÉSZLETES LEÍRÁS

Típus:		DLM462	DLM530	DLM532
Nyírási szélesség (kés átmérője)		460 mm	534 mm	
Üresjárat fordulatszám		2 500 min ⁻¹	2 300 min ⁻¹	
Maximális sebesség		3 300 min ⁻¹	2 800 min ⁻¹	
A csere fűnyírókés alkatrész azonosítója	Egyenes fűnyírókés	191D51-9	191D52-7	
	Visszacsapó fűnyírókések *1	191D49-6	191D50-1	
	Visszacsapó fűnyírókések *2	191D47-0	191D48-8	
Méretek (H x SZ x M)		H: 1 610 mm - 1 690 mm SZ: 535 mm M: 980 mm - 1 095 mm	H: 1 630 mm - 1 715 mm SZ: 590 mm M: 990 mm - 1 095 mm	
Haladási sebesség		2,5 - 5,0 km/h	–	2,5 - 5,0 km/h
Névleges feszültség		36 V, egyenáram		
Nettó tömeg	Ha egyenes fűnyírókés van felszerelve	35,3 - 39,0 kg	35,5 - 39,3 kg	39,0 - 42,8 kg
	Ha visszacsapó fűnyírókések vannak felszerelve	36,0 - 39,7 kg	36,2 - 40,0 kg	39,7 - 43,5 kg
Védettségi fokozat		IPX4		

*1. Talplemez és egyedi fűnyírókések.

*2. Csak egyedi fűnyírókések.

- Folyamatos kutató- és fejlesztőprogramunk eredményeként az itt felsorolt tulajdonságok figyelmeztetés nélkül megváltozhatnak.
- A tulajdonságok országról országra különbözhetnek.
- A súly a felszerelt tartozékoktól függően változhat, az akkumulátort is beleértve. Az EPTA 01/2014 eljárás szerint meghatározott legnehezebb, illetve legkönnyebb kombináció a táblázatban látható.

Alkalmazható akkumulátorok

BL 1815N / BL 1820 / BL 1820B / BL 1830 / BL 1830B / BL 1840 / BL 1840B / BL 1850 / BL 1850B / BL 1860B

- Lakóhelyétől függően előfordulhat, hogy a fent felsorolt akkumulátorok nem érhetők el.

▲ FIGYELMEZTETÉS: Csak a fentiekben felsorolt akkumulátorokat használja. Bármilyen más akkumulátor használata sérüléseket és/vagy tüzet okozhat.

Szimbólumok

A következőkben a berendezésen használt jelképek láthatók. A szerszám használata előtt bizonyosodjon meg arról, hogy helyesen értelmezi a jelentésüket.



Legyen különösen elővigyázatos és figyelmes.



Olvassa el a használati utasítást.



Veszély: fokozottan ügyeljen a szerszám által kibocsátott tárgyakra!



A gép és a közelben tartózkodók közötti távolság legalább 15 méter legyen.



Soha ne tegye kezét vagy lábát a fűnyíró késének közelébe. A kés a motor kikapcsolása után egy ideig még forognak.



Vegye ki a záró kulcsot a fűnyíró vizsgálatára, beállításhoz, tisztításra, javításra, magára hagyása és tárolása előtt.



Elektromos veszély. A vízzel való érintkezés áramütést okozhat.



Ne öntsön rá vizet.



Ni-MH
Li-ion

Csak EU-tagállamok számára
Az elektromos berendezéseket és akkumulátorokat ne dobja a háztartási szemétkorba!
Az Európai Unió használt elektromos és elektronikus berendezésekre vonatkozó irányelvei, illetve az elemekről és akkumulátorokról, valamint a hulladékkezelésről és akkumulátorokról szóló irányelv, továbbá azoknak a nemzeti jogba való átültetésére szerint az elhasznált elektromos berendezéseket, elemeket és akkumulátorokat külön kell gyűjteni, és környezetbarát módon kell gondoskodni újrahazsznosításukról.

Rendeltetés

A gépet fűnyírásra szánták.

Zaj

A tipikus A-súlyozású zajszint, a EN60335-2-77 szerint meghatározva:

MEGJEGYZÉS: Az értékeket úgy mértük, hogy a fűnyíróra az egyenes fűnyírókés volt felszerelve.

DLM462 típus

Hangnyomásszint (L_{pA}): 82,7 dB(A)
Hangteljesítményszint (L_{WA}): 90,9 dB (A)
Bizonytalanság (K): 3 dB(A)

DLM530 típus

Hangnyomásszint (L_{pA}): 78,1 dB(A)
Hangteljesítményszint (L_{WA}): 90,4 dB (A)
Bizonytalanság (K): 3 dB(A)

DLM532 típus

Hangnyomásszint (L_{pA}): 78,1 dB(A)
Hangteljesítményszint (L_{WA}): 90,4 dB(A)
Bizonytalanság (K): 3dB(A)

A zajszint a munkavégzés során meghaladhatja a 80 dB (A) értéket.

MEGJEGYZÉS: A zajkibocsátás értéke a szabványos vizsgálati eljárásnak megfelelően lett mérve, és segítségével az elektromos kéziszerszámok összehasonlíthatók egymással.

MEGJEGYZÉS: A zajkibocsátás értékének segítségével előzetesen megbecsülhető a rezgésnek való kitétség mértéke.

▲FIGYELMEZTETÉS: Viseljen fülvédőt!

▲FIGYELMEZTETÉS: A szerszám zajkibocsátása egy adott alkalmazásnál eltérhet a megadott értéktől a használat módjától, különösen a feldolgozott munkadarab fajtájától függően.

▲FIGYELMEZTETÉS: Határozza meg a kezelő védelmét szolgáló munkavédelmi lépéseket, melyek az adott munkafeltételek melletti vibrációs hatás becsült mértékén alapulnak (figyelembe véve a munkaciklus elemeit, mint például a gép leállításának és üresjáratának mennyiségét az elindítások száma mellett).

Vibráció

A vibráció teljes értéke (háromtengelyű vektorösszeg) az EN60335-2-77 szerint meghatározva:

MEGJEGYZÉS: Az értékeket úgy mértük, hogy a fűnyíróra az egyenes fűnyírókés volt felszerelve.

DLM462 típus

Rezgéskibocsátás (a_n): 2,5 m/s² vagy kisebb
Bizonytalanság (K): 1,5 m/s²

DLM530 típus

Rezgéskibocsátás (a_n): 2,5 m/s² vagy kisebb
Bizonytalanság (K): 1,5 m/s²

Típus: DLM532

Rezgéskibocsátás (a_n): 2,5 m/s² vagy kisebb
Bizonytalanság (K): 1,5 m/s²

MEGJEGYZÉS: A rezgés teljes értéke a szabványos vizsgálati eljárásnak megfelelően lett mérve, és segítségével az elektromos kéziszerszámok összehasonlíthatók egymással.

MEGJEGYZÉS: A rezgés teljes értékének segítségével előzetesen megbecsülhető a rezgésnek való kitétség mértéke.

▲FIGYELMEZTETÉS: A szerszám rezgés-kibocsátása egy adott alkalmazásnál eltérhet a megadott értéktől a használat módjától, különösen a feldolgozott munkadarab fajtájától függően.

▲FIGYELMEZTETÉS: Határozza meg a kezelő védelmét szolgáló munkavédelmi lépéseket, melyek az adott munkafeltételek melletti vibrációs hatás becsült mértékén alapulnak (figyelembe véve a munkaciklus elemeit, mint például a gép leállításának és üresjáratának mennyiségét az elindítások száma mellett).

EK Megfelelőségi nyilatkozat

Csak európai országokra vonatkozóan

Az EK-megfelelőségi nyilatkozat az útmutató „A” mellékletében található.

BIZTONSÁGI FIGYELMEZTETÉS

FONTOS BIZTONSÁGI SZABÁLYOK

▲FIGYELMEZTETÉS: Olvassa el az összes biztonsági figyelmeztetést és utasítást. Ha nem tartja be a figyelmeztetéseket és utasításokat, akkor áramütés, tűz és/vagy súlyos sérülés következhet be.

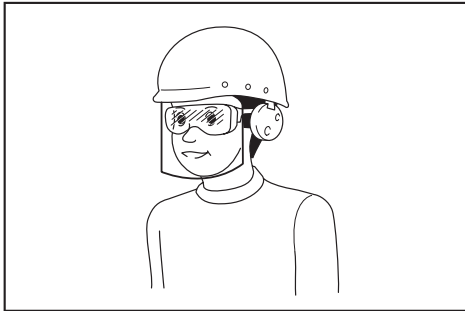
Őrizzen meg minden figyelmeztetést és utasítást a későbbi tájékozódás érdekében.

Oktatás

1. Figyelmesen olvassa el az útmutatót. Sajátítsa el a fűnyíró helyes használatát és a kezelőszervek működtetését.
2. Soha ne engedje, hogy gyermekek vagy ezen utasításokat nem ismerő személyek használják a fűnyírót. Előfordulhat, hogy a helyi törvények rendelkeznek a kezelő életkorát illetően.
3. Ne működtesse a fűnyírót, ha emberek – különösen gyermekek – vagy háziállatok tartózkodnak a közelben.
4. Ne feledje, hogy a kezelő, illetve felhasználó felelős a balesetekért vagy a más személyekkel vagy tulajdonnal szembeni veszélyhelyzetekért.
5. Ügyelni kell arra, hogy gyermekek ne játszhassanak a fűnyíróval.
6. Fizikai állapot – Ne használja a fűnyírót, ha drog, alkohol vagy gyógyszer hatása alatt áll.

Felkészülés

1. A fűnyíró használata közben megfelelő lábbelit és hosszú nadrágot viseljen. Ne működtesse a fűnyírót mezítláb vagy nyitott szandálban. Kerülje a laza, vagy lógó részekkel, szalagokkal rendelkező ruhák vagy ékszerek viselését. Ezeket a mozgó alkatrészek becsíphetik.
2. Használat előtt mindig ellenőrizze szemrevételezéssel a fűnyírót, nem sérültek-e, hiányoznak-e vagy rosszul vannak elhelyezve a védőelemek.
3. A fűnyírás előtt a területen ne legyenek más emberek. Állítsa le a fűnyírót, ha valaki más is a területre lép.
4. Ne helyezze be a kulcsot a fűnyíróba, amíg az nem áll készen a használatra.
5. Elektromos szerszámok használatakor mindig viseljen védőszemüveget a szem védelme érdekében. A szemüvegnek meg kell felelnie az ANSI Z87.1 szabványnak az Egyesült Államokban, az EN 166 szabványnak Európában, illetve az AS/NZS 1336 szabványnak Ausztráliában/Új-Zélandon. Ausztráliában/Új-Zélandon törvény írja elő az arcvédő használatát is, amely biztosítja az arc védelmét.



A munkaadó felelőssége, hogy a megfelelő biztonsági védőeszköz viselésére kötelezze a szerszám kezelőit és a közvetlen munkaterületen lévő más személyeket.

6. Gondosan ellenőrizze a késeket vagy a fejecsavarokat használat előtt, repedések vagy sérülések tekintetében. Azonnal cserélje ki a megrepedt vagy sérült késeket vagy fejecsavarokat.
7. Távolítsa el az idegen anyagokat, például köveket, drótokat, palackokat, csontokat és nagyobb botokat a területről, hogy elejét vegye a személyi sérülésnek vagy a fűnyíró károsodásának.
8. A fűnyíró kése által megütött tárgyak súlyos személyi sérülést okozhatnak. A gypet mindig körültekintően meg kell vizsgálni, és minden fűnyírás előtt el kell távolítani minden objektumot.
9. Figyeljen a lyukakra, kerékvágásokra, kiemelkedésekre, sziklára és más rejtett tárgyakra. Az egyenetlen terep elcsúszással és eleséssel járó balesetet okozhat. A magas fű akadályokat rejtget.
10. Ne tegye be vagy vegye ki a kulcsot esőben.

11. Használjon személyi védőfelszerelést. Mindig viseljen védőszemüveget. A megfelelő körülmények megteremtése érdekében használt biztonsági felszerelések, mint például a pormaszok, csúszásmentes cipő, védősisak vagy hallásvédelmi eszközök csökkentik a személyi sérülések előfordulását.

Működtetés

1. Ne hajoljon előre túlságosan. Mindig egyensúly megtartásával dolgozzon. Lejtőn mindig bizonyosodjon meg lába kellő megtámasztásáról. Sétálva haladjon, soha ne fusson.
2. Állítsa le a fűnyírót, vegye ki a kulcsot, és győződjön meg arról, hogy minden mozgó alkatrész teljesen leállt:
 - minden alkalommal, amikor magára hagyja a fűnyírót,
 - akadályok vagy eltömődések elhárítása előtt,
 - ellenőrzés, tisztítás vagy a fűnyíróval való munkavégzés előtt,
 - idegen tárgyba ütközés után. Vizsgálja át a fűnyírót, hogy nem sérült-e meg, és végezze el a szükséges javításokat az ismételt elindítás és használat előtt,
 - ha a fűnyíró rendellenesen rázkódni kezd.
3. Soha ne használja a fűnyírót hibás védőelemekkel vagy biztonsági eszközök nélkül, például a terelőelemek és/vagy a fűgyűjtő kosár felszerelése nélkül.
4. Kerülje a fűnyíró használatát rossz időjárási körülmények esetén, különösen, ha villámlás várható.
5. A fűnyíró használata közben viseljen védőszemüveget és zárt lábbelit.
6. A fűnyírót csak napközben vagy kellően erős mesterséges megvilágítás mellett használja.
7. A fűnyírót óvatosan, az utasításoknak megfelelően indítsa be, és lábát tartsa kellő távolságra a kés(ek)től.
8. Ügyeljen a fűnyírókésekre, mivel láb- és kézsérüléseket okozhatnak.
9. Mindig ellenőrizze, hogy a szellőzőnyílásokat nem tömitette-e el törmelék.
10. A lejtőkön oldalirányba haladjon át, ne lefelé vagy felfelé. Különösen óvatosan járjon el a lejtőn való irányváltáskor. Ne végezzen fűnyírást túl meredek lejtőkön.
11. Különösen óvatosan járjon el tolatáskor, illetve amikor a fűnyírót maga felé húzza.
12. Várja meg, míg a kések leállnak, ha a fűnyírót egy nem füves területen való áthaladás érdekében meg kell dönteni, vagy amikor a fűnyírót a levágandó területhez/területről szállítja.
13. Ne döntse meg a fűnyírót a motor bekapcsolásakor, kivéve, ha a fűnyírót a beindításhoz meg kell dönteni. Ebben az esetben se döntse meg jobban a szükségesnél, és a fűnyírót a kezelővel ellentétes oldalát megemelve döntse meg. Mielőtt a fűnyírót újra a földre teszi mindig ügyeljen arra, hogy mindkét keze a működtetési helyzetben legyen.
14. Ne tegye kezét és lábát forgó alkatrészek alá vagy azokhoz közel. A kibobonyilást mindig tartsa szabadon.

15. Ne szállítsa a fűnyírót bekapcsolt állapotban.
16. Kerülje a fűnyíró használatát nedves fűben.
17. Mindig tartsa szilárdan a fogantyút.
18. Ne fogja meg a csupaszes késeket vagy vágóéleket, amikor felemeli vagy megtartja a fűnyírót.
19. Tartsa kezét és lábát távol a forgó késektől. Vigyázat – A kések a fűnyíró kikapcsolása után még szabadon forognak.
20. Ha bármi rendellenességet észlel, azonnal állítsa le a gépet. Kapcsolja ki a fűnyírót, és vegye ki a kulcsot. Ezt követően vizsgálja meg a fűnyírót.
21. Ha a fűnyíró rendelkezik vágási magasságot beállító funkcióval, soha ne próbálja meg a fűnyíró működése közben állítani a vágási magasságot.
22. Engedje el a kapcsolókart, és várjon, amíg a kések forgása leáll, mielőtt felhajtón, ösvényen, úton és kavicsos területen menne át. Vegye ki a kulcsot akkor is, ha eltávolodik a fűnyírótól, hogy felvegyen valamit, vagy elvegyen valamit az útból, vagy bármely más okból, amely elvonhatja a figyelmét a végzett munkától.
23. Ha a fűnyíró egy idegen tárgyba ütközik, kövesse az alábbi lépéseket:
 - Állítsa le a fűnyírót, engedje el a kapcsolókart és várjon, amíg a kés teljesen leáll.
 - Vegye ki a kulcsot és az akkumulátort.
 - Vizsgálja át alaposan a fűnyírót, hogy megkeresse az esetleges károsodásokat.
 - Cserélje ki a kést, ha az bármi módon károsodott. A fűnyíró további használata előtt javítsa ki minden károsodást.
24. Ne indítsa el a fűnyírót, amikor a kidobónyílás előtt áll.
25. Ha a fűnyíró szokatlan módon kezd vibrálni (azonnali ellenőrzés)
 - ellenőrizze, hogy nem károsodott-e,
 - cserélje ki vagy javítsa meg a sérült alkatrészeket,
 - ellenőrizze és húzza meg a laza alkatrészeket.
26. Soha ne irányítsa senki felé a kilökött anyagot. Ne irányítsa a kilökött anyagot egy fal vagy akadály felé. Az anyag visszapatlanhat a kezelő irányába. Állítsa le a kést, amikor kavicsos területen megy keresztül.
27. Ne húzza visszafelé a fűnyírót, ha nem feltétlenül szükséges. Ha arra kényszerül, hogy hátrahúzza a fűnyírót egy kerítéstől vagy más hasonló akadálytól, nézzon lefelé és hátra, mielőtt és miközben hátrafelé mozog.
28. Kapcsolja ki a motort, és várja meg, amíg a kés teljesen leáll, mielőtt eltávolítja a felfogót. Vegye figyelembe, hogy a kések a kikapcsolás után még mozognak.
29. Ha sáros talajon, nedves lejtőn vagy csúszós helyen használja a gépet, figyeljen oda a lábtartására.
30. Kerülje el a rossz környezetben történő munkavégzést, ahol várhatóan nő a kimerültség.
31. Ne használja a gépet rossz időben, ha a látási viszonyok korlátozottak. Ellenkező esetben eselhet vagy hibásan működtetheti a gépet a rossz látási viszonyok miatt.
32. Ne merítse bele a gépet egy tócsába.
33. Ha az eső miatt nedves levél vagy piszok tapad a szívónyílásra (szellőzőablakra), távolítsa el.
34. Ne használja a gépet hóban.
35. Ha a levégott fű nedves, valószínűleg eltömődést okoz a gép belsejében. Rendszeresen ellenőrizze a gép állapotát, és szükség esetén távolítsa el a beletapadt fűvet.
36. A gép működtetésekor figyeljen oda a csövekre és vezetékekre.
37. Ne használjon ezzel a géppel vezetékes tápegységet, például akkumulátoradapert vagy hordozható tápegységet. Az ilyen tápegység kábele akadályozhatja a munkát, és személyi sérülést okozhat.

Karbantartás és tárolás

1. A biztonság érdekében cserélje ki a kopott vagy sérült alkatrészeket. Csak eredeti pótalkatrészeket és tartozékokat használjon.
2. Rendszeresen vizsgálja és tartsa karban a fűnyírót.
3. Amikor nincs használatban, tárolja a fűnyírót olyan helyen, ahol gyerekek nem érhetik el.
4. A berendezés biztonságos műszaki állapotának biztosítása érdekében a csavarok és anyák mindig legyenek szorosra meghúzva.
5. Gyakran ellenőrizze a fűgyűjtő kosár esetleges kopását vagy eldeformálódását. A tároláshoz mindig győződjön meg arról, hogy a fűgyűjtő kosár üres. Cserélje ki az elhasználadott fűgyűjtő kosarat egy új gyári cseredarabbal.
6. Csak a kézikönyvben megadott eredeti gyártói késeket használja.
7. Legyen óvatos a fűnyíró beállítása során, nehogy beszurjon az ujjá a mozgó kések és a fűnyíró rögzített alkatrészei közé.
8. Rendszeresen ellenőrizze a késrögzítő csavar megfelelő feszességét.
9. Tárolás előtt mindig hagyja lehűlni a fűnyírót.
10. A kések szervizelése során ne feledje, hogy a kések elmozdíthatók még kikapcsolt áramforrás esetén is.
11. Soha ne távolítsa el a biztonsági berendezéseket, és ne nyúljon hozzájuk. Rendszeresen ellenőrizze a megfelelő működésüket. Soha ne tegyen semmit, ami megzavarhatja a biztonsági berendezés tervezett működését, vagy csökkentheti a biztonsági berendezés által nyújtott védelmet.
12. Ne hagyja a gépet őrizenlenül kültéren az esőben.
13. Ne mossa a gépet nagynyomású vízzel.
14. A gép mosásakor gondoskodjon róla, hogy kivegye az akkumulátort és a kulcsot, és lecsukja az akkumulátor fedelét, a vizet pedig irányítsa a gép alá, ahol a kés csatlakozik.
15. A gép tárolásakor kerülje a közvetlen napsütést és az esőt, és olyan helyen tárolja, amely nem forróodik fel és nem párosodik be.

- Vizsgálatot vagy karbantartást olyan helyen végezzen, ahol el lehet kerülni az esőt.
- A gép használatát után távolítsa el a rátapadt piszkot, és teljesen szárítsa meg a gépet tárolás előtt. Az évszaktól és a területről függően fennáll a fagyás miatti meghibásodás kockázata.
- Ne vedvesítse meg az akkumulátor érintkezőit folyadékkal, például vízzel, és ne merítse bele az akkumulátort. Ne hagyja az akkumulátort az esőben, és ne töltsé, használja vagy tárolja az akkumulátort nyirkos vagy nedves helyen. Ha az érintkezők benedvesednek vagy víz kerül az akkumulátor belsejébe, az akkumulátor rövidre záródhat, és fennáll a túlmelegedés, tűz vagy robbanás kockázata.

Akkumulátoros szerszám használata és karbantartása

- Csak a gyártó által meghatározott töltővel töltsé fel az akkumulátort. Egy bizonyos akkumulátortípushoz használható töltő más akkumulátortípussal való használata tűzveszélyt idézhet elő.
- A szerszámgepeket kizárólag a meghatározott akkumulátorokkal használja. Egyéb akkumulátorok használata sérülés vagy tűz kockázatával járhat.
- Amikor az akkumulátort nem használja, tartsa távoli a többi fémtárgytól, például iratkapcsoktól, érméktől, kulcsoktól, szögektől, csavaroktól vagy egyéb olyan apró fémtárgyaktól, amelyek összeköttetést hozhatnak létre a pólusok között. Az akkumulátor pólusainak rövidre zárása égési sérüléseket vagy tüzet okozhat.
- Helytelen működtetés esetén az akkumulátorból folyadék kerülhet ki; kerülje az ezzel való érintkezést. Ha véletlenül mégis érintkezésbe kerülne a folyadékkal, mossa le azt vízzel. Ha a folyadék szemébe jut, azonnal forduljon orvoshoz segítségért. Az akkumulátorból származó folyadék irritációt és égéseket okozhat.
- Ne használjon sérült vagy módosított akkumulátort vagy szerszámot. A sérült vagy módosított akkumulátorok váratlan módon viselkedhetnek, melynek következtében tüzet, robbanást vagy sérülést okozhatnak.
- Ne tegye ki az akkumulátort és a szerszámot nyílt lángnak vagy túlzott hőhatásnak. A tűz hatása és a 130 °C feletti hőmérséklet robbanást okozhat.
- A töltésre vonatkozó minden utasítást tartson be, ne töltsé az akkumulátort vagy a szerszámot a megadott hőmérséklettartományon kívül. A nem megfelelő módú és nem megfelelő hőmérsékleten történő töltés az akkumulátor károsodásával járhat, valamint tüzet okozhat.

Az elektromos áramra és az akkumulátorra vonatkozó biztonsági tudnivalók

- Az akkumulátor(oka)t ne dobja tűzbe. Az akkumulátor felrobbanhat. Nézzon utána, hogy a helyi törvények tartalmazznak-e az ártalmatlanításra vonatkozó különleges rendelkezéseket.
- Ne nyissa fel és ne vágja szét az akkumulátort(oka)t. A kifolyt elektrolit korrozív hatású, továbbá a szem és a bőr sérülését okozhatja. Lenyelése mérgezést okozhat.
- Ne töltsé az akkumulátort esőben vagy nedves helyen.
- Ne töltsé az akkumulátort kültéren.
- Ne kezelje a töltőt, beleértve a töltőcsatlakozót, és a töltő kivezetéseit nedves kézzel.
- Ne cserélje az akkumulátort esőben.

- Miután eltávolította az akkumulátort a gépből vagy a töltőből, gondoskodjon róla, hogy csatlakoztassa az akkumulátorhoz a fedelét, és tárolja száraz helyen.
- Ne cserélje az akkumulátort nedves kézzel.

Szerviz

- Elektromos szerszámának szervizelését bizza eredeti pótalkatrészeket használó képzett javítószemélyzetre. Ezzel biztosítja hogy az elektromos szerszám biztonsága fennmarad.
- Soha ne próbálja javítani a sérült akkumulátorokat. Az akkumulátorok javítását csak a gyártó és a hivatalos márkaszerviz végezheti.

ŐRIZZE MEG EZEKET AZ UTASÍTÁSOKAT.

FIGYELMEZTETÉS: NE HAGYJA, hogy (a termék többszöri használatából eredő) kényelem és megszokás váltsa fel a termék biztonsági előírásainak szigorú betartását.

A HELYTELEN HASZNÁLAT és a használati útmutatóban szereplő biztonsági előírások megszegése súlyos személyi sérülésekhez vezethet.

Fontos biztonsági utasítások az akkumulátorra vonatkozóan

- Az akkumulátor használata előtt tanulmányozza át az akkumulátortöltőn (1), az akkumulátoron (2) és az akkumulátorral működtetett terméken (3) olvasható összes utasítást és figyelmeztető jelzést.
- Ne szerelje szét az akkumulátort.
- Ha a működési idő nagyon lerövidült, azonnal hagyja abba a használatot. Ez a túlmelegedés, esetleges égések és akár robbanás veszéllyel is járhat.
- Ha elektrolit kerül a szemébe, mossa ki azt tiszta vízzel és azonnal kérjen orvosi segítséget. Ez a látásának elvesztését okozhatja.
- Ne zárja rövidre az akkumulátort:
 - Ne érjen az érintkezőkhöz elektromosan vezető anyagokkal.
 - Ne tárolja az akkumulátort más fémtárgyakkal, mint pl. szegekkel, érmekkel, stb. egy helyen.
 - Ne tegye ki az akkumulátort víznek vagy esőnek.
 Az akkumulátor rövidzárlata nagy áramerősséget, túlmelegedést, égéseket, sőt akár meghibásodást is okozhat.
- Ne tárolja a szerszámot vagy az akkumulátort olyan helyen, ahol a hőmérséklet elérheti vagy meghaladhatja az 50 °C-ot (122 °F).

7. Ne égesse el az akkumulátort még akkor sem, ha az komolyan megsérült vagy teljesen elhasználódott. Az akkumulátor a tűzben felrobbanhat.
8. Vigyázzon, nehogy leejtse vagy megüsse az akkumulátort.
9. Ne használjon sérült akkumulátort.
10. A készülékben található lítium-ion akkumulátorokra a veszélyes árukkal kapcsolatos előírások vonatkoznak.
A termék pl. harmadik felek, fuvarozó cégek stb. által történő szállításra történő felkészítése esetén tartsa szem előtt a csomagoláson és a címkén található speciális követelményeket.
A termék szállításra történő felkészítése esetén vegye fel a kapcsolatot egy veszélyes anyagokkal foglalkozó szakemberrel. Kérjük, hogy az esetlegesen szigorúbb nemzeti előírásokat is vegye figyelembe.
Ragasza le a kiálló érintkezőket, illetve oly módon csomagolja be az akkumulátort, hogy az ne tudjon elmozdulni a csomagolásban.
11. Az akkumulátor ártalmatlanításakor vegye ki azt a szerszámból, és ártalmatlanítsa egy biztonságos helyen. Az akkumulátor ártalmatlanításakor tartsa be a helyi előírásokat.
12. Az akkumulátorokat csak a Makita által megjelölt termékekhez használja. Ha az akkumulátorokat azokkal nem kompatibilis termékekbe helyezi, az tűzhöz, túlmelegedéshez, robbanáshoz vagy elektrolízisvárgáshoz vezethet.
13. Ha a szerszám hosszabb ideig nincs használatban, az akkumulátort ki kell venni a szerszámból.

ŐRIZZE MEG EZEKET AZ UTASÍTÁSOKAT.

⚠VIGYÁZAT: Csak eredeti Makita akkumulátorokat használjon. A nem eredeti Makita akkumulátorok vagy módosított akkumulátorok használata esetén az akkumulátor felrobbanhat, ami tüzet, személyi sérülést és anyagi kárt okozhat. A Makita szerszámra és töltőre vonatkozó Makita garanciát is érvénytelenítheti.

Tipppek az akkumulátor maximális élettartamának eléréséhez

1. Töltse fel az akkumulátort, mielőtt teljesen lemerülne. Állítsa le a gépet, és töltsse fel az akkumulátort, ha a gép erejének csökkenését észleli.
2. Soha ne töltsse újra a teljesen feltöltött akkumulátort. A túltöltés csökkenti az akkumulátor élettartamát.
3. Töltse az akkumulátort szobahőmérsékleten, 10 °C - 40 °C (50 °F - 104 °F) között. Töltés előtt hagyja lehűlni a fölforrósodott akkumulátort.
4. Töltse fel az akkumulátort, ha hosszabb ideje (több mint hat hónapja) nem használta azt.

ÖSSZESZERELÉS

⚠FIGYELMEZTETÉS: Mindig ügyeljen arra, hogy a kulcsot és az akkumulátort távolítsa el, mielőtt bármilyen munkát végez a fűnyírón. Ha nem távolítja el a kulcsot és az akkumulátort, a véletlenszerű beindulás súlyos sérüléseket okozhat.

⚠FIGYELMEZTETÉS: A fűnyírót kizárólag akkor indítsa be, ha az teljesen össze van szerelve. A részlegesen összeszerelt gép használata súlyos sérüléseket okozhat, ha véletlenül beindul.

A fogantyú felszerelése

MEGJEGYZÉS: A fogantyúk felszerelésekor helyezze úgy a vezetékeket, hogy azok ne csipődjenek semmibe a fogantyúk között. Előfordulhat, hogy a fűnyíró nem működik, ha a vezeték sérült.

1. Hozza egy vonalba az alsó fogantyú furatait a fűnyíró házán lévő furatokkal, majd húzza meg ideiglenesen a 4 fejecscsavart.
▶ **Ábra1:** 1. Alsó fogantyú 2. Fejecscsavar
2. Húzza meg szorosan az 1. lépésben ideiglenesen meghúzott 4 fejecscsavart a 13-as csillagkulcs segítségével.
3. Hozza egy vonalba az alsó fogantyún lévő furatot a felső fogantyún lévő furattal, helyezze be belülről a fejecscsavart, majd szorítsa meg kívülről az anyát a 13-as csillagkulccsal. Hajtsa végre ugyanezt az eljárást a másik oldalon.
▶ **Ábra2:** 1. Fejecscsavar 2. Alsó fogantyú 3. Anya 4. Furat 5. Felső fogantyú

⚠VIGYÁZAT: Tartsa erősen a felső fogantyút, ne csússzon ki a kezéből. Ellenkező esetben a fogantyú leeshet és sérülést okozhat.

4. Szerelje fel a tartókat a fogantyúra.
Igazítsa a tartón lévő kiemelkedéseket a fogantyún lévő furatokhoz úgy, hogy a kiemelkedések illeszkedjenek a furatokba. Helyezze el a vezetékeket az ábrán látható módon.
▶ **Ábra3:** 1. Vezeték 2. Tartó

A mulcsozó betét eltávolítása

1. Nyissa ki a hátsó fedelet.
▶ **Ábra4:** 1. Hátsó fedél
2. Tartsa lenyomva a kart, és távolítsa el a mulcsozó betétet.
▶ **Ábra5:** 1. Kar 2. Mulcsozó betét

A fűgyűjtő kosár felszerelése és eltávolítása

A fűgyűjtő kosár felszereléséhez kövesse az alábbi lépéseket.

1. Nyissa ki a hátsó fedelet.
▶ **Ábra6:** 1. Hátsó fedél
2. Tartsa a fűgyűjtő kosár fogantyúját, majd akassza a fűgyűjtő kosarat a fűnyíró házán lévő rúdra az ábrán látható módon.
▶ **Ábra7:** 1. Rúd 2. Fogantyú 3. Fűgyűjtő kosár

A fűgyűjtő kosár eltávolításához nyissa ki a hátsó fedelet, majd fogantyújánál fogva vegye ki a fűgyűjtő kosarat.

A mulcsozó betét csatlakoztatása

1. Nyissa ki a hátsó fedelet, majd távolítsa el a fűgyűjtő kosarat.
▶ **Ábra8:** 1. Hátsó fedél 2. Fűgyűjtő kosár
2. Csatlakoztassa a mulcsozó betétet, miközben lenyomva tartja a kart, majd engedje el a kart a mulcsozó betét rögzítéséhez.
▶ **Ábra9:** 1. Kar 2. Mulcsozó betét

A kiszóró tartozék csatlakoztatása

DLM530/DLM532 esetén

1. Nyissa ki a hátsó fedelet, majd távolítsa el a fűgyűjtő kosarat.
▶ **Ábra10:** 1. Hátsó fedél 2. Fűgyűjtő kosár
2. Csatlakoztassa a mulcsozó betétet, miközben lenyomva tartja a kart, majd engedje el a kart a mulcsozó betét rögzítéséhez.
▶ **Ábra11:** 1. Kar 2. Mulcsozó betét
3. Nyissa ki a jobb oldali fedelet, majd csatlakoztassa a kiszóró tartozékokat.
Helyezze a kiszóró tartozék akasztóit a jobb oldali fedél rúdja alá.
▶ **Ábra12:** 1. Jobb oldali fedél 2. Kiszóró tartozék

A MŰKÖDÉS LEÍRÁSA

Az akkumulátor behelyezése és eltávolítása

⚠ VIGYÁZAT: Az akkumulátor behelyezése vagy eltávolítása előtt mindig kapcsolja ki a gépet.

⚠ VIGYÁZAT: Az akkumulátor behelyezésekor vagy eltávolításakor erősen fogja meg a gépet és az akkumulátort. Ha nem fogja erősen a gépet és az akkumulátort, azok kicsúszhatnak a kezei közül, ami a gép és az akkumulátor károsodásához, de akár személyi sérüléshez is vezethet.

⚠ VIGYÁZAT: Bizonyosodjon meg arról, hogy használat előtt lezárta az akkumulátor fedelét. Ellenkező esetben a bekerülő sár, por vagy víz károsodást okozhat a termékben vagy az akkumulátorban.

⚠ VIGYÁZAT: Mindig tolja be teljesen az akkumulátort, amíg a piros jel el nem tűnik. Ha nem így jár el, az akkumulátor kieshet a gépből, és Önnel vagy a környezetében tartózkodóknak sérülést okozhat.

⚠ VIGYÁZAT: Ne erőltesse az akkumulátort behelyezésre. Ha az akkumulátor nem csúszik be könnyedén, akkor nem megfelelően lett behelyezve.

MEGJEGYZÉS: A gép nem működik egyetlen akkumulátorral.

Az akkumulátor behelyezése:

1. Húzza fel a reteszelőkart, majd nyissa ki az akkumulátorfedelelet.
▶ **Ábra13:** 1. Akkumulátorfedél 2. Reteszelőkar
2. Igazítsa össze az akkumulátor nyelvét a gépen lévő nyílással, majd csúsztassa be az akkumulátort, amíg az egy kis kattánással a helyén nem rögzül.
▶ **Ábra14:** (1) Akkumulátorport 1 (2) Akkumulátorport 2 (3) Akkumulátor

MEGJEGYZÉS: Helyezzen legalább 2 akkumulátort az 1-es vagy 2-es akkumulátorportba.

3. Helyezze be a kulcsot az ábrán látható helyre, amennyire csak lehet.
▶ **Ábra15:** 1. Kulcs

4. Zárja le az akkumulátorfedelelet és nyomja meg, amíg ez a zárókarral be nem reteszelődik.

Az akkumulátor eltávolításához;

1. Húzza fel a reteszelőkart, és nyissa ki az akkumulátorfedelelet.
2. Az akkumulátor elején lévő gomb csúsztatása közben húzza ki az akkumulátort a gépből.
3. Húzza ki a kulcsot.
4. Zárja be az akkumulátor fedelét.

Az akkumulátorok váltása

- ▶ **Ábra16:** 1. Akkumulátorváltó kapcsoló

A gép egyszerre 2 akkumulátort használ a működéshez. Maximum 4 akkumulátort lehet behelyezni a gépbe. A gép működtetése előtt válassza ki az 1-es vagy 2-es akkumulátorportot az akkumulátorváltó kapcsoló elfordításával.

MEGJEGYZÉS: Ha csak 2 akkumulátor van a gépbe helyezve, gondoskodjon róla, hogy az akkumulátórválasztó kapcsoló segítségével azt az akkumulátórporthoz válassza, amelyikbe az akkumulátorok helyezve vannak.

Gép-/akkumulátórvédő rendszer

A gép gép-/akkumulátórvédő rendszerrel van felszerelve. A rendszer automatikusan kikapcsolja a motor áramellátását, így megnöveli a gép és az akkumulátor élettartamát. A gép használat közben automatikusan leáll, ha a gép vagy az akkumulátor a következő állapotok valamelyikébe kerül:

Túlterhelésvédelem

Ha az akkumulátort úgy használják, hogy az rendellenesen nagy áramot vesz fel, a gép automatikusan leáll, és a főkapcsoló fénye zölden villogni kezd. Ilyenkor kapcsolja ki a gépet, és fejezze be azt a műveletet, amelyik a gép túlterhelését okozta. Az újratelepítéshez kapcsolja be a gépet.

Túlmelegedés elleni védelem

Ha a gép vagy az akkumulátor túlmelegszik, a gép automatikusan leáll, és a főkapcsoló fénye pirosan villogítani kezd. Ilyenkor hagyja lehűlni a gépet és az akkumulátort, mielőtt ismét munkához látna.

Mélykisütés elleni védelem

Ha az akkumulátor kapacitása nem elegendő, a gép automatikusan leáll, és a főkapcsoló fénye pirosan villog. Ebben az esetben távolítsa el a gépből az akkumulátort, és töltsse fel vagy cserélje ki egy teljesen feltöltöttre.

Az akkumulátor töltöttségének jelzése

Csak állapotjelzős akkumulátorok esetén

► **Ábra17:** 1. Jelzőlámpák 2. Check (ellenőrzés) gomb

Nyomja meg az ellenőrzőgombot, hogy az akkumulátortöltöttség-jelző megmutassa a hátralévő akkumulátor-kapacitást. Ekkor a töltöttség-szint-jelző lámpák néhány másodpercre kigyulladnak.

Jelzőlámpák			Töltöttségi szint
Világító lámpa	KI	Villogó lámpa	
			75%-tól 100%-ig
			50%-tól 75%-ig
			25%-tól 50%-ig
			0%-tól 25%-ig
			Töltsse fel az akkumulátort.
			Lehetséges, hogy az akkumulátor meghibásodott.

MEGJEGYZÉS: Az adott munkafeltételektől és a környezeti hőmérsékletétől függően a jelzett töltöttségi szint némileg eltérhet a tényleges töltöttségi szinttől.

Vezérlőpanel

A vezérlőpanelen van a főkapcsoló, az üzemmódváltó gomb és az akkumulátor megmaradt kapacitásának kijelzője.

► **Ábra18:** 1. Akkumulátortöltöttség-jelző
2. Üzemmódváltó lámpa 3. Főkapcsoló fénye 4. Check (ellenőrzés) gomb
5. Üzemmódváltó gomb 6. Főkapcsoló

Főkapcsoló

FIGYELMEZTETÉS: Mindig állítsa kikapcsolt állásba a főkapcsolót, ha nem használja a szerszámot.

A gép bekapcsolásához nyomja meg a főkapcsolót. A főkapcsoló fénye zölden világít. A gép kikapcsolásához nyomja meg újra a főkapcsolót.

MEGJEGYZÉS: Ha a főkapcsoló fénye pirosan világít vagy pirosan vagy zölden villog, olvassa el a gép-/akkumulátórvédő rendszer utasításait.

MEGJEGYZÉS: Ez a gép automatikus kikapcsolási funkcióval rendelkezik. Hogy elkerülhesse a gép véletlen beindítását, a főkapcsoló automatikusan leállítja a gépet, ha a kapcsolókat vagy hajtókat (ha fel van szerelve) megadott ideig nem húzza meg a főkapcsoló bekapcsolása után.

Üzemmódváltó gomb

Az üzemmódokat az üzemmódváltó gomb megnyomásával kapcsolhatja. Bekapcsoláskor a gép normál üzemmódban indul el. Az üzemmódváltó gomb megnyomásakor a gép zajcsökkentő módba kapcsol, és az üzemmódváltó lámpa zölden világít. Zajcsökkentő módban csökkentheti a fűnyírás zaját. Az üzemmódváltó gomb újbóli megnyomásakor a gép visszatér a normál módba.

Az akkumulátor töltöttségének jelzése

Nyomja meg a CHECK (ELLENŐRZÉS) gombot a hátralévő akkumulátor-kapacitás megjelenítéséhez. Az akkumulátortöltöttség-jelzők az egyes akkumulátorokra vonatkoznak.

Akkumulátor jelzőfényének állapota		Hátralévő akkumulátor-kapacitás
BE	KI	
		50% - 100%
		20% - 50%
		0% - 20%

MEGJEGYZÉS: A hátralévő akkumulátorkapacitást kijelző lámpák csak referenciaként szolgálnak. A tényleges akkumulátorkapacitás eltérhet a használati feltételektől függően.

MEGJEGYZÉS: Állítsa le a gépet, mielőtt megnyomja az ellenőrzőgombot a hátralévő akkumulátor-kapacitás megjelenítéséhez.

A kapcsoló használata

FIGYELMEZTETÉS: Mielőtt az akkumulátort behelyezi, mindig győződjön meg arról, hogy a kapcsolókar megfelelően működik, és felelőskor visszaáll az eredeti helyzetébe. A hibás kapcsolóval működő gép fölött a kezelő elveszítheti az uralmat, és a gép súlyos személyi sérülést okozhat.

MEGJEGYZÉS: A fűnyíró nem indul el a bekapcsoló gomb lenyomása nélkül, még akkor sem, ha a kapcsolókart meghúzza.

MEGJEGYZÉS: Ha hosszú vagy sűrű fűvet próbál nyírni a fűnyíróval, előfordulhat, hogy az a túlterhelés miatt nem indul el. Ebben az esetben növelje a fűnyírási magasságot.

A fűnyíró kulccsal és fogantyúkapcsolóval rendelkezik. Amennyiben a kulcs vagy a kapcsoló működésében bármilyen károsítást tapasztal, azonnal fejezze be a munkát, és ellenőriztesse a legközelebbi Makita hivatalos szervizközpontban.

DLM462/DLM532 esetén

1. Helyezze a gépbe az akkumulátorokat. Helyezze be a kulcsot, majd csukja le az akkumulátor fedelét.
2. Válassza ki a működtetéshez használt akkumulátorokat az akkumulátorválasztó kapcsoló elfordításával.
3. Nyomja meg a főkapcsolót.
4. A kapcsológombot lenyomva tartva húzza a kapcsolókart maga felé. Amint a motor elindul, engedje el a kapcsológombot.

► **Ábra19:** 1. Kapcsológomb 2. Kapcsolókar

MEGJEGYZÉS: Ha nem helyezi be a kulcsot, a kapcsolókar meghúzásakor a kapcsoló fénye zölden villog.

5. A kapcsolókart tartva nyomja meg a hajtókart előre, és tartsa úgy a hátsó kerekek meghajtásához.

► **Ábra20:** 1. Hajtókar

MEGJEGYZÉS: A hátsó kerekeket úgy hajthatja meg, hogy előrenyomja a hajtókart, és úgy tartja anélkül, hogy meghúzná a kapcsolókart.

6. A gép leállításához engedje ki a hajtókart és a kapcsolókart.

DLM530 esetén

1. Helyezze a gépbe az akkumulátorokat. Helyezze be a kulcsot, majd csukja le az akkumulátor fedelét.
2. Válassza ki a működtetéshez használt akkumulátorokat az akkumulátorválasztó kapcsoló elfordításával.
3. Nyomja meg a főkapcsolót.
4. A kapcsológombot lenyomva tartva húzza a kapcsolókart maga felé. Amint a motor elindul, engedje el a kapcsológombot.

► **Ábra21:** 1. Kapcsológomb 2. Kapcsolókar

MEGJEGYZÉS: Ha nem helyezi be a kulcsot, a kapcsolókar meghúzásakor a kapcsoló fénye zölden villog.

5. A motor leállításához engedje el a kapcsolókart.

A fűnyírási magasság beállítása

FIGYELMEZTETÉS: Soha ne tegye a fűnyíró alá a kezét vagy a lábát a fűnyírási magasság beállításakor.

FIGYELMEZTETÉS: Használat előtt mindig ellenőrizze, hogy a kar megfelelően illeszkedik-e a bevágásba.

A fűnyírási magasság a 20–100 mm tartományban állítható.

Vegye ki a kulcsot, majd húzza a fűnyírási magasságot beállító kart a fűnyíró házatól elfelé, és vigye a kívánt fűnyírási magasságra.

► **Ábra22:** 1. Fűnyírási magasságot beállító kar

Az alábbi táblázat a fűnyíró házán lévő szám és a körülbelüli fűnyírási magasság közötti összefüggést mutatja.

Szám	Fűnyírási magasság
1	20 mm
2	26 mm
3	32 mm
4	39 mm
5	47 mm
6	55 mm
7	63 mm
8	74 mm
9	86 mm
10	100 mm

Az egyik kezével tartsa az első vagy az alsó fogantyút, majd a másik kezével mozgassa a fűnyírási magasságot beállító kart.

► **Ábra23:** 1. Fűnyírási magasságot beállító kar
2. Alsó fogantyú 3. Előlső fogantyú

MEGJEGYZÉS: A fűnyírási magasság számai csak útmutatóként szolgálnak. A fű vagy a talaj állapotától függően előfordulhat, hogy a gyepp valódi magassága kis mértékben eltér a beállított magasságtól.

MEGJEGYZÉS: Végezzen próbanyírást egy kevésbé feltűnő helyen, és állítsa be a kívánt magasságot.

Fűgyűjtő szintjelzője

A fűgyűjtő szintjelzője a lenyírt fű mennyiségét jelzi. Ha a fűgyűjtő kosár nincs tele, a jelző lebeg, amíg a kések forognak.

► **Ábra24:** 1. Fűgyűjtő szintjelzője

Ha a fűgyűjtő kosár majdnem tele van, a jelző nem lebeg, amíg a kések forognak. Ilyen esetben azonnal hagyja abba a műveletet, és ürítse ki a kosarat.

► **Ábra25:** 1. Fűgyűjtő szintjelzője

MEGJEGYZÉS: Ez a jelzés csak útmutatásul szolgál. A kosáron belüli körülményektől függően előfordulhat, hogy a visszajelző nem működik megfelelően.

A fogantyúk magasságának beállítása

⚠ VIGYÁZAT: A fejescsavarok eltávolítása előtt tartsa erősen a felső fogantyút. Ellenkező esetben a fogantyú leeshet és sérülést okozhat.

A fogantyú magasságát két fokozatban lehet beállítani.

1. Vegye ki az alsó fogantyú felső fejescsavarjait a 13-as csillagkulcs segítségével, majd lazítsa meg az alsó fejescsavarokat.

▶ **Ábra26:** 1. Felső fejescsavar 2. Alsó fejescsavar

2. Állítsa be a fogantyú magasságát, majd húzza meg szorosan a felső és alsó fejescsavarokat.

A haladási sebesség beállítása

DLM462/DLM532 esetén

▶ **Ábra27:** 1. Sebességkar

A haladási sebességet a sebességgarral lehet beállítani.

A sebesség csökkentéséhez húzza a kart maga felé, a sebesség növeléséhez pedig fordítsa a kart előre.

A mulcsozó betét használata

A mulcsozó betét lehetővé teszi, hogy a vágott fűvet visszajuttassa a talajra anélkül, hogy a levágott fűvet a fűgyűjtő kosárba gyűjtené. Ha a gépet a mulcsozó betéttel használja, ügyeljen arra, hogy eltávolítsa a fűgyűjtő kosarat.

MEGJEGYZÉS: Amikor a mulcsozó betéttel használja a gépet, győződjön meg róla, hogy a fű teljes hossza legalább 30 mm vagy a vágási hossz legfeljebb 15 mm.

▶ **Ábra28:** (1) Legalább 30 mm (2) Legfeljebb 15 mm

A kiszóró tartozék használata

DLM530/DLM532 esetén

A kiszóró tartozék lehetővé teszi, hogy a levágott fű a gép jobb oldaláról a talajra kerüljön anélkül, hogy a levágott fűvet a fűgyűjtő kosárba gyűjtené. Ha a gépet a kiszóró tartozékkal használja, ügyeljen arra, hogy felszerelje a mulcsozó betétet, és eltávolítsa a fűgyűjtő kosarat.

Elektronikus funkció

A gépet a könnyebb használat érdekében elektronikus funkciókkal látták el.

- A kés forgásának állandó fordulatszám-szabályozása
Elektronikus fordulatszám-szabályozás az állandó fordulatszám elérése érdekében. Lehetővé válik a finommegmunkálás, mivel a fordulatszám még terhelés alatt is ugyanaz marad.
- Lágýindítás hajtáskor
A lágýindítási funkció minimalizálja az indítási löketet, és simává teszi a gép indulását.
- Elektromos fék
A gép elektromos fékkel rendelkezik. Ha a gép ismétlődően nem állítja le gyorsan a fűnyírókéseket a kapcsolókar elengedése után, javíttassa meg a gépet a Makita hivatalos szervizközpontjában.

MŰKÖDTETÉS

Fűnyírás

⚠ FIGYELMEZTETÉS: Fűnyírás előtt takarítsa el a botokat és köveket a nyírandó területről. Továbbá, előre távolítson el minden gyomot a nyírandó területről.

⚠ FIGYELMEZTETÉS: Mindig viseljen védőszemüveget vagy biztonsági szemüveget oldalpajzzsal, a fűnyíró használata során.

⚠ VIGYÁZAT: Ha a levágott fű vagy egy idegen tárgy elakadt a fűnyíró házában, gondoskodjon róla, hogy kivegye a kulcsot és az akkumulátort, és viseljen kesztyűt, amikor eltávolítja a fűvet vagy idegen tárgyat.

MEGJEGYZÉS: A gépet kizárólag fűnyírásra használja. A géppel ne nyírjon gyomokat.

▶ **Ábra29**

Fűnyírásakor mindkét kezével szilárdan tartsa a fogantyút. A fűnyírás javasolt sebessége körülbelül 7 - 14 méter 10 másodpercenként.

▶ **Ábra30**

Az első kerekek középvonala iránykutatásként szolgál a fűnyírás szélességére vonatkozóan. Használja a középvonalakat iránymutatásként, sávokban nyírja a fűvet. A lenyírt fű egyenletessége érdekében, a korábban már lenyírt sáv feléire, egyharmadára átfedve végezze a fűnyírást.

▶ **Ábra31:** 1. Fűnyírási szélesség 2. Átfedő terület 3. Középvonal

Minden egyes alkalommal változtassa meg a fűnyírás irányát, hogy megakadályozza a fűszálak egyirányú dőléséből eredő mintázat kialakulását.

▶ **Ábra32**

Időszakosan ellenőrizze a fűgyűjtő kosárban lévő lenyírt fűvet. Ne várja meg az üritéssel, amíg a kosár megtelik. Minden időszakos ellenőrzés előtt állítsa le a fűnyírót, majd vegye ki a kulcsot és az akkumulátort.

MEGJEGYZÉS: Ha a fűnyíró fűgyűjtő kosara megtelik, az akadályozza a kés sima forgását és túlterheli a motort, ami meghibásodáshoz vezethet.

Hosszú füves gyepek nyírása

Ne próbálja meg egyszerre lenyírni a hosszúra nőtt fűvet. Ehelyett inkább több lépésben nyírja le a fűvet. A fűnyírások között hagyjon egy-két napot, hogy a fű egyenletes legyen.

▶ **Ábra33**

MEGJEGYZÉS: A fű elhalhat, ha a hosszúra nőtt fűvet egy menetben kívánja rövidre vágni. A levágott fű eltömítheti a fűnyíró belsejét.

A fűgyújtó kosár kiürítése

▲ FIGYELMEZTETÉS: A balesetveszély csökkentéséhez rendszeresen ellenőrizze a fűgyújtó kosarat, nehogy károsodás érje vagy csökkenjen az erőssége. Szükség esetén cserélje ki a fűgyújtó kosarat.

1. Engedje el a kapcsolókart és a hajtókart (a DLM462/DLM532 esetén), illetve a kapcsolókart (a DLM530 esetén).
2. Vegye ki a kulcsot.
3. Nyissa ki a hátsó fedelet, és fogantyújánál fogva emelje ki a fűgyújtó kosarat.
▶ **Ábra34:** 1. Hátsó fedél 2. Fogantyú 3. Fűgyújtó kosár
4. Üritse ki a fűgyújtó kosarat.

KARBANTARTÁS

▲ FIGYELMEZTETÉS: Mindig győződjön meg arról, hogy a kulcs és az akkumulátor ki van véve a fűnyíróból a fűnyíró tárolása vagy szállítása előtt vagy a vizsgálat és karbantartás végrehajtása előtt.

▲ FIGYELMEZTETÉS: Mindig vegye ki a kulcsot, ha nem használja a fűnyírót. Tartsa a kulcsot biztonságos helyen, gyermekektől távol.

▲ FIGYELMEZTETÉS: Viseljen kesztyűt a vizsgálat és karbantartás során.

▲ FIGYELMEZTETÉS: Mindig viseljen védőszemüveget vagy biztonsági szemüveget oldalpajzsral, amikor vizsgálatot vagy karbantartást végez.

MEGJEGYZÉS: Soha ne használjon gázolajt, benzint, hígítót, alkoholt vagy hasonló anyagokat. Ezek elszíneződést, alakvesztést vagy repedést okozhatnak.

A termék BIZTONSÁGÁNAK és MEGBÍZHATÓSÁGÁNAK fenntartása érdekében a javításokat és más karbantartásokat vagy beállításokat a Makita hivatalos vagy gyári szervizközpontjában kell elvégezni, mindig csak Makita cserealkatrészeket használva.

Karbantartás

1. Vegye ki a kulcsot és az akkumulátorokat, majd csukja le az akkumulátor fedelét.
2. Fektesse a fűnyírót az oldalára úgy, hogy a fűnyírási magasságot beállító kar a felső részén legyen. Tisztítsa le a fűnyíró alján összegyűlt levágott fűvet.
3. Öntsön vizet a gép aljára, ahol a kés csatlakozik.

MEGJEGYZÉS: Ne mossa a gépet nagynyomású vízzel.

4. Ellenőrizze az összes anya, fejescsavar, csavar, stb. meghúzását.

5. Vizsgálja a mozgó alkatrészeket, hogy nem sérültek-e, illetve van-e rajtuk törés vagy kopás. A sérült vagy hiányzó alkatrészek meg kell javítani vagy ki kell cserélni.

6. Tartsa a fűnyírót biztonságos helyen, gyermekektől távol.

DLM462/DLM532 esetén

MEGJEGYZÉS: Ne öntsön vizet az ábrán látható területre. Ha vizet önt a motoregységre, az a gép meghibásodását okozhatja.

▶ **Ábra35:** 1. A terület, ahová nem szabad vizet önten

A fűnyíró szállítása

A fűnyíró szállításakor két embernek kell fognia az elülső és a hátsó fogantyút az ábrán látható módon.

▶ **Ábra36:** 1. Elülső fogantyú 2. Hátsó fogantyú

Tárolás

Tárolja a fűnyírót beltéri hűvös, száraz és zárt helyen. Ne tárolja a fűnyírót és a töltőt olyan helyen, ahol a hőmérséklet elérheti vagy meghaladhatja a 40 °C hőmérsékletet.

A fűnyíró késének eltávolítása és felszerelése

▲ FIGYELMEZTETÉS: A kés a kapcsoló elengedése után még szabadon forog. Ne végezzen semmilyen műveletet, amíg a kés teljesen meg nem állt.

▲ FIGYELMEZTETÉS: Mindig vegye ki a kulcsot és az akkumulátort a kés kivételkor vagy beszereléskor. Ha nem veszi ki a kulcsot és az akkumulátort, az súlyos személyi sérülésekhez vezethet.

▲ FIGYELMEZTETÉS: A kés kezelésekor mindig viseljen kesztyűt.

A fűnyírókés eltávolítása

Egyenes fűnyírókéssel szerelt típusok esetén

1. Fektesse a fűnyírót az oldalára úgy, hogy a fűnyírási magasságot beállító kar a felső részén legyen.
2. A kés rögzítéséhez helyezze a csapot a fűnyíró házán lévő furatba.
3. Forgassa el a csavart az óramutató járással ellentétes irányban egy 17-es csillagkulccsal.
▶ **Ábra37:** 1. Fűnyírókés 2. Csap 3. Csillagkulcs
4. Távolítsa el a fejescsavart, majd a fűnyírókést.
▶ **Ábra38:** 1. Késtartó 2. Fűnyírókés 3. Fejescsavar 4. Kiemelkedés

MEGJEGYZÉS: A fűnyírókés felszereléskor győződjön meg róla, hogy a késtartón lévő kiemelkedések illeszkednek a fűnyírókésen lévő furatokba.

Visszacsapó fűnyírókésekkel szerelt típusok esetén

1. Fektesse a fűnyírót az oldalára úgy, hogy a fűnyírási magasságot beállító kar a felső részén legyen.
2. A talplemez rögzítéséhez helyezze a csapot a fűnyíró házán lévő furatba a talplemezen lévő furaton keresztül.
3. Forgassa el a csavart az óramutató járással ellentétes irányban egy 17-es csillagkulccsal.
▶ **Ábra39:** 1. Csap 2. Talplemez 3. Csillagkulcs
4. Távolítsa el a fejescsavart, majd a talplemezt.
▶ **Ábra40:** 1. Késtartó 2. Talplemez 3. Csavart 4. Kiemelkedés

MEGJEGYZÉS: A fűnyírókések felszerelésekor győződjön meg róla, hogy a késtartón lévő kiemelkedések illeszkednek a talplemezen lévő furatokba.

5. Az egyedi fűnyírókés eltávolításához tartsa a talplemezt, és forgassa a fejescsavart az órajárással ellentétesen egy 17-es csillagkulccsal.
▶ **Ábra41:** 1. Talplemez 2. Fűnyírókés 3. Csillagkulcs
6. Távolítsa el sorban az anyát, a csavaralátétet, a rugós alátétet, a fűnyírókést és a fejescsavart.
▶ **Ábra42:** 1. Csavarfurat 2. Fejescsavart 3. Fűnyírókés 4. Rugós alátét 5. Csavaralátét 6. Anya

MEGJEGYZÉS: Az egyedi fűnyírókések felszereléséhez az anyák meghúzásakor alkalmazzon 30 N·m meghúzási nyomatékot.

MEGJEGYZÉS: Az egyedi fűnyírókés felszerelésekor gondoskodjon róla, hogy a rugós alátétet az ábrán látható irányba helyezze.

MEGJEGYZÉS: Az egyedi fűnyírókés felszerelésekor gondoskodjon róla, hogy a fejescsavarokat az ábrán látható csavarfuratokba helyezze.

A fűnyírókés felszerelése

FIGYELMEZTETÉS: Óvatosan szerelje be a fűnyírókést. Felső és alsó oldala is van.

FIGYELMEZTETÉS: A kés rögzítéséhez húzza meg a csavart az óramutató járásának irányába.

FIGYELMEZTETÉS: Gondoskodjon róla, hogy a fűnyírókés és az összes rögzítő alkatrész megfelelően legyen beszerelve és meghúzva.

FIGYELMEZTETÉS: A kések cseréjekor mindig kövesse a kézikönyvben leírt utasításokat.

MEGJEGYZÉS: A fűnyírókések felszerelése után vegye ki a csapot a fűnyíró házából.

A fűnyírókések felszereléséhez hajtsa végre a leszerelési eljárást fordított sorrendben.

HIBAEHÁRÍTÁS

Mielőtt a szervizhez fordulna, először végezzen saját maga is átvizsgálást. Ha olyan problémát talál, amire a kézikönyv nem tartalmaz magyarázatot, ne próbálja meg szétszerelni a gépet. Ehelyett kérjen tanácsot a Makita hivatalos szervizközpontjától, és javításhoz mindig Makita cserealkatrészeket használjon.

Rendellenesség	Lehetséges ok (meghibásodás)	Megoldás
A fűnyíró nem indul be.	Két akkumulátor nincs behelyezve.	Helyezze be a feltöltött akkumulátorokat.
	Akkumulátorprobléma (alacsony feszültség)	Töltse fel az akkumulátort. Ha az újratöltés nem elég hatékony, cserélje ki az akkumulátort.
	A kulcs nincs behelyezve.	Helyezze be a kulcsot.
	Az akkumulátorválasztó kapcsoló nem a megfelelő helyzetben van.	Az akkumulátorválasztó kapcsoló segítségével válassza ki azt az akkumulátorportot, amelyikbe az akkumulátorok helyezve vannak.
A motor rövid használat után leáll.	Az akkumulátor töltési szintje alacsony.	Töltse fel az akkumulátort. Ha az újratöltés nem elég hatékony, cserélje ki az akkumulátort.
	A vágási magasság túl alacsonyra van állítva.	Növelje a vágási magasságot.
	A levágott fű eltömte a fűnyírót.	Vegye ki a beletömődött fűvet a fűnyíróból.
A gép nem éri el a maximális fordulatszámot.	Az akkumulátort helytelenül szerelték be.	Az akkumulátort az útmutató szerint szerelje be.
	Az akkumulátor feszültsége nagy mértékben csökken.	Töltse fel az akkumulátort. Ha az újratöltés nem elég hatékony, cserélje ki az akkumulátort.
	A meghajtórendszer nem működik megfelelően.	Javításért forduljon a kijelölt helyi szervizhez.
A fűnyírókés nem forog: ⇒ azonnal állítsa le a fűnyírót!	Idegen tárgy, például egy ág akadt el a kés mellett.	Távolítsa el az idegen tárgyat.
	A meghajtórendszer nem működik megfelelően.	Javításért forduljon a kijelölt helyi szervizhez.
A gép rendellenesen rezeg: ⇒ azonnal állítsa le a fűnyírót!	A kés nincs kiegyensúlyozva, túlságosan vagy egyenetlenül kopott.	Cserélje ki a vágókést.

OPCIONÁLIS KIEGÉSZÍTŐK

⚠ VIGYÁZAT: Ezen kiegészítőket és tartozékokat javasoljuk a kézikönyvben ismertetett Makita géphez. Bármilyen más kiegészítő vagy tartozék használata a személyi sérülés kockázatával jár. A kiegészítőt vagy tartozékot csak rendeltetésszerűen használja.

Ha bármilyen segítségre vagy további információra van szüksége ezekkel a tartozékokkal kapcsolatban, keresse fel a helyi Makita Szervizközpontot.

- Fűnyírókés
- Eredeti Makita akkumulátor és töltő

MEGJEGYZÉS: A listában felsorolt alkatrészek egy része a termékhez mellékelt standard tartozék lehet. Ezek országonként eltérőek lehetnek.

TECHNICKÉ ŠPECIFIKÁCIE

Model:		DLM462	DLM530	DLM532
Šírka kosenia (priemer čepele)		460 mm	534 mm	
Otáčky naprázdno		2 500 min ⁻¹	2 300 min ⁻¹	
Maximálne otáčky		3 300 min ⁻¹	2 800 min ⁻¹	
Číslo dielu náhradnej čepele kosačky	Rovná čepeľ kosačky	191D51-9	191D52-7	
	Zahnuté čepele kosačky *1	191D49-6	191D50-1	
	Zahnuté čepele kosačky *2	191D47-0	191D48-8	
Rozmery (D x Š x V)		D: 1 610 mm až 1 690 mm Š: 535 mm V: 980 mm až 1 095 mm	D: 1 630 mm až 1 715 mm Š: 590 mm V: 990 mm až 1 095 mm	
Rýchlosť pojazdu		2,5 – 5,0 km/h	–	2,5 – 5,0 km/h
Menovité napätie		Jednosmerný prúd 36 V		
Čistá hmotnosť	Keď je nainštalovaná rovná čepeľ kosačky	35,3 – 39,0 kg	35,5 – 39,3 kg	39,0 – 42,8 kg
	Keď sú nainštalované zahnuté čepele kosačky	36,0 – 39,7 kg	36,2 – 40,0 kg	39,7 – 43,5 kg
Trieda ochrany		IPX4		

*1. Základová doska a samostatné čepele kosačky.

*2. Len samostatné čepele kosačky.

- Vzhľadom k neustálemu výskumu a vývoju podliehajú technické údaje uvedené v tomto dokumente zmenám bez upozornenia.
- Technické údaje sa môžu pre rôzne krajiny líšiť.
- Hmotnosť sa môže líšiť v závislosti od nadstavcov vrátane akumulátora. Najľahšia a najťažšia kombinácia v súlade s postupom EPTA 01/2014 je uvedená v tabuľke.

Použiteľné akumulátory






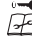
BL1815N / BL1820 / BL1820B / BL1830 / BL1830B / BL1840 / BL1840B / BL1850 / BL1850B / BL1860B

- Niektoré vyššie uvedené akumulátory môžu byť nedostupné v závislosti od miesta vášho bydliska.

VAROVANIE: Používajte iba akumulátory zo zoznamu uvedeného vyššie. Používanie akýchkoľvek iných akumulátorov môže spôsobiť zranenie a/alebo požiar.

Symbyoly

Nižšie sú uvedené symbyoly, s ktorými sa môžete stretnúť pri použití nástroja. Je dôležité, aby ste poznali ich význam, skôr než začnete pracovať.

	Práci venujte veľkú pozornosť a dávajte pozor.
	Prečítajte si návod na obsluhu.
	Nebezpečenstvo; dávajte pozor na odhodnené predmety.
	Vzdialenosť medzi náradím a okolostojacimi osobami musí byť aspoň 15 m.
	Nikdy nemajte ruky ani nohy v blízkosti čepele v spodnej časti kosačky. Čepele sa otáčajú aj po vypnutí motora.
	Poistku vyberte pred vykonávaním kontroly, čistením, servisom a pred odložením a uskladnením kosačky.



Elektrické nebezpečenstvo. Kontakt s vodou môže spôsobiť zásah elektrickým prúdom.



Nelejte vodu na stroj.



Ni-MH
Li-ion

Len pre štáty EÚ
Nevyhádzajte elektrické zariadenia ani batériu do komunálneho odpadu!
Podľa európskej smernice o nakladaní s použitými elektrickými a elektronickými zariadeniami a smernice o batériách a akumulátoroch a odpadových batériách a akumulátoroch a ich implementovaní v súlade s právnymi predpismi jednotlivých krajín je nutné elektrické zariadenia a batérie po skončení ich životnosti triediť a odovzdať na zberné miesto vykonávajúce environmentálne kompatibilné recyklovanie.

Určené použitie

Zariadenie je určené na kosenie trávy.

Hluk

Typická hladina akustického tlaku zátáže A určená podľa štandardu EN60335-2-77:

POZNÁMKA: Hodnoty boli namerané u kosačky vybavenej rovnou čepeľou kosačky.

Model DLM462

Úroveň akustického tlaku (L_{pA}): 82,7 dB (A)
Úroveň akustického tlaku (L_{WA}): 90,9 dB (A)
Odchýlka (K): 3 dB (A)

Model DLM530

Úroveň akustického tlaku (L_{pA}): 78,1 dB (A)
Úroveň akustického tlaku (L_{WA}): 90,4 dB (A)
Odchýlka (K): 3 dB (A)

Model DLM532

Úroveň akustického tlaku (L_{pA}): 78,1 dB (A)
Úroveň akustického tlaku (L_{WA}): 90,4 dB (A)
Odchýlka (K): 3 dB (A)

Úroveň hluku pri práci môže prekročiť 80 dB (A).

POZNÁMKA: Deklarovaná hodnota emisií hluku bola meraná podľa štandardnej skúšobnej metódy a môže sa použiť na porovnanie jedného nástroja s druhým.

POZNÁMKA: Deklarovaná hodnota emisií hluku sa môže použiť aj na predbežné posúdenie vystavenia ich účinkom.

VAROVANIE: Používajte ochranu sluchu.

VAROVANIE: Emisie hluku sa môžu počas skutočného používania elektrického nástroja odlišovať od deklarovanej hodnoty, a to v závislosti od spôsobov používania náradia a najmä typu spracúvaného obrobku.

VAROVANIE: Nezabudnite označiť bezpečnostné opatrenia s cieľom chrániť obsluhu, a to tie, ktoré sa zakladajú na odhade vystavenia účinkom v rámci reálnych podmienok používania (berúc do úvahy všetky súčasti prevádzkového cyklu, ako sú doby, kedy je nástroj vypnutý a kedy beží bez zaťaženia, ako dodatok k dobe zapnutia).

Vibrácie

Celková hodnota vibrácií (trojosový vektorový súčet) určená podľa štandardu EN60335-2-77:

POZNÁMKA: Hodnoty boli namerané u kosačky vybavenej rovnou čepeľou kosačky.

Model DLM462

Emisie vibrácií (a_{h1}): 2,5 m/s² alebo menej
Odchýlka (K): 1,5 m/s²

Model DLM530

Emisie vibrácií (a_{h1}): 2,5 m/s² alebo menej
Odchýlka (K): 1,5 m/s²

Model DLM532

Emisie vibrácií (a_{h1}): 2,5 m/s² alebo menej
Odchýlka (K): 1,5 m/s²

POZNÁMKA: Deklarovaná celková hodnota vibrácií bola meraná podľa štandardnej skúšobnej metódy a môže sa použiť na porovnanie jedného nástroja s druhým.

POZNÁMKA: Deklarovaná celková hodnota vibrácií sa môže použiť aj na predbežné posúdenie vystavenia ich účinkom.

VAROVANIE: Emisie vibrácií sa môžu počas skutočného používania elektrického nástroja odlišovať od deklarovanej hodnoty, a to v závislosti od spôsobov používania náradia a najmä typu spracúvaného obrobku.

VAROVANIE: Nezabudnite označiť bezpečnostné opatrenia s cieľom chrániť obsluhu, a to tie, ktoré sa zakladajú na odhade vystavenia účinkom v rámci reálnych podmienok používania (berúc do úvahy všetky súčasti prevádzkového cyklu, ako sú doby, kedy je nástroj vypnutý a kedy beží bez zaťaženia, ako dodatok k dobe zapnutia).

Vyhlasenie o zhode ES

Len pre krajiny Európy

Vyhlasenie o zhode ES sa nachádza v prílohe A tohto návodu na obsluhu.

BEZPEČNOSTNÉ VAROVANIA

DÔLEŽITÉ BEZPEČNOSTNÉ POKYNY

VAROVANIE: Prečítajte si všetky bezpečnostné výstrahy a pokyny. Nedodržovanie výstrah a pokynov môže mať za následok zasiahnutie elektrickým prúdom, požiar alebo vážne zranenie.

Všetky výstrahy a pokyny si odložte pre prípad potreby v budúcnosti.

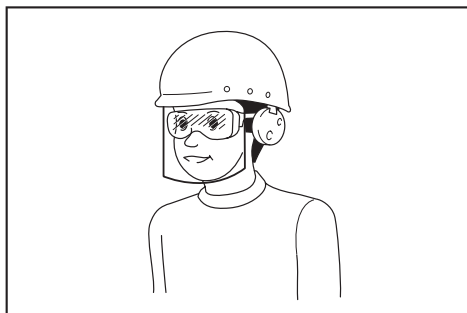
Školenie

1. Dôkladne si prečítajte pokyny. Oboznámte sa s ovládačmi a správnym používaním kosačky.
2. Kosačku nikdy nedovoľte používať deťom ani ľuďom, ktorí neboli oboznámení s týmito pokynmi na jej používanie. Miestne nariadenia môžu obmedzovať vek obsluhy.
3. Nikdy nepracujte s kosačkou, ak stoja v blízkosti inej osoby, najmä deti, prípadne zvieratá.
4. Uvedomte si, že obsluha alebo používateľ sú zodpovední za úrazy alebo ohrozenie ostatných ľudí a za škody na ich majetku.
5. Treba dohliadnuť na to, aby sa s kosačkou nehrali deti.
6. Fyzický stav – Kosačku nepoužívajte, pokiaľ ste pod vplyvom drog, alkoholu alebo akýchkoľvek liekov.

Príprava

1. Počas používania kosačky vždy používajte pevnú obuv a dlhé nohavice. Kosačku neobsluhujte, pokiaľ ste bosí alebo máte sandále. Nenoste odev ani šperky, ktoré sú voľné alebo majú visiace šnúrky či upínacie prvky. Môžu ich zachytiť pohyblivé súčasti zariadenia.

2. Pred používaním vizuálne skontrolujte, či kosačka nie je poškodená, či nechýbajú alebo nie sú nesprávne umiestnené ochranné zariadenia a kryty.
3. Pred kosením zabezpečte, aby sa v pracovnej oblasti nenachádzali žiadne osoby. Ak ktokoľvek vstúpi do pracovnej oblasti, zastavte kosačku.
4. Blokovací kľúč do kosačky nezasúvajte, kým nebude pripravená na používanie.
5. Pri používaní elektrického náradia vždy používajte ochranné okuliare, aby ste zabránili zraneniu očí. Ochranné okuliare musia spĺňať požiadavky noriem ANSI Z87.1 v USA, EN 166 v Európe alebo AS/NZS 1336 v Austrálii a na Novom Zélande. V Austrálii a na Novom Zélande zákon vyžaduje aj nosenie ochranného štítu na tvár.



Zamestnávateľ je zodpovedný nariadiť osobám, ktoré používajú tento nástroj a ktoré sa nachádzajú v bezprostrednej blízkosti, používať príslušné bezpečnostné ochranné prostriedky.

6. Pred prácou dôkladne skontrolujte, či sa na čepeliach alebo skrutkách čepelí nenachádzajú praskliny alebo iné poškodenie. Prasknuté alebo poškodené čepele alebo skrutky čepelí okamžite vymeňte.
7. Pred kosením odstráňte z pracovnej oblasti cudzie predmety, ako sú kamene, drôty, fľaše, kosti a veľké úlomky, aby ste predišli zraneniu osôb a poškodeniu kosačky.
8. Predmety zachytené čepeľou kosačky môžu osobám spôsobiť vážne poranenia. Pred každým kosením by ste mali trávnik vždy dôkladne skontrolovať a odstrániť z neho všetky predmety.
9. Dávajte pozor na diery, brázdy, hrbole, kamene alebo iné skryté predmety. Nerovný terén by mohol spôsobiť pošmyknutie a pád. Vo vysokej tráve sa môžu skrývať prekážky.
10. Blokovací kľúč nezasúvajte ani nevyberajte v daždi.
11. Používajte osobné ochranné prostriedky. Vždy používajte ochranu očí. Adekvátne ochranné prostriedky, ako maska proti prachu, protišmyková bezpečnostná obuv, tvrdá prilba alebo chrániče sluchu, ktoré sa používajú v adekvátnom prostredí, výrazne znižujú riziko úrazu.

Prevádzka

1. Pri práci sa nenatáhujte do diaľky. Vždy udržujte rovnováhu. Na svahoch vždy zaujmite stabilný postoj. Kráčajte, nikdy nebežte.
2. Kosačku vypnite, vyberte blokovací kľúč a počkajte, kým sa všetky pohyblivé časti úplne nezastavia:
 - vždy, keď opúšťate kosačku,
 - pred odstránením upchatia alebo čistením zaneseného žľabu,
 - pred kontrolou, čistením alebo prácou na kosačke,
 - po náraze na cudzí predmet. Pred opätovným naštartovaním a prevádzkou kosačky skontrolujte, či nedošlo k poškodeniu kosačky a vykonajte prípadné opravy,
 - vždy, keď kosačka začne neštandardne vibrovať.
3. Kosačku nikdy neprevádzkujte, ak má poškodené chrániče alebo štíty, alebo bez bezpečnostných zariadení, napríklad vychyľovačov a/alebo lapača trávy, namontovaných na svojom mieste.
4. Kosačku nepoužívajte počas zlých poveternostných podmienok, najmä ak hrozí riziko bleskov.
5. Pri práci s kosačkou používajte ochranu zraku a pevnú obuv.
6. S kosačkou pracujte len pri dennom svetle alebo pri dobrom umelom osvetlení.
7. Podľa pokynov kosačku opatrne zapnite; nohy majte v dostatočnej vzdialenosti od čepele(i).
8. Dávajte pozor na poranenie nôh a rúk spôsobené čepeľami kosačky.
9. Vždy zabezpečte, aby boli vetracie otvory čisté a bez nečistôt.
10. Koste priečne po svahu; nikdy nekoste smerom nadol a nahor. Pri zmene smeru na svahoch dávajte maximálny pozor. Nekoste nadmerne strmé svahy.
11. Pri pohybe dozadu alebo pri ťahaní kosačky smerom k vám dávajte maximálny pozor.
12. Zastavte čepele pred sklopením kosačky z dôvodu presunu cez iné ako trávnaté miesta a pred prenášaním kosačky na miesto kosenia a z neho.
13. Pri zapínaní motora kosačky nenakláňajte, okrem prípadov, keď sa naklonenie vyžaduje pri naštartovaní. V takomto prípade kosačku nenakláňajte viac, než je potrebné, a zdvihnite iba časť, ktorá smeruje od obsluhy. Pred vrátením kosačky na zem vždy dajte obe ruky do polohy obsluhy.
14. Nestrajte ruky ani nohy do blízkosti rotujúcich častí ani pod ne. Počas celej doby zabezpečte, aby sa vyprázdňovací otvor nezanášal.
15. Kosačku neprenášajte, ak je zapnutá.
16. Vyhňte sa používaniu kosačky v mokrej tráve.
17. Kosačku držte vždy pevne za rukoväť.
18. Pri dvihaní alebo držaní kosačky sa nedotýkajte odhalených rezných čepelí ani rezných hrán.
19. Zabráňte styku rúk a nôh s rotačnými čepeľami. Pozor – Po vypnutí kosačky sa čepele ešte otáčajú.

20. Ak spozorujete niečo nezvyčajné, okamžite prerušte prácu. Vypnite kosačku a vyberte blokovací kľúč. Následne kosačku skontrolujte.
 21. Ak má kosačka funkciu nastavenia výšky kosenia, nikdy sa nepokúšajte nastavovať výšku kosenia, keď je kosačka spustená.
 22. Pred prechádzaním cez cestičky, chodníky, cesty a akékoľvek plochy so štrkovým krytom uvoľnite spínaciu páčku a počkajte, kým sa čepele nezastavia. Blokovací kľúč vyberte aj v prípade, ak sa od kosačky vzdialíte, ak chcete zdvihnúť alebo odstrániť niečo na svojej trase pohybu, alebo z akéhokoľvek iného dôvodu, ktorý by mohol narušiť vykonávanie vašej činnosti.
 23. Ak kosačka narazí na cudzí predmet, postupujte podľa nasledujúcich krokov:
 - Zastavte kosačku, uvoľnite spínaciu páčku a počkajte, kým sa čepele úplne nezastavia.
 - Vyberte blokovací kľúč a akumulátor.
 - Dôkladne skontrolujte kosačku, či nedošlo k jej poškodeniu.
 - Ak je čepeľ akokoľvek poškodená, vymeňte ju. Pred opätovným naštartovaním alebo pred pokračovaním v prevádzkovaní kosačky odstráňte každé poškodenie.
 24. Kosačku neštartujte, pokiaľ stojíte pred vyprázdňovacím otvorom.
 25. Ak kosačka začne nadmerne vibrovať (okamžite skontrolujte)
 - zistite poškodenie,
 - vymeňte alebo opravte všetky poškodené diely,
 - skontrolujte a utiahnite všetky uvoľnené diely.
 26. Nikdy nemieťte vyhadzovanú trávu na iné osoby. Zabráňte vyhadzovaniu trávy na stenu alebo prekážku. Tráva sa môže odraziť späť smerom k obsluhu. Pri prechádzaní cez plochy so štrkom zastavte čepeľ.
 27. Kosačku neťahajte dozadu, pokiaľ to nie je úplne nevyhnutné. Ak je nutné, aby ste s kosačkou cúvli od plota alebo inej podobnej prekážky, pred cúvaním aj počas cúvania sa pozerajte dole a dozadu.
 28. Pred vybratím zachytávača trávy vypnite motor a počkajte, kým sa čepeľ úplne nezastaví. Nezabudnite, že čepeľ sa po vypnutí zastavuje postupne.
 29. Keď používate zariadenie na blatistom podklade, mokrom svahu alebo klzkom povrchu, dbajte na správny postoj.
 30. Vyhybajte sa práci v nepriaznivom prostredí, v ktorom sa predpokladá zvýšená únava používateľa.
 31. Nepoužívajte zariadenie v zlom počasí pri obmedzenej viditeľnosti. Inak môže dôjsť k pádu alebo nesprávnemu použitiu z dôvodu slabej viditeľnosti.
 32. Neponárajte zariadenie do mláky.
 33. Keď sa k nasávaciemu otvoru (ventilačné okno) prilepia mokré listy alebo nečistoty, odstráňte ich.
 34. Zariadenie nikdy nepoužívajte v snehu.
 35. Ak je pokosená tráva mokrá, je pravdepodobné, že sa nahromadí vo vnútri zariadenia. Pravidelne kontrolujte stav zariadenia a podľa potreby odstraňujte prichytenú trávu.
 36. Pri práci s kosačkou dávajte pozor na potrubia a káble.
 37. S týmto strojom nepoužívajte káblový napájací zdroj ako adaptér akumulátora alebo prenosný napájací zdroj. Kábel takéhoto napájacieho zdroja môže brániť prevádzke a spôsobiť zranenie odšob.
- ### Údržba a uskladnenie
1. Opotrebené alebo poškodené časti z bezpečnostných dôvodov vymeňte. Používajte len originálne náhradné diely a príslušenstvo.
 2. Kosačku pravidelne kontrolujte a vykonávajte jej údržbu.
 3. Keď sa kosačka nepoužíva, uskladnite ju mimo dosahu detí.
 4. Všetky matice, svorníky a skrutky musia byť utiahnuté, aby ste mali istotu, že zariadenie je v bezpečnom pracovnom stave.
 5. Pravidelne kontrolujte, či nedošlo k opotrebovaniu alebo poškodeniu lapača trávy. Pred uskladnením vyprázdňte lapač trávy. Opatrovaný lapač trávy z bezpečnostných dôvodov vymeňte za náhradný lapač od výrobcu.
 6. Používajte len originálne čepele špecifikované v tomto návode.
 7. Počas nastavovania kosačky dávajte pozor, aby sa vám prsty nezachytili medzi pohybujúce sa čepele a pevné diely kosačky.
 8. V pravidelných intervaloch kontrolujte správnosť utiahnutia upevňovacej skrutky čepele.
 9. Pred uskladnením nechajte kosačku vychladnúť.
 10. Pri vykonávaní údržby čepeli dávajte pozor, pretože aj pri vypnutí napájacieho zdroja sa čepele môžu naďalej otáčať.
 11. Nikdy neodstraňujte ani neupravujte bezpečnostné zariadenia. Pravidelne kontrolujte ich správnu funkciu. Nikdy nerobte nič, čo by narušilo určenú funkciu bezpečnostného zariadenia alebo znížilo ochranu, ktorú bezpečnostné zariadenie poskytuje.
 12. Nenechávajte zariadenie bez dozoru vonku v daždi.
 13. Zariadenie neumývajte vodou pod vysokým tlakom.
 14. Pri umývaní zariadenia nezabudnite vybrať akumulátor a blokovací kľúč a zatvoriť kryt akumulátora. Vodu smerujte k spodnej časti zariadenia, ku ktorej je upevnená čepeľ.
 15. Pri uskladnení zariadenia sa vyhýbajte priamemu slnku a dažďu a skladujte ho na mieste, kde nie je príliš teplo ani vlhko.
 16. Kontrolu alebo údržbu vykonávajte na mieste, ktoré je chránené pred dažďom.
 17. Po použití zariadenia odstráňte zachytené nečistoty a pred uskladnením sa pokúste zariadenie úplne vysušiť. V závislosti od ročného obdobia alebo oblastí hrozí riziko poruchy z dôvodu mrazu.

Používanie a starostlivosť o akumulátorový nástroj

- Nabíjajte iba nabíjačkou určenou výrobcom.** Nabíjačka vhodná pre jeden typ akumulátora môže pri inom type akumulátora spôsobiť riziko vzniku požiaru.
- Elektrické nástroje používajte iba s príslušným typom akumulátora.** Použitie iného typu akumulátora môže spôsobiť riziko vzniku požiaru a úrazu.
- Keď sa akumulátor práve nepoužíva, skladujte ho mimo iných kovových predmetov ako sponky, mince, kľúče, klince, skrutky alebo iné malé kovové predmety, ktoré by mohli kontakty akumulátora skratovať.** Skratovanie kontaktov akumulátora môže spôsobiť popálenie alebo požiar.
- Pri nevhodných podmienkach môže z akumulátora vytekať tekutina. Nedotýkajte sa jej.** Pri náhodnom kontakte ju opláchnite vodou. Ak kvapalina zasiahne oči, vyhľadajte lekársku pomoc. Kvapalina, ktorá vytekla z akumulátora, môže spôsobiť podráždenie alebo popálenie.
- Nepoužívajte akumulátor alebo nástroj, ktorý je poškodený alebo upravovaný.** Fungovanie poškodených alebo upravovaných akumulátorov ťažko predvídať a môžu zapríčiniť požiar, výbuch alebo zranenie.
- Akumulátor ani nástroj nevystavujte ohňu či nadmernej teplote.** Vystavenie ohňu alebo teploty nad 130 °C môže spôsobiť výbuch.
- Dodržiavajte všetky pokyny pre nabíjanie a akumulátor ani nástroj nenabíjajte v prípade prekročenia teplotného rozsahu uvedeného v návode.** Nesprávne nabíjanie alebo nabíjanie pri teplotách mimo uvedeného rozsahu môže spôsobiť poškodenie akumulátora a zvýšiť riziko požiaru.

Bezpečnosť pri práci s elektrickým náradím a akumulátorom

- Akumulátor(y) nelikvidujte odhodením do ohňa.** Článok môže vybuchnúť. Informácie o možných zvláštnych predpisoch týkajúcich sa likvidácie nájdete v miestnych zákonoch.
- Akumulátor(y) neotvárajte ani nezhodnocujte.** Uvoľnený elektrolyt je leptavý a môže spôsobiť poškodenie zraku alebo pokožky. V prípade požitia môže byť jedovatý.
- Batériu nenabíjajte na daždi ani na mokrych miestach.**
- Akumulátor nenabíjajte v exteriéri.**
- Nedotýkajte sa nabíjačky vrátane zástrčky a nabíjajúcich svoriek mokrymi rukami.**
- Akumulátor nevymieňajte v daždi.**
- Nezvlhčujte konektor akumulátora kvapalinou, napríklad vodou, ani neponárajte akumulátor do kvapalín. Akumulátor nenechávajte na daždi, ani ho nenabíjajte, nepoužívajte ani neskladujte na vlhkom alebo mokrom mieste.** Ak sa konektor navlhčí alebo ak do akumulátora vnikne kvapalina, môže dôjsť k skratu akumulátora a hrozí riziko prehriatia, požiaru alebo výbuchu.
- Po vytiahnutí akumulátora zo zariadenia alebo nabíjačky nezabudnite na akumulátor pripevniť kryt a uskladnite ho na suchom mieste.**
- Akumulátor nevymieňajte mokrymi rukami.**

Servis

- Servis elektrického nástroja nechajte vykonať kvalifikovaným pracovníkom s použitím výhradne identických náhradných dielov.** Tým zaistíte zachovanie bezpečnosti elektrického nástroja.
- Nikdy nevykonávajte servis poškodených akumulátorov.** Servis akumulátorov má vykonávať len výrobca alebo autorizovaní poskytovatelia servisných služieb.

TIETO POKYNY USCHOVAJTE.

VAROVANIE: NIKDY nepripustíte, aby seba-vedomie a dobrá znalosť výrobku (získané opakovaným používaním) nahradili presné dodržiavanie bezpečnostných pravidiel pre náradie.

NESPRÁVNE POUŽÍVANIE alebo nedodržiavanie bezpečnostných zásad uvedených v tomto návode môže viesť k vážnemu zraneniu.

Dôležité bezpečnostné a prevádzkové pokyny pre akumulátor

- Pred použitím akumulátora si prečítajte všetky pokyny a výstavné označenia na (1) nabíjačke akumulátorov, (2) akumulátore a (3) produkte používajúcom akumulátor.**
- Akumulátor nerozoberajte.**
- Ak sa doba prevádzky príliš skráti, ihneď prerušte prácu. Môže nastať riziko prehriatia, možných popálením či dokonca explózie.**
- V prípade zasiahnutia oči elektrolytom ich vypláchnite čistou vodou a okamžite vyhľadajte lekársku pomoc. Môže dôjsť k strate zraku.**
- Akumulátor neskratujte:**
 - Nedotýkajte sa konektorov žiadnym vodivým materiálom.**
 - Neskladujte akumulátor v obale s inými kovovými predmetmi, napríklad klíncami, mincami a pod.**
 - Akumulátor nevystavujte vode ani dažďu. Skrat akumulátora môže spôsobiť veľký tok prúdu, prehriatie, možné popálenie či dokonca poruchu.**
- Neskladujte nástroj ani akumulátor na miestach s teplotou presahujúcou 50 °C (122 °F).**
- Akumulátor nespálujte, ani keď je vážne poškodený alebo úplne opotrebovaný. Akumulátor môže v ohni explodovať.**
- Dávajte pozor, aby akumulátor nespadol, a nevystavujte ho nárazom.**
- Nepoužívajte poškodený akumulátor.**
- Lítium-iónové akumulátory, ktoré sú súčasťou náradia, podliehajú požiadavkám legislatívy o nebezpečnom tovare.**

V prípade obchodnej prepravy, napr. dodanie tretími stranami či špeditériami, sa musia dodržiavať špeciálne požiadavky na zabalenie a označenie. Pred prípravou položky na odoslanie sa vyžaduje konzultácia s odborníkom na nebezpečný materiál. Taktiež treba dodržiavať potenciálne podrobnejšie predpisy príslušnej krajiny.

Prelepte alebo zakryte otvorené kontakty a zabaľte akumulátor tak, aby sa v balíku nemohol voľne pohybovať.

11. **Akumulátor pri likvidácii odstráňte z nástroja a zlikvidujte ho na bezpečnom mieste. Akumulátor zlikvidujte v súlade s miestnymi nariadeniami.**
12. **Akumulátory používajte iba s výrobkami uvedenými spoločnosťou Makita.** Inštalácia akumulátorov do nevyhovujúcich výrobkov môže spôsobiť požiar, nadmerné teplo, výbuch alebo únik elektrolytov.
13. **Ak sa nástroj dlhší čas nepoužíva, odstráňte z neho akumulátor.**

TIETO POKYNY USCHOVAJTE.

⚠️ POZOR: Používajte len originálne akumulátory od spoločnosti Makita. Používanie batérií, ktoré nie sú od spoločnosti Makita, alebo upravených batérií môže spôsobiť výbuch batérie a následný požiar, zranenie osôb alebo poškodeniu majetku. Následkom bude aj zrušenie záruky od spoločnosti Makita na nástroj a nabíjačku od spoločnosti Makita.

Rady na udržanie maximálnej životnosti akumulátora

1. **Akumulátor nabíjajte ešte predtým, ako sa úplne vybije. Vždy prerušte prácu s nástrojom a nabíjajte akumulátor, keď spozorujete nižší výkon nástroja.**
2. **Nikdy nenabíjajte plne nabitý akumulátor. Prebíjanie skraca životnosť akumulátora.**
3. **Akumulátor nabíjajte pri izbovej teplote 10 °C – 40 °C (50 °F – 104 °F). Pred nabíjaním nechajte horúci akumulátor vychladnúť.**
4. **Lítium-iónový akumulátor nabíjajte, ak ste ho nepoužívali dlhšie ako šesť mesiacov.**

ZOSTAVENIE

⚠️ VAROVANIE: Pred vykonávaním akejkoľvek činnosti na kosačke vždy vyberte poistku a akumulátor. Ak nevyberiete poistku a akumulátor, môže to pri náhodnom spustení spôsobiť vážne zranenie osôb.

⚠️ VAROVANIE: Kosačku nikdy neštartujte, ak nie je úplne zmontovaná. Prevádzka čiastočne zmontovaného zariadenia môže pri náhodnom naštartovaní spôsobiť vážne zranenie.

Inštalácia rukoväti

UPOZORNENIE: Pri inštalácii rukoväti umiestnite kabeláž tak, aby sa medzi rukoväťami nemohla o nič zachytiť. V prípade poškodenia kabeláže nemusí spínač kosačky fungovať.

1. Zarovnajzte otvory v spodnej rukoväti s otvormi na tele kosačky a potom dočasne dotiahnite 4 skrutky.
- **Obr.1:** 1. Spodná rukoväť 2. Skrutka

2. Pomocou nástrčného kľúča č. 13 pevne dotiahnite 4 skrutky, ktoré ste dočasne dotiahli v kroku 1.

3. Zarovnajzte otvor v spodnej rukoväti s otvorom v hornej rukoväti, potom vložte skrutku zvnútra a s nástrčným kľúčom č. 13 dotiahnite maticu zvonka. Rovnako postupujte na druhej strane.

- **Obr.2:** 1. Skrutka 2. Spodná rukoväť 3. Matica
4. Otvor 5. Horná rukoväť

⚠️ POZOR: Hornú rukoväť držte pevne, aby vám nevypadla z ruky. Inak môže rukoväť spadnúť a spôsobiť zranenie.

4. K rukoväti pripojte držiaky.

Zarovnajzte výčnelky na držiaku s otvormi v rukoväti, aby zapadli do otvorov. Káble umiestnite podľa obrázka.

- **Obr.3:** 1. Kábel 2. Držiak

Odstránenie mulčovacej zátky

1. Otvorte zadný kryt.
- **Obr.4:** 1. Zadný kryt
2. Držte páčku stlačenú dole a odstráňte mulčovaciu zátku.
- **Obr.5:** 1. Páčka 2. Mulčovacia zátku

Montáž alebo demontáž lapača trávy

Pri montáži lapača trávy postupujte podľa nasledujúcich krokov.

1. Otvorte zadný kryt.
- **Obr.6:** 1. Zadný kryt
2. Držte rukoväť lapača trávy a háčikmi ho zachyťte o tyč na tele kosačky podľa zobrazenia na obrázku.
- **Obr.7:** 1. Tyč 2. Rukoväť 3. Lapač trávy

Pri demontáži lapača trávy otvorte zadný kryt a uchope- ním rukoväti lapač trávy vyberte.

Pripevnenie mulčovacej zátky

1. Otvorte zadný kryt a potom vyberte lapač trávy.
- **Obr.8:** 1. Zadný kryt 2. Lapač trávy
2. Držte páčku stlačenú dole a súčasne pripojte mulčovaciu zátku, potom ju zaistite uvoľnením páčky.
- **Obr.9:** 1. Páčka 2. Mulčovacia zátku

Pripojenie vypúšťacieho nadstavca

Pre modely DLM530/DLM532

1. Otvorte zadný kryt a potom vyberte lapač trávy.
- **Obr.10:** 1. Zadný kryt 2. Lapač trávy
2. Držte páčku stlačenú dole a súčasne pripojte mulčovaciu zátku, potom ju zaistite uvoľnením páčky.
- **Obr.11:** 1. Páčka 2. Mulčovacia zátku
3. Otvorte kryt na pravej strane a potom pripojte vypúšťací nadstavec.

Vložte háčiky vypúšťacieho nadstavca pod tyč krytu na pravej strane.

- **Obr.12:** 1. Kryt na pravej strane 2. Vypúšťací nadstavec

OPIS FUNKCIÍ

Inštalácia alebo demontáž akumulátora

▲POZOR: Pred inštaláciou alebo vybratím akumulátora zariadenie vždy vypnite.

▲POZOR: Pri vkladaní alebo vyberaní akumulátora zariadenie a akumulátor držte pevne. Ak zariadenie a akumulátor pevne neuchopíte, môže to mať za následok ich vyšmyknutie z vašich rúk s dôsledkom poškodenia zariadenia a akumulátora, ako aj zranení osôb.

▲POZOR: Pred použitím zaistíte kryt akumulátora. V opačnom prípade môžu blato, nečistoty alebo voda poškodiť výrobok alebo akumulátor.

▲POZOR: Akumulátor vždy nainštalujte úplne, až kým nie je vidieť červený indikátor. V opačnom prípade môže náhodne vypadnúť zo zariadenia a ublížiť vám alebo osobám v okolí.

▲POZOR: Pri inštalovaní akumulátora nepoužívajte silu. Ak sa akumulátor nedá zasunúť ľahko, nekladáte ho správne.

POZNÁMKA: Zariadenie nefunguje len s jedným vloženým akumulátorom.

Inštalácia akumulátora:

1. Potiahnite poistnú páčku nahor a potom otvorte kryt akumulátora.
► **Obr.13:** 1. Kryt akumulátora 2. Poistná páčka
2. Zarovnajete výčnelok akumulátora s otvorom na stroji a následne akumulátor zasúvajte, kým sa nezaistí na mieste a ozve sa slabé cvaknutie.
► **Obr.14:** (1) Port akumulátora 1 (2) Port akumulátora 2 (3) Akumulátor

POZNÁMKA: Vložte minimálne 2 akumulátory do portu akumulátora 1 alebo portu akumulátora 2.

3. Zasuňte poistku na miesto znázornené na obrázku až na doraz.
► **Obr.15:** 1. Poistka
4. Zatvorte kryt akumulátora, zatlačte ho a uzavrite pomocou poistnej páčky.

Vybratie akumulátora:

1. Potiahnite poistnú páčku nahor a otvorte kryt akumulátora.
2. Pri vyberaní akumulátor vysuňte zo stroja posúvaním tlačidla na prednej strane akumulátora.
3. Vytiahnite poistku.
4. Zatvorte kryt akumulátora.

Prepínanie akumulátorov

► **Obr.16:** 1. Prepínač na voľbu akumulátora

Na prevádzku sa v stroji používajú 2 akumulátory. Do stroja možno vložiť 4 akumulátory. Pred zapnutím stroja zvolíte port akumulátora 1 alebo port akumulátora 2 otočením prepínača na voľbu akumulátora.

POZNÁMKA: Ak sú v stroji vložené len 2 akumulátory, pomocou prepínača na voľbu akumulátora vyberte ten port akumulátora, v ktorom sú vložené akumulátory.

Systém na ochranu zariadenia/akumulátora

Zariadenie je vybavené systémom ochrany zariadenia/akumulátora. Tento systém automaticky vypne napájanie motora s cieľom predíť životnosť zariadenia a akumulátora. Zariadenie sa počas prevádzky automaticky zastaví v prípade, ak sa zariadenie alebo akumulátor dostanú do jedného z nasledujúcich stavov:

Ochrana proti preťaženiu

Keď sa akumulátor používa spôsobom, ktorý spôsobuje nadmerný odber prúdu, stroj sa automaticky zastaví a indikátor napájania bude blikať nazeleno. V tejto situácii vypnite zariadenie a ukončíte používanie, ktoré spôsobuje jeho preťažovanie. Potom zariadenie zapnutím znova spustíte.

Ochrana pred prehrievaním

Ak je stroj alebo akumulátor prehriaty, stroj sa automaticky zastaví a indikátor napájania bude svietiť načerveno. V takomto prípade nechajte zariadenie a akumulátor pred opätovným spustením vychladnúť.

Ochrana pred nadmerným vybitím












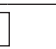



Keď je kapacita akumulátora nedostatočná, stroj sa automaticky vypne a indikátor napájania bude blikať načerveno. V takom prípade vyberte akumulátor zo stroja a nabite akumulátory alebo vymeňte akumulátory za plne nabité.

Indikácia zvyšnej kapacity akumulátora

Len na akumulátory s indikátorom

► **Obr.17:** 1. Indikátory 2. Tlačidlo kontroly

Stlačením tlačidla kontroly na akumulátore zobrazíte zostávajúcu kapacitu akumulátora. Indikátory sa na niekoľko sekúnd rozsvietia.

Indikátory			Zostávajúca kapacita
 Svieti	 Nesvieti	 Blika	
			75 % až 100 %
			50 % až 75 %
			25 % až 50 %
			0 % až 25 %
			Akumulátor nabité.
			Akumulátor je možno chybný.

POZNÁMKA: V závislosti od podmienok používania a v závislosti od okolitej teploty sa môže zobrazenie mierne odlišovať od skutočnej kapacity.

Ovládací panel

Na ovládacím paneli je hlavný vypínač, tlačidlo prepínania režimov a indikátor zostávajúcej kapacity akumulátora.

- **Obr.18:** 1. Indikátor akumulátora 2. Indikátor prepínania režimov 3. Indikátor napájania 4. Tlačidlo kontroly 5. Tlačidlo prepínania režimov 6. Hlavný vypínač

Hlavný vypínač

VAROVANIE: Ak sa náradie nepoužíva, hlavný vypínač treba vždy vypnúť.

Ak chcete zapnúť zariadenie, stlačte hlavný vypínač. Indikátor napájania sa rozsvieti nazeleno. Ak chcete vypnúť zariadenie, znovu stlačte hlavný vypínač.

POZNÁMKA: Ak indikátor napájania svieti načerveno alebo bliká načerveno alebo nazeleno, pozrite si pokyny pre systém na ochranu stroja/akumulátora.






POZNÁMKA: Toto zariadenie disponuje funkciou automatického vypnutia. Hlavný vypínač sa automaticky vypne, ak po určitej dobe od jeho zapnutia nevytiahnete spínaciu páčku alebo páčku pohonu (ak je vo výbave), aby sa zabránilo neúmyselnému spusteniu.

Tlačidlo prepínania režimov

Režim prevádzky môžete prepnúť stlačením tlačidla prepínania režimov. Keď sa zariadenie zapne, zapne sa v normálnom režime. Keď stlačíte tlačidlo prepínania režimov, stroj sa prepne do režimu zníženia hluku a indikátor prepínania režimov sa rozsvieti nazeleno. V režime zníženia hluku môžete znížiť hlučnosť pri kosení. Keď znovu stlačíte tlačidlo prepínania režimov, zariadenie sa vráti do normálneho režimu.

Indikácia zvyšnej kapacity akumulátora

Stlačením tlačidla kontroly zobrazíte zostávajúcu kapacitu akumulátora. Indikátory akumulátora zodpovedajú každému akumulátoru.

Stav indikátora akumulátora		Zostávajúca kapacita akumulátora
 Svieti	 Nesvieti	
		50 % – 100 %
		20 % – 50 %
		0 % – 20 %

POZNÁMKA: Indikátory zostávajúcej kapacity akumulátora sú len informatívne. Skutočná kapacita akumulátora sa môže líšiť v závislosti od podmienok používania.

POZNÁMKA: Pred stlačením tlačidla kontroly na zobrazenie zostávajúcej kapacity akumulátora najprv stroj vypnite.

Zapínanie

VAROVANIE: Pred nainštalovaním akumulátora sa vždy presvedčte, či sa spínacia páčka správne aktivuje a či sa po uvoľnení vracia do pôvodnej polohy. Prevádzka stroja s nesprávne fungujúcim spúšťacím spínačom môže viesť k strate ovládania a k vážnym zraneniam osôb.

POZNÁMKA: Kosačka nenašartuje bez stlačenia spínača ani po potiahnutí za spínaciu páčku.

POZNÁMKA: Kosačka sa nemusí spustiť v dôsledku preťaženia, keď sa pokúšate kosiť dlhú alebo hustú trávu. V tomto prípade zvýšte výšku kosenia.

Táto kosačka je vybavená blokovacím kľúčom a spínačom na rukoväti. Ak pozorujete na blokovačom kľúči alebo spínači niečo nezvyčajné, okamžite zastavte prevádzku a nechajte ich skontrolovať v najbližšom autorizovanom servisnom stredisku spoločnosti Makita.

Pre modely DLM462/DLM532

1. Vložte akumulátory. Vložte blokovací kľúč a potom zatvorte kryt akumulátora.
 2. Otočením prepínača na voľbu akumulátora zvoľte akumulátory použité na prevádzku.
 3. Stlačte hlavný vypínač.
 4. Potiahnite spínaciu páčku smerom k sebe a zároveň držte stlačené tlačidlo spínača. Len čo motor naštartuje, uvoľnite tlačidlo spínača.
- **Obr.19:** 1. Spínač 2. Spínacia páčka

POZNÁMKA: Ak blokovací kľúč nezasuniete, po potiahnutí páčky spínača bude indikátor napájania blikať nazeleno.

5. Držte spínaciu páčku a zároveň tlačte páčku pohonu dopredu a držte ju, čím sa aktivujú zadné kolesá.
- **Obr.20:** 1. Páčka pohonu

POZNÁMKA: Zadné kolesá môžete aktivovať stlačením páčky pohonu dopredu a jej podržaním bez toho, aby ste ťahali spínaciu páčku.

6. Ak chcete stroj zastaviť, uvoľnite páčku pohonu a spínaciu páčku.

Pre model DLM530

1. Vložte akumulátory. Vložte blokovací kľúč a potom zatvorte kryt akumulátora.
 2. Otočením prepínača na voľbu akumulátora zvoľte akumulátory použité na prevádzku.
 3. Stlačte hlavný vypínač.
 4. Potiahnite spínaciu páčku smerom k sebe a zároveň držte stlačené tlačidlo spínača. Len čo motor naštartuje, uvoľnite tlačidlo spínača.
- **Obr.21:** 1. Spínač 2. Spínacia páčka

POZNÁMKA: Ak blokovací kľúč nezasuniete, po potiahnutí páčky spínača bude indikátor napájania blikať nazeleno.

5. Motor zastavíte uvoľnením spínacej páčky.

Nastavenie výšky kosenia

VAROVANIE: Pri nastavovaní výšky kosenia nikdy nekladte ruku ani nohu pod telo kosačky.

VAROVANIE: Pred prevádzkovaním zasuňte páčku správnym spôsobom do drážky.

Výšku kosenia možno nastaviť v rozsahu 20 mm až 100 mm.

Vytiahnite blokovací kľúč, potom potiahnite páčku nastavenia výšky kosenia smerom von z tela kosačky a presuňte ju do požadovanej výšky kosenia.

► **Obr.22:** 1. Páčka na nastavenie výšky kosenia

V nasledujúcej tabuľke je uvedený vzťah medzi číslom na tele kosačky a približnou výškou kosenia.

Číslo	Výška kosenia
1	20 mm
2	26 mm
3	32 mm
4	39 mm
5	47 mm
6	55 mm
7	63 mm
8	74 mm
9	86 mm
10	100 mm

Jednou rukou podržte držadlo alebo spodnú rukoväť a druhou rukou pohnite páčkou na nastavenie výšky kosenia.

► **Obr.23:** 1. Páčka na nastavenie výšky kosenia
2. Spodná rukoväť 3. Predné držadlo

POZNÁMKA: Číselné hodnoty výšky kosenia slúžia ako pomôcka. V závislosti od stavu trávnik alebo pôdy sa môže skutočná výška od tej nastavenej mierne odlišovať.

POZNÁMKA: Aby ste dosiahli požadovanú výšku, vyskúšajte si kosenie trávy na menej nápadnom mieste.

Indikátor množstva trávy

Indikátor množstva trávy signalizuje objem pokosenej trávy. Ak lapač trávy nie je plný, indikátor sa počas pohybu čepelí pohybuje.

► **Obr.24:** 1. Indikátor množstva trávy

Ak je lapač trávy takmer plný, indikátor sa počas pohybu čepelí nepohybuje. V tomto prípade okamžite prestaňte kosiť a lapač vyprázdnite.

► **Obr.25:** 1. Indikátor množstva trávy

POZNÁMKA: Tento indikátor je len približný. V závislosti od stavu vnútri lapača nemusí tento indikátor fungovať správne.

Nastavenie výšky rukoväte

POZOR: Pred odstránením skrutiek pevne uchopte hornú rukoväť. Inak môže rukoväť spadnúť a spôsobiť zranenie.

Výšku rukoväti možno nastaviť v dvoch úrovniach.

1. Pomocou nástrčného kľúča č. 13 vyberte horné skrutky spodnej rukoväti a potom uvoľnite spodné skrutky.

► **Obr.26:** 1. Horná skrutka 2. Spodná skrutka

2. Upravte výšku rukoväti a pevne dotiahnite horné a spodné skrutky.

Nastavenie rýchlosti pojazdu

Pre modely DLM462/DLM532

► **Obr.27:** 1. Páčka rýchlostí

Rýchlosť pojazdu možno nastaviť páčkou rýchlostí. Ak chcete rýchlosť znížiť, potiahnite páčku smerom k sebe a na zvýšenie rýchlosti zatlačte páčku dopredu.

Použitie mulčovacej zátky

Mulčovacia zátka umožňuje vrátiť pokosenú trávu späť na trávnik bez toho, aby sa táto tráva dostala do lapača trávy. Pri používaní zariadenia s mulčovacou zátkou nezabudnite odstrániť lapač trávy.

UPOZORNENIE: Pri používaní zariadenia s mulčovacou zátkou sa uistite, že celková výška trávy je minimálne 30 mm alebo že výška kosenia je maximálne 15 mm.

► **Obr.28:** (1) Minimálne 30 mm (2) Maximálne 15 mm

Používanie vypúšťacieho nadstavca

Pre modely DLM530/DLM532

Vypúšťací nadstavec vám umožňuje vypúšťať pokosenú trávu na zem z pravej strany zariadenia bez toho, aby sa táto tráva dostala do lapača trávy. Pri používaní zariadenia s vypúšťacím nadstavcom nezabudnite nainštalovať mulčovaciu zátka a odstrániť lapač trávy.

Elektronické funkcie

Zariadenie je kvôli jednoduchšej obsluhu vybavené elektronickými funkciami.

- Regulácia konštantných otáčok čepele
Elektronická regulácia otáčok na dosiahnutie konštantných otáčok. Vhodné na dosiahnutie hladkého povrchu, pretože otáčky zostávajú konštantné aj v prípade zataženia.
- Pozvoľný rozbeh pri jazde
Funkcia pozvoľného rozbehu minimalizuje štartovací otras a umožňuje hladké spustenie zariadenia.
- Elektrická brzda
Tento stroj je vybavený elektrickou brzdou. Ak stroj neustále po uvoľnení spínacej páčky rýchlo nezastavuje čepele kosačky, nechajte vykonať servis stroja v servisnom stredisku spoločnosti Makita.

PREVÁDZKA

Kosenie

VAROVANIE: Pred kosením vždy odstráňte konáre a kamene z miesta kosenia. Z plochy, ktorú budete kosiť, okrem toho vopred odstráňte burinu.

VAROVANIE: Pri práci s kosačkou vždy používajte ochranný štít na tvár alebo ochranné okuliare s bočnými štítmí.

POZOR: Ak vnútro tela kosačky upchá pokosená tráva alebo cudzí predmet, vyťahnite blokovací kľúč a akumulátor a pred odstránením trávy alebo cudzieho predmetu si nasadte rukavice.

UPOZORNENIE: Toto zariadenie používajte iba na kosenie trávy. Týmto zariadením nekoste burinu.

► Obr.29

Počas kosenia držte rukoväť pevne obidvomi rukami. Orientačná rýchlosť kosenia je približne 7 až 14 metrov za 10 sekúnd.

► Obr.30

Stredové línie predných kolies slúžia ako pomôcka na určenie šírky kosenia. Kosenie vykonávajte postupne v pásoch, pričom ako orientačnú pomôcku použite stredové línie. Aby bol trávnik rovnomerne pokosený, prekryte predchádzajúci pokosený pás o jednu polovicu až jednu tretinu.

► Obr.31: 1. Šírka kosenia 2. Prekrývajúca časť
3. Stredová línia

Smer kosenia zakaždým zmeňte, aby sa na tráve nevytvoril vzor zrna, ktorý vzniká pri kosení iba jedným smerom.

► Obr.32

Pravidelne kontrolujte množstvo pokosenej trávy v lapači. Lapač vyprázdňte ešte pred jeho naplnením. Pred každou pravidelnou kontrolou kosačku zastavte a vyberte z nej poistku a akumulátor.

UPOZORNENIE: Používanie kosačky s plným lapačom trávy bráni plynulému otáčaniu čepele, pričom dochádza k zvýšenému zaťaženiu motora, ktorý sa môže poškodiť.

Kosenie trávnik s vysokou trávou

Vysokú trávu sa nesnažte strihať na jeden záber. Namiesto toho koste trávnik v niekoľkých krokoch. Jednotlivé kosenia vykonávajte s jedno- alebo dvojdňovou prestávkou, kým trávnik nie je rovnomerne pokosený.

► Obr.33

POZNÁMKA: Radikálne skosenie dlhej trávy na krátky rozmer môže spôsobiť odumretie trávy. Okrem toho sa pokosená tráva môže zaseknúť vnútri tela kosačky.

Vyprázdnenie lapača trávy

VAROVANIE: Aby ste znížili riziko úrazu, pravidelne kontrolujte lapač trávy, či nie je poškodený alebo oslabený. V prípade potreby vymeňte lapač trávy.

1. Uvoľnite spínaciu páčku a páčku pohonu (modely DLM462/DLM532) alebo uvoľnite spínaciu páčku (model DLM530).
2. Vyťahnite poistku.
3. Otvorte zadný kryt a uchopením rukoväti lapač trávy vyberte.
► Obr.34: 1. Zadný kryt 2. Rukoväť 3. Lapač trávy
4. Vyprázdňte lapač trávy.

ÚDRŽBA

VAROVANIE: Pred uskladnením, prenášaním, vykonávaním kontroly alebo údržby kosačky z nej vždy vyťahnite blokovací kľúč a akumulátor.

VAROVANIE: Keď sa kosačka nepoužíva, vždy z nej vyťahnite poistku. Poistku uschovajte na bezpečnom mieste mimo dosahu detí.

VAROVANIE: Kontrolu alebo údržbu vždy vykonávajte v rukaviciach.

VAROVANIE: Pri vykonávaní kontroly alebo údržby vždy používajte ochranný štít na tvár alebo ochranné okuliare s bočnými štítmí.

UPOZORNENIE: Nepoužívajte benzín, riedidlo, alkohol ani podobné látky. Mohlo by to spôsobiť zmenu farby, deformácie alebo praskliny.

Ak chcete udržať BEZPEČNOSŤ a BEZPORUCHOVOSŤ výrobku, prenechajte opravy, údržbu a nastavenie na autorizované alebo továrenské servisné centrá Makita, ktoré používajú len náhradné diely značky Makita.

Údržba

1. Vyberte blokovací kľúč a akumulátory a potom zatvorte kryt akumulátora.
2. Otočte kosačku nabok tak, aby páčka na nastavenie výšky kosenia bola navrchu. Vyčistíte zvyšky trávy nahromadené na spodnej strane podvozku kosačky.
3. Vodu smerujte k spodnej časti zariadenia, ku ktorej je pripevnená čepeľ.

UPOZORNENIE: Zariadenie neumývajte vodou pod vysokým tlakom.

4. Skontrolujte utiahnutie všetkých matic, svorníkov, skrutiek atď.
5. Skontrolujte, či pohyblivé časti nie sú poškodené, zlomené alebo opotrebované. Poškodené alebo chýbajúce časti treba opraviť alebo nahradiť.
6. Kosačku odložte na bezpečné miesto mimo dosahu detí.

Pre modely DLM462/DLM532

UPOZORNENIE: Nelejte vodu do oblasti znázornenej na obrázku. Naliatie vody do motora môže spôsobiť poruchu stroja.

► **Obr.35:** 1. Oblasť, kde sa nesmie naliať voda

Prenášanie kosačky

Pri prenášaní kosačky musia dve osoby uchopiť predné držadlo a zadné držadlo, ako je znázornené na obrázku.

► **Obr.36:** 1. Predné držadlo 2. Zadné držadlo

Skladovanie

Kosačku uskladnite vnútri na chladnom, suchom a uzamknutom mieste. Kosačku a nabíjačku neskladujte na miestach, kde môže teplota dosiahnuť či prekročiť 40 °C.

Demontáž alebo montáž čepele kosačky

VAROVANIE: Po uvoľnení spínača sa čepeľ bude ešte chvíľu otáčať. Ďalšiu prácu nezačínajte, kým sa čepeľ úplne nezastaví.

VAROVANIE: Pri demontáži a inštalácii čepele vždy vyberte poistku a akumulátor. Ak nevyberiete poistku a akumulátor, môže to spôsobiť vážne zranenie.

VAROVANIE: Pri manipulácii s čepeľou vždy používajte rukavice.

Demontáž čepele kosačky

Pre modely vybavené rovnou čepeľou kosačky

1. Otočte kosačku nabok tak, aby páčka na nastavenie výšky kosenia bola navrchu.
2. Čepeľ zablokujte vložení kolíka do otvoru v tele kosačky.

3. Nástrčným kľúčom č. 17 otáčajte skrutku proti smeru hodinových ručičiek.
► **Obr.37:** 1. Čepeľ kosačky 2. Kolík 3. Nástrčný kľúč

4. Odstráňte skrutku a potom čepeľ kosačky.

► **Obr.38:** 1. Držiak čepele 2. Čepeľ kosačky 3. Skrutka 4. Výčnelok

UPOZORNENIE: Pri montáži čepele kosačky sa uistite, že výčnelky na držiaku čepele zapadli do otvorov v čepeľi kosačky.

Pre modely vybavené zahnutými čepeľami kosačky

1. Otočte kosačku nabok tak, aby páčka na nastavenie výšky kosenia bola navrchu.

2. Na zablokovanie základovej dosky vložte kolík do otvoru na tele kosačky cez otvor na základovej doske.

3. Nástrčným kľúčom č. 17 otáčajte skrutku proti smeru hodinových ručičiek.

► **Obr.39:** 1. Kolík 2. Základová doska 3. Nástrčný kľúč

4. Odstráňte skrutku a potom základovú dosku.

► **Obr.40:** 1. Držiak čepele 2. Základová doska 3. Skrutka 4. Výčnelok

UPOZORNENIE: Pri montáži čepeľi kosačky sa uistite, že výčnelky na držiaku čepele zapadli do otvorov v základovej doske.

5. Ak chcete odmontovať samostatnú čepeľ kosačky, držte základovú dosku a zároveň pomocou nástrčného kľúča č. 17 otáčajte skrutku proti smeru hodinových ručičiek.

► **Obr.41:** 1. Základová doska 2. Čepeľ kosačky 3. Nástrčný kľúč

6. Vyberte maticu, podložku, pružinovú podložku, čepeľ kosačky a skrutku v uvedenom poradí.

► **Obr.42:** 1. Otvor na skrutku 2. Skrutka 3. Čepeľ kosačky 4. Pružinová podložka 5. Podložka 6. Matica

UPOZORNENIE: Pri montáži samostatných čepeľi kosačky dotahujte matice krútiacim momentom 30 N·m.

UPOZORNENIE: Pri montáži samostatnej čepele kosačky nezapudnite nasadiť pružinovú podložku v smere znázornenom na obrázku.

UPOZORNENIE: Pri montáži samostatnej čepele kosačky nezapudnite vložiť skrutky do otvorov na skrutky znázornených na obrázku.

Inštalácia čepele kosačky

VAROVANIE: Montáž čepele kosačky vykonávajte opatrne. Čepeľ má vrchnú a spodnú stranu.

VAROVANIE: Pevným utiahnutím skrutky v smere hodinových ručičiek čepeľ zaistíte.

VAROVANIE: Skontrolujte, či sú čepeľ kosačky a všetky upevňovacie súčasti správne nainštalované a pevne utiahnuté.

VAROVANIE: Pri výmene čepeľi vždy dodržiavajte pokyny uvedené v tomto návode.

UPOZORNENIE: Po namontovaní čepeľi kosačky vyberte kolík z tela kosačky.

Pri montáži čepeľi kosačky vykonajte kroky demontáže v opačnom poradí.

RIEŠENIE PROBLÉMOV

Pred požiadanim o vykonanie opravy najprv vykonajte vlastnú kontrolu. Ak zistíte problém, ktorý nie je vysvetlený v tomto návode, nepokúšajte sa stroj rozoberať. Namiesto toho požiadajte o opravu autorizované servisné strediská spoločnosti Makita, ktoré používajú len náhradné diely značky Makita.

Chybný stav	Predpokladaná príčina (porucha)	Náprava
Kosačka neštartuje.	Dva akumulátory nie sú nainštalované.	Nainštalujte dva nabité akumulátory.
	Problém akumulátora (podpätie)	Akumulátor znova nabite. Pokiaľ nabíjanie nie je účinné, vymeňte akumulátor.
	Blokovací kľúč nie je zasunutý.	Vložte blokovací kľúč.
	Prepínač na voľbu akumulátora nie je v správnej polohe.	Pomocou prepínača na voľbu akumulátora vyberte port akumulátora, v ktorom sú vložené akumulátory.
Motor po krátkom používaní zastane.	Nabitie akumulátora nie je dostatočné.	Akumulátor znova nabite. Pokiaľ nabíjanie nie je účinné, vymeňte akumulátor.
	Výška kosenia je nastavená na nízku hodnotu.	Zväčšite výšku kosenia.
	Pokosená tráva sa upcháva v kosačke.	Odstráňte upchatú trávu z kosačky.
Motor nedosahuje maximálne otáčky.	Akumulátor nie je nainštalovaný správne.	Akumulátor nainštalujte podľa popisu v tomto návode.
	Výkon akumulátora klesá.	Akumulátor znova nabite. Pokiaľ nabíjanie nie je účinné, vymeňte akumulátor.
	Systém pohonu nefunguje správne.	O opravu požiadajte miestne autorizované servisné stredisko.
Čepeľ kosačky sa neotáča: ⇒ okamžite kosačku zastavte!	V blízkosti čepele sa zasekol cudzí predmet, napr. konár.	Odstráňte cudzí predmet.
	Systém pohonu nefunguje správne.	O opravu požiadajte miestne autorizované servisné stredisko.
Nadmerné vibrácie: ⇒ okamžite kosačku zastavte!	Čepeľ je nevyvážená, je nadmerne alebo nerovnomerne opotrebovaná.	Vymeňte čepeľ.

VOLITEĽNÉ PRÍSLUŠENSTVO

⚠ POZOR: Pre váš výrobok Makita opísaný v tomto návode odporúčame používať toto príslušenstvo alebo nadstavce. Pri použití iného príslušenstva či nadstavcov môže hroziť nebezpečenstvo zranenia osôb. Príslušenstvo a nadstavce sa môžu používať len na stanovené účely.

Ak potrebujete bližšie informácie týkajúce sa tohoto príslušenstva, obráťte sa na vaše miestne servisné stredisko firmy Makita.

- Čepeľ kosačky
- Originálna batéria a nabíjačka Makita

POZNÁMKA: Niektoré položky zo zoznamu môžu byť súčasťou balenia produktu vo forme štandardného príslušenstva. Rozsah týchto položiek môže byť v každej krajine odlišný.

SPECIFIKACE

Model:		DLM462	DLM530	DLM532
Šířka sečení (průměr nožů)		460 mm	534 mm	
Otáčky bez zatížení		2 500 min ⁻¹	2 300 min ⁻¹	
Maximální rychlost		3 300 min ⁻¹	2 800 min ⁻¹	
Číslo dílu náhradního sekacího nože	Rovný sekací nůž	191D51-9	191D52-7	
	Rotační sekací nože *1	191D49-6	191D50-1	
	Rotační sekací nože *2	191D47-0	191D48-8	
Rozměry (D x Š x V)		D: 1 610 mm až 1 690 mm Š: 535 mm V: 980 mm až 1 095 mm	D: 1 630 mm až 1 715 mm Š: 590 mm V: 990 mm až 1 095 mm	
Rychlost jízdy		2,5 – 5,0 km/h	–	2,5 – 5,0 km/h
Jmenovité napětí		36 V DC		
Čistá hmotnost	Při práci s rovným sekacím nožem	35,3 – 39,0 kg	35,5 – 39,3 kg	39,0 – 42,8 kg
	Při práci s rotačními sekacími noži	36,0 – 39,7 kg	36,2 – 40,0 kg	39,7 – 43,5 kg
Stupeň ochrany		IPX4		

*1. Základní deska a jednotlivé sekací nože.

*2. Pouze jednotlivé sekací nože.

- Vzhledem k neustálému výzkumu a vývoji zde uvedené technické údaje podléhají změnám bez upozornění.
- Specifikace se mohou pro různé země lišit.
- Hmotnost se může lišit v závislosti na nástavcích a přídatných zařízeních, včetně akumulátoru. Nejlehčí a nejtěžší kombinace, dle EPTA-Procedure 01/2014, jsou uvedeny v tabulce níže.

Použitelný akumulátor

BL1815N / BL1820 / BL1820B / BL1830 / BL1830B / BL1840 / BL1840B / BL1850 / BL1850B / BL1860B

- V závislosti na regionu vašeho bydliště nemusí být některé akumulátory k dispozici.

VAROVÁNÍ: Používejte pouze výše uvedené akumulátory. Použití jiných akumulátorů může způsobit zranění a/nebo požár.

Symbyly

Níže jsou uvedeny symbyly, se kterými se můžete při použití nářadí setkat. Je důležité, abyste dříve, než s ním začnete pracovat, pochopili jejich význam.

	Buďte obzvláště opatrní a dávejte pozor.
	Přečtěte si návod k obsluze.
	Nebezpečí – pozor na odmrštěné předměty.
	Vzdálenost mezi zařízení a přihlížejícími osobami musí být alespoň 15 m.
	Nikdy nepřibližujte ruce ani nohy do blízkosti nože v dolní části sekačky. Nože se po vypnutí motoru nadále otáčejí.
	Před prováděním kontroly, seřizování, čištěním, údržbou, ponecháním sekačky bez dozoru či před uskladněním vytáhněte blokovací klíč.
	Nebezpečí úrazu elektrickým proudem. Při kontaktu s vodou hrozí zásah elektrickým proudem.



Zabraňte vniknutí vody.



Pouze pro země EU
Elektrické zařízení ani akumulátor nelikvidujte současně s domovním odpadem! Vzhledem k dodržování evropských směrnic o odpadních elektrických a elektronických zařízeních a směrnice o bateriích, akumulátorech a odpadních bateriích a akumulátorech s jejich implementací v souladu s národními zákony musí být elektrická zařízení, baterie a akumulátory po skončení životnosti odděleně shromážděny a předány do ekologicky kompatibilního recyklačního zařízení.

Účel použití

Stroj je určen k sečení trávy.

Hlučnost

Typická vážená hladina hluku (A) určená podle normy EN60335-2-77:

POZNÁMKA: Hodnoty byly naměřeny, když byla sekačka vybavena rovným sekacím nožem.

Model DLM462

Hladina akustického tlaku (L_{pA}): 82,7 dB(A)
Hladina akustického výkonu (L_{WA}): 90,9 dB (A)
Nejistota (K): 3 dB(A)

Model DLM530

Hladina akustického tlaku (L_{pA}): 78,1 dB(A)
Hladina akustického výkonu (L_{WA}): 90,4 dB (A)
Nejistota (K): 3 dB(A)

Model DLM532

Hladina akustického tlaku (L_{pA}): 78,1 dB(A)
Hladina akustického výkonu (L_{WA}): 90,4 dB (A)
Nejistota (K): 3dB(A)

Hladina hluku při práci může překročit hodnotu 80 dB (A).

POZNÁMKA: Celková(é) hodnota(y) emisí hluku byla(y) změřena(y) v souladu se standardní zkušební metodou a dá se použít k porovnání nářadí mezi sebou.

POZNÁMKA: Hodnotu(y) deklarovaných emisí hluku lze také použít k předběžnému posouzení míry expozice vibracím.

VAROVÁNÍ: Použijte ochranu sluchu.

VAROVÁNÍ: Emise hluku se při používání elektrického nářadí ve skutečnosti mohou od deklarované(ých) hodnot(y) lišit v závislosti na způsobech použití nářadí.

VAROVÁNÍ: Nezapomeňte stanovit bezpečnostní opatření na ochranu obsluhy podle odhadu expozice ve skutečných podmínkách použití. (Vezměte přitom v úvahu všechny části provozního cyklu, tj. kromě doby zátěže například doby, kdy je nářadí vypnuté a kdy běží naprázdno.)

Vibrace

Celková hodnota vibrací (vektorový součet tří os) určená podle normy EN60335-2-77:

POZNÁMKA: Hodnoty byly naměřeny, když byla sekačka vybavena rovným sekacím nožem.

Model DLM462

Emise vibrací (a_h): 2,5 m/s² nebo méně
Nejistota (K): 1,5 m/s²

Model DLM530

Emise vibrací (a_h): 2,5 m/s² nebo méně
Nejistota (K): 1,5 m/s²

Model DLM532

Emise vibrací (a_h): 2,5 m/s² nebo méně
Nejistota (K): 1,5 m/s²

POZNÁMKA: Celková(é) hodnota(y) deklarovaných vibrací byla(y) změřena(y) v souladu se standardní zkušební metodou a dá se použít k porovnání nářadí mezi sebou.

POZNÁMKA: Celkovou(é) hodnotu(y) deklarovaných vibrací lze také použít k předběžnému posouzení míry expozice vibracím.

VAROVÁNÍ: Emise vibrací se při používání elektrického nářadí ve skutečnosti mohou od deklarované(ých) hodnot(y) lišit v závislosti na způsobech použití nářadí.

VAROVÁNÍ: Nezapomeňte stanovit bezpečnostní opatření na ochranu obsluhy podle odhadu expozice ve skutečných podmínkách použití. (Vezměte přitom v úvahu všechny části provozního cyklu, tj. kromě doby zátěže například doby, kdy je nářadí vypnuté a kdy běží naprázdno.)

Prohlášení ES o shodě

Pouze pro evropské země

Prohlášení ES o shodě je obsaženo v Příloze A tohoto návodu k obsluze.

BEZPEČNOSTNÍ VÝSTRAHY

DŮLEŽITÉ BEZPEČNOSTNÍ POKYNY

VAROVÁNÍ: Přečtěte si veškerá bezpečnostní upozornění a všechny pokyny. Zanedbání upozornění a pokynů může mít za následek úraz elektrickým proudem, vznik požáru nebo vážné zranění.

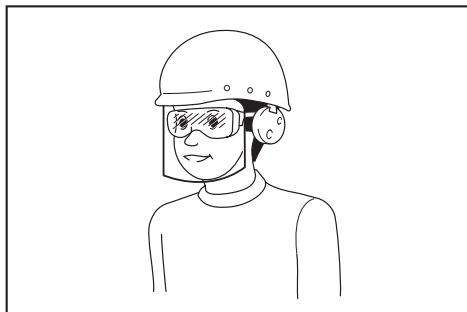
Všechna upozornění a pokyny si uschovejte pro budoucí potřebu.

Školení

1. **Pečlivě si přečtěte pokyny. Seznamte se řádně s ovládacími prvky a správným způsobem použití sekačky.**
2. **Nikdy nedovolte, aby sekačku obsluhovaly děti nebo osoby neobeznámené s těmito pokyny. Věk obsluhy může být omezen místními předpisy.**
3. **Se sekačkou nikdy nepracujte v blízkosti osob, zvláště pak dětí, ani domácích zvířat.**
4. **Pamatujte, že za nehody nebo ohrožení jiných osob a jejich majetku odpovídá obsluha či uživatel.**
5. **Děti musí být pod dohledem, aby si se sekačkou nehrály.**
6. **Fyzický stav: Se sekačkou nepracujte pod vlivem omamných látek, alkoholu či léků.**

Příprava

1. Při obsluze sekačky vždy noste pevnou obuv a dlouhé kalhoty. Se sekačkou nepracujte naboso ani v otevřené obuvi. Nenoste volný oděv a šperky ani oděv či šperky s visícími třásněmi či šňůrkami. Mohlo by dojít k zachycení pohyblivými díly.
2. Před použitím vždy sekačku zrakem zkontrolujte, zda není poškozena, případně zda nechybí či nejsou poškozeny kryty a štíty.
3. Před sekáním se ujistěte, že se v oblasti nepohybují žádné osoby. Jestliže do pracovní oblasti někdo vstoupí, sekačku vypněte.
4. Do sekačky nevkládejte blokovací klíč, dokud nebude připravena k použití.
5. Při používání elektrického nářadí vždy noste ochranné brýle určené k ochraně zraku. Ochranné brýle musí splňovat požadavky normy ANSI Z87.1 v USA, EN 166 v Evropě nebo AS/NZS 1336 v Austrálii a na Novém Zélandu. V Austrálii a na Novém Zélandu je dle zákona též nutné nosit obličejový štít chránící obličej.



Za vynucení používání vhodných ochranných pracovních prostředků obsluhou nářadí či jinými osobami v bezprostřední blízkosti pracoviště odpovídá zaměstnavatel.

6. Před zahájením provozu pečlivě zkontrolujte nože nebo šrouby nožů, zda nevykazují známky trhlin nebo poškození. Popraskané nebo poškozené nože nebo šrouby nožů okamžitě vyměňte.
7. Před sekáním odstraňte z terénu cizorodé předměty, jako jsou kameny, dráty, lahve, kosti a větší klacky, abyste zamezili zranění osob či poškození sekačky.
8. Předměty odmrštěné nožem sekačky mohou způsobit vážná zranění. Před každým sekáním je vždy třeba trávník pečlivě prohlédnout a odstranit z něj veškeré předměty.
9. Dávejte pozor na díry, vyjeté stopy, hrboly, kameny nebo jiné těžko viditelné předměty. Nerovný terén může způsobit uklouznutí a pád. Vysoká tráva může skrývat překážky.
10. V dešti nevkládejte ani nevyjímejte blokovací klíč.
11. Používejte osobní ochranné prostředky. Vždy používejte ochranu zraku. Ochranné pracovní prostředky, jako je například respirátor, protiskluzová obuv, ochranná přilba nebo ochrana sluchu, omezí při správném použití riziko zranění.

Obsluha

1. Nepřeceňujte vlastní schopnosti. Vždy udržujte rovnováhu. Při práci ve svahu vždy dávejte pozor, kam šlapete. Kráčejte – nikdy neběhejte.
2. Vypněte sekačku, vyjměte blokovací klíč a ujistěte se, že se všechny pohyblivé díly zcela zastavily:
 - kdykoli se od sekačky vzdálíte,
 - před odstraňováním překážek nebo při čištění upchaného vyhovazovacího kanálu,
 - před kontrolou, čištěním či prováděním prací na sekačce,
 - po nárazu na předmět. Sekačku zkontrolujte, zda není poškozená, a před opětovným spuštěním a obnovením práce proveďte opravu, – kdykoli začne sekačka neobvykle vibrovat.
3. Nikdy nepracujte se sekačkou s vadnými kryty či štíty nebo s chybějícími bezpečnostními prvky, například bez krytu vyhovazovacího kanálu nebo bez koše na trávu.
4. Se sekačkou nepracujte za nepříznivého počasí, zvláště existuje-li nebezpečí bouřek.
5. Při každé práci se sekačkou používejte ochranu zraku a pevnou obuv.
6. Se sekačkou pracujte pouze za denního světla nebo při dostatečném umělém osvětlení.
7. Sekačku startujte opatrně podle pokynů a s nohama v dostatečné vzdálenosti od nože (nožů).
8. Dejte pozor, abyste si o sekací nože neporanili ruce a nohy.
9. Zajistěte, aby ventilační otvory zůstaly vždy průchodné a neucpané.
10. Sekejte po vrstevnicích svahu, nikdy nahoru a dolů. Při změně směru ve svahu buďte mimořádně opatrní. Nesekejte v příliš strmých svazích.
11. Při couvání či tahání sekačky směrem k sobě buďte mimořádně opatrní.
12. Při nutnosti naklonění sekačky z důvodu přejetí jiných než travnatých ploch a při transportu sekačky na pracoviště a z pracoviště vypněte pohon nože (nožů).
13. Při zapínání motoru sekačku nenaklánějte s výjimkou případu, kdy je naklonění sekačky při spouštění nutností. V takové situaci sekačku nenaklánějte více, než je nezbytně nutné, a nadzvedněte pouze část směrem od obsluhy. Ujistěte se, že před vrácením sekačky na zem jsou obě ruce v provozní poloze.
14. Ruce ani nohy nepřibližujte do blízkosti rotujících dílů nebo pod ně. Vždy se držte mimo dosah vyhovazovacího kanálu.
15. Sekačku netransportujte, pokud je spuštěná.
16. Se sekačkou nepracujte v mokré trávě.
17. Držadlo držte vždy pevně.
18. Při zvedání či přidržování sekačku nikdy nedržte za odkryté části sekačích nožů či jeho ostří.
19. Nepřibližujte ruce ani nohy k rotujícím nožům. **Varování:** Nože po vypnutí sekačky dobíhají.

20. Pokud si během provozu povšimnete něčeho neobvyklého, okamžitě přerušete práci. Vypněte sekačku a vyjměte blokovací klíč. Poté sekačku prohlédněte.
21. Nikdy neseřizujte výšku sečení, je-li sekačka v provozu, pokud je sekačka vybavena funkcí seřizení výšky sečení.
22. Před přeježděním příjezdových cest, chodníků, silnic či šterkem pokrytých ploch uvolněte spínací páčku a počkejte, až se rotující nůž zastaví. Nezapomeňte také vytáhnout blokovací klíč vždy, když se od sekačky vzdálíte kvůli zvednutí či odstranění překážky nebo kvůli jakémukoli jinému důvodu, jenž by mohl odvádět vaši pozornost od práce.
23. Jestliže sekačka narazí na předmět, postupujte následovně:
 - Vypněte sekačku, uvolněte spínací páčku a vyčkejte, až se nůž zcela zastaví.
 - Vytáhněte blokovací klíč a akumulátor.
 - Sekačku důkladně prohlédněte, zda není poškozená.
 - Pokud došlo k jakémukoli poškození nože, vyměňte jej. Před opětovným spuštěním a pokračováním v práci opravte poškozené části sekačky.
24. Sekačku nespouštějte, jestliže stojíte před otvorem vyhazovacího kanálu.
25. Jestliže sekačka začne neobvykle vibrovat (provedte okamžitou kontrolu):
 - zkontrolujte, zda nedošlo k poškození,
 - vyměňte nebo opravte všechny poškozené díly,
 - zkontrolujte a dotáhněte všechny uvolněné díly.
26. Materiál vycházející ze sekačky nesmí směřovat na osoby. Materiál vycházející ze sekačky nesmí být nasměrován proti zdi nebo jiným překážkám. Mohlo by dojít k odrazu materiálu směrem k obsluze. Při přeježdění šterkovitých povrchů je nutné sekací nůž vypnout.
27. Netahejte sekačku směrem dozadu/k sobě, není-li to nezbytně nutné. Musíte-li se sekačkou couvat směrem od plotu nebo jiné překážky, nejprve se podívejte dolů a za sebe.
28. Vypněte motor a počkejte, dokud se nůž úplně nezastaví. Teprve poté odeberte zachycovač trávy. Dávejte pozor, protože nože po vypnutí stále ještě volně dobíhají.
29. Při používání stroje v blátivém terénu, na mokřem svahu nebo na kluzkém povrchu dbejte na to, abyste stáli pevně.
30. Nepracujte v prostředí se zhoršenými podmínkami, ve kterém lze očekávat zvýšenou únavu uživatele.
31. Nepoužívejte stroj za špatného počasí, když je zhoršená viditelnost. V opačném případě může dojít k pádu nebo nesprávnému provozu z důvodu nízké viditelnosti.
32. Stroj neponožujte do kaluže.
33. Pokud se za deště na sací hrdlo (větrací okno) nalepí mokré listí nebo nečistoty, odstraňte je.
34. Nepoužívejte stroj ve sněhu.
35. Je-li posekaná tráva mokrá, může dojít k ucpaní stroje. Pravidelně kontrolujte stav stroje a v případě nutnosti odstraňte přilepenou trávu.
36. Při práci se strojem dávejte pozor na potrubí a elektrická vedení.
37. Tento stroj nenapájejte ze sítě prostřednictvím adaptéru baterie nebo přenosného akumulátoru. Kabel tohoto zdroje napájení může bránit provozu a způsobit zranění osob.

Údržba a skladování

1. V rámci zajištění bezpečnosti vyměňte opotřebené nebo poškozené díly. Používejte pouze originální náhradní díly a příslušenství.
2. Sekačku pravidelně kontrolujte a provádějte pravidelnou údržbu.
3. Není-li sekačka používána, musí být uchována mimo dosah dětí.
4. Všechny matice, šrouby a vruty udržujte dotažené, abyste zajistili bezpečný provoz sekačky.
5. Často kontrolujte koš na trávu, zda není opotřebený či poškozený. Před uložením sekačky se vždy ujistěte, zda je koš na trávu vyprázdněný. Opotřebený koš na trávu nahraďte z důvodu bezpečnosti novým.
6. Používejte pouze originální nože určené výrobcem v této příručce.
7. Při seřizování sekačky dejte pozor, aby nedošlo k zachycení prstů mezi pohyblivými noži a pevnými částmi sekačky.
8. Pravidelně kontrolujte správné dotažení upevňovacího šroubu nože.
9. Před skladováním nechte sekačku vždy vychladnout.
10. Při údržbě nože dávejte pozor, neboť nůž se může pohybovat i přesto, že je zdroj napájení vypnutý.
11. Nikdy neodstraňujte ani neupravujte bezpečnostní prvky. Pravidelně kontrolujte jejich správnou funkci. Nedělejte nic, co by mohlo narušit zamýšlenou funkci bezpečnostního prvku nebo snížit úroveň ochrany, kterou poskytuje.
12. Nenechávejte stroj venku za deště bez dozoru.
13. Stroj nemyjte vodou pod tlakem.
14. Před mytím stroje se ujistěte, zda jste vyjmuli akumulátor a blokovací klíč a zavřeli kryt akumulátoru, a lijte vodu směrem ke spodní části stroje, k níž je upevněn nůž.
15. Při skladování stroje se vyvarujte přímého slunečního svitu a deště a uložte jej na místo, které se nezahřívá ani nevlhne.
16. Kontrolu nebo údržbu provádějte na místě krytém před deštěm.
17. Po použití očistěte stroj od nanesených nečistot a před uskladněním ho zcela vysušte. V závislosti na období či prostředí existuje riziko poruchy z důvodu mrazu.

Práce s akumulátorovým nářadím a péče o něj

1. Nabíjení provádějte pouze pomocí nabíječky určené výrobcem. Nabíječka vhodná pro jeden typ akumulátoru může při použití s jiným akumulátorem vést ke vzniku nebezpečí požáru.

2. **Elektrické nářadí používejte pouze s určenými akumulátory.** Použití jiných akumulátorů může vyvolat nebezpečí zranění a požáru.
3. **Pokud akumulátor nepoužíváte, udržujte jej mimo dosah jiných kovových předmětů, jako jsou kancelářské sponky, mince, klíče, hřebíky, šrouby nebo jiné malé kovové předměty, které mohou propojit svorky akumulátoru.** Zkratování svorek akumulátoru může způsobit popálení nebo požár.
4. **Při hrubém zacházení může z akumulátoru uniknout elektrolyt. Vyvarujte se styku s ním. Pokud dojde k náhodnému kontaktu, omyjte zasažené místo vodou. Pokud elektrolyt zasáhne oči, vyhledejte lékařskou pomoc.** Elektrolyt uniklý z akumulátoru může způsobit podráždění nebo popálení pokožky.
5. **Nepoužívejte poškozený nebo upravený akumulátor nebo nářadí.** U poškozených nebo upravených akumulátorů může dojít k neočekávanému chování, které může mít za následek požár, výbuch nebo riziko poranění.
6. **Akumulátor nebo nářadí nevystavujte ohni nebo vysokým teplotám.** Při vystavení žáru ohně nebo teplotám nad 130 °C může dojít k výbuchu.
7. **Postupujte dle nabíjecích pokynů a akumulátor nebo nářadí nenabíjejte mimo teplotní rozsah specifikovaný v pokynech.** Nesprávné nabíjení při teplotách mimo stanovený rozsah může poškodit akumulátor a zvýšit riziko požáru.

Elektrická bezpečnost a bezpečnost akumulátorů

1. **Akumulátor (akumulátory) nelikvidujte vzhováním do ohně.** Články mohou vybuchnout. Při likvidaci postupujte podle místních předpisů, jež mohou zahrnovat zvláštní pokyny.
2. **Akumulátory neotevírejte a nepoškozujte.** Vypuštěný elektrolyt je žiravý a může způsobit poranění očí nebo pokožky. Při spolknutí může být jedovatý.
3. **Nenabíjejte baterii v dešti nebo na mokrych místech.**
4. **Nenabíjejte akumulátor venku.**
5. **S nabíječkou, včetně zástrčky nabíječky a svorek, nemanipulujte mokryma rukama.**
6. **Nevyměňujte akumulátor v dešti.**
7. **Svorku akumulátoru nevlhčete tekutinou, jako je voda, ani akumulátor neponožujte.** Nenechávejte akumulátor na dešti ani ho nenabíjejte, nevyměňujte, nepoužívejte ani neskladujte na vlhkém či mokřem místě. Pokud svorka navlhne nebo se do akumulátoru dostane kapalina, může dojít ke zkratu, a tedy k přehřátí, požáru nebo výbuchu.
8. **Po vyjmutí akumulátoru ze stroje či nabíječky zajistěte jeho upevnění do krytu akumulátorů a uložte v suchu.**
9. **Nevyjímejte akumulátor mokřyma rukama.**

Servis

1. **Vaše elektrické nářadí si nechávejte opravovat kvalifikovaným pracovníkem s použitím výhradně identických náhradních dílů.** Tím zajistíte zachování bezpečnosti elektrického nářadí.

2. **Akumulátory nikdy sami nespravujte.** Opravy akumulátorů smí provádět pouze výrobce nebo autorizovaná servisní střediska.

TYTO POKYNY USCHOVEJTE.

VAROVÁNÍ: NEDOVOLTE, aby pohodlnost nebo pocit znalosti výrobku (získaný na základě předchozího použití) vedl k zanedbání dodržování bezpečnostních pravidel platných pro tento výrobek.

NESPRÁVNÉ POUŽÍVÁNÍ či nedodržení bezpečnostních pravidel uvedených v tomto návodu k obsluze může způsobit vážné zranění.

Důležitá bezpečnostní upozornění pro akumulátor

1. **Před použitím akumulátoru si přečtěte všechny pokyny a varovné symboly na (1) nabíječce, (2) akumulátoru a (3) výrobku využívaném akumulátorem.**
2. **Akumulátor nerozebírejte.**
3. **Pokud se příliš zkrátí provozní doba akumulátoru, přerušte okamžitě práci. V opačném případě existuje riziko přehřívání, popálení nebo dokonce výbuchu.**
4. **Budou-li vaše oči zasaženy elektrolytem, vypláchněte je čistou vodou a okamžitě vyhledejte lékařskou pomoc. Může dojít ke ztrátě zraku.**
5. **Akumulátor nezkratujte:**
 - (1) **Nedotýkejte se svorek žádným vodivým materiálem.**
 - (2) **Neskladujte akumulátor v nádobě s jinými kovovými předměty, jako jsou hřebíky, mince, apod.**
 - (3) **Nevystavuje akumulátor vodě a dešti. Zkrat akumulátoru může způsobit velký průtok proudu, přehřátí, možné popálení a dokonce i poruchu.**
6. **Neskladujte nářadí a akumulátor na místech, kde může teplota překročit 50 °C (122 °F).**
7. **Nespalujte akumulátor, ani když je vážně poškozen nebo úplně opotřeben. Akumulátor může v ohni vybuchnout.**
8. **Dávejte pozor, abyste akumulátor neupustili ani s ním nenaráželi.**
9. **Nepoužívejte poškozené akumulátory.**
10. **Obsažené lithium-iontové akumulátory podléhají právním požadavkům na nebezpečné zboží.** V případě komerční přepravy například externími dopravci je třeba dodržet zvláštní požadavky na balení a značení. Pro přepravu zboží k přepravě je nutná konzultace s odborníkem na nebezpečný materiál. Dodržujte také případně podrobnější národní předpisy. Odkryté kontakty přelepte izolační páskou či jinak zakryjte a akumulátory zabalte tak, aby se v balení nemohly pohybovat.
11. **Při likvidaci akumulátoru jej vyjměte z nářadí a zlikvidujte jej na bezpečném místě. Při likvidaci akumulátoru postupujte podle místních předpisů.**

12. **Akumulátor používejte pouze s výrobky specifikovanými společností Makita.** Instalace akumulátoru do nevhovujících výrobků může způsobit požár, nadměrné zahřívání, explozi nebo únik elektrolytu.
13. **Pokud nářadí delší dobu nepoužíváte, je nutné z něj akumulátor vyjmout.**

TYTO POKYNY USCHOVEJTE.

⚠ UPOZORNĚNÍ: Používejte pouze originální akumulátory Makita. Používání neoriginálních nebo upravených akumulátorů může způsobit explozi akumulátoru a následný požár, zranění a jiné poškození. Zaniká tím také záruka společnosti Makita na nářadí a nabíječku Makita.

Typy k zajištění maximální životnosti akumulátoru

1. **Akumulátor nabíjte dříve, než dojde k jeho úplnému vybití. Pokud si povšimnete sníženého výkonu nářadí, vždy jej zastavte a dobijte akumulátor.**
2. **Nikdy nenabíjete úplně nabitý akumulátor. Přebíjení zkracuje životnost akumulátoru.**
3. **Akumulátor dobíjete při pokojové teplotě od 10 °C do 40 °C (50 °F až 104 °F). Před nabíjením nechejte horký akumulátor zchladnout.**
4. **Pokud se akumulátor delší dobu nepoužívá (déle než šest měsíců), je nutno jej dobít.**

SESTAVENÍ

⚠ VAROVÁNÍ: Před prováděním jakýchkoli prací na sekačce se vždy ujistěte, že je vytažen blokovací klíč a akumulátor. Jestliže blokovací klíč a akumulátor nevyjmete, může v případě náhodného spuštění dojít k vážnému zranění.

⚠ VAROVÁNÍ: Není-li sekačka zcela sestavena, nikdy ji nespouštějte. Při práci s nekompletně sestaveným strojem může po náhodném spuštění dojít k vážnému zranění.

Montáž držadla

POZOR: Při instalaci držadel umístěte kabely tak, aby se o něco mezi držadly nezachytily. Pokud je kabel poškozený, může se stát, že spínač nebude funkční.

1. Srovnejte otvory dolního držadla s otvory na těle sekačky a poté částečně utáhněte 4 šrouby.
▶ **Obr.1:** 1. Dolní držadlo 2. Šroub
2. Pevně dotáhněte 4 částečně utažené šrouby z kroku 1 pomocí trubkového klíče 13.
3. Srovnejte otvor na dolním držadle s otvorem na horním držadle, pak vložte šroub z vnitřní strany a následně z vnější strany utáhněte matici pomocí trubkového klíče 13. Postup opakujte na druhé straně.
▶ **Obr.2:** 1. Šroub 2. Dolní držadlo 3. Matice 4. Otvor 5. Horní držadlo

⚠ UPOZORNĚNÍ: Držte pevně horní držadlo tak, aby vám nevypadlo z ruky. Jinak může držadlo spadnout a způsobit zranění.

4. Připevněte držáky k držadlu.

Srovnejte výstupky na držáku s otvory v držadle, aby do nich výstupky zapadly. Umístěte kabely dle obrázku.

▶ **Obr.3:** 1. Kabel 2. Držák

Odpojení mulčovacího nástavce

1. Otevřete zadní kryt.
▶ **Obr.4:** 1. Zadní kryt
2. Stlačte a podržte páčku a odpojte mulčovací nástavec.
▶ **Obr.5:** 1. Páčka 2. Mulčovací nástavec

Nasazení a vyjmutí koše na trávu

Chcete-li nasadit koš na trávu, postupujte podle kroků níže.

1. Otevřete zadní kryt.
▶ **Obr.6:** 1. Zadní kryt
2. Koš na trávu chytňte za rukojeť a zahákněte jej do tyče na těle sekačky podle obrázku.
▶ **Obr.7:** 1. Tyč 2. Držadlo 3. Koš na trávu

Chcete-li vyjmout koš na trávu, otevřete zadní kryt a koš na trávu vytáhněte za rukojeť.

Připojení mulčovacího nástavce

1. Otevřete zadní kryt a poté vyjměte koš na trávu.
▶ **Obr.8:** 1. Zadní kryt 2. Koš na trávu
2. Stlačte a podržte páčku a připojte mulčovací nástavec, poté páčku uvolněte a mulčovací nástavec se zajistí.
▶ **Obr.9:** 1. Páčka 2. Mulčovací nástavec

Připojení vyfukovacího nástavce

Pro typ DLM530/DLM532

1. Otevřete zadní kryt a poté vyjměte koš na trávu.
▶ **Obr.10:** 1. Zadní kryt 2. Koš na trávu
2. Stlačte a podržte páčku a připojte mulčovací nástavec, poté páčku uvolněte a mulčovací nástavec se zajistí.
▶ **Obr.11:** 1. Páčka 2. Mulčovací nástavec
3. Otevřete pravý kryt a připojte vyfukovací nástavec na odhazování posekané trávy.
Vložte háčky vyfukovacího nástavce pod tyč krytu na pravé straně.
▶ **Obr.12:** 1. Právý kryt 2. Vyfukovací nástavec

POPIS FUNKCÍ

Nasazení a sejmutí akumulátoru

▲ UPOZORNĚNÍ: Před instalací nebo vyjmutím akumulátoru vždy vypněte zařízení.

▲ UPOZORNĚNÍ: Při nasazování či vyjímání akumulátoru pevně držte stroj i akumulátor. V opačném případě vám může zařízení nebo akumulátor vyklouznout z rukou a mohlo by dojít k jejich poškození či ke zranění.

▲ UPOZORNĚNÍ: Před použitím se ujistěte, že je kryt akumulátoru zajištěn. Jinak by mohlo dojít ke znečištění hlinou, nečistotami či vodou a následnému poškození výrobku nebo akumulátoru.

▲ UPOZORNĚNÍ: Akumulátor zasunujte vždy zcela tak, aby nebyl vidět červený indikátor. Pokud tak neučiníte, může ze stroje náhodně vypadnout, čímž může vám nebo osobám ve vašem okolí způsobit zranění.

▲ UPOZORNĚNÍ: Akumulátor nenasazujte násilím. Nelze-li akumulátor zasunout snadno, nevkládá jej správně.

POZNÁMKA: Stroj jen s jedním nasazeným akumulátorem nepracuje.

Instalace akumulátoru:

1. Vytáhněte zajišťovací páčku a pak otevřete kryt akumulátoru.

► **Obr.13:** 1. Kryt akumulátoru 2. Pojistná páčka

2. Vyrovnajte jazýček na akumulátoru s drážkou ve stroji a poté zasuňte akumulátor tak, aby se slabým cvaknutím zapadl na místo.

► **Obr.14:** (1) Port akumulátoru 1 (2) Port akumulátoru 2 (3) Akumulátor

POZNÁMKA: Do portů akumulátoru 1 a 2 nasadíte alespoň 2 akumulátory.

3. Do místa zobrazeného na obrázku zasuňte až na doraz blokovací klíč.

► **Obr.15:** 1. Blokovací klíč

4. Zavřete kryt akumulátoru a zatlačte jej na místo, až se zajistí zajišťovací páčkou.

Vyjmutí akumulátoru

1. Vytáhněte zajišťovací páčku a otevřete kryt akumulátoru.

2. Vytáhněte akumulátor ze stroje a současně posuňte tlačítko na přední straně akumulátoru.

3. Vytáhněte blokovací klíč.

4. Zavřete kryt akumulátoru.

Přepnutí akumulátorů

► **Obr.16:** 1. Přepínač výběru akumulátoru

Tento stroj využívá při provozu vždy 2 akumulátory. Do stroje lze nasadit až 4 akumulátory. Před zahájením práce se strojem zvolte port akumulátoru 1 nebo 2 otočením přepínače výběru akumulátoru.

POZNÁMKA: V případě, že jsou ve stroji nasazeny pouze 2 akumulátory, ujistěte se, že jste přepínačem výběru akumulátoru zvolili ten port, do kterého jsou namontovány.

System ochrany stroje a akumulátoru

Stroj je vybaven systémem ochrany stroje a akumulátoru. Tento systém automaticky přeruší napájení motoru, aby se prodloužila životnost stroje a akumulátoru. Budou-li zařízení nebo akumulátor vystaveny některé z níže uvedených podmínek, zařízení se během provozu automaticky vypne:

Ochrana proti přetížení

Pokud se s akumulátorem pracuje způsobem vyvolávajícím mimořádně vysoký odběr proudu, stroj se automaticky vypne a hlavní kontrolka napájení se rozblíká zeleně. V takové situaci stroj vypněte a ukončete činnost, při níž došlo k přetížení zařízení. Potom stroj zapněte a obnovte činnost.

Ochrana proti přehřátí

Při přehřátí stroje či akumulátoru se stroj automaticky vypne a hlavní kontrolka napájení se rozsvítí červeně. V takovém případě nechte stroj a akumulátor před opětovným zapnutím vychladnout.

Ochrana proti přílišnému vybití








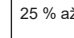



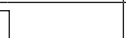

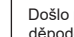

Neň-li kapacita akumulátoru dostatečná, stroj se automaticky zastaví a hlavní kontrolka napájení se rozblíká červeně. V tom případě akumulátor vyjměte ze stroje a nabijte ho nebo akumulátory vyměňte za plně nabité.

Indikace zbývajcí kapacity akumulátoru

Pouze pro akumulátory s diodovým ukazatelem

► **Obr.17:** 1. Kontrolky 2. Tlačítko kontroly

Stisknutím tlačítka kontroly na akumulátoru zjistíte zbývajcí kapacitu akumulátoru. Kontrolky indikátoru se na několik sekund rozsvítí.

Kontrolky			Zbývajcí kapacita
 Svítí	 Nesvítí	 Bliká	
			75 % až 100 %
			50 % až 75 %
			25 % až 50 %
			0 % až 25 %
			Nabijte akumulátor.
			Došlo pravděpodobně k poruše akumulátoru.
			

POZNÁMKA: Kapacita udávaná indikátorem se může mírně lišit od skutečné kapacity v závislosti na podmínkách používání a teplotě prostředí.

Ovládací panel

Na ovládacím panelu je hlavní vypínač, tlačítko přepínání režimu a indikátor zbývajících kapacity akumulátoru.

► **Obr.18:** 1. Kontrolka akumulátoru 2. Kontrolka přepínání režimu 3. Hlavní kontrolka napájení 4. Tlačítko kontroly 5. Tlačítko přepínání režimu 6. Hlavní spínač napájení

Hlavní spínač napájení

VAROVÁNÍ: Pokud narádíte nepoužíváte, vždy vypněte hlavní spínač napájení.

Jestliže chcete stroj zapnout, stiskněte hlavní vypínač. Hlavní kontrolka napájení se rozsvítí zeleně. Jestliže chcete stroj vypnout, stiskněte znovu hlavní vypínač.

POZNÁMKA: Jestliže se hlavní kontrolka napájení rozsvítí červeně nebo bliká červeně či zeleně, přečtěte si pokyny k systému ochrany stroje/akumulátoru.






POZNÁMKA: Tento stroj je vybaven funkcí automatického vypínání. Jako prevence neúmyslného spuštění se hlavní spínač napájení automaticky vypíná, pokud do určité doby po jeho zapnutí není stisknuta spínací ani hnací páčka (je-li namontována).

Tlačítko přepínání režimu

Provozní režim můžete přepnout stiskem tlačítka přepínání režimu. Když je stroj zapnutý, spustí se v normálním režimu. Po stisku tlačítka přepínání režimu se stroj přepne do tichého režimu a kontrolka přepínání režimu se rozsvítí zeleně. Tichý režim umožňuje snížit hladinu hluku při sečení. Opětovným stiskem tlačítka přepínání režimu se stroj vrátí do normálního režimu.

Indikace zbývajících kapacity akumulátoru

Zbývajících kapacitu akumulátoru zjistíte stisknutím tlačítka kontroly. Kontrolky akumulátoru signalizují stav odpovídajících akumulátorů.

Stav indikátoru akumulátoru		Zbývajících kapacita akumulátoru
 Svítí	 Nesvítí	
		50 % až 100 %
		20 % až 50 %
		0 % až 20 %

POZNÁMKA: Kontrolky pro zbývajících kapacitu akumulátoru jsou pouze referenční. Skutečná kapacita akumulátoru může záviset na podmínkách použití.

POZNÁMKA: Chcete-li zkontrolovat zbývajících kapacitu akumulátoru, nejprve stroj zastavte a poté stiskněte tlačítko kontroly.

Používání spouště

VAROVÁNÍ: Před nasazením akumulátoru vždy zkontrolujte, zda spínací páčka startuje správně a zda se po uvolnění vrací do původní polohy. Práce se strojem bez správně fungujícího spínáče může vést ke ztrátě kontroly a vážnému zranění.

POZNÁMKA: Bez stisknutí spínacího tlačítka se sekačka nespustí ani při zatažení za spínací páčku.

POZNÁMKA: Sekačka se nemusí z důvodu přetížení spustit, když se pokoušíte sekat vysokou nebo hustou travu. V takovém případě zvyšte výšku sečení.

Sekačka je vybavena blokovacím klíčem a držadlovým spínáčem. Jestliže se vám na blokovacím klíči nebo spínáči bude zdát něco neobvyklého, okamžitě přerušete práci a nechte díly zkontrolovat v nejbližším autorizovaném servisním středisku Makita.

Pro typ DLM462/DLM532

1. Nasaďte akumulátory. Vložte blokovací klíč a následně zavřete kryt akumulátoru.
2. Otočením přepínače výběru akumulátoru vyberte aktivní akumulátory.
3. Stiskněte hlavní vypínač.
4. Stiskněte a podržte spínací tlačítko a současně k sobě přitáhněte spínací páčku. Hned po spuštění motoru spínací tlačítko uvolněte.

► **Obr.19:** 1. Spínací tlačítko 2. Spínací páčka

POZNÁMKA: Pokud není blokovací klíč zasunutý, kontrolka napájení bude při stisknutí páčky blikat zeleně.

5. Držte spínací páčku, zatlačte na hnací páčku směrem od sebe a jejím přidržením pohánějte zadní kolečka.

► **Obr.20:** 1. Hnací páčka

POZNÁMKA: Pohon zadních koleček můžete spustit zatlačením na hnací páčku směrem od sebe a podržením, aniž byste zatáhli za spínací páčku.

6. Stroj zastavíte uvolněním hnací a spínací páčky.

Pro typ DLM530

1. Nasaďte akumulátory. Vložte blokovací klíč a následně zavřete kryt akumulátoru.
 2. Otočením přepínače výběru akumulátoru vyberte aktivní akumulátory.
 3. Stiskněte hlavní vypínač.
 4. Stiskněte a podržte spínací tlačítko a současně k sobě přitáhněte spínací páčku. Hned po spuštění motoru spínací tlačítko uvolněte.
- **Obr.21:** 1. Spínací tlačítko 2. Spínací páčka

POZNÁMKA: Pokud není blokovací klíč zasunutý, kontrolka napájení bude při stisknutí páčky blikat zeleně.

5. Chcete-li motor vypnout, uvolněte spínací páčku.

Nastavení výšky sečení

VAROVÁNÍ: Při nastavování výšky sečení nikdy nevkládejte ruce či nohy pod sekačku.

VAROVÁNÍ: Před zahájením práce se vždy ujistěte, zda páčka správně dosedla do příslušné drážky.

Výšku sečení lze nastavit v rozmezí od 20 mm do 100 mm.

Vyjměte blokovací klíč a vytáhněte páčku nastavení výšky sečení směrem ven od sekačky a přesuňte ji do požadované úrovně výšky sečení.

► **Obr.22:** 1. Páčka nastavení výšky sečení

V následující tabulce je zobrazen vztah mezi číslem na těle sekačky a přibližnou výškou sečení.

Číslo	Výška sečení
1	20 mm
2	26 mm
3	32 mm
4	39 mm
5	47 mm
6	55 mm
7	63 mm
8	74 mm
9	86 mm
10	100 mm

Jednou rukou uchopte přední nebo dolní držadlo a druhou rukou upravte výšku sečení posunutím seřizovací páčky.

► **Obr.23:** 1. Páčka nastavení výšky sečení 2. Dolní držadlo 3. Přední rukojeť

POZNÁMKA: Obrázky s výškou sečení používejte pouze jako vodítko. Skutečná výška trávníku se může mírně lišit od nastavené výšky v závislosti na stavu trávníku a půdy.

POZNÁMKA: K dosažení požadované výšky vyzkoušejte sečení na odlehlejší ploše.

Indikátor úrovně trávy

Indikátor úrovně trávy udává objem posekané trávy. Dokud není koš na trávu naplněný, otáčení nožů ukazatel nadnáší.

► **Obr.24:** 1. Indikátor úrovně trávy

Jakmile je koš na trávu téměř naplněný, otáčení nožů přestane ukazatel nadnášet. V takovém případě ihned přestaňte s prací a koš vyprázdněte.

► **Obr.25:** 1. Indikátor úrovně trávy

POZNÁMKA: Indikátor je jen hrubým ukazatelem. V závislosti na podmínkách uvnitř koše nemusí indikátor fungovat správně.

Nastavení výšky rukojetí

UPOZORNĚNÍ: Před vyjmutím šroubů podržte pevně horní držadlo. Jinak může držadlo spadnout a způsobit zranění.

Výšku držadla lze upravit ve dvou úrovních.

1. Sejměte horní šrouby dolního držadla pomocí trubkového klíče 13 a následně povolte dolní šrouby.

► **Obr.26:** 1. Horní šroub 2. Dolní šroub

2. Upravte výšku rukojeti a poté horní a dolní šrouby pevně utáhněte.

Nastavení rychlosti pojezdu

Pro typ DLM462/DLM532

► **Obr.27:** 1. Rychlostní páčka

Rychlost pojezdu lze nastavit rychlostní páčkou.

Chcete-li rychlost snížit, přitáhněte páčku směrem k sobě a pro zvýšení rychlosti na ni zatlačte směrem od sebe.

Použití mulčovacího nástavce

Mulčovací nástavec vám umožňuje vracet posekanou trávu zpět na zem, aniž by byla sbírána do koše na trávu. Když používáte stroj s mulčovacím nástavcem, nezapomeňte odpojit koš na trávu.

POZOR: Stroj s připojeným mulčovacím nástavcem používejte jen tehdy, když je výška trávy 30 mm nebo více, případně délka sekání 15 mm nebo méně.

► **Obr.28:** (1) 30 mm nebo více (2) 15 mm nebo méně

Použití vyfukového nástavce

Pro typ DLM530/DLM532

Vyfukovací nástavec vám umožňuje vyfukovat posekanou trávu zpět na zem z pravé části stroje, aniž by byla sbírána do koše na trávu. Když používáte stroj s vyfukovacím nástavcem, nezapomeňte namontovat mulčovací nástavec a odpojit koš na trávu.

Elektronické funkce

Stroj je vybaven elektronickými funkcemi usnadňujícími provozování.

- Regulátor konstantních otáček nožů
Elektronický regulátor otáček pro dosažení konstantních otáček. Pomocí této funkce lze dosáhnout hladkého povrchu, protože se rychlost otáčení udržuje na konstantní hodnotě i při zatížení.
- Měkké spuštění pohonu
Funkce měkkého spuštění omezuje na minimum ráz při spuštění a umožňuje hladké spuštění stroje.
- Elektrická brzda
Tento stroj je vybaven elektrickou brzdou. Pokud se po uvolnění spínací páčky funkce rychlého zastavení sekacích nožů opakovaně neaktivuje, předejte stroj do autorizovaného servisního střediska Makita.

PRÁCE S NÁŘADÍM

Sekání

VAROVÁNÍ: Před sekáním odstraňte ze sekané plochy větve a kameny. Ze sekané plochy také předem odstraňte plevel.

VAROVÁNÍ: Při práci se sekačkou vždy noste ochranné brýle nebo bezpečnostní brýle s postranními kryty.

UPOZORNĚNÍ: Jestliže vnitřek sekačky blokuje posekaná tráva nebo cizí předmět, vytáhněte blokovací klíč a vyjměte akumulátor a před vyjímáním trávy nebo cizího předmětu si vezměte rukavice.

POZOR: Stroj používejte pouze k sekání trávy. Nepoužívejte stroj k vyžínání plevelu.

► Obr.29

Při sečení pevně držte držadlo oběma rukama. Doporučená rychlost sečení je přibližně 7 až 14 metrů za 10 sekund.

► Obr.30

Středové linky předních kol jsou vodička pro šířku sečení. Řiďte se středovými linkami a sekejte trávu po pruzích. Pro rovnoměrné sečení nechte pruhy překrývat o polovinu až třetinu.

► Obr.31: 1. Šířka sekání 2. Oblast překrytí 3. Středová linka

Abyste nedocházelo k vytváření vzorců na trávníku, měňte pokaždé směr sekání.

► Obr.32

Často kontrolujte množství posekané trávy v koši na trávu. Koš na trávu vyprázdněte, než se zcela zaplní. Před prováděním pravidelné kontroly vypněte sekačku, vytáhněte blokovací klíč a vyjměte akumulátor.

POZOR: Používání sekačky se zaplněným košem na trávu zamezuje plynulému otáčení nože a vystavuje motor nadměrnému zatížení, jež může vyvolat poruchu.

Sekání vysoké trávy

Vysokou trávu se nepokoušejte sekat najednou. Místo toho sekejte trávu po krocích. Mezi sekáními ponechte den nebo dva, dokud není tráva rovnoměrně krátká.

► Obr.33

POZNÁMKA: Posekání vysoké trávy na nízkou výšku najednou může způsobit odumření trávy. Posečená tráva se také může uvnitř hlavní jednotky zablokovat.

Vyprázdnění koše na trávu

VAROVÁNÍ: V rámci zamezení nebezpečí nehody koš na trávu pravidelně kontrolujte, zda není poškozený či zeslabený. V případě potřeby koš na trávu vyměňte.

1. Uvolněte spínací a hnací páčku (pro typ DLM462/DLM532) nebo pouze spínací páčku (pro typ DLM530).
2. Vytáhněte blokovací klíč.
3. Otevřete zadní kryt a koš na trávu vytáhněte za rukojeť.
► Obr.34: 1. Zadní kryt 2. Držadlo 3. Koš na trávu
4. Koš na trávu vyprázdněte.

ÚDRŽBA

VAROVÁNÍ: Před uskladněním, přenášením či prováděním kontroly či údržby sekačky se vždy ujistěte, zda je ze sekačky vytažen blokovací klíč a akumulátor.

VAROVÁNÍ: Pokud sekačku nepoužíváte, vždy vytáhněte blokovací klíč. Blokovací klíč uložte na bezpečné místo mimo dosah dětí.

VAROVÁNÍ: Při provádění kontroly či údržby používejte ochranné rukavice.

VAROVÁNÍ: Při kontrole nebo údržbě sekačky vždy noste ochranné brýle nebo bezpečnostní brýle s postranními kryty.

POZOR: Nikdy nepoužívejte benzín, benzen, ředidlo, alkohol či podobné prostředky. Mohlo by tak dojít ke změnám barvy, deformacím či vzniku prasklin.

K zachování BEZPEČNOSTI a SPOLEHLIVOSTI výrobku musí být opravy a veškerá další údržba či seřizování prováděny autorizovanými nebo továrními servisními střediskys bezpečnosti Makita s využitím náhradních dílů Makita.

Údržba

1. Vyjměte blokovací klíč a akumulátory a pak zavřete kryt akumulátoru.
2. Sekačku položte na stranu, aby byla páčka nastavení výšky sečení přístupná z horní strany. Zpod krytu sekačky odstraňte nahromaděné kousky trávy.
3. Lijte vodu směrem ke spodní části stroje, k níž je upevněn nůž.

POZOR: Stroj nemýjte vodou pod tlakem.

4. Zkontrolujte správné dotažení všech matic, šroubů, vrutů atd.
5. Zkontrolujte pohyblivé díly, zda nejsou poškozené, rozbité či opotřebené. Poškozené nebo chybějící díly je nutné opravit nebo vyměnit.
6. Sekačku uskladněte na bezpečném místě mimo dosah dětí.

Pro typ DLM462/DLM532

POZOR: Zabraňte vniknutí vody do oblasti vyznačené na obrázku. Vniknutí vody do pohonné jednotky může způsobit poruchu stroje.

► Obr.35: 1. Oblasti, kam by neměla vniknout voda

Přenášení sekačky

Při přenášení sekačky ve dvou uchopte přední a zadní rukojeti podle obrázku.

► **Obr.36:** 1. Přední rukojeť 2. Zadní rukojeť

Skladování

Sekačku skladujte pod střechou na chladném, suchém a uzamykatelném místě. Sekačku a nabíječku neskladujte v místech, kde může teplota překročit hodnotu 40 °C.

Demontáž a instalace sekacího nože

VAROVÁNÍ: Nůž se po uvolnění spínače ještě několik sekund otáčí. Neprovádějte žádné úkony, dokud se nůž zcela nezastaví.

VAROVÁNÍ: Při demontáži či montáži nože vždy vytáhněte blokovací klíč a akumulátor. Jestliže blokovací klíč s akumulátorem nevyjmete, může dojít k vážnému zranění.

VAROVÁNÍ: Při manipulaci s nožem vždy používejte rukavice.

Demontáž sekacího nože

Pro typy vybavené rovným sekacím nožem

1. Sekačku položte na bok, aby byla páčka nastavení výšky sečení přístupná z horní strany.
2. Rotaci nože zajistíte vsunutím kolíku do otvoru na těle sekačky.
3. Pomocí trubkového klíče 17 otočte šroubem proti směru hodinových ručiček.
► **Obr.37:** 1. Sekací nůž 2. Kolík 3. Trubkový klíč
4. Nejprve sejměte šroub a poté sekací nůž.
► **Obr.38:** 1. Podpěra nože 2. Sekací nůž 3. Šroub 4. Výstupek

POZOR: Při montáži sekacího nože zajistěte, aby výstupky na podpěře nože zapadly do otvorů v sekacím noži.

Pro typy vybavené rotačními sekacími noži

1. Sekačku položte na bok, aby byla páčka nastavení výšky sečení přístupná z horní strany.
2. Základní desku zajistíte vsunutím kolíku do otvoru na těle sekačky přes otvor v základní desce.
3. Pomocí trubkového klíče 17 otočte šroubem proti směru hodinových ručiček.
► **Obr.39:** 1. Kolík 2. Základní deska 3. Trubkový klíč
4. Nejprve sejměte šroub a poté základní desku.
► **Obr.40:** 1. Podpěra nože 2. Základní deska 3. Šroub 4. Výstupek

POZOR: Při montáži sekacích nožů zajistěte, aby výstupky na podpěře nože zapadly do otvorů v základní desce.

5. Jednotlivý sekací nůž vyjmete tak, že přidržíte základní desku a pomocí trubkového klíče 17 otočíte šroubem proti směru hodinových ručiček.

► **Obr.41:** 1. Základní deska 2. Sekací nůž 3. Trubkový klíč

6. Vyjměte postupně matici, podložku, pružnou podložku, sekací nůž a šroub.

► **Obr.42:** 1. Otvor na šroub 2. Šroub 3. Sekací nůž 4. Pružná podložka 5. Podložka 6. Matic

POZOR: Při montáži jednotlivých sekacích nožů utahujte šrouby utahovacím momentem 30 N•m.

POZOR: Při montáži jednotlivých sekacích nožů nezapomeňte nasadit pružnou podložku stranou jako na obrázku.

POZOR: Při montáži jednotlivých sekacích nožů nezapomeňte vložit šrouby do otvorů jako na obrázku.

Montáž sekacího nože

VAROVÁNÍ: Opatrně namontujte sekací nůž. Nůž má vrchní a spodní stranu.

VAROVÁNÍ: Pevným dotažením šroubu ve směru hodinových ručiček nůž zajistěte.

VAROVÁNÍ: Ujistěte se, že sekací nůž a všechny upevňovací díly jsou správně namontovány a upevněny.

VAROVÁNÍ: Při výměně nožů vždy postupujte podle pokynů uvedených v této příručce.

POZOR: Po montáži sekacího nože vyjmete kolík z těla sekačky.

Pro montáž sekacích nožů postupujte podle pokynů demontáže v opačném pořadí.

ŘEŠENÍ POTÍŽÍ

Před žádostí o opravu proveďte nejprve prohlídku sami. Pokud narazíte na problém, který není popsán v návodu, nepokoušejte se stroj demontovat. Požádejte o pomoc některé z autorizovaných servisních středisek Makita, kde k opravám vždy používají náhradní díly Makita.

Problém	Pravděpodobná příčina (porucha)	Náprava
Sekačka se nespustí.	Nejsou nasazeny dva akumulátory.	Nasaďte oba nabité akumulátory.
	Problém s akumulátorem (nízké napětí)	Nabijte akumulátor. Jestliže nabít nepomůže, vyměňte akumulátor.
	Není zasunut blokovací klíč.	Zasuňte blokovací klíč.
	Přepínač výběru akumulátoru je v nesprávné poloze.	Pomocí přepínače výběru akumulátoru zvolte port, v němž jsou nasazeny akumulátory.
Motor se po krátké době provozu zastaví.	Akumulátor není dostatečně nabitý.	Nabijte akumulátor. Jestliže nabít nepomůže, vyměňte akumulátor.
	Výška sečení je nastavena příliš nízko.	Nastavte větší výšku sečení.
	Sekačka je ucpaná posečenou trávou.	Odstraňte ze sekačky posečenou trávu.
Motor nedosahuje maximálních otáček.	Akumulátor je nesprávně nasazen.	Nasaďte akumulátor podle popisu v této příručce.
	Poklesí výkon akumulátoru.	Nabijte akumulátor. Jestliže nabít nepomůže, vyměňte akumulátor.
	Systém pohonu nepracuje správně.	Předejte zařízení k opravě v místním autorizovaném servisním středisku.
Sekací nůž se neotáčí: ⇒ Sekačku ihned vypněte!	V blízkosti nože se vzpříčil cizorodý předmět, například větev.	Odstraňte cizorodý předmět.
	Systém pohonu nepracuje správně.	Předejte zařízení k opravě v místním autorizovaném servisním středisku.
Neomálná vibrace: ⇒ Sekačku ihned vypněte!	Nůž je nevyvážený, příliš opotřebený nebo nerovnoměrně opotřebený.	Vyměňte nůž.

VOLITELNÉ PŘÍSLUŠENSTVÍ

⚠ UPOZORNĚNÍ: Se strojem Makita popsaným v tomto návodu doporučujeme používat následující příslušenství a nástavce. Při použití jiného příslušenství či nástavců může hrozit nebezpečí zranění osob. Příslušenství lze používat pouze pro stanovené účely.

Potřebujete-li bližší informace ohledně tohoto příslušenství, obraťte se na místní servisní středisko společnosti Makita.

- Sekací nůž
- Originální akumulátor a nabíječka Makita

POZNÁMKA: Některé položky seznamu mohou být k produktu přibaleny jako standardní příslušenství. Přibalené příslušenství se může v různých zemích lišit.

ТЕХНІЧНІ ХАРАКТЕРИСТИКИ

Модель:		DLM462	DLM530	DLM532
Ширина косіння (діаметр ріжучого полотна)		460 мм	534 мм	
Швидкість у режимі холостого ходу		2 500 хв ⁻¹	2 300 хв ⁻¹	
Максимальна робоча частота		3 300 хв ⁻¹	2 800 хв ⁻¹	
Змінне ріжуче полотно газонокосарки, номер деталі	Пряме ріжуче полотно газонокосарки	191D51-9	191D52-7	
	Відкидні ріжучі полотна газонокосарки *1	191D49-6	191D50-1	
	Відкидні ріжучі полотна газонокосарки *2	191D47-0	191D48-8	
Розміри (Д × Ш × В)		Д: от 1 610 мм до 1 690 мм Ш: 535 мм В: от 980 мм до 1 095 мм	Д: від 1 630 мм до 1 715 мм Ш: 590 мм В: від 990 мм до 1 095 мм	
Швидкість руху		2,5–5,0 км/год	–	2,5–5,0 км/год
Номінальна напруга		36 В пост. струму		
Маса нетто	Коли встановлено пряме ріжуче полотно газонокосарки	35,3 – 39,0 кг	35,5 – 39,3 кг	39,0–42,8 кг
	Коли встановлено відкидні ріжучі полотна газонокосарки	36,0–39,7 кг	36,2–40,0 кг	39,7–43,5 кг
Ступінь захисту		IPX4		

*1. Опорна плита й окремі ріжучі полотна газонокосарки.

*2. Тільки окремі ріжучі полотна газонокосарки.

- Оскільки наша програма наукових досліджень і розробок триває безперервно, наведені тут технічні характеристики можуть бути змінені без попередження.
- У різних країнах технічні характеристики можуть бути різними.
- Вага може відрізнятися залежно від допоміжного обладнання, наприклад касети з акумулятором. Найлегші та найважчі комплекти, відповідно до стандарту ЕРТА (Європейська асоціація виробників електроінструменту) від січня 01/2014 року, представлено в таблиці.

Застосовна касета з акумулятором


BL1815N / BL1820 / BL1820B / BL1830 / BL1830B / BL1840 / BL1840B / BL1850 / BL1850B / BL1860B


- Деякі касети з акумулятором, які вказано вище, можуть бути недоступними залежно від вашого регіону або місця перебування.


▲ ПОПЕРЕДЖЕННЯ: Використовуйте лише касети з акумулятором, перелічені вище. Використання будь-яких інших касет з акумулятором може призвести до травмування й/або пожежі.


СИМВОЛИ

Далі наведено символи, які застосовуються для позначення обладнання. Перед користуванням переконайтеся, що ви розумієте їхнє значення.

 Будьте особливо уважні та обережні!

 Читайте посібник з експлуатації.

 Небезпечно! Пам'ятайте, що предмети можуть відскочити.

 Відстань між інструментом і сторонніми особами повинна становити не менше 15 м.



У жодному разі не наближайте руки та ноги до ріжучого полотна під газонокосаркою. Полотно продовжує обертатися після вимкнення двигуна.



Вийміть блокувальний ключ, перш ніж оглядати, налаштувати, чистити і проводити технічне обслуговування інструмента, а також у тому випадку, якщо потрібно залишити газонокосарку без нагляду на деякий час або поставити її на зберігання.



Електрична небезпека. Попадання води на машину може призвести до ураження електричним струмом.



Не допускайте потрапляння води на машину.



Тільки для країн ЄС
Не викидайте електроприлади або акумуляторні батареї разом із побутовим сміттям!
Згідно з Європейськими директивами про утилізацію електричного та електронного обладнання та про утилізацію батарей і акумуляторів, а також батарей та акумуляторів, термін служби яких закінчився, та їх використанням із дотриманням національних законів, електричне обладнання, батареї та акумулятори, термін служби яких закінчився, потрібно збирати окремо та відправляти на екологічно чисті підприємства з їхньої переробки.

Призначення

Машина призначена для косіння газонів.

Шум

Рівень шуму за шкалою А в типовому виконанні, визначений відповідно до стандарту EN60335-2-77:

ПРИМІТКА: значення було виміряно на газонокосарці, оснащій прямиим ріжучим полотном.

Модель DLM462

Рівень звукового тиску (L_{pA}): 82,7 дБ (А)
Рівень звукової потужності (L_{WA}): 90,9 дБ (А)
Похибка (К): 3 дБ (А)

Модель DLM530

Рівень звукового тиску (L_{pA}): 78,1 дБ (А)
Рівень звукової потужності (L_{WA}): 90,4 дБ (А)
Похибка (К): 3 дБ (А)

Модель DLM532

Рівень звукового тиску (L_{pA}): 78,1 дБ (А)
Рівень звукової потужності (L_{WA}): 90,4 дБ (А)
Похибка (К): 3 дБ (А)

Рівень шуму під час роботи може перевищувати 80 дБ (А).

ПРИМІТКА: Заявлене значення шуму було виміряно відповідно до стандартних методів тестування й може використовуватися для порівняння одного інструмента з іншим.

ПРИМІТКА: Заявлене значення шуму може також використовуватися для попереднього оцінювання впливу.

ПОПЕРЕДЖЕННЯ: Користуйтеся засобами захисту органів слуху.

ПОПЕРЕДЖЕННЯ: Залежно від умов використання рівень шуму під час фактичної роботи електроінструмента може відрізнятися від заявленого значення вібрації; особливо сильно на це впливає тип деталі, що оброблюється.

ПОПЕРЕДЖЕННЯ: Забезпечте належні запобіжні заходи для захисту оператора, що відповідатимуть умовам використання інструмента (слід брати до уваги всі складові робочого циклу, як-от час, коли інструмент вимкнено та коли він починає працювати на холостому ході під час запуску).

Вібрація

Загальна величина вібрації (векторна сума трьох напрямків) визначена згідно з EN60335-2-77:

ПРИМІТКА: значення було виміряно на газонокосарці, оснащій прямиим ріжучим полотном.

Модель DLM462

Вібрація (a_h): 2,5 м/с² або менше
Похибка (К): 1,5 м/с²

Модель DLM530

Вібрація (a_h): 2,5 м/с² або менше
Похибка (К): 1,5 м/с²

Модель DLM532

Вібрація (a_h): 2,5 м/с² або менше
Похибка (К): 1,5 м/с²

ПРИМІТКА: Заявлене загальне значення вібрації було виміряно відповідно до стандартних методів тестування й може використовуватися для порівняння одного інструмента з іншим.

ПРИМІТКА: Заявлене загальне значення вібрації може також використовуватися для попереднього оцінювання впливу.

ПОПЕРЕДЖЕННЯ: Залежно від умов використання вібрація під час фактичної роботи електроінструмента може відрізнятися від заявленого значення вібрації; особливо сильно на це впливає тип деталі, що оброблюється.

ПОПЕРЕДЖЕННЯ: Забезпечте належні запобіжні заходи для захисту оператора, що відповідатимуть умовам використання інструмента (слід брати до уваги всі складові робочого циклу, як-от час, коли інструмент вимкнено та коли він починає працювати на холостому ході під час запуску).

Декларація про відповідність стандартам ЄС

Тільки для країн Європи

Декларацію про відповідність стандартам ЄС наведено в Додатку А до цієї інструкції з експлуатації.

ПОПЕРЕДЖЕННЯ ПРО ДОТРИМАННЯ ТЕХНІКИ БЕЗПЕКИ

ВАЖЛИВІ ІНСТРУКЦІЇ З ТЕХНІКИ БЕЗПЕКИ

ПОПЕРЕДЖЕННЯ: Прочитайте усі застереження стосовно техніки безпеки та всі інструкції. Недотримання попереджень та інструкцій може призвести до ураження електричним струмом, до виникнення пожежі та/або до отримання серйозних травм.

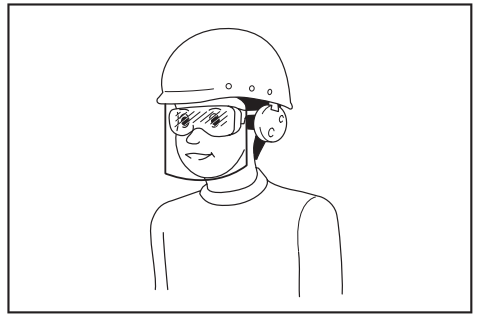
Збережіть усі інструкції з техніки безпеки та експлуатації на майбутнє.

Інструктаж

1. Уважно прочитайте інструкції з експлуатації. Ознайомтеся з усіма засобами керування, а також із правилами належної експлуатації газонокосарки.
2. Не дозволяйте користуватися газонокосаркою особам, не ознайомленим із цими інструкціями, та дітям. Місцеві норми можуть накладати обмеження на вік оператора.
3. Заборонено працювати з газонокосаркою, коли інші люди, особливо діти, або домашні тварини знаходяться поблизу.
4. Пам'ятайте, що оператор або користувач несе відповідальність за нещасні випадки та створення ситуацій, небезпечних для людей та їхнього майна.
5. Не допускайте, щоб діти гралися з газонокосаркою.
6. Фізичний стан. У жодному разі не використовуйте газонокосарку, перебуваючи під впливом наркотичних речовин, алкоголю або будь-яких медичних препаратів.

Підготовка

1. Перед використанням газонокосарки обов'язково взувайте міцне взуття та вдягайте довгі штани. Заборонено працювати з газонокосаркою босоніж або у відкритих сандаліях. Не рекомендовано вдягати прикраси, занадто вільний одяг або одяг, який має звисаючі мотузки або шнурки. Вони можуть потрапити у частини інструмента, що рухаються.
2. Перед початком експлуатації оглядайте газонокосарку щодо пошкоджених, відсутніх або неправильно встановлених захисних кожухів чи щитків.
3. Перед початком роботи переконайтеся у відсутності сторонніх осіб на робочій ділянці. Зупиніть газонокосарку, якщо хтось наблизиться до місця роботи.
4. Не вставляйте блокувальний ключ у газонокосарку, якщо вона не готова до використання.
5. Завжди користуйтеся захисними окулярами, щоб захистити очі від травмування під час роботи з електроінструментами. Захисні окуляри мають відповідати стандарту ANSI Z87.1 у США, EN 166 у Європі або AS/NZS 1336 в Австралії / Новій Зеландії. В Австралії / Новій Зеландії законодавство вимагає користуватися також щитком для захисту обличчя.



- Роботодавець відповідає за те, щоб оператори інструментів та інші особи, які знаходяться безпосередньо в робочій зоні, примусово користувалися відповідним захисним устаткуванням.
6. Перед початком роботи ретельно перевірте ріжуче полотно або болти, що використовуються для його фіксації, на наявність тріщин або пошкоджень. У разі виявлення тріщин або пошкоджень негайно замініть ріжуче полотно або болти.
 7. Щоб уникнути пошкодження газонокосарки або травмування, перед початком роботи приберіть із робочої зони сторонні предмети, як-от каміння, дроти, пляшки, кістки або великі гілки.
 8. Якщо ріжуче полотно газонокосарки натрапить на будь-який сторонній предмет, це може призвести до травмування. Щоразу перед використанням газонокосарки уважно оглядайте газон та прибирайте з нього всі сторонні предмети.
 9. Огляньте газон на наявність ям, колій, вибоїв, каменів або інших прихованих об'єктів. Через нерівності поверхні ви можете підсковзнутися й упасти. Висока трава може приховувати перешкоди.
 10. Заборонено вставляти або виймати блокувальний ключ під дощем.
 11. Використовуйте засоби індивідуального захисту. Завжди надягайте засоби захисту очей. Такі засоби захисту, як респіратор, неслизьке робоче взуття, захисний шолом та засоби захисту органів слуху, використовувати у відповідних умовах, знижують ризик отримання травм.

Робота

1. Використовуючи виріб, не тягніться занадто далеко. Завжди зберігайте рівновагу. Працюючи на схилах, обов'язково займайте стійке положення. Пересувайтеся повільно, не переходьте на біг.
2. Зупиніть газонокосарку, витягніть блокувальний ключ і переконайтеся в тому, що всі рухомі частини повністю зупинилися:
 - коли залишаєте газонокосарку без нагляду;
 - перед видаленням засмічення або очищенням трубки;
 - перед перевіркою та очищенням інструмента або проведенням робіт на газонокосарці;

- якщо інструмент натрапив на сторонній предмет. Огляньте газонокосарку на відсутність пошкоджень і виконайте необхідний ремонт:
 - у разі аномальної вібрації в газонокосарці.
3. Заборонено використовувати газонокосарку із пошкодженими захисними кожухами чи щитками або без встановлених захисних пристроїв, як-от відбивачів та/або корзини для трави.
 4. Не використовуйте газонокосарку за поганих погодних умов, особливо коли є ризик виникнення грозового розряду.
 5. Перед використанням газонокосарки вдягайте засіб для захисту очей і міцні черевики.
 6. Користуйтеся газонокосаркою тільки у світлий час доби або за достатнього штучного освітлення.
 7. Обережно увімкніть газонокосарку згідно з наведеними інструкціями, тримаючи ноги подалі від ріжучих полотен.
 8. Будьте обережні, щоб не травмувати ноги або руки ріжучим полотном газонокосарки.
 9. Завжди стежте за тим, щоб вентиляційні отвори не забивалися сміттям.
 10. На схилах пересувайте газонокосарку попереку них, а не вгору та вниз. Будьте надзвичайно уважні, коли змінюєте напрямку руху газонокосарки на схилах. Не використовуйте газонокосарку на дуже крутих схилах.
 11. Будьте надзвичайно уважні, повертаючи або пересуваючи газонокосарку до себе.
 12. Зупиніть ріжучі полотна, якщо потрібно нахилити газонокосарку та перенести через ділянку, де не росте трава, або з однієї робочої ділянки на іншу.
 13. Під час запуску двигуна не нахилийте газонокосарку; виняток становлять ті випадки, коли для запуску двигуна газонокосарку необхідно нахилити. Проте навіть у цьому разі не нахилийте її більше, ніж це необхідно, і підіймайте її частину, розташовану з протилежного від вас боку. Обидві руки мають перебувати в робочому положенні, коли ви опускаєте газонокосарку на землю.
 14. Не наближайте руки та ноги до частин, що обертаються. Тримайтеся на відстані від випускного отвору.
 15. Заборонено транспортувати газонокосарку в увімкненому стані.
 16. Не використовуйте газонокосарку на вологій траві.
 17. Обов'язково міцно тримайте ручку.
 18. Піднімаючи газонокосарку або тримаючи її, не торкайтеся відкритого ріжучого полотна або ріжучої кромки.
 19. Тримайте ноги та руки подалі від ріжучого полотна, що обертається. Обережно! Полотно продовжують рух за інерцією після вимкнення газонокосарки.
 20. негайно припиніть роботу, якщо помітите будь-які відхилення. Вимкніть газонокосарку й вийміть блокувальний ключ. Після цього огляньте газонокосарку.
 21. Заборонено регулювати висоту косіння під час роботи двигуна, якщо газонокосарка підтримує таку функцію.
 22. Відпустіть пусковий важіль і дочекайтеся зупинки ріжучого полотна, перш ніж перетинати дорогу, тротуар, проїзну частину або ділянку, укриту гравієм. Крім того, обов'язково вийміть блокувальний ключ, якщо потрібно залишити газонокосарку без нагляду, нахилитися, щоб підняти або прибрати сторонні предмети з дороги, а також за будь-яких інших обставин, що можуть відволікти вас від роботи.
 23. Якщо газонокосарка натрапить на сторонній предмет, виконайте такі дії:
 - зупиніть газонокосарку, відпустіть пусковий важіль та дочекайтеся повної зупинки ріжучого полотна;
 - вийміть блокувальний ключ і касету з акумулятором.
 - ретельно огляньте газонокосарку на наявність пошкоджень;
 - у разі виявлення будь-яких пошкоджень ріжучого полотна замініть його. Усуньте всі пошкодження, перш ніж продовжувати використання газонокосарки.
 24. Не запускайте газонокосарку, стоячи перед випускним отвором.
 25. Якщо спостерігається аномальна вібрація газонокосарки (потрібна негайна перевірка):
 - огляньте інструмент на наявність пошкоджень;
 - замініть або відремонтуйте пошкоджені частини;
 - перевірте на наявність незакріплених деталей та затягніть їх.
 26. Не спрямовуйте потік зрізаного матеріалу на людей. Не спрямовуйте потік зрізаного матеріалу на стіну або будь-який предмет. Зрізаний матеріал може відскочити в бік оператора. Зупиніть лезо перед транспортуванням по поверхні з гравію.
 27. Не тягніть газонокосарку назад без необхідності. За необхідності відвести косарку від паркана або іншої аналогічної перешкоди до початку й під час заднього ходу дивіться назад собі під ноги.
 28. Вимкніть двигун і зачекайте, поки лезо повністю не зупиниться, перш ніж зняти травозбірник. Пам'ятайте, що леза продовжують обертатися після вимкнення.
 29. У разі використання інструмента на вологих або слизьких ділянках, зокрема на схилах, будьте уважні, щоб не втратити рівновагу.
 30. Уникайте роботи за складних умов, за яких очікується підвищена перевтома користувача.
 31. Не використовуйте пристрій за несприятливих погодних умов, коли видимість обмежена. В іншому разі ви можете впасти або припуститися помилки через погану видимість.
 32. Заборонено занурювати інструмент у калюжі.
 33. Якщо через дощ до всмоктувального (вентиляційного) отвору пристало вологе листя або бруд, приберіть їх.

34. Заборонено використовувати інструмент на снігу.
 35. Якщо трава мокра, вона може забиватися всередині інструмента. Регулярно перевіряйте стан інструмента та в міру необхідності видаляйте з нього траву.
 36. Під час роботи з машиною стежте за тим, щоб не допустити контакту з трубопроводом або проводами.
 37. Не використовуйте із цією машиною д्रो-тове джерело електроживлення, наприклад адаптер акумулятора або портативний блок живлення. Кабель цього джерела електроживлення може перешкодити роботі й стати причиною травми.
- Технічне обслуговування й зберігання**

1. Щоб гарантувати безпечну роботу, замінійте зношені або пошкоджені деталі. Використовуйте тільки оригінальні запасні частини та приладдя.
2. Оглядайте газонокосарку й виконуйте її технічне обслуговування регулярно.
3. Якщо газонокосарка не використовується, зберігайте її в недоступному для дітей місці.
4. Щоб гарантувати безпечну роботу інструмента, перевіряйте надійність затягування всіх гайок, болтів та гвинтів.
5. Регулярно через невеликі проміжки часу перевіряйте корзину для трави на наявність ознак зношення або пошкодження. Зберігати інструмент необхідно з порожньою корзиною для трави. Щоб гарантувати безпечне використання інструмента, замініть зношену корзину для трави новою оригінальною запасною корзиною.
6. Використовуйте тільки оригінальне ріжуче полотно, зазначене в цьому посібнику.
7. Під час налаштування газонокосарки слідкуйте за тим, щоб пальці не потрапили між ріжучими полотнами, що обертаються, та нерухомими частинами газонокосарки.
8. Регулярно через невеликі проміжки часу перевіряйте, чи надійно затягнуто болт кріплення ріжучого полотна.
9. Перед тим як ставити газонокосарку на зберігання, зачекайте, поки вона охолоне.
10. Під час обслуговування ріжучих полотен пам'ятайте про те, що вони все ще можуть рухатися, навіть якщо джерело живлення відключено.
11. Не знімайте запобіжні механізми й не вносьте зміни в їхню конструкцію. Регулярно перевіряйте правильність їхньої роботи. Не робіть ніяких дій, які можуть вплинути на функціонування запобіжного механізму або можуть знизити ступінь захисту, який забезпечується запобіжним механізмом.
12. Заборонено залишати інструмент під дощем без нагляду.
13. Не мийте інструмент струменем під тиском.
14. Перед миттям інструмента обов'язково вийміть акумулятор і блокувальний ключ та закрийте кришку відсіку акумулятора. Лийте воду на нижню частину інструмента, у місце кріплення ріжучого полотна.

15. Зберігайте інструмент у місці, захищеному від прямих сонячних променів і дощу, де він не піддаватиметься впливу високої температури або вологості.
16. Виконуйте перевірку або технічне обслуговування в місці, захищеному від дощу.
17. Після використання інструмента очистьте його від налиплиго бруду й повністю висушіть, перш ніж помістити на зберігання. Залежно від пори року й/або регіону інструмент може зламатися через замерзання.

Використання та обслуговування акумуляторних інструментів

1. **Перезаряджайте акумулятор лише за допомогою зарядного пристрою, вказаного виробником.** Зарядний пристрій, який підходить для одного типу акумуляторів, може призвести до пожежі при використанні з акумулятором іншого типу.
2. **Використовуйте електроінструменти лише з акумуляторами того типу, який призначений саме для цих електроінструментів.** Використання акумуляторів інших типів може призвести до отримання травм і виникнення пожежі.
3. **Коли акумулятор не використовується, тримайте його подалі від таких металевих предметів, як скріпки, монети, ключі, цвяхи, шурупи тощо, які можуть замкрити клемми акумулятора.** Замикання клем акумулятора може призвести до отримання опіків або до пожежі.
4. **За неналежних умов зберігання з акумулятора може витекти рідина, контакту з якою слід уникати.** У разі випадкового потрапляння рідини на тіло відповідну частину тіла слід промити водою. Якщо рідина потрапила в очі, їх слід промити водою, після чого необхідно звернутися до лікаря. Рідина, що витікає з акумулятора, може спричинити подразнення або опіки.
5. **Не користуйтеся акумулятором або інструментом, які було змінено чи пошкоджено.** Експлуатація акумуляторів, що їх було пошкоджено або до конструкції яких було внесено зміни, може бути небезпечною й може спричинити пожежу, вибух або травму.
6. **Не надавайте акумулятор або інструмент впливу вогню чи надмірної температури.** Вплив вогню або температури вище 130° C може спричинити вибух.
7. **Дотримуйтеся усіх вказівок із заряджання й не заряджайте акумулятор або інструмент за температури за межами зазначеного в інструкції діапазону.** Неправильне заряджання або заряджання за межами вказаного температурного діапазону може призвести до пошкодження акумулятора й підвищити небезпеку займання.

Електробезпека й техніка безпеки під час роботи з акумулятором

1. **Не спалюйте акумулятори.** Акумулятор може вибухнути. Ознайомтеся з місцевими законами, які можуть містити спеціальні інструкції щодо утилізації відходів.

2. Не відкривайте й не деформуйте акумулятори. Електроліт є їдкою речовиною, тому в разі контакту зі шкірою або очима може завдати травму. У разі проковтування він може бути токсичним.
3. Не заряджайте акумулятор під дощем або в місцях із підвищеною вологістю.
4. Перезаряджайте акумулятор тільки в приміщенні.
5. Не торкайтеся зарядного пристрою, а також штекера й контактів зарядного пристрою вологими руками.
6. Заборонено замінити акумулятор під дощем.
7. Не допускайте потрапляння рідини на контакти акумулятора й не занурюйте акумулятор у рідину. Заборонено залишати акумулятор під дощем, а також заряджати, використовувати або зберігати його в місці з підвищеною вологістю. Якщо контакти намочуть або якщо всередину акумулятора потрапить рідина, може статися коротке замикання, що може призвести до перегріву, займання або вибуху.
8. Після виймання акумулятора з інструмента або зарядного пристрою обов'язково встановіть кришку відсіку для акумулятора й зберігайте її в сухому місці.
9. Заборонено замінити акумулятор вологими руками.

Обслуговування

1. Ремонт електроінструмента повинен здійснювати лише кваліфікований майстер з використанням лише стандартних деталей. Це забезпечить підтримання електроінструмента в належному стані.
2. Забороняється ремонтувати пошкоджені акумулятори. Ремонт акумуляторів має виконувати тільки виробник або вповноважений постачальник послуг.

ЗБЕРІГАЙТЕ ЦІ ВКАЗІВКИ.

▲ ПОПЕРЕДЖЕННЯ: НИКОЛИ НЕ втрачайте пильності та не розслабляйтеся під час користування виробом (що можливо при частому користуванні); обов'язково строго дотримуйтеся відповідних правил безпеки.

НЕНАЛЕЖНЕ ВИКОРИСТАННЯ або недотримання правил техніки безпеки, викладених у цій інструкції з експлуатації, може призвести до серйозних травм.

Важливі інструкції з безпеки для касети з акумулятором

1. Перед тим як користуватися касетою з акумулятором, слід прочитати всі інструкції та застережні знаки щодо (1) зарядного пристрою акумулятора, (2) акумулятора та (3) виробів, що працюють від акумулятора.
2. Не слід розбирати касету з акумулятором.
3. Якщо період роботи дуже покортшав, слід негайно припинити користування. Це може призвести до виникнення ризику перегріву, опіку та навіть вибуху.

4. У разі потрапляння електроліту в очі слід промити їх чистою водою та негайно звернутися до лікаря. Це може призвести до втрати зору.
5. Не закоротіть касету з акумулятором.
 - (1) Не слід торкатися клем будь-яким струмопровідним матеріалом.
 - (2) Не слід зберігати касету з акумулятором у ємності з іншими металевими предметами, такими як цвяхи, монети тощо.
 - (3) Не залишайте касету з акумулятором під дощем, запобігайте контакту з водою.

Коротке замикання може призвести до появи значного струму, перегріву, можливих опіків та навіть виходу з ладу.

6. Не слід зберігати інструмент та касету з акумулятором в місцях, де температура може сягнути чи перевищити 50°C (122°F).
7. Не слід спалювати касету з акумулятором, навіть якщо вона була неодноразово пошкоджена або повністю спрацьована. Касета з акумулятором може вибухнути у вогні.
8. Не слід кидати або ударяти акумулятор.
9. Не слід використовувати пошкоджені акумулятор.
10. Літій-іонні акумулятори, що містяться в інструменті, мають відповідати вимогам законів про небезпечні товари.

Під час транспортування за допомогою комерційних перевезень, наприклад із залученням третьої сторони та експедиторів, необхідно дотримуватись особливих вимог, вказаних на пакуванні й у маркуванні.

Під час підготування позиції до відправлення необхідно проконсультуватись зі спеціалістом з небезпечних матеріалів. Крім того, слід виконувати більш докладні національні настанови, якщо такі є. Заклейте відкриті контакти стрічкою або заховайте їх і запакуйте акумулятор таким чином, щоб він не міг рухатися в пакуванні.

11. Для утилізації касети з акумулятором витягніть її з інструмента та утилізуйте безпечним способом. Дотримуйтеся норм місцевого законодавства щодо утилізації акумуляторів.
12. Використовуйте акумулятори лише з виробами, указаними компанією Makita. Установлення акумуляторів у невідповідні виробу може призвести до пожежі, надмірного нагрівання, вибуху чи витoku електроліту.
13. Якщо інструментом не користуватимуться протягом тривалого періоду часу, вийміть акумулятор з інструмента.

ЗБЕРІГАЙТЕ ЦІ ВКАЗІВКИ.

▲ ОБЕРЕЖНО: Використовуйте тільки акумулятори Makita. Використання акумуляторів, інших ніж оригінальні акумулятори Makita, або акумуляторів, конструкцію яких було змінено, може призвести до вибуху акумулятора і спричинити пожежу, травму або пошкодження. У зв'язку з цим також буде анульовано гарантію Makita на інструмент Makita і на зарядний пристрій.

Поради з забезпечення максимального строку експлуатації акумулятора

1. Касету з акумулятором слід заряджати до того, як він розрядиться повністю. Завжди слід зупинити роботу інструмента та зарядити акумулятор, якщо ви помітили зменшення потужності інструмента.
2. Ніколи не слід заряджати повторно повністю заряджену касету з акумулятором. Перезарядження скорочує строк експлуатації акумулятора.
3. Заряджайте касету з акумулятором при кімнатній температурі 10°C—40°C (50°F—104°F). Перед тим як заряджати касету з акумулятором, слід зачекати, доки вона охолоне.
4. Якщо касета з акумулятором не використовувалася тривалий час (понад шість місяців), її слід зарядити.

ЗБОРКА

▲ ПОПЕРЕДЖЕННЯ: Обов'язково виймайте блокувальний ключ та касету з акумулятором, перш ніж починати будь-які роботи з газонокосаркою. Якщо не вийняти блокувальний ключ та касету з акумулятором, випадкове увімкнення інструмента може призвести до важких травм.

▲ ПОПЕРЕДЖЕННЯ: Запускайте газонокосарку тільки в повністю зібраному стані. Використання машини в частково зібраному стані може спричинити тяжкі травми через випадковий пуск.

Встановлення ручок

УВАГА: Встановлюючи ручки, розташуйте шнури таким чином, щоб вони не могли зачепитися за будь-які предмети, які знаходяться між ручками. Якщо шнур пошкоджено, пусковий важіль газонокосарки може не працювати.

1. Зіставте отвори в нижній ручці з отворами в корпусі газонокосарки й тимчасово затягніть 4 болта.
► **Рис.1:** 1. Нижня ручка 2. Болт
2. Щільно затягніть 4 болта, які були тимчасово затягнуті на етапі 1, торцевим ключем на 13.
3. Зіставте отвір у нижній ручці з отвором у верхній ручці, вставте болт ізсередини та затягніть гайку ззовні торцевим ключем на 13. Виконайте ту саму процедуру з іншого боку.
► **Рис.2:** 1. Болт 2. Нижня ручка 3. Гайка 4. Отвір 5. Верхня ручка

▲ ОБЕРЕЖНО: Міцно тримайте верхню ручку, щоб вона не випала з руки. Недотримання цієї вимоги може призвести до травм у разі падіння ручки.

4. Прикріпіть тримачі до ручки.

Зіставте виступи на тримачі з отворами на ручці, щоб виступи ввійшли в отвори. Розмістіть троси, як показано на малюнку.

► **Рис.3:** 1. Трос 2. Тримач

Демонтаж вставки для мульчування

1. Відчиніть задню кришку.
► **Рис.4:** 1. Задня кришка
2. Зніміть вставку для мульчування, утримуючи важіль.
► **Рис.5:** 1. Важіль 2. Вставка для мульчування

Установлення та зняття кошика для трави

Для встановлення кошика для трави виконайте зазначені далі дії.

1. Відчиніть задню кришку.
► **Рис.6:** 1. Задня кришка
2. Утримуючи ручку кошика для трави, зачепіть кошик для трави за стрижень на корпусі газонокосарки, як показано на малюнку.
► **Рис.7:** 1. Стрижень 2. Ручка 3. Корзина для трави

Щоб зняти кошик для трави, відкрийте задню кришку й витягніть кошик для трави, утримуючи ручку.

Установлення вставки для мульчування

1. Відчиніть задню кришку і зніміть корзину для трави.
► **Рис.8:** 1. Задня кришка 2. Корзина для трави
2. Зсуньте вниз фіксатор на вставці для мульчування та встановіть її, а потім відпустіть фіксатор для належної фіксації насадки.
► **Рис.9:** 1. Важіль 2. Вставка для мульчування

Встановлення насадки для викидання трави

Дії в разі роботи з DLM530/DLM532

1. Відчиніть задню кришку і зніміть корзину для трави.
► **Рис.10:** 1. Задня кришка 2. Корзина для трави
2. Зсуньте вниз фіксатор на вставці для мульчування та встановіть її, а потім відпустіть фіксатор для належної фіксації насадки.
► **Рис.11:** 1. Важіль 2. Вставка для мульчування
3. Відчиніть кришку з правого боку машини і встановіть насадку для викидання трави.
Вставте гачки насадки для викидання трави під стрижнем правої бічної кришки.
► **Рис.12:** 1. Кришка з правого боку 2. Насадка для викидання трави

ОПИС РОБОТИ

Встановлення та зняття касети з акумулятором

▲ ОБЕРЕЖНО: Обов'язково вимикайте обладнання перед установленням або зняттям касети з акумулятором.

▲ ОБЕРЕЖНО: Під час установлення або зняття касети з акумулятором слід міцно тримати машину й касету з акумулятором. Якщо втримувати машину й касету з акумулятором недостатньо міцно, вони можуть вислизнути з рук, що може призвести до пошкодження машини й касети з акумулятором або спричинити травми.

▲ ОБЕРЕЖНО: Перед використанням обов'язково заблокуйте кришку відсіку для акумулятора. Інакше бруд чи вода може спричинити пошкодження виробу або касети з акумулятором.

▲ ОБЕРЕЖНО: Завжди вставляйте касету з акумулятором повністю, доки не зникне червоний індикатор. Якщо цього не зробити, касета може випадково випасти з машини й завдати травми вам або людям, що перебувають поруч.

▲ ОБЕРЕЖНО: Не встановлюйте касету з акумулятором із зусиллям. Якщо касета не вставляється легко, це означає, що її вставляють неправильно.

ПРИМІТКА: Машина не працює, якщо вставлено тільки одну касету з акумулятором.

Встановлення касети з акумулятором

1. Потягніть блокувальний важіль угору й відкрийте кришку відсіку для акумулятора.

► **Рис.13:** 1. Кришка відсіку для акумулятора
2. Блокувальний важіль

2. Зіставте язичок на касеті з акумулятором із пазом на машині, а потім вставте касету до фіксації з клацанням.

► **Рис.14:** (1) Акумуляторний відсік 1
(2) Акумуляторний відсік 2 (3) Касета з акумулятором

ПРИМІТКА: Встановіть як мінімум 2 касети з акумулятором в акумуляторний відсік 1 або 2.

3. Вставте блокувальний ключ до упору, як показано на малюнку.

► **Рис.15:** 1. Блокувальний ключ

4. Закрийте кришку відсіку для акумулятора та притисніть її до зачеплення з фіксуючим важелем.

Виймання касети з акумулятором

1. Потягніть блокувальний важіль угору й відкрийте кришку відсіку для акумулятора.

2. Витягніть касету з акумулятором із машини, водночас натискаючи кнопку на передній частині касети.

3. Витягніть блокувальний ключ.

4. Закрийте кришку відсіку для акумулятора.

Перемикання касет із акумулятором

► **Рис.16:** 1. Перемикач вибору акумулятора

У цій машині для роботи одночасно використовується 2 касети з акумулятором. У машину можна встановити до 4 касет із акумулятором. Перед початком експлуатації машини виберіть акумуляторний відсік 1 або 2, повернувши перемикач вибору акумулятора.

ПРИМІТКА: Якщо на машину встановлено тільки 2 касети з акумулятором, виберіть акумуляторний відсік, в який встановлено касети з акумулятором, за допомогою перемикача вибору акумулятора.

Система захисту машини й акумулятора

Машину оснащено системою захисту машини / акумулятора. Ця система автоматично вимикає живлення двигуна з метою подовження терміну служби машини й акумулятора. Машина автоматично зупиняється під час роботи, якщо машина або акумулятор перебувають у зазначених далі умовах.

Захист від перевантаження

Якщо через спосіб експлуатації акумулятор споживає аномально високий струм, машина автоматично вимкнеться, а індикатор живлення почне блимати зеленим. У такому випадку вимкніть машину та припиніть роботу, під час виконання якої сталося перевантаження машини. Щоб перезапустити машину, увімкніть її знову.

Захист від перегрівання

Якщо машина або акумулятор перегрілися, машина автоматично вимикається, а індикатор живлення загоряється червоним. У цьому випадку дайте обладнанню й акумулятору охолонути, перш ніж знову вмикати обладнання.

Захист від надмірного розрядження

Якщо ємності акумулятора недостатньо, машина зупиниться автоматично, а індикатор живлення почне блимати червоним. У такому разі вийміть із машини акумулятор і зарядьте касети з акумуляторами або замініть їх на повністю заряджені.

Відображення залишкового заряду акумулятора

Тільки для касет з акумулятором, які мають індикатори

► **Рис.17:** 1. Індикаторні лампи 2. Кнопка перевірки

Натисніть кнопку перевірки на касеті з акумулятором для відображення залишкового ресурсу акумулятора. Індикаторні лампи загоряться на кілька секунд.

Індикаторні лампи			Залишковий ресурс
Горить	Вимк.	Блимає	
■	□	▧	від 75 до 100%
■ ■ ■ ■	□	□	від 50 до 75%
■ ■	□ □	□	від 25 до 50%
■	□ □ □ □	□	від 0 до 25%
▧	□ □ □ □	□	Зарядіть акумулятор.
■ ■ □ □	□ □	■ ■	Можливо, акумулятор вийшов з ладу.
□ □	■ ■	■ ■	

ПРИМІТКА: Залежно від умов використання та температури оточуючого середовища показання можуть незначним чином відрізнятися від дійсного ресурсу.

Панель керування

На панелі керування розташовані вимикач живлення, кнопка перемикання режимів й індикатор залишкової ємності акумулятора.

► **Рис. 18:** 1. Індикатор акумулятора 2. Індикатор перемикання режимів 3. Індикатор живлення 4. Кнопка перевірки 5. Кнопка перемикання режимів 6. Вимикач живлення

Вимикач живлення

▲ ПОПЕРЕДЖЕННЯ: Завжди вимикайте вимикач живлення, коли не використовуєте пристрій.

Щоб увімкнути інструмент, натисніть вимикач живлення. Індикатор живлення засвітиться зеленим. Щоб вимкнути інструмент, знову натисніть вимикач живлення.

ПРИМІТКА: Якщо індикатор живлення загориться червоним або почне блимати червоним або зеленим, див. розділ інструкцій із системи захисту машини або акумулятора.




ПРИМІТКА: Цей інструмент підтримує функцію автоматичного вимкнення. Щоб запобігти ненавмисному запуску, вимикач живлення буде автоматично вимикатися, якщо не тягнути за пусковий важіль і важіль приводу (якщо встановлено) протягом певного часу після ввімкнення вимикача живлення.

Кнопка перемикання режимів

Перемикати режими можна натисненням кнопки перемикання режимів. Одразу після запуску машина працює у звичайному режимі. У разі натиснення кнопки перемикання режимів машина почне працювати в режимі зниження рівня шуму, а індикатор перемикання режимів засвітиться зеленим кольором. У режимі зниження рівня шуму можна зменшити шум роботи газонокосарки. Після повторного натиснення кнопки перемикання режимів машина знову працює у звичайному режимі.

Відображення залишкового заряду акумулятора

Натисніть кнопку перевірки для відображення залишкового ресурсу акумулятора. Індикатори акумулятора відносяться до кожного акумулятора.

Стан індикатора акумулятора		Залишок заряду акумулятора
■ Вмк.	□ Вимк.	
		від 50 до 100%
		від 20 до 50%
		від 0 до 20%

ПРИМІТКА: Показання індикаторів заряду акумулятора можуть використовуватися тільки як орієнтовні дані. Фактичний рівень заряду акумулятора може відрізнятися залежно від умов використання.

ПРИМІТКА: Зупиніть машину, перш ніж натискати кнопку перевірки заряду акумулятора.

Дія вимикача

▲ ПОПЕРЕДЖЕННЯ: Перш ніж вставляти в інструмент касету з акумулятором, слід обов'язково переконатися в тому, що пусковий важіль справцює належним чином і повертається у вихідне положення після відпускання. Робота з машиною, вмикач якої не справцює належним чином, може призвести до втрати контролю над машиною й отримання тяжких травм.

ПРИМІТКА: Навіть за натискання на пусковий важіль газонокосарка не запуститься, якщо не натиснуто пускову кнопку.

ПРИМІТКА: Газонокосарка може не запуститися через перевантаження, якщо спробувати скошити високу або густу траву за один прохід. У такому разі потрібно збільшити висоту скошування.

Газонокосарку оснащено блокувальним ключем і вимикачем на ручці. Якщо помітите щось незвичне в роботі блокувального ключа або вимикача, негайно припиніть роботу та перевірте їх у найближчому авторизованому сервісному центрі Makita.

Дії в разі роботи з DLM462/DLM532

1. Установіть касети з акумулятором. Вставте блокувальний ключ і закрийте кришку відсіку для акумулятора.
2. Виберіть касети з акумулятором для роботи, повернувши перемикач вибору акумулятора.
3. Натисніть вимикач живлення.
4. Потягніть пусковий важіль до себе, утримуючи пускову кнопку. Щойно двигун запуститься, відпустіть пускову кнопку.

► **Рис.19:** 1. Пускова кнопка 2. Пусковий важіль

ПРИМІТКА: Якщо блокувальний ключ не вставлено, коли ви будете тягнути за пусковий важіль, індикатор живлення блиматиме зеленим кольором.

5. Утримуючи пусковий важіль, натисніть пусковий важіль вперед і утримуйте його для зняття блокування задніх коліс.

► **Рис.20:** 1. Важіль приводу

ПРИМІТКА: Задні колеса можна привести до руху, натиснувши важіль приводу вперед і утримуючи його, не натискаючи пусковий важіль.

6. Щоб зупинити машину, відпустіть важіль приводу й пусковий важіль.

Дії в разі роботи з DLM530

1. Установіть касети з акумулятором. Вставте блокувальний ключ і закрийте кришку відсіку для акумулятора.
2. Виберіть касети з акумулятором для роботи, повернувши перемикач вибору акумулятора.
3. Натисніть вимикач живлення.
4. Потягніть пусковий важіль до себе, утримуючи пускову кнопку. Щойно двигун запуститься, відпустіть пускову кнопку.

► **Рис.21:** 1. Пускова кнопка 2. Пусковий важіль

ПРИМІТКА: Якщо блокувальний ключ не вставлено, коли ви будете тягнути за пусковий важіль, індикатор живлення блиматиме зеленим кольором.

5. Щоб зупинити двигун, відпустіть пусковий важіль.

Регулювання висоти скошування

⚠ ПОПЕРЕДЖЕННЯ: Регулюючи висоту скошування, у жодному разі не розташовуйте руку чи ногу під корпусом газонокосарки.

⚠ ПОПЕРЕДЖЕННЯ: Перед початком роботи переконайтеся, що важіль належним чином увійшов у паз.

Висоту скошування можна відрегулювати в діапазоні від 20 мм до 100 мм.

Вийміть блокувальний ключ і потягніть важіль регулювання висоти скошування з корпусу газонокосарки, а потім установіть його на бажану висоту косіння.

► **Рис.22:** 1. Важіль регулювання висоти скошування

У таблиці нижче показано співвідношення цифр на корпусі газонокосарки та приблизної висоти скошування.

Цифра	Висота скошування
1	20 мм
2	26 мм
3	32 мм
4	39 мм
5	47 мм
6	55 мм
7	63 мм
8	74 мм
9	86 мм
10	100 мм

Тримайте передню ручку або нижню ручку однією рукою, а іншою пересувайте важіль регулювання висоти скошування.

► **Рис.23:** 1. Важіль регулювання висоти скошування 2. Нижня ручка 3. Передня ручка

ПРИМІТКА: Позначки висоти скошування слід використовувати лише для довідки. Залежно від стану газону або ґрунту фактична висота скошування може дещо відрізнятися від заданого значення.

ПРИМІТКА: Зробіть пробне скошування трави у менш помітному місці, щоб налаштувати потрібну висоту.

Індикатор рівня трави

Індикатор рівня трави показує обсяг скошеної трави. Коли кошик для трави неповний, індикатор коливається під час роботи лез.

► **Рис.24:** 1. Індикатор рівня трави

Коли кошик для трави майже повний, індикатор не коливається під час роботи лез. У такому разі негайно припиніть роботу та спорожніть кошик.

► **Рис.25:** 1. Індикатор рівня трави

ПРИМІТКА: Цей індикатор є лише приблизним. Залежно від умов усередині корзини цей індикатор може працювати неналежним чином.

Регулювання висоти рукоятки

⚠ ОБОЕРЕЖНО: Перш ніж зняти болти, міцно візьміться за верхню ручку. Недотримання цієї вимоги може призвести до травм у разі падіння ручки.

Ручка має двоступеневе регулювання висоти.

1. Викрутіть верхні болти нижньої ручки торцевим ключем на 13 і послабте нижні болти.

► **Рис.26:** 1. Верхній болт 2. Нижній болт

2. Відрегулюйте висоту ручки та щільно затягніть верхній і нижній болти.

Налаштування швидкості руху

Дії в разі роботи з DLM462/DLM532

► **Рис.27:** 1. Важіль регулювання швидкості

Швидкість руху можна налаштувати важелем регулювання швидкості. Для зменшення швидкості потягніть важіль на себе, для збільшення швидкості натисніть важіль вперед.

Використання вставки для мульчування

Вставка для мульчування дає змогу скидати подрібнену траву назад на газон, не збираючи її в кошик для трави. У разі роботи зі вставкою для мульчування впевніться, що кошик для трави знято з машини.

УВАГА: У разі використання машини з вставкою для мульчування переконайтеся в тому, що загальна довжина трави становить щонайменше 30 мм, або довжина зрізу не перевищує 15 мм.

► **Рис.28:** (1) 30 мм або більше (2) 15 мм або менше

Використання насадки для викидання трави

Дії в разі роботи з DLM530/DLM532

Насадка для викидання трави дає змогу скидати подрібнену траву назад на газон із правого боку машини, не збираючи її в кошик для трави. У разі роботи з насадкою для викидання трави переконайтеся в тому, що вставка для мульчування встановлена, а кошик для трави знято з машини.

Електронні функції

Для полегшення роботи в інструменті доступні електронні функції.

- Постійний контроль швидкості обертання полотна
Пристрій електронного контролю частоти обертання для підтримки постійної частоти обертання. Дає можливість отримати чисту обробку завдяки підтриманню швидкості обертання на постійному рівні, навіть під навантаженням.
- М'який старт під час приведення до руху
Функція плавного запуску мінімізує ривок під час запуску і забезпечує плавний запуск інструмента.
- Електричне гальмо
Цю машину обладнано електричним гальмом. Якщо після відпускання пускового важеля не кожного разу відбувається швидка зупинка ріжучого полотна газонокосарки, надішліть машину в офіційний сервісний центр Makita для обслуговування.

РОБОТА

Косіння

ПОПЕРЕДЖЕННЯ: Перш ніж починати косити газон, приберіть з робочої ділянки гілки та каміння. Крім того, видаліть заздалегідь бур'ян із робочої ділянки.

ПОПЕРЕДЖЕННЯ: Під час використання газонокосарки обов'язково користуйтеся захисними окулярами з боковими щитками.

ОБЕРЕЖНО: Якщо в корпусі газонокосарки накопичилася трава або сторонні об'єкти, обов'язково вийміть блокувальний ключ і касету з акумулятором та надягніть захисні рукавички, перш ніж видаляти сміття зсередини корпусу.

УВАГА: Використовуйте машину лише для косіння газонів. Не використовуйте її для косіння бур'янів.

► **Рис.29**

Під час скошування міцно тримайте ручку обома руками. Рекомендована швидкість скошування становить приблизно від 7 до 14 метрів за 10 секунд.

► **Рис.30**

Центральні лінії на передніх колесах показують ширину смуги скошування. Використовуйте їх як напрямні, косите смугами. Щоб рівномірно підстригти газон, перекивайте косаркою половину або третину попередньої смуги.

► **Рис.31:** 1. Ширина скошування 2. Зона переkritтя 3. Центральна лінія

Змінійте напрям руху кожного разу, щоб уникнути пригінання трави в одному напрямку.

► **Рис.32**

Періодично перевіряйте кількість скошеної трави у корзині. Спорожніть корзину для трави до того, як вона заповниться. Перед кожною такою перевіркою зупиняйте газонокосарку та виймайте блокувальний ключ та касету з акумулятором.

УВАГА: Якщо використовувати газонокосарку із заповненим кошиком для трави, ріжуче полотно обертатиметься нерівномірно – це збільшує навантаження на двигун і може призвести до його виходу з ладу.

Косіння газону з високою травою

Не намагайтеся підрізати газон із високою травою за один прохід. Натомість косіть такий газон у кілька прийомів. Косіть газон з інтервалом в один або два дні, доки трава не набуде рівномірної довжини.

► **Рис.33**

ПРИМІТКА: Якщо скосити високу траву одразу дуже коротко, це може призвести до її відмирання. Крім того, зрізана трава може заблокувати зсередини корпус газонокосарки.

Спорожнення корзини для трави

▲ ПОПЕРЕДЖЕННЯ: Щоб зменшити ризик нещасного випадку, регулярно оглядайте корзину для трави на наявність пошкоджень або зменшення міцності. За необхідності замініть корзину для трави.

1. Відпустіть пусковий важіль та важіль приводу (для DLM462/DLM532) або відпустіть пусковий важіль (для DLM530).
2. Вийміть блокувальний ключ.
3. Відкрийте задню кришку й вийміть кошик для трави, тримаючи його за ручку.
► **Рис.34:** 1. Задня кришка 2. Ручка 3. Кошик для трави
4. Спорожніть корзину для трави.

ТЕХНІЧНЕ ОБСЛУГОВУВАННЯ

▲ ПОПЕРЕДЖЕННЯ: Обов'язково виймайте з газонокосарки блокувальний ключ і касету з акумулятором, перш ніж ставити інструмент на зберігання, оглядати його або проводити ремонт або технічне обслуговування.

▲ ПОПЕРЕДЖЕННЯ: Обов'язково виймайте блокувальний ключ, коли газонокосарка не використовується. Зберігайте блокувальний ключ у безпечному та недоступному для дітей місці.

▲ ПОПЕРЕДЖЕННЯ: Під час огляду або проведення технічного обслуговування одягайте рукавиці.

▲ ПОПЕРЕДЖЕННЯ: Під час огляду або технічного обслуговування інструмента обов'язково користуйтеся захисними окулярами з боковими щитками.

УВАГА: Ніколи не використовуйте газолін, бензин, розріджувач, спирт та подібні речовини. Їх використання може призвести до зміни кольору, деформації або появи тріщин.

Для забезпечення БЕЗПЕКИ та НАДІЙНОСТІ продукції, її ремонт, а також роботи з обслуговування або регулювання повинні виконуватись уповноваженими або заводськими сервісними центрами Makita із використанням запчастин виробництва компанії Makita.

Технічне обслуговування

1. Вийміть блокувальний ключ і касети з акумуляторами й закрийте кришку відсіку для акумулятора.
2. Покладіть газонокосарку на бік таким чином, щоб важіль регулювання висоти скошування опинився зверху. Видаліть обрізки трави з днища газонокосарки.

3. Лийте воду на нижню частину інструмента, де кріпиться ріжуче полотно.

УВАГА: Не мийте інструмент струменем під тиском.

4. Перевірте, чи належним чином затягнуто всі гайки, болти, гвинти тощо.
5. Огляньте рухомі частини на наявність пошкоджень, тріщин та зношення. Пошкоджені або відсутні деталі необхідно відремонтувати або замінити.
6. Зберігайте інструмент у безпечному й недоступному для дітей місці.

Дії в разі роботи з DLM462/DLM532

УВАГА: Не допускайте потрапляння води на зону, показано на малюнку. Потрапляння води на вузол двигуна може призвести до несправності машини.

- **Рис.35:** 1. Зона, куди не слід допускати потрапляння води

Перенесення газонокосарки

Переносити газонокосарку потрібно вдвох, тримаючи її за передню та задню ручки, як показано на малюнку.

- **Рис.36:** 1. Передня ручка 2. Задня ручка

Зберігання

Зберігайте газонокосарку в прохолодному, сухому й замкнутому приміщенні. Заборонено зберігати газонокосарку й зарядний пристрій у місцях, де температура може сягнути або перевищити 40 °С.

Зняття або встановлення ріжучого полотна газонокосарки

▲ ПОПЕРЕДЖЕННЯ: Після відпускання пускового важеля ріжуче полотно продовжує рух за інерцією протягом кількох секунд. Заборонено розпочинати будь-які дії до повної зупинки ріжучого полотна.

▲ ПОПЕРЕДЖЕННЯ: Під час зняття або встановлення ріжучого полотна обов'язково виймайте блокувальний ключ та касету з акумулятором. Якщо не вийняти блокувальний ключ та касету з акумулятором, це може призвести до важких травм.

▲ ПОПЕРЕДЖЕННЯ: Під час роботи з ріжучим полотном обов'язково одягайте рукавиці.

Знімання ріжучого полотна газонокосарки

Для моделей, оснащених прямим ріжучим полотном газонокосарки

1. Покладіть газонокосарку на бік таким чином, щоб важіль регулювання висоти скошування опинився зверху.
2. Щоб заблокувати лезо, вставте штифт в отвір на корпусі газонокосарки.

3. Викрутіть болт, обертаючи його торцевим ключем на 17 проти годинникової стрілки.

► **Рис.37:** 1. Ріжуче полотно газонокосарки
2. Штифт 3. Торцевий ключ

4. Вийміть болт, а потім зніміть ріжуче полотно газонокосарки.

► **Рис.38:** 1. Опора для леза 2. Ріжуче полотно газонокосарки 3. Болт 4. Виступ

УВАГА: Під час установки ріжучого полотна газонокосарки переконайтеся в тому, що виступи на опорі для леза входять в отвори на лезі газонокосарки.

Для моделей, оснащених відкидним ріжучим полотном газонокосарки

1. Покладіть газонокосарку на бік таким чином, щоб важіль регулювання висоти скошування опинився зверху.

2. Для блокування опорної плити вставте штифт в отвір на корпусі газонокосарки через отвір на опорній плиті.

3. Викрутіть болт, обертаючи його торцевим ключем на 17 проти годинникової стрілки.

► **Рис.39:** 1. Штифт 2. Опорна плита 3. Торцевий ключ

4. Вийміть болт, а потім зніміть опорну плиту.

► **Рис.40:** 1. Опора для леза 2. Опорна плита
3. Болт 4. Виступ

УВАГА: Під час установки ріжучих полотен газонокосарки переконайтеся в тому, що виступи на опорі для леза входять в отвори на опорній плиті.

5. Щоб зняти окреме ріжуче полотно газонокосарки, поверніть болт проти годинникової стрілки торцевим ключем на 17, утримуючи опорну плиту.

► **Рис.41:** 1. Опорна плита 2. Ріжуче полотно газонокосарки 3. Торцевий ключ

6. Послідовно зніміть гайку, шайбу, пружинну шайбу, ріжуче полотно газонокосарки та болт.

► **Рис.42:** 1. Отвір під болт 2. Болт 3. Ріжуче полотно газонокосарки 4. Пружинна шайба 5. Шайба 6. Гайка

УВАГА: Гайки для встановлення окремих ріжучих полотен газонокосарки слід затягувати з моментом 30 Н•м.

УВАГА: Під час встановлення окремого ріжучого полотна газонокосарки не забудьте встановити пружинну шайбу в напрямку, показаному на малюнку.

УВАГА: Під час встановлення окремого ріжучого полотна газонокосарки не забудьте вставити болти в отвори під болти, показані на малюнку.

Установлення ріжучого полотна газонокосарки

▲ПОПЕРЕДЖЕННЯ: Обережно встановіть ріжуче полотно газонокосарки. Воно має верхню й нижню поверхні.

▲ПОПЕРЕДЖЕННЯ: Міцно затягніть болт за годинниковою стрілкою, щоб закріпити ріжуче полотно.

▲ПОПЕРЕДЖЕННЯ: Переконайтеся в тому, що ріжуче полотно газонокосарки й усі кріпильні деталі правильно встановлено й надійно затягнуто.

▲ПОПЕРЕДЖЕННЯ: Під час встановлення ріжучих полотен обов'язково дотримуйтеся інструкцій, наведених у цьому посібнику.

УВАГА: Після встановлення ріжучих полотен газонокосарки витягніть штифт із корпусу газонокосарки.

Щоб встановити ріжучі полотна газонокосарки, виконайте процедуру їх зняття у зворотному порядку.

УСУНЕННЯ НЕСПРАВНОСТЕЙ

Перш ніж звертатися з приводу ремонту машини, проведіть її перевірку самостійно. У разі виявлення несправності, яка не пояснюється в цій інструкції з експлуатації, не намагайтеся розібрати обладнання. Натомість зверніться до авторизованих сервісних центрів Makita, у яких для ремонту використовуються тільки запасні частини виробництва компанії Makita.

Стан відхилення від норми	Можлива причина (несправність)	Спосіб виправлення
Газонокосарка не запускається.	Не встановлено дві касети з акумулятором.	Встановіть дві заряджені касети з акумуляторами.
	Проблема з акумулятором (знижена напруга)	Зарядіть касету з акумулятором. Якщо зарядження не призвело до бажаного результату, замініть касету з акумулятором.
	Блокувальний ключ не вставлено.	Вставте блокувальний ключ.
	Перемикач вибору акумулятора перебуває в неправильному положенні.	Перемикачем вибору акумулятора виберіть акумуляторний відсік, в який встановлено касети з акумулятором.
Двигун перестає працювати після короткочасного використання.	Низький рівень заряду акумулятора.	Зарядіть касету з акумулятором. Якщо зарядження не призвело до бажаного результату, замініть касету з акумулятором.
	Висота різання замала.	Збільште висоту різання.
	Засмічення газонокосарки зрізаною травою.	Вийміть траву з газонокосарки.
Двигун не досягає максимальної швидкості обертання.	Касету з акумулятором встановлено неправильно.	Встановіть касету з акумулятором, як описано в цьому посібнику.
	Заряд акумулятора зменшується.	Зарядіть касету з акумулятором. Якщо зарядження не призвело до бажаного результату, замініть касету з акумулятором.
	Система приводу працює неправильно.	Зверніться до місцевого авторизованого сервісного центру з приводу ремонту.
Ріжуче полотно газонокосарки не обертається: ⇒ негайно зупиніть газонокосарку!	Сторонній предмет, як-от гілка, застряг поруч із ріжучим полотном.	Приберіть сторонній предмет.
	Система приводу працює неправильно.	Зверніться до місцевого авторизованого сервісного центру з приводу ремонту.
Аномальна вібрація: ⇒ негайно зупиніть газонокосарку!	Ріжуче полотно розбалансоване, надмірно або нерівномірно зношене.	Замініть ріжуче полотно.

ДОДАТКОВЕ ПРИЛАДДЯ

⚠ ОБЕРЕЖНО: Це допоміжне приладдя й насадки рекомендовано використовувати з машиною Makita, зазначеною в цьому посібнику. Використання будь-якого іншого додаткового приладдя й насадок може призвести до травмування. Використовуйте додаткове приладдя й насадки лише за призначенням.

У разі необхідності отримати допомогу в більш детальному ознайомленні з оснащенням звертайтеся до місцевого сервісного центру Makita.

- Ріжуче полотно газонокосарки
- Оригінальний акумулятор та зарядний пристрій Makita

ПРИМІТКА: Деякі елементи в списку можуть входити до комплекту поставки обладнання як стандартне приладдя. Вони можуть різнитися залежно від країни.

SPECIFICAȚII

Model:		DLM462	DLM530	DLM532
Lățime de tundere (diametrul pânzei)		460 mm	534 mm	
Turație în gol		2.500 min ⁻¹	2.300 min ⁻¹	
Viteza maximă		3.300 min ⁻¹	2.800 min ⁻¹	
Numărul piesei de schimb pânză mașină de tuns iarba	Pânză dreaptă a mașinii de tuns iarba	191D51-9	191D52-7	
	Pânze cu balans ale mașinii de tuns iarba *1	191D49-6	191D50-1	
	Pânze cu balans ale mașinii de tuns iarba *2	191D47-0	191D48-8	
Dimensiuni (L x l x H)		L: 1.610 mm - 1.690 mm l: 535 mm H: 980 mm - 1.095 mm	L: Între 1.630 mm și 1.715 mm l: 590 mm H: Între 990 mm și 1.095 mm	
Viteza de deplasare		2,5 - 5,0 km/h	–	2,5 - 5,0 km/h
Tensiune nominală		36 V cc.		
Greutate netă	Atunci când este montată pânza dreaptă a mașinii de tuns iarba	35,3 - 39,0 kg	35,5 - 39,3 kg	39,0 - 42,8 kg
	Atunci când sunt instalate pânzele cu balans ale mașinii de tuns iarba	36,0 - 39,7 kg	36,2 - 40,0 kg	39,7 - 43,5 kg
Grad de protecție		IPX4		

Placa de bază și pânzele individuale ale mașinii de tuns iarba.

Doar pânzele individuale ale mașinii de tuns iarba.

- Datorită programului nostru continuu de cercetare și dezvoltare, specificațiile pot fi modificate fără o notificare prealabilă.
- Specificațiile pot varia în funcție de țară.
- Greutatea poate diferi în funcție de accesoriu(ii), inclusiv cartușul acumulatorului. În tabel se prezintă combinația cea mai ușoară și cea mai grea, conform Procedurii EPTA 01/2014.

Cartușul acumulatorului aplicabil

BL1815N / BL1820 / BL1820B / BL1830 / BL1830B / BL1840 / BL1840B / BL1850 / BL1850B / BL1860B

- Este posibil ca unele cartușe ale acumulatorilor menționate mai sus să nu fie disponibile în funcție de regiunea dvs. de reședință.

⚠️ AVERTIZARE: Utilizați numai cartușele de acumulator enumerate mai sus. Utilizarea oricărui altor cartușe de acumulator poate duce la rănire și/sau incendiu.

Simboluri

Mai jos sunt prezentate simbolurile de pe echipament. Asigurați-vă că înțelegeți sensul acestora înainte de utilizare.



Acordați atenție și grijă deosebită.



Citiți manualul de utilizare.



Pericol; țineți cont de obiectele care pot fi aruncate.



Distanța dintre mașină și persoanele aflate în zonă trebuie să fie de cel puțin 15 m.



Nu apropiați niciodată mâinile sau picioarele de lamă sub mașina de tuns iarba. Lamele continuă să se rotească după oprirea motorului.



Scoateți cheia de blocare înainte de a inspecta, regla, curăța, efectua operațiuni de service, lăsa nesupravegheată și depozita mașina de tuns iarba.



Pericol electric. Contactul cu apa poate provoca un șoc electric.



Nu turnați apă.



Ni-MH
Li-ion

Doar pentru țările din cadrul UE
Nu aruncați aparatele electrice sau acumulatorii în gunoiul menajer!
În conformitate cu Directiva europeană privind deșeurile de echipamente electrice și electronice, bateriile și acumulatorii reziduale și implementarea acestora conform legislației naționale, echipamentele electrice și bateriile și acumulatorii care au ajuns la sfârșitul duratei de viață trebuie colectate separat și reciclate corespunzător în vederea protejării mediului.

Destinația de utilizare

Mașina se folosește pentru tunderea ierbiilor.

Zgomot

Nivelul de zgomot normal ponderat A determinat în conformitate cu EN60335-2-77:

NOTĂ: Valorile au fost măsurate cu mașina de tuns iarba echipată cu pânda dreaptă a mașinii de tuns iarba.

Model DLM462

Nivel de presiune acustică (L_{pA}): 82,7 dB(A)

Nivel de putere acustică (L_{WA}): 90,9 dB (A)

Marjă de eroare (K): 3 dB(A)

Model DLM530

Nivel de presiune acustică (L_{pA}): 78,1 dB(A)

Nivel de putere acustică (L_{WA}): 90,4 dB (A)

Marjă de eroare (K): 3 dB(A)

Model DLM532

Nivel de presiune acustică (L_{pA}): 78,1 dB(A)

Nivel de putere acustică (L_{WA}): 90,4 dB (A)

Marjă de eroare (K): 3 dB(A)

Nivelul de zgomot în timpul funcționării poate depăși 80 dB (A).

NOTĂ: Valoarea (valorile) totală(e) a (ale) emisiilor de zgomot declarate a(u) fost măsurată(e) în conformitate cu o metodă de test standard și poate (pot) fi utilizată(e) pentru compararea unei uneelte cu alta.

NOTĂ: Valoarea (valorile) totală(e) a (ale) emisiilor de zgomot declarate poate (pot) fi, de asemenea, utilizată(e) într-o evaluare preliminară a expunerii.

AVERTIZARE: Purtați echipament de protecție pentru urechi.

AVERTIZARE: Emisiile de zgomot în timpul utilizării efective a unelei electrice poate diferi de valoarea (valorile) nivelului declarat, în funcție de modul în care unealta este utilizată, în special ce fel de piesă este prelucrată.

AVERTIZARE: Asigurați-vă că identificați măsurile de siguranță pentru a proteja operatorul, acestea fiind bazate pe o estimare a expunerii în condiții reale de utilizare (luând în considerare toate părțile ciclului de operare, precum timpii în care unealta a fost oprită, sau a funcționat în gol, pe lângă timpul de declanșare).

Vibrații

Valoarea totală a vibrațiilor (suma vectorilor tri-axiali) determinată conform EN60335-2-77:

NOTĂ: Valorile au fost măsurate cu mașina de tuns iarba echipată cu pânda dreaptă a mașinii de tuns iarba.

Model DLM462

Emisie de vibrații (a_n): 2,5 m/s² sau mai puțin

Marjă de eroare (K): 1,5 m/s²

Model DLM530

Emisie de vibrații (a_n): 2,5 m/s² sau mai puțin

Marjă de eroare (K): 1,5 m/s²

Model DLM532

Emisie de vibrații (a_n): 2,5 m/s² sau mai puțin

Marjă de eroare (K): 1,5 m/s²

NOTĂ: Valoarea (valorile) totală(e) a (ale) nivelului de vibrații declarat a (au) fost măsurată(e) în conformitate cu o metodă de test standard și poate (pot) fi utilizată(e) pentru compararea unei uneelte cu alta.

NOTĂ: Valoarea (valorile) totală(e) a (ale) nivelului de vibrații declarat poate (pot) fi, de asemenea, utilizată(e) într-o evaluare preliminară a expunerii.

AVERTIZARE: Nivelul de vibrații în timpul utilizării efective a unelei electrice poate diferi de valoarea (valorile) nivelului declarat, în funcție de modul în care unealta este utilizată, în special ce fel de piesă este prelucrată.

AVERTIZARE: Asigurați-vă că identificați măsurile de siguranță pentru a proteja operatorul, acestea fiind bazate pe o estimare a expunerii în condiții reale de utilizare (luând în considerare toate părțile ciclului de operare, precum timpii în care unealta a fost oprită, sau a funcționat în gol, pe lângă timpul de declanșare).

Declarație de conformitate CE

Numai pentru țările europene

Declarația de conformitate CE este inclusă ca Anexa A în acest manual de instrucțiuni.

AVERTIZĂRI DE SIGURANȚĂ

INSTRUCȚIUNI IMPORTANTE PRIVIND SIGURANȚA

AVERTIZARE: Citiți toate avertismentele de siguranță și toate instrucțiunile. Nerespectarea acestor avertismente și instrucțiuni poate avea ca rezultat electrocutarea, incendiul și/sau rănirea gravă.

Păstrați toate avertismentele și instrucțiunile pentru consultări ulterioare.

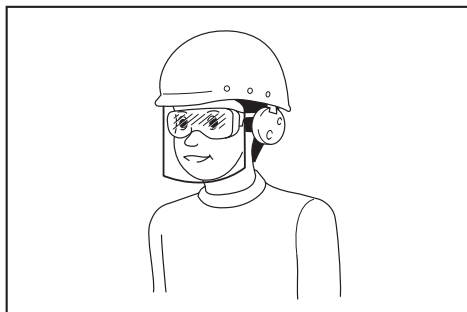
Instruire

1. Citiți cu atenție instrucțiunile. Familiarizați-vă cu comenzile și cu utilizarea corectă a mașinii de tuns iarba.
2. Nu permiteți niciodată copiilor sau persoanelor care sunt nefamiliarizate cu aceste instrucțiuni să utilizeze mașina de tuns iarba. Reglementările locale pot restricționa vârsta operatorului.
3. Nu folosiți mașina de tuns iarba când în apropiere se află copii sau animale de companie.
4. Amintiți-vă că operatorul sau utilizatorul este responsabil de accidente sau situațiile periculoase antrenate de utilizarea mașinii, cauzate altor persoane sau bunurilor acestora.
5. Copiii trebuie supravegheați, pentru a vă asigura că aceștia nu au acces la mașina de tuns iarba.

6. **Stare fizică – nu utilizați mașina de tuns iarba atunci când vă aflați sub influența drogurilor, alcoolului sau a oricăror medicamente.**

Pregătire

1. În timpul folosirii mașinii de tuns iarba, purtați întotdeauna încălțăminte solidă și pantaloni lungi. Nu utilizați mașina de tuns iarba cu picioarele goale sau cu sandale. Evitați să purtați bijuterii sau articole de îmbrăcăminte largi sau cu cordoane sau șnururi care atârnă. Acestea ar putea fi prinse în piesele mobile.
2. Înainte de utilizare, verificați întotdeauna vizual mașina de tuns iarba pentru a vedea dacă aparaturile sau protecțiile sunt deteriorate, lipsesc sau sunt fixate necorespunzător.
3. Asigurați-vă că în zonă nu se află alte persoane înainte de a tunde iarba. Opriti mașina de tuns iarba dacă întră o persoană în zonă.
4. Nu introduceți cheia de blocare în mașina de tuns iarba până când aceasta nu este gata de utilizare.
5. Purtați întotdeauna ochelari de protecție pentru a vă proteja ochii contra rănirii atunci când utilizați unelte electrice. Ochelarii trebuie să fie în conformitate cu ANSI Z87.1 în S.U.A., EN 166 în Europa sau AS/NZS 1336 în Australia/ Noua Zeelandă. În Australia/Noua Zeelandă se solicită în mod legal și purtarea unei măști obligatorii pentru a vă proteja fața.



Intră în responsabilitatea angajatorului să impună utilizarea unor echipamente de protecție și siguranță adecvate de către utilizatorii mașinii și de către celelalte persoane din imediata apropiere a zonei de lucru.

6. Înainte de folosire, verificați atent dacă pânzele sau șuruburile pânzelor prezintă fisuri sau deteriorări. Înlocuiți imediat pânzele sau șuruburile pânzelor fisurate ori deteriorate.
7. Înlăturați corpurile străine, cum ar fi pietrele, sârmele, sticlele, oasele și bețele mari, din zona de lucru înainte de a tunde iarba pentru a preveni vătămările personale sau deteriorarea mașinii.
8. Obiectele lovite de pânza mașinii de tuns iarba pot cauza leziuni severe persoanelor. Gazonul trebuie întotdeauna examinat cu atenție și degajat de orice obiecte înainte de fiecare operațiune de tuns iarba.

9. **Aveți grijă la gropi, șanțuri, denivelări, pietre sau alte obiecte ascunse.** Terenul denivelat poate provoca alunecarea și accidente prin cădere. Iarba înaltă poate să ascundă obstacole.
10. **Nu introduceți și nu scoateți cheia de blocare pe timp de ploaie.**
11. **Purtați echipamentul personal de protecție. Purtați întotdeauna ochelari de protecție.** Echipamentele de protecție precum masca de protecție contra prafului, încălțăminte cu talpă antiderapantă, casca sau protecția pentru urechi utilizate pentru condiții corespunzătoare vor reduce riscul accidentărilor.

Operarea

1. **Nu vă întindeți excesiv. Mențineți-vă permanent echilibrul.** Asigurați-vă întotdeauna echilibrul atunci când vă deplasați pe suprafețe înclinate. Nu alergați niciodată.
2. **Opriti mașina de tuns iarba, scoateți cheia de blocare și asigurați-vă că toate piesele aflate în mișcare s-au oprit complet:**
 - ori de câte ori lăsați mașina nesupravegheată,
 - înainte de a elimina blocajele sau de a desfunda jghebul,
 - înainte de a controla, curăța sau lucra cu mașina,
 - după ce ați lovit un obiect străin. Verificați mașina pentru a detecta eventuale deteriorări și efectuați reparațiile necesare înainte de a repune în funcțiune și utiliza mașina:
 - de fiecare dată când mașina de tuns iarba începe să vibreze anormal.
3. **Nu operați niciodată mașina cu apărătorii sau protecțiile defecte sau fără dispozitivele de siguranță, cum ar fi deflectoarele și/sau separatorul de iarbă, montate.**
4. **Evitați utilizarea mașinii de tuns iarba în condiții de vreme nefavorabilă, în special când există riscul de descărcări electrice.**
5. **Purtați permanent ochelari de protecție și încălțăminte rezistentă atunci când utilizați mașina de tuns iarba.**
6. **Operați mașina de tuns iarba doar la lumina zilei sau la o lumină artificială puternică.**
7. **Porniți mașina de tuns iarbă cu atenție conform instrucțiunilor, cu picioarele la distanță de lamă(e).**
8. **Aveți grijă să nu vă răniți picioarele și mâinile cu pânzele mașinii de tuns iarba.**
9. **Asigurați-vă întotdeauna că orificiile de ventilație nu conțin reziduuri.**
10. **Tundeți iarba de-a lungul pantei, niciodată în sus sau în jos. Acordați atenție maximă atunci când schimbați direcția pe suprafețele înclinate. Nu tundeți iarba pe o pantă excesiv de abruptă.**
11. **Procedați cu maximă atenție atunci când vă deplasați în marșarier sau când trageți mașina spre dumneavoastră.**
12. **Fixați bine lama/lamele dacă mașina trebuie înclinată pentru transport atunci când traversați suprafețe fără iarbă și când transportați mașina de tuns la sau de la locul în care va fi utilizată.**

13. Nu înclinați mașina atunci când porniți motorul, decât dacă mașina trebuie înclinată pentru a porni. În acest caz, nu o înclinați mai mult decât este strict necesar și ridicați numai partea care se află la distanță de operator. Aveți grijă întotdeauna ca ambele mâini să fie în poziția de operare înainte de a pune din nou mașina de tuns iarba pe sol.
 14. Nu apropiați mâinile sau picioarele și nu le țineți sub piesele rotative. Păstrați în permanență distanța față de orificiul de descărcare.
 15. Nu transportați mașina în timp ce este în funcțiune.
 16. Evitați operarea mașinii pe iarba udă.
 17. Țineți întotdeauna strâns mânerul.
 18. Nu apucați lamele de tăiere sau muchiile de tăiere expuse atunci când ridicați sau țineți mașina de tuns iarba.
 19. Țineți mâinile și picioarele la distanță de lamele rotative. Atenție - Lamele se rotesc după ce opriți mașina.
 20. Întrerupeți imediat activitatea dacă observați orice lucru neobișnuit. Opriți mașina de tuns iarba și scoateți cheia de blocare. Apoi inspectați mașina.
 21. Nu încercați niciodată să reglați înălțimea de tăiere în timp ce mașina funcționează, în cazul în care aceasta dispune de o funcție de reglare a înălțimii.
 22. Eliberați pârghia de comutare și așteptați să înceteze rotația pânzelor înainte de a traversa alei, cărări, drumuri și orice zone acoperite cu prundis. De asemenea, scoateți cheia de blocare dacă lăsați mașina nesupravegheată, dacă vă aplecați sau ridicați sau să îndepărtați ceva din drum sau din orice alt motiv care v-ar putea distra atenția de la ceea ce faceți.
 23. În cazul în care mașina de tuns iarba lovește un obiect străin, urmați acești pași:
- Opriți mașina, eliberați levierul schimbătorului de viteză și așteptați până când lama se oprește complet.
- Scoateți cheia de blocare și cartușul acumulatorului.
- Inspectați cu atenție mașina de tuns iarba pentru a detecta eventuale deteriorări.
- Înlocuiți lama dacă s-a deteriorat în vreun fel. Reparați orice defecțiune înainte de a reporni și continua operarea mașinii de tuns iarba.
 24. Nu porniți mașina atunci când vă aflați în fața orificiului de descărcare.
 25. Dacă mașina începe să vibreze anormal (verificați imediat)
- inspectați pentru a detecta eventuale deteriorări,
- înlocuiți sau reparați orice piese deteriorate,
- verificați prezența și strângerii orice piese slăbite.
 26. Nu îndreptați niciodată materialul evacuat spre alte persoane. Evitați evacuarea materialului pe un perete sau un alt obstacol. Materialul poate ricoșa înspre operator. Opriți pânza atunci când treceți peste suprafețe acoperite cu pietriș.
 27. Nu trageți mașina de tuns iarba în sens invers decât dacă este absolut necesar. Dacă trebuie să trageți mașina de tuns iarba în sens invers pentru a reveni de lângă un gard sau alt obstacol similar, priviți în jos și în spate înaintea și în timpul deplasării cu spatele.
 28. Opriți motorul și așteptați până când pânza se oprește complet înainte de a scoate opritorul pentru iarba. Aveți grijă la pânze, care se rotesc liber după oprire.
 29. Dacă folosiți mașina pe terenuri noroioase, pe pante umede sau în locuri alunecoase, fiți atenți la păstrarea echilibrului.
 30. Evitați utilizarea acestora în medii necorespunzătoare, în care utilizatorul poate resimți un nivel crescut de oboseală.
 31. Nu utilizați mașina în condiții de vreme nefavorabilă, când vizibilitatea este limitată. Nerespectarea acestor instrucțiuni poate duce la cădere sau la o utilizare incorectă din cauza vizibilității reduse.
 32. Nu scufundați mașina în bălți de apă.
 33. Îndepărtați frunzele ude sau noroiul care se lipește de gura de aspirație (orificiul de ventilație) din cauza ploii.
 34. Nu folosiți mașina în zăpadă.
 35. Dacă iarba tăiată este umedă, aceasta se poate bloca în mașină. Verificați starea mașinii periodic și eliminați iarba lipită, după caz.
 36. Atunci când mașina este în funcțiune, fiți atenți la conducte și la cabluri.
 37. Nu utilizați o sursă de alimentare cu cablu, cum ar fi un adaptor pentru acumulator sau un bloc de alimentare portabil, cu această mașină. Cablul sursei de alimentare poate împiedica utilizarea și poate duce la vătămări corporale.
- Întreținere și depozitare**
1. Pentru siguranță, înlocuiți componentele uzate sau deteriorate. Utilizați doar piese de schimb și accesorii originale.
 2. Verificați și întrețineți periodic mașina de tuns iarba.
 3. Dacă nu o utilizați, depozitați mașina de tuns iarba departe de zona de acțiune a copiilor.
 4. Mențineți piulițele, bolțurile și șuruburile strânse pentru a vă asigura că echipamentul este în bună stare de funcționare.
 5. Verificați frecvent coșul pentru iarba, pentru a detecta semne de uzură sau deteriorare. Pentru depozitare, asigurați-vă întotdeauna că ați golit coșul pentru iarba. Înlocuiți un coș pentru iarba uzat cu un nou coș de schimb din fabrică pentru siguranță.
 6. Folosiți numai lamele originale ale producătorului specificate în acest manual.
 7. Aveți grijă în timpul reglării mașinii pentru a preveni prinderea degetelor între lamele în mișcare și piesele fixe ale mașinii.
 8. Verificați la intervale frecvente dacă bolțul de montare al lamei este strâns corespunzător.
 9. Lăsați întotdeauna mașina să se răcească înainte de a o depozita.
 10. Când efectuați operațiuni de service asupra lamelor, rețineți că, deși sursa de alimentare este oprită, lamele pot fi mișcate în continuare.

11. **Nu scoateți sau modificați niciodată dispozitivele de siguranță. Verificați periodic funcționarea corespunzătoare a acestora. Nu efectuați niciodată activități care ar putea modifica funcționarea recomandată a unui dispozitiv de siguranță sau ar putea reduce protecția furnizată de un dispozitiv de siguranță.**
12. **Nu lăsați mașina nesupravegheată afară, în ploaie.**
13. **Nu spălați mașina cu jet de apă cu presiune ridicată.**
14. **Când spălați mașina, asigurați-vă că îndepărtați acumulatorul și cheia de blocare și că închideți capacul acumulatorului, și turnați apă înspre partea de jos a mașinii, de care este atașată pânza.**
15. **Atunci când depozitați mașina, evitați expunerea directă a acesteia la lumina soarelui și la ploaie, și amplasați-o într-un loc în care nu se încălzește și nici nu se umezește.**
16. **Efectuați inspecția sau întreținerea într-un loc în care ploaia poate fi evitată.**
17. **După utilizarea mașinii, îndepărtați murdăria acumulată și uscați mașina complet înainte de depozitare. În funcție de anotimp sau de zonă, există riscul unor defecțiuni din cauza înghețului.**

Utilizarea și îngrijirea acumulatorului mașinii

1. **Efectuați reincărcarea numai cu încărcătorul specificat de producător.** Un încărcător adecvat pentru un anumit tip de acumulator poate prezenta risc de incendiu dacă este utilizat cu alt tip de acumulator.
2. **Folosiți mașinile electrice numai cu acumulatorii special destinați acestora.** Utilizarea altor acumulatori poate prezenta risc de rănire și de incendiu.
3. **Când nu folosiți cartușul de acumulatori, țineți-l la distanță de obiecte metalice precum agrafe de birou, monede, chei, cuie, șuruburi sau alte obiecte metalice mici, ce pot constitui o legătură între cele două borne.** Scurtcircuitarea bornelor acumulatorului poate provoca arsuri sau incendii.
4. **În condiții extreme, lichidul poate fi eliminat din acumulator; evitați contactul cu acesta. Dacă intrați în contact accidental, clătiți bine cu apă zona afectată. Dacă lichidul intră în contact cu ochii, consultați și un medic.** Lichidul eliminat din acumulator poate provoca iritații sau arsuri.
5. **Nu utilizați un acumulator sau o unealtă care este avariată sau modificată.** Bateriile avariate sau modificate pot prezenta comportament imprezicibil ce poate cauza incendii, explozii sau risc de rănire.
6. **Nu expuneți un acumulator sau o unealtă la foc sau la temperaturi excesive.** Expunerea la foc sau la temperaturi mai mari de 130 °C poate cauza explozii.
7. **Urmați toate instrucțiunile de încărcare și nu încărcați acumulatorul sau unealta la temperaturi din afara intervalului specificat în instrucțiuni.** Încărcarea incorectă sau la temperaturi din afara intervalului specificat poate cauza deteriorarea bateriei și creșterea riscului de incendiu.

Siguranța electrică și a acumulatorului

1. **Nu aruncați acumulatorul(ii) în foc.** Elementul poate exploda. Consultați codurile locale pentru posibile instrucțiuni speciale privind eliminarea.
2. **Nu deschideți și nu dezmembrați acumulatorul(ii).** Electrolitul eliberat este coroziv și poate cauza afecțiuni ale pielii și ochilor. Acesta poate fi toxic dacă este înghițit.
3. **Nu încărcați bateria în ploaie sau în zone cu umezeală.**
4. **Nu încărcați acumulatorul în exterior.**
5. **Nu manipulați încărcătorul, inclusiv fișa și bornele acestuia, cu mâinile ude.**
6. **Nu înlocuiți acumulatorul pe timp de ploaie.**
7. **Nu umeziți bornele acumulatorului cu lichid precum apă și nu scufundați acumulatorul în apă.** Nu lăsați acumulatorul în ploaie și nu încărcați, nu utilizați sau nu depozitați acumulatorul într-un loc umez sau ud. Dacă bornele se udă sau intră lichid în acumulator, acumulatorul poate fi scurtcircuitat și există riscul de supraîncălzire, ardere sau explozie.
8. **După ce scoateți acumulatorul din mașină sau din încărcător, asigurați-vă că atașați capacul acumulatorului la acumulator și că îl depozitați într-un loc uscat.**
9. **Nu înlocuiți acumulatorul cu mâinile umede.**

Service

1. **Mașina electrică trebuie să fie reparată de un expert, folosind piese identice de schimb.** Astfel se mențin siguranța și fiabilitatea mașinii electrice.
2. **Nu reparați niciodată acumulatorii avariate.** Repararea acumulatorilor trebuie efectuată numai de către producător sau de furnizorii de service autorizați.

PĂSTRAȚI ACESTE INSTRUCȚIUNI.

⚠️ AVERTIZARE: NU permiteți comodității și familiarizării cu produsul (obținute prin utilizare repetată) să înlocuiască respectarea strictă a normelor de securitate pentru acest produs.

FOLOSIREA INCORECTĂ sau nerespectarea normelor de securitate din acest manual de instrucțiuni poate provoca vătămări corporale grave.

Instrucțiuni importante privind siguranța pentru cartușul acumulatorului

1. **Înainte de a folosi cartușul acumulatorului, citiți toate instrucțiunile și atenționările de pe (1) încărcătorul acumulatorului, (2) acumulator și (3) produsul care folosește acumulatorul.**
2. **Nu dezmembrați cartușul acumulatorului.**
3. **Dacă timpul de funcționare s-a redus excesiv, întrerupeți imediat funcționarea.** Aceasta poate prezenta risc de supraîncălzire, posibile arsuri și chiar explozie.
4. **Dacă electrolitul pătrunde în ochi, clătiți bine ochii cu apă curată și consultați imediat un medic.** Există risc de orbire.

5. **Nu scurtcircuitați cartușul acumulatorului:**
 - (1) Nu atingeți bornele cu niciun material conductor.
 - (2) Evitați depozitarea cartușului acumulatorului la un loc cu alte obiecte metalice cum ar fi cuie, monede etc.
 - (3) Nu expuneți cartușul acumulatorului la apă sau ploaie.

Un scurtcircuit al acumulatorului poate provoca un flux puternic de curent electric, supraîncălzire, posibile arsuri și chiar defectarea mașinii.
6. **Nu depozitați mașina și cartușul acumulatorului în spații în care temperatura poate atinge sau depăși 50 °C (122 °F).**
7. **Nu incinerați cartușul acumulatorului chiar dacă acesta este grav deteriorat sau complet uzat. Cartușul acumulatorului poate exploda în foc.**
8. **Aveți grijă să nu scăpați sau să loviți acumulatorul.**
9. **Nu utilizați un acumulator deteriorat.**

10. **Acumulatorii Li-Ion încorporați se supun cerințelor Legislației privind substanțele periculoase.**

Pentru transporturi comerciale, efectuate de exemplu de către părți terțe, expeditori, trebuie respectate cerințele speciale de ambalare și etichetare.

Pentru pregătirea articolului care urmează să fie expedit, este necesară consultarea unui expert în materiale periculoase. Vă rugăm să respectați, de asemenea, reglementările naționale, care pot fi mai detaliate.

Izolați sau acoperiți contactele deschise și împachetați acumulatorul în așa fel încât să nu se poată mișca în ambalaj.

11. **Atunci când eliminați la deșeuri cartușul acumulatorului, scoateți-l din mașină și eliminați-l într-un loc sigur. Respectați normele naționale privind eliminarea la deșeuri a acumulatorului.**
12. **Utilizați acumuloarele numai cu produsele specificate de Makita. Instalarea acumuloarelor în produse neconforme poate cauza incendii, căldură excesivă, explozii sau scurgeri de electrolit.**
13. **Dacă mașina nu este utilizată o perioadă lungă de timp, acumulatorul trebuie scos din acesta.**

PĂSTRAȚI ACESTE INSTRUCȚIUNI.

ATENȚIE: Folosiți numai acumulatori Makita originali. Acumulatorii Makita care nu sunt originali și acumulatorii care au suferit modificări se pot aprinde, provocând incendii, leziuni corporale și daune. De asemenea, anulează garanția oferită de Makita pentru unealta și încărcătorul Makita.

Sfaturi pentru obținerea unei durate maxime de exploatare a acumulatorului

1. **Încărcați cartușul acumulatorului înainte de a se descărca complet. Întrerupeți întotdeauna funcționarea mașinii și încărcați cartușul acumulatorului când observați o scădere a puterii mașinii.**
2. **Nu reîncărcați niciodată un acumulator complet încărcat. Supraîncărcarea va scurta durata de exploatare a acumulatorului.**
3. **Încărcați cartușul acumulatorului la temperatura camerei, între 10 °C - 40 °C (50 °F - 104 °F). Lăsați un acumulator fierbinte să se răcească înainte de a-l încărca.**
4. **Încărcați cartușul acumulatorului în cazul în care nu a fost utilizat pe o perioadă mai lungă (mai mult de șase luni).**

ASAMBLARE

AVERTIZARE: Aveți grijă întotdeauna să scoateți cheia de blocare și cartușul de acumulator înainte de a efectua orice activitate cu mașina de tuns iarba. Dacă nu scoateți cheia de blocare și cartușul de acumulator, puteți suferi leziuni corporale grave din cauza pornirii accidentale.

AVERTIZARE: Nu porniți niciodată mașina dacă aceasta nu este complet asamblată. Utilizarea mașinii care este asamblată numai parțial poate provoca accidentări grave cauzate de pornirea accidentală.

Montarea mânerului

NOTĂ: Atunci când montați mânere, poziționați cablurile astfel încât acestea să nu se agațe în niciun obiect între mânere. Este posibil ca mașina să nu pornească dacă este deteriorat cablul.

1. Aliniați orificiile din mânerul inferior și orificiile de pe corpul mașinii de tuns iarba, apoi strângeți temporar 4 șuruburi.

► Fig.1: 1. Mâner inferior 2. Șurub

2. Strângeți ferm cele 4 șuruburi care au fost strânse temporar în etapa 1 folosind o cheie inelară de 13.

3. Aliniați orificiul din mânerul inferior cu orificiul din mânerul superior, apoi introduceți șuruburile dinspre interior și după aceea strângeți piulița din exterior folosind o cheie inelară de 13. Reluați aceeași procedură pe cealaltă parte.

► Fig.2: 1. Bolț 2. Mâner inferior 3. Piuliță 4. Orificiu 5. Mâner superior

ATENȚIE: Țineți cu fermitate mânerul superior astfel încât să nu vă scape din mână. În caz contrar, mânerul poate cădea, cauzând accidentări.

4. Atașați suporturile de mâner.

Aliniați proeminențele de pe suport cu orificiile de pe mâner, astfel încât proeminențele să poată pătrunde în orificii. Poziționați cablurile ca în figură.

► **Fig.3:** 1. Cablu 2. Suport

Scoaterea accesoriului de mulcire

1. Deschideți capacul posterior.

► **Fig.4:** 1. Capac posterior

2. Îndepărtați accesoriul de mulcire ținând apăsată pârghia.

► **Fig.5:** 1. Pârghie 2. Accesoriu de mulcire

Montarea sau demontarea coșului pentru iarbă

Pentru a monta coșul pentru iarbă, urmați pașii de mai jos.

1. Deschideți capacul posterior.

► **Fig.6:** 1. Capac posterior

2. Țineți mânerul coșului pentru iarbă și apoi conectați coșul la tija corpului mașinii de tuns iarba, așa cum se arată în figură.

► **Fig.7:** 1. Tijă 2. Mâner 3. Coș pentru iarbă

Pentru a îndepărta coșul pentru iarbă, deschideți capacul din spate, apoi scoateți coșul pentru iarbă ținând de mâner.

Montarea accesoriului de mulcire

1. Deschideți capacul posterior, iar apoi demontați coșul pentru iarbă.

► **Fig.8:** 1. Capac posterior 2. Coș pentru iarbă

2. Atașați accesoriul de mulcire ținând apăsată pârghia, iar apoi eliberați pârghia pentru a bloca accesoriul de mulcire.

► **Fig.9:** 1. Pârghie 2. Accesoriu de mulcire

Atașarea accesoriului pentru descărcare

Pentru DLM530/DLM532

1. Deschideți capacul posterior, iar apoi demontați coșul pentru iarbă.

► **Fig.10:** 1. Capac posterior 2. Coș pentru iarbă

2. Atașați accesoriul de mulcire ținând apăsată pârghia, iar apoi eliberați pârghia pentru a bloca accesoriul de mulcire.

► **Fig.11:** 1. Pârghie 2. Accesoriu de mulcire

3. Deschideți capacul din dreapta, apoi atașați accesoriul pentru descărcare.

Introduceți cârligele accesoriului pentru descărcare sub tija capacului din dreapta.

► **Fig.12:** 1. Capac dreapta 2. Accesoriu pentru descărcare

DESCRIEREA FUNCȚIILOR

Instalarea sau scoaterea cartușului acumulatorului

⚠ATENȚIE: Întotdeauna opriți mașina înainte de montarea sau demontarea cartușului acumulatorului.

⚠ATENȚIE: Țineți ferm mașina și cartușul acumulatorului la instalarea sau scoaterea cartușului acumulatorului. În caz contrar, acestea vă pot aluneca din mâini, ceea ce poate conduce la defectarea mașinii și a cartușului acumulatorului, precum și la vătămări corporale.

⚠ATENȚIE: Asigurați-vă că blocați capacul acumulatorului înainte de utilizare. În caz contrar, noroiul, murdăria sau apa pot cauza defectarea produsului sau a cartușului de acumulator.

⚠ATENȚIE: Introduceți întotdeauna complet cartușul acumulatorului, până când indicatorul roșu nu mai este vizibil. În caz contrar, acesta poate cădea accidental din mașină, provocând rănirea dumneavoastră sau a persoanelor din jur.

⚠ATENȚIE: Nu forțați cartușul acumulatorului la montare. Dacă acesta nu glisează ușor, înseamnă că a fost introdus incorect.

NOTĂ: Mașina nu funcționează doar cu un singur cartuș de acumulator.

Pentru montarea cartușului de acumulator:

1. Trageți în sus de pârghia de blocare și apoi deschideți capacul acumulatorului.

► **Fig.13:** 1. Capacul acumulatorului 2. Pârghie de blocare

2. Aliniați limba de pe cartușul acumulatorului cu orificiul mașinii, apoi glisați cartușul până când se fixează în poziție cu un clic.

► **Fig.14:** (1) Port pentru acumulator 1 (2) Port pentru acumulator 2 (3) Cartușul acumulatorului

NOTĂ: Montați cel puțin 2 cartușe de acumulator la portul pentru acumulator 1 sau la portul pentru acumulator 2.

3. Introduceți cheia de blocare în locul indicat în figură până la capăt.

► **Fig.15:** 1. Cheie de blocare

4. Închideți capacul de acumulator și apăsați pe el până când se cuplează cu pârghia de blocare.

Pentru demontarea cartușului de acumulator:

1. Trageți în sus de pârghia de blocare și deschideți capacul acumulatorului.

2. Trageți cartușul acumulatorului din mașină în timp ce glisați butonul de pe partea frontală a cartușului.

3. Scoateți cheia de blocare.

4. Închideți capacul de acumulator.

Înlocuirea cartușelor acumulatorului

► **Fig.16:** 1. Comutator de selecție a acumulatorului

Mașina utilizează concomitent 2 cartușe de acumulator pentru a funcționa. Pe mașină pot fi montate până la 4 cartușe de acumulator. Înainte de a utiliza mașina, selectați portul pentru acumulator 1 sau portul pentru acumulator 2 prin rotirea comutatorului de selecție a acumulatorului.

NOTĂ: Dacă pe mașină sunt montate numai 2 cartușe de acumulator, asigurați-vă că selectați portul pentru acumulator la care sunt montate cartușele, utilizând comutatorul de selecție a acumulatorului.

Sistem de protecție mașină/acumulator

Mașina este prevăzută cu un sistem de protecție a mașinii/acumulatorului. Acest sistem întrerupe automat alimentarea motorului pentru a extinde durata de funcționare a mașinii și a acumulatorului. Mașina se va opri automat în timpul funcționării dacă mașina sau acumulatorul se află într-una dintre situațiile următoare:

Protecție la suprasarcină

Atunci când acumulatorul este utilizat într-un mod care cauzează un consum de curent neobișnuit de ridicat, mașina se va opri automat și indicatorul sursei de alimentare principală emite o lumină verde intermitentă. În această situație, opriți mașina și întrerupeți aplicația care a dus la suprasolicitarea mașinii. Apoi, reporniți mașina.

Protecție la supraîncălzire

Dacă mașina sau acumulatorul se supraîncălzește, mașina se oprește automat și indicatorul sursei de alimentare emite o lumină roșie. În acest caz, lăsați mașina și acumulatorul să se răcească înainte de a reporni mașina.

Protecție la supradescărcare

În cazul în care capacitatea acumulatorului nu este suficientă, mașina se oprește automat și indicatorul sursei de alimentare emite o lumină roșie intermitentă. În acest caz, scoateți acumulatorul din mașină și încărcați cartușele acumulatorului sau schimbați cartușele acumulatorului cu unele complet încărcate.

Indicarea capacității rămase a acumulatorului

Numai pentru cartușe de acumulator cu indicator

► **Fig.17:** 1. Lămpi indicatoare 2. Buton de verificare

Apăsăți butonul de verificare de pe cartușul acumulatorului, astfel încât să se indice capacitățile rămase ale acumulatorului. Lămpile indicatorului vor lumina timp de câteva secunde.

Lămpi indicatoare			Capacitate rămasă
Iluminat	Oprit	Iluminare intermitentă	
■ ■ ■ ■			între 75% și 100%
■ ■ ■ □			între 50% și 75%
■ ■ □ □			între 25% și 50%
■ □ □ □			între 0% și 25%
▬ □ □ □			Încărcați acumulatorul.
■ ■ □ □			Este posibil ca acumulatorul să fie defect.
□ □ ■ ■			

NOTĂ: În funcție de condițiile de utilizare și temperatura ambientală, indicația poate fi ușor diferită de capacitatea reală.

Panou de control

Panoul de control conține întrerupătorul de alimentare principal, butonul de comutare a modurilor și indicatorul pentru capacitatea rămasă a acumulatorului.

► **Fig.18:** 1. Indicator acumulator 2. Indicator de comutare a modurilor 3. Indicator alimentare principală 4. Buton de verificare 5. Buton de comutare a modurilor 6. Întrerupător de alimentare principal

Întrerupător de alimentare principal

⚠️ AVERTIZARE: Opriti întotdeauna întrerupătorul de alimentare principal atunci când nu utilizați unealta.

Pentru a porni mașina, apăsați întrerupătorul de alimentare principal. Indicatorul de alimentare principal emite o lumină verde. Pentru a opri mașina, apăsați din nou întrerupătorul de alimentare principal.

NOTĂ: Dacă indicatorul sursei de alimentare emite o lumină roșie sau o lumină roșie sau verde intermitentă, consultați instrucțiunile sistemului de protecție a mașinii/acumulatorului.






NOTĂ: Această mașină este dotată cu funcția de oprire automată. Pentru a evita pornirea neintenționată, întrerupătorul de alimentare principal se va închide automat dacă pârghia de comutare și pârghia de acționare (dacă există ca dotare) nu sunt trase pentru o anumită perioadă de timp după pornirea acestuia.

Buton de comutare a modurilor

Puteți schimba modul de operare apăsând butonul de comutare a modurilor. La pornirea mașinii, este activat modul normal. Când apăsați pe butonul de comutare a modurilor, mașina trece la modul de reducere a zgomotului și indicatorul de comutare a modurilor emite o lumină verde. În modul de reducere a zgomotului, puteți diminua zgomotul din timpul tăierii ierbii. Dacă apăsați din nou butonul de comutare a modurilor, mașina revine la modul normal.

Indicarea capacității rămase a acumulatorului

Apăsați butonul de verificare pentru indicarea capacității rămase a acumulatorului. Indicatoarele de acumulator corespund fiecărui acumulator.

Stare indicator acumulator		Capacitatea rămasă a acumulatorului
 Pornit	 Oprit	
		50% - 100%
		20% - 50%
		0% - 20%

NOTĂ: Lampa indicatoare pentru capacitatea rămasă a bateriei este doar pentru referință. Capacitatea efectivă a acumulatorului poate varia în funcție de condițiile de utilizare.

NOTĂ: Înainte de a apăsa butonul de verificare pentru a consulta capacitatea rămasă a acumulatorului, opriți mașina.

Acționarea întrerupătorului

⚠️ AVERTIZARE: Înainte de a instala cartușul acumulatorului, verificați întotdeauna dacă pârghia de comutare funcționează corect și revine în poziția inițială după ce este eliberată. Utilizarea mașinii cu un comutator care nu funcționează corect poate duce la pierderea controlului și la accidente grave.

NOTĂ: Mașina de tuns iarba nu pornește fără a apăsa pe butonul de comutare chiar dacă levierul schimbătorului de viteză este tras.

NOTĂ: Este posibil ca mașina de tuns iarba să nu pornească din cauza supraîncălzirii atunci când încercați să tundeți iarbă înaltă sau deasă dintr-o dată. În acest caz, măriți înălțimea de tundere.

Această mașină de tuns iarba este prevăzută cu o cheie de blocare și cu un comutator cu mâner. Dacă observați ceva neobișnuit la cheia de blocare sau la comutator, opriți imediat funcționarea și solicitați verificarea acestora de către cel mai apropiat Centru de service autorizat Makita.

Pentru DLM462/DLM532

1. Montați cartușele de acumulator. Introduceți cheia de blocare și apoi închideți capacul acumulatorului.
2. Selectați cartușele de acumulator utilizate pentru operație prin rotirea comutatorului de selecție a acumulatorului.
3. Apăsați întrerupătorul de alimentare principal.
4. Trageți pârghia de comutare spre dumneavoastră în timp ce țineți apăsat butonul comutator. Eliberați butonul comutator de îndată ce motorul începe să funcționeze.

► Fig.19: 1. Buton comutator 2. Levier de comutare

NOTĂ: În cazul în care cheia de blocare nu este introdusă, indicatorul de alimentare emite o lumină verde atunci când trageți de pârghia de comutare.

5. În timp ce țineți pârghia de comutare, împingeți pârghia de acționare în față și mențineți-o în această poziție pentru a acționa roțile din spate.

► Fig.20: 1. Pârghie de acționare

NOTĂ: Puteți acționa roțile din spate împingând pârghia de acționare în față și menținând-o în această poziție, fără a trage pârghia de comutare.

6. Pentru a opri mașina, eliberați pârghia de acționare și pârghia de comutare.

Pentru DLM530

1. Montați cartușele de acumulator. Introduceți cheia de blocare și apoi închideți capacul acumulatorului.
2. Selectați cartușele de acumulator utilizate pentru operație prin rotirea comutatorului de selecție a acumulatorului.
3. Apăsați întrerupătorul de alimentare principal.
4. Trageți pârghia de comutare spre dumneavoastră în timp ce țineți apăsat butonul comutator. Eliberați butonul comutator de îndată ce motorul începe să funcționeze.

► Fig.21: 1. Buton comutator 2. Levier de comutare

NOTĂ: În cazul în care cheia de blocare nu este introdusă, indicatorul de alimentare emite o lumină verde atunci când trageți de pârghia de comutare.

5. Eliberați pârghia de comutare pentru a opri motorul.

Reglarea înălțimii de tundere a ierbii

⚠️ AVERTIZARE: Nu țineți niciodată mâna sau piciorul sub mașină atunci când reglați înălțimea de tundere a ierbii.

⚠️ AVERTIZARE: Asigurați-vă întotdeauna că pârghia se potrivește corect în canelură înainte de funcționare.

Înălțimea de tundere a ierbii poate fi reglată în intervalul 20 mm și 100 mm.

Scoateți cheia de blocare și trageți maneta de reglare a înălțimii de tundere în exteriorul corpului mașinii de tuns, reglând-o la înălțimea de tuns dorită.

► **Fig.22:** 1. Manetă de reglare a înălțimii de tundere a ierbii

Tabelul de mai jos prezintă relația dintre numărul de pe corpul mașinii de tuns iarba și înălțimea aproximativă de tăiere a ierbii.

Număr	Înălțimea de tăiere a ierbii
1	20 mm
2	26 mm
3	32 mm
4	39 mm
5	47 mm
6	55 mm
7	63 mm
8	74 mm
9	86 mm
10	100 mm

Țineți mânerul frontal sau inferior cu o mână și apoi deplasați maneta de reglare a înălțimii de tundere a ierbii cu cealaltă mână.

► **Fig.23:** 1. Manetă de reglare a înălțimii de tundere a ierbii 2. Mâner inferior 3. Mâner frontal

NOTĂ: Figurile care ilustrează înălțimea de tundere a ierbii se folosesc doar ca indicație orientativă. În funcție de iarba sau de sol, înălțimea efectivă a ierbii poate fi ușor diferită de înălțimea setată.

NOTĂ: Încercați ca test să tundeți iarba într-un loc mai puțin vizibil pentru a obține înălțimea dorită.

Indicator nivel iarba

Indicatorul nivelului ierbii indică volumul ierbii tunse. Când coșul pentru iarba nu este plin, indicatorul se mișcă în timp ce pânzele mașinii de tuns iarba sunt în funcțiune.

► **Fig.24:** 1. Indicator nivel iarba

Când coșul pentru iarba este aproape plin, indicatorul nu se mișcă în timp ce pânzele mașinii de tuns iarba sunt în funcțiune. În acest caz, opriți imediat operația și goliți coșul.

► **Fig.25:** 1. Indicator nivel iarba

NOTĂ: Acest indicator este un ghidaj aproximativ. În funcție de condițiile din interiorul coșului, este posibil ca acest indicator să nu funcționeze corect.

Reglarea înălțimii mânerului

ATENȚIE: Înainte de a scoate șuruburile, strângeți ferm mânerul superior. În caz contrar, mânerul poate cădea, cauzând accidentări.

Înălțimea mânerului poate fi reglată la două niveluri.

1. Scoateți șuruburile superioare ale mânerului inferior cu ajutorul unei chei inelare de 13, apoi slăbiți șuruburile inferioare.

► **Fig.26:** 1. Șurub superior 2. Șurub inferior

2. Reglați înălțimea mânerului și apoi strângeți ferm șuruburile superioare și inferioare.

Reglarea vitezei de deplasare

Pentru DLM462/DLM532

► **Fig.27:** 1. Pârghie de viteză

Viteza de deplasare poate fi reglată cu ajutorul pârghiei de viteză. Pentru a reduce viteza, trageți pârghia spre dumneavoastră și pentru a crește viteza, rotiți pârghia în față.

Utilizarea accesoriului de mulcire

Accesoriul de mulcire vă permite să readeceți iarba tăiată pe sol fără a strânge iarba tăiată în coșul pentru iarba. Atunci când utilizați mașina cu accesoriul de mulcire, aveți grijă să demontați coșul pentru iarba.

NOTĂ: Atunci când utilizați mașina cu accesoriul de mulcire, aveți grijă ca lungimea totală a ierbii să fie de cel puțin 30 mm sau lungimea de tăiere să fie de cel mult 15 mm.

► **Fig.28:** (1) 30 mm (2) 15 mm

Utilizarea accesoriului pentru descărcare

Pentru DLM530/DLM532

Accesoriul pentru descărcare vă permite să descărcați iarba tăiată pe sol din partea dreaptă a utilajului fără a strânge iarba tăiată în coșul pentru iarba. Atunci când acționați mașina cu accesoriul pentru descărcare, aveți grijă să montați accesoriul de mulcire și să demontați coșul pentru iarba.

Funcție electronică

Mașina este echipată cu funcții electronice pentru o utilizare facilă.

- Controlul constant al vitezei de rotație a pânzei Control electronic al vitezei pentru obținerea unei viteze constante. Permite obținerea unei finisări de calitate, deoarece viteza de rotație este menținută constantă chiar și în condiții de sarcină.
- Pornire lină la acționare Funcția de pornire lină minimizează șocul de pornire și permite o pornire lină a mașinii.
- Frână electrică Această mașină este echipată cu frână electrică. Dacă în repetate rânduri mașina nu oprește rapid pânzele după eliberarea pârghiei de comutare, solicitați repararea acesteia de către cel mai apropiat Centru de service autorizat Makita.

OPERAREA

Tunderea ierbii

⚠️ AVERTIZARE: Înainte de a tunde iarba, degațați zona de utilizare de bețe și pietre. De asemenea, îndepărtați în prealabil eventualele buruieni din zona de utilizare.

⚠️ AVERTIZARE: Purtați întotdeauna ochelari de protecție speciali sau ochelari de protecție cu apărători laterale atunci când operați mașina.

⚠️ ATENȚIE: Dacă iarba tăiată sau un obiect străin blochează mașina de tuns la interior, asigurați-vă că scoateți cheia de blocare și cartușul acumulatorului și că purtați mănuși înainte de a îndepărta iarba sau obiectul străin.

NOTĂ: Folosiți această mașină numai pentru tunderea gazonului. Nu tundeți buruieni cu această mașină.

► Fig.29

Țineți ferm mânerul cu ambele mâini în timpul lucrului. Viteza de lucru indicată orientativ este de circa 7 până la 14 metri la 10 secunde.

► Fig.30

Liniiile centrale ale roților din față arată care este lățimea de tundere. Utilizând liniiile centrale ca reper, tundeți iarba în benzi. Suprapuneți benzile cu o jumătate până la o treime din banda anterioară pentru a tunde uniform gazonul.

► Fig.31: 1. Lățime de tundere 2. Zonă de suprapunere 3. Linie centrală

Schimbați direcția de tundere de fiecare dată pentru ca modelul ierbii să nu se formeze într-o singură direcție.

► Fig.32

Verificați periodic cantitatea de iarba din coș. Goliți coșul înainte de a se umple. Înaintea fiecărei verificări periodice, aveți grijă să opriți mașina de tuns iarba și să scoateți cheia de blocare și cartușul de acumulator.

NOTĂ: Folosirea mașinii de tuns iarba cu un coș plin nu permite rotirea lină a pânzei și plasează o sarcină suplimentară asupra motorului, ceea ce poate cauza avarierea acestuia.

Tunderea unui gazon cu iarba înaltă

Nu încercați să tăiați iarba înaltă dintr-o singură încercare. În schimb, tundeți-o în etape. Lăsați o zi sau două între tunderi ca firele de iarba să ajungă la aceeași înălțime.

► Fig.33

NOTĂ: Tunderea ierbii înalte la o înălțime mică dintr-o singură încercare poate cauza ofilirea ierbii. De asemenea, iarba tăiată se poate bloca în mașină.

Golirea coșului pentru iarba

⚠️ AVERTIZARE: Pentru a reduce riscul de accident, verificați regulat coșul pentru iarba pentru a detecta eventuale defecțiuni sau rezistență slabită. Înlocuiți coșul pentru iarba dacă este necesar.

1. Eliberați pârghia de comutare și pârghia de acționare (pentru DLM462/DLM532) sau eliberați pârghia de comutare (pentru DLM530).
2. Scoateți cheia de blocare.
3. Deschideți capacul posterior și scoateți coșul pentru iarba ținându-l de mâner.
► Fig.34: 1. Capac posterior 2. Mâner 3. Coș pentru iarba
4. Goliți coșul pentru iarba.

ÎNTREȚINERE

⚠️ AVERTIZARE: Aveți întotdeauna grijă să scoateți cheia de blocare și cartușul acumulatorului din mașină înainte de depozitarea ori transportarea acesteia, sau înainte de a încerca să efectuați o inspecție sau o activitate de întreținere.

⚠️ AVERTIZARE: Scoateți întotdeauna cheia de blocare atunci când nu folosiți mașina. Păstrați cheia de blocare într-un loc sigur și nu la îndemâna copiilor.

⚠️ AVERTIZARE: Purtați mănuși atunci când efectuați o inspecție sau activitate de întreținere.

⚠️ AVERTIZARE: Purtați întotdeauna ochelari de protecție speciali sau ochelari de protecție cu apărători laterale atunci când efectuați o inspecție sau o activitate de întreținere.

NOTĂ: Nu utilizați niciodată gazolină, benzină, diluant, alcool sau alte substanțe asemănătoare. În caz contrar, pot rezulta decolorări, deformări sau fisuri.

Pentru a menține SIGURANȚA și FIABILITATEA produsului, reparațiile și orice alte lucrări de întreținere sau reglare trebuie executate de centre de service Makita autorizate sau proprii, folosind întotdeauna piese de schimb Makita.

Întreținere

1. Scoateți cheia de blocare și cartușele acumulatorului și apoi închideți capacul acumulatorului.
2. Așezați mașina de tuns iarba pe o parte, astfel încât maneta de reglare a înălțimii de tundere a ierbii să fie plasată pe partea de sus. Curățați bucațile de iarba tăiată care s-au acumulat pe partea de dedesubt a punții mașinii.
3. Turnați apă înspre partea de jos a mașinii, de care este atașată pânza.

NOTĂ: Nu spălați mașina cu jet de apă cu presiune ridicată.

4. Verificați dacă toate piulițele, bolțurile, șuruburile etc. sunt bine strânse.

5. Inspectați piesele mobile pentru a detecta eventuale deteriorări, rupturi și semne de uzură. Piesele deteriorate sau lipsă trebuie să fie reparate sau înlocuite.

6. Depozitați mașina într-un loc sigur, departe de accesul copiilor.

Pentru DLM462/DLM532

NOTĂ: Nu turnați apă în zonă, după cum se arată în figură. Contactul blocului motor cu apa poate cauza o defecțiune a mașinii.

► **Fig.35:** 1. Zonă în care apa nu trebuie să pătrundă

Transportarea mașinii de tuns iarbă

Când transportați mașina de tuns iarbă, două persoane trebuie să țină mânerul frontal și cel posterior, după cum se arată în figură.

► **Fig.36:** 1. Mâner frontal 2. Mâner posterior

Depozitare

Depozitați mașina în interior, într-un loc uscat, răcoros și încluiat. Nu depozitați mașina de tuns iarbă și încărcătorul în locuri în care temperatura poate atinge sau depăși 40 °C.

Demontarea sau montarea pânzei

⚠️ AVERTIZARE: Lama își continuă mișcarea inertială timp de câteva secunde după eliberarea comutatorului. Nu efectuați nicio operațiune până când lama nu se oprește complet.

⚠️ AVERTIZARE: Scoateți întotdeauna cheia de blocare și cartușul de acumulator atunci când montați sau demontați lama. Dacă nu scoateți cheia de blocare și cartușul de acumulator, puteți suferi leziuni corporale grave.

⚠️ AVERTIZARE: Purtați întotdeauna mănuși atunci când manipulați lama.

Scoaterea pânzei mașinii de tuns iarba

Pentru modelele echipate cu pânza mașinii de tuns iarba dreaptă

1. Așezați mașina de tuns iarba pe o parte, astfel încât maneta de reglare a înălțimii de tundere a ierbii să fie plasată pe partea de sus.

2. Pentru a bloca pânza, introduceți un știft într-un orificiu de pe corpul mașinii de tuns iarba.

3. Slăbiți bolțul în sens antiorar cu o cheie inelară de 17.

► **Fig.37:** 1. Pânza mașinii de tuns iarba 2. Știft 3. Cheie inelară

4. Scoateți mai întâi șurubul, apoi pânza mașinii de tuns iarba.

► **Fig.38:** 1. Suportul pânzei 2. Pânza mașinii de tuns iarba 3. Șurub 4. Proeminență

NOTĂ: Când instalați pânza mașinii de tuns iarba, asigurați-vă că proeminențele de pe suportul pânzei intră în orificiile de pe pânză.

Pentru modelele echipate cu pânză cu balans

1. Așezați mașina de tuns iarba pe o parte, astfel încât maneta de reglare a înălțimii de tundere a ierbii să fie plasată pe partea de sus.

2. Pentru a bloca placa de bază, introduceți știftul într-un orificiu de pe corpul mașinii de tuns iarba printr-un orificiu de pe placa de bază.

3. Slăbiți bolțul în sens antiorar cu o cheie inelară de 17.

► **Fig.39:** 1. Știft 2. Placă de bază 3. Cheie inelară

4. Scoateți mai întâi șurubul, apoi placa de bază.

► **Fig.40:** 1. Suportul pânzei 2. Placă de bază 3. Șurub 4. Proeminență

NOTĂ: Când montați pânzele mașinii de tuns iarba, asigurați-vă că proeminențele de pe suportul pânzei intră în orificiile de pe placa de bază.

5. Pentru a scoate fiecare pânză a mașinii de tuns iarba, întoarceți șurubul în sens antiorar cu ajutorul cheii inelare de 17, ținând placa de bază.

► **Fig.41:** 1. Placă de bază 2. Pânză mașină de tuns iarba 3. Cheie inelară

6. Scoateți pe rând piulița, șaiba, șaiba elastică, pânza mașinii de tuns iarba și bolțul.

► **Fig.42:** 1. Orificiu pentru bolț 2. Bolț 3. Pânza mașinii de tuns iarba 4. Șaibă elastică 5. Șaibă 6. Piuliță

NOTĂ: Când strângeți piulițele pentru a instala fiecare pânză a mașinii de tuns iarba, aplicați un cuplu de strângere de 30 N•m.

NOTĂ: Atunci când montați fiecare pânză a mașinii de tuns iarba, asigurați-vă că fixați șaiba elastică în direcția indicată în figură.

NOTĂ: Atunci când montați fiecare pânză a mașinii de tuns iarba, asigurați-vă că introduceți bolțurile în orificiile pentru bolțuri indicate în figură.

Montarea pânzei mașinii de tuns iarba

⚠️ AVERTIZARE: Montați pânza mașinii de tuns iarba cu grijă. Are o față și un dos.

⚠️ AVERTIZARE: Strângeți cu putere bolțul în sens orar pentru a fixa lama.

⚠️ AVERTIZARE: Verificați dacă pânza mașinii de tuns iarba și toate componentele de fixare sunt montate corect și strânse bine.

⚠️ AVERTIZARE: Atunci când înlocuiți lamele, respectați instrucțiunile din acest manual.

NOTĂ: După montarea pânzelor mașinii de tuns iarba, scoateți știftul din corpul mașinii de tuns iarba.

Pentru a monta pânzele mașinii de tuns iarba, efectuați în ordine inversă operațiile de demontare.

DEPANARE

Înainte de a solicita reparații, efectuați mai întâi propria inspecție. Dacă detectați o problemă care nu este explicată în manual, nu încercați să dezasamblați mașina. În schimb, adresați-vă Centrelor de service autorizate Makita, utilizând întotdeauna piese de schimb Makita pentru reparații.

Stare de anormalitate	Cauză probabilă (defecțiune)	Remediu
Mașina de tuns iarba nu pornește.	Două cartușe de acumulator nu sunt montate.	Montați două cartușe de acumulator încărcate.
	Problema cu acumulatorul (tensiune scăzută)	Reîncărcați cartușul acumulatorului. Dacă reîncărcarea nu este eficientă, înlocuiți cartușul acumulatorului.
	Cheia de blocare nu este introdusă.	Introduceți cheia de blocare.
Motorul se oprește din funcționare după puțin timp.	Comutatorul de selecție a acumulatorului nu este în poziția corectă.	Selecționați portul pentru acumulator pe care sunt instalate cartușele de acumulator cu ajutorul comutatorului de selecție a acumulatorului.
	Nivelul de încărcare al acumulatorului este redus.	Reîncărcați cartușul acumulatorului. Dacă reîncărcarea nu este eficientă, înlocuiți cartușul acumulatorului.
	Înălțimea de tăiere setată este prea joasă.	Creșteți înălțimea de tăiere.
Motorul nu atinge turația maximă (RPM).	Mașina s-a înfundat cu iarba tunsă.	Scoateți iarba tunsă blocată în mașina de tuns iarba.
	Cartușul acumulatorului este instalat necorespunzător.	Montați cartușul de acumulator în modul descris în acest manual.
	Puterea acumulatorului se reduce.	Reîncărcați cartușul acumulatorului. Dacă reîncărcarea nu este eficientă, înlocuiți cartușul acumulatorului.
Pânza mașinii de tuns iarba nu se rotește: ⇒ opriți imediat mașina de tuns iarba!	Sistemul de acționare nu funcționează corect.	Solicitați centrului de service autorizat local efectuarea reparațiilor.
	Un obiect străin, precum o creangă, s-a înțepenit în apropiere de lamă.	Îndepărtați obiectul străin.
Vibrații anormale: ⇒ opriți imediat mașina de tuns iarba!	Sistemul de acționare nu funcționează corect.	Solicitați centrului de service autorizat local efectuarea reparațiilor.
	Lama este dezechilibrată sau uzată excesiv sau neuniform.	Înlocuiți lama.

ACCESORII OPȚIONALE

⚠️ ATENȚIE: Folosiți accesoriile sau piesele auxiliare recomandate pentru mașina dumneavoastră Makita în acest manual. Utilizarea altor accesorii sau piese auxiliare poate prezenta risc de accidentări. Utilizați accesoriile sau piesele auxiliare numai în scopul destinat.

Dacă aveți nevoie de asistență sau de mai multe detalii referitoare la aceste accesorii, adresați-vă centrului local de service Makita.

- Pânza mașinii de tuns iarba
- Acumulator și încărcător original Makita

NOTĂ: Unele articole din listă pot fi incluse ca accesorii standard în ambalajul produsului. Acestea pot diferi în funcție de țară.

TECHNISCHE DATEN

Modell:		DLM462	DLM530	DLM532
Mähbreite (Messerdurchmesser)		460 mm	534 mm	
Leerlaufdrehzahl		2.500 min ⁻¹	2.300 min ⁻¹	
Maximaldrehzahl		3.300 min ⁻¹	2.800 min ⁻¹	
Teilenummer des Ersatz-Mähermessers	Gerades Mähermesser	191D51-9	191D52-7	
	Rückschwenk-Mähermesser *1	191D49-6	191D50-1	
	Rückschwenk-Mähermesser *2	191D47-0	191D48-8	
Abmessungen (L x B x H)		L: 1.610 mm bis 1.690 mm B: 535 mm H: 980 mm bis 1.095 mm	L: 1.630 mm bis 1.715 mm B: 590 mm H: 990 mm bis 1.095 mm	
Fahrgeschwindigkeit		2,5 - 5,0 km/h	-	2,5 - 5,0 km/h
Nennspannung		36 V Gleichstrom		
Nettogewicht	Wenn gerades Mähermesser montiert ist	35,3 - 39,0 kg	35,5 - 39,3 kg	39,0 - 42,8 kg
	Wenn Rückschwenk-Mähermesser montiert sind	36,0 - 39,7 kg	36,2 - 40,0 kg	39,7 - 43,5 kg
Schutzgrad		IPX4		

*1. Grundplatte und individuelle Mähermesser.

*2. Nur individuelle Mähermesser.

- Wir behalten uns vor, Änderungen der technischen Daten im Zuge der Entwicklung und des technischen Fortschritts ohne vorherige Ankündigung vorzunehmen.
- Die technischen Daten können von Land zu Land unterschiedlich sein.
- Das Gewicht kann abhängig von dem Aufsatz (den Aufsätzen), einschließlich des Akkus, unterschiedlich sein. Die leichteste und die schwerste Kombination, gemäß dem EPTA-Verfahren 01/2014, sind in der Tabelle angegeben.

Zutreffende Akkus







BL1815N / BL1820 / BL1820B / BL1830 / BL1830B / BL1840 / BL1840B / BL1850 / BL1850B / BL1860B

- Einige der oben aufgelisteten Akkus sind je nach Ihrem Wohngebiet eventuell nicht erhältlich.

⚠️ WARNUNG: Verwenden Sie nur die oben aufgeführten Akkus. Bei Verwendung irgendwelcher anderer Akkus besteht Verletzungs- und/oder Brandgefahr.

Symbole

Nachfolgend werden die für das Gerät verwendeten Symbole beschrieben. Machen Sie sich vor der Benutzung mit ihrer Bedeutung vertraut.

	Besondere Umsicht und Aufmerksamkeit erforderlich.
	Betriebsanleitung lesen.
	Gefahr durch herausgeschleuderte Objekte.
	Der Abstand zwischen dem Werkzeug und Umstehenden sollte mindestens 15 m betragen.
	Halten Sie niemals Ihre Hände und Füße in die Nähe des Messers unter dem Mäher. Die Messer drehen sich nach dem Ausschalten des Motors noch weiter.
	Entfernen Sie den Sperrschlüssel, bevor Sie den Mäher überprüfen, einstellen, reinigen, warten, verlassen und lagern.



Elektrische Gefährdung. Kontakt mit Wasser kann einen elektrischen Schlag verursachen.



Nicht mit Wasser übergießen.



Nur für EU-Länder
Werfen Sie Elektrogeräte oder Akkus nicht in den Hausmüll!
Unter Einhaltung der Europäischen Richtlinie über Elektro- und Elektronik-Altgeräte, Batterien, Akkus sowie verbrauchte Batterien und Akkus und ihre Umsetzung gemäß den Landesgesetzen müssen Elektrogeräte und Batterien bzw. Akkus, die das Ende ihrer Lebensdauer erreicht haben, getrennt gesammelt und einer umweltgerechten Recycling-Einrichtung zugeführt werden.

Vorgesehene Verwendung

Die Maschine ist für Rasenmähen vorgesehen.

Geräusch

Typischer A-bewerteter Geräuschpegel ermittelt gemäß EN60335-2-77:

HINWEIS: Die Werte wurden an dem mit dem geraden Mähmesser ausgestatteten Mäher gemessen.

Modell DLM462

Schalldruckpegel (L_{pA}): 82,7 dB (A)
Schallleistungspegel (L_{WA}): 90,9 dB (A)
Messunsicherheit (K): 3 dB (A)

Modell DLM530

Schalldruckpegel (L_{pA}): 78,1 dB (A)
Schallleistungspegel (L_{WA}): 90,4 dB (A)
Messunsicherheit (K): 3 dB (A)

Modell DLM532

Schalldruckpegel (L_{pA}): 78,1 dB (A)
Schallleistungspegel (L_{WA}): 90,4 dB (A)
Messunsicherheit (K): 3 dB (A)

Der Geräuschpegel kann während des Betriebs 80 dB (A) überschreiten.

HINWEIS: Der (Die) angegebene(n) Schallemissionswert(e) wurde(n) im Einklang mit der Standardprüfmethode gemessen und kann (können) für den Vergleich zwischen Werkzeugen herangezogen werden.

HINWEIS: Der (Die) angegebene(n) Schallemissionswert(e) kann (können) auch für eine Vorbewertung des Gefährdungsgrads verwendet werden.

⚠️ WARNUNG: Einen Gehörschutz tragen.

⚠️ WARNUNG: Die Schallemission während der tatsächlichen Benutzung des Elektrowerkzeugs kann je nach der Benutzungsweise des Werkzeugs, und speziell je nach der Art des bearbeiteten Werkstücks, von dem (den) angegebenen Wert(en) abweichen.

⚠️ WARNUNG: Identifizieren Sie Sicherheitsmaßnahmen zum Schutz des Benutzers anhand einer Schätzung des Gefährdungsgrads unter den tatsächlichen Benutzungsbedingungen (unter Berücksichtigung aller Phasen des Arbeitszyklus, wie z. B. Ausschalt- und Leerlaufzeiten des Werkzeugs zusätzlich zur Betriebszeit).

Schwingungen

Schwingungsgesamtwert (Drei-Achsen-Vektorsumme) ermittelt gemäß EN60335-2-77:

HINWEIS: Die Werte wurden an dem mit dem geraden Mähmesser ausgestatteten Mäher gemessen.

Modell DLM462

Schwingungsemission (a_h): 2,5 m/s² oder weniger
Messunsicherheit (K): 1,5 m/s²

Modell DLM530

Schwingungsemission (a_h): 2,5 m/s² oder weniger
Messunsicherheit (K): 1,5 m/s²

Modell DLM532

Schwingungsemission (a_h): 2,5 m/s² oder weniger
Messunsicherheit (K): 1,5 m/s²

HINWEIS: Der (Die) angegebene(n) Vibrationsgesamtwert(e) wurde(n) im Einklang mit der Standardprüfmethode gemessen und kann (können) für den Vergleich zwischen Werkzeugen herangezogen werden.

HINWEIS: Der (Die) angegebene(n) Vibrationsgesamtwert(e) kann (können) auch für eine Vorbewertung des Gefährdungsgrads verwendet werden.

⚠️ WARNUNG: Die Vibrationsemission während der tatsächlichen Benutzung des Elektrowerkzeugs kann je nach der Benutzungsweise des Werkzeugs, und speziell je nach der Art des bearbeiteten Werkstücks, von dem (den) angegebenen Emissionswert(en) abweichen.

⚠️ WARNUNG: Identifizieren Sie Sicherheitsmaßnahmen zum Schutz des Benutzers anhand einer Schätzung des Gefährdungsgrads unter den tatsächlichen Benutzungsbedingungen (unter Berücksichtigung aller Phasen des Arbeitszyklus, wie z. B. Ausschalt- und Leerlaufzeiten des Werkzeugs zusätzlich zur Betriebszeit).

EG-Konformitätserklärung

Nur für europäische Länder

Die EG-Konformitätserklärung ist als Anhang A in dieser Bedienungsanleitung enthalten.

SICHERHEITSWARNUNGEN

WICHTIGE SICHERHEITSVORSCHRIFTEN

⚠️ WARNUNG: Lesen Sie alle Sicherheitswarnungen und Anweisungen durch. Eine Missachtung der unten aufgeführten Warnungen und Anweisungen kann zu einem elektrischen Schlag, Brand und/oder schweren Verletzungen führen.

Bewahren Sie alle Warnungen und Anweisungen für spätere Bezugnahme auf.

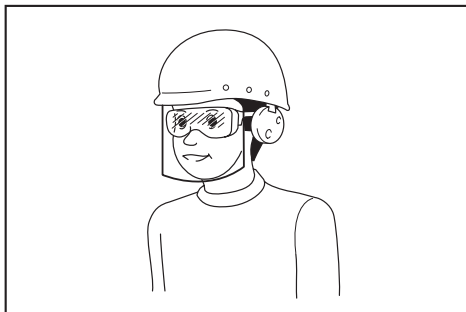
Einarbeitung

1. Lesen Sie die Anweisungen sorgfältig durch. Machen Sie sich mit der Bedienung und dem korrekten Gebrauch des Mähers vertraut.
2. Kinder oder Personen, die nicht mit dieser Anleitung vertraut sind, dürfen den Mäher keinesfalls benutzen. Örtliche Vorschriften können das Alter der Bedienungsperson einschränken.
3. Betreiben Sie den Mäher keinesfalls, während sich Personen, besonders Kinder, oder Haustiere in der Nähe aufhalten.

4. Der Bediener oder Benutzer ist verantwortlich für Verletzungen oder Sachschäden, die an Personen oder ihrem Eigentum entstehen.
5. Kinder sollten beaufsichtigt werden, um sicherzugehen, dass sie nicht mit dem Mäher spielen.
6. Körperliche Verfassung - Betreiben Sie den Mäher nicht unter dem Einfluss von Drogen, Alkohol oder Medikamenten.

Vorbereitung

1. Tragen Sie während der Benutzung des Mähers stets kräftiges Schuhwerk und eine lange Hose. Betreiben Sie den Mäher nicht barfuß oder mit offenen Sandalen. Vermeiden Sie das Tragen von Kleidungsstücken oder Schmucksachen, die lose sitzen oder herunterhängende Schnüre oder Bänder haben. Diese können von beweglichen Teilen erfasst werden.
2. Unterziehen Sie den Mäher vor Gebrauch immer einer Sichtprüfung auf beschädigte, fehlende oder deplatzierte Schutzhauben oder Abschirmungen.
3. Vergewissern Sie sich, dass sich keine anderen Personen im Arbeitsbereich aufhalten, bevor Sie mit dem Mähen beginnen. Stellen Sie den Mäher ab, falls jemand den Arbeitsbereich betritt.
4. Stecken Sie den Sperrschlüssel nicht eher in den Mäher, bis dieser betriebsbereit ist.
5. Tragen Sie stets eine Schutzbrille, um Ihre Augen bei Verwendung von Elektrowerkzeugen vor Verletzung zu schützen. Die Brille muss der Vorschrift ANSI Z87.1 in den USA, EN 166 in Europa oder AS/NZS 1336 in Australien/Neuseeland entsprechen. In Australien/Neuseeland ist das Tragen eines Gesichtsschutzes gesetzlich vorgeschrieben, um auch Ihr Gesicht zu schützen.



Der Arbeitgeber ist dafür verantwortlich, den Gebrauch von angemessener Schutzausrüstung für die Werkzeugbenutzer und andere Personen im unmittelbaren Arbeitsbereich durchzusetzen.

6. Überprüfen Sie die Messer oder die Messerschrauben vor dem Betrieb sorgfältig auf Risse oder Beschädigung. Wechseln Sie gerissene oder beschädigte Messer oder Messerschrauben unverzüglich aus.

7. Entfernen Sie vor dem Mähen Fremdkörper, wie Steine, Draht, Flaschen, Knochen und große Äste, vom Arbeitsbereich, um Personenschäden und Beschädigung des Mähers zu verhüten.
8. Vom Mähermesser herausgeschleuderte Gegenstände können schwere Personenverletzungen verursachen. Der Rasen ist vor jedem Mähen sorgfältig zu überprüfen und von allen Objekten zu räumen.
9. Achten Sie auf Löcher, Furchen, Bodenwellen, Steine oder sonstige verborgene Objekte. Unebenes Gelände könnte einen Unfall durch Ausrutschen und Hinfallen verursachen. Hohes Gras kann Hindernisse verbergen.
10. Unterlassen Sie Einstecken oder Abziehen des Sperrschlüssels im Regen.
11. Benutzen Sie persönliche Schutzausrüstung. Tragen Sie stets einen Augenschutz. Sachgemäßer Gebrauch von Schutzausrüstung (z. B. Staubmaske, rutschfeste Sicherheitsschuhe, Helm und Gehörschutz) trägt zu einer Reduzierung der Verletzungsgefahr bei.

Betrieb

1. Übernehmen Sie sich nicht. Achten Sie stets auf gute Balance. Achten Sie an Hängen immer auf einen sicheren Stand. Stets gehen, niemals laufen.
2. Halten Sie den Mäher an, entfernen Sie den Sperrschlüssel, und vergewissern Sie sich, dass alle beweglichen Teile zu einem vollständigen Stillstand gekommen sind:
 - wann immer Sie den Mäher verlassen,
 - bevor Sie Blockierungen beseitigen oder den Auswurf frei machen,
 - bevor Sie den Mäher überprüfen, reinigen oder daran arbeiten,
 - nach dem Auftreffen auf einen Fremdkörper.
 Überprüfen Sie den Mäher auf Beschädigung, und führen Sie Reparaturen durch, bevor Sie den Mäher wieder starten und in Betrieb nehmen,
 - wann immer der Mäher ungewöhnlich zu vibrieren beginnt.
3. Betreiben Sie den Mäher niemals mit defekten Schutzklappen oder Abschirmungen oder ohne Sicherheitsvorrichtungen, wie z. B. Abweiser und/oder Graskorb.
4. Vermeiden Sie die Benutzung des Mähers bei schlechten Witterungsverhältnissen, besonders bei Blitzschlaggefahr.
5. Tragen Sie während der Benutzung des Mähers stets einen Augenschutz und robuste Schuhe.
6. Betreiben Sie den Mäher nur bei Tageslicht oder hellem Kunstlicht.
7. Schalten Sie den Mäher gemäß den Anweisungen vorsichtig ein, während Ihre Füße einen ausreichenden Sicherheitsabstand von dem (den) Messer(n) haben.
8. Hüten Sie sich vor Fuß- und Handverletzungen durch die Mähermesser.
9. Achten Sie stets darauf, dass die Belüftungsöffnungen frei von Unrat sind.

10. Mähen Sie Hänge nur seitwärts, niemals auf und ab. Gehen Sie bei Richtungsänderungen auf Hängen äußerst vorsichtig vor. Mähen Sie keine sehr steilen Hänge.
11. Lassen Sie äußerste Vorsicht walten, wenn Sie den Mäher rückwärts betreiben oder auf sich zu ziehen.
12. Halten Sie das (die) Messer an, wenn der Mäher zum Transportieren gekippt werden muss, wenn andere Flächen als Rasen überquert werden müssen, und wenn der Mäher zu und vom Arbeitsbereich transportiert werden muss.
13. Neigen Sie den Mäher nicht, wenn Sie den Motor einschalten, außer wenn der Mäher zum Starten geneigt werden muss. Neigen Sie den Mäher in diesem Fall nicht mehr als absolut notwendig, und heben Sie nur den vom Bediener abgewandten Teil an. Achten Sie stets darauf, dass sich beide Hände an der Arbeitsposition befinden, bevor Sie den Mäher wieder auf den Boden stellen.
14. Halten Sie Ihre Hände oder Füße nicht in die Nähe von rotierenden Teilen oder darunter. Bleiben Sie stets von der Auswurföffnung fern.
15. Transportieren Sie den Mäher nicht in eingeschaltetem Zustand.
16. Vermeiden Sie die Benutzung des Mähers in nassem Gras.
17. Halten Sie den Bügelgriff stets mit festem Griff.
18. Fassen Sie nicht die freiliegenden Schneidmesser oder die Schneidkanten an, wenn Sie den Mäher anheben oder halten.
19. Halten Sie Hände und Füße von den rotierenden Messern fern. Vorsicht - Die Messer drehen sich nach dem Ausschalten des Mähers noch weiter.
20. Brechen Sie den Betrieb sofort ab, wenn Sie irgendetwas Ungewöhnliches bemerken. Schalten Sie den Mäher aus, und ziehen Sie den Sperrschlüssel ab. Überprüfen Sie dann den Mäher.
21. Versuchen Sie niemals, Einstellungen der Schnitthöhe bei laufendem Mäher durchzuführen, wenn der Mäher eine Funktion zum Einstellen der Schnitthöhe besitzt.
22. Lassen Sie den Schalthebel los, und warten Sie, bis das Messer zum Stillstand gekommen ist, bevor Sie Einfahrten, Gehwege, Straßen und schotterbedeckte Flächen überqueren. Ziehen Sie den Sperrschlüssel auch ab, wenn Sie den Mäher verlassen, wenn Sie sich bücken, um etwas aufzuheben oder aus dem Weg zu räumen, oder in irgendeiner anderen Situation, bei der Sie von Ihrer Arbeit abgelenkt werden könnten.
23. Falls der Rasenmäher auf einen Fremdkörper stößt, gehen Sie folgendermaßen vor:
 - Stellen Sie den Mäher ab, lassen Sie den Schalthebel los, und warten Sie, bis das Messer zum vollständigen Stillstand kommt.
 - Entfernen Sie den Sperrschlüssel und den Akku.
- Überprüfen Sie den Mäher gründlich auf etwaige Beschädigung.
- Tauschen Sie das Messer aus, falls es in irgendeiner Weise beschädigt ist. Reparieren Sie etwaige Schäden, bevor Sie den Mäher wieder in Betrieb nehmen und weiter benutzen.
24. Starten Sie den Mäher nicht, wenn Sie vor der Auswurföffnung stehen.
25. Falls der Mäher beginnt, ungewöhnlich heftig zu vibrieren (sofort überprüfen),
 - auf Beschädigung überprüfen,
 - beschädigte Teile austauschen oder reparieren,
 - prüfen, ob lose Teile vorhanden sind, und diese festziehen.
26. Richten Sie den Materialauswurf niemals auf Personen. Vermeiden Sie Auswerfen von Material gegen eine Wand oder eine Behinderung. Das Material könnte auf den Bediener zurückprallen. Halten Sie das Messer an, wenn Sie Schotterflächen überqueren.
27. Ziehen Sie den Mäher nicht rückwärts, wenn dies nicht unbedingt notwendig ist. Wenn Sie gezwungen sind, den Mäher von einem Zaun oder einer ähnlichen Behinderung zurückzuziehen, schauen Sie nach unten und hinten, bevor und während Sie sich rückwärts bewegen.
28. Stellen Sie den Motor ab, und warten Sie, bis das Messer zu einem vollständigen Stillstand kommt, bevor Sie den Grasfänger entfernen. Beachten Sie, dass die Messer nach dem Ausschalten nachlaufen.
29. Wenn Sie die Maschine auf schlammigem Boden, auf einem nassen Hang oder an einem schlüpfrigen Ort benutzen, achten Sie auf Ihren Stand.
30. Vermeiden Sie Arbeiten in ungünstiger Umgebung, wo mit erhöhter Benutzerermüdung zu rechnen ist.
31. Benutzen Sie die Maschine nicht bei schlechtem Wetter, wo die Sichtverhältnisse eingeschränkt sind. Anderenfalls kann es zu einem Sturz oder falschem Betrieb wegen schlechter Sichtverhältnisse kommen.
32. Tauchen Sie die Maschine nicht in einen Tümpel ein.
33. Wenn nasse Blätter oder Schmutz aufgrund von Regen an der Saugöffnung (Belüftungsfenster) haften, entfernen Sie diese.
34. Benutzen Sie die Maschine nicht im Schnee.
35. Falls das gemähte Gras nass ist, ist die Wahrscheinlichkeit groß, dass es die Innenseite der Maschine verstopft. Überprüfen Sie den Zustand der Maschine regelmäßig, und entfernen Sie bei Bedarf das anhaftende Gras.
36. Achten Sie beim Betreiben der Maschine auf Rohrleitungen und Kabel.
37. Verwenden Sie keine verkabelte Stromversorgung, wie z. B. einen Akku-Adapter oder eine rückentragbare Akku-Bank, mit dieser Maschine. Anderenfalls kann das Kabel einer solchen Stromversorgung den Betrieb behindern und Personenschäden verursachen.

Wartung und Lagerung

1. Tauschen Sie verschlissene oder beschädigte Teile zur Sicherheit aus. Verwenden Sie nur Original-Ersatzteile und -Zubehör.
2. Überprüfen und warten Sie den Mäher regelmäßig.
3. Bewahren Sie den Mäher bei Nichtgebrauch außer Reichweite von Kindern auf.
4. Achten Sie auf festen Sitz aller Muttern, Bolzen und Schrauben, um sicherzugehen, dass sich das Gerät in einwandfreiem Arbeitszustand befindet.
5. Überprüfen Sie den Graskorb oft auf Verschleiß oder Verschlechterung. Vergewissern Sie sich vor der Lagerung stets, dass der Graskorb leer ist. Tauschen Sie einen verschlissenen Graskorb zur Sicherheit gegen ein neues Original-Ersatzteil aus.
6. Verwenden Sie nur die in dieser Anleitung angegebenen Originalmesser des Herstellers.
7. Lassen Sie während der Einstellung des Mähers Vorsicht walten, um Einklemmen der Finger zwischen den beweglichen Messern und den feststehenden Teilen des Mähers zu verhüten.
8. Überprüfen Sie die Messerbefestigungsschraube in regelmäßigen Abständen auf festen Sitz.
9. Lassen Sie den Mäher vor der Lagerung stets abkühlen.
10. Wenn Sie die Messer warten, bedenken Sie, dass sich die Messer immer noch bewegen können, selbst wenn die Stromquelle abgeschaltet ist.
11. Versuchen Sie niemals, Sicherheitsvorrichtungen zu entfernen oder zu manipulieren. Überprüfen Sie regelmäßig ihre ordnungsgemäße Funktion. Unterlassen Sie jegliche Beeinträchtigung der beabsichtigten Funktion einer Sicherheitsvorrichtung oder eine Verringerung des von einer Sicherheitsvorrichtung bereitgestellten Schutzes.
12. Lassen Sie die Maschine nicht unbeaufsichtigt im Freien bei Regen stehen.
13. Waschen Sie die Maschine nicht mit Hochdruck-Wasserstrahl.
14. Wenn Sie die Maschine waschen, entfernen Sie unbedingt den Akku und den Sperrschlüssel, schließen Sie die Akkuabdeckung, und gießen Sie Wasser in Richtung der Unterseite der Maschine, an der das Messer angebracht ist.
15. Lagern Sie die Maschine nicht an einem Ort, der direktem Sonnenlicht und Regen ausgesetzt ist, sondern an einem Ort, an dem es nicht heiß oder feucht wird.
16. Führen Sie Inspektions- oder Wartungsarbeiten an einem Ort durch, wo Regen vermieden werden kann.
17. Nachdem Sie die Maschine benutzt haben, entfernen Sie den anhaftenden Schmutz, und lassen Sie die Maschine vor der Lagerung vollständig trocknen. Je nach Jahreszeit oder Gebiet besteht die Gefahr einer Funktionsstörung durch Gefrieren.

Gebrauch und Pflege von Akkuwerkzeugen

1. Laden Sie den Akku nur mit dem vom Hersteller vorgeschriebenen Ladegerät. Ein Ladegerät, das für einen Akkutyp geeignet ist, kann bei Verwendung mit einem anderen Akku eine Brandgefahr darstellen.
2. Benutzen Sie Elektrowerkzeuge nur mit den ausdrücklich vorgeschriebenen Akkus. Bei Verwendung irgendwelcher anderer Akkus besteht Verletzungs- und Brandgefahr.
3. Bewahren Sie den Akku bei Nichtgebrauch nicht zusammen mit Metallgegenständen, wie Büroklammern, Münzen, Schlüsseln, Nägeln, Schrauben, und anderen kleinen Metallteilen auf, welche die Kontakte kurzschließen können. Kurzschließen der Akkukontakte kann Verbrennungen oder einen Brand verursachen.
4. Bei Missbrauch kann Flüssigkeit aus dem Akku austreten. Vermeiden Sie Kontakt mit dieser Flüssigkeit. Falls Sie versehentlich mit der Flüssigkeit in Berührung kommen, spülen Sie die betroffenen Stellen mit Wasser ab. Falls die Flüssigkeit in die Augen gelangt, suchen Sie zusätzlich ärztliche Hilfe auf. Die vom Akku austretende Flüssigkeit kann Hautreizungen oder Verätzungen verursachen.
5. Verwenden Sie keinen Akku und auch kein Werkzeug, der (das) beschädigt oder modifiziert ist. Beschädigte oder modifizierte Akkus können unvorhersehbares Verhalten zeigen, das zu einem Brand, einer Explosion oder Verletzungsgefahr führen kann.
6. Setzen Sie einen Akku oder ein Werkzeug nicht Feuer oder übermäßigen Temperaturen aus. Bei Einwirkung von Feuer oder Temperaturen über 130 °C kann es zu einer Explosion kommen.
7. Befolgen Sie alle Ladeanweisungen, und laden Sie den Akku bzw. das Werkzeug nicht außerhalb des in den Anweisungen angegebenen Temperaturbereichs. Wird der Ladevorgang unsachgemäß oder bei Temperaturen außerhalb des angegebenen Bereichs durchgeführt, kann es zu einer Beschädigung des Akkus und erhöhter Brandgefahr kommen.

Sicherheit der Elektrik und des Akkus

1. Werfen Sie den (die) Akku(s) nicht ins Feuer. Die Zelle könnte explodieren. Prüfen Sie die örtlichen Vorschriften für mögliche spezielle Entsorgungsanweisungen.
2. Versuchen Sie nicht, den (die) Akku(s) zu öffnen oder zu verstümmeln. Freigesetzter Elektrolyt ist korrosiv und kann Schäden an Augen oder Haut verursachen. Falls er verschluckt wird, kann er giftig sein.
3. Laden Sie den Akku nicht im Regen oder an nassen Orten.
4. Laden Sie den Akku nicht im Freien.
5. Fassen Sie das Ladegerät, einschließlich des Ladegerätesteckers und der Ladegeräteanschlüsse, nicht mit nassen Händen an.
6. Tauschen Sie den Akku nicht im Regen aus.

7. Vermeiden Sie Benetzen der Akkukontakte mit einer Flüssigkeit, wie z. B. Wasser, oder Untertauchen des Akkus. Lassen Sie den Akku nicht im Regen stehen, und unterlassen Sie Laden, Benutzen oder Lagern des Akkus an einem feuchten oder nassen Ort. Falls die Kontakte nass werden, oder eine Flüssigkeit in den Akku eindringt, kann der Akku kurzgeschlossen werden, und es besteht Überhitzungs-, Brand- oder Explosionsgefahr.
8. Nachdem Sie den Akku von der Maschine oder vom Ladegerät entfernt haben, bringen Sie unbedingt die Akkuabdeckung am Akku an, und lagern Sie ihn an einem trockenen Ort.
9. Tauschen Sie den Akku nicht mit nassen Händen aus.

Wartung

1. Lassen Sie Ihr Elektrowerkzeug nur unter Verwendung identischer Ersatzteile von einem qualifizierten Wartungstechniker warten. Dadurch wird die Aufrechterhaltung der Sicherheit des Elektrowerkzeugs gewährleistet.
2. Beschädigte Akkus dürfen auf keinen Fall gewartet werden. Die Wartung von Akkus darf nur vom Hersteller oder von einer Vertragswerkstatt durchgeführt werden.

DIESE ANWEISUNGEN AUFBEWAHREN.

⚠️ WARNUNG: Lassen Sie sich NICHT durch Bequemlichkeit oder Vertrautheit mit dem Produkt (durch wiederholten Gebrauch erworben) von der strikten Einhaltung der Sicherheitsregeln für das vorliegende Produkt abhalten.

MISSBRAUCH oder Missachtung der Sicherheitsvorschriften in dieser Anleitung können schwere Verletzungen verursachen.

Wichtige Sicherheitsanweisungen für Akku

1. Lesen Sie vor der Benutzung des Akkus alle Anweisungen und Warnhinweise, die an (1) Ladegerät, (2) Akku und (3) Akkuwerkzeug angebracht sind.
2. Unterlassen Sie ein Zerlegen des Akkus.
3. Falls die Betriebszeit beträchtlich kürzer geworden ist, stellen Sie den Betrieb sofort ein. Anderenfalls besteht die Gefahr von Überhitzung, möglichen Verbrennungen und sogar einer Explosion.
4. Falls Elektrolyt in Ihre Augen gelangt, waschen Sie sie mit sauberem Wasser aus, und begeben Sie sich unverzüglich in ärztliche Behandlung. Anderenfalls können Sie Ihre Sehkraft verlieren.
5. Der Akku darf nicht kurzgeschlossen werden:
 - (1) Die Kontakte dürfen nicht mit leitfähigem Material berührt werden.
 - (2) Lagern Sie den Akku nicht in einem Behälter zusammen mit anderen Metallgegenständen, wie z. B. Nägel, Münzen usw.

- (3) Setzen Sie den Akku weder Wasser noch Regen aus.

Ein Kurzschluss des Akkus verursacht starken Stromfluss, der Überhitzung, mögliche Verbrennungen und einen Defekt zur Folge haben kann.

6. Lagern Sie das Werkzeug und den Akku nicht an Orten, an denen die Temperatur 50 °C erreichen oder überschreiten kann.
7. Versuchen Sie niemals, den Akku zu verbrennen, selbst wenn er stark beschädigt oder vollkommen verbraucht ist. Der Akku kann im Feuer explodieren.
8. Achten Sie darauf, dass der Akku nicht fallen gelassen oder Stößen ausgesetzt wird.
9. Benutzen Sie keine beschädigten Akkus.
10. Die enthaltenen Lithium-Ionen-Akkus unterliegen den Anforderungen der Gefahrengut-Gesetzgebung.

Für kommerzielle Transporte, z. B. durch Dritte oder Spediteure, müssen besondere Anforderungen zu Verpackung und Etikettierung beachtet werden.

Zur Vorbereitung des zu transportierenden Artikels ist eine Beratung durch einen Experten für Gefahrengut erforderlich. Bitte beachten Sie möglicherweise ausführlichere nationale Vorschriften. Überkleben oder verdecken Sie offene Kontakte, und verpacken Sie den Akku so, dass er sich in der Verpackung nicht umher bewegen kann.

11. Entfernen Sie den Akku zum Entsorgen vom Werkzeug, und entsorgen Sie ihn an einem sicheren Ort. Befolgen Sie die örtlichen Vorschriften bezüglich der Entsorgung von Akkus.
12. Verwenden Sie die Akkus nur mit den von Makita angegebenen Produkten. Das Einsetzen der Akkus in nicht konforme Produkte kann zu einem Brand, übermäßiger Hitzebildung, einer Explosion oder Auslaufen von Elektrolyt führen.
13. Soll das Werkzeug längere Zeit nicht benutzt werden, muss der Akku vom Werkzeug entfernt werden.

DIESE ANWEISUNGEN AUFBEWAHREN.

⚠️ VORSICHT: Verwenden Sie nur Original-Makita-Akkus. Die Verwendung von Nicht-Original-Makita-Akkus oder von Akkus, die abgeändert worden sind, kann zum Bersten des Akkus und daraus resultierenden Bränden, Personenschäden und Beschädigung führen. Außerdem wird dadurch die Makita-Garantie für das Makita-Werkzeug und -Ladegerät ungültig.

Hinweise zur Aufrechterhaltung der maximalen Akku-Nutzungsdauer

1. Laden Sie den Akku, bevor er vollkommen erschöpft ist. Schalten Sie das Werkzeug stets aus, und laden Sie den Akku, wenn Sie ein Nachlassen der Werkzeuggesteuerung feststellen.

2. Unterlassen Sie erneutes Laden eines voll aufgeladenen Akkus. Überladen führt zu einer Verkürzung der Nutzungsdauer des Akkus.
3. Laden Sie den Akku bei Raumtemperatur zwischen 10 – 40 °C. Lassen Sie einen heißen Akku abkühlen, bevor Sie ihn laden.
4. Der Akku muss geladen werden, wenn er lange Zeit (länger als sechs Monate) nicht benutzt wird.

MONTAGE

⚠️ WARNUNG: Vergewissern Sie sich stets, dass der Sperrschlüssel abgezogen ist und die Akkus entfernt worden sind, bevor Sie irgendwelche Arbeiten am Mäher ausführen. Wird das Entfernen des Sperrschlüssels und das Abnehmen der Akkus unterlassen, kann es zu schweren Personenschäden durch versehentliches Anlaufen kommen.

⚠️ WARNUNG: Starten Sie den Mäher niemals, wenn er nicht vollständig zusammengebaut ist. Der Betrieb der Maschine in teilweise zusammengebautem Zustand kann zu schweren Personenschäden durch versehentliches Anlaufen führen.

Montieren des Bügelgriffs

ANMERKUNG: Positionieren Sie die Kabel beim Montieren der Griffstangen so, dass sie nicht durch irgendwelche Teile zwischen den Griffstangen erfasst werden. Falls das Kabel beschädigt wird, funktioniert der Mäherschalter eventuell nicht.

1. Richten Sie die Löcher im unteren Bügelgriff auf die Löcher in der Mähereinheit aus, und ziehen Sie dann 4 Schrauben provisorisch an.
▶ **Abb.1:** 1. Unterer Bügelgriff 2. Schraube
2. Ziehen Sie die in Schritt 1 provisorisch angezogenen 4 Schrauben mit dem Steckschlüssel 13 fest.
3. Richten Sie das Loch im unteren Bügelgriff auf das Loch im oberen Bügelgriff aus, führen Sie dann die Schraube von innen ein, und ziehen Sie die Mutter mit dem Steckschlüssel 13 von außen an. Führen Sie den gleichen Vorgang auf der anderen Seite durch.
▶ **Abb.2:** 1. Schraube 2. Unterer Bügelgriff 3. Mutter 4. Loch 5. Oberer Bügelgriff

⚠️ VORSICHT: Halten Sie den oberen Bügelgriff gut fest, damit er Ihnen nicht aus der Hand rutscht. Anderenfalls kann der Bügelgriff herunterfallen und Verletzungen verursachen.

4. Bringen Sie die Halter am Bügelgriff an. Richten Sie die Vorsprünge am Halter auf die Löcher am Bügelgriff aus, so dass die Vorsprünge in die Löcher passen. Positionieren Sie die Kabel, wie in der Abbildung gezeigt.
▶ **Abb.3:** 1. Kabel 2. Halter

Entfernen des Mulchstopfens

1. Öffnen Sie die Rückabdeckung.
▶ **Abb.4:** 1. Rückabdeckung
2. Entfernen Sie den Mulchstopfen, während Sie den Hebel niederhalten.
▶ **Abb.5:** 1. Hebel 2. Mulchstopfen

Montieren und Demontieren des Graskorbs

Befolgen Sie zum Montieren des Graskorbs die nachstehenden Schritte.

1. Öffnen Sie die Rückabdeckung.
▶ **Abb.6:** 1. Rückabdeckung
2. Halten Sie den Griff des Graskorbs, und hängen Sie dann den Graskorb an die Stange der Mähereinheit, wie in der Abbildung gezeigt.
▶ **Abb.7:** 1. Stange 2. Griff 3. Graskorb

Zum Entfernen des Graskorbs öffnen Sie die Rückabdeckung, und nehmen Sie dann den Graskorb ab, indem Sie den Griff halten.

Anbringen des Mulchstopfens

1. Öffnen Sie die Rückabdeckung, und nehmen Sie dann den Graskorb ab.
▶ **Abb.8:** 1. Rückabdeckung 2. Graskorb
2. Bringen Sie den Mulchstopfen an, während Sie den Hebel niedergedrückt halten, und lassen Sie dann den Hebel los, um den Mulchstopfen zu verriegeln.
▶ **Abb.9:** 1. Hebel 2. Mulchstopfen

Anbringen des Auswerfaufsatzes

Für DLM530/DLM532

1. Öffnen Sie die Rückabdeckung, und nehmen Sie dann den Graskorb ab.
▶ **Abb.10:** 1. Rückabdeckung 2. Graskorb
2. Bringen Sie den Mulchstopfen an, während Sie den Hebel niedergedrückt halten, und lassen Sie dann den Hebel los, um den Mulchstopfen zu verriegeln.
▶ **Abb.11:** 1. Hebel 2. Mulchstopfen
3. Öffnen Sie die rechte Seitenabdeckung, und bringen Sie dann den Auswerfaufsatz an. Führen Sie die Haken des Auswerfaufsatzes unter die Stange der rechten Seitenabdeckung ein.
▶ **Abb.12:** 1. Rechte Seitenabdeckung 2. Auswerfaufsatz

FUNKTIONSBESCHREIBUNG

Anbringen und Abnehmen des Akkus

⚠ VORSICHT: Schalten Sie die Maschine stets aus, bevor Sie den Akku anbringen oder abnehmen.

⚠ VORSICHT: Halten Sie die Maschine und den Akku beim Anbringen oder Abnehmen des Akkus sicher fest. Wenn Sie die Maschine und den Akku nicht sicher festhalten, können sie Ihnen aus den Händen rutschen, was zu einer Beschädigung der Maschine und des Akkus und zu Personenschäden führen kann.

⚠ VORSICHT: Verriegeln Sie unbedingt die Akkuabdeckung vor Gebrauch. Anderenfalls können Schlamm, Schmutz oder Wasser eine Beschädigung des Produkts oder der Akkus verursachen.

⚠ VORSICHT: Schieben Sie die Akkus stets bis zum Anschlag ein, bis die rote Anzeige nicht mehr sichtbar ist. Anderenfalls kann er versehentlich aus der Maschine herausfallen und Sie oder umstehende Personen verletzen.

⚠ VORSICHT: Unterlassen Sie Gewaltanwendung beim Anbringen der Akkus. Falls die Akkus nicht reibungslos hineingleiten, sind sie nicht richtig ausgerichtet.

HINWEIS: Die Maschine funktioniert nicht mit nur einem Akku.

Zum Einsetzen der Akkus:

1. Ziehen Sie den Verriegelungshebel hoch, und öffnen Sie dann die Akkuabdeckung.
▶ **Abb.13:** 1. Akkuabdeckung 2. Verriegelungshebel
2. Richten Sie die Feder am Akku auf den Schlitz an der Maschine aus, und schieben Sie dann den Akku hinein, bis er mit einem leisen Klicken einrastet.
▶ **Abb.14:** (1) Akkudock 1 (2) Akkudock 2 (3) Akku

HINWEIS: Setzen Sie mindestens 2 Akkus in Akkudock 1 oder Akkudock 2 ein.

3. Führen Sie den Sperrschlüssel bis zum Anschlag in den in der Abbildung gezeigten Schlitz ein.
▶ **Abb.15:** 1. Sperrschlüssel
4. Schließen Sie die Akkuabdeckung, und drücken Sie sie an, bis sie mit dem Verriegelungshebel einrastet.

Zum Entfernen des Akkus:

1. Ziehen Sie den Verriegelungshebel hoch, und öffnen Sie die Akkuabdeckung.
2. Ziehen Sie den Akku aus der Maschine heraus, während Sie den Knopf an der Vorderseite des Akkus verschieben.
3. Ziehen Sie den Sperrschlüssel heraus.
4. Schließen Sie die Akkuabdeckung.

Umschalten zwischen den Akkus

▶ **Abb.16:** 1. Akku-Wahlschalter

Die Maschine verwendet jeweils 2 Akkus für den Betrieb. Bis zu 4 Akkus können in die Maschine eingesetzt werden. Wählen Sie vor dem Betrieb der Maschine das Akkudock 1 oder das Akkudock 2 durch Drehen des Akku-Wahlschalters aus.

HINWEIS: Sind nur 2 Akkus in die Maschine eingesetzt, wählen Sie mit dem Akku-Wahlschalter unbedingt das Akkudock aus, in das die Akkus eingesetzt sind.

Maschinen-/Akku-Schutzsystem

Die Maschine ist mit einem Maschinen-/Akku-Schutzsystem ausgestattet. Dieses System schaltet die Stromversorgung des Motors automatisch ab, um die Lebensdauer von Maschine und Akku zu verlängern. Die Maschine bleibt während des Betriebs automatisch stehen, wenn die Maschine oder der Akku einer der folgenden Bedingungen unterliegt:

Überlastschutz

Wird der Akku auf eine Weise benutzt, die eine ungewöhnlich hohe Stromaufnahme bewirkt, bleibt die Maschine automatisch stehen, und die Hauptbetriebslampe blinkt in Grün. Schalten Sie in dieser Situation die Maschine aus, und brechen Sie die Anwendung ab, die eine Überlastung der Maschine verursacht hat. Schalten Sie dann die Maschine wieder ein, um sie neu zu starten.

Überhitzungsschutz

Wenn die Maschine oder der Akku überhitzt wird, bleibt die Maschine automatisch stehen, und die Hauptbetriebslampe leuchtet in Rot auf. Lassen Sie die Maschine und den Akku in diesem Fall abkühlen, bevor Sie die Maschine wieder einschalten.

Überentladungsschutz









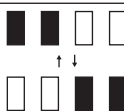
Wenn die Akkukapazität nicht ausreicht, bleibt die Maschine automatisch stehen, und die Hauptbetriebslampe blinkt in Rot. Entfernen Sie in diesem Fall die Akkus aus der Maschine, und laden Sie die Akkus auf, oder tauschen Sie die Akkus gegen voll aufgeladene aus.

Anzeigen der Akku-Restkapazität

Nur für Akkus mit Anzeige

▶ **Abb.17:** 1. Anzeigelampen 2. Prüftaste

Drücken Sie die Prüftaste am Akku, um die Akku-Restkapazität anzuzeigen. Die Anzeigelampen leuchten wenige Sekunden lang auf.

Anzeigelampen			Restkapazität
 Erleuchtet	 Aus	 Blinkend	
			75% bis 100%
			50% bis 75%
			25% bis 50%
			0% bis 25%
			Den Akku aufladen.
			Möglicherweise liegt eine Funktionsstörung im Akku vor.

HINWEIS: Abhängig von den Benutzungsbedingungen und der Umgebungstemperatur kann die Anzeige geringfügig von der tatsächlichen Kapazität abweichen.

Bedienfeld

Das Bedienfeld weist den Hauptbetriebsschalter, die Betriebsart-Umschalttaste und die Akku-Restkapazitätsanzeige auf.

- **Abb.18:** 1. Akku-Anzeige 2. Betriebsart-Umschalttastenlampe 3. Hauptbetriebslampe 4. Prüftaste 5. Betriebsart-Umschalttaste 6. Hauptbetriebsschalter

Hauptbetriebsschalter

⚠️ WARNUNG: Schalten Sie den Hauptbetriebsschalter stets aus, wenn das Werkzeug nicht benutzt wird.

Zum Einschalten der Maschine drücken Sie den Hauptbetriebsschalter. Die Hauptbetriebslampe leuchtet in Grün auf. Zum Ausschalten der Maschine drücken Sie den Hauptbetriebsschalter erneut.

HINWEIS: Falls die Hauptbetriebslampe in Rot aufleuchtet oder in Rot oder Grün blinkt, nehmen Sie auf die Anweisungen für das Maschinen-/Akku-Schutzsystem Bezug.






HINWEIS: Diese Maschine verwendet die Abschaltautomatik. Um unbeabsichtigtes Anlaufen zu vermeiden, wird der Hauptbetriebsschalter automatisch abgeschaltet, wenn der Schalthebel und der Antriebsbügel (sofern vorhanden) eine bestimmte Zeitlang nach dem Einschalten des Hauptbetriebsschalters nicht betätigt wird.

Betriebsart-Umschalttaste

Durch Drücken der Betriebsart-Umschalttaste können Sie die Betriebsart wechseln. Beim Einschalten wird die Maschine im Normalmodus hochgefahren. Wenn Sie die Betriebsart-Umschalttaste drücken, wechselt die Maschine in den Geräuschreduzierungsmodus, und die Betriebsart-Umschalttastenlampe leuchtet in Grün auf. Im Geräuschreduzierungsmodus können Sie das Geräusch beim Mähen verringern. Wenn Sie die Betriebsart-Umschalttaste erneut drücken, kehrt die Maschine in den Normalmodus zurück.

Anzeigen der Akku-Restkapazität

Drücken Sie die Prüftaste, um die Akku-Restkapazität anzuzeigen. Jedem Akku sind eigene Akku-Anzeigen zugeordnet.

Status der Akku-Anzeige		Akku-Restkapazität
 Ein	 Aus	
		50% - 100%
		20% - 50%
		0% - 20%

HINWEIS: Die Anzeigelampen für die Akku-Restkapazität dienen lediglich als Referenz. Die tatsächliche Akkukapazität kann abhängig von den Benutzungsbedingungen abweichen.

HINWEIS: Stoppen Sie die Maschine, bevor Sie die Prüftaste drücken, um die Akku-Restkapazität anzuzeigen.

Schalterfunktion

⚠️ WARNUNG: Vergewissern Sie sich vor dem Einsetzen der Akkus stets, dass der Schalthebel ordnungsgemäß funktioniert und beim Loslassen in die Ausgangsstellung zurückkehrt. Der Betrieb der Maschine mit einem fehlerhaften Schalter kann zum Verlust der Kontrolle und zu schweren Personenschäden führen.

HINWEIS: Der Mäher startet nicht, ohne den Schaltknopf zu drücken, selbst wenn der Schalthebel betätigt wird.

HINWEIS: Der Mäher startet möglicherweise nicht aufgrund der Überlastung, wenn Sie versuchen, langes oder dichtes Gras in einem Durchgang zu mähen. Erhöhen Sie in diesem Fall die Mähhöhe.

Dieser Mäher ist mit einem Sperrschlüssel und Griffschalter ausgestattet. Falls Sie etwas Ungewöhnliches beim Sperrschlüssel oder Schalter bemerken, stoppen Sie den Betrieb unverzüglich, und lassen Sie die Teile vom nächsten autorisierten Makita-Servicecenter überprüfen.

Für DLM462/DLM532

1. Setzen Sie die Akkus ein. Führen Sie den Sperrschlüssel ein, und schließen Sie dann die Akkuabdeckung.
2. Wählen Sie die für den Betrieb zu benutzenden Akkus durch Drehen des Akku-Wahlschalters aus.
3. Drücken Sie den Hauptbetriebsschalter.

4. Ziehen Sie den Schalthebel auf sich zu, während Sie den Schaltknopf gedrückt halten. Lassen Sie den Schaltknopf los, sobald der Motor anläuft.

► **Abb.19:** 1. Schaltknopf 2. Schalthebel

HINWEIS: Wird der Sperrschlüssel nicht eingesteckt, blinkt die Betriebslampe beim Betätigen des Schalthebels in Grün.

5. Drücken Sie den Antriebsbügel bei angezogenem Schalthebel nach vorn, und halten Sie ihn dort, um die Hinterräder anzutreiben.

► **Abb.20:** 1. Antriebsbügel

HINWEIS: Sie können die Hinterräder antreiben, indem Sie den Antriebsbügel nach vorn drücken und halten, ohne den Schalthebel anzuziehen.

6. Lassen Sie den Antriebsbügel und den Schalthebel los, um die Maschine anzuhalten.

Für DLM530

1. Setzen Sie die Akkus ein. Führen Sie den Sperrschlüssel ein, und schließen Sie dann die Akkuabdeckung.
2. Wählen Sie die für den Betrieb zu benutzenden Akkus durch Drehen des Akku-Wahlschalters aus.
3. Drücken Sie den Hauptbetriebsschalter.

4. Ziehen Sie den Schalthebel auf sich zu, während Sie den Schaltknopf gedrückt halten. Lassen Sie den Schaltknopf los, sobald der Motor anläuft.

► **Abb.21:** 1. Schaltknopf 2. Schalthebel

HINWEIS: Wird der Sperrschlüssel nicht eingesteckt, blinkt die Betriebslampe beim Betätigen des Schalthebels in Grün.

5. Lassen Sie den Schalthebel los, um den Motor zu stoppen.

Einstellen der Mähhöhe

⚠️ WARNUNG: Halten Sie niemals Ihre Hand oder Ihren Fuß unter die Mähereinheit, wenn Sie die Mähhöhe einstellen.

⚠️ WARNUNG: Vergewissern Sie sich stets, dass der Hebel einwandfrei in der Führungsnut sitzt, bevor Sie den Mäher in Betrieb nehmen.

Die Mähhöhe kann innerhalb des Bereichs zwischen 20 mm und 100 mm eingestellt werden.

Ziehen Sie den Sperrschlüssel ab, ziehen Sie dann den Mähhöhen-Einstellhebel von der Mähereinheit nach außen, und stellen Sie ihn auf die gewünschte Mähhöhe.

► **Abb.22:** 1. Mähhöhen-Einstellhebel

Die nachstehende Tabelle zeigt die Beziehung zwischen der Nummer an der Mähereinheit und der ungefähren Mähhöhe.

Nummer	Mähhöhe
1	20 mm
2	26 mm
3	32 mm
4	39 mm
5	47 mm
6	55 mm
7	63 mm
8	74 mm
9	86 mm
10	100 mm

Halten Sie den vorderen Griff oder den unteren Bügelgriff mit einer Hand, und verstellen Sie dann den Mähhöhen-Einstellhebel mit der anderen Hand.

► **Abb.23:** 1. Mähhöhen-Einstellhebel 2. Unterer Bügelgriff 3. Vorderer Griff

HINWEIS: Die Zahlen der Mähhöhe dienen lediglich als Orientierungshilfe. Je nach den Bedingungen des Rasens oder des Bodens kann die tatsächliche Rasenhöhe geringfügig von der eingestellten Höhe abweichen.

HINWEIS: Machen Sie einen Mähtest an einer unauffälligeren Stelle des Rasens, um die gewünschte Höhe zu erhalten.

Grasfüllstandsanzeige

Die Grasfüllstandsanzeige zeigt die Menge des gemähten Grasses an. Wenn der Graskorb nicht voll ist, schwimmt der Indikator, während die Messer rotieren.

► **Abb.24:** 1. Grasfüllstandsanzeige

Wenn der Graskorb fast voll ist, schwimmt der Indikator nicht, während die Messer rotieren. Brechen Sie in diesem Fall den Betrieb sofort ab, und leeren Sie den Korb.

► **Abb.25:** 1. Grasfüllstandsanzeige

HINWEIS: Diese Anzeige ist eine grobe Orientierungshilfe. Je nach den Bedingungen im Korb funktioniert diese Anzeige u. U. nicht richtig.

Einstellen der Bügelgriffhöhe

⚠️ VORSICHT: Bevor Sie die Schrauben entfernen, halten Sie den oberen Bügelgriff fest. Anderenfalls kann der Bügelgriff herunterfallen und Verletzungen verursachen.

Die Bügelgriffhöhe kann in zwei Stufen eingestellt werden.

1. Entfernen Sie die oberen Schrauben des unteren Bügelgriffs mit dem Steckschlüssel 13, und lösen Sie dann die unteren Schrauben.

► **Abb.26:** 1. Obere Schraube 2. Untere Schraube

2. Stellen Sie die Bügelgriffhöhe ein, und ziehen Sie denn die oberen und unteren Schrauben fest.

Einstellen der Fahrgeschwindigkeit

Für DLM462/DLM532

► **Abb.27:** 1. Geschwindigkeits-Einstellhebel

Die Fahrgeschwindigkeit kann mit dem Geschwindigkeits-Einstellhebel eingestellt werden. Um die Geschwindigkeit zu verringern, ziehen Sie den Hebel auf sich zu, und um die Geschwindigkeit zu erhöhen, drehen Sie den Hebel nach vorn.

Verwendung des Mulchstopfens

Der Mulchstopfen ermöglicht es Ihnen, das abgeschnittene Gras auf den Boden zurückzuführen, ohne es im Graskorb aufzusammeln. Wenn Sie die Maschine mit dem Mulchstopfen betreiben, nehmen Sie unbedingt den Graskorb ab.

ANMERKUNG: Wenn Sie die Maschine mit dem Mulchstopfen benutzen, vergewissern Sie sich, dass die Gesamtlänge des Grasses 30 mm oder mehr, oder die Schnittlänge 15 mm oder weniger beträgt.

► **Abb.28:** (1) 30 mm oder mehr (2) 15 mm oder weniger

Verwendung des Auswerfaufsatzes

Für DLM530/DLM532

Der Auswerfaufsatz ermöglicht es Ihnen, das abgeschnittene Gras von der rechten Seite der Maschine auf den Boden zurückzuführen, ohne es im Graskorb aufzusammeln. Wenn Sie die Maschine mit dem Auswerfaufsatz betreiben, montieren Sie unbedingt den Mulchstopfen, und nehmen Sie den Graskorb ab.

Elektronikfunktionen

Für komfortablen Betrieb ist die Maschine mit Elektronikfunktionen ausgestattet.

- Konstantdrehzahlregelung der Messerdrehung
Elektronische Drehzahlregelung zur Aufrechterhaltung einer konstanten Drehzahl. Feine Oberflächengüte wird ermöglicht, weil die Drehzahl selbst unter Belastung konstant gehalten wird.
- Sanftanlauf beim Fahren
Die Sanftanlauf-Funktion reduziert Anlaufstöße auf ein Minimum und bewirkt ruckfreies Anlaufen der Maschine.
- Elektrische Bremse
Diese Maschine ist mit einer elektrischen Bremse ausgestattet. Falls die Maschine ständig versagt, die Mähmesser nach dem Loslassen des Schalthebels schnell anzuhalten, lassen Sie die Maschine von einem autorisierten Makita-Servicecenter warten.

BETRIEB

Mähen

⚠️ WARNUNG: Bevor Sie mit dem Mähen beginnen, entfernen Sie Äste und Steine vom Mähbereich. Beseitigen Sie vorher auch jegliches Unkraut im Mähbereich.

⚠️ WARNUNG: Tragen Sie bei der Benutzung des Mähers stets eine Schutzbrille mit Seitenschützern.

⚠️ VORSICHT: Falls das gemähte Gras oder Fremdkörper die Innenseite der Mähereinheit blockieren, entfernen Sie unbedingt den Sperrschlüssel und die Akkus, und ziehen Sie Handschuhe an, bevor Sie das Gras oder den Fremdkörper entfernen.

ANMERKUNG: Verwenden Sie diese Maschine nur zum Mähen von Rasen. Mähen Sie kein Unkraut mit dieser Maschine.

► **Abb.29**

Halten Sie den Bügelgriff beim Mähen mit beiden Händen fest. Die Richtlinie der Mähgeschwindigkeit liegt bei ungefähr 7 bis 14 Meter pro 10 Sekunden.

► **Abb.30**

Die Mittellinien der Vorderräder sind die Richtlinien für die Mähbreite. Mähen Sie in Streifen, indem Sie die Mittellinien als Richtlinien verwenden. Überlappen Sie den vorhergehenden Streifen um eine Hälfte bis ein Drittel, um den Rasen gleichmäßig zu mähen.

► **Abb.31:** 1. Mähbreite 2. Überlappungsbereich 3. Mittellinie

Wechseln Sie jedes Mal die Mährichtung, um zu verhindern, dass sich eine Grasmaserung nur in einer Richtung bildet.

► **Abb.32**

Überprüfen Sie die Höhe des gemähnten Grasses im Graskorb regelmäßig. Entleeren Sie den Graskorb, bevor er ganz voll wird. Stellen Sie vor jeder regelmäßigen Kontrolle den Mäher ab, und entfernen Sie Sperrschlüssel und Akkus.

ANMERKUNG: Die Benutzung des Mähers mit vollem Graskorb verhindert eine reibungslose Messerdrehung und übt eine zusätzliche Last auf den Motor aus, die zu einem Ausfall führen kann.

Mähen eines Rasens mit hohem Gras

Versuchen Sie nicht, langes Gras in einem Durchgang zu schneiden. Mähen Sie den Rasen statt dessen in mehreren Durchgängen. Lassen Sie ein oder zwei Tage zwischen den Mähdurchgängen offen, bis der Rasen gleichmäßig kurz wird.

► **Abb.33**

HINWEIS: Der Versuch, langes Gras in einem Durchgang auf eine kurze Länge zu mähen, kann dazu führen, dass das Gras abstirbt. Außerdem kann das gemähte Gras die Innenseite der Mähereinheit blockieren.

Leeren des Graskorb

⚠️ WARNUNG: Um die Unfallgefahr zu reduzieren, sollten Sie den Graskorb regelmäßig auf Beschädigung oder Abschwächung überprüfen. Tauschen Sie den Graskorb nötigenfalls aus.

1. Lassen Sie den Schalthebel und Antriebsbügel (für DLM462/DLM532) bzw. den Schalthebel (für DLM530) los.
2. Entfernen Sie den Sperrschlüssel.
3. Öffnen Sie die Rückabdeckung, und nehmen Sie den Graskorb an seinem Griff heraus.
▶ **Abb.34:** 1. Rückabdeckung 2. Griff 3. Graskorb
4. Leeren Sie den Graskorb.

WARTUNG

⚠️ WARNUNG: Vergewissern Sie sich stets, dass Sperrschlüssel und Akkus vom Mäher entfernt worden sind, bevor Sie den Mäher lagern oder tragen oder eine Inspektion oder Wartung durchführen.

⚠️ WARNUNG: Ziehen Sie stets den Sperrschlüssel ab, wenn Sie den Mäher nicht benutzen. Bewahren Sie den Sperrschlüssel an einem sicheren Ort außer Reichweite von Kindern auf.

⚠️ WARNUNG: Tragen Sie Handschuhe zur Durchführung von Inspektions- oder Wartungsarbeiten.

⚠️ WARNUNG: Tragen Sie bei der Durchführung von Inspektions- oder Wartungsarbeiten stets eine Schutzbrille mit Seitenschützern.

ANMERKUNG: Verwenden Sie auf keinen Fall Benzin, Waschbenzin, Verdünnern, Alkohol oder dergleichen. Solche Mittel können Verfärbung, Verformung oder Rissbildung verursachen.

Um die SICHERHEIT und ZUVERLÄSSIGKEIT dieses Produkts zu gewährleisten, sollten Reparaturen und andere Wartungs- oder Einstellarbeiten nur von Makita-Vertragswerkstätten oder Makita-Kundendienstzentren unter ausschließlicher Verwendung von Makita-Originalersatzteilen ausgeführt werden.

Wartung

1. Entfernen Sie den Sperrschlüssel und die Akkus, und schließen Sie dann die Akkuabdeckung.
2. Kippen Sie den Mäher auf seine Seite, so dass der Mähhöhen-Einstellhebel oben liegt. Beseitigen Sie an der Unterseite des Mäherdecks angesammelten Grasschnitt.
3. Gießen Sie Wasser in Richtung der Unterseite der Maschine, an der das Messer angebracht ist.

ANMERKUNG: Waschen Sie die Maschine nicht mit Hochdruck-Wasserstrahl.

4. Überprüfen Sie alle Muttern, Bolzen, Schrauben usw. auf festen Sitz.
5. Überprüfen Sie die beweglichen Teile auf Beschädigung, Bruch und Verschleiß. Beschädigte oder fehlende Teile sind zu reparieren oder zu ersetzen.
6. Lagern Sie den Mäher an einem sicheren Ort außer Reichweite von Kindern.

Für DLM462/DLM532

ANMERKUNG: Übergießen Sie den in der Abbildung gezeigten Bereich nicht mit Wasser. Übergießen der Motoreinheit mit Wasser kann eine Funktionsstörung der Maschine verursachen.

- ▶ **Abb.35:** 1. Bereich, der nicht mit Wasser übergossen werden darf

Tragen des Mähers

Halten Sie zum Tragen des Mähers den vorderen Griff und den hinteren Griff mit zwei Personen, wie in der Abbildung gezeigt.

- ▶ **Abb.36:** 1. Vorderer Griff 2. Hinterer Griff

Lagerung

Lagern Sie den Mäher an einem kühlen, trockenen und abschließbaren Ort. Lagern Sie Mäher und Ladegerät nicht an Orten, an denen die Temperatur 40 °C erreichen oder überschreiten kann.

Demontieren oder Montieren des Mähermessers

⚠️ WARNUNG: Das Messer dreht sich nach dem Loslassen des Schalters noch einige Sekunden weiter. Warten Sie mit der Ausführung von Arbeiten, bis das Messer zu einem vollständigen Stillstand kommt.

⚠️ WARNUNG: Entfernen Sie stets den Sperrschlüssel und die Akkus, bevor Sie das Messer demontieren oder montieren. Werden Sperrschlüssel und Akkus nicht entfernt, kann es zu schweren Verletzungen kommen.

⚠️ WARNUNG: Tragen Sie stets Handschuhe bei der Handhabung des Messers.

Entfernen des Mähermessers

Für Modelle mit geradem Mähermesser

1. Kippen Sie den Mäher auf seine Seite, so dass der Mähhöhen-Einstellhebel oben liegt.
2. Um das Messer zu blockieren, stecken Sie den Stift in ein Loch an der Mähereinheit.
3. Drehen Sie die Schraube mit dem Steckschlüssel 17 entgegen dem Uhrzeigersinn.
▶ **Abb.37:** 1. Mähermesser 2. Stift 3. Steckschlüssel
4. Entfernen Sie die Schraube, und nehmen Sie dann das Mähermesser ab.
▶ **Abb.38:** 1. Messerhalter 2. Mähermesser 3. Schraube 4. Vorsprung

ANMERKUNG: Vergewissern Sie sich beim Montieren des Mähermessers, dass die Vorsprünge am Messerhalter in die Löcher im Mähermesser passen.

Für Modelle mit Rückschwenk-Mähermesser

1. Kippen Sie den Mäher auf seine Seite, so dass der Mähhöhen-Einstellhebel oben liegt.
2. Um die Grundplatte zu blockieren, führen Sie den Stift durch ein Loch in der Grundplatte in ein Loch an der Mähereinheit ein.
3. Drehen Sie die Schraube mit dem Steckschlüssel 17 entgegen dem Uhrzeigersinn.
► **Abb.39:** 1. Stift 2. Grundplatte 3. Steckschlüssel
4. Entfernen Sie die Schraube, und nehmen Sie dann die Grundplatte ab.
► **Abb.40:** 1. Messerhalter 2. Grundplatte
3. Schraube 4. Vorsprung

ANMERKUNG: Vergewissern Sie sich beim Montieren der Mähermesser, dass die Vorsprünge am Messerhalter in die Löcher in der Grundplatte passen.

5. Um die einzelnen Mähermesser zu entfernen, drehen Sie die Schraube mit dem Steckschlüssel 17 entgegen dem Uhrzeigersinn, während Sie die Grundplatte festhalten.
► **Abb.41:** 1. Grundplatte 2. Mähermesser
3. Steckschlüssel
6. Entfernen Sie Mutter, Unterlegscheibe, Federscheibe, Mähermesser und Schraube der Reihe nach.
► **Abb.42:** 1. Schraubenbohrung 2. Schraube
3. Mähermesser 4. Federscheibe
5. Unterlegscheibe 6. Mutter

ANMERKUNG: Ziehen Sie die Muttern zum Montieren der einzelnen Mähermesser mit einem Anzugsmoment von 30 N•m an.

ANMERKUNG: Bringen Sie die Federscheibe beim Montieren der einzelnen Mähermesser unbedingt in der in der Abbildung gezeigten Richtung an.

ANMERKUNG: Führen Sie die Schrauben beim Montieren der einzelnen Mähermesser unbedingt in die in der Abbildung gezeigten Schraubenbohrungen ein.

Installieren des Mähermessers

⚠️ WARNUNG: Montieren Sie das Mähermesser sorgfältig. Das Messer hat eine Ober- und Unterseite.

⚠️ WARNUNG: Ziehen Sie dann die Schraube zur Sicherung des Messers im Uhrzeigersinn fest.

⚠️ WARNUNG: Vergewissern Sie sich, dass das Mähermesser und alle Befestigungsteile korrekt montiert und sicher festgezogen sind.

⚠️ WARNUNG: Befolgen Sie beim Auswechseln der Messer stets die Anweisungen in dieser Anleitung.

ANMERKUNG: Denken Sie nach dem Montieren der Mähermesser daran, den Stift von der Mähereinheit zu entfernen.

Zum Montieren der Mähermesser wenden Sie das Demontageverfahren umgekehrt an.

FEHLERSUCHE

Bevor Sie den Reparaturdienst anrufen, führen Sie zunächst Ihre eigene Inspektion durch. Falls Sie ein Problem finden, das nicht in der Anleitung erläutert wird, versuchen Sie nicht, die Maschine zu zerlegen. Wenden Sie sich stattdessen an autorisierte Makita-Kundendienstzentren, und achten Sie darauf, dass stets Makita-Ersatzteile für Reparaturen verwendet werden.

Zustand der Unregelmäßigkeit	Wahrscheinliche Ursache (Funktionsstörung)	Abhilfemaßnahme
Der Mäher startet nicht.	Es sind nicht beide Akkus eingesetzt.	Setzen Sie zwei geladene Akkus ein.
	Akkustörung (Unterspannung)	Laden Sie die Akkus auf. Falls Laden nichts nützt, tauschen Sie die Akkus aus.
	Der Sperrschlüssel ist nicht eingesteckt.	Stecken Sie den Sperrschlüssel ein.
Der Motor bleibt nach kurzer Zeit stehen.	Der Akku-Wahlschalter steht nicht in der korrekten Position.	Wählen Sie das Akkudock, in das die Akkus eingesetzt sind, mit dem Akku-Wahlschalter aus.
	Der Ladestand der Akkus ist niedrig.	Laden Sie die Akkus auf. Falls Laden nichts nützt, tauschen Sie die Akkus aus.
	Die Schnitthöhe ist zu niedrig.	Vergrößern Sie die Schnitthöhe.
Der Motor erreicht die Maximaldrehzahl nicht.	Grasschnitt hat sich im Mäher angesammelt.	Entfernen Sie das angesammelte Gras vom Mäher.
	Die Akkus sind falsch eingesetzt.	Setzen Sie die Akkus gemäß der Beschreibung in dieser Anleitung ein.
	Die Akkuleistung lässt nach.	Laden Sie die Akkus auf. Falls Laden nichts nützt, tauschen Sie die Akkus aus.
Das Mähermesser dreht sich nicht: ⇒ Stoppen Sie den Mäher unverzüglich!	Das Antriebssystem funktioniert nicht korrekt.	Wenden Sie sich bezüglich einer Reparatur an Ihr autorisiertes Kundendienstzentrum.
	Ein Fremdkörper, wie z. B. ein Ast, hat sich in der Nähe des Messers verklemt.	Entfernen Sie den Fremdkörper.
Ungewöhnliche Vibration: ⇒ Stoppen Sie den Mäher unverzüglich!	Das Antriebssystem funktioniert nicht korrekt.	Wenden Sie sich bezüglich einer Reparatur an Ihr autorisiertes Kundendienstzentrum.
	Das Messer ist unausgeglich, übermäßig oder ungleichmäßig abgenutzt.	Tauschen Sie das Messer aus.

SONDERZUBEHÖR

⚠ VORSICHT: Die folgenden Zubehörteile oder Vorrichtungen werden für den Einsatz mit der in dieser Anleitung beschriebenen Makita-Maschine empfohlen. Die Verwendung anderer Zubehörteile oder Vorrichtungen kann eine Verletzungsgefahr darstellen. Verwenden Sie Zubehörteile oder Vorrichtungen nur für ihren vorgesehenen Zweck.

Wenn Sie weitere Einzelheiten bezüglich dieser Zubehörteile benötigen, wenden Sie sich bitte an Ihre Makita-Kundendienststelle.

- Mähermesser
- Original-Makita-Akku und -Ladegerät

HINWEIS: Manche Teile in der Liste können als Standardzubehör im Produktpaket enthalten sein. Sie können von Land zu Land unterschiedlich sein.

Makita Europe N.V. Jan-Baptist Vinkstraat 2,
3070 Kortenberg, Belgium

Makita Corporation 3-11-8, Sumiyoshi-cho,
Anjo, Aichi 446-8502 Japan

www.makita.com

885760-976
EN, PL, HU, SK,
CS, UK, RO, DE
20191017