

# Clothing Care System (AIRDRESSER)

## User manual

DF60\*8\*\*\*G



**SAMSUNG**

# Contents

---

|                                                     |           |
|-----------------------------------------------------|-----------|
| <b>Safety information</b>                           | <b>3</b>  |
| What you need to know about the safety instructions | 3         |
| Important safety symbols                            | 3         |
| Important safety precautions                        | 4         |
| General warnings                                    | 5         |
| Electrical warnings                                 | 7         |
| Installation warnings                               | 8         |
| Cleaning warnings                                   | 9         |
| Instructions about the WEEE                         | 10        |
| <b>Before you start</b>                             | <b>11</b> |
| Installation                                        | 11        |
| Product overview                                    | 14        |
| Control panel                                       | 16        |
| Cycle overview                                      | 18        |
| Fabric care guide                                   | 22        |
| Fabric care labels                                  | 26        |
| Smart control                                       | 27        |
| <b>Product and accessory use</b>                    | <b>31</b> |
| Using a cycle                                       | 31        |
| Using the accessories                               | 33        |
| <b>Cleaning and maintenance</b>                     | <b>41</b> |
| Exterior                                            | 41        |
| Water tanks                                         | 42        |
| Water tray                                          | 43        |
| Air Filter                                          | 44        |
| Lint filter                                         | 46        |
| Descaling                                           | 47        |
| Moving the product to another location              | 48        |
| <b>Troubleshooting</b>                              | <b>49</b> |
| Notification messages                               | 49        |
| Checkpoint                                          | 50        |
| <b>Specifications</b>                               | <b>52</b> |

# Safety information

---

Congratulations on your new Samsung product. This manual contains important information on the installation, use and care of your product. Please take some time to read this manual to take full advantage of your product's many benefits and features.

## What you need to know about the safety instructions

---

Please read this manual thoroughly to ensure that you know how to safely and efficiently operate the extensive features and functions of your new product. Please store the manual in a safe location close to the product for future reference. Use this product only for its intended purpose as described in this instruction manual. Warnings and Important Safety Instructions in this manual do not cover all possible conditions and situations that may occur. It is your responsibility to use common sense, caution and care when installing, maintaining and operating your product. Because the following operating instructions cover various models, the characteristics of your product may differ slightly from those described in this manual and not all warning signs may be applicable. If you have any questions or concerns, contact your nearest service centre or find help and information online at [www.samsung.com](http://www.samsung.com).

## Important safety symbols

---

What the icons and signs in this user manual mean:

### **WARNING**

Hazards or unsafe practises that may result in **severe personal injury, death and/or property damage**.

### **CAUTION**

Hazards or unsafe practises that may result in **personal injury and/or property damage**.

### **CAUTION, Hot surface**

### **NOTE**

Indicates that a risk of personal injury or material damage exists.

**These warning signs are here to prevent injury to yourself and others.**

**Please follow them explicitly.**

**After reading this manual, store it in a safe place for future reference.**

**Read all instructions before using the product.**

As with any equipment that uses electricity and moving parts, potential hazards exist. To safely operate this product, familiarise yourself with its operation and exercise care when using it.

# Safety information

---

## Important safety precautions

---

### **WARNING**

To reduce the risk of fire, electric shock, or injury to persons when using your appliance, follow basic precautions, including the following:

1. This appliance is not intended for use by persons (including children) with reduced physical, sensory or mental capabilities, or lack of experience and knowledge, unless they have been given supervision or instruction concerning use of the appliance by a person responsible for their safety.
2. This appliance can be used by children aged from 8 years and above and persons with reduced physical, sensory or mental capabilities or lack of experience and knowledge if they have been given supervision or instruction concerning use of the appliance in a safe way and understand the hazards involved. Children shall not play with the appliance. Cleaning and user maintenance shall not be made by children without supervision.
3. Children should be supervised to ensure that they do not play with the appliance.
4. If the supply cord is damaged, it must be replaced by the manufacturer, its service agent or similarly qualified persons in order to avoid a hazard.
5. **CAUTION:** In order to avoid a hazard due to inadvertent resetting of the thermal cut-out, this appliance must not be supplied through an external switching device, such as a timer, or connected to a circuit that is regularly switched on and off by the utility.

6. This appliance is intended to be used in household and similar applications such as:

- staff kitchen areas in shops, offices and other working environments;
- farm houses;
- by clients in hotels, motels and other residential type environments;
- bed and breakfast type environments.

7. **WARNING:** This appliance is intended only for drying textiles washed in water.

## General warnings

### **WARNING**

- To avoid electric shock, fire, and/or death, make sure the product is properly installed and grounded as described in this manual before using the product.
- Only use the product for its intended purposes. Damage incurred from using the product for purposes other than those specified in this manual are not covered by the warranty.
- To avoid physical injury and/or product damage, do not climb, stand, or hang on the product.
- Do not disassemble or modify the product in any way.
- Do not allow children to play in, on, or around the product. Close supervision of children is necessary at all times.
- To avoid fire, physical injury, and/or death, keep all packaging material away from children and properly remove and dispose all packaging material.
- Do not touch or operate the product with wet hands.
- To avoid electric shock and/or fire, keep all animals or other foreign objects out of the product.
- If you hear strange noises, smell strange odours, and/or detect smoke from the product, immediately unplug the product.
- Do not place heavy or dangerous objects in, on, or around the product.
- To avoid electric shock, fire, and/or death, do not repair or replace any part of the product or attempt any servicing unless specifically recommended in the user manual or in published user-repair instructions that you understand and have the skills to carry out.

# Safety information

---

- Take out all personal belongings (electric devices, lighters, matchboxes, and so on) from pockets.
- To avoid fire and/or explosions, do not dry items that have been previously cleaned in, washed in, soaked in, or spotted with gasoline, dry-cleaning solvents, cooking oils, or other flammable or explosive substances.
- The product is not intended for use by persons (including children) with reduced physical, sensory, or mental capabilities, or lack of experience and knowledge, unless they have been given supervision or instruction concerning the use of the product by a person responsible for their safety.
- Before disposing of the product, remove the door to the drying compartment, and cut off the power plug to prevent reuse.
- Do not touch or disassemble the electrical outlet of the product. In the event of a gas leak, make sure to ventilate the location and immediately contact a Samsung service centre.
- To avoid damaging the glass panel, make sure to protect the front at all times.
- To avoid physical injury and/or product damage, do not step on the tank doors.
- Do not put hands, feet, other body parts, or metal objects under the product.
- Do not use other products to dry the interior. Do not use candles to remove interior odours.
- Do not open the door while the product is operating. Opening the door while the product is operating will affect product performance and may cause condensation to damage flooring.
- Do not drink the water from the Refill Tank or the Drain Tank.
- Clean the lint filter before or after each load.
- Do not use fabric softeners or other products to eliminate static unless recommended by the manufacturer of the fabric softeners or products.
- Keep fingers out of pinch point areas. Use caution when closing the door when children are nearby.
- Do not use the product to dry items containing foam rubber or other rubber-textured items.
- To avoid product damage, excessive noise, or fire, do not insert objects into the steam nozzle.
- Do not place your hands or body near the steam nozzle during operation. The hot steam can cause an injury.
- Do not open the door during operation. The high internal temperature can cause an injury.
- If a problem occurs during steam process, stop the product immediately and remove all items from the product. If items are not removed immediately, they will stay damp, causing damage to the fabric or smell.
- Before placing the clothing into the product, make sure to empty all pockets.

- Contains fluorinated greenhouse gases.  
Hermetically sealed equipment.  
Do not vent gases into the atmosphere.
  - Refrigerant (Type): R-134a (GWP = 1430)
  - Refrigerant (Charging): 0.15 kg, 0.214 tCO<sub>2</sub>e

## Electrical warnings

### **WARNING**

- Regularly remove all foreign substances such as dust or water from the power plug terminals and contact points using a dry cloth.
- Unplug the power plug and clean it with a dry cloth.
- To avoid risk of electric shock, always unplug the product before disassembly or repair.
- Do not pull the power cord when unplugging the power plug. To unplug the power plug, firmly pull the power plug straight out.
- To avoid electric shock, do not use an extension cord.
- Do not use a damaged power cord or power plug. Do not attempt to repair, disassemble, or modify the power cord or power plug. For any repairs, contact your nearest Samsung service centre.
- Plug the power cord into a wall socket that meets local electrical specifications. Use the socket for this appliance only, and do not use an extension cord.
- When moving the product, make sure to keep the power cord protected at all times.
- To avoid electric shock, fire, serious injury, product damage, and/or death, the product must be plugged into a properly grounded outlet. Make sure the wall outlet and circuit are checked by a qualified electrician.
- The product must be equipped with a cord having an equipment-grounding conductor and a grounding plug. The plug must be plugged into an appropriate outlet that is properly installed and grounded in accordance with all local codes and ordinances.
- The product must be grounded. In the event of malfunction or breakdown, grounding will reduce the risk of electric shock by providing a path of least resistance for electric current.
- Before using, make sure there is dedicated, grounded electrical-outlet rated for use with this product. It is the owner's responsibility to replace a standard 2-prong wall outlet with a standard 3-prong outlet.
- To avoid electric shock, properly ground the product that conforms to all governing codes and ordinances. Follow the instructions in the user manual.

# Safety information

---

- The product must be plugged into its own individual electrical outlet which has a voltage rating that matches the rating plate. This provides the best performance and also prevents overloading house wiring circuits which could cause a fire hazard from overheated wires.
- Connect to a properly rated, protected, and sized power circuit to avoid electrical overload. Improper power circuits can melt, creating electric shock or fire.
- Do not, under any circumstances, cut or remove the ground prong from the power cord. To prevent personal injury or product damage, the electrical power cord must be plugged into a properly grounded outlet.
- Do not use a multi socket outlet which is not properly grounded (portable). Upon using a properly-grounded multi socket outlet (portable), use a product with the current capacity of 15 A or higher alone. Failure to do so may result in electric shock or fire due to the heat of multi socket outlet. The power may be shut off when the circuit breaker is operated.
- The product must be connected to a grounded metal, permanent wiring system or an equipment-grounding conductor must be run with the circuit conductors and connected to the equipment-grounding terminal or lead on the appliance. Electric shock can result if the product is not properly grounded.
- Improper connection of the equipment grounding conductor can result in electric shock. Check with a qualified electrician or service person if you are in doubt that the product is properly grounded.

## Installation warnings

---

### **WARNING**

- Only install the product in a stable, well-floored location. Do not install the product in locations prone to vibrations or where the product may tip over, such as ships or airplanes. Contact a Samsung service centre if you are unsure of the installation location.
- Do not install the product in locations exposed to the weather or temperatures below freezing. If the product was shipped in or at temperatures below freezing, allow the product to warm before installing.
- To avoid electric shock, fire, serious injury, product damage, and/or death, do not install the product in humid locations (such as a bathroom or sauna).
- To avoid fire, smoke, and/or product damage, do not install the product near other heat sources (such as a stove or heater).
- To avoid fire or smoke and/or product damage, do not place candles or other flammables on, in, or around the product.



- 
- To avoid physical injury and/or product damage, contact a Samsung service centre before moving the product.
  - Install the product where the power plug is easily accessible. To avoid electric shock and/or fire, unplug the product when not in use.
  - If the installation location has been flooded, do not go near the product and immediately contact a Samsung service centre.
  - To avoid fire, smoke, and/or product damage, remove all protective film from the product.
  - To prevent product damage and/or physical injury, have at least two people move the product.

## Cleaning warnings

---

### **WARNING**

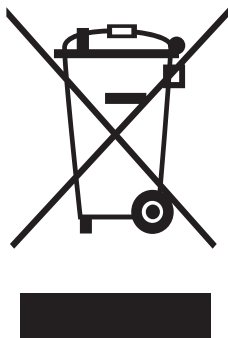
- To avoid electric shock, do not use sharp objects to operate or clean the product.
- Do not spray water directly onto the product when cleaning it.
- Do not use bleaching agents on the exterior of the product. Bleaching agents may discolour the exterior.
- Wipe the interior with a dry cloth after use.
- After using the product, wipe its inner side with a dry cloth.
  - The product could be stained by contamination such as long hair or due to dust and water drops that may form inside.
- If contamination (detergent, dirt, food residue, etc.) has accumulated in the product or any accessories, unplug the power cable and then wipe the contaminated area with a soft, wet cloth.
  - Do not expose the product or the accessory to cleaning or bleaching agents or apply these to the product or accessory.
  - Otherwise, this may result in discoloration, deformation, damage, or rust.

# Safety information

---

## Instructions about the WEEE

---



### Correct Disposal of This Product (Waste Electrical & Electronic Equipment)

(Applicable in countries with separate collection systems)

This marking on the product, accessories or literature indicates that the product and its electronic accessories (e.g. charger, headset, USB cable) should not be disposed of with other household waste at the end of their working life. To prevent possible harm to the environment or human health from uncontrolled waste disposal, please separate these items from other types of waste and recycle them responsibly to promote the sustainable reuse of material resources.

Household users should contact either the retailer where they purchased this product, or their local government office, for details of where and how they can take these items for environmentally safe recycling.

Business users should contact their supplier and check the terms and conditions of the purchase contract. This product and its electronic accessories should not be mixed with other commercial wastes for disposal.

For information on Samsung's environmental commitments and product regulatory obligations, e.g. REACH, WEEE or Batteries, visit our sustainability page available via [www.samsung.com](http://www.samsung.com)

# Before you start

## Installation

Install the product according to the instructions in this manual and local codes.

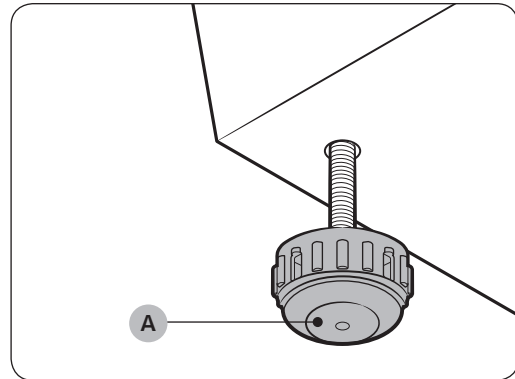
### Installing the product

1. Select a solid, level location with adequate space for the following clearances.

|       |       |
|-------|-------|
| Top   | 25 mm |
| Sides | 5 mm  |
| Rear  | 15 mm |

- If the minimum clearances are not met, performance will decrease due poor ventilation and condensation may occur on the product exterior.
- Do not install the product in direct sunlight or hot and cold places. The ambient temperature must be between 10 °C-35 °C. If the ambient temperature is too high or too low, the product may not operate normally, or performance may decrease.

2. Turn the **leveling feet (A)** clockwise or counterclockwise to adjust the height until the product is level.

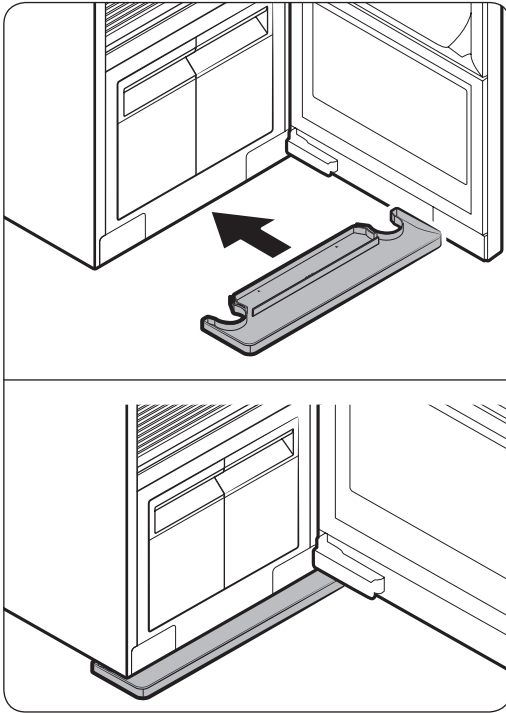


#### NOTE

If the product wobbles or if you want to raise the height of the rear side, assemble the provided rear levelling feet on the bottom-rear sides of the product.

# Before you start

3. Insert the water tray as shown in the figures.
  - Make sure the side marked 'TOP' is facing upward.



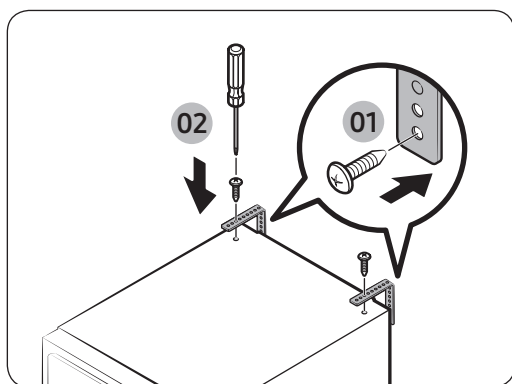
4. Plug in the product to a 230 V / 50 Hz grounded outlet.
  - If you do not have grounded outlets, contact a Samsung service centre for alternative methods to ground the product.

## NOTE

- After installing the product, you must wait at least 2 hours before using it.
- The product consumes more water the first time the product is used. You may have to fill the Refill Tank more than one time.

### Securing AIRDRESSER with the anti-tip strap (optional)

AIRDRESSER may tip-over by external force or children. If necessary, use the anti-tip strap to secure AIRDRESSER and prevent tip-over. (Refer to the figure.)



#### **⚠ CAUTION**

You must unplug the product before securing AIRDRESSER with the anti-tip strap.

#### **📄 NOTE**

- Use the provided screw to fasten the anti-strap to a wall.
- Use the screws fastened on top of AIRDRESSER to fasten the anti-strap to AIRDRESSER.

### Setting the language

When you turn on the product for the first time after the installation, the language selection screen appears on the control panel display. Follow the instructions to select the language.

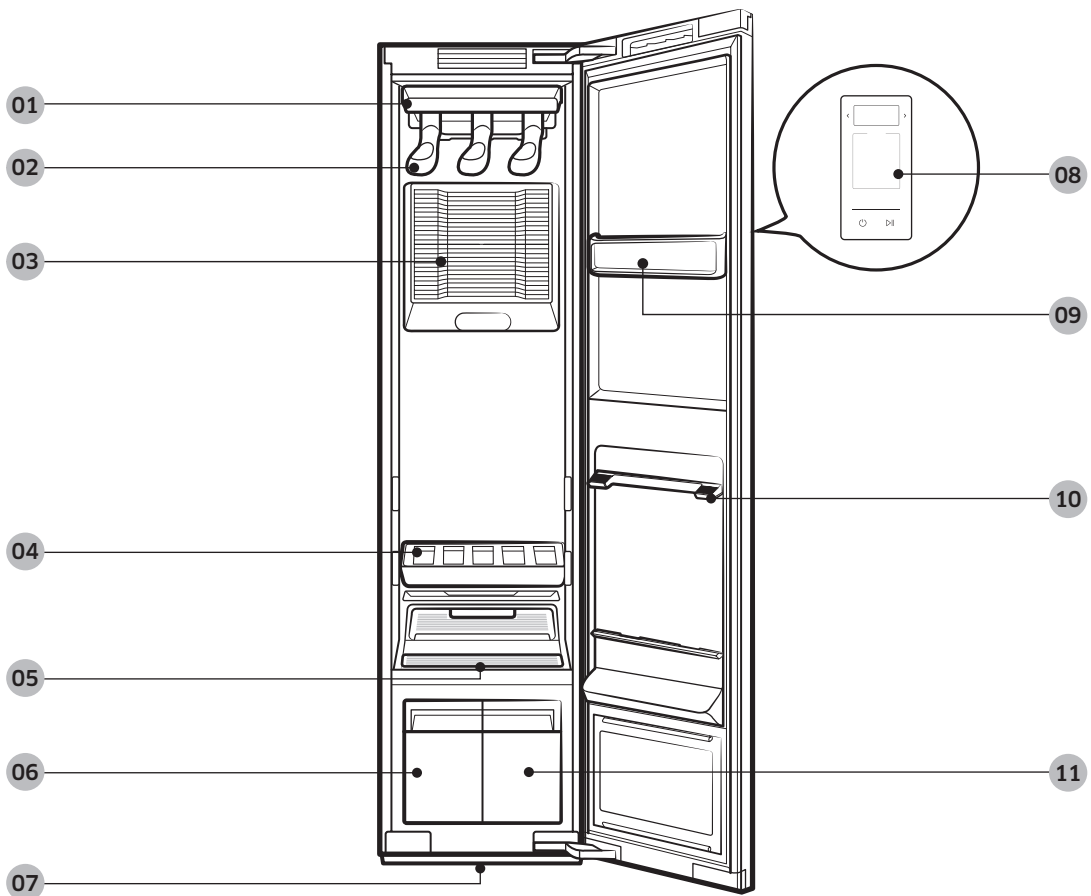
1. Tap < or > to select a language.
2. Tap and hold **Start/Pause** ▷|| to save the selected language.

#### **📄 NOTE**

- Language setting may not be applicable in some countries.
- To change the language afterward, tap and hold **Normal** and **Delicates** for 3 seconds, and then follow the above instructions.

# Before you start

## Product overview



**01** Air hole

**04** Shelf

**07** Water tray

**10** Shelf holder

**02** Air hanger

**05** Lint filter

**08** Control panel

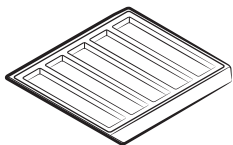
**11** Refill Tank

**03** Air Filter

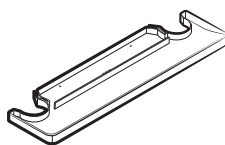
**06** Drain Tank

**09** Accessory care zone

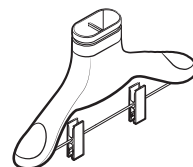
## Accessories



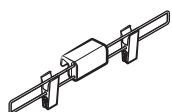
Shelf



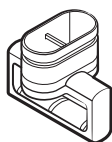
Water tray



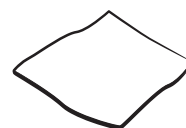
Air hanger



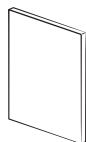
Weight kit



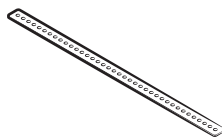
Regular hanger kit



Cleaning cloth



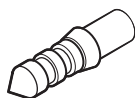
User manual



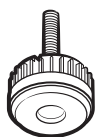
Anti-tip strap



Screw (for anti-tip strap)



Screw anchor (for anti-tip strap)

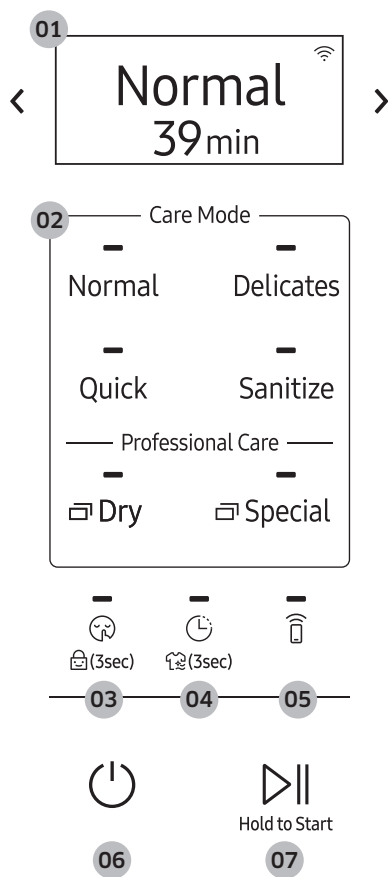


Rear levelling feet

Before you start

# Before you start

## Control panel



### 01 Display

Displays the selected cycle and estimated time remaining, notifications, and Wi-Fi connectivity.




### 02 Cycles

Tap a cycle to select. For more information about cycles, see page 18.





### 03 Silent / Child Lock (3 sec)

|        |                                                                                                                  |
|--------|------------------------------------------------------------------------------------------------------------------|
| Silent | Tap to turn Silent on or off. Silent reduces operating noise.<br><b>NOTE</b><br>Silent will increase cycle time. |
|--------|------------------------------------------------------------------------------------------------------------------|



|                                                                                              |                                                                                                                                                                                                                                                                                                                                                                                       |
|----------------------------------------------------------------------------------------------|---------------------------------------------------------------------------------------------------------------------------------------------------------------------------------------------------------------------------------------------------------------------------------------------------------------------------------------------------------------------------------------|
| Child Lock  | <p>Tap and hold for 3 seconds to turn Child Lock on or off. Child Lock deactivates all buttons except <b>Power</b> .</p> <p> <b>NOTE</b></p> <p>When Child Lock is on, it will remain on until you turn it off.</p> |
|----------------------------------------------------------------------------------------------|---------------------------------------------------------------------------------------------------------------------------------------------------------------------------------------------------------------------------------------------------------------------------------------------------------------------------------------------------------------------------------------|

#### 04 Delay End / Keep Fresh (3 sec)

|                                                                                                |                                                                                                                                                                                                                                                                                                                                                                                                                                                                                                                                                                    |
|------------------------------------------------------------------------------------------------|--------------------------------------------------------------------------------------------------------------------------------------------------------------------------------------------------------------------------------------------------------------------------------------------------------------------------------------------------------------------------------------------------------------------------------------------------------------------------------------------------------------------------------------------------------------------|
| Delay End     | <p>Tap to turn Delay End on, and then tap to increase the end time (from 1-24 hours).</p> <p> <b>NOTE</b></p> <ul style="list-style-type: none"> <li>• You cannot use Delay End with Sensor Dry.</li> <li>• When Delay End is on, the display will turn off to save energy.</li> <li>• Some end times may not be available depending on the selected cycle.</li> <li>• Depending on the items and environment, the actual end time may be different than the set time.</li> </ul> |
| Keep Fresh  | <p>Tap and hold for 3 seconds to turn Keep Fresh on or off. You can keep items fresh if you will not be able to immediately take items out after a cycle has finished.</p> <p> <b>NOTE</b></p> <ul style="list-style-type: none"> <li>• Keep Fresh stays on up to 24 hours after a cycle has finished.</li> <li>• Turning off the power or opening the door turns Keep Fresh off.</li> <li>• When Keep Fresh is on, the display will turn off to save energy.</li> </ul>        |

#### 05 Smart Control

Tap to turn Smart Control on or off. For more information about **Smart control**, see page 27.

#### 06 Power

Tap to turn the power on or off.

#### 07 Start/Pause

Tap and hold to start the product. Tap to pause the product.

Before you start


# Before you start

---

## Cycle overview

---

### Daily cycles

| Cycle     | Description                                                                                                                                                                                                                                                                                                                                                                                                                                                                                  |
|-----------|----------------------------------------------------------------------------------------------------------------------------------------------------------------------------------------------------------------------------------------------------------------------------------------------------------------------------------------------------------------------------------------------------------------------------------------------------------------------------------------------|
| Normal    | <ul style="list-style-type: none"><li>• For freshening your everyday wear.</li></ul>                                                                                                                                                                                                                                                                                                                                                                                                         |
| Delicates | <ul style="list-style-type: none"><li>• For delicate items such as chiffon, lace, and items with decorations.</li><li>• For rayon, you must use this cycle.</li></ul>                                                                                                                                                                                                                                                                                                                        |
| Quick     | <ul style="list-style-type: none"><li>• To quickly care for items with light odours and wrinkles.</li></ul>                                                                                                                                                                                                                                                                                                                                                                                  |
| Sanitize  | <ul style="list-style-type: none"><li>• To sanitize your clothes with steam.</li></ul> <p> <b>NOTE</b></p> <ul style="list-style-type: none"><li>• Do not put more than one large or bulky item. Large or bulky items may block the steam and airflow.</li><li>• If you stop or change the cycle when the Sanitizing message appears on the display, items may get damaged or not dry completely.</li></ul> |

## Dry cycles




### CAUTION

Do not use any of the following items for Dry cycles.

- Leather, fur, feather, velvet, silk.
- Any items containing rubber or sponge.
- Items made of wool blended fabrics, water-repellent fabrics, silk-blended, or hemp-blended fabric.
- Fur blankets with fur length exceeding 1 cm, wool blankets, carpets, mattresses.
- Lingerie with laces, pantyhose, stockings.






### NOTE

Drying results may vary depending on thickness of the items.

| Cycle      | Description                                                                                                                                                                                                                                                                                                                                                                                      |
|------------|--------------------------------------------------------------------------------------------------------------------------------------------------------------------------------------------------------------------------------------------------------------------------------------------------------------------------------------------------------------------------------------------------|
| Sensor Dry | AIRDRESSER automatically sets the time to dry items.<br> <b>NOTE</b> <ul style="list-style-type: none"><li>• Using Sensor Dry causes the Drain Tank to fill quickly.</li><li>• Sensor Dry may not dry excessively wet items and large or bulky items well. If items are not dry, run the cycle again.</li></ul> |
| Time Dry   | Manually set the time (1-3 hours) to dry items.<br> <b>NOTE</b> <ul style="list-style-type: none"><li>• Time Dry may not dry excessively wet items and large or bulky items well. If items are not dry, run the cycle again.</li></ul>                                                                        |
| Room Care  | For dehumidifying the surrounding area. You can select 2 or 4 hours.<br> <b>NOTE</b> <ul style="list-style-type: none"><li>• Make sure the product is empty when using Room Care.</li><li>• The indoor temperature may increase.</li></ul>                                                                    |

# Before you start

## Special cycles

| Cycle          | Description                                                                                                                                                                                                                                                                                                                                                                                                                |
|----------------|----------------------------------------------------------------------------------------------------------------------------------------------------------------------------------------------------------------------------------------------------------------------------------------------------------------------------------------------------------------------------------------------------------------------------|
| Suits          | <p>For sharpening creases in trousers.</p> <p> <b>NOTE</b></p> <ul style="list-style-type: none"><li>Put the jacket in the middle air hole and trousers on the right air hole.</li><li>For best results, use with the weight kit.</li></ul>                                                                                               |
| School uniform | <p>For school uniforms that cannot be washed or dried daily.</p>                                                                                                                                                                                                                                                                                                                                                           |
| Wool/Knit      | <p>For woollen or knit items.</p> <p> <b>NOTE</b></p> <p>To avoid deforming items, neatly fold items and lay on the shelf.</p>                                                                                                                                                                                                            |
| Outdoor        | <p>For outdoor or active wear.</p>                                                                                                                                                                                                                                                                                                                                                                                         |
| Down Jackets   | <p>To fluff heavy, down-filled jackets that have been stored for a long time.</p> <p> <b>NOTE</b></p> <p>To prevent blocking air circulation, hang only one item in the middle air hole.</p>                                                                                                                                            |
| Fur/Leather    | <p>Eliminates moisture and dust from fur and leather items.</p> <p> <b>NOTE</b></p> <ul style="list-style-type: none"><li>Operating noise may be louder during this cycle.</li><li>Follow all item care labels.</li><li>For best results, use for only one item.</li><li>Make sure fur items are dry before using this cycle.</li></ul> |
| Heavy Duty     | <p>For caring for thick fabric items such as sweaters.</p>                                                                                                                                                                                                                                                                                                                                                                 |
| Self Clean     | <p>Automatically cleans the product.</p> <p> <b>NOTE</b></p> <ul style="list-style-type: none"><li>Make sure the product is empty.</li><li>For best results and optimal cleaning, do not stop the cycle or open the door before Self Clean is complete.</li><li>This cycle does not eliminate mould.</li></ul>                          |

---

## Download cycles

You can download more cycles from the SmartThings app.

1. Tap **Power** ⏻.
2. Tap **Special** repeatedly to select **Download**.
3. On your smartphone, follow the onscreen instructions to download available cycles.
  - You can download up to 10 cycles.
  - You can download the following cycles.
    - Winter Coat, Denim, Down Dry, Babywear, Bedding, Doll, Accessories.

# Before you start

## Fabric care guide

- Fabrics have different care management depending on how they were processed and finished. This fabric care guide does not cover all materials and therefore use it for just a reference. Make sure to check the care label on your clothing before using with AIRDRESSER to prevent any damage.
- Do not put items that are not colourfast, are heat-sensitive, or are not suitable for washing with water in the General, Special, or Sanitize cycles. Do a water blot test on a small, inconspicuous spot (an inside seam) to determine if the fabric is colourfast. For further assistance, consult the clothing manufacturer, a dry-cleaning professional, or a more detailed fabric care guide.

## Cycle category

Refer to the following table to check specific cycles included in each category stated in the Fabric care guide table.

| Category        | Cycles                                                                                                                 |
|-----------------|------------------------------------------------------------------------------------------------------------------------|
| General cycles  | Normal, Quick, Delicates                                                                                               |
| Special cycles  | Suits, School uniform, Wool/Knit, Outdoor, Down Jackets, Fur/Leather, Heavy Duty, Winter Coat**, Denim**, Accessories* |
| Sanitize cycles | Sanitize, Babywear**, Bedding**, Doll**                                                                                |
| Dry cycles      | Sensor Dry, Time Dry, Down Dry**                                                                                       |

\* = Special cycles / \*\* = Download cycles

## Fabric care guide table

### Natural fibres - vegetable fibres

| Fabric             | Cycles            |             |         |          |     | Clothes / Remarks                                                                                                                                                                                                        |
|--------------------|-------------------|-------------|---------|----------|-----|--------------------------------------------------------------------------------------------------------------------------------------------------------------------------------------------------------------------------|
|                    | General           |             | Special | Sanitize | Dry |                                                                                                                                                                                                                          |
|                    | Reducing wrinkles | Deodorising |         |          |     |                                                                                                                                                                                                                          |
| Cotton             |                   | ●           | ●       | ●        | ●   | Towels, socks, underwear, jeans, sportswear, t-shirts, blankets<br>Wrinkles on 100 % cotton fabrics may remain. Iron after cycle if desired.                                                                             |
| Linen, hemp, ramie |                   | ●           | ●       | ●        | ●   | Summer clothes, tablecloths<br>Some wrinkles may remain. Make sure fabrics are washable/hand washable before using the General, Special, or Sanitize cycles. Lay delicate clothes on shelf. Do not use starched clothes. |
| Rayon              | ●                 | ●           | ●       |          | ●   | Suit lining, blouses, neckties, pyjamas                                                                                                                                                                                  |

● = Possible / ✖ = Check care label

### Natural fibres - animal fibres

| Fabric                       | Cycles            |             |         |          |     | Clothes / Remarks                                                                                             |
|------------------------------|-------------------|-------------|---------|----------|-----|---------------------------------------------------------------------------------------------------------------|
|                              | General           |             | Special | Sanitize | Dry |                                                                                                               |
|                              | Reducing wrinkles | Deodorising |         |          |     |                                                                                                               |
| Alpaca, camel hair, cashmere | ✖                 | ✖           | ●       |          |     | Coats, suits<br>Lay knitwears on the shelf. Alpaca and camel hair shrink in hot water.                        |
|                              |                   | ✖           | ●       |          |     | Scarves, knitwear<br>Lay knitwears on the shelf. Alpaca and camel hair shrink in hot water.                   |
| Fur, leather                 |                   |             | ●*      |          |     | Coats, scarves<br>* Only use Fur/Leather cycle. Leather must be 100 % natural leather (No artificial leather) |
| Silk                         |                   |             |         |          |     | Silk neckties, ribbons, scarves, blouses<br>Silk fabrics are not suitable for AIRDRESSER.                     |

Before you start

# Before you start

Before you start

| Fabric | Cycles            |             |         |          |     | Clothes / Remarks                                                                                                                                                                                                                                         |
|--------|-------------------|-------------|---------|----------|-----|-----------------------------------------------------------------------------------------------------------------------------------------------------------------------------------------------------------------------------------------------------------|
|        | General           |             | Special | Sanitize | Dry |                                                                                                                                                                                                                                                           |
|        | Reducing wrinkles | Deodorising |         |          |     |                                                                                                                                                                                                                                                           |
| Wool   |                   | ✖           | ●*      |          | ●   | <b>Sweaters, knitwear</b><br>Lay knitwears on the shelf. Some wool shrinks when washed in hot water. Make sure fabrics are washable/ hand washable before using the General or Special cycles.<br>* Wool/Knit cycle is recommended.                       |
|        | ●                 | ●           | ●*      | ✖        | ●   | <b>Winter coat, suits</b><br>Lay knitwears on the shelf. Some wool shrinks when washed in hot water. Make sure fabrics are washable/ hand washable before using the General, Special, or Sanitize cycles.<br>* Winter Coat or Suits cycle is recommended. |

● = Possible / ✖ = Check care label



## Artificial fibres

| Fabric       | Cycles            |             |         |          |     | Clothes / Remarks                                                                                                                        |
|--------------|-------------------|-------------|---------|----------|-----|------------------------------------------------------------------------------------------------------------------------------------------|
|              | General           |             | Special | Sanitize | Dry |                                                                                                                                          |
|              | Reducing wrinkles | Deodorising |         |          |     |                                                                                                                                          |
| Acetate      | ●                 | ●           | ●       | ●        | ●   | Suit lining, blouses, neckties, pyjamas                                                                                                  |
| Acrylic      | ●                 | ●           | ●       | ●        | ●   | Thermal underwear, knitwear<br>Lay clothes on shelf.                                                                                     |
| Nylon        | ●                 | ●           | ●       | ●        | ●   | Stockings, lingerie<br>Lay clothes on shelf.                                                                                             |
|              | ●                 | ●           | ●       | ●        | ●   | Sportswear                                                                                                                               |
| Polyurethane | ●                 | ●           | ●       | ●        | ●   | Stretchable clothing (containing less than 5 %)<br>If the item contains more than 5 % polyurethane (ex. Swimwear), check the care label. |
| Polyester    | ●                 | ●           | ●       | ●        | ●   | Outdoor wear, sports wear, T-shirts, shirts, blouses                                                                                     |

● = Possible / ✖ = Check care label






















Before you start

# Before you start

## Fabric care labels

Most clothing includes fabric care labels which contain instruction for proper care. The following table contains some of the symbols that may help you choose appropriate items for AIRDRESSER.

### Fabric care labels that can be used with AIRDRESSER

| Category                                                                                                   | Label                                                                               | Meaning           | Use with AIRDRESSER |
|------------------------------------------------------------------------------------------------------------|-------------------------------------------------------------------------------------|-------------------|---------------------|
| <br>Washing labels        |    | Normal            | O                   |
|                                                                                                            |    | Permanent press   | O                   |
|                                                                                                            |    | Delicate          | O                   |
|                                                                                                            |    | Do not wash       | O*                  |
|                                                                                                            |    | Hand wash         | O                   |
| <br>Tumble dryer labels |    | No heat           | X                   |
|                                                                                                            |    | Low               | O                   |
|                                                                                                            |  | Medium            | O                   |
|                                                                                                            |  | High              | O                   |
|                                                                                                            |  | Normal            | O                   |
|                                                                                                            |  | Permanent press   | O                   |
|                                                                                                            |  | Delicate          | O                   |
|                                                                                                            |  | Do not tumble dry | O                   |
| <br>Drying labels       |  | Hang dry          | O                   |
|                                                                                                            |  | Drip dry          | O                   |
|                                                                                                            |  | Dry Flat          | O**                 |
|                                                                                                            |  | Dry in shade      | O                   |
|                                                                                                            |  | Do not dry        | X                   |

\* Some clothing that does not recommend washing (such as fur or leather fabrics) can be used with AIRDRESSER. Please refer to the fabric care guide.

\*\* Use the rack for items with this symbol on the fabric care label.

---

## Smart control

---

### Wi-Fi connection

- Recommended encryption methods are WPA/TKIP and WPA2/AES. Newly developed Wi-Fi protocols or unapproved Wi-Fi protocols are not supported.
- The reception sensitivity of a wireless network may be affected by surrounding wireless environments.
- If your Internet provider has registered the MAC address of your PC or the modem module for permanent use, your Samsung AIRDRESSER may fail to connect to the Internet. If this is the case, contact your Internet provider
- The Internet firewall may interrupt your Internet connection. If this happens, contact your Internet provider.
- If Internet failure continues after following the measurement of your Internet provider, contact a local Samsung retailer or service centre.

### Downloading the app

On an app market (Google Play Store, Apple App Store, Samsung Galaxy Apps), search for the SmartThings app, and then download and install the app on your device.

#### NOTE

- SmartThings may not be compatible on some tablets or smartphones.
  - The recommended Android OS is 6.0 or higher (with minimum 2 GB or RAM).
  - The supported display resolutions for Android are 1280 x 720 (HD), 1920 X 1080 (FHD), 2560 x 1440 (WQHD).
  - The recommended iOS is 10.0 or higher (iPhones must be iPhone 6 or higher).
  - The supported display resolutions for apple devices are 1334 X 750, 1920 x 1080.
- The app is subject to change without notice for improved performance.

### Log in

You must first log into SmartThings with your Samsung account. To create a new Samsung account, follow the instructions on the app. You don't need a separate app to create your account.

#### NOTE

If you have a Samsung account, use the account to log in. A registered Samsung smartphone user automatically logs in.

# Before you start

## Registering your appliance to SmartThings

1. Make sure your smartphone is connected to a wireless network. If not, go to **Settings**, turn on the wireless connection, and then select an AP (Access Point).
2. Open **SmartThings** on your smartphone.
3. If a message of “**A new device is found.**”, select **Add**.
4. If no message appears, select **+** and select your appliance in a list of devices available. If your appliance is not listed, select **Device Type > Specific Device Model**, and then add your appliance manually.
5. Follow the onscreen instructions to complete registration.

## SmartThings overview

| Category     | Function               | Description                                                                                                                                                   |
|--------------|------------------------|---------------------------------------------------------------------------------------------------------------------------------------------------------------|
| Monitoring   | Cycle Status           | You can check the current cycle and options, and the remaining cycle time.                                                                                    |
|              | Smart Control          | The Smart Control status is shown for AIRDRESSER.                                                                                                             |
|              | Energy Monitoring      | You can monitor the energy consumption status.                                                                                                                |
| Control      | Start / Pause / Cancel | Select a cycle and necessary options, and then select Start / Pause / Cancel to start and operation, to stop temporarily, or to cancel the current operation. |
| Notification | Cycle Completed        | Notifies you the current cycle is complete.                                                                                                                   |

| Category             | Function                 | Description                                                                                                                                                    |
|----------------------|--------------------------|----------------------------------------------------------------------------------------------------------------------------------------------------------------|
| AIRDRESSER functions | Care Recipe              | Select the fabric type and options and get recommendations for the most suitable cycle.                                                                        |
|                      | My Closet                | By inputting clothing information (such as fabric material), you can add your clothes to the app and get recommended cycles and a care history.                |
|                      | Special Cycle Management | You can save up to 9 cycles and you can delete or change the order of the cycles.                                                                              |
|                      | HomeCare Manager         | Get advice to help you keep your AIRDRESSER in perfect condition. Check your cycle usage patterns, energy consumption, and get alerts for product maintenance. |

Before you start

# Before you start

---

## Open Source Announcement

The software included in this product contains open source software. You may obtain the complete corresponding source code for a period of three years after the last shipment of this product by sending an email to <mailto:oss.request@samsung.com>.

It is also possible to obtain the complete corresponding source code in a physical medium such as a CD-ROM; a minimal charge will be required.

The following URL [http://opensource.samsung.com/opensource/SMART\\_AT\\_051/seq/0](http://opensource.samsung.com/opensource/SMART_AT_051/seq/0) leads to the download page of the source code made available and open source license information as related to this product. This offer is valid to anyone in receipt of this information.



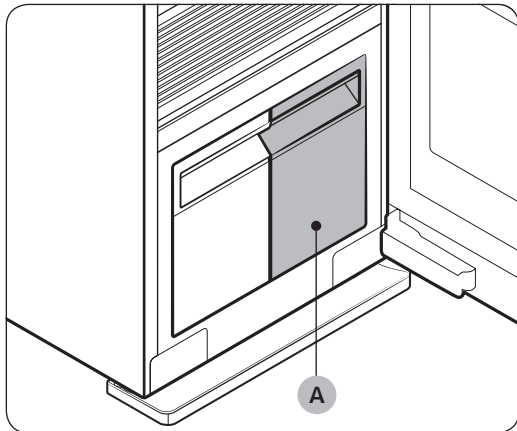
### NOTE

Hereby, Samsung Electronics, declares that the radio equipment type appliance is in compliance with Directive 2014/53/EU. The full text of the EU declaration of conformity is available at the following Internet address: The official Declaration of conformity may be found at <http://www.samsung.com>, go to Support > Search Product Support and enter the model name.

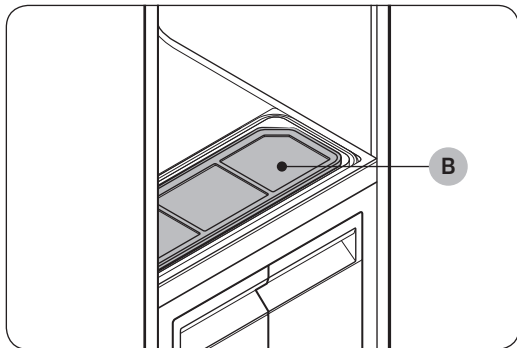
Wi-Fi max transmitter power : 20 dBm at 2.412 GHz - 2.472 GHz

# Product and accessory use

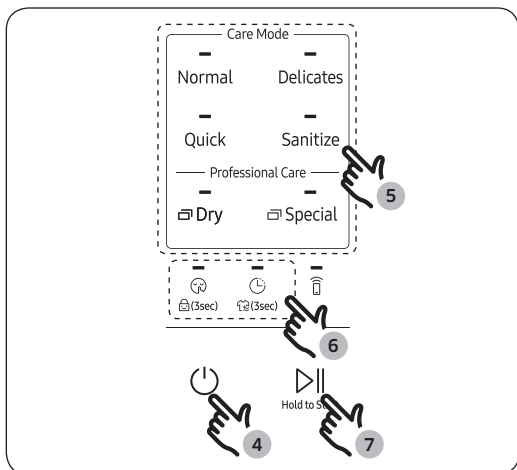
## Using a cycle

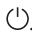
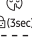
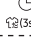





1. Make sure the **Refill Tank (A)** is filled with water.



2. Make sure the **lint filter (B)** is clean.
3. Input clothes as instructed in the **Using the accessories** section.



4. Tap **Power** .
5. Select a cycle.
  - Tap **Normal**, **Delicates**, **Quick** or **Sanitize**.
  - For **Dry** cycles, tap **Dry** repeatedly to select a desired dry cycle.
  - For **Special** cycles, tap **Special** repeatedly to select a desired special cycle.
6. Select options if necessary.
  - **Silent** , **Child Lock** , **Delay End** , **Keep Fresh** .
7. Tap and hold **Start/Pause**  for 3 seconds.

# Product and accessory use

---

## Usage guidelines

### Before use

- This product cannot be used to clean items. For best results, wash and dry all items before using the product.
- Before using the product, we recommend washing items with strong odours or items that have been stored for a long time.
- Separate items by odour strength.
- Check all clothing or item labels before using the product.
- Before placing the clothing into the product, make sure to empty all pockets.
- Do not use the product as a storage closet.
- The product may not remove pet hair.

### During use

- Make sure items are not touching the bottom of the product. If necessary, use the shelf to stop items that are hung from touching the bottom of the product.
- Hissing noises may occur during a steam process.
- If you need to stop a cycle before it will finish, make sure to run the Dry cycle.
- Operating time depends on the environment and type of items.
- If used consecutively, the product may display a different operating time than what will occur.
- Do not open the door while the product is operating.

### After use

- The amount of wrinkles removed may vary depending on the fabric type.
- Remove items immediately after a cycle has finished. If you cannot remove items immediately, use Delay End or Keep Fresh.
- When removing items, hold both the items and the hanger.



---

## Using the accessories

---

### Air hangers

Use the provided Air hangers for items such as jackets, sportscoats, and blazers.

#### NOTE

- Make sure the interior and exterior of the hangers are clean and free of foreign matter.
- Do not use hangers for knits, wools, lingerie.
- The maximum lengths of items must be 110 cm for tops and 100 cm for bottoms.
- Depending on the type or size of the fabric, unwanted wrinkles may form on the neck of your clothing.



#### To use the Air hangers

1. Hang items on hangers in the same direction.
  - To prevent items from falling off the hangers, make sure to button all buttons and zip all zippers.
  - Make sure all items are hung flatly. Make sure the hanger clips do not protrude outward.
2. Slide the hangers into the air holes until you hear a clicking sound.
  - Make sure hangers are facing the same direction.
  - If the Air hangers are not properly inserted into the air hole, vibrations and noises may occur.

#### NOTE

For best results, avoid hanging longer items from the middle hole.

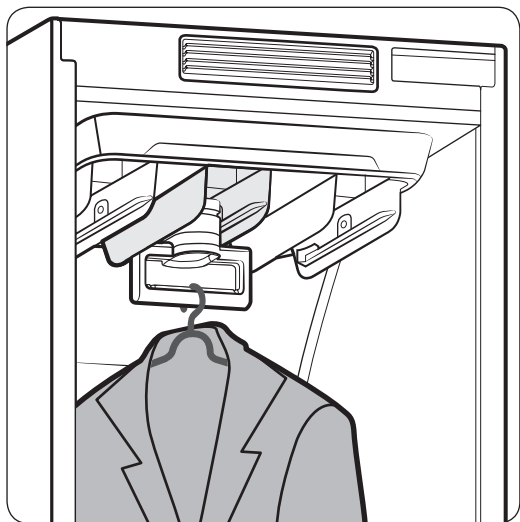
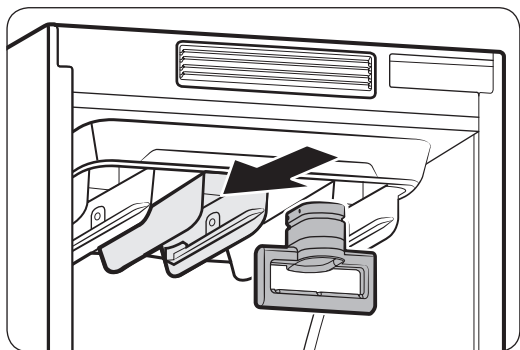
# Product and accessory use

## Regular hanger kit

You can use the regular hanger kit to use regular hangers to hang your items. However, for best results, we recommend using the Air hangers.

### NOTE

- Use hangers that will not be deformed by heat.
- Make sure the interior and exterior of the hangers are clean and free of foreign matter.
- Do not use plastic/silicone/wooden hanger and hangers with adhesive.
- Do not use hangers from laundry that may become rusty.



### To use the regular hanger kit

1. Hang items on hangers in the same direction.
  - To prevent items from falling off the hangers, make sure to button all buttons and zip all zippers.
  - Make sure all items are hung flatly. Make sure the hanger clips do not protrude outward.
2. Slide the regular-hanger kit into the air holes until you hear a clicking sound, and then hang the hangers on the regular-hanger kit.
  - Make sure hangers are facing the same direction.
  - If the regular-hanger kit is not properly inserted into the air hole, vibrations and noises may occur.

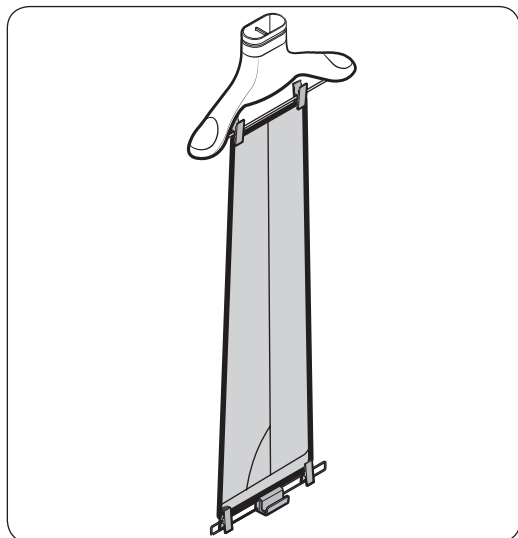
### NOTE

For best results, avoid hanging longer items from the middle hole.

## Weight kit

### NOTE

- Make sure the trousers or weight kit does not touch the bottom of the product.
- The maximum length of trousers must be 100 cm.

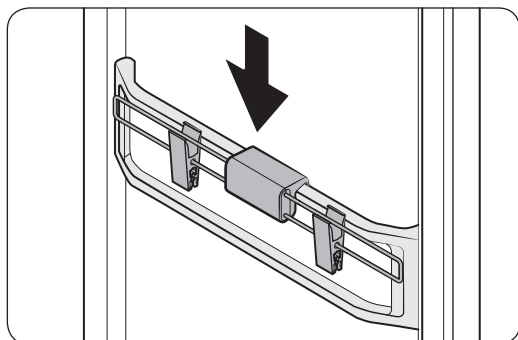


### To use the weight kit

1. Clip the bottom of the trousers to the Air hanger.
2. Clip the other end of the trousers to the weight kit.
3. Slide the Air hanger into the air holes until you hear a clicking sound.

### NOTE

For sharper creases, spread out the trousers by moving the clips outward.



Store the weight kit on the accessory care zone when not in use.

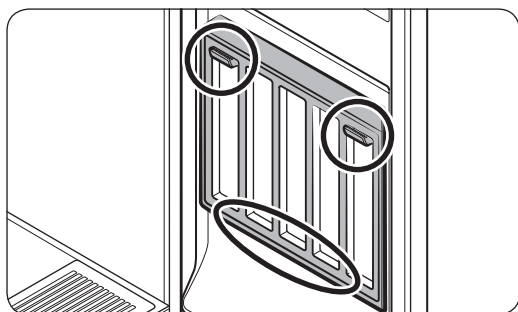
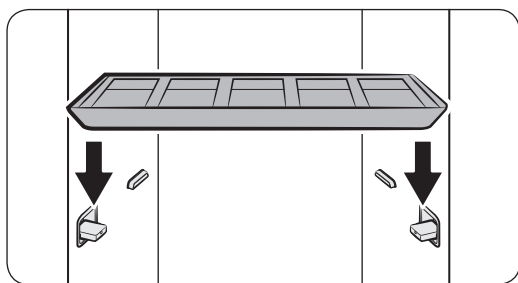
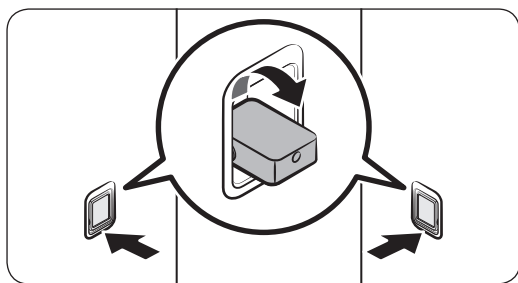
# Product and accessory use

## Shelf

Use the provided shelf for items that cannot be used with hangers.

### NOTE

- Only place clothes or clothing accessories. Do not put heavy items or use the shelf to store any other objects
- Make sure children do not sit or climb on the shelf.
- Make sure items do not hang off the front, back, or sides of the shelf, or hang through the shelf grates.
- Do not stack items on top of other items.



### To use the shelf

1. On the side walls, press the bottom part of the shelf holders to turn them out.

2. Place the shelf on the shelf holders. Make sure the grooves on the shelf are firmly sitting on the holder.

### NOTE

A gap between the sides of shelf and the side walls is normal.

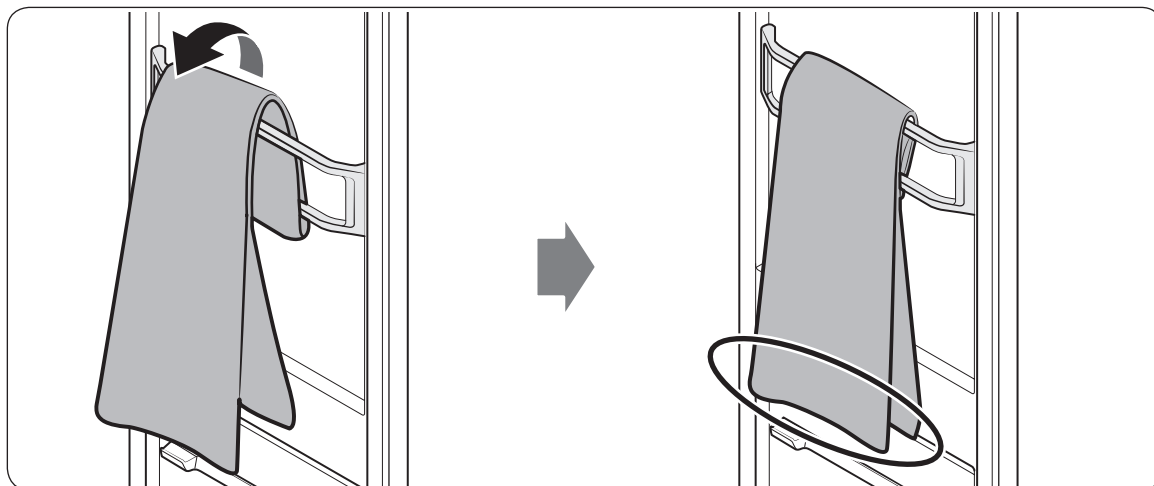
Store the shelf on the door when not in use. Place the shelf on the bottom holder, and then hang it on the top holders.

## Accessory care zone

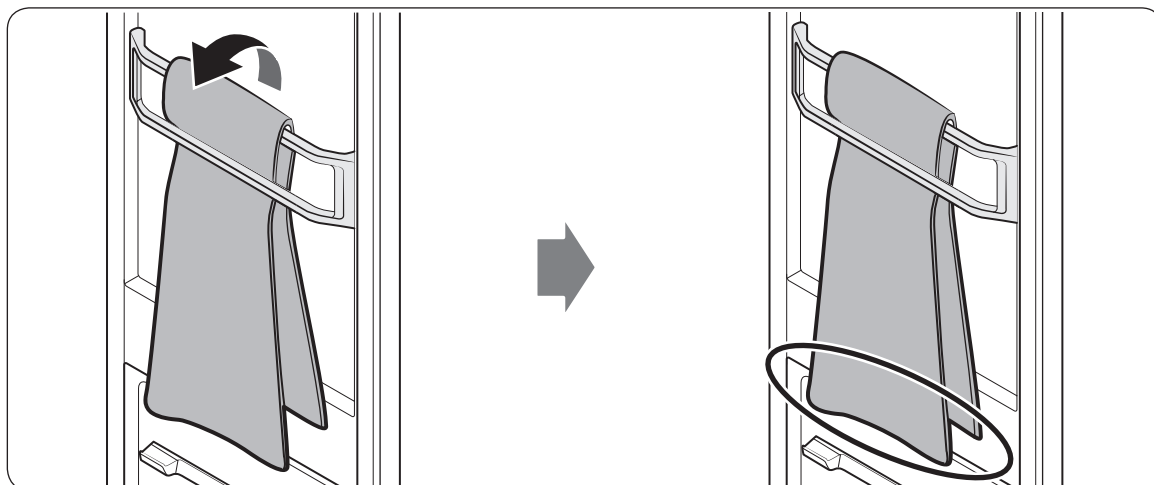
Use the accessory care zone for scarves.

To securely hang the scarf, refer to the figures below.

### Method 1



### Method 2



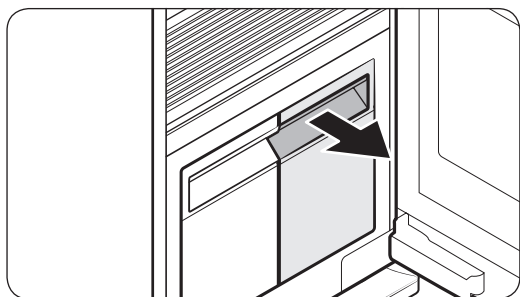
- Make sure the lengths of both ends are even.
- Depending on the fabric type, wrinkles may not be removed.

# Product and accessory use

## Refill Tank

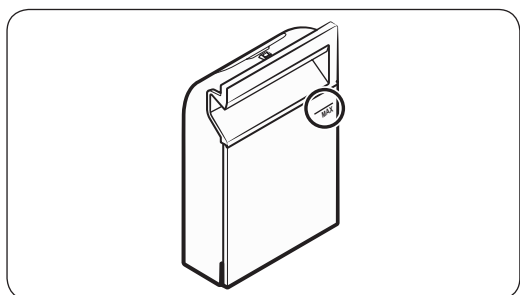
### NOTE

- Before using the product, make sure there is water in the Refill Tank.
- The product consumes more water the first time the product is used.
- It is recommended to use filtered water.
- If you are not going to use the product for a long time, empty the Refill Tank.
- A full Refill Tank lasts approximately 4 cycles.
- Fill the Refill Tank with water only. Putting any other liquids, such as detergent or fabric softener, may cause a problem.
- Do not use the water in the Drain Tank to fill the Refill Tank.



### To fill the Refill Tank

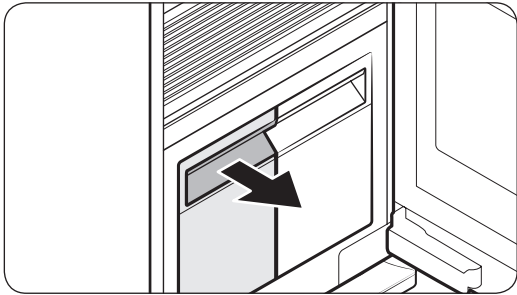
1. Pull out the Refill Tank.
2. Open the back cover, fill to the **MAX** line.
3. Reinsert the Refill Tank.



---

## Drain Tank

Before using the product or if you are not going to use the product for a long time, make sure to empty the Drain Tank.



### To empty the Drain Tank

1. Pull out the Drain Tank.
2. Empty the tank.
3. Reinsert the Drain Tank.

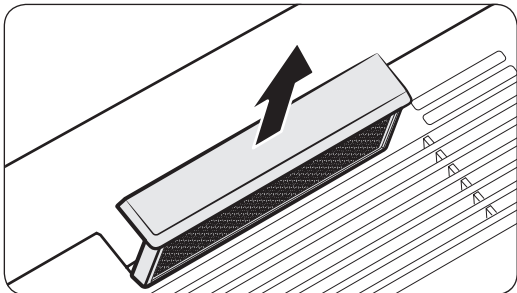
## Samsung Fresh Finish

Samsung Fresh Finish gives items a pleasant fragrance.

### NOTE

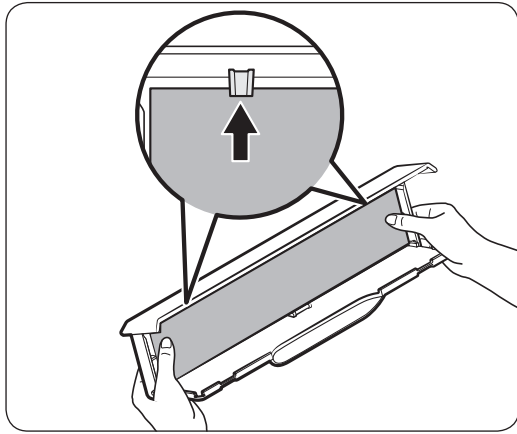
- Spray your desired perfume 4-5 times on a cotton pad, and then place the pad in Samsung Fresh Finish. The strength of the scent diffused through Samsung Fresh Finish may differ depending on the perfume used, and the scent may remain inside the AIRDRESSER even after the cycle is complete.
- Mold may grow if you leave the cotton pad in Samsung Fresh Finish for too long.

### To change the cotton pad

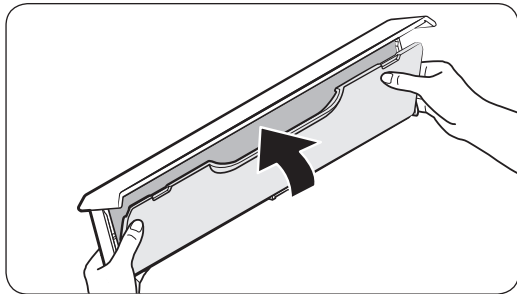


1. Remove Samsung Fresh Finish.

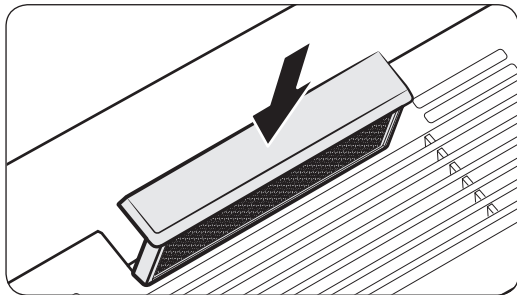
# Product and accessory use



2. Spray a desired perfume 4-5 times on a cotton pad, and then place the pad in Samsung Fresh Finish.



3. Close the cover of Samsung Fresh Finish until you hear it click into place.



4. Reinsert Samsung Fresh Finish.

## NOTE

- If you use a perfume with Samsung Fresh Finish, the scent of the perfume may remain inside AIRDRESSER even after the cycle is complete.
- The cotton pad is not provided with the product.
- The effectiveness of Samsung Fresh Finish cannot be guaranteed since it depends on the perfume used.



# Cleaning and maintenance

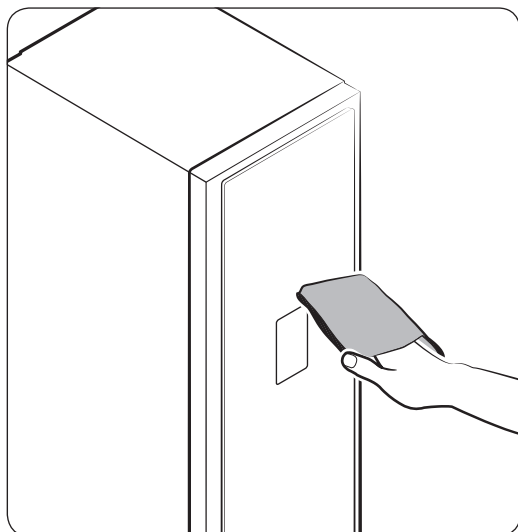
---

## CAUTION

- Unplug the product before cleaning it.
- Do not use abrasive or flammable cleaners.
- Do not spray water directly onto the product when cleaning it.

## Exterior

---

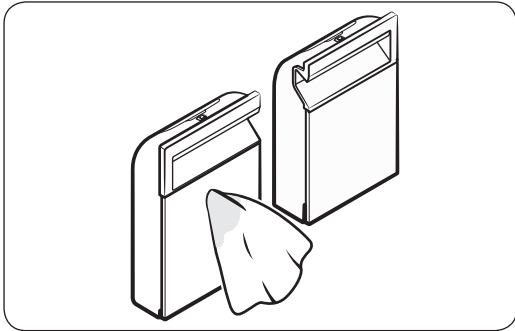


Use the cleaning cloth to clean the exterior. For stubborn stains, use a damp cloth and then wipe dry.

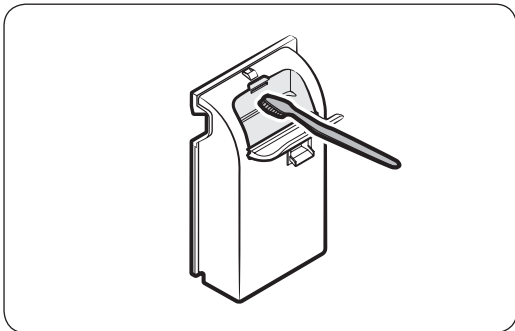
# Cleaning and maintenance

## Water tanks

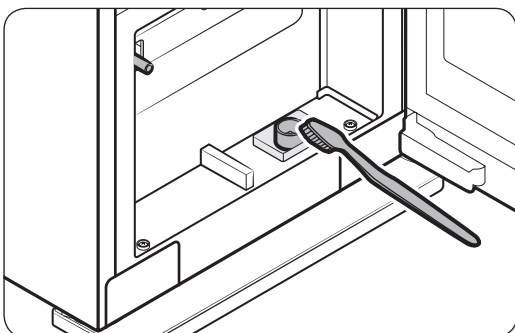
Clean both tanks on a regular basis. Completely dry before reinserting.



Use a damp cloth to clean the exterior.



Use a soft brush to clean the interior.



Use a soft brush to clean the tanks' inlet and outlet.

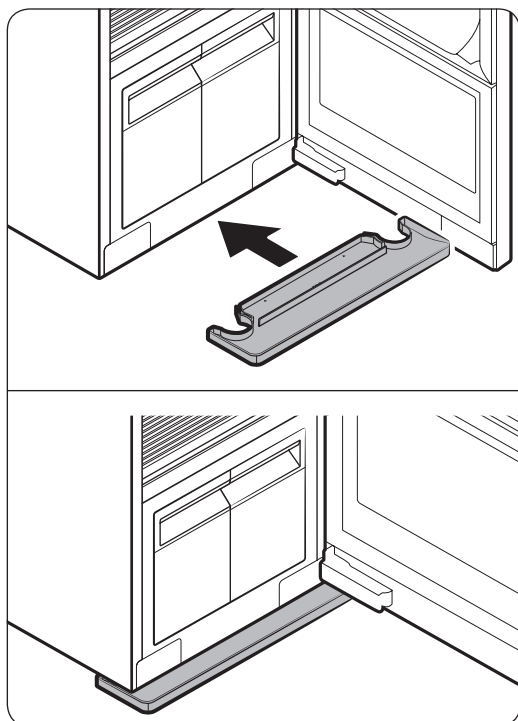
---

## Water tray

---

### NOTE

- Empty the water tray on a regular basis.
- Make sure to reinsert the water tray after emptying the water.



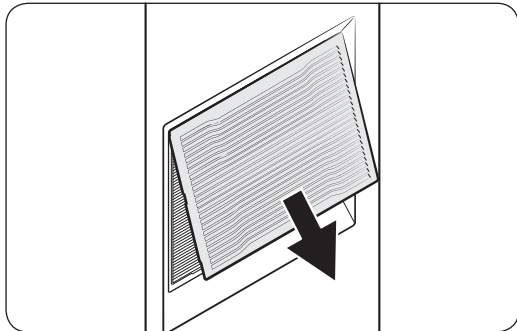
Correctly insert the water tray as shown in the figures.

- Make sure the side with TOP is facing up.

# Cleaning and maintenance

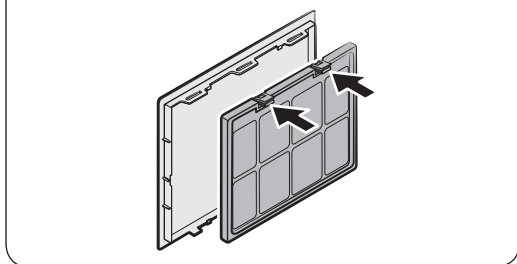
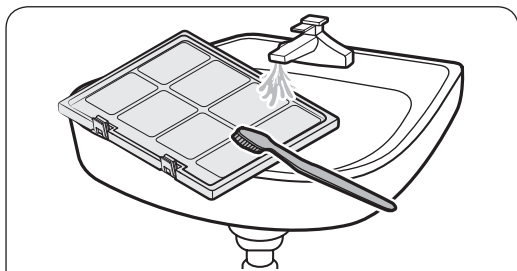
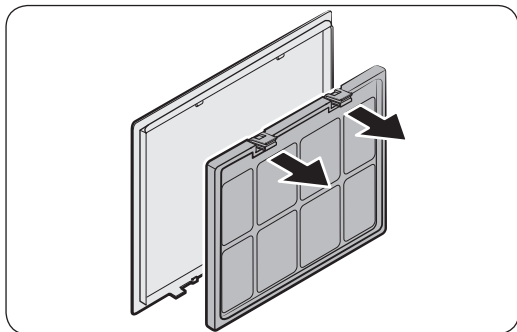
## Air Filter

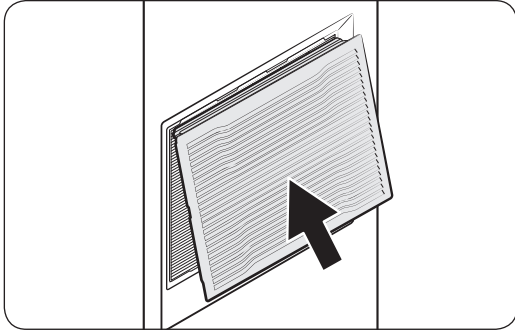
If you frequently use the product for heavy items or items that accumulate a large amount of dust, we recommend cleaning the Air Filter frequently.



### To replace the Air Filter

1. Hold the bottom of the cover and pull out.
2. While pressing the two hooks on the upper part of the filter, pull to remove.
3. Use a brush and running water to clean the filter.
4. Completely dry the filter in a shaded area and reinsert the filter.



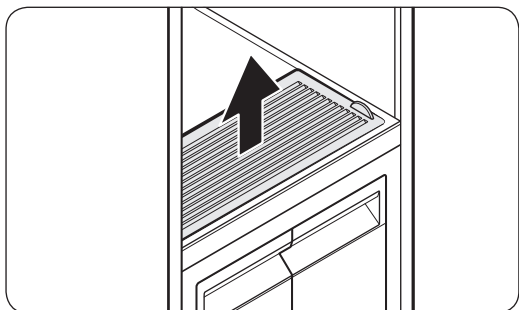


5. Insert the top of the cover into the product, and then push the cover.

# Cleaning and maintenance

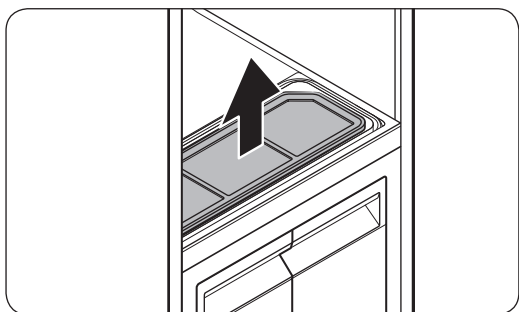
## Lint filter

- For best results, clean the lint filter before or after using the product.
- Replace a damaged lint filter with a new lint filter.

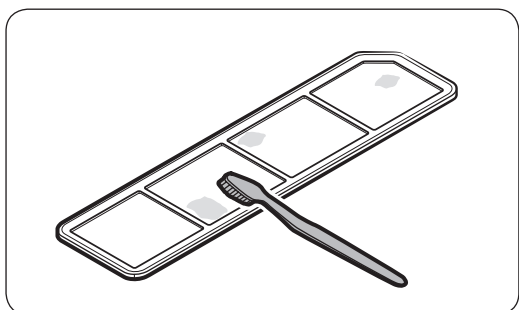


To clean the lint filter

1. Open the cover.



2. Remove the lint filter.



3. Use a brush and running water to clean the lint filter. Completely dry the lint filter in a shaded area.

4. Reinsert the lint filter, and then close the cover.

---

## Descaling

---

Perform descaling regularly to increase the performance and lengthen the lifespan of the product. If you do not perform descaling immediately after getting the notification message, some functions may be restricted for use and may cause performance decrease or even shortens the lifespan of the product.

1. When the **Descaling Required** message appears on the display, remove all items from the product and then tap and hold **Sanitize** and **Dry** for 3 seconds.
2. Empty the Refill Tank and the Drain Tank.
3. Dilute a descaling agent with water as recommended by the manufacturer.
4. Fill the Refill Tank with the diluted descaling agent up to the **MAX** line.
5. Tap and hold **Start/Pause** ▷|| to start descaling.
  - If the **Drain the tank** message appears on the display during descaling, empty the Drain Tank.
6. When the **Refill/Drain the tank** message appears on the display, empty both the Refill Tank and the Drain Tank, and then rinse them thoroughly.
7. Fill the Refill Tank with clean water up to the **MAX** line, and then insert the Refill Tank and the Drain Tank.
8. When **Supply/Drainage Complete** message appears on the display, tap and hold **Start/Pause** ▷||.
  - If the **Drain the tank** message appears on the display during descaling, empty the Drain Tank.
9. When descaling is complete, empty the Drain Tank and fill the Refill Tank with water.
  - You can use AIRDRESSER once you finish all these steps.

### NOTE

- Vibration and noise may occur during the descaling process; this is normal, and there is no problem with the product.
- You may see the **Refill the tank** message when you use the product the first time after descaling. This is normal. Fill the Refill Tank with water and press **Start/Pause** ▷|| to resume.
- Bubbles may form if the descaling agent is not rinsed thoroughly. Make sure to rinse the Refill Tank and the Drain Tank thoroughly after descaling.

# Cleaning and maintenance

---

## Moving the product to another location

---

- There are two wheels underneath the product to assist moving it.
- To prevent the product from tipping over when moving the product, we recommend pushing the middle of the product. Do not push the top or the bottom.
- Empty the Refill Tank and the Drain Tank before moving the product to another location. If the tanks are not emptied, water can spill while moving the product.



# Troubleshooting

## Notification messages

| Message                                           | Action                                                                                                                                                                                                                                                                                                                                                                                                                                           |
|---------------------------------------------------|--------------------------------------------------------------------------------------------------------------------------------------------------------------------------------------------------------------------------------------------------------------------------------------------------------------------------------------------------------------------------------------------------------------------------------------------------|
| Refill the tank<br>Refill the tank with water     | <ul style="list-style-type: none"><li>• Check if the Refill Tank has enough water.<ul style="list-style-type: none"><li>- Fill the water up to the MAX line, reinsert the Refill Tank, and then tap <b>Start/Pause</b> ▷   to start.</li></ul></li><li>• Check if the Refill Tank is properly inserted.<ul style="list-style-type: none"><li>- Properly insert the Drain Tank, and then tap <b>Start/Pause</b> ▷   to start.</li></ul></li></ul> |
| Drain the tank<br>Drain water from the tank       | <ul style="list-style-type: none"><li>• Check if the Drain Tank is full.<ul style="list-style-type: none"><li>- Empty the Drain Tank, reinsert the Drain Tank, and then tap <b>Start/Pause</b> ▷   to start.</li></ul></li><li>• Check if the Drain Tank is properly inserted.<ul style="list-style-type: none"><li>- Properly insert the Refill Tank, and then tap <b>Start/Pause</b> ▷   to start.</li></ul></li></ul>                         |
| Door Open<br>Close the door & Start again         | <ul style="list-style-type: none"><li>• Check if the door is open.<ul style="list-style-type: none"><li>- Make sure the door is closed, and then tap <b>Start/Pause</b> ▷   to start.</li></ul></li></ul>                                                                                                                                                                                                                                        |
| Abnormality Alert<br>Open the Door & Check Inside | <ul style="list-style-type: none"><li>• Check if the door is open and if Child Lock is on.<ul style="list-style-type: none"><li>- Make sure the door is closed, and then tap <b>Start/Pause</b> ▷   to start. Make sure children or pets are not in the product.</li></ul></li></ul>                                                                                                                                                             |
| WIFI Not Connected<br>Check the router            | <ul style="list-style-type: none"><li>• Check if the router is off.<ul style="list-style-type: none"><li>- Turn the router on, and then connect to the Internet.</li></ul></li></ul>                                                                                                                                                                                                                                                             |

### NOTE

If a problem persists, contact a local Samsung service centre.

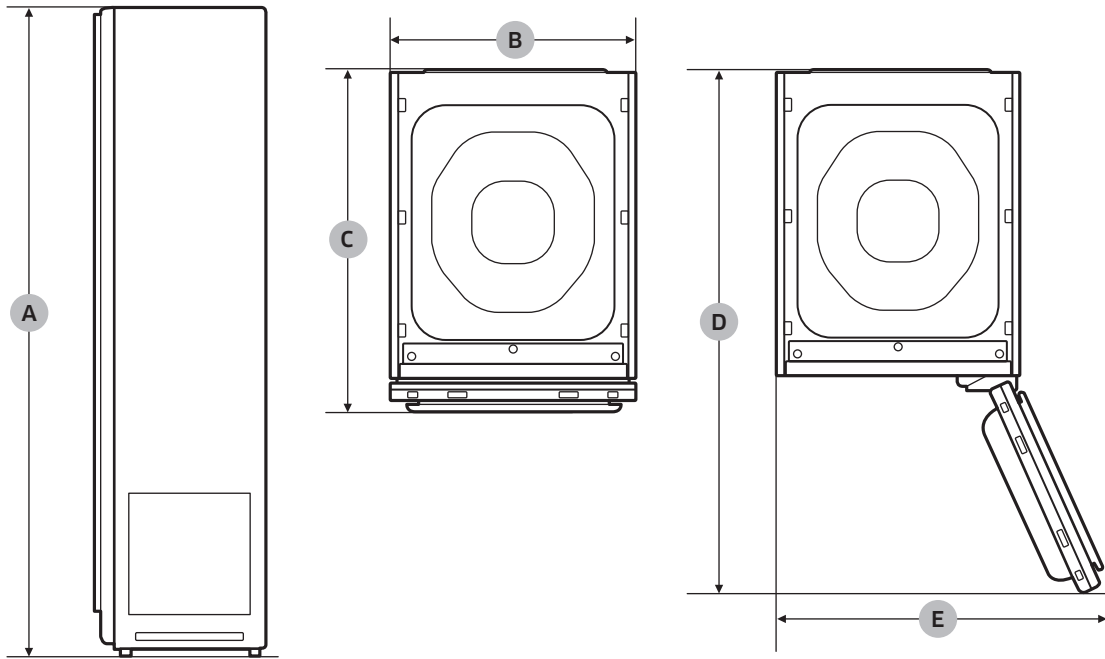
# Troubleshooting

## Checkpoint

| Problem                                   | Action                                                                                                                                                                                                                                                                                                                                                                                                                                                                                                                                                                                                                  |
|-------------------------------------------|-------------------------------------------------------------------------------------------------------------------------------------------------------------------------------------------------------------------------------------------------------------------------------------------------------------------------------------------------------------------------------------------------------------------------------------------------------------------------------------------------------------------------------------------------------------------------------------------------------------------------|
| The product does not turn on.             | <ul style="list-style-type: none"> <li>• Tap <b>Power</b> ⏻ to turn the product on.</li> <li>• Make sure the power cord is properly plugged in.</li> <li>• Make sure the circuit breaker is on.</li> <li>• Make sure the power cord is plugged into a power outlet rated for this product.</li> </ul>                                                                                                                                                                                                                                                                                                                   |
| The product does not operate.             | <ul style="list-style-type: none"> <li>• Make sure the door is closed, and then tap <b>Start/Pause</b> ▶  .</li> <li>• If you hear water flowing or boiling sounds, the product is preparing for a steam process. This is normal.</li> <li>• Make sure Child Lock is off.</li> <li>• The product may not operate if you have used any liquid other than water. Please contact a Samsung service centre.</li> </ul>                                                                                                                                                                                                      |
| The product makes sounds.                 | <ul style="list-style-type: none"> <li>• The product may generate sounds when the compressor operates. This is normal.</li> <li>• The product may generate sounds when it circulates air. This is normal.</li> <li>• The product may generate sounds before and during a steam process. This is normal.</li> <li>• The product may generate sounds to pump out and drain the water. This is normal.</li> <li>• When opening the door, sounds may come from the Refill Tank when the water is flowing through the pipe. This is normal.</li> <li>• If noises become louder, contact a Samsung service centre.</li> </ul> |
| The control panel does not work.          | <ul style="list-style-type: none"> <li>• After plugging in the product, wait for a moment and try again. The control panel will respond 10 seconds after the power cord has been plugged in.</li> <li>• Clean the control panel and try again. If the problem continues, contact a Samsung service centre.</li> </ul>                                                                                                                                                                                                                                                                                                   |
| The product vibrates.                     | <ul style="list-style-type: none"> <li>• Make sure the product is installed on a solid, level surface.</li> <li>• Make sure the product is level.</li> </ul>                                                                                                                                                                                                                                                                                                                                                                                                                                                            |
| The Refill Tank is empty after one use.   | <ul style="list-style-type: none"> <li>• The product consumes more water the first time it is used. This is normal.</li> </ul>                                                                                                                                                                                                                                                                                                                                                                                                                                                                                          |
| Steam or air is coming out from the door. | <ul style="list-style-type: none"> <li>• Make sure there are no items caught in the door.</li> <li>• Make sure the door is properly closed.</li> </ul>                                                                                                                                                                                                                                                                                                                                                                                                                                                                  |

| Problem                                                   | Action                                                                                                                                                                                                                                                                                                                                                                                                                                                                                      |
|-----------------------------------------------------------|---------------------------------------------------------------------------------------------------------------------------------------------------------------------------------------------------------------------------------------------------------------------------------------------------------------------------------------------------------------------------------------------------------------------------------------------------------------------------------------------|
| Operation time continues to increase.                     | <ul style="list-style-type: none"> <li>Wet items may take longer to dry. Operation time can increase depending on the quantity and moisture level of the items.</li> </ul>                                                                                                                                                                                                                                                                                                                  |
| Items are wet after a cycle.                              | <ul style="list-style-type: none"> <li>Make sure the lint filter is clean and properly inserted.</li> <li>Make sure the door gasket is not damaged or items are not caught on the door. If the door gasket is damaged, unplug the power cord and contact a Samsung service centre.</li> </ul>                                                                                                                                                                                               |
| Items are not deodorised.                                 | <ul style="list-style-type: none"> <li>Wash items with strong odours or items that have been stored for a long time.</li> <li>Wash items contaminated by oils.</li> <li>Large items such as down-filled jackets may not be deodorised well. Put large items by themselves and run an additional cycle if necessary.</li> <li>Do not put items with strong odour with other items. Separate items by odour strength.</li> <li>Make sure the lint filter and both tanks are clean.</li> </ul> |
| Wrinkles are not removed.                                 | <ul style="list-style-type: none"> <li>Iron items that have been stored for a long time.</li> </ul>                                                                                                                                                                                                                                                                                                                                                                                         |
| Smoke comes out from the product when the door is opened. | <ul style="list-style-type: none"> <li>Some cycles generate steam that may appear to be smoke. This is normal.</li> </ul>                                                                                                                                                                                                                                                                                                                                                                   |

# Specifications



| Type                          |                         | Clothing Care System (AIRDRESSER) |                             |
|-------------------------------|-------------------------|-----------------------------------|-----------------------------|
|                               |                         | DF60*8***G                        |                             |
| Dimensions<br>(mm)            | A. Height               | 1850                              |                             |
|                               | B. Width                | 445                               |                             |
|                               | C. Depth                | 615                               |                             |
|                               | D. Depth with door open | 1001                              |                             |
|                               | E. Width with door open | 618                               |                             |
| Rated power                   |                         | 220-240 V / 50 Hz<br>1700-1900 W  |                             |
| Fuse (Fixed fuse in main PBA) |                         | 250 V / 12 A                      |                             |
|                               |                         | Tube type                         | High breaking capacity type |
| Weight (kg)                   |                         | 89.0                              |                             |

# Memo

---

# Memo

---

# Memo

---

## QUESTIONS OR COMMENTS?

| COUNTRY     | CALL                                                                     | OR VISIT US ONLINE AT                                                               |
|-------------|--------------------------------------------------------------------------|-------------------------------------------------------------------------------------|
| ITALIA      | 800-SAMSUNG (800.7267864)                                                | <a href="http://www.samsung.com/it/support">www.samsung.com/it/support</a>          |
| NETHERLANDS | 088 90 90 100                                                            | <a href="http://www.samsung.com/nl/support">www.samsung.com/nl/support</a>          |
| LATVIA      | 8000-7267                                                                | <a href="http://www.samsung.com/lv/support">www.samsung.com/lv/support</a>          |
| LITHUANIA   | 8-800-77777                                                              | <a href="http://www.samsung.com/lt/support">www.samsung.com/lt/support</a>          |
| ESTONIA     | 800-7267                                                                 | <a href="http://www.samsung.com/ee/support">www.samsung.com/ee/support</a>          |
| POLAND      | 801-172-678* lub +48 22 607-93-33*<br>* (opłata według taryfy operatora) | <a href="http://www.samsung.com/pl/support/">http://www.samsung.com/pl/support/</a> |



DC68-04022G-00



# Sistema di trattamento per indumenti (AIRDRESSER)

Manuale dell'utente

DF60\*8\*\*\*G



**SAMSUNG**

# Indice

---

|                                                   |           |
|---------------------------------------------------|-----------|
| <b>Informazioni di sicurezza</b>                  | <b>3</b>  |
| Cosa sapere delle istruzioni di sicurezza         | 3         |
| Importanti simboli di sicurezza                   | 3         |
| Precauzioni di sicurezza importanti.              | 4         |
| Avvertenze generali                               | 5         |
| Avvertenze elettriche                             | 7         |
| Avvertenze di installazione                       | 8         |
| Avvertenze per la pulizia                         | 9         |
| Istruzioni relative alla normativa WEEE           | 10        |
| <b>Prima di iniziare</b>                          | <b>11</b> |
| Installazione                                     | 11        |
| Panoramica del prodotto                           | 14        |
| Pannello di controllo                             | 16        |
| Panoramica dei programmi                          | 18        |
| Guida alla cura dei tessuti                       | 22        |
| Etichette per la cura dei tessuti                 | 26        |
| Smart Control                                     | 27        |
| <b>Uso del prodotto e degli accessori</b>         | <b>31</b> |
| Uso di un programma                               | 31        |
| Uso degli accessori                               | 33        |
| <b>Pulizia e manutenzione</b>                     | <b>41</b> |
| Esterno                                           | 41        |
| Serbatoi dell'acqua                               | 42        |
| Vassoio dell'acqua                                | 43        |
| Filtro dell'aria                                  | 44        |
| Filtro anti lanugine                              | 46        |
| Decalcificazione                                  | 47        |
| Spostamento del prodotto in una diversa posizione | 48        |
| <b>Risoluzione dei problemi</b>                   | <b>49</b> |
| Messaggi di notifica                              | 49        |
| Punto di verifica                                 | 50        |
| <b>Specifiche</b>                                 | <b>52</b> |

# Informazioni di sicurezza

---

Congratulazioni per aver acquistato un nuovo prodotto Samsung. Questo manuale contiene importanti informazioni riguardanti l'installazione, l'uso e la cura del tuo prodotto. Si prega di leggere completamente questo Manuale dell'utente in modo da poter usufruire appieno delle caratteristiche del prodotto.

## Cosa sapere delle istruzioni di sicurezza

---

Leggere completamente questo manuale in modo da conoscere l'uso sicuro ed efficiente delle caratteristiche e funzioni del nuovo prodotto. Conservare il manuale con cura vicino al prodotto in modo da poterlo consultare in caso di necessità. Utilizzare questo prodotto solo per lo scopo per il quale è stato progettato, come descritto in questo manuale. Le avvertenze e le importanti istruzioni di sicurezza riportate in questo manuale non coprono tutte le possibili condizioni e situazioni che possono verificarsi. È responsabilità dell'utente usare buon senso, prestando la massima attenzione e cura in fase di installazione, manutenzione e funzionamento. Poiché le seguenti istruzioni operative coprono i vari modelli disponibili, le caratteristiche possono differire leggermente da quelle descritte in questo manuale e non tutti i simboli di avvertenza possono essere pertinenti. In caso di dubbi o domande rivolgersi al Centro di assistenza autorizzato di zona o visitare il sito [www.samsung.com](http://www.samsung.com) per reperire online le informazioni necessarie.

## Importanti simboli di sicurezza

---

Significato delle diciture e simboli contenuti in questo manuale:

 **AVVERTENZA**

Pericoli o pratiche non sicure che possono causare **lesioni personali gravi, la morte e/o danni materiali**.

 **ATTENZIONE**

Pericoli o pratiche non sicure che possono causare **lesioni personali e/o danni materiali**.

 **ATTENZIONE, superficie bollente**

 **NOTA**

Indica il rischio di lesioni personali o danni materiali.

Questi simboli di avvertenza hanno lo scopo di prevenire lesioni personali.

Seguire scrupolosamente le istruzioni.

Una volta letto, si raccomanda di conservare il manuale in un luogo sicuro per future consultazioni.

**Leggere tutte le istruzioni prima di utilizzare il prodotto.**

Come per qualsiasi altro dispositivo che utilizza elettricità ed è dotato di parti mobili, sussistono potenziali pericoli. Per utilizzare il prodotto in sicurezza, familiarizzare con le sue funzioni e prestare attenzione durante l'uso.

# Informazioni di sicurezza

---

## Precauzioni di sicurezza importanti.

---

### **AVVERTENZA**

Al fine di ridurre eventuali principi di incendio, scariche elettriche o lesioni personali durante l'uso del dispositivo, seguire le precauzioni di base tra le quali:

1. Questo apparecchio non è progettato per l'uso da parte di persone (bambini inclusi) con ridotte capacità fisiche, sensoriali o mentali, inesperte o prive di un'adeguata conoscenza, a meno che una persona responsabile per la loro sicurezza fornisca loro una corretta supervisione e istruzioni all'uso.
2. Questo apparecchio può essere utilizzato da bambini di età superiore agli 8 anni e da persone con ridotte capacità fisiche, sensoriali o mentali o senza esperienza o conoscenza del prodotto solo sotto la supervisione di una persona responsabile o nel caso in cui abbiano ricevuto informazioni specifiche sull'uso sicuro dell'apparecchio e ne abbiano compreso i rischi ad esso associati. Non consentire ai bambini di giocare con l'apparecchio. La pulizia e la manutenzione dell'apparecchio non può essere eseguita da minori senza la diretta supervisione di un adulto.
3. Controllare che i bambini non giochino con l'apparecchio.
4. Se il cavo di alimentazione è danneggiato, richiederne la sostituzione al produttore, a un tecnico dell'assistenza o un tecnico specializzato al fine di evitare potenziali pericoli
5. **ATTENZIONE:** Al fine di evitare eventuali pericoli a causa di un ripristino dell'interruttore termico, questo apparecchio non deve prevedere una alimentazione attraverso un interruttore esterno, quale ad esempio un timer, e non deve essere collegata ad un circuito regolarmente disattivato e riattivato dalla utility.

6. Questo apparecchio è progettato per un uso domestico o applicazioni simili quali:

- angoli cottura per il personale di punti vendita, uffici e altri ambienti lavorativi;
- aziende agricole;
- uso da parte dei clienti in hotel, motel ed altri ambienti residenziali;
- bed and breakfast.

7. **AVVERTENZA:** Questo apparecchio è unicamente progettato per asciugare capi lavati in acqua.

## Avvertenze generali

### **AVVERTENZA**

- Al fine di evitare scariche elettriche, incendi e causare la morte delle persone, assicurarsi che il prodotto sia debitamente installato e sia dotato di una messa a terra come descritto in questo manuale prima di utilizzarlo.
- Usare il prodotto per il solo scopo per il quale è stato progettato. Eventuali usi del prodotto per scopi diversi da quelli specificati in questo manuale non sono coperti dalla garanzia.
- Al fine di evitare lesioni fisiche e/o danni al prodotto, non salire sopra, non appoggiarsi o appendersi al prodotto.
- Non tentare di smontare o modificare il prodotto in alcun modo.
- Non permettere ai bambini di giocare con o intorno al prodotto. Mantenere sempre una stretta supervisione dei bambini.
- Al fine di evitare rischi di incendio, lesioni fisiche e/o la morte, tenere tutti i materiali di imballaggio lontano dalla portata dei minori e rimuoverli e smaltirli in modo responsabile secondo le normative vigenti.
- Non toccare o azionare il prodotto con le mani bagnate.
- Al fine di evitare scariche elettriche e/o incendi, tenere gli animali domestici o altri oggetti estranei lontano dalla portata del prodotto.
- Qualora si avvertano strani rumori, strani odori e/o si noti del fumo fuoriuscire dal prodotto, scollegarlo immediatamente dalla presa di corrente.
- Non posizionare oggetti pesanti o pericolosi all'interno o intorno al prodotto.
- Al fine di evitare scariche elettriche, incendi, e/o il rischio di morte delle persone, non tentare di riparare autonomamente o effettuare interventi di manutenzione su qualsiasi parte del prodotto a meno che non sia specificamente indicato nel manuale dell'utente o in eventuali altre istruzioni per la riparazione in autonomia.



# Informazioni di sicurezza

---

- Estrarre tutti gli effetti personali (dispositivi elettrici, fiammiferi ecc.) dalle tasche.
- Al fine di evitare incendi e/o esplosioni, non asciugare capi precedentemente lavati o macchiati con benzina o solventi specifici, olii per cottura o altre sostanze infiammabili o esplosive.
- Il prodotto non è progettato per l'uso da parte di persone (bambini inclusi) con ridotte capacità fisiche, sensoriali o mentali, inesperte o prive di un'adeguata conoscenza, a meno che una persona responsabile per la loro sicurezza fornisca loro una corretta supervisione e istruzioni all'uso.
- Prima di effettuare lo smaltimento del prodotto, rimuovere la porta e tagliare la spina elettrica in modo da impedirne un riutilizzo.
- Non toccare o disassemblare la presa elettrica del prodotto. In caso di una perdita di gas, ventilare immediatamente il locale e contattare un Centro di assistenza autorizzato Samsung.
- Al fine di evitare danni al pannello in vetro, accertarsi di proteggere sempre il frontale del prodotto.
- Al fine di evitare lesioni fisiche e/o danni al prodotto, non salire sopra al prodotto o far leva sugli sportelli del serbatoio.
- Non inserire le mani, i piedi o altre parti del corpo o oggetti in metallo al di sotto del prodotto.
- Per asciugare l'interno non utilizzare altri prodotti. Per eliminare eventuali cattivi odori interni non utilizzare delle candele.
- Non aprire lo sportello mentre il prodotto è in funzione. Aprendo lo sportello mentre il prodotto è in funzione si influenzeranno le prestazioni ottimali, si potrà provocare una condensa e danneggiare il pavimento.
- Non bere l'acqua contenuta nel serbatoio di rabbocco o di scarico.
- Pulire il filtro anti lanugine prima o dopo ogni carico.
- Non usare ammorbidenti per tessuti o prodotti simili a meno che non sia specificamente indicato dal produttore degli ammorbidenti o dei prodotti.
- Tenere le dita lontano dalle aree di possibile schiacciamento. Prestare attenzione nel richiudere lo sportello qualora vi sia la presenza di bambini.
- Non usare il prodotto per asciugare capi contenenti imbottiture in schiuma di gomma o inserti in gomma.
- Al fine di evitare danni, una eccessiva rumorosità o un possibile incendio, non inserire corpi estranei negli ugelli del vapore.
- Non posizionare le mani o il corpo vicino agli ugelli del vapore durante il loro funzionamento. Il vapore bollente può provocare serie lesioni.
- Non aprire lo sportello durante il funzionamento. L'elevata temperatura interna può provocare serie lesioni.
- In caso di insorgenza di un problema durante l'emissione del vapore, fermare il prodotto immediatamente e rimuovere tutti i capi dal suo interno. Qualora i capi non vengano rimossi immediatamente, rimarrebbero umidi, il che provocherebbe danni ai loro tessuti o li farebbe odorare.
- Prima di inserire i capi nel prodotto, accertarsi che le tasche siano vuote.



- Contiene gas serra fluorurati.  
Apparecchio ermeticamente sigillato.  
Non liberare i gas nell'atmosfera.
  - Refrigerante (Tipo): R-134a (GWP = 1430)
  - Refrigerante (Carica): 0,15 kg, 0,214 tCO<sub>2</sub>e

## Avvertenze elettriche

### AVVERTENZA

- Con un panno asciutto, rimuovere regolarmente eventuali sostanze estranee quali polvere o acqua dai terminali elettrici e dai contatti.
- Scollegare la spina elettrica e pulirla con un panno asciutto.
- Al fine di evitare rischi di scariche elettriche, scollegare sempre il prodotto dalla presa di corrente prima di disassemblarlo o eseguirne una manutenzione.
- Per scollegare il prodotto dalla corrente elettrica non tirare il cavo di alimentazione. Per scollegare la presa di corrente, afferrare saldamente la presa ed estrarla.
- Al fine di evitare scariche elettriche, non utilizzare un cavo di prolunga.
- Non usare un cavo o una spina di alimentazione danneggiati o una presa allentata. Non tentare di riparare, smontare o modificare autonomamente il cavo di alimentazione. Per eventuali riparazioni, contattare il più vicino Centro di assistenza autorizzato Samsung.
- Inserire la spina del cavo di alimentazione in una presa di corrente che rispecchi le caratteristiche elettriche locali. Usare la presa solo per alimentare questo apparecchio e non utilizzare un cavo di prolunga.
- In caso di spostamento del prodotto, accertarsi di proteggere sempre il cavo di alimentazione.
- Al fine di evitare eventuali scariche elettriche, incendi o lesioni gravi o danni al prodotto e/o la morte, collegare il prodotto ad una presa di corrente dotata di una idonea messa a terra. Accertarsi che la presa a parete ed il circuito siano stati controllati da un tecnico qualificato.
- Il prodotto deve essere dotato di un cavo e di una spina di messa a terra. La spina deve essere inserita in una idonea presa di corrente adeguatamente installata e dotata di messa a terra che rispetti le vigenti normative elettriche locali.
- Il prodotto deve essere collegato alla terra. In caso di malfunzionamento o di guasto, la messa terra ridurrà il rischio di scariche elettriche fornendo un percorso di minore resistenza per la corrente elettrica.
- Prima dell'uso, accertarsi che il prodotto sia collegato ad una presa di corrente dedicata dotata di messa a terra idonea per l'uso. È responsabilità dell'utente sostituire una presa di corrente standard a 2-poli con una a 3-poli.
- Al fine di evitare possibili scariche elettriche, il prodotto deve essere dotato di una adeguata messa a terra conforme alle vigenti normative locali. Seguire le istruzioni riportate nel manuale dell'utente

# Informazioni di sicurezza

---

- Il prodotto deve essere sempre collegato a una presa elettrica separata che abbia una tensione corrispondente a quanto riportato sull'etichetta. Ciò consente di ottenere le migliori prestazioni e prevenire il sovraccarico dell'impianto domestico che potrebbe causare un incendio a causa del surriscaldamento dei cavi.
- Collegare il prodotto ad una presa di corrente adeguata, protetta e collegata ad un impianto dalle dimensioni adeguate alla potenza utilizzata, al fine di evitare possibili sovraccarichi elettrici. Circuiti elettrici mal dimensionati possono fondersi generando scariche elettriche o incendi.
- Non tagliare, per alcun motivo, il cavo di messa a terra del cavo di alimentazione. Al fine di prevenire eventuali lesioni personali o danni al prodotto, il cavo di alimentazione deve essere collegato ad una presa di corrente dotata di messa a terra.
- Non utilizzare una presa multipla che non sia dotata di messa a terra (portatile). In caso di uso di una multi presa dotata di messa a terra (portatile), usare un prodotto con capacità di sostenere una corrente di 15 A o superiore. Il mancato rispetto di questa indicazione può portare ad una scarica elettrica o un principio di incendio a causa del calore accumulato nella multi presa. Azionando l'interruttore l'alimentazione di corrente può essere interrotta.
- Il prodotto deve essere collegato ad un oggetto metallico collegato alla terra, un cablaggio o un conduttore di messa a terra collegato con il terminale di messa a terra dell'apparecchio. Qualora il prodotto non venga collegato alla terra possono verificarsi scariche elettriche.
- Il collegamento inappropriato del conduttore di messa a terra può comportare il rischio di scariche elettriche. Se in dubbio sul collegamento a terra del prodotto, consultare un elettricista qualificato.

## Avvertenze di installazione

---

### AVVERTENZA

- Installare il prodotto solo in una posizione stabile e ben livellata. Non installare il prodotto in luoghi soggetti a vibrazioni o laddove il prodotto corra il rischio di cadere, quali navi o aerei. Qualora non si sia sicuri della posizione di installazione, contattare un Centro di assistenza autorizzato Samsung.
- Non installare il prodotto in luoghi esposti alle intemperie o a temperature sottozero. Qualora il prodotto venga spedito con temperature sottozero, lasciarlo riscaldare prima di procedere con l'installazione.
- Per evitare scariche elettriche, incendi, lesioni serie, danni al prodotto e/o morte dell'utente, non installare il prodotto in luoghi umidi (come bagni o saune).
- Per evitare incendi, fumo e/o danni al prodotto, non installarlo vicino o sopra fonti di calore (come stufette o caloriferi).
- Per evitare incendi o fumo e/o danni al prodotto, non posizionarvi candele o altre fiamme libere sopra o intorno.
- Al fine di evitare lesioni fisiche e/o danni al prodotto, prima di spostare il prodotto contattare un Centro di assistenza autorizzato Samsung.



- 
- Installare il prodotto laddove la presa di corrente sia facilmente accessibile. Per evitare scariche elettriche e/o incendi, in caso di inutilizzo scollegare il prodotto dalla presa di corrente.
  - Qualora il luogo di installazione sia stato soggetto ad allagamento, non avvicinarsi al prodotto e contattare immediatamente un Centro di assistenza autorizzato Samsung.
  - Per evitare incendi, fumo e/o danni al prodotto, rimuovere tutte le pellicole protettive del prodotto prima dell'uso.
  - Al fine di evitare danni al prodotto e/o lesioni fisiche, spostare il prodotto con l'ausilio di un'altra persona.

## Avvertenze per la pulizia

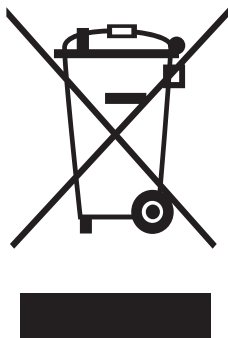
---

### **AVVERTENZA**

- Per evitare scariche elettriche, non usare oggetti appuntiti per azionare o pulire il prodotto.
- Durante la pulizia non spruzzare acqua direttamente sulla superficie del prodotto.
- Non usare candeggina sull'esterno del prodotto. La candeggina può scolorire il rivestimento esterno del prodotto.
- Pulire l'interno con un panno asciutto dopo l'uso.
- Al termine dell'uso, asciugare l'interno del prodotto con un panno asciutto.
  - All'interno del prodotto potrebbero rimanere impurità come capelli lunghi, polvere o gocce d'acqua.
- In caso di accumulo di impurità (detersivo, sporco, residui di cibo, ecc.) nel prodotto o negli accessori, scollegare il cavo di alimentazione ed asciugarlo con un panno asciutto.
  - Non applicare sul prodotto o sugli accessori detersivi o candeggianti.
  - In caso contrario il prodotto potrà scolorire, deformarsi, danneggiarsi o formare ruggine.

# Informazioni di sicurezza

## Istruzioni relative alla normativa WEEE



### Corretto smaltimento del prodotto (rifiuti elettrici ed elettronici)

(Applicabile nei Paesi con sistemi di raccolta differenziata)

Il simbolo riportato sul prodotto, sugli accessori o sulla documentazione indica che il prodotto e i relativi accessori elettronici (quali caricabatterie, cuffia e cavo USB) non devono essere smaltiti con altri rifiuti al termine del ciclo di vita. Per evitare eventuali danni all'ambiente o alla salute causati dallo smaltimento dei rifiuti non corretto, si invita l'utente a separare il prodotto e i suddetti accessori da altri tipi di rifiuti, conferendoli ai soggetti autorizzati secondo le normative locali.

Gli utenti domestici, in alternativa alla gestione autonoma di cui sopra, potranno consegnare l'apparecchiatura che si desidera smaltire al rivenditore, al momento dell'acquisto di una nuova apparecchiatura di tipo equivalente. Presso i rivenditori di prodotti elettronici con superficie di vendita di almeno 400 m<sup>2</sup> è inoltre possibile consegnare gratuitamente, senza obbligo di acquisto, i prodotti elettronici da smaltire con dimensioni inferiori a 25 cm.

Gli utenti professionali (imprese e professionisti) sono invitati a contattare il proprio fornitore e verificare i termini e le condizioni del contratto di acquisto. Questo prodotto e i relativi accessori elettronici non devono essere smaltiti unitamente ad altri rifiuti commerciali.

Per ulteriori informazioni sull'impegno ambientale di Samsung e sugli obblighi normativi specifici dei singoli prodotti es. REACH, WEEE o Batteries, visitare la pagina sulla sostenibilità disponibile nel sito [www.samsung.com](http://www.samsung.com)

# Prima di iniziare

## Installazione

Installare il prodotto secondo le istruzioni contenute in questo manuale e le normative locali vigenti.

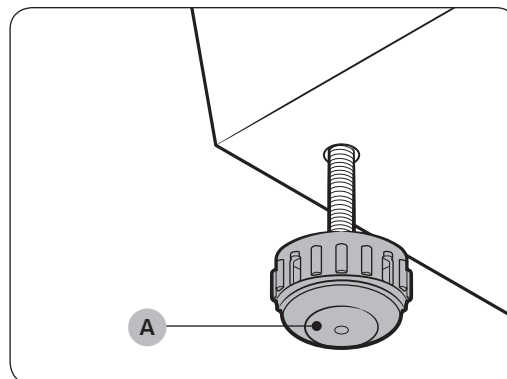
### Installazione del prodotto

1. Individuare una posizione stabile, livellata con adeguato spazio secondo i criteri indicati sotto.

|       |       |
|-------|-------|
| Sopra | 25 mm |
| Lati  | 5 mm  |
| Retro | 15 mm |

- Qualora gli spazi minimi non vengano rispettati, le prestazioni potrebbero risultare inferiori a causa di una impropria ventilazione causando una possibile condensa sull'esterno del prodotto.
- Non installare il prodotto alla luce solare diretta o in luoghi soggetti al caldo o al freddo. La temperatura dell'ambiente deve essere compresa tra 10°C e 35°C. Se la temperatura è troppo alta o troppo bassa, il prodotto potrebbe non funzionare correttamente o avere prestazioni non ottimali.

2. Ruotare il **pedino di livellamento (A)** in senso orario o antiorario per regolare l'altezza fino a quando il prodotto è livellato.

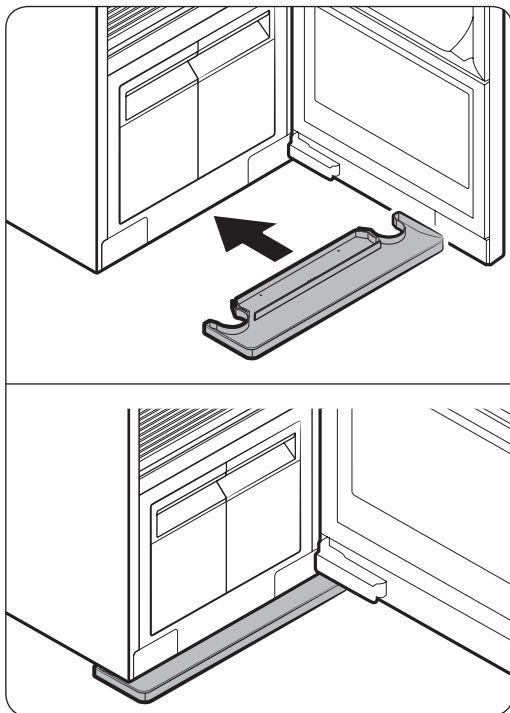


### NOTA

Qualora il prodotto traballi o si desideri incrementare l'altezza del lato posteriore, montare il pedino di livellamento posteriore in dotazione sui lati posteriori del prodotto.

# Prima di iniziare

3. Inserire il vassoio dell'acqua seguendo le indicazioni riportate nelle figure.
  - Assicurarsi che il lato con indicato 'TOP' sia rivolto verso l'alto.



4. Collegare il prodotto ad una presa di corrente da 230 V / 50 Hz dotata di messa a terra.
  - Qualora non si disponga di una presa di corrente dotata di messa a terra rivolgersi ad un Centro di assistenza autorizzato Samsung per conoscere metodi alternativi per effettuare la messa a terra del prodotto.

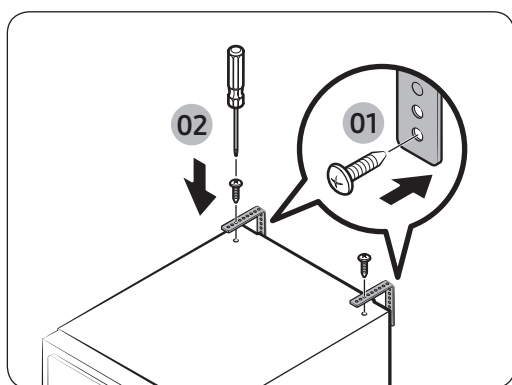
## NOTA

- Una volta effettuata l'installazione del prodotto, attendere 2 ore prima di iniziarne l'utilizzo.
- Il prodotto consuma un maggior quantitativo di acqua al primo utilizzo. Potrebbe essere necessario riempire il serbatoio più volte.

### Fissare AIRDRESSER con un cavo di sicurezza (opzionale)

AIRDRESSER potrebbe ribaltarsi a causa di una azione esterna o dell'azione di un bambino.

Se necessario, usare il cavo di sicurezza per fissare AIRDRESSER impedendone il possibile ribaltamento (vedere la figura).



#### **⚠ ATTENZIONE**

Prima di fissare il cavo di sicurezza al AIRDRESSER, scollegarlo dalla presa di corrente.

#### **📄 NOTA**

- Per fissare il cavo di sicurezza ad una parete usare le viti in dotazione.
- Per fissare il cavo di sicurezza al AIRDRESSER usare le viti predisposte sulla sommità.

### Impostazione della lingua

Alla prima attivazione dopo l'installazione, sul display del pannello di controllo verrà visualizzata la schermata di selezione della lingua. Seguire le istruzioni visualizzate per selezionare la lingua desiderata.

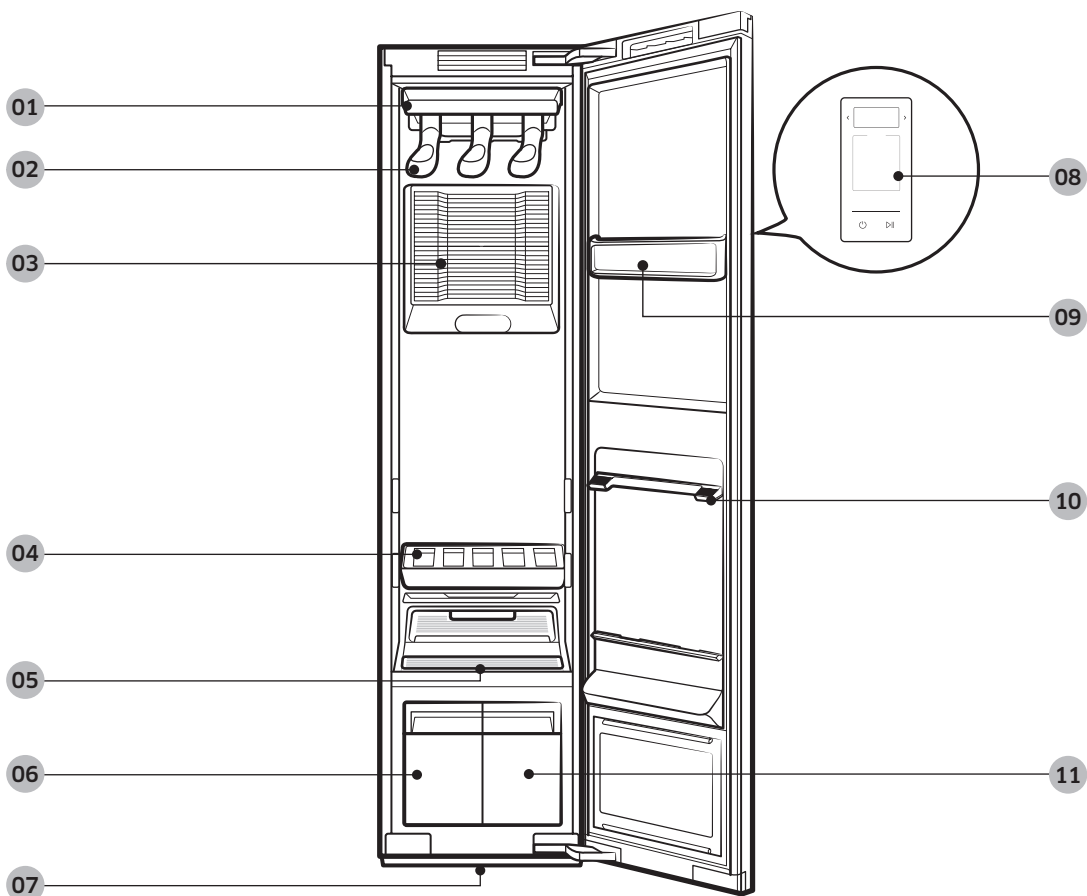
1. Premere < o > per selezionare la lingua desiderata.
2. Tenere premuto **Avvia/Pausa** ▶ per memorizzare la lingua selezionata.

#### **📄 NOTA**

- L'impostazione della lingua potrebbe non essere disponibile in alcuni paesi.
- Per cambiare la lingua in seguito, tenere premuto **Normal (Normale)** e **Delicates (Delicati)** per 3 secondi, quindi seguire le istruzioni sopra.

# Prima di iniziare

## Panoramica del prodotto



Prima di iniziare

**01** Fori di ventilazione

**02** Appendiabito ad aria

**03** Filtro dell'aria

**04** Ripiano

**05** Filtro anti lanugine

**06** Serbatoio di scarico

**07** Vassoio dell'acqua

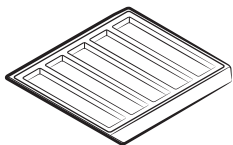
**08** Pannello di controllo

**09** Scomparto accessori

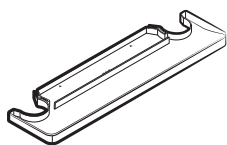
**10** Supporto per ripiano

**11** Serbatoio di riempimento

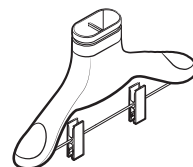
## Accessori



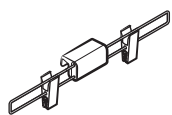
Ripiano



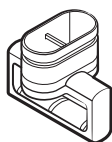
Vassoio dell'acqua



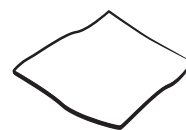
Appendiabito ad aria



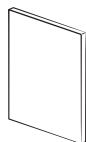
Kit pesi



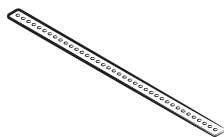
Kit appendiabiti



Panno di pulizia



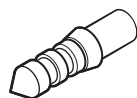
Manuale dell'utente



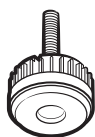
Cavo di sicurezza



Vite (per cavo di sicurezza)



Ancoraggio a vite (per cavo di sicurezza)

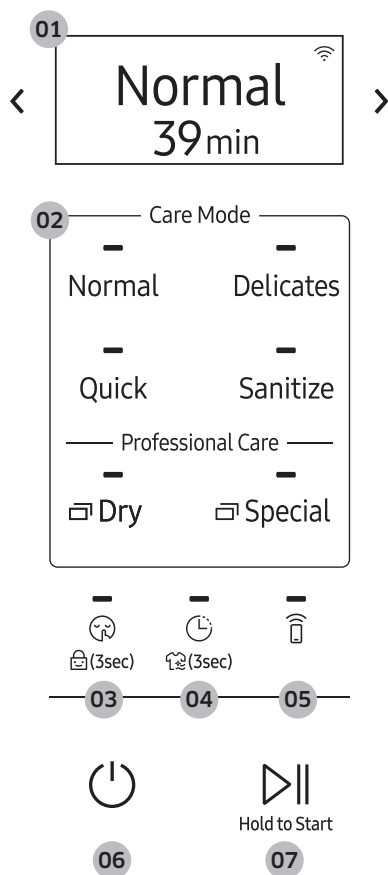


Piedino di livellamento posteriore

Prima di iniziare

# Prima di iniziare

## Pannello di controllo



Prima di iniziare


### 01 Display

Visualizza il programma selezionato ed il tempo rimanente stimato, le notifiche e la connettività Wi-Fi.

### 02 Programmi

Premere un programma per selezionarlo. Per maggiori informazioni sui programmi, vedere a pagina 18.

### 03 Silenzioso / Sicurezza bambini (3 sec)




Silenzioso 

Premere per attivare / disattivare Silenzioso. Silenzioso riduce la rumorosità di funzionamento.



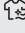

 **NOTA**

Silenzioso aumenta il tempo del programma.



|                                                                                                     |                                                                                                                                                                                                                                                                                                                                                                                                                                                     |
|-----------------------------------------------------------------------------------------------------|-----------------------------------------------------------------------------------------------------------------------------------------------------------------------------------------------------------------------------------------------------------------------------------------------------------------------------------------------------------------------------------------------------------------------------------------------------|
| Sicurezza bambini  | <p>Tenere premuto per 3 secondi per attivare o disattivare la funzione Sicurezza bambini. Sicurezza bambini disattiva tutti i pulsanti tranne <b>Accensione</b> .</p> <p> <b>NOTA</b></p> <p>Quando Sicurezza bambini è attiva, rimane attiva fino alla sua disattivazione.</p> |
|-----------------------------------------------------------------------------------------------------|-----------------------------------------------------------------------------------------------------------------------------------------------------------------------------------------------------------------------------------------------------------------------------------------------------------------------------------------------------------------------------------------------------------------------------------------------------|

#### 04 Fine ritardata / Mantieni fresco (3 sec)

|                                                                                                     |                                                                                                                                                                                                                                                                                                                                                                                                                                                                                                                                                                                                                                                                                                                                      |
|-----------------------------------------------------------------------------------------------------|--------------------------------------------------------------------------------------------------------------------------------------------------------------------------------------------------------------------------------------------------------------------------------------------------------------------------------------------------------------------------------------------------------------------------------------------------------------------------------------------------------------------------------------------------------------------------------------------------------------------------------------------------------------------------------------------------------------------------------------|
| Fine ritardata     | <p>Premere per attivare la funzione Fine ritardata e per incrementare il tempo di fine programma (da 1 a 24 ore).</p> <p> <b>NOTA</b></p> <ul style="list-style-type: none"> <li>• La funzione Fine ritardata non è utilizzabile insieme alla funzione Asciugatura con sensore.</li> <li>• Quando la funzione Fine ritardata è attiva, il display si spegne per risparmiare energia.</li> <li>• Alcune impostazioni possono non essere disponibili in base al programma selezionato.</li> <li>• In base ai capi ed alle condizioni ambientali, il tempo effettivo di completamento del programma può essere diverso da quanto impostato.</li> </ul> |
| Mantieni fresco  | <p>Tenere premuto per 3 secondi per attivare o disattivare la funzione Mantieni fresco. Qualora non sia possibile estrarre immediatamente i capi al termine di un programma, è possibile mantenerli freschi.</p> <p> <b>NOTA</b></p> <ul style="list-style-type: none"> <li>• Mantieni fresco rimane attiva fino a 24 ore dopo il termine di un programma.</li> <li>• Spegnendo il prodotto o aprendo lo sportello la funzione Mantieni fresco si disattiva.</li> <li>• Quando la funzione Mantieni fresco è attiva, il display si spegne per risparmiare energia.</li> </ul>                                                                     |

#### 05 Smart Control

Premere per attivare / disattivare Smart Control. Per maggiori informazioni su **Smart Control**, vedere a pagina 27.

#### 06 Accensione

Premere per accendere o spegnere l'apparecchio.


#### 07 Avvia/Pausa

Tenere premuto per avviare il prodotto. Premere per mettere in pausa il prodotto

# Prima di iniziare

## Panoramica dei programmi

### Programmi giornalieri

| Programma            | Descrizione                                                                                                                                                                                                                                                                                                                                                                                                                                                                                                                                                                                                   |
|----------------------|---------------------------------------------------------------------------------------------------------------------------------------------------------------------------------------------------------------------------------------------------------------------------------------------------------------------------------------------------------------------------------------------------------------------------------------------------------------------------------------------------------------------------------------------------------------------------------------------------------------|
| Normal (Normale)     | <ul style="list-style-type: none"><li>Per rinfrescare i capi di tutti i giorni.</li></ul>                                                                                                                                                                                                                                                                                                                                                                                                                                                                                                                     |
| Delicates (Delicati) | <ul style="list-style-type: none"><li>Per capi delicati in chiffon, pizzo e capi decorati.</li><li>Per capi in raion, usare questo programma.</li></ul>                                                                                                                                                                                                                                                                                                                                                                                                                                                       |
| Quick (Rapido)       | <ul style="list-style-type: none"><li>Per rinfrescare rapidamente capi con lievi odori e pieghe.</li></ul>                                                                                                                                                                                                                                                                                                                                                                                                                                                                                                    |
| Sanitize (Igienizza) | <ul style="list-style-type: none"><li>Per igienizzare i capi con il vapore.</li></ul> <p> <b>NOTA</b></p> <ul style="list-style-type: none"><li>Non inserire più di un capo o un oggetto di grandi dimensioni. I capi o gli oggetti di grandi dimensioni possono bloccare il flusso di vapore e la circolazione dell'aria.</li><li>Interrompendo o cambiando il programma alla comparsa sul display del messaggio Sanitizing (Igienizzazione in corso), i capi possono danneggiarsi o non asciugare completamente.</li></ul> |

## Programmi di asciugatura




### **ATTENZIONE**

Non usare i capi indicati di seguito con la funzione Asciugatura.

- Pelle, pelliccia, piuma, velluto, seta.
- Qualsiasi capo contenente gomma o spugna.
- Articoli realizzati in tessuti di lana, tessuti idrorepellenti, tessuti di seta o tessuti di canapa.
- Coperte di pelliccia con una lunghezza della pelliccia superiore a 1 cm, coperte di lana, tappeti, materassi.
- Intimo con lacci, collant, calze.






### **NOTA**

I risultati dell'asciugatura possono variare a seconda dello spessore degli articoli.

| Programma                            | Descrizione                                                                                                                                                                                                                                                                                                                                                                                                                                                                                                                                                  |
|--------------------------------------|--------------------------------------------------------------------------------------------------------------------------------------------------------------------------------------------------------------------------------------------------------------------------------------------------------------------------------------------------------------------------------------------------------------------------------------------------------------------------------------------------------------------------------------------------------------|
| Sensor Dry (Asciugatura con sensore) | AIRDRESSER imposta automaticamente il tempo di asciugatura dei capi.<br> <b>NOTA</b> <ul style="list-style-type: none"><li>• L'uso della funzione Asciugatura con sensore causa il rapido svuotamento del serbatoio di scarico.</li><li>• Asciugatura con sensore potrebbe non asciugare in modo ottimale i capi eccessivamente bagnati e gli oggetti di grandi dimensioni. Se i capi non risultati asciugati in modo ottimale, eseguire nuovamente il programma.</li></ul> |
| Time Dry (Asciugatura a tempo)       | Impostare il tempo manualmente (1-3 ore) per asciugare i capi.<br> <b>NOTA</b> <ul style="list-style-type: none"><li>• Asciugatura a tempo potrebbe non asciugare in modo ottimale i capi eccessivamente bagnati e gli oggetti di grandi dimensioni. Se i capi non risultati asciugati in modo ottimale, eseguire nuovamente il programma.</li></ul>                                                                                                                      |
| Room Care (Cura ambientale)          | Programma per deumidificare l'ambiente circostante. È possibile impostare un tempo di 2 o 4 ore.<br> <b>NOTA</b> <ul style="list-style-type: none"><li>• Assicurarsi che il prodotto sia vuoto durante l'uso della funzione Cura ambientale.</li><li>• La temperatura interna può aumentare.</li></ul>                                                                                                                                                                    |

# Prima di iniziare

## Programmi speciali

| Programma                             | Descrizione                                                                                                                                                                                                                                                                                                                                                                                                                                                                                                                                                                          |
|---------------------------------------|--------------------------------------------------------------------------------------------------------------------------------------------------------------------------------------------------------------------------------------------------------------------------------------------------------------------------------------------------------------------------------------------------------------------------------------------------------------------------------------------------------------------------------------------------------------------------------------|
| Suits (Abiti)                         | <p>Per affinare le pieghe nei pantaloni.</p> <p> <b>NOTA</b></p> <ul style="list-style-type: none"><li>• Inserire la giacca nel foro dell'aria centrale e i pantaloni nel foro dell'aria destro.</li><li>• Per ottenere risultati ottimali, usare con il kit peso.</li></ul>                                                                                                                                                                                                                        |
| School uniform (Uniformi scolastiche) | <p>Programma idoneo per le uniformi scolastiche che non possono essere lavate e asciugate giornalmente.</p>                                                                                                                                                                                                                                                                                                                                                                                                                                                                          |
| Wool/Knit (Lana/ Maglieria)           | <p>Per capi in lana o maglie.</p> <p> <b>NOTA</b></p> <p>Al fine di evitare la deformazione dei capi, piegare i capi con cura ed appoggiarli sul ripiano.</p>                                                                                                                                                                                                                                                                                                                                       |
| Outdoor                               | <p>Per abbigliamento sportivo.</p>                                                                                                                                                                                                                                                                                                                                                                                                                                                                                                                                                   |
| Down Jackets (Giacche in piumino)     | <p>Per rinvigorire pesanti giacche in piumino conservate a lungo.</p> <p> <b>NOTA</b></p> <p>Per prevenire il blocco della circolazione dell'aria, appendere un solo capo sul foro centrale dell'aria.</p>                                                                                                                                                                                                                                                                                        |
| Fur/Leather (Pellicce/ Pelle)         | <p>Elimina l'umidità e la polvere dagli indumenti in pelliccia e in pelle.</p> <p> <b>NOTA</b></p> <ul style="list-style-type: none"><li>• Durante questo programma il prodotto potrebbe risultare più rumoroso.</li><li>• Seguire le indicazioni riportate sulle etichette dei singoli indumenti.</li><li>• Per ottenere risultati ottimali, trattare un solo capo per volta.</li><li>• Accertarsi che gli indumenti in pelliccia siano asciutti prima di utilizzare questo programma.</li></ul> |
| Heavy Duty (Alto carico)              | <p>Per la cura dei tessuti di alto spessore come ad esempio i maglioni.</p>                                                                                                                                                                                                                                                                                                                                                                                                                                                                                                          |
| Self Clean (Auto pulizia)             | <p>Pulisce automaticamente il prodotto.</p> <p> <b>NOTA</b></p> <ul style="list-style-type: none"><li>• Assicurarsi che il prodotto sia vuoto.</li><li>• Per ottenere risultati ottimali, non interrompere il programma o aprire lo sportello prima che il programma Auto pulizia sia terminato.</li><li>• Questo programma non elimina eventuale muffa.</li></ul>                                                                                                                                |

---

## Download di programmi

È possibile eseguire il download di ulteriori programmi mediante la app SmartThings.

1. Premere **Accensione** ☺.
2. Premere **Special (Speciale)** più volte per selezionare **Download (Scarico)**.
3. Sul proprio smartphone, seguire le istruzioni visualizzate sullo schermo per eseguire il download di eventuali programmi.
  - È possibile eseguire il download di un massimo di 10 programmi.
  - È possibile eseguire il download dei seguenti programmi.
    - Winter Coat (Cappotti), Denim, Down Dry (Piumini), Babywear (Indumenti per bambini), Bedding (Lenzuola), Doll (Peluche), Accessories (Accessori).

# Prima di iniziare

## Guida alla cura dei tessuti

- I tessuti hanno diverse modalità di trattamento in base alla loro composizione e finitura. Questa guida alla cura dei tessuti non copre tutti i materiali e pertanto il suo uso è da intendersi esclusivamente come riferimento. Assicurarsi di verificare l'etichetta apposta su ogni capo prima di usare AIRDRESSER al fine di prevenire eventuali danni ai tessuti.
- Non inserire capi con colori non resistenti, sensibili al calore o che non siano idonei per il lavaggio in acqua con i programmi Generico, Speciale o Igienizza. Eseguire un test con acqua su una piccola porzione di tessuto in una zona interna per vedere se i colori sono resistenti. Per ulteriore assistenza, consultare il produttore dell'indumento, un professionista del lavaggio a secco, o una guida per la cura dei tessuti più completa.

## Categoria dei programmi

Vedere la tabella che segue per controllare i programmi specifici di ogni categoria riportata nella tabella della guida alla cura dei tessuti.

| Categoria                   | Programmi                                                                                                                                                                                                                                          |
|-----------------------------|----------------------------------------------------------------------------------------------------------------------------------------------------------------------------------------------------------------------------------------------------|
| Programmi generici          | Normal (Normale), Quick (Rapido), Delicates (Delicati)                                                                                                                                                                                             |
| Programmi speciali          | Suits (Abiti), School uniform (Uniformi scolastiche), Wool/Knit (Lana/Maglieria), Outdoor, Down Jackets (Giacche in piumino), Fur/Leather (Pellicce/Pelle), Heavy Duty (Alto carico), Winter Coat (Cappotti)** , Denim**, Accessories (Accessori)* |
| Programmi di igienizzazione | Sanitize (Igienizza), Babywear (Indumenti per bambini)** , Bedding (Lenzuola)** , Doll (Peluche)**                                                                                                                                                 |
| Programmi di asciugatura    | Sensor Dry (Asciugatura con sensore), Time Dry (Asciugatura a tempo), Down Dry (Piumini)**                                                                                                                                                         |

\* = Programmi speciali / \*\* = Programmi di scarico

## Tabella Guida alla cura dei tessuti

### Fibre naturali - fibre vegetali

| Tessuto             | Programmi     |            |          |           |             | Indumenti / Note                                                                                                                                                                                                                                                              |
|---------------------|---------------|------------|----------|-----------|-------------|-------------------------------------------------------------------------------------------------------------------------------------------------------------------------------------------------------------------------------------------------------------------------------|
|                     | Generico      |            | Speciale | Igienizza | Asciugatura |                                                                                                                                                                                                                                                                               |
|                     | Riduci pieghe | Deodorante |          |           |             |                                                                                                                                                                                                                                                                               |
| Cotone              |               | ●          | ●        | ●         | ●           | Asciugamani, calze, intimo, jeans, capi sportivi, magliette, coperte<br>Sui tessuti in cotone 100% è possibile che rimangano alcune pieghe. Se necessario, al termine del programma stirare gli indumenti.                                                                    |
| Lino, canapa, ramie |               | ●          | ●        | ●         | ●           | <b>Indumenti estivi, tovaglie</b><br>È possibile che rimangano alcune pieghe Accertarsi che i capi siano lavabili a mano ed in lavatrice prima di usare i programmi Generico, Speciale o Igienizza. Appoggiare i capi delicati sul ripiano. Non trattare indumenti inamidati. |
| Raion               | ●             | ●          | ●        |           | ●           | Fodere, camicette, cravatte, pigiami                                                                                                                                                                                                                                          |

● = Possibile / ✖ = Controllare etichetta

Prima di iniziare

# Prima di iniziare

## Fibre naturali - fibre animali

| Tessuto                            | Programmi     |            |          |           |             | Indumenti / Note                                                                                                                                                                                                                                                                                                                        |
|------------------------------------|---------------|------------|----------|-----------|-------------|-----------------------------------------------------------------------------------------------------------------------------------------------------------------------------------------------------------------------------------------------------------------------------------------------------------------------------------------|
|                                    | Generico      |            | Speciale | Igienizza | Asciugatura |                                                                                                                                                                                                                                                                                                                                         |
|                                    | Riduci pieghe | Deodorante |          |           |             |                                                                                                                                                                                                                                                                                                                                         |
| Alpaca, pelo di cammello, cashmere | ✘             | ✘          | ●        |           |             | <b>Cappotti, abiti</b><br>Appoggiare i capi di maglieria sul ripiano. Il pelo di alpaca e di cammello si restringono in acqua calda.                                                                                                                                                                                                    |
|                                    |               | ✘          | ●        |           |             | <b>Sciarpe, maglieria</b><br>Appoggiare i capi di maglieria sul ripiano. Il pelo di alpaca e di cammello si restringono in acqua calda.                                                                                                                                                                                                 |
| Pellicce, pelle                    |               |            | ●*       |           |             | <b>Cappotti, sciarpe</b><br>* Usare solo il programma Fur/Leather (Pellicce/Pelle). La pelle deve essere naturale al 100 % (non pelle sintetica)                                                                                                                                                                                        |
| Seta                               |               |            |          |           |             | <b>Cravatte, nastri, sciarpe, camicette di seta</b><br>I tessuti in seta non sono idonei per il trattamento con AIRDRESSER.                                                                                                                                                                                                             |
| Lana                               |               | ✘          | ●*       |           | ●           | <b>Maglioni, maglieria</b><br>Appoggiare i capi di maglieria sul ripiano. Alcuni tipi di lana si restringono se lavati in acqua calda. Assicurarsi che i tessuti siano lavabili in lavatrice/a mano prima di usare i programmi Generico o Speciale.<br>* Si consiglia l'uso del programma Wool/Knit (Lana/Maglieria).                   |
|                                    | ●             | ●          | ●*       | ✘         | ●           | <b>Cappotti, abiti</b><br>Appoggiare i capi di maglieria sul ripiano. Alcuni tipi di lana si restringono se lavati in acqua calda. Accertarsi che i capi siano lavabili a mano ed in lavatrice prima di usare i programmi Generico, Speciale o Igienizza.<br>* Si consiglia l'uso dei programmi Winter Coat (Cappotti) o Suits (Abiti). |

● = Possibile / ✘ = Controllare etichetta



## Fibre sintetiche

| Tessuto     | Programmi     |            |          |           |             | Indumenti / Note                                                                                                              |
|-------------|---------------|------------|----------|-----------|-------------|-------------------------------------------------------------------------------------------------------------------------------|
|             | Generico      |            | Speciale | Igienizza | Asciugatura |                                                                                                                               |
|             | Riduci pieghe | Deodorante |          |           |             |                                                                                                                               |
| Acetati     | ●             | ●          | ●        | ●         | ●           | Fodere, camicette, cravatte, pigiami                                                                                          |
| Acrilico    | ●             | ●          | ●        | ●         | ●           | Intimo termico, maglieria<br>Appoggiare i capi sul ripiano.                                                                   |
| Nylon       | ●             | ●          | ●        | ●         | ●           | Calze, lingerie<br>Appoggiare i capi sul ripiano.                                                                             |
|             | ●             | ●          | ●        | ●         | ●           | Indumenti sportivi                                                                                                            |
| Poliuretano | ●             | ●          | ●        | ●         | ●           | Indumenti elastici (con meno del 5%)<br>Se i capi contengono più del 5% di poliuretano (es. costumi), verificare l'etichetta. |
| Poliestere  | ●             | ●          | ●        | ●         | ●           | Indumenti per Outdoor, indumenti sportivi, T-shirt, camicie, camicette                                                        |

● = Possibile / ✕ = Controllare etichetta






















Prima di iniziare

# Prima di iniziare

## Etichette per la cura del tessuti

La maggior parte degli indumenti è dotata di etichette contenenti istruzioni dettagliate per la cura del tessuto. La tabella che segue contiene alcuni dei simboli che possono aiutare a scegliere le impostazioni corrette per AIRDRESSER.

### Etichette per la cura dei tessuti che possono essere usate con AIRDRESSER

| Categoria                                                                                                         | Etichetta                                                                           | Significato                   | Uso con AIRDRESSER |
|-------------------------------------------------------------------------------------------------------------------|-------------------------------------------------------------------------------------|-------------------------------|--------------------|
| <br>Etichette per il lavaggio    |    | Normale                       | 0                  |
|                                                                                                                   |    | Pressa permanente             | 0                  |
|                                                                                                                   |    | Delicato                      | 0                  |
|                                                                                                                   |    | Non lavare                    | 0*                 |
|                                                                                                                   |    | Lavaggio a mano               | 0                  |
| <br>Etichette per asciugatrice |    | Nessun calore                 | X                  |
|                                                                                                                   |    | Basso                         | 0                  |
|                                                                                                                   |   | Medio                         | 0                  |
|                                                                                                                   |  | Alto                          | 0                  |
|                                                                                                                   |  | Normale                       | 0                  |
|                                                                                                                   |  | Pressa permanente             | 0                  |
|                                                                                                                   |  | Delicato                      | 0                  |
|                                                                                                                   |  | Non asciugare in asciugatrice | 0                  |
| <br>Etichette di asciugatura   |  | Asciugare appeso              | 0                  |
|                                                                                                                   |  | Asciugare senza stirare       | 0                  |
|                                                                                                                   |  | Asciugare steso               | 0**                |
|                                                                                                                   |  | Asciugare all'ombra           | 0                  |
|                                                                                                                   |  | Non asciugare                 | X                  |

\* Alcuni indumenti per i quali si sconsiglia il lavaggio (come ad esempio le pellicce o i tessuti in pelle) possono invece essere trattati con AIRDRESSER. Vedere la guida alla cura dei tessuti.

\*\* Per i capi che riportano questo simbolo nell'etichetta di cura dei tessuti usare il ripiano.

---

## Smart Control

---

### Connessione WiFi

- I sistemi di crittografia consigliati sono WPA/TKIP e WPA2/AES. I protocollo Wi-Fi di nuovo sviluppo o non approvati non sono supportati.
- La qualità della connessione del network wireless può essere influenzata dalle condizioni ambientali circostanti.
- Se il proprio Internet service provider ha registrato l'indirizzo MAC del PC o del modem per identificare l'utente, Samsung AIRDRESSER potrebbe non riuscire a connettersi ad Internet. In questo caso, contattare il proprio Internet provider
- Il firewall Internet potrebbe interrompere la connessione Internet. In questo caso, contattare il proprio Internet provider
- Se il malfunzionamento Internet dovesse continuare anche dopo l'intervento del Internet provider, contattare un Rivenditore autorizzato o un Centro di assistenza autorizzato Samsung.

### Download delle app

Nel app market (Google Play Store, Apple App Store, Samsung Galaxy Apps), cercare la app SmartThings, quindi eseguirne il download ed installarla sul proprio dispositivo.

#### **NOTA**

- SmartThings potrebbe non essere compatibile con alcuni tablet o smartphone.
  - La app necessita di Android OS 6.0 o superiore (con un minimo di 2 GB di RAM).
  - Le risoluzioni video supportate per Android sono 1280 x 720 (HD), 1920 X 1080 (FHD), 2560 x 1440 (WQHD).
  - La app necessita di iOS 10.0 o superiore (gli iPhone supportati sono iPhone 6 o successivi).
  - Le risoluzioni video supportate per i dispositivi Apple sono 1334 X 750, 1920 x 1080.
- La app è soggetta a modifiche senza preavviso ai fini di migliorarne le prestazioni.

### Log in

È necessario effettuare prima l'accesso a SmartThings mediante il proprio account Samsung. Per creare un nuovo account Samsung, seguire le istruzioni visualizzate dalla app. Non è necessario usare una app diversa per creare il proprio account.

#### **NOTA**

Qualora si disponga di un account Samsung, usarlo per effettuare l'accesso. Un utente di uno smartphone Samsung effettua automaticamente l'accesso.

# Prima di iniziare

## Registrazione del dispositivo in SmartThings

1. Accertarsi che lo smartphone sia collegato ad una rete wireless. In caso contrario, accedere a **Settings (Impostazioni)**, attivare la connessione wireless e selezionare un AP (Access Point).
2. Avviare la app **SmartThings** sul proprio smartphone.
3. In caso di comparsa del messaggio "A new device is found. (È stato trovato un nuovo dispositivo.)", selezionare **Add (Aggiungi)**.
4. Qualora non compaia alcun messaggio, selezionare + quindi selezionare il proprio dispositivo nell'elenco dei dispositivi disponibili. Se il proprio dispositivo non è elencato, selezionare **Device Type (Tipo dispositivo) > Specific Device Model (Specifica modello dispositivo)** ed aggiungerlo manualmente.
5. Seguire le istruzioni riportate sullo schermo per completare la registrazione.

## Panoramica SmartThings

| Categoria    | Funzione                | Descrizione                                                                                                                                                                                   |
|--------------|-------------------------|-----------------------------------------------------------------------------------------------------------------------------------------------------------------------------------------------|
| Monitoraggio | Stato programma         | È possibile verificare il programma in corso e le opzioni così come il tempo rimanente prima del suo completamento.                                                                           |
|              | Smart Control           | Lo stato dello Smart Control è mostrato per AIRRESSER.                                                                                                                                        |
|              | Monitoraggio energetico | Per monitorare il consumo energetico effettivo del dispositivo.                                                                                                                               |
| Controllo    | Avvia / Pausa / Annulla | Selezionare un programma e le necessarie opzioni, quindi selezionare Avvia / Pausa / Annulla per avviare il dispositivo, interromperlo temporaneamente o per annullare il programma in corso. |
| Notifica     | Programma completato    | Notifica all'utente il completamento del programma impostato.                                                                                                                                 |

| Categoria           | Funzione                            | Descrizione                                                                                                                                                                                                               |
|---------------------|-------------------------------------|---------------------------------------------------------------------------------------------------------------------------------------------------------------------------------------------------------------------------|
| Funzioni AIRDRESSER | Ricette per il trattamento dei capi | Selezionare il tipo di tessuto e le opzioni desiderate per ricevere suggerimenti sul programma più adatto.                                                                                                                |
|                     | Il mio guardaroba                   | Inserendo le informazioni relative agli abiti (ad esempio le informazioni sui tessuti) è possibile aggiungere i propri indumenti alla app e ricevere suggerimenti sul trattamento e la storia dei trattamenti effettuati. |
|                     | Gestione programmi speciali         | È possibile impostare un massimo di 9 programmi che possono essere in seguito eliminati o per i quali è possibile modificarne l'ordine.                                                                                   |
|                     | HomeCare Manager                    | Per ricevere un aiuto nel conservare il proprio AIRDRESSER in perfette condizioni operative. Verificare lo stato di usura, il consumo energetico e ricevere notifiche di allarme relative alla manutenzione del prodotto. |

Prima di iniziare

# Prima di iniziare

---

## Dichiarazione Open Source

Il software incluso in questo prodotto contiene software open source. È possibile ottenere il codice sorgente completo corrispondente per un periodo di tre anni dopo l'ultima spedizione inviando una email a <mailto:oss.request@samsung.com>.

È anche possibile ottenere il codice sorgente corrispondente su un supporto fisico come un CD-ROM; per tale richiesta è previsto un addebito minimo.

Per la pagina di download e le informazioni sulla licenza open source relativa a questo prodotto vedere la pagina [http://opensource.samsung.com/opensource/SMART\\_AT\\_051/seq/0](http://opensource.samsung.com/opensource/SMART_AT_051/seq/0). Questa offerta è valida per chiunque riceva questa informazione.



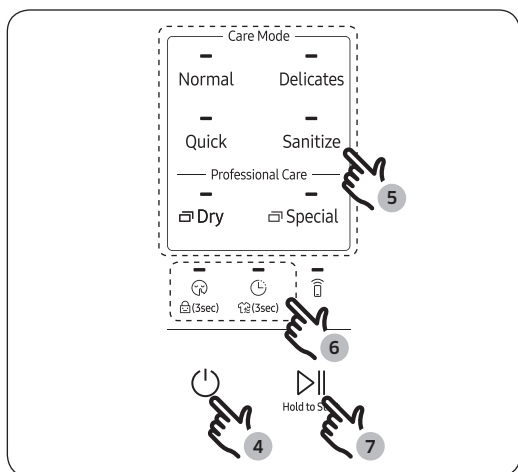
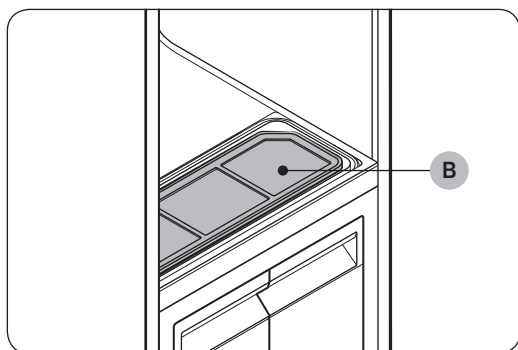
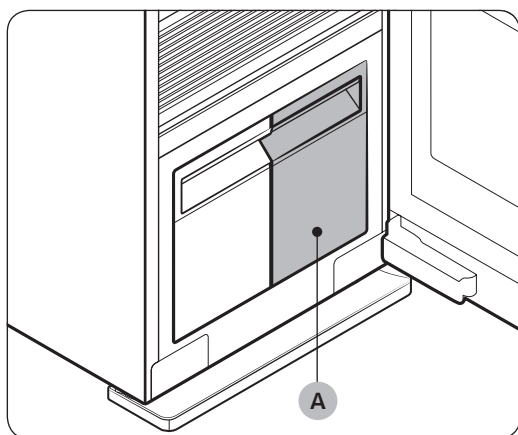
## NOTA

Con la presente, Samsung Electronics dichiara che il dispositivo radio è conforme alla Direttiva 2014/53/UE. Il testo completo della Dichiarazione di conformità UE è disponibile all'indirizzo internet: La Dichiarazione di conformità ufficiale è reperibile all'indirizzo <http://www.samsung.com>, accedendo alla pagina Support (Supporto) > Search Product Support (Cerca supporto prodotto) e digitando il modello del prodotto.

Potenza max di trasmissione Wi-Fi: 20 dBm a 2,412 GHz - 2,472 GHz

# Uso del prodotto e degli accessori

## Uso di un programma



1. Verificare che il serbatoio dell'acqua (A) sia pieno.

2. Verificare che il filtro anti lanugine (B) sia pulito.

3. Inserire gli indumenti come indicato nella sezione **Uso degli accessori**.

4. Premere **Accensione** .





5. Selezionare un programma.

- Premere **Normal (Normale)**, **Delicates (Delicati)**, **Quick (Rapido)** o **Sanitize (Igienizza)**.

- Per i programmi di Asciugatura, premere **Dry (Asciugatura)** più volte per impostare il programma desiderato.

- Per i programmi Speciale, premere **Special (Speciale)** più volte per impostare il programma desiderato.

6. Selezionare le opzioni desiderate.

- **Silenzioso** , **Sicurezza bambini** , **Fine ritardata** , **Mantieni fresco** .

7. Tenere premuto **Avvia/Pausa**  per 3 secondi.

# Uso del prodotto e degli accessori

---

## Linee guida per l'uso

### Prima dell'uso

- Questo prodotto non è progettato per pulire gli indumenti. Per ottenere risultati ottimali, lavare ed asciugare gli indumenti prima di trattarli con questo prodotto.
- Prima di utilizzare il prodotto, consigliamo di lavare gli indumenti dotati di un forte odore o conservati a lungo.
- Separare gli indumenti in base alla consistenza dell'odore.
- Verificare tutte le etichette di lavaggio prima di trattare gli indumenti con questo prodotto.
- Prima di inserire i capi nel prodotto, accertarsi che le tasche siano vuote.
- Non usare l'apparecchio come armadio.
- Il prodotto potrebbe non essere in grado di rimuovere i peli degli animali domestici.

### Durante l'uso

- Assicurarsi che gli indumenti non siano a contatto con il fondo del prodotto. Se necessario, usare il ripiano per disporre gli indumenti appesi impedendo che tocchino il fondo del prodotto.
- Durante il processo di trattamento con il vapore si potranno avvertire alcuni sibili.
- Per interrompere un programma prima del suo termine, usare il programma di Asciugatura.
- La durata dipende dalle condizioni ambientali ed il tipo di indumenti inseriti.
- Se usati più programmi consecutivamente, il display potrebbe mostrare una durata dei programmi diversa da quella indicata.
- Non aprire lo sportello mentre il prodotto è in funzione.

### Dopo l'uso

- La quantità di pieghe eliminate può variare in base al tipo di tessuto.
- Rimuovere gli indumenti subito dopo il completamento di un programma. Qualora non sia possibile estrarre gli indumenti subito dopo il termine di un programma, usare la funzione Fine ritardata o Mantieni fresco.
- Nell'estrarre gli indumenti, afferrare sia l'indumento sia l'appendiabito.



## Uso degli accessori

### Appendiabito ad aria

Usare l'appendiabito ad aria per indumenti quali giacche, cappotti sportivi e blazer.

#### **NOTA**

- Accertarsi che sia la parte interna sia la parte esterna degli appendiabiti siano pulite e prive di oggetti estranei.
- Non usare gli appendiabiti per maglieria, indumenti in lana e intimo.
- La lunghezza massima degli indumenti è di 110 cm per la parte superiore e 100 cm per la parte inferiore.
- In base al tipo e dimensioni del tessuto, è possibile che si formino alcune pieghe sul collo degli abiti.



#### Per usare gli Appendiabiti

1. Appendere gli indumenti sugli appendiabiti nello stesso verso.
  - Al fine di prevenire la caduta degli indumenti dagli appendiabiti, abbottonare tutti i bottoni e chiudere tutte le cerniere.
  - Accertarsi che gli indumenti siano appesi in modo piatto. Accertarsi che le clip degli appendiabiti non sporgano verso avanti.
2. Far scorrere gli appendiabiti nei fori di ventilazione fino ad avvertire uno scatto.
  - Accertarsi che gli appendiabiti siano rivolti nello stesso verso.
  - Qualora gli appendiabiti non siano correttamente inseriti nei fori di ventilazione, si potrà avvertire una rumorosità e alcune vibrazioni.

#### **NOTA**

Al fine di ottenere risultati ottimali, evitare di appendere gli indumenti più lunghi nel foro centrale.

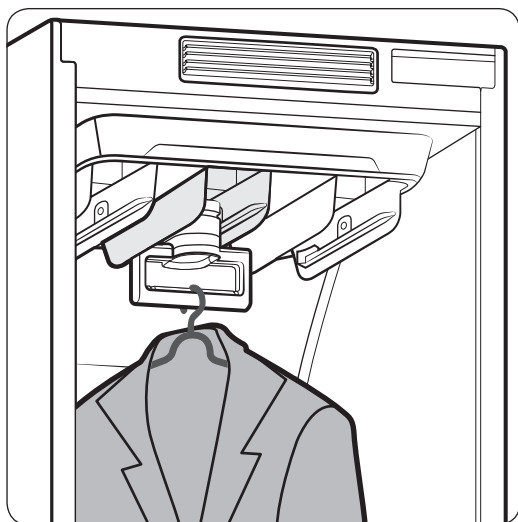
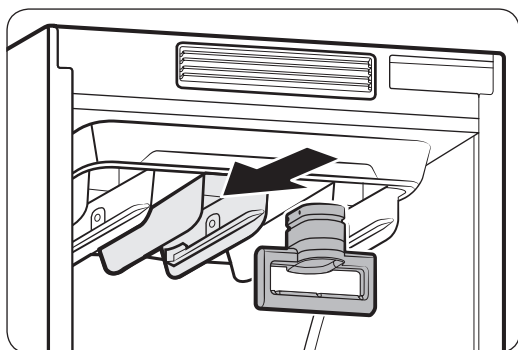
# Uso del prodotto e degli accessori

## Kit appendiabiti

È possibile usare il kit l'hanger kit in modo da usare gli appendiabiti normali per appendere gli indumenti. Tuttavia, al fine di ottenere risultati ottimali si consiglia l'uso degli Air hanger.

### **NOTA**

- Usare solo appendiabiti che non si deformano con il calore.
- Accertarsi che sia la parte interna sia la parte esterna degli appendiabiti siano pulite e prive di oggetti estranei.
- Non utilizzare appendiabiti in plastica/silicone/legno o appendiabiti con adesivo.
- Non utilizzare appendiabiti che possano arrugginire.



### Per usare il kit appendiabiti

1. Appendere gli indumenti sugli appendiabiti nello stesso verso.
  - Al fine di prevenire la caduta degli indumenti dagli appendiabiti, abbottonare tutti i bottoni e chiudere tutte le cerniere.
  - Accertarsi che gli indumenti siano appesi in modo piatto. Accertarsi che le clip degli appendiabiti non sporgano verso avanti.
2. Far scorrere il kit appendiabiti fino ad avvertire uno scatto, quindi appendere gli appendiabiti sul kit appendiabiti.
  - Accertarsi che gli appendiabiti siano rivolti nello stesso verso.
  - Qualora gli appendiabiti non siano correttamente inseriti nei fori di ventilazione, si potrà avvertire una rumorosità e alcune vibrazioni.

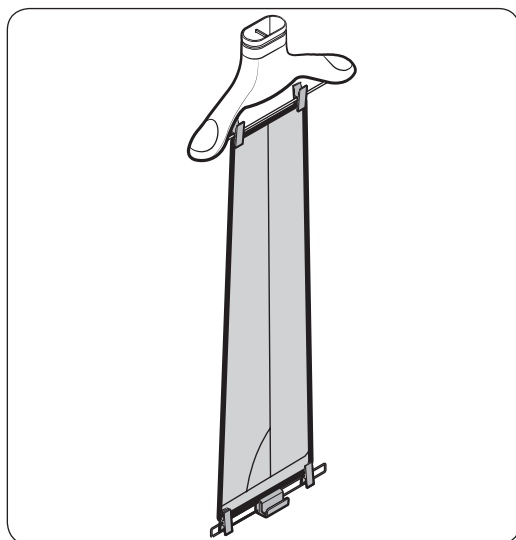
### **NOTA**

Al fine di ottenere risultati ottimali, evitare di appendere gli indumenti più lunghi nel foro centrale.

## Kit pesi

### **NOTA**

- Accertarsi che i pantaloni ed il kit pesi non tocchi il fondo del prodotto.
- La lunghezza massima dei pantaloni deve essere 100 cm.

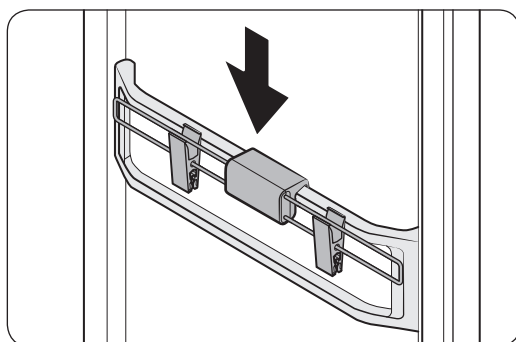


### Per usare il kit pesi

1. Fissare il fondo dei pantaloni all'appendiabiti ad aria.
2. Fissare l'altro capo dei pantaloni al kit pesi.
3. Far scorrere l'appendiabiti ad aria nei fori di ventilazione fino ad avvertire uno scatto.

### **NOTA**

Per ottenere pieghe più nette, allargare i pantaloni muovendo i fermi verso fuori.



Quando non utilizzato, conservare il kit pesi nella zona degli accessori.

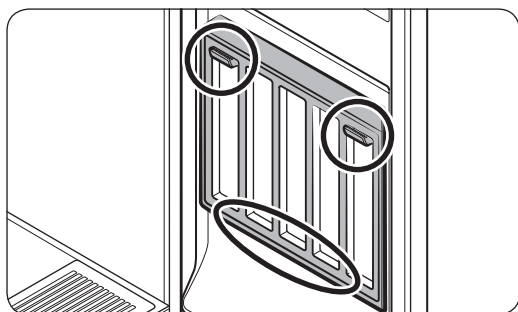
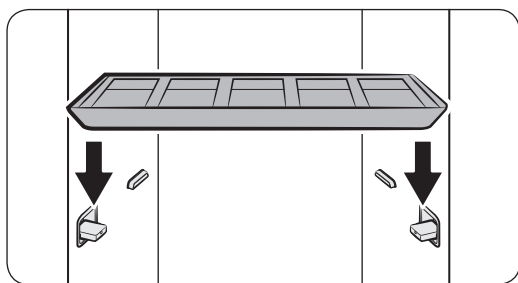
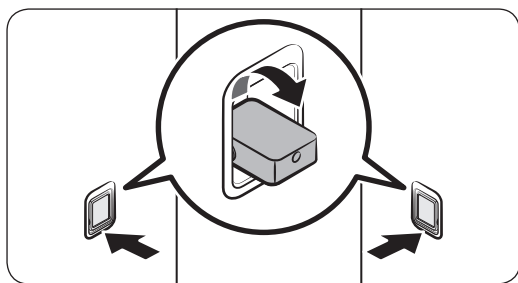
# Uso del prodotto e degli accessori

## Ripiano

Usare il ripiano in dotazione per gli indumenti che non possono essere appesi sugli appendiabiti.

### **NOTA**

- Posizionare solo indumenti e accessori. Non appoggiare oggetti pesanti o usare il ripiano per conservare oggetti diversi
- Assicurarsi che i bambini non possa arrampicarsi o sedere sul ripiano.
- Assicurarsi che gli indumenti non penzoli sul davanti, retro o lato del ripiano, o rimanga appeso sulle grate del ripiano.
- Non appoggiare più capi uno sull'altro.



### Per utilizzare il ripiano

1. Sulle pareti laterali, premere il pulsante posto sui fermi del ripiano per bloccarlo.
2. Posizionare il ripiano sui fermi. Accertarsi che le scanalature del ripiano siano fermamente alloggiare nel fermo.

### **NOTA**

È normale che vi sia dello spazio tra i lati del ripiano e le pareti laterali.

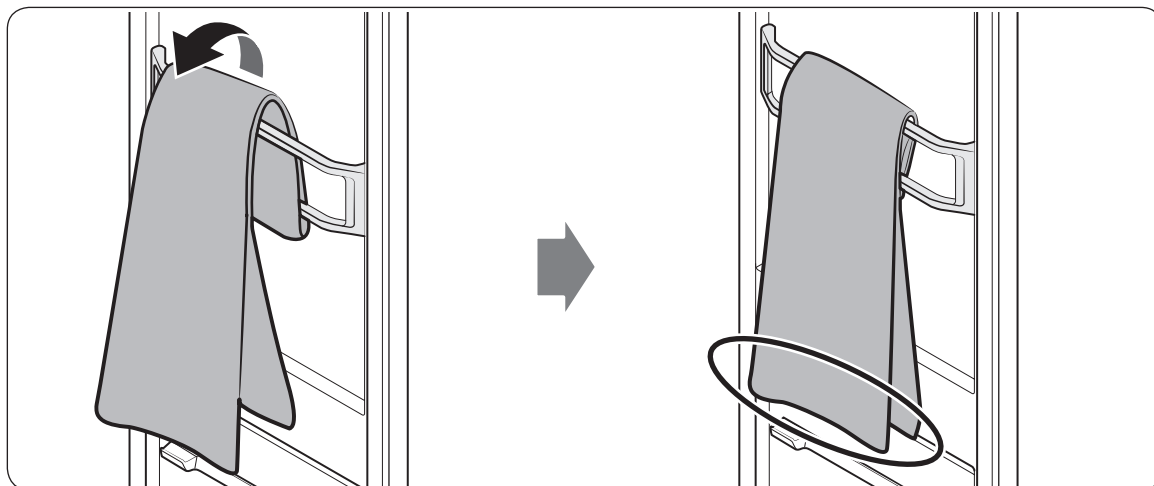
Quando non viene utilizzato, conservare il ripiano sullo sportello. Posizionare il ripiano sul fermo inferiore quindi appenderlo ai fermi superiori.

## Zona di cura accessori

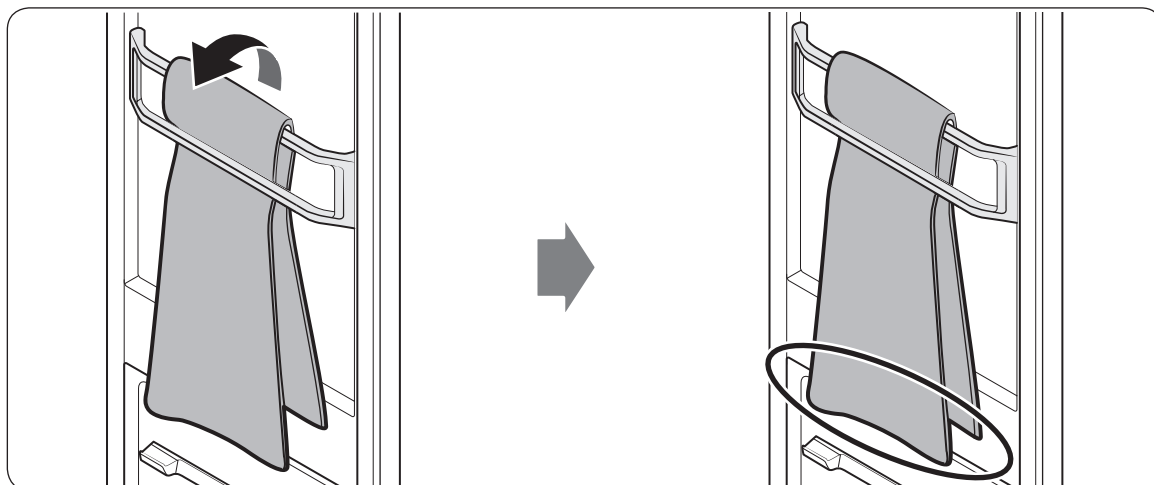
Per le sciarpe usare la zona di cura degli accessori.

Per appendere le sciarpe, vedere le figure riportate sotto.

### Metodo 1



### Metodo 2



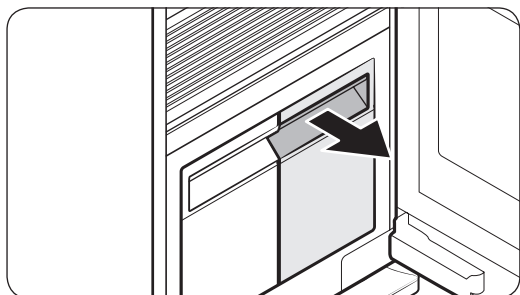
- Accertarsi che le lunghezze di entrambi i capi siano pari.
- In base al tipo di tessuto, è possibile che le pieghe non vengano eliminate del tutto.

# Uso del prodotto e degli accessori

## Serbatoio riempimento

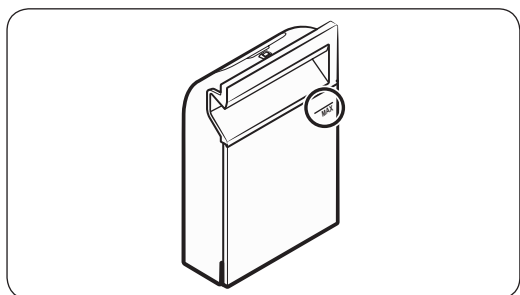
### NOTA

- Prima di utilizzare il prodotto, verificare che nel serbatoio di riempimento vi sia acqua.
- Il prodotto consuma un maggior quantitativo di acqua al primo utilizzo.
- Si consiglia di usare acqua filtrata.
- Qualora non si intenda utilizzare il prodotto per un lungo periodo di tempo, vuotare il serbatoio di riempimento.
- Il serbatoio di riempimento ha una autonomia di circa 4 programmi.
- Riempire il serbatoio di riempimento solo con acqua. Inserendo altri liquidi, quali detersivi o ammorbidenti, si potrebbe causare un problema.
- Non bere l'acqua contenuta nel serbatoio di riempimento o di scarico.



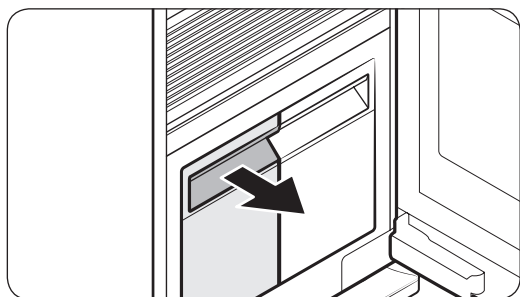
### Per riempire il serbatoio dell'acqua

1. Estrarre il serbatoio di riempimento.
2. Aprire il coperchio posteriore, riempirlo fino alla linea **MAX**.
3. Reinscrivere il serbatoio di riempimento.



## Serbatoio di scarico

Prima di usare il prodotto o qualora non si intenda usare il prodotto per diverso tempo, assicurarsi che il serbatoio di scarico sia vuoto.



Per vuotare il serbatoio di scarico

1. Estrarre il serbatoio di scarico.
2. Vuotare il serbatoio.
3. Reinscrivere il serbatoio di scarico.

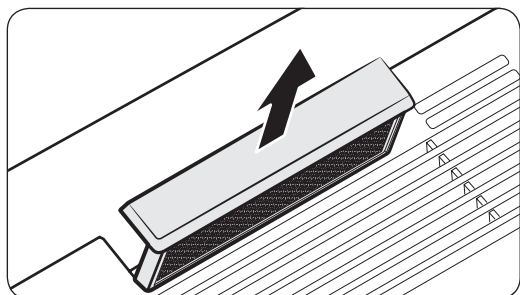
## Samsung Fresh Finish

Samsung Fresh Finish dona agli articoli una piacevole fragranza.

### NOTA

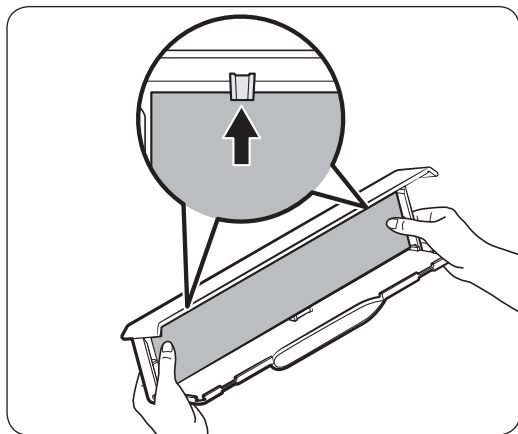
- Spruzzare il profumo preferito 4-5 volte su un tampone di cotone e posizionarlo nel Samsung Fresh Finish. La forza della fragranza diffusa da Samsung Fresh Finish può variare in base al profumo utilizzato, e la fragranza può restare all'interno dell'AIRDRESSER anche dopo il termine del programma.
- Lasciando il tampone di cotone troppo a lungo nel Samsung Fresh Finish può formarsi della muffa.

Per sostituire il tampone di cotone

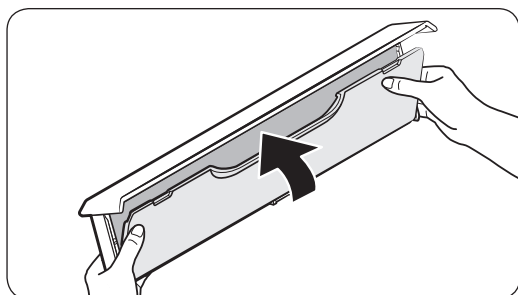


1. Rimuovere Samsung Fresh Finish.

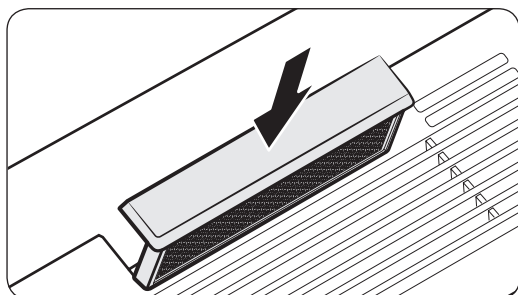
# Uso del prodotto e degli accessori



2. Spruzzare il profumo preferito 4-5 volte su un tampone di cotone e posizionarlo nel Samsung Fresh Finish.



3. Chiudere il coperchio del Samsung Fresh Finish fino ad avvertire uno scatto.



4. Reinscrivere Samsung Fresh Finish.

## NOTA

- Se si utilizza un profumo con Samsung Fresh Finish, la fragranza del profumo può restare all'interno del AIRDRESSER anche dopo il termine del programma.
- Il tampone di cotone non viene fornito in dotazione al prodotto.
- L'efficacia del Samsung Fresh Finish non può essere garantita poiché dipende al profumo utilizzato.



# Pulizia e manutenzione

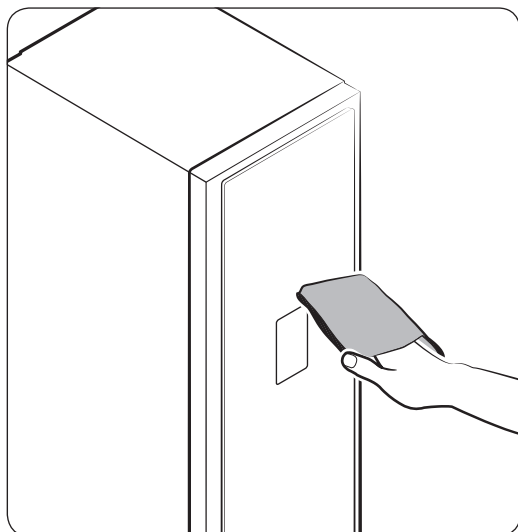
---

## **ATTENZIONE**

- Prima di effettuare la pulizia scollegare il prodotto dalla presa di corrente elettrica.
- Non usare detergenti abrasivi o infiammabili.
- Durante la pulizia non spruzzare acqua direttamente sulla superficie del prodotto.

## Esterno

---

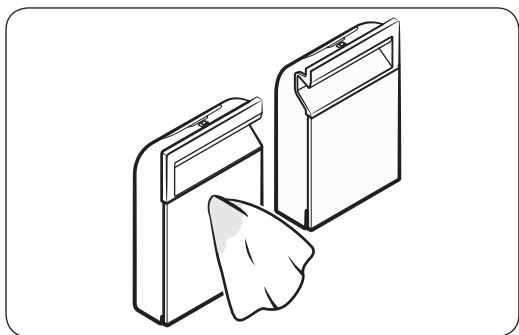


Usare un panno di pulizia per pulire la parte esterna del prodotto. Per eliminare lo sporco persistente, usare un panno inumidito e poi asciugare.

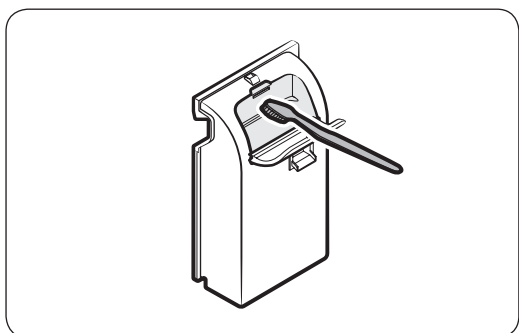
# Pulizia e manutenzione

## Serbatoi dell'acqua

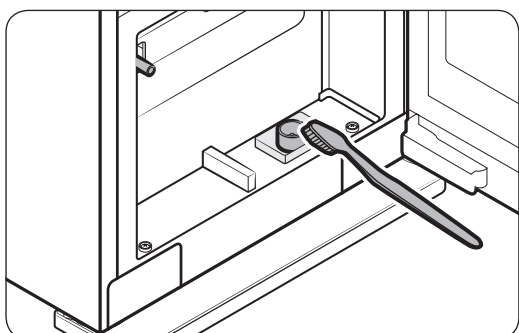
Pulire regolarmente entrambi i serbatoi. Prima di reinserirli lasciarli asciugare completamente.



Per pulire l'esterno usare un panno umido.



Per pulire l'interno usare una spazzola morbida.

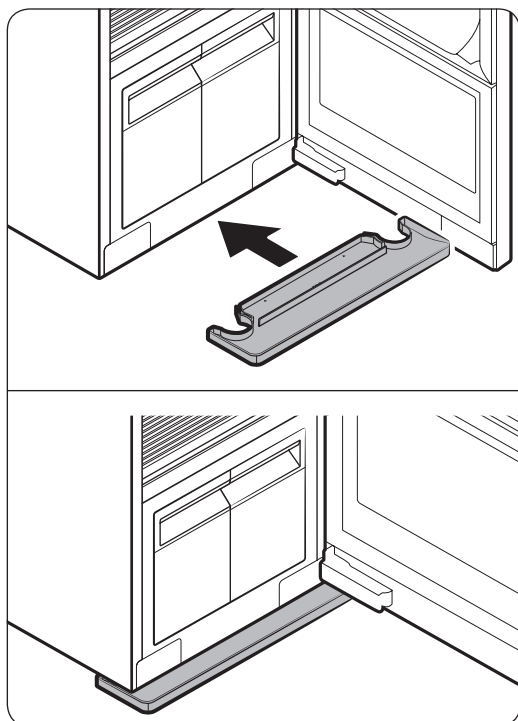


Per pulire le bocchetta di entrata e di uscita dei serbatoi usare una spazzola morbida.

## Vassoio dell'acqua

### NOTA

- Vuotare regolarmente il vassoio dell'acqua.
- Assicurarsi di reinserire il vassoio dell'acqua una volta vuotata l'acqua.



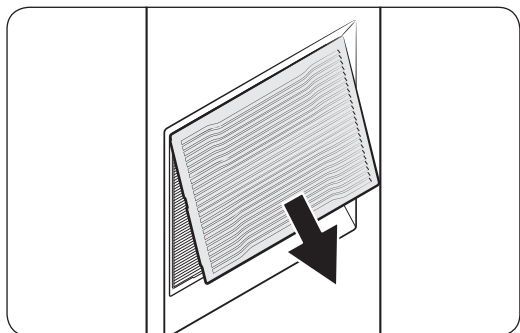
Reinserire il vassoio dell'acqua seguendo le indicazioni riportate nelle figure.

- Assicurarsi che il lato con indicato TOP sia rivolto verso l'alto.

# Pulizia e manutenzione

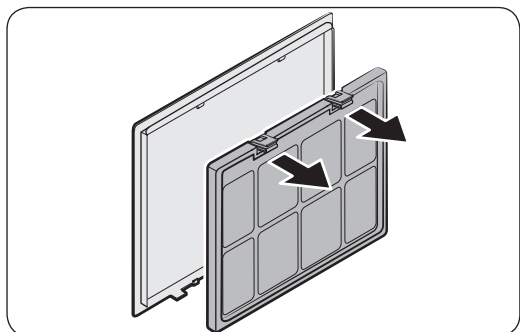
## Filtro dell'aria

Usando regolarmente il prodotto in modo intensivo o per capi che accumulano una grossa quantità di polvere, si consiglia di eseguire la pulizia del filtro dell'aria regolarmente.

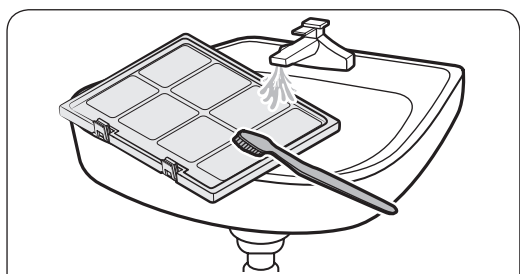


Per sostituire il filtro dell'aria

1. Trattenere il fondo del coperchio ed estrarlo.

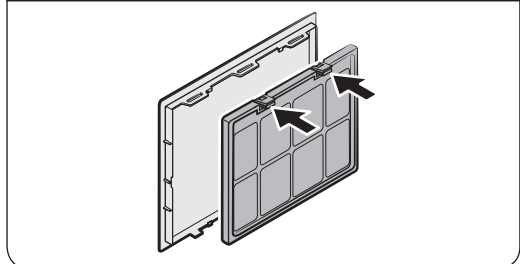


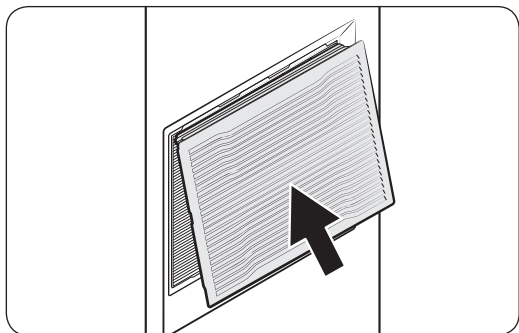
2. Premendo entrambi i ganci della parte superiore del filtro, estrarlo.



3. Usare una spazzola ed acqua corrente per pulire il filtro.

4. Lasciare asciugare completamente il filtro all'ombra quindi reinserirlo.



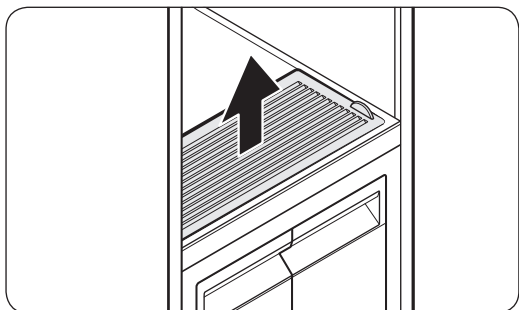


5. Inserire la parte superiore del filtro nel prodotto, quindi spingere il coperchio.

# Pulizia e manutenzione

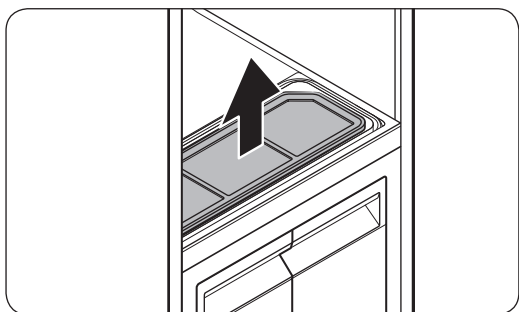
## Filtro anti lanugine

- Al fine di ottenere risultati ottimali, pulire il filtro anti lanugine prima e dopo aver usato il prodotto.
- Sostituire un filtro anti lanugine danneggiato con uno nuovo.

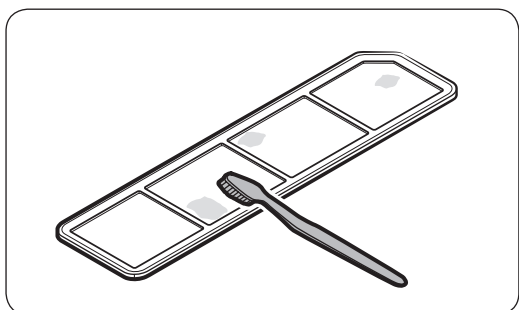


Per pulire il filtro anti lanugine

1. Aprire il coperchio.



2. Rimuovere il filtro.



3. Usare una spazzola ed acqua corrente per pulire il filtro. Lasciare asciugare completamente il filtro all'ombra.

4. Reinscrivere il filtro, quindi chiudere il coperchio.

## Decalcificazione

Eeguire un ciclo di decalcificazione regolarmente al fine di mantenere ottimali le prestazioni e allungare la vita utile del prodotto. Qualora non si esegua un ciclo di decalcificazione subito dopo aver ricevuto un messaggio di avviso, alcune delle funzioni potrebbero risultare inaccessibili e le prestazioni potrebbero risultare ridotte o perfino ridurre la vita utile del prodotto.

1. Alla comparsa del messaggio **Descaling Required (Eeguire decalcificazione)** sul display, estrarre tutti gli indumenti dal prodotto e tenere premuto **Sanitize (Igienizza)** e **Dry (Asciugatura)** per 3 secondi.
2. Vuotare entrambi i serbatoio dell'acqua di riempimento e di scarico.
3. Diluire un detergente decalcificante in acqua come indicato dal produttore.
4. Riempire il serbatoio di riempimento con l'agente decalcificante fino alla linea **MAX**.
5. Tenere premuto **Avvia/Pausa** ► per avviare la decalcificazione.
  - Alla comparsa del messaggio **Drain the tank (Vuotare il serbatoio)** sul display durante il ciclo di decalcificazione, vuotare il serbatoio di scarico.
6. Alla comparsa del messaggio **Refill/Drain the tank (Rabboccare/Vuotare il serbatoio)** sul display, vuotare entrambi i serbatoi di riempimento e di scarico, quindi sciacquarli con cura.
7. Riempire il serbatoio dell'acqua di riempimento con acqua pulita fino al livello **MAX**, quindi reinserire entrambi i serbatoi.
8. Alla comparsa del messaggio **Supply/Drainage Complete (Riempimento/Scarico completato)** sul display, tenere premuto **Avvia/Pausa** ►.
  - Alla comparsa del messaggio **Drain the tank (Vuotare il serbatoio)** sul display durante il ciclo di decalcificazione, vuotare il serbatoio di scarico.
9. Al termine del ciclo di decalcificazione, vuotare il serbatoio di scarico e riempire il serbatoio di riempimento con acqua.
  - Al termine di questi passaggi è possibile utilizzare AIRDRESSER.

### **NOTA**

- Durante il processo di decalcificazione si possono avvertire rumori e vibrazioni; ciò è normale e non indicano un malfunzionamento del prodotto.
- Usando il prodotto la prima volta dopo un ciclo di decalcificazione, sul display potrà comparire il messaggio **Refill the tank (Riempire il serbatoio)**. Ciò è normale. Riempire il serbatoio di riempimento con acqua e premere **Avvia/Pausa** ► per riprendere il normale funzionamento.
- Qualora il decalcificante non venga sciacquato bene, si potranno formare alcune bolle. Al termine del ciclo di decalcificazione risciacquare completamente entrambi i serbatoi.

# Pulizia e manutenzione

---

## Spostamento del prodotto in una diversa posizione

---

- Per facilitare lo spostamento, il prodotto è dotato di due rotelle.
- Al fine di prevenire l'eventuale ribaltamento durante lo spostamento del prodotto, si consiglia di spingerlo agendo sulla parte centrale. Non spingere agendo sulla parte superiore o inferiore.
- Vuotare il serbatoio di riempimento e di scarico prima di spostare il prodotto in una posizione diversa. Se i serbatoi non vengono vuotati, l'acqua potrebbe fuoriuscire dai serbatoi durante lo spostamento.



# Risoluzione dei problemi

## Messaggi di notifica

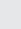

| Messaggio                                                                                                        | Azione                                                                                                                                                                                                                                                                                                                                                                                                                                                                                                                                                                         |
|------------------------------------------------------------------------------------------------------------------|--------------------------------------------------------------------------------------------------------------------------------------------------------------------------------------------------------------------------------------------------------------------------------------------------------------------------------------------------------------------------------------------------------------------------------------------------------------------------------------------------------------------------------------------------------------------------------|
| Refill the tank (Riempire il serbatoio)<br>Refill the tank with water (Riempire il serbatoio con acqua)          | <ul style="list-style-type: none"><li>• Verificare che nel serbatoio di riempimento vi sia sufficiente acqua.<ul style="list-style-type: none"><li>- Riempire con acqua fino al livello MAX, reinserire il serbatoio di riempimento, quindi premere <b>Avvia/Pausa</b> ▷ per avviare il dispositivo.</li></ul></li><li>• Verificare che il serbatoio di riempimento sia correttamente inserito.<ul style="list-style-type: none"><li>- Inserire correttamente il serbatoio di scarico quindi premere <b>Avvia/Pausa</b> ▷ per riprendere il funzionamento.</li></ul></li></ul> |
| Drain the tank (Vuotare il serbatoio)<br>Drain water from the tank (Vuotare l'acqua dal serbatoio)               | <ul style="list-style-type: none"><li>• Verificare se il serbatoio di scarico è pieno.<ul style="list-style-type: none"><li>- Vuotare il serbatoio di scarico, reinserirlo quindi premere <b>Avvia/Pausa</b> ▷ per riprendere il funzionamento.</li></ul></li><li>• Verificare che il serbatoio di scarico sia correttamente inserito.<ul style="list-style-type: none"><li>- Inserire correttamente il serbatoio di rabbocco quindi premere <b>Avvia/Pausa</b> ▷ per riprendere il funzionamento.</li></ul></li></ul>                                                         |
| Door Open (Sportello aperto)<br>Close the door & Start again (Chiudere lo sportello e riavviare)                 | <ul style="list-style-type: none"><li>• Verificare se lo sportello sia aperto.<ul style="list-style-type: none"><li>- Accertarsi che lo sportello sia chiuso quindi premere <b>Avvia/Pausa</b> ▷ per riprendere il funzionamento.</li></ul></li></ul>                                                                                                                                                                                                                                                                                                                          |
| Abnormality Alert (Avviso anomalia)<br>Open the Door & Check Inside (Aprire lo sportello e verificare contenuto) | <ul style="list-style-type: none"><li>• Verificare se lo sportello sia aperto e il blocco Sicurezza bambini sia attivo.<ul style="list-style-type: none"><li>- Accertarsi che lo sportello sia chiuso quindi premere <b>Avvia/Pausa</b> ▷ per riprendere il funzionamento. Verificare che all'interno del prodotto non siano penetrati bambini o animali domestici.</li></ul></li></ul>                                                                                                                                                                                        |
| WIFI Not Connected (WIFI Non connesso)<br>Check the router (Controllare il router)                               | <ul style="list-style-type: none"><li>• Verificare se il router sia spento.<ul style="list-style-type: none"><li>- Accendere il router e ricollegarlo ad Internet.</li></ul></li></ul>                                                                                                                                                                                                                                                                                                                                                                                         |

### **NOTA**

Se il problema persiste, contattare un Centro di assistenza autorizzato Samsung.

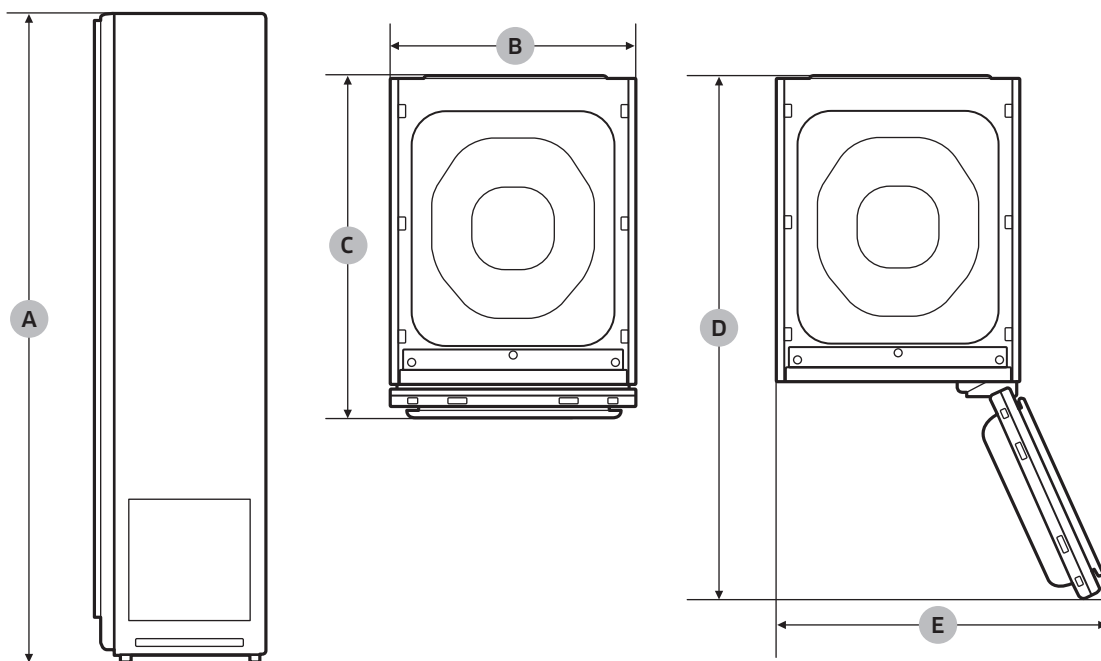
# Risoluzione dei problemi

## Punto di verifica

| Problema                                                   | Azione                                                                                                                                                                                                                                                                                                                                                                                                                                                                                                                                                                                                                                                                                                                                                                                |
|------------------------------------------------------------|---------------------------------------------------------------------------------------------------------------------------------------------------------------------------------------------------------------------------------------------------------------------------------------------------------------------------------------------------------------------------------------------------------------------------------------------------------------------------------------------------------------------------------------------------------------------------------------------------------------------------------------------------------------------------------------------------------------------------------------------------------------------------------------|
| Il prodotto non si accende.                                | <ul style="list-style-type: none"><li>• Premere <b>Accensione</b>  per accendere il prodotto.</li><li>• Assicurarsi che il cavo di alimentazione sia collegato correttamente.</li><li>• Accertarsi che l'interruttore sia attivato.</li><li>• Accertarsi che il cavo di alimentazione sia collegato ad una presa di corrente adatta per questo prodotto.</li></ul>                                                                                                                                                                                                                                                                                                                                   |
| Il prodotto non si attiva.                                 | <ul style="list-style-type: none"><li>• Accertarsi che lo sportello sia chiuso quindi premere <b>Avvia/Pausa</b> .</li><li>• Se si avverte il flusso dell'acqua o un ribollito, ciò indica che il prodotto sta preparando un processo di vapore. Ciò è normale.</li><li>• Accertarsi che la funzione Sicurezza bambini sia disattivata.</li><li>• Il prodotto potrebbe non funzionare correttamente qualora si siano utilizzati liquidi diversi dall'acqua. Contattare un Centro di assistenza autorizzato Samsung.</li></ul>                                                                                                                                                                        |
| Il prodotto è rumoroso.                                    | <ul style="list-style-type: none"><li>• Il prodotto potrebbe generare dei rumori quando il compressore entra in funzione. Ciò è normale.</li><li>• Il prodotto potrebbe generare dei rumori quando esiste circolazione di aria. Ciò è normale.</li><li>• Il prodotto potrebbe generare dei rumori prima e durante un processo di vapore. Ciò è normale.</li><li>• Il prodotto potrebbe generare dei rumori durante il pompaggio e lo scarico di acqua. Ciò è normale.</li><li>• Durante l'apertura dello sportello si potrà avvertire una rumorosità durante il riempimento del serbatoio di riempimento, a causa del flussaggio dell'acqua attraverso la tubatura. Ciò è normale.</li><li>• Se i rumori aumentano, contattare un Centro di assistenza autorizzato Samsung.</li></ul> |
| Il pannello di controllo non funziona.                     | <ul style="list-style-type: none"><li>• Dopo aver collegato il prodotto ad una presa di corrente, attendere per un po' e poi riprovare. Il pannello di controllo si attiverà entro 10 secondi dopo aver collegato la spina del cavo di alimentazione.</li><li>• Pulire il pannello di controllo e riprovare. Se il problema persiste, contattare un Centro di assistenza autorizzato Samsung.</li></ul>                                                                                                                                                                                                                                                                                                                                                                               |
| Il prodotto vibra.                                         | <ul style="list-style-type: none"><li>• Verificare che il frigorifero sia installato su una superficie piana e stabile.</li><li>• Assicurarsi che il prodotto sia in piano.</li></ul>                                                                                                                                                                                                                                                                                                                                                                                                                                                                                                                                                                                                 |
| Il serbatoio di riempimento è vuoto dopo un solo utilizzo. | <ul style="list-style-type: none"><li>• Il prodotto consuma un maggior quantitativo di acqua al primo utilizzo. Ciò è normale.</li></ul>                                                                                                                                                                                                                                                                                                                                                                                                                                                                                                                                                                                                                                              |

| Problema                                                 | Azione                                                                                                                                                                                                                                                                                                                                                                                                                                                                                                                                                                                                                    |
|----------------------------------------------------------|---------------------------------------------------------------------------------------------------------------------------------------------------------------------------------------------------------------------------------------------------------------------------------------------------------------------------------------------------------------------------------------------------------------------------------------------------------------------------------------------------------------------------------------------------------------------------------------------------------------------------|
| Dallo sportello esce del vapore o dell'aria.             | <ul style="list-style-type: none"> <li>• Assicurarsi che nello sportello non sia rimasto impigliato alcun indumento.</li> <li>• Verificare che lo sportello sia completamente chiuso.</li> </ul>                                                                                                                                                                                                                                                                                                                                                                                                                          |
| Il tempo di funzionamento continua ad aumentare.         | <ul style="list-style-type: none"> <li>• Gli indumenti bagnati possono impiegare più tempo ad asciugare. Il tempo di funzionamento può variare in base alla quantità ed al livello di umidità degli indumenti.</li> </ul>                                                                                                                                                                                                                                                                                                                                                                                                 |
| Gli indumenti sono bagnati dopo un ciclo di trattamento. | <ul style="list-style-type: none"> <li>• Accertarsi che il filtro anti lanugine sia pulito e correttamente inserito.</li> <li>• Accertarsi che la guarnizione dello sportello non sia danneggiata o gli indumenti non siano rimasti impigliati nello sportello. Se la guarnizione dello sportello è danneggiata, scollegare il cavo di alimentazione e contattare un Centro di assistenza autorizzato Samsung.</li> </ul>                                                                                                                                                                                                 |
| Gli indumenti emanano ancora odore.                      | <ul style="list-style-type: none"> <li>• Lavare gli indumenti dotati di un forte odore o conservati a lungo.</li> <li>• Lavare gli indumenti sporchi di olio.</li> <li>• Gli indumenti di grandi dimensioni come le giacche di piumino possono trattenere odori anche dopo un trattamento. Trattare i capi di grandi dimensioni da soli e, se necessario, ripetere il trattamento.</li> <li>• Non trattare indumenti con forti odori insieme ad altri indumenti. Separare gli indumenti in base alla consistenza dell'odore.</li> <li>• Accertarsi che il filtro a retina ed entrambi i serbatoi siano puliti.</li> </ul> |
| Le pieghe non sono state rimosse.                        | <ul style="list-style-type: none"> <li>• Per gli indumenti conservati a lungo sarà necessario procedere ad una stiratura.</li> </ul>                                                                                                                                                                                                                                                                                                                                                                                                                                                                                      |
| A sportello aperto dal prodotto fuoriesce del fumo.      | <ul style="list-style-type: none"> <li>• Alcuni programmi generano vapore che può apparire come fumo. Ciò è normale.</li> </ul>                                                                                                                                                                                                                                                                                                                                                                                                                                                                                           |

# Specifiche



| Tipo                                        |                                       | Sistema di trattamento per indumenti (AIRDRESSER) |                           |
|---------------------------------------------|---------------------------------------|---------------------------------------------------|---------------------------|
|                                             |                                       | DF60*8***G                                        |                           |
| Dimensioni (mm)                             | A. Altezza                            | 1850                                              |                           |
|                                             | B. Larghezza                          | 445                                               |                           |
|                                             | C. Profondità                         | 615                                               |                           |
|                                             | D. Profondità con lo sportello aperto | 1001                                              |                           |
|                                             | E. Larghezza con lo sportello aperto  | 618                                               |                           |
| Potenza nominale                            |                                       | 220-240 V / 50 Hz<br>1700-1900 W                  |                           |
| Fusibile (fusibile fisso in PBA principale) |                                       | 250 V / 12 A                                      |                           |
|                                             |                                       | Tipo tubo                                         | Elevato carico di rottura |
| Peso (kg)                                   |                                       | 89,0                                              |                           |

# Memo

---

# Memo

---

# Memo

---

## DOMANDE O COMMENTI?

| NAZIONE     | CHIAMA                                                                   | O VISITACI ONLINE AL                                                                |
|-------------|--------------------------------------------------------------------------|-------------------------------------------------------------------------------------|
| ITALIA      | 800-SAMSUNG (800.7267864)                                                | <a href="http://www.samsung.com/it/support">www.samsung.com/it/support</a>          |
| NETHERLANDS | 088 90 90 100                                                            | <a href="http://www.samsung.com/nl/support">www.samsung.com/nl/support</a>          |
| LATVIA      | 8000-7267                                                                | <a href="http://www.samsung.com/lv/support">www.samsung.com/lv/support</a>          |
| LITHUANIA   | 8-800-77777                                                              | <a href="http://www.samsung.com/lt/support">www.samsung.com/lt/support</a>          |
| ESTONIA     | 800-7267                                                                 | <a href="http://www.samsung.com/ee/support">www.samsung.com/ee/support</a>          |
| POLAND      | 801-172-678* lub +48 22 607-93-33*<br>* (opłata według taryfy operatora) | <a href="http://www.samsung.com/pl/support/">http://www.samsung.com/pl/support/</a> |



DC68-04022G-00



# Kledingverzorgingssysteem (AIRDRESSER)

## Gebruikershandleiding

DF60\*8\*\*\*G



**SAMSUNG**

# Inhoud

---

|                                                 |           |
|-------------------------------------------------|-----------|
| <b>Veiligheidsinformatie</b>                    | <b>3</b>  |
| Wat u moet weten over de veiligheidsinstructies | 3         |
| Belangrijke veiligheidssymbolen                 | 3         |
| Belangrijke veiligheidsvoorzorgsmaatregelen     | 4         |
| Algemene waarschuwingen                         | 5         |
| Elektrische waarschuwingen                      | 7         |
| Waarschuwingen bij installatie                  | 8         |
| Reinigingswaarschuwingen                        | 9         |
| Instructies over de AEEA                        | 10        |
| <b>Voordat u begint</b>                         | <b>11</b> |
| Installatie                                     | 11        |
| Productoverzicht                                | 14        |
| Bedieningspaneel                                | 16        |
| Programma-overzicht                             | 18        |
| Handleiding voor stofonderhoud                  | 22        |
| Etiketten voor stofonderhoud                    | 26        |
| Smart Control                                   | 27        |
| <b>Gebruik van producten en accessoires</b>     | <b>31</b> |
| Een programma gebruiken                         | 31        |
| De accessoires gebruiken                        | 33        |
| <b>Reiniging en onderhoud</b>                   | <b>41</b> |
| Buitenkant                                      | 41        |
| Watertanks                                      | 42        |
| Waterbak                                        | 43        |
| Luchtfilter                                     | 44        |
| Pluizenfilter                                   | 46        |
| Ontkalking                                      | 47        |
| Het product naar een andere locatie verplaatsen | 48        |
| <b>Problemen oplossen</b>                       | <b>49</b> |
| Meldingen                                       | 49        |
| Controlepunt                                    | 50        |
| <b>Specificaties</b>                            | <b>52</b> |

# Veiligheidsinformatie

Gefeliciteerd met uw nieuwe Samsung-product. Deze handleiding bevat belangrijke informatie over de installatie, het gebruik en het onderhoud van uw product. Neem even de tijd om deze handleiding te lezen om ten volle te profiteren van de vele voordelen en functies van uw product.

## Wat u moet weten over de veiligheidsinstructies

Lees deze handleiding aandachtig door om er zeker van te zijn dat u weet hoe u de uitgebreide onderdelen en functies van uw nieuwe product veilig en efficiënt kunt bedienen. Bewaar de handleiding op een veilige plaats in de buurt van het product voor toekomstig gebruik. Gebruik dit product alleen voor het doel waarvoor het is bedoeld, zoals beschreven in deze instructiehandleiding. Waarschuwingen en belangrijke veiligheidsinstructies in deze handleiding behandelen niet alle mogelijke omstandigheden en situaties die zich kunnen voordoen. Het is uw verantwoordelijkheid om uw gezond verstand te gebruiken en voorzichtig te zijn bij de installatie, het onderhoud en de bediening van uw product. Omdat de volgende bedieningsinstructies betrekking hebben op verschillende modellen, kunnen de kenmerken van uw product enigszins afwijken van de in deze handleiding beschreven kenmerken en zijn mogelijk niet alle waarschuwingstekens van toepassing. Als u vragen of zorgen heeft, neem dan contact op met uw dichtstbijzijnde servicecentrum of vind hulp en informatie online op [www.samsung.com](http://www.samsung.com).

## Belangrijke veiligheidssymbolen

Wat de pictogrammen en tekens in deze gebruikershandleiding betekenen:

### **WAARSCHUWING**

Gevaren of onveilige praktijken die kunnen leiden tot **ernstig persoonlijk letsel, de dood en/of materiële schade**.

### **LET OP**

Gevaren of onveilige praktijken die kunnen leiden tot **persoonlijk letsel en/of materiële schade**.

### **LET OP, heet oppervlak**

### **OPMERKING**

Geeft aan dat er gevaar voor persoonlijk letsel of materiële schade bestaat.

Deze waarschuwingssignalen zijn er om letsel aan uzelf en anderen te voorkomen.

Volg ze expliciet.

Bewaar deze handleiding na het lezen op een veilige plaats voor toekomstig gebruik.

Lees alle instructies voor het gebruik van het product.

Zoals bij alle apparatuur die gebruik maakt van elektriciteit en bewegende delen, zijn er potentiële gevaren. Om dit product veilig te kunnen gebruiken, dient u zich vertrouwd te maken met de werking en zorgvuldigheid te betrachten bij het gebruik ervan.

# Veiligheidsinformatie

---

## Belangrijke veiligheidsvoorzorgsmaatregelen

---

### **WAARSCHUWING**

Om het risico op brand, elektrische schokken of persoonlijk letsel bij het gebruik van uw apparaat te beperken, dient u de volgende basismaatregelen in acht te nemen, waaronder de volgende:

1. Dit apparaat is niet bedoeld voor gebruik door personen (inclusief kinderen) met verminderde fysieke, zintuiglijke of mentale capaciteiten, of een gebrek aan ervaring en kennis, tenzij zij onder toezicht staan of instructies hebben gekregen over het gebruik van het apparaat door een persoon die verantwoordelijk is voor hun veiligheid.
2. Dit apparaat kan worden gebruikt door kinderen vanaf 8 jaar en personen met verminderde fysieke, zintuiglijke of mentale capaciteiten of een gebrek aan ervaring en kennis, indien zij onder toezicht staan of instructies hebben gekregen over het gebruik van het apparaat op een veilige manier en de gevaren ervan begrijpen. Kinderen mogen niet met het apparaat spelen. Reiniging en onderhoud door de gebruiker mogen niet zonder toezicht door kinderen worden uitgevoerd.
3. Kinderen moeten onder toezicht staan om ervoor te zorgen dat ze niet met het apparaat spelen.
4. Als het netsnoer beschadigd is, moet het worden vervangen door de fabrikant, zijn servicevertegenwoordiger of een vergelijkbaar gekwalificeerd persoon om gevaar te voorkomen.
5. **LET OP:** Om gevaar door onbedoelde reset van de thermische beveiliging te voorkomen, mag dit apparaat niet worden gevoed door een extern schakelapparaat, zoals een timer, of worden aangesloten op een circuit dat regelmatig door het elektriciteitsbedrijf wordt in- en uitgeschakeld.

6. Dit apparaat is bedoeld voor gebruik in de huishouding en soortgelijke toepassingen zoals:
- keukenruimtes van het personeel in winkels, kantoren en andere werkomgevingen;
  - boerderijen;
  - door klanten in hotels, motels en andere residentiële omgevingen;
  - omgevingen van het type bed and breakfast.
7. **WAARSCHUWING:** Dit apparaat is uitsluitend bedoeld voor het drogen van textiel dat met water gewassen is.

## Algemene waarschuwingen

### **WAARSCHUWING**

- Om elektrische schokken, brand en/of de dood te voorkomen, moet u ervoor zorgen dat het product op de juiste manier wordt geïnstalleerd en geaard zoals beschreven in deze handleiding voordat u het product gebruikt.
- Gebruik het product alleen voor de beoogde doeleinden. Schade die ontstaat door het gebruik van het product voor andere doeleinden dan die welke in deze handleiding worden genoemd, valt niet onder de garantie.
- Om lichamelijk letsel en/of schade aan het product te voorkomen, mag u niet op het product klimmen, erop staan of eraan te hangen.
- Demonteer of wijzig het product op geen enkele wijze.
- Laat kinderen niet spelen in, op of rond het product. Een nauwlettend toezicht op kinderen is te allen tijde noodzakelijk.
- Om brand, lichamelijk letsel en/of de dood te voorkomen, dient u al het verpakkingsmateriaal uit de buurt van kinderen te houden en al het verpakkingsmateriaal op de juiste wijze te verwijderen en af te voeren.
- Raak het product niet aan en bedien het niet met natte handen.
- Om elektrische schokken en/of brand te voorkomen, dient u alle dieren of andere vreemde voorwerpen uit de buurt van het product te houden.
- Als u vreemde geluiden hoort, vreemde geuren ruikt en/of rook uit het product detecteert, haal dan onmiddellijk de stekker van het product uit het stopcontact.
- Plaats geen zware of gevaarlijke voorwerpen in, op of rond het product.



# Veiligheidsinformatie

---

- Om elektrische schokken, brand en/of de dood te voorkomen, mag u geen enkel onderdeel van het product repareren of vervangen of er onderhoud aan plegen, tenzij dit uitdrukkelijk wordt aanbevolen in de gebruikershandleiding of in de gepubliceerde instructies voor het repareren van het product, die u begrijpt en als gebruiker kunt uitvoeren.
- Verwijder alle persoonlijke bezittingen (elektrische apparaten, aanstekers, lucifersdoosjes enzovoort) uit de zakken.
- Om brand en/of explosies te voorkomen, mag u geen voorwerpen drogen die al eerder zijn gereinigd, gewassen, geweekt of gevlekt met benzine, chemische reinigingsmiddelen, bakolie of andere ontvlambare of explosieve stoffen.
- Het product is niet bedoeld voor gebruik door personen (inclusief kinderen) met verminderde fysieke, zintuiglijke of mentale capaciteiten, of een gebrek aan ervaring en kennis, tenzij zij onder toezicht staan of instructie hebben gekregen over het gebruik van het product door een persoon die verantwoordelijk is voor hun veiligheid.
- Voordat u het product weggooit, verwijdert u de deur van het droogcompartiment en sluit u de netstekker af om hergebruik te voorkomen.
- Raak het stopcontact van het product niet aan en haal het niet uit elkaar. Zorg er bij een gaslek voor dat de locatie wordt geventileerd en neem direct contact op met een Samsung-servicecentrum.
- Om te voorkomen dat het glaspaneel beschadigd raakt, moet u de voorkant te allen tijde beschermen.
- Om lichamelijk letsel en/of schade aan het product te voorkomen, mag u niet op de tankdeuren staan.
- Plaats geen handen, voeten, andere lichaamsdelen of metalen voorwerpen onder het product.
- Gebruik geen andere producten om het interieur te drogen. Gebruik geen kaarsen om interne geuren te verwijderen.
- Open de deur niet terwijl het product in werking is. Het openen van de deur terwijl het product in werking is, heeft invloed op de prestaties van het product en kan leiden tot condensatie die de vloer kan beschadigen.
- Drink niet het water uit de bijvultank of de afvoertank.
- Reinig het pluizenfilter voor of na elke lading.
- Gebruik geen wasverzachters of andere producten om statische elektriciteit te verwijderen, tenzij aanbevolen door de fabrikant van de wasverzachters of producten.
- Houd uw vingers uit de buurt van de knijppuntgebieden. Wees voorzichtig bij het sluiten van de deur wanneer er kinderen in de buurt zijn.
- Gebruik het product niet voor het drogen van voorwerpen die schuimrubber of andere voorwerpen met een rubberen structuur bevatten.
- Om schade aan het product, overmatig lawaai of brand te voorkomen, mag u geen voorwerpen in het stoompijpje steken.
- Plaats uw handen of lichaam niet in de buurt van het stoompijpje tijdens het gebruik. De hete stoom kan letsel veroorzaken.
- Open de deur niet tijdens het gebruik. De hoge inwendige temperatuur kan letsel veroorzaken.



- Als er zich een probleem voordoet tijdens het stoomproces, stop het product dan onmiddellijk en verwijder alle artikelen uit het product. Als artikelen niet onmiddellijk worden verwijderd, blijven ze vochtig, wat beschadiging van de stof of geur veroorzaakt.
- Voordat u de kleding in het product plaatst, moet u ervoor zorgen dat alle zakken leeg zijn.
- Bevat gefluorideerde broeikasgassen.  
Hermetisch afgesloten apparatuur.  
Niet ontluichten in de atmosfeer.
  - Koelmiddel (Type): R-134a (GWP = 1430)
  - Koelmiddel (Opladen): 0,15 kg, 0,214 tCO<sub>2</sub>e

## Elektrische waarschuwingen

### WAARSCHUWING

- Verwijder regelmatig alle vreemde stoffen zoals stof of water uit de aansluitpunten en contactpunten van de netstekker met een droge doek.
- Trek de stekker uit het stopcontact en reinig deze met een droge doek.
- Om het risico van elektrische schokken te voorkomen, moet u altijd de stekker van het product uit het stopcontact halen voordat u het demonteert of repareert.
- Trek niet aan het netsnoer als u de stekker uit het stopcontact haalt. Om de stekker uit het stopcontact te halen, trekt u de stekker er stevig recht uit.
- Gebruik geen verlengsnoer om elektrische schokken te voorkomen.
- Gebruik geen beschadigd netsnoer of beschadigde stekker. Probeer het netsnoer of de stekker niet te repareren, te demonteren of te wijzigen. Neem voor reparaties contact op met het dichtstbijzijnde Samsung-servicecentrum.
- Steek de stekker van het netsnoer in een stopcontact dat voldoet aan de plaatselijke elektrische specificaties. Gebruik het stopcontact alleen voor dit apparaat en gebruik geen verlengsnoer.
- Bij het verplaatsen van het product moet het netsnoer te allen tijde beschermd zijn.
- Om elektrische schokken, brand, ernstig letsel, ernstige verwondingen, schade aan het product en/of de dood te voorkomen, moet het product op een goed geaard stopcontact worden aangesloten. Zorg ervoor dat het stopcontact en het circuit worden gecontroleerd door een gekwalificeerde elektricien.
- Het product moet zijn voorzien van een snoer met een aardingsgeleider voor de apparatuur en een geaarde stekker. De stekker moet worden aangesloten op een geschikt stopcontact dat correct is geïnstalleerd en geaard in overeenstemming met alle plaatselijke voorschriften en verordeningen.
- Het product moet worden geaard. In geval van storingen of defecten zal aarding het risico van elektrische schokken verminderen door een weg te bieden die de minste weerstand tegen elektrische stroom biedt.
- Voordat u het product gebruikt, moet u zich ervan vergewissen dat er een speciaal, geaard stopcontact is dat geschikt is voor gebruik met dit product. Het is de verantwoordelijkheid van de eigenaar om een standaard 2-polig stopcontact te vervangen door een standaard 3-polig stopcontact.

# Veiligheidsinformatie

---

- Om elektrische schokken te voorkomen, moet het product goed worden geaard, zodat het voldoet aan alle geldende voorschriften en verordeningen. Volg de instructies in de gebruikershandleiding.
- Het product moet op een eigen, afzonderlijk stopcontact worden aangesloten dat een spanning heeft die overeenkomt met het typeplaatje. Dit levert de beste prestaties en voorkomt ook overbelasting van de bedradingscircuits van het huis, die een brandgevaar door oververhitte draden kunnen veroorzaken.
- Sluit het apparaat aan op een goed nominaal, beschermd en gedimensioneerd stroomcircuit om elektrische overbelasting te voorkomen. Onjuiste stroomcircuits kunnen smelten, waardoor een elektrische schok of brand kan ontstaan.
- Snijd of verwijder onder geen beding de aardingspennen van het netsnoer. Om persoonlijk letsel of schade aan het product te voorkomen, moet het netsnoer op een goed geaard stopcontact worden aangesloten.
- Gebruik geen stopcontact met meerdere aansluitingen dat niet goed geaard is (draagbaar). Bij gebruik van een goed geaard stopcontact (draagbaar) dient u een product te gebruiken met een stroomcapaciteit van 15 A of meer. Als u dit niet doet, kan dit leiden tot een elektrische schok of brand als gevolg van de hitte van een stopcontact met meerdere aansluitingen. De stroom kan worden uitgeschakeld wanneer de stroomonderbreker in werking is.
- Het product moet worden aangesloten op een geaard metalen, permanent bedradingsstelsel of een aardingsgeleider van de apparatuur moet met de stroomkringen worden verbonden en moet worden aangesloten op de aardingsklem of het snoer van de apparatuur op het apparaat. Elektrische schokken kunnen het gevolg zijn als het product niet goed geaard is.
- Een verkeerde aansluiting van de aardingsgeleider van de apparatuur kan leiden tot een elektrische schok. Raadpleeg bij twijfel of het product correct geaard is een gekwalificeerde elektricien of onderhoudsmonteur.

## Waarschuwingen bij installatie

---

### WAARSCHUWING

- Installeer het product alleen op een stabiele plaats met een goede vloer. Installeer het product niet op plaatsen die gevoelig zijn voor trillingen of waar het product kan kantelen, zoals schepen of vliegtuigen. Neem contact op met een Samsung-servicecentrum als u niet zeker bent van de installatielocatie.
- Installeer het product niet op plaatsen die zijn blootgesteld aan weersomstandigheden of temperaturen onder het vriespunt. Als het product is verzonden in of bij temperaturen onder het vriespunt, laat het product dan opwarmen voordat u het installeert.
- Om elektrische schokken, brand, ernstig letsel, schade aan het product en/of de dood te voorkomen, mag het product niet worden geïnstalleerd in vochtige plaatsen (zoals een badkamer of sauna).
- Om brand, rook en/of schade aan het product te voorkomen, dient u het product niet in de buurt van andere warmtebronnen (zoals een kachel of verwarming) te installeren.



- Om brand of rook en/of schade aan het product te voorkomen, mag u geen kaarsen of andere brandbare stoffen op, in of rond het product plaatsen.
- Om lichamelijk letsel en/of schade aan het product te voorkomen, moet u contact opnemen met een Samsung-servicecentrum alvorens het product te verplaatsen.
- Installeer het product op een plaats waar de stekker gemakkelijk bereikbaar is. Om elektrische schokken en/of brand te voorkomen, dient u de stekker van het product uit het stopcontact te halen wanneer het niet in gebruik is.
- Als de installatielocatie is ondergelopen, kom dan niet in de buurt van het product en neem onmiddellijk contact op met een Samsung-servicecentrum.
- Om brand, rook en/of schade aan het product te voorkomen, moet alle beschermfolie van het product worden verwijderd.
- Om productschade en/of lichamelijk letsel te voorkomen, moet het product door ten minste twee personen worden verplaatst.

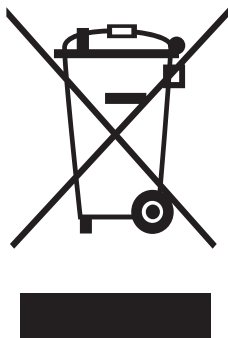
## Reinigingswaarschuwingen

### **WAARSCHUWING**

- Om elektrische schokken te voorkomen, mag u geen scherpe voorwerpen gebruiken om het product te bedienen of te reinigen.
- Spuit bij het reinigen van het product geen water direct op het product.
- Gebruik geen bleekmiddelen aan de buitenkant van het product. Bleekmiddelen kunnen de buitenkant verkleuren.
- Veeg het interieur na gebruik af met een droge doek.
- Veeg, na gebruik van het product, de binnenzijde met een droge doek.
  - Het product kan worden gekleurd door onzuiverheden zoals lang haar of als gevolg van stof en waterdruppels die zich mogelijk binnen hebben gevormd.
- Indien in het product of een accessoire zich onzuiverheden (wasmiddel, vuil, voedselresten, enz.) hebben opgehoopt, steek dan de stekker uit het stopcontact en veeg het product af met een natte doek.
  - Het product of het accessoire niet blootstellen aan reinigings- of bleekmiddelen en deze middelen.
  - Dit kan leiden tot verkleuring, vervorming, beschadiging of roest.

# Veiligheidsinformatie

## Instructies over de AEEA



Correcte verwijdering van dit product (elektrische & elektronische afvalapparatuur)

(Van toepassing in landen waar afval gescheiden wordt ingezameld)

Dit merkteken op het product, de accessoires of het informatiemateriaal duidt erop dat het product en zijn elektronische accessoires (bv. lader, headset, USB-kabel) niet met ander huishoudelijk afval verwijderd mogen worden aan het einde van hun gebruiksduur. Om mogelijke schade aan het milieu of de menselijke gezondheid door ongecontroleerde afvalverwijdering te voorkomen, moet u deze artikelen van andere soorten afval scheiden en op een verantwoorde manier recyclen, zodat het duurzame hergebruik van materiaalbronnen wordt bevorderd.

Huishoudelijke gebruikers moeten contact opnemen met de winkel waar ze dit product hebben gekocht of met de gemeente waar ze wonen om te vernemen waar en hoe ze deze artikelen milieuvriendelijk kunnen laten recyclen.

Zakelijke gebruikers moeten contact opnemen met hun leverancier en de algemene voorwaarden van de koopovereenkomst nalezen. Dit product en zijn elektronische accessoires mogen niet met ander bedrijfsafval voor verwijdering worden gemengd.

Voor informatie over Samsung's milieuverplichtingen en productregelgeving, zoals REACH, AEEA of batterijen, kunt u terecht op onze duurzaamheidspagina, die beschikbaar is op [www.samsung.com](http://www.samsung.com)

# Voordat u begint

## Installatie

Installeer het product volgens de instructies in deze handleiding en de plaatselijke voorschriften.

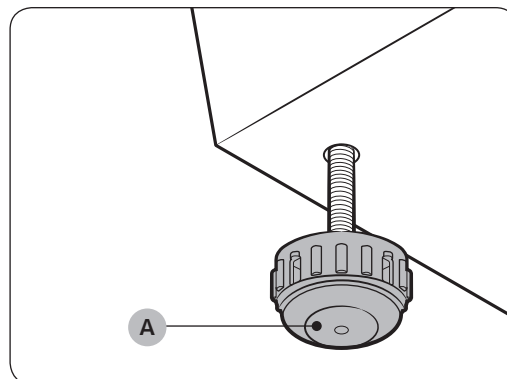
### Het product installeren

1. Kies een stevige, vlakke locatie met voldoende ruimte voor de volgende afstanden.

|            |       |
|------------|-------|
| Bovenkant  | 25 mm |
| Zijkanten  | 5 mm  |
| Achterkant | 15 mm |

- Als de minimale afstanden niet worden gerespecteerd, zullen de prestaties afnemen door slechte ventilatie en kan er condensatie ontstaan aan de buitenkant van het product.
- Installeer het product niet in direct zonlicht of op warme en koude plaatsen. De omgevingstemperatuur moet tussen 10 °C - 35 °C liggen. Als de omgevingstemperatuur te hoog of te laag is, werkt het product mogelijk niet normaal of kunnen de prestaties afnemen.

2. Draai het **stelootje (A)** rechts- of linksom om de hoogte bij te stellen totdat het product horizontaal staat.

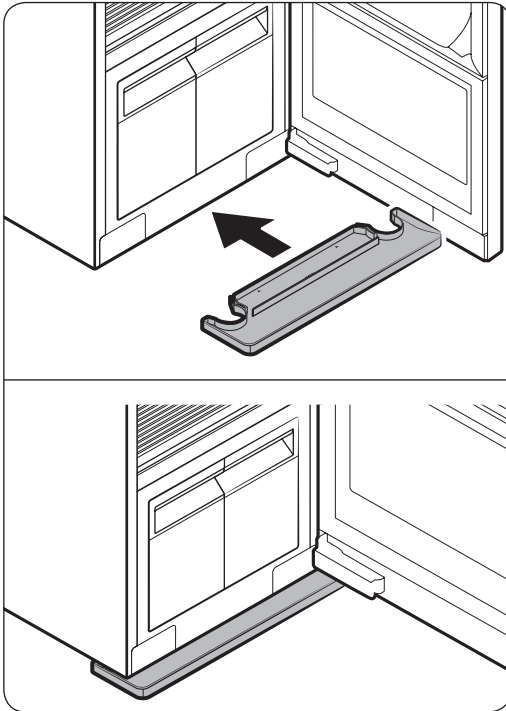


### OPMERKING

Als het product wiebelt of als u de hoogte van de achterzijde wilt verhogen, monteert u de bijgeleverde achterste stelvoetjes aan de onderkant van het product aan de achterzijde.

# Voordat u begint

3. Plaats de waterbak zoals getoond in de afbeeldingen.
  - Zorg ervoor dat de kant met de aanduiding 'TOP' naar boven is gericht.



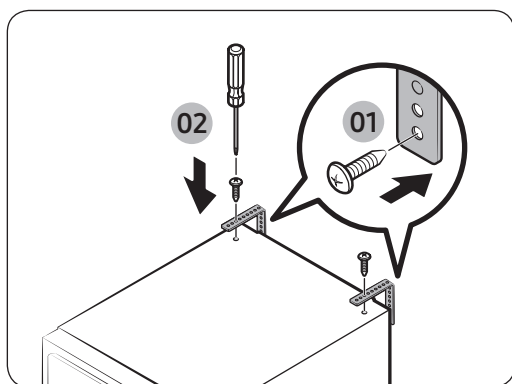
4. Sluit het product aan op een geaard stopcontact van 230 V / 50 Hz.
  - Als u geen geaarde stopcontacten hebt, neem dan contact op met een Samsung-servicecentrum voor alternatieve methoden om het product te aarden.

## **OPMERKING**

- Na de installatie van het product moet u minstens 2 uur wachten alvorens het te gebruiken.
- Het product verbruikt meer water de eerste keer dat het product wordt gebruikt. Het kan zijn dat u de bijvultank meer dan eens moet vullen.

## De AIRDRESSER vastzetten met de borgriem (optioneel)

AIRDRESSER kan kantelen door geweld van buitenaf of door kinderen. Gebruik indien nodig de borgriem om de AIRDRESSER vast te zetten en kantelen te voorkomen. (Zie de afbeelding)



### ⚠ LET OP

U moet de stekker van het product uit het stopcontact halen voordat u de AIRDRESSER met de borgriem vastzet.

### 📄 OPMERKING

- Gebruik de bijgeleverde schroef om de borgriem aan een muur te bevestigen.
- Gebruik de schroeven die bovenop de AIRDRESSER zijn bevestigd om de borgriem aan de AIRDRESSER te bevestigen.

## De taal instellen

Wanneer u het product na de installatie voor het eerst inschakelt, verschijnt het taalselectiescherm op het display van het bedieningspaneel. Volg de instructies om de taal te selecteren.

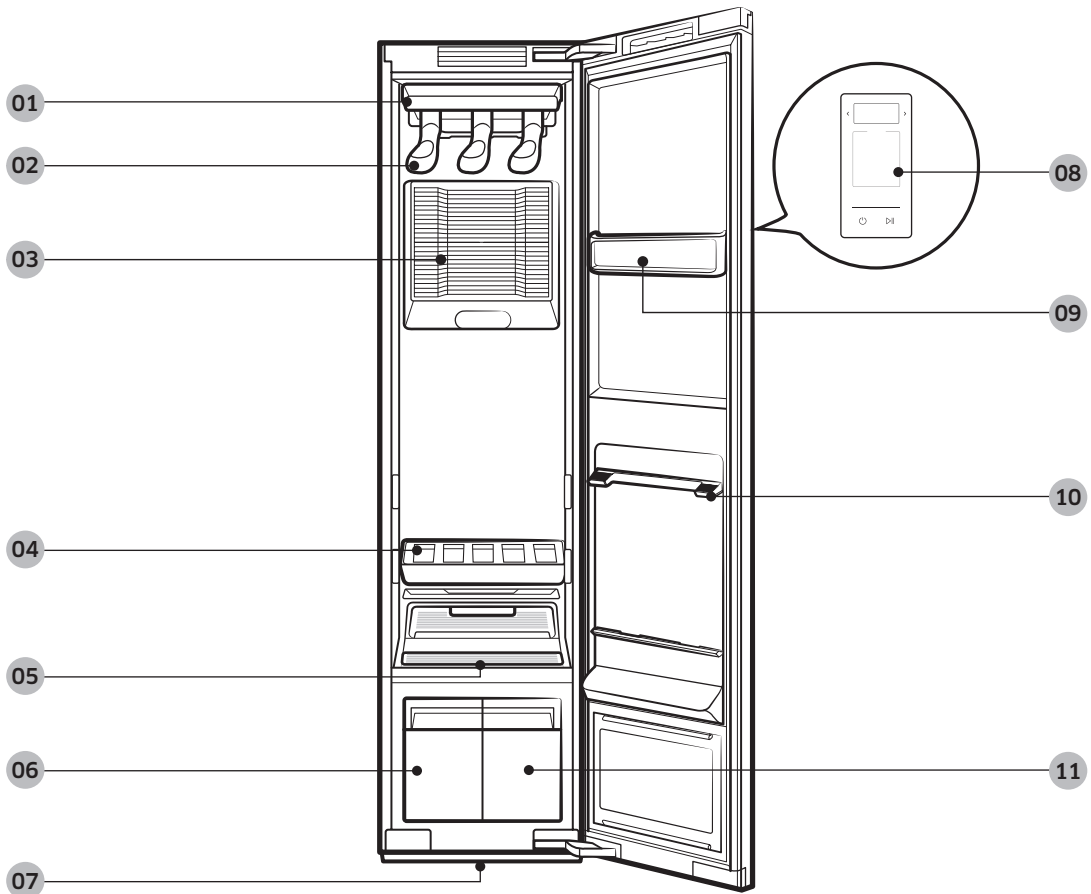
1. Tik op < > om een taal te selecteren.
2. Tik en houd **Start/pauze** >|| ingedrukt om de geselecteerde taal op te slaan.

### 📄 OPMERKING

- In sommige landen is het mogelijk dat de taalinstelling niet van toepassing is.
- Om de taal daarna te wijzigen, houdt u **Normal (Normaal)** en **Delicates (Fijne was)** 3 seconden ingedrukt en volgt u vervolgens de bovenstaande instructies.

# Voordat u begint

## Productoverzicht



01 Luchtgat

02 Luchthanger

03 Luchtfilter

04 Plank

05 Pluizenfilter

06 Afvoertank

07 Waterbak

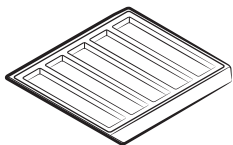
08 Bedieningspaneel

09 Opbergzone voor  
accessoires

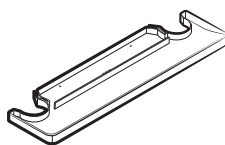
10 Plankhouder

11 Bijvultank

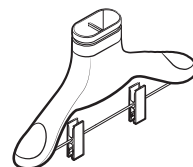
## Accessoires



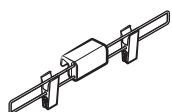
Plank



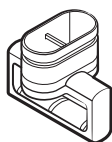
Waterbak



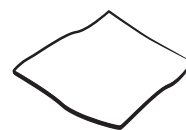
Luchthanger



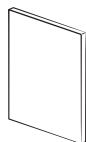
Gewichtskit



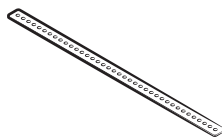
Gewone hangerkit



Reinigingsdoek



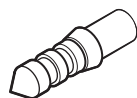
Gebruikershandleiding



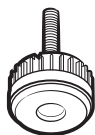
Borgriem



Schroef (voor borgriem)



Schroefanker (voor borgriem)

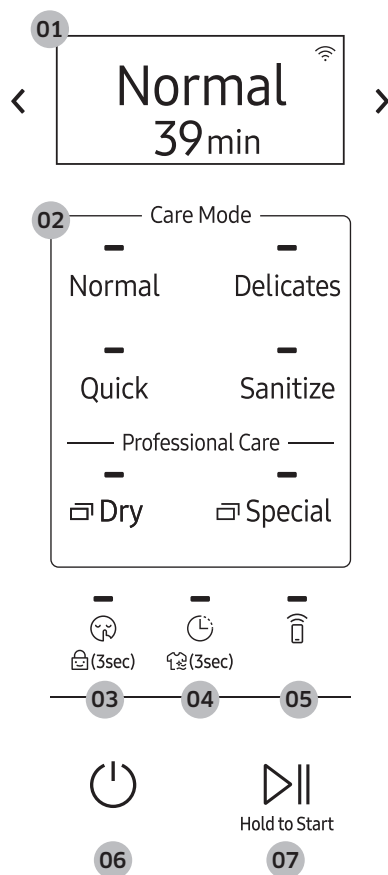


Achterste stelvoetjes

Voordat u begint

# Voordat u begint

## Bedieningspaneel



Voordat u begint


### 01 Display

Geeft het geselecteerde programma en de geschatte resterende tijd, meldingen en Wi-Fi-connectiviteit weer.




### 02 Programma's

Tik op een programma om dit te selecteren. Voor meer informatie over programma's, zie pagina 18.



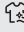

### 03 Stil / Kinderslot (3 sec.)

|                                                                                          |                                                                                                                                |
|------------------------------------------------------------------------------------------|--------------------------------------------------------------------------------------------------------------------------------|
| Stil  | Tik op Stil om Stil in of uit te schakelen. Stil vermindert het geluid.<br><b>OPMERKING</b><br>Stil verhoogt de programmaduur. |
|------------------------------------------------------------------------------------------|--------------------------------------------------------------------------------------------------------------------------------|



|                                                                                              |                                                                                                                                                                                                                                                                                                                                                                                                                          |
|----------------------------------------------------------------------------------------------|--------------------------------------------------------------------------------------------------------------------------------------------------------------------------------------------------------------------------------------------------------------------------------------------------------------------------------------------------------------------------------------------------------------------------|
| Kinderslot  | <p>Houd 3 seconden lang ingedrukt om Kinderslot in of uit te schakelen. Kinderslot deactiveert alle knoppen behalve <b>Stroom</b> .</p> <p> <b>OPMERKING</b></p> <p>Wanneer Kinderslot is ingeschakeld, blijft het aan totdat u het uitschakelt.</p> |
|----------------------------------------------------------------------------------------------|--------------------------------------------------------------------------------------------------------------------------------------------------------------------------------------------------------------------------------------------------------------------------------------------------------------------------------------------------------------------------------------------------------------------------|

#### 04 Startuitstel / Opfrissen (3 sec.)

|                                                                                                |                                                                                                                                                                                                                                                                                                                                                                                                                                                                                                                                                                                                                                                            |
|------------------------------------------------------------------------------------------------|------------------------------------------------------------------------------------------------------------------------------------------------------------------------------------------------------------------------------------------------------------------------------------------------------------------------------------------------------------------------------------------------------------------------------------------------------------------------------------------------------------------------------------------------------------------------------------------------------------------------------------------------------------|
| Startuitstel  | <p>Tik om Startuitstel in te schakelen en tik vervolgens om de eindtijd te verhogen (van 1-24 uur).</p> <p> <b>OPMERKING</b></p> <ul style="list-style-type: none"> <li>• U kunt Startuitstel niet gebruiken met Sensordroog.</li> <li>• Wanneer Startuitstel is ingeschakeld, wordt het display uitgeschakeld om energie te besparen.</li> <li>• Sommige eindtijden zijn mogelijk niet beschikbaar, afhankelijk van het gekozen programma.</li> <li>• Afhankelijk van de artikelen en de omgeving kan de werkelijke eindtijd afwijken van de ingestelde tijd.</li> </ul> |
| Opfrissen   | <p>Houd 3 seconden lang ingedrukt om Opfrissen in of uit te schakelen. U kunt artikelen fris houden als u niet in staat bent om artikelen onmiddellijk na een programma eruit te halen.</p> <p> <b>OPMERKING</b></p> <ul style="list-style-type: none"> <li>• Opfrissen blijft tot 24 uur na afloop van een programma aan.</li> <li>• Als u de stroom uitschakelt of de deur opent, wordt Opfrissen uitgeschakeld.</li> <li>• Wanneer Opfrissen is ingeschakeld, wordt het display uitgeschakeld om energie te besparen.</li> </ul>                                     |

#### 05 Smart Control

Tik op Smart Control om deze functie in of uit te schakelen. Voor meer informatie over **Smart Control**, zie pagina 27.

#### 06 Stroom

Tik op Stroom om de stroom in of uit te schakelen.

#### 07 Start/pauze


Houd ingedrukt om het product te starten. Tik om het product te pauzeren.

Voordat u begint

# Voordat u begint

## Programma-overzicht

### Dagelijkse programma's

| Programma             | Beschrijving                                                                                                                                                                                                                                                                                                                                                                                                                                                                                                                                                      |
|-----------------------|-------------------------------------------------------------------------------------------------------------------------------------------------------------------------------------------------------------------------------------------------------------------------------------------------------------------------------------------------------------------------------------------------------------------------------------------------------------------------------------------------------------------------------------------------------------------|
| Normal (Normaal)      | <ul style="list-style-type: none"><li>Voor het opfrissen van uw dagelijkse kleding.</li></ul>                                                                                                                                                                                                                                                                                                                                                                                                                                                                     |
| Delicates (Fijne was) | <ul style="list-style-type: none"><li>Voor delicate artikelen zoals chiffon, kant en artikelen met decoraties.</li><li>Voor kunstzijde moet u dit programma gebruiken.</li></ul>                                                                                                                                                                                                                                                                                                                                                                                  |
| Quick (Snel)          | <ul style="list-style-type: none"><li>Voor een snelle verzorging van artikelen met lichte geuren en kreukels.</li></ul>                                                                                                                                                                                                                                                                                                                                                                                                                                           |
| Sanitize (Ontsmetten) | <ul style="list-style-type: none"><li>Om uw kleren te reinigen met stoom.</li></ul> <p> <b>OPMERKING</b></p> <ul style="list-style-type: none"><li>Plaats niet meer dan één groot of omvangrijk artikel. Grote of volumineuze artikelen kunnen de stoom- en luchtstroom blokkeren.</li><li>Als u stopt of het programma wijzigt wanneer de melding Sanitizing (Ontsmetten) op het display verschijnt, kunnen artikelen beschadigd raken of niet volledig droog worden.</li></ul> |

## Droogprogramma's




### LET OP

Gebruik geen van de volgende artikelen voor Drogen-programma's.

- Leer, bont, veren, fluweel, zijde.
- Alle artikelen die rubber of spons bevatten.
- Artikelen gemaakt van met wol gemengde stoffen, waterafstotende stoffen, met zijde gemengde of met hennep gemengde stoffen.
- Bontdekens met een bontlengte van meer dan 1 cm, wollen dekens, tapijten, matrassen.
- Lingerie met veters, panty's en kousen.

### OPMERKING

Droogresultaten kunnen variëren afhankelijk van de dikte van de artikelen.

| Programma                     | Beschrijving                                                                                                                                                                                                                                                                                                                                                                                                                                                                                                  |
|-------------------------------|---------------------------------------------------------------------------------------------------------------------------------------------------------------------------------------------------------------------------------------------------------------------------------------------------------------------------------------------------------------------------------------------------------------------------------------------------------------------------------------------------------------|
| Sensor Dry (Sensordroog)      | <p>AIRDRESSER stelt automatisch de tijd in om artikelen te drogen op basis van sensoren.</p> <p> <b>OPMERKING</b></p> <ul style="list-style-type: none"><li>• Het gebruik van Sensordroog zorgt ervoor dat de afvoertank snel wordt gevuld.</li><li>• Sensordroog droogt overmatig natte en grote of volumineuze artikelen mogelijk niet goed. Als artikelen niet droog zijn, voer het programma dan opnieuw uit.</li></ul> |
| Time Dry (Tijddroog)          | <p>Stel de tijd (1-3 uur) handmatig in om artikelen te drogen.</p> <p> <b>OPMERKING</b></p> <ul style="list-style-type: none"><li>• Tijddroog droogt overmatig natte en grote of volumineuze artikelen mogelijk niet goed. Als artikelen niet droog zijn, voer het programma dan opnieuw uit.</li></ul>                                                                                                                    |
| Room Care (Luchtontvochtiger) | <p>Voor het ontvochtigen van de omgeving. U kunt kiezen uit 2 of 4 uur.</p> <p> <b>OPMERKING</b></p> <ul style="list-style-type: none"><li>• Zorg ervoor dat het product leeg is wanneer u Luchtontvochtiger gebruikt.</li><li>• De binnentemperatuur kan stijgen.</li></ul>                                                                                                                                               |

# Voordat u begint

## Speciale programma's

| Programma                         | Beschrijving                                                                                                                                                                                                                                                                                                                                                                                |
|-----------------------------------|---------------------------------------------------------------------------------------------------------------------------------------------------------------------------------------------------------------------------------------------------------------------------------------------------------------------------------------------------------------------------------------------|
| Suits (Kostuums)                  | Voor scherpe vouwen in de broek.<br><b>OPMERKING</b> <ul style="list-style-type: none"><li>Plaats de jas in het middelste luchtgat en de broek in het rechter luchtgat.</li><li>Voor het beste resultaat gebruikt u de gewichtskit.</li></ul>                                                                                                                                               |
| School uniform (Schooluniform)    | Voor schooluniformen die niet dagelijks gewassen of gedroogd kunnen worden.                                                                                                                                                                                                                                                                                                                 |
| Wool/Knit (Wol/gebreide stof)     | Voor wollen of gebreide artikelen.<br><b>OPMERKING</b><br>Om vervorming te voorkomen, vouwt u de artikelen netjes op en legt u ze op de plank.                                                                                                                                                                                                                                              |
| Outdoor (Buitenkleding)           | Voor buitenkleding of buitensportkleding.                                                                                                                                                                                                                                                                                                                                                   |
| Down Jackets (Gewatteerde jassen) | Voor het zacht maken van met dons gewatteerde jassen die lange tijd zijn opgeslagen.<br><b>OPMERKING</b><br>Om te voorkomen dat de luchtcirculatie geblokkeerd wordt, hangt u slechts één artikel in het middelste luchtgat.                                                                                                                                                                |
| Fur/Leather (Bont/Leer)           | Verwijdert vocht en stof uit bont en leer.<br><b>OPMERKING</b> <ul style="list-style-type: none"><li>Tijdens dit programma kan het werkingsgeluid luider zijn.</li><li>Volg alle onderhoudsetiketten van de artikelen.</li><li>Voor het beste resultaat voor slechts één artikel gebruiken.</li><li>Zorg ervoor dat de bontartikelen droog zijn voordat u dit programma gebruikt.</li></ul> |
| Heavy Duty (Zwaar werk)           | Voor de verzorging van dikke stof items zoals truien.                                                                                                                                                                                                                                                                                                                                       |
| Self Clean (Zelfreiniging)        | Reinigt automatisch de binnenkant van de kast.<br><b>OPMERKING</b> <ul style="list-style-type: none"><li>Controleer of het product leeg is.</li><li>Voor het beste resultaat en een optimale reiniging moet u het programma niet stoppen of de deur openen voordat Zelfreiniging voltooid is.</li><li>Dit programma elimineert geen schimmel.</li></ul>                                     |

---

## Download programma's

U kunt meer programma's downloaden vanuit de SmartThings app.

1. Tik op **Stroom** .
2. Tik herhaaldelijk op **Special (Speciaal)** om te kiezen voor **Download (Downloaden)**.
3. Volg op uw smartphone de instructies op het scherm om de beschikbare programma's te downloaden.
  - U kunt tot 10 programma's downloaden.
  - U kunt de volgende programma's downloaden.
    - Winter Coat (Winterjas), Denim, Down Dry (Donsdroog), Babywear (Babykleding), Bedding (Beddengoed), Doll (Pop), Accessories (Accessoires).

# Voordat u begint

## Handleiding voor stofonderhoud

- Kledingstoffen vragen om verschillende vormen van onderhoud, afhankelijk van hoe ze verwerkt en afgewerkt zijn. Deze handleiding voor het verzorgen van kleding bedekt niet alle materialen en gebruik het daarom slechts als referentie. Zorg ervoor dat u het onderhoudsetiket op uw kleding controleert voordat u AIRDRESSER gebruikt om schade te voorkomen.
- Plaats geen artikelen die niet kleurecht, warmtegevoelig of niet geschikt zijn voor het wassen met water in de programma's Algemeen, Speciaal of Ontsmetten. Doe een watervlektest op een kleine, onopvallende plek (een binnennaad) om te bepalen of de stof kleurecht is. Raadpleeg voor verdere hulp de kledingfabrikant, een chemisch reinigingsprofessional of een meer gedetailleerde handleiding voor het onderhoud van de stof.

## Programmacategorie

Raadpleeg de volgende tabel om te controleren tot welke categorie alle programma's horen.

| Categorie               | Programma's                                                                                                                                                                                                                                                  |
|-------------------------|--------------------------------------------------------------------------------------------------------------------------------------------------------------------------------------------------------------------------------------------------------------|
| Algemene programma's    | Normal (Normaal), Quick (Snel), Delicates (Fijne was)                                                                                                                                                                                                        |
| Speciale programma's    | Suits (Kostuums), School uniform (Schooluniform), Wool/Knit (Wol/gebrede stof), Outdoor (Buitenkleding), Down Jackets (Gewatteerde jassen), Fur/Leather (Bont/Leer), Heavy Duty (Zwaar werk), Winter Coat (Winterjas)**, Denim**, Accessories (Accessoires)* |
| Ontsmettingsprogramma's | Sanitize (Ontsmetten), Babywear (Babykleding)**, Bedding (Beddengoed)**, Doll (Pop)**                                                                                                                                                                        |
| Droogprogramma's        | Sensor Dry (Sensordroog), Time Dry (Tijddroog), Down Dry (Donsdroog)**                                                                                                                                                                                       |

\* = Speciale programma's / \*\* = Download programma's

## Tabel Handleiding voor stofonderhoud

### Natuurlijke vezels - plantaardige vezels

| Stof                  | Programma's              |           |          |            |        | Kleding / Opmerkingen                                                                                                                                                                                                                                          |
|-----------------------|--------------------------|-----------|----------|------------|--------|----------------------------------------------------------------------------------------------------------------------------------------------------------------------------------------------------------------------------------------------------------------|
|                       | Algemeen                 |           | Speciaal | Ontsmetten | Drogen |                                                                                                                                                                                                                                                                |
|                       | Verminderen van kreukels | Ontgeuren |          |            |        |                                                                                                                                                                                                                                                                |
| Katoen                |                          | ●         | ●        | ●          | ●      | Handdoeken, sokken, ondergoed, jeans, sportkleding, T-shirts, dekens<br>Op 100 % katoenen weefsels kunnen kreukels achterblijven. Strijken na programma indien gewenst.                                                                                        |
| Linnen, hennep, ramee |                          | ●         | ●        | ●          | ●      | <b>Zomerkleding, tafelkleden</b><br>Er kunnen enkele kreukels achterblijven. Zorg ervoor dat de stoffen wasbaar/handwasbaar zijn voordat u de programma's Algemeen, Speciaal of Ontsmetten gebruikt. Leg fijne was op de plank. Gebruik geen gesteven kleding. |
| Kunstzijde            | ●                        | ●         | ●        |            | ●      | Kostuumvoering, blouses, stropdassen, pyjama's                                                                                                                                                                                                                 |

● = Mogelijk / ✖ = Onderhoudsetiket controleren

### Natuurlijke vezels - dierlijke vezels

| Stof                               | Programma's              |           |          |            |        | Kleding / Opmerkingen                                                                                                                  |
|------------------------------------|--------------------------|-----------|----------|------------|--------|----------------------------------------------------------------------------------------------------------------------------------------|
|                                    | Algemeen                 |           | Speciaal | Ontsmetten | Drogen |                                                                                                                                        |
|                                    | Verminderen van kreukels | Ontgeuren |          |            |        |                                                                                                                                        |
| Alpaca haar, kamelenhaar, kasjmier | ✖                        | ✖         | ●        |            |        | <b>Jassen, kostuums</b><br>Leg gebreide kleding op de plank. Alpaca haar en kamelenhaar krimpen in heet water.                         |
|                                    |                          | ✖         | ●        |            |        | <b>Sjaals, gebreide sjaals</b><br>Leg gebreide kleding op de plank. Alpaca en kamelenhaar krimpen in heet water.                       |
| Bont, leer                         |                          |           | ●*       |            |        | <b>Jassen, sjaals</b><br>* Gebruik alleen het programma Fur/Leather (Bont/Leer). Leer moet 100 % natuurlijk leer zijn (geen kunstleer) |
| Zijde                              |                          |           |          |            |        | <b>Stropdassen van zijde, linten, sjaals, blouses</b><br>Zijdstoffen zijn niet geschikt voor AIRDRESSER.                               |

# Voordat u begint

| Stof | Programma's              |           |          |            |        | Kleding / Opmerkingen                                                                                                                                                                                                                                                                                                     |
|------|--------------------------|-----------|----------|------------|--------|---------------------------------------------------------------------------------------------------------------------------------------------------------------------------------------------------------------------------------------------------------------------------------------------------------------------------|
|      | Algemeen                 |           | Speciaal | Ontsmetten | Drogen |                                                                                                                                                                                                                                                                                                                           |
|      | Verminderen van kreukels | Ontgeuren |          |            |        |                                                                                                                                                                                                                                                                                                                           |
| Wol  |                          | ×         | ●*       |            | ●      | <b>Truien, gebreide kleding</b><br>Leg gebreide kleding op de plank. Sommige wol krimpt bij het wassen in heet water. Zorg ervoor dat de stoffen wasbaar/handwasbaar zijn voordat u de programma's Algemeen of Speciaal gebruikt.<br>* Het programma Wool/Knit (Wol/ gebreide stof) wordt aanbevolen.                     |
|      | ●                        | ●         | ●*       | ×          | ●      | <b>Winterjas, kostuums</b><br>Leg gebreide kleding op de plank. Sommige wol krimpt bij het wassen in heet water. Zorg ervoor dat de stoffen wasbaar/handwasbaar zijn voordat u de programma's Algemeen, Speciaal of Ontsmetten gebruikt.<br>* Het programma Winter Coat (Winterjas) of Suits (Kostuums) wordt aanbevolen. |

● = Mogelijk / × = Onderhoudsetiket controleren



## Kunstvezels

| Stof         | Programma's              |           |          |            |        | Kleding / Opmerkingen                                                                                                                            |
|--------------|--------------------------|-----------|----------|------------|--------|--------------------------------------------------------------------------------------------------------------------------------------------------|
|              | Algemeen                 |           | Speciaal | Ontsmetten | Drogen |                                                                                                                                                  |
|              | Verminderen van kreukels | Ontgeuren |          |            |        |                                                                                                                                                  |
| Acetaat      | ●                        | ●         | ●        | ●          | ●      | Kostuumvoering, blouses, stropdassen, pyjama's                                                                                                   |
| Acryl        | ●                        | ●         | ●        | ●          | ●      | Thermisch ondergoed, gebreid ondergoed<br>Leg kleding op de plank.                                                                               |
| Nylon        | ●                        | ●         | ●        | ●          | ●      | Kousen, lingerie<br>Leg kleding op de plank.                                                                                                     |
|              | ●                        | ●         | ●        | ●          | ●      | Sportkleding                                                                                                                                     |
| Polyurethaan | ●                        | ●         | ●        | ●          | ●      | Rekbare kleding (met minder dan 5 %)<br>Indien het artikel meer dan 5 % polyurethaan bevat (bijv. zwemkleding), controleer het onderhoudsetiket. |
| Polyester    | ●                        | ●         | ●        | ●          | ●      | Buitenkleding, sportkleding, T-shirts, overhemden, blouses                                                                                       |















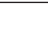


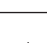
● = Mogelijk / ✖ = Onderhoudsetiket controleren

# Voordat u begint

## Etiketten voor stofonderhoud

De meeste kleding wordt geleverd met etiketten voor stofonderhoud die instructies bevatten voor een goede verzorging. De volgende tabel bevat enkele van de symbolen die u kunnen helpen bij het kiezen van de juiste artikelen voor AIRDRESSER.

### Etiketten voor stofonderhoud die met AIRDRESSER kunnen worden gebruikt

| Categorie        | Etiket                                                                              | Betekenis            | Gebruik met AIRDRESSER |
|------------------|-------------------------------------------------------------------------------------|----------------------|------------------------|
| Wasetiketten     |    | Normaal              | 0                      |
|                  |    | Kreukvrij            | 0                      |
|                  |    | Fijne was            | 0                      |
|                  |    | Niet wassen          | 0*                     |
|                  |    | Handwas              | 0                      |
| Etiketten droger |    | Geen warmte          | X                      |
|                  |    | Laag                 | 0                      |
|                  |   | Medium               | 0                      |
|                  |  | Hoog                 | 0                      |
|                  |  | Normaal              | 0                      |
|                  |  | Kreukvrij            | 0                      |
|                  |  | Fijne was            | 0                      |
|                  |  | Niet in de droger    | 0                      |
| Droogetiketten   |  | Laten drogen         | 0                      |
|                  |  | Druipdroog           | 0                      |
|                  |  | Plat drogen          | 0**                    |
|                  |  | In de schaduw drogen | 0                      |
|                  |  | Niet drogen          | X                      |

\* Sommige kleding waarvoor wassen niet wordt aangeraden (zoals bont of lederen stoffen) kan worden gebruikt met AIRDRESSER. Zie de handleiding voor stofonderhoud.

\*\* Gebruik het rek voor artikelen met dit symbool op het etiket voor stofonderhoud.

---

## Smart Control

---

### Wi-Fi-verbinding

- Aanbevolen encryptiemethoden zijn WPA/TKIP en WPA2/AES. Nieuw ontwikkelde Wi-Fi-protocollen of niet-goedgekeurde Wi-Fi-protocollen worden niet ondersteund.
- De ontvangstgevoeligheid van een draadloos netwerk kan worden beïnvloed door de omliggende draadloze omgevingen.
- Als uw internetprovider het MAC-adres van uw pc of de modemmodule voor permanent gebruik heeft geregistreerd, is het mogelijk dat uw Samsung AIRDRESSER geen verbinding met internet heeft. Als dit het geval is, neem dan contact op met uw internetprovider
- De internetfirewall kan uw internetverbinding onderbreken. Als dit gebeurt, neem dan contact op met uw internetprovider.
- Als de internetstoring na de meting van uw internetprovider aanhoudt, neem dan contact op met een plaatselijke Samsung-verkoper of servicecentrum.

### De app downloaden

Zoek op een app-markt (Google Play Store, Apple App Store, Samsung Galaxy Apps, Samsung Galaxy Apps) naar de SmartThings app en download en installeer de app op uw apparaat.

#### **OPMERKING**

- SmartThings is mogelijk niet compatibel op sommige tablets of smartphones.
  - De aanbevolen Android OS is 6.0 of hoger (met minimaal 2 GB of RAM).
  - De ondersteunde beeldschermresoluties voor Android zijn 1280 x 720 (HD), 1920 X 1080 (FHD), 2560 x 1440 (WQHD).
  - De aanbevolen iOS is 10.0 of hoger (iPhones moeten iPhone 6 of hoger zijn).
  - De ondersteunde beeldschermresoluties voor Apple-apparaten zijn 1334 X 750, 1920 x 1080.
- De app kan zonder voorafgaande kennisgeving worden gewijzigd voor betere prestaties.

### Inloggen

U moet eerst inloggen op SmartThings met uw Samsung-account. Volg de instructies op de app om een nieuw Samsung-account aan te maken. U hebt geen afzonderlijke app nodig om uw account aan te maken.

#### **OPMERKING**

Als u een Samsung-account hebt, logt u met het account in. Een geregistreerde Samsung smartphone-gebruiker logt automatisch in.

# Voordat u begint

## Uw apparaat registreren bij SmartThings

1. Zorg ervoor dat uw smartphone is verbonden met een draadloos netwerk. Zo niet, ga dan naar **Settings (Instellingen)**, schakel de draadloze verbinding in en selecteer vervolgens een AP (Access Point).
2. Open **SmartThings** op uw smartphone.
3. Als het bericht "A new device is found. (Nieuw apparaat gevonden.)" wordt weergegeven, selecteert u **Add (Toevoegen)**.
4. Als er geen bericht verschijnt, selecteert u **+** en selecteert u uw apparaat in een lijst met beschikbare apparaten. Als uw apparaat niet in de lijst voorkomt, selecteert u **Device Type (Apparaattype) > Specific Device Model (Specifiek apparaatmodel)** waarna u het apparaat handmatig toevoegt.
5. Volg de instructies op het scherm om de registratie te voltooien.

## Overzicht SmartThings

| Categorie    | Functie                        | Beschrijving                                                                                                                                                                                        |
|--------------|--------------------------------|-----------------------------------------------------------------------------------------------------------------------------------------------------------------------------------------------------|
| Toezicht     | Programmastatus                | U kunt het huidige programma en opties en de resterende programmatijd controleren.                                                                                                                  |
|              | Smart Control                  | De Slimme bediening-status wordt weergegeven voor AIRRESSER.                                                                                                                                        |
|              | Energiebewaking                | U kunt de status van het energieverbruik controleren.                                                                                                                                               |
| Bediening    | Starten / Pauzeren / Annuleren | Selecteer een programma en de nodige opties en selecteer vervolgens Start / Pauze / Annuleren om de werking te starten en te annuleren, tijdelijk te stoppen of om de huidige werking te annuleren. |
| Kennisgeving | Programma voltooid             | Geeft aan dat het huidige programma is voltooid.                                                                                                                                                    |

| Categorie           | Functie                  | Beschrijving                                                                                                                                                            |
|---------------------|--------------------------|-------------------------------------------------------------------------------------------------------------------------------------------------------------------------|
| AIRDRESSER-functies | Verzorgadvies            | Selecteer het type stof en de opties en krijg aanbevelingen voor het meest geschikte programma.                                                                         |
|                     | Mijn kast                | Door het invoeren van kledinginformatie (zoals stofmateriaal) kunt u uw kleding toevoegen aan de app en krijgt u aanbevolen programma's en een verzorgingsgeschiedenis. |
|                     | Speciaal programmabeheer | U kunt tot 9 programma's opslaan en u kunt de volgorde van de programma's wissen of wijzigen.                                                                           |
|                     | Onderhoudsbeheer         | Krijg advies om uw AIRDRESSER in perfecte conditie te houden. Controleer uw programmegebruikspatronen en energieverbruik en krijg waarschuwingen voor productonderhoud. |

Voordat u begint

# Voordat u begint

---

## Open Source Aankondiging

De software in dit product bevat open source-software. U kunt de volledige broncode voor een periode van drie jaar na de laatste verzending van dit product verkrijgen door een e-mail te sturen naar <mailto:oss.request@samsung.com>.

Het is ook mogelijk om de volledige corresponderende broncode te verkrijgen op een fysiek medium zoals een CD-ROM; de kosten hiervan zijn minimaal.

De volgende URL [http://opensource.samsung.com/opensource/SMART\\_AT\\_051/seq/0](http://opensource.samsung.com/opensource/SMART_AT_051/seq/0) leidt naar de downloadpagina van de beschikbaar gestelde broncode en open source licentie-informatie met betrekking tot dit product. Dit aanbod is geldig voor iedereen die deze informatie ontvangt.



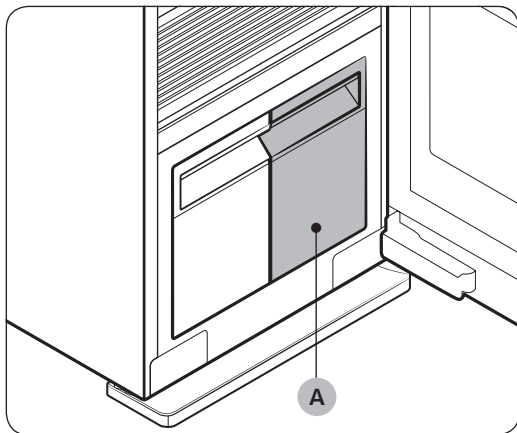
## OPMERKING

Samsung Electronics verklaart hierbij dat het apparaat van het type radioapparatuur voldoet aan richtlijn 2014/53/EU. De volledige tekst van de EU-conformiteitsverklaring is beschikbaar op het volgende internetadres: De officiële conformiteitsverklaring is te vinden op <http://www.samsung.com>, ga naar Support > Zoek productondersteuning en voer de modelnaam in.

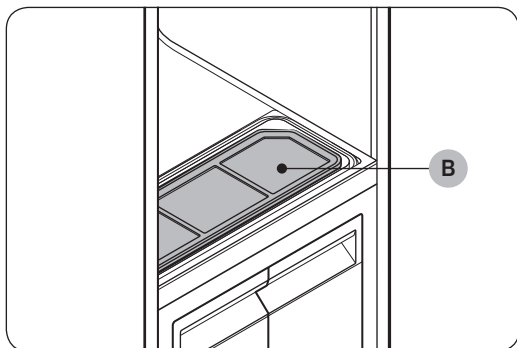
Wi-Fi max. zendvermogen: 20 dBm bij 2,412 GHz - 2,472 GHz

# Gebruik van producten en accessoires

## Een programma gebruiken

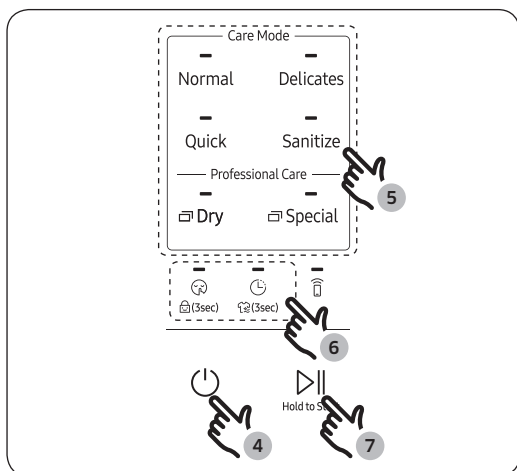



1. Zorg ervoor dat de bijvultank (A) gevuld is met water.



2. Zorg ervoor dat het pluizenfilter (B) schoon is.
3. Voer de kleding in zoals aangegeven in het gedeelte **De accessoires gebruiken**.

# Gebruik van producten en accessoires



4. Tik op **Stroom** .
5. Selecteer een programma.
  - Tik op **Normal (Normaal)**, **Delicates (Fijne was)**, **Quick (Snel)** of **Sanitize (Ontsmetten)**.
  - Voor Drogen-programma's tikt u herhaaldelijk op **Dry (Droog)** om een gewenst droogprogramma te selecteren.
  - Bij Special (Speciaal) programma's tikt u herhaaldelijk op **Special (Speciaal)** om het gewenste speciale programma te selecteren.
6. Selecteer indien nodig opties.
  - **Stil** , **Kinderslot** , **Startuitlet** , **Opfrissen** .
7. Tik op **Start/pauze**  en houd deze knop gedurende 3 seconden ingedrukt.

## Richtlijnen voor het gebruik

### Vóór gebruik

- Dit product kan niet worden gebruikt om artikelen schoon te maken. Voor het beste resultaat wast en droogt u alle artikelen vóór het gebruik van het product.
- Alvorens het product te gebruiken, raden wij u aan om artikelen met sterke geuren of artikelen die lange tijd bewaard zijn gebleven, te wassen.
- Scheid de artikelen van elkaar op basis van de geursterkte.
- Controleer alle kleding- of tikeletiketten voordat u het product in gebruik neemt.
- Voordat u de kleding in het product plaatst, moet u ervoor zorgen dat alle zakken leeg zijn.
- Gebruik het product niet als opbergkast.
- Het product kan geen haren van huisdieren verwijderen.

### Tijdens gebruik

- Zorg ervoor dat er geen artikelen de bodem van het product raken. Gebruik indien nodig de plank om te voorkomen dat artikelen die opgehangen zijn, de bodem van het product raken.
- Tijdens een stoomproces kunnen sissende geluiden optreden.
- Als u een programma moet stoppen voordat het is geëindigd, moet u het Drogen-programma uitvoeren.
- De gebruikstijd is afhankelijk van de omgeving en het type artikelen.
- Bij achtereenvolgend gebruik kan het product een andere gebruikstijd weergeven dan de werkelijke gebruikstijd.
- Open de deur niet terwijl het product in werking is.



## Na gebruik

- De hoeveelheid verwijderde kreukels kan variëren afhankelijk van het type stof.
- Verwijder artikelen onmiddellijk na afloop van een programma. Als u de artikelen niet onmiddellijk kunt verwijderen, gebruik dan Startuitstel of Opfrissen.
- Houd bij het verwijderen van artikelen zowel de artikelen als de hanger vast.

## De accessoires gebruiken

### Luchthangers

Gebruik de meegeleverde luchthangers voor artikelen zoals jassen, sportjassen en blazers.

#### **OPMERKING**

- Zorg ervoor dat de binnen- en buitenkant van de hangers schoon en vrij van vreemde stoffen zijn.
- Gebruik geen hangers voor breisels, wol en lingerie.
- De maximale lengte van de artikelen is 110 cm voor de bovenkant en 100 cm voor de onderkant.
- Afhankelijk van het type of de grootte van de stof kunnen er ongewenste kreukels in de nek van uw kleding ontstaan.



### De luchthangers gebruiken

1. Hang artikelen aan hangers in dezelfde richting.
  - Om te voorkomen dat artikelen van de hangers vallen, moet u alle knopen dichtknopen en alle ritsluitingen ritsen.
  - Zorg ervoor dat alle artikelen vlak worden opgehangen. Zorg ervoor dat de ophangklemmen niet naar buiten steken.
2. Schuif de hangers in de luchtgaten tot u een klikkend geluid hoort.
  - Zorg ervoor dat de hangers in dezelfde richting wijzen.
  - Als de luchthangers niet goed in het luchtgat zijn geplaatst, kunnen trillingen en geluiden optreden.

#### **OPMERKING**

Vermijd voor het beste resultaat het ophangen van langere artikelen vanaf het middelste gat.

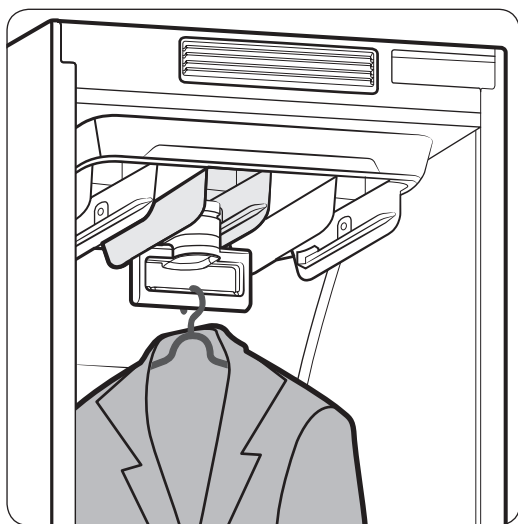
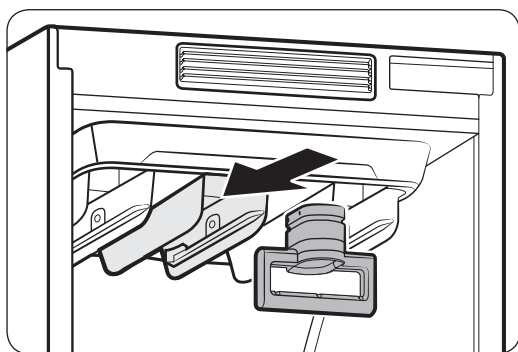
# Gebruik van producten en accessoires

## Gewone hangerkit

U kunt de gewone hangerkit gebruiken om uw artikelen op te hangen met gewone hangers. Voor het beste resultaat raden wij echter het gebruik van de luchthangers aan.

### **OPMERKING**

- Gebruik hangers die niet vervormd worden door hitte.
- Zorg ervoor dat de binnen- en buitenkant van de hangers schoon en vrij van vreemde stoffen zijn.
- Gebruik geen plastic/silicium/houten hangers en hangers met lijm.
- Gebruik geen hangers van wasgoed die roestig kunnen worden.



### De gewone hangerkit te gebruiken

1. Hang artikelen aan hangers in dezelfde richting.
  - Om te voorkomen dat artikelen van de hangers vallen, moet u alle knopen dichtknopen en alle ritssluitingen ritsen.
  - Zorg ervoor dat alle artikelen vlak worden opgehangen. Zorg ervoor dat de ophangklemmen niet naar buiten steken.
2. Schuif de reguliere hangerkit in de luchtgaten tot u een klikkend geluid hoort en hang de hangers vervolgens aan de reguliere hangerkit.
  - Zorg ervoor dat de hangers in dezelfde richting wijzen.
  - Als de reguliere hangerkit niet goed in het luchtgat is geplaatst, kunnen trillingen en geluiden optreden.

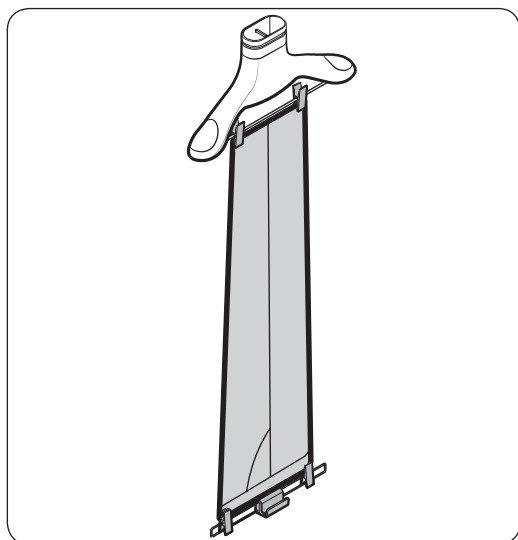
### **OPMERKING**

Vermijd voor het beste resultaat het ophangen van langere artikelen vanaf het middelste gat.

## Gewichtskit

### **OPMERKING**

- Zorg ervoor dat de broek of de gewichtskit de bodem van het product niet raakt.
- De maximale lengte van de broek moet 100 cm bedragen.

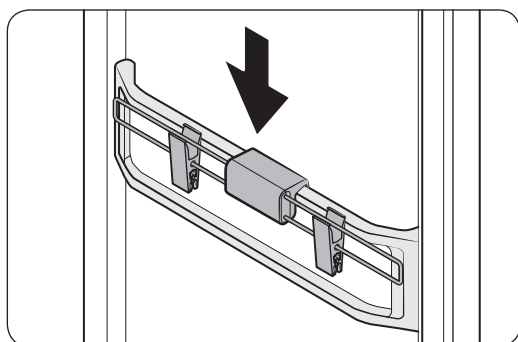


### De gewichtskit gebruiken

1. Klem de onderkant van de broek aan de luchthanger.
2. Klem het andere uiteinde van de broek aan de gewichtskit.
3. Schuif de luchthanger in de luchtgaten tot u een klikkend geluid hoort.

### **OPMERKING**

Spread voor scherpere vouwen de broek uit door de klemmen naar buiten te bewegen.



Bewaar de gewichtskit op de onderhoudszone van de accessoires wanneer deze niet in gebruik is.

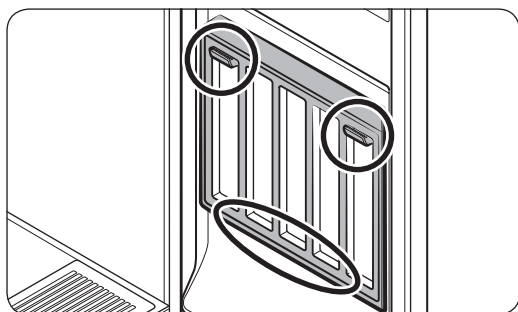
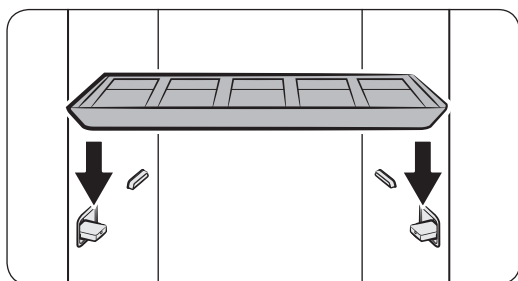
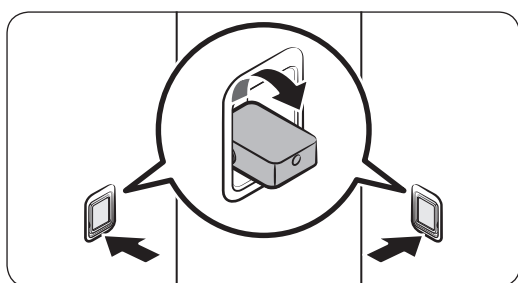
# Gebruik van producten en accessoires

## Plank

Gebruik de bijgeleverde plank voor artikelen die niet met hangers kunnen worden gebruikt.

### **OPMERKING**

- Plaats alleen kleding of kledingaccessoires. Plaats geen zware artikelen en gebruik de plank niet om andere voorwerpen op te bergen
- Zorg ervoor dat kinderen niet op de plank zitten of klimmen.
- Zorg ervoor dat er geen artikelen aan de voorkant, achterkant of zijkanten van de plank hangen of door de roosters van de plank hangen.
- Stapel geen artikelen op andere artikelen.



### De plank gebruiken

1. Druk op de zijwanden op het onderste deel van de plankhouders om ze eruit te draaien.
2. Plaats de plank op de plankhouders. Zorg ervoor dat de groeven op de plank stevig op de houder zitten.

### **OPMERKING**

Een opening tussen de zijkanten van de plank en de zijwanden is normaal.

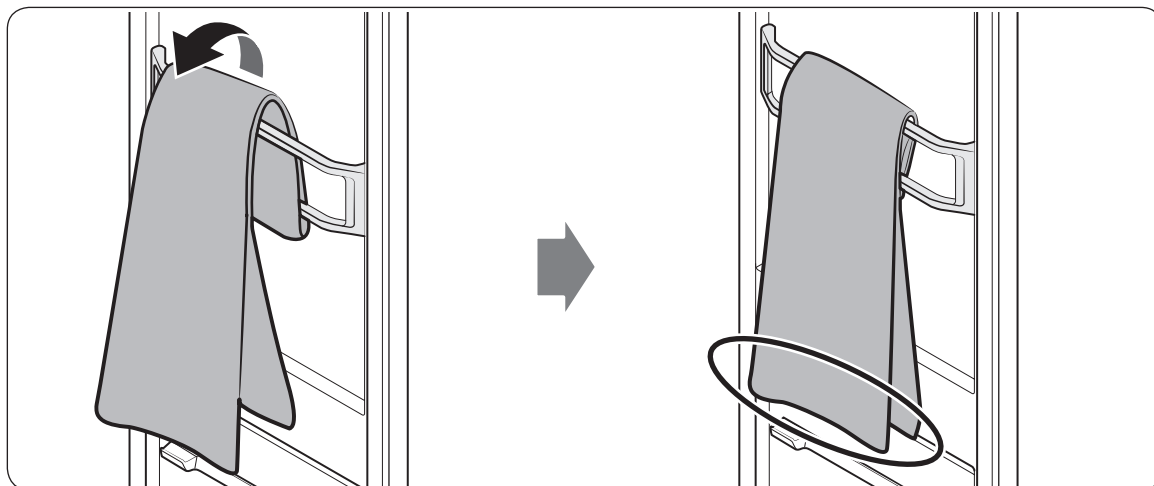
Bewaar de plank op de deur wanneer deze niet in gebruik is. Plaats de plank op de onderste houder en hang hem vervolgens aan de bovenste houders.

## Onderhoudszone voor accessoires

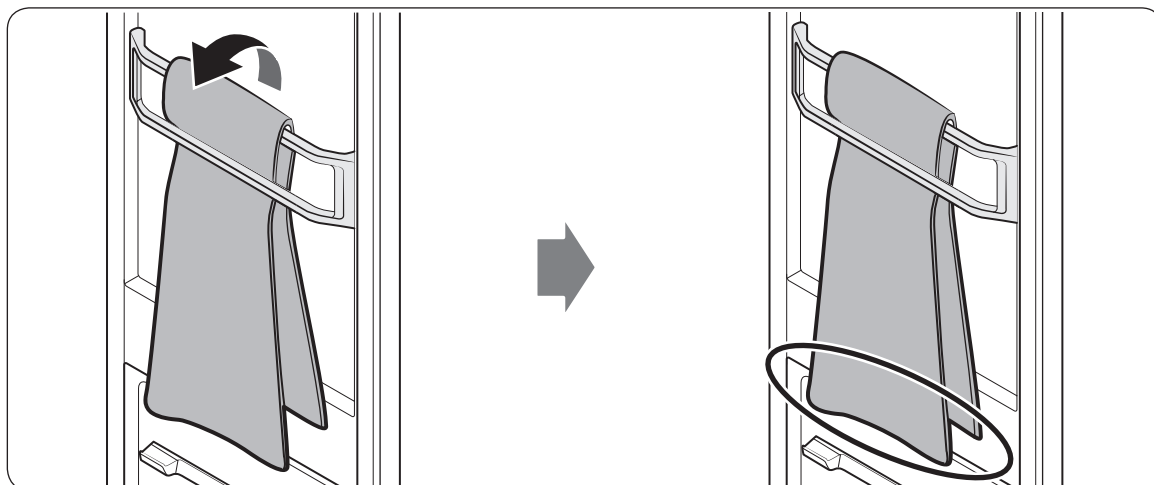
Gebruik de onderhoudszone voor accessoires voor sjaals.

Raadpleeg om de sjaal veilig op te hangen de onderstaande afbeeldingen.

### Methode 1



### Methode 2



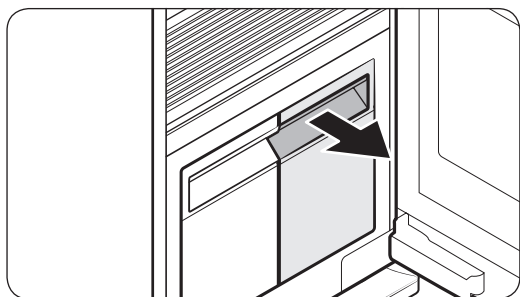
- Zorg ervoor dat de lengtes van beide uiteinden gelijk zijn.
- Afhankelijk van het type stof kunnen kreukels niet worden verwijderd.

# Gebruik van producten en accessoires

## Bijvultank

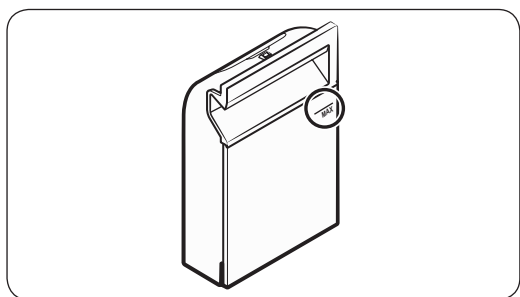
### OPMERKING

- Voordat u het product gebruikt, dient u te controleren of er water in de bijvultank aanwezig is.
- Het product verbruikt meer water de eerste keer dat het product wordt gebruikt.
- Het wordt aanbevolen om gefilterd water te gebruiken.
- Als u het product lange tijd niet gaat gebruiken, maakt u de bijvultank leeg.
- Een volledige bijvultank gaat ongeveer 4 programma's mee.
- Vul de bijvultank uitsluitend met water. Andere vloeistoffen, zoals wasmiddel of wasverzachter, kunnen een probleem veroorzaken.
- Gebruik het water in de afvoertank niet om de bijvultank te vullen.



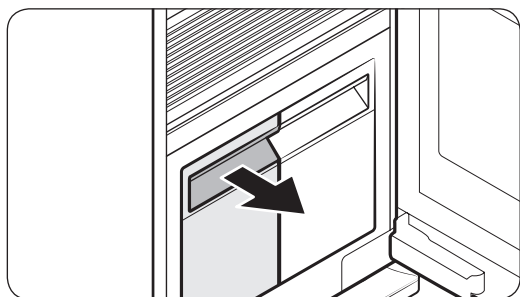
### De bijvultank vullen

1. Haal de bijvultank eruit.
2. Open de achterklep vul tot de lijn MAX.
3. Plaats de bijvultank terug.



## Afvoertank

Voordat u het product gaat gebruiken of als u het product lange tijd niet gaat gebruiken, maakt u de afvoertank leeg.



### De afvoertank legen

1. Haal de afvoertank eruit.
2. Maak de tank leeg.
3. Plaats de afvoertank terug.

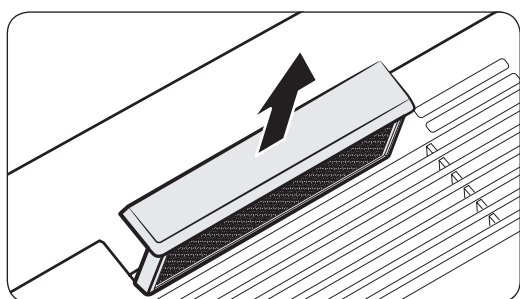
## Samsung Fresh Finish

Samsung Fresh Finish geeft items een aangename geur.

### **OPMERKING**

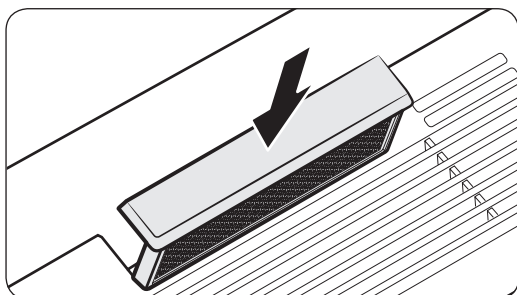
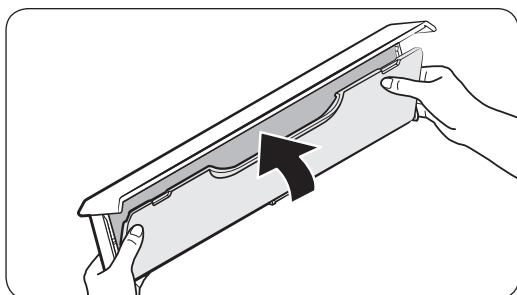
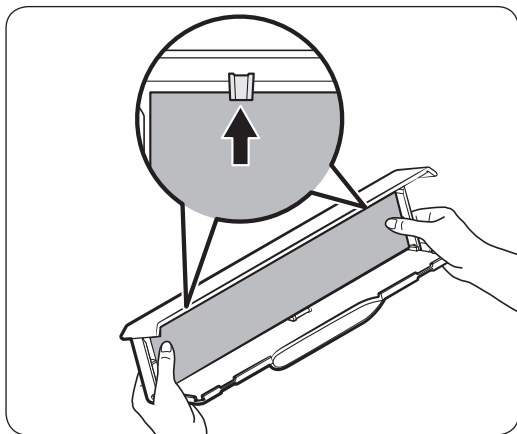
- Spray het gewenste parfum 4-5 keer op een watje en plaats dit vervolgens in Samsung Fresh Finish. De kracht van de geur die Samsung Fresh Finish verspreidt, kan verschillen al naar gelang het gebruikte parfum, en de geur kan in de AIRRESSER blijven, zelfs na voltooiing van de cyclus.
- Er kan schimmel ontstaan als u het watje te lang in Samsung Fresh Finish laat zitten.

### Het watje vervangen



1. Verwijder Samsung Fresh Finish.

## Gebruik van producten en accessoires



2. Spray een gewenst parfum 4-5 keer op een watje en plaats dit vervolgens in Samsung Fresh Finish.

3. Sluit het deksel van Samsung Fresh Finish totdat u het hoort vastklikken.

4. Breng Samsung Fresh Finish opnieuw aan.

### **OPMERKING**

- Als u een parfum gebruikt met Samsung Fresh Finish, kan de geur van het parfum binnen de AIRDRESSER blijven, zelfs na voltooiing van de cyclus.
- Het watje wordt niet bijgeleverd bij het product.
- De effectiviteit van Samsung Fresh Finish kan niet worden gegarandeerd omdat deze afhangt van het gebruikte parfum.



# Reiniging en onderhoud

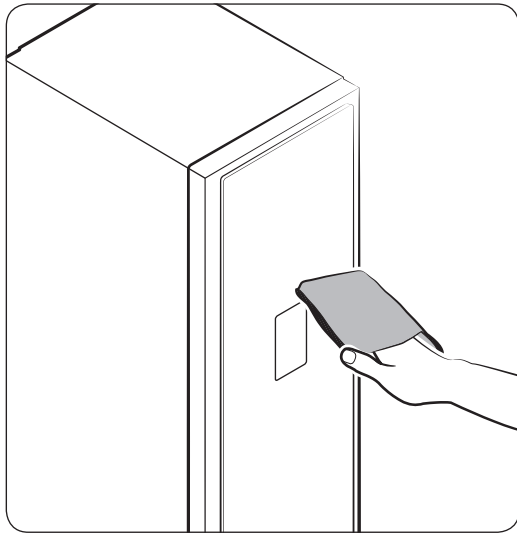
---

## LET OP

- Haal de stekker uit het stopcontact voordat u het product schoonmaakt.
- Gebruik geen schurende of ontvlambare reinigingsmiddelen.
- Spuit bij het reinigen van het product geen water direct op het product.

## Buitenkant

---

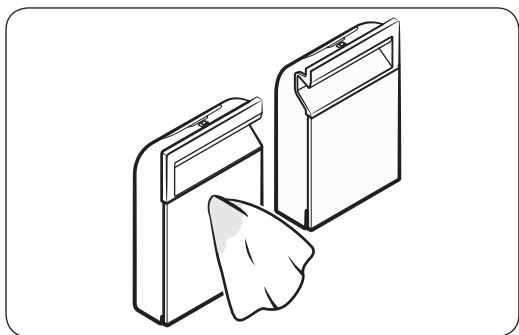


Gebruik de reinigingsdoek om de buitenkant te reinigen. Voor hardnekkige vlekken gebruikt u een vochtige doek en veegt u deze vervolgens droog.

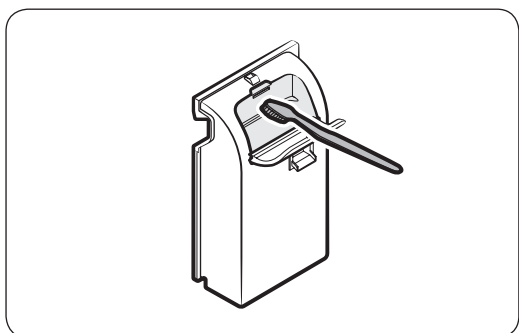
# Reiniging en onderhoud

## Watertanks

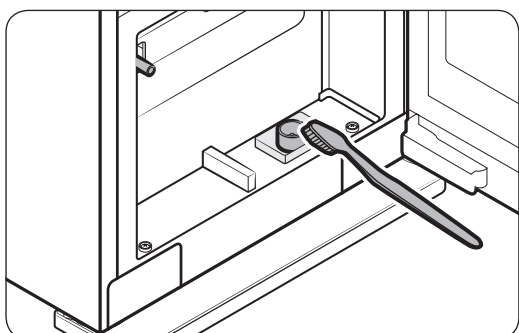
Reinig beide tanks regelmatig. Volledig drogen alvorens ze terug te plaatsen.



Gebruik een vochtige doek om de buitenkant te reinigen.



Gebruik een zachte borstel om de binnenkant te reinigen.

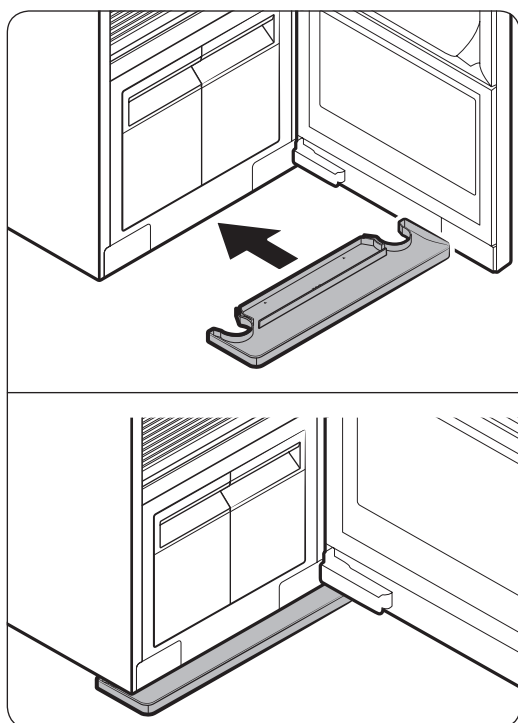


Gebruik een zachte borstel om de in- en uitlaat van de tanks te reinigen.

## Waterbak

### OPMERKING

- Leeg de waterbak regelmatig.
- Zorg ervoor dat u de waterbak terugplaatst nadat u het water hebt geleegd.



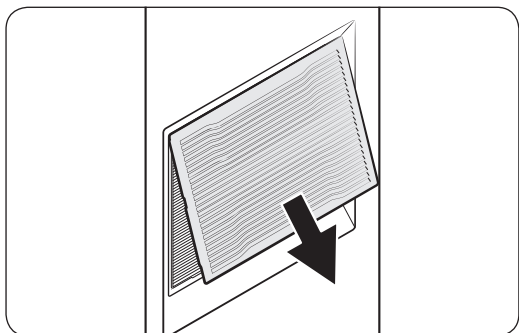
Plaats de waterbak op de juiste wijze zoals aangegeven in de figuren.

- Zorg ervoor dat de zijde met TOP naar boven gericht is.

# Reiniging en onderhoud

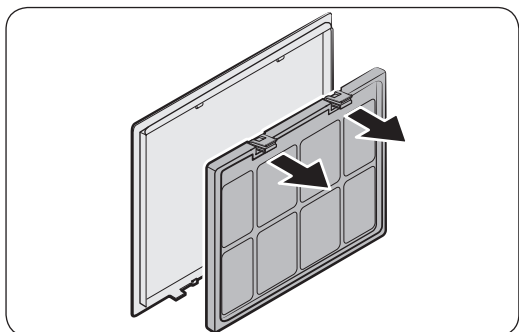
## Luchtfilter

Als u het product vaak gebruikt voor zware artikelen of artikelen die veel stof bevatten, raden wij u aan het luchtfilter regelmatig te reinigen.

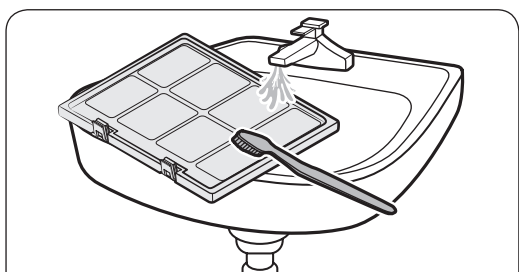


### Het luchtfilter vervangen

1. Houd de onderkant van het deksel vast en trek het eruit.

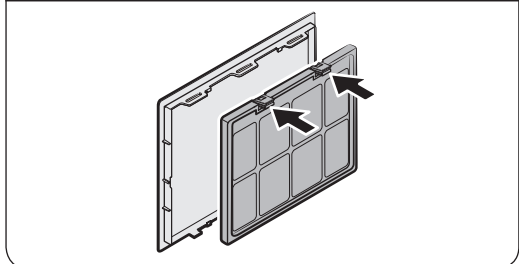


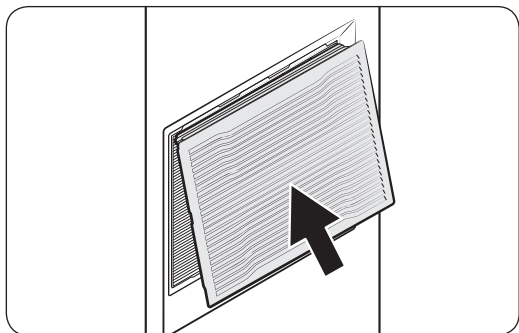
2. Trek aan de twee haken aan de bovenzijde van het filter terwijl u de twee haken van het bovenste deel van het filter indrukt, om het te verwijderen.



3. Gebruik een borstel en stromend water om het filter te reinigen.

4. Droog het filter volledig in de schaduw en plaats het filter weer terug.



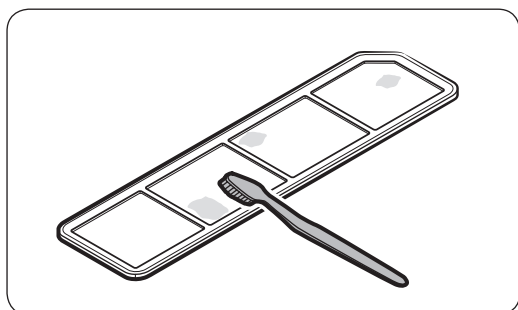
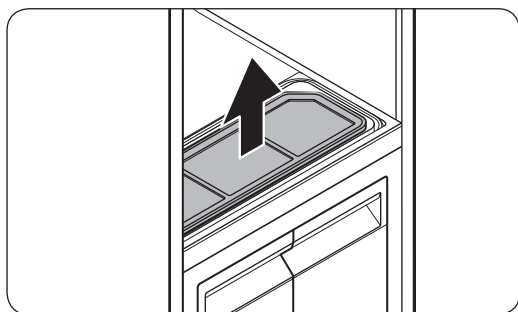
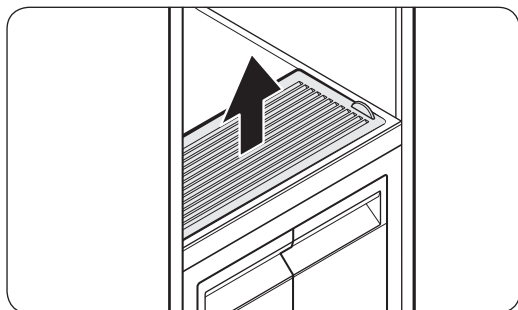


5. Steek de bovenkant van het deksel in het product en druk vervolgens op het deksel.

# Reiniging en onderhoud

## Pluizenfilter

- Voor het beste resultaat reinigt u het pluizenfilter voor of na gebruik van het product.
- Vervang een beschadigd pluizenfilter door een nieuw pluizenfilter.



### Het pluizenfilter reinigen

1. Open het deksel.
2. Verwijder het pluizenfilter.
3. Gebruik een borstel en stromend water om het pluizenfilter te reinigen. Droog het pluizenfilter volledig in de schaduw.
4. Plaats het pluizenfilter er weer in en sluit de deksel.

---

## Ontkalking

---

Voer regelmatig ontkalking uit om de prestaties te verhogen en de levensduur van het product te verlengen. Als u niet onmiddellijk na het ontvangen van de melding ontkalkt, kunnen sommige functies beperkt zijn in het gebruik en kunnen de prestaties afnemen of zelfs de levensduur van het product verkorten.

1. Wanneer de melding **Descaling Required (Ontkalken vereist)** op het display verschijnt, verwijder dan alle artikelen uit het product en houd vervolgens de knop **Sanitize (Ontsmetten)** en **Dry (Drogen)** gedurende 3 seconden ingedrukt.
2. Leeg de bijvulbak en de afvoertank.
3. Verdun een ontkalkingsmiddel met water zoals aanbevolen door de fabrikant.
4. Vul de bijvultank met het verdunde ontkalkingsmiddel tot aan lijn **MAX**.
5. Houd de knop **Start/pauze**  $\triangleright$  ingedrukt om het ontkalken te starten.
  - Als tijdens het ontkalken het bericht **Drain the tank (Tank aftappen)** op het display verschijnt, moet de afvoertank leeggemaakt worden.
6. Wanneer het bericht **Refill/Drain the tank (Tank bijvullen/aftappen)** op het display verschijnt, leeg zowel de bijvultank als de afvoertank en spoel deze vervolgens grondig uit.
7. Vul de bijvultank met schoon water tot aan de lijn **MAX** en plaats vervolgens de bijvultank en de afvoertank terug.
8. Wanneer het bericht **Supply/Drainage Complete (Aanvoer/afvoer compleet)** op het display verschijnt houdt u de knop **Start/pauze**  $\triangleright$  ingedrukt.
  - Als tijdens het ontkalken het bericht **Drain the tank (Tank aftappen)** op het display verschijnt, moet de afvoertank leeggemaakt worden.
9. Als de ontkalking is voltooid, ledigt u de afvoertank en vult u de bijvultank met water.
  - U kunt AIRRESSER gebruiken nadat u al deze stappen hebt voltooid.

### OPMERKING

- Tijdens het ontkalkingsproces kunnen trillingen en geluiden optreden; dit is normaal en er is geen probleem met het product.
- U kunt het bericht **Refill the Tank (Tank bijvullen)** zien wanneer u het product de eerste keer na het ontkalken gebruikt. Dit is normaal. Vul de bijvultank met water en druk op **Start/pauze**  $\triangleright$  om verder te gaan.
- Als het ontkalkingsmiddel niet grondig wordt gespoeld, kunnen er luchtballen ontstaan. Zorg ervoor dat u de bijvulbak en de afvoertank na het ontkalken grondig spoelt.

# Reiniging en onderhoud

---

## Het product naar een andere locatie verplaatsen

---

- Onder het product bevinden zich twee wielen om het te helpen verplaatsen.
- Om te voorkomen dat het product kantelt bij het verplaatsen, raden wij u aan om in het midden van het product te duwen. Duw niet op de boven- of onderkant.
- Leeg de bijvulbak en de afvoertank voordat u het product naar een andere locatie verplaatst. Als de tanks niet worden geleegd, kan er tijdens het verplaatsen van het product water gemorst worden.



# Problemen oplossen

## Meldingen



| Bericht                                                                                                                | Actie                                                                                                                                                                                                                                                                                                                                                                                                                                                                                  |
|------------------------------------------------------------------------------------------------------------------------|----------------------------------------------------------------------------------------------------------------------------------------------------------------------------------------------------------------------------------------------------------------------------------------------------------------------------------------------------------------------------------------------------------------------------------------------------------------------------------------|
| Refill the tank (Tank bijvullen)<br>Refill the tank with water (Tank bijvullen met water)                              | <ul style="list-style-type: none"><li>Controleer of de bijvultank voldoende water bevat.<ul style="list-style-type: none"><li>Vul het water tot aan de MAX-lijn, plaats de bijvultank weer terug en tik vervolgens op <b>Start/pauze</b> ▷ om te beginnen.</li></ul></li><li>Controleer of de bijvultank goed is geplaatst.<ul style="list-style-type: none"><li>Plaats de afvoertank op de juiste wijze en tik vervolgens op <b>Start/pauze</b> ▷ om te beginnen.</li></ul></li></ul> |
| Drain the tank (Tank aftappen)<br>Drain water from the tank (Water uit de tank aftappen)                               | <ul style="list-style-type: none"><li>Controleer of de afvoertank vol is.<ul style="list-style-type: none"><li>Leeg de afvoertank, plaats de afvoertank terug en tik vervolgens op <b>Start/pauze</b> ▷ om te beginnen.</li></ul></li><li>Controleer of de afvoertank goed is geplaatst.<ul style="list-style-type: none"><li>Plaats de bijvultank op de juiste wijze en tik vervolgens op <b>Start/pauze</b> ▷ om te beginnen.</li></ul></li></ul>                                    |
| Door Open (Deur open)<br>Close the door & Start again (Sluit de deur en start opnieuw)                                 | <ul style="list-style-type: none"><li>Controleer of de deur open is.<ul style="list-style-type: none"><li>Controleer of de deur gesloten is en tik vervolgens op <b>Start/pauze</b> ▷ om te beginnen.</li></ul></li></ul>                                                                                                                                                                                                                                                              |
| Abnormality Alert (Waarschuwing abnormaliteit)<br>Open the Door & Check Inside (Open de deur en controleer binnenkant) | <ul style="list-style-type: none"><li>Controleer of de deur open is en of Kinderslot is ingeschakeld.<ul style="list-style-type: none"><li>Controleer of de deur gesloten is en tik vervolgens op <b>Start/pauze</b> ▷ om te beginnen. Zorg ervoor dat er geen kinderen of huisdieren in het product zitten.</li></ul></li></ul>                                                                                                                                                       |
| WIFI Not Connected (Wi-Fi niet verbonden)<br>Check the router (Controleer de router)                                   | <ul style="list-style-type: none"><li>Controleer of de router is uitgeschakeld.<ul style="list-style-type: none"><li>Schakel de router in en maak vervolgens verbinding met internet.</li></ul></li></ul>                                                                                                                                                                                                                                                                              |

### OPMERKING

Als een probleem zich blijft voordoen, neem dan contact op met een plaatselijk Samsung-servicecentrum.

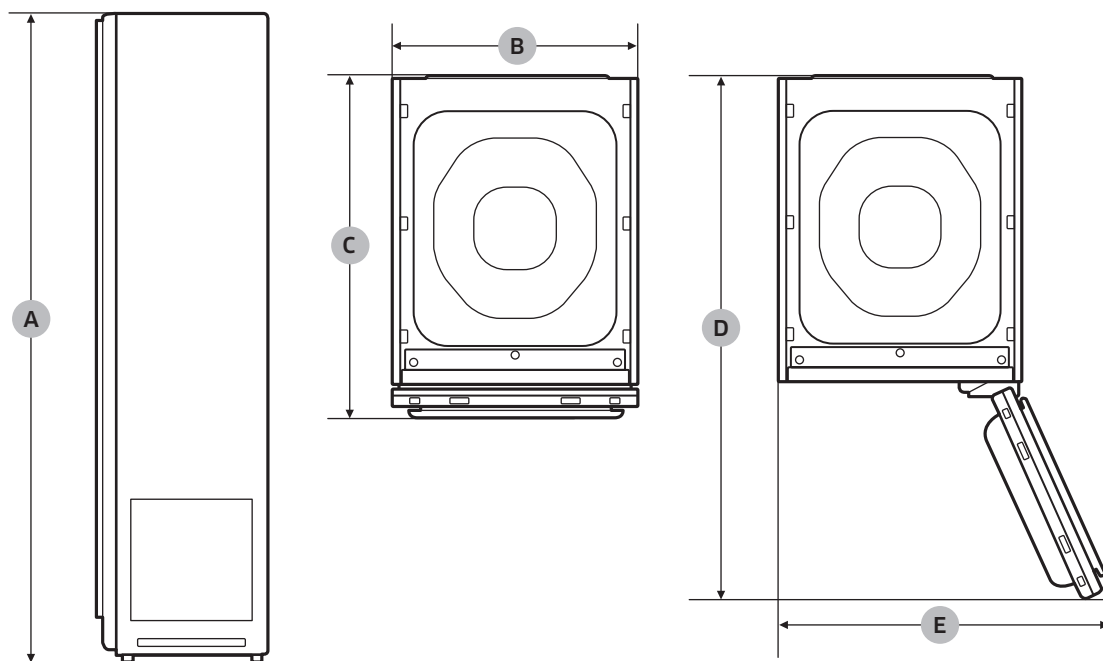
# Problemen oplossen

## Controlepunt

| Probleem                                   | Actie                                                                                                                                                                                                                                                                                                                                                                                                                                                                                                                                                                                                                                                                          |
|--------------------------------------------|--------------------------------------------------------------------------------------------------------------------------------------------------------------------------------------------------------------------------------------------------------------------------------------------------------------------------------------------------------------------------------------------------------------------------------------------------------------------------------------------------------------------------------------------------------------------------------------------------------------------------------------------------------------------------------|
| Het product kan niet worden ingeschakeld.  | <ul style="list-style-type: none"><li>• Tik op <b>Stroom</b>  om het product in te schakelen.</li><li>• Controleer of het netsnoer goed is aangesloten.</li><li>• Controleer of de stroomonderbreker is ingeschakeld.</li><li>• Zorg ervoor dat het netsnoer is aangesloten op een voor dit product geschikt stopcontact.</li></ul>                                                                                                                                                                                                                                                           |
| Het product werkt niet.                    | <ul style="list-style-type: none"><li>• Controleer of de deur gesloten is en tik vervolgens op <b>Start/pauze</b> .</li><li>• Als u water hoort stromen of kokende geluiden hoort, bereidt het product zich voor op een stoomproces. Dit is normaal.</li><li>• Zorg ervoor dat het Kinderslot is uitgeschakeld.</li><li>• Het product werkt mogelijk niet als u een andere vloeistof dan water hebt gebruikt. Neem contact op met een Samsung-servicecentrum.</li></ul>                                                                                                                       |
| Het product maakt geluiden.                | <ul style="list-style-type: none"><li>• Het product kan geluiden produceren wanneer de compressor werkt. Dit is normaal.</li><li>• Het product kan geluiden produceren wanneer het lucht circuleert. Dit is normaal.</li><li>• Het product kan geluiden genereren voor en tijdens een stoomproces. Dit is normaal.</li><li>• Het product kan geluiden produceren om het water eruit te pompen en af te voeren. Dit is normaal.</li><li>• Bij het openen van de deur kunnen er geluiden uit de bijvultank komen wanneer het water door de leiding stroomt. Dit is normaal.</li><li>• Als het geluid luider wordt, neem dan contact op met een Samsung-servicecentrum.</li></ul> |
| Het bedieningspaneel werkt niet.           | <ul style="list-style-type: none"><li>• Na het aansluiten van het product, wacht u even en probeert u het opnieuw. Het bedieningspaneel reageert 10 seconden nadat het netsnoer is aangesloten.</li><li>• Reinig het bedieningspaneel en probeer het opnieuw. Als het probleem zich blijft voordoen, neem dan contact op met een Samsung-servicecentrum.</li></ul>                                                                                                                                                                                                                                                                                                             |
| Het product trilt.                         | <ul style="list-style-type: none"><li>• Zorg ervoor dat het product op een stevige, vlakke ondergrond wordt geïnstalleerd.</li><li>• Controleer of het product waterpas staat.</li></ul>                                                                                                                                                                                                                                                                                                                                                                                                                                                                                       |
| De bijvultank is na één keer gebruik leeg. | <ul style="list-style-type: none"><li>• Het product verbruikt meer water de eerste keer dat het wordt gebruikt. Dit is normaal.</li></ul>                                                                                                                                                                                                                                                                                                                                                                                                                                                                                                                                      |
| Er komt stoom of lucht uit de deur.        | <ul style="list-style-type: none"><li>• Zorg ervoor dat er geen artikelen in de deur vastzitten.</li><li>• Zorg ervoor dat de deur goed gesloten is.</li></ul>                                                                                                                                                                                                                                                                                                                                                                                                                                                                                                                 |

| Probleem                                                 | Actie                                                                                                                                                                                                                                                                                                                                                                                                                                                                                                                                                                                  |
|----------------------------------------------------------|----------------------------------------------------------------------------------------------------------------------------------------------------------------------------------------------------------------------------------------------------------------------------------------------------------------------------------------------------------------------------------------------------------------------------------------------------------------------------------------------------------------------------------------------------------------------------------------|
| De werktijd blijft toenemen.                             | <ul style="list-style-type: none"> <li>Het kan langer duren om natte artikelen te drogen. De werktijd kan toenemen afhankelijk van de hoeveelheid en het vochtgehalte van de artikelen.</li> </ul>                                                                                                                                                                                                                                                                                                                                                                                     |
| Artikelen zijn nat na een programma.                     | <ul style="list-style-type: none"> <li>Zorg ervoor dat het pluizenfilter schoon is en op de juiste wijze is geplaatst.</li> <li>Zorg ervoor dat de deurpakking niet beschadigd is of dat er geen artikelen op de deur blijven hangen. Als de deurpakking beschadigd is, trek dan de stekker uit het stopcontact en neem contact op met een Samsung-servicecentrum.</li> </ul>                                                                                                                                                                                                          |
| Artikelen worden niet ontgeurd.                          | <ul style="list-style-type: none"> <li>Was artikelen met sterke geuren of artikelen die lange tijd bewaard zijn gebleven.</li> <li>Was artikelen die verontreinigd zijn met olie.</li> <li>Grote artikelen zoals met dons gevulde jassen kunnen niet altijd goed ontgeurd zijn. Plaats grote artikelen bij elkaar en voer indien nodig een extra programma uit.</li> <li>Plaats geen artikelen met een sterke geur bij andere artikelen. Scheid de artikelen van elkaar op basis van de geursterkte.</li> <li>Zorg ervoor dat het pluizenfilter en beide tanks schoon zijn.</li> </ul> |
| Kreukels worden niet verwijderd.                         | <ul style="list-style-type: none"> <li>Strijk artikelen die lange tijd zijn opgeslagen.</li> </ul>                                                                                                                                                                                                                                                                                                                                                                                                                                                                                     |
| Bij het openen van de deur komt er rook uit het product. | <ul style="list-style-type: none"> <li>Sommige programma's produceren stoom die rook lijkt te zijn. Dit is normaal.</li> </ul>                                                                                                                                                                                                                                                                                                                                                                                                                                                         |

# Specificaties



| Type                             |                              | Kledingverzorgingssysteem (AIRDRESSER) |                           |
|----------------------------------|------------------------------|----------------------------------------|---------------------------|
|                                  |                              | DF60*8****G                            |                           |
| Afmetingen<br>(mm)               | A. Hoogte                    | 1850                                   |                           |
|                                  | B. Breedte                   | 445                                    |                           |
|                                  | C. Diepte                    | 615                                    |                           |
|                                  | D. Diepte met geopende deur  | 1001                                   |                           |
|                                  | E. Breedte met geopende deur | 618                                    |                           |
| Nominaal vermogen                |                              | 220-240 V / 50 Hz<br>1700-1900 W       |                           |
| Zekering (vaste zekering in PBA) |                              | 250 V / 12 A                           |                           |
|                                  |                              | Type buis                              | Hoge breekcapaciteit type |
| Gewicht (kg)                     |                              | 89,0                                   |                           |

# Notities

---

# Notities

---

# Notities

---

## VRAGEN OF OPMERKINGEN?

| LAND        | BEL                                                                      | OF BEZOEK ONS ONLINE OP                                                             |
|-------------|--------------------------------------------------------------------------|-------------------------------------------------------------------------------------|
| ITALIA      | 800-SAMSUNG (800.7267864)                                                | <a href="http://www.samsung.com/it/support">www.samsung.com/it/support</a>          |
| NETHERLANDS | 088 90 90 100                                                            | <a href="http://www.samsung.com/nl/support">www.samsung.com/nl/support</a>          |
| LATVIA      | 8000-7267                                                                | <a href="http://www.samsung.com/lv/support">www.samsung.com/lv/support</a>          |
| LITHUANIA   | 8-800-77777                                                              | <a href="http://www.samsung.com/lt/support">www.samsung.com/lt/support</a>          |
| ESTONIA     | 800-7267                                                                 | <a href="http://www.samsung.com/ee/support">www.samsung.com/ee/support</a>          |
| POLAND      | 801-172-678* lub +48 22 607-93-33*<br>* (opłata według taryfy operatora) | <a href="http://www.samsung.com/pl/support/">http://www.samsung.com/pl/support/</a> |



DC68-04022G-00



# Appareil d'entretien de vêtements (AIRDRESSER)

## Manuel d'utilisation

DF60\*8\*\*\*\*G



**SAMSUNG**

# Sommaire

---

|                                                        |           |
|--------------------------------------------------------|-----------|
| <b>Consignes de sécurité</b>                           | <b>3</b>  |
| Remarques importantes sur les consignes de sécurité    | 3         |
| Symboles de sécurité importants                        | 3         |
| Règles de sécurité importantes                         | 4         |
| Avertissements généraux                                | 5         |
| Avertissements relatifs aux risques électriques        | 7         |
| Avertissements relatifs à l'installation               | 8         |
| Avertissements relatifs au nettoyage                   | 9         |
| Instructions concernant la réglementation DEEE         | 10        |
| <b>Avant de démarrer</b>                               | <b>11</b> |
| Installation                                           | 11        |
| Présentation de l'appareil                             | 14        |
| Panneau de commande                                    | 16        |
| Présentation des cycles                                | 18        |
| Guide d'entretien des tissus                           | 21        |
| Symboles d'entretien                                   | 25        |
| Smart Control                                          | 26        |
| <b>Utilisation de l'appareil et de ses accessoires</b> | <b>29</b> |
| Utilisation d'un cycle                                 | 29        |
| Utilisation des accessoires                            | 31        |
| <b>Nettoyage et maintenance</b>                        | <b>39</b> |
| Extérieur                                              | 39        |
| Réservoirs d'eau                                       | 40        |
| Bac à eau                                              | 41        |
| Filtre à air                                           | 42        |
| Filtre à peluches                                      | 44        |
| Détartrage                                             | 45        |
| Déplacement de l'appareil à un autre endroit           | 46        |
| <b>Dépannage</b>                                       | <b>47</b> |
| Messages de notification                               | 47        |
| Point de contrôle                                      | 48        |
| <b>Spécifications</b>                                  | <b>50</b> |

# Consignes de sécurité

Félicitations pour l'acquisition de votre nouvel appareil Samsung. Ce manuel contient des informations importantes concernant l'installation, l'utilisation et l'entretien de votre appareil. Prenez le temps de le lire pour profiter pleinement de tous les avantages et de toutes les fonctionnalités de votre appareil.

## Remarques importantes sur les consignes de sécurité

Veuillez lire attentivement ce manuel afin d'utiliser cet appareil en toute sécurité et de profiter pleinement de toutes ses fonctionnalités. Conservez ce manuel dans un endroit sûr situé à proximité de l'appareil afin de pouvoir facilement vous y reporter en cas de besoin. N'utilisez cet appareil que conformément à l'usage auquel il est destiné, tel que décrit dans ce manuel d'instructions. Les avertissements et les consignes de sécurité importantes contenus dans ce manuel ne prétendent pas couvrir toutes les situations susceptibles de se produire. Il est de votre responsabilité de faire preuve de bon sens, de prudence et de discernement lors de l'installation, de l'entretien et du fonctionnement de votre appareil. Les consignes d'utilisation suivantes concernent plusieurs modèles ; il est donc possible que les caractéristiques de votre appareil soient légèrement différentes de celles spécifiées dans ce manuel et que certains symboles d'avertissement ne s'appliquent pas. Pour toute question ou remarque, contactez votre centre de service le plus proche ou connectez-vous sur [www.samsung.com](http://www.samsung.com).

## Symboles de sécurité importants

Signification des icônes et des symboles utilisés dans ce manuel d'utilisation :

### **AVERTISSEMENT**

Les situations ou manipulations dangereuses pouvant entraîner de **graves blessures, la mort et/ou des dommages matériels**.

### **ATTENTION**

Les situations ou manipulations dangereuses pouvant entraîner **des blessures et/ou des dommages matériels**.

### **ATTENTION, surface chaude**

### **REMARQUE**

Indique la présence d'un risque de blessure ou de dommage matériel.

Ces symboles d'avertissement ont pour but d'éviter tout risque de blessure.

Respectez-les en toutes circonstances.

Lisez attentivement le présent manuel et conservez-le en lieu sûr afin de pouvoir le consulter ultérieurement.

Lisez attentivement toutes les instructions avant d'utiliser l'appareil.

Comme avec tout équipement électrique ou comportant des pièces mobiles, il existe un certain nombre de dangers potentiels. Pour une utilisation sûre de cet appareil, familiarisez-vous avec ses fonctions et restez vigilant lors de son utilisation.

# Consignes de sécurité

---

## Règles de sécurité importantes

---

### **AVERTISSEMENT**

Afin de réduire les risques d'incendie, d'électrocution ou de blessures lors de l'utilisation de l'appareil, respectez les règles de sécurité de base suivantes :

1. Cet appareil n'est pas conçu pour être utilisé par des personnes (y compris des enfants) ayant des capacités physiques, sensorielles ou mentales réduites, ou ayant un manque d'expérience et de connaissances, à moins qu'elles soient surveillées ou qu'elles aient reçu les instructions nécessaires concernant l'utilisation de cet appareil de la part d'une personne responsable de leur sécurité.
2. Cet appareil peut être utilisé par des enfants âgés de 8 ans et plus et des personnes ayant des capacités physiques, sensorielles ou mentales réduites ou un manque d'expérience et de connaissances, s'ils (si elles) sont sous surveillance ou s'ils (si elles) ont reçu des instructions concernant l'utilisation de l'appareil en toute sécurité et comprennent les dangers impliqués. Les enfants ne doivent pas jouer avec l'appareil. Le nettoyage et la maintenance par l'utilisateur ne doivent pas être effectués par des enfants sans surveillance.
3. Les enfants doivent être sous la surveillance d'un adulte pour veiller à ce qu'ils ne jouent pas avec l'appareil.
4. Si le cordon d'alimentation de l'appareil est endommagé, il doit être remplacé par le fabricant, son agent de service ou une autre personne qualifiée afin d'éviter tout danger.
5. **ATTENTION** : Afin d'éviter tout risque dû à une réinitialisation par inadvertance du dispositif de protection thermique, cet appareil ne doit pas être alimenté via un dispositif de commutation externe, tel qu'un programmateur, ou être connecté à un circuit qui est régulièrement activé ou désactivé par le fournisseur d'énergie.
6. Cet appareil est destiné à une utilisation domestique ou similaire, par exemple :
  - les zones de cuisine du personnel dans les magasins, bureaux et autres environnements de travail ;

- les fermes ;
- par les clients d'hôtels, de motels et d'autres lieux résidentiels ;
- dans des environnements de type chambres d'hôtes.

**7. AVERTISSEMENT :** Cet appareil est uniquement destiné au séchage de vêtements lavés dans de l'eau.

## Avertissements généraux

### AVERTISSEMENT

- Afin d'éviter tout risque d'électrocution, d'incendie et/ou d'accident mortel, assurez-vous que l'appareil est correctement installé et mis à la terre comme décrit dans ce manuel avant d'utiliser l'appareil.
- N'utilisez cet appareil que conformément à l'usage auquel il est destiné. Les dommages résultant de l'utilisation de l'appareil à des fins autres que celles spécifiées dans ce manuel ne sont pas couverts par la garantie.
- Pour éviter tout risque de blessure et/ou de dommage sur l'appareil, évitez de grimper ou de vous mettre debout sur l'appareil ou de vous y accrocher.
- Ne démontez pas et ne modifiez pas l'appareil.
- Ne laissez pas les enfants jouer dans, sur ou autour de l'appareil. Une surveillance accrue des enfants est nécessaire à tout moment.
- Pour éviter tout risque d'incendie, de blessure et/ou d'accident mortel, maintenez tout matériel d'emballage hors de portée des enfants ; le matériel d'emballage doit être retiré et mis au rebut correctement.
- Ne touchez pas et n'actionnez pas l'appareil si vous avez les mains mouillées.
- Pour éviter tout risque d'électrocution et/ou d'incendie, n'introduisez aucun animal et aucun objet étranger dans l'appareil.
- Si vous entendez des bruits étranges, sentez des odeurs inhabituelles et/ou observez de la fumée s'échappant de l'appareil, débranchez-le immédiatement.
- Ne placez aucun objet lourd ou dangereux dans, sur ou à proximité de l'appareil.
- Pour éviter tout risque d'électrocution, d'incendie et/ou d'accident mortel, ne procédez pas à la réparation ou au remplacement des pièces de l'appareil et ne tentez pas non plus de le réparer vous-même, sauf si le manuel d'utilisation ou d'entretien contient des recommandations spécifiques en la matière que vous comprenez et êtes en mesure d'exécuter.
- Retirez toutes vos affaires personnelles (appareils électriques, briquets, boîtes d'allumettes, etc.) des poches.
- Pour éviter tout risque d'incendie et/ou d'explosion, ne faites sécher aucun article ayant été récemment nettoyé, lavé, trempé ou taché avec de l'essence, des solvants de nettoyage à sec, d'huiles de cuisson ou toute autre substance inflammable ou explosive.
- Cet appareil n'est pas destiné à être utilisé par des personnes (y compris des enfants) ayant des capacités physiques, sensorielles ou mentales réduites, ou ayant un manque d'expérience et de connaissances, à moins qu'elles soient surveillées ou qu'elles aient reçu les instructions nécessaires concernant l'utilisation de cet appareil de la part d'une personne responsable de leur sécurité.



# Consignes de sécurité

---

- Avant de mettre l'appareil au rebut, retirez la porte du compartiment de séchage et coupez la fiche d'alimentation afin d'éviter toute réutilisation.
- Ne touchez pas et ne démontez pas la prise électrique de l'appareil. Dans le cas d'une fuite de gaz, assurez-vous de bien aérer la pièce et contactez immédiatement un centre de service Samsung.
- Pour éviter d'endommager le panneau en verre, protégez l'avant de l'appareil à tout moment.
- Pour éviter tout risque de blessure et/ou de dommage sur l'appareil, évitez de monter sur les portes du réservoir.
- Ne mettez pas les mains, les pieds, d'autres parties du corps ou des objets métalliques sous l'appareil.
- N'utilisez pas d'autres produits pour sécher l'intérieur. N'utilisez pas des bougies pour atténuer des odeurs à l'intérieur de l'appareil.
- N'ouvrez pas la porte lorsque l'appareil est en fonctionnement. Ouvrir la porte lorsque l'appareil est en fonctionnement affecte la performance de l'appareil et risque d'entraîner la formation de condensation pouvant endommager le sol.
- Ne buvez pas l'eau du réservoir de remplissage ou du réservoir de vidange.
- Nettoyez le filtre à peluches avant ou après chaque utilisation.
- N'utilisez aucun adoucissant ou produit antistatique autre que ceux recommandés par le fabricant du produit ou de l'appareil.
- Maintenez les doigts éloignés des zones de pincement. Lorsque des enfants se trouvent à proximité, fermez la porte avec précaution.
- Ne faites pas sécher des articles contenant du caoutchouc mousse ou d'autres matériaux dont la texture ressemble à celle du caoutchouc.
- Afin d'éviter tout risque de bruit excessif, d'incendie ou de dommage sur l'appareil, n'insérez aucun objet dans la buse à vapeur.
- Pendant le fonctionnement, ne placez pas vos mains ou d'autres parties de votre corps près de la buse à vapeur. La vapeur chaude peut entraîner des blessures.
- N'ouvrez pas la porte pendant le fonctionnement. La température interne élevée peut entraîner des blessures.
- Si un problème apparaît pendant le processus de génération de vapeur, arrêtez l'appareil immédiatement et retirez tous les articles de l'appareil. Si les articles ne sont pas retirés immédiatement, ils resteront humides ce qui risque d'endommager le tissu ou de provoquer des odeurs.
- Avant de placer les vêtements dans l'appareil, assurez-vous de vider toutes les poches.
- Contient des gaz à effet de serre fluorés.  
Équipement hermétiquement scellé.  
Ces gaz ne doivent pas être libérés dans l'atmosphère.
  - Fluide frigorigène (type) : R-134a (GWP = 1430)
  - Fluide frigorigène (charge) : 0,15 kg, 0,214 tCO<sub>2</sub>e





---

## Avertissements relatifs aux risques électriques

---

### AVERTISSEMENT

- Retirez régulièrement toutes les substances étrangères telles que la poussière ou l'eau des bornes de la fiche d'alimentation et des points de contact à l'aide d'un chiffon sec.
- Débranchez la fiche d'alimentation et nettoyez-la à l'aide d'un chiffon sec.
- Pour éviter tout risque d'électrocution, débranchez toujours l'appareil avant de le démonter ou de le réparer.
- Ne tirez pas sur le cordon d'alimentation lorsque vous débranchez la fiche d'alimentation. Pour débrancher la fiche d'alimentation, tirez fermement dessus.
- Pour éviter tout risque d'électrocution, n'utilisez pas de rallonge.
- Ne remplacez pas par vous-même un cordon ou une fiche d'alimentation endommagé(e). Ne tentez pas de réparer, de démonter ou de modifier le cordon ou la fiche d'alimentation. Pour toute réparation, prenez contact avec le centre de service Samsung le plus proche.
- Branchez le cordon d'alimentation sur une prise électrique murale conforme aux spécifications électriques locales. Utilisez la prise uniquement pour cet appareil et n'utilisez pas de rallonge.
- Lors du déplacement de l'appareil, veillez à ce que le cordon d'alimentation soit constamment protégé.
- Pour éviter tout risque d'électrocution, d'incendie, de blessure grave, de dommage sur l'appareil et/ou d'accident mortel, l'appareil doit être branché sur une prise correctement mise à la terre. Assurez-vous que la prise murale et le circuit sont vérifiés par un électricien qualifié.
- L'appareil doit être équipé d'une fiche de terre et d'un cordon comportant un conducteur de mise à la terre. La fiche doit être branchée sur une prise secteur appropriée, correctement installée et mise à la terre conformément à toutes les dispositions et réglementations locales.
- L'appareil doit être mis à la terre. En cas de panne ou de défaillance, la mise à la terre réduit le risque d'électrocution en fournissant au courant électrique un trajet de moindre résistance.
- Avant l'utilisation, assurez-vous qu'il existe une prise électrique dédiée et mise à la terre, prévue pour être utilisée avec cet appareil. Il révèle de la responsabilité du propriétaire de remplacer une prise murale 2 broches standard par une prise 3 broches standard.
- Pour éviter tout risque d'électrocution, reliez l'appareil correctement à la terre conformément à tous les codes et règlements en vigueur. Suivez les instructions dans le manuel d'utilisation.
- L'appareil doit toujours être branché sur une prise électrique indépendante dotée d'une tension nominale correspondant à celle figurant sur la plaque signalétique. Cette précaution permet d'assurer des performances optimales et d'éviter toute surcharge au niveau des circuits électriques de l'habitation susceptible de provoquer un incendie dû à la surchauffe des câbles.
- Branchez l'appareil à un circuit électrique adapté en termes de tension nominale, de protection et de puissance afin d'éviter toute surcharge électrique. Un circuit électrique non adapté risque de fondre, entraînant ainsi un risque d'électrocution et/ou d'incendie.
- Ne coupez, ni ne retirez jamais la broche de terre de la fiche du cordon d'alimentation. Afin d'éviter tout risque de blessure ou de dommage sur l'appareil, le cordon d'alimentation électrique doit être branché sur une prise correctement mise à la terre.



# Consignes de sécurité

- N'utilisez pas de multiprise (portable) si elle n'est pas correctement mise à la terre. Lors de l'utilisation d'une multiprise (portable) correctement mise à la terre, utilisez uniquement un produit d'une capacité de courant de 15 A ou plus. Le non-respect de cette consigne peut entraîner un risque d'électrocution ou d'incendie lorsque la multiprise chauffe. L'appareil doit être mis hors tension lorsque le disjoncteur fonctionne.
- L'appareil doit être branché sur une prise de terre métallique permanente ou un conducteur de mise à la terre doit être connecté aux conducteurs du circuit et à la borne ou au fil de terre de l'appareil. Il y a un risque d'électrocution si l'appareil n'est pas correctement mis à la terre.
- Un branchement incorrect du conducteur de mise à la terre peut créer un risque d'électrocution. En cas de doute sur la conformité de la mise à la terre de votre appareil, faites appel à un électricien qualifié ou à un agent de service.

## Avertissements relatifs à l'installation

### AVERTISSEMENT

- Installez l'appareil uniquement dans un endroit stable au sol plat. N'installez pas l'appareil dans un endroit susceptible d'être exposé à des vibrations ou dans un endroit où il est susceptible de basculer, par ex. sur des navires ou dans des avions. Contactez un centre de service Samsung si vous avez un doute concernant le lieu d'installation.
- N'installez pas l'appareil dans des endroits exposés aux intempéries ou à des températures négatives. Si l'appareil a été livré dans un endroit exposé à des températures négatives, laissez l'appareil se réchauffer avant de l'installer.
- Pour éviter tout risque d'électrocution, d'incendie, de blessure grave, de dommage sur l'appareil et/ou d'accident mortel, n'installez pas l'appareil dans des endroits humides (par ex. dans une salle de bain ou un sauna).
- Pour éviter tout risque d'incendie, de fumée et/ou de dommage sur l'appareil, n'installez pas l'appareil à proximité de sources de chaleur (par ex. à proximité d'un four ou d'un chauffage).
- Pour éviter tout risque d'incendie, de fumée et/ou de dommage sur l'appareil, ne placez pas de bougies ou d'autres objets inflammables sur, dans ou à proximité de l'appareil.
- Pour éviter tout risque de blessure et/ou de dommage sur l'appareil, contactez un centre de service Samsung avant de déplacer l'appareil.
- Positionnez l'appareil de telle sorte que la fiche d'alimentation reste facilement accessible. Pour éviter tout risque d'électrocution et/ou d'incendie, débranchez l'appareil lorsqu'il n'est pas utilisé.
- Si le lieu d'installation a été inondé, restez à l'écart de l'appareil et contactez immédiatement un centre de service Samsung.
- Pour éviter tout risque d'incendie, de fumée et/ou de dommage sur l'appareil, retirez tous les films protecteurs de l'appareil.
- Pour éviter tout risque de dommage sur l'appareil et/ou de blessure corporelle, l'appareil doit être déplacé par au moins deux personnes.



---

## Avertissements relatifs au nettoyage

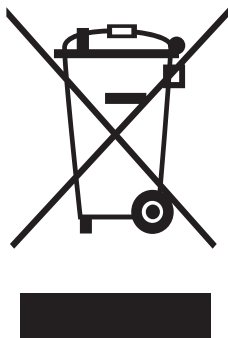
---

### AVERTISSEMENT

- Pour éviter tout risque d'électrocution, n'utilisez pas d'objet tranchant pour faire fonctionner ou nettoyer l'appareil.
- Ne vaporisez pas d'eau directement sur l'appareil pendant le nettoyage.
- N'utilisez pas d'agents de blanchiment sur l'extérieur de l'appareil. Les agents de blanchiment peuvent décolorer l'extérieur.
- Essuyez l'intérieur à l'aide d'un chiffon sec avant l'utilisation.
- Après avoir utilisé l'appareil, essuyez l'intérieur à l'aide d'un chiffon sec.
  - L'appareil risquerait d'être taché par de la saleté, par exemple des cheveux longs, ou par la poussière et les gouttes d'eau qui peuvent se former à l'intérieur.
- Si de une substance (produit de nettoyage, saleté, résidus alimentaires, etc.) s'est accumulée dans l'appareil ou tout accessoire, débranchez le câble d'alimentation puis essuyez la zone contaminée à l'aide d'un chiffon doux et humide.
  - N'exposez pas l'appareil ou l'accessoire à des produits de nettoyage ou de blanchiment, et n'appliquez pas non plus ces produits sur l'appareil ou l'accessoire.
  - En cas de non-respect de cette consigne, cela peut entraîner une décoloration, une déformation, des dommages ou de la rouille.

# Consignes de sécurité

## Instructions concernant la réglementation DEEE



Les bons gestes de mise au rebut de ce produit (Déchets d'équipements électriques et électroniques)

(Applicable aux pays disposant de systèmes de collecte séparés)

Ce symbole sur le produit, ses accessoires ou sa documentation indique que ni le produit, ni ses accessoires électroniques usagés (chargeur, casque audio, câble USB, etc.) ne peuvent être jetés avec les autres déchets ménagers. La mise au rebut incontrôlée des déchets présentant des risques environnementaux et de santé publique, veuillez séparer vos produits et accessoires usagés des autres déchets. Vous favoriserez ainsi le recyclage de la matière qui les compose dans le cadre d'un développement durable.

Les particuliers sont invités à contacter le magasin leur ayant vendu le produit ou à se renseigner auprès des autorités locales pour connaître les procédures et les points de collecte de ces produits en vue de leur recyclage.

Les entreprises et particuliers sont invités à contacter leurs fournisseurs et à consulter les conditions de leur contrat de vente. Ce produit et ses accessoires ne peuvent être jetés avec les autres déchets.

Pour en savoir plus sur les engagements environnementaux de Samsung et les obligations réglementaires à l'égard des appareils, par ex. les directives REACH, DEEE ou Batteries, rendez-vous sur notre page relative au développement durable disponible sur [www.samsung.com](http://www.samsung.com).

# Avant de démarrer

## Installation

Installez l'appareil conformément aux instructions dans ce manuel et aux réglementations locales en vigueur.

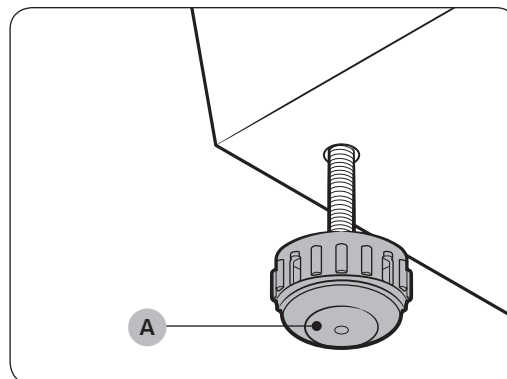
### Installation de l'appareil

1. Choisissez un endroit stable et plat offrant suffisamment d'espace pour les distances suivantes.

|         |       |
|---------|-------|
| En haut | 25 mm |
| Côtés   | 5 mm  |
| Arrière | 15 m  |

- Si les distances minimales ne sont pas respectées, la performance peut diminuer en raison d'une mauvaise ventilation d'air et de la condensation peut se former à l'extérieur de l'appareil.
- N'installez pas l'appareil dans un endroit exposé directement aux rayons du soleil ou dans des endroits chauds et froids. La température ambiante doit se situer entre 10 °C et 35 °C. Si la température ambiante est trop élevée ou trop faible, l'appareil peut ne pas fonctionner correctement ou la performance peut diminuer.

2. Tournez les **pieds réglables (A)** dans le sens horaire ou antihoraire pour régler la hauteur jusqu'à ce que l'appareil soit à niveau.

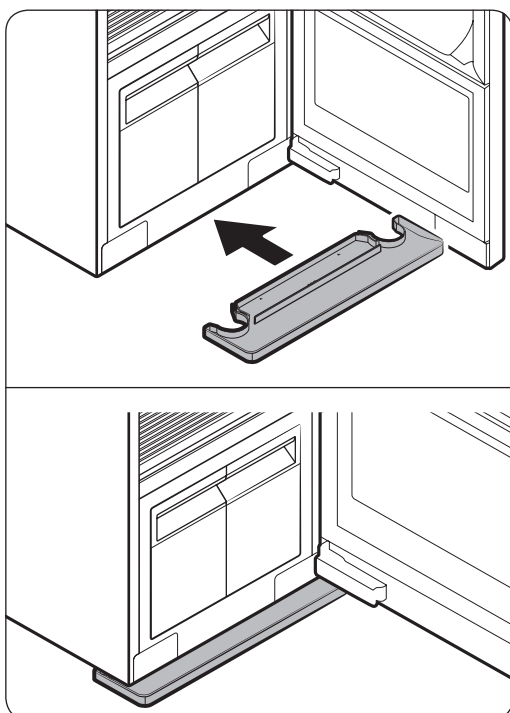


### REMARQUE

Si l'appareil est bancal ou si vous souhaitez soulever la face arrière, assemblez les pieds réglables fournis sur les côtés arrière de l'appareil.

# Avant de démarrer

3. Insérez le tiroir d'eau comme illustré.
  - Assurez-vous que le côté portant la marque « TOP » (HAUT) soit face en haut.



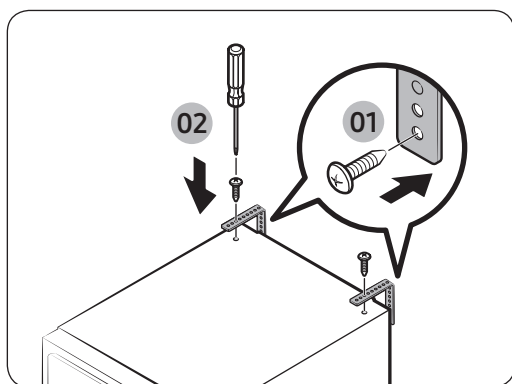
4. Branchez l'appareil sur une prise 230 V / 50 Hz reliée à la terre.
  - Si vous n'avez pas de prise reliée à la terre, contactez un centre de service Samsung pour connaître les méthodes alternatives permettant de mettre l'appareil à la terre.

## REMARQUE

- Après avoir installé l'appareil, attendez au moins 2 heures avant de l'utiliser.
- Lors de sa première utilisation, l'appareil consomme une plus grande quantité d'eau. Vous devez éventuellement remplir le réservoir de remplissage plus qu'une fois.

### Fixation de l'AIRDRESSER à l'aide d'une sangle anti-basculement (en option)

Des enfants ou des forces externes peuvent faire basculer l'AIRDRESSER. Si nécessaire, utilisez la sangle anti-basculement pour bien fixer l'AIRDRESSER et éviter ainsi tout basculement. (Reportez-vous au tableau.)



#### **⚠ ATTENTION**

Vous devez débrancher l'AIRDRESSER avant de le fixer à l'aide de la sangle anti-basculement.

#### **📄 REMARQUE**

- Utilisez la vis fournie pour fixer la sangle anti-basculement sur le mur.
- Utilisez les vis fixées en haut de l'AIRDRESSER pour fixer la sangle anti-basculement sur l'AIRDRESSER.

### Réglage de la langue

Lorsque vous allumez l'appareil pour la première fois après l'installation, l'écran de sélection de la langue apparaît sur le panneau de commande. Suivez les instructions pour sélectionner la langue.

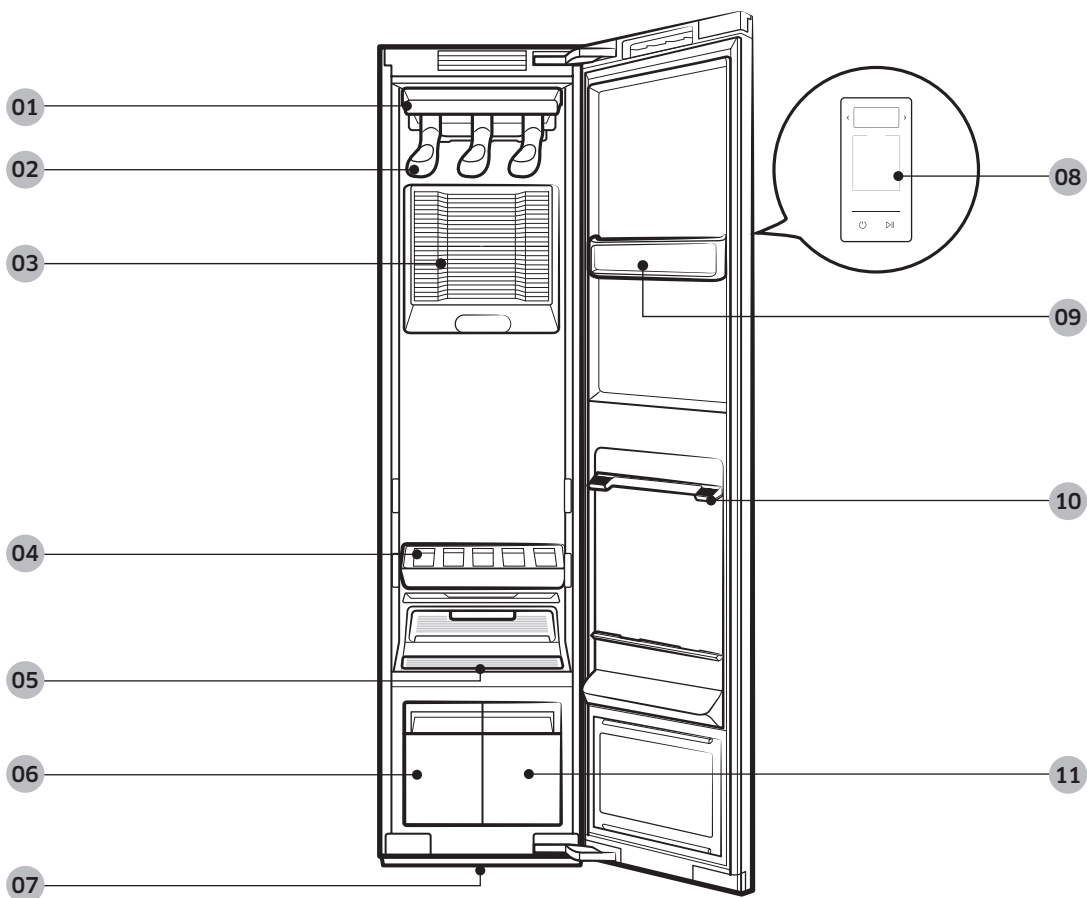
1. Appuyez sur < ou > pour sélectionner une langue.
2. Appuyez sur le bouton **Démarrer/Pause** ▶|| et maintenez-le enfoncé pour enregistrer la langue sélectionnée.

#### **📄 REMARQUE**

- Le réglage de la langue peut ne pas s'appliquer dans certains pays.
- Pour modifier la langue ultérieurement, maintenez enfoncés les boutons **Normal** et **Delicates (Déliçats)** pendant 3 secondes, puis suivez les instructions indiquées ci-dessus.

# Avant de démarrer

## Présentation de l'appareil



01 Trou d'air

04 Étagère

07 Bac à eau

10 Support étagère

02 Cintre à air

05 Filtre à peluches

08 Panneau de commande

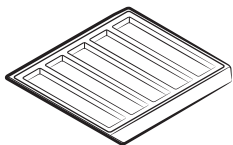
11 Réservoir de remplissage

03 Filtre à air

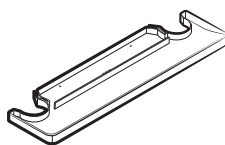
06 Réservoir de vidange

09 Zone d'entretien des accessoires

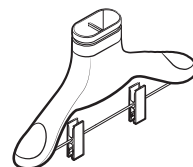
## Accessoires



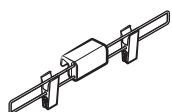
Étagère



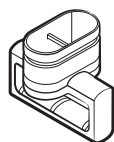
Bac à eau



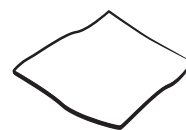
Cintre à air



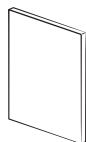
Kit de poids



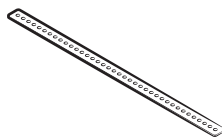
Kit pour cintres réguliers



Chiffon de nettoyage



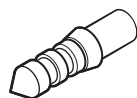
Manuel d'utilisation



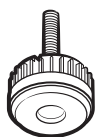
Sangle anti-basculement



Vis (pour sangle anti-basculement)



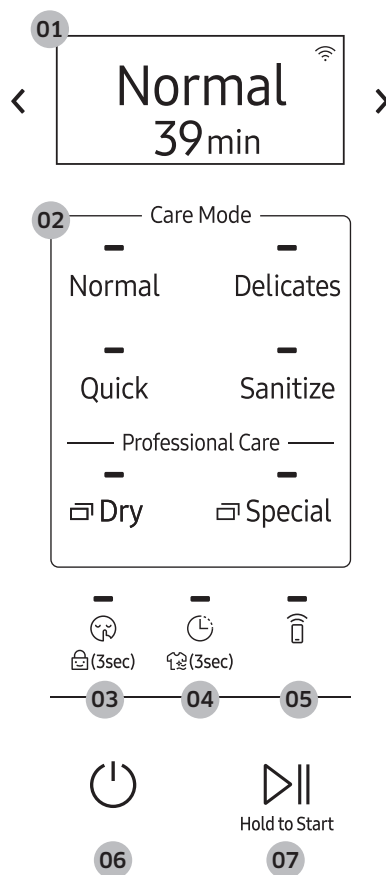
Cheville (pour sangle anti-basculement)



Pieds réglables arrière

# Avant de démarrer

## Panneau de commande



### 01 Écran

Affiche le cycle sélectionné ainsi que le temps restant approximatif, les notifications et la connectivité Wi-Fi.

### 02 Cycles

Appuyez sur un cycle pour le sélectionner. Pour plus d'informations sur les cycles, reportez-vous à la page 18.

### 03 Silencieux / Sécurité enfant (3 s)




Silencieux

Appuyez sur ce bouton pour activer ou désactiver la fonction Silencieux. La fonction Silencieux réduit le bruit de fonctionnement.





#### REMARQUE

Silencieux augmente le temps de cycle.



|                                                                                                   |                                                                                                                                                                                                                                                                                                                                                                                                                                                                                                                      |
|---------------------------------------------------------------------------------------------------|----------------------------------------------------------------------------------------------------------------------------------------------------------------------------------------------------------------------------------------------------------------------------------------------------------------------------------------------------------------------------------------------------------------------------------------------------------------------------------------------------------------------|
| Sécurité enfant  | <p>Appuyez sur le bouton puis maintenez-le appuyé pendant 3 secondes pour activer ou désactiver la fonction Sécurité enfant. La fonction Sécurité enfant désactive tous les boutons sauf Marche/Arrêt .</p> <p> <b>REMARQUE</b></p> <p>Lorsque la fonction Sécurité enfant est activée, elle reste activée jusqu'à ce que vous la désactiviez.</p> |
|---------------------------------------------------------------------------------------------------|----------------------------------------------------------------------------------------------------------------------------------------------------------------------------------------------------------------------------------------------------------------------------------------------------------------------------------------------------------------------------------------------------------------------------------------------------------------------------------------------------------------------|

#### 04 Fin différée / Maintenir la fraîcheur (3 s)

|                                                                                                            |                                                                                                                                                                                                                                                                                                                                                                                                                                                                                                                                                                                                                                                                                                                                                                  |
|------------------------------------------------------------------------------------------------------------|------------------------------------------------------------------------------------------------------------------------------------------------------------------------------------------------------------------------------------------------------------------------------------------------------------------------------------------------------------------------------------------------------------------------------------------------------------------------------------------------------------------------------------------------------------------------------------------------------------------------------------------------------------------------------------------------------------------------------------------------------------------|
| Fin différée              | <p>Appuyez sur le bouton pour activer la fonction Fin différée, puis appuyez à nouveau dessus pour régler une heure de fin ultérieure (de 1 à 24 heures).</p> <p> <b>REMARQUE</b></p> <ul style="list-style-type: none"> <li>• Vous ne pouvez pas utiliser la fonction Fin différée avec la fonction Séchage auto..</li> <li>• Lorsque la fonction Fin différée est activée, l'écran s'éteint pour économiser de l'énergie.</li> <li>• Certaines heures de fin peuvent ne pas être disponibles selon le cycle sélectionné.</li> <li>• Selon les articles et l'environnement, l'heure de fin réelle peut différer de celle réglée.</li> </ul>                                    |
| Maintenir la fraîcheur  | <p>Appuyez sur le bouton puis maintenez-le appuyé pendant 3 secondes pour activer ou désactiver la fonction Maintenir la fraîcheur. Vous pouvez maintenir des articles au frais, si vous ne pouvez pas les sortir immédiatement après la fin d'un cycle.</p> <p> <b>REMARQUE</b></p> <ul style="list-style-type: none"> <li>• La fonction Maintenir la fraîcheur reste activée jusqu'à 24 heures après la fin du cycle.</li> <li>• Mettre l'appareil hors tension ou ouvrir la porte de l'appareil désactive la fonction Maintenir la fraîcheur.</li> <li>• Lorsque la fonction Maintenir la fraîcheur est activée, l'écran s'éteint pour économiser de l'énergie.</li> </ul> |

#### 05 Smart Control

Appuyez sur le bouton pour activer ou désactiver la fonction Smart Control. Pour plus d'informations sur Smart Control, reportez-vous à la page 26.

#### 06 Marche/Arrêt

Appuyez sur ce bouton pour mettre l'appareil sous ou hors tension.


#### 07 Démarrer/Pause

Appuyez sur le bouton et maintenez-le appuyé pour démarrer l'appareil. Appuyez sur le bouton pour interrompre l'appareil.

# Avant de démarrer

## Présentation des cycles

### Cycles quotidiens

| Cycle                  | Description                                                                                                                                                                                                                                                                                                                                                                                                                                                                                                                                                                     |
|------------------------|---------------------------------------------------------------------------------------------------------------------------------------------------------------------------------------------------------------------------------------------------------------------------------------------------------------------------------------------------------------------------------------------------------------------------------------------------------------------------------------------------------------------------------------------------------------------------------|
| Normal                 | <ul style="list-style-type: none"><li>• Permet de rafraîchir vos vêtements de tous les jours.</li></ul>                                                                                                                                                                                                                                                                                                                                                                                                                                                                         |
| Delicates (Déliçats)   | <ul style="list-style-type: none"><li>• Pour les articles délicats tels que la mousseline de soie, la dentelle ou des vêtements dotés d'ornements.</li><li>• Utilisez également ce cycle pour les vêtements en viscose.</li></ul>                                                                                                                                                                                                                                                                                                                                               |
| Quick (Rapide)         | <ul style="list-style-type: none"><li>• Pour un entretien rapide des vêtements légèrement odorants ou froissés.</li></ul>                                                                                                                                                                                                                                                                                                                                                                                                                                                       |
| Sanitize (Désinfecter) | <ul style="list-style-type: none"><li>• Permet de désinfecter vos vêtements avec de la vapeur.</li></ul> <p> <b>REMARQUE</b></p> <ul style="list-style-type: none"><li>• Ne mettez pas plus qu'un seul article volumineux. Des articles volumineux peuvent bloquer la vapeur ou le flux d'air.</li><li>• Si vous arrêtez ou changez le cycle pendant que le message Sanitizing (Désinfection) apparaît à l'écran, les articles peuvent être endommagés ou ne pas sécher entièrement.</li></ul> |

## Cycles de séchage




### ATTENTION

N'utilisez aucun des articles suivants pour les cycles Séchage.

- Le cuir, la fourrure, les plumes, le velours, la soie.
- Tout article contenant du caoutchouc ou du caoutchouc mousse.
- Les tissus en mélange de laine, de soie ou de chanvre, les tissus imperméables.
- Les plaids en fourrure excédant 1 cm, les plaids en laine, les tapis, les matelas.
- La lingerie à dentelle, les collants, les bas.


### REMARQUE

Les résultats de séchage varient selon l'épaisseur des articles.

| Cycle                         | Description                                                                                                                                                                                                                                                                                                                                                                                                                                                                                                      |
|-------------------------------|------------------------------------------------------------------------------------------------------------------------------------------------------------------------------------------------------------------------------------------------------------------------------------------------------------------------------------------------------------------------------------------------------------------------------------------------------------------------------------------------------------------|
| Sensor Dry (Séchage auto.)    | <p>L'AIRDRESSER règle automatiquement le temps de séchage.</p> <p> <b>REMARQUE</b></p> <ul style="list-style-type: none"><li>• Lors de l'utilisation de la fonction Séchage auto., le réservoir de vidange se remplit rapidement.</li><li>• Avec la fonction Séchage auto., il se peut que les articles très mouillés ou volumineux ne soient pas bien séchés. Si les articles ne sont pas secs, redémarrez le cycle.</li></ul> |
| Time Dry (Séchage prog.)      | <p>Permet de régler le temps de séchage manuellement (de 1 à 3 heures).</p> <p> <b>REMARQUE</b></p> <ul style="list-style-type: none"><li>• Avec la fonction Séchage prog., il se peut que les articles très mouillés ou volumineux ne soient pas bien séchés. Si les articles ne sont pas secs, redémarrez le cycle.</li></ul>                                                                                               |
| Room Care (Entretien (pièce)) | <p>Pour déshumidifier la zone environnante. Vous pouvez sélectionner 2 à 4 heures.</p> <p> <b>REMARQUE</b></p> <ul style="list-style-type: none"><li>• Assurez-vous que l'appareil est vide lorsque vous utilisez la fonction Entretien (pièce).</li><li>• La température intérieure peut augmenter.</li></ul>                                                                                                                |

# Avant de démarrer

## Cycles spéciaux

| Cycle                              | Description                                                                                                                                                                                                                                                                                                                                                                                                                                                                                                                                                           |
|------------------------------------|-----------------------------------------------------------------------------------------------------------------------------------------------------------------------------------------------------------------------------------------------------------------------------------------------------------------------------------------------------------------------------------------------------------------------------------------------------------------------------------------------------------------------------------------------------------------------|
| Suits (Costumes)                   | <p>Permet de lisser les plis dans des pantalons.</p> <p> <b>REMARQUE</b></p> <ul style="list-style-type: none"><li>Placez la veste dans le trou d'air de milieu et les pantalons dans le trou d'air droit.</li><li>Pour de meilleurs résultats, utilisez le kit de poids.</li></ul>                                                                                                                                                                                                  |
| School uniform (Uniforme scolaire) | <p>Pour les uniformes scolaires qui ne peuvent pas être lavés ni séchés quotidiennement.</p>                                                                                                                                                                                                                                                                                                                                                                                                                                                                          |
| Wool/Knit (Laine/tricot)           | <p>Pour les articles en laine ou en maille.</p> <p> <b>REMARQUE</b></p> <p>Pour éviter de déformer les articles, pliez-les soigneusement et placez-les sur l'étagère.</p>                                                                                                                                                                                                                                                                                                            |
| Outdoor (Extérieur)                | <p>Pour les vêtements extérieurs ou de sports.</p>                                                                                                                                                                                                                                                                                                                                                                                                                                                                                                                    |
| Down Jackets (Vestes en duvet)     | <p>Pour regonfler des vestes en duvet lourdes ayant été stockées pendant une longue période.</p> <p> <b>REMARQUE</b></p> <p>Pour éviter de bloquer la circulation de l'air, accrochez un seul article dans le trou d'air de milieu.</p>                                                                                                                                                                                                                                            |
| Fur/Leather (Fourrure/Cuir)        | <p>Permet d'éliminer les moisissures et la poussière de la fourrure et des articles en cuir.</p> <p> <b>REMARQUE</b></p> <ul style="list-style-type: none"><li>Pendant ce cycle, le bruit de fonctionnement peut être plus élevé.</li><li>Respectez les instructions sur les étiquettes d'entretien.</li><li>Pour de meilleurs résultats, placez un seul article dans l'appareil.</li><li>Assurez-vous que les articles en fourrure sont secs avant d'utiliser ce cycle.</li></ul> |
| Heavy Duty (Usage intensif)        | <p>Pour l'entretien d'articles en tissu épais comme des pulls.</p>                                                                                                                                                                                                                                                                                                                                                                                                                                                                                                    |
| Self Clean (Autonettoyage)         | <p>Permet d'autonettoyer l'appareil.</p> <p> <b>REMARQUE</b></p> <ul style="list-style-type: none"><li>Assurez-vous que l'appareil est vide.</li><li>Pour de meilleurs résultats et un nettoyage optimal, n'arrêtez pas le cycle et n'ouvrez pas la porte avant que la fonction Autonettoyage soit terminée.</li><li>Ce cycle n'élimine pas de moisissures.</li></ul>                                                                                                              |

## Téléchargement de cycles

Vous pouvez télécharger d'autres cycles de l'application SmartThings.

1. Appuyez sur **Marche/Arrêt** (⏻).
2. Appuyez plusieurs fois sur **Special (Spécial)** pour sélectionner **Download (Télécharger)**.
3. Sur votre smartphone, suivez les instructions indiquées à l'écran pour télécharger les cycles disponibles.
  - Vous pouvez télécharger jusqu'à 10 cycles.
  - Vous pouvez télécharger les cycles suivants.
    - Winter Coat (Manteau d'hiver), Denim, Down Dry (Duvet sec), Babywear (Vêtements (bébé)), Bedding (Literie), Doll (Poupées), Accessories (Accessoires).

## Guide d'entretien des tissus

- L'entretien des textiles varie selon le traitement et la finition du tissu. Le guide d'entretien des tissus ne couvre pas toutes les matières et sert uniquement de référence. Regardez impérativement l'étiquette d'entretien sur vos vêtements avant d'utiliser l'AIRDRESSER afin d'éviter tout dommage.
- N'utilisez pas les cycles généraux, spéciaux et de désinfection pour les articles susceptibles de décolorer, sensibles à la chaleur ou non adaptés au lavage. Faites un essai en versant quelques gouttes d'eau sur un petit endroit peu visible (une couture intérieure) afin de déterminer si le tissu est grand teint. Pour plus d'informations, consultez le fabricant du vêtement, un professionnel du nettoyage à sec ou un guide d'entretien des tissus plus détaillé.

## Catégorie de cycle

Reportez-vous au tableau suivant pour vérifier les cycles spécifiques dans chaque catégorie du tableau de guide d'entretien des tissus.

| Catégorie              | Cycles                                                                                                                                                                                                                                                              |
|------------------------|---------------------------------------------------------------------------------------------------------------------------------------------------------------------------------------------------------------------------------------------------------------------|
| Cycles généraux        | Normal, Quick (Rapide), Delicates (Déliçats)                                                                                                                                                                                                                        |
| Cycles spéciaux        | Suits (Costumes), School uniform (Uniforme scolaire), Wool/Knit (Laine/tricot), Outdoor (Extérieur), Down Jackets (Vestes en duvet), Fur/Leather (Fourrure/Cuir), Heavy Duty (Usage intensif), Winter Coat (Manteau d'hiver)**, Denim**, Accessories (Accessoires)* |
| Cycles de désinfection | Sanitize (Désinfecter), Babywear (Vêtements (bébé))**, Bedding (Literie)**, Doll (Poupées)**                                                                                                                                                                        |
| Cycles de séchage      | Sensor Dry (Séchage auto.), Time Dry (Séchage prog.), Down Dry (Duvet sec)**                                                                                                                                                                                        |

\* = Cycles spéciaux / \*\* = Cycles à télécharger

# Avant de démarrer

## Tableau de guide d'entretien des tissus

### Fibres naturelles - fibres végétales

| Tissu               | Cycles            |                |         |             |         | Vêtements / Remarques                                                                                                                                                                                                                                                                               |
|---------------------|-------------------|----------------|---------|-------------|---------|-----------------------------------------------------------------------------------------------------------------------------------------------------------------------------------------------------------------------------------------------------------------------------------------------------|
|                     | Général           |                | Spécial | Désinfecter | Séchage |                                                                                                                                                                                                                                                                                                     |
|                     | Réduction de plis | Désodorisation |         |             |         |                                                                                                                                                                                                                                                                                                     |
| Coton               |                   | ●              | ●       | ●           | ●       | Serviettes, chaussettes, sous-vêtements, jeans, vêtements de sports, t-shirts, draps<br>Des plis dans des tissus en 100 % coton peuvent rester. Si vous le souhaitez, vous pouvez repasser le vêtement après le cycle.                                                                              |
| Lin, chanvre, ramie |                   | ●              | ●       | ●           | ●       | Vêtements d'été, nappes<br>Quelques plis peuvent rester. Assurez-vous que les tissus sont lavables (en machine ou à la main) avant d'utiliser les cycles généraux, spéciaux ou de désinfection. Placez les vêtements délicats sur l'étagère. Ne mettez pas des vêtements amidonnés dans l'appareil. |
| Viscose             | ●                 | ●              | ●       |             | ●       | Doubleure de costume, chemisiers, cravates, pyjamas                                                                                                                                                                                                                                                 |

● = Possible / ✕ = Vérifier l'étiquette d'entretien

### Fibres naturelles - fibres animales

| Tissu                              | Cycles            |                |         |             |         | Vêtements / Remarques                                                                                                                    |
|------------------------------------|-------------------|----------------|---------|-------------|---------|------------------------------------------------------------------------------------------------------------------------------------------|
|                                    | Général           |                | Spécial | Désinfecter | Séchage |                                                                                                                                          |
|                                    | Réduction de plis | Désodorisation |         |             |         |                                                                                                                                          |
| Alpaga, poil de chameau, cachemire | ✕                 | ✕              | ●       |             |         | Manteaux, costumes<br>Placez les tricots sur l'étagère. La fibre d'alpaga et les poils de chameau peuvent rétrécir dans de l'eau chaude. |
|                                    |                   | ✕              | ●       |             |         | Écharpes, tricots<br>Placez les tricots sur l'étagère. La fibre d'alpaga et les poils de chameau peuvent rétrécir dans de l'eau chaude.  |
| Fourrure, cuir                     |                   |                | ●*      |             |         | Manteaux, écharpes<br>* Utilisez uniquement le cycle Fur/Leather (Fourrure/Cuir). Le cuir doit être 100 % naturel (pas de similicuir)    |
| Soie                               |                   |                |         |             |         | Cravates en soie, rubans, écharpes, chemisiers<br>Les tissus en soie ne sont pas adaptés à l'AIIRDRESSER.                                |

| Tissu | Cycles            |                |         |             |         | Vêtements / Remarques                                                                                                                                                                                                                                                                                                                                                                                 |
|-------|-------------------|----------------|---------|-------------|---------|-------------------------------------------------------------------------------------------------------------------------------------------------------------------------------------------------------------------------------------------------------------------------------------------------------------------------------------------------------------------------------------------------------|
|       | Général           |                | Spécial | Désinfecter | Séchage |                                                                                                                                                                                                                                                                                                                                                                                                       |
|       | Réduction de plis | Désodorisation |         |             |         |                                                                                                                                                                                                                                                                                                                                                                                                       |
| Laine |                   | ×              | ●*      |             | ●       | <p><b>Pull-overs, tricot</b><br/>Placez les tricotés sur l'étagère. Certains tissus en laine peuvent rétrécir lorsqu'ils sont lavés à l'eau chaude. Assurez-vous que les tissus sont lavables (en machine ou à la main) avant d'utiliser les cycles généraux ou spéciaux.<br/>* Il est recommandé d'utiliser le cycle Wool/Knit (Laine/tricot).</p>                                                   |
|       | ●                 | ●              | ●*      | ×           | ●       | <p><b>Manteaux d'hiver, costumes</b><br/>Placez les tricotés sur l'étagère. Certains tissus en laine peuvent rétrécir lorsqu'ils sont lavés à l'eau chaude. Assurez-vous que les tissus sont lavables (en machine ou à la main) avant d'utiliser les cycles généraux, spéciaux ou de désinfection.<br/>* Il est recommandé d'utiliser le cycle Winter Coat (Manteau d'hiver) ou Suits (Costumes).</p> |

● = Possible / × = Vérifier l'étiquette d'entretien

Avant de démarrer

# Avant de démarrer

## Fibres synthétiques

| Tissu        | Cycles            |                |         |             |         | Vêtements / Remarques                                                                                                                                            |
|--------------|-------------------|----------------|---------|-------------|---------|------------------------------------------------------------------------------------------------------------------------------------------------------------------|
|              | Général           |                | Spécial | Désinfecter | Séchage |                                                                                                                                                                  |
|              | Réduction de plis | Désodorisation |         |             |         |                                                                                                                                                                  |
| Acétate      | ●                 | ●              | ●       | ●           | ●       | Doubleure de costume, chemisiers, cravates, pyjamas                                                                                                              |
| Acrylique    | ●                 | ●              | ●       | ●           | ●       | Sous-vêtements thermiques, tricot<br>Placez les vêtements sur l'étagère.                                                                                         |
| Nylon        | ●                 | ●              | ●       | ●           | ●       | Collants, lingerie<br>Placez les vêtements sur l'étagère.                                                                                                        |
|              | ●                 | ●              | ●       | ●           | ●       | Vêtements de sports                                                                                                                                              |
| Polyuréthane | ●                 | ●              | ●       | ●           | ●       | Vêtements élastiques (contenant moins de 5 %)<br>Si l'article contient plus de 5 % de polyuréthane (par ex. maillots de bain), vérifiez l'étiquette d'entretien. |
| Polyester    | ●                 | ●              | ●       | ●           | ●       | Vêtements extérieurs, vêtements de sports, t-shirts, chemises, chemisiers                                                                                        |






















● = Possible / × = Vérifier l'étiquette d'entretien



## Symboles d'entretien

La plupart de vêtements sont dotés d'étiquettes d'entretien contenant des instructions pour l'entretien adapté. Le tableau suivant contient certains de ces symboles afin de vous aider à choisir les articles adaptés pour l'AIRDRESSER.

### Les étiquettes d'entretien pouvant être utilisés par l'AIRDRESSER

| Catégorie                                                                                                        | Étiquette                                                                           | Signification                | Utilisation avec l'AIRDRESSER |
|------------------------------------------------------------------------------------------------------------------|-------------------------------------------------------------------------------------|------------------------------|-------------------------------|
| <br>Étiquettes de lavage        |    | Normal                       | 0                             |
|                                                                                                                  |    | Sans repassage               | 0                             |
|                                                                                                                  |    | Délicat                      | 0                             |
|                                                                                                                  |    | Ne pas laver                 | 0*                            |
|                                                                                                                  |    | Lavage à la main             | 0                             |
| <br>Étiquettes de sèche-linge |    | Pas de chaleur               | X                             |
|                                                                                                                  |    | Faible                       | 0                             |
|                                                                                                                  |   | Moyen                        | 0                             |
|                                                                                                                  |  | Élevé                        | 0                             |
|                                                                                                                  |  | Normal                       | 0                             |
|                                                                                                                  |  | Sans repassage               | 0                             |
|                                                                                                                  |  | Délicat                      | 0                             |
|                                                                                                                  |  | Ne pas sécher au sèche-linge | 0                             |
| <br>Étiquettes de séchage     |  | Séchage à l'air libre        | 0                             |
|                                                                                                                  |  | Séchage par égouttage        | 0                             |
|                                                                                                                  |  | Séchage à plat               | 0**                           |
|                                                                                                                  |  | Séchage à l'ombre            | 0                             |
|                                                                                                                  |  | Ne pas sécher                | X                             |

\* Certains vêtements pour lesquels le lavage n'est pas recommandé (par ex. la fourrure ou les tissus en cuir) peuvent être utilisés avec l'AIRDRESSER. Reportez-vous au guide d'entretien des tissus.

\*\* Utilisez l'étagère pour les articles dont l'étiquette d'entretien comporte ce symbole.



# Avant de démarrer

---

## Smart Control

---

### Connexion Wi-Fi

- Les méthodes de cryptage recommandées sont WPA/TKIP et WPA2/AES. Les nouveaux protocoles Wi-Fi développés ou les protocoles Wi-Fi non approuvés ne sont pas pris en charge.
- La sensibilité de réception d'un réseau sans fil peut être affectée par les environnements sans fil ambiants.
- Si votre fournisseur d'accès Internet a enregistré l'adresse MAC de votre ordinateur ou le module modem pour un usage permanent, votre AIRDRESSER Samsung ne parviendra pas à se connecter à Internet. Si tel est le cas, prenez contact avec votre fournisseur d'accès Internet.
- Le pare-feu Internet peut interrompre votre connexion Internet. Si cela se produit, prenez contact avec votre fournisseur d'accès Internet.
- Si la coupure de la connexion Internet persiste après avoir suivi les instructions de votre fournisseur d'accès Internet, prenez contact avec un revendeur ou un centre de service Samsung local.

### Téléchargement de l'application

Dans une boutique des applications en ligne (Google Play Store, Apple App Store, Samsung Galaxy Apps), recherchez l'application SmartThings, puis téléchargez et installez-la sur votre appareil mobile.

#### REMARQUE

- L'application SmartThings peut ne pas être compatible avec certaines tablettes ou certains smartphones.
  - Système d'exploitation Android recommandé : 6.0 ou supérieur (mémoire vive de 2 Go minimum).
  - Résolutions d'affichage prises en charge pour Android : 1 280 x 720 (HD), 1 920 x 1 080 (FHD), 2 560 x 1 440 (WQHD).
  - Système d'exploitation iOS recommandé : 10.0 ou supérieur (iPhones : iPhone 6 ou supérieur).
  - Résolutions d'affichage prises en charge pour les appareils Apple : 1 334 x 750, 1 920 x 1 080.
- L'application est susceptible d'être modifiée sans préavis en vue d'en améliorer les performances.

### Connexion

Vous devez d'abord vous connecter sur SmartThings avec votre compte Samsung. Pour créer un nouveau compte Samsung, suivez les instructions affichées sur l'application. Vous n'avez pas besoin d'avoir une autre application pour créer votre compte.

#### REMARQUE

Si vous avez déjà un compte Samsung, utilisez-le pour vous connecter. Un utilisateur ayant un smartphone Samsung enregistré peut se connecter automatiquement.



## Enregistrement de votre appareil dans SmartThings

1. Assurez-vous que votre smartphone est connecté à un réseau sans fil. Si ce n'est pas le cas, allez dans **Settings (Réglages)**, activez la connexion sans fil et sélectionnez un point d'accès (AP).
2. Ouvrez **SmartThings** sur votre smartphone.
3. Lorsque le message « **A new device is found.** » (**Nouvel appareil détecté.**) s'affiche, sélectionnez **Add (Ajouter)**.
4. Si aucun message n'apparaît, sélectionnez **+** puis votre appareil dans la liste des appareils disponibles. Si votre appareil ne figure pas dans la liste, sélectionnez **Device Type (Type d'appareil) > Specific Device Model (Modèle d'appareil spécifique)**, puis ajoutez votre appareil manuellement.
5. Suivez les instructions indiquées à l'écran pour terminer l'enregistrement.

## Présentation de SmartThings

| Catégorie                 | Fonction                    | Description                                                                                                                                                                                                 |
|---------------------------|-----------------------------|-------------------------------------------------------------------------------------------------------------------------------------------------------------------------------------------------------------|
| Surveillance              | État du cycle               | Vous pouvez vérifier le cycle actuel et ses options, ainsi que le temps de cycle restant.                                                                                                                   |
|                           | Smart Control               | L'état de la fonction Smart Control s'affiche pour l'AIRDRESSER.                                                                                                                                            |
|                           | Contrôle énergétique        | Vous pouvez surveiller l'état de votre consommation énergétique.                                                                                                                                            |
| Commandes                 | Démarrer / Pause / Annuler  | Sélectionnez un cycle et les options nécessaires, puis sélectionnez Démarrer / Pause / Annuler pour lancer, arrêter temporairement ou annuler un cycle.                                                     |
| Notification              | Cycle terminé               | Vous informe que le cycle actuel est terminé.                                                                                                                                                               |
| Fonctions de l'AIRDRESSER | Entretien                   | Sélectionnez le type de tissu et ses options, puis obtenez les recommandations pour le cycle le plus approprié.                                                                                             |
|                           | Mon placard                 | En saisissant des informations sur vos vêtements (par ex. la matière du tissu), vous pouvez ajouter vos vêtements à l'application et obtenez les cycles recommandés ainsi qu'un historique d'entretien.     |
|                           | Gestion des cycles spéciaux | Vous pouvez enregistrer jusqu'à 9 cycles, puis supprimer des cycles ou modifier leur ordre.                                                                                                                 |
|                           | Gestionneur HomeCare        | Obtenez de l'aide pour maintenir l'état optimal de votre AIRDRESSER. Vérifiez vos habitudes d'utilisation, votre consommation d'énergie et obtenez des alertes concernant la maintenance de votre appareil. |

# Avant de démarrer

---

## Annonce de logiciel Open Source

Le logiciel inclus dans cet appareil contient un logiciel Open Source. Vous pouvez obtenir le code source correspondant complet pendant une période de trois ans à compter de la dernière expédition de cet appareil, en envoyant un e-mail à l'adresse suivante : <mailto:oss.request@samsung.com>.

Il est également possible d'obtenir le code source correspondant complet sur un support physique tel qu'un CD-ROM ; des frais minimum seront facturés.

L'URL suivante [http://opensource.samsung.com/opensource/SMART\\_AT\\_051/seq/0](http://opensource.samsung.com/opensource/SMART_AT_051/seq/0) conduit à la page de téléchargement du code source mis à votre disposition et aux informations de licence Open Source liées à cet appareil. Cette offre est valable pour toute personne ayant reçu cette information.



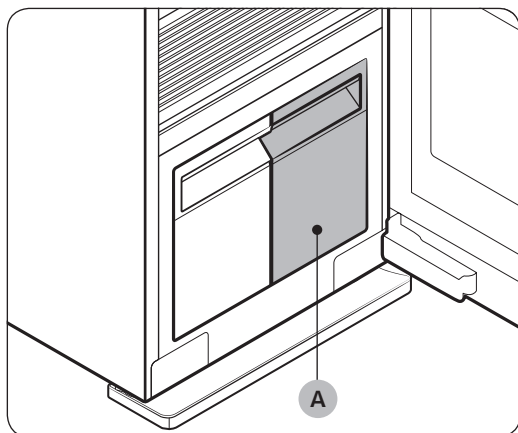
## REMARQUE

Par la présente, Samsung Electronics déclare que l'appareil de type équipement radiotéléphonique est conforme à la Directive 2014/53/EU. L'intégralité du contenu de la déclaration de conformité de l'UE est disponible sur l'adresse Internet suivante : La Déclaration de conformité officielle est accessible sur le site <http://www.samsung.com> ; allez dans Assistance > Rechercher dans l'assistance et saisissez le nom du modèle.

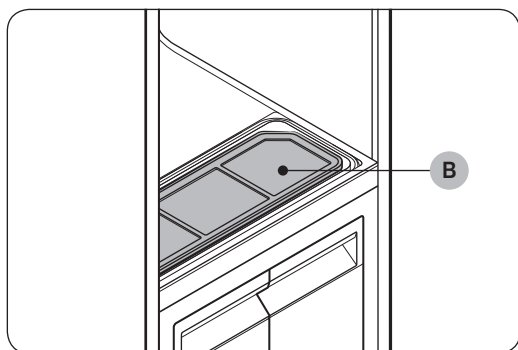
Puissance maximale de l'émetteur Wi-Fi : 20 dBm à 2,412 GHz - 2,472 GHz

# Utilisation de l'appareil et de ses accessoires

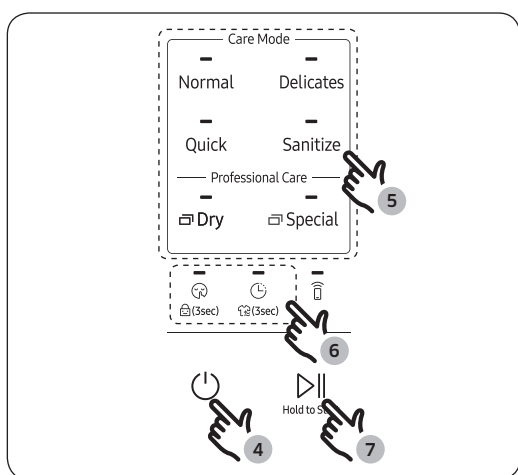
## Utilisation d'un cycle

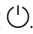







1. Assurez-vous que le réservoir de remplissage (A) est rempli d'eau.



2. Assurez-vous que le filtre à peluches (B) est propre.
3. Placez les vêtements tel que décrit dans la section **Utilisation des accessoires**.



4. Appuyez sur **Marche/Arrêt** .
5. Sélectionnez un cycle.
  - Appuyez sur **Normal**, **Delicates** (Déliçats), **Quick** (Rapide) ou **Sanitize** (Désinfecter).
  - Pour les cycles **Séchage**, appuyez plusieurs fois sur le bouton **Dry** (Séchage) afin de sélectionner le cycle de séchage souhaité.
  - Pour les cycles **Spécial**, appuyez plusieurs fois sur le bouton **Special** (Spécial) afin de sélectionner le cycle spécial souhaité.
6. Sélectionnez les options si nécessaire.
  - **Silencieux** , **Sécurité enfant** , **Fin différée** , **Maintenir la fraîcheur** .
7. Appuyez sur le bouton **Démarrer/Pause**  et maintenez-le appuyé pendant 3 secondes.

Utilisation de l'appareil et de ses accessoires

# Utilisation de l'appareil et de ses accessoires

---

## Directives d'utilisation

### Avant l'utilisation

- Cet appareil n'est pas conçu pour nettoyer des articles. Pour de meilleurs résultats, nettoyez et séchez tous les articles avant d'utiliser cet appareil.
- Avant d'utiliser l'appareil, nous vous recommandons de nettoyer les articles très odorants ou ayant été stockés pendant une longue période.
- Séparez les articles selon l'intensité de l'odeur.
- Vérifiez tous les vêtements ou consultez leurs étiquettes d'entretien avant d'utiliser l'appareil.
- Avant de placer les vêtements dans l'appareil, assurez-vous de vider toutes les poches.
- N'utilisez pas l'appareil comme placard de rangement.
- Il se peut que l'appareil ne puisse pas éliminer les poils d'animaux.

### Pendant l'utilisation

- Assurez-vous que les articles ne touchent pas la partie inférieure de l'appareil. Si nécessaire, utilisez l'étagère pour éviter que les articles suspendus ne touchent la partie inférieure de l'appareil.
- Des sifflements peuvent être entendus pendant le processus de génération de vapeur.
- Si vous devez arrêter un cycle avant qu'il ne soit terminé, assurez-vous de lancer le cycle Séchage.
- Le temps de fonctionnement dépend de l'environnement et du type d'articles.
- Si l'appareil est utilisé de manière consécutive, il peut afficher un temps de fonctionnement différent du temps réel.
- N'ouvrez pas la porte lorsque l'appareil est en fonctionnement.

### Après l'utilisation

- La quantité de plis retirés peut dépendre du type de tissu.
- Retirez les articles dès que le cycle est terminé. Si vous ne pouvez pas les retirer immédiatement, utilisez la fonction Fin différée ou Maintenir la fraîcheur.
- Lorsque vous retirez les articles, tenez aussi bien les articles que les cintres.

## Utilisation des accessoires

### Cintres à air

Utilisez les cintres à air fournis pour les articles tels que les blousons, les vestes de sports ou les blazers.

#### REMARQUE

- Assurez-vous que l'intérieur et l'extérieur des cintres sont propres et exempts de corps étrangers.
- N'utilisez pas de cintres pour les tricots, les vêtements en laine et la lingerie.
- La longueur maximale des articles est de 110 cm pour les hauts et de 100 cm pour les bas.
- Selon le type ou la taille du tissu, des plis non souhaités peuvent se former sur l'encolure de votre vêtement.



#### Utilisation des cintres à air

1. Suspendez les articles sur les cintres dans la même direction.
  - Pour éviter que les articles ne glissent des cintres, assurez-vous de boutonner tous les boutons et de fermer toutes les fermetures éclair.
  - Assurez-vous que tous les articles sont suspendus à plat. Assurez que les pinces de cintres ne dépassent pas vers l'extérieur.
2. Glissez les cintres dans les trous d'air jusqu'à ce que vous entendiez un clic.
  - Assurez-vous que les cintres sont tous orientés dans la même direction.
  - Si les cintres à air ne sont pas correctement insérés dans le trou d'air, des vibrations et des bruits peuvent apparaître.

#### REMARQUE

Pour de meilleurs résultats, évitez de suspendre des articles plus longs sur le trou de milieu.

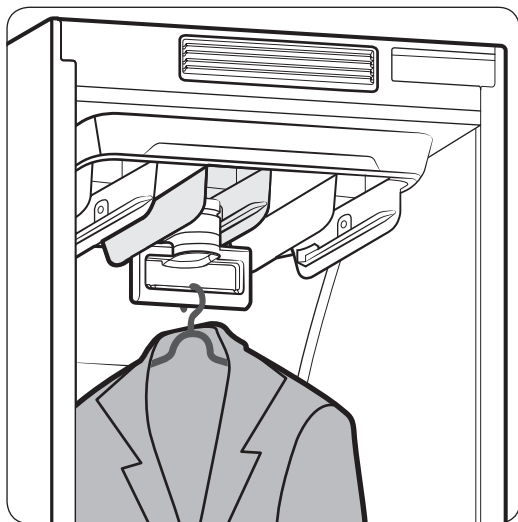
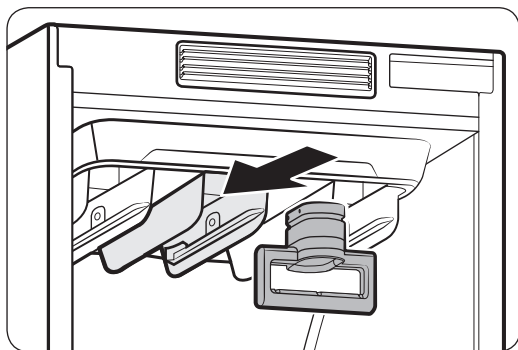
# Utilisation de l'appareil et de ses accessoires

## Kit pour cintres réguliers

Vous pouvez utiliser le kit de cintres réguliers pour utiliser des cintres réguliers pour accrocher vos articles. Toutefois, pour de meilleurs résultats, nous vous recommandons d'utiliser les cintres à air.

### REMARQUE

- Utilisez des cintres qui ne se déforment pas par la chaleur.
- Assurez-vous que l'intérieur et l'extérieur des cintres sont propres et exempts de corps étrangers.
- N'utilisez pas de cintres en plastique, en silicone ou en bois ou dotés d'adhésifs.
- N'utilisez pas de cintres de pressing susceptibles de rouiller.



### Utilisation du kit pour cintres réguliers

1. Suspendez les articles sur les cintres dans la même direction.
  - Pour éviter que les articles ne glissent des cintres, assurez-vous de boutonner tous les boutons et de fermer tous fermetures éclair.
  - Assurez-vous que tous les articles sont suspendus à plat. Assurez que les pinces de cintres ne dépassent pas vers l'extérieur.
2. Glissez le kit pour cintres réguliers dans les trous d'air jusqu'à ce que vous entendiez un clic, puis accrochez les cintres sur le kit pour cintres réguliers.
  - Assurez-vous que les cintres sont tous orientés dans la même direction.
  - Si le kit pour cintres réguliers n'est pas correctement inséré dans le trou d'air, des vibrations et des bruits peuvent apparaître.

### REMARQUE

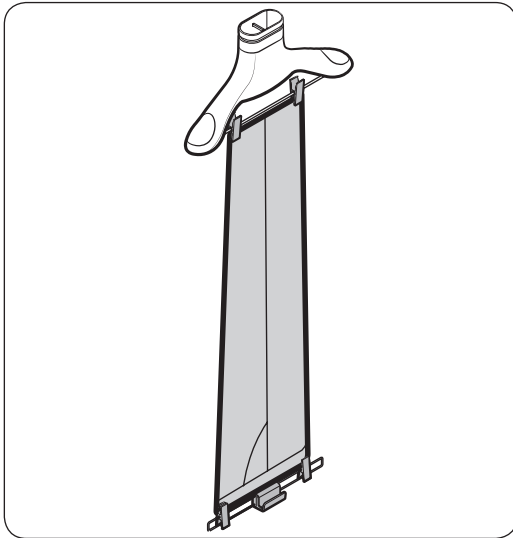
Pour de meilleurs résultats, évitez de suspendre des articles plus longs sur le trou de milieu.



## Kit de poids

### REMARQUE

- Assurez-vous que les pantalons et le kit de poids ne touchent pas la partie inférieure de l'appareil.
- La longueur maximale des pantalons est de 100 cm.

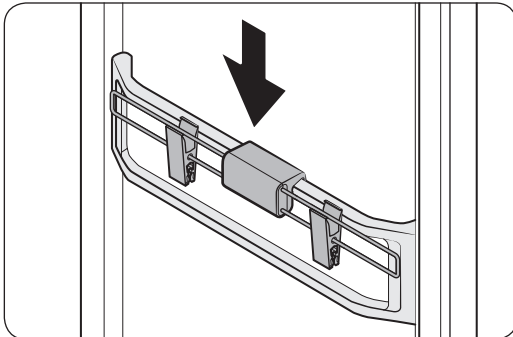


### Utilisation du kit de poids

1. Clipsez le bas des pantalons sur le cintre à air.
2. Clipsez le haut des pantalons sur le kit de poids.
3. Glissez le cintre à air dans les trous d'air jusqu'à ce que vous entendiez un clic.

### REMARQUE

En cas de plis très prononcés, tirez les pantalons en déplaçant les clips vers l'extérieur.



Lorsque le kit de poids n'est pas utilisé, stockez-le dans la zone d'entretien des accessoires.

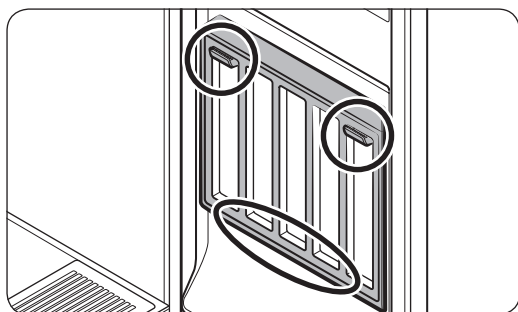
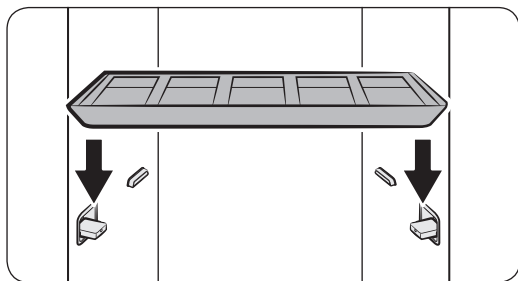
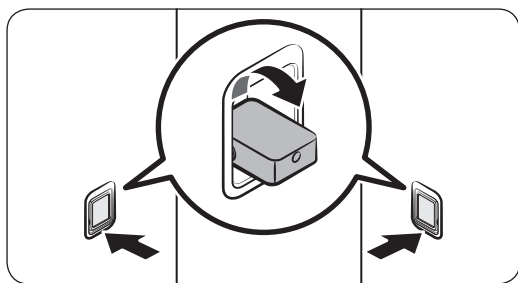
# Utilisation de l'appareil et de ses accessoires

## Étagère

Utilisez l'étagère fournie pour les articles qui ne peuvent pas être accrochés sur les cintres.

### REMARQUE

- Placez uniquement des vêtements ou des accessoires de vêtements sur l'étagère. Ne placez aucun article lourd sur l'étagère et ne l'utilisez pas pour stocker d'objets quelconque.
- Assurez-vous qu'aucun enfant ne grimpe sur l'étagère ou n'assoit dessus.
- Assurez-vous que les articles ne dépassent pas à l'avant, à l'arrière ou sur les côtés de l'étagère ou passent à travers sa grille.
- N'empilez pas les articles.



### Utilisation de l'étagère

1. Sur les parois latérales, appuyez sur la partie inférieure des supports étagère pour les tourner vers l'extérieur.
2. Placez l'étagère sur les supports étagère. Assurez-vous que les rainures de l'étagère sont placées fermement sur le support de manière stable.

### REMARQUE

Un écart entre les côtés de l'étagère et les parois latérales est normal.

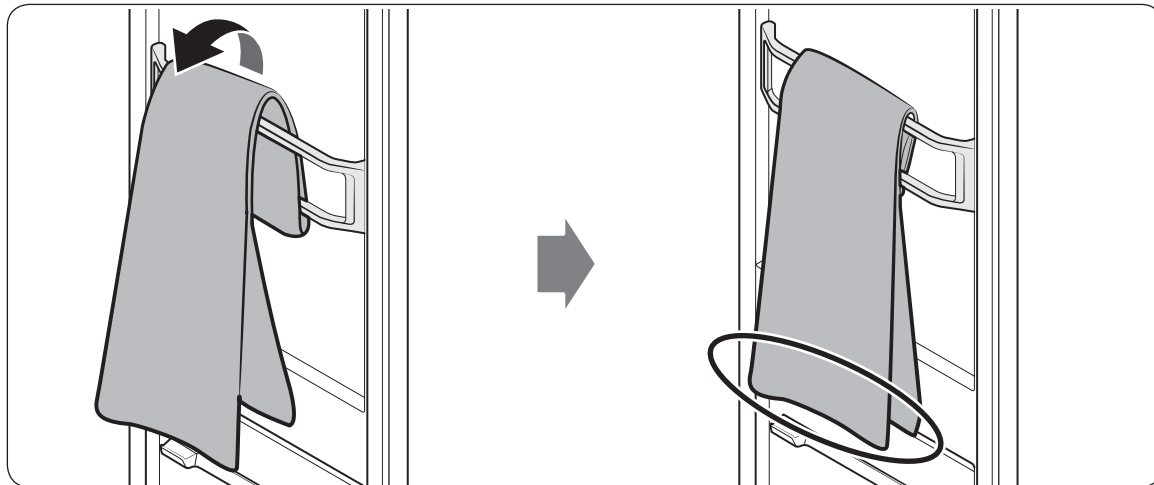
Lorsque l'étagère n'est pas utilisée, rangez-la dans la porte. Placez l'étagère sur le support inférieur, puis accrochez-la sur les supports supérieurs.

## Zone d'entretien des accessoires

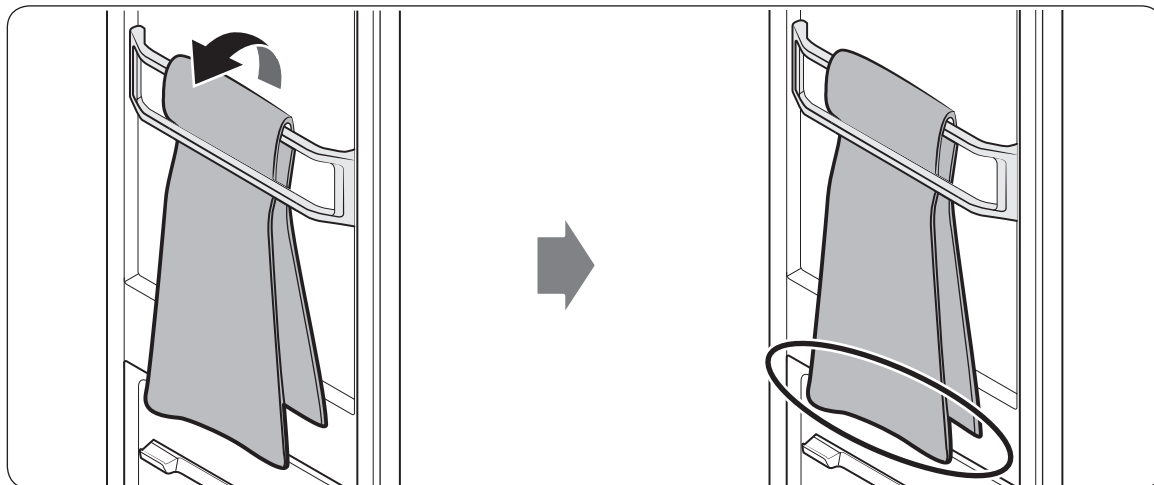
Utilisez la zone d'entretien des accessoires pour les écharpes et foulards.

Pour accrocher un foulard ou une écharpe en toute sécurité, reportez-vous aux images ci-dessous.

### Méthode 1



### Méthode 2



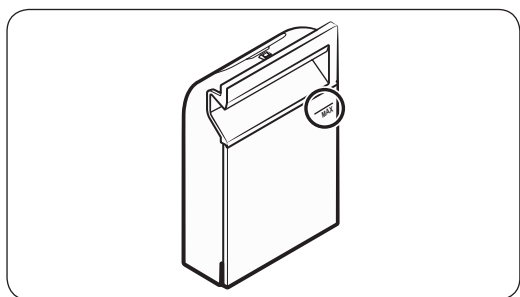
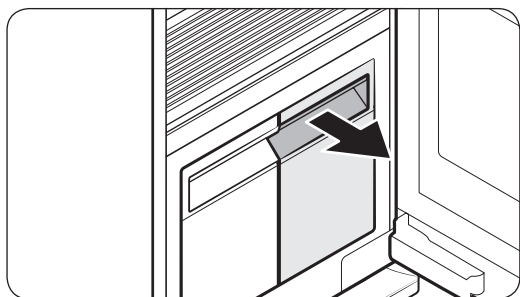
- Assurez-vous que les deux extrémités du foulard ou de l'écharpe sont à la même hauteur.
- Selon le type de tissu, certains plis peuvent ne pas être éliminés.

# Utilisation de l'appareil et de ses accessoires

## Réservoir de remplissage

### REMARQUE

- Avant d'utiliser l'appareil, assurez-vous que le réservoir de remplissage contient de l'eau.
- Lors de sa première utilisation, l'appareil consomme une plus grande quantité d'eau.
- Il est recommandé d'utiliser de l'eau filtrée.
- Si vous n'utilisez pas l'appareil pendant une longue période, videz le réservoir de remplissage.
- Un réservoir de remplissage plein est prévu pour environ 4 cycles.
- Versez uniquement de l'eau dans le réservoir de remplissage. Si vous versez un autre liquide, par ex. du détergent ou un adoucissant, des problèmes peuvent apparaître.
- N'utilisez pas l'eau du réservoir de vidange pour remplir le réservoir de remplissage.

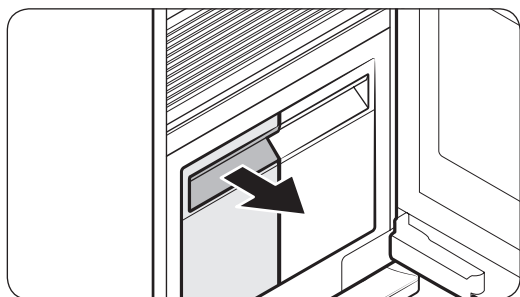


### Remplissage du réservoir de remplissage

1. Tirez le réservoir de remplissage vers l'extérieur.
2. Ouvrez le couvercle arrière, puis versez de l'eau jusqu'à la ligne **MAX**.
3. Réinsérez le réservoir de remplissage

## Réservoir de vidange

Avant d'utiliser l'appareil ou en cas de non-utilisation de l'appareil pendant une longue période, videz le réservoir de remplissage.



### Vidange du réservoir de vidange

1. Tirez le réservoir de vidange vers l'extérieur.
2. Videz le réservoir.
3. Réinsérez le réservoir de vidange.

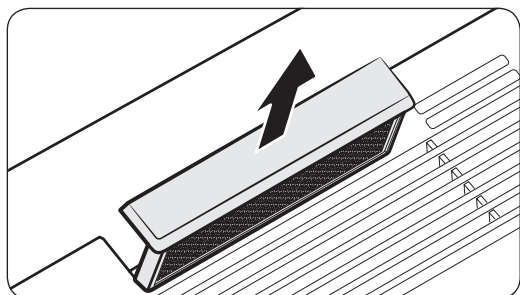
## Samsung Fresh Finish

Le Samsung Fresh Finish donne aux articles un parfum agréable.

### REMARQUE

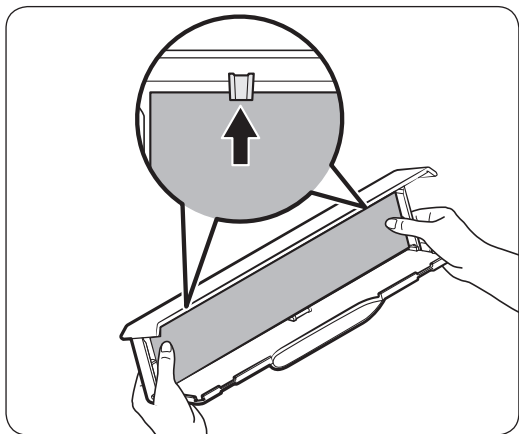
- Vaporisez le parfum de votre choix 4 à 5 fois sur un disque de coton, puis placez le disque dans le Samsung Fresh Finish. L'intensité de la senteur diffusée par le Samsung Fresh Finish peut varier selon le parfum utilisé. La senteur peut subsister à l'intérieur de votre AIRDRESSER même une fois le cycle terminé.
- Des moisissures peuvent se développer si vous laissez trop longtemps le disque de coton dans le Samsung Fresh Finish.

Pour changer le disque de coton

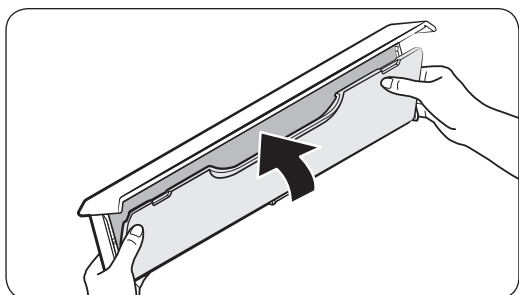


1. Retirez le Samsung Fresh Finish.

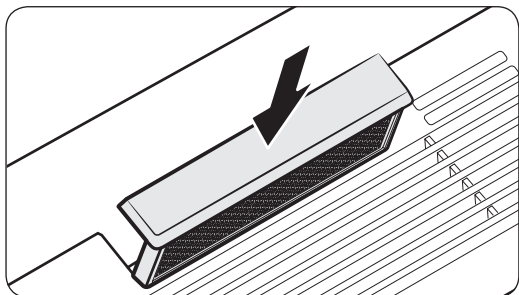
# Utilisation de l'appareil et de ses accessoires



2. Vaporisez un parfum de votre choix 4 à 5 fois sur un disque de coton, puis placez le disque dans le Samsung Fresh Finish.



3. Fermez le couvercle du Samsung Fresh Finish jusqu'à entendre un « clic ».



4. Réinsérez le Samsung Fresh Finish.

## REMARQUE

- Si vous utilisez un parfum avec le Samsung Fresh Finish, la senteur du parfum peut subsister à l'intérieur de votre AIRDRESSER même une fois le cycle terminé.
- Le disque de coton n'est pas fourni avec l'appareil.
- L'efficacité du Samsung Fresh Finish ne peut être garantie puisqu'elle dépend du parfum utilisé.

# Nettoyage et maintenance

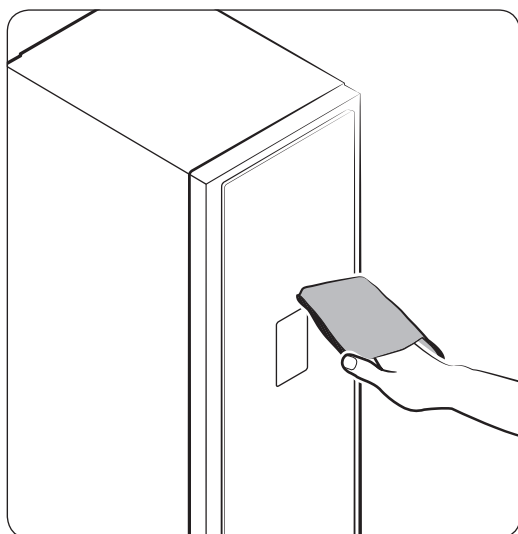
---

## ATTENTION

- Débranchez l'appareil avant de le nettoyer.
- N'utilisez pas de nettoyeurs abrasifs ou inflammables.
- Ne vaporisez pas d'eau directement sur l'appareil pendant le nettoyage.

## Extérieur

---

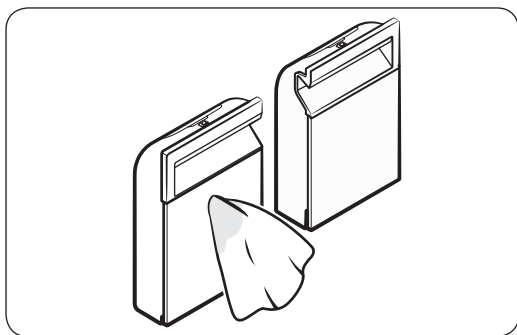


Utilisez le gant de nettoyage pour nettoyer l'extérieur.  
Pour les taches tenaces, utilisez un chiffon humide puis essuyez.

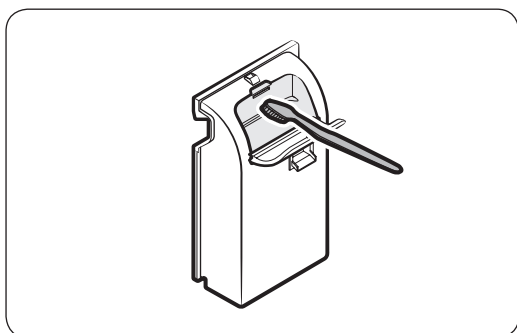
# Nettoyage et maintenance

## Réservoirs d'eau

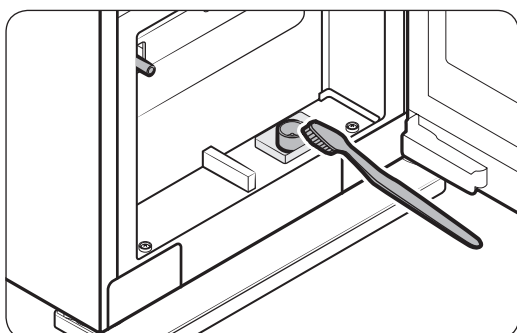
Nettoyez les deux réservoirs régulièrement. Séchez complètement avant la réinsertion.



Utilisez un chiffon humide pour nettoyer l'extérieur.



Utilisez une brosse douce pour nettoyer l'intérieur.



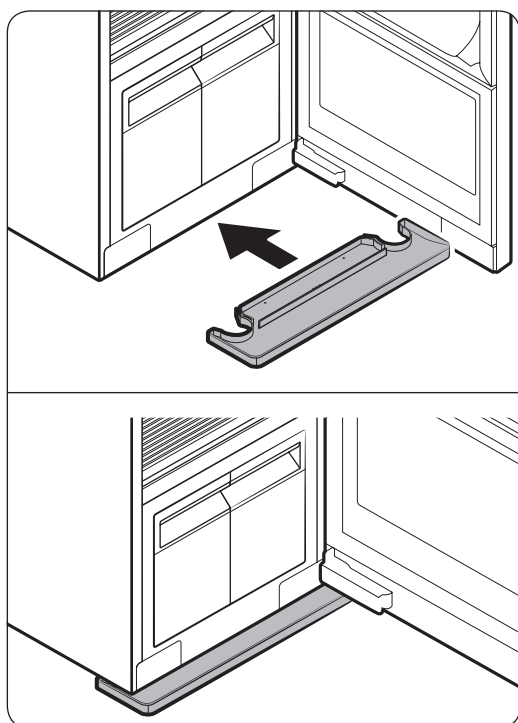
Utilisez une brosse douce pour nettoyer l'entrée et la sortie des réservoirs.



## Bac à eau

### REMARQUE

- Videz le bac à eau régulièrement.
- Assurez-vous d'insérer le bac à eau après avoir vidé l'eau.



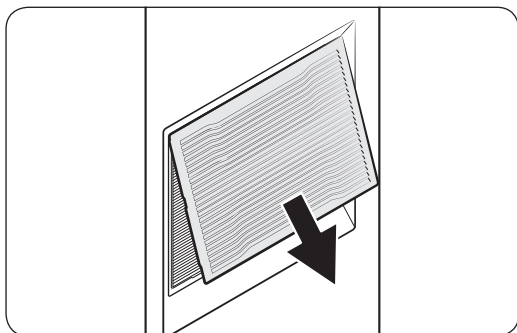
Insérez le bac à eau correctement comme indiqué sur les images.

- Assurez-vous que le côté indiquant TOP (HAUT) est dirigé vers le haut.

# Nettoyage et maintenance

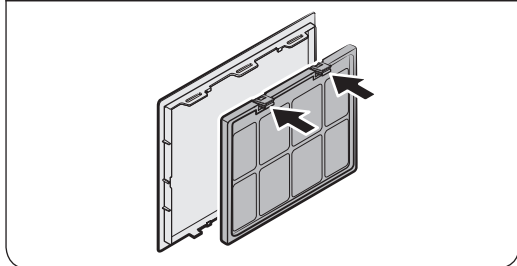
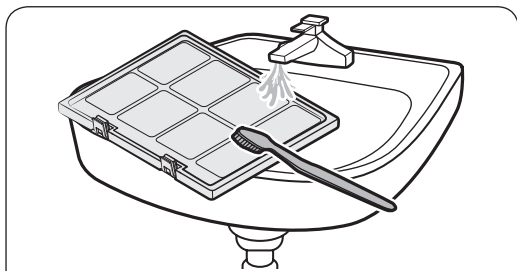
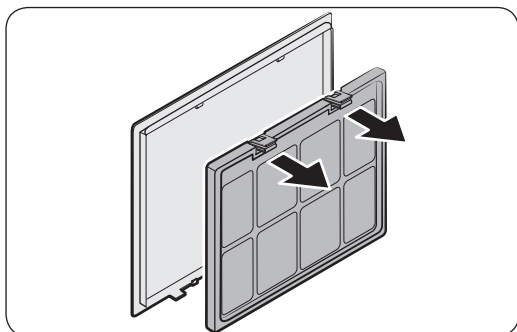
## Filtre à air

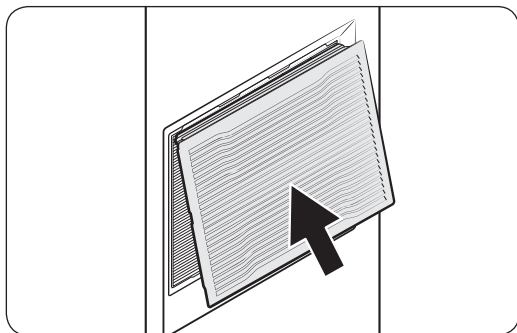
Si vous utilisez souvent l'appareil pour des articles lourds ou des articles très poussiéreux, nous vous recommandons de nettoyer le filtre à air fréquemment.



### Remplacement du filtre à air

1. Tenez le fond du couvercle et tirez-le vers l'extérieur.
2. Tout en appuyant sur les deux crochets sur la partie supérieure du filtre, poussez pour retirer le filtre.
3. Utilisez une brosse et de l'eau courante pour nettoyer le filtre.
4. Séchez le filtre complètement dans un endroit ombragé puis réinsérez le filtre.



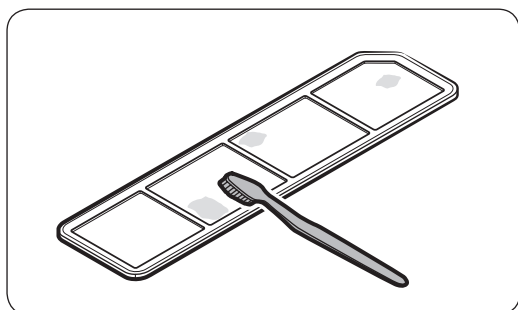
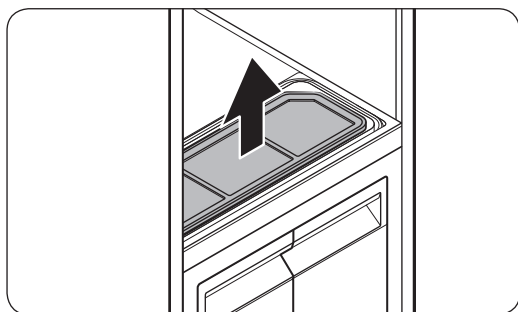
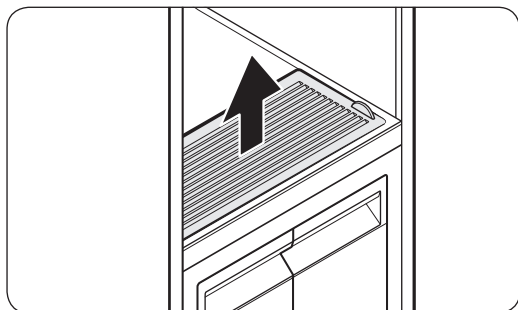


5. Insérez la partie supérieure du couvercle dans l'appareil, puis poussez le couvercle.

# Nettoyage et maintenance

## Filtre à peluches

- Pour de meilleurs résultats, nettoyez le filtre à peluches avant ou après chaque utilisation.
- Si le filtre à peluches est endommagé, remplacez-le par un neuf.



### Nettoyage du filtre à peluches

1. Ouvrez le couvercle.
2. Retirez le filtre à peluches.
3. Utilisez une brosse et de l'eau courante pour nettoyer le filtre à peluches. Séchez le filtre à peluches complètement dans un endroit ombragé.
4. Réinsérez le filtre à peluches puis fermez le couvercle.





---


## Détartrage

---

Effectuez un détartrage régulièrement pour améliorer la performance et augmenter la durée de vie de l'appareil. Si vous n'effectuez pas un détartrage immédiatement après avoir reçu le message de notification, certaines fonctions peuvent être restreintes et la performance voire la durée de vie de l'appareil peut diminuer.

1. Lorsque le message **Descaling Required (Détartrage requis)** s'affiche à l'écran, retirez tous les articles de l'appareil, puis appuyez et maintenez appuyé les boutons **Sanitize (Désinfecter)** et **Dry (Séchage)** pendant 3 secondes.
2. Videz le réservoir de remplissage et le réservoir de vidange.
3. Diluez un agent de détartrage avec de l'eau comme recommandé par le fabricant.
4. Remplissez le réservoir de remplissage avec l'agent de détartrage dilué jusqu'à la ligne **MAX**.
5. Appuyez sur le bouton **Démarrer/Pause**  et maintenez-le appuyé pour démarrer le détartrage.
  - Si le message **Drain the tank (Vider le réservoir)** apparaît à l'écran pendant le détartrage, videz le réservoir de vidange.
6. Si le message **Refill/Drain the tank (Remplir/vider le réservoir)** apparaît à l'écran, videz le réservoir de remplissage et le réservoir de vidange, puis rincez-les soigneusement.
7. Remplissez le réservoir de remplissage jusqu'à la ligne **MAX**, puis insérez le réservoir de remplissage et le réservoir de vidange.
8. Si le message **Supply/Drainage Complete (Remplissage/vidange terminé)** apparaît à l'écran, appuyez sur le bouton **Démarrer/Pause**  et maintenez-le appuyé.
  - Si le message **Drain the tank (Vider le réservoir)** apparaît à l'écran pendant le détartrage, videz le réservoir de vidange.
9. Lorsque le détartrage est terminé, videz le réservoir de vidange et remplissez le réservoir de remplissage avec de l'eau.
  - Vous pouvez utiliser l'AIADDRESSER une fois toutes ces étapes terminées.

### REMARQUE

- Des vibrations et des bruits peuvent apparaître pendant le processus de détartrage ; ceci est normal et ne présente aucune anomalie de l'appareil.
- Le message **Refill the tank (Remplir le réservoir)** peut s'afficher lorsque vous utilisez l'appareil pour la première fois après le détartrage. Ceci est normal. Remplissez le réservoir de remplissage avec de l'eau et appuyez sur le bouton **Démarrer/Pause**  pour reprendre le fonctionnement.
- Des bulles peuvent se former si l'agent de détartrage n'est pas correctement rincé. Assurez-vous de rincer le réservoir de remplissage et le réservoir de vidange soigneusement après le détartrage.



# Nettoyage et maintenance

---

## Déplacement de l'appareil à un autre endroit

---

- Il y a deux roues sous l'appareil permettant de mieux le déplacer.
- Pour éviter que l'appareil ne bascule pas lorsqu'il est déplacé, nous vous recommandons de le pousser au milieu. Ne le poussez pas en haut ou en bas.
- Videz le réservoir de remplissage et le réservoir de vidange avant de déplacer l'appareil à un autre endroit. Si les réservoirs n'ont pas été vidés, de l'eau peut se déverser lorsque l'appareil est déplacé.

# Dépannage

## Messages de notification

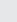

| Message                                                                                                       | Action                                                                                                                                                                                                                                                                                                                                                                                                                                                                                                                                                        |
|---------------------------------------------------------------------------------------------------------------|---------------------------------------------------------------------------------------------------------------------------------------------------------------------------------------------------------------------------------------------------------------------------------------------------------------------------------------------------------------------------------------------------------------------------------------------------------------------------------------------------------------------------------------------------------------|
| Refill the tank (Remplir le réservoir)<br>Refill the tank with water (Remplir le réservoir avec de l'eau)     | <ul style="list-style-type: none"><li>• Vérifiez si le réservoir de remplissage contient suffisamment d'eau.<ul style="list-style-type: none"><li>- Remplissez jusqu'à la ligne MAX, réinsérez le réservoir de remplissage, puis appuyez sur le bouton <b>Démarrer/Pause</b> ▷   pour démarrer.</li></ul></li><li>• Vérifiez si le réservoir de remplissage correctement inséré.<ul style="list-style-type: none"><li>- Insérez correctement le réservoir de vidange, puis appuyez sur le bouton <b>Démarrer/Pause</b> ▷   pour démarrer.</li></ul></li></ul> |
| Drain the tank (Vider le réservoir)<br>Drain water from the tank (Vider l'eau du réservoir)                   | <ul style="list-style-type: none"><li>• Vérifiez si le réservoir de vidange est plein.<ul style="list-style-type: none"><li>- Videz le réservoir de vidange, réinsérez le réservoir de vidange, puis appuyez sur le bouton <b>Démarrer/Pause</b> ▷   pour démarrer.</li></ul></li><li>• Vérifiez si le réservoir de vidange est correctement inséré.<ul style="list-style-type: none"><li>- Insérez correctement le réservoir de remplissage, puis appuyez sur le bouton <b>Démarrer/Pause</b> ▷   pour démarrer.</li></ul></li></ul>                         |
| Door Open (Porte ouverte)<br>Close the door & Start again (Fermer la porte et redémarrer)                     | <ul style="list-style-type: none"><li>• Vérifiez si la porte est ouverte.<ul style="list-style-type: none"><li>- Assurez-vous que la porte est fermée, puis appuyez sur le bouton <b>Démarrer/Pause</b> ▷   pour démarrer.</li></ul></li></ul>                                                                                                                                                                                                                                                                                                                |
| Abnormality Alert (Alerte anomalie)<br>Open the Door & Check Inside (Ouvrir la porte et vérifier l'intérieur) | <ul style="list-style-type: none"><li>• Vérifiez si la porte est ouverte et si la fonction Sécurité enfant est activée.<ul style="list-style-type: none"><li>- Assurez-vous que la porte est fermée, puis appuyez sur le bouton <b>Démarrer/Pause</b> ▷   pour démarrer. Assurez-vous qu'il n'y a pas d'enfants ni d'animaux à l'intérieur de l'appareil.</li></ul></li></ul>                                                                                                                                                                                 |
| WIFI Not Connected (Wi-Fi non connecté)<br>Check the router (Vérifier le routeur)                             | <ul style="list-style-type: none"><li>• Vérifiez si le routeur est désactivé.<ul style="list-style-type: none"><li>- Activez le routeur, puis connectez-vous à Internet.</li></ul></li></ul>                                                                                                                                                                                                                                                                                                                                                                  |

### REMARQUE

Si un problème persiste, contactez un centre de service Samsung local.

# Dépannage

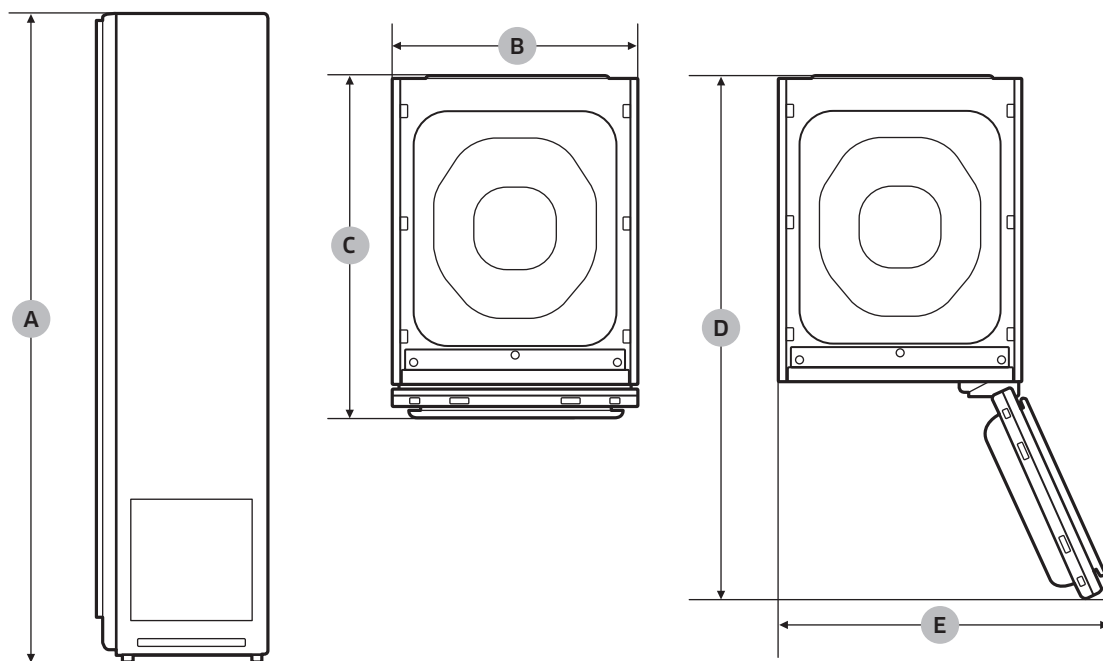
## Point de contrôle

| Problème                                                          | Action                                                                                                                                                                                                                                                                                                                                                                                                                                                                                                                                                                                                                                                                                        |
|-------------------------------------------------------------------|-----------------------------------------------------------------------------------------------------------------------------------------------------------------------------------------------------------------------------------------------------------------------------------------------------------------------------------------------------------------------------------------------------------------------------------------------------------------------------------------------------------------------------------------------------------------------------------------------------------------------------------------------------------------------------------------------|
| L'appareil ne s'allume pas.                                       | <ul style="list-style-type: none"><li>• Appuyez sur le bouton <b>Marche/Arrêt</b>  pour allumer l'appareil.</li><li>• Assurez-vous que le cordon d'alimentation est correctement branché.</li><li>• Assurez-vous que le disjoncteur est allumé.</li><li>• Assurez-vous que le cordon d'alimentation est raccordé à une prise adaptée à cet appareil.</li></ul>                                                                                                                                                                                                                                               |
| L'appareil ne fonctionne pas.                                     | <ul style="list-style-type: none"><li>• Assurez-vous que la porte est fermée, puis appuyez sur le bouton <b>Démarrer/Pause</b> .</li><li>• Si vous entendez l'eau couler ou bouillir, l'appareil est en train de préparer le processus de génération de vapeur. Ceci est normal.</li><li>• Assurez-vous que la sécurité enfant est désactivée.</li><li>• L'appareil peut ne pas fonctionner si vous avez versé un autre liquide que de l'eau. Veuillez contacter un centre de service Samsung.</li></ul>                                                                                                     |
| L'appareil émet des bruits.                                       | <ul style="list-style-type: none"><li>• L'appareil peut émettre des bruits lorsque le compresseur fonctionne. Ceci est normal.</li><li>• L'appareil peut émettre des bruits lorsque l'air circule. Ceci est normal.</li><li>• L'appareil peut émettre des bruits avant et pendant le processus de génération de vapeur. Ceci est normal.</li><li>• L'appareil peut émettre des bruits pour pomper ou vider l'eau. Ceci est normal.</li><li>• En ouvrant la porte, vous pouvez entendre des bruits provenant du réservoir de remplissage lorsque l'eau coule dans les tuyaux. Ceci est normal.</li><li>• Si les bruits s'intensifient, contactez un centre de service Samsung local.</li></ul> |
| Le panneau de commande ne fonctionne pas.                         | <ul style="list-style-type: none"><li>• Après avoir branché le produit, attendez un moment et réessayez. Le panneau de commande réagit 10 secondes après que le cordon d'alimentation a été raccordé.</li><li>• Nettoyez le panneau de commande et réessayez. Si le problème persiste, contactez un centre de service Samsung.</li></ul>                                                                                                                                                                                                                                                                                                                                                      |
| L'appareil vibre.                                                 | <ul style="list-style-type: none"><li>• Assurez-vous que l'appareil est installé sur une surface plane et solide.</li><li>• Assurez-vous que l'appareil est droit.</li></ul>                                                                                                                                                                                                                                                                                                                                                                                                                                                                                                                  |
| Le réservoir de remplissage est vide après une seule utilisation. | <ul style="list-style-type: none"><li>• Lors de sa première utilisation, l'appareil consomme une plus grande quantité d'eau. Ceci est normal.</li></ul>                                                                                                                                                                                                                                                                                                                                                                                                                                                                                                                                       |
| La vapeur ou l'air s'échappe de la porte.                         | <ul style="list-style-type: none"><li>• Assurez-vous qu'il n'y a pas d'articles coincés dans la porte.</li><li>• Assurez-vous que la porte est correctement fermée.</li></ul>                                                                                                                                                                                                                                                                                                                                                                                                                                                                                                                 |



| Problème                                                          | Action                                                                                                                                                                                                                                                                                                                                                                                                                                                                                                                                                                                                                       |
|-------------------------------------------------------------------|------------------------------------------------------------------------------------------------------------------------------------------------------------------------------------------------------------------------------------------------------------------------------------------------------------------------------------------------------------------------------------------------------------------------------------------------------------------------------------------------------------------------------------------------------------------------------------------------------------------------------|
| Le temps de fonctionnement augmente.                              | <ul style="list-style-type: none"> <li>Des articles mouillés prennent plus de temps à sécher. Le temps de fonctionnement peut augmenter selon la quantité et le degré d'humidité des articles.</li> </ul>                                                                                                                                                                                                                                                                                                                                                                                                                    |
| Les articles sont mouillés après un cycle.                        | <ul style="list-style-type: none"> <li>Assurez-vous que le filtre à peluches est propre et correctement inséré.</li> <li>Assurez-vous que le joint d'étanchéité de la porte n'est pas endommagé et qu'aucun article n'est coincé dans la porte. Si le joint d'étanchéité est endommagé, débranchez le cordon d'alimentation et contactez le centre de service Samsung.</li> </ul>                                                                                                                                                                                                                                            |
| Les articles ne sont pas désodorisés.                             | <ul style="list-style-type: none"> <li>Lavez les articles très odorants ou ayant été stockés pendant une longue période.</li> <li>Lavez les articles contaminés à l'huile.</li> <li>Des articles volumineux tels que les vestes à duvet peuvent ne pas bien désodoriser. Mettez les articles volumineux séparément et lancez un cycle supplémentaire, si nécessaire.</li> <li>Ne mettez pas des articles dégageant une forte odeur avec d'autres articles dans l'appareil. Séparez les articles selon l'intensité de l'odeur.</li> <li>Assurez-vous que le filtre à peluches et les deux réservoirs sont propres.</li> </ul> |
| Les plis n'ont pas été retirés.                                   | <ul style="list-style-type: none"> <li>Repassez des articles ayant été stockés pendant une longue période.</li> </ul>                                                                                                                                                                                                                                                                                                                                                                                                                                                                                                        |
| De la fumée s'échappe de l'appareil lorsque la porte est ouverte. | <ul style="list-style-type: none"> <li>Certains cycles génèrent de la vapeur ressemblant à de la fumée. Ceci est normal.</li> </ul>                                                                                                                                                                                                                                                                                                                                                                                                                                                                                          |

# Spécifications



| Type                                                              |                                     | Appareil d'entretien de vêtements (AIRDRESSER) |                         |
|-------------------------------------------------------------------|-------------------------------------|------------------------------------------------|-------------------------|
|                                                                   |                                     | DF60*8****G                                    |                         |
| Dimensions<br>(mm)                                                | A. Hauteur                          | 1 850                                          |                         |
|                                                                   | B. Largeur                          | 445                                            |                         |
|                                                                   | C. Profondeur                       | 615                                            |                         |
|                                                                   | D. Profondeur avec la porte ouverte | 1 001                                          |                         |
|                                                                   | E. Largeur avec la porte ouverte    | 618                                            |                         |
| Courant nominal                                                   |                                     | 220-240 V / 50 Hz<br>1 700-1 900 W             |                         |
| Fusible (Fusible fixé sur la carte de circuit imprimé principale) |                                     | 250 V / 12 A                                   |                         |
|                                                                   |                                     | Type de tube                                   | Haut pouvoir de coupure |
| Poids (kg)                                                        |                                     | 89,0                                           |                         |

# Mémo

---

## UNE QUESTION ? UN COMMENTAIRE ?

| PAYS        | APPELEZ-NOUS                                                             | OU VISITEZ NOTRE SITE WEB                                                           |
|-------------|--------------------------------------------------------------------------|-------------------------------------------------------------------------------------|
| ITALIA      | 800-SAMSUNG (800.7267864)                                                | <a href="http://www.samsung.com/it/support">www.samsung.com/it/support</a>          |
| NETHERLANDS | 088 90 90 100                                                            | <a href="http://www.samsung.com/nl/support">www.samsung.com/nl/support</a>          |
| LATVIA      | 8000-7267                                                                | <a href="http://www.samsung.com/lv/support">www.samsung.com/lv/support</a>          |
| LITHUANIA   | 8-800-77777                                                              | <a href="http://www.samsung.com/lt/support">www.samsung.com/lt/support</a>          |
| ESTONIA     | 800-7267                                                                 | <a href="http://www.samsung.com/ee/support">www.samsung.com/ee/support</a>          |
| POLAND      | 801-172-678* lub +48 22 607-93-33*<br>* (opłata według taryfy operatora) | <a href="http://www.samsung.com/pl/support/">http://www.samsung.com/pl/support/</a> |



DC68-04022G-00

# Apģērba kopšanas sistēma (AIRDRESSER)

## Lietotāja instrukcija

DF60\*8\*\*\*\*G



**SAMSUNG**

# Saturs

|                                                                        |           |
|------------------------------------------------------------------------|-----------|
| <b>Drošības informācija</b>                                            | <b>3</b>  |
| Informācija par drošības instrukcijām                                  | 3         |
| Svarīgi drošības simboli                                               | 3         |
| Svarīgi piesardzības pasākumi                                          | 4         |
| Vispārīgi brīdinājumi                                                  | 5         |
| Ar elektrisko sistēmu saistīti brīdinājumi                             | 7         |
| Brīdinājumi par uzstādīšanu                                            | 8         |
| Brīdinājumi par tīrīšanu                                               | 9         |
| Instrukcijas par elektrisko un elektronisko iekārtu atkritumiem (EEIA) | 10        |
| <b>Pirms ierīces izmantošanas</b>                                      | <b>11</b> |
| Uzstādīšana                                                            | 11        |
| Produkta apskats                                                       | 14        |
| Vadības panelis                                                        | 16        |
| Cikla pārskats                                                         | 18        |
| Audumu kopšanas instrukcija                                            | 22        |
| Auduma kopšanas birkas                                                 | 26        |
| Smart Control                                                          | 27        |
| <b>Ierīces un piederumu izmantošana</b>                                | <b>31</b> |
| Cikla izmantošana                                                      | 31        |
| Piederumu izmantošana                                                  | 34        |
| <b>Tīrīšana un apkope</b>                                              | <b>42</b> |
| Ierīces ārējās virsmas                                                 | 42        |
| Ūdens tvertnes                                                         | 43        |
| Ūdens uztveršanas vanniņa                                              | 44        |
| Gaisa filtrs                                                           | 45        |
| Plūksnu filtrs                                                         | 47        |
| Atkaļķošana                                                            | 48        |
| Ierīces pārvietošana uz citu vietu                                     | 49        |
| <b>Darbības traucējumu meklēšana</b>                                   | <b>50</b> |
| Paziņojumi                                                             | 50        |
| Kontrolpunkts                                                          | 51        |
| <b>Specifikācijas</b>                                                  | <b>53</b> |

# Drošības informācija

Apsveicam ar jaunas Samsung ierīces iegādi! Šajā instrukcijā ir sniegta svarīga informācija par jūsu ierīces uzstādīšanu, izmantošanu un apkalpošanu. Lūdzu, atvēliet laiku šīs instrukcijas izlasīšanai, lai spētu pilnā apmērā izmantot šīs ierīces daudzās priekšrocības un funkcijas.

## Informācija par drošības instrukcijām

Lūdzu, izlasiet šo instrukciju pilnībā, lai uzzinātu, kā droši un efektīvi izmantot jūsu jaunās ierīces daudzās īpašības un funkcijas. Lūdzu, glabājiet šo instrukciju drošā vietā, netālu no ierīces, lai nodrošinātu iespēju iegūt nepieciešamo informāciju arī nākotnē. Šo ierīci izmantojiet tikai tai paredzētajam izmantošanas nolūkam, ievērojot šajā instrukcijā sniegtos norādījumus. Šajā instrukcijā minētie brīdinājumi un svarīgās drošības instrukcijas neaptver visus iespējamus apstākļus un situācijas. Lietotājs ir atbildīgs par saprātīgu ierīces izmantošanu, piesardzību un rūpību tās uzstādīšanas, apkalpošanas un izmantošanas laikā. Tā kā tālāk izklāstītās instrukcijas aptver vairākus ierīces modeļus, jūsu rīcībā esošās ierīces īpašības var būt nedaudz atšķirīgas no šajā instrukcijā izklāstītajām īpašībām, un tajā var būt aprakstītas arī brīdinājuma zīmes, kas nav attiecināmas uz jūsu ierīci. Ja jums rodas jautājumi vai bažas, sazinieties ar tuvāko servisa centru, vai arī meklējiet palīdzību un informāciju tiešsaistē, tīmekļa vietnē [www.samsung.com](http://www.samsung.com).

## Svarīgi drošības simboli

Šajā lietotāja instrukcijā izmantoto ikonu un norāžu nozīme:

### **BRĪDINĀJUMS**

Bīstamas situācijas vai nedrošas darbības, kas var izraisīt smagas traumas, nāvi un/vai radīt kaitējumu īpašumam.

### **UZMANĪBU**

Bīstamas situācijas vai nedrošas darbības, kas var izraisīt traumas un/vai radīt kaitējumu īpašumam.

### **UZMANĪBU, Karsta virsma**

### **PIEZĪME**

Norāda uz pastāvošu traumas vai materiāla kaitējuma rašanās risku.

Šo brīdinājuma zīmju mērķis ir pasargāt jūs un citus cilvēkus no traumu gūšanas.

Lūdzu, stingri ievērojiet brīdinājuma zīmes.

Pēc šīs instrukcijas izlasīšanas, novietojiet to drošā vietā, lai nodrošinātu iespēju iegūt nepieciešamo informāciju arī nākotnē.

Pirms ierīces izmantošanas izlasiet visas instrukcijas.

Tāpat kā jebkura elektriska ierīce, kuru darbina elektrība, un kurā ir kustīgas daļas, arī šī ierīce var radīt potenciāli bīstamas situācijas. Ierīces drošai izmantošanai iepazīstieties ar tās darbību, un ierīces izmantošana laikā ievērojiet piesardzību.

# Drošības informācija

## Svarīgi piesardzības pasākumi

### BRĪDINĀJUMS

Lai ierīces izmantošanas laikā samazinātu ugunsgrēka, elektrotrieciena saņemšanas vai cilvēku traumēšanas risku, veiciet piesardzības pasākumus, tai skaitā, turpmāk aprakstītos.

1. Šo ierīci nav paredzēts izmantot personām (tai skaitā bērniem), ar samazinātām fiziskām, sensorām vai garīgām spējām, vai arī personām, kurām trūkst nepieciešamās pieredzes vai zināšanu, izņemot, ja šādu personu uzraudzību vai instruktāžu nodrošina par viņu drošību atbildīga persona.
2. Bērni no 8 gadu vecuma un personas ar samazinātām fiziskām, sensorām vai garīgām spējām, vai arī personas, kurām trūkst nepieciešamās pieredzes vai zināšanu, šo ierīci var izmantot tikai gadījumā, ja viņām ir nodrošināta uzraudzība vai instruktāža par šīs ierīces drošu izmantošanu, un radīta izpratne par bīstamām situācijām, kādas šī ierīce var radīt. Bērniem ar šo ierīci rotaļāties ir aizliegts. Bērns bez uzraudzības nedrīkst veikt šīs ierīces tīrīšanu un lietotāja spēkiem veicamo apkalpošanu.
3. Bērniem ir jānodrošina uzraudzība, lai novērstu viņu rotaļāšanos ar šo ierīci.
4. Ja ir bojāts barošanas strāvas vads, ražotājam, tā servisa aģentam vai līdzīgi kvalificētai personai tas bīstamas situācijas novēršanai ir jānodrošina.
5. **UZMANĪBU:** Lai novērstu bīstamu situāciju, kuru var izraisīt termiskās atslēgšanās neparedzēta atiestatīšanai, ierīcei barošanas strāvu ir aizliegts pievadīt caur ārēju komutācijas ierīci, piemēram, taimerī, un ierīci ir aizliegts pieslēgt barošanas strāvas avotam, kur regulāri ieslēdz vai izslēdz inženiertehniskā nodrošinājuma sistēma.
6. Šī ierīce ir paredzēta izmantošanai mājāsaimniecībā un tml. mērķiem, piem. izmantošanai:
  - personālam paredzētajās virtuves zonās veikalos, ofisos un citās darba vietās;
  - lauku mājās;



- klientu vajadzībām viesnīcās, moteļos un citās dzīvošanai paredzētās vietās;
- gultasvietu un brokastis nodrošinošās dzīvošanai paredzētās vietās.

## 7. BRĪDINĀJUMS: Šī ierīce ir paredzēta tikai ūdenī mazgātu apģērbu žāvēšanai.

### Vispārīgi brīdinājumi

#### BRĪDINĀJUMS

- Lai novērstu elektrotriecienu saņemšanu, ugunsgrēku un/vai letālas sekas, pirms ierīces izmantošanas nodrošiniet ierīces pareizu uzstādīšanu un saņemšanu, ievērojot šajā instrukcijā noteikto.
- Ierīci izmantojiet tikai tai paredzētajam izmantošanas mērķim. Ierīces garantija nesedz kaitējumu, kas radies šajā instrukcijā nenorādītas produkta izmantošanas dēļ.
- Lai novērstu traumas un/vai ierīces bojājumus, nekāpiet un nestāviet uz ierīces, kā arī neiekarieties tajā.
- Neveiciet nekādas ierīces izjaukšanas vai modificēšanas darbības.
- Nepieļaujiet bērnu spēlēšanos ierīcē, uz ierīces vai ierīces tuvumā. Bērniem vienmēr nodrošiniet uzmanīgu pieskatīšanu.
- Lai novērstu ugunsgrēku, traumas un/vai letālus gadījumus, visu iepakojuma materiālus utilizējiet un neatstājiet bērniem pieejamā vietā.
- Nepieskarieties šai ierīcei un nevadiet to ar slapjām rokām.
- Lai novērstu elektrotriecienu saņemšanu, un/vai ugunsgrēku, nepieļaujiet dzīvnieku tuvošanos ierīcei un nenovietojiet pie tās nepiederošus priekšmetus.
- Izdzirdot divainus trokšņus, sajūtot divainas smaržas un/vai pamanot, ka no ierīces izplūst dūmi, nekavējoties izvelciet ierīces barošanas kabeļa kontaktdakšu no elektrotīkla rozetes.
- Ierīcē, uz ierīces vai ierīces tuvumā nenovietojiet smagus vai bīstamus priekšmetus.
- Lai novērstu elektrotriecienu saņemšanu, ugunsgrēku un/vai letālu gadījumu, neremontējiet ierīci, nomainiet nevienu ierīces daļu, vai necentieties veikt nevienu servisa darbību, kuras veikšana nav īpaši ieteikta šajā lietotāja instrukcijā, vai nav minēta starp publicētajām, ierīces lietotājam veicamajām remonta darbībām, kuras jūs saprotat un protat izpildīt.
- Izņemiet no kabatām visas personiskās mantas (elektroierīces, šķiltavas, sērkokociņu kastītes u.c.).
- Lai novērstu ugunsgrēku un/vai eksploziju, nežāvējiet apģērbu, kas pirms tam ir tīrīts, mazgāts, iemērķts vai atsevišķās vietās apstrādāts ar benzīnu, ķīmiskajā tīrīšanā izmantotiem šķīdinātājiem, cepamajām eļļām un citām uzliesmojošām vai sprāgstošām vielām.
- Šo ierīci nav paredzēts izmantot personām (tai skaitā bērniem), ar samazinātām fiziskām, sensorām vai garīgām spējām, vai arī personām, kurām trūkst nepieciešamās pieredzes vai zināšanu, izņemot, ja šādu personu uzraudzību vai instruktāžu nodrošina par šo personu drošību atbildīgā persona.
- Pirms šīs ierīces utilizēšanas atvienojiet žāvēšanas nodalījuma durvis un nogrieziet barošanas strāvas kabeli, lai novērstu ierīces turpmāku izmantošanu.
- Nepieskarieties vai neizjauciet ierīces elektrības izvadu. Gāzes noplūdes gadījumā nodrošiniet ierīces atrašanās vietas izvēdināšanu un nekavējoties sazinieties ar Samsung servisa centru.



# Drošības informācija

- Lai novērstu stikla paneļa bojājumus, parūpējieties par pastāvīgu ierīces priekšdaļas aizsardzību.
- Lai novērstu traumu gūšanu un/vai ierīces bojājumu rašanos, nekāpiet uz tvertņu durvīm.
- Zem ierīces nenovietojiet rokas, pēdas, citas ķermeņa daļas vai metāla priekšmetus.
- Neizmantojiet citas ierīces šīs ierīces iekšējās daļas žāvēšanai. Ierīcē esošo aromātu likvidēšanai neizmantojiet sveces.
- Ierīces darbības laikā neatveriet tās durvis. Durvju atvēršana ierīces darbības laikā ietekmēs ierīces darbību un var izraisīt grīdu bojājoša kondensāta veidošanos.
- Nedzeriet uzpildes tvertnē un iztukšošanas tvertnē esošo ūdeni.
- Pirms katras ierīces izmantošanas reizes iztīriet plūksnu filtru.
- Neizmantojiet veļas mīkstinātājus vai citus līdzekļus statiskās elektrības samazināšanai, ja to nav ieteicis apgārba mīkstinātāja vai citu produktu ražotājs.
- Neturiet pirkstus pie vietām, kurās tie var tikt iespiesti. Ja tuvumā atrodas bērni, durvis aizveriet uzmanīgi.
- Neizmantojiet ierīci porgumiju saturošu piederumu žāvēšanai vai citu ar gumiju teksturētu piederumu žāvēšanai.
- Lai novērstu ierīces bojājumu rašanos, pārmērīgu troksni vai ugunsgrēku, neievietojiet nekādus priekšmetus tvaika izplūdes sprauslā.
- Ierīces darbības laikā nenovietojiet rokas vai citas ķermeņa daļas tvaika izplūdes sprauslas tuvumā. Karstais tvaiks var izraisīt traumas.
- Neatveriet durvis, ja ierīce darbojas. Ierīces iekšpusē pastāvošā augstā temperatūra var izraisīt traumas.
- Ja tvaika procesa gaitā rodas problēmas, nekavējoties apturiet ierīci un izņemiet no tās visus tajā ieliktos apgārbus. Ja apgārbus nekavējoties neizņem no ierīces, tas var palikt mitrs, bojājot audumu vai radot smaku.
- Pirms apgārba ievietošanas ierīcē, iztukšojiet visas apgārbā esošās kabatas.
- Satur fluorētas siltumnīcefektu izraisošas gāzes.  
Hermētiski noblīvēta ierīce.  
Nepieļaujiet gāzu noplūdi atmosfērā.
  - Aukstumaģents (tips): R-134a (GWP = 1430)
  - Aukstumaģents (uzlāde): 0,15 kg, 0,214 tCO<sub>2</sub>e



## Ar elektrisko sistēmu saistīti brīdinājumi

### BRĪDINĀJUMS

- Ar sausu lupatiņu regulāri atbrīvojiet barošanas strāvas spaiļes un kontaktvirsmas no putekļiem, ūdens un tml. nepiederošām vielām.
- Izvelciet ierīces barošanas kabeļa kontaktdakšu no elektrotīkla rozetes un noslaukiet to ar sausu lupatiņu.
- Lai novērstu elektrotriecienu saņemšanu, pirms ierīces izjaukšanas vai remonta vienmēr izvelciet ierīces barošanas kabeļa kontaktdakšu no elektrotīkla rozetes.
- Lai izvilktu ierīces barošanas kabeļa kontaktdakšu no elektrotīkla rozetes, nekad nevelciet kontaktdakšu aiz vada. Lai izvilktu barošanas kabeļa kontaktdakšu no elektrotīkla rozetes, kontaktdakšu cieši satveriet un velciet to paralēli kontaktspaiļu garenasij.
- Lai novērstu elektrotriecienu saņemšanu, neizmantojiet barošanas kabeļa pagarinātāju.
- Neizmantojiet bojātu barošanas kabeli vai kontaktdakšu. Necentieties veikt barošanas kabeļa vai kontaktdakšas remontu, izjaukšanu vai modificēšanu. Jebkāda remonta nepieciešamības gadījumā sazinieties ar tuvāko Samsung servisa centru.
- Kontaktdakšu iespraudiet elektrotīkla sienas rozetē, kas atbilst vietējām elektroierīču specifiskajām. Elektrotīkla rozetē iespraudiet tikai šīs ierīces barošanas kabeļa kontaktdakšu, neizmantojiet barošanas kabeļa pagarinātāju.
- Ierīces pārvietošanas laikā nodrošiniet barošanas strāva vada aizsardzību pret bojājumiem.
- Lai novērstu elektrotriecienu saņemšanu, ugunsgrēku, nopietnas traumas gūšanu un/vai letālu iznākumu, ierīces barošanas kabeļa kontaktdakšai ir jābūt iespraustai pareizi sazēmētā elektrotīkla rozetē. Nodrošiniet, lai elektrotīkla sienas rozeti un pieslēgumu pārbaudītu atbilstoši kvalificēts elektriķis.
- Ierīcei ir jābūt aprīkotai ar barošanas kabeli, kuram ir zemējuma vads un zemējuma spāile. Kontaktdakša ir jāiesprauž tai piemērotā elektrotīkla rozetē, kas ir pareizi uzstādīta un sazēmēta, ievērojot visus vietējos normatīvus un noteikumus.
- Ierīcei ir jābūt sazēmētai. Ierīces darbības traucējumu vai atteices gadījumā zemējums, nodrošinot elektriskajai stāvai iespēju plūst pa vismazākās pretestības ceļu, samazina elektrotriecienu saņemšanas risku.
- Pirms ierīces izmantošanas pārliecinieties, vai ir pieejama īpaši šai ierīcei atvēlēta un sazēmēta elektrotīkla rozete, kuras elektrotehniskie parametri ir piemēroti šīs ierīces izmantošanai. Īpašnieks ir atbildīgs par standarta 2 spaiļu sienas rozetes aizstāšanu ar standarta 3 spaiļu sienas rozeti.
- Lai novērstu elektrotriecienu saņemšanu, pareizi sazēmējiet ierīci, ievērojot visus piemērojamus normatīvus un noteikumus. Ievērojiet lietotāja instrukcijā noteikto.
- Ierīces barošanas kabeļa kontaktdakšu ir jāiesprauž atsevišķā elektrības rozetē, kuras nominālais spriegums sakrīt ar ierīces strāvas parametru plāksnītē norādīto nominālo spriegumu. Tas nodrošina vislabāko ierīces darbību, kā arī novērš mājas elektriskās ķēdes pārslodzi, kuras gadījumā pārkarsuši vadi var radīt ugunsgrēka izcelšanās risku.
- Elektriskās ķēdes pārslodzes novēršanai pieslēdziet ierīci elektriskajam slēgumam, kuram ir atbilstoši elektrotehniskie parametri. Ierīces pieslēgšana neatbilstošam elektriskajam slēgumam var izraisīt vadu kušanu un elektrotriecienu saņemšanu vai ugunsgrēka izcelšanās risku.



# Drošības informācija

- Nekādos apstākļos neatslēdziet vai neatvienojiet barošana strāvas kabeļa zemējuma spaili. Lai novērstu traumas un ierīces bojājumus, barošanas strāvas kabeļa kontaktdakšai ir jābūt iespraustai pareizi sazēmētā rozetē.
- Neizmantojiet vairāku kontaktligzdu sadales ierīci, kas nav pareizi sazēmēta (portatīva). Ja izmantojat pareizi sazēmētu vairāku kontaktligzdu sadales ierīci (portatīvu), izmantojiet tādu, kurai paredzētais strāvas stiprums ir 15 A vai lielāks. Šī norādījuma neievērošana var novest pie elektrotrieciena saņemšanas, kuras cēlonis ar būt vairāku kontaktligzdu sadales ierīces pārkaršana. Strāvu var izslēgt, ar jaudas slēdzi.
- Ierīcei ir jābūt savienotai ar sazēmētu metāla priekšmetu, pastāvīgu vadu sistēmu, vai kopā ar slēguma vadiem ir jāierīko ierīces zemējumvads, kuru ir jāpievieno ierīces sazēmēšanas spaiļi vai sazēmēšanas vadam. Ja ierīce nav pareizi sazēmēta, pastāv elektrotrieciena saņemšanas risks.
- Nepareizs ierīces zemējumvada pieslēgums var izraisīt elektrotriecienu. Ja jums ir šaubas par to, vai ierīce ir pareizi sazēmēta, vērsieties pie kvalificēta elektriķa vai servisa speciālista.

## Brīdinājumi par uzstādīšanu

### BRĪDINĀJUMS

- Ierīci uzstādiet tikai vietā ar stabilu un kvalitatīvu grīdu. Neuzstādiet ierīci vietās, kuras ir pakļautas vibrācijām, vai vietās kur ierīce var apgāzties, piemēram, kuģos vai lidmašīnās. Ja par uzstādīšanas vietas piemērotību rodas šaubas, sazinieties ar Samsung servisa centru.
- Neuzstādiet ierīci vietās, kur tā ir pakļauta laikapstākļu iedarbībai vai temperatūrām, kas izraisa sasalšanu. Ja ierīce ir pārvadāta temperatūrā, kas ir izraisa sasalšanu, pirms ierīces uzstādīšanas ļaujiet tai uzsilt.
- Lai novērstu elektrotrieciena saņemšanu, ugunsgrēku, nopietnas traumas un/vai letālu iznākumu, neuzstādiet ierīci mitrās vietās (piemēram vannas istabās vai pirtī).
- Lai novērstu ugunsgrēku, dūmu rašanos un/vai ierīces bojājumus, neuzstādiet ierīci tuvu siltuma avotiem (piemēram, plītim vai sildītājiem).
- Lai novērstu ugunsgrēku vai dūmu rašanos un/vai ierīces bojājumus, uz ierīces, ierīcē un ierīces tuvumā nenovietojiet sveces vai citus uzliesmojošus priekšmetus.
- Lai novērstu traumu gūšanu un/vai ierīces bojājumus, pirms ierīces pārvietošanas sazinieties ar Samsung servisa centru.
- Uzstādiet ierīci tā, lai barošanas strāvas kabeļa kontaktdakša būtu viegli aizsniedzama. Ja ierīce netiek izmantota, elektrotrieciena saņemšanas un/vai ugunsgrēka novēršanai izvelciet ierīces kontaktdakšu no elektrotīkla rozetes.
- Ja vieta, kur ierīce ir uzstādīta, pārplūst, netuvojieties ierīcei un nekavējoties sazinieties ar Samsung servisa centru.
- Lai novērstu ugunsgrēku, dūmus un/vai ierīces bojājumus, atbrīvojiet ierīci no visām aizsargplēvēm.
- Lai novērstu ierīces bojājumus un/vai traumu gūšanu, ierīces pārvietošanā iesaistiet vismaz divus cilvēkus.



---

## Brīdinājumi par tīrīšanu

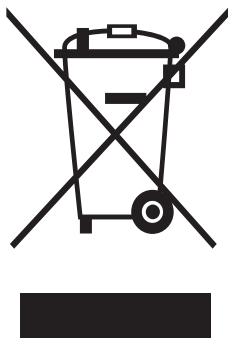
---

### BRĪDINĀJUMS

- Lai novērstu elektrotrieciena saņemšanu, ierīces izmantošanai vai tīrīšanai neizmantojiet asus priekšmetus.
- Tīrīšanas laikā nesmidziniet ūdeni tieši uz ierīces.
- Uz ierīces ārējās virsmām neizmantojiet balinātājus. Balinātāji var izraisīt ierīces atkrāsošanos.
- Pēc ierīces izmantošanas tās ārējās virsmas noslaukiet ar sausu lupatiņu.
- Pēc ierīces lietošanas noslaukiet tās iekšpusi ar sausu drānu.
  - Uz ierīces var veidoties traipi, ko rada netīrumi (piemēram, gari mati) vai iekšpusē uzkrātie putekļi vai ūdens lāses.
- Ja ierīcē vai uz kāda piederuma ir sakrājušies netīrumi (mazgāšanas līdzeklis, zemes daļiņas, pārtikas atliekas u.c.), atvienojiet strāvas kabeli no elektrības avota un noslaukiet atbilstošo virsmu ar mitru, mīkstu drānu.
  - Nepakļaujiet ierīci vai piederumu tīrīšanas vai balināšanas līdzekļu iedarbībai; neizmantojiet ierīci vai piederumu darbam ar šiem tīrīšanas vai balināšanas līdzekļiem.
  - Pretējā gadījumā var rasties krāsas izmaiņas, deformācija, bojājumi vai rūsas.

# Drošības informācija

## Instrukcijas par elektrisko un elektronisko iekārtu atkritumiem (EEIA)



Izstrādājuma pareiza likvidēšana (Attiecas uz nolietotām elektriskām un elektroniskām ierīcēm)

(Piemērojams valstīs ar atsevišķām savākšanas sistēmām)

Šis uz izstrādājuma un tā piederumiem vai pievienotajā dokumentācijā izvietotais marķējums norāda, ka izstrādājumu un tā elektroniskos piederumus (piem., uzlādes ierīci, austiņas, USB kabeli) pēc ekspluatācijas laika beigām nedrīkst likvidēt kopā ar citiem sadzīves atkritumiem. Lai nepieļautu atkritumu nekontrolētas likvidēšanas radītu varbūtēju kaitējumu videi un cilvēku veselībai, lūdzam minētās ierīces nošķirt no citiem atkritumiem un disciplinēti nodot pienācīgai pārstrādei, tā sekmējot materiālo resursu atkārtotu izmantošanu. Lai uzzinātu, kur un kā minētās ierīces iespējams nodot ekoloģiski drošai pārstrādei, mājāsaimniecībām jāsaazinās ar izstrādājuma pārdevēju vai savu pašvaldību.

Iestādēm un uzņēmumiem jāsaazinās ar izstrādājuma piegādātāju un jāiepazīstas ar pirkuma līguma nosacījumiem. Izstrādājumu un tā elektroniskos piederumus nedrīkst nodot likvidēšanai kopā ar citiem iestāžu un uzņēmumu atkritumiem.

Lai iegūtu informāciju par Samsung saistībām attiecībā uz vidi un ierīci noteiktajām obligātajām prasībām, piem., REACH, EEIA vai bateriju utilizācijas noteikumiem, apmeklējiet ilgtspējai veltīto tīmekļa vietni, kurai ir iespējams piekļūt no tīmekļa vietnes [www.samsung.com](http://www.samsung.com).

# Pirms ierīces izmantošanas

## Uzstādīšana

Šo ierīci uzstādiet, ievērojot šajā lietotāja instrukcijā un vietējos noteikumos noteikto.

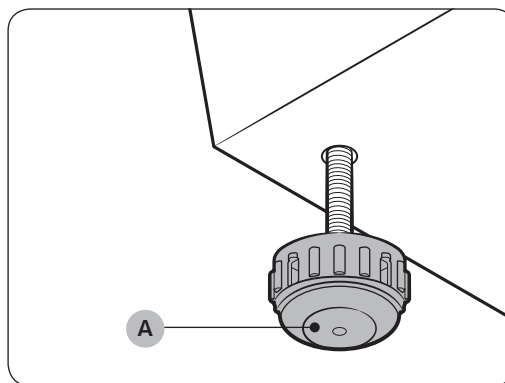
### Ierīces uzstādīšana

1. Izvēlieties stingru, līdzenu pamatu un pietiekoši lielu telpu, kas nodrošina turpmāk norādīto brīvo vietu ap ierīci.

|           |       |
|-----------|-------|
| Virs      | 25 mm |
| Sānos     | 5 mm  |
| Aizmugurē | 15 mm |

- Ja norādījumi par minimālo brīvo attālumu nav izpildīti, ierīces darbība sliktas ventilācijas rezultātā pasliktināsies, un ierīces ārpusē var būt novērojama ūdens kondensēšanās.
- Neuzstādiet šo ierīci tiešu saules staru apspīdētā, karstā vai aukstā vietā. Apkārtējās vides temperatūrai ir jābūt no 10 °C līdz 35 °C. Ja apkārtējās vides temperatūra ir pārāk augsta vai zema, produkts var normāli nedarboties, vai tā darbība par pasliktināties.

2. Pagrieziet līmeņošanas kājiņas (A) pulksteņrādītāja kustības virzienā vai pretēji pulksteņrādītāja kustības virzienam, lai pielāgotu augstumu, līdz ierīce ir nolīmeņota.



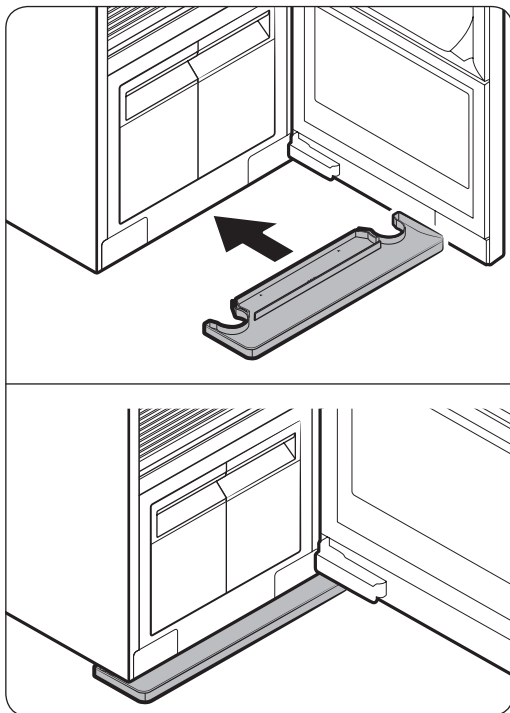
### PIEZĪME

Ja jūsu ierīce ir nestabila, vai aizmugurējo daļu ir vēlme pacelt uz augšu, ierīces aizmugurējās daļas apakšā uzstādiet komplektācijā iekļauto aizmugurējās daļas līmeņošanas kājiņu.

# Pirms ierīces izmantošanas

3. Ievietojiet ūdens uztveršanas vanniņu atbilstoši attēlos sniegtajiem norādījumiem.

- Pusei ar uzrakstu "TOP" ir jābūt vērstai uz augšu.



4. Iespraudiet ierīces barošanas strāvas kabeļa kontaktdakšu sazemētā 230 V / 50 Hz rozetē.

- Ja jums nav sazemētas rozetes, sazinieties ar Samsung servisu, lai uzzinātu par alternatīviem ierīce sazemēšanas veidiem.

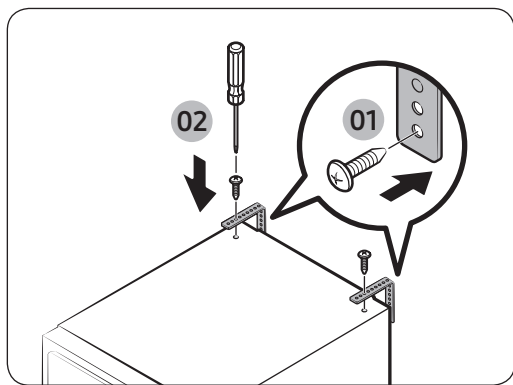
## PIEZĪME

- Ierīci var izmantot, kad kopš ierīces uzstādīšanas ir pagājušas vismaz 2 stundas.
- Pirmajā izmantošanas reizē ierīce patērē vairāk ūdens nekā parasti. Uzpildes tvertni var būt nepieciešams papildīt vairākas reizes.



AIRDRESSER nostiprināšana ar pretapgāšanās lenti (izmanto pēc izvēles).

AIRDRESSER var apgāzties ārēja spēka iedarbības vai bērnu rīcības rezultātā. Ja nepieciešams, AIRDRESSER apgāšanās novēršanai izmantojiet pretapgāšanās lenti. (Skatīt attēlu.)



#### **⚠ UZMANĪBU**

Pirms AIRDRESSER nostiprināšanas ar pretapgāšanās lenti, ierīces kontaktdakša ir jāizvelk no elektrotīkla rozetes.

#### **📄 PIEZĪME**

- Pretapgāšanās lentes piestiprināšanai pie sienas izmantojiet pievienoto skrūvi.
- Pretapgāšanās lentes piestiprināšanai ar AIRDRESSER izmantojot AIRDRESSER augšējā virsmā ieskrūvējamās skrūves.

#### **Valodas iestatīšana**

Kad ierīci pēc uzstādīšanas pirmoreiz ieslēdz, vadības paneļa displejā parādās valodas atlasīšanas ekrāns. Valodas atlasīšanai sekojiet instrukcijām.

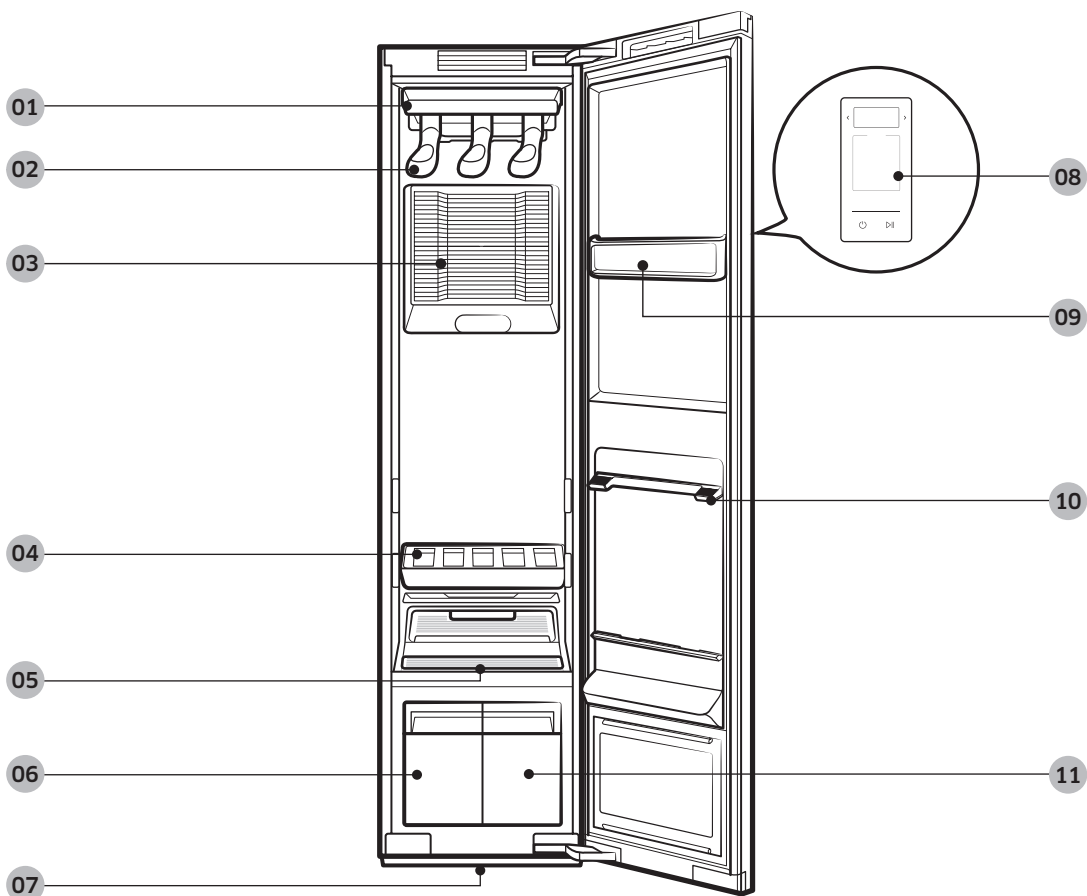
1. Valodas atlasīšanai pieskarieties pie < vai >.
2. Lai saglabātu atlasīto valodu, pieskarieties un noturiet pirkstu pie **Iedarbināt/pauzēt** ▶||.

#### **📄 PIEZĪME**

- Atsevišķās valstīs valodas iestatījums var nebūt pieejams.
- Lai valodu nomainītu vēlāk, pieskarieties un 3 sekundes noturiet pirkstu pie **Normal (Parastais)** un **Delicates (Delikātais)**, un pēc tam sekojiet norādījumiem.

# Pirms ierīces izmantošanas

## Produkta apskats



01 Gaisa atvere

02 Gaisa cirkulāciju nodrošinošs pakaramais

03 Gaisa filtrs

04 Plaukts

05 Plūksnu filtrs

06 Noteces tvertne

07 Ūdens uztveršanas vanniņa

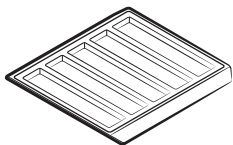
08 Vadības panelis

09 Piederumu kopšanas zona

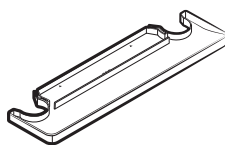
10 Plaukta turētājs

11 Uzpildes tvertne

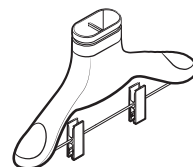
## Piederumi



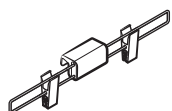
Plaukts



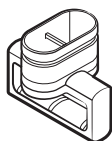
Ūdens uztveršanas vanniņa



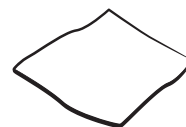
Gaisa cirkulāciju nodrošinošs pakaramais



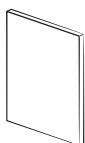
Nostiepšanas atsvars



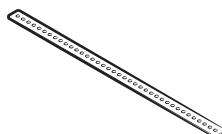
Parasto apģērba pakaramo adapteris



Tīrīšanas lupatiņa



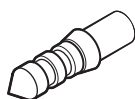
Lietotāja instrukcija



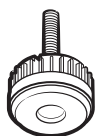
Pretapgāšanās lente



Skrūve (pretapgāšanās lentei)



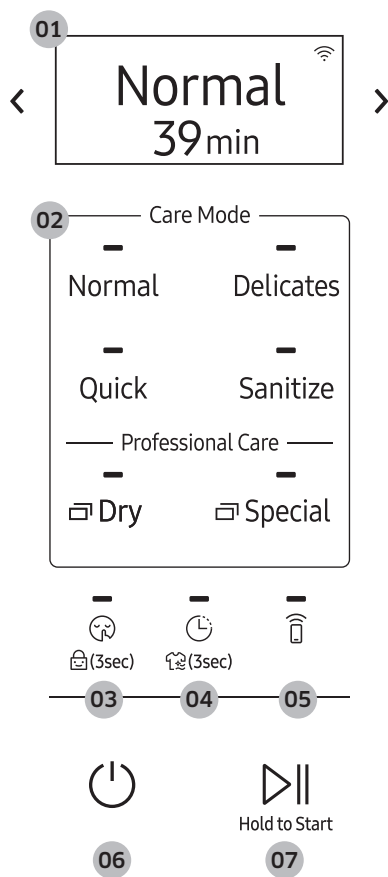
Skrūves enkurs (pretapgāšanās lentei)



Aizmugurējās līmeņošanas kājiņas

# Pirms ierīces izmantošanas

## Vadības panelis



### 01 Displejs

Rāda atlasīto ciklu un prognozēto atlikušo laiku, paziņojumus un Wi-Fi savienojamību.

### 02 Cikli

Lai atlasītu ciklu, pieskarieties attiecīgajam ciklam. Plašāka informācija par cikliem sniegta 18. lpp.




### 03 Klusums / Bērnu slēdzis (3 sekundes)

Klusums





Lai ieslēgtu vai izslēgtu, pieskarieties pie Klusums. Klusums (Klusināšana) samazina ierīces darbības radīto troksni.

**PIEZĪME**

Klusums (Klusināšana) izmantošana pagarinās cikla ilgumu.

|                                                                                                 |                                                                                                                                                                                                                                                                                                                                                                                                                                                                         |
|-------------------------------------------------------------------------------------------------|-------------------------------------------------------------------------------------------------------------------------------------------------------------------------------------------------------------------------------------------------------------------------------------------------------------------------------------------------------------------------------------------------------------------------------------------------------------------------|
| Bērnu slēdzis  | <p>Lai ieslēgtu vai izslēgtu, pieskarieties un 3 sekundes noturiet pirkstu pie Bērnu slēdzis. Bērnu slēdzis deaktivizē visas spiedpogas, izņemot <b>Izslēgt/ieslēgt</b> .</p> <p> <b>PIEZĪME</b></p> <p>Kad funkcija Bērnu slēdzis ir ieslēgta, tā paliek ieslēgta līdz tās izslēgšanas brīdim.</p> |
|-------------------------------------------------------------------------------------------------|-------------------------------------------------------------------------------------------------------------------------------------------------------------------------------------------------------------------------------------------------------------------------------------------------------------------------------------------------------------------------------------------------------------------------------------------------------------------------|

#### 04 Atlikt beigas / Uzturēt svaigumu (3 sekundes)

|                                                                                                      |                                                                                                                                                                                                                                                                                                                                                                                                                                                                                                                                                                                                                                                                                     |
|------------------------------------------------------------------------------------------------------|-------------------------------------------------------------------------------------------------------------------------------------------------------------------------------------------------------------------------------------------------------------------------------------------------------------------------------------------------------------------------------------------------------------------------------------------------------------------------------------------------------------------------------------------------------------------------------------------------------------------------------------------------------------------------------------|
| Atlikt beigas       | <p>Funkcijas ieslēgšanai pieskarieties pie Atlikt beigas, un pēc tam pieskarieties vēlreiz, lai pagarinātu beigu laiku (no 1 līdz 24 stundām).</p> <p> <b>PIEZĪME</b></p> <ul style="list-style-type: none"> <li>• Atlikt beigas nevar izmanto ar Sensora kontrolēta žāvēšana.</li> <li>• Ja funkcija Atlikt beigas (Atlikt beigas) ir ieslēgta, enerģijas taupīšanas nolūkā displejs izslēgsies.</li> <li>• Atkarībā no atlasītā cikla atsevišķi beigu laiki var nebūt pieejami.</li> <li>• Atkarībā no apgērba un vides, faktiskais beigu laiks var būt atšķirīgs no iestatītā laika.</li> </ul> |
| Uzturēt svaigumu  | <p>Funkcijas ieslēgšanai, pieskarieties un 3 sekundes noturiet pirkstu pie Uzturēt svaigumu. Ja apgērbu nav iespējams izņemt no ierīces uzreiz pēc cikla beigām, jūs varat uzturēt apgērbu svaigumu.</p> <p> <b>PIEZĪME</b></p> <ul style="list-style-type: none"> <li>• Uzturēt svaigumu paliek ieslēgts līdz 24 stundām pēc cikla beigām.</li> <li>• Ja ierīci izslēdz vai atver tās durvis, funkcija Uzturēt svaigumu izslēdzas.</li> <li>• Ja funkcija Uzturēt svaigumu ir ieslēgta, enerģijas taupīšanas nolūkā displejs izslēgsies.</li> </ul>                                             |

#### 05 Smart Control

Lai funkciju ieslēgtu vai izslēgtu, pieskarieties pie Smart Control. Plašāka informācija par **Smart Control**, ir sniegta 27. lpp.

#### 06 Izslēgt/ieslēgt

Pieskarieties, lai ierīci ieslēgtu vai izslēgtu.

#### 07 Iedarbināt/pauzēt


Ierīces iedarbināšanai pieskarieties un noturiet pirkstu. Pieskarieties ierīces darbības pauzēšanai.

Pirms ierīces izmantošanas

# Pirms ierīces izmantošanas

## Cikla pārskats

### Ikdienas cikli

| Cikls                        | Apraksts                                                                                                                                                                                                                                                                                                                                                                                                                                                                                                                                                                                   |
|------------------------------|--------------------------------------------------------------------------------------------------------------------------------------------------------------------------------------------------------------------------------------------------------------------------------------------------------------------------------------------------------------------------------------------------------------------------------------------------------------------------------------------------------------------------------------------------------------------------------------------|
| Normal (Parastais)           | <ul style="list-style-type: none"><li>Ikdienas apgērba atsvaidzināšanai.</li></ul>                                                                                                                                                                                                                                                                                                                                                                                                                                                                                                         |
| Delicates (Delikātais)       | <ul style="list-style-type: none"><li>Delikātam apgērbam, piemēram, no šifona, mežģīnēm un apģērbiem ar dekoratīviem elementiem.</li><li>Viskozei šī cikla izmantošana ir obligāta.</li></ul>                                                                                                                                                                                                                                                                                                                                                                                              |
| Quick (Ātrais)               | <ul style="list-style-type: none"><li>Ātra apstrāde apģērbam ar vieglu aromātu un nedaudz saburzītam apģērbam.</li></ul>                                                                                                                                                                                                                                                                                                                                                                                                                                                                   |
| Sanitize (Sanitārā apstrāde) | <ul style="list-style-type: none"><li>Apģērba sanitārajai apstrādei ar tvaiku.</li></ul> <p> <b>PIEZĪME</b></p> <ul style="list-style-type: none"><li>Neievietojiet ierīcē vairāk nekā vienu lielu vai apjomīgu apģērba gabalu. Liels vai apjomīgs apģērba gabals var nosprostot tvaika un gaisa plūsmu.</li><li>Ja ierīces darbību aptur vai darbības ciklu nomaina brīdī, kad displejā ir redzams Sanitizing (Notiek sanitārā apstrāde), apģērbs var tikt bojāts vai netikt pilnībā izžāvēts.</li></ul> |

## Žāvēšanas cikli




### UZMANĪBU

Nepakļaujiet turpmāko norādītos apģērbus, piederumus un materiālus Žāvēšana cikliem.

- Apģērbi no ādas, kažokādas, spalvām, velveta, zīda.
- Apģērbi, kas satur gumiju vai sūkli.
- Apģērbi, kas ir izgatavoti no auduma ar vilnas piejaukumu, ūdeni atgrūdoša auduma, auduma ar zīda piejaukumu, vai auduma ar kaņepju piejaukumu.
- Kažokādas segas, kuru spalvu garums pārsniedz 1 cm, vilnas paklāji, paklāji, matračī.
- Apakšveļa ar mežģīnēm, zeķbikses, zeķes.

### PIEZĪME

Žāvēšanas rezultāts lielā mērā ir atkarīgs no apģērba biezuma.

| Cikls                                    | Apraksts                                                                                                                                                                                                                                                                                                                                                                                                                                                                       |
|------------------------------------------|--------------------------------------------------------------------------------------------------------------------------------------------------------------------------------------------------------------------------------------------------------------------------------------------------------------------------------------------------------------------------------------------------------------------------------------------------------------------------------|
| Sensor Dry (Sensors kontrolēta žāvēšana) | AIRDRESSER žāvēšanas laiku iestata automātiski.<br> <b>PIEZĪME</b> <ul style="list-style-type: none"><li>• Sensors kontrolēta žāvēšana režīma izmantošana noved pie straujas noteces tvertnes piepildīšanās.</li><li>• Sensors kontrolēta žāvēšana izmantošanas gadījumā pārmērīgi slapji vai apjomīgi apģērbi ar neizžūt. Ja apģērbi un piederumi nav izžuvuši, atkārtojiet ciklu.</li></ul> |
| Time Dry (Žāvēšana uz iestatītu laiku)   | Žāvēšanas laiku iestatiet manuāli (1-3 stundas).<br> <b>PIEZĪME</b> <ul style="list-style-type: none"><li>• Žāvēšana uz iestatītu laiku izmantošanas gadījumā pārmērīgi slapji vai apjomīgi apģērbi ar neizžūt. Ja apģērbi un piederumi nav izžuvuši, atkārtojiet ciklu.</li></ul>                                                                                                          |
| Room Care (Telpas žāvēšana)              | Apkārtējās telpas mitruma līmeņa samazināšanai. Ir iespējams izvēlēties 2 vai 4 stundas ilgu ciklu.<br> <b>PIEZĪME</b> <ul style="list-style-type: none"><li>• Pirms Telpas žāvēšana ieslēgšanas iztukšojiet ierīci.</li><li>• Ciklā laikā var paaugstināties telpas temperatūra.</li></ul>                                                                                                 |

# Pirms ierīces izmantošanas

## Speciālie cikli

| Cikls                                 | Apraksts                                                                                                                                                                                                                                                                                                                                                                                                                      |
|---------------------------------------|-------------------------------------------------------------------------------------------------------------------------------------------------------------------------------------------------------------------------------------------------------------------------------------------------------------------------------------------------------------------------------------------------------------------------------|
| Suits (Uzvalki)                       | Bikšu buktējama asināšanai.<br><b>PIEZĪME</b> <ul style="list-style-type: none"><li>Pakaramo ar jaku ievietojiet vidējā gaisa padeves atverē, bet pakaramo ar biksēm ievietojiet labajā gaisa padeves atverē.</li><li>Vislabāko rezultātu sasniegšanai, izmantojiet nostiepšanas atsvaru.</li></ul>                                                                                                                           |
| School uniform (Skolas forma)         | Skolas formām, kuras katru dienu nevar mazgāt vai žāvēt.                                                                                                                                                                                                                                                                                                                                                                      |
| Wool/Knit (Vilna/Adijumi)             | Vilnas apģērbiem un adījumiem.<br><b>PIEZĪME</b><br>Lai novērstu apģērba bojājumus, to kārtīgi salociet un novietojiet uz plaukta.                                                                                                                                                                                                                                                                                            |
| Outdoor (Āra apģērbs)                 | Āra apģērbam vai aktīvām darbībām piemērotam apģērbam.                                                                                                                                                                                                                                                                                                                                                                        |
| Down Jackets (Dūnu jakas)             | Ilgstoši glabātu smagu dūnu jaku formas atjaunošanai.<br><b>PIEZĪME</b><br>Lai novērstu gaisa plūsmas nosprostošanu, uz vidējā gaisa padeves atverē ievietotā pakaramā uzlieciet tikai vienu apģērba gabalu.                                                                                                                                                                                                                  |
| Fur/Leather (Kažokāda/Āda)            | Samazina mitruma līmeni un putekļu daudzumu kažokādas un ādas apģērbos.<br><b>PIEZĪME</b> <ul style="list-style-type: none"><li>Šī cikla laikā ierīces darbība var būt skaļāka.</li><li>Ievērojiet apģērba kopšanas birkās esošos norādījumus.</li><li>Vislabākā rezultāta sasniegšanai, apstrādei pakļaujiet tikai vienu apģērba vienību.</li><li>Kažokādas apģērbam pirms pakļaušanas šim ciklam ir jābūt sausam.</li></ul> |
| Heavy Duty (Profesionālai lietošanai) | Bieza auduma apģērba (piemēram, džemperu) kopšanai.                                                                                                                                                                                                                                                                                                                                                                           |
| Self Clean (Pašattīrīšanās)           | Automātiska ierīces attīrīšanās.<br><b>PIEZĪME</b> <ul style="list-style-type: none"><li>Pārlicinieties, vai ierīce ir tukša.</li><li>Vislabākā rezultāta sasniegšanai un optimālai tīrīšanai neapturiet ciklu vai neatveriet durvis pirms Pašattīrīšanās ir beidzies.</li><li>Šis cikls nelikvidē pelējumu.</li></ul>                                                                                                        |



---

## Ciklu lejupielāde

Citus ciklus ir iespējams lejupielādēt ar lietotni SmartThings.

1. Pieskarieties pie **Izslēgt/ieslēgt** ☹.
2. Atkārtoti pieskarieties pie **Special (Speciālais)**, lai atlasītu **Download (Lejupielāde)**.
3. Lai lejupielādētu pieejamos ciklus, viedtālrunī sekojiet ekrānā redzamajām instrukcijām.
  - iespējams lejupielādēt ne vairāk kā 10 ciklus.
  - iespējams lejupielādēt turpmāk norādītos ciklus.
    - Winter Coat (Ziemas mētelis), Denim (Džinss), Down Dry (Dūnu žāvēšana), Babywear (Bērnu apģērbs), Bedding (Gultas veļa), Doll (Lelles), Accessories (Piederumi).



# Pirms ierīces izmantošanas

## Audumu kopšanas instrukcija

- Dažādiem audumiem, atkarībā no to apstrādes un apdares, ir nepieciešama atšķirīga kopšana. Šī audumu kopšanas instrukcija neaptver visus materiālus, un tādēļ ir izmantojama tikai kā atsauces materiāls. Lai novērstu apģērba bojājumus, pirms AIRRESSER izmantošanas, pārbaudiet, kas norādīts apģērba kopšanas birkā.
- Neievietojiet ierīcē apģērba, kura krāsa nav neplūkoša, kas ir jutīgs pret karstumu, kas nav piemērots mazgāšanai šādos ciklos: Vispārējais, Speciālais vai Sanitize (Sanitārā apstrāde). To, vai auduma krāsa ir plūkoša vai neplūkoša, noskaidrojiet, veicot krāsas plūšanas testu, izmantojot kādu nelielu, no ārpuses nesaskatāmu apģērba daļu (piem., iekšējo vīli). Turpmākam atbalstam, konsultējieties ar apģērba ražotāju, ķīmiskās tīrīšanas speciālistu vai detalizētāku auduma kopšanas instrukciju.

## Cikla kategorija

Lai pārbaudītu katrā apģērba kopšanas instrukcijas tabulā norādītajā kategorijā ietvertos specifiskos ciklus, skatiet turpmāko tabulu.

| Kategorija                | Cikli                                                                                                                                                                                                                                                                        |
|---------------------------|------------------------------------------------------------------------------------------------------------------------------------------------------------------------------------------------------------------------------------------------------------------------------|
| Vispārīgie cikli          | Normal (Parastais), Quick (Ātrais), Delicates (Delikātais)                                                                                                                                                                                                                   |
| Speciālie cikli           | Suits (Uzvalki), School uniform (Skolas forma), Wool/Knit (Vilna/Adījumi), Outdoor (Āra apģērbs), Down Jackets (Dūnu jakas), Fur/Leather (Kažokāda/Āda), Heavy Duty (Profesionālai lietošanai), Winter Coat (Ziemas mētelis)** , Denim (Džinss)** , Accessories (Piederumi)* |
| Sanitārās apstrādes cikli | Sanitize (Sanitārā apstrāde), Babywear (Bērnu apģērbs)** , Bedding (Gultas veļa)** , Doll (Lelles)**                                                                                                                                                                         |
| Žāvēšanas cikli           | Sensor Dry (Sensora kontrolēta žāvēšana), Time Dry (Žāvēšana uz iestatītu laiku), Down Dry (Dūnu žāvēšana)**                                                                                                                                                                 |

\* = Speciālie cikli / \*\* = Lejupielādējamie cikli



## Audumu kopšanas instrukcijas tabula

### Dabīgās šķiedras - augu valsts izcelsmes šķiedras

| Audums                | Cikli                  |              |            |                   |          | Apģērbs / Piezīmes                                                                                                                                                                                                                                                                   |
|-----------------------|------------------------|--------------|------------|-------------------|----------|--------------------------------------------------------------------------------------------------------------------------------------------------------------------------------------------------------------------------------------------------------------------------------------|
|                       | Vispārīga informācija  |              | Speciālais | Sanitārā apstrāde | Žāvēšana |                                                                                                                                                                                                                                                                                      |
|                       | Burzījuma samazināšana | Dezodorācija |            |                   |          |                                                                                                                                                                                                                                                                                      |
| Kokvilna              |                        | ●            | ●          | ●                 | ●        | Dvielji, zeķes, apakšveļa, džinsi, sporta apģērbs, t-krekli, segas<br>100% kokvilnas auduma burzījums var būt paliekošs. Pēc cikla nepieciešamības gadījumā apģērbu izgludiniet.                                                                                                     |
| Lins, kaņepes, rāmija |                        | ●            | ●          | ●                 | ●        | Vasaras apģērbs, galdauti<br>Atsevišķi burzījumi var saglabāties.<br>Pirms Vispārējais, Speciālais vai Sanitārā apstrāde ciklu izmantošanas, pārbaudiet, vai audumi ir mazgājami/mazgājami ar rokām. Delikātus apģērbus novietojiet uz plaukta. Neapstrādājiet stērķelētus apģērbus. |
| Viskoze               | ●                      | ●            | ●          |                   | ●        | Uzvalku odere, blūzes, kaklasaites, pidžamas                                                                                                                                                                                                                                         |

● = iespējams / ✖ = Skatīt kopšanas birku

### Dabīgās šķiedras - dzīvnieku valsts izcelsmes šķiedras

| Audums                         | Cikli                  |              |            |                   |          | Apģērbs / Piezīmes                                                                                                            |
|--------------------------------|------------------------|--------------|------------|-------------------|----------|-------------------------------------------------------------------------------------------------------------------------------|
|                                | Vispārīga informācija  |              | Speciālais | Sanitārā apstrāde | Žāvēšana |                                                                                                                               |
|                                | Burzījuma samazināšana | Dezodorācija |            |                   |          |                                                                                                                               |
| Alpaka, kamieļu vilna, kašmirs | ✖                      | ✖            | ●          |                   |          | Mēteļi, uzvalki<br>Adījumus novietojiet uz plaukta. Alpakas un kamieļu vilna karstā ūdenī saraujas.                           |
|                                |                        | ✖            | ●          |                   |          | Šalles, adījumi<br>Adījumus novietojiet uz plaukta. Alpakas un kamieļu vilna karstā ūdenī saraujas.                           |
| Kažokāda, āda                  |                        |              | ●*         |                   |          | Mēteļi, šalles<br>* Izmantot tikai ciklu Fur/Leather (Kažokāda/Āda). Ādai jābūt 100% dabīgai ādai (nedrīkst būt mākslīgā āda) |
| Zīds                           |                        |              |            |                   |          | Zīda kaklasaites, lentes, šalles, blūzes<br>Zīda audumi nav piemēroti kopšanai ar AIRDRESSER.                                 |

# Pirms ierīces izmantošanas

| Audums | Cikli                  |              |            |                   |          | Apģērbs / Piezīmes                                                                                                                                                                                                                                                                                                                                    |
|--------|------------------------|--------------|------------|-------------------|----------|-------------------------------------------------------------------------------------------------------------------------------------------------------------------------------------------------------------------------------------------------------------------------------------------------------------------------------------------------------|
|        | Vispārīga informācija  |              | Speciālais | Sanitārā apstrāde | Žāvēšana |                                                                                                                                                                                                                                                                                                                                                       |
|        | Burzījuma samazināšana | Dezodorācija |            |                   |          |                                                                                                                                                                                                                                                                                                                                                       |
| Vilna  |                        | ×            | ●*         |                   | ●        | <b>Svīteri, adījumi</b><br>Adījumus novietojiet uz plaukta.<br>Mazgāšana karstā ūdenī izraisa atsevišķu vilnas veidu saraušanos. Pirms ciklu Vispārējais vai Speciālais izmantošanas, pārbaudiet, vai audumi ir mazgājami/ mazgājami ar rokām.<br>* Ieteicamais cikls ir Wool/Knit (Vilna/ Adījumi).                                                  |
|        | ●                      | ●            | ●*         | ×                 | ●        | <b>Ziemas mēteļi, uzvalki</b><br>Adījumus novietojiet uz plaukta.<br>Mazgāšana karstā ūdenī izraisa atsevišķu vilnas veidu saraušanos.<br>Pirms Vispārējais, Speciālais vai Sanitārā apstrāde ciklu izmantošanas, pārbaudiet, vai audumi ir mazgājami/mazgājami ar rokām.<br>* Ieteicamais cikls ir Winter Coat (Ziemas mētelis) vai Suits (Uzvalki). |

● = Iespējams / × = Skatīt kopšanas birku

## Mākslīgās šķiedras

| Audums      | Cikli                  |              |            |                   |          | Apģērbs / Piezīmes                                                                                                                                |
|-------------|------------------------|--------------|------------|-------------------|----------|---------------------------------------------------------------------------------------------------------------------------------------------------|
|             | Vispārīga informācija  |              | Speciālais | Sanitārā apstrāde | Žāvēšana |                                                                                                                                                   |
|             | Burzījuma samazināšana | Dezodorācija |            |                   |          |                                                                                                                                                   |
| Acetāts     | ●                      | ●            | ●          | ●                 | ●        | Uzvalku odere, blūzes, kaklasaites, pidžamas                                                                                                      |
| Akrils      | ●                      | ●            | ●          | ●                 | ●        | Termoveļa, adījumi<br>Apģērbus novietojiet uz plaukta.                                                                                            |
| Neilons     | ●                      | ●            | ●          | ●                 | ●        | Zeķes, apakšveļa<br>Apģērbus novietojiet uz plaukta.                                                                                              |
|             | ●                      | ●            | ●          | ●                 | ●        | Sporta apģērbs                                                                                                                                    |
| Poliuretāns | ●                      | ●            | ●          | ●                 | ●        | Staipīgs apģērbs (kura sastāvā ir mazāk par 5%)<br>Ja apģērba sastāvā ir vairāk par 5% poliuretāna (izņemot peldkostīmus), skatīt kopšanas birku. |
| Poliesters  | ●                      | ●            | ●          | ●                 | ●        | Āra apģērbs, sporta apģērbs, t-krēkli, krēkli, blūzes                                                                                             |

● = iespējams / ✖ = Skatīt kopšanas birku

# Pirms ierīces izmantošanas

## Auduma kopšanas birkas

Lielākajai daļai apģērbu ir auduma kopšanas birkas, kurās ir sniegta informācija par piemērotu kopšanu. Turpmākajā tabulā ir iekļauti atsevišķi simboli, kas var palīdzēt AIRDRESSER piemērotu apģērbu.

### Auduma kopšanas birkas, kas apzīmē apģērbu, kas ir piemērots kopšanai ar AIRDRESSER

| Kategorija                            | Marķējums | Nozīme                                   | Izmantošana ar AIRDRESSER |
|---------------------------------------|-----------|------------------------------------------|---------------------------|
| Mazgāšanas birkas                     |           | Parastais                                | 0                         |
|                                       |           | Saburzišanas mazinošs režīms             | 0                         |
|                                       |           | Delikātais režīms                        | 0                         |
|                                       |           | Nemazgāt                                 | 0*                        |
|                                       |           | Mazgāt ar rokām                          | 0                         |
| Veļas žāvētāja izmantošanas marķējums |           | Nežāvēt ar siltu gaisu                   | X                         |
|                                       |           | Žāvēt ar zemas temperatūras gaisu        | 0                         |
|                                       |           | Žāvēt ar vidējas temperatūras gaisu      | 0                         |
|                                       |           | Žāvēt ar augstas temperatūras gaisu      | 0                         |
|                                       |           | Parastais                                | 0                         |
|                                       |           | Saburzišanas mazinošs režīms             | 0                         |
|                                       |           | Delikātais režīms                        | 0                         |
|                                       |           | Nežāvēt veļas žāvētājā                   | 0                         |
| Žāvēšanas marķējums                   |           | Žāvēt izkārtā veidā                      | 0                         |
|                                       |           | Žāvēt izkārtā veidā bez izgriešanas      | 0                         |
|                                       |           | Žāvēt novietojot uz horizontālas virsmas | 0**                       |
|                                       |           | Žāvēt ēnā                                | 0                         |
|                                       |           | Nežāvēt                                  | X                         |

\* Atsevišķi apģērbi, kuru mazgāšana nav ieteicama (piemēram, kažokādas vai āda) var tikt kopti ar AIRDRESSER. Skatīt auduma kopšanas instrukcijas.

\*\* Apģērbiem, kuru auduma kopšanas birkā ir šis simbols, izmantojiet plauktu.

---

## Smart Control

---

### Wi-Fi savienojums

- Ieteicamās šifrēšanas metodes ir WPA/TKIP un WPA2/AES. Netiek atbalstīti nesēni izstrādāti Wi-Fi protokoli vai neapstiprināti Wi-Fi protokoli.
- Bezvadu tīkla uztveršanas spēju ietekmē apkārtējā bezvadu tīklu vide.
- Ja jūsu Interneta pakalpojumu sniedzējs jūsu datora MAC adresi vai modema moduli ir reģistrējis pastāvīgai lietošanai, pastāv iespēja, ka Samsung AIRDRESSER nevar izveidot savienojumu ar Internetu. Šādā gadījumā sazinieties ar savu Interneta pakalpojumu sniedzēju.
- Jūsu Interneta savienojumu var pārtraukt Interneta ugunsmūris. Ja tas notiek, sazinieties ar savu Interneta pakalpojumu sniedzēju.
- Ja savienojums ar Internetu joprojām nav iespējams pēc jūsu Interneta pakalpojuma sniedzēja veiktajiem pasākumiem, sazinieties ar vietējo Samsung izplatītāju vai servisa centru.

### Lietotnes lejupielāde

Lietotņu veikalā (Google Play Store, Apple App Store, Samsung Galaxy Apps), atrodiat SmartThings lietotni, lejupielādējiet un instalējiet to savā ierīcē.

#### PIEZĪME

- SmartThings var nebūt savietojama ar atsevišķiem planšetdatoriem vai viedtālruniem.
  - Ieteicamā Android operētājsistēma ir 6.0 vai jaunāka (vismaz 2 GB liela operatīvā atmiņa (RAM)).
  - Atbalstītās displeja izšķirtspējas Android operētājsistēmām ir 1280 x 720 (HD), 1920 X 1080 (FHD), 2560 x 1440 (WQHD).
  - Ieteicamā iOS operētājsistēma ir 10.0 vai jaunāka (iPhone modelim ir jābūt iPhone 6 vai jaunākam).
  - Atbalstītās displeja izšķirtspējas Apple ierīcēm ir 1334 X 750, 1920 x 1080.
- Lietotnei darbības uzlabošanas nolūkā veiktās izmaiņas var tikt ieviestas bez īpaša paziņojuma.

### Pierakstīšanās

Vēlpirms ir jāpierakstās SmartThings lietotnē, izmantojot savu Samsung kontu. Lai izveidotu jaunu Samsung kontu, sekojiet ierīcē redzamajiem norādījumiem. Sava konta izveidei nav nepieciešams izmantot īpašu lietotni.

#### PIEZĪME

Ja jums ir Samsung konts, izmantojiet to, lai pierakstītos. Reģistrēta Samsung viedtālruna lietotāja gadījumā pierakstīšanās notiek automātiski.

# Pirms ierīces izmantošanas

## Jūsu ierīces reģistrēšana lietotnē SmartThings.

1. Pārlicinieties, vai jūsu viedtālrunim ir savienojums ar bezvadu tīklu. Ja savienojuma nav, atveriet **Settings** (Iestatījumi), lai ieslēgtu savienojumu ar bezvadu tīklu, un atlasiet AP (Access Point) (Piekļuves punkts).
2. Savā viedtālrunī atveriet lietotni **SmartThings**.
3. Ja parādās paziņojums “A new device is found. (Atrasta jauna ierīce.)”, atlasiet **Add** (Pievienot).
4. Ja nekāds ziņojums neparādās, atlasiet +, un pēc tam atlasiet savu ierīci no pieejamo ierīču saraksta. Ja jūsu ierīces sarakstā nav, atlasiet **Device Type (Ierīces tips) > Specific Device Model (Specifisks ierīces modelis)**, un pievienojiet savu ierīci manuāli.
5. Lai pabeigtu reģistrāciju, sekojiet ekrānā redzamajiem norādījumiem.

## SmartThings pārskats

| Kategorija  | Funkcija                       | Apraksts                                                                                                                                                       |
|-------------|--------------------------------|----------------------------------------------------------------------------------------------------------------------------------------------------------------|
| Monitorings | Cikla statuss                  | Pastāv iespēja pārbaudīt attiecīgajā brīdī aktivizēto ciklu un iespējas, kā arī atlikušo cikla laiku.                                                          |
|             | Smart Control                  | Ir redzams AIRRESSER Smart Control statuss.                                                                                                                    |
|             | Enerģijas patēriņa monitorings | Ir iespējams veikt enerģijas patēriņa statusa monitoringu.                                                                                                     |
| Vadība      | Sākt / Pauzēt / Atcelt         | Atlasiet ciklu un nepieciešamās iespējas, un atlasiet Sākt / Pauzēt / Atcelt, lai ieslēgtu ierīci, īslaicīgi apturētu tās darbību, vai atcelt uzsākto darbību. |
| Paziņojums  | Cikls pabeigts                 | Paziņo par cikla pabeigšanu.                                                                                                                                   |



| Kategorija           | Funkcija                    | Apraksts                                                                                                                                                                                                           |
|----------------------|-----------------------------|--------------------------------------------------------------------------------------------------------------------------------------------------------------------------------------------------------------------|
| AIRDRESSER funkcijas | Kopšanas norādījumi         | Atlasiet auduma tipu un iespējas, un saņemiet ieteikumus par visieteicamāko kopšanas ciklu.                                                                                                                        |
|                      | Mans skapis                 | Ievadot informāciju par apģērbiem (piemēram auduma materiālu), ir iespējams iekļaut savus apģērbus lietotnē, un saņemt informāciju par ieteicamajiem cikliem un kopšanas vēsturi.                                  |
|                      | Speciālo ciklu pārvaldība   | Ir iespējams saglabāt ne vairāk kā 9 ciklus, turklāt ir iespējama ciklu dzēšana un to secības izmaiņšana.                                                                                                          |
|                      | Mājas kopšanas pārvaldnieks | Saņemiet padomu, kas noderēs, lai uzturētu savu AIRDRESSER ideālā stāvoklī. Pārbaudiet savus ciklu izmantošanas modeļus, enerģijas patēriņu un saņemiet brīdinājumus par ierīces apkopes veikšanas nepieciešamību. |

# Pirms ierīces izmantošanas

## Paziņojums par atvērtā koda programmatūru

Šajā ierīcē esošajā programmatūrā ir iekļauta atvērtā koda programmatūra. Jūs varat saņemt visu attiecīgo avota kodu trīs gadus pēc šīs ierīces pēdējās nosūtīšanas, nosūtot attiecīgu e-pastu uz e-pasta adresi <mailto:oss.request@samsung.com>.

Visu attiecīgo avota kodu ir iespējams saņemt arī saglabātu fiziskā datu nesējā, piemēram, CD-ROM; šādā gadījumā tiks pieprasīta minimāla samaksa.

Vienotais resursu vietrādis [http://opensource.samsung.com/opensource/SMART\\_AT\\_051/seq/0](http://opensource.samsung.com/opensource/SMART_AT_051/seq/0) ved uz vietni, no kuras ir iespējams lejupielādēt pieejamo avota kodu un ar šo ierīci saistīto atvērtā koda licences informāciju. Šis piedāvājums attiecas uz ikvienu šīs informācijas saņēmēju.



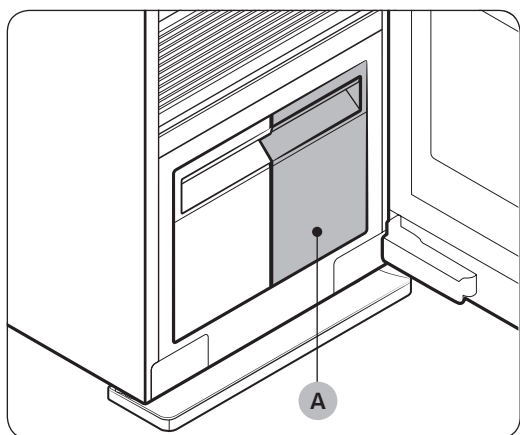
## PIEZĪME

Samsung Electronics apliecina, ka šī radioierīces tipa ierīce atbilst direktīvā 2014/53/ES noteiktajam. Pilnu ES atbilstības deklarācijas tekstu ir iespējams iegūt turpmāk norādītajā tīmekļa vietnē: Oficiālā atbilstības deklarācija ir pieejama tīmekļa vietnē <http://www.samsung.com>. Lai to iegūtu apmeklējiet Support > Search Product Support (Atbalsts > Meklēt produkta atbalstu) un ievadiet modeļa nosaukumu.

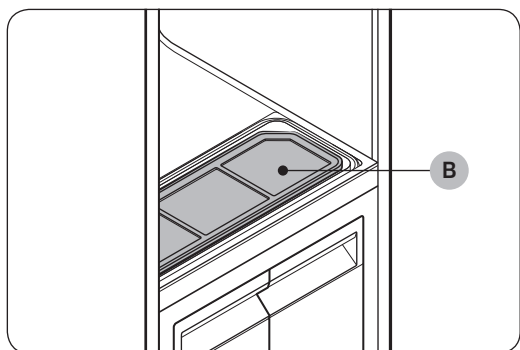
Wi-Fi maksimālā raidītāja jauda: 20 dBm pie 2,412 GHz - 2,472 GHz

# Ierīces un piederumu izmantošana

## Cikla izmantošana

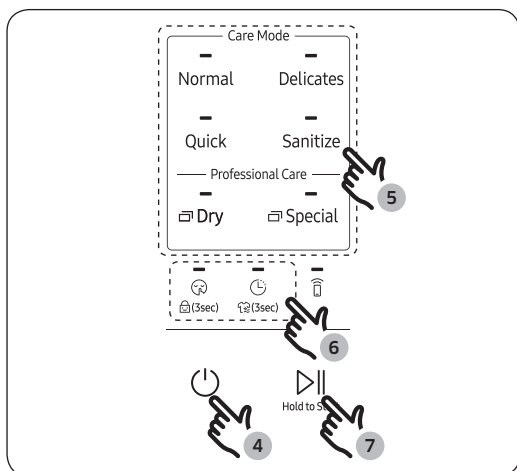


1. Parūpējieties par to, lai Uzpildes tvertne (A) būtu piepildīta ar ūdeni.



2. Parūpējieties par to, lai Plūksnu filtrs (B) būtu tīrs.
3. Ievietojiet apgērbus ierīcē, ievērojot sadaļā Piederumu izmantošana sniegtos norādījumus.

# Ierīces un piederumu izmantošana



4. Pieskarieties pie Izslēgt/ieslēgt
5. Atlasiet ciklu.
  - Pieskarieties pie **Normal (Parastais)**, **Delicates (Delikātais)**, **Quick (Ātrais)** vai **Sanitize (Sanitārā apstrāde)**.
  - Ciklā Žāvēšana izmantošanai atkārtoti pieskarieties pie **Dry (Žāvēšana)**, lai atlasītu vajadzīgo žāvēšanas ciklu.
  - Speciālais ciklu atkārtotai izmantošanai pieskarieties pie **Special (Speciālais)**, lai atlasītu vajadzīgo speciālo ciklu.
6. Nepieciešamības gadījumā atlasiet izvēles funkcijas.
  - **Klusums** , **Bērnu slēdzis** , **Atlikt beigas** , **Uzturēt svaigumu**
7. Pieskarieties un 3 sekundes noturiet pirkstu pie ledarbināt/pauzēt

## Izmantošanas norādījumi

### Pirms lietošanas

- Šo ierīci nevar izmantot apģērba tīrīšanai. Vislabāko rezultātu sasniegšanai, pirms šīs ierīces izmantošanas visus apģērba gabalus izmazgājiet un izžāvējiet.
- Apģērba, kuram piemīt stipra smarža, vai apģērba, kas ir ilgi glabāts, pirms ievietošanas šajā ierīcē izmazgājiet.
- Sadaliet apģērbus pēc to smaržas stipruma pakāpes.
- Pirms šīs ierīces izmantošanas pārbaudiet visu apģērba birkas.
- Pirms apģērba ievietošanas ierīcē, iztukšojiet visas apģērbā esošās kabatas.
- Neizmantojiet šo ierīci kā apģērba glabāšanas skapi.
- Ierīce neatbrīvo apģērba no mājdzīvnieku spalvām.

---

### Izmantošanas laikā

- Parūpējieties par to, lai apgērbi nepieskartos ierīces grīdai. Lai novērstu to, ka iekārto apgērbu apakšējā daļa pieskaras grīdai, nepieciešamība gadījumā izmantojiet plauktu.
- Tvaika procesa laikā var būt dzirdama šņākšana.
- Ja cikls ir jāpārtrauc pirms tā beigām, noteikti ieslēdziet ciklu Žāvēšana.
- Darbības laiks ir atkarīgs no vides un apgērba veida.
- Ja ierīci izmanto secīgi, tās displejā var būt parādīts no faktiskā atšķirīgs darbības laiks.
- Ierīces darbības laikā neatveriet tās durvis.

### Pēc izmantošanas

- Burzījuma likvidēšanas apmērs var būt atkarīgs no auduma veida.
- Izņemiet apgērbus no ierīces, tiklīdz cikls ir beidzies. Ja apgērba tūlītēja izņemšana nav iespējama, izmantojiet funkcijas Atlikt beigas vai Uzturēt svaigumu.
- Izņemot apgērbus, satveriet gan apgērbus, gan pakaramo.

# Ierīces un piederumu izmantošana

## Piederumu izmantošana

### Gaisa cirkulāciju nodrošinošie pakaramie

Tādiem apģērbiem kā žaketēm, sportiskām žaketēm un vējjakām izmantojiet gaisa cirkulāciju nodrošinošos pakaramos.

#### **PIEZĪME**

- Parūpējieties par to, lai pakaramie no iekšpuses un ārpuses būtu tīri un brīvi no jebkādiem pie tiem nepiederošiem materiāliem.
- Pakaramos neizmantojiet adījumus, vilnai un apakšveļai.
- Maksimālais garums ķermeņa augšdaļas apģērbam ir 110 cm, bet ķermeņa apakšdaļas apģērbam 100 cm.
- Atkarībā no apģērba izmēra un auduma, apģērba kakla daļā var veidoties nevēlamas krokas.



### Gaisa cirkulāciju nodrošinošo pakaramo izmantošana

1. Apģērba gabalus uz pakaramajiem uzlieciet, pavēršot tos vienā virzienā.
  - Lai novērstu apģērba nokrišanu no pakaramajiem, apģērbam aizpogājiet visas pogas un aizvelciet visus rāvējslēdzējus.
  - Parūpējieties par to, lai visi apģērba gabali nokarātos plakani. Parūpējieties par to, lai pakaramo klipši nebūtu izvirzīti uz āru.
2. Iebīdīet pakaramos gaisa padeves atverēs, bīdīšana jāveic, līdz ir atskan klikšķis.
  - Parūpējieties par to, lai pakaramie būtu vērsti vienā virzienā.
  - Ja gaisa cirkulāciju nodrošinošie pakaramie nav pareizi ievietoti gaisa padeves atverē, var rasties vibrācijas un trokšņi.

#### **PIEZĪME**

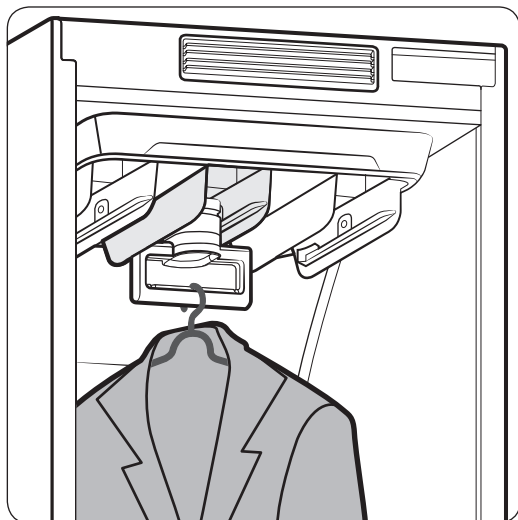
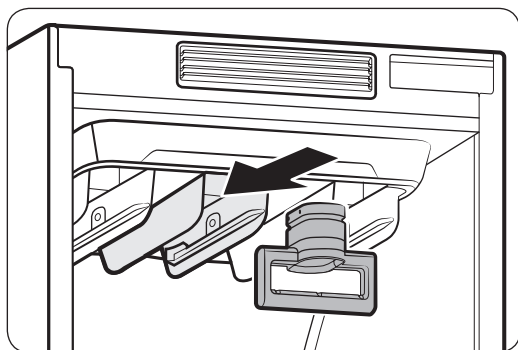
Vislabākā rezultāta sasniegšanai, gaisa cirkulāciju nodrošinošos pakaramos, uz kuriem atrodas garākie apģērba gabali, neievietojiet vidējā gaisa atverē.

## Parasto apģērba pakaramo adapteris

Uz parastajiem apģērba pakaramajiem uzkārtu apģērba gabalu izmantošanai var izmantot parasto apģērba pakaramo adapteri. Tomēr vislabāko rezultātu sasniegšanai mēs iesakām izmantot gaisa cirkulāciju nodrošinošos pakaramos.

### PIEZĪME

- Izmantojiet pakaramos, kas karstuma iedarbības rezultātā nedeformējas.
- Parūpējieties par to, lai pakaramie no iekšpuses un ārpusē būtu tīri un brīvi no jebkādiem pie tiem nepiederošiem materiāliem.
- Neizmantojiet plastmasas/silikona/koka pakaramos un pakaramos ar lipīgām virsmām.
- Neizmantojiet pakaramos, kas var aprūsēt.



### Parasto apģērba pakaramo adaptera izmantošana

1. Apģērba gabalus uz pakaramajiem uzlieciet, pavēršot tos vienā virzienā.
  - Lai novērstu apģērba nokrišanu no pakaramajiem, apģērbam aizpogājiet visas pogas un aizvelciet visus rāvējslēdzējus.
  - Parūpējieties par to, lai visi apģērba gabali nokarātos plakani. Parūpējieties par to, lai pakaramo klipši nebūtu izvirzīti uz āru.
2. Parasto pakaramo izmantošanai paredzēto adapteri iebīdīet gaisa padeves atverēs, līdz ir dzirdams klikšķis, pēc tam uz parasto pakaramo izmantošanai paredzētā adaptera uzkarīet parastos pakaramos.
  - Parūpējieties par to, lai pakaramie būtu vērsti vienā virzienā.
  - Ja parasto pakaramo izmantošanai paredzētais adapteris gaisa padeves atverē nav ievietots pareizi, var rasties vibrācijas un trokšņi.

### PIEZĪME

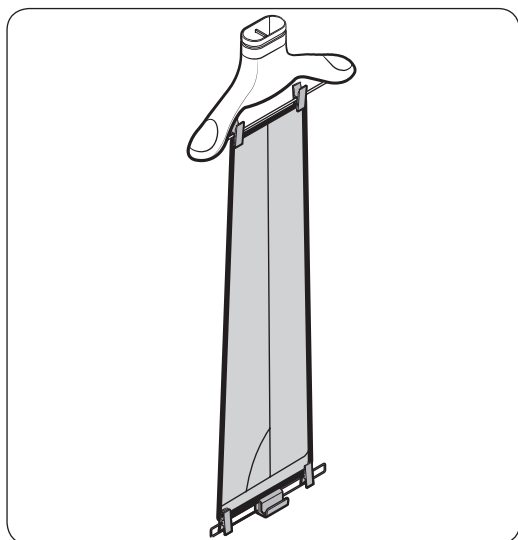
Vislabākā rezultāta sasniegšanai, gaisa cirkulāciju nodrošinošos pakaramos, uz kuriem atrodas garākie apģērba gabali, neievietojiet vidējā gaisa atverē.

# Ierīces un piederumu izmantošana

## Nostiepšanas atsvars

### PIEZĪME

- Parūpējieties par to, lai bikses vai nostiepšanas atsvars nepieskaras ierīces grīdai.
- Maksimālais bikšu garums ir 100 cm.

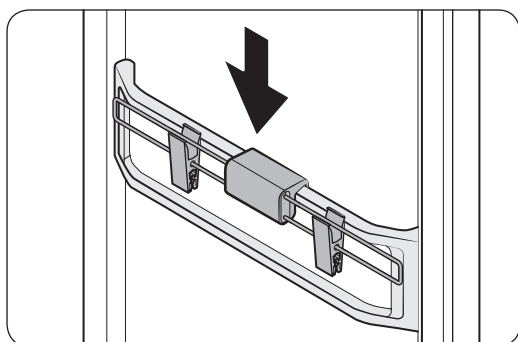


### Nostiepšanas atsvara izmantošana

1. Bikšu apakšējo daļu ar knaģiem piestipriniet pie gaisa cirkulāciju nodrošinošā pakaramā.
2. Bikšu jostas daļu ar knaģiem piestipriniet pie nostiepšanas atsvara.
3. Iebīdiet gaisa cirkulāciju nodrošinošos pakaramos gaisa padeves atverēs, bīdīšana jāveic, līdz ir atskan klikšķis.

### PIEZĪME

Asāku bukšu izveidošanai nostiepiet bikses, attālinot knaģus vienu no otra.



Ja nostiepšanas atsvaru neizmanto, novietojiet to piederumu kopšanas zonā.

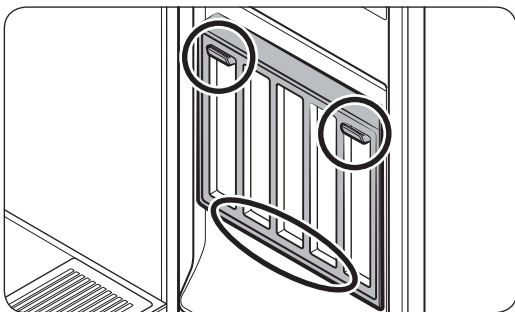
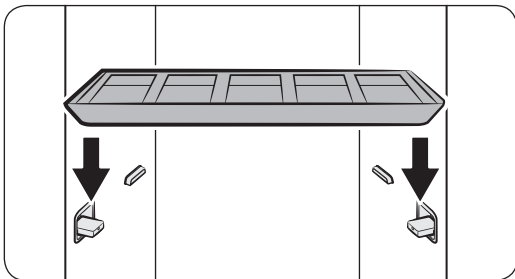
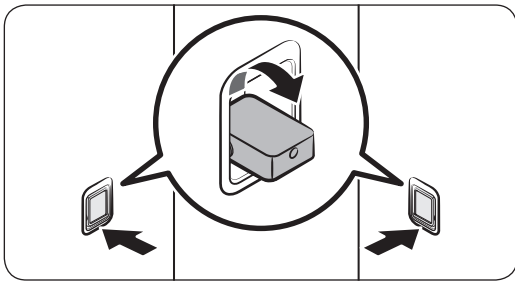


## Plaukts

Apģērbim, kurus nevar uzkārt uz pakaramajiem, izmantojiet ierīces plauktu.

### PIEZĪME

- Uz tā novietojiet tikai apģērbu vai apģērba piederumus. Uz plaukta nenovietojiet smagus priekšmetus, un neizmantojiet plauktu jebkādu citu priekšmetu glabāšanai.
- Parūpējieties par to, lai uz bērni plauktu neizmantotu sēdēšanai, un uz tā nerāptos.
- Parūpējieties par to, lai uz plaukta novietotie apģērbi vai apģērba piederumi nenokarātos no plaukta priekšā, aizmugurē, sānos vai cauri plaukta režģim.
- Apģērbus un apģērba piederumus uz plaukta nesakraujiet citu virs cita.



### Plaukta izmantošana

1. Lai plaukta turētājus izvirzītu ārā no sienas, pagrieziet tos, pirms tam nospiežot to apakšējo daļu.
2. Atbalstiet plauktu uz plaukta turētājiem. Parūpējieties par to, lai plaukta iedobumi sakristu ar plaukta turētājiem.

### PIEZĪME

Atstarpe starp plaukta malām un ierīces sānu sienām ir normāla parādība.

Ja plaukts netiek izmantots, noglabājiet to durvīs. Plauktu atbalstiet pret apakšējiem turētājiem un tad uzkariet uz augšējiem turētājiem.

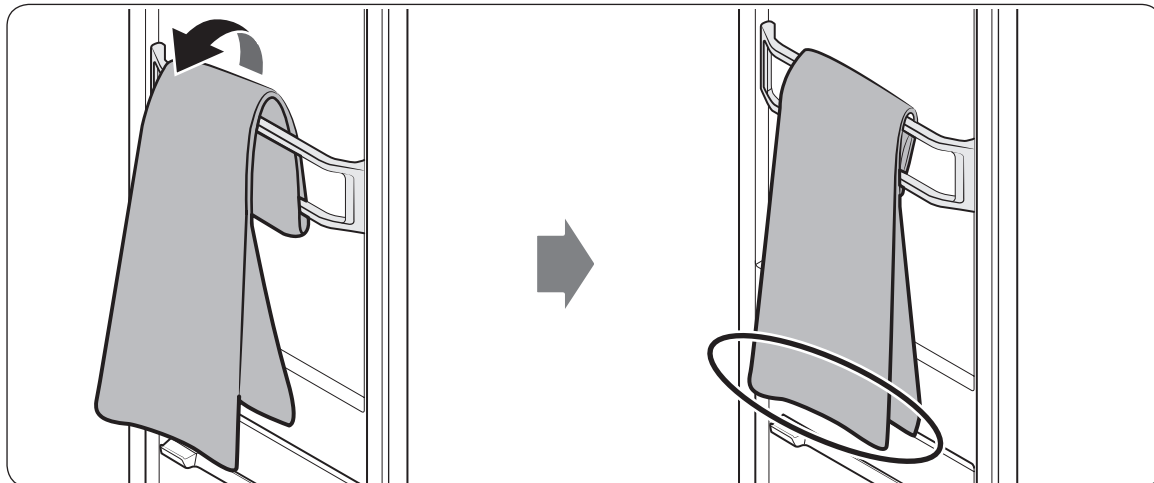
# Ierīces un piederumu izmantošana

## Piederumu kopšanas zona

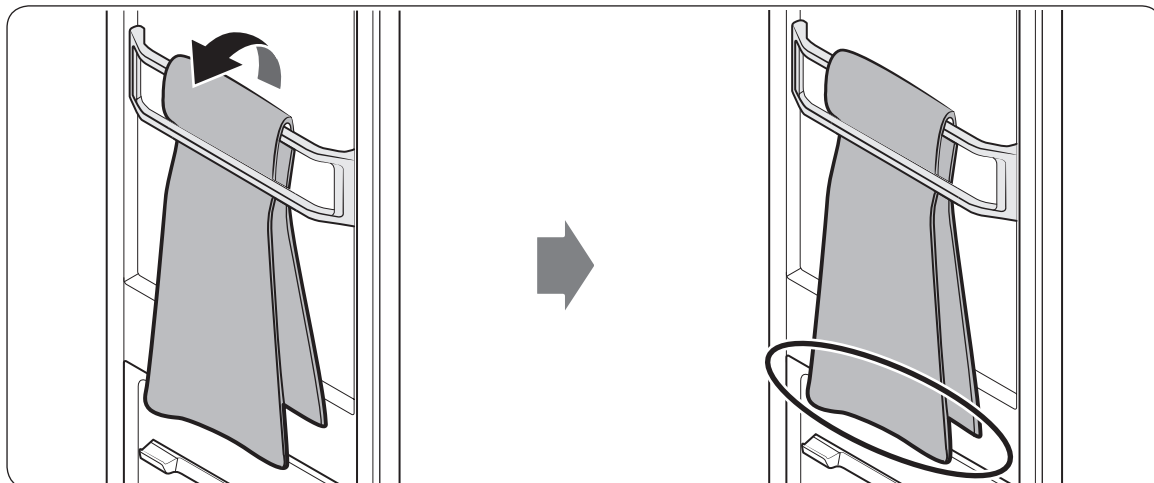
Piederumu kopšanas zonu izmantojiet šallēm

Lai droši iekārtu šalli, ievērojiet turpmākajos attēlos sniegtos norādījumus.

### 1. metode



### 2. metode

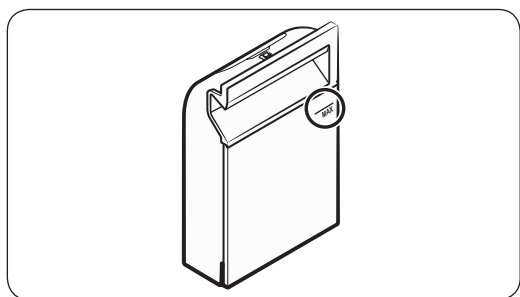
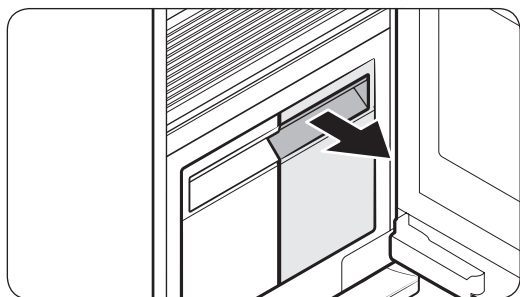


- Raugieties, lai abu galu garumi būtu vienādi.
- Burzījuma likvidēšana ir atkarīga no auduma īpatnībām.

## Uzpildes tvertne

### PIEZĪME

- Pirms ierīces izmantošanas, parūpējieties par to, lai uzpildes tvertnē būtu ūdens.
- Pirmajā izmantošanas reizē ierīce patērē vairāk ūdens nekā parasti.
- Ieteicams izmantot filtrētu ūdeni.
- Ja ierīces izmantošanā ir paredzēts ilgs pārtraukums, iztukšojiet uzpildes tvertni.
- Ar viena pilnu uzpildes tvertni pietiek apmēram 4 cikliem.
- Uzpildes tvertnē iepildiet tikai ūdeni. Jebkādu citu šķidrumu, piemēram, mazgāšanas līdzekļa vai veļas mīkstinātāja, iepildīšana var radīt problēmas.
- Uzpildes tvertnes piepildīšanai neizmantojiet noteces tvertnē esošo ūdeni.



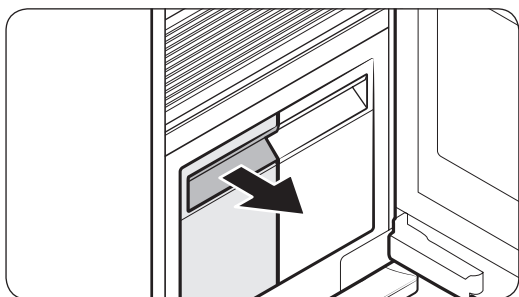
### Uzpildes tvertnes piepildīšana

1. Izvelciet uzpildes tvertni.
2. Atveriet aizmugurējo vāku, iepildiet līdz līnijai **MAX (Maksimālais daudzums)**.
3. Ievietojiet uzpildes tvertni atpakaļ tai paredzētajā vietā.

# Ierīces un piederumu izmantošana

## Noteces tvertne

Pirms ierīces izmantošanas vai gadījumā, ja ierīces izmantošanā ir paredzēts ilgs pārtraukums, iztukšojiet noteces tvertni.



### Noteces tvertnes iztukšošana

1. Izvelciet noteces tvertni uz āru.
2. Iztukšojiet tvertni.
3. Ievietojiet noteces tvertni atpakaļ tai paredzētajā vietā.

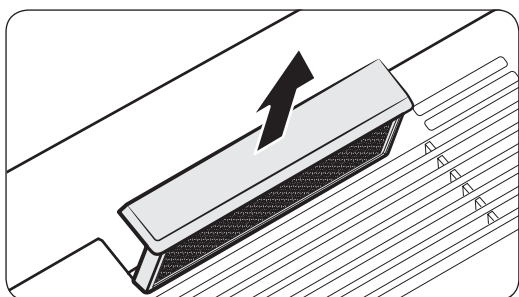
## Samsung Fresh Finish

Samsung Fresh Finish piešķir apģērbam patīkamu aromātu.

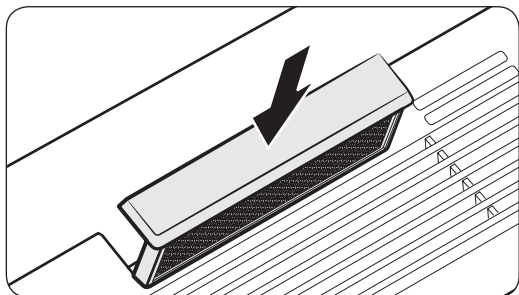
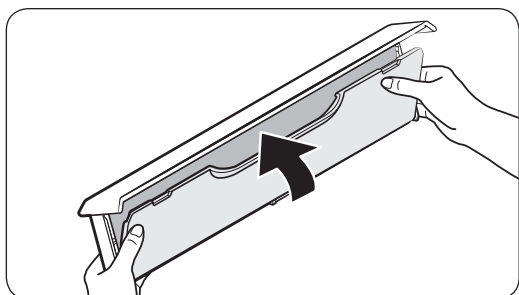
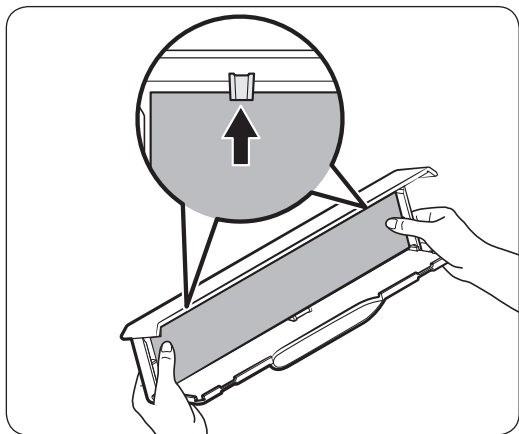
### PIEZĪME

- Izsmidziniet vēlamo aromātu 4-5 reizes uz vates plāksnītes un pēc tam ievietojiet plāksnīti Samsung Fresh Finish. Aromāta stiprums, kas izkliedēts caur Samsung Fresh Finish, var atšķirties atkarībā no izmantotās smaržas, un aromāts var saglabāties AIRDRESSER iekšienē pat pēc cikla pabeigšanas.
- Ja pārāk ilgi atstājat vates plāksnīti Samsung Fresh Finish iekšpusē, var rasties pelējums.

Lai nomainītu vates plāksnīti



1. Izņemiet Samsung Fresh Finish.



2. Izsmidziniet vēlamo aromātu 4-5 reizes uz vates plāksnītes un pēc tam ievietojiet plāksnīti Samsung Fresh Finish.

3. Aizveriet Samsung Fresh Finish vāciņu, līdz izdzirdat, ka tas nofiksējas.

4. Atkārtoti ievietojiet Samsung Fresh Finish.

#### **PIEZĪME**

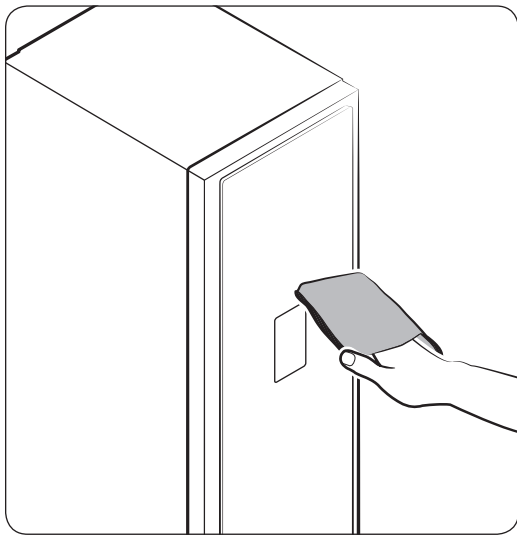
- Ja kopā ar Samsung Fresh Finish izmantojat kādu aromātu, tas var saglabāties AIRDRESSER iekšienē pat pēc cikla pabeigšanas.
- Vates plāksnīte nav iekļauta komplektā.
- Samsung Fresh Finish efektivitāti nevar garantēt, jo tā ir atkarīga no izmantotā aromāta.

# Tīrīšana un apkope

## UZMANĪBU

- Pirms ierīces tīrīšanas sākšanas, izvelciet tās barošanas vada kontaktdakšu no elektrotīkla rozetes.
- Neizmantojiet abrazīvus vai uzliesmojošus tīrīšanas līdzekļus.
- Tīrīšanas laikā nesmidziniet ūdeni tieši uz ierīces.

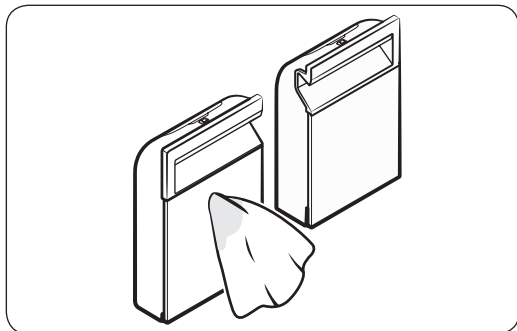
## Ierīces ārējās virsmas



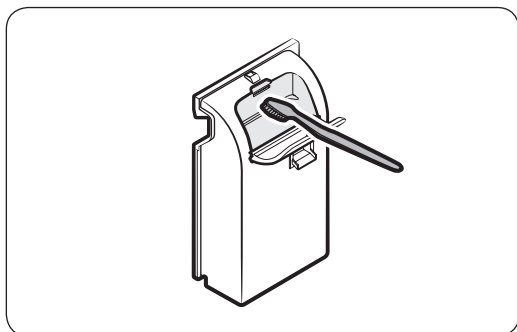
Ierīces ārējo virsmu tīrīšanai izmantojiet tīrīšanas lupatiņu. Noturīgu traipu notīrīšanai virsmu vispirms noslaukiet ar mitru lupatiņu, un pēc tam virsmu noslaukiet sausu.

## Ūdens tvertnes

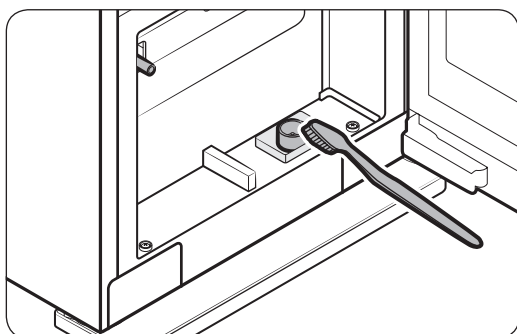
Regulāri iztīriet ūdens tvertnes. Pirms ūdens tvertņu ievietošanas tām paredzētajās vietās, ļaujiet tām pilnībā izžūt.



Ierīces ārējo virsmu tīrīšanai izmantojiet mitru lupatiņu.



Ierīces iekšējo virsmu tīrīšanai izmantojiet mīkstu birstīti.



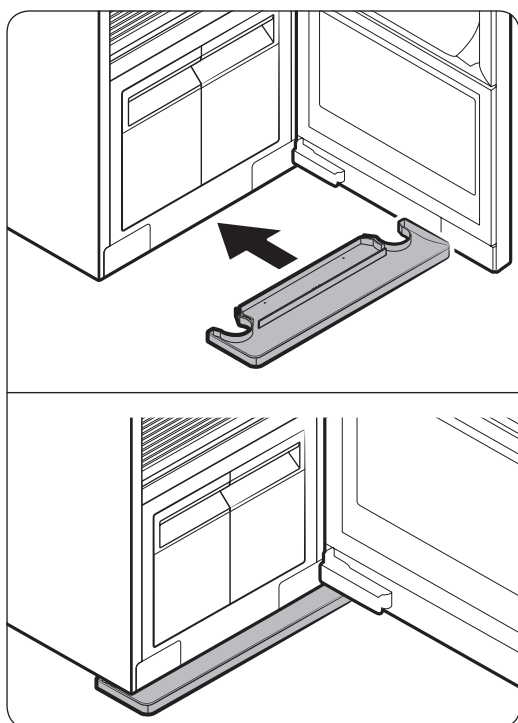
Tvertņu izplūdes un ieplūdes atveru tīrīšanai izmantojiet mīkstu birstīti.

# Tīrīšana un apkope

## Ūdens uztveršanas vanniņa

### PIEZĪME

- Regulāri notīriet ūdens uztveršanas vanniņu.
- Pēc ūdens noliešanas ūdens uztveršanas vanniņu ievietojiet tai paredzētajā vietā.



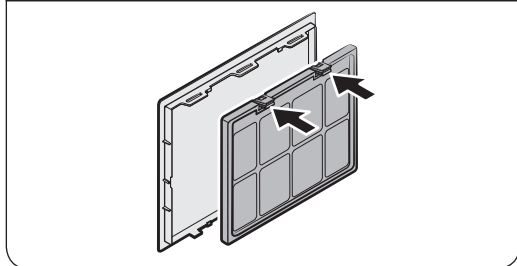
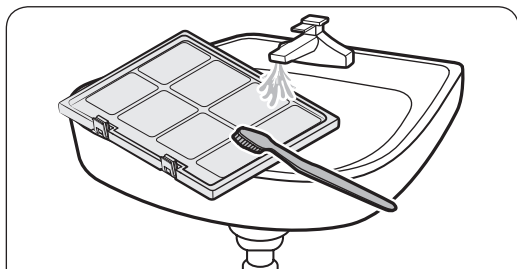
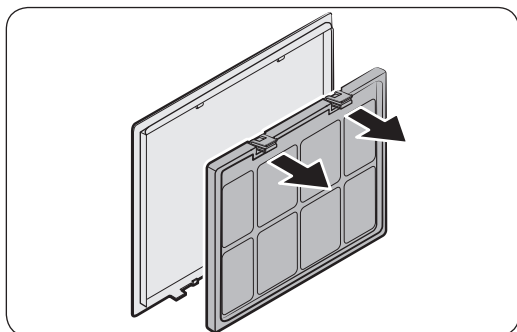
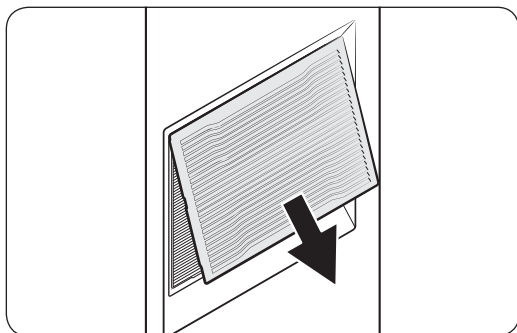
Ūdens uztveršanas vanniņu ievietojiet pareizi, sekojot attēlos sniegtajiem norādījumiem.

- To vanniņas virsmu, uz kura redzams uzraksts "TOP" (AUGŠPUSE), pagrieziet uz augšu.



## Gaisa filtrs

Ja ierīci bieži izmanto smagu apģērba gabalu vai lielu putekļu daudzumu saturošu apģērba gabalu kopšanai, gaisa filtra tīrīšanu iesakām veikt bieži.



### Gaisa filtra nomaiņa

1. Satveriet vāka apakšējo daļu un velciet uz āru.

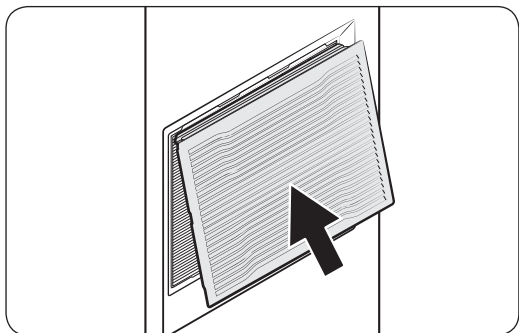
2. Lai izņemtu filtru, nospiediet divus āķus filtra augšējā daļā un velciet to uz āru.

3. Filtru izmazgājiet zem tekoša ūdens, izmantojot birstīti.

4. Izmazgāto filtru pilnībā nožāvējiet ēnainā vietā, un pēc tam ievietojiet atpakaļ tam paredzētajā vietā.

# Tīrīšana un apkope

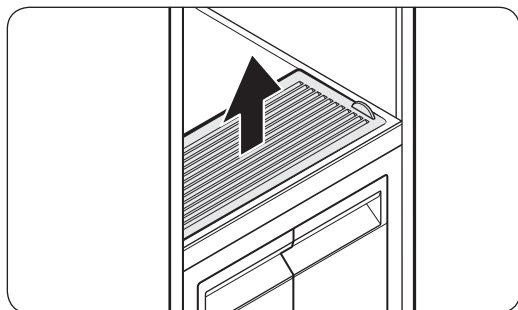
---



5. Vāka augšējo daļu ievietojiet ierīcē, un pēc tam stumiet vāku.

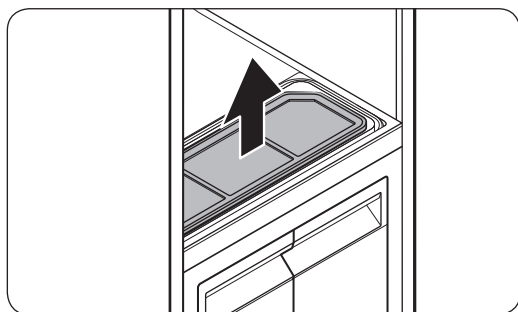
## Plūksnu filtrs

- Vislabāko rezultātu sasniegšanai, plūksnu filtru iztīriet pirms vai pēc ierīces izmantošanas.
- Ja plūksnu filtrs ir bojāts, aizstājiet to ar jaunu.

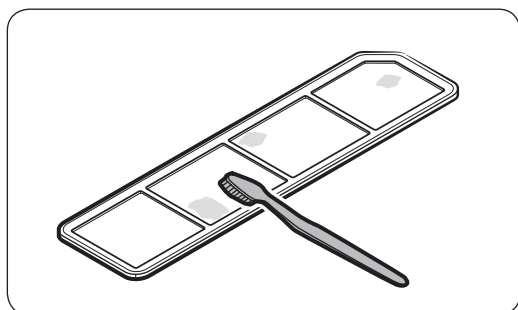


### Plūksnu filtra mazgāšana

1. Atveriet vāku.



2. Izņemiet plūksnu filtru.



3. Plūksnu filtru izmazgājiet zem tekoša ūdens, izmantojot birstīti. Izmazgāto plūksnu filtru pilnībā nožāvējiet ēnainā vietā.

4. Ievietojiet filtru atpakaļ tam paredzētajā vietā un aizveriet vāku.

# Tīrīšana un apkope

## Atkaļķošana

Ierīces darbības rezultāta uzlabošanai un kalpošanas laika pagarināšanai, atkaļķošanu veiciet regulāri. Ja atkaļķošanu neveic uzreiz pēc attiecīgā ierīces paziņojuma saņemšanas, atsevišķas funkcijas var kļūt nepieejamas, ierīces darbības efektivitāte var pazemināties, un var saīsināties arī ierīces kalpošanas laiks.

1. Ja displejā parādās paziņojums **Descaling Required (Nepieciešama atkaļķošana)**, izņemiet no ierīces visus apģērba gabalus, un pieskarieties un 3 sekundes noturiet pirkstu pie **Sanitize (Sanitārā apstrāde)** un **Dry (Žāvēšana)**.
2. Iztukšojiet uzpildes tvertni un noteces tvertni.
3. Atšķaidiet atkaļķošanas līdzekli, ievērojot tā ražotāja ieteikumus.
4. Piepildiet uzpildes tvertni ar atšķaidīto atkaļķošanas līdzekli līdz līnijai **MAX (Maks. līmenis)**.
5. Lai ieslēgtu atkaļķošanu, pieskarieties un noturiet pirkstu pie **Iedarbināt/pauzēt** ▷||.
  - Ja atkaļķošanas laika displejā parādās paziņojums **Drain the tank (Iztukšot tvertni)**, iztukšojiet noteces tvertni.
6. Kad displejā parādās paziņojums **Refill/Drain the tank (Tvertnes uzpilde/iztukšošana)**, iztukšojiet un kārtīgi izskalojiet gan uzpildes, gan noteces tvertni.
7. Uzpildes tvertni piepildiet ar tīru ūdeni līdz līnijai **MAX (Maks. līmenis)**, tad ievietojiet uzpildes tvertni un noteces tvertni atpakaļ ierīcē.
8. Kad displejā parādās paziņojums **Supply/Drainage Complete (Uzpilde/iztukšošana pabeigta)**, pieskarieties un noturiet pirkstu pie **Iedarbināt/pauzēt** ▷||.
  - Ja atkaļķošanas laika displejā parādās paziņojums **Drain the tank (Iztukšot tvertni)**, iztukšojiet noteces tvertni.
9. Kad atkaļķošana ir beigusies, iztukšojiet noteces tvertni un piepildiet uzpildes tvertni ar ūdeni.
  - AIRDRESSER izmantošana var sākties pēc visu šo darbību pabeigšanas.

### **PIEZĪME**

- Atkaļķošanas laikā var rasties vibrācija un troksnis; tas ir normāli un neliecina par nekādām problēmām ierīces darbībā.
- Kad ierīci pēc atkaļķošanas izmanto pirmo reizi, displejā var parādīties paziņojums **Refill the tank (Tvertnes uzpilde)**. Tas ir normāli. Piepildiet uzpildes tvertni ar ūdeni un nospiediet **Iedarbināt/pauzēt** ▷||, lai ierīce turpinātu darboties.
- Ja tvertnes nav kārtīgi izskalotas, atbrīvojot tās no atkaļķošanas līdzekļa, var veidoties burbulīši. Pēc atkaļķošanas uzpildes tvertni un noteces tvertnes tvertni kārtīgi izskalojiet.

---

## Ierīces pārvietošana uz citu vietu

---

- Ierīces pārvietošanas atvieglošanai zem tās ir divi ritentiņi.
- Lai novērstu ierīces apgāšanos tās pārvietošanas laikā, ierīci iesakām stumt aiz vidusdaļas. Nestumiet ierīci aiz augšdaļas vai apakšdaļas.
- Pirms ierīces pārvietošanas uz citu vietu, iztukšojiet uzpildes tvertni un noteces tvertni. Ja tvertnes nav iztukšotas, ierīces pārvietošanas laikā, tvertnēs esošais ūdens var izšļakstīties.

# Darbības traucējumu meklēšana

## Paziņojumi

| Ziņa                                                                                                                                       | Rīcība                                                                                                                                                                                                                                                                                                                                                                                                                                                                                                                                                                          |
|--------------------------------------------------------------------------------------------------------------------------------------------|---------------------------------------------------------------------------------------------------------------------------------------------------------------------------------------------------------------------------------------------------------------------------------------------------------------------------------------------------------------------------------------------------------------------------------------------------------------------------------------------------------------------------------------------------------------------------------|
| Refill the tank (Tvertnes uzpilde)<br>Refill the tank with water (Piepildīt tvertni ar ūdeni)                                              | <ul style="list-style-type: none"><li>• Pārbaudiet, vai uzpildes tvertnē ir pietiekošs ūdens daudzums.<ul style="list-style-type: none"><li>- Tvertni piepildiet līdz līnijai MAX (Maks. līmenis), ievietojiet uzpildes tvertni atpakaļ tai paredzētajā vietā, un ieslēdziet ierīci, pieskaroties pie <b>ledarbināt/pauzēt</b> ▷.</li></ul></li><li>• Pārbaudiet, vai uzpildes tvertne ir ievietota pareizi.<ul style="list-style-type: none"><li>- Ievietojiet noteces tvertni pareizi, un ieslēdziet ierīci, pieskaroties pie <b>ledarbināt/pauzēt</b> ▷.</li></ul></li></ul> |
| Drain the tank (Iztukšot tvertni)<br>Drain water from the tank (Izlaist no tvertnes ūdeni)                                                 | <ul style="list-style-type: none"><li>• Pārbaudiet, vai noteces tvertne ir pilna.<ul style="list-style-type: none"><li>- Iztukšojiet noteces tvertni ievietojiet noteces tvertni atpakaļ tai paredzētajā vietā un tad ieslēdziet ierīci, pieskaroties pie <b>ledarbināt/pauzēt</b> ▷.</li></ul></li><li>• Pārbaudiet, vai noteces tvertne ir ievietota pareizi.<ul style="list-style-type: none"><li>- Ievietojiet uzpildes tvertni pareizi, un ieslēdziet ierīci, pieskaroties pie <b>ledarbināt/pauzēt</b> ▷.</li></ul></li></ul>                                             |
| Door Open (Durvis atvērta)<br>Close the door & Start again (Aizvērt durvis un iedarbināt no jauna)                                         | <ul style="list-style-type: none"><li>• Pārbaudiet vai durvis ir atvērta.<ul style="list-style-type: none"><li>- Aizveriet durvis un ieslēdziet ierīci, pieskaroties pie <b>ledarbināt/pauzēt</b> ▷.</li></ul></li></ul>                                                                                                                                                                                                                                                                                                                                                        |
| Abnormality Alert (Brīdinājums par anormālu ierīces darbību)<br>Open the Door & Check Inside (Atvērt durvis un pārbaudīt ierīces iekšpusi) | <ul style="list-style-type: none"><li>• Pārbaudiet vai durvis ir atvērta un ir ieslēgts Bērnu slēdzis.<ul style="list-style-type: none"><li>- Aizveriet durvis un ieslēdziet ierīci, pieskaroties pie <b>ledarbināt/pauzēt</b> ▷. Pārliedzieties, vai ierīcē nav iekļuvuši bērni vai mājdzīvnieki.</li></ul></li></ul>                                                                                                                                                                                                                                                          |
| WIFI Not Connected (Nav Wi-Fi savienojuma)<br>Check the router (Pārbaudīt rūteri)                                                          | <ul style="list-style-type: none"><li>• Pārbaudiet vai rūteris ir izslēgts.<ul style="list-style-type: none"><li>- Ieslēdziet rūteri un izveidojiet savienojumu ar Internetu.</li></ul></li></ul>                                                                                                                                                                                                                                                                                                                                                                               |

### **PIEZĪME**

Ja problēma saglabājas, sazinieties ar vietējo Samsung servisa centru.

## Kontrolpunkts

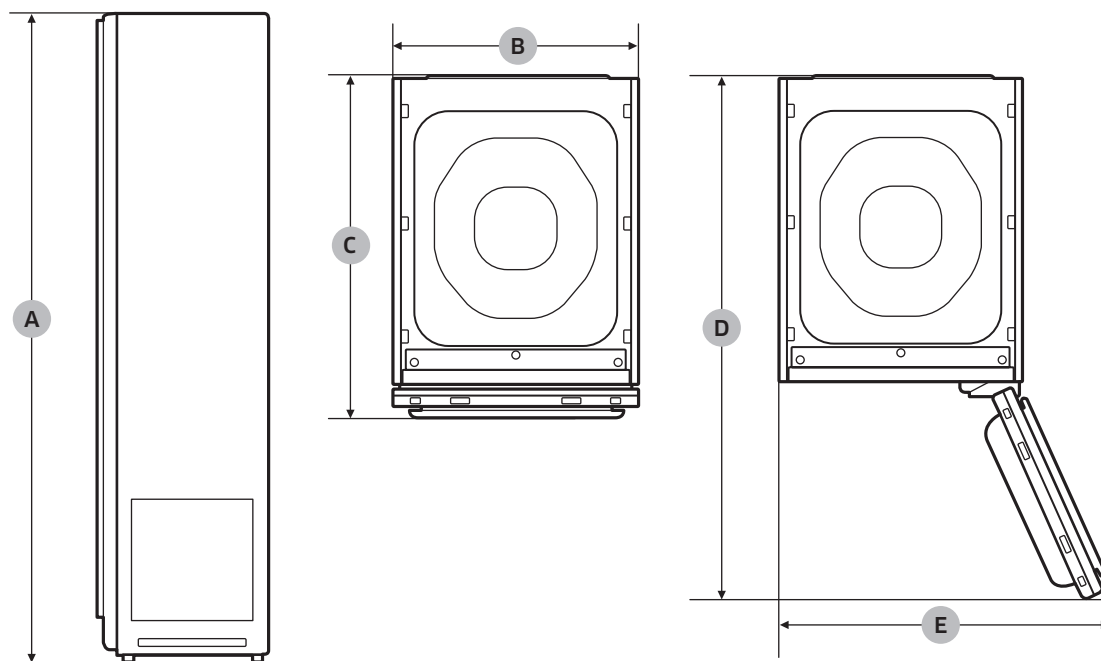
| Problēma                                                 | Rīcība                                                                                                                                                                                                                                                                                                                                                                                                                                                                                                                                                                                    |
|----------------------------------------------------------|-------------------------------------------------------------------------------------------------------------------------------------------------------------------------------------------------------------------------------------------------------------------------------------------------------------------------------------------------------------------------------------------------------------------------------------------------------------------------------------------------------------------------------------------------------------------------------------------|
| Ierīce neieslēdzas.                                      | <ul style="list-style-type: none"> <li>Ierīces ieslēgšanai pieskarieties pie <b>Izslēgt/ieslēgt</b> ☹.</li> <li>Pārbaudiet, vai ierīces barošanas kabeļa kontaktdakša ir kārtīgi iesprausta elektrotīkla rozetē.</li> <li>Pārbaudiet, vai jaudas slēdzis ir ieslēgts.</li> <li>Pārbaudiet, vai ierīces barošanas kabeļa kontaktdakša ir iesprausta elektrotīkla rozetē, kuras nominālā jauda atbilst šīs ierīces prasībām.</li> </ul>                                                                                                                                                     |
| Ierīce nedarbojas.                                       | <ul style="list-style-type: none"> <li>Pārbaudiet, vai ierīces durvis ir aizvērtas, un tad pieskarieties pie <b>Iedarbināt/pauzēt</b> ▶  .</li> <li>Ja ir dzirdamas ūdens tecēšanas vai vārīšanās skaņas, tas nozīmē, ka ierīce sagatavojas tvaika procesam. Tas ir normāli.</li> <li>Pārbaudiet, vai ir izslēgts bērnu slēdzis.</li> <li>Ierīce nevar darboties, ja tajā ir izmantots kāds šķidrums, kas nav ūdens. Lūdzu, sazinieties ar Samsung servisa centru.</li> </ul>                                                                                                             |
| Ierīce rada troksni.                                     | <ul style="list-style-type: none"> <li>Ierīce var radīt troksni, kad darbojas tās kompresors. Tas ir normāli.</li> <li>Ierīce var radīt troksni, kad tajā notiek gaisa cirkulācija. Tas ir normāli.</li> <li>Ierīce var radīt troksni pirms tvaika procesa un tā laikā. Tas ir normāli.</li> <li>Ierīce var radīt troksni, kad tā sūknē un novada ūdeni. Tas ir normāli.</li> <li>Atverot durvis, var būt dzirdams, ka troksnis nāk no uzpildes tvertnes, ūdenim plūstot pa cauruli. Tas ir normāli.</li> <li>Ja trokšņi kļūst skaļāki, sazinieties ar Samsung servisa centru.</li> </ul> |
| Vadības panelis nedarbojas.                              | <ul style="list-style-type: none"> <li>Pēc ierīces barošanas kabeļa kontaktdakšas iespraušanas rozetē brīdi pagaidiet un mēģiniet atkārtoti. Vadības panelis ieslēgsies 10 sekundes pēc ierīces barošanas kabeļa kontaktdakšas iespraušanas elektrotīkla rozetē.</li> <li>Notīriet vadības paneli un mēģiniet atkārtoti. Ja problēma saglabājas, sazinieties ar Samsung servisa centru.</li> </ul>                                                                                                                                                                                        |
| Ierīce vibrē.                                            | <ul style="list-style-type: none"> <li>Pārbaudiet, vai ierīce ir uzstādīta uz stabila un līdzena pamata.</li> <li>Pārbaudiet, vai ierīce ir nolīmeņota.</li> </ul>                                                                                                                                                                                                                                                                                                                                                                                                                        |
| Uzpildāmā tvertne ir tukša pēc vienas lietošanas reizes. | <ul style="list-style-type: none"> <li>Pirmajā izmantošanas reizē ierīce patērē vairāk ūdens. Tas ir normāli.</li> </ul>                                                                                                                                                                                                                                                                                                                                                                                                                                                                  |
| Pa durvīm izplūst tvaiks vai gaiss.                      | <ul style="list-style-type: none"> <li>Pārbaudiet, vai durvis nav iespiesti apgērba gabali.</li> <li>Pārbaudiet, vai durvis ir kārtīgi aizvērtas.</li> </ul>                                                                                                                                                                                                                                                                                                                                                                                                                              |
| Darbības laiks turpina palielināties.                    | <ul style="list-style-type: none"> <li>Slapja apgērba izžāvēšanai ir nepieciešams vairāk laika. Darbības laiks var palielināties atkarībā no apgērba daudzumu un to mitruma pakāpes.</li> </ul>                                                                                                                                                                                                                                                                                                                                                                                           |

# Darbības traucējumu meklēšana

| Problēma                                         | Rīcība                                                                                                                                                                                                                                                                                                                                                                                                                                                                                                                                                                                                         |
|--------------------------------------------------|----------------------------------------------------------------------------------------------------------------------------------------------------------------------------------------------------------------------------------------------------------------------------------------------------------------------------------------------------------------------------------------------------------------------------------------------------------------------------------------------------------------------------------------------------------------------------------------------------------------|
| Apģērbs pēc cikla ir slapjš.                     | <ul style="list-style-type: none"><li>• Pārbaudiet vai plūksnu filtrs ir tīrs un ievietots pareizi.</li><li>• Pārbaudiet vai durvju blīve ir nebojāta un durvis nav iespiesti apģērba gabali. Ja durvju blīve ir bojāta, izvelciet barošanas kabeļa kontaktdakšu no elektrotīkla rozetes un sazinieties ar Samsung servisa centru.</li></ul>                                                                                                                                                                                                                                                                   |
| Apģērbi nav dezodorēti.                          | <ul style="list-style-type: none"><li>• Apģērbu, kuram ir stipra smarža, vai apģērbu, kas ir ilgi glabāts, izmazgājiet.</li><li>• Ar eļļām piesārņotu apģērbu izmazgājiet.</li><li>• Liela apjoma apģērbi, piemēram, dūnu jaku dezodorēšana var nebūt pārāk veiksmīga. Liela apjoma apģērbus ierīcē ievietojiet pa vienam un nepieciešamības gadījumā atkārtojiet ciklu.</li><li>• Apģērbi, kuram ir stiprs aromāts, neievietojiet ierīcē kopā ar citiem apģērbiem. Sadaliet apģērbus pēc to smaržas stipruma pakāpes.</li><li>• Parūpējieties par to, lai plūksnu filtrs un abas tvertnes ir tīras.</li></ul> |
| Burzījums nav likvidēts.                         | <ul style="list-style-type: none"><li>• Ilgi glabātus apģērbus izguldiniet.</li></ul>                                                                                                                                                                                                                                                                                                                                                                                                                                                                                                                          |
| Durvju atvēršanās brīdī no ierīces izplūst dūmi. | <ul style="list-style-type: none"><li>• Atsevišķos ciklos ģenerētais tvaiks var izskatīties pēc dūmiem. Tas ir normāli.</li></ul>                                                                                                                                                                                                                                                                                                                                                                                                                                                                              |



# Specifikācijas



| Tips                                                          |                               | Apģērba kopšanas sistēma (AIRDRESSER) |                            |
|---------------------------------------------------------------|-------------------------------|---------------------------------------|----------------------------|
|                                                               |                               | DF60*8****G                           |                            |
| Izmēri (mm)                                                   | A. Augstums                   | 1850                                  |                            |
|                                                               | B. Platums                    | 445                                   |                            |
|                                                               | C. Biezums                    | 615                                   |                            |
|                                                               | D. Biezums ar atvērtām durvīm | 1001                                  |                            |
|                                                               | E. Platums ar atvērtām durvīm | 618                                   |                            |
| Nominālā jauda                                                |                               | 220-240 V / 50 Hz<br>1700-1900 W      |                            |
| Drošinātājs (Drošinātājs) (Fiksēts drošinātājs galvenajā PBA) |                               | 250 V / 12 A                          |                            |
|                                                               |                               | Čaulas tips                           | Augstas atslēgtspējas tips |
| Svars (kg)                                                    |                               | 89,0                                  |                            |

# Piezīmēm

---

# Piezīmēm

---

## JAUTĀJUMI VAI KOMENTĀRI?

| VALSTS      | ZVANIET                                                                  | VAI APMEKLĒJIET MŪS TIEŠSAISTĒ                                                      |
|-------------|--------------------------------------------------------------------------|-------------------------------------------------------------------------------------|
| ITALIA      | 800-SAMSUNG (800.7267864)                                                | <a href="http://www.samsung.com/it/support">www.samsung.com/it/support</a>          |
| NETHERLANDS | 088 90 90 100                                                            | <a href="http://www.samsung.com/nl/support">www.samsung.com/nl/support</a>          |
| LATVIA      | 8000-7267                                                                | <a href="http://www.samsung.com/lv/support">www.samsung.com/lv/support</a>          |
| LITHUANIA   | 8-800-77777                                                              | <a href="http://www.samsung.com/lt/support">www.samsung.com/lt/support</a>          |
| ESTONIA     | 800-7267                                                                 | <a href="http://www.samsung.com/ee/support">www.samsung.com/ee/support</a>          |
| POLAND      | 801-172-678* lub +48 22 607-93-33*<br>* (opłata według taryfy operatora) | <a href="http://www.samsung.com/pl/support/">http://www.samsung.com/pl/support/</a> |



DC68-04022G-00

# Drabužių priežiūros sistema (AIRDRESSER)

Naudotojo vadovas

DF60\*8\*\*\*\*G



**SAMSUNG**

# Turinys

---

|                                                                 |           |
|-----------------------------------------------------------------|-----------|
| <b>Saugos informacija</b>                                       | <b>3</b>  |
| Ką reikia žinoti apie saugos instrukcijas                       | 3         |
| Svarbūs saugos simboliai                                        | 3         |
| Svarbios atsargumo priemonės                                    | 4         |
| Bendrieji įspėjimai                                             | 5         |
| Elektros saugos įspėjimai                                       | 6         |
| Įspėjimai dėl įrengimo                                          | 7         |
| Valymo įspėjimai                                                | 8         |
| Instrukcijos dėl elektros ir elektroninės įrangos (EEI) atliekų | 9         |
| <b>Prieš pradėdant</b>                                          | <b>10</b> |
| Įrengimas                                                       | 10        |
| Gaminio apžvalga                                                | 13        |
| Valdymo skydelis                                                | 15        |
| Ciklo apžvalga                                                  | 17        |
| Audinių priežiūros vadovas                                      | 21        |
| Audinių priežiūros etiketės                                     | 25        |
| Smart Control                                                   | 26        |
| <b>Gaminio ir jo priedų naudojimas</b>                          | <b>29</b> |
| Kaip nustatyti ciklą                                            | 29        |
| Priedų naudojimas                                               | 31        |
| <b>Valymas ir priežiūra</b>                                     | <b>39</b> |
| Išorė                                                           | 39        |
| Vandens rezervuarai                                             | 40        |
| Vandens padėklas                                                | 41        |
| Oro filtras                                                     | 42        |
| Pūkelių filtras                                                 | 44        |
| Kalkių šalinimas                                                | 45        |
| Gaminio perkėlimas į kitą vietą                                 | 46        |
| <b>Trikčių šalinimas</b>                                        | <b>47</b> |
| Įspėjamieji pranešimai                                          | 47        |
| Kontrolinis punktas                                             | 48        |
| <b>Specifikacijos</b>                                           | <b>50</b> |

# Saugos informacija

Sveikiname įsigijus naują „Samsung“ gaminį. Šiame vadove pateikiama svarbi informacija apie jūsų gaminio įrengimą, naudojimą ir priežiūrą. Skirkite laiko ir perskaitykite šį vadovą, kad pasinaudotumėte visais savo gaminio privalumais ir funkcijomis.

## Ką reikia žinoti apie saugos instrukcijas

Nuodugniai perskaitykite šį vadovą, kad įsitikintumėte, jog žinote, kaip saugiai ir veiksmingai naudotis įvairiomis naujojo gaminio funkcijomis ir ypatybėmis. Vadovą laikykite saugioje vietoje šalia gaminio, kad esant reikalui galėtumėte juo pasinaudoti. Gaminį naudokite tik taip, kaip aprašyta šiose instrukcijose. Šio vadovo skyriuje „Įspėjimai ir svarbios saugos instrukcijos“ nepateikiamos visos įmanomos sąlygos ir situacijos. Įrengdami, prižiūrėdami ir naudodami savo gaminį turite vadovautis sveiku protu, elgtis atsargiai ir apdairiai. Toliau pateiktos naudojimo instrukcijos taikomos įvairiems modeliams, tad jūsų gaminio charakteristikos gali šiek tiek skirtis nuo aprašytų šiame vadove ir gali būti taikomi ne visi įspėjamieji ženklai. Jei turite klausimų arba dėl ko nors nerimaujate, susisiekite su artimiausiu paslaugų centru arba ieškokite informacijos adresu [www.samsung.com](http://www.samsung.com).

## Svarbūs saugos simboliai

Ką reiškia šiame vadove pateikiamos piktogramos ir ženklai:

### **ĮSPĖJIMAS**

Pavojai arba nesaugūs veiksmai, galintys sunkiai ar mirtinai sužaloti ir (arba) sugadinti turtą.

### **PERSPĖJIMAS**

Pavojai arba nesaugūs veiksmai, galintys sužaloti ir (arba) sugadinti turtą.

### **PERSPĖJIMAS, karštas paviršius**

### **PASTABA**

Nurodo, kad egzistuoja sužalojimo arba turto apgadinimo rizika.

Šie įspėjamieji ženklai pateikiami tam, kad neleistų jums susižaloti arba sužaloti kitų.

Griežtai jų laikykitės.

Perskaitykite šį vadovą, padėkite jį saugioje vietoje, kad galėtumėte naudotis ateityje.

Prieš naudodamiesi gaminiu, perskaitykite visas instrukcijas.

Kaip ir naudojant bet kokią kitą elektros įrangą su judančiomis dalimis, egzistuoja tam tikra rizika. Kad gaminys veiktų saugiai, susipažinkite su jo veikimo principais ir juo naudokitės atsargiai.

# Saugos informacija

## Svarbios atsargumo priemonės

### **ĮSPĖJIMAS**

Kad sumažintumėte gaisro, elektros šoko arba sužalojimų riziką prietaiso naudojimo metu, laikykitės įprastų atsargumo priemonių, įskaitant pateiktas toliau.

1. Šis prietaisas neskirtas naudoti asmenims (įskaitant vaikus), kurių sumažėję fiziniai, sensoriniai arba protiniai gebėjimai arba trūksta patirties ir žinių, nebent juos prižiūri arba prietaiso naudojimo instrukcijas jiems pateikia už jų saugą atsakingas asmuo.
2. Šį prietaisą gali naudoti vyresni kaip 8 m. vaikai ir asmenys, kurių sumažėję fiziniai, sensoriniai arba protiniai gebėjimai arba trūksta patirties ir žinių, jei juos prižiūri arba prietaiso naudojimo instrukcijas jiems saugiai pateikia už jų saugą atsakingas asmuo ir jei jie supranta susijusius pavojus. Vaikams su prietaisu žaisti negalima. Valymo ir techninės priežiūros veiksmų negali atlikti neprižiūrimi vaikai.
3. Vaikus reikia prižiūrėti, kad šie nežaistų su prietaisu.
4. Pažeidus maitinimo laidą jį pakeisti turi gamintojas, aptarnavimo agentas arba panašios kvalifikacijos asmuo, kad būtų išvengta pavojų.
5. **PERSPĖJIMAS.** Norint išvengti pavojaus, kuris gali kilti netyčia perjungus terminį saugiklį, prietaiso negalima prijungti prie išorinio perjungimo įrenginio, pvz., laikmačio, ir prie reguliariai įjungiamos ir išjungiamos grandinės.
6. Šis prietaisas skirtas naudoti buityje arba panašiose aplinkose, pvz.:
  - parduotuvių, biurų ir kitų darbo aplinkų darbuotojams skirtose virtuvėse;
  - sodybose;
  - viešbučiuose, moteliuose ir kitose gyvenamosiose aplinkose;
  - nakvynės namų tipo aplinkoje.
7. **ĮSPĖJIMAS.** Šis prietaisas skirtas tik vandenyje skalbtiems audiniams džiovinti.



## Bendrieji įspėjimai

### ĮSPĖJIMAS

- Prieš naudodami įsitikinkite, kad gaminys tinkamai įrengtas ir įžemintas kaip aprašyta šiame vadove, jog išvengtumėte elektros šoko, gaisro ir (arba) mirtinų sužalojimų pavojaus.
- Gaminį naudokite tik pagal jo paskirtį. Garantija nepadengia žalos, padarytos naudojant gaminį kitiems, šiame vadove nenurodytiems tikslams.
- Nelipkite, nestovėkite ir nekabėkite ant gaminio, kad nesusižalotumėte ir (arba) nesugadintumėte gaminio.
- Jokiais būdais neišrinkite ir nekeiskite gaminio.
- Neleiskite vaikams žaisti prietaiso viduje, ant jo ar aplink jį. Vaikus visuomet reikia atidžiai prižiūrėti.
- Visas įpakavimo medžiagas laikykite toliau nuo vaikų ir tinkamai nuimkite bei išmeskite, kad išvengtumėte gaisro, sužalojimų ir (arba) mirties pavojaus.
- Nelieskite ir nenaudokite gaminio šlapiomis rankomis.
- Gyvūnus ir pašalinius objektus laikykite toliau nuo gaminio, kad išvengtumėte elektros šoko ir (arba) gaisro pavojaus.
- Išgirdę keistus garsus, užuodę neįprastą kvapą ir (arba) pastebėję iš gaminio kylant dūmus, nedelsiant atjunkite jį nuo elektros tinklo.
- Ant gaminio, jo viduje ar aplink jį nedėkite sunkių ar pavojingų objektų.
- Neremontuokite ir nekeiskite jokių gaminio dalių ir nebandykite atlikti jokių kitų taisymo darbų, nebent jie aiškiai nurodyti naudotojo vadove arba naudotojui skirtose remonto instrukcijose, kurias jūs suprantate ir turite atitinkamus įgūdžius šiems veiksams atlikti. Antraip gali kilti elektros šoko, gaisro ir (arba) mirtinų sužalojimų pavojus.
- Iš kišenių išimkite visus asmeninius daiktus (elektroninius prietaisus, žiebtuvėlius, degtukų dėžutes ir kt.).
- Nedžiovinkite rūbų, kurie anksčiau buvo valyti, skalbti, mirkyti arba aptaškyti benzinu, sausojo valymo tirpikliais, kepimo aliejumi arba kitomis degiomis ar sprogiomis medžiagomis.
- Gaminys neskirtas naudoti asmenims (įskaitant vaikus), kurių sumažėję fiziniai, sensoriniai arba protiniai gebėjimai arba trūksta patirties ir žinių, nebent juos prižiūri arba gaminio naudojimo instrukcijas jiems pateikia už jų saugą atsakingas asmuo.
- Prieš išmesdami gaminį nuimkite džiovinimo skyriaus dureles ir nukirpkite maitinimo laidą, kad jis nebūtų naudojamas pakartotinai.
- Nelieskite ir neišmontuokite gaminio elektros lizdo. Dujų nuotėkio atveju išvėdinkite vietą ir nedelsiant susisieki su „Samsung“ aptarnavimo centru.
- Visuomet saugokite gaminio priekį, kad nesugadintumėte stiklinio skydelio.
- Nelipkite ant rezervuaro durelių, kad nesusižeistumėte ir (arba) nesugadintumėte prietaiso.
- Po gaminio nekiškite rankų, kojų, kitų kūno dalių ar metalinių objektų.
- Prietaiso vidinei daliai džiovinti nenaudokite kitų gaminių. Norėdami pašalinti prietaiso vidaus kvapą, nenaudokite žvakių.
- Gaminiiui veikiant neatidarykite durelių. Jei gaminiiui veikiant atidarysite dureles, pakis jo veikimas ir kils grindis sugadinti galinčio kondensato susidarymo rizika.
- Negerkite vandens iš papildymo ir išleidimo rezervuarų.

# Saugos informacija

- Prieš kiekvieną naudojimą arba po jo išvalykite pūkelių filtrą.
- Nenaudokite audinių minkštiklių arba kitų antistatinio poveikio produktų, nebent tai rekomenduoja minkštiklių arba kitų produktų gamintojas.
- Nekiškite pirštų į prispausti galinčias vietas. Kai šalia yra vaikų, dureles uždarykite laikydamiesi atsargumo priemonių.
- Gaminio nenaudokite rūbams, kurių sudėtyje yra putplasčio ar kitų gumos tekstūros elementų, džiovinti.
- Norėdami išvengti gaminio pažeidimo, stipraus garso ar gaisro pavojaus, į garų purkštuką nekiškite jokių objektų.
- Veikimo metu nelaikykite rankų ir nestovėkite greta garų purkštuko. Karšti garai gali sužaloti.
- Veikimo metu neatidarykite durelių. Didelė vidaus temperatūra gali sužaloti.
- Jei garinimo metu kiltų problemų, nedelsiant sustabdykite prietaisą ir išimkite visus drabužius. Jei drabužių iš karto neišimsite, jie liks drėgni – tai pažeis audinį arba sukels nemalonų kvapą.
- Prieš sudėdami rūbus į prietaisą ištuštinkite visas kišenes.
- Sudėtyje yra fluorintų šiltnamio efektą sukeliančių dujų.  
Hermetiškai sandari įranga.  
Neišleiskite dujų į atmosferą.
  - Aušinimo medžiaga (tipas): R-134a (GWP = 1430)
  - Aušinimo medžiaga (įkrovimas): 0,15 kg, 0,214 tCO<sub>2</sub>e

## Elektros saugos įspėjimai

### ĮSPĖJIMAS

- Sausa šluoste reguliariai išvalykite visas pašalines medžiagas, pvz., dulkes arba vandenį, iš kištukų terminalų ir kontaktinių taškų.
- Ištraukite maitinimo laidą ir nuvalykite sausa šluoste.
- Norėdami išvengti elektros šoko pavojaus, prieš išmontuodami arba taisydami gaminį jį visuomet atjunkite.
- Atjungdami gaminį nuo elektros lizdo netraukite už maitinimo laido. Norėdami atjungti maitinimo laidą, ištraukite maitinimo kištuką.
- Nenaudokite ilgintuvo, kad išvengtumėte elektros šoko pavojaus.
- Nenaudokite pažeisto maitinimo laido arba kištuko. Nebandykite taisyti, išmontuoti ar modifikuoti maitinimo laido arba kištuko. Dėl visų taisymo darbų kreipkitės į artimiausią „Samsung“ aptarnavimo centrą.
- Maitinimo laidą prijunkite prie vietos elektros specifikacijas atitinkančio sienos kištukinio lizdo. Šį prietaisą junkite tik prie elektros lizdo, nenaudokite ilgintuvo.
- Perkeldami prietaisą visuomet saugokite maitinimo laidą.
- Norėdami išvengti elektros šoko, gaisro, rimtų arba mirtinų sužalojimų ir produkto sugadinimo pavojaus, gaminį prijunkite tik prie tinkamai įžeminto lizdo. Įsitikinkite, kad sienos kištukinį lizdą ir grandinę patikrina kvalifikuotas elektrikas.

- Gaminys turi turėti laidą su įrangos įžeminimo konduktoriumi ir įžemintu kištuku. Kištuką reikia įkišti į atitinkamą lizdą, tinkamai įrengtą ir įžemintą pagal visus vietinius įstatymus ir reikalavimus.
- Gaminys turi būti įžemintas. Sutrikus gaminio veikimui arba jam sugedus įžeminimas sumažins elektros šoko riziką elektros srovę nukreipdamas mažiausio pasipriešinimo keliu.
- Prieš naudodami įsitikinkite, kad egzistuoja paskirtas įžemintas elektros lizdas, tinkamas naudoti su šiuo prietaisu. Savininkas yra atsakingas už standartinio 2 šakučių sienos elektros lizdo pakeitimą standartinio 3 šakučių lizdu.
- Norėdami išvengti elektros šoko, tinkamai įžeminkite gaminį pagal visus taikomus įstatymus ir reikalavimus. Laikykitės naudotojo vadove pateikiamų instrukcijų.
- Prietaisą reikia prijungti prie jam skirto atskiro elektros lizdo, kurio įtampa atitinka nurodytą duomenų lentelėje. Taip užtikrinamas geriausias veikimas ir neperkraunamos namo elektros sistemos grandinės, mat antraip dėl per daug įkaitusių laidų gali kilti gaisro pavojus.
- Prijunkite prie tinkamo stiprio ir dydžio apsaugotos elektros grandinės, kad išvengtumėte elektros perkrovos. Netinkamos elektros grandinės gali išsilydyti ir sukelti elektros šoką arba gaisrą.
- Nuo maitinimo laido jokia būdu nenukirpkite ir nepašalinkite įžeminimo šakutės. Maitinimo laidą reikia prijungti prie tinkamai įžeminto lizdo, kad nesusižalotumėte ir nesugadintumėte gaminio.
- Nenaudokite tinkamai neįžeminto (nešiojamojo) kištukinio lizdo su keletu lizdų. Jei naudojate tinkamai įžemintą kištukinį lizdą su keletu lizdų (nešiojamąjį), rinkitės gaminį, kurio pajėgumas yra 15 A arba didesnis. Antraip kyla elektros šoko arba gaisro pavojus, kurį gali sukelti įkaitęs lizdas su keliais lizdais. Įsijungus automatiniam grandinės pertraukikliui, gali būti išjungtas maitinimas.
- Gaminys turi būti prijungtas prie įžeminto metalo, nuolatinės elektros sistemos arba su grandinės konduktoriais turi veikti įrangos įžeminimo konduktorius, kuris turi būti prijungtas prie įrangos įžeminimo terminalo arba prietaiso jungiamojo laido. Jei gaminys tinkamai neįžemintas, kyla elektros šoko pavojus.
- Netinkamai prijungus įrangos įžeminimo konduktorių kyla elektros šoko pavojus. Jei abejojate, ar prietaisas tinkamai įžemintas, pasitarkite su kvalifikuotu elektriку arba techninės priežiūros skyriaus atstovu.

## Įspėjimai dėl įrengimo

### ĮSPĖJIMAS

- Gaminį įrenkite tik stabilioje vietoje su geromis grindimis. Neįrenkite jo tose vietose, kur didelė vibracija arba gaminys gali apvirsti, pvz., laivuose ir lėktuvuose. Jei nesate tikri dėl įrengimo vietos, susisiekite su „Samsung“ aptarnavimo centru.
- Neįrenkite gaminio lauke arba minusinėje temperatūroje. Jei gaminys buvo gabenamas minusinėje temperatūroje arba į vietą, kur temperatūra siekia žemiau užšalimo taško, prieš įrengdami palaukite, kol jis sušils.
- Norėdami išvengti elektros šoko, gaisro, rimtų ar mirtinų sužalojimų ir (arba) prietaiso sugadinimo pavojaus, neįrenkite jo drėgnose vietose (pvz., vonios kambaryje arbairtyje).

# Saugos informacija

- Norėdami išvengti gaisro, dūmų ir (arba) prietaiso sugadinimo pavojaus, neįrenkite gaminio greta kitų karščio šaltinių (pvz., viryklės arba šildytuvo).
- Norėdami išvengti gaisro, dūmų ir (arba) prietaiso sugadinimo pavojaus, ant prietaiso, jo viduje arba aplink jį nepadėkite žvakių ar kitų degių objektų.
- Norėdami išvengti sužalojimo ir (arba) produkto sugadinimo pavojaus, prieš perkeldami prietaisą susisiekite su „Samsung“ aptarnavimo centru.
- Prietaisą įrenkite tokioje vietoje, kur nesunkiai pasieksite maitinimo kištuką. Norėdami išvengti elektros šoko ir (arba) gaisro pavojaus, nenaudojamą prietaisą atjunkite nuo elektros lizdo.
- Jei įrengimo vietą apšėmė vanduo, nesiartinkite prie gaminio ir iš karto susisiekite su „Samsung“ aptarnavimo centru.
- Norėdami išvengti gaisro, dūmų ir (arba) gaminio sugadinimo pavojaus, nuo jo nuimkite visą apsauginę plėvelę.
- Norint išvengti gaminio sugadinimo ir (arba) sužalojimų pavojaus, jį perkelti turi du asmenys.

## Valymo įspėjimai

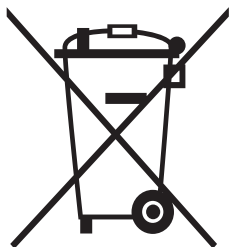
### ĮSPĖJIMAS

- Norėdami išvengti elektros šoko, su gaminiu nenaudokite ir jo nevalykite aštriais objektais.
- Valydami gaminį nepurškite vandens tiesiai ant jo paviršiaus.
- Ant gaminio išorės nenaudokite baliklių. Dėl jų gali pakisti išorės spalva.
- Po naudojimo gaminio vidų išvalykite sausa šluoste.
- Panaudoję gaminį, nuvalykite jo vidinę pusę sausa šluoste.
  - Gaminį gali suteršti ilgi plaukai arba jo viduje susikaupusios dulkės ir vandens lašeliai.
- Jei ant gaminio ar kurio nors jo priedo susikaupė nešvarumų (valymo priemonė, purvas, maisto likučiai ir kt.), atjunkite maitinimo laidą ir nuvalykite juos drėgna minkšto audinio šluoste.
  - Neleiskite, kad gaminį arba priedą paveiktų valikliai arba balikliai, ir jų nenaudokite.
  - Priešingu atveju gali pakisti spalva arba dydis ir atsirasti pažeidimų arba rūdžių.

---

## Instrukcijos dėl elektros ir elektroninės įrangos (EE) atliekų

---



Tinkamas šio gaminio išmetimas (elektros ir elektroninės įrangos atliekos)

(Valstybėse, kuriose yra atskiros surinkimo sistemos)

Šis ženklas, pateiktas ant gaminio, jo priedų ar dokumentacijoje, nurodo, kad gaminio ir jo elektroninių priedų (pvz., įkroviklio, ausinių, USB kabelio) negalima išmesti kartu su kitomis buitinėmis atliekomis gaminio naudojimo laikui pasibaigus. Kad būtų išvengta galimos nekontroliuojamo atliekų išmetimo žalos aplinkai arba žmonių sveikatai ir skatinamas aplinką tausojantis antrinių žaliavų panaudojimas, atskirkite šiuos elementus nuo kitų rūšių atliekų ir atiduokite perdirbti.

Informacijos kur ir kaip pristatyti šiuos elementus saugiai perdirbti, privatūs vartotojai turėtų kreiptis į parduotuvę, kurioje šį gaminį pirko, arba į vietos valdžios institucijas.

Verslo vartotojai turėtų kreiptis į savo tiekėją ir peržiūrėti pirkimo sutarties sąlygas. Tvarkant atliekas, šio gaminio ir jo elektroninių priedų negalima maišyti su kitomis pramoninėmis atliekomis.

Informacijos apie „Samsung“ aplinkosaugos ir gaminių reguliavimo įsipareigojimus, pvz., REACH, EEJ arba baterijų šalinimą, rasite mūsų tvarumo svetainėje, kuri prieinama [www.samsung.com](http://www.samsung.com).

# Prieš pradėdant

## Įrengimas

Gaminį įrenkite pagal šiame vadove pateikiamas instrukcijas ir vietinius reikalavimus.

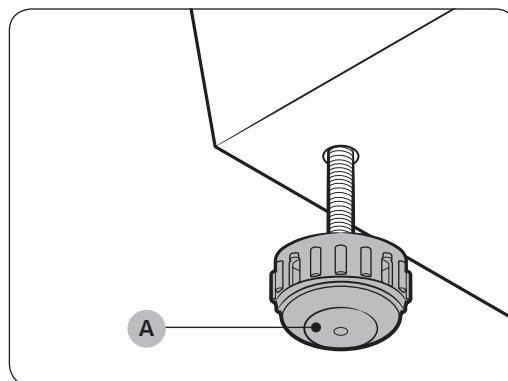
### Gaminio įrengimas

1. Pasirinkite tvirtą ir lygią vietą, kurioje pakaks erdvės pagal toliau pateiktus išmatavimus.

|        |       |
|--------|-------|
| Viršus | 25 mm |
| Šonai  | 5 mm  |
| Galas  | 15 mm |

- Jei nesilaikysite minimalių išmatavimų, dėl prasto vėdinimo sumažės gaminio veikimo efektyvumas. Be to, gaminio išorėje gali susidaryti kondensacija.
- Neįrenkite gaminio priešais tiesioginę saulės šviesą arba karštose ar šaltose vietose. Aplinkos temperatūra turi siekti 10–35 °C. Jei aplinkos temperatūra yra per aukšta arba per žema, gaminys gali tinkamai neveikti arba jo efektyvumas sumažėti.

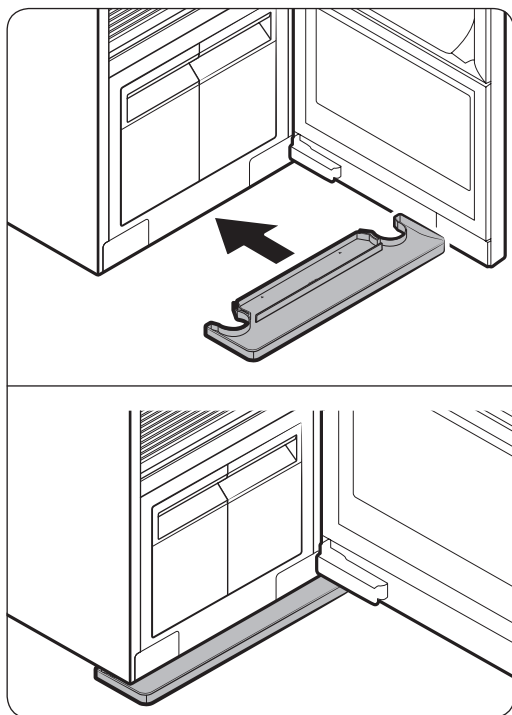
2. Pasukite lygiavimo kojeles (A) pagal laikrodžio rodyklę arba prieš laikrodžio rodyklę, kad pritaikytumėte aukštį, kol gaminys bus sulygiuotas.



### PASTABA

Jei gaminys kliba arba jei norite pakelti galinę dalį, sumontuokite tiekiamas galines lygiavimo kojeles gaminio apatinėje galinėje pusėje.

3. Vandens padėklą įdėkite taip, kaip nurodyta paveikslėliuose.
- Įsitikinkite, kad TOP (viršus) pažymėta pusė nukreipta į viršų.



4. Prijunkite gaminį prie 230 V / 50 Hz įžeminto elektros lizdo.
- Jei neturite įžemintų elektros lizdų, susisiekite su „Samsung“ aptarnavimo centru, kad sužinotumėte apie alternatyvius gaminio įžeminimo būdus.

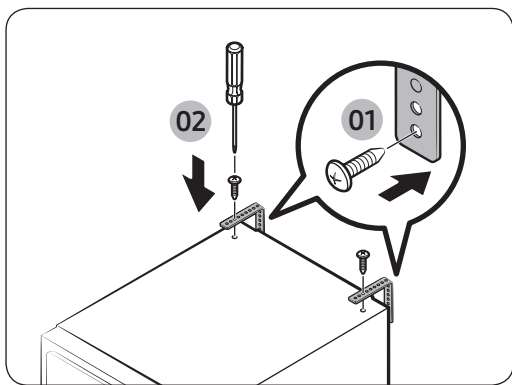
**PASTABA**

- Įrengę gaminį turite palaukti bent 2 val., kad galėtumėte juo naudotis.
- Pirmą kartą naudojant gaminys sunaudoja daugiau vandens. Papildymo rezervuarą gali prireikti papildyti daugiau nei vieną kartą.

# Prieš pradedant

AIRDRESSER tvirtinimas nuo apvirtimo saugančiu dirželiu (neprivaloma)

AIRDRESSER gali apvirsti dėl išorinės jėgos arba ją apversti gali vaikai. Jei reikia, nuo to galite apsaugoti AIRDRESSER pritvirtinę nuo apvirtimo saugančiu dirželiu. (Žr. paveikslą.)



## PERSPĖJIMAS

Prieš tvirtindami AIRDRESSER nuo apvirtimo saugančiu dirželiu, atjunkite gaminį nuo elektros tinklo.

## PASTABA

- Nuo apvirtimo saugantį dirželį prie sienos tvirtinkite pridėtu atsuktuvu.
- Dirželį prie AIRDRESSER tvirtinkite naudodami ant jos viršaus esančius varžtus.

## Kalbos nustatymas

Sumontavus ir gaminį įjungus pirmą kartą valdymo skydelio ekrane pasirodys kalbos pasirinkimo ekranas. Laikykitės pateikiamų instrukcijų ir pasirinkite kalbą.

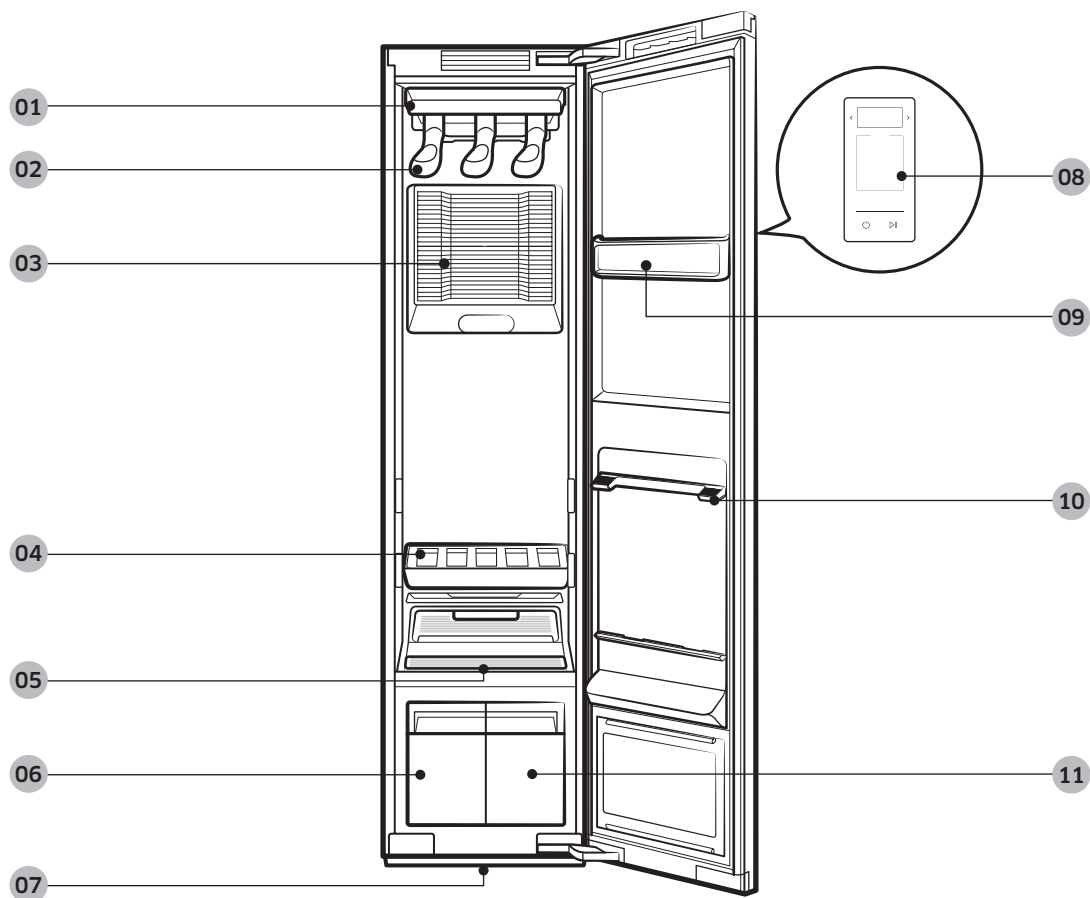
1. Bakstelėkite < arba >, kad pasirinktumėte kalbą.
2. Bakstelėkite ir palaikykite nuspaudę **Paleisti / sustabdyti** ►, kad pasirinktumėte kalbą.

## PASTABA

- Tam tikrose šalyse kalbos nustatymo gali nebūti.
- Norėdami pakeisti pasirinktą kalbą, bakstelėkite ir 3 sekundes palaikykite nuspaudę **Normal (Įprastas)** ir **Delicates (Švelnūs skalbiniai)** bei laikykitės pirmiau pateiktų instrukcijų.



## Gaminio apžvalga



01 Oro anga

02 Oro pakaba

03 Oro filtras

04 Lentyna

05 Pūkelių filtras

06 Išleidimo rezervuaras

07 Vandens padėklas

08 Valdymo skydelis

09 Aksesuarų priežiūros zona

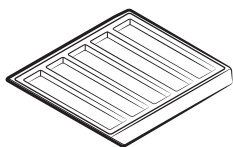
10 Lentynos laikiklis

11 Papildymo rezervuaras

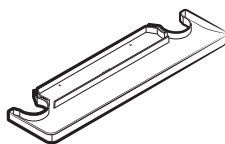
Prieš pradėdami

# Prieš pradędant

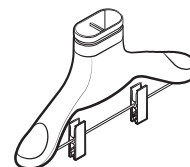
## Priedai



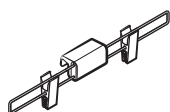
Lentyna



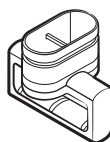
Vandens padęklas



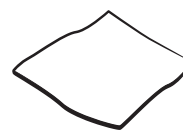
Oro pakaba



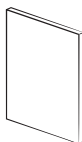
Svarsčių rinkinys



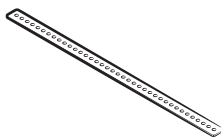
Įprastų pakabų rinkinys



Valymo šluostė



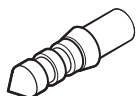
Naudotojo vadovas



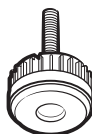
Nuo apvirtimo saugantis dirželis



Varžtas (nuo apvirtimo saugančiam dirželiui)

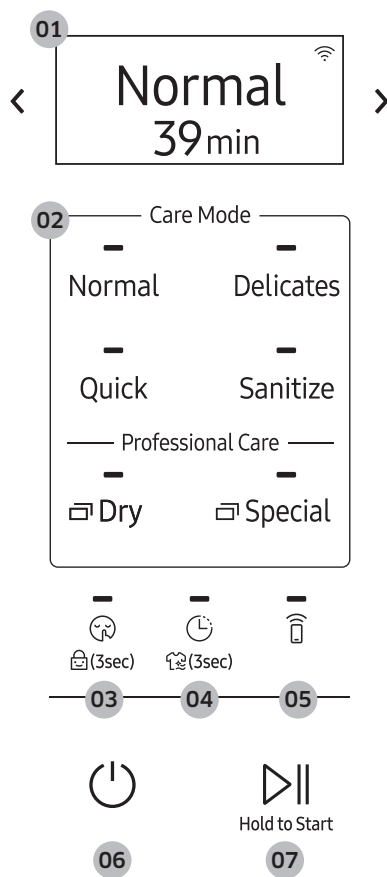


Varžto ankeris (nuo apvirtimo saugančiam dirželiui)



Galinės lygiavimo kojėlės

## Valdymo skydelis



Prieš pradedant

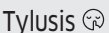
### 01 Ekranas

Rodomas pasirinktas tikslas ir numatytas likęs laikas, pranešimai bei „Wi-Fi“ ryšys.



### 02 Ciklai

Norėdami pasirinkti, bakstelėkite ciklą. Norėdami gauti daugiau informacijos apie tikslus, žr. 17 psl.



### 03 Tylusis / Vaikų saugos užraktas (3 sek.)

|                                                                                     |                                                                                                                                                        |
|-------------------------------------------------------------------------------------|--------------------------------------------------------------------------------------------------------------------------------------------------------|
|  | Bakstelėkite, kad įjungtumėte arba išjungtumėte režimą Tylusis. Tylusis sumažina veikimo triukšmą.<br><b>PASTABA</b><br>Tylusis prailgins ciklo laiką. |
|-------------------------------------------------------------------------------------|--------------------------------------------------------------------------------------------------------------------------------------------------------|

# Prieš pradėdant

|                                                                                                                   |                                                                                                                                                                                                                                                                                                                                                                              |
|-------------------------------------------------------------------------------------------------------------------|------------------------------------------------------------------------------------------------------------------------------------------------------------------------------------------------------------------------------------------------------------------------------------------------------------------------------------------------------------------------------|
| <b>Vaikų saugos užraktas</b><br> | Bakstelėkite ir palaikykite nuspaužę 3 sekundes, kad įjungtumėte arba išjungtumėte funkciją Vaikų saugos užraktas. Vaikų saugos užraktas išjungia visus mygtukus, išskyrus <b>Maitinimas</b> <br><b>PASTABA</b><br>Ijungus Vaikų saugos užraktas, ši funkcija veiks tol, kol ją išjungsitė. |
|-------------------------------------------------------------------------------------------------------------------|------------------------------------------------------------------------------------------------------------------------------------------------------------------------------------------------------------------------------------------------------------------------------------------------------------------------------------------------------------------------------|

## 04 Atidėti baigimą / Išlaikyti gaivius (3 sek.)

|                                                                                                              |                                                                                                                                                                                                                                                                                                                                                                                                                                                                                                                                                          |
|--------------------------------------------------------------------------------------------------------------|----------------------------------------------------------------------------------------------------------------------------------------------------------------------------------------------------------------------------------------------------------------------------------------------------------------------------------------------------------------------------------------------------------------------------------------------------------------------------------------------------------------------------------------------------------|
| <b>Atidėti baigimą</b>      | Bakstelėkite, kad įjungtumėte funkciją Atidėti baigimą ir tuomet bakstelėkite, kad prailgintumėte baigimo laiką (1-24 val.).<br><b>PASTABA</b> <ul style="list-style-type: none"><li>• Funkcijos Atidėti baigimą negalima naudoti su Jutiklinis džiovinimas.</li><li>• Kai įjungta Atidėti baigimą, ekranas išsijungs ir taupys energiją.</li><li>• Priklausomai nuo pasirinkto ciklo kai kurie baigimo laikai gali būti neprieinami.</li><li>• Priklausomai nuo gaminių ir aplinkos faktinis baigimo laikas gali skirtis nuo nustatyto laiko.</li></ul> |
| <b>Išlaikyti gaivius</b>  | Bakstelėkite ir palaikykite nuspaužę 3 sekundes, kad įjungtumėte arba išjungtumėte funkciją Išlaikyti gaivius. Jei skalbinių negalite išimti iš karto pasibaigus ciklui, juos galite išlaikyti gaivius.<br><b>PASTABA</b> <ul style="list-style-type: none"><li>• Išlaikyti gaivius bus įjungta iki 24 val. pasibaigus ciklui.</li><li>• Išjungus maitinimą arba atidarius dureles, funkcija Išlaikyti gaivius išsijungs.</li><li>• Kai įjungta Išlaikyti gaivius, ekranas išsijungs ir taupys energiją.</li></ul>                                       |

## 05 Smart Control

Bakstelėkite, kad įjungtumėte arba išjungtumėte funkciją Smart Control. Norėdami gauti daugiau informacijos apie Smart Control, žr. 26 psl.

## 06 Maitinimas

Bakstelėkite, kad įjungtumėte arba išjungtumėte maitinimą.

## 07 Paleisti / sustabdyti

Bakstelėkite ir palaikykite nuspaužę, kad paleistumėte gaminį Bakstelėkite, kad jį sustabdytumėte.

## Ciklo apžvalga

### Kasdieniai ciklai

| Ciklas                         | Aprašymas                                                                                                                                                                                                                                                                                                                                                                                                                                       |
|--------------------------------|-------------------------------------------------------------------------------------------------------------------------------------------------------------------------------------------------------------------------------------------------------------------------------------------------------------------------------------------------------------------------------------------------------------------------------------------------|
| Normal (Įprastas)              | <ul style="list-style-type: none"><li>Kasdieniems rūbams atgaivinti.</li></ul>                                                                                                                                                                                                                                                                                                                                                                  |
| Delicates (Švelnūs skalbiniai) | <ul style="list-style-type: none"><li>Švelniems audiniams, pvz., šifonui, nėriniams ir dekoruotiems rūbams.</li><li>Šį ciklą naudokite ir dirbtiniam šilkui.</li></ul>                                                                                                                                                                                                                                                                          |
| Quick (Greitas)                | <ul style="list-style-type: none"><li>Kad greitai pasirūpintumėte šiek tiek susilamdžiusiais rūbais arba jei jie pasižymi nestipriais kvapais.</li></ul>                                                                                                                                                                                                                                                                                        |
| Sanitize (Dezinfekavimas)      | <ul style="list-style-type: none"><li>Kad dezinfekuotumėte rūbus garais.</li></ul> <p><b>PASTABA</b></p> <ul style="list-style-type: none"><li>Nejdėkite daugiau kaip vieno didelio arba stambaus rūbo. Dideli ar stambūs rūbai gali užblokuoti garų ir oro srauto patekimą.</li><li>Jei sustabdote arba pakeičiate ciklą ekrane pasirodžius pranešimui Sanitizing (Dezinfekuojama), rūbai gali susigadinti arba nevisiškai išdžiūti.</li></ul> |

Prieš pradėdami

# Prieš pradėdant

## Džiovinimo ciklai




### PERSPĖJIMAS

Cikluose Džiovinimas nenaudokite šių medžiagų.

- Odos, kailio, plunksnų, aksomo, šilko.
- Bet kokių rūbų, kurių sudėtyje yra gumos arba kempinės tipo medžiagų.
- Iš vilnos mišinio, vandeniu atsparaus audinio, šilko mišinio ar kanapių pluošto mišinio audinių pasiūtų rūbų.
- Kailinių antklodžių, kurių kailio ilgis viršija 1 cm, vilnionių antklodžių, kilimų, čiužinių.
- Apatinių drabužių su nériniais, pėdkelnių, kojinių.

### PASTABA

Džiovinimo rezultatai gali skirtis priklausomai nuo audinio storio.

| Ciklas                                 | Aprašymas                                                                                                                                                                                                                                                                                                                                                                                                                                               |
|----------------------------------------|---------------------------------------------------------------------------------------------------------------------------------------------------------------------------------------------------------------------------------------------------------------------------------------------------------------------------------------------------------------------------------------------------------------------------------------------------------|
| Sensor Dry (Jutiklinis džiovinimas)    | AIRDRESSER automatiškai nustato laiką rūbams džiovinti.<br> <b>PASTABA</b> <ul style="list-style-type: none"><li>• Naudojant Jutiklinis džiovinimas išleidimo rezervuaras greitai prisipildo.</li><li>• Naudojant funkciją Jutiklinis džiovinimas gali neišdžiūti ypač šlapi ir dideli arba stambūs rūbai. Jei rūbai neišdžiūvo, dar kartą paleiskite ciklą.</li></ul> |
| Time Dry (Džiovinimas nustatytą laiką) | Patys nustatykite džiovinimo laiką (1–3 val.).<br> <b>PASTABA</b> <ul style="list-style-type: none"><li>• Naudojant funkciją Džiovinimas nustatytą laiką gali neišdžiūti ypač šlapi ir dideli arba stambūs rūbai. Jei rūbai neišdžiūvo, dar kartą paleiskite ciklą.</li></ul>                                                                                        |
| Room Care (Patalpos priežiūra)         | Drėgmei iš supančios aplinkos pašalinti. Galite pasirinkti 2 arba 4 val.<br> <b>PASTABA</b> <ul style="list-style-type: none"><li>• Naudodami funkciją Patalpos priežiūra įsitikinkite, kad gaminys yra tuščias.</li><li>• Gali padidėti vidaus temperatūra.</li></ul>                                                                                               |

## Specialieji ciklai

| Ciklas                              | Aprašymas                                                                                                                                                                                                                                                                                                                                                                                                              |
|-------------------------------------|------------------------------------------------------------------------------------------------------------------------------------------------------------------------------------------------------------------------------------------------------------------------------------------------------------------------------------------------------------------------------------------------------------------------|
| Suits (Kostiumai)                   | <p>Kelnių klostėms paryškinti.</p> <p><b>PASTABA</b></p> <ul style="list-style-type: none"> <li>Švarką įdėkite į vidurinę oro angą, o kelnes – į dešiniąją.</li> <li>Geriausiams rezultatams pasiekti naudokite svarsčių rinkinį.</li> </ul>                                                                                                                                                                           |
| School uniform (Mokyklinė uniforma) | Mokyklinėms uniformoms, kurių negalima kasdien skalbti arba džiovinti.                                                                                                                                                                                                                                                                                                                                                 |
| Wool/Knit (Vilna / megztiniai)      | <p>Vilnoniams arba megztiems drabužiams.</p> <p><b>PASTABA</b></p> <p>Kad drabužiai nepakeistų dydžio, dailiai sulankstykite ir padėkite juos ant lentynos.</p>                                                                                                                                                                                                                                                        |
| Outdoor (Lauko drabužiai)           | Lauko ar sportiniams drabužiams.                                                                                                                                                                                                                                                                                                                                                                                       |
| Down Jackets (Pūkinės striukės)     | <p>Ilgą laiką spintoje laikytoms sunkioms pūkinėms striukėms išpurenti.</p> <p><b>PASTABA</b></p> <p>Kad neblokotumėte oro cirkuliacijos, vidurinėje oro angoje kabinkite tik vieną rūbą.</p>                                                                                                                                                                                                                          |
| Fur/Leather (Kailis / oda)          | <p>Iš kailio ir odos gaminių pašalina drėgmę bei dulkes.</p> <p><b>PASTABA</b></p> <ul style="list-style-type: none"> <li>Šio ciklo metu gaminys gali veikti triukšmingiau.</li> <li>Laikykitės priežiūros etiketėse pateiktų nurodymų.</li> <li>Naudokite tik vienam rūbui – taip pasieksite geriausių rezultatų.</li> <li>Prieš naudodami šį ciklą įsitikinkite, kad iš kailio pagaminti rūbai yra sausi.</li> </ul> |
| Heavy Duty (Didelė apkrova)         | Storo audinio rūbų, pvz., megztinių, priežiūra.                                                                                                                                                                                                                                                                                                                                                                        |
| Self Clean (Automatinis valymas)    | <p>Gaminys išvalomas automatiškai.</p> <p><b>PASTABA</b></p> <ul style="list-style-type: none"> <li>Įsitikinkite, kad gaminys yra tuščias.</li> <li>Norėdami užtikrinti geriausią rezultatą ir optimalų valymą, nesustabdykite ciklo ir neatidarykite durelių, kol nepasibaigė Automatinis valymas.</li> <li>Šis ciklas nepašalina pelėsių.</li> </ul>                                                                 |

# Prieš pradędant

---

## Atsisiųsti ciklą

Daugiau ciklų galite atsisiųsti iš programėlės „SmartThings“.

1. Bakstelėkite **Maitinimas** ☹.
2. Keletą kartų bakstelėkite **Special (Specialūs)**, kad pasirinktumėte **Download (Atsisiųsti)**.
3. Savo išmaniajame telefone laikykitės ekrane pateikiamų instrukcijų, kad atsisiųstumėte prieinamų ciklų.
  - Galite atsisiųsti iki 10 ciklų.
  - Galite atsisiųsti šiuos ciklus.
    - Winter Coat (Žieminis paltas), Denim (Džinsai), Down Dry (Pūkinių rūbų džiovinimas), Babywear (Kūdikio rūbai), Bedding (Patalynė), Doll (Lėlė), Accessories (Aksesuarai).



## Audinių priežiūros vadovas

- Audinių priežiūra skiriasi priklausomai nuo to, kaip jie buvo apdirbti ir užbaigti. Šiame audinių priežiūros vadove nepateikiama informacija apie visas medžiagas, tad jį naudokite tik informaciniais tikslais. Prieš naudodami AIRRESSER patikrinkite ant savo rūbų esančias priežiūros etiketes, kad jų nesugadintumėte.
- Bendrųjų, specialiųjų ar dezinfekavimo ciklų nenaudokite su blunkančiais, karščiui jautriais ir netinkamais skalbti vandeniu rūbais. Norėdami nustatyti, ar audinys blunka, ant mažos, nepastebimoje vietoje esančios rūbo dalies (pvz., vidinės siūlės) užlašinkite vandens. Daugiau informacijos teiraukitės rūbų gamintojo, sausojo valymo specialistų arba žiūrėkite išsamesnį audinių priežiūros vadovą.

### Ciklo kategorija

Toliau pateiktoje lentelėje žiūrėkite konkrečius ciklus, įtrauktus į kiekvieną kategoriją, pateiktą audinių priežiūros vadovo lentelėje.

| Kategorija           | Ciklai                                                                                                                                                                                                                                                                                     |
|----------------------|--------------------------------------------------------------------------------------------------------------------------------------------------------------------------------------------------------------------------------------------------------------------------------------------|
| Bendrieji ciklai     | Normal (Įprastas), Quick (Greitas), Delicates (Švelnūs skalbiniai)                                                                                                                                                                                                                         |
| Specialieji ciklai   | Suits (Kostiumai), School uniform (Mokyklinė uniforma), Wool/Knit (Vilna / megztiniai), Outdoor (Lauko drabužiai), Down Jackets (Pūkinės striukės), Fur/Leather (Kailis / oda), Heavy Duty (Didelė apkrova), Winter Coat (Žieminis paltas)**, Denim (Džinsai)**, Accessories (Aksesuarai)* |
| Dezinfekavimo ciklai | Sanitize (Dezinfekavimas), Babywear (Kūdikių rūbai)**, Bedding (Patalynė)**, Doll (Lėlė)**                                                                                                                                                                                                 |
| Džiovinimo ciklai    | Sensor Dry (Jutiklinis džiovinimas), Time Dry (Džiovinimas nustatytą laiką), Down Dry (Pūkinių rūbų džiovinimas)**                                                                                                                                                                         |

\* = specialieji ciklai / \*\* = atsiunčiami ciklai

# Prieš pradedant

## Audinių priežiūros vadovo lentelė

Natūralūs audiniai - augalinis pluoštas

| Medžiaga                           | Ciklai                   |                        |           |                |             | Rūbai / pastabos                                                                                                                                                                                                                                                         |
|------------------------------------|--------------------------|------------------------|-----------|----------------|-------------|--------------------------------------------------------------------------------------------------------------------------------------------------------------------------------------------------------------------------------------------------------------------------|
|                                    | Bendrieji                |                        | Specialūs | Dezinfekavimas | Džiovinimas |                                                                                                                                                                                                                                                                          |
|                                    | Išlyginantys<br>raukšles | Pašalinantys<br>kvapus |           |                |             |                                                                                                                                                                                                                                                                          |
| Medvilnė                           |                          | ●                      | ●         | ●              | ●           | Rankšluosčiai, kojinės, apatiniai rūbai, džinsai, sportinė apranga, marškinėliai, antklodės<br>100 % medvilnės audinių raukšlės gali išlikti. Jei pageidaujate, pasibaigus ciklui išlyginkite.                                                                           |
| Linai, kanapės, pluoštinė bėmerija |                          | ●                      | ●         | ●              | ●           | Vasariniai rūbai, staltiesės<br>Kai kurios raukšlės gali išlikti. Prieš naudodami bendruosius, specialiuosius ar dezinfekavimo ciklus įsitikinkite, kad rūbus galima skalbti ir (arba) skalbti rankomis. Švelnius rūbus sudėkite ant lentynos. Nedėkite krakmolytų rūbų. |
| Dirbtinis šilkas                   | ●                        | ●                      | ●         |                | ●           | Kostiumų pamušalas, palaidinės, kaklaraiščiai, pizamos                                                                                                                                                                                                                   |

● = galima / ✖ = žr. priežiūros etiketę

Natūralūs audiniai - gyvūninės kilmės pluoštas

| Medžiaga                                              | Ciklai                   |                        |           |                |             | Rūbai / pastabos                                                                                                                |
|-------------------------------------------------------|--------------------------|------------------------|-----------|----------------|-------------|---------------------------------------------------------------------------------------------------------------------------------|
|                                                       | Bendrieji                |                        | Specialūs | Dezinfekavimas | Džiovinimas |                                                                                                                                 |
|                                                       | Išlyginantys<br>raukšles | Pašalinantys<br>kvapus |           |                |             |                                                                                                                                 |
| Alpakos vilnų audinys, kupranugario plaukai, kašmyras | ✖                        | ✖                      | ●         |                |             | Paltai, kostiumai<br>Megztus rūbus sudėkite ant lentynos. Alpakos vilna ir kupranugarių plaukai karštame vandenyje traukiasi.   |
|                                                       |                          | ✖                      | ●         |                |             | Šalikai, megztiniai<br>Megztus rūbus sudėkite ant lentynos. Alpakos vilna ir kupranugarių plaukai karštame vandenyje traukiasi. |
| Kailis, oda                                           |                          |                        | ●*        |                |             | Paltai, šalikai<br>* Naudokite tik ciklą Fur/Leather (Kailis / oda). Oda turi būti 100 % natūrali oda (ne dirbtinė oda).        |

| Medžiaga | Ciklai                   |                        |           |                |             | Rūbai / pastabos                                                                                                                                                                                                                                                                                                                                                |
|----------|--------------------------|------------------------|-----------|----------------|-------------|-----------------------------------------------------------------------------------------------------------------------------------------------------------------------------------------------------------------------------------------------------------------------------------------------------------------------------------------------------------------|
|          | Bendrieji                |                        | Specialūs | Dezinfekavimas | Džiovinimas |                                                                                                                                                                                                                                                                                                                                                                 |
|          | Išlyginantys<br>raukšles | Pašalinantys<br>kvapus |           |                |             |                                                                                                                                                                                                                                                                                                                                                                 |
| Šilkas   |                          |                        |           |                |             | Šilkiniai kaklaraiščiai, kaspiniai, šalikai, palaidinės<br>Šilkinų rūbų į AIRDRESSER dėti negalima.                                                                                                                                                                                                                                                             |
| Vilna    |                          | ✖                      | ●*        |                | ●           | <b>Megztiniai, megzti rūbai</b><br>Megztus rūbus sudėkite ant lentynos. Tam tikros rūšies vilna karštame vandenyje traukiasi. Prieš naudodami bendruosius arba specialiuosius ciklus įsitikinkite, kad rūbus galima skalbti ir (arba) skalbti rankomis.<br>* Rekomenduojame naudoti ciklą Wool/Knit (Vilna / megztiniai).                                       |
|          | ●                        | ●                      | ●*        | ✖              | ●           | <b>Žieminiai paltai, kostiumai</b><br>Megztus rūbus sudėkite ant lentynos. Tam tikros rūšies vilna karštame vandenyje traukiasi. Prieš naudodami bendruosius, specialiuosius ar dezinfekavimo ciklus įsitikinkite, kad rūbus galima skalbti ir (arba) skalbti rankomis.<br>* Rekomenduojame naudoti ciklą Winter Coat (Žieminis paltas) arba Suits (Kostiumai). |

● = galima / ✖ = žr. priežiūros etiketę

Prieš pradėdami

# Prieš pradedant

## Sintetinis pluoštas






















| Medžiaga     | Ciklai                   |                        |           |                |             | Rūbai / pastabos                                                                                                                     |
|--------------|--------------------------|------------------------|-----------|----------------|-------------|--------------------------------------------------------------------------------------------------------------------------------------|
|              | Bendrieji                |                        | Specialūs | Dezinfekavimas | Džiovinimas |                                                                                                                                      |
|              | Išlyginantys<br>raukšles | Pašalinantys<br>kvapus |           |                |             |                                                                                                                                      |
| Acetatas     | ●                        | ●                      | ●         | ●              | ●           | Kostiumų pamušalas, palaidinės, kaklaraiščiai, pižamos                                                                               |
| Akrilas      | ●                        | ●                      | ●         | ●              | ●           | Terminiai apatiniai rūbai, megztiniai<br>Rūbus sudėkite ant lentynos.                                                                |
| Nailonas     | ●                        | ●                      | ●         | ●              | ●           | Kojinės, apatiniai rūbai<br>Rūbus sudėkite ant lentynos.                                                                             |
|              | ●                        | ●                      | ●         | ●              | ●           | Sportinė apranga                                                                                                                     |
| Poliuretanas | ●                        | ●                      | ●         | ●              | ●           | Tamprūs rūbai (mažiau kaip 5 %)<br>Jei drabužyje yra daugiau kaip 5 % poliuretano (pvz., maudymosi rūbuose), žr. priežiūros etiketę. |
| Poliesteris  | ●                        | ●                      | ●         | ●              | ●           | Lauko drabužiai, sportinė apranga, marškinėliai, marškiniai, palaidinės                                                              |

● = galima / ✕ = žr. priežiūros etiketę

## Audinių priežiūros etiketės

Daugelis rūbų turi priežiūros etiketes, kurioje pateikiama informacija, kaip tinkamai juos prižiūrėti. Tolesnėje lentelėje pateikiami tam tikri simboliai, padėsiantys išsirinkti rūbus, tinkamus naudoti AIRDRESSER.

### Audinių, kuriuos galima naudoti su AIRDRESSER, priežiūros etiketės

| Kategorija                                                                                                         | Etiketė                                                                             | Reikšmė                           | Naudoti su AIRDRESSER |
|--------------------------------------------------------------------------------------------------------------------|-------------------------------------------------------------------------------------|-----------------------------------|-----------------------|
| <br>Skalbimo etiketės             |    | Įprastas                          | 0                     |
|                                                                                                                    |    | Ilgalaikis lyginimas              | 0                     |
|                                                                                                                    |    | Švelnus                           | 0                     |
|                                                                                                                    |    | Neskalbti                         | 0*                    |
|                                                                                                                    |    | Skalbti rankomis                  | 0                     |
| <br>Būgninės džiovyklės etiketės |    | Be karščio                        | X                     |
|                                                                                                                    |    | Žemas                             | 0                     |
|                                                                                                                    |    | Vidutinis                         | 0                     |
|                                                                                                                    |   | Aukštas                           | 0                     |
|                                                                                                                    |  | Įprastas                          | 0                     |
|                                                                                                                    |  | Ilgalaikis lyginimas              | 0                     |
|                                                                                                                    |  | Švelnus                           | 0                     |
|                                                                                                                    |  | Nedžiovinti būgninėje džiovyklėje | 0                     |
| <br>Džiovinimo etiketės         |  | Džiovinti pakabintą ant pakabos   | 0                     |
|                                                                                                                    |  | Džiovinti pakabintą               | 0                     |
|                                                                                                                    |  | Džiovinti paguldytą               | 0**                   |
|                                                                                                                    |  | Džiovinti šešėlyje                | 0                     |
|                                                                                                                    |  | Nedžiovinti                       | X                     |

\* Kai kurių rūbų skalbti nerekomenduojama (pvz., rūbų iš kailio arba odos), tačiau juos galima dėti į AIRDRESSER. Žr. audinių priežiūros vadovą.

\*\* Jei ant audinio priežiūros etiketės yra šis simbolis, jį dėkite ant lentynos.

# Prieš pradędant

## Smart Control

### „Wi-Fi“ ryšys

- Rekomenduojami šifravimo metodai: WPA/TKIP ir WPA2/AES. Naujai sukurti arba nepatvirtinti „Wi-Fi“ protokolai nepalaikomi.
- Bevielio tinklo priėmimo jautrumą gali paveikti aplinkinės bevielės aplinkos.
- Jei interneto tiekėjas jūsų kompiuterio arba modemo modulio MAC adresą užregistravo nuolatiniame naudojimui, jūsų „Samsung AIRDRESSER“ gali nepavykti prisijungti prie tinklo. Tokiu atveju susisiekite su savo interneto tiekėju.
- Interneto ryšį trikdyti gali interneto užkarda. Jei taip nutiktų, susisiekite su savo interneto tiekėju.
- Jei prie interneto prisijungti nepavyksta ir susisiekus su interneto tiekėju, kreipkitės į vietos „Samsung“ pardavimo atstovą arba aptarnavimo centrą.

### Kaip atsisiųsti programėlę

Programėlių prekyvietėje („Google Play Store“, „Apple App Store“, „Samsung Galaxy Apps“) ieškokite programėlės SmartThings, tuomet ją atsisiųskite ir įdiekite savo įrenginyje.

#### PASTABA

- SmartThings gali neveikti tam tikruose planšetiniuose kompiuteriuose arba išmaniuosiuose telefonuose.
  - Rekomenduojame naudoti „Android OS“ 6.0 arba naujesnę versiją (bent 2 GB arba RAM).
  - Palaikoma „Android“ ekrano raiška yra 1280 x 720 (HD), 1920 X 1080 (FHD), 2560 x 1440 (WQHD).
  - Rekomenduojame naudoti „iOS“ 10.0 arba naujesnę versiją („iPhone“ turi būti „iPhone 6“ arba naujesnio modelio).
  - Palaikoma „Apple“ įrenginių ekrano raiška yra 1334 X 750, 1920 x 1080.
- Programėlę galime keisti be išankstinio įspėjimo, kad tobulintume veikimą.

### Prisijungti

Pirmausia prie SmartThings prisijungti turite su savo „Samsung“ paskyra. Norėdami susikurti naują „Samsung“ paskyrą, laikykitės programėlėje pateikiamų nurodymų. Paskyrai susikurti nereikia atskiros programėlės.

#### PASTABA

Jei jau turite „Samsung“ paskyrą, prisijunkite su ja. Registruotas „Samsung“ išmaniojo telefono naudotojas bus prijungtas automatiškai.

## Prietaiso užregistravimas „SmartThings“

- Įsitikinkite, kad jūsų išmanusis telefonas prijungtas prie bevielio tinklo. Jei ne, eikite į **Settings** (Nustatymai), įjunkite bevielį ryšį ir pasirinkite AP (prieigos taškas).
- Išmaniajame telefone atidarykite **SmartThings**.
- Jei parodomas pranešimas **A new device is found. (Rastas naujas prietaisas.)**, rinkitės **Add (Įtraukti)**.
- Jei neparodomas joks pranešimas, rinkitės + ir iš prieinamų prietaisų sąrašo pasirinkite savąjį. Jei jūsų prietaisas nepateiktas, rinkitės **Device Type (Įrenginio tipas) > Specific Device Model (Konkretus įrenginio modelis)** ir įtraukite savo prietaisą patys.
- Registracijai užbaigti laikykitės ekrane pateikiamų instrukcijų.

## „SmartThings“ apžvalga

| Kategorija           | Funkcija                         | Aprašymas                                                                                                                                                                                 |
|----------------------|----------------------------------|-------------------------------------------------------------------------------------------------------------------------------------------------------------------------------------------|
| Stebėjimas           | Ciklo būseną                     | Galite peržiūrėti dabartinį ciklą ir parinkti bei likusį ciklo laiką.                                                                                                                     |
|                      | Smart Control                    | AIRDRESSER rodoma išmaniojo valdymo būseną.                                                                                                                                               |
|                      | Energijos suvartojimas           | Galite stebėti energijos suvartojimo būseną.                                                                                                                                              |
| Valdymas             | Paleisti / sustabdyti / atšaukti | Pasirinkite ciklą ir reikalingas parinkti, tuomet rinkitės paleisti / sustabdyti / atšaukti, kad paleistumėte prietaisą, laikinai sustabdytumėte veikimą arba atšauktumėte esamą užduotį. |
| Pranešimas           | Ciklas užbaigtas                 | Pranešama užbaigus esamą ciklą.                                                                                                                                                           |
| AIRDRESSER funkcijos | Priežiūros nurodymai             | Pasirinkite audinio tipą ir parinkti, kad gautumėte rekomendacijas dėl tinkamiausio ciklo.                                                                                                |
|                      | Mano spinta                      | Įvedę informaciją apie drabužį (pvz., audinio tipą) galite įtraukti savo rūbus į programėlę ir gauti ciklą rekomendacijų bei priežiūros istoriją.                                         |
|                      | Specialiųjų ciklų tvarkymas      | Galite įrašyti iki 9 ciklų ir juos panaikinti arba pakeisti jų eiliškumą.                                                                                                                 |
|                      | „HomeCare“ tvarkytuvė            | Gaukite patarimų, kaip išlaikyti tobulą AIRDRESSER būklę. Patikrinkite savo ciklų naudojimo modelius, energijos suvartojimą ir gaukite įspėjimus dėl gaminio techninės priežiūros.        |

# Prieš pradėdant

## Pranešimas dėl atvirojo kodo programinės įrangos

Šiame gaminyje naudojama atvirojo kodo programinė įranga. Išsiuntę el. laišką adresu <mailto:oss.request@samsung.com>, tris metus po paskutinio šio gaminio išsiuntimo galite gauti visą atitinkamą pirminį programos tekstą.

Visą atitinkamą pirminį programos tekstą gauti galima ir fiziniame laikmenoje, pvz., CD-ROM; reikės sumokėti nedidelį mokestį.

Šis URL [http://opensource.samsung.com/opensource/SMART\\_AT\\_051/seq/0](http://opensource.samsung.com/opensource/SMART_AT_051/seq/0) perkels jus į prieinamo pirminio programos kodo atsisiuntimo ir su šiuo gaminiu susijusios atvirojo kodo licencijos informacijos puslapį. Šis pasiūlymas galioja visiems šią informaciją gavusiems asmenims.



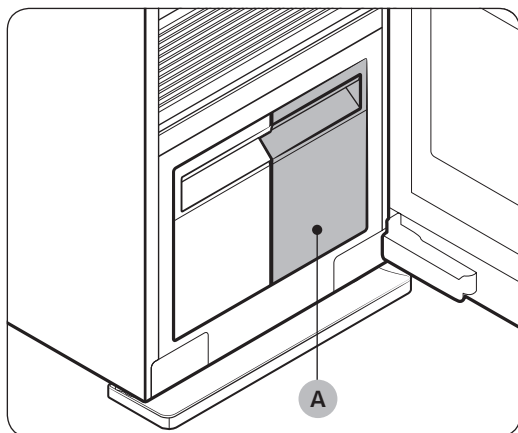
## PASTABA

Šiuo „Samsung Electronics“ paskelbia, kad radijo įrangos tipo prietaisas atitinka direktyvą 2014/53/ES. Visas ES atitikties deklaracijos tekstas prieinamas šiuo adresu: oficialią atitikties deklaraciją rasite <http://www.samsung.com>, eikite į „Palaikymas“ > „leškoti gaminio palaikymo“ ir įveskite modelio pavadinimą.  
„Wi-Fi“ maks. siųstuvo galia: 20 dBm, esant 2,412–2,472 GHz

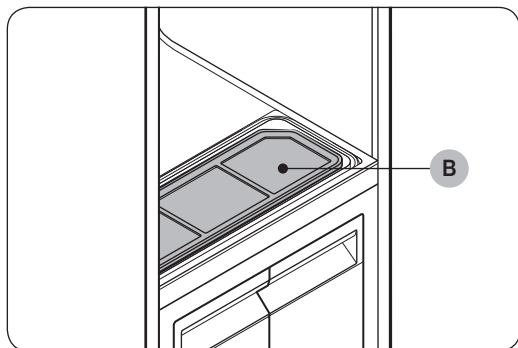


# Gaminio ir jo priedų naudojimas

## Kaip nustatyti ciklą

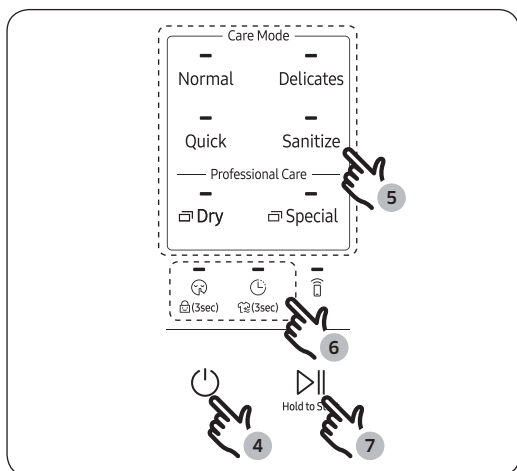








1. Įsitinkite, kad papildymo rezervuaras (A) yra pripildytas vandens.



2. Įsitinkite, kad pūkelių filtras (B) yra švarus.
3. Sudėkite rūbus kaip aprašyta skyriuje Priedų naudojimas.

# Gaminio ir jo priedų naudojimas



4. Bakstelėkite Maitinimas .
5. Pasirinkite ciklą.
  - Bakstelėkite Normal (Įprastas), Delicates (Švelnūs skalbiniai), Quick (Greitas) arba Sanitize (Dezinfekavimas).
  - Jei renkatės ciklą Džiovinimas, keletą kartų bakstelėkite Dry (Džiovinimas), kad pasirinktumėte norimą džiovinimo ciklą.
  - Jei renkatės ciklą Specialūs, keletą kartų bakstelėkite Special (Specialūs), kad pasirinktumėte norimą specialųjį ciklą.
6. Jei reikia, rinkitės kitas parinktis.
  - Tylusis , Vaikų saugos užraktas , Atidėti baigimą , Išlaikyti gaivius .
7. Bakstelėkite ir 3 sek. palaikykite nuspaudę Paleisti / sustabdyti .

## Naudojimo gairės

### Prieš naudojimą

- Šio gaminio negalima naudoti rūbams valyti. Kad gautumėte geriausią rezultatą, prieš dėdami rūbus į šį prietaisą juos išskalbkite ir išdžiovinkite.
- Prieš naudojant gaminį rekomenduojame išskalbti stipriu kvapu pasižyminčius arba ilgą laiką spintoje laikytus rūbus.
- Rūbus atskirkite pagal kvapo stiprumą.
- Prieš naudodami gaminį patikrinkite visų rūbų ar kitų daiktų etiketes.
- Prieš sudėdami rūbus į prietaisą ištuštinkite visas kišenes.
- Nenaudokite gaminio kaip įprastos spintos.
- Gaminys gali nepašalinti gyvūnų plaukų.

### Naudojimo metu

- Įsitikinkite, kad rūbai neličia gaminio apačios. Jei reikia, apačioje įstatykite lentyną, kad pakabinti rūbai nesiliestų prie gaminio apačios.
- Garinimo metu gali pasigirsti šnypštimas.
- Prireikus sustabdyti ciklą prieš jam pasibaigiant, paleiskite ciklą Džiovinimas.
- Veikimo laikas priklauso nuo aplinkos ir rūbų tipo.
- Jei gaminį naudosite nepertraukiamai, vietoje faktinio veikimo laiko bus rodomas kitas.
- Gaminui veikiant neatidarykite durelių.

### Po naudojimo

- Tai, kiek raukšlių bus pašalinta, gali skirtis priklausomai nuo medžiagos tipo.

- Pasibaigus ciklui iš karto išimkite rūbus. Jei rūbų iš karto išimti negalite, naudokite funkciją Atidėti baigimą arba Išlaikyti gaivius.
- Išimdami rūbus prilaikykite ir juos, ir pakabą.

## Priedų naudojimas

### Oro pakabos

Striukes, sportinius švarkelius ir švarkus kabinkite ant tiekiamų oro pakabų.

#### PASTABA

- Įsitinkinkite, kad pakabų išorė ir vidus yra švarūs ir be pašalinių medžiagų.
- Pakabų nenaudokite megztiniams, vilnoniams rūbams ir apatiniams.
- Viršutinės drabužių dalies maksimalus ilgis yra 110 cm, o apatinės dalies – 100 cm.
- Priklausomai nuo audinio tipo arba dydžio ties rūbų apykakle gali atsirasti nepageidaujamų raukšlių.



#### Kaip naudoti oro pakabas

1. Sukabinkite rūbus ant pakabų viena kryptimi.
  - Kad rūbai nuo pakabų nenukristų, užsekite visas sagas ir užtrauktukus.
  - Įsitinkinkite, kad visi rūbai sukabinti lygiai. Įsitinkinkite, kad pakabų spaustukai neišsikiša į išorę.
2. Stumkite pakabas į oro angas, kol išgirsite spragtelėjimą.
  - Įsitinkinkite, kad visos pakabos nukreiptos į vieną pusę.
  - Jei oro pakabos netinkamai įdedamos į oro angą, gali atsirasti vibracija ir pasigirsti triukšmas.

#### PASTABA

Ties vidurine anga nekabinkite ilgų rūbų – taip pasieksite geriausią rezultatą.

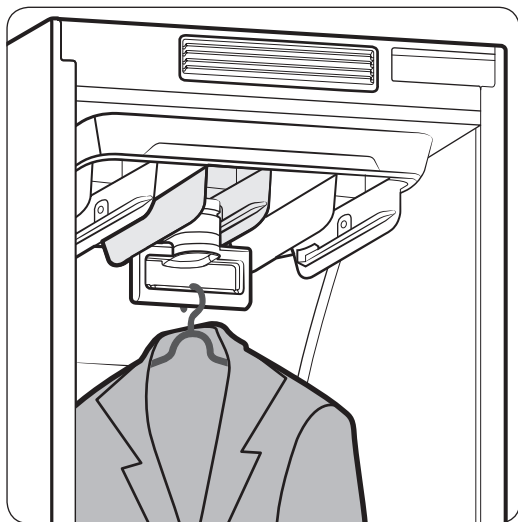
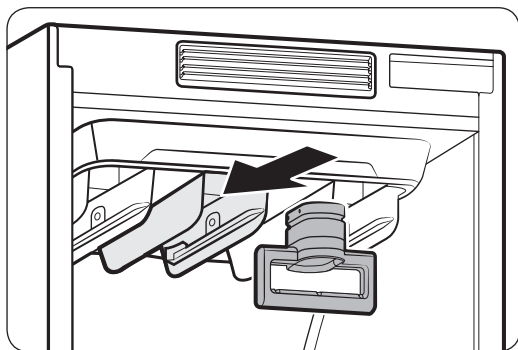
# Gaminio ir jo priedų naudojimas

## Įprastų pakabų rinkinys

Rūbus galite kabinti ir ant įprastų pakabų rinkinyje esančių pakabų. Tačiau geriausiam rezultatui pasiekti rekomenduojame naudoti oro pakabas.

### PASTABA

- Naudokite tokias pakabas, kurių forma nepakis dėl karščio.
- Įsitinkinkite, kad pakabų išorė ir vidus yra švarūs ir be pašalinių medžiagų,
- Nenaudokite plastikinių, silikoninių ir medinių pakabų arba pakabų su lipnia medžiaga.
- Nenaudokite pakabų iš skalbyklos, kurios gali surūdyti.



### Kaip naudoti įprastų pakabų rinkinį

1. Sukabinkite rūbus ant pakabų viena kryptimi.
  - Kad rūbai nuo pakabų nenukristų, užsekite visas sagas ir užtrauktukus.
  - Įsitinkinkite, kad visi rūbai sukabinti lygiai. Įsitinkinkite, kad pakabų spaustukai neišsikiša į išorę.
2. Stumkite įprastų pakabų rinkinį į oro angas, kol išgirsite spragtelėjimą, tuomet sukabinkite pakabas ant įprastų pakabų rinkinio.
  - Įsitinkinkite, kad visos pakabos nukreiptos į vieną pusę.
  - Jei įprastų pakabų rinkinys netinkamai įstatomas į oro angą, gali atsirasti vibracija ir pasigirsti triukšmas.

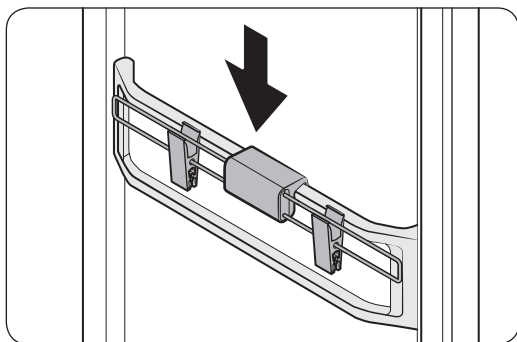
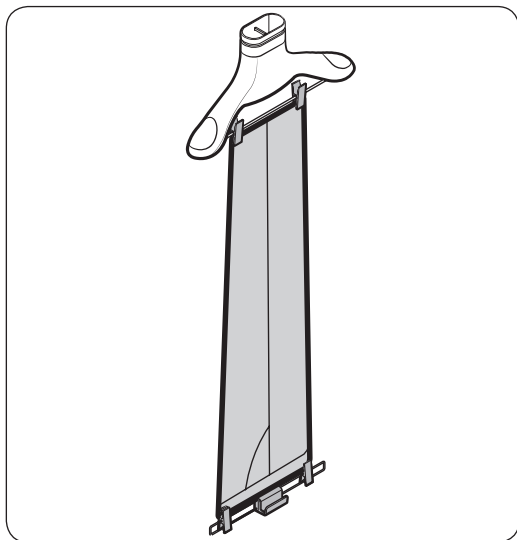
### PASTABA

Ties vidurine anga nekabinkite ilgų rūbų – taip pasieksite geriausią rezultatą.

## Svarsčių rinkinys

### PASTABA

- Įsitinkinkite, kad kelnės ar svarsčių rinkinys nesiliestų prie gaminio apačios.
- Maksimalus kelnų ilgis yra 100 cm.



### Kaip naudoti svarsčių rinkinį

1. Prisekite kelnų apačią prie oro pakabos.
2. Kitą kelnų galą prisekite prie svarsčių rinkinio.
3. Stumkite oro pakabą į oro angas, kol išgirsite spragtelėjimą.

### PASTABA

Kad klostė būtų ryškesnė, išskeiskite kelnes pastūmę spaustukus į išorę.

Kai nenaudojate, svarsčių rinkinį laikykite aksesuarų priežiūros zonoje.

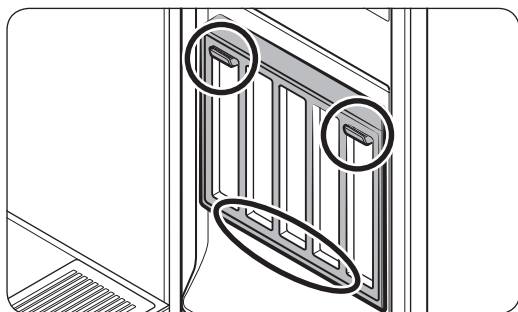
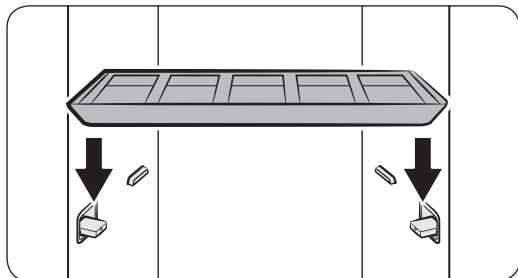
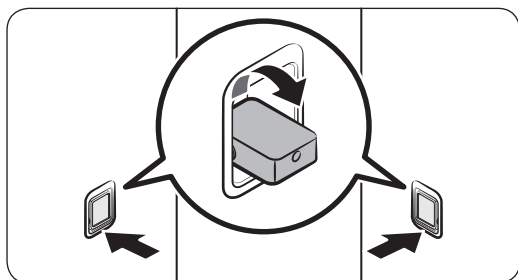
# Gaminio ir jo priedų naudojimas

## Lentyna

Rūbus, kurių negalima kabinti ant pakabų, dėkite ant lentynos.

### PASTABA

- Ant jos dėkite tik rūbus arba rūbų aksesuarus. Nedėkite sunkių objektų ir nelaikykite ant jos kitų daiktų.
- Neleiskite vaikams sėdėti ar lipti ant lentynos.
- Įsitikinkite, kad rūbai nekaba nuo lentynos priekio, galo ar šonų ir neišsikiša per groteles.
- Nedėkite rūbų vienas ant kito.



## Kaip naudoti lentyną

1. Šoninėse sienelėse paspauskite lentynos laikiklių apatinę dalį, kad pasuktumėte juos į išorę.

2. Padėkite lentyną ant lentynos laikiklių. Įsitikinkite, kad ant lentynos esantys grioveliai tvirtai įsistatė į laikiklį.

### PASTABA

Nesijaudinkite, jei tarp lentynos šonų ir šoninių sienų yra tarpas - tai normalu.

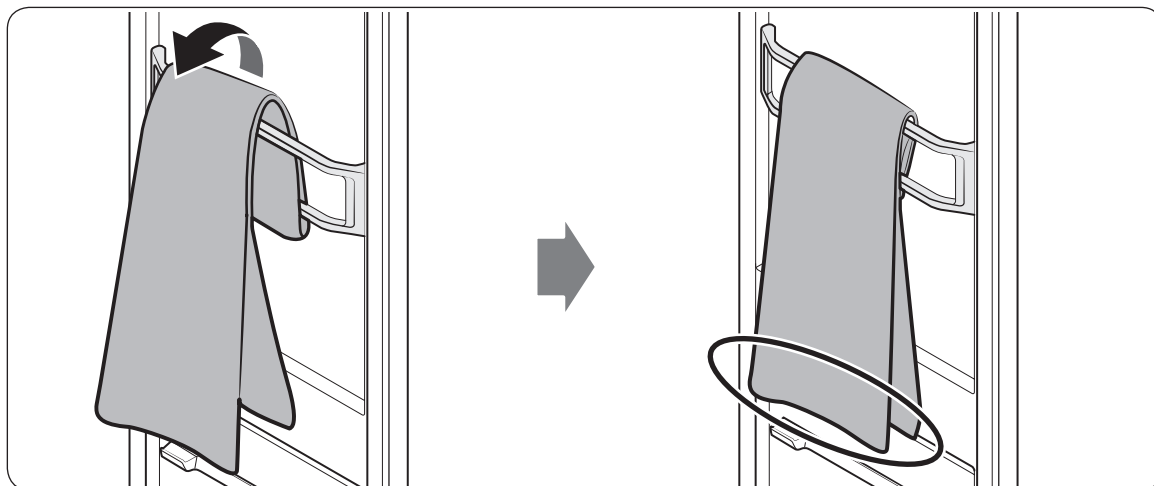
Kai nenaudojate, laikykite lentyną ant durelių. Padėkite lentyną ant apatinio laikiklio ir tuomet pakabinkite ją ant viršutinių laikiklių.

## Aksesuarų priežiūros zona

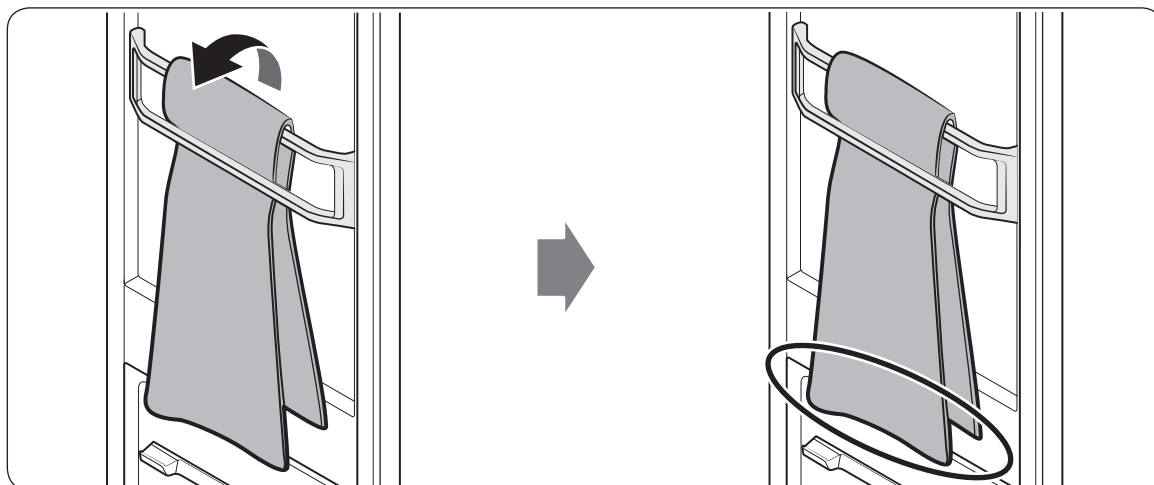
Aksesuarų priežiūros zoną naudokite šalikams.

Norėdami saugiai pakabinti šaliką, žr. toliau pateikiamus paveikslus.

### 1 būdas



### 2 būdas



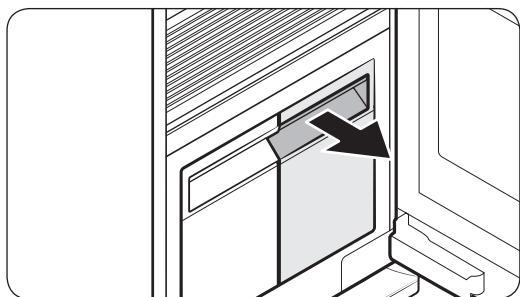
- Abu šaliko galai turi būti vienodo ilgio.
- Priklausomai nuo audinio tipo, raukšlės gali išlikti.

# Gaminio ir jo priedų naudojimas

## Papildymo rezervuaras

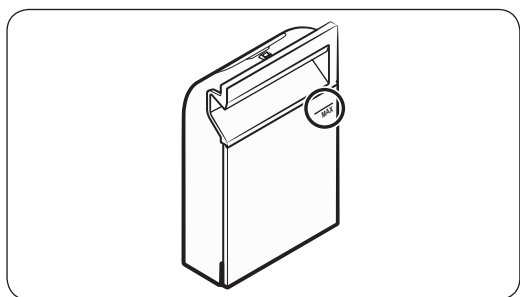
### PASTABA

- Prieš naudodami gaminį įsitikinkite, kad papildymo rezervuare yra vandens.
- Pirmą kartą naudojant gaminys sunaudoja daugiau vandens.
- Rekomenduojama naudoti filtruotą vandenį.
- Jei gaminio nenaudosite ilgą laiką, ištuštinkite papildymo rezervuarą.
- Papildymo rezervuare esančio vandens užtenka maždaug 4 ciklams.
- Į papildymo rezervuarą pilkite tik vandenį. Įpylus kitų skysčių, pvz., skalbiklio arba skalbinių minkštiklio, gali kilti problemų.
- Į papildymo rezervuarą nepilkite išleidimo rezervuare esančio vandens.



### Kaip pripildyti papildymo rezervuarą

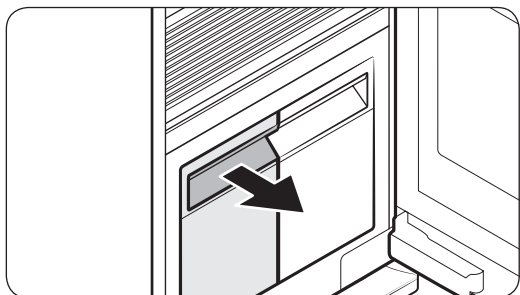
1. Ištraukite papildymo rezervuarą.
2. Atidarykite galinį dangtį, pripilkite vandens iki **MAX** linijos.
3. Įdėkite papildymo rezervuarą atgal.





## Išleidimo rezervuaras

Prieš naudodami gaminį arba jei gaminio nenaudosite ilgą laiką, ištuštinkite išleidimo rezervuarą.



### Kaip ištuštinti išleidimo rezervuarą

1. Ištraukite išleidimo rezervuarą.
2. Ištuštinkite jį.
3. Įdėkite išleidimo rezervuarą atgal.

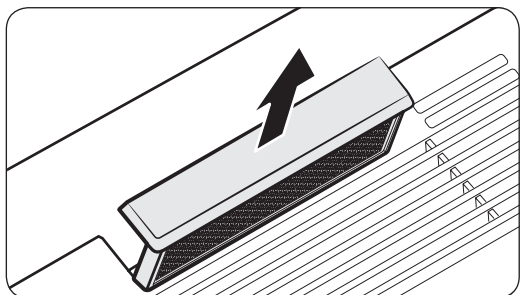
## „Samsung Fresh Finish“

„Samsung Fresh Finish“ suteikia daiktams malonų kvapą.

### PASTABA

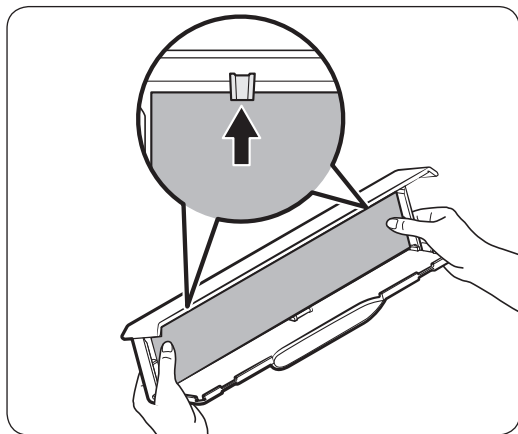
- 4-5 kartus papurkškite norimus kvėpalus ant medvilninio įdėklo, tuomet įdėkite įdėklą į „Samsung Fresh Finish“. „Samsung Fresh Finish“ skleidžiamo kvapo stiprumas gali skirtis atsižvelgiant į naudojamus kvėpalus, o kvapas gali išlikti AIRDRESSER viduje net pasibaigus ciklui.
- Jei medvilninį įdėklą per ilgai paliksite „Samsung Fresh Finish“, gali išaugti pelėsis.

### Medvilninio įdėklo keitimas

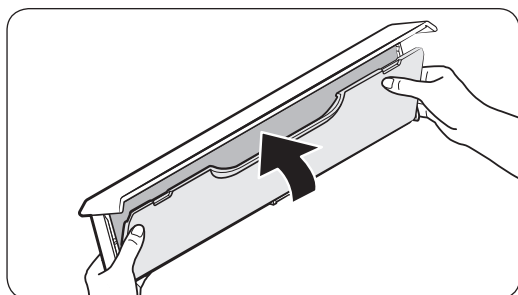


1. Nuimkite „Samsung Fresh Finish“.

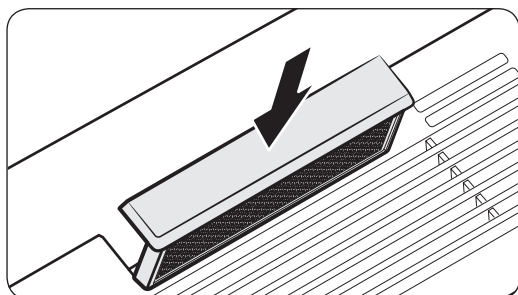
# Gaminio ir jo priedų naudojimas



2. 4-5 kartus papurškite norimus kvėpalus ant medvilninio įdėklo, tuomet įdėkite įdėklą į „Samsung Fresh Finish“.



3. Uždarykite „Samsung Fresh Finish“ dangtelį ir spustelėkite, kol išgirsite spragtelėjimą.



4. Iš naujo įdėkite „Samsung Fresh Finish“.

## PASTABA

- Jei naudojate kvėpalus su „Samsung Fresh Finish“, kvėpalų aromatas gali išlikti AIRDRESSER viduje net pasibaigus ciklui.
- Medvilninis įdėklas nėra tiekiamas kartu su gaminiu.
- Negalima užtikrinti „Samsung Fresh Finish“ veiksmingumo, nes jis priklauso nuo naudojamų kvėpalų.

# Valymas ir priežiūra

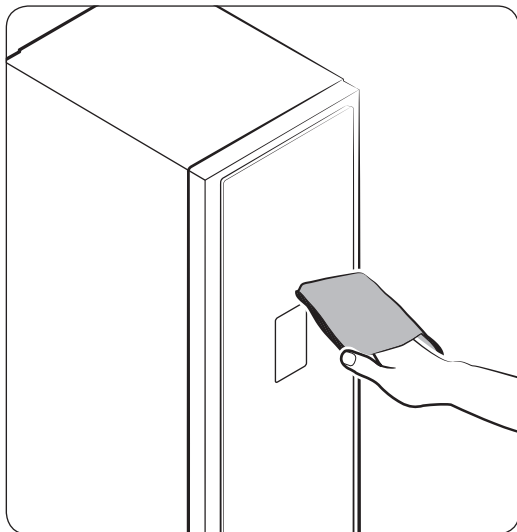
---

## PERSPĖJIMAS

- Prieš valydami atjunkite gaminį nuo elektros tinklo.
- Nenaudokite abrazyvinių arba degių valiklių.
- Valydami gaminį nepurkškite vandens tiesiai ant jo paviršiaus.

## Išorė

---

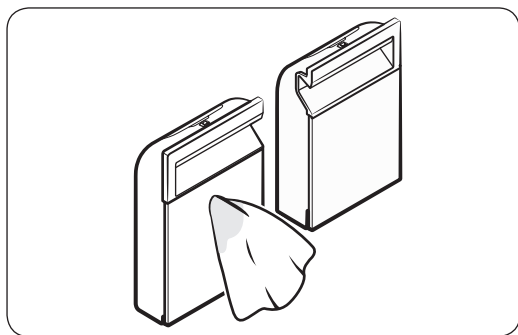


Išorę valykite valymo šluoste. Sunkiai įveikiamas dėmes valykite drėgna šluoste ir tuomet nusausinkite.

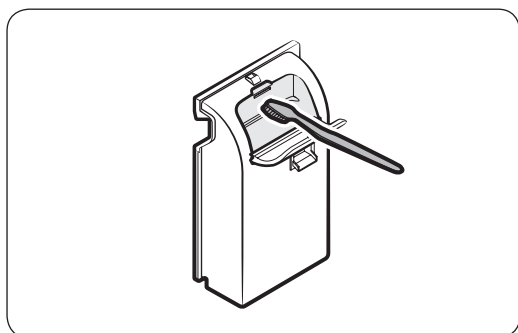
# Valymas ir priežiūra

## Vandens rezervuarai

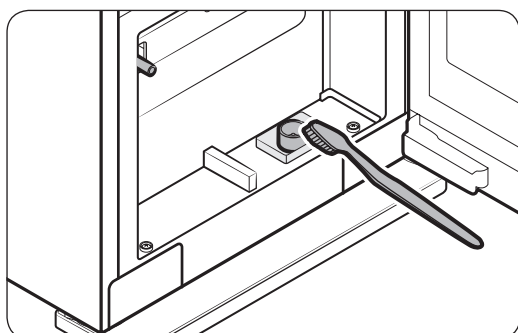
Reguliariai valykite abu rezervuarus. Prieš įdėdami atgal, visiškai nusausinkite.



Išorę valykite drėgna šluoste.



Vidų valykite švelniu šepetėliu.

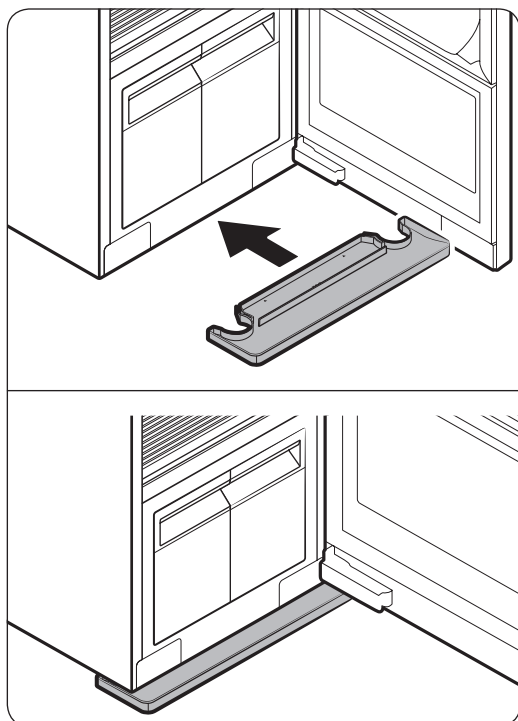


Rezervuarų įleidimo ir išleidimo angas valykite švelniu šepetėliu.

## Vandens padėklas

### PASTABA

- Reguliariai ištuštinkite vandens padėklą.
- Išpylę vandenį nepamirškite atgal įdėti vandens padėklą.



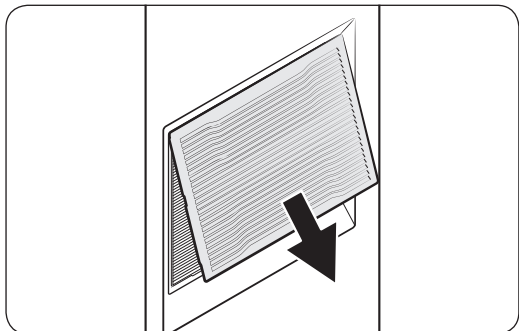
Padėklą įdėkite taip, kaip nurodyta paveikslėliuose.

- Įsitikinkite, kad TOP (viršus) pažymėta pusė nukreipta į viršų.

# Valymas ir priežiūra

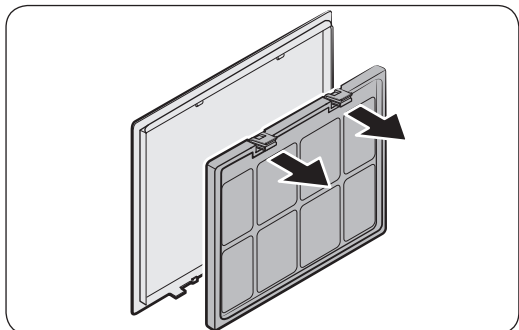
## Oro filtras

Jei gaminį dažnai naudojate sunkiems arba daug dulkių surenkantiems rūbams, rekomenduojame dažnai valyti oro filtrą.

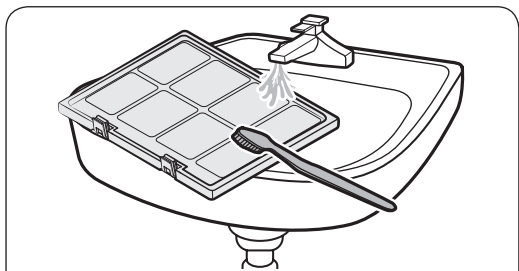


### Kaip pakeisti oro filtrą

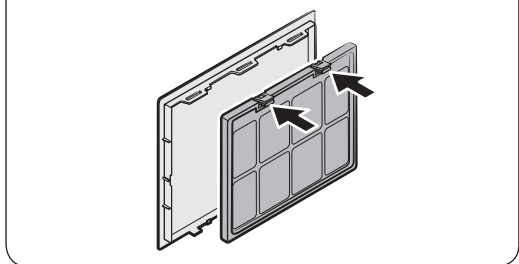
1. Paimkite už dangčio apačios ir ištraukite.

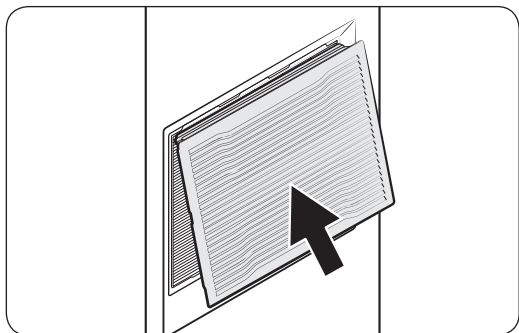


2. Nuspaudę du kabliukus ant filtro viršaus, traukite ir išimkite.



3. Filtrą valykite šepetėliu ir tekančiu vandeniu.  
4. Visiškai išdžiovinkite filtrą pavėsyje ir tuomet vėl įdėkite.



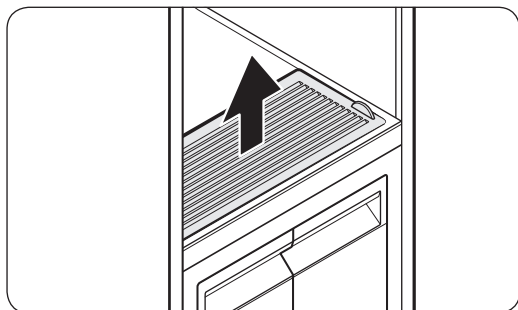


- Į gaminį įdėkite dangčio viršų ir tuomet jį įstumkite.

# Valymas ir priežiūra

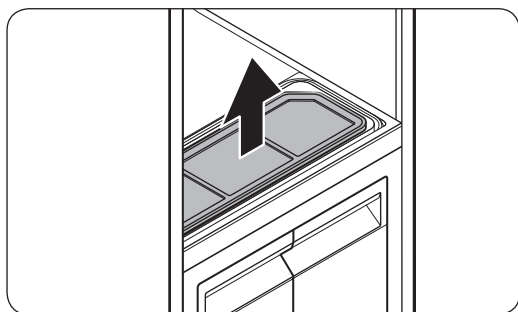
## Pūkelių filtras

- Pūkelių filtrą valykite prieš arba po naudojimo.
- Sugadintą pūkelių filtrą pakeiskite nauju.

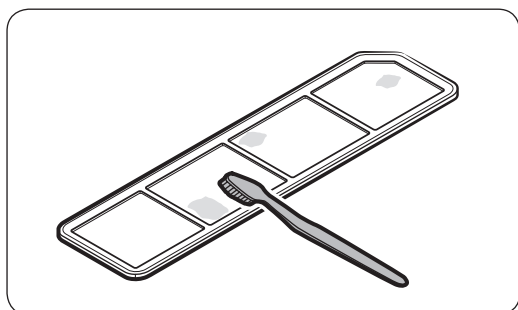


Kaip valyti pūkelių filtrą

1. Atidarykite dangtį



2. Išimkite pūkelių filtrą.



3. Pūkelių filtrą valykite šepetėliu ir tekančiu vandeniu. Visiškai išdžiovinkite pūkelių filtrą pavėsyje.

4. Įdėkite pūkelių filtrą atgal ir uždarykite dangtį.



## Kalkių šalinimas

Reguliariai šalinkite kalkes, kad pagerintumėte gaminio efektyvumą ir prailgintumėte jo tarnavimo laiką. Jei kalkių nepašalinsite vos gavę pranešimą, kai kurių funkcijų naudojimas gali būti apribotas ir sumažėti gaminio efektyvumas ar net sutrumpėti jo tarnavimo laikas.

1. Kai ekrane parodomas pranešimas **Descaling Required (Reikia pašalinti kalkes)**, iš gaminio išimkite visus rūbus, bakstelėkite ir 3 sek. palaikykite nuspaudę **Sanitize (Dezinfekavimas)** ir **Dry (Džiovinimas)**.
2. Ištuštinkite išleidimo ir papildymo rezervuarus.
3. Kalkių šalinimo skystį atskieskite vandeniu pagal gamintojo rekomendacijas.
4. Atskiestą kalkių šalinimo skystį pilkite į papildymo rezervuarą iki **MAX** linijos.
5. Norėdami pradėti kalkių šalinimą, bakstelėkite ir palaikykite nuspaudę **Paleisti / sustabdyti ▷**.
  - Jei kalkių šalinimo metu ekrane parodomas pranešimas **Drain the tank (Ištuštinti rezervuarą)**, išleiskite vandenį iš išleidimo rezervuaro.
6. Kai ekrane parodomas pranešimas **Refill/Drain the tank (Pripildyti / ištuštinti rezervuarą)**, ištuštinkite papildymo ir išleidimo rezervuarus ir gerai išskalaukite.
7. Pripildykite papildymo rezervuarą vandeniu iki **MAX** linijos, tuomet vėl įstatykite papildymo ir išleidimo rezervuarus.
8. Kai ekrane parodomas pranešimas **Supply/Drainage Complete (Pripildymas / išleidimas baigtas)**, bakstelėkite ir palaikykite nuspaudę **Paleisti / sustabdyti ▷**.
  - Jei kalkių šalinimo metu ekrane parodomas pranešimas **Drain the tank (Ištuštinti rezervuarą)**, išleiskite vandenį iš išleidimo rezervuaro.
9. Užbaigę kalkių šalinimą, ištuštinkite išleidimo rezervuarą ir pripilkite vandens į papildymo rezervuarą.
  - Atlikę visus šiuos veiksmus, galite toliau naudoti AIRDRESSER.

### PASTABA

- Kalkių šalinimo metu gali atsirasti vibracija ir pasigirsti triukšmas – tai normalu, gaminys nesugedo.
- Pirmą kartą naudojant gaminį po kalkių šalinimo procedūros gali pasirodyti pranešimas **Refill the tank (Pripildyti rezervuarą)**. Tai normalu. Norėdami tęsti pripildykite papildymo rezervuarą vandeniu ir paspauskite **Paleisti / sustabdyti ▷**.
- Jei kalkių šalinimo skystis ne iki galo išskalaujamas, gali susidaryti burbulų. Pašalinę kalkes kruopščiai išskalaukite papildymo ir išleidimo rezervuarus.

# Valymas ir priežiūra

---

## Gaminio perkėlimas į kitą vietą

---

- Po gaminiu yra du ratukai, padėsiantys jį perkelti.
- Kad gaminys perkeliant neapvirstų, rekomenduojame jį stumti laikant ties viduriu. Nestumkite laikydami už viršaus ar apačios.
- Prieš perkeldami gaminį į kitą vietą, ištuštinkite išleidimo ir papildymo rezervuarus. Jei rezervuarai neištuštinami, perkeliant gali išsilieti vanduo.

# Trikčių šalinimas

## Įspėjamieji pranešimai

| Pranešimas                                                                                                        | Veiksmai                                                                                                                                                                                                                                                                                                                                                                                                                                                                                                                                   |
|-------------------------------------------------------------------------------------------------------------------|--------------------------------------------------------------------------------------------------------------------------------------------------------------------------------------------------------------------------------------------------------------------------------------------------------------------------------------------------------------------------------------------------------------------------------------------------------------------------------------------------------------------------------------------|
| Refill the tank (Pripildyti rezervuarą)<br>Refill the tank with water (Pripildyti rezervuarą vandens)             | <ul style="list-style-type: none"><li>Patikrinkite, ar papildymo rezervuare yra pakankamas kiekis vandens.<ul style="list-style-type: none"><li>Pripilkite vandens iki MAX linijos, įstatykite papildymo rezervuarą atgal ir bakstelėkite <b>Paleisti / sustabdyti</b> ▶, kad pradėtumėte.</li></ul></li><li>Patikrinkite, ar papildymo rezervuaras tinkamai įstatytas.<ul style="list-style-type: none"><li>Tinkamai įstatykite išleidimo rezervuarą ir bakstelėkite <b>Paleisti / sustabdyti</b> ▶, kad pradėtumėte.</li></ul></li></ul> |
| Drain the tank (Ištuštinti rezervuarą)<br>Drain water from the tank (Išleisti vandenį iš rezervuaro)              | <ul style="list-style-type: none"><li>Patikrinkite, ar išleidimo rezervuaras nėra pilnas.<ul style="list-style-type: none"><li>Ištuštinkite išleidimo rezervuarą, įdėkite išleidimo rezervuarą atgal ir bakstelėkite <b>Paleisti / sustabdyti</b> ▶, kad pradėtumėte.</li></ul></li><li>Patikrinkite, ar išleidimo rezervuaras tinkamai įstatytas.<ul style="list-style-type: none"><li>Tinkamai įstatykite papildymo rezervuarą ir bakstelėkite <b>Paleisti / sustabdyti</b> ▶, kad pradėtumėte.</li></ul></li></ul>                      |
| Door Open (Durelės atidarytos)<br>Close the door & Start again (Uždarykite dureles ir paleiskite dar kartą)       | <ul style="list-style-type: none"><li>Patikrinkite, ar durelės atidarytos.<ul style="list-style-type: none"><li>Įsitikinkite, kad durelės uždarytos ir bakstelėkite <b>Paleisti / sustabdyti</b> ▶, kad pradėtumėte.</li></ul></li></ul>                                                                                                                                                                                                                                                                                                   |
| Abnormality Alert (Avarinis įspėjimas)<br>Open the Door & Check Inside (Atidarykite dureles ir patikrinkite vidų) | <ul style="list-style-type: none"><li>Patikrinkite, ar durelės atidarytos ir ar įjungtas Vaikų saugos užraktas.<ul style="list-style-type: none"><li>Įsitikinkite, kad durelės uždarytos ir bakstelėkite <b>Paleisti / sustabdyti</b> ▶, kad pradėtumėte. Įsitikinkite, kad gaminio viduje nėra vaikų ar gyvūnų.</li></ul></li></ul>                                                                                                                                                                                                       |
| WIFI Not Connected (Neprišijungta prie „Wi-Fi“)<br>Check the router (Patikrinkite maršruto parinktuvą)            | <ul style="list-style-type: none"><li>Patikrinkite, ar maršruto parinktuvos nėra išjungtos.<ul style="list-style-type: none"><li>Įjunkite maršruto parinktuvą ir tuomet junkitės prie interneto.</li></ul></li></ul>                                                                                                                                                                                                                                                                                                                       |

### PASTABA

Jei problema išlieka, kreipkitės į vietos „Samsung“ aptarnavimo centrą.

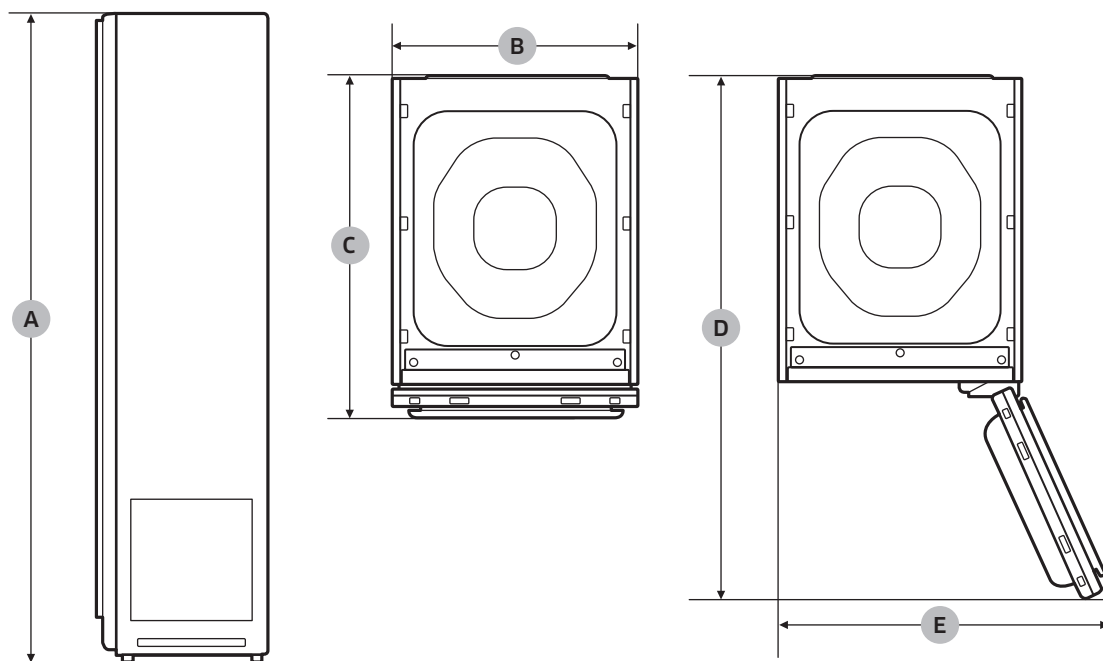
# Trikčių šalinimas

## Kontrolinis punktas

| Problema                                                | Veiksmas                                                                                                                                                                                                                                                                                                                                                                                                                                                                                                                                                     |
|---------------------------------------------------------|--------------------------------------------------------------------------------------------------------------------------------------------------------------------------------------------------------------------------------------------------------------------------------------------------------------------------------------------------------------------------------------------------------------------------------------------------------------------------------------------------------------------------------------------------------------|
| Gaminys neįsijungia.                                    | <ul style="list-style-type: none"><li>Norėdami įjungti gaminį, bakstelėkite mygtuką <b>Maitinimas</b> ☹.</li><li>Įsitikinkite, kad maitinimo laidas tinkamai prijungtas.</li><li>Įsitikinkite, kad įjungtas maršruto parinktuvas.</li><li>Įsitikinkite, kad maitinimo laidas prijungtas prie šiam gaminiui tinkamo maitinimo lizdo.</li></ul>                                                                                                                                                                                                                |
| Gaminys neveikia.                                       | <ul style="list-style-type: none"><li>Įsitikinkite, kad durelės uždarytos ir bakstelėkite <b>Paleisti / sustabdyti</b> ▷  .</li><li>Jei girdite tekančio vandens ar virimo garsus, gaminys ruošiasi garinimo procesui. Tai normalu.</li><li>Įsitikinkite, kad vaikų saugos užraktas išjungtas.</li><li>Jei pripylėte kito skysčio, o ne vandens, gaminys gali neveikti. Susisiekite su „Samsung“ aptarnavimo centru.</li></ul>                                                                                                                               |
| Gaminys skleidžia garsus.                               | <ul style="list-style-type: none"><li>Veikiant kompresoriui, gaminys gali skleisti garsus. Tai normalu.</li><li>Cirkuliuojant orui, gaminys gali skleisti garsus. Tai normalu.</li><li>Prieš garinimo procesą ir jo metu gaminys gali skleisti garsus. Tai normalu.</li><li>Pumpuodamas ir išleisdamas vandenį gaminys gali skleisti garsus. Tai normalu.</li><li>Atidarius dureles iš papildymo rezervuaro gali skliti garsai, nes vanduo teka vamzdžiais. Tai normalu.</li><li>Jei garsai sustiprėja, kreipkitės į „Samsung“ aptarnavimo centrą.</li></ul> |
| Neveikia valdymo skydelis.                              | <ul style="list-style-type: none"><li>Prijungę gaminį prie elektros tinklo luktelėkite ir bandykite dar kartą. Prijungus maitinimo laidą, valdymo skydelis ims veikti po 10 sek.</li><li>Nuvalykite valdymo skydelį ir bandykite dar kartą. Jei problema išlieka, kreipkitės į „Samsung“ aptarnavimo centrą.</li></ul>                                                                                                                                                                                                                                       |
| Gaminys vibruoja.                                       | <ul style="list-style-type: none"><li>Įsitikinkite, kad gaminys sumontuotas ant tvirto ir lygaus paviršiaus.</li><li>Įsitikinkite, kad gaminys pastatytas tiesiai.</li></ul>                                                                                                                                                                                                                                                                                                                                                                                 |
| Papildymo rezervuaras ištuštėja panaudojus vieną kartą. | <ul style="list-style-type: none"><li>Pirmą kartą naudojant gaminys sunaudoja daugiau vandens. Tai normalu.</li></ul>                                                                                                                                                                                                                                                                                                                                                                                                                                        |
| Pro dureles skverbiasi garai arba oras.                 | <ul style="list-style-type: none"><li>Patikrinkite, ar tarp durelių neįstrigo rūbai.</li><li>Įsitikinkite, kad durelės gerai uždarytos.</li></ul>                                                                                                                                                                                                                                                                                                                                                                                                            |
| Ilgėja veikimo laikas.                                  | <ul style="list-style-type: none"><li>Šlapi rūbai džiūva ilgiau. Veikimo laikas gali ilgėti priklausomai nuo rūbų kiekio ir jų drėgnumo.</li></ul>                                                                                                                                                                                                                                                                                                                                                                                                           |

| Problema                               | Veiksmas                                                                                                                                                                                                                                                                                                                                                                                                                                                                                                                                       |
|----------------------------------------|------------------------------------------------------------------------------------------------------------------------------------------------------------------------------------------------------------------------------------------------------------------------------------------------------------------------------------------------------------------------------------------------------------------------------------------------------------------------------------------------------------------------------------------------|
| Pasibaigus ciklui rūbai išlieka šlapi. | <ul style="list-style-type: none"> <li>Įsitikinkite, kad pūkelių filtras yra švarus ir tinkamai įdėtas.</li> <li>Įsitikinkite, ar durų tarpiklis nepažeistas ir ar rūbai nejstrigo tarp durelių. Jei durų tarpiklis pažeistas, atjunkite maitinimo laidą ir susisiekiite su „Samsung“ aptarnavimo centru.</li> </ul>                                                                                                                                                                                                                           |
| Nepašalinamas rūbų kvapas.             | <ul style="list-style-type: none"> <li>Išskalbkite stipriu kvapu pasižyminčius arba ilgą laiką spintoje laikytus rūbus.</li> <li>Aliejumi suteptus rūbus išskalbkite.</li> <li>Didelių rūbų, pvz., pūkinių striukių, kvapai gali būti nevisiškai pašalinami. Jei reikia, sudėkite didelius rūbus po vieną ir paleiskite papildomą ciklą.</li> <li>Stipriu kvapu pasižyminčių rūbų nedėkite kartu su kitais rūbais. Rūbus atskirkite pagal kvapo stiprumą.</li> <li>Įsitikinkite, kad pūkelių filtras ir abu rezervuarai yra švarūs.</li> </ul> |
| Nepašalinamos raukšlės.                | <ul style="list-style-type: none"> <li>Ilgą laiką spintoje laikytus rūbus išlyginkite.</li> </ul>                                                                                                                                                                                                                                                                                                                                                                                                                                              |
| Atidarius dureles pasirodo dūmai.      | <ul style="list-style-type: none"> <li>Kai kurių ciklų metu susidaro į dūmus panašūs garai. Tai normalu.</li> </ul>                                                                                                                                                                                                                                                                                                                                                                                                                            |

# Specifikacijos



| Tipas                                            |                            | Drabužių priežiūros sistema (AIRDRESSER) |                                     |
|--------------------------------------------------|----------------------------|------------------------------------------|-------------------------------------|
|                                                  |                            | DF60*8***G                               |                                     |
| Matmenys<br>(mm)                                 | A. Aukštis                 | 1850                                     |                                     |
|                                                  | B. Plotis                  | 445                                      |                                     |
|                                                  | C. Gylis                   | 615                                      |                                     |
|                                                  | D. Gylis atidarius dureles | 1001                                     |                                     |
|                                                  | E. Gylis uždarius dureles  | 618                                      |                                     |
| Vardinė galia                                    |                            | 220-240 V / 50 Hz<br>1700-1900 W         |                                     |
| Saugiklis (fiksotas saugiklis pagrindiniame PBA) |                            | 250 V / 12 A                             |                                     |
|                                                  |                            | Vamzdžio tipas                           | Didelės pertraukiamosios gebos tipo |
| Svoris (kg)                                      |                            | 89,0                                     |                                     |

# Atmintinė

---

## TURITE KLAUSIMŲ ARBA KOMENTARŲ?

| VALSTYBĖ    | SKAMBINKITE                                                              | ARBA APSILANKYKITE MŪSŲ SVETAINĖJE ADRESU                                           |
|-------------|--------------------------------------------------------------------------|-------------------------------------------------------------------------------------|
| ITALIA      | 800-SAMSUNG (800.7267864)                                                | <a href="http://www.samsung.com/it/support">www.samsung.com/it/support</a>          |
| NETHERLANDS | 088 90 90 100                                                            | <a href="http://www.samsung.com/nl/support">www.samsung.com/nl/support</a>          |
| LATVIA      | 8000-7267                                                                | <a href="http://www.samsung.com/lv/support">www.samsung.com/lv/support</a>          |
| LITHUANIA   | 8-800-77777                                                              | <a href="http://www.samsung.com/lt/support">www.samsung.com/lt/support</a>          |
| ESTONIA     | 800-7267                                                                 | <a href="http://www.samsung.com/ee/support">www.samsung.com/ee/support</a>          |
| POLAND      | 801-172-678* lub +48 22 607-93-33*<br>* (opłata według taryfy operatora) | <a href="http://www.samsung.com/pl/support/">http://www.samsung.com/pl/support/</a> |



DC68-04022G-00



# Rõivahooldussüsteem (AIRDRESSER)

## Kasutusjuhend

DF60\*8\*\*\*G



**SAMSUNG**

# Sisukord

---

|                                                           |           |
|-----------------------------------------------------------|-----------|
| <b>Ohutusteave</b>                                        | <b>3</b>  |
| Vajalik teave ohutusjuhiste kohta                         | 3         |
| Tähtsad ohutussümbolid                                    | 3         |
| Tähtsad ettevaatusabinõud                                 | 4         |
| Üldised hoiatused                                         | 5         |
| Elektriga seotud hoiatused                                | 6         |
| Paigaldamisega seotud hoiatused                           | 8         |
| Puhastamisega seotud hoiatused                            | 8         |
| Juhised elektri- ja elektroonikaromu utiliseerimise kohta | 9         |
| <b>Enne kasutuselevõttu</b>                               | <b>10</b> |
| Paigaldamine                                              | 10        |
| Toote ülevaade                                            | 13        |
| Juhtpaneel                                                | 15        |
| Tsükli ülevaade                                           | 17        |
| Kangaste hooldusjuhend                                    | 21        |
| Kangaste hooldusetiketid                                  | 25        |
| Smart Control                                             | 26        |
| <b>Toote ja tarvikute kasutamine</b>                      | <b>29</b> |
| Tsükli kasutamine                                         | 29        |
| Tarvikute kasutamine                                      | 31        |
| <b>Puhastamine ja hooldus</b>                             | <b>39</b> |
| Väljast puhastamine                                       | 39        |
| Veepaagid                                                 | 40        |
| Veealus                                                   | 41        |
| Õhufilter                                                 | 42        |
| Ebemefilter                                               | 44        |
| Katlakivi eemaldamine                                     | 45        |
| Toote paigutamine teise kohta                             | 46        |
| <b>Tõrkeotsing</b>                                        | <b>47</b> |
| Teavitussõnumid                                           | 47        |
| Kontrollitav punkt                                        | 48        |
| <b>Tehnilised andmed</b>                                  | <b>50</b> |

# Ohutusteave

Õnnitleme teid Samsungi uue toote ostmise puhul. See juhend sisaldab olulist teavet toote paigaldamise, kasutamise ja hoolduse kohta. Toote paljude eeliste ja funktsioonide täielikuks ärakasutamiseks leidke palun veidi aega selle juhendi lugemiseks.

## Vajalik teave ohutusjuhiste kohta

Palun lugege seda juhendit põhjalikult, et võiksite olla kindel, kuidas uue toote ulatuslikke funktsioone turvaliselt ja tõhusalt kasutada. Palun hoidke juhend edaspidiseks kasutamiseks alles toote lähedal kindlas kohas. Kasutage toodet ainult käesolevas kasutusjuhendis kirjeldatud otstarbel. Selles juhendis toodud hoiatused ja olulised ohutusjuhiseid ei hõlma kõiki võimalikke esineda võivaid tingimusi ja olukordi. Toote paigaldamisel, hooldamisel ja kasutamisel on teie kohustus järgida tervet mõistust ning olla ettevaatlik ja hoolikas. Kuna alljärgnevad kasutusjuhised käsitlevad erinevaid mudeleid, võivad teie toote omadused pisut erineda selles juhendis kirjeldatust ja kõik hoiatussildid ei pruugi olla kehtivad. Küsimuste või probleemide puhul pöörduge lähima hoolduskeskuse poole või otsige abi ja teavet veebilehelt [www.samsung.com](http://www.samsung.com).

## Tähtsad ohutussümbolid

Käesolevas kasutusjuhendis kasutatavate ikoonide ja siltide tähendus:

### **HOIATUS!**

Ohud ja ohtlikud töövõtted, mille tagajärjeks võivad olla rasked kehavigastused, surm ja/või varakahju.

### **ETTEVAATUST!**

Ohud ja ohtlikud töövõtted, mille tagajärjeks võivad olla kehavigastused ja/või varakahju.

### **ETTEVAATUST, kuum pind!**

### **MÄRKUS.**

Viitab kehavigastuse või varakahju ohule.

Need hoiatussildid on ette nähtud teie ja muude inimeste vigastamise vältimiseks.

Palun järgige neid täpselt.

Hoidke juhend pärast läbilugemist kindlas kohas alles, et saaksite seda edaspidi kasutada.

Enne toote kasutamist lugege selle juhendit.

Kõik elektrit kasutavad ja liikuvate osadega seadmed on potentsiaalselt ohtlikud. Toote ohutuks kasutamiseks tutvuge seadme tööpõhimõtetega ja kasutage seadet ettevaatlikult.

# Ohutusteave

## Tähtsad ettevaatusabinõud

### ⚠ HOIATUS!

Tulekahju, elektrilöögi ja inimeste vigastamise ohu vähendamiseks seadme kasutamise ajal tuleb järgida põhilisi ettevaatusabinõusid, sealhulgas alljärgnevat nõudeid:

1. See seade pole ette nähtud kasutamiseks isikutele (sh lastele), kellel on nõrgemad füüsilised, sensoorsed või vaimsed võimed või puudulikud teadmised ja kogemused, välja arvatud juhul, kui neid jälgib või juhendab seadme kasutamisel isik, kes vastutab nende ohutuse eest.
2. Seda seadet tohivad kasutada vähemalt 8-aastased lapsed ja füüsiliste, sensorsete või vaimsete võimetega inimesed, kellel puuduvad kogemused ja teadmised, kui neile on antud seadme ohutut kasutamist õpetatud ning nad saavad aru esinevatest ohtudest. Lapsed ei tohi seadmega mängida. Lapsed ei tohi seadet ilma järelevalveta puhastada ega hooldada.
3. Laste järele tuleb valvata, et nad ei saaks seadmega mängida.
4. Kui toitejuhe on kahjustatud, tuleb see ohu vältimiseks lasta tootjal, tootja hoolduspartneril või asjakohase kvalifikatsiooniga isikul välja vahetada.
5. **ETTEVAATUST!**: Termilise väljalülituse tahtmatust lähtestamisest tuleneva ohu vältimiseks ei tohi seda seadet elektritoitega varustada välise lülitusseadme (nt taimeri) kaudu ega ühendada vooluahelaga, mida süsteem lülitab regulaarselt sisse ja välja.
6. Seade on ette nähtud kasutamiseks kodumajapidamises ja sarnaseks rakenduseks, näiteks:
  - kaupluste, kontorite ja muude töökeskkondade personali kööginurkades;
  - põllumajandusettevõtetes;
  - klientide jaoks hotellides, motellides ja muudes majutusettevõtetes;
  - bed and breakfast tüüpi majutusasutustes.

## 7. HOIATUS!: Käesolev seade on ette nähtud ainult veega pestud tekstiilide kuivatamiseks.

### Üldised hoiatused

#### HOIATUS!

- Elektrilöögi, tulekahju ja/või surma vältimiseks hoolitsege enne toote kasutamist selle eest, et seade oleks nõuetekohaselt paigaldatud ja maandatud nagu käesolevas juhendis kirjeldatud.
- Kasutage toodet ainult selle õigel kasutusotstarbel. Garantiikorras ei hüvitata kahjustusi, mis tekivad toote kasutamisel otstarbel, mida pole käesolevas juhendis ette nähtud.
- Kehavigastuste ja/või toote kahjustamise vältimiseks ärge ronige tootele, seiske sellel ega rippuge selle küljes.
- Ärge võtke toodet koost lahti ega muutke seda mingil viisil.
- Ärge lubage lastel mängida seadme sees, peal ega ümber. Laste järele tuleb kogu aeg valvata.
- Tulekahju, kehavigastuste ja/või surmajuhtumite vältimiseks hoidke kõik pakkematerjalid lastest eemal ning eemaldage ja utiliseerige need nõuetekohasel viisil.
- Ärge puudutage ega käsitsege toodet märgade kätega.
- Elektrilöögi ja/või tulekahju vältimiseks hoidke kõik loomad või muud võõrkehad tootest eemal.
- Kui kuulete ebanormaalselt müra, tunnete ebaharilikku lõhna ja/või tuvastate seadmes suitsu, lahutage seade kohe vooluvõrgust.
- Ärge asetage seadmesse, seadmele ega seadme lähedale raskeid ega ohtlikke esemeid.
- Elektrilöögi, tulekahju ja/või surma vältimiseks ärge remontige ega vahetage toote ühtegi osa ega püüdke hooldustöid teha, välja arvatud juhul, kui kasutusjuhendis või kasutaja esitatud remondijuhendites on seda konkreetselt soovitatud ning olete juhistest aru saanud ja oskate neid töid teha.
- Võtke kõik isiklikud esemed (elektriseadmed, välgumihklid, tikutoosid jne) taskutest välja.
- Tulekahju ja/või plahvatuste vältimiseks ärge kuivatage esemeid, mida on eelnevalt puhastatud, pestud, leotatud või plekitatud bensiini, keemiliste puhastuslahustite, toiduõlide või muude tuleohtlike või plahvatusohtlike ainetega.
- See seade pole ette nähtud kasutamiseks isikutele (sh lastele), kellel on nõrgemad füüsilised, sensoorsed või vaimsed võimed või puudulikud teadmised ja kogemused, välja arvatud juhul, kui neid jälgib või juhendab seadme kasutamisel isik, kes vastutab nende ohutuse eest.
- Enne toote kasutuselt kõrvaldamist eemaldage kuivatusseksiooni uks ja lahutage edasikasutamise vältimiseks toitepistik pistikupesast.
- Ärge puudutage toote elektripistikupesaga ega võtke seda koost lahti. Gaasilekke korral tuulutage kohe seadme paigalduskoht ja pöörduge viivitamata Samsungi hoolduskeskuse.
- Klaaspaneeli kahjustamise vältimiseks kaitske seadme esipaneeli kogu aeg.
- Kehavigastuste ja/või seadme kahjustuste vältimiseks ärge astuge paagiuste.
- Ärge pange käsi, jalgu, muid kehaosi ega metallesemeid toote alla.

# Ohutusteave

- Ärge kasutage seadme seestpoolt kuivatamiseks muid tooteid. Ärge kasutage seadme seest lõhna eemaldamiseks lõhnaküünlaid.
- Ärge avage seadme töötamise ajal selle ust. Seadme töötamise ajal ukse avamine mõjutab seadme jõudlust ja võib põhjustada kondensatsiooni, mis kahjustab põrandakatet.
- Ärge jooge täite- või tühjenduspaagist võetud vett.
- Puhastage alati enne või pärast kapi iga täitmist selle ebemefilter.
- Staatilise elektri eemaldamiseks ärge kasutage kangapehmentajaid ega muid tooteid, välja arvatud juhul, kui kangapehmentajate või toodete tootja on seda soovitanud.
- Hoidke sõrmed eemal kohtadest, kus need võivad saada muljuda. Olge ukse sulgemisel ettevaatlik, kui lähedal viibivad lapsed.
- Ärge kasutage toodet vahtkummit sisaldavate või muude kummitekstuuriga riietusesemete kuivatamiseks.
- Toote kahjustamise, liiga mürarikkaks muutumise või süttimise vältimiseks ärge torgake aurupihustitesse mingeid esemeid.
- Ärge pange seadme töötamise ajal aurupihusti lähedale käsi või muid kehaosi. Kuum aur võib põhjustada vigastusi.
- Ärge avage seadme töötamise ajal selle ust. Seadme kõrge sisetemperatuur võib põhjustada vigastusi.
- Kui aurutusprotsessi ajal tekib probleem, seisake toode otsekohe ja eemaldage sellest riietusesemed. Kui esemeid kohe ei eemaldata, muutuvad need niiskeks, mis kahjustab kangast või annab sellele lõhna.
- Enne riietusesemete seadmesse panekut tühjendage esemete kõik taskud.
- Sisaldab fluoritud kasvuhoonegaase.  
Hermeetiliselt isoleeritud seade.  
Ärge ventileerige nii, et gaasid pääsevad atmosfääri.
  - Külmaaine (tüüp): R-134a (globaalse soojenemise potentsiaal = 1430)
  - Külmaaine (täitmine): 0,15 kg; 0,214 tCO<sub>2</sub>e

## Elektriga seotud hoiatused

### HOIATUS!

- Eemaldage toitepistik klemmidelt ja puutepunktidelt kuiva lapiga regulaarselt kõik võõrkehad, näiteks tolm ja vesi.
- Lahutage toitepistik pistikupesast ja puhastage pistik kuiva lapiga.
- Elektrilöögi ohu vähendamiseks lahutage seadme toitepistik enne seadme koost lahtivõtmist või remontimist alati pistikupesast.
- Toitepistik väljatõmbamisel ärge hoidke kinni toitejuhtmest. Toitepistik lahutamiseks tõmmake pistik otse pistikupesast välja.
- Elektrilöögi vältimiseks ärge kasutage pikendusjuhet.

- Ärge kasutage kahjustatud toitejuhet või -pistikut. Ärge püüdke toitejuhet või -pistikut remontida, koosta lahti võtta või muuta. Mis tahes remonditööde tellimiseks pöörduge Samsungi lähimasse hoolduskeskusse.
- Ühendage toitejuhe kohalikele elektrieeskirjadele vastavasse seinapistikupesasse. Kasutage seda pistikupesa ainult antud seadme jaoks ja ärge kasutage pikendusjuhet.
- Seadme liigutamisel kaitske kogu aeg toitejuhet.
- Elektrilöögi, tulekahju, raske vigastuse, toote kahjustamise ja/või surmajuhtumi vältimiseks tuleb selle seadme toitepistik ühendada nõuetekohaselt maandatud pistikupesasse. Laske seinapistikupesaga ja ahelat kontrollida vastava kvalifikatsiooniga elektrikul.
- Toode peab olema varustatud juhtmega, millel on seadme maandamise juht ja maanduspistik. Pistik tuleb ühendada sobivasse pistikupesasse, mis on nõuetekohaselt paigaldatud ja maandatud vastavalt kõigile kohalikele seadustele ja määrustele.
- Toode peab olema maandatud. Tõrke või rikke korral vähendab maandus elektrilöögi ohtu, nähes elektrivoolu jaoks ette kõige väiksema takistusega tee.
- Veenduge enne seadme kasutuselevõttu, et toote kasutamiseks on olemas spetsiaalne maandatud elektripistikupesaga. Seadme omaniku kohustus on asendada standardne kahekontaktiline pistikupesaga standardse kolmekontaktilise pistikupesaga.
- Elektrilöögi vältimiseks maandage toode kõigi kehtivate seaduste ja määruste kohaselt. Järgige kasutusjuhendis toodud juhiseid.
- Toode tuleb ühendada spetsiaalsesse elektripistikupesasse, mille nimipingeline vastab andmesildil toodud andmetele. See tagab parima jõudluse ja väldib ka hoone elektriahela ülekoormust, mis võib juhtmete ülekuumenemisel põhjustada tulekahju ohtu.
- Elektrilise ülekoormuse vältimiseks ühendage seade õige nimivooluga, kaitstud ja õige suurusega elektriahelaga. Ebaõige elektriahel võib sulada ning põhjustada elektrilööki või tulekahju.
- Ärge mingil juhul eemaldage toitejuhtme maanduskontakti. Kehavigastuste või toote kahjustumise vältimiseks tuleb elektritoitejuhet ühendada nõuetekohaselt maandatud pistikupesasse.
- Ärge kasutage mitme pesaga pistikupesat, mis pole nõuetekohaselt maandatud (portatiivset pistikupesat). Nõuetekohaselt maandatud, mitme pesaga (portatiivse) pistikupesaga korral kasutage toodet voolutugevusega 15 A või üle selle. Selle nõude eiramisel võib tagajärjeks olla mitme pesaga pistikupesaga kuumenemisest tingitud elektrilöök või tulekahju. Kaitselüliti rakendamisel võidakse elektritoite välja lülitada.
- Toode tuleb ühendada maandatud metalliga; püsiv juhtmesüsteem või seadme maandusjuht tuleb paigaldada koos vooluahela juhtidega ning ühendada seadme maandusklemmi või seadme juhtmega. Kui toode ei ole nõuetekohaselt maandatud, võib tagajärjeks olla elektrilöök.
- Seadme maandusjuhtme ebapiisav ühendus võib põhjustada elektrilöögi. Laske vastava kvalifikatsiooniga elektrikul või hooldustehnikul kontrollida, kas toode on nõuetekohaselt maandatud.



# Ohutusteave

## Paigaldamisega seotud hoiatused

### HOIATUS!

- Paigaldage toode ainult stabiilsele, hea kvaliteediga põrandale. Ärge paigaldage toodet kohta, kus mõjuvad vibratsioonid või kus toode võib ümber kukkuda, näiteks laevadesse või lennukitesse. Kui teil on seadme paigalduskoha suhtes kahtlusi, pöörduge Samsungi hoolduskeskse poole.
- Ärge paigaldage seadet ilmastikutingimustele ja negatiivsele temperatuurile allutatud kohtadesse. Kui toote transpordi ajal oli temperatuur alla nulli, laske tootel enne paigaldamist soojeneda.
- Elektrilöögi, tulekahju, raskete vigastuste, tootekahjustuste ja/või surma vältimiseks ärge paigaldage toodet niiskesse kohta (nt vannituppa või sauna).
- Tulekahju, suitsu ja/või toote kahjustamise vältimiseks ärge paigaldage toodet muude soojusallikate (nt pliidi või küttekeha) lähedale.
- Tulekahju või suitsu ja/või toote kahjustamise vältimiseks ärge asetage tootele, tootesse või toote lähedale küünlaid või muid põlevaid esemeid.
- Kehavigastuste ja/või toote kahjustamise vältimiseks pöörduge enne toote teisaldamist Samsungi teeninduskeskuse poole.
- Paigaldage toode nii, et selle toitepistik oleks hõlpsasti juurdepääsetav. Elektrilöögi ja/või tulekahju vältimiseks lahutage seadme toitepistik pistikupesast, kui te seadet ei kasuta.
- Kui seadme paigalduskoht on olnud üle ujutatud, ärge minge toote lähedale ja pöörduge Samsungi teeninduskeskuse poole.
- Tulekahju või suitsu ja/või toote kahjustamise vältimiseks eemaldage tootelt kogu kaitsekile.
- Toote kahjustamise ja/või kehavigastuste vältimiseks teisaldage toodet vähemalt kahekesi.

## Puhastamisega seotud hoiatused

### HOIATUS!

- Elektrilöögi vältimiseks ärge kasutage toote käsitlemiseks või puhastamiseks teravaid esemeid.
- Ärge pihustage seadme puhastamisel sellele otse vett.
- Ärge kasutage seadme väljastpoolt puhastamiseks pleegitusaineid. Pleegitusained võivad põhjustada seadme välispinnal värvimuudatusi.
- Pühkige seadet pärast kasutamist seestpoolt kuiva lapiga.
- Pärast toote kasutamist pühkige selles sisekülge kuiva riidega.
  - Tootele võivad tekkida plekid ainetest, nagu pikad karvad või tolm ja veetilgas, mis on siseküljel moodustunud.
- Kui toode või mis tahes tarvik on määrdunud (puhastusaine, mustus, toidujäägid jne), eemaldage toitejuhe vooluvõrgust ja pühkige toodet pehme märja riidega.
  - Ärge kasutage tootel või tarvikul puhastus- või pleegitusaineid.
  - See võib põhjustada muutusi värvis, deformeerumist, kahjustusi või korrodeerumist.

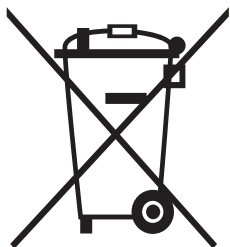




---

## Juhised elektri- ja elektroonikaromu utiliseerimise kohta

---



Õige viis toote kasutuselt kõrvaldamiseks (elektriliste ja elektrooniliste seadmete jäätmed)

(Kehtib riikides, kus jäätmed kogutakse sorteeritult)

Selline tähistus tootel või selle tarvikutel või dokumentidel näitab, et toodet ega selle elektroonilisi tarvikuid (nt laadija, peakomplekt, USB-kaabel) ei tohi kasutusaja lõppemisel käidelda koos muude olmejäätmetega. Selleks et vältida jäätmete kontrollimatu käitlemisega seotud võimaliku kahju tekitamist keskkonnale või inimeste tervisele ning edendada materiaalsete vahendite säästvat taaskasutust, eraldage need esemed muudest jäätmetest ja suunake need vastutustundlikult taasinglusse.

Kodukasutajad saavad teavet nende esemete keskkonnaohutu taaskasutamise kohta kas toote müüjalt või keskkonnaametist.

Firmad peaksid võtma ühendust tarnijaga ning kontrollima ostulepingu tingimusi ja sätteid. Toodet ega selle elektroonilisi tarvikuid ei tohi panna muude hävitamiseks mõeldud kaubandusjäätmete hulka.

Teavet Samsungi keskkonnaalaste kohustuste ja tootega seotud regulatiivsete kohustuste kohta, nt REACH, WEEE või Patareid, saate meie säästva arengu veebilehelt, mille leiате saidilt [www.samsung.com](http://www.samsung.com).

# Enne kasutuselevõttu

## Paigaldamine

Paigaldage toode vastavalt käesolevas juhendis ja kohalikes eeskirjades toodud juhiste.

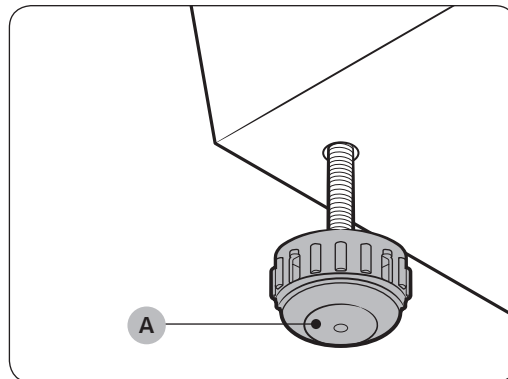
### Toote paigaldamine

1. Valige tugev, horisontaalne paigalduskoht, kus on piisavalt ruumi järgmiste töövahede tagamiseks.

|                 |       |
|-----------------|-------|
| Seadme peal     | 25 mm |
| Seadme külgedel | 5 mm  |
| Seadme taga     | 15 mm |

- Kui minimaalsed töövahed ei ole tagatud, väheneb seadme jõudlus halva ventilatsiooni tõttu ning toote sees võib tekkida kondensaat.
- Ärge paigaldage toodet otsese päikesevalguse kätte ega kuuma või külma kohta. Ümbritseva keskkonna temperatuur peab olema vahemikus 10 °C kuni 35 °C. Kui ümbritseva keskkonna temperatuur on liiga kõrge või madal, ei pruugi toode töötada normaalselt või selle jõudlus võib väheneda.

2. Pöörake reguleeritavaid jalgu (A) päripäeva või vastupäeva, et kohendada kõrgust, kuni toode on tasakaalustatud.

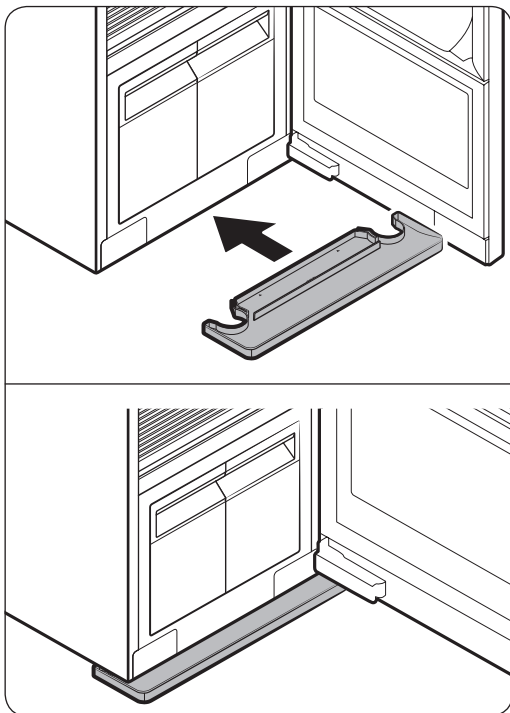


### MÄRKUS.

Kui toode kõigub või soovite seda ühest küljest tõsta, paigaldage toote alla tahaossa komplekti kuuluvad tagumised tasandamisjalad.

3. Sisestage veealus õigesti, joonistel näidatud viisil.

- Veenduge, et külg, millele on märgitud 'TOP' (ÜLES) jääb ülespoole.



4. Ühendage toode 230 V / 50 Hz maandatud pistikupesaga.

- Kui teil pole maandatud pistikupes, pöörduge Samsungi hoolduskeskuse poole, et küsida toote maandamise alternatiivsete meetodite kohta.

**MÄRKUS.**

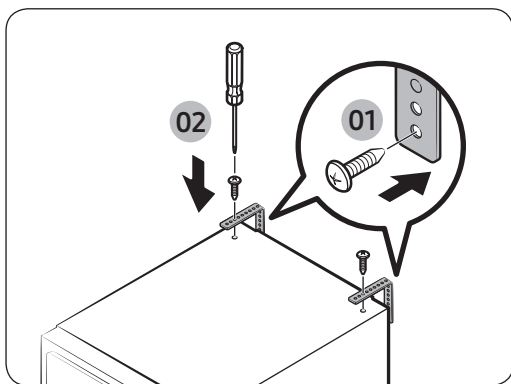
- Pärast toote paigaldamist tuleb enne selle kasutuselevõttu oodata vähemalt kaks tundi.
- Toode tarbib esmakordse kasutamise ajal tavapärasega võrreldes rohkem vett. Paaki võib olla vaja mitu korda uuesti täita.

Enne kasutuselevõttu

# Enne kasutuselevõttu

AIRDRESSERI kinnitamine überminekut takistava rihmaga (lisavarustus)

AIRDRESSER võib välise jõu toimel või laste tegevuse tagajärjel über minna. Vajaduse korral kasutage AIRDRESSERI kinnitamiseks ja übermineku vältimiseks überminekut takistavat rihma. (Vt joonist)



## ⚠ ETTEVAATUST!

Enne AIRDRESSERI überminekut takistava rihmaga kinnitamist lahutage seadme toitepistik pistikupesast.

## 📖 MÄRKUS.

- Kasutage überminekut takistava rihma seina külge kinnitamiseks komplekti kuuluvat kruvi.
- Kasutage überminekut takistava rihma AIRDRESSERI külge kinnitamiseks AIRDRESSERI peale kinnitatud kruvisid.

## Keele valimine

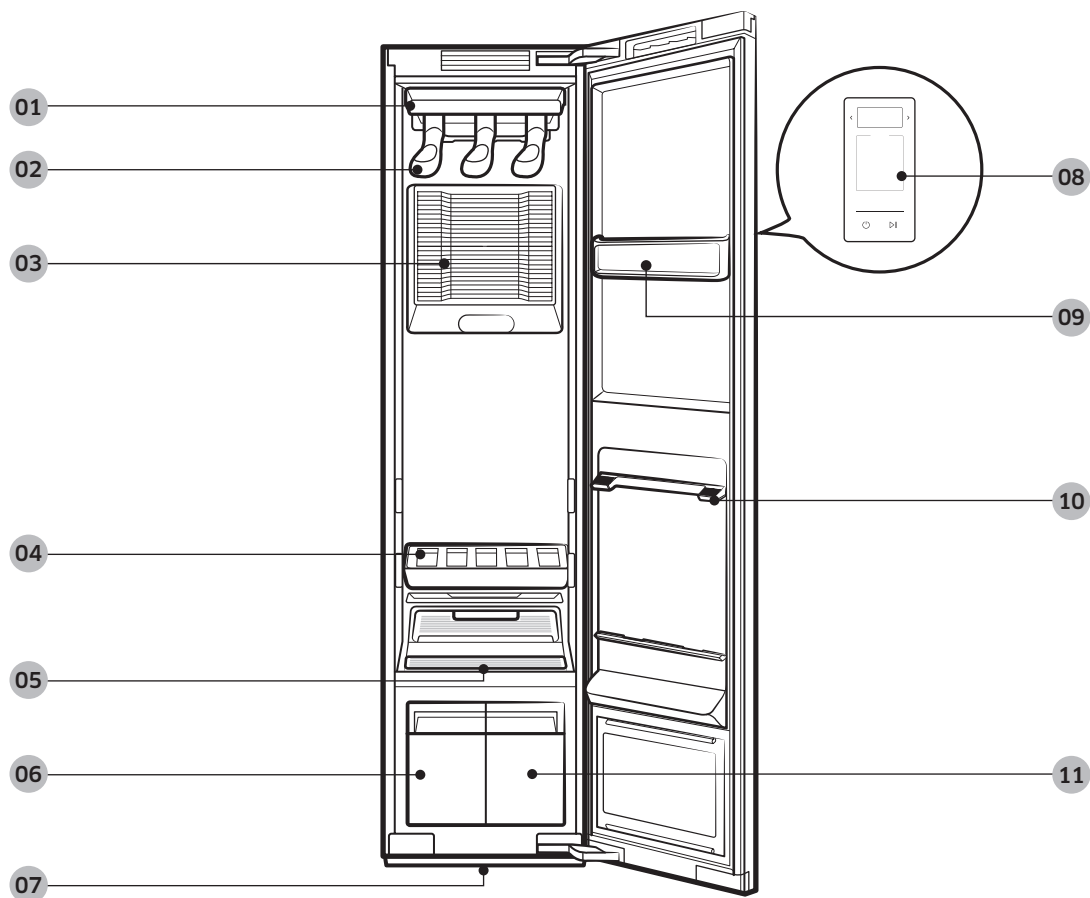
Kui lülitate toote pärast paigaldamist esimest korda sisse, kuvatakse juhtpaneeli näidikul keeleveliku aken. Järgige keele valimise juhiseid.

1. Keele valimiseks puudutage nuppe < või >.
2. Valitud keele salvestamiseks vajutage nuppu Käivitus/paus ▷|| ja hoidke nuppu all.

## 📖 MÄRKUS.

- Keele valimine ei pruugi olla mõnes riigis kasutusel.
- Hiljem keele muutmiseks hoidke nuppe Normal (Normaalrežiim) ja Delicates (Õrnad rõivad) all 3 sekundit ja järgige seejärel ülaltoodud juhiseid.

## Toote ülevaade



01 Õhuava

04 Riiul

07 Veealus

10 Riiulihoidik

02 Õhkriidepuu

05 Ebemefilter

08 Juhtpaneel

11 Täitepaak

03 Õhufilter

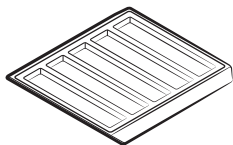
06 Tühjenduspaak

09 Tarvikute hooldustsoon

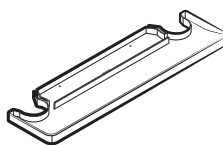
Enne kasutuselevõttu

# Enne kasutuselevõttu

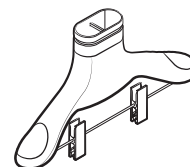
## Tarvikud



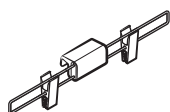
Riiul



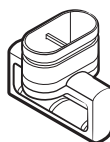
Veealus



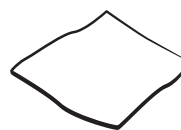
Õhkriidepuu



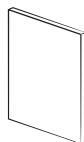
Raskuskomplekt



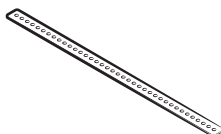
Standardne riidepuukomplekt



Puhastuslapp



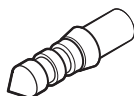
Kasutusjuhend



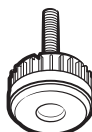
Ümberminekut takistav rihm



Kruvi (ümberminekut takistavale rihmale)

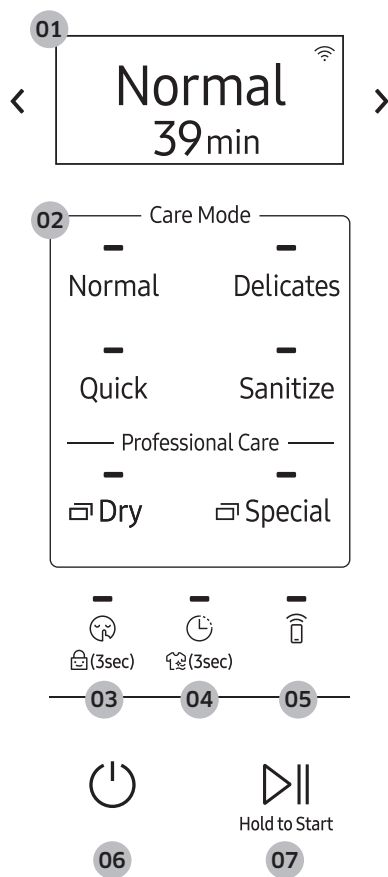


Kruviankur (ümberminekut takistavale rihmale)



Tagumised loodimisjalad

## Juhtpaneel



Enne kasutuselevõttu



### 01 Näidik

Näitab valitud tsüklit ja hinnangulist allesjäänud aega, teateid ja Wi-Fi ühendust.



### 02 Tsüklid

Valimiseks puudutage tsüklit. Lisateavet tsüklite kohta vt lk 17.



### 03 Vaikne / Lapselukk (3 s)

|                                                                                            |                                                                                                                                                                                                                                       |
|--------------------------------------------------------------------------------------------|---------------------------------------------------------------------------------------------------------------------------------------------------------------------------------------------------------------------------------------|
| Vaikne  | Režiimi Vaikne sisse- ja väljalülitamiseks puudutage. Vaikne režiim vähendab töömüra.<br> <b>MÄRKUS.</b><br>Vaikne režiim pikendab tsükli kestust. |
|--------------------------------------------------------------------------------------------|---------------------------------------------------------------------------------------------------------------------------------------------------------------------------------------------------------------------------------------|

# Enne kasutuselevõttu

|                                                                                             |                                                                                                                                                                                                                                                                                                                                                          |
|---------------------------------------------------------------------------------------------|----------------------------------------------------------------------------------------------------------------------------------------------------------------------------------------------------------------------------------------------------------------------------------------------------------------------------------------------------------|
| Lapselukk  | Nupu Lapselukk sisse- või väljalülitamiseks vajutage ja hoidke kolm sekundit all. Nupp Lapselukk deaktiveerib kõik nupud peale nupu <b>Elektritoide</b> <br><b>MÄRKUS.</b><br>Kui nupp Lapselukk on sisse lülitatud, jääb see kuni väljalülitamiseni sisselülitatuks. |
|---------------------------------------------------------------------------------------------|----------------------------------------------------------------------------------------------------------------------------------------------------------------------------------------------------------------------------------------------------------------------------------------------------------------------------------------------------------|

## 04 Viiteaja lõpp / Värskena hoidmine (3 s)

|                                                                                                       |                                                                                                                                                                                                                                                                                                                                                                                                                                                                                                                                                                      |
|-------------------------------------------------------------------------------------------------------|----------------------------------------------------------------------------------------------------------------------------------------------------------------------------------------------------------------------------------------------------------------------------------------------------------------------------------------------------------------------------------------------------------------------------------------------------------------------------------------------------------------------------------------------------------------------|
| Viiteaja lõpp        | Funktsiooni Viiteaja lõpp sisselülitamiseks puudutage nuppu ja seejärel puudutage nuppu lõpuaja suurendamiseks (1-24 tundi).<br><b>MÄRKUS.</b> <ul style="list-style-type: none"><li>Funktsiooni Viiteaja lõpp ei saa kasutada koos funktsiooniga Anduri järgi kuivatamine.</li><li>Kui funktsioon Viiteaja lõpp on sisse lülitatud, lülitub näidik energia säästmiseks välja.</li><li>Olenevalt valitud tsüklist ei pruugi kõik lõpuajad olla saadaval.</li><li>Olenevalt tootest ja keskkonnast, võivad tegelik aeg ja lõpuaeg olla seadeajast erinevad.</li></ul> |
| Värskena hoidmine  | Funktsiooni Värskena hoidmine sisse- või väljalülitamiseks vajutage ja hoidke kolm sekundit all. Võite hoida riietusesemed värsked, kui te ei saa neid pärast tsükli lõppu kohe välja võtta.<br><b>MÄRKUS.</b> <ul style="list-style-type: none"><li>Funktsioon Värskena hoidmine püsib sisselülitatuna 24 tundi pärast tsükli lõppu.</li><li>Elektritoite väljalülitamisel või ukse avamisel lülitatakse funktsioon Värskena hoidmine välja.</li><li>Kui funktsioon Värskena hoidmine on sisse lülitatud, lülitub näidik energia säästmiseks välja.</li></ul>       |

## 05 Smart Control

Funktsiooni Smart Control sisse- ja väljalülitamiseks puudutage. Lisateavet selle funktsiooni kohta **Smart Control** vt lk 26.

## 06 Elektritoide

Elektritoite sisse- ja väljalülitamiseks puudutage.


## 07 Käivitus/paus

Toote käivitamiseks puudutage nuppu ja hoidke seda all. Toote peatamiseks puudutage nuppu.



## Tsükli ülevaade

### Igapäevased tsüklid

| Tsükkel                      | Kirjeldus                                                                                                                                                                                                                                                                                                                                                                                                                                                                                                                                 |
|------------------------------|-------------------------------------------------------------------------------------------------------------------------------------------------------------------------------------------------------------------------------------------------------------------------------------------------------------------------------------------------------------------------------------------------------------------------------------------------------------------------------------------------------------------------------------------|
| Normal (Normaalrežiim)       | <ul style="list-style-type: none"><li>Teie igapäevavarõivaste värskendamine.</li></ul>                                                                                                                                                                                                                                                                                                                                                                                                                                                    |
| Delicates (Õrnad rõivad)     | <ul style="list-style-type: none"><li>Õrnadele rõivastele, mis on valmistatud näiteks šifoonist või pitsist, ning kaunistustega esemetele.</li><li>Viskoosi puhul peate kasutama seda tsükli.</li></ul>                                                                                                                                                                                                                                                                                                                                   |
| Quick (Kiirprogramm)         | <ul style="list-style-type: none"><li>Väheste lõhnade ja kortsudega esemete kiireks hoolduseks.</li></ul>                                                                                                                                                                                                                                                                                                                                                                                                                                 |
| Sanitize (Desinfitseerimine) | <ul style="list-style-type: none"><li>Rõivaste auruga desinfitseerimine.</li></ul> <p> <b>MÄRKUS.</b></p> <ul style="list-style-type: none"><li>Ärge pange seadmesse rohkem kui üht suurt või kogukat eset. Suured või kogukad esemed võivad ummistada auru- ja õhuvoolu.</li><li>Kui peatate tsükli või muudate seda, kui ekraanile ilmub teade Sanitizing (Desinfitseerimine), võivad riietusesemed kahjustuda või mitte täielikult kuivada.</li></ul> |

# Enne kasutuselevõttu

## Kuivatustsüklid




### **ETTEVAATUST!**

Ärge kasutage funktsiooni Kuivatamine allpool nimetatud esemete jaoks.

- Nahk, karusnahk, suled, velvet, siid.
- Kõik kummit või käsna sisaldavad rõivad.
- Rõivad, mis on valmistatud villaga segatud kangast, vett-tõrjuvast kangast, siidi- või kanepisegu-kangast
- Karusnahksed tekid karva pikkusega üle 1 cm, villased tekid, vaibad, madratsid.
- Pitsiga aluspesu, aluspüksid, sukad.

### **MÄRKUS.**

Kuivatustulemused võivad erineda olenevalt rõivaste paksusest.

| Tsüklid                               | Kirjeldus                                                                                                                                                                                                                                                                                                                                                                                                                                                                         |
|---------------------------------------|-----------------------------------------------------------------------------------------------------------------------------------------------------------------------------------------------------------------------------------------------------------------------------------------------------------------------------------------------------------------------------------------------------------------------------------------------------------------------------------|
| Sensor Dry (Anduri järgi kuivatamine) | AIRDRESSER seadistab rõivaste kuivatamise aja automaatselt.<br> <b>MÄRKUS.</b> <ul style="list-style-type: none"><li>• Valides funktsiooni Anduri järgi kuivatamine, täidetakse tühjenduspaak kiiresti.</li><li>• Funktsioon Anduri järgi kuivatamine ei pruugi väga märgi esemeid ning suuri või raskeid esemeid hästi kuivatada. Kui rõivad ei ole kuivad, käivitage tsüklid uuesti.</li></ul> |
| Time Dry (Aja alusel kuivatamine)     | Rõivaste kuivatamiseks seadistage aeg käsitsi (1-3 tundi).<br> <b>MÄRKUS.</b> <ul style="list-style-type: none"><li>• Funktsioon Aja alusel kuivatamine ei pruugi väga märgi esemeid ning suuri või raskeid esemeid hästi kuivatada. Kui rõivad ei ole kuivad, käivitage tsüklid uuesti.</li></ul>                                                                                             |
| Room Care (Ruumihooldus)              | Ümbritseva ala kuivatamine. Ajaks võite valida 2 või 4 tundi.<br> <b>MÄRKUS.</b> <ul style="list-style-type: none"><li>• Funktsiooni Ruumihooldus valimisel hoolitsege selle eest, et seade oleks tühi.</li><li>• Sisetemperatuur võib tõusta.</li></ul>                                                                                                                                       |

## Erirtsüklid

| Tsükkel                                    | Kirjeldus                                                                                                                                                                                                                                                                                                                                                                                                  |
|--------------------------------------------|------------------------------------------------------------------------------------------------------------------------------------------------------------------------------------------------------------------------------------------------------------------------------------------------------------------------------------------------------------------------------------------------------------|
| Suits (Ülikond)                            | Pükste viikimiseks.<br><b>MÄRKUS.</b> <ul style="list-style-type: none"><li>Pange pintsak keskmise õhuava juurde ja püksid parempoolse õhuava juurde.</li><li>Parima tulemuse saamiseks kasutage raskuskomplekti.</li></ul>                                                                                                                                                                                |
| School uniform (Koolivorm)                 | Koolivormide jaoks, mida ei saa iga päev pesta ega kuivatada.                                                                                                                                                                                                                                                                                                                                              |
| Wool/Knit (Villased/ kootud esemed)        | Villaste või kootud esemete jaoks.<br><b>MÄRKUS.</b><br>Rõivaste deformeermise vältimiseks pange esemed korrektselt kokku ja asetage riiulile.                                                                                                                                                                                                                                                             |
| Outdoor (Õueriided)                        | Õue- ja spordiriiete jaoks.                                                                                                                                                                                                                                                                                                                                                                                |
| Down Jackets (Sulejakid)                   | Pikka aega seisnud sullejopede kohevamaks tegemiseks.<br><b>MÄRKUS.</b><br>Õhuringluse katkemise vältimiseks riputage keskmise õhuava juurde ainult üks riietuses.                                                                                                                                                                                                                                         |
| Fur/Leather (Karusnahk/ nahk)              | Eemaldab karusnahast ja nahast esemetelt niiskuse ja tolmu.<br><b>MÄRKUS.</b> <ul style="list-style-type: none"><li>Selle tsükli ajal võib töömüra olla tavapärasest suurem.</li><li>Järgige kõiki etikette riietuseseme hoolduse kohta.</li><li>Parima tulemuse saamiseks pange seadmesse ainult üks riietuses.</li><li>Veenduge enne selle tsükli kasutamist, et karusnahast rõivad on kuivad.</li></ul> |
| Heavy Duty (Raske kasutusrežiimiga rõivad) | Paksemast kangast toodete, nt kampsunite, hooldamiseks.                                                                                                                                                                                                                                                                                                                                                    |
| Self Clean (Automaatne puhastus)           | Toode puhastatakse automaatselt.<br><b>MÄRKUS.</b> <ul style="list-style-type: none"><li>Veenduge, et seade on tühi.</li><li>Parima tulemuse saamiseks ja optimaalseks puhastamiseks ärge peatage tsüklit ega avage seadme ust enne, kui Automaatne puhastus on lõppenud.</li><li>See tsükkel ei eemalda hallitust.</li></ul>                                                                              |

# Enne kasutuselevõttu

---

## Tsüklite allalaadimine

Lisatsükleid saate alla laadida rakenduse SmartThings abil.

1. Puudutage nuppu **Elektritoide** ⏻.
2. Puudutage korduvalt nuppu **Special (Eriprogramm)**, et valida funktsioon **Download (Allalaadimine)**.
3. Saadaolevate tsüklite allalaadimiseks järgige nutitelefone ekraanile ilmuvaid juhiseid.
  - Saate allalaadida kuni 10 tsükli.
  - Saate alla laadida alljärgnevad tsüklid.
    - Winter Coat (Talvemantel), Denim (Teksariided), Down Dry (Udusulgi sisaldavate esemete kuivatamine), Babywear (Imikurõivad), Bedding (Voodipesu), Doll (Nukuriided) ja Accessories (Tarvikud).

## Kangaste hooldusjuhend

- Kangastele esitatakse erinevad hooldusnõuded olenevalt nende töötlemise ja viimistlemise viisist. Kangaste hooldusjuhend ei hõlma kõiki materjale ja seetõttu kasutage seda vaid informatiivsel eesmärgil. Kahjustuste vältimiseks kontrollige enne AIRDRESSERI kasutamist kindlasti riietusesemel olevat hooldussilti.
- Ärge pange seadmesse rõivaid, mis annavad värvi, on kuumustundlikud või ei sobi tsükliite Üldprogramm, Eriprogramm või Desinfitseerimine puhul veega pesemiseks. Kanga värvikindluse määramiseks tehke silmapaistmatus kohas (siseõmblusel) veega niisutamise katse. Lisateabe saamiseks pöörduge rõivatootja, keemilise puhastuse spetsialisti või kangahoolduse täpsema juhendi poole.

### Tsükli kategooria

Alljärgneva tabeli abil saate kontrollida kangahoolduse juhendtabelis toodud kategooriate konkreetseid tsükleid.

| Kategooria              | Tsüklid                                                                                                                                                                                                                                                                               |
|-------------------------|---------------------------------------------------------------------------------------------------------------------------------------------------------------------------------------------------------------------------------------------------------------------------------------|
| Üldised tsüklid         | Normal (Normaalrežiim), Quick (Kiirprogramm), Delicates (Õrnad rõivad)                                                                                                                                                                                                                |
| Eritsüklid              | Suits (Ülikond), School uniform (Koolivorm), Wool/Knit (Villased/kootud esemed), Outdoor (Õueriided), Down Jackets (Sulejakid), Fur/Leather (Karusnahk/nahk), Heavy Duty (Raske kasutusrežiimiga rõivad), Winter Coat (Talvemantel)**, Denim (Teksariided)**, Accessories (Tarvikud)* |
| Desinfitseerimistsüklid | Sanitize (Desinfitseerimine), Babywear (Imikurõivad)**, Bedding (Voodipesu)**, Doll (Nukuriided)**                                                                                                                                                                                    |
| Kuivatustsüklid         | Sensor Dry (Anduri järgi kuivatamine), Time Dry (Aja alusel kuivatamine), Down Dry (Udusulgi sisaldavate esemete kuivatamine)**                                                                                                                                                       |

\* = eritsüklid / \*\* = allalaaditavad tsüklid

# Enne kasutuselevõttu

## Kangaste hooldusjuhendi tabel

Looduslikud kiud - taimsed kiud

| Kangas                  | Tsüklid              |              |             |                   |             | Rõivad/märkused                                                                                                                                                                                                                                                     |
|-------------------------|----------------------|--------------|-------------|-------------------|-------------|---------------------------------------------------------------------------------------------------------------------------------------------------------------------------------------------------------------------------------------------------------------------|
|                         | Üldprogramm          |              | Eriprogramm | Desinfitseerimine | Kuivatamine |                                                                                                                                                                                                                                                                     |
|                         | Kortsude vähendamine | Lõhnastamine |             |                   |             |                                                                                                                                                                                                                                                                     |
| Puuvillased kangad      |                      | ●            | ●           | ●                 | ●           | Käterätid, sokid, aluspesu, teksad, spordirõivad, t-särgid, tekid<br>100% puuvillastel esemetel võivad jääda kortsud alles. Pärast tsükli lõppemist võib riietusesemeid soovi korral triikida.                                                                      |
| Lina, kanep, ramjeekiud |                      | ●            | ●           | ●                 | ●           | <b>Suverõivad, laudlinad</b><br>Mõned kortsud võivad alles jääda. Veenduge enne tsüklite Üldprogramm, Eriprogramm või Desinfitseerimine kasutamist, et kangad on pestavad / käsitsi pestavad. Pange õrnad riietusesemed riulile. Ärge kasutage targeldatud rõivaid. |
| Viskoos                 | ●                    | ●            | ●           |                   | ●           | Ülikonna vooder, pluusid, lipsud, pidžaamad                                                                                                                                                                                                                         |

● = võimalik / ✖ = vaadake hooldusetiketti

Looduslikud kiud - loomsed kiud

| Kangas                         | Tsüklid              |              |             |                   |             | Rõivad/märkused                                                                                        |
|--------------------------------|----------------------|--------------|-------------|-------------------|-------------|--------------------------------------------------------------------------------------------------------|
|                                | Üldprogramm          |              | Eriprogramm | Desinfitseerimine | Kuivatamine |                                                                                                        |
|                                | Kortsude vähendamine | Lõhnastamine |             |                   |             |                                                                                                        |
| Alpaca, kaamelikarvad, kašmiir | ✖                    | ✖            | ●           |                   |             | Jakid, ülikonnad<br>Asetage kootud esemed riulile. Alpaca ja kaamelikarvad kahanevad soojas vees.      |
|                                |                      | ✖            | ●           |                   |             | Sallid, kootud esemed<br>Asetage kootud esemed riulile. Alpaca ja kaamelikarvad kahanevad soojas vees. |

| Kangas          | Tsüklid              |              |             |                   |             | Rõivad/märkused                                                                                                                                                                                                                                                                                                                         |
|-----------------|----------------------|--------------|-------------|-------------------|-------------|-----------------------------------------------------------------------------------------------------------------------------------------------------------------------------------------------------------------------------------------------------------------------------------------------------------------------------------------|
|                 | Üldprogramm          |              | Eriprogramm | Desinfitseerimine | Kuivatamine |                                                                                                                                                                                                                                                                                                                                         |
|                 | Kortsude vähendamine | Lõhnastamine |             |                   |             |                                                                                                                                                                                                                                                                                                                                         |
| Karusnahk, nahk |                      |              | ●*          |                   |             | <b>Jakid, sallid</b><br>* Kasutage ainult tsükli Fur/Leather (Karusnahk/nahk). Nahk peab olema 100% naturaalne nahk (mitte kunstnahk)                                                                                                                                                                                                   |
| Siid            |                      |              |             |                   |             | <b>Siidist lipsud, paelad, sallid, pluusid</b><br>Siidist kangad ei sobi AIRDRESSERIS kasutamiseks.                                                                                                                                                                                                                                     |
| Villased esemed |                      | ×            | ●*          |                   | ●           | <b>Kampsunid, kootud esemed</b><br>Asetage kootud esemed riulile. Teatud villased esemed tõmbuvad soojas vees pesemisel kokku. Veenduge enne tsükli Üldprogramm või Eriprogramm kasutamist, et kangad on pestavad / käsitsi pestavad.<br>* Soovitav on kasutada tsükli Wool/Knit (Villased/kootud esemed).                              |
|                 | ●                    | ●            | ●*          | ×                 | ●           | <b>Talvemantlid, ülikonnad</b><br>Asetage kootud esemed riulile. Teatud villased esemed tõmbuvad soojas vees pesemisel kokku. Veenduge enne tsükli Üldprogramm, Eriprogramm või Desinfitseerimine kasutamist, et kangad on pestavad / käsitsi pestavad.<br>* Soovitav on kasutada tsükli Winter Coat (Talvemantel) või Suits (Ülikond). |

● = võimalik / × = vaadake hooldusetiketti

# Enne kasutuselevõttu

## Kunstkiud

| Kangas      | Tsüklid              |              |             |                   |             | Rõivad/märkused                                                                                                                                    |
|-------------|----------------------|--------------|-------------|-------------------|-------------|----------------------------------------------------------------------------------------------------------------------------------------------------|
|             | Üldprogramm          |              | Eriprogramm | Desinfitseerimine | Kuivatamine |                                                                                                                                                    |
|             | Kortsude vähendamine | Lõhnastamine |             |                   |             |                                                                                                                                                    |
| Atsetaat    | ●                    | ●            | ●           | ●                 | ●           | Ülikonna vooder, pluusid, lipsud, pidžaamad                                                                                                        |
| Akrüül      | ●                    | ●            | ●           | ●                 | ●           | Soe aluspesu, kootud esemed<br>Pange riitusesemed riulile.                                                                                         |
| Nailon      | ●                    | ●            | ●           | ●                 | ●           | Sukad, aluspesu<br>Pange riitusesemed riulile.                                                                                                     |
|             | ●                    | ●            | ●           | ●                 | ●           | Spordirõivad                                                                                                                                       |
| Polüuretaan | ●                    | ●            | ●           | ●                 | ●           | Venivast materjalist rõivad (sisaldus alla 5%)<br>Kui toode sisaldab polüuretaani üle 5% (nt ujumisriided), vaadake hooldusetiketil toodud teavet. |
| Polüester   | ●                    | ●            | ●           | ●                 | ●           | Õueriided, spordirõivad, t-särgid, särgid, pluusid                                                                                                 |






















● = võimalik / ✖ = vaadake hooldusetiketti



## Kangaste hooldusetiketid

Enamik rõivaid sisaldavad kanga hooldusetikette, millel on toodud juhised nõuetekohase hoolduse kohta. Alljärgnevas tabelis on toodud mõned sümbolid, mis aitavad teil valida AIRDRESSERI jaoks sobivaid esemeid.

### Hooldusetiketid kangastel, mida tohib kasutada AIRDRESSERIS

| Kategooria                                                                                                                     | Etikett                                                                             | Tähendus                       | Kasutamine AIRDRESSERIGA |
|--------------------------------------------------------------------------------------------------------------------------------|-------------------------------------------------------------------------------------|--------------------------------|--------------------------|
| <br>Pesuetiketid                              |    | Normaalpesu                    | 0                        |
|                                                                                                                                |    | Püsiviigid                     | 0                        |
|                                                                                                                                |    | Õrn pesu                       | 0                        |
|                                                                                                                                |    | Ei tohi pesta                  | 0*                       |
|                                                                                                                                |    | Käsipesu                       | 0                        |
| <br>Trummelkuivatis<br>kuivatamise etiketid |    | Kuumutamata                    | X                        |
|                                                                                                                                |   | Vähene kuumutamine             | 0                        |
|                                                                                                                                |  | Keskmine kuumutamine           | 0                        |
|                                                                                                                                |  | Suur kuumutamine               | 0                        |
|                                                                                                                                |  | Normaalpesu                    | 0                        |
|                                                                                                                                |  | Püsiviigid                     | 0                        |
|                                                                                                                                |  | Õrn pesu                       | 0                        |
|                                                                                                                                |  | Ärge kuivatage trummelkuivatis | 0                        |
| <br>Kuivatusetiketid                        |  | Kuivatage ülesriputatult       | 0                        |
|                                                                                                                                |  | Laske kuivaks tilkuda          | 0                        |
|                                                                                                                                |  | Kuivatage lebavas asendis      | 0**                      |
|                                                                                                                                |  | Kuivatage varjus               | 0                        |
|                                                                                                                                |  | Ärge kuivatage                 | X                        |

\* Teatud rõivaid, mida ei soovitata pesta (näiteks nahkmaterjalid), võib AIRDRESSERIGA kasutada. Palun vaadake kanga hooldusjuhendit.

\*\* Kui kanga hooldusetikelil on see sümbol, kasutage rõivaste jaoks raami.

# Enne kasutuselevõttu

## Smart Control

### Wi-Fi ühendus

- Soovitatavad krüpteerimismeetodid on WPA/TKIP ja WPA2/AES. Äsja väljatöötatavaid Wi-Fi-protokolle või heakskiitmata Wi-Fi-protokolle ei toetata.
- Wi-Fi-võrgu vastuvõtu tundlikkust võivad mõjutada ümbritsevad Wi-Fi-võrgud.
- Kui teie Internetiteenuse pakkuja registreeris teie arvuti või modemimooduli MAC-aadressi püsivaks kasutamiseks, ei pruugi teie Samsung AIRDRESSERIL õnnestuda Internetiga ühenduse loomine. Sel juhul pöörduge oma Internetiteenuse pakkuja poole
- Interneti tulemüür võib teie Internetiühenduse katkestada. Sel juhul pöörduge oma Internetiteenuse pakkuja poole
- Kui Internetitõrge jätkub pärast teie Internetiteenuse pakkuja läbiviidud mõõtmist, pöörduge Samsungi kohaliku edasimüüja või teeninduskeskuse poole.

### Rakenduse allalaadimine

Otsige rakenduste poes (Google Play Store, Apple App Store, Samsung Galaxy Apps) üles rakendus SmartThings, laadige see alla ja installige oma seadmesse.

#### MÄRKUS.

- SmartThings ei pruugi ühilduda kõigi tahvelarvutite või nutitelefonidega.
  - Soovitatav opsüsteem on Android 6.0 või uuem versioon (minimaalne mälu 2 GB RAM).
  - Androidi seadmete ekraani toetatud eraldusvõimed on 1280 x 720 (HD), 1920 X 1080 (FHD), 2560 x 1440 (WQHD).
  - Opsüsteemi iOS versioon peab olema 10.0 või uuem (iPhone'id peavad olema iPhone 6 või uuemad).
  - Apple'i seadmete ekraani toetatud eraldusvõimed on 1334 X 750, 1920 x 1080.
- Rakendust võidakse selle jõudluse suurendamiseks ette teatamata muuta.

### Logige sisse

Esmalt logige rakendusse SmartThings sisse oma Samsungi kontoga. Samsungi konto loomiseks järgige rakenduse juhiseid. Teil ei ole konto loomiseks vaja mingit eraldi rakendust.

#### MÄRKUS.

Kui teil on Samsungi konto, siis kasutage sisselogimiseks seda kontot. Samsungi registreeritud nutitelefoni omanik logitakse sisse automaatselt.

## Seadme registreerimine rakenduses SmartThings

1. Veenduge, et teie nutitelefon on ühendatud Wi-Fi-võrguga. Kui ei ole, avage menüü **Settings** (Seadistused), lülitage Wi-Fi ühendus sisse ja valige pääsupunkt (AP).
2. Avage oma nutitelefoni rakendus **SmartThings**.
3. Kui kuvatakse teade "**A new device is found. (Leiti uus seade.)**", valige **Add (Lisa)**.
4. Kui teadet ei ilmu, valige+ ja valige saadaolevate seadmete loendist oma seade. Kui teie seadet loendis ei ole, valige **Device Type (Seadme tüüp) > Specific Device Model (Seadme konkreetne mudel)** ja lisage oma seade seejärel käsitsi.
5. Registreerimise lõpuleviimiseks järgige ekraanile ilmuvaid juhiseid.

## Rakenduse SmartThings ülevaade

| Kategooria               | Seadme töötamine                       | Kirjeldus                                                                                                                                                                             |
|--------------------------|----------------------------------------|---------------------------------------------------------------------------------------------------------------------------------------------------------------------------------------|
| Jälgimine                | Tsükli staatus                         | Saate kontrollida parajasti töötavat tsüklit ja valikuvariante ning tsükli allesjäänud aega.                                                                                          |
|                          | Smart Control                          | AIRDRESSER näitab aruka juhtimise olekut.                                                                                                                                             |
|                          | Energiaseire                           | Saate jälgida energiatarbe olekut.                                                                                                                                                    |
| Juhtimine                | Käivitamine / Paus / Tühistamine       | Valige tsükkel ja vajalikud valikuvariandid ja seejärel valige Käivitamine / Paus / Tühistamine, et käivitada töötamine, peatada töö ajutiselt või tühistada pooleliolev operatsioon. |
| Teavitamine              | Tsükkel lõpetatud                      | Teavitab praeguse tsükli lõppemisest.                                                                                                                                                 |
| AIRDRESSERI funktsioonid | Hooldusretsept                         | Valige kanga tüüp ja valikuvariandid ja teile antakse soovitusi kõige sobivama tsükli kohta.                                                                                          |
|                          | Minu garderoob                         | Rõivaste kohta teabe (näiteks kanga materjali) sisestamisel saate lisada oma rõivad rakendusele ja saada soovitusi tsüklite ja hooldusajaloo kohta.                                   |
|                          | Tsükli spetsiaalne haldamine           | Saate salvestada kuni 9 tsüklit ja kustutada tsükleid või muuta nende järjekorda.                                                                                                     |
|                          | Koduhoolduse haldur (HomeCare Manager) | Teile antakse nõu, et AIRDRESSER püsiks ideaalses seisukorras. Kontrollige oma tsükli kasutusmustreid ja energiatarbimist ning võtke vastu hoiatusi toote hoolduse kohta.             |

# Enne kasutuselevõttu

## Avatud allikaga teavitamine

Käesolevas tootes kasutatav tarkvara sisaldab avatud allikaga tarkvara. Võite saada vastava täieliku lähtekoodi, kui selle toote viimasest saatmisest on möödunud kolm aastat, saates e-kirja aadressile <mailto:oss.request@samsung.com>.

Vastava täieliku lähtekoodi on võimalik saada ka füüsilisel andmekandjal, näiteks CD-ROM-plaadil; selle eest nõutakse sisse minimaalne tasu.

Alljärgnev URL [http://opensource.samsung.com/opensource/SMART\\_AT\\_051/seq/0](http://opensource.samsung.com/opensource/SMART_AT_051/seq/0) avab kättesaadavaks tehtud lähtekoodi allalaadimise lehe ja selle tootega seotud avatud allikaga litsentsi teabe. See pakkumine kehtib kõigile, kellele saadeti see teave.



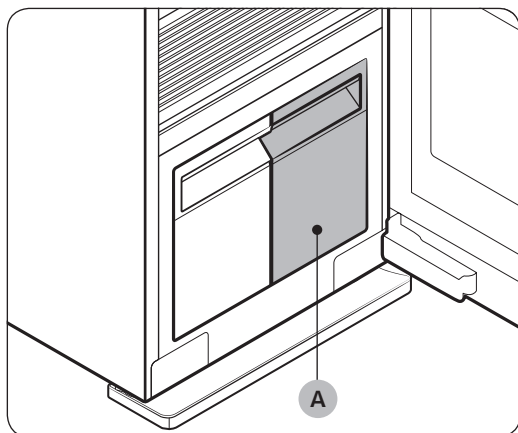
## MÄRKUS.

Samsung Electronics kinnitab käesolevaga, et raadioseadme tüüpi seadis vastab direktiivile 2014/53/EÜ. EÜ vastavusdeklaratsiooni täistekst on kättesaadav allpool nimetatud veebiaadressil: Ametliku vastavusdeklaratsiooni leiate veebilehelt <http://www.samsung.com>; avage Tugiteenused > Otsi toote tugiteenust ja sisestage mudeli nimi.

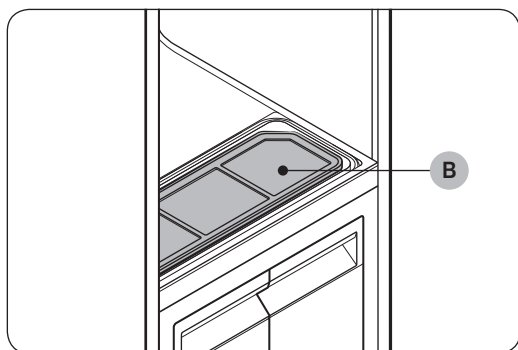
Wi-Fi saatja max võimsus: 20 dBm sagedusel 2,412 GHz - 2,472 GHz

# Toote ja tarvikute kasutamine

## Tsükli kasutamine

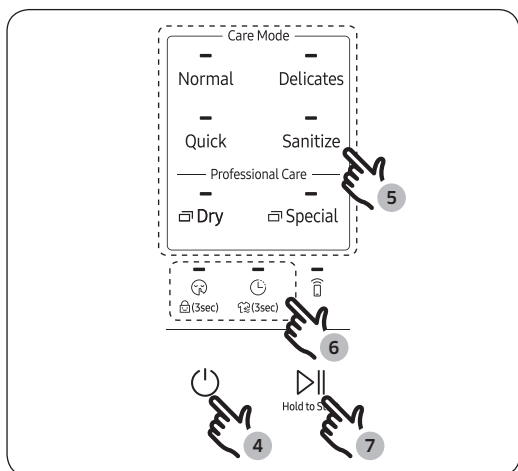


1. Veenduge, et täitepaak (A) on täidetud veega.



2. Veenduge, et ebemefilter (B) on puhas.
3. Pange rõivad jaotises Tarvikute kasutamine kirjeldatud viisil seadmesse.

# Toote ja tarvikute kasutamine



4. Puudutage nuppu **Elektritoide** ⏻.
5. Valige tsükkel.
  - Puudutage nuppu **Normal (Normaalrežiim)**, **Delicates (Õrnad rõivad)**, **Quick (Kiirprogramm)** või **Sanitize (Desinfitseerimine)**.
  - Funktsiooni **Kuivatamine** tsüklite valimiseks puudutage korduvalt nuppu **Dry (Kuivatamine)**, et valida soovitud kuivatustsükkel.
  - Funktsiooni **Eriprogramm** valimiseks puudutage korduvalt nuppu **Special (Eriprogramm)**, et valida soovitud eritsükkel.
6. Vajaduse korral valige soovitud variant.
  - **Vaikne** 🤫, **Lapselukk** 🔒, **Viiteaja lõpp** ⌚, **Värskena hoidmine** 🌿.
7. Vajutage nuppu **Käivitus/paus** ⏸ ja hoidke seda all 3 sekundit.

## Kasutusjuhised

### Enne kasutamist

- Seda seadet ei saa kasutada rõivaste puhastamiseks. Parima tulemuse saamiseks peske ja kuivatage kõik rõivad enne selle toote kasutamist.
- Enne seadme kasutamist soovime pesta tugevasti lõhnavad esemed või esemed, mida on hoitud kaua aega.
- Hoidke erineva lõhnatasemega esemeid eraldi.
- Enne seadme kasutamist vaadake üle kõik riietusesemed või nende etiketid.
- Enne riietusesemete seadmesse panekut tühjendage esemete kõik taskud.
- Ärge kasutage toodet riidekapina.
- Toode ei pruugi eemaldada lemmikloomade karvu.

### Kasutamise ajal

- Hoolitsege selle eest, et riietusesemed ei puuduta seadme põhja. Vajaduse korral kasutage riulit selleks, et takistada riputatud rõivastel seadme põhja puudutamist.
- Aurutusprotsessi ajal võib olla kuulda sisisevat heli.
- Kui peate tsükli peatama enne selle lõppu, käivitage kindlasti funktsioon **Kuivatamine**.
- Tööaeg sõltub keskkonnast ja riietusesemete tüübist.
- Järjestikuse kasutamise korral võib seade näidata tegelikust erinevat tööaega.

- Ärge avage seadme töötamise ajal selle ust.

#### Pärast kasutamist

- Eemaldatud kortsude arv võib erineda olenevalt kanga tüübist.
- Pärast tsükli lõppu võtke esemed kohe seadmest välja. Kui esemeid ei ole võimalik kohe välja võtta, kasutage funktsioone Viiteaja lõpp või Värskena hoidmine.
- Esemete eemaldamisel hoidke kinni nii rõivast kui riidepuust.

## Tarvikute kasutamine

### Õhkriidepuud

Kasutage selliste esemete nagu jakkide, spordijakkide ja kergete jakkide jaoks komplekti kuuluvaid õhkriidepuud.

#### MÄRKUS.

- Veenduge, et riidepuud on seest ja väljast puhtad ning ilma vöörkehadeta.
- Ärge kasutage riidepuud kootud esemete, villaste esemete ja aluspesu riputamiseks.
- Riietusesemete maksimaalne pikkus peab olema ülaosadel 110 cm ja alaosadel 100 cm.
- Olenevalt kanga tüübist ja suuruselt võivad teie riietuseseme kaelaosa juures ilmned soovimatud kortsud.



### Õhkriidepuude kasutamine

1. Riputage esemed riidepuudele samas suunas.
  - Riiete riidepuult allakukkumise vältimiseks pange kindlasti kinni kõik nõobid ja tõmblukud.
  - Veenduge, et kõik esemed ripuvad vabalt. Veenduge, et riidepuude klambrid ei ulatu välja.
2. Libistage riidepuud õhuavadesse, kuni kuulete klõpsuvat heli.
  - Veenduge, et riidepuud on pööratud samas suunas.
  - Kui õhkriidepuud ei ole korralikult sisestatud õhuavasse, võib tekkida vibratsioon ja müra.

#### MÄRKUS.

Parima tulemuse saamiseks ärge riputage pikemaid esemeid keskmisest august.

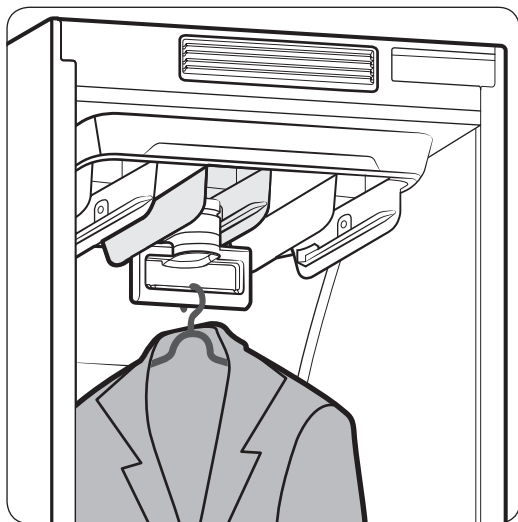
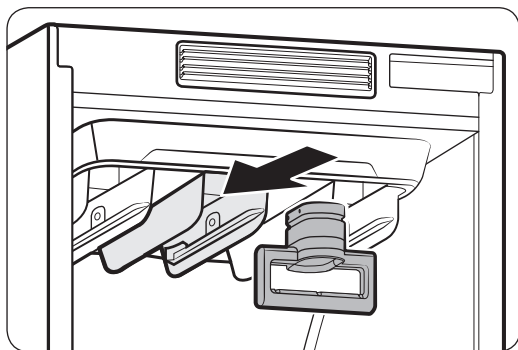
# Toote ja tarvikute kasutamine

## Standardne riidepuukomplekt

Võite rõivaste riputamiseks kasutada standardset riidepuukomplekti. Parima tulemuse saavutamiseks soovitame siiski kasutada õhkriidepuusid.

### MÄRKUS.

- Kasutage riidepuid, mis ei deformeeru soojuse toimetel.
- Veenduge, et riidepuud on seest ja väljast puhtad ning ilma võõrkehadeta.
- Ärge kasutage plastist/silikonist/puidust riidepuid ega liimitud riidepuid.
- Ärge kasutage pesumajast pärit riidepuid, mis võivad roostetada.



## Standardse riidepuukomplekti kasutamine

1. Riputage esemed riidepuudele samas suunas.
  - Riiete riidepuult allakukkumise vältimiseks pange kindlasti kinni kõik nõõbid ja tõmblukud.
  - Veenduge, et kõik esemed ripuvad vabalt. Veenduge, et riidepuude klambrid ei ulatu välja.
2. Libistage standardne riidepuukomplekt õhuavadesse, kuni kuulete klõpsuvat heli. Seejärel riputage riidepuud standardsele riidepuukomplektile.
  - Veenduge, et riidepuud on pööratud samas suunas.
  - Kui standardne riidepuukomplekt ei ole korralikult sisestatud õhuavasse, võib tekkida vibratsioon ja müra.

### MÄRKUS.

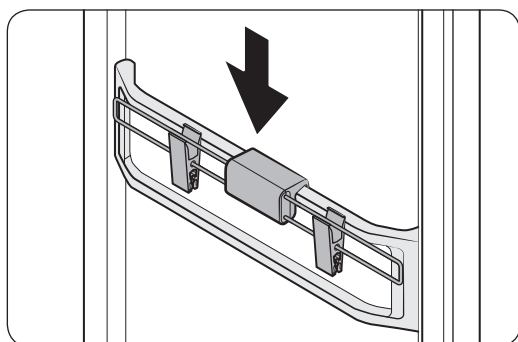
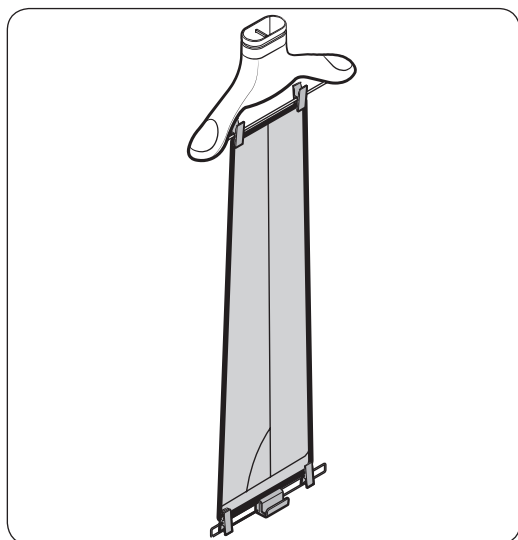
Parima tulemuse saamiseks ärge riputage pikemaid esemeid keskmisest august.



## Raskuskomplekt

### MÄRKUS.

- Hoolitsege selle eest, et püksid ega raskuskomplekt ei puuduta seadme põhja.
- Pükste maksimaalne pikkus tohib olla 100 cm.



### Raskuskomplekti kasutamine

1. Klõpsake pükste alaosa õhkriidepuu külge kinni.
2. Klõpsake pükste teine ots raskuskomplekti külge.
3. Libistage õhkriidepuu õhuavadesse, kuni kuulete klõpsuvat heli.

### MÄRKUS.

Kitsaste viikide saamiseks laotage püksid välja, liigutades klambreid väljapoole.

Kui raskuskomplekt ei ole kasutusel, pange see tarvikute hoiukohta.

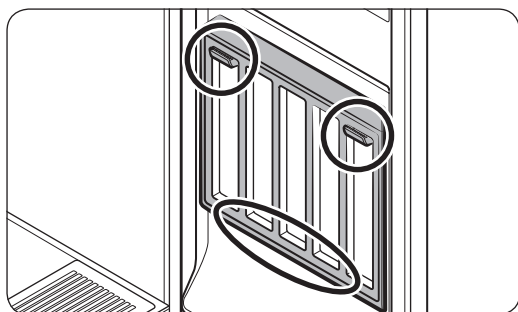
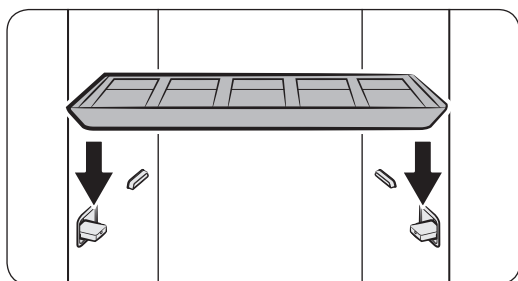
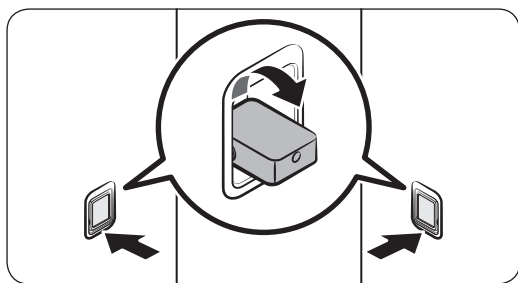
# Toote ja tarvikute kasutamine

## Riiul

Kasutage seadme komplekti kuuluvat riiulit selleks, et panna seadmesse esemeid, mida ei saa kasutada riidepuudega.

### MÄRKUS.

- Pange riiulile ainult riietusesemeid või rõivatarkivikuid. Ärge pange riiulile raskeid esemeid ega kasutage riiulit raskete esemete hoidmiseks.
- Hoolitsege selle eest, et lapsed ei istu ega roni riiulile.
- Veenduge, et rõivad ei ripu riiulilt alla eest, tagant või külgedelt ega ripu läbi riiulivõrede.
- Ärge virnastage esemeid muude esemete peale.



## Riiuli kasutamine

1. Vajutage külgseintel riiulihoidikute alaosa, et pöörata hoidikud välja.

2. Pange riiul riiulihoidikutele. Hoolitsege selle eest, et riiuli sooned istuvad tugevasti hoidikus.

### MÄRKUS.

Pragu riiuli külgede ja külgsuonte vahel on normaalne.

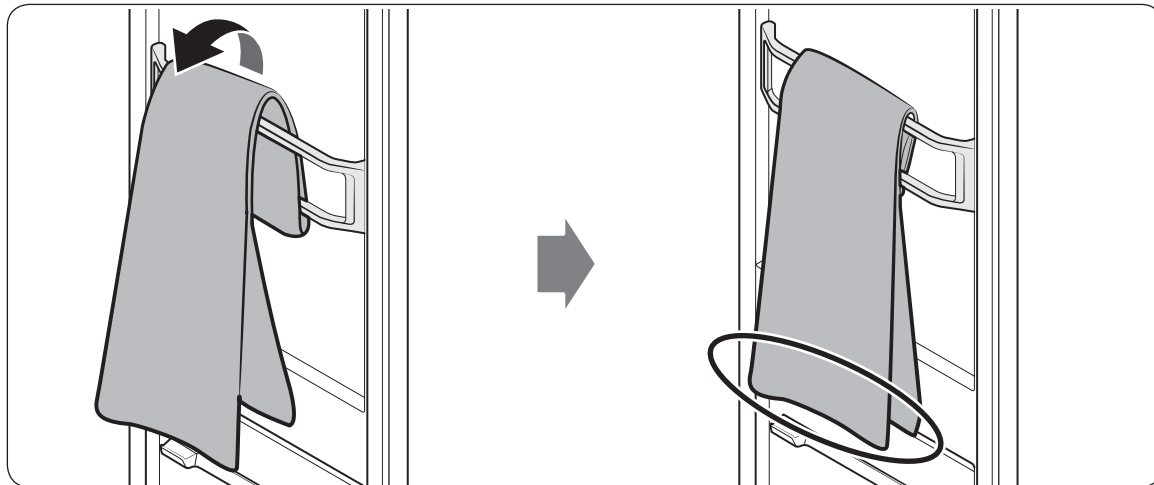
Kui riiul ei ole kasutusel, hoidke seda seadme uktsel. Pange riiul alumisele hoidikule ja riputage seejärel ülemistele hoidikutele.

## Tarvikute hooldustsoon

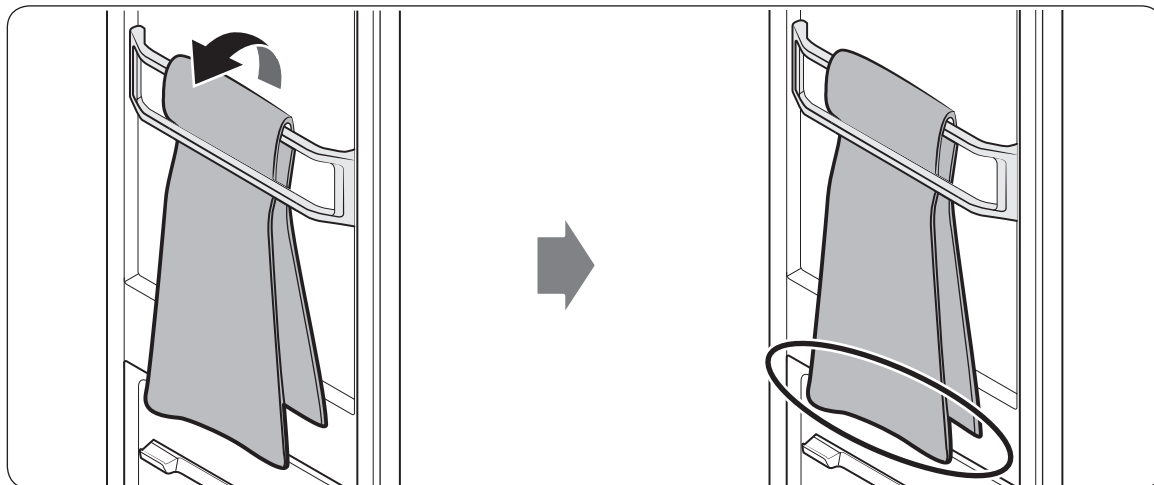
Kasutage tarvikute hooldustsooni sallide hoidmiseks.

Salli tugeva riputamise kohta saate teavet allpool toodud joonistelt.

### Meetod 1



### Meetod 2



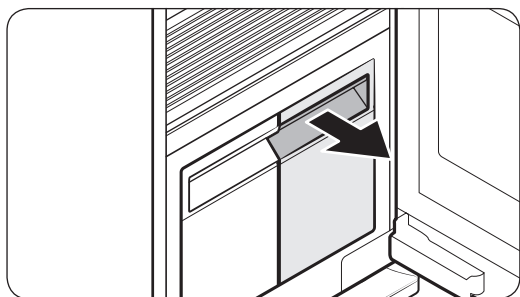
- Hoolditsege selle eest, et salli mõlemad otsad oleksid ühepikkused.
- Olenevalt kanga tüübist ei pruugi kortse olla võimalik eemaldada.

# Toote ja tarvikute kasutamine

## Täitepaak

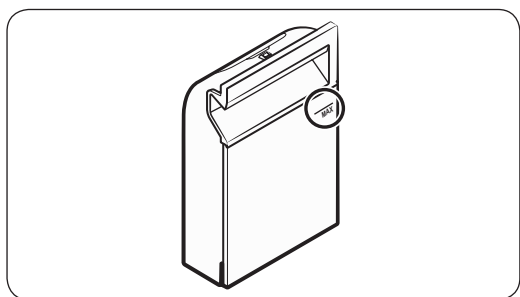
### MÄRKUS.

- Veenduge enne toote kasutamist, et täitepaagis on vesi.
- Toode tarbib esmakordse kasutamise ajal tavapärasega võrreldes rohkem vett.
- On soovitatav kasutada filtreeritud vett.
- Kui te ei kavatse toodet pikka aega kasutada, tühjendage täitepaak.
- Täis täitepaagist piisab umbes naljaks tsükliks.
- Täitke täitepaak ainult veega. Muude vedelike, näiteks puhastusaine või kangapehmendi kasutamine võib põhjustada probleeme.
- Ärge kasutage täitepaagi täitmiseks tühjenduspaagi vett.



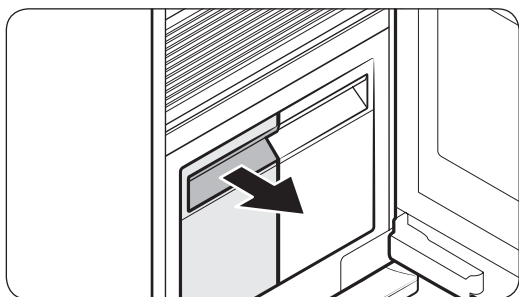
### Täitepaagi täitmine

1. Tõmmake täitepaak välja.
2. Avage paagi tagakate ja täitke kuni jooneni **MAX**.
3. Pange täitepaak oma kohale tagasi.



## Tühjenduspaak

Enne toote kasutamist või kui te ei kavatse toodet pikka aega kasutada, tühjendage kindlasti tühjenduspaak.



### Tühjenduspaagi tühjendamine

1. Tõmmake tühjenduspaak välja.
2. Tühjendage paak.
3. Pange tühjenduspaak oma kohale tagasi.

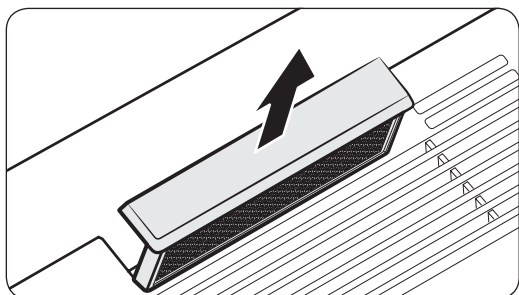
## Samsung Fresh Finish

Samsung Fresh Finish annab esemetele meeldiva lõhna.

### MÄRKUS.

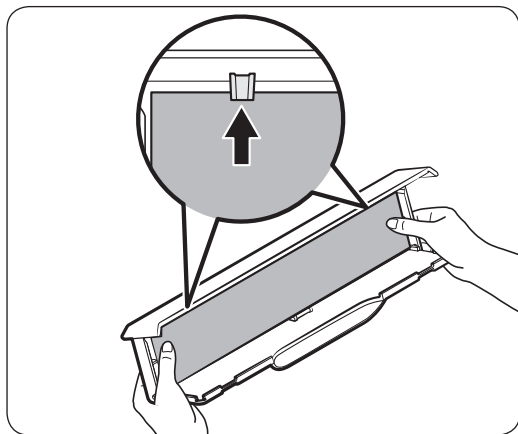
- Pihustage soovitud parfüümi 4-5 korda vatipadjakesele ning siis asetage padjake tootesse Samsung Fresh Finish. Tugev lõhn, mida levitatakse toote Samsung Fresh Finish kaudu, võib erineda kasutatud parfüümi lõhnast, ja lõhn võib jääda AIRDRESSER'i sisse alles ka pärast tsükli lõppu.
- Vatipadjakesel võib hakata arenema hallitus, kui jätate padjakese liiga pikaks ajaks tootesse Samsung Fresh Finish.

### Vatipadjakese vahetamine

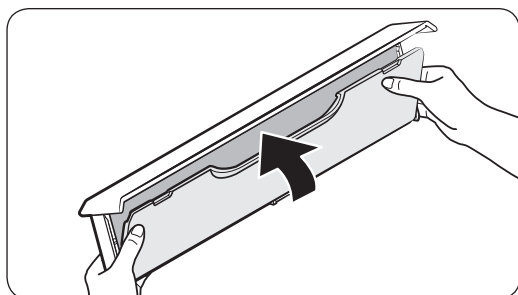


1. Eemaldage Samsung Fresh Finish.

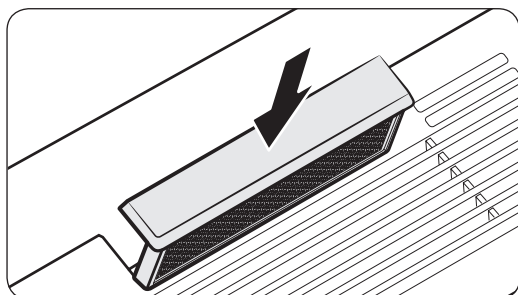
# Toote ja tarvikute kasutamine



2. Pihustage soovitud parfüümi 4-5 korda vatipadjakesele ja siis asetage see tootesse Samsung Fresh Finish.



3. Sulgege toote Samsung Fresh Finish kaas, kuni kuulete klõpsatust.



4. Sisestage Samsung Fresh Finish uuesti.

## MÄRKUS.

- Kui kasutate parfüümi tootes Samsung Fresh Finish, võib parfüümi lõhn jääda AIRDRESSER'i sisse alles ka pärast tsükli lõppu.
- Vatipadjake ei kuulu tootekomplekti.
- Toote Samsung Fresh Finish tõhusust ei saa tagada, sest see oleneb kasutatavast parfüümist.

# Puhastamine ja hooldus

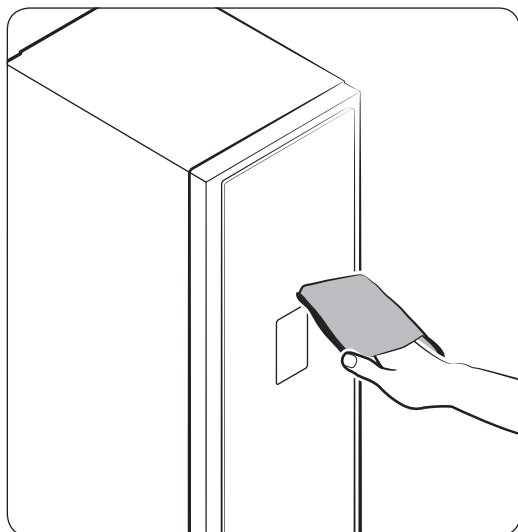
---

## ⚠ ETTEVAATUST!

- Enne seadme puhastamist lahutage selle toitepistik pistikupesast.
- Ärge kasutage abrasiivseid ega süttivaid puhastusaineid.
- Ärge pihustage seadme puhastamisel sellele otse vett.

## Väljast puhastamine

---

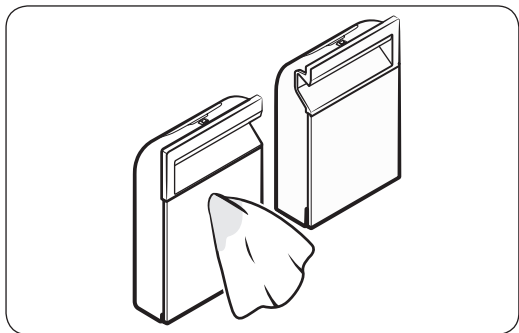


Puhastage seadet väljastpoolt puhastuslapiga. Raskesti eemaldatavate plekkide korral kasutage niisket lappi ja pühkige pind kuivaks.

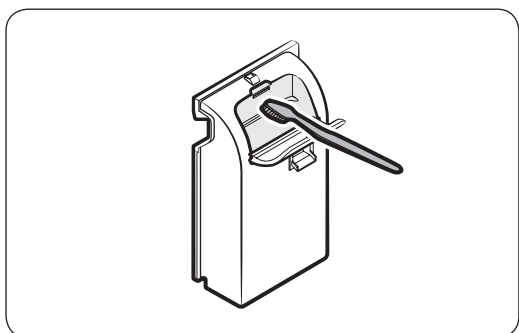
# Puhastamine ja hooldus

## Veepaagid

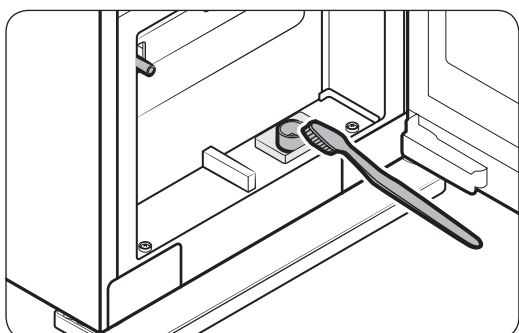
Puhastage mõlemat paaki regulaarselt. Enne tagasipanekut kuivatage täielikult.



Puhastage seadet väljastpoolt niiske lapiga.



Puhastage seadet seestpoolt pehme harjaga.



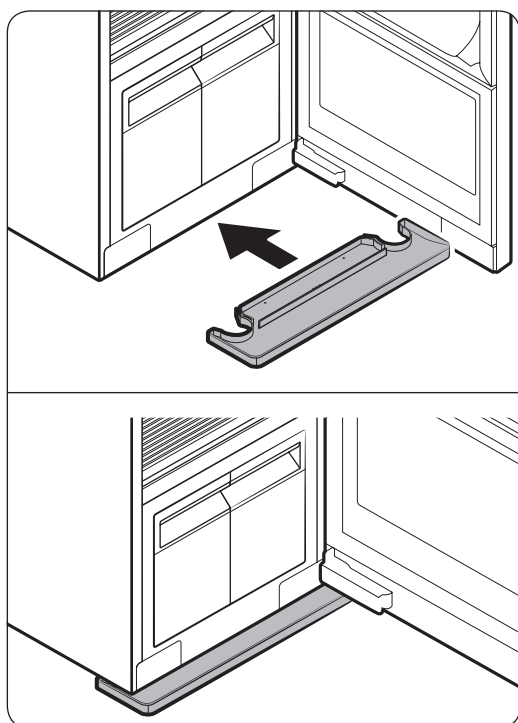
Kasutage paagi sisse- ja väljalaskeava puhastamiseks pehmet harja.



## Veealus

### MÄRKUS.

- Tühjendage veealus regulaarselt.
- Paigaldage pärast vee äravalamist kindlasti veealus tagasi.



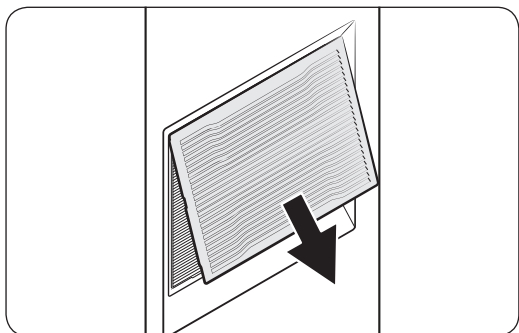
Sisestage veealus joonistel näidatud viisil õigesti.

- Veenduge, et aluse pealmine pool on pööratud üles.

# Puhastamine ja hooldus

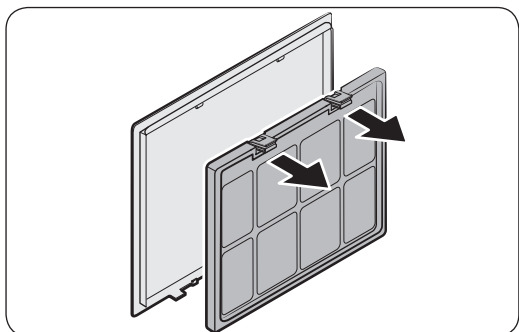
## Õhufilter

Kui kasutate toodet sageli raskete esemete või väga tolmuste esemete kuivatamiseks, soovime puhastada õhufiltrit sageli.

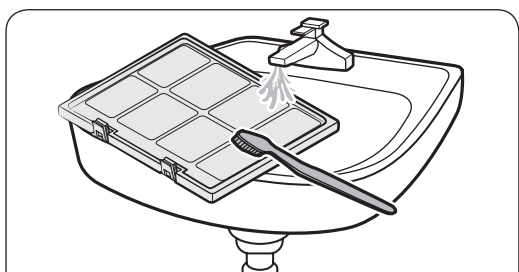


### Õhufiltri vahetamine

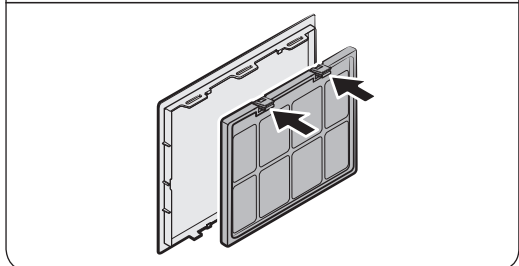
1. Hoidke katet alaosast kinni ja tõmmake see välja.

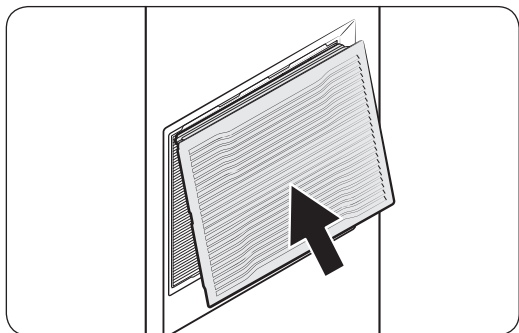


2. Suruge kaht konksu filtri ülaosas ja eemaldamiseks tõmmake neid.



3. Puhastage filtrit jooksva vee all harjaga.
4. Kuivatage filter varjulisel kohas täielikult ja pange filter tagasi.



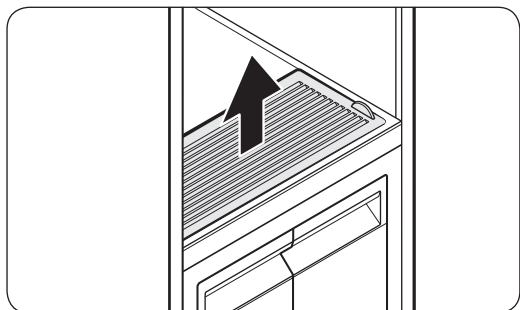


5. Pange katte ülaosa tootele ja suruge seejärel katet.

# Puhastamine ja hooldus

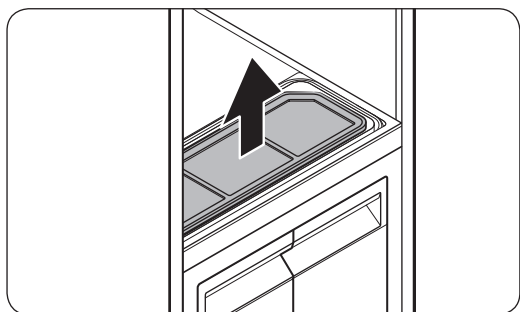
## Ebemefilter

- Parima tulemuse saamiseks puhastage ebemefilter enne või pärast toote kasutamist.
- Asendage kahjustunud ebemefilter uue filtriga.

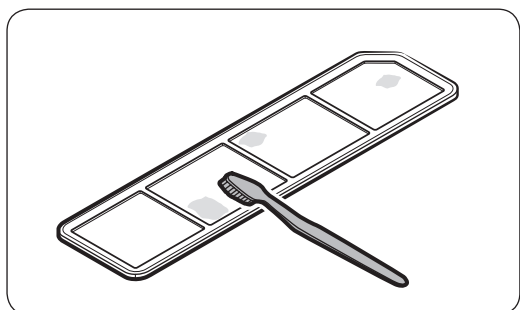


### Ebemefiltri puhastamine

1. Avage kate.



2. Eemaldage ebemefilter.



3. Puhastage ebemefiltrit jooksva vee all harjaga. Kuivatage ebemefilter varjulises kohas täielikult.
4. Pange ebemefilter tagasi ja sulgege seejärel kate.

## Katlakivi eemaldamine

Toote jõudluse suurendamiseks ja kasutusea pikendamiseks eemaldage seadmest regulaarselt katlakivi. Kui te ei eemalda katlakivi kohe pärast teate saamist, võib mõne funktsiooni kasutamine olla piiratud ja see võib põhjustada jõudluse vähenemist või isegi lühendada toote kasutusiga.

1. Kui näidikule ilmub teade **Descaling Required (Katlakivi eemaldamine vajalik)**, eemaldage seadmest kõik esemed ning puudutage nuppu **Sanitize (Desinfitseerimine)** ja **Dry (Kuivatamine)** ning hoidke neid all 3 sekundit.
2. Tühjendage täite- ja tühjenduspaak.
3. Lahjendage katlakivieemaldusvahendit veega vastavalt tootja soovitudele.
4. Valage katlakivieemaldusvahendit täitepaaki kuni jooneni **MAX**.
5. Katlakivi eemaldamise alustamiseks puudutage nuppu **Käivitus/paus** ▷|| ja hoidke seda all.
  - Kui katlakivi eemaldamise ajal ilmub näidikule teade **Drain the tank (Tühjendage paak)**, tühjendage tühjenduspaak.
6. Kui näidikule ilmub teade **Refill/Drain the tank (Täitke/tühjendage paak)**, tühjendage nii täite- kui tühjenduspaak ja loputage neid seejärel põhjalikult.
7. Täitke täitepaak puhta veega kuni jooneni **MAX** ja pange seejärel täite- ja tühjenduspaak tagasi.
8. Kui näidikule ilmub teade **Supply/Drainage Complete (Täitmine/tühjendamine lõppenud)**, puudutage nuppu **Käivitus/paus** ▷|| ja hoidke seda all.
  - Kui katlakivi eemaldamise ajal ilmub näidikule teade **Drain the tank (Tühjendage paak)**, tühjendage tühjenduspaak.
9. Kui katlakivi eemaldamine on lõppenud, tühjendage tühjenduspaak ja täitke täitepaak veega.
  - Pärast nende sammude tegemist on AIRDRESSER kasutusvalmis.

### MÄRKUS.

- Katlakivi eemaldamise protsessi ajal võib tekkida vibratsioon ja müra; see on normaalne ega ole seadme tööhäire.
- Kui kasutate toodet esimest korda pärast katlakivi eemaldamist, võib näidikule ilmuda teade **Refill the tank (Täitke paak)**. See on normaalne. Täitke täitepaak ja vajutage jätkamiseks nuppu **Käivitus/paus** ▷||.
- Kui katlakivieemaldusvahendit ei loputata põhjalikult ära, võivad tekkida mullid. Hoolditsee selle eest, et täite- ja tühjenduspaak oleksid pärast katlakivi eemaldamist põhjalikult loputatud.

# Puhastamine ja hooldus

---

## Toote paigutamine teise kohta

---

- Toote teisaldamiseks on selle all kaks ratast.
- Vältimaks seadme teisaldamise ajal ümberminekut soovitame seda lükata keskkohast. Ärge suruge seadme ülaosale.
- Enne toote teise kohta paigutamist tühjendage täite- ja tühjenduspaak. Kui paake ei tühjendata, võib vesi toote teisaldamise ajal välja pritsida.

# Tõrkeotsing

## Teavitussõnumid

| Sõnum                                                                                                                       | Toiming                                                                                                                                                                                                                                                                                                                                                                                                                                                                                               |
|-----------------------------------------------------------------------------------------------------------------------------|-------------------------------------------------------------------------------------------------------------------------------------------------------------------------------------------------------------------------------------------------------------------------------------------------------------------------------------------------------------------------------------------------------------------------------------------------------------------------------------------------------|
| Refill the tank (Täitke paak)<br>Refill the tank with water (Täitke paak veega)                                             | <ul style="list-style-type: none"><li>Kontrollige, kas täitepaagis on piisavalt vett.<ul style="list-style-type: none"><li>Täitke paak veega kuni jooneni MAX, pange täitepaak oma kohale tagasi ja puudutage käivitamiseks nuppu <b>Käivitus/paus</b> ▷.</li></ul></li><li>Kontrollige, kas täitepaak on nõuetekohaselt paigaldatud.<ul style="list-style-type: none"><li>Paigaldage tühjenduspaak korralikult ja puudutage seejärel käivitamiseks nuppu <b>Käivitus/paus</b> ▷.</li></ul></li></ul> |
| Drain the tank (Tühjendage paak)<br>Drain water from the tank (Tühjendage paak veest)                                       | <ul style="list-style-type: none"><li>Kontrollige, kas tühjenduspaak on täis.<ul style="list-style-type: none"><li>Tühjendage tühjenduspaak, pange tühjenduspaak oma kohale tagasi ja puudutage käivitamiseks seejärel nuppu <b>Käivitus/paus</b> ▷.</li></ul></li><li>Kontrollige, kas tühjenduspaak on nõuetekohaselt paigaldatud.<ul style="list-style-type: none"><li>Paigaldage täitepaak korralikult ja puudutage seejärel käivitamiseks nuppu <b>Käivitus/paus</b> ▷.</li></ul></li></ul>      |
| Door Open (Uks avatud)<br>Close the door & Start again (Sulgege uks ja alustage uuesti)                                     | <ul style="list-style-type: none"><li>Kontrollige, kas uks on avatud.<ul style="list-style-type: none"><li>Veenduge, et uks on avatud ja puudutage käivitamiseks seejärel nuppu <b>Käivitus/paus</b> ▷.</li></ul></li></ul>                                                                                                                                                                                                                                                                           |
| Abnormality Alert (Ebanormaalse oleku hoiatus)<br>Open the Door & Check Inside (Avage uks ja kontrollige seadet seestpoolt) | <ul style="list-style-type: none"><li>Kontrollige, kas uks on avatud ja kas funktsioon Lapselukk on sisse lülitatud.<ul style="list-style-type: none"><li>Veenduge, et uks on avatud ja puudutage käivitamiseks seejärel nuppu <b>Käivitus/paus</b> ▷. Veenduge, et lapsed ega lemmikloomad ei ole seadmes.</li></ul></li></ul>                                                                                                                                                                       |
| WIFI Not Connected (Ühendus WI-FI-ga puudub)<br>Check the router (Kontrollige ruuterit)                                     | <ul style="list-style-type: none"><li>Kontrollige, kas ruuter on välja lülitatud.<ul style="list-style-type: none"><li>Lülitage ruuter sisse ja looge seejärel ühendus Internetiga.</li></ul></li></ul>                                                                                                                                                                                                                                                                                               |

### MÄRKUS.

Probleemi jätkumisel pöörduge Samsungi kohaliku teeninduskeskuse poole.

# Tõrkeotsing

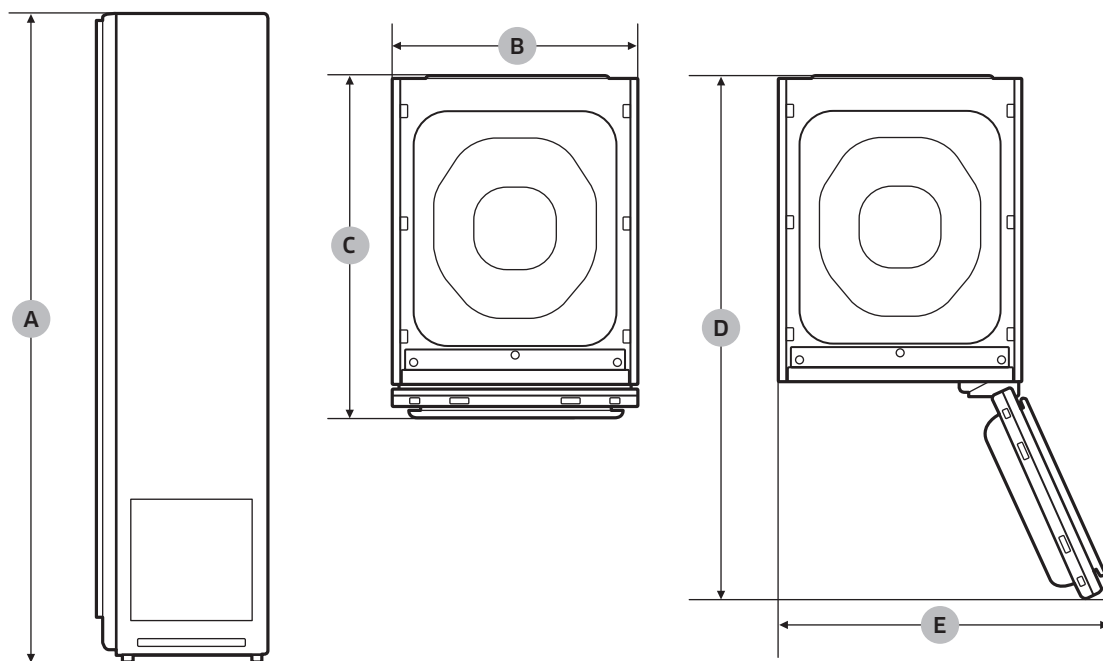
## Kontrollitav punkt

| Probleem                                   | Toiming                                                                                                                                                                                                                                                                                                                                                                                                                                                                                                                                                            |
|--------------------------------------------|--------------------------------------------------------------------------------------------------------------------------------------------------------------------------------------------------------------------------------------------------------------------------------------------------------------------------------------------------------------------------------------------------------------------------------------------------------------------------------------------------------------------------------------------------------------------|
| Seade ei lülitu sisse.                     | <ul style="list-style-type: none"><li>Toote sisselülitamiseks puudutage nuppu <b>Elektritoide</b> ☹.</li><li>Veenduge, et toitepistik on nõuetekohaselt pistikupessa ühendatud.</li><li>Veenduge, et kaitselüliti on sisse lülitatud.</li><li>Hoolitsege selle eest, et toitepistik oleks ühendatud selle seadme jaoks sobivate nimiandmetega pistikupessa.</li></ul>                                                                                                                                                                                              |
| Seade ei tööta.                            | <ul style="list-style-type: none"><li>Veenduge, et uks on avatud ja puudutage seejärel nuppu <b>Käivitus/paus</b> ▷  .</li><li>Kui kuulete vee voolamise ja keemise heli, siis valmistub seade aurustusprotsessiks. See on normaalne.</li><li>Veenduge, et lapselukk on välja lülitatud.</li><li>Seade ei pruugi töötada, kui kasutate vee asemel mõnda muud vedelikku. Palun pöörduge Samsungi hoolduskeskuse poole.</li></ul>                                                                                                                                    |
| Seade teeb ebanormaalset müra.             | <ul style="list-style-type: none"><li>Seade võib teha kompressori töötamise ajal müra. See on normaalne.</li><li>Seade võib teha õhuringluse ajal müra. See on normaalne.</li><li>Seade võib teha müra enne aurustusprotsessi ja selle ajal. See on normaalne.</li><li>Seade võib teha müra, kui sellesse ja sellest välja pumbatakse vett. See on normaalne.</li><li>Ukse avamisel võib olla kuulda heli täitepaagist, mida põhjustab torus voolav vesi. See on normaalne.</li><li>Kui heli muutub valjemaks, pöörduge Samsungi teeninduskeskuse poole.</li></ul> |
| Juhtpaneel ei tööta.                       | <ul style="list-style-type: none"><li>Pärast seadme toitepistiku pistikupessa ühendamist oodake veidi ja proovige uuesti. Juhtpaneel reageerib 10 sekundit pärast toitekaabli pistikupessa ühendamist.</li><li>Puhastage juhtpaneel ja proovige uuesti. Probleemi jätkumisel pöörduge Samsungi teeninduskeskuse poole.</li></ul>                                                                                                                                                                                                                                   |
| Seade vibreerib.                           | <ul style="list-style-type: none"><li>Veenduge, et seade on paigaldatud tugevale ja tasasele pinnale.</li><li>Veenduge, et seade on horisontaalne.</li></ul>                                                                                                                                                                                                                                                                                                                                                                                                       |
| Täitepaak on pärast üht kasutuskorda tühi. | <ul style="list-style-type: none"><li>Toode tarbib esmakordse kasutamise ajal tavapärasega võrreldes rohkem vett. See on normaalne.</li></ul>                                                                                                                                                                                                                                                                                                                                                                                                                      |
| Uksest tuleb auru või õhku välja.          | <ul style="list-style-type: none"><li>Veenduge, et riietusesemeid ei ole seadme ukse vahele kinni jäänud.</li><li>Veenduge, et uks on korralikult suletud.</li></ul>                                                                                                                                                                                                                                                                                                                                                                                               |
| Seadme tööaeg muutub järjest pikemaks.     | <ul style="list-style-type: none"><li>Märgade rõivaste kuivatamine võib kesta kauem. Seadme töötamise aeg võib pikeneda olenevalt riietusesemete kogusest ja niiskusastmest.</li></ul>                                                                                                                                                                                                                                                                                                                                                                             |



| Probleem                             | Toiming                                                                                                                                                                                                                                                                                                                                                                                                                                                                                                                                                        |
|--------------------------------------|----------------------------------------------------------------------------------------------------------------------------------------------------------------------------------------------------------------------------------------------------------------------------------------------------------------------------------------------------------------------------------------------------------------------------------------------------------------------------------------------------------------------------------------------------------------|
| Esemed on pärast tsüklit märjad.     | <ul style="list-style-type: none"> <li>• Veenduge, et ebemefilter on puhas ja nõuetekohaselt paigaldatud.</li> <li>• Veenduge, et uksetihend ei ole kahjustunud ega esemed ei ole ukse vahel kinni. Kui uksetihend on kahjustunud, lahutage toitepistik pistikupesast ja pöörduge Samsungi teeninduskeskuse.</li> </ul>                                                                                                                                                                                                                                        |
| Esemetelt ei lähe lõhn ära.          | <ul style="list-style-type: none"> <li>• Enne seadme kasutamist peske tugevasti lõhnavad esemed või esemed, mida on hoitud kaua aega.</li> <li>• Peske õliga saastunud esemed.</li> <li>• Suurtelt esemetelt, näiteks sullejopedelt ei pruugi lõhn hästi ära minna. Pange suured esemed seadmesse üksinda ja käivitage vajaduse korral lisatsükkel.</li> <li>• Ärge pange tugevasti lõhnavaid esemeid seadmesse koos muude esemetega. Hoidke erineva lõhnatasemega esemeid eraldi.</li> <li>• Veenduge, et ebemefilter ja mõlemad paagid on puhtad.</li> </ul> |
| Kortsud ei läinud ära.               | <ul style="list-style-type: none"> <li>• Triikige esemeid, mida on hoitud pikka aega.</li> </ul>                                                                                                                                                                                                                                                                                                                                                                                                                                                               |
| Ukse avamisel tuleb seadmest suitsu. | <ul style="list-style-type: none"> <li>• Mõned tsüklid genereerivad auru, mis võib näida suitsuna. See on normaalne.</li> </ul>                                                                                                                                                                                                                                                                                                                                                                                                                                |

# Tehnilised andmed



| Tüüp                                       |                          | Rõivahooldussüsteem (AIRDRESSER) |                             |
|--------------------------------------------|--------------------------|----------------------------------|-----------------------------|
|                                            |                          | DF60*8***G                       |                             |
| Mõõtmed (mm)                               | A. Kõrgus                | 1850                             |                             |
|                                            | B. Laius                 | 445                              |                             |
|                                            | C. Sügavus               | 615                              |                             |
|                                            | D. Sügavus avatud uksega | 1001                             |                             |
|                                            | E. Laius avatud uksega   | 618                              |                             |
| Nimivõimsus                                |                          | 220-240 V / 50 Hz<br>1700-1900 W |                             |
| Kaitse (fikseeritud kaitse peamises PBA-s) |                          | 250 V / 12 A                     |                             |
|                                            |                          | Toru tüüp                        | Suure purunemisejõuga tüüpi |
| Kaal (kg)                                  |                          | 89,0                             |                             |

# Meelespea

---

**KAS TEIL ON KÜSIMUSI VÕI MÄRKUSI?**

| RIIK        | HELISTAGE MEILE                                                          | VÕI KÜLASTAGE MEID                                                                  |
|-------------|--------------------------------------------------------------------------|-------------------------------------------------------------------------------------|
| ITALIA      | 800-SAMSUNG (800.7267864)                                                | <a href="http://www.samsung.com/it/support">www.samsung.com/it/support</a>          |
| NETHERLANDS | 088 90 90 100                                                            | <a href="http://www.samsung.com/nl/support">www.samsung.com/nl/support</a>          |
| LATVIA      | 8000-7267                                                                | <a href="http://www.samsung.com/lv/support">www.samsung.com/lv/support</a>          |
| LITHUANIA   | 8-800-77777                                                              | <a href="http://www.samsung.com/lt/support">www.samsung.com/lt/support</a>          |
| ESTONIA     | 800-7267                                                                 | <a href="http://www.samsung.com/ee/support">www.samsung.com/ee/support</a>          |
| POLAND      | 801-172-678* lub +48 22 607-93-33*<br>* (opłata według taryfy operatora) | <a href="http://www.samsung.com/pl/support/">http://www.samsung.com/pl/support/</a> |



DC68-04022G-00

# System do odświeżania odzieży (AIRDRESSER)

## Instrukcja obsługi

DF60\*8\*\*\*G



**SAMSUNG**

# Spis treści

---

|                                                                       |           |
|-----------------------------------------------------------------------|-----------|
| <b>Informacje dotyczące bezpieczeństwa</b>                            | <b>3</b>  |
| Informacje na temat instrukcji dotyczących bezpieczeństwa             | 3         |
| Ważne symbole bezpieczeństwa                                          | 3         |
| Ważne środki ostrożności                                              | 4         |
| Ogólne ostrzeżenia                                                    | 5         |
| Ostrzeżenia dotyczące podzespołów elektrycznych                       | 7         |
| Ostrzeżenia dotyczące instalacji                                      | 8         |
| Ostrzeżenia dotyczące czyszczenia                                     | 9         |
| Instrukcje dotyczące zużytego sprzętu elektrycznego i elektronicznego | 10        |
| <b>Przed rozpoczęciem</b>                                             | <b>11</b> |
| Instalacja                                                            | 11        |
| Informacje o produkcie                                                | 14        |
| Panel sterowania                                                      | 16        |
| Przegląd cykli                                                        | 18        |
| Przewodnik po pielęgnacji tkanin                                      | 22        |
| Metki ze wskazówkami dotyczącymi pielęgnacji tkanin                   | 26        |
| Smart Control                                                         | 27        |
| <b>Korzystanie z urządzenia i akcesoriów</b>                          | <b>31</b> |
| Korzystanie z cyklu                                                   | 31        |
| Korzystanie z akcesoriów                                              | 34        |
| <b>Czyszczenie i konserwacja</b>                                      | <b>42</b> |
| Obudowa                                                               | 42        |
| Zbiorniki wody                                                        | 43        |
| Taca na wodę                                                          | 44        |
| Filtr powietrza                                                       | 45        |
| Filtr wyłapujący włókna                                               | 47        |
| Odkamienianie                                                         | 48        |
| Przenoszenie urządzenia do innego miejsca                             | 49        |
| <b>Rozwiązywanie problemów</b>                                        | <b>50</b> |
| Komunikaty                                                            | 50        |
| Punkt kontrolny                                                       | 51        |
| <b>Dane techniczne</b>                                                | <b>53</b> |

# Informacje dotyczące bezpieczeństwa

Gratulujemy zakupu nowego produktu firmy Samsung. Niniejsza instrukcja obsługi zawiera ważne informacje na temat instalacji, obsługi i konserwacji urządzenia. Należy przeczytać instrukcję obsługi, aby w pełni cieszyć się zaletami urządzenia i korzystać ze wszystkich jego funkcji.

## Informacje na temat instrukcji dotyczących bezpieczeństwa

Należy dokładnie zapoznać się z niniejszą instrukcją w celu uzyskania informacji na temat bezpiecznego i wydajnego użytkowania zaawansowanych funkcji i możliwości, jakie oferuje to urządzenie. Niniejszą instrukcję obsługi należy przechowywać w bezpiecznym miejscu w pobliżu urządzenia w celu wykorzystania w przyszłości. Należy korzystać z urządzenia zgodnie z przeznaczeniem w sposób opisany w niniejszej instrukcji obsługi. Ostrzeżenia i instrukcje dotyczące bezpieczeństwa zawarte w niniejszej instrukcji obsługi nie uwzględniają wszystkich możliwych warunków i sytuacji, które mogą wystąpić. Obowiązkiem użytkownika jest kierowanie się zdrowym rozsądkiem, uwzględnienie ryzyka i zachowanie ostrożności podczas instalacji, konserwacji i obsługi urządzenia. Niniejsza instrukcja obsługi obejmuje różne modele urządzeń, które mogą nieznacznie różnić się od posiadanego produktu. Niektóre znaki ostrzegawcze mogą nie obowiązywać. W razie jakichkolwiek pytań lub wątpliwości prosimy o kontakt z najbliższą infolinią. Pomoc i informacje są także dostępne na stronie internetowej [www.samsung.com](http://www.samsung.com).

## Ważne symbole bezpieczeństwa

Co oznaczają ikony i znaki w niniejszej instrukcji obsługi:

### **OSTRZEŻENIE**

Zagrożenia lub niebezpieczne czynności, które mogą prowadzić do **poważnego kalectwa, śmierci i/lub zniszczenia mienia**.

### **PRZESTROGA**

Zagrożenia lub niebezpieczne czynności, które mogą prowadzić do **obrażeń lub uszkodzenia mienia**.

### **PRZESTROGA: gorąca powierzchnia**

### **UWAGA**

Informuje o ryzyku odniesienia obrażeń lub uszkodzenia mienia.

Te znaki ostrzegawcze mają na celu zapobieganie obrażeniom ciała użytkownika i innych osób.

Należy ich dokładnie przestrzegać.

Po przeczytaniu niniejszej instrukcji obsługi należy przechowywać ją w bezpiecznym miejscu w celu wykorzystania w przyszłości.

Przed rozpoczęciem użytkowania produktu należy zapoznać się ze wszystkimi instrukcjami.

Podobnie jak w przypadku wielu innych urządzeń elektrycznych z ruchomymi częściami, obsługa tego produktu wiąże się z potencjalnym ryzykiem. Aby bezpiecznie obsługiwać niniejsze urządzenie, należy zapoznać się ze sposobem jego działania i zachowywać szczególną ostrożność.

# Informacje dotyczące bezpieczeństwa

## Ważne środki ostrożności

### **OSTRZEŻENIE**

W celu ograniczenia ryzyka pożaru, porażenia prądem lub obrażeń ciała podczas korzystania z tego urządzenia należy przestrzegać podstawowych zasad bezpieczeństwa:

1. To urządzenie nie jest przeznaczone do użytku przez osoby (w tym dzieci) o ograniczonych zdolnościach fizycznych, sensorycznych lub psychicznych ani przez osoby, które nie dysponują odpowiednią wiedzą i doświadczeniem, o ile osoby te nie będą pozostawać pod nadzorem lub nie zostaną przeszkolone w zakresie obsługi urządzenia przez osobę odpowiedzialną za ich bezpieczeństwo.
2. Z tego urządzenia mogą korzystać dzieci od lat 8 oraz osoby o ograniczonych zdolnościach fizycznych, sensorycznych lub psychicznych oraz osoby, które nie dysponują odpowiednią wiedzą i doświadczeniem, o ile osoby te będą mieć zapewniony nadzór lub zostaną przeszkolone w zakresie bezpiecznej obsługi urządzenia i będą rozumieć zagrożenia związane z korzystaniem z urządzenia. Dzieciom nie wolno bawić się urządzeniem. Dzieci bez nadzoru nie powinny podejmować się czyszczenia ani przeprowadzania czynności konserwacyjnych wykonywanych przez użytkownika.
3. Konieczny jest nadzór dorosłych dający gwarancję, że dzieci nie bawią się urządzeniem.
4. Aby uniknąć zagrożenia, uszkodzony kabel zasilający powinien wymienić producent, jego personel serwisowy lub personel o podobnych kwalifikacjach.
5. **PRZESTROGA:** aby uniknąć ryzyka związanego z przypadkowym zresetowaniem wyłącznika termicznego, urządzenie to nie może być zasilane przez zewnętrzne urządzenie przełączające, takie jak timer, ani podłączone do obwodu, który jest regularnie włączany i wyłączany przez instalację elektryczną.



6. Urządzenie to jest przeznaczone do użytku w gospodarstwie domowym i podobnych zastosowań, takich jak:
- kuchnie dla personelu w sklepach, biura i inne środowiska robocze;
  - gospodarstwa;
  - hotele, motele i inne obiekty mieszkalne;
  - pensjonaty oferujące zakwaterowanie ze śniadaniem.
7. **OSTRZEŻENIE:** niniejsze urządzenie jest przeznaczone wyłącznie do suszenia wyrobów tekstylnych wypranych w wodzie.

## Ogólne ostrzeżenia

### OSTRZEŻENIE

- Aby uniknąć porażenia prądem, pożaru i/lub śmierci, przed rozpoczęciem używania urządzenia należy upewnić się, że jest ono odpowiednio zainstalowane i uziemione, zgodnie z wytycznymi zamieszczonymi w niniejszej instrukcji obsługi.
- Należy używać urządzenia zgodnie z jego przeznaczeniem. Uszkodzenia powstałe na skutek wykorzystywania urządzenia do innych celów niż te, które określono w niniejszej instrukcji obsługi, nie są objęte gwarancją.
- Aby uniknąć obrażeń i/lub uszkodzenia produktu, nie wolno wspinać się, stawać ani trzymać się urządzenia.
- Nie wolno samodzielnie demontować ani wprowadzać zmian w urządzeniu.
- Nie wolno pozwalać dzieciom bawić się w urządzeniu, na nim lub w jego pobliżu. Ścisły nadzór nad dziećmi jest wymagany przez cały czas.
- Aby uniknąć pożaru, obrażeń i/lub śmierci, opakowania należy przechowywać w miejscu niedostępnym dla dzieci. Wszystkie opakowania należy również odpowiednio usunąć i zutylizować.
- Nie należy obsługiwać ani dotykać produktu mokrymi rękoma.
- W celu uniknięcia porażenia prądem i/lub pożaru nie wolno dopuścić, aby zwierzęta lub inne ciała obce miały kontakt z urządzeniem.
- W przypadku usłyszenia nietypowych odgłosów, wycucia dziwnych zapachów i/lub wykrycia dymu wydobywającego się z urządzenia należy natychmiast odłączyć je od zasilania.
- Nie wolno umieszczać ciężkich lub stwarzających zagrożenie przedmiotów w urządzeniu, na nim lub w jego pobliżu.

# Informacje dotyczące bezpieczeństwa

- Aby uniknąć porażenia prądem, pożaru i/lub śmierci, nie wolno naprawiać lub wymieniać jakiegokolwiek części urządzenia ani podejmować się serwisowania, o ile wyraźnie nie zezwolono na wykonywanie tego rodzaju czynności w instrukcji obsługi lub innych opublikowanych materiałach dotyczących napraw. Jeśli wyrażono na to zgodę, użytkownik musi zapoznać się z tymi materiałami oraz posiadać odpowiednie umiejętności.
- Wyjąć z kieszeni wszystkie rzeczy osobiste (urządzenia elektryczne, zapalniczki, pudełka zapalek itp.).
- Aby uniknąć pożaru i/lub wybuchu, nie wolno suszyć przedmiotów, które były czyszczone, prane, zamoczone lub nasączone benzyną, środkiem do czyszczenia na sucho, olejem jadalnym albo innymi łatwopalnymi lub wybuchowymi substancjami.
- To urządzenie nie jest przeznaczone do użytku przez osoby (w tym dzieci) o ograniczonych zdolnościach fizycznych, sensorycznych lub psychicznych ani przez osoby, które nie dysponują odpowiednią wiedzą i doświadczeniem, o ile osoby te nie będą pozostawać pod nadzorem lub nie zostaną przeszkolone w zakresie obsługi urządzenia przez osobę odpowiedzialną za ich bezpieczeństwo.
- Przed utylizacją urządzenia wymontować drzwiczki do komory suszenia i odciąć wtyczkę przewodu zasilającego, aby zapobiec użytkowaniu urządzenia.
- Nie wolno dotykać ani demontować gniazdka elektrycznego, do którego podłączono urządzenie. W przypadku wycieku gazu należy wentylować pomieszczenie i natychmiast skontaktować się z infolinią firmy Samsung,
- Aby uniknąć uszkodzenia szklanego panelu, upewnić się, że przednia część jest odpowiednio zabezpieczona przez cały czas.
- Aby uniknąć obrażeń i/lub uszkodzenia produktu, nie wolno stawać na drzwiczki zbiornika.
- Nie umieszczać dłoni, stóp, innych części ciała ani metalowych przedmiotów pod urządzeniem.
- Nie używać innych urządzeń do osuszenia wnętrza. Nie wolno używać świeczek do usunięcia nieprzyjemnych zapachów z wnętrza urządzenia.
- Nie otwierać drzwiczek, gdy urządzenie pracuje. Otwarcie drzwiczek, gdy urządzenie pracuje, wpłynie na jego wydajność i może skutkować skraplaniem, co w rezultacie doprowadzi do uszkodzenia podłogi.
- Nie wolno pić wody ze zbiornika uzupełniającego ani ze zbiornika spustowego.
- Wyczyścić filtr wyłapujący włókna przed lub po wysuszeniu każdego ładunku.
- Nie używać zmiękczaczy do tkanin lub innych produktów w celu usunięcia ładunków elektrostatycznych, o ile nie jest to zalecane przez producenta zmiękczaczy do tkanin lub produktów.
- Trzymać palce z dala od miejsc, w których występuje ryzyko zmiążdżenia. Gdy dzieci znajdują się w pobliżu, należy zachować szczególną ostrożność podczas zamykania drzwi.
- Nie używać urządzenia do suszenia przedmiotów zawierających piankę ani innych przedmiotów o strukturze piankowej.
- Aby uniknąć uszkodzenia urządzenia, nadmiernego hałasu lub pożaru, nie wolno umieszczać przedmiotów w dyszy parowej.
- Podczas pracy urządzenia nie umieszczać dłoni ani innych części ciała w pobliżu dyszy parowej. Gorąca para może spowodować obrażenia ciała.

- Podczas pracy urządzenia nie wolno otwierać drzwiczek. Wysoka temperatura panująca we wnętrzu może spowodować obrażenia ciała.
- Jeśli problem występuje, gdy urządzenie stosuje parę, należy je natychmiast wyłączyć i wyjąć wszelkie przedmioty z jego wnętrza. Jeśli przedmioty nie zostaną natychmiast usunięte, pozostaną wilgotne, co może powodować uszkodzenie materiału lub nieprzyjemny zapach.
- Przed umieszczeniem odzieży w urządzeniu należy upewnić się, że wszystkie kieszenie zostały opróżnione.
- Zawiera fluorowane gazy cieplarniane.  
Hermeticznie szczelny sprzęt.  
Nie wolno uwalniać tych gazów do atmosfery.
  - Czynnik chłodniczy (rodzaj): R-134a (GWP = 1430)
  - Czynnik chłodniczy (uzupełnianie): 0,15 kg, 0,214 tCO<sub>2</sub>e

## Ostrzeżenia dotyczące podzespołów elektrycznych

### OSTRZEŻENIE

- Za pomocą suchej szmatki należy regularnie usuwać wszelkie substancje obce, takie jak pył lub woda, z bolców wtyczki przewodu zasilającego lub punktów styku.
- Odłączyć wtyczkę przewodu zasilającego i wytrzeć ją suchą szmatką.
- Aby uniknąć ryzyka porażenia prądem, należy zawsze odłączać urządzenie od zasilania przed rozpoczęciem demontażu lub naprawy.
- Nie wolno ciągnąć za przewód zasilający podczas odłączania wtyczki. Aby odłączyć wtyczkę przewodu zasilającego, należy ją mocno pociągnąć.
- Aby uniknąć porażenia prądem, nie należy korzystać z przedłużacza.
- Nie wolno używać uszkodzonego przewodu zasilającego lub wtyczki przewodu zasilającego. Nie należy podejmować prób samodzielnej naprawy, demontażu ani modyfikacji przewodu zasilającego lub wtyczki przewodu zasilającego. W celu wykonania napraw należy skontaktować się z najbliższym infolinią firmy Samsung.
- Podłączyć przewód zasilający do gniazdka elektrycznego, które jest zgodne z lokalną specyfikacją elektryczną. Używać gniazdka elektrycznego tylko do zasilania tego urządzenia; nie wolno korzystać z przedłużacza.
- W przypadku przenoszenia urządzenia należy upewnić się, że przewód zasilający jest odpowiednio zabezpieczony.
- Aby uniknąć porażenia prądem, pożaru, poważnych obrażeń, uszkodzenia urządzenia i/lub śmierci, urządzenie należy podłączyć do odpowiednio uziemionego gniazdka elektrycznego. Sprawdzenie gniazdka elektrycznego i obwodu należy zlecić wykwalifikowanemu elektrykowi.
- Urządzenie musi być wyposażone w przewód uziemiający i wtyczkę uziemiającą. Wtyczkę należy podłączyć do odpowiedniego gniazdka zamocowanego i uziemionego we właściwy sposób zgodnie ze wszystkimi lokalnymi kodeksami i rozporządzeniami.

# Informacje dotyczące bezpieczeństwa

- Urządzenie musi być uziemione. W razie usterki lub uszkodzenia uziemienie obniża ryzyko porażenia prądem, zapewniając odpływ prądu po linii najmniejszego oporu.
- Przed rozpoczęciem użytkowania należy upewnić się, że dostępne jest uziemione gniazdko elektryczne o parametrach znamionowych umożliwiających podłączenie urządzenia. Obowiązkiem właściciela jest wymiana standardowego gniazdka 2-wtykowego na standardowe gniazdko 3-wtykowe.
- Aby uniknąć porażenia prądem, należy prawidłowo uziemić urządzenie zgodnie ze wszystkimi przepisami i rozporządzeniami. Należy postępować zgodnie z wytycznymi zamieszczonymi w instrukcji obsługi.
- Urządzenie musi zostać podłączone do gniazdka elektrycznego, którego napięcie znamionowe jest zgodne z wartościami na tabliczce znamionowej urządzenia. Gwarantuje to najlepszą wydajność, a także zapobiega przeciążeniu obwodów w gospodarstwie domowym, które mogłyby skutkować pożarem przegrzanych przewodów.
- Należy podłączyć urządzenie do zabezpieczonego obwodu o odpowiedniej wielkości i parametrach znamionowych, aby uniknąć przeciążenia instalacji elektrycznej. Nieprawidłowe obwody elektryczne mogą się stopić i spowodować porażenie prądem lub pożar.
- Pod żadnym pozorem nie wolno przecinać lub usuwać bolca uziemiającego z przewodu zasilającego. Aby zapobiec odniesieniu obrażeń ciała lub uszkodzeniu urządzenia, należy podłączyć przewód zasilający do odpowiednio uziemionego gniazdka elektrycznego.
- Nie wolno używać listwy zasilającej (przenośnej), która nie jest odpowiednio uziemiona. W przypadku używania odpowiednio uziemionej listwy zasilającej (przenośnej) należy skorzystać z wersji o obciążalności prądowej 15 A lub wyższej. Niezastosowanie się do tych zaleceń może skutkować porażeniem prądem lub pożarem z powodu przegrzania listwy zasilającej. Zasilanie może zostać wyłączone w przypadku aktywacji wyłącznika obwodu.
- Urządzenie musi być podłączone do uziemionego, stałego systemu okablowania lub przewodów uziemiający sprzęt musi zostać poprowadzony wraz z kondensatorami obwodu i podłączony do zacisku uziemiającego sprzęt lub przewodu urządzenia. Jeśli urządzenie nie zostanie odpowiednio uziemione, może dojść do porażenia prądem.
- Nieprawidłowe podłączenie przewodu uziemiającego może grozić porażeniem prądem. W przypadku wątpliwości dotyczących prawidłowego uziemienia urządzenia należy poprosić o poradę wykwalifikowanego elektryka lub serwisanta.

## Ostrzeżenia dotyczące instalacji

### OSTRZEŻENIE

- Urządzenie można zamontować wyłącznie na stabilnym, równym podłożu. Nie wolno instalować urządzenia w obszarach podatnych na drgania lub w miejscach, w których może się przewrócić, np. na pokładach statków lub samolotów. W przypadku wątpliwości dotyczących miejsca instalacji urządzenia należy skontaktować się z firmą Samsung.

- Nie wolno montować urządzenia w obszarach narażonych na działanie warunków atmosferycznych lub ujemnych temperatur. Jeśli urządzenie było transportowane w ujemnej temperaturze, przed instalacją należy poczekać, aż urządzenie się rozgrzeje.
- Aby uniknąć porażenia prądem, pożaru, poważnych obrażeń, uszkodzenia urządzenia i/lub śmierci, nie wolno instalować urządzenia w wilgotnych miejscach (takich jak łazienka lub sauna).
- Aby uniknąć pożaru, dymu i/lub uszkodzenia urządzenia, nie wolno go montować w pobliżu źródeł ciepła (takich jak kuchenka lub grzejnik).
- Aby uniknąć pożaru, dymu i/lub uszkodzenia urządzenia, nie wolno umieszczać świeczek ani innych materiałów łatwopalnych na/w/przy urządzeniu.
- Aby uniknąć obrażeń i/lub uszkodzenia produktu, przed przeniesieniem urządzenia należy skontaktować się z infolinią firmy Samsung.
- Zamontować urządzenie w taki sposób, aby zapewnić dostęp do wtyczki przewodu zasilającego. Aby uniknąć porażenia prądem i/lub pożaru, odłączyć urządzenie, gdy nie jest użytkowane.
- Jeśli miejsce instalacji zostanie zalane, nie wolno zbliżać się do urządzenia. W takiej sytuacji należy natychmiast skontaktować się z centrum serwisowym firmy Samsung.
- Aby uniknąć pożaru, dymu i lub uszkodzenia urządzenia, należy zdjąć z niego folię ochronną.
- Aby zapobiec uszkodzeniu urządzenia i/lub odniesieniu obrażeń ciała, należy poprosić drugą osobę o pomoc w przenoszeniu urządzenia.

## Ostrzeżenia dotyczące czyszczenia

### OSTRZEŻENIE

- Aby uniknąć porażenia prądem, nie wolno używać ostrych przedmiotów do obsługi lub czyszczenia urządzenia.
- Nie należy przyskać wodą bezpośrednio na urządzenie podczas czyszczenia.
- Nie wolno stosować środków wybielających na obudowie urządzenia. Środki wybielające mogą spowodować odbarwienie zewnętrznych powierzchni urządzenia.
- Po zakończeniu użytkowania wytrzeć wnętrze urządzenia suchą szmatką.
- Po użyciu produktu należy wytrzeć jego wewnętrzną stronę suchą szmatką.
  - Produkt może zostać poplamiony przez zanieczyszczenia, takie jak długie włosy lub kurz i krople wody, które mogły nagromadzić się w środku.
- Jeśli w produkcie lub jego akcesoriach nagromadziły się zanieczyszczenia (detergent, brud, resztki żywności itp.), należy odłączyć przewód zasilający, a następnie przetrzeć urządzenie wilgotną, miękką szmatką.
  - Nie należy wystawiać produktu ani akcesoriów na działanie środków czyszczących lub wybielających.
  - W przeciwnym razie może dojść do odbarwienia, odkształcenia, uszkodzenia lub korozji.

# Informacje dotyczące bezpieczeństwa

## Instrukcje dotyczące zużytego sprzętu elektrycznego i elektronicznego



Prawidłowe usuwanie produktu (zużyty sprzęt elektryczny i elektroniczny)  
(Dotyczy krajów, w których stosuje się systemy segregacji odpadów)

To oznaczenie umieszczone na produkcie, akcesoriach lub dokumentacji oznacza, że po zakończeniu eksploatacji nie należy tego produktu ani jego akcesoriów (np. ładowarki, zestawu słuchawkowego, przewodu USB) wyrzucać wraz ze zwykłymi odpadami gospodarstwa domowego. Aby uniknąć szkodliwego wpływu na środowisko naturalne i zdrowie ludzi wskutek niekontrolowanego usuwania odpadów, prosimy o oddzielenie tych przedmiotów od odpadów innego typu oraz o odpowiedzialny recykling i praktykowanie ponownego wykorzystania materiałów.

W celu uzyskania informacji na temat miejsca i sposobu bezpiecznego dla środowiska recyklingu tych przedmiotów, użytkownicy w gospodarstwach domowych powinni skontaktować się z punktem sprzedaży detalicznej, w którym dokonali zakupu produktu, lub z organem władz lokalnych.

Użytkownicy w firmach powinni skontaktować się ze swoim dostawcą i sprawdzić warunki umowy zakupu. Produktu ani jego akcesoriów nie należy usuwać razem z innymi odpadami komercyjnymi.

Więcej informacji na temat zobowiązań środowiskowych firmy Samsung i szczególnych obowiązków regulacyjnych dotyczących produktów, np. rozporządzenie REACH i WEEE oraz dyrektywa w sprawie baterii, znajduje się na stronie: [www.samsung.com](http://www.samsung.com).

# Przed rozpoczęciem

## Instalacja

Zamontować urządzenie zgodnie z wytycznymi zamieszczonymi w niniejszej instrukcji obsługi i lokalnymi przepisami.

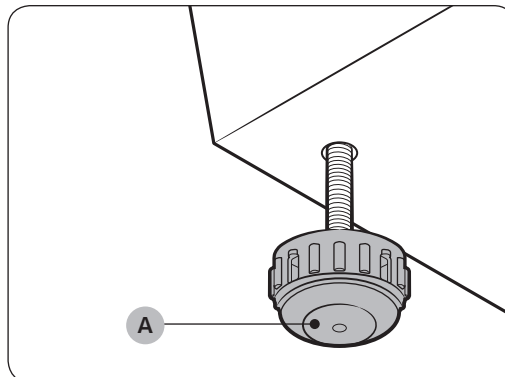
### Montaż urządzenia

1. Wybrać solidne, równe miejsce, w którym dostępna jest odpowiednia przestrzeń na pozostawienie poniższych odstępów.

|      |       |
|------|-------|
| Góra | 25 mm |
| Boki | 5 mm  |
| Tył  | 15 mm |

- Jeśli minimalne odstępy nie zostaną zachowane, wydajność urządzenia może ulec zmniejszeniu ze względu na nieodpowiednią wentylację. Może również dojść do skraplania wody na obudowie urządzenia.
- Nie montować urządzenia w miejscu narażonym na bezpośrednie działanie promieni słonecznych ani w obszarze, w którym występują skrajne temperatury. Temperatura otoczenia powinna wynosić 10-35°C. Jeśli temperatura otoczenia jest zbyt wysoka lub zbyt niska, urządzenie może nie działać normalnie lub jego wydajność może ulec zmniejszeniu.

2. Obróć nóżki poziomujące (A) w prawo lub w lewo, aby dostosować wysokość urządzenia i wyrównać jego ułożenie.

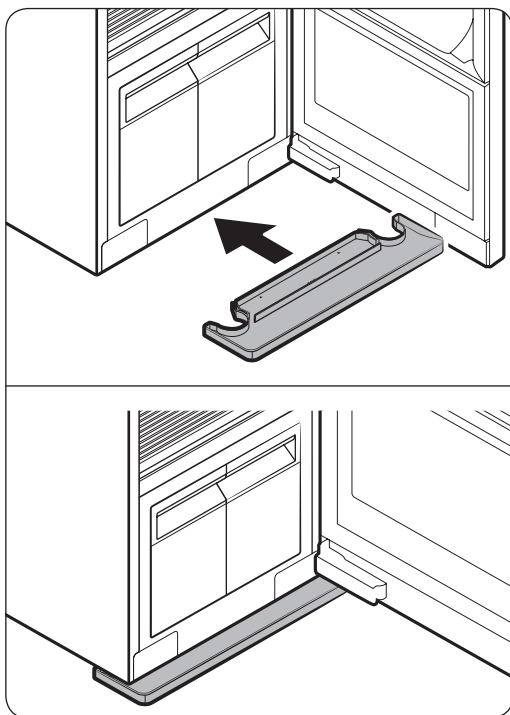


### UWAGA

Jeśli urządzenie się kołysze lub istnieje konieczność podniesienia jego tylnej części, należy zamontować dołączone do zestawu nóżki poziomujące z tyłu i po bokach produktu.

## Przed rozpoczęciem

- Należy włożyć tacę, jak pokazano na rysunkach.
  - Upewnić się, że górna część oznaczona jako „TOP” jest skierowana ku górze.



- Podłączyć urządzenie do uziemionego gniazdka elektrycznego 230 V/50 Hz.
  - W przypadku braku uziemionych gniazdek elektrycznych należy skontaktować się z infolinią firmy Samsung w celu uzyskania informacji na temat alternatywnych metod uziemienia urządzenia.

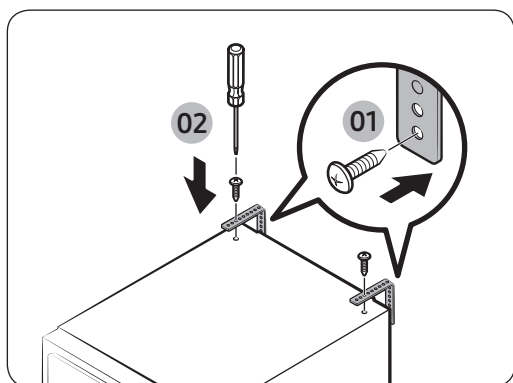
### UWAGA

- Po zamontowaniu urządzenia należy odczekać co najmniej 2 godziny przed rozpoczęciem użytkowania.
- W przypadku pierwszego użycia urządzenie zużywa większą ilość wody. Konieczne może być kilkukrotne uzupełnienie wody w zbiorniku uzupełniającym.



## Zabezpieczanie urządzenia AIRDRESSER za pomocą pasa zabezpieczającego (opcja).

Urządzenie AIRDRESSER może się przewrócić na skutek działania siły zewnętrznej lub gdy dzieci bawią się w jej pobliżu. W razie potrzeby użyć pasa zabezpieczającego do zamocowania urządzenia AIRDRESSER, aby zapobiec jego przewróceniu. (Zapoznać się z rysunkiem.)



### **! PRZESTROGA**

Przed zamocowaniem pasa zabezpieczającego należy wyłączyć urządzenie AIRDRESSER.

### **📄 UWAGA**

- Aby zamocować pas zabezpieczający do ściany, użyć dołączonej do zestawu śruby.
- Aby zamocować pas zabezpieczający do urządzenia AIRDRESSER, użyć śrub znajdujących się na górze urządzenia AIRDRESSER.

## Konfiguracja języka

Gdy urządzenie zostanie włączone po raz pierwszy po zakończeniu instalacji, na wyświetlaczu panelu sterowania pojawi się ekran wyboru języka. Aby wybrać język, należy postępować zgodnie z instrukcjami.

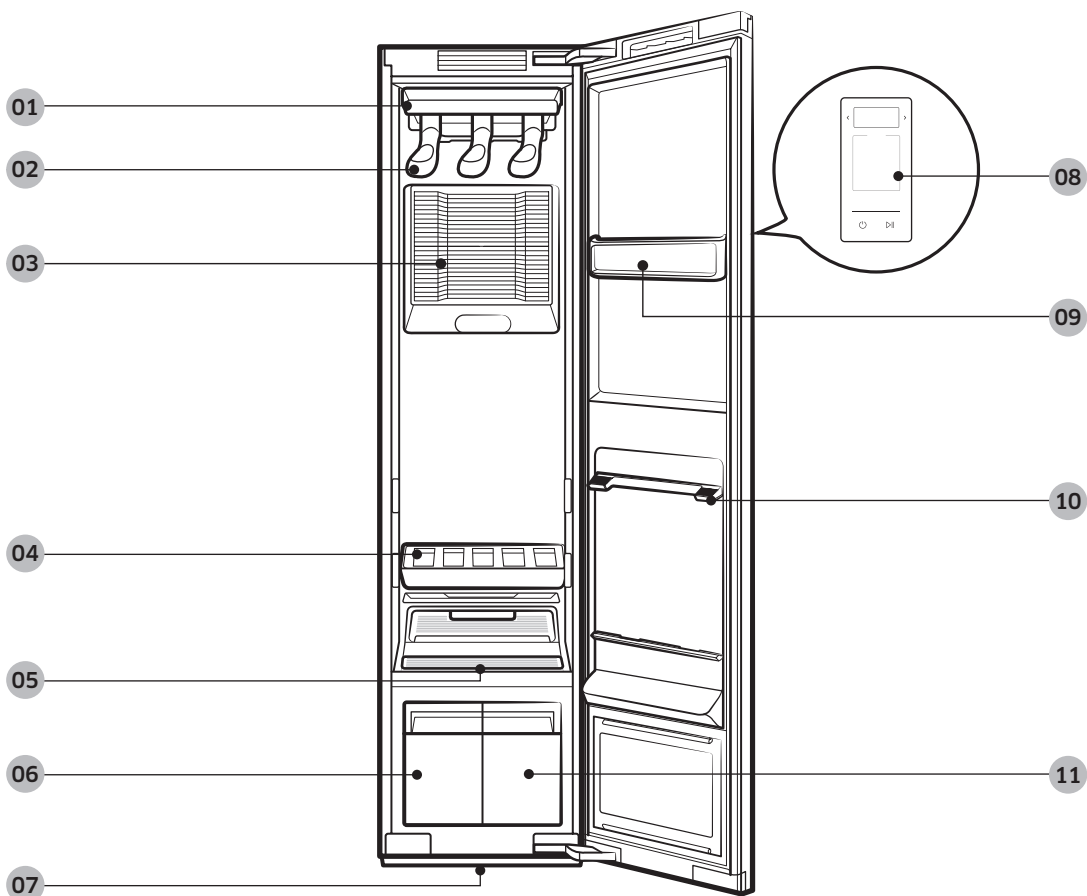
1. Dotknąć < lub >, aby wybrać język.
2. Dotknąć i przytrzymać przycisk **Start/Pauza** ▷||, aby zapisać wybrany język.

### **📄 UWAGA**

- Konfiguracja języka może nie być konieczna w niektórych krajach.
- Aby zmienić język później, dotknąć i przytrzymać przycisk **Normal (Standardowe)** i **Delicates (Delikatne)** przez 3 sekundy, a następnie postępować zgodnie z powyższymi instrukcjami.

# Przed rozpoczęciem

## Informacje o produkcie



**01** Otwór powietrza

**04** Półka

**07** Taca na wodę

**10** Uchwyty na półkę

**02** Wieszak Air Jet

**05** Filtr wyłapujący włókna

**08** Panel sterowania

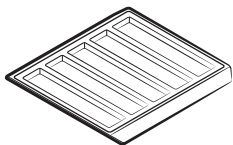
**11** Zbiornik uzupełniający

**03** Filtr powietrza

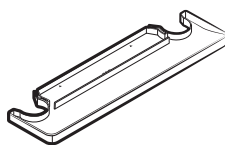
**06** Zbiornik spustowy

**09** Wieszak na akcesoria

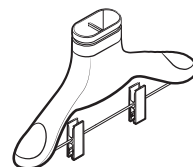
## Aksesoria



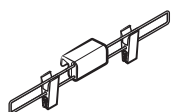
Półka



Taca na wodę



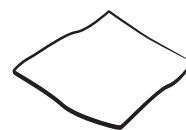
Wieszak z nawiewem



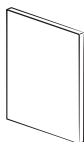
Obciążnik



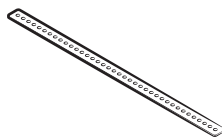
Uchwyt na wieszaki



Ściereczka do czyszczenia



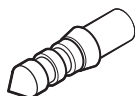
Instrukcja obsługi



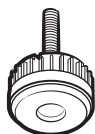
Pas zabezpieczający



Śruba (do pasa zabezpieczającego)



Kołek rozporowy (do pasa zabezpieczającego)

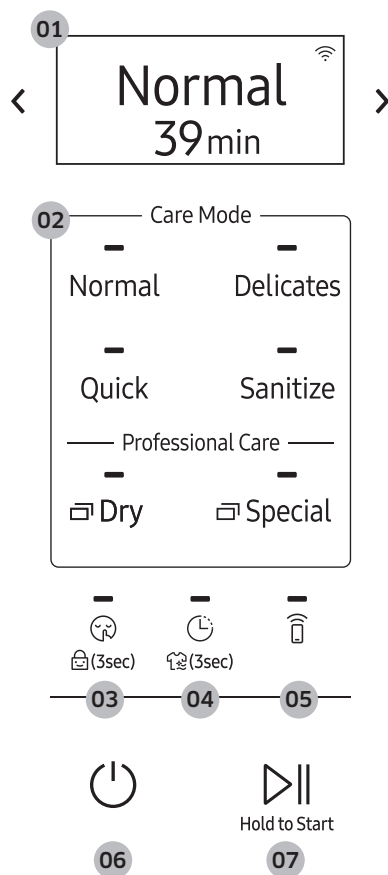


Tylne nóżki poziomujące

Przed rozpoczęciem

# Przed rozpoczęciem

## Panel sterowania








### 01 Wyświetlacz

Wyświetla wybrany cykl i szacowany czas pozostały do jego zakończenia, powiadomienia oraz stan połączenia Wi-Fi.





### 02 Cykle

Należy dotknąć cyklu, aby go wybrać. Więcej informacji o cyklach znajduje się na stronie 18.

### 03 Tryb cichy / Blokada rodzicielska (3 sekundy)

|                                                                                                        |                                                                                                                                                                                                                                                                                                                                                                                                                                                                                            |
|--------------------------------------------------------------------------------------------------------|--------------------------------------------------------------------------------------------------------------------------------------------------------------------------------------------------------------------------------------------------------------------------------------------------------------------------------------------------------------------------------------------------------------------------------------------------------------------------------------------|
| Tryb cichy            | <p>Dotknąć, aby włączyć lub wyłączyć tryb Tryb cichy. Funkcja Tryb cichy zmniejsza poziom hałasu podczas pracy urządzenia.</p> <p> <b>UWAGA</b></p> <p>Skorzystanie z funkcji Tryb cichy powoduje wydłużenie czasu cyklu.</p>                                                                                                                                                                             |
| Blokada rodzicielska  | <p>Dotknąć i przytrzymać przez 3 sekundy, aby włączyć blokadę Blokada rodzicielska. Blokada rodzicielska powoduje dezaktywację wszystkich przycisków z wyjątkiem przycisku Zasilanie .</p> <p> <b>UWAGA</b></p> <p>Blokada Blokada rodzicielska pozostanie włączona, aż do momentu jej wyłączenia przez użytkownika.</p> |

### 04 Opóźnione zakończenie/Utrzymywanie świeżości (3 sekundy)

|                                                                                                            |                                                                                                                                                                                                                                                                                                                                                                                                                                                                                                                                                                                                                                                                                                                      |
|------------------------------------------------------------------------------------------------------------|----------------------------------------------------------------------------------------------------------------------------------------------------------------------------------------------------------------------------------------------------------------------------------------------------------------------------------------------------------------------------------------------------------------------------------------------------------------------------------------------------------------------------------------------------------------------------------------------------------------------------------------------------------------------------------------------------------------------|
| Opóźnione zakończenie   | <p>Dotknąć opcji Opóźnione zakończenie, a następnie dotykać do momentu uzyskania pożądanego opóźnienia (od 1 do 24 godzin).</p> <p> <b>UWAGA</b></p> <ul style="list-style-type: none"> <li>Nie można używać trybu Opóźnione zakończenie wraz z opcją Suszenie z wykorzystaniem czujnika.</li> <li>Gdy opcja Opóźnione zakończenie jest włączona, wyświetlacz zostanie wyłączony w celu oszczędzania energii.</li> <li>Niektóre czasy zakończenia mogą być niedostępne w zależności od cyklu.</li> <li>W zależności od przedmiotów i środowiska, rzeczywisty czas zakończenia może różnić się od ustawionego czasu.</li> </ul>    |
| Utrzymywanie świeżości  | <p>Dotknąć i przytrzymać przez 3 sekundy, aby włączyć lub wyłączyć funkcję Utrzymywanie świeżości. Można utrzymywać odpowiedni poziom świeżości ubrań, jeśli użytkownik nie jest w stanie ich wyjąć zaraz po zakończeniu cyklu.</p> <p> <b>UWAGA</b></p> <ul style="list-style-type: none"> <li>Funkcja Utrzymywanie świeżości pozostaje włączona przez 24 godziny po zakończeniu cyklu.</li> <li>Wyłączenie zasilania lub otwarcie drzwiczek powoduje wyłączenie funkcji Utrzymywanie świeżości.</li> <li>Gdy opcja Utrzymywanie świeżości jest włączona, wyświetlacz zostanie wyłączony w celu oszczędzania energii.</li> </ul> |

### 05 Pilot Smart Control

Dotknąć, aby włączyć lub wyłączyć pilota Smart Control. Więcej informacji o pilocie **Smart Control** znajduje się na stronie 27.

# Przed rozpoczęciem

## 06 Zasilanie


Dotknąć, aby włączyć lub wyłączyć zasilanie.

## 07 Start/Pauza

Dotknąć i przytrzymać, aby uruchomić urządzenie. Dotknąć, aby wstrzymać pracę urządzenia

## Przegląd cykli

### Cykle używane na co dzień

| Cykl                   | Opis                                                                                                                                                                                                                                                                                                                                                                                                                                                                                                                                                                                                  |
|------------------------|-------------------------------------------------------------------------------------------------------------------------------------------------------------------------------------------------------------------------------------------------------------------------------------------------------------------------------------------------------------------------------------------------------------------------------------------------------------------------------------------------------------------------------------------------------------------------------------------------------|
| Normal (Standardowe)   | <ul style="list-style-type: none"><li>Do odświeżenia ubrań noszonych na co dzień.</li></ul>                                                                                                                                                                                                                                                                                                                                                                                                                                                                                                           |
| Delicates (Delikatne)  | <ul style="list-style-type: none"><li>Do delikatnych ubrań, takich jak szyfonowe, koronkowe, i przedmiotów z ozdobami.</li><li>Tego cyklu należy używać także w przypadku wiskozy.</li></ul>                                                                                                                                                                                                                                                                                                                                                                                                          |
| Quick (Szybkie)        | <ul style="list-style-type: none"><li>Do szybkiego odświeżenia odzieży.</li></ul>                                                                                                                                                                                                                                                                                                                                                                                                                                                                                                                     |
| Sanitize (Dezynfekcja) | <ul style="list-style-type: none"><li>Do dezynfekcji ubrań za pomocą pary.</li></ul> <p> <b>UWAGA</b></p> <ul style="list-style-type: none"><li>Nie umieszczать więcej niż jednego dużego lub obszernego elementu garderoby w urządzeniu. Duże lub obszerne elementy garderoby mogą zablokować parę i przepływ powietrza.</li><li>W przypadku zatrzymania lub zmiany cyklu, gdy komunikat Sanitizing (Dezynfekcja) pojawi się na wyświetlaczu, ubrania mogą ulec uszkodzeniu lub nie wyschnąć w całości.</li></ul> |

## Cykle suszenia




### PRZESTROGA

Nie umieszczać w urządzeniu przedmiotów wykonanych z poniższych materiałów w przypadku wyboru któregoś z cykli Suszenie.

- Skóra, futro, pierze, aksamit, jedwab.
- Wszelkie przedmioty zawierające gumę lub gąbkę.
- Przedmioty wykonane z mieszanek wełny, materiałów wodoodpornych, mieszanek jedwabiu lub juty.
- Futrzane koce z futrzanymi elementami o długości powyżej 1 cm, wełniane koce, dywany, materace.
- Bielizna z koronką, rajstopy, pończochy.

### UWAGA

Rezultaty suszenia mogą się różnić w zależności od grubości ubrań.

| Cykl                                            | Opis                                                                                                                                                                                                                                                                                                                                                                                                                                                                                                                                             |
|-------------------------------------------------|--------------------------------------------------------------------------------------------------------------------------------------------------------------------------------------------------------------------------------------------------------------------------------------------------------------------------------------------------------------------------------------------------------------------------------------------------------------------------------------------------------------------------------------------------|
| Sensor Dry (Suszenie z wykorzystaniem czujnika) | <p>Urządzenie automatycznie ustawia czas suszenia ubrań.</p> <p> <b>UWAGA</b></p> <ul style="list-style-type: none"><li>• Korzystanie z trybu Suszenie z wykorzystaniem czujnika powoduje szybkie napełnienie zbiornika spustowego.</li><li>• Funkcja Suszenie z wykorzystaniem czujnika może nie wysuszyć nadmiernie mokrych lub dużych/obszernych ubrań/elementów garderoby. Jeśli ubrania/elementy garderoby nie wyschną, uruchomić cykl ponownie.</li></ul> |
| Time Dry (Suszenie czasowe)                     | <p>Ręcznie ustawić czas (1-3 godz.), aby wysuszyć ubrania.</p> <p> <b>UWAGA</b></p> <ul style="list-style-type: none"><li>• Funkcja Suszenie czasowe może nie wysuszyć nadmiernie mokrych lub dużych/obszernych ubrań/elementów garderoby. Jeśli ubrania/elementy garderoby nie wyschną, uruchomić cykl ponownie.</li></ul>                                                                                                                                   |
| Room Care                                       | <p>Cykl Room Care służy do usuwania wilgoci z otoczenia. Można wybrać cykl trwający 2 lub 4 godziny.</p> <p> <b>UWAGA</b></p> <ul style="list-style-type: none"><li>• Upewnić się, że urządzenie jest puste w przypadku korzystania z funkcji Pielęgnacja pomieszczenia.</li><li>• Temperatura wewnątrz urządzenia może wzrosnąć</li></ul>                                                                                                                    |

# Przed rozpoczęciem

## Cykle specjalne

| Cykl                              | Opis                                                                                                                                                                                                                                                                                                                                                                                                                                                  |
|-----------------------------------|-------------------------------------------------------------------------------------------------------------------------------------------------------------------------------------------------------------------------------------------------------------------------------------------------------------------------------------------------------------------------------------------------------------------------------------------------------|
| Suits (Garnitury)                 | Do usuwania zagnieceń na spodniach.<br><b>UWAGA</b> <ul style="list-style-type: none"><li>Umieścić marynarkę pod środkowym nawiewem, a spodnie pod prawym.</li><li>Aby uzyskać najlepsze rezultaty, użyć obciążnika.</li></ul>                                                                                                                                                                                                                        |
| School uniform (Mundurek szkolny) | Do mundurków szkolnych, które nie mogą być prane ani suszone na co dzień.                                                                                                                                                                                                                                                                                                                                                                             |
| Wool/Knit (Wełna/dzianina)        | Do wełnianych lub dzianinowych elementów garderoby.<br><b>UWAGA</b><br>Aby uniknąć odkształcenia ubrań, należy je starannie złożyć i umieścić na półce.                                                                                                                                                                                                                                                                                               |
| Outdoor (Kurtki/płaszcz)          | Do odzieży wierzchniej lub sportowej.                                                                                                                                                                                                                                                                                                                                                                                                                 |
| Down Jackets (Kurtki puchowe)     | Do puchowych kurtek, które były przechowywane przez długi czas.<br><b>UWAGA</b><br>Aby zapobiec zablokowaniu cyrkulacji powietrza, należy powiesić tylko jedną sztukę odzieży pod środkowym nawiewem powietrza.                                                                                                                                                                                                                                       |
| Fur/Leather (Futro/skóra)         | Usuwa wilgoć i kurz z futrzanych i skórzanych ubrań.<br><b>UWAGA</b> <ul style="list-style-type: none"><li>Poziom hałas może być wyższy podczas tego cyklu.</li><li>Należy postępować zgodnie z instrukcjami umieszczonymi na metkach ubrań.</li><li>Aby uzyskać najlepsze rezultaty, zaleca się używać tej funkcji tylko do jednego elementu garderoby.</li><li>Przed wyborem tego cyklu należy upewnić się, że futrzane ubrania są suche.</li></ul> |
| Heavy Duty (Wysoka wydajność)     | Do pielęgnacji grubych ubrań, takich jak swetry.                                                                                                                                                                                                                                                                                                                                                                                                      |
| Self Clean (Samoczyszczenie)      | Automatycznie czyści urządzenie.<br><b>UWAGA</b> <ul style="list-style-type: none"><li>Upewnić się, że urządzenie jest puste.</li><li>Aby uzyskać najlepsze rezultaty czyszczenia, nie wolno przerywać cyklu ani otwierać drzwi przed zakończeniem cyklu Samoczyszczenie.</li><li>Cykl ten nie usuwa pleśni.</li></ul>                                                                                                                                |



---

## Pobieranie cykli

Więcej cykli można pobrać z aplikacji SmartThings.

1. Dotknąć przycisku **Zasilanie** ⏻.
2. Kilka razy dotknąć przycisku **Special (Specjalne)**, aby wybrać opcję **Download (Pobieranie)**.
3. Aby pobrać dostępne cykle, postępować zgodnie z instrukcjami wyświetlanymi na ekranie smartfona.
  - Maksymalnie można pobrać 10 cykli.
  - Istnieje możliwość pobrania poniższych cykli.
    - Winter Coat (Płaszcz zimowy), Denim (Dżins), Down Dry (Suszenie kurtek puchowych), Babywear (Ubranka dla niemowląt), Bedding (Pościel), Doll (Lalki), Accesories (Akcesoria).



# Przed rozpoczęciem

## Przewodnik po pielęgnacji tkanin

- W zależności od sposobu produkcji i wykończenia tkanin, trzeba je pielęgnować na różne sposoby. Niniejszy przewodnik po pielęgnacji tkanin nie obejmuje wszystkich materiałów i ma wyłącznie charakter poglądowy. Przed użyciem urządzenia AIRDRESSER należy sprawdzić metkę na odzieży, aby uniknąć uszkodzeń materiału.
- W przypadku cykli z kategorii Ogólne, Special (Specjalne) lub Sanitize (Dezynfekcja) nie umieszczają w urządzeniu elementów garderoby, które nie mają trwałych kolorów, są wrażliwe na ciepło oraz nie są przeznaczone do prania w wodzie. Aby określić, czy tkanina ma trwałe kolory, przeprowadzić test polegający na poplamieniu wodą niewielkiego, niedostrzegalnego miejsca (szew wewnętrzny). Aby uzyskać dalszą pomoc, należy skontaktować się z producentem odzieży lub profesjonalną pralnią albo zapoznać się z bardziej szczegółowym przewodnikiem po pielęgnacji tkanin.

### Kategorie cykli

Należy zapoznać się z poniższą tabelą, aby sprawdzić określone cykle należące do poszczególnych kategorii zamieszczonych w tabeli Przewodnik po pielęgnacji tkanin.

| Kategoria            | Cykle                                                                                                                                                                                                                                                                           |
|----------------------|---------------------------------------------------------------------------------------------------------------------------------------------------------------------------------------------------------------------------------------------------------------------------------|
| Cykle ogólne         | Normal (Standardowy), Quick (Szybki), Delicates (Delikatny)                                                                                                                                                                                                                     |
| Cykle specjalne      | Suits (Garnitury), School uniform (Mundurek szkolny), Wool/ Knit (Wełna/dzianina), Outdoor (Kurtki/płaszcz), Down Jackets (Kurtki puchowe), Fur/Leather (Futro/skóra), Heavy Duty (Wysoka wydajność), Winter Coat (Płaszcz zimowy)**, Denim (Dżins)**, Accessories (Akcesoria)* |
| Cykle do dezynfekcji | Sanitize (Dezynfekcja), Babywear (Ubranka dla niemowląt)**, Bedding (Pościel)**, Doll (Lalki)**                                                                                                                                                                                 |
| Cykle suszenia       | Sensor Dry (Suszenie z wykorzystaniem czujnika), Time Dry (Suszenie czasowe), Down Dry (Suszenie kurtek puchowych)**                                                                                                                                                            |

\* = Cykle specjalne / \*\* = Cykle do pobrania



## Tabela Przewodnik po pielęgnacji tkanin

### Włókna naturalne/włókna roślinne

| Tkanina          | Cykle               |                              |           |             |          | Ubrania/uwagi                                                                                                                                                                                                                                                                                          |
|------------------|---------------------|------------------------------|-----------|-------------|----------|--------------------------------------------------------------------------------------------------------------------------------------------------------------------------------------------------------------------------------------------------------------------------------------------------------|
|                  | Ogólne              |                              | Specjalne | Dezynfekcja | Suszenie |                                                                                                                                                                                                                                                                                                        |
|                  | Usunięcie zagnieceń | Usunięcie brzydkiego zapachu |           |             |          |                                                                                                                                                                                                                                                                                                        |
| Bawełna          |                     | ●                            | ●         | ●           | ●        | Ręczniki, skarpety, bielizna, dżinsy, odzież sportowa, koszulki, koce<br>W przypadku elementów garderoby o 100% zawartości bawełny zagniecenia mogą nie zostać usunięte. W razie potrzeby wyprasować ubrania po zakończeniu cyklu.                                                                     |
| Len, juta, ramia |                     | ●                            | ●         | ●           | ●        | Letnie ubrania, obrusy<br>Niektóre zagniecenia mogą nie zostać usunięte. Przed skorzystaniem z cykli Ogólne, Specjalne lub Dezynfekcja upewnić się, że tkaniny są przeznaczone do prania/prania ręcznego. Delikatne ubrania należy umieścić na półce. Nie umieszczać krochmalonych ubrań w urządzeniu. |
| Wiskoza          | ●                   | ●                            | ●         |             | ●        | Podszywka garnituru, bluzki, krawaty, piżamy                                                                                                                                                                                                                                                           |

● = Dozwolone / ✖ = Sprawdzić metkę ze wskazówkami dotyczącymi pielęgnacji ubrania

### Włókna naturalne/włókna zwierzęce

| Tkanina                            | Cykle               |                              |           |             |          | Ubrania/uwagi                                                                                                       |
|------------------------------------|---------------------|------------------------------|-----------|-------------|----------|---------------------------------------------------------------------------------------------------------------------|
|                                    | Ogólne              |                              | Specjalne | Dezynfekcja | Suszenie |                                                                                                                     |
|                                    | Usunięcie zagnieceń | Usunięcie brzydkiego zapachu |           |             |          |                                                                                                                     |
| Alpaka, wełna wielbłądzia, kaszmir | ✖                   | ✖                            | ●         |             |          | Płaszcz, garnitury<br>Umieścić ubrania dzianinowe na półce. Alpaka i wełna wielbłądzia kurczą się w gorącej wodzie. |
|                                    |                     | ✖                            | ●         |             |          | Szaliki, dzianina<br>Umieścić ubrania dzianinowe na półce. Alpaka i wełna wielbłądzia kurczą się w gorącej wodzie.  |

# Przed rozpoczęciem

| Tkanina     | Cykle              |                             |           |             |          | Ubrania/uwagi                                                                                                                                                                                                                                                                                                                                                                                 |
|-------------|--------------------|-----------------------------|-----------|-------------|----------|-----------------------------------------------------------------------------------------------------------------------------------------------------------------------------------------------------------------------------------------------------------------------------------------------------------------------------------------------------------------------------------------------|
|             | Ogólne             |                             | Specjalne | Dezynfekcja | Suszenie |                                                                                                                                                                                                                                                                                                                                                                                               |
|             | Usuwanie zagnieceń | Usuwanie brzydkiego zapachu |           |             |          |                                                                                                                                                                                                                                                                                                                                                                                               |
| Futro/skóra |                    |                             | ●*        |             |          | <p><b>Płaszcz, szaliki</b></p> <p>* Używać tylko cyklu Fur/Leather (Futro/skóra). Skóra musi być w pełni naturalną skórą (a nie skórą sztuczną)</p>                                                                                                                                                                                                                                           |
| Jedwab      |                    |                             |           |             |          | <p><b>Jedwabne krawaty, wstążki, szaliki, bluzki</b></p> <p>Jedwabne tkaniny nie są przeznaczone do umieszczania w urządzeniu AIRDRESSER.</p>                                                                                                                                                                                                                                                 |
| Wełna       |                    | ×                           | ●*        |             | ●        | <p><b>Swetry, dzianina</b></p> <p>Ubrania dzianinowe należy umieścić na półce. Niektóre materiały wełniane kurczą się po wypraniu w gorącej wodzie. Przed skorzystaniem z cykli z kategorii Ogólne lub Specjalne, należy upewnić się, że tkaniny są przeznaczone do prania/prania ręcznego.</p> <p>* Zalecany jest cykl Wool/Knit (Wełna/dzianina).</p>                                       |
|             | ●                  | ●                           | ●*        | ×           | ●        | <p><b>Płaszcz zimowy, garnitury</b></p> <p>Umieścić ubrania dzianinowe na półce. Niektóre materiały wełniane kurczą się po wypraniu w gorącej wodzie. Przed skorzystaniem z cykli z kategorii Ogólne, Specjalne lub Dezynfekcja należy upewnić się, że tkaniny są przeznaczone do prania/prania ręcznego.</p> <p>* Zalecany jest cykl Winter Coat (Płaszcz zimowy) lub Suits (Garnitury).</p> |

● = Dozwolone / × = Sprawdzić metkę ze wskazówkami dotyczącymi pielęgnacji ubrania

## Włókna sztuczne

| Tkanina         | Cykle               |                              |           |             |          | Ubrania/uwagi                                                                                                                                                                                                   |
|-----------------|---------------------|------------------------------|-----------|-------------|----------|-----------------------------------------------------------------------------------------------------------------------------------------------------------------------------------------------------------------|
|                 | Ogólne              |                              | Specjalne | Dezynfekcja | Suszenie |                                                                                                                                                                                                                 |
|                 | Usunięcie zagnieceń | Usunięcie brzydkiego zapachu |           |             |          |                                                                                                                                                                                                                 |
| Włókno octanowe | ●                   | ●                            | ●         | ●           | ●        | Podszewka garnituru, bluzki, krawaty, piżamy                                                                                                                                                                    |
| Akryl           | ●                   | ●                            | ●         | ●           | ●        | Bielizna termiczna, dzianina<br>Umieścić ubrania na półce.                                                                                                                                                      |
| Nylon           | ●                   | ●                            | ●         | ●           | ●        | Pończochy, bielizna<br>Umieścić ubrania na półce.                                                                                                                                                               |
|                 | ●                   | ●                            | ●         | ●           | ●        | Odzież sportowa                                                                                                                                                                                                 |
| Poliuretan      | ●                   | ●                            | ●         | ●           | ●        | Odzież rozciągliwa (zawierająca mniej niż 5% poliuretanu)<br>Jeśli ubranie zawiera więcej niż 5% poliuretanu (z wyłączeniem kąpielówek), należy sprawdzić metkę ze wskazówkami dotyczącymi pielęgnacji ubrania. |
| Poliester       | ●                   | ●                            | ●         | ●           | ●        | Kurtki/płaszcz, odzież sportowa, koszulki, koszule, bluzki                                                                                                                                                      |

● = Dozwolone / \* = Sprawdzić metkę ze wskazówkami dotyczącymi pielęgnacji ubrania

# Przed rozpoczęciem

## Metki ze wskazówkami dotyczącymi pielęgnacji tkanin

Większość ubrań ma metki, które zawierają informacje o czyszczeniu. Poniższa tabela zawiera niektóre symbole, ułatwiające określenie odpowiednich elementów garderoby, które można umieścić w urządzeniu AIRDRESSER.

### Metki ze wskazówkami dotyczącymi pielęgnacji tkanin, które można umieścić w urządzeniu AIRDRESSER

| Kategoria                                                        | Metka | Znaczenie                      | Można umieścić w urządzeniu AIRDRESSER |
|------------------------------------------------------------------|-------|--------------------------------|----------------------------------------|
| Metki ze wskazówkami dotyczącymi prania                          |       | Normalne                       | 0                                      |
|                                                                  |       | Trwałe uprasowanie             | 0                                      |
|                                                                  |       | Delikatne                      | 0                                      |
|                                                                  |       | Nie prać                       | 0*                                     |
|                                                                  |       | Prać ręcznie                   | 0                                      |
| Metki ze wskazówkami dotyczącymi suszenia w suszarkach bębnowych |       | Bez wysokiej temperatury       | X                                      |
|                                                                  |       | Niska                          | 0                                      |
|                                                                  |       | Średnia                        | 0                                      |
|                                                                  |       | Wysoka                         | 0                                      |
|                                                                  |       | Normalne                       | 0                                      |
|                                                                  |       | Trwałe uprasowanie             | 0                                      |
|                                                                  |       | Delikatne                      | 0                                      |
|                                                                  |       | Nie suszyć w suszarce bębnowej | 0                                      |
| Metki ze wskazówkami dotyczącymi suszenia                        |       | Suszenie na wieszaku           | 0                                      |
|                                                                  |       | Suszenie bez wyżymania         | 0                                      |
|                                                                  |       | Suszenie na płasko             | 0**                                    |
|                                                                  |       | Suszenie w cieniu              | 0                                      |
|                                                                  |       | Nie osuszać                    | X                                      |

\* Niektóre ubrania, które nie są przeznaczone do prania (takie jak tkaniny futrzane lub skórzane) można umieścić w urządzeniu AIRDRESSER. Należy zapoznać się z przewodnikiem po pielęgnacji tkanin.

\*\* Użyć półki w przypadku przedmiotów z tym symbolem na metce.

## Smart Control

### Połączenie z siecią Wi-Fi

- Zalecane metody szyfrowania: WPA/TKIP i WPA2/AES. Nowo opracowane lub niezatwierdzone protokoły Wi-Fi nie są obsługiwane.
- Jakość sygnału sieci bezprzewodowej może być zakłócona przez inne środowiska bezprzewodowe.
- Jeśli dostawca usług internetowych zarejestrował adres MAC komputera lub modemu użytkownika na potrzeby stałego użytkownika, urządzenie AIRDRESSER może nie nawiązać połączenia z Internetem. W takim przypadku należy skontaktować się z dostawcą usług internetowych.
- Zapora internetowa może spowodować zerwanie połączenia z Internetem. Jeśli tak się stanie, należy skontaktować się z dostawcą usług internetowych.
- Jeśli po wykonaniu czynności zalecanych przez dostawcę usług internetowych nawiązanie połączenia z Internetem nadal będzie niemożliwe, należy skontaktować się z lokalnym sprzedawcą lub infolinią firmy Samsung.

### Pobieranie aplikacji

W sklepie z aplikacjami (Google Play Store, Apple App Store, Samsung Galaxy Apps) należy wyszukać aplikację SmartThings, a następnie ją pobrać i zainstalować na urządzeniu.

#### UWAGA

- Aplikacja SmartThings może nie być kompatybilna z niektórymi tabletami lub smartfonami.
  - Zaleca się korzystanie z systemu operacyjnego Android w wersji 6.0 lub nowszej (minimum 2 GB pamięci RAM).
  - Obsługiwane rozdzielczości systemu Android to 1280 × 720 (HD), 1920 × 1080 (FHD) i 2560 × 1440 (WQHD).
  - Zaleca się korzystanie z systemu iOS w wersji 10.0 lub nowszej (tylko iPhone'y 6 lub nowsze).
  - Obsługiwane rozdzielczości urządzeń Apple to 1334 × 750 i 1920 × 1080.
- W celu ulepszenia wydajności w aplikacji mogą zostać wprowadzone zmiany bez wcześniejszego powiadomienia użytkownika.

### Logowanie

W pierwszej kolejności należy zalogować się do aplikacji SmartThings, korzystając z konta Samsung. Aby utworzyć nowe konto Samsung, należy postępować zgodnie z instrukcjami wyświetlanymi w aplikacji. Do utworzenia konta nie jest potrzebna oddzielna aplikacja.

#### UWAGA

Jeśli użytkownik posiada konto Samsung, może użyć go do zalogowania się. Zarejestrowany użytkownik korzystający ze smartfona firmy Samsung zostanie zalogowany automatycznie.



# Przed rozpoczęciem

## Rejestracja urządzenia w aplikacji SmartThings

1. Należy sprawdzić, czy smartfon jest podłączony do sieci bezprzewodowej. Jeśli nie, należy przejść do ekranu **Settings (Ustawienia)**, włączyć łączność bezprzewodową, a następnie wybrać punkt dostępu (AP).
2. Otworzyć aplikację **SmartThings** na smartfonie.
3. Jeśli pojawi się komunikat „**A new device is found. (Wykryto nowe urządzenie.)**”, wybrać opcję **Add (Dodaj)**.
4. Jeśli nie pojawi się żaden komunikat, dotknąć opcji **+** i wybrać urządzenie z listy dostępnych urządzeń. Jeśli urządzenie nie znajduje się na liście, wybrać opcję **Device Type (Rodzaj urządzenia) > Specific Device Model (Określony model urządzenia)**, a następnie dodać urządzenie ręcznie.
5. Aby zakończyć rejestrację, należy postępować zgodnie z instrukcjami wyświetlanymi na ekranie.

## Informacje o aplikacji SmartThings

| Kategoria     | Funkcja                       | Opis                                                                                                                                                             |
|---------------|-------------------------------|------------------------------------------------------------------------------------------------------------------------------------------------------------------|
| Monitorowanie | Stan cyklu                    | Można sprawdzić bieżący stan cyklu i opcje, a także czas pozostały do zakończenia cyklu.                                                                         |
|               | Smart Control                 | Status Smart Control jest wyświetlany dla urządzenia AIRRESSER.                                                                                                  |
|               | Monitorowanie zużycia energii | Istnieje możliwość monitorowania zużycia energii.                                                                                                                |
| Sterowanie    | Start/Pauza/Anuluj            | Pozwala wybrać cykl i niezbędne opcje, a następnie nacisnąć przycisk Start/Pauza/Anuluj, aby rozpocząć cykl, wstrzymać go tymczasowo lub anulować całą operację. |
| Powiadomienie | Koniec cyklu                  | Powiadamia użytkownika o zakończeniu bieżącego cyklu.                                                                                                            |





| Kategoria                        | Funkcja                         | Opis                                                                                                                                                                                                                     |
|----------------------------------|---------------------------------|--------------------------------------------------------------------------------------------------------------------------------------------------------------------------------------------------------------------------|
| Funkcje urządzenia<br>AIRDRESSER | Pomoc w doborze cyklu           | Pozwala wybrać rodzaj tkaniny i opcje, aby uzyskać informacje na temat najbardziej odpowiedniego cyklu.                                                                                                                  |
|                                  | Moja szafa                      | Poprzez wprowadzenie informacji o ubraniach (takich jak rodzaj tkaniny) można dodać ubrania do aplikacji i uzyskać dostęp do informacji o zalecanych cyklach i historii ich użycia.                                      |
|                                  | Zarządzanie cyklami specjalnymi | Można zapisać maksymalnie 9 cykli, a także usuwać je i zmieniać ich kolejność.                                                                                                                                           |
|                                  | Menedżer HomeCare               | Można korzystać z porad, aby utrzymywać urządzenie AIRDRESSER w możliwie jak najlepszym stanie. Można sprawdzić sposoby korzystania z cykli i zużycie energii, a także odbierać alerty dotyczące konserwacji urządzenia. |

# Przed rozpoczęciem

---

## Oświadczenie dotyczące kodu Open Source

Oprogramowanie udostępniane z tym produktem zawiera oprogramowanie typu Open Source. Kompletny kod źródłowy tego oprogramowania można uzyskać w okresie do trzech lat od momentu ostatniego udostępnienia tego produktu. W tym celu należy wysłać wiadomość e-mail na adres <mailto:oss.request@samsung.com>.

Kompletny kod źródłowy można także uzyskać na nośniku fizycznym, takim jak płyta CD-ROM. W takim przypadku wymagana jest minimalna opłata.

Pod adresem URL [http://opensource.samsung.com/opensource/SMART\\_AT\\_051/seq/0](http://opensource.samsung.com/opensource/SMART_AT_051/seq/0) dostępna jest strona umożliwiająca pobranie udostępnionego kodu źródłowego i informacji licencyjnych Open Source związanych z tym produktem. Ta oferta jest ważna dla każdej osoby, która otrzyma te informacje.



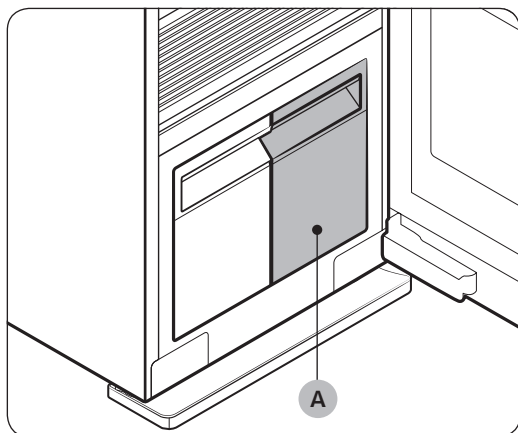
## UWAGA

Firma Samsung Electronics niniejszym oświadcza, że sprzęt radiowy jest zgodny z wymogami Dyrektywy 2014/53/UE. Pełny tekst europejskiej deklaracji zgodności jest dostępny na stronie internetowej; Treść oficjalnej deklaracji zgodności jest dostępna pod adresem <http://www.samsung.com> w menu Wsparcie > Szukaj, gdzie należy podać nazwę modelu.

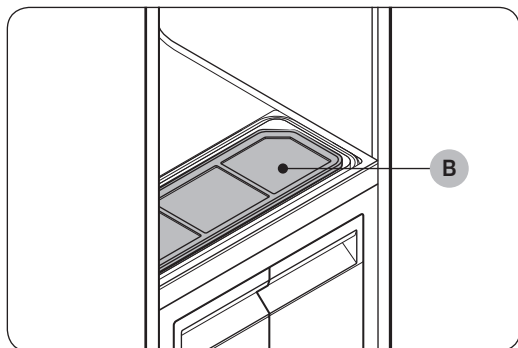
Maksymalna moc nadajnika Wi-Fi: 20 dBm przy 2,412-2,472 GHz

# Korzystanie z urządzenia i akcesoriów

## Korzystanie z cyklu

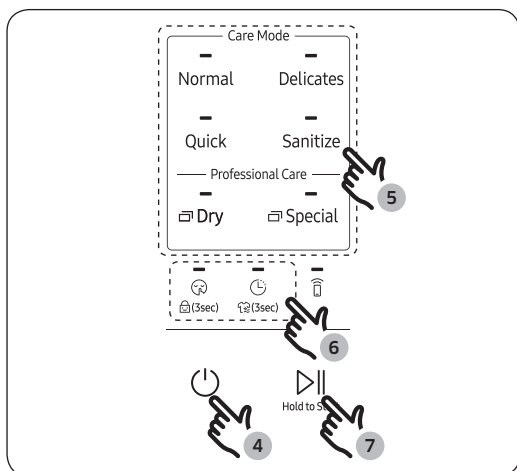


1. Należy upewnić się, że zbiornik uzupełniający (A) jest napełniony wodą.



2. Należy upewnić się, że filtr wyłapujący włókna (B) jest czysty.
3. Umieścić ubrania w urządzeniu zgodnie z instrukcjami zamieszczonymi w części Korzystanie z akcesoriów.

# Korzystanie z urządzenia i akcesoriów



4. Dotknąć przycisku **Zasilanie** ⏻.
5. Wybrać cykl.
  - Dotknąć opcji **Normal (Standardowe)**, **Delicates (Delikatne)**, **Quick (Szybkie)** lub **Sanitize (Dezynfekcja)**.
  - W przypadku cykli Suszenie dotknąć opcji **Dry (Suszenie)** kilka razy, aby wybrać żądany cykl suszenia.
  - W przypadku cykli z kategorii Specjalne dotknąć opcji **Special (Specjalne)** kilka razy, aby wybrać żądany cykl.
6. W razie potrzeby wybrać odpowiednie opcje.
  - Tryb cichy 🤫, Blokada rodzicielska 🛡️, Opóźnione zakończenie ⌚, Utrzymywanie świeżości 🌬️.
7. Nacisnąć i przytrzymać przycisk **Start/Pauza** ▶️|| przez 3 sekundy.

## Wytyczne dotyczące użytkowania

### Przed rozpoczęciem użytkowania

- Niniejszego urządzenia nie wolno używać do czyszczenia ubrań. Aby uzyskać najlepsze rezultaty, należy wyprać i wysuszyć wszystkie ubrania przed rozpoczęciem użytkowania urządzenia.
- Przed rozpoczęciem użytkowania urządzenia zalecamy wypranie ubrań o intensywnym zapachu lub ubrań, które były przechowywane przez długi czas.
- Posegregować ubrania według intensywności zapachu.
- Przed rozpoczęciem użytkowania należy urządzenia sprawdzić wszystkie metki ubrań lub przedmiotów.
- Przed umieszczeniem odzieży w urządzeniu należy upewnić się, że wszystkie kieszenie zostały opróżnione.
- Nie używać urządzenia jako szafy do przechowywania.
- Urządzenie może nie być w stanie usunąć sierści zwierząt.

---

### Podczas użytkowania

- Należy upewnić się, czy żadne przedmioty nie mają kontaktu z dolną częścią urządzenia. W razie potrzeby użyć półki, aby nie dopuścić do kontaktu zawieszonych przedmiotów z dolną częścią urządzenia.
- Podczas stosowania pary można usłyszeć odgłos gwizdania.
- Jeśli konieczne jest zatrzymanie cyklu przed jego zakończeniem, należy uruchomić cykl Suszenie.
- Czas pracy zależy od środowiska i rodzaju ubrań/elementów garderoby.
- Jeśli urządzenie jest użytkowane bez przerwy, może wyświetlić czas pracy różniący się od rzeczywistego.
- Nie otwierać drzwiczek, gdy urządzenie pracuje.

### Po zakończeniu użytkowania

- Ilość usuniętych zagnieceń może się różnić w zależności od rodzaju materiału.
- Po zakończeniu cyklu należy natychmiast wyjąć ubrania/elementy garderoby z urządzenia. Jeśli wyjęcie ubrań/elementów garderoby natychmiast po zakończeniu cyklu jest niemożliwe, należy skorzystać z opcji Opóźnione zakończenie lub Utrzymywanie świeżości.
- Podczas wyjmowania ubrań należy chwycić za ubranie i za wieszak.

# Korzystanie z urządzenia i akcesoriów

## Korzystanie z akcesoriów

### Wieszaki z nawiewem

Należy użyć zamocowanych wieszaków z nawiewem do ubrań, takich jak kurtki, sportowe marynarki i marynarki.

#### UWAGA

- Należy upewnić się, że wieszaki wewnętrzne i zewnętrzne są czyste i wolne od ciał obcych.
- Nie używać wieszaków do dzianin, materiałów wełnianych i bielizny.
- Maksymalna długość ubrania może wynosić 110 cm w przypadku górnych elementów garderoby i 100 cm w przypadku dolnych elementów garderoby.
- W zależności od rodzaju lub rozmiaru tkaniny, na kołnierzach ubrań mogą tworzyć się zagniecenia.



### Korzystanie z wieszaków z nawiewem

1. Powiesić ubrania na wieszakach w tym samym kierunku.
  - Aby zapobiec spadnięciu ubrań z wieszaków, upewnić się, że wszystkie guziki i kieszenie są zapięte.
  - Upewnić się, że wszystkie ubrania wiszą na płasko. Upewnić się, że zaciski wieszaków nie wystają na zewnątrz.
2. Wsuwać wieszaki do otworów powietrza, aż do usłyszenia kliknięcia.
  - Upewnić się, że wieszaki są skierowane w tę samą stronę.
  - Jeśli wieszaki z nawiewem nie zostaną odpowiednio włożone do otworów powietrza, może dojść do wystąpienia drgań i generowania hałasu.

#### UWAGA

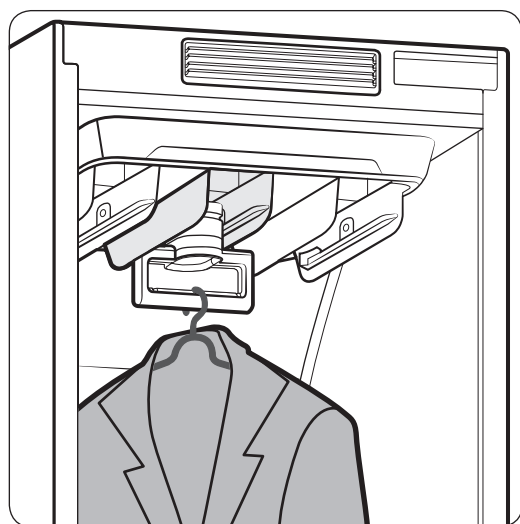
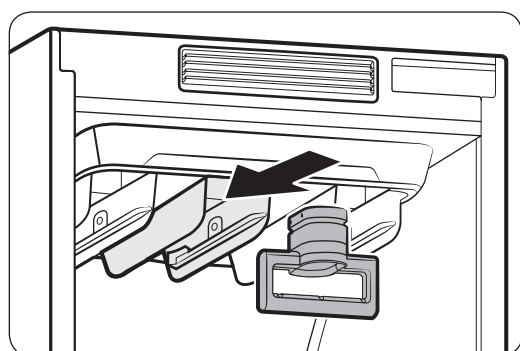
Aby uzyskać najlepsze rezultaty, należy unikać wieszania dłuższych ubrań przy środkowym otworze.

## Zestaw standardowych wieszaków

Można skorzystać z zestawu standardowych wieszaków do zawieszenia ubrań. Aby jednak uzyskać najlepsze rezultaty, zalecamy korzystanie z wieszaków z nawiewem.

### UWAGA

- Należy używać wieszaków, które nie ulegną odkształceniu na skutek działania wysokiej temperatury.
- Upewnić się, że wieszaki wewnętrzne i zewnętrzne są czyste i wolne od ciał obcych.
- Nie używać plastikowych/silikonowych/drewnianych wieszaków i wieszaków z samoprzylepną powierzchnią.
- Nie używać wieszaków z pralni, które mogą zardzewieć.



### Użytkowanie zestawu standardowych wieszaków

1. Powiesić ubrania na wieszakach w tym samym kierunku.
  - Aby zapobiec ześlizgnięciu się ubrań z wieszaków, upewnić się, że wszystkie guziki i kieszenie są zapięte.
  - Upewnić się, że wszystkie ubrania wiszą na płasko. Upewnić się, że zaciski wieszaków nie wystają na zewnątrz.
2. Wsunąć zestaw standardowych wieszaków do otworów powietrza, aż do usłyszenia kliknięcia, a następnie zawiesić wieszaki na zestawie.
  - Upewnić się, że wieszaki są skierowane w tę samą stronę.
  - Jeśli zestaw standardowych wieszaków nie zostanie odpowiednio włożony do otworów powietrza, może dojść do wystąpienia drgań i generowania hałasu.

### UWAGA

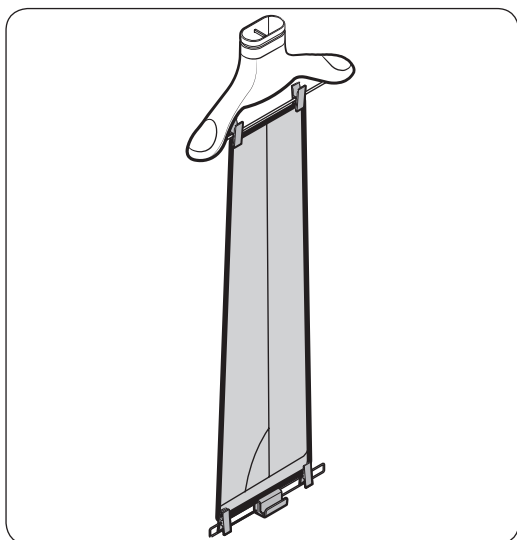
Aby uzyskać najlepsze rezultaty, należy unikać wieszania dłuższych ubrań przy środkowym otworze.

# Korzystanie z urządzenia i akcesoriów

## Zestaw obciążników

### UWAGA

- Należy upewnić się, że spodnie lub zestaw obciążników nie ma kontaktu z dolną częścią urządzenia.
- Maksymalna długość spodni może wynosić 100 cm.

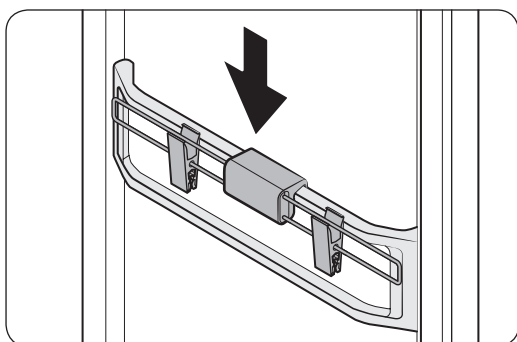


### Użytkowanie zestawu obciążników

1. Zaczepić dolną część spodni do wieszaka z nawiewem.
2. Na dole zawiesić obciążnik.
3. Wsuwać wieszak z nawiewem do otworów powietrza, aż do usłyszenia kliknięcia.

### UWAGA

W przypadku uporczywych zagnieć odpowiednio rozwiesić spodnie, przesuując zaciski na zewnątrz.



Gdy obciążnik nie jest używany, należy przechowywać go na wieszaku na akcesoria.

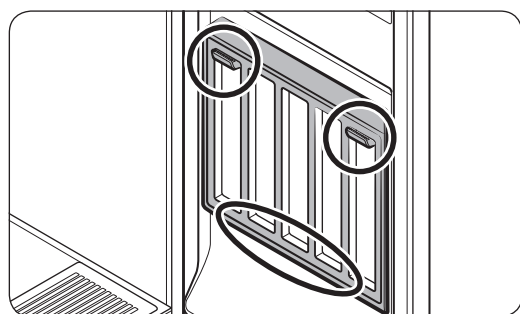
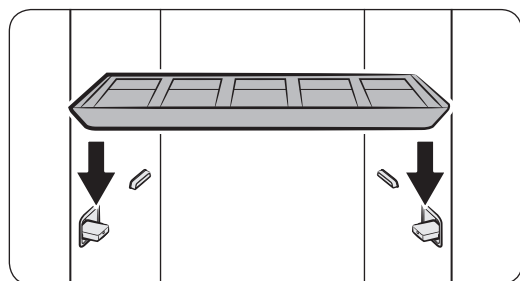
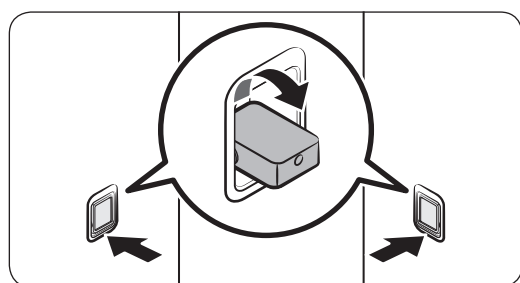


## Półka

Użyć dołączonej półki w przypadku przedmiotów, których nie można powiesić na wieszakach.

### UWAGA

- W urządzeniu można umieszczać tylko ubrania lub akcesoria do ubrań. Nie należy umieszczać w urządzeniu ciężkich przedmiotów ani nie używać półki do przechowywania innych przedmiotów.
- Nie pozwalać dzieciom na siedzenie lub wspinanie się na półkę.
- Upewnić się, że ubrania nie zwisają z przodu, z tyłu lub po bokach półki ani nie wystają przez metalową kratkę półki.
- Nie układać przedmiotów w stos.



### Korzystanie z półki

1. Na bocznych ściankach docisnąć dolną część uchwytów na półkę w celu demontażu.
2. Umieścić półkę w uchwytach na półkę. Upewnić się, że rowki na półce są odpowiednio osadzone w uchwycie.

### UWAGA

Szczelina między bokami półki i ściankami bocznymi to normalne zjawisko.

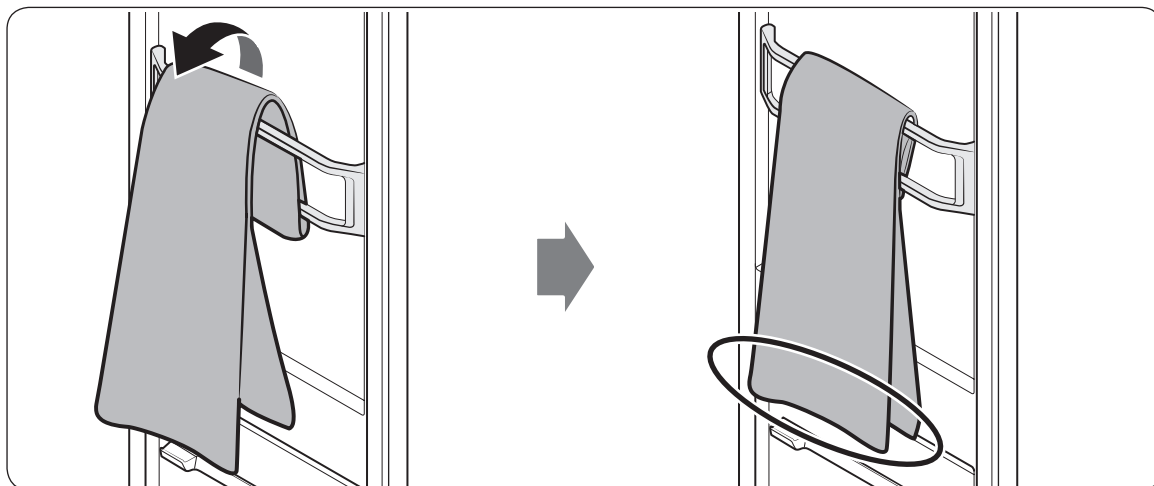
Gdy półka nie jest użytkowana, należy przechowywać ją na drzwiach. Umieścić półkę w dolnym uchwycie, a następnie zamocować ją w górnych uchwytach.

# Korzystanie z urządzenia i akcesoriów

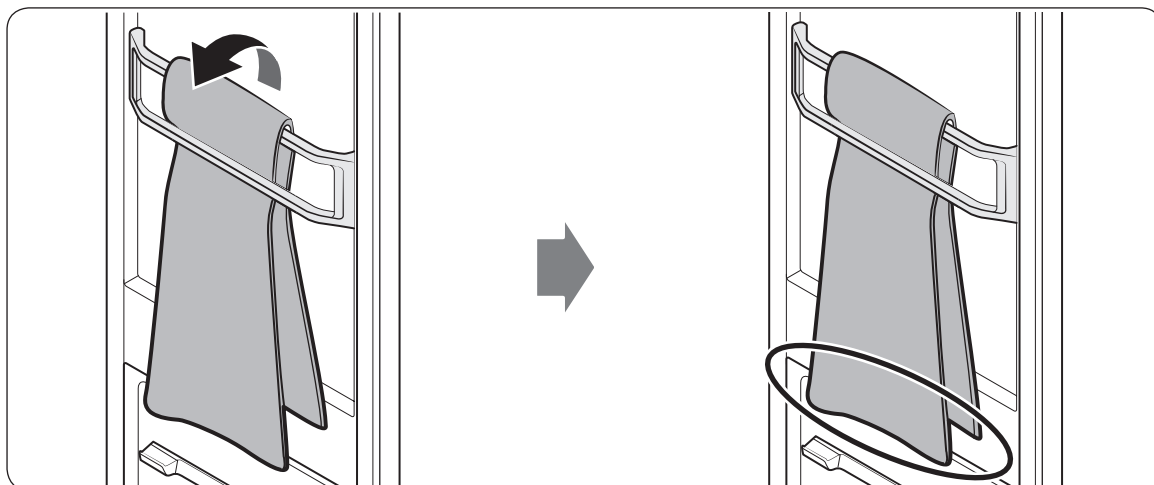
## Wieszak na akcesoria

Należy skorzystać z wieszaka na akcesoria w przypadku w przypadku szalików.  
Aby prawidłowo zawiesić szalik, należy zapoznać się z poniższymi rysunkami.

### Metoda 1



### Metoda 2

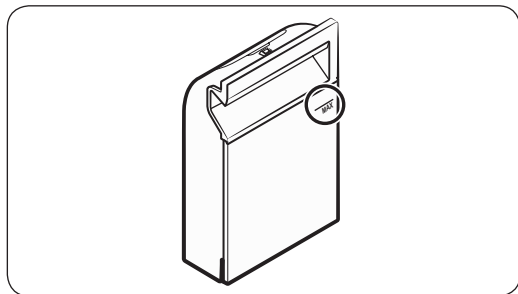
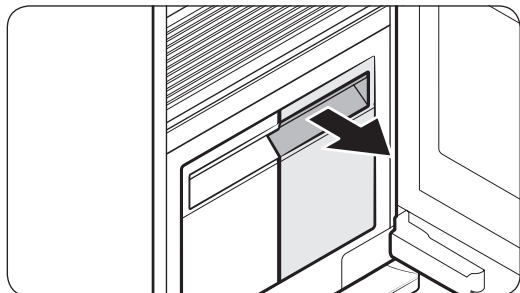


- Upewnić się, że długość obu końców jest taka sama.
- W zależności od rodzaju tkaniny, urządzenie może nie być w stanie usunąć zagnieceń.

## Zbiornik uzupełniający

### UWAGA

- Przed rozpoczęciem użytkowania urządzenia należy upewnić się, że zbiornik uzupełniający jest wypełniony wodą.
- W przypadku pierwszego użycia urządzenie zużywa większą ilość wody.
- Zaleca się stosowanie filtrowanej wody.
- Jeśli urządzenie nie będzie użytkowane przez długi czas, należy opróżnić zbiornik uzupełniający.
- Pełny zbiornik uzupełniający wystarcza na około 4 cykle.
- Zbiornik uzupełniający można napełniać tylko wodą. Wlewanie innych płynów, takich jak detergent lub zmiękczac do tkanin, może spowodować usterkę.
- Nie wolno używać wody ze zbiornika spustowego do napełniania zbiornika uzupełniającego.



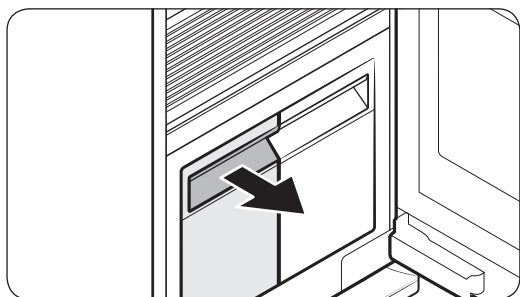
### Napełnianie zbiornika uzupełniającego

1. Wyciągnąć zbiornik uzupełniający.
2. Otworzyć tylną pokrywę i napełnić zbiornik do oznaczenia **MAX (MAKS.)**.
3. Włożyć zbiornik uzupełniający do urządzenia.

# Korzystanie z urządzenia i akcesoriów

## Zbiornik spustowy

Przed rozpoczęciem użytkowania urządzenia lub gdy nie będzie ono użytkowane przez długi czas, należy opróżnić zbiornik spustowy.



### Opróżnianie zbiornika spustowego

1. Wyciągnąć zbiornik spustowy.
2. Opróżnić zbiornik.
3. Włożyć zbiornik spustowy do urządzenia.

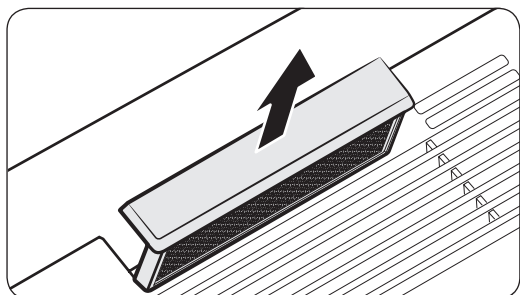
## Samsung Fresh Finish

Samsung Fresh Finish nadaje ubraniom przyjemny zapach.

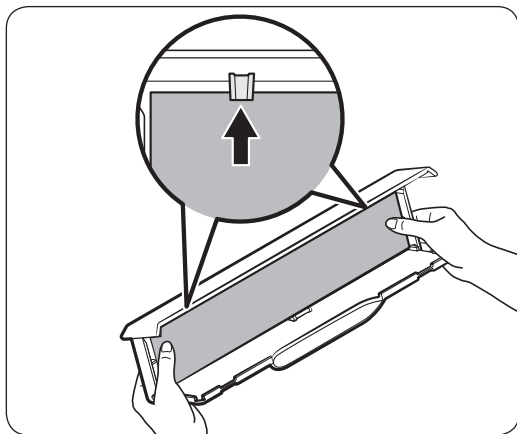
### UWAGA

- Spryskaj wkładkę bawełnianą wybranymi perfumami 4-5 razy i umieść ją w szufladzie Samsung Fresh Finish. Siła zapachu emitowanego przez Samsung Fresh Finish może się różnić w zależności od użytych perfum, a zapach może pozostać w urządzeniu AIRDRESSER nawet po zakończeniu cyklu.
- Pozostawienie wkładki bawełnianej w szufladzie Samsung Fresh Finish na zbyt długi czas może spowodować powstanie pleśni.

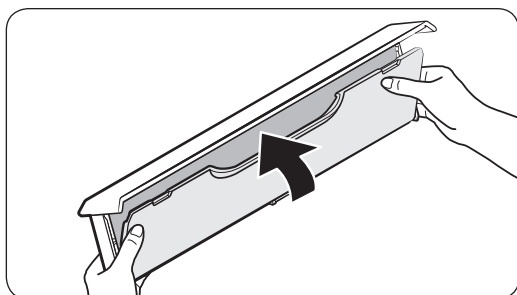
### Wymiana wkładki bawełnianej



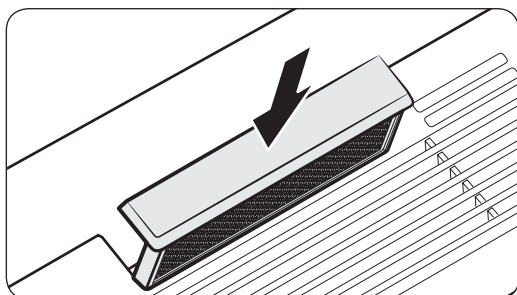
1. Wyjmij szufladę Samsung Fresh Finish.



2. Spryskaj wkładkę bawełnianą wybranymi perfumami 4-5 razy i umieść ją w szufladzie Samsung Fresh Finish.



3. Zamknij pokrywę szuflady Samsung Fresh Finish aż do usłyszenia kliknięcia.



4. Ponownie włóż szufladę Samsung Fresh Finish do urządzenia.

**UWAGA**

- W przypadku używania perfum do korzystania z Samsung Fresh Finish ich zapach może pozostać w urządzeniu AIRDRESSER nawet po zakończeniu cyklu.
- Wkładka bawełniana nie jest dołączona do produktu.
- Producent nie gwarantuje określonej wydajności Samsung Fresh Finish, ponieważ rezultaty zależą od rodzaju użytych perfum.

# Czyszczenie i konserwacja

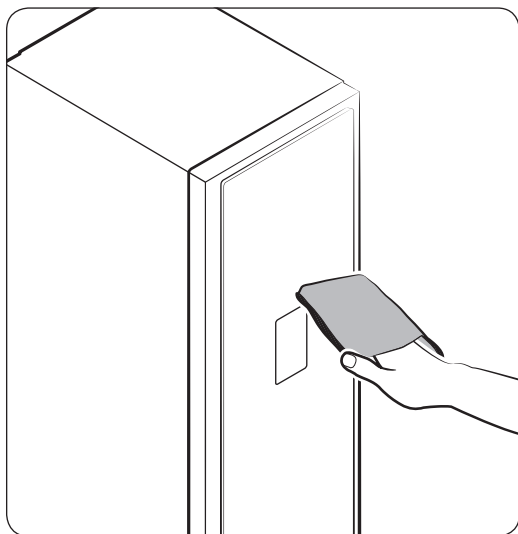
---

## PRZESTROGA

- Przed rozpoczęciem czyszczenia należy odłączyć urządzenie od zasilania.
- Nie wolno używać ściernych ani łatwopalnych środków czyszczących.
- Nie należy przyskać wodą bezpośrednio na urządzenie podczas czyszczenia.

## Obudowa

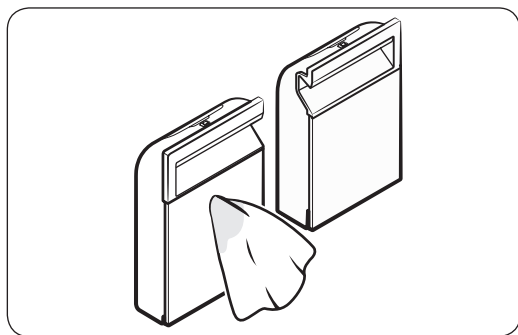
---



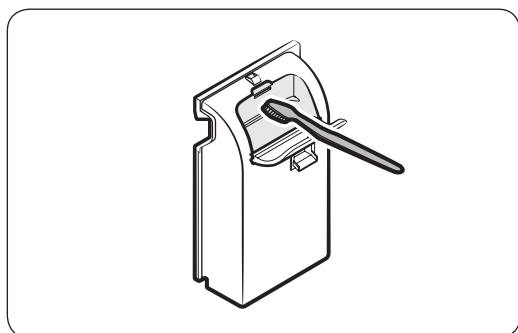
Użyć ściereczki do czyszczenia, aby wyczyścić obudowę. W przypadku uporczywych zabrudzeń użyć wilgotnej szmatki, a następnie wytrzeć powierzchnię na sucho.

## Zbiorniki wody

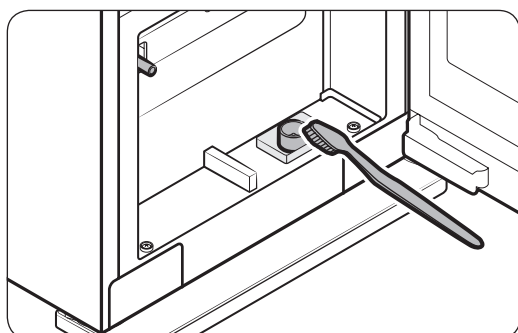
Regularnie czyścić oba zbiorniki. Całkowicie osuszyć przed ponownym włożeniem do urządzenia.



Użyć wilgotnej szmatki, aby wyczyścić od zewnątrz.



Za pomocą miękkiej szczotki wyczyścić wewnątrz.



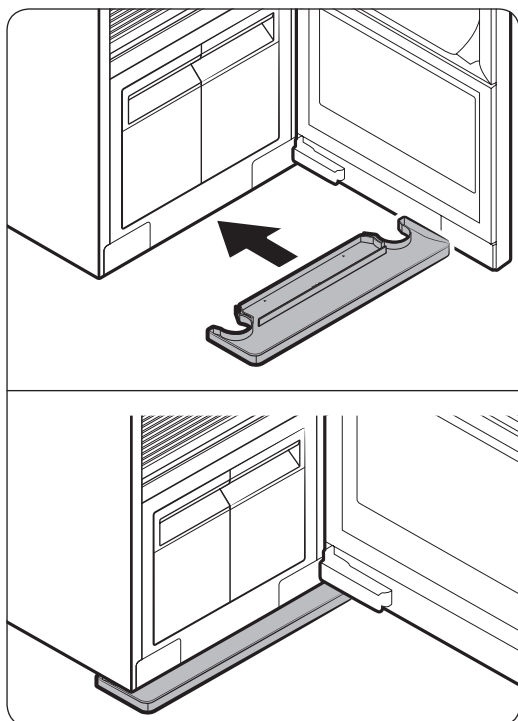
Za pomocą miękkiej szczotki wyczyścić wlot i wylot zbiorników.

# Czyszczenie i konserwacja

## Taca na wodę

### UWAGA

- Należy regularnie opróżniać tacę na wodę.
- Po wylaniu wody ponownie włożyć tacę do urządzenia.



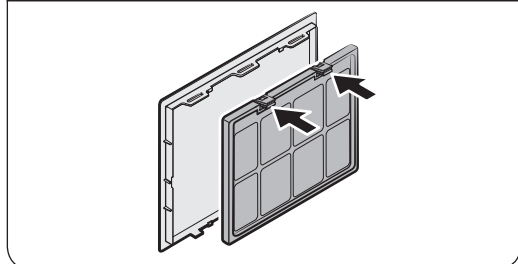
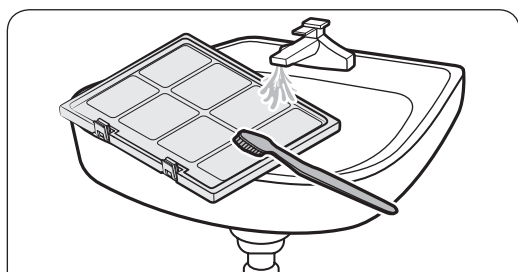
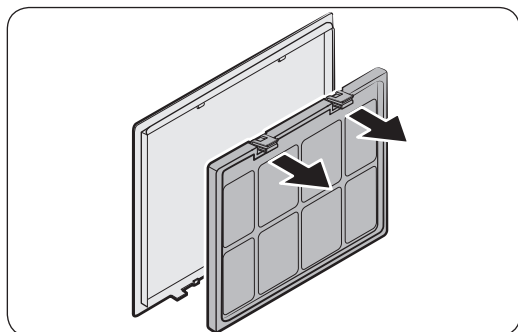
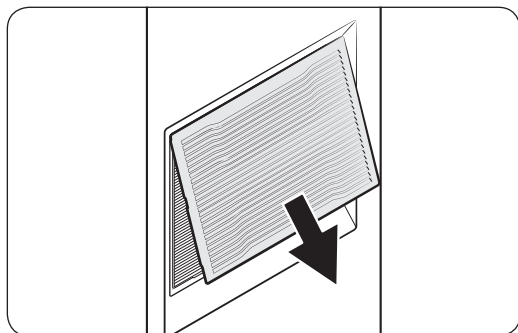
Należy prawidłowo włożyć tacę, jak pokazano na rysunkach.

- Upewnić się, że górna część jest skierowana ku górze.



## Filtr powietrza

Jeśli ciężkie ubrania lub ubrania przyciągające duże ilości kurzu są często umieszczane w urządzeniu, zalecamy regularne czyszczenie filtra powietrza.

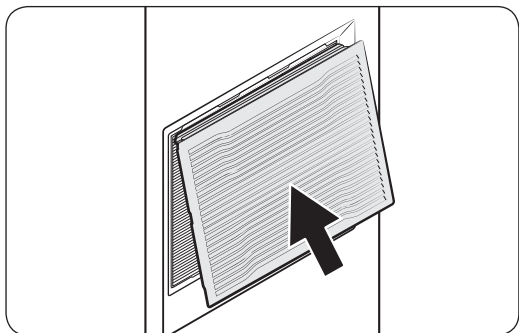


### Wymiana filtra powietrza

1. Chwycić dolną część pokrywy, aby ją wyciągnąć.
2. Naciskając dwa zaczepy na górnej części filtra, pociągnąć go w celu wyciągnięcia.
3. Wyczyścić filtr za pomocą szczotki i bieżącej wody.
4. Całkowicie osuszyć filtr w zacienionym miejscu i ponownie umieścić go w urządzeniu.

# Czyszczenie i konserwacja

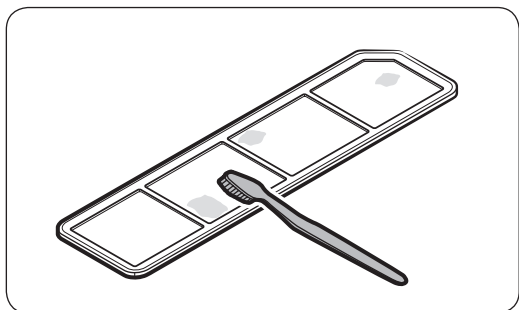
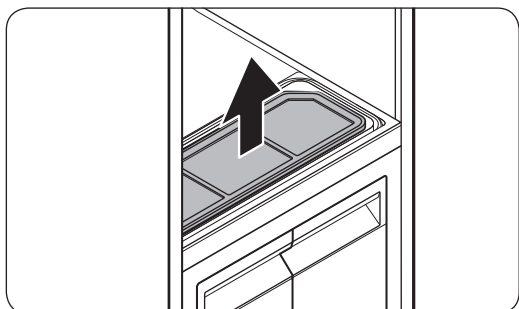
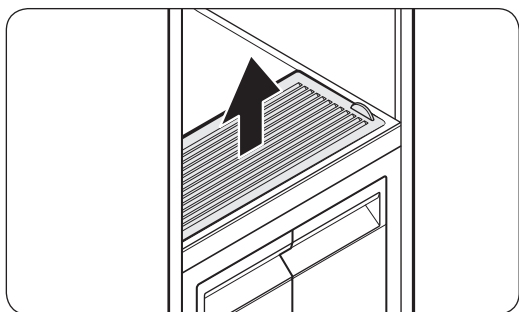
---



5. Włożyć górną część pokrywy do urządzenia, a następnie docisnąć pokrywę.

## Filtr wyłapujący włókna

- Aby uzyskać najlepsze rezultaty, należy czyścić filtr wyłapujący włókna przed lub po użytkowaniu urządzenia.
- Uszkodzony filtr wyłapujący włókna należy wymienić na nowy.



### Czyszczenie filtra wyłapującego włókna

1. Otworzyć pokrywę
2. Wyjąć filtr wyłapujący włókna.
3. Za pomocą szczotki i bieżącej wody wyczyścić filtr wyłapujący włókna. Całkowicie osuszyć filtr wyłapujący włókna w zacienionym miejscu.
4. Ponownie umieścić filtr wyłapujący włókna, a następnie zamknąć pokrywę.

# Czyszczenie i konserwacja

## Odkamienianie

Należy regularnie przeprowadzać procedurę odkamieniania, aby zwiększyć wydajność i wydłużyć okres eksploatacji urządzenia. Jeśli procedura odkamieniania nie zostanie przeprowadzona natychmiast po otrzymaniu komunikatu, działanie niektórych funkcji może być ograniczone, co może skutkować obniżeniem wydajności lub nawet skróceniem okresu eksploatacji urządzenia.

1. Gdy na wyświetlaczu pojawi się komunikat **Descaling Required (Wymagane odkamienianie)**, należy wyjąć wszystkie ubrania z urządzenia, a następnie nacisnąć i przytrzymać przyciski **Sanitize (Dezynfekcja)** i **Dry (Suszenie)** przez 3 sekundy.
2. Opróżnić zbiornik uzupełniający i zbiornik spustowy.
3. Rozcieńczyć środek odkamieniający w wodzie, zgodnie z zaleceniami producenta.
4. Napełnić zbiornik uzupełniający rozcieńczonym środkiem odkamieniającym do oznaczenia **MAX (MAKS.)**.
5. Nacisnąć i przytrzymać przycisk **Start/Pauza ▷||**, aby rozpocząć odkamienianie.
  - Jeśli komunikat **Drain the tank (Opróżnij zbiornik)** pojawi się na wyświetlaczu podczas odkamieniania, należy opróżnić zbiornik spustowy.
6. Jeśli komunikat **Refill/Drain the tank (Napełnij/opróźnij zbiornik)** pojawi się na wyświetlaczu, należy opróżnić zbiornik uzupełniający i zbiornik spustowy, a następnie wypłukać dokładnie oba zbiorniki.
7. Napełnić zbiornik uzupełniający czystą wodą do oznaczenia **MAX (MAKS.)**, a następnie ponownie umieścić zbiornik uzupełniający i zbiornik spustowy w urządzeniu.
8. Gdy komunikat **Supply/Drainage Complete (Napełnianie/opróznianie zakończone)** pojawi się na wyświetlaczu, dotknąć i przytrzymać przycisk **Start/Pauza ▷||**.
  - Jeśli komunikat **Drain the tank (Opróżnij zbiornik)** pojawi się na wyświetlaczu podczas odkamieniania, należy opróżnić zbiornik spustowy.
9. Po zakończeniu odkamieniania opróżnić zbiornik spustowy i napełnić zbiornik uzupełniający wodą.
  - Po wykonaniu wszystkich kroków można korzystać z urządzenia AIRDRESSER.

### UWAGA

- Hałas i drgania mogą wystąpić podczas procesu odkamieniania; jest to normalne zjawisko, które nie oznacza awarii urządzenia.
- Komunikat **Refill the tank (Napełnij zbiornik)** może pojawić się na wyświetlaczu w przypadku użycia urządzenia po raz pierwszy od zakończenia procedury odkamieniania. Jest to normalne zjawisko. Napełnić zbiornik uzupełniający wodą i nacisnąć przycisk **Start/Pauza ▷||**, aby wznowić działanie urządzenia.
- Jeśli środek odkamieniający nie zostanie dokładnie wypłukany, mogą formować się pęcherzyki powietrza. Po zakończeniu odkamieniania należy dokładnie wypłukać zbiornik uzupełniający i zbiornik spustowy.

---

## Przenoszenie urządzenia do innego miejsca

---

- Na spodzie urządzenia zamontowano dwa kółka, które wspomagają jego przenoszenie.
- Aby zapobiec przewróceniu się urządzenia podczas przenoszenia, zalecamy chwycenie go za środkową część w trakcie przesuwania. Nie pchać górnej ani dolnej części urządzenia.
- Przed rozpoczęciem przenoszenia urządzenia do innego miejsca opróżnić zbiornik uzupełniający i zbiornik spustowy. Jeśli zbiorniki nie zostaną opróżnione, może dojść do wycieku wody podczas przenoszenia.

# Rozwiązywanie problemów



## Komunikaty

| Komunikat                                                                                                                            | Działanie                                                                                                                                                                                                                                                                                                                                                                                                                                                                                                                                                                                           |
|--------------------------------------------------------------------------------------------------------------------------------------|-----------------------------------------------------------------------------------------------------------------------------------------------------------------------------------------------------------------------------------------------------------------------------------------------------------------------------------------------------------------------------------------------------------------------------------------------------------------------------------------------------------------------------------------------------------------------------------------------------|
| Refill the tank (Napełnij zbiornik)<br>Refill the tank with water (Napełnij zbiornik wodą)                                           | <ul style="list-style-type: none"><li>• Sprawdzić, czy w zbiorniku uzupełniającym znajduje się wystarczająca ilość wody.<ul style="list-style-type: none"><li>- Napełnić wodą do oznaczenia MAX (MAKS.), włożyć zbiornik uzupełniający do urządzenia, a następnie nacisnąć przycisk <b>Start/Pauza</b> ▷  , aby je uruchomić.</li></ul></li><li>• Sprawdzić, czy zbiornik uzupełniający został odpowiednio włożony.<ul style="list-style-type: none"><li>- Prawidłowo włożyć zbiornik spustowy, a następnie nacisnąć przycisk <b>Start/Pauza</b> ▷  , aby uruchomić urządzenie.</li></ul></li></ul> |
| Drain the tank (Opróżnij zbiornik)<br>Drain water from the tank (Usuń wodę ze zbiornika)                                             | <ul style="list-style-type: none"><li>• Sprawdzić, czy zbiornik spustowy jest pełny.<ul style="list-style-type: none"><li>- Opróżnić zbiornik spustowy, włożyć go do urządzenia, a następnie nacisnąć przycisk <b>Start/Pauza</b> ▷  , aby ją uruchomić.</li></ul></li><li>• Sprawdzić, czy zbiornik spustowy został odpowiednio włożony.<ul style="list-style-type: none"><li>- Prawidłowo włożyć zbiornik uzupełniający, a następnie nacisnąć przycisk <b>Start/Pauza</b> ▷  , aby uruchomić urządzenie.</li></ul></li></ul>                                                                      |
| Door Open (Drzwiczki otwarte)<br>Close the door & Start again (Zamknij drzwiczki i wznów pracę urządzenia)                           | <ul style="list-style-type: none"><li>• Sprawdzić, czy drzwiczki są otwarte.<ul style="list-style-type: none"><li>- Upewnić się, że drzwiczki są zamknięte, a następnie dotknąć przycisku <b>Start/Pauza</b> ▷  , aby uruchomić urządzenie.</li></ul></li></ul>                                                                                                                                                                                                                                                                                                                                     |
| Abnormality Alert (Alarm dotyczący nieprawidłowości)<br>Open the Door & Check Inside (Otwórz drzwiczki i sprawdź wnętrze urządzenia) | <ul style="list-style-type: none"><li>• Sprawdzić, czy drzwiczki są otwarte oraz czy funkcja Blokada rodzicielska jest włączona.<ul style="list-style-type: none"><li>- Upewnić się, że drzwiczki są zamknięte, a następnie dotknąć przycisku <b>Start/Pauza</b> ▷  , aby uruchomić urządzenie. Upewnić się, że dzieci ani zwierzęta nie znajdują się wewnątrz urządzenia.</li></ul></li></ul>                                                                                                                                                                                                      |
| WIFI Not Connected (Brak połączenia z siecią Wi-Fi)<br>Check the router (Sprawdź router)                                             | <ul style="list-style-type: none"><li>• Sprawdzić, czy router nie jest wyłączony.<ul style="list-style-type: none"><li>- Włączyć router, a następnie nawiązać połączenie z Internetem.</li></ul></li></ul>                                                                                                                                                                                                                                                                                                                                                                                          |

### UWAGA

Jeśli problem nadal występuje, skontaktować się z lokalnym infolinią firmy Samsung.

## Punkt kontrolny

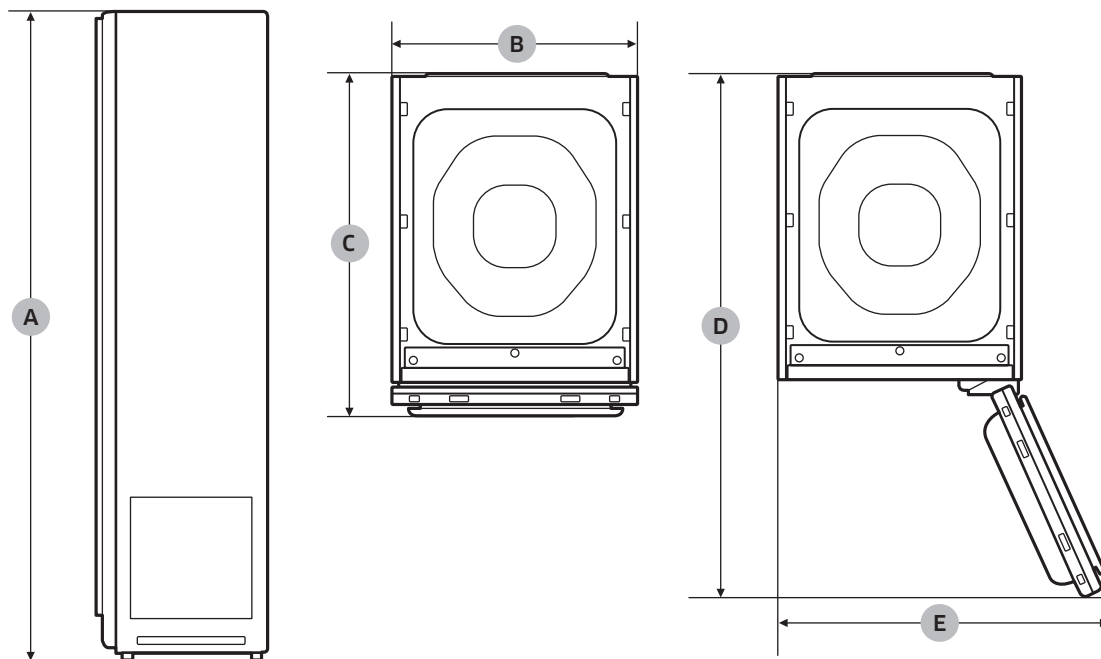
| Problem                                                           | Działanie                                                                                                                                                                                                                                                                                                                                                                                                                                                                                                                                                                                                                                                                                                                              |
|-------------------------------------------------------------------|----------------------------------------------------------------------------------------------------------------------------------------------------------------------------------------------------------------------------------------------------------------------------------------------------------------------------------------------------------------------------------------------------------------------------------------------------------------------------------------------------------------------------------------------------------------------------------------------------------------------------------------------------------------------------------------------------------------------------------------|
| Urządzenie się nie włącza.                                        | <ul style="list-style-type: none"> <li>Nacisnąć przycisk <b>Zasilanie</b> , aby włączyć urządzenie.</li> <li>Sprawdzić, czy przewód zasilający jest prawidłowo podłączony.</li> <li>Upewnić się, że wyłącznik obwodu jest włączony.</li> <li>Upewnić się, że przewód zasilający jest podłączony do gniazdka elektrycznego o odpowiednich parametrach znamionowych.</li> </ul>                                                                                                                                                                                                                                                                         |
| Urządzenie nie działa.                                            | <ul style="list-style-type: none"> <li>Upewnić się, że drzwiczki są zamknięte, a następnie dotknąć przycisku <b>Start/Pauza</b> .</li> <li>Jeśli słychać odgłosy przepływu wody lub wrzenia, urządzenie przygotowuje się do zastosowania pary. Jest to normalne zjawisko.</li> <li>Upewnić się, że funkcja Blokada rodzicielska jest wyłączona.</li> <li>Urządzenie może nie działać, jeśli zastosowano inną ciecz niż woda. Należy skontaktować się z infolinią firmy Samsung.</li> </ul>                                                                                                                                                            |
| Urządzenie hałasuje.                                              | <ul style="list-style-type: none"> <li>Urządzenie może wydawać różne dźwięki podczas pracy sprężarki. Jest to normalne zjawisko.</li> <li>Urządzenie może wydawać różne dźwięki podczas cyrkulacji powietrza. Jest to normalne zjawisko.</li> <li>Urządzenie może generować różne dźwięki przed i w trakcie stosowania pary. Jest to normalne zjawisko.</li> <li>Urządzenie może generować różne dźwięki podczas wypompowywania i usuwania wody. Jest to normalne zjawisko.</li> <li>W przypadku otwarcia drzwiczek hałas może dobiegać ze zbiornika uzupełniającego, gdy woda przepływa przez rurę. Jest to normalne zjawisko.</li> <li>Jeśli poziom hałasu wzrośnie, skontaktować się z lokalnym infolinią firmy Samsung.</li> </ul> |
| Panel sterowania nie działa.                                      | <ul style="list-style-type: none"> <li>Po podłączeniu urządzenia do zasilania odczekać chwilę i spróbować ponownie. Panel sterowania powinien być aktywny po upłynięciu 10 sekund od podłączenia przewodu zasilającego.</li> <li>Wyczyścić panel sterowania i spróbować ponownie. Jeśli problem nadal występuje, skontaktować się z infolinią firmy Samsung.</li> </ul>                                                                                                                                                                                                                                                                                                                                                                |
| Urządzenie drga.                                                  | <ul style="list-style-type: none"> <li>Upewnić się, że urządzenie zostało zamontowane na solidnej, równej powierzchni.</li> <li>Upewnić się, że urządzenie jest wypoziomowane.</li> </ul>                                                                                                                                                                                                                                                                                                                                                                                                                                                                                                                                              |
| Zbiornik uzupełniający jest pusty po pierwszym użyciu urządzenia. | <ul style="list-style-type: none"> <li>W przypadku pierwszego użycia urządzenie zużywa większą ilość wody. Jest to normalne zjawisko.</li> </ul>                                                                                                                                                                                                                                                                                                                                                                                                                                                                                                                                                                                       |

# Rozwiązywanie problemów

| Problem                                                  | Działanie                                                                                                                                                                                                                                                                                                                                                                                                                                                                                                                                                                                                                                                      |
|----------------------------------------------------------|----------------------------------------------------------------------------------------------------------------------------------------------------------------------------------------------------------------------------------------------------------------------------------------------------------------------------------------------------------------------------------------------------------------------------------------------------------------------------------------------------------------------------------------------------------------------------------------------------------------------------------------------------------------|
| Para lub powietrze wydobywa się z za drzwiczek.          | <ul style="list-style-type: none"><li>• Upewnić się, że żadne przedmioty nie zostały przytrzaśnięte drzwiczkami.</li><li>• Sprawdzić, czy drzwiczki są prawidłowo zamknięte.</li></ul>                                                                                                                                                                                                                                                                                                                                                                                                                                                                         |
| Czas pracy się wydłuża.                                  | <ul style="list-style-type: none"><li>• Wysuszenie mokrych ubrań może zająć więcej czasu. Czas pracy może się wydłużyć w zależności od ilości i poziomu wilgotności ubrań.</li></ul>                                                                                                                                                                                                                                                                                                                                                                                                                                                                           |
| Ubrania są mokre po zakończeniu cyklu.                   | <ul style="list-style-type: none"><li>• Upewnić się, że filtr wyłapujący włókna jest czysty i odpowiednio włożony.</li><li>• Sprawdzić, czy uszczelnienie drzwiczek nie jest uszkodzone oraz czy ubrania nie zostały przytrzaśnięte drzwiczkami. Jeśli uszczelnienie drzwiczek jest uszkodzone, odłączyć przewód zasilający i skontaktować się z infolinią firmy Samsung.</li></ul>                                                                                                                                                                                                                                                                            |
| Nie usunięto brzydkiego zapachu ubrań.                   | <ul style="list-style-type: none"><li>• Wyprać ubrania o intensywnym zapachu lub ubrania, które były przechowywane przez długi czas.</li><li>• Wyprać ubrania zanieczyszczone przez oleje.</li><li>• Usunięcie nieprzyjemnego zapachu z ubrań o dużych rozmiarach, takich jak kurtki puchowe, może być problematyczne. Umieścić ubrania o dużych rozmiarach oddzielnie i w razie potrzeby uruchomić dodatkowy cykl.</li><li>• Nie umieszczać ubrań o intensywnym zapachu w urządzeniu wraz z innymi przedmiotami. Posegregować ubrania według intensywności zapachu.</li><li>• Upewnić się, że filtr wyłapujący włókna oraz oba zbiorniki są czyste.</li></ul> |
| Zagniecenia nie zostały usunięte.                        | <ul style="list-style-type: none"><li>• Wyprasować ubrania, które były przechowywane przez długi czas.</li></ul>                                                                                                                                                                                                                                                                                                                                                                                                                                                                                                                                               |
| Dym wydobywa się z urządzenia, gdy drzwiczki są otwarte. | <ul style="list-style-type: none"><li>• Niektóre cykle powodują generowanie pary, która może przypominać dym. Jest to normalne zjawisko.</li></ul>                                                                                                                                                                                                                                                                                                                                                                                                                                                                                                             |



# Dane techniczne



| Typ                                                       |                                         | System do odświeżania odzieży (AIRDRESSER) |                                           |
|-----------------------------------------------------------|-----------------------------------------|--------------------------------------------|-------------------------------------------|
|                                                           |                                         | DF60*8****G                                |                                           |
| Wymiary (mm)                                              | A. Wysokość                             | 1850                                       |                                           |
|                                                           | B. Szerokość                            | 445                                        |                                           |
|                                                           | C. Głębokość                            | 615                                        |                                           |
|                                                           | D. Głębokość przy otwartych drzwiczkach | 1001                                       |                                           |
|                                                           | E. Szerokość przy otwartych drzwiczkach | 618                                        |                                           |
| Moc znamionowa                                            |                                         | 220-240 V/50 Hz<br>1700-1900 W             |                                           |
| Bezpiecznik (stały bezpiecznik zamontowany na płycie PBA) |                                         | 250 V/12 A                                 |                                           |
|                                                           |                                         | Rodzaj rury                                | Rodzaj o wysokiej odporności na pęknięcie |
| Masa (kg)                                                 |                                         | 89,0                                       |                                           |

Dane techniczne

# Notatki

---

# Notatki

---

**MASZ PYTANIA LUB UWAGI?**

| KRAJ        | ZADZWOŃ DO NAS                                                           | LUB ODWIEDŹ NASZĄ STRONĘ                                                            |
|-------------|--------------------------------------------------------------------------|-------------------------------------------------------------------------------------|
| ITALIA      | 800-SAMSUNG (800.7267864)                                                | <a href="http://www.samsung.com/it/support">www.samsung.com/it/support</a>          |
| NETHERLANDS | 088 90 90 100                                                            | <a href="http://www.samsung.com/nl/support">www.samsung.com/nl/support</a>          |
| LATVIA      | 8000-7267                                                                | <a href="http://www.samsung.com/lv/support">www.samsung.com/lv/support</a>          |
| LITHUANIA   | 8-800-77777                                                              | <a href="http://www.samsung.com/lt/support">www.samsung.com/lt/support</a>          |
| ESTONIA     | 800-7267                                                                 | <a href="http://www.samsung.com/ee/support">www.samsung.com/ee/support</a>          |
| POLAND      | 801-172-678* lub +48 22 607-93-33*<br>* (opłata według taryfy operatora) | <a href="http://www.samsung.com/pl/support/">http://www.samsung.com/pl/support/</a> |



DC68-04022G-00