

# **SILVERLINE**

---

**DISHWASHER  
USER MANUAL**

**LAVASTOVIGLIE  
MANUALE UTENTE**

---

**MODEL  
D11046X02**

# **PART I : Generic Version**

Please read this manual carefully before using the dishwasher  
Keep this manual for future reference.

# CONTENTS

01	3	<b>SAFETY INFORMATION</b>
02	8	<b>PRODUCT OVERVIEW</b>
03	9	<b>USING YOUR DISHWASHER</b>
	9	Loading The Salt Into The Softener
	11	Basket Used Tips
04	13	<b>MAINTENANCE AND CLEANING</b>
	13	External Care
	13	Internal Care
	16	Caring For The Dishwasher
05	17	<b>INSTALLATION INSTRUCTION</b>
	17	About Power Connection
	18	Water Supply And Drain
	19	Connection Of Drain Hoses
	20	Position The Appliance
	20	Free Standing Installation
06	21	Built-In Installation(for the integrated model)
	25	<b>TROUBLESHOOTING TIPS</b>
07	28	<b>LOADING THE BASKETS</b>
	31	Cutlery Rack Used Tips



## NOTE:

- Reviewing the section on troubleshooting Tips will help you solve some common problems by yourself.
- If you cannot solve the problems by yourself, please ask for help from a professional technician.
- The manufacturer, following a policy of constant development and updating of the product, may make modifications without giving prior notice.
- If lost or out-of-date, you can receive a new user manual from the manufacturer or responsible vendor.

# SAFETY INFORMATION

## **⚠ WARNING**

**When using your dishwasher, follow the precautions listed below:**

- Installation and repair can only be carried out by a qualified technician
- This appliance is intended to be used in household and similar applications such as:
  - staff kitchen areas in shops, offices and other working environments;
  - farm houses;
  - by clients in hotels, motels and other residential type environments;
  - bed and breakfast type environments.
- This appliance can be used by children aged from 8 years and above and persons with reduced physical, sensory or mental capabilities or lack of experience and knowledge if they have been given supervision or instruction concerning use of the appliance in a safe way and understand the hazards involved.
- Children shall not play with the appliance. Cleaning and user maintenance shall not be done by children without supervision. (For EN60335-1)  
This appliance is not intended for use by persons (including children ) with reduced physical, sensory or

mental capabilities, or lack of experience and knowledge, unless they have been given supervision or instruction concerning use of the appliance by a person responsible for their safety. (For IEC60335-1 )

- Packaging material could be dangerous for children!
- This appliance is for indoor household use only.  
To protect against the risk of electrical shock, do not immerse the unit, cord or plug in water or other liquid.
- Please unplug before cleaning and performing maintenance on the appliance.
- Use a soft cloth moistened with mild soap, and then use a dry cloth to wipe it again.



## **Earthing Instructions**

---

- This appliance must be earthed. In the event of a malfunction or breakdown, earthing will reduce the risk of an electric shock by providing a path of least resistance of electric current. This appliance is equipped with an earthing conductor plug.
- The plug must be plugged into an appropriate outlet that is installed and earthed in accordance with all local codes and ordinances.
- Improper connection of the equipment-earthing conductor can result in the risk of an electric shock.
- Check with a qualified electrician or service representative if you are in doubt whether the appliance is properly grounded.

- Do not modify the plug provided with the appliance; If it does not fit the outlet.
- Have a proper outlet installed by a qualified electrician.
- Do not abuse, sit on, or stand on the door or dish rack of the dishwasher.
- Do not operate your dishwasher unless all enclosure panels are properly in place.
- Open the door very carefully if the dishwasher is operating, there is a risk of water squirting out.
- Do not place any heavy objects on or stand on the door when it is open. The appliance could tip forward.
- When loading items to be washed:
  - 1) Locate sharp items so that they are not likely to damage the door seal;
  - 2) Warning: Knives and other utensils with sharp points must be loaded in the basket with their points facing down or placed in a horizontal position.
- Some dishwasher detergents are strongly alkaline. They can be extremely dangerous if swallowed. Avoid contact with the skin and eyes and keep children away from the dishwasher when the door is open.
- Check that the detergent powder is empty after completion of the wash cycle.

- Do not wash plastic items unless they are marked “dishwasher safe” or the equivalent.
- For unmarked plastic items not so marked, check the manufacturer's recommendations.
- Use only detergent and rinse agents recommended for use in an automatic dishwasher.
- Never use soap, laundry detergent, or hand washing detergent in your dishwasher.
- The door should not be left open, since this could increase the risk of tripping.  
If the supply cord is damaged, it must be replaced by the manufacturer or its service agent or a similarly qualified person in order to avoid a hazard.
- During installation, the power supply must not be excessively or dangerously bent or flattened.
- Do not tamper with controls.
- The appliance needs to be connected to the main water valve using new hose sets. Old sets should not be reused.
- To save energy, in stand by mode, the appliance will switch off automatically while there is no any operation in 15 minutes.
- The maximum number of place settings to be washed is 14.
- The maximum permissible inlet water pressure is 1MPa.
- The minimum permissible inlet water pressure is 0.04MPa.

## Disposal

---

- For disposing of package and the appliance please go to a recycling center. Therefore cut off the power supply cable and make the door closing device unusable.



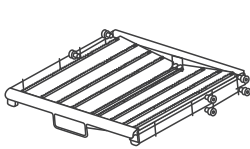
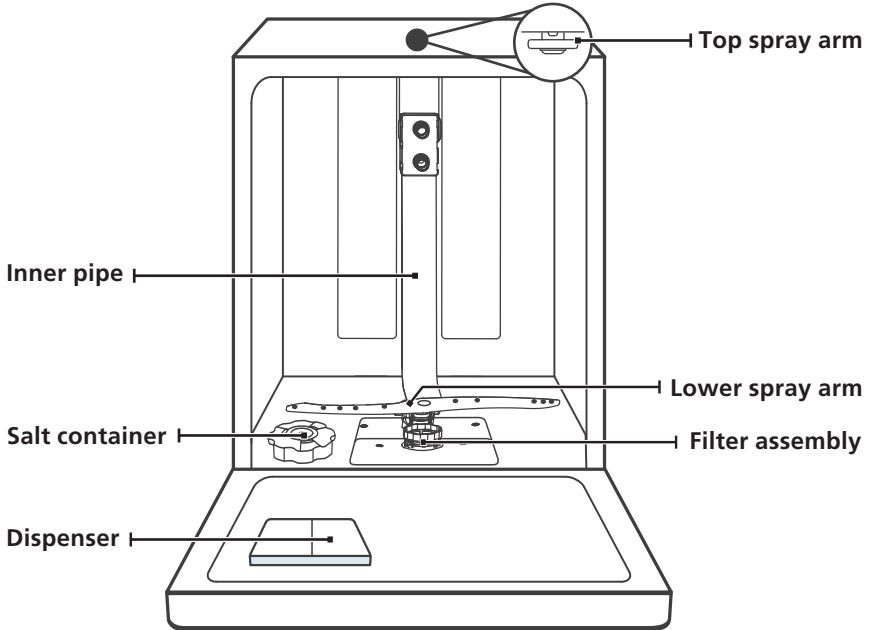
- Cardboard packaging is manufactured from recycled paper and should be disposed in the waste paper collection for recycling.
- By ensuring this product is disposed of correctly, you will help prevent potential negative consequences for the environment and human health, which could otherwise be caused by inappropriate waste handling of this product.
- For more detailed information about recycling of this product, please contact your local city office and your household waste disposal service.
- **DISPOSAL: Do not dispose this product as unsorted municipal waste. Collection of such waste separately for special treatment is necessary.**



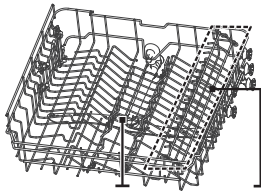
# PRODUCT OVERVIEW

## ❗ IMPORTANT:

To get the best performance from your dishwasher, read all operating instructions before using it for the first time.

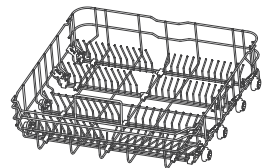


Cutlery rack



Upper spray arm Cup rack

Upper basket



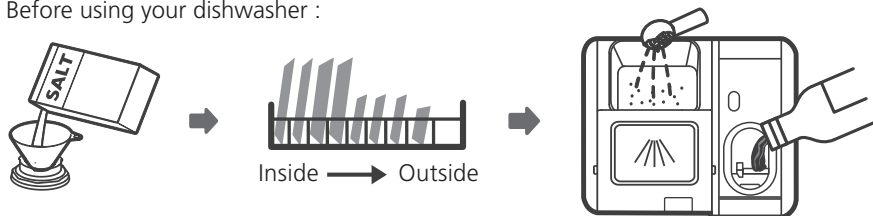
Lower basket

## 💡 NOTE:

Pictures are only for reference, different models may be different. Please prevail in kind.

# USING YOUR DISHWASHER

Before using your dishwasher :



1. Set the water softener
2. Loading the salt Into the softener
3. Loading the basket
4. Fill the dispenser



Please check the section 1 “Water Softener” of PART II : Special Version, if you need to set the water softener .

## Loading The Salt Into The Softener

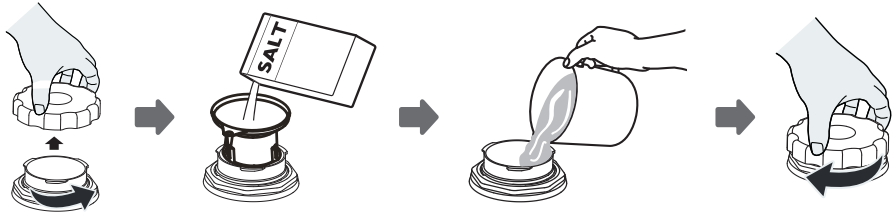
### NOTE:

If your model does not have any water softener, you may skip this section. Always use salt intended for dishwasher use. The salt container is located beneath the lower basket and should be filled as explained in the following:

### WARNING


- **Only use salt specifically designed for dishwashers use!**  
Every other type of salt not specifically designed for dishwasher use, especially table salt, will damage the water softener. In case of damages caused by the use of unsuitable salt the manufacturer does not give any warranty nor is liable for any damages caused.
- **Only fill with salt before running a cycle.**  
This will prevent any grains of salt or salty water, which may have been spilled, remaining on the bottom of the machine for any period of time, which may cause corrosion.

Please follow the steps below for adding dishwasher salt:



1. Remove the lower basket and unscrew the reservoir cap.
2. Place the end of the funnel (if supplied) into the hole and pour in about 1.5kg of dishwasher salt.
3. Fill the salt container to its maximum limit with water, It is normal for a small amount of water to come out of the salt container.
4. After filling the container, screw back the cap tightly.
5. The salt warning light will stop being after the salt container has been filled with salt.
6. Immediately after filling the salt into the salt container, a washing program should be started (We suggest to use a short program). Otherwise the filter system, pump or other important parts of the machine may be damaged by salty water. This is out of warranty.

### **NOTE:**

- The salt container must only be refilled when the salt warning light (  ) in the control panel comes on. Depending on how well the salt dissolves, the salt warning light may still be on even though the salt container is filled. If there is no salt warning light in the control panel (for some Models), you can estimate when to fill the salt into the softener by the cycles that the dishwasher has run.
- If salt has spilled, run a soak or quick program to remove it.

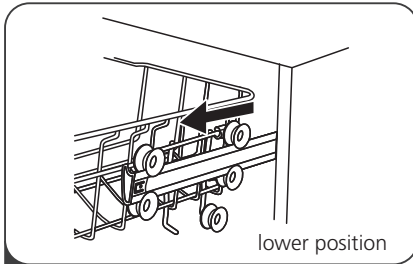
# Basket Used Tips

## Adjusting the upper basket

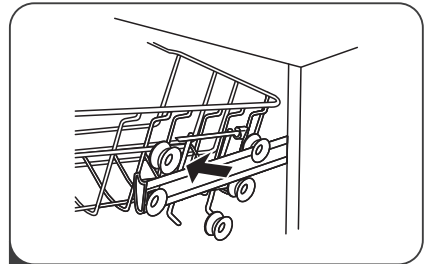
### Type 1:

The height of the upper basket can be easily adjusted to accommodate taller dishes in either the upper or lower basket.

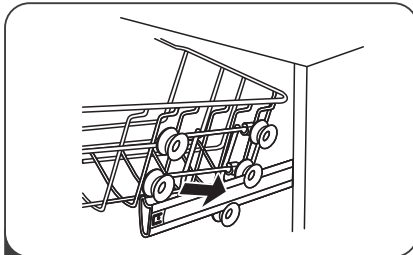
To adjust the height of the upper rack, follow these steps:



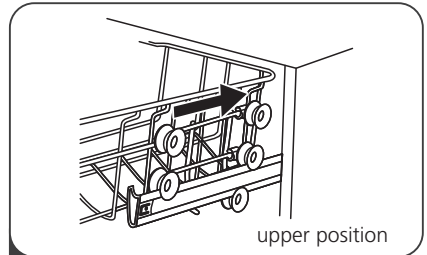
**1** Pull out the upper basket.



**2** Remove the upper basket.

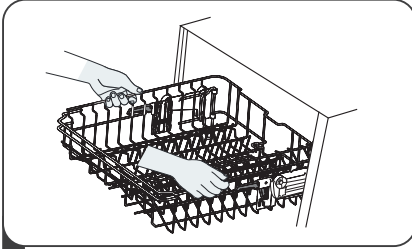


**3** Re-attach the upper basket to upper or lower rollers.

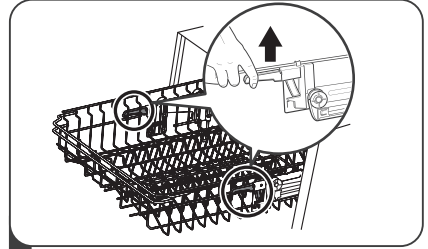


**4** Push in the upper basket.

## Type 2:



- 1 To raise the upper basket, just lift the upper basket at the center of each side until the basket locks into place in the upper position. It is not necessary to lift the adjuster handle.



- 2 To lower the upper basket, lift the adjust handles on each side to release the basket and lower it to the lower position.

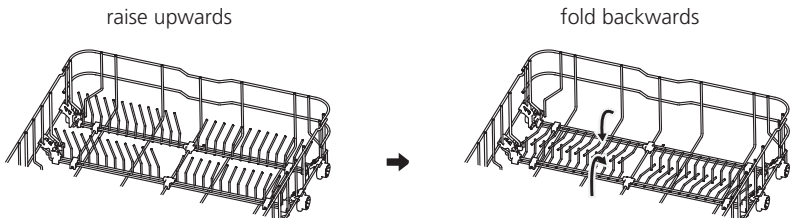
## Folding back the cup shelves

To make room for taller items in the upper basket, raise the cup rack upwards. You can then lean the tall glasses against it. You can also remove it when it is not required for use.



## Folding back the rack shelves

The spikes of the lower basket are used for holding plates and a platter. They can be lowered to make more room for large items.



# MAINTENANCE AND CLEANING

## External Care

---

### The door and the door seal

Clean the door seals regularly with a soft damp cloth to remove food deposits. When the dishwasher is being loaded, food and drink residues may drip onto the sides of the dishwasher door. These surfaces are outside the wash cabinet and are not accessed by water from the spray arms. Any deposits should be wiped off before the door is closed.

### The control panel

If cleaning is required, the control panel should be wiped with a soft damp cloth only.

#### **WARNING**

- To avoid penetration of water into the door lock and electrical components, do not use a spray cleaner of any kind.
- Never use abrasive cleaners or scouring pads on the outer surfaces because they may scratch the finish. Some paper towels may also scratch or leave marks on the surface.

## Internal Care

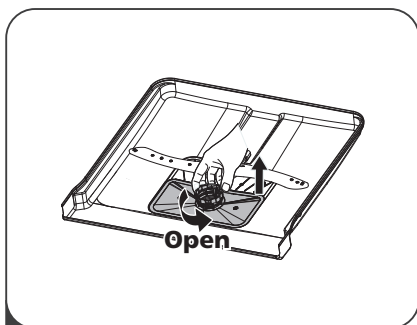
---

### Filtering system

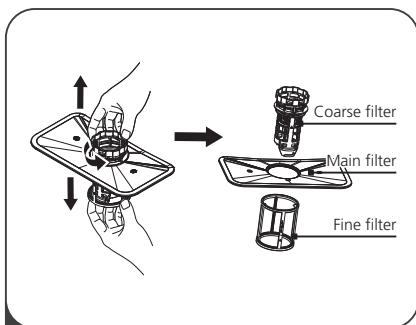
The filtering system in the base of the wash cabinet retains coarse debris from the washing cycle. The collected coarse debris may cause the filters to clog. Check the condition of the filters regularly and clean them if necessary under running water. Follow the steps below to clean the filters in the wash cabinet.

#### **NOTE:**

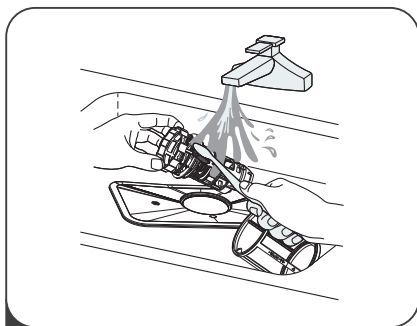
Pictures are only for reference, different models of the filtering system and spray arms may be different.



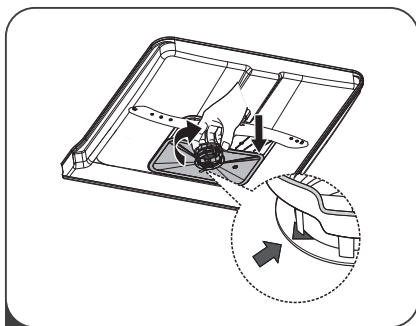
- 1 Hold the coarse filter and rotate it anticlockwise to unlock the filter. Lift the filter upwards and out of the dishwasher.



- 2 The fine filter can be pulled off the bottom of the filter assembly. The coarse filter can be detached from the main filter by gently squeezing the tabs at the top and pulling it away.



- 3 Larger food remnants can be cleaned by rinsing the filter under running water. For a more thorough clean, use a soft cleaning brush.



- 4 Reassemble the filters in the reverse order of the disassembly, replace the filter insert, and rotate clockwise to the close arrow.

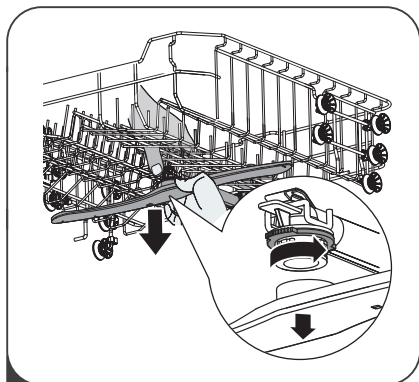
### **⚠ WARNING**

- Do not over tighten the filters. Put the filters back in sequence securely, otherwise coarse debris could get into the system and cause a blockage.
- Never use the dishwasher without filters in place. Improper replacement of the filter may reduce the performance level of the appliance and damage dishes and utensils.

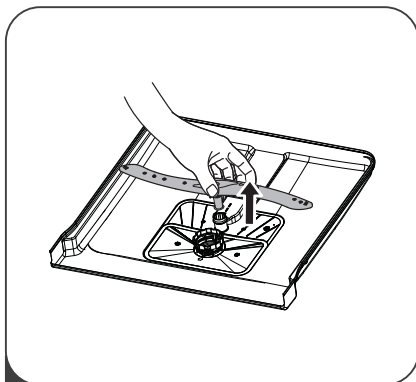
## Spray arms

It is necessary to clean the spray arms regularly for hard water chemicals will clog the spray arm jets and bearings.

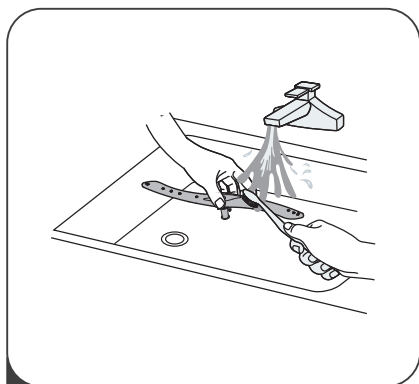
To clean the spray arms, follow the instructions below:



- 1** To remove the upper spray arm, hold the nut in the center still and rotate the spray arm counterclockwise to remove it.



- 2** To remove the lower spray arm, pull out the spray arm upward.



- 3** Wash the arms in soapy and warm water and use a soft brush to clean the jets. Replace them after rinsing them thoroughly.



# Caring For The Dishwasher

---

## Frost precaution

Please take frost protection measures on the dishwasher in winter. Every time after washing cycles, please operate as follows:

1. Cut off the electrical power to the dishwasher at the supply source.
2. Turn off the water supply and disconnect the water inlet pipe from the water valve.
3. Drain the water from the inlet pipe and water valve. (Use a pan to gather the water)
4. Reconnect the water inlet pipe to the water valve.
5. Remove the filter at the bottom of the tub and use a sponge to soak up water in the sump.

## After every wash

After every wash, turn off the water supply to the appliance and leave the door slightly open so that moisture and odors are not trapped inside.

## Remove the plug

Before cleaning or performing maintenance, always remove the plug from the socket.

## No solvents or abrasive cleaning

To clean the exterior and rubber parts of the dishwasher, do not use solvents or abrasive cleaning products. Only use a cloth with warm soapy water.

To remove spots or stains from the surface of the interior, use a cloth dampened with water and a little vinegar, or a cleaning product made specifically for dishwashers.

## When not in use for a longtime

It is recommended that you run a wash cycle with the dishwasher empty and then remove the plug from the socket, turn off the water supply and leave the door of the appliance slightly open. This will help the door seals to last longer and prevent odors from forming within the appliance.

## Moving the appliance

If the appliance must be moved, try to keep it in the vertical position. If absolutely necessary, it can be positioned on its back.

## Seals

One of the factors that cause odours to form in the dishwasher is food that remains trapped in the seals. Periodic cleaning with a damp sponge will prevent this from occurring.

# INSTALLATION INSTRUCTION

## ⚠ WARNING



### Electrical Shock Hazard

Disconnect electrical power before installing dishwasher. Failure to do so could result in death or electrical shock.

## ⚠ Attention

The installation of the pipes and electrical equipments should be done by professionals.

## About Power Connection

## ⚠ WARNING

For personal safety:

- Do not use an extension cord or an adapter plug with this appliance.
- Do not, under any circumstances, cut or remove the earthing connection from the power cord.

### Electrical requirements

Please look at the rating label to know the rating voltage and connect the dishwasher to the appropriate power supply. Use the required fuse 10A/13A/16A, time delay fuse or circuit breaker recommended and provide separate circuit serving only this appliance.

### Electrical connection

Ensure the voltage and frequency of the power being corresponds to those on the rating plate. Only insert the plug into an electrical socket which is earthed properly. If the electrical socket to which the appliance must be connected is not appropriate for the plug, replace the socket, rather than using a adaptors or the like as they could cause overheating and burns.

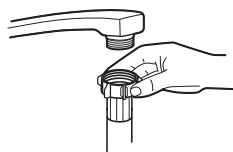
⚠ Ensure that proper earthing exists before use

# Water Supply And Drain

## Cold water connection

Connect the cold water supply hose to a threaded 3/4(inch) connector and make sure that it is fastened tightly in place.

If the water pipes are new or have not been used for an extended period of time, let the water run to make sure that the water is clear. This precaution is needed to avoid the risk of the water inlet to be blocked and damage the appliance.



ordinary supply hose



safety supply hose

## About the safety supply hose

The safety supply hose consists of the double walls. The hose's system guarantees its intervention by blocking the flow of water in case of the supply hose breaking and when the air space between the supply hose itself and the outer corrugated hose is full of water.

### **⚠ WARNING**

A hose that attaches to a sink spray can burst if it is installed on the same water line as the dishwasher. If your sink has one, it is recommended that the hose be disconnected and the hole plugged.

## How to connect the safety supply hose

1. Pull The safety supply hoses completely out from storage compartment located at rear of dishwasher.
2. Tighter the screws of the safety supply hose to the faucet with thread 3/4inch.
3. Turn water fully on before starting the dishwasher.

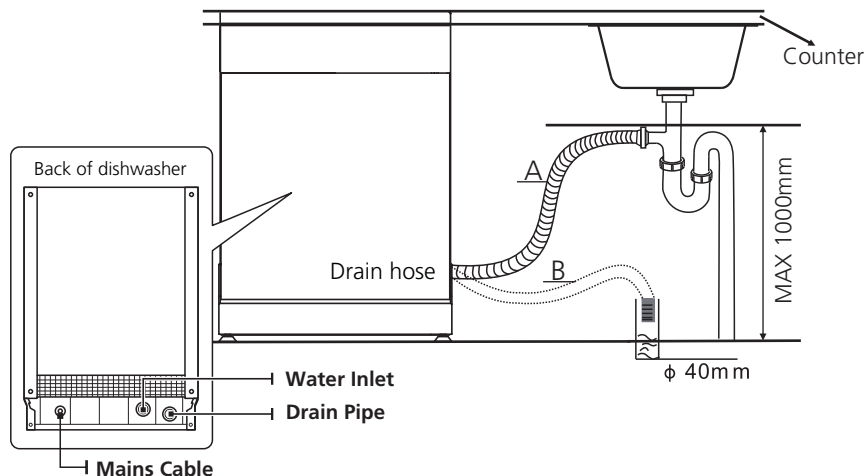
## How to disconnect the safety supply hose

1. Turn off the water.
2. Unscrew the safety supply hose from the faucet.

# Connection Of Drain Hoses

Insert the drain hose into a drain pipe with a minimum diameter of 4 cm, or let it run into the sink, making sure to avoid bending or crimping it. The height of drain pipe must be less than 1000mm. The free end of the hose must not be immersed in water to avoid the back flow of it.

**⚠** Please securely fix the drain hose in either position A or position B



## How to drain excess water from hoses

If the sink is 1000 higher from the floor, the excess water in hoses cannot be drained directly into the sink. It will be necessary to drain excess water from hoses into a bowl or suitable container that is held outside and lower than the sink.

## Water outlet

Connect the water drain hose. The drain hose must be correctly fitted to avoid water leaks. Ensure that the water drain hose is not kinked or squashed.

## Extension hose

If you need a drain hose extension, make sure to use a similar drain hose. It must be no longer than 4 meters; otherwise the cleaning effect of the dishwasher could be reduced.

## Syphon connection

The waste connection must be at a height less than 100 cm (maximum) from the bottom of the dish. The water drain hose should be fixed .

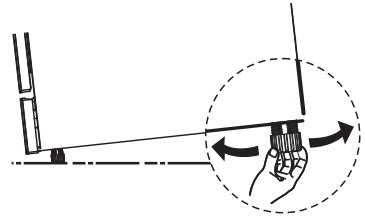
# Position The Appliance

---

Position the appliance in the desired location. The back should rest against the wall behind it, and the sides, along the adjacent cabinets or walls. The dishwasher is equipped with water supply and drain hoses that can be positioned either to the right or the left sides to facilitate proper installation.

## Levelling the appliance

Once the appliance is positioned for levelling, the height of the dishwasher may be altered via adjustment of the screwing level of the feet. In any case, the appliance should not be inclined more than 2° .



### **NOTE:**

Only apply to the free standing dishwasher.

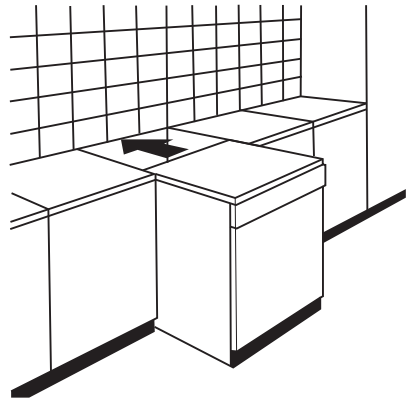
# Free Standing Installation

---

## Fitting between existing carbinets

The height of the dishwasher, 845 mm, has been designed in order to allow the machine to be fitted between existing cabinets of the same height in modern fitted kitchens. The feet can be adjusted so that correct height is reached.

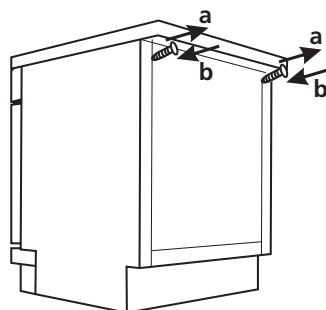
The laminated top of the machine does not require any particular care since it is heatproof, scratchproof and stainproof.



## Underneath existing work top

(When fitting beneath a work top)

In most modern fitted kitchens there is only one single work top under which cabinets and electrical appliances are fitted. In this case remove the work top of the dishwasher by unscrewing the screws under the rear edge of the top (a).



### ⚠ Attention

After removing the work top, the screws must be screwed again under the rear edge of the top (b).

The height will then be reduced to 815 mm, as scheduled by the International Regulations (ISO) and the dishwasher will fit perfectly under the kitchen working top

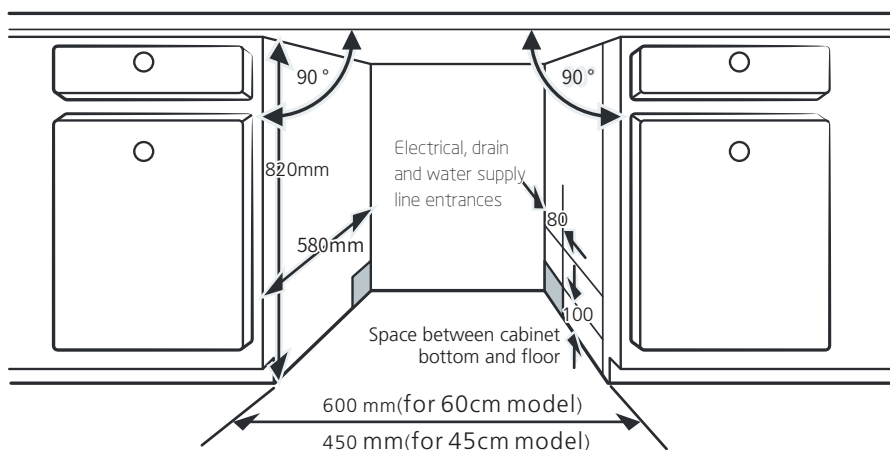
## Built-In Installation (for the integrated model)

### Step 1. Selecting the best location for the dishwasher

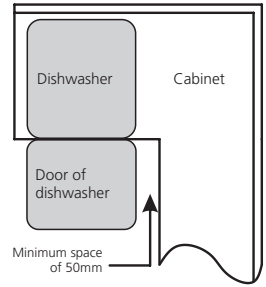
The installation position of dishwasher should be near the existing inlet and drain hoses and power cord.

Illustrations of cabinet dimensions and installation position of the dishwasher.

1. Less than 5 mm between the top of dishwasher and cabinet and the outer door aligned to cabinet.



2. If dishwasher is installed at the corner of the cabinet, there should be some space when the door is opened.



**NOTE:**

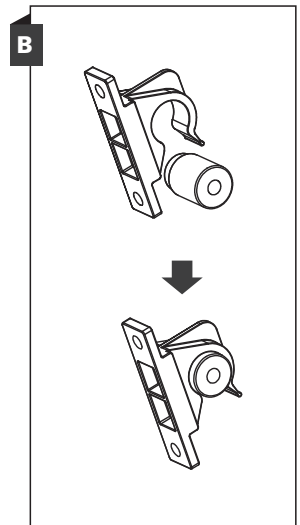
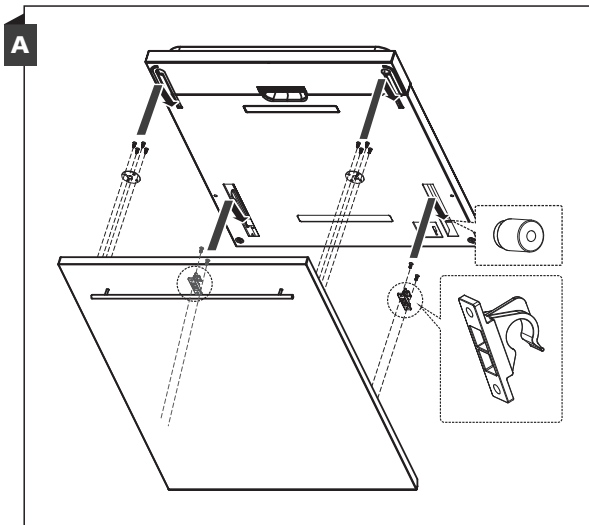
Depending on where your electrical outlet is, you may need to cut a hole in the opposite cabinet side.

## Step 2. Aesthetic panel's dimensions and installation



The aesthetic wooden panel could be processed according to the installation drawings.

Install the hook on the aesthetic wooden panel (see figure 4A) and put the hook into the slot of the outer door of dishwasher (see figure 4B). After positioning of the panel, press top of the aesthetic wooden panel to make sure that the plastic hook are fastened.

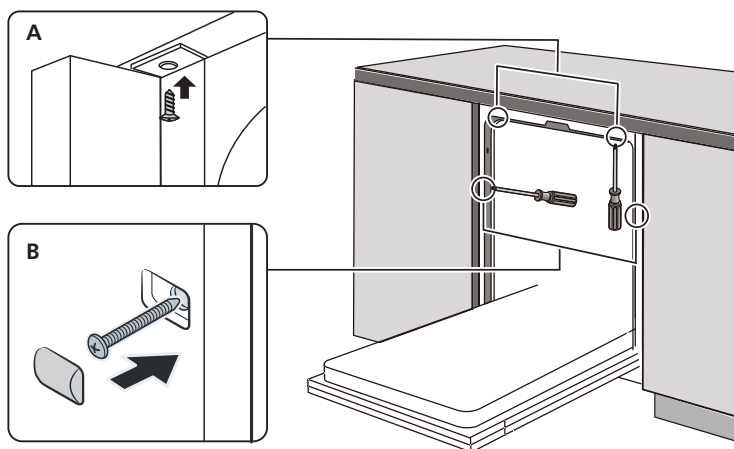


### Step 3. Dishwasher installation steps



Please refer to the specified installation steps in the installation drawings.

1. Affix the condensation strip under the work surface of cabinet. Please ensure the condensation strip is flush with edge of work surface. (Step 2)
2. Connect the inlet hose to the cold water supply.
3. Connect the drain hose.
4. Connect the power cord.
5. Place the dishwasher into position. (Step 4)
6. Level the dishwasher. The rear foot can be adjusted from the front of the dishwasher by turning the **Philips screw** in the middle of the base of dishwasher use an **Philips screw**. To adjust the front feet, use a flat screw driver and turn the front feet until the dishwasher is level. (Step 5 to Step 6)
7. Install the furniture door to the outer door of the dishwasher. (Step 7 to Step 9)
8. The dishwasher must be secured in place. There are two ways to do this:
  - A. Normal work surface: Put the installation hook into the slot of the side plane and secure it to the work surface with the wood screws.
  - B. Marble or granite work top: Fix the side with Screw.

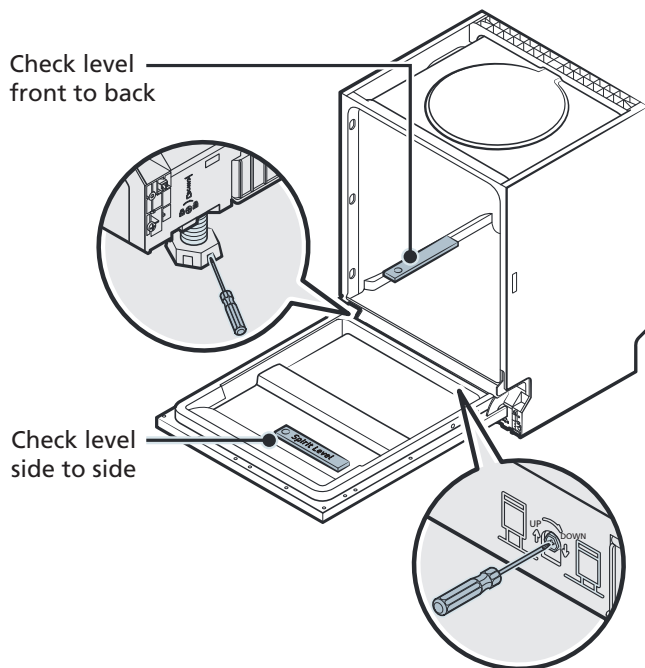




## Step 4. Levelling the dishwasher

Dishwasher must be level for proper dish rack operation and wash performance.

1. Place a spirit level on door and rack track inside the tub as shown to check that the dishwasher is level.
2. Level the dishwasher by adjusting the three levelling legs individually.
3. When level the dishwasher, please pay attention not to let the dishwasher tip over.



### NOTE:

The maximum adjustment height of the feet is 50 mm.

# TROUBLESHOOTING TIPS

## Before Calling For Service

Reviewing the charts on the following pages may save you from calling for service.

Problem	Possible Causes	What To Do
Dishwasher doesn't start	Fuse blown, or the circuit break tripped.	Replace fuse or reset circuit breaker. Remove any other appliances sharing the same circuit with the dishwasher.
	Power supply is not turned on.	Make sure the dishwasher is turned on and the door is closed securely. Make sure the power cord is properly plugged into the wall socket.
	Water pressure is low	Check that the water supply is connected properly and the water is turned on.
	Door of dishwasher not properly closed.	Make sure to close the door properly and latch it.
Water not pumped form dishwasher	Twisted or trapped drain hose.	Check the drain hose.
	Filter clogged.	Check coarse the filter.
	Kitchen sink clogged.	Check the kitchen sink to make sure it is draining well. If the problem is the kitchen sink that is not draining , you may need a plumber rather than a serviceman for dishwashers.
Suds in the tub	Wrong detergent.	Use only the special dishwasher detergent to avoid suds. If this occurs, open the dishwasher and let suds evaporate. Add 1 gallon of cold water to the bottom of the dishwasher. Close the dishwasher door, then select any cycle. Initially, the dishwasher will drain out the water. Open the door after draining stage is complete and check if the suds have disappeared. Repeat if necessary.

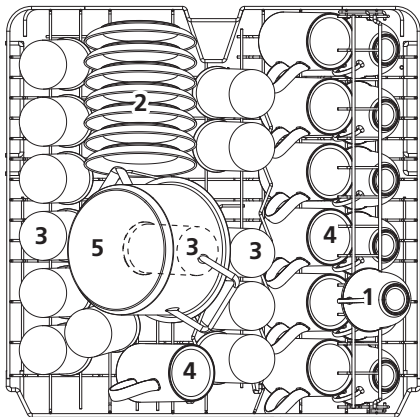
<b>Problem</b>	<b>Possible Causes</b>	<b>What To Do</b>
	Spilled rinse-aid.	Always wipe up rinse-aid spills immediately.
Stained tub interior	Detergent with colourant may have been used.	Make sure that the detergent has no colourant.
White film on inside surface	Hard water minerals.	To clean the interior, use a damp sponge with dishwasher detergent and wear rubber gloves. Never use any other cleaner than dishwasher detergent otherwise, it may cause foaming or suds.
There are rust stains on cutlery	The affected items are not corrosion resistant.	Avoid washing items that are not corrosion resistant in the dishwasher.
	A program was not run after dishwasher salt was added. Traces of salt have gotten into the wash cycle.	Always run a wash program without any crockery after adding salt. Do not select the Turbo function (if present), after adding dishwasher salt.
	The lid of the softer is loose.	Check the softener lid is secure.
Knocking noise in the dishwasher	A spray arm is knocking against an item in a basket	Interrupt the program and rearrange the items which are obstructing the spray arm.
Rattling noise in the dishwasher	Items of crockery are loose in the dishwasher.	Interrupt the program and rearrange the items of crockery.
Knocking noise in the water pipes	This may be caused by on-site installation or the cross-section of the piping.	This has no influence on the dishwasher function. If in doubt, contact a qualified plumber.
The dishes are not clean	The dishes were not loaded correctly.	See PART II "Preparing And Loading Dishes".
	The program was not powerful enough.	Select a more intensive program.

<b>Problem</b>	<b>Possible Causes</b>	<b>What To Do</b>
The dishes are not clean.	Not enough detergent was dispensed.	Use more detergent, or change your detergent.
	Items are blocking the movement of the spray arms.	Rearrange the items so that the spray can rotate freely.
	The filter combination is not clean or is not correctly fitted in the base of wash cabinet. This may cause the spray arm jets to get blocked.	Clean and/or fit the filter correctly. Clean the spray arm jets.
Cloudiness on glassware.	Combination of soft water and too much detergent.	Use less detergent if you have soft water and select a shorter cycle to wash the glassware and to get them clean.
White spots appear on dishes and glasses.	Hard water area can cause limescale deposits.	Add more detergent.
Black or grey marks on dishes	Aluminium utensils have rubbed against dishes	Use a mild abrasive cleaner to eliminate those marks.
Detergent left in dispenser	Dishes block detergent dispenser	Re-loading the dishes properly.
The dishes aren't drying	Improper loading	Load the dishwasher as suggested in the directions.
	Dishes are removed too soon	Do not empty your dishwasher immediately after washing. Open the door slightly so that the steam can come out. Take out the dishes until the inside temperature is safe to touch. Unload the lower basket first to prevent the dropping water from the upper basket.

Problem	Possible Causes	What To Do
The dishes aren't drying	Wrong program has been selected.	With a short program, the washing temperature is lower, decreasing cleaning performance. Choose a program with a long washing time.
	Use of cutlery with a low-quality coating.	Water drainage is more difficult with these items. Cutlery or dishes of this type are not suitable for washing in the dishwasher.

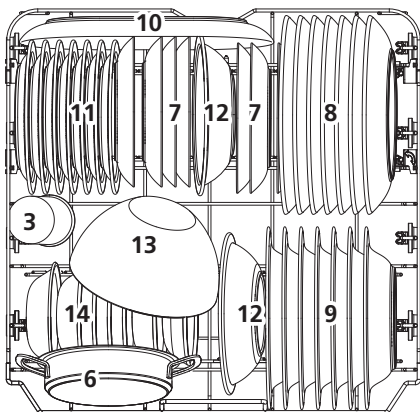
# LOADING THE BASKETS ACCORDING TO EN60436:

## 1.Upper basket:



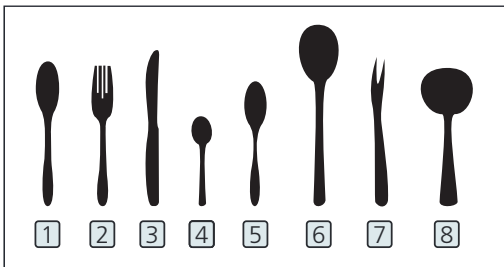
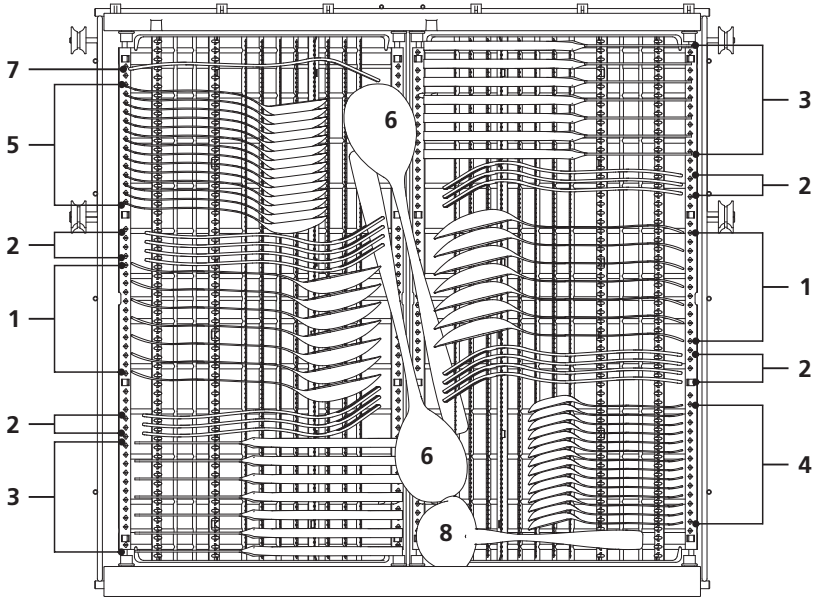
Number	Item
1	Cups
2	Saucers
3	Glasses
4	Mugs
5	Small pot

## 2.Lower basket:



Number	Item
6	Oven pot
7	Dessert plates
8	Dinner plates
9	Soup plates
10	Oval platter
11	Melamine dessert plates
12	Melamine bowls
13	Glass bowl
14	Dessert bowls

### 3.Cutlery rack:

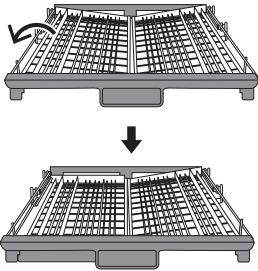


Number	Item
1	Soup spoons
2	Forks
3	Knives
4	Tea spoons
5	Dessert spoons
6	Serving spoons
7	Serving fork
8	Gravy ladle

Information for comparability tests in accordance with EN60436  
 Capacity: 14 place settings  
 Position of the upper basket: lower position  
 Program: ECO  
 Rinse aid setting: Max  
 Softener setting: H3

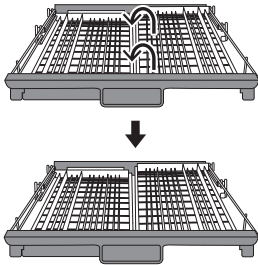
# Cutlery Rack Used Tips

---



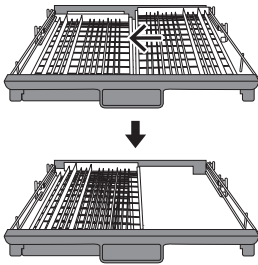
Lift the left basket up, adjust it to lower position, left basket is flat and right basket is sideling.

---



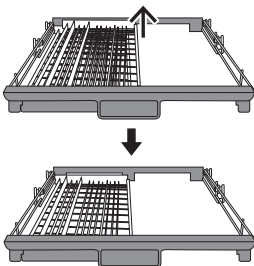
Lift the right basket up, both left and right baskets are flat.

---



Move the right basket from right to left, two basket are overlapping.

---



Remove the right basket from the tray, only has the left basket.



## **PART II: Special Version**

Please read this manual carefully before using the dishwasher and Keep this manual for future reference.

# CONTENTS

01	<b>3</b>	<b>USING YOUR DISHWASHER</b>
	<b>3</b>	Control Panel
	<b>5</b>	Water Softener
	<b>7</b>	Preparing And Loading Dishes
	<b>10</b>	Function Of The Rinse Aid And Detergent
02	<b>11</b>	Filling The Rinse Aid Reservoir
	<b>12</b>	Filling The Detergent Dispenser
	<b>13</b>	<b>PROGRAMMING THE DISHWASHER</b>
	<b>13</b>	Wash Cycle Table
	<b>15</b>	Starting A Cycle Wash
03	<b>15</b>	Changing The Program Mid-cycle
	<b>16</b>	Forget To Add A Dish?
	<b>17</b>	<b>ERROR CODES</b>
04	<b>18</b>	<b>TECHNICAL INFORMATION</b>

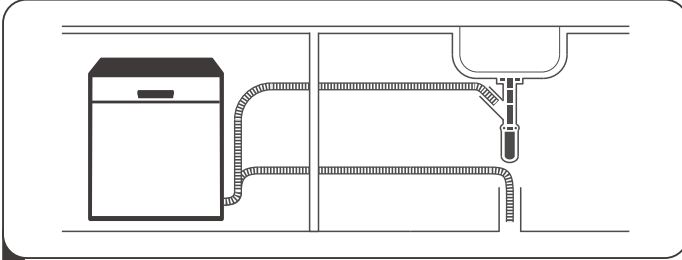


## **NOTE:**

- If you cannot solve the problems by yourself, please ask for help from a professional technician.
- The manufacturer, following a policy of constant development and updating of the product, may make modifications without giving prior notice.
- If lost or out-of-date, you can receive a new user manual from the manufacturer or responsible vendor.

# QUICK USER GUIDE

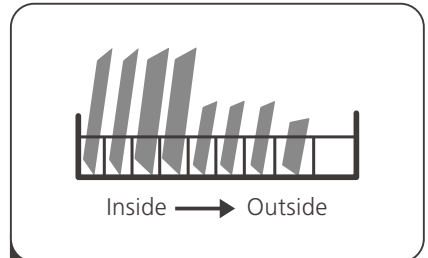
Please read the corresponding content on the instruction manual for detailed operating method.



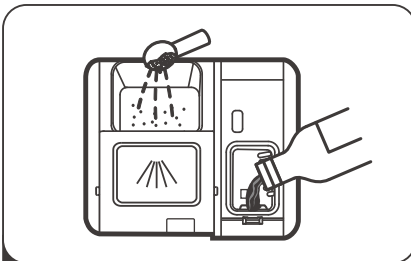
- 1 Install the dishwasher  
**(Please check the section 5 "INSTALLATION INSTRUCTION" of PART —: Generic Version.)**



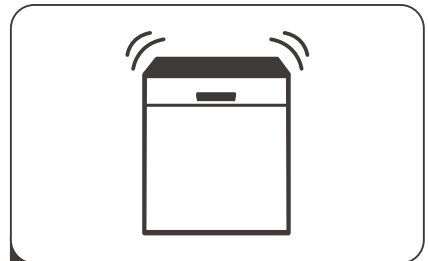
- 2 Removing the larger residue on the cutlery



- 3 Loading the baskets



- 4 Filling the dispenser





- 5 Selecting a program and running the dishwasher



# USING YOUR DISHWASHER

## Control Panel




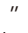


### Operation (Button)

<b>1 Power</b>	Press this button to turn on your dishwasher, the screen lights up.
<b>2 Program</b>	Press this button to select the appropriate washing program, the selected program indicator will be lit
<b>3 Delay</b>	Press the button to set the delay time, corresponding indicator will be lit.
<b>4 Half-load</b>	When you have about or less than 6 place setting dishware to wash, you can choose this function to save energy and water. (It can only be used with Intensive, Universal, ECO, Glass and 90 mins.) When pressing this button, corresponding indicator will be lit.
<b>5 Extra Drying</b>	To dry dishes more completely. (It can only be used with Intensive, Universal,, ECO , Glass , 90 Min )When pressing this button, corresponding indicator will be lit.
<b>6 Program indicator</b>	<div style="display: flex; flex-direction: column; gap: 10px;"> <div data-bbox="367 1187 524 1283">  <p><b>Intensive</b> Heavily soiled items include pots and pans. With dried on food.</p> </div> <div data-bbox="367 1295 1031 1391">  <p><b>Universal</b> For normally soiled loads, such as pots, plates, glasses and lightly soiled pans.</p> </div> </div>

<p><b>6 Program indicator</b></p>	<p><b>ECO</b> ECO This is the standard program suitable for normally soiled loads, such as pots, plates, glasses and lightly soiled pans.</p> <p> <b>90Min</b> For normally soiled loads that need quick wash.</p> <p> <b>Rapid</b> A shorter wash for lightly soiled loads that do not need drying.</p>
-----------------------------------	--

## Display

<p><b>7 Warning indicator</b></p>	<p> <b>Rinse Aid</b> If the “” indicator is lit, it means the dishwasher is low on dishwasher rinse aid and requires a refill.</p> <p> <b>Salt</b> If the “” indicator is lit, it means the dishwasher is low on dishwasher salt and needs to be refilled.</p>
<p><b>8 Delay time</b></p>	<p>To show the delay time (3h/6h/9h/12h).</p>

# Water Softener

The water softener must be set manually, using the water hardness dial.

The water softener is designed to remove minerals and salts from the water, which would have a detrimental or adverse effect on the operation of the appliance.

The more minerals there are, the harder your water is.

The softener should be adjusted according to the hardness of the water in your area. Your local Water Authority can advise you on the hardness of the water in your area.

## Adjusting salt consumption

The dishwasher is designed to allow for adjustment in the amount of salt consumed based on the hardness of the water used. This is intended to optimise and customise the level of salt consumption.

Please follow the steps below for adjustment in salt consumption.

1. Open the door, switch on the appliance;
2. Press the Program button for more than 5 seconds within 60 seconds after the appliance was switched on. when the salt indicator blinks as 1Hz frequency means entering the water softener settings.
3. Press the Program button to select the proper set according to your local environment, the sets will change in the following sequence:  
H1->H2->H3->H4->H5->H6;
4. Press the Power button to end the set up model.

WATER HARDNESS				Water softener level	Salt consumption (gram/cycle)
German °dH	French °fH	British °Clarke	Mmol/l		
0 - 5	0 - 9	0 - 6	0 - 0.94	H1-> Rapid Light bright	0
6 - 11	10 - 20	7 - 14	1.0 - 2.0	H2-> 90 Min Light bright	9
12 - 17	21 - 30	15 - 21	2.1 - 3.0	H3-> 90 Min, Rapid Light bright	12
18 - 22	31 - 40	22 - 28	3.1 - 4.0	H4-> Eco Light bright	20
23 - 34	41 - 60	29 - 42	4.1 - 6.0	H5-> Eco, Rapid Light bright	30
35 - 55	61 - 98	43 - 69	6.1 - 9.8	H6-> Eco, 90 Min Light bright	60

1°dH=1.25 °Clarke=1.78 °fH=0.178mmol/l

The manufactory setting: H3

Contact your local water board for information on the hardness of your water supply.



Please check the section 3 “Loading The Salt Into The Softener” of PART I : Generic Version, If your dishwasher lacks salt.



## **NOTE:**

**If your model does not have any water softener, you may skip this section.**

### **Water Softener**

The hardness of the water varies from place to place. If hard water is used in the dishwasher, deposits will form on the dishes and utensils.

The appliance is equipped with a special softener that uses a salt container specifically designed to eliminate lime and minerals from the water.

## **Preparing And Loading Dishes**

---

- Consider buying utensils which are identified as dishwasher-proof.
- For particular items, select a program with the lowest possible temperature.
- To prevent damage, do not take glass and cutlery out of the dishwasher immediately after the program has ended.

### **For washing the following cutlery/dishes**

#### **Are not suitable**

- Cutlery with wooden, horn china or mother-of-pearl handles
- Plastic items that are not heat resistant
- Older cutlery with glued parts that are not temperature resistant
- Bonded cutlery items or dishes
- Pewter or cooper items
- Crystal glass
- Steel items subject to rusting
- Wooden platters
- Items made from synthetic fibres

#### **Are of limited suitability**

- Some types of glasses can become dull after a large number of washes
- Silver and aluminum parts have a tendency to discolour during washing
- Glazed patterns may fade if machine washed frequently

## Recommendations for loading the dishwasher

Scrape off any large amounts of leftover food. Soften remnants of burnt food in pans. It is not necessary to rinse the dishes under running water.

For best performance of the dishwasher, follow these loading guidelines.

**(Features and appearance of baskets and cutlery baskets may vary from your model.)**

Place objects in the dishwasher in following way:

- Items such as cups, glasses, pots/pans, etc. are faced downwards.
- Curved items, or ones with recesses, should be loaded aslant so that water can run off.
- All utensils are stacked securely and can not tip over.
- All utensils are placed in the way that the spray arms can rotate freely during washing.
- Load hollow items such as cups, glasses, pans etc. With the opening facing downwards so that water cannot collect in the container or a deep base.
- Dishes and items of cutlery must not lie inside one another, or cover each other.
- To avoid damage, glasses should not touch one another.
- The upper basket is designed to hold more delicate and lighter dishware such as glasses, coffee and tea cups.
- Long bladed knives stored in an upright position are a potential hazard!
- Long and / or sharp items of cutlery such as carving knives must be positioned horizontally in the upper basket.
- Please do not overload your dishwasher. This is important for good results and for reasonable consumption of energy.

### **NOTE:**

Very small items should not be washed in the dishwasher as they could easily fall out of the basket.

## Removing the dishes

To prevent water dripping from the upper basket into the lower basket, we recommend that you empty the lower basket first, followed by the upper basket.

### **WARNING**



**Items will be hot!** To prevent damage, do not take glass and cutlery out of the dishwasher for around 15 minutes after the program has ended.



## Loading the upper basket

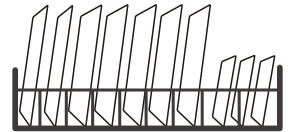
The upper basket is designed to hold more delicate and lighter dishware such as glasses, coffee and tea cups and saucers, as well as plates, small bowls and shallow pans (as long as they are not too dirty). Position the dishes and cookware so that they will not get moved by the spray of water.



## Loading the lower basket

We suggest that you place large items and the most difficult to clean items are to be placed into the lower basket: such as pots, pans, lids, serving dishes and bowls, as shown in the figure below. It is preferable to place serving dishes and lids on the side of the racks in order to avoid blocking the rotation of the top spray arm.

The maximum diameter advised for plates in front of the detergent dispenser is of 19 cm, this not to hamper the opening of it.



## Loading the cutlery basket

Cutlery should be placed in the cutlery rack separately from each other in the appropriate positions, and do make sure the utensils do not nest together, this may cause bad performance.

### **⚠ WARNING**



Do not let any item extend through the bottom.

Always load sharp utensils with the sharp point down!



For the best washing effect, please load the baskets refer to standard loading options on last section of PART I : Generic Version

# Function Of The Rinse Aid And Detergent


The rinse aid is released during the final rinse to prevent water from forming droplets on your dishes, which can leave spots and streaks. It also improves drying by allowing water to roll off the dishes. Your dishwasher is designed to use liquid rinse aids.

## ⚠ WARNING

Only use branded rinse aid for dishwasher. Never fill the rinse aid dispenser with any other substances (e.g. Dishwasher cleaning agent, liquid detergent). This would damage the appliance.

## When to refill the rinse aid

The regularity of the dispenser needing to be refilled depends on how often dishes are washed and the rinse aid setting used.

- The Low Rinse Aid indicator (  ) will be lit when more rinse aid is needed.
- Do not overfill the rinse aid dispenser.

## Function of detergent

The chemical ingredients that compose the detergent are necessary to remove, crush and dispense all dirt out of the dishwasher. Most of the commercial quality detergents are suitable for this purpose.

## ⚠ WARNING

- Proper Use of Detergent

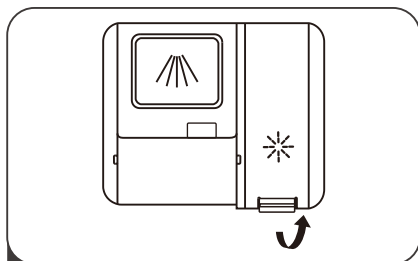
Use only detergent specifically made for dishwashers use. Keep your detergent fresh and dry.

Don't put powdered detergent into the dispenser until you are ready to wash dishes.

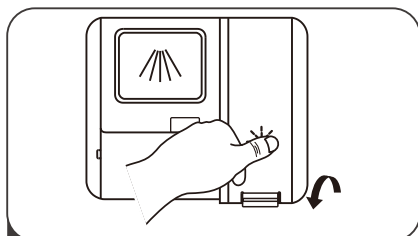


**Dishwasher detergent is corrosive! Keep dishwasher detergent out of the reach of children.**

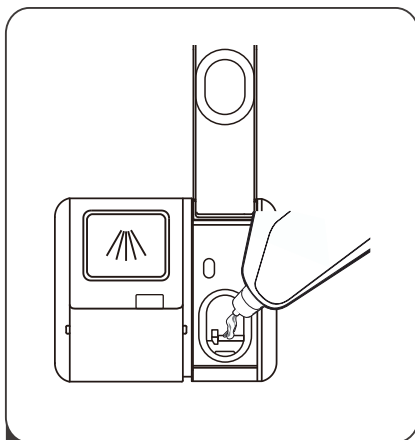
## Filling The Rinse Aid Reservoir



- 1** Remove the rinse reservoir cap by lifting up the handle .



- 3** Close the cap after all.



- 2** Pour the rinse aid into the dispenser, being careful not to overfill.

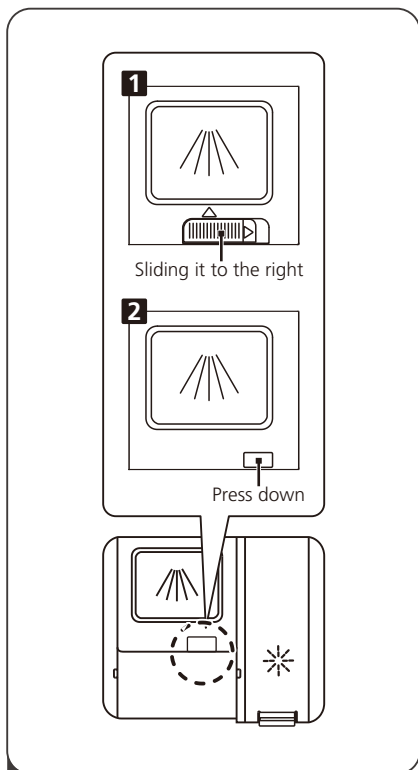
### Adjusting the rinse aid reservoir

To achieve a better drying performance with limited rinse aid, the dishwasher is designed to adjust the consumption by user. Follow the below steps.

1. Open the door, switch on the appliance;
2. Within 60 seconds after step 1, press the Program button more than 5 seconds, and then press the Delay button to enter the set model, the rinse aid indication blinks as 1Hz frequency.
3. Press the Program button to select the proper set according to your using habits, the sets will change in the following sequence: D1->D2->D3->D4->D5->D1. The higher the number, the more rinse aid the dishwasher uses.
4. Press the Power button to end the set up model. The manufactory setting: D3 .

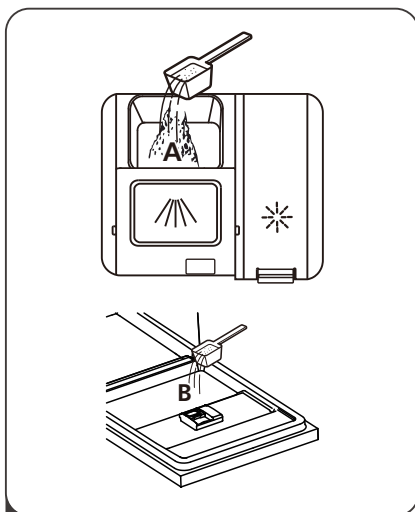
Rinse aid level	Selector position
D1	Rapid Light bright
D2	90 min Light bright
D3	90 min, Rapid Light bright
D4	ECO Light bright
D5	ECO, Rapid Light bright

# Filling The Detergent Dispenser

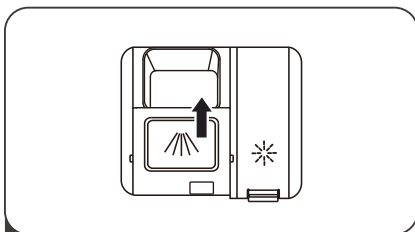


**1** Please choose an open way according to the actual situation.

1. Open the cap by sliding the release catch.
2. Open the cap by pressing down the release catch.



- 2** Add detergent into the larger cavity (A) for the main wash cycle . For better cleaning result, especially if you have very dirt items, pour a small amount of detergent onto the door. The additional detergent will activate during the pre-wash phase.



- 3** Close the flap by sliding it to the front and then pressing it down.

## NOTE:





- Be aware that depending on the soiling of water, setting may be different.
- Please observe the manufacturer's recommendations on the detergent packaging.

# PROGRAMMING THE DISHWASHER

## Wash Cycle Table

The table below shows which programs are best for the levels of food residue on them and how much detergent is needed. It also show various information about the programs.

(●) Means: need to fill rinse into the Rinse-Aid Dispenser.

Program	Description Of Cycle	Detergent Pre/Main	Running Time(min)	Energy (Kwh)	Water (L)	Rinse Aid
 <b>Intensive</b>	Pre-wash(50°C)					
	Wash(65°C)					
	Rinse	5/30g				
	Rinse	1or2 pieces	205	1.621	17.8	●
	Rinse(65°C)					
 <b>Universal</b>	Pre-wash(45°C)					
	Wash(55°C)					
	Rinse	5/30g				
	Rinse(65°C)	(1 or 2 pieces)	175	1.302	14.3	●
	Drying					
<b>ECO</b> <small>(*EN 50242)</small>	Wash(45°C)					
	Rinse	35g				
	Rinse(60°C)	1or2 pieces	220	0.937	11	●
	Drying					
 <b>90 min</b>	Wash(60°C)					
	Rinse	35g				
	Rinse(65°C)	1 piece	90	1.1	11.7	●
	Drying					
 <b>Rapid</b>	Wash(50°C)					
	Rinse	25g	30	0.751	11.2	○
	Rinse(45°C)					

### NOTE:





**ECO** : This program is the test cycle. The information for comparability test in (\*EN50242) accordance with EN50242.

# PROGRAMMING THE DISHWASHER

## Wash Cycle Table

The table below shows which programs are best for the levels of food residue on them and how much detergent is needed. It also show various information about the programs.

(●) Means: need to fill rinse into the Rinse-Aid Dispenser.

Program	Description Of Cycle	Detergent Pre/Main	Running Time(min)	Energy (Kwh)	Water (L)	Rinse Aid
 <b>Intensive</b>	Pre-wash(50°C)					
	Wash(65°C)					
	Rinse	$\frac{4}{18g}$				
	Rinse	1or2 pieces	205	1.621	17.8	●
	Rinse(65°C)					
 <b>Universal</b>	Pre-wash(45°C)					
	Wash(55°C)					
	Rinse	$\frac{4}{18g}$				
	Rinse(65°C)	(1 or 2 pieces)	175	1.302	14.3	●
	Drying					
<b>ECO</b> <small>(*EN 60436)</small>	Wash(45°C)					
	Rinse	$\frac{22g}{1or2\ pieces}$				
	Rinse(60°C)		220	0.951	11.0	●
	Drying					
 <b>90 min</b>	Wash(60°C)					
	Rinse	$\frac{22g}{1\ piece}$				
	Rinse(65°C)		90	1.10	11.7	●
	Drying					
 <b>Rapid</b>	Wash(50°C)					
	Rinse	20g				
	Rinse(45°C)		30	0.751	11.2	○

### NOTE:

**ECO** : This program is the test cycle. The information for comparability test in (\*EN60436) accordance with EN60436.

## Starting A Cycle Wash

---

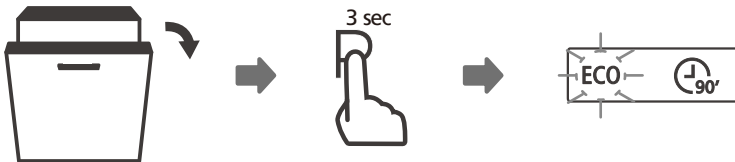
1. Draw out the lower and upper basket, load the dishes and push them back. It is commended to load the lower basket first, then the upper one.
2. Pour in the detergent.
3. Insert the plug into the socket. The power supply refer to last page "Product fiche". Make sure that the water supply is turned on to full pressure.
4. Open the door, push the Power button, and the On/Off light will turn on.
5. Choose a program, the response light will turn on. Then close the door, the dishwasher will start its cycle.

## Changing The Program Mid-cycle

---

A wash cycle can only be changed if it has been running for a short time otherwise, the detergent may have already been released and the dishwasher may have already drained the wash water. If this is the case, the dishwasher needs to be reset and the detergent dispenser must be refilled. To reset the dishwasher, follow the instructions below:

1. Open the door a little to stop the dishwasher, after the spray arm stop working, you can open the door completely.
2. Press any Program button for more 3 seconds to cancel the current program and the machine goes into standby state.
3. You can change the program to the desired cycle setting.

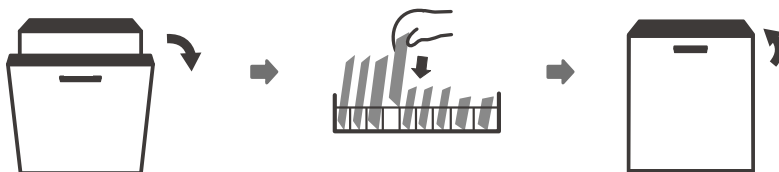


## • Forget To Add A Dish?

---

A forgotten dish can be added any time before the detergent dispenser opens. If this is the case, follow the instructions below:

1. Open the door a little to stop the washing.
2. After the spray arms stop working, you can open the door completely.
3. Add the forgotten dishes.
4. Close the door, the dishwasher will continued to run after 10 seconds.



### **⚠ WARNING**



It is dangerous to open the door mid-cycle, as hot steam may scald you.



# ERROR CODES

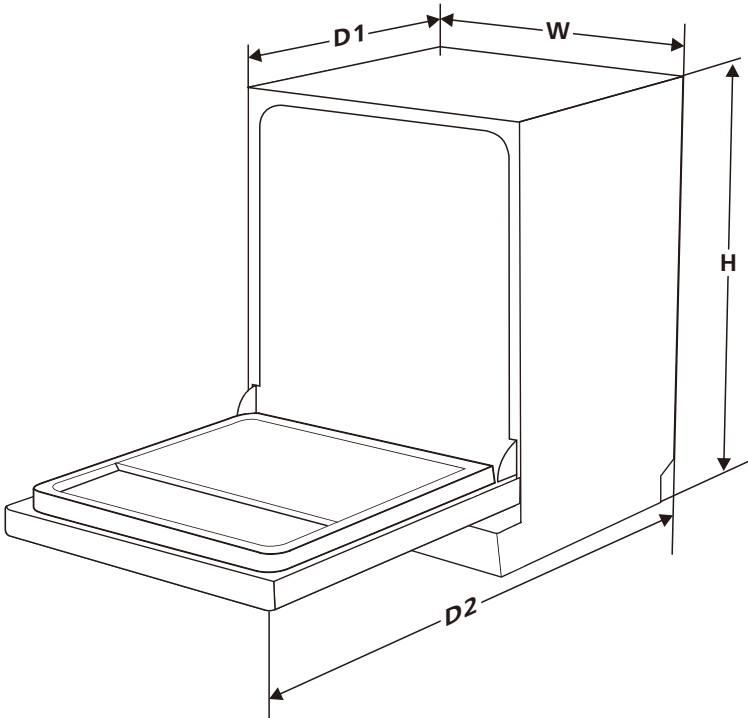
If there is a malfunction, the dishwasher will display error codes to identify these:

<b>Codes</b>	<b>Meanings</b>	<b>Possible Causes</b>
The Rapid light flicker fleetly	Longer inlet time.	Faucets is not opened, or water intake is restricted, or water pressure is too low.
The Rapid and 90Min light flicker fleetly	Not reaching required temperature.	Malfunction of heating element.
The ECO light flicker fleetly	Overflow.	Some element of dishwasher leaks.
The Rapid ,ECO and Universal light flicker fleetly	Failure of communication between main PCB with display pcb.	Open circuit or break wiring for the communication.

## **WARNING**

- If overflow occurs, turn off the main water supply before calling a service.
- If there is water in the base pan because of an overflow or small leak, the water should be removed before restarting the dishwasher.

# TECHNICAL INFORMATION



<b>Height (H)</b>	815mm
<b>Width (W)</b>	598mm
<b>Depth (D1)</b>	550mm (with the door closed)
<b>Depth (D2)</b>	1150mm (with the door opened 90° )

## Product information sheet (EN60436)

**Supplier's name or trade mark:** Silverline

**Supplier's address (b):** Carlo Porta 4, 20813 Bovisio Masciago, IT

**Model identifier:** D11046X02

### General product parameters:

Parameter	Value	Parameter	Value	
Rated capacity <sup>(a)</sup> (ps)	14	Dimensions in cm	Height	81,5
			Width	59,8
			Depth	55,0
EEl <sup>(a)</sup>	55,9	Energy efficiency class <sup>(a)</sup>	E <sup>(c)</sup>	
Cleaning performance index <sup>(a)</sup>	1,13	Drying performance index <sup>(a)</sup>	1,07	
Energy consumption in kWh [per cycle], based on the eco programme using cold water fill. Actual energy consumption will depend on how the appliance is used.	0,951	Water consumption in litres [per cycle], based on the eco program. Actual water consumption will depend on how the appliance is used and on the hardness of the water.	11,0	
Program duration <sup>(a)</sup> (h:min)	3:40	Type	Built-in	
Airborne acoustical noise emissions <sup>(a)</sup> (dB(A) re 1 pW)	49	Airborne acoustical noise emission class <sup>(a)</sup>	C <sup>(c)</sup>	
Off-mode (W)	0,49	Standby mode (W)	N/A	
Delay start (W) (if applicable)	1,00	Networked standby (W) (if applicable)	N/A	

**Minimum duration of the guarantee offered by the supplier (b):** 24 months

### Additional information:

Weblink to the supplier's website, where the information in point 6 of Annex II to Commission Regulation (EU) 2019/2022 <sup>(1)</sup> (b) is found:

(a) for the eco program.

(b) changes to these items shall not be considered relevant for the purposes of paragraph 4 of Article 4 of Regulation (EU) 2017/1369.

(c) if the product database automatically generates the definitive content of this cell the supplier shall not enter these data.

<sup>(1)</sup> Commission Regulation (EU) 2019/2022 of 1 October 2019 laying down eco design requirements for household dishwashers pursuant to Directive 2009/125/EC of the European Parliament and of the Council amending Commission Regulation (EC) No 1275/2008 and repealing Commission Regulation (EU) No 1016/2010 (see page 267 of this Official Journal).



# **SILVERLINE**

---

## **LAVASTOVIGLIE MANUALE UTENTE**

---

**MODEL  
D11046X02**

# **PARTE I: Versione generica**

Leggere attentamente questo manuale prima di utilizzare la lavastoviglie. Conservare questo manuale per riferimenti futuri.

# CONTENUTI

01	3	<b>INFORMAZIONI DI SICUREZZA</b>
02	8	<b>PANORAMICA DEL PRODOTTO</b>
03	9	<b>USO DELLA LAVASTOVIGLIE</b>
	9	Caricamento Del Sale Nell'addolcitore Consigli utilizzo cestello
04	11	
	13	<b>PULIZIA E MANUTENZIONE</b>
	13	Cura esterna Cura interna
	13	Cura della Lavastoviglie
	16	
05	17	<b>ISTRUZIONI DI INSTALLAZIONE</b>
	17	Collegamento alla fonte di alimentazione Alimentazione dell'Acqua e Scarico
	18	Collegamento di Tubi di Scarico
	19	Collocamento dell'apparecchiatura
	20	Installazione Indipendente
	20	Installazione ad incasso (modelli integrati)
	21	
06	25	<b>SUGGERIMENTI PER LA RISOLUZIONE DEI PROBLEMI</b>
07	28	<b>CARICAMENTO DEI CESTELLI</b>
	31	Consigli d'uso portaposate



## **NOTA:**

- Rivedere la sezione sui Suggerimenti per la risoluzione dei problemi vi aiuterà a risolvere alcuni problemi comuni da soli.
- Se non riesci a risolvere i problemi da solo, chiedere aiuto a un tecnico professionista.
- Il produttore, seguendo una politica di costante sviluppo e aggiornamento del prodotto, può apportare delle modifiche senza preavviso.
- Se smarrito o obsoleto, è possibile ricevere un nuovo manuale utente dal produttore o dal fornitore responsabile

# INFORMAZIONI DI SICUREZZA

## AVVERTENZA

**Quando si utilizza la lavastoviglie, seguire le precauzioni elencate di seguito:**

- L'installazione e la riparazione possono essere eseguite solo da un tecnico qualificato
- L'apparecchiatura è destinata all'uso domestico e applicazioni simili, tra cui:
  - cucine per il personale in negozi, uffici e altri ambienti di lavoro;
  - fattorie;
  - hotel, motel e altri ambienti residenziali;
  - ambienti tipo bed and breakfast;
- Questa apparecchiatura può essere usata da bambini a partire dagli 8 anni di età ed oltre e da persone con ridotte capacità fisiche, sensoriali o mentali o con scarsa esperienza o conoscenza sull'uso dell'apparecchiatura, solamente se sorvegliati o se sono stati istruiti relativamente all'uso sicuro dell'apparecchiatura stessa e se ne hanno compreso i rischi.
- I bambini non devono giocare con l'apparecchiatura. La pulizia e gli interventi di manutenzione non devono essere eseguiti dai bambini senza supervisione. (Per EN60335-1)  
L'apparecchiatura non è stata intesa per essere usata da persone (compresi bambini) con capacità fisiche, sensoriali



limitate capacità mentali o prive di esperienza e conoscenze, a meno che non sia stata data loro supervisione o istruzioni sull'uso dell'apparecchio, da parte di una persona responsabile della loro sicurezza. (Per IEC60335-1)

- Il materiale di imballaggio potrebbe essere pericoloso per i bambini!
- Questa apparecchiatura è stata progettata unicamente per uso domestico.

Per evitare gli eventuali rischi di scosse elettriche, non immergere l'unità, il cavo o la presa in acqua o in altri liquidi.

- Scollegare la spina prima di effettuare la pulizia e la manutenzione dell'apparecchio.
- Utilizzare un panno morbido inumidito con sapone neutro, quindi utilizzare un panno asciutto per pulirlo di nuovo.



## **Istruzioni per la messa a terra**

- Questo apparecchio deve collegato con messo a terra. In caso di malfunzionamento o guasto, la messa a terra ridurrà il rischio di scossa elettrica fornendo un percorso di minima resistenza della corrente elettrica. L'apparecchiatura è dotata di una spina per la messa a terra.
- La spina deve essere inserita in una presa di corrente adeguata, installata e con messa a terra in conformità ai codici e le ordinanze locali.
- Un collegamento improprio del conduttore di terra dell'apparecchiatura può provocare il rischio di scosse elettriche.
- Verificare con un elettricista qualificato o un rappresentante dell'assistenza se non si è sicuri che l'apparecchiatura sia correttamente messo a terra.

- Non modificare la spina fornita con l'apparecchiatura; se non si adatta alla presa.
- Far installare una presa adeguata da un elettricista qualificato.
- Non abusare, sedersi o stare in piedi sulla porta o sul cestello della lavastoviglie.
- Non utilizzare la lavastoviglie a meno che tutti i pannelli laterali non siano posizionati correttamente.
- Aprire la porta con molta attenzione se la lavastoviglie è in funzione, c'è il rischio che schizzi d'acqua.
- Non posizionare oggetti pesanti e non stare in piedi sulla porta quando è aperta. L'apparecchiatura potrebbe ribaltarsi in avanti.
- Durante il caricamento degli articoli da lavare:
  - 1) Individuare gli oggetti taglienti in modo che non possano danneggiare la guarnizione della porta;
  - 2) Avvertenza: I coltelli e altri utensili con punte affilate devono essere caricati nel cestello con le punte verso il basso o posizionati in orizzontale.
- Alcuni detersivi per lavastoviglie sono fortemente alcalini. Possono essere estremamente pericolosi se ingeriti. Evitare il contatto con la pelle e gli occhi e tenere i bambini lontano dalla lavastoviglie quando la porta è aperta.
- Controllare che il detersivo in polvere non ci sia dopo il completamento del ciclo di lavaggio.

- Non lavare gli oggetti in plastica, a meno che non siano contrassegnati come lavabili in lavastoviglie o equivalenti.
- Per articoli in plastica non contrassegnati, consultare le raccomandazioni del produttore.
- Utilizzare solo detersivi e additivi per risciacquo raccomandati per una lavastoviglie automatica.
- Non utilizzare mai sapone, detersivo per bucato o detersivo per le mani nella lavastoviglie.
- La porta non deve essere lasciata aperta, poiché ciò potrebbe aumentare il rischio di inciampare.  
Se il cavo di alimentazione è danneggiato, deve essere sostituito dal produttore, da un tecnico autorizzato o da una persona qualificata al fine di evitare situazioni di pericolo.
- Durante l'installazione, l'alimentazione non deve essere eccessiva o pericolosamente piegato o schiacciato.
- Non manomettere i controlli.
- L'apparecchiatura deve essere collegata alla valvola d'acqua utilizzando nuovi set di tubi. I vecchi set di tubi non dovrebbero essere riutilizzati.
- Per risparmiare energia, in modalità stand-by, l'apparecchiatura si spegne automaticamente mentre non viene eseguita alcuna operazione entro 15 minuti.
- Il numero massimo di coperti da lavare è 14.
- La pressione massima consentita per l'ingresso dell'acqua è di 1 MPa.
- La pressione massima consentita per l'ingresso dell'acqua è di 0,04 MPa.

## Smaltimento

---

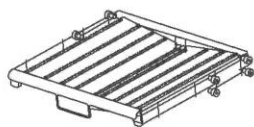
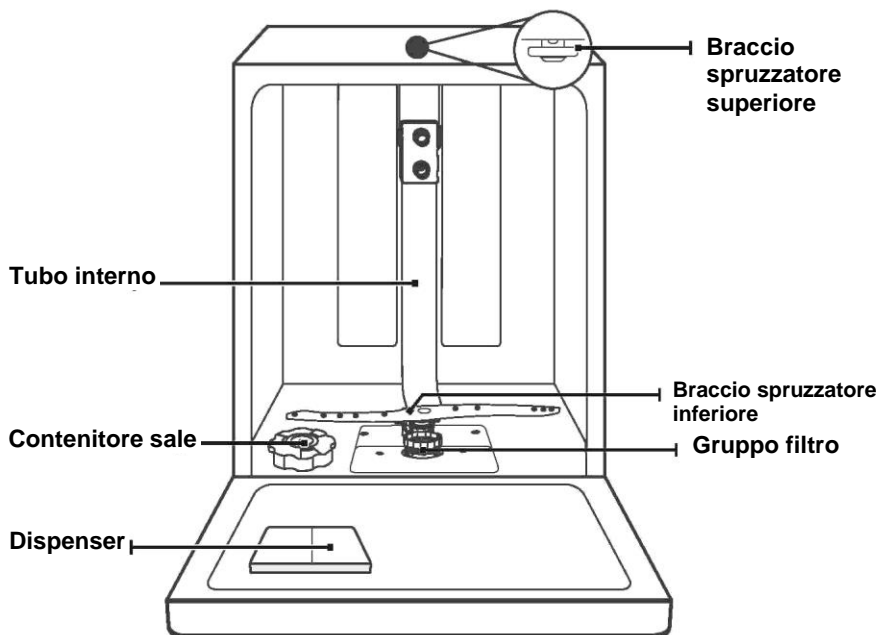
- Per lo smaltimento dell'imballaggio e dell'apparecchiatura, rivolgersi a un centro di raccolta. Pertanto, tagliare il cavo di alimentazione e rendere inutilizzabile il dispositivo di chiusura della porta.
- L'imballaggio in cartone è prodotto con carta riciclata e deve essere smaltito nella raccolta differenziata.
- Assicurando che questo prodotto venga smaltito correttamente si contribuisce a prevenire potenziali conseguenze negative per l'ambiente e la salute umana che potrebbero invece derivare da uno smaltimento non corretto del prodotto stesso.
- Per informazioni più dettagliate sul riciclaggio di questo prodotto, contattare l'ufficio locale competente e il servizio di smaltimento dei rifiuti domestici.
- **SMALTIMENTO: Non smaltire il prodotto come rifiuti municipali non classificati. Sarà necessario raccogliere separatamente questi rifiuti.**



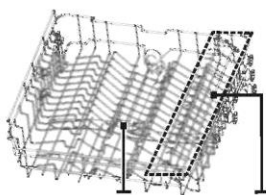
# PANORAMICA DEL PRODOTTO

## ❗ IMPORTANTE:

Per ottenere le migliori prestazioni dalla lavastoviglie, leggere tutte le istruzioni operative prima di utilizzarla per la prima volta.

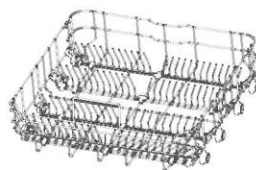


Porta posate



Braccio spruzzatore superiore    Porta tazze

Cestello superiore



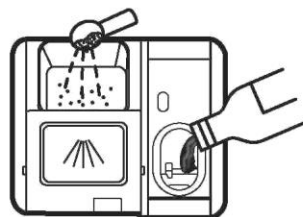
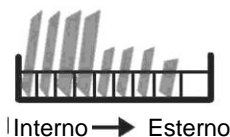
Cestello inferiore

## 💡 NOTA:

Le immagini sono solo per riferimento, i diversi modelli possono essere diversi. Si prega di fare riferimento al proprio modello.

# USO DELLA LAVASTOVIGLIE

Prima di usare la lavastoviglie:



1. Inserire l'addolcitore d'acqua
2. Caricamento Del Sale Nell'addolcitore
3. Caricare del cestello
4. Riempire il dispenser



Consultare la sezione 1 "Addolcitore d'acqua" della PARTE II: Versione speciale, se è necessario impostare l'addolcitore dell'acqua.

## Caricamento Del Sale Nell'addolcitore



### NOTA:

Se il modello non presenta l'addolcitore d'acqua, si può saltare questa sezione. Utilizzare sempre sale per lavastoviglie.

Il contenitore del sale si trova sotto il cestello inferiore e deve essere riempito che spiegato come segue:

### ⚠ AVVERTENZA

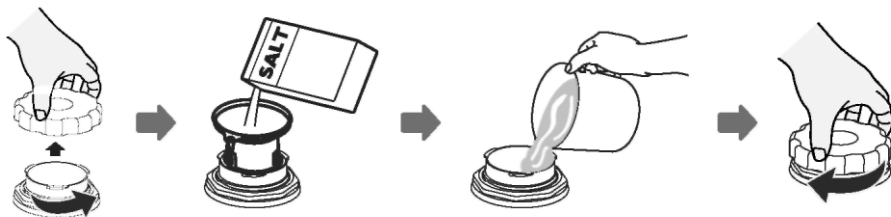
- **Utilizzare solo sale appositamente progettato per l'uso in lavastoviglie!**

Tutti gli altri tipi di sale non specificamente progettati per l'uso in lavastoviglie, in particolare il sale da cucina, danneggeranno l'addolcitore dell'acqua. In caso di danni causati dall'uso di sali non idonei, il produttore non fornisce alcuna garanzia né è responsabile per eventuali danni verificatisi.

- **Riempire solo di sale prima di eseguire un ciclo.**


Questo eviterà che grani di sale o acqua salata, che potrebbero essere stati divisi, restino sul fondo dell'elettrodomestico per un periodo di tempo tale da causare corrosione.

Seguire i passaggi seguenti per aggiungere sale per lavastoviglie:



1. Rimuovere il cestello inferiore e svitare il tappo del serbatoio.
2. Posizionare l'estremità dell'imbuto (se fornito in dotazione) nel foro e introdurre circa 1,5 kg di sale per lavastoviglie.
3. Riempire il contenitore del sale fino al limite massimo con acqua. È normale che una piccola quantità d'acqua fuoriesca dal contenitore del sale.
4. Dopo aver riempito il contenitore, riavvitare saldamente il tappo.
5. La spia del sale smetterà di essere dopo che il contenitore del sale è stato riempito di sale.
6. Immediatamente dopo aver riempito il sale nel contenitore del sale, è necessario avviare un programma di lavaggio (si consiglia di utilizzare un programma breve). In caso contrario, il sistema di filtro, la pompa o altre parti importanti della macchina potrebbero essere danneggiati dall'acqua salata. Questo è fuori garanzia.

### **NOTA:**

- Il contenitore del sale deve essere riempito quando si accende la relativa spia (  ) nel pannello di controllo. A seconda di quanto bene si dissolve il sale, la spia del sale potrebbe essere ancora accesa anche se il contenitore del sale è pieno. Se nel pannello di controllo non è presente la spia di controllo del sale (per alcuni Modelli), è possibile valutare quando caricarlo nell'addolcitore in base ai cicli eseguiti dalla lavastoviglie.
- Se è stato versato del sale, eseguire un ammollo o un programma rapido per rimuoverlo.

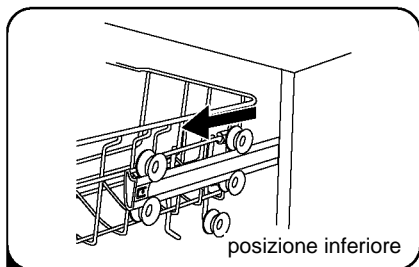
# Consigli utilizzo cestello

## Regolazione del cestello superiore

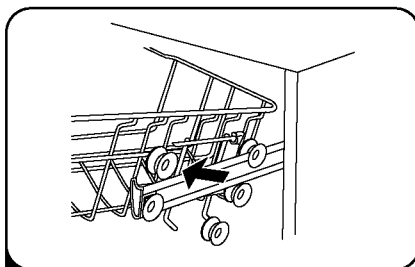
### Tipo 1:

L'altezza del cestello superiore può essere facilmente regolata per accogliere piatti più alti sia nel cestello superiore che in quello inferiore.

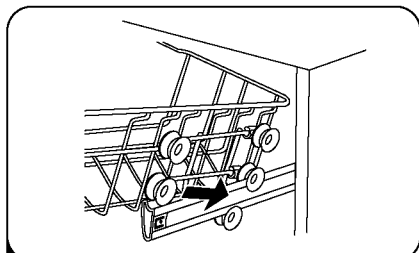
Per regolare l'altezza del cestello superiore, seguire questi passaggi:



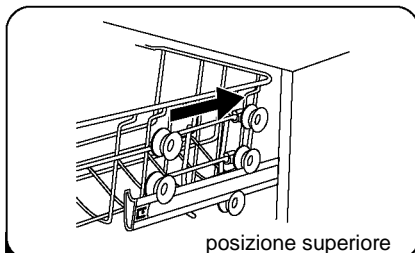
**1** Estrarre il cestello superiore.



**2** Rimuovere il cestello superiore.



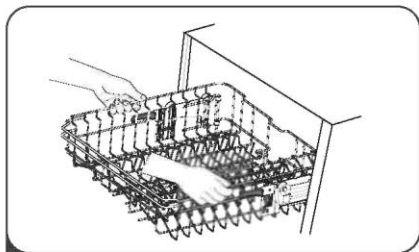
**3** Reinscrivere il cestello superiore sui rulli superiori o inferiori.



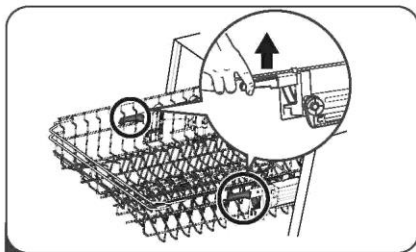
**4** Spingere il cestello superiore.



Tipo 2:



- 1** Per sollevare il cestello superiore, è sufficiente sollevare il cestello superiore al centro di ogni lato, fino a quando il cestello si blocca nella posizione superiore. Non è necessario sollevare la maniglia di regolazione.



- 2** Per abbassare il cestello superiore, sollevare le maniglie di regolazione su ogni lato per rilasciare il cestello e abbassarlo nella posizione inferiore.

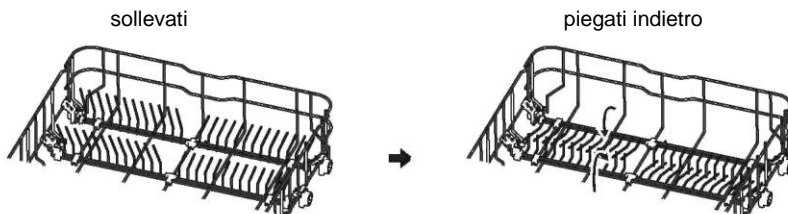
## Ripiegamento del porta tazze

Per fare spazio agli oggetti più alti nel cestello superiore, sollevare il porta tazze verso l'alto. A questo si possono appoggiare i calici alti. È inoltre possibile toglierlo quando non è necessario per l'uso.



## Ripiegamento del porta piatti

I separatori del cestello inferiore sono utilizzati per reggere i piatti e un vassoio. Possono essere abbassati per fare più spazio a oggetti di grandi dimensioni.



# PULIZIA E MANUTENZIONE

## Cura esterna

---

### La porta e la guarnizione della porta

Pulire regolarmente le guarnizioni dello sportello con un panno morbido inumidito per rimuovere i depositi di cibo. Durante il caricamento della lavastoviglie, i residui di cibo e bevande possono gocciolare sui lati della porta della lavastoviglie. Queste superfici si trovano all'esterno dell'armadio e non sono accessibili dall'acqua dai bracci irroratori. Eventuali depositi devono essere cancellati prima della chiusura della porta.

### Pannello di controllo

Se è necessaria la pulizia, pulire il pannello di controllo solo con un panno morbido inumidito.



#### **AVVERTENZA**

- Per evitare l'infiltrazione di acqua nella serratura della porta e nei componenti elettrici, non utilizzare un detergente spray di alcun tipo.
- Non utilizzare mai detersivi abrasivi o pagliette abrasive sulle superfici esterne, perché potrebbero graffiare la finitura dell'apparecchiatura. Alcuni asciugamani di carta possono anche graffiare o lasciare segni sulla superficie.

## Cura interna

---

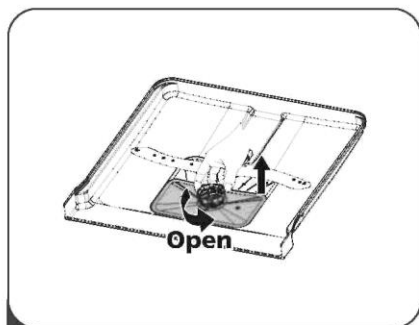
### Sistema di filtraggio

Il sistema di filtraggio nella base della cabina di lavaggio trattiene i detriti grossolani dal ciclo di lavaggio. I detriti grossolani raccolti possono causare l'intasamento dei filtri. Controllare regolarmente le condizioni dei filtri e pulirli se necessario sotto acqua corrente. Seguire i passaggi seguenti per pulire i filtri nell'armadio.

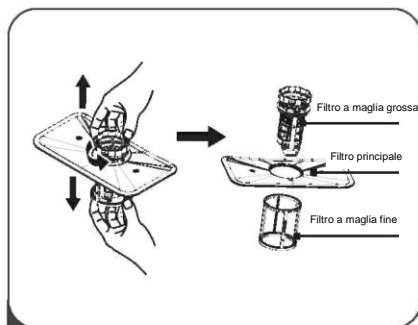


#### **NOTA:**

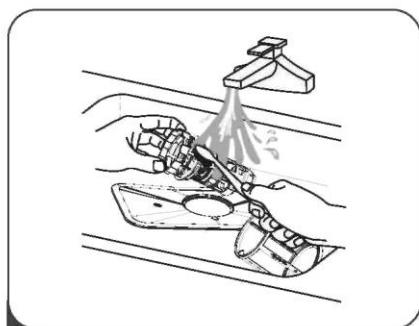
Le immagini sono solo per riferimento, i diversi modelli del sistema di filtraggio e i bracci di spruzzo possono essere diversi.



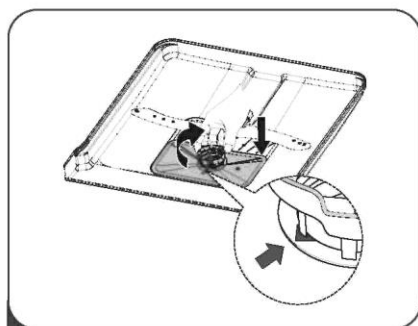
- 1 Tenere il filtro a maglia grossa e ruotarlo in senso antiorario per sbloccare il filtro. Sollevare il filtro verso l'alto e fuori dalla lavastoviglie.



- 2 Il filtro a maglia fine può essere rimosso dalla parte inferiore del gruppo filtro. Il filtro a maglia grossa può essere staccato dal filtro principale schiacciando delicatamente le linguette in alto e estraendolo.



- 3 I residui di cibo più grandi possono essere puliti sciacquando il filtro sotto l'acqua corrente. Per una pulizia più accurata, utilizzare una spazzola per la pulizia morbida.



- 4 Rimontare i filtri nell'ordine inverso allo smontaggio, sostituire l'inserto del filtro e ruotare in senso orario fino alla freccia di chiusura.

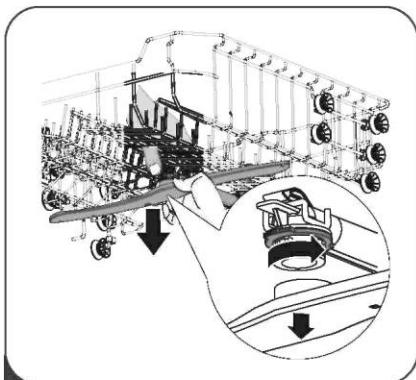
### **⚠ AVVERTENZA**

- Non stringere eccessivamente i filtri. Riposizionare i filtri in sequenza in modo sicuro, altrimenti detriti grossolani potrebbero entrare nel sistema e causare un blocco.
- Non far partire mai la lavastoviglie senza i filtri in posizione corretta. La sostituzione errata del filtro può ridurre il livello di prestazioni dell'apparecchiatura e danneggiare piatti e utensili.

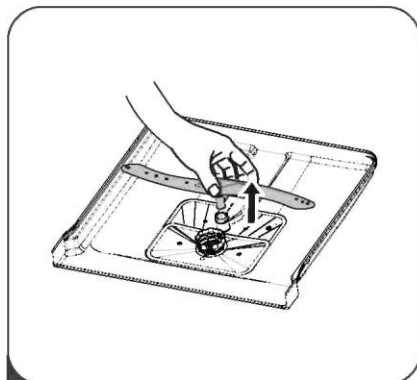
## Bracci spruzzatori

È necessario pulire regolarmente i bracci irroratori poiché sostanze chimiche e acqua dura ostruiscono i getti e i cuscinetti del braccio irroratore.

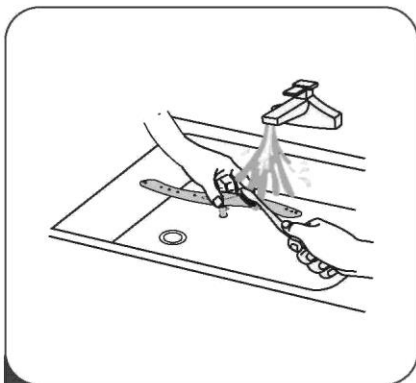
Per installare i bracci spruzzatori, procedere come segue:



- 1** Per rimuovere il braccio spruzzatore superiore, tenere fermo il dado al centro e ruotare il braccio in senso antiorario.



- 2** Per rimuovere il braccio spruzzatore inferiore, estrarlo verso l'alto.



- 3** Lavare i bracci con acqua calda e sapone e utilizzare una spazzola morbida per pulire i fori dei getti. Sostituirli dopo averli risciacquati accuratamente.

# **Cura della Lavastoviglie**

---

## **Precauzione gelo**

Si prega di prendere misure di protezione antigelo sulla lavastoviglie in inverno. Ogni volta dopo i cicli di lavaggio, operare come segue:

1. Interrompere l'alimentazione elettrica alla lavastoviglie alla fonte di alimentazione.
2. Scollegare l'alimentazione idrica e il tubo di ingresso dell'acqua dalla valvola dell'acqua.
3. Scaricare l'acqua dal tubo di ingresso e dalla valvola dell'acqua. (Usare una bacinella per raccogliere l'acqua)
4. Ricollegare il tubo di ingresso dell'acqua alla valvola dell'acqua.
5. Togliere il filtro dal tubo in fondo e utilizzare una spugna per assorbire l'acqua nel pozzetto.

## **Dopo ogni lavaggio**

Dopo ogni lavaggio, spegnere l'alimentazione dell'acqua verso l'apparecchiatura e lasciare la porta leggermente socchiusa in modo che l'umidità e gli odori non rimangano intrappolati all'interno.

## **Rimuovere la spina**

Prima di pulire l'apparecchiatura o eseguirne la manutenzione, rimuovere sempre la spina dalla presa.

## **Nessun solvente o pulizia abrasiva**

Pulire le parti esterne e quelle in gomma della lavastoviglie, non utilizzare solventi o prodotti detergenti abrasivi. Utilizzare solo un panno, acqua calda e sapone. Per rimuovere macchie o aloni dalla superficie interna, utilizzare un panno inumidito con acqua e un po' di aceto o un prodotto per la pulizia specifico per lavastoviglie.

## **Quando non viene utilizzato per lungo tempo**

Si consiglia di eseguire un ciclo di lavaggio con la lavastoviglie vuota, rimuovere poi la spina dalla presa, disattivare l'alimentazione d'acqua e lasciare la porta dell'apparecchiatura leggermente socchiusa. Ciò aiuterà le guarnizioni della porta a durare più a lungo e consentirà di prevenire la formazione di cattivi odori nell'apparecchiatura.

## **Spostamento del dispositivo**

Se l'apparecchiatura deve essere spostata, provare a mantenerlo in posizione verticale. Se assolutamente necessario, può essere posizionato sul retro.

## **Guarnizioni**

Uno dei fattori che causa la formazione di odori nella lavastoviglie è il cibo che rimane intrappolato nelle guarnizioni. La pulizia periodica con una spugna umida previene questo fenomeno.

# ISTRUZIONI DI INSTALLAZIONE

## ⚠ AVVERTENZA



### **Pericolo di scossa elettrica**

Scollegare l'alimentazione elettrica prima di installare la lavastoviglie. Il mancato rispetto di queste istruzioni potrebbe provocare morte o shock elettrico.

## ⚠ Attenzione

L'installazione dei tubi e delle apparecchiature elettriche deve essere eseguita da professionisti.

## Collegamento alla fonte di alimentazione

## ⚠ AVVERTENZA

Per la sicurezza personale:

- Non utilizzare una prolunga o la spina di un adattatore con questa apparecchiatura.
- Non tagliare o rimuovere la messa a terra dal cavo di alimentazione in alcun caso.

## Requisiti elettrici

Si prega di guardare l'etichetta di classificazione per conoscere la tensione nominale e collegare la lavastoviglie all'alimentazione appropriata. Utilizzare il fusibile richiesto 10A/13A/16A, il fusibile ritardato o l'interruttore automatico consigliato e fornire un circuito separato che serve solo questa apparecchiatura.

## Collegamento elettrico

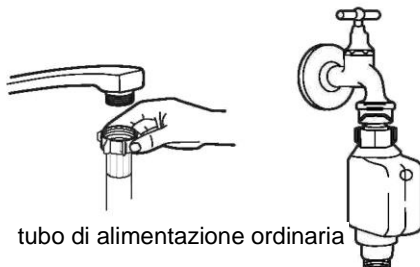
Accertarsi che la tensione e la frequenza dell'alimentazione corrispondano a quelle riportate sulla targhetta dei dati tecnici. Inserire la spina solo in una presa elettrica correttamente collegata a terra. Se la presa elettrica alla quale deve essere collegata l'apparecchiatura non è adatta alla spina, sostituire la presa, anziché utilizzare un adattatore o simili poiché potrebbero causare surriscaldamento e ustioni.

⚠ **Assicurarsi della presenza di una adeguata messa a terra, prima dell'uso**

# Alimentazione dell'Acqua e Scarico

## Collegamento ad acqua fredda

Collegare il tubo di alimentazione dell'acqua fredda a un connettore filettato da 3/4 (pollici) e assicurarsi che sia ben serrato in posizione. Se i tubi dell'acqua sono nuovi o non sono stati utilizzati per un lungo periodo di tempo, far scorrere l'acqua per assicurarsi che l'acqua sia pulita. Questa precauzione è necessaria per evitare il rischio di ostruzione dell'ingresso dell'acqua e danni all'apparecchiatura.



tubo di alimentazione ordinaria

tubo di alimentazione di sicurezza

## Informazioni sul tubo di alimentazione di sicurezza

Il tubo di alimentazione di sicurezza è costituito da doppie pareti. Il sistema del tubo garantisce il suo intervento bloccando il flusso di acqua in caso di rottura del tubo di alimentazione e quando lo spazio aereo tra il tubo di alimentazione stesso e il tubo corrugato esterno è pieno d'acqua.

### **⚠ AVVERTENZA**

Un tubo flessibile collegato a uno spray per lavandino può esplodere se installato sulla stessa linea di galleggiamento della lavastoviglie. Se il lavandino ne ha uno, si consiglia di scollegare il tubo flessibile e tappare il foro.

## Come collegare il tubo di alimentazione di sicurezza

1. Tirare i tubi di alimentazione di sicurezza completamente fuori dal vano portaoggetti situato sul retro della lavastoviglie.
2. Stringere le viti del tubo di alimentazione di sicurezza al rubinetto con filettatura da 3/4 pollici.
3. Accendere completamente l'acqua prima di avviare la lavastoviglie.

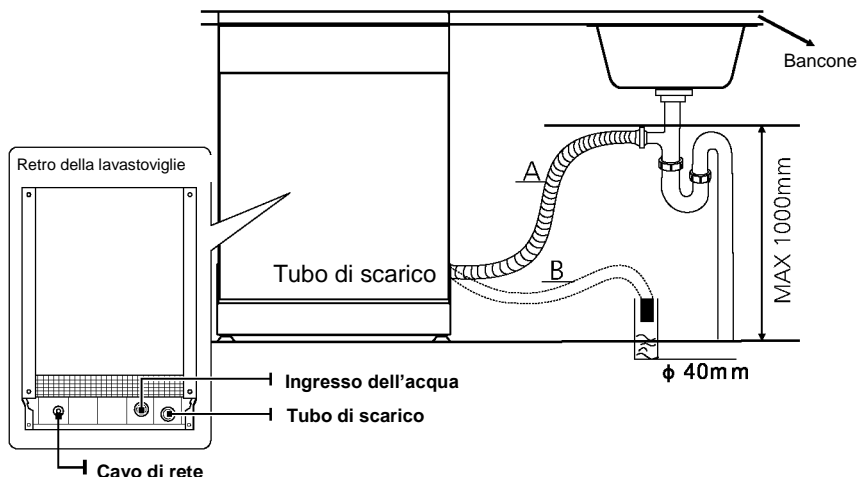
## Come scollegare il tubo di alimentazione di sicurezza

1. Spegnerne l'acqua.
2. Svitare il tubo di alimentazione di sicurezza dal rubinetto.

# Collegamento di Tubi di Scarico

Inserire il tubo di scarico in un tubo di scarico con un diametro minimo di 4 cm o lasciarlo scorrere nel lavandino, evitando di piegarlo o piegarlo. L'altezza del tubo di scarico deve essere inferiore a 1000 mm. L'estremità libera del tubo non deve essere immersa in acqua per evitare il riflusso di esso.

**⚠** Fissare saldamente il tubo di scarico in posizione A o B



## Come drenare l'acqua in eccesso dai tubi

Se il lavandino è 1000 più in alto dal pavimento, l'acqua in eccesso nei tubi non può essere scaricata direttamente nel lavandino. Sarà necessario drenare l'acqua in eccesso dai tubi in una ciotola o in un contenitore adatto che viene tenuto all'esterno e più in basso rispetto al lavandino.

## Uscita dell'acqua

Collegare il tubo di scarico dell'acqua. Il tubo di scarico deve essere montato correttamente per evitare perdite d'acqua. Accertarsi che il tubo di scarico dell'acqua non sia piegato o schiacciato.

## Prolunga

Se è necessaria un'estensione del tubo di scarico, assicurarsi di utilizzare un tubo di scarico simile.

Non deve superare i 4 metri; altrimenti l'effetto di pulizia della lavastoviglie potrebbe essere ridotto.

## Connessione a sifone

Il collegamento dei rifiuti deve essere ad un'altezza inferiore a 100 cm (massimo)

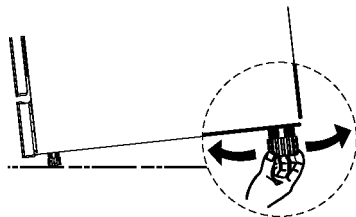


# Collocamento dell'apparecchiatura

Posizionare l'apparecchiatura nella posizione desiderata. La parte posteriore dovrebbe poggiare contro il muro dietro di esso e i lati, lungo i mobili o le pareti adiacenti. La lavastoviglie è dotata di tubi di alimentazione e scarico dell'acqua che possono essere posizionati sul lato destro o sinistro per facilitare la corretta installazione.

## LIVELLAMENTO DELL'APPARECCHIATURA

Una volta posizionata l'apparecchiatura per il livellamento, l'altezza della lavastoviglie può essere modificata regolando il livello di avvvitamento dei piedini. In ogni caso l'apparecchiatura non deve essere inclinata di oltre 2°.



## NOTA:

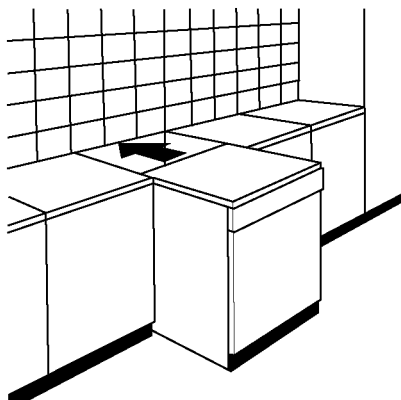
Applicare solo sulla lavastoviglie a libera

# Installazione Indipendente

## Raccordo tra carabine esistenti

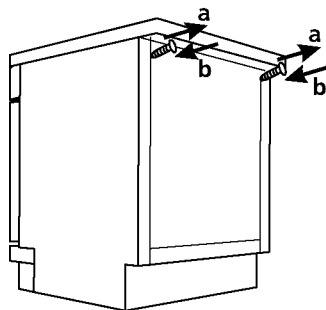
L'altezza della lavastoviglie, 845 mm, è stata progettata per consentire il montaggio della macchina tra gli armadi esistenti della stessa altezza nelle cucine moderne. I piedi possono essere regolati in modo da raggiungere l'altezza corretta.

La parte superiore laminata della macchina non richiede particolari cure poiché è resistente al calore, ai graffi e alle macchie.



## Sotto il piano di lavoro esistente

(Con installazione sotto un piano di lavoro) Nella maggior parte delle cucine componibili moderne c'è un solo piano di lavoro sotto il quale sono installati armadi ed elettrodomestici. In questo caso, rimuovere il piano di lavoro della lavastoviglie svitando le viti sotto il bordo posteriore del piano (a).



### ⚠ Attenzione

Dopo aver rimosso il piano di lavoro, le viti devono essere nuovamente avvitate sotto il bordo posteriore del piano (b).

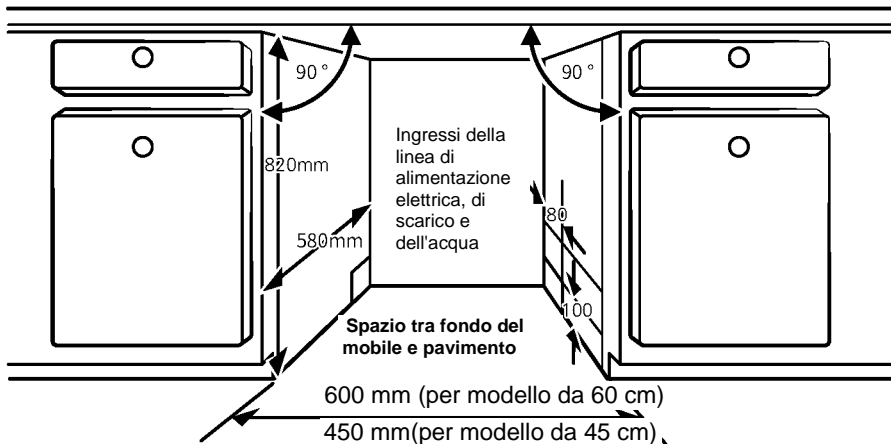
L'altezza verrà quindi ridotta a 815 mm, come previsto dalle normative internazionali (ISO) e la lavastoviglie si adatterà perfettamente al piano di lavoro della cucina

## Installazione da incasso (per il modello integrato)

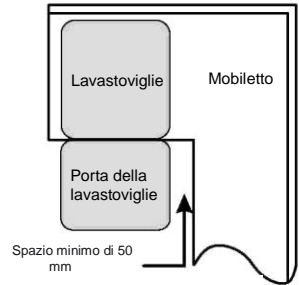
### Fase 1. Selezione della posizione migliore per la lavastoviglie

La posizione di installazione della lavastoviglie deve trovarsi vicino ai tubi di scarico e scarico esistenti e al cavo di alimentazione.

Illustrazioni delle dimensioni dell'armadio e della posizione di installazione della lavastoviglie. 1. Meno di 5 mm tra la parte superiore della lavastoviglie e del mobile e la porta esterna allineata al mobile.



2. Se la lavastoviglie è bloccata nell'angolo dell'armadio, dovrebbe esserci spazio all'apertura della porta.



**NOTA:**

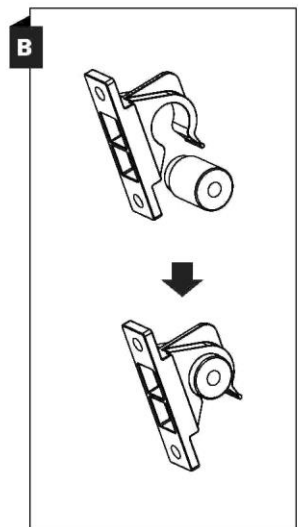
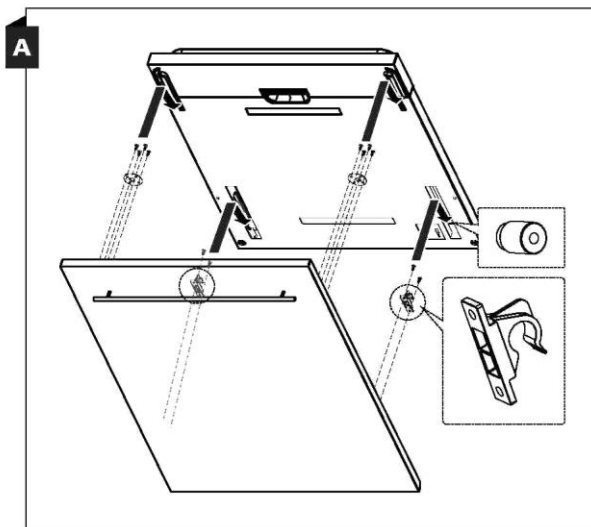
A seconda della posizione della presa elettrica, potrebbe essere necessario praticare un foro sul lato opposto dell'armadio.

## Fase 2. Dimensioni e installazione del pannello estetico



**Il pannello estetico in legno potrebbe essere lavorato secondo i disegni di installazione.**

Installare il gancio sul pannello estetico in legno (vedere figura 4A) e inserire il gancio nella fessura della porta esterna della lavastoviglie (vedere la figura 4B). Dopo aver posizionato il pannello, premere la parte superiore del pannello in legno per assicurarsi che il gancio in plastica sia fissato.

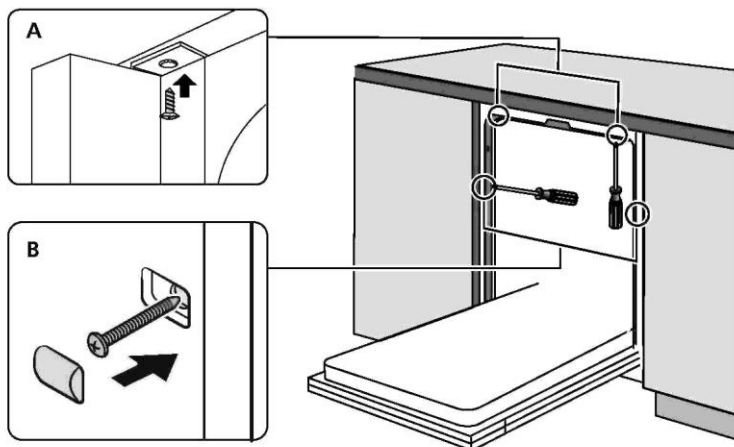


### Fase 3. Fasi di installazione della lavastoviglie



**Fare riferimento ai passaggi di installazione specificati nei disegni di installazione.**

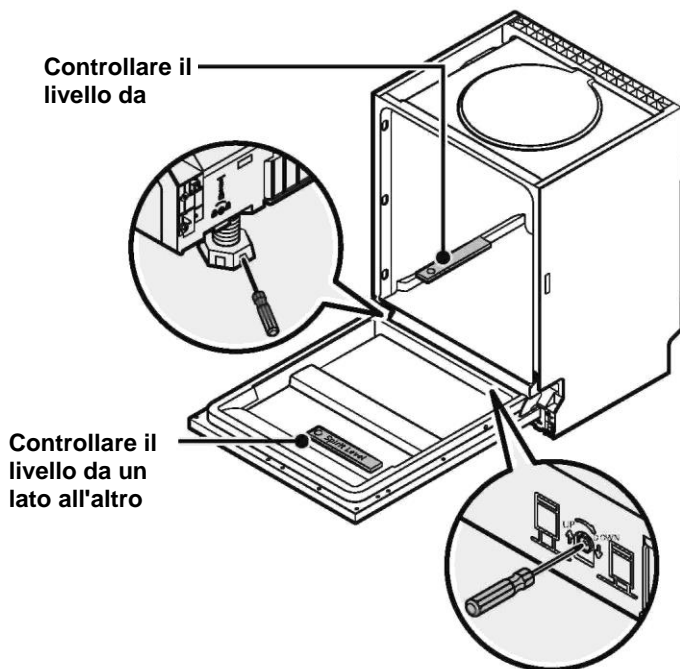
1. Fissare la striscia di condensa sotto la superficie di lavoro dell'armadio. Assicurarsi che la striscia di condensa sia a filo con il bordo della superficie di lavoro. (Fase 2)
2. Collegare il tubo di alimentazione all'alimentazione dell'acqua fredda.
3. Collegare il tubo di scarico.
4. Collegare cavo di alimentazione.
5. Posizionare la lavastoviglie in posizione. (Fase 4)
6. Livellare la lavastoviglie. I piedini posteriori possono essere regolati dalla parte anteriore della lavastoviglie ruotando la **vite a croce** nel mezzo della base della lavastoviglie usando un **cacciavite a croce**. Per regolare i piedini anteriori, utilizzare un cacciavite piatto e ruotare i piedini anteriori fino a quando la lavastoviglie è a livello. (Fase da 5 a 6)
7. Installare la porta del mobile sulla porta esterna della lavastoviglie. (Fase da 7 a 9)
8. La lavastoviglie deve essere fissata in posizione. Esistono due modi per farlo:
  - A. Superficie di lavoro normale: Inserire il gancio di installazione nella fessura del piano laterale e fissarlo alla superficie di lavoro con le viti per legno.
  - B. Piano di lavoro in marmo o granito: Fissare il lato con la vite.



## Fase 4. Livellamento della lavastoviglie

La lavastoviglie deve essere a livello per il corretto funzionamento della lavastoviglie e le prestazioni di lavaggio.

1. Posizionare una livella a bolla sulla porta e sulla rastrelliera all'interno della vasca, come mostrato per verificare che la lavastoviglie sia a livello.
2. Livellare la lavastoviglie regolando le tre gambe di livellamento singolarmente.
3. Quando si livella la lavastoviglie, prestare attenzione a non lasciare cadere la



### **NOTA:**

L'altezza di regolazione massima dei piedi è di 50 mm.

# SUGGERIMENTI PER LA RISOLUZIONE DEI PROBLEMI

## Prima Di Contattare Il Servizio Assistenza

Confrontare i grafici nelle pagine seguenti potrebbe far evitare di chiamare il servizio.

<b>Problema</b>	<b>Possibili cause</b>	<b>Cosa fare</b>
La lavastoviglie non si avvia	Fusibile bruciato o interruttore automatico mal funzionante.	Sostituire il fusibile o ripristinare l'interruttore automatico. Rimuovere eventuali altri dispositivi che condividono lo stesso circuito con la lavastoviglie.
	L'alimentazione non è attiva.	Assicurarsi che la lavastoviglie sia accesa e che la porta sia ben chiusa. Assicurarsi che il cavo di alimentazione sia inserito correttamente nella presa a muro.
	La pressione dell'acqua è bassa	Controllare che l'acqua sia collegata correttamente e l'acqua sia aperta.
	La porta non è stata chiusa correttamente.	Assicurarsi di chiudere correttamente la porta e bloccarla.
Acqua non pompata dalla lavastoviglie	Tube di scarico attorcigliato o intrappolato.	Controllare il tubo di scarico.
	Filtro intasato.	Controllare grossolanamente il filtro.
	Lavello della cucina intasato.	Controlla il lavello della cucina per assicurarti che stia drenando bene. Se il problema è il lavello della cucina che non si svuota, potrebbe essere necessario un idraulico piuttosto che un tecnico per le lavastoviglie.
Schiuma nella vasca	Detersivo sbagliato.	Utilizzare solo detersivo per lavastoviglie, per evitare la formazione di schiuma. Se ciò avviene, aprire la lavastoviglie e far evaporare la schiuma. Aggiungere 1 gallone di acqua fredda alla vasca. Chiudi la porta della lavastoviglie, quindi seleziona un ciclo. Inizialmente, la lavastoviglie scarica l'acqua. Aprire la porta dopo aver completato la fase di drenaggio e verificare se la schiuma è scomparsa. Ove necessario, ripetere.

<b>Problema</b>	<b>Possibili cause</b>	<b>Cosa fare</b>
	Brillantante versato.	Pulire sempre immediatamente le fuoriuscite di brillantante.
Interno vasca macchiato	Potrebbe essere stato usato detergente con colorante.	Assicurarsi che il detergente non abbia coloranti.
Film bianco nelle superfici interne	Minerali e acqua dura.	Per pulire l'interno, utilizzare una spugna umida con detersivo per lavastoviglie e indossare guanti di gomma. Non usare mai detersivi diversi dai detersivi per lavastoviglie per il rischio di formazione di schiuma.
Ci sono macchie di ruggine sulle posate	Gli articoli interessati non sono resistenti alla corrosione.	Evitare di lavare oggetti non resistenti alla corrosione in lavastoviglie.
	Non è stato eseguito un programma dopo l'aggiunta del sale per lavastoviglie. Tracce di sale sono entrate nel ciclo di lavaggio.	Esegui sempre un programma di lavaggio senza stoviglie dopo aver aggiunto il sale. Non selezionare la funzione Turbo (se presente), dopo aver aggiunto il sale per lavastoviglie.
	Il coperchio del più morbido è allentato.	Controllare che il coperchio dell'addolcitore sia sicuro.
Bussare al rumore in lavastoviglie	Un braccio irroratore batte contro un oggetto in un cestino	Interrompere il programma e riorganizzare gli elementi che ostruiscono il braccio di spruzzo.
Rumore tintinnante in lavastoviglie	Le stoviglie sono sfuse nella lavastoviglie.	Interrompere il programma e riorganizzare le stoviglie.
Bussare al rumore nelle tubature dell'acqua	Ciò può essere causato dall'installazione in loco o dalla sezione trasversale delle tubazioni.	Ciò non influisce sulla funzione della lavastoviglie. In caso di dubbi, contattare un idraulico qualificato.
I piatti non sono puliti	I piatti non sono stati caricati correttamente.	Vedi PARTE II "Preparazione e caricamento dei piatti".
	Il programma non era abbastanza potente.	Seleziona un programma più intenso.

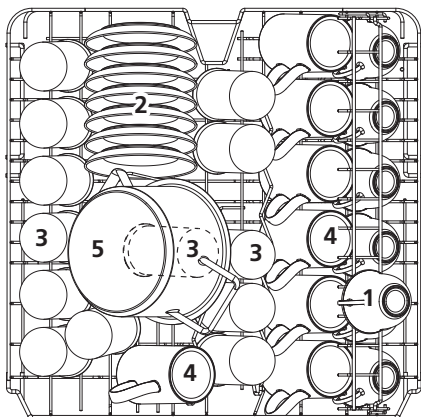
<b>Problema</b>	<b>Possibili cause</b>	<b>Cosa fare</b>
I piatti non sono puliti.	Non è stato erogato abbastanza il detergente.	Usa più detersivo o cambia il detersivo.
	Gli articoli stanno bloccando il movimento dei bracci irroratori.	Riorganizzare gli oggetti in modo che lo spray possa ruotare liberamente.
	La combinazione del filtro non è pulita o non è inserita correttamente nella base dell'armadio. Ciò potrebbe causare il blocco dei getti del braccio di nebulizzazione.	Pulire e/o montare il filtro correttamente. Pulire i getti del braccio irroratore.
Opacità sul vetro.	Combinazione di acqua dolce e troppo detersivo.	Utilizzare meno detersivo in caso di acqua dolce e selezionare un ciclo più breve per lavare gli oggetti in vetro e pulirli.
Macchie bianche appaiono su piatti e bicchieri.	L'area dell'acqua dura può causare depositi di calcare.	Aggiungere più detersivo.
Segni neri o grigi sui piatti.	Gli utensili in alluminio hanno sfregato contro i piatti	Utilizzare un detersivo abrasivo delicato per eliminare tali segni.
Il detersivo è rimasto nel dispenser	I piatti bloccano il cappuccio del detersivo	Ricaricare i piatti correttamente.
I piatti non si asciugano	Caricamento errato	Caricare la lavastoviglie come suggerito nelle istruzioni.
	I piatti vengono rimossi troppo presto	Non svuotare la lavastoviglie subito dopo il lavaggio. Aprire leggermente la porta in modo che il vapore possa fuoriuscire. Togliere i piatti fino a quando la temperatura interna è sicura al tatto. Scaricare prima il cestello inferiore per evitare la caduta di acqua dal cestello superiore.



<b>Problema</b>	<b>Possibili cause</b>	<b>Cosa fare</b>
I piatti non si asciugano	È stato selezionato un programma errato.	Con un programma breve, la temperatura di lavaggio è inferiore, diminuendo le prestazioni di pulizia. Scegli un programma con un lungo tempo di lavaggio.
	Uso di posate con un rivestimento di bassa qualità.	Il drenaggio dell'acqua è più difficile con questi elementi. Posate o piatti di questo tipo non sono adatti per il lavaggio in lavastoviglie.

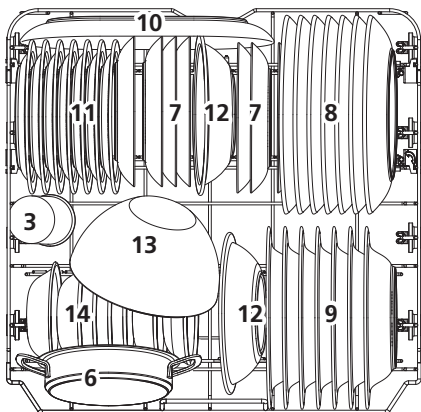
# CARICAMENTO DEI CESTELLI SECONDO EN60436:

## 1. Cestello superiore:



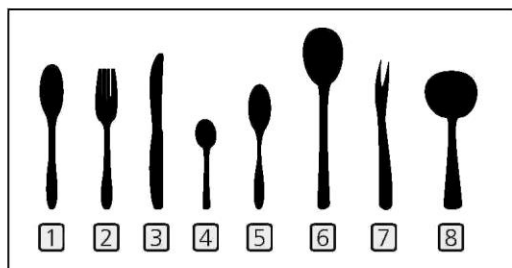
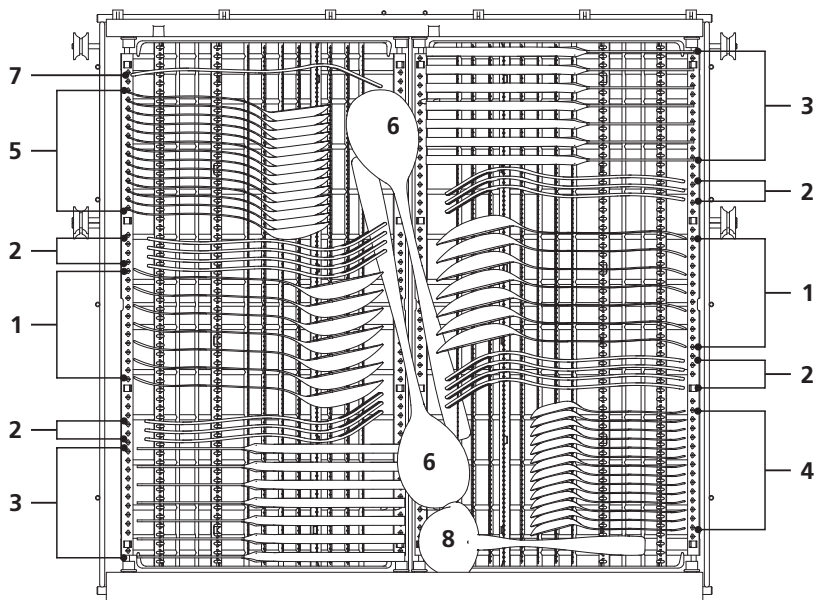
Numero	Articolo
1	Tazze
2	Piattini
3	Bicchieri
4	Tazze
5	Vaso piccolo

## 2. Cestello inferiore:



Numero	Articolo
6	Vaso da forno
7	Piatti da dessert
8	Piatto da portata
9	Piatto fondo
10	Piatto ovale
11	Piatti da dessert in melamina
12	Ciotole in melamina
13	Ciotola in vetro
14	Ciotole da dessert

### 3.Porta posate:

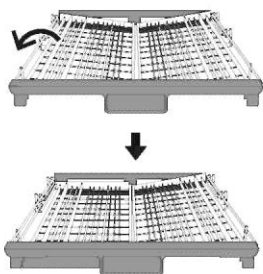


Informazioni per la comparabilità  
 Test in conformità con EN60436  
 Capacità: 14 coperti  
 Posizione del cestello superiore: posizione inferiore  
 Programmi: ECO  
 Impostazioni brillantante: Max  
 Impostazione dell'addolcitore: H3

Numero	Articolo
1	Cucchiai da minestra
2	Forchetta
3	Coltelli
4	Cucchiaino
5	Cucchiaino da dessert
6	Cucchiai da portata
7	Forchetta da portata
8	Mestolo

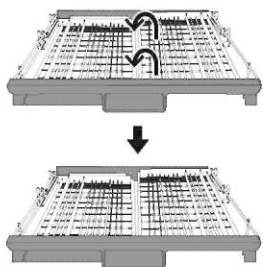
# Consigli d'uso portaposate

---



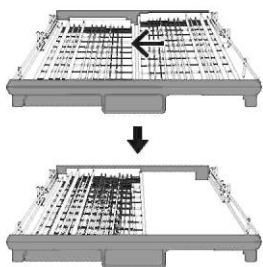
Sollevarre il cestello sinistro, regolarlo nella posizione inferiore, il cestello sinistro è piatto e quello destro su un lato.

---



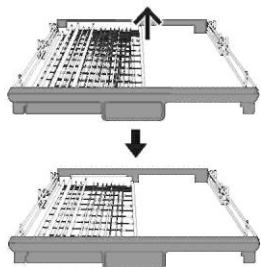
Sollevarre il cestello destro, sia il sinistro che quello destro sono piatti.

---



Spostare il cestello destro da destra a sinistra, due cestelli si sovrappongono.

---



Rimuovere il cestello destro dal vassoio, si ha solo il cestello sinistro.

# **PARTE II: Versione speciale**

Leggere attentamente questo manuale prima di utilizzare la lavastoviglie e conservare questo manuale per riferimenti futuri.

# CONTENUTI

01	<b>03</b>	<b>USO DELLA LAVASTOVIGLIE</b>
	<b>03</b>	Pannello di controllo
	<b>05</b>	Addolcitore d'acqua
	<b>07</b>	Preparazione e caricamento di piatti
	<b>10</b>	Funzione di brillantante e detergente
	<b>11</b>	Riempimento del Dispenser del Brillantante
	<b>12</b>	Riempimento del dispenser di detersivo
	<b>13</b>	<b>PROGRAMMAZIONE DELLA LAVASTOVIGLIE</b>
02	<b>13</b>	Tabella dei Cicli di Lavaggio
	<b>15</b>	Avvio Di Un Ciclo Di Lavaggio
	<b>15</b>	Modifica Del Programma A Metà Ciclo
	<b>16</b>	Dimenticanza nell'aggiungere piatti
03	<b>17</b>	<b>CODICI DI ERRORE</b>
04	<b>18</b>	<b>INFORMAZIONI TECNICHE</b>

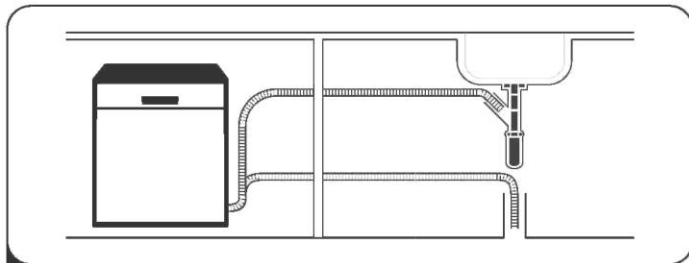


## **NOTA:**

- Se non riesci a risolvere i problemi da solo, chiedere aiuto a un tecnico professionista.
- Il produttore, seguendo una politica di costante sviluppo e aggiornamento del prodotto, può apportare delle modifiche senza preavviso.
- Se smarrito o obsoleto, è possibile ricevere un nuovo manuale utente dal produttore o dal fornitore responsabile.

# GUIDA DI UTILIZZO RAPIDO

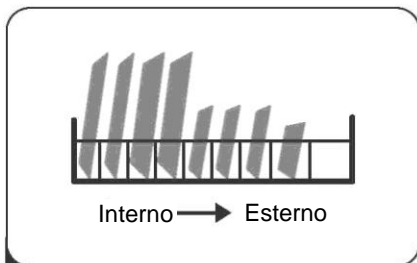
Si prega di leggere il contenuto corrispondente sul manuale di istruzioni per il metodo operativo dettagliato.



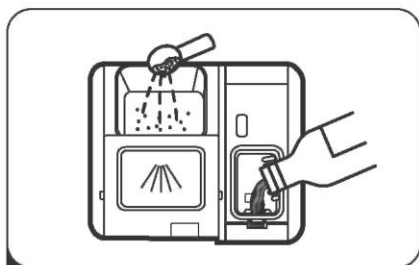
- 1** Installare la lavastoviglie  
(Consultare la sezione 5 "ISTRUZIONI DI INSTALLAZIONE"  
della PARTE —: Versione generica.)



- 2** Rimozione del residuo più grande sulle posate



- 3** Caricamento dei cestelli



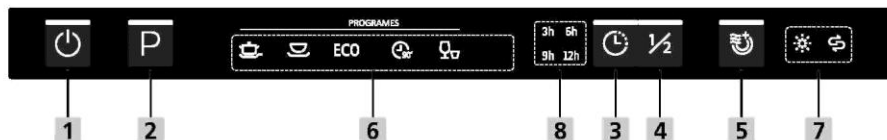
- 4** Riempimento del dispenser





- 5** Selezione di un programma e funzionamento della lavastoviglie

# USO DELLA LAVASTOVIGLIE





## Pannello di controllo



### Funzionamento (Pulsante)

<b>1 Accensione</b>	Premere il pulsante sulla lavastoviglie la spia si accende.
<b>2 Programma</b>	Premere questo tasto per selezionare il programma di lavaggio appropriato, l'indicatore del programma selezionato si accende
<b>3 Ritardo</b>	Premere il tasto per impostare il tempo di ritardo, la spia corrispondente si accende.
<b>4 Mezzo carico</b>	Quando si hanno circa o meno di 6 piatti e posate da lavare, è possibile scegliere questa funzione per risparmiare energia e acqua. (Può essere utilizzata solo con Intensivo, Universale, ECO, Cristalli e 90 minuti). Quando si preme questo tasto, la spia corrispondente si accende.
<b>5 Extra asciugatura</b>	Per asciugare le stoviglie in modo più completo. (Può essere usato solo con Intensivo, Universale, ECO, Cristalli, 90 Min) Quando si preme questo tasto, si accende la spia corrispondente.
<b>6 Indicatore del programma</b>	 <b>Intensivo</b> Gli articoli molto sporchi includono pentole e padelle. Con cibo incrostato.  <b>Universale</b> Per carichi normalmente sporchi, come pentole, piatti, bicchieri e pentole leggermente sporche.



		<p><b>ECO</b> <b>ECO</b> Questo è il programma standard adatto a carichi normalmente sporchi, come pentole, piatti, bicchieri e padelle leggermente sporche.</p>
<b>6</b>	<b>Indicatore del programma</b>	<p> <b>90Min</b> Per carichi normalmente sporchi che richiedono un lavaggio rapido.</p>
		<p> <b>Rapido</b> Un lavaggio più breve per carichi leggermente sporchi che non necessitano di asciugatura.</p>
<b>Display</b>		
<b>7</b>	<b>Spia di avvertenza</b>	<p><b>Brillantante</b>  Se la spia "❄" è accesa, significa che la lavastoviglie ha un basso livello di brillantante e richiede una ricarica.</p>
		<p><b>Sale</b>  Se la spia "⚖" è accesa, significa che la lavastoviglie ha poco sale e deve essere ricaricata.</p>
<b>8</b>	<b>Pulsante ritardo</b>	Per mostrare il tempo di ritardo (3/6/9/12 ore).

# Addolcitore d'acqua

L'addolcitore deve essere impostato manualmente, utilizzando il quadrante di durezza dell'acqua.

L'addolcitore d'acqua è progettato per rimuovere minerali e sali dall'acqua, che avrebbero un effetto dannoso o negativo sul funzionamento dell'apparecchiatura. Più minerali ci sono, più difficile è la tua acqua.

L'addolcitore dovrebbe essere regolato in base alla durezza dell'acqua della zona. L'autorità idrica locale può impartire consigli riguardo la durezza dell'acqua della zona.

## Regolazione del consumo di sale

La lavastoviglie è progettata per consentire la regolazione della quantità di sale consumata in base alla durezza dell'acqua utilizzata. Questo ha lo scopo di ottimizzare e personalizzare il livello di consumo di sale.

Seguire i passaggi seguenti per la regolazione del consumo di sale.

1. Aprire lo sportello, accendere l'apparecchio;
2. Premere il pulsante Programma per più di 5 secondi entro 60 secondi dopo l'accensione dell'apparecchiatura. Quando la spia sale lampeggia, con frequenza di 1Hz, significa che si sta eseguendo l'accesso alle impostazioni dell'addolcitore d'acqua
3. Premere il pulsante Programma per selezionare il set corretto in base al proprio ambiente, i set cambieranno nella seguente sequenza:  
H1->H2->H3->H4->H5->H6;
4. Premere il pulsante di accensione per terminare il modello impostato.

DUREZZA DELL'ACQUA				Livello dell'addolcitore	Consumo di sale (grammi/ciclo)
Tedesco °dH	France se °fH	Inglese °Clarke	Mmol/l		
0-5	0-9	0-6	0 - 0.94	H1-> Rapido, Brillantezza leggera	<b>0</b>
6-11	10-20	7- 14	1.0-2,0	H2->90 Min, Brillantezza leggera	<b>9</b>
12- 17	21 -30	15-21	2.1 -3.0	H3-> 90 Min, Rapido, Brillantezza leggera	<b>12</b>
18-22	31 -40	22-28	3.1 -4.0	H4-> Eco, Brillantezza leggera	<b>20</b>
23-34	41 -60	29-42	4.1 -6.0	H5-> Eco, Rapido, Brillantezza leggera	<b>30</b>
35-55	61 -98	43-69	6.1 -9.8	H6->Eco 90 Min, Brillantezza leggera	<b>60</b>

1°dH=1.25 °Clarke=1.78 °fH=0.178mmol/l

L'impostazione della fabbrica: H3

Contattare la scheda idrica locale per informazioni sulla durezza l'alimentazione dell'acqua.



Si prega di controllare la sezione 3 "Caricamento del sale nell'addolcitore" della PARTE I: Versione generica, se la lavastoviglie non ha sale.



## **NOTA:**

**Se il modello non presenta l'addolcitore d'acqua, si può saltare questa sezione. Addolcitore d'acqua**

La durezza dell'acqua varia da luogo a luogo. Se si utilizza acqua dura in lavastoviglie, si formeranno depositi sui piatti e sugli utensili. L'apparecchiatura è dotata di uno speciale addolcitore che utilizza sali appositamente studiati per eliminare calcare e minerali dall'acqua.

## **Preparazione e caricamento di piatti**

- Prendi in considerazione l'acquisto di utensili identificati come lavabili in lavastoviglie.
- Per elementi particolari, selezionare un programma con la temperatura più bassa possibile.
- Per evitare danni, non togliere i bicchieri e le posate dalla lavastoviglie subito dopo la fine del programma.

### **Per lavare le seguenti posate/piatti**

#### **Non sono adatti**

- Posate con manici in legno, corno, porcellana o madreperla
- Articoli in plastica non resistenti al calore
- Posate più vecchie con parti incollate che non resistono alla temperatura
- Posate o piatti incollati
- Articoli in peltro o bottaio
- Cristallo
- Articoli in acciaio soggetti a ruggine
- Piatti di legno
- Articoli realizzati in fibra sintetica

#### **Sono parzialmente adatti**

- Alcuni tipi di occhiali possono diventare opachi dopo un gran numero di lavaggi
- Le parti in argento e alluminio tendono a scolorirsi durante il lavaggio
- I motivi smaltati possono sbiadirsi se la lavati spesso in lavastoviglie

## Consigli per il caricamento della lavastoviglie

Rimuovere le grandi quantità di cibo avanzato. Ammorbidire i resti di cibo incrostato nelle padelle. Non sarà necessario sciacquare i piatti sotto all'acqua corrente.

Per migliori prestazioni da parte della lavastoviglie, seguire queste linee guida relative al caricamento.

**Le caratteristiche e l'aspetto dei cestelli e dei cestelli per posate possono variare a seconda del modello.**

Collocare gli oggetti nella lavastoviglie nel seguente modo:

- Oggetti come tazze, bicchieri, pentole / padelle, ecc. vanno rivolti verso il basso.
- Gli oggetti curvi, o quelli con rientranze, devono essere inclinati in modo che l'acqua possa defluire.
- Gli oggetti vanno impilati in modo sicuro affinché non possano ribaltarsi.
- Tutti gli utensili sono posizionati in modo tale che i bracci irroratori possano ruotare liberamente durante il lavaggio.
- Caricare oggetti vuoti come tazze, bicchieri, padelle ecc. con l'apertura verso il basso in modo che l'acqua non possa raccogliere nel contenitore o in una base profonda.
- Piatti e posate non devono giacere l'uno dentro l'altro o coprirsi l'un l'altro
- Per evitare danni, gli occhiali non devono toccarsi.
- Il cestello superiore è progettato per contenere stoviglie più delicate e leggere come bicchieri, tazze da caffè e tazze da tè
- I coltelli a lama lunga riposti in posizione verticale rappresentano un potenziale pericolo!
- Posate lunghe e/o appuntite come i coltelli da intaglio devono essere posizionati orizzontalmente nel cestello superiore
- Non sovraccaricare la lavastoviglie. Ciò è importante per ottenere buoni risultati e per un ragionevole consumo energetico.



### NOTA:

Gli oggetti molto piccoli non devono essere lavati in lavastoviglie poiché potrebbero facilmente cadere dai cestelli.

## Rimozione dei piatti

Per evitare che l'acqua goccioli dal cestello superiore nel cestello inferiore, si consiglia di svuotare prima il cestello inferiore e poi il cestello superiore.



### AVVERTENZA



**Gli articoli saranno caldi!** Per evitare i danni, non estrarre bicchieri e posate dalla lavastoviglie per circa 15 minuti dopo la fine del programma.

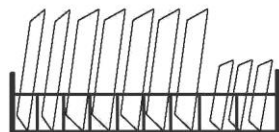
## Caricamento del cestello superiore

Il cestello superiore è progettato per contenere stoviglie più delicate e leggere come bicchieri, tazze e piattini di caffè e tè, nonché piatti, ciotole e padelle poco profonde (purché non siano troppo sporche). Posizionare i piatti e le stoviglie in modo tale che non saranno mossi dallo spruzzo d'acqua.



## Caricamento del cestello inferiore

Ti suggeriamo di posizionare oggetti di grandi dimensioni e quelli più difficili da pulire devono essere collocati nel cestello inferiore: pentole, padelle, coperchi, piatti da portata e scodelle, come mostrato nella figura sotto. È preferibile posizionare piatti da portata e coperchi sul lato dei cestelli per evitare di bloccare la rotazione del braccio di irrorazione superiore. Il diametro massimo consigliato per le piastre davanti al dispenser di detersivo è di 19 cm, questo per non ostacolare l'apertura.



## Caricamento del cestello posate

Le posate devono essere posizionate nel portaposate separatamente l'una dall'altra nelle posizioni appropriate e assicurarsi che gli utensili non si incastrino insieme, ciò potrebbe causare prestazioni scadenti.

### ⚠ AVVERTENZA



Non lasciare che nessun oggetto tocchi il fondo.

Caricare sempre utensili affilati con la punta verso il basso!



Per un miglior risultato di lavaggio, caricare i cestelli facendo riferimento alle opzioni di caricamento standard nell'ultima sezione della PARTE I: Versione generica

## Funzione di brillantante e detergente


Il brillantante viene rilasciato durante il risciacquo finale per evitare che l'acqua formi goccioline sui piatti che possano lasciare macchie e aloni. Esso migliora inoltre l'asciugatura, consentendo all'acqua di scivolare via dai piatti. Le lavastoviglie sono progettate per l'uso di brillantanti liquidi.

### AVVERTENZA

Utilizzare solo brillantante di marca e per lavastoviglie. Non riempire mai il dispenser del brillantante con altre sostanze (ad es. detersivo per lavastoviglie, detersivo liquido). Ciò danneggerebbe l'apparecchio.

### Quando ricaricare il brillantante

La regolarità della ricarica del dispenser del brillantante dipende dalla frequenza di lavaggio delle stoviglie e dall'impostazione del brillantante.

- L'indicatore del basso livello del brillantante (  ) apparirà sul display quando è necessaria una ricarica di brillantante.
- Non riempire eccessivamente il dosatore del brillantante.

### Funzione di detergente

Gli ingredienti chimici che compongono il detergente sono necessari per rimuovere, frantumare ed eliminare tutto lo sporco dalla lavastoviglie. La maggior parte dei detersivi di qualità commerciale è adatta a questo scopo.

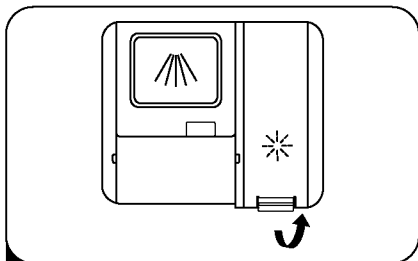
### AVVERTENZA

- **Uso corretto del detersivo**  
Utilizzare solo detersivi specifici per lavastoviglie. Tieni il detersivo al fresco e asciutto.  
Non mettere il detersivo in polvere nel dispenser finché non si è pronti a lavare i piatti.

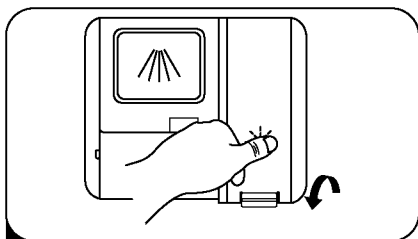


**Il detergente per lavastoviglie è corrosivo! Tenere i detersivi per lavastoviglie fuori dalla portata dei bambini.**

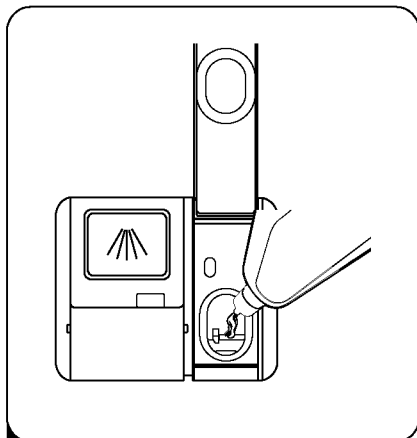
## Riempimento del Dispenser del Brillantante



- 1** Rimuovere il tappo del serbatoio di risciacquo sollevando l'impugnatura.



- 3** Chiudere il tappo.



- 2** Versare il brillantante nel dispenser, facendo attenzione a non riempirlo eccessivamente.

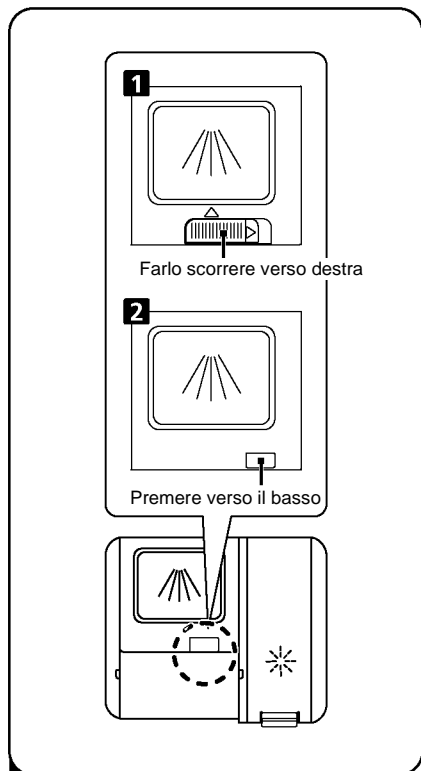
## Regolazione del dispenser del brillantante

Per ottenere una migliore prestazione di asciugatura con poco brillantante, la lavastoviglie è stata progettata per regolare il consumo da parte dell'utente. Seguire i seguenti passaggi.

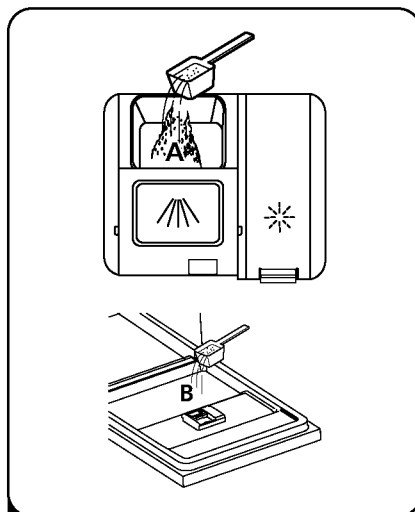
1. Aprire lo sportello, accendere l'apparecchio;
2. Entro 60 secondi dal passaggio 1, premere il pulsante Programma per più di 5 secondi e poi premere il pulsante Ritardo, per entrare nel modello impostato, l'indicazione del brillantante lampeggia come frequenza 1Hz.
3. Premere il pulsante Programma per selezionare il set corretto in base alle abitudini di utilizzo, i set cambieranno nella seguente sequenza: D1 ->D2->D3->D4->D5->D1. Più alto è il numero, maggiore è il brillantante che la lavastoviglie utilizza.
4. Premere il pulsante di accensione per terminare il modello impostato.  
L'impostazione della fabbrica: D3 .

Livello brillantante	Selettore posizione
D1	Rapido, Brillantezza leggera
D2	90 min, Brillantezza leggera
D3	90 min, Rapido, Brillantezza leggera
D4	ECO, Brillantezza leggera
D5	ECO, Rapido, Brillantezza leggera

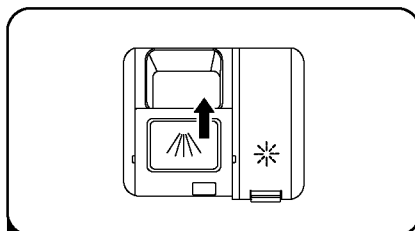
# Riempimento del dispenser di detersivo



- 1 Scegliere in base alla situazione.
1. Aprire il tappo facendo scorrere il fermo di sgancio.
  2. Aprire il tappo premendo il fermo di sgancio.



- 2 Aggiungere il detersivo nella cavità più grande (A) per il ciclo di lavaggio principale. Per un migliore risultato di pulizia, soprattutto se si hanno stoviglie molto sporche, versare una piccola quantità di detersivo sullo sportello. Il detersivo aggiuntivo si attiva durante la fase di prelavaggio.



- 3 Chiudere lo sportello facendolo scorrere verso la parte anteriore e premendo poi verso il basso.



## NOTA:

- Tenere presente che, a seconda dello sporco dell'acqua, l'impostazione potrebbe essere diversa.







# PROGRAMMAZIONE DELLA LAVASTOVIGLIE

## Tabella dei Cicli di Lavaggio

La tabella seguente mostra quali programmi sono i migliori per i livelli di residui di cibo e la quantità di detersivo necessaria. Mostra anche varie informazioni sui programmi.

(●) Vuol dire che: è necessario riempire il dispenser del brillantante.

Programma	Descrizione del Ciclo	Detersivo Prelavaggio/ Principale	Tempo di Funzionamento (min)	Energia (Kwh)	Acqua (L)	Brillantante
 Intensivo	Pre-lavaggio(50°C) Lavaggio(65°C) Risciacquo Risciacquo Risciacquo(65°C) Asciugatura	5/30g <hr/> 1 o 2 pezzi	205	1.621	17.8	●
 Universale	Pre-lavaggio(45°C) Lavaggio(55°C) Risciacquo Risciacquo(65°C) Asciugatura	5/30g (1 o 2 pezzi)	175	1.302	14.3	●
<b>ECO</b> (*EN 50242)	Lavaggio(45°C) Risciacquo Risciacquo(60°C) C) Asciugatura	35g <hr/> 1 or 2 pezzi	220	0.937	11	●
 90 min	Lavaggio(60°C) Risciacquo Risciacquo(65°C) C) Asciugatura	35g <hr/> 1 pezzo	90	1.1	11.7	●
 Rapido	Lavaggio(50°C) Risciacquo Risciacquo(45°C)	25g	30	0.751	11.2	○



### NOTA:





ECO : Questo programma è il ciclo di prova Informazioni per la prova di comparabilità (\*EN50242) secondo EN50242.

# PROGRAMMAZIONE DELLA LAVASTOVIGLIE

## Tabella dei Cicli di Lavaggio

La tabella seguente mostra quali programmi sono i migliori per i livelli di residui di cibo e la quantità di detergente necessaria. Mostra anche varie informazioni sui programmi.

(●) Vuol dire che: è necessario riempire il dispenser del brillantante.

Programma	Descrizione del Ciclo	Detersivo Prelavaggio/ Principale	Tempo di Funzionamento (min)	Energia (Kwh)	Acqua (L)	Brillantante
 <b>Intensivo</b>	Pre-lavaggio(50°C)	4/18g	205	1.621	17.8	
	Lavaggio(65°C)					
	Risciacquo					
	Risciacquo					
	Risciacquo(65°C)					1 or 2 pezzi
Asciugatura						
 <b>Universale</b>	Pre-lavaggio(45°C)	4/18g (1 o 2 pezzi)	175	1.302	14.3	
	Lavaggio(55°C)					
	Risciacquo					
	Risciacquo(65°C)					
	Asciugatura					
<b>ECO</b> <small>(*EN 60436)</small>	Lavaggio(45°C)	22g	220	0.951	11.0	
	Risciacquo					
	Risciacquo(60°C)					
	C) Asciugatura					1 or 2 pezzi
 <b>90 min</b>	Lavaggio(60°C)	22g	<b>90</b>	1.10	11.7	
	Risciacquo					
	Risciacquo(65°C)					
	C) Asciugatura					1 pezzo
 <b>Rapido</b>	Lavaggio(50°C)	20g	<b>30</b>	0.751	11.2	
	Risciacquo					
	Risciacquo(45°C)					



### NOTA:

ECO : Questo programma è il ciclo di prova Informazioni per la prova di comparabilità (\*EN60436) secondo EN60436.

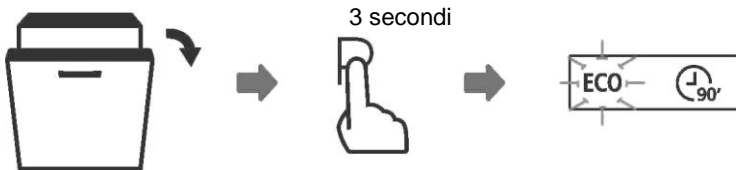
## Avvio Di Un Ciclo Di Lavaggio

1. Estrarre il cestello inferiore e superiore, caricare i piatti e respingerli indietro. Si consiglia di svuotare prima il cestello inferiore e poi quello superiore.
2. Versare il detersivo.
3. Collegare la spina alla presa. L'alimentatore si riferisce all'ultima pagina "Scheda prodotto". Assicurarsi che l'alimentazione dell'acqua sia attivata e a piena pressione.
4. Aprire la porta, toccare il pulsante di Accensione e la luce di Accensione / spegnimento si accenderà.
5. Scegli un programma, la luce di risposta si accenderà. Quindi chiudere la porta, la lavastoviglie inizierà il suo ciclo.

## Modifica Del Programma A Metà Ciclo

Un ciclo di lavaggio può essere modificato solo se è in corso da poco tempo, altrimenti il detersivo potrebbe essere già stato rilasciato e la lavastoviglie potrebbe aver già scaricato l'acqua di lavaggio. In tal caso, è necessario ripristinare la lavastoviglie e riempire il dispenser del detersivo. Per resettare la lavastoviglie, procedere come segue:

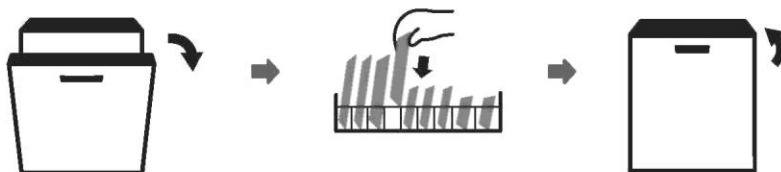
1. Aprire un po' la porta per fermare la lavastoviglie, dopo che il braccio irroratore smette di funzionare, sarà possibile aprire completamente la porta.
2. Premere qualsiasi pulsante di programma per più di 3 secondi per cancellare il programma corrente e la macchina va in stato di standby.
3. È possibile modificare il programma sull'impostazione del ciclo desiderata.



## • Dimenticanza nell'aggiungere piatti

Un piatto dimenticato può essere aggiunto in qualsiasi momento prima che venga aperto il dispenser del detersivo. Se questo è il caso, procedere come segue:

1. Aprire leggermente la porta per fermare il lavaggio.
2. Dopo che i bracci irroratori smettono di funzionare, è possibile aprire completamente la porta.
3. Aggiungere i piatti dimenticati.
4. Chiudere la porta, la lavastoviglie continuerà a funzionare per 10 secondi.



### **⚠ AVVERTENZA**



È pericoloso aprire la porta durante il lavaggio, perché l'acqua calda potrebbe scottare l'utente.

# I CODICI DI ERRORE

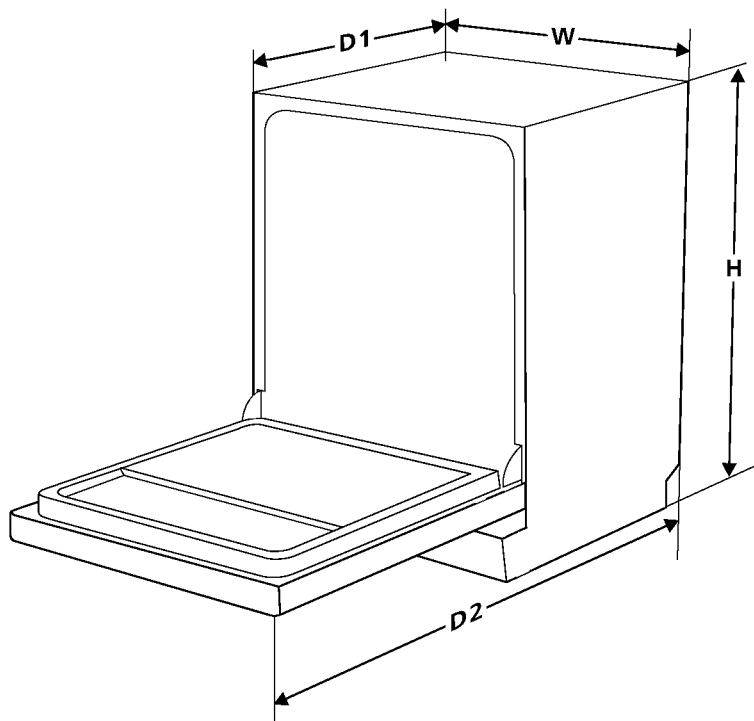
In caso di malfunzionamento, la lavastoviglie visualizzerà i codici di errore per identificarli:

Significati del codice		Possibili cause
La spia per Rapido si accende in maniera intermittente	Tempo di ingresso più lungo.	I rubinetti non sono aperti o l'assunzione di acqua è limitata o la pressione dell'acqua è troppo bassa.
La spia per Rapido e 90 min si accende in maniera intermittente	Non raggiunge la temperatura richiesta.	Malfunzionamento dell'elemento riscaldante.
La spia per ECO si accende in maniera intermittente	Traboccamento.	Alcuni elementi della lavastoviglie perdono.
La spia per Rapido ECO e Normale lampeggia una maniera intermittente	Mancata comunicazione tra il PCB principale e PCB display.	Circuito aperto o interruzione del cablaggio per la comunicazione.

## AVVERTENZA

- Se si verifica un traboccamento, disattivare l'alimentazione idrica principale prima di chiamare il servizio di assistenza.
- Se c'è dell'acqua nella vasca di base a causa di un eccessivo riempimento o una piccola perdita, l'acqua deve essere rimossa prima di riavviare la lavastoviglie.

# INFORMAZIONI TECNICHE



<b>Altezza (H)</b>	815mm
<b>Larghezza (W)</b>	598mm
<b>Profondità (D1)</b>	550mm (con la porta chiusa)
<b>Profondità (D2)</b>	1150mm (con la porta aperta a 90°)

# Foglio informativo del prodotto (EN60436)

**Nome o marchio commerciale del fornitore: Silverline**

**Indirizzo del fornitore (b): Carlo Porta 4, 20813 Bovisio Masciago, IT**

**Identificatore modello: D11046X02**

**Parametri generali del prodotto:**

Parametro	Valore	Parametro	Valore	
Capacità nominale (a) (ps)	14	Dimensioni in cm	Altezza	81.5
			Larghezza	59.8
			Profondità	55.0
EEl(a)	55.9	Classe di efficienza energetica (a)	E(c)	
Indice delle performance di pulizia (a)	1.13	Indice delle performance di asciugatura (a)	1.07	
Consumo di energia in kWh [per ciclo], basato sul programma eco con riempimento di acqua fredda. Il consumo effettivo di energia dipenderà dalla modalità d'uso.	0.951	Consumo di acqua in litri [per ciclo], basato sul programma eco. Il consumo effettivo di acqua dipende da come viene usato l'apparecchio e dalla durezza dell'acqua.	11.0	
Durata del programma (a) (h:min)	03:40	Tipo	Incasso	
Emissioni sonore di rumore trasmesse tramite l'aria (a) (dB(A) re 1 pW)	49	Classe delle emissioni di rumore acustiche trasmesse dall'aria (a)	C(c)	
Modalità Off (W)	0.49	Modalità standby (W)	N/D	
Avvio ritardato (W) (se applicabile)	1.00	Standby di rete (W) (se applicabile)	N/D	

**Durata minima della garanzia offerta dal fornitore (b): 24 mesi**

**Informazioni aggiuntive:**

Weblink al sito web del fornitore, dove si trovano le informazioni di cui al punto 6 dell'allegato II del regolamento (UE) 2019/2022 della Commissione (1) (b):

(a) per il programma ecologico.

(b) le modifiche a queste voci non sono considerate rilevanti ai fini dell'articolo 4, paragrafo 4, del regolamento (UE) 2017/1369.

(c) se la banca dati dei prodotti genera automaticamente il contenuto definitivo di questa cella il fornitore non deve inserire questi dati.

(1) Regolamento (UE) 2019/2022 della Commissione, del 1° ottobre 2019, che definisce i requisiti di progettazione eco-compatibile per le lavastoviglie per uso domestico ai sensi della direttiva 2009/125/CE del Parlamento europeo e del Consiglio che modifica il regolamento (CE) n. 1275/2008 della Commissione e abroga il regolamento (UE) n. 1016/2010 della Commissione (cfr. pagina 267 della presente Gazzetta ufficiale).

Rev.05022021

[www.silverline.com](http://www.silverline.com)

Manufacturer / Importer:  
Silverline Ev Gereçleri Satış ve Pazarlama A.Ş.  
Orta Mah. Topkapı - Maltepe Cad. No: 6  
Silkar Plaza Kat:3  
Bayrampaşa / İstanbul / Turkey P.K.34030  
Tel: +90 212 484 48 00 (pbx)  
Faks: +90 212 481 40 08