

Whirlpool CN 8652 AE lavello Lavello ad incasso Rettangolare

Marchio : Whirlpool

Codice prodotto: CN 8652 AE

Nome del prodotto : CN 8652 AE

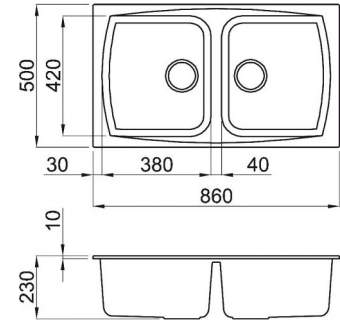


2 vasche 380x420 mm, 90 cm, avena

Whirlpool CN 8652 AE lavello Lavello ad incasso Rettangolare:

- 2 vasche 380x420mm
- Base di incasso 90
- Foro incasso 840 x 480 mm
- Incasso standard
- Coordinato con piani cottura linea
- Country

Whirlpool CN 8652 AE. Tipo di lavello: Lavello ad incasso, Forma del lavandino: Rettangolare, Colore del prodotto: Avena. Larghezza: 860 mm, Profondità: 500 mm, Altezza: 230 mm



Caratteristiche

Tipo di lavello *	Lavello ad incasso
Forma del lavandino *	Rettangolare
Colore del prodotto *	Avena
Numero di vasche per lavello *	2 ciotole
Forma della prima vasca	Rettangolare
Dimensioni prima vasca (LxL)	380 x 420 mm
Diametro della prima vasca	90 cm
Forma della seconda vasca	Rettangolare

Caratteristiche

Dimensioni seconda vasca (LxL)	380 x 420 mm
Diametro della seconda vasca	90 cm
Foro per il rubinetto *	✘
Scolapiatti *	✘

Dimensioni e peso

Larghezza	860 mm
Profondità	500 mm
Altezza	230 mm

Rubinetto

rubinetto incluso *	✘
---------------------	---



8003437217234

Disclaimer. The information published here (the "Information") is based on sources that can be considered reliable, typically the manufacturer, but this Information is provided "AS IS" and without guarantee of correctness or completeness. The Information is only indicative and can be changed at any time without notification. No rights can be based on the Information. Suppliers or aggregators of this Information do not accept any liability with regard to the content of (web)pages and other documents, including its Information. The publisher of the Information can not be held liable for the content of 3rd party websites that are linking this Information or are linked to from this Information. You as the User of the Information are solely responsible for the choice and usage of this Information. You are not entitled to transfer, copy or otherwise multiply or distribute the Information. You are obliged to follow the directions of the copyright owner(s) with regard to the use of the Information. Exclusively Dutch law is applicable. With regard to price and stock data on the site, the publisher followed a number of starting points, which are not necessarily relevant for your private or business circumstances. Therefore, the price and stock data are only indicative and are subject to changes. You are personally responsible for the way you use and apply this information. As a user of the Information or sites or documents in which this Information is included, you will adhere to standard fair use including avoidance of spamming, ripping, intellectual-property violations, privacy violations, and any other illegal activity.

Publication date: 24-APR-2024. Prints or copies of Information are only valid on the printed Publication date