

CANDY

ELECTRIC COOKTOPS

INSTALLATION ADVICES - INSTRUCTIONS FOR THE USE

GB

ELEKTRICKÉ VARNÉ DESKY

POKYNY PRO INSTALACI – NÁVOD K POUŽITÍ

CS

PLAQUES DE CUISSON ÉLECTRIQUES

CONSIGNES D'INSTALLATION - MODE D'EMPLOI

FR

ELEKTRIČNE PLOČE ZA KUHANJE

SAVJETI ZA UGRADNJU - UPUTE ZA UPOTREBU

HR

PLACAS ELÉTRICAS

CONSELHOS DE INSTALAÇÃO - INSTRUÇÕES DE UTILIZAÇÃO

PT

PLITE ELECTRICE

RECOMANDĂRI DE INSTALARE - INSTRUCȚIUNI DE UTILIZARE

RO

ELEKTRICKÉ VARNÉ DOSKY

RADY NA INŠTALÁCIU - POKYNY NA POUŽÍVANIE

SK

PIANI COTTURA ELETTRICI

CONSIGLI PER L'INSTALLAZIONE - ISTRUZIONI PER L'USO

IT

- CE32XK

Dear Customer,

Thank you for having purchased and given your preference to our product.

The safety precautions and recommendations reported below are for your own safety and that of others. They will also provide a means by which to make full use of the features offered by your appliance.

Please preserve this booklet carefully. It may be useful in future, either to yourself or to others in the event that doubts should arise relating to its operation.

This appliance must be used only for the task it has explicitly been designed for, that is for cooking foodstuffs. Any other form of usage is to be considered as inappropriate and therefore dangerous.

The manufacturer declines all responsibility in the event of damage caused by improper, incorrect or illogical use of the appliance.

DECLARATION OF CE CONFORMITY

- This appliance has been designed to be used only for cooking. Any other use (such as heating a room) is improper and dangerous.
- This appliance has been designed, constructed, and marketed in compliance with:
 - Safety requirements of the “Low voltage” Directive 2014/35/EU;
 - Safety requirements of the “EMC” Directive 2014/30/EU;
 - Requirements of EU Directive 93/68/EEC;
 - Requirements of EU Directive 2011/65/EU.



IMPORTANT INFORMATION FOR CORRECT DISPOSAL OF THE PRODUCT IN ACCORDANCE WITH EC DIRECTIVE 2002/96/EC

(for European Union countries only)

At the end of its working life, the product must not be disposed of as urban waste. It must be taken to a special local authority differentiated waste collection centre or to a dealer providing this service.

Disposing of a household appliance separately avoids possible negative consequences for the environment and health deriving from inappropriate disposal and enables the constituent materials to be recovered to obtain significant savings in energy and resources. As a reminder of the need to dispose of household appliances separately, the product is marked with a crossed-out wheeled dustbin.



IMPORTANT SAFETY PRECAUTIONS AND RECOMMENDATIONS

IMPORTANT: This appliance is designed and manufactured solely for the cooking of domestic (household) food and is not suitable for any non domestic application and therefore should not be used in a commercial environment.

The appliance guarantee will be void if the appliance is used within a non domestic environment i.e. a semi commercial, commercial or communal environment.

Read the instructions carefully before installing and using the appliance.

- This appliance has been designed and manufactured in compliance with the applicable standards for the household cooking products and it fulfills all the safety requirements shown in this manual, including those for surface temperatures. Some people with sensitive skin may have a more pronounced temperature perception with some components although these parts are within the limits allowed by the norms. The complete safety of the appliance also depends on the correct use, we therefore recommend to always pay a extreme attention while using the product, especially in the presence of children.
- After having unpacked the appliance, check to ensure that it is not damaged. In case of doubt, do not use it and consult your supplier or a professionally qualified technician.
- Packing elements (i.e. plastic bags, polystyrene foam, nails, packing straps, etc.) should not be left around within easy reach of children, as these may cause serious injuries.
- Some appliances are supplied with a protective film on steel and aluminium parts. **This film must be removed before using the appliance.**
- **IMPORTANT:** The use of suitable protective clothing/gloves is recommended when handling or cleaning this appliance.

- Do not attempt to modify the technical characteristics of the appliance as this may become dangerous to use. The manufacturer declines all responsibility for any inconvenience resulting from the inobservance of this condition.
- CAUTION: this appliance must only be installed in a permanently ventilated room in compliance with the applicable regulations.
- Do not operate your appliance by means of an external timer or separate remote-control system.
- Do not carry out cleaning or maintenance operations on the appliance without having previously disconnected it from the electric power supply.
- Do not use a steam cleaner because the moisture can get into the appliance therefore making it unsafe.
- Do not cover the hob with aluminium foils.
- Do not touch the appliance with wet or damp hands (or feet).
- Do not use the appliance whilst in bare feet.
- If you should decide not to use this appliance any longer (or decide to substitute another model), before disposing of it, it is recommended that it be made inoperative in an appropriate manner in accordance to health and environmental protection regulations, ensuring in particular that all potentially hazardous parts be made harmless, especially in relation to children who could play with unused appliances.
- The various components of the appliance are recyclable. Dispose of them in accordance with the regulations in force in your country. If the appliance is to be scrapped, remove the power cord.
- After use, ensure that the knobs are in the off position.
- Children less than 8 years of age shall be kept away unless continuously supervised.
- This appliance can be used by children aged from 8 years and above and persons with reduced physical, sensory or mental capabilities or lack of experience and knowledge if they have been given supervision or instruction concerning use of the appliance in a safe way and understand the hazards involved. Children shall not play with the appliance. Cleaning and user maintenance shall not be made by children without supervision.

- The manufacturer declines all liability for injury to persons or damage to property caused by incorrect or improper use of the appliance.
- **WARNING:** During use the appliance and its accessible parts become hot; they remain hot for some time after use.
 - Care should be taken to avoid touching heating elements on the hob.
 - To avoid burns and scalds, young children should be kept away.
- Make sure that electrical cables connecting other appliances in the proximity of the cooktop cannot come into contact with the hob.
- **WARNING:** Unattended cooking on a hob with fat or oil can be dangerous and may result in fire. **NEVER** try to extinguish a fire with water, but switch off the appliance and then cover flame e.g. with a lid or a fire blanket.
- **WARNING:** Danger of fire: do not store items on the cooking surfaces.
- Do not place or leave empty pans on the glass ceramic hob.
- Do not scratch the hob with sharp objects. Don't use the hob as a work surface.
- **WARNING:** If the hob is cracked or otherwise damaged by falling objects etc., disconnect the appliance from the electrical power supply to avoid the possibility of electric shock and call Customer Service.
- **WARNING:** When correctly installed, your product meets all safety requirements laid down for this type of product category. However special care should be taken around the underneath of the appliance as this area is not designed or intended to be touched and may contain sharp or rough edges, that may cause injury.
- **CAUTION:** The cooking process has to be supervised. A short term cooking process has to be supervised continuously.
- If the power supply cable is damaged, it must be replaced only by an authorized service agent in order to avoid a hazard.

- If the appliance is not fitted with a supply cord and a plug, or with other means for disconnection from the supply mains having a contact separation in all poles that provide full disconnection under overvoltage category III conditions, means for disconnection must be incorporated in the fixed wiring in accordance with the wiring rules.
- **WARNING:** The appliance and its accessible parts become hot during use.
Care should be taken to avoid touching heating elements.
Children less than 8 years of age shall be kept away unless continuously supervised.
- **WARNING:** Use only hob guards designed by the manufacturer of the cooking appliance or indicated by the manufacturer of the appliance in the instructions for use as suitable or hob guards incorporated in the appliance. The use of inappropriate guards can cause accidents.

ENERGY LABELLING/ECODESIGN

- Commission regulation (EU) No 66/2014 (implementing Directive 2009/125/EC of the European Parliament and of the Council).

Reference to the measurement and calculation methods used to establish compliance with the above requirements:

- Standard EN 60350-2 (hobs: electric cooking zones and/or areas).

USE OF THE APPLIANCE, ENERGY SAVING TIPS

ELECTRIC COOKING ZONES AND/OR AREAS

- Avoid keeping a zone/area on without something on it (without pot).
- Avoid pouring liquids on the zones/areas while they are hot.
- Use flat-bottomed (electric hotplate type) pots and pans only.
- Use cooking receptacles which cover as much of the surface of the cooking zone/area as possible.
- To save electricity, use lids whenever possible.
- When the pan comes to the boil, turn the heat down to the level desired. Remember that the cooking zone/area will continue to produce heat for about five minutes after it has been turned off.

Advice for the installer

IMPORTANT :

- The appliance is designed and approved for domestic use only and should not be installed in a commercial, semi commercial or communal environment.
Your product will not be guaranteed if installed in any of the above environments and could affect any third party or public liability insurances you may have.
- This appliance is to be installed, regulated and adapted to function only by an authorized person in compliance with the current local regulations in force and in observation of the instructions supplied by the manufacturer.
Failure to comply with this condition will render the guarantee invalid.
- The appliance must be installed in compliance with regulations in force in your country and in observation of the manufacturer's instructions.
- Incorrect installation, for which the manufacturer accepts no responsibility, may cause personal injury or damage.
- This appliance shall only be serviced by authorized personnel.
- Always disconnect the appliance from mains power supply before carrying out any maintenance operations or repairs.
- **Important: The use of suitable protective clothing/gloves is recommended when handling or cleaning of this appliance.**
- **The appliance must be housed in heat-resistant units.**
- **The walls of the units must not be higher than work top and must be capable of resisting temperatures of 70°C above room temperature.**
- **We would point out that the adhesive which bonds the plastic laminate to the furniture must withstand temperatures not less than 150°C to avoid delamination.**
- **Do not install the appliance near inflammable materials (eg. curtains).**

WARNING!

When correctly installed, your product meets all safety requirements laid down for this type of product category. However special care should be taken around the underneath of the appliance as this area is not designed or intended to be touched and may contain sharp or rough edges, that may cause injury.

1 INSTALLATION

TECHNICAL INFORMATION FOR THE INSTALLER

Some models only: Before installing the cooktop, remove the protective film.

These cooking hobs are designed to be embedded into kitchen fixtures measuring 600 mm in depth and from 30 to 40 mm thick.

In order to install the cooker top into the kitchen fixture, a hole with the dimensions shown in fig. 1.1 has to be made, keeping in consideration the following:

- within the fixture, between the bottom side of the cooker top and the upper surface of any other appliance or internal shelf there must be a clearance of at least 30 mm;
- the cooker top must be kept no less than 50 mm away from any side wall (fig. 1.2);
- the cooker top must be kept at a distance of no less than 50 mm from the rear wall (fig. 1.1);
- there must be a distance of at least 650 mm between the hob and any wall cupboard or extractor hood positioned immediately above (see fig. 1.2);
- the coatings of the walls of the unit or appliances near the cooktop must be heat resistant.

Do not instal the appliance near inflammable materials (eg. curtains).

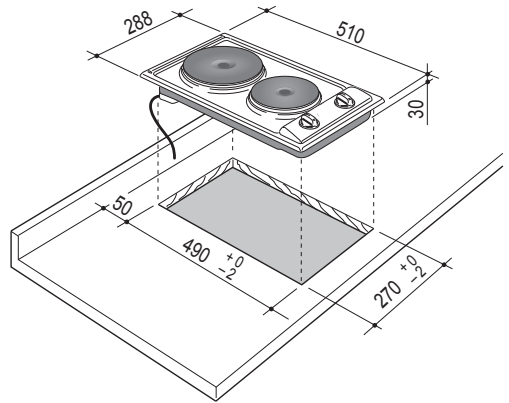


Fig. 1.1

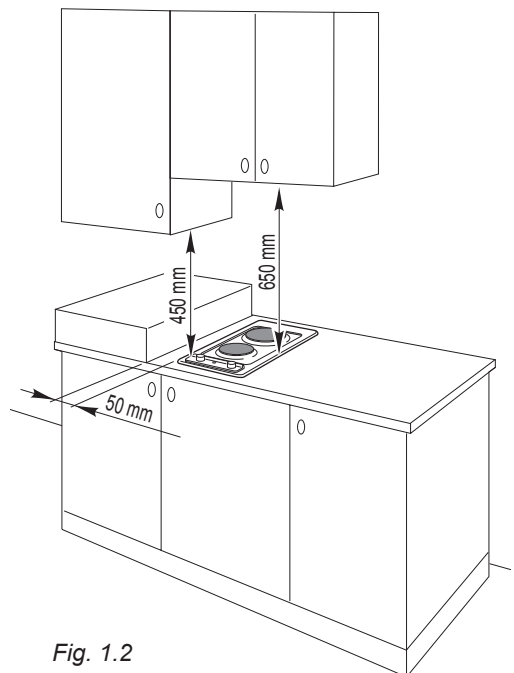
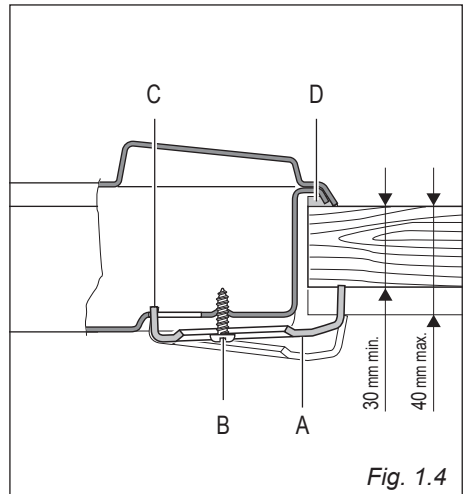
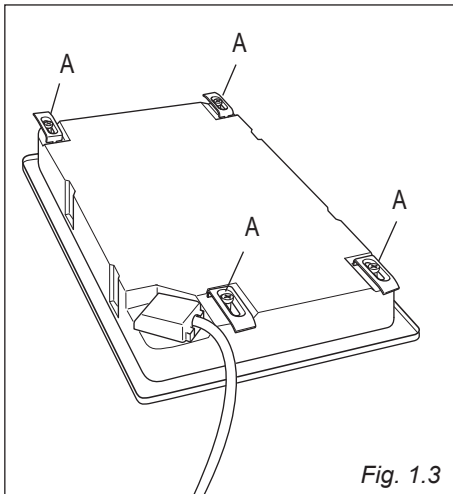


Fig. 1.2

FASTENING THE COOKTOP

Each cooker top is provided with an installation kit including brackets and screws for fastening the top to fixture panels from 30 to 40 mm thick, figs. 1.3, 1.4.

- Cut the unit.
- Stretch gasket "D" over the edge of the hole made, being careful to overlay the junction edges.
- Turn the cooktop over and put tabs "A" (fig. 1.3) into the mountings, only tighten screws "B" a few turns.
Make sure that the tabs are mounted correctly as shown in the figure 1.4. Turn the tabs so that the cooktop can be put into the hole.
- Put the cooktop into the hole cut into the unit and position it correctly.
- Put tabs "A" into place, tooth "C" of the tabs should go into the hole.
- Tighten screws "B" until the cooktop is completely secured.
- Using a sharp tool cut off the part of gasket "D" which protrudes from the cooktop. Take care not to damage the benchtop.



IMPORTANT: Installation must be carried out according to the manufacturer's instructions. Incorrect installation may cause harm and damage to people, animals or property, for which the manufacturer accepts no responsibility.

Before carrying out any work on the electrical section of the appliance, it must be disconnected from the mains.

Connection to a good earth wiring system is absolutely essential.

The manufacturer accepts no responsibility for any inconvenience caused by failure to comply with this rule.

Before carrying out any work on the electrical section of the appliance, it must be disconnected from the mains.

If the hob surface is cracked disconnect the appliance from the mains and contact the After-Sales Service.

GENERAL

- Connection to the electric power supply must be carried out by a qualified technician and following the appropriate safety regulations.
- The appliance must be connected to the mains checking that the voltage corresponds to the value given in the rating plate and that the electrical cable sections can withstand the load specified on the plate.
- If the hob is supplied without plug, fit a standard plug which is suitable for the power absorbed by the appliance and in conformity with the local rules in force.
- The colours of the wires in the appliance power cable may not correspond with the colours marked on the terminals of your electrical plug.

The plug should always be wired as follows:

- connect the green/yellow wire to the terminal marked with the letter **E** or the earth symbol \perp or coloured green/yellow;
- connect the blue wire to the terminal marked with the letter **N** or coloured black;
- connect the brown wire to the terminal marked with the letter **L** or coloured red.
- The plug must be connected to an outlet connected to the grounding unit in conformity to security norms.
- If the appliance is to be connected directly to the mains, it must be placed with an omnipolar switch with minimum opening between the contacts of 3 mm between the appliance and the mains
- The power supply cable must not touch the hot parts and must be positioned so that it does not exceed 50°C above ambient.
- Once the appliance has been installed, the power switch or power plug must always be in a accessible position.
- If the power supply cable is damaged it must be substituted by a suitable cable available in the after sales service.
- The appliance must have its own supply; any other appliances installed near it must be supplied separately.
- **N.B. For connection to the mains, do not use adapters, reducers or branching devices as they can cause overheating and burning.**

In the event that installation should require modifications to the mains supply wiring system, it is recommended that a qualified technician be called to carry out substitution.

The technician will also have to verify that the cross-section of the electric cables on the power point match the appliance's power rating.

REPLACING THE POWER SUPPLY CABLE

Important! This appliance must be connected to the electricity supply only by an authorised person.

WARNING: If the power supply cable is damaged, it must be replaced only by an authorised service agent in order to avoid a hazard.

- The supply cable must be replaced with a cable of the same type.
- Turn the cooktop over and unhook the terminal board cover by inserting a screwdriver into the two hooks "A" (fig. 2.1).
- Open the cable gland by unscrewing screw "F" (fig. 2.2), unscrew the terminal screws and remove the cable.
- The new supply cable, of suitable type and section, is connected to the terminal board following the diagram in fig. 2.3.
- Pull the feeder cable and block it with cable gland.
- Close the terminal block cover (check the two hooks "A" are correctly hooked).

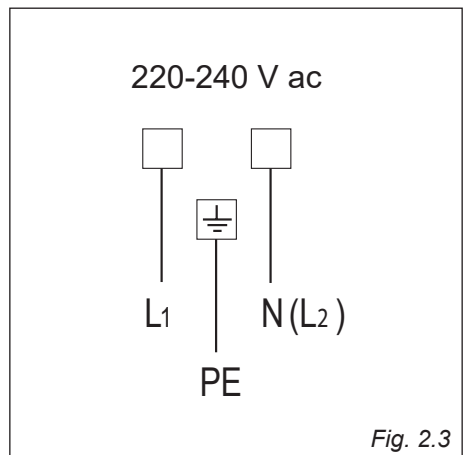
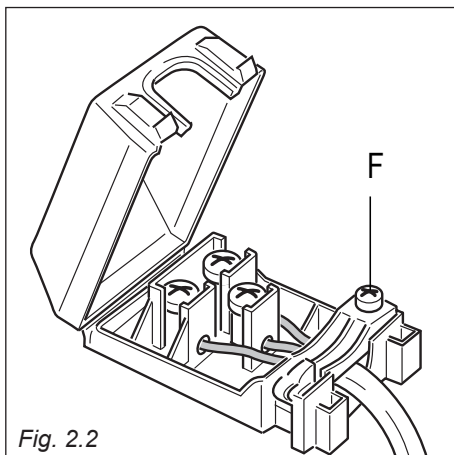
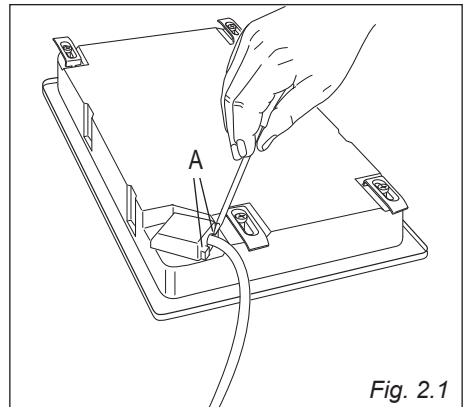
Note: The earth conductor must be left about 3 cm longer than the others.

SECTION OF THE SUPPLY CABLE TYPE "H05RR-F" or "H05V2V2-F" (resistance to temperatures of 90°C)"

220 - 240 V 50-60 Hz 3 x 1,5 mm² (*) (**)

(*) Connection possible with plug and outlet

(**) Connection with wall box connection.

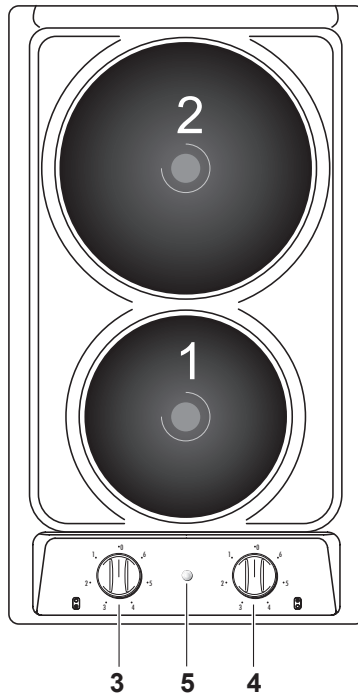


Advice for the users

1

FEATURES AND TECHNICAL DATA

Fig. 1.1



FEATURES

- Electrical insulation Class I.

COOKING POINTS

1. Electrical plate	Ø 145 mm, (Normal)	1000 W
	Ø 145 mm (Rapid, red dot)	1500 W
2. Electrical plate	Ø 180 mm, (Normal)	1500 W
	Ø 180 mm (Rapid, red dot)	2000 W

CONTROLS DESCRIPTION

3. Front electric plate control knob
4. Rear electric plate control knob
5. Electrical plate indicator light

Caution! Do not cover the hob with aluminium foils.

NOTE: The knob and symbols may vary.

2

USE OF ELECTRIC HOTPLATE/S

NORMAL HOTPLATE

To switch on the normal hotplate, turn the knob (fig. 2.1) onto the desired position; the numbers 1 to 6 indicate the working positions with the increase of temperature according to the number.

Once boiling point has been reached, reduce the input according to the heating intensity desired, keeping in mind that the plate will continue to heat for 5 minutes after having been turned off.

RAPID HOTPLATE (red dot)

The control knob of the rapid hotplates is similar to that of a normal plate with 6 working positions (fig. 2.1).

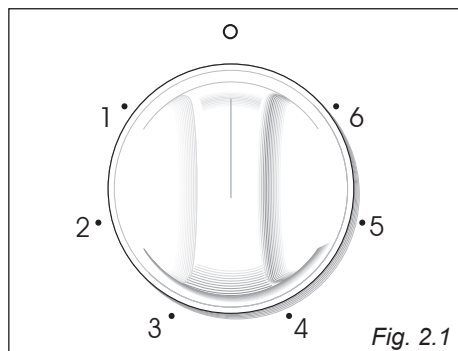
The features of this plate, which is equipped with a heat limiter, allow:

- reaching the temperature rapidly;
- maximum exploitation of the input with flat bottom pots;
- the limitation of input in the case of unsuitable pots.

Never cook food directly on the electric hotplates! Always use a saucepan or special container.

NOTE:

The knob and symbols may vary.



PROPER USE OF THE ELECTRIC HOTPLATE/S (fig. 2.2)

When the pan comes to the boil, turn the heat down to the level desired.

Remember that the hotplate will continue to produce heat for about five minutes after it has been turned off.

While using the electric hotplate, you must:

- avoid keeping it on without something on it;
- avoid pouring liquids on it while it is hot;
- use flat-bottomed (electric hotplate type) pots and pans only
- use cooking receptacles which cover as much of the surface of the hotplate as possible.
- to save electricity, use lids whenever possible.

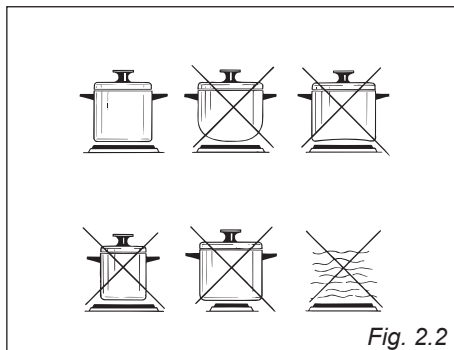
An indicator light located close to the knob signals that the hotplate is operating.

Attention!

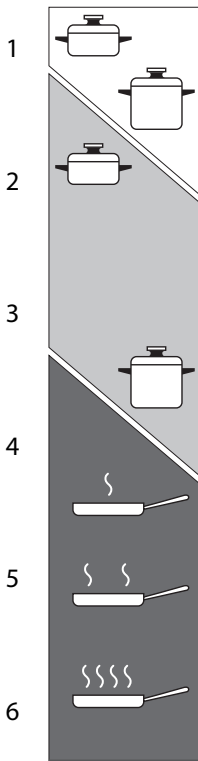
If the surface is cracked, switch off the appliance to avoid the possibility of electric shock and call Customer Service.


Caution!

Do not cover the hob with aluminium foils.




ELECTRIC HOTPLATE USAGE TABLE



 Heating

 Cooking

 Roasting-frying

Knob setting	TYPE OF COOKING
0	Switched OFF
1 2	For melting operations (butter, chocolate).
2	To maintain food hot and to heat small quantities of liquid (sauces, eggs).
3	To heat bigger quantities; to whip creams and sauces (vegetables, fruits, soups).
3 4	Slow boiling, i.e.: boiled meats, spaghetti, soups, continuations of steam cooking of roasts, stews, potatoes.
4	For every kind of frying, cutlets, uncovered cooking, i.e.: risotto.
4 5	Browning of meats, roasted potatoes, fried fish, omelettes, and for boiling large quantities of water.
6	Fast frying, grilled steaks, etc.

After a short period of use, experience will teach you which setting is the right one for your needs.

Caution!
The cooking hob becomes very hot during operation.
Keep children well out of reach.

Fig. 2.3

3

CLEANING AND MAINTENANCE

GENERAL ADVICE

- Before you begin cleaning, you must ensure that the appliance is switched off and disconnected from the electrical power supply.
- It is advisable to clean when the appliance is cold.
- Avoid leaving alkaline or acidic substances (lemon juice, vinegar, etc.) on the surfaces.
- Avoid using cleaning products with a chlorine or acidic base.
- **Important:** The use of suitable protective clothing/gloves is recommended when handling or cleaning of this appliance.
- Do not scratch the cooktop with cutting or sharp objects.
- Clean surfaces with a damp cloth and use gentle, neutral cleaning products. Dry with a clean, dry cloth.
- **IMPORTANT:** Do not use any abrasive products (e.g. certain types of sponge) and/or aggressive products (e.g. caustic soda, products containing corrosive substances), which could cause irreparable surface damage.

WARNING!

When correctly installed, your product meets all safety requirements laid down for this type of product category. However special care should be taken around the underneath of the appliance as this area is not designed or intended to be touched and may contain sharp or rough edges, that may cause injury.

Important: The manufacturer declines all liability for possible damage caused by the use of unsuitable products to clean the appliance.

Attention! The appliance gets very hot, mainly around the cooking areas. It is very important that children are not left alone in the kitchen when you are cooking.

Do not use a steam cleaner because the moisture can get into the appliance thus make it unsafe.

STAINLESS STEEL, ALUMINIUM PARTS, PAINTED AND SILK-SCREEN PRINTED SURFACES

Clean using an appropriate product. Always dry thoroughly.

IMPORTANT: these parts must be cleaned very carefully to avoid scratching and abrasion. You are advised to use a soft cloth and neutral soap.

CAUTION: Do not use abrasive substances or non-neutral detergents as these will irreparably damage the surface.

ENAMELLED PARTS

All the enamelled parts must be cleaned with a sponge and soapy water or other non-abrasive products.

Dry preferably with a microfibre or soft cloth.

Acidic substances like lemon juice, tomato sauce, vinegar etc. can damage the enamel if left too long.

CLEANING ELECTRIC HOTPLATES

Foods burned on the hot plates must always be cleaned dry.

Do not use water to avoid the forming of rust.

After its use, pour a bit of oil onto the warm plate and rub with a cloth.

Vážená zákaznice/vážený zákazník,

děkujeme, že jste dali přednost našemu produktu a zakoupili ho.

Níže uvedená bezpečnostní opatření a doporučení jsou pro vaši vlastní bezpečnost a bezpečnost ostatních. Poskytnou také prostředky k plnému využití funkcí, které váš spotřebič nabízí.

Prosíme o pečlivé uchování této brožury. V budoucnu může být užitečná, a to jak pro vás, tak pro ostatní v případě, že v souvislosti s jeho fungováním budete mít pochybnosti.

Tento spotřebič se smí používat pouze pro úkol, pro který byl výslovně navržen, tj. pro vaření potravin. Jakákoli jiná forma použití je považována za nevhodnou, a tudíž nebezpečnou.

Výrobce odmítá veškerou odpovědnost v případě poškození způsobeného nevhodným, nesprávným nebo nelogickým použitím spotřebiče.

PROHLÁŠENÍ O SHODĚ CE

- Tento spotřebič byl navržen pro použití pouze k vaření. Jakékoli jiné použití (například vytápění místnosti) je nevhodné a nebezpečné.
- Tento spotřebič byl navržen, vyroben a uveden na trh v souladu s:
 - bezpečnostními požadavky směrnice č. 2014/35/EU o nízkém napětí;
 - bezpečnostními požadavky směrnice č. 2014/30/EU o elektromagnetické kompatibilitě;
 - požadavky směrnice EU č. 93/68/EHS;
 - požadavky směrnice EU č. 2011/65/EU.



DŮLEŽITÉ INFORMACE PRO SPRÁVNOU LIKVIDACI VÝROBKU V SOULADU SE SMĚRNICÍ ES Č. 2002/96/ES

(pouze pro země Evropské unie)

Na konci své životnosti se výrobek nesmí zlikvidovat jako městský odpad. Je třeba jej předat zvláštnímu místnímu orgánu, který provádí zvláštní sběr odpadu, nebo prodejci, který tuto službu poskytuje.

Likvidací domácích spotřebičů odděleně se zabrání možným negativním dopadům na životní prostředí a zdraví vyplývajícím z nevhodné likvidace a umožní tak recyklovat použité materiály, čímž lze dosáhnout značných úspor energie a zdrojů. Jako upozornění na nutnost likvidace domácích spotřebičů odděleně je výrobek označen přeškrtnutou popelnicí s koly.



DŮLEŽITÁ BEZPEČNOSTNÍ OPATŘENÍ A DOPORUČENÍ

DŮLEŽITÉ: Tento spotřebič je určen a vyroben výhradně pro vaření domácích pokrmů a není vhodný pro žádné jiné než domácí použití, a proto ho nepoužívejte v komerčním prostředí. Záruka na spotřebič je neplatná, pokud spotřebič používáte v prostředí mimo domácnost, tj. v částečně komerčním, komerčním nebo kolektivním prostředí.

Před instalací a použitím spotřebiče si pečlivě přečtěte pokyny.

- Tento spotřebič byl navržen a vyroben v souladu s platnými normami pro domácí kuchyňské výrobky a splňuje všechny bezpečnostní požadavky uvedené v této příručce, včetně požadavků na povrchové teploty.
Někteří lidé s citlivou pokožkou mohou u určitých součástí vnímat teplotu výrazněji, i když jsou tyto části v mezích povolených normami. Úplná bezpečnost spotřebiče závisí také na správném používání, proto doporučujeme při používání výrobku vždy věnovat mimořádnou pozornost, zejména v přítomnosti dětí.
- Po vybalení spotřebiče zkontrolujte, zda není poškozený.
V případě pochybností jej nepoužívejte a poradte se se svým dodavatelem nebo odborně způsobilým technikem.
- Obalové prvky (např. plastové sáčky, polystyrenová pěna, hřebíky, obalové pásky atd.) nenechávejte v dosahu dětí, mohly by jim způsobit vážná zranění.
- Některé spotřebiče jsou dodávány s ochrannou fólií na ocelových a hliníkových dílech. **Tuto fólii je třeba před použitím spotřebiče odstranit.**
- **DŮLEŽITÉ:** Při manipulaci nebo čištění spotřebiče se doporučuje používat vhodný ochranný oděv/rukavice.
- Nepokoušejte se upravovat technické vlastnosti spotřebiče, hrozí nebezpečí. Výrobce odmítá veškerou odpovědnost za jakékoli nepříjemnosti vyplývající z nedodržení této podmínky.

- **UPOZORNĚNÍ:** toto zařízení lze instalovat pouze v trvale větrané místnosti v souladu s platnými předpisy.
- Nepoužívejte spotřebič prostřednictvím externího časovače ani samostatného systému dálkového ovládání.
- Na spotřebiči neprovádějte čištění ani údržbu, aniž byste jej předtím odpojili od elektrického napájení.
- Nepoužívejte parní čistič, protože vlhkost se může dostat do spotřebiče a může vám hrozit nebezpečí.
- Nezakrývejte varnou desku hliníkovými fóliemi.
- Nedotýkejte se spotřebiče mokřýma nebo vlhkýma rukama (či nohama).
- Nepoužívejte spotřebič naboso.
- Pokud se rozhodnete tento spotřebič před likvidací nadále nepoužívat (nebo se rozhodnete jej vyměnit za jiný model), doporučujeme jej vhodným způsobem vyřadit z provozu v souladu s předpisy na ochranu zdraví a životního prostředí a zejména zajistit, že všechny potenciálně nebezpečné části budou neškodné, zejména pro děti, které by si s nepoužívaným spotřebičem mohly hrát.
- Různé komponenty spotřebiče jsou recyklovatelné. Zlikvidujte je v souladu s předpisy platnými ve vaší zemi. V případě vyřazení spotřebiče z provozu odpojte napájecí kabel.
- Po použití se ujistěte, že jsou knoflíky ve vypnuté poloze.
- Děti mladší osmi let se nesmí přibližovat ke spotřebiči, pokud nejsou pod nepřetržitým dohledem.
- Tento spotřebič mohou používat děti starší osmi let a osoby s omezenými fyzickými, smyslovými nebo duševními schopnostmi nebo osoby nezkušené a neznalé za předpokladu, že mají zajištěný dohled nebo byly poučeny o bezpečném používání spotřebiče a chápou související rizika. Děti si se spotřebičem nesmějí hrát. Nenechte je provádět čištění a uživatelskou údržbu bez dozoru.
- Výrobce odmítá veškerou odpovědnost za zranění osob nebo škodu na majetku způsobenou nesprávným nebo nevhodným použitím spotřebiče.

- **VAROVÁNÍ:** Během používání se spotřebič a jeho přístupné části zahřívají; po použití zůstanou nějakou dobu horké.
 - Buďte opatrní a nedotýkejte se topných těles varné desky.
 - Pro zabránění popáleninám a opařeninám držte malé děti mimo dosah spotřebiče.
- Ujistěte se, že elektrické kabely připojující jiné spotřebiče v blízkosti varné desky s ní nemohou přijít do styku.
- **VAROVÁNÍ:** Příprava pokrmů na tuku nebo oleji na varné desce bez dozoru může být nebezpečná a vést ke vzniku požáru. **NIKDY** se nepokoušejte hasit požár vodou, vypněte spotřebič a potom zakryjte plamen, např. pokličkou nebo hasicí dekou.
- **VAROVÁNÍ:** Nebezpečí požáru: nepokládejte předměty na varný povrch.
- Neumísťujte ani nenechávejte prázdné nádoby na sklokeramické varné desce.
- Dejte pozor, abyste varnou desku nepoškrábali ostrými předměty. Nepoužívejte varnou desku jako pracovní plochu.
- **VAROVÁNÍ:** Pokud je varná deska prasklá nebo jinak poškozená padajícími předměty atd., odpojte spotřebič od elektrického napájení, aby nedošlo k úrazu elektrickým proudem, a zavolejte zákaznický servis.
- **VAROVÁNÍ:** Při správné instalaci splňuje váš výrobek všechny bezpečnostní požadavky stanovené pro tento typ kategorie výrobků. Zvláštní pozornost však věnujte spodní části spotřebiče, protože tato oblast není určena k ručnímu ovládnutí a mohou se zde vyskytovat ostré nebo drsné hrany, které mohou způsobit zranění.
- **POZOR:** Na proces vaření je třeba dohlížet. Na krátké vaření je nutné dohlížet nepřetržitě.
- Pokud je napájecí kabel poškozený, pro zabránění nebezpečí jej smí vyměnit pouze oprávněný servisní pracovník.
- Pokud není spotřebič vybaven napájecím kabelem a zástrčkou nebo jiným prostředkem pro úplné odpojení od síťového napájení se vzdáleností kontaktů na všech pólech vyhovující požadavkům na kategorii přepětí III, odpojovací součást musí být zapojená do

pevného elektrického vedení v souladu s elektroinstalačními předpisy.

- **VAROVÁNÍ:** Spotřebič a jeho přístupné součásti jsou během používání horké.
- Je třeba dávat pozor, abyste se nedotkli topných těles. Děti mladší osmi let se nesmí přibližovat ke spotřebiči, pokud nejsou pod nepřetržitým dohledem.
- **VAROVÁNÍ:** Používejte pouze takové zábrany na varné desky, které výrobce spotřebiče sám navrhl nebo označil v návodu k použití jako vhodné, případně zábrany vestavěné do spotřebiče. Používání nevhodných krytů může vést k nehodám.

ENERGETICKÉ ŠTÍTKY / EKODESIGN

- Nařízení Komise (EU) č. 66/2014 (kterým se provádí směrnice Evropského parlamentu a Rady č. 2009/125/ES).

Odkaz na metody měření a výpočtu použité ke zjištění souladu s výše uvedenými požadavky:

- Norma EN 60350-2 (varné desky: elektrické varné zóny a/nebo oblasti).

POUŽITÍ SPOTŘEBIČE, TIPY PRO ÚSPORU ENERGIE

ELEKTRICKÉ VARNÉ ZÓNY A/NEBO OBLASTI

- Nenechávejte varnou zónu zapnutou naprázdno (bez nádoby).
- Nelijte tekutiny na zóny/oblasti, dokud jsou horké.
- Používejte pouze hrnce a pánve s plochým dnem (na elektrický typ varné desky).
- Používejte nádoby na vaření, které pokrývají co největší část povrchu varné zóny/oblasti.
- Šetřete elektřinu a používejte poklice kdykoli je to možné.
- Když se obsah nádoby dostane do varu, snižte teplotu na požadovanou úroveň. Pamatujte, že varná zóna/oblast bude po vypnutí nadále produkovat teplo po dobu asi pěti minut.

Rady pro instalačního technika

DŮLEŽITÉ:

- Spotřebič byl navržen a schválen pouze pro domácí použití a nesmí se instalovat v komerčním, částečně komerčním ani kolektivním prostředí.
Záruka se na váš výrobek nevztahuje, pokud je nainstalován v některém z výše uvedených prostředí a mohl by ovlivnit jakoukoli třetí stranu nebo případné pojištění odpovědnosti.
- Tento spotřebič smí instalovat, regulovat a upravovat tak, aby fungoval, pouze oprávněná osoba v souladu s platnými místními předpisy a podle pokynů dodaných výrobcem. Nedodržení této podmínky způsobí neplatnost záruky.
- Spotřebič musí být nainstalován v souladu s předpisy platnými ve vaší zemi a v souladu s pokyny výrobce.
- Nesprávná instalace, za kterou výrobce nenese žádnou odpovědnost, může způsobit zranění nebo škodu na zdraví.
- Tento spotřebič smí obsluhovat pouze oprávnění pracovníci.
- Před prováděním údržby nebo oprav spotřebič vždy odpojte od síťového napájení.
- **Důležité: Při manipulaci nebo čištění tohoto spotřebiče se doporučuje používat vhodný ochranný oděv/rukavice.**
- **Spotřebič musí být umístěn v žáruvzdorných jednotkách.**
- **Stěny jednotek nesmí být vyšší než pracovní deska a musí být schopny odolávat teplotám 70 °C nad pokojovou teplotou.**
- **Upozorňujeme, že lepidlo, které spojuje plastový laminát s nábytkem, musí odolávat teplotám nejméně 150 °C, aby nedocházelo k delaminaci.**
- **Neinstalujte spotřebič poblíž zdrojů tepla nebo hořlavých materiálů (např. závěsů).**

VAROVÁNÍ!

Při správné instalaci splňuje váš výrobek všechny bezpečnostní požadavky stanovené pro tento typ kategorie výrobků. Zvláštní pozornost však věnujte spodní části spotřebiče, protože tato oblast není určena k ručnímu ovládání a mohou se zde vyskytovat ostré nebo drsné hrany, které mohou způsobit zranění.

1

INSTALACE

TECHNICKÉ INFORMACE PRO INSTALAČNÍHO TECHNIKA

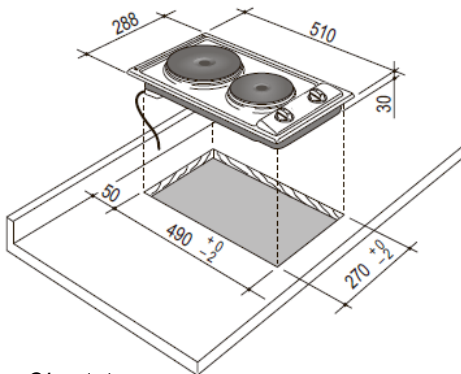
Pouze některé modely: Před instalací varné desky odstraňte ochrannou fólii.

Tyto varné desky jsou určeny k zabudování do kuchyňského příslušenství o hloubce 600 mm a tloušťce 30 až 40 mm.

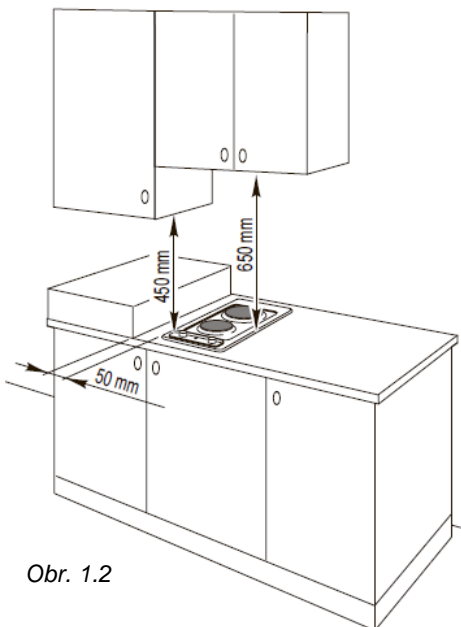
Pro instalaci horní části sporáku do kuchyňské linky je nutné vytvořit otvor o rozměrech uvedených na obr. 1.1, přičemž je třeba vzít v úvahu následující:

- uvnitř linky musí být mezi spodní stranou horní části sporáku a horním povrchem jakéhokoli jiného spotřebiče nebo vnitřní policí volný prostor nejméně 30 mm;
- horní část sporáku musí být umístěna nejméně 50 mm od jakékoli boční stěny (obr. 1.2);
- horní část sporáku musí být vzdálená nejméně 50 mm od zadní stěny (obr. 1.1);
- mezi varnou deskou a jakoukoli nástěnnou skříní nebo odsavačem umístěným bezprostředně nad ní musí být vzdálenost nejméně 650 mm (viz obr. 1.2);
- nátěry stěn jednotky nebo spotřebičů v blízkosti varné desky musí být žáruvzdorné.

Spotřebič neinstalujte v blízkosti hořlavých materiálů (např. závěsů).



Obr. 1.1

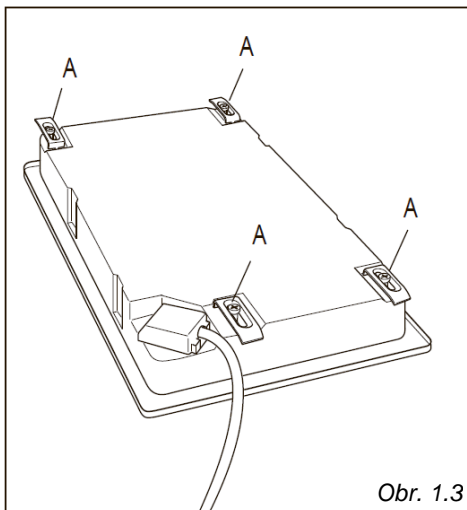


Obr. 1.2

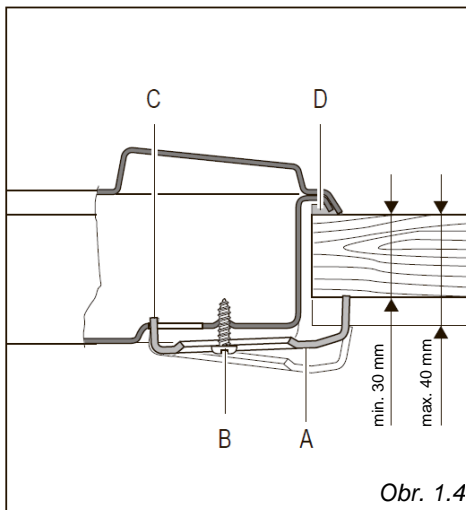
UPEVNĚNÍ VARNÉ DESKY

Každý sporák je vybaven instalační sadou včetně držáků a šroubů pro připevnění horní části k upínacím panelům o tloušťce od 30 do 40 mm, obr. 1.3, 1.4.

- Vyříznete v jednotce otvor.
- Natáhněte těsnění „D“ přes okraj otvoru, přičemž dávejte pozor, abyste překryli hrany spoje.
- Otočte varnou desku a vložte západky „A“ (obr. 1.3) do držáků a volně utáhněte šrouby „B“.
- Ujistěte se, že jsou západky správně namontované, jak je znázorněno na obrázku 1.4. Otočte západky tak, abyste mohli varnou desku vložit do otvoru.
- Vložte varnou desku do otvoru vyříznutého do jednotky a správně ji umístěte.
- Vložte západky „A“ na místo, zub „C“ západek by měl směřovat do otvoru.
- Utáhněte šrouby „B“, dokud varnou desku zcela neupevníte.
- Použitím ostrého nástroje odstříhnete část těsnění „D“, která vyčnívá z varné desky. Dávejte pozor, abyste nepoškodili kuchyňskou linku.



Obr. 1.3



Obr. 1.4

DŮLEŽITÉ: Instalaci je třeba provést podle pokynů výrobce. Nesprávná instalace může způsobit újmu a poškození osob, zvířat nebo majetku, za které výrobce nenese žádnou odpovědnost.

Před prováděním jakýchkoli prací na elektrické části spotřebiče musí být spotřebič odpojený od elektrické sítě.

Připojení k řádnému uzemnění elektroinstalace je naprosto nezbytné.

Výrobce nepřijímá žádnou odpovědnost za jakékoli nepříjemnosti způsobené nedodržením tohoto pravidla.

Před prováděním jakýchkoli prací na elektrické části spotřebiče musí být spotřebič odpojený od elektrické sítě.

Pokud je povrch varné desky prasklý, odpojte spotřebič od sítě a obraťte se na prodejní servis.

OBEČNÉ INFORMACE

- Připojení k elektrickému napájení musí provádět kvalifikovaný technik a musí se řídit příslušnými bezpečnostními předpisy.
- Spotřebič musí být připojen k elektrické síti a je nutné zkontrolovat, zda napětí odpovídá hodnotě uvedené na typovém štítku a zda části elektrických kabelů odolají zatížení uvedenému na štítku.
- Není-li zástrčka součástí balení varné desky, namontujte standardní zástrčku, která je vhodná pro výkon absorbovaný spotřebičem a v souladu s platnými místními předpisy.
- Barvy vodičů v napájecím kabelu spotřebiče nemusí odpovídat barvám vyznačeným na svorkách elektrické zástrčky.

Zástrčku vždy zapojujte následujícím způsobem:

- připojte zelený/žlutý vodič ke svorce označené písmenem **E** nebo symbolem uzemnění \perp nebo označené zelenou/žlutou barvou;
 - připojte modrý vodič ke svorce označené písmenem **N** nebo černou barvou;
 - připojte hnědý vodič ke svorce označené písmenem **L** nebo červenou barvou.
- Zástrčka musí být připojena k zásuvce připojené k uzemňovací jednotce v souladu s bezpečnostními normami.
 - Pokud chcete spotřebič připojit přímo k síti, je třeba jej umístit pomocí více-pólového spínače s minimálním prostorem 3 mm mezi kontakty spotřebiče a sítě
 - Napájecí kabel se nesmí dotýkat horkých částí a musí být umístěn tak, aby nepřesáhl teplotu 50 °C nad okolní teplotou.
 - Po instalaci spotřebiče musí být hlavní vypínač nebo síťová zástrčka vždy v přístupné poloze.
 - Pokud je napájecí kabel poškozený, nahraďte jej vhodným kabelem dostupným v prodejním servisu.
 - Spotřebič musí mít vlastní zdroj napájení; všechny ostatní spotřebiče instalované v jeho blízkosti musí být napájeny samostatně.
 - **POZN. Pro připojení k elektrické síti nepoužívejte adaptéry, reduktory ani rozvětvací zařízení, mohou způsobit přehřátí a spálení.**

V případě, že by instalace vyžadovala úpravy v síťovém napájecím systému, doporučujeme kontaktovat kvalifikovaného technika, který provede výměnu.

Technik bude také muset ověřit, zda průřez elektrických kabelů v napájecím bodě odpovídá jmenovitému výkonu spotřebiče.

VÝMĚNA NAPÁJECÍHO KABELU

Důležité! Tento spotřebič smí připojovat k elektrické síti pouze oprávněná osoba.

VAROVÁNÍ: Pokud je napájecí kabel poškozený, pro zabránění nebezpečí jej smí vyměnit pouze oprávněný servisní pracovník.

- Napájecí kabel je třeba nahradit kabelem stejného typu.
- Otočte varnou desku a uvolněte kryt svorkovnice zasunutím šroubováku do dvou háčků „A“ (obr. 2.1).
- Otevřete kabelovou ucpávku odšroubováním šroubu „F“ (obr. 2.2), odšroubujte svorkovnice a vyjměte kabel.
- Nový napájecí kabel vhodného typu a sekce je připojen ke svorkovnici podle schématu na obr. 2.3.
- Vytáhněte napájecí kabel a zablokujte jej kabelovou ucpávkou.
- Zavřete kryt svorkovnice (zkontrolujte, zda jsou oba háčky „A“ správně zasunuté).

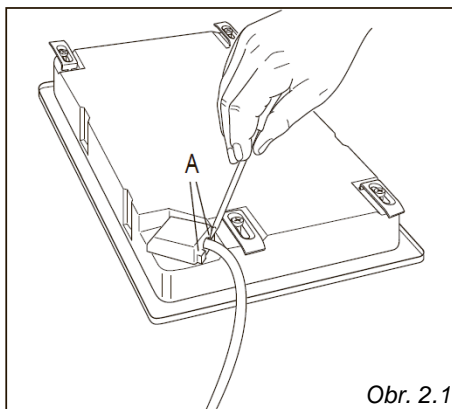
Poznámka: Zemnicí vodič musí být asi o 3 cm delší než ostatní.

**NAPÁJECÍ KABEL TYPU „H05RR-F“
nebo „H05V2V2-F“ (odolnost proti
teplotám nad 90 °C)**

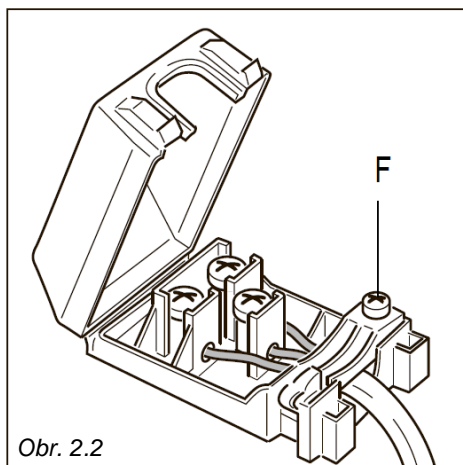
220–240 V 50–60 Hz 3 x 1,5 mm² (*) (**)

(*) Možnost připojení k zástrčce a zásuvce

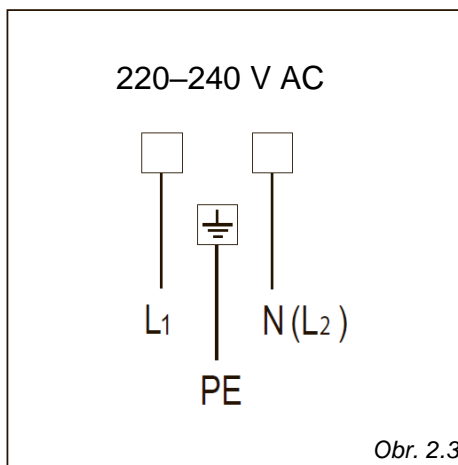
(**) Připojení k elektroinstalační krabici.



Obr. 2.1



Obr. 2.2



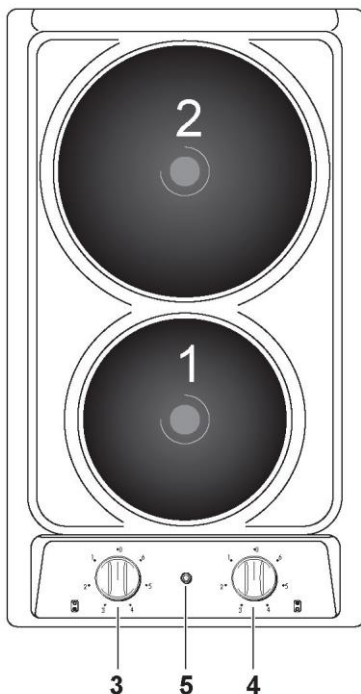
Obr. 2.3

Rady pro uživatele

1

VLASTNOSTI A TECHNICKÉ ÚDAJE

Obr. 1.1



VLASTNOSTI

- Elektrická izolace Třída I.

VARNÉ BODY

1. Elektrická plotýnka	Ø 145 mm, (normální)	1 000 W
	Ø 145 mm (rychlá, červená tečka)	1 500 W
2. Elektrická plotýnka	Ø 180 mm, (normální)	1 500 W
	Ø 180 mm (rychlá, červená tečka)	2 000 W

POPIS OVLÁDACÍCH PRVKŮ

3. Ovládací knoflík přední elektrické plotýnky
4. Ovládací knoflík zadní elektrické plotýnky
5. Kontrolka elektrické plotýnky

Upozornění! Nezakrývejte varnou desku hliníkovými fóliemi.

POZNÁMKA: Knoflík a symboly se mohou lišit.

2 POUŽITÍ ELEKTRICKÉ PLOTÝNKY / ELEKTRICKÝCH PLOTÝNEK

NORMÁLNÍ PLOTÝNKA

Chcete-li zapnout normální plotýnku, otočte knoflíkem (obr. 2.1) do požadované polohy; čísla 1 až 6 označují pracovní polohy se zvýšením teploty podle čísla.

Po dosažení bodu varu snižte příkon podle požadované intenzity ohřevu, přičemž mějte na paměti, že plotýnka bude po vypnutí nadále hřát po dobu 5 minut.

RYCHLÁ PLOTÝNKA (červená tečka)

Ovládací knoflík rychlých plotének je podobný jako u normální plotýnky se 6 pracovními polohami (obr. 2.1).

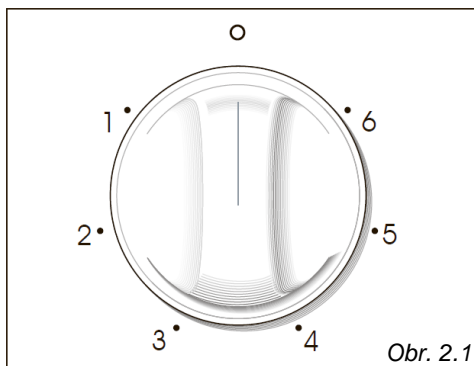
Vlastnosti této plotýnky, která je vybavena omezovačem tepla, umožňují:

- rychlé dosažení teploty;
- maximální využití vstupu s nádobami s plochým dnem;
- omezení vstupu v případě nevhodných nádob.

Nikdy nevařte jídlo přímo na elektrických plotýnkách! Vždy používejte hrnci nebo speciální nádobu.

POZNÁMKA:

Knoflík a symboly se mohou lišit.



SPRÁVNÉ POUŽITÍ ELEKTRICKÉ PLOTÝNKY / ELEKTRICKÝCH PLOTÝNEK (obr. 2.2)

Když se obsah nádoby dostane do varu, snižte teplotu na požadovanou úroveň. Pamatujte, že plotýnka bude po vypnutí nadále produkovat teplo po dobu asi pěti minut.

Při používání elektrické plotýnky:

- zabraňte provozu plotýnky naprázdno;
- na ni nelijte žádné tekutiny, dokud je horká;
- používejte pouze hrnce a pánve s plochým dnem (pro elektrické plotýnky)
- používejte nádoby na vaření, které pokrývají co největší část povrchu plotýnky.
- pro úsporu elektrické energie používejte pokličky, kdykoli je to možné.

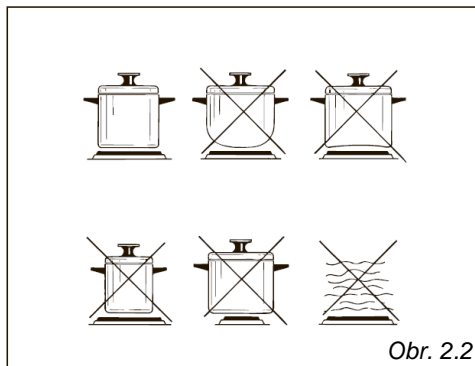
Kontrolka umístěná v blízkosti knoflíku signalizuje, že je plotýnka v provozu.

Pozor!

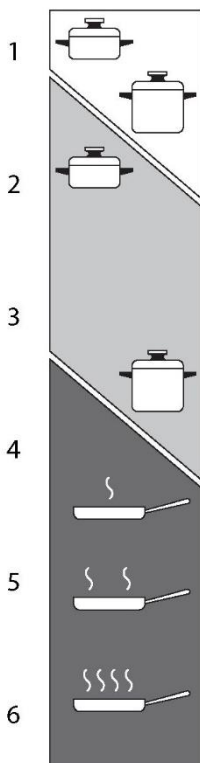
Pokud je povrch prasklý, vypněte spotřebič, aby nedošlo k případnému úrazu elektrickým proudem a zavolejte zákaznický servis.

Upozornění!

Nezakrývejte varnou desku hliníkovými fóliemi.




TABULKA POUŽITÍ ELEKTRICKÉ PLOTÝNKY



 Ohřívání

 Vaření

 Pečení – smažení

Nastavení knoflíku	TYP VAŘENÍ
0	VYPNUTO
1 2	Pro rozehřívání (másla, čokoláda).
2	Pro ohřev jídla a malého množství tekutiny (omáčky, vejce).
3	Pro ohřev většího množství; pro šlehání smetany a omáček (zelenina, ovoce, polévky).
3 4	Pomalé vaření, tj.: vařené maso, špagety, polévky, dlouhé vaření pečeně v páře, dušené maso, brambory.
4	Pro každý druh smažení, řízky, nekryté vaření, tj.: risotto.
4 5	Restování masa, pečené brambory, smažené ryby, omelety a pro vaření velkého množství vody.
6	Rychlé smažení, grilované steaky atd.

Po krátké době používání se naučíte, které nastavení je pro vaše potřeby to pravé.

Upozornění!
Varná deska se během provozu velmi zahřívá.
Držte děti mimo dosah.

Obr. 2.3

VŠEOBECNÁ DOPORUČENÍ

- Před zahájením čištění se ujistěte, že je spotřebič vypnutý a odpojený od elektrického napájení.
- Doporučujeme spotřebič čistit, když je studený.
- Nenechávejte na povrchu spotřebiče zásadité nebo kyselé látky (citronová šťáva, ocet atd.).
- Nepoužívejte čisticí prostředky na chlorové nebo kyselé bázi.
- **Důležité:** Při manipulaci nebo čištění tohoto spotřebiče se doporučuje používat vhodný ochranný oděv/rukavice.
- **Nepoškrábejte varnou desku krájením nebo ostrými předměty.**
- Čistěte povrchy vlhkým hadříkem a použijte jemné neutrální čisticí prostředky. Sušte je čistým, suchým hadříkem.
- **DŮLEŽITÉ:** Nepoužívejte žádné abrazivní přípravky (např. určité typy houbiček) a/nebo agresivní přípravky (např. žíravá soda, přípravky obsahující žíravé látky), které by mohly způsobit nenapravitelné poškození povrchu.

VAROVÁNÍ!

Při správné instalaci splňuje váš výrobek všechny bezpečnostní požadavky stanovené pro tento typ kategorie výrobků. Zvláštní pozornost však věnujte spodní části spotřebiče, protože tato oblast není určena k ručnímu ovládání a mohou se zde vyskytovat ostré nebo drsné hrany, které mohou způsobit zranění.

Důležité: Výrobce odmítá veškerou odpovědnost za možné škody způsobené použitím nevhodných produktů k čištění spotřebiče.

Pozor! Spotřebič se velmi zahřívá, zejména v okolí varných prostor. Děti nikdy nenechávejte v kuchyni bez dozoru, když vaříte.

Nepoužívejte parní čistič, protože vlhkost se může dostat do spotřebiče a může vám hrozit nebezpečí.

NEREZOVÁ OCEL, HLINÍKOVÉ DÍLY, LAKOVANÉ POVRCHY A POVRCHY POTIŠTĚNÉ SÍTOTISKEM

Čistěte pomocí vhodného produktu.

Vždy důkladně osušte.

DŮLEŽITÉ: tyto části musí být velmi pečlivě vyčištěné, aby nedošlo k poškrábání a oděru. Doporučujeme používat měkký hadřík a neutrální mýdlo.

POZOR: Nepoužívejte abrazivní látky nebo jiné než neutrální čisticí prostředky, mohly by nenapravitelně poškodit povrch.

SMALTOVANÉ ČÁSTI

Všechny smaltované části čistěte houbou a mýdlovou vodou nebo jinými neabrazivními přípravky.

Vysušte je nejlépe mikrovláknem nebo měkkým hadříkem.

Kyselé látky jako citronová šťáva, rajčatová omáčka, ocet atd. mohou nátěr poškodit, pokud jsou na něm ponechány příliš dlouho.

ČIŠTĚNÍ ELEKTRICKÝCH PLOTÝNEK

Potraviny spálené na plotýnkách odstraňujte vždy za sucha.

Pro zabránění tvorbě rzi nepoužívejte vodu. Po použití nalijte trochu oleje na teplou plotýnku a očistěte ji hadříkem.

Cher client,

Merci d'avoir acheté et donné votre préférence à notre produit. Les précautions et recommandations de sécurité indiquées ci-dessous sont fournies pour votre propre sécurité et celle des autres. Elles seront également un moyen de tirer pleinement parti des fonctions offertes par votre appareil.

Veuillez conserver ce manuel précieusement. Il pourra vous être utile à l'avenir, ainsi qu'à tout autre utilisateur en cas de doutes quant à son fonctionnement.

Cet appareil ne doit être utilisé qu'aux fins pour lesquelles il a été explicitement conçu, c'est-à-dire la cuisson d'aliments. Toute autre forme d'utilisation doit être considérée comme inappropriée et donc dangereuse.

Le fabricant décline toute responsabilité en cas de dommages causés par une utilisation inappropriée, incorrecte ou illogique de l'appareil.

DÉCLARATION DE CONFORMITÉ CE

- Cet appareil a été conçu pour être utilisé uniquement pour la cuisson. Toute autre utilisation (comme le chauffage d'une pièce) est inadaptée et dangereuse.
- Cet appareil a été conçu, fabriqué et commercialisé conformément à ce qui suit :
 - Exigences de sécurité énoncées dans la directive « Basse tension » 2014/35/UE ;
 - Exigences de sécurité énoncées dans la directive « CEM » 2014/30/UE ;
 - Exigences de la directive européenne 93/68/CEE ;
 - Exigences de la directive européenne 2011/65/UE.



INFORMATIONS IMPORTANTES POUR UNE ÉLIMINATION CORRECTE DU PRODUIT CONFORMÉMENT À LA DIRECTIVE EUROPÉENNE 2002/96/CE (uniquement pour les pays de l'Union européenne)

À la fin de sa durée de vie utile, le produit ne doit pas être jeté avec les déchets ménagers. Il doit être porté dans un centre de tri des déchets local ou chez un revendeur fournissant ce service.

L'élimination d'un appareil ménager dans un centre de tri permet d'éviter les conséquences négatives pour l'environnement et la santé dérivant d'une élimination inappropriée et permet de récupérer les matériaux constitutifs pour faire des économies significatives d'énergie et de ressources. Afin de rappeler la nécessité de se débarrasser séparément des appareils ménagers, le produit est marqué d'une poubelle à roues barrée.



CONSIGNES DE SÉCURITÉ ET RECOMMANDATIONS IMPORTANTES

IMPORTANT : cet appareil est conçu et fabriqué exclusivement pour la cuisson d'aliments domestiques (de ménage). Il n'est pas adapté à une application non domestique et ne doit donc pas être utilisé dans un environnement commercial.

La garantie de l'appareil devient caduque si l'appareil est utilisé dans un environnement non domestique, c'est-à-dire un milieu semi-commercial, commercial ou communautaire.

Lisez attentivement ces instructions avant d'installer ou d'utiliser cet appareil.

- Cet appareil a été conçu et fabriqué conformément aux normes applicables aux produits de cuisson domestiques et répond à toutes les exigences de sécurité indiquées dans ce manuel, y compris celles pour les températures de surface.
Certaines personnes ayant une peau sensible peuvent avoir une perception de la température plus marquée avec certains composants, bien que ces parties soient dans les limites autorisées par les normes. La sécurité complète de l'appareil dépend également de la bonne utilisation, nous vous recommandons donc de toujours porter une attention extrême lors de l'utilisation du produit, en particulier en présence d'enfants.
- Après avoir déballé l'appareil, vérifiez qu'il n'est pas endommagé. En cas de doute, ne l'utilisez pas et consultez votre fournisseur ou un technicien qualifié.
- Les éléments d'emballage (p. ex. sacs en plastique, mousse de polystyrène, clous, sangles d'emballage, etc.) ne doivent pas être laissés à proximité des enfants, car ceux-ci peuvent causer de graves blessures.
- Certains appareils sont fournis avec un film de protection sur les pièces en acier et en aluminium. **Ce film doit être retiré avant d'utiliser l'appareil.**
- **IMPORTANT** : il est recommandé d'utiliser des vêtements de protection/gants appropriés lors de la manipulation ou du nettoyage de cet appareil.

- N'essayez pas de modifier les caractéristiques techniques de l'appareil, car il pourrait devenir dangereux à utiliser. Le fabricant décline toute responsabilité pour tout désagrément résultant du non-respect de cette condition.
- ATTENTION : cet appareil ne doit être installé que dans une pièce ventilée conformément à la réglementation en vigueur.
- N'utilisez pas l'appareil par le biais d'une minuterie externe ou d'un système de télécommande séparé.
- Ne procédez pas à des opérations de nettoyage ou d'entretien sur l'appareil sans avoir préalablement débranché l'appareil de l'alimentation électrique.
- N'utilisez pas de nettoyeur à vapeur car l'humidité peut pénétrer dans l'appareil, ce qui le rend dangereux.
- Ne couvrez pas la plaque de cuisson de papier aluminium.
- Ne touchez pas l'appareil avec les mains (ou les pieds) mouillés ou humides.
- N'utilisez pas l'appareil pieds nus.
- Si vous devez décider de ne plus utiliser cet appareil (ou de le remplacer par un autre modèle), avant de l'éliminer, il est recommandé de le rendre inexploitable d'une manière appropriée conformément aux réglementations de protection de la santé et de l'environnement, en veillant tout particulièrement à ce que toutes les pièces potentiellement dangereuses soient rendues inoffensives, notamment pour les enfants susceptibles de jouer avec des appareils non utilisés.
- Les différents composants de l'appareil sont recyclables. Éliminez-les conformément à la réglementation en vigueur dans votre pays. Si l'appareil doit être mis au rebut, retirez le cordon d'alimentation.
- Après utilisation, vérifiez que les boutons sont en position d'arrêt.
- Les enfants de moins de 8 ans doivent être tenus à l'écart à moins d'être surveillés constamment.
- Cet appareil peut être utilisé par des enfants à partir de 8 ans et par des personnes ayant des capacités physiques, sensorielles ou mentales réduites ou un manque d'expérience et de connaissances, s'ils sont sous surveillance ou si on leur a appris à utiliser l'appareil en toute sécurité et s'ils comprennent les risques courus. Les enfants ne doivent pas jouer avec l'appareil. Le nettoyage et l'entretien ne doivent pas être effectués par des enfants sans surveillance.

- Le fabricant décline toute responsabilité en cas de blessure ou d'endommagement des biens causés par une utilisation incorrecte ou inappropriée de l'appareil.
- **AVERTISSEMENT** : pendant l'utilisation, l'appareil et ses parties accessibles deviennent chaudes et le restent pendant un certain temps après l'utilisation.
 - Il convient de faire attention à ne pas toucher les éléments chauffants de la plaque.
 - Pour éviter les brûlures, les jeunes enfants doivent être tenus à l'écart.
- Vérifiez que les câbles électriques reliant d'autres appareils à proximité de la plaque de cuisson ne peuvent pas entrer en contact avec cette dernière.
- **AVERTISSEMENT** : il peut s'avérer dangereux de cuisiner sur une plaque de cuisson avec des matières grasses ou de l'huile sans surveiller la cuisson car celles-ci peuvent prendre feu. Ne tentez JAMAIS d'éteindre un incendie avec de l'eau, mais éteignez l'appareil puis couvrez la flamme par exemple avec un couvercle ou une couverture anti-feu.
- **AVERTISSEMENT** : risque d'incendie. Ne rangez aucun objet sur les surfaces de cuisson.
- Ne posez et ne laissez pas de casseroles vides sur la plaque vitrocéramique.
- Ne rayez pas la plaque de cuisson avec des objets pointus. N'utilisez pas la plaque de cuisson comme plan de travail.
- **AVERTISSEMENT** : si la plaque est fissurée ou autrement endommagée par des chutes d'objets, débranchez l'appareil de l'alimentation électrique pour éviter tout risque d'électrocution et appelez le Service clientèle.
- **AVERTISSEMENT** : lorsqu'il est correctement installé, votre produit répond à toutes les exigences de sécurité définies pour ce type de catégorie de produit. Cependant, une attention particulière doit être accordée au dessous de l'appareil, car cette zone n'est pas conçue ou destinée à être touchée et peut contenir des bords tranchants ou rugueux, susceptibles de causer des blessures.
- **ATTENTION** : le processus de cuisson doit être surveillé. Un processus de cuisson de courte durée doit être surveillé en continu.

- Si le câble d'alimentation est endommagé, il ne doit être remplacé que par un technicien agréé afin d'éviter tout danger.
- Si l'appareil n'est pas équipé d'un cordon d'alimentation et d'une fiche, ou d'autres moyens de déconnexion du secteur ayant une séparation des contacts dans tous les pôles qui assurent une déconnexion complète dans les conditions de surtension de la catégorie III, les moyens de débranchement doivent être incorporés dans le câblage fixe conformément aux règles de câblage.
- **AVERTISSEMENT** : l'appareil et ses parties accessibles peuvent devenir brûlants au cours de l'utilisation.
- Il convient de faire attention à ne pas toucher les éléments de chauffage. Les enfants de moins de 8 ans doivent être tenus à l'écart à moins d'être surveillés constamment.
- **AVERTISSEMENT** : utilisez uniquement des protections de plaque de cuisson conçues par le fabricant de l'appareil de cuisson ou indiquées comme appropriées par le fabricant de l'appareil dans le mode d'emploi ou intégrées à l'appareil. L'utilisation de protections inappropriées peut provoquer des accidents.

ÉTIQUETAGE ÉNERGÉTIQUE/ÉCOCONCEPTION

- Règlement (UE) n° 66/2014 de la Commission (mise en œuvre de la directive 2009/125/CE du Parlement européen et du Conseil).

Référence aux méthodes de mesure et de calcul utilisées pour établir la conformité aux exigences ci-dessus :

- Norme EN 60350-2 (plaques de cuisson : zones de cuisson électriques).

UTILISATION DE L'APPAREIL, CONSEILS D'ÉCONOMIE D'ÉNERGIE

ZONES DE CUISSON ÉLECTRIQUES

- Évitez de garder une zone allumée sans rien dessus (sans casserole).
- Évitez de verser des liquides sur les zones lorsqu'elles sont chaudes.
- N'utilisez que des casseroles et poêles à fond plat (type plaque électrique).
- Utilisez des récipients de cuisson qui couvrent autant de surface de la zone de cuisson que possible.
- Pour économiser de l'électricité, utilisez des couvercles dans la mesure du possible.
- Lorsque la casserole arrive à ébullition, baissez le feu au niveau souhaité. N'oubliez pas que la zone de cuisson continue à produire de la chaleur pendant environ cinq minutes après qu'elle ait été éteinte.

Conseils pour l'installateur

IMPORTANT :

- L'appareil est conçu et approuvé pour un usage domestique uniquement et ne doit pas être installé dans un environnement commercial, semi-commercial ou communautaire. **Votre produit ne sera pas garanti s'il est installé dans l'un des environnements ci-dessus et pourrait affecter toute assurance aux tiers ou de responsabilité civile que vous pourriez avoir.**
- Cet appareil doit être installé, réglé et adapté pour être utilisé uniquement par une personne autorisée conformément à la réglementation en vigueur et aux instructions fournies par le fabricant.
Le non-respect de cette condition rendra la garantie caduque.
- L'appareil doit être installé conformément à la réglementation en vigueur dans votre pays et aux instructions du fabricant.
- Une installation incorrecte, pour laquelle le fabricant décline toute responsabilité, peut causer des blessures physiques ou des dommages.
- Cet appareil ne doit être entretenu que par du personnel agréé.
- Débranchez toujours l'appareil du secteur avant toute opération d'entretien ou de réparation.
- **Important : il est recommandé d'utiliser des vêtements de protection/gants appropriés lors de la manipulation ou du nettoyage de cet appareil.**
- **L'appareil doit être logé dans des meubles résistants à la chaleur.**
- **Les parois des meubles ne doivent pas être plus hautes que le plan de travail et doivent pouvoir résister à des températures de 70 °C au-dessus de la température ambiante.**
- **Nous soulignons que l'adhésif qui colle le stratifié plastique au meuble doit résister à des températures d'au moins 150 °C pour éviter la délamination.**
- **N'installez pas l'appareil à proximité de matériaux inflammables (p. ex. des rideaux).**

AVERTISSEMENT !

Lorsqu'il est correctement installé, votre produit répond à toutes les exigences de sécurité définies pour ce type de catégorie de produit. Cependant, une attention particulière doit être accordée au dessous de l'appareil, car cette zone n'est pas conçue ou destinée à être touchée et peut contenir des bords tranchants ou rugueux, susceptibles de causer des blessures.

1 INSTALLATION

INFORMATIONS TECHNIQUES POUR L'INSTALLATEUR

Certains modèles uniquement : avant d'installer la plaque de cuisson, retirez le film de protection.

Ces plaques de cuisson sont conçues pour être encastrées dans des meubles de cuisine de 600 mm de profondeur et de 30 à 40 mm d'épaisseur.

Pour installer le haut de la plaque de cuisson dans le meuble de cuisine, un trou avec les dimensions indiquées à la fig. 1.1 doit être réalisé en tenant compte des éléments suivants :

- à l'intérieur du meuble, entre la partie inférieure de la plaque de cuisson et la surface supérieure de tout autre appareil ou étagère intérieur(e), il doit y avoir un dégagement d'au moins 30 mm ;
- la plaque de cuisson ne doit pas être placée à moins de 50 mm de toute paroi latérale (fig. 1.2) ;
- la plaque de cuisson doit être maintenue à une distance d'au moins 50 mm de la paroi arrière (fig. 1.1) ;
- il doit y avoir une distance d'au moins 650 mm entre la plaque de cuisson et toute hotte murale ou aspirante placée immédiatement au-dessus (voir fig. 1.2) ;
- les revêtements des parois du ou des appareil(s) situé(s) près de la plaque de cuisson doivent être résistants à la chaleur.

N'installez pas l'appareil à proximité de matériaux inflammables (p. ex. des rideaux).

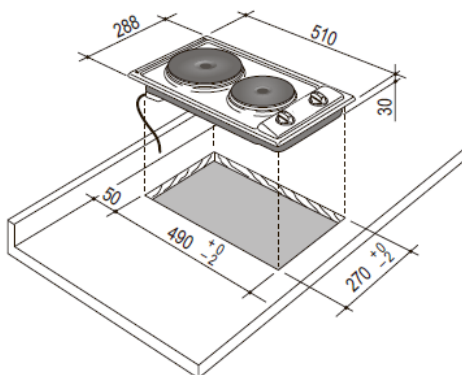


Fig. 1.1

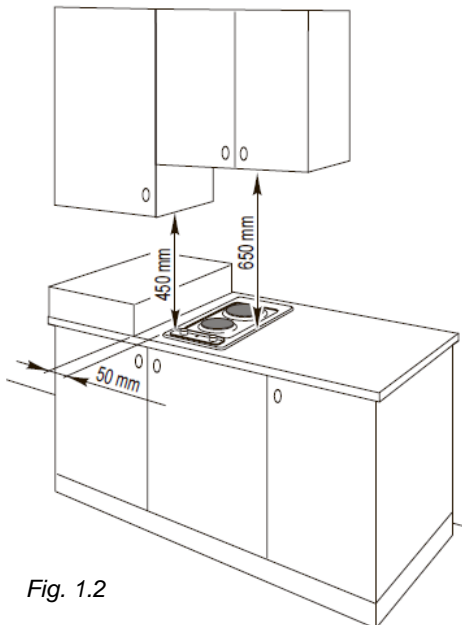
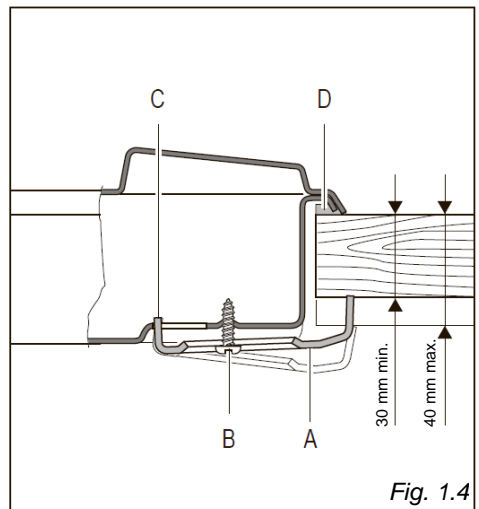
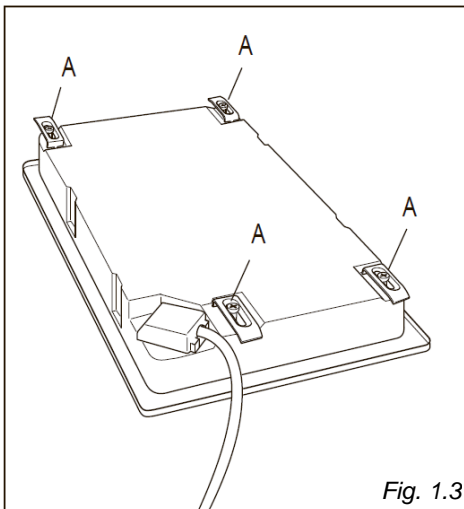


Fig. 1.2

FIXATION DE LA PLAQUE DE CUISSON

Chaque plaque de cuisson est fournie avec un kit d'installation comprenant des supports et des vis pour fixer le dessus aux panneaux de fixation de 30 à 40 mm d'épaisseur, fig. 1.3, 1.4.

- Découpez le meuble.
- Étirez le joint « **D** » sur le bord du trou réalisé, en prenant soin de superposer les bords de jonction.
- Retournez la plaque de cuisson et mettez les pattes « **A** » (fig. 1.3) dans les fixations, ne serrez les vis « **B** » que de quelques tours. Assurez-vous que les pattes sont correctement montées comme indiqué sur la figure 1.4. Tournez les pattes de façon à ce que la plaque de cuisson puisse être mise dans le trou.
- Placez la plaque de cuisson dans le trou découpé dans le meuble et positionnez-la correctement.
- Mettez les pattes « **A** » en place, la dent « **C** » des pattes doit entrer dans le trou.
- Serrez les vis « **B** » jusqu'à ce que la plaque de cuisson soit complètement fixée.
- À l'aide d'un outil tranchant, couper la partie du joint « **D** » qui dépasse de la plaque de cuisson. Veillez à ne pas endommager le plan de travail.



IMPORTANT : l'installation doit être effectuée conformément aux instructions du fabricant. Une installation incorrecte peut causer des dommages matériels et des blessures aux personnes, aux animaux, pour lesquels le fabricant décline toute responsabilité.

Avant d'effectuer toute intervention sur la partie électrique de l'appareil, il doit être débranché du secteur.

Une liaison à un bon système de mise à la terre est absolument essentielle.


Le fabricant décline toute responsabilité quant aux inconvénients causés par le non-respect de cette règle.

Avant d'effectuer toute intervention sur la partie électrique de l'appareil, il doit être débranché du secteur.

Si la surface de la plaque est fissurée, débranchez l'appareil du secteur et contactez le service après-vente.

GÉNÉRALITÉS

- Le raccordement à l'alimentation électrique doit être effectué par un technicien qualifié et en respectant les règles de sécurité appropriées.
- L'appareil doit être raccordé au secteur en vérifiant que la tension correspond à la valeur indiquée sur la plaque signalétique et que les sections de câbles électriques peuvent supporter la charge spécifiée sur la plaque.
- Si la plaque n'est pas branchée, fixez une fiche standard adaptée à l'alimentation absorbée par l'appareil et conforme aux règles locales en vigueur.
- Les couleurs des fils du câble d'alimentation de l'appareil peuvent ne pas correspondre aux couleurs indiquées sur les bornes de votre prise électrique. La fiche doit toujours être câblée comme suit :
 - connectez le fil vert/jaune à la borne

marquée de la lettre **E** ou du symbole terre  ou de couleur vert/jaune ;

- connectez le fil bleu à la borne marquée de la lettre **N** ou de couleur noire ;
- connectez le fil marron à la borne marquée de la lettre **L** ou de couleur rouge.
- La fiche doit être connectée à une prise de courant raccordée à l'unité de mise à la terre conformément aux normes de sécurité.
- Si l'appareil doit être branché directement sur le secteur, il doit être placé avec un interrupteur omnipolaire avec une ouverture minimale entre les contacts de 3 mm entre l'appareil et le secteur.
- Le câble d'alimentation ne doit pas toucher les parties chaudes et doit être positionné de manière à ne pas dépasser 50 °C au-dessus de la température ambiante.
- Une fois l'appareil installé, l'interrupteur d'alimentation ou la fiche d'alimentation doit toujours être accessible.
- Si le câble d'alimentation est endommagé, il doit être remplacé par un câble approprié disponible auprès du service après-vente.
- L'appareil doit avoir sa propre alimentation ; tout autre appareil installé à proximité doit être alimenté séparément.
- **N.B. Pour le raccordement au secteur, n'utilisez pas d'adaptateurs, de réducteurs ou de dispositifs de branchement, car ils peuvent provoquer une surchauffe ou un incendie.**

Dans le cas où l'installation devrait nécessiter des modifications du système de câblage de l'alimentation secteur, il est recommandé d'appeler un technicien qualifié pour effectuer une substitution.

Le technicien devra également vérifier que la section transversale des câbles électriques du point d'alimentation correspond à la puissance nominale de l'appareil.

REPLACEMENT DU CÂBLE D'ALIMENTATION SECTEUR

Important ! Cet appareil ne doit être raccordé à l'alimentation électrique que par une personne autorisée.

AVERTISSEMENT : si le câble d'alimentation est endommagé, il ne doit être remplacé que par un technicien agréé afin d'éviter tout danger.

- Le câble d'alimentation doit être remplacé par un câble du même type.
- Retournez la plaque de cuisson et décrochez le couvercle du bornier en introduisant un tournevis dans les deux crochets « **A** » (fig. 2.1).
- Ouvrez le presse-étoupe en dévissant la vis « **F** » (fig. 2.2), dévissez les vis de la borne et retirez le câble.
- Le nouveau câble d'alimentation, de type et de section appropriés, est relié au bornier selon le schéma de la fig. 2.3.
- Tirez le câble d'alimentation et bloquez-le avec un presse-étoupe.
- Fermez le couvercle du bornier (vérifiez que les deux crochets « **A** » sont correctement accrochés).

Remarque : le conducteur de terre doit être environ 3 cm plus long que les autres.

SECTION DU CÂBLE D'ALIMENTATION « H05RR-F » ou « H05V2V2-F » (résistance aux températures de 90 °C)

220 - 240 V 50-60 Hz 3 x 1,5 mm² (*) (**)

(*) Branchement possible avec prise et fiche

(**) Connexion avec branchement au boîtier mural.

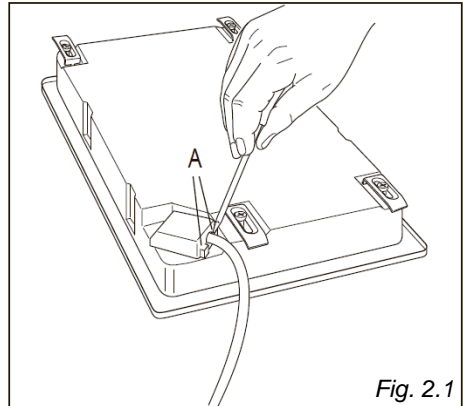


Fig. 2.1

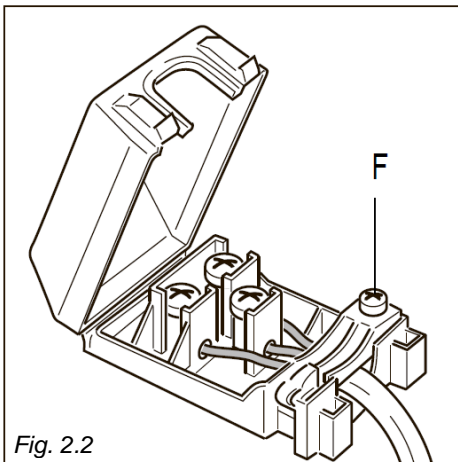


Fig. 2.2

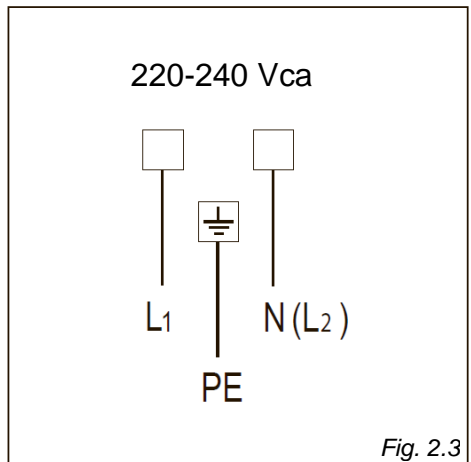


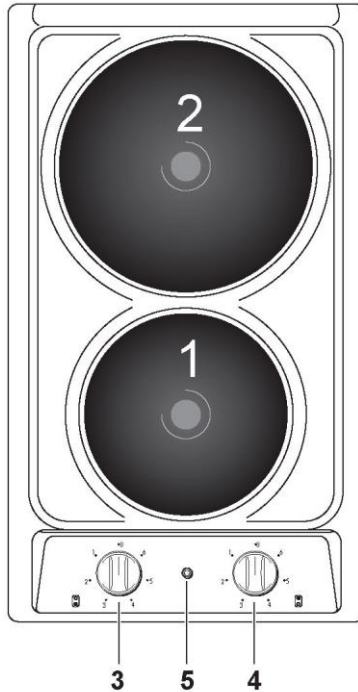
Fig. 2.3

Conseils aux utilisateurs

1

CARACTÉRISTIQUES ET DONNÉES TECHNIQUES

Fig. 1.1



CARACTÉRISTIQUES

- Isolation électrique Classe I.

POINTS DE CUISSON

1. Plaque électrique	Ø 145 mm, (Normal)	1 000 W
	Ø 145 mm (Rapide, point rouge)	1 500 W
2. Plaque électrique	Ø 180 mm, (Normal)	1 500 W
	Ø 180 mm (Rapide, point rouge)	2 000 W

DESCRIPTION DES COMMANDES

3. Bouton de commande de la plaque électrique avant
4. Bouton de commande de la plaque électrique arrière
5. Témoin lumineux de la plaque électrique

Attention ! Ne couvrez pas la plaque de cuisson de papier aluminium.

REMARQUE : le bouton et les symboles peuvent varier.

2 UTILISATION DE PLAQUE(S) ÉLECTRIQUE(S)

PLAQUE CHAUFFANTE NORMALE

Pour allumer la plaque chauffante normale, tournez le bouton (fig. 2.1) sur la position souhaitée ; les numéros 1 à 6 indiquent les positions de fonctionnement avec l'augmentation de température selon le nombre.

Une fois le point d'ébullition atteint, réduisez la puissance en fonction de l'intensité de chauffage souhaitée, en gardant à l'esprit que la plaque continuera à chauffer pendant 5 minutes après l'arrêt.

PLAQUE RAPIDE (point rouge)

Le bouton de commande des plaques rapides est similaire à celui d'une plaque normale avec 6 positions de fonctionnement (fig. 2.1). Les caractéristiques de cette plaque, qui est équipée d'un limiteur de chaleur, permettent :

- d'atteindre la température rapidement ;
- une exploitation maximale de la puissance avec des casseroles à fond plat ;
- la limitation de la puissance en cas de casseroles inadaptées.

Ne cuisez jamais vos aliments directement sur les plaques électriques ! Utilisez toujours une casserole ou un récipient spécial.

REMARQUE :
le bouton et les symboles peuvent varier.

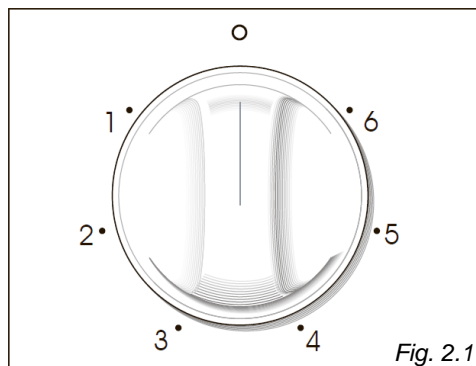


Fig. 2.1

UTILISATION CORRECTE DE LA/DES PLAQUE(S) DE CUISSON ÉLECTRIQUE(S) (fig. 2.2)

Lorsque la casserole arrive à ébullition, baissez le feu au niveau souhaité.

N'oubliez pas que la plaque chauffante continue à produire de la chaleur pendant environ cinq minutes après qu'elle ait été éteinte.

Lors de l'utilisation de la plaque électrique, vous devez :

- éviter de le garder allumée sans rien dessus ;
- éviter de verser des liquides dessus lorsqu'elle est chaude ;
- n'utiliser que des casseroles et poêles à fond plat (type plaque électrique) ;
- utiliser des récipients de cuisson qui couvrent autant de surface de la plaque chauffante que possible ;
- utiliser des couvercles dans la mesure du possible, pour économiser l'électricité.

Un voyant lumineux situé près du bouton indique que la plaque chauffante fonctionne.

Attention !

Si la surface est fissurée, éteignez l'appareil afin d'éviter tout risque d'électrocution et contactez le Service clientèle.

Attention !

Ne couvrez pas la plaque de cuisson de papier aluminium.

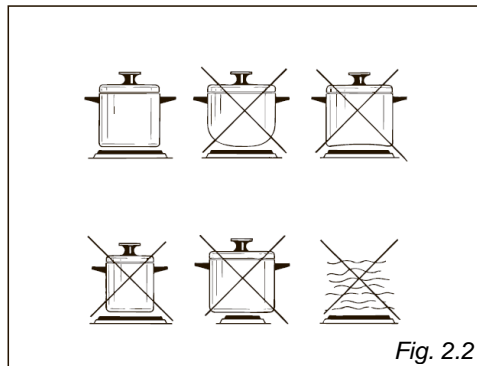
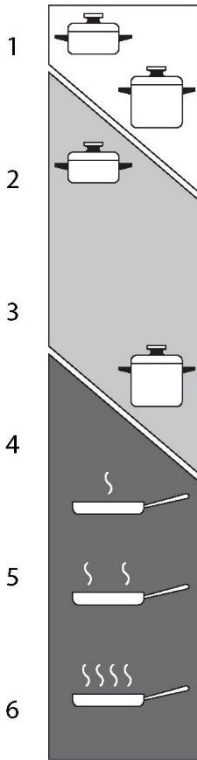




Fig. 2.2

TABLEAU D'UTILISATION DE LA PLAQUE ÉLECTRIQUE



 Chauffage

 Cuisson

 Rôtissage-friture

Réglage du bouton	TYPE DE CUISSON
0	Éteint
1 2	Pour faire fondre (beurre, chocolat).
2	Pour maintenir les aliments chauds et réchauffer de petites quantités de liquide (sauces, œufs).
3	Pour chauffer des quantités plus importantes, fouetter les crèmes et les sauces (légumes, fruits, soupes).
3 4	Pour faire bouillir lentement, p. ex. : viandes bouillies, spaghettis, soupes, cuisson à la vapeur des rôtis, ragoûts, pommes de terre.
4	Pour faire griller ou frire, escalopes, cuisson sans couvercle, p. ex. : risotto.
4 5	Pour faire dorer les viandes, les pommes de terre rôties, les poissons frits, les omelettes et faire bouillir de grandes quantités d'eau.
6	Pour faire griller ou frire rapidement, steaks grillés, etc.

Après une courte période d'utilisation, l'expérience vous enseignera quel réglage est le bon en fonction de vos besoins.

Attention !

La plaque de cuisson devient très chaude pendant le fonctionnement. Tenir les enfants hors de portée.

Fig. 2.3

CONSEILS GÉNÉRAUX

- Avant de commencer le nettoyage, assurez-vous que l'appareil est éteint et débranché de l'alimentation électrique.
- Il est conseillé de nettoyer l'appareil lorsqu'il est froid.
- Évitez de laisser des substances alcalines ou acides (jus de citron, vinaigre, etc.) sur les surfaces.
- Évitez d'utiliser des produits de nettoyage à base de chlore ou d'acide.
- **Important : il est recommandé d'utiliser des vêtements de protection/gants appropriés lors de la manipulation ou du nettoyage de cet appareil.**
- **Ne rayez pas la plaque de cuisson avec des objets coupants ou tranchants.**
- Nettoyez les surfaces à l'aide d'un chiffon humide et utilisez des produits nettoyants doux et neutres. Séchez avec un chiffon propre et sec.
- **IMPORTANT** : n'utilisez pas de produits abrasifs (p. ex. certains types d'éponges) et/ou agressifs (p. ex. soude caustique, produits contenant des substances corrosives), sous peine de causer des dommages irréparables à la surface.

AVERTISSEMENT !

Lorsqu'il est correctement installé, votre produit répond à toutes les exigences de sécurité définies pour ce type de catégorie de produit. Cependant, une attention particulière doit être accordée au dessous de l'appareil, car cette zone n'est pas conçue ou destinée à être touchée et peut contenir des bords tranchants ou rugueux, susceptibles de causer des blessures.

Important : le fabricant décline toute responsabilité pour les dommages éventuels causés par l'utilisation de produits inappropriés pour nettoyer l'appareil.

Attention ! L'appareil devient très chaud, principalement autour des zones de cuisson. Il est très important que les enfants ne soient pas laissés seuls dans la cuisine lorsque vous cuisinez.

N'utilisez pas de nettoyeur à vapeur car l'humidité peut entrer dans l'appareil et le rendre dangereux.

ACIER INOXYDABLE, PIÈCES EN ALUMINIUM, SURFACES PEINTES ET SÉRIGRAPHIÉES

Nettoyez à l'aide d'un produit approprié.

Séchez toujours soigneusement.

IMPORTANT : ces pièces doivent être nettoyées avec beaucoup de soin pour éviter les rayures et l'abrasion. Il est conseillé d'utiliser un chiffon doux et un savon neutre.

ATTENTION : n'utilisez pas de substances abrasives ou de détergents non neutres sous peine d'endommager la surface de manière irrémédiable.

PARTIES ÉMAILLÉES

Toutes les parties émaillées doivent être nettoyées avec une éponge et de l'eau savonneuse ou tout autre produit non abrasif. Séchez-les de préférence avec un chiffon microfibre ou doux.

Les substances acides comme le jus de citron, la sauce tomate, le vinaigre, etc. peuvent endommager l'émail s'ils sont laissés trop longtemps dessus.

NETTOYAGE DES PLAQUES ÉLECTRIQUES

Les aliments brûlés sur les plaques chauffantes doivent toujours être nettoyés à sec.

N'utilisez pas d'eau pour éviter la formation de rouille.

Après utilisation, versez un peu d'huile sur la plaque chaude et frottez avec un chiffon.

Poštovani korisniče,

Hvala što ste kupili i dali prednost našem proizvodu.

Sigurnosne mjere opreza i preporuke navedene u nastavku odnose se na vašu sigurnost i sigurnost drugih osoba. Također će pružiti način na koji možete u potpunosti iskoristiti značajke koje nudi uređaj.

Pažljivo čuvajte ovu knjižicu. Može biti korisna u budućnosti vama ili drugima u slučaju da se pojave sumnje u vezi s njegovim radom.

Ovaj uređaj smije se koristiti samo za zadatke za koje je izričito namijenjen, odnosno za pripremanje hrane. Bilo koji drugi oblik upotrebe smatrat će se neprikladnim i stoga opasnim.

Proizvođač odbija svaku odgovornost u slučaju oštećenja uzrokovano nepravilnom, nepravilnom ili nelogičnom upotrebom uređaja.

IZJAVA O CE SUKLADNOSTI

- Ovaj uređaj predviđen je za upotrebu samo za kuhanje. Bilo koja druga upotreba (kao što je grijanje prostorije) neprimjerena je i opasna.
- Ovaj uređaj projektiran je, izrađen i stavljen na tržište u skladu s:
 - Sigurnosni zahtjevi direktive 2014/35/EU za „niski napon“;
 - Sigurnosni zahtjevi direktive o „EMC“ 2014/30/EU;
 - Zahtjeve EU direktive 93/68/EEZ;
 - Zahtjevi EU direktive 2011/65/EU.



VAŽNE INFORMACIJE ZA PRAVILNO ODLAGANJE PROIZVODA U SKLADU S DIREKTIVOM EZ 2002/96/EZ

(samo za države Europske unije)

Na kraju radnog vijeka, proizvod se ne smije odlagati kao gradski otpad. Mora se odnijeti u posebni lokalni centar za prikupljanje otpada ili trgovcu koji pruža ovu uslugu.

Odvojenim odlaganjem kućanskog uređaja izbjegavaju se moguće negativne posljedice za okoliš i zdravlje koje proizlaze iz neprimjerenog odlaganja i time se omogućuje oporavak sastavnih materijala kako bi se ostvarile značajne uštede u energiji i resursima. Proizvod nosi oznaku prekržižene kante za smeće na kotačima, što je podsjetnik na potrebu odvojenog zbrinjavanja kućanskih aparata.



VAŽNE SIGURNOSNE MJERE OPREZA I PREPORUKE

VAŽNO: Ovaj uređaj projektiran je i izrađen isključivo za kuhanje hrane u kućanstvu (kućanske) i nije prikladan ni za koju primjenu izvan kućanstva pa se stoga ne smije upotrebljavati u komercijalnom okruženju.

Jamstvo za uređaj bit će nevažeće ako se uređaj upotrebljava u okruženju koji nije kućno, tj. u polukomercijalnom, komercijalnom ili komunalnom okruženju.

Pažljivo pročitajte upute prije ugradnje i upotrebe uređaja.

- Ovaj je uređaj dizajniran i proizveden u skladu s važećim standardima za kućanske proizvode za kuhanje i ispunjava sve sigurnosne zahtjeve prikazane u ovom priručniku, uključujući one za površinske temperature.
Neki ljudi s osjetljivom kožom mogu imati izraženiji doživljaj temperature na nekim komponentama, iako su ti dijelovi unutar granica dopuštenih normama.
Potpuna sigurnost uređaja ovisi i o pravilnoj upotrebi, stoga preporučujemo da uvijek obratite iznimnu pozornost tijekom upotrebe proizvoda, posebno u prisutnosti djece.
- Provjerite je li uređaj oštećen nakon što ga raspakirate.
Ako niste sigurni, nemojte ga koristiti i potražite savjet dobavljača ili stručno osposobljenog tehničara.
- Ambalažni elementi (npr. plastične vrećice, polistirenska pjena, čavli, remenje za pakiranje itd.) ne smiju se ostavljati u blizini djece jer mogu uzrokovati ozbiljne ozljede.
- Neki uređaji isporučuju se sa zaštitnom folijom na čeličnim i aluminijским dijelovima. **Tu foliju uklonite prije upotrebe uređaja.**
- **VAŽNO:** Pri rukovanju ili čišćenju uređaja preporučuje se upotreba odgovarajuće zaštitne odjeće/rukavica.
- Nemojte pokušavati mijenjati tehničke karakteristike uređaja jer zbog toga uređaj može postati opasan za upotrebu. Proizvođač odbacuje

svu odgovornost za bilo kakve neugodnosti koje proizlaze iz nepoštivanja ovog uvjeta.

- OPREZ: ovaj se dodatak smije instalirati samo u trajno prozračivanoj prostoriji u skladu s važećim propisima.
- Nemojte rukovati uređajem pomoću vanjskog tajmera ili zasebnog sustava za daljinsko upravljanje.
- Uređaj ne čistite i ne održavajte ako ga prethodno niste isključili iz napajanja električnom energijom.
- Nemojte koristiti parni čistač jer vlaga može dospjeti u uređaj, što ga čini nesigurnim.
- Ne pokrivajte ploču za kuhanje aluminijskom folijom.
- Uređaj nemojte dodirivati mokrim ili vlažnim rukama (ili stopalima).
- Nemojte koristiti uređaj dok ste bos.
- Ako prije zbrinjavanja odlučite da više ne koristite ovaj uređaj (ili da zamijenite drugi model), preporučujemo da ga stavite izvan upotrebe na prikladan način u skladu s propisima o zaštiti zdravlja i okoliša, posebno pazeći da svi potencijalno opasni dijelovi budu bezopasni, naročito u odnosu na djecu koja bi se mogla igrati nekorištenim uređajima.
- Različite komponente uređaja mogu se reciklirati. Zbrinite ih u skladu s propisima koji su na snazi u vašoj državi. Ako želite odbaciti uređaj, uklonite kabel napajanja.
- Nakon upotrebe provjerite jesu li regulatori u isključenom položaju.
- Djecu mlađu od 8 godina treba držati podalje osim ako nisu pod stalnim nadzorom.
- Ovaj uređaj mogu upotrebljavati djeca starija od 8 godina i osobe sa smanjenim fizičkim, osjetilnim ili mentalnim sposobnostima ili nedostatkom iskustva i znanja ako su pod nadzorom ili su dobili upute u vezi sa sigurnom upotrebom uređaja te ako shvaćaju povezane opasnosti. Djeca se ne smiju igrati uređajem. Djeca ne smiju čistiti niti održavati uređaj bez nadzora.
- Proizvođač odbacuje svaku odgovornost za tjelesne ozljede ili oštećenja imovine uzrokovana nepravilnom ili nepravilnom upotrebom uređaja.

- UPOZORENJE: Tijekom upotrebe uređaj i njegovi dostupni dijelovi postaju vrući i ostaju vrući neko vrijeme nakon upotrebe.
 - Obratite pozornost i ne dirajte grijaće elemente na ploči za kuhanje.
 - Malu djecu treba držati podalje kako bi se izbjegle opekotine.
- Pazite da električni kabeli koji povezuju druge uređaje u blizini ploče za kuhanje ne dođu u kontakt s pločom za kuhanje.
- UPOZORENJE: Kuhanje na ploči za kuhanje bez nadzora uz upotrebu masti ili ulja može biti opasno i može rezultirati požarom. NIKADA ne pokušavajte ugasiti vatru vodom, nego isključite uređaj i pokrijte plamen npr. poklopcem ili vatrootpornim pokrivačem.
- UPOZORENJE: Opasnost od požara: ne odlažite predmete na površine za kuhanje.
- Ne ostavljajte prazne posude na staklenoj keramičkoj ploči za kuhanje.
- Nemojte grebati ploču za kuhanje oštrim predmetima. Ploču za kuhanje nemojte upotrebljavati kao radnu površinu.
- UPOZORENJE: Ako je ploča za kuhanje napuknuta ili je na drugi način oštećena padom predmeta itd., odvojite uređaj od električnog napajanja kako biste izbjegli mogućnost električnog udara i nazovite službu za korisnike.
- UPOZORENJE: Kada je pravilno ugrađen, vaš proizvod ispunjava sve sigurnosne zahtjeve utvrđene za tu vrstu proizvoda. Međutim, treba biti posebno oprezan oko donjeg dijela uređaja jer ovo područje nije dizajnirano ili namijenjeno dodiru i može sadržavati oštre ili grube rubove koji mogu uzrokovati ozljede.
- OPREZ: Postupak kuhanja mora se nadzirati. Kratkotrajno kuhanje mora se neprestano nadzirati.
- Ako je kabel napajanja oštećen, smije ga zamijeniti samo ovlašteni serviser kako bi se izbjegla opasnost.
- Ako uređaj nije opremljen kabelom za napajanje i utikačem ili nekim drugim sredstvom za odspajanje s mrežnog napajanja sa zasebnim kontaktom na svim polovima koji omogućuju potpuno odspajanje u uvjetima prenapona iz kategorije III, u uputama će biti navedeno da

je potrebno ugraditi sredstvo za odspajanje na fiksno ožičenje u skladu s pravilima ožičavanja.

- **UPOZORENJE:** Uređaj i pripadajući dostupni dijelovi postaju vrući tijekom upotrebe.
- Obratite pozornost i ne dirajte grijače. Djecu mlađu od 8 godina treba držati podalje osim ako nisu pod stalnim nadzorom.
- **UPOZORENJE:** Upotrebljavajte samo štitnike ploče za kuhanje proizvođača uređaja za kuhanje ili one za koje proizvođač uređaja navede u uputama da su pogodne ili štitnike ploče za kuhanje priložene uz uređaj. Upotrebom neodgovarajućih štitnika mogu se prouzrokovati nesreće.

OZNAKE ENERGETSKE UČINKOVITOSTI / EKOLOŠKI DIZAJN

- Uredba Komisije (EU) br. 66/2014 (o provedbi Direktive 2009/125/EZ Europskog parlamenta i Vijeća).

Upućivanje na metode mjerenja i izračuna koje se koriste za utvrđivanje sukladnosti s gore navedenim zahtjevima:

- Standard EN 60350-2 (ploče za kuhanje: električne zone za kuhanje i/ili područja).

UPOTREBA UREĐAJA, SAVJETI ZA UŠTEDU ENERGIJE

ELEKTRIČNE ZONE ZA KUHANJE I/ILI PODRUČJA

- Zonu/područje nemojte držati uključenim ako na njemu nema ničega (ako nema posude).
- Nemojte proljevati tekućine po zonama/područjima dok su vruća.
- Koristite samo posude i tave s ravnim dnom (vrsta električne ploče za kuhanje).
- Koristite posude za kuhanje koje pokrivaju što veću površinu zone/područja za kuhanje.
- Koristite poklopce kad god je to moguće kako biste uštedjeli električnu energiju.
- Smanjite temperaturu na željenu razinu kad posuda dođe do točke vrenja. Imajte na umu da će zona/područje za kuhanje nastaviti proizvoditi toplinu oko pet minuta nakon isključivanja.

Savjet za instalatera

VAŽNO:

- Uređaj je dizajniran i homologiran samo za kućnu upotrebu i ne smije se ugrađivati u komercijalno, polukomercijalno ili komunalno okruženje.
Proizvod nije obuhvaćen jamstvom ako je ugrađen u bilo kojem od gore navedenih okruženja i to bi moglo utjecati na bilo koje osiguranje treće strane ili osiguranje od javne odgovornosti koje imate.
- Ovaj uređaj smije ugraditi, regulirati i prilagoditi za rad samo ovlaštena osoba u skladu s važećim lokalnim propisima i u skladu s uputama proizvođača.
Nepoštivanje ovog uvjeta učinit će jamstvo nevažećim.
- Uređaj mora biti ugrađen u skladu s važećim propisima u vašoj državi sukladno uputama proizvođača.
- Nepravilna ugradnja, za koju proizvođač ne preuzima nikakvu odgovornost, može uzrokovati ozljede ili oštećenja.
- Uređaj smije servisirati samo ovlašteno osoblje.
- Uvijek odspojite uređaj s mrežnog napajanja prije održavanja ili popravaka.
- **Važno: Pri rukovanju ili čišćenju ovog uređaja preporučuje se upotreba odgovarajuće zaštitne odjeće/rukavica.**
- **Uređaj mora biti smješten u jedinicama otpornim na toplinu.**
- **Stijenke uređaja ne smiju biti viši od radne površine i moraju biti otporni na temperature 70 °C iznad sobne temperature.**
- **Napominjemo da ljepilo koje veže plastični laminat za namještaj mora izdržati temperature ne manje od 150 °C kako bi se izbjeglo raslojavanje.**
- **Ne postavljajte uređaj u blizini grijalica ili zapaljivih materijala (npr. zavjesa).**

UPOZORENJE!

Kada je pravilno ugrađen, vaš proizvod ispunjava sve sigurnosne zahtjeve utvrđene za tu vrstu proizvoda. Međutim, treba biti posebno oprezan oko donjeg dijela uređaja jer ovo područje nije dizajnirano ili namijenjeno dodiru i može sadržavati oštre ili grube rubove koji mogu uzrokovati ozljede.

TEHNIČKE INFORMACIJE ZA INSTALATERA

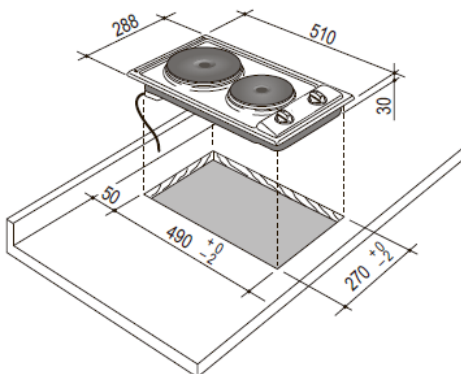
Samo neki modeli: Prije postavljanja ploče za kuhanje uklonite zaštitnu foliju.

Ove ploče za kuhanje predviđene su za ugradnju u kuhinjske elemente dubine 600 mm i debljine od 30 do 40 mm.

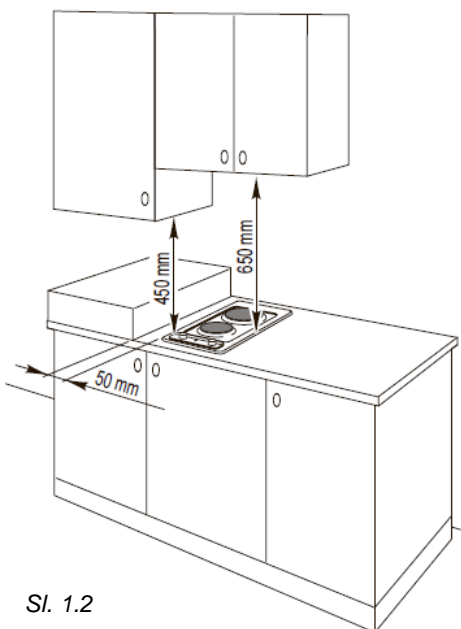
Prije ugradnje ploče za kuhanje u kuhinjski element potrebno je napraviti rupu dimenzija prikazanih na slici 1.1, uzimajući u obzir sljedeće:

- unutar elementa, između donje strane ploče za kuhanje i gornje površine bilo kojeg drugog uređaja ili unutarnje police mora biti razmak od najmanje 30 mm;
- ploča za kuhanje mora biti najmanje 50 mm udaljena od bilo kojeg bočnog zida (sl. 1.2);
- ploča za kuhanje mora biti udaljena najmanje 50 mm od stražnjeg zida (sl. 1.1);
- najmanja udaljenost između ploče za kuhanje i bilo kojeg zidnog ormara ili nape koja se nalazi neposredno iznad mora iznositi barem 650 mm (pogledajte sl. 1.2);
- premazi stijenki uređaja ili uređaja u blizini ploče za kuhanje moraju biti otporni na toplinu.

Ne postavljajte uređaj blizu zapaljivih materijala (npr. zavjese).



Sl. 1.1

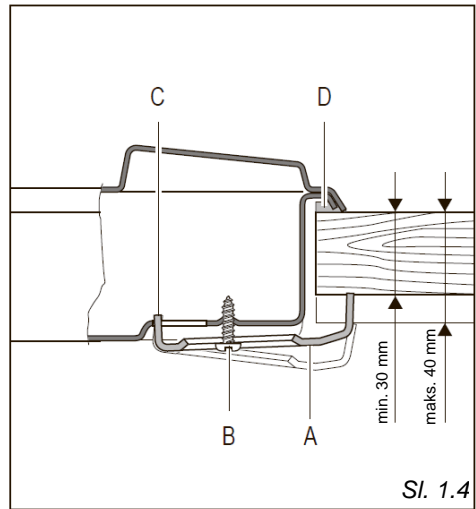
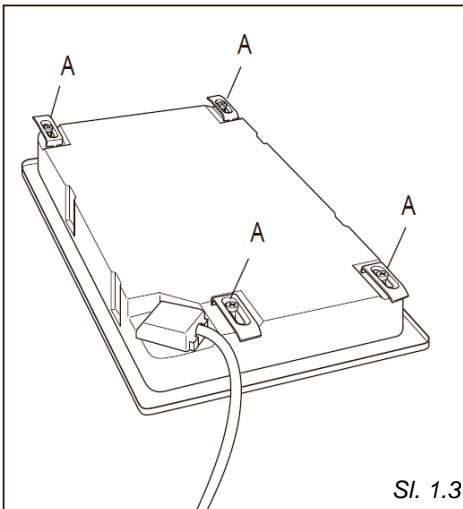


Sl. 1.2

PRIČVRŠĆIVANJE PLOČE ZA KUHANJE

Svaka ploča za kuhanje opremljena je kompletom za ugradnju koji sadrži nosače i vijke za pričvršćivanje gornjeg dijela na element debljine od 30 do 40 mm, sl. 1.3, 1.4.

- Izrežite jedinicu.
- Razvucite brtvu „D“ preko ruba izrađenog otvora, pazeći da prekrijete rubove spoja.
- Okrenite ploču za kuhanje i stavite jezičke „A“ (sl. 1.3) u nosače, a vijke „B“ zategnite za samo nekoliko okretaja.
Provjerite jesu li jezičci pravilno montirani kao što je prikazano na slici 1.4. Okrenite jezičke tako da se ploča za kuhanje može staviti u otvor.
- Stavite ploču za kuhanje u otvor urezan u jedinicu i pravilno je postavite.
- Stavite jezičke „A“ na mjesto, pri čemu zub „C“ jezičaka treba ići u otvor.
- Zategnite vijke „B“ tako da je ploča za kuhanje potpuno pričvršćena.
- Oštirim alatom odrežite dio brtve „D“ koji viri iz ploče za kuhanje. Pazite da ne oštetite radnu površinu.



VAŽNO: Ugradnja mora biti izvedena u skladu s uputama proizvođača. Nepravilna ugradnja može ozlijediti ili oštetiti životinje, osobe i imovinu, za što proizvođač ne preuzima nikakvu odgovornost.

Prije izvođenja bilo kakvih radova na električnom dijelu uređaja, potrebno ga je odspojiti s napajanja.

Apsolutno je neophodno priključiti uređaj s dobrim sustavom ožičenja uzemljenja. Proizvođač ne preuzima odgovornost za bilo kakve neugodnosti proizašle iz nepridržavanja ovog pravila.

Prije izvođenja bilo kakvih radova na električnom dijelu uređaja, potrebno ga je odspojiti s napajanja.

Ako je površina ploče za kuhanje napuknuta, odvojite uređaj od električnog napajanja i obratite se postprodajnom servisu.

OPĆENITO

- Spajanje s električnim napajanjem mora izvesti kvalificirani tehničar pridržavajući se odgovarajućih sigurnosnih propisa.
- Uređaj mora biti spojen na mrežu kako bi se provjerilo odgovara li napon vrijednosti navedenoj na nazivnoj pločici i može li električni kabel izdržati opterećenje navedeno na toj pločici.
- Ako je ploča za kuhanje isporučena bez utikača, postavite standardni utikač koji je prikladan za snagu koju troši uređaj i u skladu s važećim lokalnim pravilima.
- Boje žica u kabelu napajanja uređaja možda neće odgovarati bojama označenima na priključnicama utikača.

Utikač uvijek treba ožičiti na sljedeći način:

- zelenu/žutu žicu spojite na priključnicu označenu slovom **E** ili simbolom uzemljenja \perp ili zelenom/žutom bojom;
- plavu žicu spojite na priključnicu označenu slovom **N** ili crnom bojom;
- smeđu žicu spojite na priključnicu označenu slovom **L** ili crvenom bojom.
- Utikač mora biti priključen u utičnicu spoenu na jedinicu za uzemljenje u skladu sa sigurnosnim normama.
- Ako se uređaj treba spojiti izravno na mrežno napajanje, mora se postaviti između uređaja i mreže s omnipolarnim prekidačem s minimalnim otvorom od 3 mm između kontakata
- Kabel napajanja ne smije dodirivati vruće dijelove i mora biti postavljen tako da njegova temperatura nije veća više od 50 °C u odnosu na okolinu.
- Nakon ugradnje uređaja, prekidač napajanja ili utikač napajanja moraju uvijek biti u pristupačnom položaju.
- Ako je kabel napajanja oštećen, mora se zamijeniti odgovarajućim kablom dostupnim u naknadnoj prodaji.
- Uređaj mora imati vlastito napajanje; svi drugi uređaji postavljeni u njegovoj blizini moraju biti isporučeni odvojeno.
- **NAPOMENA Pri spajanju na mrežu nemojte koristiti adaptore, reduktore ili uređaje za grananje koji mogu uzrokovati pregrijavanje i pregorenje.**

Ako ugradnja zahtijeva izmjene u sustavu električnog napajanja, preporučujemo da pozovete kvalificiranog tehničara koji će izvršiti zamjenu.

Tehničar će također morati provjeriti odgovara li poprečni presjek električnih kabela na točki napajanja nazivnoj snazi uređaja.

ZAMJENA KABELA NAPAJANJA

Važno! Samo ovlaštena osoba smije spojiti uređaj s napajanjem.

UPOZORENJE: Ako je kabel napajanja oštećen, smije ga zamijeniti samo ovlašteni serviser kako bi se izbjegla opasnost.

- Kabel napajanja mora se zamijeniti kabelom istog tipa.
- Preokrenite ploču za kuhanje i otkačite pokrov priključne ploče umetanjem odvijača u dvije kuke „A“ (sl. 2.1).
- Otvorite kabelsku uvodnicu odvrtanjem vijka „F“ (sl. 2.2), odvrnite priključne vijke i uklonite kabel.
- Novi kabel napajanja, prikladne vrste i presjeka, spojen je na priključnu ploču prema dijagramu na slici 2.3.
- Povucite kabel napajanja i blokirajte ga kabelskom uvodnicom.
- Zatvorite pokrov bloka priključnice (provjerite jesu li dvije kuke „A“ pravilno zakačene).

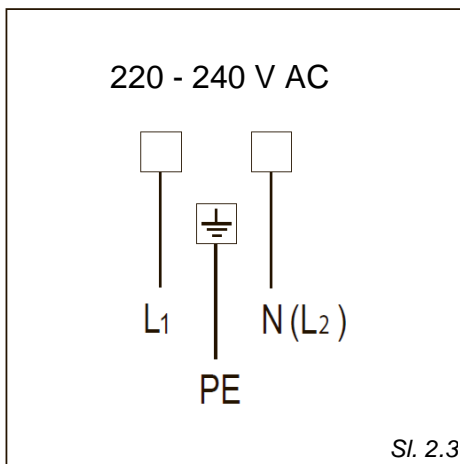
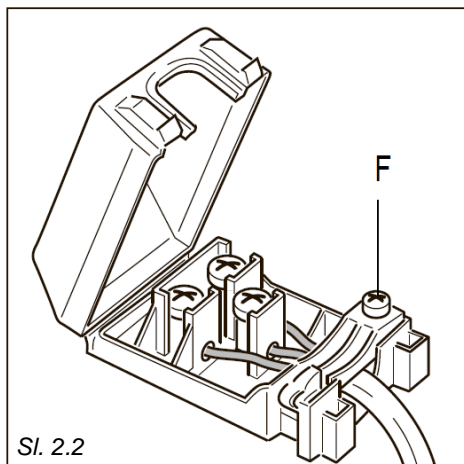
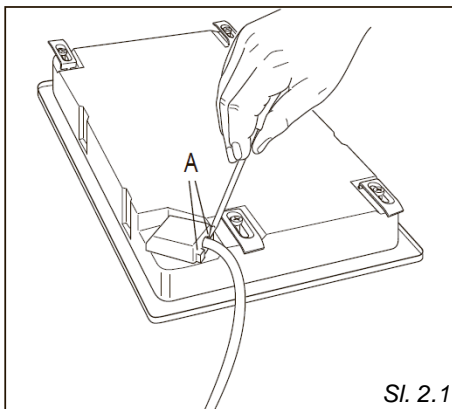
Napomena: Vodič za uzemljenje mora biti oko 3 cm duži od ostalih.

PRESJEK KABELA NAPAJANJA TIPA „H05RR-F“ ili „H05V2V2-F“ (otpornost na temperature od 90 °C)

220 - 240 V 50 - 60 Hz 3 x 1,5 mm² (*) (**)

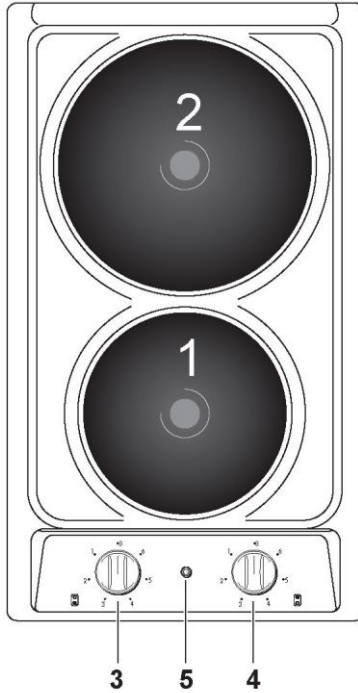
(*) Povezivanje je moguće s utikačem i utičnicom

(**) Povezivanje s priključkom zidne kutije.



Savjeti za korisnike

Sl. 1.1



ZNAČAJKE

- Električna izolacija klase I.

MJESTA KUHANJA

1. Električna ploča	Ø 145 mm, (normalno)	1000 W
	Ø 145 mm (brzo, crvena točka)	1500 W
2. Električna ploča	Ø 180 mm, (normalno)	1500 W
	Ø 180 mm (brzo, crvena točka)	2000 W

OPIS UPRAVLJAČKIH TIPKI

3. Regulator prednje električne ploče
4. Regulator stražnje električne ploče
5. Lampica pokazivača električne pločice

Oprez! Ne pokrivajte ploču za kuhanje aluminijskom folijom.

NAPOMENA: Regulator i simboli mogu se razlikovati.

NORMALNA PLOČA ZA KUHANJE

Normalnu ploču za kuhanje uključite okretanjem regulatora (sl. 2.1) u željeni položaj; brojevi 1 do 6 označavaju radne položaje, a svaki broj označava odgovarajuće povećanje temperature.

Nakon što se postigne točka vrenja, smanjite unos prema željenom intenzitetu zagrijavanja, imajući na umu da će se ploča nastaviti zagrijavati 5 minuta nakon što je isključena.

BRZA PLOČA ZA KUHANJE (crvena točka)

Regulator brzih ploča za kuhanje sličan je regulatoru normalne ploče sa 6 radnih položaja (sl. 2.1).

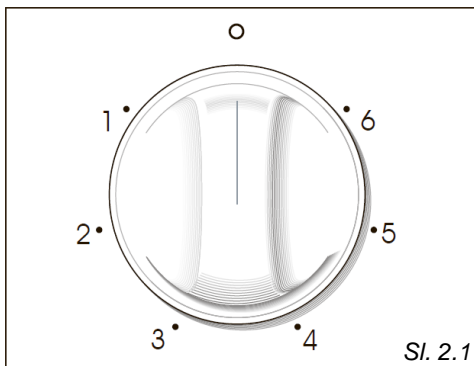
Značajke ove ploče, koja je opremljena limitatorom topline, omogućuju:

- brzo postizanje željene temperature;
- maksimalno iskorištavanje ulazne vrijednosti pri upotrebi posuda s ravnim dnom;
- ograničenje unosa u slučaju neprikladnih posuda.

Nikada nemojte kuhati hranu izravno na električnim pločama za kuhanje! Uvijek koristite tavu ili poseban spremnik.

NAPOMENA:

Regulator i simboli mogu se razlikovati.



Sl. 2.1

PRAVILNA UPOTREBA ELEKTRIČNIH PLOČA ZA KUHANJE (sl. 2.2)

Smanjite temperaturu na željenu razinu kad posuda dođe do točke vrenja.

Imajte na umu da će ploča za kuhanje nastaviti proizvoditi toplinu oko pet minuta nakon što je isključena.

Tijekom upotrebe električne ploče za kuhanje:

- nemojte je držati uključenom ako se na njoj nešto ne nalazi;
- nemojte je polijevati tekućinom dok je vruća;
- upotrebljavajte samo posude (vrsta za električne ploče za kuhanje) s ravnim dnom
- koristite posude za kuhanje koje pokrivaju što veću površinu ploče za kuhanje.
- Koristite poklopce kad god je to moguće kako biste uštedjeli električnu energiju.

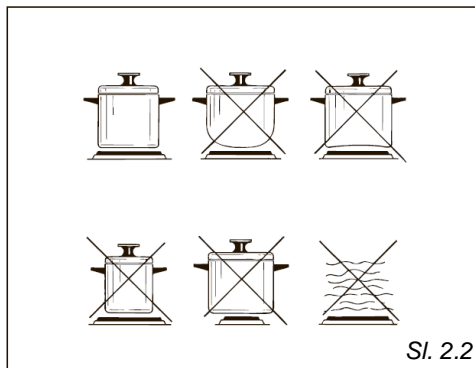
Lampica pokazivača koja se nalazi u blizini regulatora signalizira da ploča za kuhanje radi.

Pažnja!

Ako na površini ima pukotina, isključite uređaj kako ne bi došlo do električnog udara i nazovite službu za korisnike.

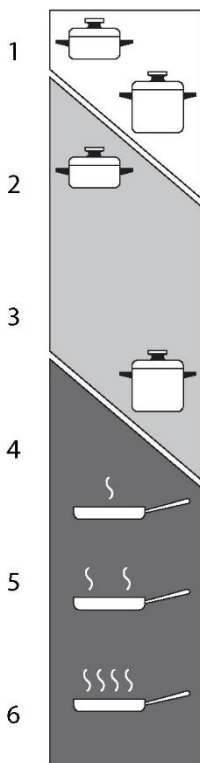
Oprez!

Ne pokrivajte ploču za kuhanje alumi-nijskom folijom.



Sl. 2.2

TABLICA UPOTREBE ELEKTRIČNE PLOČE ZA KUHANJE



 Grijanje

 Kuhanje

 Pečenje - prženje

Položaj regulatora	VRSTA KUHANJA
0	ISKLJUČENO
1 2	Za topljenje (maslac, čokolada).
2	Za održavanje topline hrane i zagrijavanje manjih količina tekućine (umaci, jaja).
3	Za zagrijavanje većih količina; za pripremu krema i umaka (povrće, voće, juhe).
3 4	Lagano kuhanje, npr: kuhano meso, špageti, juhe, nastavljavanje kuhanja pečenja na pari, variva, krumpir.
4	Za sve vrste prženja, kotlete, kuhanje bez pokrivanja npr. rižoto.
4 5	Pečenje mesa, krumpira, prženje ribe, omleta i kuhanje velikih količina vode.
6	Brzo prženje, roštiljanje odrezaka itd.

Nakon kraćeg čete vremena prema iskustvu odrediti postavku koja odgovara vašim potrebama.

Oprez!
Ploča za kuhanje postaje vrlo vruća tijekom rada.
Djecu držite izvan doseg.

OPĆI SAVJETI

- Prije nego počnete s čišćenjem pobrinite se da je uređaj isključen i odspojen s napajanja električnom energijom.
- Preporučujemo čišćenje kad je uređaj hladan.
- Pazite da na površinama ne ostanu lužnate i kisele tvari (limunov sok, ocat itd.).
- Izbjegavajte upotrebu sredstava za čišćenje na bazi klora ili kiseline.
- **Važno:** Pri rukovanju ili čišćenju ovog uređaja preporučuje se upotreba odgovarajuće zaštitne odjeće/rukavica.
- **Nemojte grebati ploču za kuhanje rezanjem ili oštrim predmetima.**
- Očistite površine vlažnom krpom i koristite nježna, neutralna sredstva za čišćenje. Osušite čistom, suhom krpom.
- **VAŽNO:** Nemojte koristiti abrazivne proizvode (npr. određene vrste spužve) i/ili agresivne proizvode (npr. kaustičnu sodu, proizvode koji sadrže korozivne tvari) koji mogu uzrokovati nepopravljiva oštećenja površine.

UPOZORENJE!

Kada je pravilno ugrađen, vaš proizvod ispunjava sve sigurnosne zahtjeve utvrđene za tu vrstu proizvoda. Međutim, treba biti posebno oprezan oko donjeg dijela uređaja jer ovo područje nije dizajnirano ili namijenjeno dodiru i može sadržavati oštre ili grube rubove koji mogu uzrokovati ozljede.

NEHRĐAJUĆI ČELIK, ALUMINIJSKI DIJELOVI, OBOJANE POVRŠINE I POVRŠINE OTISNUTE UPOTREBOM UZORKA OD TKANINE

Očistite odgovarajućim proizvodom.

Uvijek temeljito osušite.

VAŽNO: ove dijelove morate pažljivo očistiti kako biste izbjegli ogrebotine i oštećenja. Savjetujemo da koristite meku krpu i neutralni sapun.

OPREZ: Nemojte koristiti abrazivne tvari ili deterdžente koji nisu neutralni jer će oni nepopravljivo oštetiti površinu.

EMAJLIRANI DIJELOVI

Svi emajlirani dijelovi moraju se čistiti spužvom i sapunom ili drugim neabrazivnim proizvodima.

Osušite koristeći mikrovlakna ili mekanu krpu, ako je to moguće.

Kisele tvari poput limunovog soka, umaka od rajčice, octa i sl. mogu oštetiti caklinu ako ih ostavite u predugom kontaktu.

ČIŠĆENJE ELEKTRIČNIH PLOČA ZA KUHANJE

Hrana koja je zagorjela na pločama za kuhanje uvijek se mora očistiti bez upotrebe tekućina. Nemojte koristiti vodu kako se ne bi stvorila hrđa.

Nakon upotrebe, ulijte malo ulja na topli tanjur i utrljajte krpom.

Važno: Proizvođač odbacuje svaku odgovornost za moguću štetu nastalu upotrebom neprikladnih proizvoda za čišćenje uređaja.

Pažnja! Uređaj se jako zagrijava, uglavnom oko područja za kuhanje. Vrlo je važno djecu ne ostavljati samu u kuhinji dok kuhate.

Nemojte koristiti parni čistač jer vlaga može dospjeti u uređaj i tako ga učiniti nesigurnim.

Caro Cliente,

Obrigado por ter comprado e dado a sua preferência ao nosso produto.

As precauções e recomendações de segurança relatadas abaixo são para a sua própria segurança e a de outras pessoas. Também fornecerão um meio para fazer pleno uso das funcionalidades oferecidas pelo seu aparelho.

Por favor, guarde este folheto com cuidado. Pode ser útil no futuro, quer para si quer para outros, no caso de surgirem dúvidas relacionadas com o seu funcionamento.

Este aparelho só deve ser utilizado para a tarefa para a qual foi explicitamente concebido, ou seja, para cozinhar alimentos. Qualquer outra forma de utilização deve ser considerada inadequada e, por conseguinte, perigosa.

O fabricante declina toda a responsabilidade em caso de danos causados por uso inadequado, incorreto ou ilógico do aparelho.

DECLARAÇÃO DE CONFORMIDADE CE

- Este aparelho foi concebido para ser utilizado apenas para cozinhar. Qualquer outra utilização (como aquecimento de uma sala) é imprópria e perigosa.
- Este aparelho foi concebido, construído e comercializado em conformidade com:
 - Requisitos de segurança de "Baixa tensão", Diretiva 2014/35/UE;
 - Requisitos de segurança de "EMC", Diretiva 2014/30/UE;
 - Requisitos da Diretiva 93/68/CEE da UE;
 - Requisitos da Diretiva 2011/65/UE da UE.



INFORMAÇÕES IMPORTANTES PARA A ELIMINAÇÃO CORRETA DO PRODUTO, EM CONFORMIDADE COM A DIRETIVA 2002/96/CE (apenas para os países da União Europeia)

No final da sua vida útil, o produto não deve ser eliminado como resíduo urbano. Deve ser entregue num centro especial de recolha de resíduos diferenciados da sua autoridade local ou a um concessionário que ofereça este serviço.

A eliminação de um eletrodoméstico de forma separada evita eventuais consequências negativas para o ambiente e para a saúde decorrentes de eliminação inadequada e permite recuperar os materiais que constituem para obter economias significativas de energia e recursos. Como lembrete da necessidade de eliminar separadamente os aparelhos, o produto está marcado com um contentor de lixo com rodas com uma cruz por cima.



PRECAUÇÕES E RECOMENDAÇÕES DE SEGURANÇA IMPORTANTES

IMPORTANTE: Este aparelho foi concebido e fabricado exclusivamente para cozinhar alimentos para uso doméstico e não é adequado para qualquer aplicação não doméstica e, por conseguinte, não deve ser utilizado num ambiente comercial.

A garantia do aparelho será anulada se o aparelho for utilizado num ambiente não doméstico, ou seja, num ambiente semi-comercial, comercial ou comum.

Leia cuidadosamente as instruções antes de instalar e utilizar o aparelho.

- Este aparelho foi concebido e fabricado em conformidade com as normas aplicáveis a produtos para cozinhar de uso doméstico e cumpre todos os requisitos de segurança constantes deste manual, incluindo os relativos às temperaturas de superfície.
Algumas pessoas com pele sensível podem ter uma perceção de temperatura mais pronunciada com alguns componentes, embora essas peças estejam dentro dos limites permitidos pelas normas.
A segurança completa do aparelho também depende do uso correto, portanto, recomendamos que preste sempre uma atenção extrema ao usar o produto, especialmente na presença de crianças.
- Depois de ter desembalado o aparelho, verifique se este não está danificado.
Em caso de dúvida, não o utilize e consulte o seu fornecedor ou um técnico qualificado profissionalmente.
- Elementos da embalagem (ou seja, sacos de plástico, espuma de poliestireno, pregos, tiras de embalagem, etc.) não devem ser deixados perto ou alcance das crianças, pois podem causar lesões graves.
- Alguns aparelhos são fornecidos com uma película protetora nas peças de aço e alumínio. **Esta película deve ser removida antes de utilizar o aparelho.**
- **IMPORTANTE:** Recomenda-se a utilização de vestuário/luas de proteção adequados ao manusear ou limpar este aparelho.

- Não tente modificar as características técnicas do aparelho, uma vez que pode tornar-se perigoso de utilizar. O fabricante declina toda a responsabilidade por qualquer inconveniente resultante da inobservância desta condição.
- **ATENÇÃO:** este aparelho só deve ser instalado numa divisão ventilada permanentemente, em conformidade com os regulamentos aplicáveis.
- Não opere o aparelho através de um temporizador externo ou de um sistema de controlo remoto separado.
- Não execute as operações de limpeza ou manutenção no aparelho, sem o ter previamente desconectado da fonte de alimentação elétrica.
- Não use um aparelho de limpeza a vapor porque a humidade pode entrar no aparelho, tornando-o inseguro.
- Não cubra a placa com folhas de alumínio.
- Não toque no aparelho com as mãos (ou os pés) molhados ou húmidos.
- Não utilize o aparelho enquanto estiver descalço.
- Se decidir não utilizar mais este aparelho (ou decidir substituir por outro modelo), antes da sua eliminação, recomenda-se deixar o aparelho inoperacional de forma adequada de acordo com as normas de saúde e proteção ambiental, garantindo, em especial, que todas as peças potencialmente perigosas sejam inutilizadas, especialmente em relação a crianças que possam brincar com aparelhos não utilizados.
- Os vários componentes do aparelho são recicláveis. Elimine-os de acordo com os regulamentos em vigor no seu país. Se tiver de eliminar o aparelho, remova o cabo de alimentação.
- Após utilizar, certifique-se de que os botões estão na posição desligada.
- As crianças com menos de 8 anos devem ser mantidas afastadas, a menos que supervisionadas continuamente.
- Este aparelho pode ser utilizado por crianças de idade igual ou superior a 8 anos e por pessoas com capacidades físicas, sensoriais ou mentais reduzidas ou falta de experiência e conhecimento, caso lhes tenha sido fornecida supervisão ou instruções relativas à utilização do aparelho de forma segura e desde que compreendam os perigos envolvidos. As crianças não devem brincar com o aparelho. A limpeza e manutenção pelo utilizador não deve ser realizada por crianças sem supervisão.
- O fabricante declina toda a responsabilidade por lesões em pessoas ou danos a propriedade causados por uma utilização incorreta ou inadequada do aparelho.

- **AVISO:** Durante a utilização, o aparelho e as suas peças acessíveis ficam quentes; permanecem quentes durante algum tempo após a utilização.
 - Deve ter-se cuidado para evitar tocar nas resistências na placa.
 - Para evitar queimaduras e escaldadelas, as crianças pequenas devem ser mantidas afastadas.
- Certifique-se de que os cabos elétricos que ligam outros aparelhos na proximidade da placa não podem entrar em contacto com a placa.
- **AVISO:** Cozinhar numa placa com gordura ou óleo, sem vigilância, pode ser perigoso e pode resultar em fogo. **NUNCA** tente extinguir um incêndio com água, em vez disso desligue o aparelho e, em seguida, cubra a chama com, por exemplo, uma tampa ou um cobertor antifogo.
- **AVISO:** Perigo de incêndio: não guarde artigos em cima das superfícies de cozedura.
- Não coloque nem deixe painéis vazios sobre a placa vitrocerâmica.
- Não arranhar a placa com objetos pontiagudos. Não utilize a placa como superfície de trabalho.
- **AVISO:** Se a placa estiver rachada ou de outra forma danificada devido à queda de objetos etc., desligue o aparelho da fonte de alimentação para evitar a possibilidade de choque elétrico e ligue para a Assistência ao Cliente.
- **AVISO:** Quando instalado corretamente, o produto cumpre todos os requisitos de segurança previstos para este tipo de categoria de produto. No entanto, deve ter-se especial cuidado com a parte inferior do aparelho, uma vez que esta área não é concebida ou destinada a ser tocada e pode conter arestas afiadas ou rugosas, que podem causar ferimentos.
- **CUIDADO:** O processo de cozedura tem de ser supervisionado. Um processo de cozedura rápido, tem de ser continuamente supervisionado.
- Se o cabo de alimentação estiver danificado, este deve ser substituído apenas por um agente de serviço autorizado, a fim de evitar um perigo.

- Se um aparelho não estiver equipado com um cabo de alimentação e uma ficha, ou com outros meios de desconexão da rede elétrica com uma separação de contacto em todos os polos que oferecem uma desconexão completa sob condições de sobretensão da categoria III, devem ser incorporados meios de desconexão na cablagem fixa em conformidade com as regras da colocação de cabos.
- AVISO: O aparelho e peças acessíveis ficam quentes durante a utilização.
- Deve ter-se cuidado para evitar tocar nas resistências. As crianças com menos de 8 anos devem ser mantidas afastadas, a menos que supervisionadas continuamente.
- AVISO: Utilize apenas proteções de placa concebidas pelo fabricante do aparelho para cozinhar ou indicadas pelo fabricante do aparelho nas instruções de utilização, conforme adequado, ou proteções de placa incorporadas no aparelho. A utilização de proteções inadequadas pode causar acidentes.

ROTULAGEM ENERGÉTICA/ECODESIGN

- Regulamento da Comissão (EU) N.º 66/2014 (implementando a Diretiva 2009/125/EC do Parlamento Europeu e do Conselho).

Referência aos métodos de medição e cálculo utilizados para estabelecer o cumprimento dos requisitos acima referidos:

- Norma EN 60350-2 (placas: zonas elétricas para cozinhar e/ou áreas).

UTILIZAÇÃO DO APARELHO, DICAS DE POUANÇA DE ENERGIA

ZONAS E/OU ÁREAS DOS DISCOS ELÉTRICOS

- Evite manter uma zona/área ligada sem algo sobre a mesma (sem panela).
- Evite derramar líquidos nas zonas/áreas enquanto estão quentes.
- Utilize apenas painéis e frigideiras de fundo plano (para discos elétricos).
- Utilize recipientes para cozinhar que cubram tanto quanto possível a zona/área de cozedura.
- Para poupar eletricidade, use tampas sempre que possível.
- Quando a panela começar a ferver, reduza o calor para o nível desejado. Lembre-se de que a zona/área de cozedura continua a produzir calor durante cerca de cinco minutos depois de ter sido desligada.

Conselhos para o instalador

IMPORTANTE:

- O aparelho foi concebido e aprovado apenas para uso doméstico e não deve ser instalado num ambiente comercial, semi-comercial ou comum.
O seu produto deixará de estar coberto pela garantia se for instalado em qualquer um dos ambientes acima e poderá afetar quaisquer seguros de terceiros ou de responsabilidade pública que possa ter.
- Este aparelho deve ser instalado, regulado e adaptado para funcionar apenas por uma pessoa autorizada em conformidade com as normas locais em vigor e observando as instruções fornecidas pelo fabricante.
O incumprimento desta condição irá invalidar a garantia.
- O aparelho deve ser instalado em conformidade com os regulamentos em vigor no seu país e observando as instruções do fabricante.
- Uma instalação incorreta, para a qual o fabricante não aceita qualquer responsabilidade, pode causar ferimentos ou danos pessoais.
- A manutenção deste aparelho só deve ser efetuada por pessoal autorizado.
- Desligue sempre o aparelho da fonte de alimentação da rede antes de realizar quaisquer operações de manutenção ou reparações.
- **Importante: Recomenda-se a utilização de vestuário/luvas de proteção adequados ao manusear ou limpar este aparelho.**
- **O aparelho deve ser instalado em unidades resistentes ao calor.**
- **As paredes das unidades não devem ser superiores à bancada de trabalho e devem ser capazes de resistir a temperaturas de 70°C acima da temperatura ambiente.**
- **Ressaltamos que o adesivo que liga o laminado de plástico aos móveis deve suportar temperaturas não inferiores a 150°C para evitar delaminação.**
- **Não instale o aparelho próximo de materiais inflamáveis (por ex. cortinas).**

AVISO!

Quando instalado corretamente, o produto cumpre todos os requisitos de segurança previstos para este tipo de categoria de produto. No entanto, deve ter-se especial cuidado com a parte inferior do aparelho, uma vez que esta área não é concebida ou destinada a ser tocada e pode conter arestas afiadas ou rugosas, que podem causar ferimentos.

INFORMAÇÕES TÉCNICAS PARA O INSTALADOR

Apenas alguns modelos: Antes de instalar a placa, remova a película protetora.

Estas placas foram concebidas para serem incorporadas em armários de cozinha com uma profundidade de 600 mm e de 30 a 40 mm de espessura.

A fim de instalar o tampo do fogão na cozinha, tem de se fazer um furo com as dimensões mostradas na fig. 1.1 tendo em consideração o seguinte:

- dentro do suporte, entre o lado inferior do topo do fogão e a superfície superior de qualquer outro aparelho ou prateleira interna, deve haver uma folga de, pelo menos, 30 mm;
- o tampo do fogão não deve estar a menos de 50 mm de distância de qualquer parede lateral (fig. 1.2);
- o tampo do fogão deve estar a uma distância não inferior a 50 mm da parede traseira (fig. 1.1);
- deve haver uma distância de, pelo menos, 650 mm entre a placa e qualquer armário de parede ou exaustor posicionado imediatamente acima (ver fig. 1.2);
- os revestimentos das paredes da unidade ou dos aparelhos perto da placa devem ser resistentes ao calor.

Não instale o aparelho próximo de materiais inflamáveis (por ex. cortinas).

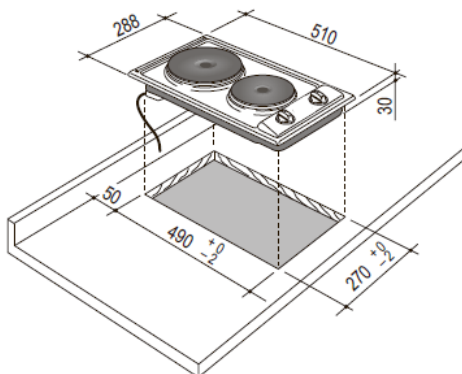


Fig. 1.1

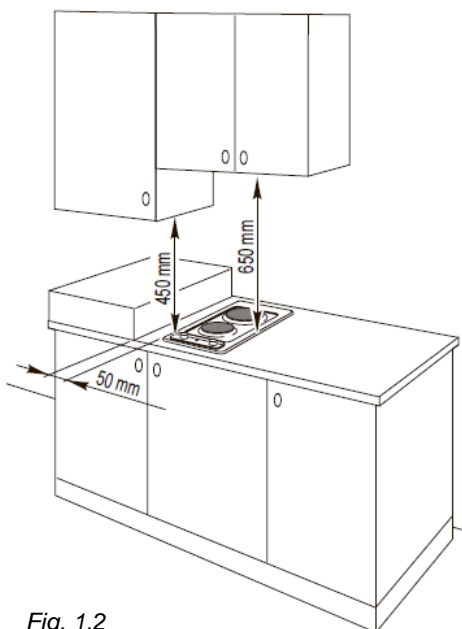
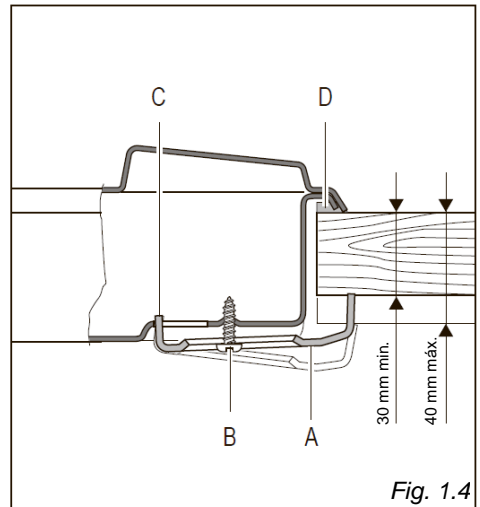
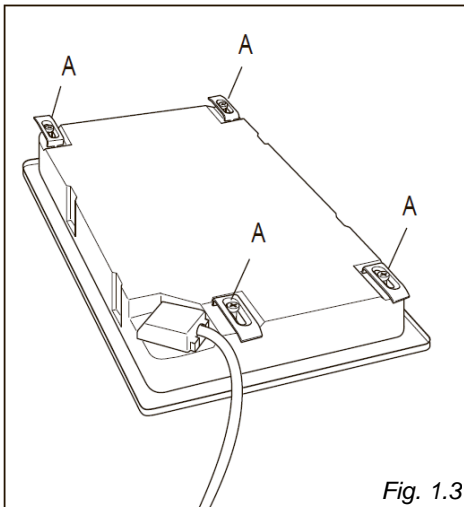


Fig. 1.2

PRENDER A PLACA

Cada tampo de cozinha é fornecido com um kit de instalação, incluindo suportes e parafusos para fixar o topo a painéis fixos de 30 a 40 mm de espessura, figs. 1.3, 1.4.

- Corte a unidade.
- Estenda a junta "D" sobre a borda do buraco feito, tendo cuidado para sobrepor as bordas de junção.
- Vire a placa ao contrário e coloque as patilhas "A" (fig. 1.3) nos apoios, aperte apenas os parafusos "B" algumas voltas. Certifique-se de que as abas estão montadas corretamente como mostrado na figura 1.4. Vire as patilhas que a placa possa ser colocada no orifício.
- Coloque a placa no orifício cortado na unidade e posicione-a corretamente.
- Coloque as patilhas "A" no lugar, o dente "C" das patilhas deve entrar no orifício.
- Aperte os parafusos "B" até que a placa esteja completamente segura.
- Utilizando uma ferramenta afiada cortar a parte da junta "D" que sai para fora da bancada de cozinha. Tenha cuidado para não danificar a bancada.



IMPORTANTE: A instalação deve ser realizada de acordo com as instruções do fabricante. A instalação incorreta pode causar danos e danos a pessoas, animais ou propriedade, para os quais o fabricante não aceita qualquer responsabilidade.

Antes de realizar qualquer trabalho na secção elétrica do aparelho, este deve ser desligado da rede elétrica.

A conexão a um bom sistema de ligação à terra é absolutamente essencial.

O fabricante não aceita qualquer responsabilidade por qualquer inconveniente causado pelo não cumprimento desta regra.

Antes de realizar qualquer trabalho na secção elétrica do aparelho, este deve ser desligado da rede elétrica.

Se a superfície da placa estiver rachada, desligar o aparelho da rede e contactar o serviço pós-venda.

ASPETOS GERAIS

- A ligação à fonte de alimentação elétrica deve ser efetuada por um técnico qualificado e seguindo os regulamentos de segurança aplicáveis.
- O aparelho deve ser ligado à rede elétrica certificando-se de que a tensão corresponde ao valor indicado na placa de classificação e que as secções de cabos elétricos podem suportar a carga especificada na placa.
- Se a placa for fornecida sem ficha, encaixe uma ficha padrão que seja adequada para a potência absorvida pelo aparelho e em conformidade com as regras locais em vigor.
- As cores dos fios no cabo de alimentação do aparelho não podem corresponder às cores marcadas nos terminais da sua ficha elétrica.

A ficha deve ser sempre conectada da seguinte forma:

- ligue o fio verde/amarelo ao terminal marcado com a letra **E** ou o símbolo de terra \perp ou de cor verde/amarelo;
- ligue o fio azul ao terminal marcado com a letra **N** ou de cor preta;
- ligue o fio castanho ao terminal marcado com a letra **L** ou de cor vermelha.
- A ficha deve estar ligada a um dispositivo de saída ligado à unidade de ligação à terra em conformidade com as normas de segurança.
- Se o aparelho estiver ligado diretamente à rede elétrica, este deve ser colocado com um interruptor omipolar com abertura mínima entre os contactos de 3 mm entre o aparelho e a rede elétrica
- O cabo de alimentação não deve tocar nas peças quentes e deve ser posicionado de modo a não exceder 50°C acima do ambiente.
- Uma vez instalado o aparelho, o interruptor de alimentação ou a ficha de alimentação devem estar sempre numa posição acessível.
- Se o cabo de alimentação estiver danificado, deve ser substituído por um cabo adequado disponível no serviço pós-venda.
- O aparelho deve ter a sua própria fonte de alimentação; quaisquer outros aparelhos instalados perto dele devem ter uma fonte de alimentação separada.
- **N.B. Para conexão à rede elétrica, não use adaptadores, redutores ou ramificação, pois podem causar aquecimento excessivo e queimadura.**

No caso de a instalação necessitar de modificações no sistema de alimentação elétrica, recomenda-se chamar um técnico qualificado para realizar a substituição.

O técnico terá também de verificar se a secção transversal dos cabos elétricos corresponde à potência nominal do aparelho.

SUBSTITUIÇÃO DO CABO DE ALIMENTAÇÃO

Importante! Este aparelho deve ser ligado à alimentação de eletricidade apenas por uma pessoa autorizada.

AVISO: Se o cabo de alimentação estiver danificado, o mesmo deve ser substituído apenas por um agente de serviço autorizado, a fim de evitar um perigo.

- O cabo de alimentação deve ser substituído por um cabo do mesmo tipo.
- Volte a placa de cozinha ao contrário e desengate a tampa da placa de terminais, inserindo uma chave de parafusos nos dois ganchos "A" (fig. 2.1).
- Abra o prensa-cabos desenroscando o parafuso "F" (fig. 2.2), desaparafuse os parafusos do terminal e remova o cabo.
- O novo cabo de alimentação, de tipo e secção adequados, está ligado à placa de terminais seguindo o diagrama na figura 2.3.
- Puxe o cabo de alimentação e bloqueie-o com o prensa-cabos.
- Feche a tampa do bloco de terminais (verifique se os dois ganchos "A" estão corretamente ligados).

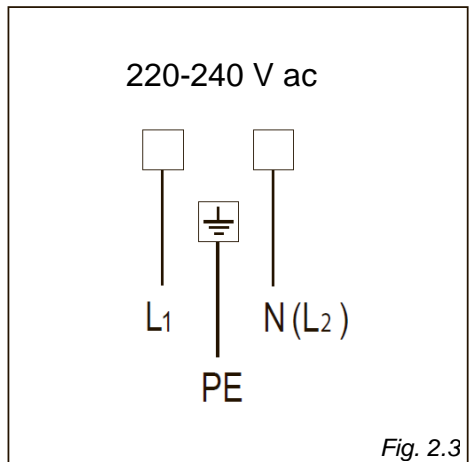
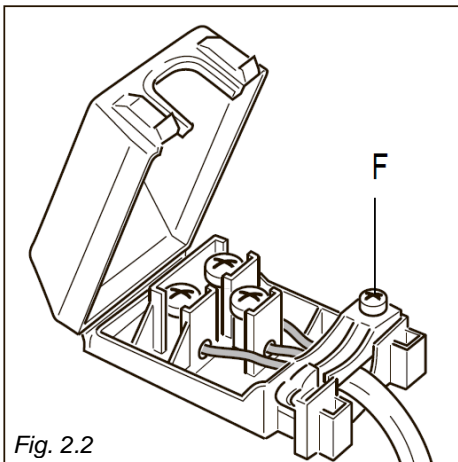
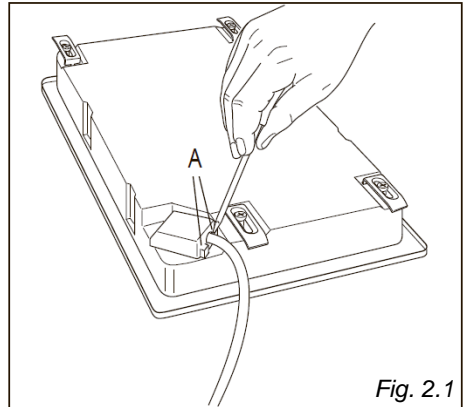
Nota: O condutor de terra deve ser cerca de 3 cm mais comprido do que os outros.

SECÇÃO DO CABO DE ALIMENTAÇÃO TIPO "H05RR-F" ou "H05V2V2-F" (resistência a temperaturas de 90°C)"

220 - 240 V 50-60 Hz 3 x 1,5 mm² (*) (**)

(*) Conexão possível com ficha e tomada

(**) Conexão com a conexão da caixa de parede.

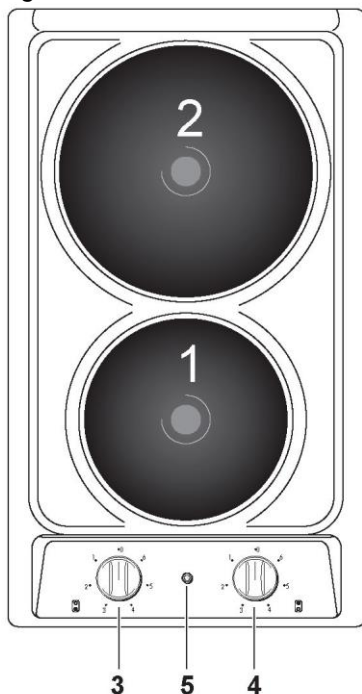


Conselhos para os utilizadores

1

CARACTERÍSTICAS E DADOS TÉCNICOS

Fig. 1.1



CARACTERÍSTICAS

- Classe I de isolamento elétrico.

PONTOS DE COZEDURA

1. Placa elétrica	Ø 145 mm (Normal)	1000 W
	Ø 145 mm (Rápido, ponto vermelho)	1500 W
2. Placa elétrica	Ø 180 mm (Normal)	1500 W
	Ø 180 mm (Rápido, ponto vermelho)	2000 W

DESCRIÇÃO DOS CONTROLOS

3. Botão de controlo da placa elétrica dianteira
4. Botão de controlo de placa elétrica traseira
5. Luz indicadora da placa elétrica

Cuidado! Não cubra a placa com folhas de alumínio.

NOTA: O botão e os símbolos podem variar.

DISCO ELÉTRICO NORMAL

Para ligar o disco elétrico normal, rode o botão (fig. 2.1) para a posição desejada; os números 1 a 6 indicam as posições de trabalho com o aumento da temperatura de acordo com o número.

Uma vez atingido o ponto de ebulição, reduza a entrada de acordo com a intensidade de aquecimento desejada, tendo em mente que a placa continuará a aquecer durante 5 minutos após ter sido desligada.

DISCO ELÉTRICO RÁPIDO (ponto vermelho)

O botão de controlo dos discos elétricos rápidos é semelhante ao de uma placa normal com 6 posições de funcionamento (fig. 2.1).

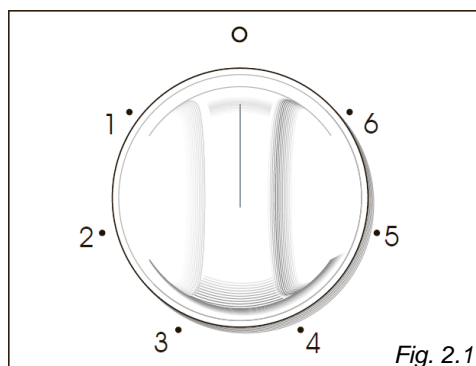
As características deste disco, que está equipado com um limitador de calor, permitem:

- atingir a temperatura rapidamente;
- aproveitar o calor ao máximo com panelas de fundo liso;
- limitar o calor no caso de panelas inadequadas.

Nunca cozinhe os alimentos diretamente sobre os discos elétricos! Utilize sempre uma caçarola ou recipiente especial.

NOTA:

O botão e os símbolos podem variar.



UTILIZAÇÃO ADEQUADA DOS DISCOS ELÉTRICOS (fig. 2.2)

Quando a panela começar a ferver, reduza o calor para o nível desejado.

Lembre-se de que o disco elétrico continuará a produzir calor durante cerca de cinco minutos após ter sido desligado.

Quando usar um disco elétrico, deve:

- evitar deixá-lo ligado sem nada sobre o mesmo;
- evite derramar líquidos sobre o mesmo enquanto estiver quente;
- utilizar apenas panelas e frigideiras de fundo plano (adequadas para discos elétricos)
- utilizar recipientes para cozinhar que cubram tanto quanto possível da superfície do disco elétrico.
- para poupar eletricidade, use tampas sempre que possível.

Uma luz indicadora localizada perto do botão sinaliza que o disco elétrico está a funcionar.

Atenção!

Se a superfície estiver rachada, desligue o aparelho para evitar a possibilidade de choque elétrico e contacte a Assistência ao Cliente.

Cuidado!

Não cubra a placa com folhas de alumínio.

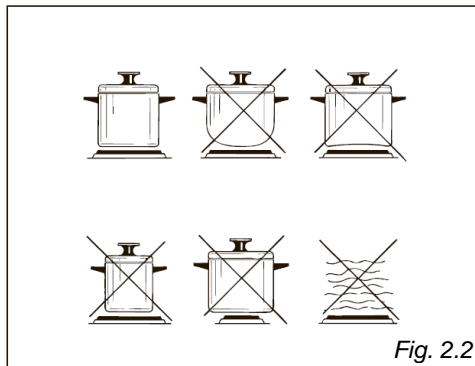
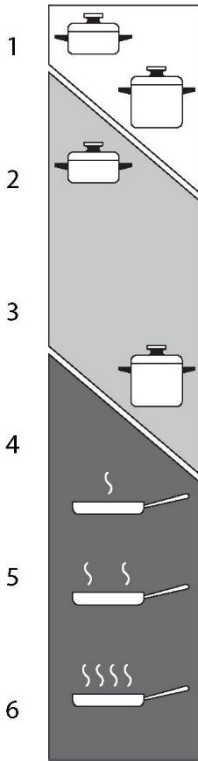




TABELA DE UTILIZAÇÃO DO DISCO ELÉTRICO



 Aquecer

 Cozinhar

 Assar-fritar

Posição do botão	TIPO DE COZEDURA
0	Desligado
1 2	Derreter (manteiga, chocolate).
2	Manter a comida quente e aquecer pequenas quantidades de líquido (molhos, ovos).
3	Aquecer quantidades grandes; bater natas e molhos (legumes, frutas, sopas).
3 4	Cozer lentamente, por ex.: carnes cozidas, esparguete, sopas, continuação da cozedura a vapor de assados, guisados, batatas.
4	Para todos os tipos de fritos, costeletas, cozinhados sem tampa, por ex.: risoto.
4 5	Dourar carnes, batatas assadas, peixe frito, omeletes e ferver grandes quantidades de água.
6	Fritar rapidamente, grelhar bifés, etc.

Após algum tempo de utilização, a experiência irá ensinar-lhe qual configuração correta para suas necessidades.

Cuidado!

A placa torna-se muito quente durante o funcionamento.

Mantenha as crianças fora do alcance.

Fig. 2.3

CONSELHO GERAL

- Antes de começar a limpeza, deve certificar-se de que o aparelho está desligado e desconectado da fonte de alimentação elétrica.
- É aconselhável limpar quando o aparelho está frio.
- Evite deixar substâncias alcalinas ou ácidas (sumo de limão, vinagre, etc.) sobre as superfícies.
- Evite usar produtos de limpeza à base de cloro ou ácido.
- **Importante:** Recomenda-se a utilização de vestuário/luvas de proteção adequados ao manusear ou limpar este aparelho.
- **Não arranhar a placa com objetos cortantes ou afiados.**
- Limpe as superfícies com um pano húmido e utilize produtos de limpeza suaves e neutros. Seque com um pano limpo e seco.
- **IMPORTANTE:** Não utilize nenhum produto abrasivo (por exemplo, alguns tipos de esponja) e/ou produtos agressivos (por exemplo, soda cáustica, produtos que contenham substâncias corrosivas), que possam causar danos irreparáveis na superfície.

AVISO!

Quando instalado corretamente, o produto cumpre todos os requisitos de segurança previstos para este tipo de categoria de produto. No entanto, deve ter-se especial cuidado com a parte inferior do aparelho, uma vez que esta área não é concebida ou destinada a ser tocada e pode conter arestas afiadas ou rugosas, que podem causar ferimentos.

Importante: O fabricante declina toda a responsabilidade por possíveis danos causados pela utilização de produtos impróprios para limpar o aparelho.

Atenção! O aparelho fica muito quente, principalmente em torno das áreas de cozinha. É muito importante que as crianças não sejam deixadas sozinhas na cozinha quando está a cozinhar.

Não use um limpador a vapor porque a humidade pode entrar no aparelho, tornando-o inseguro.

PEÇAS DE AÇO INOXIDÁVEL, DE ALUMÍNIO, PINTADAS E COM ACABAMENTO SEDOSO

Limpe utilizando um produto adequado. Seque sempre bem.

IMPORTANTE: estas peças devem ser limpas com muito cuidado para evitar arranhões e abrasão. Recomendamos usar um pano macio e sabão neutro.

CUIDADO: Não utilize substâncias abrasivas nem detergentes não neutros, uma vez que estes irão danificar a superfície de forma irreparável.

PEÇAS ESMALTADAS

Todas as peças esmaltadas devem ser limpas com uma esponja e água e sabão ou outros produtos não abrasivos.

Seque de preferência com um pano de microfibra ou macio.

Substâncias ácidas como sumo de limão, molho de tomate, vinagre, etc. podem danificar o esmalte se permanecerem muito tempo.

LIMPEZA DOS DISCOS ELÉTRICOS

Alimentos queimados sobre os discos elétricos devem ser sempre limpos secos.

Não use água para evitar a formação de ferrugem.

Depois de usar, despeje um pouco de óleo sobre o disco quente e esfregue com um pano.

Stimate client,

Vă mulțumim pentru că ați achiziționat unul din produsele noastre.

Măsurile de siguranță și recomandările descrise mai jos sunt destinate siguranței dumneavoastră și a altora. Ele vor oferi, de asemenea, o modalitate pentru utilizarea completă a funcțiilor oferite de aparatul dumneavoastră.

Păstrați cu grijă această broșură. Aceasta vă poate folosi pe viitor, fie dvs., fie altora, în cazul în care ar apărea îndoieli legate de funcționarea aparatului.

Acest aparat trebuie utilizat numai pentru sarcina pentru care a fost proiectat în mod explicit, adică pentru gătitul alimentelor. Orice altă formă de utilizare trebuie considerată inadecvată și, prin urmare, periculoasă.

Producătorul nu își asumă niciun fel de răspundere în cazul avariilor cauzate de utilizarea necorespunzătoare, incorectă sau illogică a aparatului.

DECLARAȚIE DE CONFORMITATE CE

- Acest aparat a fost conceput pentru a fi utilizat exclusiv pentru gătit. Orice altă utilizare (cum ar fi încălzirea unei încăperi) este necorespunzătoare și periculoasă.
- Acest aparat a fost proiectat, construit și comercializat în conformitate cu:
 - Cerințe de siguranță ale Directivei „Joasă tensiune” 2014/35/UE;
 - Cerințe de siguranță ale Directivei „EMC” 2014/30/UE;
 - Cerințe ale Directivei UE 93/68/CEE;
 - Cerințe ale Directivei UE 2011/65/UE.



INFORMAȚII IMPORTANTE PENTRU ELIMINAREA CORECTĂ A PRODUSULUI, ÎN CONFORMITATE CU DIRECTIVA CE 2002/96/CE (doar pentru țările Uniunii Europene)

La sfârșitul duratei de viață, produsul nu trebuie eliminat ca deșeu urban. Acesta trebuie predat unui centru special de colectare separată a deșeurilor, prevăzut de autoritățile locale sau unui distribuitor care oferă acest serviciu. Eliminarea separată a unui aparat de uz casnic evită posibilele consecințe negative asupra mediului și sănătății rezultate din eliminarea necorespunzătoare și permite recuperarea materialelor constitutive pentru a obține economii semnificative de energie și resurse. Pentru a vă aminti necesitatea de a arunca separat aparatele electrocasnice, produsul este marcat cu simbolul unei pubele cu roți barate.



PRECAUȚII ȘI RECOMANDĂRI IMPORTANTE DE SIGURANȚĂ

IMPORTANT: Acest aparat este conceput și fabricat exclusiv pentru gătitul alimentelor pentru uz casnic și nu este potrivit pentru nicio aplicație care nu este de acest fel; prin urmare, nu trebuie utilizat într-un mediu comercial.

Utilizarea aparatului într-un mediu non-casnic, adică într-un mediu semi-comercial, comercial sau comunal, duce la pierderea garanției.

Citiți cu atenție instrucțiunile înainte de a instala și utiliza aparatul.

- Acest aparat a fost proiectat și fabricat în conformitate cu standardele aplicabile pentru produsele de gătit de uz casnic și îndeplinește toate cerințele de siguranță prezentate în acest manual, inclusiv cele privind temperaturile suprafeței. Unele persoane cu pielea sensibilă pot avea o percepție mai pronunțată a temperaturii la anumite componente, deși aceste piese sunt în limitele permise de norme. Siguranța deplină a aparatului depinde și de utilizarea corectă, de aceea vă recomandăm să acordați întotdeauna o atenție extremă în timpul utilizării produsului, mai ales în prezența copiilor.
- După ce ați deschis aparatul, verificați pentru a vă asigura că nu este deteriorat. În caz de îndoială, nu îl utilizați și consultați furnizorul sau un tehnician calificat profesional.
- Elementele de ambalare (de exemplu, pungi de plastic, spumă de polistiren, cuie, curele de ambalare etc.) nu trebuie lăsate la îndemâna copiilor, deoarece acestea pot provoca răni grave.
- Unele aparate sunt furnizate cu folie de protecție pe piesele din oțel și aluminiu. **Această folie trebuie îndepărtată înainte de a utiliza aparatul.**

- **IMPORTANT:** Folosirea îmbrăcăminteii/mănușilor de protecție adecvate este recomandată atunci când manipulați sau curățați acest aparat.
- Nu încercați să modificați caracteristicile tehnice ale aparatului, deoarece acest lucru poate face ca aparatul să devină periculos de utilizat. Producătorul nu își asumă niciun fel de răspundere pentru orice neplăcere cauzată de nerespectarea acestei condiții.
- **ATENȚIE:** acest aparat trebuie instalat numai într-o încăpere permanent ventilată, în conformitate cu reglementările aplicabile.
- Nu utilizați aparatul cu ajutorul unui cronometru extern sau al unui sistem de control la distanță separat.
- Nu efectuați operațiuni de curățare sau întreținere a aparatului fără a-l deconecta în prealabil de la sursa electrică.
- Nu folosiți o mașină de curățat cu abur, deoarece umiditatea poate pătrunde în aparat, făcându-l nesigur.
- Nu acoperiți plita cu folii de aluminiu.
- Nu atingeți cu mâinile sau picioarele ude aparatul.
- Nu utilizați aparatul în timp ce sunteți în picioarele goale.
- Dacă decideți să nu mai utilizați acest aparat (sau să decideți să înlocuiți un alt model), înainte de a-l arunca, se recomandă ca acesta să fie dezafectat în mod corespunzător, în conformitate cu reglementările privind sănătatea și protecția mediului, asigurându-vă în special că toate piesele potențial periculoase sunt inofensive, în special pentru copiii care s-ar putea juca cu aparatele nefolosite.
- Diferite componente ale aparatului sunt reciclabile. Eliminați-le în conformitate cu reglementările în vigoare în țara dumneavoastră. Dacă aparatul urmează să fie casat, scoateți cablul de alimentare.
- După utilizare, asigurați-vă că butoanele sunt în poziția oprit.
- Copiii cu vârsta mai mică de 8 ani vor fi ținuti la distanță, mai puțin când sunt supravegheați permanent.
- Acest aparat poate fi utilizat de către copiii cu vârste de minim 8 ani și de către persoanele cu abilități fizice, senzoriale sau mentale reduse sau cu lipsă de experiență sau cunoștințe, cu condiția să fie supravegheate sau instruite corespunzător privind modul de utilizare a acestui aparat în siguranță și să înțeleagă pericolele implicate.

Nu lăsați copiii să se joace cu aparatul. Curățarea și întreținerea de către utilizator nu vor fi efectuate de copii fără supraveghere.

- Producătorul nu își asumă niciun fel de răspundere pentru rănirea persoanelor sau daunele materiale cauzate de utilizarea incorectă sau necorespunzătoare a aparatului.
- **AVERTISMENT:** În timpul utilizării, aparatul și părțile sale accesibile devin fierbinți; acestea continuă să fie fierbinți un timp după ce au fost utilizate.
 - Trebuie să fiți atenți pentru a evita atingerea elementelor de încălzire de pe plită.
 - Pentru a evita arsurile și opăririle, copiii mici trebuie ținuti la distanță.
- Asigurați-vă că cablurile electrice care conectează alte aparate din apropierea plitei de gătit nu pot intra în contact cu plita.
- **AVERTISMENT:** Gătitul nesupravegheat pe o plită cu grăsime sau ulei poate fi periculos și poate duce la incendiu. Nu încercați NICIODATĂ să stingeți un incendiu cu apă, ci opriți aparatul și apoi acoperiți flacăra, de ex., cu un capac sau o pătură ignifugă.
- **AVERTISMENT:** Pericol de incendiu: nu depozitați articolele pe suprafețele de gătit.
- Nu așezați și nu lăsați tigăi goale pe plita vitroceramică.
- Nu zgâriați plita cu obiecte ascuțite. Nu folosiți plita ca suprafață de lucru.
- **AVERTISMENT:** Dacă plita este crăpată sau deteriorată prin căderea obiectelor etc., deconectați aparatul de la sursa de alimentare electrică, pentru a evita posibilitatea de electrocutare și apelați serviciul pentru clienți.
- **AVERTISMENT:** Când este instalat corect, produsul dumneavoastră îndeplinește toate cerințele de siguranță stabilite pentru acest tip de categorie de produse. Cu toate acestea, trebuie acordată o atenție deosebită zonei din jurul părții inferioare a aparatului, deoarece aceasta nu este proiectată sau prevăzută pentru a fi atinsă și poate prezenta margini ascuțite sau aspre, care pot cauza vătămări.
- **ATENȚIE:** Procesul de gătit trebuie supravegheat. Procesul de gătit scurt trebuie supravegheat permanent.

- În cazul în care cablul de alimentare este deteriorat, acesta trebuie înlocuit numai de un agent de service autorizat, pentru a evita un pericol.
- Dacă aparatul nu este prevăzut cu cablu de alimentare și ștecher sau cu alte mijloace de deconectare de la rețeaua de alimentare având o separare a contactelor la toți polii care asigură deconectarea completă în condiții de supratensiune de categoria III, mijloacele de deconectare trebuie să fie încorporate în cablarea fixă în conformitate cu regulile de cablare.
- **AVERTISMENT:** Aparatul și piesele sale accesibile se încing în timpul utilizării.
- Trebuie să fiți atenți pentru a evita atingerea elementelor de încălzire. Copiii cu vârsta mai mică de 8 ani vor fi ținuti la distanță, mai puțin când sunt supravegheați permanent.
- **AVERTISMENT:** Folosiți doar protecții ale plitei concepute de producătorul aparatului de gătit sau indicate de producătorul aparatului în instrucțiunile de utilizare, după caz, sau protecții ale plitei încorporate în aparat. Utilizarea unor dispozitive de protecție necorespunzătoare poate provoca accidente.

ETICHETAREA PRIVIND CONSUMUL DE ENERGIE/ECOPROIECTARE

- Regulamentul (UE) nr. 66/2014 al Comisiei (de punere în aplicare a Directivei 2009/125/CE a Parlamentului European și a Consiliului).

Referitor la metodele de măsurare și calcul utilizate pentru a stabili conformitatea cu cerințele de mai sus:

- Standard EN 60350-2 (plite: zone și/sau suprafețe electrice de gătit).

UTILIZAREA APARATULUI, SFATURI DE ECONOMISIRE A ENERGIEI

ZONE ȘI/SAU SUPRAFEȚE ELECTRIC DE GĂTIT

- Evitați să lăsați o zonă/suprafață aprinsă fără ceva pe ea (fără oală).
- Evitați să turnați lichide pe zone/suprafețe când acestea sunt fierbinți.
- Utilizați numai oale și tigăi cu fund plat (tip plită electrică).
- Utilizați recipiente de gătit care acoperă cât mai mult suprafața zonei/suprafața de gătit.
- Pentru a economisi energie electrică, folosiți capace ori de câte ori este posibil.
- Când tigaia ajunge la fierbere, reduceți focul la nivelul dorit. Rețineți că zona/suprafața de gătit va continua să emită căldură timp de aproximativ cinci minute după ce a fost oprită.

Recomandare pentru instalator

IMPORTANT:

- Aparatul este proiectat și aprobat numai pentru uz casnic și nu trebuie instalat într-un mediu comercial, semi-comercial sau comunal.
Produsul dumneavoastră nu va fi acoperit de garanție dacă este instalat în oricare dintre mediile de mai sus și ar putea afecta orice asigurări de răspundere civilă sau asigurări terțe pe care le aveți.
- Acest aparat trebuie instalat, reglat și adaptat pentru a funcționa, numai de către o persoană autorizată, în conformitate cu reglementările locale în vigoare și cu respectarea instrucțiunilor furnizate de producător.
Nerespectarea acestei condiții va duce la anularea garanției.
- Aparatul trebuie instalat în conformitate cu reglementările în vigoare din țara dumneavoastră și cu respectarea instrucțiunilor producătorului.
- Instalarea incorectă, pentru care producătorul nu își asumă răspunderea, poate cauza vătămări corporale sau daune.
- Acest aparat trebuie întreținut numai de personal autorizat.
- Deconectați întotdeauna aparatul de la sursa de alimentare înainte de a efectua orice operațiuni de întreținere sau reparații.
- **Important: Se recomandă folosirea îmbrăcămintei/mănușilor de protecție adecvate la manipularea sau curățarea acestui aparat.**
- **Aparatul trebuie încorporat în unități rezistente la căldură.**
- **Pereții unităților nu trebuie să fie mai înalți decât blatul de lucru și trebuie să poată rezista la temperaturi cu 70 °C peste temperatura camerei.**
- **Menționăm că adezivul care leagă laminatul plastic de mobilier trebuie să reziste la temperaturi de cel puțin 150 °C pentru a evita dezlipirea.**
- **Nu instalați aparatul în apropierea caloriferelor sau a materialelor inflamabile (de exemplu, perdele).**

AVERTIZARE!

Când este instalat corect, produsul dumneavoastră îndeplinește toate cerințele de siguranță stabilite pentru acest tip de categorie de produse. Cu toate acestea, trebuie acordată o atenție deosebită zonei din jurul părții inferioare a aparatului, deoarece aceasta nu este proiectată sau prevăzută pentru a fi atinsă și poate prezenta margini ascuțite sau aspre, care pot cauza vătămări.

INFORMAȚII TEHNICE PENTRU INSTALATOR

Doar la anumite modele: Înainte de a instala plita, îndepărtați folia de protecție.

Aceste plite de gătit sunt proiectate pentru a fi încorporate în corpurile de bucătărie, cu o adâncime de 600 mm și o grosime de 30 până la 40 mm.

Pentru a instala blatul plitei în corpul de bucătărie, trebuie să perforați un orificiu cu dimensiunile prezentate în fig. 1.1, ținând cont de următoarele:

- în interiorul dispozitivului de fixare, între partea inferioară a plitei și suprafața superioară a oricărui alt aparat sau raft interior trebuie să existe un spațiu de cel puțin 30 mm;
- blatul plitei trebuie ținut la cel puțin 50 mm distanță de orice perete lateral (fig. 1.2);
- plita trebuie ținută la o distanță de cel puțin 50 mm de peretele din spate (fig. 1.1);
- trebuie să existe o distanță de cel puțin 650 mm între plită și orice dulap de perete sau hotă poziționată imediat deasupra (consultați fig. 1.2);
- straturile de acoperire ale pereților unității sau ale aparatelor din apropierea plitei trebuie să fie rezistente la căldură.

Nu instalați aparatul în apropierea materialelor inflamabile (de exemplu, perdele).

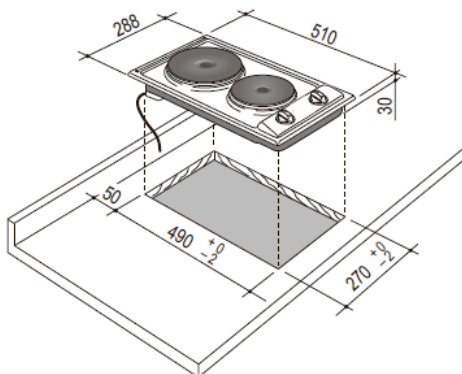


Fig. 1.1

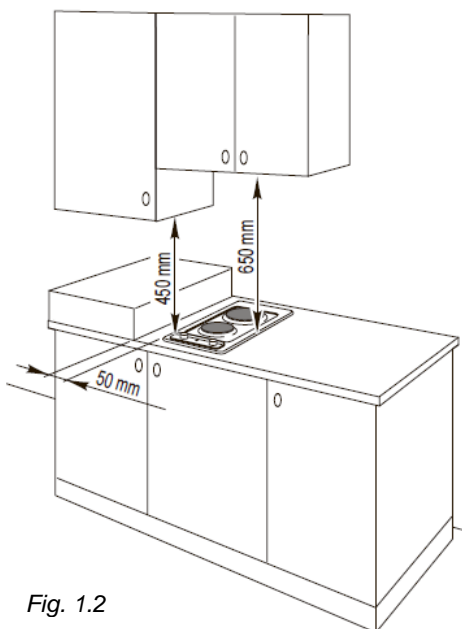


Fig. 1.2

FIXAREA PLITEI

Fiecare plită este prevăzută cu un kit de instalare care include suporturi și șuruburi pentru fixarea blatului pe panouri de fixare, cu o grosime între 30 și 40 mm, fig. 1.3, 1.4.

- Decupați unitatea.
- Întindeți garnitura „D” peste marginea orificiului făcut, având grijă să suprapuneți marginile de jonctiune.
- Întoarceți plita și puneți clemele „A” (fig. 1.3) în suporturi, strângeți șuruburile „B” doar câteva ture.
- Clemele trebuie să fie montate corect, așa cum se arată în figura 1.4. Întoarceți clemele astfel încât plita să poată fi introdusă în orificiu.
- Puneți plita în orificiul decupat în unitate și poziționați-o corect.
- Puneți clemele „A” în poziția lor; dintele „C” al clemelor trebuie să intre în orificiu.
- Strângeți șuruburile „B” până când plita este complet fixată.
- Folosind o unealtă ascuțită, tăiați partea din garnitură „D” care depășește contururile plitei. Aveți grijă să nu deteriorați blatul de lucru.

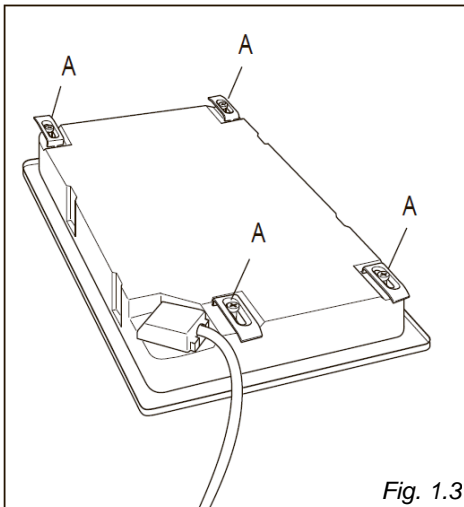


Fig. 1.3

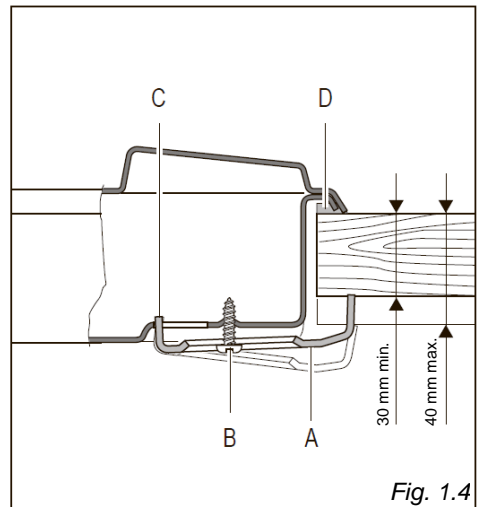


Fig. 1.4

IMPORTANT: Instalarea trebuie efectuată conform instrucțiunilor producătorului. Instalarea incorectă poate provoca vătămări și daune persoanelor, animalelor sau obiectelor, pentru care producătorul nu își asumă răspunderea.

Înainte de a efectua orice lucrare la circuitul electric al aparatului, acesta trebuie deconectat de la rețea.

Conexiunea la un sistem de cablare cu o împământare bună este esențială.

Producătorul nu își asumă răspunderea pentru orice inconvenient cauzat de nerespectarea acestei reguli.

Înainte de a efectua orice lucrare la circuitul electric al aparatului, acesta trebuie deconectat de la rețea.

Dacă suprafața plitei este crăpată, deconectați aparatul de la rețeaua de alimentare și contactați serviciul post-vânzare.

INFORMAȚII GENERALE

- Conectarea la sursa electrică trebuie efectuată de către un tehnician calificat și respectând normele de siguranță corespunzătoare.
- Aparatul trebuie conectat la rețea verificând dacă tensiunea corespunde cu valoarea dată pe plăcuța cu date tehnice și dacă secțiunile cablurilor electrice pot rezista la sarcina specificată pe plăcuță.
- Dacă plita este furnizată fără ștecher, montați un ștecher standard, adecvat pentru puterea absorbită de aparat și în conformitate cu normele locale în vigoare.
- Culoarele firelor din cablul de alimentare al aparatului pot să nu corespundă cu culorile marcate pe bornele ștecherului dumneavoastră.
Ștecherul trebuie întotdeauna conectat în următorul fel:
 - conectați firul verde/galben la borna marcată cu litera **E** sau simbolul de

împământare \perp ori de culoare verde/galbenă;

- conectați firul albastru la terminalul marcat cu litera **N** sau de culoare neagră;
- conectați firul maro la borna marcată cu litera **L** sau de culoare roșie.
- Ștecherul trebuie conectat la o priză conectată la unitatea de împământare în conformitate cu normele de securitate.
- Dacă aparatul urmează să fie conectat direct la rețea, acesta trebuie să fie amplasat cu un întrerupător omnipolar cu deschidere minimă de 3 mm între contactele dintre aparat și rețea.
- Cablul de alimentare nu trebuie să atingă părțile fierbinți și trebuie poziționat astfel încât să nu depășească 50 °C peste temperatura mediului ambiant.
- După instalarea aparatului, întrerupătorul de alimentare sau ștecherul de alimentare trebuie să fie întotdeauna într-o poziție accesibilă.
- În cazul în care cablul de alimentare este deteriorat, acesta trebuie înlocuit cu un cablu adecvat, disponibil în serviciul post-vânzare.
- Aparatul trebuie să aibă propria sa alimentare; orice alte aparate instalate în apropierea acestuia trebuie să fie alimentate separat.
- **N.B. Pentru conectarea la rețea, nu utilizați adaptoare, reductoare sau dispozitive de ramificare deoarece acestea pot provoca supraîncălzire și ardere.**

În cazul în care instalarea necesită modificări ale sistemului de cablare a rețelei de alimentare, se recomandă apelarea la un tehnician calificat pentru a efectua înlocuirea.

Tehnicianul va trebui, de asemenea, să verifice dacă secțiunea transversală a cablurilor electrice de pe priza de alimentare se potrivește cu puterea nominală a aparatului.

ÎNLOCUIREA CABLULUI DE ALIMENTARE

Important! Acest aparat trebuie conectat la sursa de alimentare electrică numai de către o persoană autorizată.

AVERTISMENT: În cazul în care cablul de alimentare este deteriorat, acesta trebuie înlocuit numai de un agent de service autorizat, pentru a evita un pericol.

- Cablul de alimentare trebuie înlocuit cu un cablu de același tip.
- Întoarceți plita și desprindeți capacul plăcii cu borne, introducând o șurubelniță în cele două cârlige „A” (fig. 2.1).
- Deschideți garnitură de etanșare a cablului prin deșurubarea șurubului „F” (fig. 2.2). Deșurubați șuruburile bornelor și scoateți cablul.
- Noul cablu de alimentare, de tipul și secțiunea adecvate, se conectează la borna corespunzătoare, urmând schema din fig. 2.3.
- Trageți cablul de alimentare și blocați-l cu garnitura de etanșare.
- Închideți capacul blocului cu borne (verificați că cele două cârlige „A” sunt agățate corect).

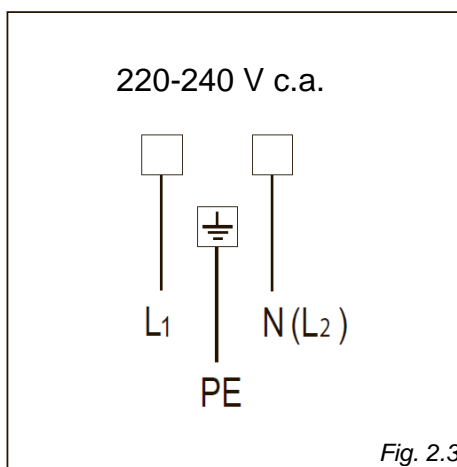
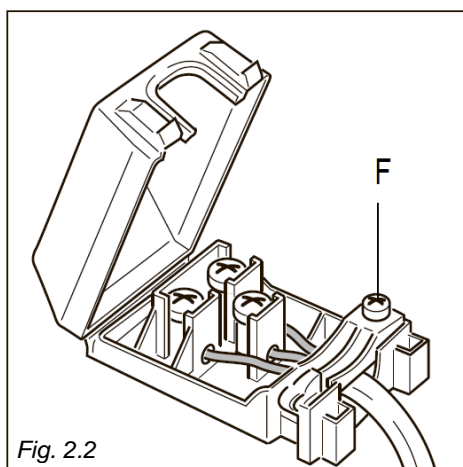
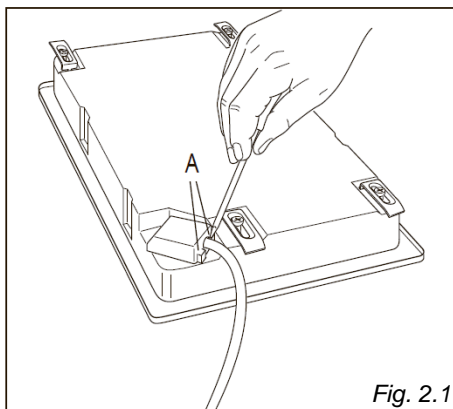
Notă: Conductorul de împământare trebuie să fie cu aproximativ 3 cm mai lung decât celelalte.

SECȚIUNEA CABLULUI DE ALIMENTARE DE TIP „H05RR-F” sau „H05V2V2-F” (rezistență la temperaturi de 90 °C)”

220 - 240 V 50-60 Hz 3 x 1,5 mm² (*) (**)

(*) Conexiune posibilă cu ștecher și priză

(**) Conexiune cu cutie de conexiune de perete.

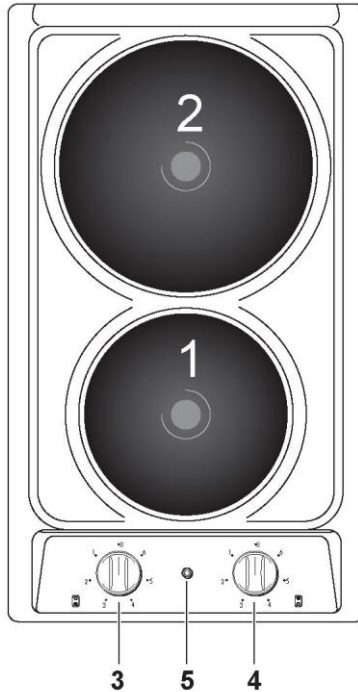


Recomandări pentru utilizatori

1

CARACTERISTICI ȘI DATE TEHNICE

Fig. 1.1



CARACTERISTICI

- Izolație electrică de clasa I.

PUNCTE DE GĂTIRE

1. Placă electrică	Ø 145 mm, (Normal)	1000 W
	Ø 145 mm (Rapid, punct roșu)	1500 W
2. Placă electrică	Ø 180 mm, (Normal)	1500 W
	Ø 180 mm (Rapid, punct roșu)	2000 W

DESCRIEREA COMENZILOR

3. Buton de control al plitei electrice din față
4. Buton de control al plitei electrice din spate
5. Indicator luminos al plitei electrice

Atenție! Nu acoperiți plita cu folii de aluminiu.

NOTĂ: Butonul și simbolurile pot varia.

PLITA NORMALĂ

Pentru a porni plita normală, rotiți butonul (fig. 2.1) în poziția dorită; cifrele de la 1 la 6 indică pozițiile de lucru cu creșterea temperaturii în funcție de număr.

Odată atins punctul de fierbere, reduceți puterea de intrare în funcție de intensitatea de încălzire dorită, ținând cont că plita va continua să se încălzească timp de 5 minute după ce a fost oprită.

PLITA RAPIDĂ (punct roșu)

Butonul de control al plitelor rapide este similar cu cel al unei plite normale cu 6 poziții de lucru (fig. 2.1).

Caracteristicile acestei plite, prevăzută cu un limitator de căldură, permit:

- atingerea rapidă a temperaturii;
- utilizarea la maximum a suprafețelor oalelor cu fund plat;
- limitarea suprafețelor în cazul oalelor nepotrivite.

Nu gătiți niciodată alimente direct pe plitele electrice! Utilizați întotdeauna o cratiță sau un recipient special.

NOTĂ:

Butonul și simbolurile pot varia.

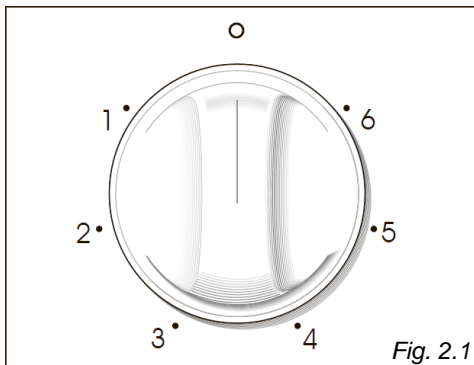


Fig. 2.1

UTILIZAREA CORECTĂ A PLITEI ELECTRICE (fig. 2.2)

Când tigaia ajunge la fierbere, reduceți focul la nivelul dorit.

Retineți că plita va continua să emită căldură timp de aproximativ cinci minute după ce a fost oprită.

În timp ce utilizați plita electrică, trebuie să:

- evita să lăsați plita fără un obiect pe suprafața sa;
- evitați să turnați lichide pe ea atunci când este fierbinte;
- utilizați numai oale și tigăi cu fund plat (de un tip corespunzător cu plita electrică).
- utilizați recipiente de gătit care să acopere cât mai mult suprafața plitei.
- pentru a economisi energie electrică, folosiți capace ori de câte ori este posibil.

Un indicator luminos situat în apropierea butonului semnalizează că plita funcționează.

Atenție!

Dacă suprafața este fisurată, opriți aparatul pentru a evita posibilitatea de electrocutare și apelați serviciul pentru clienți.

Atenție!

Nu acoperiți plita cu folii de aluminiu.

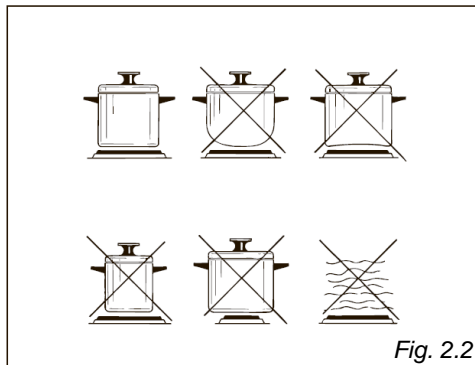
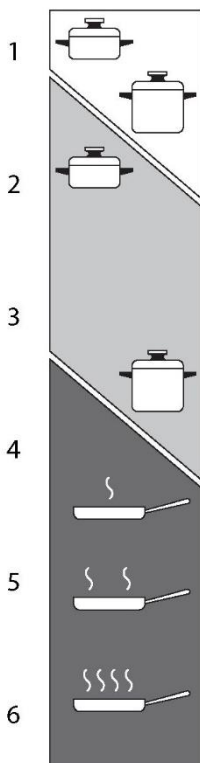


Fig. 2.2

TABEL DE UTILIZARE A PLITEI ELECTRICE



Încălzire



Gătire



Prăjire-rumenire

Setarea butonului	TIP DE GĂTIRE
0	OPRIT
1 2	Pentru operațiuni de topire (unt, ciocolata).
2	Pentru a menține alimentele calde și pentru a încălzi cantități mici de lichid (sosuri, ouă).
3	Pentru a încălzi cantități mai mari; pentru a găti creme și sosuri (legume, fructe, supe).
3 4	Fierbe lentă, de exemplu: cărnuri fierte, spaghete, supe, continuarea gătirii la abur a fripturii, tocănitelor, cartofilor.
4	Pentru orice fel de prăjire, cotlete, gătire fără capac, de exemplu: risotto.
4 5	Rumenirea cărnurilor, cartofi prăjiți, pește prăjit, omlete și pentru fierberea cantităților mari de apă.
6	Prăjire rapidă, fripturi la grătar etc.

După o perioadă scurtă de utilizare, veți dobândi experiența necesară pentru a ști ce setare este cea potrivită nevoilor dvs.

Atenție!

Plita de gătit devine foarte fierbinte în timpul funcționării.

Nu lăsați copii în zona plitei.

Fig. 2.3

RECOMANDARE GENERALĂ

- Înainte de a începe curățarea, trebuie să vă asigurați că aparatul este oprit și deconectat de la sursa de alimentare electrică.
- Este recomandabil să curățați aparatul atunci când este rece.
- Evitați să lăsați pe suprafețe substanțe alcaline sau acide (zeamă de lămâie, oțet etc.).
- Evitați utilizarea produselor de curățare pe bază de clor sau acid.
- **Important: Se recomandă folosirea îmbrăcămintei/mănușilor de protecție adecvate la manipularea sau curățarea acestui aparat.**
- **Nu zgâriați plita cu obiecte tăiate sau ascuțite.**
- Curățați suprafețele cu o cârpă umedă și utilizați produse de curățare blânde, neutre. Uscați cu o cârpă curată și uscată.
- **IMPORTANT:** Nu utilizați produse abrazive (de ex. anumite tipuri de burete) și/sau produse agresive (de ex. sodă caustică, produse care conțin substanțe corozive), care ar putea provoca daune iremediabile suprafeței.

AVERTIZARE!

Când este instalat corect, produsul dumneavoastră îndeplinește toate cerințele de siguranță stabilite pentru acest tip de categorie de produse. Cu toate acestea, trebuie acordată o atenție deosebită zonei din jurul părții inferioare a aparatului, deoarece aceasta nu este proiectată sau prevăzută pentru a fi atinsă și poate prezenta margini ascuțite sau aspre, care pot cauza vătămări.

Important: Producătorul nu își asumă niciun fel de răspundere pentru eventualele daune cauzate de utilizare unor produse necorespunzătoare pentru curățarea aparatului.

Atenție! Aparatul devine foarte fierbinte, mai ales, în jurul zonelor de gătit. Este foarte important să supravegheați copiii, pentru a nu rămâne singuri în bucătărie atunci când se gătește.

Nu folosiți un aparat de curățat cu abur, deoarece umiditatea poate pătrunde în aparat și îl poate face nesigur.

OȚEL INOXIDABIL, PIESE DIN ALUMINIU, SUPRAFEȚE VOPSITE ȘI SERIGRAFIATE

Curățați folosind un produs adecvat.

Uscați întotdeauna bine.

IMPORTANT: aceste piese trebuie curățate cu mare atenție pentru a evita zgârierea și abraziunea. Vă recomandăm să utilizați o cârpă moale și săpun neutru.

ATENȚIE: Nu folosiți substanțe abrazive sau alți detergenți în afară de cei neutri, deoarece aceștia vor deteriora iremediabil suprafața.

COMPONENTELE EMAILATE

Toate piesele emailate trebuie curățate cu un burete și apă cu săpun sau alte produse neabrazive.

Uscați de preferință cu o cârpă moale sau din microfibră.

Substanțele acide precum zeama de lămâie, sosul de roșii, oțetul etc. pot deteriora smalțul dacă sunt lăsate prea mult timp.

CURĂȚARE PLITELOR ELECTRICE

Alimentele arse pe plitele trebuie curățate întotdeauna atunci când s-au uscat.

Nu folosiți apă pentru a evita formarea ruginii.

După utilizare, turnați puțin ulei pe plita caldă și frecăți cu o cârpă.

Vážený zákazník,

Ďakujeme, že ste si zakúpili náš výrobok a dali mu prednosť. Nižšie uvedené bezpečnostné opatrenia a odporúčania sú pre vašu vlastnú bezpečnosť a bezpečnosť ostatných. Okrem toho vám poskytnú prostriedky na plné využitie funkcií, ktoré ponúka váš spotrebič.

Túto brožúru si starostlivo uchovajte. V budúcnosti môže byť užitočná pre vás alebo pre ostatných, pokiaľ by ste mali nejaké pochybnosti týkajúce sa prevádzky spotrebiča.

Tento spotrebič sa smie používať len na účely, na ktoré bol výslovne navrhnutý, t. j. na prípravu jedla. Akákoľvek iná forma používania sa považuje za nevhodnú, a preto nebezpečnú.

Výrobca odmieta akúkoľvek zodpovednosť v prípade poškodenia spôsobeného nesprávnym, nevhodným alebo nelogickým používaním spotrebiča.

ES VYHLÁSENIE O ZHODE

- Tento spotrebič bol navrhnutý iba na prípravu jedla. Akékoľvek iné použitie (napríklad vykurovanie miestnosti) je nevhodné a nebezpečné.
- Tento spotrebič bol navrhnutý, vyrobený a uvedený na trh v súlade s:
 - Bezpečnostné požiadavky smernice 2014/35/EÚ o spotrebičoch používaných v rámci určitých limitov napätia;
 - Bezpečnostné požiadavky smernice o elektromagnetickej kompatibilite 2014/30/EÚ;
 - Požiadavky smernice EÚ 93/68/EHS;
 - Požiadavky smernice EÚ 2011/65/EÚ.



DÔLEŽITÉ INFORMÁCIE PRE SPRÁVNU LIKVIDÁCIU LIEKU V SÚLADE SO SMERNICOU 2002/96/ES

(len pre krajiny Európskej únie)

Po ukončení životnosti sa výrobok nesmie likvidovať ako komunálny odpad. Musí sa odviezť do špeciálneho strediska na diferencovaný zber odpadu alebo k predajcovi, ktorý poskytuje túto službu.

Separovaným zberom domáceho spotrebiča sa zabráni možným negatívnym dôsledkom pre životné prostredie a zdravie vyplývajúcim z nevhodnej likvidácie, okrem toho sa umožní spätné získavanie základných materiálov s cieľom dosiahnuť významné úspory energie a zdrojov. Na pripomenutie potreby separovaného zberu domácich spotrebičov je výrobok označený preškrtnutou nádobou na smeti.



DÔLEŽITÉ BEZPEČNOSTNÉ OPATRENIA A ODPORÚČANIA

DÔLEŽITÉ: Tento spotrebič je navrhnutý a vyrobený výhradne na prípravu jedál v domácnosti (doma), nie je vhodný na žiadne iné použitie mimo domácností, preto by sa nemal používať v komerčnom prostredí.

Pokiaľ by sa spotrebič používal v inom než domácom prostredí, t. j. v polokomerčnom, komerčnom alebo spoločenskom prostredí, záruka stratí platnosť.

Pred inštaláciou a používaním spotrebiča si pozorne prečítajte pokyny.

- Tento spotrebič bol navrhnutý a vyrobený v súlade s platnými normami pre domáce kuchynské spotrebiče a spĺňa všetky bezpečnostné požiadavky uvedené v tejto príručke, vrátane tých, ktoré sa týkajú povrchových teplôt.
Niektorí ľudia s citlivou pokožkou môžu mať pri kontakte s niektorými komponentmi výraznejšie vnímanie teploty, aj keď tieto diely spĺňajú limity povolené normami.
Úplná bezpečnosť spotrebiča závisí aj od správneho používania, preto odporúčame používaniu spotrebiča vždy venovať mimoriadnu pozornosť, najmä v prítomnosti detí.
- Po vybalení spotrebiča skontrolujte, či nie je poškodený.
Ak by ste mali nejaké pochybnosti, spotrebič nepoužívajte, ale poraďte sa so svojim dodávateľom alebo odborne vyškoleným technikom.
- Časti obalu (napr. plastové vrecká, polystyrénovú penu, klince, popruhy obalu atď.) nenechávajte v dosahu detí, pretože môžu spôsobiť vážne zranenia.
- Niektoré spotrebiče sa dodávajú zabalené v ochrannej fólii a použitím hliníkových častí. **Túto fóliu treba pred použitím spotrebiča odstrániť.**
- **DÔLEŽITÉ:** Pri manipulácii so spotrebičom alebo pri jeho čistení sa odporúča používať vhodný ochranný odev/rukavice.

- Nepokúšajte sa upravovať technické charakteristiky spotrebiča, pretože by to mohlo byť pri používaní nebezpečné. Výrobca odmieta akúkoľvek zodpovednosť za akékoľvek nepríjemnosti vyplývajúce z nedodržania tejto podmienky.
- **UPOZORNENIE:** tento spotrebič sa smie inštalovať len v trvalo vetranej miestnosti v súlade s platnými predpismi.
- Spotrebič nie je určený na ovládanie externým časovačom ani samostatným diaľkovým ovládaním.
- Na spotrebiči nevykonávajte čistenie ani údržbu bez toho, že by ste ho predtým odpojili od elektrického napájania.
- Nepoužívajte parný čistič, pretože vlhkosť sa môže dostať do spotrebiča, čo ohrozí jeho bezpečnosť.
- Varnú dosku nezakrývajte alobalom.
- Spotrebiča sa nedotýkajte mokrými alebo vlhkými rukami (alebo nohami).
- Ak máte bosé nohy, spotrebič nepoužívajte.
- Ak sa rozhodnete tento spotrebič už nepoužívať (alebo sa rozhodnete nahradiť ho iným modelom), pred likvidáciou sa odporúča vyradiť ho z prevádzky vhodným spôsobom v súlade s platnými predpismi o ochrane zdravia a životného prostredia, s dôrazom na zneškodnenie všetkých potenciálne nebezpečných dielov, predovšetkým vzhľadom na deti, ktoré by sa mohli hrať s vyradenými spotrebičmi.
- Rôzne komponenty spotrebiča sa dajú recyklovať. Zlikvidujte ich v súlade s predpismi platnými vo vašej krajine. Ak sa má spotrebič zlikvidovať, odstráňte elektrický napájací kábel.
- Po použití sa uistite, že sú gombíky vo vypnutej polohe.
- Deti do 8 rokov udržiňte mimo dosahu alebo ich majte pod neustálym dohľadom.
- Deti staršie ako 8 rokov a osoby s obmedzenými fyzickými, zmyslovými alebo duševnými schopnosťami alebo nedostatkom skúseností či vedomostí môžu tento spotrebič používať pod dohľadom, resp. po poučení a oboznámení sa s bezpečným spôsobom používania a porozumení možným nebezpečenstvám. Deti sa so spotrebičom nesmú hrať. Čistenie a údržbu nesmú vykonávať deti bez dozoru.

- Výrobca odmieta akúkoľvek zodpovednosť za zranenie osôb alebo škodu na majetku spôsobenú nesprávnym alebo nevhodným používaním spotrebiča.
- VAROVANIE: Počas používania sa spotrebič a jeho prístupné časti zahrievajú; po určitom čase používania zostanú horúce.
 - Pri používaní dávajte pozor, aby sa predišlo kontaktu s ohrievacími prvkami varnej dosky.
 - Aby sa predišlo popáleniam, malé deti by ste mali udržiavať ďalej od spotrebiča.
- Uistite sa, že elektrické káble pripájajúce iné spotrebiče v blízkosti varnej dosky, nemôžu prísť do kontaktu s varnou doskou.
- VAROVANIE: Príprava jedla s tukom alebo olejom na varnej doske bez dohľadu môže byť nebezpečné a môže spôsobiť požiar. Požiar sa NIKDY nepokúšajte hasiť vodou. Spotrebič najprv vypnite a plameň zakryte napr. pokrievkou alebo hasiacou prikrývkou.
- VAROVANIE: Nebezpečenstvo požiaru: na povrch varnej dosky neodkladajte žiadne predmety.
- Na sklokeramickú dosku nekladte prázdne panvice, ani ich nenechávajte dlhšie.
- Varnú dosku nepoškriabte ostrými predmetmi. Varnú dosku nepoužívajte ako pracovnú plochu.
- VAROVANIE: Ak je varná doska prasknutá alebo inak poškodená padajúcimi predmetmi atď., odpojte spotrebič od elektrického napájania, aby ste predišli úrazu elektrickým prúdom, a zavolajte zákaznícky servis.
- VAROVANIE: Ak je výrobok správne nainštalovaný, spĺňa všetky bezpečnostné požiadavky stanovené pre túto kategóriu výrobkov. Osobitnú pozornosť však treba venovať spodnej časti spotrebiča, pretože táto oblasť nie je určená na dotyk a môže obsahovať ostré alebo drsné hrany, ktoré môžu spôsobiť zranenie.
- UPOZORNENIE: Na prípravu jedla musíte vždy dohliadať. Na krátkodobý postup varenia je potrebné dohliadať nepretržite.
- Ak je elektrický napájací kábel poškodený, smie ho vymeniť len autorizovaný servisný pracovník, aby sa zabránilo nebezpečenstvu.

- Ak spotrebič nie je vybavený napájacím káblom a zástrčkou alebo inými prostriedkami na odpojenie od elektrickej siete s oddelením kontaktu vo všetkých póloch, ktoré zabezpečujú úplné odpojenie, za podmienok prepätia kategórie III, pričom prvky na odpojenie musia byť začlenené do pevného káblového vedenia v súlade s pravidlami zapojenia.
- **VAROVANIE:** Počas používania sú spotrebič a jeho dostupné diely horúce.
- Pri používaní dávajte pozor, aby sa predišlo dotyku ohrievacích prvkov. Deti do 8 rokov udržiavajte mimo dosahu alebo ich majte pod neustálym dohľadom.
- **VAROVANIE:** Používajte iba ochranné kryty varných dosiek navrhnuté výrobcom kuchynského spotrebiča alebo uvedené výrobcom spotrebiča v návode na použitie ako vhodné, prípadne použite ochranné kryty varnej dosky zabudované do spotrebiča. Použitie nevhodných ochranných krytov môže spôsobiť nehodu.

ENERGETICKÉ OZNAČOVANIE/EKODIZAJN

- Nariadenie Komisie (EÚ) č. 66/2014 (ktorým sa vykonáva smernica Európskeho parlamentu a Rady 2009/125/ES).

Odkaz na metódy merania a výpočtu použité na zistenie zhody s uvedenými požiadavkami:

- Norma EN 60350-2 (varné dosky: elektrické varné zóny a/alebo oblasti).

POUŽÍVANIE SPOTREBIČA, TIPY NA ÚSPORU ENERGIE

ELEKTRICKÉ VARNÉ ZÓNY A/ALEBO PRIESTORY

- Zónu/plochu nenechávajte zapnutú bez toho, aby na nej bola nejaká nádoba (bez hrnce).
- Vyhnite sa nalievaniu kvapalín na zóny/plochy, kým sú horúce.
- Používajte len hrnce a panvice s plochým dnom (typ na elektrickú varnú platňu).
- Používajte nádoby na varenie, ktoré pokrývajú čo najväčšiu plochu povrchu varnej zóny/plochy.
- Ak chcete ušetriť elektrinu, vždy, keď je to možné, použite pokrievky.
- Po zovretí obsahu nádoby znížte teplotu na požadovanú úroveň. Nezabudnite, že varná zóna/plocha bude naďalej produkovať teplo až približne päť minút po vypnutí.

Rady pre technika vykonávajúceho inštaláciu

DÔLEŽITÉ:

- Spotrebič je navrhnutý a schválený len na použitie v domácnosti, nesmie sa inštalovať v komerčnom, polokomerčnom alebo spoločenskom prostredí.
Na váš spotrebič nebude platiť záruka, pokiaľ bude nainštalovaný v ktoromkoľvek z vyššie uvedených prostredí, a mohlo by to ovplyvniť akékoľvek vaše poistenie zodpovednosti voči tretej strane alebo verejné poistenie.
- Tento spotrebič smie nainštalovať, nastaviť a prispôbiť na prevádzku len oprávnená osoba v súlade s platnými miestnymi predpismi a podľa pokynov dodaných výrobcom. Nedodržanie tejto podmienky spôsobí neplatnosť záruky.
- Spotrebič musí byť nainštalovaný v súlade s predpismi platnými vo vašej krajine a v súlade s pokynmi výrobcu.
- Nesprávna inštalácia, za ktorú výrobca nepreberá žiadnu zodpovednosť, môže spôsobiť zranenie alebo poškodenie majetku.
- Na tomto spotrebiči smie vykonávať servis len autorizovaný personál.
- Pred vykonaním akejkoľvek údržby alebo opravy spotrebič vždy odpojte od elektrického napájania.
- **Dôležité: Pri manipulácii so spotrebičom alebo pri jeho čistení sa odporúča používať vhodný ochranný odev/rukavice.**
- Spotrebič sa musí zabudovať do tepelne odolných jednotiek.
- Steny jednotiek nesmú byť vyššie ako pracovná plocha a musia odolávať teplotám 70 °C nad izbovou teplotou.
- Zdôrazňujeme, že lepidlo, ktoré spája plastový laminát s nábytkom, musí vydržať teploty najmenej 150 °C, aby sa zabránilo oddeleniu laminátu.
- Spotrebič neinštalujte do blízkosti horľavých materiálov (napr. záclony).

VAROVANIE!

Ak je výrobok správne nainštalovaný, spĺňa všetky bezpečnostné požiadavky stanovené pre túto kategóriu výrobkov. Osobitnú pozornosť však treba venovať spodnej časti spotrebiča, pretože táto oblasť nie je určená na dotyk a môže obsahovať ostré alebo drsné hrany, ktoré môžu spôsobiť zranenie.

1 INŠTALÁCIA

TECHNICKÉ INFORMÁCIE PRE INŠTALATÉRA

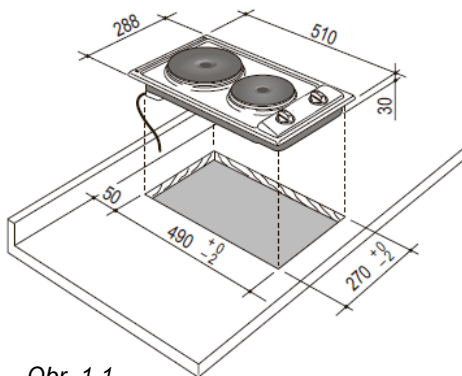
Iba niektoré modely: Pred inštaláciou varnej dosky odstráňte ochrannú fóliu.

Tieto varné dosky sú určené na zabudovanie do kuchynského nábytku s hĺbkou 600 mm a s hrúbkou v rozsahu 30 až 40 mm.

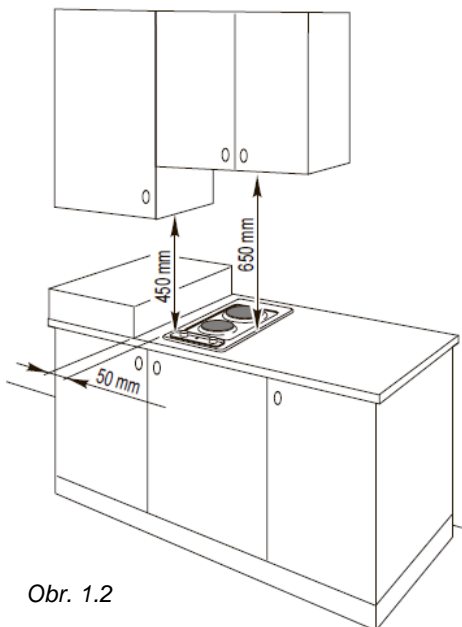
Na inštaláciu hornej časti sporáka do kuchynského nábytku treba urobiť otvor s rozmermi ako na obr. 1.1, pričom treba zväžiť nasledujúce:

- v nábytku musí byť medzi spodnou stranou hornej časti sporáka a horným povrchom akéhokoľvek iného spotrebiča alebo vnútornej police voľný priestor najmenej 30 mm;
- vrchná časť sporáka musí byť umiestnená vo vzdialenosti najmenej 50 mm od ktorejkoľvek bočnej steny (obr. 1.2);
- vrchná časť sporáka sa musí udržiavať vo vzdialenosti najmenej 50 mm od zadnej steny (obr. 1.1);
- medzi varnou doskou a akoukoľvek nástennou skriňou, alebo odsávačom pár umiestneným bezprostredne nad ňou, musí byť vzdialenosť najmenej 650 mm (pozri obr. 1.2);
- nátery stien jednotky alebo spotrebičov v blízkosti varnej dosky musia byť odolné voči teplu.

Spotrebič neinštalujte v blízkosti horľavých materiálov (napr. závesov).



Obr. 1.1

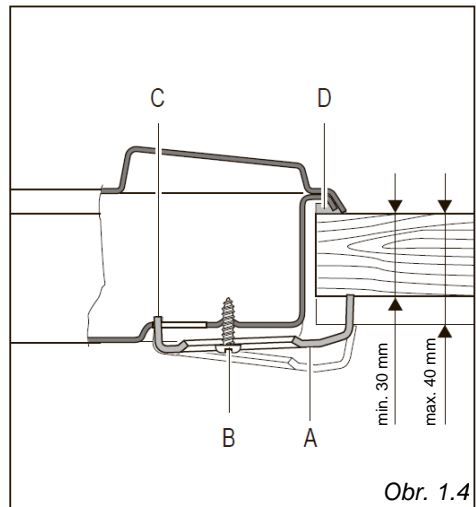
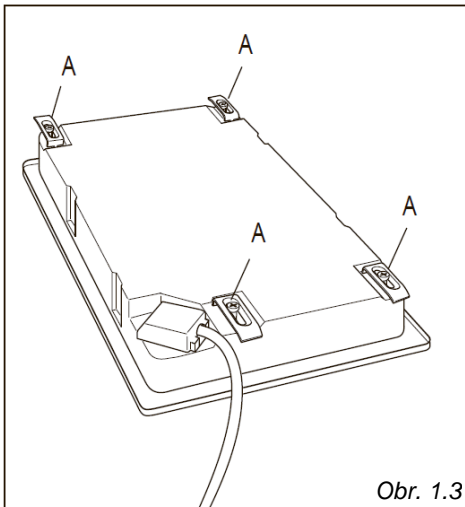


Obr. 1.2

UPEVNIENIE VARNEJ DOSKY

Každá vrchná doska sporáka je vybavená inštalačnou súpravou vrátane konzol a skrutiek na pripevnenie varnej dosky k pracovným doskám s hrúbkou od 30 do 40 mm, obr. 1.3, 1.4.

- Odrežte jednotku.
- Natiahnite tesnenie „D“ cez okraj pripraveného otvoru, pričom dávajte pozor, aby ste prekryli okraje spojov.
- Obráťte varnú dosku a vsuňte zarážky „A“ (obr. 1.3) do držiakov, skrutky „B“ utiahnite iba o niekoľko otáčok.
Uistite sa, že sú západky namontované správne, ako je vidno na obrázku 1.4. Otočte západky tak, aby sa varná doska dala vložiť do otvoru.
- Vložte varnú dosku do otvoru vyrezaného do jednotky a správne ju umiestnite.
- Vložte zarážky „A“ na miesto, výstupok „C“ zarážky by sa mal vsunúť do otvoru.
- Skrutky „B“ utahujte, kým varná doska nebude úplne zaistená.
- Ostrým nástrojom odrežte časť tesnenia „D“, ktorá vyčnieva z varnej dosky. Dávajte pozor, aby ste nepoškodili pracovnú dosku.



DÔLEŽITÉ: Inštalácia sa musí vykonať podľa pokynov výrobcu. Nesprávna inštalácia môže spôsobiť zranenie osôb, zvierat alebo poškodenie predmetov, za ktoré výrobca nepreberá žiadnu zodpovednosť.

Pred vykonaním akejkoľvek práce na elektrickej časti spotrebiča sa spotrebič musí odpojiť od elektrickej siete.

Pripojenie k účinnému uzemňovaciemu systému je absolútne nevyhnutné.

Výrobca nepreberá žiadnu zodpovednosť za žiadne problémy spôsobené nedodržaním tohto pravidla.

Pred vykonaním akejkoľvek práce na elektrickej časti spotrebiča sa spotrebič musí odpojiť od elektrickej siete.

Ak je povrch varnej dosky prasknutý, odpojte spotrebič od elektrickej siete a požiadajte o pomoc popredajné služby.

VŠEOBECNÉ POKYNY

- Pripojenie k elektrickému napájaniu musí vykonať kvalifikovaný technik, ktorý musí dodržiavať príslušné bezpečnostné predpisy.
- Spotrebič musí byť pripojený k elektrickej sieti, pričom treba skontrolovať, či napätie zodpovedá hodnote na typovom štítku, a či časti elektrického kábla vydržia zaťaženie špecifikované na štítku.
- Ak sa varná doska dodáva bez zástrčky, namontujte štandardnú zástrčku, ktorá je vhodná pre príkon spotrebiča a v súlade s platnými miestnymi predpismi.
- Farby vodičov v napájacom kábli spotrebiča nemusia zodpovedať farbám vyznačeným na koncovkách elektrickej zástrčky.

Zástrčka by mala byť vždy zapojená nasledovne:

- pripojte zeleno-žltý vodič ku svorke označenej písmenom **E** alebo symbolom uzemnenia \perp alebo zeleno-žltou farbou;
- pripojte modrý vodič ku koncovke označenej písmenom **N** alebo čiernou farbou;
- pripojte hnedý vodič ku koncovke označenej písmenom **L** alebo červenou farbou.
- Zástrčka sa musí pripojiť do zásuvky pripojenej k uzemňovacej jednotke v súlade s bezpečnostnými normami.
- Ak treba spotrebič pripojiť priamo do elektrickej siete, musí sa medzi spotrebič a elektrickú sieť umiestniť omnipolárny spínač s minimálnou medzerou medzi kontaktmi 3 mm
- Napájací kábel sa nesmie dotýkať horúcich dielov a musí byť umiestnený tak, aby jeho teplota nepresiahla 50 °C nad teplotou okolia.
- Po inštalácii spotrebiča musí byť hlavný vypínač alebo sieťová zástrčka vždy v prístupnej polohe.
- Ak je napájací kábel poškodený, musí sa vymeniť za vhodný kábel dostupný v popredajnom servise.
- Spotrebič musí mať vlastné napájanie, všetky ostatné spotrebiče nainštalované v jeho blízkosti musia byť napájané samostatne.
- **POZN. Na pripojenie k elektrickej sieti nepoužívajte adaptéry, redukory ani rozdvojky, pretože môžu spôsobiť prehriatie a požiar.**

V prípade, že by si inštalácia vyžadovala úpravy káblov elektrickej siete, odporúča sa zavolať kvalifikovaného technika, aby urobil potrebné zmeny.

Technik bude musieť tiež overiť, či prierez elektrických káblov v bode napájania zodpovedá menovitému výkonu spotrebiča.

VÝMENA ELEKTRICKÉHO NAPÁJACIEHO KÁBLA

Dôležité! Tento spotrebič smie pripojiť k napájaniu elektrickou energiou len oprávnená osoba.

VAROVANIE: Ak je elektrický napájací kábel poškodený, smie ho vymeniť len autorizovaný servisný pracovník, aby sa zabránilo nebezpečenstvu.

- Napájací kábel sa musí vymeniť za kábel rovnakého typu.
- Otočte varnú dosku a uvoľnite kryt svorkovnice zasunutím skrutkovača do dvoch háčikov „A“ (obr. 2.1).
- Otvorte káblovú priechodku odskrutkovaním skrutky „F“ (obr. 2.2), odskrutkujte skrutky svorkovnice a vyberte kábel.
- Nový elektrický napájací kábel vhodného typu a prierezu je pripojený ku svorkovnici podľa schémy na obr. 2.3.
- Vytiahnite kábel cez priechodku a zablokujte ho káblovou svorkou.
- Zatvorte kryt svorkovnice (skontrolujte, či sú dva háčiky „A“ správne upevnené).

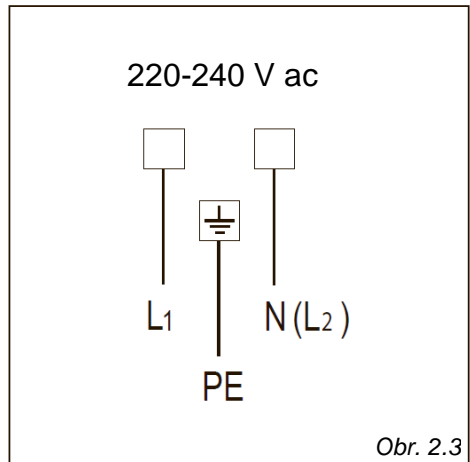
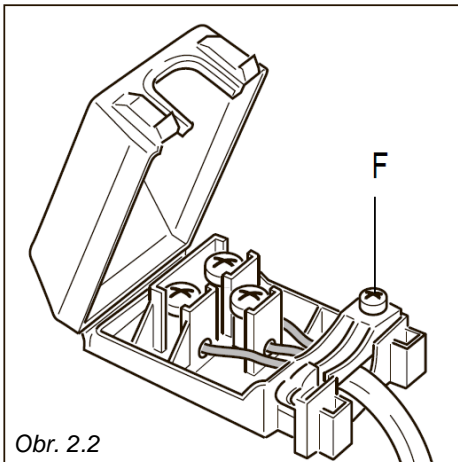
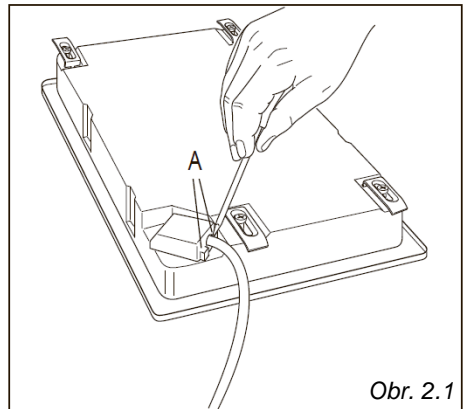
Poznámka: Uzemňovací vodič musí byť o približne 3 cm dlhší ako ostatné vodiče.

PRIEREZ ELEKTRICKÉHO NAPÁJACIEHO KÁBLA TYPU „H05RR-F“ alebo „H05V2V2-F“ (odolnosť voči teplotám 90 °C)

220 - 240 V 50-60 Hz 3 x 1,5 mm² (*) (**)

(*) Možnosť pripojenia k zástrčke a zásuvke

(**) Zapojenie pripojením k nástennej skrinke.

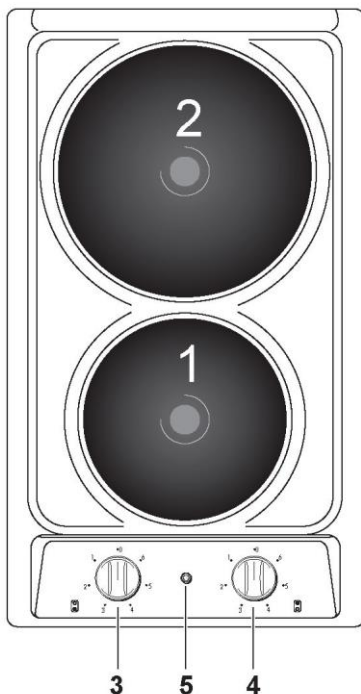


Rady pre používateľov

1

VLASTNOSTI A TECHNICKÉ ÚDAJE

Obr. 1.1



VLASTNOSTI

- Elektrická izolácia I. triedy

VARNÉ BODY

1. Elektrická platňa	Ø 145 mm, (normálna)	1000 W
	Ø 145 mm (rýchla, červená bodka)	1500 W
2. Elektrická platňa	Ø 180 mm, (normálna)	1500 W
	Ø 180 mm (rýchla, červená bodka)	2000 W

OPIS OVLÁDACÍCH PRVKOV

3. Ovládací gombík prednej elektrickej platne
4. Ovládací gombík zadnej elektrickej platne
5. Svetelná kontrolka elektrickej platne

Upozornenie! Varnú dosku nezakrývajte alobalom.

POZNÁMKA: Gombík a symboly sa môžu líšiť.

2 POUŽITIE ELEKTRICKEJ VARNEJ PLATNE/VARNÝCH PLATNÍ

NORMÁLNA VARNÁ PLATŇA

Ak chcete zapnúť normálnu varnú platňu, otočte gombík (obr. 2.1) do požadovanej polohy. Čísllice 1 až 6 označujú pracovné pozície so zvýšením teploty podľa čísla.

Po dosiahnutí bodu varu znížte príkon podľa požadovanej intenzity ohrevu, majte na pamäti, že platňa sa bude ďalej ohrievať počas 5 minút aj po vypnutí.

RÝCHLA VARNÁ PLATŇA (červená bodka)

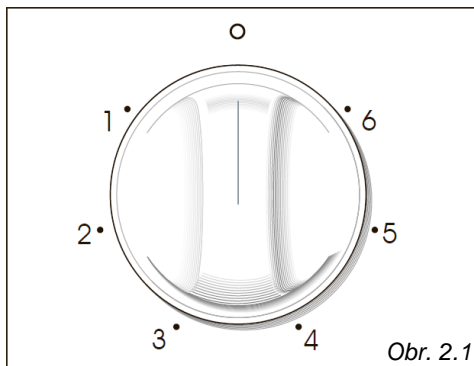
Ovládací gombík rýchlych varných platní je podobný ovládacíemu gombíku normálnej platne so 6 pracovnými polohami (obr. 2.1). Vlastnosti tejto platne vybavenej obmedzovačom tepla, umožňujú:

- rýchle dosahovanie teploty;
- maximálne využívanie príkonu pri použití nádob s plochým dnom;
- obmedzenie príkonu v prípade nevhodných varných nádob.

Nikdy nevarajte jedlo priamo na elektrických varných platniach! Vždy používajte hrniec alebo špeciálnu varnú nádobu.

POZNÁMKA:

Gombík a symboly sa môžu líšiť.



Obr. 2.1

SPRÁVNE POUŽITIE ELEKTRICKEJ VARNEJ PLATNE/VARNÝCH PLATNÍ (obr. 2.2)

Po zovretí obsahu nádoby znížte teplotu na požadovanú úroveň.

Nezabudnite, že varná platňa bude aj naďalej produkovať teplo asi päť minút po jej vypnutí.

Pri používaní elektrickej varnej platne musíte:

- vyhýbajte sa jej zapnutiu bez toho, aby ste na ňu niečo položili;
- vyhýbajte sa vyliatiu kvapalín, kým je horúca;
- používajte len hrnce a panvice s plochým dnom (typ na elektrickú varnú platňu).
- používajte nádoby na varenie, ktoré pokrývajú čo najväčšiu plochu povrchu varnej platne.
- ak chcete ušetriť elektrinu, vždy, keď je to možné, použite pokrievky.

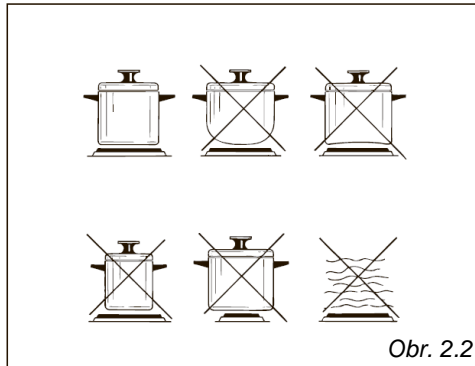
Svetelná kontrolka umiestnená v blízkosti gombíka signalizuje, že varná platňa funguje.

Pozor!

Ak je povrch popraskaný, spotrebič vypnite, aby sa vylúčilo riziko zásahu elektrickým prúdom a zavolajte zákaznický servis.

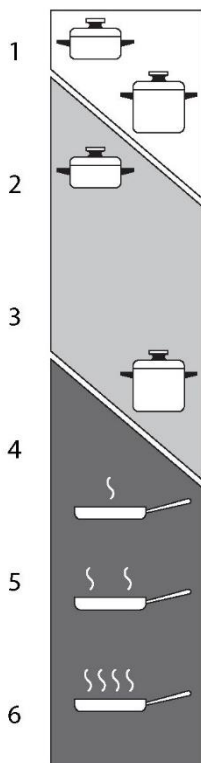
Upozornenie!

Varnú dosku nezakrývajte alobalom.





Obr. 2.2

TABUĽKA POUŽITIA ELEKTRICKEJ VARNEJ PLATNE



 Ohrev

 Varenie

 Smaženie

Nastavenie gombíka	TYP VARENIA
0	VYPNUTÉ
1 2	Na roztápanie (maslo, čokoláda).
2	Na udržanie jedla v teple a na zohriatie malého množstva tekutiny (omáčky, vajcia).
3	Na zahriatie väčšieho množstva; na šľahanie smotany a omáčok (zelenina, ovocie, polievky).
3 4	Pomalé varenie, t.j.: varené mäso, špagety, polievky, pokračovanie varenia na pare, gulášov, zemiakov.
4	Na každý druh smaženia, kotliet, varenie bez pokrievky, t.j.: rizoto.
4 5	Zapečenie mäsa, pečené zemiaky, smažené ryby, omelety a varenie veľkého množstva vody.
6	Rýchle smaženie, grilované steaky atď.

Po krátkom čase používania vás skúsenosti naučia, ktoré nastavenie je najvhodnejšie pre vaše potreby.

Upozornenie!

Varná doska sa počas prevádzky veľmi zohreje.

Uchovávajte deti mimo dosahu.

Obr. 2.3

VŠEOBECNÁ RADA

- Pred začatím čistenia sa musíte uistiť, že spotrebič je vypnutý a odpojený od elektrického napájania.
- Odporúča sa čistiť, keď je spotrebič studený.
- Dávajte pozor, aby sa na povrchy nedostali zásadité ani kyslé látky (citrónová šťava, ocot a pod.).
- Nepoužívajte čistiace prostriedky s chlórrom alebo kyslou bázou.
- **Dôležité:** Pri manipulácii so spotrebičom alebo pri jeho čistení sa odporúča používať vhodný ochranný odev/rukavice.
- Varnú dosku nepoškriabte nožom ani ostrými predmetmi.
- Očistíte povrchy vlhkou handričkou a používajte jemné, neutrálne čistiace prostriedky. Osušte čistou, suchou handričkou.
- **DÔLEŽITÉ:** Nepoužívajte žiadne abrazívne výrobky (napr. určité typy špongií) a/alebo agresívne výrobky (napr. žieravá sóda, výrobky obsahujúce korozívne látky), ktoré by mohli spôsobiť neopraviteľné poškodenie povrchu.

VAROVANIE!

Ak je výrobok správne nainštalovaný, spĺňa všetky bezpečnostné požiadavky stanovené pre túto kategóriu výrobkov. Osobitnú pozornosť však treba venovať spodnej časti spotrebiča, pretože táto oblasť nie je určená na dotyk a môže obsahovať ostré alebo drsné hrany, ktoré môžu spôsobiť zranenie.

Dôležité: Výrobca odmieta akúkoľvek zodpovednosť za možné škody spôsobené používaním nevhodných výrobkov na čistenie spotrebiča.

Pozor! Spotrebič je veľmi horúci, hlavne v okolí varných plôch. Je veľmi dôležité, aby deti pri príprave jedla nezostali v kuchyni samé.

Nepoužívajte parný čistič, pretože vlhkosť sa môže dostať do spotrebiča, čo ohrozí jeho bezpečnosť.

NEHRDZAVEJÚCA OCEĽ, HLINÍKOVÉ DIELY, FARBENÉ A LEŠTENÉ ALEBO POTLAČENÉ PLOCHY

Vyčistite vhodným produktom.

Vždy dôkladne osušte.

DÔLEŽITÉ: tieto diely sa musia čistiť veľmi starostlivo, aby sa nepoškriabali ani neodreli. Odporúčame používať mäkkú handričku a neutrálny saponát.

UPOZORNENIE: Nepoužívajte abrazívne látky ani iné ako neutrálne čistiace prostriedky, pretože by nenapraviteľne poškodili povrch.

SMALTOVANÉ ČASTI

Všetky smaltované časti sa musia čistiť len špongiou a vodou so saponátom alebo inými neabrazívnymi výrobkami.

Osušte najlepšie mikrovláknovou alebo mäkkou handričkou.

Kyslé látky ako citrónová šťava, paradajková omáčka, ocot atď. môžu pri dlhšom pôsobení poškodiť smalt.

ČISTENIE ELEKTRICKÝCH VARNÝCH PLATNÍ

Jedlo pripálené jedlo na varných platniach sa musia vždy čistiť nasucho.

Nepoužívajte vodu, aby sa zabránilo tvorbe hrdze.

Po použití nalejte trochu oleja na teplý tanier a potrite handričkou.

Gentile Cliente,

Grazie per aver acquistato e dato la preferenza al nostro prodotto.

Le precauzioni per la sicurezza e le raccomandazioni riportate di seguito sono per la propria sicurezza e per quella degli altri. Forniranno inoltre un mezzo attraverso il quale sfruttare appieno le funzionalità offerte dal tuo elettrodomestico.

Si prega di conservare questo libretto con cura. Potrebbe essere utile in futuro, sia a te che ad altri nel caso dovessero sorgere dubbi relativi al funzionamento di questo elettrodomestico.

Questo elettrodomestico deve essere utilizzato solo per la funzione per la quale è stato espressamente concepito, cioè per la cottura di alimenti. Ogni altra forma di utilizzo è da considerarsi impropria e quindi pericolosa.

Il produttore declina ogni responsabilità in caso di danni causati da un uso improprio, scorretto o illogico dell'apparecchio.

DICHIARAZIONE DI CONFORMITÀ CE

- Questo elettrodomestico è stato progettato per essere utilizzato solo per la cottura di alimenti. Ogni altro utilizzo (come il riscaldamento di un ambiente) è da considerarsi improprio e pericoloso.
- Questo apparecchio è stato progettato, costruito e messo in commercio nel rispetto di:
 - Requisiti di sicurezza della Direttiva sulla bassa tensione 2014/35/UE;
 - Requisiti di sicurezza della Direttiva "EMC" 2014/30/UE;
 - Requisiti della Direttiva UE 93/68/CEE;
 - Requisiti della Direttiva UE 2011/65/UE.



INFORMAZIONI IMPORTANTI PER IL CORRETTO SMALTIMENTO DEL PRODOTTO AI SENSI DELLA DIRETTIVA CE 2002/96/CE.

(solo per i paesi dell'Unione europea)

Al termine della sua vita utile, il prodotto non deve essere smaltito come rifiuto urbano. Deve essere portato presso un apposito centro di raccolta differenziata comunale o presso un rivenditore che fornisce tale servizio. Smaltire separatamente un elettrodomestico evita possibili conseguenze negative per l'ambiente e la salute derivanti da uno smaltimento inappropriato e consente di recuperare i materiali costituenti per ottenere un notevole risparmio di energia e risorse. Per ricordare la necessità di smaltire separatamente gli elettrodomestici, il prodotto è contrassegnato da un bidone della spazzatura su ruote barrato.



PRECAUZIONI E RACCOMANDAZIONI IMPORTANTI PER LA SICUREZZA

IMPORTANTE: Questo apparecchio è progettato e fabbricato esclusivamente per la cottura di alimenti all'interno di ambienti domestici (uso domestico) e non è adatto per applicazioni non domestiche e pertanto non deve essere utilizzato in un ambiente commerciale.

La garanzia dell'apparecchio sarà annullata se l'elettrodomestico viene utilizzato all'interno di un ambiente non domestico, ad esempio un ambiente semi commerciale, commerciale o comunale.

Leggere attentamente le istruzioni prima di installare e utilizzare l'apparecchio.

- Questo apparecchio è stato progettato e costruito in conformità alle norme vigenti per i prodotti per la cottura in ambiente domestico e soddisfa tutti i requisiti di sicurezza indicati nel presente manuale, compresi quelli relativi alle temperature superficiali.
Le persone con una pelle più sensibile possono avere una percezione della temperatura più pronunciata a contatto con alcuni componenti, sebbene queste parti rientrino nei limiti consentiti dalle norme.
La completa sicurezza dell'apparecchio dipende anche dal corretto utilizzo; si consiglia pertanto di prestare sempre la massima attenzione durante l'uso del prodotto, soprattutto in presenza di bambini.
- Dopo aver disimballato l'apparecchio, controllare che non sia danneggiato.
In caso di dubbio non utilizzarlo e consultare il proprio fornitore o un tecnico professionalmente qualificato.
- Gli elementi dell'imballaggio (ad es. buste di plastica, polistirolo espanso, chiodi, fascette di imballaggio, ecc.) devono essere tenuti fuori dalla portata dei bambini, in quanto potrebbero causare lesioni gravi.
- Alcuni apparecchi sono forniti con una pellicola protettiva sulle parti in acciaio e alluminio. **Questa pellicola deve essere rimossa prima di utilizzare l'apparecchio.**

- **IMPORTANTE:** Quando si maneggia o si pulisce questo apparecchio, si raccomanda l'uso di indumenti/guanti protettivi adeguati.
- Non tentare di modificare le caratteristiche tecniche dell'apparecchio in quanto ciò potrebbe comportare pericoli durante l'utilizzo. Il produttore declina ogni responsabilità per eventuali inconvenienti derivanti dall'inosservanza di questa condizione.
- **ATTENZIONE:** questo apparecchio deve essere installato solo in un locale permanentemente ventilato nel rispetto delle normative vigenti.
- Non azionare l'apparecchio mediante un timer esterno o un sistema di controllo remoto separato.
- Non effettuare operazioni di pulizia o manutenzione sull'apparecchio senza averlo preventivamente scollegato dall'alimentazione elettrica.
- Non utilizzare elettrodomestici per la pulizia a vapore perché l'umidità può penetrare nell'apparecchio rendendolo quindi pericoloso.
- Non coprire il piano cottura con carta stagnola.
- Non toccare l'elettrodomestico con mani o piedi umidi o bagnati.
- Indossare sempre scarpe, quando si utilizza l'apparecchio.
- Qualora si decida di non utilizzare più questo apparecchio (o si decida di sostituirlo con un altro modello), prima di smaltirlo, si raccomanda di metterlo fuori servizio in modo adeguato in conformità alle norme di tutela della salute e dell'ambiente, assicurandosi in particolare di rendere innocue tutte le parti potenzialmente pericolose, soprattutto nei confronti dei bambini che potrebbero giocare con apparecchi inutilizzati.
- L'apparecchio è caratterizzato da componenti riciclabili. Smaltirli secondo le normative vigenti nel proprio paese. Se l'apparecchio deve essere rottamato, rimuovere il cavo di alimentazione.
- Dopo l'utilizzo, assicurarsi che le manopole siano in posizione off.
- Tenere lontani i bambini di età inferiore a 8 anni se non sono sorvegliati continuamente.
- Questo elettrodomestico può essere utilizzato da bambini di almeno 8 anni, da persone con ridotte capacità fisiche, sensoriali o mentali e da persone inesperte solo sotto stretta sorveglianza o se hanno

appreso le modalità di utilizzo sicuro dell'elettrodomestico e sono consapevoli dei relativi pericoli. Impedire ai bambini di giocare con l'elettrodomestico. La pulizia e la manutenzione non devono essere effettuate da bambini non sorvegliati.

- Il produttore declina ogni responsabilità per danni a persone o cose causati da un uso non corretto o improprio dell'apparecchio.
- **AVVERTENZA:** Durante l'utilizzo l'apparecchio e le sue parti accessibili diventano calde e lo rimangono anche qualche tempo dopo l'uso.
 - Non toccare le resistenze sul piano cottura.
 - Per evitare ustioni e scottature, tenere lontani i bambini più piccoli.
- Assicurarsi che i cavi elettrici che collegano altri apparecchi in prossimità del piano cottura non entrino in contatto con il piano cottura.
- **AVVERTENZA:** la cottura con oli o grassi può essere pericolosa e può causare incendi se il piano cottura rimane incustodito. In caso di incendio, non provare MAI a estinguerlo con l'acqua; spegnere l'elettrodomestico e coprire la fiamma con un coperchio o una coperta antincendio.
- **AVVERTENZA:** per evitare il rischio di incendi, non collocare oggetti sulle superfici di cottura.
- Non appoggiare o lasciare pentole vuote sul piano in vetroceramica.
- Non graffiare il piano di cottura con oggetti appuntiti. Non utilizzare il piano cottura come piano di lavoro.
- **AVVERTENZA:** Se il piano di cottura è incrinato o danneggiato in altro modo dalla caduta di oggetti, ecc., scollegare l'apparecchio dall'alimentazione elettrica per evitare eventuali scosse elettriche e chiamare l'assistenza clienti.
- **AVVERTENZA:** Se correttamente installato, questo elettrodomestico soddisfa tutti i requisiti di sicurezza previsti per questo tipo di categoria di prodotto. Tuttavia, è necessario prestare particolare attenzione alla parte inferiore dell'apparecchio, poiché quest'area non è progettata o destinata ad essere toccata e potrebbe avere bordi taglienti o ruvidi, che potrebbero causare lesioni.

- **ATTENZIONE:** Il processo di cottura deve essere controllato continuamente. Un processo di cottura breve deve essere sorvegliato costantemente.
- Per evitare l'insorgere di pericoli, se danneggiato, il cavo di alimentazione deve essere sostituito solo da un tecnico dell'assistenza autorizzato.
- Se l'elettrodomestico è sprovvisto del cavo di alimentazione e della spina o di altri mezzi di scollegamento dalla rete elettrica con separazione dei contatti in tutti i poli che consentano lo scollegamento totale in condizioni di sovratensione di categoria III, i mezzi di scollegamento devono essere incorporati nel cablaggio fisso in conformità alle norme sui cablaggi.
- **AVVERTENZA:** l'elettrodomestico e i componenti accessibili diventano molto caldi durante l'uso.
Non toccare le resistenze. Tenere lontani i bambini di età inferiore a 8 anni se non sono sorvegliati continuamente.
- **AVVERTENZA:** utilizzare solo le protezioni per il piano cottura progettate dal produttore dell'elettrodomestico da cucina o indicate dal produttore dell'elettrodomestico nelle istruzioni per l'uso come protezioni idonee o incorporate nell'elettrodomestico.
L'uso di protezioni inadeguate può causare incidenti.

ETICHETTATURA ENERGETICA/ECODESIGN

- Regolamento (UE) n. 66/2014 della Commissione (che attua la direttiva 2009/125/CE del Parlamento e del consiglio europeo).

Riferimento ai metodi di misurazione e calcolo utilizzati per stabilire la conformità ai requisiti di cui sopra:

- Norma EN 60350-2 (piani cottura: zone e/o aree cottura elettriche).

UTILIZZO DELL'APPARECCHIO, CONSIGLI PER IL RISPARMIO ENERGETICO

ZONE E/O AREE COTTURA ELETTRICHE

- È necessario evitare di tenere accesa un'area/una zona senza che vi sia un oggetto poggiato sopra (senza pentola).
- Evitare di versare liquidi sulle zone/aree mentre sono calde.
- Utilizzare solo pentole e padelle a fondo piatto (tipo piastra elettrica).
- Utilizzare recipienti di cottura che coprano quanto più possibile la superficie della zona/area di cottura.
- Per risparmiare elettricità, utilizzare i coperchi quando possibile.
- Quando la padella raggiunge la temperatura di ebollizione, abbassare la fiamma al livello desiderato. Ricordare che la zona/area di cottura continuerà a generare calore per circa cinque minuti dopo essere stata spenta.

Consigli per l'installatore

IMPORTANTE:

- L'apparecchio è progettato e approvato esclusivamente per uso domestico e non deve essere installato in un ambiente commerciale, semicommerciale o comunale.
La garanzia verrà considerata invalida se il prodotto viene installato in uno degli ambienti di cui sopra; il mancato rispetto di questa condizione potrebbe influire su eventuali assicurazioni di responsabilità civile o di terze parti.
- Questo apparecchio deve essere installato, regolato e adattato al funzionamento solo da una persona autorizzata in conformità con le normative locali vigenti e in osservanza delle istruzioni fornite dal produttore.
Il mancato rispetto di questa condizione renderà nulla la garanzia.
- L'apparecchio deve essere installato in conformità alle normative vigenti nel proprio paese e nel rispetto delle istruzioni del produttore.
- Un'errata installazione, per la quale il produttore declina ogni responsabilità, può causare lesioni personali o danni.
- Questo apparecchio deve essere riparato solo da personale autorizzato.
- Scollegare sempre l'apparecchio dalla rete elettrica prima di eseguire qualsiasi operazione di manutenzione o riparazione.
- **Importante: Quando si maneggia o si pulisce questo apparecchio, si raccomanda l'uso di indumenti/guanti protettivi adeguati.**
- **L'apparecchio deve essere incassato in unità resistenti al calore.**
- **Le pareti delle unità non devono essere più alte del piano di lavoro e devono essere in grado di resistere a temperature maggiori di 70°C rispetto alla temperatura ambiente.**
- **Si precisa che l'adesivo che lega il laminato plastico al mobile deve resistere a temperature non inferiori a 150°C per evitare la delaminazione.**
- **Non installare l'elettrodomestico vicino a materiali infiammabili (ad es. tende).**

AVVERTENZA!

Se correttamente installato, questo elettrodomestico soddisfa tutti i requisiti di sicurezza previsti per questo tipo di categoria di prodotto. Tuttavia, è necessario prestare particolare attenzione alla parte inferiore dell'apparecchio, poiché quest'area non è progettata o destinata ad essere toccata e potrebbe avere bordi taglienti o ruvidi, che potrebbero causare lesioni.

INFORMAZIONI TECNICHE PER L'INSTALLATORE

Solo alcuni modelli: Prima di installare il piano cottura, rimuovere la pellicola protettiva.

Questi piani cottura sono progettati per essere incassati nei mobili della cucina con una profondità di 600 mm e uno spessore che va da 30 a 40 mm.

Per installare il piano cottura nel mobile della cucina è necessario un foro delle dimensioni indicate dalla fig. 1.1, tenendo presente quanto segue:

- all'interno del mobile, tra la parte inferiore del piano cottura e la superficie superiore di qualsiasi altro elettrodomestico o ripiano interno deve esserci uno spazio libero di almeno 30 mm;
- il piano cottura deve essere tenuto a non meno di 50 mm da qualsiasi parete laterale (fig. 1.2);
- il piano cottura deve essere mantenuto ad una distanza non inferiore a 50 mm dalla parete posteriore (fig. 1.1);
- Tra il piano di cottura e l'eventuale pensile o cappa posizionata immediatamente sopra deve esserci una distanza di almeno 650 mm (vedi fig. 1.2);
- i rivestimenti delle pareti dell'unità o degli elettrodomestici in prossimità del piano cottura devono essere resistenti al calore.

Non installare l'apparecchio vicino a materiali infiammabili (ad es. tende).

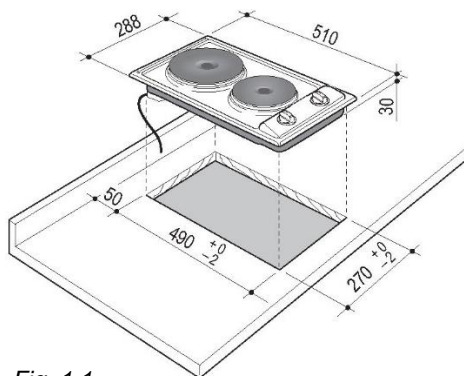


Fig. 1.1

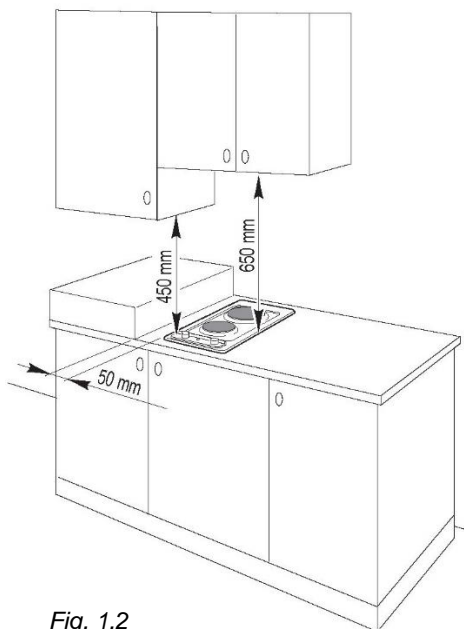


Fig. 1.2

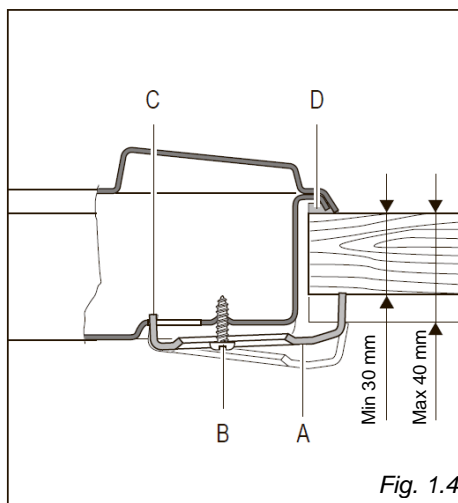
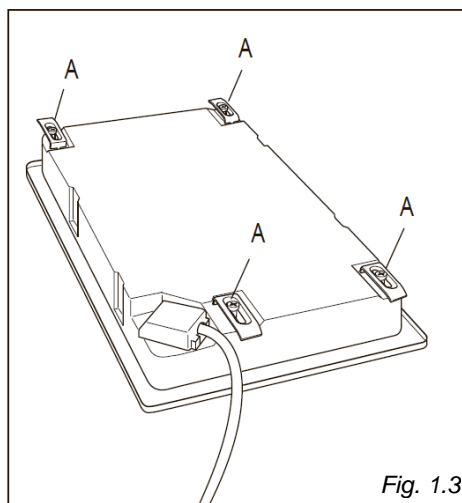
FISSAGGIO DEL PIANO COTTURA

Ogni piano cottura viene fornito con un kit di installazione comprensivo di staffe e viti per il fissaggio del piano a pannelli di fissaggio da 30 a 40 mm di spessore, fig. 1.3, 1.4.

- Tagliare l'unità.
- Stendere la guarnizione "D" oltre il bordo del foro praticato, prestando attenzione a ricoprire i bordi di giunzione.
- Capovolgere il piano cottura e inserire le linguette "A" (fig. 1.3) negli attacchi, serrare le viti "B" solo di pochi giri.

Assicurarsi che le linguette siano montate correttamente come mostrato nella figura 1.4. Ruotare le linguette in modo che il piano di cottura possa essere inserito nel foro.

- Inserire il piano cottura nel foro praticato nell'unità e posizionarlo correttamente.
- Porre le linguette "A" in posizione; il dente "C" delle linguette dovrebbe entrare nel foro.
- Serrare le viti "B" fino al completo fissaggio del piano cottura.
- Con un utensile appuntito tagliare la parte di guarnizione "D" che sporge dal piano cottura. Prestare attenzione a non danneggiare il piano di lavoro.



IMPORTANTE: L'installazione deve essere eseguita secondo le istruzioni del produttore. Un'errata installazione potrebbe causare danni a persone, animali o cose, per i quali il produttore declina ogni responsabilità.

Prima di eseguire qualsiasi intervento sulla sezione elettrica dell'apparecchio, è necessario scollegarlo dalla rete elettrica.

Il collegamento a un buon impianto di messa a terra è di fondamentale importanza.

Il produttore declina ogni responsabilità per eventuali inconvenienti causati dal mancato rispetto di questo obbligo.

Prima di eseguire qualsiasi intervento sulla sezione elettrica dell'apparecchio, è necessario scollegarlo dalla rete elettrica.

Se la superficie del piano cottura presenta crepe, scollegare l'apparecchio dalla rete elettrica e contattare il servizio post-vendita.

INFORMAZIONI GENERALI

- Il collegamento alla rete elettrica deve essere effettuato da un tecnico qualificato e secondo le norme di sicurezza appropriate.
- L'apparecchio deve essere collegato alla rete controllando che la tensione corrisponda a quella specificata sulla targhetta e che le sezioni dei cavi elettrici siano in grado di sopportare il carico indicato sulla targhetta.
- Se il piano viene fornito sprovvisto di spina, montare una spina standard idonea alla potenza assorbita dall'apparecchio e conforme alle norme locali vigenti.
- I colori dei fili del cavo di alimentazione dell'apparecchio potrebbero non corrispondere ai colori contrassegnati sui morsetti della spina elettrica.

La spina deve essere sempre cablata come segue:

- collegare il filo verde/giallo al morsetto contrassegnato dalla lettera **E** o dal

simbolo di terra \perp o dal colore verde/giallo;

- collegare il filo blu al morsetto contrassegnato dalla lettera **N** o dal colore nero;
- collegare il filo marrone al morsetto contrassegnato dalla lettera **L** o dal colore rosso.
- La spina deve essere collegata ad una presa connessa all'unità di messa a terra in conformità alle norme di sicurezza.
- Se l'apparecchio deve essere collegato direttamente alla rete, deve essere dotato di un interruttore onnipolare con apertura minima tra i contatti di 3 mm tra l'apparecchio e la rete
- Il cavo di alimentazione non deve entrare a contatto con parti calde e deve essere posizionato in modo che non superi di 50°C la temperatura ambiente.
- Una volta installato l'apparecchio, l'interruttore di alimentazione o la spina di alimentazione devono trovarsi sempre in posizione accessibile.
- Se risulta danneggiato, il cavo di alimentazione deve essere sostituito con un cavo idoneo disponibile presso il servizio post-vendita.
- L'apparecchio deve disporre di un'alimentazione propria; eventuali altri apparecchi installati nelle vicinanze devono avere un'alimentazione separata.
- **N.B. Per il collegamento alla rete non utilizzare adattatori, riduttori o dispositivi di derivazione, in quanto possono causare surriscaldamenti e incendi.**

Nel caso in cui l'installazione richieda modifiche all'impianto elettrico di alimentazione, si consiglia di far intervenire un tecnico qualificato per la sostituzione. Il tecnico dovrà inoltre verificare che la sezione dei cavi elettrici sulla presa di corrente corrisponda alla potenza dell'apparecchio.

SOSTITUZIONE DEL CAVO DI ALIMENTAZIONE

Importante! Questo apparecchio deve essere collegato alla rete elettrica solo da una persona autorizzata.

AVVERTENZA: Se danneggiato, per evitare l'insorgere di pericoli, il cavo di alimentazione deve essere sostituito solo da un tecnico dell'assistenza autorizzato.

- Il cavo di alimentazione deve essere sostituito con un cavo dello stesso tipo.
- Capovolgere il piano cottura e sganciare il coperchio della morsetteria inserendo un cacciavite nei due ganci "A" (fig. 2.1).
- Aprire il pressacavo svitando la vite "F" (fig. 2.2); svitare le viti dei morsetti e togliere il cavo.
- Il nuovo cavo di alimentazione, di tipo e sezione adeguata, viene collegato alla morsetteria seguendo lo schema riportato nella fig. 2.3.
- Tirare il cavo di alimentazione e bloccarlo con il pressacavo.
- Richiudere il coperchio della morsetteria (verificare che i due ganci "A" siano correttamente fissati).

Nota: Il conduttore di terra deve essere circa 3 cm più lungo degli altri.

SEZIONE DEL CAVO DI ALIMENTAZIONE TIPO "H05RR-F" o "H05V2V2-F" (resistente a temperature di 90°C)

220 - 240 V 50-60 Hz 3 x 1,5 mm² (*) (**)

(*) Collegamento possibile con spina e presa

(**) Collegamento con cassetta a muro.

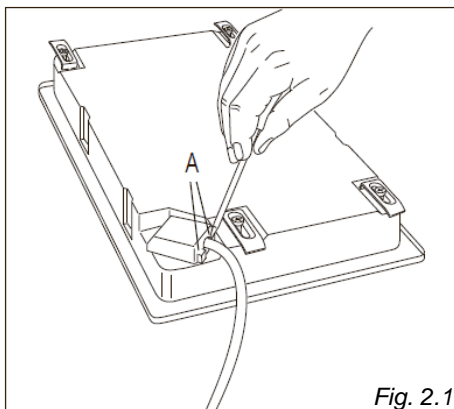


Fig. 2.1

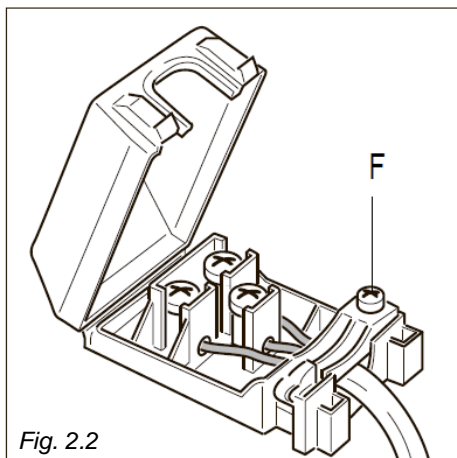


Fig. 2.2

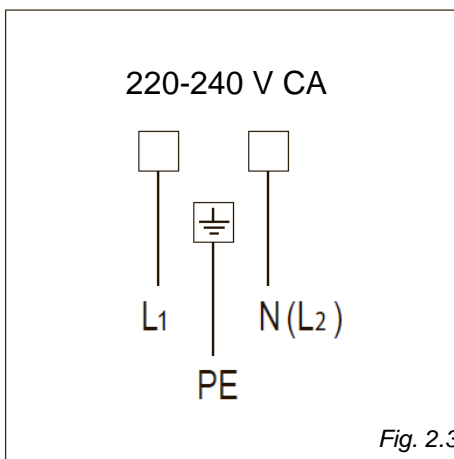
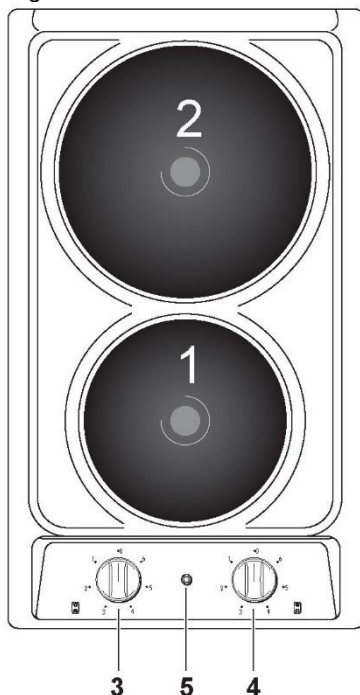


Fig. 2.3

Consigli per gli utenti

Fig. 1.1



FUNZIONI

- Isolamento elettrico classe I.

PUNTI DI COTTURA

1. Piastra elettrica	Ø 145 mm, (normale)	1000 W
	Ø 145 mm (rapido, punto rosso)	1500 W
2. Piastra elettrica	Ø 180 mm, (normale)	1500 W
	Ø 180 mm (rapido, punto rosso)	2000 W

DESCRIZIONE DEI COMANDI

3. Manopola comando piastra elettrica anteriore
4. Manopola comando piastra elettrica posteriore
5. Spia piastra elettrica

Attenzione! Non coprire il piano cottura con carta stagnola.

NOTA: La manopola e i simboli possono variare.

PIASTRA NORMALE

Per accendere la piastra normale, ruotare la manopola (fig. 2.1) nella posizione desiderata; i numeri da **1** a **6** indicano le posizioni di lavoro con l'aumento della temperatura in base al numero.

Raggiunto il punto di ebollizione, ridurre l'immissione in base all'intensità di riscaldamento desiderata, tenendo presente che la piastra continuerà a scaldare per 5 minuti dopo essere stata spenta.

PIASTRA RAPIDA (punto rosso)

La manopola di comando delle piastre rapide è simile a quella di una normale piastra con 6 posizioni di lavoro (fig. 2.1). Le caratteristiche di questa piastra, dotata di limitatore di calore, consentono di:

- raggiungere rapidamente la temperatura;
- sfruttare al massimo l'alimentazione con pentole a fondo piatto;
- limitare l'alimentazione in caso di pentole non idonee.

Non cucinare mai gli alimenti direttamente sulle piastre elettriche! Utilizzare sempre una casseruola o un apposito contenitore.

NOTA:

La manopola e i simboli possono variare.

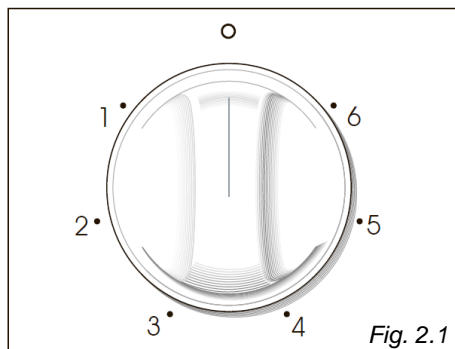


Fig. 2.1

UTILIZZO CORRETTO DELLE PIASTRE ELETTRICHE (fig. 2.2)

Quando la padella raggiunge la temperatura di ebollizione, abbassare la fiamma al livello desiderato.

Ricordare che la piastra continuerà a generare calore per circa cinque minuti dopo essere stata spenta.

Durante l'utilizzo della piastra elettrica è necessario:

- evitare di tenerla accesa senza un utensile da cucina poggiato sopra;
- evitare di versarvi sopra liquidi mentre è calda;
- utilizzare solo pentole e padelle a fondo piatto (tipo piastra elettrica);
- utilizzare recipienti di cottura che coprano quanto più possibile la superficie della piastra;
- per risparmiare elettricità, utilizzare i coperchi quando possibile.

Una spia luminosa posta vicino alla manopola segnala che la piastra è in funzione.

Attenzione!

Se la superficie è incrinata, spegnere l'elettrodomestico per evitare il rischio di scosse elettriche e chiamare l'assistenza clienti.

Attenzione!

Non coprire il piano cottura con carta stagnola.

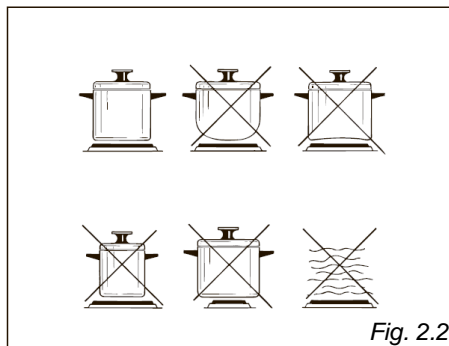
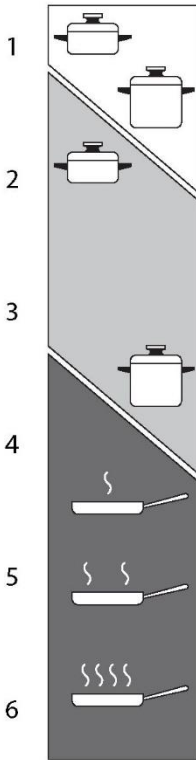



Fig. 2.2

TABELLA DI UTILIZZO DELLA PIASTRA ELETTRICA



 Riscaldamento

 Cottura

 Arrosti-frittura

Regolazione della manopola	TIPO DI COTTURA
0	Spenta
1 2	Per fusione (burro, cioccolato).
2	Per mantenere i cibi caldi e riscaldare piccole quantità di liquidi (salse, uova).
3	Per riscaldare maggiori quantità; per montare creme e salse (verdure, frutta, zuppe).
3 4	Bollitura lenta, ad es.: bolliti, spaghetti, zuppe, continuazioni di cotture a vapore di arrostiti, stufati, patate.
4	Per ogni tipo di frittura, cotolette, cotture scoperte, ad es.: risotti.
4 5	Per rosolare carni, patate arrostiti, frittate di pesce, frittate e per bollire grandi quantità di acqua.
6	Fritture veloci, bistecche alla griglia, ecc.

Dopo un breve periodo di utilizzo, l'utente sarà in grado di capire quale impostazione risulterà la più adeguata per le proprie esigenze di cottura.

Attenzione!

Il piano cottura diventa molto caldo durante il funzionamento.

Tenere fuori dalla portata dei bambini.

Fig. 2.3

CONSIGLI GENERICI

- **Prima di iniziare la pulizia, è necessario assicurarsi che l'apparecchio sia spento e scollegato dall'alimentazione elettrica.**
- Si consiglia di svolgere la pulizia quando l'apparecchio è freddo.
- Evitare di lasciare sulle superfici sostanze alcaline o acide (succo di limone, aceto ecc.).
- Evitare l'uso di prodotti per la pulizia a base di cloro o acidi.
- **Importante: Quando si maneggia o si pulisce questo apparecchio, si raccomanda l'uso di indumenti/guanti protettivi adeguati.**
- **Non graffiare il piano cottura con oggetti taglienti o appuntiti.**
- Pulire le superfici con un panno umido e utilizzare prodotti per la pulizia delicati e neutri. Asciugare con un panno pulito e asciutto.
- **IMPORTANTE:** Non utilizzare prodotti abrasivi (es. alcuni tipi di spugna) e/o aggressivi (es. soda caustica, prodotti contenenti sostanze corrosive) che potrebbero danneggiare irrimediabilmente la superficie.

AVVERTENZA!

Se correttamente installato, questo elettrodomestico soddisfa tutti i requisiti di sicurezza previsti per questo tipo di categoria di prodotto. Tuttavia, è necessario prestare particolare attenzione alla parte inferiore dell'apparecchio, poiché quest'area non è progettata o destinata ad essere toccata e potrebbe avere bordi taglienti o ruvidi, che potrebbero causare lesioni.

Importante: Il produttore declina ogni responsabilità per eventuali danni causati dall'utilizzo di prodotti non idonei per la pulizia dell'apparecchio.

Attenzione! L'apparecchio diventa molto caldo, soprattutto attorno alle zone di cottura. È molto importante che i bambini non vengano lasciati soli quando si cucina.

Non utilizzare elettrodomestici per la pulizia a vapore perché l'umidità può penetrare nell'apparecchio rendendolo quindi pericoloso.

ACCIAIO INOX, PARTI IN ALLUMINIO, SUPERFICI VERNICIATE E SERIGRAFIATE

Effettuare la pulizia utilizzando un prodotto appropriato.

Asciugare sempre accuratamente.

IMPORTANTE: queste parti devono essere pulite molto accuratamente per evitare graffi e abrasioni. Si consiglia di utilizzare un panno morbido e sapone neutro.

ATTENZIONE: Non utilizzare sostanze abrasive o detersivi non neutri in quanto danneggerebbero irrimediabilmente la superficie.

PARTI SMALTATE

Tutte le parti smaltate devono essere pulite con una spugna e acqua saponata o altri prodotti non abrasivi.

Asciugare preferibilmente con un panno in microfibra o morbido.

Se lasciate troppo a lungo, sostanze acide come succo di limone, passata di pomodoro, aceto ecc. possono danneggiare lo smalto.

PULIZIA PIASTRE ELETTRICHE

Gli alimenti bruciati sulle piastre riscaldanti devono essere sempre puliti e asciutti.

Per evitare la formazione di ruggine, non utilizzare acqua.

Dopo l'utilizzo, versare un filo d'olio sulla piastra calda e strofinare con un panno.



Cod. 1106529 - B0

GB

The manufacturer will not be responsible for any inaccuracy resulting from printing or transcript errors contained in this brochure. We reserve the right to carry out modifications to products as required, including the interests of consumption, without prejudice to the characteristics relating to safety or function.

CS

Výrobce nenese odpovědnost za žádné nepřesnosti vzniklé v důsledku chyb při tisku nebo přepisu této brožury. Vyhrazujeme si právo provádět úpravy výrobků podle potřeby, včetně úprav v zájmu spotřeby, aniž by byly dotčeny charakteristiky týkající se bezpečnosti nebo funkčnosti.

FR

Le fabricant n'est pas responsable des inexactitudes liées à des erreurs d'impression ou de transcription contenues dans cette brochure. Nous nous réservons le droit de modifier les produits si cela s'avère nécessaire, notamment dans l'intérêt de la consommation, sans compromettre pour autant les caractéristiques de sécurité ou de fonctionnement.

HR

Proizvođač ne snosi odgovornost za netočnosti koje su rezultat tiskarske pogreške ili pogrešaka u prijepisu ove brošure. Zadržavamo pravo da, po potrebi, izmijenimo proizvod uključujući interese potrošačke, ne dovodeći u pitanje svojstva u vezi sa sigurnosti ili funkcioniranjem.

PT

O fabricante não pode ser responsabilizado por qualquer imprecisão que resulte de erros de impressão ou transcrição nesta brochura. Reservamo-nos o direito de efetuar modificações a produtos conforme necessário, incluindo os interesses de consumo, sem prejuízo das características relacionadas com a segurança ou funcionamento.

RO

Producătorul nu va fi responsabil pentru nicio inexactitate care rezultă din erorile de imprimare sau transcriere cuprinse în această broșură. Ne rezervăm dreptul de a opera modificări asupra produselor, după caz, inclusiv a intereselor de consum, fără a prejudicia caracteristicile aferente siguranței sau funcționării.

SK

Výrobca nezodpovedá za nepresnosti vyplývajúce z tlačových alebo prepisových chýb uvedených v tejto príručke. Vyhradzujeme si právo vykonať požadované úpravy produktov, vrátane záujmu spotreby bez toho, že by boli dotknuté charakteristiky týkajúce sa bezpečnosti alebo fungovania.

IT

Il produttore non è responsabile di eventuali inesattezze contenute in questo opuscolo dovute a errori di stampa o trascrizione. Il produttore si riserva il diritto di apportare modifiche ai prodotti in base alle esigenze (ad es. gli interessi del consumatore), senza pregiudicare le caratteristiche relative alla sicurezza o il funzionamento.