



EN	Pneumatic Coil Nailer	INSTRUCTION MANUAL	5
SV	Pneumatisk rundbandad spikpistol	BRUKSANVISNING	13
NO	Trykkluftdrevet båndspikerpistol	BRUKSANVISNING	21
FI	Pneumaattinen rullanaulain	KÄYTTÖOHJE	29
LV	Pneimatiskis spoles naglotājs	LIETOŠANAS INSTRUKCIJA	37
LT	Pneumatinis ritininis vinių kalimo įrankis	NAUDOJIMO INSTRUKCIJA	45
ET	Pneumaatiline rullnaelapüstol	KASUTUSJUHEND	53
RU	Пневматический гвоздезабивной пистолет	РУКОВОДСТВО ПО ЭКСПЛУАТАЦИИ	61

WARNING: Please read the instructions and warnings for this tool carefully before use. Failure to do so could lead to serious injury.

WARNING: Läs instruktionerna och varningarna för denna maskin noga innan användning. Om du inte gör det kan det leda till allvarliga personskador.

ADVARSEL: Les nøye gjennom anvisningene og advarslene for verktøyet før bruk. Hvis ikke, kan det føre til alvorlig personskade.

VAROITUS: Lue tämän työkalun käyttöohjeet ja varoitukset huolellisesti läpi ennen työkalun käyttöä. Ohjeen laiminlyönti voi aiheuttaa vakavia tapaturmia.

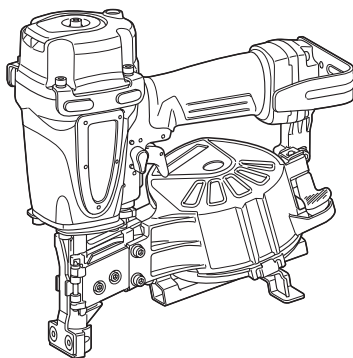
BRĪDINĀJUMS: Pirms izmantošanas rūpīgi izlasiet darbarīka lietošanas norādes un brīdinājumus. Ja tas netiek izdarīts, jūs varat gūt nopietnus ievainojumus.

!SPĒJIMAS: Prieš naudodami atidžiai perskaitykite šio įrankio instrukcijas ir įspėjimus. Antraip galimi sunkūs sužalojimai.

HOIATUS: Tutvuge enne selle tööriista kasutamist põhjalikult juhiste ja hoiatustega. Selle nõude eiramisega võivad kaasneda rasked vigastused.

ОСТОРОЖНО: Перед использованием инструмента внимательно ознакомьтесь со всеми правилами безопасности и инструкциями. Несоблюдение данного требования может привести к серьезным травмам.

AN454



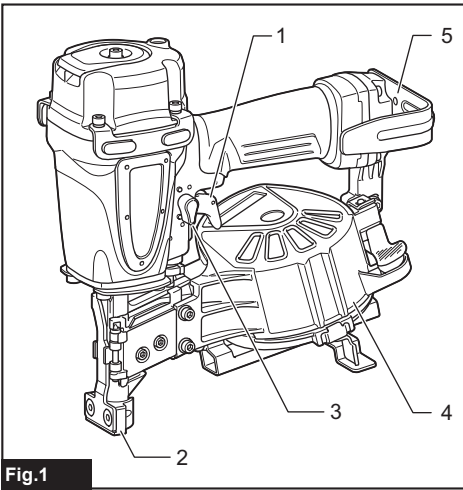


Fig.1

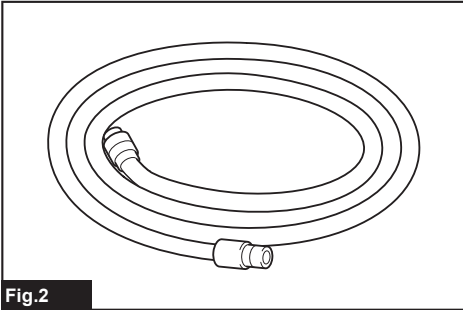


Fig.2

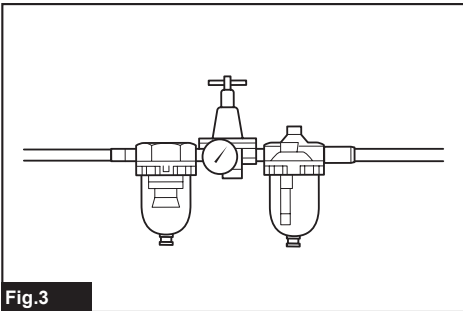


Fig.3

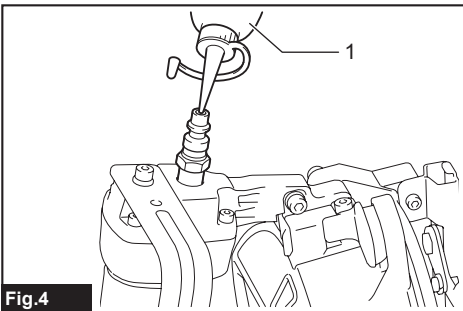


Fig.4

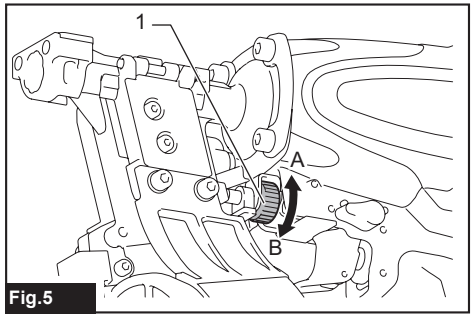


Fig.5

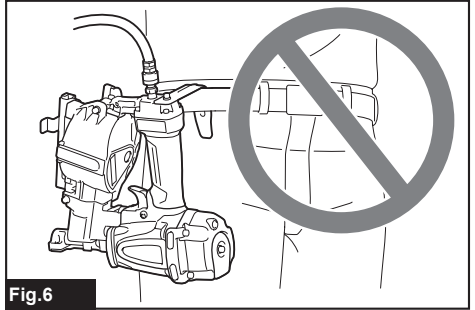


Fig.6

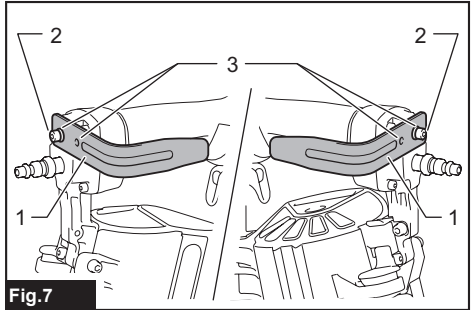
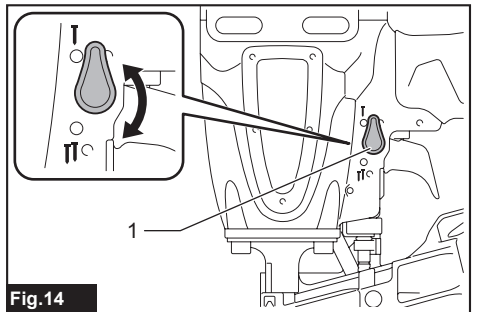
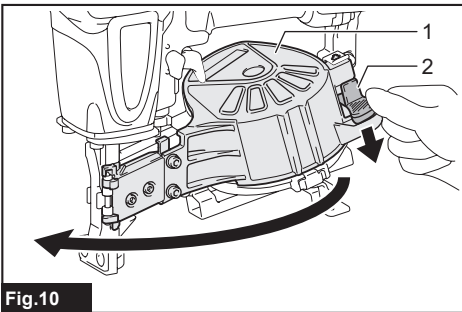
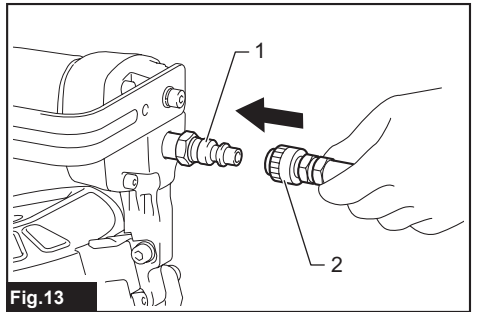
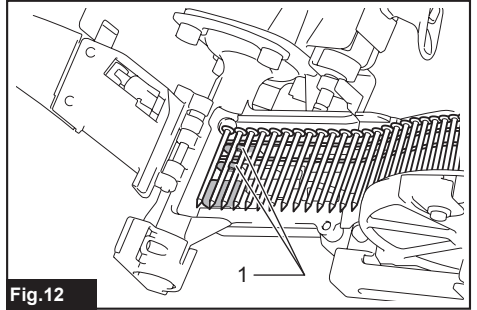
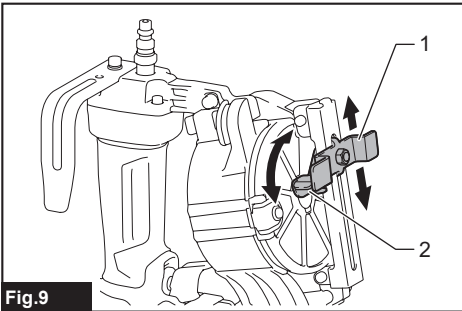
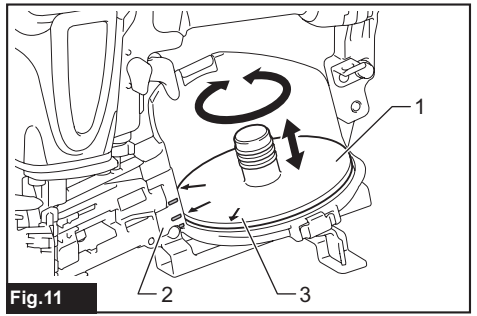
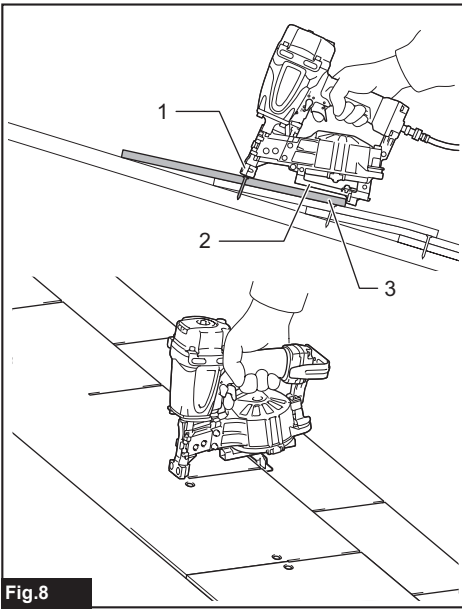


Fig.7



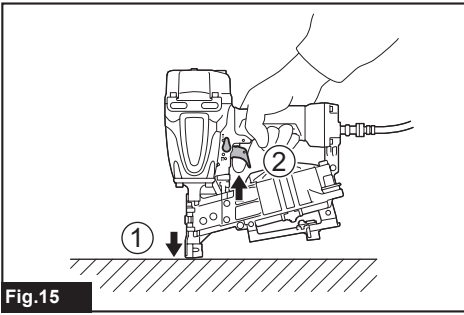


Fig.15

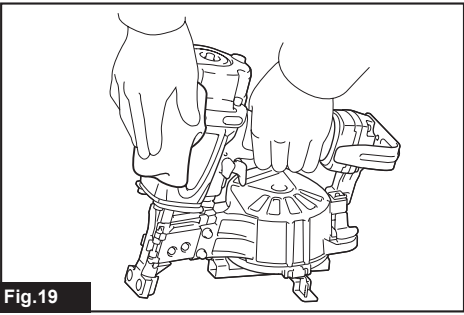


Fig.19

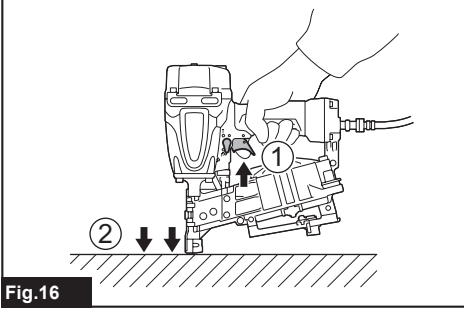


Fig.16

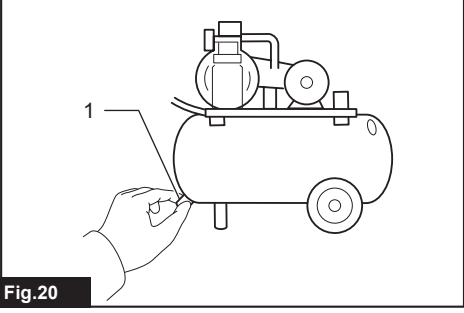


Fig.20

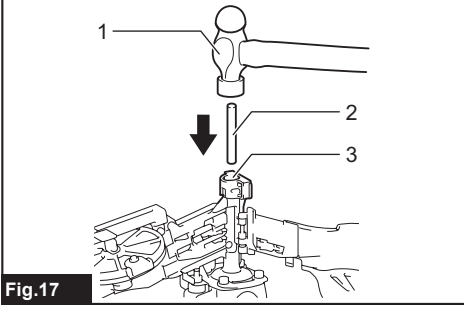


Fig.17

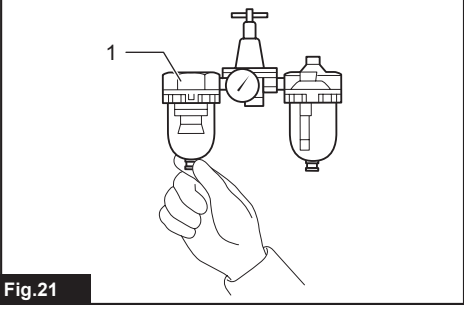


Fig.21

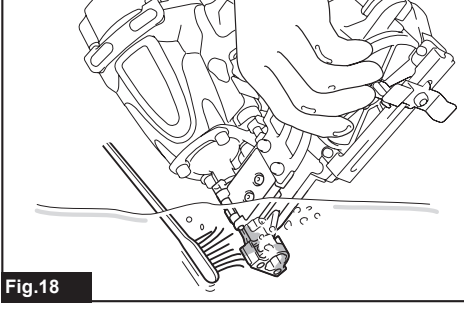


Fig.18

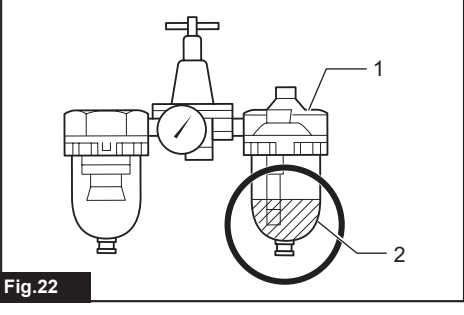


Fig.22

SPECIFICATIONS

Model:		AN454
Air pressure		0.49 - 0.83 MPa (4.9 - 8.3 bar)
Fastener	Type	Wire coil nails (roofing nails)
	Length	19 mm - 45 mm
	Diameter	3.05 mm
Nail capacity		120 pcs.
Pneumatic tool oil		ISO VG32 or equivalent
Minimum hose diameter		6.5 mm
Dimensions (L x W x H)		256 mm x 117 mm x 271 mm
Net weight		2.4 kg

- Due to our continuing program of research and development, the specifications herein are subject to change without notice.
- Specifications may differ from country to country.

Symbols

The following show the symbols used for the equipment. Be sure that you understand their meaning before use.



Read instruction manual.



Wear safety glasses.



Wear ear protection.



The tool has the capability of operating in contact actuation mode.



Do not use on scaffoldings, ladders.

Intended use

The tool is intended for the preliminary interior work such as fixing floor joists or common rafters and framing work in 2" x 4" housing.

The tool is for high-volume professional application only. Do not use it for any other purpose. It is not designed to drive fasteners directly on a hard surface like steel and concrete.

Noise

The typical A-weighted noise level determined according to ISO11148-13(EN12549):

Sound pressure level (L_{pA}) : 102 dB(A)

Sound power level (L_{WA}) : 113 dB (A)

Uncertainty (K) : 1.5 dB(A)

NOTE: The declared noise emission value(s) has been measured in accordance with a standard test method and may be used for comparing one tool with another.

NOTE: The declared noise emission value(s) may also be used in a preliminary assessment of exposure.

⚠ WARNING: Wear ear protection.

⚠ WARNING: The noise emission during actual use of the power tool can differ from the declared value(s) depending on the ways in which the tool is used especially what kind of workpiece is processed.

⚠ WARNING: Be sure to identify safety measures to protect the operator that are based on an estimation of exposure in the actual conditions of use (taking account of all parts of the operating cycle such as the times when the tool is switched off and when it is running idle in addition to the trigger time).

Vibration

The vibration total value determined according to

ISO11148-13(ISO8662-11):

Vibration emission (a_{hv}) : 5.7 m/s²

Uncertainty (K) : 1.5 m/s²

NOTE: The declared vibration total value(s) has been measured in accordance with a standard test method and may be used for comparing one tool with another.

NOTE: The declared vibration total value(s) may also be used in a preliminary assessment of exposure.

⚠WARNING: The vibration emission during actual use of the power tool can differ from the declared value(s) depending on the ways in which the tool is used especially what kind of workpiece is processed.

⚠WARNING: Be sure to identify safety measures to protect the operator that are based on an estimation of exposure in the actual conditions of use (taking account of all parts of the operating cycle such as the times when the tool is switched off and when it is running idle in addition to the trigger time).

EC Declaration of Conformity

For European countries only

The EC declaration of conformity is included as Annex A to this instruction manual.

SAFETY WARNINGS

Pneumatic nailer/stapler safety warnings

⚠WARNING: Read all safety warnings and all instructions. Failure to follow the warnings and instructions may result in serious injury, electric shock and/or fire.

Save all warnings and instructions for future reference.

For personal safety and proper operation and maintenance of the tool, read this instruction manual before using the tool.

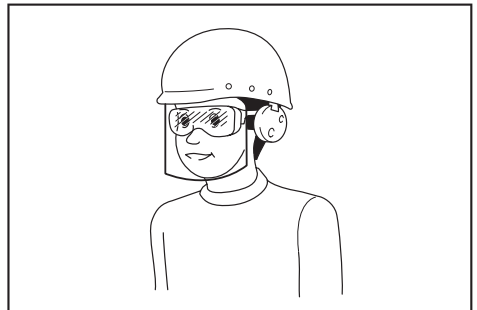
General safety

1. Any other use except for intended use of this tool is forbidden. Fastener driving tools with continual contact actuation or contact actuation shall only be used for production applications.
2. Keep fingers away from trigger when not operating this tool and when moving from one operating position to another.
3. Multiple hazards. Read and understand the safety instructions before connecting, disconnecting, loading, operating, maintaining, changing accessories on, or working near the tool. Failure to do so can result in serious bodily injury.
4. Keep all body parts such as hands and legs etc. away from firing direction and ensure fastener cannot penetrate workpiece into parts of the body.
5. When using the tool, be aware that the fastener could deflect and cause injury.
6. Hold the tool with a firm grasp and be prepared to manage recoil.
7. Only technically skilled operators should use the fastener driving tool.

8. Do not modify the fastener driving tool. Modifications may reduce the effectiveness of safety measures and increase the risks to the operator and/or bystander.
9. Do not discard the instruction manual.
10. Do not use a tool if the tool has been damaged.
11. Be careful when handling fasteners, especially when loading and unloading, as the fasteners have sharp points which could cause injury.
12. Always check the tool before use for broken, misconnected or worn parts.
13. Do not overreach. Only use in a safe working place. Keep proper footing and balance at all times.
14. Keep bystanders away (when working in an area where there is a likelihood of through traffic of people). Clearly mark off your operating area.
15. Never point the tool at yourself or others.
16. Do not rest your finger on the trigger when picking up the tool, moving between operating areas and positions or walking, as resting finger on trigger can lead to inadvertent operation. For tools with selective actuation, always check the tool before use to ascertain the correct mode is selected.
17. Only wear gloves that provide adequate feel and safe control of triggers and any adjusting devices.
18. When resting the tool, lay it down on the flat surface. If you use the hook equipped with the tool, hook the tool securely on the stable surface.
19. Do not operate when under the influence of alcohol, drugs or the like.

Projectile hazards

1. The fastener driving tool shall be disconnected when unloading fasteners, making adjustments, clearing jams or changing accessories.
2. During operation be careful that fasteners penetrate material correctly and cannot be deflected/misfired towards operator and/or any bystanders.
3. During operation, debris from workpiece and fastening/collation system may be discharged.
4. Always wear protective goggles to protect your eyes from injury when using power tools. The goggles must comply with ANSI Z87.1 in the USA, EN 166 in Europe, or AS/NZS 1336 in Australia/New Zealand. In Australia/New Zealand, it is legally required to wear a face shield to protect your face, too.



It is an employer's responsibility to enforce the use of appropriate safety protective equipments by the tool operators and by other persons in the immediate working area.

5. The risks to others shall be assessed by the operator.
6. Be careful with tools without workpiece contact as they can be fired unintentionally and injure operator and/or bystander.
7. Ensure tool is always safely engaged on the workpiece and cannot slip.
8. Wear hearing protection to protect your ears against exhaust noise and head protection. Also wear light but not loose clothing. Sleeves should be buttoned or rolled up. No necktie should be worn.

Operating hazards

1. Hold the tool correctly: be ready to counteract normal or sudden movements such as recoil.
2. Maintain a balanced body position and secure footing.
3. Appropriate safety glasses shall be used and appropriate gloves and protective clothing are recommended.
4. Appropriate hearing protection shall be worn.
5. Use the correct energy supply as directed in the instruction manual.
6. Do not use the tool on moving platforms or back of trucks. Sudden movement of the platform may lose control of the tool and cause injury.
7. Always assume that the tool contains fasteners.
8. Do not rush the job or force the tool. Handle the tool carefully.
9. Watch your footing and maintain your balance with the tool. Make sure there is no one below when working in high locations, and secure the air hose to prevent danger if there is sudden jerking or catching.
10. On rooftops and other high locations, drive fasteners as you move forward. It is easy to lose your footing if you drive fasteners while inching backward. When driving fasteners against perpendicular surface, work from the top to the bottom. You can perform driving operations with less fatigue by doing so.
11. A fastener will be bent or the tool can become jammed if you mistakenly drive fastener on top of another fastener or strike a knot in the wood. The fastener may be thrown and hit someone, or the tool itself can react dangerously. Place the fasteners with care.
12. Do not leave the loaded tool or the air compressor under pressure for a long time out in the sun. Be sure that dust, sand, chips and foreign matter will not enter the tool in the place where you leave it setting.
13. Never attempt to drive fasteners from both the inside and outside at the same time. Fasteners may rip through and/or fly off, presenting a grave danger.

Repetitive motions hazards

1. When using a tool for long periods, the operator may experience discomfort in the hands, arms, shoulders, neck, or other parts of the body.
2. While using a tool, the operator should adopt a suitable but ergonomic posture. Maintain secure footing and avoid awkward or off-balanced postures.
3. If the operator experiences symptoms such as persistent or recurring discomfort, pain, throbbing, aching, tingling, numbness, burning sensation, or stiffness, do not ignore these warning signs. The operator should consult a qualified health professional regarding overall activities.
4. The continuous use of the tool may cause repetitive strain injury due to recoil produced by the tool.
5. To avoid repetitive strain injury, the operator should not overreach or use excessive force. Additionally, the operator should take a rest when feeling fatigue.
6. Conduct a risk assessment regarding repetitive motion hazards. It should focus on muscular-skeletal disorders and be preferentially based on the assumption that decreasing fatigue during work is effective in reducing disorders.

Accessory and consumable hazards

1. Disconnect the energy supply to the tool, such as air or gas or battery as applicable, before changing/replacing accessories such as workpiece contact, or making any adjustments.
2. Use only the sizes and types of accessories that are provided by the manufacturer.
3. Use only lubricants recommended in this manual.

Workplace hazards

1. Slips, trips and falls are major causes of workplace injury. Be aware of slippery surfaces caused by use of the tool and also of trip hazards caused by the air line hose.
2. Proceed with additional care in unfamiliar surroundings. Hidden hazards may exist, such as electricity or other utility lines.
3. This tool is not intended for use in potentially explosive atmospheres and is not insulated from coming into contact with electric power.
4. Make sure there are no electrical cables, gas pipes etc. that could cause a hazard if damaged by use of the tool.
5. Keep work area clean and well lit. Cluttered or dark areas invite accidents.
6. There may be local regulations concerning noise which must be complied with by keeping noise levels within prescribed limits. In certain cases, shutters should be used to contain noise.

Dust and exhaust hazards

1. Always check your surroundings. The air exhausted from the tool may blow dust or objects and hit operator and/or bystanders.

2. Direct the exhaust so as to minimize disturbance of dust in a dust filled environment.
3. If dust or objects are emitted in the work area, reduce the emission as much as possible to reduce the health hazards and risk of injury.

Noise hazards

1. Unprotected exposure to high noise levels can cause permanent, disabling, hearing loss and other problems such as tinnitus (ringing, buzzing, whistling or humming in the ears).
2. Conduct a risk assessment regarding noise hazards in the work area and implement appropriate controls for these hazards.
3. Appropriate controls to reduce the risk may include actions such as damping materials to prevent workpieces from "ringing".
4. Use appropriate hearing protection.
5. Operate and maintain the tool as recommended in these instructions, to prevent an unnecessary increase in noise levels.
6. Take noise reduction measures, for example placing workpieces on sound damping supports.

Vibration hazards

1. The vibration emission during operation depends on the gripping force, the contact pressure force, the working direction, the adjustment of energy supply, the workpiece, the workpiece support. Conduct a risk assessment regarding vibration hazards and implement appropriate controls for these hazards.
2. Exposure to vibration can cause disabling damage to the nerves and blood supply of the hands and arms.
3. Wear warm clothing when working in cold conditions, keep your hands warm and dry.
4. If you experience numbness, tingling, pain or whitening of the skin in your fingers or hands, seek medical advice from a qualified occupational health professional regarding overall activities.
5. Operate and maintain the tool as recommended in these instructions, to prevent an unnecessary increase in vibration levels.
6. Hold the tool with a light, but safe, grip because the risk from vibration is generally greater when the grip force is higher.

Additional warnings for pneumatic tools

1. Compressed air can cause severe injury.
2. Always shut off air supply, and disconnect tool from air supply when not in use.
3. Always disconnect the tool from the compressed air supply before changing accessories, making adjustments and/or repairs, when moving away from an operating area to a different area.
4. Keep fingers away from trigger when not operating the tool and when moving from one operating position to another.
5. Never direct compressed air at yourself or anyone else.
6. Whipping hoses can cause severe injury. Always check for damaged or loose hoses or fittings.

7. Never carry a pneumatic tool by its hose.
8. Never drag a pneumatic tool by its hose.
9. When using pneumatic tools, do not exceed the maximum operating pressure ps max.
10. Pneumatic tools should only be powered by compressed air at the lowest pressure required for the work process to reduce noise and vibration, and minimize wear.
11. Using oxygen or combustible gases for operating pneumatic tools creates a fire and explosion hazard.
12. Be careful when using pneumatic tools as the tool could become cold, affecting grip and control.

Additional warnings for tools with contact actuation capability



1. Do not rest your finger on the trigger when picking up the tool, moving between operating areas and positions or walking, as resting finger on trigger can lead to inadvertent operation. For tools with selective actuation, always check the tool before use to ascertain the correct mode is selected.
2. This tool has either selective actuation for contact actuation or continuous contact actuation by actuation mode selectors or is a contact actuation or continuous actuation contact tool and has been marked with the symbol above. Its intended uses are for production applications such as pallets, furniture, manufactured housing, upholstery and sheathing.
3. If using this tool in selective actuation mode, always ensure it is in the correct actuation setting.
4. Do not use this tool in contact actuation for applications such as closing boxes or crates and fitting transportation safety systems on trailers and lorries.
5. Be careful when changing from one driving location to another.

Safety devices

1. Make sure all safety systems are in working order before operation. The tool must not operate if only the trigger is pulled or if only the contact arm is pressed against the wood. It must work only when both actions are performed. Test for possible faulty operation with fasteners unloaded and the pusher in fully pulled position.
2. Securing the trigger in the ON position is very dangerous. Never attempt to fasten the trigger.
3. Do not attempt to keep the contact element depressed with tape or wire. Death or serious injury may occur.
4. Always check contact element as instructed in this manual. Fasteners may be driven accidentally if the safety mechanism is not working correctly.

Service

1. **Perform cleaning and maintenance right after finishing the job.** Keep the tool in tip-top condition. Lubricate moving parts to prevent rusting and minimize friction-related wear. Wipe off all dust from the parts.
2. **Ask Makita authorized service center for periodical inspection of the tool.**
3. **To maintain product SAFETY and RELIABILITY, maintenance and repairs should be performed by Makita Authorized Service Centers, always using Makita replacement parts.**
4. Follow local regulations when disposing of the tool.

SAVE THESE INSTRUCTIONS.

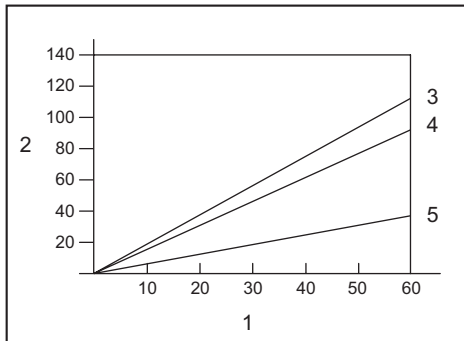
⚠ WARNING: DO NOT let comfort or familiarity with product (gained from repeated use) replace strict adherence to safety rules for the subject product. MISUSE or failure to follow the safety rules stated in this instruction manual may cause serious personal injury.

PARTS DESCRIPTION

- Fig.1: 1. Trigger 2. Contact element 3. Actuation mode selector 4. Magazine 5. Hook

INSTALLATION

Selecting compressor



1. Nailing frequency (times/min) 2. Compressor air output per minute (L/min) 3. 0.83 MPa (8.3 bar) 4. 0.66 MPa (6.6 bar) 5. 0.49 MPa (4.9 bar)

The air compressor must comply with the requirements of EN60335-2-34.

Select a compressor that has ample pressure and air output to assure cost-efficient operation. The graph shows the relation between nailing frequency, applicable pressure and compressor air output.

Thus, for example, if nailing takes place at a rate of approximately 60 times per minute at a compression of 0.83 MPa (8.3 bar), a compressor with an air output over 110 liters/minute is required.

Pressure regulators must be used to limit air pressure to the rated pressure of the tool where air supply pressure exceeds the tool's rated pressure. Failure to do so may result in serious injury to tool operator or persons in the vicinity.

Selecting air hose

⚠ CAUTION: Low air output of the compressor, or a long or smaller diameter air hose in relation to the nailing frequency may cause a decrease in the driving capability of the tool.

► Fig.2

Use an air hose as large and as short as possible to assure continuous, efficient nailing operation.

With an air pressure of 0.49 MPa (4.9 bar), an air hose with an internal diameter of over 6.5 mm and a length of less than 20 m is recommended when the interval between each nailing is 0.5 seconds.

Air supply hoses shall have a minimum working pressure rating of 1.03 MPa (10.3 bar) or 150 percent of the maximum pressure produced in the system whichever is higher.

Lubrication

► Fig.3

To insure maximum performance, install an air set (oil, regulator, air filter) as close as possible to the tool.

Adjust the oiler so that one drop of oil will be provided for every 30 nails.

When an air set is not used, oil the tool with pneumatic tool oil by placing 2 (two) or 3 (three) drops into the air fitting. This should be done before and after use.

For proper lubrication, the tool must be fired a couple of times after pneumatic tool oil is introduced.

► Fig.4: 1. Pneumatic tool oil

FUNCTIONAL DESCRIPTION

CAUTION: Before adjusting or checking function on the tool, always release the trigger and disconnect the air hose from the tool.

Adjusting depth of nailing

CAUTION: Always release the trigger and disconnect the hose before adjusting the depth of nailing.

► **Fig.5:** 1. Adjuster

To adjust the depth of nailing, turn the adjuster. The depth of nailing is the deepest when the adjuster is turned fully in the A direction shown in the figure. It will become shallower as the adjuster is turned in the B direction.

If nails cannot be driven deep enough even when the adjuster is turned fully in the A direction, increase the air pressure.

If nails are driven too deep even when the adjuster is turned fully in the B direction, decrease the air pressure.

Generally speaking, the tool service life will be longer when the tool is used with lower air pressure and the adjuster set to deeper depth of nail driving.

Hook

CAUTION: Always release the trigger and disconnect the hose before changing the hook position.

CAUTION: Never hook the tool at high location or on potentially unstable surface.

CAUTION: Do not hang the hook from the waist belt. If the nailer accidentally drops, it may result in misfiring and personal injuries.

► **Fig.6**

► **Fig.7:** 1. Hook 2. Hex socket bolt 3. Hole

The hook is convenient for hanging the tool temporarily. To change the hook position, remove the hex socket bolt and switch the hook direction. The hook has two holes. Choose the hole depending on your preferable hook width.

Adjusting the shingle guide

► **Fig.8:** 1. Contact element 2. Shingle guide 3. Shingle

► **Fig.9:** 1. Adjusting plate 2. Lever

The shingle guide is designed for consistent shingle exposure.

Place shingle in desired position. Turn the lever to release the adjusting plate. Set the nailer so that the contact element will depress both the exposed shingle and previous row of the shingle. Slide the adjusting plate up against the bottom of the exposed shingle and return the lever to lock the adjusting plate.

ASSEMBLY

CAUTION: Before carrying out any work on the tool, always release the trigger and disconnect the air hose from the tool.

CAUTION: Load the same type, size and uniform length of nails when loading nails in the magazine.

Loading nailer

NOTICE: Select nails suitable for your work.

NOTICE: Set the coil support plate according to the nail size to be used. If the tool is operated with the coil support plate set to the wrong step, poor nail feed or malfunction of the tool may result.

1. Depress the latch lever and open the magazine cap.

► **Fig.10:** 1. Magazine cap 2. Latch lever

2. Lift and turn the coil support plate so that the arrow with nail size indicated on the coil support plate will point to the corresponding graduation increment marked on the magazine.

► **Fig.11:** 1. Coil support plate 2. Graduation 3. Arrow

3. Place the nail coil over the coil support plate. Uncoil enough nails to reach the feed claw. Place the first nail in the driver channel and the second nail in the feed claw. Place other uncoiled nails on feeder body. Close the magazine cap after checking to see that the nail coil is set properly in the magazine.

► **Fig.12:** 1. Feed Claw

Connecting air hose

CAUTION: Do not rest your finger on the trigger when connecting the air hose.

► **Fig.13:** 1. Air fitting 2. Air socket

Slip the air socket of the air hose onto the air fitting on the tool. Be sure that the air socket locks firmly into position when installed onto the air fitting.

A hose coupling must be installed on or near the tool in such a way that the pressure reservoir will discharge at the time the air supply coupling is disconnected.

OPERATION

CAUTION: Make sure all safety systems are in working order before operation.

Checking proper action before operation

Before operation, always check following points.

- Make sure that the tool does not operate only by connecting the air hose.
- Make sure that the tool does not operate only by pulling the trigger.
- Make sure that the tool does not operate only by placing the contact element against the workpiece without pulling the trigger.
- In single sequential actuation mode, make sure that the tool does not operate when pulling the trigger first and then placing the contact element against the workpiece.


Selecting the operation mode

CAUTION: Always make sure that the actuation mode selector is properly set to the position for the desired nailing mode before nailing.

► Fig.14: 1. Actuation mode selector


Single sequential actuation mode:

You can drive one nail by one sequential operation. Select this mode when driving a nail carefully and accurately.

To choose this mode, set the actuation mode selector to the  position.

Contact actuation mode:

You can drive nails repetitively by placing the contact element with the trigger held.

To choose this mode, set the actuation mode selector to the  position.

Single sequential actuation

CAUTION: Do not place the contact element against the workpiece with excessive force. Also, pull the trigger fully and hold it on for 1-2 seconds after nailing.

Even in the "Single sequential actuation" mode, half-pulled trigger causes an unexpected nailing, when the contact element re-contacts the workpiece.

Place the contact element against the workpiece and pull the trigger fully.

After nailing, release the contact element, and then release the trigger.

► Fig.15

Contact actuation



Pull the trigger first and then place the contact element against the workpiece.

► Fig.16

Removing jammed nails

CAUTION: Always release the trigger and disconnect the hose before removing jammed nails.

CAUTION: Do not use deformed nails or nail strip. Failure to do so causes poor nail feeding.

► Fig.17: 1. Hammer 2. Small rod 3. Ejection port

When the nailer becomes jammed, do as follows: Open the magazine cap and remove the nail coil. Insert a small rod or the like into the ejection port and tap it with a hammer to drive out the nail jamming from the ejection port. Reset the nail coil and close the magazine cap.

MAINTENANCE

CAUTION: Before attempting to perform inspection or maintenance, always release the trigger and disconnect the air hose from the tool.

NOTICE: Never use gasoline, benzine, thinner, alcohol or the like unless otherwise instructed in this manual. Discoloration, deformation or cracks may result.

Nails

Handle nail coils and their box carefully. If the nail coils have been handled roughly, they may be out of shape, causing poor nail feed.

Avoid storing nails in a very humid or hot place or place exposed to direct sunlight.

Cleaning and removal of tar and dirt

CAUTION: Always wear waterproof gloves to protect your hands.

Adhesion of tar and dirt to areas around the contact element will prevent smooth movement of the contact element (safety mechanism), causing accidental discharge. Periodically clean the areas around the contact element.

Use a solvent such as kerosene, #2 fuel oil or diesel fuel. Immerse only the contact element and the areas around the ejection port in solvent and remove tar and dirt with brush.

► Fig.18

NOTICE: Never immerse the housing, magazine, etc. in solvent. Malfunction of the tool may result.

NOTE: Always dispose of the solvent used in a safe and prudent manner and in compliance with all local and national code requirement.

Maintenance of nailer

Always check the tool for its overall condition and loose screws before operation. Tighten as required.

With tool disconnected, make daily inspection to assure free movement of the contact element and trigger. Do not use tool if the contact element or trigger sticks or binds.

When the tool is not to be used for an extended period of time, lubricate the tool using pneumatic tool oil and store the tool in a safe place. Avoid exposure to direct sunlight and/or humid or hot environment.

► Fig.19

Maintenance of compressor, air set and air hose

After operation, always drain the compressor tank and the air filter. If moisture is allowed to enter the tool, it may result in poor performance and possible tool failure.

► Fig.20: 1. Drain cock

► Fig.21: 1. Air filter

Check regularly to see if there is sufficient pneumatic tool oil in the oiler of the air set. Failure to maintain sufficient lubrication will cause O-rings to wear quickly.

► Fig.22: 1. Oiler 2. Pneumatic tool oil

Keep the air hose away from heat (over 60°C, over 140°F), away from chemicals (thinner, strong acids or alkalis). Also, route the hose away from obstacles which it may become dangerously caught on during operation. Hoses must also be directed away from sharp edges and areas which may lead to damage or abrasion to the hose.

To maintain product SAFETY and RELIABILITY, repairs, any other maintenance or adjustment should be performed by Makita Authorized or Factory Service Centers, always using Makita replacement parts.

OPTIONAL ACCESSORIES

⚠ CAUTION: These accessories or attachments are recommended for use with your Makita tool specified in this manual. The use of any other accessories or attachments might present a risk of injury to persons. Only use accessory or attachment for its stated purpose.

If you need any assistance for more details regarding these accessories, ask your local Makita Service Center.

- Nails
- Air hose
- Safety goggles

NOTE: Some items in the list may be included in the tool package as standard accessories. They may differ from country to country.

SPECIFIKATIONER

Modell:		AN454
Luftryck		0,49 - 0,83 MPa (4,9 - 8,3 bar)
Plastlås	Typ	Trådspik (takspik)
	Längd	19 mm - 45 mm
	Diameter	3,05 mm
Spikkapacitet		120 st.
Pneumatisk maskinolja		ISO VG32 eller motsvarande
Minsta slangdiameter		6,5 mm
Dimensioner (L x B x H)		256 mm x 117 mm x 271 mm
Nettovikt		2,4 kg

- På grund av vårt pågående program för forskning och utveckling kan dessa specifikationer ändras utan föregående meddelande.
- Specifikationer kan variera mellan olika länder.

Symboler

Följande visar symbolerna som används för utrustningen. Se till att du förstår innebörden innan du använder bormaskinen.



Läs igenom bruksanvisningen.



Använd skyddsglasögon.



Använd hörselskydd.



Maskinen har kapacitet att användas i kontaktutlösningssläge.



Använd inte på stegar, ställningar.

Avsedd användning

Verktyget är avsett för förberedande byggnadsarbete, som t.ex. att fästa golvbjälkar eller takreglar och ramverk i 2"x 4"-hus. Maskinen är endast avsedd för yrkesmässig användning. Använd den inte för några andra ändamål. Den är inte avsedd att driva i fästdon direkt i en hård yta som stål eller betong.

Buller

Den normala bullernivån för A-belastning är bestämd enligt ISO11148-13(EN12549):
 Ljudtrycksnivå (L_{pA}): 102 dB (A)
 Ljudeffektnivå (L_{WA}): 113 dB (A)
 Mättolerans (K): 1,5 dB (A)

OBS: Det deklarerade bullervärdet har uppmätts i enlighet med standardtestmetoden och kan användas för jämförandet av en maskin med en annan.

OBS: Det deklarerade bulleremissionsvärdet kan också användas i en preliminär bedömning av exponering för vibration.

⚠️ VARNING: Använd hörselskydd.

⚠️ VARNING: Bulleremissionen under faktisk användning av maskinen kan skilja sig från det deklarerade värdet, beroende på hur maskinen används och särskilt vilken typ av arbetsstycke som behandlas.

⚠️ VARNING: Var noga med att identifiera säkerhetsåtgärder för att skydda användaren, vilka är grundade på en uppskattning av graden av exponering för vibrationer under de faktiska användningsförhållandena, (ta, förutom avtryckartiden, med alla delar av användarcykeln i beräkningen, som till exempel tiden då maskinen är avstängd och när den går på tomgång).

Vibration

Det totala vibrationsvärdet är bestämt enligt ISO11148-13(ISO8662-11):
 Vibrationsemission (a_{hv}): 5,7 m/s²
 Mättolerans (K): 1,5 m/s²

OBS: Det deklarerade totala vibrationsvärdet har uppmätts i enlighet med standardtestmetoden och kan användas för jämförandet av en maskin med en annan.

OBS: Det deklarerade totala vibrationsvärdet kan också användas i en preliminär bedömning av exponering för vibration.

⚠ VARNING: Vibrationsemissionen under faktisk användning av maskinen kan skilja sig från det deklarerade värdet, beroende på hur maskinen används och särskilt vilken typ av arbetsstycke som behandlas.

⚠ VARNING: Var noga med att identifiera säkerhetsåtgärder för att skydda användaren, vilka är grundade på en uppskattning av graden av exponering för vibrationer under de faktiska användningsförhållandena, (ta, förutom avtryckartiden, med alla delar av användarcykeln i beräkningen, som till exempel tiden då maskinen är avstängd och när den går på tomgång).

EG-försäkran om överensstämmelse

Gäller endast inom EU

EG-försäkran om överensstämmelse inkluderas som bilaga A till denna bruksanvisning.

SÄKERHETSVARNINGAR

Säkerhetsvarningar för tryckluftsdreven spik-/häftpistol

⚠ VARNING: Läs igenom alla säkerhetsföreskrifter och anvisningar. Underlåtenhet att följa föreskrifter och anvisningar kan leda till allvarliga personskador, elektriska stötar och/eller brand.

Spara alla varningar och instruktioner för framtida referens.

Läs bruksanvisningen innan verktyget används med hänsyn till din personliga säkerhet och för rätt handhavande och underhåll.

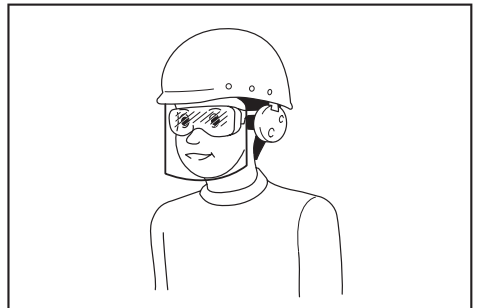
Allmän säkerhet

1. All annan användning förutom avsedd användning av denna maskin är förbjuden. Stiftpistoler med kontinuerlig utlösning eller kontaktutlösning får endast användas för produktionsapplikationer.
2. Håll fingrarna borta från avtryckaren när maskinen inte används och när du byter från en arbetsplats till en annan.
3. Flera risker. Läs och förstå säkerhetsinstruktionerna innan du ansluter, kopplar från, laddar, använder, underhåller, byter tillbehör på eller arbetar när maskinen. Om du inte gör det kan det leda till allvarliga personskador.
4. Håll alla kroppsdelar som händer och ben mm. på avstånd från avfyrningsriktningen och se till att stift/spikar/häftklamrar inte kan tränga igenom arbetsstycket och in i kroppsdelar.
5. Tänk på att stift/spikar/häftklamrar kan avledas och orsaka skada när maskinen används.
6. Håll maskinen med ett fast grepp och var redo på rekyler.
7. Endast tekniskt utbildade användare får använda stiftpistolen.

8. Modifiera inte stiftpistolen. Modifieringar kan reducera säkerhetsanordningarnas effekt och öka risken för användaren och/eller personer i omgivningen.
9. Släng inte bruksanvisningen.
10. Använd inte maskinen om den har skadats.
11. Var försiktig när du hanterar stift/spikar/häftklamrar, särskilt vid laddning/urladdning, eftersom de har vassa spetsar som kan orsaka skada.
12. Kontrollera alltid maskinen innan användning så den inte är skadad, felaktigt ansluten eller har slitna delar.
13. Översträck inte. Använd endast på en säker arbetsplats. Stå alltid stabilt och ha god balans hela tiden.
14. Håll personer i omgivningen på avstånd (vid arbete i ett område där det finns en risk för många personer). Märk ut ditt arbetsområde på ett tydligt sätt.
15. Peka aldrig maskinen mot dig själv eller någon annan.
16. Håll inte fingret på avtryckaren när du tar upp maskinen, byter arbetsområde/position eller går, eftersom detta kan leda till oavsiktlig användning. För maskiner med selektiv utlösning måste du alltid kontrollera maskinen innan användning för att säkerställa att korrekt läge är valt.
17. Bär endast handskar som ger adekvat känsla och säker hantering av avtryckare och eventuella justeringsenheter.
18. Lägg maskinen på en plan yta när du inte använder den. Om du använder maskinens krok, kroka fast den säkert på en stabil yta.
19. Använd inte verktyget under påverkan av alkohol, mediciner eller liknande.

Projektilrisker

1. Stiftpistolen ska kopplas från när stift laddas ur, justeringar utförs, stift som fastnat tas bort eller tillbehör byts ut.
2. Se vid användning till att stift penetrerar materialet korrekt och inte kan avledas/felaktigt avfyras mot en användare och/eller omgivande personer.
3. Vid användning kan föremål från arbetsstycket och fastsättnings-/kollationssystemet avfyras.
4. Bär alltid skyddsglasögon för att skydda dina ögon från skada när du använder e-verktyg. Skyddsglasögonen måste uppfylla ANSI Z87.1 i USA, EN 166 i Europa, eller AS/NZS 1336 i Australien/Nya Zeeland. I Australien/Nya Zeeland måste man enligt lag även bära ansiktsskydd för att skydda ansiktet.



Det är arbetsgivarens ansvar att se till att användare och övriga personer i det omedelbara arbetsområdet använder lämplig skyddsutrustning.

5. Riskerna för andra personer ska bedömas av användaren.
6. Var försiktig vid maskin utan kontaktelement eftersom de kan avfyra oavsiktligt och skada användaren och/eller omgivande personer.
7. Se till att maskinen alltid ligger an säkert mot arbetsstycket och inte kan glida.
8. Använd hörselskydd och hjälm. Använd åtsittande, men bekväm klädsel. Ärmarna ska vara knäppta eller uppkavlade. Bär inte slips.

Risker vid användning

1. Håll maskinen korrekt: var redo att motverka normala eller plötsliga rörelser, som rekylar.
2. Ha en balanserad kroppsposition och säkert fötteste.
3. Lämpliga skyddsglasögon ska användas, och lämpliga handskar och skyddskläder rekommenderas.
4. Lämpliga hörselskydd ska användas.
5. Använd korrekt strömförsörjning enligt anvisningarna i bruksanvisningen.
6. Använd inte maskinen på rörliga plattformar eller baktill på lastbilar. En plötslig rörelse hos plattformen kan leda till förlust av kontroll och leda till skada.
7. Förutsätt alltid att verktyget är laddat med skruv.
8. Utför inte arbetet under stress och forcera inte verktyget. Hantera verktyget försiktigt.
9. Se till att alltid ha ordentligt fötteste och god balans när du använder verktyget. Kontrollera att andra personer inte befinner sig under dig när du arbetar på hög höjd och säkerställ att tryckluftslangen inte utgör en olycksrisk.
10. På hustak och andra arbetsplatser på hög höjd ska du röra dig framåt medan du matar skruv. Det är lätt att förlora föttestet om du rör dig bakåt samtidigt som du matar skruv. Om du ska skruva vertikalt, arbeta då uppifrån och ned. Det är mindre tröttande.
11. Om du råkar skruva i en annan skruv eller i en kvist i träverket kan skruven böjas eller verktyget fastna. Skruven kan då kastas iväg och träffa någon, eller så kan verktyget i sig utgöra en olycksrisk. Var noggrann med hur du placerar skruv.
12. Lämna inte ett laddat verktyg eller en trycksatt kompressor i direkt solljus under längre tid. Förvara verktyget på en plats där det inte riskerar att utsättas för damm, sand, spånor eller andra partiklar.
13. Avfyr aldrig skruv från insidan och utsidan samtidigt. Skruvar riskerar att skjutas igenom och/eller flyga iväg och orsaka allvarlig fara.

Risker vid repetitiva rörelser

1. När en maskin används under en lång tid kan användaren uppleva obehag i händer, armar, skuldror, nacke eller andra delar av kroppen.

2. Vid användning av maskinen ska användaren använda en lämplig och ergonomisk hållning. Stå stadigt och undvik obekväma eller obalanserade ställningar.
3. Om användaren upplever symptom som ihållande eller återkommande obehag, pulserande smärta, värk, stickningar, domningar, brännande känsla eller stelhet bör dessa varnings-signaler inte ignoreras. Användaren ska rådgöra kvalificerad sjukvårdspersonal gällande allmänna aktiviteter.
4. Att fortsätta använda maskinen kan orsaka förslitningsskador p.g.a. rekyl från maskinen.
5. För att undvika förslitningsskador ska användaren inte sträcka sig för långt eller använda onödigt kraft. Dessutom ska användaren vila när hen känner sig utmattad.
6. Utför en riskbedömning avseende risker för upprepade rörelser. Den ska fokusera på muskelskelettstörningar och vara företrädesvis baserad på antagandet att minskad utmattning under arbetet är effektivt för att minska störningar.

Risker med tillbehör och förbrukningsartiklar

1. Koppla från matningen från maskinen (luft, gas eller batteri) innan byte av tillbehör, som kontaktelement, eller justeringar utförs.
2. Använd endast tillbehör av korrekt storlek och sort som levereras av tillverkaren.
3. Använd den smörjmedel som rekommenderas i denna bruksanvisning.

Arbetsplatsrisker

1. De vanligaste olycksriskerna på en arbetsplats är att halka, snubbla och ramlas. Var medveten om hala ytor som orsakas vid användning av maskinen samt om risken att snubbla över tryckluftsslanger.
2. Iakttag extra försiktighet vid okända omgivningar. Dolda risker kan finnas, som elkablar eller andra rör/ledningarna.
3. Denna maskin är inte avsedd för användning i explosiva områden och är inte isolerad från kontakt med elektricitet.
4. Se till att det inte finns några elkablar, gasledningar etc. som kan orsaka fara om de skadas av maskinen.
5. Se till att arbetsområdet är rent och har bra belysning. Arbetsområdet med skrap eller dålig belysning kan leda till olyckor.
6. Följ även eventuella lokala föreskrifter om bullernivåer. Under vissa omständigheter kan bullerskärmar behöva användas.

Risker med damm och utblås

1. Kontrollera alltid omgivningen. Luften som blåses ut från maskinen kan blåsa damm eller föremål som kan träffa användaren och/eller omgivande personer.
2. Rikta utloppet så att damm yr så lite som möjligt i dammig miljöer.
3. Om damm eller föremål alstras i arbetsområdet ska dessa reduceras så mycket som möjligt för att minska hälso- och skaderisken.

Bullerrisker

1. Oskyddad exponering mot höga ljud kan orsaka permanenta hörselskador samt andra problem, som tinnitus (ringande, surrande, visslande eller brummande i öronen).
2. Utför en riskbedömning avseende bullerfaror på arbetsområdet och implementera lämplig övervakning av dessa faror.
3. Lämpliga åtgärder för att minimera riskerna kan inkludera åtgärder som ljuddämpande material för att förhindra att arbetsstyckena "ringer".
4. Använd lämpliga hörselskydd.
5. Använd och underhåll maskinen enligt rekommendationerna i dessa instruktioner för att förhindra onödig ökning av bullernivåer.
6. Genomför bullerdämpande åtgärder som att t.ex. placera arbetsstycken på ljuddämpande underlag.

Vibrationsrisker

1. Vibrationerna vid användning beror på gripkraft, kontaktryck, arbetsriktning, justering av energimatning, arbetsstycket och arbetsstyckets stöd. Utför en riskbedömning avseende vibrationsfaror på arbetsområdet och implementera lämplig övervakning av dessa faror.
2. Att utsättas för vibrationer kan orsaka skador på nerver och blodtillförsel i händer och armar.
3. Bär varma kläder vid arbete i kalla miljöer och håll händerna varma och torra.
4. Om du upplever domningar, stickningar, smärta eller vitaktiga fingrar/händer, rådgör med läkare omedelbart gällande allmänna aktiviteter.
5. Använd och underhåll maskinen enligt rekommendationerna i dessa instruktioner för att förhindra onödig ökning av vibrationsnivåer.
6. Håll maskinen med ett lätt, men säkert, grepp eftersom risken för vibrationer i allmänhet är högre med ett fastare grepp.

Ytterligare varningar för tryckluftsvärktyg

1. Tryckluft kan orsaka allvarliga skador.
2. Stäng alltid av lufttillförseln och koppla bort maskinen från tryckluftsmatningen när den inte används.
3. Koppla alltid bort maskinen från tryckluftsmatningen innan byte av tillbehör, justeringar och/eller reparationer eller vid byte av arbetsområde.
4. Håll fingrarna borta från avtryckaren när maskinen inte används och när du byter från en arbetsplats till en annan.
5. Rikta aldrig tryckluft mot dig själv eller någon annan.
6. Slängande slangar kan orsaka allvarliga skador. Kontrollera alltid slangar/kopplingar så de inte är skadade eller lösa.
7. Bär aldrig ett tryckluftsvärktyg i dess slang.
8. Dra aldrig ett tryckluftsvärktyg i dess slang.
9. Vid arbete med tryckluftsvärktyg får högsta arbetstrycket aldrig överskridas.

10. Tryckluftsvärktyg får endast matas med tryckluft med lägsta erforderliga tryck för arbetsprocessen för att reducera buller och vibrationer, samt minimera slitage.
11. Att använda oxygen eller brandfarliga gaser för att driva tryckluftsvärktyg skapar en brand- och explosionsrisk.
12. Var försiktig när du använder tryckluftsvärktyg eftersom de kan bli kalla, vilket påverkar grepp och kontroll.

Ytterligare varningar för maskiner med kontaktutlösning



1. Håll inte fingret på avtryckaren när du tar upp maskinen, byter arbetsområde/position eller går, eftersom detta kan leda till oavsiktlig användning. För maskiner med selektiv utlösning måste du alltid kontrollera maskinen innan användning för att säkerställa att korrekt läge är valt.
2. Denna maskin har antingen selektive utlösning för kontaktutlösning, eller kontinuerlig kontaktutlösning för väljaren för utlösningssläge, eller är ett kontaktutlösning- eller kontinuerligt utlösningsslagkontaktvärktyg och är märkt med symbolen ovan. Dess avsedda användningsområden är för produktapplikationer som pallar, möbler, hustillverkning, stoppning och beklädnad.
3. Om denna maskin används i selektivt utlösningssläge måste du alltid se till att den är i korrekt utlösningssläge.
4. Använd inte denna maskin i kontaktutlösningssläge för applikationer som försluta lådor eller montera säkerhetssystem vid transporter på släpvagnar och flakbilar.
5. Var försiktig vid byte av arbetsplats.

Säkerhetsanordningar

1. Kontrollera alltid att alla säkerhetsanordningar fungerar innan du använder verktyget. Verktyget får inte starta om du enbart trycker in avtryckaren eller enbart trycker kontakttarmen mot arbetsstycket. Både avtryckare och säkerhets-spärren måste användas för att starta verktyget. Kontrollera funktionen med tomt magasin och med inmataren helt tillbakadragen.
2. Att låsa avtryckaren i läget ON är mycket farligt. Försök under inga omständigheter att spärra avtryckaren.
3. Försök inte att hålla kontaktelementet nedtryckt med tejp eller vajer. Det innebär livsfara eller risk för allvarlig olycka.
4. Kontrollera alltid kontaktelementet enligt anvisningarna i denna bruksanvisning. Klamrar kan avfyras oavsiktligt om säkerhetsmekanismen inte fungerar på avsett sätt.

Service

1. **Rengör och underhåll verktyget direkt efter avslutat arbete.** Se till att alltid hålla verktyget i bästa skick. Smörj rörliga delar för att förhindra korrosion och minimera friktionsrelaterad förlitning. Torka bort allt damm från de olika delarna.
2. **Låt ett auktoriserat servicecenter för Makita utföra en regelbunden genomgång av verktyget.**
3. **Låt ett auktoriserat Makita-servicecenter utföra allt underhålls- och reparationsarbete med reservdelar från Makita för att upprätthålla produktens SÄKERHET och TILLFÖRLITLIGHET.**
4. **Följ lokala föreskrifter vid avfallshantering av maskinen.**

SPARA DESSA ANVISNINGAR.

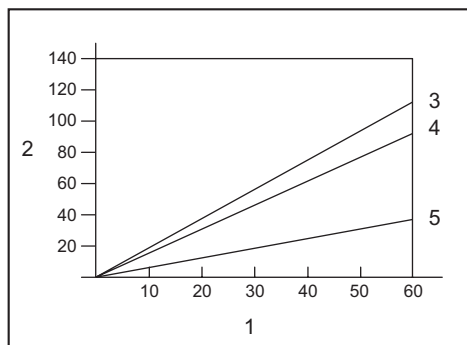
⚠ VARNING: GLÖM INTE att också fortsättningsvis strikt följa säkerhetsanvisningarna för maskinen även efter att du blivit van att använda den. Vid **FELAKTIG HANTERING** av maskinen eller om inte säkerhetsanvisningarna i denna bruksanvisning följs kan följden bli allvarliga personskador.

BESKRIVNING AV DELAR

- **Fig.1:** 1. Avtryckare 2. Kontaktelement 3. Väljare för utlösningssläge 4. Magasin 5. Krok

INSTALLATION

Välja kompressor



1. Spikfrekvens (gånger/min) 2. Kompressorns luftproduktion per minut (l/min) 3. 0,83 MPa (8,3 bar) 4. 0,66 MPa (6,6 bar) 5. 0,49 MPa (4,9 bar)

Luftkompressorn måste uppfylla kraven i EN60335-2-34.

Välj en kompressor med lämpligt tryck och luftproduktion för en kostnadseffektiv drift. I diagrammet visas sambandet mellan spikfrekvens, applicerat tryck och kompressorns luftproduktion.

Om du till exempel ska spika 60 spikar i minuten och trycket är 0,83 MPa (8,3 bar) måste kompressorns kapacitet vara 110 liter/minut.

Tryckregulatorer måste användas för att begränsa lufttrycket till maskinens nominella tryck om tryckluftssystemet ger ett högre tryck. I annat fall finns risk för allvarliga personskador på både användaren och personer i närheten.

Val av luftslang

⚠ FÖRSIKTIGT: Låg kompressorkapacitet, lång slang eller liten diameter i förhållande till spikfrekvensen kan minska maskinens spikindrivningskraft.

► Fig.2

För en effektiv och avbrottsfri användning ska tryckluftslangen vara så kort som möjligt och ha största möjliga diameter.

För lufttrycket 0,49 MPa (4,9 bar) rekommenderas en slang med en innerdiameter på minst 6,5 mm och en längd på upp till 20 m om spikfrekvensen är 2 spikar per sekund.

Tryckluftslangen ska vara märkt för ett minsta arbetstryck på 1,03 MPa (10,3 bar) eller 150 % av maximala arbetstrycket i systemet beroende på vilket som är högst.

Smörjning

► Fig.3

Anslut luftfiltrering (dimsmörjning, regulator, luftfilter) så nära maskinen som möjligt för att säkerställa bästa möjliga prestanda. Ställ in dimsmörjningen till en droppe olja per 30 spikar.

Om luftfilter/dimsmörjning inte används måste du smörja maskinen med två (2) eller tre (3) droppar tryckluftsolja i tryckluftsanslutningen. Detta ska göras både före och efter användningen.

Avfyr maskinen några gånger för att smörjmedlet ska spridas på rätt sätt.

► Fig.4: 1. Pneumatisk maskinolja

FUNKTIONSBESKRIVNING

⚠ FÖRSIKTIGT: Innan justering eller kontroll av maskinens funktion måste avtryckaren ställas i ursprungsläge och slangen kopplas från.

Inställning av spikdjup

⚠ FÖRSIKTIGT: Lossa alltid avtryckaren och koppla loss slangen innan du ställer in spikdjupet.

► **Fig.5:** 1. Inställningskruv

Ställ in stiftdjupet genom att vrida justeringsratten. Du får störst stiftdjup när du vrider justeringsratten så långt det går i riktning A enligt figuren. Det minskar när justeringsratten vrids i riktning B. Om spikar inte kan drivas in tillräckligt djupt, även om justeringsratten har vridits helt i riktning A, ökar du lufttrycket. Om spikdjupet är för djupt och inställningsratten har vridits helt i riktning B minskar du trycket. I allmänhet ökar maskinens livslängd om du använder ett lägre lufttryck och en djupare djupinställning.

Krok

⚠ FÖRSIKTIGT: Lossa alltid avtryckaren och koppla loss slangen innan du ändrar krokens läge.

⚠ FÖRSIKTIGT: Häng aldrig upp maskinen på hög höjd eller på platser som inte är helt stabila.

⚠ FÖRSIKTIGT: Häng inte kroken i midjebältet. Om spikpistolen av misstag tappas i marken kan den fyras av med personskador som följd.

► **Fig.6**

► **Fig.7:** 1. Krok 2. Insexbult 3. Hål

Kroken används för att hänga upp maskinen temporärt. Ta bort insexbulten och byt krokens riktning för att ändra krokens läge. Kroken har två hål. Välj hål efter önskad krokbredd.

Justera shingel-guiden

► **Fig.8:** 1. Kontaktelement 2. Shingel-guide 3. Shingel

► **Fig.9:** 1. Inställningsplatta 2. Spärr

Shingel-guiden är utformad för konsekvent shingel-exponering.

Placera shingeln i önskat läge. Vrid spärren för att lossa inställningsplattan. Placera spikpistolen så att kontaktelementet trycker ner både den exponerade shingeln och föregående rad av shingel. Skjut upp inställningsplattan mot nederkanten av den exponerade shingeln och för tillbaka spärren för att låsa inställningsplattan.

MONTERING

⚠ FÖRSIKTIGT: Innan arbete utförs på maskinen måste avtryckaren ställas i ursprungsläge och slangen kopplas från.

⚠ FÖRSIKTIGT: Ladda alltid magasinet med spikar av samma typ, storlek och längd.

Ladda spikmaskinen

OBSERVERA: Välj en spiktyp som är lämplig för arbetsuppgiften.

OBSERVERA: Placera spikbandets stödplatta enligt den spikstorlek som ska användas. Används maskinen med spikbandets stödplatta på fel spår, kan det leda till dålig spikmatning eller att maskinen inte fungerar som den ska.

1. Tryck på spärreglaget och öppna magasinlocket.

► **Fig.10:** 1. Magasinlock 2. Spärreglage

2. Lyft och vrid spikbandets stödplatta så att pilen som visar spikstorlek på stödplattan pekar på motsvarande graderingsmarkering på magasinet.

► **Fig.11:** 1. Spikbandets stödplatta 2. Gradering 3. Pil

3. Placera spikbandet på dess stödplatta. Rulla ut tillräckligt många spikar för att nå matakron. Placera den första spiken i drivkanalen och den andra spiken i matakron. Placera andra utrullade spikar i matakronhuset. Stäng magasinlocket efter att du kontrollerat att spikbandet sitter korrekt i magasinet.

► **Fig.12:** 1. Matakron

Anslutning av luftslang

⚠ FÖRSIKTIGT: Vila inte fingret på avtryckaren vid anslutning av tryckluftsslangen.

► **Fig.13:** 1. Luftanslutning 2. Snabbkoppling

Sätt på luftslangens snabbkoppling på maskinens tryckluftsanslutning. Kontrollera att snabbkopplingen låser ordentligt i läge när den ansluts på tryckluftsanslutningen.

En slangkoppling måste monteras på eller så nära maskinen att trycket släpps när slangen kopplas loss.

ANVÄNDNING

⚠ FÖRSIKTIGT: Kontrollera alltid att alla säkerhetsanordningar fungerar innan du använder verktyget.

Kontrollera att maskinen fungerar på rätt sätt innan den används

Innan du börjar använda maskinen ska du alltid kontrollera följande.


- Försäkra dig om att maskinen inte går igång bara genom att du ansluter luftslangen.
- Försäkra dig om att maskinen inte går igång bara genom att du trycker in avtryckaren.
- Försäkra dig om att maskinen inte går igång bara genom att du placerar kontaktelementet mot arbetsstycket utan att ha tryckt in avtryckaren.
- När maskinen befinner sig i läget för enstaka sekventiell aktivering försäkras du dig om att den inte går i gång genom att du först trycker in avtryckaren och sedan placerar kontaktelementet mot arbetsstycket.

Välja driftläge


⚠ FÖRSIKTIGT: Se alltid till att väljaren för utlösningsläge är korrekt inställd i läge för önskat spikningsläge innan spikning.

► Fig.14: 1. Väljare för utlösningsläge

Enskilt sekventiellt utlösningsläge:

Du kan spika en spik i taget med sekventiell drift. Välj detta läge när du spikar spikar noga och exakt. Ställ väljaren för utlösningsläge till läge  för att välja detta läge.

Kontaktutlösningsläge:

Du kan spika en spik repetitivt genom att placera kontaktelementet med avtryckaren intryckt. Ställ väljaren för utlösningsläge till läge  för att välja detta läge.

Enstaka sekventiell aktivering

⚠ FÖRSIKTIGT: Tryck aldrig kontaktelementet alltför hårt mot arbetsstycket. Dessutom ska du efter spikningen trycka in avtryckaren helt och hålla den intryckt i en till två sekunder.

Även i läget för enstaka sekventiell aktivering orsakas oavsiktlig spikning om avtryckaren är halvt intryckt när kontaktelementet åter kommer i kontakt med arbetsstycket.

Placera kontaktelementet mot arbetsstycket och tryck in avtryckaren helt.

När du är klar med spikningen tar du först bort kontaktelementet och släpper sedan upp avtryckaren.

► Fig.15

Kontaktaktivering



Tryck först in avtryckaren, och placera sedan kontaktelementet mot arbetsstycket.

► Fig.16

Ta bort spikar som fastnat

⚠ FÖRSIKTIGT: Lossa alltid avtryckaren och koppla loss slangen innan spikar som fastnat tas bort.

⚠ FÖRSIKTIGT: Använd inte deformerade spikar eller spikband. I så fall kan spikmatningen påverkas negativt.

► Fig.17: 1. Hammare 2. Liten stång 3. Utmatningsöppning

Gör på följande sätt om en spik fastnar: Öppna magasinlocket och ta sedan bort spikbandet. Sätt i en liten stång eller liknande i mynningen och knacka lätt på den med en hammare för att ta ur spiken som fastnat i mynningen. Sätt tillbaka spikbandet och stäng magasinlocket.

UNDERHÅLL

⚠ FÖRSIKTIGT: Innan inspektion eller underhåll utförs måste avtryckaren ställas i ursprungsläge och slangen kopplas bort från maskinen.

OBSERVERA: Använd inte bensen, bensen, thinner, alkohol eller liknande, såvida det inte anges i denna manual. Missfärgning, deformation eller sprickor kan uppstå.

Spikar

Var försiktig när du hanterar spikband och spikbandsförpackningar. Om spikbanden behandlas världslost kan de deformeras, vilket leder till dålig spikmatning. Undvik att förvara spikbanden i mycket fuktiga eller varma utrymmen eller i direkt solljus.

Rengöring och avlägsning av tjära och smuts

⚠ FÖRSIKTIGT: Skydda alltid händerna med vattentäta handskar.

Tjära och smuts som fastnar runt kontaktarmen förhindrar att kontaktelementet rör sig smidigt (säkerhetsmekanism) och orsakar avlossning av misstag. Rengör området runt kontaktarmen regelbundet.

Använd lösningsmedel som fotogen, #2 brännolja eller diesel. Lägg endast ned kontaktarmen och områdena runt mynningen i lösningsmedlet och ta bort tjära och smuts med en borste.

► Fig.18

OBSERVERA: Sänk aldrig ned huset, magasinet etc. i lösningsmedlet. Annars kan funktionsstörningar uppstå på maskinen.

OBS: Avfallshantera alltid lösningsmedlet på ett säkert och försiktigt sätt och i enlighet med alla lokala och nationella föreskrifter.

Underhåll av spikmaskinen

Kontrollera alltid verktygets allmänna skick innan du använder det och tillse att det inte finns lösa skruvar. Dra fast skruvarna om det behövs.

Kontrollera dagligen, med fränkopplad maskin, att kontaktelementet och avtryckaren kan röra sig fritt. Använd inte maskinen om kontaktelementet eller avtryckaren kärvar eller fastnar.

Smörj maskinen med tryckluftsolja när den inte ska användas under en längre tid och förvara den på en säker plats. Maskinen får inte förvaras i direkt solljus och/eller i fuktigt eller varmt utrymme.

► Fig.19

Underhåll av kompressor, luftfilter/ dimsmörjning och tryckluftslang

Töm alltid kompressortank och luftfilter efter användning. Fukt som kommer in i verktyget kan leda till sämre prestanda eller fel på verktyget.

► Fig.20: 1. Dräneringskran

► Fig.21: 1. Luftfilter

Kontrollera regelbundet att det finns tillräckligt med pneumatikolja i dimsmörjningens oljekopp. Om smörjningen inte är tillräcklig slits O-ringarna snabbt.

► Fig.22: 1. Oljekopp 2. Pneumatisk maskinolja

Utsätt inte tryckluftslangen för värme (över 60 °C/140 °F) eller kemikalier (förtunningsmedel, starka syror eller baser). Se också till att slangen löper fritt under arbetet och inte riskerar att fastna, vilket kan resultera i att farliga situationer uppstår. Dra också slangen på sådant sätt att den inte riskerar att skadas på skarpa kanter och annat som ger ökad förslitning.

För att upprätthålla produktens SÄKERHET och TILLFÖRLITLIGHET bör allt underhålls- och justeringsarbete utföras av ett auktoriserat Makita servicecenter och med reservdelar från Makita.

VALFRIA TILLBEHÖR

⚠ FÖRSIKTIGT: Följande tillbehör eller tillsatser rekommenderas för användning med den Makita-maskin som denna bruksanvisning avser.

Om andra tillbehör eller tillsatser används kan det uppstå risk för personskador. Använd endast tillbehören eller tillsatserna för de syften de är avsedda för.

Kontakta ditt lokala Makita servicecenter om du behöver ytterligare information om dessa tillbehör.

- Spikar
- Tryckluftslangar
- Skyddsglasögon

OBS: Några av tillbehören i listan kan vara inkluderade i maskinpaketet som standardtillbehör. De kan variera mellan olika länder.

TEKNISKE DATA

Modell:		AN454
Luftrykk		0,49 - 0,83 MPa (4,9 - 8,3 bar)
Festemiddel	Type	Båndspiker (taktekkingspiker)
	Lengde	19 mm - 45 mm
	Diameter	3,05 mm
Spikerkapasitet		120 stk.
Pneumatisk verktøyolje		ISO VG32 eller tilsvarende
Minste slangediameter		6,5 mm
Mål (L x B x H)		256 mm x 117 mm x 271 mm
Nettovekt		2,4 kg

- På grunn av vårt kontinuerlige forsknings- og utviklingsprogram kan spesifikasjonene som oppgis i dette dokumentet endres uten varsel.
- Spesifikasjonene kan variere fra land til land.

Symboler

Nedenfor ser du symbolene som brukes for dette utstyret. Forviss deg om at du forstår hva de betyr, før du begynner å bruke maskinen.



Les bruksanvisningen.



Bruk vernebriller.



Bruk hørselsvern.



Verktøyet kan brukes i kontaktafryringsmodus.



Må ikke brukes på stillas eller stiger.

Riktig bruk

Dette verktøyet er laget for innendørs forarbeid som å feste gulvbjelker eller vanlige bjelker og rammearbeid i 2" x 4"-bygg. Verktøyet er kun ment for profesjonell anvendelse for store volum. Ikke bruk det til andre formål. Det er ikke konstruert for å drive festemidler direkte på harde overflater som stål eller betong.

Støy

Typisk A-vektet lydtryknivå er bestemt i henhold til ISO11148-13(EN12549):
 Lydtryknivå (L_{pA}): 102 dB (A)
 Lydeffektnivå (L_{WA}): 113 dB (A)
 Usikkerhet (K): 1,5 dB (A)

MERK: Den/de oppgitte verdien(e) for genererte vibrasjoner har blitt målt i henhold til standard testmetoder, og kan bli brukt til å sammenligne ett verktøy med et annet.

MERK: Den/de angitte verdien(e) for de genererte vibrasjonene kan også brukes til en foreløpig vurdering av eksponeringen.

⚠ADVARSEL: Bruk hørselsvern.

⚠ADVARSEL: De genererte vibrasjonene ved faktisk bruk av elektroverktøyet kan avvike fra den/de angitte vibrasjonsverdien(e), avhengig av hvordan verktøyet brukes.

⚠ADVARSEL: Sørg for å identifisere vernetiltak for å beskytte operatøren, som er basert på et estimat av eksponeringen under de faktiske bruksforholdene (idet det tas hensyn til alle deler av driftssyklusen, dvs. hvor lenge verktøyet er slått av, hvor lenge det går på tomgang og hvor lenge startbryteren faktisk holdes trykket).

Vibrasjoner

Totalverdiene for vibrasjon er bestemt i henhold til ISO11148-13(ISO8662-11):
 Genererte vibrasjoner (a_h): 5,7 m/s²
 Usikkerhet (K): 1,5 m/s²

MERK: Den/de oppgitte verdien(e) for totalt genererte vibrasjoner har blitt målt i henhold til standard testmetoder, og kan bli brukt til å sammenligne ett verktøy med et annet.

MERK: Den/de angitte verdien(e) for totalt genererte vibrasjoner kan også brukes til en foreløpig vurdering av eksponeringen.

⚠ ADVARSEL: De genererte vibrasjonene ved faktisk bruk av elektroverktøyet kan avvike fra den/de angitte vibrasjonsverdien(e), avhengig av hvordan verktøyet brukes og spesielt i forhold til arbeidsstykket som blir behandlet.

⚠ ADVARSEL: Sørg for å identifisere vernetil-tak for å beskytte operatøren, som er basert på et estimat av eksponeringen under de faktiske bruksforholdene (idet det tas hensyn til alle deler av driftssyklusen, dvs. hvor lenge verktøyet er slått av, hvor lenge det går på tomgang og hvor lenge startbryteren faktisk holdes trykket).

EFs samsvarserklæring

Gjelder kun for land i Europa

EFs samsvarserklæring er lagt til som vedlegg A i denne bruksanvisningen.

SIKKERHETSADVARSEL

Sikkerhetsadvarsel for pneumatisk spikerpistol/stiftemaskin

⚠ ADVARSEL: Les alle sikkerhetsadvarslene og alle instruksjonene. Hvis du ikke følger alle advarslene og instruksjonene som er oppført nedenfor, kan det føre til alvorlige personskader, elektriske støt og/eller brann.

Oppbevar alle advarsler og instruksjoner for senere bruk.

Av hensyn til din personlige sikkerhet og riktig drift og vedlikehold av verktøyet, må du lese denne brukerhåndboken før du begynner å bruke verktøyet.

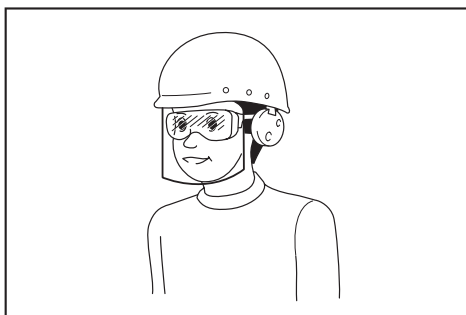
Generell sikkerhet

1. All annen enn beregnet bruk av dette verktøyet, er forbudt. Trykkluftdrevne verktøy med kontinuerlig kontaktavfiring eller kontaktavfiring skal kun brukes til produksjonsarbeid.
2. Hold fingrene unna avtrekkeren når verktøyet ikke er i bruk og når det skal flyttes fra én arbeidsstilling til en annen.
3. Flere farer. Les og forstå sikkerhetsanvisningene før du kobler til, kobler fra, legger spiker i, bruker, utfører vedlikehold på, bytter tilbehør på eller jobber nær verktøyet. Hvis dette ikke, kan det føre til alvorlig personskade.
4. Hold alle kroppsdeler som hender og føtter, osv. unna avfiringssretningen, og sørg for at spikeren ikke kan trenge gjennom arbeidsstykket og treffe deler av kroppen.
5. Når du bruker verktøyet, må du være oppmerksom på at spikeren kan slå tilbake og forårsake personskade.
6. Hold verktøyet godt fast, og vær klar til å håndtere tilbakeslag.

7. Kun teknisk kvalifiserte operatører skal bruke det trykkluftdrevne verktøyet.
8. Du må ikke modifisere det trykkluftdrevne verktøyet. Modifiseringer kan redusere virkningen til sikkerhetstiltak og øke faren for operatøren og/eller personer i nærheten.
9. Ikke kast bruksanvisningen.
10. Ikke bruk verktøyet hvis det har blitt skadet.
11. Vær forsiktig når du håndterer spikere, særlig når du setter i eller tar ut spikere, ettersom spikrene har hvasse spisser som kan forårsake personskade.
12. Før bruk må du alltid kontrollere om verktøyet har deler som er ødelagt, koblet feil til eller slitt.
13. Ikke strekk deg for langt. Verktøyet må kun brukes på en trygg arbeidsplass. Pass alltid på at du holder balansen og har godt fotfeste.
14. Pass på at ingen personer befinner seg i nærheten (når du arbeider i et område der det er sannsynlig at personer vil passere). Merk tydelig opp arbeidsområdet ditt.
15. Du må aldri rette verktøyet mot deg selv eller andre.
16. Ikke hvil fingeren på avtrekkeren når du tar opp verktøyet, forflytter deg mellom arbeidsområder og -stillinger eller går, da det kan føre til utilsiktede avtrekk. Hvis verktøyet har valgbar avfiring, må du alltid kontrollere verktøyet før bruk for å forsikre deg om at du har valgt riktig modus.
17. Bruk kun hansker som gir tilstrekkelig fingerfølelse og full kontroll over avtrekkere og eventuelle justeringsenheter.
18. Når du legger fra deg verktøyet, skal det hvilket på flatt underlag. Hvis du bruker kroken som verktøyet er utstyrt med, hekter du verktøyet fast på det stabile underlaget.
19. Ikke bruk verktøyet hvis du har drukket alkohol eller er under påvirkning av legemidler, narkotiske stoffer e.l.

Prosjektifarer

1. Det trykkluftdrevne verktøyet skal være fra-koblet når du tar ut spikere, utfører justeringer, fjerner fastkjørte spikere eller bytter tilbehør.
2. Under bruk må du passe på at spikrene trenger gjennom materialet på riktig måte og ikke kan rikosjettere/avfyrer utilsiktet mot operatøren og/eller eventuelle personer i nærheten.
3. Under bruk kan det sprette ut rusk og rask fra arbeidsstykket og feste-/monteringsssystemet.
4. Bruk alltid vernebriller for å beskytte øynene mot skade når du bruker elektroverktøy. Brillene må oppfylle kravene i ANSI Z87.1 i USA, EN 166 i Europa eller AS/NZS 1336 i Australia/New Zealand. I Australia/New Zealand er det dessuten lovpålagt å bruke et ansiktsvern for å beskytte ansiktet.



Det er arbeidsgivers ansvar å påse at verktøyoperatørene og alle andre personer i arbeidsområdets umiddelbare nærhet bruker riktig verneutstyr.

5. Operatøren skal vurdere om arbeidet kan utgjøre en risiko for andre.
6. Vær forsiktig med verktøy uten arbeidsstykkekontakt, da de kan avfyres utilsikt og skade operatøren og/eller personer i nærheten.
7. Pass på at verktøyet griper inn i arbeidsstykket uten mulighet for å skli.
8. Bruk hørselsvern for å beskytte hørselen din mot støy fra luftutløpet, og som hodebeskyttelse. Bruk også lette, men ikke løse klær. Ermer må være kneppet eller rullet opp. Ikke bruk slips.

Farer ved bruk

1. Hold verktøyet riktig. Vær klar til å motvirke normale eller plutselige bevegelser, f.eks. tilbakeslag.
2. Plasser kroppen slik at du står støtt og har et sikkert fotfeste.
3. Du må bruke riktige vernebriller, og riktige hansker og verneklær anbefales.
4. Riktig hørselsvern er påbudt.
5. Bruk riktig kraftforsyning i henhold til bruksanvisningen.
6. Ikke bruk verktøyet på bevegelige plattformer eller bak på lastebiler. Plutselige bevegelser av plattformen kan føre til at man mister styringen på verktøyet og fremkaller personskader.
7. Gå alltid ut fra at verktøyet inneholder spikere.
8. Ikke skynd deg med jobben eller bruk makt på verktøyet. Verktøyet må behandles forsiktig.
9. Se hvor du går og hold balansen med verktøyet. Pass på at ingen befinner seg under deg når du jobber på høye steder, og sikre luftslangen så det ikke plutselig oppstår en farlig situasjon fordi noen rykker i slangen eller den setter seg fast.
10. På tak og på andre høye steder må du skruer etter hvert som du beveger deg forover. Det er lett å miste balansen hvis du skruer mens du beveger deg bakover. Når du skruer mot en vinkelrett overflate, må du skruer ovenfra og ned. Du blir mindre sliten av skruingen hvis du gjør det på denne måten.
11. En skruer kan bli bøyd, eller verktøyet kan låse seg hvis du ved en feil skruer på toppen av en annen skrue, eller treffer en kvist i treet. Skruen kan rikosjettere og treffe noen, eller verktøyet selv kan reagere på en farlig måte. Plasser skruene med omhu.

12. Ikke la et ladet verktøy eller en luftkompressor under trykk ligge lengre tid av gangen ute i solen. Ikke legg verktøyet fra deg på et sted der støv, sand, trebiter og fremmedlegemer kan komme inn i verktøyet.
13. Forsøk aldri å skruer både fra innsiden og utsiden på én gang. Skruene kan gå gjennom og/eller rikosjettere, og utgjøre en alvorlig helsefare.

Farer forbundet med gjentatte bevegelser

1. Når du bruker et verktøy i lange perioder, kan du oppleve ubehag i hendene, armene, skuldrene, nakke eller andre deler av kroppen.
2. Du skal derfor under bruk av verktøyet sørge for å ha en egnet, men ergonomisk kroppsholdning. Ha et sikkert fotfeste, og unngå ubekvemme eller ubalanserte kroppsholdninger.
3. Hvis du opplever symptomer som vedvarende eller tilbakevendende ubehag, smerte, dunkende smerte, verk, prikking, nummenhet, svie eller stivhet, må du ikke overse disse varseltegnene. Oppsøk kvalifisert helsepersonell med tanke på generelle aktiviteter.
4. Kontinuerlig bruk av verktøyet kan føre til gjentatt belastningsskade på grunn av tilbakeslag fra verktøyet.
5. For å hindre skader på grunn av gjentatte belastninger, bør brukeren ikke strekke seg for langt eller bruke overdreven kraft. I tillegg bør brukeren ta en hvil når han/hun føler seg sliten.
6. Foreta en risikovurdering når det gjelder farer ved gjentatte bevegelser. Den bør konsentrere seg om muskel-skjelettplager og fortrinnsvis baseres på antakelsen om at redusert tretthet under arbeidet virker effektivt for å redusere slike plager.

Farer forbundet med tilbehør og forbruksvarer

1. Koble fra kraftforsyningen til verktøyet, for eksempel luft, gass eller batteri, før du bytter/erstatte tilbehør som arbeidsstykkekontakt, eller før du foretar justeringer.
2. Bruk kun tilbehør i størrelsene og av typene som produsenten leverer.
3. Bruk kun smøremidler som anbefales i denne bruksanvisningen.

Farer på arbeidsplassen

1. Å skli, snuble eller falle er viktige årsaker til skader på arbeidsplassen. Vær oppmerksom på glatte overflater som følge av bruk av verktøyet samt snublefarene som luftslangen kan utgjøre.
2. Vær ekstra forsiktig i ukjente omgivelser. Det kan finnes skjulte farer, for eksempel elektrisitet eller andre nytteledninger.
3. Dette verktøyet er ikke beregnet på bruk i eksplosjonsfarlige miljøer, og er ikke isolert mot kontakt med elektrisk kraft.
4. Pass på at det ikke finnes noen elektriske kabler, gassrør, osv. som kan utgjøre en fare hvis de blir skadet av verktøyet.
5. Hold arbeidsplassen ren og godt opplyst. Rotete og mørke områder fører lett til uhell.
6. Det er mulig at lokale bestemmelser om støybegrensning krever at støynivået må holdes innen visse grenser. I visse tilfeller må det brukes vinduslemmer for å dempe lyden.

Støv- og avgassfarer

1. Du må alltid kontrollere omgivelsene. Luft som kommer ut av verktøyet kan blåse støv eller gjenstander slik at de treffer operatøren og/eller personer i nærheten.
2. Rett utblåsing inn slik at du får minimum oppvirvling av støv i støvfylte omgivelser.
3. Hvis det sendes ut støv eller gjenstander i arbeidsområdet, må du redusere dette så mye som mulig for å redusere helsefare og skaderisiko.

Støfarer

1. Ubeskyttet eksponering for høye støynivåer kan forårsake varig, invalidiserende hørselstap og andre problemer som tinnitus (ringing, during, piping eller summing i ørene).
2. Foreta en risikovurdering når det gjelder fare ved støv i arbeidsområdet og iverksett passende tiltak for kontroll over disse farene.
3. Passende virkemidler for å redusere faren kan omfatte tiltak som dempemateriale for å forhindre at arbeidsstykker "ringer".
4. Bruk riktig hørselsvern.
5. Bruk og vedlikehold verktøyet i henhold til disse anvisningene, så unngår du en unødige økning i støynivåer.
6. Iverksett støvreduserende tiltak, for eksempel ved å plassere arbeidsstykker på lydempende underlag.

Vibrasjonsfarer

1. Vibrasjonspåvirkningen under bruken vil avhenge av gripekraften, kontaktrykkraften, arbeidsretningen, justeringen av kraftforstyringen, arbeidsstykket og hvordan arbeidsstykket holdes på plass. Foreta en risikovurdering når det gjelder fare ved vibrasjon og iverksett passende tiltak for kontroll over disse farene.
2. Hvis du utsettes for vibrasjoner, kan det medføre skade i nerver og blodtilførselen til hendene og armene.
3. Bruk varme klær når du jobber under kalde forhold, og hold hendene tørre og varme.
4. Hvis du opplever nummenhet, prikking, smerte eller at huden på fingrene eller hendene blir hvit, skal du kontakte kvalifisert personell som er faglært innen yrkeshygiene med tanke på generelle aktiviteter.
5. Bruk og vedlikehold verktøyet i henhold til disse anvisningene, så unngår du en unødige økning i vibrasjonsnivåer.
6. Hold verktøyet i et lett, men trygt grep, fordi faren knyttet til vibrasjon generelt sett er høyere når gripekraften er større.

Ekstra advarsler for trykkluftverktøy

1. Trykkluft kan forårsake alvorlig personskade.
2. Slå alltid av luftforsyningen, og koble verktøyet fra luftforsyningen når det ikke er i bruk.
3. Koble alltid verktøyet fra trykkluftforsyningen før du bytter tilbehør, foretar justeringer og/eller reparasjoner og mens du beveger deg fra ett arbeidsområde til et annet.
4. Hold fingrene unna avtrekkeren når verktøyet ikke er i bruk og når det skal flyttes fra én arbeidsstilling til en annen.

5. Rett aldri trykkluft mot deg selv eller andre.
6. Piskende slanger kan forårsake alvorlig personskade. Kontroller alltid med tanke på skadde eller løse slanger eller koblinger.
7. Du må aldri bære et trykkluftverktøy etter slangen.
8. Du må aldri dra et trykkluftverktøy etter slangen.
9. Når du bruker trykkluftverktøy, må du aldri overskride det maksimale arbeidstrykket ps maks.
10. Trykkluftverktøy skal kun drives av trykkluft som holder lavest nødvendig trykk for å utføre arbeidet. Dette reduserer støv og vibrasjon og minimerer slitasje.
11. Bruk av oksygen eller brennbare gasser i forbindelse med bruk av trykkluftverktøy fører til brann- og eksplosjonsfare.
12. Vær forsiktig når du bruker trykkluftverktøy, da verktøyet kan bli kaldt slik at det blir vanskeligere å holde og kontrollere.

Ekstra advarsler for verktøy med mulighet for kontaktutløsning



1. Ikke hvil fingeren på avtrekkeren når du tar opp verktøyet, forflytter deg mellom arbeidsområder og -stillinger eller går, da det kan føre til utilsiktede avtrekk. Hvis verktøyet har valgbar avfiring, må du alltid kontrollere verktøyet før bruk for å forsikre deg om at du har valgt riktig modus.
2. Dette verktøyet har enten valgbar avfiring for kontaktavfiring eller kontinuerlig kontaktavfiring ved hjelp av valgbrytere for avfiring, eller er et verktøy med kontaktavfiring eller kontinuerlig kontaktavfiring og er merket med symbolet over. Det er beregnet på bruk til produksjonsarbeid som paller, møbler, prefabrikkerte hus, møbeltrekk og kledning.
3. Hvis du bruker verktøyet i valgbar avfiringmodus, må du alltid passe på at det er i riktig avfiringstilning.
4. Ikke bruk dette verktøyet med kontaktavfiring til for eksempel lukking av esker eller kasser og montering av transportsikkerhetssystemer på tilhengere og lastebiler.
5. Vær forsiktig når du flytter fra ett avfiringsted til et annet.

Sikkerhetsutstyr

1. Pass på at alle sikkerhetssystemene fungerer som de skal før du tar verktøyet i bruk. Verktøyet må ikke starte hvis bare avtrekkeren trykkes inn, eller hvis bare kontaktarmen presses mot treet. Den må fungere kun når begge disse tingene gjøres samtidig. Mens verktøyet er tomt for skruer og skyveren er trukket helt tilbake, må du sjekke at verktøyet ikke starter.
2. Å låse avtrekkeren i ON-stilling er svært farlig. Forsøk aldri å låse fast avtrekkeren.
3. Ikke prøv å holde kontaktelemet trykket inn med tape eller wire. Dette medfører livsfare.

4. **Kontroller alltid kontaktelementet som angitt i denne håndboken.** Festeordningene kan avvires ved et ulykkestilfelle hvis sikkerhetsmekanismen ikke virker som den skal.

Service

1. **Rengjøring og vedlikehold må utføres rett etter at jobben er avsluttet.** Hold verktøyet i tipp topp stand. Smør bevegelige deler for å hindre at de rustner og for å minimalisere slitasje som skyldes friksjon. Tørk alt støv av delene.
2. **Kontakt Makitas autoriserte servicesenter for periodisk inspeksjon av verktøyet.**
3. **For å opprettholde produktets SIKKERHET og PÅLITELIGHET, må vedlikehold og reparasjoner utføres av Makitas autoriserte servicesenter, og det må alltid brukes reservedeler fra Makita.**
4. **Følg lokale forskrifter når verktøyet skal avhendes.**

TA VARE PÅ DISSE INSTRUKSENE.

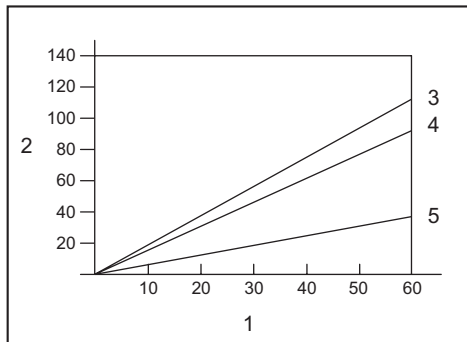
⚠ ADVARSEL: IKKE LA hensynet til hva som er "behagelig" eller det faktum at du kjenner produktet godt (etter mange gangers bruk) gjøre deg mindre oppmerksom på sikkerhetsreglene for bruken av det aktuelle produktet. Ved MISBRUK eller hvis ikke sikkerhetsreglene i denne bruksanvisningen følges, kan det oppstå alvorlig personskade.

DELEBESKRIVELSE

- Fig.1: 1. Avtrekker 2. Kontaktelement 3. Valgbryter for avfyring 4. Magasin 5. Krok

MONTERING

Velge kompressor



1. Spikerfrekvens (avfyring/min) 2. Kompressorens luftmengde pr. minutt (L/min) 3. 0,83 MPa (8,3 bar) 4. 0,66 MPa (6,6 bar) 5. 0,49 MPa (4,9 bar)

Luftkompressoren må oppfylle kravene i EN60335-2-34.

Velg en kompressor som kan levere tilstrekkelig trykk og luftmengde til å sikre kostnadseffektiv drift. Grafen viser forholdet mellom spikerfrekvensen, det tilgjengelige trykket og kompressorens luftmengde.

Hvis du for eksempel skal spikre med en hastighet på ca. 60 spikere i minuttet, og et trykk på 0,83 MPa (8,3 bar), trenger du en kompressor som kan levere mer enn 110 liter per minutt.

Trykkregulatorer må brukes til å begrense lufttrykket til verktøyets merketrykk i tilfeller der luftforsyningens trykk overskrider verktøyets merketrykk. Hvis ikke dette gjøres, kan det medføre alvorlige skader på verktøyoperatøren eller personer i nærheten.

Velge luftslange

⚠ FORSIKTIG: Liten luftmengde ut av kompressoren eller en lang slange, eventuelt en slange med mindre diameter i forhold til spikerfrekvensen, kan redusere verktøyets spikringskapasitet.

► Fig.2

Bruk en luftslange som er så stor og så kort som mulig for å sikre kontinuerlig, effektiv spikring.

Med et lufttrykk på 0,49 MPa (4,9 bar) anbefales det en luftslange med en indre diameter på mer enn 6,5 mm og en lengde på mindre enn 20 m når intervallet mellom spikrene er 0,5 sekunder.

Luftforsyningsslanger må ha et minste merkearbeidstrykk på 1,03 MPa (10,3 bar) eller 150 prosent av det maksimale trykket som produseres i systemet, avhengig av hvilken verdi som er størst.

Smøring

► Fig.3

For å sikre maksimal ytelse bør du installere et luftsett (smøreanordning, regulator, luftfilter) så nært verktøyet som mulig. Juster smøreanordningen slik at en dråpe olje vil bli avgitt for hver 30. spiker.

Når det ikke brukes et luftsett, må du olje verktøyet med den pneumatisk verktøyoljen ved å påføre luftkoblingen 2 (to) eller 3 (tre) dråper. Dette skal gjøres før og etter bruk.

For at smøringen skal få best mulig effekt, bør verktøyet avfyrer et par ganger etter at den pneumatisk oljen er påført.

► Fig.4: 1. Pneumatisk verktøyolje

FUNKSJONSBEKRIVELSE

⚠FORSIKTIG: Før du justerer verktøyet eller kontrollerer at det virker, må du alltid slippe tilbake avtrekkeren og koble luftslangen fra verktøyet.

Justere spikringsdybden

⚠FORSIKTIG: Før du justerer spikringsdybden må du alltid frigjøre avtrekkeren og koble fra slangen.

► Fig.5: 1. Dybdejusterer

For å justere spikringsdybden må du dreie på justeringshjulet.

Spikringsdybden er størst når justeringshjulet ikke går lenger i A-retningen, som vist på figuren. Den vil bli mindre når justeringshjulet dreies i B-retningen.

Hvis spikrene ikke kan drives langt nok inn, selv om justeringshjulet er dreid til anslag i A-retningen, må du øke lufttrykket.

Hvis spikrene drives for langt inn, selv om justeringshjulet er dreid til anslag i B-retningen, må du redusere lufttrykket.

Generelt sett kan det sies at verktøyets levetid vil være lenger hvis verktøyet brukes med lavt lufttrykk og justeringshjulet innstilt på en dypere spikringsdybde.

Krok

⚠FORSIKTIG: Før du endrer krokstillingen må du alltid frigjøre avtrekkeren og koble fra slangen.

⚠FORSIKTIG: Maskinen må aldri henges på kroken høyt over bakken eller på en potensielt ustabil overflate.

⚠FORSIKTIG: Ikke heng kroken i buksebeltet. Hvis spikerpistolen faller ned ved et uhell, kan det føre til vådeskudd og personsaker.

► Fig.6

► Fig.7: 1. Krok 2. Sekskantbolt 3. Hull

Kroken er praktisk å henge opp verktøyet med for kortere tid.

For å endre krokstillingen, fjerner du unbrakoskruen og endrer krokretningen. Kroken har to hull. Velg hullet avhengig av krobredde du ønsker.

Justere takplateføringen

► Fig.8: 1. Kontaktelement 2. Takplateføring 3. Takplate

► Fig.9: 1. Justeringsplate 2. Spak

Takplateføringen er utformet for å gi jevn takplateutlegging.

Plasser takplaten i ønsket posisjon. Drei hendelen for å frigjøre justeringsplaten. Sett spikerpistolen slik at kontaktelementet trykker ned både den synlige takplaten og den foregående takplaterekken. Skyv justeringsplaten opp mot bunnen av den synlige platen og drei hendelen for å låse justeringsplaten.

MONTERING

⚠FORSIKTIG: Før du utfører arbeid på verktøyet, må du alltid slippe tilbake avtrekkeren og koble luftslangen fra verktøyet.

⚠FORSIKTIG: Når du legger inn spikere i magasinet, må du legge inn spikere av samme type, størrelse og lengde.

Lade spikerpistolen

OBS: Velg spiker som passer til arbeidet ditt.

OBS: Sett båndstøtteplaten tilpasset den spikerstørrelsen som skal brukes. Hvis verktøyet brukes med båndstøtteplaten satt på feil trinn, kan resultatet bli dårlig spikerføring eller funksjonsfeil.

1. Trykk ned låsehendelen og åpne magasindekselet.

► Fig.10: 1. Magasinhette 2. Låsehendel

2. Løft og drei båndstøtteplaten slik at pilen med spikerstørrelsen vist på spoleplaten, peker mot det tilhørende graderingsrinnnet på magasinet.

► Fig.11: 1. Båndstøtteplate 2. Gradinddeling 3. Pil

3. Plasser spikerbåndet over båndstøtteplaten. Løse nok spiker til at de når matekloen. Sett den første spikeren i stempelkanalen og den neste i matekloen. Sett andre ikke opprullede spikere på materhuset. Lukk magasindekselet når du har kontrollert at spikerbåndet er satt riktig i magasinet.

► Fig.12: 1. Mateklo

Koble til luftslangen

⚠FORSIKTIG: Ikke la fingeren hvile på avtrekkeren når du kobler til luftslangen.

► Fig.13: 1. Luftfitting 2. Luftstøpsel

Før luftstøpset på luftslangen inn over luftkoblingen på verktøyet. Forvis deg om at luftstøpset går i inn-grep når det kobles til luftkoblingen.

En slangekobling må installeres på eller nær verktøyet på en slik måte at trykkreservoaret utlades i det øyeblikket luftforsyningens kobling kobles fra.

BRUK

⚠FORSIKTIG: Pass på at alle sikkerhetssystemene fungerer som de skal før du tar verktøyet i bruk.

Nødvendige kontrolltiltak før bruk

Følgende punkter må alltid kontrolleres før bruk.

- Sørg for at verktøyet ikke kan brukes kun ved å koble til luftslangen.
- Sørg for at verktøyet ikke kan brukes kun ved å trekke i avtrekkeren.
- Sørg for at verktøyet ikke kan brukes kun ved å plassere kontaktelelementet mot arbeidsemnet, uten å trekke i avtrekkeren.
- I frittstående sekvensiell avfyringsmodus må du sørge for at verktøyet ikke kan brukes når du trykker på avtrekkeren først, og deretter plasserer kontaktelelementet mot arbeidsemnet.


Velge en driftsmodus

⚠FORSIKTIG: Pass alltid på at valg Bryteren for avfiring er stillt inn i riktig posisjon for ønsket spikringsmodus før du spikrer.

► Fig.14: 1. Valgbryter for avfiring


Enkel sekvensiell avfyringsmodus:

Du kan skyte inn én spiker i én sekvensiell operasjon. Velg denne modusen når du vil skyte inn en spiker nøy og presist.

Hvis du vil velge denne modusen, stiller du valgbryteren for avfiring i posisjon .

Kontaktavfyringsmodus:

Du kan skyte inn spikere gjentatte ganger ved å plassere kontaktelelementet mens du holder avtrekkeren inne.

Hvis du vil velge denne modusen, stiller du valgbryteren for avfiring i posisjon .

Frittstående sekvensiell avfyringsmodus

⚠FORSIKTIG: Ikke bruk makt når du setter kontaktelelementet mot arbeidsemnet. Trykk avtrekkeren helt inn og hold den inne i 1–2 sekunder etter spikring.

Selv i frittstående sekvensiell avfyringsmodus kan uventet spikring forekomme, hvis avtrekkeren er halvveis trykt inn når kontaktelelementet kommer i kontakt med arbeidsemnet igjen.

Sett kontaktelelementet mot arbeidsemnet og trykk avtrekkeren helt inn.

Etter spikring må du løse kontaktelelementet, og deretter slippe opp avtrekkeren.

► Fig. 15

Kontaktavfiring



Trekk i avtrekkeren først og plasser deretter kontaktelelementet mot arbeidsemnet.

► Fig. 16

Fjerne fastkjørte spikere

⚠FORSIKTIG: Du må slippe tilbake avtrekkeren og koble fra slangen før du fjerner fastkjørte spikere.

⚠FORSIKTIG: Ikke bruk deformerte spikere eller spikerbånd. Hvis du ikke følger denne anvisningen, kan det resultere i dårlig spikeremating.

► Fig.17: 1. Hammer 2. Tynn stang 3. Munning

Når det setter seg fast en spiker i spikerpistol, må du gjøre følgende: Åpne magasindekselet og ta ut spikerbåndet. Sett inn en liten stang eller lignende i munningen og slå på den med en hammer for å skyve ut den fastkjørte spikeren fra munningen. Sett tilbake spikerbåndet og lukk magasindekselet.

VEDLIKEHOLD

⚠FORSIKTIG: Før du skal utføre inspeksjoner eller vedlikehold, må du alltid slippe tilbake avtrekkeren og koble luftslangen fra verktøyet.

OBS: Du må aldri bruke bensin, rensbensin, tyner, alkohol eller lignende hvis det ikke er angitt i denne håndboken. Det kan føre til misfarging, deformering eller sprekkdannelse.

Spikere

Spikerbånd og boksen for dem må håndteres forsiktig. Hvis spikerbåndene har fått hardhendt behandling, kan de være bøyd. Dette kan føre til i dårlig spikeremating. Unngå å oppbevare spikrer på et svært fuktig eller varmt sted, eller et sted som er utsatt for direkte sollys.

Rengjøring og fjerning av tjære og skitt

⚠FORSIKTIG: Beskytt alltid hendene ved å bruke vanntette hansker.

Fastklebet tjære og skitt på områdene rundt kontaktelelementene, hindrer en myk bevegelse av kontaktelementene (sikkerhetsmekanisme), noe som forårsaker utilsikket utlading. Gjør rent områdene rundt kontaktelelementet med jevne mellomrom.

Bruk et løsemiddel som for eksempel parafin, fyringsolje nr. 2 eller dieselolje. Dypp bare kontaktelelementet og områdene rundt munningen i løsemiddel og fjern tjære og skitt med en børste.

► Fig. 18

OBS: Ikke dypp huset, magasinet og lignende i løsemiddel. Det kan føre til funksjonsfeil for verktøyet.

MERK: Kvitt deg alltid med brukt løsemiddel på en trygg og forsiktig måte og i henhold til lokale og nasjonale retningslinjer.

Vedlikehold av spikerpistolen

Kontroller alltid at verktøyet er i generelt god stand og ikke har noen løse skruer, før du begynner å bruke det. Trekk til etter behov.

Foreta den daglige inspeksjonen av verktøyet mens verktøyet er frakoblet. Forviss deg om at kontaktelelementet og avtrekkeren kan bevege seg fritt. Ikke bruk verktøyet hvis kontaktelelementet eller avtrekkeren gjør motstand eller beveger seg tregt.

Når verktøyet ikke skal brukes på lengre tid, må du smøre det med pneumatisk verktøyolje og oppbevare det på et trygt sted. Unngå å utsette det for direkte sollys og/eller fuktige eller varme omgivelser.

► Fig.19

Vedlikehold av kompressoren, luftsettet og luftslangen

Etter bruk må kompressortanken og luftfilteret alltid tømmes. Hvis det kommer fuktighet inn i verktøyet, kan det resultere i dårlig ytelse og mulig verktøydefekt.

► Fig.20: 1. Tappekran

► Fig.21: 1. Luftfilter

Kontroller jevnlig for å se om det er tilstrekkelig med pneumatisk olje i smøreanordningen til luftsettet. Hvis verktøyet ikke tilføres tilstrekkelig med smøreolje, vil o-ringene fort bli slitt.

► Fig.22: 1. Smøreanordning 2. Pneumatisk verktøyolje

Hold luftslangen unna varme (over 60 °C, over 140 °F) og kjemikalier (fortynningsmidler, sterke syrer eller baser). Du må også legge slangen utenom hindringer den kan sette seg fast i under drift, noe som kan være farlig. Slinger må også legges utenom skarpe kanter og områder der de kan bli skadet eller slitt.

For å opprettholde produktets SIKKERHET og PÅLITELIGHET, må reparasjoner, vedlikehold og justeringer utføres av autoriserte Makita servicesentre eller fabrikkservicesentre, og det må alltid brukes reservedeler fra Makita.

VALGFRITT TILBEHØR

⚠FORSIKTIG: Det anbefales at du bruker dette tilbehøret eller verktøyet sammen med den Makita-maskinen som er spesifisert i denne håndboken. Bruk av annet tilbehør eller verktøy kan forårsake personskader. Tilbehør og verktøy må kun brukes til det formålet det er beregnet på.

Ta kontakt med ditt lokale Makita-servicesenter hvis du trenger mer informasjon om dette tilbehøret.

- Spikere
- Luftslange
- Vernebriller

MERK: Enkelte elementer i listen kan være inkludert som standardtilbehør i verktøypakken. Elementene kan variere fra land til land.

TEKNISET TIEDOT

Malli:		AN454
Ilmanpaine		0,49 - 0,83 MPa (4,9 - 8,3 bar)
Kiinnitin	Tyyppi	Lankanaulat (katonaulat)
	Pituus	19 mm - 45 mm
	Halkaisija	3,05 mm
Naulakapasiteetti		120 kpl.
Pneumaattinen työkaluöljy		ISO VG32 tai vastaava
Letkun minimihalkaisija		6,5 mm
Mitat (P x L x K)		256 mm x 117 mm x 271 mm
Nettopaino		2,4 kg

- Jatkuvasta tutkimus- ja kehitystyöstämme johtuen esitetyt tekniset tiedot saattavat muuttua ilman erillistä ilmoitusta.
- Tekniset tiedot voivat vaihdella maittain.

Symbolit

Laitteessa on käytetty seuraavia symboleja. Opettele näiden merkitys, ennen kuin käytät konetta.



Lue käyttöohje.



Käytä suojalaseja.



Käytä kuulosuojaimia.



Työkalua voidaan käyttää kertonaulaustilassa.



Älä käytä telineillä tai tikkailla.

Käyttötarkoitus

Työkalu on tarkoitettu rakennusten sisätilojen valmistelutöihin, kuten lattian kannatinpalkkien ja katto-orsien korjaamiseen sekä kehystystöihin, joissa käytetään 2"x 4"-puutavaraa.

Työkalu on tarkoitettu vain jatkuvaan ammattikäyttöön. Älä käytä sitä muihin tarkoituksiin. Sitä ei ole tarkoitettu kiinnikkeiden kiinnittämisen suoraan koviin pintoihin, kuten teräs tai betoni.

Melutaso

Tyyppillinen A-painotettu melutaso määrittyy standardin ISO11148-13(EN12549) mukaan:

Äänenpainetaso (L_{pA}) : 102 dB (A)

Äänen voiman taso (L_{WA}) : 113 dB (A)

Virhemarginaali (K): 1,5 dB (A)

HUOMAA: Ilmoitetut melutasoarvot on mitattu standarditestausten mukaisesti ja niiden avulla voidaan vertailla työkaluja keskenään.

HUOMAA: Ilmoitettuja melutasoarvoja voidaan käyttää myös altistumisen alustavaan arviointiin.

VAROITUS: Käytä kuulosuojaimia.

VAROITUS: Sähkötyökalun käytön aikana mitattu melutasoarvo voi poiketa ilmoitetuista arvoista laitteen käytettävän ja erityisesti käsiteltävän työkappaleen mukaan.

VAROITUS: Selvitä käyttäjän suojaamiseksi tarvittavat varoimet todellisissa käyttöolosuhteissa tapahtuvan arvioidun altistumisen mukaisesti (ottaen huomioon käyttöjako kokonaisuudessaan, myös jaksot, joiden aikana laite on sammutettuna tai käy tyhjäkäynnillä).

Tärinä

Standardin ISO11148-13(ISO8662-11) mukaan määräytyvä tärinäarvo:

Tärinäpäästö (a_{h1}) : 5,7 m/s²

Virhemarginaali (K): 1,5 m/s²

HUOMAA: Ilmoitetut kokonaistärinäarvot on mitattu standarditestausten mukaisesti ja niiden avulla voidaan vertailla työkaluja keskenään.

HUOMAA: Ilmoitettuja kokonaistärinäarvoja voidaan käyttää myös altistumisen alustavaan arviointiin.

VAROITUS: Sähkötyökalun käytön aikana mitattu todellinen tärinäpäästöarvo voi poiketa ilmoitetuista arvoista laitteen käyttötavan ja erityisesti käsiteltävän työkalupaleen mukaan.

VAROITUS: Selvitä käyttäjän suojaamiseksi tarvittavat varoimet todellisissa käyttöolosuhteissa tapahtuvan arvioidun altistumisen mukaisesti (ottaen huomioon käyttäjäksi kokonaisuudessaan, myös jaksot, joiden aikana laite on sammutettuna tai käy tyhjäkäynnillä).

EY-vaatimustenmukaisuusvakuutus

Koskee vain Euroopan maita

EY-vaatimustenmukaisuusvakuutus on liitetty tähän käyttöoppaaseen.

TURVAVAROITUKSET

Paineilmatoimisen naulaimen/ nitojan turvaohjeet

VAROITUS: Lue huolellisesti kaikki turvavaroitukset ja käyttöohjeet. Jos varoitusten ja ohjeiden noudattaminen laiminlyödään, seurauksena voi olla vakava vamma, sähköisku ja/tai tulipalo.

Säilytä varoitukset ja ohjeet tulevaa käyttöä varten.

Lue tämä ohjekirja ennen koneen käyttöä, jotta osaat käyttää sitä turvallisesti ja oikein sekä pitää sen kunnossa.

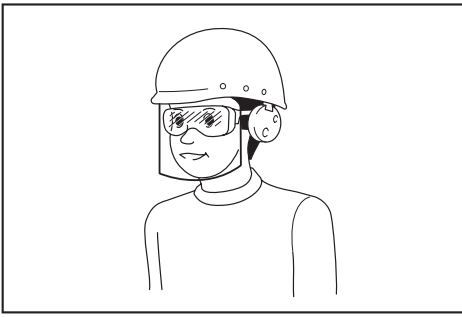
Yleinen turvallisuus

1. Mikä tahansa muu, paitsi tälle työkalulle tarkoitettu käyttötapa on kiellettyä. Sarjanalaustoiminnolla tai pelkällä kertanalaustoiminnolla varustettuja kiinnitystyökaluja on käytettävä vain tuotantosovellusten mukaisesti.
2. Pidä sormesi kaukana liipaisimesta jos tämä työkalu ei ole käytössä, tai siirrettäessä työkalua käyttöpaikasta toiseen.
3. Useita kohteita koskevat vaaratekijät. Lue turvallisuusohjeet ja ymmärrä niiden sisältö ennen työkalun liittämistä, irrottamista, lataamista, käyttöä, huoltoa, varusteiden vaihtoa tai työskenneltäessä työkalun läheisyydessä. Ohjeen laiminlyönti voi aiheuttaa vakavia kehoon kohdistuvia tapaturmia.
4. Pidä kaikki kehon osat, kuten kädet ja jalat kaukana laukaisuunasta ja varmista, että kiinnike ei pääse lävistämään kehonosia työkalupaleen läpi tai sen kautta.
5. Huomioi työkalun käytön aikana, että kiinnike voi poiketa suunnastaan ja aiheuttaa tapaturmia.
6. Pidä työkalusta kiinni luotettavalla otteella ja valmistaudu takaiskuja vastaan.

7. Ainoastaan teknisesti taitavat käyttäjät saavat käyttää kiinnitystyökaluja.
8. Älä muuntele kiinnitystyökalua. Muunnellut voivat heikentää turvaohjeiden tehokkuutta ja kasvattaa käyttäjään ja/tai sivullisiin kohdistuvia vaaratilanteita.
9. Älä hävitä käyttöohjetta.
10. Älä käytä viallista tai vaurioitunutta työkalua.
11. Ole varovainen kiinnikkeiden käsittelyä ja erityisesti niiden lataamisen ja irrottamisen aikana, koska kiinnikkeiden terävät kärjet voivat aiheuttaa tapaturmia.
12. Tarkasta työkalu aina ennen käyttöä mahdollisten rikkinaisten, irronneiden ja kuluneiden osien varalta.
13. Älä ylikurkottele. Käytä ainoastaan turvallista työpistettä. Seiso tukevassa asennossa ja säilytä tasapainosi koko työn ajan.
14. Pidä sivulliset henkilöt kaukana (työskenneltäessä ihmisten läpikulkupaikassa). Merkitse ja rajaa työalueesi selkeästi.
15. Älä koskaan suuntaa työkalua itseäsi tai sivullisia kohti.
16. Älä pidä sormiasi liipaisimen päällä nostettaessa työkalua, liikuttaessa tai käveltäessä käyttöalueiden ja käyttöpeisteiden välillä, koska liipaisimen päällä oleva sormi voi aiheuttaa tahattoman ja odottamattoman työkalun toiminnon. Valinnaisella käyttötilalla varustetut työkalut on aina tarkastettava ennen käyttöä oikean valitun käyttötilan varalta.
17. Käytä ainoastaan mukavia käsineitä, joilla liipaisinta tai mitä tahansa säätölaitteita on turvallisinta käsitellä.
18. Kun työkalu ei ole käytössä, säilytä sitä tasaisen pinnan päällä. Jos käytät työkalussa olevaa koukkuja, voit ripustaa sillä työkalun kestävästi pinnan päälle.
19. Älä työskentele alkoholiin, lääkkeiden tms. vaikutuksen alaisena.

Sinkoileivia kohteita koskevat vaaratekijät

1. Kiinnitystyökalu on irrotettava paineilman-syötöstä kiinnikkeiden irrottamisen, säätöjen, tukoksien poistamisen tai osien vaihdon aikana.
2. Huomioi käytön aikana, että kiinnikkeet lävistävät materiaalin oikein, eivätkä ne suuntaudu/ laukea väärin käyttäjää ja/tai sivullisia kohti.
3. Työkappaleessa ja kiinnike-/keräysjärjestelmässä olevat jäänteet on poistettava käytön aikana.
4. Käytä aina suojalaseja silmiesi suojaamiseksi tapaturmia vastaan sähkökäyttöisten laitteiden käytön aikana. Suojalasiensa täytyy noudattaa ANSI Z87.1 Yhdysvalloissa, EN 166 Euroopassa tai AS/NZS 1336 Australiassa / Uudessa Seelannissa olevia vaatimuksia. Australiassa / Uudessa Seelannissa on lainmukaisesti pakollista käyttää kasvosuojaimia myös kasvojen suojaamiseksi.



Työnantajien velvollisuuksiin kuuluu varmistaa, että laitteen käyttäjät ja työpaikan välittömässä läheisyydessä olevat muut siviiliset henkilöt käyttävät asianmukaisia henkilönsuojaimia.

5. Siviilisiin kohdistuvat riskitekijät arvioitava käyttäjän toimesta.
6. Ole varovainen kun työkalu ei ole kosketuksessa työkappaleeseen, koska työkalu voi lauaeta tahattomasti ja aiheuttaa tapaturmia käyttäjälle ja/tai siviilisille.
7. Varmista, että työkalu on aina kiinnitetty luotettavasti työkappaleeseen eikä se pääse luistamaan.
8. Suojaa korvat melulta kuulosuojaimilla ja käytä päänsuojusta. Käytä kevyttä, vartalonmyötäistä vaatetusta. Hihat tulee napittaa tai kääriä ylös. Älä käytä solmiota.

Käyttöä koskevat vaaratekijät

1. Pidä luotettavasti ja oikein kiinni työkalusta: valmistaudu normaaliin ja äkillisiin liikkeisiin, kuten esim. takaiskuihin.
2. Säilytä vartalon ja jalkojen turvallinen ja vakaa tasapaino.
3. Tarkoituksenmukaisia suojalaseja on käytettävä sekä suosittelemme käyttämään suojakäsineitä ja suojavaatetusta.
4. Hyväksytyt kuulosuojaimia on käytettävä.
5. Käytä oikeaa energiansyöttöä käyttöohjeen kuvauksen mukaisesti.
6. Älä käytä työkalua liikkuvilla alustoilla tai kuorma-auton lavalla. Alustan äkillinen liikkuminen voi johtaa työkalun hallinnan menettämiseen ja aiheuttaa tapaturman.
7. Oleta aina, että kone on ladattu kiinnittimillä.
8. Älä hätäile työssä tai käytä liiallista voimaa. Käsittele konetta varoen.
9. Huolehdi jalansijasta ja säilytä tasapaino käsitellessäsi työkalua. Varmista, ettei allasi ole ketään, kun työskentelet korkeissa paikoissa. Kiinnitä ilmaletku välttääksesi vaaran, joka voi aiheuttaa äkillisestä nykäisystä tai takertumisesta.
10. Katoilla ja muissa korkealla sijaitsevilla kohteissa kiinnitysuunta on eteenpäin. Voit helposti menettää tasapainosi, jos ruuvaat taaksepäin edeten. Kun ruuvaat kohtisuoraa pintaa vasten, ruuvaa edeten ylhäältä alas. Kiinnittäminen väsyttää vähemmän, jos toimit näin.

11. Jos ruuvaat vahingossa toisen kiinnittimen päälle tai osut puun oksankohtaan, kiinnitin vääntyy tai työkalu voi juuttua kiinni. Kiinnitin voi sinkoutua ja osua johonkukun, tai työkalu itsessään voi reagoida vaarallisesti. Sijoita kiinnittimet huolellisesti.
12. Älä jätä ladattua konetta tai paineistettua ilmakompressoria pitkäksi aikaa auringonpaisteeseen. Varmista, etteivät pöly, hiekka, lastut ja vieraat aineet pääse koneeseen paikassa, johon lasket sen.
13. Älä koskaan ruuvaa samaan aikaan sekä sisä- että ulkopuolelta. Kiinnittimet voivat tunkeutua läpi ja/tai kimmota ja aiheuttaa vakavan vaaran.

Toistuvia liikkeitä koskevat vaaratekijät

1. Käytettäessä työkaluja pitkäaikaisesti, käyttäjän käsiin, käsivarsiin, olkapäihin, niskaan tai muihin kehon osiin voi aiheutua rasituksen aiheuttamaa väsymystä.
2. Käyttäjän on sovittava tarkoitukseen soveltuva mutta ergonominen asento työkalun käytön aikana. Säilytä luotettava tasapaino ja vältä kankeita tai epätasapainoia aiheuttavia asentoja.
3. Jos käyttäjällä esiintyy pitkittyviä tai toistuvia oikeita epämukavasta olosta, sykkivää kipua, särkyä, pistelyä, puutumista, polttelua tai jäykkyyttä, älä jätä näitä varoitusmerkkejä huomioimatta. Käyttäjän on otettava yhteys terveydenalan ammattilaiseen kokonaistoimintoja koskien.
4. Työkalun jatkuva käyttö voi aiheuttaa toistuvia mustelmia työkalun takaiskuista johtuen.
5. Työkalun jatkuva käyttö voi aiheuttaa rasitusvammoja, joten käyttäjän ei tule ylikirkottaa tai käyttää liikaa voimaa. Tämän lisäksi käyttäjän tulee pitää taukoja tuntiensa väsymystä.
6. Suorita toistuvista liikkeistä johtuvan henkilövämmän riskianalyysi. Sen tulee keskittyä lihas-luustovammoihin ja perustua mieluiten olettamukseen, että väsymyksen ehkäisy töiden aikana on tehokas tapa henkilövämmöjen ehkäisemiseksi.

Varusteita ja kulutusosia koskevat vaaratekijät

1. Irrota työkalu energiansyötöstä, kuten paineilma-, kaasuo- tai akkukäytöstä ennen varusteiden, kuten työkappalekärkien vaihtoa tai ennen minkä tahansa säätötyön suorittamista.
2. Käytä ainoastaan valmistajan toimittamia varustekokoja ja varustetyyppejä.
3. Käytä ainoastaan tässä käyttöohjeessa suositeltuja voiteluaineita.

Työpaikkaa koskevat vaaratekijät

1. Liukastumiset, kompastumiset ja kaatumiset ovat pääsyyt työpaikalla sattuviin tapaturmiin. Varo työkalun käytöstä aiheutuneita liukkaista pintoja ja varo myös kompastumista paineilmaletkuihin.
2. Noudata varovaisuutta työskennellessäsi tuntemattomissa paikoissa. Piileviä vaaratekijöitä voi esiintyä, kuten piilossa olevia sähköjohtoja ja LVI-putkia.

- Tätä työkalua ei ole tarkoitettu käytettäväksi mahdollisesti räjähdyksivaarallisissa olosuhteissa. Työkalua ei ole myös eristetty sähkövirta-akosketusta vastaan.
- Varmista, ettei työkalun käytöstä vaurioituneet sähköjohdot, kaasuputket jne. voi aiheuttaa vaaratilanteita.
- Pidä työskentelyalue puhtaana ja hyvin valaistuna. Sotkuisissa ja pimeissä tiloissa sattuu helposti onnettomuuksia.
- Paikalliset määräykset saattavat rajoittaa melutasoa, jolloin melu on pidettävä näiden rajoitusten mukaisena. Joissain tapauksissa melua tulee rajoittaa melusteillä.

Pölyä ja poistoilmaa koskevat vaaratekijät

- Tarkasta aina ympärillä olevat olosuhteet. Työkalun poistoilmaa voi puhaltaa käyttäjää ja/tai sivullisia kohti suuntautuvaa pölyä tai kohteita.
- Suuntaa suutin niin, pölyhaitat pölyisessä ympäristössä voidaan välttää.
- Jos työalueella esiintyy pölyä ja muita aineita, rajoita päästöjä mahdollisimman paljon terveys- ja tapaturmavaaran alentamiseksi.

Melua koskevat vaaratekijät

- Suojaamaton altistuminen korkeille melutasoille voi aiheuttaa pysyviä kuulovammoja ja muita ongelmia, kuten tinnitusta (korvien soiminen, surina, vihellys tai humina).
- Suorita työalueen melupäästöjä koskeva riskianalyysi ja ota tarvittavat vaarojen hallintamenetelmät käyttöön.
- Riskiä alentavat asianmukaiset suojauskeinot voivat sisältää toimenpiteitä, kuten esim. materiaalien vaimentaminen työkappaleen ”soimisen” estämiseksi.
- Käytä asianmukaista kuulosuojainta.
- Tämän työkalun käyttö ja huolto näiden ohjeiden mukaisesti suositeltuna estää tarpeetonta melutasojen kasvamista.
- Suorita meluntorjuntatoimenpiteet, esimerkiksi työkappaleiden sijoittaminen ääntä vaimentaville tuille.

Tärinää koskevat vaaratekijät

- Tärinä käytön aikana voi riippua esim. kiinnitystehosta, kärkepäineen voimasta, työskentelysuunnasta, energiansyötön säädöstä, työkappaleesta tai työkappaleen tuesta. Suorita työalueen tärinäpäästöjä koskeva riskianalyysi ja ota tarvittavat vaarojen hallintamenetelmät käyttöön.
- Tärinälle altistuminen voi aiheuttaa vammauttavan hermovaurion ja vaikeuttaa verenkiertoa käsissä ja käsivarsissa.
- Käytä lämpimiä vaatteita työskennellessäsi kylmissä olosuhteissa ja pidä kätesi lämpiminä ja kuivina.
- Jos tunnet tunnottomuutta, kihelmöintiä, kipua tai ihon kalpenemista, ota yhteys lääkäriin tai terveydenalan ammattilaiseen kokonaistoimintoja koskien.
- Tämän työkalun käyttö ja huolto näiden käyttöohjeiden mukaisesti suositeltuna estää tarpeetonta tärinätasojen kasvamista.

- Pidä työkalusta kiinni kevyesti mutta turvallisella tavalla, koska tärinärisi on yleisesti korkeampi pidettäessä työkalusta kiinni voimakkaammalla pito-otteella.

Paineilmakäyttöisiä työkaluja koskevat lisävaroitukset

- Paineilma voi aiheuttaa vakavia tapaturmia.
- Katkaise aina paineilmansyöttö ja irrota työkalu ilmansyötöstä kun sitä ei käytetä.
- Irrota työkalu aina paineilmansyötöstä ennen osien vaihtoa, säätöjen ja/tai korjauksien suorittamista tai siirryttäessä käyttöalueelta toiselle eri alueelle.
- Pidä sormesi kaukana liipaisimesta jos työkalu ei ole käytössä, tai siirrettäessä työkalua käyttöpäikasta toiseen.
- Älä koskaan suuntaa paineilmaa itseesi tai ketään sivullisia kohti.
- Piiskaavat letkut voivat aiheuttaa vakavia tapaturmia. Tarkasta aina, että letkut ja liittimet eivät ole vaurioituneet tai irronneet.
- Älä koskaan kannan paineilmakäyttöistä työkalua sen paineilaetkusta.
- Älä koskaan vedä paineilmakäyttöistä työkalua sen paineilaetkusta.
- Älä ylitä paineilmakäyttöisen työkalun maksimikäyttöpainetta psi työkalun käytön aikana.
- Paineilmakäyttöisiin työkaluihin on aina syötettävä paineilmaa työlle vaaditulla alhaisimmalla paineella melun ja tärinän alentamiseksi sekä kulumisen minimoimiseksi.
- Hapen tai palavien kaasujen käyttö käynnissä oleville paineilmakäyttöisille työkaluille muodostaa tulipalo- ja räjähdyksivaaran.
- Ole varovainen käytettäessä paineilmakäyttöistä työkalua, koska työkalu voi muuttua kylmäksi ja haitata työkalun kiinnittämistä ja sen hallintaa.

Kertanaulaus-toiminnolla varustettujen työkalujen lisävaroitukset



- Älä pidä sormiasi liipaisimen päällä nostettaessa työkalua, liikuttaessa tai käveltäessä käyttöalueiden ja käyttöasteiden välillä, koska liipaisimen päällä oleva sormi voi aiheuttaa tahattoman ja odottamattoman työkalun toiminnon. Valinnaisella käyttötilalla varustetut työkalut on aina tarkastettava ennen käyttöä oikean valitun käyttötilan varalta.
- Tässä työkalussa on valittava käyttötapa kertanaulaus- tai sarjanaulauskäyttötavalle valitsinta käyttämällä, tai kertanaulaus- tai sarjanaulauskäyttötavalle työkalua käyttämällä. Nämä ovat merkitty yläpuolella kuvatulla symbolilla. Työkalun tarkoituksenmukaisesti käytettävät riippuvat tuotannon sovelluksista, kuten esim. lavat, kalusteet, tuotantokotelot, verhoilu ja laudoitus.

- Käytettäessä tätä työkalua valinnaisessa käyttötilassa, varmista aina sen oikea käyttötavan asetus.
- Älä käytä tätä työkalua kertanaulaustilassa sovelluksiin kuten, laatikoiden tai pakkauslaatikoiden sulkeminen ja kuljetuksien suojajärjestelmien kiinnitys perävaunuihin ja kuorma-autoihin.
- Ole varovainen vaihtaessasi työkalun käyttöpaikkaa toiseen.

Turvalaitteet

- Varmista ennen käyttöä, että kaikki turvajärjestelmät toimivat. Kone ei saa lauetta pelkällä liipaisimen painalluksella tai pelkästään siitä, että kosketinvarsi painetaan puuta vasten. Sen tulee toimia vain tehtäessä molemmat toimet. Testaa mahdollinen virheellinen toiminta ilman kiinnittimiä systeriemessä kokonaan takana.
- Liipaisimen lukitseminen ON-asentoon on hyvin vaarallista. Älä koskaan yritä lukita liipaisinta.
- Älä yritä lukita kärkivarmistinta teipillä tai rautalangalla. Seurauksena voi olla kuolema tai vakava vamma.
- Tarkista aina kosketinelementti tämän käyttöohjeen ohjeiden mukaan. Kiinnittimet saattavat lauetta vahingossa, jos turvamekanismi ei toimi oikein.

Huolto

- Tee puhdistus- ja kunnossapitotyöt heti työn päättämisen jälkeen. Pidä kone huippukunnossa. Voitele liikkuvat osat estääksesi ruostumisen ja minimoidaksesi kitkasta johtuvan kulumisen. Pyyhi osista pois kaikki pöly.
- Huollata työkalu säännöllisesti Makitan valtuuttamassa huoltoliikkeessä.
- Tuotteen TURVALLISUUDEN ja LUOTETTAVUUDEN takaamiseksi kunnossapito ja korjaukset tulee teettää Makitan valtuutetussa huoltopisteessä Makitan varaosia käyttäen.
- Noudata paikallisia määräyksiä työkalun hävityksen yhteydessä.

SÄILYTÄ NÄMÄ OHJEET.

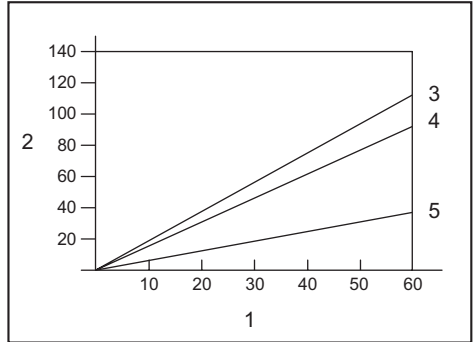
VAROITUS: ÄLÄ anna työkalun helppokäyttöisyyden (toistuvan käytön aikaansaama) johtaa sinua väärään turvallisuuden tunteeseen niin, että laiminlyöt työkalun turvaohjeiden noudattamisen. VÄÄRINKÄYTTÖ tai tässä käyttöohjeessa ilmoitettujen turvamääräysten laiminlyönti voi aiheuttaa vakavia henkilövahinkoja.

OSIEN KUVAUS

- **Kuva1:** 1. Liipaisin 2. Kosketuselementti
3. Käyttötilan valitsin 4. Kasetti 5. Koukku

ASENNUS

Kompressorin valinta



1. Naulausnopeus (kertaa/min) 2. Kompressorin ilmantuotto minuutissa (L/min) 3. 0,83 MPa (8,3 bar) 4. 0,66 MPa (6,6 bar) 5. 0,49 MPa (4,9 bar)

Ilmakompressorin on oltava yhteensopiva EN60335-2-34. vaatimusten kanssa.

Valitse kustannustehokkaan käytön varmistamiseksi kompressorin, jossa on riittävä paine ja ilmantuotto. Kaavio näyttää naulausnopeuden, käytettävän paineen ja kompressorin ilmantuoton väliset suhteet.

Jos naulausnopeus on esimerkiksi noin 60 kertaa minuutissa ja paine 0,83 MPa (8,3 bar), tarvitaan kompressorin, jonka ilmantuotto on suurempi kuin 110 litraa/minuutti.

Ilmanpaine tulee rajoittaa paineensäätimellä työkalun nimellispaineelle, jos ilman tulopaine ylittää työkalun nimellispaineen. Jos et toimi näin, voi seurauksena olla käyttäjän tai ympärillä olevien vakava loukkaantuminen.

Ilmaletkun valinta

HUOMIO: Naulaustihetyteen suhteutettuna pieni kompressorin ilmantuotto ja pitkä tai pieni ilmaletku voi heikentää työkalun iskutehoa.

► Kuva2

Käytä mahdollisimman suurta ja lyhyttä ilmaletkua, jotta naulaus olisi jatkuvasti tehokasta.

Kun ilmanpaine on 0,49 MPa (4,9 bar), suosittelemme sisähalkaisijaltaan yli 6,5 mm ja pituudeltaan alle 20 m ilmaletkua naulausvälin ollessa 0,5 sekuntia.

Ilmaletkujen vähimmäistyöpainearvon tulee olla 1,03 MPa (10,3 bar) tai 150 prosenttia järjestelmän tuotetusta enimmäispaineesta sen mukaan, kumpi on korkeampi.

Voitelu

► Kuva3

Jotta työkalun teho pysyisi mahdollisimman hyvänä, asenna ilmasarja (voitelulaite, paineensäädin ja ilman-suodatin) mahdollisimman lähelle työkalua. Säädä voitelulaite siten, että 30:tä naulaa kohden tulee yksi öljypisara.

Kun ilmasarjaa ei käytetä, voitele kone pneumaattisella työkaluöljyllä laittamalla ilma-aukon liittimeen kahdesta kolmeen pisaraa öljyä. Tämä toimenpide on suoritettava ennen käyttöä ja sen jälkeen.

Jotta voitelu leviäisi kunnolla, työkalua on laukaistava pari kertaa pneumaattisen työkaluöljyn lisäämisen jälkeen.

► **Kuva4:** 1. Pneumaattinen työkaluöljy

TOIMINTOJEN KUVAUS

▲HUOMIO: Ennen työkalun toiminnan säätöä tai tarkastamista, palauta aina liipaisin sekä irrota ilmaletku työkalusta.

Naulaussyvyyden säätäminen

▲HUOMIO: Vapauta aina liipaisin ja irrota letku ennen naulaussyvyyden säätämistä.

► **Kuva5:** 1. Säädin

Naulaussyvyys säädetään säädintä kääntämällä. Naulaussyvyys on syvin, kun säädin on käännetty täysin suuntaan A kuvassa kuvatulla tavalla. Se muuttuu matalammaksi, kun säädintä käännetään suuntaan B. Jos nauloja ei voi laukaista tarpeeksi syväälle, vaikka säädin on täysin käännetty asentoon A, nosta ilmanpainetta.

Jos naulat laukaistaan liian syväälle, vaikka säädin on täysin käännetty asentoon B, laske ilmanpainetta.

Yleisesti ottaen työkalun käyttöikä on sitä pidempi, mitä alhaisemmalla ilmanpaineella työkalua käytetään ja mitä matalammalle naulaussyvyydelle säädin on asetettu.

Koukku

▲HUOMIO: Vapauta aina liipaisin ja irrota letku ennen koukun asennon muuttamista.

▲HUOMIO: Älä koskaan ripusta työkalua korkeaan paikkaan tai epävakaaile alustalle.

▲HUOMIO: Älä ripusta koukkuja vyöhösi. Jos naulain putoaa vahingossa, se saattaa vahingossa aiheuttaa liipaisun ja henkilövahinkoja.

► **Kuva6**

► **Kuva7:** 1. Koukku 2. Kuusiokoloruuvi 3. Reikä

Työkalu voidaan kätevästi ripustaa väliaikaisesti koukkuun.

Jos haluat muuttaa koukun asentoa, irrota kuusiokoloruuvi ja vaihda koukun suuntaa. Koukussa on kaksi reikää. Valitse reikä haluamasi koukkuleveyden mukaan.

Kattolaatan ohjaimen säätö

► **Kuva8:** 1. Kosketuselementti 2. Kattolaatan ohjain 3. Kattolaatta

► **Kuva9:** 1. Säätölevy 2. Vipu

Kattolaatan ohjain on suunniteltu jatkuvalle kattolaatan paljastukselle.

Sijoita kattolaatta haluttuun asemaan. Kierrä vipua säätölevyn vapauttamiseksi. Aseta naulain siten, että kosketuselementti painaa sekä paljastunutta kattolaatta- että edellistä kattolaattariviä. Liu'uta säätölevy ylös paljastetun kattolaatan pohjaa vasten ja käännä vipua säätölevyn lukitsemiseksi.

KOKOONPANO

▲HUOMIO: Ennen työkaluun kohdistuvaa mitä tahansa työtoimenpidettä, palauta aina liipaisin sekä irrota ilmaletku työkalusta.

▲HUOMIO: Lataa naulaimen makasiini aina samantyyppisillä, -kokoisilla ja -pituisilla nautoilla.

Naulaimen lataaminen

HUOMAUTUS: Valitse työlle sopivat naulat.

HUOMAUTUS: Aseta naularullan tukilevy käytettävän naulakoon mukaisesti. Jos työkalu käytetään siten, että kelan kannattama levy on asetettu väärään portaaseen, naulansyöttö saattaa toimia huonosti tai työkaluun saattaa tulla toimintahäiriö.

1. Paina salpavipu alas ja avaa kasetin kupu.

► **Kuva10:** 1. Makasiinin kupu 2. Lukitusvipu

2. Nosta ja kierrä kelan tukilevyä siten, että naulan koon osoittava nuoli kelan tukilevyllä osoittaa vastaavaan astelisyäkseen, joka on merkitty kasettiin.

► **Kuva11:** 1. Naularullan tukilevy 2. Asteikko 3. Nuoli

3. Aseta naularulla tukilevyn päälle. Pura tarpeeksi nauloja, kunnes syöttökynsi tulee näkyviin. Aseta ensimmäinen naula ohjainkanavaan ja toinen naula syöttökynseen. Aseta rullan aukaistu osa syöttölaitteen rungon päälle. Sulje kasetin kupu, kun olet tarkistanut, että naulakela on asetunut kasettiin.

► **Kuva12:** 1. Syöttökynsi

Ilmaletku kiinnitys

▲HUOMIO: Älä pidä sormea liipaisimella ilmaletkua kytkettäessä.

► **Kuva13:** 1. Ilmaliitin 2. Hylsy Ilmaliitin

Liitä ilmaletkun pistoke laitteen ilmaliittiin. Varmista, että pistoke lukittuu tiukasti paikalleen, kun kiinnität sen ilmaliittiin.

Laitteen tai sen lähelle on asennettava letkuliitin niin, että painesäiliön paine purkautuu, kun ilmansyötön liitin irrotetaan.

TYÖSKENTELY

⚠HUOMIO: Varmista ennen käyttöä, että kaikki turvajärjestelmät toimivat.

Asianmukaisen toiminnan tarkistaminen ennen käyttöä

Tarkista aina ennen käyttöä seuraavat seikat.

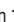
- Varmista, ettei työkalu toimi heti, kun vain ilmaletku kytketään.
- Varmista, ettei työkalu toimi heti, kun vain liipaisinta vedetään.
- Varmista, ettei työkalu toimi vain, kun turvakytkin painetaan työkappaletta vasten liipaisinta vetämättä.
- Varmista jatkuvaa aktiivointitilaa käytettäessä, että työkalu ei toimi, kun liipaisinta vedetään ensin ja sitten asetetaan turvakytkin työkappaletta vasten.

Käyttötilan valitseminen


⚠HUOMIO: Varmista aina, että käyttötilan valitsin on asetettu oikein valitulle nauлаustilalle ennen nauлаuksen aloittamista.

► Kuva14: 1. Käyttötilan valitsin

Kertanauлаustila:

Voit laukaista yhden nauлаn yhdellä peräkkäisellä toiminnolla. Tämä nauлаustapa sopii varovaiseen ja tarkkaan nauлаamiseen. Valitse tämä tapa asettamalla käyttötilan valitsin  asentoon.

Sarjanauлаustila:

Voit laukaista nauлоja toistuvasti asettamalla kosketuselementin nauлаuskohtaan liipaisimen ollessa käytössä. Valitse tämä tapa asettamalla käyttötilan valitsin  asentoon.

Jatkuva aktiivointi

⚠HUOMIO: Älä aseta turvakytkintä liian kovalla voimalla työkappaletta vasten. Vedä liipaisin pohjaan ja pidä sitä paikallaan 1-2 sekuntia nauлаuksen jälkeen.

"Jatkuvassa aktiivointi" -tilassa, puoliksi vedetty liipaisin aiheuttaa odottamattomia nauлаuksia, kun turvakytin koskettaa työkappaletta toistuvasti.

Paina turvakytin työkappaletta vasten ja vedä sitten liipaisin pohjaan.

Vapauta turvakytin nauлаamisen jälkeen ja vapauta sitten liipaisin.

► Kuva15

Kosketusaktiivointi



Paina ensin liipaisinta ja sitten aseta kosketuselementti työkappaletta vasten.

► Kuva16

Juuttuneiden nauлоjen poistaminen

⚠HUOMIO: Palauta aina liipaisin ja irrota ilmaletku työkalusta ennen juuttuneiden nauлоjen poistamista.

⚠HUOMIO: Älä käytä vääntyneitä nauлоja tai nauлаliuskoja. Ohjeen laiminlyönti voi aiheuttaa huonon nauлаusyöttötuloksen.

► Kuva17: 1. Vasara 2. Pieni tanko 3. Poistoaukko

Jos naulain tukkeutuu, toimi seuraavasti: Irrota pidikepultti. Avaa kasetin kupu ja poista nauлакela. Työnnä pieni tanko tai vastaava ulostuloaukkoon ja napauta sitä vasaralla, jotta juuttuvat nauлат ajautuisivat pois ulostuloaukosta. Aseta nauлакela takaisin ja sulje kasetin kupu.

KUNNOSSAPITO

⚠HUOMIO: Ennen työkaluun kohdistuvaa tarkastus- tai huoltotoimenpidettä, palauta aina liipaisin sekä irrota ilmaletku työkalusta.

HUOMAUTUS: Älä koskaan käytä bensiiniä, ohenteita, alkoholia tai muita vastaavia aineita, ellei tässä oppaassa toisin ohjeisteta. Muutoin laitteeseen voi tulla värjäytymiä, muodon vääristymiä tai halkeamia.

Naulat

Käsittele nauларullia ja niiden laatikkoa varovasti. Jos nauларullia käsitellään kovakouraisesti, ne voivat vääntyä tai niiden liitokset voivat rikkoutua aiheuttaen huonon nauлаusyötön.

Älä säilytä nauлоja erittäin kosteissa tai kuumissa paikoissa tai suorassa auringonpaisteesta.

Tervan ja lian puhdistaminen

⚠HUOMIO: Suojaa kätesi aina vesitiiviillä käsineillä.

Tervan ja lian tarttuminen yhteyslementtien alueelle estää yhteyslementtien kitkattoman liikkumisen (turvamekanisimi), mikä voi aiheuttaa satunnaisen purkautumisen. Puhdista aika ajoin yhteyslementtien ympärillä olevat alueet.

Käytä liuotinta, kuten kerosiinia, #2 polttoöljyä tai dieselöljyä. Upota ainoastaan yhteyslementti ja poistoaukon ympärillä olevat alueet liuottimeen ja poista terva ja lika harjalla.

► Kuva18

HUOMAUTUS: Älä koskaan upota koteloa, kasettia ym. liuottimeen. Tämä saattaa aiheuttaa työkalun toimintahäiriön.

HUOMAA: Hävitä aina käytetty liuotin turvallisella ja järkevällä toimenpiteellä ja kaikkia paikallisia ja kansallisia vaatimuksia noudattaen.

Naulaimen kunnossapito

Tarkista aina ennen työskentelyä työkalun yleinen kunto ja mahdollisesti löysät ruuvit. Kiristä tarvittaessa.

Kun työkalu on irrotettu paineilmansyötöstä, tarkasta päivittäin kosketuselementin ja liipaisimen vapaa liike. Älä käytä työkalua, jos kosketuselementti tai liipaisin juuttuu kiinni tai takertelee.

Jos työkalua ei käytetä pitkään aikaan, voitele se pneumaattisella työkaluöljyllä ja säilytä sitä turvallisessa paikassa. Älä altista työkalua suoralle auringonpaisteelle ja/tai kosteille tai kuumille olosuhteille.

► Kuva19

Kompressorin, ilmasarjan ja ilmaletkun kunnossapito

Tyhjennä kompressorin säiliö ja ilmansuodatin aina käytön jälkeen. Jos työkaluun pääsee kosteutta, voi seurauksena olla suorituskyvyn heikkeneminen ja työkalun mahdollinen rikkoutuminen.

► Kuva20: 1. Tyhjennyshana

► Kuva21: 1. Ilmansuodatin

Tarkista säännöllisesti, että ilmasarjan voitelulaitteessa on riittävästi pneumaattista öljyä. Riittämätön voitelu aiheuttaa O-renkaiden nopean kulumisen.

► Kuva22: 1. Voitelulaite 2. Pneumaattinen työkaluöljy

Pidä ilmaletku loitolla kuumuudesta (yli 60 °C, yli 140 °F), ja kemikaaleista (tinneri, voimakkaat hapot ja emäkset). Ohjaa letku pois esteistä, joihin se voi tarttua vaarallisesti työskentelyn aikana. Letku on aina ohjattava pois terävistä kulmista ja alueilta, joissa letku on vaarassa rikkoutua tai hankautua.

Tuotteen TURVALLISUUDEN ja LUOTETTAVUUDEN takaamiseksi korjaukset, muut huoltotyöt ja säädöt on teetettävä Makitan valtuutetussa huoltopisteessä Makitan varaosia käyttäen.

LISÄVARUSTEET

⚠HUOMIO: Seuraavia lisävarusteita tai laitteita suositellaan käytettäväksi tässä ohjeessa kuvatun Makita-työkalun kanssa. Muiden lisävarusteiden tai laitteiden käyttö voi aiheuttaa henkilövahinkoja. Käytä lisävarusteita ja -laitteita vain niiden käyttötarkoituksen mukaisesti.

Jos tarvitset apua tai yksityiskohtaisempia tietoja seuraavista lisävarusteista, ota yhteys paikalliseen Makitan huoltoon.

- Naulat
- Ilmaletku
- Suojalasit

HUOMAA: Jotkin luettelossa mainitut varusteet voivat sisältyä työkalun toimitukseen vakiovarusteina. Ne voivat vaihdella maittain.

SPECIFIKĀCIJAS

Models:		AN454
Gaisa spiediens		0,49 – 0,83 MPa (4,9 – 8,3 bāri)
Stiprinājums	Veids	Spolē savienotas naglas (jumta naglas)
	Garums	19 mm – 45 mm
	Diametrs	3,05 mm
Naglu aptveres ietilpība		120 gab.
Pneimatiskā darbarīka eļļa		ISO VG32 vai ekvivalenta
Minimālais šūtenes diametrs		6,5 mm
Izmēri (G × P × A)		256 mm x 117 mm x 271 mm
Neto svars		2,4 kg

- Nepārtrauktās izpētes un izstrādes programmas dēļ šeit uzrādītās specifikācijas var tikt mainītas bez brīdinājuma.
- Atkarībā no valsts specifikācijas var atšķirties.

Simboli

Zemāk ir attēloti simboli, kas attiecas uz iekārtu. Pirms darbarīka izmantošanas pārliecinieties, vai pareizi izprotat to nozīmi.



Izlasiet lietošanas rokasgrāmatu.



Izmantojiet aizsargbrilles.



Lietojiet ausu aizsargus.



Ar šo darbarīku var izmantot saskares darbības režīmu.



Neizmantojiet uz sastatnēm vai kāpnēm.

Paredzētā lietošana

Šis darbarīks ir paredzēts iekštelpu sagatavošanas darbiem, piemēram, grīdas šuvju vai parasto spāru nostiprināšanai un konstrukcijas darbiem 2" x 4" karkasā. Darbarīks paredzēts tikai intensīvai profesionālai lietošanai. Neizmantojiet to citiem mērķiem. Tas nav paredzēts, lai stiprinājumus iedzītu cietā materiālā, piemēram, tēraudā vai betonā.

Trokšņa līmenis

Tipiskais A svērtais trokšņa līmenis noteikts saskaņā ar ISO11148-13(EN12549):

Skaņas spiediena līmeni (L_{pA}): 102 dB (A)

Skaņas jaudas līmeni (L_{WA}): 113 dB (A)

Mainīgums (K): 1,5 dB (A)

PIEZĪME: Paziņotā trokšņa emisijas vērtība noteikta atbilstoši standarta pārbaudes metodei, un to var izmantot, lai salīdzinātu vienu darbarīku ar citu.

PIEZĪME: Paziņoto trokšņa emisijas vērtību arī var izmantot iedarbības sākotnējā novērtējumā.

▲BRĪDINĀJUMS: Lietojiet ausu aizsargus.

▲BRĪDINĀJUMS: Trokšņa emisija patiesos darba apstākļos var atšķirties no paziņotās vērtības atkarībā no darbarīka izmantošanas veida un jo īpaši atkarībā no apstrādājamā materiāla veida.

▲BRĪDINĀJUMS: Lai aizsargātu lietotāju, nosakiet drošības pasākumus, kas pamatoti ar iedarbību reālos darba apstākļos (ņemot vērā visus ekspluatācijas cikla posmus, piemēram, laiku, kamēr darbarīks ir izslēgts un kad darbojas tukšgaitā, kā arī palaišanas laiku).

Vibrācija

Vibrācijas kopējā vērtība noteikta atbilstoši ISO11148-13(ISO8662-11):

Vibrācijas izmēte (a_{hV}): 5,7 m/s²

Mainīgums (K): 1,5 m/s²

PIEZĪME: Paziņotā kopējā vibrācijas vērtība noteikta atbilstoši standarta pārbaudes metodei, un to var izmantot, lai salīdzinātu vienu darbarīku ar citu.

PIEZĪME: Paziņoto kopējo vibrācijas vērtību arī var izmantot iedarbības sākotnējā novērtējumā.

▲BRĪDINĀJUMS: Vibrācijas emisija patiesos darba apstākļos var atšķirties no paziņotās vērtības atkarībā no darbarīka izmantošanas veida un jo īpaši atkarībā no apstrādājamā materiāla veida.

▲BRĪDINĀJUMS: Lai aizsargātu lietotāju, nosakiet drošības pasākumus, kas pamatoti ar iedarbību reālos darba apstākļos (ņemot vērā visus ekspluatācijas cikla posmus, piemēram, laiku, kamēr darbarīks ir izslēgts un kad darbojas tukšgaitā, kā arī palaišanas laiku).

EK atbilstības deklarācija

Tikai Eiropas valstīm

EK atbilstības deklarācija šajā lietošanas rokasgrāmatā ir iekļauta kā A pielikums.

DROŠĪBAS BRĪDINĀJUMI

Drošības brīdinājumi pneimatiskā naglotāja/skavu pistoles lietošanai

▲BRĪDINĀJUMS: Izlasiet visus drošības brīdinājumus un norādes. Brīdinājumu un norādījumu neievērošanas gadījumā var gūt nopietnas traumas, elektriskās strāvas triecienu un/vai izraisīt aizdegšanos.

Glabājiet visus brīdinājumus un norādījumus, lai varētu tajos ieskatīties turpmāk.

Lai nodrošinātu personīgo drošību un darbarīka pareizu darbību un apkopi, pirms izmantošanas izlasiet šo rokasgrāmatu.

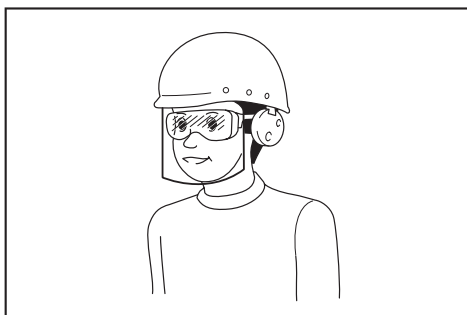
Vispārējā drošība

1. Šo darbarīku drīkst izmantot tikai tam paredzētajam lietošanas veidam. Stiprinājumu elementu piedziņas darbarīkus, kuriem ir pastāvīgas saskares darbības vai saskares darbības režīms, drīkst izmantot tikai ražošanā.
2. Kad neizmantojat darbarīku un kad maināt darba stāvokli, neturiet pirkstus pie mēlītes.
3. Vairāki riska faktori. Vispirms jums jāizlasa un jāizprot šie drošības norādījumi, un tikai tad drīkstat pievienot, atvienot, izmantot šo darbarīku, ielādēt tajā naglas, veikt tā apkopi, mainīt pieredumus vai strādāt tā tuvumā. Citādi var rasties nopietnas traumas.
4. Raugieties, lai virzienā, kurā pavērsts naglotājs, nebūtu roku, kāju un citu ķermeņa daļu, un gādājiet, lai stiprinājumu elementi nevarētu caursist apstrādājamo materiālu un savainot ķermeņa daļas.
5. Ņemiet vērā, ka darbarīka izmantošanas laikā stiprinājumu elementi var atlēkt citā virzienā un radīt traumas.
6. Cieši satveriet darbarīku un esiet gatavs, ka tam var būt atsiens.

7. Stiprinājumu elementu piedziņas darbarīku drīkst izmantot tikai tehniski kvalificēts operators.
8. Nepārveidojiet šo stiprinājumu elementu piedziņas darbarīku. Pārveidojot darbarīku, var mazināties drošības pasākumu efektivitāte un palielināties operatora un/vai blakus esošo cilvēku apdraudējums.
9. Neizmetiet šo rokasgrāmatu.
10. Neizmantojiet darbarīku, ja tas ir bojāts.
11. Esiet uzmanīgs, rīkojoties ar stiprinājumu elementiem, it īpaši, kad pielādējat un izlādējat tos, jo stiprinājumu elementiem ir asi gali, kas var radīt traumas.
12. Pirms darbarīka izmantošanas vienmēr pārbaudiet, vai tas nav salūzis, nepareizi pieslēgts, vai tam nav nolietojusies kāda detaļa.
13. Nesniedzieties pārāk tālu. Izmantojiet tikai drošā darba vietā. Vienmēr stingri stāviet uz droša pamata, saglabājot līdzsvaru.
14. Neļaujiet nevienam atrasties darba vietas tuvumā (kad strādājat vietā, kuru var caurstraiģāt cilvēki). Skaidri norobežojiet savu darba vietu.
15. Nekādā gadījumā nevērsiet darbarīku pret sevi vai citiem cilvēkiem.
16. Paņemot darbarīku, pārvietojoties uz citu darba vietu, mainot darba stāvokli vai arī ejot, nelieciet pirkstu uz mēlītes, jo uz mēlītes uzlikts pirksts var netīši iedarbināt darbarīku. Izmantojot darbarīkus, kuriem pieejama selektīva darbība, vienmēr pārbaudiet darbarīku pirms darba sākšanas, lai pārliecinātos, ka ir izvēlēts pareizais režīms.
17. Izmantojiet tikai tādus cimdus, ar kuriem varat labi satvert darbarīku un droši lietot mēlīti un jebkādas regulētājierīces.
18. Kad nelietojat darbarīku, nolieciet to uz plakanas virsmas. Ja izmantojat darbarīku, kuram ir āķis, droši nostipriniet darbarīku aiz āķa pie stabilas virsmas.
19. Nelietojiet darbarīku alkohola, narkotiku vai citu apreibinošu vielu ietekmē.

Šķembu atlēkšanas bīstamība

1. Izlādējot stiprinājumu elementus no aptveres, regulējot darbarīku, izņemot iesprūdušās naglas vai mainot piederumus, stiprinājumu elementu piedziņas darbarīkam jābūt atvienotam.
2. Kad izmantojat darbarīku, raugieties, lai stiprinājumu elementi pareizi ieurbtos materiālā un netiktu deformēti vai neatlētu darbarīka operatora un/vai apkārtējo cilvēku virzienā.
3. Darbarīka izmantošanas laikā var rasties šķembas no stiprinājumu/sakārtošanas sistēmas un apstrādājamā materiāla.
4. Kad izmantojat mehāniskos darbarīkus, vienmēr valkājiet aizsargbrilles, lai pasargātu acis. Aizsargbrillēm jāatbilst šādiem standartiem: ANSI Z87.1 ASV, EN 166 Eiropā un AS/NZS 1336 Austrālijā/Jaunzēlandē. Austrālijā/Jaunzēlandē ar likumu noteikts, ka darba laikā jāizmanto arī sejsargs.



Darba devējam ir jānodrošina tas, lai darbarīka operatori un citas tiešajā darba vietā esošās personas izmantotu vajadzīgo aizsargaprīkojumu.

5. Operatora pienākums ir izvērtēt apdraudējumus citām personām.
6. Izmantojot darbarīkus, kuriem nav kontaktelementa saskarei ar apstrādājamo materiālu, jābūt ļoti uzmanīgam, jo tie var netīši izšaut naglu un ievainot operatoru un/vai blakus stāvošo cilvēku.
7. Gādājiet, lai darbarīks vienmēr cieši saskartos ar apstrādājamo materiālu un nevarētu noslidēt.
8. Lietojiet galvas aizsargus un ausu aizsargus, lai aizsargātu ausis no trokšņa. Vienmēr valkājiet vieglu, bet ne vaļīgu apģērbu. Piedurknes aizpogājiet vai uzlokiet. Nevalkājiet kaklasaiti.

Ekspluatācijas riski

1. Pareizi turiet darbarīku: esiet gatavs paredzāmām un neparedzāmām kustībām, piemēram, atsītienu.
2. Nostājieties tā, lai varētu saglabāt līdzsvaru un stāviet stingri.
3. Jāizmanto piemērotas aizsargbrilles un ieteicams izmantot piemērotus cimdus un aizsargapgērbu.
4. Jāizmanto piemēroti dzirdes aizsarglīdzekļi.
5. Izmantojiet pareizo strāvas avotu atbilstīgi norādījumiem lietošanas rokasgrāmatā.
6. Neizmantojiet darbarīku uz kustīgām platformām vai kravas automašīnu aizmugurē. Platformai negaidot izkustoties, jūs varat zaudēt kontroli pār darbarīku un gūt traumas.
7. Vienmēr uzskatiet, ka darbarīkā atrodas stiprinājumi.
8. Strādājot nesteidzieties un nespiediet darbarīku ar spēku. Ar darbarīku rīkojieties uzmanīgi.
9. Strādājot ar šo darbarīku, svarīgi saglabāt līdzsvaru un stabilitāti pamatu zem kājām. Ja lietojat darbarīku augstumā, pārliecinieties, vai apakšā neviena nav, un piesīpriniet gaisa šūteni, lai novērstu apdraudējumu, kas rodas negaidīta grūdiņa vai izkrišanas gadījumā.
10. Uz jūmta vai citās augstās vietās dzeniet stiprinājumus, virzoties uz priekšu. Virzoties atpakaļgaitā, iespējams viegli zaudēt līdzsvaru. Ja dzenat stiprinājumus perpendikulārā virsmā, dariet to no augšas uz leju. Dzenot stiprinājumus šādi, jūs nogursit mazāk.

11. Nejauši mēģinot iedzīt stiprinājumu virs cita stiprinājuma vai trāpīt koka zaram, stiprinājums var saliekties vai darbarīks var iesprūst. Stiprinājums var lidot neparedzamā virzienā un kādam trāpīt, vai darbarīks var bīstami reaģēt. Stiprinājumus dzeniet uzmanīgi.
12. Pielādētu darbarīku vai gaisa zem spiediena esošu kompresoru ilgstoši neatstāiet saulē. Pārliecinieties, vai vietā, kur jūs atstājat darbarīku, tajā neiekļūš putekļi, smiltis, šķembas vai svešķermeņi.
13. Nekad vienlaicīgi nedzeniet stiprinājumus gan no iekšpuses, gan ārpusē. Stiprinājumi var izkļūt cauri darba virsmai un/vai turpināt kustību, radot apdraudējumu dzīvībai.

Karpālā kanāla sindroma risks

1. Ilgstoši izmantojot darbarīku, operators var sajūst diskomfortu plaukstās, rokās, plecos, kaklā vai citās ķermeņa daļās.
2. Darbarīka izmantošanas laikā operatoram jāstāvē ērtā, bet ergonomiskā pozā. Stāviet stingri un nestājieties neērtās vai nestabilās pozās.
3. Ja operators sajūt kādus simptomus, piemēram, nepārtrauktu vai atkārtotu diskomfortu, sāpes, tirpšanu, nejutīgumu, dedzinošu sajūtu vai stīvumu, nedrīkst ignorēt šos brīdinājuma signālus. Operatoram ir jāsazinās ar veselības aprūpes speciālistu, lai apspriestu vispārējās darbības.
4. Nepārtraukta darbarīka izmantošana var izraisīt atkārtota sasprindzinājuma traumas darbarīka izraisītā atsītienu dēļ.
5. Lai izvairītos no atkārtotu darbību radītām traumām, darba laikā nestiepieties pārlietu tālu un nepiemērojiet nevajadzīgi daudz spēka. Un vienmēr atpūties, ja jūtat nogurumu.
6. Izvērtējiet veselības riskus, kas saistīti ar atkārtotu darbību radītām traumām. Izvērtējumā koncentrējieties uz ķermeņa balsta un kustību aparāta traucējumiem un pieņemiet, ka, darba laikā atpūšoties un mazinot nogurumu, iespējams mazināt šādu traucējumu risku.

Ar piederumiem un palīgmateriāliem saistītie riski

1. Pirms mainīt/aizstājat piederumus (piem., kontaktelementu ar apstrādājamo materiālu) vai arī kaut kā regulējat darbarīku, atvienojiet to no attiecīgā strāvas avota (gaisa vai gāzes pievada vai akumulatora).
2. Izmantojiet tikai tādu izmēru un veidu piederumus, kādus piedāvā darbarīka ražotājs.
3. Izmantojiet tikai šajā rokasgrāmatā ieteiktās smērvielas.

Darba traumu risks

1. Paslīdēšana, aizķeršanās un kritieni ir galvenie darba traumu rašanās iemesli. Ņemiet vērā, ka, lietojot darbarīku, rodas slidenas virsmas, un ka gaisa šūtene rada aizķeršanās risku.
2. Strādājot nepazīstamā vietā, esiet īpaši uzmanīgs. Tur var būt neparedzēti riski, piemēram, elektrības vai citu komunikāciju vadi.
3. Šis darbarīks nav paredzēts izmantošanai sprādzienbīstamā vidē, un tam nav izolācijas pret saskari ar elektroenerģiju.

- Raugieties, lai darbarīka tuvumā nebūtu neviena elektrokabeļa, gāzes caurules utt., ko varētu sabojāt ar darbarīku, tādējādi radot risku.
- Uzturiet darbavietu tīru un nodrošiniet labu apgaismojumu. Nekārtīgā vai slikti apgaismotā darbavietā var rasties negadījumi.
- Iespējams, ka spēkā ir vietējā likumdošana attiecībā uz troksni, un tā ir jāievēro, saglabājot trokšņa līmeni noteiktajās robežās. Dažos gadījumos trokšņa lokalizācijai jāizmanto aizvērtni.

Putekļbīstamība un izplūdes gaisa bīstamība

- Vienmēr izpētiet savu apkārtni. No darbarīka izplūstošais gaiss var uzpūst putekļus vai priekšmetus operatoram un/vai apkārtējiem cilvēkiem.
- Novietojiet izplūdes atveri tā, lai putekļainā vidē tā neradītu pārlietu lielu putekļu kustību.
- Ja darbavietā rodas putekļi un dažādu materiālu daļiņas, mēģiniet pēc iespējas mazināt to rašanos, lai mazinātu saistītos veselības un traumu gūšanas riskus.

Trokšņa izraisītu dzirdes traucējumu risks

- Atrašanās ļoti trokšņainā vidē, neizmantojot aizsarglīdzekļus, var radīt neatgriezeniskus, invaliditāti izraisīto dzirdes traucējumus un citas problēmas, piemēram, trokšņus ausīs (dzinokstoņu, dūkšanu, sūkšanu vai sanēšanu ausīs).
- Izvērtējiet trokšņu radītos veselības riskus darbavietā un ieviesiet atbilstīgus risku novēršanas pasākumus.
- Kontroles pasākumi riska mazināšanai var ietvert dažādas darbības, piemēram, skaņu absorbējoša materiāla izmantošanu, lai apstrādājamais materiāls nedzinkstētu.
- Izmantojiet piemērotus dzirdes aizsarglīdzekļus.
- Lai trokšņu līmenis nevajadzīgi nepalielinātos, izmantojiet šo darbarīku un veiciet tā apkopi saskaņā ar ieteikumiem šajos norādījumos.
- Darba laikā mēģiniet mazināt troksni, piemēram, novietojiet apstrādājamo materiālu uz stigras skaņu slāpējošas pamatnes.

Vibrāciju radītais risks

- Vibrāciju intensitāte darba laikā atkarīga no satveršanas spēka, kontakta spiediena spēka, darbarīka novietojuma, jaudas padeves iestatījuma, apstrādājamā materiāla un izvēlētas pamatnes. Izvērtējiet vibrāciju radītos veselības riskus un ieviesiet atbilstīgus risku novēršanas pasākumus.
- Vibrāciju iedarbība var radīt invaliditāti izraisīto nervu un asinsrites bojājumus rokās un plaukstās.
- Strādājot aukstumā, velciet siltu apģērbu, gādājiet, lai rokas būtu siltas un nesamirktu.
- Ja parādās nejutīgums, tirpšana, sāpes vai arī roku vai pirkstu āda kļūst balta, vērsieties pie kvalificēta arodveselības speciālista pēc medicīniskās palīdzības, lai apspriestu vispārējās darbības.

- Lai vibrāciju līmenis nevajadzīgi nepalielinātos, izmantojiet šo darbarīku un veiciet tā apkopi saskaņā ar ieteikumiem šajos norādījumos.
- Turiet darbarīku vieglā, bet drošā satvērienā, jo vibrāciju radītais risks parasti ir lielāks, kad satvēriena spēks ir lielāks.

Papildu brīdinājumi par pneimatiskajiem darbarīkiem

- Saspiests gaiss var radīt nopietnas traumas.
- Kad nelietojat darbarīku, obligāti noslēdziet gaisa padevi un atvienojiet gaisa šūteni no darbarīka.
- Pirms maināt piederumus, regulējiet darbarīku un/vai remontējiet to, kad dodaties no vienas darba vietas uz citu, vienmēr atvienojiet darbarīku no saspiestā gaisa padeves.
- Kad neizmantojat darbarīku un kad maināt darba stāvokli, neturiet pirkstus pie mēlītes.
- Nekādā gadījumā nevērsiet saspiestā gaisa plūsmu pret sevi vai citiem cilvēkiem.
- Šūtenēm atsitoties, var rasties nopietnas traumas. Vienmēr pārliecinieties, ka šūtenes un savienojumi nav bojāti vai vaļīgi.
- Nekādā gadījumā nenesiet pneimatisko darbarīku aiz šūtenes.
- Nekādā gadījumā nevelciet pneimatisko darbarīku aiz šūtenes.
- Izmantojot pneimatiskos darbarīkus, nepārsniedziet maksimālo darba spiedienu (maks. sp.).
- Lai samazinātu trokšņu un vibrāciju līmeni un mazinātu nolietošanos, pneimatiskos darbarīkus drīkst darbināt tikai ar saspiesta gaisa plūsmu, kurai ir maksimāli zems un darbu izpildei pietiekams spiediens.
- Pneimatisko darbarīku darbināšanai izmantojot skābekli vai uzliesmojošas gāzes, rodas ugunsbīstamība un sprādzienbīstamība.
- Uzmanīgi izmantojiet pneimatiskos darbarīkus, jo tie var atdzīst, tas savukārt pasliktina satvērienu un vadību.

Papildu brīdinājumi par saskares nostrādes darbarīkiem



- Neturiet pirkstu uz mēlītes, kad paceļat darbarīku, pārvietojat darbarīku no vienas darba vietas uz citu vai paši pārvietojaties ar darbarīku rokās, jo darbarīks šādā gadījumā var nejauši nostrādāt. Izmantojot darbarīkus ar nostrādes režīma slēdzi, vienmēr pārbaudiet, vai ir izvēlēts pareizais darba režīms.
- Šis darbarīks var būt aprīkots ar nostrādes režīma slēdzi, ar kuru iespējams izvēlēties saskares nostrādes vai nepārtrauktās saskares nostrādes darba režīmu, vai arī darbarīkam ir pieejams tikai saskares nostrādes vai nepārtrauktās saskares nostrādes darba režīms – pieejamās iespējas tiek apzīmētas ar iepriekš parādīto simbolu. Darbarīku paredzēts lietot, piemēram, palešu un mēbeļu izgatavošanā, būvniecībā un apšuvuma nostiprināšanai.

- Izmantojot darbarīku noteiktā nostrādes režīmā, vienmēr pārļiecinieties, ka izvēlēts pareizais nostrādes iestatījums.
- Neizmantojiet darbarīku saskares nostrādes režīmā, kad noslēdzat kastes vai piestiprināt transportēšanas drošības sistēmas piekabēs vai treileros.
- Ievērojiet piesardzību, kad maināt darbarīka pozīciju iedzīšanas laikā.

Drošības sistēmas

- Pirms darba sākšanas pārļiecinieties, vai visas drošības sistēmas ir darbības kārtībā.** Darbarīks nedrīkstētu darboties, ja ir nospiesta tikai mēlīte vai pie koka ir piespiesta tikai kontaktsvira. Tam jādarbojas tikai tad, ja tiek veiktas abas šīs darbības. Kad stiprinājumi ir izņemti un bīdītājs ir pilnībā atvilktis, pārbaudiet iespējamo nepareizo darbību.
- Ir ļoti bīstami nofiksēt mēlīti ieslēgtā stāvoklī (ON).** Nekad nemēģiniet nofiksēt mēlīti.
- Nenostipriniet nospiestu kontaktsviru ar lenti vai stiepli.** Tas var izraisīt nāvi vai nopietnas traumas.
- Vienmēr pārbaudiet kontaktsviru, kā norādīts šajā rokasgrāmatā.** Ja drošības mehānisms nedarbojas pareizi, var tikt neaušī iedarbināta stiprinājumu padeve.

Apkope

- Uzreiz pēc darba beigšanas veiciet tīrīšanu un apkopi.** Uzturiet darbarīku vislabākajā kārtībā. Ieeļļojiet kustīgās daļas, lai novērstu rūšēšanu un mazinātu ar berzi saistītu nodilumu. No daļām noslaukiet putekļus.
- Lūdziet, lai uzņēmuma Makita pilnvarots apkalpes centrs regulāri pārbauda darbarīku.**
- Lai saglabātu produkta DROŠU un UZTICAMU darbību, apkopi un remontu uzticiet veikt tikai Makita pilnvarotam apkalpes centram un vienmēr izmantojiet tikai Makita rezerves daļas.**
- Likvidējiet šo darbarīku saskaņā ar vietējo likumdošanu.**

SAGLABĀJIET ŠOS NORĀDĪJUMUS.

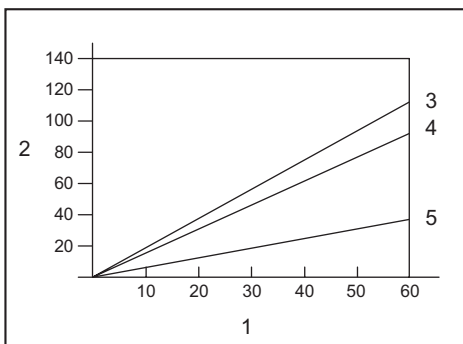
▲BRĪDINĀJUMS: NEPIEĻAUJIET to, ka labu iemaņu vai izstrādājuma labas pārzināšanas (darbarīku atkārtoti ekspluatējot) rezultātā vairs stingri neievērojat šī izstrādājuma drošības noteikumus. **NEPAREIZI LIETOJOT** darbarīku vai neievērojot šajā instrukciju rokasgrāmatā minētos drošības noteikumus, var tikt gūtas smagas traumas.

DAĻU APRAKSTS

- **Att.1:** 1. Mēlīte 2. Saskares elements 3. Darbības režīmu pārslēgs 4. Aptvere 5. Āķis

UZSTĀDĪŠANA

Kompresora izvēle



1. Naglu dzīšanas biežums (reizes/minūtē)
 2. Kompresora gaisa izvade minūtē (l/min) 3. 0,83 MPa (8,3 bāri) 4. 0,66 MPa (6,6 bāri) 5. 0,49 MPa (4,9 bāri)

Gaisa kompresoram jāatbilst standarta EN60335-2-34 prasībām.

Izvēlieties kompresoru ar pietiekami lielu spiedienu un gaisa izvadi, lai darbarīka lietošana būtu rentabla. Diagrammā ir parādīta naglu dzīšanas biežuma, izmantojamā spiediena un kompresora gaisa izplūdes attiecība.

Tādējādi, ja naglu dzīšanas ātrums, piemēram, ir aptuveni 60 naglas minūtē ar 0,83 MPa (8,3 bāru) spiedienu, nepieciešams kompresors, kura gaisa izplūde ir lielāka par 110 litriem minūtē.

Ja gaisa padeves spiediens pārsniedz darbarīka nominālo spiedienu, lai ierobežotu gaisa spiedienu līdz darbarīka nominālajam spiedienam, jālieto spiediena regulētāji. Pretējā gadījumā darbarīka lietotājs vai tuvumā esošie cilvēki var gūt smagus ievainojumus.

Gaisa šļūtenes izvēle

▲UZMANĪBU: Ja kompresoram būs maza gaisa izplūde vai šļūtene būs gara vai ar mazāku diametru nekā vajadzīgs naglu dzīšanas biežumam, darbarīka naglu dzīšanas spēja mazināsies.

► Att.2

Lietojiet pēc iespējas lielāku un īsāku gaisa šļūteni, lai nodrošinātu nepārtrauktu un efektīvu naglošanas darbu.

Ja gaisa spiediens ir 0,49 MPa (4,9 bāri), ieteicams lietot gaisa šļūteni, kuras iekšējais diametrs ir lielāks par 6,5 mm un garums – mazāks par 20 m, ja laika intervāls starp naglu iedzīšanu ir 0,5 sekundes.

Gaisa padeves šļūteņu minimālā darba spiediena vērtība ir vai nu 1,03 MPa (10,3 bāri), vai arī 150 procenti no sistēmā saražotā minimālā spiediena – atkarībā no tā, kura vērtība ir lielāka.

Eļļošana

► Att.3

Lai darba rezultāts būtu maksimāli kvalitatīvs, cik vien iespējams tuvu darbarīkam uzstādiat gaisa mehānismu (eļļotāju, regulētāju, gaisa filtru). Noregulējiet eļļotāju tā, lai katras 30 naglas ieelļotu ar vienu eļļas pilieni.

Ja gaisa mehānismu nelietojat, darbarīku ieelļojiet ar pneimatisko darbarīku eļļu, gaisa savienotājā iepilnot 2 (divus) vai 3 (trīs) pilienus. Tas jā dara pirms un pēc lietošanas. Lai darbarīku pareizi ieelļotu, pēc ieelļošanas ar pneimatisko darbarīku eļļu, tas pāris reizi jāizmanto.

► **Att.4:** 1. Pneimatiskā darbarīka eļļa

FUNKCIJU APRAKSTS

▲UZMANĪBU: Pirms darbarīka darbības regulēšanas vai pārbaudes mēlītei jābūt atlaistai un gaisa šļūtenei jābūt atvienotai no darbarīka.

Naglu dzišanas dziļuma regulēšana

▲UZMANĪBU: Pirms naglošanas dziļuma regulēšanas vienmēr atļaidiet mēlīti un atvienojiet šļūteni.

► **Att.5:** 1. Regulators

Lai noregulētu naglošanas dziļumu, pagrieziet regulētāju.

Maksimālais naglošanas dziļums ir uzstādīts, kad regulētājs ir līdz galam pagriezts A virzienā, kā redzams attēlā. Dziļums samazinās, pagriežot regulētāju B virzienā. Ja naglas nav iespējams iedziļināt pietiekami dziļi, kad regulētājs ir līdz galam pagriezts A virzienā, palieliniet gaisa spiedienu.

Ja naglas tiek iedziļinātas pārāk dziļi, pat ja regulētājs ir līdz galam pagriezts B virzienā, samaziniet gaisa spiedienu.

Darbarīka ekspluatācijas laiks parasti ir ilgāks, ja darbarīku izmanto ar mazāku gaisa spiedienu un ja regulētājs ir iestatīts uz lielāku naglošanas dziļumu.

Āķis

▲UZMANĪBU: Pirms āķa novietojuma mainīšanas vienmēr atļaidiet mēlīti un atvienojiet šļūteni.

▲UZMANĪBU: Nekad neaizķēji darbarīku lielā augstumā vai uz iespējami nestabilas virsmas.

▲UZMANĪBU: Nekariniet āķi aiz jostas. Naglotājam nejausi nokrītot, var nejausi izraisīt naglas iedzišanu un tādējādi radīt traumu.

► **Att.6**

► **Att.7:** 1. Āķis 2. Sešstūra iedobes skrūve 3. Caurums

Āķis noder, ja darbarīks uz kādu laiku ir jāpakar. Lai mainītu āķa novietojumu, noņemiet sešstūra iedobes skrūvi un mainiet āķa virzienu. Āķim ir divi caurumi. Izvēlieties caurumu atkarībā no vēlamā āķa platuma.

Šindeļu vadīklas regulēšana

► **Att.8:** 1. Saskaņas elements 2. Šindeļu vadīkla 3. Šindelis

► **Att.9:** 1. Regulēšanas plāksne 2. Svira

Šindeļu vadīkla ir projektēta pastāvīgi atklātiem šindeljiem.

Novietojiet šindeli nepieciešamajā stāvoklī. Pagrieziet sviru, lai atbrīvotu regulēšanas plāksni. Iestatiet naglotāju tā, lai saskaņas elements piespiestu gan atklāto šindeli, gan iepriekšējo šindeļu rindu. Būdiēt regulēšanas plāksni uz augšu pret atklāto šindeļa apakšu un atgrieziet sviru, lai fiksētu regulēšanas plāksni.

MONTĀŽA

▲UZMANĪBU: Pirms jebkādu darbu veikšanas ar darbarīku mēlītei jābūt atlaistai un gaisa šļūtenei jābūt atvienotai no darbarīka.

▲UZMANĪBU: Ievietojot naglas aptverē, izmantotiet vienāda veida, izmēra un garuma naglas.

Naglu ievietošana naglotājā

IEVĒRĪBAI: Izvēlieties darbam piemērotas naglas.

IEVĒRĪBAI: Iestatiet spoles atbalsta plāksni atbilstīgi izmantojamo naglu izmēram. Ja darbarīku darbināsiet, kad spoles atbalsta plāksne ir uzstādīta nepareizā gājienā, naglu padeve var būt nekvalitatīva vai darbarīks var sabojāties.

1. Nospiediet slēgsviru un atveriet aptveres vāciņu.
► **Att.10:** 1. Aptveres vāciņš 2. Slēgsvira

2. Paceliet un pagrieziet spoles atbalsta plāksni, lai uz spoles atbalsta plāksnes norādītā naglu izmēra bulta būtu vērsta pret attiecīgo uz aptveres atzīmēto iedaļas palielinājumu.

► **Att.11:** 1. Spoles atbalsta plāksne 2. Iedaļas 3. Bultiņa

3. Novietojiet naglu spoli virs spoles atbalsta plāksnes. Iztiniet tik daudz naglu, lai tās sasniegtu padeves mehānismu. Pirmo naglu ievietojiet dzenošajā kanālā, bet otro – padeves mehānismā. Uz padevēja korpusa novietojiet citas neatītas naglas. Kad esat pārbaudījis, vai naglu spole aptverē ir ievietota pareizi, aizveriet aptveres vāciņu.

► **Att.12:** 1. Padeves mehānisms

Gaisa šļūtenes pievienošana

▲UZMANĪBU: Nelieciet pirkstu uz mēlītes, kad pievienojat gaisa šļūteni.

► **Att.13:** 1. Gaisa pievads 2. Gaisa pievada uzmava

Gaisa šļūtenes galatslēgu uzlieciet uz darbarīka gaisa sistēmas stiprinājuma. Kad gaisa šļūtene uzstādīta uz gaisa sistēmas stiprinājuma, pārbaudiet, vai šļūtene stingri nifiksējas.

Šļūtenes savienotājam jābūt uzstādītam uz darbarīka vai tā tuvumā, lai spiediena rezervuārs tiktu iztukšots brīdī, kad gaisa padeves savienotājs tiek atvienots.

EKSPLUATĀCIJA

⚠UZMANĪBU: Pirms darba sākšanas pārliecinieties, ka visas drošības sistēmas ir darba kārtībā.

Pareizas darbības pārbaude pirms lietošanas

Pirms darbarīka lietošanas vienmēr pārbaudiet turpmāk norādītos elementus.

- Pārliecinieties, ka darbarīks neveic darbību, jau pievienojot gaisa šļūteni.
- Pārliecinieties, ka darbarīks neveic darbību, tikai nospiežot mēlīti.
- Pārliecinieties, ka darbarīks neveic darbību, nenospiežot mēlīti, bet tikai piespiežot saskares elementu apstrādājamam materiālam (sagatavei).
- Vienas secīgas darbības režīmā pārliecinieties, ka darbarīks neveic darbību, ja vispirms tiek nospiesta mēlīte un tad materiālam tiek piespiests saskares elements.


Darbības režīma izvēle

⚠UZMANĪBU: Pirms sākat naglot, vienmēr pārliecinieties, ka darbības režīma pārslēgs ir pareizi iestatīts vēlamā naglošanas režīma pozīcijā.

► **Att.14:** 1. Darbības režīma pārslēgs


Vienas secīgas darbības režīms

Varat iedzīt vienu naglu, veicot vienu secīgo darbību. Izvēlieties šo režīmu, ja vēlaties iedzīt naglu uzmanīgi un precīzi.

Lai izvēlētos šo režīmu, iestatiet darbības režīma pārslēgu pozīcijā .

Saskares darbības režīms

Varat iedzīt naglas vienu pēc otras, ar kontakteleментu pieskaroties virsmai un turot nospiestu mēlīti.

Lai izvēlētos šo režīmu, iestatiet darbības režīma pārslēgu pozīcijā .

Vienas secīgas darbības režīms

⚠UZMANĪBU: Nespiediet saskares elementu pret apstrādājamo materiālu pārāk spēcīgi. Nospiediet mēlīti līdz galam un turiet to šādi 1–2 sekundes pēc naglas iedzišanas.

Pat ja ir ieslēgts „Vienas secīgas darbības režīms”, līdz pusei nospiesta mēlīte var izraisīt neparedzētu naglu dzišanu, saskares elementam atkārtoti saskaroties ar materiālu.

Piespiediet saskares elementu materiālam un nospiediet mēlīti līdz galam.

Pēc naglu dzišanas vispirms atlaidiet saskares elementu un tad atlaidiet mēlīti.

► **Att.15**

Saskares darbības režīms



Vispirms nospiediet mēlīti un pēc tam piespiediet saskares elementu pie apstrādājamā materiāla.

► **Att.16**

Iestrēgušu naglu izņemšana

⚠UZMANĪBU: Pirms iesprūdušu naglu izņemšanas, vienmēr gādājiet, lai mēlīte būtu atlaista un šļūtene atvienota.

⚠UZMANĪBU: Nelietojiet deformētas naglas vai deformētu naglu sloksni. Pretējā gadījumā netiks pareizi padotas naglas.

► **Att.17:** 1. Āmurs 2. Mazs stienītis 3. Izgrūšanas atvere

Ja naglotājs iestrēgst, rīkojieties, kā tālāk norādīts: Atveriet aptveres vāciņu un izņemiet naglu spoli. Izgrūšanas atverē ievietojiet mazu stienīti vai ko līdzīgu un ar āmuru uzstīiet pa to, lai no izgrūšanas atveres izstumtu iestrēgušo naglu. Ievietojiet atpakal naglu spoli un aizveriet aptveres vāciņu.

APKOPE

⚠UZMANĪBU: Pirms darbarīka pārbaudes vai apkopes sākšanas mēlītei jābūt atlaistai un gaisa šļūtenei jābūt atvienotai no darbarīka.

IEVĒRĪBAI: Nekad neizmantojiet gazoļīnu, benzīnu, atšķaidītāju, spirtu vai līdzīgus šķidrumus, ja vien šajā rokasgrāmatā nav norādīts citādi. Tas var radīt izbalēšanu, deformāciju vai plaisas.

Naglas

Rīkojieties ar naglu spolēm un to kasti uzmanīgi. Ja rīkosities ar naglu spolēm neuzmanīgi, to forma var izmainīties, tādējādi naglu padeve būs sliktā. Neglabājiet naglas ļoti mitrās vai karstās vietās, vai arī vietās, kas pakļautas tiešai saules gaismai.

Darvas un netīrumu tīrīšana un noņemšana

⚠UZMANĪBU: Vienmēr valkājiet ūdensizturīgus cimdus, lai aizsargātu jūsu rokas.

Netīrumu un darvas pielīšana ap saskares elementu traucēs vieglu saskares elementa (drošības mehānismā) kustību, izraisot nejaūšu izlādi. Periodiski tīriet laukumus ap saskares elementu.

Izmantojiet tādus šķīdinātājus kā petroleju, degvielu||| Nr. 2 vai dīzel|degvielu. Iegremdējiet šķīdinātājā tikai saskares elementu un laukumus ap izgrūšanas atveri un ar suku noņemiet netīrumus un darvu.

► **Att.18**

IEVĒRĪBAI: Nekad neiegremdējiet korpusu, aptverī u. c. detaļas šķīdinātājā. Rezultātā darbarīks var darboties nepareizi.

PIEZĪME: Daži sarakstā norādītie izstrādājumi var būt iekļauti instrumenta komplektācijā kā standarta piederumi. Tie dažādās valstīs var būt atšķirīgi.

PIEZĪME: Vienmēr atbrīvojieties no izmantotā šķīdinātāja drošā un piesardzīgā veidā un saskaņā ar visām vietējo un valsts noteikumu prasībām.

Naglotāja apkope

Pirms darbarīka izmantošanas vienmēr pārbaudiet tā vispārējo stāvokli un to, vai skrūves nav atskrūvējušās. Pieskrūvējiet tās, ja vajadzīgs.

Kad darbarīks ir atvienots no strāvas avota, veiciet ikdienas pārbaudi, lai pārbaudītu kontaktelementa un mēlītes brīvgājieni. Ja kontaktelements vai mēlīte sprūst vai iestrēgst, neizmantojiet darbarīku.

Ja plānojat ilgāku laiku neizmantot darbarīku, ieeļļojiet to ar pneimatisko darbarīku eļļu un glabājiet drošā vietā. Nepakļaujiet to tiešai saules gaismai un/vai mitriem vai karstiem apstākļiem.

► **Att.19**

Kompresora, gaisa pievada un gaisa šļūtenes apkope

Pēc lietošanas vienmēr iztukšojiet kompresora tvertni un gaisa filtru. Ja darbarīkā iekļūst mitrums, darbarīks var sākt darboties nepareizi un rasties kļūmes.

► **Att.20:** 1. Izplūdes krāns

► **Att.21:** 1. Gaisa filtrs

Regulāri pārbaudiet, vai gaisa mehānisma eļļotājā ir pietiekami daudz pneimatikas eļļas. Ja darbarīku pietiekami labi neeļļos, apaļa šķērsriezuma gredzeni ļoti ātri nodils.

► **Att.22:** 1. Eļļotājs 2. Pneimatiskā darbarīka eļļa

Netuviniet gaisa šļūteni siltuma avotiem (virs 60 °C, 140 °F), kā arī ķīmikālijām (šķīdinātājiem, spēcīgām skābēm vai sārmiem). Izvietojiet šļūteni drošā attālumā no šķēršļiem, kurus, strādājot ar darbarīku, var aizķert un izraisīt bīstamu situāciju. Šļūtenes jāizvieto arī drošā attālumā no asām malām un tādām vietām, kur šļūteni var sabojāt vai saskrāpēt.

Lai saglabātu izstrādājuma DROŠU un UZTICAMU darbību, remontdarbus, apkopi un regulēšanu uzticiet veikt tikai Makita pilnvarotam vai rūpnīcas apkopes centram, un vienmēr izmantojiet tikai Makita rezerves daļas.

PAPILDU PIEDERUMI

⚠ UZMANĪBU: Šādi piederumi un papildierīces tiek ieteiktas lietošanai ar šajā rokasgrāmatā aprakstīto Makita darbarīku. Izmantojot citus piederumus vai papildierīces, var tikt radīta traumu gūšanas bīstamība. Piederumu vai papildierīci izmantojiet tikai paredzētajam mērķim.

Ja jums vajadzīga palīdzība vai precīzāka informācija par šiem piederumiem, vērsieties savā tuvākajā Makita apkopes centrā.

- Naglas
- Gaisa šļūtene
- Aizsargbrilles









SPECIFIKACIJOS

Modelis:		AN454
Oro slėgis		0,49 – 0,83 MPa (4,9 – 8,3 bar)
Tvirtinimo elementas	Tipas	Vinys vielos ritėje (vinys stogo dangai)
	Ilgis	19 mm – 45 mm
	Skersmuo	3,05 mm
Vinių skaičius		120 vnt.
Pneumatinio įrankio alyva		ISO VG32 arba lygiavertė
Mažiausias žarnos skersmuo		6,5 mm
Matmenys (I x P x A)		256 mm x 117 mm x 271 mm
Grynas svoris		2,4 kg

- Atliekame tęsinius tyrimus ir nuolatos tobuliname savo gaminius, todėl čia pateikiamos specifikacijos gali būti keičiamos be įspėjimo.
- Skirtingose šalyse specifikacijos gali skirtis.

Simboliai

Žemiau yra nurodyti įrangai naudojami simboliai. Prieš naudodami įsitikinkite, kad suprantate jų reikšmę.

	Perskaitykite instrukcijų vadovą.
 	Užsidėkite apsauginius akinius.
 	Naudokite ausų apsaugos priemones.
 	Veikiant įjungimo režimui, įrankis gali veikti nuo kontakto.
	Nenaudokite stovėdami ant pastolių, kopėčių.

Numatytoji naudojimo paskirtis

Šis įrankis skirtas pradiniam interjero darbams, pvz., grindų gegnėms arba įprastinėms gegnėms tvirtinti ir rėminimo darbams atlikti 2" x 4" korpuse. Įrankis skirtas tik profesionaliai naudoti didelio masto darbams. Nenaudokite jokiai kitai paskirčiai. Jis neskirtas tvirtinimo elementams įsukti tiesiai į kietą paviršių, pavyzdžiui, plieną ir betoną.

Triukšmas

Įprastas triukšmo A lygis, nustatytas pagal ISO11148-13(EN12549):
 Garso slėgio lygis (L_{pA}): 102 dB (A)
 Garso galios lygis (L_{WA}): 113 dB (A)
 Paklaida (K): 1,5 dB (A)

PASTABA: Paskelbta (-os) triukšmo reikšmė (-ės) nustatyta (-os) pagal standartinį testavimo metodą ir jį galima naudoti vienam įrankiui palyginti su kitu.
PASTABA: Paskelbta (-os) triukšmo reikšmė (-ės) taip pat gali būti naudojama (-os) norint preliminariai įvertinti triukšmo poveikį.

⚠️ ĮSPĖJIMAS: Dėvėkite ausų apsaugą.
⚠️ ĮSPĖJIMAS: Faktiškai naudojant elektrinį įrankį, keliamo triukšmo dydis gali skirtis nuo paskelbtos (-ų) reikšmės (-ių), priklausomai nuo būdų, kuriais yra naudojamas šis įrankis, ir ypač nuo to, kokio tipo ruošinys apdirbamas.
⚠️ ĮSPĖJIMAS: Siekdami apsaugoti operatorių, būtinai įvertinkite saugos priemones, remdamiesi vibracijos poveikio įvertinimu esant faktinėms naudojimo sąlygoms (atsižvelgdami į visas darbo ciklo dalis, pavyzdžiui, ne tik kiek laiko įrankis veikia, bet ir kiek kartų jis yra išjungiamas bei kai jis veikia be apkravų).

Vibracija

Bendras vibracijos dydis, nustatytas pagal ISO11148-13(ISO8662-11):
 Vibracijos emisija (a_{hV}): 5,7 m/s²
 Paklaida (K): 1,5 m/s²

PASTABA: Paskelbta (-os) vibracijos bendroji (-osios) reikšmė (-ės) nustatyta (-os) pagal standartinį testavimo metodą ir jį galima naudoti vienam įrankiui palyginti su kitu.
PASTABA: Paskelbta (-os) vibracijos bendroji (-osios) reikšmė (-ės) taip pat gali būti naudojama (-os) norint preliminariai įvertinti vibracijos poveikį.

⚠️ISPĖJIMAS: Faktiškai naudojant elektrinį įrankį, keliamos vibracijos dydis gali skirtis nuo paskelbtos (-ų) reikšmės (-ių), priklausomai nuo būdų, kuriais yra naudojamas šis įrankis, ir ypač nuo to, kokio tipo ruošinys apdirbamas.

⚠️ISPĖJIMAS: Siekdami apsaugoti operatorių, būtina įvertinkite saugos priemones, remdamiės vibracijos poveikio įvertinimu esant faktinėms naudojimo sąlygoms (atsižvelgdami į visas darbo ciklo dalis, pavyzdžiui, ne tik kiek laiko įrankis veikia, bet ir kiek kartų jis yra išjungiamas bei kai jis veikia be apkrovų).

EB atitikties deklaracija

Tik Europos šalims

EB atitikties deklaracija yra pridedama kaip šio instrukcijų vadovo A priedas.

SAUGOS ĮSPĖJIMAI

Saugos įspėjimai dėl pneumatinio vinių kalimo pistoleto / segiklio

⚠️ISPĖJIMAS: Perskaitykite visus saugos įspėjimus ir nurodymus. Nesilaikant toliau pateiktų įspėjimų ir nurodymų, galima sunkiai susižaloti, patirti elektros smūgį ir (arba) gali kilti gaisras.

Išsaugokite visus įspėjimus ir instrukcijas, kad galėtumėte jas peržiūrėti ateityje.

Siekdami užtikrinti asmeninį saugumą, tinkamą įrankio veikimą ir techninę priežiūrą, perskaitykite šią naudojimo instrukciją prieš naudodami įrankį.

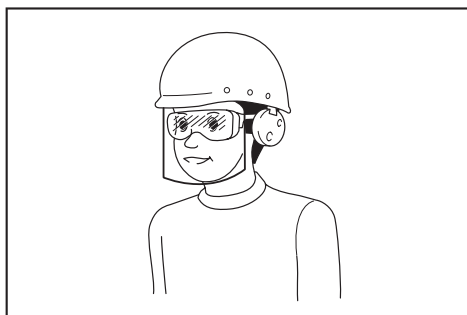
Bendroji saugos informacija

1. Naudoti įrankį kitiems tikslams draudžiama. Tvirtinimo elementų įrankiai su nuolatinio kontaktiniu veikimu įjungus arba kontaktiniu suveikimu turi būti naudojami tik gamybos reikmėms.
2. Nelaikykite pirštų ant gaiduko, kai nenaudojate šio įrankio ir kai pereinate iš vienos darbinės padėties į kitą.
3. Daug pavojų Perskaitykite ir prieš prijungdami, atjungdami, pakraudami, eksploatuodami, atlikdami techninę priežiūrą, keisdami priedus arba dirbdami netoli įrankio, žinokite saugos instrukcijas. Antraip galimi sunkūs kūno sužalojimai.
4. Laikykite visas kūno dalis, pavyzdžiui, rankas ir kojas, atokiai nuo šaudymo krypties ir užtikrinkite, kad tvirtinimo elementas neperšautų ruošinio kiaurai ir neįsmigtų į kūno dalis.
5. Naudodami įrankį, nepamirškite, kad tvirtinimo elementas gali atšokti ir sužeisti.
6. Tvirtai laikykite įrankį ir būkite pasirengę atitranskai.

7. Tvirtinimo elementų kalimo įrankį gali naudoti tik techniškai įgudę naudotojai.
8. Nekeiskite tvirtinimo elementų kalimo įrankio. Pakeitimai gali sumažinti saugos priemonių veiksmingumą ir padidinti riziką naudotojui ir / arba stebėtojui.
9. Neišmeskite šios naudojimo instrukcijos.
10. Nenaudokite įrankio, jei jis pažeistas.
11. Būkite atsargūs, dirbdami tvirtinimo elementų kalimo įrankiu, ypač įdėdami ir išimdami vinius, nes tvirtinimo elementai turi aštrių briaunų, kurios gali sužeisti.
12. Prieš naudodami, visada patikrinkite įrankį, ar nėra įskilusių, atsijungusių arba nusidėvėjusių dalių.
13. Nepersitempkite. Dirbkite tik saugioje darbo vietoje. Visuomet tvirtai stovėkite ant žemės, išlaikykite pusiausvyrą.
14. Pašaliniai asmenys turi būti atokiai (kai dirbate ten, kur yra didelis žmonių judėjimas). Aiškiai pažymėkite savo darbo zoną.
15. Niekada nenukreipkite įrankio į save ar kitus.
16. Nelaikykite piršto ant gaiduko, imdami įrankį, pereidami į kitą darbo vietą ir padėtį arba vaikščiodami, nes jei pirštas bus ant gaiduko, galite jį netyčia nuspausti. Prieš naudodami patikrinkite įrankį su selektyviu įjungimu ir nustatykite reikiamą režimą.
17. Mūvėkite tik pirštines, kurios užtikrina tinkamą savijautą ir leidžia saugiai valdyti gaiduką ir kitus reguliavimo įtaisus.
18. Nebenaudojamą įrankį padėkite ant plokščio paviršiaus. Jei naudojate kablį su įrankiu, įrankį saugiai kabinkite ant stabilaus paviršiaus.
19. Nedirbkite apsvaigę nuo alkoholio, vaistų arba panašių medžiagų.

Šaunamų detalių keliami pavojai

1. Tvirtinimo elementų kalimo įrankis turi būti atjungtas, išimant arba įdedant vinius, reguliuojant, šalinant užstrigusias detales arba keičiant priedus.
2. Dirbdami būkite atsargūs, kad tvirtinimo elementai tinkamai prasiskverbtų į medžiagą ir nenukryptų arba neiššautų į naudotoją ir / ar pašalinius asmenis.
3. Darbo metu reikia šalinti šiukšles nuo ruošinio ir tvirtinamos / lyginamos sistemos.
4. Visada naudodami elektrinius įrankinius užsidėkite apsauginius akinius, kad apsaugotumėte savo akis nuo sužalojimų. Akiniai turi atitikti ANSI Z87.1 reikalavimus JAV, EN 166 reikalavimus Europoje arba AS/NZS 1336 reikalavimus Australijoje / Naujojoje Zelandijoje. Australijoje / Naujojoje Zelandijoje taip pat teisiškai privaloma naudoti veido skydelį.



Darbdavys privalo užtikrinti, kad įrankio operatoriai ir kiti šalia jo darbo vietos esantys asmenys naudotų tinkamas apsaugos priemones.

5. Riziką kitiems turi įvertinti pats naudotojas.
6. Būkite atsargūs su įrankiais, kai nėra kontakto su ruošiniu, nes jie gali iššauti netyčia ir sužeisti naudotoją ir / ar pašalinius asmenis.
7. Įrankis visada turi būti saugiai padėtas ant ruošinio taip, kad nenuslystų.
8. Naudokite klausos organų apsaugos priemones, kad apsaugotumėte ausis nuo išmetamųjų dujų keliamo triukšmo ir apsaugotumėte galvą. Vilkėkite lengvus, bet ne palaidus drabužius. Rankoves reikia susegti arba užraityti. Negalima ryšėti kaklaraiščio.

Pavojai darbo metu

1. Tinkamai laikykite įrankį: būkite pasirengę įprastiniams arba staigiems judesiams, tokiems kaip atitranka.
2. Išlaikykite kūno pusiausvyrą ir tvirtai stovėkite.
3. Rekomenduojama nešioti tinkamus apsauginius akinius, mūvėti tinkamas pirštines ir dėvėti apsauginius drabužius.
4. Rekomenduojama nešioti tinkamą klausos apsaugą.
5. Naudokite tinkamą energijos šaltinį, kaip nurodyta instrukcijoje.
6. Nenaudokite įrankio ant judančių platformų arba sunkvežimių gale. Staigiai sujudėjus platformai galima nesuvaldyti įrankio ir susižeisti.
7. Elkitės taip, tarsi įrankyje visada būtų tvirtinimo elementų.
8. Dirbdami įrankiu, neskubinkite įrankio atliekamo veiksmo ir nenaudokite jėgos. Su įrankiu elkitės atsargiai.
9. Dirbdami įrankiu, atkreipkite dėmesį į savo stovėseną ir pusiausvyrą. Dirbdami aukštai įsitikinkite, ar nieko nėra apačioje, ir įtvirtinkite oro žarną, kad išvengtumėte pavojų, kuriuos sukeltų staigus truktelėjimas arba užkliuvis.
10. Dirbdami ant stogo arba kitose aukštesiose vietose, tvirtinimo elementus įsukinėkite judėdami pirmyn. Jei tvirtinimo elementus įsukinėsite judėdami atbulomis, galite lengvai netekti pusiausvyros. Jei tvirtinimo elementus įsukinėjate statmenai paviršiuje, pradėkite nuo viršaus ir tęskite apačios link. Toks eiliškumas mažiau vargina.

11. Jei tvirtinimo elementą netyčia bandysite įsukti į kitą tvirtinimo elementą arba į šaką medienoje, gali sulinkti tvirtinimo elementas arba užstrigtį įrankis. Tvirtinimo elementas gali būti išsviestas ir pataikyti į žmogų, taip pat gali pavojingai sujudėti ir pats įrankis. Tvirtinimo elementus įsukinėkite atsargiai.
12. Nepalikite užtaisyto įrankio arba oro kompresoriaus, kuriame sudarytas slėgis, ilgam laikui saulėkaitoje. Pasirūpinkite, kad vietoje, kurioje palikote įrankį, į jį nepatektų dulkių, smėlio, skiedrų ir kitų pašalinių medžiagų.
13. Jokių būdu nemėginkite vienu metu įsukinėti tvirtinimo elementų ir iš vidaus, ir iš išorės. Tvirtinimo elementai gali perlįsti kiurairi ir (arba) išlėkti, sukeldami didelį pavojų.

Pasikartojančių judesių pavojai

1. Naudodamas įrankį ilgą laiką, naudotojas gali patirti plaštakų, rankų, pečių, kaklo ar kitų kūno dalių diskomfortą.
2. Naudodamas įrankį, naudotojas turėtų stengtis išlaikyti tinkamą ir ergonomišką laikyseną. Stovėkite tvirtai ir venkite nepatogios arba nesubalansuotos padėties.
3. Jei pastebėjote tokius simptomus, kaip nuolatinį arba pasikartojantį nemalonų pojūtį, skausmą, pulsuojančią skausmą, geliantį skausmą, dilgčiojimą, tirpuli, deginimo pojūtį arba sąstingį, kreipkitės į medicus. Dėl savo darbo naudotojas turėtų pasikonsultuoti su kvalifikuotu sveikatos priežiūros specialistu.
4. Nepertraukiamai naudojant įrankį, dėl įrankio atitrankos galima persitempti.
5. Naudotojas neturėtų persitempti ar naudoti per daug jėgos, kad negautų traumos dėl pasikartojančios įtampos. Be to, pavargęs naudotojas turėtų pailsėti.
6. Įvertinkite pasikartojančių judesių keliamą riziką. Reikėtų sutelkti dėmesį į raumenų ir skeleto sutrikimus ir remtis prielaida, kad mažesnis nuovargis darbe sukelia mažiau sutrikimų.

Priedų ir eksploatacinių dalių keliami pavojai

1. Prieš keisdami priedus, pavyzdžiui, ruošinius ar reguliuodami, atjunkite energijos tiekimą nuo įrankio, pavyzdžiui, oro arba dujų ar bateriją.
2. Naudokite tik tokių dydžių ir tipų priedus, kuriuos tiekia gamintojas.
3. Naudokite tik šiam vadove rekomenduojamus tepalus.

Pavojai darbo vietoje

1. Pagrindiniai pavojai darbo vietoje yra paslydimas, užkliuvis ir griuvimas. Žinokite, kad slidūs paviršiai kelia pavojų naudojant įrankį, o už oro linijos žarnos galima užkliūti.
2. Nepažįstamoje aplinkoje dirbkite itin atidžiai. Gali būti paslėptų pavojų, pavyzdžiui, elektros energijos ar kitų komunalinių paslaugų linijų.
3. Šis įrankis nėra skirtas naudoti potencialiai sprogiuose aplinkoje ir nėra izoliuotas nuo sąlyčio su elektra.

- Patikrinkite, ar šalia nėra elektros kabelių, dujų vamzdžių ir t. t., kurie gali sukelti pavojų, jei bus pažeisti naudojant įrankį.
- Pasirūpinkite, kad darbo vieta būtų švari ir gerai apšviesta. Užgriozdintos ir tamsios vietos dažnai tampa nelaimingų atsitikimų priežastimi.
- Gali būti taikomos vietinės taisyklės dėl triukšmo lygio; būtina jų laikytis ir užtikrinti, kad triukšmas neviršytų nurodyto lygio. Tam tikrais atvejais triukšmą reikia nuslopinti uždarant langines.

Dulkių ir dujų išmetimo pavojai

- Visada patikrinkite savo aplinką. Oras iš įrankio gali pūsti dulkes ar objektus į naudotoją ir / ar pašalinius asmenis.
- Dirbdami dulkėtoje aplinkoje, išmetamąsias dujas nukreipkite taip, kad kiltų kuo mažiau dulkių.
- Jei dulksės ar daiktai išpučiami į darbo vietą, kuo labiau jų sumažinkite, kad sumažėtų pavojus sveikatai ir sužalojimo rizika.

Triukšmo pavojai

- Nesisaugant, didelis triukšmas gali sukelti nuolatinį klausos neįgalumą, klausos praradimą ir kitų problemų, tokių kaip spengimas ausyse (skambėjimas, zvimbimas, švilpimas ar dūžgimas ausyse).
- Įvertinkite triukšmo keliamą riziką darbo vietoje ir ją kontroliuokite.
- Naudokite atitinkamas kontrolės priemones, skirtas rizikai sumažinti, pavyzdžiui, triukšmo slopinimo medžiagas ausyse.
- Naudokite tinkamas klausos apsaugos priemones.
- Eksploatuokite ir prižiūrėkite įrankį, kaip nurodyta šiose instrukcijose, kad išvengtumėte nereikalingo triukšmo.
- Imkitės triukšmo mažinimo priemonių, pavyzdžiui, padėkite ruošinius ant garsą slopinančių atramų.

Vibracijos pavojai

- Vibracija darbo metu priklauso nuo laikymo jėgos, kontaktinio spaudimo jėgos, darbo krypties, energijos tiekimo sureguliuavimo, ruošinio, ruošinio atramos. Įvertinkite vibracijos keliamą riziką ir ją kontroliuokite.
- Dėl vibracijos poveikio gali atsirasti negalą sukeliantis nervų ir kraujotakos sutrikimas plaštakose ir rankose.
- Dėvėkite šiltus drabužius dirbdami šaltyje, laikykite rankas šiltai ir sausai.
- Jei jaučiate tirpimą, dilgčiojimą, skausmą ar išbąla pirštai ar rankų oda, reikia kreiptis į gydytoją ir kvalifikuotą profesinės sveikatos priežiūros specialistą.
- Eksploatuokite ir prižiūrėkite įrankį, kaip nurodyta šiose instrukcijose, kad išvengtumėte nereikalingos vibracijos.
- Laikykite įrankį lengvai, bet saugiai, už rankenos, nes vibracijos rizika paprastai yra didesnė, kai yra didesnė rankos jėga.

Papildomi įspėjimai dėl pneumatinių įrankių

- Suspaustas oras gali sukelti sunkių sužalojimų.
- Visada išjunkite oro tiekimą ir atjunkite įrankį nuo oro tiekimo, kai jis nenaudojamas.
- Prieš keisdami priedus, pavyzdžiui, ruošinius, ar reguliuodami ir / arba remontuodami, per eidami į kitą darbo vietą, visada atjunkite nuo įrankio suspausto oro tiekimą.
- Nelaikykite pirštų ant gaiduko, kai nenaudojate šio įrankio ir kai pereinate iš vienos darbinės padėties į kitą.
- Nenukreipkite suspausto oro į save ar kitus.
- Suspausto oro žarnos sprogdamos gali sukelti sunkių sužalojimų. Patikrinkite, ar nėra sugadintų arba laisvų žarnų ar priedų.
- Neneškite pneumatinio įrankio už žarnos.
- Netempkite pneumatinio įrankio už žarnos.
- Naudojant pneumatinius įrankius, negalima viršyti didžiausio darbinio slėgio (ps max.).
- Pneumatiniai įrankiai turėtų būti maitinami tik suspaustu oru mažiausiu slėgiu, būtinu darbo procesui, siekiant sumažinti triukšmą ir vibraciją bei dėvėjimąsi.
- Naudojant darbui deguonį arba degias dujas, pneumatiniai įrankiai kelia gaisro ir sprogdimo pavojus.
- Būkite atsargūs, kai naudojate pneumatinius įrankius, nes jie gali tapti šalti, o tai turi įtakos sukibimui ir kontrolei.

Papildomi įspėjimai dėl kontaktiniu būdu suaktyvinamų įrankių



- Imdami įrankį, eidami iš vienos darbo vietos į kitą, keisdami padėtį ar vaikščiodami, nelaikykite piršto ant gaiduko, nes antraip galima netyčia suaktyvinti įrankį. Prieš naudodami įvairiais režimais veikiančius įrankius, visada patikrinkite, ar pasirinktas tinkamas režimas.
- Šis įrankis aktyvinamas kontaktiniu būdu arba nuolatininiu kontaktiniu būdu, naudojant aktyvinimo būdo rinkiklius, arba yra aktyvinamas kontaktiniu būdu ar nuolatininiu kontaktiniu būdu ir yra pažymėtas pirmiau parodytu simboliu. Jis skirtas gamybai, pavyzdžiui, padėklams, baldams, surenkamiems namams gaminti, baldams apmušti ir pastatams apkalti.
- Naudodami įrankį pasirenkamo aktyvinimo režimu, visada įsitikinkite, kad nustatytas tinkamas aktyvinimo būdas.
- Nenaudokite šio įrankio kontaktinio aktyvinimo režimu, pavyzdžiui, norėdami uždaryti dėžes ar rėmus ir įrengti saugaus gabenimo sistemas priekabose ir sunkvežimiuose.
- Būkite atsargūs pereidami iš vienos darbo vietos į kitą.

Saugos įtaisai

- Prieš pradėdami dirbti įsitikinkite, ar visos saugos sistemos tinkamai veikia.** Jei tik patraukiamas gaidukas arba jei tik prispaudžiama kontaktinė svirtis prie medienos, įrankis turi neveikti. Jis turi veikti tik tada, kai atliekami abu veiksmai. Ar įrankis tinkamai veikia, tikrinkite išėmę tvirtinimo elementus ir iki galo patraukę stūmiklį.
- Užfiksuoti gaiduką į JUNGIMO padėtį labai pavojinga.** Jokiu būdu neužfiksuokite gaiduko.
- Nemėginkite užfiksuoti kontaktnio elemento, nuspausdami jį su juosta arba viela.** Galima sunkiai arba mirtinai susižaloti.
- Visada patikrinkite kontaktnį elementą, kaip nurodyta šioje instrukcijoje.** Jei saugos mechanizmas veikia netinkamai, tvirtinimo elementai gali būti įsukti netyčia.

Techninė priežiūra

- Valymo ir techninės priežiūros darbus atlikite vos baigę dirbti.** Įrankis visada turi būti pačios geriausios būklės. Sutepinkite judamąsias dalis, kad jos nerūdytų ir kuo mažiau dėvėtųsi dėl trinties. Nuo dalių nušluostykite visas dulkes.
- Reguliariai kreipkitės į įgaliotąjį „Makita“ techninės priežiūros centrą, kad patikrintų įrankį.**
- Kad gaminyt būtų SAUGUS ir PATIKIMAS, techninės priežiūros ir remonto darbus turi atlikti įgaliotieji „Makita“ techninės priežiūros centrai; visada naudokite tik „Makita“ pagamintas atsargines dalis.**
- Įrankį išmesdami, laikykitės vietinių taisyklių.**

SAUGOKITE ŠIAS INSTRUKCIJAS.

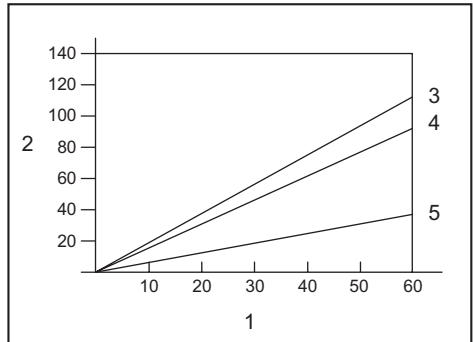
⚠️ ĮSPĖJIMAS: NELEISKITE, kad patogumas ir gaminio pažinimas (įgyjamas pakartotinai naudojant) susilpnintų griežtą saugos taisyklių, taikytinų šiam gaminiui, laikymąsi. Dėl NETINKAMO NAUDOJIMO arba saugos taisyklių, kurios pateiktos šioje instrukcijoje, nesilaikymo galima rimtai susižeisti.

DALIŲ APRAŠYMAS

- **Pav.1:** 1. Gaidukas 2. Kontaktnis elementas
3. Paleidimo režimo parinkiklis 4. Dėtuve
5. Kablys

SUMONTAVIMAS

Kompresoriaus pasirinkimas



1. Vinių kalimo dažnis (kartai/min.) 2. Kompresoriaus oro tūris per minutę (l/min.) 3. 0,83 MPa (8,3 bar) 4. 0,66 MPa (6,6 bar) 5. 0,49 MPa (4,9 bar)

Pneumatinis kompresorius turi atitikti EN60335-2-34 reikalavimus.

Pasirinkite pakankamo slėgio ir oro tūrio kompresorių, kad būtų užtikrintas ekonomiškai efektyvus veikimas. Grafike parodytas ryšys tarp vinių kalimo dažnio, taikytino slėgio ir kompresoriaus oro tūrio.

Todėl, pavyzdžiui, jei viny yra kalamas maždaug 60 kartų per minutę naudojant 0,83 MPa (8,3 bar) kompresiją, reikia naudoti kompresorių, pasižymintį daugiau nei 110 l/min. oro tūriu.

Kai oro srauto slėgis viršija įrankio vardinį slėgį, oro slėgiui iki įrankio vardinio slėgio riboti reikia naudoti slėgio reguliatorius. To nepadarius, įrankio operatorius ar netoliese esantys žmonės gali būti sunkiai sužaloti.

Oro žarnos pasirinkimas

⚠️ PERSPĖJIMAS: Dėl kompresoriaus mažo oro tūrio arba ilgo ar mažesnio skersmens žarnos, palyginti su vinių kalimo dažniu, gali suprastėti įrankio kalimo galia.

► Pav.2

Norėdami užtikrinti nepertraukiamą, efektyvų vinių kalimą, naudokite kuo platesnę ir trumpesnę žarną.

Kai tarp kiekvieno vinių įkalimo yra 0,5 sekundės intervalas, esant 0,49 Mpa (4,9 baro) oro slėgiui, rekomenduojama pasirinkti oro žarną, kurios vidinis skersmuo didesnis nei 6,5 mm, o ilgis mažesnis nei 20 m.

Oro tiekimo žarnų darbinis slėgis turi būti ne mažesnis kaip 1,03 MPa (10,3 bar) arba 150 proc. didžiausio sistemoje sukuriama slėgio, tai priklauso nuo to, kuri iš šių reikšmių yra didesnė.

Tepimas

► Pav.3

Tam, kad užtikrintumėte veikimo maksimumą, įdiekite kuo artimesnį įrankiui oro komplektą (tepalinę, reguliuotoją, oro filtrą). Tepalinę pareguliuokite taip, kad vienas alyvos lašelis tektų 30 vinių.

Kai suspausto oro įrenginio nenaudojate, sutepkite įrankį pneumatiniams įrankiams skirta alyva, įlašindami į suspausto oro detales 2 (du) arba 3 (tris) lašelius. Tai reikėtų padaryti prieš naudojimą ir po jo.

Norint užtikrinti tinkamą tepimą, įlašinus pneumatiniams įrankiui skirtos alyvos, įrankį reikia porą kartų paleisti.

► **Pav.4:** 1. Pneumatiniams įrankiams skirta alyva

VEIKIMO APRAŠYMAS

▲ PERSPĖJIMAS: Prieš reguliuodami arba tikrindami, kaip veikia įrankis, atlenkite gaiduką ir atjunkite oro žarną nuo įrankio.

Vinių kalimo gylio reguliavimas

▲ PERSPĖJIMAS: Reguliuodami vinių kalimo gylį, prieš tai visada atleiskite gaiduką ir atjunkite žarną.

► **Pav.5:** 1. Reguliavimo įtaisas

Norėdami reguliuoti vinių kalimo gylį, pasukite reguliatorių.

Vinių kalimo gylis yra didžiausias, kai reguliatorius yra iki galo pasuktas A kryptimi, kaip parodyta paveikslėlyje. Gylis mažėja, reguliatorių sukant B kryptimi.

Jei vinių nepavyksta įkalti pakankamai giliai net tada, kai reguliatorius yra iki galo pasuktas A kryptimi, padidinkite oro slėgį.

Jei viny s kalamos per giliai net tada, kai reguliatorius yra iki galo pasuktas B kryptimi, sumažinkite oro slėgį.

Įrankio naudojimo laikas bus ilgesnis, jį naudojant su mažesniu oro slėgiu ir reguliatoriaus komplektą nustatius taip, kad viny s būtų kalamos giliau.

Kablys

▲ PERSPĖJIMAS: Prieš keisdami kablo padėtį, prieš tai visada atleiskite gaiduką ir atjunkite žarną.

▲ PERSPĖJIMAS: Niekada nekabinkite įrankio aukštai ar ant galimai nestabilius paviršiaus.

▲ PERSPĖJIMAS: Nekabinkite kablo prie juosmens diržo. Vinių kalimo įrankiui netyčia nukritus, jis gali iššauti ir sužaloti.

► **Pav.6**

► **Pav.7:** 1. Kablys 2. Šešiakampių lizdinių galvučių varžtas 3. Skylutė

Kablys yra patogus, kai reikia trumpam pakabinti įrankį. Norėdami pakeisti kablo padėtį, išimkite šešiakampių lizdinių galvučių varžtą ir pakeiskite kablo kryptį. Kablys turi dvi skylutes. Pagal pageidaujimą kablo plotį pasirinkite skylutę.

Malksnos kreipiklio reguliavimas

► **Pav.8:** 1. Kontaktinis elementas 2. Malksnos kreipiklis 3. Malksna

► **Pav.9:** 1. Reguliavimo plokštelė 2. Svirtis

Malksnos kreipiklis skirtas vienodai paveikti malksną.

Pastatykite malksną į norimą padėtį. Pasukite svirtį, norėdami atleisti reguliavimo plokštelę. Vinių kalimo įrankį nustatykite taip, kad kontaktinis elementas nuspaustų veikiamą malksną ir prieš tai buvusią malksnos eilę. Pastumdami atremkite reguliavimo plokštelę prie veikiamos malksnos apačios ir gražinkite svirtį, kad užfiksotumėte reguliavimo plokštelę.

SURINKIMAS

▲ PERSPĖJIMAS: Prieš naudodami įrankį, visada atlenkite gaiduką ir atjunkite oro žarną nuo įrankio.

▲ PERSPĖJIMAS: Į dėtuvę dėkite tik tos paties rūšies, dydžio ir vienodo ilgio viny s.

Vinių kalimo įrankio užpildymas

PASTABA: Parinkite darbui tinkamas viny s.

PASTABA: Ritės atraminę plokštelę nustatykite pagal naudotinų vinių dydį. Jei įrankis naudojamas nustačius netinkamą ritės atraminę plokštelės padėtį, gali būti blogai tiekiamos viny s arba gali blogai veikti įrankis.

1. Nuspauskite veiklės svirtelę ir atidarykite dėtuves dangtelį.

► **Pav.10:** 1. Dėtuves dangtelis 2. Užrakto svirtis

2. Pakelkite ir pasukite ritės atraminę plokštelę taip, kad ant ritės atraminės plokštelės parodyta vinių dydžio rodyklė būtų nukreipta į atitinkamą padalą, pažymėtą ant dėtuves.

► **Pav.11:** 1. Ritės atraminė plokštelė 2. Padalos 3. Rodyklė

3. Uždėkite vinių ritę virš ritės atraminės plokštelės. Atleiskite pakankamai vinių tiekimo kumšteliiui pasiekti. Įstumkite pirmąją vinių į tiekimo kanalą, o antrąją – į tiekimo kumštelį. Kitas atleistas viny s dėkite ant tiektuvo korpuso. Uždarykite dėtuves dangtelį, prieš tai patikrinę, ar vinių ritė tinkamai įtaisyta dėtuveje.

► **Pav.12:** 1. Tiekimo kumštelis

Oro žarnos prijungimas

▲ PERSPĖJIMAS: Nelaikykite savo piršto ant gaiduko, kai prijungiate oro žarną.

► **Pav.13:** 1. Pneumatinis tvirtinimo elementas 2. Pneumatinis lizdas

Užmaukite oro žarnos movą ant įrankio oro žarnos jungiamosios detalės. Patikrinkite, ar oro mova tvirtai užfiksauta ant oro žarnos jungiamosios detalės. Žarnos sujungimą privaloma sumontuoti ant įrankio arba šalia jo taip, kad atjungus oro tiekimo sujungimą, slėgio bakelis būtų atjungtas.

NAUDOJIMAS

▲ PERSPĖJIMAS: Prieš pradėdami dirbti, įsitinkinkite, ar visos saugos sistemos tinkamai veikia.

Patikrinimas dėl tinkamo veikimo prieš naudojant

Prieš naudodami, visada patikrinkite šias dalis.


- Įsitinkinkite, kad įrankis neveikia vien tik prijungus oro žarną.
- Įsitinkinkite, kad įrankis neveikia vien tik paspaudus gaiduką.
- Įsitinkinkite, kad įrankis neveikia vien tik padėjus kontaktinį elementą ant ruošinio, kol nepaspaus-tas gaidukas.
- Vieno nuoseklaus suaktyvinimo režimu pirmiausia įsitinkinkite, kad įrankis neveikia tik paspaudus gaiduką, tada padėkite kontaktinį elementą ant ruošinio.

Veikimo režimo parinkimas


▲ PERSPĖJIMAS: Prieš kaldami, režimo selek-torių visada tinkamai nustatykite į reikiamą padėtį pagal turimas vinis.

► **Pav.14:** 1. Įjungimo režimo selektorių

Kalimas po vieną elementą:

Vinis galite kalti nuosekliai po vieną. Pasirinkite šį režimą, kada reikia kalti atidžiai ir tiksliai. Norėdami pasirinkti šį režimą, nustatykite įjungimo režimo selektorių į padėtį .

Kalimas, kai įrankis suveikia nuo kontakto

Vinis galite kalti kaskart, laikydami gaiduką ir liesdami kontaktinį elementą. Norėdami pasirinkti šį režimą, nustatykite įjungimo režimo selektorių į padėtį .

Vienas nuoseklus suaktyvinimas

▲ PERSPĖJIMAS: Pernelyg nespauskite kontak-tinio elemento ant ruošinio. Taip pat visiškai paspauskite gaiduką ir įkalę vinį jį palaikykite 1–2 sekundes.

Netgi naudojant vieno nuoseklaus suaktyvinimo režimą, kai kontaktinis elementas pakartotinai palies ruošinį, iki pusės nuspaudus gaiduką, netikėtai bus išauta vinis.

Atremkite kontaktinę detalę į ruošinį ir visiškai patrau-kite gaiduką.

Įkalę vinį, atleiskite kontaktinį elementą, tada atleiskite gaiduką.

► **Pav.15**

Kontaktinis suaktyvinimas



Pirmiausia paspauskite gaiduką, tada dėkite kontaktinį elementą ant ruošinio.

► **Pav.16**

Užstrigusių vinių pašalinimas

▲ PERSPĖJIMAS: Prieš išimdami įstrigusias vinis, visada atstatykite gaiduką ir atjunkite žarną.

▲ PERSPĖJIMAS: Nenaudokite deformuotų vinių ar jų juostelių. Priešingu atveju vinys bus netinkamai paduodamos.

► **Pav.17:** 1. Plaktukas 2. Mažas virbas 3. Išmetimo anga

Jeigu įrankis užstrigtų, atlikite tokius veiksmus: Atidarykite dėtuvės dangtelį ir išimkite vinių ritę. Į išmetimo angą įkiškite mažą virbą arba panašų įrankį ir pastuksenkite jį plaktuku, kad iš išmetimo angos iškristų įstrigusi vinis. Atgal įdėkite vinių ritę ir uždarykite dėtuvės dangtelį.

TECHNINĖ PRIEŽIŪRA

▲ PERSPĖJIMAS: Prieš atlikdami patikrą ar priežiūrą, visada atlenkite gaiduką ir atjunkite oro žarną nuo įrankio.

PASTABA: Niekada to nedarykite naudodami gazoliną, benziną, skiediklį, spiritą arba panašias medžiagas, jei tai nenurodyta šiame vadove. Gali atsirasti išblukimų, deformacijų arba įtrūkimų.

Vinys

Atsargiai laikykite vinių rites jų dėžutėje. Jeigu vinių ritės bus mėtomos, jos gali prarasti formą, todėl vinys bus prastai tiekiamos.

Venkite laikyti vinis labai drėgnoje arba karštoje vietoje ar tiesioginiuose saulės spinduliuose.

Valymas ir dervos bei purvo pašalinimas

▲ PERSPĖJIMAS: Visada mėvėkite neperšlam-pamas pirštines, norėdami apsaugoti rankas.

Prie aplink kontaktinį elementą esančios vietos prilipusi derva ir purvas neleis sklandžiai judėti kontaktiniam elementui (saugos mechanizmui), dėl ko gali įvykti netyčinis paleidimas. Periodiškai valykite vietą aplink kontaktinį elementą.

Naudokite skiediklį, tokį kaip žibalas, mazutas Nr. 2 arba dyzeliniai degalai. Į skiediklį įmerkite tik kontaktinį elementą ir vietą aplink išmetimo angą bei šepetėliu pašalinkite dervą ir purvą.

► **Pav.18**

PASTABA: Į skiediklį niekada nemerkite korpuso, dėtvės ir kt. Galite sugadinti įrankį.

PASTABA: Visada saugiai ir atsargiai utilizuokite panaudotą skiediklį bei laikykites vietos ir šalies įstatymų reikalavimų.

PASTABA: Kai kurie sąrašė esantys priedai gali būti pateikti įrankio pakuotėje kaip standartiniai priedai. Jie įvairiose šalyse gali skirtis.

Vinių kalimo įrankio techninė priežiūra

Prieš pradėdami dirbti, visada patikrinkite bendrą įrankio būklę ir apžiūrėkite, ar nėra atsilaisvinusių varžtų. Jei reikia, priveržkite.

Atjungę įrankį atlikite kasdienį patikrinimą, siekdami užtikrinti laisvą kontaktinio elemento ir gaiduko judėjimą. Nenaudokite įrankio, jei kontaktinis elementas arba gaidukas įstrigo arba yra sulankstytas.

Jeigu įrankis nebus naudojamas ilgą laiko tarpą, sutepkite jį pneumatiniams įrankiams skirta alyva ir laikykite jį saugioje vietoje. Venkite laikyti tiesioginiuose saulės spinduliuose ir / arba drėgnoje ar karštoje vietoje.

► **Pav.19**

Kompresoriaus, pneumatinio rinkinio ir oro žarnos priežiūra

Po darbo visada ištuštinkite kompresoriaus rezervuarą ir oro filtrą. Patekus į įrankį drėgmei, jis gali blogai veikti ir sugesti.

► **Pav.20:** 1. Išleidimo čiaupas

► **Pav.21:** 1. Oro filtras

Reguliariai tikrinkite, ar pneumatinio rinkinio tepalinėje yra pakankamai pneumatinės alyvos. Jei tepalo bus nepakankamai, sandarinimo žiedai greitai susidėvės.

► **Pav.22:** 1. Tepalinė 2. Pneumatiniams įrankiams skirta alyva

Oro žarną laikykite atokiau nuo šilumos šaltinio (daugiau nei 60 °C (140 °F), ten kur nėra cheminių medžiagų (skiediklio, stiprių rūgščių ar šarmų). Be to, nuveskite žarną toliau nuo kliūčių, kurios pavojingai gali būti sugautos naudojant įrankį. Žarnos taip pat turi būti nuvestos toliau nuo aštrių kampų ir vietų, kuriose jos gali būti pažeistos arba trinamos.

Kad gaminys būtų SAUGUS ir PATIKIMAS, jį taisyti, apžiūrėti ar vykdyti bet kokią kitą priežiūrą ar derinimą turi įgaliotasis kompanijos „Makita“ techninės priežiūros centras; reikia naudoti tik kompanijos „Makita“ pagamintas atsargines dalis.

PASIRENKAMI PRIEDAI

⚠ PERSPĖJIMAS: Šiuos papildomus priedus arba įtaisus rekomenduojama naudoti su šioje instrukcijoje nurodytu „Makita“ bendrovės įrankiu. Naudojant bet kokius kitus papildomus priedus arba įtaisus, gali kilti pavojus sužeisti žmones. Naudokite tik nurodytam tikslui skirtus papildomus priedus arba įtaisus.

Jeigu norite daugiau sužinoti apie tuos priedus, kreipkitės į artimiausią „Makita“ techninės priežiūros centrą.

- Vyns
- Oro žarna
- Apsauginiai akiniai

TEHNILISED ANDMED

Mudel:		AN454
Õhurõhk		0,49 – 0,83 MPa (4,9 – 8,3 baar)
Kinnitusvahend	Tüüp	Traatseotud rullnaelad (katusenaelad)
	Pikkus	19 mm – 45 mm
	Läbimõõt	3,05 mm
Naelasalve maht		120 tk
Pneumaatilise tööriista õli		ISO VG32 või samaväärne
Minimaalne vooliku läbimõõt		6,5 mm
Mõõtmed (P × L × K)		256 mm × 117 mm × 271 mm
Netokaal		2,4 kg

- Meie pideva uuringu- ja arendusprogrammi tõttu võidakse tehnilisi andmeid muuta ilma sellest ette teatamata.
- Tehnilised andmed võivad riigiti erineda.

Sümbolid

Järgnevalt kirjeldatakse seadmetel kasutatavaid tingimärke. Veenduge, et olete nende tähendusest aru saanud enne seadme kasutamist.

	Lugege juhendit.
	Kandke kaitseprille.
	Kasutage kõrvakaitsmeid.
 	Sellel tööriistal on valitav kontaktkäivitusrežiim.
	Ärge kasutage tellinguid ega redeleid.

Kavandatud kasutus

Korpusega 2" × 4" tööriist on ette nähtud eeltööde tegemiseks siseruumides, nagu põrandatalade või prusside kinnitamiseks ja tarindiosade paigaldamiseks. See tööriist on mõeldud üksnes suuremahuliseks professionaalseks kasutuseks. Ärge kasutage seda ühelgi muul otstarbel. See ei ole mõeldud kinnitusvahendite vahetult kõvasse pinda (näiteks terasesse või betooni) puurimiseks.

Müra

Tüüpiline A-korrigeeritud müratase, määratud standardi ISO11148-13(EN12549) kohaselt:
Helirõhutase (L_{pA}): 102 dB (A)
Helivõimsuse tase (L_{WA}): 113 dB (A)
Määramatus (K): 1,5 dB (A)

MÄRKUS: Deklareeritud müra väärtust (väärtuseid) on mõõdetud kooskõlas standardse katsemeetodiga ning seda võib kasutada ühe seadme võrdlemiseks teisega.

MÄRKUS: Deklareeritud müra väärtust (väärtuseid) võib kasutada ka mürataseme esmaseks hindamiseks.

⚠ HOIATUS: Kasutage kõrvakaitsmeid.

⚠ HOIATUS: Müratase võib elektritööriista tege-
likkuses kasutamise ajal erineda deklareeritud
väärtust(t)est olenevalt tööriista kasutusviisidest
ja eriti töödeldavast toorikust.

⚠ HOIATUS: Rakendage operaatori kaitsemi-
seks kindlasti piisavaid ohutusabinõusid, mis
põhinevad hinnangulisel müratasemel tegelikus
töösituatsioonis (võttes arvesse tööperioodi kõiki
osasid, näiteks korrad, kui seade lülitatakse välja
ja seade töötab tühikäigul, lisaks tööajale).

Vibratsioon

Vibratsioonitaseme koguväärtust vastavalt
ISO11148-13(ISO8662-11):
Vibratsiooniheide (a_{h1}): 5,7 m/s²
Määramatus (K): 1,5 m/s²

MÄRKUS: Deklareeritud vibratsiooni koguväärtust
(-väärtuseid) on mõõdetud kooskõlas standardse kat-
semeetodiga ning seda võib kasutada ühe seadme
võrdlemiseks teisega.

MÄRKUS: Deklareeritud vibratsiooni koguväärtust
(-väärtuseid) võib kasutada ka mürataseme esma-
seks hindamiseks.

⚠️HOIATUS: Vibratsioonitase võib elektritööriista tegelikkuses kasutamise ajal erineda deklareeritud väärtus(t)est olenevalt tööriista kasutusviisidest ja eriti töödeldavast toorikust.

⚠️HOIATUS: Rakendage operaatori kaitsmiseks kindlasti piisavaid ohutusabinõusid, mis põhinevad hinnangulisel müratasetel tegelikus töösihtuatsioonis (võttes arvesse tööperioodi kõiki osasid, näiteks korrad, kui seade lülitatakse välja ja seade töötab tühikäigul, lisaks tööajale).

EÜ vastavusdeklaratsioon

Ainult Euroopa riikide puhul

EÜ vastavusdeklaratsioon sisaldub käesoleva juhendi Lisas A.

OHUTUSHOIATUSED

Pneumaatilise naelapüstoli/ klambripüstoli ohutusnõuded

⚠️HOIATUS: Lugege läbi kõik ohutushoiatused ja juhised. Hoiatuste ja juhiste mittejärgmine võib põhjustada tõsiseid vigastusi, elektrišokki ja/või tulekahju.

Hoidke edaspidisteks viideteks alles kõik hoiatused ja juhtnõõrid.

Isikliku ohutuse ja tööriista õige talitluse ning hoolduse tagamiseks lugege enne tööriista kasutamist kasutusjuhend läbi.

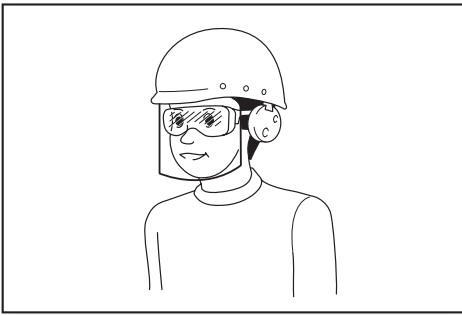
Üldine ohutus

1. Tööriista mittesihotstarbeline kasutamine on keelatud. Pideva või valitava kontaktkäivitusrežiimiga kinnitusvahendite paigaldustööriistu tohib kasutada ainult tootmisrakendustes.
2. Kui te tööriista parajasti ei kasuta või liigute ühest tõesasendist või -kohast teise, võtke sõrm päästikult ära.
3. Palju ohte. Enne tööriista ühendamist, eemaldamist, laadimist, kasutamist, hooldamist, selle tarvikute vahetamist või selle läheduses töötamist lugege ohutusjuhised hoolikalt läbi ja tehke need endale selgeks, sest muidu võib tagajärjeks olla raske kehavigastus.
4. Ärge suunake tööriista ühelegi kehaosale, näiteks käele või jalale, ning vaadake, et kinnitusvahendid ei tungiks läbi töödeldava detaili selle taga olevasse kehaosasse.
5. Tööriista kasutamisel tuleb silmas pidada, et kinnitusvahend võib kõrvale kalduda ja sel viisil kehavigastusi põhjustada.
6. Hoidke tööriista kindlalt ja olge tagasilöögiks valmis.

7. Kinnitusvahendite paigaldustööriista tohib kasutada vaid selleks koolitatud inimene.
8. Ärge modifitseerige kinnitusvahendite paigaldustööriista. Modifitseerimisel võivad tehnilised ohutusmeetmed vähem efektiivsaks muutuda, millega kaasneb suurem oht kasutajale ja kõrvalistele isikutele.
9. Ärge visake kasutusjuhendit ära.
10. Ärge kasutage tööriista, kui see on kahjustatud.
11. Käsitsege kinnitusvahendeid ettevaatlikult, eriti salve täitmisel ja tühjendamisel, kuna nende teravad otsad võivad kehavigastusi põhjustada.
12. Enne kasutamist kontrollige tööriista katkiste, valesti ühendatud või kulunud osade suhtes.
13. Ärge küünitage liiga kaugele ette. Kasutage ainult ohutus töökojas. Hoidke jalad kogu aeg kindlalt maas ja hoidke tasakaalu.
14. Ärge lubage tööalale kõrvalisi isikuid (eriti juhil, kui töötate kohas, kus võib liikuda inimesi). Märgistage tööala hoolikalt hoiatussiltidega.
15. Ärge suunake tööriista enda ega teiste poole.
16. Ärge hoidke sõrme päästikul, kui võtate tööriista kätte, liigute ühelt tööalalt või -asendist teise või kõnnite, kuna sõrme päästikul hoides võite tööriista kogemata käivitada. Kui tööriistal on valitav päästikkäivitusrežiim, siis kontrollige kindlasti enne kasutamist, et valitud oleks õige käivitusrežiim.
17. Kandke ainult selliseid kindaid, mis võimaldavad päästikuid ja reguleerimisnuppe piisavalt täpselt tunnetada ja ohutult kasutada.
18. Kui panete tööriista käest, asetage see horisontaalsele pinnale. Kui kasutate tööriista kompleksis olevat konksu, riputage tööriist turvaliselt stabiilse pinna külge.
19. Ärge töötage, kui olete tarvitanud alkoholi, uimasteid või muid sellesarnaseid aineid.

Lendavate esemetega seotud ohud

1. Salve tühjendamise, reguleerimise, ummistuse kõrvaldamise ja tarvikute vahetamise ajaks tuleb kinnitusvahendite paigaldustööriist eemaldada.
2. Kasutamise ajal jälgige, et kinnitusvahendid tungiksid materjali õiges suunas ning ei saaks kõrvale kalduda ega kasutaja/kõrvaliste isikute poole lennata.
3. Kasutamise käigus võib töödeldavast detailist ja kinnitus-/montaažisüsteemist lennata prahti.
4. Kandke elektritööriistu kasutades oma silmade vigastuste eest kaitsmiseks alati kaitseprille. Prillid peavad vastama USA-s standardile ANSI Z87.1, Euroopas standardile EN 166 või Austraalias/Uus-Meremaal standardile AS/NZS 1336. Austraalias/Uus-Meremaal on näo kaitsmiseks seadusega nõutud ka näokaitsme kasutamine.



Töandja kohustus on nõuda, et tööriista operaatorid ja teised tööpiirkonnas viibivad isikud kannaksid sobivat ohutusvarustust.

5. Kasutaja peab ise hindama teistele inimestele tekitatavaid ohte.
6. Kui tööriista käivitamiseks ei ole vajalik otsaku surumine vastu töödeldavat detaili, olge eriti ettevaatlik, kuna juhuslikul käivitamisel võib selline tööriist kasutajat ja/või kõrvalisi isikuid vigastada.
7. Suruge tööriista kindlalt vastu töödeldavat detaili, et see ei saaks libiseda.
8. Kandke peakaitset ja kuulmiskaitsevahendeid, et kaitsta kõrvu tööriista tekitatud müra eest. Samuti kandke kerget ja kinniseid rõivaid. Varrukad peavad olema kinni nõõbitud või üles kääritud. Lipsu ei tohi kanda.

Kasutamisega seotud ohud

1. Hoidke tööriista õigesti: olge valmis nii tavapäraseks kui ka ootamatult tugevaks tagasilöögiks.
2. Hoidke keha tasakaalus ja jalad kindlal pinnal.
3. Nõuetekohaste kaitseprillide kandmine on kohustuslik; sobivate kaitsekinnaste ja muu kaitserõivastuse kandmine on soovitatav.
4. Nõuetekohaste kuulmiskaitsevahendite kandmine on kohustuslik.
5. Kasutage kasutusjuhendis kirjeldatud toiteallikat.
6. Ärge kasutage tööriista liikuvatel platvormidel ega veoki kastis. Platvormi ootamatu liikumisega võiksid kaasneda tööriista üle kontrolli kaotamine ja vigastused.
7. Eeldage alati, et tööriistas võib olla kinnitusvahendeid.
8. Ärge töötamisel kiirustage ega avaldage tööriistale liigset jõudu. Käsitsege tööriista ettevaatlikult.
9. Jälgige oma jalgealust toetuspinda ja hoidke tööriistaga töötades tasakaalu. Kui töötate kõrguses, siis veenduge, et teist allpool poleks kedagi, ja kinnitage õhuvoolik, et vältida ohtu ootamatu jõnksatuse või kinnikiilumise korral.
10. Katustel ja muudes kõrgetes kohtades paigaldage kinnitusvahendeid edasisuunas liikudes. Kinnitusvahendite paigaldamise ajal tahapoole liikudes on lihtne kaotada jalgealust. Kinnitusvahendeid vertikaalsesse pinda paigaldades alustage ülevalt ja liikuge allapoole. Sel kombel toimides väsite kinnitusvahendite paigaldamisel vähem.

11. Kinnitusvahend paindub või tööriist võib kinni kiiluda, kui te eksikombel lööte kinnitusvahendi teise kinnitusvahendi peale või oksakohta. Kinnitusvahend võib välja viskuda ja kedagi tabada ning tööriist võib ise ohtlikult reageerida. Paigaldage kinnitusvahendeid ettevaatlikult.
12. Ärge jätke rõhu all olevat laaditud tööriista ega õhukompressorit pikaks ajaks välja päikese kätte. Veenduge, et tööriist oleks hoialepaneku kohas kaitstud tolmuga, liiva, laastude ja muude võõrkehade sissepääsu eest.
13. Ärge kunagi püüdke kinnitusvahendeid paigaldada samal ajal nii seest- kui ka väljastpoolt. Kinnitusvahendid võivad konstruktsioonist läbi tungida ja/või välja lennata, tekitades tõsise ohu.

Korduvate liigutustega seotud ohud

1. Tööriista pikaajalisel kasutamisel võib kasutajal tekkida kätes, käsivartes, õlgades, kaelas ja teistes kehaosades vaevused.
2. Tööriista tuleb kasutada tööks sobivas, kuid ergonoomilises asendis. Hoidke jalad kindlal toetuspinna ning vältige ebamugavat või tasakaalust väljas olevat asendit.
3. Kui kasutajal tekib pidev või korduv ebamugavustunne, valu, pakitsus, tuikav valu, kirvendus, tuimustunne, põletustunne või kangus, ei tohi selliseid sümptomeid eirata. Kasutaja peaks konsulteerima tööturvishoiuarstiga, et vältida pikaajalisi tööga seotud tervisemõjusid.
4. Tööriista pidev kasutamine võib tagasilöögi tõttu põhjustada ülekoormusvigastuse.
5. Ülekoormusvigastuste vältimiseks peab kasutaja vältima liiga kaugele küünitamist ja ülemäärase jõu rakendamist. Väsimust tundes peab kasutaja tegema puhkause.
6. Ülekoormusega seotud ohte vältimiseks tuleb teha riskianalüüs. Analüüsi keskmes peavad olema lihaskiiruse ja vigastused, eelistatavalt tuleb tugineda eeldusele, et väsimuse vähendamine töö ajal langetab vigastuste tekkeohtu.

Tarvikute ja kulutarvikutega seotud ohud

1. Enne tarvikute, näiteks tööotsaku vahetamist/ asendamist või reguleerimistoimingute tegemist eemaldage tööriist toiteallikast, näiteks suruõhuallikast või akust.
2. Kasutage ainult tootja spetsifikatsioonile vastava suuruse ja tüübiga tarvikuid.
3. Kasutage ainult juhendis soovitatud määrdeaineid.

Ohud töökohas

1. Libastumine, komistamine ja kukkumine on paljude tööõnnetuste põhjuseks. Pange tähele tööriista kasutamisel tekkivaid libedaid pindu ja suruõhuvooliku komistamise ohtu.
2. Kui töökoht ei ole teile veel tuttav, liikuge ja tõõtage eriti ettevaatlikult. Ärge unustage peidetud ohtude, näiteks elektrikaablite ja torude võimalikku olemasolu.
3. Tööriist ei ole mõeldud kasutamiseks plahvatusohtlikus keskkonnas ja ei ole pingestatud pindadega kokkupuutumise vastu elektriliselt isoleeritud.

4. Veenduge, et töökohas ei oleks elektriikaab-
leid, gaasitorusid ja muud sellist, mis võiks
tööriista kasutamisel viga saades ohtlikuks
muutuda.
5. Tööpiirkond peab olema puhas ja hästi valgus-
tatud. Asju täiskuhjatud või pimedad alad soodust-
avad õnnetuste teket.
6. Mõra puudutavatest kohalikest eeskirjadest
tuleb kinni pidada ja müratasemed tuleb hoida
ettenähtud normide piires. Teatud juhtudel
tuleb mõra hoidmiseks ettenähtud piirides
kasutada mürabarjääre.

Tolmu ja väljuva õhuga seotud ohud

1. Kontrollige alati ümbrust. Tööriistast väljuv
õhk võib panna liikuma tolmu ja väikesed
esemed ning kasutaja jalvõi kõrvalised isikud
võivad nendega pihta saada.
2. Suunake väljalaskeava nii, et tolmuses kesk-
konnas oleks tolmu liikumine minimeeritud.
3. Kui tööpiirkonnas on tolmu või esemeid,
vähendage tervist kahjustavate tegurite ja
vigastuste tekkeriski minimeerimiseks heitko-
gust nii palju kui võimalik.

Müraga seotud ohud

1. Kuulmiskaitsevahenditeta kokkupuude tugeva
müraga võib põhjustada raske püsiva kuulmis-
kahjustuse ja muid probleeme, näiteks tinnitus
(kumin, sumin, vilin või kohin kõrvus).
2. Tehke tööpiirkonnas esineva müra riskiana-
lüüs ning võtke vastavate ohtude minimeerimi-
seks asjakohased meetmed.
3. Selle ohu vähendamiseks võib muu hulgas
kasutada summutusmaterjale, et töödeldavad
detailid ei kumiseks.
4. Kasutage sobivaid kuulmiskaitsevahendeid.
5. Tarbetu müra vältimiseks kasutage ja hool-
dage tööriista juhendis kirjeldatud viisil.
6. Võtke müra vähendamiseks vajalikud meet-
med – pange töödeldavad detailid näiteks
müra summutavatele alustugeledele.

Vibratsiooniga seotud ohud

1. Kasutusaegne vibratsiooni heide oleneb haar-
dejõust, kokkupuute survejõust, töösuunast,
energiatarne regulatsioonist, töödeldavast
detailist ja töödeldava detaili alustoest. Tehke
vibratsiooni riskianalüüs ning võtke vasta-
vate ohtude minimeerimiseks asjakohased
meetmed.
2. Vibratsiooniga kokkupuutumine võib põhjus-
tada käte närvikahjustusi ja häirida vereringet.
3. Külmas töötamisel kandke sooje riideid ning
hoidke käsi sooja ja kuivana.
4. Kui tunnete sõrmedes või kätes tuimust,
kirevust või valu või kui nende nahk
kahvatub, siis küsige meditsiinilist nõu
töötervishoiuarstilt.
5. Tarbetu vibratsiooni vältimiseks kasutage ja
hooldage tööriista juhendis kirjeldatud viisil.
6. Hoidke tööriista nii kerges haardes, kui on
ohutust silmas pidades võimalik, sest tugeva
haarde korral kandub vibratsioon efektiivsem-
alt edasi.

Pneumotööriistadele kohalduvad lisahoiatused

1. Suruõhk võib põhjustada raskeid
kehavigastusi.
2. Kui tööriista ei ole kavas mõnda aega kasu-
tada, siis lülitage suruõhuallikas välja ja ühen-
dage tööriist sellest lahti.
3. Enne tarvikute vahetamist, reguleerimis- ja/või
remonttööde tegemist või tööala vahetamist
ühendage tööriist kindlasti suruõhuallikast
lahti.
4. Kui te tööriista parajasti ei kasuta või liigute
ühest tööasendist teise, võtke sõrm päästikult
ära.
5. Ärge suunake suruõhku enda ega kellegi teise
poole.
6. Lekke tõttu pekslev suruõhuvoolik võib põh-
justada raskeid kehavigastusi. Kontrollige,
et kõik voolikud ja liitmikud oleksid terved ja
kindlalt ühendatud.
7. Ärge kandke suruõhutööriista voolikust
hoides.
8. Ärge lohistage suruõhutööriista voolikust
hoides.
9. Suruõhutööriistade kasutamisel ei tohi kunagi
ületada maksimaalset tööõhku.
10. Mõra, vibratsiooni ja kulumise minimeerimi-
seks tuleb suruõhutööriistu alati toita konk-
reetse töö jaoks minimaalselt vajaliku rõhuga.
11. Suruõhutööriistade toimine hapnikuga või
kergesti süttiva gaasiga põhjustab tule- ja
plahvatusohtu.
12. Pange suruõhutööriista kasutamisel tähele,
et tööriist võib jahtuda, mis mõjutab haaret ja
juhitavust.

Kontaktkäivitavatele tööriistadele kohalduvad lisahoiatused



1. Ärge pange ega jätke sõrme päästikule, kui
võtate tööriista kätte, vahetate tööpiirkonda
või asendit ning kõnnite, sest sõrme päästi-
kule panemise või jätmisega võib kaasnedä
juhuslik käivitamine. Käivitamisvalikutega
tööriistade puhul kontrollige tööriista kindlasti
enne kasutamist, et oleks valitud sobiv režiim.
2. Tööriist, millel on kontaktkäivitamise valikud,
mida saab käivitusrežiimi selektoriga pidev-
kontaktkäivitada, või mis on kontaktkäivitav
või pidevkontaktkäivitav tööriist, on märgista-
tud ülal osutatud sümboliga. Sihtotstarbeline
kasutus hõlmab tootmisrakendusi, näiteks
kaubaaluste, mööbli, elamute, polstrite ja
laudiste tootmist.
3. Kui kasutate seda tööriista valikulises käivi-
tusrežiimis, veenduge alati, et käivitussäte
oleks sobiv.
4. Ärge kasutage seda tööriista kontaktkäivitus-
režiimis järgmiste rakenduste puhul: kastide
või puitpakendite sulgemine ning transpor-
dihuust tagavate süsteemide haagistele ja
veoautodele paigaldamine.

5. Olge puurimiskohtade vahetamisel ettevaatlik.

Kaitseseadmed

- Enne tööleasumist veenduge, et kõik ohutus-süsteemid oleks töökorras.** Tööriist ei tohi tööle hakata, kui vajutatakse ainult päästikule või kui ainult kontaktkangi surutakse vastu puud. Tööriist võib töötada ainult siis, kui mõlemad tingimused on täidetud. Kontrollige talitlushäirete puudumist sellise tööriistaga, mida ei ole kinnitustahanditega laaditud ja mille tõukur on lõpuni vinnastatud asendis.
- Päästiku kinnitamine SISSELÜLITATUD asendisse on väga ohtlik.** Ärge kunagi püüdke päästikut kinnitada.
- Ärge püüdke hoida kontaktelementi teibi või traadiga all.** Tagajärjeks võib olla surm või tõsine kehavigastus.
- Kontrollige kontaktelementi alati kasutusjuhendi järgi.** Kui ohutusmehhanism ei ole töökorras, võivad kinnitustahandid kontrollimatult väljuda.

Hooldus

- Tehke puhastus- ja hooldustööd kohe pärast töö lõpetamist.** Hoidke tööriist väga heas töökorras. Roostetamise ja hõõrdumisega seotud kulumise vältimiseks õlitage liikuvaid osi. Pühkige osad tolmust puhtaks.
- Laske Makita volitatud hoolduskeskusel tööriista korrapäraselt kontrollida.**
- Toote OHUTUSE ja TÖÖKINDLUSE tagamiseks tuleb vajalikud remonditööd, hooldus- ja reguleerimistööd lasta teha Makita volitatud hoolduskeskustes. Alati peab kasutama Makita varuosi.**
- Järgige tööriista kasutusest kõrvaldamisel kohalike õigusaktide nõudeid.**

HOIDKE JUHEND ALLES.

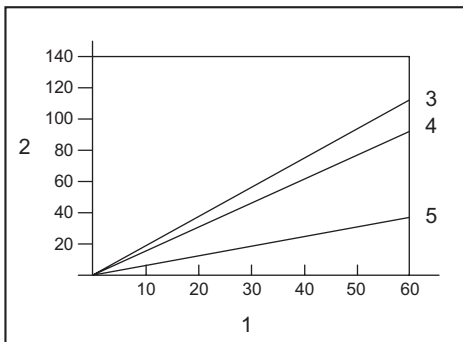
⚠ HOIATUS: ÄRGE UNUSTAGE järgida toote ohutusnõudeid mugavuse või toote (korduskasutamise) hea tundmise tõttu. VALE KASUTUS või kasutusjuhendi ohutuseeskirjade eiramine võib põhjustada tervisekahjustusi.

OSADE KIRJELDUS

- **Joon.1:** 1. Päästik 2. Kontaktelement
3. Käivitusrežiimi selektor 4. Salv 5. Konks

PAIGALDAMINE

Kompressori valimine



1. Naelutamissagedus (korrad/min) 2. Kompressori õhutootlikkus (l/min) 3. 0,83 MPa (8,3 baar) 4. 0,66 MPa (6,6 baar) 5. 0,49 MPa (4,9 baar)

Õhukompressor peab vastama EN60335-2-34 nõuetele.

Kulutõhusa töötamise tagamiseks valige kompressor, millel on piisavalt survet ja õhutootlikkust. Graafikul on näidatud naelutamissageduse, kasutatava rõhu ja kompressori õhutootlikkuse vahelist seost.

Kui naelutamine toimub näiteks ligikaudse sagedusega 60 korda minutis õhusurvega 0,83 MPa (8,3 baar), on vajalik kompressor tootlikkusega üle 110 liitri minutis.

Kui õhusurve ületab tööriista nominaalset rõhku, tuleb rõhu vastavusse viimiseks kasutada rõhuregulaatoreid. Selle eiramisel võib tulemuseks olla tööriista kasutaja või lähedal asuvate inimeste vigastamine.

Õhuvooliku valimine

⚠ ETTEVAATUST: Kompressori madalam õhusurve või naelutamissagedus suhtes liiga pikk või väikese läbimõõduga õhuvoolik võib põhjustada tööriista väljalaskevõimekuse vähenemist.

► Joon.2

Katkematu ja tõhusa talitluse tagamiseks kasutage võimalikult avarat ja lühikest voolikut.

Kui õhurõhk on 0,49 MPa (4,9 baari) ja naelutusintervall on 0,5 sekundit, peab vooliku siseläbimõõdi soovitatavalt ületama 6,5 mm ja pikkus ei tohiks ületada 20 m.

Õhuvooliku nimirõhk peab olema vähemalt 1,03 MPa (10,3 baari) või 150% maksimaalsest süsteemis tekkinud rõhust, olenevalt sellest, kumb on suurem.

Määrimine

► Joon.3

Maksimaalse jõudluse tagamiseks paigaldage õhumoodul (õlitaja, regulaator, õhufilter) tööriistale võimalikult lähedale. Reguleerige õlitajat nii, et iga 30 naela kohta väljastataks üks õlitilk.

Kui õhumoodulit ei kasutata, õlitage tööriista suruõhu-tööriistade õliga, tilgutades 2 (kaks) või 3 (kolm) tilka õli õhuliitmikku. Seda tuleb teha enne ja pärast kasutamist. Korraliku määrimise tagamiseks tuleb tööriista pärast suruõhutööriistade õli lisamist mõned korrad käivitada.

▶ **Joon.4:** 1. Suruõhutööriistade õli

FUNKTSIONAALNE KIRJELDUS

⚠ETTEVAATUST: Enne tööriista reguleerimist või selle talitluse kontrollimist vabastage alati päästik ning eemaldage suruõhuvoolik tööriista küljest.

Naelutussügavuse reguleerimine

⚠ETTEVAATUST: Enne naelutussügavuse reguleerimist vabastage alati päästik ja lahutage voolik.

▶ **Joon.5:** 1. Regulaator

Naelutussügavuse reguleerimiseks keerake regulaatorit.

Naelutussügavus on suurim, kui regulaator on täielikult keeratud suunas A, nagu on joonisel näidatud. Naelutussügavus väheneb, kui regulaatorit keerata suunas B.

Kui naelu ei õnnestu lüüa piisavalt sügavale ka siis, kui regulaator on keeratud lõpuni suunas A, siis suurendage suruõhuallika rõhku.

Kui regulaator on lõpuni suunas B keeratud, aga naelad lüüakse ikka liiga sügavale, siis vähendage suruõhuallika rõhku.

Üldjoontes on tööriista tööiga pikem, kui seda kasutada madalama õhurõhuga ning väiksemale naelutussügavusele seatud regulaatoriga.

Konks

⚠ETTEVAATUST: Enne konksu asendi muutmist vabastage alati päästik ja lahutage voolik.

⚠ETTEVAATUST: Ärge riputage tööriista kõrgele ega ebakindlale pinnale.

⚠ETTEVAATUST: Ärge riputage konksu võõle. Naelapüstoli juhusliku kukkumise korral võib ta ootamatult tulistada ja vigastada inimesi.

▶ **Joon.6**

▶ **Joon.7:** 1. Konks 2. Kuuskant-pesapeapolt 3. Auk
Konksu abil saate tööriista ajutiselt kuhugi riputada. Konksu asendi muutmiseks eemaldage kuuskant-pesapeapolt ja muutke konksu suunda. Konksus on kaks auku. Valige auk olenevalt eelistatavast konksu laiusest.

Sindlijuhiku reguleerimine

▶ **Joon.8:** 1. Kontaktelement 2. Sindlijuhik 3. Sindel

▶ **Joon.9:** 1. Reguleerimisplaat 2. Hoob

Sindlijuhik on mõeldud sindli pidevaks mõjutuseks.

Asetage sindel soovitud asendisse. Pöörake reguleeriplaadi vabastamiseks hooba. Seadke naeluti nii, et kontaktelement vajutaks alla nii mõjutatava sindli kui sindli eelmise rea. Reguleeriplaadi lukustamiseks lükake reguleeriplaat vastu mõjutatud sindli põhja ning viige hoob tagasi.

KOKKUPANEK

⚠ETTEVAATUST: Enne tööriista hooldamist, reguleerimist või kontrollimist vabastage alati päästik ning eemaldage suruõhuvoolik tööriista küljest.

⚠ETTEVAATUST: Asetage salve ühte tüüpi, ühe suuruse ja pikkusega naelad.

Naelapüstoli laadimine

TÄHELEPANU: Valige tööks sobilikud naelad.

TÄHELEPANU: Seadke rulli tugiplaat, võttes arvesse kasutatavate naelte suurust. Kui tööriista kasutatakse valele astmele seatud rulli tugiplaadiga, võib tulemuseks olla naelte halb etteandmine või tööriista rike.

1. Suruge riivistushoob alla ja avage salve kork.

▶ **Joon.10:** 1. Salve kork 2. Riivistushoob

2. Tõstke ja pöörake rulli tugiplaati nii, et naela suurusega nool rulli tugiplaadil osutaks salves vastavale mõõteskaala astmele.

▶ **Joon.11:** 1. Rulli tugiplaat 2. Mõõteskaala 3. Nool

3. Asetage naelalint üle rulli tugiplaadi. Kerige lahti piisavalt naelu, et ulatuda söötehaaratsini. Asetage esimene nael käituri kanalisse ja teine nael söötehaaratsisse. Asetage ülejäänud lahtirullimata naelad sõoturi korpusele. Kontrollige, kas naelarull on korralikult salves, ning sulgege seejärel salve kork.

▶ **Joon.12:** 1. Söötehaarats

Õhuvooliku ühendamine

⚠ETTEVAATUST: Ärge hoidke õhuvooliku ühendamise ajal sõrme päästikul.

▶ **Joon.13:** 1. Õhuliitmik 2. Õhupesa

Lükake õhuvooliku pesa naelapüstoli õhuliitmikule. Veenduge, et õhupesa lukustuks õhuliitmikule paigaldamisel kindlalt oma kohale.

Voolikuliitmik peab tööriistale või selle lähedale olema paigaldatud nii, et rõhuresservuaar tühjeneks ajal, kui õhuliitmik pole ühendatud.

TÖÖRIISTA KASUTAMINE

⚠ETTEVAATUST: Enne tööle asumist veenduge, et kõik ohutussüsteemid oleks töökorras.

Enne kasutamist korralikult toimimise kontrollimine

Enne tööle asumist tuleb alati kontrollida järgmisi punkte.


- Kontrollige, kas tööriist töötab ainult siis, kui õhuvoolik on ühendatud.
- Kontrollige, kas tööriist töötab ainult siis, kui vajutatakse päästikule.
- Kontrollige, kas tööriist töötab ainult siis, kui kontaktelemendid asetatakse vastu töödeldavat detaili, ilma päästikule vajutamata.
- Ühekordse järjestikuse käivitamise režiimis veenduge, et tööriist ei hakkaks tööle esmalt päästikut vajutades ja seejärel kontaktelemendi vastu töödeldavat detaili asetades.

Töörežiimi valimine


⚠ETTEVAATUST: Enne naelutamist veenduge, et käivitusrežiimi nupp oleks soovitud naelutusrežiimile vastavas asendis.

► **Joon.14:** 1. Käivitusrežiimi nupp

Päästikkäivitusrežiim:

naela lüüakse, kui vajutate päästikule. Valige see režiim, kui soovite naela sisestuskohta täpselt lüüa. Selle režiimi valimiseks seadke käivitusrežiimi nupp asendisse .

Kontaktkäivitusrežiim:

kui hoiate päästikut all, siis lüüakse nael iga kord, kui kontaktelemendi vastu pinda surute. Selle režiimi valimiseks seadke käivitusrežiimi nupp asendisse .

Ühekordne järjestikune käivitamine

⚠ETTEVAATUST: Ärge asetage kontaktelementi liiga suure jõuga vastu töödeldavat detaili. Samuti vajutage lõpuni päästikule ja hoidke 1-2 sekundit pärast naelutamist.

Isegi „Ühekordse järjestikuse käivitamise” režiimis võib pooleldi vajutatud päästik põhjustada kontaktelemendi töödeldava detailiga uuesti kokkupuutumisel ootamatu naelutamise.

Asetage kontaktelement vastu töödeldavat detaili ja vajutage lõpuni päästikule. Pärast naelutamist vabastage kontaktelement ja seejärel vabastage päästik.

► **Joon.15**

Kontaktkäivitamine



Vajutage kõigepealt päästikule ja asetage kontaktelement seejärel vastu töödeldavat detaili.

► **Joon.16**

Kinnikiilunud naelte eemaldamine

⚠ETTEVAATUST: Enne kinnikiilunud naelte eemaldamist vabastage päästik ning eemaldage voolik.

⚠ETTEVAATUST: Ärge kasutage kõverdunud naelu ega naelariba, sest muidu võivad tekkida probleemid naelte etteandmisel.

► **Joon.17:** 1. Haamer 2. Väike varras 3. Väljutusava

Kui naeluti kinni kiilub, toimige järgmiselt. Avage salve kork ning eemaldage naelarull. Torgake väljutusavasse väike varras vms ja koputage seda haamriga, et kinnikiilunud nael väljutusavast eemaldada. Pange naelarull oma kohale tagasi ja sulgege salve kork.

HOOLDUS

⚠ETTEVAATUST: Enne tööriista hooldamist või kontrollimist vabastage alati päästik ning eemaldage suruõhuvoolik tööriista küljest.

TÄHELEPANU: Ärge kasutage kunagi bensiini, benseeni, lahustit, alkoholi ega muud sarnast, kui seda pole juhendis kästnud teha. See võib põhjustada luitumist, deformatsiooni või pragunemist.

Naelad

Käsitsege naelalinte ja nende karpi ettevaatlikult. Halvasti koheldud naelarullid võivad deformeeruda, mis võib raskendada nende sõtmist. Ärge hoidke naelu väga niisketes ja kuumades kohtades ning ärge asetage neid otsese päikesevalguse kätte.

Tõrva ja mustuse puhastamine ja eemaldamine

⚠ETTEVAATUST: Käte kaitsmiseks kandke alati veekindlaid kindaid.

Tõrva ja mustuse kinnitumine kontaktelementi ümbritsevas piirkonnades takistab elemendi (ohutusmehhanismi) sujuvat tööd, põhjustades juhuslikku vallandumist. Puhastage kontaktelementi ümbritsevad alad regulaarselt.

Kasutage lahustit, nagu petrooleum, #2 kütteõli või diislikütus. Kastke lahustisse ainult kontaktelement ja väljumisava ümbritsevad piirkonnad ning eemaldage tõrv ja mustus harjaga.

► **Joon.18**

TÄHELEPANU: Ärge kastke kunagi lahustisse korpust, salve jmt. Selle tagajärjeks võib olla tööriista talitlushäire.

MÄRKUS: Alati ladustage kasutatud lahus ohutul ja heaperemehelikul viisil ning vastavuses kohalike ja riiklike nõuetega.

Naelapüstoli hooldus

Enne kasutamist kontrollige alati tööriista üldist seisukorda ja kruvide pingutatust. Vajaduse korral pingutage.

Kontrollige iga päev kontaktelemendi ja päästiku vaba liikumist lahtühendatud tööriistaga. Ärge kasutage tööriista, kui kontaktelement või päästik kiilub kinni või liigub raskelt.

Kui tööriista ei ole plaanis mõnda aega kasutada, siis õlitage tööriista suruõhutööriistade õliga ja pange see kindlasse kohta hoiale. Vältige otsest päikesevalgust ja/või niisket või kuumat keskkonda.

► **Joon.19**

Kompressori, õhuseadme ja õhuvooliku hooldus

Pärast töötamist tühjendage alati kompressori paak ja õhufilter. Niiskus võib tööriista sisemuses põhjustada jõudluskadu ja tööriista rikkeid.

► **Joon.20:** 1. Väljalaskekraan

► **Joon.21:** 1. Õhufilter

Kontrollige regulaarselt, kas õhuseadme õlitusseadmes on piisavalt pneumaatilist õli. Kui õli ei ole piisavalt, kuluvad O-rõngad kiiresti.

► **Joon.22:** 1. Õlitusseade 2. Suruõhutööriistade õli

Kaitske õhuvoolikut kuumuse (üle 60 °C, üle 140 °F) ja kemikaalide (lahusti, tugevad happed või leelised) eest. Samuti juhtige voolik eemale takistustest, kuhu see võib kasutamise käigus ohtlikult kinni jääda. Ühtlasi tuleb voolikut juhtida eemale teravatest servadest ja äärtest, mis võivad põhjustada vooliku kulumist või kahjustusi.

Toote OHUTUSE ja TÖÖKINDLUSE tagamiseks tuleb vajalikud remonttööd ning muud hooldus- ja reguleerimistööd lasta teha Makita volitatud teeninduskeskustes või tehase teeninduskeskustes. Alati tuleb kasutada Makita varuosi.

VALIKULISED TARVIKUD

⚠ETTEVAATUST: Neid tarvikuid ja lisaseadiseid on soovitatav kasutada koos Makita tööriistaga, mille kasutamist selles kasutusjuhendis kirjeldatakse. Muude tarvikute ja lisaseadiste kasutamisega kaasneb vigastada saamise oht. Kasutage tarvikuid ja lisaseadiseid ainult otstarbekohaselt.

Saate vajaduse korral kohalikust Makita teeninduskeskusest lisateavet nende tarvikute kohta.

- Naelad
- Õhuvoolik
- Kaitseprillid

MÄRKUS: Mõned nimekirjas loetletud tarvikud võivad kuuluda standardvarustusse ning need on lisatud tööriista pakendisse. Need võivad riigiti erineda.

ТЕХНИЧЕСКИЕ ХАРАКТЕРИСТИКИ

Модель:		AN454
Давление воздуха		0,49–0,83 МПа (4,9–8,3 бар)
Крепёж	Тип	Гвозди бобинные (кровельные)
	Длина	19 мм - 45 мм
	Диаметр	3,05 мм
Количество гвоздей		120 штук
Масло для пневмоинструмента		ISO VG32 или эквивалент
Минимальный диаметр шланга		6,5 мм
Размеры (Д x Ш x В)		256 мм x 117 мм x 271 мм
Масса нетто		2,4 кг

- Благодаря нашей постоянно действующей программе исследований и разработок указанные здесь технические характеристики могут быть изменены без предварительного уведомления.
- Технические характеристики могут различаться в зависимости от страны.

Символы

Ниже приведены символы, используемые для электроинструмента. Перед использованием убедитесь, что вы понимаете их значение.



Прочитайте руководство по эксплуатации.



Надевайте защитные очки.



Используйте средства защиты слуха.



Инструмент может работать в режиме контактного срабатывания.



Не использовать на лесах, лестницах.

Назначение

Данный инструмент предназначен для выполнения подготовительных работ внутри помещений, таких как крепление балок перекрытия или промежуточных стропильных ног и рамных работ в корпусе 2" x 4".

Инструмент предназначен только для профессионального использования с большими объемами. Запрещается использовать его для каких-либо других целей. Он не предназначен для непосредственного вбивания креплений в твердые поверхности, такие как сталь и бетон.

Шум

Типичный уровень взвешенного звукового давления (A), измеренный в соответствии с ISO11148-13(EN12549):

Уровень звукового давления (L_{pA}): 102 дБ (A)

Уровень звуковой мощности (L_{WA}): 113 дБ (A)

Погрешность (K): 1,5 дБ (A)

ПРИМЕЧАНИЕ: Заявленное значение распространения шума измерено в соответствии со стандартной методикой испытаний и может быть использовано для сравнения инструментов.

ПРИМЕЧАНИЕ: Заявленное значение распространения шума можно также использовать для предварительных оценок воздействия.

⚠ОСТОРОЖНО: Используйте средства защиты слуха.

⚠ОСТОРОЖНО: Распространение шума во время фактического использования электроинструмента может отличаться от заявленного значения в зависимости от способа применения инструмента и в особенности от типа обрабатываемой детали.

⚠ОСТОРОЖНО: Обязательно определите меры безопасности для защиты оператора, основанные на оценке воздействия в реальных условиях использования (с учетом всех этапов рабочего цикла, таких как выключение инструмента, работа без нагрузки и включение).

Вибрация

Общее значение вибрации определено в соответствии с ISO11148-13(ISO8662-11):

Распространение вибрации (a_w): 5,7 м/с²

Погрешность (K): 1,5 м/с²

ПРИМЕЧАНИЕ: Заявленное общее значение распространения вибрации измерено в соответствии со стандартной методикой испытаний и может быть использовано для сравнения инструментов.

ПРИМЕЧАНИЕ: Заявленное общее значение распространения вибрации можно также использовать для предварительных оценок воздействия.

⚠ОСТОРОЖНО: Распространение вибрации во время фактического использования электроинструмента может отличаться от заявленного значения в зависимости от способа применения инструмента и в особенности от типа обрабатываемой детали.

⚠ОСТОРОЖНО: Обязательно определите меры безопасности для защиты оператора, основанные на оценке воздействия в реальных условиях использования (с учетом всех этапов рабочего цикла, таких как выключение инструмента, работа без нагрузки и включение).

Декларация о соответствии ЕС

Только для европейских стран

Декларация о соответствии ЕС включена в руководство по эксплуатации (Приложение А).

МЕРЫ БЕЗОПАСНОСТИ

Техника безопасности при использовании пневматического нейлера/степлера

⚠ОСТОРОЖНО: Ознакомьтесь со всеми инструкциями и рекомендациями по технике безопасности. Невыполнение инструкций и рекомендаций может привести к тяжелым травмам, поражению электротоком и/или пожару.

Сохраните брошюру с инструкциями и рекомендациями для дальнейшего использования.

С целью обеспечения личной безопасности, надлежащей эксплуатации и технического обслуживания инструмента перед началом работ с инструментом прочитайте инструкцию по эксплуатации.

Общие правила техники безопасности

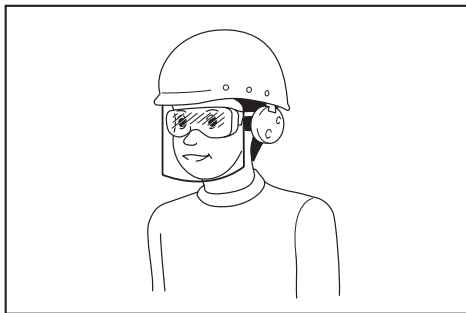
1. Запрещено использование инструмента не по назначению. Инструменты для установки крепежа с непрерывным контактным срабатыванием или контактным срабатыванием должны использоваться только при производстве.
2. Держите пальцы подальше от триггерного переключателя, если инструмент не используется, а также при переходе из одного рабочего положения в другое.

3. Многочисленные факторы риска. Ознакомьтесь с инструкцией по технике безопасности перед подключением, отключением, загрузкой, эксплуатацией, техническим обслуживанием, заменой принадлежностей или работой вблизи инструмента. Несоблюдение данного требования может привести к серьезным травмам.
4. Держите все части тела, например, ноги и руки, подальше от выходного отверстия и убедитесь, что крепеж не может пройти сквозь деталь и войти в тело.
5. При использовании инструмента следует помнить, что крепеж может отлететь и нанести травму.
6. Крепко держите инструмент и будьте готовы к возможной отдаче.
7. К работе с инструментом для установки крепежа допускаются только технически-квалифицированные операторы.
8. Не вносите изменений в конструкцию инструмента для установки крепежа. Изменения могут привести к снижению эффективности мер безопасности и повысить риски травмирования оператора и/или стороннего наблюдателя.
9. Не выбрасывайте инструкцию по эксплуатации.
10. Не используйте инструмент, если он поврежден.
11. Будьте осторожны при работе с крепежами, особенно при зарядке и разгрузке, так как крепежи имеют острые углы, которые могут стать причиной травмы.
12. Перед использованием всегда проверяйте инструмент на наличие поврежденных, неправильно подключенных или изношенных деталей.
13. При эксплуатации устройства не тянитесь. Используйте инструмент только на безопасном рабочем месте. Всегда сохраняйте устойчивое положение и равновесие.
14. Не допускайте посторонних к месту работ (при работе в зонах, где будет много прохожих). Четко обозначьте вашу рабочую зону.
15. Никогда не направляйте инструмент на себя или окружающих.
16. Не держите палец на триггерном переключателе при поднятии инструмента, его перемещении между рабочими зонами и ходьбе, поскольку это может стать причиной случайного срабатывания инструмента. Всегда проверяйте инструмент с селективным срабатыванием перед использованием, чтобы убедиться, что выбран правильный режим.
17. Используйте только те перчатки, которые обеспечивают надлежащие тактильные ощущения и надежное управление триггерным переключателем и любыми регулирующими устройствами.
18. При остановке работы положите инструмент на плоскую поверхность. Если вы используете оснащенный крючком инструмент, надежно подвесьте инструмент на устойчивую поверхность.

19. Не работайте с инструментом, находясь в состоянии алкогольного и наркотического опьянения или под воздействием схожих веществ.

Риск поражения отлетающими крепежами

1. Инструмент для установки крепежа необходимо отсоединять при разгрузке крепежей, регулировке, устраниии застрявшего крепежа или замене принадлежности.
2. Во время работы соблюдайте осторожность, чтобы крепежи правильно входили в материал и не отклонялись/случайно выстреливали в сторону оператора и/или посторонних лиц.
3. Во время работы предметы, засоряющие рабочую поверхность и дефлектор/ударную пластину, могут отлетать.
4. Во время работы с электроинструментом всегда надевайте защитные очки. Очки должны соответствовать ANSI Z87.1 для США, EN 166 для Европы, или AS/NZS 1336 для Австралии и Новой Зеландии. В Австралии и Новой Зеландии оператор также обязан носить защитную маску.



Ответственность за использование средств защиты операторами и другим персоналом вблизи рабочей зоны возлагается на работодателя.

5. Риски для других людей оцениваются оператором.
6. Будьте осторожны, когда инструмент не контактирует с деталью, поскольку он может случайно выстрелить и травмировать оператора и/или стороннего наблюдателя.
7. Убедитесь, что инструмент всегда надежно соприкасается с деталью и не скользит.
8. Для защиты органов слуха используйте наушники, а также носите защитные головные уборы. Носите свободную, но не всящую одежду. Застегивайте или закатывайте рукава. Не носите галстук.

Факторы риска при эксплуатации

1. Правильно держите инструмент: будьте готовы контролировать нормальные или непредвиденные движения инструмента, например, отдачу.
2. Займите устойчивое положение.
3. Необходимо использовать соответствующие защитные очки и перчатки. Рекомендуется носить защитную одежду.

4. Следует пользоваться соответствующими средствами защиты органов слуха.
5. Используйте правильный источник питания, указанный в руководстве.
6. Запрещается использовать инструмент на движущихся платформах или в кузове грузовика. Резкие движения платформы могут привести к потере контроля над инструментом и стать причиной получения травм.
7. Всегда предполагайте, что в инструмент заряжен крепеж.
8. Не спешите при выполнении работы и не прикладывайте значительных усилий к инструменту. Осторожно обращайтесь с инструментом.
9. Работая с инструментом, всегда следите за тем, чтобы ваше положение было устойчиво. Работая на высоте, убедитесь в том, что под вами нет людей и хорошо закрепите пневматический шланг, чтобы исключить его случайное подергивание или зацепление.
10. Работая на крышах и других расположенных на высоте площадках, забивайте крепеж, одновременно передвигаясь вперед. Вы можете потерять равновесие, если будете забивать крепеж, пятясь назад. При установке крепежа в вертикальную поверхность выполняйте работу сверху вниз. Следуя этой рекомендации, вы устанете меньше.
11. Крепеж согнется или инструмент заклинит, если вы по ошибке попытаетесь забить крепеж поверх другого крепежа или в сучок. Крепеж может отскочить и попасть в кого-нибудь. Также может наблюдаться отдача инструмента, что также опасно. При забивании крепежа соблюдайте осторожность.
12. Не оставляйте заряженный инструмент или воздушный компрессор под давлением на солнце в течение длительного времени. Примите меры, чтобы пыль, песок, стружка и иные посторонние частицы не попали в инструмент в том месте, где вы выполняете его настройку.
13. Никогда не забивайте крепеж одновременно с внутренней и внешней стороны. Крепеж может пройти сквозь деталь и/или отлететь, представляя смертельную опасность.

Факторы риска, связанные с монотонной работой

1. При использовании инструмента в течение длительного времени оператор может испытывать дискомфорт в руках, кистях, плечах, шее или других частях тела.
2. Во время работы с инструментом оператор должен принять удобное и подходящее положение. Опирайтесь на обе ноги и избегайте потери равновесия.
3. При появлении таких симптомов, как постоянный или повторяющийся дискомфорт, пульсирующая или ноющая боль, покалывание, онемение, жжение или напряжение, оператору не следует их игнорировать. Оператору необходимо обратиться к квалифицированному медицинскому персоналу.

4. Непрерывное использование инструмента может привести к травмированию из-за постоянного напряжения, вызванного отдачей инструмента.
5. Чтобы избежать постоянного получения растяжений, оператор не должен тянуться слишком далеко или применять чрезмерные усилия. Кроме того, оператор должен отдыхать, как только почувствует усталость.
6. Необходимо провести оценку рисков, связанных с повторяющимися движениями. При оценке рисков необходимо сосредоточиться на мышечно-скелетных нарушениях. В основе оценки рисков должно лежать предположение о том, что снижение напряжения при работе способствует снижению нарушений.

Факторы риска, связанные со вспомогательными принадлежностями и расходными материалами

1. Перед выполнением регулировок и сменой принадлежностей, например, контактирующих с деталью, всегда отключайте инструмент от источника питания, например, пневматического шланга, газового баллона или аккумулятора.
2. Используйте только те размеры и типы принадлежностей, которые предоставляются производителем.
3. Используйте только те смазочные вещества, которые рекомендованы в настоящем руководстве.

Риски, связанные с условиями работы

1. Подскользывания, спотыкания и падения являются основными причинами травм на рабочем месте. Не забывайте о том, что в результате применения инструмента поверхности могут стать скользкими, а шланг подачи сжатого воздуха может стать причиной падения.
2. Соблюдайте особую осторожность при работе в незнакомой обстановке. Существуют скрытые источники опасности, например линии электропитания и другие коммуникационные линии.
3. Данный инструмент не предназначен для использования в потенциально взрывоопасной атмосфере и не изолирован от контакта с электроэнергией.
4. Убедитесь в отсутствии электрических кабелей, газовых труб и т.д., которые могут стать причиной опасной ситуации в случае их повреждения при использовании инструмента.
5. Рабочее место должно быть чистым и хорошо освещенным. Захламление и плохое освещение могут стать причиной несчастных случаев.
6. В том случае, если есть местные нормативы в отношении уровней шума, соблюдайте их, поддерживая уровень шума в допустимых значениях. В некоторых случаях для снижения уровня шума необходимо использовать шторы.

Факторы риска, связанные с выхлопными газами и пылью

1. Всегда обращайтесь внимание на окружающую обстановку. Воздух, выходящий из инструмента, может сдуть пыль или различные объекты и привести к травме оператора и/или посторонних лиц.
2. Направляйте выпускной патрубок так, чтобы не поднимать пыль в воздух в пыльных средах.
3. Если в рабочую зону попадает пыль или какие-то другие предметы, необходимо максимально снизить их попадание, чтобы сократить угрозу здоровью и риск получения травм.

Факторы риска, связанные с шумом

1. Работа без специальных средств защиты в условиях высокого уровня шума может привести к долгой потере слуха и другим проблемам, таким как шум в ушах (звон, жужжание, свист или гудение в ушах).
2. Необходимо провести оценку рисков, связанных с шумом в рабочей зоне, и внедрить соответствующие средства по управлению этими рисками.
3. Для снижения риска потери слуха оператор может принять соответствующие меры, например, использовать звукопоглощающие материалы для предотвращения звона деталей.
4. Используйте соответствующие средства защиты органов слуха.
5. Для предотвращения увеличения уровня шума используйте инструмент и проводите его обслуживание в соответствии с рекомендациями, указанными в данных инструкциях.
6. Примите меры по снижению шума, например располагайте обрабатываемые детали на звукоизолирующих опорах.

Факторы риска, связанные с вибрацией

1. Уровень вибрации во время работы зависит от силы захвата, силы контактного давления, направления, регулировки подачи энергии, обрабатываемой детали, опоры детали. Необходимо провести оценку рисков, связанных с вибрацией, и внедрить соответствующие средства по управлению этими рисками.
2. Воздействие вибрации может привести к необратимым повреждениям нервов и кровеносных сосудов рук и кистей.
3. При работе в условиях пониженной температуры носите теплую одежду, держите руки теплыми и сухими.
4. Если вы замечаете беление кожи, онемение, покалывание, боль в пальцах или руках, обратитесь за медицинской помощью к квалифицированному медицинскому персоналу.
5. Для предотвращения увеличения уровня вибрации используйте инструмент и осуществляйте его обслуживание в соответствии с рекомендациями, указанными в данных инструкциях.

6. Держите инструмент легкой, но надежной хваткой, поскольку риск воздействия вибрации, как правило, более высок при усиленном хвате инструментом.

Дополнительные предупреждения для пневматических инструментов

1. Сжатый воздух может стать причиной серьезных травм.
2. Всегда отключайте подачу воздуха и отсоединяйте инструмент от линии подачи воздуха, когда он не используется.
3. Всегда отсоединяйте инструмент от линии подачи сжатого воздуха перед сменой принадлежностей, проведением регулировок/ремонта и при переходе из одной рабочей зоны в другую.
4. Держите пальцы подальше от триггерного переключателя, если инструмент не используется, а также при переходе из одного рабочего положения в другое.
5. Никогда не направляйте сжатый воздух на себя или другого человека.
6. Биение шлангов может стать причиной серьезных травм. Всегда проверяйте инструмент на наличие поврежденных или незакрепленных шлангов или фитингов.
7. Никогда не переносите пневматический инструмент за шланг.
8. Никогда не тяните пневматический инструмент за шланг.
9. При использовании пневматических инструментов не превышайте максимальное рабочее давление.
10. Используйте пневматический инструмент при минимальном давлении сжатого воздуха, требуемом для выполнения конкретной задачи, чтобы снизить уровень шума и вибрации и свести к минимуму износ.
11. Использование кислорода или горючих газов для работы пневматических инструментов создает опасность пожара и взрыва.
12. Будьте осторожны при использовании пневматических инструментов, так как инструмент может стать холодным, повлияв на захват и управление инструментом.

Дополнительные предупреждения для инструментов с функцией контактного срабатывания



1. Не держите палец на триггерном переключателе при поднятии инструмента, его перемещении между рабочими зонами и ходьбе, поскольку это может стать причиной случайного срабатывания инструмента. Всегда проверяйте инструмент с селективным срабатыванием перед использованием, чтобы убедиться, что выбран правильный режим.

2. Инструмент может быть оборудован системой селективного срабатывания, которая позволяет выбирать между контактным срабатыванием и непрерывным контактным срабатыванием с помощью переключателей выбора режима срабатывания. Кроме того, существуют инструменты только с контактным срабатыванием или только с непрерывным контактным срабатыванием. Тип инструмента обозначается символом сверху. Он используется при изготовлении различных предметов, например поддонов, мебели, промышленных корпусов, для обивки и обшивки.
3. При использовании инструмента в режиме селективного срабатывания всегда следите за тем, чтобы были заданы правильные настройки срабатывания.
4. Не используйте инструмент в режиме контактного срабатывания для упаковки коробок и ящиков или при установке систем защиты на транспортных средствах, например трейлерах или грузовиках.
5. Будьте осторожны при переходе с одного места проведения работ к другому.

Защитные устройства

1. Перед началом эксплуатации проверьте исправность всех систем защиты. Инструмент не должен работать, если нажат только триггер или только контактный рычаг прижат к дереву. Инструмент работает, только если выполнены оба условия. Проверьте инструмент на возможные неисправности без загрузки в него крепежа и при полностью отведенном толкателе.
2. Блокировать триггерный переключатель в положении ON (ВКЛ) очень опасно. Запрещается фиксировать триггерный переключатель.
3. Не пытайтесь зафиксировать контактный элемент в нажатом положении при помощи липкой ленты или проволочки. Опасность тяжелой травмы или летального исхода.
4. Обязательно следуйте приведенным в данном руководстве инструкциям при выполнении проверки контактного элемента. При нарушении работоспособности предохранительного механизма возможна случайная подача крепежа.

Сервисное обслуживание

1. Выполняйте очистку и обслуживание инструмента сразу после окончания работ. Содержите инструмент в хорошем техническом состоянии. Для предотвращения образования ржавчины и снижения степени износа подверженных трению частей смазывайте движущиеся детали. Очищайте части инструмента от пыли.
2. Проводите периодическую проверку инструмента в авторизованном сервисном центре Makita.

- Для обеспечения **БЕЗОПАСНОСТИ** и **НАДЕЖНОСТИ** инструмента его обслуживание и ремонт должны выполняться в авторизованных сервисных центрах компании Makita с использованием только оригинальных запасных частей компании Makita.
- Соблюдайте требования местного законодательства при утилизации инструмента.

СОХРАНИТЕ ДАННЫЕ ИНСТРУКЦИИ.

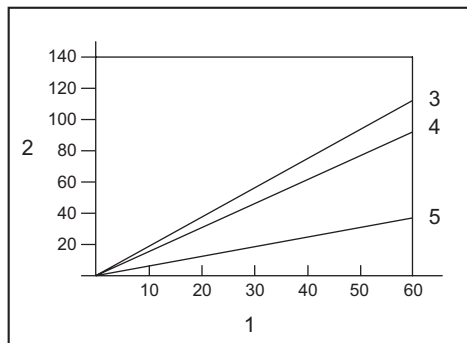
▲ ОСТОРОЖНО: НЕ ДОПУСКАЙТЕ, чтобы удобство или опыт эксплуатации данного устройства (полученный от многократного использования) доминировали над строгим соблюдением правил техники безопасности при обращении с этим устройством. **НЕПРАВИЛЬНОЕ ИСПОЛЬЗОВАНИЕ** инструмента или несоблюдение правил техники безопасности, указанных в данном руководстве, может привести к тяжелой травме.

ОПИСАНИЕ ДЕТАЛЕЙ

- **Рис. 1:** 1. Триггерный переключатель
2. Контактный элемент 3. Переключатель выбора режима 4. Магазин 5. Крючок

УСТАНОВКА

Выбор компрессора



1. Частота вбивания гвоздей (раз/мин)
2. Производительность воздушного компрессора (л/мин) 3. 0,83 МПа (8,3 бар) 4. 0,66 МПа (6,6 бар) 5. 0,49 МПа (4,9 бар)

Воздушный компрессор должен соответствовать требованиям стандарта EN60335-2-34.

Выберите компрессор с достаточными характеристиками давления и производительности для обеспечения экономичной работы. На диаграмме показана взаимосвязь между частотой вбивания гвоздей, подходящим давлением и производительностью воздушного компрессора.

Таким образом, если вбивание гвоздей выполняется с частотой примерно 60 раз в минуту под давлением 0,83 МПа (8,3 бар), необходим компрессор производительностью свыше 110 л/мин.

Если давление, обеспечиваемое компрессором, выше значения, необходимого для работы инструмента, следует использовать регуляторы для ограничения давления. Несоблюдение этого требования может привести к серьезной травме оператора и лиц, находящихся поблизости.

Выбор пневматического шланга

▲ ВНИМАНИЕ: Меньшее давление воздуха на выпуске компрессора, более длинный пневматический шланг или шланг меньшего диаметра в соотношении с частотой вбивания гвоздей могут привести к снижению эффективности работы инструмента.

- **Рис. 2**

Для обеспечения непрерывного и эффективного вбивания гвоздей используйте пневматические шланги как можно большего диаметра и как можно меньшей длины.

При воздушном давлении 0,49 МПа (4,9 бара) рекомендуем использовать воздушный шланг с внутренним диаметром более 6,5 мм и длиной менее 20 м, если интервал между забиванием гвоздей составляет 0,5 секунды.

Минимальное рабочее давление воздушных шлангов должно составлять 1,03 МПа (10,3 бара) или 150% от максимального давления, создаваемого в системе, в зависимости от того, какое значение выше.

Смазка

- **Рис. 3**

Для обеспечения максимальной производительности установите комплект пневматического оборудования (лубрикатор, регулятор, воздушный фильтр) как можно ближе к инструменту. Отрегулируйте лубрикатор так, чтобы расход масла составлял одну каплю на каждые 30 гвоздей.

Если комплект для сжатого воздуха не используется, смажьте инструмент маслом для пневмоинструмента, капнув 2 или 3 капли масла в фитинг сжатого воздуха. Это следует делать перед работой и после ее окончания.

Для надлежащей смазки необходимо после нанесения масла несколько раз активировать инструмент.

- **Рис. 4:** 1. Масло для пневмоинструмента

ОПИСАНИЕ РАБОТЫ

▲ВНИМАНИЕ: Перед регулировкой или проверкой функций инструмента всегда возвращайте триггерный переключатель и отсоединяйте пневматический шланг от инструмента.

Регулировка глубины вбивания гвоздей

▲ВНИМАНИЕ: Перед настройкой глубины забивания гвоздей всегда отпускайте триггерный переключатель и отсоединяйте шланг.

► Рис.5: 1. Регулятор

Для настройки глубины забивания гвоздей поверните регулятор.

Глубина забивания гвоздей наибольшая, когда регулятор полностью повернут в направлении А, как показано на рисунке. Повернув регулятор в направлении В, можно уменьшить глубину забивания. В том случае, если глубина забивания гвоздей недостаточная даже при полном повороте регулятора в направлении А, повысьте давление воздуха. В том случае, если глубина забивания гвоздей слишком большая даже при полном повороте регулятора в направлении В, понизьте давление воздуха.

Срок службы инструмента будет больше, если использовать его при небольшом давлении воздуха и с большей глубиной забивания гвоздей.

Крючок

▲ВНИМАНИЕ: Перед изменением положения крючка всегда отпускайте триггерный переключатель и отсоединяйте шланг.

▲ВНИМАНИЕ: Никогда не вешайте инструмент на высоте или на потенциально неустойчивой поверхности.

▲ВНИМАНИЕ: Не цепляйте крючок на поясной ремень. Падение нейлера может привести к его срабатыванию и травмированию находящихся рядом людей.

► Рис.6

► Рис.7: 1. Крючок 2. Болт с внутренним шестигранником 3. Отверстие

Крючок используется для временного подвешивания инструмента.

Для изменения положения крючка снимите болт с внутренним шестигранником и разверните крючок в другую сторону. На крючке есть два отверстия. Они позволяют регулировать расстояние между крючком и инструментом.

Регулирование направляющей по гонту

► Рис.8: 1. Контактный элемент 2. Направляющая по гонту 3. Гонт

► Рис.9: 1. Регулировочная пластина 2. Рычаг

Направляющая по гонту предназначена для постоянного выравнивания по гонту.

Установите гонтину в нужное положение. Поверните рычаг, чтобы отпустить регулировочную пластину. Установите пистолет так, чтобы контактный элемент прижимал одновременно прибываемую гонтину и предыдущий ряд гонта. Сдвиньте регулировочную пластину вверх до нижнего края прибываемой гонтины и верните рычаг в исходное положение, чтобы заблокировать регулировочную пластину.

СБОРКА

▲ВНИМАНИЕ: Прежде чем приступить к техническому обслуживанию инструмента всегда возвращайте триггерный переключатель и отсоединяйте пневматический шланг от инструмента.

▲ВНИМАНИЕ: При загрузке гвоздей в магазин обязательно используйте гвозди одинакового типа, размера и длины.

Установка гвоздей

ПРИМЕЧАНИЕ: Используйте гвозди, соответствующие типу выполняемых работ.

ПРИМЕЧАНИЕ: Отрегулируйте опорную пластину бобины по размеру используемых гвоздей. Если шаг опорной пластины отрегулирован неправильно, это может привести к сбоям в подаче гвоздей или работе инструмента.

1. Нажмите на рычаг с фиксатором, откройте крышку магазина.

► Рис.10: 1. Крышка магазина 2. Рычаг с фиксатором

2. Поднимите и поверните опорную пластину бобины так, чтобы стрелка с размером гвоздей на ней указывала на соответствующую длину гвоздей метку на магазине.

► Рис.11: 1. Опорная пластина бобины 2. Градуировка 3. Стрелка

3. Установите бобинные гвозди на опорную пластину бобины. Отмотайте достаточно гвоздей, чтобы вложить их в устройство подачи. Уложите первый гвоздь в канал воротка, а второй – в устройство подачи. Остальные отмотанные гвозди расположите вдоль устройства подачи. Убедитесь, что бобина гвоздей правильно расположена в магазине, и закройте его крышку.

► Рис.12: 1. Устройство подачи

Подключение пневматического шланга

ВНИМАНИЕ: Не держите палец на триггерном переключателе при подсоединении воздушного шланга.

► **Рис.13:** 1. Фитинг сжатого воздуха 2. Штуцер сжатого воздуха

Вставьте патрубком воздушного шланга в воздушный фитинг инструмента. Убедитесь, что патрубок плотно установлен на фитинге сжатого воздуха. Шланговое соединение должно быть установлено на инструменте или рядом с ним так, чтобы давление в напорном резервуаре сбрасывалось при отсоединении шланга подачи воздуха.

ЭКСПЛУАТАЦИЯ

ВНИМАНИЕ: Перед началом эксплуатации проверьте исправность всех систем защиты.

Проверка исправности перед эксплуатацией

Прежде чем приступить к работе, проверьте следующее:


- Убедитесь, что инструмент не срабатывает только после подключения пневматического шланга.
- Инструмент не должен срабатывать только при нажатии на триггерный переключатель.
- Инструмент не должен срабатывать при помещении контактного элемента на поверхность детали без нажатия на триггерный переключатель.
- При работе в режиме последовательного срабатывания убедитесь, что инструмент не срабатывает при нажатии на триггерный переключатель и последующем размещении контактного элемента на поверхности детали.

Выбор режима работы

ВНИМАНИЕ: Перед вбиванием гвоздей убедитесь в правильности установки переключателя выбора режима срабатывания в необходимое положение.


► **Рис.14:** 1. Переключатель выбора режима

Режим последовательного срабатывания:

Вбивание гвоздей осуществляется при единовременной активации инструмента. Выберите данный режим для точного и аккуратного забивания гвоздей. Чтобы выбрать данный режим, переведите переключатель выбора режима в положение .

Режим контактного срабатывания:

Вы можете забивать гвозди непрерывно при помещении контактного элемента с нажатым триггерным переключателем.

Чтобы выбрать данный режим, переведите переключатель выбора режима в положение .

Последовательное срабатывание

ВНИМАНИЕ: Не прилагайте излишнего усилия при установке контактного элемента на детали. Нажмите триггерный переключатель до упора и держите его нажатым в течение 1-2 секунд после вбивания гвоздя.

Даже в режиме последовательного срабатывания наполовину нажатый триггерный переключатель может стать причиной срабатывания инструмента при повторном соприкосновении контактного элемента с поверхностью детали.

Прижмите контактный элемент к детали и нажмите на триггерный переключатель до упора. Когда гвоздь будет вбит, поднимите контактный элемент, а затем отпустите триггерный переключатель.

► **Рис.15**

Контактное срабатывание



Сначала нажмите на переключатель, а затем расположите контактный элемент на детали.

► **Рис.16**

Извлечение застрявших гвоздей

ВНИМАНИЕ: Перед извлечением застрявших гвоздей всегда возвращайте триггерный переключатель и отсоединяйте шланг.

ВНИМАНИЕ: Не используйте деформированные гвозди или гвозди в ленте. В противном случае подача гвоздей будет выполняться со сбоями.

► **Рис.17:** 1. Молоток 2. Небольшой стержень 3. Отверстие для подачи гвоздей

Если нейлер заклинивает, действуйте следующим образом: Откройте крышку магазина и извлеките бобину с гвоздями. Вставьте в отверстие для подачи гвоздей небольшой стержень или аналогичный предмет и постучите по нему молотком, чтобы выбить застрявший гвоздь из отверстия для подачи. Установите бобину с гвоздями на место, закройте крышку магазина.

ОБСЛУЖИВАНИЕ

ВНИМАНИЕ: Перед выполнением осмотра или обслуживания инструмента всегда возвращайте триггерный переключатель и отсоединяйте пневматический шланг от инструмента.

ПРИМЕЧАНИЕ: Запрещается использовать бензин, растворители, спирт и другие подобные жидкости, если в данной инструкции не указано иное. Это может привести к обесцвечиванию, деформации и трещинам.

Гвозди

Бережно обращайтесь с бобинами и коробками с гвоздями. Неосторожное обращение может привести к изменению формы гвоздей, затрудняющее их подачу.

Не храните гвозди в помещениях с высокой влажностью или температурой, не подвергайте их воздействию прямых солнечных лучей.

Чистка и удаление смолы и грязи

ВНИМАНИЕ: Для защиты рук обязательно надевайте водонепроницаемые перчатки.

Налипание смолы и грязи препятствует плавному движению контактного элемента (предохранительного механизма), результатом чего может стать случайное срабатывание. Необходимо периодически чистить участки вокруг контактного элемента.

Используйте растворители, такие как керосин, топочный мазут № 2 или дизельное топливо. Погрузите в растворитель только контактный элемент и участки вокруг отверстия для подачи, удалите смолу и грязь щеткой.

► Рис.18

ПРИМЕЧАНИЕ: Нельзя погружать в растворитель корпус, магазин и другие детали. В противном случае возможно повреждение инструмента.

ПРИМЕЧАНИЕ: Использованный растворитель утилизируйте соответствующим безопасным способом, выполняя все местные и государственные нормативные требования.

Обслуживание молотка для забивания гвоздей

Перед использованием инструмента всегда проверяйте его состояние и отсутствие ослабленных винтов. При необходимости, затяните винты.

Ежедневно проверяйте свободный ход контактного элемента и триггерного переключателя, предварительно отключив инструмент. Не пользуйтесь инструментом, если контактный элемент или триггерный переключатель залипает или заедает.

Если инструментом не будут пользоваться в течение длительного периода времени, смажьте его маслом для пневматических инструментов и храните в безопасном месте. Не допускайте воздействия на инструмент прямых солнечных лучей и/или влаги и высоких температур.

► Рис.19

Техническое обслуживание компрессора, комплекта для подачи воздуха и пневматического шланга

После эксплуатации всегда опорожняйте емкость компрессора и воздушный фильтр. Попадание влаги в инструмент может привести к нарушению его работы и возможному выходу из строя.

► Рис.20: 1. Дренажная пробка

► Рис.21: 1. Воздушный фильтр

Регулярно проверяйте наличие достаточного количества масла в масленке пневматического комплекта. Отсутствие достаточной смазки приведет к быстрому износу уплотнительных колец.

► Рис.22: 1. Масленка 2. Масло для пневмоинструмента

Не допускайте воздействия на пневматический шланг высоких температур (выше 60 °C или 140 °F) и химических веществ (растворители, концентрированные кислоты и щелочи). Прокладывайте шланги на расстоянии от препятствий, которые могут защемить шланг во время работы. Шланги должны прокладываться на расстоянии от острых краев и мест, где они будут подвержены повреждению или истиранию.

Для обеспечения БЕЗОПАСНОСТИ и НАДЕЖНОСТИ оборудования ремонт, любое другое техобслуживание или регулировку необходимо производить в уполномоченных сервис-центрах Makita или сервис-центрах предприятия с использованием только сменных частей производства Makita.

ДОПОЛНИТЕЛЬНЫЕ ПРИНАДЛЕЖНОСТИ

ВНИМАНИЕ: Данные принадлежности или приспособления рекомендуются для использования с инструментом Makita, указанным в настоящем руководстве. Использование других принадлежностей или приспособлений может привести к получению травмы. Используйте принадлежность или приспособление только по указанному назначению.

Если вам необходимо содействие в получении дополнительной информации по этим принадлежностям, свяжитесь с вашим сервис-центром Makita.

- Гвозди
- Пневматический шланг
- Защитные очки

ПРИМЕЧАНИЕ: Некоторые элементы списка могут входить в комплект инструмента в качестве стандартных приспособлений. Они могут отличаться в зависимости от страны.

Makita Europe N.V. Jan-Baptist Vinkstraat 2,
3070 Kortenberg, Belgium

Makita Corporation 3-11-8, Sumiyoshi-cho,
Anjo, Aichi 446-8502 Japan

www.makita.com

AN454-SE8-1712
EN, SV, NO, FI, LV,
LT, ET, RU
20190328