

UltraPLEX



Atlantis

www.atlantis-land.com

4K



NVR

Network Video Recorder

CHANNELS	
9	4
CHANNELS	PoE

9 Channel H.265/H.264 8MP Standalone 4xPOE NVR



ONE STEP
CONFIGURATION

CONNECT • COLLEGA
SCAN • LEGGI
VIEW • GUARDA



Onvif

COMPATIBLE

IP
facile

NVR

Network Video Recorder

CHANNELS
9
CHANNELS

PoE
4
PoE

UltraPLEX

9 Channel H.265/H.264 8MP Standalone 4xPOE NVR



NVR 0904P AK è un registratore digitale che permette sia la visualizzazione in diretta, sul monitor collegato (in VGA o tramite HDMI anche in modalità 4K) sino a 9 flussi video ripresi dalle IP Camera, che la registrazione (utilizzando il codec H.264/H.265 sul disco da 3,5" interno) in modalità continua, schedulata, su evento (Motion Detection/Allarme) o forzata. La CPU di ultima generazione, permette la registrazione di 9 canali a 8MP (3840x2160, max 80Mbps) e garantisce una qualità video (registrazione o riproduzione) senza precedenti.

NVR 0904P AK, tramite l'interfaccia di Fast Ethernet, può essere collegato direttamente alla LAN ed essere gestito e controllato anche da remoto, in maniera semplice ed intuitiva in qualunque momento e luogo, tramite un PC o portatile collegato in Internet (o Intranet) utilizzando un qualsiasi browser (Firefox, Internet Explorer, Chrome, Edge) web o su sui è installato il CMS (Windows), oppure da piattaforme mobili quali iPhone, iPad ed Android (le applicazioni sono gratuite).

La funzionalità P2P permette la visione remota senza la necessità di dover configurare altri apparati, è sufficiente scansionare il QRcode del prodotto per poter visualizzare e controllare (live/playback e PTZ) l'NVR. **NVR 0904P AK** supporta lo standard ONVIF 2.4/8 per una larga interoperabilità con le IP Camera presenti nel mercato ed è inoltre interfacciabile con IP camera PTZ, con 4 sensori esterni e può controllare 1 Sirena (o diversi apparati) esterna. Queste caratteristiche, unitamente alla moltitudine di client per servizio DNS dinamico inclusi, rendono **NVR 0904P AK** lo strumento ideale per il monitoraggio/vidEOSorveglianza sia locale che remoto.

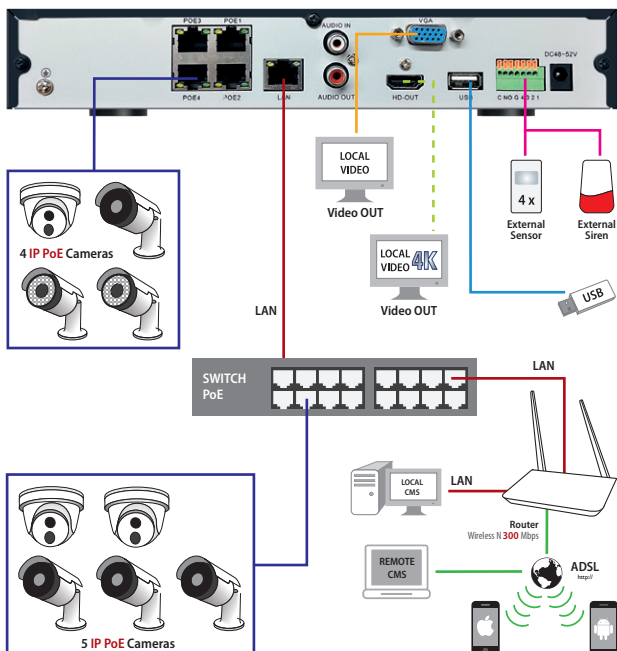
NVR 0904P AK integra uno switch a 4 porte PoE (mode B) e pertanto è in grado di essere direttamente connesso ed alimentare le telecamere PoE. La tecnologia PoE permette sia una riduzione dei costi di installazione di oltre il 50%, eliminando la necessità di stesura di cablaggio elettrico e relative prese di alimentazione, sia una installazione più veloce e versatile.

Compatibile con tutte le telecamere della famiglia UltraPlex e IP Facile (le camere PoE della famiglia IP Facile sono supportate via Onvif ma non possono essere alimentate direttamente da NVR perché funzionanti esclusivamente col protocollo PoE mode A).

NVR 0904P AK is a digital recorder able to reproduce both locally, on the connected monitor (through the VGA or HDMI interface up to 4K) up to 9 channels recorded by the IPCameras, and on internal 3,5" HDDs (using codec H.264/H.265) on time schedule, either on motion detection or alarm or manually. The state-of-the-art CPU can record 16 channels with 8MP definition (3840x2160, max 80Mbps) thus granting an unprecedented video quality (in recording or reproducing). Through Fast Ethernet interface, **NVR 0904P AK** can be connected directly to LAN and it can be remotely managed and controlled in a simple and intuitive way, anytime and anywhere, via PC or notebook with internet (or intranet) connection, by using any web browser (Firefox, Internet Explorer, Chrome, Edge) or CMS (windows), or via mobile devices such as iPhone, iPad and Android (free apps included). The function P2P allows the remote-viewing avoiding to set up other devices. You can view or control the NVR (live/playback and PTZ) by simply adding the unique code in the app or scanning the QRcode of the product. **NVR 0904P AK** supports ONVIF 2.4/8 standard, widely fitting the IPCameras available on the market and it can be connected with a PTZ camera, and 4 external sensors and 1 external siren. These features make **NVR 0904P AK** the ideal tool for local/remote monitoring/video surveillance.

NVR 0904P AK (with embedded 4 port PoE Mode B Switch) uses ethernet cables for the connection to PoE cameras (power and video/audio are integrated onto the same cable).

Compatible with Atlantis IP Camera UltraPlex and IP Facile (the PoE IP Facile cameras are supported via Onvif but cannot be powered directly by NVR).



NVR0904PAK 9 Channel H.265/H.264 8MP Standalone 4xPOE NVR

Video Channel Supported	9 x 8MP@225FPS
Max Throughput	Max 80Mbps
Chipset	ARM Cortex A7 Processor
Video Output	- 1 x HDMI (up to 3840x2160) - 1 x VGA (Monitor) (up to 1920x1080) (duplicated Video)
Audio Input	1 RCA (Not Supported)
Audio Output	1 RCA (Linear, 1kΩ) (Not Supported)
PTZ	Only by LAN (RS485 isn't supported)
Sensor In/Out	4/1
Storage	1 x 3,5" (or 2.5") SATA1/2 (up to 4TB)
Other Connectors	- RJ-45 for Ethernet 10/100 Mbps - 2 x USB 2.0 (mouse and external storage peripherals) - DC power jack
PoE Ports	4 PoE Port (max 45W) Type B (over 8 cables)
Advanced PoE Function	Support network cable extended mode Max. 200m (10Mbps)
LAN Ports	1 Fast Ethernet
Video System	PAL
Video Compression	H.264 / H.265
FPS 8MP (3840x2160)	Recording/Playback: 200/25FPS (max 80 Mbps)
FPS 5MP (2592x1944)	Recording/Playback: 225/25FPS (max 80 Mbps)
FPS 4MP (2688x1520 or 2560x1440)	Recording/Playback: 225/50FPS (max 80 Mbps)
FPS 3MP (2048x1536)	Recording/Playback: 225/50FPS (max 80 Mbps)
FPS 2MP (1920x1080)	Recording/Playback: 225/100FPS (max 80 Mbps)
Audio Codec	8KHz, 16 Bit ADPCM
Onvif	Profile S, Profile G, Profile T
Event (Action)	- Motion Detection (Buzzer, Record, Mail/FTP, Alarm, Pop Up, PTZ) based on 396 (22x18) Zones - HDD/Broken Network (Buzzer, Mail, Screen, Alarm Output) - Alarm IN (Buzzer, Mail, Alarm Output, Record, Pop Up, PTZ) - Always - Time Schedule - Alarm Detection (Motion) - Alarm Detection (Alarm IN) - Alarm Detection (Motion AND Alarm IN) - Alarm Detection (Intelligent only for 5MP/8MP) - Manual
Recording Mode	- 1 x Admin, Nx Users (with different level) - English, Italian - DynDNS, No-IP, Oray etc - P2P (using QR code the customer can remotely control the device without any configuration)
Security	1 x Admin, Nx Users (with different level)
GUI Language	English, Italian
Advanced Networking	- DynDNS, No-IP, Oray etc - P2P (using QR code the customer can remotely control the device without any configuration)
Browser (Configuration)	IE (Active X), Firefox, Chrome, Edge
Browser (Live View)	IE (Active X)
SmartPhone Backup	Android/iOS (BitVision App)
System Requirements (only for WEB configuration)	- USB Flash Memory/HDD (FAT/FAT32) - Network (Browser IE or CMS) - TCP/IP protocol must be installed on each PC - Web browser, such as Microsoft Internet Explorer 6.0 or later (Active X), Edge/Chrome/FireFox. Live View Only on IE with Plugin. - CPU: Intel Celeron CPU E3400 @2.6GHz or above - Graphic Card: 64 MB RAM graphic cards (or equivalent on-board graphic cards) - Windows 7, 8 (32/64), 10, 11 - Support connection to 16 NVRs at most and 64 channels video simultaneously - Support visit of any video channel of different NVRs and screen dragging and random combination - Support remote recording playback and backup - Support off-line playing and smooth playing of backup video - Support remote parameters configuration - Support remote control of PTZ - Support local capture and recording - Support screen lock - Compatible with all UltraPlex (IP Camera and NVR) devices - Windows 7, 8 (32/64), 10 and 11 - Microsoft .Net Framework 3.5 and Microsoft Visual C++2010 X86
NVR CMS	Redistributable Setup - CPU: Intel Celeron CPU E3400 @2.6GHz or above - Multimedia: above DirectX 9.0; - Recommended internal memory: above 8 GB - Gigabit Card
NVR CMS (System Requirements)	
Dimensions	260x230x45 (with base support) mm
Weight	800g (approx)
Temperature Range	- Operation: 0°C ~ 32°C - Storage: -10°C ~ 60°C
Humidity	20% ~ 80% (non Condensing)
Housing	Aluminium

Input: 100-240VAC - 50/60Hz - 1,5A Max
Output: 48,0VDC = 1,36A - 65,28W Max
for internal use / per uso interno

NVR0904PAK
Cod: A11-NVR0904P-AK rev 24.0
EAN: 8026974023946

Atlantis
SEDE LEGALE / REGISTERED OFFICE
ATL S.r.l. - Via Papa Giovanni XXIII, 45
24121 Bergamo - Italy

Tutti i marchi riportati sono registrati ed appartengono ai rispettivi proprietari. Microsoft e Windows sono marchi registrati di Microsoft Corporation. Mac OS X è un trademark di Apple Inc. Le specifiche riportate possono cambiare senza preavviso. Nessuna responsabilità per errori o omissioni - All rights reserved. Microsoft and Windows are registered trademarks of Microsoft Corporation. Mac OS X is a trademark of Apple Inc. All trade names and marks are registered trademarks of their respective companies. Specifications are subject to change without prior notice. No liability for technical errors and/or omissions