

# U<sup>⚡</sup>power



Atlantis

 **ON-LINE**



**6000**  
VA

**SERVER RACK 6002**  
**PRO**  
OnLine Double Conversion  
Convertible UPS

# 6000 VA

# SERVER RACK 6002 PRO

## OnLine Double Conversion Convertible UPS

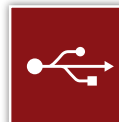


La linea di prodotti Server Rack è in grado di proteggere qualsiasi sistema elettrico o elettronico nel caso in cui si verifichi una variazione della tensione di alimentazione. Le principali caratteristiche di questa linea di UPS sono:

- La tecnologia OnLine a doppia conversione rende il dispositivo adatto a gestire apparati, quali server o workstation, con PFC attivo
- Lo chassis in metallo (e la ventilazione forzata) garantisce un'ottima dissipazione ed una maggiore schermatura da eventuali disturbi elettromagnetici
- Supporto per scheda SNMP per connettere l'UPS alla LAN
- La capacità delle batterie offre una lunga durata in assenza di rete elettrica
- Interfaccia USB/RS232
- Display LCD
- Software di management incluso

5400  
WATT

CPU



LCD

16x  
BATTERY  
12V@7.0A/h



KIT  
RACK  
INCLUDED

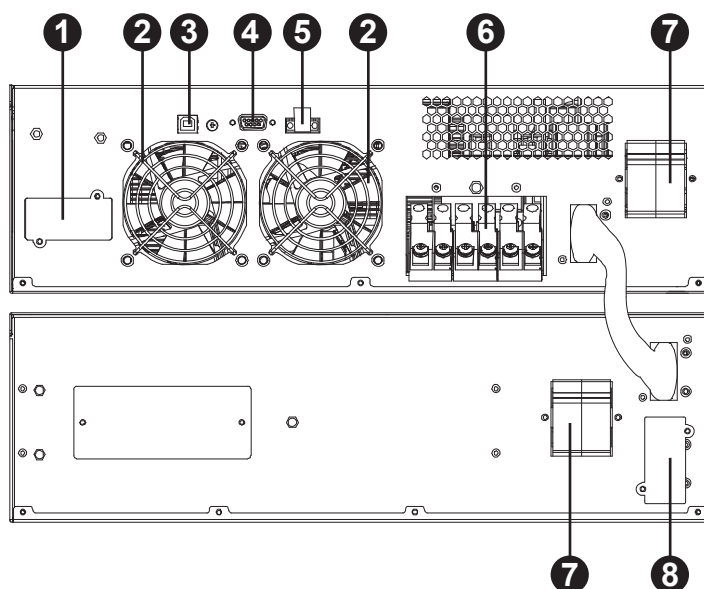
SNMP  
SNMP SLOT

### SPECIFICHE TECNICHE

<b>POWER RATING (VA)</b>	6000
<b>POWER RATING (W)</b>	5400
<b>INPUT (LOW LINE TRANSFER)</b>	- 80VAC-300VAC(load <=30%±5%) - 140VAC-300VAC(load <=60%±5%) - 160VAC-300VAC(load <=80%±5%) - 190VAC-300VAC(load <=100%±5%)
<b>FREQUENCY RANGE</b>	45-55Hz / 54-66Hz
<b>POWER FACTOR</b>	>0,99 (Normal Voltage)
<b>OUTPUT</b>	<b>Voltage:</b> 208/220/230/240VAC <b>AC Voltage Regulation:</b> ±1% <b>Frequency Range:</b> 50Hz (±0.5%) or 60Hz (±0.5%) <b>Waveform:</b> Pure SineWave <b>Crest Ratio:</b> 3:1 (Max) <b>Harmonic Distortion (THDU):</b> <2% THD (liner Load) <5% THD (Non liner Load)
<b>TRANSFER</b>	<b>AC-&gt;Battery</b> <b>INV-&gt;ByPass</b> Zero Less than 4ms (typical)
<b>WAVEFORM (BATT. MODE)</b>	Pure Sinewave
<b>EFFICIENCY INDICATORS (DISPLAY LCD)</b>	AC Mode = 92%   Battery = 90%   ECO = 96% UPS status   Load level   Battery level   Input/Output/Battery info Discharge time and Fault indicators
<b>BATTERY</b>	<b>Voltage:</b> 192VDC <b>Capacity:</b> 12V/7.0Ah <b>Quantity:</b> 16 <b>Recharge Time:</b> 5 hours to (90%) <b>Type:</b> Sealed Maintenance Free Lead Acid VRLA Type <b>Design:</b> Easy-swappable battery design <b>Charging Voltage:</b> 218.4 VDC ±1% <b>Charging I:</b> 1.0A Max
<b>PROTECTION</b>	- 105%<Overload AC <110% Overload Warning UPS transfers to ByPass after 10 minutes - 110%<Overload AC <130% Overload Warning UPS transfers to ByPass after 1 minutes - Overload AC >130% Overload Warning UPS transfers to ByPass after 3 seconds - 105%<Overload Battery <110% Overload Warning UPS shut down after 10 minutes - 110%<Overload Battery <130% Overload Warning UPS shut down after 1 minute - Overload AC >130% Overload Warning shut down after 3 seconds - 110%<ByPass <120% Overload Warning UPS shut down after 30 minutes - 120%<ByPass <130% Overload Warning UPS shut down after 10 minutes - ByPass >130% Overload Warning UPS shut down after 1 minute - Overload Inverter (> 100%) - Short Circuit INV: Electric Circuit - Short Circuit AC: ICB & Electric Circuit - Battery Over-drain Two stages: Controlled Battery Low Warning & Cut Off - High Surge Level Immunity(>7KV) - Fan detect protection and Fan speed control - ECO mode
<b>ADVANCED</b>	
<b>CONNECTIONS</b>	Terminal Block   RS232 and USB(HID)   Intelligent Slot for SNMP Card (A03-SNMP2-IN)   EPO/ROO   Battery Box Connection
<b>DIMENSIONS (WxHxD)</b>	- Ups: 438 x 131 (3U) x 480 mm - Battery Pack: 438 x 131 (3U) x 680 mm
<b>WEIGHT ENVIRONMENTS</b>	59,4 Kg - Temperature 0°-40° C - Humidity 20-90% (non-condensing)
<b>NOISE LEVEL CERTIFICATION</b>	Less than 55 dBA @ 1.0 meter (battery full charged, without buzzer) CE (EMC, Safety)

### PUNTI DI FORZA

- La Tecnologia OnLine a doppia conversione rende il dispositivo particolarmente adatto a gestire apparati, quali server o workstation, con PFC attivo
- Lo Chassis in metallo (e la ventilazione forzata) garantisce un'ottima dissipazione ed una maggiore schermatura da eventuali disturbi elettromagnetici
- La capacità delle batterie (16 da 12V@7A/h) offre una lunga durata in assenza di rete elettrica
- Interfaccia USB/RS232 e supporto per scheda SNMP per connettere l'UPS alla LAN
- Il Software di management incluso permette lo spegnimento controllato del sistema e di controllare lo stato di funzionamento dell'UPS
- Batterie Hot-Swap



- 1 SNMP SLOT
- 2 FAN
- 3 USB interface
- 4 RS232 interface
- 5 EPO / ROO
- 6 INPUT/OUTPUT TERMINAL BLOCK
- 7 CIRCUIT BREAKER
- 8 CONNECTOR FOR ADDITIONAL BATTERY PACK

UPS SERVER RACK

Code: A03-OP6002P-RC

EAN: 8026974022826

Tutti i marchi riportati sono registrati ed appartengono ai rispettivi proprietari. Le specifiche riportate possono cambiare senza preavviso. Nessuna responsabilità per errori e/o omissioni | All rights registered. Specifications are subject to change without prior notice. No liability for technical errors and/or omissions.

# 6000 VA

# SERVER RACK 6002 PRO

## OnLine Double Conversion Convertible UPS

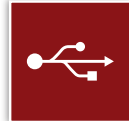


The Server Rack product line can protect any electrical or electronic system in the event of a change in the supply voltage.

The main features of this UPS line are:

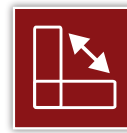
- The double conversion OnLine technology makes the device particularly suitable for managing devices, such as servers or workstations, with active PFC
- The metal chassis (and forced ventilation) ensures excellent dissipation and greater shielding from any electromagnetic disturbances
- The capacity of the batteries offers a long life in the absence of electricity
- SNMP card support to connect the UPS to the LAN
- USB / RS232 interface
- LCD display
- Management software included

5400  
WATT



LCD

16x  
BATTERY  
12V@7.0A/h



KIT  
RACK  
INCLUDED

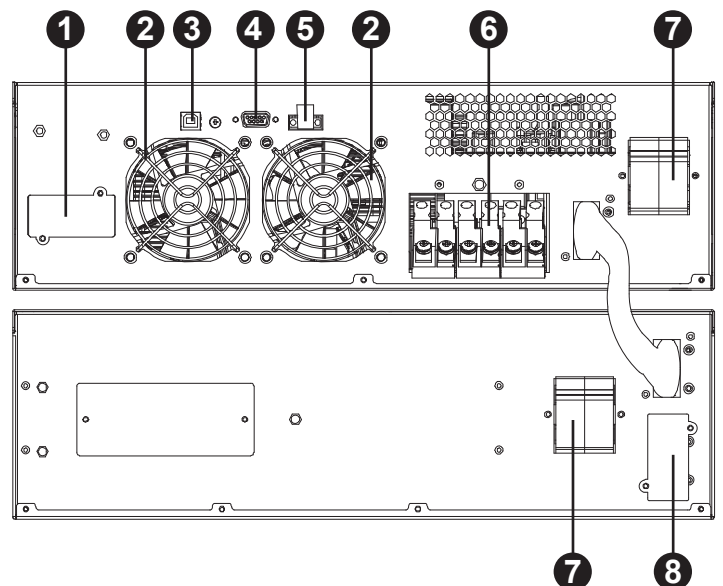


### TECHNICAL SPECIFICATIONS

<b>POWER RATING (VA)</b>	6000
<b>POWER RATING (W)</b>	5400
<b>INPUT (LOW LINE TRANSFER)</b>	<ul style="list-style-type: none"> <li>- 80VAC-300VAC(load &lt;=30%±5%)</li> <li>- 140VAC-300VAC(load &lt;=60%±5%)</li> <li>- 160VAC-300VAC(load &lt;=80%±5%)</li> <li>- 190VAC-300VAC(load &lt;=100%±5%)</li> </ul>
<b>FREQUENCY RANGE</b>	45-55Hz / 54-66Hz
<b>POWER FACTOR</b>	>0,99 (Normal Voltage)
<b>OUTPUT</b>	<p><b>Voltage:</b> 208/220/230/240VAC</p> <p><b>AC Voltage Regulation:</b> ±1%</p> <p><b>Frequency Range:</b> 50Hz (±0.5%) or 60Hz (±0.5%)</p> <p><b>Waveform:</b> Pure SineWave</p> <p><b>Crest Ratio:</b> 3:1 (Max)</p> <p><b>Harmonic Distortion (THDU):</b> &lt;2% THD (liner Load) &lt;5% THD (Non liner Load)</p>
<b>TRANSFER</b>	<p><b>AC-&gt;Battery</b></p> <p><b>INV-&gt;ByPass</b></p> <p>Less than 4ms (typical)</p>
<b>WAVEFORM (BATT. MODE)</b>	Pure Sinewave
<b>EFFICIENCY</b>	AC Mode = 92%   Battery = 90%   ECO = 96%
<b>INDICATORS (DISPLAY LCD)</b>	UPS status   Load level   Battery level   Input/Output/Battery info Discharge time and Fault indicators
<b>BATTERY</b>	<p><b>Voltage:</b> 192VDC</p> <p><b>Capacity:</b> 12V/7.0Ah</p> <p><b>Quantity:</b> 16</p> <p><b>Recharge Time:</b> 5 hours to (90%)</p> <p><b>Type:</b> Sealed Maintenance Free Lead Acid VRLA Type</p> <p><b>Design:</b> Easy-swappable battery design</p> <p><b>Charging Voltage:</b> 218.4 VDC ±1%</p> <p><b>Charging I:</b> 1.0A Max</p>
<b>PROTECTION</b>	<ul style="list-style-type: none"> <li>- 105%&lt;Overload AC &lt;110% Overload Warning UPS transfers to ByPass after 10 minutes</li> <li>- 110%&lt;Overload AC &lt;130% Overload Warning UPS transfers to ByPass after 1 minutes</li> <li>- Overload AC &gt;130% Overload Warning UPS transfers to ByPass after 3 seconds</li> <li>- 105%&lt;Overload Battery &lt;110% Overload Warning UPS shut down after 10 minutes</li> <li>- 110%&lt;Overload Battery &lt;130% Overload Warning UPS shut down after 1 minute</li> <li>- Overload AC &gt;130% Overload Warning shut down after 3 seconds</li> <li>- 110%&lt;ByPass &lt;120% Overload Warning UPS shut down after 30 minutes</li> <li>- 120%&lt;ByPass &lt;130% Overload Warning UPS shut down after 10 minutes</li> <li>- ByPass &gt;130% Overload Warning UPS shut down after 1 minute</li> <li>- Overload Inverter (&gt; 100%)</li> <li>- Short Circuit INV: Electric Circuit</li> <li>- Short Circuit AC: ICB &amp; Electric Circuit</li> <li>- Battery Over-drain Two stages: Controlled Battery Low Warning &amp; Cut Off</li> <li>- High Surge Level Immunity(&gt;7KV)</li> <li>- Fan detect protection and Fan speed control</li> <li>- ECO mode</li> </ul>
<b>ADVANCED</b>	
<b>CONNECTIONS</b>	Terminal Block   RS232 and USB(HID)   Intelligent Slot for SNMP Card (A03-SNMP2-IN)   EPO/ROO   Battery Box Connection
<b>DIMENSIONS (WxHxD)</b>	<ul style="list-style-type: none"> <li>- Ups: 438 x 131 (3U) x 480 mm</li> <li>- Battery Pack: 438 x 131 (3U) x 680 mm</li> </ul>
<b>WEIGHT</b>	59,4 Kg
<b>ENVIRONMENTS</b>	<ul style="list-style-type: none"> <li>- Temperature 0°-40° C</li> <li>- Humidity 20-90% (non-condensing)</li> </ul>
<b>NOISE LEVEL</b>	Less than 55 dBA @ 1.0 meter (battery full charged, without buzzer)
<b>CERTIFICATION</b>	CE (EMC, Safety)

### PLUS

- Using on-line double conversion technology, this device applies the highest level of voltage and frequency regulation for all customers needs (workstation and server with A-PFC)
- The capacity of the batteries (16x12V @ 7A/h) offers a long life in the absence of electricity
- Metal Housing guarantees higher protection from electromagnetic disturbs
- USB/RS232 Communication Interface
- SNMP Slot
- Management Software is included
- Hot-Swap battery



- |                   |   |
|-------------------|---|
| 1 SNMP SLOT       | 5 EPO / ROO                             |
| 2 FAN             | 6 INPUT/OUTPUT TERMINAL BLOCK           |
| 3 USB interface   | 7 CIRCUIT BREAKER                       |
| 4 RS232 interface | 8 CONNECTOR FOR ADDITIONAL BATTERY PACK |

UPS SERVER RACK

Code: A03-OP6002P-RC

EAN: 8026974022826

Tutti i marchi riportati sono registrati ed appartengono ai rispettivi proprietari. Le specifiche riportate possono cambiare senza preavviso. Nessuna responsabilità per errori e/o omissioni | All rights registered. Specifications are subject to change without prior notice. No liability for technical errors and/or omissions.

# 6000 VA

# SERVER RACK 6002 PRO

## OnLine Double Conversion Convertible UPS

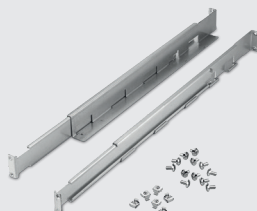
### ACCESSORI OPZIONALI / OPTIONAL ACCESSORIES



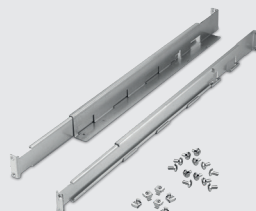
A03-BBX002P-RC



A03-SNMP2-IN



A03-RAILKIT2  
(FOR UPS)

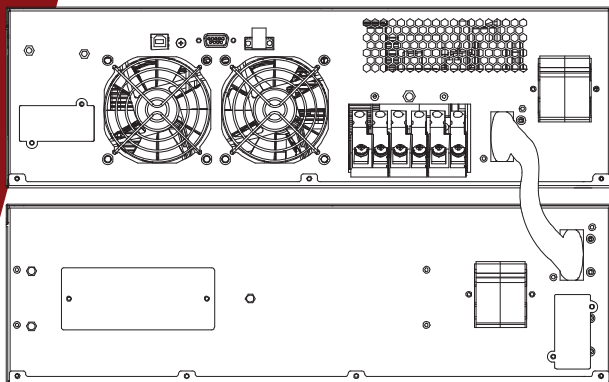


A03-RAILKIT2BP  
(FOR BATTERY PACK)

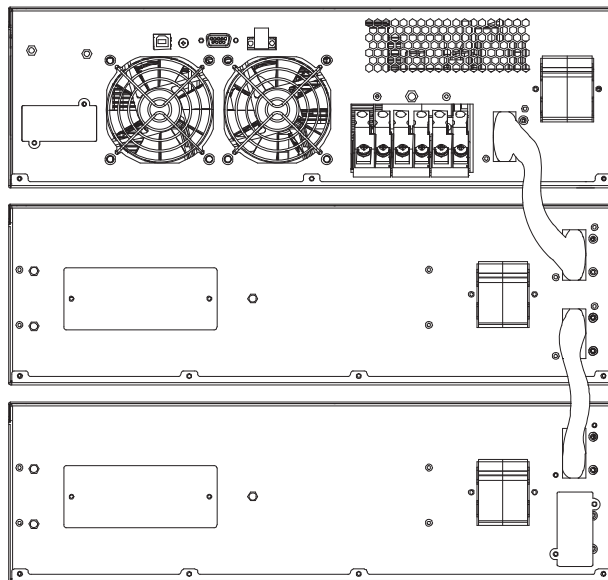


A03-BAT12-7.0A

### A03-OP6002P-RC



### A03-OP6002P-RC + A03-BBX002P-RC\*



#### Backup Time: ONLY UPS

<b>100% Load</b> (5400W)	<b>3:00</b> min
<b>75% Load</b> (4050W)	<b>5:00</b> min
<b>50% Load</b> (2700W)	<b>12:00</b> min
<b>25% Load</b> (1350W)	<b>36:00</b> min
<b>Total Batteries</b>	<b>16</b>

#### A03-OP6002P-RC

Battery Low	177.6V ± 3VDC
Battery Cut OFF	168.0V ± 3VDC
Battery Charging Voltage	218.4V ± 3VDC
Charging Current (max)	1.0A

#### Backup Time: UPS + BATTERY PACK

<b>100% Load</b> (5400W)	<b>6:00</b> min
<b>75% Load</b> (4050W)	<b>10:00</b> min
<b>50% Load</b> (2700W)	<b>24:00</b> min
<b>25% Load</b> (1350W)	<b>80:00</b> min
<b>Total Batteries</b>	<b>16+16</b>

\* I codici dei Battery Pack si riferiscono solo all'involucro senza batterie.  
È necessario aggiungere 16 batterie codice A03-BAT12-7.0A

Tutti i marchi riportati sono registrati ed appartengono ai rispettivi proprietari. Le specifiche riportate possono cambiare senza preavviso. Nessuna responsabilità per errori e/o omissioni. | All rights reserved. Specifications are subject to change without prior notice. No liability for technical errors and/or omissions.

#### UPS SERVER RACK

Code: A03-OP6002P-RC

EAN: 8026974022826

#### BATTERY PACK (OPTIONAL)

Code: A03-BBX002P-RC

EAN: 8026974022840