

U[⚡]power

 **SINEWAVE**



Atlantis



2000
VA

HOSTPOWER
3003 PRO

Line-Interactive
Sinewave UPS

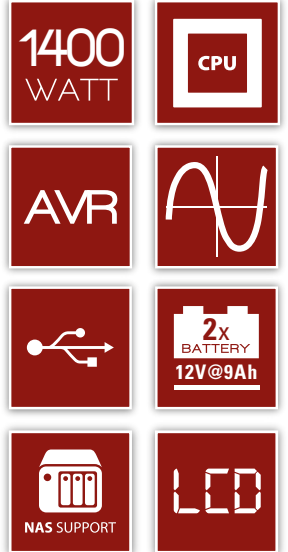
2000 VA

HOSTPOWER 3003 PRO

Line-Interactive Sinewave UPS

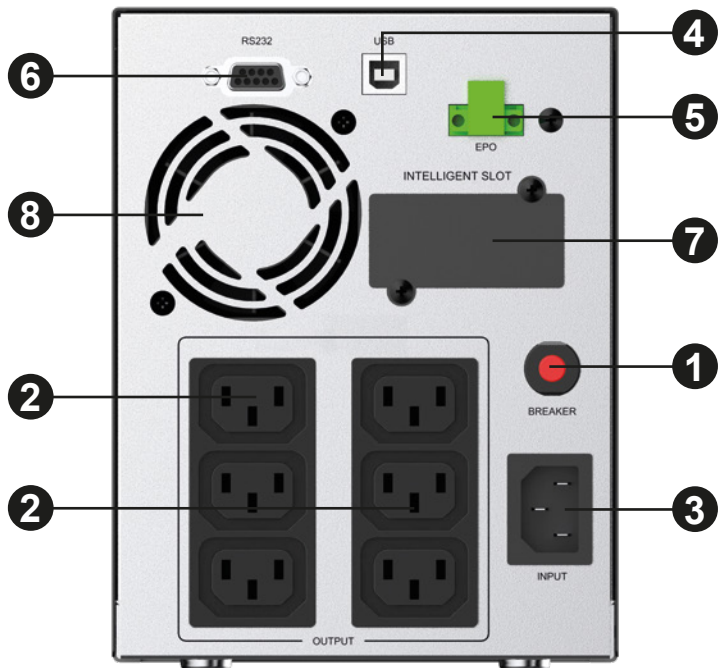


- Microprocessor Based Design a tecnologia Line-Interactive con forma d'onda sinusoidale
- L'AVR multistadio integrato permette l'utilizzo della rete anche quando le condizioni della stessa non sono ottimali garantendo alle utenze collegate la stabilità della linea di alimentazione
- Tempo di intervento di 4ms (max 10ms)
- Lo Chassis in metallo (e la ventilazione forzata) garantisce un'ottima dissipazione ed una maggiore schermatura da eventuali disturbi elettromagnetici
- La capacità delle batterie (2 da 12V@9Ah) offre una lunga durata in assenza di rete elettrica
- Supporto per scheda SNMP (A03-SNMP2-IN) per connettere l'UPS alla LAN
- Interfaccia USB (HID) compatibile anche con svariati apparati (NAS, PC, etc.) e RS232
- Ampio Display LCD con tutti i parametri di funzionamento
- Il Software di management permette lo spegnimento controllato del sistema e di controllare lo stato di funzionamento dell'UPS



SPECIFICHE TECNICHE

POWER RATING (VA)	2000
POWER RATING (W)	1400
INPUT	Voltage: 162-290V Frequency: 50Hz±5%
OUTPUT	Voltage: 191-253 [AC/AVR] 230V(±10%) [Battery] Frequency: 50Hz (±1%) AVR: Built-in Waveform: Pure SineWave
TRANSFER LINE/BATTERY EFFICIENCY	4 ms typical, max 10ms Total Efficiency Over 85%
BATTERY	Voltage: 24VDC Capacity: 12V/9.0Ah Quantity: 2 Recharge Time: 4 hours to (90%) Type: Sealed Maintenance Free Lead Acid VRLA Type
INDICATORS (DISPLAY LCD)	- Utility Normal - Backup - Battery Load - Input Voltage - Output Voltage
PROTECTION	- Overload AC (beep twice a sec) - Overload Inverter (beep twice a sec) - Short Circuit INV ICB & Electric Circuit - Short Circuit AC Electric Circuit - Battery Over-drain Two stages: Controlled Battery Low Warning & Cut Off - Spike Suppression
ALARM	- Noise Suppression (Active FAN) - Battery Mode (sound every 30 seconds) - Low Battery (sound every 2 seconds) - OverLoad (sound every 0.5 seconds) - Battery Replacement Alarm (sound every 2 seconds) - Fault (continuously sounding)
CONNECTIONS	Output 6xIEC Computer USB (HID) RS232 EPO SNMP Slot (A03-SNMP2-IN)
NOISE LEVEL	Less than 45dB
ACTIVE FAN	Yes (2 speeds)
DIMENSIONS (WxHxD)	140 x 190.6 x 327 mm
WEIGHT	14,4 Kg (with battery)
ENVIRONMENTS	- Temperature 0°-40° C - Humidity 0-90% (non-condensing)
CERTIFICATION	CE



- 1 INPUT CIRCUIT BREAKER
- 2 IEC OUTPUT
- 3 AC INPUT
- 4 USB INTERFACE
- 5 EPO / ROO
- 6 RS232 INTERFACE
- 7 SNMP SLOT
- 8 FAN



Atlantis

UPS
Code: A03-HP3003P
EAN: 8026974023175

BACKUP TIME	100%	75%	50%	25%
	1400W	1050W	700W	350W
Minute / Seconds	Few Seconds	1':00"	3':54"	14':30"

Tutti i marchi riportati sono registrati ed appartengono ai rispettivi proprietari. Le specifiche riportate possono cambiare senza preavviso. Nessuna responsabilità per errori e/o omissioni | All rights registered. Specifications are subject to change without prior notice. No liability for technical errors and/or omissions.

2000 VA

HOSTPOWER 3003 PRO

Line-Interactive Sinewave UPS



- Microprocessor Based Design Line Interactive SineWave Topology
- Wide input range application without using battery power AVR
- Transfer time less than 4ms (max 10ms)
- Metal Housing guarantees higher protection from electromagnetic disturb
- Long time backup (battery 2x12V@9Ah)
- Advanced Battery Management & Easy Swappable Battery Function
- LCD Display
- USB (HID) & RS232 Communication Interface
- SNMP Slot (A03-SNMP2-IN)
- Management Software

1400 WATT

CPU

AVR

2x
BATTERY
12V@9Ah

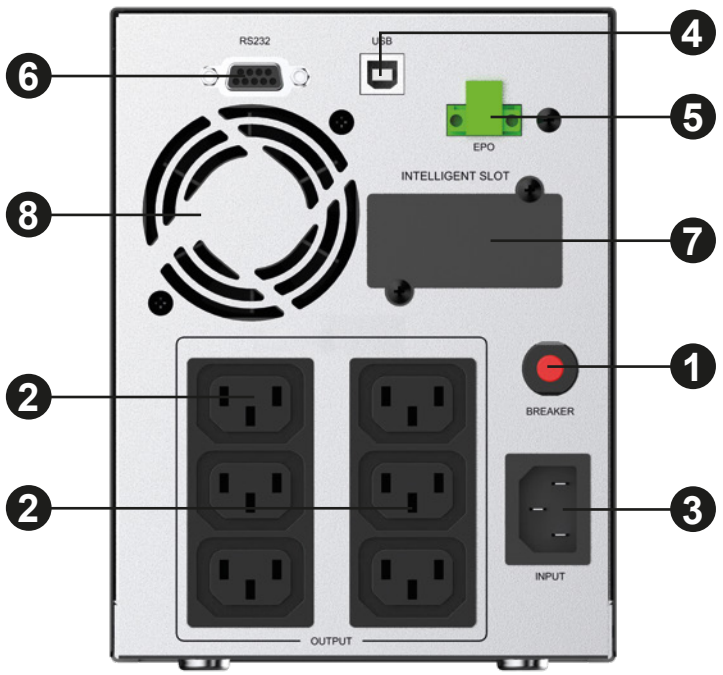
SNMP SLOT

NAS SUPPORT



TECHNICAL SPECIFICATIONS

POWER RATING (VA)	2000
POWER RATING (W)	1400
INPUT	Voltage: 162-290V
	Frequency: 50Hz±5%
OUTPUT	Voltage: 191-253 [AC/AVR]
	230V(±10%) [Battery]
TRANSFER LINE/BATTERY	Frequency: 50Hz (±1%)
EFFICIENCY	AVR Built-in
BATTERY	Waveform: Pure SineWave
	4 ms typical, max 10ms
	Total Efficiency Over 85%
	Voltage: 24VDC
	Capacity: 12V/9.0Ah
	Quantity: 2
	Recharge Time: 4 hours to (90%)
	Type: Sealed Maintenance Free Lead Acid VRLA Type
INDICATORS (DISPLAY LCD)	- Utility Normal
	- Backup
	- Battery Load
	- Input Voltage
	- Output Voltage
PROTECTION	- Overload AC (beep twice a sec)
	- Overload Inverter (beep twice a sec)
	- Short Circuit INV ICB & Electric Circuit
	- Short Circuit AC Electric Circuit
	- Battery Over-drain Two stages: Controlled Battery Low Warning & Cut Off
	- Spike Suppression
ALARM	- Noise Suppression (Active FAN)
	- Battery Mode (sound every 30 seconds)
	- Low Battery (sound every 2 seconds)
	- OverLoad (sound every 0.5 seconds)
	- Battery Replacement Alarm (sound every 2 seconds)
	- Fault (continuously sounding)
CONNECTIONS	Output 6xIEC Computer USB (HID) RS232 EPO
	SNMP Slot (A03-SNMP2-IN)
NOISE LEVEL	Less than 45dB
ACTIVE FAN	Yes (2 speeds)
DIMENSIONS (WxHxD)	140 x 190.6 x 327 mm
WEIGHT	14,4 Kg (with battery)
ENVIRONMENTS	- Temperature 0°-40° C
	- Humidity 0-90% (non-condensing)
CERTIFICATION	CE



- | | |
|-------------------------|-------------------|
| 1 INPUT CIRCUIT BREAKER | 5 EPO / ROO |
| 2 IEC OUTPUT | 6 RS232 INTERFACE |
| 3 AC INPUT | 7 SNMP SLOT |
| 4 USB INTERFACE | 8 FAN |



Atlantis

UPS
Code: A03-HP3003P
EAN: 8026974023175

BACKUP TIME	100%	75%	50%	25%
	1400W	1050W	700W	350W
Minute / Seconds	Few Seconds	1':00"	3':54"	14':30"

Tutti i marchi riportati sono registrati ed appartengono ai rispettivi proprietari. Le specifiche riportate possono cambiare senza preavviso. Nessuna responsabilità per errori e/o omissioni | All rights registered. Specifications are subject to change without prior notice. No liability for technical errors and/or omissions.